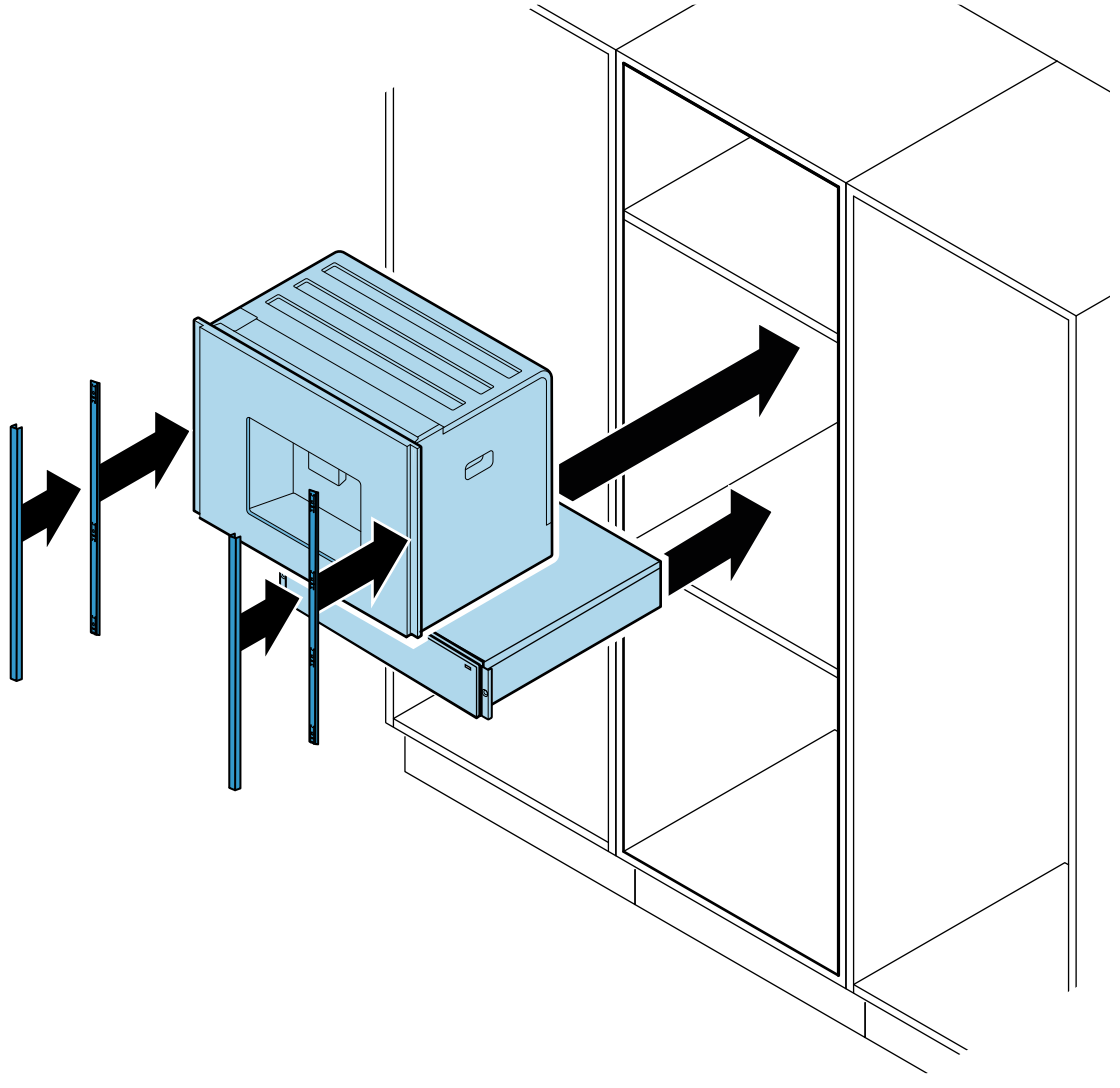


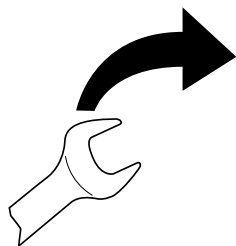
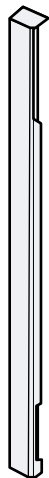
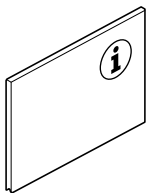
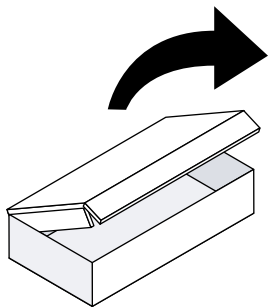


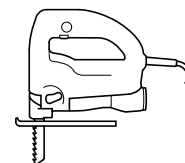
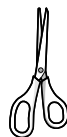
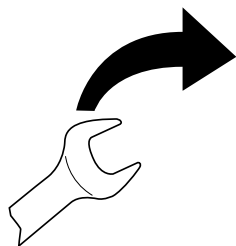
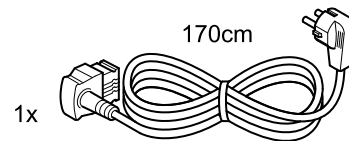
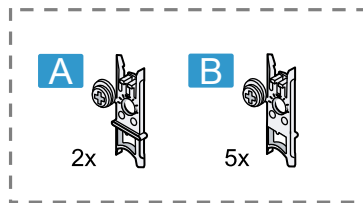
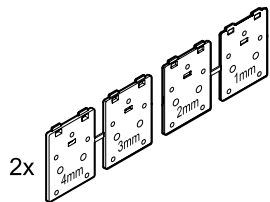
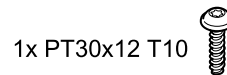
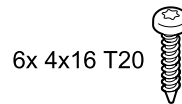
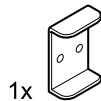
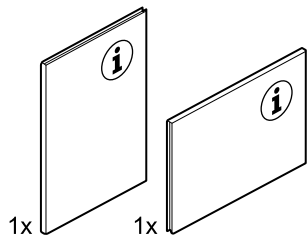
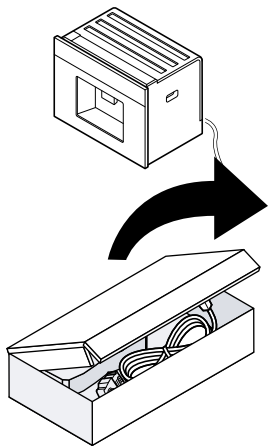
9001752678 (030901)

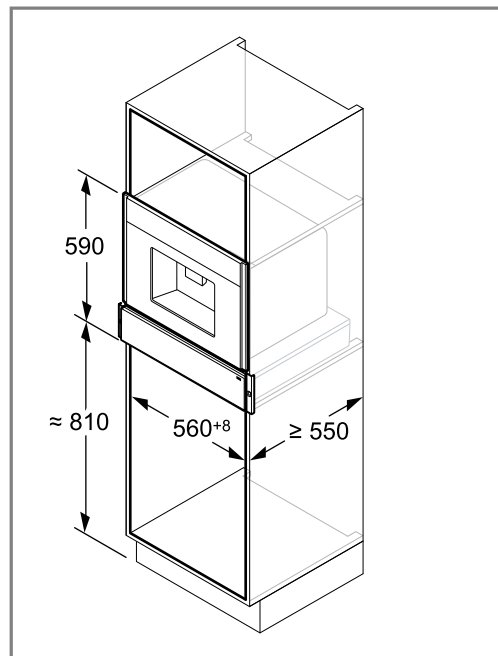
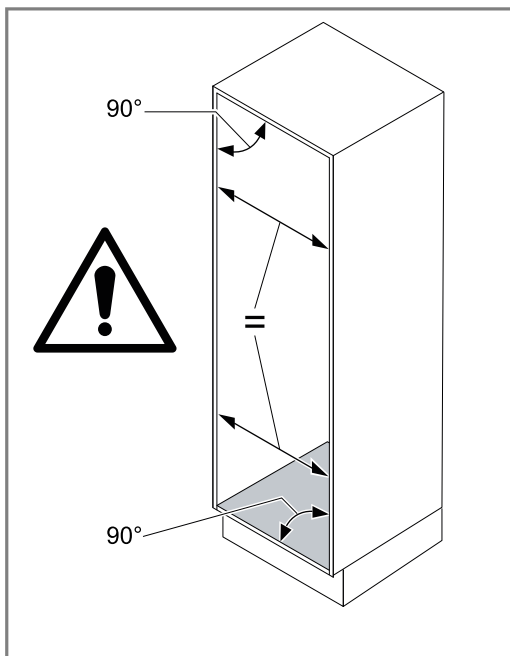
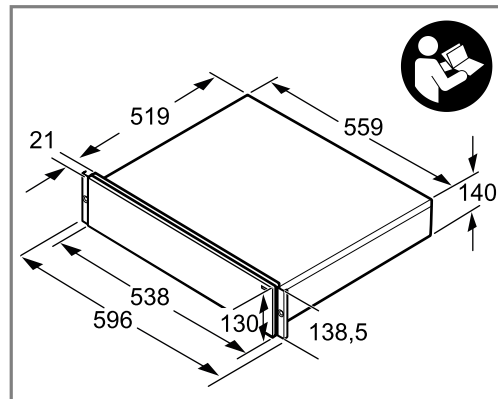
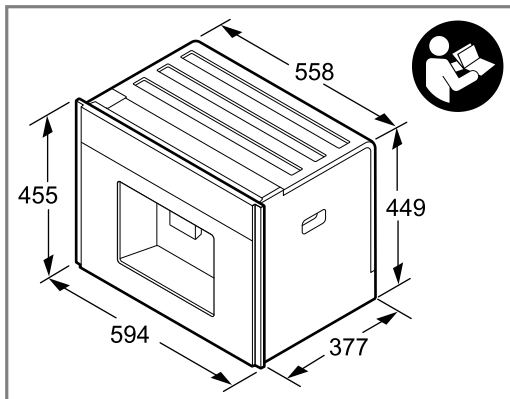
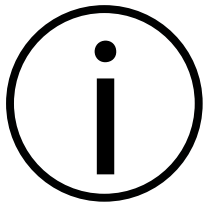


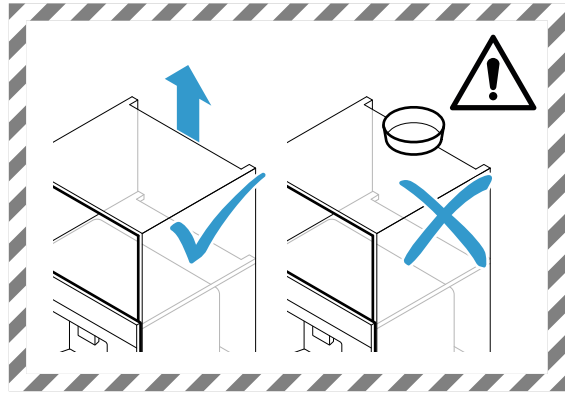
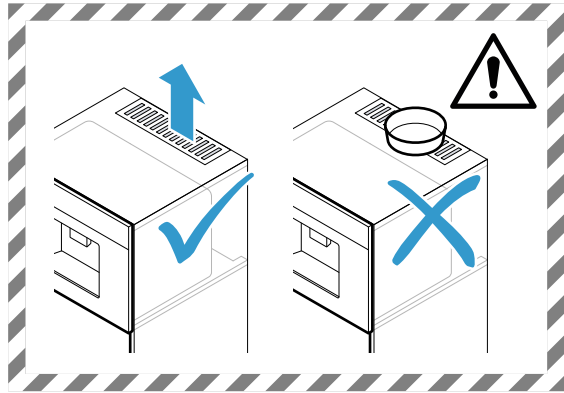
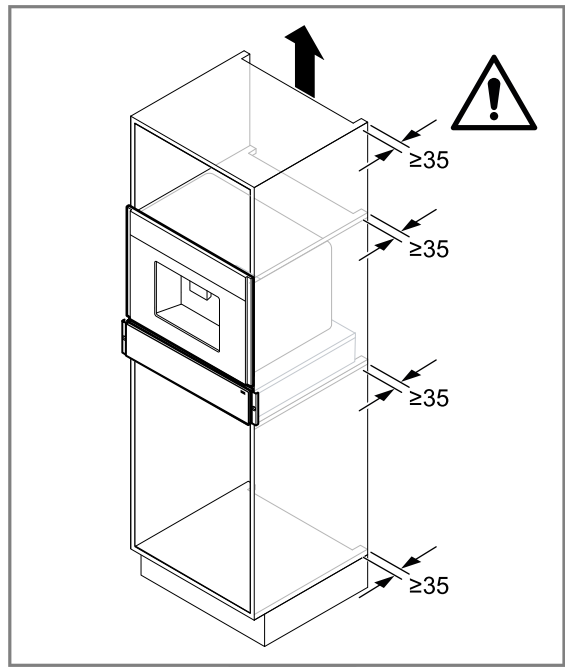
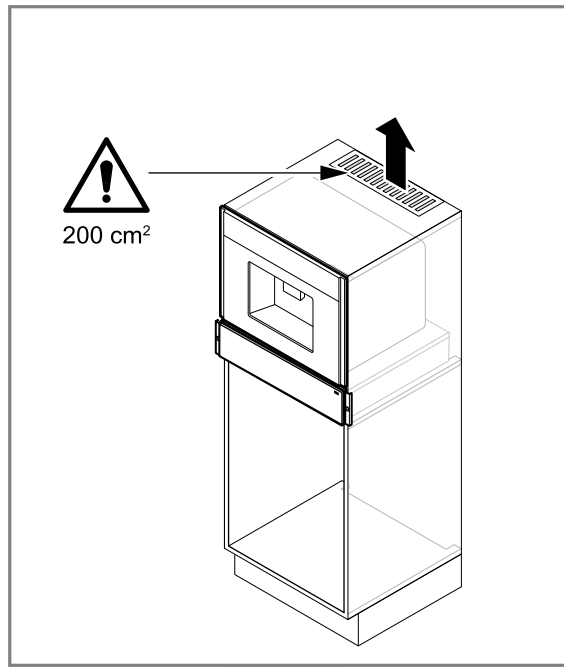
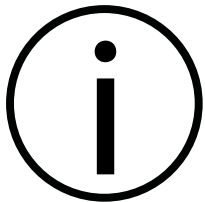
mm

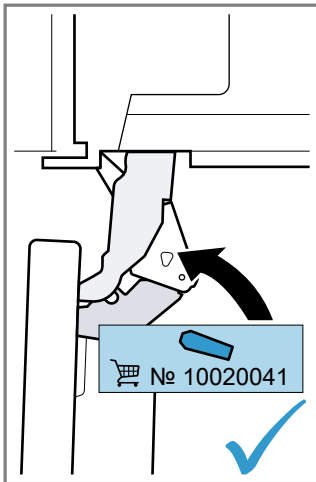
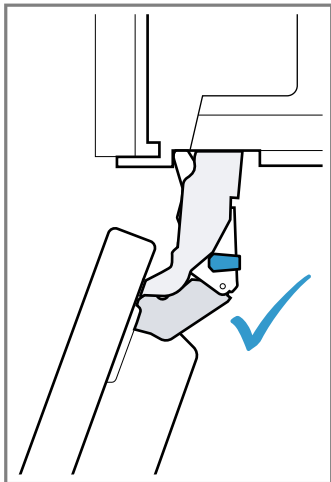
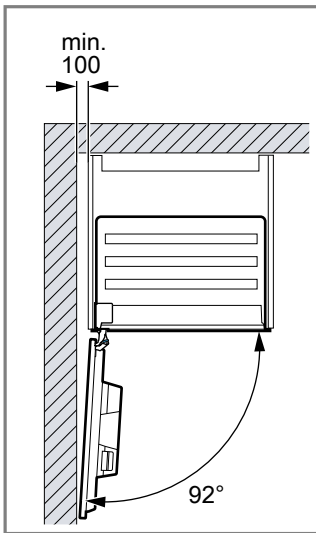
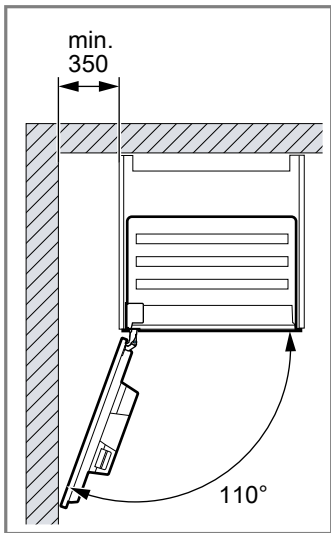
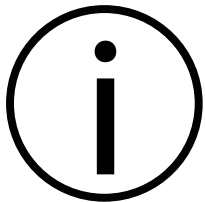


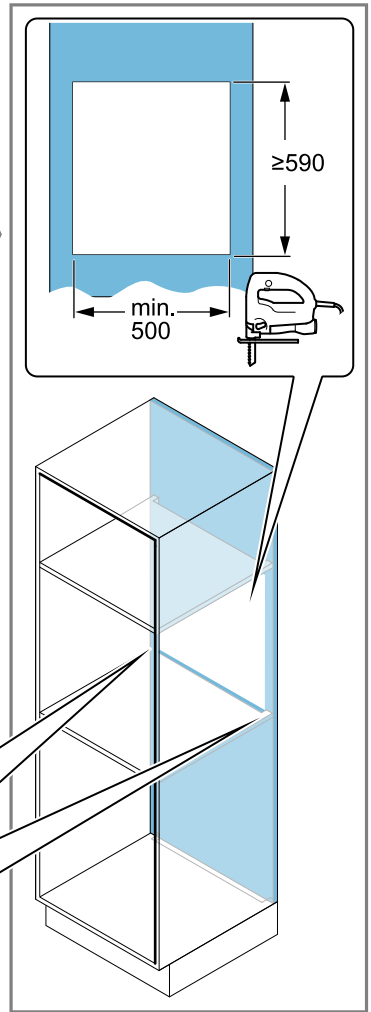
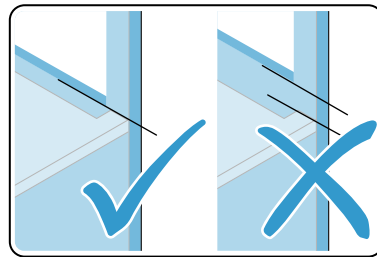
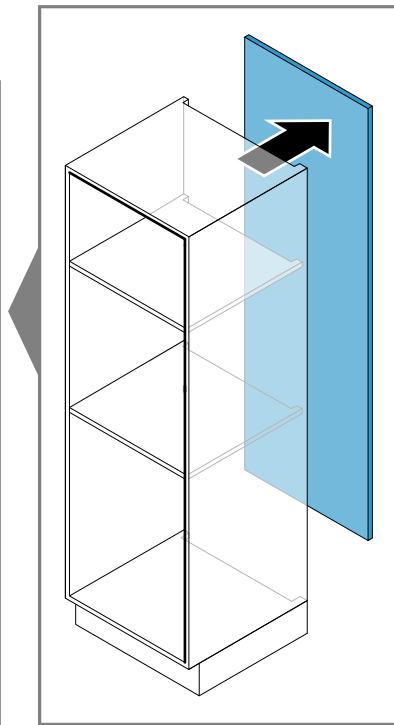
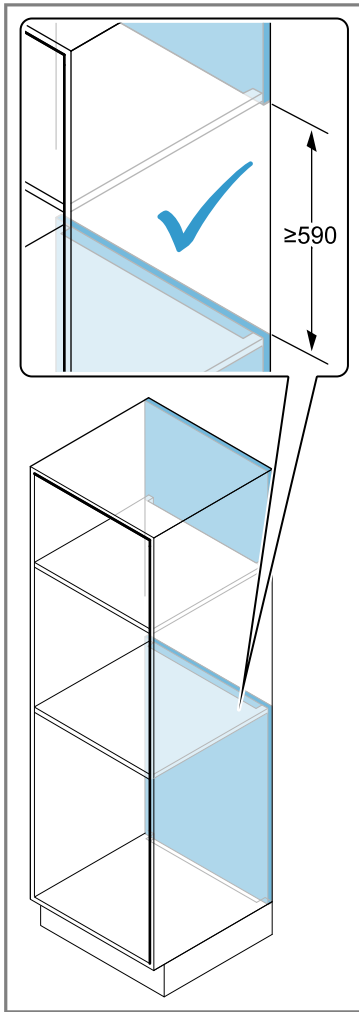
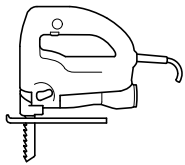


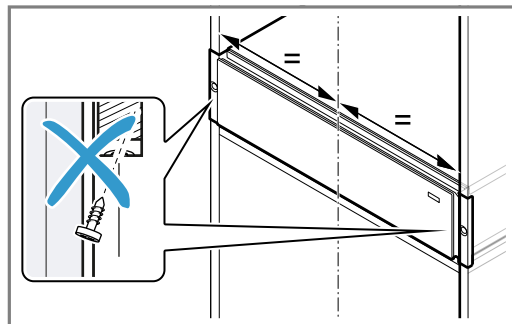
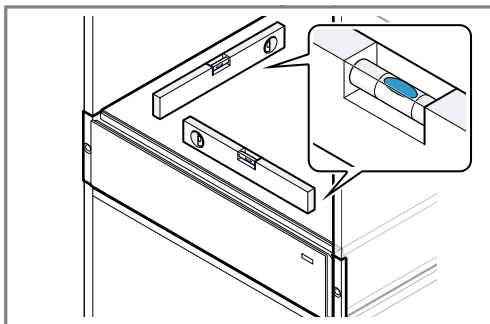
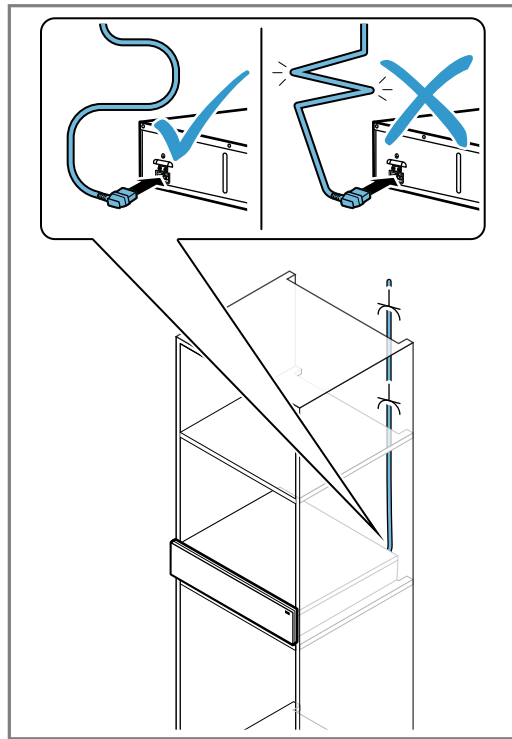
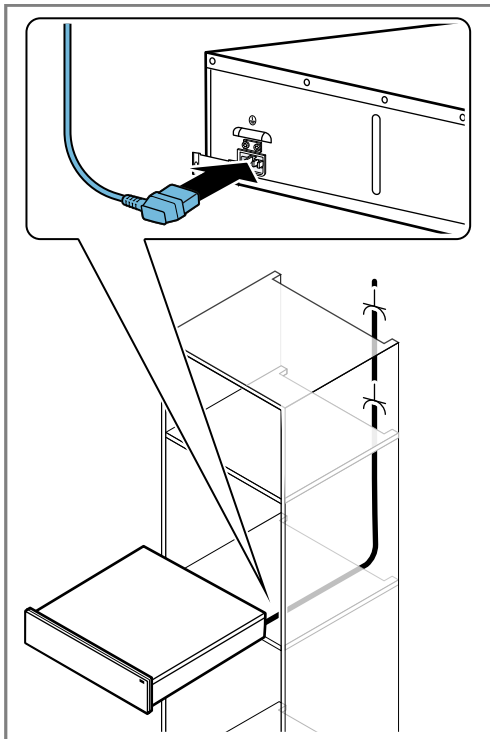


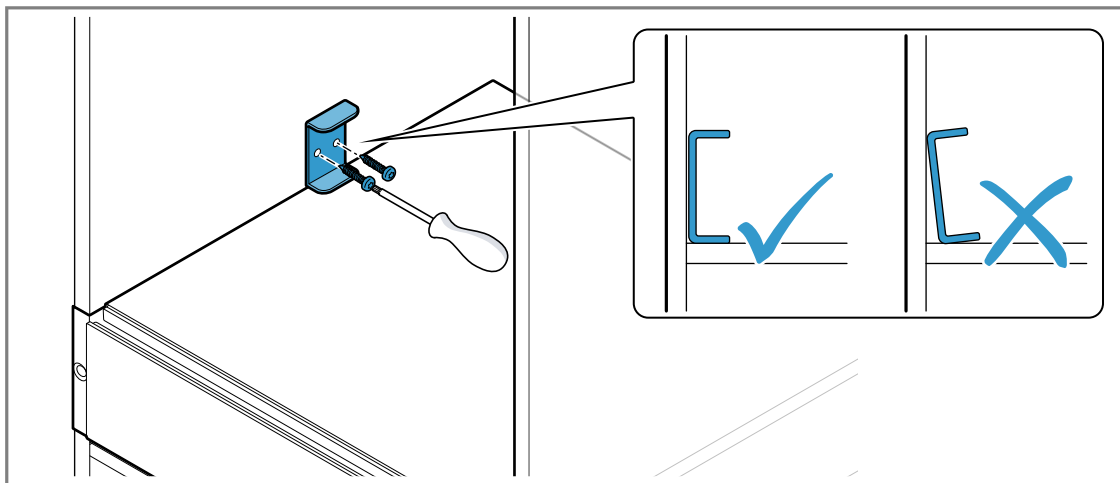
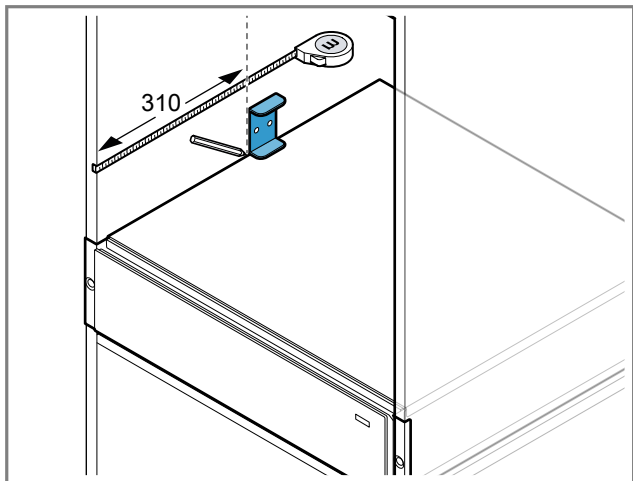
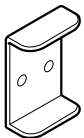




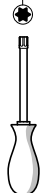
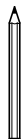


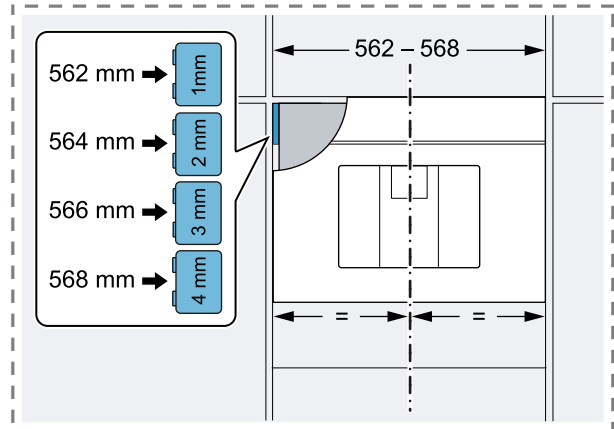
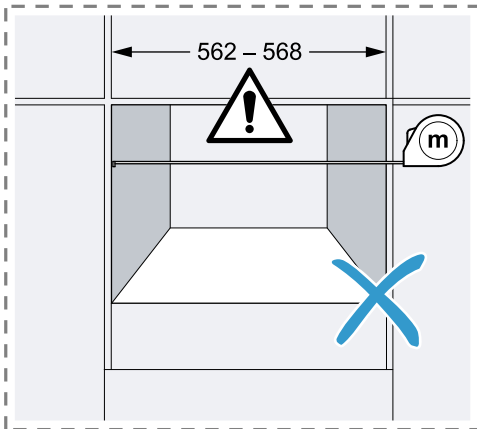
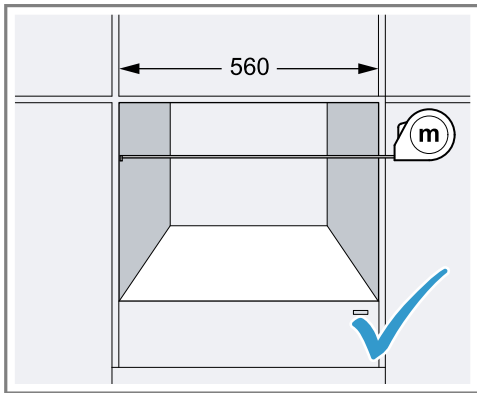


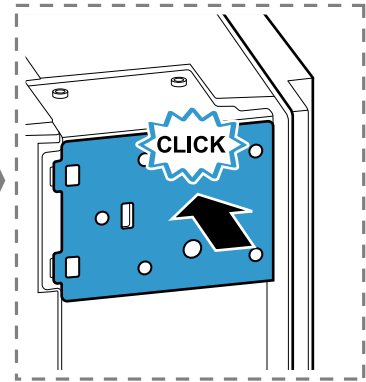
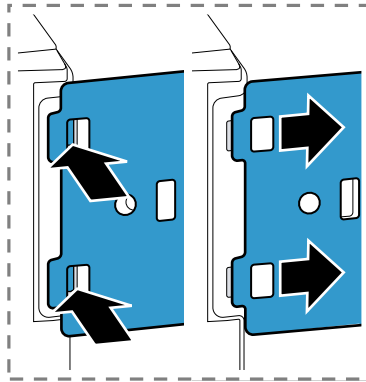
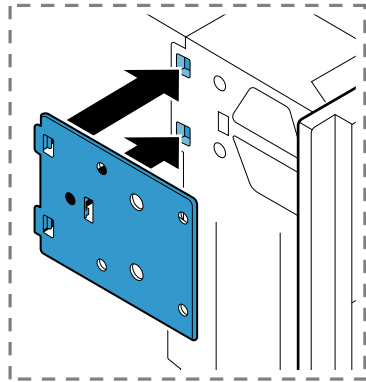
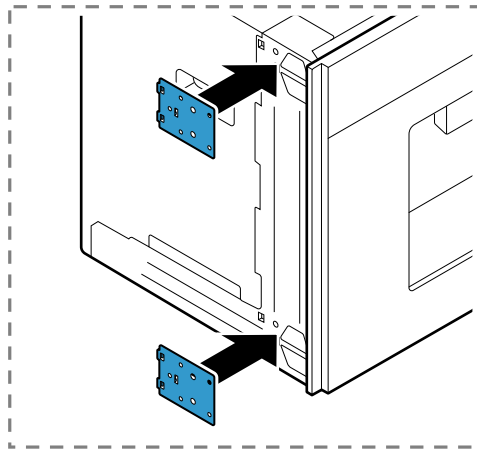
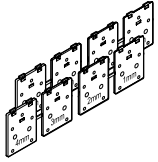


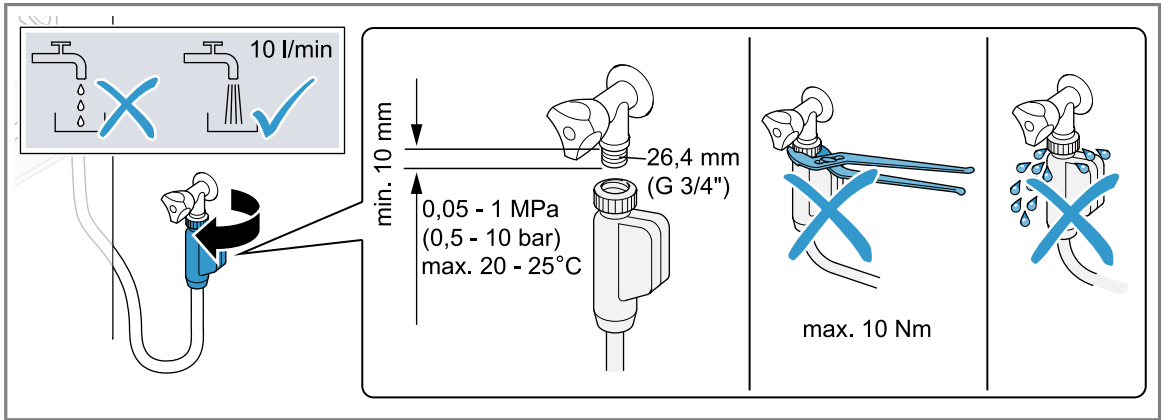
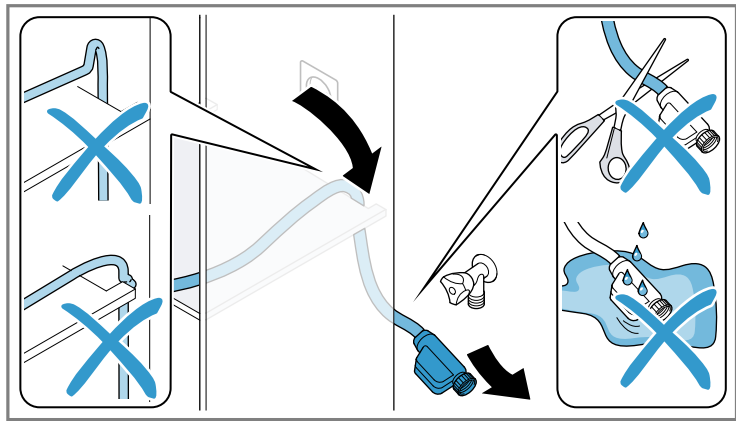
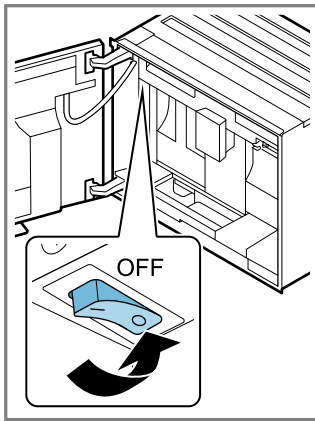


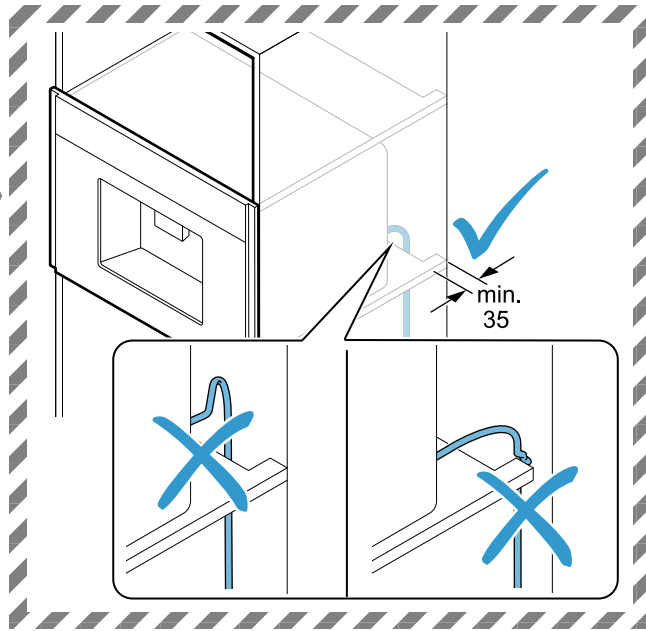
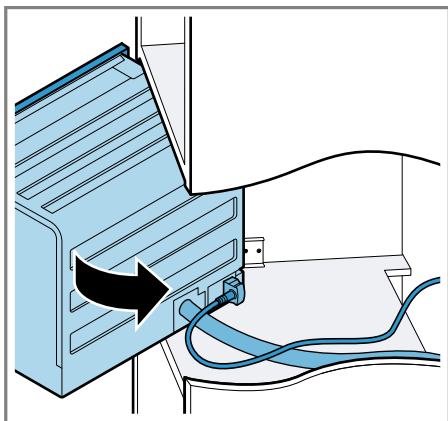
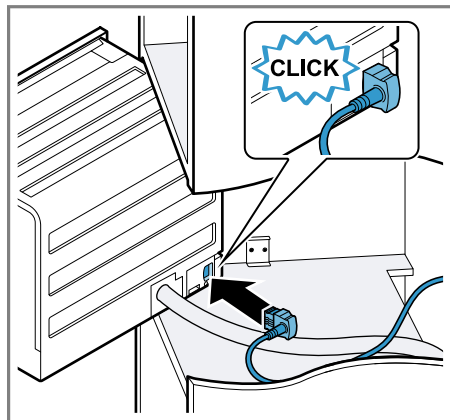
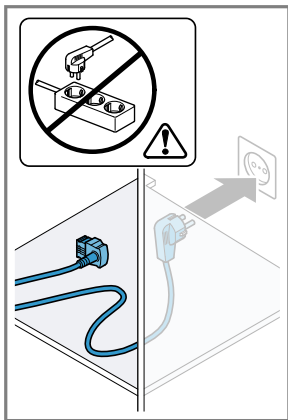
Torx
T 20

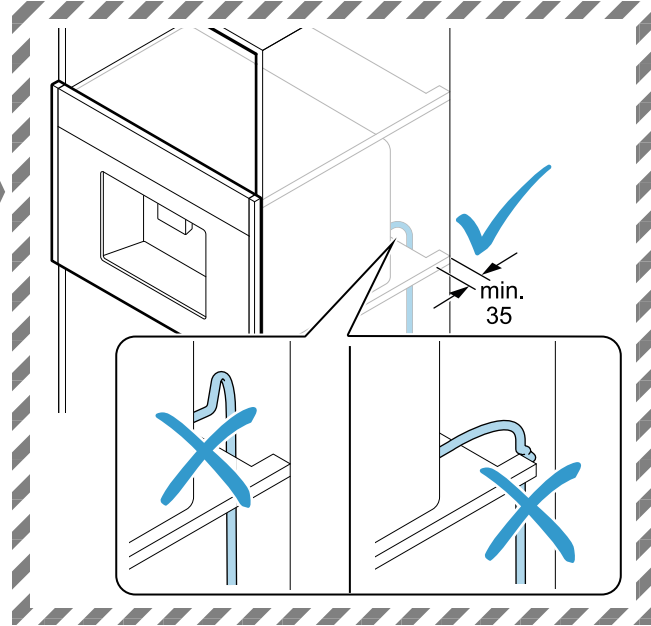
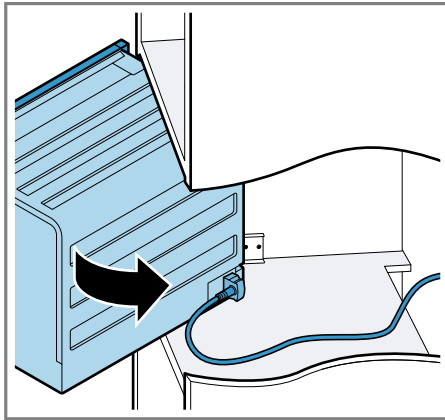
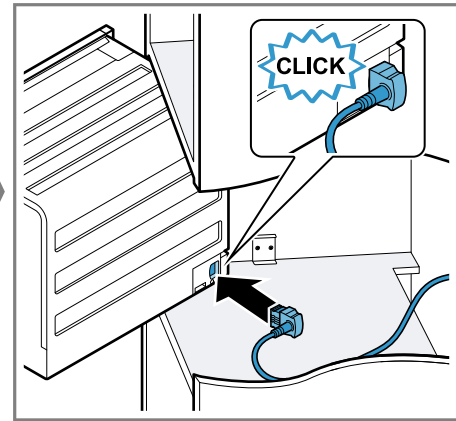
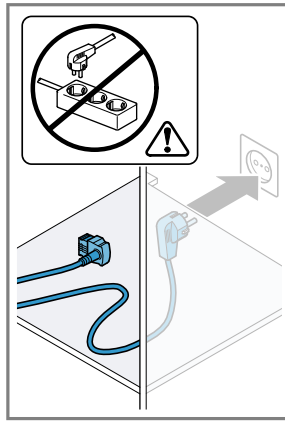
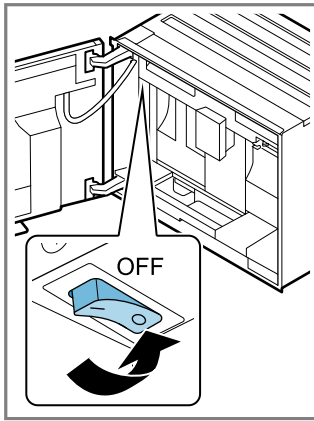


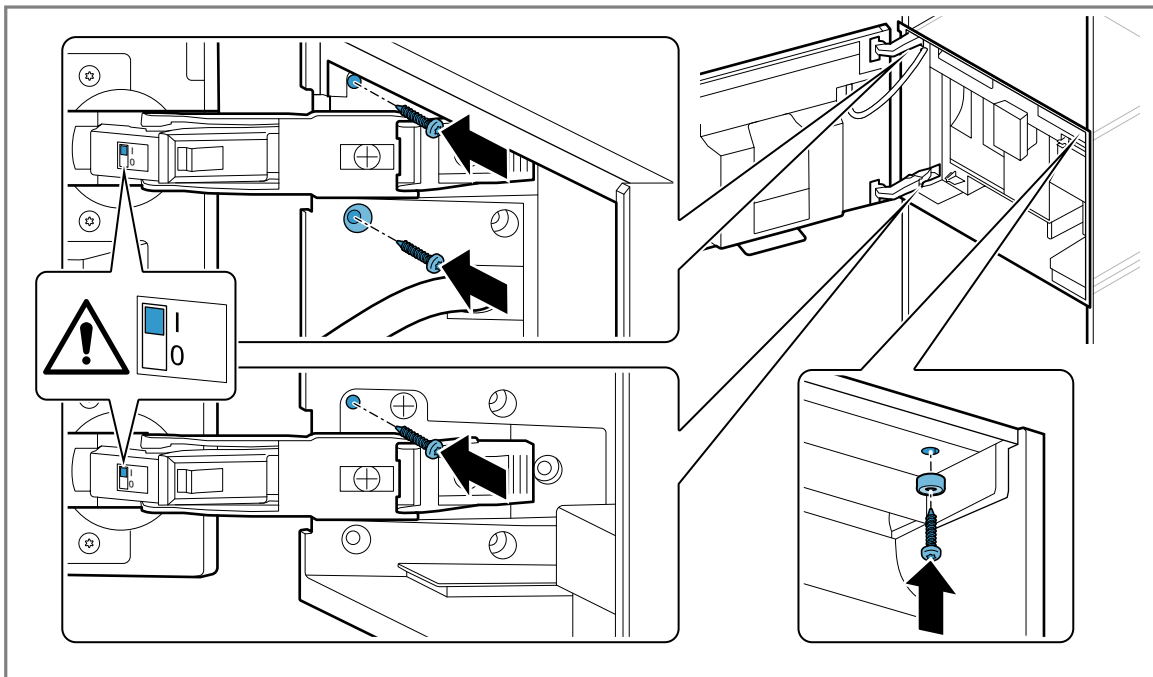
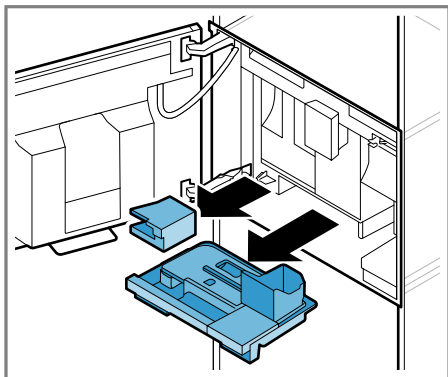
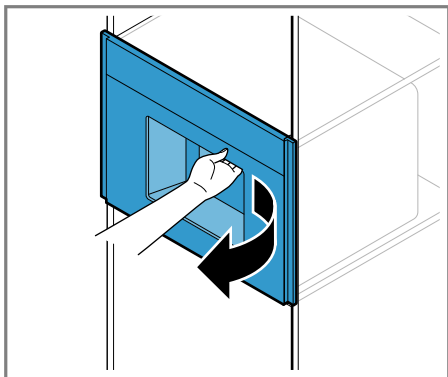
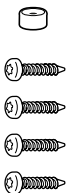






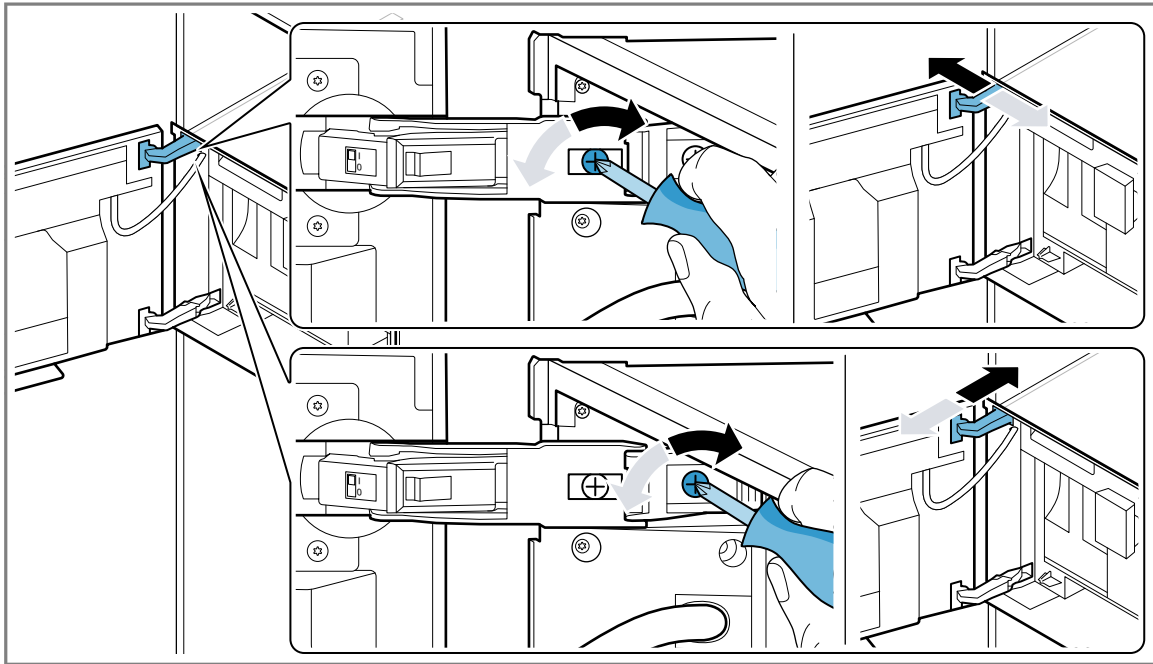
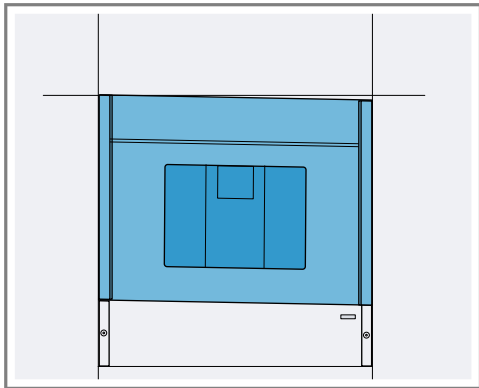


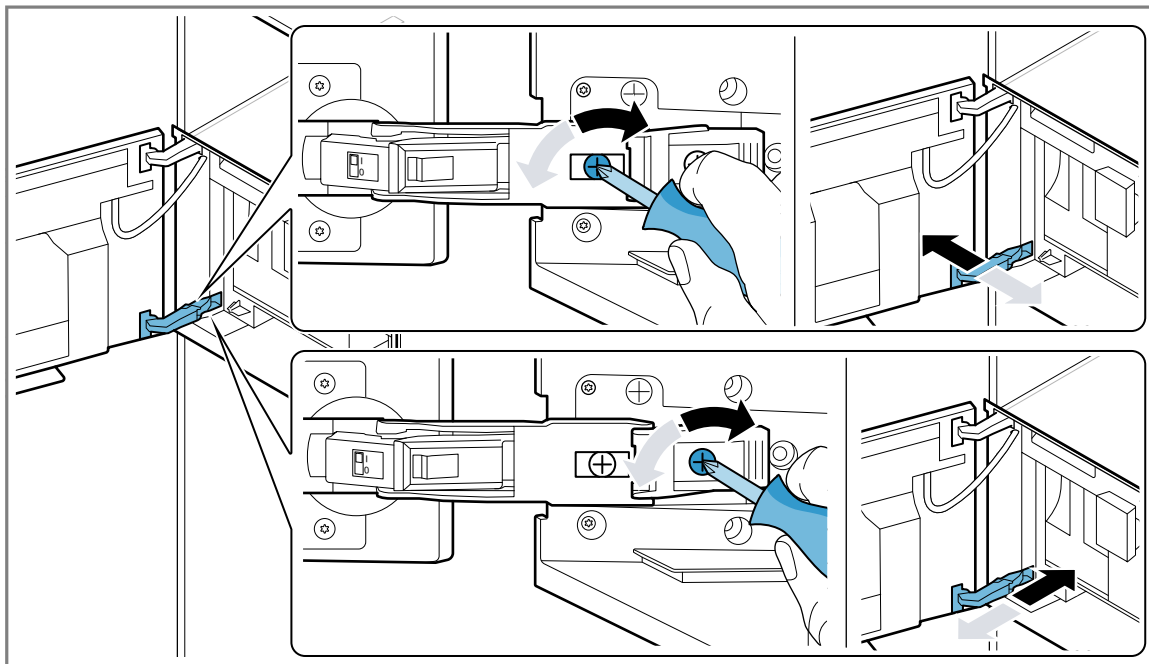
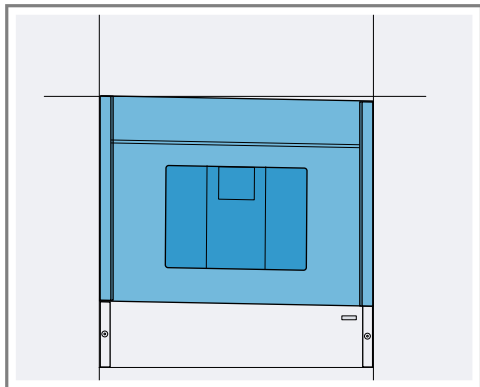


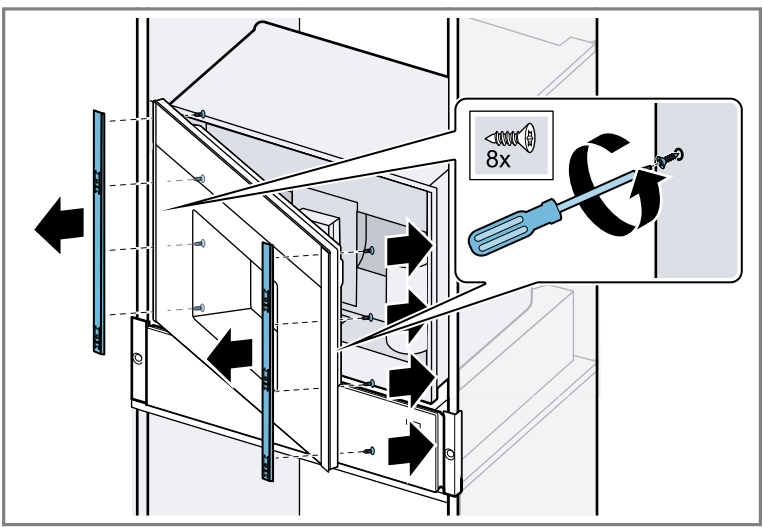
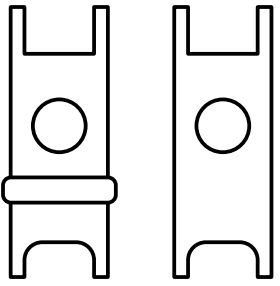


Torx
T 20

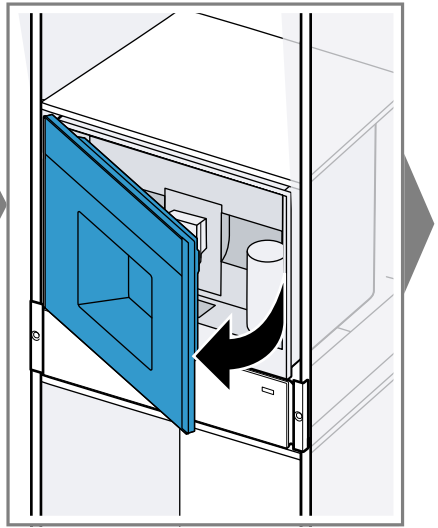
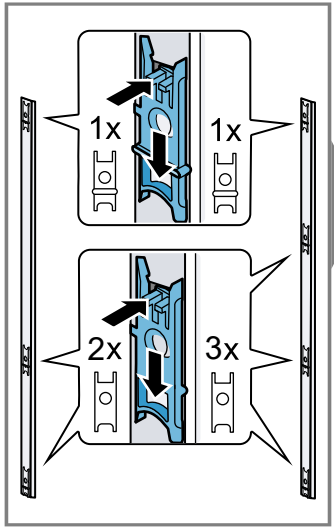
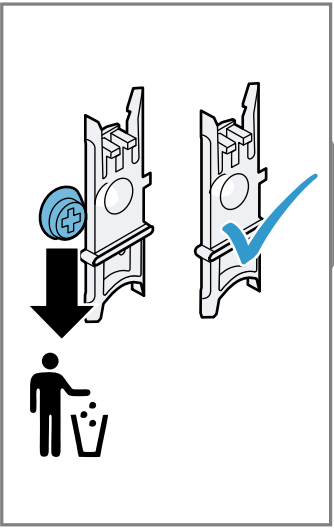


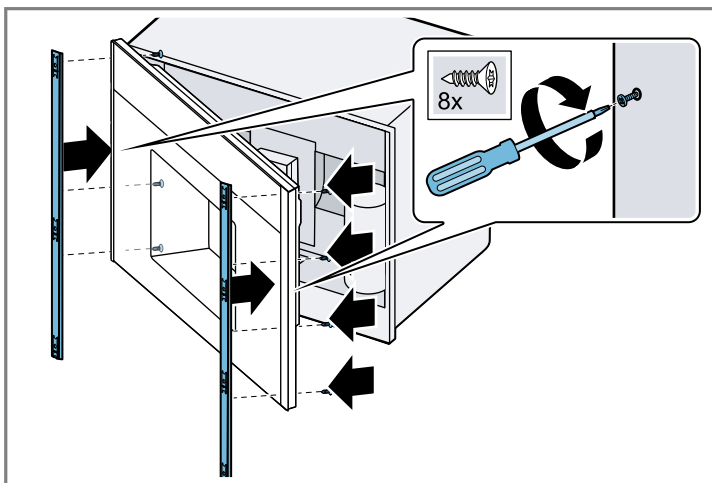
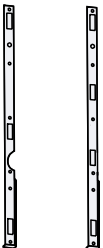






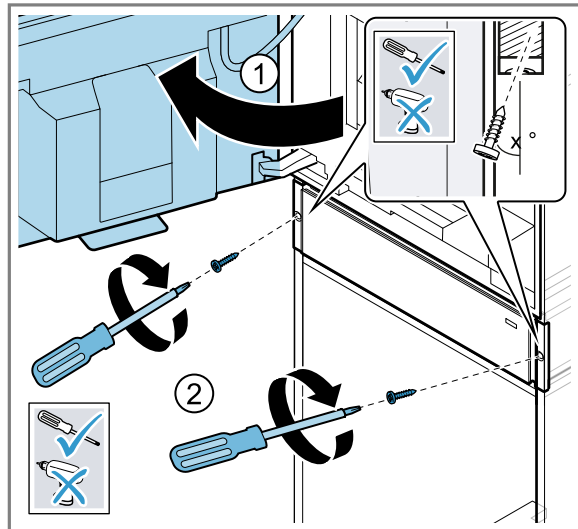
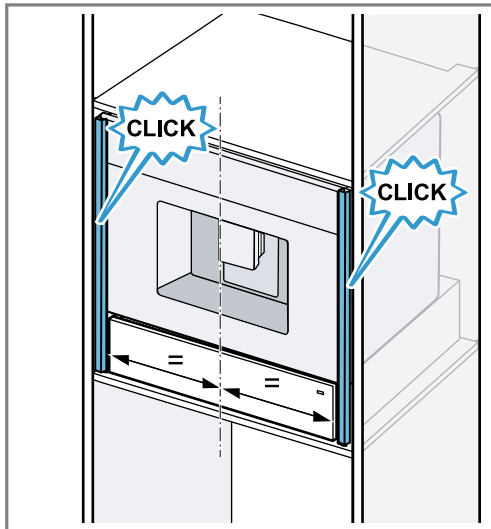
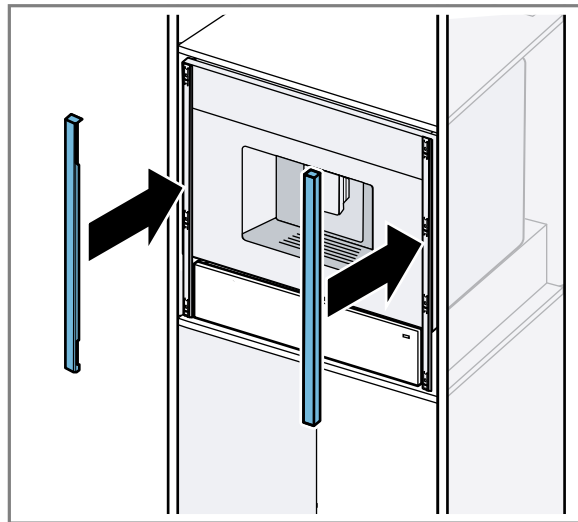
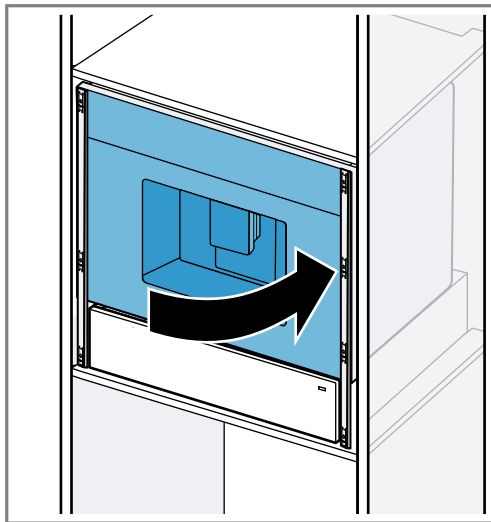
Torx
T 10

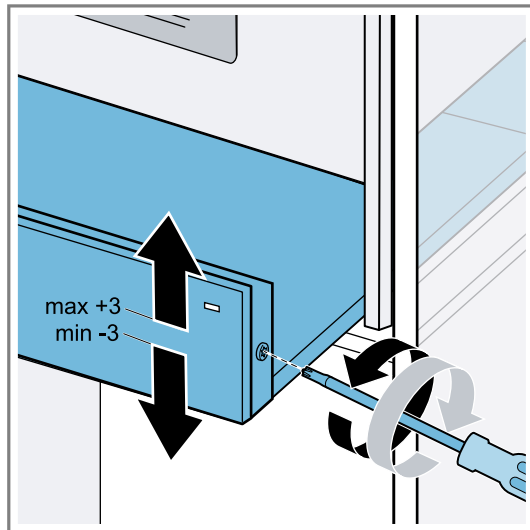
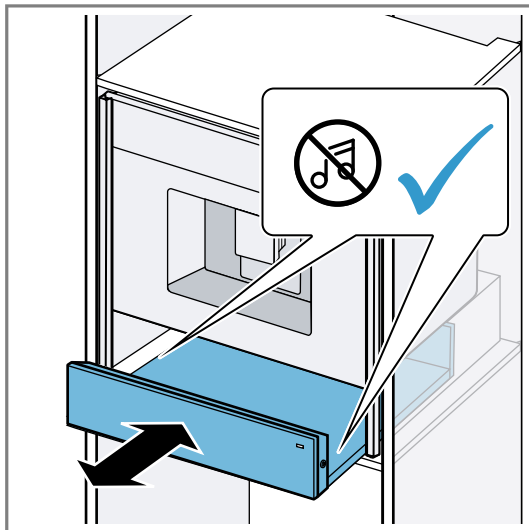
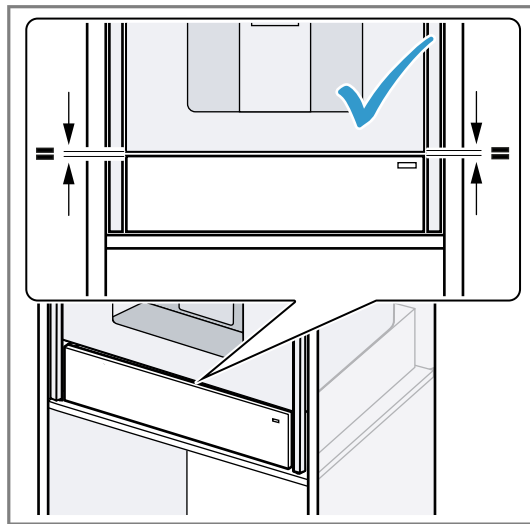
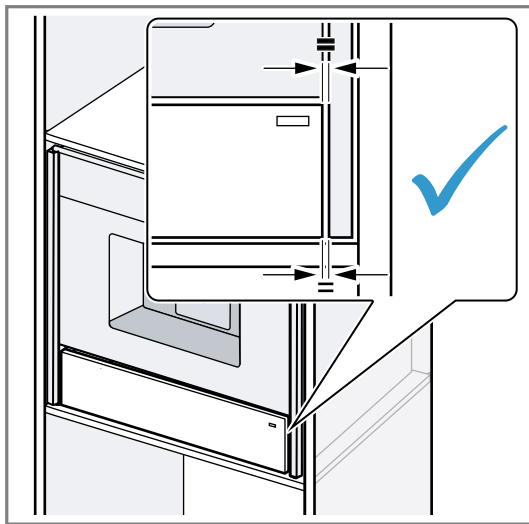


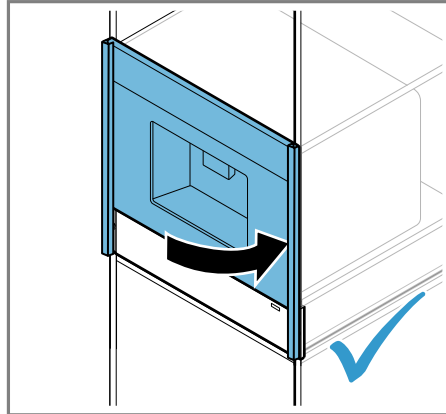
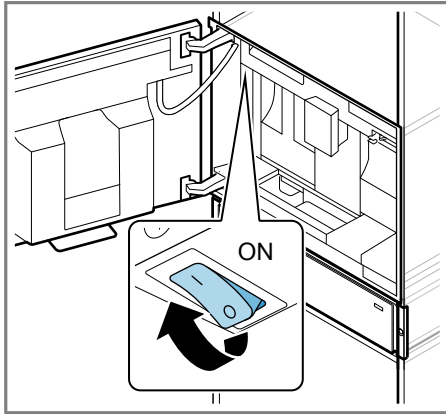
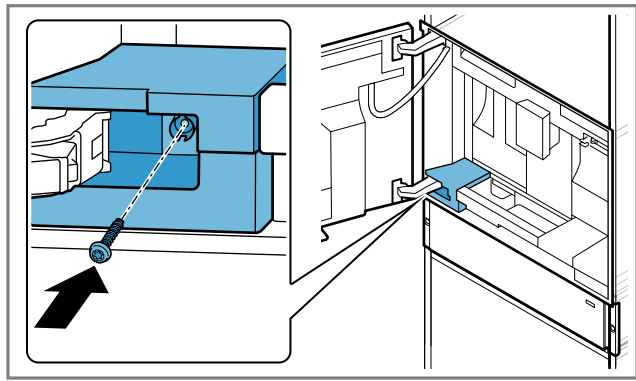
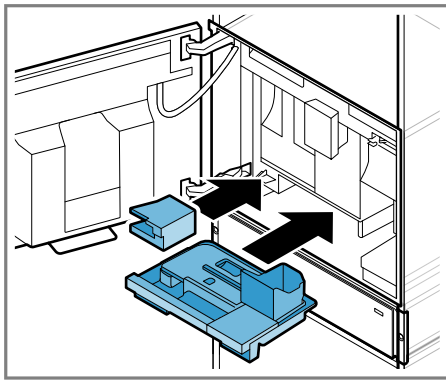


Torx
T 10









Torx
T 10





A series of horizontal lines for writing, starting from a vertical margin line on the left and extending to the right edge of the page.



A series of horizontal lines for writing, starting from the top of the page and extending to the bottom. A vertical line is positioned on the left side of the page, creating a margin.