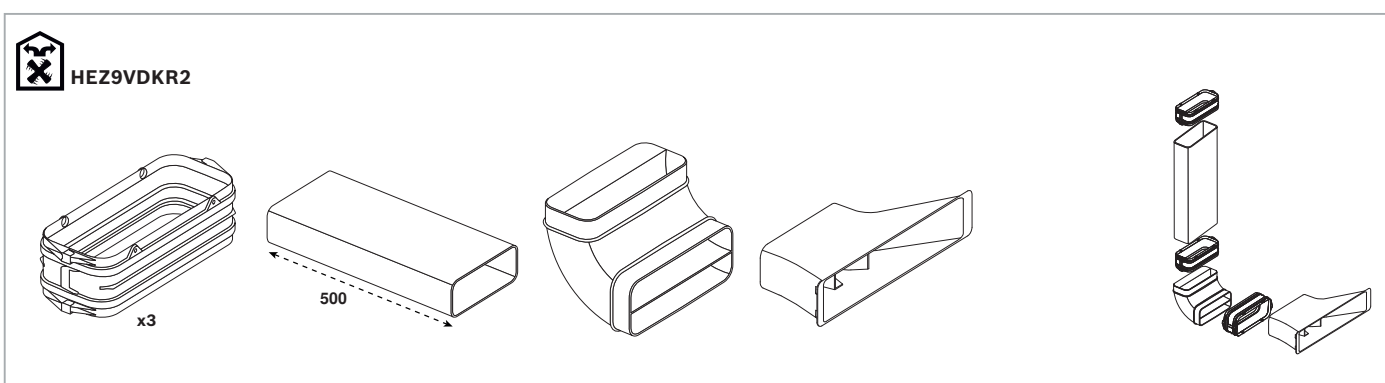
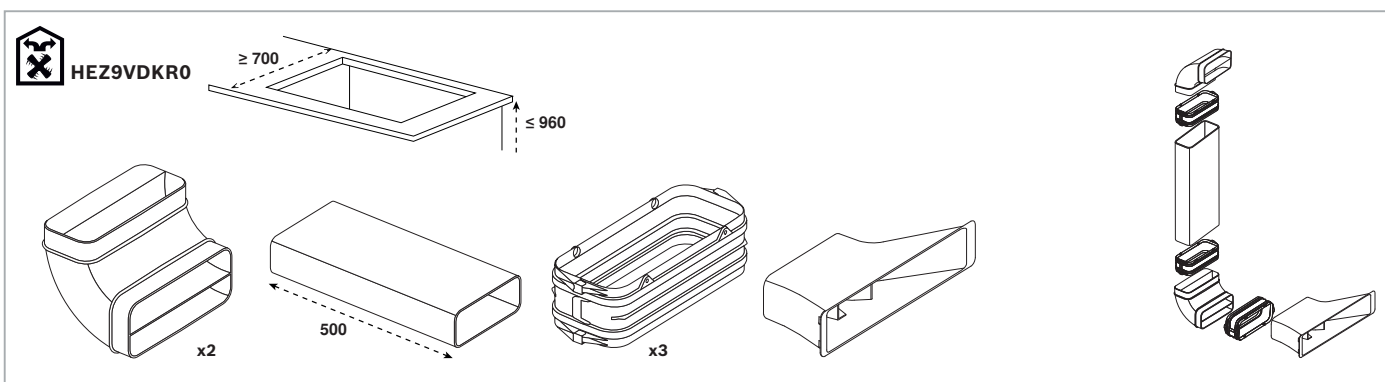
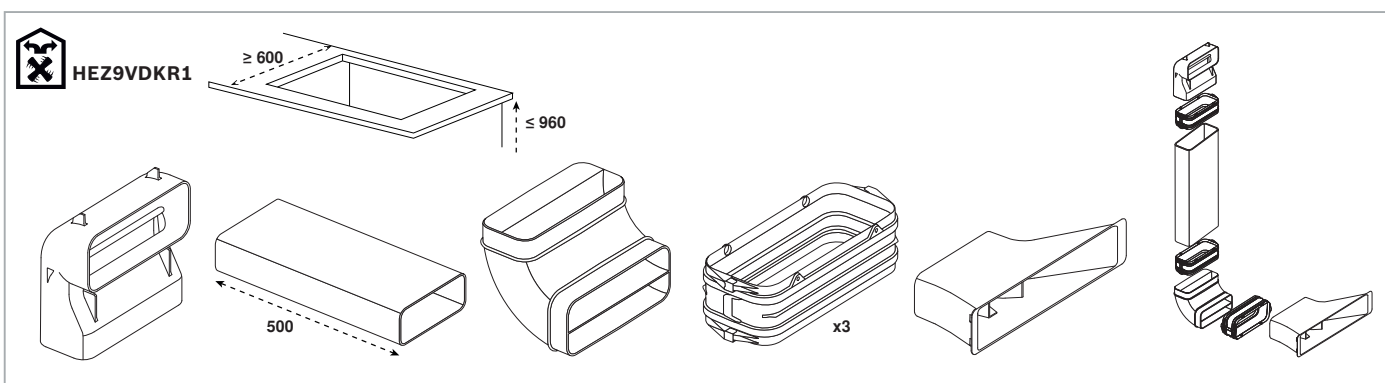
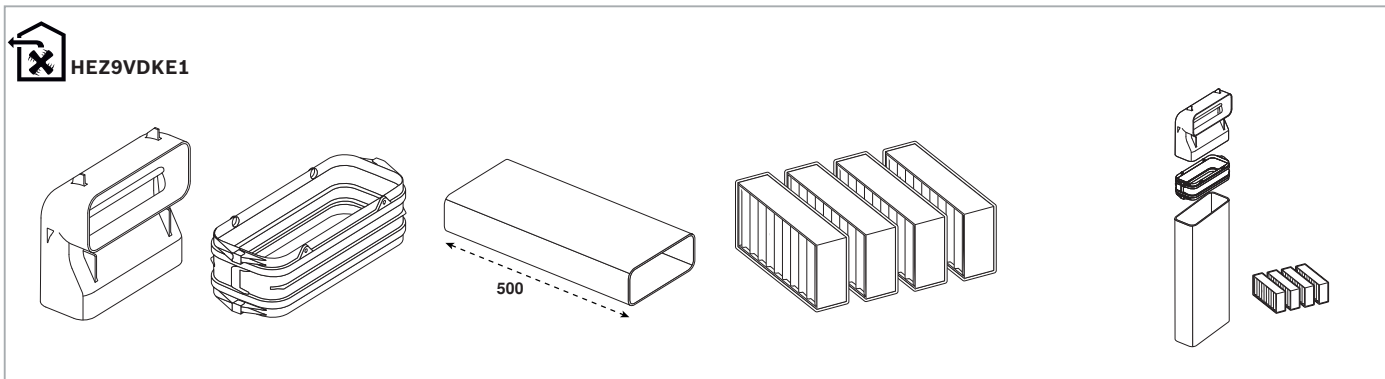




For professional installers



Kits



9001675087

D ≥ 600; HEZ9VDSB4  
 D ≥ 650; HEZ9VDSB3  
 D ≥ 700; HEZ9VDSB2

