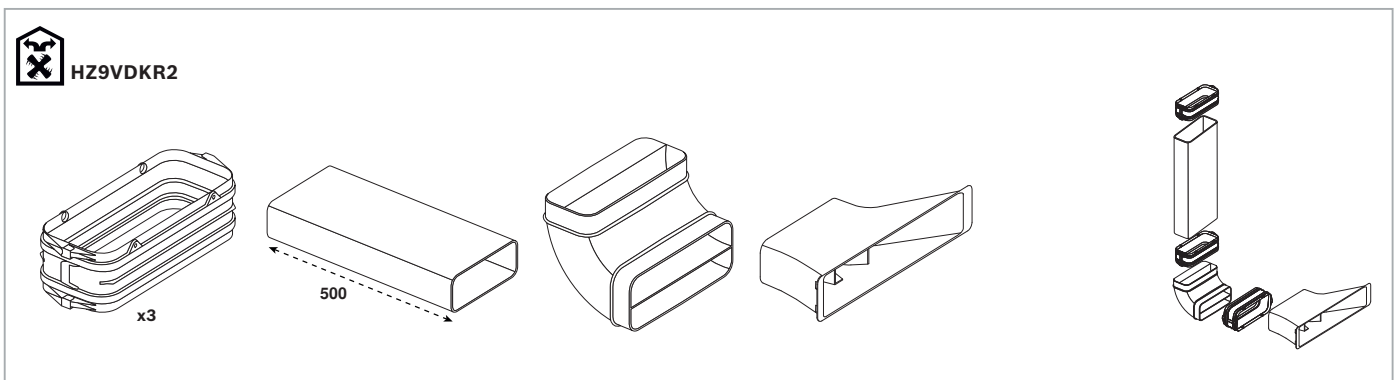
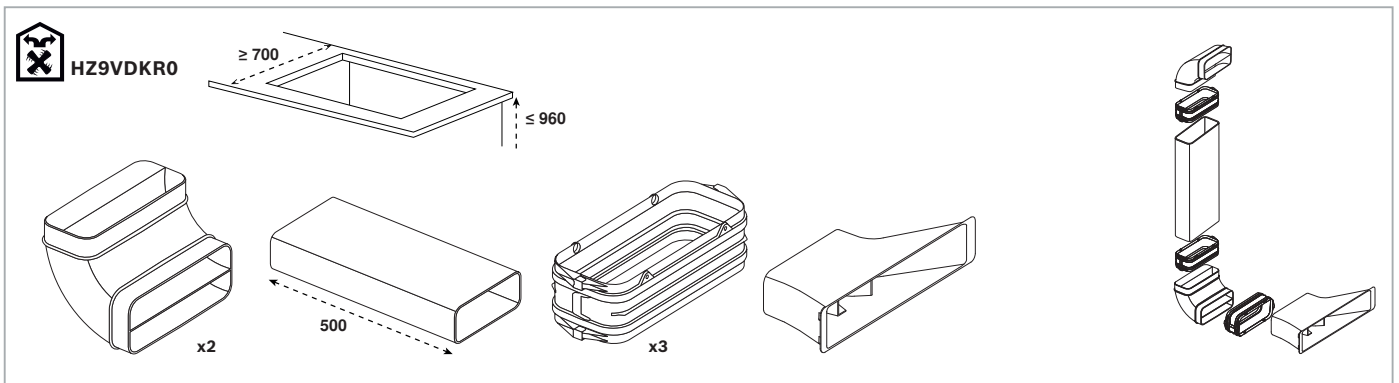
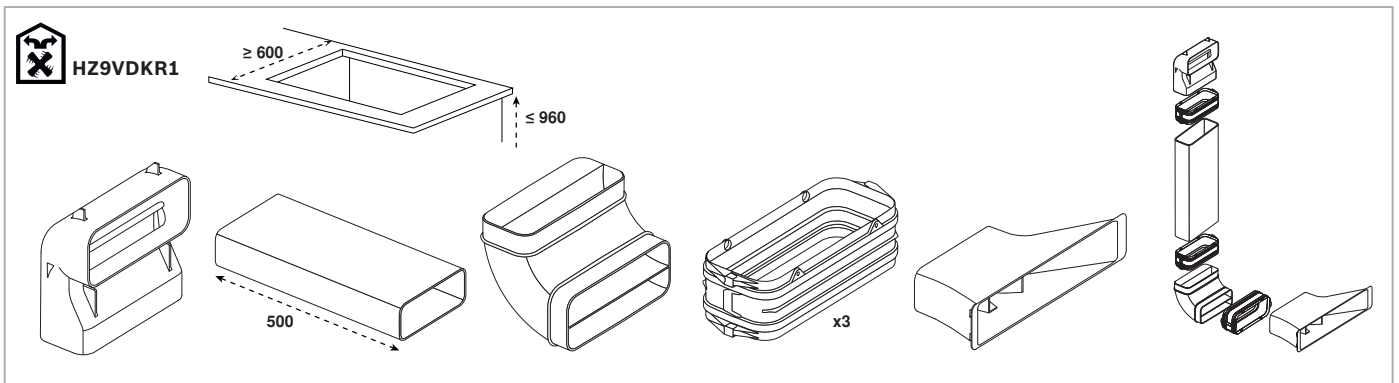
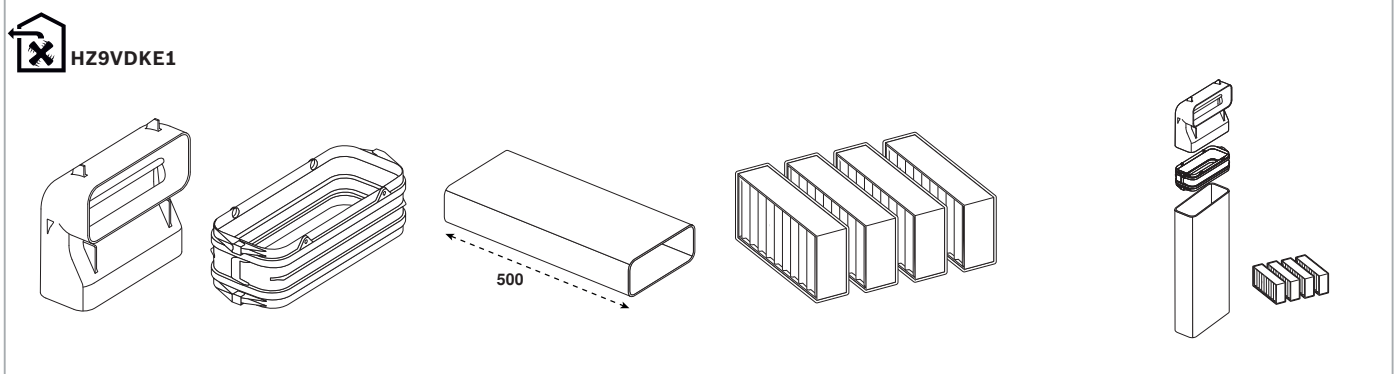




For professional installers



9001675086

 Accessories

D ≥ 600; HZ9VDSB4
 D ≥ 650; HZ9VDSB3
 D ≥ 700; HZ9VDSB2

