

<b>1</b>	<b><u>INTRODUCTION</u></b> .....	<b>2</b>
1.1	<u>Purpose of the document</u> .....	3
1.2	<u>General symbols</u> .....	3
1.3	<u>Relevant safety symbols</u> .....	3
<b>2</b>	<b><u>SAFETY</u></b> .....	<b>4</b>
2.1	<u>Signage for risk levels</u> .....	5
2.2	<u>Signage for physical damage</u> .....	5
2.3	<u>General safety instructions</u> .....	5
<b>3</b>	<b><u>TOOLS AND AIDS</u></b> .....	<b>8</b>
	<u>Designation</u> .....	8
	<u>Details</u> .....	8
	<u>Image</u> .....	8
	<u>Torx screwdriver with T20 bit and hole</u> .....	8
	 .....	8
	<u>Torx screwdriver with T15 bit</u> .....	8
	<u>Length 80 mm</u> .....	8
	 .....	8
	<u>Slotted screwdriver</u> .....	8
	<u>200 mm</u> .....	8
	 .....	8
	<u>Needle nose pliers</u> .....	8

<u>Length: 200 mm, straight</u> .....	8
---------------------------------------	---



.....	8
-------	---

<b>4</b>	<b><u>REPAIR</u></b> .....	<b>9</b>
----------	----------------------------	----------

4.1	<u>Replace spray arms</u> .....	10
4.2	<u>Replace the filters</u> .....	11
4.3	<u>Replace the drain pump cover</u> .....	12
4.4	<u>Replace plug</u> .....	13
4.5	<u>Basket systems</u> .....	14
4.6	<u>Replace outer door</u> .....	15
4.7	<u>Replace the control panel</u> .....	18
4.8	<u>Replace the detergent dispenser cover</u> .....	19
4.9	<u>Replace the lower door seal</u> .....	20
4.10	<u>Replace the door seal</u> .....	23
4.11	<u>Replace the lower cover</u> .....	25
4.12	<u>Replace door springs</u> .....	27
4.13	<u>Replace hinge</u> .....	29
4.14	<u>Replace the emotion light</u> .....	31

---

# 1 INTRODUCTION

---


## 1.1 Purpose of the document

These repair tips help the customer to repair the appliances themselves in accordance with the applicable eco-design regulation (from 03/2021).









They contain information about the way to replace defined spare parts, including warnings and risks.

If in doubt, contact our customer service department. We will only be liable for damage if the repair instructions have been followed correctly.

## 1.2 General symbols

Symbol	Meaning
	Special information

## 1.3 Relevant safety symbols

Symbol	Meaning
	General warning
	Danger from electrical voltage
	Danger of cutting
	Danger of crushing
	Hot surfaces
	Explosion hazard
	Strong magnetic field
	Non-ionising radiation

---

## **2 SAFETY**

---

## 2.1 Signage for risk levels

Signage	Meaning
<b>DANGER</b>	Imminent danger which may lead to death or serious injury if it is not avoided.
<b>WARNING</b>	Possible imminent danger which may lead to death or serious injury if it is not avoided.
<b>BE CAREFUL</b>	Possible imminent danger which may lead to minor injury or physical damage if it is not avoided.

## 2.2 Signage for physical damage

Signage	Meaning
<b>WARNING</b>	Warning about possible physical damage

## 2.3 General safety instructions

- ▶ Read the repair manual and follow the instructions contained in it.
- ▶ Proceed systematically and follow the instructions for locating and repairing faults.

### 2.3.1 All domestic appliances

#### Electric shock hazard due to live parts

- ▶ Errors in repairs on electrical components can lead to electric shock!
- ▶ Unplug the appliance from the mains at least 60 seconds before starting the work.
- ▶ After the repair, ensure that a safety test is performed in accordance with standard VDE 0701 or the country's specific standards.

#### Risk of injury due to sharp edges.

- ▶ Wear protective gloves!
- ▶ Risk of crushing during repairs, maintenance, troubleshooting and technical servicing due to heavy, moving parts.
- ▶ Wear protective footwear!
- ▶ Secure heavy components to prevent them from falling down.
- ▶ Do not insert body parts into moving components.



#### Risk to the appliance's safety / operation.



- ▶ Only use original spare parts!



#### Risk of damage to electrostatic sensitive components (ESD).



- ▶ Do not touch the modules, including the connections and conductive paths.

### 2.3.2 Warning structure

	 <b>DANGER</b>
<b>Exposed live parts</b>	
Risk of death by electrocution.	
<ul style="list-style-type: none"><li>▶ Disconnect the appliance from the mains.</li><li>▶ Do not touch the housing, frame or components.</li><li>▶ If live testing is necessary, use a safety switch.</li><li>▶ Make sure that the earth wire resistance does not exceed the standardised values.</li></ul>	

	 <b>WARNING</b>
<b>In the event of a fault, the touchable conductive parts may be live.</b>	
Risk of death by electrocution.	
<ul style="list-style-type: none"><li>▶ Disconnect the appliance from the mains.</li><li>▶ Do not touch the housing, frame or components.</li><li>▶ If live testing is necessary, use a safety switch.</li><li>▶ Make sure that the earthing conductor's resistance does not exceed the standardised values.</li></ul>	

	 <b>BE CAREFUL</b>
<b>Injuries from cuts on sharp edges.</b>	
<ul style="list-style-type: none"><li>▶ Wear protective gloves.</li><li>▶ Wear personal protective equipment.</li></ul>	

	 <b>BE CAREFUL</b>
<b>Charged capacitors</b>	
Risk of injury from electrocution and response to shock.	
<ul style="list-style-type: none"><li>▶ Discharge the capacitors in the appliance before performing the work.</li></ul>	

---

## WARNING

### **Components with electrostatic hazard.**

Destruction of components when touched.

- ▶ Before any work involving components with an electrostatic hazard, install an electrostatic protection system.
- ▶ Follow the measures to protect the components with an electrostatic hazard.





## WARNING

### **Destruction of components due to indiscriminate replacement of parts.**

Destruction of components when touched.

- ▶ Perform troubleshooting before replacing components.
- ▶ Check systematically.
- ▶ Follow the technical documentation.
- ▶ Avoid needlessly replacing components.

### 3 TOOLS AND AIDS

Designation	Details	Image
Torx screwdriver with T20 bit and hole (00340764)	100 mm for screws with safety pin	
Torx screwdriver with T15 bit	<b>Length 80 mm</b>	
Slotted screwdriver	blade 10 mm x 1.6 mm x <b>200 mm</b>	
Needle nose pliers [00340871]	<b>Length: 200 mm, straight</b>	



---

## **4 REPAIR**

---

---

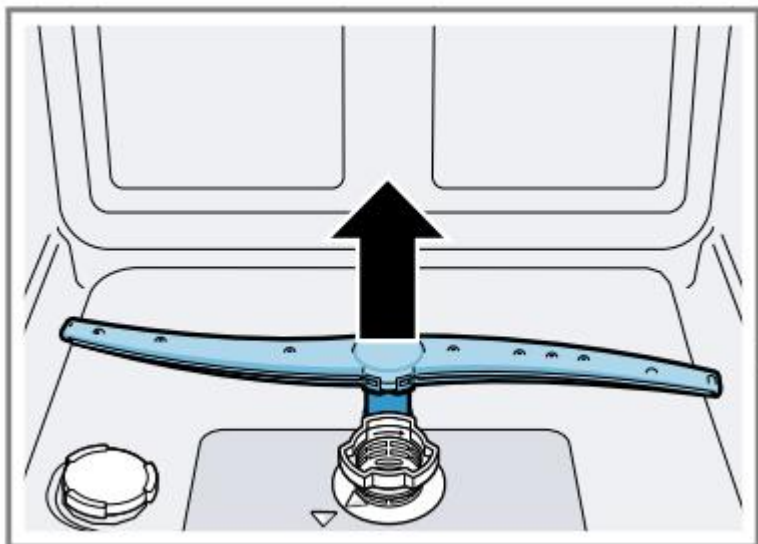
## 4.1 Replace spray arms

---

### 4.1.1 Remove lower spray arm

---

Push the lower spray arm upwards.



### 4.1.2 Install lower spray arm

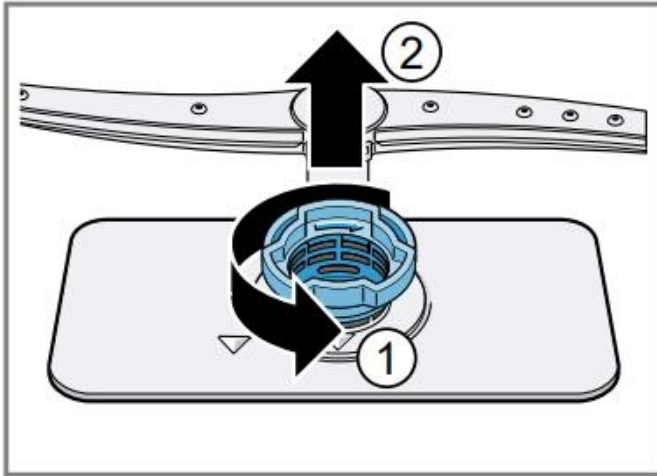
---

Insert the lower spray arm. It will click when it is in position.

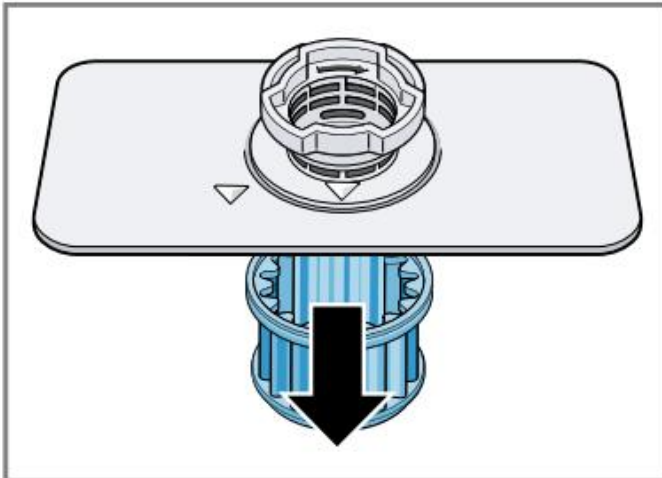
## 4.2 Replace the filters

### 4.2.1 Remove the filters

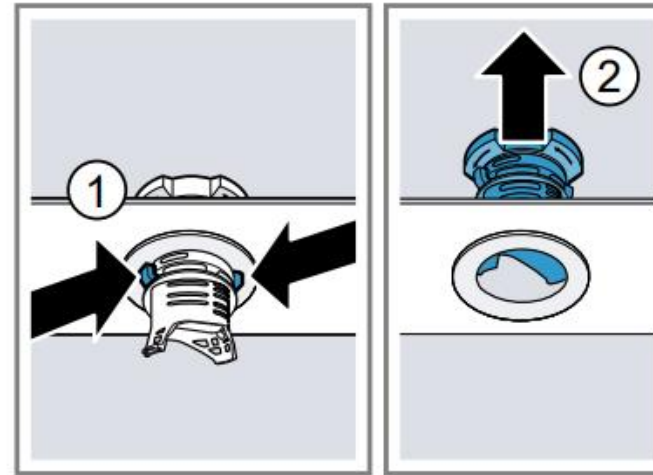
Turn the coarse filter (1) anticlockwise and remove the filter system (2).



Pull down the microfilter.



Press the catch tappets (1) and pull up the coarse filter (2).



### 4.2.2 Install the filters

1. Reinstall the filtration system.

Make sure that the coarse filter's latches snap into position.

2. Insert the filtration system into the appliance and turn the coarse filter clockwise.

Make sure that the arrow markings match up.



## 4.3 Replace the drain pump cover

### Prerequisites:

Disconnect the appliance from the power supply.

Remove the upper and lower baskets.

Remove the filters.

Drain any water that is present. Use a sponge if necessary.

### 4.3.1 Remove the drain pump cover

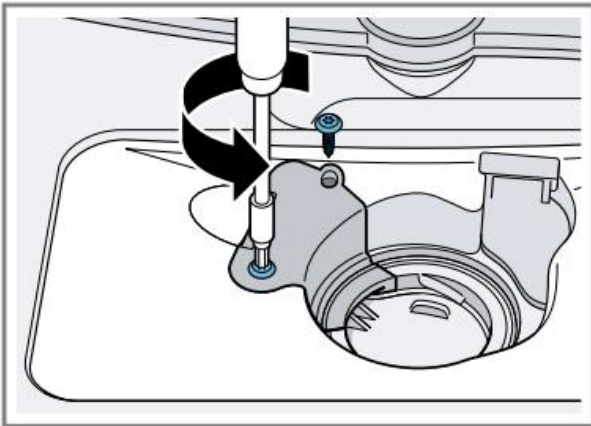


**BE CAREFUL**

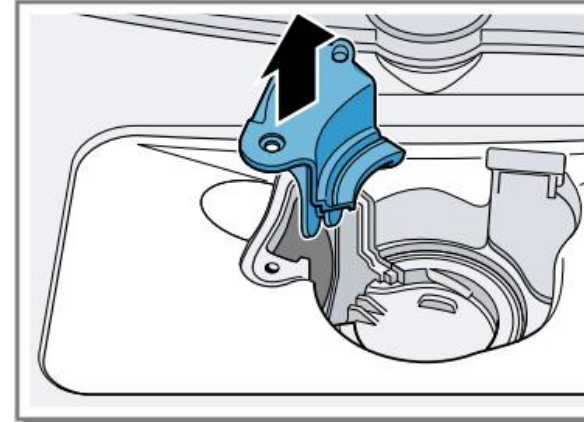
#### Risk of injury

- ▶ Wear protective gloves.
- ▶ Carefully remove any build-up of foreign matter.

Undo fastening screws of the pump cover ( T 20 torx).



Pull the pump cover upwards.



Remove any food residue and foreign matter inside the appliance.

### 4.3.2 Install the drain pump cover

Fit the pump cover.

Press it down and screw it in.

Install the filter system.

Insert the upper and lower baskets.

## 4.4 Replace plug



### WARNING

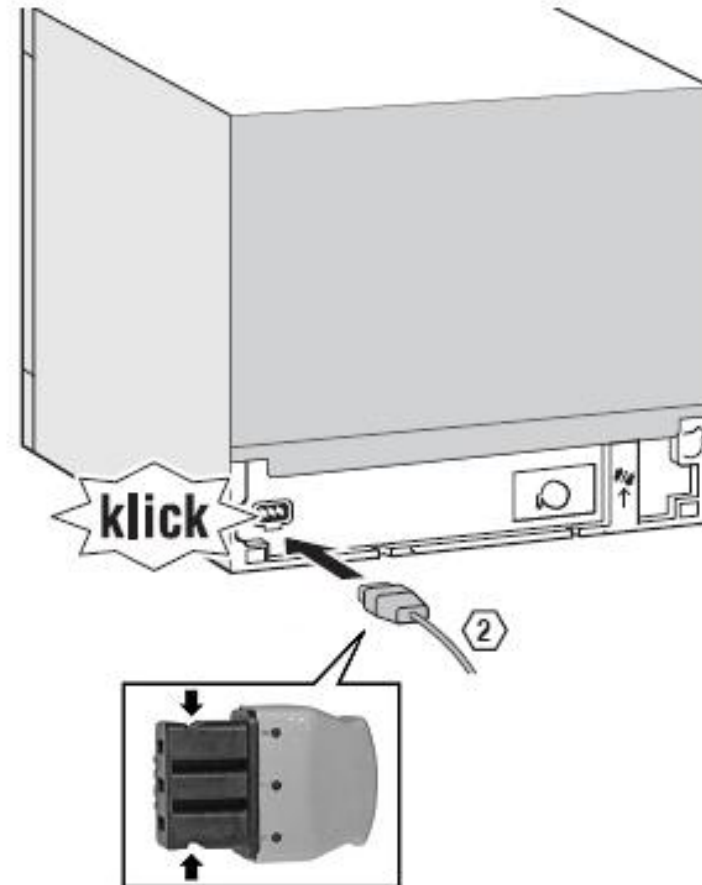
#### Overheating of main connection!

Risk of fire in the appliance

- ▶ When changing the appliance's input cable for use with sockets in the country, you should also check the country's voltage and frequency.
- ▶ Firmly insert it until you hear a click.

Two strong pins on either side prevent the plug from inadvertently coming loose or detached from the appliance.

### 4.4.1 Assembly



### 4.4.2 Disassembly

The plug is removed from the socket in the appliance by gently moving it sideways and pulling at the same time.

## 4.5 Basket systems

---

The 60 cm models have 2 baskets.

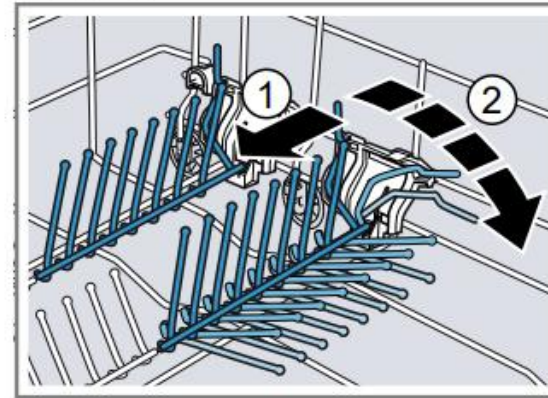
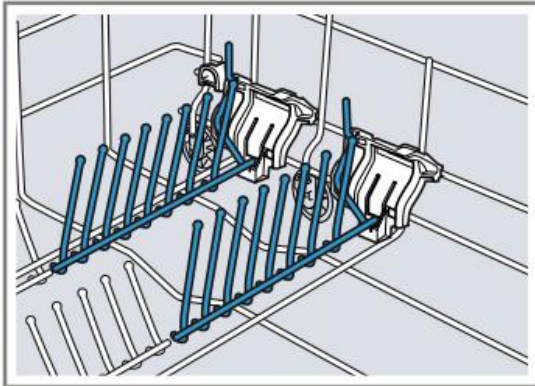
The 45 cm models only have one basket.

### 4.5.1 Folding sticks

---

They fit into a slit in the plastic support on the side.

Press the lever forwards when the sticks are not needed.



## 4.6 Replace the outer housing

Prerequisite:

Appliance is disconnected from the mains.

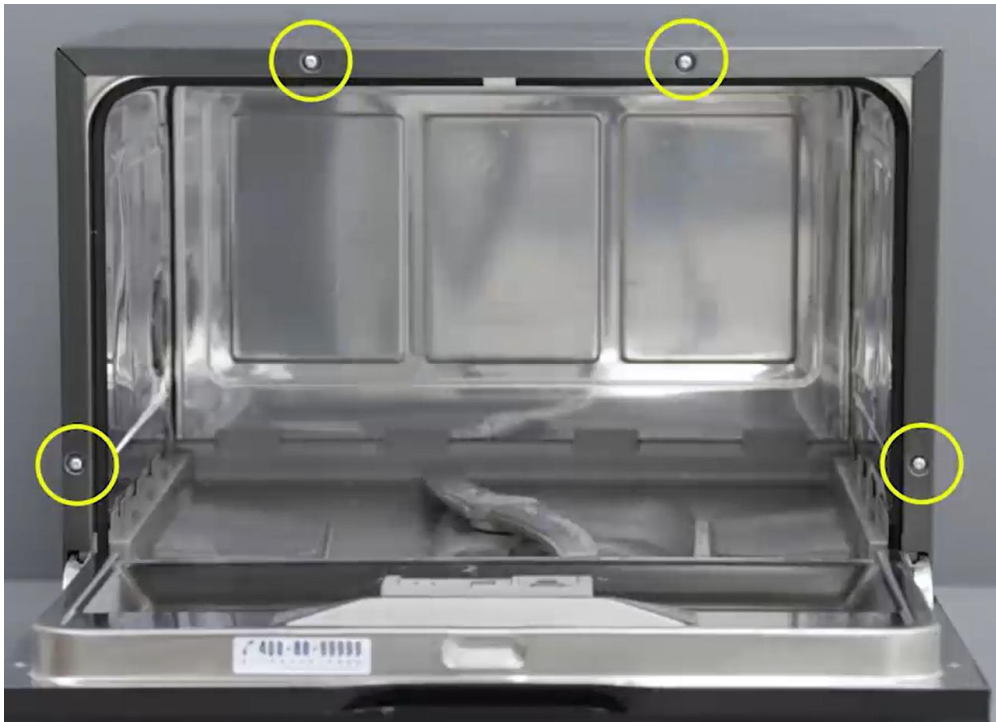
Appliance is disconnected from water supply.

Remove the base from the appliance.

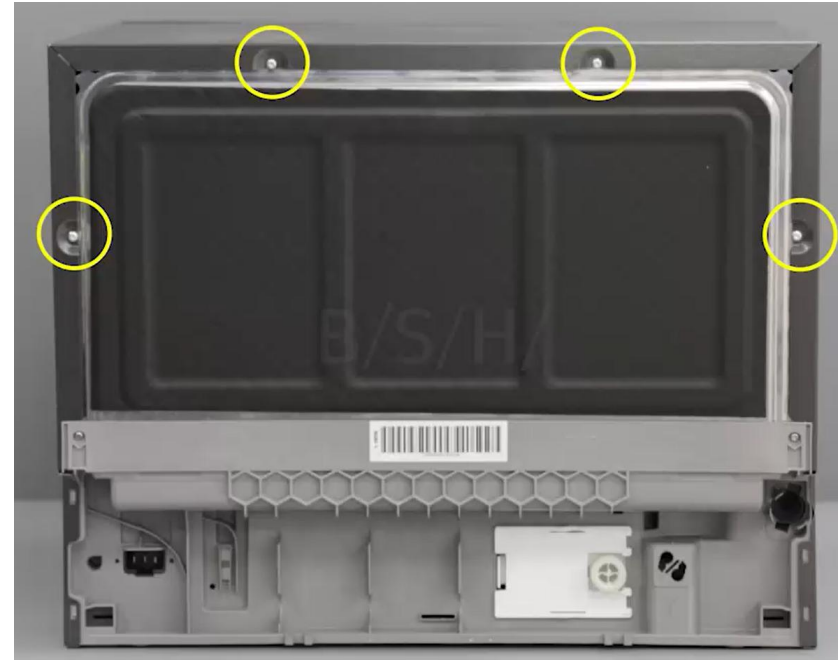
### 4.6.1 Disassemble the outer housing

Open the door.

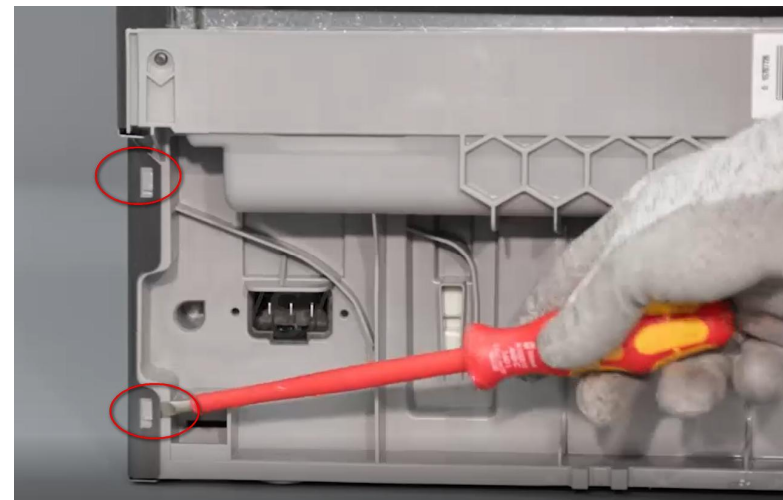
Remove the 4 torx T20 screws from the front of the housing.



Remove the 4 torx T20 screws from rear of the housing.



Release the two lower latches on either side.



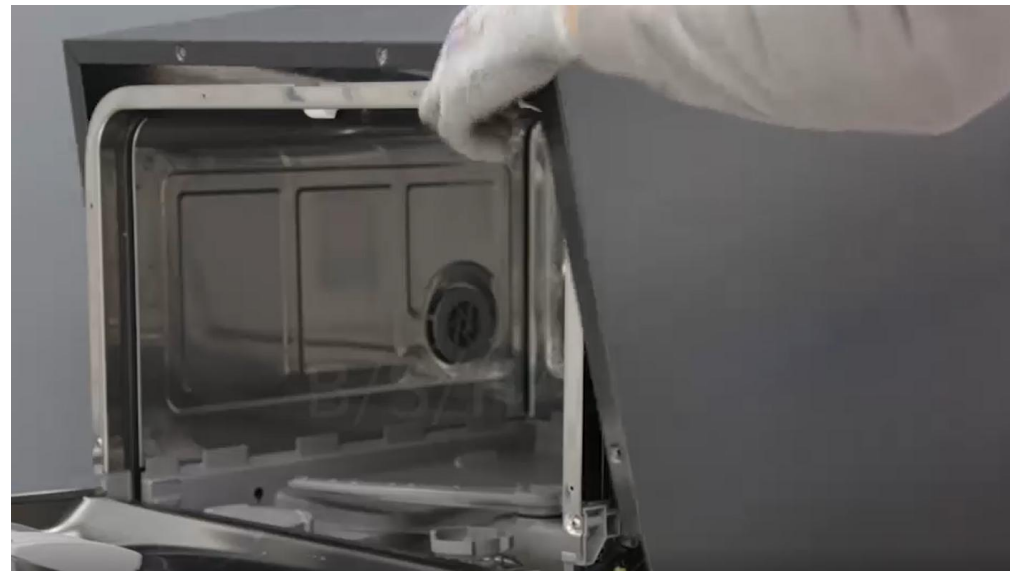


Remove the housing.

#### 4.6.2 Install the housing



Place the housing on the appliance





Tap on the back lower part of both sides to fit the housing.



Tap on the front lower part of both sides to finish fitting the housing.



Screw in the 4 front and rear torx 20 screws.  
Install the earth connection in the lower base.  
Install the bottom cover.

## 4.7 Replace outer door

### Prerequisites:

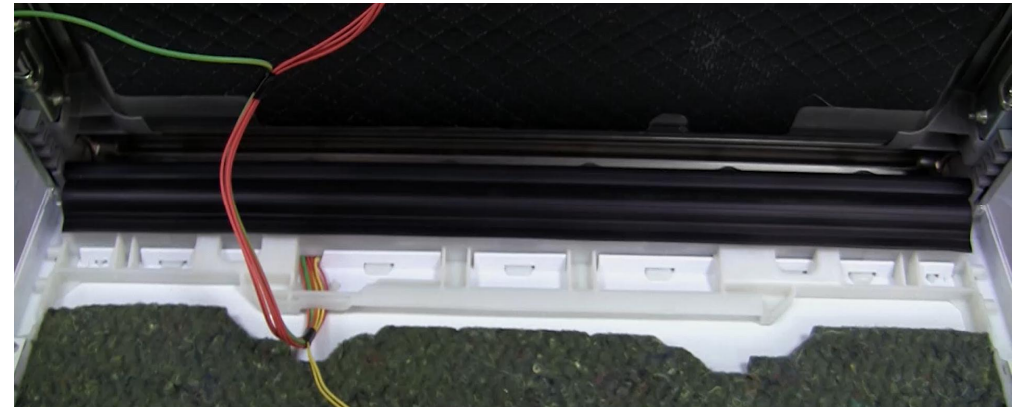
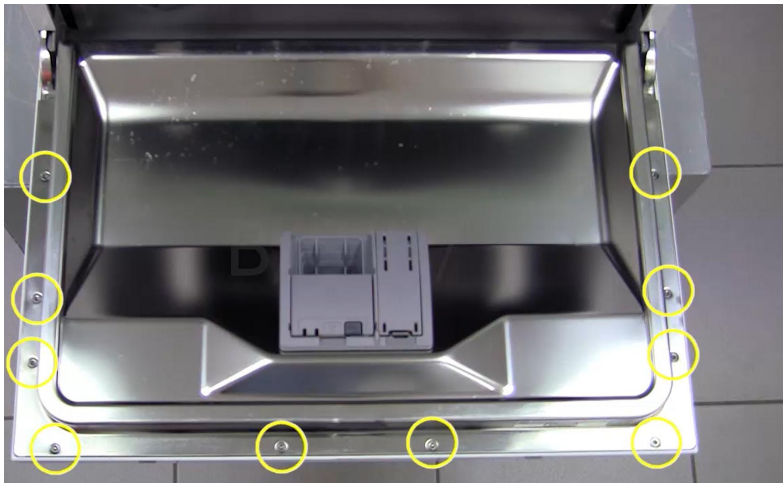
Appliance is disconnected from the mains.

Appliance is disconnected from water supply.

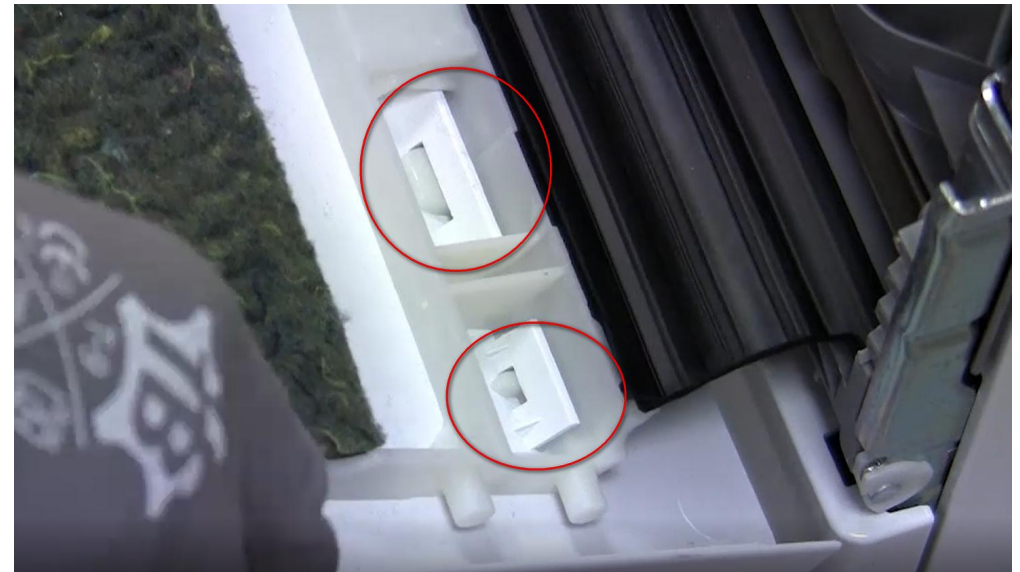
### 4.7.1 Remove the outer door

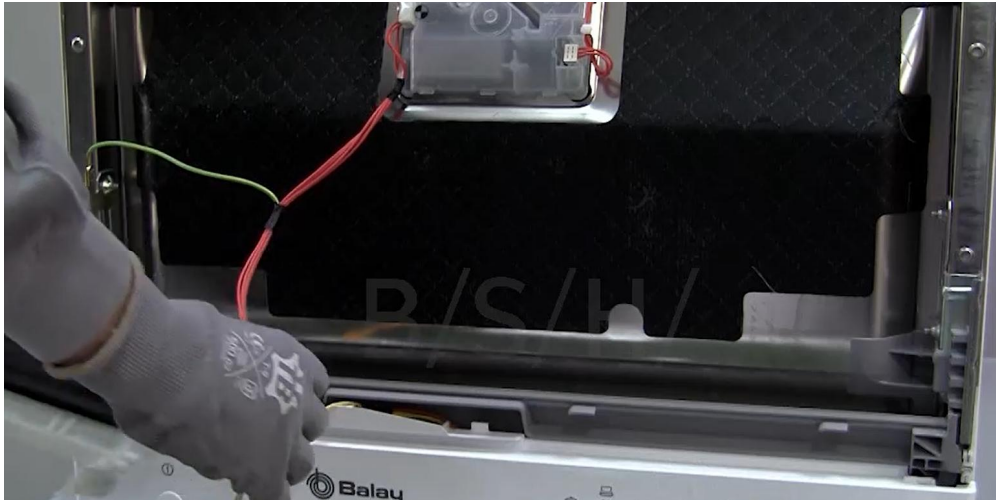
Remove the screws described below with a torx 15 screwdriver.

- 1- Open door.
- 2- Remove 10 screws.
- 3- Close the door by holding it on one side.
- 4- Release the door by pulling down on its latches.
- 5- Disconnect the earth wire from the door.



Release the door from the lower retaining latches.





#### Panel screws

The inner door's 2 lateral screws secure the hinges to the inner door.

## 4.7.2 Install the outer door

Follow the steps in reverse order.

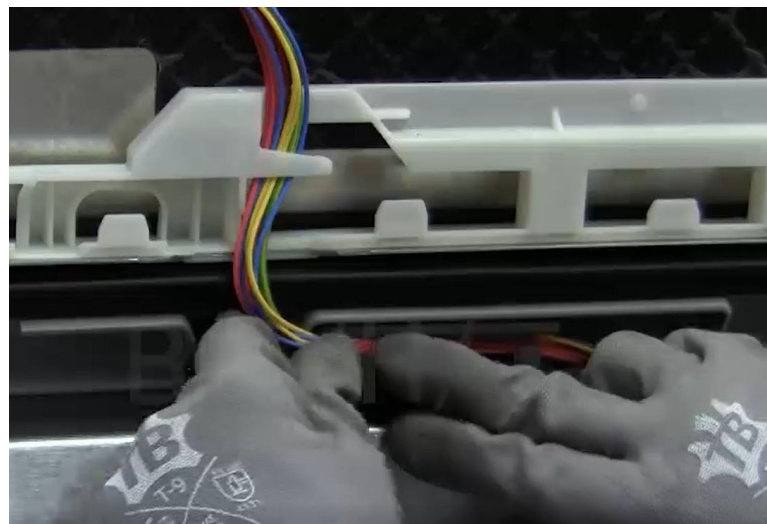


### WARNING

**Cables not properly secured or incorrectly positioned!**

Risk of damage to cable harness.

- ▶ Position the cables and secure in place with adhesive tape.



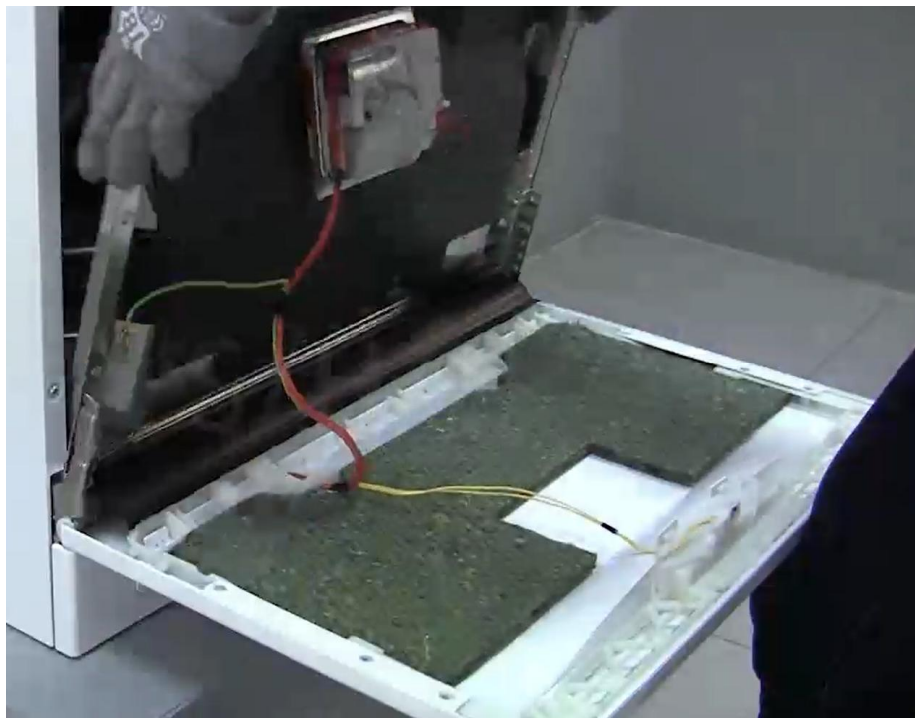
Fit the outer door on the lower door seal support.



Position the cable harness correctly in the lower seal support.



Fit the inner door on the door.



Screw in the door.

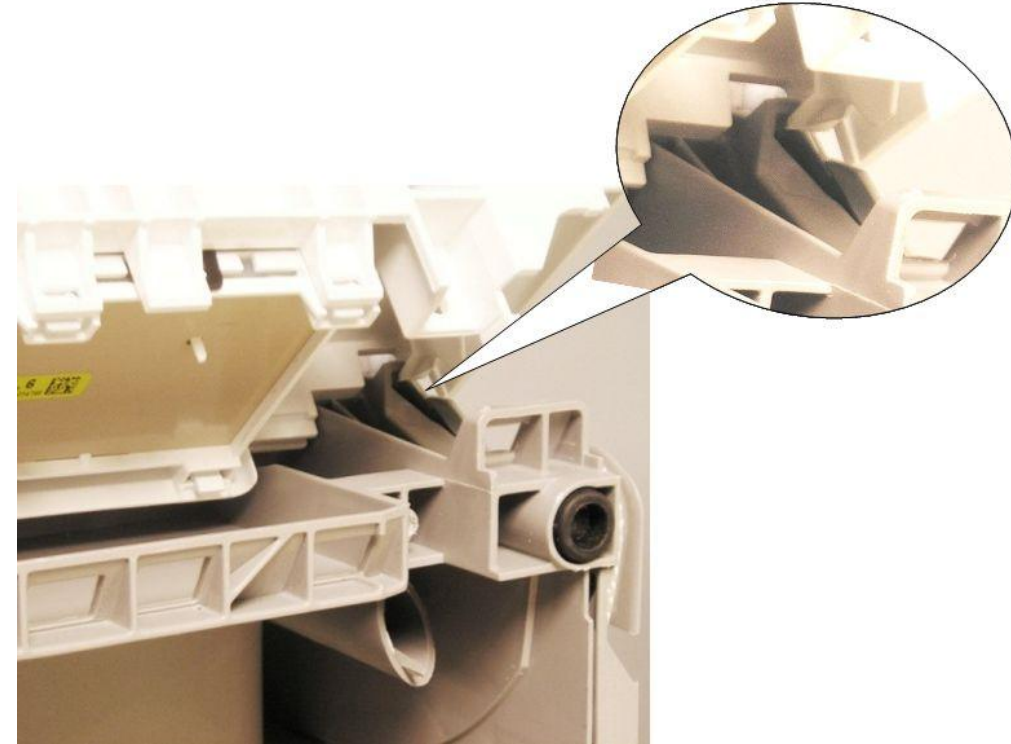
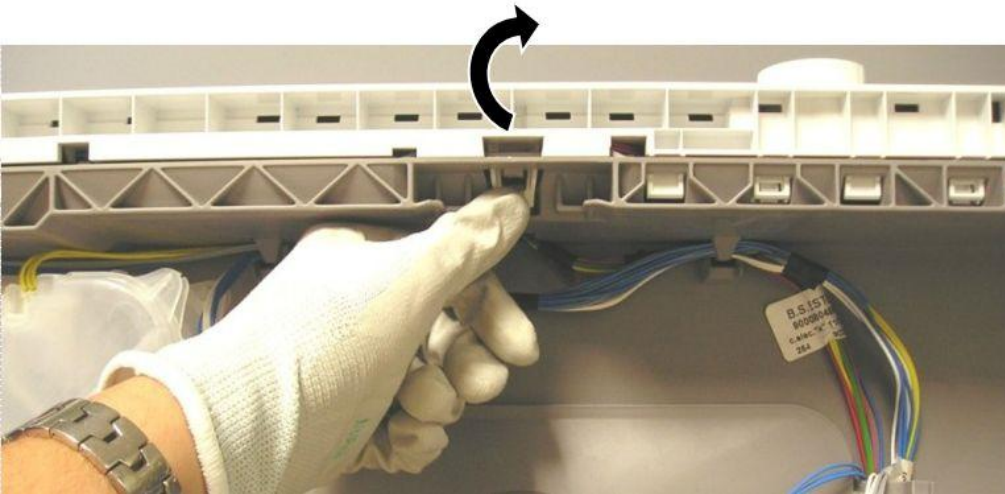
## 4.8 Replace the control panel

### Prerequisites:

- Appliance is disconnected from the mains.
- Appliance is disconnected from water supply.
- The lower base has been removed.

### 4.8.1 Remove the control panel

- Press the fixing pin.
- Pull the control panel upwards.



### 4.8.2 Install control panel.

- Position the control panel so that the panel's pin slides under the plastic base guide.
- Press until the fixing pin is secured.

## 4.9 Replace the detergent dispenser cover

A small screwdriver can be used as a levering tool.

### Prerequisite:

Appliance is disconnected from the mains.

Appliance is disconnected from water supply.

Door has been opened.

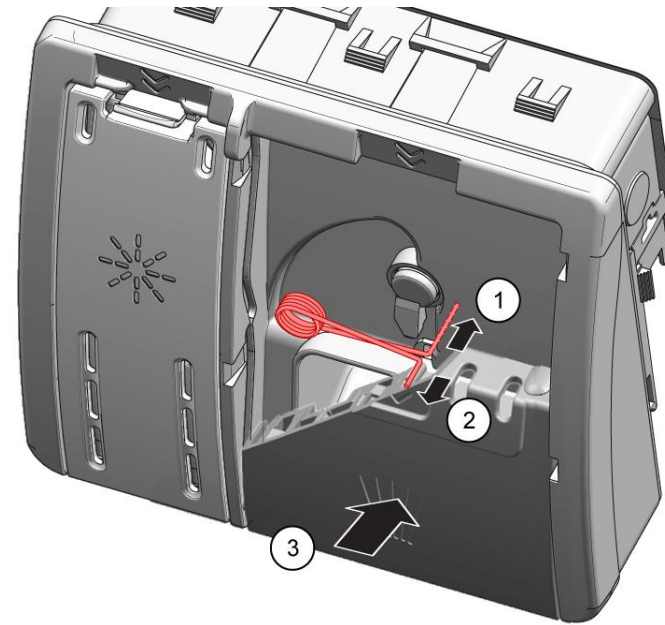
Detergent cover has been opened.

### 4.9.1 Remove the detergent cover

- Slide the detergent cover inwards 5 mm.
- Use a lever to remove the detergent cover from the underside of the guide rails and remove the detergent cover from the upper side of the guide rails.
- Remove the spring.

### 4.9.2 Insert the spring

- Insert the long end of the spring into the mounting hole of the dispenser device (1).
- Insert the short edge of the spring into the mounting hole of the detergent cover (2).
- Press the cover onto the dispenser (3).



### 4.9.3 Install the detergent cover

- Insert the detergent cover into the guide rails on one side, to 5 mm before the fully open position. Gently applying force, press the opposite side of the guide rails.
- Check the operation of the detergent cover.

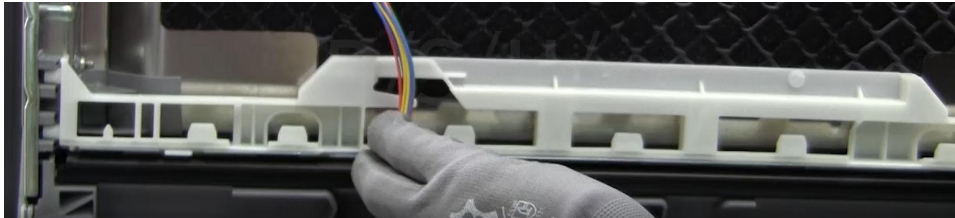
## 4.10 Replace the lower door seal

### Prerequisite:

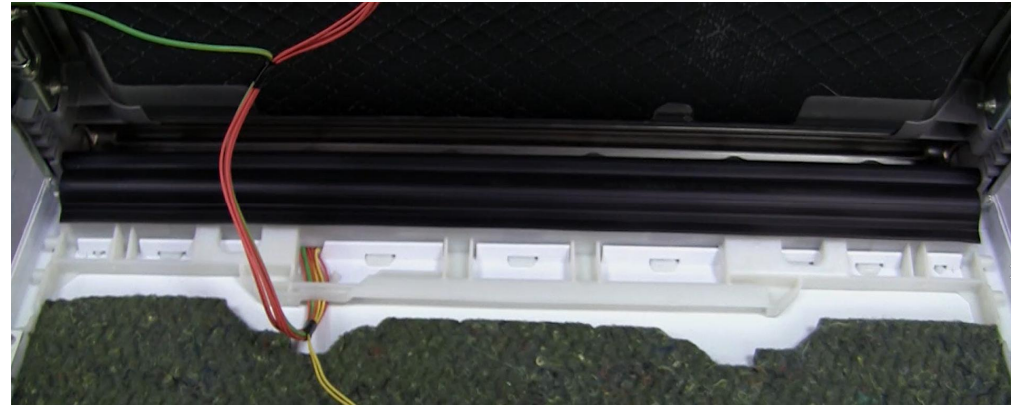
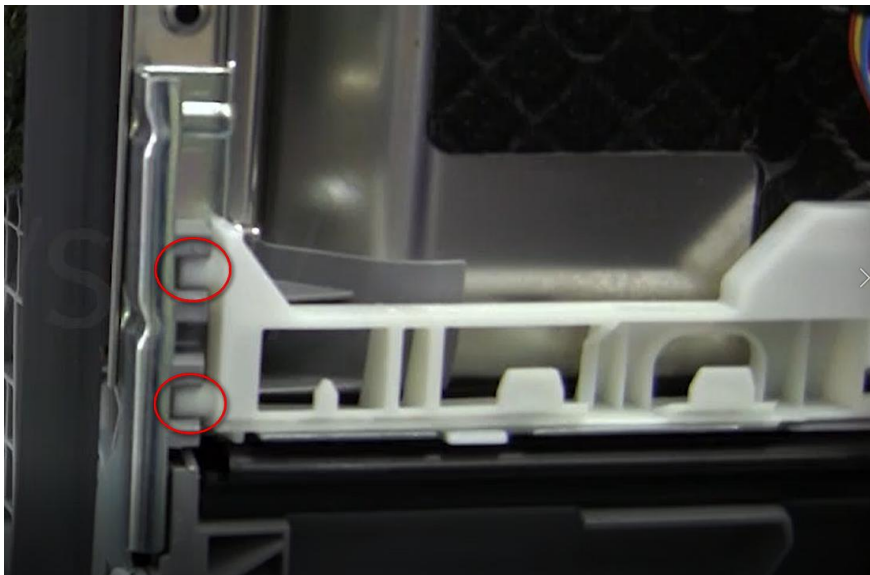
Outer door is disassembled.

### 4.10.1 Remove the lower door seal

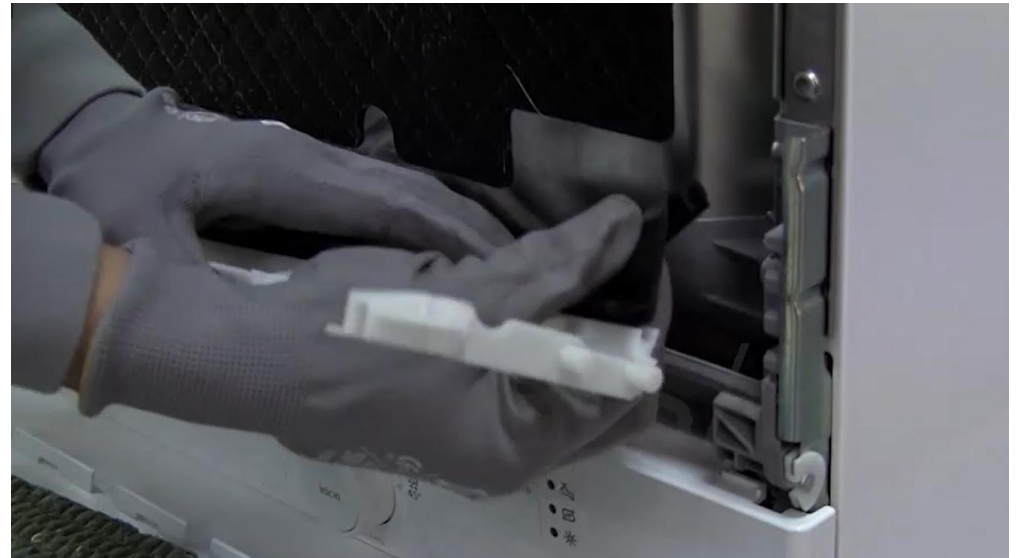
Remove the cable harness from the white bracket guide.



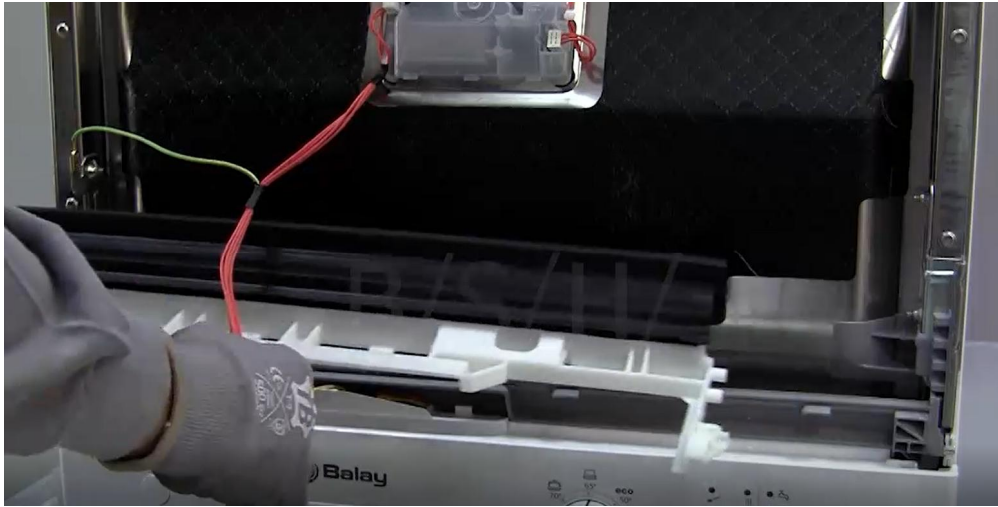
Remove it from its lower attachment position.



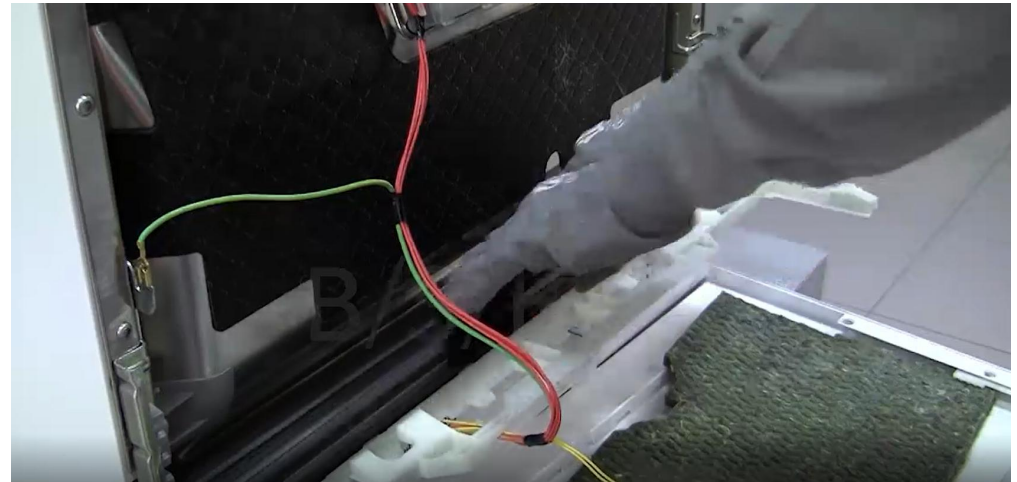
Pull it upwards to detach from the base.







Use your hands to press the lower seal onto the whole base to fit it firmly in position.

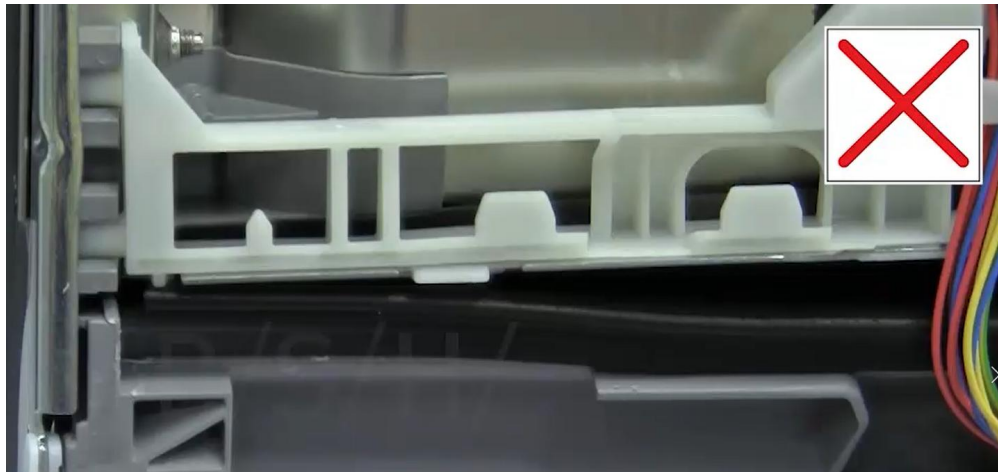
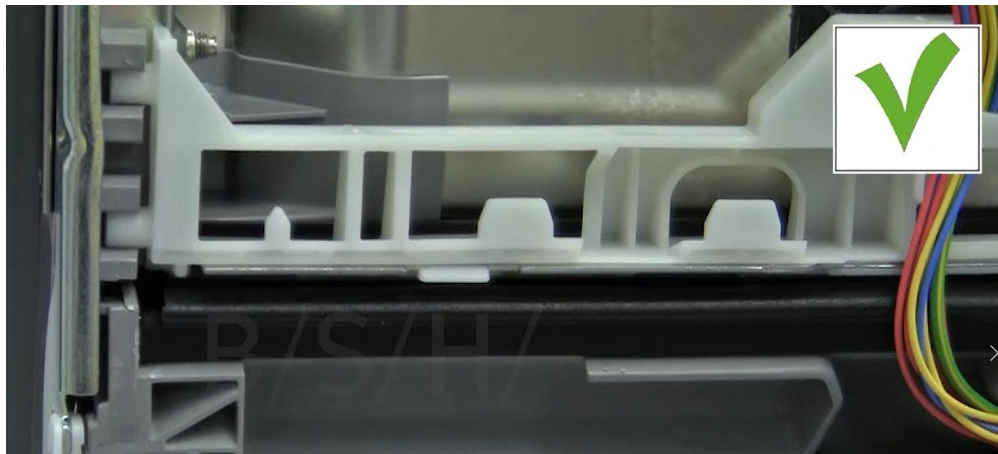


#### 4.10.2 Install the lower door seal

Position the cable harness.



Check that the seal is flush with the lower base.



## 4.11 Replace the door seal

### Prerequisite

Appliance is disconnected from the mains.

Appliance is disconnected from water supply.

### 4.11.1 Remove the door seal

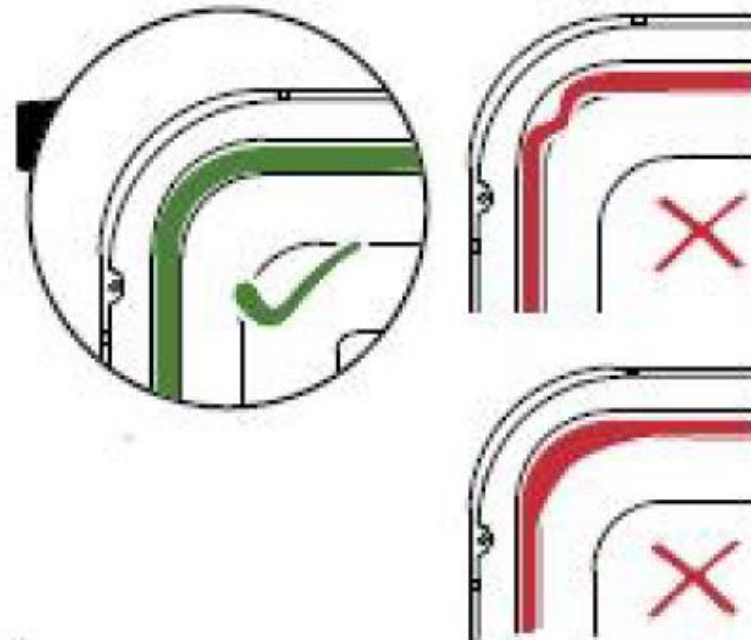
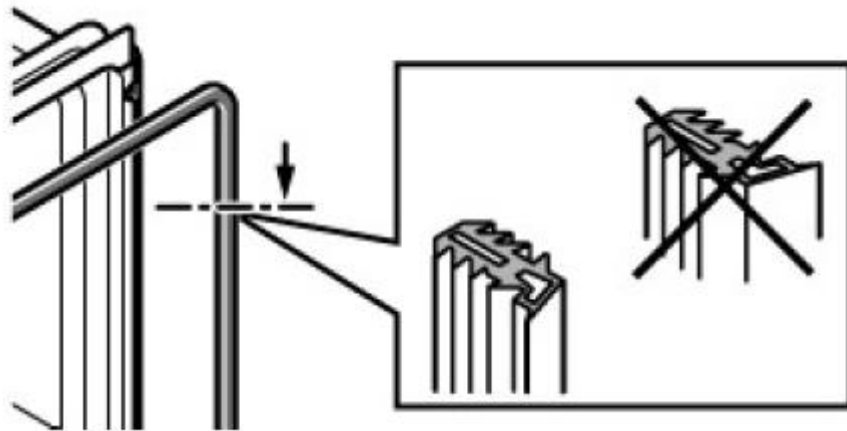
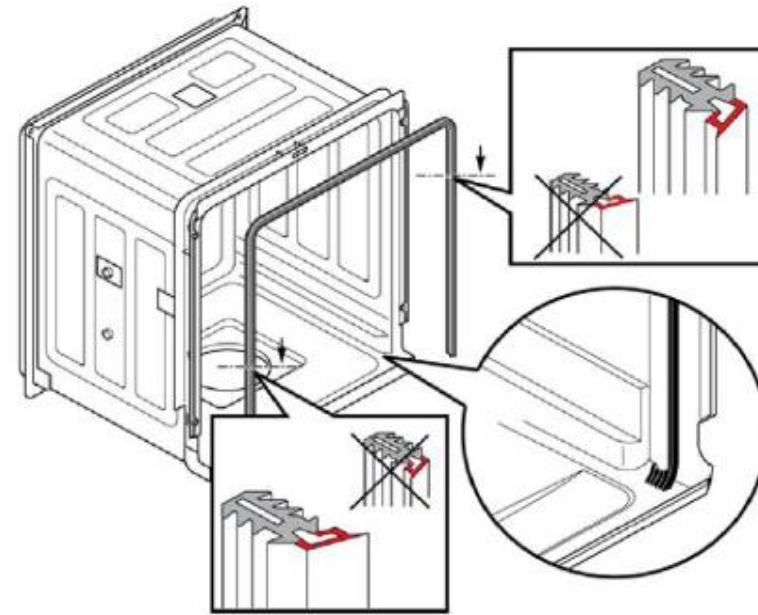
Remove the seal from the inner frame.

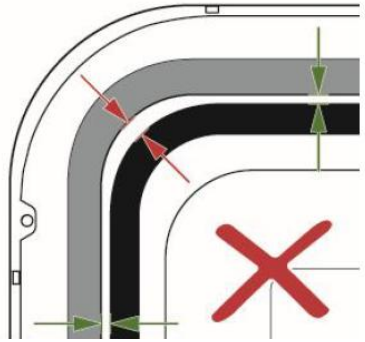
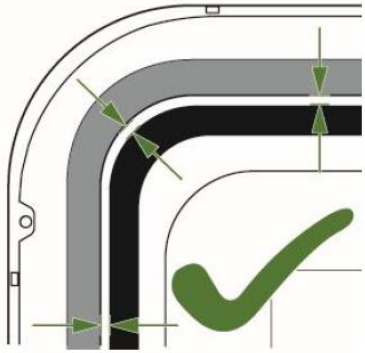
### 4.11.2 Install the door seal

Make sure that the profile of the door seal is in the correct position.

Make sure that the corners are not bent or twisted.

Place the end of the seal straight forwards, below the inner door. The seal should rest on the side of the tub as much as possible.





## 4.12 Replace the lower cover

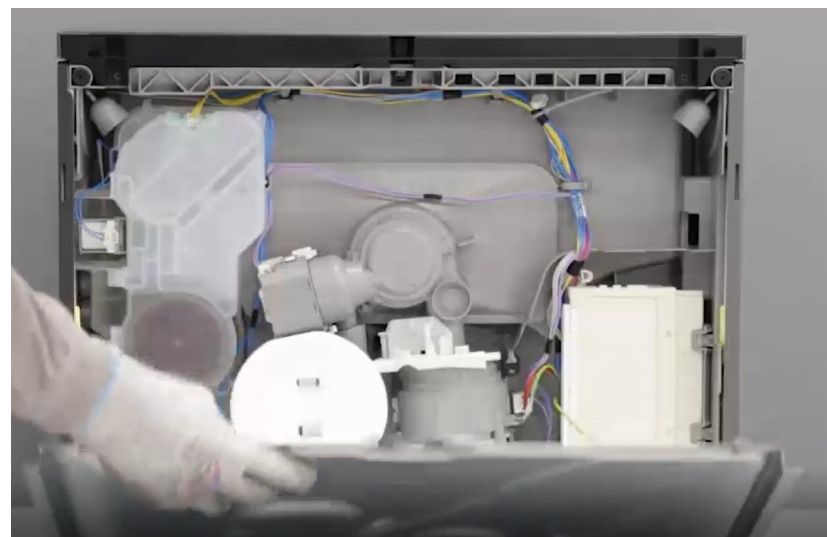
### Prerequisite

Appliance is disconnected from the mains.

Appliance is disconnected from water supply.

### 4.12.1 Remove the lower cover

- 1 Unscrew the two torx 20 retaining screws.
- 2 Pull from the lower hole until it is free from the fixing pin.  
Use a slotted screwdriver to detach on both sides.
- 3 Detach the earth wire.





#### 4.12.2 Assembly

---

- 1 Position the lower part of the base by inserting the protruding edges into the grooves in the tub's plastic base.
- 2 Install the earth wire in the base.
- 3 Screw in the two retaining screws.



## 4.13 Replace door springs

### Prerequisite

Appliance is disconnected from the mains.

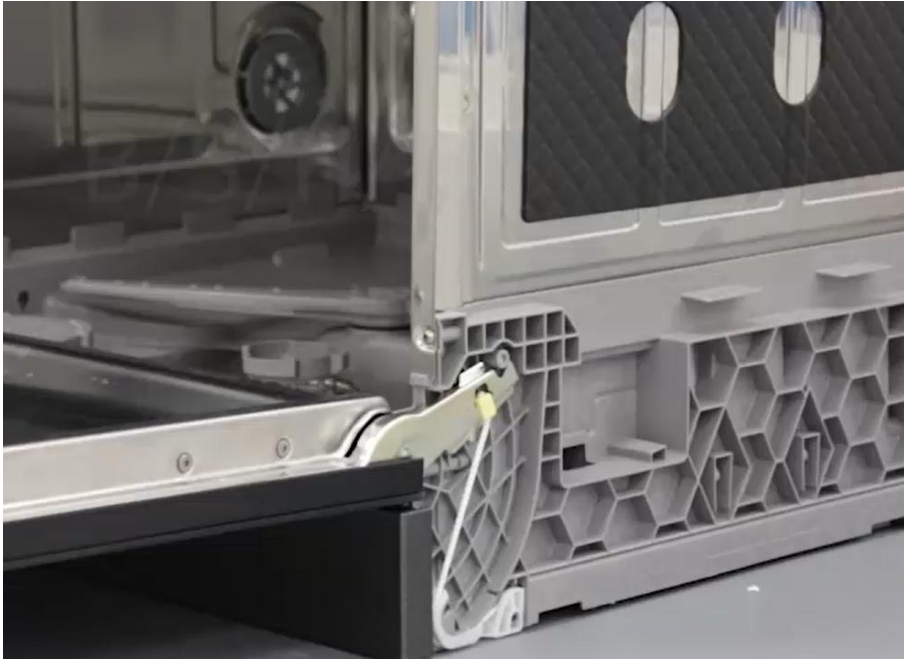
Appliance is disconnected from water supply.

Lower base plate removed.

### 4.13.1 Disassembly

1. Rest the rope's plastic holder on the protruding edge of the plastic base.
2. Use a screwdriver to detach the rope from the hinge.
3. When the rope is detached, the spring can be removed.





### 4.13.2 Assembly

---

Assemble in reverse order.



#### Holder

The rope holder is automatically released from its position when the door is closed.



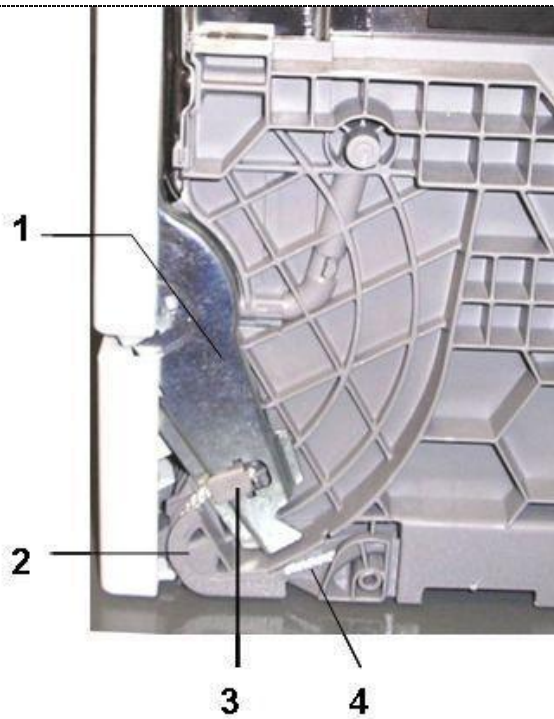
### 4.13.3 Door hinge springs

The appliance has two springs that control the opening and closing force of the dishwasher's door. They are on either side of the appliance.

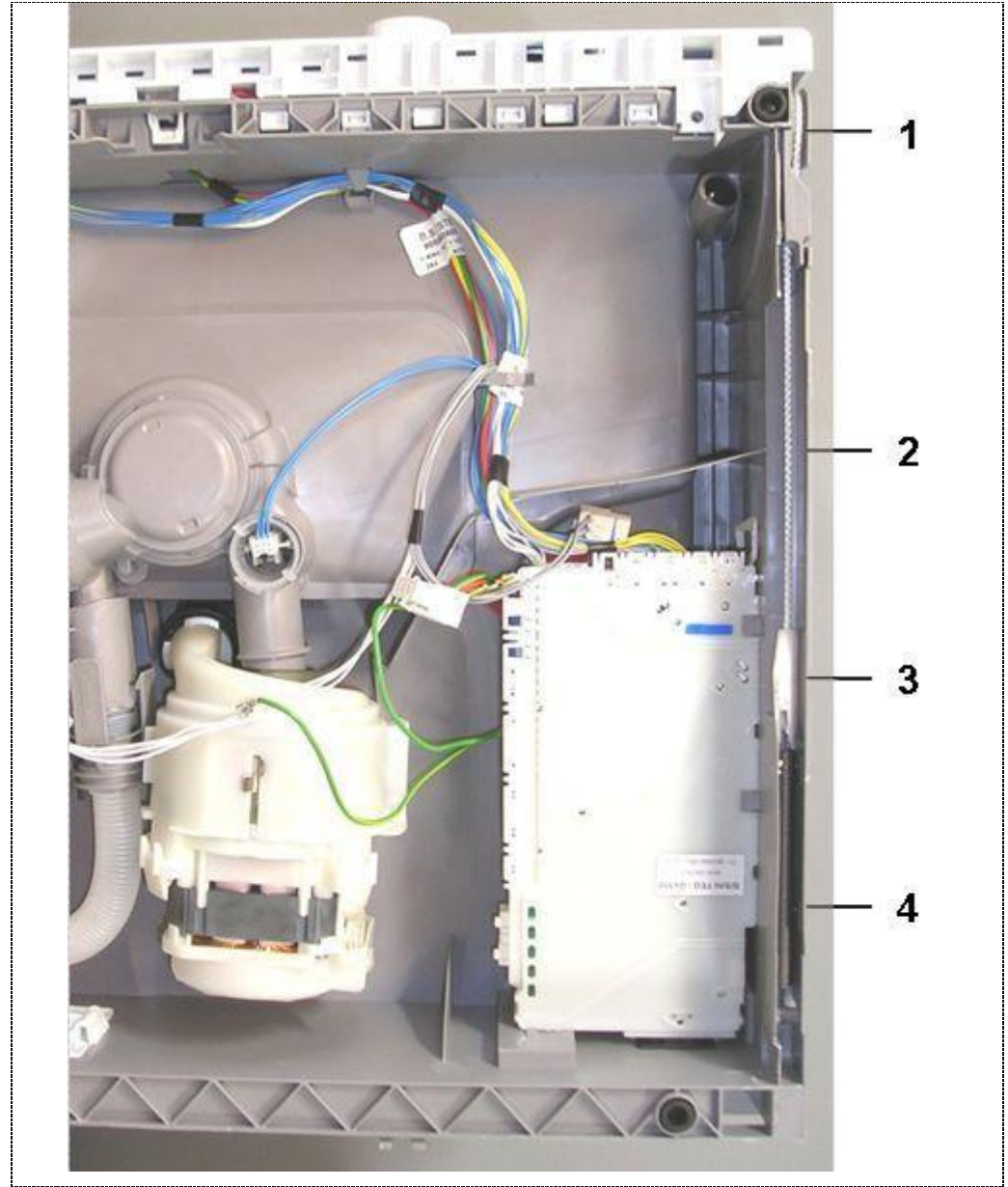
The spring tension is transmitted via a rope to the hinge, through a plastic tensioner.

The spring's tension force cannot be adjusted.

The spring and transmission system automatically adapt to the door weight.



1	Hinge	3	Rope attachment piece
2	Sheave	4	Rope



1	Sheave	3	Plastic holder
2	Rope	4	Tension spring

## 4.14 Replace hinge

### Prerequisites:

Appliance is disconnected from the mains.

Appliance is disconnected from water supply.

Remove the outer and inner doors.

Remove the lower base.

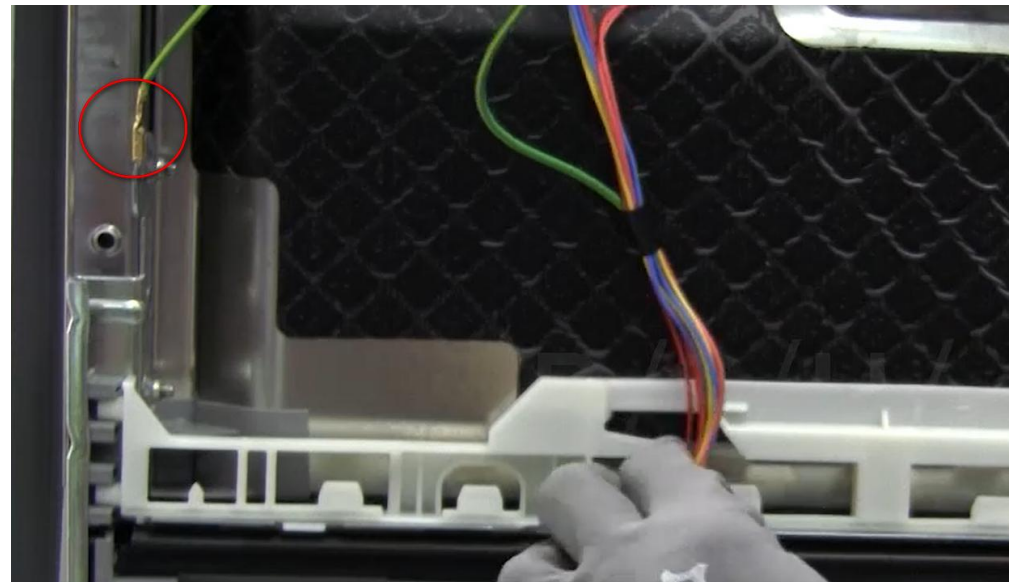
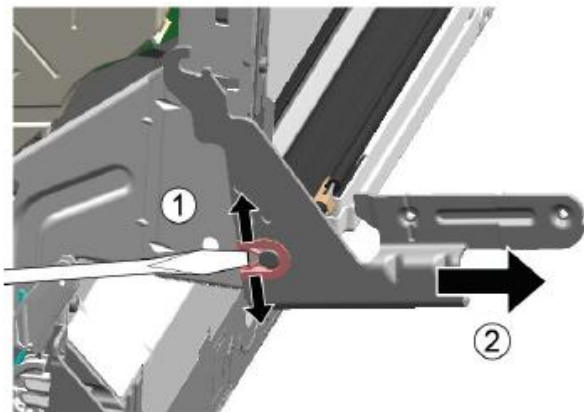
Detach the cabinets.

### 4.14.1 Remove the hinge

Use a screwdriver (1) to release the latch.

Pull outwards (2).

Disconnect the earthing connection from the hinge.



#### 4.14.2 Install the hinge



#### DANGER

##### Electric shock hazard due to live parts

Risk of injury from electrocution and response to shock.

- ▶ Electrical components should be repaired by a qualified electrician.
- ▶ After the repair, ensure that a safety test is performed in accordance with standard VDE 0701 or the country's specific standards.

Position the hinge on the appliance (1).

Move the hinge downwards (2) until it fits onto the appliance.

Connect the hinge's earth wire.



A missing earthing connection can lead to voltage at the door.

