

**Gaggenau**

Use and care manual

Notice d'utilisation

Manual de instrucciones

# **AL 400 722/792**

Backsplash ventilation

Hotte de plan de travail

Extractor de superficie

---

<b>Table of Contents</b>	<b>3</b>
--------------------------	----------

---

---

<b>Table des Matières</b>	<b>17</b>
---------------------------	-----------

---

---

<b>Contenido</b>	<b>31</b>
------------------	-----------

---

---

## Table of Contents

---

<b>▲ Safety Definitions</b>	<b>4</b>
<b>IMPORTANT SAFETY INSTRUCTIONS</b>	<b>5</b>
General notes	5
Fire Safety	5
Burn Prevention	6
Child Safety	6
Cleaning Safety	6
Safe use	7
Proper Installation and Maintenance	7
Proposition 65 Warning:	7
<b>Causes for damages</b>	<b>8</b>
<b>Protecting the environment</b>	<b>8</b>
<b>Operating modes</b>	<b>9</b>
Air extraction	9
Recirculation	9
<b>Getting to know the appliance</b>	<b>9</b>
Control panel	9
Installation accessories	10
<b>Operating the appliance</b>	<b>10</b>
Extending/retracting the appliance	10
Turn on the fan	11
Intense level	11
Run-on function	11
Interval ventilation	11
Lighting	11
Saturation notification	12
Safety shut-off	12
<b>Cleaning and maintenance</b>	<b>12</b>
Removing and installing the metal grease filter	13
<b>Faults – what to do?</b>	<b>15</b>
<b>Customer service</b>	<b>16</b>

Additional information on products, accessories, replacement parts and services can be found at [www.gaggenau.com](http://www.gaggenau.com) and in the online shop [www.gaggenau.com/zz/store](http://www.gaggenau.com/zz/store)

---

## Safety Definitions

---

---

### WARNING

This indicates that death or serious injuries may occur as a result of non-observance of this warning.

---

---

### CAUTION

This indicates that minor or moderate injuries may occur as a result of non-observance of this warning.

---

**NOTICE:** This indicates that damage to the appliance or property may occur as a result of non-compliance with this advisory.

**Note:** This alerts you to important information and/or tips.

# **IMPORTANT SAFETY INSTRUCTIONS**

## READ AND SAVE THESE INSTRUCTIONS

---

### **WARNING**

When properly cared for, your new appliance has been designed to be safe and reliable. Read all instructions carefully before use. These precautions will reduce the risk of burns, electric shock, fire, and injury to persons. When using kitchen appliances, basic safety precautions must be followed, including those in the following pages.

---

### **General notes**

Examine the appliance after unpacking it. In the event of transport damage, do not plug it in.

### **Fire Safety**

Always have a working smoke detector near the kitchen.

---

### **WARNING**

**TO REDUCE THE RISK OF A RANGE TOP GREASE FIRE:**

- a) Never leave surface units unattended at high settings. Boilovers cause smoking and greasy spillovers that may ignite. Heat oils slowly on low or medium settings.
- b) Always turn hood ON when cooking at high heat.
- c) Clean ventilating fans frequently. Grease should not be allowed to accumulate on fan or filter.
- d) Use proper pan size. Always use cookware appropriate for the size of the surface element.

Do not flambé under the extractor hood or work with a naked flame. When switched on, the extractor hood draws flames into the filter. There is a risk of fire due to deposits on the grease filter!

---

---

### **CAUTION**

For general ventilating use only. Do not use to exhaust hazardous or explosive materials and vapors.

---

Do not operate any fan with a damaged cord or plug. Discard fan or return to an authorized service facility for examination and/or repair.

Do not run cord under carpeting. Do not cover cord with throw rugs, runners, or similar coverings. Do not route cord under furniture or appliances. Arrange cord away from traffic area and where it will not be tripped over.

In the event that personal clothing or hair catches fire, drop and roll immediately to extinguish flames.

Smother flames from food fires other than grease fires with baking soda. Never use water on cooking fires.

---

### **WARNING**

**TO REDUCE THE RISK OF INJURY TO PERSONS IN THE EVENT OF A RANGE TOP GREASE FIRE, OBSERVE THE FOLLOWING:**

- **SMOTHER FLAMES** with a close-fitting lid, cookie sheet, or metal tray, then turn off the burner. **BE CAREFUL TO PREVENT BURNS.** If the flames do not go out immediately, **EVACUATE AND CALL THE FIRE DEPARTMENT.**
  - **NEVER PICK UP A FLAMING PAN** – You may be burned.
  - **DO NOT USE WATER**, including wet dishcloths or towels – a violent steam explosion will result.
  - Use an extinguisher **ONLY** if:
    - You know you have a Class ABC extinguisher, and you already know how to operate it.
    - The fire is small and contained in the area where it started.
    - The fire department is being called.
    - You can fight the fire with your back to an exit.
- 

Have an appropriate fire extinguisher available, nearby, highly visible and easily accessible near the appliance.

Whenever possible, do not operate the ventilation system during a cooktop fire. However, do not reach through fire to turn it off.

---

### **WARNING**

#### **Risk of fire**

Grease deposits in the grease filter can ignite.

**Clean the grease filter at least every two months.**

Never operate the appliance without the grease filter.

---

---

### **WARNING**

#### **Risk of fire**

Grease deposits in the grease filter can catch fire.

Never work with a naked flame near the appliance (e.g. flambéing). Install the unit near a heat-producing appliance for solid fuels (e.g. wood or coal) only if there is a closed, non-detachable cover. There must be no flying sparks.

---



# IMPORTANT SAFETY INSTRUCTIONS

READ AND SAVE THESE INSTRUCTIONS

---

## WARNING

---

### Risk of fire

When gas burners are in operation without any cookware placed on them, they can build up a lot of heat. A ventilation appliance installed above the cooker may become damaged or catch fire. Only operate the gas burners with cookware on them.

---

---

## WARNING

---

### Risk of fire

During simultaneous use of multiple gas burners, a great deal of heat is created. A ventilation device located above it can become damaged or catch fire. Never use two gas burners together at maximum heat for longer than 15 minutes. One large burner with over 17,000 BTU/hr (5 kW) (wok) is equal to the wattage of two gas burners.

---

---

## WARNING

---

### Risk of fire

Operating several gas burners at the same time gives rise to a great deal of heat. The ventilation appliance may become damaged or catch fire. The ventilation appliance must only be combined with gas burners that do not exceed the maximum total output of 61,000 BTU/hr (18 kW). If 41,000 BTU/hr (12 kW) is exceeded, the local regulations concerning room ventilation, room size, and combination with ventilation devices in exhaust and recirculating operation must be followed.

---

---

## WARNING

---

### Risk of fire

Hot oil and fat catch fire fast. Never leave hot oil and fat unsupervised. Never extinguish a fire with water. Switch off the cooking position. Suffocate flames carefully with a lid, a fire blanket or similar.

---

## Burn Prevention

---

---

## WARNING

---

### Risk of burns

The accessible parts get hot during operation. Never touch hot parts. Keep children away.

---

## Child Safety

When children become old enough to use the appliance, it is the responsibility of the parents or legal guardians to ensure that they are instructed in safe practices by qualified persons.

Remove all tape and packaging before using the appliance. Destroy the packaging after unpacking the appliance. Never allow children to play with packaging material.

Do not allow anyone to climb, stand, lean, sit, or hang on any part of an appliance, especially a door, warming drawer, or storage drawer. This can damage the appliance, and the unit may tip over, potentially causing severe injury.

Do not allow children to use this appliance unless closely supervised by an adult. Children and pets should not be left alone or unattended in the area where the appliance is in use. They should never be allowed to play in its vicinity, whether or not the appliance is in use.

---

## CAUTION

---

Items of interest to children should not be stored in an appliance, in cabinets above an appliance or on the backsplash. Children climbing on an appliance to reach items could be seriously injured.

---

## Cleaning Safety

---

---

## WARNING

---

Be sure the entire appliance (including the grease filters and light bulbs, if applicable) has cooled and grease has solidified before attempting to clean any part of the appliance.

---

Do not use steam cleaners to clean the appliance.

# **IMPORTANT SAFETY INSTRUCTIONS**

## READ AND SAVE THESE INSTRUCTIONS

### Safe use

---

#### WARNING

Do not repair, replace or remove any part of the appliance unless specifically recommended in the manuals. Improper installation, service or maintenance can cause injury or property damage. Refer to this manual for guidance. All other servicing should be done by an authorized servicer.

---

---

#### WARNING

##### Risk of injury

Items placed on the appliance may fall down. Do not place any objects on the appliance.

---

### Proper Installation and Maintenance

Have the installer show you the location of the circuit breaker or fuse. Mark it for easy reference.

This appliance must be properly installed and grounded by a qualified technician. Connect only to properly grounded outlet. Refer to Installation Instructions for details.

This appliance is intended for normal family household use only. It is not approved for outdoor use. See the Statement of Limited Product Warranty. If you have any questions, contact the manufacturer.

Do not store or use corrosive chemicals, vapors, flammables or nonfood products in or near this appliance. It is specifically designed for use when heating or cooking food. The use of corrosive chemicals in heating or cleaning will damage the appliance and could result in injury.

Do not operate this appliance if it is not working properly, or if it has been damaged. Contact an authorized servicer.

Do not repair or replace any part of the appliance unless specifically recommended in this manual. Refer all servicing to a factory authorized service center.

---

#### CAUTION

Grease left on filters can remelt and move into the vent.

---

Hidden surfaces may have sharp edges. Use caution when reaching behind or under appliance.

---

#### WARNING

When the hood is operated in exhaust-air mode simultaneously with a different burner which also makes use of the same chimney (such as gas, oil or coal-fired heaters, continuous-flow heaters, hot-water boilers) care must be taken to ensure that there is an adequate supply of fresh air which will be needed by the burner for combustion.

Safe operation is possible provided that the under pressure in the room where the burner is installed does not exceed 4 Pa (0.04 mbar).

This can be achieved if combustion air can flow through non-lockable openings, e.g. in doors, windows and via the air-intake/exhaust-air wall box or by other technical measures, such as reciprocal interlocking, etc.

---

---

#### WARNING

Avoid carbon monoxide poisoning – Provide adequate air intake so combustion gases are not drawn back into the room.

An air-intake/exhaust-air wall box by itself is no guarantee that the limiting value will not be exceeded.

**Note:** When assessing the overall requirement, the combined ventilation system for the entire household must be taken into consideration. This rule does not apply to the use of cooking appliances, such as cooktops and ovens.

---

### Proposition 65 Warning:

This product may contain a chemical known to the State of California, which can cause cancer or reproductive harm. Therefore, the packaging of your product may bear the following label as required by California:

**STATE OF CALIFORNIA PROPOSITION 65 WARNING:**

 **WARNING**

Cancer and Reproductive Harm - [www.P65Warnings.ca.gov](http://www.P65Warnings.ca.gov)

---

## Causes for damages

---

---

### CAUTION

---

Risk of damage due to corrosion. Always turn appliance on when cooking to avoid condensation buildup. Condensation can lead to corrosion damages.

---

Risk of damage due to ingress of humidity into the electronic circuitry. Never clean operator controls with a wet cloth.

Surface damage due to incorrect cleaning. Clean stainless steel surfaces in the grind direction only. Do not use any stainless steel cleaners for operator controls.

Surface damage due to strong or abrasive cleaning agents. Never use strong and abrasive cleaning agents.

Objects set down on the appliance can damage the appliance and adjacent stove top. Do not set any objects on the moving parts of the appliance.

---

## Protecting the environment

---

Unpack the appliance and dispose of the packaging in an environmentally friendly manner.



## Operating modes

You can use this appliance in the air extraction or the recirculation mode.

### Air extraction



The air sucked in is cleaned by the grease filters and is routed outdoors through a pipe system.

**Note:** The extracted air must neither be discharged into an operating smoke or waste gas chimney nor into a shaft that serves to ventilate rooms where heat-producing appliances are installed.

- The local chimney sweep's consent must be obtained if the exhaust air is to be routed to a smoke or waste gas chimney that is not in operation.
- A telescopic wall duct should be used if the exhaust air is routed through the outside wall.

### Recirculation



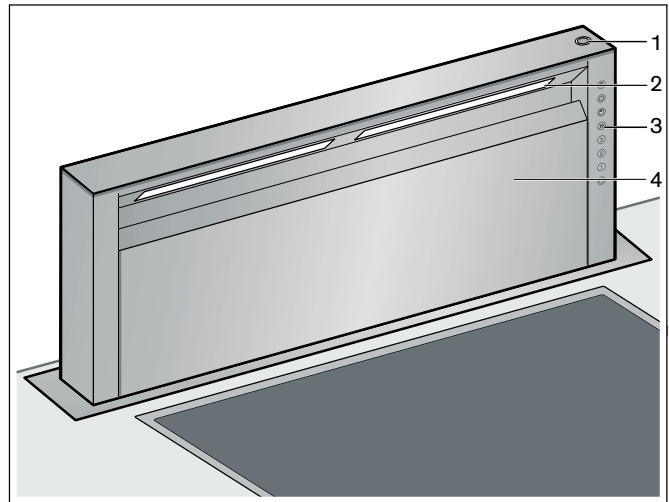
The aspirated air is cleaned by the grease filters and an activated charcoal filter and is returned to the kitchen.

**Note:** You must install an activated charcoal filter to bind odors in the recirculation mode. Refer to the manual or ask your specialist dealer for details of the various options for operating the appliance in the recirculation mode. You can obtain the necessary accessories from specialist dealers, from our after-sales service or in the online shop.

When used in recirculation mode, to reduce the Risk of Fire and Shock use only conversion kit Model AA413722. Please refer to the section "Accessories" in this manual.

## Getting to know the appliance

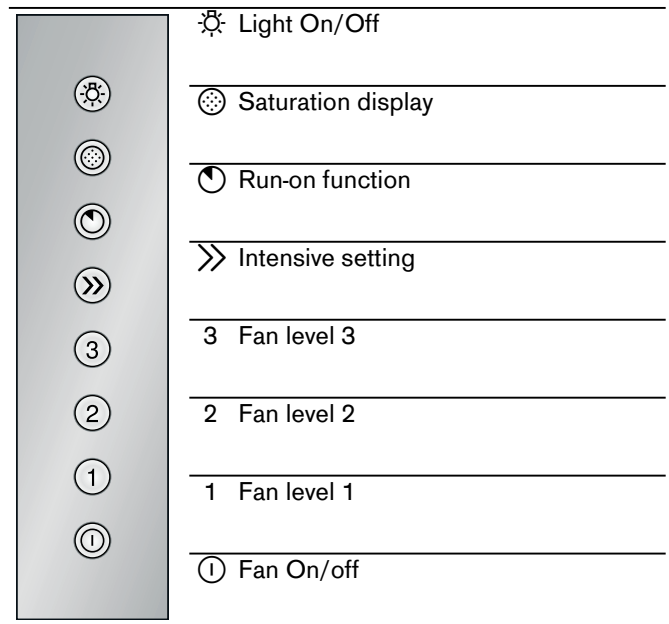
Here you can get to know your new appliance and get information about accessories.



- |   |                             |
|---|-----------------------------|
| 1 | Retract/extend the switches |
| 2 | Lighting                    |
| 3 | Control panel               |
| 4 | Filter cover                |

### Control panel

All function buttons are highlighted when they are in an active state. The indicator lamp of the "saturation display" blinks.



## Installation accessories

AA 413 722	Recirculation kit
AA 010 410	Air exhaust grill circulating air 3 9/16" (90 mm)
AD 754 045	Connecting studs for aluminum flex pipe 2x NW 5 15/16" (150 mm) round

---

## Operating the appliance

---

This appliance only functions when it is completely extended.

**Note:** Turn the extractor hood on when you start cooking and switch it off again a few minutes after you have finished cooking. This is the most effective way to eliminate cooking vapor.

## Extending/retracting the appliance

---

**⚠ WARNING**

**Risk of injury**

Risk of crushing when extending and retracting the appliance. Never reach into the movement area of the appliance when extending or retracting. Keep children at a safe distance.

---

---

**⚠ WARNING**

**Risk of injury**

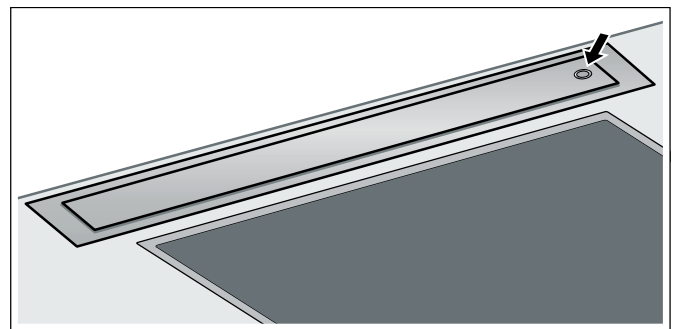
Cookware set down within the movement area of the appliance can fall over. Hot liquids that pour out can cause injury. Do not set down any cookware within the movement area of the appliance.

---

**Note:** When extending and retracting the appliance, noises can occur. These depend on the construction and do not affect the function of the appliance.

### Extending the appliance

- 1 Remove any objects from the area of movement of the appliance.
- 2 Press the button on the top of the appliance. The appliance extends fully.

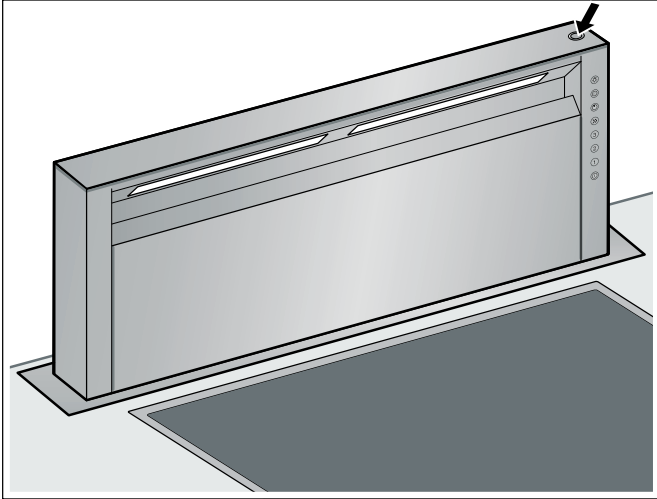


### Retracting the appliance

The filter cover must be closed completely.

- 1 Remove any objects from the area of movement of the appliance.

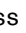
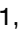
- Press the button on the top of the appliance.  
The appliance retracts fully. The light and fan are automatically switched off.



## Turn on the fan

### Switching on

For extraction there are three ventilator speeds and an Intensive setting available.

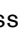

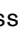
- Press the  button to switch on the appliance.  
The fan starts in setting 2.
- With the buttons 1, 2, 3 or , set the fan speed according to the cooking situation.

### Switching off

Use the  button to switch the appliance off.

## Intense level



For especially strong odor or vapor, use the intense level.

- Press the  button.  
The fan starts in setting 2.
- Press the  button.  
The intensive mode is activated.  
**Note:** The run time of the intensive mode is 6 minutes. Once this time has elapsed, the appliance switches back to the previously selected fan setting.
- Press the  button, or the button for another fan level.  
The intensive mode ends.


## Run-on function

### Switching on

You can activate the fan run-on function for every fan level.

- Select fan level 1, 2, 3 or .
- Press the  button.  
The run-on time for all fan levels is 6 minutes. Once this time has elapsed, the fan switches off automatically. If the lighting is switched on, it remains on once the run-on time has elapsed.

### Switching off



Press the  button, or the button for another fan level.

The fan run-on function ends before the end of the remaining run-on time.

## Interval ventilation

### Switching on

With interval ventilation, the ventilation switches on automatically for 6 minutes every hour.

- Press fan level 1, 2 or 3.
- Press the  button twice.  
The  button and the button for the fan level selected flash alternately. The interval ventilation is switched on.


### Switching off

Press the  button.


The interval ventilation is switched off.

## Lighting


The lighting can be switched on and off independently of the ventilation.


Press the  button.

### Setting the brightness

Press and hold the  button until the desired brightness is reached.

## Saturation notification

After 30 hours of operation, the saturation display  of the grease filter blinks.

- At the latest now the metal mesh grease filter should be cleaned. For instructions on how to clean the metal mesh grease filter, please see the chapter about **Cleaning and maintenance**.
- While the saturation display is blinking, it can be reset with the  button.

## Safety shut-off

For your protection, the appliance is equipped with a safety shut-off. The lighting switches off after 12 hours and the fan after 4 hours if the appliance is not operated during this time.

---

## Cleaning and maintenance

---

---

### WARNING

#### **Risk of burns**

The appliance grows hot during operation. Let appliance cool down prior to cleaning.

---

---

### WARNING

#### **Risk of electric shock**

Penetrating damp can cause electric shock. Only clean appliance with a damp cloth. Prior to cleaning, pull the plug or flip the breaker in the fusebox.

---

---

### WARNING

#### **Risk of electrical shock**

Moisture entering the appliance can cause an electrical shock. Don't use a high-pressure cleaner or steam cleaner.

---

---

### WARNING

#### **Risk of injury**

Components inside the appliance may have sharp edges. Wear protective gloves.

---

## Cleaning agents

To ensure that the different surfaces are not damaged by using the wrong cleaning agent, follow the information in the table. Do not use:

- Harsh or abrasive cleaning agents,
- Cleaning agents with a high alcohol content,
- Hard scouring pads or cleaning sponges,
- High-pressure cleaners or steam cleaners.

Wash new sponge cloths thoroughly before use.

Follow all instructions and warnings included with the cleaning agents.

Area	Cleaning agent
Stainless steel	Hot soapy water: Clean with a dishcloth and then dry with a soft cloth.  Clean stainless steel surfaces in the grind direction only.  Special stainless steel cleaning products are available from customer service or from specialist retailers. Apply a very thin layer of the cleaning product with a soft cloth.
Painted surfaces	Hot soapy water: Clean using a damp dishcloth and dry with a soft cloth/towel.  Do not use any stainless steel cleaners.
Aluminum and plastic	Glass cleaner: Clean with a soft cloth.
Glass	Glass cleaner: Clean with a soft cloth. Do not use a glass scraper.
Operating controls	Hot soapy water: Clean using a damp dishcloth and dry with a soft cloth/towel.  Risk of electric shock from penetrating moisture.  Risk of damage to the electronics from penetrating moisture. Never clean operating controls with a wet cloth.  Do not use any stainless steel cleaners.

## Cleaning the metal grease filter

These instructions apply to several appliance models. It is possible that individual features are described that do not apply to your appliance.

### **⚠ WARNING**

#### **Risk of fire**

Grease deposits in the grease filter can ignite. **Clean the grease filter at least every two months.** Never operate the appliance without the grease filter.

### Notes

- Do not use any aggressive, acidic or alkaline cleaning agents.
- When cleaning the metal grease filters, also clean the metal grease filter holder in the appliance with a moist cloth.
- You can clean the metal grease filters in a dishwasher or by hand.

### By hand:

**Note:** You can use a special grease solvent if soiling is stubborn. You can order it via the online shop.

- Soak the metal grease filters in hot soapy solution.
- Use a brush for cleaning and then rinse the filters well.
- Allow the metal grease filters to drip dry.

### In the dishwasher:

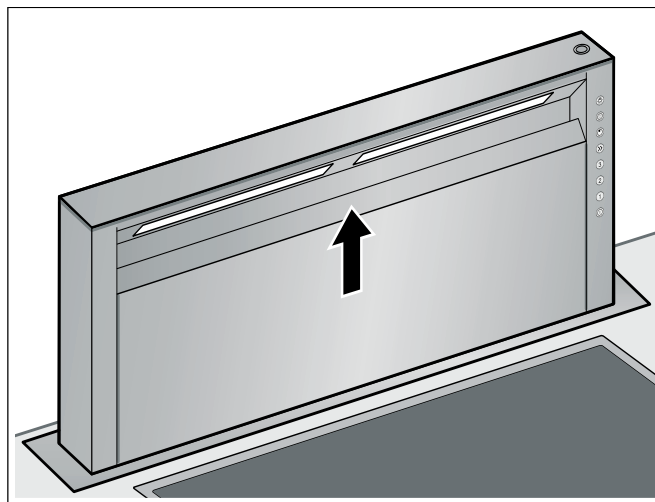
**Note:** Slight discoloration is possible when cleaning the grease filters in the dishwasher. This does not affect the metal grease filter's functioning.

- Do not clean extremely dirty metal grease filters with dishes.
- Loosely position the metal grease filter in the dishwasher. The metal grease filters must not be jammed in.

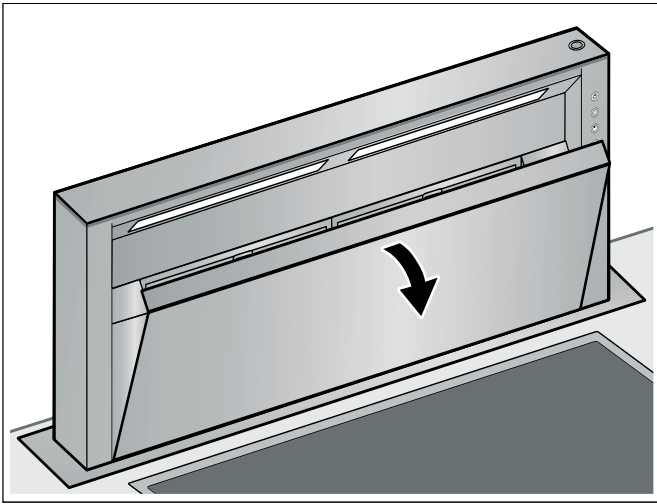
## Removing and installing the metal grease filter

### Open the filter cover

- 1 Grip filter cover in the middle and pull upward.



- 2 Fold the filter cover forward.

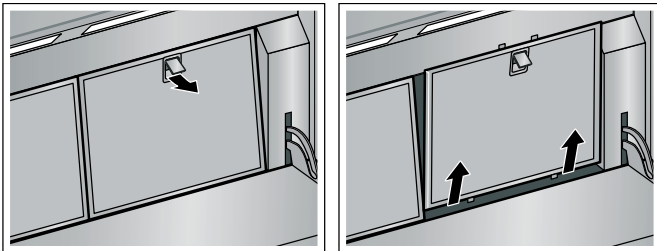


### Uninstalling metal grease filter

- 1 Open the lock and fold the metal mesh grease filter forward.
- 2 Take metal mesh grease filter out of the holder.

#### Notes

- Grease can accumulate in the bottom of the metal mesh grease filter.
- Do not hold metal mesh grease filter at an angle, otherwise grease will drip out.

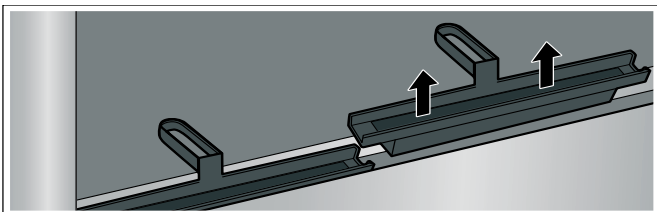


- 3 Clean the metal mesh grease filter.

### Clean the grease troughs



For better cleaning, it is possible to remove the grease troughs. The grease troughs can be cleaned in the dishwasher.

- 1 Remove the grease troughs.



- 2 Clean the grease troughs.
- 3 Insert the grease troughs again.

### Installing metal grease filter

- 1 Insert metal mesh grease filter.
- 2 Fold metal mesh grease filter back in and snap the lock in.
- 3 Reset the saturation display by pressing the  button.  
The saturation display  goes out.

### Close the filter cover

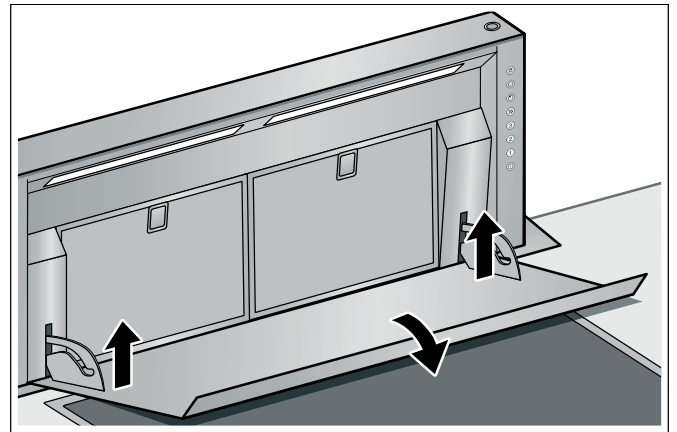
Grip filter cover in the middle and fold up.

The filter cover snaps in.

### Clean the filter cover

For better cleaning, you can remove the filter cover.

- 1 Open the filter cover.
- 2 Grip the filter cover on the side with both hands.
- 3 Lift up the rear portion to the stop and pull the filter cover forward.



The filter cover can be pulled using the bolts of the holder.

- 4 Clean the filter cover

### Hook in the filter cover

- 1 Grip the filter cover on the side with both hands.
- 2 Push the filter cover onto the bolts of the holder and lift up in the front until it snaps in.

---

## Faults – what to do?

---

You can often easily eliminate problems that may occur on your own. Before calling customer service, take into account the following information.

---

**⚠ WARNING**

**Risk of electric shock**

Improper repairs are dangerous. Only an authorized servicer may perform repairs and may replace damaged plug and connections. Remove the power plug or turn off the circuit breaker or fuse in the fuse box if the appliance is damaged or not working. Call Customer Service.

---

**LED lights**

Defective LED lights may be replaced by the manufacturer, his customer service or a qualified technician (electrician) only.

---


**⚠ WARNING**

**Risk of injury**

The light emitted by LED lights is very dazzling, and can damage the eyes (risk group 1). Do not look directly into the switched on LED lights for longer than 100 seconds.

---

## Troubleshooting table

Disruption	Possible cause	Solution
Appliance is not working	Plug is not plugged in	Connect the appliance to the mains
	Power outage	Check whether other kitchen appliances are working
	Fuse defective	Check in the fuse box whether the fuse for the appliance is in working order
Appliance does not retract.	Filter cover not closed.	Close filter cover completely.
The button illumination does not work.	The control unit is faulty.	Call customer service.
The lighting does not work.	The LED lights are defective.	Call Customer Support.
The  button flashes.	The filter is soiled.	Clean the filter, see the chapter about <i>Cleaning and maintenance</i> .
The appliance does not work, all buttons flash	The network cable plug is not plugged in	Check network cable connection for all appliances
	The fuse is faulty	Check in the fuse box to make sure that the fuses for all appliances are in working order
	A component of the appliance has failed	Call Customer Service

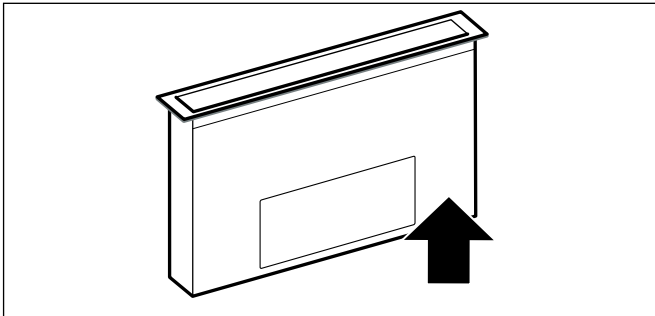
---

## Customer service

---

If your appliance needs repairs, our customer service is there for you. We work hard to help solve problems quickly and without unnecessary service calls, getting your appliance back up and running correctly in the least amount of time possible.

When you call, please indicate the product number (E-Nr.) and serial number (FD-Nr.) so that we can support you in a qualified manner. You will find the type plate with these numbers at the lower front side of the appliance. To access it, open the door of the cupboard in which the appliance is fitted.




To avoid having to search for a long time when you need it, you can enter your appliance data and the customer support telephone number here.

---

**E-Nr.**

**FD-Nr.**

---

**Customer Service** 

---

Please read the use and care instructions provided with your appliance. Failure to do so may result in an error in using the appliance. This could result in a service call that instead of fixing a mechanical issue is only needed for customer education. Such calls are not covered by the appliance warranty.

Please find the contact data of all countries in the enclosed customer service list.

### To book a service visit and product advice

**USA**            877 442 4436  
                     toll-free

**CANADA**       877 442 4436  
                     toll-free



---

## Table des Matières

---

<b>▲ Définitions de sécurité</b>	<b>17</b>
<b>CONSIGNES DE SÉCURITÉ IMPORTANTES</b>	<b>18</b>
Instructions générales	18
Sécurité-incendie	18
Prévention des brûlures	19
Sécurité des enfants	19
Consignes en matière de nettoyage	20
Sécurité à l'utilisation	20
Installation et entretien corrects	20
Avertissement issu de la proposition 65	21
<b>Causes des dommages</b>	<b>21</b>
<b>Protection de l'environnement</b>	<b>22</b>
<b>Modes de fonctionnement</b>	<b>22</b>
Mode évacuation	22
Mode recyclage	22
<b>Découverte de l'appareil</b>	<b>23</b>
Bandeau de commande	23
Accessoires d'installation	23
<b>Utilisation de l'appareil</b>	<b>24</b>
Escamotage / déploiement de l'appareil	24
Régler le ventilateur	24
Vitesse intensive	24
Position temporisation	25
Ventilation intermittente	25
Éclairage	25
Indicateur de saturation	25
Coupure de sécurité	25
<b>Nettoyage et entretien</b>	<b>26</b>
Dépose et pose des filtres à graisse métalliques	27
<b>Dérangements, Que faire si ...</b>	<b>29</b>
<b>Service après-vente</b>	<b>30</b>

Vous trouverez des informations supplémentaires concernant les produits, accessoires, pièces de rechange et services sur Internet sous :

[www.gaggenau.com](http://www.gaggenau.com) et la boutique en ligne : [www.gaggenau.com/zz/store](http://www.gaggenau.com/zz/store)

---

### ▲ Définitions de sécurité

---

---

#### ▲ AVERTISSEMENT

---

Ceci indique que le non-respect de cet avertissement peut entraîner des blessures graves, voire la mort.

---

---

#### ▲ ATTENTION

---

Ceci indique que le non-respect de cet avertissement peut entraîner des blessures légères ou de gravité moyenne.

---

**AVIS :** Ceci indique que la non-conformité à cet avis de sécurité peut entraîner des dégâts matériels ou endommager l'appareil.

**Remarque :** Ceci vous signale des informations et/ou indications importantes.



# CONSIGNES DE SÉCURITÉ IMPORTANTES

LIRE ET CONSERVER CES INSTRUCTIONS

---

## AVERTISSEMENT

Votre nouvel appareil a été conçu pour un fonctionnement sûr et fiable si vous en prenez bien soin. Lire attentivement toutes les consignes avant l'emploi. Ces précautions réduiront les risques de brûlures, de choc électrique, d'incendie et de lésions corporelles. Lors de l'utilisation d'un appareil électroménager, quelques précautions de sécurité élémentaires doivent être observées, y compris celles qui figurent aux pages suivantes.

---

## Instructions générales

Contrôler l'appareil après l'avoir déballé. Si l'appareil a été endommagé durant le transport, ne pas le brancher.

## Sécurité-incendie

Toujours avoir un détecteur de fumée en état de marche près de la cuisine.

---

## AVERTISSEMENT

POUR RÉDUIRE LE RISQUE D'INCENDIE DE GRAISSE DE CUISINIÈRE:

- a) Ne laissez jamais la surface de cuisson sans surveillance à des températures élevées. Les débordements causent de la fumée et les résidus graisseux peuvent s'enflammer.. Faites chauffer les huiles lentement à feu doux ou moyen.
- b) Faites toujours fonctionner la hotte lorsque vous cuisinez à feu vif.
- c) Nettoyez les ventilateurs régulièrement. Ne laissez pas la graisse s'accumuler sur le ventilateur ou sur le filtre.
- d) Utilisez des casseroles de taille appropriée. Utilisez toujours des récipients adaptés à la taille de la surface de cuisson.

Ne flambez jamais sous la hotte aspirante et ne travaillez jamais avec une flamme nue. Une hotte aspirante en marche aspire les flammes dans le filtre. Une hotte aspirante en marche aspire les flammes dans le filtre. Ne flambez jamais sous la hotte aspirante et ne travaillez jamais avec une flamme nue. Une hotte aspirante en marche aspire les flammes dans le filtre. Les dépôts de graisse sur les filtre risquent alors de s'enflammer!

---

---

## ATTENTION

Appareil conçu exclusivement pour la ventilation générale. Ne pas utiliser pour évacuer des matières et vapeurs dangereuses ou explosives.

---

Ne pas mettre l'aérateur en marche si le cordon ou le connecteur d'alimentation sont endommagés. Mettre l'aérateur au rebut ou bien l'envoyer à un service après-vente agréé pour le contrôler et (ou) le réparer.

Ne pas faire passer le cordon d'alimentation sous un tapis. Ne pas recouvrir le cordon d'alimentation de petits tapis ou autres revêtements de sol de ce type. Ne pas faire passer le cordon d'alimentation sous des meubles ou des appareils. Poser le cordon d'alimentation hors des zones de passage et des endroits où il pourrait être heurté par des personnes.

Si des vêtements s'enflamment, rouler par terre immédiatement pour éteindre les flammes.

Étouffez les flammes d'un feu d'aliments autre qu'un feu de graisse à l'aide de bicarbonate de soude. Ne jamais utiliser d'eau sur les feux de cuisson.

---

## AVERTISSEMENT

POUR RÉDUIRE LE RISQUE DE LÉSIONS CORPORELLES EN CAS D'UN FEU DE FRITURE SUR UNE CUISINIÈRE, OBSERVER CE QUI SUIT :

- ÉTOUFFER LES FLAMMES à l'aide d'un couvercle bien hermétique, d'une tôle à biscuits ou d'un plateau en métal, puis éteindre le brûleur. FAIRE ATTENTION À NE PAS SE BRÛLER. Si les flammes ne s'éteignent pas immédiatement, ÉVACUER LES LIEUX ET FAIRE APPEL AU SERVICE D'INCENDIE.
  - NE JAMAIS SOULEVER UNE POÊLE EN FLAMMES
    - Vous pourriez vous brûler.
  - NE PAS UTILISER D'EAU, y compris les chiffons ou serviettes mouillées - une violente explosion de vapeur pourrait se produire.
  - Utiliser UNIQUEMENT un extincteur si :
    - Vous savez que vous avez un extincteur de classe ABC et comment l'utiliser.
    - Le feu est petit et circonscrit à la zone où il a débuté.
    - Le service d'incendie est appelé.
    - Si l'on peut combattre le feu en ayant le dos vers une sortie.
- 

Veillez à avoir à portée de main un extincteur d'incendie en bon état de marche, placé visiblement près de l'appareil et facile d'accès.

# CONSIGNES DE SÉCURITÉ IMPORTANTES

## LIRE ET CONSERVER CES INSTRUCTIONS

Dans la mesure du possible, ne pas faire fonctionner le système de ventilation lorsqu'un feu se déclenche sur une table de cuisson. Toutefois, ne pas passer la main à travers le feu pour mettre le système de ventilation hors tension.

---

### AVERTISSEMENT

#### Risque d'incendie

Les dépôts se trouvant dans le filtre à graisse peuvent s'enflammer.

**Nettoyer le filtre à graisse au moins tous les 2 mois.**

Ne jamais faire fonctionner l'appareil sans son filtre à graisse.

---

---

### AVERTISSEMENT

#### Risque d'incendie

Les dépôts se trouvant dans le filtre à graisse peuvent s'enflammer. Ne jamais cuisiner à proximité de l'appareil avec une flamme ouverte (par exemple pour faire flamber). Installer l'appareil près d'un foyer pour combustibles solides (bois ou charbon par exemple) seulement s'il y a un couvercle fermé et non amovible. Il ne faut pas qu'il se produise de projection d'étincelles.

---

---

### AVERTISSEMENT

#### Risque d'incendie

Les brûleurs gaz dégagent une forte chaleur lorsqu'aucun récipient n'est posé dessus. Ils peuvent alors endommager les appareils de ventilation. Utiliser les brûleurs gaz uniquement lorsqu'un récipient est placé dessus.

---

---

### AVERTISSEMENT

#### Risque d'incendie

Lors du fonctionnement simultané de plusieurs foyers gaz il y a une forte production de chaleur. Un appareil de ventilation monté au-dessus peut être endommagé ou prendre feu. Ne faites jamais fonctionner en même temps deux foyers gaz à feu vif pendant plus de 15 minutes. Un brûleur grande puissance de plus de 17,000 Btu/hr (5 kW) (wok) chauffe autant que deux brûleurs gaz.

---

---

### AVERTISSEMENT

#### Risque d'incendie

Le fonctionnement simultané de plusieurs feux gaz engendre une forte production de chaleur. Le cas échéant, l'appareil de ventilation peut être endommagé ou s'enflammer. L'appareil de ventilation doit uniquement être combiné avec des feux gaz dont la puissance totale maximale ne dépasse pas 61,000 BTU/hr (18 kW). Si la puissance maximale dépasse 41,000 BTU/hr (12 kW), les prescriptions locales en matière de ventilation, de volume de la pièce et de combinaison avec des appareils de ventilation en mode aspiration ou ventilation doivent être observées.

---

---

### AVERTISSEMENT

#### Risque d'incendie

L'huile et la graisse très chaudes s'enflamment rapidement. Ne jamais laisser de l'huile et de la graisse chaudes sans surveillance. Ne jamais éteindre un incendie avec de l'eau. Éteindre le foyer. Étouffer les flammes avec précaution au moyen d'un couvercle, d'une couverture antifeu ou équivalent.

---

## Prévention des brûlures

---

### AVERTISSEMENT

#### Risque de brûlure

Les parties accessibles chauffent lorsque la table est allumée. Ne touchez jamais aux parties très chaudes. Tenez les enfants à distance.

---

## Sécurité des enfants

Lorsque les enfants sont assez âgés pour utiliser l'appareil, il incombe aux parents ou tuteurs légaux de veiller à ce qu'ils soient formés aux pratiques sécuritaires par des personnes qualifiées.

Enlever le ruban adhésif et l'emballage avant d'utiliser l'appareil. Détruire l'emballage après avoir déballé l'appareil. Ne jamais laisser les enfants jouer avec les matériaux de conditionnement.

Ne permettre à personne de grimper, rester debout, s'appuyer, s'asseoir ou se pencher sur toute partie d'un appareil, notamment une porte, un tiroir-réchaud ou un



# CONSIGNES DE SÉCURITÉ IMPORTANTES

LIRE ET CONSERVER CES INSTRUCTIONS

tiroir de rangement. Ceci peut endommager l'appareil qui risque de basculer et causer des blessures sérieuses.

Ne pas permettre aux enfants d'utiliser cet appareil sauf sous la surveillance attentive d'un adulte. Ne pas laisser les enfants et les animaux seuls ou sans surveillance lorsque l'appareil est en service. Ne jamais les laisser jouer aux alentours de l'appareil, que ce dernier soit en service ou non.

---

## ATTENTION

Les articles d'intérêt pour les enfants ne doivent pas être rangés dans un appareil électroménager, dans les armoires au-dessus de l'appareil ou sur le dossier. Les enfants peuvent grimper sur l'appareil pour atteindre ces objets et se blesser sérieusement.

---

## Consignes en matière de nettoyage

---

### AVERTISSEMENT

S'assurer que l'appareil a complètement refroidi (y compris les filtres à graisse et les ampoules, le cas échéant) et que la graisse s'est solidifiée avant de tenter de nettoyer une quelconque partie de l'appareil.

---

Ne pas utiliser de nettoyeur à vapeur pour nettoyer l'appareil.

## Sécurité à l'utilisation

---

### AVERTISSEMENT

Ne réparez, remplacez, ni ne retirez aucune partie de l'appareil, excepté si les manuels recommandent de le faire. Une installation, un entretien ou une inspection incorrects peuvent occasionner des blessures ou des dommages matériels. Reportez-vous au présent manuel pour obtenir des indications. Toute autre intervention doit être effectuée par un technicien agréé.

---

---

### AVERTISSEMENT

#### Risque de blessure

Des objets posés sur l'appareil risquent de tomber. Ne pas déposer d'objets sur l'appareil.

---

## Installation et entretien corrects

Demandez à l'installateur de vous montrer où se trouve le disjoncteur ou le fusible. Identifier sa position pour pouvoir le retrouver facilement.

Cet appareil doit être adéquatement installé et mis à la terre par un technicien agréé. Branchez l'appareil uniquement dans une prise correctement reliée à la terre. Pour plus de détails, reportez-vous à la notice d'installation.

Cet appareil est destiné uniquement à une utilisation domestique normale. Il n'est pas homologué pour un usage en extérieur. Voyez la Énoncé de la Garantie Limitée. Si vous avez des questions, communiquez avec le fabricant.

Ne pas entreposer ni utiliser de produits chimiques corrosifs, vapeurs, substances inflammables ou produits non alimentaires à l'intérieur ou à proximité de l'appareil. Il a été spécialement conçu pour être utilisé pendant le chauffage et la cuisson des aliments. L'emploi de produits chimiques corrosifs pour chauffer ou nettoyer l'appareil endommagera ce dernier et peut provoquer des blessures.

Ne pas se servir de cet appareil s'il ne fonctionne pas correctement ou s'il est endommagé. Communiquer avec un réparateur autorisé.

Ne pas réparer ni remplacer toute pièce de l'appareil à moins que cela ne soit spécifiquement recommandé par ce manuel. Toute réparation doit être effectuée par un centre de réparation autorisé par l'usine.

---

### ATTENTION

La graisse restant sur les filtres peut se fondre à nouveau et se déplacer à l'intérieur de l'évent.

---

Certaines surfaces peuvent avoir des bords tranchants. Faire attention en étendant le bras derrière l'appareil ou en dessous.

---

## AVERTISSEMENT

---

Lorsque la hotte aspirante est utilisée en mode d'évacuation d'air simultanément avec un brûleur différent utilisant également la même cheminée, (tels des appareils de chauffage au gaz, à l'huile ou au charbon, des chauffe-eau instantanés ou des chaudières à eau chaude), veillez à ce que l'apport d'air frais soit suffisant pour assurer la combustion adéquate du brûleur.

Un fonctionnement sans risque est possible si la sous-pression dans la pièce où le brûleur est installé ne dépasse pas 4 Pa (0,04 mbar).

On peut y parvenir en acheminant l'air requis pour la combustion à travers des ouvertures non verrouillables, par exemple dans les portes et fenêtres, et en association avec des boîtiers muraux d'admission/d'évacuation d'air fixées au mur ou grâce à d'autres mesures techniques telles qu'un verrouillage réciproque, etc.

---

---

## AVERTISSEMENT

---

Évitez l'intoxication au monoxyde de carbone. – Prévoyez une admission d'air adéquate pour empêcher l'aspiration des gaz de combustion dans la pièce. Un boîtier mural air d'admission/air d'échappement ne peut garantir que la valeur limite ne sera pas dépassée.

**Remarque :** Lorsque vous évaluez les exigences globales, vous devez tenir compte du système combiné d'aération de la maison au complet. Cette règle ne s'applique pas aux appareils de cuisson, comme les surfaces de cuisson et les fours.

---

## Avertissement issu de la proposition 65

Ce produit pourrait contenir un produit chimique reconnu par l'État de la Californie comme cancérigène ou ayant des effets nocifs sur la reproduction. Par conséquent, l'emballage de votre produit pourrait porter l'étiquette suivante, comme requis par la Californie :

AVERTISSEMENT ISSU DE LA PROPOSITION 65 DE L'ÉTAT DE LA CALIFORNIE :

 **AVERTISSEMENT**

Cancer et dommages à la reproduction -  
[www.P65Warnings.ca.gov](http://www.P65Warnings.ca.gov)

---

## Causes des dommages

---

---

### ATTENTION

---

Risque de détérioration par la corrosion. Toujours allumer l'appareil pendant la cuisson afin d'éviter la formation de condensation. Cette dernière peut provoquer de la corrosion.

---

Risque de détérioration par pénétration d'humidité dans l'électronique. Ne jamais nettoyer les commandes avec un chiffon humide.

Détérioration de la surface par un nettoyage inapproprié. Nettoyer les surfaces en inox seulement dans le sens du métal. Ne pas utiliser de nettoyant à inox pour les organes de commande.

Détérioration des surfaces par les produits de nettoyage agressifs ou abrasifs. Ne jamais utiliser de produits de nettoyage agressifs ou abrasifs.

Tous les objets posés sur l'appareil peuvent endommager l'appareil ou la table de cuisson attenante lors de la mise en marche ou de l'arrêt de l'appareil. Ne pas poser d'objet sur les parties mobiles de l'appareil.

---

## Protection de l'environnement

---

Déballez l'appareil et jetez l'emballage dans le respect de l'environnement.

---

## Modes de fonctionnement

---

Vous pouvez utiliser cet appareil en mode évacuation ou en mode recyclage.

### Mode évacuation



L'air aspiré est purifié par les filtres à graisse, puis rejeté à l'air libre par une conduite.

**Remarque :** Il ne faut pas rejeter l'air usé dans une cheminée d'évacuation en service, ni dans un conduit servant à la ventilation de pièces où sont installés des foyers.

- Pour rejeter l'air dans un conduit de fumées qui n'est pas en service, il faut demander l'accord du maître ramoneur compétent.
- Si l'air est évacué à travers le mur extérieur de l'habitation, il faut utiliser un caisson mural télescopique.

### Mode recyclage



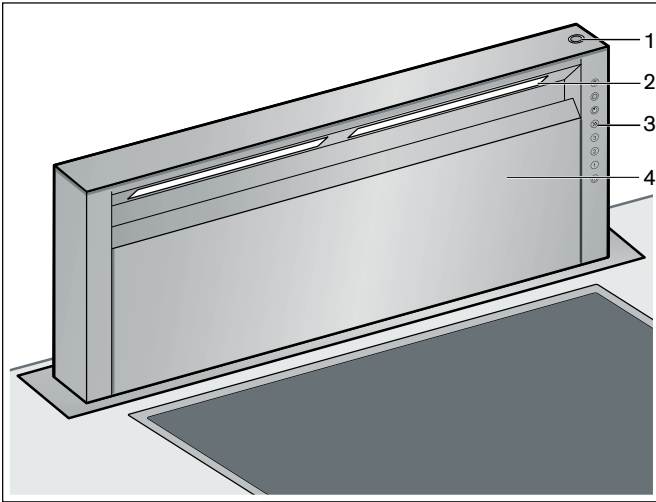
L'air aspiré est nettoyé par les filtres à graisse et un filtre à charbon actif, puis ramené dans la cuisine.

**Remarque :** Pour que les odeurs soient retenues en mode recyclage, vous devez monter un filtre à charbon actif. Pour en savoir plus sur les différentes possibilités d'utilisation de l'appareil en mode recyclage, consultez la documentation ou contactez votre distributeur. Vous trouverez les accessoires nécessaires chez les distributeurs spécialisés, auprès de notre service après-vente ou sur la boutique en ligne,

Lors d'une utilisation en mode de recirculation, utilisez uniquement la trousse de conversion modèles AA413722 pour réduire les risques d'incendie et d'électrocution. Veuillez consulter la section « Accessoires » du présent manuel.

## Découverte de l'appareil

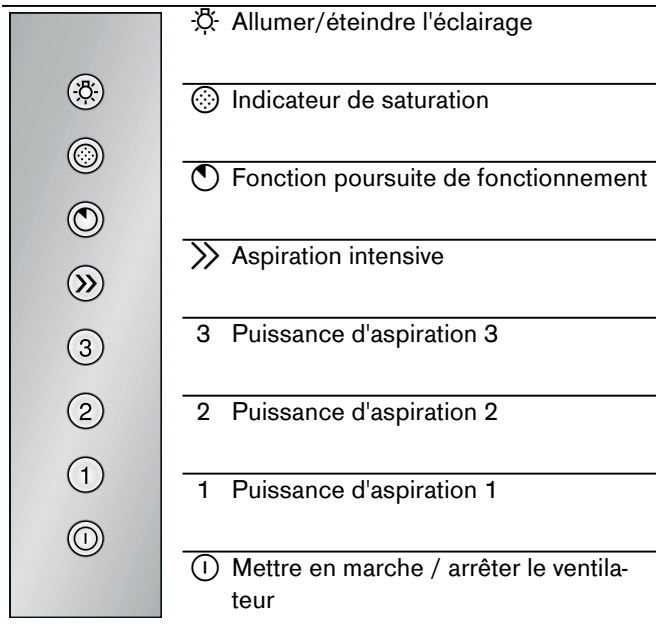
Détails sur votre nouvel appareil et informations sur les accessoires.



- |   |                             |
|---|-----------------------------|
| 1 | Allumer/éteindre l'appareil |
| 2 | Éclairage                   |
| 3 | Bandeau de commande         |
| 4 | Capot du filtre             |

## Bandeau de commande

Toutes les touches de sélection de fonction sont rétro-éclairées lorsqu'elles sont actives. Le voyant de « l'indicateur de saturation » clignote.



## Accessoires d'installation

- |            |  |
|------------|--|
| AA 413 722 | Module de recirculation                                |
| AA 010 410 | Grille de sortie d'air recyclé 90 mm                   |
| AD 754 045 | Raccords pour tuyau en aluminium<br>2 x VN 150 mm rond |

## Utilisation de l'appareil

Cet appareil fonctionne uniquement lorsqu'il est déployé.

**Remarque :** Allumer la hotte aspirante dès le début de la cuisson ; une fois la cuisson achevée, laisser la hotte aspirante fonctionner encore quelques minutes. Ceci permet d'éliminer les vapeurs de cuisson plus efficacement.

## Escamotage / déploiement de l'appareil

### ⚠ AVERTISSEMENT

#### Risque de blessure

Risque de pincement lors de l'escamotage / du déploiement de l'appareil. Lors de ces opérations, ne jamais intervenir dans la zone de déploiement de l'appareil. Éloigner les enfants.

### ⚠ AVERTISSEMENT

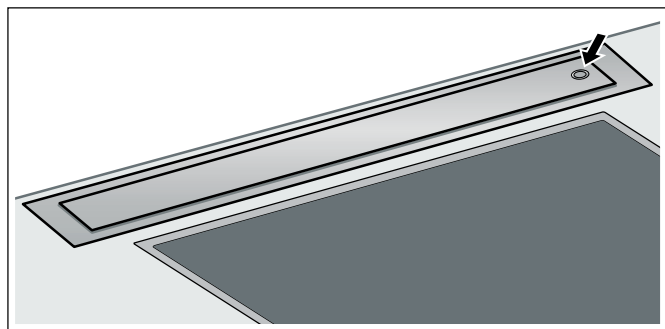
#### Risque de blessure

Les récipients déposés dans la zone de déploiement de l'appareil peuvent basculer. Les déversements de liquides chauds peuvent occasionner des blessures. Ne pas poser de récipient dans la zone de déploiement de l'appareil.

**Remarque :** Des bruits peuvent se faire entendre lors de la sortie et de la rétraction de l'appareil. Ces bruits sont dus à la construction et n'ont aucune influence sur le fonctionnement de l'appareil.

### Déployer l'appareil

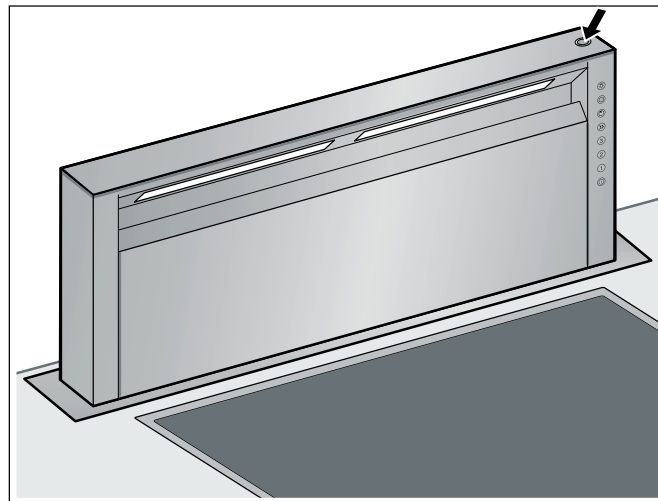
- 1 Enlever tous les objets de la zone de déploiement de l'appareil.
- 2 Appuyer sur la touche située sur le dessus de l'appareil.  
L'appareil se déploie complètement.



### Escamoter l'appareil

Le capot du filtre doit être complètement fermé.

- 1 Enlever tous les objets de la zone de déploiement de l'appareil.
- 2 Appuyer sur la touche située sur le dessus de l'appareil.  
L'appareil rentre complètement. La lumière et le ventilateur sont automatiquement éteints.



## Régler le ventilateur

### Mise en marche

La hotte aspirante est dotée de trois vitesses de ventilation et d'une vitesse intensive.

- 1 Allumer l'appareil à l'aide de la touche ①.  
Le ventilateur démarre à la vitesse de ventilation 2.
- 2 Les touches 1, 2, 3 ou >> permettent de régler la vitesse de ventilation en fonction des besoins.

### Arrêt

Éteindre l'appareil à l'aide de la touche ①.

## Vitesse intensive

En cas de forte émission d'odeurs ou de vapeurs de cuisson, utiliser la vitesse de ventilation intensive.

- 1 Appuyer sur la touche ①.  
Le ventilateur démarre à la puissance 2.
- 2 Appuyer sur la touche >>.  
L'aspiration intensive est activée.

**Remarque :** Le temps de marche de l'aspiration intensive est de 6 minutes. Après écoulement de ce temps, l'appareil repasse à la puissance sélectionnée en dernier.


- 3 Appuyer sur la touche ① ou sur la touche d'une autre puissance d'aspiration.  
L'aspiration intensive est arrêtée.




## Position temporisation

### Activation

Vous pouvez activer la position temporisation pour chaque puissance d'aspiration.

- 1 Sélectionner la puissance d'aspiration 1, 2, 3 ou >>.
- 2 Appuyer sur la touche .  
La durée de poursuite est de 6 minutes pour toutes les puissances d'aspiration. Une fois cette durée écoulée, la ventilation s'arrête automatiquement. Si l'éclairage est allumé, il reste allumé après écoulement de la durée de poursuite.

### Désactivation



Appuyer sur la touche  ou sur la touche d'une autre puissance d'aspiration.

La position temporisation est désactivée avant écoulement du temps de poursuite restant.


## Ventilation intermittente

### Activation

Lors de la ventilation intermittente, la ventilation se met automatiquement en marche pendant 6 minutes toutes les heures.

- 1 Appuyer sur la puissance d'aspiration 1, 2 ou 3.
- 2 Appuyer deux fois sur la touche .  
La touche  et la touche de la puissance d'aspiration sélectionnée clignotent en alternance.  
La ventilation intermittente est activée.


### Désactivation

Appuyer sur la touche .


La ventilation intermittente est désactivée.

## Éclairage

Vous pouvez allumer et éteindre l'éclairage indépendamment de la ventilation.


Appuyer sur la touche .

### Régler la luminosité

Maintenir la touche  enfoncée jusqu'à atteindre la luminosité souhaitée.

## Indicateur de saturation

L'indicateur de saturation  du filtre à graisse clignote après 30 heures de fonctionnement.

- Le filtre à graisse doit être alors changé. Pour en savoir plus sur le nettoyage du filtre à graisse métallique, consulter le chapitre **Nettoyage et entretien**.
- La touche  permet de réinitialiser l'indicateur de saturation lorsque celui-ci clignote.

## Coupure de sécurité

Pour votre protection, l'appareil est doté d'une coupure de sécurité. L'éclairage est éteint au bout de 12 heures et le ventilateur après 4 heures, si aucune manipulation n'a lieu pendant ce temps.

---

## Nettoyage et entretien

---

---

### AVERTISSEMENT

#### Risque de brûlure

L'appareil chauffe pendant son fonctionnement. Avant de nettoyer l'appareil, il faut le laisser refroidir.

---

---

### AVERTISSEMENT

#### Risque d'électrocution

Une infiltration d'humidité risque de provoquer un choc électrique. Nettoyer l'appareil uniquement avec un chiffon humide. Avant le nettoyage, débrancher la fiche secteur ou disjoncter le fusible dans le tableau électrique.

---

---

### AVERTISSEMENT

#### Risque de choc électrique

La pénétration d'humidité peut provoquer un choc électrique. Ne pas utiliser de nettoyeur à haute pression ou à vapeur.

---

---

### AVERTISSEMENT

#### Risque de blessure

Les pièces se trouvant dans l'appareil peuvent présenter des arêtes vives. Porter des gants de protection.

---

## Produits de nettoyage

Afin de ne pas endommager les différentes surfaces avec des nettoyants inappropriés, respectez les indications du tableau. N'utilisez pas

- de produits agressifs ni abrasifs,
- de produits de nettoyage fortement alcoolisés,
- de tampons à récurer ni d'éponges à dos récurant,
- de nettoyeurs haute pression ni de nettoyeurs à vapeur.

Avant d'utiliser des lavettes éponges neuves, rincez-les soigneusement.

Respectez l'ensemble des notices et des mises en garde accompagnant les produits de nettoyage.

---

## Surface

Inox

---

## Nettoyants

Eau chaude additionnée de liquide à vaisselle :  
Nettoyez avec une lavette et séchez avec un chiffon doux.

Nettoyez les surfaces en inox uniquement dans le sens de polissage du métal.

Des produits d'entretien spécial inox sont disponibles auprès du service après-vente ou dans les commerces spécialisés. Appliquez une fine couche de produit d'entretien avec un chiffon doux.

---

Surfaces laquées

Eau chaude additionnée de liquide à vaisselle :  
Nettoyez avec une lavette humide et séchez avec un chiffon doux.

N'utilisez pas de nettoyeur pour inox.

---

Aluminium et plastique

Nettoyant pour vitres :  
Nettoyez avec un chiffon doux.

---

Verre

Nettoyant pour vitres :  
Nettoyez avec un chiffon doux. N'utilisez pas de racloir à verre.

---

Éléments de commande

Eau chaude additionnée de liquide à vaisselle :  
Nettoyez avec une lavette humide et séchez avec un chiffon doux.

Risque d'électrocution par pénétration d'humidité.

Risque de détérioration de l'électronique par pénétration d'humidité. Ne nettoyez jamais les éléments de commande avec un chiffon humide.

N'utilisez pas de nettoyeur pour inox.

---

## Nettoyage du filtre à graisse métallique

Ces instructions valent pour plusieurs variantes d'appareil. Certains équipements ne concernant pas votre appareil peuvent y être décrits.

---

### AVERTISSEMENT

#### Risque d'incendie

Les dépôts se trouvant dans le filtre à graisse peuvent s'enflammer.

**Nettoyer le filtre à graisse au moins tous les 2 mois.**

Ne jamais faire fonctionner l'appareil sans son filtre à graisse.

---

## Remarques

- N'utilisez pas de produits nettoyants agressifs, contenant de l'acide ou de la lessive.
- Au moment du nettoyage des filtres à graisse métalliques, nettoyez aussi la fixation des filtres avec un chiffon humide, à l'intérieur de l'appareil.
- Vous pouvez nettoyer les filtres à graisse métalliques au lave-vaisselle ou à la main .

## À la main :

**Remarque :** Pour les salissures tenaces, vous pouvez utiliser un solvant à graisse spécial disponible en particulier sur la boutique en ligne.

- Faites tremper les filtres métalliques dans de l'eau de vaisselle chaude.
- Pour le nettoyage, utilisez une brosse, puis rincez bien les filtres.
- Laissez les filtres s'égoutter.

## Au lave-vaisselle :

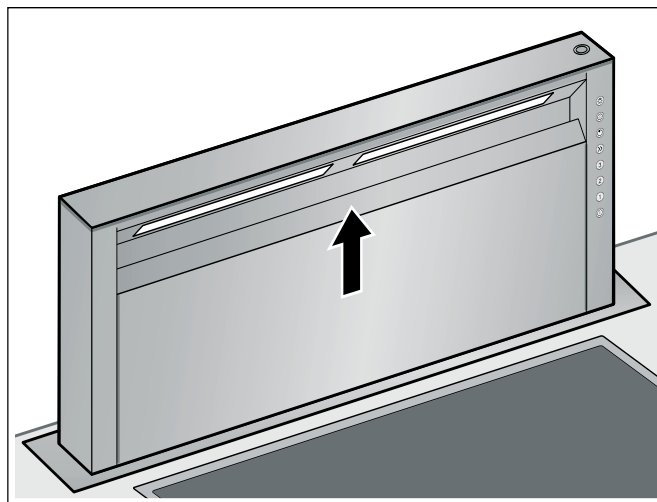
**Remarque :** Le nettoyage au lave-vaisselle peut provoquer de légères décolorations. Celles-ci n'ont aucune influence sur le fonctionnement des filtres à graisse métalliques.

- Ne pas laver les filtres à graisse métalliques très encrassés avec de la vaisselle.
- Positionner les filtres à graisse métalliques pour qu'ils jouent librement dans le lave-vaisselle. Ne pas coincer les filtres à graisse métalliques.

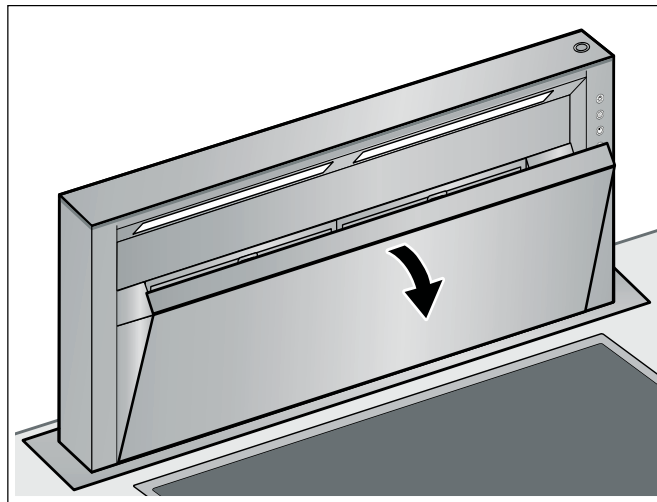
## Dépose et pose des filtres à graisse métalliques

### Ouvrir le capot du filtre

- 1 Saisir le capot du filtre par le milieu et tirer vers le haut.



- 2 Basculer le capot du filtre vers l'avant.



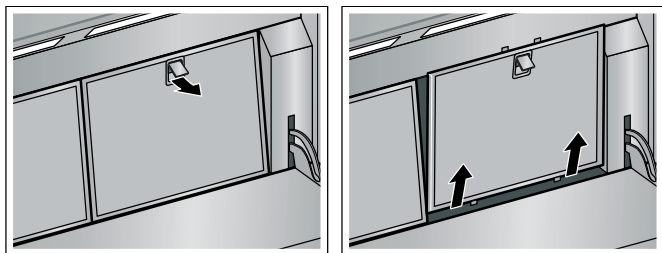
### Retirer le filtre à graisse métallique

- 1 Déverrouiller et rabattre le filtre à graisse métallique vers l'avant.
- 2 Sortir le filtre à graisse métallique de son logement.

### Remarques

- La graisse peut s'accumuler dans le bas du filtre à graisse métallique.

- Tenir le filtre à graisse métallique à l'horizontale pour éviter tout égouttement de graisse.

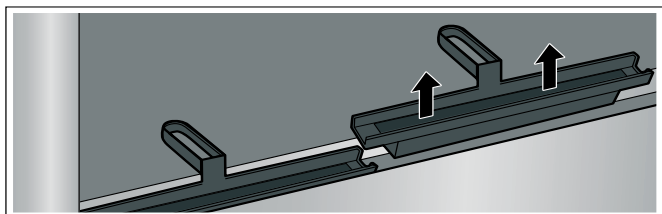


- 3 Nettoyer le filtre à graisse métallique.

### Nettoyer les filtres à graisse



Pour faciliter le nettoyage, les filtres à graisse peuvent être retirés. Ceux-ci peuvent être nettoyés au lave-vaisselle.

- 1 Retirer les filtres à graisse.



- 2 Nettoyer les filtres à graisses.
- 3 Remettre en place les filtres à graisse.

### Mettre en place le filtre à graisse métallique

- 1 Remettre en place le filtre à graisse métallique.
- 2 Rabattre le filtre à graisse métallique vers l'arrière et enclencher le verrouillage.
- 3 Réinitialiser l'indicateur de saturation en appuyant sur la touche . L'indicateur de saturation  s'éteint.

### Fermer le capot du filtre

Saisir le capot du filtre par le milieu et le fermer.

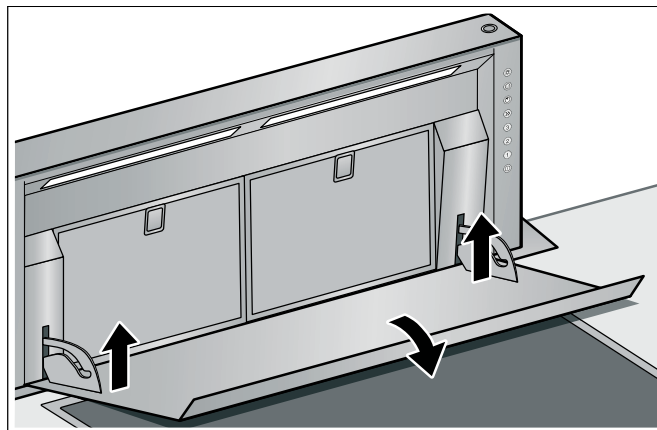
Le capot du filtre s'enclenche.

### Nettoyer le capot du filtre

Pour faciliter le nettoyage, le capot du filtre peut être retiré.

- 1 Ouvrir le capot du filtre.
- 2 Saisir le capot du filtre à deux mains en le tenant sur les côtés.

- 3 Relever la zone arrière jusqu'à la butée et tirer le capot du filtre vers l'avant.



Le capot du filtre peut se retirer par le dessus des boulons de fixation.

- 4 Nettoyer le capot du filtre.

### Suspendre le capot du filtre

- 1 Saisir le capot du filtre à deux mains en le tenant sur les côtés.
- 2 Faire glisser le capot du filtre au-dessus des boulons de fixation et le soulever vers l'avant jusqu'à ce qu'il s'enclenche.

---

## Dérangements, Que faire si ...

---

Dans de nombreux cas, vous pourrez remédier vous-même facilement aux anomalies. Avant de contactez le service après-vente, veuillez vérifier les points suivants :

---

### AVERTISSEMENT

---

#### Risque de choc électrique

Les réparations non conformes sont sources de danger. Les réparations et le remplacement des câbles endommagés doivent être confiés exclusivement à des techniciens de S.A.V. formés par nous. Si l'appareil est défectueux, débrancher la fiche d'alimentation secteur ou désactiver le coupe-circuit ou le fusible sur le tableau électrique. Appeler le S.A.V.

---

### Lampes à DEL

Le remplacement des DEL défectueuses doit être effectué exclusivement par le fabricant, le service après-vente ou un spécialiste agréé (installateur d'équipement électrique).

---

### AVERTISSEMENT


---

#### Risque de blessure

La lumière des lampes DEL est très éblouissante et peut causer des lésions aux yeux (groupe de risque 1). Ne pas regarder plus de 100 secondes directement les lampes DEL allumées.

---

## Tableau des anomalies

Anomalie	Cause possible	Solution
L'appareil ne fonctionne pas	La fiche d'alimentation n'est pas branchée	Brancher l'appareil au secteur
	Panne d'électricité	Vérifier si d'autres appareils de cuisine fonctionnent
	Fusible défectueux	Vérifier sur le tableau électrique si le fusible protégeant l'appareil est en bon état.
L'appareil ne rentre pas.	Le capot du filtre n'est pas fermé.	Fermer complètement le capot du filtre.
L'éclairage des touches ne fonctionne pas.	L'unité de commande est défectueuse.	Appeler le service après-vente.
L'éclairage ne fonctionne pas.	Les lampes DEL sont défectueuses.	Appelez le service après-vente.
La touche  clignote.	Le filtre est encrassé.	Nettoyer le filtre, voir le chapitre <i>Nettoyage et entretien</i> .
L'appareil ne fonctionne pas, toutes les touches clignotent	La fiche du câble réseau n'est pas connectée	Vérifier la connexion des câbles réseau pour tous les appareils
	Fusible défectueux	Vérifier dans le boîtier à fusibles si les fusibles pour tous les appareils sont en bon état
	Un composant de l'appareil est tombé en panne	Appeler le service après-vente

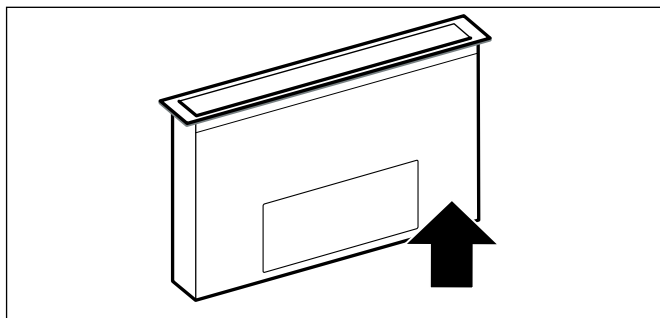
---

## Service après-vente

---

Si votre appareil doit être réparé, notre service après-vente est à votre disposition. Nous trouvons toujours une solution adaptée, y compris pour éviter les visites inutiles de techniciens.

Lors de votre appel, indiquez le numéro du produit (n° E) et le numéro de série (n° FD) afin que nous puissions vous donner une réponse précise. Vous trouverez la plaquette d'identification comportant ces numéros en bas sur le devant de l'appareil. Pour cela, ouvrez la porte du meuble dans lequel l'appareil est encastré.



Pour ne pas avoir à chercher longtemps en cas de besoin, vous pouvez inscrire ici les références de l'appareil et le numéro de téléphone du service après-vente.

---

N° E

N° FD

---

Service après-vente ☎

---

N'oubliez pas qu'en cas de fausse manœuvre, la visite d'un technicien d'après-vente n'est pas gratuite, même pendant la garantie.

Vous trouverez les données de contact pour tous les pays dans l'annuaire ci-joint du service après-vente.

### **Demande de réparation et conseils en cas de dysfonctionnement**

CA 877 442 4436

toll-free

---

## Contenido

---

<b>⚠ Definiciones de seguridad</b>	<b>31</b>
<b>INSTRUCCIONES DE SEGURIDAD IMPORTANTES</b>	<b>32</b>
Indicaciones generales	32
Seguridad para evitar incendios	32
Prevención de quemaduras	33
Seguridad de los niños	33
Seguridad en la limpieza	34
Seguridad durante su uso	34
Instalación y mantenimiento adecuados	34
Advertencia en virtud de la Proposición 65:	35
<b>Causas de daños</b>	<b>35</b>
<b>Protección del medio ambiente</b>	<b>36</b>
<b>Modos de funcionamiento</b>	<b>36</b>
Funcionamiento con extracción de aire	36
Circulación del aire	36
<b>Conozca el equipo</b>	<b>37</b>
Cuadro de mandos	37
Accesorios para la instalación	37
<b>Operar el equipo</b>	<b>38</b>
Extracción/introducción el aparato	38
Ajustar el ventilador	38
Nivel intensivo	38
Función de marcha en inercia	39
Ventilación a intervalos	39
Iluminación	39
Indicador de saturación	39
Desconexión de seguridad	39
<b>Limpieza y mantenimiento</b>	<b>40</b>
Montaje y desmontaje de los filtros metálicos para grasa	41
<b>¿Qué hacer en caso de falla?</b>	<b>42</b>
<b>Servicio de atención al cliente</b>	<b>43</b>

Encontrará más información sobre productos, accesorios, piezas de repuesto y servicios en internet: [www.gaggenau.com](http://www.gaggenau.com) y también en la tienda online: [www.gaggenau.com/zz/store](http://www.gaggenau.com/zz/store)

---

## ⚠ Definiciones de seguridad

---

---

### ⚠ ADVERTENCIA

---

Esto indica que pueden producirse heridas graves o incluso la muerte si no se cumple con esta advertencia.

---

---

### ⚠ ATENCION

---

Esto indica que pueden producirse heridas leves o moderadas si no se cumple con esta advertencia.

---

**AVISO:** Esto indica que pueden producirse daños en el aparato o en los bienes si no se cumple con este aviso.

**Nota:** Esto alerta sobre información o sugerencias importantes.



# INSTRUCCIONES DE SEGURIDAD IMPORTANTES

## LEA Y CONSERVE ESTAS INSTRUCCIONES

---

### ADVERTENCIA

Su nuevo electrodoméstico ha sido diseñado para ser seguro y confiable si recibe el cuidado adecuado. Lea atentamente todas las instrucciones antes de usarlo. Estas precauciones reducirán el riesgo de quemaduras, descarga eléctrica, incendio y lesiones a personas. Al utilizar electrodomésticos de cocina, se deben tomar precauciones de seguridad básicas, incluidas las que se encuentran en las páginas siguientes.

---

### Indicaciones generales

Una vez retirado el embalaje, revise el aparato. No lo conecte si ha sufrido daños durante el transporte.

### Seguridad para evitar incendios

Siempre tenga un detector de humo en funcionamiento cerca de la cocina.

---

### ADVERTENCIA

PARA REDUCIR EL RIESGO DE INCENDIO OCASIONADO POR LA GRASA EN LA ESTUFA:

- Nunca deje las unidades de la superficie sin vigilancia en valores altos. Los derrames por hervor producen humos y salpicaduras grasosas que pueden prenderse fuego. Caliente los aceites despacio a temperaturas bajas o medianas.
- Siempre encienda la campana al cocinar a una temperatura alta.
- Limpie los ventiladores extractores con frecuencia. No se debe permitir la acumulación de la grasa en el ventilador ni en el filtro.
- Use el tamaño de cacerola adecuado. Siempre use utensilios de cocina apropiados para el tamaño del elemento de la superficie.

No flambee alimentos bajo la campana no decorativa ni trabaje con la llama abierta. Cuando está encendida, la campana extractora atrae las llamas hacia el filtro. ¡Siempre existe el riesgo de incendio debido a los depósitos en el filtro de grasa!

---

---

### ATENCION

Solo para la ventilación general. No utilizar para la extracción de sustancias y vapores peligrosos o explosivos.

---

No utilice ningún ventilador que tenga el cable o la clavija dañados. Deseche el ventilador o entréguelo a un taller autorizado para su inspección y/o reparación.

No tender el cable por debajo de moquetas. No tapar el cable con alfombras, felpudos ni similares. No pasar el cable por debajo de muebles o electrodomésticos. Tender el cable alejado de la zona de paso y en un lugar donde no implique peligro de tropiezo.

En el caso de que su ropa se prenda fuego, arrójese al piso y ruede de inmediato para extinguir las llamas.

Sofoque las llamas provocadas por alimentos que se prenden fuego, que no sean incendios ocasionados por grasa, con bicarbonato de sodio. Nunca use agua en incendios ocasionados al cocinar.

---

### ADVERTENCIA

PARA REDUCIR EL RIESGO DE LESIONES A PERSONAS EN CASO DE INCENDIO OCASIONADO POR GRASA EN LA ESTUFA, SIGA ESTAS INDICACIONES:

- SOFOQUE LAS LLAMAS con una tapa que ajuste correctamente, una placa para galletas u otra bandeja de metal; luego, apague la hornilla. **ASEGÚRESE DE PREVENIR LAS QUEMADURAS.** Si las llamas no se apagan de inmediato, **EVACUE EL ÁREA Y LLAME AL DEPARTAMENTO DE BOMBEROS.**
  - **NUNCA LEVANTE UNA OLLA EN LLAMAS** ya que se puede quemar.
  - **NO USE AGUA**, ni toallas o repasadores húmedos, ya que puede ocasionar una violenta explosión por vapor.
  - Use un extinguidor **SÓLO** si:
    - Sabe que tiene un extinguidor Clase ABC y ya sabe cómo usarlo.
    - El incendio es pequeño y se limita al área donde se originó.
    - Alguien llamó al departamento de bomberos.
    - Puede combatir el incendio de espaldas a una salida.
- 

Tenga un extinguidor de incendio disponible, cerca, en un área fácilmente visible y accesible, cerca del electrodoméstico.



# INSTRUCCIONES DE SEGURIDAD IMPORTANTES

## LEA Y CONSERVE ESTAS INSTRUCCIONES

Si es posible, no ponga el sistema de ventilación en funcionamiento si hay un incendio en la placa. Pero no atravesese el fuego con la mano para apagarla.

---

### ADVERTENCIA

---

#### **Peligro de incendio**

Los depósitos de grasa en el filtro de grasa se pueden incendiar.

**Limpie el filtro de grasa por lo menos cada dos meses.**  
Nunca haga funcionar el equipo sin filtro de grasa.

---

---

### ADVERTENCIA

---

#### **Peligro de incendio**

Los depósitos de grasa en el filtro de grasa se pueden incendiar. Nunca trabaje con flama abierta cerca del equipo (por ejemplo con platillos flameados).

Solamente instale el equipo cerca de un fogón para sustancias sólidas (p. ej. madera o carbón) si está disponible una cubierta cerrada que no se pueda quitar. No deben volar las chispas.

---

---

### ADVERTENCIA

---

#### **Riesgo de incendio**

Los quemadores de gas en los que no se haya colocado ningún recipiente para cocinar encima, generan gran cantidad de calor durante su funcionamiento. Eso puede dañar o incendiar el aparato de ventilación situado encima. Utilizar los quemadores de gas únicamente colocando encima recipientes para cocinar.

---

---

### ADVERTENCIA

---

#### **Peligro de incendio**

Cuando se usan simultáneamente varios fogones de gas se genera mucho calor. Eso puede dañar o incendiar el aparato de ventilación situado encima. No utilizar simultáneamente durante más de 15 minutos dos zonas de cocción de gas con una llama grande. Un quemador grande con más de 17,000 Btu/hr (5 kW) (wok) equivale a la potencia de dos quemadores de gas.

---

---

### ADVERTENCIA

---

#### **Riesgo de incendio**

Cuando se usan simultáneamente varios quemadores de gas se genera mucho calor. El aparato de ventilación puede dañarse o incendiarse. El aparato de ventilación solo puede combinarse con quemadores de gas que no superen una potencia total máxima de 61,000 BTU/hr (18 kW). Al exceder la potencia total de 41,000 BTU/hr (12 kW) se deben observar los reglamentos locales respecto a la ventilación del área, tamaño del área y combinación con aparatos de ventilación en el modo de aire de extracción o aire de circulación.

---

---

### ADVERTENCIA

---

#### **Peligro de incendio**

El aceite y la grasa calientes son altamente inflamables. Nunca deje aceite ni grasa calientes sin supervisión. Nunca extinga un incendio con agua. Apague la zona de cocina. Sofoque las llamas con cuidado con una tapa, una manta ignífuga o un objeto similar.

---

## Prevención de quemaduras

---

---

### ADVERTENCIA

---

#### **Riesgo de quemaduras**

Al estar en funcionamiento, las partes accesibles se calientan mucho. Nunca toque las partes calientes. Mantenga alejados a los niños.

---

## Seguridad de los niños

Cuando los niños tienen la edad adecuada para utilizar el electrodoméstico, es responsabilidad de los padres o tutores legales asegurarse de que reciban las instrucciones sobre prácticas seguras por parte de personas calificadas.

Retire toda la cinta y el embalaje antes de usar el electrodoméstico. Destruya el embalaje después de desembalar el electrodoméstico. Nunca deje que los niños jueguen con el material de embalaje.

No deje que nadie se suba, pare, incline, sienta o cuelgue de cualquier parte de un electrodoméstico, especialmente una puerta, cajón calentador o cajón para almacenamiento. Esto puede dañar el



# INSTRUCCIONES DE SEGURIDAD IMPORTANTES

## LEA Y CONSERVE ESTAS INSTRUCCIONES

electrodoméstico, y la unidad puede caerse y, posiblemente, causar lesiones graves.

No permita que niños utilicen este electrodoméstico, a menos que sean supervisados de cerca por un adulto. Los niños y las mascotas no deben quedar solos o sin vigilancia en el área donde se utilice el electrodoméstico. Nunca se les debe permitir jugar cerca del electrodoméstico, independientemente de que esté en funcionamiento o no.

---

### ATENCIÓN

Los objetos de interés para niños no deben almacenarse en un electrodoméstico, en gabinetes sobre un electrodoméstico ni en la placa antisalpicaduras. Si los niños se suben a un electrodoméstico para alcanzar estos objetos, podrían sufrir lesiones graves.

---

## Seguridad en la limpieza

---

### ADVERTENCIA

Asegúrese de que todo el electrodoméstico (incluidos los filtros de grasa y los focos, si corresponde) se haya enfriado y la grasa se haya solidificado antes de intentar limpiar cualquier parte del electrodoméstico.

No use limpiadores a vapor para limpiar el aparato.

---

## Seguridad durante su uso

---

### ADVERTENCIA

No reparar, sustituir ni quitar ninguna pieza del electrodoméstico a menos que se recomiende de forma específica en los manuales. Una instalación, servicio o mantenimiento inadecuados pueden causar lesiones o daños materiales. Consultar este manual para recibir ayuda. Todos los demás servicios debe realizarlos un agente autorizado.

---

### ADVERTENCIA

#### Riesgo de lesiones

Los objetos situados sobre el aparato pueden caerse. No colocar objetos sobre el aparato.

## Instalación y mantenimiento adecuados

Pídale al instalador que le muestre la ubicación del disyuntor o el fusible. Márquela para recordarla más fácilmente.

Este electrodoméstico debe ser correctamente instalado y conectado a tierra por un técnico calificado. Conéctelo sólo a una toma de corriente eléctrica correctamente conectada a tierra. Para obtener más información, consulte las Instrucciones de instalación.

Este electrodoméstico ha sido diseñado para uso doméstico normal únicamente. No está aprobado para uso en exteriores. Consulte la Declaración de Garantía limitada del Producto. Si tiene alguna pregunta, comuníquese con el fabricante.

No almacene ni utilice productos químicos corrosivos, vapores, materiales inflamables ni productos no alimenticios dentro de este electrodoméstico ni cerca de él. Está específicamente diseñado para calentar o cocinar alimentos. El uso de productos químicos corrosivos al calentar o limpiar dañará el electrodoméstico y podría causar lesiones.

No utilice este electrodoméstico si no funciona correctamente o si ha sido dañado. Comuníquese con un centro de servicio técnico autorizado.

No repare ni cambie ninguna parte del electrodoméstico, a menos que se recomiende específicamente en este manual. Remita todas las reparaciones a un centro de servicio técnico autorizado por la fábrica.

---

### ATENCIÓN

La grasa acumulada en los filtros puede volver a derretirse y entrar en la abertura de ventilación.

Las superficies ocultas pueden tener bordes filosos. Proceda con cuidado al intentar tomar el electrodoméstico por la parte trasera o desde abajo.

---

## ADVERTENCIA

---

Cuando se utiliza la campana en modo de aire de escape simultáneamente con un quemador diferente que también usa la misma chimenea (como calentadores a gas, aceite o carbón, calentadores de flujo continuo, calentadores de agua) se debe asegurar que haya un suministro de aire fresco suficiente para las necesidades de combustión del quemador.

La operación segura es posible siempre que la subpresión de la habitación donde está instalado el quemador no supere los 4 Pa (0.04 mbar).

Esto es posible si el aire de combustión puede circular a través de aberturas que no puedan trabarse, como ser en puertas y ventanas, y a través de cajas de entrada/salida de aire en la pared, o mediante otras medidas técnicas, como enclavamiento recíproco, etc.

---

---

## ADVERTENCIA

---

Evite la intoxicación por monóxido de carbono: proporcione una entrada de aire suficiente para que los gases de la combustión no vuelvan a ingresar en la habitación.

Una caja de entrada/salida de aire en la pared por sí sola no garantiza que no se superará el valor límite.

**Nota:** Al evaluar el requisito total, se debe tener en cuenta el sistema de ventilación combinado para todo el hogar. Esta norma no se aplica al uso de aparatos de cocina, como parrillas y hornos.

---

## Advertencia en virtud de la Proposición 65:

Este producto puede contener un químico que el Estado de California reconoce como potencialmente cancerígeno o causante de daños reproductivos. Por tanto, su producto debe llevar en su embalaje la siguiente etiqueta de conformidad con la legislación de California:

**ADVERTENCIA EN VIRTUD DE LA PROPOSICIÓN 65 DEL ESTADO DE CALIFORNIA:**

 **ADVERTENCIA**

Cáncer y daño reproductivo - [www.P65Warnings.ca.gov](http://www.P65Warnings.ca.gov)

---

## Causas de daños

---

---

### ATENCION

---

Peligro de daños por corrosión. Encender siempre el aparato cuando se vaya a cocinar con el fin de evitar la formación de agua condensada. El agua condensada puede conllevar daños por corrosión.

---

Peligro de daños por humedad que penetre en el sistema eléctrico. Nunca limpie los elementos de operación con trapos mojados.

Daño en la superficie por limpieza inadecuada. Limpie las superficies de acero inoxidable solamente en dirección del tallado original. No utilice limpiador para acero inoxidable para elementos de servicio.

Daño en la superficie por productos de limpieza agresivos o por frotación. Nunca use productos de limpieza agresivos o por frotación.

Los objetos situados sobre el aparato pueden dañar el aparato o la placa de cocción contigua al introducir o extraer el filtro metálico antigrasa. No colocar ningún objeto sobre las piezas móviles del aparato.

---

## Protección del medio ambiente

---

Saque el equipo de su empaque y elimine éste de forma ecológica.

---

## Modos de funcionamiento

---

Este equipo se puede utilizar en funcionamiento con extracción de aire o con funcionamiento de circulación de aire.

### Funcionamiento con extracción de aire



El aire aspirado se limpia con los filtros de grasa y se canaliza hacia el aire libre a través de un sistema de tubos.

**Nota:** La emisión de los gases no se debe canalizar hacia una chimenea de humo o de gases de escape que esté en funcionamiento, ni hacia un tiro que sirva para sacar el aire de las habitaciones donde haya equipos con fuego.

- Si los gases de escape se van a canalizar hacia una chimenea de humo o de gases de escape que no esté en funcionamiento, se tiene que conseguir la aprobación del especialista en chimeneas correspondiente.
- Si las emisiones de gases se canalizan a través del muro externo, se tiene que utilizar una caja telescópica para muros.

### Circulación del aire



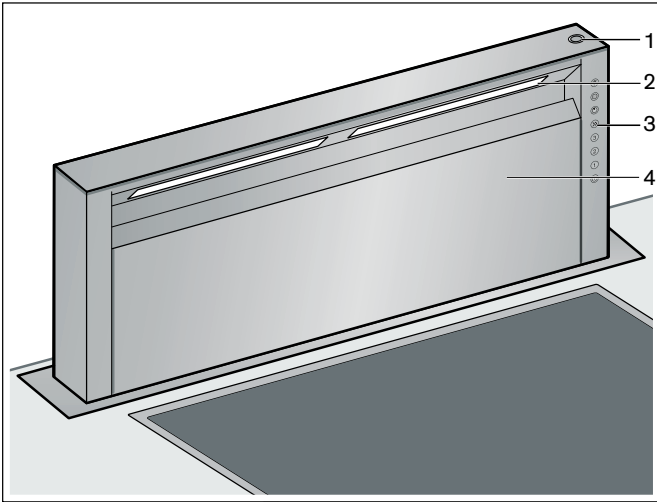
El aire aspirado se limpia con un filtro de grasas y un filtro de carbón activado, y se vuelve a canalizar hacia la cocina.

**Nota:** Para controlar los olores en el aire en circulación se tiene que instalar un filtro de carbón activado. Las diferentes posibilidades de operar el equipo con circulación de aire las puede consultar de la información del folleto, o consultando a su distribuidor autorizado. Los accesorios necesarios para ello los puede conseguir en el comercio especializado, en el departamento de servicio al cliente, o en la tienda en línea.

Cuando se use en modo de recirculación, usar solo el kit de conversión modelo AA413722 para reducir el riesgo de incendio y de descarga eléctrica. Ver la sección «Accesorios» de este manual.

## Conozca el equipo

Aquí le presentamos su nuevo aparato y le ofrecemos información acerca de los accesorios.



- |   |                             |
|---|-----------------------------|
| 1 | Introducir/extraer el mando |
| 2 | Iluminación                 |
| 3 | Cuadro de mandos            |
| 4 | Tapa del filtro             |

## Cuadro de mandos

Todas las teclas de selección de funciones están activas cuando el fondo está iluminado. El indicador luminoso del "indicador de saturación" parpadea.

	Luz encendida/apagada
	Indicador de saturación
	Función de marcha en inercia
	Nivel intensivo
	3 Nivel de ventilador 3
	2 Nivel de ventilador 2
	1 Nivel de ventilador 1
	Ventilador encendido/apagado

## Accesorios para la instalación

- |            |   |
|------------|---|
| AA 413 722 | Kit de recirculación  |
| AA 010 410 | Rejilla de salida del aire, recirculación de aire de 3 9/16" (90 mm)            |
| AD 754 045 | Racor de empalme para tubo de aluminio flexible 2x NW 5 15/16" (150 mm) redondo |

## Operar el equipo

Este aparato funciona únicamente estando completamente extraído.

**Nota:** Encender la campana extractora al empezar a cocinar y apagarla unos minutos después de haber finalizado con las tareas de cocción. De esta manera se neutralizarán con gran efectividad los vapores que se desprenden al cocinar.

## Extracción/introducción el aparato

### ⚠ ADVERTENCIA

#### Peligro de lesiones

Peligro de quedarse atrapado al introducir/extraer el aparato. Al introducir/extraer el aparato, no asirlo nunca por la parte móvil. No dejar que los niños se acerquen.

### ⚠ ADVERTENCIA

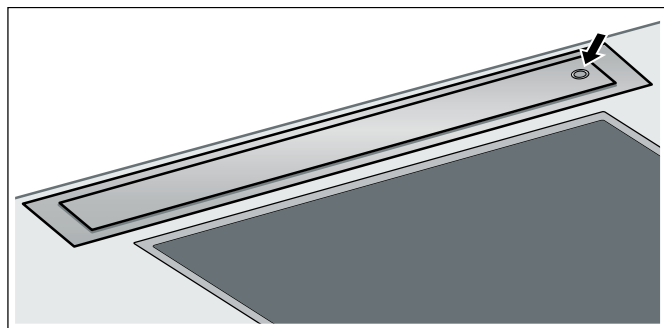
#### Peligro de lesiones

Los recipientes de cocina colocados en la zona móvil del aparato pueden caerse. Los líquidos calientes derramados pueden ocasionar lesiones. No colocar recipientes de cocina en la zona móvil del aparato.

**Nota:** Al introducir y extraer el aparato pueden producirse ruidos. Estos son inherentes al diseño del aparato y no influyen en su funcionamiento.

### Extracción del aparato

- 1 Retirar los objetos de la zona móvil del aparato.
- 2 Pulsar la tecla situada en la parte superior del aparato.  
El aparato se extrae por completo.

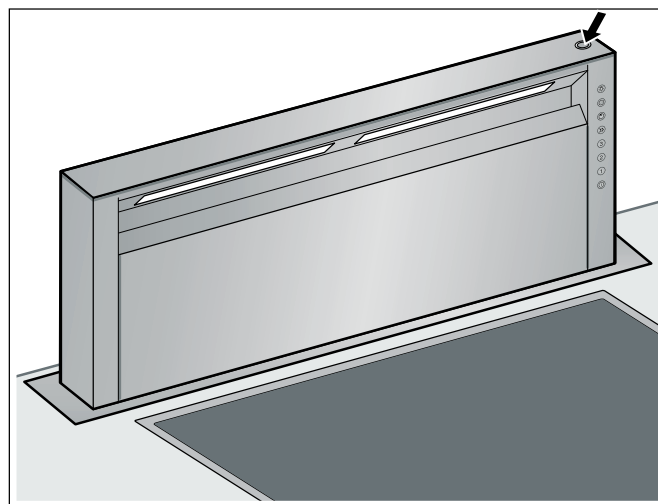


### Introducción del aparato

La tapa del filtro debe estar completamente cerrada.

- 1 Retirar los objetos de la zona móvil del aparato.

- 2 Pulsar la tecla situada en la parte superior del aparato.  
El aparato se introduce por completo. La luz y el ventilador se desconectan automáticamente.



## Ajustar el ventilador

### Conexión

Para la aspiración existen tres niveles de ventilación y un nivel intensivo.

- 1 Encender el aparato con la tecla ①.  
El ventilador se pone en marcha en el nivel 2.
- 2 Ajustar el nivel de ventilación de acuerdo con la situación de cocción con las teclas 1, 2, 3 o >>.

### Desconexión

Apagar el aparato con la tecla ①.

## Nivel intensivo

En caso de fuertes olores y vapores, utilizar el nivel intensivo.

- 1 Oprimir la tecla ①.  
El ventilador se pone en marcha en el nivel 2.
- 2 Oprimir la tecla >>.  
El nivel intensivo está activado.


**Nota:** La duración del nivel intensivo es de 6 minutos. Una vez transcurrido este tiempo, el aparato vuelve al nivel de ventilador ajustado anteriormente.

- 3 Pulsar la tecla ① o la tecla de otro nivel de ventilador.  
Se finaliza el nivel intensivo.


## Función de marcha en inercia

### Conexión

Es posible activar la función de desconexión automática del ventilador para cada uno de los niveles.

- 1 Seleccionar el nivel de ventilador 1, 2, 3 o >>.
- 2 Oprimir la tecla .  
El tiempo de desconexión automática es de 6 minutos en todos los niveles de ventilador. La ventilación se apagará automáticamente una vez finalizado ese tiempo. Si la iluminación está conectada, permanecerá así una vez que el tiempo de desconexión automática haya transcurrido.

### Desconexión


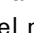
Pulsar la tecla  o la tecla de otro nivel de ventilador.

La función de desconexión automática se produce antes de la desconexión general.


## Ventilación a intervalos

### Conexión

Durante la ventilación a intervalos, esta se conecta automáticamente durante 6 minutos cada hora.

- 1 Pulsar el nivel de ventilador 1, 2 o 3.
- 2 Pulsar dos veces la tecla .  
La tecla  y la tecla del nivel de ventilador seleccionado parpadean alternadamente. La ventilación a intervalos está activada.


### Desconexión

Oprimir la tecla .

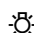
La ventilación a intervalos está desactivada.

## Iluminación


La iluminación se puede encender y apagar de forma independiente de la ventilación.


Pulsar la tecla .

### Ajuste del brillo

Mantener pulsada la tecla  hasta conseguir el brillo deseado.

## Indicador de saturación

Transcurridas 30 horas de funcionamiento, parpadea el indicador de saturación  del filtro antigrasa.

- En ese momento se deben limpiar los filtros metálicos antigrasa. La limpieza del filtro de metal antigrasa se explica en el capítulo **Limpeza y cuidados del aparato**.
- Restablecer el indicador de saturación con la tecla  mientras parpadea.

## Desconexión de seguridad

Para la protección del usuario, el aparato está equipado con una desconexión de seguridad. La iluminación se apagará transcurridas 12 horas y el ventilador, tras 4 horas; si durante este tiempo no se han utilizado.

---

## Limpieza y mantenimiento

---

---

### ADVERTENCIA

#### **Peligro de quemaduras**

El aparato se calienta cuando está en marcha. Antes de limpiar el aparato, dejar que se enfríe.

---

---

### ADVERTENCIA

#### **Peligro de descarga eléctrica**

Si penetra humedad puede causar una descarga eléctrica. Limpiar el aparato solo con un paño húmedo. Antes de la limpieza hay que desconectar el enchufe o los fusibles de la caja de fusibles.

---

---

### ADVERTENCIA

#### **Peligro de descarga eléctrica**

La humedad penetrante puede causar una descarga eléctrica. No use una hidrolavadora ni un limpiador por vapor.

---

---

### ADVERTENCIA

#### **Peligro de lesiones**

Los componentes dentro del equipo pueden tener bordes filosos. Utilice guantes protectores.

---

## Productos de limpieza

A fin de no dañar las distintas superficies con productos de limpieza inapropiados, consultar las indicaciones de la tabla. No usar en ningún caso:

- productos de limpieza abrasivos o corrosivos,
- productos de limpieza con un alto contenido de alcohol;
- estropajos o esponjas de fibra dura;
- limpiadores de alta presión o por chorro de vapor.

Lavar a fondo los paños de cocina nuevos antes de usarlos.

Tener en cuenta todas las instrucciones y avisos que incluyen los productos de limpieza.

---

<b>Zona</b>	<b>Productos de limpieza</b>
Acero inoxidable	Agua caliente con jabón: Limpiar con un trapo y secar con un paño suave.  Limpiar las superficies de acero inoxidable siempre en la dirección del pulido.  Se pueden adquirir productos de limpieza de acero especiales en el Servicio de Asistencia Técnica o en comercios especializados. Aplicar una capa muy fina del producto de limpieza con un paño suave.
Superficies barnizadas	Agua caliente con jabón: Limpiar con un trapo húmedo y secar con un paño suave.  No usar limpiadores para acero inoxidable.
Aluminio y plástico	Limpiacristales: Limpiar con un paño suave.
Vidrio	Limpiacristales: Limpiar con un paño suave. No utilizar raspadores para cristal.
Elementos de control	Agua caliente con jabón: Limpiar con un trapo húmedo y secar con un paño suave.  Peligro de descarga eléctrica por humedad.  Peligro de daños por humedad en el interior del sistema electrónico. No limpiar nunca los elementos de control con un paño húmedo.  No usar limpiadores para acero inoxidable.

---

## Limpiar los filtros metálicos para grasa

Este manual es válido para distintas versiones del aparato. Es posible que se describan características de equipamiento que sean aplicables a su aparato.

---

### ADVERTENCIA

#### **Peligro de incendio**

Los depósitos de grasa en el filtro de grasa se pueden incendiar.

**Limpié el filtro de grasa por lo menos cada dos meses.**

Nunca haga funcionar el equipo sin filtro de grasa.

---



## Notas

- No use productos de limpieza agresivos, o que contengan ácidos o lejía.
- Al limpiar los filtros metálicos para grasa, limpie también el soporte de los filtros en el equipo con un trapo húmedo.
- Los filtros metálicos los puede lavar en la máquina lavavajillas o a mano.

## A mano:

**Nota:** En caso de suciedad rebelde, se puede usar un solvente especial para la grasa. Este producto se puede solicitar en la tienda en línea.

- Deje que los filtros metálicos para grasa se aflojen en agua caliente con jabón para trastes .
- Utilice un cepillo para lavarlos, y después enjuague bien los filtros.
- Permita que se escurran bien los filtros metálicos.

## En el lavavajillas:

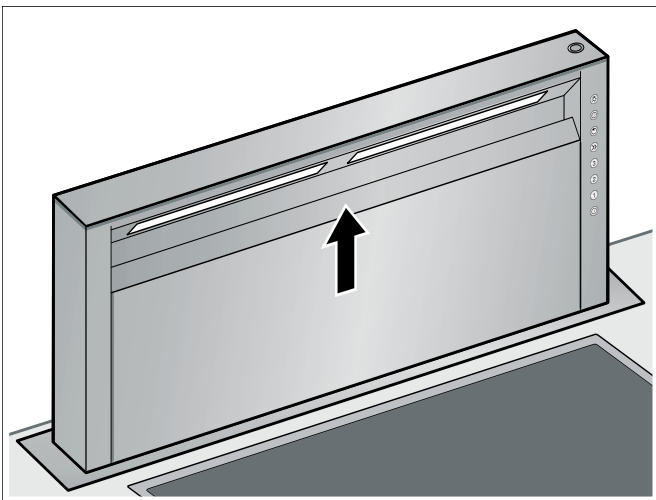
**Nota:** La limpieza en el lavavajillas podría conllevar ligeras decoloraciones. Esto no afecta al funcionamiento normal de los filtros de metal antigrasa.

- No lavar los filtros de metal antigrasa junto con el resto de la vajilla si están muy sucios.
- Colocar debidamente los filtros de metal antigrasa en el lavavajillas. Los filtros de metal antigrasa no deben quedar aprisionados.

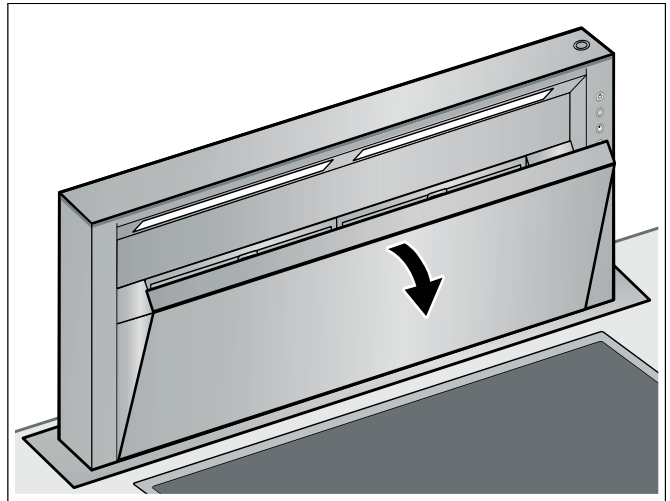
## Montaje y desmontaje de los filtros metálicos para grasa

### Abrir la tapa del filtro

- 1 Asir la tapa del filtro por el centro y tirar hacia arriba.



- 2 Plegar la tapa del filtro hacia delante.

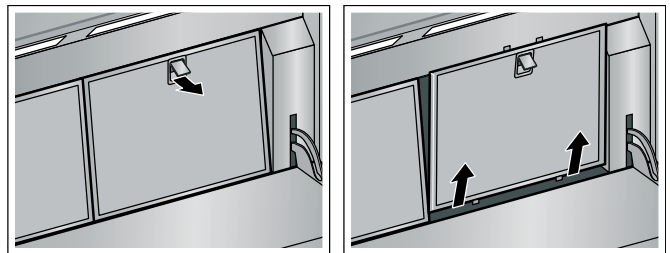


### Desmontar el filtro de metal antigrasa

- 1 Abrir el bloqueo y plegar hacia delante el filtro de metal antigrasa.
- 2 Extraer el filtro de metal antigrasa del soporte.

#### Notas

- La grasa puede acumularse en la parte inferior del filtro de metal antigrasa.
- Sujetar el filtro de metal antigrasa en posición horizontal para evitar que gotee grasa.

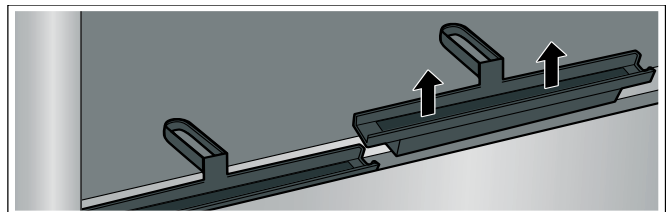


- 3 Limpiar el filtro de metal antigrasa.

### Limpiar las ranuras colectoras de grasa



Pueden extraerse las ranuras colectoras de grasa para limpiarlas mejor. Las ranuras colectoras de grasa pueden limpiarse en el lavavajillas.

- 1 Extraer las ranuras colectoras de grasa.



- 2 Limpiar las ranuras colectoras de grasa.
- 3 Volver a colocar las ranuras colectoras de grasa.

## Montar el filtro de metal antigrasa

- 1 Colocar el filtro de metal antigrasa.
- 2 Plegar hacia atrás el filtro de metal antigrasa y fijar el bloqueo.
- 3 Restablecer el indicador de saturación pulsando la tecla .  
El indicador de saturación  se apaga.

## Cerrar la tapa del filtro

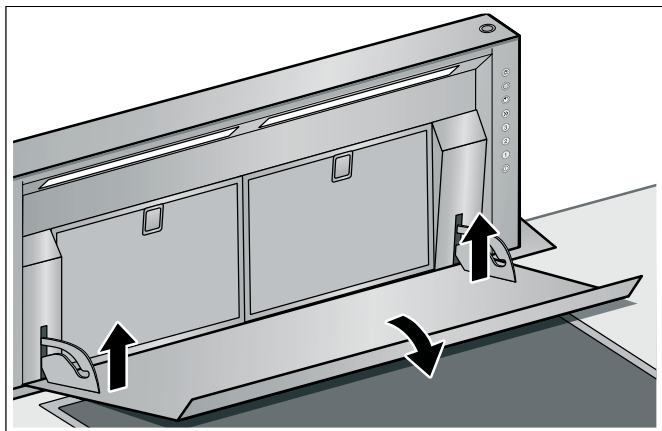
Asir la tapa del filtro por el centro y cerrarla.

La tapa del filtro encaja.

## Limpiar la tapa del filtro

La tapa del filtro puede extraerse para facilitar su limpieza.

- 1 Abrir la tapa del filtro.
- 2 Asir la tapa del filtro con las dos manos por los laterales.
- 3 Elevar la parte trasera hasta el tope y tirar de la tapa del filtro hacia delante.



Se puede tirar de la tapa del filtro mediante los pernos del soporte.

- 4 Limpiar la tapa del filtro.

## Montar la tapa del filtro

- 1 Asir la tapa del filtro con las dos manos por los laterales.
- 2 Introducir la tapa del filtro en los pernos del soporte y levantarla por delante hasta que encaje.

## ¿Qué hacer en caso de falla?

Muchas veces podrá solucionar fácilmente usted mismo los fallos que aparezcan. Antes de llamar al servicio técnico, tome en cuenta las siguientes indicaciones.

### ADVERTENCIA

#### **Peligro de descarga eléctrica**

Las reparaciones no profesionales son peligrosas. Solamente un técnico de servicio al cliente entrenado por nosotros puede realizar las reparaciones y cambiar las conexiones dañadas. Si el equipo presenta defectos, saque el enchufe o desconecte el disyuntor o el fusible de la caja de fusibles. Comuníquese con el servicio al cliente.

### Luces LED

La sustitución de las luces LED debe encomendarse siempre al fabricante, al Servicio de asistencia técnica o a profesionales autorizados (instaladores electricistas).


### ADVERTENCIA

#### **Riesgo de lesiones**

La luz de las luces LED es muy deslumbrante y puede dañar los ojos (grupo de riesgo 1). No mirar más de 100 segundos directamente a las luces LED encendidas.

## Tabla de fallas

Falla	Posible causa	Solución
El equipo no funciona.	El enchufe no está conectado	Conectar el equipo a la red eléctrica
	Corte de luz	Verificar si están funcionando los demás aparatos de la cocina
	Fusible defectuoso	Revisar en la caja de fusibles si está bien el fusible del equipo
El aparato no se enciende.	La tapa del filtro no está cerrada.	Cerrar la tapa del filtro completamente.
La iluminación de las teclas no funciona.	La unidad de control está estropeada.	Ponerse en contacto con el Servicio de Asistencia Técnica.
La iluminación no funciona.	Las luces LED están estropeadas.	Ponerse en contacto con el Servicio de Asistencia Técnica.

La tecla  parpadea.	El filtro está sucio.	Limpiar el filtro, véase el capítulo <i>Limpieza y cuidados del aparato</i> .
El aparato no funciona, todas las teclas parpadean	El enchufe del cable de red no está conectado a la red	Comprobar conexión de cables de red para todos los aparatos
	El fusible está dañado	Comprobar en la caja de fusibles si los fusibles de todos los aparatos funcionan correctamente
	Un componente del aparato no funciona	Avisar al Servicio de Atención al Cliente

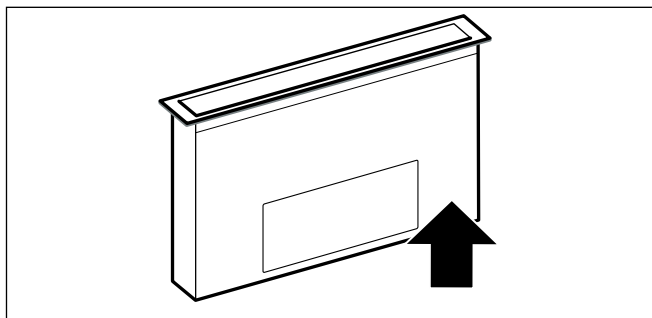
---

## Servicio de atención al cliente

---

Si su aparato necesita una reparación, nuestro servicio de atención al cliente estará encantado de ayudarle. Siempre encontramos la solución adecuada, incluso para evitar visitas innecesarias de los técnicos.

Cuando llame por teléfono, indique la referencia del producto (Nº E) y el número de fabricación (Nº FD) para que podamos ofrecerle un servicio cualificado. La placa de características con los correspondientes números se encuentra en la parte delantera del aparato. Para acceder a ella, abrir la puerta del mueble en el que está empotrado el aparato.




Para evitar tener que buscar los datos de su aparato cuando los precise, es aconsejable anotarlos aquí conjuntamente con el número de teléfono del Servicio de atención al cliente.

---

Nº E.

Nº FD.

---

Servicio de atención al cliente 

---

Tenga en cuenta que la visita del técnico del servicio de atención al cliente no es gratuito en caso de que el mal funcionamiento sea debido a un manejo incorrecto del aparato.

Las señas de las delegaciones internacionales figuran en la lista adjunta de centros y delegaciones del Servicio de Asistencia Técnica Oficial.

### Solicitud de reparación y asesoramiento en caso de averías

US 877 442 4436  
toll-free

**Gaggenau**

BSH Home Appliance Corporation  
1901 Main Street, Suite 600  
Irvine, CA 92614  
+1-877-442-4436

[www.gaggenau.com/us](http://www.gaggenau.com/us)

© 2021 BSH Home Appliances

**Gaggenau Hausgeräte GmbH**

Carl-Wery-Straße 34  
81739 München  
GERMANY

**GAGGENAU**

