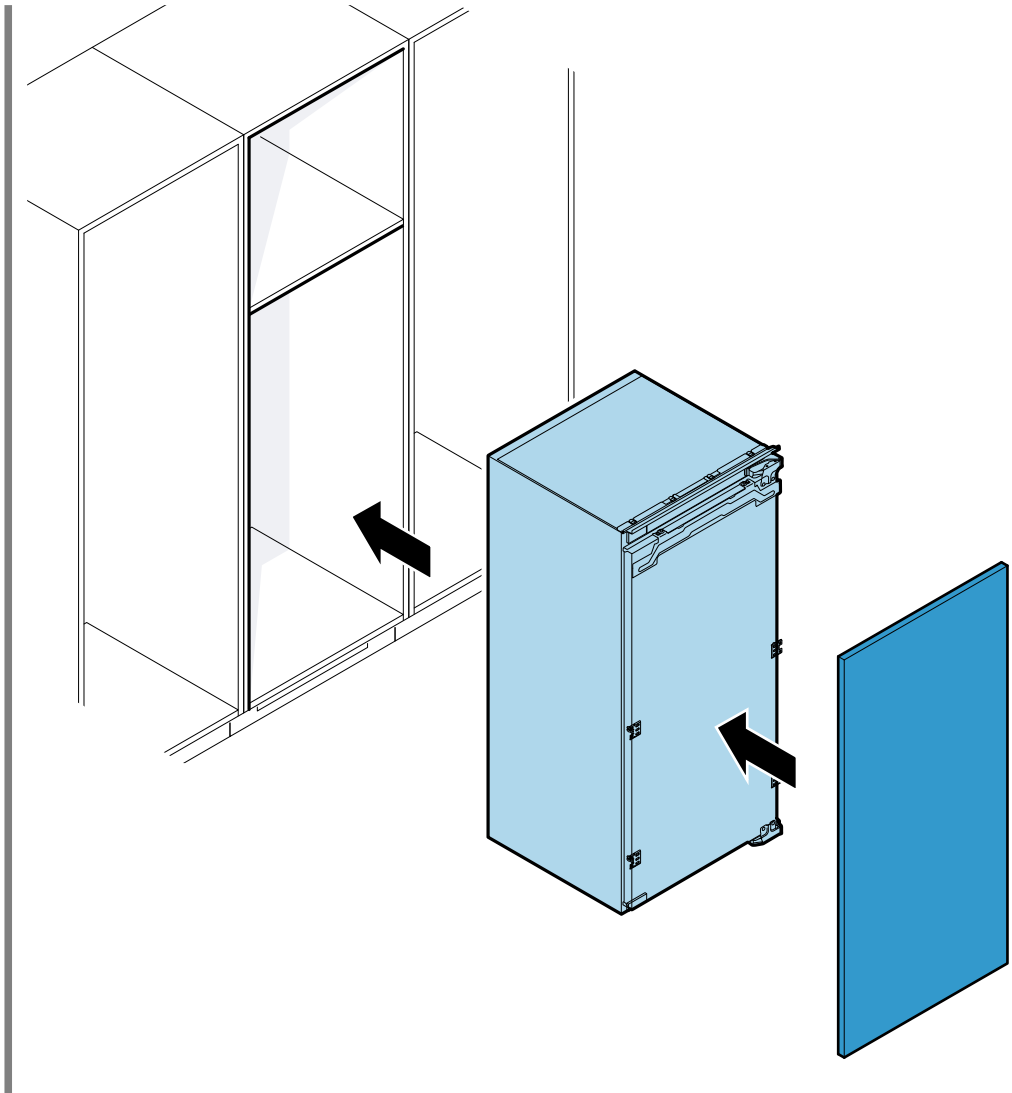
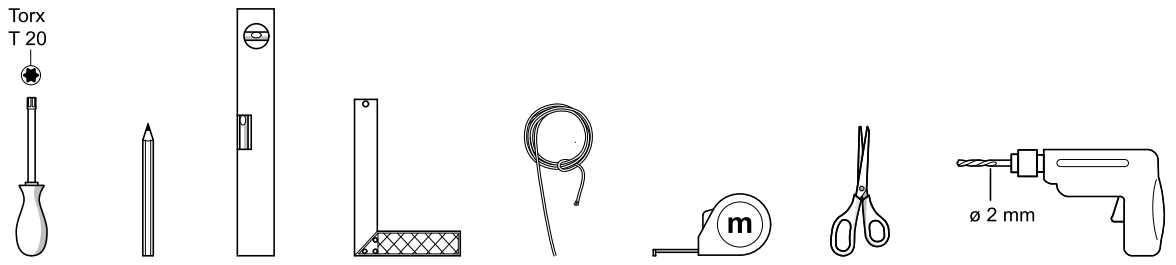
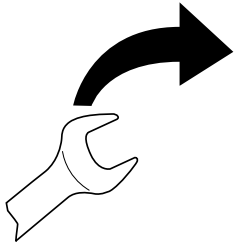
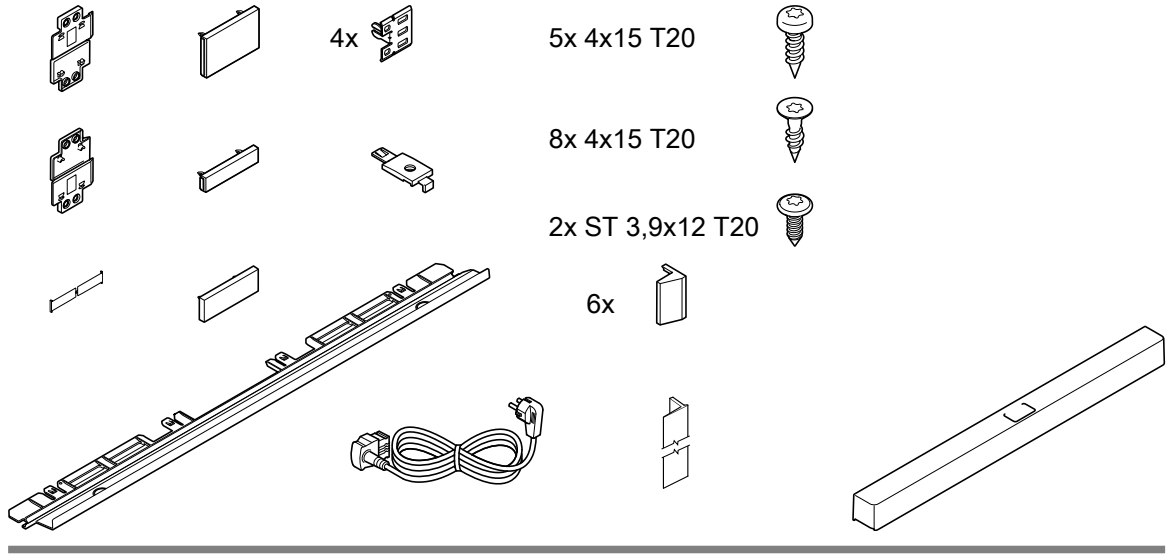
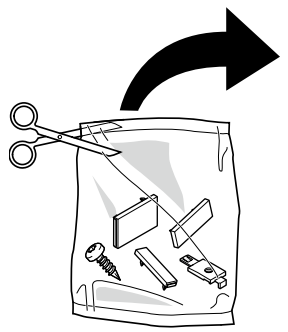


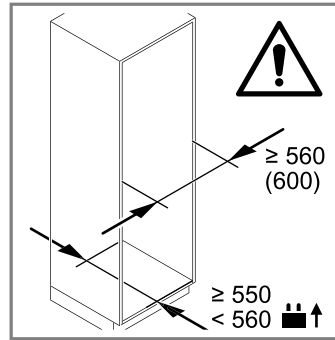
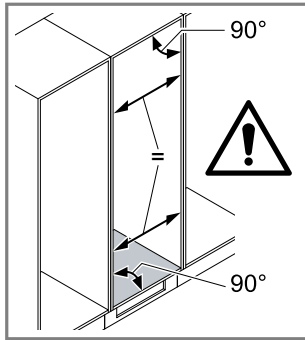
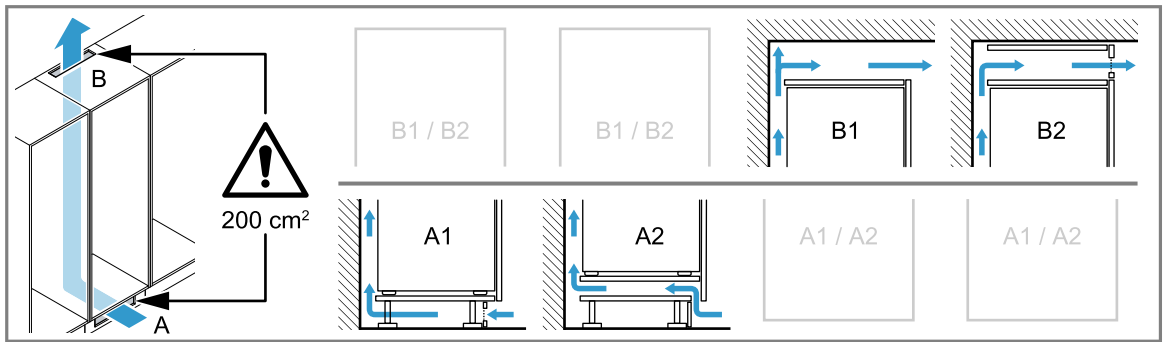
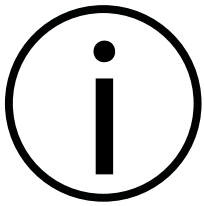
9001600878 (050114)

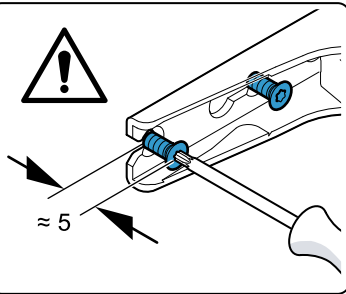
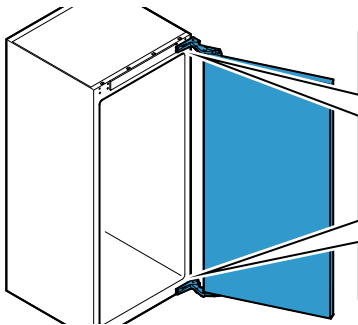
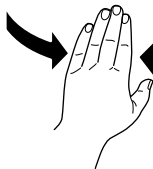
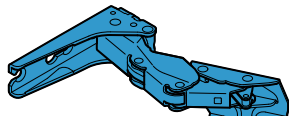
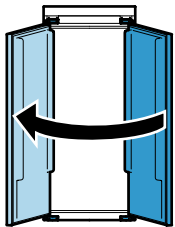


mm

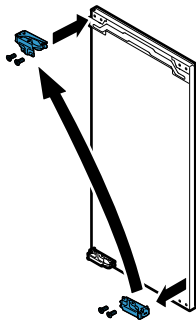
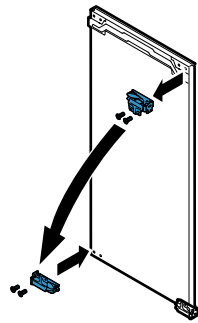
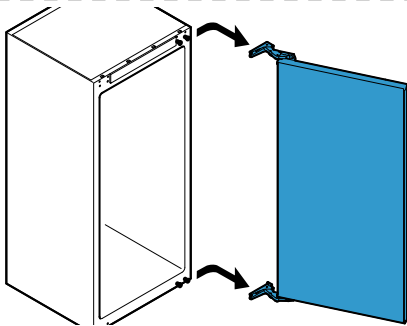
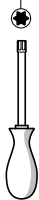


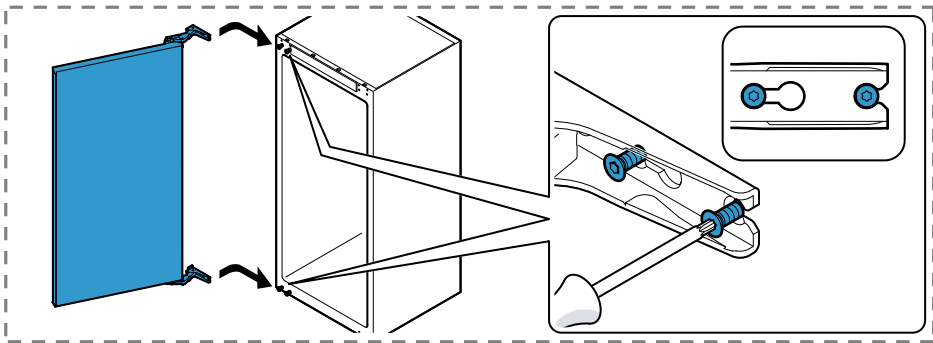
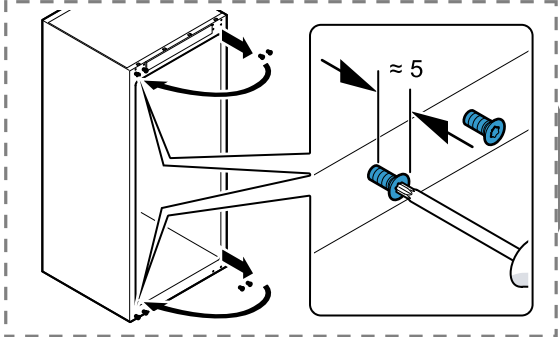




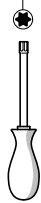


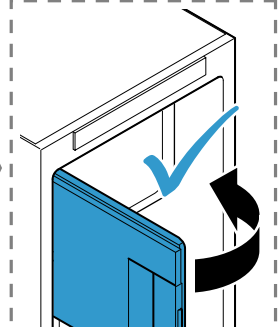
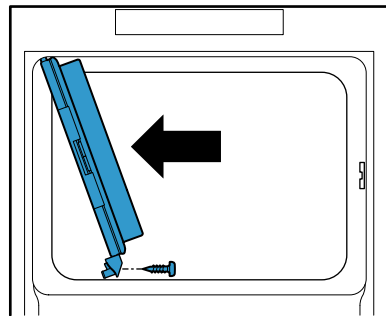
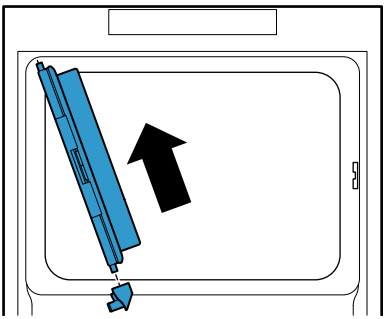
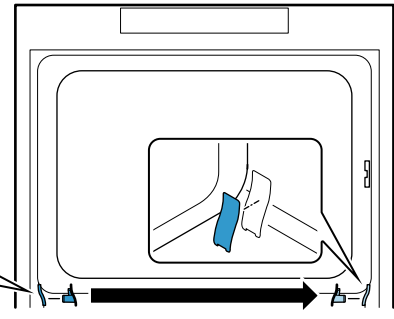
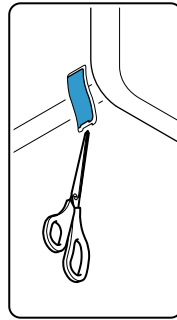
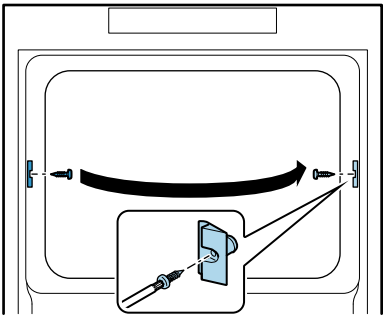
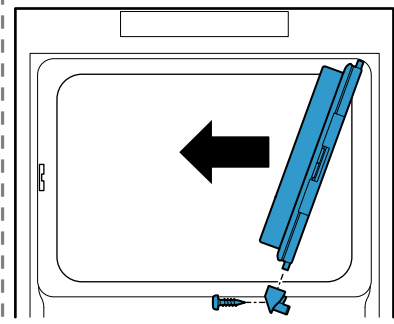
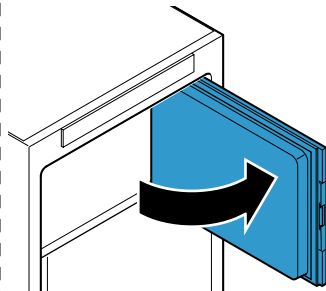
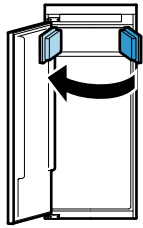
Torx  
T 20



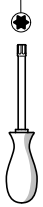


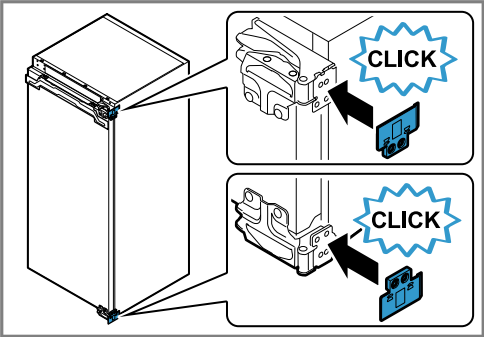
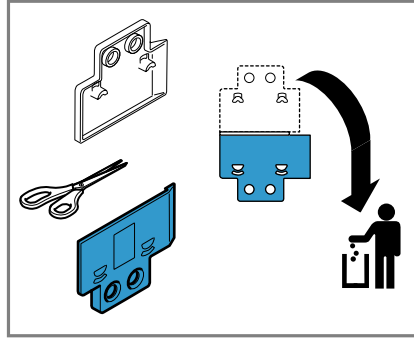
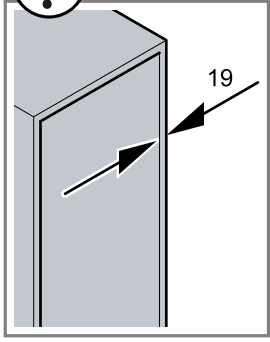
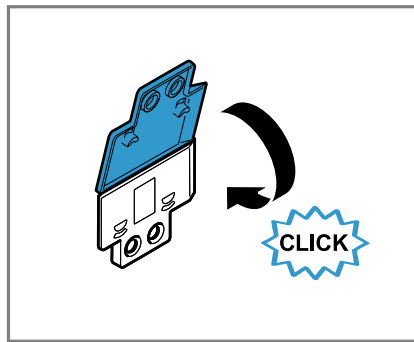
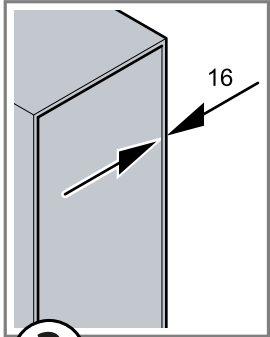
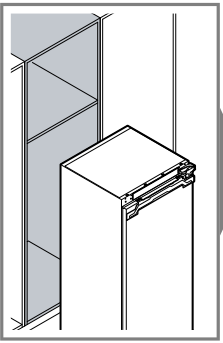
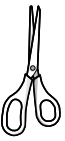
Torx  
T 20

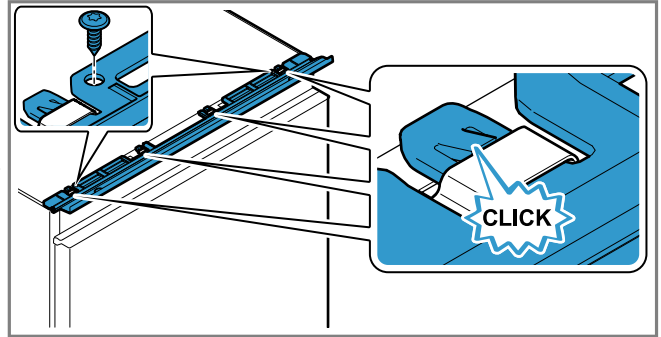
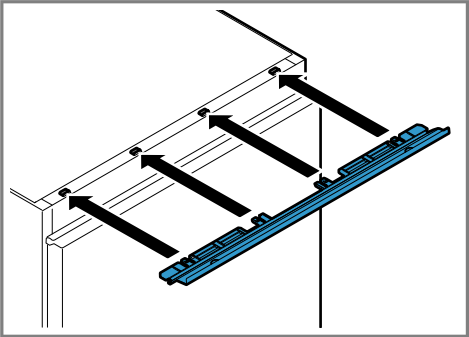
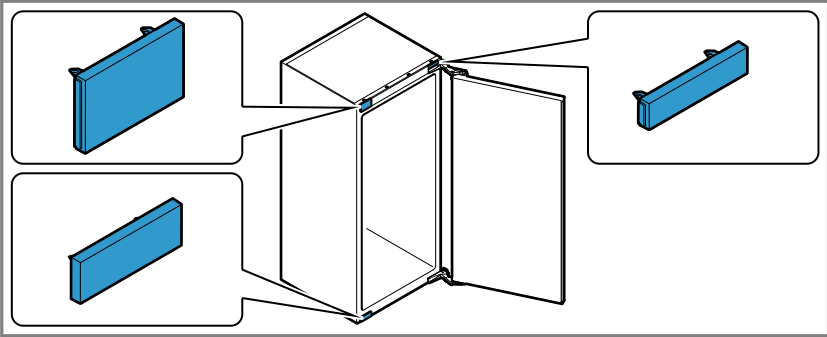
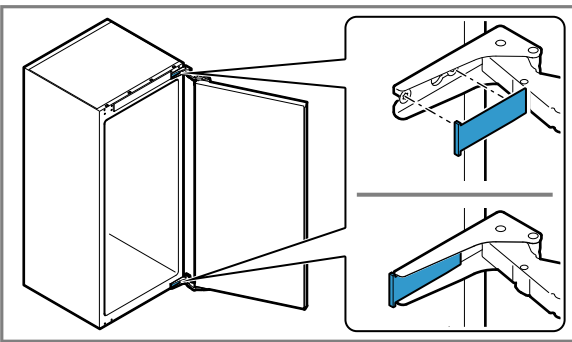
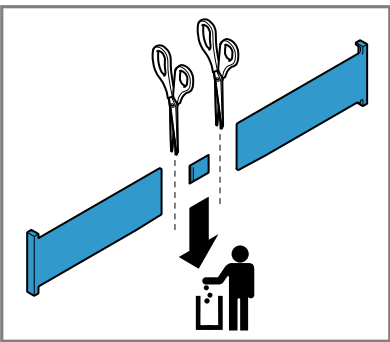
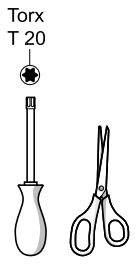
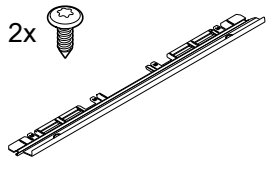
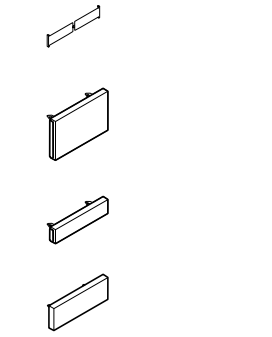




Torx  
T 20

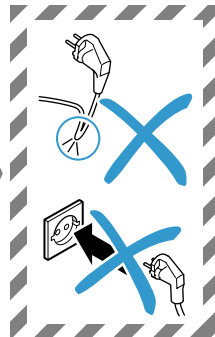
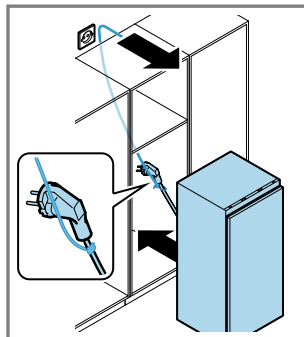
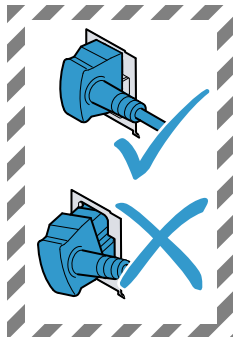
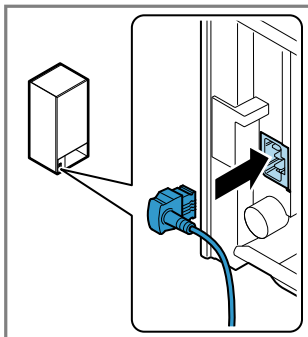
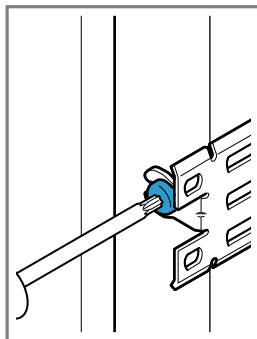
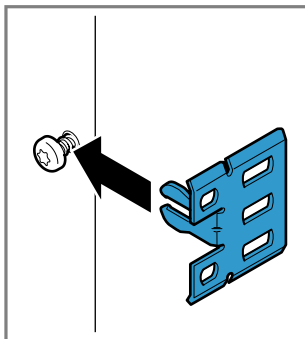
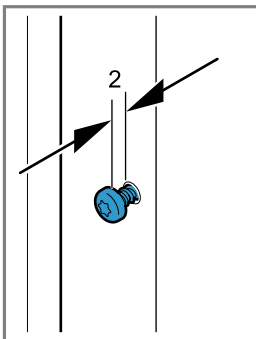
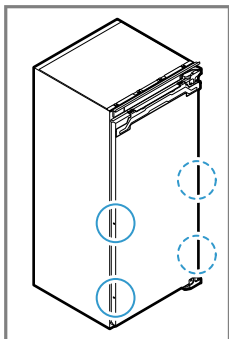
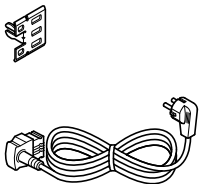




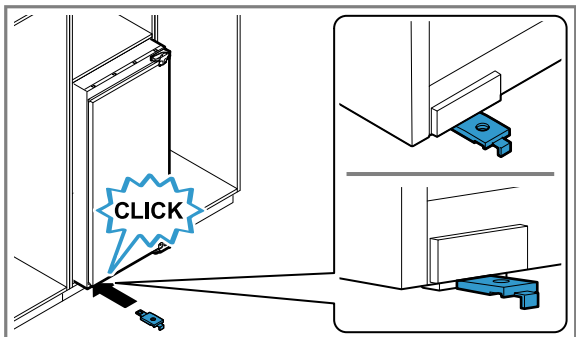
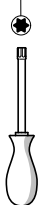




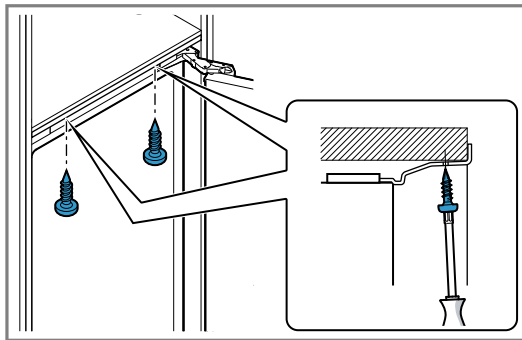
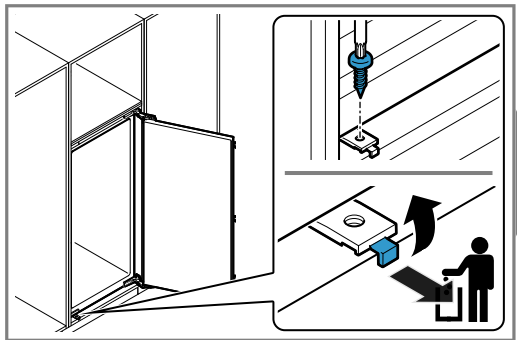
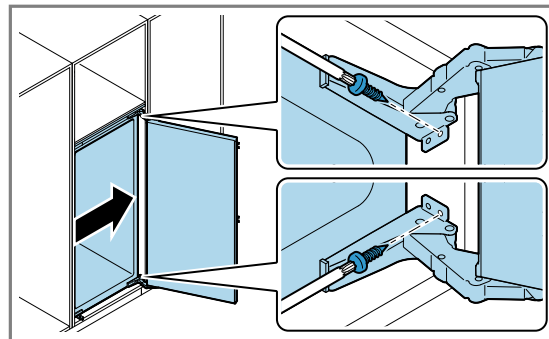
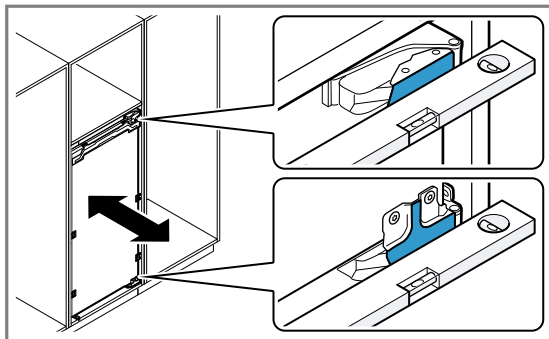
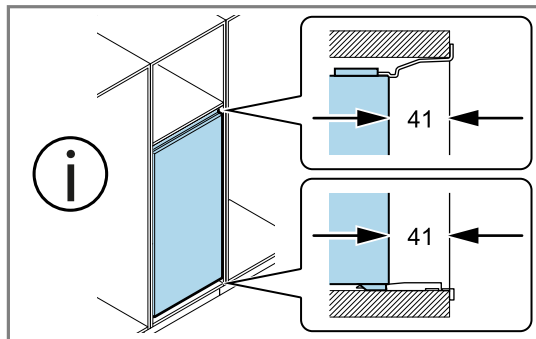
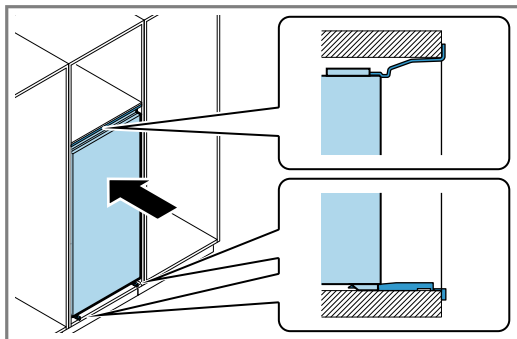
4x



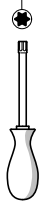
Torx  
T 20

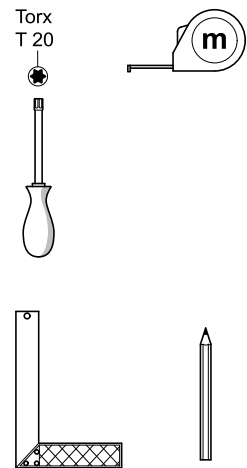
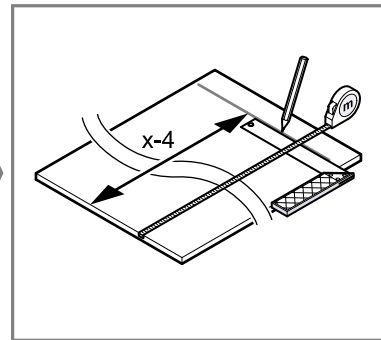
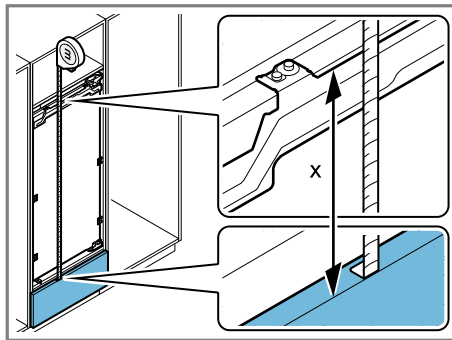
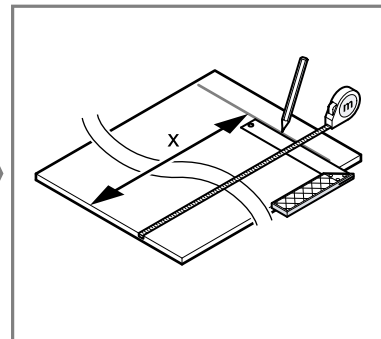
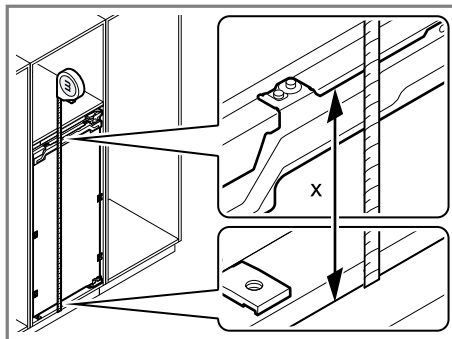
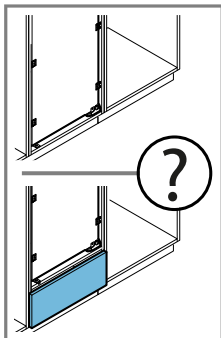
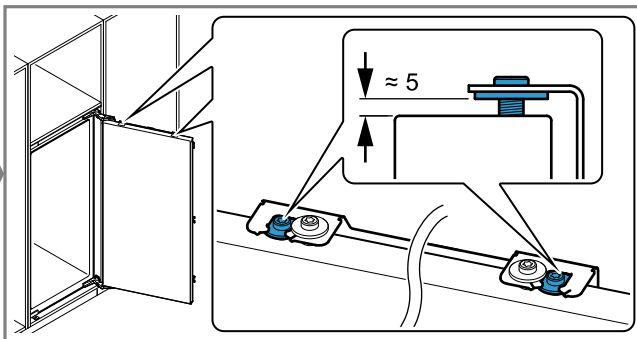
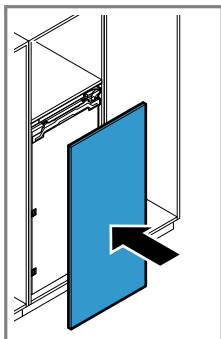


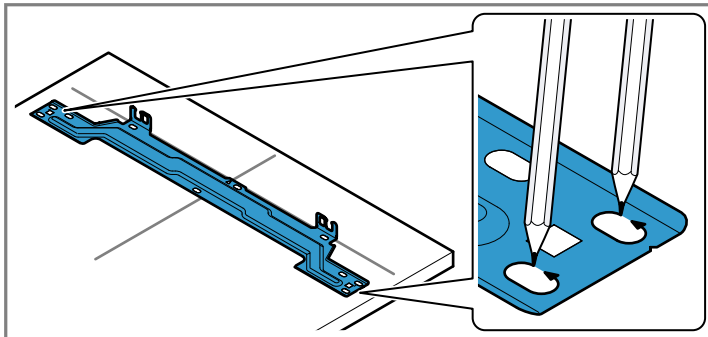
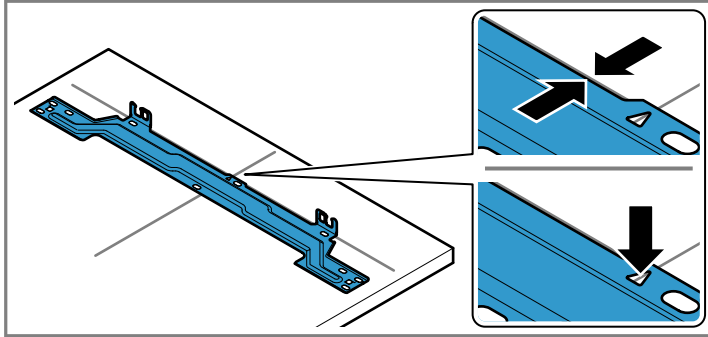
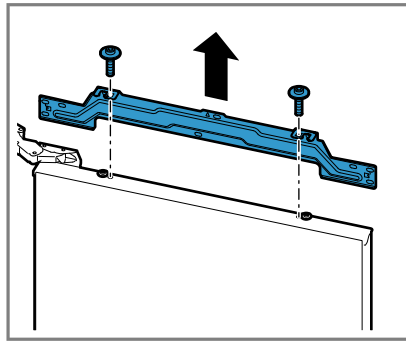
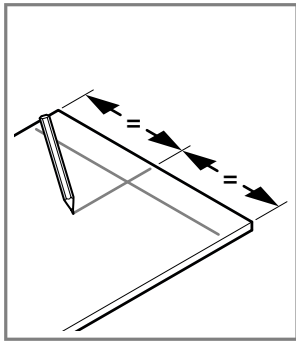
5x



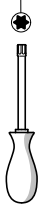
Torx  
T 20



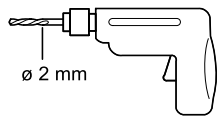
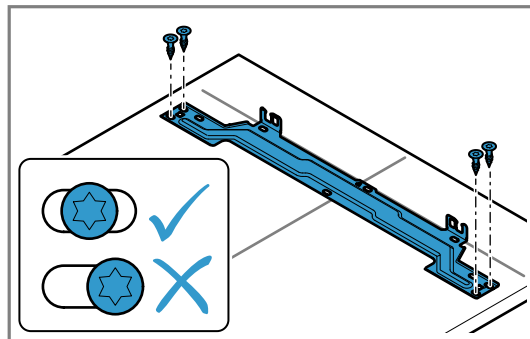
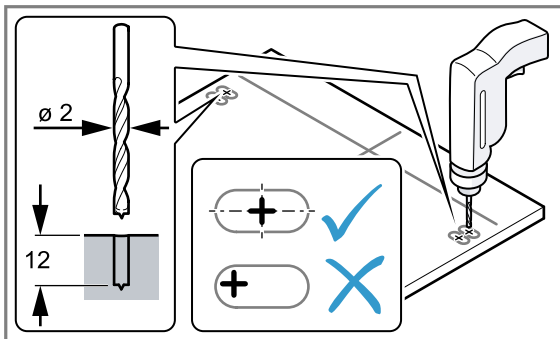




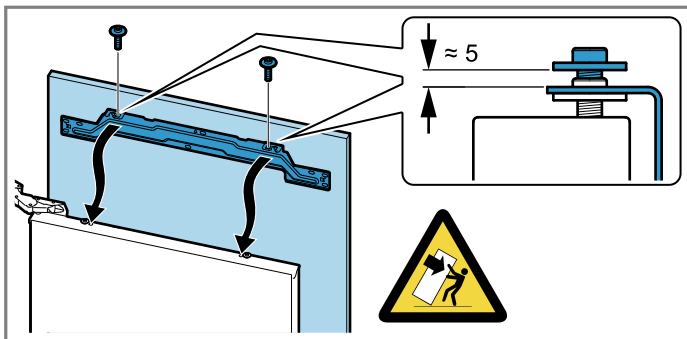
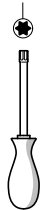
Torx  
T 20

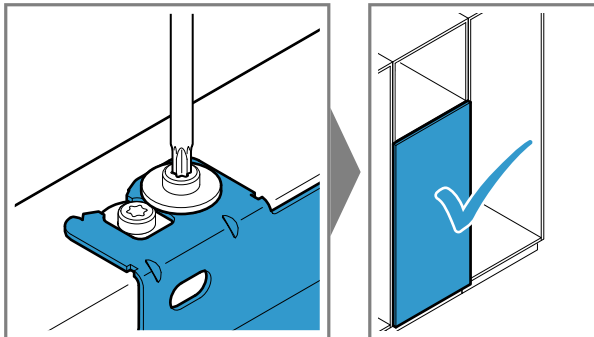
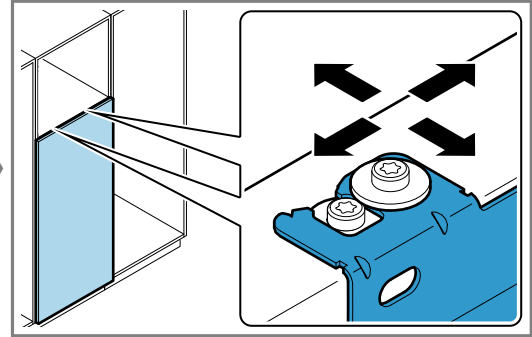
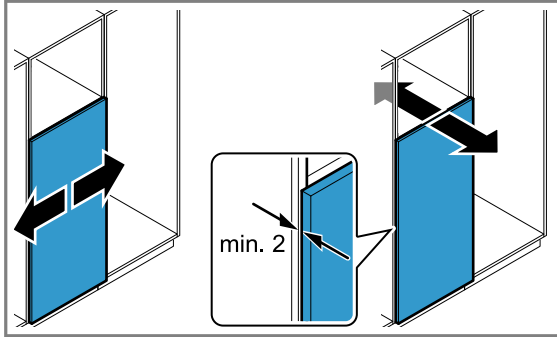
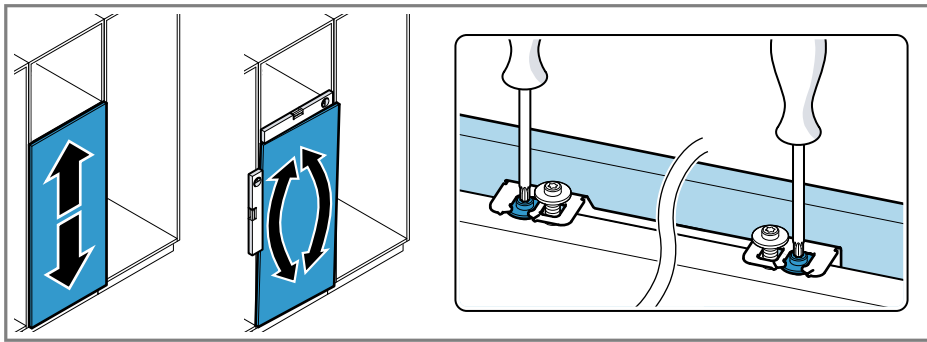


4x



Torx  
T 20

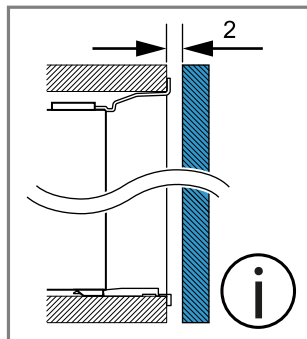
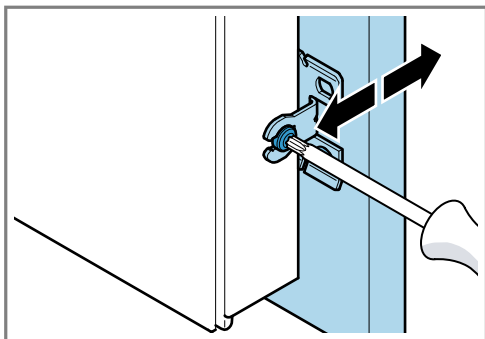
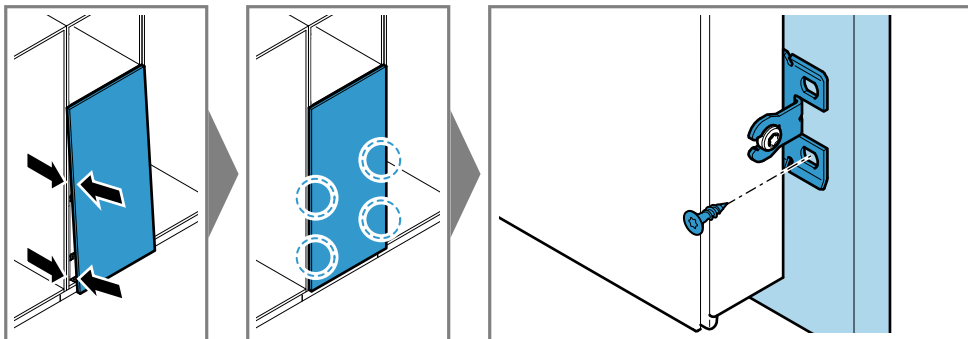




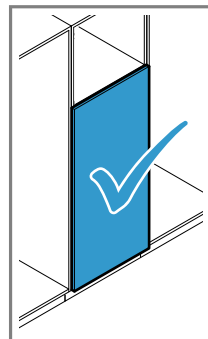
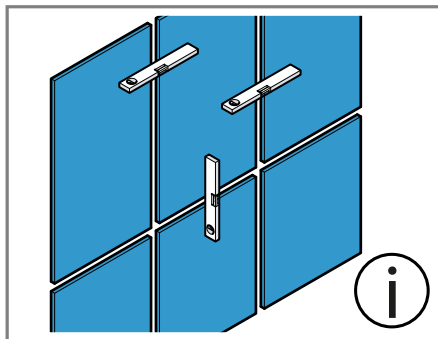
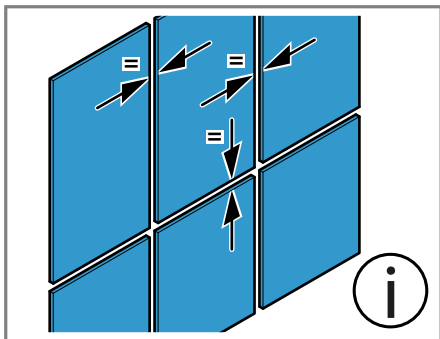
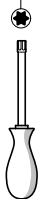
Torx  
T 20

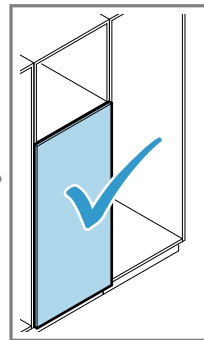
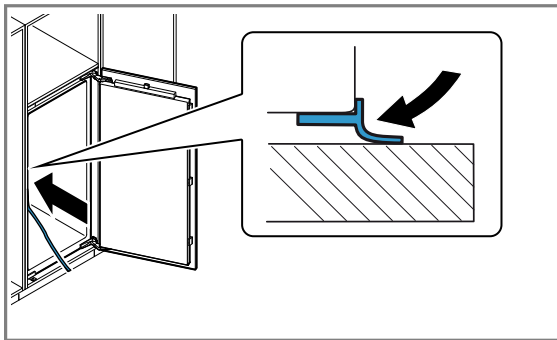
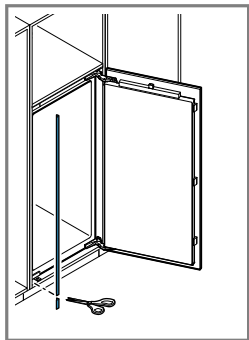
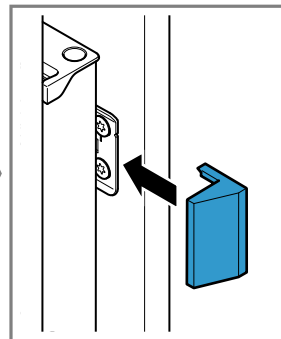
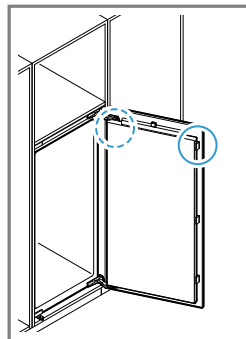
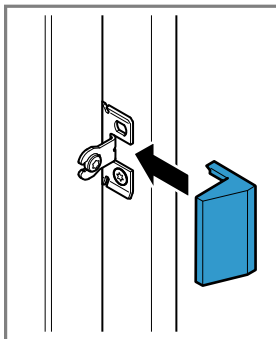
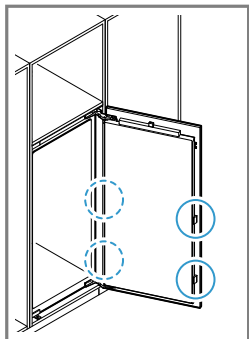
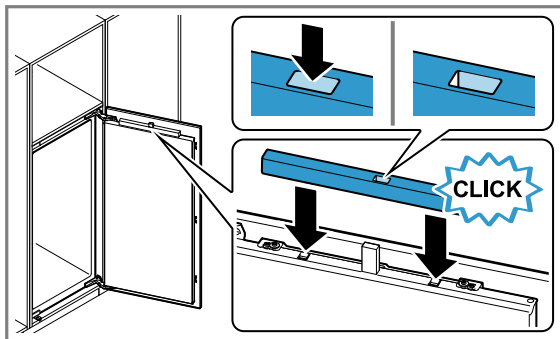
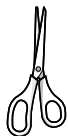
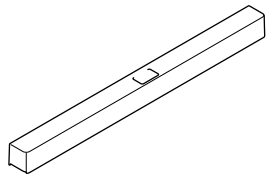


4x

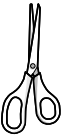
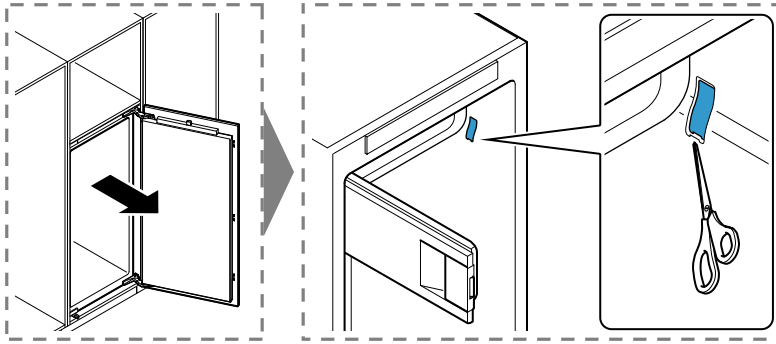


Torx  
T 20













A series of horizontal lines for writing, starting from a vertical margin line on the left and extending across the page.

