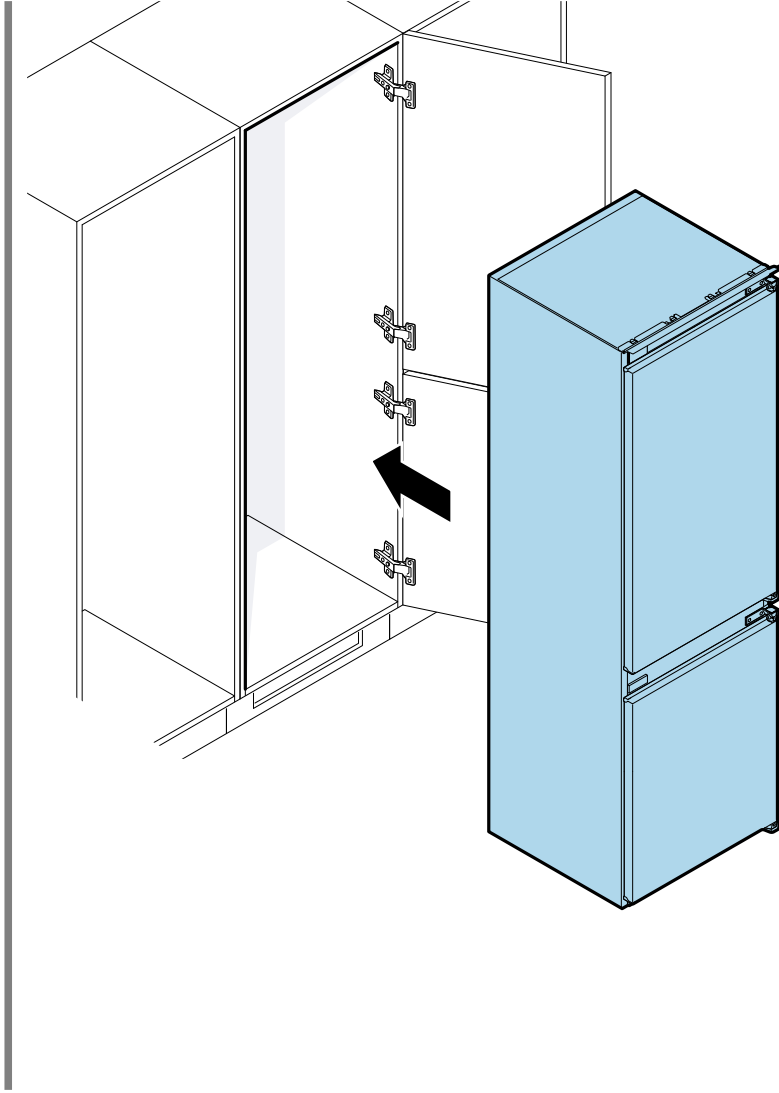


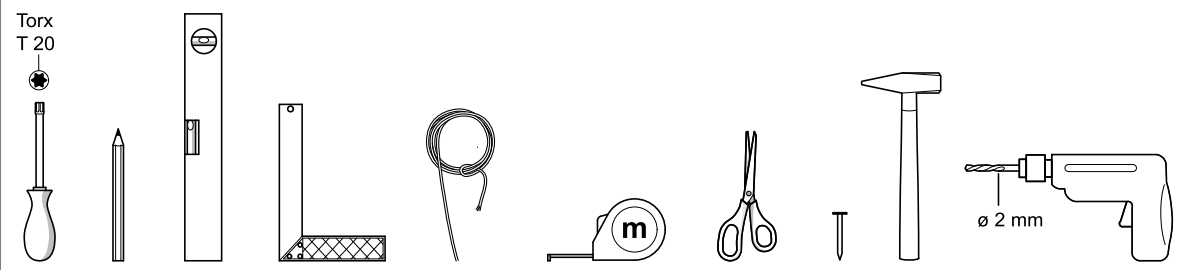
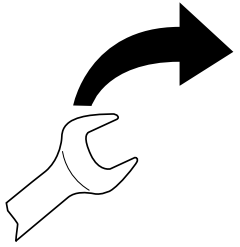
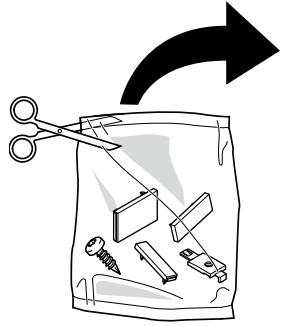
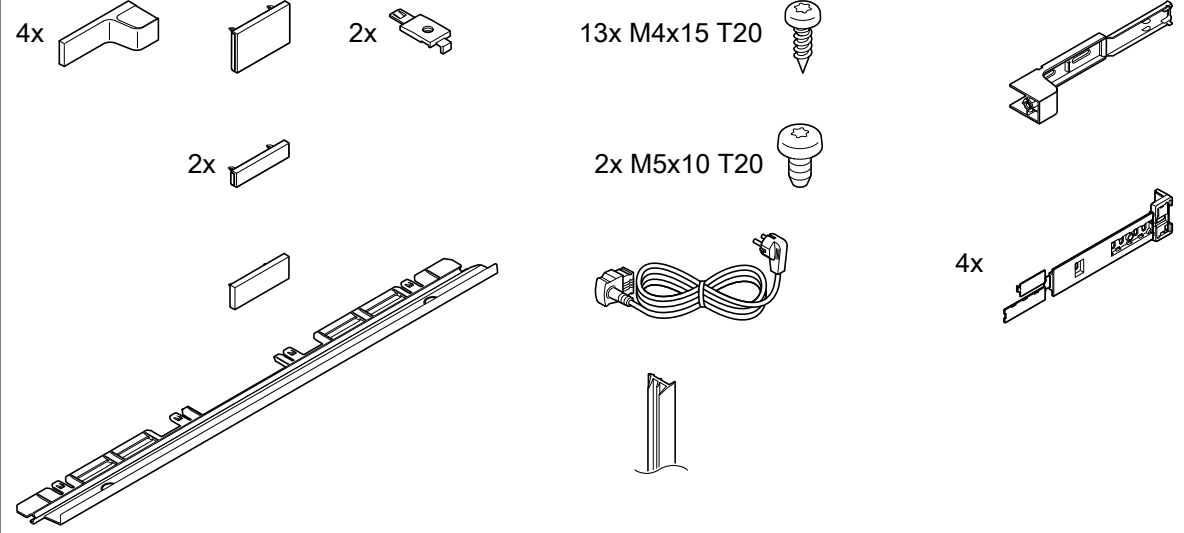


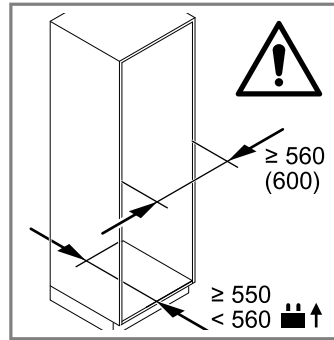
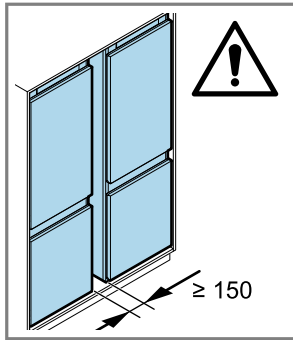
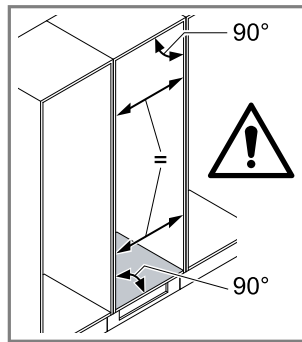
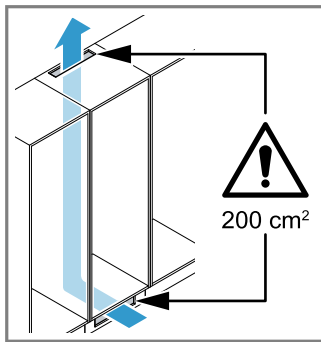
9001590996 (000929)

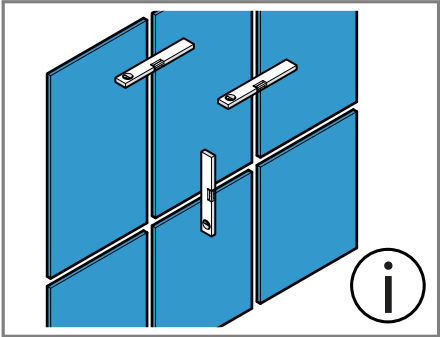
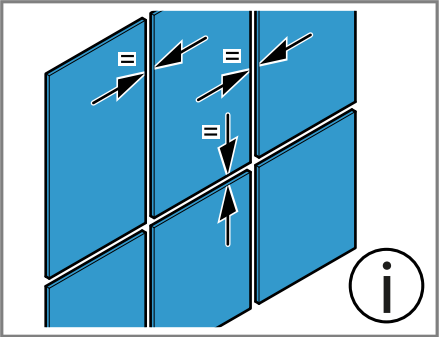
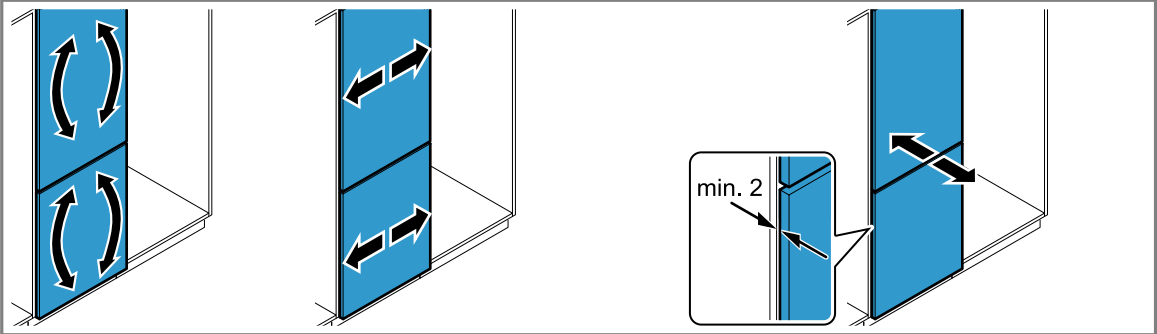
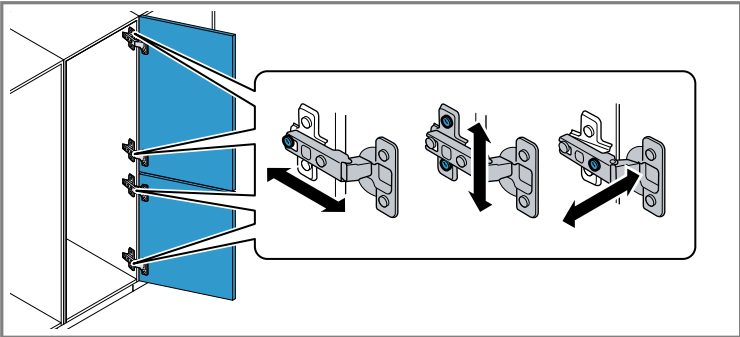


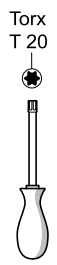
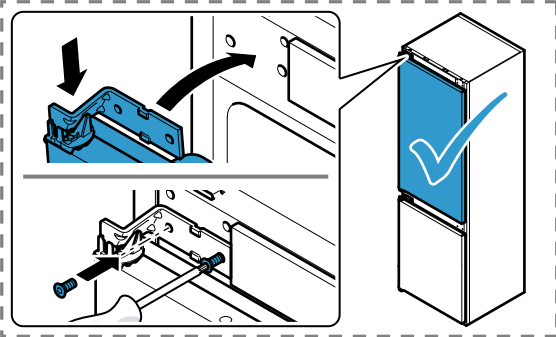
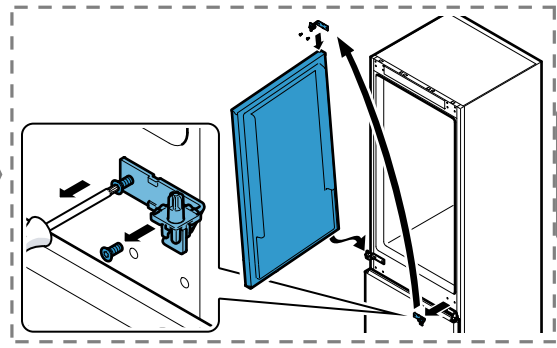
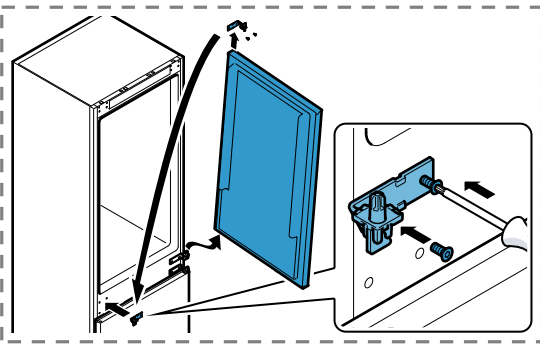
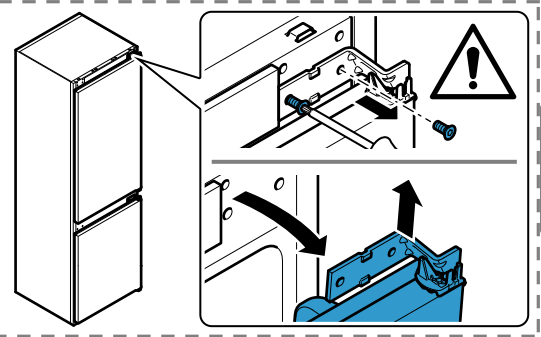
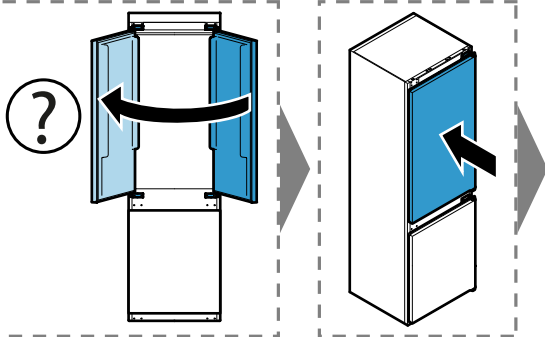
mm

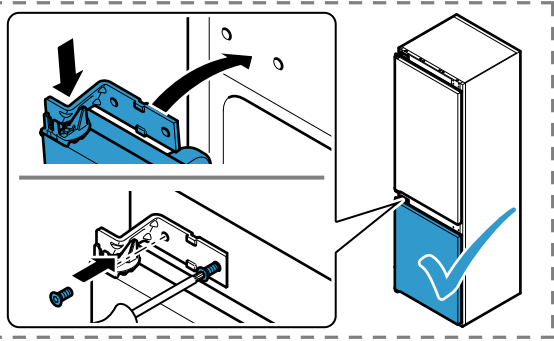
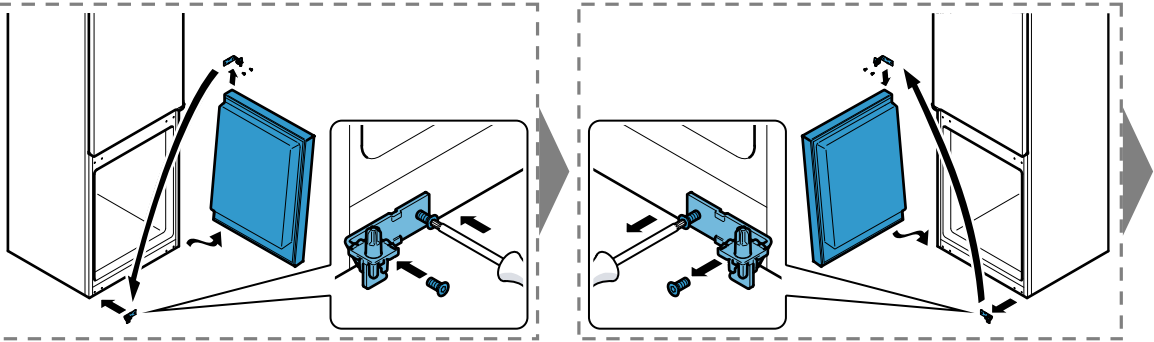
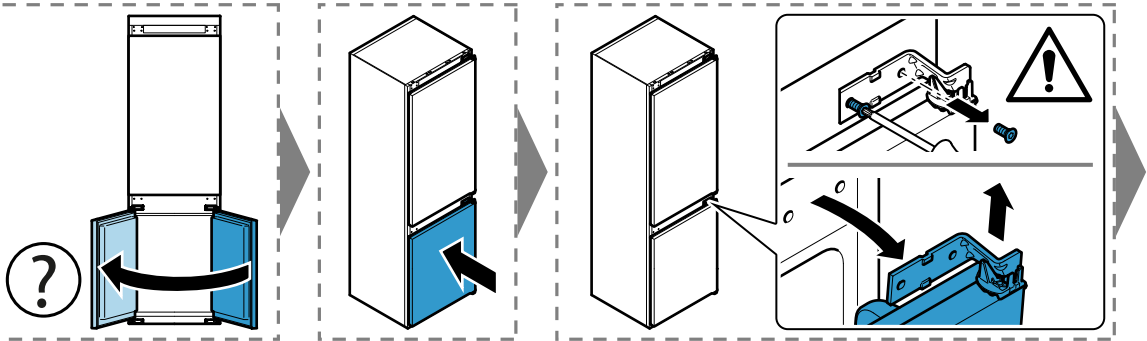












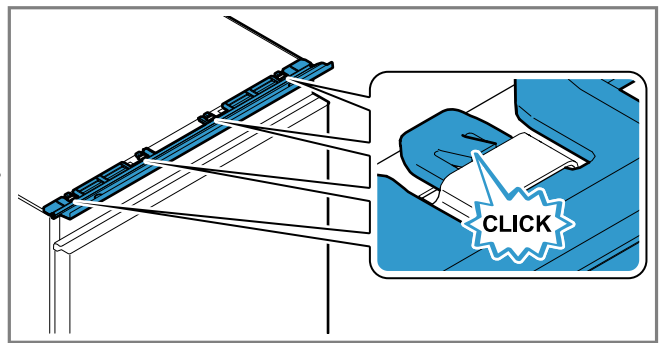
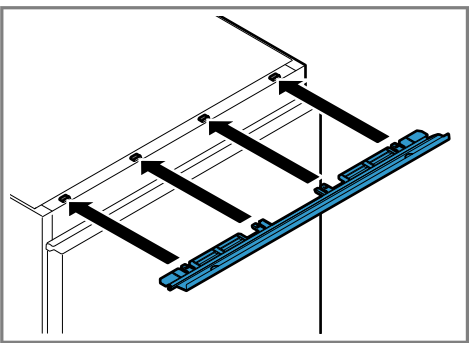
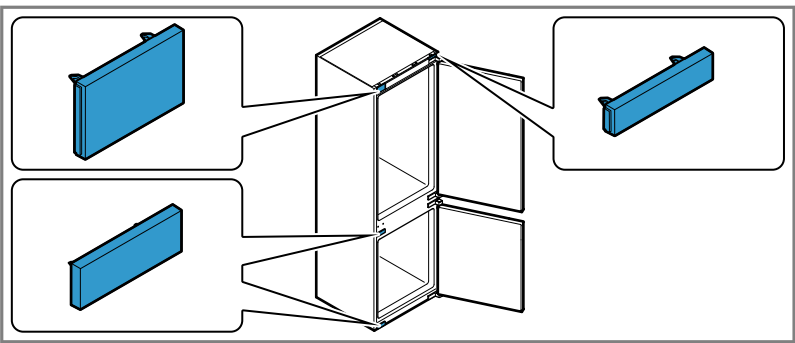
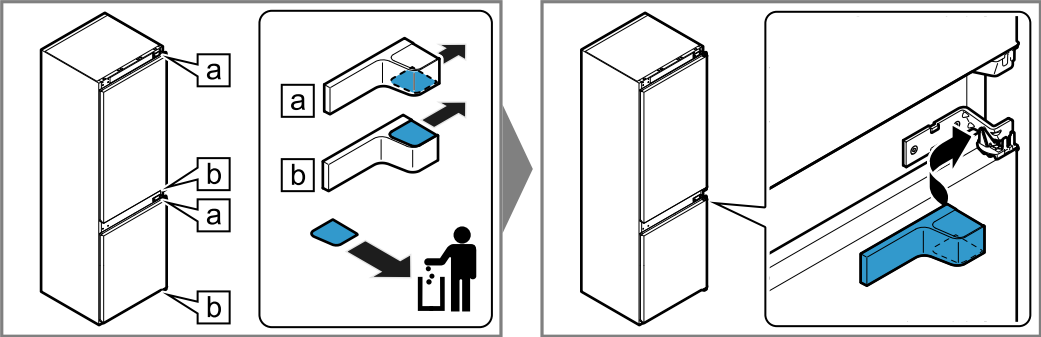
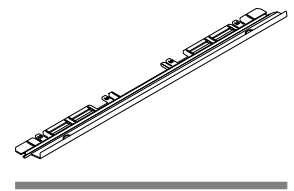
Torx
T 20

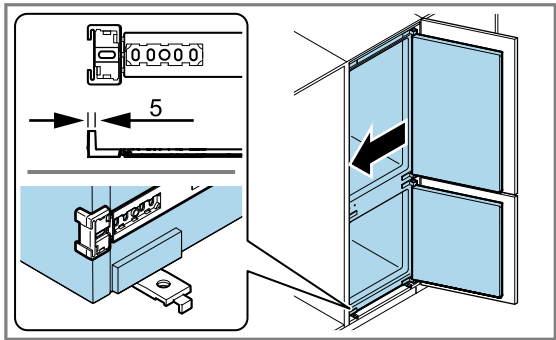
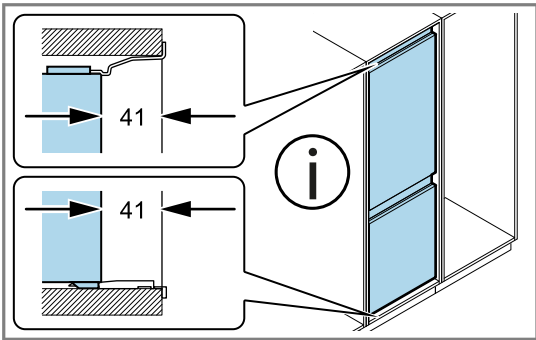
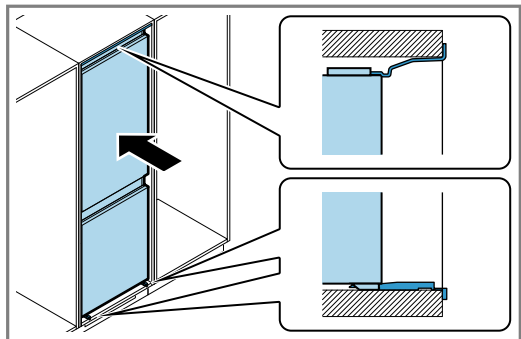
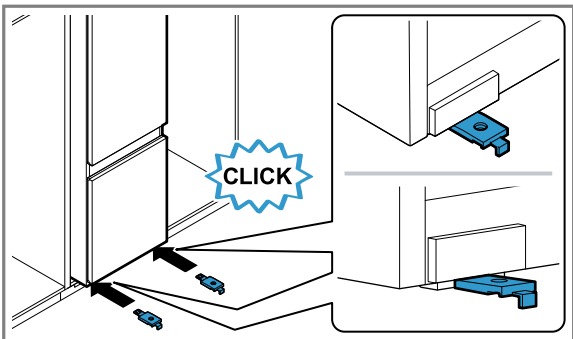
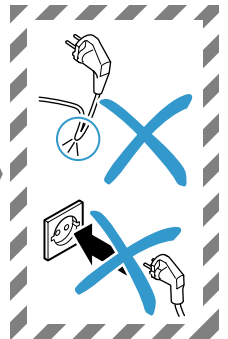
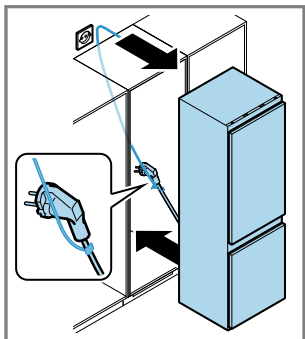
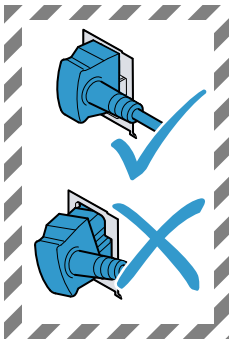
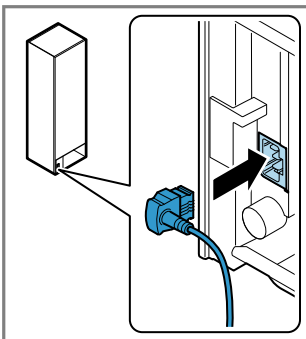
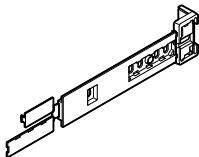
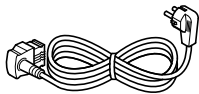


4x

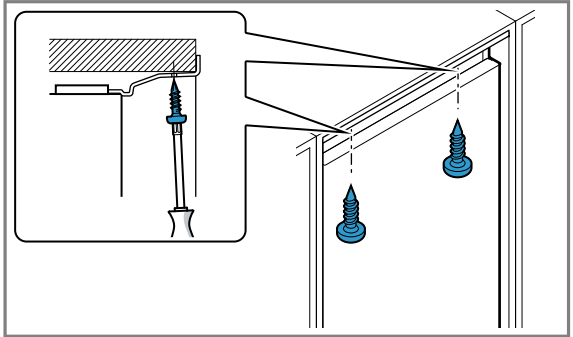
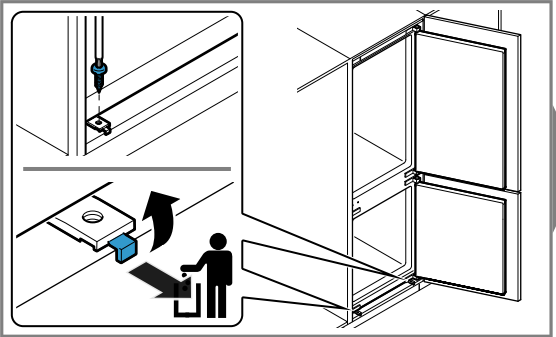


2x





4x

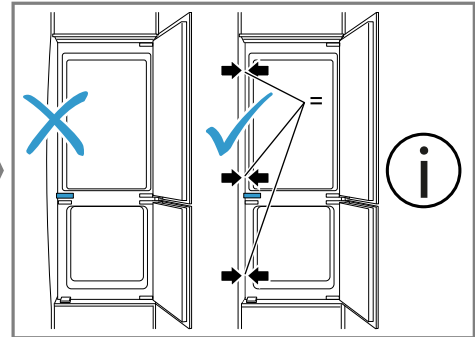
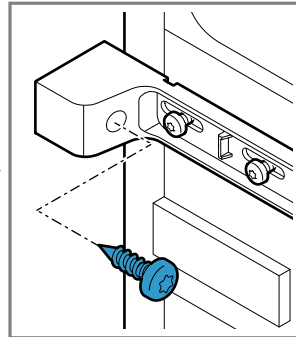
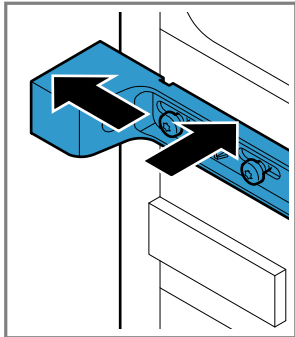
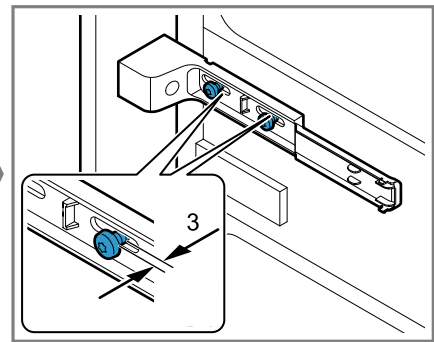
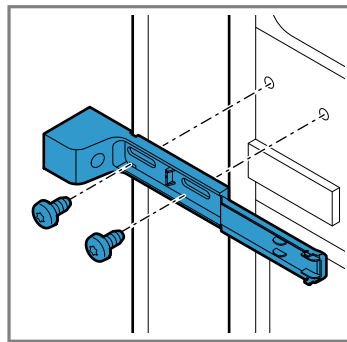
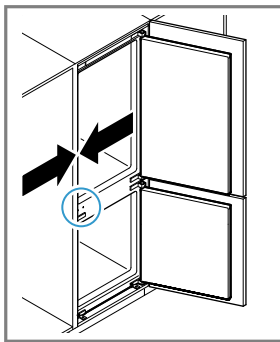
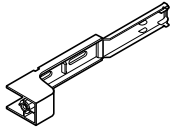


Torx
T 20

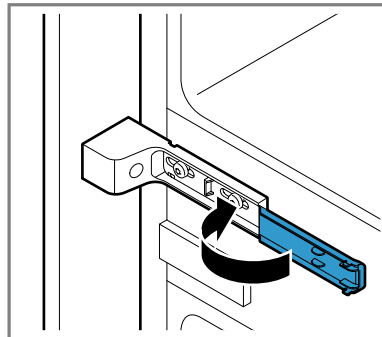
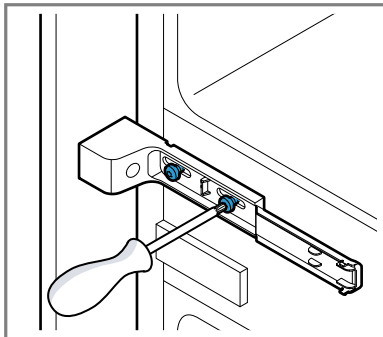


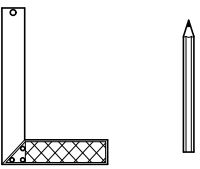
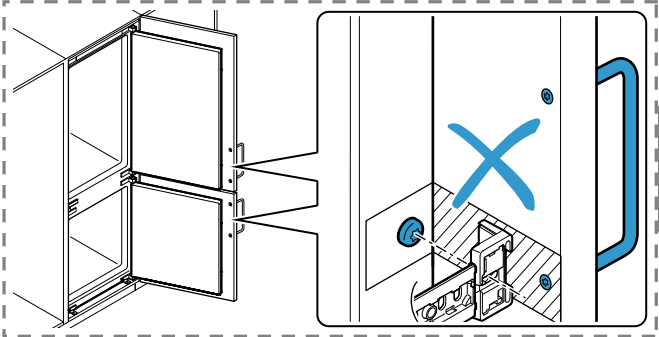
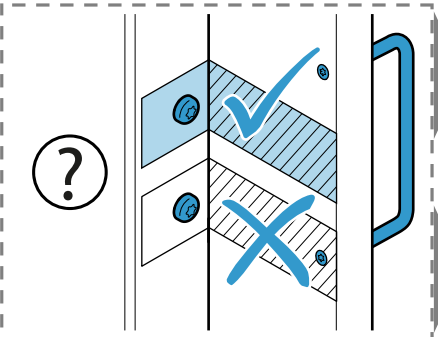
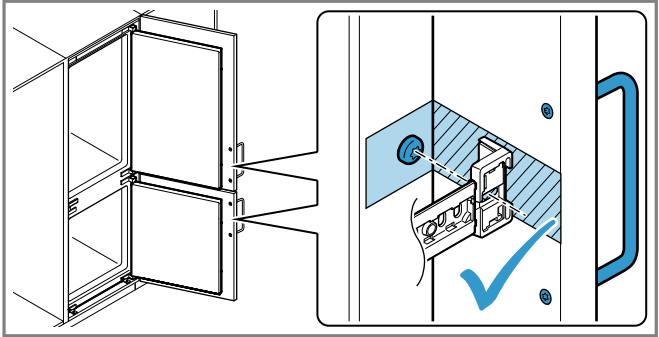
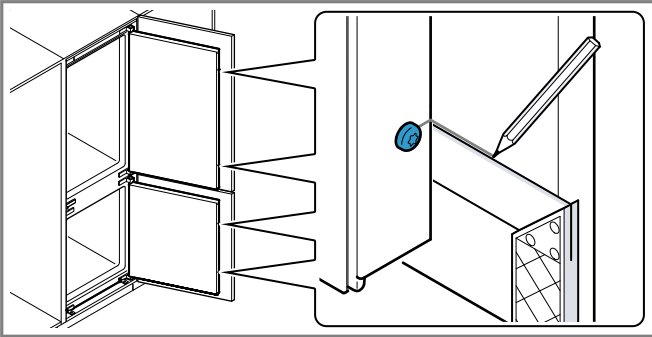
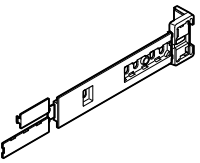


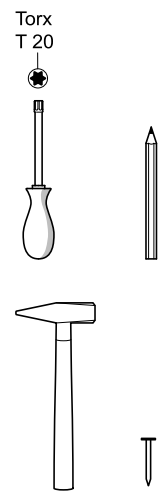
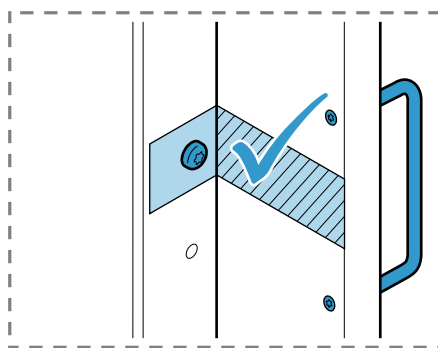
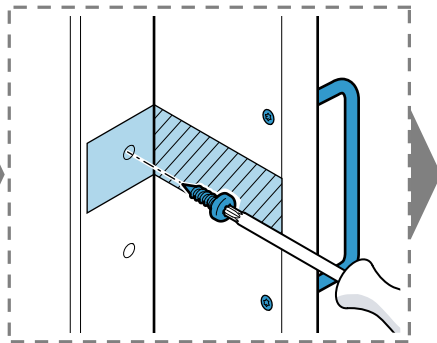
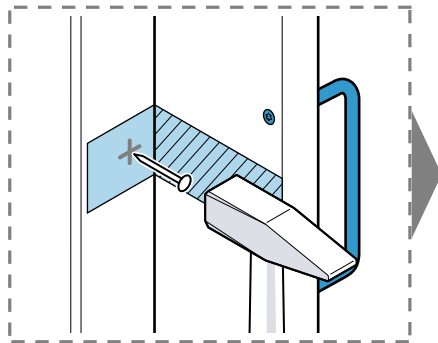
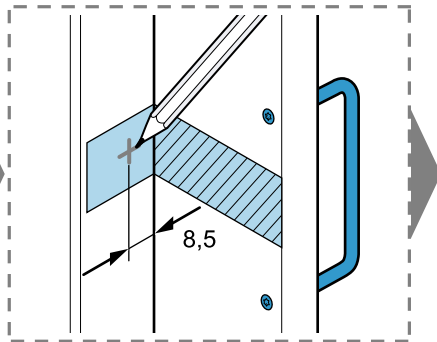
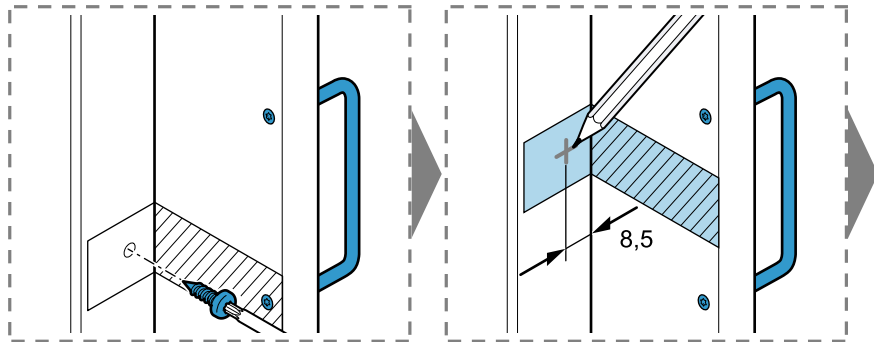
2x



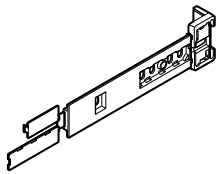
Torx
T 20



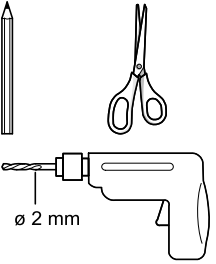
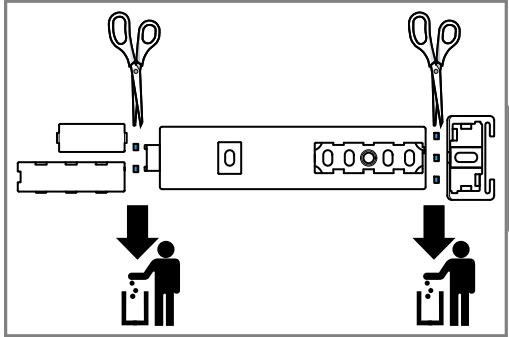
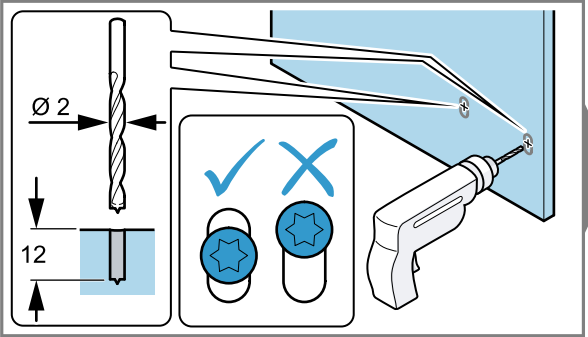
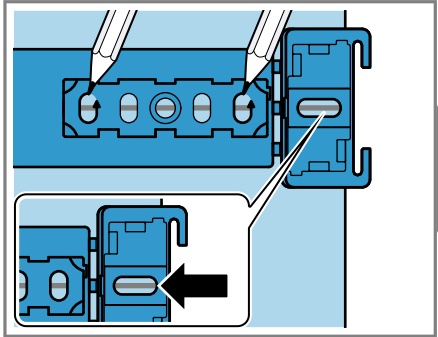
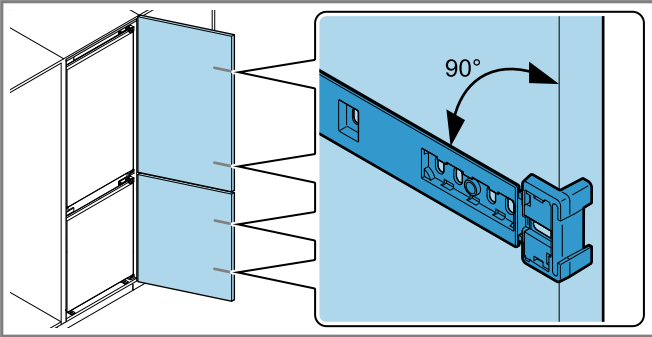




4x

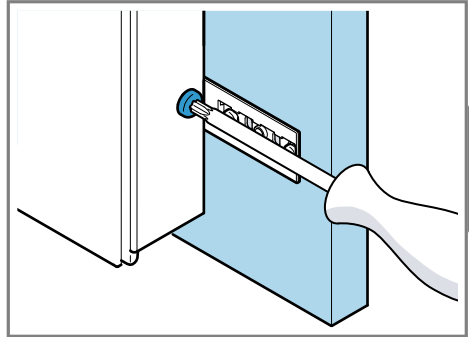
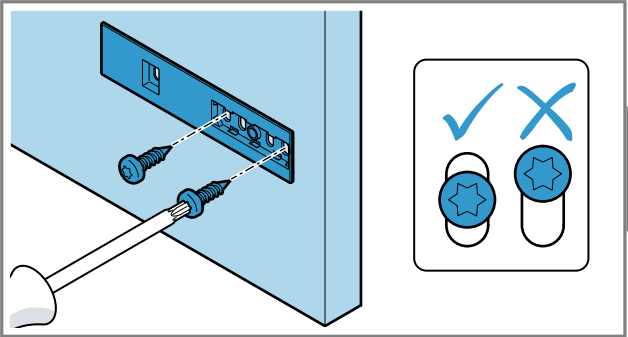


8x

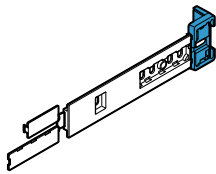


ø 2 mm

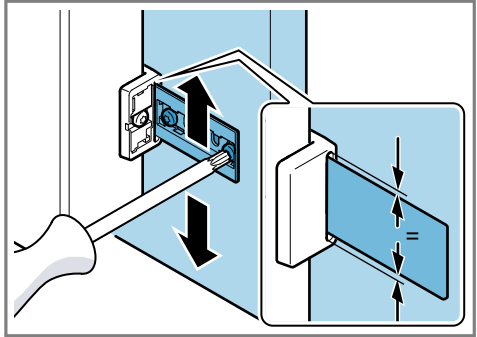
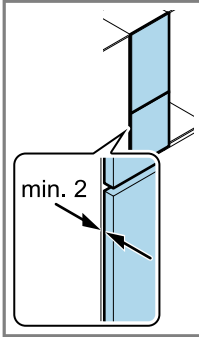
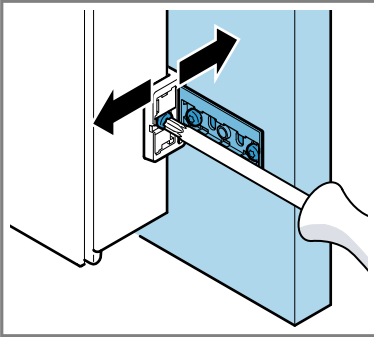
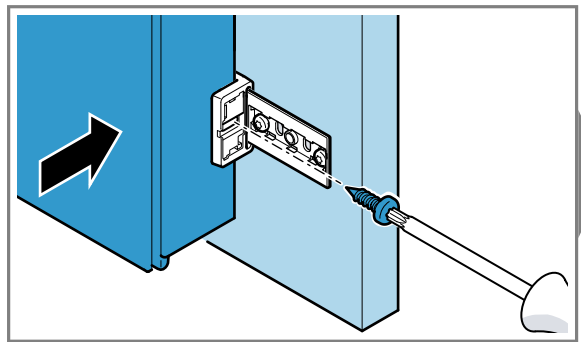
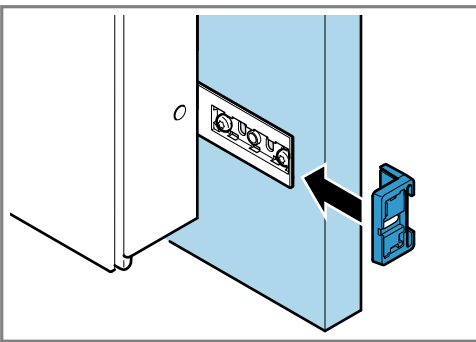
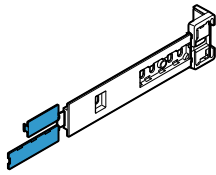
Torx
T 20



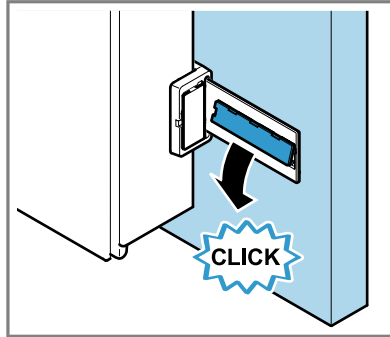
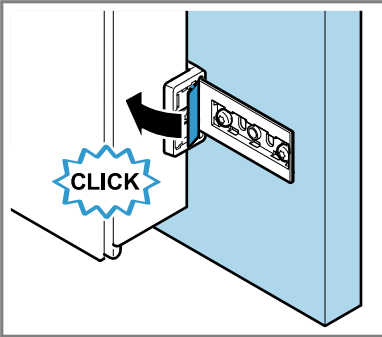
4x

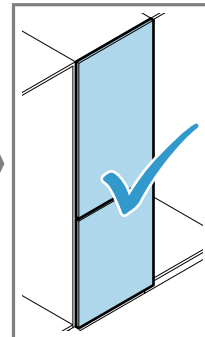
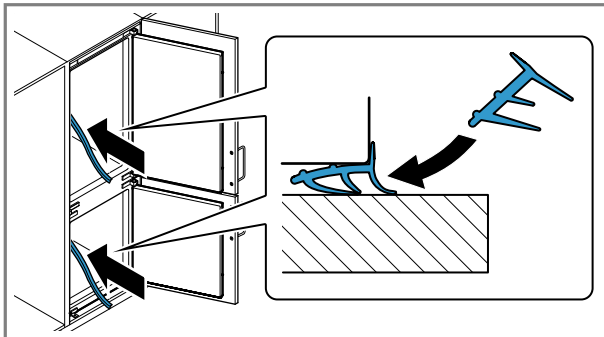
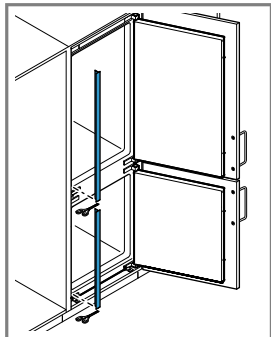
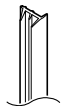


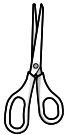
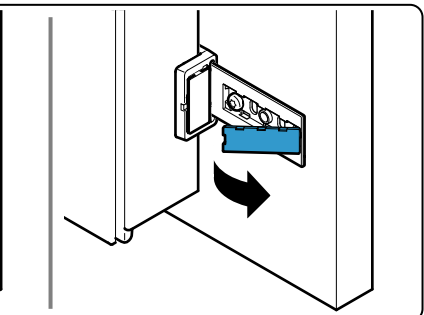
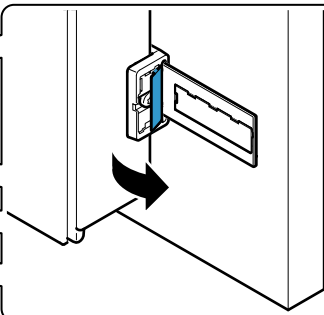
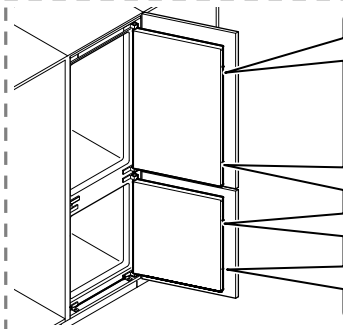
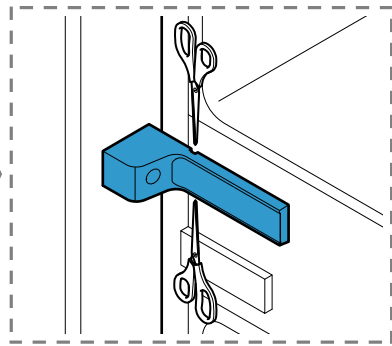
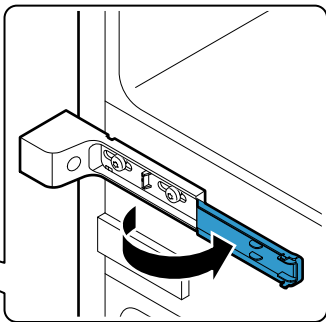
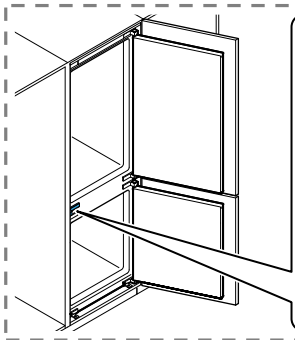
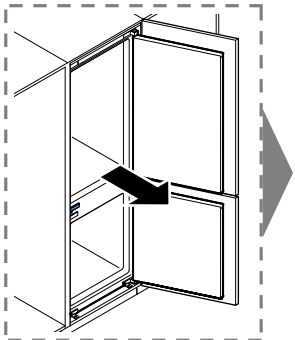
4x

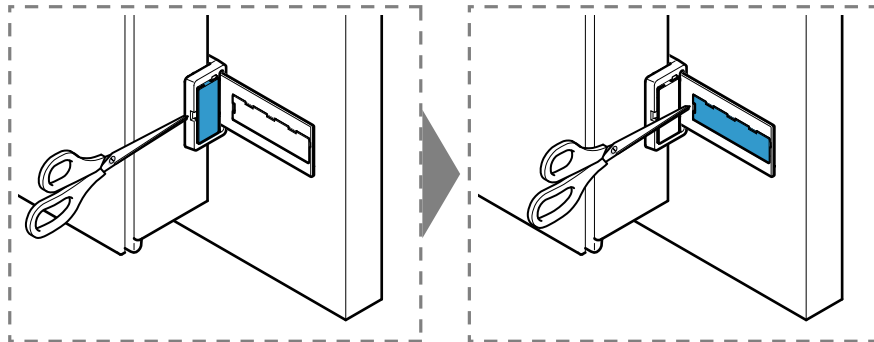


Torx
T 20











A series of horizontal lines for writing, starting from a vertical margin line on the left and extending across the page.



A series of horizontal lines for writing, starting from the top line below the page number and ending at the bottom line above the footer. The lines are evenly spaced and extend across the page.