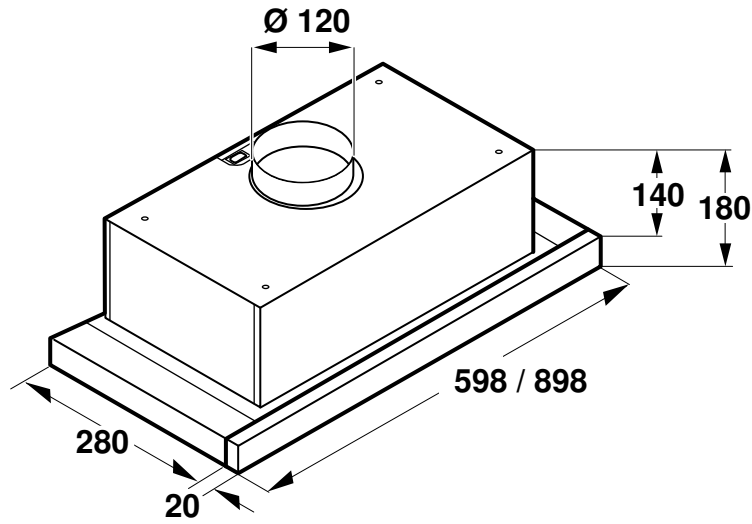
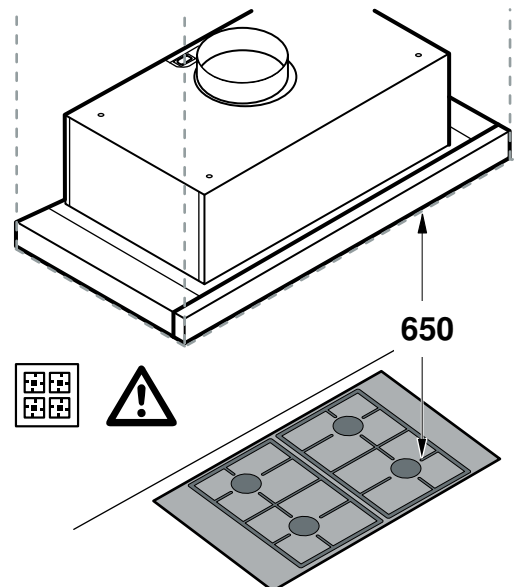
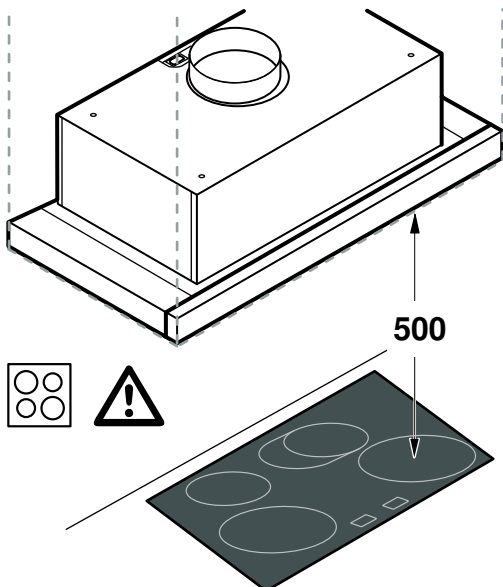
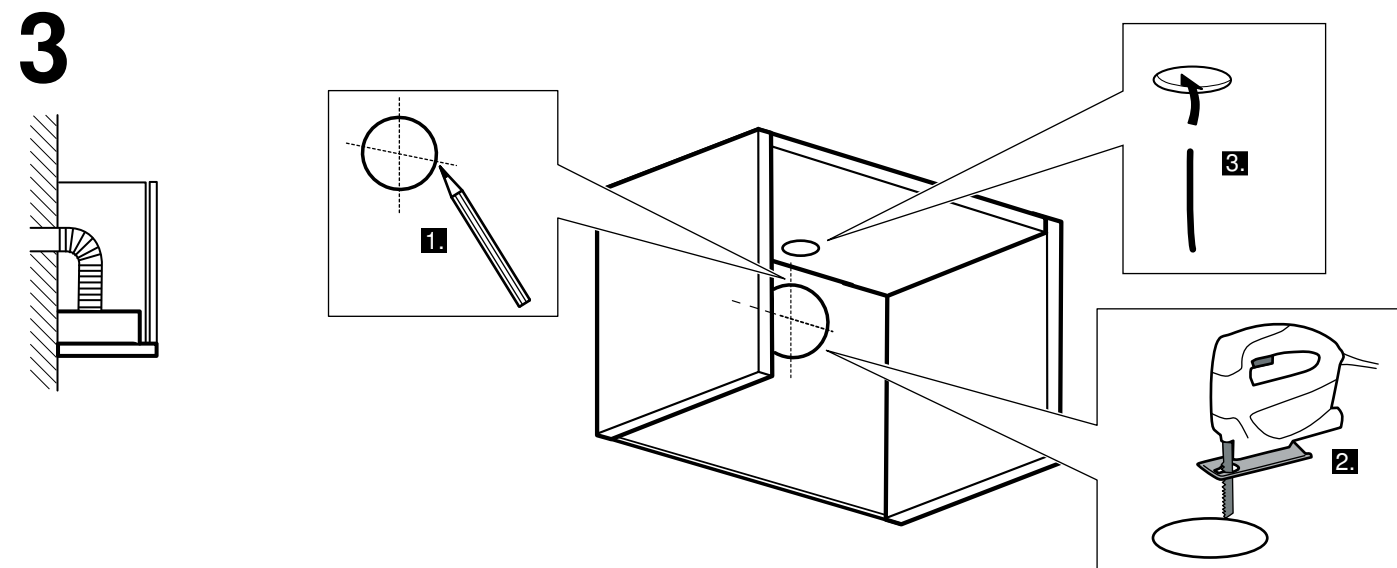
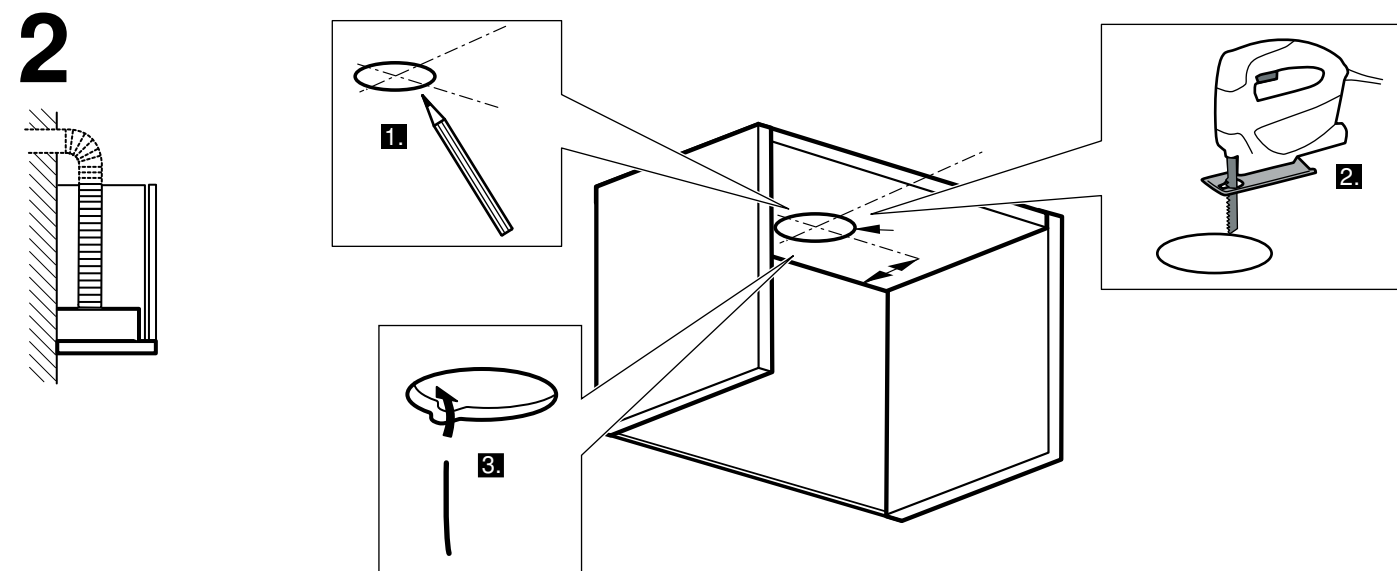
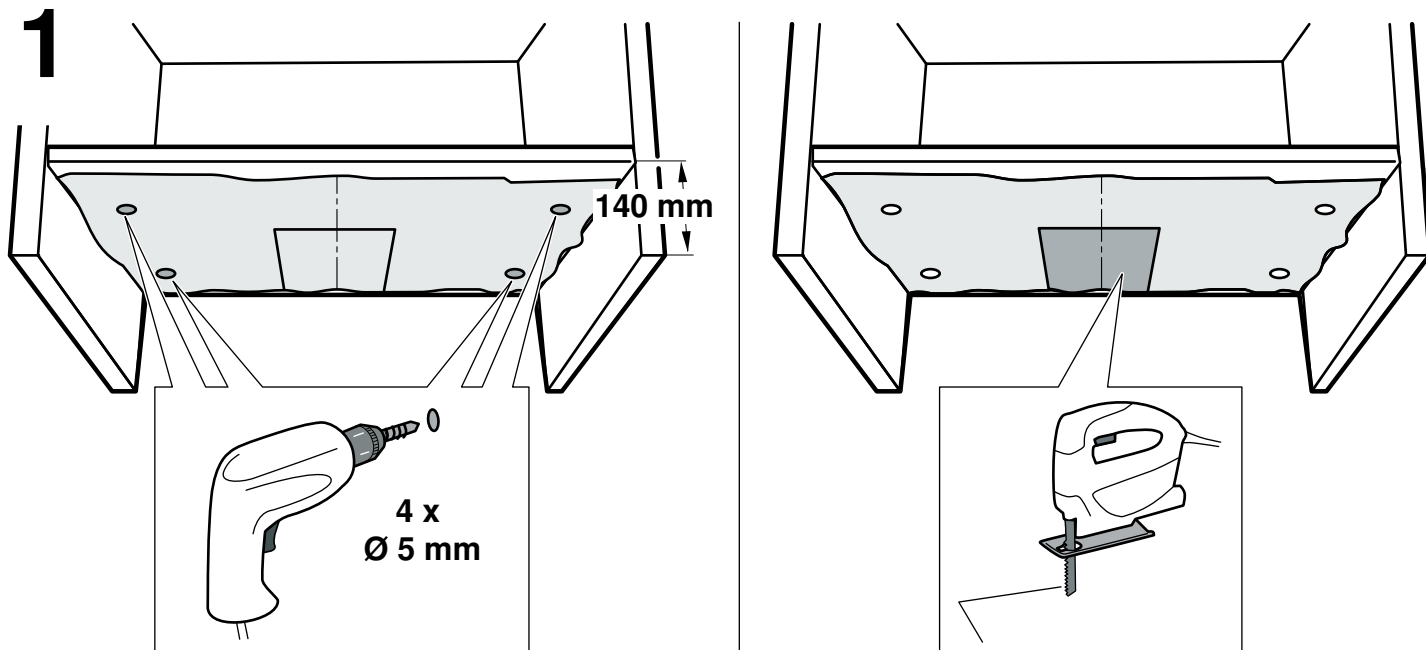


# A



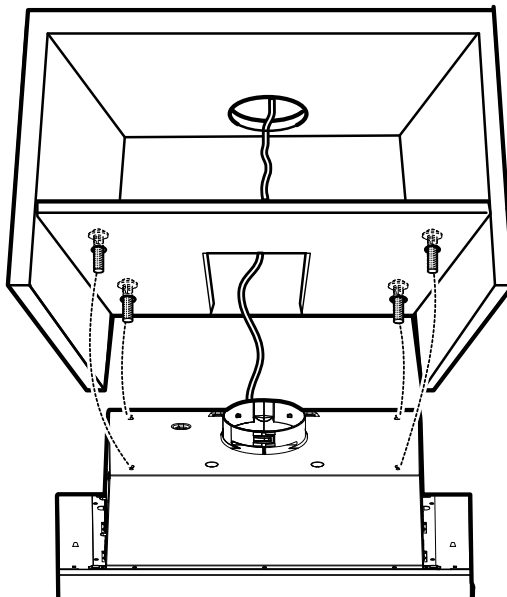
# B





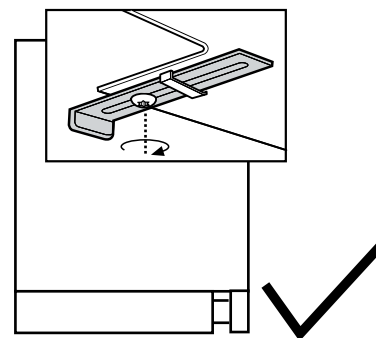
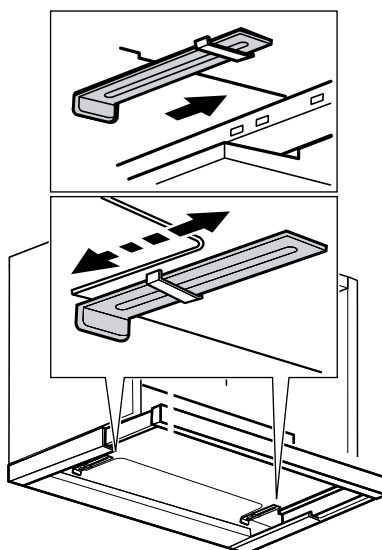
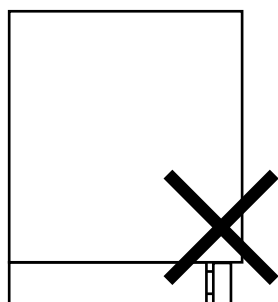
4

4 x  
Ø 4,2 x 35

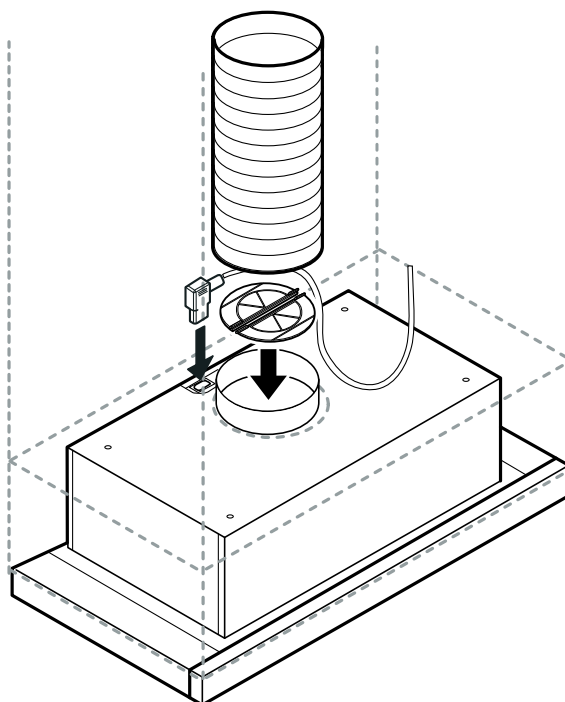


5

2 x  
Ø 3,5 x 9,5



6



## ⚠ Important safety information

Read these instructions carefully. Only then will you be able to operate your appliance safely and correctly. Retain the instruction manual and installation instructions for future use or for subsequent owners.

The appliance can only be used safely if it is correctly installed according to the safety instructions. The installer is responsible for ensuring that the appliance works perfectly at its installation location.

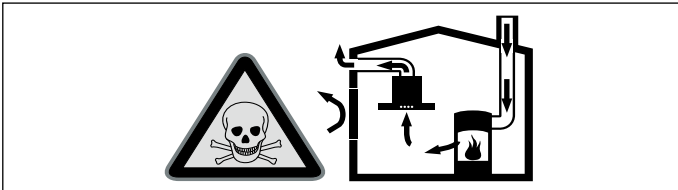
The width of the extractor hood must correspond at least with the width of the hob.

For the installation, observe the currently valid building regulations and the regulations of the local electricity and gas suppliers.

### Danger of death!

Risk of poisoning from flue gases that are drawn back in.

Always ensure adequate fresh air in the room if the appliance is being operated in exhaust air mode at the same time as room air-dependent heat-producing appliance is being operated.

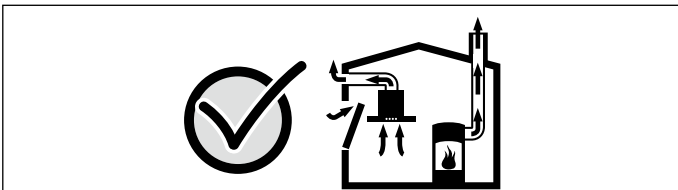


Room air-dependent heat-producing appliances (e.g. gas, oil, wood or coal-operated heaters, continuous flow heaters or water heaters) obtain combustion air from the room in which they are installed and discharge the exhaust gases into the open air through an exhaust gas system (e.g. a chimney).

In combination with an activated vapour extractor hood, room air is extracted from the kitchen and neighbouring rooms - a partial vacuum is produced if not enough fresh air is supplied. Toxic gases from the chimney or the extraction shaft are sucked back into the living space.

- Adequate incoming air must therefore always be ensured.
- An incoming/exhaust air wall box alone will not ensure compliance with the limit.

Safe operation is possible only when the partial vacuum in the place where the heat-producing appliance is installed does not exceed 4 Pa (0.04 mbar). This can be achieved when the air needed for combustion is able to enter through openings that cannot be sealed, for example in doors, windows, incoming/exhaust air wall boxes or by other technical means.



In any case, consult your responsible Master Chimney Sweep. He is able to assess the house's entire ventilation setup and will suggest the suitable ventilation measures to you.

Unrestricted operation is possible if the vapour extractor hood is operated exclusively in the circulating-air mode.

### Danger of death!

Risk of poisoning from flue gases that are drawn back in. If installing a ventilation system in a room with a heat-producing appliance connected to a chimney/flue, the electricity supply to the hood must be equipped with a suitable safety switch.

### Risk of fire!

Grease deposits in the grease filter may catch fire. The specified safety distances must be observed in order to prevent an accumulation of heat. Observe the specifications for your cooking appliance. If gas burners and electric hotplates are operated together, the largest specified distance applies.

### Risk of injury!

- Components inside the appliance may have sharp edges. Wear protective gloves.
- The appliance may fall down if it has not been properly fastened in place. All fastening components must be fixed firmly and securely.

- The appliance is heavy. To move the appliance, 2 people are required. Use only suitable tools and equipment.

### Risk of electric shock!

Components inside the appliance may have sharp edges. These may damage the connecting cable. Do not kink or pinch the connecting cable during installation.

### Danger of suffocation!

Packaging material is dangerous to children. Never allow children to play with packaging material.

## General information

### Exhaust air mode

**Note:** The exhaust air must not be conveyed into a functioning smoke or exhaust gas flue or into a shaft which is used to ventilate installation rooms which contain heat-producing appliances.

- Before conveying the exhaust air into a non-functioning smoke or exhaust gas flue, obtain the consent of the heating engineer responsible.
- If the exhaust air is conveyed through the outer wall, a telescopic wall box should be used.

### Exhaust duct

**Note:** The device manufacturer does not assume any warranty for complaints attributable to the pipe section.

- The device achieves its optimum performance by means of a short, straight exhaust air pipe and as large a pipe diameter as possible.
- As a result of long rough exhaust air pipes, many pipe bends or pipe diameters that are smaller than 150 mm, the optimum extraction performance is not achieved and fan noise is increased.
- The pipes or hoses for laying the exhaust air line must consist of non-combustible material.

### Round pipes

An inner diameter of 150 mm, but at least 120 mm, is recommended.

### Flat ducts

The inner cross-section must correspond to the diameter of the round pipes.

**dia. 150 mm ca. 177 cm<sup>2</sup>**

**dia. 120 mm ca. 113 cm<sup>2</sup>**

- Flat ducts should not have any sharp deflections.
- Use sealing strips for deviating pipe diameters.

### Electrical connection

#### ⚠ Risk of electric shock!

Components inside the appliance may have sharp edges. These may damage the connecting cable. Do not kink or pinch the connecting cable during installation.

The required connection data can be found on the rating plate inside the appliance; to do this, remove the metal mesh grease filter.

**Length of the connecting cable: Approx. 1.50 m**

This appliance complies with the EC interference suppression regulations.

### Connecting the appliance

The appliance complies with protection class 2.

The appliance must be disconnected from the power supply during all installation work.

The appliance must only be connected with the power cable provided.

Contact protection must be ensured by the installation.

The appliance must only be connected by a licensed professional. They are subject to the regulations of the local electricity provider.

## Appliance dimensions (Fig. A)

### Safety clearances (Fig. B)

The minimum distance between the supporting surface for the cooking equipment on the hob and the lowest part of the range hood must be not less than 500 mm from electric cookers and 650 mm from gas or mixed cookers.

If the instructions for installation for the gas hob specify a greater distance, this must be adhered to.

## Preparing the units

The fitted unit must be heat-resistant up to 90 °C. The stability of the fitted unit must still be guaranteed after the cut-outs have been removed.

Create the cut-out according to the installation drawing.

Remove any shavings after the cut-out work is complete.

### Notes

- Check the clearance between the intermediate floor and the lower edge of the unit (see drawing).
  - Use the enclosed template for drilling the holes and creating the cut-out.
1. Place the template on the underside of the intermediate floor. Drill the holes. **(fig. 1)**
  2. Create a cut-out for the exhaust-air pipe:
    - Exhaust-air opening above the fitted unit **(fig. 2)**
    - Exhaust-air opening behind the fitted unit **(fig. 3)**

## Fitting the appliance

1. Screw the appliance to the fitted unit. **(fig. 4)**
2. Pull out the filter drawer until it is flush with the front edge of the fitted unit. **(fig. 5)**
3. Take out the metal grease filter. Slide the stop forward until it rests against the filter drawer. In this position, fasten the stop in place.

## Removing the appliance

1. Disconnect the appliance from the power supply.
2. Release the exhaust-air lines.
3. Loosen the screw connections with the unit.
4. Remove the appliance.

## Connecting the appliance (fig. 6)

### Notes

- For exhaust-air operation, a backflow flap should be fitted. If a backflow flap has not been included with the appliance, it can be obtained from a specialist retailer.
- If the exhaust air is conveyed through the outer wall, a telescopic wall box should be used.

## Connecting the air extractor

**Note:** If an aluminium pipe is used, smooth the connection area beforehand.

1. Attach the exhaust air pipe directly to the air pipe connector.
2. Connect it to the air extractor opening.
3. Seal the joints appropriately.

## Connecting the power supply

### Caution!

The power supply must only be connected by an electrician.

1. Switch off the socket.
2. Connect the power supply – when doing so, follow the notes in the Electrical connection chapter.





