

Use and care
GUIDE

Professional Series Handle Microwave Oven

MU30WSU



Table of CONTENTS

▲ Safety Definitions	4	Sensor Cook	18
▲ PRECAUTIONS TO AVOID POSSIBLE EXPOSURE TO EXCESSIVE MICROWAVE ENERGY	4	Panel Lock	19
IMPORTANT SAFETY INSTRUCTIONS	5	Settings	19
GROUNDING INSTRUCTIONS	5	Cooking Charts	19
TV / Radio Interference	6	Cooking meat in your microwave	19
Intended Use	6	Cooking poultry in your microwave	20
Child Safety	6	Cooking eggs in your microwave	20
Cleaning Safety	6	Cooking vegetables in your microwave	20
Cooking Safety	6	Cooking seafood in your microwave	21
In Case of Fire	7	Cleaning and Maintenance	21
Liquids	7	Cleaning	21
Cooking Items	7	Maintenance	22
Cooking Utensils	8	Before Calling for Service	23
Glass Tray / Turntable Ring	8	THERMADOR® Support	24
Exhaust Mode Operation	8	Before Calling Service	24
Thermometers	8	Data Plate	24
Pacemakers	8	Service	24
State of California Proposition 65 Warnings	9	Parts and Accessories	24
Fan Motor Operation	9	STATEMENT OF LIMITED PRODUCT WARRANTY ...	25
Room Venting with Carbon Filter	9	What this Warranty Covers & Who it Applies to	25
Causes of Damage	10	How Long the Warranty Lasts	25
Protecting the environment	10	Repair/Replace as Your Exclusive Remedy	25
Getting Started	11	Out of Warranty Product	25
Parts	11	Warranty Exclusions	25
Control Panel	11		
Accessories	12		
Before Using the Appliance for the First Time	13		
Cleaning accessories	13		
Applying the program label	13		
Operation	14		
Setting the clock	14		
Setting the Kitchen Timer	14		
Operating the Ventilation Fan	14		
Turning the Surface Light on/off	14		
Turning the turntable on / off	14		
Operating the microwave	14		
Adding cook time (ADD 30 SECONDS)	15		
Auto Defrost	16		
Sensor Reheat	17		

This THERMADOR Appliance is made by
 BSH Home Appliances Corporation
 1901 Main Street, Suite 600
 Irvine, CA 92614

Questions?
 1-800-735-4328
 www.thermador.com
We look forward to hearing from you!

Safety Definitions

WARNING

This indicates that death or serious injuries may occur as a result of non-observance of this warning.

CAUTION

This indicates that minor or moderate injuries may occur as a result of non-observance of this warning.

NOTICE: This indicates that damage to the appliance or property may occur as a result of non-compliance with this advisory.

Note: This alerts you to important information and/or tips.

PRECAUTIONS TO AVOID POSSIBLE EXPOSURE TO EXCESSIVE MICROWAVE ENERGY

PRECAUTIONS TO AVOID POSSIBLE EXPOSURE TO EXCESSIVE MICROWAVE ENERGY

- (1) Do not attempt to operate this oven with the door open, since open-door operation can result in harmful exposure to microwave energy. It is important not to defeat or tamper with the safety interlocks.
- (2) Do not place any object between the oven front face and the door or allow soil or cleaner residue to accumulate on sealing surfaces.
- (3) Do not operate the oven if it is damaged. It is particularly important that the oven door close properly and that there is no damage to the:
 - door (bent)
 - hinges and latches (broken or loosened)
 - door seals and sealing surfaces.
- (4) The oven should not be adjusted or repaired by anyone except authorized service personnel. Improper installation, service or maintenance can cause injury or property damage. Refer to this manual for guidance. Refer all servicing to a factory authorized servicer.

IMPORTANT SAFETY INSTRUCTIONS

READ ALL INSTRUCTIONS BEFORE USING THE APPLIANCE

WARNING

To reduce the risk of burns, electric shock, fire, injury to persons, or exposure to excessive microwave energy, read all instructions before using the appliance.

WARNING

If the information in this manual is not followed exactly, fire or shock may result causing property damage or personal injury.

When using electrical appliances basic safety precautions should be followed, including the following:

Read and follow the specific “PRECAUTIONS TO AVOID POSSIBLE EXPOSURE TO EXCESSIVE MICROWAVE ENERGY” found in the Safety Instructions chapter.

This appliance must be grounded. Connect only to properly grounded outlet (see **GROUNDING INSTRUCTIONS**).

Install or locate this appliance only in accordance with the provided installation instructions.

Some products such as whole eggs and sealed containers – for example, closed glass jars – can explode and should not be heated in this oven.

Use this appliance only for its intended use as described in the manual. Do not use corrosive chemicals or vapors in this appliance. This type of oven is specifically designed to heat, cook, or dry food. It is not designed for industrial or laboratory use.

As with any appliance, close supervision is necessary when used by children (see **CHILD SAFETY**).

This appliance should be serviced only by authorized service personnel. Contact nearest authorized service facility for examination, repair, or adjustment.

Do not cover or block any vents or openings on the appliance.

Do not store this appliance outdoors. Do not use this product near water – for example, near a kitchen sink, in a wet basement, near a swimming pool, or similar locations.

Do not immerse cord or plug in water.

Keep cord away from heated surfaces.

Do not let cord hang over edge of table or counter.

Do not operate this appliance if it has a damaged cord or plug, if it is not working properly, or if it has been damaged or dropped.

When cleaning surfaces of door and oven that come together on closing the door, use only mild, nonabrasive soaps, or detergents applied with a sponge or soft cloth. See door surface cleaning instructions in chapter “Cleaning and Maintenance”.

To reduce the risk of fire in the oven cavity:

- Do not overcook food. Carefully attend appliance when paper, plastic, or other combustible materials are placed inside the oven to facilitate cooking.
 - Remove wire twist-ties from paper or plastic bags before placing bag in oven.
 - If materials inside the oven ignite, keep oven door closed, turn oven off, and disconnect the power cord, or shut off power at the fuse or circuit breaker panel.
 - Do not use the cavity for storage purposes. Do not leave paper products, cooking utensils, or food in the cavity when not in use.
-

WARNING

RISK OF INJURY

The light emitted by LED lights is very dazzling, and can damage the eyes (risk group 1). Do not look directly into the switched on LED lights for longer than 100 seconds.

WARNING

RISK OF INJURY

The light emitted by LED lights is very dazzling, and can damage the eyes (risk group 1M in accordance with EN 60825-1). When the LED lights are switched on, do not look directly into the light using optical aids such as binoculars or a magnifying glass.

GROUNDING INSTRUCTIONS

This appliance must be grounded. Grounding reduces risk of electric shock by providing a safe pathway for electric current in the event of a short circuit. This oven is equipped with a cord having a grounding wire with a grounding plug. The plug must be plugged into an outlet that is properly installed and grounded.

WARNING - Improper grounding can result in a risk of electric shock.

Consult a qualified electrician if grounding instructions are not completely understood, or if doubt exists as to whether the oven is properly grounded.

Do not use an extension cord. If the product power cord is too short, have a qualified electrician install a three-slot receptacle. This oven should be plugged into a separate 60 Hertz circuit with the electrical rating as shown in specifications table. When the oven is on a circuit with other equipment, an increase in cooking times may be required and fuses can be blown.

Microwave operates on standard household current, 110–120 V.

IMPORTANT SAFETY INSTRUCTIONS

READ ALL INSTRUCTIONS BEFORE USING THE APPLIANCE

TV / Radio Interference

This appliance generates and uses ISM frequency energy. If not installed and used properly, in strict accordance with the manufacturer's instructions, it may cause interference to radio and television reception. It has been type tested and found to comply with limits for ISM equipment pursuant to part 18 of FCC rules, which are designed to provide reasonable protection against such interference in a residential installation. However, there is no guarantee that interference will not occur in a particular installation. Turn the appliance on and off to determine if it causes interference. Try the following to correct the interference:

- Clean door and sealing surface of the oven.
- Reorient the receiving antenna of the radio or television.
- Relocate the microwave oven with respect to the receiver.
- Move the microwave oven away from the receiver.
- Plug the microwave into a different outlet so that the oven and the receiver are on different branch circuits.

The manufacturer is not responsible for any radio or TV interference caused by unauthorized modification to this microwave oven. It is the responsibility of the user to correct such interference.

Intended Use

This appliance is intended for normal family household use only. It is not approved for outdoor use. See the Statement of Limited Product Warranty. If you have any questions, contact the manufacturer.

Do not use the cavity for storage purposes. Do not leave paper products, cooking utensils, or food in the cavity when not in use.

Do not operate oven when room humidity is excessive.

This oven is suitable for use above both gas and electric cooking equipment 36" (914 mm) or less wide.

Child Safety

Do not allow children to use this appliance. Failure to do so can result in burns or serious injury to children. Children and pets should not be left alone or unattended in the area where the appliance is in use. They should never be allowed to play in its vicinity, whether or not the appliance is in use.

When children become old enough to use the appliance, it is the responsibility of the parents or legal guardians to ensure that they are instructed in safe practices by qualified persons.

Do not allow anyone to climb, stand, lean, sit, or hang on any part of an appliance, especially a door, warming drawer, or storage drawer. This can damage the appliance, and the unit may tip over, potentially causing severe injury.

Cleaning Safety

Clean exhaust filters frequently - Do not allow grease to accumulate on the hood or filters. Fire could result.

Use care when cleaning the exhaust filters. Corrosive cleaning agents, such as lye-based oven cleaners may damage the filter (Refer to the CLEANING section in this manual).

Clean turntable roller rest and oven bottom frequently to prevent excessive noise.

CAUTION

Grease left on filters can remelt and move into the vent.

WARNING

Be sure the entire appliance (including the grease filters and light bulbs) has cooled and grease has solidified before attempting to clean any part of the appliance.

Cooking Safety

CAUTION

To avoid personal injury or property damage, observe the following:

- Do not leave oven unattended while in use.
- Do not store flammable material next to or in the oven.
- When flaming foods under the microwave, always turn the fan on.
- Do not operate the oven while empty. This could damage the oven and result in a risk of fire.
- Do not store or use corrosive chemicals, vapors, flammables or nonfood products in or near this appliance. It is specifically designed for use when heating or cooking food. The use of corrosive chemicals in heating or cleaning will damage the appliance and could result in injury.
- Do not dry clothes, newspapers or other materials in the oven. Do not use newspapers or paper bags for cooking. Fire could result.
- Do not use recycled paper products unless labeled safe for microwave use. They may contain impurities which may cause sparks and result in fires when used.
- Always use potholders when removing items from the oven. The cooking container and the glass tray can be hot even if the oven is cool.
- Whenever possible, do not operate the ventilation system during a cooktop fire. However, do not reach through fire to turn it off.
- Do not mount over sink.
- Do not store anything directly on top of the appliance surface when the appliance is in operation.

⚠ IMPORTANT SAFETY INSTRUCTIONS

READ ALL INSTRUCTIONS BEFORE USING THE APPLIANCE

- Oversized food or oversized metal utensils should not be inserted in a microwave oven as they may create a fire or risk of electric shock.
- Do not clean with metal scouring pads. Pieces can break off the pad and touch electrical parts involving a risk of electric shock.
- Do not store any materials, other than manufacturer's recommended accessories, in this oven when not in use.
- Do not cover racks or any other part of the oven with metal foil. This will cause overheating of the oven.
- Do not use paper products when appliance is operated in the toaster mode.

WARNING

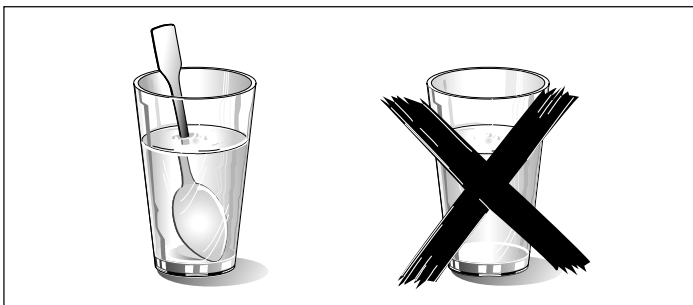
Do not operate gas cooktop burners without pots in place. The open flame may overheat the microwave oven above.

In Case of Fire

If materials inside an oven should ignite:

1. Keep door closed
2. Turn appliance off
3. Unplug the appliance or shut off at fuse or circuit breaker

Liquids



Liquids, such as water, coffee, or tea could be overheated. They can be heated beyond the boiling point without appearing to boil. For example, visible bubbling or boiling when the container is removed from the microwave oven is not always present. THIS COULD RESULT IN VERY HOT LIQUIDS SUDDENLY BOILING OVER WHEN THE CONTAINER IS DISTURBED OR A UTENSIL IS INSERTED INTO THE LIQUID.

When heating liquids, always place a glass rod/spoon in the container. This will prevent delayed boiling.

CAUTION

Metal e.g. a spoon in a glass must be kept at least 1 inch (25 mm) from the oven walls and the inside of the door. Sparks could irreparably damage the glass on the inside of the door.

- Take ready meals out of the packaging. They will heat up more quickly and evenly in microwaveable ovenware. The different components of the meal may not require the same amount of time to heat up.
- Always cover the food. If you do not have a suitable cover for your container, use a plate or special microwave foil.
- Stir or turn the food several times during cooking. Check the temperature.
- After heating, allow the food to stand for a further 2 to 5 minutes so that it can achieve an even temperature.
- Always use an oven cloth or oven gloves when removing plates from the oven.

Cooking Items

Eggs: Do not cook or reheat whole eggs, with or without shell. Steam buildup in whole eggs may cause them to explode, and possibly damage the oven or cause injury. Reheating sliced hard-boiled eggs and cooking scrambled eggs is safe.

Popcorn: Use only popcorn in packages designed and labeled for microwave use, or pop it in a microwave oven corn popper. Follow popcorn manufacturers' directions and use a brand suitable for the wattage of your oven. Do not continue to heat after popping has stopped. Popcorn will scorch or burn. Do not leave oven unattended.

CAUTION

When using pre-packaged microwave popcorn, check package weight before using the popcorn function. Set the oven for the weight of the popcorn package. If these instructions are not followed, popcorn may not pop adequately or may ignite and cause fire.

Foods with nonporous skins: Potatoes, tomatoes, sweet potatoes, apples, whole squash and sausages are examples of foods with nonporous skins. These types of foods must be pierced before cooking to prevent them from exploding.

Baby food / Baby formula: Do not heat baby bottles or food in microwave oven. The glass jar or the surface of food may appear warm while the interior can burn the infant's mouth and esophagus.

IMPORTANT SAFETY INSTRUCTIONS

READ ALL INSTRUCTIONS BEFORE USING THE APPLIANCE

Deep fat frying: Do not deep fat fry in oven. Oil can be heated beyond ideal temperatures very quickly in a microwave oven. Temperatures can climb high enough for the cooking oils to reach their respective flash points and burst into flames. The heated oil may bubble and spatter causing possible damage to the oven and perhaps result in burns. Additionally, microwave-safe utensils may not be able to withstand the temperature of the hot oil, and could result in the utensil shattering, if it contains a slight imperfection, scratch or chip.

Home Canning / Drying foods / Small quantities of foods: Do not use microwave oven for home canning or heating of any closed jar. Pressure will build up and the jar may explode. In addition, the oven cannot maintain the food at the proper canning temperature. Improperly canned food may spoil and be dangerous to consume. Small quantities of food or foods with low moisture content can dry out, burn or catch on fire. Do not dry meats, herbs, fruits or vegetables in your oven. Proper cooking depends on time set and weight of food. If you use a smaller portion than recommended and cook at the time for the recommended portion, fire could result.

Browning dishes: Microwave browning dishes or grills are designed for microwave cooking only. Preheating times vary depending on the size of the browning dish and food being cooked. Always follow instructions provided by the browning dish or grill manufacturer. Do not preheat browning dishes more than 6 minutes.

Oven roasting bags: If an oven bag is used for microwave cooking, prepare according to package directions. Do not use wire twist-ties to close bags, instead use nylon ties, cotton string or a strip cut from the open end of the bag. Make six 1/2" (12.7 mm) slits by closure. Place oven cooking bag in a dish slightly larger than the food being cooked.

Cooking Utensils

See also **Microwave Utensil Guide**.

Cooking utensils, the glass tray and racks get hot during microwaving. Always use potholders when removing items from the oven. Allow the glass tray and the metal racks (if used) to cool before handling.

Do not use metal utensils, or dishes with metallic trim in the oven.

When using aluminum foil in the oven, allow at least 1 inch (25 mm) of space between foil and interior oven walls or door.

The glass tray and the metal racks (if used) will get hot during cooking. The cooking container and the glass tray can be hot even if the oven is cool.

Never use paper, plastic, or other combustible materials that are not intended for cooking.

When cooking with paper, plastic, or other combustible materials, follow manufacturer's recommendations on product use. Do not use paper towels which contain

nylon or synthetic fibers. Heated synthetics could melt and cause paper to ignite.

Do not heat sealed containers or plastic bags in oven. Food or liquid could expand quickly and cause container or bag to break. Pierce or open container or bag before cooking.

Glass Tray / Turntable Ring

Do not operate the oven without the turntable roller rest and the glass tray in place.

Do not operate the oven without the glass tray in place. Improper cooking or damage to the oven could result. Verify that the glass tray is properly positioned and turning when the oven is in use.

Note: The glass tray can turn in either direction.

Only use the glass tray designed for this oven. Do not substitute any other tray.

Allow the glass tray to cool before cleaning or placing in water.

Do not place food directly on the glass tray. Always place food in a microwave safe dish.

Always replace the turntable ring and the glass tray in their proper positions.

The turntable ring must always be used for cooking along with the glass tray.

Exhaust Mode Operation

When the microwave is operated in exhaust mode simultaneously with a different burner, care must be taken to ensure that there is an adequate supply of fresh air which will be needed by the burner for combustion.

WARNING

Avoid carbon monoxide poisoning - Provide adequate air intake so combustion gases are not drawn back into the room.

Thermometers

Do not use regular cooking thermometers in oven. Most cooking thermometers contain mercury and may cause electrical arc, malfunction, or damage to the oven.

Pacemakers

CAUTION

To avoid pacemaker malfunction, consult physician or pacemaker manufacturer about effects of microwave energy on pacemaker.

IMPORTANT SAFETY INSTRUCTIONS

READ ALL INSTRUCTIONS BEFORE USING THE APPLIANCE

Proposition 65 Warning:

This product may contain a chemical known to the State of California, which can cause cancer or reproductive harm. Therefore, the packaging of your product may bear the following label as required by California:

STATE OF CALIFORNIA PROPOSITION 65 WARNING:

 **WARNING**

Cancer and Reproductive Harm - www.P65Warnings.ca.gov

Fan Motor Operation

After using the oven the fan motor can continue to run to cool the electric components. This is normal, and you can take out the food from the oven while the fan operates.

Room Venting with Carbon Filter

The charcoal filter, which was enclosed with your microwave oven, binds the odorous substances.

Note: If no charcoal filter is installed, it is not possible to bind the odorous substances in the cooking vapours.

Causes of Damage

NOTICES:

- Metal - e.g. a spoon in a glass - must be kept at least 1 inch (25 mm) from the oven walls and the inside of the door. Sparks could irreparably damage the glass on the inside of the door.
- Water in the hot oven interior: Never pour water into the hot oven interior. Steam is produced. Damage to the enamel can arise due to the temperature change.
- Do not leave moist groceries in a closed oven for an extended period of time. It can lead to corrosion inside the oven.
- Fruit juice can leave stains in the oven. Always remove fruit juice immediately when safe to touch, and wipe up first with a damp and then a dry cloth.
- Cooling with the appliance door open: only allow the oven cavity to cool when it is closed. Even if the appliance door is only open a little, front panels of adjacent units could be damaged over time.
- Highly soiled door seal: the appliance door will no longer close properly during operation if the door seal is highly soiled. Adjoining furniture fronts may be damaged. Always keep the door seal clean.
- Appliance door as a seat or storage surface: do not stand, sit or hang on the appliance door. Do not place any cookware or accessories on the appliance door.
- Inserting accessories: depending on the appliance type, accessories can scratch the door pane when closing the appliance door. Always slide accessories fully into the oven interior.
- Do not hold or carry the appliance by the door handle. The door handle cannot carry the weight of the device and could break off, or the hinges can be damaged.
- Operating the microwave without food in the oven cavity may lead to overloading. Never run the microwave unless there is food in the oven cavity. An exception to this rule is a short ovenware test (see the section "Microwave, suitable ovenware"), or an AutoChef mode that needs pre-heating.
- Always set the microwave power as recommended for the food. High power settings can overheat foods very quickly.
- The turntable may jump if overloaded.

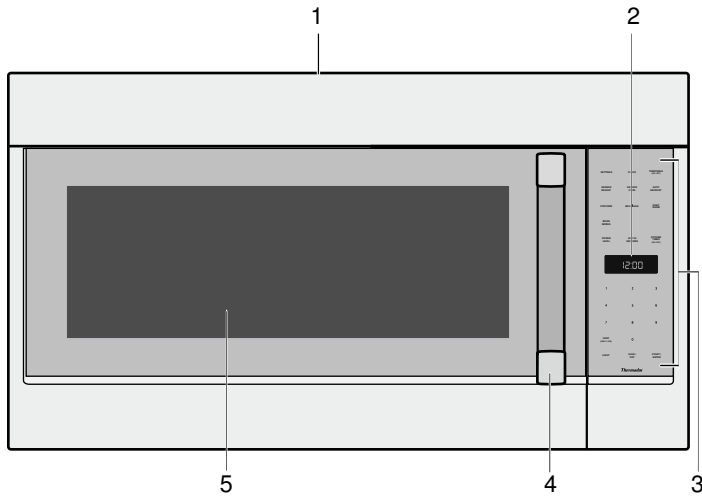
Protecting the environment

Unpack the appliance and dispose of the packaging in an environmentally friendly manner.

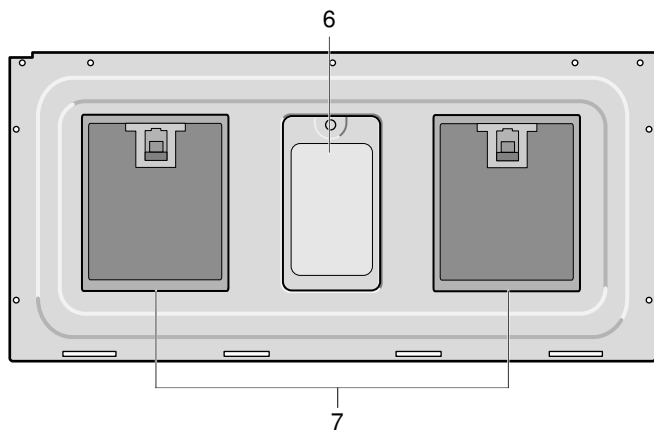
Getting Started

Parts

Front view



Bottom view



1	Top vent grill
2	Display
3	Control panel
4	Door handle
5	Window
6	Surface light (LED)
7	Ventilation filters

Cooling Fan

The cooling fan runs during all cooking modes. The fan can be heard when it is running, and warm air may be felt as it is released from the oven vent. The fan may also run after the oven is off.

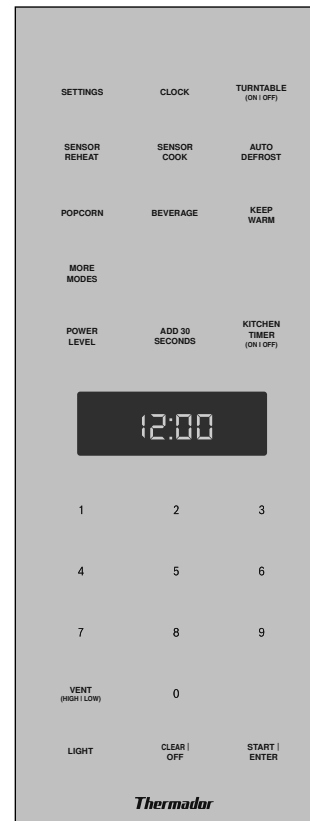
Oven Vent

The oven vent is located at the top of the unit. Warm air may be released from the vent before, during and after cooking. It is normal to see steam escaping from the vent, and condensation may collect in this area. This area may be warm when the oven is in use. Do not block the vent, since it is important for air circulation.

Oven light (LED)

The oven light turns off to save energy after two minutes with the door open. To turn the light back on close the door and open it again.

Control Panel



Touch keys

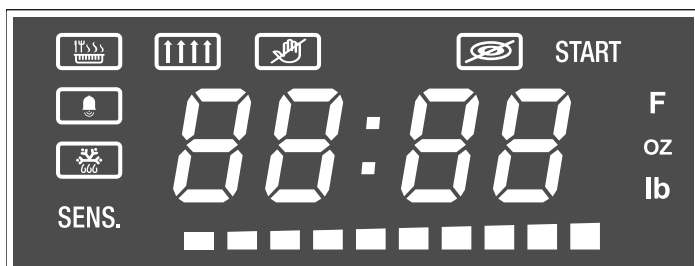
You can activate a function by briefly touching the corresponding touch key. Each time you touch a key a short beep will sound. A long beep will tell you that you have made an invalid input.

Touch key	Function
SETTINGS	Change basic settings
CLOCK	Set time of day
TURNTABLE (ON OFF)	Switches turntable on or off
SENSOR REHEAT	Reheat food with automatic settings
SENSOR COOK	Cook food with automatic settings

Touch key	Function
AUTO DEFROST	Defrost food with automatic settings
POPCORN	Select popcorn bag size
BEVERAGE	Heat beverages, select beverage size
KEEP WARM	Set Keep Warm feature
MORE MODES	Enter more modes for convenience cooking
POWER LEVEL	Set power level for microwave operation
ADD 30 SECONDS	Add 30 seconds to microwave timer
KITCHEN TIMER	Set kitchen timer
0 - 9	Use the number keys to enter customized values
VENT (HIGH LOW)	Turn kitchen ventilation feature on/off
LIGHT	Turn surface light on/off
CLEAR OFF	Clear entered value/turn appliance off
START ENTER	Confirm input, start operation

Display elements

The display gives you information on the current settings of your appliance. Blinking display symbols indicate that an input is required.

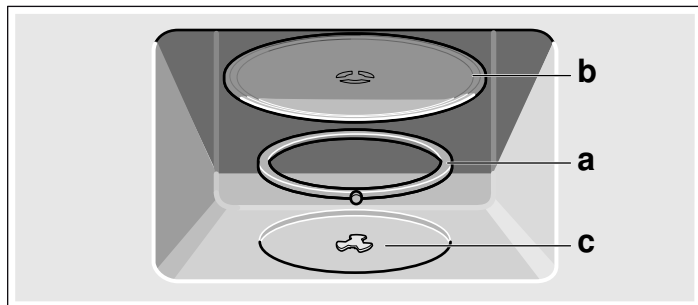


	Keep Warm mode
	Vent fan on
	Panel lock on
	Turntable off
	Kitchen timer
	Defrost
START	Confirmation with Start/Enter key required when blinking
SENS.	Sensing in progress
F	Temperature in °F
oz lb	Numeric display shows weight in Ounces/Pounds
	Status bar for microwave power level
88:88	Numeric display for time, temperature or weight, depending on the unit displayed next to it

Accessories

How to fit the turntable

1. Place the roller rest **a** in the recess in the oven cavity.
2. Place the turntable **b** on the drive **c** in the center of the floor of the oven cavity.

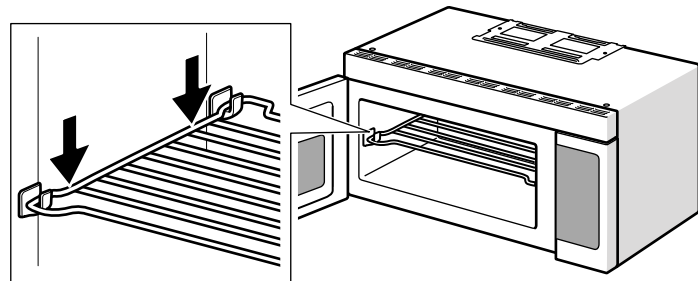


Note: Do not use the appliance if the turntable is not in place. Ensure that it is properly slotted into place and rotates freely when the microwave is operated.

Using the metal rack

The metal rack gives you extra space when cooking in more than one container at the same time.

1. Place rack securely in the four plastic supports.



Note: Rack must not touch metal walls or back of microwave.

2. Place equal amounts of food both above and below rack.

Note: Amount of food must be approximately the same in both containers to balance out cooking energy.

⚠ CAUTION

- Do not use the rack to pop popcorn.
- The rack must be on the four plastic supports when used.
- Use the rack only when cooking food on two positions.
- Do not cook with rack on the floor of the microwave oven.
- The rack can get hot during microwaving. Allow the rack to cool down before handling.

Microwave utensil guide

Suitable ovenware

- **Heat-resistant glass, glass ceramic and earthenware:**

Utility dishes, loaf dishes, pie plates, cake plates, liquid measuring cups, casseroles and bowls without metallic trim (e.g. Pyrex®, Anchor Hocking™, Corning Ware®, Emile Henry, etc.).

- **China:**

Bowls, cups, serving plates and platters without metallic trim.

- **Plastic films and wraps:**

Plastic wrap (as a cover) - lay the plastic wrap loosely over the dish and press it to the sides. Vent plastic wrap by turning back one edge slightly to allow excess steam to escape. The dish should be deep enough so that the plastic wrap will not touch the food.

- **Microwave-safe plastics:**

Microwave-safe plastic dishes, cups, semi-rigid freezer containers and plastic bags for short cooking times. Use these with care because the plastic may soften from the heat of the food.

- **Paper products:**

Paper towels, wax paper, parchment paper, paper napkins and paper plates with no metallic trim or design. Look for the manufacturers label for any special instructions for use in the microwave oven.

Unsuitable ovenware

- **Metal utensils and cookware:**

Metal shields the food from microwave energy and produces uneven cooking. Also, avoid metal skewers, thermometers or foil trays. Metal utensils can cause arcing, which can damage your microwave oven.

- **Metal decoration:**

Bowls, cups, serving plates and platters with metallic trim.

- **Aluminum foil:**

Avoid large sheets of aluminum foil because they hinder cooking and may cause harmful arcing. Use small pieces of foil to shield poultry legs and wings. Keep ALL aluminum foil at least 1 inch (25 mm) from the side walls of the oven cavity and door of the microwave.

- **Wood:**

Wooden bowls and boards will dry out and may split or crack when you use them in the microwave oven. Baskets made of wood will react in the same way.

- **Tightly covered cookware:**

Be sure to leave openings for steam to escape from covered cookware. Pierce plastic pouches of vegetables or other food items before cooking. Tightly closed pouches may explode.

- **Brown paper:**

Avoid using brown paper bags. They absorb heat and can burn.

- **Flawed or chipped cooking utensils:**

Any utensil that is cracked, flawed or chipped may break in the oven.

- **Metal twist ties:**

Remove metal twist ties from plastic or paper bags. They become hot and could cause a fire.

Ovenware test

Do not turn on the microwave unless there is food inside. The following ovenware test is the only exception to this rule.

Perform the following test if you are unsure whether your ovenware is suitable for use in the microwave:

1. Heat the empty ovenware at maximum power for ½ to 1 minute.
2. Check the temperature occasionally during that time. The ovenware should still be cold or warm to the touch. The ovenware is unsuitable if it becomes hot or if sparks are generated.

Before Using the Appliance for the First Time

- Appliance must be properly installed by a qualified technician before use.
- Remove all packing materials from inside and outside the oven.
- While cool, wipe with a clean, damp cloth and dry.
- There may be a slight odor from your new appliance; this is normal and will disappear after a short time.
- Optimum cooking results depend on proper cookware being used.
- Read and understand all safety precautions and Use and Care Manual information.

Execute the following sections prior to operating:

The appliance must be completely installed and connected.

Cleaning accessories

Before using accessories for the first time, thoroughly clean them with hot soapy water and a soft dish cloth.

Applying the program label

Apply the included program label in the desired language to the lower frame of the oven cavity, as indicated on the leaflet that carries the label.

Operation


Setting the clock

The clock can be set in 12-hour mode.

1. Touch **CLOCK** once.
2. Enter the time using the number keys.
Example: To set the clock to 12:41 type in 1 2 4 1.
3. Touch **CLOCK** to confirm.
The time of day is displayed.

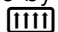
Setting the Kitchen Timer

You can set a timer value of up to 99 minutes and 99 seconds.

1. Touch **KITCHEN TIMER**.
The  symbol lights up and **00:00** is blinking.
2. Enter the desired time using the number keys.
3. Touch **KITCHEN TIMER** to confirm.
The Kitchen Timer starts counting down.
Once the set time has elapsed 4 beeps will sound. To stop the beep, touch **KITCHEN TIMER**.
To cancel the kitchen timer, touch **KITCHEN TIMER** again or open the appliance door.

Operating the Ventilation Fan

The Vent feature moves steam and other cooking vapors from the cooking surface of the range below the microwave oven.

You can set four different vent speeds.
Set the vent feature by touching **VENT (HIGH/LOW)**. The ventilation symbol  will light up on the display.

Vent level	Touch VENT (HIGH/LOW) key	Display
4 (high)	once	<i>H I</i>
3	twice	
2	3 times	
1 (low)	4 times	<i>L O</i>
OFF	5 times	OFF

Note: If the temperature gets too hot around the microwave oven, the fan of the vent feature will automatically turn on at the lowest setting to cool the oven. The fan will automatically turn off when the internal parts are cool. When this occurs, the vent cannot be manually turned off.



Turning the Surface Light on/off

The appliance is equipped with a cooking surface light, to light the surface underneath the appliance.
With the **LIGHT** key you can set two brightness levels.

Brightness	Touch Light key
High	once
Low	twice
Off	three times

Turning the turntable on / off

For best cooking results, leave the turntable on. It can be turned off for large dishes.

To turn the turntable off, touch **TURNTABLE (ON/OFF)** once. The  symbol and **OFF** lights up briefly. Touch the key again to turn the turntable on. The  symbol and **On** lights up briefly.

⚠ CAUTION

- Sometimes the turntable can become hot. Be careful touching the turntable during and after cooking.
- Do not run the oven empty.
- Do not operate the oven without the turntable in place.

Operating the microwave

The appliance must be turned off.

1. Enter the desired cooking duration with the number keys. The timer display will fill in from right to left.
Example: To set a microwave cooking time of 20 minutes and 30 seconds, enter the numbers 2 0 3 0. **START** is blinking.
2. You can start microwave operation with the default power level 10 by touching **START/ENTER**,
or -
you can adjust the power level. Touch **POWER LEVEL**. The default power level **PL 10** is blinking. The segments in the bar underneath the number display also indicate the power level.
3. Enter the desired power level using the number keys. **PL** and the selected power level and **START** are blinking in the display.



4. Touch **START/ENTER** to start microwave operation.
The microwave timer will start to count down.
The microwave timer can be changed during operation by touching **ADD 30 SECONDS**.
The power level can be changed during operation. To display the set power level, touch **POWER LEVEL**.
Once the microwave time has run out, four beeps will sound. The appliance turns off and the clock is displayed.

Opening appliance door during operation

Opening the appliance door during operation will interrupt the current mode. Close the appliance door and then touch **START/ENTER** to resume operation.

Cancel operation

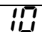
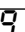

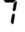
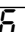
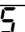
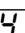

Touch **CLEAR/OFF** to cancel the active oven mode. The appliance turns off and the clock is displayed.

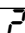
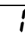
The cooling fans may continue to run for awhile and then switch off automatically.

Microwave power levels

The 10 power levels available with this microwave will help you to adjust to the power output best suited for the food type you are preparing. As with any food preparation in the microwave, it is best to follow the microwave instructions that are printed on the food packaging.

The table below provides suggested power levels for various types of food that can be prepared in the microwave.

Power level	Microwave output	Use for
 High	100%	Boiling water Cooking ground meat Making candy Cooking fresh fruit & vegetables Cooking fish & poultry Preheating browning dish Reheating beverages Cooking bacon slices
	90%	Reheating meat slices quickly Saute onions, celery & green peppers
	80%	All reheating Cooking scrambled eggs
	70%	Cooking breads & cereal products Cooking cheese dishes Cooking muffins, brownies & cupcakes Cooking whole poultry
	60%	Cooking pasta
	50%	Cooking meat Cooking custard Cooking spare ribs, rib roast & sirloin roast
	40%	Cooking less tender cuts of meat Reheating frozen packaged foods
	30%	Thawing meat, poultry & seafood Cooking small quantities of food Finish cooking casseroles, stew & some sauces Melting chocolate

Power level	Microwave output	Use for
	20%	Softening butter & cream cheese
	10%	Softening ice cream Raise yeast dough

Suggestions for best results

To help you achieve the best possible results from your microwave oven, read the following suggestions below:

- **Storage temperature**
Foods taken from the freezer or refrigerator take longer to cook.
- **Size**
Small pieces of food cook faster than large ones. Pieces similar in size and shape will cook more evenly when cooked together. For more even results, reduce the power levels when cooking large pieces of food.
- **Natural moisture**
Very moist foods cook more evenly because microwave energy heats water molecules very efficiently.
- **Stirring**
Stir foods such as casseroles and vegetables from the outside to the center to distribute the heat more evenly. This will allow the food to cook faster. (Constant stirring is not necessary.)
- **Turning**
Turn over foods such as pork chops, roasts or whole cauliflower halfway through the cook time. This will help to expose all sides equally to microwave energy.
- **Placing food**
Place delicate areas of food items, such as asparagus tips, toward the center of the turntable tray.
- **Arranging food**
Arrange unevenly shaped foods, such as chicken pieces or salmon, with the thicker or meatier parts toward the outside of the turntable tray.
- **Letting food stand**
After removing the food from the microwave, cover the food with foil or a casserole lid and let it stand to finish cooking. This will help the food finish cooking in the center and avoids overcooking the outer edges. The length of stand time depends on the density and surface area of the food items.
- **Wrapping foods**
Sandwiches and many other food types containing pre-baked bread should be wrapped in paper towels or wax paper prior to placing in the microwave to help prevent the food items from drying out while heating.

Adding cook time (ADD 30 SECONDS)

This time-saving feature will let you quickly add 30 seconds to any cook time. **ADD 30 SECONDS** will also start the microwave with 30 seconds at 100% power level. Each time you touch the **ADD 30 SECONDS** key, 30 seconds will be added to the cook time.

Auto Defrost

With the Auto Defrost feature you can defrost three different types of food by entering the weight. The ideal defrost time will be calculated by the program.

Setting Auto Defrost

1. Touch **AUTO DEFROST** once. *DEF 1* and START are blinking and the  symbol lights up in the display.



2. Touch **AUTO DEFROST** repeatedly until the desired program number is shown in the display. Check the menu label at the bottom of the oven cavity or see program table below.
3. Touch **START/ENTER**. 0.0 lb is blinking in the display.
4. Enter the weight of the food using the number keys.
5. Touch **START/ENTER** to start the program.

When auto defrost is finished 4 beeps will sound. The appliance turns off and the clock is displayed.

Note: A beep sounds during defrosting for all food programs to turn food over or separate pieces.

Opening appliance door during operation

Opening the appliance door during operation will interrupt the current mode. Close the appliance door and then touch **START/ENTER** to resume operation.

Cancel operation

Touch **CLEAR/OFF** to cancel the active oven mode. The appliance turns off and the clock is displayed.

The cooling fans may continue to run for awhile and then switch off automatically.

Defrosting suggestions for meat

For best results, please read these suggestions when defrosting meat.

Meat	Weight range	Suggestions
Ground meat	0.5 to 2 lbs (8 to 48 oz)	After each stage, remove any pieces of food that are nearly defrosted. Let stand covered with foil for 5 to 10 minutes.
Steaks, chops or fish	0.5 to 3 lbs (8 to 48 oz)	After each stage, rearrange the food. If there are any warm or thawed portions of food, shield them with narrow pieces of aluminum foil. Remove any pieces of food that are nearly defrosted. Let stand covered for about 5 to 10 minutes.
Chicken pieces	0.5 to 3 lbs (8 to 48 oz)	After each stage, rearrange or remove any pieces of food that are nearly defrosted. Let stand covered for 10 to 20 minutes.

Auto Defrost programs

Program no.	Food	Weight range
<i>DEF 1</i>	Ground meat	0.5 - 3lbs
<i>DEF 2</i>	Meat pieces (steaks, chops)	0.5 - 3 lbs
<i>DEF 3</i>	Poultry pieces	0.5 - 3 lbs

Tips for defrosting

▲ WARNING

HEALTH RISK

Liquid will be produced when defrosting meat or poultry. Drain off this liquid when turning meat and poultry, and under no circumstances, use it for other purposes, or allow it to come into contact with other foods.

- Always enter the weight in lb when using the defrost by weight feature (see program table).
- Use the defrost mode for raw food items only.
- Defrosting gives best results when food to be thawed is a minimum of 0° F (taken directly from a freezer). If the food has been stored in a refrigerator-freezer that does not maintain a temperature of 5° F or below, always program a lower food weight or lower cook time to prevent cooking the food.
- If the frozen food is stored outside the freezer for up to 20 minutes, enter a reduced cook time or weight.
- The shape of the package will alter the defrosting time. Shallow rectangular food packets defrost more quickly than a deep frozen block of food.
- Separate pieces as they begin to defrost. Separated frozen pieces of food defrost better.
- Shield warm areas of food with small pieces of aluminum foil, if they start to heat up.
Use small pieces of aluminum foil to shield food items like chicken wings, leg tips and fish tails.
Do not allow aluminum foil to touch the oven cavity when defrosting.

Sensor Reheat

The Sensor Reheat feature lets you reheat dinner plates or casseroles (8-12 oz.) for your cooking convenience.

Setting Sensor Reheat

1. Touch **SENSOR REHEAT** once. *Sr - 1* and START are blinking in the display.



2. Touch **SENSOR REHEAT** repeatedly until the desired program number is shown in the display. Check the menu label at the bottom of the oven cavity or see program table below.

3. Touch **START/ENTER** to start sensor reheat mode. The appliance starts sensing, SENS. lights up in the display. The microwave is operating during sensing. When sensing is complete, two short beeps will sound and the calculated cook time will start to count down.

Once sensor reheat is finished 4 beeps will sound. The appliance turns off and the clock is displayed.

Note: Do not open the door during the sensing process, or the program will be cancelled.

Once the calculated cook time is displayed, you can open the door to stir, turn or rearrange the food. Touch **Start/Enter** to resume operation.

Notes

- Cover with vented plastic wrap or wax paper.
- Reheat food on a microwaveable dinner plate.

Cancel operation

Touch **CLEAR/OFF** to cancel the active oven mode. The appliance turns off and the clock is displayed.

The cooling fans may continue to run for awhile and then switch off automatically.

Sensor Reheat programs

Program no.	Food	Quantity
<i>Sr - 1</i>	Dinner plate	1 serving
<i>Sr - 2</i>	Casserole, pasta	1 to 4 servings

Reheat cooking suggestions

Food	Directions	Quantity
Dinner plate	Use only pre-cooked, refrigerated foods. Cover plate with vented plastic wrap or waxed paper, tucked under plate. If food is not hot enough after heating with the Reheat feature, continue heating using manual time and power level setting. Contents: <ul style="list-style-type: none"> • 3-4 oz. meat, poultry or fish (up to 6 oz. with bone) • 1/2 cup starch (potatoes, pasta, rice, etc.) • 1/2 cup of vegetables (about 3-4 oz.) 	1 serving (1 plate)
Casserole, Pasta	Cover plate with lid or vented plastic wrap. If food is not hot enough after heating with the Reheat feature, continue heating using manual time and power level setting. Stir foods once before serving. Contents: <ul style="list-style-type: none"> • Casserole: refrigerated foods (such as beef stew or lasagna) • Pasta: Canned spaghetti and ravioli, refrigerated foods 	1 to 4 servings

Sensor Cook

Sensor Cook allows you to cook many of your favorite foods without selecting cooking times and power levels. The microwave oven automatically determines the required cooking time for each food item.

For best results for cooking by sensor, follow these recommendations:

- Food cooked with the sensor system should start from normal storage temperature.
- Turntable tray, glass tray and outside of container should be dry.
- Foods should always be covered loosely with microwavable plastic wrap, wax paper or lid.
- Do not open the door or touch **CLEAR/OFF** key during sensing time. When sensing time is over, the oven beeps twice and the remaining cooking time will appear in the display. **At this time you can open the door to stir, turn or rearrange the food.**

Setting Sensor Cook

1. Touch **SENSOR COOK** once. **Sc - 1** and **START** are blinking.
2. Touch **SENSOR COOK** repeatedly until the desired program number is shown in the display.
3. Touch **START/ENTER** to start sensor cook mode. **SENS.** lights up in the display and the appliance starts sensing.



When sensing is complete, two short beeps will sound and the calculated cook time will start to count down.

Once sensor cook is finished 4 beeps will sound. The appliance turns off and the clock is displayed.

Note: Do not open the door during the sensing process, or the program will be cancelled.

Once the calculated cook time is displayed, you can open the door to stir, turn or rearrange the food. Touch **START/ENTER** to resume operation.

Cancel operation

Touch **CLEAR/OFF** to cancel the active oven mode. The appliance turns off and the clock is displayed.

The cooling fans may continue to run for awhile and then switch off automatically.


Sensor Cook programs

Progr. no.	Food	Quantity	Cooking tips
Sc - 1	Baked Potato	1 - 4 potatoes (8 - 32 oz)	After cooking, allow to stand wrapped in foil for 5 minutes.
Sc - 2	Sweet Potato	1 - 4 potatoes (8 - 32 oz)	After cooking, allow to stand wrapped in foil for 5 minutes.
Sc - 3	Fresh Vegetable	8 - 24 oz (0.5 - 1.5 lbs)	No water is needed if vegetables have just been washed. Add 2 tablespoons water per 8 ounces of fresh vegetables.
Sc - 4	Frozen Vegetable	8 - 24 oz (0.5 - 1.5 lbs)	Add 1 tablespoon water per 4 ounces of frozen vegetables.
Sc - 5	Ground Meat	8 - 24 oz (0.5 - 1.5 lbs)	After cooking, allow to stand, covered, for 3 - 4 minutes.
Sc - 6	Fish/Seafood	8 - 24 oz (0.5 - 1.5 lbs)	Roll thin edges underneath. Arrange in a ring around microwaveable dish.
Sc - 7	Brown Rice	0.5 - 2 cups (dry rice)	Use a high-sided casserole dish. Do not cover. Use 1 cup rice to 3 cups water.
Sc - 8	White Rice	0.5 - 2 cups (dry rice)	Use a high-sided casserole dish and lid. Use 1 cup rice to 2 cups water.
Sc - 9	Frozen Entrees		Follow package instructions for venting, cutting plastic film, etc.


Panel Lock

The panel lock feature is very useful when cleaning the control panel. The lock will prevent accidental programming when wiping the control panel clean.

To activate the panel lock:


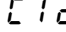
Touch and hold **CLEAR/OFF** for more than 3 seconds. The  symbol lights up in the display, a double beep sounds.

To deactivate the panel lock:

Touch and hold **CLEAR/OFF** for more than 3 seconds. The  symbol disappears from the display. The panel is unlocked.

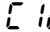
Settings

The following basic settings of your appliance can be adjusted to your personal preferences.

Display	Function	Touch SETTINGS key
	Key sounds on/off 1 - on 2 - off	once
	Clock display in stand-by mode on/off 1 - on 2 - off	twice

Changing the settings

Example: Turn clock display on/off.

1. Touch **SETTINGS** twice.
 and **OFF** or **On** alternate in the display.
2. Touch the number key **1** to turn the clock display on, touch **2** to turn the clock display off.
3. Touch **START/ENTER**.
4. Touch **CLEAR/OFF** to exit the settings menu.

Note: You can only change one setting at a time. To change another setting, you have to exit the settings menu first and begin from step 1.

Cooking Charts

The charts can be used as a guide. Follow package or recipe directions.

Cooking meat in your microwave

Be sure to place prepared meats on a microwave-safe roasting rack in a microwave-safe dish. Start cooking the meat fat side down and if necessary, use narrow strips of aluminum foil to shield any bone tips or thin meat areas.

After cooking, check the temperature in several places before letting the meat stand the recommended time. Please note that the temperatures in the following charts are temperatures at removal time; the temperature will rise during the standing period.

Meat	Power level	Cook time	Directions
Roast beef (boneless) (up to 4 lbs.)	High (10) for first 5 minutes, then medium (5)	12–17 min./lb. for 160° F (71°C) (Medium) 14–19 min./lb. for 170° F (76°C) (Well Done)	Place roast beef fat-side down on roasting rack. Cover with wax paper. Turn over half way through cooking. Let stand 10–15 minutes.*
Roast pork (boneless or bone-in) (up to 4 lbs.)	High (10) for first 5 minutes, then medium (5)	15–20 min./lb. for 170° F (76°C) (Well Done)	Place roast pork fat-side down on roasting rack. Cover with wax paper. Turn over half way through cooking. Let stand 10–15 minutes.*

*Expect a 10° F rise in the temperature during the standing period.

Stand time

Meat	Doneness	Remove from oven	After standing (10-15 min.)
Beef	Medium	150°F (65°C)	160°F (71°C)
	Well done	160°F (71°C)	170°F (77°C)
Pork	Medium	150°F (65°C)	160°F (71°C)
	Well done	160°F (71°C)	170°F (77°C)
Poultry	Dark meat	150°F (65°C)	150°F (65°C)
	Light meat	160°F (71°C)	160°F (71°C)

Cooking poultry in your microwave

Be sure to place poultry on a microwave-safe roasting rack in a microwave-safe dish. Cover poultry with wax paper to prevent splattering. Use narrow strips of

aluminum foil to shield any bone tips or thin meat areas, or areas that start to overcook. After cooking, check the temperature in several places before letting the meat stand the recommended time.

Meat	Power level	Cook time	Directions
Whole chicken (up to 4 lbs.)	medium high (7) 180° F (82°C) dark meat 170° F (76°C) dark meat	7–10 min. /lb	Place chicken breast-side down on roasting rack. Cover with wax paper. Turn over halfway through cooking. Cook until juices run clear and meat near bone is no longer pink. Let stand for 5–10 min.
Chicken pieces (up to 4 lbs.)	medium high (7) 180° F (82°C) dark meat 170° F (76°C) dark meat	7–10 min. /lb	Place chicken bone-side down on dish, with thickest portions toward the inside of dish. Cover with wax paper. Turn over halfway through cooking. Cook until juices run clear and meat near bone is no longer pink. Let stand for 5–10 min.

Cooking eggs in your microwave

- Never cook eggs in the shell and never warm hard-cooked eggs in the shell; they can explode.
- Always pierce yolk on whole eggs to keep them from bursting.
- Cook eggs just until set; they will become tough if overcooked.
- Cooking scrambled eggs is safe.

Cooking vegetables in your microwave

- Vegetables should be washed just before cooking. Rarely is extra water needed. If dense vegetables such as potatoes or carrots are being cooked, add about ¼ cup of water.
- Small vegetables (sliced carrots, peas, lima beans, etc.) will cook faster than larger vegetables.
- Whole vegetables, such as potatoes, acorn squash or corn on the cob, should be arranged in a circle on the turntable before cooking. They will cook more evenly if turned over halfway through cooking.
- Always place vegetables like asparagus and broccoli with the stem ends pointing towards the edge of the dish and the tips toward the center.
- When cooking cut vegetables, always cover the dish with a lid or vented microwavable plastic wrap.
- Whole, unpeeled vegetables such as potatoes, sweet potatoes, squash, eggplant, etc., should have their skin pricked in several locations before cooking to prevent them from bursting.
- For more even cooking, stir or rearrange whole vegetables halfway through the cook time.
- Most of the time, the denser the food, the longer the required standing time. For example, a baked potato should stand for 5 minutes before serving, while a dish of peas may be served immediately.

Cooking seafood in your microwave

Be sure to place fish on a microwave-safe roasting rack in a microwave-safe dish. Be sure to always cook fish until it flakes easily with a fork. Use a tight cover to steam

fish; a lighter cover of wax paper or paper towel provides less steaming. And be sure not to overcook fish; check it for doneness at a minimum cooking time before cooking longer.

Seafood	Power level	Cook time	Directions
Fish steaks up to 1½ lbs	medium high (7)	7–11 min. /lb	Arrange fish on roasting rack with meaty portions towards the outside of rack. Cover with wax paper. Turn over and rearrange halfway through cook time. Cook until fish flakes easily with fork. Let stand 3–5 mins.
Fish fillets up to 1½ lbs.	medium high (7)	7–11 min. /lb	Arrange fillets in a baking dish, turning any thin pieces under. Cover with wax paper. If over ½ inch thick, turn over and rearrange halfway through cook time. Cook until fish flakes easily with fork. Let stand 2–3 mins.
Shrimp up to 1½ lbs.	medium high (7)	7–11 min. /lb	Arrange shrimp in a baking dish without overlapping or layering. Cover with wax paper. Cook until firm and opaque, stirring 2 or 3 times. Let stand 5 mins.

Cleaning and Maintenance

▲ WARNING

Be sure the entire appliance (including the grease filters and light bulbs) has cooled and grease has solidified before attempting to clean any part of the appliance.

Cleaning

Cleaning Guide

- For best performance and for safety reasons, keep the oven clean inside and outside. Take special care to keep the inner door panel and oven front frame free of food and grease build-up.

- Never use abrasive scouring powder or pads on the microwave. Wipe the microwave oven inside and out with a soft cloth and warm (not hot) mild detergent solution. Rinse and wipe completely dry.
- Wipe spatters immediately with a wet paper towel, especially after cooking greasy foods like chicken or bacon.
- Clean your microwave oven weekly or more often, if needed.
- Never operate the oven without food in the oven cavity; this can damage the magnetron tube or glass tray. You may wish to leave a cup of water standing inside the oven when it is not in use to prevent damage if the oven is accidentally turned on.

Part	Recommendations
Oven cavity	Keep inside (cavity) of the oven clean. Food particles and spilled liquids can stick to the oven walls, causing the oven to work less efficiently. Wipe up spills immediately. Use a damp, clean cloth and mild soap. DO NOT use harsh detergents or abrasive cleaners. To help loosen baked-on food particles or liquids, heat 2 cups of water (add the juice of 1 lemon if you desire to keep the oven fresh smelling) in a 4 cup microwave-safe dish at High power for 5 minutes or until boiling. Let stand in oven cavity for 1 or 2 minutes.
Wire rack	Wash with soapy water. Rinse thoroughly and dry, or gently rub with cleansing powder or soap-filled pads as directed.
Glass turntable tray	Remove glass turntable tray from the oven when cleaning the oven cavity and tray. NOTICE: To prevent the glass turntable from breaking, handle with care and do not put it in water immediately after cooking. Wash the glass turntable tray in warm soapy water or in the dishwasher.
Turntable roller rest	Clean with warm, soapy water. Rinse thoroughly and dry.

Part	Recommendations
Door glass	Wash with soap and water or glass cleaner. Use Fantastik® or Formula 409® on a clean sponge or paper towel and wipe clean. Avoid using abrasive cleaners, like powder cleaning agents, steel wool pads and oven cleaners. If steam accumulates inside or outside the oven door, wipe with a soft cloth. Steam can accumulate when operating the oven in high humidity and in no way indicates microwave leakage.
Painted surfaces	Clean with hot soapy water or apply Fantastik® or Formula 409® to a clean sponge or paper towel and wipe clean. Avoid using abrasive cleaners, like powder cleaning agents, steel wool pads and oven cleaners.
Stainless steel surfaces	Always wipe or rub in the direction of the grain. Clean with a soapy sponge, then rinse and dry, or wipe with Fantastik® sprayed on a paper towel. Protect and polish with Stainless Steel Magic® and a soft cloth. Remove water spots with a cloth dampened with white vinegar. Do not use any cleanser that contains chlorine as these may rust the stainless steel.
Plastic & Controls	When cool, clean with soapy water, rinse and dry.
Printed areas (words & numbers)	Do not use abrasive cleaners or petroleum based solvents.

Cleaning the oven vent filters

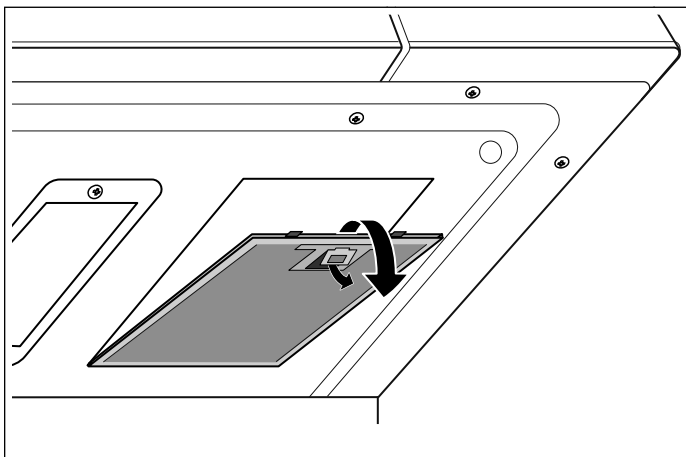
The oven ventilation filters should be removed and cleaned often; generally at least once every month.

⚠ CAUTION

To avoid risk of personal injury or property damage, do not operate oven vent without filters properly in place.

NOTICE: Use both hands to remove the filter to prevent it from dropping down.

1. To remove the ventilation filters, release the catch by pulling it down with your finger. The filter will drop down at the front. Then pull filter towards you to remove it. The filter will drop out. Repeat for the 2nd filter.



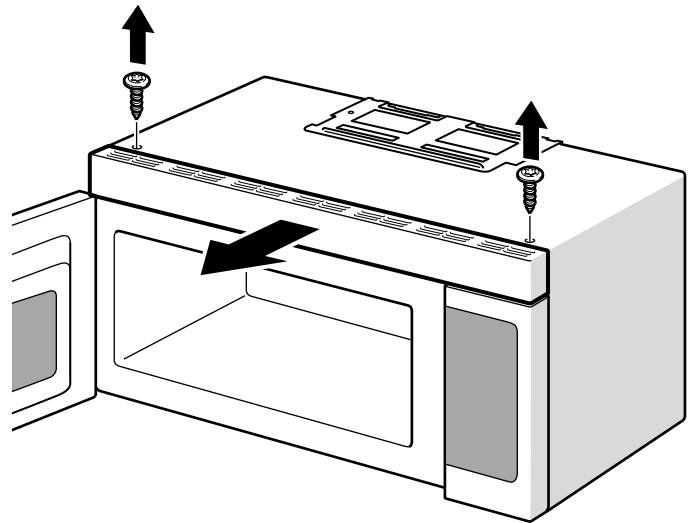
2. Soak the ventilation filters in hot water using a mild detergent. Rinse well and shake to dry. You can also wash the filters in a dishwasher.
3. To reinstall the ventilation filter, slide the two pins at the rear side of the filter into the slots at the rear of the filter opening, then push up filter at the front until the catch locks in place with a click. Reinstall the 2nd filter using the same procedure.

Maintenance

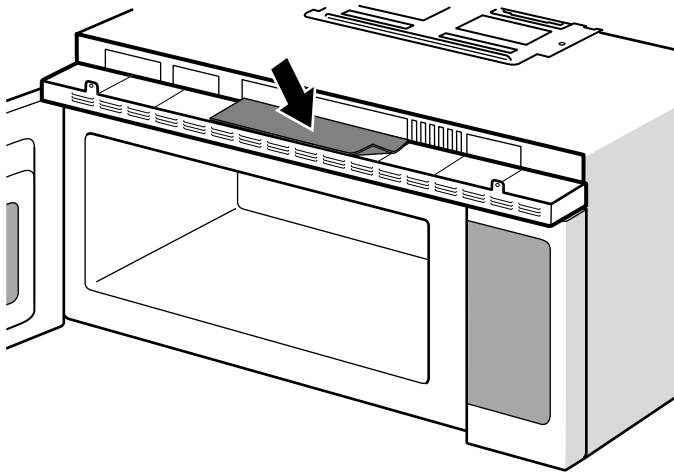
Charcoal filter replacement

The charcoal filter, which was included with your microwave oven, is used for nonvented, recirculated installation (Room Venting). The filter should be replaced every 6 to 12 months depending on use.

1. Disconnect power to the microwave oven at the circuit breaker panel or by unplugging.
2. Remove the vent grill mounting screws.
3. Pull the vent grill away from the unit.



4. Change the charcoal filter.



5. Carefully push the vent grill back into place and replace the screws removed in Step 2.

Note: If no charcoal filter is installed, it is not possible to bind the odorous substances in the cooking vapors.

Replacement filters can be purchased from the Bosch eshop, www.bosch-home.com/us/store.

Part number 00676120

Before Calling for Service

Before calling Customer Service, consider the suggestions and instructions below:

Problem	Suggestion
Neither the microwave's display nor oven operates.	<ul style="list-style-type: none">• Properly insert the plug into a grounded power outlet.• Remove the plug from the outlet, wait 10 seconds, then plug the microwave in again.• Reset the household circuit breaker or replace any blown fuses.• Plug a different appliance into the power outlet. If the other appliance will not operate, have a qualified electrician repair the outlet.• Plug the microwave into a different power outlet.
Oven display works, but the oven will not operate.	<ul style="list-style-type: none">• Make sure the oven door is closed securely and completely.• Check to see if packing material or other materials are stuck to the door seal.• Check for damage to the oven door.• Press the CLEAR/OFF key twice and attempt to re-enter cooking instructions.
Power goes off before the cook time has elapsed.	<ul style="list-style-type: none">• If there has been a power interruption, remove the plug from the outlet; wait 10 seconds, then plug the microwave in again. If there was a power outage, the time indicator in the display will show 00:00.• Reset the clock and any cooking instructions.• Reset the household circuit breaker or replace any blown fuses.• Press the CLEAR/OFF key twice and attempt to re-enter cooking instructions.• Plug a different appliance into the power outlet. If the other appliance will not operate, have a qualified electrician repair the outlet.• Plug the microwave into a different power outlet.
Food is cooking too slowly.	Make sure the oven is on a separate 20 amp circuit line. Operating another appliance on the same circuit can cause a voltage drop. If necessary, move the microwave to its own circuit.
Microwave is sparking, arcing occurs.	Remove any metallic utensils, cookware or metal ties from the oven cavity. If using aluminum foil, use only narrow strips and allow at least one inch between the foil and the interior oven walls.
Turntable makes noises or sticks.	<ul style="list-style-type: none">• Clean the turntable, roller ring and oven cavity bottom.• Make sure the turntable and roller ring are positioned correctly.

Note: If the oven is set to cook for more than 30 minutes at 100% power level, it will automatically adjust itself to a 80% power level after 30 minutes to avoid overcooking.

Problem	Suggestion
Using the microwave causes TV or radio interference.	This is similar to the interference caused by other small appliances, such as hair dryers. Move your microwave further away from other appliances, like your TV or radio.
LED lights are not working.	Please contact Customer Service.

Note: If the oven is set to cook for more than 30 minutes at 100% power level, it will automatically adjust itself to a 80% power level after 30 minutes to avoid overcooking.

THERMADOR® Support

Before Calling Service

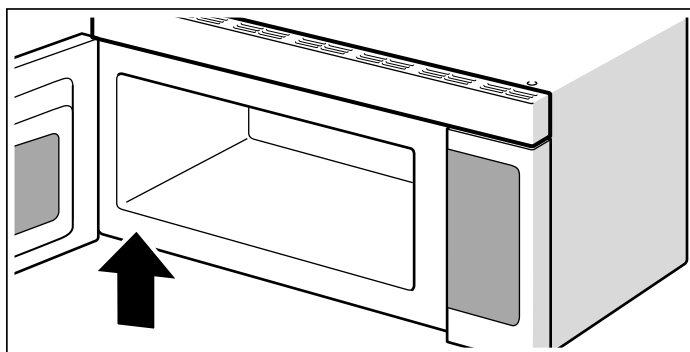
See the Use and Care Manual for troubleshooting information. Refer to the “Statement of Limited Product Warranty” in the Use and Care Manual.

To reach a service representative, see the contact information at the front of the manual or in the following section. Please be prepared with the information printed on your product data plate prior to calling.

Data Plate

The data plate shows the model and serial number. Refer to the data plate on the appliance when requesting service.

The data plate can be found on the inside of the appliance.



To avoid having to search for each piece of information when calling, you can enter the four items needed in the spaces provided below.

Model No.

FD-No.

Date of Purchase

Customer Service ☎

Keep your invoice or escrow papers for warranty validation if service is needed.

Service

We realize that you have made a considerable investment in your kitchen. We are dedicated to supporting you and your appliance so that you have many years of creative cooking.

Please do not hesitate to contact our STAR® Customer Support Department if you have any questions or in the unlikely event that your THERMADOR® appliance needs service. Our service team is ready to assist you.

USA

800-735-4328

www.thermador.com/support

Canada

800-735-4328

www.thermador.ca

Parts and Accessories

Parts, filters, descalers, stainless steel cleaners and more can be purchased in the THERMADOR® eShop or by phone.

USA

www.thermador.com/us/accessories

Canada

www.thermador.ca/en/support/filters-cleaners-accessories

STATEMENT OF LIMITED PRODUCT WARRANTY

What this Warranty Covers & Who it Applies to

The limited warranty provided by BSH Home Appliances ("Thermador") in this Statement of Limited Product Warranty applies only to the Thermador appliance sold to you ("Product"), provided that the Product was purchased:

- For your normal, household (non-commercial) use, and has in fact at all times only been used for normal household purposes.
- New at retail from a BSH authorized dealer or directly from BSH (not a display, "as is", or previously returned model), and not for resale, or commercial use.
- Within the United States or Canada, and has at all times remained within the country of original purchase.

The warranties stated herein apply to the original purchaser of the product warranted herein and to each succeeding owner of the product purchased for ordinary home use during the term of the warranty.

Please make sure to register your Product; while not necessary to effectuate warranty coverage, it is the best way for Thermador to notify you in the unlikely event of a safety notice or product recall.

How Long the Warranty Lasts

Thermador warrants that the Product is free from defects in materials and workmanship for a period of seven hundred and thirty (730) days from the date of the original delivery. The foregoing timeline begins to run upon the date of the original delivery, and shall not be stalled, tolled, extended, or suspended, for any reason whatsoever. This Product is also warranted to be free from cosmetic defects in material and workmanship such as scratches of stainless steel, paint/porcelain blemishes, chips, dents, or other damage to the finish) of the Product, for a period of sixty (60) days from the date of delivery or closing date for new construction. This cosmetic warranty excludes slight color variations due to inherent differences in painted and porcelain parts, as well as differences caused by kitchen lighting, product location, or other similar factors. This cosmetic warranty specifically excludes any display, floor, "As Is", or "B" stock appliances.

Repair/Replace as Your Exclusive Remedy

During this warranty period, Thermador or one of its authorized service providers will repair your Product without charge to you (subject to certain limitations stated herein) if your Product proves to have been manufactured

with a defect in materials or workmanship. If reasonable attempts to repair the Product have been made without success, then Thermador will replace your Product (upgraded models may be available to you, in Thermador's sole discretion, for an additional charge). Nothing in this warranty requires damaged or defective parts to be replaced with parts of a different type or design than the original part. All removed parts and components shall become the property of Thermador at its sole option. All replaced and/or repaired parts shall assume the identity of the original part for purposes of this warranty and this warranty shall not be extended with respect to such parts. Thermador's sole liability and responsibility hereunder is to repair manufacturer-defective Product only, using a Thermador authorized service provider during normal business hours. For safety and property damage concerns, Thermador highly recommends that you do not attempt to repair the Product yourself, or use a non-authorized service provider; Thermador will have no responsibility or liability for damage resulting from repairs or work performed by a non-authorized service provider. Authorized service providers are those persons or companies that have been specially trained on Thermador products, and who possess, in Thermador's opinion, a superior reputation for customer service and technical ability (note that they are independent entities and are not agents, partners, affiliates or representatives of Thermador). Nevertheless, taking your product to be serviced by a repair shop that is not affiliated with or an authorized dealer of Thermador will not void this warranty. Also, using third-party parts will not void this warranty. Notwithstanding the foregoing, Thermador will not incur any liability, or have responsibility, for the Product if it is located in a remote area (more than 100 miles from an authorized service provider) or is reasonably inaccessible, hazardous, threatening, or treacherous locale, surroundings, or environment; in any such event, if you request, Thermador would still pay for labor and parts and ship the parts to the nearest authorized service provider, but you would still be fully liable and responsible for any travel time or other special charges by the service company, assuming they agree to make the service call. Further, to the extent you have installed the Product in a difficult-to-access location or have otherwise installed temporary or permanent fixtures that create barriers to accessing or removing the Product, Thermador will not incur any liability for, or have responsibility, for work or costs associated with moving the Product or otherwise creating access to the Product in order to repair or replace it. All such costs shall be your sole responsibility.

Out of Warranty Product

Thermador is under no obligation, at law or otherwise, to provide you with any concessions, including repairs, prorates, or Product replacement, once this warranty has expired.

Warranty Exclusions

The warranty coverage described herein excludes all defects or damage that are not the direct fault of Thermador, including without limitation, one or more of the following:

- Use of the Product in anything other than its normal, customary and intended manner (including without limitation, any form of commercial use, use or storage of an indoor product outdoors, use of the Product in conjunction with air or water-going vessels).
- Any party's willful misconduct, negligence, misuse, abuse, accidents, neglect, improper operation, failure to maintain, improper or negligent installation, tampering, failure to follow operating instructions, mishandling, unauthorized service (including self-performed "fixing" or exploration of the appliance's internal workings).
- Adjustment, alteration or modification of any kind.
- A failure to comply with any applicable state, local, city, or county electrical, plumbing and/or building codes, regulations, or laws, including failure to install the product in strict conformity with local fire and building codes and regulations.
- Ordinary wear and tear, spills of food, liquid, grease accumulations, or other substances that accumulate on, in, or around the Product.
- Any external, elemental and/or environmental forces and factors, including without limitation, rain, wind, sand, floods, fires, mud slides, freezing temperatures, excessive moisture or extended exposure to humidity, lightning, power surges, structural failures surrounding the appliance, and acts of God.
- Service calls to correct the installation of your Product, to instruct you how to use your Product, to replace house fuses or correct house wiring or plumbing.
- Removal and replacement of trim or decorative panels that interfere with servicing the Product.
- Damage or defects caused by labor or parts installed by any non-authorized service provider, unless approved by Thermador before service is performed.

In no event shall Thermador have any liability or responsibility whatsoever for damage to surrounding property, including cabinetry, floors, ceilings, and other structures or objects around the Product. Also excluded from this warranty are Products on which the serial numbers have been altered, defaced, or removed; service visits to teach you how to use the Product, or visits where there is nothing wrong with the Product; correction of installation problems (you are solely responsible for any structure and setting for the Product, including all

electrical, plumbing or other connecting facilities, for proper foundation/flooring, and for any alterations including without limitation cabinetry, walls, floors, shelving, etc.); and resetting of breakers or fuses.

TO THE EXTENT ALLOWED BY LAW, THIS WARRANTY SETS OUT YOUR EXCLUSIVE REMEDIES WITH RESPECT TO PRODUCT, WHETHER THE CLAIM ARISES IN CONTRACT OR TORT (INCLUDING STRICT LIABILITY, OR NEGLIGENCE) OR OTHERWISE. THIS WARRANTY IS IN LIEU OF ALL OTHER WARRANTIES, WHETHER EXPRESS OR IMPLIED. ANY WARRANTY IMPLIED BY LAW, WHETHER FOR MERCHANTABILITY OR FITNESS FOR A PARTICULAR PURPOSE, OR OTHERWISE, SHALL BE EFFECTIVE ONLY FOR THE PERIOD THAT THIS EXPRESS LIMITED WARRANTY IS EFFECTIVE. IN NO EVENT WILL THE MANUFACTURER BE LIABLE FOR CONSEQUENTIAL, SPECIAL, INCIDENTAL, INDIRECT, "BUSINESS LOSS", AND/OR PUNITIVE DAMAGES, LOSSES, OR EXPENSES, INCLUDING WITHOUT LIMITATION TIME AWAY FROM WORK, HOTELS AND/OR RESTAURANT MEALS, REMODELLING EXPENSES IN EXCESS OF DIRECT DAMAGES WHICH ARE DEFINITELY CAUSED EXCLUSIVELY BY THERMADOR, OR OTHERWISE. SOME STATES DO NOT ALLOW THE EXCLUSION OR LIMITATION OF INCIDENTAL OR CONSEQUENTIAL DAMAGES, AND SOME STATES DO NOT ALLOW LIMITATIONS ON HOW LONG AN IMPLIED WARRANTY LASTS, SO THE ABOVE EXCLUSIONS OR LIMITATIONS MAY NOT APPLY TO YOU. THIS WARRANTY GIVES YOU SPECIFIC LEGAL RIGHTS, AND YOU MAY ALSO HAVE OTHER RIGHTS WHICH VARY FROM STATE TO STATE.

No attempt to alter, modify or amend this warranty shall be effective unless authorized in writing by an officer of BSH.

Obtaining Warranty Service

To obtain warranty service for your product, you should contact Thermador Customer Service at 1-800-735-4328 to schedule a repair.

Product information

For handy reference, copy the information below from the rating plate. Keep your invoice and/or delivery documents for warranty validation..

Model number (E-Nr.)

Production number(FD)

Date of delivery

ÍNDICE

⚠ Definiciones de seguridad	28	Auto Defrost (Descongelar automáticamente)	41
⚠ PRECAUCIONES PARA EVITAR UNA POSIBLE EXPOSICIÓN A UNA EXCESIVA CANTIDAD DE ENERGÍA DE MICROONDAS	28	Sensor Reheat (Recalentar por sensor)	42
INSTRUCCIONES DE SEGURIDAD IMPORTANTES ...	29	Sensor Cook (Cocción por sensor)	43
INSTRUCCIONES PARA LA CONEXIÓN A TIERRA	30	Bloqueo de Panel	44
Interferencia con la TV/radio	30	Valores	44
Uso previsto	30	Cuadros de cocción	45
Seguridad de los niños	30	Cocinar carne de res en su horno de microondas	45
Seguridad en la limpieza	30	Cocción de carne de ave en su horno de microondas .	45
Seguridad al cocinar	31	Cocción de huevos en su horno microondas	46
En caso de incendio	31	Cocción de verduras en su microondas	46
Líquidos	31	Cocción de frutos de mar en su horno microondas	46
Artículos de cocina	32	Limpieza y mantenimiento	47
Utensilios de cocina	33	Limpieza	47
Charola de vidrio/anillo de la bandeja giratoria	33	Mantenimiento	48
Operación en modo de salida	33	Resolución de problemas	49
Termómetros	33	Soporte técnico de THERMADOR®	50
Marcapasos	33	Antes de llamar al servicio	50
Advertencia en virtud de la Proposición 65 del estado de California	33	Placa de datos	50
Funcionamiento del motor del ventilador	33	Servicio técnico	50
Ventilación de ambiente con filtro de carbón	33	Piezas y accesorios	50
Causas para los daños	34	DECLARACIÓN DE GARANTÍA LIMITADA DEL PRODUCTO	51
Protección del medio ambiente	34	Cobertura de esta garantía y a quiénes se aplica	51
Cómo comenzar	35	Duración de la garantía	51
Componentes	35	Reparación/reemplazo como único recurso	51
Panel de control	35	Producto fuera de garantía	51
Accesorios	36	Exclusiones de la garantía	52
Antes de usar el horno por primera vez	38		
Limpieza de accesorios	38		
Aplicación de la etiqueta de programas	38		
Operación	38		
Programación del reloj	38		
Programación del temporizador de cocina	38		
Manejo del ventilador de ventilación	38		
Encendido/Apagado de la luz de superficie	39		
Encendido/Apagado del plato giratorio	39		
Programación del microondas	39		
Añadido de tiempo de cocción (ADD 30 SECONDS) ..	40		

Este electrodoméstico de THERMADOR

es hecho por
BSH Home Appliances Corporation
1901 Main Street, Suite 600
Irvine, CA 92614

¿Preguntas?

1-800-735-4328

www.thermador.com

¡Con gusto lo atenderemos!

Definiciones de seguridad

ADVERTENCIA

Esto indica que pueden producirse heridas graves o incluso la muerte si no se cumple con esta advertencia.

ATENCION

Esto indica que pueden producirse heridas leves o moderadas si no se cumple con esta advertencia.

AVISO: Esto indica que pueden producirse daños en el aparato o en los bienes si no se cumple con este aviso.

Nota: Esto alerta sobre información o sugerencias importantes.

PRECAUCIONES PARA EVITAR UNA POSIBLE EXPOSICIÓN A UNA EXCESIVA CANTIDAD DE ENERGÍA DE MICROONDAS

PRECAUCIONES PARA EVITAR UNA POSIBLE EXPOSICIÓN A UNA EXCESIVA CANTIDAD DE ENERGÍA DE MICROONDAS

(1) No intente manejar este horno con la puerta abierta, ya que el funcionamiento con la puerta abierta puede tener como consecuencia una exposición nociva a la energía de microondas. Es importante no anular los enclavamientos de seguridad ni interferir en estos.

(2) No coloque ningún objeto entre la parte delantera del horno y la puerta ni permita que se acumulen suciedad ni restos de limpiador en las superficies sellantes.

(3) No maneje el horno si está dañado. Es de particular importancia que la puerta del horno cierre correctamente y que no haya daños en:

- la puerta (doblada);
- las bisagras y las trabas (rotas o flojas);
- los sellos y las superficies sellantes de la puerta.

(3) Ninguna persona debe ajustar ni reparar el horno a menos que se trate de personal de servicio técnico autorizado. La instalación, el servicio técnico o el mantenimiento incorrectos pueden causar lesiones o daños materiales. Consulte este manual para su orientación. Remita todas las reparaciones a un centro de servicio técnico autorizado por la fábrica.

INSTRUCCIONES DE SEGURIDAD IMPORTANTES

LEER TODAS LAS INSTRUCCIONES ANTES DE UTILIZAR EL APARATO

ADVERTENCIA

Para reducir el riesgo de quemaduras, descarga eléctrica, incendio, heridas a personas o exposición a una excesiva cantidad de energía de microondas, Lea todas las instrucciones antes de usar el aparato.

ADVERTENCIA

Si no digue la información de este manual exactamente, se puede ocasionar un incendio o una descarga eléctrica que puede causar daños materiales o lesiones personales.

Al utilizar aparatos eléctricos, deben seguirse precauciones de seguridad básicas, entre las que se incluyen las siguientes:

Lea y siga las "PRECAUCIONES PARA EVITAR UNA POSIBLE EXPOSICIÓN A UNA EXCESIVA CANTIDAD DE ENERGÍA DE MICROONDAS" específicas que se encuentran en el capítulo Instrucciones de seguridad.

Este aparato debe estar conectado a tierra. Conéctelo solo a una toma de corriente eléctrica correctamente conectada a tierra (consulte las INSTRUCCIONES DE CONEXIÓN A TIERRA).

Instale o ubique este aparato únicamente de acuerdo con las instrucciones de instalación provistas.

Algunos productos, como huevos enteros y recipientes sellados —por ejemplo, tarros de cristal cerrados— pueden explotar y no deben ser calentados en este horno.

Utilice este aparato solo para su uso previsto, según se describe en el manual. No utilice productos químicos corrosivos ni vapores en este aparato. Este tipo de horno está específicamente diseñado para calentar, cocinar o secar alimentos. No está diseñado para uso industrial ni en laboratorios.

Al igual que con cualquier electrodoméstico, se requiere una estricta supervisión cuando los niños utilicen este electrodoméstico. (Consulte SEGURIDAD DE LOS NIÑOS).

Este aparato debe recibir servicio técnico únicamente de personal de servicio técnico autorizado. Comuníquese con el centro de servicio técnico autorizado más cercano para solicitar que lo examinen, reparen o ajusten.

No cubra ni bloquee ninguna ventilación o abertura del aparato.

No almacene este aparato a la intemperie. No use este producto cerca del agua, por ejemplo, cerca de un fregadero de cocina, en un sótano húmedo, cerca de una alberca ni en lugares similares.

No sumerja el cable ni el enchufe en agua.

Mantenga el cable alejado de las superficies calientes.

No permita que el cable cuelgue del borde de la mesa ni de la superficie de trabajo.

No haga funcionar este aparato si tiene un cable o un enchufe dañados, si no funciona adecuadamente, ni si se ha dañado o se ha caído.

Al limpiar las superficies de la puerta y del horno que se unen al cerrar la puerta, aplique únicamente jabones o detergentes suaves, no abrasivos, con una esponja o un paño suave. Consulte las instrucciones de limpieza de la superficie de la puerta en el capítulo "Limpieza y mantenimiento".

Para reducir el riesgo de incendio en la cavidad del horno:

- No cocine los alimentos excesivamente. Preste especial atención al aparato cuando coloque adentro papel, plástico u otros materiales combustibles para facilitar la cocción.
- Retire los cierres de alambre de las bolsas de papel o plástico antes de colocarlas en el horno.
- Si los materiales que están dentro del horno se prenden fuego, mantenga cerrada la puerta del horno, apáguelo y desconecte el cable de alimentación o corte la alimentación eléctrica desde el panel de fusibles o disyuntor.
- No use la cavidad del horno para almacenar elementos. No deje productos de papel, utensilios de cocina ni alimentos dentro de la cavidad del horno cuando no esté en uso.

ADVERTENCIA

RIESGO DE LESIONES

La luz de las luces LED es muy deslumbrante y puede dañar los ojos (grupo de riesgo 1). No mirar más de 100 segundos directamente a las luces LED encendidas.

ADVERTENCIA

RIESGO DE LESIONES

La iluminación de las luces LED es muy deslumbrante y puede dañar los ojos (grupo de riesgo 1, según EN 60825-1). No mirar con medios ópticos auxiliares, por ejemplo binoculares o lupas, a las luces LED encendidas.

INSTRUCCIONES DE SEGURIDAD IMPORTANTES

LEER TODAS LAS INSTRUCCIONES ANTES DE UTILIZAR EL APARATO

INSTRUCCIONES PARA LA CONEXIÓN A TIERRA

Este aparato debe estar conectado a tierra. La conexión a tierra reduce el riesgo de descarga eléctrica proporcionando un cable de escape para la corriente eléctrica si se produce un cortocircuito eléctrico. Este horno viene equipado con un cable con un hilo de conexión a tierra y un enchufe para conexión a tierra. El enchufe debe colocarse en una toma de corriente adecuada que esté correctamente instalada y conectada a tierra.

ADVERTENCIA - Una conexión a tierra incorrecta puede resultar en un riesgo de descarga eléctrica.

Consulte a un electricista o a un centro de servicio técnico calificado si no comprende la totalidad de las instrucciones de conexión a tierra o si tiene alguna duda respecto de si el horno está correctamente conectado a tierra.

No use un cable de extensión. Si el cable de alimentación del producto es demasiado corto, haga que un electricista calificado instale un receptáculo de tres ranuras. Este horno debe enchufarse en un circuito de 60 hertzios por separado, con la capacidad eléctrica nominal que se muestra en la tabla de especificaciones. Cuando el horno está en un circuito con otro equipo, es posible que se requiera un aumento en los tiempos de cocción y que los fusibles se quemen.

El microondas funciona con la corriente estándar del hogar, de 110 a 120 V.

Interferencia con la TV/radio

Este aparato genera y usa energía con frecuencia ISM. Si no se instala y utiliza correctamente, en estricto cumplimiento con las instrucciones del fabricante, puede causar interferencia en la recepción de radio y televisión. Su tipo ha sido probado, y se ha determinado que cumple con los límites para los equipos ISM, en virtud de la parte 18 de las normas de la Comisión Federal de Comunicaciones (Federal Communications Commission, FCC), destinadas a proporcionar una protección razonable contra dicha interferencia en una instalación residencial. Sin embargo, no se garantiza que no se producirán interferencias en una instalación en particular. Encienda y apague el aparato para determinar si causa interferencia. Intente alguna de las siguientes soluciones para corregir la interferencia:

- Limpie la puerta y la superficie sellante del horno.
- Cambie la orientación de la antena de recepción de radio o televisión.
- Cambie la ubicación del horno microondas con respecto al receptor.
- Aleje el horno microondas del receptor.
- Enchufe el horno microondas en una toma de corriente diferente para que el horno y el receptor estén enchufados a circuitos derivados diferentes.

El fabricante no es responsable de ninguna interferencia de radio o TV causada por una modificación no autorizada a este horno microondas. Es responsabilidad del usuario corregir dicha interferencia.

Uso previsto

Este electrodoméstico ha sido diseñado para uso doméstico normal únicamente. No está aprobado para uso en exteriores. Consulte la Declaración de Garantía limitada del Producto. Si tiene alguna pregunta, comuníquese con el fabricante.

No use la cavidad del horno para almacenar elementos. No deje productos de papel, utensilios de cocina ni alimentos dentro de la cavidad del horno cuando no esté en uso.

No haga funcionar el horno cuando la humedad ambiente sea excesiva.

Este horno es apto para usar tanto sobre equipos de cocina a gas como eléctricos de 36 pulg. (914 mm) de ancho o menos.

Seguridad de los niños

No permita que los niños utilicen este electrodoméstico, a menos que sean supervisados de cerca por un adulto. Los niños y las mascotas no deben que dar solos o sin vigilancia en el área donde se utilice el electrodoméstico. Nunca se les debe permitir jugar cerca del electrodoméstico, independientemente de que esté en funcionamiento o no.

Cuando los niños tienen la edad adecuada para utilizar el electrodoméstico, es responsabilidad de los padres o tutores legales asegurarse de que reciban las instrucciones sobre prácticas seguras por parte de personas calificadas.

No deje que nadie se suba, pare, incline, sienta o cuelgue de cualquier parte de un electrodoméstico, especialmente una puerta, cajón calentador o cajón para almacenamiento. Esto puede dañar el electrodoméstico, y la unidad puede caerse y, posiblemente, causar lesiones graves.

Seguridad en la limpieza

Limpie los filtros del escape con frecuencia: no permita que se acumule grasa en la campana ni en los filtros. Podrían producirse incendios.

Sea cuidadoso al limpiar los filtros del escape. Los agentes de limpieza corrosivos, como limpiadores para hornos a base de lejía, pueden dañar el filtro (consulte la sección LIMPIEZA de este manual).

Limpie con frecuencia el lugar donde se apoyan los rodillos del plato giratorio y el suelo del horno para evitar ruidos excesivos.

ATENCIÓN

La grasa acumulada en los filtros puede volver a derretirse y entrar en la abertura de ventilación.

⚠ INSTRUCCIONES DE SEGURIDAD IMPORTANTES

LEER TODAS LAS INSTRUCCIONES ANTES DE UTILIZAR EL APARATO

ADVERTENCIA

Asegúrese de que todo el aparato (incluidos los filtros antigrasa y las lámparas de luz, si corresponde) se haya enfriado y de que la grasa se haya solidificado antes de intentar limpiar cualquier parte del aparato.

Seguridad al cocinar

ATENCIÓN

Para evitar lesiones personales o daños materiales, debe tenerse en cuenta lo siguiente:

- Supervisar el horno en todo momento durante su uso.
- No colocar material inflamable al lado del horno o en su interior.
- Al flambear alimentos debajo del microondas, encender siempre el ventilador.
- No poner en marcha el horno si está vacío. Esto podría dañar el horno y conllevaría un riesgo de incendio.
- No almacenar ni utilizar productos químicos corrosivos, vapores, materiales inflamables o productos no alimentarios cerca o dentro del aparato. Está especialmente diseñado para utilizarse mientras se calienta o cocina la comida. El uso de productos químicos corrosivos para el calentamiento o la limpieza provocará daños en el aparato y podría causar lesiones personales.
- No secar ropa, papel u otros materiales en el horno. No utilizar papel periódico ni bolsas de papel para cocinar. Podría generarse un incendio.
- No utilizar productos de papel reciclado a menos que se hayan aprobado para su uso con microondas. Podrían contener impurezas que podrían generar chispas y provocar incendios.
- Utilizar siempre paños o guantes de cocina para retirar objetos del horno. El recipiente para cocinar al vapor y la charola de cristal pueden estar calientes aunque el horno se haya enfriado.
- Siempre que sea posible, evitar el uso del sistema de ventilación si se produce un incendio en la placa de cocción. No obstante, no se debe atravesar el fuego con la mano para intentar apagarlo.
- No montar encima del fregadero.
- No colocar nada directamente encima de la superficie del aparato cuando esté en funcionamiento.
- No deben introducirse alimentos ni utensilios metálicos que sean demasiado grandes, ya que podrían provocar un incendio o una descarga eléctrica.
- No limpiar con estropajos metálicos. Podrían desprenderse trozos del estropajo y entrar en

contacto con piezas eléctricas, lo que supondría un riesgo de descarga eléctrica.

- Cuando no se utilice el horno, no almacenar en él ningún objeto aparte de los accesorios recomendados por el fabricante.
- No cubrir las rejillas ni ninguna otra parte del horno con papel de aluminio. Esto causará el sobrecalentamiento del horno.
- No utilice productos de papel cuando el aparato funciona en el modo tostadora.

ADVERTENCIA

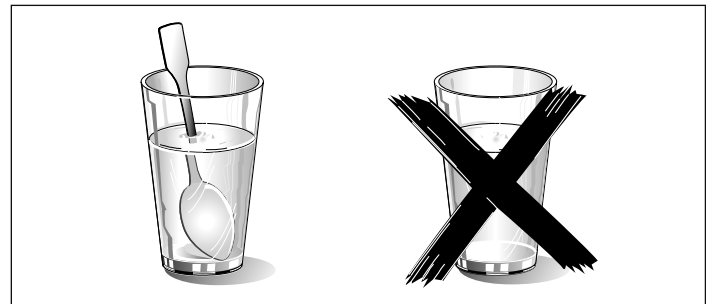
No utilice los quemadores de la cubierta de gas sin colocar las ollas en su sitio. La llama abierta puede sobrecalentar el horno de microondas por encima.

En caso de incendio

Si los materiales dentro de un horno se prenden fuego:

1. Mantenga la puerta cerrada
2. Apague el electrodoméstico
3. Desenchufe el electrodoméstico o corte la alimentación eléctrica desde el panel de fusibles o el disyuntor.

Líquidos



Los líquidos, como el agua, el café o el té, podrían calentarse excesivamente. Pueden calentarse hasta pasar el punto de ebullición, sin que parezca que están hirviendo. Por ejemplo, no siempre se observan burbujas ni borbotones al retirar el recipiente del horno microondas. **ESTO PUEDE HACER QUE LOS LÍQUIDOS MUY CALIENTES HIERVAN Y SE DESBORDEN REPENTINAMENTE AL MOVER EL RECIPIENTE O AL COLOCAR UN UTENSILIO DENTRO DEL LÍQUIDO.**

Al calentar líquidos, colocar siempre la cuchara/varilla de vidrio en el recipiente. Esto evitará que la ebullición se retrase.

⚠ INSTRUCCIONES DE SEGURIDAD IMPORTANTES

LEER TODAS LAS INSTRUCCIONES ANTES DE UTILIZAR EL APARATO

ATENCIÓN

El metal, por ejemplo, una cuchara en un vaso, se debe mantener alejado por lo menos 1 pulgada (25 mm) de las paredes del horno y del interior de la puerta. Las chispas podrían dañar irreparablemente el cristal en el interior de la puerta.

- Sacar las comidas preparadas de su empaque. Estas se calentarán más rápidamente y de manera más uniforme en recipientes para microondas. Los diferentes ingredientes de la comida pueden no requerir la misma cantidad de tiempo para calentarse.
- Tapar siempre la comida. Si no se tiene una tapa adecuada para el recipiente, usar un plato o papel especial para microondas.
- Revolver o voltear varias veces la comida durante la cocción. Verificar la temperatura.
- Después de calentar, permitir que la comida repose de 2 a 5 minutos de manera que alcance una temperatura uniforme.
- Utilizar siempre un trapo de cocina o guantes para horno al sacar los platos del horno.

Artículos de cocina

Huevos: No cocine ni recaliente huevos enteros, con o sin cáscara. La acumulación de vapor en los huevos enteros puede hacer que exploten y, posiblemente, dañen el horno o provoquen una lesión. Recalentar huevos duros rebanados y cocinar huevos revueltos es seguro.

Palomitas de maíz: Use solo palomitas de maíz en envases diseñados y etiquetados para uso en horno microondas, o prepárelas en un recipiente para palomitas de maíz apto para horno microondas. Siga las indicaciones de los fabricantes de palomitas de maíz y use una marca apta para el vataje de su horno. No siga calentando después de que las palomitas de maíz hayan terminado de reventar. Las palomitas de maíz se chamuscarán o quemarán. No deje el horno sin supervisión.

ATENCIÓN

Al usar palomitas de maíz preenvasadas para microondas, verifique el peso del envase antes de usar la función para palomitas de maíz. Programe el horno para el peso indicado en el envase de palomitas de maíz. Si no se siguen estas instrucciones, es posible que las palomitas de maíz no revienten correctamente, o que se prendan fuego y provoquen un incendio.

Alimentos con piel no porosa: entre los ejemplos de alimentos con piel no porosa se encuentran papas, tomates, camotes, calabazas enteras y salchichas. Estos tipos de alimentos deben pincharse antes de la cocción para evitar que exploten.

Alimento para bebés/Fórmula para bebés: no caliente biberones ni alimentos en el horno microondas. El recipiente de vidrio o la superficie de los alimentos pueden parecer tibios, mientras que el interior puede quemar la boca y el esófago del niño.

Alimentos fritos con abundante aceite: no fría en abundante aceite en el horno. En un horno microondas, el aceite puede calentarse muy rápidamente y superar las temperaturas ideales. Las temperaturas pueden aumentar lo suficiente como para que los aceites para cocinar alcancen sus puntos de inflamación respectivos y se prendan fuego. El aceite caliente puede producir burbujas y salpicar, lo que puede causar posibles daños al horno, y quizás, quemaduras. Además, es probable que los utensilios aptos para microondas no soporten la temperatura del aceite caliente, ya que se pueden romper, incluso si tienen una mínima imperfección, rayón o están descascarados.

Enlatado casero/deshidratación de alimentos/pequeñas cantidades de alimentos: No utilice el horno microondas para enlatados caseros ni para calentar ningún tarro cerrado. Esto hace que la presión se acumule, y es posible que explote el tarro. Además, el horno no puede mantener los alimentos a la temperatura adecuada del enlatado. Los alimentos mal enlatados se pueden echar a perder, y consumirlos puede ser peligroso. Las pequeñas cantidades de alimentos o los alimentos con bajo contenido de humedad pueden secarse, quemarse o incendiarse.

No deshidrate carnes, hierbas, frutas ni verduras en su horno.

Una cocción correcta depende de la programación del tiempo y del peso de los alimentos. Se puede producir un incendio si usa una porción más pequeña que la recomendada y la cocina durante el tiempo de la porción recomendada.

Fuentes para dorar: Las fuentes o parrillas para dorar en microondas están diseñadas para cocinar únicamente en microondas. Los tiempos de precalentamiento varían según el tamaño de la fuente para dorar y los alimentos que se van a cocinar. Siempre siga las instrucciones proporcionadas por el fabricante de la fuente o de la parrilla para dorar. No precaliente las fuentes para dorar más de 6 minutos.

Bolsas para asar en horno: Si se usa una bolsa para horno para la cocción en microondas, prepárela según las indicaciones del envase. No use cierres de alambre para cerrar las bolsas; en su lugar, use cierres de nailon, cordones de algodón o una tira cortada del extremo abierto de la bolsa. Haga seis cortes de 1/2 pulg. (12.7 mm) cerca del cierre. Coloque la bolsa para cocinar en horno en una fuente un poco más grande que los alimentos que se van a cocinar.

INSTRUCCIONES DE SEGURIDAD IMPORTANTES

LEER TODAS LAS INSTRUCCIONES ANTES DE UTILIZAR EL APARATO

Utensilios de cocina

Consulte también la **Guía de utensilios para microondas**.

Los utensilios de cocina, la bandeja de cristal y los racks se calientan durante el funcionamiento del microondas. Siempre use agarradores al retirar los elementos del horno. Deje que la bandeja de cristal y los racks de metal (si se utilizan) se enfríen antes de manipularlos.

No use utensilios de metal ni recipientes con bordes de metal en el horno.

Al utilizar film de aluminio en el horno, deje, al menos, 1 pulgada (25 mm) de espacio entre el film y las paredes interiores o la puerta del horno.

La bandeja de cristal y los racks de metal (si se utilizan) se calentarán durante la cocción. El recipiente para cocinar al vapor y la bandeja de cristal pueden estar calientes aun cuando el horno esté frío.

Nunca use papel, plástico ni otros materiales combustibles que no hayan sido diseñados para cocinar.

Al cocinar con papel, plástico u otros materiales combustibles, siga las recomendaciones del fabricante sobre el uso del producto. No use toallas de papel que contengan nailon o fibras sintéticas. Las fibras sintéticas calientes pueden derretirse y hacer que el papel se prenda fuego.

No caliente recipientes sellados con calor ni bolsas de plástico en el horno. Los alimentos o el líquido podrían expandirse rápidamente y hacer que el recipiente o la bolsa se rompan. Perfore o abra el recipiente o la bolsa antes de cocinar.

Charola de vidrio/anillo de la bandeja giratoria

No maneje el horno sin que el apoyo rodante del plato giratorio y la bandeja de cristal estén en su lugar.

No opere el horno sin colocar la charola de vidrio en su lugar. De lo contrario, se pueden producir una cocción inadecuada o daños al horno. Verifique que la charola de vidrio esté bien colocada y que gire cuando el horno está en uso.

Nota: La charola de vidrio puede girar en cualquiera de las dos direcciones.

Utilice solo la bandeja de cristal diseñada para este horno. No la reemplace con ninguna otra bandeja.

Deje que la bandeja de cristal se enfríe antes de limpiarla o colocarla en agua.

No coloque los alimentos directamente en la bandeja de cristal. Siempre coloque los alimentos en una fuente apta para microondas.

Siempre vuelva a colocar el anillo de la bandeja giratoria y la charola de vidrio en sus posiciones correctas.

Siempre debe usarse el anillo de la bandeja giratoria para cocinar junto con la charola de vidrio.

Operación en modo de salida

Quando se utiliza el microondas en modo de escape simultáneamente con un quemador diferente, se debe asegurar que haya un suministro de aire fresco suficiente, que será necesario para la combustión en el quemador.

ADVERTENCIA

Evite la intoxicación por monóxido de carbono: proporcione una entrada de aire suficiente para que los gases de la combustión no vuelvan a ingresar en la habitación.

Termómetros

No use termómetros de cocina comunes en el horno. La mayoría de los termómetros de cocina contienen mercurio y pueden causar arcos eléctricos, mal funcionamiento o daños al horno.

Marcapasos

ATENCIÓN

Para evitar el mal funcionamiento de un marcapasos, consulte con el médico o el fabricante del marcapasos acerca de los efectos de la energía de microondas en el marcapasos.

Advertencia en virtud de la Proposición 65:

Este producto puede contener un químico que el Estado de California reconoce como potencialmente cancerígeno o causante de daños reproductivos. Por tanto, su producto debe llevar en su embalaje la siguiente etiqueta de conformidad con la legislación de California:

ADVERTENCIA EN VIRTUD DE LA PROPOSICIÓN 65 DEL ESTADO DE CALIFORNIA:

 **ADVERTENCIA**

Cáncer y daño reproductivo - www.P65Warnings.ca.gov

Funcionamiento del motor del ventilador

Luego de usar el horno, el motor del ventilador puede girar para enfriar los componentes eléctricos. Esto es normal, y se pueden retirar los alimentos del horno mientras el ventilador está funcionando.

Ventilación de ambiente con filtro de carbón

El filtro de carbón vegetal, que se incluyó con su horno de microondas, absorbe las sustancias olorosas.

Nota: Si no hay un filtro de carbón vegetal instalado, no se absorberán las sustancias olorosas de los vapores de cocción.

Causas para los daños

AVISOS:

- El metal —p. ej., una cuchara en una copa— debe mantenerse alejado, como mínimo, 1 pulg. (25 mm) de las paredes del horno y del interior de la puerta. Las chispas podrían provocar daños irreparables en el cristal del interior de la puerta.
 - Agua en el interior del horno caliente: Nunca vierta agua en el interior del horno caliente. Se produce vapor. Se puede dañar el esmalte debido al cambio de temperatura.
 - No deje alimentos húmedos en un horno cerrado por un período prolongado de tiempo. Puede conducir a la corrosión dentro del horno.
 - El jugo de frutas puede dejar manchas en el horno. Siempre retire inmediatamente, cuando se pueda tocar, el jugo de frutas y limpie primero con un trapo húmedo y luego con uno seco.
 - Enfriamiento con la puerta del equipo abierto: Solamente deje enfriar la cámara de cocción con la puerta cerrada. Incluso cuando la puerta del equipo está abierta solamente una pequeña rendija, con el tiempo los frentes de los muebles cercanos pueden resultar dañados.
 - Sello de la puerta muy sucio: si el sello de la puerta está muy sucio, la puerta ya no se cerrará correctamente durante el funcionamiento del equipo.
- Los frentes de los muebles cercanos pueden dañarse. Mantenga siempre limpio el sello de la puerta.
- La puerta del equipo como asiento o superficie de almacenamiento: no pararse, sentarse o colgarse en la puerta del equipo. No coloque ningún recipiente o accesorios sobre la puerta.
 - Inserción de accesorios: dependiendo del tipo de equipo, los accesorios pueden rayar el panel de la puerta al cerrarla. Siempre deslice completamente los accesorios en el interior del horno.
 - No sujete ni traslade el aparato tomándolo de la manija de la puerta. Esta no puede soportar el peso del dispositivo y podría romperse, o las bisagras pueden dañarse.
 - El manejo del microondas sin alimentos en la cavidad del horno puede provocar sobrecarga. Nunca haga funcionar el microondas, a menos que haya alimentos en la cavidad del horno. Una excepción a esta regla es una breve prueba de utensilios para horno (consulte la sección “Microondas, utensilios para horno adecuados”), o un modo AutoChef que necesite precalentamiento.
 - Siempre programe la potencia del microondas según lo recomendado para el alimento. Los valores altos de potencia pueden calentar excesivamente los alimentos demasiado rápido.
 - El plato giratorio puede saltar si está sobrecargado.

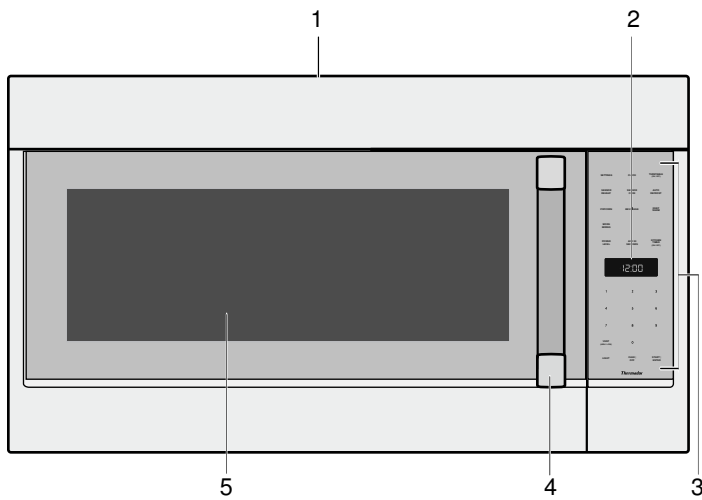
Protección del medio ambiente

Saque el equipo de su empaque y elimine éste de forma ecológica.

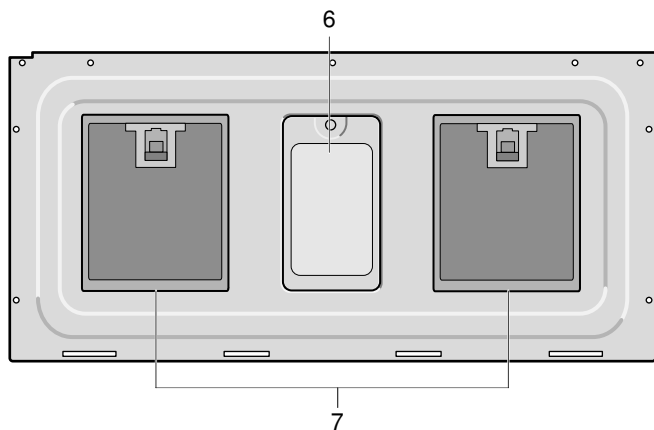
Cómo comenzar

Componentes

Vista frontal



Vista inferior



1	Grill superior de ventilación
2	Display
3	Cuadro de mandos
4	Manija de la puerta
5	Ventana
6	Luz de la superficie (LED)
7	Filtros de ventilación

Ventilador de refrigeración

El ventilador de refrigeración funciona durante todos los modos de cocción. El ventilador se puede escuchar cuando está funcionando, y es posible que sienta que sale aire caliente de la abertura de ventilación del horno. Es posible que el ventilador funcione después de que el horno esté apagado.

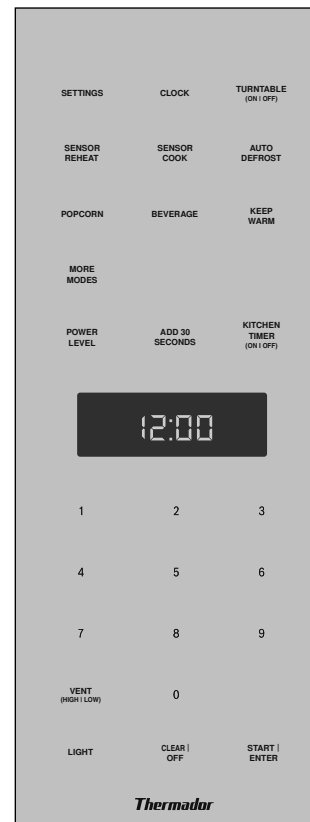
Ventilación del horno

La ventilación del horno está ubicada en la parte superior de la unidad. Es posible que salga aire tibio de la abertura de ventilación antes, durante y después de la cocción. Es normal que salga vapor de la abertura de ventilación y que se acumule condensación en esta área. Esta área puede estar tibia cuando el horno está en uso. No bloquee la ventilación, dado que es importante para que circule el aire.

Luz del horno (LED)

La luz del horno se apaga para ahorrar energía después de que hayan transcurrido dos minutos con la puerta abierta. Para volver a encender la luz, cierre la puerta y vuelva a abrirla.

Panel de control



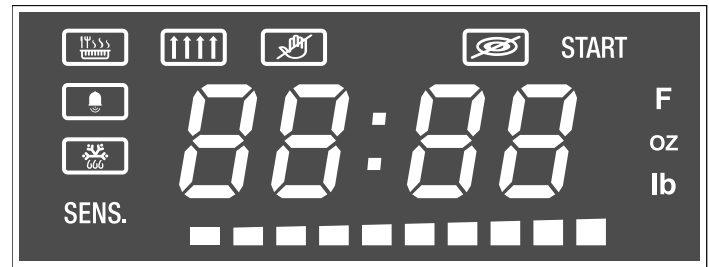
Teclas digitales

Puede activar una función pulsando brevemente la tecla digital correspondiente. Cada vez que pulse una tecla, sonará un bip breve. Un bip prolongado le indicará que ha ingresado un valor inválido.

Tecla digital	Función
SETTINGS (Valores)	Cambia los valores básicos
CLOCK (Reloj)	Programa la hora del día
TURNTABLE (ON OFF)	Enciende o apaga el plato giratorio (Plato giratorio [encendido/apagado])
SENSOR REHEAT (Recalentamiento por sensor)	Recalienta los alimentos con valores automáticos
SENSOR COOK (Cocción por sensor)	Cocina los alimentos con valores automáticos
AUTO DEFROST (Descongelar automáticamente)	Descongela los alimentos con valores automáticos
POPCORN (Palomitas de maíz)	Selecciona el tamaño de la bolsa de palomitas de maíz
BEVERAGE (Bebida)	Calienta bebidas, selecciona el tamaño de la bebida
KEEP WARM (Mantener caliente)	Programa la función Keep Warm (Mantener caliente)
MORE MODES (Más modos)	Ingresa más modos para cocción práctica
POWER LEVEL (Nivel de potencia)	Programa el nivel de potencia para el manejo del microondas
ADD 30 SECONDS (+30 segundos)	Añade 30 segundos al temporizador del microondas
KITCHEN TIMER (Temporizador de cocina)	Programa el temporizador de cocina
0 - 9	Use las teclas numéricas para ingresar valores personalizados
VENT (HIGH LOW) (Ventilación [alta/baja])	Enciende/Apaga la función de ventilación de cocina
LIGHT (Luz)	Enciende/Apaga la luz de superficie
CLEAR OFF (Borrar/Apagar)	Borra el valor ingresado/Apaga el aparato
START ENTER (Comenzar/Intro)	Confirma los valores ingresados, comienza la operación

Elementos del display

El display le brinda información sobre los valores actuales de su aparato. Los símbolos del display que titilan indican que se requiere el ingreso de un valor.

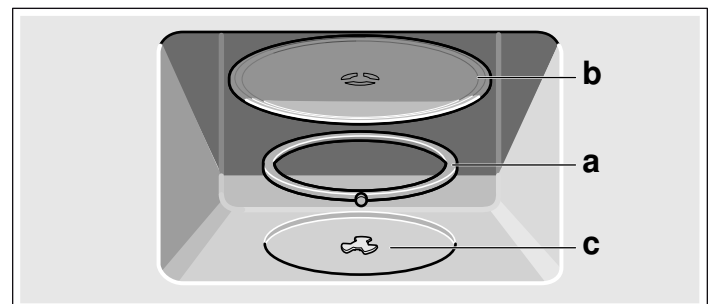


	Modo Keep Warm (Mantener caliente)
	Ventilador encendido
	Bloqueo de panel encendido
	Plato giratorio apagado
	Temporizador de cocina
	Descongelar
START (Comenzar)	Cuando titila, se requiere confirmación con la tecla Start/Enter (Comenzar/Intro)
SENS.	Sensor activo
F	Temperatura en °F
oz lb	El display numérico muestra el peso en onzas/libras
	Barra de estado del nivel de potencia del microondas
88:88	Display numérico del tiempo, la temperatura o el peso, según la unidad que se muestre al lado

Accesorios

Para colocar la bandeja giratoria

- Colocar el anillo de la bandeja giratoria **a** en la hendidura del compartimento de cocción.
- Enclavar la bandeja giratoria **b** en el accionamiento **c** del centro de la base del compartimento de cocción.

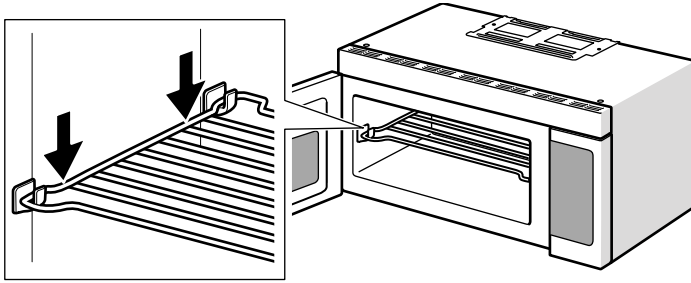


Nota: Utilizar el aparato solo cuando la bandeja giratoria esté colocada. Asegurarse de que queda correctamente enclavada y se gira libremente cuando el aparato está funcionando..

Utilización del rack de metal

El rack de metal le brinda espacio adicional al cocinar en más de un recipiente al mismo tiempo.

1. Coloque el rack firmemente en los cuatro soportes de plástico.



Nota: El rack no debe tocar las paredes de metal ni la parte trasera del microondas.

2. Coloque la misma cantidad de alimentos encima y debajo del rack.

Nota: La cantidad de alimentos debe ser aproximadamente la misma en ambos recipientes para equilibrar la energía de cocción.

⚠ ATENCION

- No utilice el rack para preparar palomitas de maíz.
- Cuando se usa el rack, este debe estar sobre los cuatro soportes de plástico.
- Utilice el rack únicamente al cocinar alimentos en dos posiciones.
- No cocine con el rack en el piso del horno de microondas.
- Es posible que el rack se caliente durante el funcionamiento del horno de microondas. Deje que el rack se enfríe antes de manipularlo.

Guía de utensilios para microondas

Utensilios para horno adecuados

- **Cristal resistente al calor, vitrocerámica y loza de barro cocido:**
Platos de uso común, platos para pan, planchas para pasteles, moldes para bizcochos, tazas de medición de líquidos, cazuelas y tazones sin reborde metálico (p. ej. Pyrex®, Anchor Hocking™, Corning Ware®, Emile Henry, etc.).
- **Porcelana:**
Tazones, tazas, platos de servir y platillos sin borde metálico.
- **Película auto adherente y envolturas de plástico:**
Envoltura de plástico (como una tapa): colocar la envoltura de plástico holgadamente sobre el plato y presionarla contra los lados. Ventilar la envoltura de plástico girando hacia atrás ligeramente una esquina para permitir que salga el exceso de vapor. El plato debería ser lo suficientemente hondo para que la envoltura no toque los alimentos.

- **Plásticos seguros para el microondas:**

Plásticos seguros para el microondas, tazas, recipientes para el congelador semirrígidos y bolsas de plástico para tiempos de cocción breves. Usar con cuidado porque el plástico puede reblandecerse con el calor de la comida.

- **Productos de papel:**

Toallas de papel, papel de cera, papel de pergamino, servilletas de papel y platos de papel sin reborde ni diseño metálicos. Revisar la etiqueta del fabricante para cualquier instrucción especial para usar en el microondas.

Utensilios no aptos horno

- **Utensilios de cocina de metal:**

El metal evita que la energía de microondas llegue a los alimentos y produce una cocción desigual. Además, evite el uso de brochetas de metal, termómetros o bandejas de film de aluminio. Los utensilios de metal pueden provocar arcos eléctricos, que pueden dañar su horno microondas.

- **Decoración de metal:**

Bols, tazas, platos y bandejas para servir con borde de metal.

- **Film de aluminio:**

Evite el uso de láminas grandes de film de aluminio debido a que obstaculizan la cocción y pueden provocar arcos eléctricos perjudiciales. Use pequeños trozos de film para proteger las patas y alas de ave. Mantenga TODO el film de aluminio, como mínimo, a 1 pulg. (25 mm) de las paredes laterales de la cavidad del horno y de la puerta del microondas.

- **Madera:**

Los bols y las tablas de madera se secarán y pueden partirse o agrietarse al utilizarse en el horno microondas. Las canastas hechas de madera reaccionarán del mismo modo.

- **Utensilios de cocina cubiertos en forma ajustada:**

Asegúrese de dejar aberturas para que salga el vapor de los utensilios de cocina cubiertos. Perfore las bolsas de plástico de verduras u otros alimentos antes de cocinar. Las bolsas cerradas en forma ajustada pueden explotar.

- **Papel de estroza:**

Evite utilizar bolsas de papel de estroza. Absorben el calor y pueden quemarse.

- **Utensilios de cocina con defectos o astillados:**

Cualquier utensilio que esté rajado, astillado o que tenga defectos puede romperse en el horno.

- **Cierres de metal:**

Retire los cierres de metal de las bolsas de plástico o papel. Se calientan y podrían provocar un incendio.

Prueba de la vajilla

No encienda nunca el microondas sin alimentos en su interior. Con excepción de la prueba de la vajilla siguiente.

Si no está seguro de si su recipiente es adecuado para el microondas, efectúe la siguiente prueba:

1. Introducir el recipiente vacío en el aparato durante 1/2 a 1 minuto a la potencia máxima.
2. Comprobar la temperatura de vez en cuando. El recipiente debería estar frío o templado. Si se calienta o se generan chispas, no es adecuado para el microondas.

Antes de usar el horno por primera vez

- El horno debe ser correctamente instalado por un técnico calificado antes de comenzar a usarse.
- Retire todo el material de embalaje del interior y exterior del horno.
- Mientras está frío, límpielo con un paño húmedo limpio y séquelo.
- Es posible que sienta un ligero olor durante los primeros usos; esto es normal y dejará de ocurrir.
- Los resultados de cocción óptimos dependen de que se utilicen los utensilios de cocina correctos.
- Lea y comprenda todas las precauciones de seguridad y la información del Manual de uso y cuidado antes de usar el producto.

Ejecute las siguientes secciones antes de la operación:

El equipo tiene que estar totalmente montado y conectado.

Limpieza de accesorios

Antes de utilizar accesorios por primera vez, límpielos minuciosamente con agua jabonosa caliente y un repasador suave.

Aplicación de la etiqueta de programas

Seleccionar el idioma deseado de las etiquetas de programas incluidas. Aplicarlo abajo de la cavidad del horno de forma descrita en el folleto que lleva las etiquetas.

Operación


Programación del reloj

Puede programar el reloj en el modo de 12 horas.

1. Pulse **CLOCK** (Reloj) una vez.
2. Ingrese la hora utilizando las teclas numéricas. Ejemplo: para programar el reloj en 12:41, ingrese 1, 2, 4, 1.
3. Pulse **CLOCK** para confirmar. Se muestra la hora del día.

Programación del temporizador de cocina

Puede programar un valor del temporizador de hasta 99 minutos y 99 segundos.

1. Pulse **KITCHEN TIMER** (Temporizador de cocina). Se enciende el símbolo  y titila **00:00**.
2. Ingrese el tiempo deseado utilizando las teclas numéricas.
3. Pulse **KITCHEN TIMER** para confirmar.

El temporizador de cocina comienza la cuenta atrás.

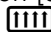
Una vez que haya transcurrido el tiempo programado, sonarán 4 bips. Para detener el bip, pulse **KITCHEN TIMER**.

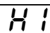
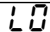
Para cancelar el temporizador de cocina, vuelva a pulsar **KITCHEN TIMER** o abra la puerta del aparato.

Manejo del ventilador de ventilación

La función de ventilación mueve el vapor y otros vapores de cocción de la superficie de cocción de la estufa debajo del horno de microondas.

Puede programar cuatro velocidades diferentes de ventilación.

Programe la función de ventilación pulsando **VENT (HIGH/LOW)** (Ventilación [alta/baja]). Se encenderá el símbolo de ventilación  en el display.

Nivel de ventilación	Pulse la tecla VENT (HIGH/LOW) (Ventilación [alta/baja])	Display
4 (alta)	1 vez	
3	2 veces	
2	3 veces	
1 (baja)	4 veces	
OFF (Apagado)	5 veces	OFF (Apagado)

Nota: Si la temperatura se vuelve demasiado caliente alrededor del horno de microondas, el ventilador de la función de ventilación se encenderá automáticamente en el valor más bajo para refrigerar el horno. El ventilador se apagará automáticamente cuando las piezas internas estén frías. Cuando esto sucede, no se puede apagar la ventilación a mano.

Encendido/Apagado de la luz de superficie

El aparato está equipado con una luz de superficie de cocción para iluminar la superficie que se encuentra debajo del aparato.



Con la tecla **LIGHT** (Luz), usted puede programar dos niveles de brillo.

Brillo	Pulse la tecla de la luz
Alto	1 vez
Bajo	2 veces
Apagado	3 veces

Encendido/Apagado del plato giratorio

Para obtener los mejores resultados de cocción, deje el plato giratorio encendido. Puede apagarse para cocinar platos grandes.

Para apagar el plato giratorio, pulse una vez

TURNTABLE (ON/OFF) (Plato giratorio [encendido/apagado]). Se encienden brevemente el símbolo  y **OFF**. Vuelva a pulsar la tecla para encender el plato giratorio. Se encienden brevemente el símbolo  y **On**.

▲ ATENCION

- A veces se calienta el plato giratorio. Tenga cuidado al tocar el plato giratorio durante la cocción y después de esta.
- No haga funcionar el horno mientras esté vacío.
- No maneje el horno sin colocar el plato giratorio en su lugar.

Programación del microondas

El aparato debe estar apagado.

1. Ingrese la duración de cocción deseada con las teclas numéricas. El display del temporizador se llenará de derecha a izquierda.
Ejemplo: para programar un tiempo de microondas de 20 minutos y 30 segundos, ingrese los números 2, 0, 3, 0. Titila **START** (Comenzar).
2. Puede comenzar la operación del microondas con el nivel de potencia predeterminado 10 pulsando **START/ENTER** (Comenzar/Intro) **o bien**
Puede ajustar el nivel de potencia. Pulse la tecla **POWER LEVEL** (Nivel de potencia). Titila el nivel de potencia predeterminado **PL 10**. Los segmentos en la barra que se encuentra debajo del display numérico también indican el nivel de potencia.

3. Ingrese el nivel de potencia deseado utilizando las teclas numéricas. Titila **PL** y el nivel de potencia seleccionado, y **START** (Comenzar) en el display.



4. Pulse la tecla **START/ENTER** para iniciar el funcionamiento del microondas.
Comenzará la cuenta atrás del temporizador del microondas.

El temporizador del microondas puede modificarse durante el funcionamiento pulsando la tecla **ADD 30 SECONDS** (+30 segundos).

El nivel de potencia puede modificarse durante el funcionamiento. Para mostrar el nivel de potencia programado, pulse la tecla **POWER LEVEL**.

Una vez que haya finalizado el tiempo del microondas, sonarán 4 bips. Se apaga el aparato y se muestra el reloj.

Abertura de la puerta del aparato durante el funcionamiento

La abertura de la puerta del aparato durante el funcionamiento interrumpirá el modo actual. Debe cerrar la puerta del aparato y, luego, pulsar **START/ENTER** (Comenzar/Intro) para reanudar el funcionamiento.

Cancelación del funcionamiento

Pulse **CLEAR/OFF** (Borrar/Apagar) para cancelar el modo activo del horno. Se apaga el aparato y se muestra el reloj.

El ventilador de enfriamiento funciona todavía por un tiempo, y luego se apaga automáticamente.

Niveles de potencia del microondas

Los 10 niveles de potencia disponibles en este microondas le ayudarán a elegir la potencia que mejor se adapte al tipo de alimento que esté preparando. Al igual que con la preparación de cualquier alimento en el microondas, lo ideal es seguir las instrucciones para microondas impresas en el envase del alimento.

La siguiente tabla proporciona los niveles de potencia sugeridos para diversos tipos de alimentos que puede preparar en el microondas.

Nivel de potencia	Salida de microondas	Utilizar para
10 Alta	100 %	Hervir agua Cocinar carne molida Preparar dulces Cocinar frutas y verduras frescas Cocinar carne de pescado y ave Precalentar recipientes para dorar Recalentar bebidas Cocinar rebanadas de tocino
9	90 %	Recalentar rebanadas de carne rápidamente Saltar cebollas, apio y pimientos verdes
8	80 %	Recalentar en general Cocinar huevos revueltos
7	70 %	Cocinar panes y productos con cereales Cocinar platos con queso Cocinar muffins, brownies y mantecadas Cocinar un ave entera
6	60 %	Cocinar pasta
5	50 %	Cocinar carne de res Cocinar natilla Cocinar costillas, costillar asado y solomillo asado
4	40 %	Cocinar cortes de carne de res menos tiernos Recalentar alimentos envasados congelados
3	30 %	Descongelar carne de res, ave y frutos de mar Cocinar pequeñas cantidades de alimentos Terminar de cocinar guisos, estofados y algunas salsas Derretir chocolate
2	20 %	Ablandar mantequilla y queso crema
1	10 %	Ablandar helado Hacer leudar masa con levadura

Sugerencias para obtener los mejores resultados

Para ayudarlo a obtener los mejores resultados posibles de su horno microondas, lea las siguientes sugerencias que figuran a continuación:

- **Temperatura de almacenamiento**

Los alimentos que se sacan del congelador o del refrigerador demoran más en cocinarse.

- **Tamaño**

Los trozos pequeños de alimentos se cocinan más rápido que los trozos grandes. Los trozos de tamaño y forma similares se cocinan en forma más pareja al cocinarse juntos. Para obtener resultados más parejos, reduzca los niveles de potencia al cocinar trozos grandes de alimentos.

- **Humedad natural**

Los alimentos muy húmedos se cocinan en forma más pareja porque la energía de microondas calienta las moléculas de agua en forma muy eficaz.

- **Revolver**

Revuelva los alimentos, como guisados y verduras, desde afuera al centro, para distribuir el calor en forma más pareja. Esto permite que el alimento se cocine más rápido. (No es necesario revolver constantemente.)

- **Dar vuelta los alimentos**

Dé vuelta los alimentos, como chuletas de cerdo, carnes asadas o coliflor entero, a la mitad del tiempo de cocción. Esto ayudará a que todos los lados queden expuestos en forma pareja a la energía de microondas.

- **Colocación de los alimentos**

Coloque las áreas delicadas de los alimentos, como puntas de espárragos, hacia el centro de la bandeja del plato giratorio.

- **Disposición de los alimentos**

Disponga alimentos de formas desparejas, como trozos de pollo o salmón, con las partes más gruesas o carnosas hacia afuera de la bandeja del plato giratorio.

- **Dejar reposar los alimentos**

Después de retirar los alimentos del microondas, cúbralos con film de aluminio o una tapa de cacerola y déjelos reposar para que terminen de cocinarse. Esto permitirá que los alimentos se terminen de cocinar en el centro y evitará el exceso de cocción en los bordes externos. El tiempo de reposo depende de la densidad y la superficie de los alimentos.

- **Envolver**

Los sándwiches y muchos otros tipos de alimentos que contienen pan prehecho deben envolverse en toallas de papel o papel encerado antes de colocarse en el horno microondas para ayudar a evitar que se sequen al calentarse.

Añadido de tiempo de cocción (ADD 30 SECONDS)

Esta función que ahorra tiempo le permitirá añadir rápidamente 30 segundos a cualquier tiempo de cocción. **ADD 30 SECONDS** (+30 segundos) también iniciará el microondas con 30 segundos al nivel de potencia del 100 %. Cada vez que pulse la tecla **ADD 30 SECONDS** (+30 segundos), se añadirán 30 segundos al tiempo de cocción.

Auto Defrost (Descongelar automáticamente)

Con la función Auto Defrost (Descongelar automáticamente) puede descongelar tres tipos de alimentos distintos ingresando el peso. El tiempo de descongelación ideal será calculado por el programa.

Programación de Auto Defrost (Descongelar automáticamente)

1. Presione una vez **AUTO DEFROST** (Descongelar automáticamente). Titilan **DEF 1** y **START** (Comenzar) y se enciende el símbolo  en el display.



2. Pulse **AUTO DEFROST** repetidamente hasta que se muestre el número de programa deseado en el display. Verifique la etiqueta del menú en la parte inferior de la cavidad del horno o consulte la tabla de programas que figura a continuación.
3. Pulse **START/ENTER** (Comenzar/Intro). Titila **0.0** lb en el display.
4. Ingrese el peso del alimento con las teclas numéricas.
5. Pulse **START/ENTER** para iniciar el programa. Cuando termine la función de descongelar automáticamente, sonarán 4 bips. Se apaga el aparato y se muestra el reloj.

Nota: Suena un bip durante la descongelación para todos los programas para dar vuelta el alimento o separar los trozos.

Abertura de la puerta del aparato durante el funcionamiento

La apertura de la puerta del aparato durante el funcionamiento interrumpirá el modo actual. Debe cerrar la puerta del aparato y, luego, pulsar **START/ENTER** (Comenzar/Intro) para reanudar el funcionamiento.

Cancelación del funcionamiento

Pulse **CLEAR/OFF** (Borrar/Apagar) para cancelar el modo activo del horno. Se apaga el aparato y se muestra el reloj.

El ventilador de enfriamiento funciona todavía por un tiempo, y luego se apaga automáticamente.

Programas Auto Defrost (Descongelar automáticamente)

N.º de programa	Alimento	Rango de peso
DEF 1	Carne molida	0.5 lb a 3 lb
DEF 2	Trozos de carne (bistecs, chuletas)	0.5 lb a 3 lb
DEF 3	Trozos de aves	0.5 lb a 3 lb

Consejos para descongelar

⚠ ADVERTENCIA

RIESGO PARA LA SALUD

Se producirá líquido al descongelar carne o aves. Drene este líquido al girar carne o aves y no lo utilice para otros fines ni permita que entre en contacto con otros alimentos bajo ninguna circunstancia.

- Siempre ingrese el peso en libras cuando utilice la función de descongelación por peso (consulte la tabla de programas).
- Únicamente utilice el modo de descongelación para alimentos crudos.
- La descongelación tiene mejores resultados cuando los alimentos que serán descongelados tienen una temperatura mínima de 0 °F (sacados directamente de un congelador). Si los alimentos se guardaron en un refrigerador-congelador que no mantiene una temperatura de 5 °F o menos, programe siempre un peso de alimentos más bajo o un tiempo de cocción más bajo para evitar que los alimentos se cocinen.
- Si los alimentos congelados se dejan fuera del congelador durante 20 minutos, como máximo, ingrese un tiempo de cocción o peso menor.
- La forma del paquete alterará el tiempo de descongelación. Los paquetes de alimentos rectangulares poco profundos se descongelan más rápidamente que un bloque profundo de alimentos congelados.
- Separe los trozos a medida que comiencen a descongelarse. Los trozos de alimentos congelados que se separan se descongelan mejor.
- Cubra las áreas tibias de los alimentos con pequeños trozos de film de aluminio si comienzan a calentarse. Use pequeños trozos de film de aluminio para cubrir alimentos, tales como alas y puntas de las patas de pollo, y colas de pescado. No permita que el film de aluminio entre en contacto con la cavidad del horno al descongelar.

Sugerencias para descongelar carne

Para obtener los mejores resultados, lea estas sugerencias para descongelar carne.

Carne	Rango de peso	Sugerencias
Carne molida	0.5 lb a 2 lb (8 oz a 48 oz)	Después de cada etapa, retire cualquier trozo de alimento que esté prácticamente descongelado. Deje reposar los alimentos, cubiertos con film, entre 5 y 10 minutos.
Bistecs, chuletas o pescado	0.5 lb a 3 lb (8 oz a 48 oz)	Después de cada etapa, reacomode los alimentos. Si hay alguna parte de los alimentos tibia o descongelada, cúbrala con trozos angostos de film de aluminio. Retire cualquier trozo de alimento que esté prácticamente descongelado. Deje reposar los alimentos, cubiertos, aproximadamente entre 5 y 10 minutos.
Piezas de pollo	0.5 lb a 3 lb (8 oz a 48 oz)	Después de cada etapa, reacomode o retire cualquier trozo de alimento que esté casi descongelado. Deje reposar los alimentos entre 10 y 20 minutos.

Sensor Reheat (Recalentar por sensor)

La función Sensor Reheat (Recalentar por sensor) le permite recalentar platos de cena o cacerolas (de 8 a 12 oz) para su comodidad al cocinar.

Programación de recalentamiento por sensor

1. Pulse una vez **SENSOR REHEAT** (Recalentamiento por sensor). Titilan **Sr - |** y **START** (Comenzar) en el display.



2. Pulse **SENSOR REHEAT** repetidamente hasta que se muestre el número de programa deseado en el display. Verifique la etiqueta del menú en la parte inferior de la cavidad del horno o consulte la tabla de programas que figura a continuación.
3. Pulse **START/ENTER** (Comenzar/Intro) para iniciar el modo de recalentamiento por sensor. Se activa el sensor del aparato, se enciende SENS. en el display. El aparato está funcionando mientras la detección. Cuando finaliza la función del sensor, suenan dos bips cortos y comenzará la cuenta atrás del tiempo de cocción calculado.

Una vez que finaliza el recalentamiento por sensor, sonarán 4 bips. Se apaga el aparato y se muestra el reloj.

Nota: No abra la puerta durante el proceso en que el sensor está activo, o se cancelará el programa.

.Una vez que se muestra el tiempo de cocción calculado, puede abrir la puerta para revolver, dar vuelta o reacomodar los alimentos. Pulse **Start/Enter** (Comenzar/Intro) para reanudar el funcionamiento.

Notas

- Cubra con una envoltura de plástico o papel encerado ventilados.
- Recaliente los alimentos en un plato de cena apto para microondas.

Cancelación del funcionamiento

Pulse **CLEAR/OFF** (Borrar/Apagar) para cancelar el modo activo del horno. Se apaga el aparato y se muestra el reloj.

El ventilador de enfriamiento funciona todavía por un tiempo, y luego se apaga automáticamente.

Programas de Sensor Reheat (Recalentamiento por sensor)

N.º de programa	Alimento	Cantidad
5r - 1	Plato de cena	1 porción
5r - 2	Guisado, pasta	1 a 4 porciones

Sugerencias para recalentar

Alimento	Instrucciones	Cantidad
Plato de cena	<p>Utilice únicamente alimentos precocidos, refrigerados. Cubra el plato con una envoltura de plástico ventilada o un papel encerado enganchados debajo del plato. Si el alimento no queda lo suficientemente caliente después de calentarlo con la función Reheat (Recalentar), continúe calentando con la programación manual de tiempo y nivel de potencia.</p> <p>Contenido:</p> <ul style="list-style-type: none"> • de 3 a 4 oz de carne de res, ave o pescado (hasta 6 oz con hueso); • 1/2 taza de alimentos con almidón (papas, pasta, arroz, etc.); • 1/2 taza de verduras (alrededor de 3 a 4 oz). 	1 porción (1 plato)
Guisado, pasta	<p>Cubra el plato con una tapa o con una envoltura de plástico ventilada. Si el alimento no queda lo suficientemente caliente después de calentarlo con la función Reheat (Recalentar), continúe calentando con la programación manual de tiempo y nivel de potencia.</p> <p>Revuelva los alimentos una vez antes de servirlos.</p> <p>Contenido:</p> <ul style="list-style-type: none"> • Guisado: alimentos refrigerados (como estofado o lasaña). • Pasta: espaguetis y raviolos enlatados, alimentos refrigerados. 	de 1 a 4 porciones

Sensor Cook (Cocción por sensor)

La función Sensor Cook (Cocción por sensor) le permite cocinar muchos de sus alimentos favoritos sin seleccionar tiempos de cocción ni niveles de potencia. El horno microondas determina automáticamente el tiempo de cocción requerido para cada alimento.

Para obtener los mejores resultados al cocinar por sensor, siga estas recomendaciones:

- Los alimentos cocidos con el sistema de sensor deben estar a una temperatura de almacenamiento normal.
- La bandeja del plato giratorio, la bandeja de vidrio y el exterior del recipiente deben estar secos.
- Siempre debe cubrir los alimentos de manera holgada con envoltura de plástico, papel encerado o tapas aptos para horno microondas.
- No abra la puerta ni pulse la tecla **CLEAR/OFF** (Borrar/Apagar) durante el tiempo en que está activo el sensor. Cuando finaliza el tiempo en que está activado el sensor, el horno emitirá un bip dos veces, y aparecerá en el display el tiempo de cocción restante. **En este momento, puede abrir la puerta para revolver, dar vuelta o recomodar los alimentos.**

Programación de la cocción por sensor

1. Pulse una vez **SENSOR COOK** (Cocción por sensor). Titilan **5c - 1** y **START** (Comenzar).
2. Pulse **SENSOR COOK** repetidamente hasta que se muestre el número de programa deseado en el display.
3. Pulse **START/ENTER** (Comenzar/Intro) para iniciar el modo de cocción por sensor. Se enciende **SENS.** en el display y se activa el sensor del aparato.



Cuando finaliza la función del sensor, suenan dos bips cortos y comenzará la cuenta atrás del tiempo de cocción calculado.

Una vez que finaliza la cocción por sensor, sonarán 4 bips. Se apaga el aparato y se muestra el reloj.

Nota: No abra la puerta durante el proceso en que el sensor está activo, o se cancelará el programa.

.Una vez que se muestra el tiempo de cocción calculado, puede abrir la puerta para revolver, dar vuelta o reacomodar los alimentos. Pulse **START/ENTER** (Comenzar/Intro) para reanudar el funcionamiento.

Cancelación del funcionamiento

Pulse **CLEAR/OFF** (Borrar/Apagar) para cancelar el modo activo del horno. Se apaga el aparato y se muestra el reloj.

El ventilador de enfriamiento funciona todavía por un tiempo, y luego se apaga automáticamente.

Programas de Sensor Cook (Cocción por sensor)


N.º de programa	Alimento	Cantidad	Consejos para cocinar
5c - 1	Papa asada	1 - 4 papas (8 - 32 oz)	Después de la cocción, dejarlas reposar envueltas en papel de aluminio durante 5 minutos.
5c - 2	Papa dulce	1 - 4 papas (8 - 32 oz)	Después de la cocción, dejarlas reposar envueltas en papel de aluminio durante 5 minutos.
5c - 3	Verduras frescas	8 - 24 oz (0.5 - 1.5 lb)	No se necesita agua si las verduras se acaban de lavar. Añadir 2 cucharadas de agua por cada 8 onzas de verduras frescas.
5c - 4	Verduras congeladas	8 - 24 oz (0.5 - 1.5 lb)	Añadir 1 cucharada de agua por cada 4 onzas de verduras congeladas.
5c - 5	Carne molida	8 - 24 oz (0.5 - 1.5 lb)	Después de la cocción, dejarla reposar envuelta durante 3 - 4 minutos.
5c - 6	Pescado/marisco	8 - 24 oz (0.5 - 1.5 lb)	Enrollar los extremos finos debajo. Colocar en círculo alrededor en un plato apto para microondas.
5c - 7	Arroz integral	0.5 - 2 tazas (arroz en seco)	Utilizar una fuente con bordes altos. No cubrir. Utilizar 1 taza de arroz por 3 tazas de agua.

N.º de programa	Alimento	Cantidad	Consejos para cocinar
5c - 8	Arroz blanco	0.5 - 2 tazas (arroz en seco)	Utilizar una fuente con bordes altos y tapa. Utilizar 1 taza de arroz por 2 tazas de agua.
5c - 9	Entradas congeladas		Seguir las instrucciones del paquete para la ventilación, el corte del papel de plástico, etc.


Bloqueo de Panel

La función de bloqueo de panel es muy útil al limpiar el control de mandos. El bloqueo evitará la programación accidental al limpiar el panel de control.

Para activar el bloqueo de panel:

Pulse y mantenga presionada **CLEAR/OFF** (Borrar/Apagar) durante más de 3 segundos. Se enciende el símbolo  en el display, suenan dos bips.

Para desactivar el bloqueo de panel:

Pulse y mantenga presionada **CLEAR/OFF** durante más de 3 segundos. Desaparece el símbolo  del display. El panel está desbloqueado.


Valores

Los siguientes valores básicos de su aparato pueden ajustarse a sus preferencias personales.

Display	Función	Pulse la tecla SETTINGS (valores)
5nd	Encender/Apagar sonido de las teclas 1: encendido 2: apagado	1 vez
5 0	Encender/Apagar display del reloj en modo de espera 1: encendido 2: apagado	2 veces

Cambio de los valores

Ejemplo: Encender/Apagar el display del reloj.

1. Pulse dos veces **SETTINGS** (Valores). Se alternan  y **OFF** o **On** en el display.
2. Pulse la tecla numérica **1** para encender el display del reloj, pulse **2** para apagar el display del reloj.
3. Pulse **START/ENTER** (Comenzar/Intro).
4. Pulse **CLEAR/OFF** (Borrar/Apagar) para salir del menú de valores.

Nota: Solo puede cambiar un valor por vez. Para cambiar otro valor, primero debe salir del menú de valores y comenzar desde el paso 1.

Cuadros de cocción

Los cuadros pueden usarse como guía. Siga las instrucciones del envase o la receta.

Cocinar carne de res en su horno de microondas

Asegúrese de colocar las carnes de res preparadas sobre una rejilla para asar apta para horno de microondas en un plato apto para horno de microondas. Comience a cocinar la carne de res con el lado de la grasa hacia abajo y, si es necesario, use tiras angostas

de papel de aluminio para cubrir las puntas de huesos o áreas delgadas de carne. Después de cocinar, mida la temperatura en varios lugares antes de dejar reposar la carne el tiempo recomendado. Recuerde que las temperaturas indicadas en los siguientes cuadros son las temperaturas al momento de retirar el alimento; la temperatura aumenta durante el período de reposo.

Carne	Nivel de potencia	Tiempo de cocción	Instrucciones
Carne de res asada (deshuesada) (hasta 4 lb)	Alta (10) durante los primeros 5 minutos, luego media (5)	12–17 min./lb. en 160° F (71°C) (término medio)	Coloque la carne de res con el lado de grasa hacia abajo sobre la rejilla para asar. Cubra con papel encendido. Dela vuelta a la mitad de la cocción. Deje reposar entre 10 a 15 minutos.*
		14–19 min./lb. en 170° F (76°C) (bien cocida)	
Carne de cerdo asada (deshuesada o con hueso) (hasta 4 lb)	Alta (10) durante los primeros 5 minutos, luego media (5)	15–20 min./lb. en 170° F (76°C) (bien cocida)	Coloque la carne de res con el lado de grasa hacia abajo sobre la rejilla para asar. Cubra con papel encendido. Dela vuelta a la mitad de la cocción. Deje reposar entre 10 a 15 minutos.*

*Puede esperar un aumento de temperatura de hasta 10° F durante el período de reposo.

Tiempo de reposo

Carne	Nivel de cocción	Retire del horno	Después de reposar (10-15 min)
Carne de res	Término medio	150°F (65°C)	160°F (71°C)
	Bien cocida	160°F (71°C)	170°F (77°C)
Cerdo	Término medio	150°F (65°C)	160°F (71°C)
	Bien cocida	160°F (71°C)	170°F (77°C)
Carne de ave	Carne oscura	150°F (65°C)	150°F (65°C)
	Carne blanca	160°F (71°C)	160°F (71°C)

Cocción de carne de ave en su horno de microondas

Asegúrese de colocar la carne de ave sobre una rejilla para asar apta para horno de microondas en un plato apto para horno de microondas. Cubra el ave con papel encerado para evitar salpicaduras. Use tiras angostas de

papel de aluminio para cubrir las puntas de huesos o las áreas delgadas de carne, o las áreas que comienzan a cocinarse excesivamente. Después de cocinar, mida la temperatura en varios lugares antes de dejar reposar la carne el tiempo recomendado.

Carne	Nivel de potencia	Tiempo de cocción	Instrucciones
Pollo entero (hasta 4 lb)	media alta (7) 180° F (82°C) carne oscura 170° F (76°C) carne oscura	7–10 min/lb	Coloque el pollo con el lado de la pechuga hacia abajo sobre la rejilla para asar. Cubra con papel encerado. Dela vuelta a la mitad de la cocción. Cocine hasta que el jugo sea transparente y la carne no esté rosada cerca del hueso. Deje reposar entre 5 y 10 minutos.
Trozos de pollo (hasta 4 lb)	media alta (7) 180° F (82°C) carne oscura 170° F (76°C) carne oscura	7–10 min/lb	Coloque el pollo con el lado del hueso hacia abajo sobre un plato; los trozos más gruesos deben apuntar hacia adentro del plato. Cubra con papel encerado. Delo vuelta a la mitad de la cocción. Cocine hasta que el jugo sea transparente y la carne no esté rosada cerca del hueso. Deje reposar entre 5 y 10 minutos.

Cocción de huevos en su horno microondas

- Nunca cocine huevos con cáscara y nunca caliente huevos duros con cáscara; pueden explotar.
- Siempre pinche la yema de los huevos enteros para evitar que exploten.
- Cocine los huevos solo hasta que cuajen; se endurecerán si se cocinan en exceso.
- Es seguro cocinar huevos revueltos.

Cocción de verduras en su microondas

- Las verduras deben lavarse justo antes de cocinarse. Por lo general, no es necesario agregar agua. Si quiere cocinar verduras densas como papas o zanahorias, agregue aproximadamente ¼ taza de agua.
- Las verduras pequeñas (zanahorias rebanadas, chícharos, pallares, etc.) se cocinan más rápido que las verduras más grandes.

- Las verduras enteras, como papas, zapallo o elote en mazorca, deben disponerse en un círculo sobre el plato giratorio antes de cocinarlas. Se cocinan en forma más pareja si se dan vuelta a la mitad de la cocción.
- Siempre coloque las verduras, como espárragos y brócoli, con los extremos de los tallos hacia el borde del plato y las puntas hacia el centro.
- Al cocinar verduras cortadas, siempre cubra el plato con una tapa o una envoltura de plástico ventilada apta para horno microondas.
- Debe pinchar en varios lugares la cáscara de las verduras enteras sin pelar, como papas, camotes, calabazas, berenjenas, etc., antes de cocinarlas para evitar que exploten.
- Para una cocción más pareja, revuelva o reacomode las verduras enteras a la mitad del tiempo de cocción.
- La mayoría de las veces, cuanto más denso es el alimento, mayor es el tiempo de reposo necesario. Por ejemplo, una papa horneada debe reposar 5 minutos antes de servirla, mientras que un plato de chícharos puede servirse de inmediato.

Cocción de frutos de mar en su horno microondas

Asegúrese de colocar pescado sobre una rejilla para asar apta para horno de microondas en un plato apto para horno de microondas. Asegúrese de siempre cocinar el pescado hasta que se pueda desmenuzar fácilmente con un tenedor. Utilice una cubierta más ajustada para cocinar pescado al vapor; una cubierta

más ligera de papel encerado o una toalla de papel generan menos vapor. Asegúrese de no cocinar el pescado en exceso; verifique el nivel de cocción cuando transcurra el tiempo mínimo de cocción antes de seguir cocinándolo.

Frutos de mar	Nivel de potencia	Tiempo de cocción	Instrucciones
Bistecs de pescado de hasta 1½ lb	media alta (7)	de 7 a 11 min/lb	Disponga el pescado sobre un rack para asar con las partes más carnosas hacia afuera del rack. Cubra con papel encerado. Dé vuelta y reacomode el pescado a la mitad del tiempo de cocción. Cocínelo hasta que el pescado se pueda desmenuzar fácilmente con un tenedor. Deje reposar de 3 a 5 min.
Filetes de pescado de hasta 1½ lb	media alta (7)	de 7 a 11 min/lb	Disponga los filetes en una fuente para hornear y meta hacia adentro las partes finas. Cubra con papel encerado. Si tienen un grosor de más de ½ pulgada, délos vuelta y reacomódelos a la mitad del tiempo de cocción. Cocínelos hasta que el pescado se pueda desmenuzar fácilmente con un tenedor. Deje reposar de 2 a 3 min.
Camarones hasta 1½ lb	media alta (7)	de 7 a 11 min/lb	Disponga los camarones en una fuente para hornear sin superponerlos ni colocarlos en capas. Cubra con papel encerado. Cocínelos hasta que queden firmes y opacos, y revuelva 2 o 3 veces. Deje reposar 5 min.

Limpieza y mantenimiento

▲ ADVERTENCIA

Asegúrese de que todo el aparato (incluidos los filtros antigrasa y las lámparas de luz, si corresponde) se haya enfriado y de que la grasa se haya solidificado antes de intentar limpiar cualquier parte del aparato.

Limpieza

Guía de limpieza

- Para un mejor rendimiento y por motivos de seguridad, mantenga limpios el interior y el exterior del horno. Tenga especial cuidado para mantener el panel interior de la puerta y el marco delantero del horno libre de acumulación de alimentos y grasa.

- Nunca use polvo pulidor ni esponjillas abrasivos en el horno de microondas. Limpie el interior y el exterior del horno de microondas con un paño suave y una solución de detergente suave y tibia (no caliente). Luego, enjuague y seque completamente.
- Limpie de inmediato las salpicaduras con una toalla de papel húmeda, especialmente después de cocinar alimentos con grasa, como pollo o tocino.
- Limpie su horno de microondas semanalmente o con más frecuencia, si es necesario.
- Nunca maneje el horno sin alimentos en la cavidad del horno; esto puede dañar el tubo magnetrón o la bandeja de cristal. Tal vez prefiera dejar una taza de agua dentro del horno cuando no esté en uso para evitar daños en caso de que se encienda accidentalmente.

Componente	Recomendaciones
Cavidad del horno	Mantenga limpio el interior (la cavidad) del horno. Las partículas de alimentos y los líquidos derramados pueden pegarse a las paredes del horno, y esto hará que el horno funcione de manera menos eficaz. Limpie los derrames de inmediato. Use un paño húmedo y limpio y jabón suave. NO use detergentes agresivos ni limpiadores abrasivos. Para remover las partículas de alimentos horneados o líquidos más fácilmente, caliente 2 tazas de agua (agregue el jugo de 1 limón si desea mantener el horno con un aroma fresco) en una fuente apta para microondas de 4 tazas en un nivel de potencia alta durante 5 minutos o hasta que hierva. Deje reposar en la cavidad del horno durante 1 o 2 minutos.
Rack de alambre	Lávelo con agua jabonosa. Enjuague bien y séquelo, o frótelo suavemente con esponjillas con polvo de limpieza o jabón, según las indicaciones.
Bandeja para el plato giratorio de cristal	Retire la bandeja para el plato giratorio de cristal del horno al limpiar la cavidad del horno y la bandeja. AVISO: Para evitar que el plato giratorio de cristal se rompa, manipúlelo con cuidado y no lo coloque en agua inmediatamente después de cocinar. Lave la bandeja del plato giratorio de cristal en agua jabonosa tibia o en el lavavajillas.
Apoyo rodante del plato giratorio	Límpielo con agua jabonosa tibia. Enjuague bien y seque.
Puerta de cristal	Lávelo con jabón y agua o un limpiador para cristales. Use Fantastik® o Formula 409® en una esponja o toalla de papel limpias y limpie. Evite usar limpiadores abrasivos, como agentes de limpieza en polvo, esponjillas de lana de acero y limpiadores para hornos. Si se acumula vapor dentro o fuera de la puerta del horno, limpie con un paño suave. El vapor se puede acumular al operar el horno en condiciones de alta humedad; esto no significa que haya fugas de microondas.
Superficies pintadas	Limpie con agua jabonosa caliente o aplique Fantastik® o Formula 409® en una esponja o toalla de papel limpias y limpie. Evite usar limpiadores abrasivos, como agentes de limpieza en polvo, esponjillas de lana de acero y limpiadores para hornos.
Superficies de acero inoxidable	Siempre limpie o frote en la misma dirección de la veta. Limpie con una esponja jabonosa; luego, enjuague y seque o limpie con aerosoles de Fantastik® en una toalla de papel. Proteja y pula con Stainless Steel Magic® y un paño suave. Remueva las manchas de agua con un paño humedecido con vinagre blanco. No utilice ningunos productos de limpieza que contengan cloro, estos pueden oxidar el acero inoxidable.
Superficies de plástico y controles	Cuando se hayan enfriado, limpie con agua jabonosa, enjuague y seque.
Secciones impresas (palabras y números)	No use limpiadores abrasivos ni solventes a base de petróleo.

Limpeza de los filtros de ventilación del horno

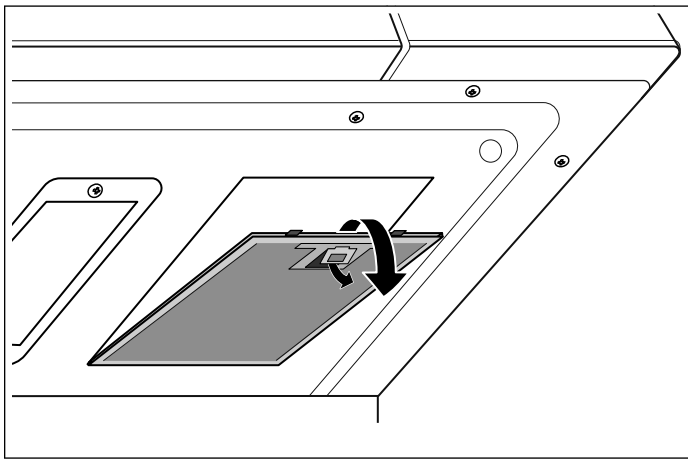
Los filtros de ventilación del horno deben retirarse y limpiarse a menudo; por lo general, por lo menos, una vez por mes.

⚠ ATENCION

Para evitar riesgos de heridas personales o daños materiales, no opere la ventilación del horno sin los filtros correctamente colocados

AVISO: Retirar el filtro con ambas manos para evitar que se caiga.

1. Para retirar los filtros de ventilación, liberar el cierre presionándolo hacia abajo con el dedo. El filtro se deslizará hacia abajo por la parte frontal. A continuación, extraer el filtro hacia sí para retirarlo. El filtro saldrá de su sitio. Seguir los mismos pasos con el 2.º filtro.



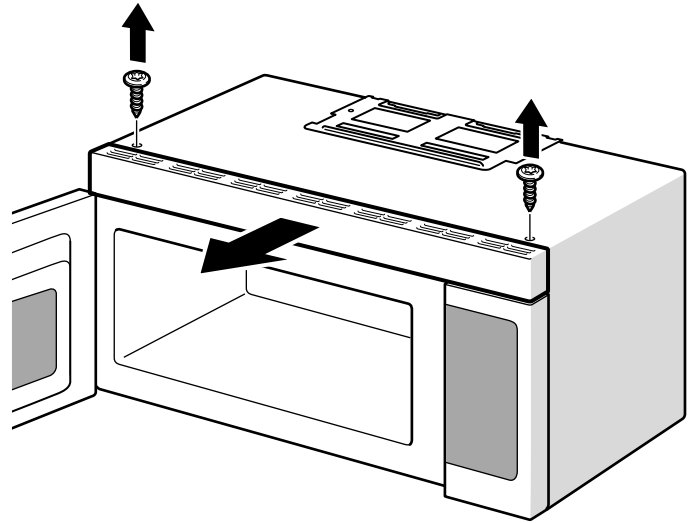
2. Remojar los filtros de ventilación en agua caliente con un detergente suave. Enjuagarlos bien y sacudirlos para que se sequen. Los filtros también pueden lavarse en el lavavajillas.
3. Para volver a instalar el filtro de ventilación, introducir las dos clavijas de la parte trasera del filtro en las ranuras situadas en la parte trasera de la abertura del mismo. A continuación, empujar el filtro hacia la parte frontal hasta que el cierre quede fijo con un clic. Volver a instalar el 2.º filtro siguiendo el mismo procedimiento.

Mantenimiento

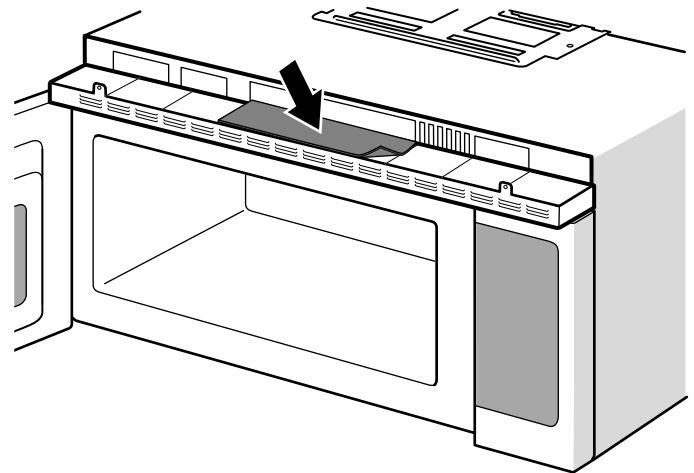
Reemplazo del filtro de carbón activo

El filtro de carbón activo, que se incluye con su horno de microondas, se utiliza para la instalación no ventilada y recirculada (ventilación de ambiente). Debe reemplazarse el filtro cada 6 a 12 meses, según el uso.

1. Desconecte la energía del horno de microondas en el panel de disyuntores o desenchúfelo.
2. Retire los tornillos de montaje del grill de ventilación.
3. Saque el grill de ventilación de la unidad.



4. Cambie el filtro de carbón activo.



5. Con cuidado, vuelva a colocar el grill de ventilación en su lugar haciendo presión y vuelva a colocar los tornillos que se retiraron en el Paso 2.

Nota: Si no hay un filtro de carbón activo instalado, no es posible absorber las sustancias olorosas de los vapores de cocción.

Los filtros de carbón se pueden comprar en Bosch eshop, www.bosch-home.com/us/store.

Número de orden 00676120

Resolución de problemas

Antes de llamar al Servicio a Clientes, tenga en cuenta las sugerencias y las instrucciones que aparecen a continuación:

Problema	Sugerencia
No funcionan el display del microondas ni el horno.	<ul style="list-style-type: none">• Inserte adecuadamente el enchufe en una toma de corriente conectada a tierra.• Retire el enchufe de la toma de corriente, espere 10 segundos y, luego, vuelva a enchufar el microondas.• Restablezca el disyuntor del hogar o reemplace cualquier fusible quemado.• Enchufe un aparato diferente en la toma de corriente. Si el otro aparato no funciona, solicite a un electricista calificado que repare la toma de corriente.• Enchufe el microondas en una toma de corriente diferente.
El display del horno funciona, pero el horno no funciona.	<ul style="list-style-type: none">• Asegúrese de que la puerta del horno esté completamente cerrada en forma segura.• Verifique que no haya quedado atascado material del embalaje ni otros materiales en el sello de la puerta.• Verifique que no haya daños en la puerta del horno.• Presione la tecla CLEAR/OFF (Borrar/Apagar) dos veces e intente volver a ingresar las instrucciones de cocción.
Se corta la energía antes de que haya transcurrido el tiempo de cocción.	<ul style="list-style-type: none">• Si se ha producido una interrupción en la energía, retire el enchufe de la toma de corriente, espere 10 segundos y, luego, vuelva a enchufar el microondas. Si se produjo un corte de alimentación, el indicador de la hora en el display mostrará 00:00.• Vuelva a programar el reloj y las instrucciones de cocción.• Restablezca el disyuntor del hogar o reemplace cualquier fusible quemado.• Presione la tecla CLEAR/OFF (Borrar/Apagar) dos veces e intente volver a ingresar las instrucciones de cocción.• Enchufe un aparato diferente en la toma de corriente. Si el otro aparato no funciona, solicite a un electricista calificado que repare la toma de corriente.• Enchufe el microondas en una toma de corriente diferente.
Los alimentos se cocinan muy lentamente.	Asegúrese de que el horno esté enchufado en una línea de circuitos de 20 A separada. Hacer funcionar otro aparato en el mismo circuito puede provocar una disminución en el voltaje. De ser necesario, mueva el microondas a su propio circuito.
Observa chispas o arcos eléctricos.	Retire cualquier utensilio metálico, utensilio de cocina o ataduras de metal que pueda haber en la cavidad del horno. Si utiliza film de aluminio, utilice solo tiras angostas y deje, por lo menos, una pulgada entre el film y las paredes interiores del horno.
El plato giratorio hace ruidos o se pega.	<ul style="list-style-type: none">• Limpie el plato giratorio, el aro rodante y la parte inferior de la cavidad del horno.• Asegúrese de que el plato giratorio y el aro rodante estén posicionados correctamente.
Utilizar su microondas provoca interferencias en la TV o la radio.	Esta es similar a la interferencia provocada por otros pequeños aparatos, como los secadores de pelo. Aleje su microondas de otros aparatos, como su TV o radio.
La iluminación de LED no funciona.	Ponerse en contacto con el Servicio de Asistencia Técnica

Nota: Si se programa el horno para cocinar durante más de 30 minutos al nivel de potencia del 100 %, se ajustará automáticamente al nivel de potencia del 80 % después de 30 minutos para evitar que se cocine excesivamente.

Soporte técnico de THERMADOR®

Antes de llamar al servicio

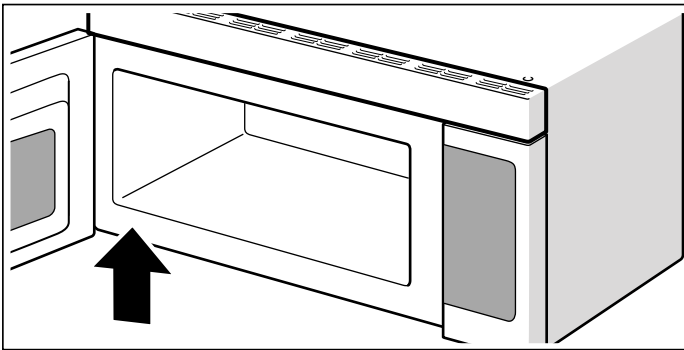
Para obtener información sobre resolución de problemas, consulte el Manual de uso y cuidado. Consulte la “Declaración de Garantía Limitada del Producto” en el Manual de uso y cuidado.

Para consultar a un representante de servicio técnico, remítase a la información de contacto que aparece en el frente del manual o en la siguiente sección. Cuando llame, tenga a la mano la información impresa en la placa de datos de su producto.

Placa de datos

La placa de datos muestra el modelo y el número de serie. Al solicitar servicio técnico, consulte la placa de datos del aparato.

La placa de datos puede encontrarse en el interior del aparato.



Para evitar tener que buscar los datos de su aparato cuando los precise, es aconsejable anotarlos aquí conjuntamente con el número de teléfono del Servicio de atención al cliente:

Nº de modelo

Nº FD

Fecha de compra

Servicio de atención al cliente ☎

Conserve su factura o los papeles de depósito para la validación de la garantía si necesita solicitar servicio técnico.

Servicio técnico

Sabemos que usted ha realizado una inversión considerable en su cocina. Nos dedicamos a brindar apoyo técnico para usted y su electrodoméstico de manera que tenga muchos años de cocina creativa.

No dude en comunicarse con nuestro Departamento de Atención al Cliente de STAR® si tiene alguna pregunta o en el caso poco probable de que su electrodoméstico THERMADOR® necesite servicio técnico. Nuestro equipo de servicio técnico está listo para asistirlo.

EE. UU.

800-735-4328

www.thermador.com/support

Canadá

800-735-4328

www.thermador.ca

Piezas y accesorios

Puede comprar piezas, filtros, productos para eliminar el sarro, limpiadores para acero inoxidable y más artículos en la tienda electrónica de THERMADOR® o por teléfono.

EE. UU.

www.thermador.com/us/accessories

Canadá

www.thermador.ca/en/support/filters-cleaners-accessories

DECLARACIÓN DE GARANTÍA LIMITADA DEL PRODUCTO

Qué cubre esta garantía y a quiénes se aplica

La garantía limitada otorgada por BSH Home Appliances («Thermador») en esta Declaración de Garantía Limitada del Producto se aplica únicamente al aparato Thermador vendido a usted («Producto»), el primer comprador usuario, condicionada estrictamente a que el Producto haya sido comprado:

- Para uso doméstico normal (no comercial) y haya sido utilizado en todo momento únicamente para fines domésticos normales.
- Nuevo en una tienda minorista autorizada de BSH o directamente de BSH (que no sea un producto de exhibición ni un producto vendido «en las condiciones en que se encuentre» ni un modelo devuelto anteriormente) y que no esté destinado a reventa ni uso comercial.
- Dentro de los Estados Unidos o Canadá, y que haya permanecido en todo momento dentro del país de compra original.

La garantía descrita aquí es válida para el comprador original del producto cubierto por esta garantía y para todo usuario posterior del producto, adquirido para un uso doméstico, durante el término de la garantía.

Asegurarse de registrar su producto; si bien no es necesario para hacer efectiva la cobertura de la garantía, es la mejor manera de que Thermador pueda enviar una notificación en el caso poco probable de que se emita un aviso de seguridad o se retire del mercado un producto.

Plazo de vigencia de la garantía

Thermador garantiza que el Producto no tiene defectos de materiales ni de mano de obra durante un período de setecientos treinta (730) días a partir de la fecha de entrega original. Dicho período comienza a contar a partir de la fecha de entrega original y no se interrumpirá, dejará sin efecto, extenderá ni suspenderá por ningún motivo. También se garantiza que este Producto no presenta defectos estéticos en el material ni en la mano de obra (como rayas en el acero inoxidable, imperfecciones en la pintura/porcelana, desportilladuras, astillas, abolladuras ni ningún otro daño en el acabado) del Producto durante un período de sesenta (60) días desde la fecha de entrega o fecha de cierre para una nueva construcción. Se excluyen de esta garantía por defectos estéticos las variaciones leves de color que se deban a diferencias inherentes a las piezas pintadas y de porcelana, así como diferencias provocadas por la iluminación de la cocina, la ubicación del producto u otros factores similares. Se excluye específicamente de esta garantía por defectos estéticos cualquier electrodoméstico en exposición, de piso, vendido “en el estado en que se encuentra” o de segunda selección.

Reparación/Reemplazo como único recurso

Durante el período de esta garantía, Thermador o uno de sus proveedores de servicio técnico autorizados reparará el producto sin cargo (sujeto a determinadas limitaciones

especificadas en el presente) si se prueba que el producto ha sido fabricado con un defecto en los materiales o en la mano de obra. Si se ha intentado de manera razonable reparar el Producto sin éxito, Thermador reemplazará el Producto (es posible llegar a disponer de modelos mejorados, a entera discreción de Thermador, por un cargo adicional). Esta garantía no establece que las piezas dañadas o defectuosas se reemplacen por piezas de diferente tipo o diseño a las originales. Todas las partes y los componentes retirados serán propiedad de Thermador, a su entera discreción. Todas las partes reemplazadas y/o reparadas se considerarán como la parte original a los fines de esta garantía y esta garantía no se extenderá con respecto a dichas partes. En virtud del presente documento, la exclusiva responsabilidad y obligación de Thermador es únicamente reparar el Producto defectuoso de fábrica, a través de un proveedor de servicio técnico autorizado por Thermador, durante el horario normal de oficina. Por cuestiones de seguridad y daños materiales, Thermador recomienda categóricamente no intentar reparar el Producto por cuenta propia ni usar un proveedor de servicio técnico no autorizado; Thermador no tendrá ninguna responsabilidad ni obligación por daños ocasionados por reparaciones o trabajos realizados por un proveedor de servicio técnico no autorizado. Los proveedores de servicio técnico autorizados son aquellas personas o compañías que han sido especialmente capacitadas para manejar los productos de Thermador y que tienen, según el criterio de Thermador, una reputación superior de servicio de atención al cliente y capacidad técnica (tenga en cuenta que son entidades independientes y no son agentes, socias, afiliadas ni representantes de Thermador). Sin embargo, llevar su producto a un taller de reparación que no esté afiliado o a un distribuidor autorizado de Thermador no anulará esta garantía. Además, el uso de piezas de terceros no anulará esta garantía. Independientemente de lo antedicho, Thermador no tendrá responsabilidad ni obligación alguna por el Producto que se encuentre en un área remota (a más de 100 millas de un proveedor de servicio técnico autorizado) o en un lugar, área circundante o entorno que no sean accesibles por medios razonables o que sean peligrosos, hostiles o arriesgados; en ese caso, a su solicitud, Thermador de todas maneras pagará por la mano de obra y las partes, y enviará las partes al proveedor de servicio técnico autorizado más cercano, pero el cliente seguirá siendo totalmente responsable por el tiempo de viaje y demás cargos especiales de la compañía de servicio técnico, siempre que esta acepte realizar la visita de servicio técnico. Además, en la medida en que haya instalado el producto en una ubicación de difícil acceso o haya instalado accesorios temporales o permanentes que creen barreras para acceder o retirar el producto, Thermador no incurrirá en ninguna responsabilidad por el trabajo o los costos asociados con el traslado del producto o la creación de acceso al producto para repararlo o reemplazarlo. Todos estos costos serán responsabilidad exclusiva de usted.

Producto fuera de garantía

Thermador no tiene obligación alguna, en virtud de la ley ni por otro motivo, de otorgarle ninguna concesión, incluidos reparaciones, prorrates o reemplazo del Producto, con posterioridad al vencimiento de la garantía.

Exclusiones de la garantía

La cobertura de garantía descrita en el presente documento excluye todos los defectos o daños que no fueron provocados directamente por Thermador, incluidos, entre otros, alguno de los siguientes: cualquier forma de uso comercial, uso o almacenamiento en exteriores de un producto diseñado para interiores, uso del Producto en aeronaves o embarcaciones).

- Conducta indebida, negligencia, uso indebido, abuso, accidentes, descuido, operación inadecuada, omisión de mantenimiento, instalación inadecuada o negligente, adulteración, omisión de seguir las instrucciones de operación, manipulación inadecuada, servicio técnico no autorizado (incluidos «arreglos» o exploración de los mecanismos internos del aparato realizados por uno mismo) por parte de cualquier persona.
- Ajuste, alteración o modificación de cualquier tipo.
- Incumplimiento de los códigos, reglamentaciones o leyes de electricidad, plomería y/o construcción estatales, locales, municipales o de condado, incluida la omisión de instalar el producto cumpliendo estrictamente con los códigos y reglamentaciones locales de construcción y protección contra incendios.
- Desgaste habitual, derrames de alimentos, líquidos, acumulaciones de grasa u otras sustancias que se acumulen sobre el Producto, dentro o alrededor de este.
- Cualquier fuerza y factor externo, elemental y/o ambiental, incluidos, entre otros, lluvia, viento, arena, inundaciones, incendios, aludes de lodo, temperaturas bajas extremas, humedad excesiva o exposición prolongada a la humedad, rayos, sobrecargas eléctricas, fallos estructurales alrededor del aparato y catástrofes naturales.
- Llamadas al servicio técnico para subsanar la Producto, reemplazar los fusibles domésticos o subsanar el cableado o las instalaciones de fontanería.
- Extracción y sustitución de recortes o paneles decorativos que interfieran con el mantenimiento del Producto.
- Daños o defectos provocados por la mano de obra o piezas instaladas por cualquier proveedor de servicio técnico no autorizado, a menos que este último haya sido aprobado por Thermador antes de realizar el servicio.

En ningún caso Thermador tendrá responsabilidad ni obligación alguna por los daños ocasionados a los bienes circundantes, incluidos los gabinetes, pisos, techos y demás estructuras u objetos que se encuentren alrededor del Producto. También se excluyen de esta garantía los Productos en los cuales los números de serie hayan sido alterados, modificados o eliminados; las visitas del servicio técnico para enseñarle a usar el Producto o las visitas en las que se determine que no hay ningún problema con el Producto; la corrección de los problemas de instalación (usted es el único responsable de cualquier estructura y

soporte del Producto, incluidas todas las instalaciones de electricidad y plomería o demás instalaciones de conexión, de la correcta instalación en bases/pisos, y de cualquier alteración, incluidos, a modo de ejemplo, gabinetes, paredes, pisos, repisas, etc.); y el restablecimiento de breakers o fusibles.

EN LA MEDIDA PERMITIDA POR LA LEY, ESTA GARANTÍA ESTABLECE SUS RECURSOS EXCLUSIVOS CON RESPECTO AL PRODUCTO, INDEPENDIENTEMENTE DE QUE LA RECLAMACIÓN SEA CONTRACTUAL O EXTRA CONTRACTUAL (INCLUIDA LA RESPONSABILIDAD OBJETIVA O LA NEGLIGENCIA), O DE CUALQUIER OTRO TIPO. ESTA GARANTÍA REEMPLAZA TODAS LAS DEMÁS GARANTÍAS EXPRESAS O IMPLÍCITAS. LAS GARANTÍAS IMPLÍCITAS POR LEY, YA SEA DE COMERCIABILIDAD O DE APTITUD PARA UN FIN ESPECÍFICO, O DE CUALQUIER OTRO TIPO, TENDRÁN VIGENCIA ÚNICAMENTE POR EL PERÍODO DE VIGENCIA DE LA PRESENTE GARANTÍA LIMITADA EXPRESA. EN NINGÚN CASO SERÁ EL FABRICANTE RESPONSABLE POR LOS DAÑOS CONSECUENTES, ESPECIALES, Y/O DAÑOS PUNITIVOS, PÉRDIDAS O GASTOS, INCLUIDOS, ENTRE OTROS, TIEMPO FUERA DEL TRABAJO, HOTELES O COMIDAS EN RESTAURANTES, GASTOS DE REMODELACIÓN QUE SUPEREN LOS DAÑOS DIRECTOS, QUE DEFINITIVAMENTE HAYAN SIDO PROVOCADOS DE MANERA EXCLUSIVA POR THERMADOR O DE OTRA MANERA. ALGUNOS ESTADOS NO PERMITEN LA EXCLUSIÓN O LIMITACIÓN DE DAÑOS INCIDENTALES O CONSECUENTES, Y ALGUNOS ESTADOS NO PERMITEN LIMITACIONES CON RESPECTO AL PLAZO DE VIGENCIA DE UNA GARANTÍA IMPLÍCITA; POR LO TANTO, ES POSIBLE QUE LAS EXCLUSIONES O LIMITACIONES PRECEDENTES NO SE APLIQUEN. ESTA GARANTÍA OTORGA DERECHOS LEGALES ESPECÍFICOS, Y TAMBIÉN PUEDEN CORRESPONDERLE OTROS DERECHOS QUE PUEDEN VARIAR SEGÚN EL ESTADO.

Ningún intento de alterar, modificar o enmendar la presente garantía será válido, a menos que fuera autorizado por escrito por un ejecutivo de BSH.

Obtener el servicio técnico de la garantía:

Para obtener el servicio de garantía para su producto, debe comunicarse con el Servicio de asistencia técnica de Thermador al 1-800-735-4328 para programar una reparación.

Información del producto

Para una referencia rápida, copie la información que se encuentra a continuación de la placa de características. Conservar su factura y/o documentos de entrega para la validación de la garantía.

Número de modelo (E-Nr.)

Número de fabricación (FD)

Fecha de entrega



1901 MAIN STREET, SUITE 600 IRVINE, CA 92614 // 1-800-735-4328 // WWW.THERMADOR.COM
© 2022 BSH HOME APPLIANCES CORPORATION
9001415681 es-mx, en-us 021108