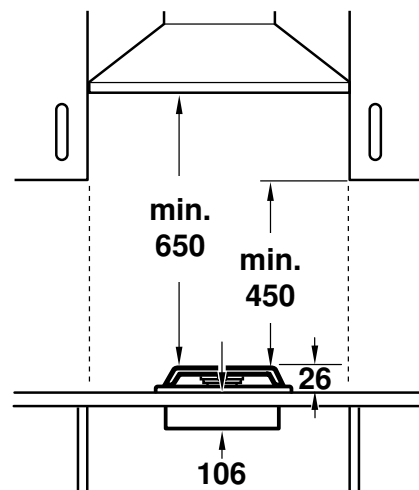
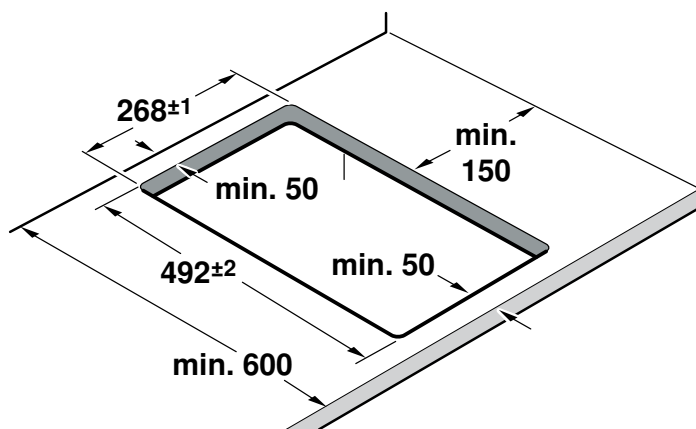
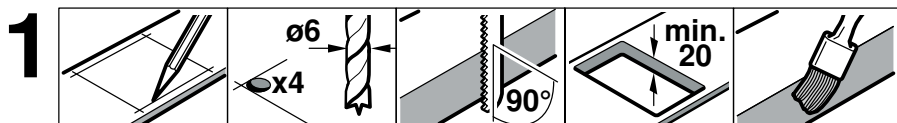
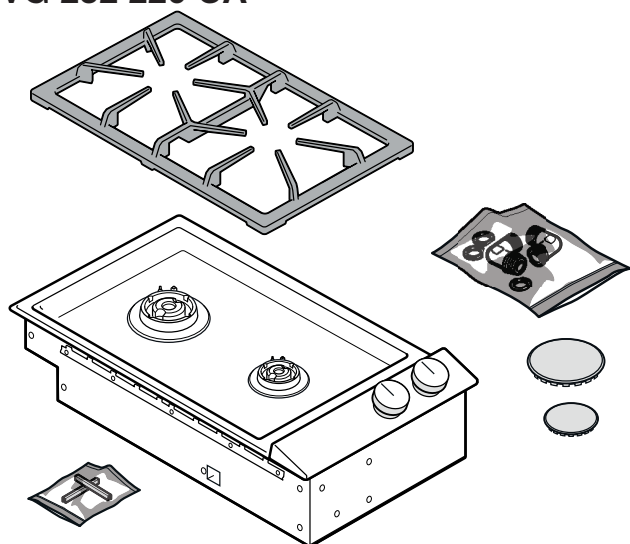


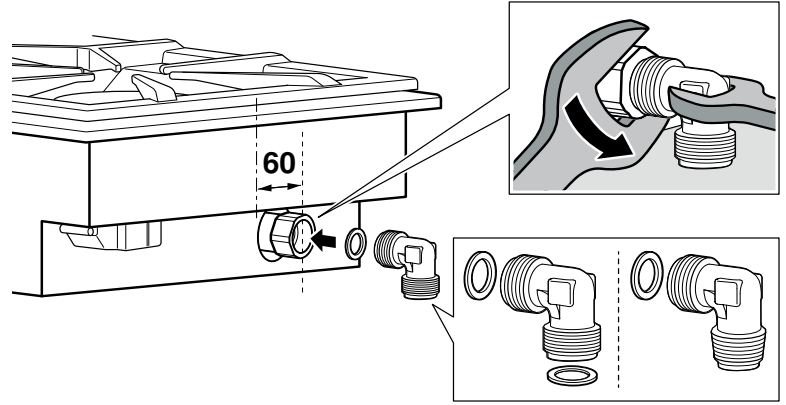
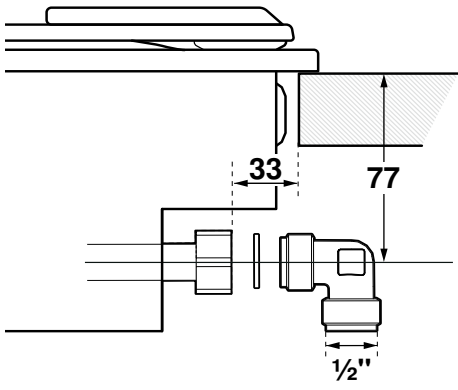
VG 232 220 CA

en Installation instructions

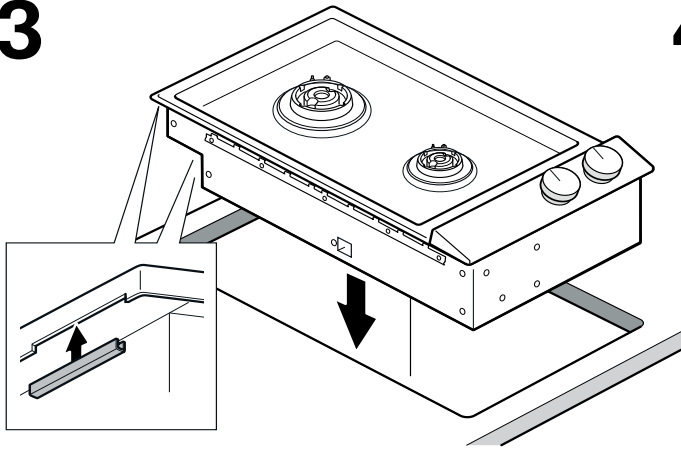
zh-tw 安裝說明



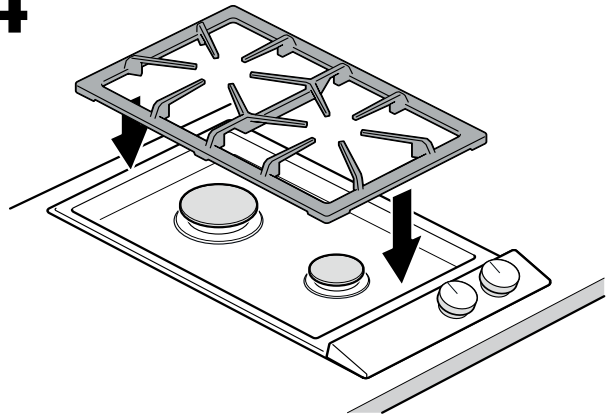
2



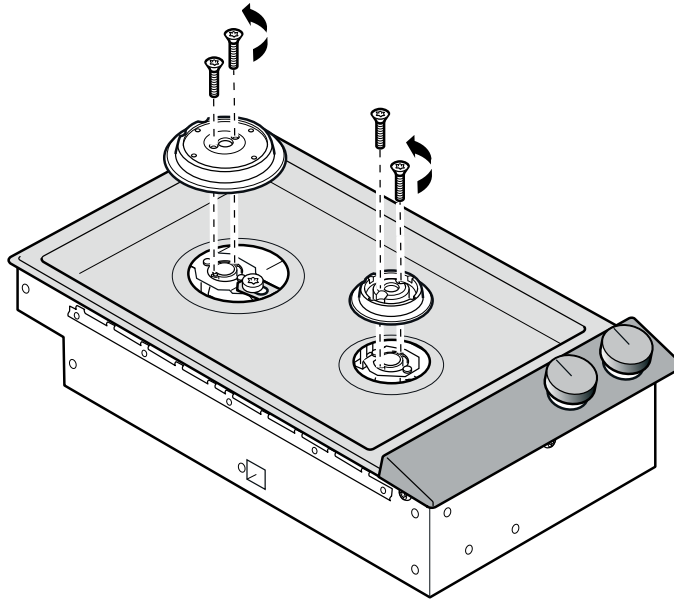
3



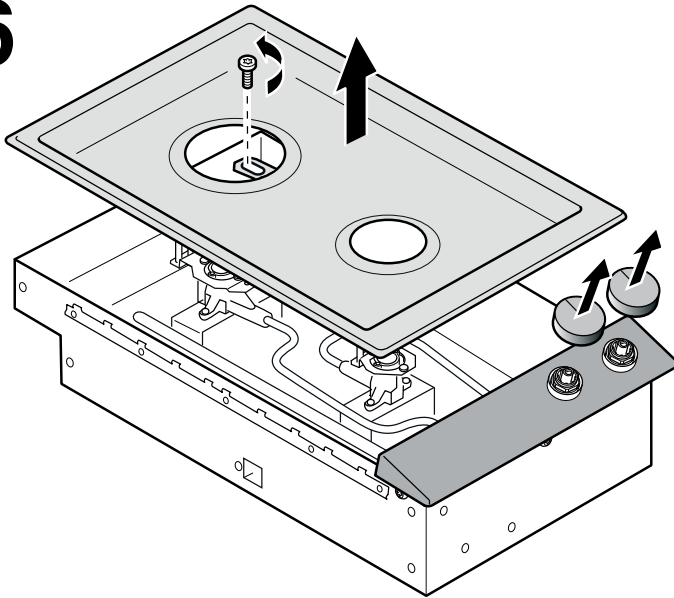
4



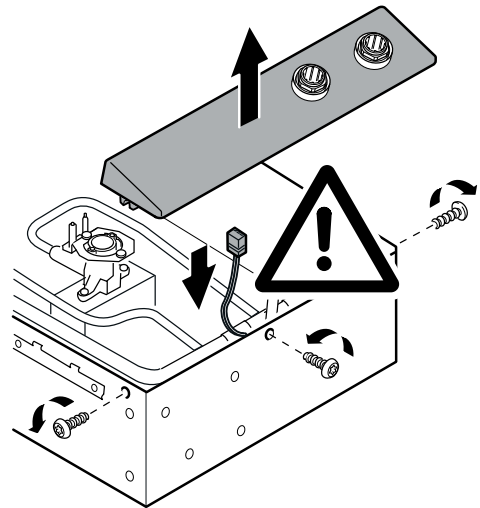
5



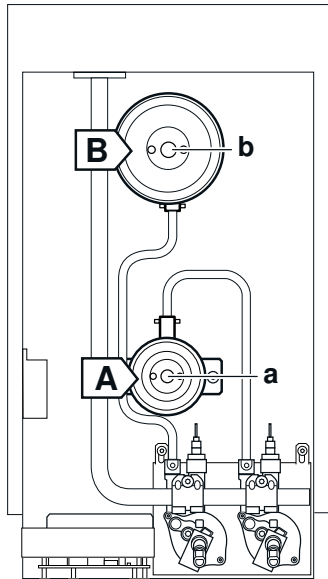
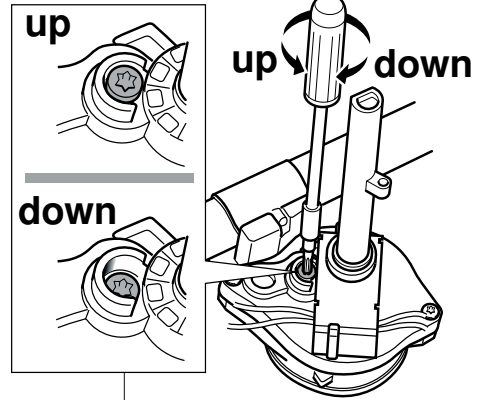
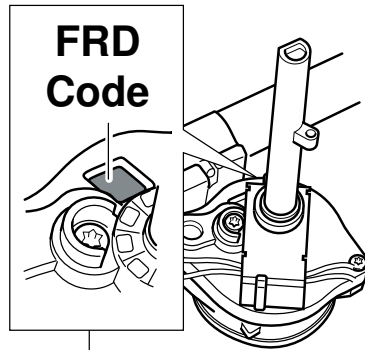
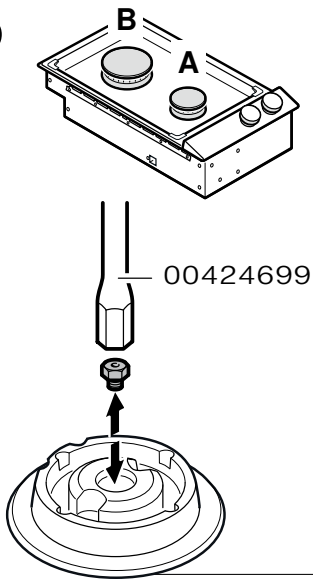
6







7



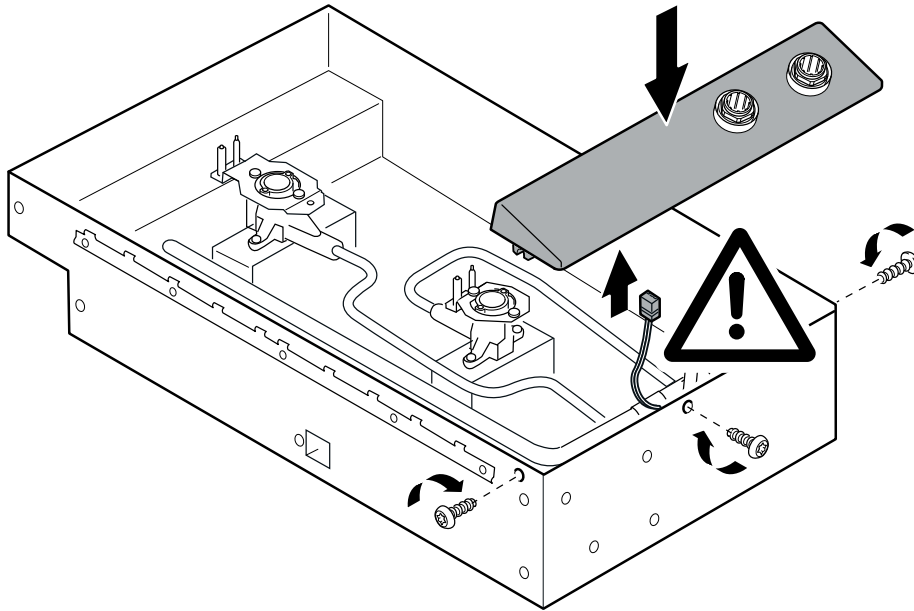
8



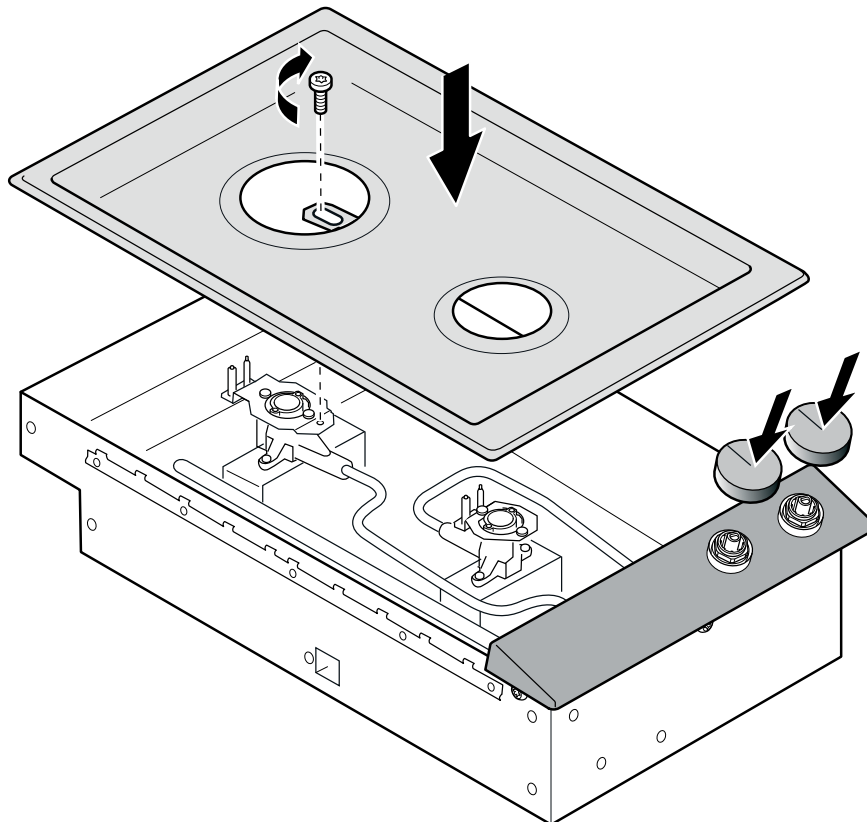
A			FRD-Code	M	Qn
	NG 15 mbar	108	JH	up	1.9 kW
	LPG 29 mbar	68	JH	down	1.9 kW

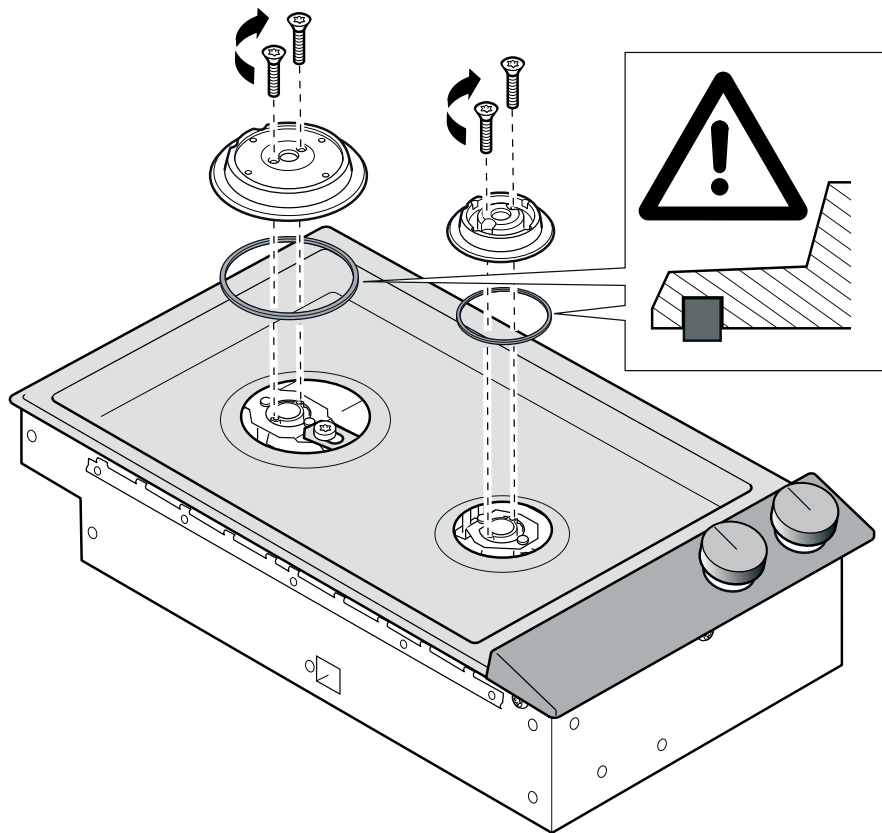
B			FRD-Code	M	Qn
	NG 15 mbar	137	JJ	up	3 kW
	LPG 29 mbar	86	JJ	down	3 kW

9



10





en

Important notes

Read these instructions carefully and keep them in a safe place. Safety during use can only be ensured if the appliance is fitted correctly according to these installation instructions. The installer is responsible for ensuring that the appliance operates perfectly at the point of installation.

⚠ Risk of injury!

Parts that are accessible during installation may have sharp edges. Wear protective gloves.

The appliance must be connected to the mains only by a licensed and trained technician.

Before carrying out any type of work, turn off the electricity and gas supply.

For installation, currently applicable building regulations and the regulations of local electricity and gas suppliers must be observed. For conversion to another type of gas, please call the after-sales service.

⚠ Risk of gas escape!

After connecting the appliance to the gas supply, always check the connection for leak tightness. The manufacturer accepts no responsibility for the escape of gas from a gas connection which has been previously tampered with.

Ensure sufficient air exchange in the room where the appliance is installed. Up to 11 kW total output:

- Minimum volume of the room where appliance is installed: 20 m³
- A door leading to the open air or a window which can be opened.

Up to 18 kW total output:

- Minimum volume of the room where appliance is installed: 2 m³ per kW total output.
- A door leading to the open air or a window which can be opened.
- An extraction hood into the open air. Minimum displacement volume of extraction hood: 15 m³/h per kW total output.

Caution!

This appliance is not connected to a flue. It must be connected and put into operation in accordance with the installation conditions. Do not connect the appliance to a flue gas outlet. All ventilation regulations must be observed.

The installation system must incorporate an all-pin isolating switch with a contact opening of at least 3 mm, or the appliance should be connected to the mains via a safety plug. The plug must remain accessible after installation is complete.

Specifications on the rating plate showing voltage, type of gas and gas pressure must agree with the local mains connection conditions.

Do not kink or trap the mains connection cable.

This appliance corresponds to appliance class 3 (for installation in a kitchen unit). It must be fitted according to the installation drawing. The wall behind the appliance must be made of non-flammable material.

This appliance is not intended for operation with an external timer or an external remote control.

Do not install this appliance on boats or in vehicles.

Installation accessories

VD 200 020	Black appliance cover
VV 200 010	Stainless steel connection strip for combining with other Vario 200 appliances
VV 200 020	Black connection strip for combining with other Vario 200 appliances

Only use the accessories as specified. The manufacturer accepts no liability if these accessories are used incorrectly.

Preparing the furniture

The surrounding kitchen unit must be heat-resistant to at least 90 °C. The stability of the unit must be maintained after producing the cut-out.

Produce the cut-out for one or several Vario appliances. Proceed as shown in the installation sketch. The angle between the cut surface and the worktop must be 90°.

After producing the cut-out, remove the shavings. Seal the cut surfaces to make them heat-resistant.

Observe a minimum clearance between the appliance housing and parts of the unit of 10 mm.

When fitting several Vario appliances: allow for the additional space required for the connecting strip VV 200. Appliances can also be fitted in individual recesses, if a minimum clearance of 40 mm between the appliances is observed.

Fitting the appliance

1. Secure the appliance cover VD 200 020 (special accessory to be ordered separately) on the appliance before installation.
2. If the appliance is not being covered, seal the openings on the back of the appliance using the cover caps supplied.
3. Insert the appliance evenly into the cut-out. Push it down firmly into the cut-out.

Note: The appliance must sit fast in the cut-out and must not be able to move around (e.g. during cleaning). If the width of the cut-out is at the upper tolerance limit, secure batten to the sides of the cut-out if necessary.

Removing the appliance

Disconnect the appliance from the power and the gas supply. Push out the appliance from below.

Caution!

Risk of damage! Do not lever out the appliance from above.

Gas connection

The gas connection must be arranged so that the shut-off valve is accessible.

The appliance comes with two connection elbows (appliance-side G $\frac{1}{2}$ "³). Select the right version according to the country:

- ISO 228 G 1/2 cylindrical
- EN 10226 R 1/2 conical

Use one of the supplied connection elbows and the corresponding seal to connect the appliance to a gas pipe or a gas safety hose.

If the gas safety hose is not made of metal or is only partially made of metal, the ambient temperature must not exceed 90 °C. If the gas safety hose is made of metal, the permissible ambient temperature is 115 °C.

The gas safety hose must not come into contact with moving parts of the fitted unit (e.g. drawers) or be laid in areas where it could become trapped or damaged.

The gas safety hose must not come into contact with a hob, oven, dishwasher, refrigerator, washing machine, hot water pipe, radiator or any other appliance installed next to or below the gas hob.

The gas safety hose must not be subject to rubbing, vibrations, kinking or any other kind of deformation. It should be checked along its entire length with the hob in the installation position.

Electrical connection

Check the household wiring before connecting the appliance. Ensure that there is sufficient fuse protection for the household wiring. The voltage and frequency of the appliance must match the electrical wiring (see rating plate).

The appliance corresponds to protection class I and must only be operated with a protective earth connection.

The wiring must have an all-pole isolating switch with a contact gap of at least 3 mm, or the appliance must be connected via an earthed plug. This must still be accessible once the appliance has been installed.

We recommend installing a socket equipped with protective-earth contacts behind the appliance, approximately 70 cm above the floor, in accordance with regulations.

Only a qualified electrician may install a socket, taking the appropriate regulations into account.

The appliance must only be connected using the power cable provided.

Do not kink or trap the connection cable, or route it over hot surfaces.

This is a type X appliance: If the power cable of this appliance becomes damaged, it must be replaced with a special connection cable which is available from the manufacturer or the manufacturer's after-sales service.

Technical data

Total connected load VG 232 220 CA: 4.9 kW

Electric 10.0 W

Gas type: NG1/LPG

Pressure: (NG1) 1.5kPa / (LPG) 2.8kPa

Voltage / Frequency: AC110V~ / 60Hz

For use with LPG a 2.8kPa pressure regulator should be installed.

Changing the gas type

The appliance must only be converted to a different type of gas by a licensed expert.

Switch off the power supply and shut off the gas supply before carrying out conversion.

The gas hob belongs to the categories stated on the rating plate. The appliance can be converted to any other type of gas listed there using a conversion kit.

The gas type is changed by:

- Replacing the main nozzles
- Adjusting the gas valves (bypass screws)

The table shows the right combination for the relevant gas type.

Never remove the gas valve shaft. In the event of damage or unusual gas conversion, the entire gas valve must be replaced. Call the after-sales service.

Replacing the main nozzles

1. Remove the pan support and all burner parts.
2. Undo the fastening screws on the burners (two screws on each burner). Lift the burners upwards and remove them.
3. Undo the earthing screw on the rear burner. Carefully lift the hob upwards and remove it.
4. Remove the control knobs.
5. Undo the fastening screws on the control panel. Remove the control panel and disconnect the connection cable on the back of the control panel.
6. Replace the nozzles. You can obtain a key from our after-sales service (order number 00424699). Take care not to break the nozzles when (un)screwing them.
7. Screw the new nozzles in as far as possible to obtain a tight seal.

Adjusting the gas valves

⚠ Risk of damage!

Do not over-tighten the bypass screws.

If necessary, adjust the bypass screws **M** using a Torx screwdriver (see table):

up: The bypass screws must be flush with the top edge of the frame.

down: The bypass screws must be screwed in fully.

Assembly

1. Connect the connection cable on the back of the control panel. Put the control panel in place and screw it down evenly.
2. Attach the control knobs.
3. Put the hob in place and screw in the earthing screw on the rear burner.
4. Put the burners in place and screw them on, making sure that the seal is seated correctly.
5. Put the burner parts and pan support in place, making sure they are positioned correctly.

Check that the appliance is working after conversion:

Yellow tips must not be visible on the flames. When turning the control knob quickly between the highest and the lowest setting, the burner must not go out and flashback must not occur.

Note: Attach the sticker showing the new gas type next to the rating plate on the appliance.

zh-tw

重要注意事項

請詳閱說明書，並保存在安全之處。只有在依照安裝指示正確安裝電器，才能確保使用時安全無虞。安裝者須負責確保電器在安裝位置運作正常。

⚠ 受傷風險!

安裝時所接觸的零件可能有尖銳邊緣。請戴上保護手套。

本電器務必由持有執照的人士和受過訓練的技術人員來連接至主電源。

在進行任何工作之前請先關閉電源及瓦斯供應。

安裝時，請遵守適用之建築條例以及當地電力及瓦斯供應商的相關規定。

若要變更瓦斯類型，請聯絡售後服務中心。

⚠ 瓦斯外洩風險!

電器連接瓦斯供應後，請檢查是否有外洩之虞。若瓦斯連接處受到蓄意破壞而造成瓦斯外洩，製造商不負任何責任。

請確保電器安裝環境的通風條件。最大總輸出達11 kW:

- 安裝電器所需的環境最小容積: 20平方公尺
- 有通風口或窗戶之環境。

最大總輸出達18 kW:

- 安裝電器所需的環境最小容積: 每千瓦總輸出需2平方公尺。
- 有通風口或窗戶之環境。
- 通往室外的排油煙機。抽油煙機最小排量: 每千瓦總輸出15平方公尺 / 小時。

注意!

此電器不得連接至煙道。必須依照安裝條件進行連接使用。請勿將電器連接至排氣煙道。必須遵循所有通風法規。

安裝系統必須備有一個全極隔離開關，且接點開口至少間隔3公釐，或是利用安全插頭將本電器連接到主電源。安裝完成後必須能觸及此插頭。

額定銘牌上的電壓資料、瓦斯類型與瓦斯壓力必須符合當地的連接條件。

請勿彎曲或卡住主電源連接線。

本電器符合電器等級3 (適合安裝在櫥櫃)。請根據安裝圖示安裝。在電器後方的壁面必須為不可燃材質。

本電器不適合與外部計時器或外部遙控操作搭配使用。

請不要將本電器安裝在船隻或運輸工具上。

安裝配件

VD 200 020	黑色電器蓋
VV 200 010	不鏽鋼連接條，可用於和其他Vario 200電器組合
VV 200 020	黑色連接條，可用於和其他Vario 200電器組合

請勿使用指定配件以外的物品。若這些配件使用不正確，製造商將不對此負起任何責任。

準備家具

廚房裝置耐熱度必須達到90 °C。鑽孔工作後，必須確保此裝置為安全穩固。

按照安裝圖，在工作檯上為一或多個Vario電器鑽孔。請依照安裝說明進行作業。裁切面與工作檯面之間的夾角必須為90°。

裁切完成後，請清理所有碎屑。把所有裁切出來的表面密封以做到防熱效果。

電器底部距離安裝位置應保持最少10釐米的距離。

安裝多個的Vario電器: 請為連接線VV 200保留所需的額外空間。電器可以安裝在獨立凹槽中，電器間的最小距離需維持40公釐。

安裝電器

1. 安裝前，請先固定不鏽鋼爐蓋VD 200 020 (此特殊配件須另行購買)。
2. 若電器未加蓋，請使用電器提供的蓋子封住後方開口。
3. 把電器水平放入開孔中。然後確實推入開孔。

提示: 電器必須確實固定在開孔中而且無法移動 (例如在清潔時)。如果開口寬度接近可容納範圍的上限，請視需要在裁切部份的兩側加上邊條。

拆除電器

切斷電器的電源與瓦斯供應。從下面將電器向上推。

注意!

損壞風險! 請勿從上方將電器撬開。

瓦斯連接

瓦斯連接的關閉閥門必須位於可觸及的位置。

本電器有兩個連接彎頭 (電器側為G $\frac{1}{2}$ ")。請依所在國家選擇正確的產品:

- ISO 228 G 1/2圓柱體
- EN 10226 R 1/2 圓錐形

使用隨附的連接彎頭與對應密封條，將電器連接上固定電源線或瓦斯安全管。

如果瓦斯安全管非金屬製或僅部分為金屬，則周圍溫度不得超過90 °C。如果瓦斯安全管為金屬製，周圍溫度最高可達115 °C。

瓦斯安全管不可接觸到連接裝置的移動部件 (例如抽屜)，也不可在可能會卡住或受損的地方。

瓦斯安全管不可接觸到爐具、烤箱、洗碗機、冰箱、洗衣機、熱水管、電暖器或其他安裝在瓦斯爐旁或下方的電器。

瓦斯安全管不可磨擦、震動、扭曲或有任何形變。請沿著安裝位置的爐具詳細檢查。

電源連接

連接電器前，請先檢查室內線路。請確保室內線路具備充分的保險絲保護裝置。電器的電壓和頻率必須與符合電線的線路 (請參閱額定銘牌)。

本電器符合保護等級I，需在有保護性接地連接下操作。

線路上必須備有一個全極隔離開關，且接觸距離至少間隔3公釐，或必須透過接地插頭連接。電器安裝完成後必須仍可碰觸到此開關。

我們建議您在電器後方約離地板70公分的高度，依規定安裝一個保護式接地的插座。

只有合資格的電器技術人員才可以安裝插座，而且必須遵守相關法規。

本電器必須使用隨附的電源線連接電源。

請勿彎曲或卡住連接線，或將電源連接線放在高溫的表面上。

此為X型電器: 如果電器的電線受損，必須更換從製造商或售後服務中心購買的特殊電線。

技術規格

連接的總負載量 VG 232 220 CA: 4.9 kW

電力 10.0 W

燃氣種類: NG1/LPG

燃氣壓力: (NG1) 1.5kPa / (LPG) 2.8kPa

必需連接家用電源的額定是AC 110V / 60Hz

使用液化石油氣者，應使用出口壓力為2.8kPa壓力調整器。

更換瓦斯類型

要將電器更換成使用其他類型的瓦斯時，必須由授權專業人士操作。

調整前，請先關閉電源供應和瓦斯供應。

瓦斯爐具的分類標示於額定銘牌上。電器可以使用轉化套件轉化表中所列的任何其他瓦斯類型。

瓦斯類型的更換方式:

- 更換主要噴嘴
- 調整瓦斯閥 (旁通螺絲)

表中顯示對應瓦斯類型的正確組合。

切勿拆下瓦斯閥軸。若出現損壞或是瓦斯轉化不正常，請更換整個瓦斯閥。請聯絡客戶服務中心。

更換主要噴嘴

1. 移除爐架與所有燃燒器零件。
2. 拆下燃燒器上的固定螺絲 (每個燃燒器兩個)。將燃燒器抬起並拆下。
3. 拆下後燃燒器的接地螺絲。小心抬起爐盤並拆下。
4. 移除控制旋鈕。
5. 拆下控制面板燃燒器上的固定螺絲。移除控制面板並拔下控制面板後方的連接線。
6. 更換噴嘴。您可以向我們的售後服務中心購買套筒扳鉗 (訂購編號00424699)。旋緊或鬆開噴嘴時請注意不要損壞噴嘴。
7. 確實旋緊新噴嘴以保持氣密。

調整瓦斯閥

△ 損壞風險!

不要將旁通螺絲鎖得太緊。

如有需要，請使用星形螺絲起子調整旁通螺絲 **M** (請參閱表格) :

up: 旁通螺絲必須和外框的上緣齊平。

down: 旁通螺絲必須完全鎖入。

組裝

1. 連接控制面板後方的連接線。將控制面板放回並平均地鎖入。
2. 裝上控制旋鈕。
3. 將爐盤放回並鎖上後燃燒器上的接地螺絲。
4. 將燃燒器放回並鎖上，確認密封環位置正確。
5. 將燃燒器零件和爐架裝回並確認位置正確。

檢查電器進行瓦斯轉化的效果:

火焰的尖端不是黃色。使用控制旋鈕在最高和最低火力間快速切換，燃燒器不會熄滅且不得出現閃焰。

提示: 在電器的額定銘牌旁貼上寫有新瓦斯類型的貼紙。