

Use and Care
GUIDE

UCVM30RS, UCVM36RS

Masterpiece® Series Downdraft Hood



Table of CONTENTS

ABOUT THIS MANUAL	4	STATEMENT OF LIMITED PRODUCT WARRANTY	13
How This Manual is Organized	4	What this Warranty Covers & Who it Applies to	13
Signal Words for Safety and Best Use	4	How Long the Warranty Lasts.....	13
IMPORTANT SAFETY INSTRUCTIONS.....	4	Repair/Replace as Your Exclusive Remedy	13
General Notes.....	4	Out of Warranty Product	13
Proper Installation and Maintenance.....	5	Warranty Exclusions.....	14
Fire Safety	6	THERMADOR® SUPPORT	14
Child Safety	7	Service.....	14
Cleaning Safety	7	Parts and Accessories	14
State of California Proposition 65 Warnings	7		
Protecting The Environment.....	7		
FEATURES	8		
Filters.....	8		
OPERATING THE APPLIANCE.....	9		
To Raise the Hood Intake Housing	9		
To Lower the Hood Intake Housing.....	9		
Heat Sentry	9		
Downdraft Hood Control Panel.....	9		
Automatic Operation.....	9		
10-Minute Delay Off	9		
Filter Clean Reminder	9		
CLEANING AND MAINTENANCE	10		
To Clean Grease Filters.....	10		
To Clean By Hand	11		
To Clean Intake Housing.....	11		
Cleaning Agents	11		
TROUBLESHOOTING	12		
Troubleshooting Tips.....	12		

This THERMADOR Appliance is made by
BSH Home Appliances Corporation
1901 Main Street, Suite 600
Irvine, CA 92614

Questions?

1-800-735-4328

www.thermador.com

We look forward to hearing from you!

ABOUT THIS MANUAL

How This Manual is Organized

You can get the most out of your new appliance by reading this manual from beginning to end. This way you will systematically get to know your appliance and become familiar with its operation and features.

The manual consists of the following sections:

- The “Safety” section provides information on how to safely operate your appliance.
- “Features” introduces you to the appliance components and features.
- The “Operating the Appliance” section offers you step-by-step instructions on how to operate your downdraft hood.
- “Cleaning and Maintenance” provides you with information on how to clean and care for the various hood parts.
- The “Troubleshooting” section provides do-it-yourself troubleshooting tips.
- The “Customer Service” section provides information on contacting the manufacturer of your hood.
- The “Warranty” section contains information on your product warranty.

Pay special attention to the important safety instructions in the “Safety” section.

Signal Words for Safety and Best Use

▲ WARNING

This indicates that death or serious injuries may occur as a result of non-observance of this warning.

▲ CAUTION

This indicates that minor or moderate injuries may occur as a result of non-observance of this warning.

NOTICE: This indicates that damage to the appliance or property may occur as a result of non-compliance with this advisory.

Note: This alerts you to important information and/or tips.

▲ IMPORTANT SAFETY INSTRUCTIONS

READ AND SAVE THESE INSTRUCTIONS

General notes

Examine the appliance after unpacking it. In the event of transport damage, do not plug it in.

WARNING

TO REDUCE THE RISK OF FIRE, ELECTRIC SHOCK, OR INJURY TO PERSONS, OBSERVE THE FOLLOWING:

- Use this unit only in the manner intended by the manufacturer. If you have questions, contact the manufacturer.
- Before servicing or cleaning unit, switch power off at service panel and lock the service disconnecting means to prevent power from being switched on accidentally.
- When the service disconnecting means cannot be locked, securely fasten a prominent warning device, such as a tag, to the service panel.

WARNING

WARNING – TO REDUCE THE RISK OF FIRE, ELECTRIC SHOCK, OR INJURY TO PERSONS, OBSERVE THE FOLLOWING:

- Installation work and electrical wiring must be done by qualified person(s) in accordance with all applicable codes and standards, including fire-rated construction.
- Sufficient air is needed for proper combustion and exhausting of gases through the flue (chimney) of fuel burning equipment to prevent back drafting. Follow the heating equipment manufacturer’s guideline and safety standards such as those published by the National Fire Protection Association (NFPA), and the American Society for Heating, Refrigeration and Air Conditioning Engineers (ASHRAE), and the local code authorities.
- When cutting or drilling into wall or ceiling, do not damage electrical wiring and other hidden utilities.
- Ducted fans must always be vented to the outdoors.

⚠ IMPORTANT SAFETY INSTRUCTIONS

READ AND SAVE THESE INSTRUCTIONS

WARNING

When properly cared for, your new appliance has been designed to be safe and reliable. Read all instructions carefully before use. These precautions will reduce the risk of burns, electric shock, fire, and injury to persons. When using kitchen appliances, basic safety precautions must be followed, including those in the following pages.

Proper Installation and Maintenance

Have the installer show you the location of the circuit breaker or fuse. Mark it for easy reference.

This appliance must be properly installed and grounded by a qualified technician. Connect only to properly grounded outlet. Refer to Installation Instructions for details.

This appliance is intended for normal family household use only. It is not approved for outdoor use. See the Warranty. If you have any questions, contact the manufacturer.

Do not store or use corrosive chemicals, vapors, flammables or non food products in or near this appliance. It is specifically designed for use when heating or cooking food. The use of corrosive chemicals in heating or cleaning will damage the appliance and could result in injury.

Do not operate this appliance if it is not working properly, or if it has been damaged. Contact an authorized servicer.

Do not repair or replace any part of the appliance unless specifically recommended in this manual. Refer all servicing to a factory authorized service center.

CAUTION

Grease left on filters can melt and move into the vent.

CAUTION

Turn power off at breaker before removing a damaged bulb. Do not touch the bulbs immediately after use. The bulbs will remain hot for several minutes.

Hidden surfaces may have sharp edges. Use caution when reaching behind or under appliance.

WARNING

Tie long hair so that it does not hang loose, and do not wear loose fitting clothing or hanging garments, such as ties, scarves, jewelry, or dangling sleeves.

WARNING

When the hood is operated in exhaust-air mode simultaneously with a different burner which also makes use of the same chimney (such as gas, oil or coal-fired heaters, continuous-flow heaters, hot-water boilers) care must be taken to ensure that there is an adequate supply of fresh air which will be needed by the burner for combustion.

This can be achieved if combustion air can flow through non-lockable openings, e.g. in doors, windows and via the air-intake/exhaust-air wall box or by other technical measures, such as reciprocal interlocking, etc.

WARNING

Avoid carbon monoxide poisoning – Provide adequate air intake so combustion gases are not drawn back into the room.

An air-intake/exhaust-air wall box by itself is no guarantee that the limiting value will not be exceeded.

Note: When assessing the overall requirement, the combined ventilation system for the entire household must be taken into consideration. This rule does not apply to the use of cooking appliances, such as cooktops and ovens.

⚠ IMPORTANT SAFETY INSTRUCTIONS

READ AND SAVE THESE INSTRUCTIONS

Fire Safety

WARNING

Use this appliance only for its intended use as described in this manual. NEVER use this appliance as a space heater to heat or warm the room. Doing so may result in overheating the appliance. Never use the appliance for storage.

Always have a working smoke detector near the kitchen. In the event that personal clothing or hair catches fire, drop and roll immediately to extinguish flames.

Have an appropriate fire extinguisher available, nearby, highly visible and easily accessible near the appliance.

Smother flames from food fires other than grease fires with baking soda. Never use water on cooking fires.

WARNING

TO REDUCE THE RISK OF INJURY TO PERSONS IN THE EVENT OF A RANGE TOP GREASE FIRE, OBSERVE THE FOLLOWING:^a

- a. SMOTHER FLAMES with a close-fitting lid, cookie sheet, or metal tray, then turn off the burner. BE CAREFUL TO PREVENT BURNS. If the flames do not go out immediately, EVACUATE AND CALL THE FIRE DEPARTMENT.
- b. NEVER PICK UP A FLAMING PAN – You may be burned.
- c. DO NOT USE WATER, including wet dishcloths or towels – a violent steam explosion will result.
- d. Use an extinguisher ONLY if:
 - You know you have a Class ABC extinguisher, and you already know how to operate it.
 - The fire is small and contained in the area where it started.
 - The fire department is being called.
 - You can fight the fire with your back to an exit.

^a Based on "Kitchen Fire Safety Tips" published by NFPPA.

Whenever possible, do not operate the ventilation system during a cooktop fire. However, do not reach through fire to turn it off.

WARNING

RISK OF FIRE

When gas burners are in operation without any cookware placed on them, they can build up a lot of heat. A ventilation appliance installed above the cooker may become damaged or catch fire. Only operate the gas burners with cookware on them.

WARNING

RISK OF FIRE

Hot oil and fat catch fire fast. Never leave hot oil and fat unsupervised. Never extinguish a fire with water. Switch off the cooking position. Suffocate flames carefully with a lid, a fire blanket or similar.

WARNING

RISK OF FIRE

Grease deposits in the grease filter can ignite. Clean the grease filter at least every two months. Never operate the appliance without the grease filter.

WARNING

RISK OF FIRE

Grease deposits in the grease filter can catch fire. Never work with a naked flame near the appliance (e.g. flambéing). Install the unit near a heat-producing appliance for solid fuels (e.g. wood or coal) only if there is a closed, non-detachable cover. There must be no flying sparks.

WARNING

RISK OF BURNS

The accessible parts get hot during operation. Never touch hot parts. Keep children away.

⚠ **IMPORTANT SAFETY INSTRUCTIONS**

READ AND SAVE THESE INSTRUCTIONS

Child Safety

When children become old enough to use the appliance, it is the responsibility of the parents or legal guardians to ensure that they are instructed in safe practices by qualified persons.

Do not allow anyone to climb, stand, lean, sit, or hang on any part of an appliance. This can damage the appliance or cause injury.

Cleaning Safety

WARNING

Be sure the entire appliance (including the grease filters and light bulbs, if applicable) has cooled and grease has solidified before attempting to clean any part of the appliance.

Do not use steam cleaners to clean the appliance.

State of California Proposition 65 Warnings

WARNING

This product can expose you to chemicals including vinyl chloride, which is known to the State of California to cause cancer and birth defects or other reproductive harm. For more information go to www.P65Warnings.ca.gov

Protecting The Environment

Unpack the appliance and dispose of the packaging in line with environmental requirements.

⚠ **CAUTION**

Risk of damage due to corrosion. Always turn appliance on when cooking to avoid condensation buildup. Condensation can lead to corrosion damages.

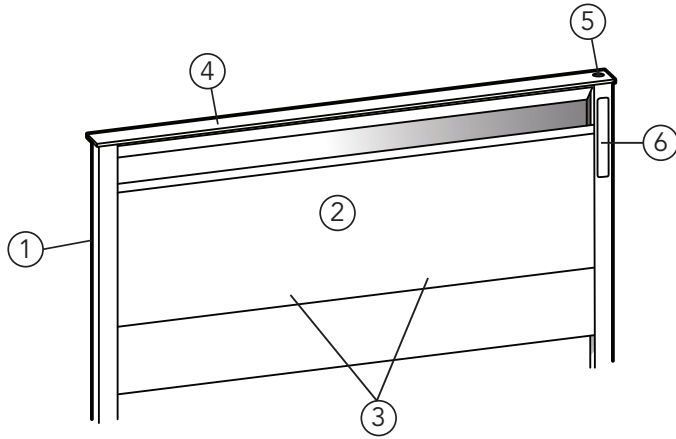
Risk of damage due to moisture entering into the electronic circuitry. Never clean operator controls with a wet cloth.

Surface damage due to incorrect cleaning. Clean stainless steel surfaces in the grind direction only. Do not use any stainless steel cleaners for operator controls. Never use strong or abrasive cleaning agents, since they can cause surface damage.

Risk of damage from condensation back flow. Install exhaust vent at a slight downward slope away from the appliance (1° slope).

FEATURES

The Downdraft Hood takes the place of an overhead hood and can be conveniently hidden away (lowered) when not in use. It has a blower fan that draws the cooking byproducts into the intake housing, through two filters and out of the house or recirculated back into the home with the separate purchase of a recirculation kit.



- ① Hood Intake Housing
- ② Removable Front Panel
- ③ Filters (behind removable front panel)
- ④ Intake Top Cap
- ⑤ Intake Up / Down Pushbutton
- ⑥ Downdraft Hood Control Panel

Ventilation

Note: Ventilation may not exit through an already operational smoke or exhaust chimney, nor a duct used for ventilating furnace installation areas.

If the ventilation is intended to pass through a smoke or exhaust that is not in operation, the responsible area heating inspector must give approval.

If the ventilation passes through an external wall, use a telescoping wall sleeve.

Hood Intake Housing

The hood intake housing, when raised, captures and channels the cooking odors, steam and grease from the cooktop through two filters located within the intake housing.

Filters

The air is cleaned by the filters and conveyed to the building exterior by a series of ducts.

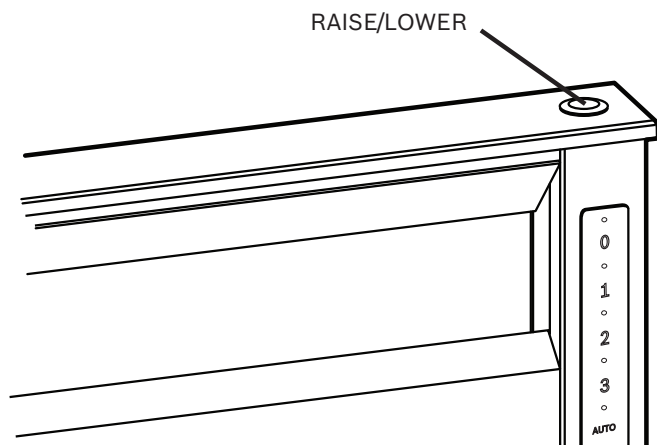
The filters are located at the bottom of the intake housing, behind the removable front panel. They condense and trap the grease in the air.

Filters include protective film that must be removed before use.

OPERATING THE APPLIANCE

Always turn the downdraft blower on before you begin cooking to establish an air flow in the kitchen. Let the blower run for a few minutes to clean the air after you turn the cooktop off. This will keep the whole kitchen cleaner and brighter.

It is recommended to use the rear burners when cooking with tall pots or when the cooking method will generate high amounts of smoke or steam. The combination of using the rear burners and operating the unit at high speed will increase the likelihood that all the smoke and steam will be removed by the downdraft.



To Raise the Hood Intake Housing:

Press and release the push button switch.

Note: Press the push button switch once to raise the intake housing. All previous control functions will be restored.

To Lower the Hood Intake Housing:

Press and release the push button switch.

Note: The hood housing can be lowered without setting any controls to the Off position. All functions will stop and the hood will lower.

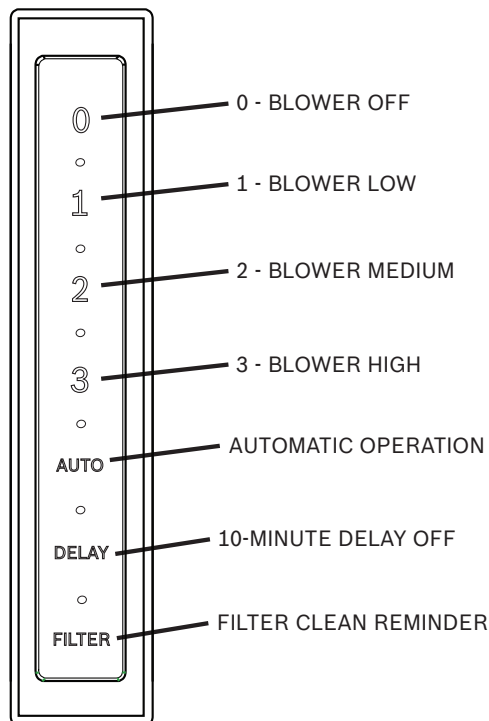
If hood intake housing movement stops:

Locate and remove any obstruction. Press the push button switch again to resume movement.

Over-Temperature Sensor

When the hood detects excessive heat, the auto icon will blink 3 times. The fan will increase in speed to protect sensitive components. The lower speeds will light up and cannot be selected until the hood cools down. Once the hood cools down, the fan will stay on the same speed with only the icon for that speed illuminated. The hood will resume normal operation.

Downdraft Hood Control Panel



All hood controls, located on the right side panel of the intake housing frame, are visible when the hood is raised.

Adjust downdraft hood blower speed:

Press and release 0, 1, 2 or 3 on the control panel to adjust the hood blower speed

- 0 = Off
- 1 = Low
- 2 = Medium
- 3 = High

Automatic Operation:

Press and release **AUTO** on the control panel to activate the AUTO ON feature. When the control senses a high level of heat, the fan will turn on to Medium speed. When the control no longer senses a high level of heat, the fan will turn off.

10-Minute Delay Off:

Touch and release the **DELAY** icon on the control panel to start a 10-minute timer that will shut off the fan set at any speed after 10 minutes.

Filter Clean Reminder:

After 30 hours of accumulated blower run time, the **FILTER** icon on the control panel will begin to blink continuously as a reminder to clean the hood filters.

To reset the reminder timer and turn the **FILTER** icon OFF, touch and hold the **FILTER** icon for 2 or more seconds.

CLEANING AND MAINTENANCE

The efficiency of the downdraft ventilation system depends on the cleanliness of the intake housing and filters. The frequency of cleaning depends on the amount and type of cooking.

Always use the mildest cleaner that will do the job. Use clean, soft cloths, sponges or paper towels.

Use all products according to package directions.

Rub stainless steel finishes in the direction of the grain. Wipe area dry to avoid water marks.

After cleaning, place all parts in their proper positions before using.

Do not use the ventilating system without the filters in place or with grease-laden filters or surfaces.

Do not use steam cleaners to clean the appliance.

Hidden surfaces may have sharp edges. Use caution when reaching behind or under appliance.

⚠ WARNING

To avoid risk of fire and explosion do not use flammable liquids or solvents.

Always unplug or disconnect the appliance from the power supply before servicing.

⚠ WARNING

RISK OF BURNS

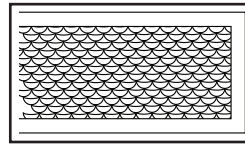
The appliance will become hot when in use. Let cool before cleaning.

⚠ WARNING

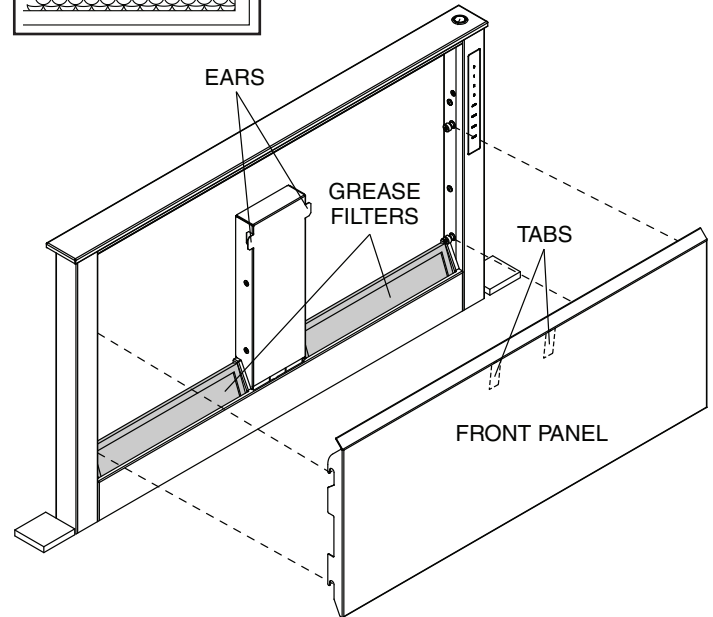
RISK OF ELECTRIC SHOCK

Moisture penetration can cause electric shock. Only clean appliance with a damp cloth. Prior to cleaning, pull the plug or flip the breaker in the fusebox.

To Clean Grease Filters:



For best performance: Replace grease filters with half-moon openings facing out - and in orientation shown.



Remove front panel and take out the (2) grease filters.

⚠ WARNING

RISK OF FIRE

Grease deposits in the grease filter can ignite. Clean the grease filter at least every two months. Never operate the appliance without the grease filter.

Notes:

- Do not use any aggressive, acidic or alkaline cleaning agents.
- DO NOT use abrasive products such as steel wool.
- DO NOT use cellulose sponges. Some sponges are processed with salt and can cause corrosion by leaving salt deposits on the metal.
- DO NOT allow any cleaning compounds to remain in contact with stainless steel for extended periods.
- DO NOT USE CHLORINE-BASED CLEANERS. When cleaning the grease filters, also clean the metal grease filter holder in the appliance with a moist cloth.
- You can clean the grease filters in a dishwasher or by hand.

In the dishwasher:

Note: Slight discoloration is possible when cleaning the grease filters in the dishwasher. This does not affect the grease filter's functioning.

- Do not clean extremely dirty grease filters with dishes.
- Loosely position the grease filter in the dishwasher. The grease filters must not be jammed in.

Replace filters and front panel before using downdraft. Be sure to engage TABS on front panel behind EARS as shown.

CAUTION

- ▲** Failure to engage tabs properly may cause chimney to jam and fail to raise up.
-

To Clean By Hand:

Note: You can use a degreaser if soiling is stubborn. The THERMADOR Stainless Steel Conditioner can be purchased online (US only) at: www.thermador-eshop.com.

NOTICE: The use of brand names is intended only to indicate a type of cleaner. This does not constitute an endorsement. The omission of any brand name cleaner does not imply its adequacy or inadequacy. Many products are regional in distribution and can be found in the local markets. It is imperative that all products be used in strict accordance with instructions on the package.

- Soak the grease filters in hot soapy solution using a mild detergent.
- Use a brush for cleaning and then rinse the filters well.
- Allow the grease filters to drip dry.

Clean and dry intake housing, then reinstall or replace filters before using downdraft.

To Clean Intake Housing:

- Pull front panel up and out.
- Remove both filters.
- Use a mild detergent. **DO NOT USE ABRASIVE CLOTH, STEEL WOOL PADS, OR SCOURING POWDERS.**

Clean and reinstall or replace both filters and install front panel before using downdraft.

NOTICE: The use of brand names is intended only to indicate a type of cleaner. This does not constitute an endorsement. The omission of any brand name cleaner does not imply its adequacy or inadequacy. Many products are regional in distribution and can be found in the local markets. It is imperative that all products be used in strict accordance with instructions on the package.

NOTE: Do not use cooktop while hood is disassembled.

Cleaning Agents

To prevent various surfaces from becoming damaged due to incorrect cleaning agents, follow the specifications given in the table. Do not use:

- cleaning agents that are harsh or scouring,
- cleaning agents with high alcohol content,
- hard scouring pads or sponges,
- high-pressure cleaners or steam cleaners.

Rub stainless steel finishes in the direction of the grain. Wipe area dry to avoid water marks.

After cleaning, place all parts in their proper positions before using.

Thoroughly rinse all new sponges before use.

Observe all instructions and warnings accompanying cleaning agents.

Area	Cleaning agents
Stainless steel	Warm soapy water: Clean with a dish rag and dry with a soft towel. Only clean stainless steel with the grain. Specific products for stainless steel care are available from customer service or from specialized retailers. Apply a thin layer of the care product with a soft cloth.
Varnished surfaces	Warm soapy water: Clean with a damp dish rag and dry with a soft towel. Do not use stainless steel cleaner.
Aluminum and plastic	Glass cleaner: Clean with a soft cloth.
Glass	Glass cleaner: Clean with a soft cloth. Do not use a glass scraper.
Controls	Warm soapy water: Clean with a damp dish rag and dry with a soft towel. Risk of damage to electronics due to moisture penetration. Never clean controls with a wet cloth. Do not use stainless steel cleaner.

TROUBLESHOOTING

You can often easily eliminate problems that may occur on your own. Before calling customer service, take into account the following information.

⚠ WARNING

RISK OF ELECTRIC SHOCK

Improper repairs are dangerous. Only an authorized servicer may perform repairs and may replace damaged wiring. Unplug the appliance or switch power off at the service panel if the appliance needs servicing. Call an authorized servicer.

Toubleshooting Tips:

- If the downdraft stops working, check the power cord and the connections to the electrical boxes, a connection may have come loose.
- If the downdraft unit stops working or the unit malfunctions, unplug the unit, wait 30 seconds, and plug it back in to reset.
- If gas burners click or go out on low when the downdraft is operating, check that the blower and ductwork below are properly sealed.
- If the front cover rattles, slide it left or right. The tolerance is to allow for heating and simple removal.
- If an obstruction is placed into the unit, the safety mechanism will activate. Remove the obstruction and the unit should reset. If not, lift up on the unit and release.

STATEMENT OF LIMITED PRODUCT WARRANTY

What this Warranty Covers & Who it Applies to

The limited warranty provided by BSH Home Appliances Corporation ("BSH") in this Statement of Limited Product Warranty applies only to the THERMADOR® appliance ("Product") sold to you, the first using purchaser, provided that the Product was purchased:

For your normal, household (non-commercial) use, and has in fact at all times only been used for normal household purposes.

New at retail (not a display, "as is", or previously returned model), and not for resale, or commercial use.

Within the United States or Canada, and has at all times remained within the country of original purchase.

The warranties stated herein apply only to the first purchaser of the Product and are not transferable.

BSH reserves the right to request proof of purchase at the time any warranty claim is submitted to confirm that the Product falls within the scope of this limited product warranty.

Please make sure to return your registration card; while not necessary to effectuate warranty coverage, it is the best way for BSH to notify you in the unlikely event of a safety notice or product recall.

How Long the Warranty Lasts

BSH warrants that the Product is free from defects in materials and workmanship for a period of seven hundred and thirty (730) days from the date of purchase.

The foregoing timeline begins to run upon the date of purchase, and shall not be stalled, tolled, extended, or suspended, for any reason whatsoever.

This Product is also warranted to be free from cosmetic defects in material and workmanship (such as scratches of stainless steel, paint/porcelain blemishes, chip, dents, or other damage to the finish) of the Product, for a period of thirty (30) days from the date of purchase or closing date for new construction. This cosmetic warranty excludes slight color variations due to inherent differences in painted and porcelain parts, as well as differences caused by kitchen lighting, product location, or other similar factors. This cosmetic warranty specifically excludes any display, floor, "As Is", or "B" stock appliances.

Repair/Replace as Your Exclusive Remedy

During this warranty period, BSH or one of its authorized service providers will repair your Product without charge to you (subject to certain limitations stated herein) if your Product proves to have been manufactured with a defect in materials or workmanship. If reasonable attempts to repair the Product have been made without success, then BSH will replace your Product (upgraded models may be available to you, in BSH's sole discretion, for an additional charge). All removed parts and components shall become the property of BSH at its sole option. All replaced and/or repaired parts shall assume the identity of the original part for purposes of this warranty and this warranty shall not be extended with respect to such parts. BSH's sole liability and responsibility hereunder is to repair manufacturer-defective Product only, using a BSH-authorized service provider during normal business hours. For safety and property damage concerns, BSH highly recommends that you do not attempt to repair the Product yourself, or use an un-authorized servicer; BSH will have no responsibility or liability for repairs or work performed by a non-authorized servicer. If you choose to have someone other than an authorized service provider work on your Product, THIS WARRANTY WILL AUTOMATICALLY BECOME NULL AND VOID. Authorized service providers are those persons or companies that have been specially trained on BSH products, and who possess, in BSH's opinion, a superior reputation for customer service and technical ability (note that they are independent entities and are not agents, partners, affiliates or representatives of BSH). Notwithstanding the foregoing, BSH will not incur any liability, or have responsibility, for the Product if it is located in a remote area (more than 100 miles from an authorized service provider) or is reasonably inaccessible, hazardous, threatening, or treacherous locale, surroundings, or environment; in any such event, if you request, BSH would still pay for labor and parts and ship the parts to the nearest authorized service provider, but you would still be fully liable and responsible for any travel time or other special charges by the service company, assuming they agree to make the service call.

Out of Warranty Product

BSH is under no obligation, at law or otherwise, to provide you with any concessions, including repairs, prorates, or Product replacement, once this warranty has expired.

Warranty Exclusions

The warranty coverage described herein excludes all defects or damage that are not the direct fault of BSH, including without limitation, one or more of the following:

Use of the Product in anything other than its normal, customary and intended manner (including without limitation, any form of commercial use, use or storage of an indoor product outdoors, use of the Product in conjunction with air or water-going vessels).

Any party's willful misconduct, negligence, misuse, abuse, accidents, neglect, improper operation, failure to maintain, improper or negligent installation, tampering, failure to follow operating instructions, mishandling, unauthorized service (including selfperformed "fixing" or exploration of the appliance's internal workings).

Adjustment, alteration or modification of any kind.

A failure to comply with any applicable state, local, city, or county electrical, plumbing and/or building codes, regulations, or laws, including failure to install the product in strict conformity with local fire and building codes and regulations.

Ordinary wear and tear, spills of food, liquid, grease accumulations, or other substances that accumulate on, in, or around the Product.

Any external, elemental and/or environmental forces and factors, including without limitation, rain, wind, sand, floods, fires, mud slides, freezing temperatures, excessive moisture or extended exposure to humidity, lightning, power surges, structural failures surrounding the appliance, and acts of God.

In no event shall BSH have any liability or responsibility whatsoever for damage to surrounding property, including cabinetry, floors, ceilings, and other structures or objects around the Product. Also excluded from this warranty are: Products on which the serial numbers have been

altered, defaced, or removed; service visits to teach you how to use the Product, or visits where there is nothing wrong with the Product; correction of installation problems (you are solely responsible for any structure and setting for the Product, including all electrical, plumbing or other connecting facilities, for proper foundation/flooring, and for any alterations including without limitation cabinetry, walls, floors, shelving, etc.); and resetting of breakers or fuses.

TO THE EXTENT ALLOWED BY LAW, THIS WARRANTY SETS OUT YOUR EXCLUSIVE REMEDIES WITH RESPECT TO PRODUCT, WHETHER THE CLAIM ARISES IN CONTRACT OR TORT (INCLUDING STRICT LIABILITY, OR NEGLIGENCE) OR OTHERWISE. THIS WARRANTY IS IN LIEU OF ALL OTHER WARRANTIES, WHETHER EXPRESS OR IMPLIED. ANY WARRANTY IMPLIED BY LAW, WHETHER FOR MERCHANTABILITY OR FITNESS FOR A PARTICULAR PURPOSE, OR OTHERWISE, SHALL BE EFFECTIVE ONLY FOR THE PERIOD THAT THIS EXPRESS LIMITED WARRANTY IS EFFECTIVE. IN NO EVENT WILL THE MANUFACTURER BE LIABLE FOR CONSEQUENTIAL, SPECIAL, INCIDENTAL, INDIRECT, "BUSINESS LOSS", AND/OR PUNITIVE DAMAGES, LOSSES, OR EXPENSES, INCLUDING WITHOUT LIMITATION TIME AWAY FROM WORK, HOTELS AND/ OR RESTAURANT MEALS, REMODELLING EXPENSES IN EXCESS OF DIRECT DAMAGES WHICH ARE DEFINITELY CAUSED EXCLUSIVELY BY BSH, OR OTHERWISE. SOME STATES DO NOT ALLOW THE EXCLUSION OR LIMITATION OF INCIDENTAL OR CONSEQUENTIAL DAMAGES, AND SOME STATES DO NOT ALLOW LIMITATIONS ON HOW LONG AN IMPLIED WARRANTY LASTS, SO THE ABOVE LIMITATIONS MAY NOT APPLY TO YOU. THIS WARRANTY GIVES YOU SPECIFIC LEGAL RIGHTS, AND YOU MAY ALSO HAVE OTHER RIGHTS WHICH VARY FROM STATE TO STATE.

No attempt to alter, modify or amend this warranty shall be effective unless authorized in writing by an officer of BSH.

THERMADOR® SUPPORT

Before Calling Service

See the Use and Care Manual for troubleshooting information. Refer to the "Statement of Limited Product Warranty".

To reach a service representative, see the contact information at the front of the manual. Please be prepared with the information printed on your product data label when calling.

Data Label

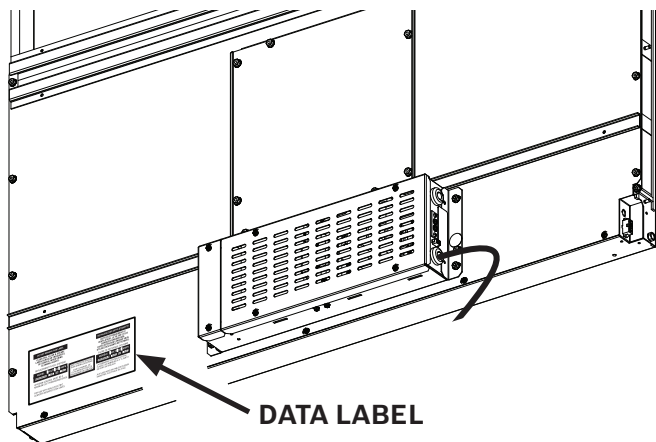
The data label shows the model and serial number. Refer to the data plate on the appliance when requesting service.

The data label can be found on the front / lower / left of the downdraft housing.

To avoid having to search for each piece of information when calling, you can enter the four items needed in the spaces below.

Model No.	
Serial No.	
Date of Purchase	
Customer Service No.	

Keep your invoice or escrow papers for warranty validation if service is needed.



Service

We realize that you have made a considerable investment in your kitchen. We are dedicated to supporting you and your appliance so that you have many years of creative cooking.

Please don't hesitate to contact our STAR® Customer Support Department if you have any questions or in the unlikely event that your THERMADOR® appliance needs service. Our service team is ready to assist you.

USA

800-735-4328
www.thermador.com/support

Canada

800-735-4328
www.thermador.ca

Parts and Accessories

Parts, filters, descalers, stainless steel cleaners and more can be purchased in the THERMADOR® eShop or by phone.

USA

<http://store.thermador.com/us>

Canada

- If you live in any of the Atlantic provinces, Ontario or Québec, contact: **Marcone 1.800.287.1627**
- If you live in any of the Territories, Manitoba, Saskatchewan, Alberta, or British Columbia, contact: **Reliable Parts 1.800.663.6060**

Table des MATIÈRES

À PROPOS DE CE MANUEL	16	AVIS DE GARANTIE LIMITÉE DU PRODUIT	25
Organisation du manuel	16	Clauses de la garantie et les personnes auxquelles elle s'applique	25
Mots indicateurs pour la sécurité et l'utilisation adéquate.....	16	Durée de la garantie.....	25
CONSIGNES DE SÉCURITÉ IMPORTANTES.....	16	Réparation ou remplacement comme seul recours.....	25
Généralités	16	Produit non couvert par la garantie.....	25
Installation adéquate et entretien	17	Exclusions de garantie.....	26
Sécurité incendie	18	ASSISTANCE TECHNIQUE THERMADOR®.....	26
Sécurité de l'enfant	19	Service	26
Sécurité lors du nettoyage	19	Pièces et accessoires	26
Avertissements relatifs à la proposition 65 de l'État de Californie.....	19		
Protection de l'environnement.....	19		
CARACTÉRISTIQUES.....	20		
Filtres	20		
UTILISATION DE L'APPAREIL	21		
Pour relever le boîtier d'admission du ventilateur.....	21		
Pour abaisser le boîtier d'admission du ventilateur	21		
Thermostat Heat Sentry	21		
Panneau de commande de la hotte à tirage descendant	21		
Fonctionnement automatique.....	21		
Arrêt différé de 10 minutes	21		
Rappel de nettoyage des filtres	21		
NETTOYAGE ET ENTRETIEN.....	22		
Nettoyage des filtres à graisses	22		
Nettoyage à la main	23		
Nettoyage du boîtier d'admission.....	23		
Agents de nettoyage.....	23		
DÉPANNAGE	24		
Conseils de dépannage.....	24		

Cet appareil THERMADOR est fabriqué par

BSH Home Appliances Corporation

1901 Main Street, Suite 600

Irvine, CA 92614 États-Unis

Des questions?

1-800-735-4328

www.thermador.com

N'hésitez pas à communiquer avec nous!

À PROPOS DE CE MANUEL

Organisation du manuel

Merci de lire intégralement le présent manuel afin d'optimiser l'utilisation de votre nouvel appareil. Cela vous permet de connaître systématiquement votre appareil et de vous familiariser avec son fonctionnement et ses caractéristiques.

Le manuel comprend les sections suivantes :

- La section « Sécurité » fournit des renseignements pour une utilisation sécuritaire de l'appareil.
- La section « Caractéristiques » présente les composants et les fonctionnalités de l'appareil.
- La section « Utilisation de l'appareil » fournit des instructions détaillées sur l'utilisation de votre hotte.
- La section « Nettoyage et entretien » fournit des renseignements sur le nettoyage et l'entretien des différentes pièces de la hotte.
- La section « Dépannage » donne des conseils de dépannage à effectuer soi-même.
- La section « Service à la clientèle » fournit des renseignements sur la manière de communiquer avec le fabricant de votre hotte.
- La section « Garantie » contient des renseignements sur la garantie du produit.

Accordez une attention particulière aux importantes consignes de sécurité dans la section « Sécurité ».

Mots indicateurs pour la sécurité et une meilleure utilisation

⚠ AVERTISSEMENT

Ceci indique que le non-respect de cet avertissement peut causer des blessures graves ou la mort.

⚠ ATTENTION

Ceci indique que le non-respect de cet avertissement peut causer des blessures légères ou modérées.

AVIS : Ceci indique que le non-respect de cet avertissement peut entraîner des dommages matériels.

Remarque : Ceci vous avertit de renseignements ou conseils importants.

⚠ CONSIGNES DE SÉCURITÉ IMPORTANTES

LISEZ CES DIRECTIVES ET CONSERVEZ-LES

Généralités

Inspectez l'appareil après l'avoir déballé. S'il a été endommagé durant le transport, ne le branchez pas.

AVERTISSEMENT

OBSERVEZ LES DIRECTIVES CI-DESSOUS AFIN DE RÉDUIRE LES RISQUES D'INCENDIE, DE CHOC ÉLECTRIQUE OU DE BLESSURES CORPORELLES :

- N'utilisez cet appareil que de la manière prévue par le fabricant. Si vous avez des questions, communiquez avec le fabricant.
- Avant de procéder à l'entretien ou au nettoyage de l'appareil, coupez l'alimentation du panneau électrique et verrouillez l'interrupteur principal afin d'empêcher que le courant ne soit accidentellement rétabli.
- S'il est impossible de verrouiller l'interrupteur principal, fixez solidement un message d'avertissement, par exemple une étiquette, sur le panneau électrique.

AVERTISSEMENT

AVERTISSEMENT – OBSERVEZ LES DIRECTIVES CI-DESSOUS AFIN DE RÉDUIRE LES RISQUES D'INCENDIE, DE CHOC ÉLECTRIQUE OU DE BLESSURES CORPORELLES :

- La pose de l'appareil et les travaux d'électricité doivent être effectués par des personnes qualifiées en respectant la réglementation en vigueur, notamment les codes et les normes de la construction ayant trait à la résistance au feu.
 - Pour éviter les refoulements, l'apport d'air doit être suffisant pour brûler les gaz produits par les appareils à combustion et les évacuer dans le conduit de fumée (cheminée). Respectez les directives du fabricant de l'appareil de chauffage et les normes de sécurité, notamment celles publiées par la National Fire Protection Association (NFPA), l'American Society for Heating, Refrigeration and Air Conditioning Engineers (ASHRAE) et les codes des autorités locales.
 - Veillez à ne pas endommager le câblage électrique ou d'autres équipements non apparents lors de la découpe ou du perçage du mur ou du plafond.
 - Les ventilateurs canalisés doivent toujours rejeter l'air à l'extérieur.
-

⚠ CONSIGNES DE SÉCURITÉ IMPORTANTES

LISEZ CES DIRECTIVES ET CONSERVEZ-LES

AVERTISSEMENT

Lorsqu'il est bien entretenu, votre nouvel appareil est conçu pour être sécuritaire et fiable. Lisez attentivement ces instructions avant d'utiliser l'appareil. Ces précautions réduiront les risques de brûlures, de chocs électriques, d'incendie et de blessures. Lorsque vous utilisez des appareils électroménagers, il est indispensable de suivre des précautions de sécurité de base, notamment celles indiquées dans les pages suivantes.

Installation adéquate et entretien

Demandez à l'installateur de vous indiquer l'emplacement du disjoncteur ou du fusible. Marquez-le pour le repérer facilement.

Faites appel à un technicien qualifié pour installer correctement l'appareil et effectuer la mise à la terre. Branchez-le uniquement à une prise correctement mise à la terre. Consultez les instructions d'installation pour obtenir plus de détails.

Cet appareil est prévu pour une utilisation normale dans un foyer uniquement. Il n'est pas homologué pour une utilisation à l'extérieur. Consultez la garantie. Si vous avez des questions, communiquez avec le fabricant.

N'utilisez et ne rangez pas des produits chimiques corrosifs, des produits émettant des vapeurs, des produits inflammables ou des produits non alimentaires dans ou à proximité de l'appareil. Il est spécialement conçu pour être utilisé durant le réchauffage ou la cuisson d'aliments. L'utilisation de produits chimiques corrosifs lors du chauffage ou du nettoyage détériore l'appareil et peut causer des blessures.

N'utilisez pas cet appareil s'il est défectueux ou endommagé. Communiquez avec un centre de réparation agréé.

Ne réparez ou ne remplacez aucune pièce de l'appareil à moins que ce manuel ne le recommande spécifiquement. Confiez l'entretien à un centre de réparation agréé par l'usine.

ATTENTION

Les graisses résiduelles sur les filtres peuvent fondre et passer dans le conduit.

ATTENTION

Coupez l'alimentation au disjoncteur avant de retirer une ampoule grillée. Ne touchez pas les ampoules immédiatement après usage. Les ampoules resteront chaudes pendant plusieurs minutes.

Les surfaces masquées peuvent comporter des arêtes tranchantes. Soyez prudent lorsque vous travaillez sur l'arrière ou le dessous de l'appareil.

AVERTISSEMENT

Attachez les cheveux longs pour qu'ils ne pendent pas, et ne portez pas de vêtements amples ou de vêtements suspendus, tels que des cravates, des foulards, des bijoux ou des manches qui pendent.

AVERTISSEMENT

Lorsque la hotte est utilisée en mode d'évacuation d'air simultanément avec un autre appareil qui utilise la même cheminée (par exemple des brûleurs au gaz, au pétrole ou au charbon, des brûleurs à flux continu ou des chaudières), il est important de vous assurer d'une alimentation adéquate de l'appareil en air frais nécessaire pour la combustion. C'est le cas si l'air de combustion peut circuler par des ouvertures non verrouillables, par exemple dans les portes, les fenêtres ou à travers une boîte murale d'admission ou d'évacuation d'air ou par d'autres moyens techniques, par exemple un mécanisme à verrouillage réciproque, etc.

AVERTISSEMENT

Évitez une intoxication au monoxyde de carbone. Fournissez une entrée d'air adéquate afin que les gaz de combustion ne puissent revenir dans la pièce.

Un boîtier mural d'admission ou d'évacuation d'air ne garantit pas en soi que la valeur limite ne sera pas dépassée.

Remarque : Lors de l'évaluation de l'ensemble des exigences, il est important de considérer tout le système de ventilation de la maison. Cette règle ne s'applique pas à l'utilisation d'appareils de cuisine, par exemple des surfaces de cuisson ou des fours.

⚠ CONSIGNES DE SÉCURITÉ IMPORTANTES

LISEZ CES DIRECTIVES ET CONSERVEZ-LES

Sécurité incendie

AVERTISSEMENT

Utilisez cet appareil uniquement aux fins auxquelles il a été conçu, tel qu'indiqué dans ce manuel. N'utilisez JAMAIS cet appareil comme appareil de chauffage individuel pour chauffer ou réchauffer la pièce. Cela pourrait donner lieu à la surchauffe de l'appareil. N'utilisez jamais l'appareil pour le rangement.

Ayez toujours un détecteur de fumée fonctionnel près de la cuisine. Si vos vêtements ou vos cheveux prennent feu, roulez-vous par terre immédiatement pour éteindre les flammes.

Assurez-vous d'avoir à portée de main un extincteur, bien visible et facilement accessible près de l'appareil.

Étouffez les flammes des incendies d'aliments autres que des feux de graisse avec du bicarbonate de sodium. N'utilisez jamais de l'eau sur un feu de cuisine.

AVERTISSEMENT

OBSERVEZ LES CONSIGNES SUIVANTES DE MANIÈRE À RÉDUIRE LES RISQUES DE BLESSURES CORPORELLES EN CAS D'INCENDIE CAUSÉ PAR DE LA GRAISSE SUR LA SURFACE DE CUISSON :^a

- a. **ÉTOUFFEZ LES FLAMMES** à l'aide d'un couvercle étanche, d'une tôle à biscuits ou d'un plateau en métal puis éteignez le brûleur. FAITES ATTENTION DE NE PAS VOUS BRÛLER. Si les flammes ne s'éteignent pas immédiatement, QUITTEZ LES LIEUX ET APPELEZ LE SERVICE DES INCENDIES.
- b. **NE SOULEVEZ JAMAIS UNE CASSEROLE EN FLAMMES** – vous pourriez vous brûler.
- c. **N'UTILISEZ PAS D'EAU**, ni de serviettes ou de linges mouillés – une violente explosion de vapeur pourrait survenir.
- d. Utilisez un extincteur SEULEMENT si :
 - Vous savez qu'il est de classe ABC et vous connaissez déjà son mode de fonctionnement.
 - L'incendie n'est pas très important et ne se propage pas.
 - Vous avez déjà téléphoné au service des incendies.
 - Vous pouvez combattre l'incendie en faisant dos à une sortie.

^a Conseils tirés de la publication de la NFPA « Kitchen Fire Safety Tips ».

Dans la mesure du possible, n'utilisez pas le système de ventilation en cas de feu sur la surface de cuisson. Cependant, ne traversez pas le feu pour l'éteindre.

AVERTISSEMENT

RISQUE D'INCENDIE

Lorsque les brûleurs à gaz sont actionnés sans aucun ustensile de cuisine placé dessus, ils peuvent produire une chaleur intense. Un appareil de ventilation installé au-dessus de la cuisinière peut être endommagé ou prendre feu. N'utilisez les brûleurs que lorsque des ustensiles de cuisine sont placés dessus.

AVERTISSEMENT

RISQUE D'INCENDIE

L'huile et la graisse chaudes prennent feu rapidement. Ne laissez jamais de l'huile et de la graisse chaudes sans surveillance. N'éteignez jamais un feu avec de l'eau. Éteignez l'élément de cuisson. Étouffez prudemment les flammes à l'aide d'un couvercle, d'une couverture antifeu ou d'un accessoire similaire.

AVERTISSEMENT

RISQUE D'INCENDIE

Les dépôts de graisse dans le filtre à graisses peuvent prendre feu. Nettoyez le filtre à graisses au moins tous les deux mois. N'utilisez jamais l'appareil sans filtre à graisses.

AVERTISSEMENT

RISQUE D'INCENDIE

Les dépôts de graisse dans le filtre à graisses peuvent s'enflammer. Ne travaillez jamais avec des flammes nues près de l'appareil (par ex. pour des flambées). N'installez l'unité près d'un appareil qui produit de la chaleur avec des combustibles solides (par ex. du bois ou charbon) qu'en présence d'un couvercle fermé et fixe. Il ne doit pas y avoir production d'étincelles.

AVERTISSEMENT

RISQUE DE BRÛLURES

Les pièces accessibles chauffent en cours d'utilisation. Ne touchez jamais les pièces chaudes. Éloignez les enfants.

▲ CONSIGNES DE SÉCURITÉ IMPORTANTES

LISEZ CES DIRECTIVES ET CONSERVEZ-LES

Sécurité de l'enfant

Lorsque des enfants sont en âge d'utiliser l'appareil, il incombe aux parents ou aux tuteurs légaux de veiller à ce que des personnes qualifiées leur enseignent les pratiques sécuritaires.

Ne laissez personne monter, se tenir debout, s'allonger, s'asseoir sur l'appareil ou se pendre à une pièce de l'appareil. Cela peut endommager l'appareil ou causer des blessures.

Sécurité lors du nettoyage

AVERTISSEMENT

Assurez-vous que l'ensemble de l'appareil (notamment les filtres à graisses et les ampoules, le cas échéant) est refroidi et que la graisse est solidifiée avant de nettoyer les pièces de l'appareil.

N'utilisez pas de nettoyeurs à vapeur pour nettoyer l'appareil.

Avertissements relatifs à la proposition 65 de l'État de Californie

AVERTISSEMENT

Ce produit contient des produits chimiques, notamment du chlorure de vinyle, répertoriés par l'État de Californie comme pouvant causer le cancer, des malformations congénitales ou d'autres anomalies de la reproduction. Pour plus de détails, consultez www.P65Warnings.ca.gov

Protection de l'environnement

Déballez l'appareil et mettez l'emballage au rebut conformément aux exigences environnementales.

▲ ATTENTION

Risque de dommages dus à la corrosion. Mettez toujours l'appareil en marche lorsque vous cuisinez pour éviter l'accumulation de condensation. La condensation peut entraîner des dommages dus à la corrosion.

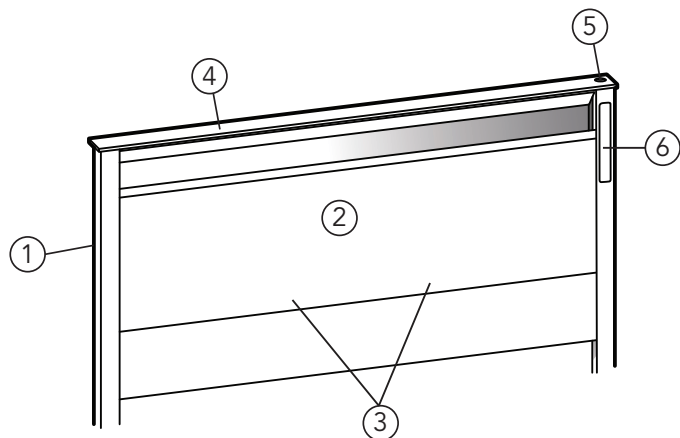
Risque de dommages dû à l'humidité pénétrant dans les circuits électroniques. Ne nettoyez jamais le panneau de commande avec un chiffon humide.

Domages à la surface en cas de nettoyage non adapté. Nettoyez les surfaces en acier inoxydable dans le sens du grain uniquement. N'utilisez pas de nettoyeurs pour l'acier inoxydable sur le panneau de commande. N'utilisez jamais de nettoyeurs forts ou abrasifs, au risque d'endommager la surface.

Risque de dommages causés par un refoulement de la condensation. Installez le conduit de sortie de manière à ce qu'il soit légèrement incliné par rapport à l'appareil (inclinaison de 1°).

CARACTÉRISTIQUES

La hotte encastrée remplace une hotte surélevée et peut être aisément dissimulée (abaissée) lorsqu'elle n'est pas utilisée. Elle est munie d'un ventilateur qui attire les résidus de cuisson dans le boîtier d'admission, à travers deux filtres puis les fait sortir de la maison ou les renvoie dans la maison au moyen d'un kit de recirculation acheté séparément



- ① Boîtier d'admission de la hotte
- ② Panneau avant amovible
- ③ Filtres (derrière le panneau avant amovible)
- ④ Capot supérieur d'admission
- ⑤ Bouton-poussoir de relèvement/abaissement de l'admission
- ⑥ Panneau de commande de la hotte à tirage descendant

Boîtier d'admission de la hotte

Lorsqu'il est relevé, le boîtier d'admission de la hotte capte et dirige les odeurs de cuisine, la vapeur et la graisse de la surface de cuisson à travers deux filtres situés à l'intérieur du boîtier.

Filtres

L'air est purifié par les filtres et acheminé vers l'extérieur du bâtiment par une série de conduits.

Les filtres sont situés dans la partie inférieure du boîtier d'admission, derrière le panneau avant amovible. Ils servent à condenser et à retenir la graisse dans l'air.

Les filtres comprennent un film protecteur qui doit être retiré avant toute utilisation.

Ventilation

Remarque : Il est possible que la ventilation ne sorte pas par une cheminée ou un conduit d'évacuation de fumée déjà en service, ni par un conduit utilisé pour la ventilation des zones d'installation d'appareils de chauffage.

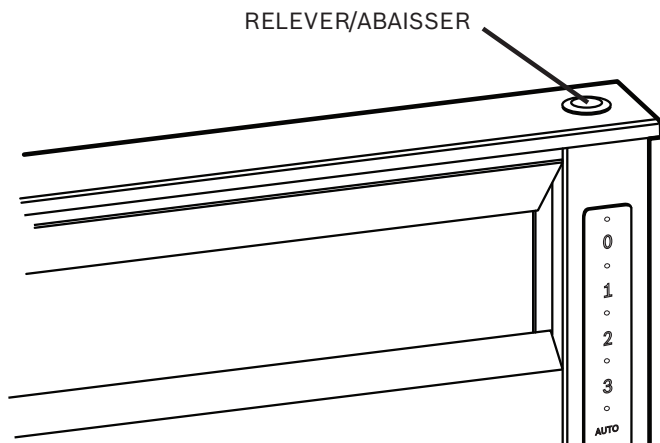
S'il est prévu de faire passer la ventilation par un conduit de fumée ou d'évacuation qui n'est pas en service, il faut l'autorisation de l'inspecteur responsable de la zone de chauffage.

Si la ventilation traverse une cloison extérieure, utilisez un manchon mural télescopique.

UTILISATION DE L'APPAREIL

Mettez toujours la hotte en marche avant de commencer à cuisiner afin d'établir une circulation d'air dans la cuisine. Laissez le ventilateur fonctionner quelques minutes après l'arrêt de la cuisinière afin de nettoyer l'air. Ceci contribuera à maintenir la propreté de toute la cuisine.

Il est recommandé d'utiliser les brûleurs arrière pour cuisiner avec des ustensiles hauts ou lorsque la méthode de cuisson produit beaucoup de fumée ou de vapeur. L'utilisation combinée des brûleurs arrière et du ventilateur à haut régime facilitera l'évacuation de la fumée et de la vapeur par la hotte encastrée.



Pour relever le boîtier d'admission de la hotte :

Appuyez brièvement sur le bouton-poussoir.

Remarque : Appuyez une fois sur le bouton-poussoir pour relever le boîtier d'admission. Toutes les fonctions précédentes seront rétablies.

Pour abaisser le boîtier d'admission de la hotte :

Appuyez brièvement sur le bouton-poussoir.

Remarque : Le boîtier de la hotte peut être abaissé sans mettre les commandes en position Off (arrêt). Toutes les fonctions s'arrêteront et le ventilateur s'abaissera.

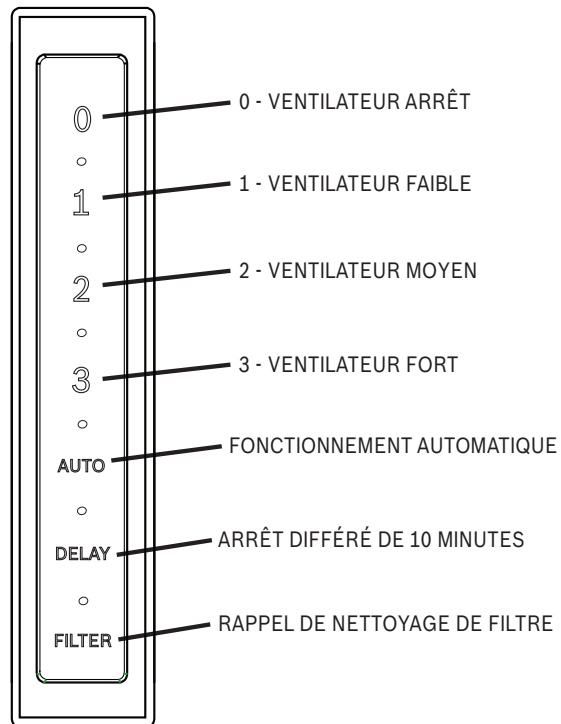
En cas d'arrêt du mouvement du boîtier d'admission du ventilateur :

Localisez toute obstruction éventuelle et éliminez-la. Appuyez à nouveau sur le bouton-poussoir pour rétablir le mouvement.

Capteur de température excessive

Lorsque la hotte détecte une chaleur excessive, l'icône « auto » clignote 3 fois. La vitesse du ventilateur augmente pour protéger les composants sensibles. Les voyants des vitesses inférieures s'allument et ne peuvent pas être sélectionnés avant que la hotte ne soit refroidie. Une fois la hotte refroidie, le ventilateur maintient la même vitesse et seule l'icône de cette vitesse est allumée. Le fonctionnement normal de la hotte reprend.

Panneau de commande de la hotte encastrée



Toutes les commandes de la hotte, situées sur le panneau de droite du boîtier d'admission, sont visibles lorsque la hotte est relevée.

Réglage de la vitesse du ventilateur de la hotte encastrée:

Appuyez brièvement sur 0, 1, 2 ou 3 sur le panneau de commande pour régler la vitesse du ventilateur de la hotte encastrée.

- 0 = Arrêt
- 1 = Vitesse lente
- 2 = Vitesse moyenne
- 3 = Vitesse rapide

Fonctionnement automatique :

Appuyez brièvement sur **AUTO** sur le panneau de commande pour activer la fonction **AUTO ON** (automatique). Lorsque la commande capte une température élevée, le ventilateur se met en marche à vitesse moyenne. Lorsque la commande ne capte plus de température élevée, le ventilateur s'arrête.

Arrêt différé de 10 minutes :

Touchez brièvement l'icône **DELAY** (délai) sur le panneau de commande pour mettre en marche une minuterie de 10 minutes qui arrêtera le ventilateur réglé sur n'importe quelle vitesse au bout de 10 minutes.

Rappel de nettoyage des filtres :

Au bout de 30 heures de fonctionnement du ventilateur, l'icône **FILTER** (filtre) du panneau de commande se mettra à clignoter en continu pour vous rappeler de nettoyer les filtres de la hotte.

Pour remettre la minuterie de rappel à zéro et ÉTEINDRE l'icône de **FILTRE**, appuyez en continu sur l'icône de **FILTRE** pendant 2 secondes ou plus.

NETTOYAGE ET ENTRETIEN

Le rendement du système de ventilation à tirage descendant dépend de la propreté du boîtier d'admission et des filtres. La fréquence du nettoyage dépend de la fréquence et du type de cuisine.

Utilisez toujours le nettoyant le plus doux capable d'agir efficacement. Utilisez des chiffons, éponges et essuie-tout propres et doux.

Utilisez tous les produits conformément aux instructions figurant sur l'emballage.

Frottez les surfaces finies en acier inoxydable dans le sens du grain. Séchez la surface pour éviter les traces d'eau.

Après le nettoyage, mettez toutes les pièces dans leurs positions appropriées avant d'utiliser l'appareil.

N'utilisez pas le système de ventilation si les filtres ne sont pas en place ou lorsque les filtres et les surfaces sont chargés de graisse.

N'utilisez pas de nettoyeurs à vapeur pour nettoyer l'appareil.

Les surfaces masquées peuvent comporter des arêtes tranchantes. Soyez prudent lorsque vous travaillez sur l'arrière ou le dessous de l'appareil.

⚠ AVERTISSEMENT

Pour éviter tout risque d'incendie et d'explosion, n'utilisez pas de liquides ou solvants inflammables. Débranchez ou déconnectez toujours l'alimentation de l'appareil avant de procéder à son entretien.

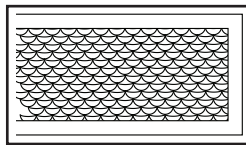
⚠ AVERTISSEMENT

RISQUE DE BRÛLURES
L'appareil devient brûlant au cours de son utilisation. Laissez-le refroidir avant de le nettoyer.

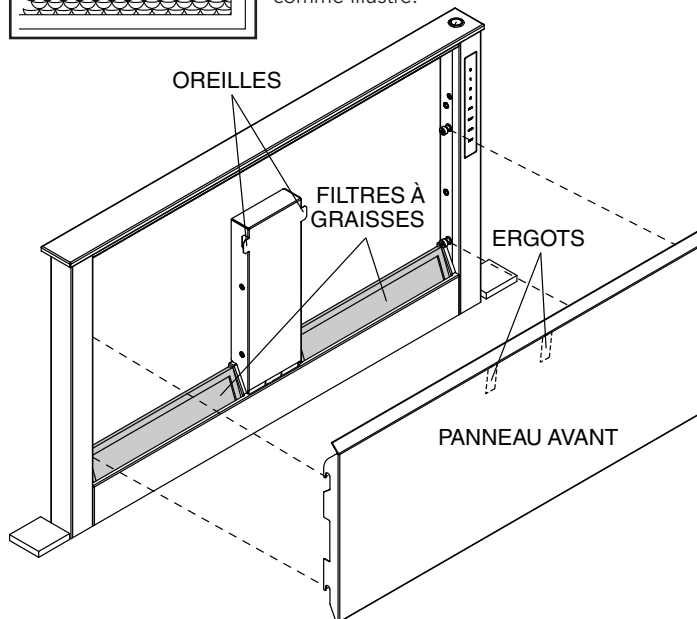
⚠ AVERTISSEMENT

RISQUE DE CHOC ÉLECTRIQUE
De l'humidité pénétrant dans l'appareil peut causer un choc électrique. Nettoyez l'appareil avec un chiffon humide uniquement. Avant de nettoyer, débranchez l'appareil ou basculez le disjoncteur dans le panneau électrique.

Pour nettoyer les filtres à graisses :



Pour la meilleure performance : Remettez les filtres à graisses avec les ouvertures en demi-lune vers l'extérieur - et orientés comme illustré.



Enlevez le panneau avant et retirez les (2) filtres à graisses.

⚠ AVERTISSEMENT

RISQUE D'INCENDIE
Les dépôts de graisse dans le filtre à graisses peuvent prendre feu. Nettoyez le filtre à graisses au moins tous les deux mois. N'utilisez jamais l'appareil sans filtre à graisses.

Remarques :

- N'utilisez pas de nettoyants corrosifs, acides ou alcalins.
- N'utilisez PAS de produits abrasifs, par exemple de la laine d'acier.
- N'utilisez PAS d'éponges en cellulose. Certaines éponges sont traitées avec du sel qui peut en se déposant sur le métal causer de la corrosion.
- NE laissez PAS de produits de nettoyage rester longtemps en contact avec l'acier inoxydable.
- N'UTILISEZ PAS DE NETTOYANTS À BASE DE CHLORE Lors du nettoyage des filtres à graisses, nettoyez également le porte-filtre en métal se trouvant dans l'appareil avec un chiffon humide.
- Vous pouvez nettoyer les filtres à graisses au lave-vaisselle ou à la main.

Au lave-vaisselle :

Remarque : Une légère décoloration est possible lors du nettoyage des filtres à graisses au lave-vaisselle. Cela n'affecte pas le fonctionnement du filtre.

- Ne nettoyez pas des filtres à graisses extrêmement sales avec la vaisselle.
- Disposez les filtres à graisses dans le lave-vaisselle sans les serrer. Les filtres à graisses ne doivent pas être comprimés.

Remplacez les filtres et le panneau avant d'utiliser la hotte encastrée. Prenez soin d'engager les ERGOTS du panneau avant derrière les OREILLES, tel qu'illustré.

ATTENTION

Négliger d'engager correctement les ergots peut entraîner le coincement de la cheminée d'évacuation et l'empêcher de monter.

Nettoyage à la main :

Remarque : Vous pouvez utiliser un dégraissant pour les taches rebelles. Le conditionneur d'acier inoxydable THERMADOR peut s'acheter en ligne (aux États-Unis seulement) sur www.therma-eshop.com

AVIS : L'utilisation de noms de marques n'a d'autre but que celui d'indiquer un type de nettoyant. Cela ne constitue pas une recommandation. L'omission du nom de la marque d'un nettoyant n'est pas une indication de son adéquation ou inadéquation à l'emploi. De nombreux produits sont régionaux et distribués sur les marchés locaux. Il est impératif d'utiliser tous les produits en stricte conformité avec les instructions de l'emballage.

- Faites tremper les filtres à graisses dans une solution d'eau et d'un détergent doux.
- Utilisez une brosse pour nettoyer, puis rincez soigneusement les filtres.
- Laissez égoutter les filtres à graisses.

Nettoyez et séchez le boîtier d'admission, puis réinstallez ou remplacez les filtres avant d'utiliser la hotte encastrée.

Nettoyage du boîtier d'admission :

- Retirez le panneau avant vers le haut.
- Retirez les deux filtres.
- Utilisez une solution de détergent doux. **N'UTILISEZ PAS DE CHIFFONS ABRASIFS, DE LAINE D'ACIER NI DE POUDRE À RÉCURER.**

Nettoyez et réinstallez les deux filtres puis remettez le panneau avant en place avant d'utiliser la hotte encastrée.

AVIS : L'utilisation de noms de marques n'a d'autre but que celui d'indiquer un type de nettoyant. Cela ne constitue pas une recommandation. L'omission du nom de la marque d'un nettoyant n'est pas une indication de son adéquation ou inadéquation à l'emploi. De nombreux produits sont régionaux et distribués sur les marchés locaux. Il est impératif d'utiliser tous les produits en stricte conformité avec les instructions de l'emballage.

REMARQUE : N'utilisez pas la surface de cuisson pendant que la hotte est démontée.

Nettoyants

Pour éviter que les diverses surfaces ne se trouvent endommagées par des nettoyants inadaptés, suivez les spécifications du tableau. N'utilisez pas :

- des nettoyants puissants ou décapants,
- des nettoyants à forte teneur en alcool,
- des éponges et tampons à récurer durs,
- des nettoyeurs à haute pression ou à vapeur.

Frottez les surfaces finies en acier inoxydable dans le sens du grain. Séchez la surface pour éviter les traces d'eau.

Après le nettoyage, mettez toutes les pièces dans leurs positions appropriées avant d'utiliser l'appareil.

Rincez soigneusement toutes les éponges neuves avant usage.

Respectez toutes les instructions et mises en garde accompagnant les nettoyants.

Surface	Nettoyants
Acier inoxydable	Eau savonneuse tiède : Nettoyez avec une lavette et séchez avec un chiffon doux. Nettoyez l'acier inoxydable dans le sens du grain uniquement. Des produits spéciaux pour l'entretien de l'acier inoxydable sont disponibles auprès du service à la clientèle ou auprès de détaillants spécialisés. Appliquez une fine couche du produit d'entretien avec un chiffon doux.
Surfaces vernies	Eau savonneuse tiède : Nettoyez avec une lavette humide et séchez avec un chiffon doux. N'utilisez pas de nettoyant pour acier inoxydable.
Aluminium et plastique	Nettoyant à vitres : Nettoyez avec un chiffon doux.
Vitre	Nettoyant à vitres : Nettoyez avec un chiffon doux. N'utilisez pas de grattoir à vitres.
Commandes	Eau savonneuse tiède : Nettoyez avec une lavette humide et séchez avec un chiffon doux. Risque de dommages aux composants électroniques en raison de la pénétration d'humidité. Ne nettoyez jamais les commandes avec un chiffon mouillé. N'utilisez pas de nettoyant pour acier inoxydable.

DÉPANNAGE

Vous pouvez souvent éliminer facilement par vous-même les problèmes qui se présentent. Avant de communiquer avec le service à la clientèle, tenez compte des renseignements suivants.

▲ AVERTISSEMENT

RISQUE DE CHOC ÉLECTRIQUE

Les réparations incorrectement effectuées sont dangereuses. Seul un centre de réparation agréé peut effectuer les réparations et remplacer le câblage endommagé. Débranchez l'appareil ou coupez le courant au niveau du panneau de service si l'appareil nécessite un entretien ou une réparation. Communiquez avec un centre de réparation agréé.

Conseils de dépannage :

- Si la hotte encastrée cesse de fonctionner, vérifiez le cordon d'alimentation et les connexions au boîtier électrique, il se peut qu'une connexion soit desserrée.
- Si la hotte encastrée cesse de fonctionner ou si l'unité présente un défaut de fonctionnement, débranchez-la, attendez 30 secondes, et rebranchez-la pour la réarmer.
- Si les brûleurs à gaz cliquettent ou s'éteignent lorsque la hotte fonctionne, vérifiez l'étanchéité du ventilateur et des conduits se trouvant en dessous.
- Si le couvercle avant vibre, faites-le glisser à gauche ou à droite. La tolérance est prévue pour faciliter l'évacuation de la chaleur et le démontage.
- Si une obstruction est présente dans l'unité, le mécanisme de sécurité s'active. Éliminez l'obstruction et l'unité doit se réarmer. Dans le cas contraire, soulevez l'unité et relâchez-la.

DÉCLARATION DE GARANTIE LIMITÉE DU PRODUIT

Ce que couvre cette garantie et à qui elle s'applique

La garantie limitée offerte par BSH Home Appliances Corporation (« BSH ») dans le présent avis de garantie limitée de produit s'applique uniquement à l'appareil THERMADOR® (« Produit») qui vous a été vendu (en tant qu'acheteur/utilisateur initial), pourvu qu'il ait bien été acheté. :

pour votre usage domestique (non commercial) normal, et qu'il ait effectivement toujours été employé à des fins domestiques normales; neuf au détail (pas un modèle exposé, « tel quel », ou précédemment retourné), et non pour une revente, ou un usage commercial; aux États-Unis ou au Canada, et est toujours resté dans le pays d'achat d'origine.

Les garanties définies dans ce document s'appliquent uniquement au premier acheteur du produit et ne sont pas cessibles.

BSH se réserve le droit de demander une preuve de l'achat au moment où une demande de garantie est soumise pour confirmer que le produit entre dans le champ de cette garantie limitée du produit.

Veuillez vous assurer de retourner votre carte d'enregistrement; bien que ce ne soit pas nécessaire pour effectuer une couverture de garantie, c'est le meilleur moyen pour BSH de vous aviser dans le cas peu probable d'un rappel de produit ou d'un avis de sécurité.

Durée de la garantie

BSH garantit que le produit ne présente aucune défectuosité résultant d'un vice de matériau et de fabrication pour une période de sept cent trente (730) jours à compter de la date d'achat.

Le délai qui précède commence à courir à compter de la date d'achat, et ne doit pas être interrompu, étendu ou suspendu pour quelque raison que ce soit.

Ce produit est également garanti contre tout défaut cosmétique de matériau et de fabrication (par exemple, égratignure de l'acier inoxydable, imperfection de peinture/porcelaine, ébréchure, bosselure or autre dommage subi par le fini) du Produit, pendant une période de trente (30) jours à compter de la date d'achat ou de la date de clôture d'une nouvelle construction. Cette garantie cosmétique ne prend pas en charge les variations de couleur dues aux différences inhérentes aux pièces peintes ou en porcelaine, ni les différences causées par l'éclairage de la cuisine, l'emplacement du produit ou autre facteur similaire. Cette garantie cosmétique exclut spécifiquement les présentoirs, les planchers, l'état « tel quel » ou les appareils de type « B ».

Votre seul recours est une réparation ou un remplacement

Durant cette période de garantie, BSH ou un de ses réparateurs agréés réparera votre produit gratuitement (sous réserve de certaines limitations définies dans les présentes) s'il est prouvé que le produit a été fabriqué avec un défaut de matériau ou de fabrication. Si des tentatives raisonnables de réparation du Produit ont eu lieu mais s'avèrent infructueuses, BSH remplacera le produit (des modèles améliorés pourront être disponibles, à la seule discrétion de BSH; moyennant une majoration). Les pièces et les composants retirés deviennent la propriété de BSH à sa seule discrétion. Toutes les pièces remplacées et/ou réparées doivent assumer l'identité de la pièce originale aux fins de la présente garantie et la présente garantie ne doit pas être étendue à ces pièces. La seule responsabilité de BSH consiste à réparer le produit défectueux, en ayant recours à un réparateur agréé par BSH durant les heures de bureau normales. Pour des raisons de sécurité et portant sur les dommages matériels, BSH vous recommande vivement de ne pas tenter de réparer le produit vous-même, ou d'avoir recours à un réparateur non agréé; BSH décline toute responsabilité pour des réparations ou des travaux effectués par un réparateur non agréé. Si vous vous adressez à une autre personne qu'un réparateur agréé pour travailler sur votre produit, LA PRÉSENTE GARANTIE DEVIENDRA AUTOMATIQUEMENT NULLE ET NON AVENUE. Les réparateurs agréés sont les personnes ou les entreprises ayant été spécialement formées sur les produits BSH, et qui possèdent, selon BSH, une solide réputation en matière de service à la clientèle et d'aptitude technique (notez que ce sont des entités indépendantes et non des agents, des partenaires, des filiales ou des représentants de BSH). Toutefois, BSH n'encourra aucune responsabilité pour le produit s'il se trouve dans une région éloignée (à plus de 160 km /100 milles d'un réparateur agréé) ou est raisonnablement inaccessible, dangereux, risqué, ou dans un environnement, un milieu ou un endroit dangereux; dans un tel cas, si vous le demandez, BSH continuera de payer pour la main-d'œuvre et les pièces et d'expédier les pièces au réparateur agréé le plus proche, mais vous serez toujours entièrement responsable de la durée du trajet ou des autres charges spéciales assumées par la société de services, en supposant qu'elle accepte d'effectuer l'appel de service.

Produit hors garantie

BSH n'a aucune obligation, en droit ou autrement, de vous faire des concessions, notamment les réparations, les proratas ou le remplacement du produit, une fois cette garantie expirée.

Exclusions de garantie

La couverture de garantie décrite dans ce document exclut tous les défauts ou dommages qui ne sont pas directement imputables à BSH, y compris, sans limitation, un ou plusieurs des points suivants :

L'utilisation du produit outre celle à laquelle il est destiné (incluant sans limitation, toute forme d'usage commercial, d'utilisation ou stockage d'un produit intérieur à l'extérieur, utilisation du produit dans un aéronef ou un bateau).

Toute inconduite délibérée d'un tiers, négligence, mauvais usage, abus, accident, fonctionnement incorrect, défaut d'entretien, installation négligente ou incorrecte, falsification, non-respect des instructions d'utilisation, mauvaise manipulation, service non autorisé (y compris l'auto-réparation ou l'exploration du fonctionnement intérieur de l'appareil).

Ajustement, altération ou modification de toute sorte.

Le non-respect des lois, règles, codes du bâtiment et/ou en matière de plomberie, d'électricité, au niveau municipal, local, provincial ou étatique, incluant le fait de ne pas installer le produit en stricte conformité avec les règles et les codes du bâtiment et en matière d'incendie.

Les dommages causés par l'usure ordinaire, des aliments ou un liquide, l'accumulation de graisses ou d'autres substances qui se déposent dessus, dedans ou autour du produit.

Tous facteurs et forces environnementaux et/ou externes, élémentaires, incluant sans limitation, la pluie, le vent, le sable, les inondations, les incendies, les écoulements de boue, les températures glaciales, l'humidité excessive ou l'exposition prolongée à l'humidité, à la lumière; aux sources d'énergie, aux défaillances structurales autour de l'appareil et aux catastrophes naturelles.

En aucun cas BSH ne saurait être responsable des dommages aux matériaux adjacents, notamment l'armoire, les planchers, le plafond et les autres structures ou objets autour du produit. Sont également exclus de cette garantie les produits sur lesquels les numéros de série

ont été altérés, dégradés, ou supprimés, les visites de service pour vous apprendre à utiliser le produit, ou des visites où le produit ne présente aucun défaut; la correction des problèmes d'installation (vous êtes entièrement responsable de la structure et de l'installation du produit, incluant l'électricité, la plomberie et toutes les autres installations de raccordement, du plancher et de la fondation, et des altérations incluant sans limitation l'armoire, les murs, le plancher, les étagères, etc.); et le rétablissement des fusibles ou des disjoncteurs.

DANS LA MESURE AUTORISÉE PAR LA LOI, LA PRÉSENTE GARANTIE STIPULE VOS RECOURS EXCLUSIFS PAR RAPPORT AU PRODUIT, QUE LA RÉCLAMATION DÉCOULE D'UN CONTRAT OU D'UN PRÉJUDICE (INCLUANT LA RESPONSABILITÉ DIRECTE, OU LA NÉGLIGENCE) OU AUTREMENT. LA PRÉSENTE GARANTIE REMPLACE TOUTES LES AUTRES GARANTIES, QU'ELLES SOIENT EXPRESSES OU IMPLICITES. TOUTE GARANTIE IMPLICITE PAR LA LOI, QUE CE SOIT POUR LA QUALITÉ MARCHANDE OU L'ADAPTATION À UN USAGE PARTICULIER OU AUTRE, N'A D'EFFET QUE PENDANT LA PÉRIODE OÙ CETTE GARANTIE LIMITÉE EXPRESSE EST EN VIGUEUR. EN AUCUN CAS, LE FABRICANT NE SAURAIT ÊTRE RESPONSABLE DE DOMMAGES DIRECTS, PARTICULIERS, FORTUITS, INDIRECTS, « PERTE DE PROFITS », ET/OU DOMMAGES PUNITIFS, PERTES, OU DÉPENSES, INCLUANT SANS LIMITATION L'ABSENCE AU TRAVAIL, LES HÔTELS ET/OU LES REPAS AU RESTAURANT, LES DÉPENSES DE RÉNOVATION EXCESSIVES POUR LES DOMMAGES DIRECTS QUI SONT DÉFINITIVEMENT ET EXCLUSIVEMENT CAUSÉS PAR BSH, OU AUTREMENT. CERTAINES JURIDICTIONS N'AUTORISENT PAS L'EXCLUSION OU LA LIMITATION DES DOMMAGES DIRECTS ET INDIRECTS, ET CERTAINES JURIDICTIONS N'AUTORISENT PAS LES LIMITATIONS SUR LA DURÉE D'UNE GARANTIE. LES LIMITATIONS CI-DESSUS PEUVENT DONC NE PAS S'APPLIQUER À VOUS. LA PRÉSENTE GARANTIE VOUS CONFÈRE DES DROITS JURIDIQUES PARTICULIERS AUXQUELS PEUVENT S'AJOUTER D'AUTRES DROITS QUI VARIENT D'UN TERRITOIRE OU D'UNE PROVINCE À L'AUTRE.

Aucune tentative pour altérer, modifier ou amender la présente garantie ne prendra effet sans autorisation par écrit d'un responsable de BSH.

ASSISTANCE TECHNIQUE THERMADOR®

Avant d'appeler le service à la clientèle

Consultez le Manuel d'utilisation et d'entretien pour le dépannage. Reportez-vous à la « Déclaration de garantie limitée du produit ».

Pour joindre un représentant du service d'assistance, voyez nos coordonnées sur la couverture du manuel. Veuillez avoir sous la main les renseignements imprimés sur l'étiquette signalétique du produit au moment d'appeler.

Étiquette signalétique

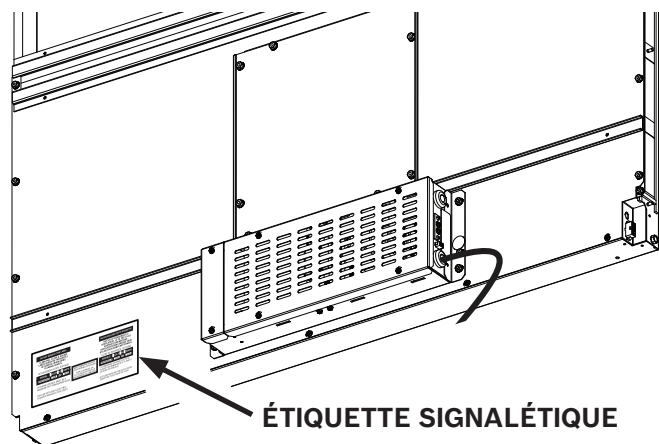
L'étiquette signalétique indique les numéros de modèle et de série. Consultez la plaque signalétique de l'appareil lors de toute demande d'assistance.

Cette plaque se trouve du côté avant inférieur gauche du boîtier de la hotte.

Pour éviter d'avoir à rechercher chaque fois ces renseignements au moment d'appeler, vous pouvez noter les quatre renseignements dans l'espace ci-dessous.

Numéro de modèle	
Numéro de série	
Date d'achat	
Numéro du service à la clientèle	

Conservez votre facture ou contrat de dépôt pour valider la garantie en cas de demande de service.



Service

Nous comprenons que vous avez fait un investissement important pour votre cuisine. C'est pourquoi nous nous engageons à vous offrir un service de qualité, tant pour vous que votre appareil, afin de vous garantir des années de créativité culinaire.

N'hésitez pas à contacter notre STAR® Service à la clientèle si vous avez des questions, ou dans l'éventualité improbable où votre appareil THERMADOR® nécessiterait une réparation. Notre équipe de réparation est prête à vous aider.

États-Unis

800-735-4328
www.thermador.com/support

Canada

800-735-4328
www.thermador.ca

Pièces et accessoires

Vous pouvez acheter les pièces, les filtres, les détartrants et les nettoyeurs pour acier inoxydable et plus encore dans la boutique électronique THERMADOR® ou par téléphone.

États-Unis

<http://store.thermador.com/us>

Canada

- Si vous habitez dans l'une des provinces de l'Atlantique, en Ontario ou au Québec, communiquez avec :
Marcone 1.800.287.1627
- Si vous habitez dans l'un des territoires, au Manitoba, en Saskatchewan, en Alberta ou en Colombie-Britannique, communiquez avec :
Reliable Parts 1.800.663.6060

CONTENIDO

ACERCA DE ESTE MANUAL.....	28	DECLARACIÓN DE GARANTÍA LIMITADA DEL PRODUCTO	37
Cómo está organizado este manual.....	28	Lo que abarca esta garantía y a quién se aplica.....	37
Palabras de señal para seguridad y mejor uso.....	28	Cuánto tiempo dura la garantía	37
INSTRUCCIONES IMPORTANTES DE SEGURIDAD	28	Reparación/reemplazo como su recurso exclusivo.....	37
Notas generales	28	Producto fuera de garantía.....	37
Instalación y mantenimiento adecuados.....	29	Exclusiones de garantía.....	38
Seguridad ante incendios.....	30	APOYO DE THERMADOR®	38
Seguridad con los niños	31	Servicio	38
Seguridad con la limpieza	31	Piezas y accesorios	38
Advertencias de la propuesta 65 del estado de California	31		
Protección del medio ambiente	31		
CARACTERÍSTICAS	32		
Filtros.....	32		
FUNCIONAMIENTO DEL ELECTRODOMÉSTICO	33		
Para subir la cubierta de entrada de la campana.....	33		
Para bajar la cubierta de entrada de la campana.....	33		
Heat Sentry.....	33		
Panel de control de la campana de tiro descendente	33		
Funcionamiento automático.....	33		
Apagado con retardo de 10 minutos.....	33		
Recordatorio para limpiar el filtro.....	33		
LIMPIEZA Y MANTENIMIENTO	34		
Limpieza de los filtros de grasa	34		
Limpieza a mano	35		
Limpieza de la cubierta de entrada.....	35		
Agentes de limpieza.....	35		
RESOLUCIÓN DE PROBLEMAS.....	36		
Consejos para la resolución de problemas	36		

Este electrodoméstico THERMADOR es fabricado por

BSH Home Appliances Corporation

1901 Main Street, Suite 600

Irvine, CA 92614

¿Preguntas?

1-800-735-4328

www.thermador.com

¡Esperamos tener noticias tuyas!

ACERCA DE ESTE MANUAL

Cómo está organizado este manual

Puede aprovechar al máximo su nuevo electrodoméstico leyendo este manual de principio a fin. De esa manera, usted conocerá sistemáticamente su electrodoméstico y se familiarizará con su funcionamiento y características.

Este manual cuenta con las siguientes secciones:

- La sección "Seguridad" le ofrece información sobre cómo operar su electrodoméstico de manera segura.
- "Características" le presenta los componentes y las características del electrodoméstico.
- La sección "Operación del electrodoméstico" le ofrece instrucciones detalladas sobre cómo operar su campana de tiro descendente.
- "Limpieza y mantenimiento" le brinda información sobre cómo limpiar y cuidar las diversas piezas de la cubierta.
- La sección "Resolución de problemas" le brinda consejos para la resolución de problemas que puede resolver usted mismo.
- La sección "Servicio al cliente" ofrece información sobre cómo comunicarse con el fabricante de su campana.
- La sección "Garantía" contiene información sobre la garantía de su producto.

Ponga atención especial a las instrucciones importantes en la sección "Seguridad".

Palabras de señal para seguridad y mejor uso

▲ ADVERTENCIA

Esto indica que podría producirse la muerte o lesiones graves como resultado de no hacer caso de esta advertencia.

▲ PRECAUCIÓN

Esto indica que podrían producirse lesiones leves o moderadas como resultado de no hacer caso de esta advertencia.

AVISO: Esto indica que podrían producirse daños al electrodoméstico o a la propiedad como resultado de no hacer caso de este aviso.

Nota: Esto le alerta ante información o consejos importantes.

▲ INSTRUCCIONES IMPORTANTES DE SEGURIDAD

LEA Y CONSERVE ESTAS INSTRUCCIONES

Notas generales

Examine el electrodoméstico antes de desempacar. En caso de daños durante el transporte, no lo conecte.

ADVERTENCIA

PARA REDUCIR EL RIESGO DE INCENDIOS, DESCARGAS ELÉCTRICAS O LESIONES PERSONALES, SIGA LAS SIGUIENTES PRECAUCIONES:

- Use la unidad solo de la manera indicada por el fabricante. Si tiene preguntas, comuníquese con el fabricante.
- Antes de dar servicio a la unidad o de limpiarla, interrumpa el suministro eléctrico en el panel de servicio y bloquee los medios de desconexión del servicio para evitar que la electricidad se reanude accidentalmente.
- Cuando no sea posible bloquear los medios de desconexión del servicio, fije firmemente una señal de advertencia (como una etiqueta) en un lugar visible del panel de servicio.

ADVERTENCIA

ADVERTENCIA: PARA REDUCIR EL RIESGO DE INCENDIOS, DESCARGAS ELÉCTRICAS O LESIONES PERSONALES OBSERVE LAS SIGUIENTES PRECAUCIONES:

- Una o más personas calificadas deben realizar el trabajo de instalación y el cableado eléctrico siguiendo todos los códigos y normas correspondientes, incluso los códigos y normas de construcción específicos para incendios.
 - Con el fin de evitar la contracorriente se necesita suficiente aire para que se lleve a cabo una combustión adecuada y la extracción de los gases a través del tubo de humos (chimenea) del equipo quemador de combustible. Siga las directrices y las normas de seguridad del fabricante del equipo de calefacción, como las publicadas por la Asociación Nacional de Protección contra Incendios (National Fire Protection Association, NFPA), la Sociedad Americana de Ingenieros de Calefacción, Refrigeración y Aire Acondicionado (American Society for Heating, Refrigeration and Air Conditioning Engineers, ASHRAE) y las autoridades de los códigos locales.
 - Al cortar o perforar a través de la pared o del cielo raso, tenga cuidado de no dañar el cableado eléctrico ni otros servicios ocultos.
 - Los ventiladores con conductos siempre deben ventearse hacia el exterior.
-

⚠ INSTRUCCIONES IMPORTANTES DE SEGURIDAD

LEA Y CONSERVE ESTAS INSTRUCCIONES

ADVERTENCIA

Su nuevo electrodoméstico ha sido diseñado para ser seguro y confiable cuando es bien cuidado. Lea detenidamente todas las instrucciones antes de usarlo. Estas precauciones reducirán el riesgo de quemaduras, descarga eléctrica, incendio y lesiones a personas. Al usar electrodomésticos de cocina, deben seguirse las precauciones básicas de seguridad, incluyendo las de las páginas siguientes.

Instalación y mantenimiento adecuados

Haga que el instalador le muestre la ubicación del disyuntor o fusible. Márquelo para que sea una referencia fácil.

Un técnico calificado debe instalar y conectar a tierra este electrodoméstico. Conecte solo a un tomacorriente con la conexión adecuada a tierra. Consulte los detalles en las instrucciones de instalación.

Este electrodoméstico ha sido diseñado solo para uso doméstico familiar normal. No está aprobado para usarse en exteriores. Consulte la garantía. Si tiene preguntas, comuníquese con el fabricante.

No guarde ni use productos químicos corrosivos, vapores, o productos inflamables o que no sean alimentos en o cerca de este electrodoméstico. Está diseñado específicamente para usarlo al calentar o cocinar alimentos. El uso de productos químicos corrosivos al calentar o limpiar dañará el electrodoméstico y podría ocasionar lesiones.

No opere este electrodoméstico si no funciona adecuadamente o si se ha dañado. Comuníquese con un proveedor de servicio autorizado.

No repare ni reemplace ninguna pieza del electrodoméstico a menos que así se recomiende específicamente en este manual. Refiera todo el servicio a un centro de servicio autorizado de fábrica.

PRECAUCIÓN

La grasa que queda sobre los filtros se puede derretir y moverse hacia el ventilador.

PRECAUCIÓN

Desactive la energía eléctrica en el disyuntor antes de quitar una bombilla dañada. No toque las bombillas inmediatamente después del uso, pues permanecerán calientes durante varios minutos.

Las superficies ocultas pueden tener bordes afilados. Tenga cuidado al meter la mano detrás o debajo del electrodoméstico.

ADVERTENCIA

Cuando la campana se opera en modo de extracción de aire al mismo tiempo que otro quemador que usa la misma chimenea (como calentadores de gas, aceite o carbón, calentadores de flujo continuo, calentadores de agua), se debe tener cuidado de asegurar que haya un suministro adecuado de aire fresco, que será necesario para la combustión en el quemador.

Esto se puede lograr si el aire de la combustión puede fluir a través de aberturas que no se cierren con seguro, es decir, puertas, ventanas y por medio de la caja en la pared de admisión/escape de aire, o por otros medios técnicos, como entrecierre recíproco, etc.

ADVERTENCIA

Evite el envenenamiento por monóxido de carbono: suministre el aire de admisión adecuado de tal manera que los gases de combustión no se devuelvan a la habitación.

Una caja de pared para admisión/escape de aire por sí misma no es garantía de que no se superará el valor de limitación.

Nota: Cuando evalúe el requisito general, se debe tomar en cuenta el sistema de ventilación combinado para toda la vivienda. Esta regla no se aplica al uso de electrodomésticos para cocinar, como estufas y hornos.

⚠ INSTRUCCIONES IMPORTANTES DE SEGURIDAD

LEA Y CONSERVE ESTAS INSTRUCCIONES

Seguridad ante incendios

ADVERTENCIA

Use este electrodoméstico únicamente para lo que está diseñado, tal como se describe en este manual. NUNCA utilice este electrodoméstico como calentador para calentar o entibiar una habitación. Hacer esto podría ocasionar el sobrecalentamiento del electrodoméstico. Nunca utilice el electrodoméstico para el almacenamiento.

Siempre tenga cerca de la cocina un detector de humos en funcionamiento. En caso de que la ropa o el cabello se incendie, déjese caer de inmediato y ruede, para apagar las llamas.

Tenga cerca del electrodoméstico un extintor de incendios adecuado disponible, muy visible y fácilmente accesible.

Apague con bicarbonato de sodio las llamas de incendios de madera que no sean producidos por grasa. Nunca use agua sobre incendios que surjan al cocinar.

ADVERTENCIA

PARA REDUCIR EL RIESGO DE LESIONES A LAS PERSONAS EN CASO DE UN INCENDIO PRODUCIDO POR GRASA EN UNA ESTUFA, OBSERVE LO SIGUIENTE: ^a

- a. APAGUE LAS LLAMAS con una tapa de ajuste exacto, una charola para galletas o una bandeja de metal, y después apague el quemador PROCEDA CON CUIDADO PARA EVITAR QUEMADURAS. Si las llamas no se apagan inmediatamente, EVACUE EL ÁREA Y LLAME A LOS BOMBEROS.
- b. NUNCA LEVANTE UNA CACEROLA INCENDIADA, se puede quemar.
- c. NO USE AGUA, ni trapos o toallas de cocina mojados; puede producirse una explosión violenta de vapor.
- d. Use un extintor SOLO si:
 - Sabe que el extintor es de Clase ABC y sabe cómo hacerlo funcionar.
 - El incendio es pequeño y está confinado al área en la que se inició.
 - Se está llamando al Departamento de Bomberos.
 - Puede combatir el incendio teniendo la espalda orientada hacia una salida.

^a Basado en "Kitchen Fire Safety Tips" (Sugerencias para la seguridad contra incendios en la cocina) publicado por NFPA.

Siempre que sea posible, no accione el sistema de ventilación en caso de incendio en una estufa. Sin embargo, no atraviese el fuego para apagarlo.

ADVERTENCIA

RIESGO DE INCENDIO

Cuando los quemadores de gas funcionan sin tener utensilios de cocina sobre ellos, pueden acumular mucho calor. Un electrodoméstico de ventilación instalado sobre el quemador podría dañarse o incendiarse. Solo accione los quemadores de gas con utensilios de cocina sobre ellos.

ADVERTENCIA

RIESGO DE INCENDIO

El aceite y la grasa calientes se incendian rápido. Nunca deje aceite y grasa calientes sin supervisión. Nunca extinga un incendio con agua. Apague el quemador correspondiente. Sofoque las llamas con cuidado con una tapa, una manta para incendios o algo similar.

ADVERTENCIA

RIESGO DE INCENDIO

Los depósitos de grasa en el filtro de grasa se pueden incendiar. Limpie el filtro de grasa por lo menos cada dos meses. Nunca opere el electrodoméstico sin el filtro de grasa.

ADVERTENCIA

RIESGO DE INCENDIO

Los depósitos de grasa en el filtro de grasa se pueden incendiar. Nunca trabaje con una llama abierta cerca del electrodoméstico (por ejemplo, al flamear). Instale la unidad cerca de un electrodoméstico que produzca calor para combustibles sólidos (por ejemplo, madera o carbón) únicamente si hubiera una cubierta cerrada que no se quita. No debe haber chispas volando.

ADVERTENCIA

RIESGO DE QUEMADURAS

Las piezas accesibles pueden calentarse durante la operación. Nunca toque las piezas calientes. Mantenga lejos a los niños.

⚠ INSTRUCCIONES IMPORTANTES DE SEGURIDAD

LEA Y CONSERVE ESTAS INSTRUCCIONES

Seguridad con los niños

Cuando los niños crecen lo suficiente como para usar el electrodoméstico, es responsabilidad de los padres o tutores legales asegurarse de que personas calificadas los instruyan en prácticas seguras.

No permita que nadie trepe, se pare, se incline, se siente o se cuelgue de ninguna parte de un electrodoméstico. Esto puede dañar el electrodoméstico o causar lesiones.

Seguridad con la limpieza

ADVERTENCIA

Asegúrese de que todo el electrodoméstico (incluidos los filtros de grasa y bombillas de luz, si corresponde), se haya enfriado y la grasa se haya solidificado antes de intentar limpiar cualquier parte del electrodoméstico.

No use limpiadores de vapor para limpiar el electrodoméstico.

Advertencias de la Propuesta 65 del estado de California

ADVERTENCIA

Este producto puede exponerlo a productos químicos, como cloruro de vinilo, conocidos en el estado de California como causantes de cáncer y defectos congénitos u otros daños reproductivos. Si desea más información, visite www.P65Warnings.ca.gov

Protección del medio ambiente

Desempaque el electrodoméstico y deseche el empaque, de acuerdo con los requisitos ambientales.

⚠ PRECAUCIÓN

Riesgo de daños debidos a la corrosión. Siempre encienda el electrodoméstico cuando cocine, para evitar la acumulación de condensación. La condensación puede conducir a daños por corrosión.

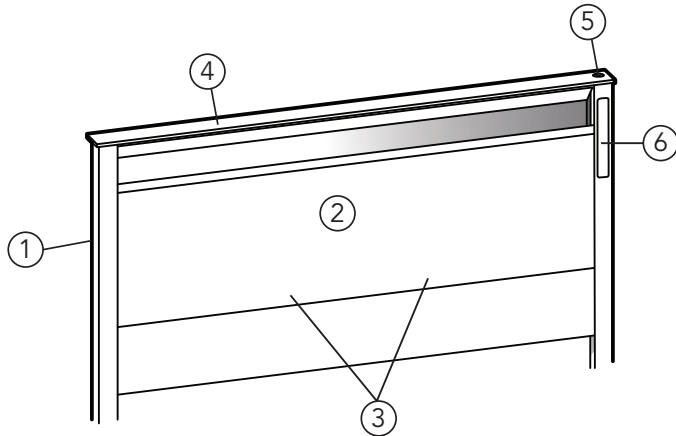
Riesgo de daños debido a la entrada de humedad en los circuitos electrónicos. Nunca limpie los controles del operador con un paño húmedo.

Puede dañarse la superficie por una limpieza incorrecta. Limpie las superficies de acero inoxidable solo en la dirección del grano. No use limpiadores de acero inoxidable en los controles del operador. Nunca use agentes de limpieza fuertes o abrasivos, pues pueden dañar la superficie.

Riesgo de daños por el contraflujo de la condensación. Instale un ventilador de escape en una pendiente ligeramente descendente, lejos del electrodoméstico (pendiente de 1°).

CARACTERÍSTICAS

La campana de tiro descendente toma el lugar de una campana elevada y se puede esconder de forma conveniente (bajar) cuando no está en uso. Tiene un ventilador que extrae los subproductos de la cocina hacia la cubierta de entrada, a través de dos filtros y hacia afuera de la casa, o recircularlos de regreso a la casa con la compra (por separado) de un juego de recirculación.



- ① Cubierta de entrada de la campana
- ② Panel frontal removible
- ③ Filtros (detrás del panel frontal removible)
- ④ Tapa superior de entrada
- ⑤ Botón para subir/bajar la cubierta de entrada
- ⑥ Panel de control de la campana de tiro descendente

Cubierta de entrada de la campana

Cuando está elevada, la cubierta de entrada de la campana capta y dirige los olores de la cocina, el vapor y la grasa de la estufa a través de dos filtros ubicados dentro de la cubierta de entrada.

Filtros

Los filtros limpian el aire y lo dirigen al exterior del edificio a través de una serie de conductos.

Los filtros están ubicados en la parte inferior de la cubierta de entrada, detrás del panel frontal extraíble. Condensan y atrapan la grasa que hay en el aire.

Los filtros incluyen una película protectora que debe quitar antes de usarlos.

Ventilación

Nota: La ventilación podría no salir a través de una chimenea de humos o extracción en funcionamiento, ni de un conducto utilizado para ventilar zonas de instalación de calderas.

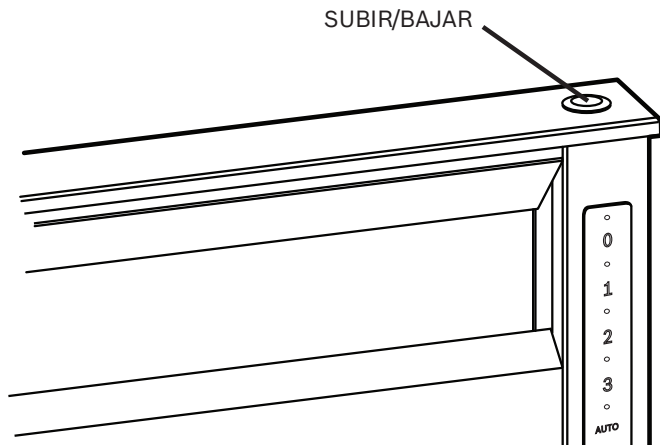
Si la ventilación está diseñada para pasar a través de una chimenea de humos o extracción que no esté en funcionamiento, el inspector responsable del calentamiento de la zona debe dar su autorización.

Si la ventilación pasa a través de una pared exterior, utilice un manguito telescópico de pared.

FUNCIONAMIENTO DEL ELECTRODOMÉSTICO

Siempre encienda el ventilador de tiro descendente antes de comenzar a cocinar para establecer un flujo de aire en la cocina. Después de apagar la estufa, deje que el ventilador funcione durante unos minutos para limpiar el aire de la estufa. Así mantendrá toda la cocina más limpia y brillante.

Se recomienda que use los quemadores de atrás cuando cocine con ollas altas o cuando el método para cocinar generará grandes cantidades de humo o vapor. La combinación de usar los quemadores de atrás y operar la unidad a alta velocidad aumentará la posibilidad de que todo el humo y el vapor serán extraídos por el tiro descendente.



Para subir la cubierta de entrada de la campana:

Presione y suelte el interruptor de botón.

Nota: Presione el interruptor de botón una vez para elevar la cubierta de entrada. Todas las funciones de control previas se restaurarán.

Para bajar la cubierta de entrada de la campana:

Presione y suelte el interruptor de botón.

Nota: La cubierta de la campana se puede bajar sin necesidad de ajustar algún control a la posición Off (apagado). Todas las funciones se detendrán y la campana bajará.

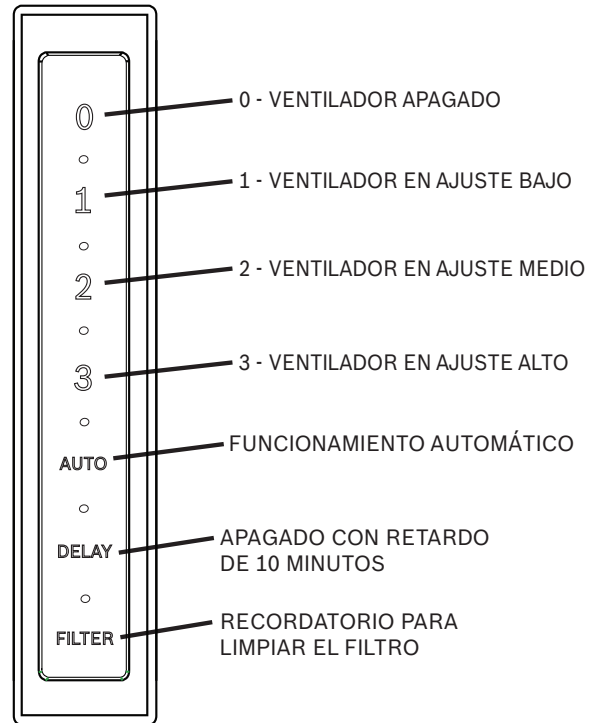
Si se detiene el movimiento de la cubierta de entrada de la campana:

Ubique y retire cualquier obstrucción. Presione el interruptor de botón otra vez para reanudar el movimiento.

Sensor de exceso de temperatura

Cuando la campana detecte un exceso de calor, el icono de automático destellará 3 veces. El ventilador aumentará su velocidad para proteger los componentes sensibles. La luz de velocidad baja se encenderá y no se podrá seleccionar hasta que el ventilador se enfríe. Una vez que se enfríe el ventilador, se mantendrá a la misma velocidad y solo se iluminará el icono de esa velocidad. El ventilador reanudará el funcionamiento normal.

Panel de control de la campana de tiro descendente



Todos los controles de la campana, ubicados en el panel derecho del marco de la cubierta de entrada, se pueden ver cuando el ventilador está elevado.

Ajuste la velocidad del ventilador de la campana de tiro descendente:

Presione y suelte 0, 1, 2 o 3 en el panel de control para ajustar la velocidad del ventilador de la campana

- 0 = Apagado
- 1 = Baja
- 2 = Media
- 3 = Alta

Funcionamiento automático:

Presione y suelte **AUTO** (automático) en el panel de control para activar la función **AUTO ON** (encendido automático). Cuando el control detecte un alto nivel de calor, el ventilador se encenderá en la velocidad media. Cuando el control ya no detecte un alto nivel de calor, el ventilador se apagará.

Apagado con retardo de 10 minutos:

Toque y suelte el icono **DELAY** (retraso) en el panel de control para iniciar un temporizador de 10 minutos que apagará el ventilador, en cualquier velocidad, después de 10 minutos.

Recordatorio para limpiar el filtro:

Una vez transcurridas 30 horas de funcionamiento acumulado del ventilador, el icono **FILTER** (filtro) del panel de control destellará de forma continua, como un recordatorio de que se deben limpiar los filtros de la campana.

Para reiniciar el temporizador y **APAGAR** el icono **FILTRO**, toque y mantenga presionado el icono **FILTRO** durante 2 segundos o más.

LIMPIEZA Y MANTENIMIENTO

La eficiencia del sistema de ventilación de tiro descendente depende de la limpieza de la cubierta de entrada y los filtros. La frecuencia de la limpieza depende de la cantidad y el tipo de cocina.

Siempre utilice el limpiador más suave para hacer el trabajo. Utilice paños limpios y secos, esponjas o toallas de papel.

Utilice todos los productos siguiendo las instrucciones del paquete.

Frote el acabado de acero inoxidable en la misma dirección del grano. Seque el área para evitar las marcas de agua.

Después de la limpieza, vuelva a colocar todas las piezas en la posición correcta antes del uso.

No utilice el sistema de ventilación sin tener los filtros en su lugar o con los filtros o superficies llenos de grasa.

No use limpiadores de vapor para limpiar el electrodoméstico.

Las superficies ocultas pueden tener bordes afilados. Tenga cuidado al meter la mano detrás o debajo del electrodoméstico.

⚠ ADVERTENCIA

Para evitar el riesgo de incendio y explosión, no utilice líquidos o solventes inflamables.
Siempre desconecte el electrodoméstico del suministro eléctrico antes de darle servicio.

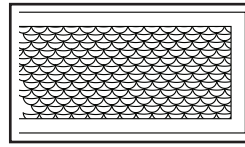
⚠ ADVERTENCIA

RIESGO DE QUEMADURAS
El electrodoméstico estará caliente cuando se use. Déjelo enfriar antes de limpiarlo.

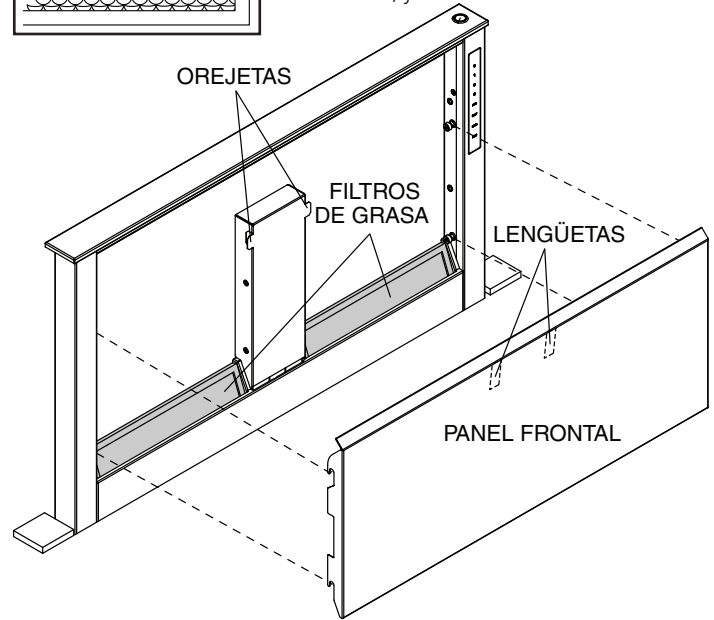
⚠ ADVERTENCIA

RIESGO DE DESCARGA ELÉCTRICA
La humedad que penetra puede provocar descargas eléctricas. Limpie el electrodoméstico con un paño húmedo solamente. Antes de limpiarlo, desconecte el enchufe o apague el disyuntor en la caja de fusibles.

Para limpiar los filtros de grasa:



Para obtener el mejor desempeño: Reemplace los filtros de grasa con las aberturas en forma de media luna de frente hacia afuera, y con la orientación mostrada.



Retire el panel frontal y quite los dos (2) filtros de grasa.

⚠ ADVERTENCIA

RIESGO DE INCENDIO
Los depósitos de grasa en el filtro de grasa se pueden incendiar. Limpie el filtro de grasa por lo menos cada dos meses. Nunca opere el electrodoméstico sin el filtro de grasa.

Notas:

- No use agentes de limpieza agresivos, ácidos o alcalinos.
- NO use productos abrasivos, como lana de acero.
- NO use esponjas de celulosa. Algunas esponjas se procesan con sal y pueden provocar corrosión al dejar depósitos de sal en el metal.
- NO permita el contacto prolongado del acero inoxidable con compuestos de limpieza.
- NO UTILICE LIMPIADORES A BASE DE CLORO. Cuando limpie los filtros de grasa, limpie también el portafiltros de grasa metálico del electrodoméstico con un paño húmedo.
- Puede limpiar los filtros de grasa a mano o en el lavaplatos.

En el lavaplatos:

NOTA: Es posible que surja una ligera decoloración cuando se limpian los filtros de grasa en el lavaplatos. Esto no afecta el funcionamiento de los mismos.

- No limpie platos junto con filtros de grasa extremadamente sucios.
- Coloque el filtro de grasa holgadamente en el lavaplatos. Los filtros de grasa no deben estar atascados.

Regrese a su lugar los filtros y el panel frontal y antes de usar el tiro descendente. Asegúrese de acoplar las LENGÜETAS en el panel frontal detrás de las OREJETAS, como se muestra.

PRECAUCIÓN

De no acoplar adecuadamente las lengüetas podría ocasionar que se atore la chimenea y que no se levante.

Limpieza a mano:

Nota: Puede utilizar un desengrasante si la suciedad es persistente. Puede comprar por Internet el Acondicionador de Acero Inoxidable THERMADOR (solo en EE.UU.) en: www.thermador-eshop.com

AVISO: El uso de nombres de marcas pretende únicamente indicar un tipo de limpiador. Esto no constituye un respaldo. La omisión de algún nombre de marca de limpiador no implica que sea adecuado o inadecuado. Muchos productos se distribuyen a nivel regional y se pueden encontrar en los mercados locales. Es imperativo que los productos se usen siguiendo estrictamente las instrucciones del paquete.

- Sumerja los filtros de grasa en una solución jabonosa caliente, preparada con un detergente suave.
- Utilice un cepillo para limpiarlos y luego enjuáguelos bien.
- Deje escurrir los filtros de grasa.

Limpie y seque la cubierta de entrada y vuelva a colocar o reemplace los filtros antes de utilizar el tiro descendente.

Limpieza de la cubierta de entrada:

- Levante el panel frontal y sáquelo.
- Quite los dos filtros.
- Utilice un detergente suave. **NO USE PAÑOS ABRASIVOS, ALMOHADILLAS DE LANA DE ACERO NI POLVOS ABRASIVOS.**

Limpie y vuelva a colocar o reemplace los dos filtros e instale el panel frontal antes de utilizar el tiro descendente.

AVISO: El uso de nombres de marcas pretende únicamente indicar un tipo de limpiador. Esto no constituye un respaldo. La omisión de algún nombre de marca de limpiador no implica que sea adecuado o inadecuado. Muchos productos se distribuyen a nivel regional y se pueden encontrar en los mercados locales. Es imperativo que los productos se usen siguiendo estrictamente las instrucciones del paquete.

NOTA: No utilice la estufa cuando la campana esté desarmada.

Agentes de limpieza

Con el fin de evitar que se dañen las distintas superficies debido al uso de agentes de limpieza inadecuados, siga las especificaciones descritas en la tabla. No utilice:

- agentes de limpieza abrasivos o fuertes,
- agentes de limpieza con un alto contenido de alcohol,
- fibras o esponjas abrasivas,
- limpiadores de alta presión o limpiadores de vapor.

Frote el acabado de acero inoxidable en la misma dirección del grano. Seque el área para evitar las marcas de agua.

Después de la limpieza, vuelva a colocar todas las piezas en la posición correcta antes del uso.

Enjuague bien todas las esponjas nuevas antes de usarlas.

Siga todas las instrucciones y advertencias incluidas con los agentes de limpieza.

Área	Agentes de limpieza
Acero inoxidable	Agua jabonosa tibia: Limpie con un trapo para los platos y seque con una toalla suave. Solo limpie el acero inoxidable en dirección del grano. Hay disponibles productos específicos para el cuidado del acero inoxidable con el servicio al cliente o con vendedores especializados. Aplique una capa delgada del producto con un paño suave.
Superficies barnizadas	Agua jabonosa tibia: Limpie con un trapo para los platos húmedo y seque con una toalla suave. No utilice un limpiador para acero inoxidable.
Plástico y aluminio	Limpiador de vidrios: Limpie con un paño limpio.
Vidrio	Limpiador de vidrios: Limpie con un paño limpio. No utilice un raspador de vidrio.
Controles	Agua jabonosa tibia: Limpie con un trapo para los platos húmedo y seque con una toalla suave. Riesgo de daños a los componentes electrónicos debido a la humedad que penetra. Nunca limpie los controles con un paño húmedo. No utilice un limpiador para acero inoxidable.

RESOLUCIÓN DE PROBLEMAS

Con frecuencia, usted puede eliminar por sí mismo los problemas que se pudieran presentar. Antes de llamar al servicio al cliente, considere la siguiente información.

ADVERTENCIA

RIESGO DE DESCARGA ELÉCTRICA

Las reparaciones inadecuadas son peligrosas. Solo un encargado de servicio autorizado puede realizar reparaciones y puede reemplazar el cableado dañado. Si el electrodoméstico necesita servicio, desconecte el electrodoméstico o interrumpa el suministro eléctrico en el panel de servicio. Llame a un proveedor de servicio autorizado.

Consejos para la resolución de problemas:

- Si el tiro descendente deja de funcionar, verifique el cable de alimentación y las conexiones a las cajas eléctricas. Una conexión podría haberse soltado.
- Si la unidad de tiro descendente deja de funcionar o la unidad falla, desconecte la unidad, espere 30 segundos y vuelva a conectarla para reiniciarla.
- Si los quemadores de gas hacen clic o se apagan en el ajuste bajo mientras el tiro descendente está en funcionamiento, verifique que el ventilador y el conducto de abajo estén sellados adecuadamente.
- Si la cubierta frontal hace ruido, deslícela hacia la izquierda o hacia la derecha. La tolerancia es para permitir el calentamiento y facilitar la extracción.
- El mecanismo de seguridad se activará si se coloca una obstrucción en la unidad. Retire la obstrucción y la unidad debe restaurarse. De lo contrario, levante la unidad y suéltela.

DECLARACIÓN DE GARANTÍA LIMITADA DEL PRODUCTO

Lo que abarca esta garantía y a quién se aplica

La garantía limitada otorgada por BSH Home Appliances Corporation ("BSH") en esta Declaración de garantía limitada del producto se aplica únicamente al electrodoméstico THERMADOR® (el "Producto") vendido a usted, el primer comprador que lo utiliza, siempre y cuando el Producto se haya comprado:

Para su uso normal y casero (no comercial) y, de hecho, se ha usado en todo momento únicamente para fines caseros normales.

Nuevo al menudeo (no de exhibición, "tal cual" o modelo devuelto anteriormente), y no para reventa o uso comercial.

Dentro de los Estados Unidos o Canadá, y en todo momento se ha mantenido dentro del país donde se compró originalmente.

Las garantías otorgadas en la presente se aplican únicamente al primer comprador del Producto y no son transferibles.

BSH se reserva el derecho de solicitar un comprobante de compra en el momento en que se envíe cualquier reclamo de garantía, para confirmar que el Producto queda dentro del alcance de esta garantía limitada del producto.

Asegúrese de devolver su tarjeta de registro, aunque no es necesaria para efectuar la cobertura de la garantía; es la mejor manera como BSH le notifica sobre una poco probable situación de un aviso de seguridad o un retiro de producto.

Cuánto tiempo dura la garantía

BSH garantiza que el Producto está libre de defectos en materiales y mano de obra por un periodo de setecientos treinta (730) días a partir de la fecha de compra.

El plazo mencionado comienza a correr a partir de la fecha de compra y no se demorará, prolongará o suspenderá por ninguna razón.

Este Producto está garantizado también como libre de defectos cosméticos en materiales y mano de obra (como rayones en el acero inoxidable, manchas en la pintura/porcelana, astilladuras, abolladuras u otros daños en el acabado) del Producto, por un periodo de treinta (30) días a partir de la fecha de compra o la fecha de cierre para una construcción nueva. Esta garantía cosmética excluye variaciones ligeras en el color debidas a diferencias inherentes en las piezas pintadas y de porcelana, así como a diferencias ocasionadas por la iluminación de la cocina, ubicación del producto u otros factores similares. Esta garantía cosmética excluye específicamente cualquier electrodoméstico de exhibición, de piso, "tal cual" o de existencias "B".

Reparación/reemplazo como su recurso exclusivo

Durante el periodo de esta garantía, BSH o uno de sus proveedores de servicio autorizados reparará su Producto sin cargo para usted (sujeto a ciertas limitaciones establecidas en la presente) si se comprueba que su Producto se fabricó con un defecto en materiales o en mano de obra. Si se han hecho intentos razonables de reparar el Producto sin éxito, entonces BSH reemplazará su Producto (podría tener disponibles modelos mejorados, a la exclusiva discreción de BSH, por un cargo adicional). Todas las piezas y componentes retirados serán propiedad de BSH a su opción exclusiva. Todas las piezas reemplazadas o reparadas asumirán la identidad de la pieza original para fines de esta garantía, y esta garantía no se prolongará con respecto a dichas piezas. La única responsabilidad de BSH al amparo de la presente es reparar solamente el Producto defectuoso del fabricante, empleando a un proveedor de servicio autorizado por BSH durante horas hábiles de trabajo. Por razones de seguridad y de daños a la propiedad, BSH recomienda encarecidamente que no trate usted mismo de reparar el Producto ni usar a un proveedor de servicio no autorizado; BSH no será responsable por las reparaciones o el trabajo realizado por un proveedor de servicio no autorizado. Si elige que alguien que no sea un proveedor de servicio autorizado realice un trabajo en su Producto, ESTA GARANTÍA QUEDARÁ NULA AUTOMÁTICAMENTE. Los proveedores de servicio autorizados son aquellas personas o compañías que han recibido capacitación especial en los productos BSH y que poseen, en opinión de BSH, una reputación superior en servicio al cliente y capacidad técnica (tome en cuenta que son entidades independientes y que no son agentes, socios, afiliados ni representantes de BSH). No obstante lo anterior, BSH no tendrá ninguna responsabilidad por el Producto si se encuentra en un área remota (a más de 100 millas de un proveedor de servicio autorizado) o si es un sitio, alrededores o entorno razonablemente inaccesible, peligroso, amenazante o traicionero; en cuyo caso, si lo solicita, BSH pagará por mano de obra y piezas y enviará las piezas al proveedor de servicio autorizado más cercano, pero usted sería totalmente responsable de cualquier tiempo de traslado u otros cargos especiales de parte de la compañía de servicio, suponiendo que ellos acepten realizar la llamada de servicio.

Producto fuera de garantía

BSH no tiene ninguna obligación, por ley o de otra manera, de brindarle concesión alguna, incluyendo reparaciones, prorratesos o reemplazo del Producto una vez que ha vencido la garantía.

Exclusiones de garantía

La cobertura de la garantía descrita en la presente excluye todos los defectos o daños que no sean incumplimiento directo de BSH, incluyendo, entre otros, uno o más de los siguientes:

Uso del producto de manera distinta a su manera normal, acostumbrada y prevista (incluyendo, entre otras, cualquier forma de uso comercial, uso o almacenamiento al exterior de un producto para interior, uso del Producto en conjunto con vehículos para desplazamiento por aire o por agua).

Toda mala conducta realizada por alguna parte de manera intencional, negligencia, uso inadecuado, abuso, accidentes, descuido, operación indebida, incumplimiento en el mantenimiento, instalación inadecuada o negligente, manipulación indebida, incumplimiento de las instrucciones de operación, mal manejo, servicio no autorizado (incluyendo los "arreglos" realizados por usted mismo o la exploración del funcionamiento interno del electrodoméstico).

Ajuste, alteración o modificación de cualquier tipo.

Incumplimiento de cualquier código, reglamento o ley aplicable estatal, local, municipal o del condado sobre electricidad, plomería o construcción, incluyendo el incumplimiento de instalar el producto con apego estricto a los códigos y reglamentos locales de incendios y construcción.

Uso y desgaste ordinarios, derrames de alimentos, líquidos, acumulaciones de grasa u otras sustancias que se acumulen sobre, en o alrededor del Producto.

Toda fuerza y factor externo, de los elementos o el medio ambiente, incluyendo, entre otros: lluvia, viento, arena, inundaciones, incendios, deslizamientos de lodo, temperaturas congelantes, humedad excesiva o exposición prolongada a humedad, rayos, sobrecargas eléctricas, fallas estructurales alrededor del electrodoméstico y causas de fuerza mayor.

En ningún caso BSH tendrá responsabilidad alguna por daños a la propiedad circundante, incluyendo gabinetes, pisos, cielos rasos y otras estructuras u objetos alrededor del Producto. También quedan excluidos de esta garantía: Productos a los que se les haya alterado, desfigurado o

eliminado los números de serie; visitas de servicio para enseñarle cómo utilizar el Producto, o visitas donde no haya nada malo en el Producto; corrección de problemas de instalación (usted es el único responsable de la estructura y colocación del Producto, incluyendo instalaciones de conexiones eléctricas, de plomería o de otro tipo, en cuanto a los cimientos/pisos adecuados, y por cualquier alteración que incluye, entre otras, gabinetes, paredes, pisos, anaqueles, etc.); y reinicio de disyuntores o fusibles.

HASTA DONDE LO PERMITA LA LEY, ESTA GARANTÍA DEFINE SUS RECURSOS EXCLUSIVOS CON RESPECTO AL PRODUCTO, YA SEA QUE EL RECLAMO SURJA POR CONTRATO O ACTO ILÍCITO (INCLUYENDO RESPONSABILIDAD ESTRICTA O NEGLIGENCIA) O DE OTRA MANERA. ESTA GARANTÍA ESTÁ EN LUGAR DE TODAS LAS DEMÁS GARANTÍAS, YA SEAN EXPRESAS O IMPLÍCITAS. TODA GARANTÍA IMPLÍCITA POR LEY, YA SEA PARA COMERCIALIZACIÓN O APTITUD PARA UN FIN EN PARTICULAR O DE OTRA MANERA, TENDRÁ VIGENCIA ÚNICAMENTE POR EL PERIODO DE VIGENCIA DE ESTA GARANTÍA LIMITADA EXPRESA. EN NINGÚN CASO EL FABRICANTE SERÁ RESPONSABLE POR DAÑOS RESULTANTES, ESPECIALES, INCIDENTALES, INDIRECTOS, "PÉRDIDA DE NEGOCIO" O DAÑOS PUNITIVOS, PÉRDIDAS O GASTOS, INCLUYENDO, ENTRE OTROS, TIEMPO LEJOS DEL TRABAJO, HOTELES O ALIMENTOS EN RESTAURANTES, GASTOS DE REMODELACIÓN EN EXCESO O DAÑOS DIRECTOS QUE SEAN CAUSADOS DE MANERA DEFINITIVA EXCLUSIVAMENTE POR BSH O DE OTRA MANERA. ALGUNOS ESTADOS NO PERMITEN LA EXCLUSIÓN O LA LIMITACIÓN DE DAÑOS INCIDENTALES O DE CONSECUENCIA, Y ALGUNOS ESTADOS NO PERMITEN LIMITACIONES SOBRE CUÁNTO TIEMPO DURA UNA GARANTÍA LIMITADA, ASÍ QUE LAS LIMITACIONES ANTERIORES PODRÍAN NO APLICARSE A USTED. ESTA GARANTÍA LE OTORGA DERECHOS LEGALES ESPECÍFICOS, Y PODRÍA TENER OTROS DERECHOS QUE VARÍAN DE UN ESTADO A OTRO.

Ningún intento por alterar, modificar o enmendar esta garantía tendrá validez, a menos que esté autorizado por escrito por un funcionario de BSH.

APOYO DE THERMADOR®

Antes de llamar al servicio

Vea la información de resolución de problemas en el Manual de uso y cuidado Consulte la "Declaración de garantía limitada del producto".

Para comunicarse con un representante de servicio, vea la información de contacto al frente del manual. Cuando llame, tenga preparada la información impresa en la etiqueta de datos de su producto.

Etiqueta de datos

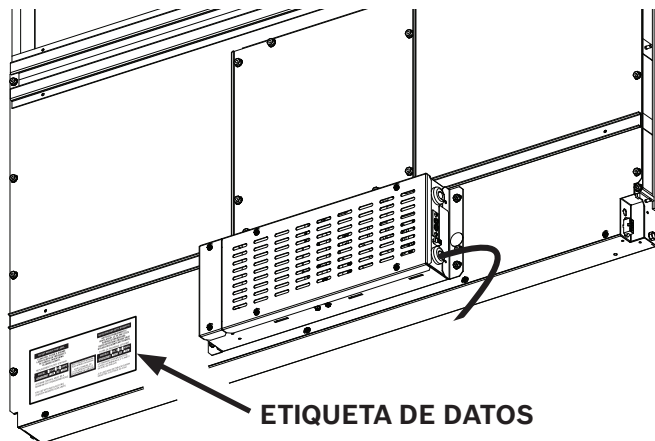
La etiqueta de datos muestra el modelo y el número de serie. Cuando solicite el servicio, consulte la placa de datos en el electrodoméstico.

La etiqueta de datos la puede encontrar al frente / abajo / a la izquierda de la cubierta del tiro descendente.

Para evitar tener que buscar cada detalle de la información cuando llame, puede ingresar los cuatro datos necesarios en los espacios siguientes.

No. de modelo	
No. de serie	
Fecha de la compra	
No. de servicio al cliente	

Conserva su factura o documentos para validar la garantía, en caso de que necesite servicio.



Servicio

Sabemos que usted ha realizado una inversión considerable en su cocina. Nos dedicamos a apoyarle a usted y a su electrodoméstico, de tal manera que tenga muchos años para cocinar de manera creativa.

No dude en ponerse en contacto con nuestro Departamento de apoyo al cliente STAR® si tuviera preguntas o en el poco probable caso de que su electrodoméstico THERMADOR® necesitara servicio. Nuestro equipo de servicio está listo para ayudarle.

EE.UU.

800-735-4328
www.thermador.com/support

Canadá

800-735-4328
www.thermador.ca

Piezas y accesorios

Las piezas, filtros, desincrustantes, limpiadores de acero inoxidable y más se pueden comprar en la tienda electrónica de THERMADOR® o bien por teléfono.

EE.UU.

<http://store.thermador.com/us>

Canadá

- Si vive en cualquiera de las provincias del Atlántico, Ontario o Québec, comuníquese con:
Marcone 1.800.287.1627
- Si vives en cualquiera de los Territorios, Manitoba, Saskatchewan, Alberta o Columbia Británica, comunícate con:
Reliable Parts 1.800.663.6060

