

Gaggenau

Installation instructions2

Notice de montage13

Instrucciones de instalación24

# VP 414 611

Teppan Yaki

---

# Table of Contents

---

<b>▲ Safety Definitions</b>	<b>2</b>
<b>IMPORTANT SAFETY INSTRUCTIONS</b>	<b>3</b>
Appliance Handling Safety	3
Safety Codes and Standards	3
Electric Safety	3
Related Equipment Safety	4
Proposition 65 Warning	5
<b>Before you begin</b>	<b>6</b>
Tools and Parts Needed	6
Parts Included	6
Installation accessories	6
Cabinet Requirements	6
Countertop Requirements	6
<b>Prepare Installation Space</b>	<b>7</b>
Cutting out countertop	7
<b>Installation Procedure</b>	<b>9</b>
Mounting Control Knobs	9
Prepare Installation Space	10
Install Appliance	10
Connect Electrical Supply	11
Check the Installation	12
<b>Removing appliance</b>	<b>12</b>
<b>Customer Service</b>	<b>12</b>

---

## ▲ Safety Definitions

---

### ▲ WARNING

This indicates that death or serious injuries may occur as a result of non-observance of this warning.

### ▲ CAUTION

This indicates that minor or moderate injuries may occur as a result of non-observance of this warning.

### NOTICE

This indicates that damage to the appliance or property may occur as a result of non-compliance with this advisory.

**Note:** This alerts you to important information and/or tips.

# **IMPORTANT SAFETY INSTRUCTIONS**

READ AND SAVE THESE INSTRUCTIONS

INSTALLER: LEAVE THESE INSTRUCTIONS WITH THE APPLIANCE AFTER INSTALLATION IS COMPLETE.

IMPORTANT: SAVE THESE INSTRUCTIONS FOR THE LOCAL ELECTRICAL INSPECTOR'S USE.

---

## **WARNING**

If the information in this manual is not followed exactly, fire or shock may result causing property damage or personal injury.

---

---

## **WARNING**

Do not repair, replace or remove any part of the appliance unless specifically recommended in the manuals. Improper installation, service or maintenance can cause injury or property damage. Refer to this manual for guidance. All other servicing should be done by an authorized service provider.

---

## **Appliance Handling Safety**



Hidden surfaces may have sharp edges. Use caution when reaching behind or under appliance.

## **Safety Codes and Standards**

This appliance complies with one or more of the following Standards:

- **UL 858, The Standard for the Safety of Household Electric Ranges**
- **UL 923, The Standard for the Safety of Microwave Cooking Appliances**
- **UL 507, The Standard for the Safety of Electric Fans**
- **ANSI Z21.1, The American National Standard for Household Cooking Gas Appliances**
- **CAN/CSA-C22.2 No. 113 Fans and Ventilators**
- **CAN/CSA-C22.2 No. 61 Household Cooking Ranges**
- **CAN/CSA-E60335-1**
- **CAN/CSA-E60335-2-6 Household and similar electrical appliances - Safety**

It is the responsibility of the owner and the installer to determine if additional requirements and/or standards apply to specific installations.

## **Electric Safety**

---

### **WARNING**

Before you plug in an electrical cord or turn on power supply, make sure all controls are in the OFF position.

---

If required by the National Electrical Code (or Canadian Electrical Code), this appliance must be installed on a separate branch circuit.



# IMPORTANT SAFETY INSTRUCTIONS

READ AND SAVE THESE INSTRUCTIONS



## WARNING

**Risk of electrical shock or fire!**

Frame grounded to neutral through a ground strap. Grounding through the neutral conductor is prohibited for new branch-circuit installations (1996 NEC), mobile homes, and recreational vehicles, or in an area where local codes prohibit grounding through the neutral conductor.

For installations where grounding through the neutral conductor is prohibited,

1. disconnect the link from the neutral,
2. use grounding terminal or lead to ground unit,
3. connect neutral terminal to lead branch circuit neutral in usual manner (when the appliance is to be connected by means of a cord kit, use a UL listed 4-conductor cord for this purpose).

Be sure your appliance is properly installed and grounded by a qualified technician. Installation, electrical connections and grounding must comply with all applicable codes.

Before installing, turn power OFF at the service panel. Lock service panel to prevent power from being turned ON accidentally.

Installer – show the owner the location of the circuit breaker or fuse. Mark it for easy reference.

## Related Equipment Safety

The appliance should only be used if installed by a qualified technician in accordance with these installation instructions. The manufacturer is not responsible for any damage resulting from incorrect installation.

Remove all tape and packaging before using the appliance. Destroy the packaging after unpacking the appliance. Never allow children to play with packaging material.

Never modify or alter the construction of the appliance. For example, do not remove leveling legs, panels, wire covers or anti-tip brackets/screws.

To eliminate the risk of burns or fire by reaching over heated surface units, cabinet storage space located above the surface units should be avoided. If cabinet storage is to be provided, the risk can be reduced by installing a hood that projects horizontally a minimum of 5 inches (127 mm) beyond the bottom of the cabinet.

Verify that cabinets above the cooktop are a maximum of 13" (330 mm) deep.

When installing a cooktop over a single oven, be sure to follow both the oven's and cooktop's installation manuals.



# IMPORTANT SAFETY INSTRUCTIONS

READ AND SAVE THESE INSTRUCTIONS

## Ventilation Recommendations

We strongly recommend the installation of a ventilation hood above this appliance. The hood must be installed according to instructions furnished with the hood.



### CAUTION

The appliance should not be installed with a ventilation system that blows air downward toward the burners. This type of ventilation system may cause ignition and combustion problems with the gas cooking appliance resulting in personal injury or unintended operation.

---

## Proposition 65 Warning:

This product may contain a chemical known to the State of California, which can cause cancer or reproductive harm. Therefore, the packaging of your product may bear the following label as required by California:

STATE OF CALIFORNIA PROPOSITION 65 WARNING:



### WARNING

Cancer and Reproductive Harm - [www.P65Warnings.ca.gov](http://www.P65Warnings.ca.gov)

---

## Before you begin

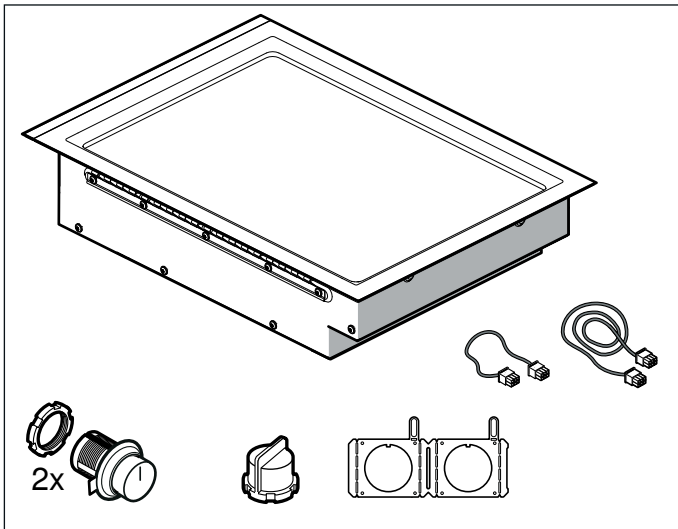
---

### Tools and Parts Needed

- Phillips Head Screwdriver
- Pencil
- Drill with ¼" (6 mm) bit
- Jigsaw
- Tape Measure

**Note:** Additional materials may be necessary for installation in solid surface countertops. Contact the countertop manufacturer.

### Parts Included



### Cabinet Requirements

The distance from the top of the cooktop to the bottom of cabinets above can be reduced to 24 inch when the bottom of the wood or metal cabinet is protected by not less than ¼ inch (6.35 mm)-thick flame-retardant millboard covered with not less than No. 28 MSG sheet metal, 0.015 inch (0.4 mm) stainless steel, 0.024 inch (0.6 mm) aluminum or copper.

### Countertop Requirements

---

#### **⚠ WARNING**

---

To reduce the risk of ignition of surrounding combustible materials, install at least 1½" (40 mm) from both sidewalls and at least 2" (50 mm) from the rear wall.

---

The countertop must be level and horizontal. The stability of the countertop must be maintained after the cut-out has been made.

### Installation accessories

VA 420 000 Connection strip for combination with other Vario appliances in the 400 series for flush installation

VA 420 010 Connection strip for combination with other Vario appliances in the 400 series for surface-mounted installation

VA 440 010 Stainless steel appliance cover

Use the accessories only as indicated. The manufacturer assumes no liability for incorrect usage of the accessories.

## Prepare Installation Space

The kitchen unit must be heat-resistant to at least 200° F (90°C). The stability of the unit must be maintained after producing the cut-out.

Produce the cut-out in the countertop for one or more Vario appliances as shown in the installation sketch. The angle between the cut surface and the countertop must be 90°.

The cut edges at the sides must be flat to ensure a good fit of the retaining springs on the appliance. In laminated worktops, it may be necessary to fit strips at the sides of the cut-out.

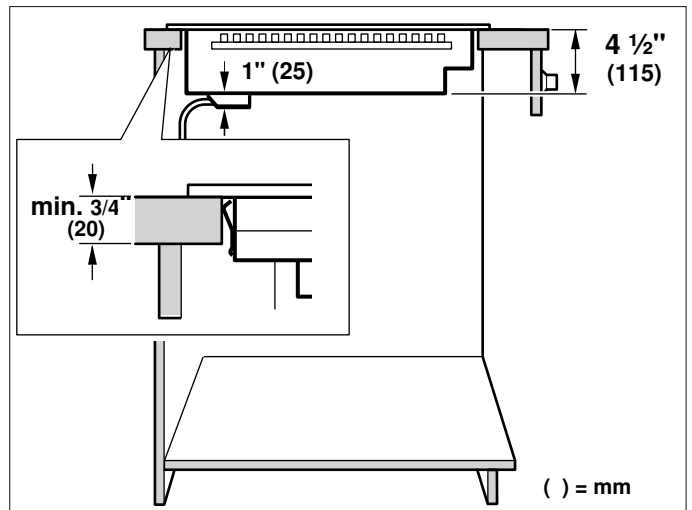
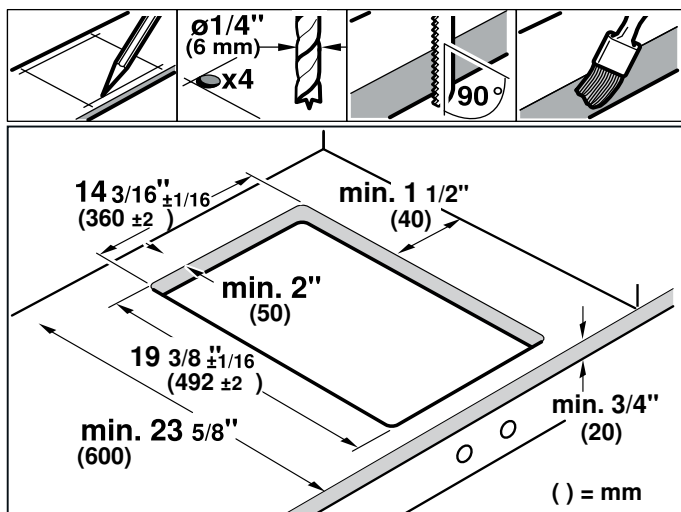
Remove shavings after cutting. Seal cut surfaces for resistance to heat and so they are watertight.

Pay attention to a minimum gap of 3/8" (10 mm) from the underside of the appliance to kitchen units.

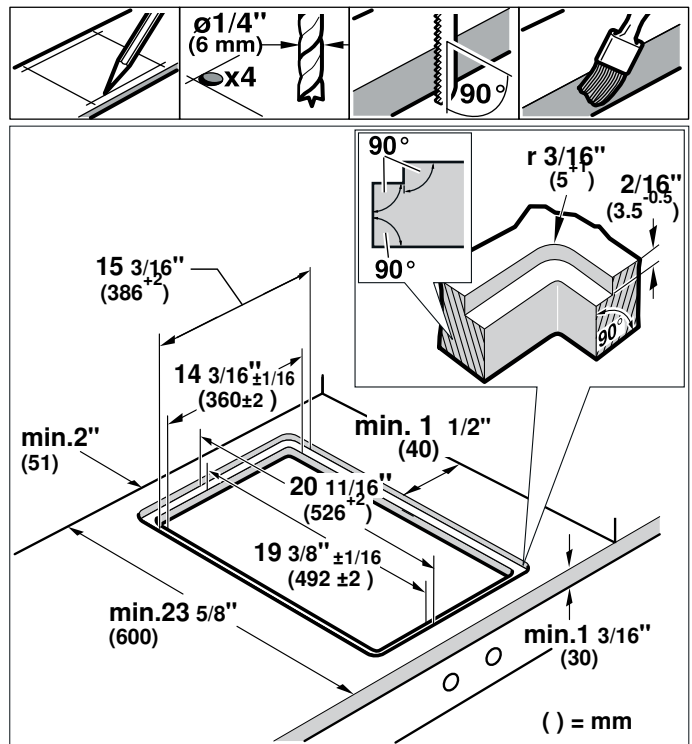
Use suitable base constructions to ensure load-carrying capacity and stability, especially in the case of thin countertops. Pay attention to the weight of the appliance, including any payload. Reinforcement material used must be resistant to heat and moisture.

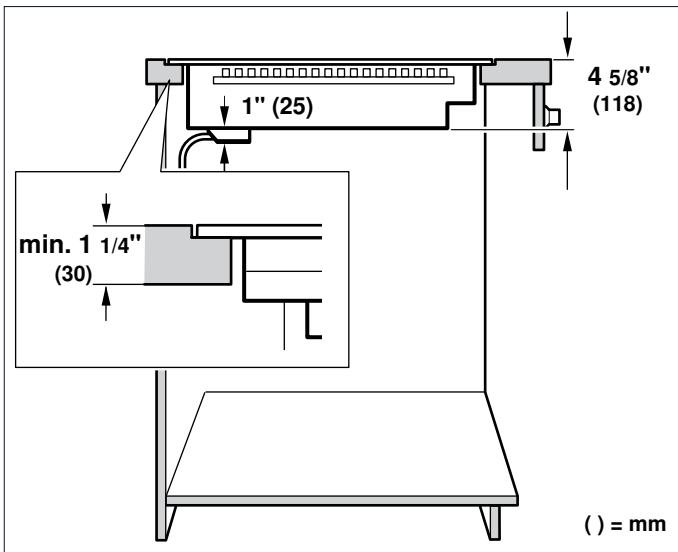
**Note:** Wait until the appliance has been installed in the installation opening before checking that it is level.

## Cutting out countertop



**Flush mounting:** Flush mounting into a countertop is possible.





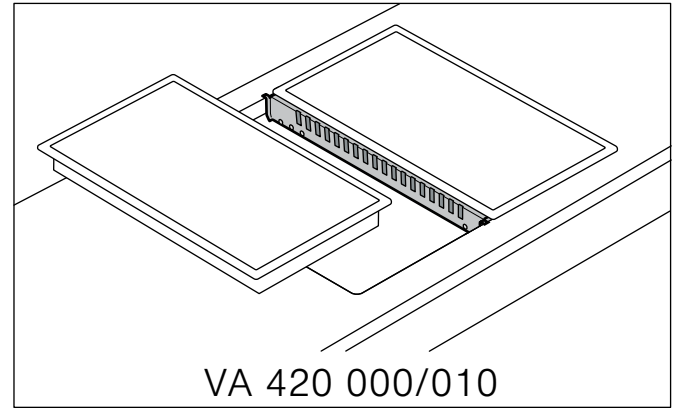
**Flush installation:** The appliance can be installed in the following temperature- and water-resistant countertops:

- Stone countertops
- Plastic countertops (such as Corian®)
- Solid wood countertops: Only in consultation with the manufacturer of the countertop (seal cut-out edges)
- Installation in other countertops only in consultation with the manufacturer of the countertop.

Installation in countertops made of particleboard is not possible.

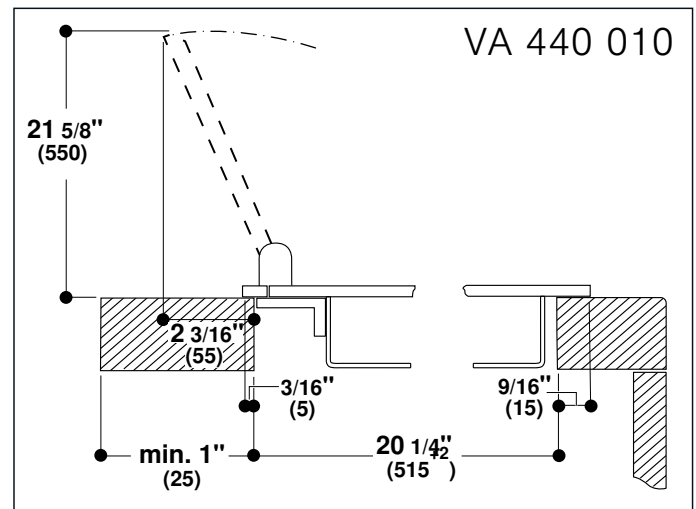
**Note:** Any cut-out work on the countertop must be performed in a workshop according to the installation diagram. The cut-out must be made cleanly and precisely since the cut-out edge is visible on the surface. Clean and degrease the cut-out edges with a suitable cleaning agent (bear in mind silicone manufacturer's processing instructions).

**Combining several Vario devices:** The connecting strip VA 420 000/010 is required for the combination of several Vario appliances. This is available separately as a special accessory. Consider additional space requirement for the connecting strip between the appliances when making the cut-out (see installation instructions VA 420 000/010).



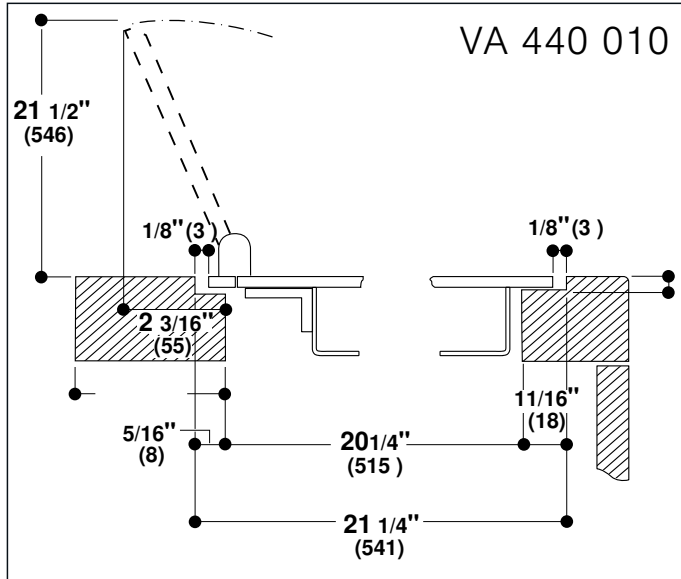
Appliances can also be installed in individual cut-outs, bearing in mind a minimum distance between the devices of 2" (51 mm).

**In combination with appliance cover:** The appliance cover VA 440 010 can be ordered separately as an optional accessory. Take into account the additional space required for the appliance cover when making the cutout.





Flush mount installation:



**Drilled Hole for Control Knob**

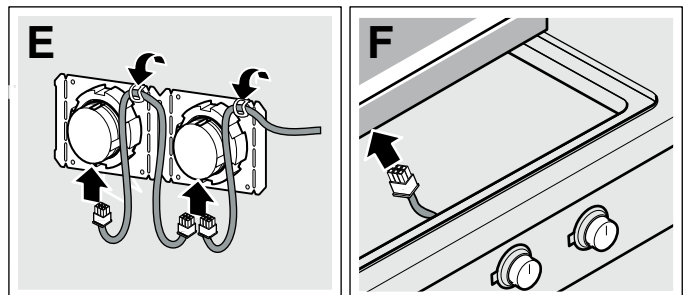
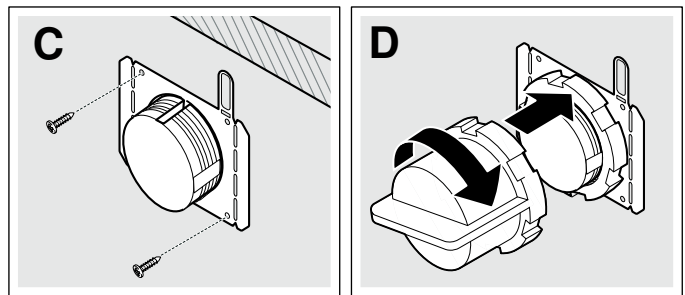
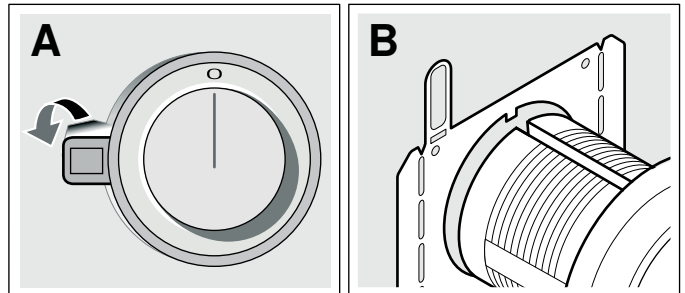
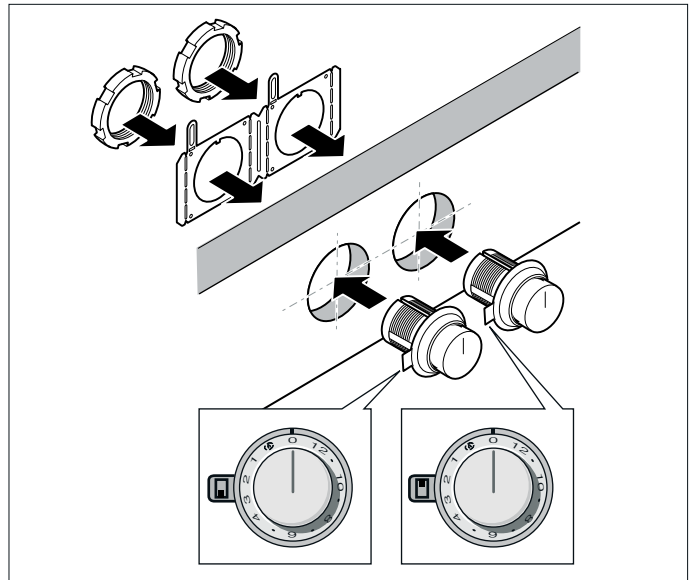
Possible types of installation:

- Installation in the front of the base cabinet
- Installation in the countertop next to the appliance
- Installation in the countertop in front of the appliance

**Note:** Follow the installation instructions provided for the control knobs.

**Installation Procedure**

**Mounting Control Knobs**



**Note:** Follow the installation instructions provided for the control knobs.

1. Depending on the distance between the control knobs, it may be necessary to break off the retaining plate at the perforation. Hold the retaining plate in place against the back of the control panel or the bottom of the countertop, or secure it with the enclosed screws.
2. When installing a single control knob or when the retaining plate has been broken at the perforation, use 2 screws to hold each individual retaining plate in place to prevent it from rotating (C).

For stone countertops, use temperature-resistant two-component adhesive (for metal to stone) to adhere the retaining plate.

3. Remove the protective film on the back of the illuminated ring (A).
4. Insert the control knob into the drilled hole (B) and screw the nut on the back with the enclosed installation aid (D).
5. Connect all of the control knobs with the enclosed shorter cables. The plugs must snap into the sockets (E).

**Note:** The two cable connectors on the control knob are identical.

6. Connect the longer cable to the control cable for connection to the appliance. The plug must snap into the socket (F).

**Note:** The appliance can be connected to any control knob.

7. After installing, check that all plug connections fit correctly.
8. After installing all the cables, secure them to the retaining plate by bending the tab down (E).

## Prepare Installation Space

Create the cut-out in the countertop for one or several Vario appliances according to the installation diagram. The angle of the cut surface to the countertop must be 90°.

After creating cut-out, remove shavings. Seal cut surfaces in a heat-resistant manner.

Some solid surface countertops require special installations. For example, heat reflective tape and rounded corners may be necessary. Contact the countertop manufacturer for instructions specific to your countertop.

Observe minimum distance between appliance underside and furniture parts of  $\frac{3}{8}$ " (10 mm).

**When installing multiple Vario appliances:** Take into account space requirement for VV 200 010/020 connection strip between the appliances. Appliances can also be installed in individual cut-outs, bearing in mind a minimum distance between the appliances of  $1\frac{9}{16}$ " (40 mm).

## Install Appliance

### WARNING

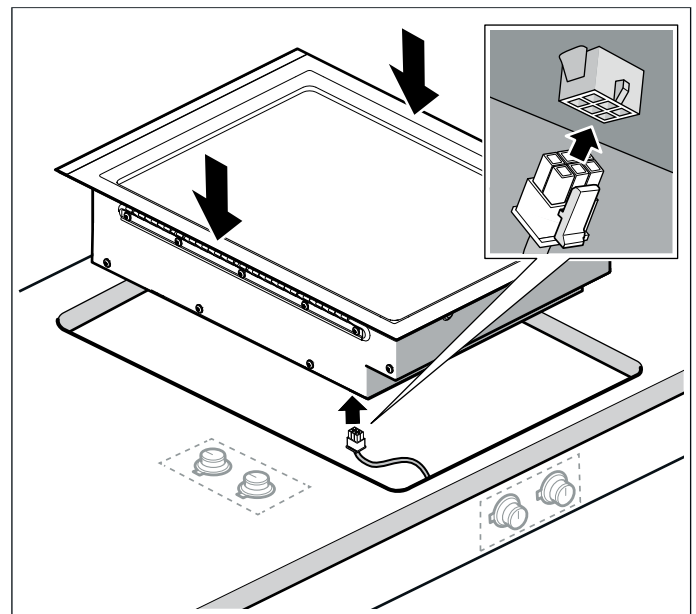
Before you plug in an electrical cord or turn on power supply, make sure all controls are in the OFF position.

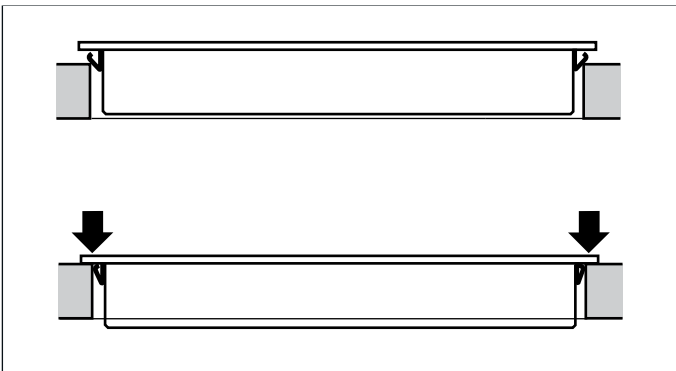
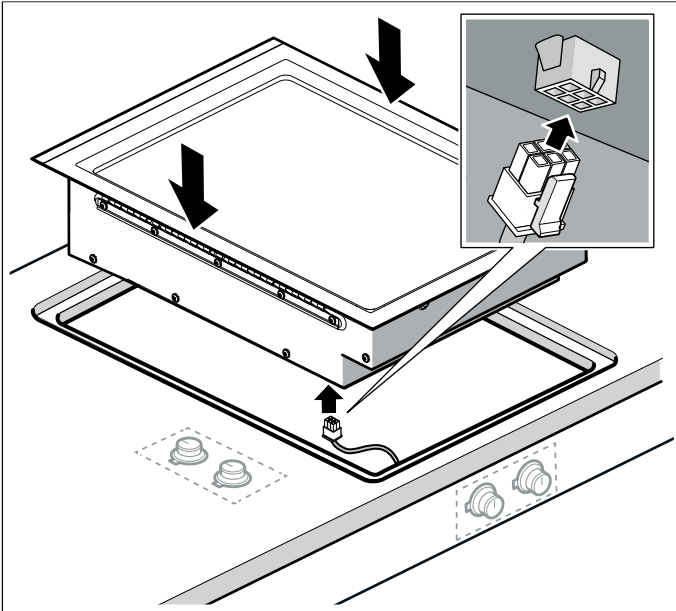
1. Connect the connection cable to the control cable in the socket on the bottom of the appliance. The plug must snap into place.
2. Place the appliance evenly in the cut-out. Push it down firmly into the cut-out.

**Note:** The appliance must sit securely in the cut-out and must not be able to move around (e.g. during cleaning). If the width of the cut-out is at the upper tolerance limit, secure battens to the sides of the cut-out if necessary.

**Note:** The fixing clamps are already attached to the sides of the appliance on delivery. By pressing the appliance firmly into the cut-out, the clamps will be wedged, holding the appliance securely in place.

### Over the countertop fitting:



**Flush fitting:**

3. Connect the appliance to the mains and check that it works correctly.

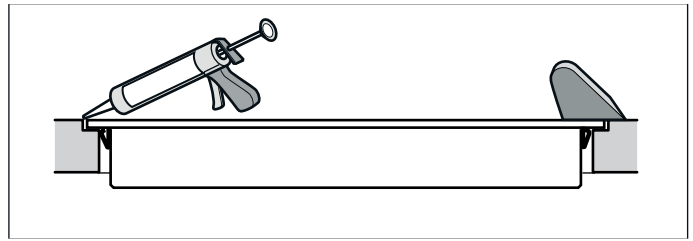
4. **For installation flush with surrounding surfaces only:**

**Note:** Make sure that everything is working correctly before grouting.

Grout the surrounding gap with a suitable temperature-resistant silicone adhesive (e.g., OTTOSEAL® S 70). Smooth the joint seal with a smoothing agent recommended by the manufacturer. Heed the processing instructions for the silicone glue. Only start up the appliance after the silicone glue is completely dry (at least 24 hours, depending on the room temperature).

**NOTICE**

Unsuitable silicone adhesive causes permanent discoloration to natural stone countertops.

**Connect Electrical Supply**

Refer to data plate for more information. See "Service" for data plate location.

The branch-circuit breakers ampacity, the wire sizes and the connections must be conform to the requirements of the National Electrical Code or Canadian Electrical Code and all local codes and ordinances.

Attach flexible conduit to the junction box. Connect the lead wires to the junction box supply wires in proper phase:

- black (L1) to black
- red (L2) to blue
- green to ground

The mains connecting cable must at least correspond to the type SJTO 3x16 AWG 105°C. The mains connecting cable must only be purchased through and connected by an authorised specialist.

**Connection with a plug**

- Plug has to be conform with NEMA CONFIGURATIONS FOR PLUGS AND RECEPTACLES.
- The appliance must be properly grounded.
- Plug must be rated not less than type 6-20 P (2-pole 3-wire grounding).
- Only a qualified electrician should connect the plug.
- Install a socket outlet earthed in accordance with regulations approx. 27" (700 mm) above the floor behind the appliance. The socket outlet must still be accessible after installation.

## Check the Installation

### **⚠ WARNING**

Before you plug in an electrical cord or turn on power supply, make sure all controls are in the OFF position.

Remove everything from the cooktop surface. Clean cooktop surface with cooktop cleaning creme.

Switch on the circuit breaker.

Verify that elements function properly.

## Removing appliance

Disconnect the appliance from the power supply. Push out the appliance from below.

### **⚠ CAUTION**

Damage to appliance! Don't lift device out from above.

## Customer Service

If your appliance needs repairs, our customer service is there for you. We work hard to help solve problems quickly and without unnecessary service calls, getting your appliance back up and running correctly in the least amount of time possible.

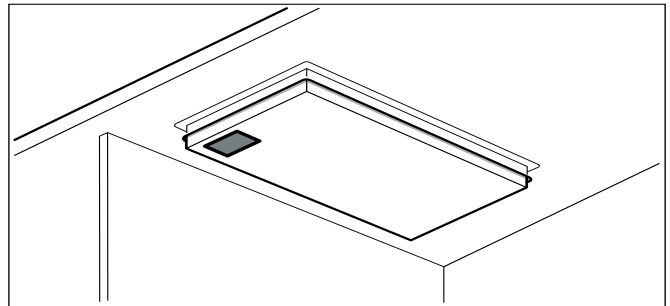
When you call, please indicate the product number (E-Nr.) and serial number (FD-Nr.) so that we can support you in a qualified manner. You will find the type plate with these numbers on the bottom of the appliance. To avoid having to search for a long time when you need it, you can enter your appliance data and the customer support telephone number here.

E-Nr.

FD-Nr.

Customer Service ☎

Please read the installation instructions and use and care instructions provided with your appliance. Failure to do so may result in an error in using the appliance. This could result in a service call that instead of fixing a mechanical issue is only needed for customer education. Such calls are not covered by the appliance warranty.



Please find the contact data of all countries in the enclosed customer service list.

### **To book a service visit and product advice**

**USA** 877 442 4436  
toll-free

**CANADA** 877 442 4436  
toll-free

---

## Table des matières

---

<b>▲ Définitions de sécurité</b>	<b>13</b>
<b>CONSIGNES DE SÉCURITÉ IMPORTANTES</b>	<b>14</b>
Sécurité de manutention des appareils	14
Codes et normes de sécurité	14
Sécurité électrique	15
Équipement de sécurité	15
Avertissement issu de la proposition 65	16
<b>Avant de commencer</b>	<b>17</b>
Outils et pièces nécessaires	17
Pièces comprises	17
Accessoires d'installation	17
Exigences pour les placards	17
Exigences pour le plan de travail	17
<b>Préparation des meubles</b>	<b>18</b>
Découper le plan de travail	18
<b>Procédure d'installation</b>	<b>20</b>
Monter les boutons de commande	20
Préparation des meubles	21
Pose de l'appareil	21
Brancher l'alimentation électrique	22
Vérification de l'installation	23
<b>Dépose de l'appareil</b>	<b>23</b>
<b>Service après-vente</b>	<b>23</b>

---

### ▲ Définitions de sécurité

---

#### ▲ AVERTISSEMENT

Ceci indique que le non-respect de cet avertissement peut entraîner des blessures graves, voire la mort.

---

#### ▲ ATTENTION

Ceci indique que le non-respect de cet avertissement peut entraîner des blessures légères ou de gravité moyenne.

---

#### AVIS

Ceci indique que la non-conformité à cet avis de sécurité peut entraîner des dégâts matériels ou endommager l'appareil.

---

**Remarque :** Ceci vous signale des informations et/ou indications importantes.

# **CONSIGNES DE SÉCURITÉ IMPORTANTES**

LIRE ET CONSERVER CES INSTRUCTIONS

INSTALLATEUR : LAISSEZ CES INSTRUCTIONS AVEC L'APPAREIL APRÈS UNE FOIS L'INSTALLATION TERMINÉE.

IMPORTANT : CONSERVER CES INSTRUCTIONS POUR L'USAGE DE L'INSPECTEUR ÉLECTRIQUE LOCAL.

---

## **AVERTISSEMENT**

Si l'information de ce guide n'est pas suivie exactement, il peut en résulter un incendie ou un choc électrique causant des dommages à la propriété, des blessures ou la mort.

---

---

## **AVERTISSEMENT**

Ne réparez, remplacez, ni ne retirez aucune partie de l'appareil, excepté si les manuels recommandent de le faire. Une installation, un entretien ou une inspection incorrects peuvent occasionner des blessures ou des dommages matériels. Reportez-vous au présent manuel pour obtenir des indications. Toute autre intervention doit être effectuée par un technicien agréé.

---

## **Sécurité de manutention des appareils**



Certaines surfaces peuvent avoir des bords tranchants. Faire attention en étendant le bras derrière l'appareil ou en dessous.

## **Codes et normes de sécurité**

Cet appareil est conforme à une ou plusieurs des normes suivantes :

- **UL 858, norme pour la sécurité des cuisinières électriques domestiques**
- **UL 923, norme pour la sécurité des appareils de cuisson à micro-ondes**
- **UL 507, norme pour la sécurité des ventilateurs électriques**
- **ANSI Z21.1, norme nationale américaine pour les appareils de cuisson à gaz domestiques**
- **CAN/CSA-C22.2 No. 113, Ventilateurs et soufflantes**
- **CAN/CSA-C22.2 No. 61, Cuisinières pour usage ménager**
- **CAN/CSA-E60335-1**
- **CAN/CSA-E60335-2-6 Appareils électrodomestiques et analogues - Sécurité**

Il incombe au propriétaire et à l'installateur de déterminer si des exigences additionnelles et/ou normes s'appliquent pour des installations spécifiques.



# CONSIGNES DE SÉCURITÉ IMPORTANTES

LIRE ET CONSERVER CES INSTRUCTIONS

## Sécurité électrique



### AVERTISSEMENT

Avant tout raccordement de cordon électrique ou toute mise sous tension, assurez-vous que toutes les commandes sont en position OFF (d'arrêt).

S'il y a lieu, conformément au Code national de l'électricité (ou au Code canadien de l'électricité), cet appareil doit être installé sur un circuit de dérivation séparé.



### AVERTISSEMENT

**Risque de choc électrique ou d'incendie !**

Le cadre est mis à la terre au neutre par le conducteur de terre. La mise à la terre par le conducteur neutre est interdite pour les nouvelles installations de circuit terminal (NEC 1996), les maisons mobiles et les véhicules de plaisance ou dans les endroits où les codes locaux interdisent la mise à la terre par un conducteur neutre.

Pour les installations où la mise à la terre par le conducteur neutre est interdite,

1. débrancher la liaison du neutre,
2. utiliser la borne de terre ou le fil pour mettre l'appareil à la terre,

3. brancher la borne neutre sur le fil neutre du circuit terminal de la façon habituelle (lorsque l'appareil doit être branché au moyen d'un nécessaire de cordon, utiliser un cordon à 4 fils homologué par l'Underwriters Laboratory prévu à cet effet).

S'assurer que l'appareil est installé et mis à la terre par un technicien qualifié. L'installation, les connexions électriques et la mise à la terre doivent être conformes à tous les codes applicables.

Avant l'installation, mettre l'appareil hors service au panneau de service. Verrouiller le panneau d'entrée d'électricité pour éviter que le courant ne soit accidentellement rétabli.

Installateur – Indiquer au propriétaire l'emplacement du disjoncteur ou du fusible. Identifier sa position pour pouvoir le retrouver facilement.

## Équipement de sécurité

Utilisez uniquement l'appareil électroménager s'il a été installé par un technicien qualifié conformément aux présentes instructions d'installation. Le fabricant ne peut pas être tenu responsable de tous dommages causés par une installation inadéquate.

Enlever le ruban adhésif et l'emballage avant d'utiliser l'appareil. Détruire l'emballage après avoir déballé l'appareil. Ne jamais laisser les enfants jouer avec les matériaux de conditionnement.

# **CONSIGNES DE SÉCURITÉ IMPORTANTES**

LIRE ET CONSERVER CES INSTRUCTIONS

Ne jamais modifier ni altérer la configuration de l'appareil. Par exemple, ne pas retirer les pieds de nivellement, les panneaux, les couvercles de câblage ou les fixations/vis antibasculement.

Pour éliminer le risque de brûlures ou d'incendie lorsque l'on allonge le bras au-dessus des éléments de surface chauds, éviter d'installer des placards au-dessus des éléments de surface. Si l'installation de placards est prévue, le risque peut être réduit en installant une hotte aspirante qui dépasse horizontalement d'au moins 5 po (127 mm) la base du placard.

Vérifiez que la profondeur des armoires situées au-dessus de la table de cuisson ne dépasse pas 13 po (330 mm).

Lors de l'installation de la table de cuisson sur un four simple, prendre bien soin de suivre les instructions des manuels d'installation du four et de la table de cuisson.

## **Recommandations sur la ventilation**

Il est vivement recommandé d'installer une hotte aspirante au-dessus de cet appareil. La hotte aspirante doit être installée conformément aux instructions qui l'accompagnent.

---

## **ATTENTION**

---

L'appareil ne devrait pas être installé avec un système de ventilation qui souffle l'air vers les brûleurs. Ce type de système de ventilation peut causer des problèmes d'allumage et de combustion avec l'appareil de cuisson au gaz et pourrait provoquer des blessures ou nuire au fonctionnement normal.

---

## **Avertissement issu de la proposition 65 :**

Ce produit pourrait contenir un produit chimique reconnu par l'État de la Californie comme cancérigène ou ayant des effets nocifs sur la reproduction. Par conséquent, l'emballage de votre produit pourrait porter l'étiquette suivante, comme requis par la Californie :

**AVERTISSEMENT ISSU DE LA PROPOSITION 65 DE L'ÉTAT DE LA CALIFORNIE :**

 **AVERTISSEMENT**  
Cancer et dommages à la reproduction  
[www.P65Warnings.ca.gov](http://www.P65Warnings.ca.gov)



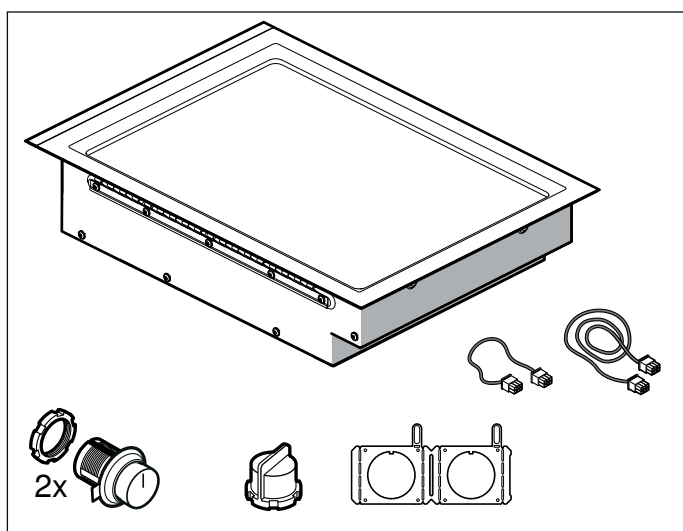
## Avant de commencer

### Outils et pièces nécessaires

- Tournevis à lame Philips
- Crayon
- Perceuse avec mèche 1/4" po (6 mm)
- Scie sauteuse
- Ruban à mesurer

**Remarque :** Des matériaux supplémentaires peuvent être nécessaires pour installer les plans de travail à surface solide. Contacter le fabricant du plan de travail.

### Pièces comprises



### Accessoires d'installation

- VA 420 000 Réglette de jonction pour associer d'autres appareils Vario de la série 400 à montage en affleurement
- VA 420 010 Réglette de jonction pour associer d'autres appareils Vario de la série 400 à montage en saillie
- VA 440 010 Couvercle en inox

Utilisez l'accessoire seulement de la manière indiquée. Le fabricant n'est pas responsable de l'utilisation non conforme des accessoires.

### Exigences pour les placards

Le dégagement du haut de la table de cuisson au bas des armoires situées au-dessus peut être réduit à 24 po si les armoires en bois ou en métal sont protégées par une planche ignifuge d'une épaisseur d'au moins 1/4 po (6,35 mm) couvert par pas moins d'une tôle d'acier MSG n° 28, d'acier inoxydable de 0,015 po (0,4 mm) d'épaisseur, d'aluminium ou de cuivre de 0,024 po (0,6 mm) d'épaisseur.

### Exigences pour le plan de travail

#### **⚠ AVERTISSEMENT**

Pour réduire le risque d'allumage dans un environnement combustible, installer à au moins 40 mm (1 1/2 po) des parois et à au moins 50 mm (2 po) du mur arrière.

Le plan de travail doit être de niveau et horizontal. Le plan de travail doit rester stable après la découpe.

## Préparation des meubles

Le meuble où la table de cuisson est encastrée doit résister à la chaleur jusqu'à une température de 200° F (90°C). La stabilité du meuble doit rester garantie après les opérations de découpe.

Réaliser la découpe dans le plan de travail pour un ou plusieurs appareils Vario, conformément au schéma de pose. Le plan de coupe doit faire un angle de 90° avec le plan de travail.

Les bords de coupe latéraux doivent être plans afin de garantir la fixation des ressorts de maintien sur l'appareil. Dans le cas de plans de travail multicouches, fixer éventuellement des baguettes sur les côtés de la découpe.

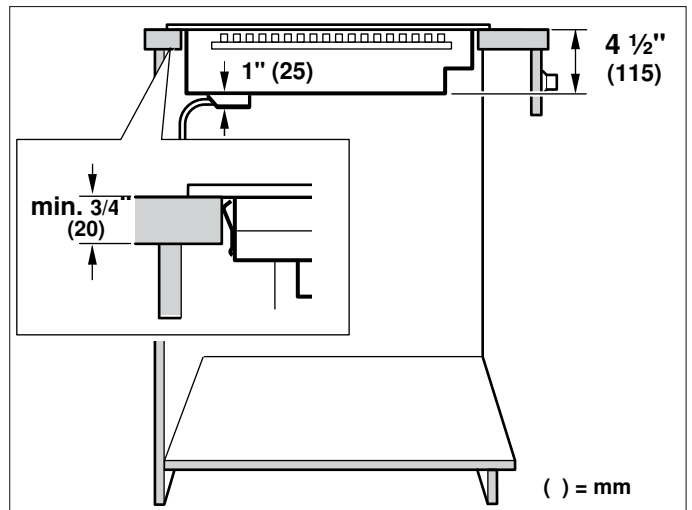
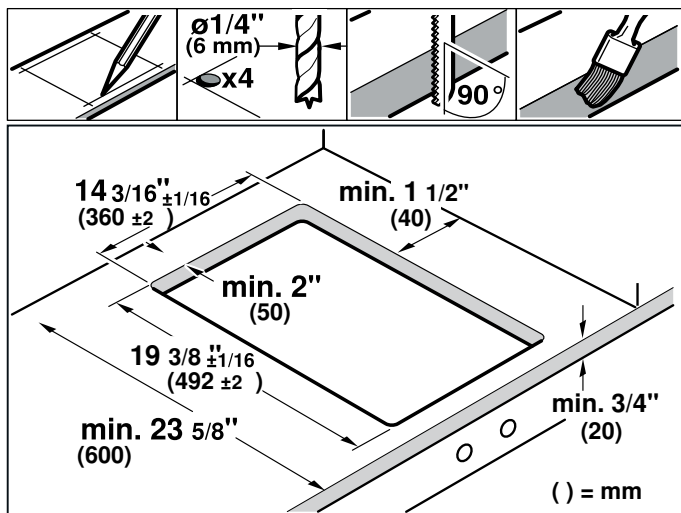
Après les opérations de découpe, éliminer les copeaux. Sceller les plans de coupe de façon qu'ils résistent à la chaleur et soient étanches à l'eau.

Respecter une distance minimale de 3/8" (10 mm) entre le dessous de l'appareil et les éléments du meuble.

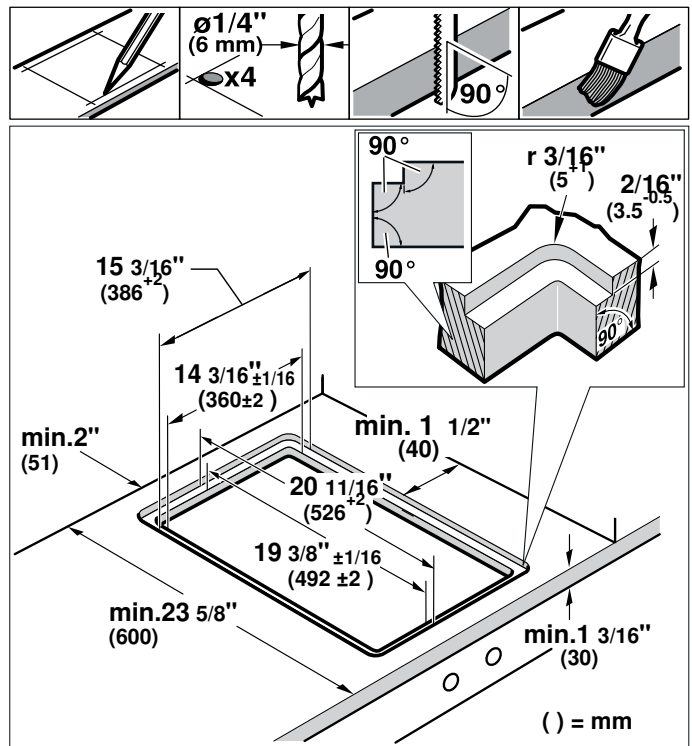
En particulier si le plan de travail est peu épais, assurer sa capacité de résistance et sa stabilité en le renforçant au moyen de structures adaptées. Tenir compte du poids des appareils, sans oublier leur contenu et leurs accessoires. Le matériau utilisé pour le renforcement doit résister à la chaleur et à l'humidité.

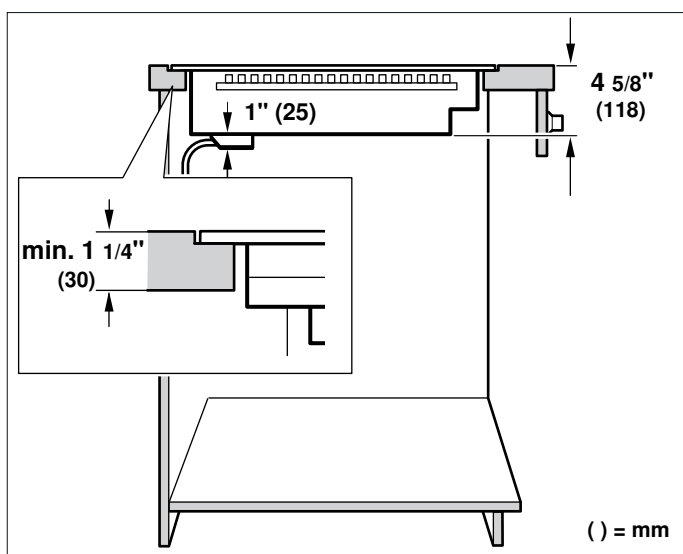
**Remarque :** Vérifier l'aplomb de l'appareil seulement après l'avoir installé dans la découpe.

### Découper le plan de travail



**Pose en affleurement:** L'appareil peut être posé en affleurement dans un plan de travail.





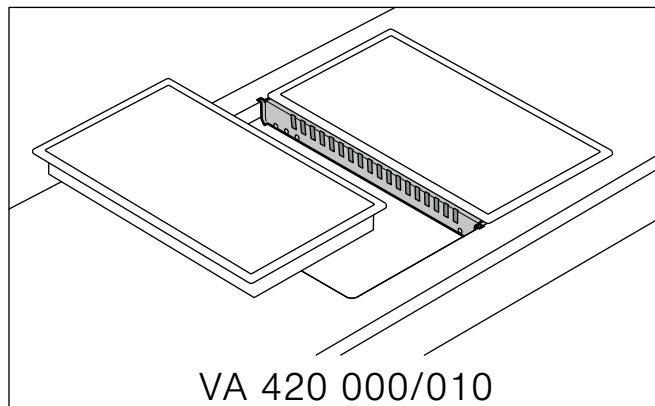
**Pose en affleurement:** L'appareil peut être encastré dans des plans de travail résistant à la chaleur et à l'eau, fabriqués dans les matériaux suivants :

- pierre
- matière plastique ou Corian®
- bois massif : seulement avec l'accord avec le fabricant du plan de travail (sceller les bords de coupe)
- La pose dans d'autres types de plan de travail : seulement avec l'accord avec le fabricant du plan de travail.

La pose dans de plan de travail de panneaux de particules n'est pas autorisée.

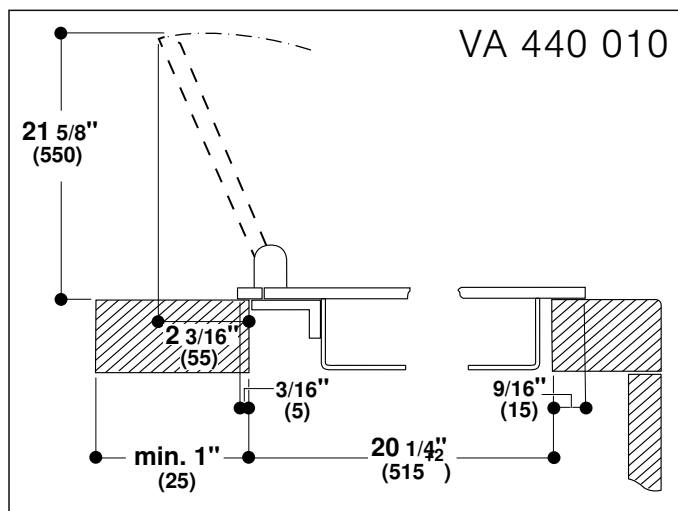
**Remarque :** Toutes les découpes du plan de travail doivent être faits dans un atelier spécialisé, conformément au schéma de pose. La découpe doit être nette et précise, car le bord de coupe est visible en surface. Nettoyer et dégraisser les bords de coupe avec un produit de nettoyage adéquat (respecter les instructions d'application du fabricant du silicone).

**Association de plusieurs appareils Vario :** Pour combiner plusieurs appareils Vario, il faut utiliser la barrette de jonction VA 420 000/010. Elle est disponible comme accessoire en option. Lors de la découpe, tenir compte de l'espace supplémentaire qui est nécessaire pour la barrette de jonction entre les appareils (voir la notice de montage VA 420 000/010).

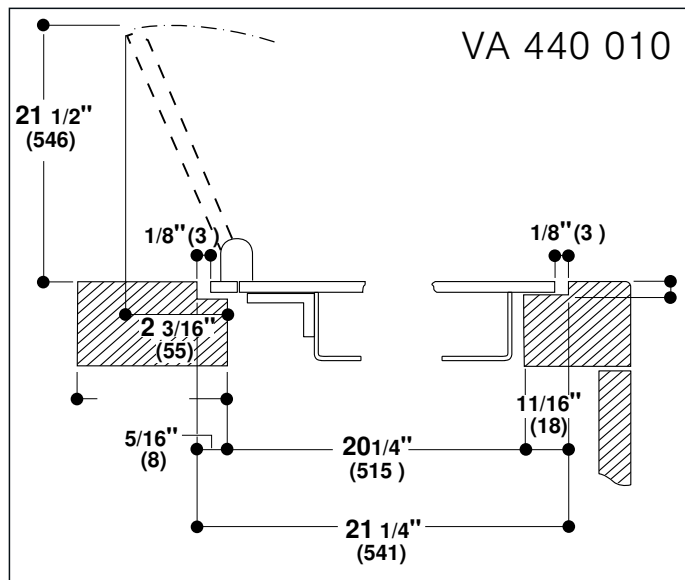


Les appareils peuvent également être installés dans des découpes séparées, en respectant une distance minimale de 2" (51 mm).

**Combinaison avec couvercle :** le couvercle VA 440 010 est disponible séparément en tant qu'accessoire spécial. Au moment de réaliser la découpe, veillez à ce qu'il y ait suffisamment de place pour le couvercle.



Encastré affleurant :



**Perçage pour le bouton de commande**

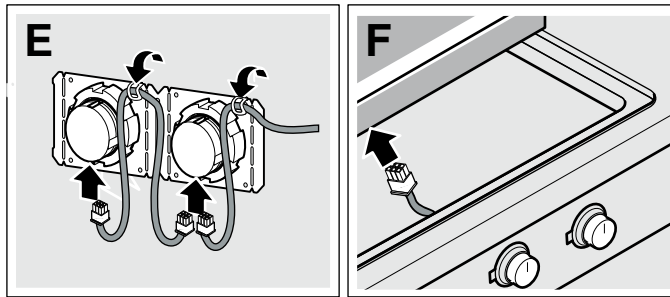
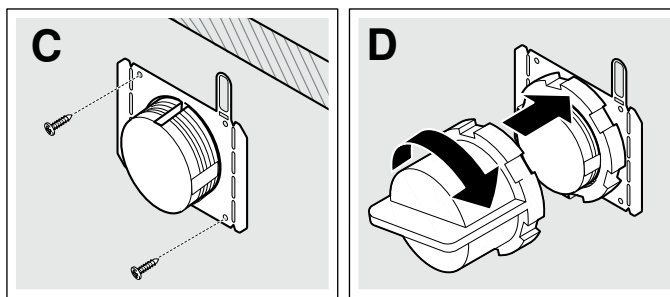
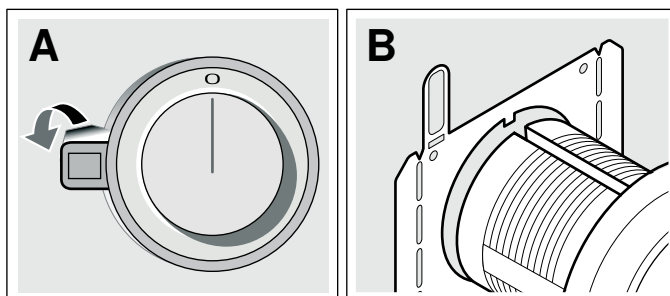
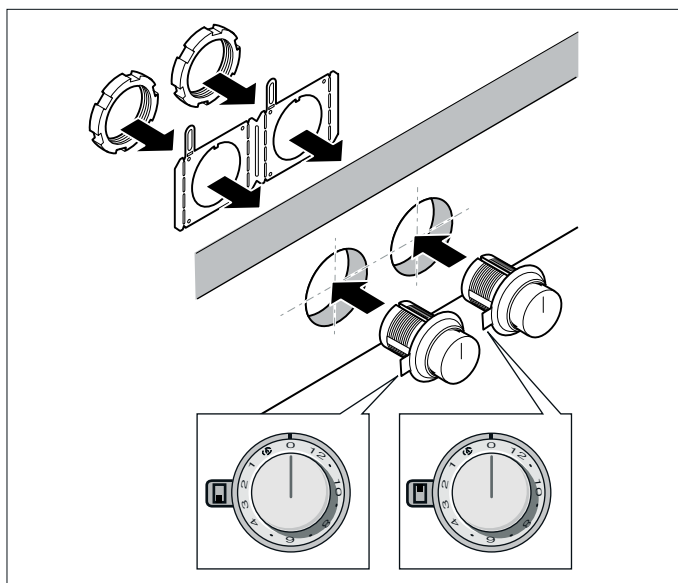
Variante de montage possibles :

- Montage en face avant de l'élément bas
- Montage dans un plan de travail situé à côté de l'appareil
- Montage dans un plan de travail situé devant l'appareil

**Remarque :** Respectez les instructions de montage des boutons de commande.

**Procédure d'installation**

**Monter les boutons de commande**



**Remarque :** Respectez les instructions de montage des boutons de commande.

1. En fonction de la distance entre les boutons de commande, raccourcissez la tôle de maintien en la brisant au niveau de la perforation si nécessaire. Maintenez la tôle de maintien à l'arrière du bandeau de commande et sous le dessous du plan de travail ou fixez-la avec les vis fournies.
2. Lors du montage d'un bouton de commande individuel ou lorsque la tôle de maintien a été brisée au niveau de la perforation, chaque tôle de maintien a été sécurisée contre toute torsion avec 2 vis (C).

En cas de plan de travail en pierre, collez la tôle de maintien avec une colle à deux composants (métal sur pierre).

3. Retirez le film protecteur à l'arrière de l'anneau lumineux (A).
  4. Insérez le bouton de commande dans le perçage (B) et vissez à l'arrière l'écrou à l'aide de la notice d'installation fournie (D).
  5. Connectez tous les boutons de commande avec les câbles raccourcis fournis. Les fiches doivent s'enclencher dans les orifices (E).
- Remarque :** Les deux douilles de câble du bouton de commande sont identiques.
6. Enfichez le câble plus long pour la connexion à l'appareil à l'un des boutons de commande. La fiche doit s'enclencher dans l'orifice (F).
- Remarque :** L'appareil peut être connecté à n'importe quel bouton de commande.
7. Après l'installation, vérifiez si tous les connecteurs sont bien enfichés.
  8. Après l'installation, fixez tous les câbles en repliant la patte sur la tôle de maintien (E).

## Préparation des meubles

Réaliser la découpe pour ou plusieurs appareils Vario dans le plan de travail, selon le schéma de pose. L'angle du chant de coupe doit être de 90° par rapport au plan de travail.

Après les opérations de découpe, éliminer les copeaux. Sceller les chants de coupe avec un produit assurant leur résistance à la chaleur.

Certains plans de travail à haute résistance requièrent des aménagements spéciaux. Par exemple, une bande thermoréfléchissante et des coins arrondis peuvent être nécessaires. Contacter le fabricant du plan de travail pour obtenir des précisions.

Respecter entre le dessous de l'appareil et les meubles voisins une distance minimale de  $\frac{3}{8}$ " (10 mm).

**Si plusieurs appareils Vario sont posés ensemble :** tenir compte de la place nécessaire pour la baguette de jonction VV 200 010/020 entre les appareils. Les appareils peuvent également être installés dans des découpes séparées, en respectant une distance minimale de  $1\frac{9}{16}$ " (40 mm).

## Pose de l'appareil

### ⚠ AVERTISSEMENT

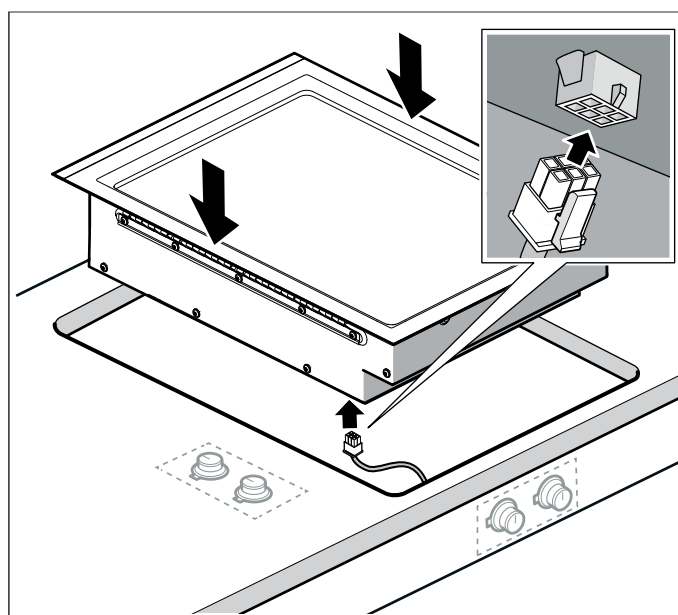
Avant tout raccordement de cordon électrique ou toute mise sous tension, assurez-vous que toutes les commandes sont en position OFF (d'arrêt).

1. Enfichez le câble de raccordement pour le bouton de commande dans l'orifice situé sous l'appareil. Le connecteur doit s'enclencher.
2. Insérez l'appareil de manière symétrique dans la découpe. Appuyez fermement du haut vers le bas dans la découpe.

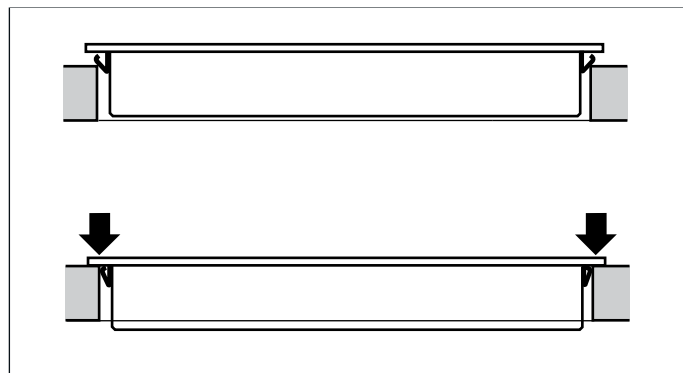
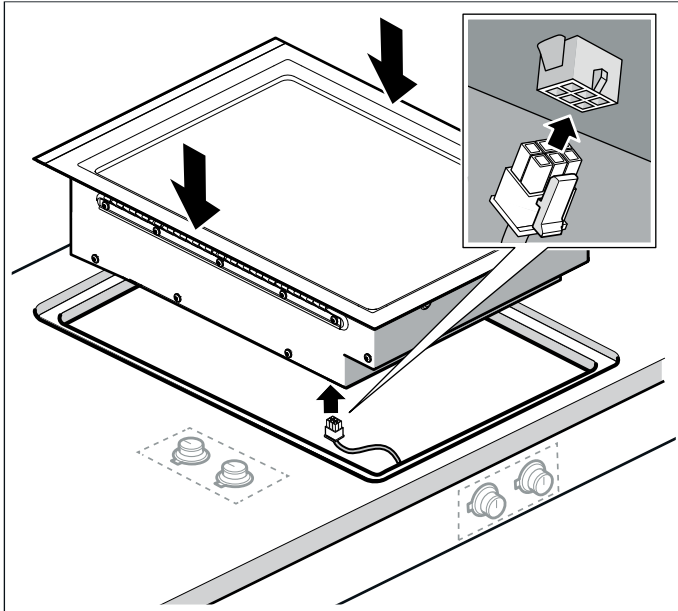
**Remarque :** L'appareil doit être solidement fixé dans la découpe et ne doit pas bouger (par ex. lors du nettoyage). Si la largeur de découpe est supérieure à la limite de tolérance acceptable, fixez des cales latérales dans la découpe.

**Remarque :** Les pinces de fixation sont déjà fixées aux côtés de l'appareil à la livraison. En enfonçant fermement l'appareil dans la section découpée, les pinces vont être coincées, maintenant l'appareil en place en toute sécurité.

### Installation au-dessus du plan de travail :



### Installation encastrée :



3. Raccordez l'appareil au secteur et vérifiez le fonctionnement.

4. **Uniquement pour encastrement affleurant :**

**Remarque :** Avant de poser les joints, effectuer impérativement un test fonctionnel !

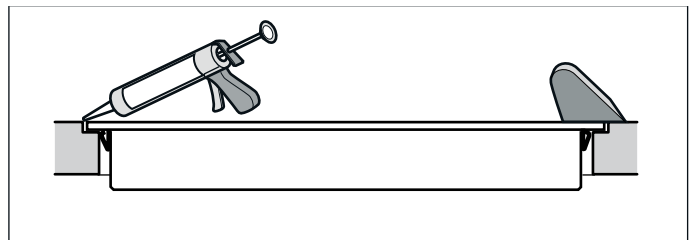
Comblar l'interstice périphérique à l'aide d'une colle au silicone appropriée résistante à la chaleur (par ex. OTTOSEAL® S 70). Lisser le joint à l'aide d'un agent lissant recommandé par le fabricant. Respecter les directives du fabricant de la colle au silicone. Mettre l'appareil en service uniquement lorsque la colle au silicone est entièrement sèche (au moins 24 heures, selon la température ambiante).

---

### AVIS

L'utilisation d'une colle au silicone non adaptée peut entraîner une décoloration permanente des plans de travail en pierre naturelle.

---



### Brancher l'alimentation électrique

Consulter la plaque signalétique pour en savoir plus. Pour savoir où se trouve la plaque signalétique, se reporter à la rubrique "Service après-vente".

Le courant admissible des disjoncteurs divisionnaires, la taille des câbles et les connexions doivent être conformes aux exigences du Code électrique national ou du Code électrique canadien ainsi qu'à tous les codes et règlements locaux.

Brancher le conduit souple à la boîte de jonction. Brancher les fils de sortie aux fils d'alimentation de la boîte de jonction en respectant les phases :

- noir (L1) avec noir
- rouge (L2) avec bleu
- vert avec la terre

Le câble principal doit être au moins du type SJTO 3x16 AWG 105°C. Le câble principal doit être acheté auprès d'un spécialiste agréé et raccordé par un spécialiste agréé.

### Branchement avec une fiche

- La fiche doit être conforme aux normes NEMA pour fiches et prises de courant.
- L'appareil doit être correctement mis à la terre.
- La fiche d'alimentation doit être au minimum du type 6-20 P (2 broches, 3 fils avec terre).
- Le branchement de la fiche doit être fait exclusivement par un électricien qualifié.
- Poser une prise de courant avec terre conformément à la réglementation, à environ 27" (700 mm) au-dessus du sol derrière l'appareil. La prise de courant doit rester accessible après la pose de l'appareil.

## Vérification de l'installation

### **⚠ AVERTISSEMENT**

Avant tout raccordement de cordon électrique ou toute mise sous tension, assurez-vous que toutes les commandes sont en position OFF (d'arrêt).

Tout enlever de la surface de la table de cuisson.  
Nettoyer la surface de la table de cuisson à l'aide d'une crème de nettoyage pour table de cuisson.

Mettre le disjoncteur en circuit.

Vérifier que les éléments fonctionnent correctement.

## Dépose de l'appareil

Mettre l'appareil hors tension. Faire sortir l'appareil en le poussant par le bas.

### **⚠ ATTENTION**

Risque de détérioration ! Ne pas extraire l'appareil par le haut en faisant levier.

## Service après-vente

Si votre appareil doit être réparé, notre service après-vente est à votre disposition. Nous trouvons toujours une solution adaptée, y compris pour éviter les visites inutiles de techniciens.

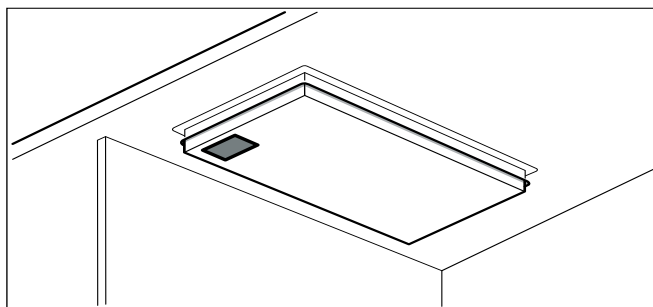
Lors de votre appel, indiquez le numéro du produit (n° E) et le numéro de série (n° FD) afin que nous puissions vous donner une réponse précise. La plaquette d'identification comportant ces numéros se trouve sur le dessous de l'appareil. Pour ne pas avoir à chercher longtemps en cas de besoin, vous pouvez inscrire ici les références de l'appareil et le numéro de téléphone du service après-vente.

N° E

N° FD

Service après-vente ☎

N'oubliez pas qu'en cas de fausse manœuvre, la visite d'un technicien d'après-vente n'est pas gratuite, même pendant la garantie.



Vous trouverez les données de contact pour tous les pays dans l'annuaire ci-joint du service après-vente.

### **Demande de réparation et conseils en cas de dysfonctionnement**

CA 877 442 4436  
toll-free

---

# Índice

---

<b>▲ Definiciones de seguridad</b>	<b>24</b>
<b>INSTRUCCIONES DE SEGURIDAD IMPORTANTES</b>	<b>25</b>
Seguridad de manejo del electrodoméstico	25
Códigos y normas de seguridad	25
Seguridad eléctrica	26
Seguridad del equipo relacionado	26
Advertencia en virtud de la Proposición 65	27
<b>Antes de empezar</b>	<b>28</b>
Herramientas y piezas necesarias	28
Piezas incluidas	28
Accesorios para la instalación	28
Requisitos de gabinetes	28
Requisitos de la superficie de trabajo	28
<b>Preparación de los muebles de montaje</b>	<b>29</b>
Recortar la encimera	29
<b>Procedimiento de instalación</b>	<b>31</b>
Colocar las perillas de control	31
Preparación de los muebles de montaje	32
Montaje del aparato	32
Conexión de la alimentación eléctrica	33
Prueba la instalación	34
<b>Desmontaje del aparato</b>	<b>34</b>
<b>Servicio de atención al cliente</b>	<b>34</b>

---

## ▲ Definiciones de seguridad

---

### ▲ ADVERTENCIA

Esto indica que pueden producirse heridas graves o incluso la muerte si no se cumple con esta advertencia.

---

### ▲ ATENCION

Esto indica que pueden producirse heridas leves o moderadas si no se cumple con esta advertencia.

---

### AVISO

Esto indica que pueden producirse daños en el aparato o en los bienes si no se cumple con este aviso.

---

**Nota:** Esto alerta sobre información o sugerencias importantes.



# INSTRUCCIONES DE SEGURIDAD IMPORTANTES

LEA Y CONSERVE ESTAS INSTRUCCIONES

INSTALADOR: DEJE ESTAS INSTRUCCIONES CON EL ELECTRODOMÉSTICO CUANDO HAYA FINALIZADO LA INSTALACIÓN.

IMPORTANTE: CONSERVE ESTAS INSTRUCCIONES PARA USO DEL INSPECTOR DE ELECTRICIDAD LOCAL.

---

## ADVERTENCIA

Si no sigue la información de este manual exactamente, se puede ocasionar un incendio o una descarga eléctrica que puede causar daños materiales o lesiones personales.

---

---

## ADVERTENCIA

No reparar, sustituir ni quitar ninguna pieza del electrodoméstico a menos que se recomiende de forma específica en los manuales. Una instalación, servicio o mantenimiento inadecuados pueden causar lesiones o daños materiales. Consultar este manual para recibir ayuda. Todos los demás servicios debe realizarlos un agente autorizado.

---

## Seguridad de manejo del electrodoméstico



Las superficies ocultas pueden tener bordes filosos. Proceda con cuidado al intentar tomar el electrodoméstico por la parte trasera o desde abajo.

## Códigos y normas de seguridad

Este electrodoméstico cumple con una o más de las siguientes normas:

- **UL 858, Norma de seguridad para estufas eléctricas de uso doméstico (Standard for the Safety of Household Electric Ranges)**
- **UL 923, Norma de seguridad para electrodomésticos de cocción por microondas (Standard for the Safety of Microwave Cooking Appliances)**
- **UL 507, Norma de seguridad para ventiladores eléctricos (Standard for the Safety of Electric Fans)**
- **ANSI Z21.1, Norma nacional estadounidense para electrodomésticos de gas para cocinar de uso doméstico (American National Standard for Household Cooking Gas Appliances)**
- **CAN/CSA-C22.2 N.º 113, Ventiladores (Fans and Ventilators)**
- **CAN/CSA-C22.2 N.º 61, Estufas de uso doméstico (Household Cooking Ranges)**
- **CAN/CSA-E60335-1**
- **CAN/CSA-E60335-2-6 Seguridad de los aparatos electrodomésticos y análogos (Household and similar electrical appliances - Safety)**



# INSTRUCCIONES DE SEGURIDAD IMPORTANTES

LEA Y CONSERVE ESTAS INSTRUCCIONES

Es responsabilidad del propietario y del instalador determinar si se aplican otros requisitos y/o normas en instalaciones específicas.

## Seguridad eléctrica



### ADVERTENCIA

Antes de enchufar un cable eléctrico o activar el suministro eléctrico, asegurarse de que todos los controles están en la posición OFF.

Si el Código Nacional Eléctrico (o el Código Eléctrico Canadiense) así lo requiere, este electrodoméstico debe instalarse en un circuito derivado por separado.



### ADVERTENCIA

¡Riesgo de descarga eléctrica o incendio!  
La conexión a tierra del marco con el cable neutro debe realizarse a través de una correa de conexión a tierra. Se prohíbe hacer la conexión a tierra a través del conductor neutro para instalaciones nuevas de circuito derivado (1996 NEC), casas rodantes y vehículos recreativos, o en un área en la que los códigos locales prohíban la conexión a tierra a través del conductor neutro.

Para instalaciones en las que se prohíbe la conexión a tierra a través del conductor neutro,

1. desconecte la conexión del conductor neutro,

2. use el borne de conexión a tierra o el hilo de conexión a tierra para conectar a tierra la unidad,
3. conecte el borne neutro al hilo neutro del circuito derivado como lo haría usualmente (cuando vaya a conectar el electrodoméstico a través de un conjunto de cables, use un cable de 4 conductores calificado por UL para este fin).

Asegúrese de que el electrodoméstico sea correctamente instalado y conectado a tierra por un técnico calificado. La instalación, las conexiones eléctricas y la conexión a tierra deben cumplir con todos los códigos correspondientes.

Antes de realizar la instalación, apague la alimentación eléctrica en el panel de servicio. Trabe el panel de servicio para impedir que se encienda accidentalmente la alimentación eléctrica.

El instalador debe mostrar al propietario la ubicación del disyuntor o el fusible. Márquela para recordarla más fácilmente.

## Seguridad del equipo relacionado

El electrodoméstico solamente deberá usarse si lo ha instalado un técnico calificado, de acuerdo con estas instrucciones de instalación. El fabricante no es responsable de ningún daño causado por una instalación incorrecta.

Retire toda la cinta y el embalaje antes de usar el electrodoméstico. Destruya el embalaje después de desembalar el electrodoméstico. Nunca deje que los



# INSTRUCCIONES DE SEGURIDAD IMPORTANTES

LEA Y CONSERVE ESTAS INSTRUCCIONES

niños jueguen con el material de embalaje.

Nunca modifique ni altere la construcción del electrodoméstico. Por ejemplo, no retire las patas niveladoras, paneles, cubiertas para cables ni soportes/tornillos antivuelco.

Para eliminar el riesgo de quemaduras o incendio al tocar unidades de la superficie calentadas, se debe evitar dejar espacio de almacenamiento en gabinetes sobre las unidades de la superficie. En el caso de que haya almacenamiento en gabinetes, se puede reducir el riesgo instalando una campana que se proyecte horizontalmente 5 pulgadas (127 mm) como mínimo de la parte inferior del gabinete.

Verifique que los gabinetes que se encuentran sobre la placa tengan 13 pulg. (330 mm) de profundidad como máximo.

Al instalar una placa sobre un horno individual, asegúrese de seguir las instrucciones de los Manuales de instalación del horno y de la placa.

## Recomendaciones

Recomendamos categóricamente la instalación de una campana de ventilación arriba de este electrodoméstico. La campana debe instalarse según las instrucciones proporcionadas con la campana.



## ATENCIÓN

El electrodoméstico no debe instalarse con un sistema de ventilación que disperse aire hacia abajo, en dirección a las hornillas. Este tipo de sistema de ventilación puede causar problemas de encendido y de combustión con el electrodoméstico para cocinar a gas, que pueden tener como consecuencia lesiones personales o una operación no intencional.

## Advertencia en virtud de la Proposición 65:

Este producto puede contener un químico que el Estado de California reconoce como potencialmente cancerígeno o causante de daños reproductivos. Por tanto, su producto debe llevar en su embalaje la siguiente etiqueta de conformidad con la legislación de California:

ADVERTENCIA EN VIRTUD DE LA PROPOSICIÓN 65 DEL ESTADO DE CALIFORNIA:

 **ADVERTENCIA**

Cáncer y daño reproductivo - [www.P65Warnings.ca.gov](http://www.P65Warnings.ca.gov)

---

## Antes de empezar

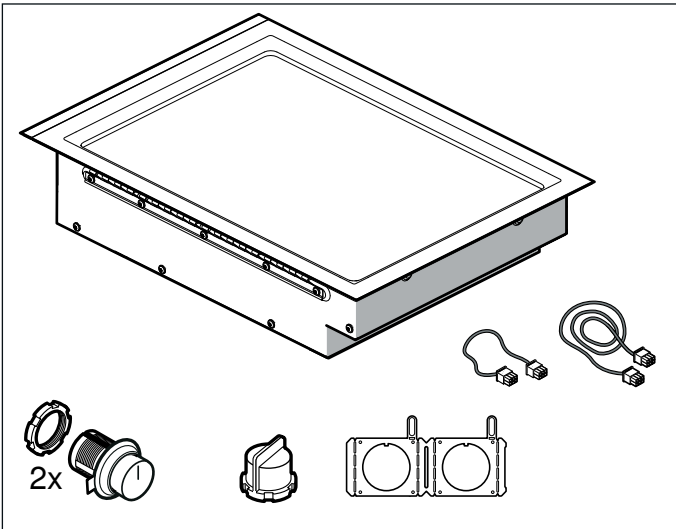
---

### Herramientas y piezas necesarias

- Destornillador con cabeza Phillips
- Lápiz
- Taladro con broca de 1/4" (6 mm)
- Sierra caladora
- Cinta métrica

**Nota:** Es posible que se necesiten otros materiales para la instalación en superficies de trabajo sólidas. Comuníquese con el fabricante de la superficie de trabajo.

### Piezas incluidas



### Requisitos de gabinetes

La distancia desde la parte superior de la placa hasta la parte inferior de los gabinetes que se encuentran arriba se puede reducir a 24" cuando la parte inferior del gabinete de madera o metal está protegida por un cartón ignífugo de 1/4" (6,35 mm) de grosor, cubierto por una lámina de acero MSG N.º 28, acero inoxidable de 0,015" (0,4 mm) de grosor, aluminio o cobre de 0,024" (0,6 mm) de grosor, como mínimo.

### Requisitos de la superficie de trabajo

---

#### **⚠ ADVERTENCIA**

---

Para reducir el riesgo de ignición de materiales inflamables cercanos, es preciso instalar el aparato a 1 1/2" (40 mm), como mínimo, de ambas paredes laterales, y por lo menos a 2" (50 mm) del panel trasero.

---

La superficie de trabajo debe ser horizontal y estar nivelada. La estabilidad de la superficie de trabajo debe estar garantizada incluso después de haber realizado el hueco.

### Accesorios para la instalación

- VA 420 000 Barra de conexión para combinar con otros equipos Vario de la serie 400 al instalarlos uno al lado del otro con superficie corrida
- VA 420 010 Barra de conexión para combinar con otros equipos Vario de la serie 400 al instalarlos de forma superpuesta
- VA 440 010 Cubierta de acero inoxidable del aparato
- Utilice el accesorio tal como se ha prescrito. El fabricante no se hace responsable por un uso incorrecto.

## Preparación de los muebles de montaje

El mueble de empotrado tiene que resistir una temperatura de hasta 200° F (90° C). La estabilidad del mueble de empotrado tiene que quedar garantizada también después de los trabajos de corte para realizar un hueco.

Realice el hueco para uno o varios equipos Vario en la placa de trabajo, de acuerdo con los planos de montaje. El ángulo de la superficie de corte respecto a la placa de trabajo tiene que ser de 90°.

Los cantos laterales del corte tienen que ser planos, para garantizar una buena fijación de los resortes de sujeción en el equipo. En el caso de las placas de trabajo de varias capas, de ser necesario fije unos listones de madera a los lados del hueco.

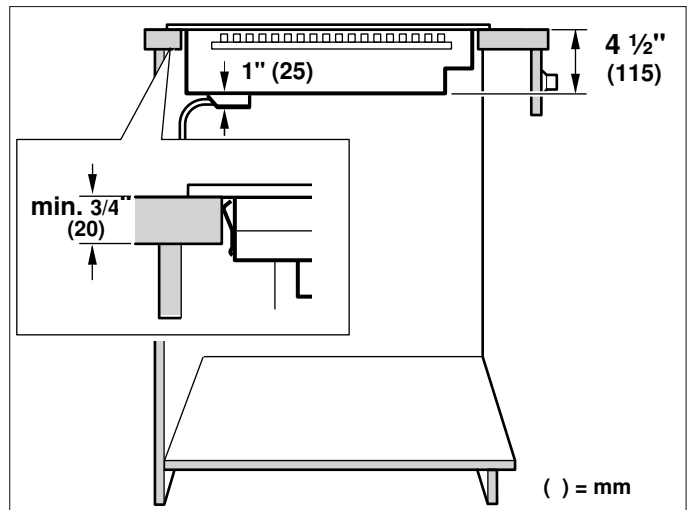
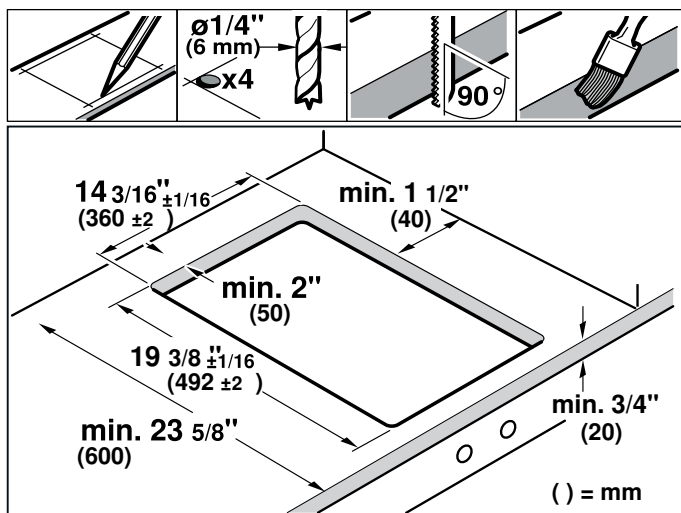
Después de los trabajos de corte, retire las virutas Selle las superficies de corte de forma que resistan el calor y sean herméticas contra el agua.

Respete la distancia mínima de 3/8" (10 mm) de la parte inferior del equipo respecto a las partes del mueble.

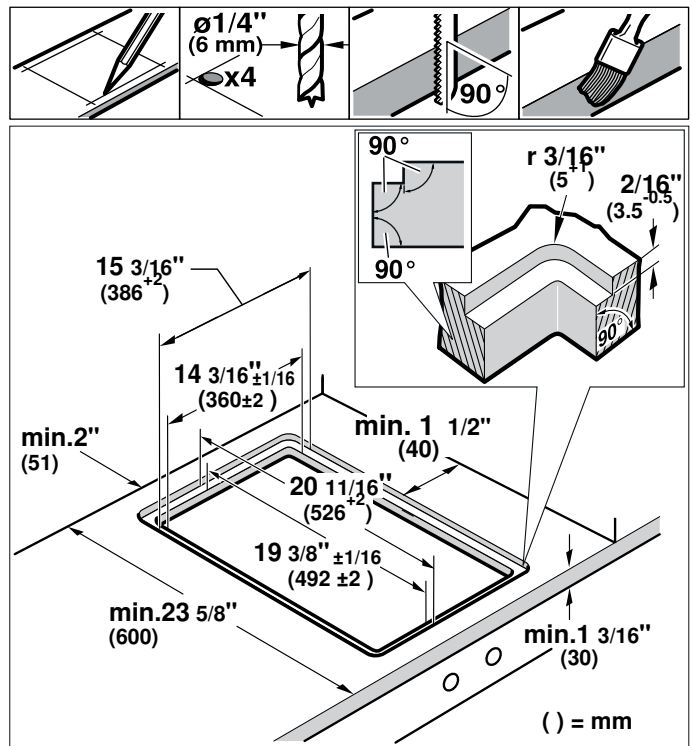
Es necesario asegurar la capacidad de carga y estabilidad a través de estructuras inferiores de apoyo adecuado, especialmente en placas de trabajo delgadas. Tome en cuenta el peso del equipo, incluyendo la carga adicional. El material de refuerzo utilizado debe ser resistente al calor y resistente a la humedad.

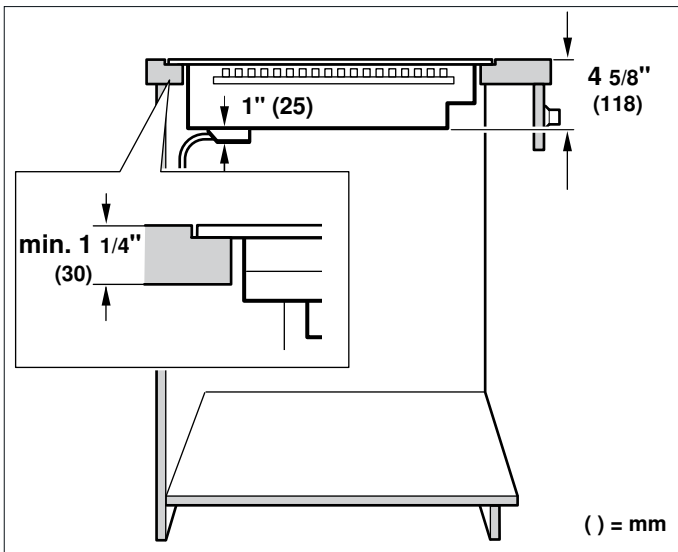
**Nota:** Verifique que el equipo está colocado de forma plana solamente después de instalarlo en el orificio de montaje.

## Recortar la encimera



**Montaje a ras de superficie:** se puede realizar un montaje a ras de superficie de la encimera.





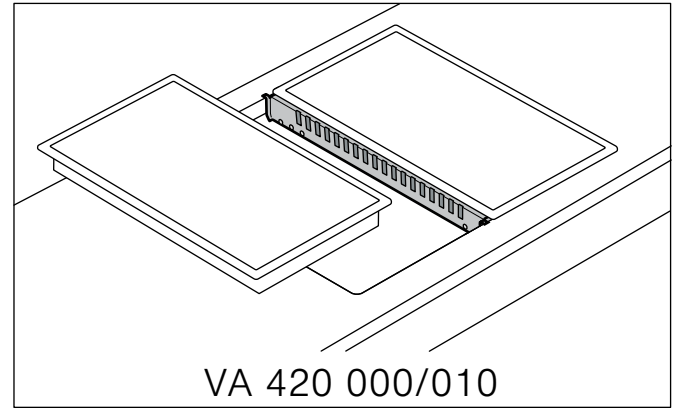
**Montaje a ras de superficie:** El aparato se puede montar en las siguientes encimeras resistentes a la temperatura y al agua:

- Encimeras de mármol
- Encimeras de plástico o Corian®
- Encimeras de madera maciza: Solo de acuerdo con el fabricante de la encimera (sellado de los bordes de recorte)
- Montaje en otro tipo de encimeras: solo de acuerdo con el fabricante de la encimera

No se puede realizar el montaje en encimeras de madera aglomerada.

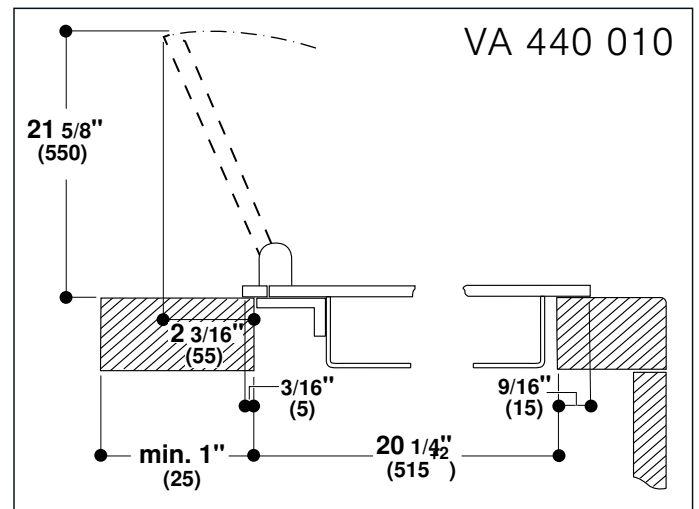
**Nota:** Todos los trabajos de recorte de la encimera deben ser realizados por un servicio especializado de acuerdo con el croquis de montaje. El recorte debe ser limpio y preciso, puesto que el borde cortado se ve en la superficie. Limpie y desengrase los bordes de recorte utilizando un producto de limpieza adecuado (consulte las indicaciones del fabricante de la silicona).

**Combinar varios aparatos Vario:** Para combinar varios aparatos Vario se requiere la barra de conexión VA 420 000/010. Esta está disponible por separado como accesorio especial. Considerar la necesidad adicional de espacio para la barra de conexión entre los aparatos al elaborar el corte (ver las Instrucciones de instalación VA 420 000/010).

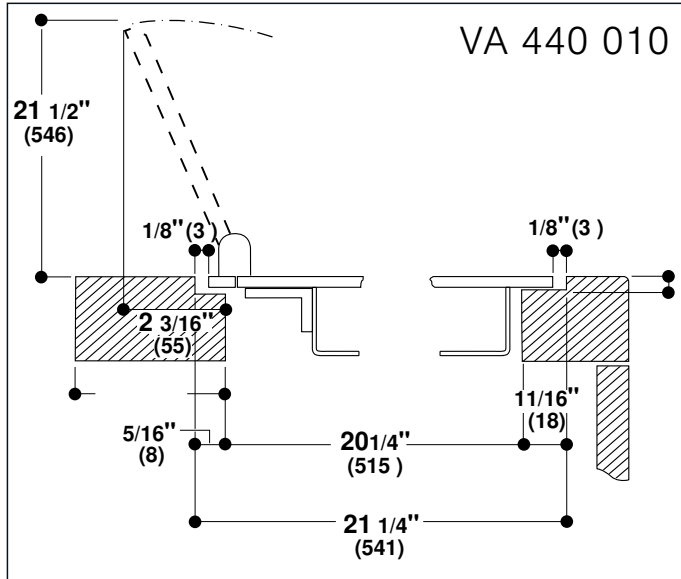


Los aparatos también se pueden montar en recortes independientes respetando las distancias mínimas de 2" (51 mm) entre aparatos.

**Combinación con una tapa para el aparato:** La tapa del aparato VA 440 010 está disponible por separado como accesorio especial. Respetar el espacio adicional para la tapa del aparato al hacer el hueco.



Instalación enrasada



**Hueco para la perilla de control**

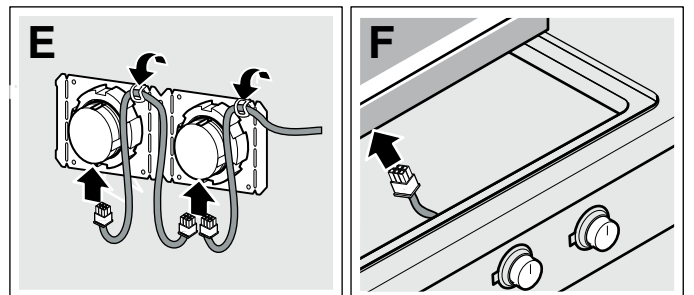
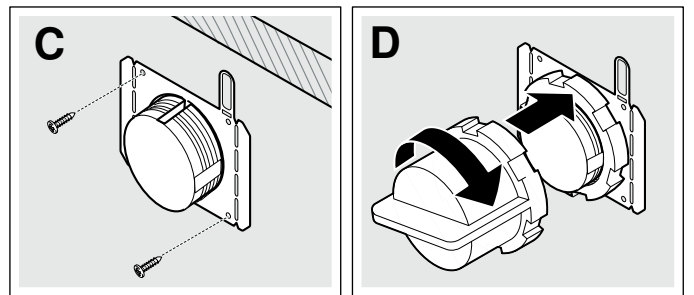
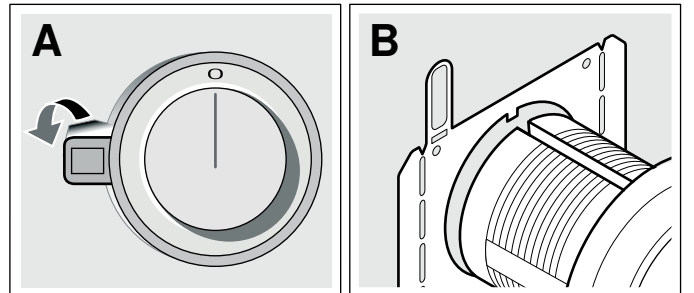
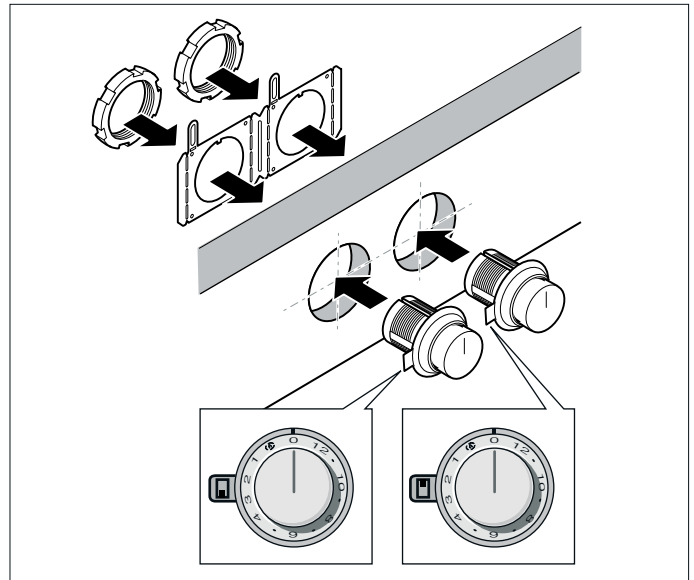
Posibles variantes de instalación:

- Colocación en la parte delantera del mueble inferior
- Colocación en cubierta junto al electrodoméstico
- Colocación en cubierta delante del electrodoméstico

**Nota:** Poner atención a las instrucciones de ensamblaje de las perillas de control adjuntas.

**Procedimiento de instalación**

**Colocar las perillas de control**



**Nota:** Poner atención a las instrucciones de ensamblaje de las perillas de control adjuntas.



1. Dependiendo de la distancia entre las perillas de control, en caso de ser necesario, recortar la placa de sujeción por la perforación. Sujetar la placa de sujeción en la parte posterior del panel de control o en la parte inferior de la cubierta o fijarla con los tornillos adjuntos.
2. Al colocar una única perilla de control o cuando la placa de sujeción se ha recortado por la perforación, asegurar cada una de las placas de sujeción con 2 tornillos para evitar que se muevan (C).  
Si la cubierta es de piedra, pegar la placa de sujeción con pegamento de dos componentes (metal sobre piedra) resistente al calor.
3. Retirar la película protectora de la parte trasera del anillo luminoso (A).
4. Introducir la perilla de control en el orificio (B) y atornillar en la parte posterior la tuerca con la ayuda para la instalación adjunta (D).
5. Conectar todas las perillas de control con los cables cortos adjuntos. Los conectores tienen que encajar en las tomas (E).  
**Nota:** Los dos receptáculos del cable de la perilla de control son idénticos.
6. Introducir en una de las perillas de control el cable más largo para la conexión con el electrodoméstico. El conector tiene que encajar en la toma (F).  
**Nota:** El electrodoméstico puede conectarse con cualquier perilla de control.
7. Después de la instalación, comprobar que todas las conexiones estén bien asentadas.
8. Una vez realizado el montaje, fijar todos los cables doblando la lengüeta en la placa de sujeción (E).

## Preparación de los muebles de montaje

Realizar el recorte para uno o varios aparatos Vario en la encimera según el croquis de montaje. El ángulo de la superficie de corte respecto a la encimera deberá ser de 90°.

Eliminar la viruta después de los trabajos de recorte. Sellar las superficies de corte termorresistentes.

Algunas encimeras sólidas requieren condiciones de instalación especiales. Por ejemplo, es posible que se debe utilizar cinta ignífuga y esquinas redondeadas. Póngase en contacto con el fabricante de su encimera para obtener instrucciones sobre la misma.

Respetar una distancia mínima de  $\frac{3}{8}$ " (10 mm) entre la parte inferior del aparato y los muebles.

**En caso de instalar varios aparatos Vario:** tener en cuenta el espacio necesario para la regleta de conexión VV 200 010/020 entre los aparatos. Los aparatos también se pueden montar en recortes independientes respetando las distancias mínimas de  $1\frac{9}{16}$ " (40 mm) entre aparatos.

## Montaje del aparato

### ⚠ ADVERTENCIA

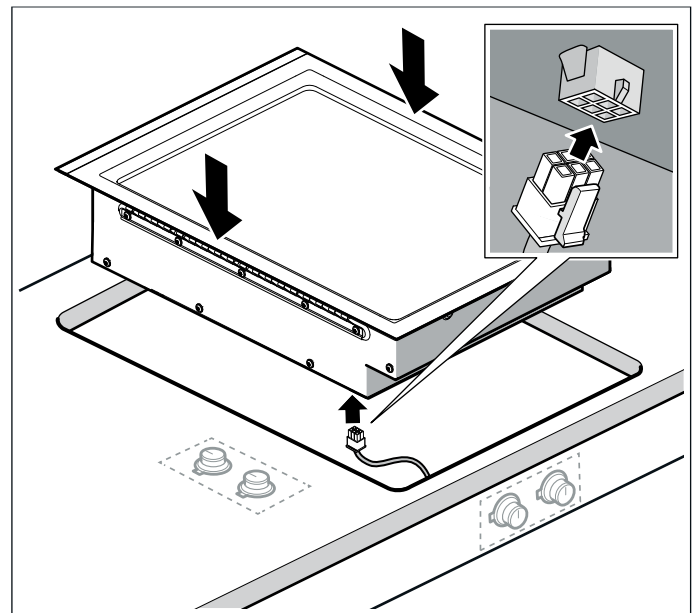
Antes de enchufar un cable eléctrico o activar el suministro eléctrico, asegurarse de que todos los controles están en la posición OFF.

1. Introducir el cable de conexión para la perilla de control en el conector que hay en la parte inferior del electrodoméstico. El conector tiene que encajar.
2. Introducir el aparato alineado en el hueco. Presionar firmemente en el recorte desde arriba.

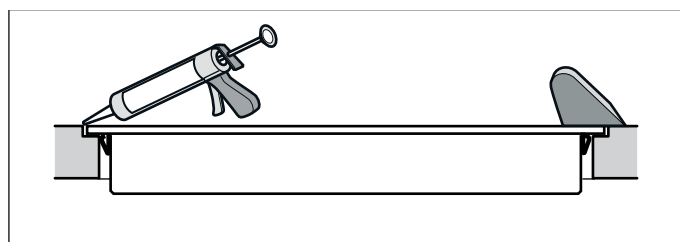
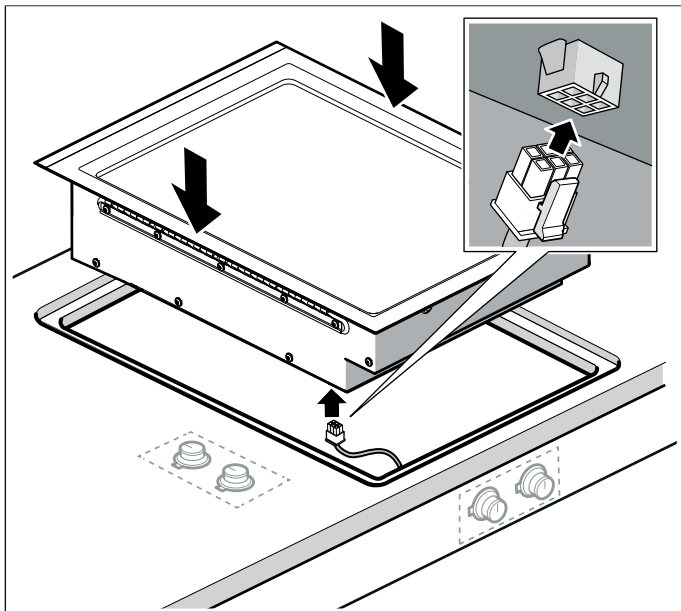
**Nota:** El aparato debe quedar bien asentado en el recorte y no debe desplazarse (p. ej., durante la limpieza). Si la anchura del recorte se encuentra en el límite de tolerancia superior, fijar tiras laterales en el recorte si es necesario.

**Nota:** Las grapas de fijación ya vienen unidas a los laterales del aparato en la entrega. Al presionar el aparato con firmeza dentro del corte, las grapas se engancharán y mantendrán unido el aparato de manera segura.

### Colocación sobre la cubierta:





**Colocación enrasada:****Conexión de la alimentación eléctrica**

Para más información, véase la placa de características. Véase la ubicación de la placa de características en "Servicio".

El amperaje máximo de los disyuntores derivados, la sección de los cables y las conexiones deben ser conformes con los requisitos del Reglamento electrotécnico nacional o el Reglamento eléctrico canadiense, así como con todos los demás reglamentos y disposiciones locales.

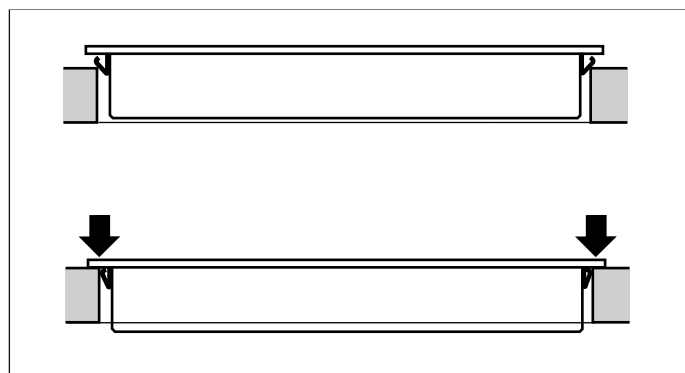
Conectar un conducto flexible a la caja de conexión. Conectar los cables a la fase correcta de los cables de alimentación de la caja de conexión:

- Negro (L1) a negro
- Rojo (L2) a azul
- Verde a masa

El cable de red debe corresponderse, como mínimo, con el tipo SJTO 3x16 AWG 105°C. La compra y la conexión del cable de red deben realizarse únicamente por medio de un especialista autorizado.

**Conexión con un enchufe**

- El enchufe debe ser conforme con las CONFIGURACIONES NEMA PARA ENCHUFES Y CAJAS.
- El aparato debe estar debidamente conectado a tierra.
- El enchufe debe ser, como mínimo, de tipo 6-20 P (puesta a tierra de 2 polos y 3 conductores).
- La conexión del enchufe debe ser realizada únicamente por un técnico electricista cualificado.
- Instalar una base de enchufe aprox. 27" (700 mm) por encima del suelo y detrás del aparato de acuerdo con la normativa. Debe garantizarse el acceso a la base de enchufe después de su instalación.



3. Conectar el aparato a la toma de electricidad y comprobar su funcionamiento.

**4. Solo para montaje enrasado:**

**Nota:** Antes de fijar el aparato debe realizarse una comprobación de funcionamiento

Sellar la separación del contorno con un sellador de silicón adecuado resistente a las altas temperaturas (p. ej., OTTOSEAL® S 70). Alisar la junta con los productos alisadores recomendados por el fabricante. Respetar las indicaciones para el uso del sellador a base de silicón. Poner en funcionamiento el aparato después de que se haya secado completamente el sellador de silicón (esperar por lo menos 24 horas, dependiendo de la temperatura ambiente).

**AVISO**

Un sellador a base de silicón inadecuado puede dar lugar a decoloraciones permanentes en cubiertas de piedra natural.

## Pruebe la instalación

### **⚠ ADVERTENCIA**

Antes de enchufar un cable eléctrico o activar el suministro eléctrico, asegúrese de que todos los controles están en la posición OFF.

Retire todos los objetos de la superficie de la placa. Limpie la superficie de la placa con crema de limpieza para placas.

Encienda el disyuntor.

Verifique que los elementos funcionen correctamente.

## Desmontaje del aparato

Desconecte el aparato de la corriente. Extraiga el aparato presionando desde abajo.

### **⚠ ATENCION**

¡Daños en el aparato! No intente extraer el aparato haciendo palanca desde arriba.

## Servicio de atención al cliente

Si su aparato necesita una reparación, nuestro servicio de atención al cliente estará encantado de ayudarle. Siempre encontramos la solución adecuada, incluso para evitar visitas innecesarias de los técnicos.

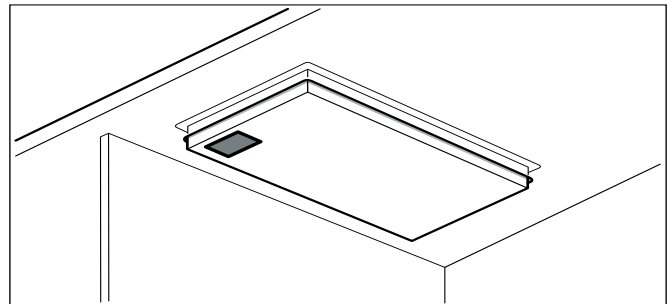
Cuando llame por teléfono, indique la referencia del producto (Nº E) y el número de fabricación (Nº FD) para que podamos ofrecerle un servicio cualificado. La placa de identificación con los números correspondientes los encontrará en la parte inferior del aparato. Para evitar tener que buscar los datos de su aparato cuando los precise, es aconsejable anotarlos aquí conjuntamente con el número de teléfono del Servicio de atención al cliente.

Nº E.

Nº FD.

Servicio de atención al cliente ☎

Tenga en cuenta que la visita del técnico del servicio de atención al cliente no es gratuito en caso de que el mal funcionamiento sea debido a un manejo incorrecto del aparato.



Las señas de las delegaciones internacionales figuran en la lista adjunta de centros y delegaciones del Servicio de Asistencia Técnica Oficial.

### **Solicitud de reparación y asesoramiento en caso de averías**

US 877 442 4436  
toll-free



**BSH Home Appliances Corporation**  
1901 Main Street, Suite 600  
Irvine, CA 92614  
USA  
www.gaggenau.com  
1-877-442-4436  
© 2022 BSH Home Appliances Corporation



9001347342 (020804)

en-us, es-mx, fr-ca

**GAGGENAU**