

Gaggenau

Installation instructions2

Notice de montage18

Instrucciones de instalación35

VG 425 211 CA

Gas cooktop

Table de cuisson gaz

Encimera a gas

Table of Contents

▲ Safety Definitions	2
IMPORTANT SAFETY INSTRUCTIONS	3
Appliance Handling Safety	5
Safety Codes and Standards	5
Electric Safety	6
Gas Safety	6
Propane Gas Installation	7
Related Equipment Safety	7
Before You Begin	8
Tools and Parts Needed	8
Parts Included	8
Installation accessories	8
Cabinet Requirements	9
Countertop Requirements	9
Technical Data	9
Prepare Installation Space	10
Cutting out countertop	10
Installation Procedure	12
Mounting Control Knobs	12
Install Appliance	13
Connect Gas Supply	13
Connect Electrical Supply	14
Burner Cap Placement	14
Check the Installation	14
Removing the appliance	14
Conversion to another type of gas	15
Customer Service	17

▲ Safety Definitions

▲ WARNING

This indicates that death or serious injuries may occur as a result of non-observance of this warning.

▲ CAUTION

This indicates that minor or moderate injuries may occur as a result of non-observance of this warning.

NOTICE

This indicates that damage to the appliance or property may occur as a result of non-compliance with this advisory.

Note: This alerts you to important information and/or tips.

Additional information on products, accessories, replacement parts and services can be found at www.gaggenau.com and in the online shop www.gaggenau.com/zz/store



IMPORTANT SAFETY INSTRUCTIONS

READ AND SAVE THESE INSTRUCTIONS

⚠ WARNING:

If the information in these instructions is not followed exactly, a fire or explosion may result causing property damage, personal injury or death.

- Do not store or use gasoline or other flammable vapors and liquids in the vicinity of this or any other appliance.
- **WHAT TO DO IF YOU SMELL GAS**
 - Do not try to light any appliance.
 - Do not touch any electrical switch.
 - Do not use any phone in your building.
 - Immediately call your gas supplier from a neighbor's phone. Follow the gas supplier's instructions.
 - If you cannot reach your gas supplier, call the fire department.
- Installation and service must be performed by a qualified installer, service agency or the gas supplier.



IMPORTANT SAFETY INSTRUCTIONS

READ AND SAVE THESE INSTRUCTIONS

⚠ WARNING:

Never Operate the Top Surface Cooking Section of this Appliance Unattended

- **Failure to follow this warning statement could result in fire, explosion, or burn hazard that could cause property damage, personal injury, or death.**
- **If a fire should occur, keep away from the appliance and immediately call your fire department.**

DO NOT ATTEMPT TO EXTINGUISH AN OIL/GREASE FIRE WITH WATER.

IMPORTANT SAFETY INSTRUCTIONS

READ AND SAVE THESE INSTRUCTIONS

IMPORTANT: THE APPLIANCE MUST BE INSTALLED BY A QUALIFIED INSTALLER.

INSTALLER: LEAVE THESE INSTRUCTIONS WITH THE APPLIANCE AFTER INSTALLATION IS COMPLETE.

IMPORTANT: SAVE FOR THE LOCAL INSPECTOR'S USE.

WARNING

If the information in this manual is not followed exactly, fire or shock may result causing property damage or personal injury.

WARNING

Do not repair, replace or remove any part of the appliance unless specifically recommended in the manuals. Improper installation, service or maintenance can cause injury or property damage. Refer to this manual for guidance. All other servicing should be done by an authorized service provider.

Improper installation is not covered by the warranty.

Appliance Handling Safety



Hidden surfaces may have sharp edges. Use caution when reaching behind or under appliance.

Safety Codes and Standards

This appliance complies with one or more of the following Standards:

- **UL 858, The Standard for the Safety of Household Electric Ranges**
- **UL 923, The Standard for the Safety of Microwave Cooking Appliances**
- **UL 507, The Standard for the Safety of Electric Fans**
- **ANSI Z21.1 / CSA 1.1 Household Cooking Gas Appliances**
- **CAN/CSA-C22.2 No. 113-M1984 Fans and Ventilators**
- **CAN/CSA-C22.2 No. 61-M89 Household Cooking Ranges**

It is the responsibility of the owner and the installer to determine if additional requirements and/or standards apply to specific installations.

Installation must conform with local codes or, in the absence of local codes, with the National Fuel Gas Code, ANSI Z223.1/NFPA 54 or, in Canada, the Natural Gas and Propane Installation Code, CSA B149.1.

The appliance must be electrically grounded in accordance with local codes or, in the absence of local codes, with the National Electrical Code, NFPA 70 latest edition or, in Canada, the Canadian Electric Code, CSA C22.1-02.



IMPORTANT SAFETY INSTRUCTIONS

READ AND SAVE THESE INSTRUCTIONS

Electric Safety



WARNING

Before you plug in an electrical cord or turn on power supply, make sure all controls are in the OFF position.

For appliances equipped with a cord and plug, do not cut or remove the ground prong. It must be plugged into a matching grounding type receptacle to avoid electrical shock. If there is any doubt as to whether the wall receptacle is properly grounded, the customer should have it checked by a qualified electrician.

Do not use an extension cord.

Do not use an adapter.

If required by the National Electrical Code (or Canadian Electrical Code), this appliance must be installed on a separate branch circuit.

The circuit breaker should have a contact separation of at least 3 mm on all poles.

Be sure your appliance is properly installed and grounded by a qualified technician. Installation, electrical connections and grounding must comply with all applicable codes.

Before installing, turn power OFF at the service panel. Lock service panel to prevent power from being turned ON accidentally.

Installer – show the owner the location of the circuit breaker or fuse. Mark it for easy reference.

Gas Safety

Install a gas shutoff valve near the appliance. It must be easily accessible in an emergency.

Leak testing must be conducted by the installer according to the instructions in this manual.

The appliance and its individual shutoff valve must be disconnected from the gas supply piping system during any pressure testing at pressures in excess of ½ psi (3.5 kPa).

The appliance must be isolated from the gas supply piping system by closing its individual manual shutoff valve during any pressure testing of the gas supply piping system at test pressures equal to or less than ½ psi (3.5 kPa).

The minimum supply pressure must be 1" water column above the manifold pressure printed on the rating label. The maximum supply pressure must not exceed 14.0 inches water column (34.9 Millibars).

A metal flex line or fixed metal pipe shall be used to connect gas to the appliance. If a metal gas line cannot be used, consult your local certified electrician or local electric codes for proper grounding.



IMPORTANT SAFETY INSTRUCTIONS

READ AND SAVE THESE INSTRUCTIONS

Proposition 65 Warning:

This product may contain a chemical known to the State of California, which can cause cancer or reproductive harm. Therefore, the packaging of your product may bear the following label as required by California:

STATE OF CALIFORNIA PROPOSITION 65 WARNING:



WARNING

Cancer and Reproductive Harm - www.P65Warnings.ca.gov

Propane Gas Installation

The propane gas tank must be equipped with its own high pressure regulator. In addition, the regulator supplied with this unit must also be used.

The appliance is shipped from the factory for use with natural gas. It must be converted for use with propane. A qualified technician or installer must do the conversion.

This appliance has been certified for safe operation up to a height of 10,000 ft without any modifications. Exception: For use with propane the appliance must be converted per the LP conversion instructions.

For Massachusetts installations:

- Installation must be performed by a qualified or licensed contractor, plumber or gas fitter qualified or licensed by the state, province or region where this appliance is being installed.
- Shut-off valve must be a "T" handle gas cock.
- Flexible gas connector must not be longer than 36 inches.

Installer - show the owner where the gas shut-off valve is located.

Related Equipment Safety

The appliance should only be used if installed by a qualified technician in accordance with these installation instructions. The manufacturer is not responsible for any damage resulting from incorrect installation.

Remove all tape and packaging before using the appliance. Destroy the packaging after unpacking the appliance. Never allow children to play with packaging material.

Never modify or alter the construction of the appliance. For example, do not remove leveling legs, panels, wire covers or anti-tip brackets/screws.

To eliminate the risk of burns or fire by reaching over heated surface units, cabinet storage space located above the surface units should be avoided. If cabinet storage is to be provided, the risk can be reduced by installing a hood that projects horizontally a minimum of 5

inches (127 mm) beyond the bottom of the cabinet.

Verify that cabinets above the cooktop are a maximum of 13" (330 mm) deep.

When installing a cooktop over a single oven, be sure to follow both the oven's and cooktop's installation manuals.

Ventilation Recommendations

We strongly recommend the installation of a ventilation hood above this appliance. The hood must be installed according to instructions furnished with the hood.

⚠ CAUTION

The appliance should not be installed with a ventilation system that blows air downward toward the burners. This type of ventilation system may cause ignition and combustion problems with the gas cooking appliance resulting in personal injury or unintended operation.

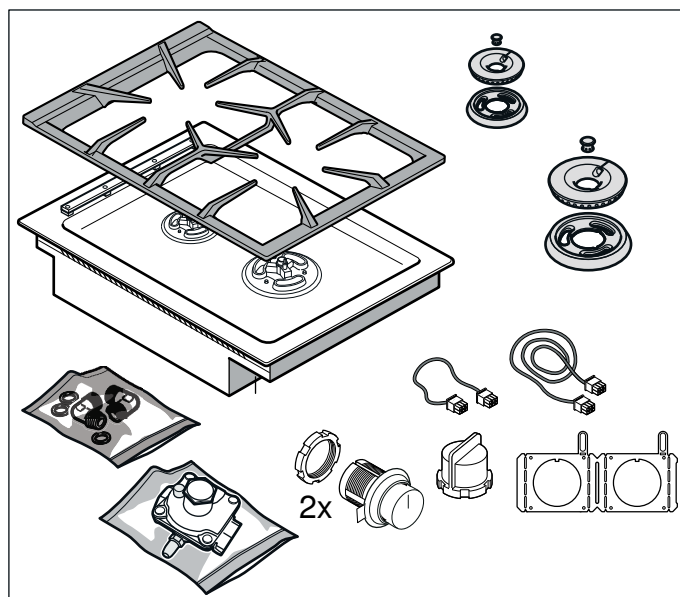
Before You Begin

Tools and Parts Needed

- Screwdriver Torx T20
- Pencil
- Drill with ¼" (6 mm) bit
- Jigsaw
- Tape Measure

Note: Additional materials may be necessary for installation in solid surface countertops. Contact the countertop manufacturer.

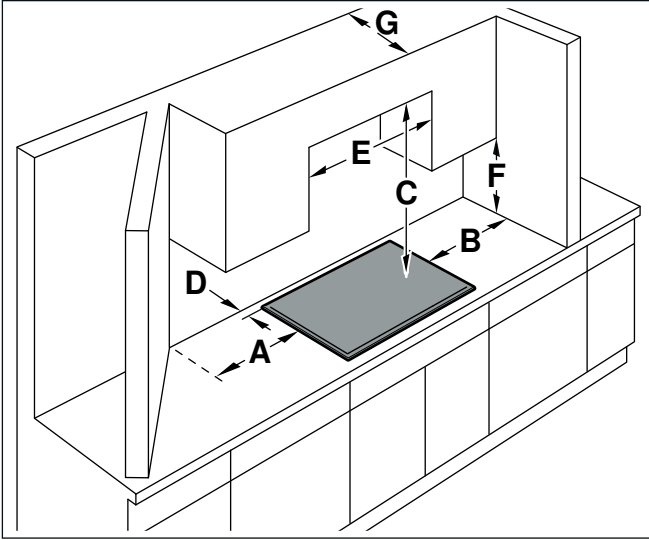
Parts Included



Installation accessories

- AA 414 010 Ventilation molding, for operation next to the VL 414 downdraft ventilation
- VA 420 000 Connection strip for combination with other Vario appliances in the 400 series for flush installation
- VA 420 010 Connection strip for combination with other Vario appliances in the 400 series for surface-mounted installation
- VA 440 010 Stainless steel appliance cover

Cabinet Requirements



The minimum spaces that must be maintained when installing the gas cooktop shall be:

- A** minimum 12" (300 mm)
- B** minimum 12" (300 mm)
- C** minimum 30" (762 mm) clearance between the top of the cooking surface and the bottom of combustible constructions
- D** minimum 1 ⁹/₁₆" (40 mm)
- E** minimum 15" (380 mm)
- F** minimum 18" (457 mm)
- G** maximum 13" (330 mm)

The distance from the top of the cooktop to the bottom of cabinets above can be reduced to 26" when the bottom of the wood or metal cabinet is protected by not less than ¼" (6.35 mm)-thick flame-retardant millboard covered with not less than No. 28 MSG sheet metal, 0.015 inch (0.4 mm) stainless steel, 0.024 inch (0.6 mm) aluminum or copper.

Countertop Requirements

⚠ WARNING

To reduce the risk of ignition of surrounding combustible materials, install at least 12" (300 mm) from both sidewalls and at least 2" (50 mm) from the rear wall.

The countertop must be level and horizontal. The stability of the countertop must be maintained after the cut-out has been made.

Solid surface countertops often require special installations. For example, heat-reflective tape and rounded corners may be necessary. Contact the countertop manufacturer for instructions specific to your countertop.

Technical Data

Total connected load electric	25 VA
Total connected load gas (natural gas)	20,500 BTU/h (6.0 kW)
Total consumption (natural gas)	0.530 m ³ /h
Total connected load gas (propane gas)	20,500 BTU/h (6.0 kW)
Total consumption (propane gas)	430 g/h

Prepare Installation Space

The kitchen unit must be heat-resistant to at least 200° F (90°C). The stability of the unit must be maintained after producing the cut-out.

Produce the cut-out in the countertop for one or more Vario appliances as shown in the installation sketch. The angle between the cut surface and the countertop must be 90°.

The cut edges at the sides must be flat to ensure a good fit of the retaining springs on the appliance. In laminated worktops, it may be necessary to fit strips at the sides of the cut-out.

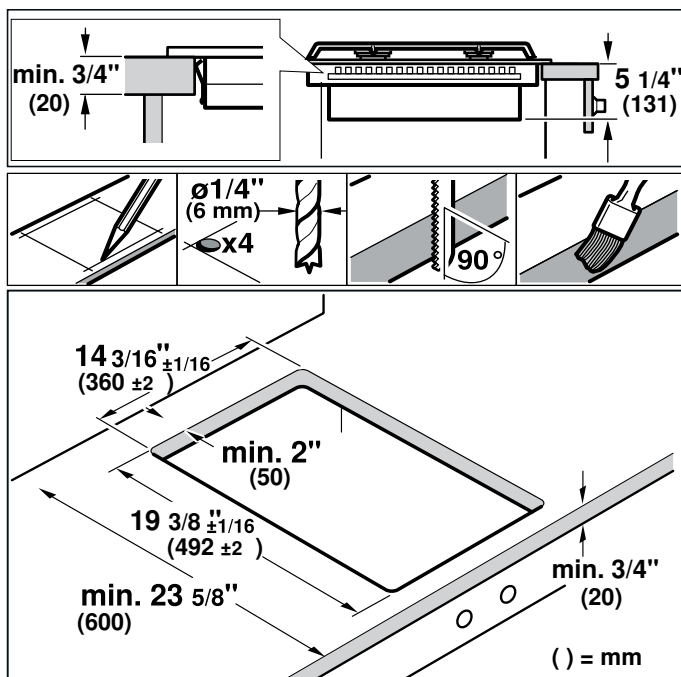
Remove shavings after cutting. Seal cut surfaces for resistance to heat and so they are watertight.

Pay attention to a minimum gap of 3/8" (10 mm) from the underside of the appliance to kitchen units.

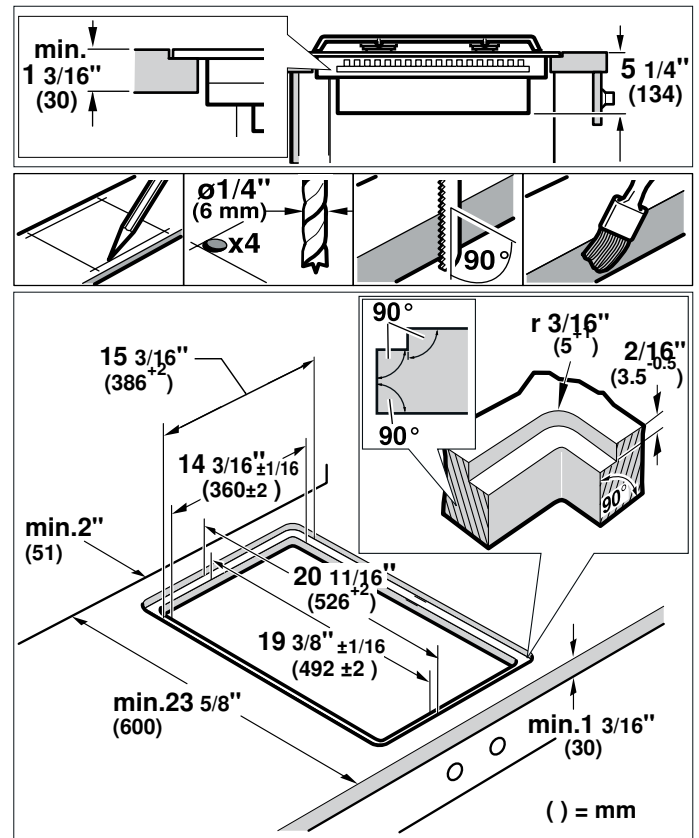
Use suitable base constructions to ensure load-carrying capacity and stability, especially in the case of thin countertops. Pay attention to the weight of the appliance, including any payload. Reinforcement material used must be resistant to heat and moisture.

Note: Wait until the appliance has been installed in the installation opening before checking that it is level.

Cutting out countertop



Flush mounting: Flush mounting into a countertop is possible.



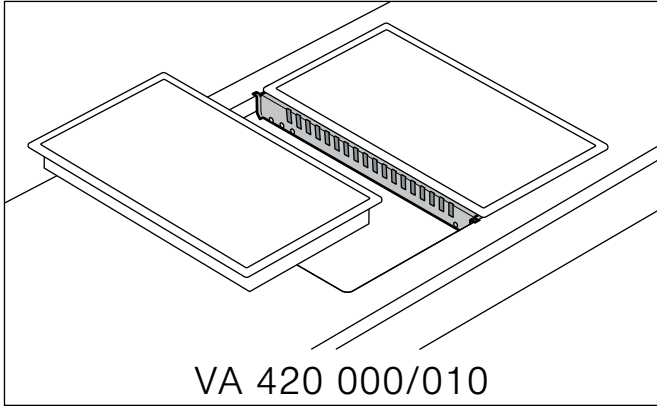
Flush installation: The appliance can be installed in the following temperature- and water-resistant countertops:

- Stone countertops
- Plastic countertops (such as Corian®)
- Solid wood countertops: Only in consultation with the manufacturer of the countertop (seal cut-out edges)
- Installation in other countertops only in consultation with the manufacturer of the countertop.

Installation in countertops made of particleboard is not possible.

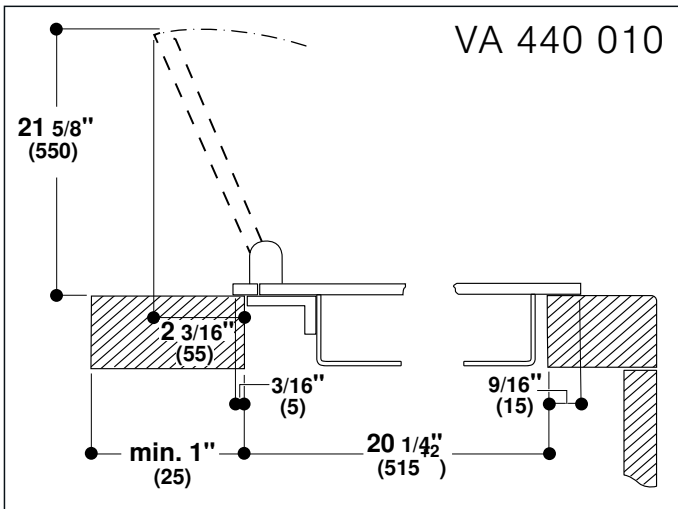
Note: Any cut-out work on the countertop must be performed in a workshop according to the installation diagram. The cut-out must be made cleanly and precisely since the cut-out edge is visible on the surface. Clean and degrease the cut-out edges with a suitable cleaning agent (bear in mind silicone manufacturer's processing instructions).

Combining several Vario devices: The connecting strip VA 420 000/010 is required for the combination of several Vario appliances. This is available separately as a special accessory. Consider additional space requirement for the connecting strip between the appliances when making the cut-out (see installation instructions VA 420 000/010).

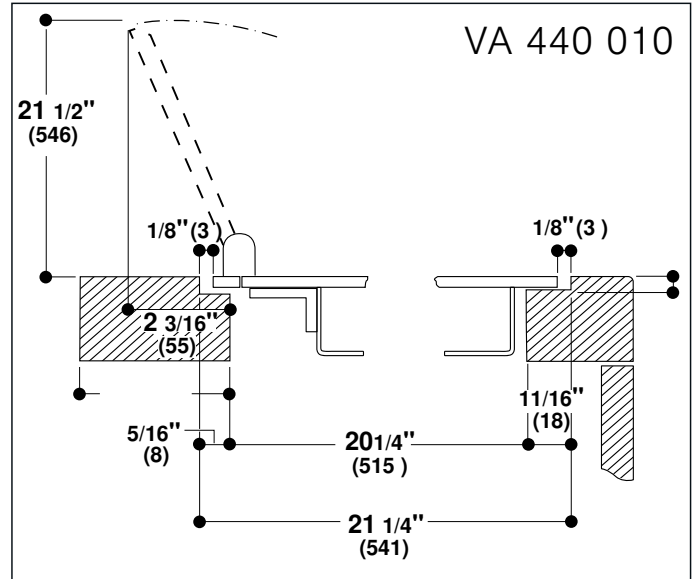


Appliances can also be installed in individual cut-outs, bearing in mind a minimum distance between the devices of 2" (51 mm).

In combination with appliance cover: The appliance cover VA 440 010 can be ordered separately as an optional accessory. Take into account the additional space required for the appliance cover when making the cutout.



Flush mount installation:



Drilled Hole for Control Knob

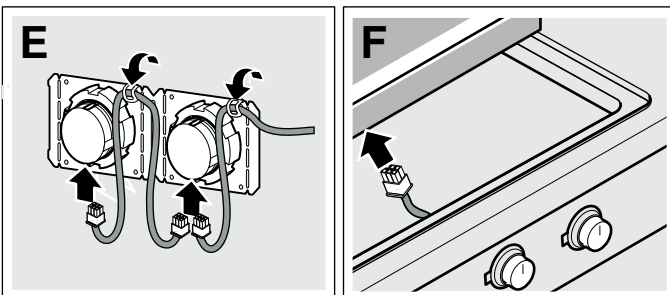
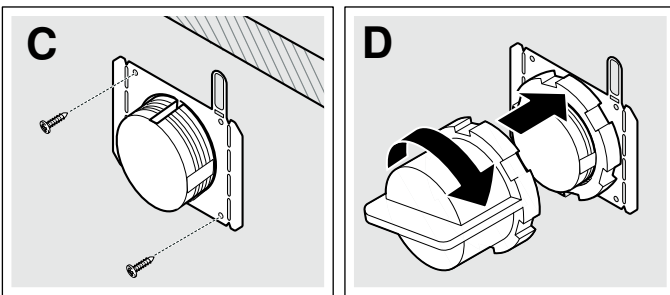
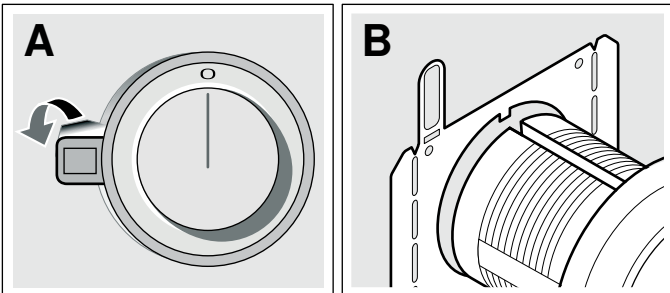
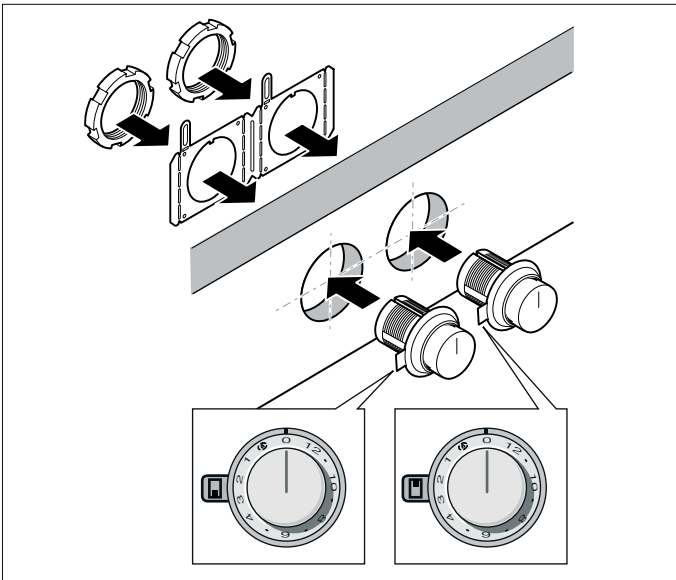
Possible types of installation:

- Installation in the front of the base cabinet
- Installation in the countertop next to the appliance
- Installation in the countertop in front of the appliance

Note: Follow the installation instructions provided for the control knobs.

Installation Procedure

Mounting Control Knobs



Note: Follow the installation instructions provided for the control knobs.

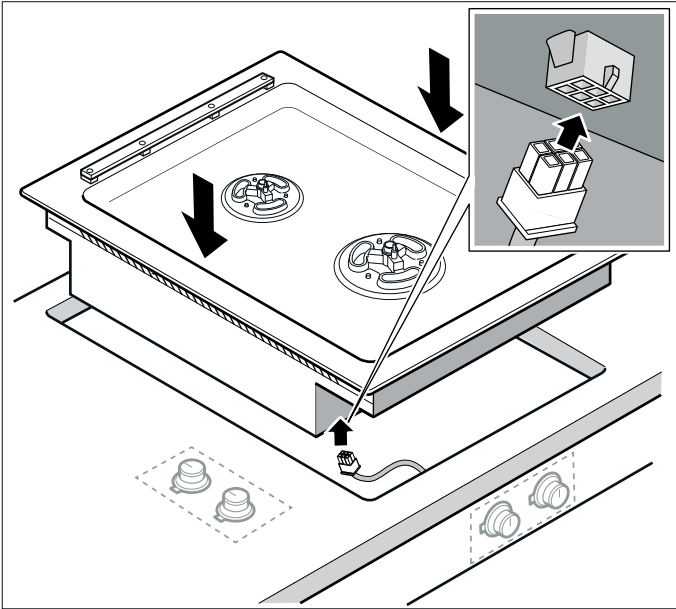
1. Depending on the distance between the control knobs, it may be necessary to break off the retaining plate at the perforation. Hold the retaining plate in place against the back of the control panel or the bottom of the countertop, or secure it with the enclosed screws.
2. When installing a single control knob or when the retaining plate has been broken at the perforation, use 2 screws to hold each individual retaining plate in place to prevent it from rotating (C).
For stone countertops, use temperature-resistant two-component adhesive (for metal to stone) to adhere the retaining plate.
3. Remove the protective film on the back of the illuminated ring (A).
4. Insert the control knob into the drilled hole (B) and screw the nut on the back with the enclosed installation aid (D).
5. Connect all of the control knobs with the enclosed shorter cables. The plugs must snap into the sockets (E).
Note: The two cable connectors on the control knob are identical.
6. Connect the longer cable to the control cable for connection to the appliance. The plug must snap into the socket (F).
Note: The appliance can be connected to any control knob.
7. After installing, check that all plug connections fit correctly.
8. After installing all the cables, secure them to the retaining plate by bending the tab down (E).

Install Appliance

⚠ WARNING

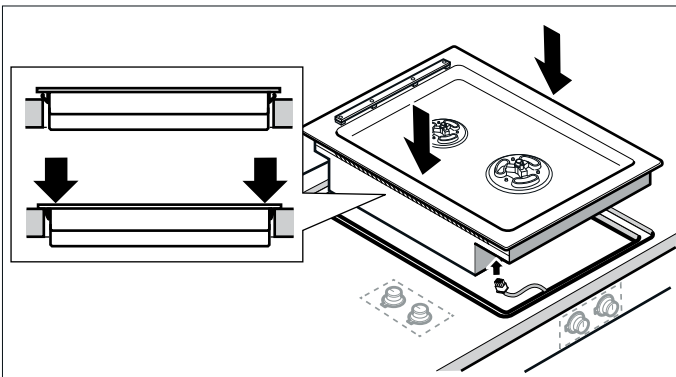
Before you plug in an electrical cord or turn on power supply, make sure all controls are in the OFF position.

1. Connect the connection cable to the control cable in the socket on the bottom of the appliance. The plug must snap into place.



2. Insert appliance evenly into the cutout. Push it down firmly into the cutout.

Note: The appliance must be firmly fixed in the cutout and must not be able to move around (e.g., during cleaning). If the width of the cutout is at the upper tolerance limit, fasten the ledges at the sides in the cutout if necessary.



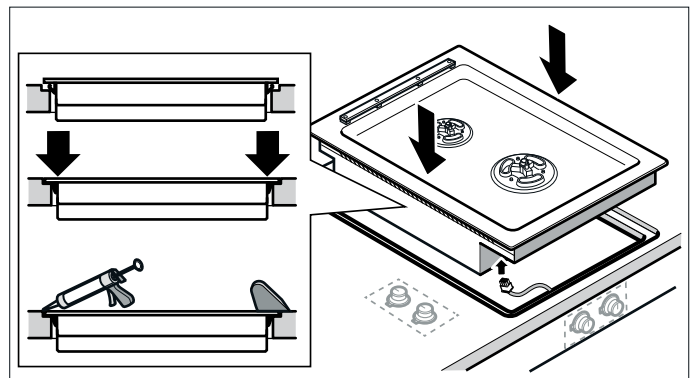
3. Only for flush mount installation:

Note: Make sure that everything is working correctly before grouting.

Grout the surrounding gap with a suitable temperature-resistant silicone adhesive. Smooth the joint seal with a smoothing agent recommended by the manufacturer. Heed the processing instructions for the silicone glue. Only start up the appliance after the silicone glue is completely dry (at least 24 hours, depending on the room temperature).

NOTICE

Unsuitable silicone adhesive causes permanent discoloration to natural stone countertops.



4. Connect the appliance to the mains and check that it works correctly. If the appliance is turned off, air may be present in the gas line. Turn control knob to 0 and reignite. Repeat the process until the appliance ignites.

Connect Gas Supply

The appliance is shipped from the factory for use with natural gas. It must be converted for use with propane. A qualified technician or installer must do the conversion.

Before connecting the appliance, please check whether the local connection conditions such as gas type and gas pressure match the appliance settings.

Make sure the gas supply is turned off at the manual shut-off valve before connecting the appliance.

The gas connection must be in a location that permits access to the manual shut-off valve and which, if applicable, is visible after opening the door of the cabinet.

The flexible gas line must not come into contact with moving parts of the fitted unit (e.g. drawers) or be laid in areas where it could become trapped or damaged.

The flexible gas line must not come into contact with a cooktop, oven, dishwasher, refrigerator, washing machine, hot water pipe, radiator or any other appliance installed in the vicinity of the gas cooktop.

The flexible gas line must not be subject to rubbing, vibrations, kinking or any other kind of deformation. It should be checked along its entire length with the cooktop in the installation position.

SERVICER INFO ONLY

Connect the gas supply using the ½" U.S.A. elbow and the fiber gasket supplied with the unit. The shorter, nontapered thread fits into the threaded nut on the hob. The longer, tapered U.S.A. thread is for the incoming gas supply. Vent the gas line, check for leaks. The gas pressure regulator is supplied with the unit and comes set for natural gas. To convert regulator to LP (propane) gas:

Make-Maxitrol Model RV 47 CL ½ PSIG

1. Remove the aluminum cap from the top of the regulator.
2. Remove the yellow plastic shaft from the cap by pushing it sideways until it pops out of the groove in the cap.
3. Turn the shaft over and push back into the cutout in the cap.
4. Replace the cap on the regulator.

Connect Electrical Supply

Before connecting supply cord to wall receptacle, make certain that gas shutoff valve and all burner controls are in OFF position.

Electrical connection (AC 110-127 V) is established by means of a connecting cord with a grounding contact plug connected to a grounded socket, which must also be accessible after installation of the gas cooktop.

Burner Cap Placement

The burner parts must be properly placed for the cooktop to function properly. If the burner parts are not properly placed, one or more of the following problems may occur:

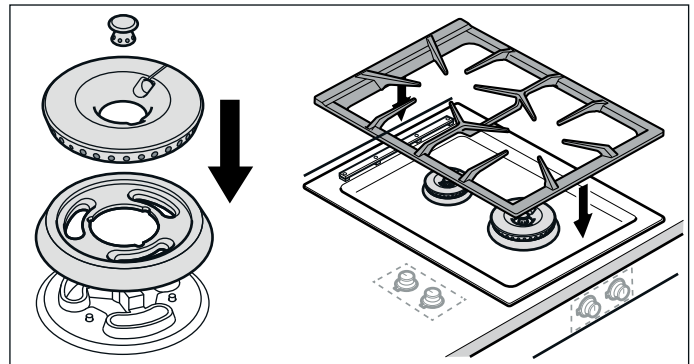
- Burner flames are too high.
- Flames shoot out of burners.
- Burners do not ignite.
- Burner flames light unevenly.
- Burner emits gas odor.

Placing Burner Parts

After electrical connection is complete, assemble the burner parts correctly and evenly. When assembling the burner parts, make sure that the burner head is placed on the base in such a way that the prongs of the burner cap fit snugly into the groove of the burner base.

Checking Burner Cap Placement

Check to make sure that there is no gap between the burner parts. You may gently try to move the burner parts from side to side to check if they are properly placed.



Check the Installation

Check operation of electric igniters. Check flame characteristics. Flame should be blue with no yellow tip.

Yellow Flames:

Further adjustment is required.

Yellow Tips on Outer Cones:

Normal for LPG Gas.

Soft Blue Flames:

Normal for Natural Gas.

If the flame is completely or mostly yellow, verify that the regulator is set for the correct fuel. After adjustment, retest.

Some yellow streaking is normal during the initial start-up. Allow unit to operate 4-5 minutes and re-evaluate before making adjustments.

Removing the appliance

Disconnect the appliance from the power supply. Close the gas shut-off valve. Remove the silicone joint from appliances installed flush. Push out the appliance from below.

NOTICE

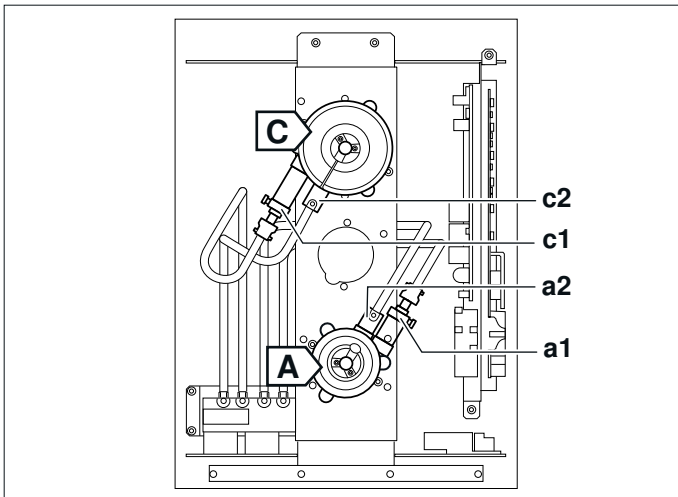
Appliance damage! Do not lever out the appliance at the frame from above.

Conversion to another type of gas

This gas stovetop corresponds to the categories specified on the rating plate. By changing nozzles, it is possible to convert the appliance to any of the gases listed on the plate. The conversion kit can be obtained from our customer service. With some models, the conversion kit is included in the scope of delivery.

Only a licensed specialist is authorized to switch the appliance to another gas type.

Before carrying out the conversion, turn off the electricity and gas supply.



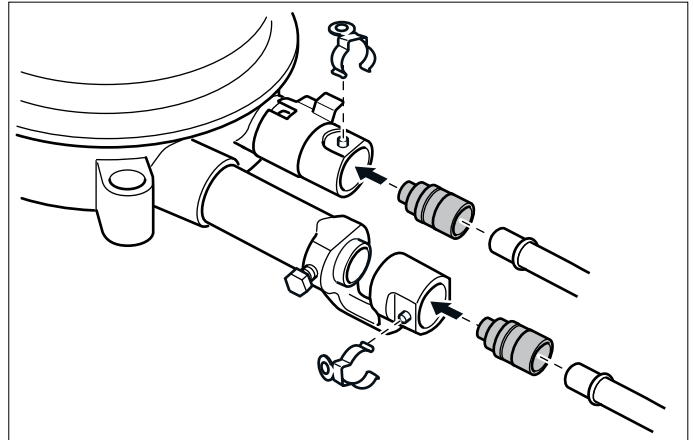
A	NG A, 6" WC	Propane 10" WC
a1	105	68
L1	0" (0 mm)	1/4" (6 mm)
a2	40	29
L2	5/32" (4 mm)	open

C	NG A, 6" WC	Propane 10" WC
c1	150	105
L1	0" (0 mm)	3/32" (2 mm)
c2	40	29
L2	5/32" (4 mm)	open

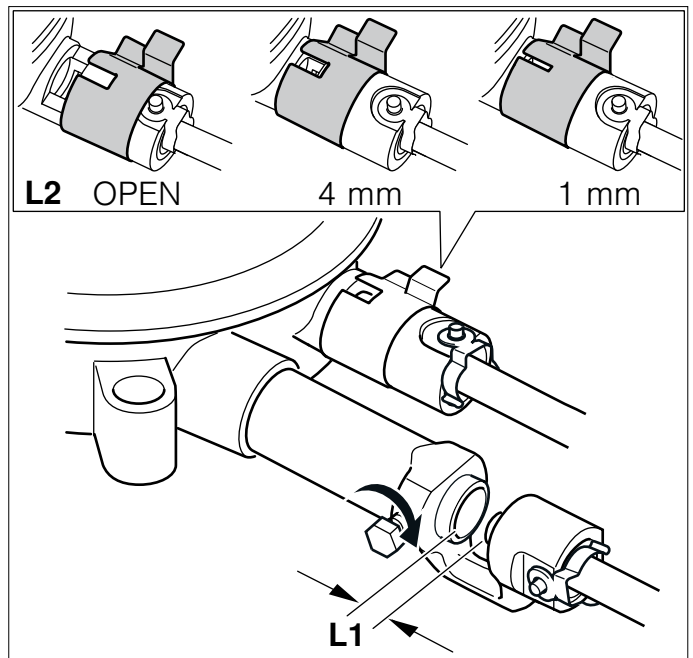
Replacing the Main Control Nozzles: Normal and High Output Burners

1. Remove the pan supports and all burner parts.
2. Unscrew the fastening nuts from the cooktop (3 nuts – WAF 7), and carefully lift up the cooktop to remove it.
3. Remove the securing clips from the burner pipes. Pull out the burner pipes. The electrode can remain connected. Unscrew the burners (Torx T20) and pull out the burner pipes.

4. Remove the nozzles from the burner pipes by hand, pull off the O-ring.



5. Check that the O-ring fits correctly in the new main control nozzle. Pull the nozzles off of the burner pipes. Do not bend the burner pipes!
6. Attach the burner pipes to the burners. Attach the securing clips. Screw the burners into place.
7. After loosening the screw, adjust the air regulating sleeve for the external burner to the correct setting (see nozzle table – L1). Retighten the screw.

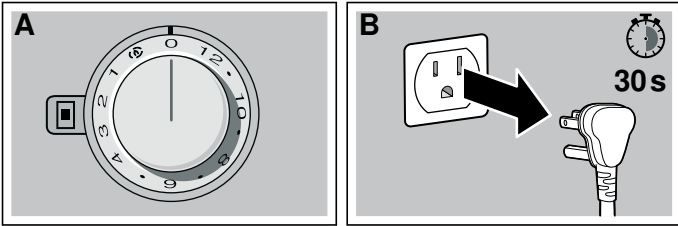


8. Adjust the air regulating sleeve for the inner burner by turning or sliding it to the correct setting (see nozzle table – L2).
9. Put the cooktop in place and tighten the screws evenly. Put the burner parts and pan supports in place, and ensure that they are positioned correctly.

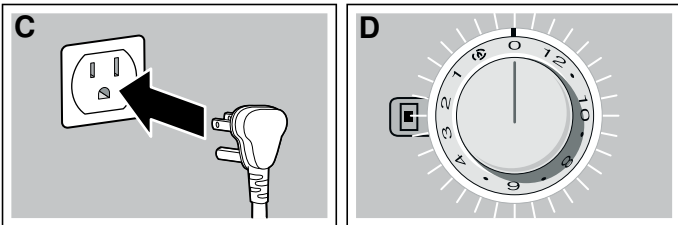
Setting the Gas Type

Set the gas type via any control knob:

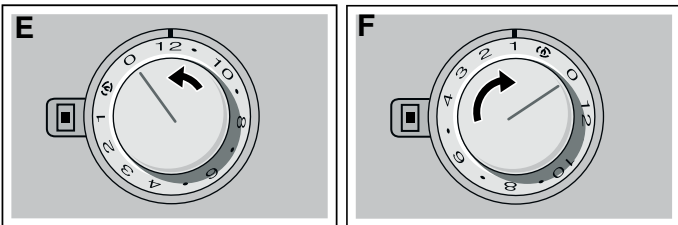
1. Turn the control knob to 0 (A). Disconnect the appliance from the power supply. Wait for at least 30 seconds (B).



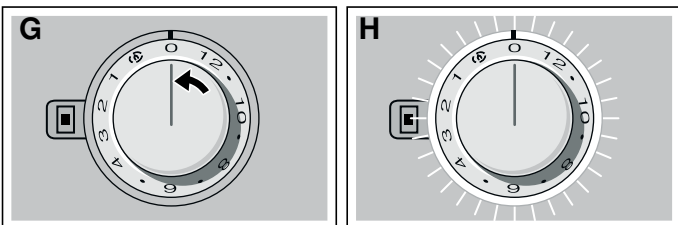
2. Reconnect the appliance (C). The illuminated ring around the control knob will turn green for a second and then turn yellow (D). Wait until the illuminated ring goes out.



3. Turn the control knob counterclockwise to position 12 (E).
4. Turn the control knob clockwise to position 1 (F).

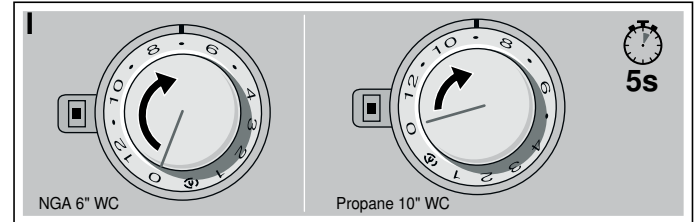


5. Turn the control knob counterclockwise to position 0 (G). Wait until the illuminated ring turns yellow (H).

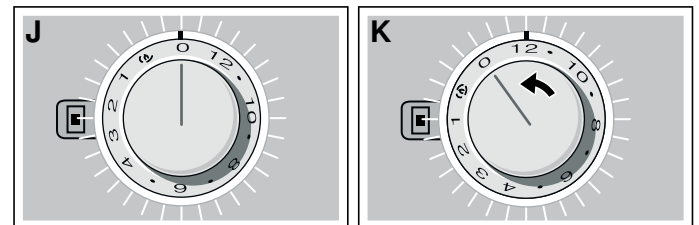


6. Set the gas type on the control knob (I), the currently selected position will turn green:

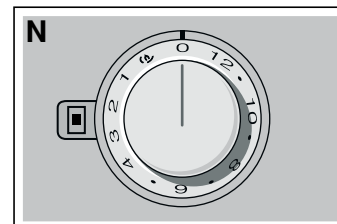
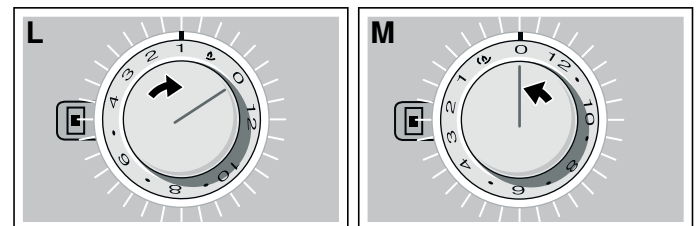
Control knob position	Gas Type
7	NG A 6" WC
9	Propane 10" WC



7. Keep the control knob at the desired setting for at least 5 seconds. The illuminated ring around the control knob will turn green (I).
8. To save the setting, it is necessary to exit the menu as follows: Turn the control knob to position 0 (J). Then turn the control knob counterclockwise to position 12 (K).



Turn the control knob clockwise to position 1 (L). Turn the control knob counterclockwise to position 0 (M). Wait until the illuminated ring goes out (N).



The setting is saved. The illuminated ring around the control knob will turn yellow for a second. Wait until the illuminated ring goes out.

Checking functions after the conversion:

The flames are adjusted correctly if no yellow tips are visible. They must not go out when switching over swiftly from the high to the low setting.

Note: Stick the adhesive label included with the nozzle set over the rating plate of the appliance to document the changeover to a different gas type.

Customer Service

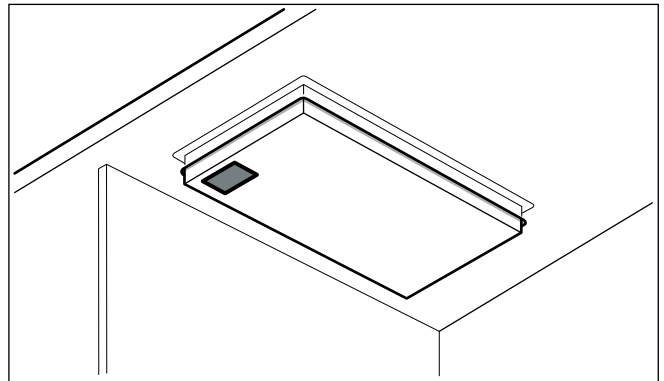
If your appliance needs repairs, our customer service is there for you. We work hard to help solve problems quickly and without unnecessary service calls, getting your appliance back up and running correctly in the least amount of time possible.

When you call, please indicate the product number (E-Nr.) and serial number (FD-Nr.) so that we can support you in a qualified manner. You will find the type plate with these numbers on the bottom of the appliance. To avoid having to search for a long time when you need it, you can enter your appliance data and the customer support telephone number here.

E-Nr.
FD-Nr.

Customer Service ☎

Please read the use and care instructions provided with your appliance. Failure to do so may result in an error in using the appliance. This could result in a service call that instead of fixing a mechanical issue is only needed for customer education. Such calls are not covered by the appliance warranty.




Please find the contact data of all countries in the enclosed customer service list.

To book a service visit and product advice

USA 877 442 4436
toll-free

CANADA 877 442 4436
toll-free

Table des matières

 Définitions de sécurité	18
CONSIGNES DE SÉCURITÉ IMPORTANTES	19
Sécurité de manutention des appareils	21
Codes et normes de sécurité	21
Sécurité électrique	22
Sécurité en matière de gaz	22
Installation au gaz propane	23
Équipement de sécurité	24
Avant de commencer	25
Outils et pièces nécessaires	25
Pièces comprises	25
Accessoires d'installation	25
Exigences pour les placards	25
Exigences pour le plan de travail	26
Caractéristiques techniques	26
Préparation des meubles	26
Découper le plan de travail	26
Procédure d'installation	28
Monter les boutons de commande	28
Pose de l'appareil	29
Branchement du gaz	30
Brancher l'alimentation électrique	30
Montage des chapeaux de brûleur	31
Vérification de l'installation	31
Dépose de l'appareil	31
Changement de type de gaz	32
Service après-vente	34

Vous trouverez des informations supplémentaires concernant les produits, accessoires, pièces de rechange et services sur Internet sous : www.gaggenau.com et la boutique en ligne : www.gaggenau.com/zz/store

Définitions de sécurité

AVERTISSEMENT

Ceci indique que le non-respect de cet avertissement peut entraîner des blessures graves, voire la mort.

ATTENTION

Ceci indique que le non-respect de cet avertissement peut entraîner des blessures légères ou de gravité moyenne.

AVIS

Ceci indique que la non-conformité à cet avis de sécurité peut entraîner des dégâts matériels ou endommager l'appareil.

Remarque : Ceci vous signale des informations et/ou indications importantes.



CONSIGNES DE SÉCURITÉ IMPORTANTES

LIRE ET CONSERVER CES INSTRUCTIONS

⚠ AVERTISSEMENT :

Si les directives ne sont pas suivies à la lettre, il y a un risque d'incendie ou d'explosion pouvant entraîner des dommages matériels, des blessures ou un décès.

- Ne pas conserver ou utiliser de l'essence ou d'autres liquides ou vapeurs inflammables à proximité de cet appareil ou de tout autre appareil.**
- QUE FAIRE SI VOUS PERCEVEZ UNE ODEUR DE GAZ**
 - Ne pas essayer de mettre un appareil sous tension.**
 - Ne pas toucher d'interrupteur de courant électrique.**
 - Ne pas utiliser de téléphones dans l'édifice.**
 - Communiquer immédiatement avec le fournisseur de gaz depuis l'appareil téléphonique d'un voisin. Respecter les directives du fournisseur de gaz.**
 - S'il s'avère impossible de joindre le fournisseur de gaz, communiquer avec les pompiers.**
- Utiliser les services d'un installateur ou d'une agence de services qualifiés ou le fournisseur de gaz pour procéder à l'installation et aux réparations.**



CONSIGNES DE SÉCURITÉ IMPORTANTES

LIRE ET CONSERVER CES INSTRUCTIONS

⚠ AVERTISSEMENT :

Ne faites jamais fonctionner la surface de cuisson, sur le dessus de cet appareil, sans surveillance

- **Le non-respect de cette mise en garde pourrait entraîner un incendie, une explosion ou un risque de brûlure et ainsi causer des dommages matériels, des blessures ou la mort.**
- **Si l'appareil prend feu, tenez-vous à l'écart et appelez immédiatement votre service des incendies.**

NE TENTEZ JAMAIS D'ÉTEINDRE UN FEU DE GRAISSE OU D'HUILE EN L'ASPERGEANT D'EAU.

CONSIGNES DE SÉCURITÉ IMPORTANTES

LIRE ET CONSERVER CES INSTRUCTIONS

IMPORTANT : IL FAUT FAIRE POSER L'APPAREIL PAR UN INSTALLATEUR QUALIFIÉ.

INSTALLATEUR : LAISSEZ CES INSTRUCTIONS AVEC L'APPAREIL APRÈS UNE FOIS L'INSTALLATION TERMINÉE. IMPORTANT : À CONSERVER POUR L'USAGE DE L'INSPECTEUR LOCAL.

AVERTISSEMENT

Si l'information de ce guide n'est pas suivie exactement, il peut en résulter un incendie ou un choc électrique causant des dommages à la propriété, des blessures ou la mort.

AVERTISSEMENT

Ne réparez, remplacez, ni ne retirez aucune partie de l'appareil, excepté si les manuels recommandent de le faire. Une installation, un entretien ou une inspection incorrects peuvent occasionner des blessures ou des dommages matériels. Reportez-vous au présent manuel pour obtenir des indications. Toute autre intervention doit être effectuée par un technicien agréé.

La garantie ne couvre pas une mauvaise installation.

Sécurité de manutention des appareils



Certaines surfaces peuvent avoir des bords tranchants. Faire attention en étendant le bras derrière l'appareil ou en dessous.

Codes et normes de sécurité

Cet appareil est conforme à une ou plusieurs des normes suivantes :

- **UL 858, la norme en matière de sécurité pour les cuisinières électriques domestiques**
- **UL 923, la norme en matière de sécurité pour les fours à micro-ondes**
- **UL 507, la norme en matière de sécurité pour les ventilateurs électriques**
- **ANSI Z21.1/CSA 1.1, Appareils électroménagers pour la cuisson à gaz**
- **CSA-C22.2 no 113-M1984, Ventilateurs**
- **CSA-C22.2 no 61-M89, Cuisinières domestiques**

Il incombe au propriétaire et à l'installateur de déterminer si des exigences et/ou normes additionnelles s'appliquent pour des installations spécifiques.

L'installation doit être conforme aux codes locaux ou, en l'absence de tels codes, au National Fuel Gas Code ANSI Z223.1/NFPA 54 ou, au Canada, au code national CSA B149.1 d'installation du gaz naturel et du propane.



CONSIGNES DE SÉCURITÉ IMPORTANTES

LIRE ET CONSERVER CES INSTRUCTIONS

L'appareil doit être mise à la terre en conformité aux codes locaux, ou en l'absence de tels codes, à la dernière version du National Electric Code NFPA 70 ou, au Canada, au code canadien de l'électricité CSA C22.1-02.

Sécurité électrique



AVERTISSEMENT

Avant tout raccordement de cordon électrique ou toute mise sous tension, assurez-vous que toutes les commandes sont en position OFF (d'arrêt).

Pour les appareils dotés d'un cordon et d'une fiche, ne pas couper ou enlever la broche de mise à la terre. Le cordon doit être branché dans une prise de courant adaptée de type mise à la terre pour éviter tout risque d'électrocution. S'il y a un doute en ce qui concerne la mise à la terre de la prise murale, le client devra s'adresser à un électricien qualifié.

N'utilisez pas de rallonge.

N'utilisez pas d'adaptateur.

S'il y a lieu, conformément au Code national de l'électricité (ou au Code canadien de l'électricité), cet appareil doit être installé sur un circuit de dérivation séparé.

Le disjoncteur doit avoir une séparation de contact de 3 mm. minimum pour tous les pôles.

S'assurer que l'appareil est installé et mis à la terre par un technicien qualifié.

L'installation, les connexions électriques et la mise à la terre doivent être conformes à tous les codes applicables.

Avant l'installation, mettre l'appareil hors service au panneau de service. Verrouiller le panneau d'entrée d'électricité pour éviter que le courant ne soit accidentellement rétabli.

Installateur – Indiquer au propriétaire l'emplacement du disjoncteur ou du fusible. Identifier sa position pour pouvoir le retrouver facilement.

Sécurité en matière de gaz

Installer un robinet d'arrêt de gaz à proximité de l'appareil. Celui-ci doit être facilement accessible en cas d'urgence.

Les essais d'étanchéité doivent être effectués par l'installateur conformément aux instructions du présent manuel.

L'appareil et le robinet individuel de fermeture à commande manuelle dont il est muni doivent être déconnectés du système de canalisations de gaz lors de tout contrôle de pression où la pression d'essai est supérieure à ½ psi (3,5 kPa).

L'appareil doit être isolé du système de canalisations de gaz en fermant le robinet individuel de fermeture à commande manuelle dont il est muni pendant tout contrôle de pression du système de canalisations de gaz à des pressions d'essai inférieures ou égales à ½ psi (3,5 kPa).



CONSIGNES DE SÉCURITÉ IMPORTANTES

LIRE ET CONSERVER CES INSTRUCTIONS

La pression minimale d'alimentation doit être de 1 po CE au-dessus de la pression du distributeur, tel qu'indiqué sur la plaque signalétique.

La pression maximale d'alimentation ne pas dépasser 14 po CE (34,9 millibars).

Une ligne de production métallique souple ou un tuyau métallique fixe doit être utilisé pour raccorder le gaz à l'appareil. Si une conduite de gaz en métal ne peut pas être utilisée, veuillez vous adresser à un électricien agréé local ou aux codes électriques locaux pour obtenir une mise à la terre appropriée.

Avertissement issu de la proposition 65 :

Ce produit pourrait contenir un produit chimique reconnu par l'État de la Californie comme cancérigène ou ayant des effets nocifs sur la reproduction. Par conséquent, l'emballage de votre produit pourrait porter l'étiquette suivante, comme requis par la Californie :

AVERTISSEMENT ISSUE DE LA PROPOSITION 65 DE L'ÉTAT DE LA CALIFORNIE :



AVERTISSEMENT

Cancer et dommages à la reproduction

www.P65Warnings.ca.gov

Installation au gaz propane

La bouteille de gaz propane doit comporter son propre régulateur haute pression. De plus, le régulateur fourni avec cet appareil doit également être utilisé.

L'appareil est expédié depuis l'usine pour être utilisé avec du gaz naturel. S'il doit être utilisé avec du gaz propane, il doit être converti. Un technicien ou installateur qualifié devra se charger de la conversion.

Cet appareil a été certifié comme étant conçu pour un fonctionnement sûr à une altitude de 10 000 pieds, sans aucune modification. Exception : si l'appareil doit être utilisé avec du gaz propane, il doit être converti conformément aux instructions pour la conversion au gaz propane.

Pour les installations dans l'État du Massachusetts

- L'installation doivent être effectuée par un entrepreneur qualifié ou titulaire d'une licence, un plombier ou un monteur d'installation au gaz qualifié ou titulaire d'une licence octroyée par l'État, la province ou la région où cet appareil est installé.
- Le robinet d'arrêt doit être un robinet de gaz muni d'une poignée en « T ».
- La longueur du raccord flexible de gaz ne doit pas dépasser 36 pouces.

Installateur - montrez au propriétaire où se trouve le robinet d'arrêt de gaz.



CONSIGNES DE SÉCURITÉ IMPORTANTES

LIRE ET CONSERVER CES INSTRUCTIONS

Équipement de sécurité

Utilisez uniquement l'appareil électroménager s'il a été installé par un technicien qualifié conformément aux présentes instructions d'installation. Le fabricant ne peut pas être tenu responsable de tous dommages causés par une installation inadéquate.

Enlever le ruban adhésif et l'emballage avant d'utiliser l'appareil. Détruire l'emballage après avoir déballé l'appareil. Ne jamais laisser les enfants jouer avec les matériaux de conditionnement.

Ne jamais modifier ni altérer la configuration de l'appareil. Par exemple, ne pas retirer les pieds de nivellement, les panneaux, les couvercles de câblage ou les fixations/vis antibasculement.

Pour éliminer le risque de brûlures ou d'incendie lorsque l'on allonge le bras au-dessus des éléments de surface chauds, éviter d'installer des placards au-dessus des éléments de surface. Si l'installation de placards est prévue, le risque peut être réduit en installant une hotte aspirante qui dépasse horizontalement d'au moins 5 po (127 mm) la base du placard.

Vérifiez que la profondeur des armoires situées au-dessus de la table de cuisson ne dépasse pas 13 po (330 mm).

Lors de l'installation de la table de cuisson sur un four simple, prendre bien soin de suivre les instructions des manuels d'installation du four et de la table de cuisson.

Recommandations sur la ventilation

Il est vivement recommandé d'installer une hotte aspirante au-dessus de cet appareil. La hotte aspirante doit être installée conformément aux instructions qui l'accompagnent.



ATTENTION

L'appareil ne devrait pas être installé avec un système de ventilation qui souffle l'air vers les brûleurs. Ce type de système de ventilation peut causer des problèmes d'allumage et de combustion avec l'appareil de cuisson au gaz et pourrait provoquer des blessures ou nuire au fonctionnement normal.

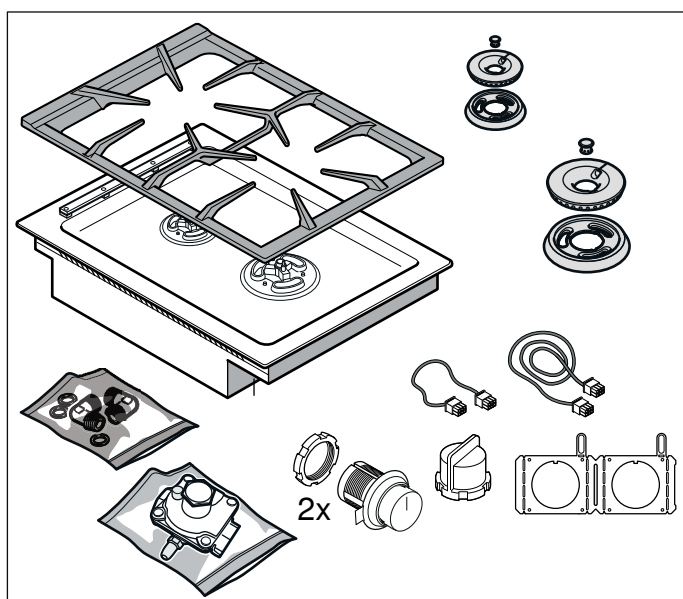
Avant de commencer

Outils et pièces nécessaires

- Tournevis à empreinte Torx T20
- Crayon
- Perceuse avec mèche 1/4" po (6 mm)
- Scie sauteuse
- Ruban à mesurer

Remarque : Des matériaux supplémentaires peuvent être nécessaires pour installer les plans de travail à surface solide. Contacter le fabricant du plan de travail.

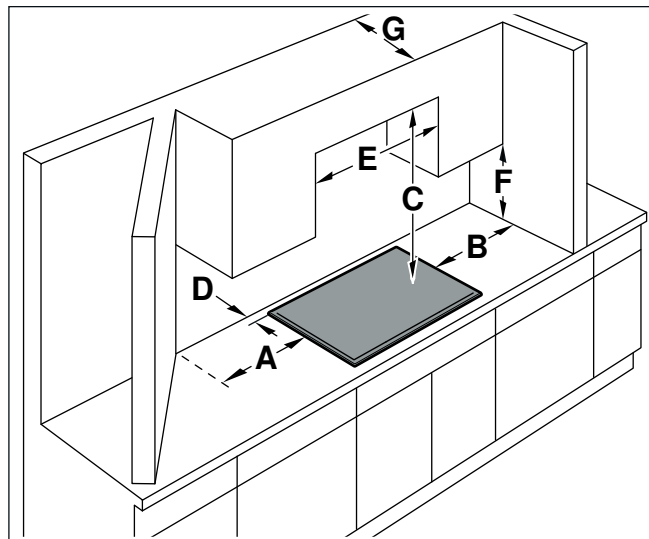
Pièces comprises



Accessoires d'installation

- AA 414 010 Déflecteur pour l'utilisation à côté d'appareils aérateur de plan de cuisson VL 414
- VA 420 000 Réglette de jonction pour associer d'autres appareils Vario de la série 400 à montage en affleurement
- VA 420 010 Réglette de jonction pour associer d'autres appareils Vario de la série 400 à montage en saillie
- VA 440 010 Couvercle en inox

Exigences pour les placards



Lors de la pose de la table de cuisson à gaz, les distances à respecter sont les suivantes :

- A** minimum 12" (300 mm)
- B** minimum 12" (300 mm)
- C** minimum 30" (762 mm) d'espace entre le dessus de la surface de cuisson et le bas de constructions combustibles
- D** minimum 1 9/16" (40 mm)
- E** minimum 15" (380 mm)
- F** minimum 18" (457 mm)
- G** maximum 13" (330 mm)

Le dégagement du haut de la table de cuisson au bas des armoires situées au-dessus peut être réduit à 26 po si les armoires en bois ou en métal sont protégées par une planche ignifuge d'une épaisseur d'au moins 1/4 po (6,35 mm) couvert par pas moins d'une tôle d'acier MSG n° 28, d'acier inoxydable de 0,015 po (0,4 mm) d'épaisseur, d'aluminium ou de cuivre de 0,024 po (0,6 mm) d'épaisseur.

Exigences pour le plan de travail

⚠ AVERTISSEMENT

Pour réduire le risque d'inflammation des matériaux combustibles adjacents, l'installation doit laisser un dégagement d'au moins 12 po (300 mm) entre la table de cuisson et les murs latéraux et d'au moins 2 po (50 mm) entre la table de cuisson et le mur arrière.

Le plan de travail doit être de niveau et horizontal. Le plan de travail doit rester stable après la découpe.

Certains plans de travail à haute résistance requièrent souvent des aménagements spéciaux. Par exemple, une bande thermoréfléchissante et des coins arrondis peuvent être nécessaires. Contacter le fabricant du plan de travail pour obtenir des précisions.

Caractéristiques techniques

Puissance électrique raccordée totale	25 VA
Puissance totale raccordée, gaz (gaz naturel)	20 500 BTU/h (6,0 kWh)
Consommation totale (gaz naturel)	0,530 m ³ /h
Puissance totale raccordée, gaz (gaz propane)	20 500 BTU/h (6,0 kWh)
Consommation totale (gaz propane)	430 g/h

Préparation des meubles

Le meuble où la table de cuisson est encastrée doit résister à la chaleur jusqu'à une température de 200° F (90°C). La stabilité du meuble doit rester garantie après les opérations de découpe.

Réaliser la découpe dans le plan de travail pour un ou plusieurs appareils Vario, conformément au schéma de pose. Le plan de coupe doit faire un angle de 90° avec le plan de travail.

Les bords de coupe latéraux doivent être plans afin de garantir la fixation des ressorts de maintien sur l'appareil. Dans le cas de plans de travail multicouches, fixer éventuellement des baguettes sur les côtés de la découpe.

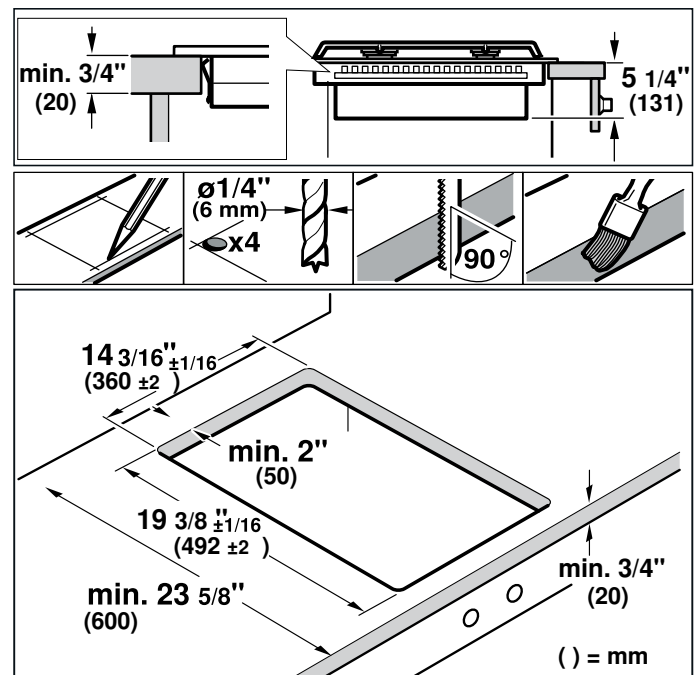
Après les opérations de découpe, éliminer les copeaux. Sceller les plans de coupe de façon qu'ils résistent à la chaleur et soient étanches à l'eau.

Respecter une distance minimale de 3/8" (10 mm) entre le dessous de l'appareil et les éléments du meuble.

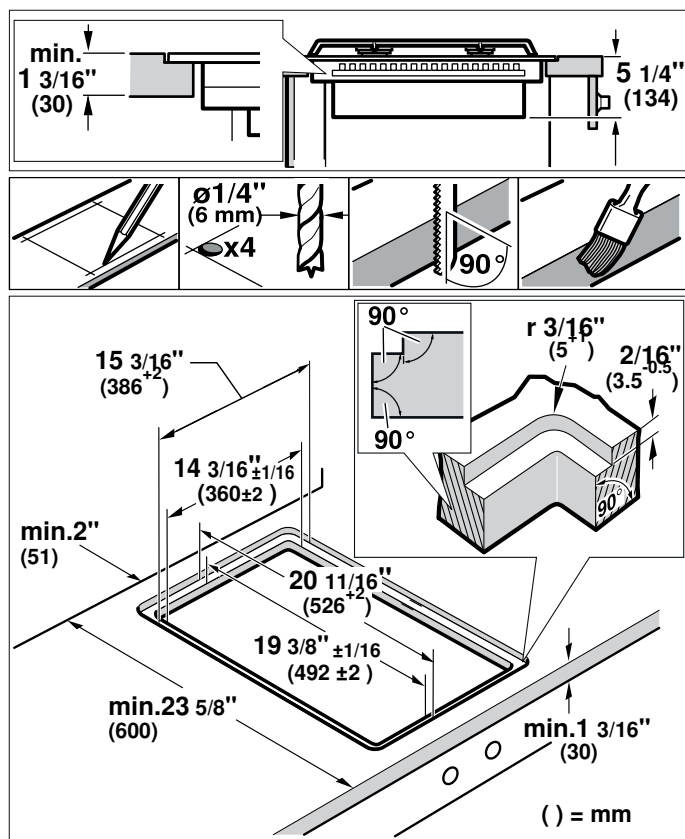
En particulier si le plan de travail est peu épais, assurer sa capacité de résistance et sa stabilité en le renforçant au moyen de structures adaptées. Tenir compte du poids des appareils, sans oublier leur contenu et leurs accessoires. Le matériau utilisé pour le renforcement doit résister à la chaleur et à l'humidité.

Remarque : Vérifier l'aplomb de l'appareil seulement après l'avoir installé dans la découpe.

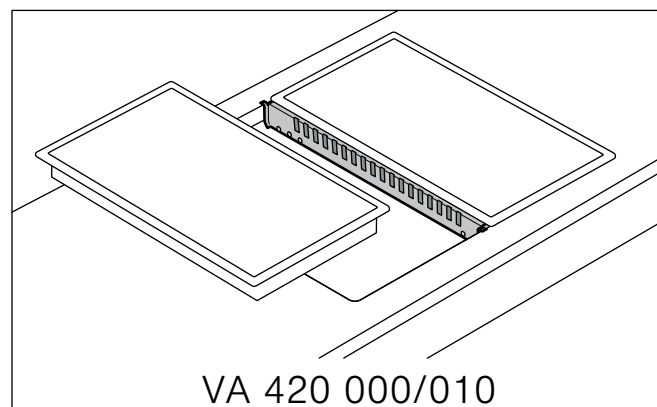
Découper le plan de travail



Pose en affleurement: L'appareil peut être posé en affleurement dans un plan de travail.



Association de plusieurs appareils Vario : Pour combiner plusieurs appareils Vario, il faut utiliser la barrette de jonction VA 420 000/010. Elle est disponible comme accessoire en option. Lors de la découpe, tenir compte de l'espace supplémentaire qui est nécessaire pour la barrette de jonction entre les appareils (voir la notice de montage VA 420 000/010).



Les appareils peuvent également être installés dans des découpes séparées, en respectant une distance minimale de 2" (51 mm).

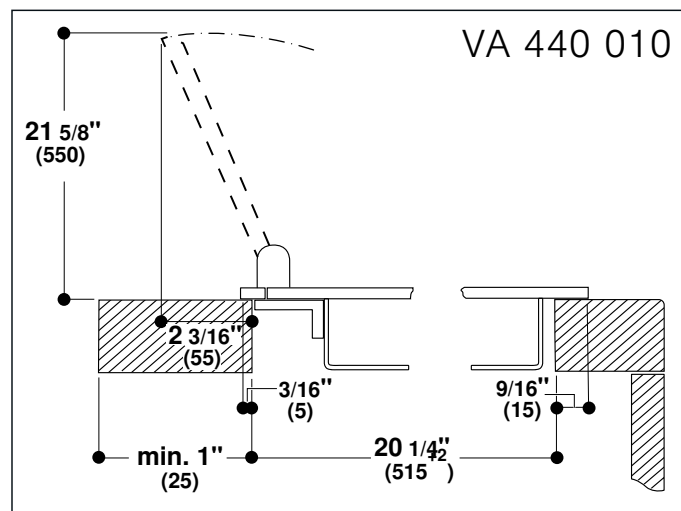
Combinaison avec couvercle : le couvercle VA 440 010 est disponible séparément en tant qu'accessoire spécial. Au moment de réaliser la découpe, veillez à ce qu'il y ait suffisamment de place pour le couvercle.

Pose en affleurement: L'appareil peut être encastré dans des plans de travail résistants à la chaleur et à l'eau, fabriqués dans les matériaux suivants :

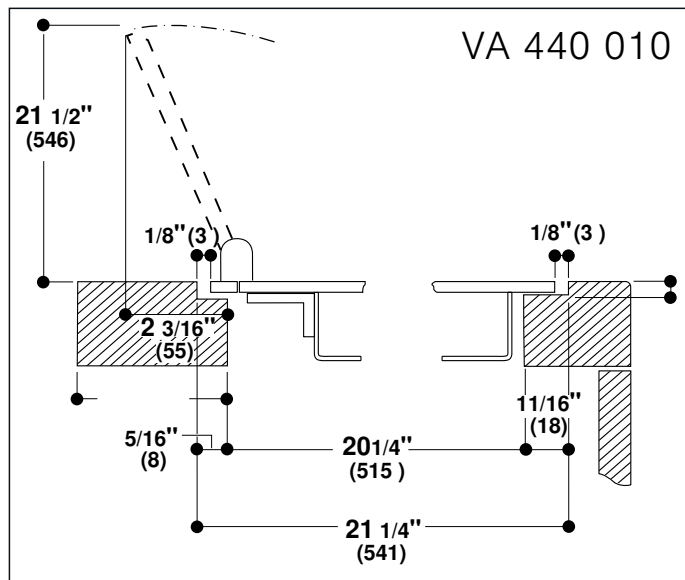
- pierre
- matière plastique ou Corian®
- bois massif : seulement avec l'accord avec le fabricant du plan de travail (sceller les bords de coupe)
- La pose dans d'autres types de plan de travail : seulement avec l'accord avec le fabricant du plan de travail.

La pose dans de plan de travail de panneaux de particules n'est pas autorisée.

Remarque : Toutes les découpes du plan de travail doivent être faits dans un atelier spécialisé, conformément au schéma de pose. La découpe doit être nette et précise, car le bord de coupe est visible en surface. Nettoyer et dégraisser les bords de coupe avec un produit de nettoyage adéquat (respecter les instructions d'application du fabricant du silicone).



Encastrement affleurant :



Perçage pour le bouton de commande

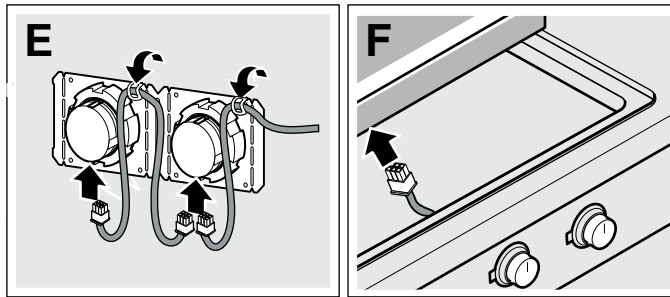
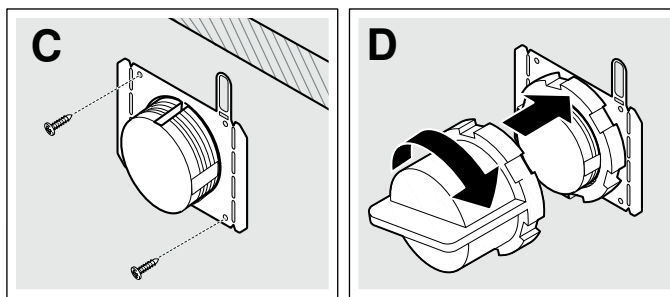
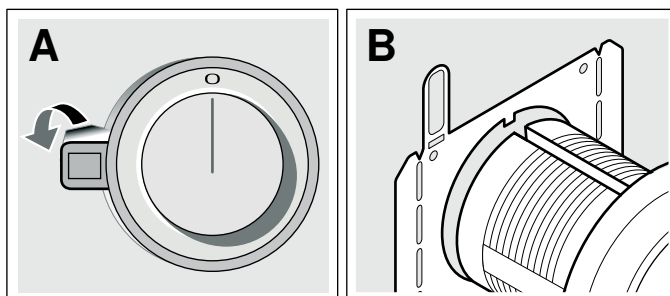
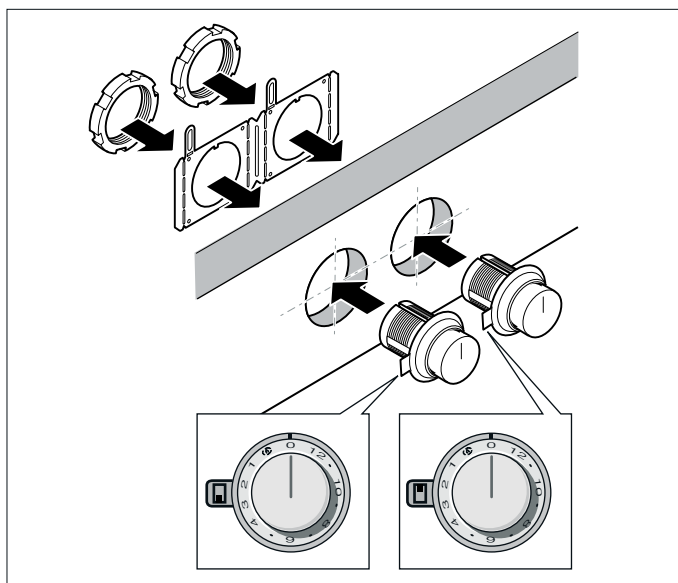
Variantes de montage possibles :

- Montage en face avant de l'élément bas
- Montage dans un plan de travail situé à côté de l'appareil
- Montage dans un plan de travail situé devant l'appareil

Remarque : Respectez les instructions de montage des boutons de commande.

Procédure d'installation

Monter les boutons de commande



Remarque : Respectez les instructions de montage des boutons de commande.

1. En fonction de la distance entre les boutons de commande, raccourcissez la tôle de maintien en la brisant au niveau de la perforation si nécessaire. Maintenez la tôle de maintien à l'arrière du bandeau de commande et sous le dessous du plan de travail ou fixez-la avec les vis fournies.
2. Lors du montage d'un bouton de commande individuel ou lorsque la tôle de maintien a été brisée au niveau de la perforation, chaque tôle de maintien a été sécurisée contre toute torsion avec 2 vis (C).

En cas de plan de travail en pierre, collez la tôle de maintien avec une colle à deux composants (métal sur pierre).

3. Retirez le film protecteur à l'arrière de l'anneau lumineux (A).
4. Insérez le bouton de commande dans le perçage (B) et vissez à l'arrière l'écrou à l'aide de la notice d'installation fournie (D).
5. Connectez tous les boutons de commande avec les câbles raccourcis fournis. Les fiches doivent s'enclencher dans les orifices (E).

Remarque : Les deux douilles de câble du bouton de commande sont identiques.

6. Enfichez le câble plus long pour la connexion à l'appareil à l'un des boutons de commande. La fiche doit s'enclencher dans l'orifice (F).

Remarque : L'appareil peut être connecté à n'importe quel bouton de commande.

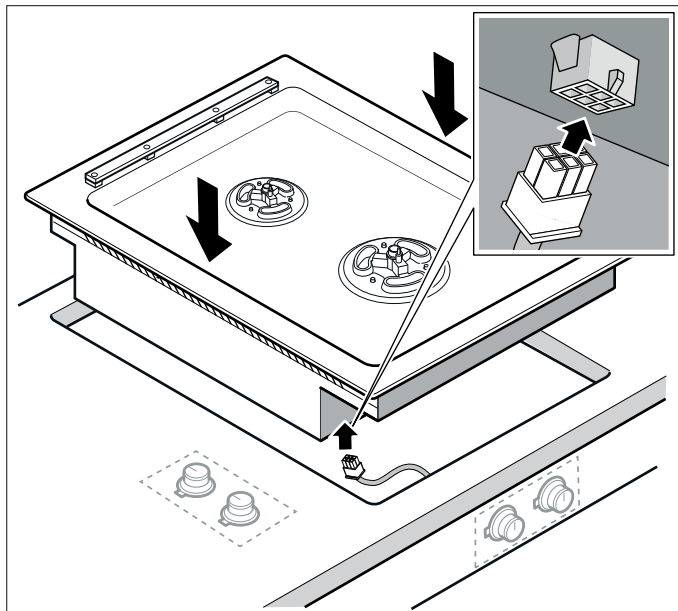
7. Après l'installation, vérifiez si tous les connecteurs sont bien enfichés.
8. Après l'installation, fixez tous les câbles en repliant la patte sur la tôle de maintien (E).

Pose de l'appareil

⚠ AVERTISSEMENT

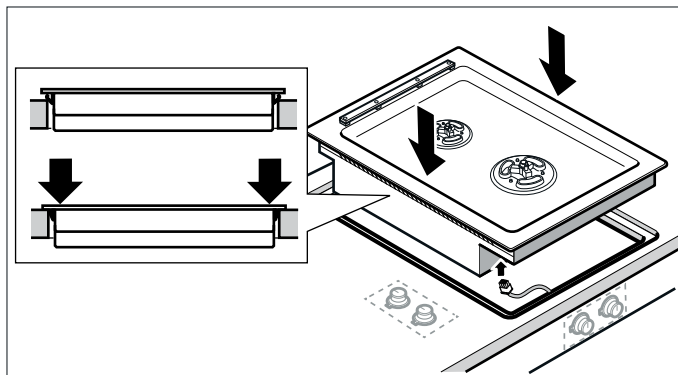
Avant tout raccordement de cordon électrique ou toute mise sous tension, assurez-vous que toutes les commandes sont en position OFF (d'arrêt).

1. Enfichez le câble de raccordement pour le bouton de commande dans l'orifice situé sous l'appareil. Le connecteur doit s'enclencher.



2. Installez l'appareil de manière symétrique dans la découpe. Appuyez fermement du haut vers le bas dans la découpe.

Remarque : L'appareil doit être solidement fixé dans la découpe et ne doit pas bouger (p. ex. lors du nettoyage). Si la largeur de découpe est supérieure à la limite de tolérance acceptable, fixez des baguettes latérales dans la découpe.



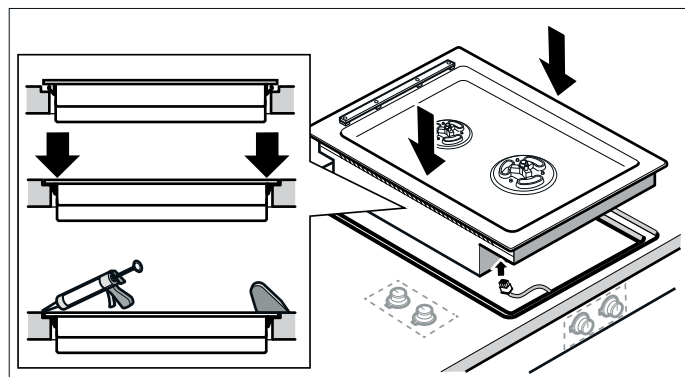
3. Uniquement en cas d'encastrement affleurant :

Remarque : Avant de poser les joints, effectuez impérativement un test fonctionnel !

Comblez l'interstice périphérique à l'aide d'une colle au silicone résistante à la température. Lissez le joint à l'aide d'un agent lissant recommandé par le fabricant. Respectez les directives du fabricant de la colle au silicone. Mettez l'appareil en service uniquement lorsque la colle au silicone est entièrement sèche (au moins 24 heures, selon la température ambiante).

AVIS

L'utilisation d'une colle au silicone non adaptée peut entraîner une décoloration indélébile des plans de travail en pierre naturelle.



4. Raccordez l'appareil au secteur et au gaz et vérifiez le fonctionnement. Si l'appareil s'arrête, de l'air peut se trouver dans la conduite de gaz. Tournez le bouton de commande sur 0 et allumez-le de nouveau. Répétez le processus jusqu'à ce que l'appareil s'allume.

Branchement du gaz

L'appareil est expédié depuis l'usine pour être utilisé avec du gaz naturel. S'il doit être utilisé avec du gaz propane, il doit être converti. Un technicien ou installateur qualifié devra se charger de la conversion.

Avant le branchement, assurez-vous que les conditions locales (type et pression de gaz) sont conformes aux réglages de l'appareil.

Avant le branchement, assurez-vous que l'arrivée du gaz est fermée sur le robinet d'arrêt.

Le branchement du gaz doit se trouver dans une pièce permettant un accès au robinet d'arrêt manuel et doit être visible après ouverture de la porte du meuble où il se trouve le cas échéant.

Le tuyau de gaz sécurisé ne doit pas être en contact avec des pièces mobiles du meuble d'encastrement (par ex. un tiroir) ni être posé dans des endroits où il risque d'être coincé ou endommagé.

Le tuyau de gaz sécurisé ne doit pas entrer en contact avec une table de cuisson, un lave-vaisselle, un four, un réfrigérateur, un lave-linge, des conduites d'eau chaude, une résistance de chauffe ni tout autre appareil installé à proximité de la table de cuisson au gaz.

Le tuyau de gaz sécurisé ne doit pas présenter des signes d'usure, des plis ou des déformations permanentes, ni être exposé à des vibrations. Il doit être contrôlé sur toute sa longueur tel qu'installé avec la table de cuisson.

INFORMATION POUR LE SERVICE APRES-VENTE

Raccorder l'alimentation du gaz au moyen du coude ½" U.S.A. et du joint d'étanchéité en fibre fournis avec l'appareil. Le filetage court non conique se visse dans l'écrou fileté. Le filetage conique long type U.S.A. est destiné à l'arrivée du gaz. Ventiler la conduite de gaz, rechercher les fuites. Le régulateur de pression est fourni avec l'appareil et est réglé pour le gaz naturel. Adaptation du régulateur au gaz propane :

Marque Maxitrol, modèle RV 47 CL ½ PSIG

1. Enlever le couvercle en aluminium se trouvant sur le régulateur.
2. Enlever la tige en plastique jaune du bouchon en la poussant sur le côté jusqu'à ce qu'elle saute de la gorge qui se trouve dans le couvercle.
3. Retourner la tige et la remettre à l'intérieur de la découpe du couvercle
4. Remettre le couvercle sur le régulateur.

Brancher l'alimentation électrique

Avant de brancher le cordon d'alimentation à la prise de courant murale, s'assurer que le robinet d'arrêt du gaz et toutes les commandes des brûleurs sont en position fermée (OFF).

Le branchement électrique (CA 110-127 V) s'effectue au moyen d'un cordon d'alimentation doté d'une fiche à contact de terre venant se brancher dans une prise de courant à prise de terre, qui doit rester accessible même après l'installation de la table de cuisson à gaz.

Montage des chapeaux de brûleur

Pour que la table de cuisson fonctionne correctement, il faut s'assurer du positionnement correct des éléments des brûleurs. Si les éléments des brûleurs ne sont pas bien en place, un ou plusieurs des problèmes suivants peuvent se produire :

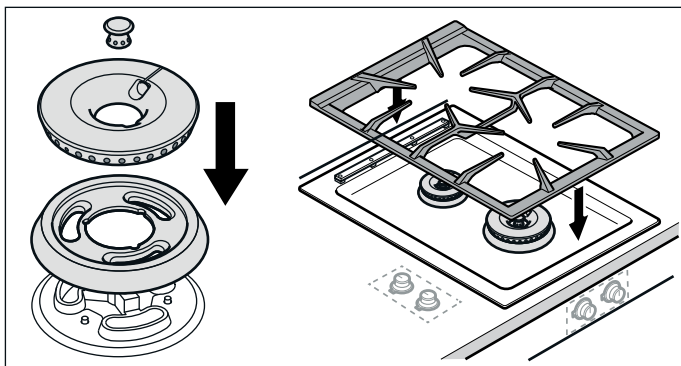
- Les flammes montent trop haut.
- Les flammes jaillissent des brûleurs.
- Les brûleurs ne s'allument pas.
- Les flammes sont irrégulières
- Une odeur de gaz sort d'un brûleur.

Mise en place des éléments de brûleurs

Une fois le branchement électrique fait, assembler correctement les éléments des brûleurs. Pendant l'assemblage, s'assurer que la tête de brûleur est montée sur le support de façon que les griffes des chapeaux s'adaptent bien dans la gorge de la base du brûleur.

Vérification du positionnement du chapeau de brûleur

S'assurer qu'il n'y a pas d'espace vide entre les éléments du brûleur. Vous pouvez essayer de faire bouger en douceur les éléments du brûleur d'un côté à l'autre pour vérifier qu'ils sont bien en place.



Vérification de l'installation

Vérifier le fonctionnement des allumeurs électriques. Observer les caractéristiques des flammes. Les flammes doivent être bleues sans pointes jaunes.

Flammes jaunes :

Il faut régler le brûleur.

Pointes jaunes sur cônes extérieurs :

Normal pour le gaz GPL.

Flammes bleutées

Normal pour le gaz naturel.

Si la flamme est entièrement ou majoritairement jaune, vérifier que le régulateur est bien réglé pour le type de gaz utilisé. Refaire un essai après réglage.

Durant la phase d'allumage, des rayures jaunes sont normales. Faire fonctionner l'appareil pendant 4 à 5 minutes et réévaluer la qualité des flammes avant de modifier les réglages.

Dépose de l'appareil

Mettre l'appareil hors tension. Fermer le robinet d'arrêt du gaz. Si les appareils sont posés en affleurement, enlever le joint en silicone. Faire sortir l'appareil en le poussant par le bas.

AVIS

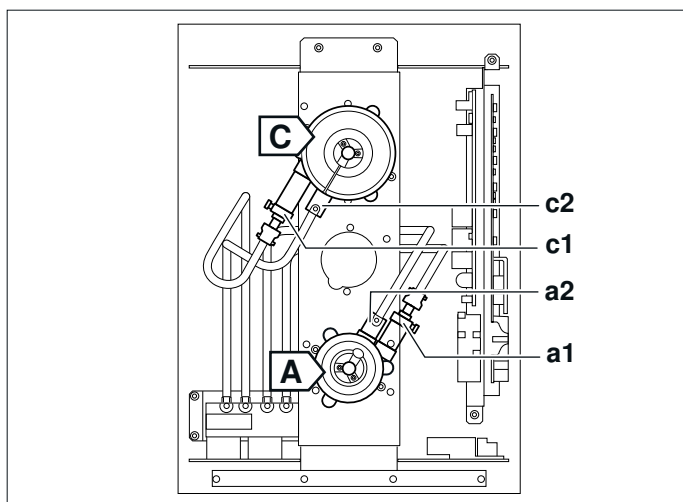
Risque de détérioration ! Ne pas extraire l'appareil en faisant levier sur le cadre inox.

Changement de type de gaz

Cette table de cuisson à gaz est conforme aux catégories indiquées sur la plaquette d'identification. Le changement des injecteurs permet d'adapter l'appareil à chacun des gaz mentionnés. Des jeux d'injecteurs adéquats peuvent être obtenus auprès de notre service après-vente. Sur certains modèles, le jeu nécessaire est inclus dans la fourniture.

L'adaptation à un nouveau type de gaz doit être faite par un technicien agréé.

Avant le changement d'injecteurs, couper l'alimentation électrique et l'arrivée du gaz.



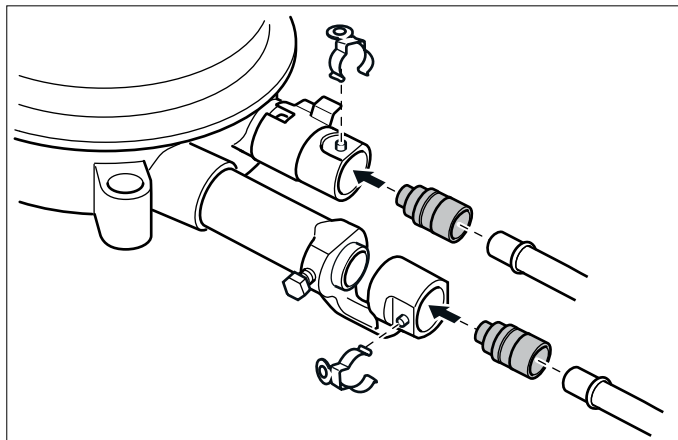
A	NG A, 6" WC	Propane 10" WC
a1	105	68
L1	0" (0 mm)	1/4" (6 mm)
a2	40	29
L2	5/32" (4 mm)	open

C	NG A, 6" WC	Propane 10" WC
c1	150	105
L1	0" (0 mm)	3/32" (2 mm)
c2	40	29
L2	5/32" (4 mm)	open

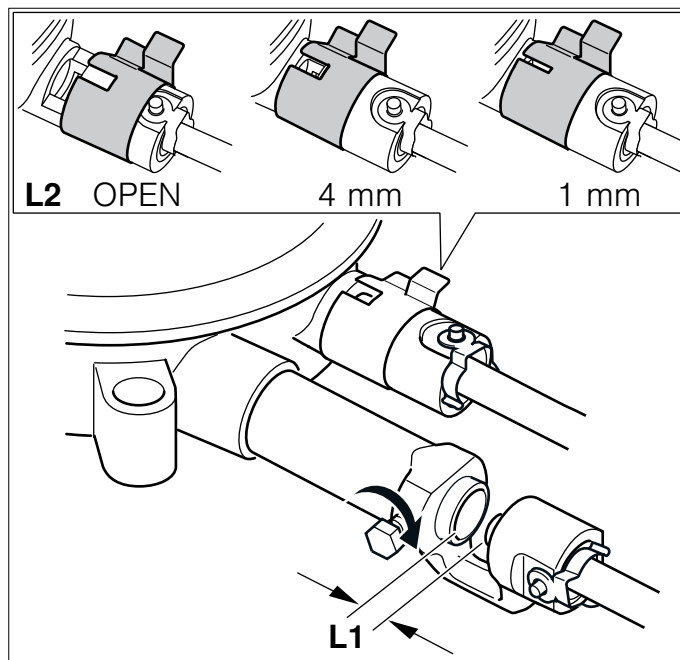
Échange des injecteurs principaux - brûleur semi-rapide et brûleur rapide

1. Enlevez les supports de casserole et toutes les parties des brûleurs.
2. Desserrez les écrous de fixation de la plaque de cuisson (3 écrous surplat 7) et enlevez prudemment la plaque par le haut.

3. Enlevez le circlip aux conduites des brûleurs. Retirez les conduites des brûleurs. L'électrode peut rester raccordé. Dévissez les brûleurs (Torx T20) et retirez-les des conduites.
4. Retirez manuellement les injecteurs des conduites des brûleurs, retirez le joint torique.



5. Vérifiez que le joint torique est correctement en place dans les nouveaux injecteurs principaux. Poussez les injecteurs sur les conduites des brûleurs. Ce faisant, veillez à ne pas tordre les conduites des brûleurs !
6. Enfichez les brûleurs sur les conduites. Fixez le circlip. Vissez les brûleurs.
7. Réglez la douille de l'air primaire du brûleur extérieur à la dimension correcte après avoir desserré la vis (voir le tableau des injecteurs - L1). Resserrez la vis.

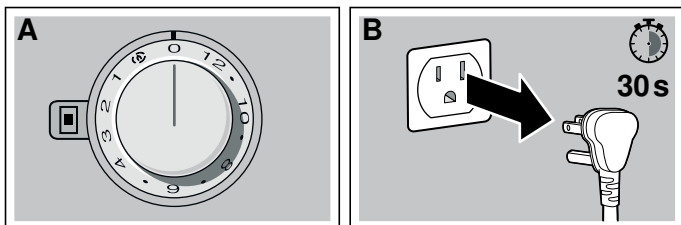


- Réglez la douille de l'air primaire du brûleur intérieur à la dimension correcte en la tournant ou en la poussant (voir le tableau des injecteurs - L2).
- Reposez la plaque de cuisson et vissez-la uniformément. Remettez les pièces du brûleur et les supports de casserole en place, veillez à les positionner correctement.

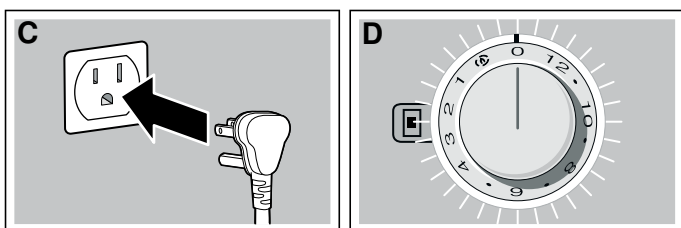
Réglage du type de gaz

Réglez le type de gaz sur l'un des boutons de commande :

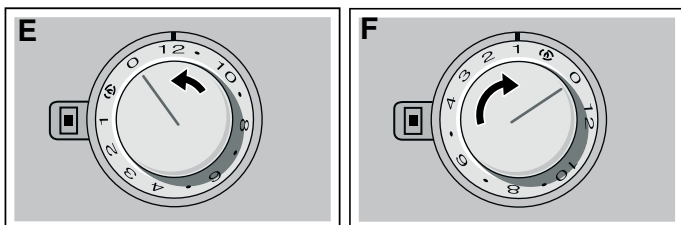
- Tournez le bouton de commande sur 0 (A). Débranchez l'appareil du réseau électrique. Patientez au moins 30 secondes (B).



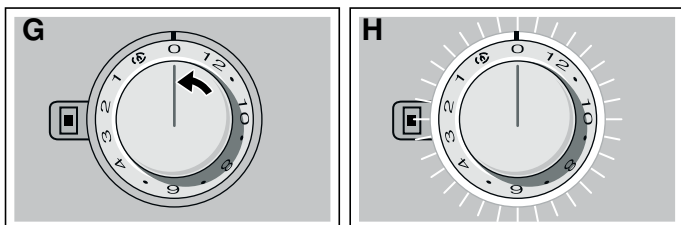
- Branchez de nouveau l'appareil (C). L'anneau lumineux du bouton de commande s'allume en vert pendant quelques secondes, puis en jaune (D). Patientez jusqu'à ce que l'anneau lumineux s'éteigne.



- Tournez le bouton de commande vers la gauche sur la position 12 (E).
- Tournez le bouton de commande vers la droite sur la position 1 (F).

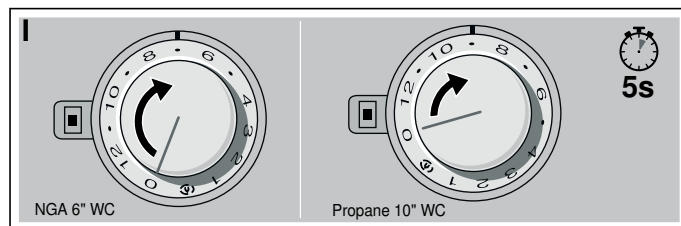


- Tournez le bouton de commande vers la gauche sur la position 0 (G). Patientez jusqu'à ce que l'anneau lumineux s'allume en jaune (H).

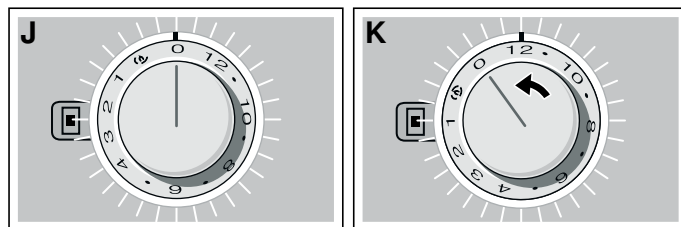


- Réglez le type de gaz sur le bouton de commande (I), la position réglée momentanément s'allume en vert :

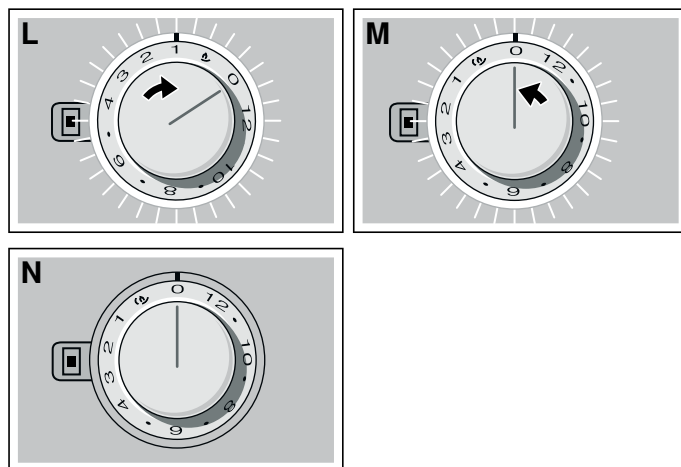
Position du bouton de commande	Type de gaz
7	NG A 6" WC
9	Propane 10" WC



- Laissez le bouton de commande sur le réglage souhaité pendant au moins 5 secondes. L'anneau lumineux du bouton de commande s'allume en vert (I).
- Pour enregistrer le réglage, quittez impérativement le menu comme suit :** tournez le bouton de commande sur 0 (J). Ensuite, tournez le bouton de commande vers la gauche, sur la position 12 (K).



Tournez le bouton de commande vers la droite sur la position 1 (L). Tournez le bouton de commande vers la gauche sur la position 0 (M). Patientez jusqu'à ce que l'anneau lumineux s'éteigne (N).



Le réglage est mémorisé. L'anneau lumineux du bandeau de commande s'allume en jaune pendant quelques secondes. Patientez jusqu'à ce que l'anneau lumineux s'éteigne.

Après la modification, vérifier le fonctionnement :

Les flammes ne doivent pas avoir de pointes jaunes. Lors du passage rapide de la position plein feu à la position feu doux, la flamme ne doit pas s'éteindre.

Remarque : Apposez sur la plaquette d'identification de l'appareil l'autocollant indiquant le nouveau type de gaz.

Service après-vente

Si votre appareil doit être réparé, notre service après-vente est à votre disposition. Nous trouvons toujours une solution adaptée, y compris pour éviter les visites inutiles de techniciens.

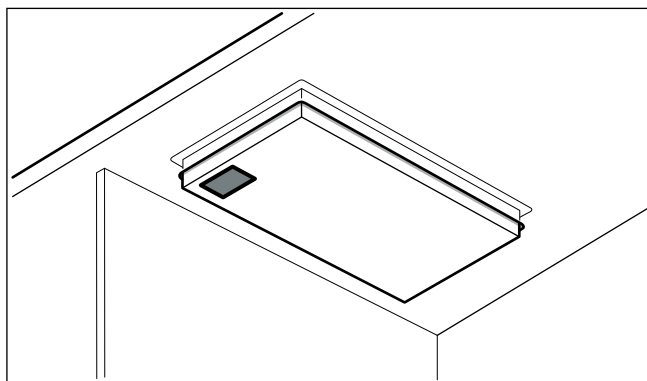
Lors de votre appel, indiquez le numéro du produit (n° E) et le numéro de série (n° FD) afin que nous puissions vous donner une réponse précise. La plaquette d'identification comportant ces numéros se trouve sur le dessous de l'appareil. Pour ne pas avoir à chercher longtemps en cas de besoin, vous pouvez inscrire ici les références de l'appareil et le numéro de téléphone du service après-vente.

N° E

N° FD

Service après-vente ☎

N'oubliez pas qu'en cas de fausse manœuvre, la visite d'un technicien d'après-vente n'est pas gratuite, même pendant la garantie.



Vous trouverez les données de contact pour tous les pays dans l'annuaire ci-joint du service après-vente.

Demande de réparation et conseils en cas de dysfonctionnement

CA 877 442 4436
toll-free

Índice

▲ Definiciones de seguridad	35
INSTRUCCIONES DE SEGURIDAD IMPORTANTES	36
Seguridad de manejo del electrodoméstico	38
Códigos y normas de seguridad	38
Seguridad eléctrica	39
Seguridad con el gas	39
Instalación de gas propano	40
Seguridad del equipo relacionado	41
Antes de empezar	42
Herramientas y piezas necesarias	42
Piezas incluidas	42
Accesorios para la instalación	42
Requisitos de gabinetes	42
Requisitos de la superficie de trabajo	43
Especificaciones técnicas	43
Preparación de los muebles de montaje	43
Recortar la encimera	44
Procedimiento de instalación	45
Colocar las perillas de control	45
Montaje del aparato	46
Conectar el suministro de gas	47
Conexión de la alimentación eléctrica	48
Colocación de la tapa del quemador	48
Prueba la instalación	48
Desarmar el equipo	48
Cambio a otro tipo de gas	49
Servicio de atención al cliente	51

Encontrará más información sobre productos, accesorios, piezas de repuesto y servicios en internet: www.gaggenau.com y también en la tienda online: www.gaggenau.com/zz/store

▲ Definiciones de seguridad

▲ ADVERTENCIA

Esto indica que pueden producirse heridas graves o incluso la muerte si no se cumple con esta advertencia.

▲ ATENCION

Esto indica que pueden producirse heridas leves o moderadas si no se cumple con esta advertencia.

AVISO

Esto indica que pueden producirse daños en el aparato o en los bienes si no se cumple con este aviso.

Nota: Esto alerta sobre información o sugerencias importantes.



INSTRUCCIONES DE SEGURIDAD IMPORTANTES

LEA Y CONSERVE ESTAS INSTRUCCIONES

⚠ ADVERTENCIA:

Si la información en estas instrucciones no se sigue con precisión, se puede producir un incendio o una explosión ocasionando daños a la propiedad, lesiones a las personas o incluso la muerte.

- No almacene ni use gasolina u otros vapores y líquidos inflamables en la proximidad de este aparato o cualquier otro.
- **QUÉ HACER SI DETECTA OLOR A GAS**
 - No trate de encender ningún aparato.
 - No toque ningún interruptor eléctrico.
 - No utilice ningún teléfono en su edificio.
 - Llame inmediatamente a su proveedor de gas desde un teléfono vecino. Siga las instrucciones del proveedor de gas.
 - Si no puede contactar a su proveedor de gas, comuníquese con el departamento de bomberos.
- La instalación y el servicio deben ser llevados a cabo por un instalador calificado, agencia de servicio o el proveedor de gas.



INSTRUCCIONES DE SEGURIDAD IMPORTANTES

LEA Y CONSERVE ESTAS INSTRUCCIONES

⚠ ADVERTENCIA:

No poner a funcionar nunca la sección superior de la superficie de cocción del aparato sin vigilancia.

- **El incumplimiento de esta advertencia podría dar lugar a incendios, explosiones o quemaduras que podrían causar daños materiales, personales e incluso la muerte.**
- **Si se produce un incendio, mantenerse alejado del aparato y llamar de inmediato al departamento de bomberos.**

NO INTENTAR EXTINGUIR CON AGUA UN INCENDIO PROVOCADO POR ACEITE O GRASA.



INSTRUCCIONES DE SEGURIDAD IMPORTANTES

LEA Y CONSERVE ESTAS INSTRUCCIONES

IMPORTANTE: LA INSTALACIÓN DEL APARATO DEBE SER REALIZADA POR UN INSTALADOR CUALIFICADO.

INSTALADOR: DEJE ESTAS INSTRUCCIONES CON EL ELECTRODOMÉSTICO CUANDO HAYA FINALIZADO LA INSTALACIÓN.

IMPORTANTE: CONSÉRVELAS PARA USO DEL INSPECTOR LOCAL.

ADVERTENCIA

Si no sigue la información de este manual exactamente, se puede ocasionar un incendio o una descarga eléctrica que puede causar daños materiales o lesiones personales.

ADVERTENCIA

No reparar, sustituir ni quitar ninguna pieza del electrodoméstico a menos que se recomiende de forma específica en los manuales. Una instalación, servicio o mantenimiento inadecuados pueden causar lesiones o daños materiales. Consultar este manual para recibir ayuda. Todos los demás servicios debe realizarlos un agente autorizado.

La garantía no cubre una instalación incorrecta.

Seguridad de manejo del electrodoméstico



Las superficies ocultas pueden tener bordes filosos. Proceda con cuidado al intentar tomar el electrodoméstico por la parte trasera o desde abajo.

Códigos y normas de seguridad

Este aparato cumple con una o varias de las siguientes normas:

- **UL 858, la norma de seguridad para electrodomésticos**
- **UL 923, la norma de seguridad para electrodomésticos de cocción con microondas**
- **UL 507, la norma de seguridad para ventiladores eléctricos**
- **ANSI Z21.1 / CSA 1.1, para electrodomésticos de cocción con gas**
- **CAN/CSA-C22.2 n.º 113-M1984, para ventiladores y ventilaciones**
- **CAN/CSA-C22.2 n.º 61-M89, electrodomésticos de cocción**

Es responsabilidad del propietario y del instalador determinar si se aplican otros requisitos o normas en instalaciones específicas.

La instalación debe realizarse cumpliendo las normas locales o, en ausencia de éstas, conforme al Código Nacional de Combustibles Gaseosos (ANSI Z223.1/NFPA 54) o, si se lleva a cabo en Canadá, al Código de Instalación de Gas Natural y Propano (CSA B149.1).



INSTRUCCIONES DE SEGURIDAD IMPORTANTES

LEA Y CONSERVE ESTAS INSTRUCCIONES

El electrodoméstico debe conectarse a tierra conforme a la normativa local o, en ausencia de esta, conforme a la Código Eléctrico Nacional (última versión de la NFPA 70) o, si se lleva a cabo en Canadá, al Código Eléctrico de Canadá (CSA C22.1-02).

Seguridad eléctrica



ADVERTENCIA

Antes de enchufar un cable eléctrico o activar el suministro eléctrico, asegurarse de que todos los controles están en la posición OFF.

Para los electrodomésticos equipados con cable y enchufe, no corte ni retire la espiga de conexión a tierra. Debe enchufarse en un receptáculo de conexión a tierra compatible para evitar descargas eléctricas. Si tiene alguna duda respecto de si el receptáculo de pared está correctamente conectado a tierra, el cliente debe solicitar la verificación de un electricista calificado.

No use un cable de extensión.

No use un adaptador.

Si el Código Nacional Eléctrico (o el Código Eléctrico Canadiense) así lo requiere, este electrodoméstico debe instalarse en un circuito derivado por separado.

El disyuntor debe tener una separación de contacto de, al menos, 3 mm en todos los polos.

Asegúrese de que el electrodoméstico sea correctamente instalado y conectado a tierra por un técnico calificado. La instalación, las conexiones eléctricas y la conexión a tierra deben cumplir con todos los códigos correspondientes.

Antes de realizar la instalación, apague la alimentación eléctrica en el panel de servicio. Trabe el panel de servicio para impedir que se encienda accidentalmente la alimentación eléctrica.

El instalador debe mostrar al propietario la ubicación del disyuntor o el fusible. Márquela para recordarla más fácilmente.

Seguridad con el gas

Instale una válvula de paso de gas cerca del electrodoméstico. Debe ser de fácil acceso en una emergencia.

La prueba de fuga debe ser realizada por el instalador según las instrucciones de este manual.

El electrodoméstico y su válvula de paso individual deben estar desconectados del sistema de tuberías de alimentación de gas durante cualquier prueba de presión a presiones que exceden ½ psi (3.5 kPa).

El electrodoméstico debe aislarse del sistema de tuberías de alimentación de gas cerrando su válvula de paso manual individual durante cualquier prueba de presión del sistema de tuberías de alimentación de gas, a presiones de prueba iguales o menores de ½ psi (3.5 kPa).



INSTRUCCIONES DE SEGURIDAD IMPORTANTES

LEA Y CONSERVE ESTAS INSTRUCCIONES

La presión de suministro mínima debe ser una columna de agua de 1 pulg. por encima de la presión de admisión impresa en la placa de datos.

La presión de suministro máxima no debe exceder una columna de agua de 14.0 pulg. (34.9 milibares).

Se debe usar una línea flexible de metal o una tubería de metal fija para conectar el gas al aparato. Si no se puede utilizar una línea de metal para el gas, se debe consultar a un electricista certificado local o los códigos eléctricos locales para realizar una conexión a tierra correcta.

Advertencia en virtud de la Proposición 65:

Este producto puede contener un químico que el Estado de California reconoce como potencialmente cancerígeno o causante de daños reproductivos. Por tanto, su producto debe llevar en su embalaje la siguiente etiqueta de conformidad con la legislación de California:

ADVERTENCIA EN VIRTUD DE LA PROPOSICIÓN 65 DEL ESTADO DE CALIFORNIA:

 **ADVERTENCIA**

Cáncer y daño reproductivo - www.P65Warnings.ca.gov

Instalación de gas propano

El tanque de gas propano debe estar equipado con su propio regulador de alta presión. Además, también debe utilizarse el regulador que se suministra con esta unidad.

El electrodoméstico se envía desde la fábrica para uso con gas natural. Debe convertirse para uso con propano. Un técnico o instalador calificados deben realizar la conversión.

Este electrodoméstico ha sido certificado para un funcionamiento seguro hasta una altura de 10,000 pies sin modificaciones. Excepción: Para uso con propano, el electrodoméstico debe convertirse de acuerdo con las instrucciones de conversión de propano líquido.

Para instalaciones en Massachusetts:

- La instalación debe ser realizada por un contratista, plomero o instalador de gas calificados o con licencia otorgada por el estado, la provincia o la región donde se instale este electrodoméstico.
- La válvula de paso debe ser una llave de gas con mango en "T".
- El conector de gas flexible no debe tener una longitud superior a 36 pulgadas.

Instalador: muestre al propietario dónde está ubicada la válvula de paso de gas.



INSTRUCCIONES DE SEGURIDAD IMPORTANTES

LEA Y CONSERVE ESTAS INSTRUCCIONES

Seguridad del equipo relacionado

El electrodoméstico solamente deberá usarse si lo ha instalado un técnico calificado, de acuerdo con estas instrucciones de instalación. El fabricante no es responsable de ningún daño causado por una instalación incorrecta.

Retire toda la cinta y el embalaje antes de usar el electrodoméstico. Destruya el embalaje después de desembalar el electrodoméstico. Nunca deje que los niños jueguen con el material de embalaje.

Nunca modifique ni altere la construcción del electrodoméstico. Por ejemplo, no retire las patas niveladoras, paneles, cubiertas para cables ni soportes/tornillos antivuelco.

Para eliminar el riesgo de quemaduras o incendio al tocar unidades de la superficie calentadas, se debe evitar dejar espacio de almacenamiento en gabinetes sobre las unidades de la superficie. En el caso de que haya almacenamiento en gabinetes, se puede reducir el riesgo instalando una campana que se proyecte horizontalmente 5 pulgadas (127 mm) como mínimo de la parte inferior del gabinete.

Verifique que los gabinetes que se encuentran sobre la placa tengan 13 pulg. (330 mm) de profundidad como máximo.

Al instalar una placa sobre un horno individual, asegúrese de seguir las instrucciones de los Manuales de instalación del horno y de la placa.

Recomendaciones

Recomendamos categóricamente la instalación de una campana de ventilación arriba de este electrodoméstico. La campana debe instalarse según las instrucciones proporcionadas con la campana.



ATENCIÓN

El electrodoméstico no debe instalarse con un sistema de ventilación que disperse aire hacia abajo, en dirección a las hornillas. Este tipo de sistema de ventilación puede causar problemas de encendido y de combustión con el electrodoméstico para cocinar a gas, que pueden tener como consecuencia lesiones personales o una operación no intencional.

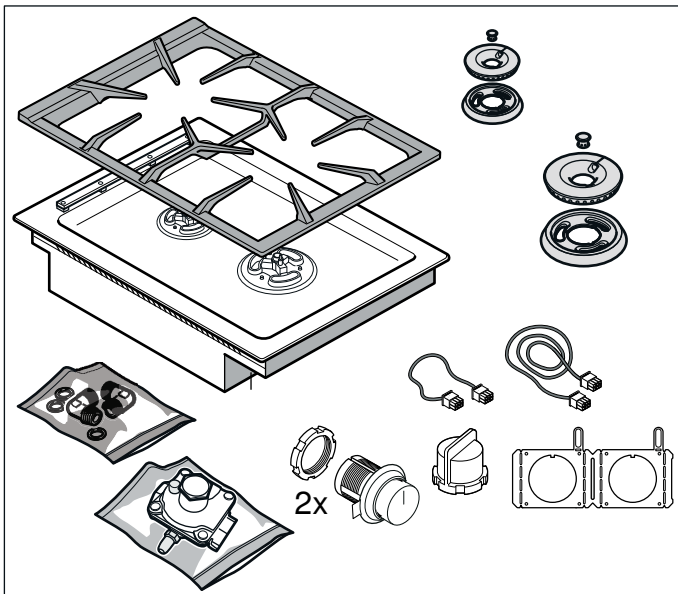
Antes de empezar

Herramientas y piezas necesarias

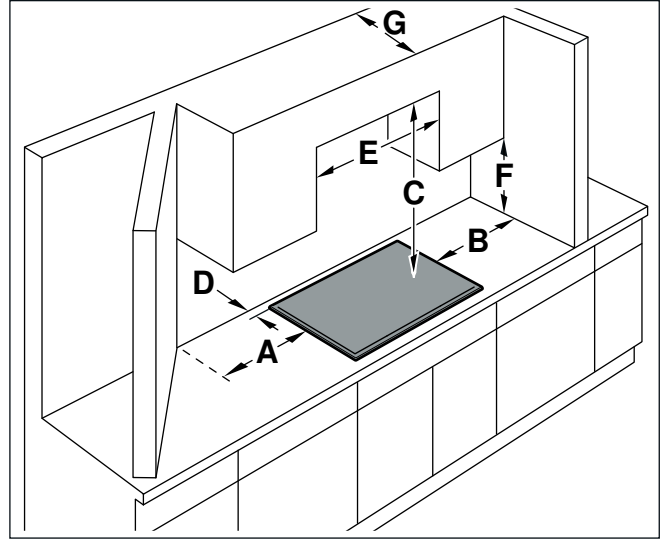
- Destornillador con cabeza Torx T20
- Lápiz
- Taladro con broca de 1/4" (6 mm)
- Sierra caladora
- Cinta métrica

Nota: Es posible que se necesiten otros materiales para la instalación en superficies de trabajo sólidas. Comuníquese con el fabricante de la superficie de trabajo.

Piezas incluidas



Requisitos de gabinetes



Los espacios mínimos que se deben mantener al instalar la estufa de gas son:

- A** un mínimo de 12" (300 mm)
- B** un mínimo de 12" (300 mm)
- C** un mínimo de 30" (762 mm) de espacio libre entre la parte superior de la superficie de cocción y el fondo de construcciones inflamables
- D** un mínimo de 1 9/16" (40 mm)
- E** un mínimo de 15" (380 mm)
- F** un mínimo de 18" (457 mm)
- G** un máximo de 13" (330 mm)

La distancia desde la parte superior de la placa hasta la parte inferior de los gabinetes que se encuentran arriba se puede reducir a 26" cuando la parte inferior del gabinete de madera o metal está protegida por un cartón ignífugo de 1/4" (6,35 mm) de grosor, cubierto por una lámina de acero MSG N.º 28, acero inoxidable de 0,015" (0,4 mm) de grosor, aluminio o cobre de 0,024" (0,6 mm) de grosor, como mínimo.

Accesorios para la instalación

- AA 414 010 Guía conductora de aire, para usarse junto al extractor de superficie VL 414
- VA 420 000 Barra de conexión para combinar con otros equipos Vario de la serie 400 al instalarlos uno al lado del otro con superficie corrida
- VA 420 010 Barra de conexión para combinar con otros equipos Vario de la serie 400 al instalarlos de forma superpuesta
- VA 440 010 Cubierta de acero inoxidable del aparato

Requisitos de la superficie de trabajo

ADVERTENCIA

Para reducir el riesgo de ignición de materiales combustibles circundantes, instale la superficie de trabajo con una distancia de, al menos, 12" (300 mm) de ambas paredes laterales y 2" (50 mm) de la pared posterior.

La superficie de trabajo debe ser horizontal y estar nivelada. La estabilidad de la superficie de trabajo debe estar garantizada incluso después de haber realizado el hueco.

Por norma general, las encimeras de superficie sólida requieren instalaciones especiales. Por ejemplo, es posible que se deba utilizar cinta ignífuga y esquinas redondeadas. Póngase en contacto con el fabricante de su encimera para obtener instrucciones sobre la misma.

Especificaciones técnicas

Carga eléctrica total conectada:	25 VA
Carga de gas total conectada (gas natural)	20,500 BTU/h (6.0 kW)
Consumo total (gas natural)	0.530 m ³ /h
Carga de gas total conectada (gas propano)	20,500 BTU/h (6.0 kW)
Consumo total (gas propano)	430 g/h

Preparación de los muebles de montaje

El mueble de empotrado tiene que resistir una temperatura de hasta 200° F (90° C). La estabilidad del mueble de empotrado tiene que quedar garantizada también después de los trabajos de corte para realizar un hueco.

Realice el hueco para uno o varios equipos Vario en la placa de trabajo, de acuerdo con los planos de montaje. El ángulo de la superficie de corte respecto a la placa de trabajo tiene que ser de 90°.

Los cantos laterales del corte tienen que ser planos, para garantizar una buena fijación de los resortes de sujeción en el equipo. En el caso de las placas de trabajo de varias capas, de ser necesario fije unos listones de madera a los lados del hueco.

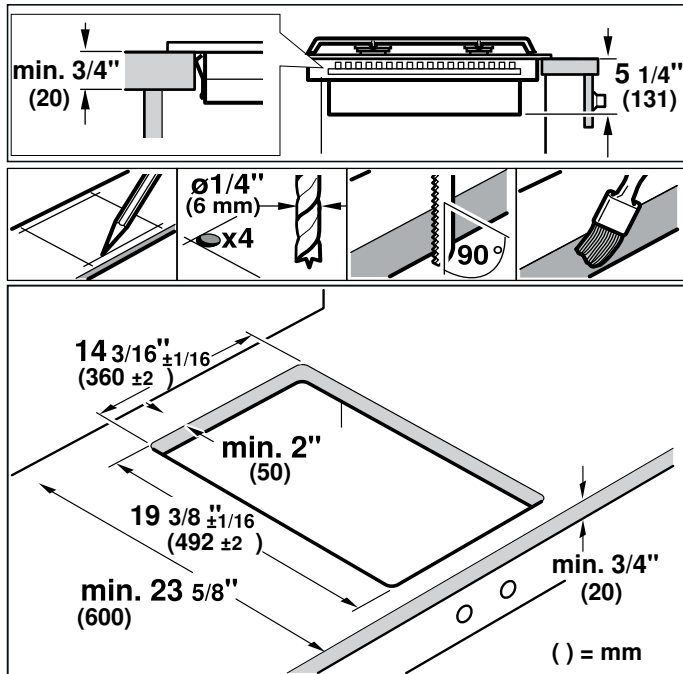
Después de los trabajos de corte, retire las virutas Selle las superficies de corte de forma que resistan el calor y sean herméticas contra el agua.

Respete la distancia mínima de 3/8" (10 mm) de la parte inferior del equipo respecto a las partes del mueble.

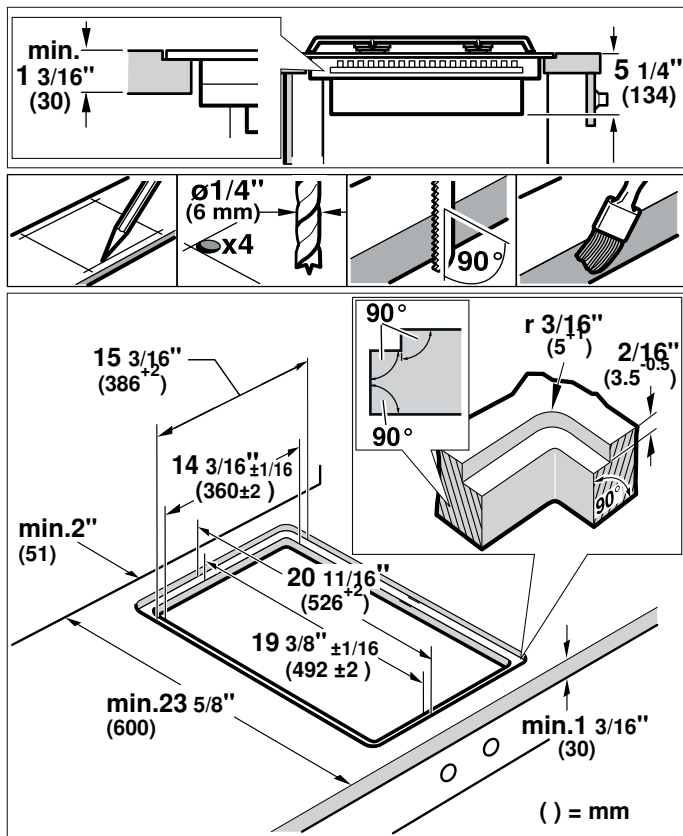
Es necesario asegurar la capacidad de carga y estabilidad a través de estructuras inferiores de apoyo adecuado, especialmente en placas de trabajo delgadas. Tome en cuenta el peso del equipo, incluyendo la carga adicional. El material de refuerzo utilizado debe ser resistente al calor y resistente a la humedad.

Nota: Verifique que el equipo está colocado de forma plana solamente después de instalarlo en el orificio de montaje.

Recortar la encimera



Montaje a ras de superficie: se puede realizar un montaje a ras de superficie de la encimera.



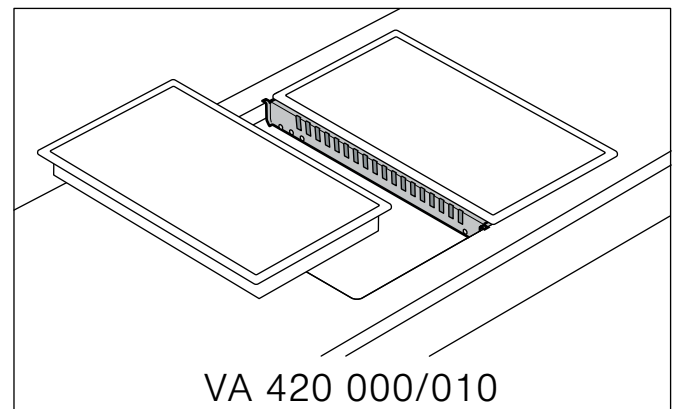
Montaje a ras de superficie: El aparato se puede montar en las siguientes encimeras resistentes a la temperatura y al agua:

- Encimeras de mármol
- Encimeras de plástico o Corian®
- Encimeras de madera maciza: Solo de acuerdo con el fabricante de la encimera (sellado de los bordes de recorte)
- Montaje en otro tipo de encimeras: solo de acuerdo con el fabricante de la encimera

No se puede realizar el montaje en encimeras de madera aglomerada.

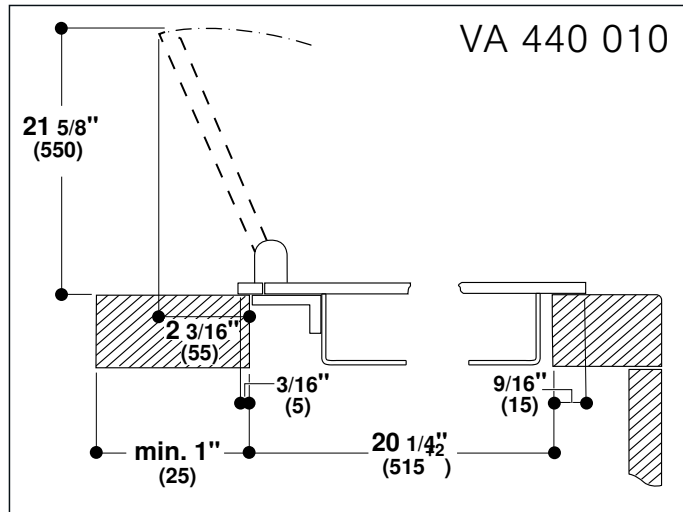
Nota: Todos los trabajos de recorte de la encimera deben ser realizados por un servicio especializado de acuerdo con el croquis de montaje. El recorte debe ser limpio y preciso, puesto que el borde cortado se ve en la superficie. Limpie y desengrase los bordes de recorte utilizando un producto de limpieza adecuado (consulte las indicaciones del fabricante de la silicona).

Combinar varios aparatos Vario: Para combinar varios aparatos Vario se requiere la barra de conexión VA 420 000/010. Esta está disponible por separado como accesorio especial. Considerar la necesidad adicional de espacio para la barra de conexión entre los aparatos al elaborar el corte (ver las Instrucciones de instalación VA 420 000/010).

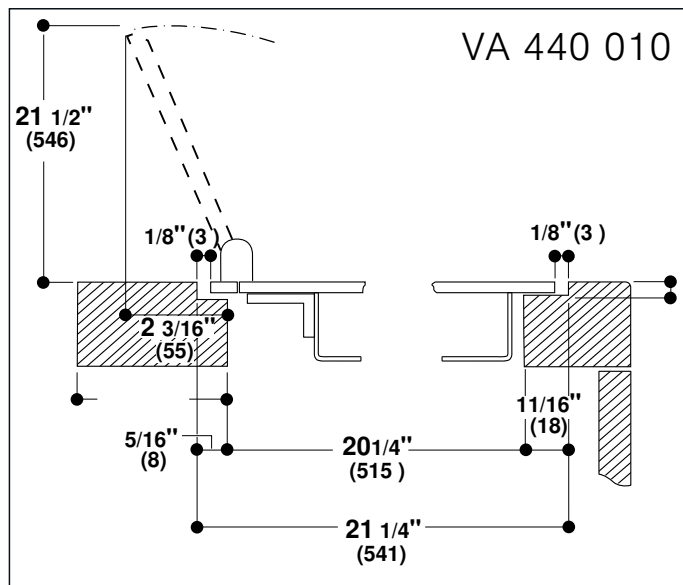


Los aparatos también se pueden montar en recortes independientes respetando las distancias mínimas de 2" (51 mm) entre aparatos.

Combinación con una tapa para el aparato: La tapa del aparato VA 440 010 está disponible por separado como accesorio especial. Respetar el espacio adicional para la tapa del aparato al hacer el hueco.



Instalación enrasada



Hueco para la perilla de control

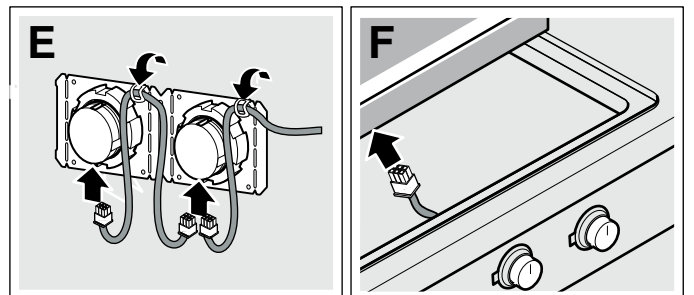
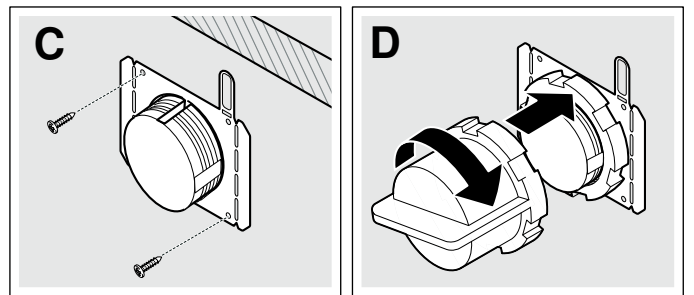
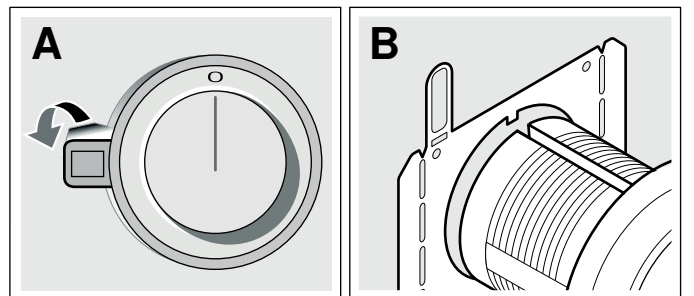
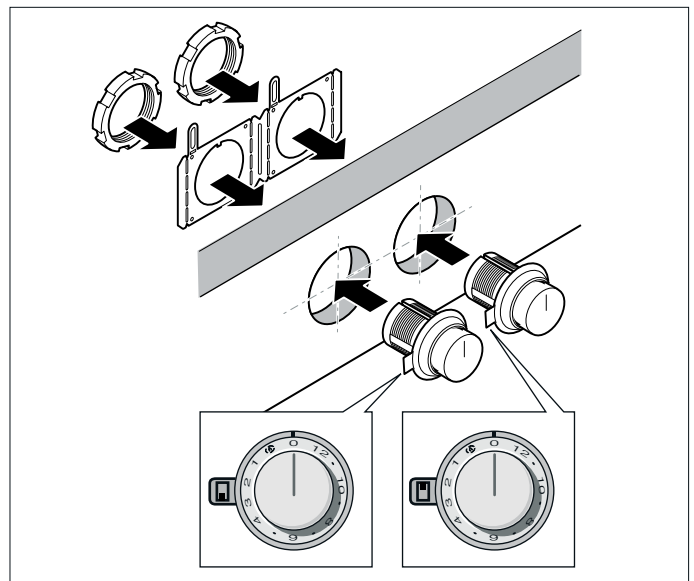
Posibles variantes de instalación:

- Colocación en la parte delantera del mueble inferior
- Colocación en cubierta junto al electrodoméstico
- Colocación en cubierta delante del electrodoméstico

Nota: Poner atención a las instrucciones de ensamblaje de las perillas de control adjuntas.

Procedimiento de instalación

Colocar las perillas de control



Nota: Poner atención a las instrucciones de ensamblaje de las perillas de control adjuntas.

1. Dependiendo de la distancia entre las perillas de control, en caso de ser necesario, recortar la placa de sujeción por la perforación. Sujetar la placa de sujeción en la parte posterior del panel de control o en la parte inferior de la cubierta o fijarla con los tornillos adjuntos.
2. Al colocar una única perilla de control o cuando la placa de sujeción se ha recortado por la perforación, asegurar cada una de las placas de sujeción con 2 tornillos para evitar que se muevan **(C)**.

Si la cubierta es de piedra, pegar la placa de sujeción con pegamento de dos componentes (metal sobre piedra) resistente al calor.

3. Retirar la película protectora de la parte trasera del anillo luminoso **(A)**.
4. Introducir la perilla de control en el orificio **(B)** y atornillar en la parte posterior la tuerca con la ayuda para la instalación adjunta **(D)**.
5. Conectar todas las perillas de control con los cables cortos adjuntos. Los conectores tienen que encajar en las tomas **(E)**.

Nota: Los dos receptáculos del cable de la perilla de control son idénticos.

6. Introducir en una de las perillas de control el cable más largo para la conexión con el electrodoméstico. El conector tiene que encajar en la toma **(F)**.

Nota: El electrodoméstico puede conectarse con cualquier perilla de control.

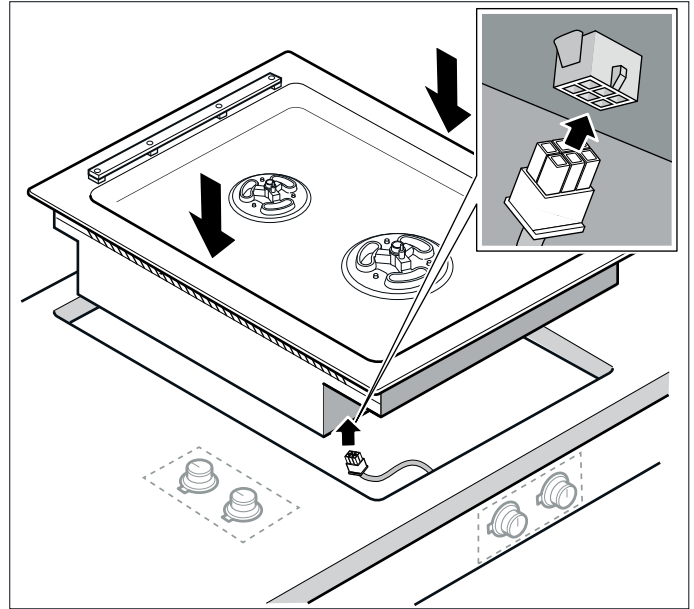
7. Después de la instalación, comprobar que todas las conexiones estén bien asentadas.
8. Una vez realizado el montaje, fijar todos los cables doblando la lengüeta en la placa de sujeción **(E)**.

Montaje del aparato

ADVERTENCIA

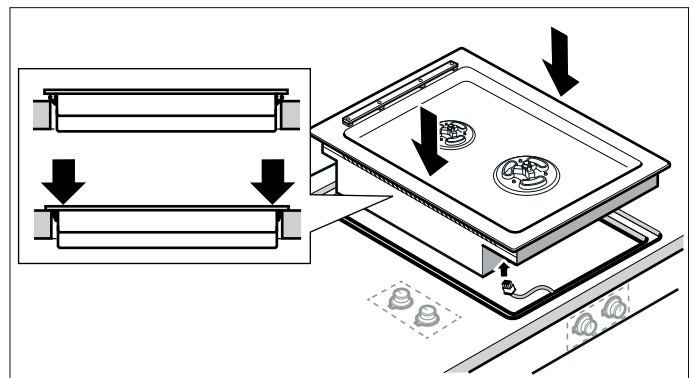
Antes de enchufar un cable eléctrico o activar el suministro eléctrico, asegurarse de que todos los controles están en la posición OFF.

1. Introducir el cable de conexión para la perilla de control en el conector que hay en la parte inferior del electrodoméstico. El conector tiene que encajar.



2. Introducir el aparato alineado en el hueco. Presionar firmemente en el hueco desde arriba.

Nota: El aparato debe quedar bien asentado en el hueco y no debe desplazarse (p. ej., para limpiarlo). Para anchos en el límite superior de tolerancia, fijar, en caso necesario, tiras en los laterales del agujero.



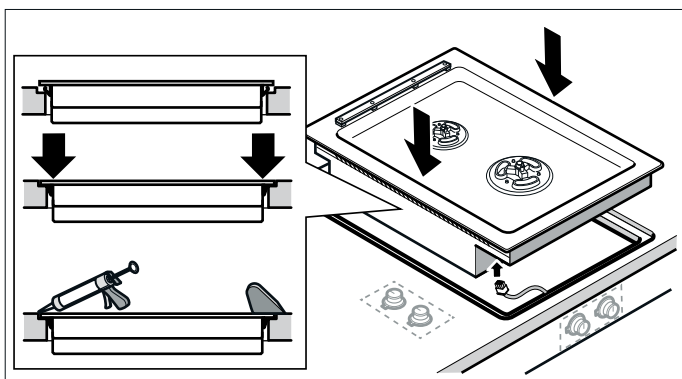
3. Solo para la instalación enrasada:

Nota: Antes de fijar el electrodoméstico, debe llevarse a cabo una comprobación de funcionamiento.

Sellar la separación del contorno con un pegamento de silicón adecuado resistente a las altas temperaturas. Alisar la junta con los productos alisadores recomendados por el fabricante. Observar las indicaciones para el uso del pegamento a base de silicón. Poner en funcionamiento el aparato solo tras el secado completo del pegamento a base de silicón (por lo menos 24 horas, en función de la temperatura ambiente).

AVISO

Un pegamento a base de silicón inadecuado puede dar lugar a decoloraciones permanentes en cubiertas de piedra natural.



4. Conectar el aparato a la red eléctrica y al gas y comprobar su funcionamiento. En caso de que el aparato se apague, puede quedar aire en la tubería de gas. Girar la perilla de control hasta 0 y volver a conectarlo. Repetir el proceso hasta que el aparato se conecte.

Conectar el suministro de gas

El electrodoméstico se envía desde la fábrica para uso con gas natural. Debe convertirse para uso con propano. Un técnico o instalador calificados deben realizar la conversión.

Antes de conectar el equipo, compruebe si las condiciones de conexión del lugar tales como el tipo de gas y la presión de gas coinciden con la configuración del equipo.

Cerciórese de que el suministro de gas está desconectado en la válvula de cierre manual antes de proceder a la conexión del equipo.

La conexión de gas debe hallarse en una ubicación que permita el acceso a la válvula de cierre manual y que, en caso dado, sea visible tras la apertura de la puerta del armario.

La manguera de seguridad de gas no debe entrar en contacto con partes móviles del mueble donde está instalado el aparato (p. ej. un cajón) o colocarse en lugar donde pueda aplastarse o deteriorarse.

La manguera de seguridad de gas no debe entrar en contacto con la placa de cocción, un horno, un lavavajillas, un refrigerador, una lavadora, las tuberías del agua caliente, un radiador o cualquier otro aparato instalado en la vecindad de una parrilla de gas.

La manguera de seguridad de gas no debe estar expuesta a abrasiones, vibraciones, dobleces o deformaciones permanentes y debe comprobarse en toda su longitud, con la placa de cocción en la posición de montaje.

INFORMACIÓN SOLO PARA EL TÉCNICO DE SERVICIO

Conectar el suministro de gas utilizando un tubo acodado EE.UU. de ½" y la junta de fibra suministrada con la unidad. La rosca más corta, no cónica encaja en la tuerca roscada de la placa de cocción. La rosca más larga, cónica EE.UU. es para el suministro de gas de admisión. Airear la línea de gas, comprobar la presencia de fugas. El regulador de presión de gas se suministra con la unidad y está configurado para gas natural. Para convertir el regulador a gas LP (propano):

Versión Maxitrol modelo RV 47 CL ½ PSIG

1. Retirar la tapa de aluminio de la parte de arriba del regulador.
2. Retirar el eje de plástico amarillo de la tapa; para ello, presionarlo lateralmente hasta que salga de la ranura de la tapa.
3. Dar la vuelta al eje y presionarlo hasta que quede colocado en la sección de la tapa.
4. Sustituir la tapa del regulador.

Conexión de la alimentación eléctrica

Antes de conectar el cable de suministro a la toma de pared, asegúrese de que la válvula de cierre de gas y todos los controles de los quemadores se hallan en la posición OFF.

La conexión eléctrica (AC 110-127 V) se establece mediante un cable de conexión provisto de una clavija de toma de tierra conectada a una toma de tierra. Dicha toma de tierra debe permanecer accesible después de la instalación de la placa de cocción de gas.

Colocación de la tapa del quemador

Las partes del quemador tienen que colocarse adecuadamente para que la parrilla funcione correctamente. Si no se colocan correctamente las partes del quemador, pueden presentarse uno o más de los siguientes problemas:

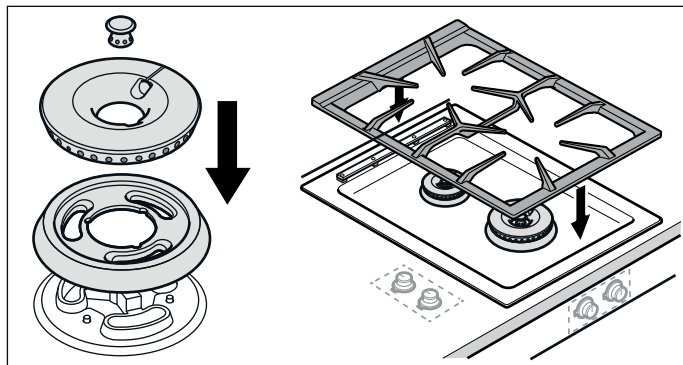
- Las flamas del quemador serán demasiado altas.
- Las flamas saldrán disparadas de los quemadores.
- Los quemadores no encenderán.
- Las flamas de los quemadores arderán de forma desigual.
- El quemador emitirá un olor a gas.

Cómo colocar las partes del quemador

Después de que quede completada la conexión eléctrica, arme las partes del quemador correcta y uniformemente. Cuando esté armando las partes del quemador, asegúrese de que la cabeza del quemador esté colocada sobre la base de forma tal que las prolongaciones de la tapa del quemador queden situadas cómodamente en la muesca de la base del quemador.

Verificar la colocación de la tapa del quemador

Revise para asegurarse que no haya un hueco entre las partes del quemador. Puede tratar de mover con suavidad las partes del quemador de un lado al otro, para verificar si están colocadas adecuadamente.



Pruebe la instalación

Comprobar el funcionamiento de los encendedores eléctricos. Comprobar las características de la llama. La llama debe ser de color azul sin puntas de color amarillo.

Llamas de color amarillo:

Se requiere un ajuste adicional.

Puntas amarillas en los conos exteriores:

Normal para gas LPG.

Llamas de color azul suave:

Normal para gas natural.

Si la llama presenta un color amarillo total o mayoritario, comprobar que el regulador presente un ajuste correcto para el gas correspondiente. Una vez realizado el ajuste correspondiente, vuelva a realizar una prueba de funcionamiento.

La formación de ciertas franjas amarillas es normal durante la fase inicial de arranque. Deje que la unidad funcione 4 o 5 minutos y lleve a cabo a continuación una nueva evaluación antes de realizar los ajustes correspondientes.

Desarmar el equipo

Desconectar el equipo de la corriente. Cerrar la llave de bloqueo del gas. En equipos armados en una sola superficie, retirar la junta de silicón. Presionar el equipo desde abajo para sacarlo.

AVISO

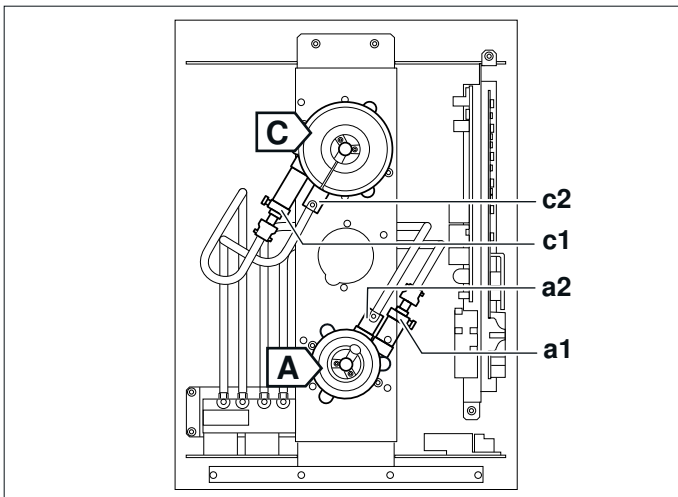
¡Riesgo de daño al equipo! No sacar el equipo elevándolo desde arriba.

Cambio a otro tipo de gas

Esta encimera de gas es apta para las categorías indicadas en la placa de características. Cambiando las boquillas, el aparato se puede adaptar para todos los gases especificados. El kit de conversión se puede solicitar por medio de nuestro servicio de atención al cliente. En muchos modelos, el kit de conversión forma parte del volumen de suministro.

La conversión del aparato para otro tipo de gas únicamente puede ser realizada por un técnico autorizado.

Antes de cambiar las boquillas se deben cerrar las alimentaciones eléctrica y de gas.



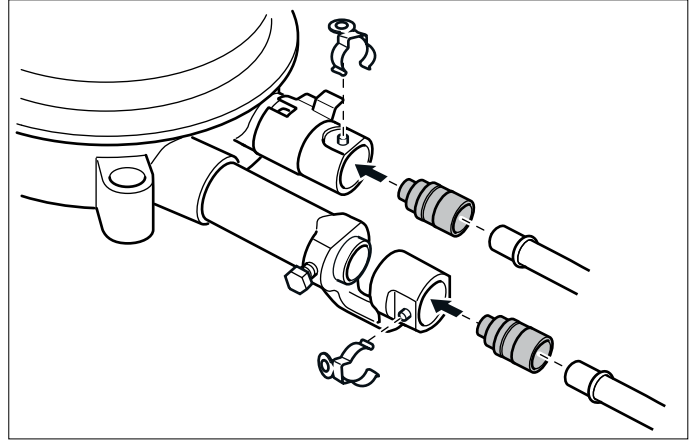
A	NG A, 6" WC	Propane 10" WC
a1	105	68
L1	0" (0 mm)	1/4" (6 mm)
a2	40	29
L2	5/32" (4 mm)	open

C	NG A, 6" WC	Propane 10" WC
c1	150	105
L1	0" (0 mm)	3/32" (2 mm)
c2	40	29
L2	5/32" (4 mm)	open

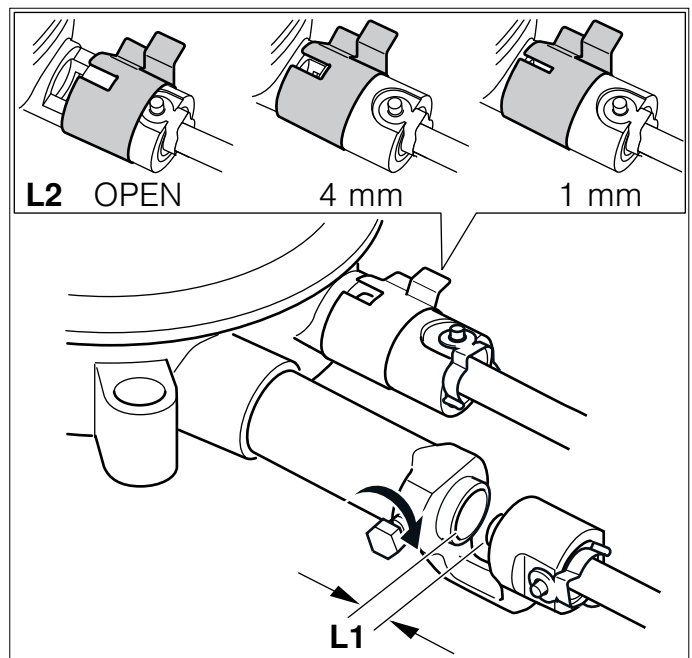
Sustituir las boquillas principales del quemador normal y del quemador de gran potencia

1. Retirar el soporte para ollas y todos los componentes del quemador.
2. Aflojar las tuercas de sujeción de la placa (3 tuercas SW7) y retirar la placa con cuidado hacia arriba.

3. Retirar los clips de seguridad de los conductos del quemador. Retirar los conductos del quemador. Los electrodos pueden permanecer conectados. Desatornillar el quemador (Torx T20) y separarlo de los conductos.
4. Retirar a mano las boquillas de los conductos del quemador y la junta tórica.



5. Comprobar que la junta tórica esté bien asentada en las nuevas boquillas principales. Deslizar las boquillas sobre los conductos del quemador. Al hacerlo, tener cuidado de no doblar los conductos del quemador.
6. Fijar el quemador a los conductos. Colocar los clips de seguridad. Atornillar el quemador.
7. Tras aflojar el tornillo, ajustar el casquillo de regulación del aire del quemador exterior a la medida correcta (ver la tabla de inyectores - L1). Volver a apretar el tornillo.



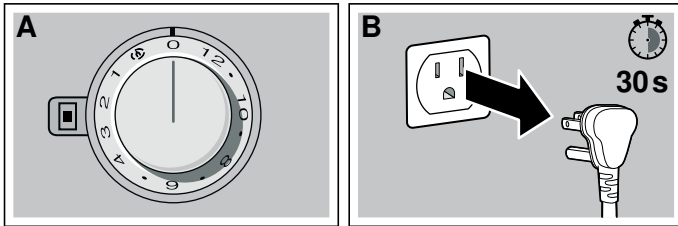
8. Ajustar el casquillo de regulación del aire del quemador interior a la medida correcta girándolo o moviéndolo (ver la tabla de inyectores - L2).

- Colocar la placa y atornillar uniformemente. Colocar los componentes del quemador y el soporte para ollas en la posición correcta.

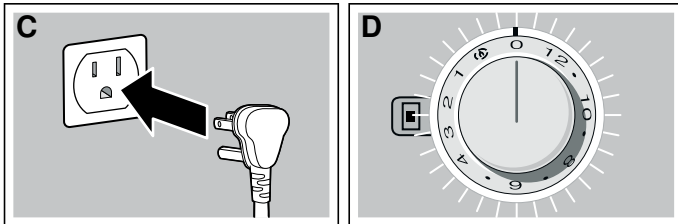
Ajuste del tipo de gas

Ajustar el tipo de gas mediante cualquier perilla de control:

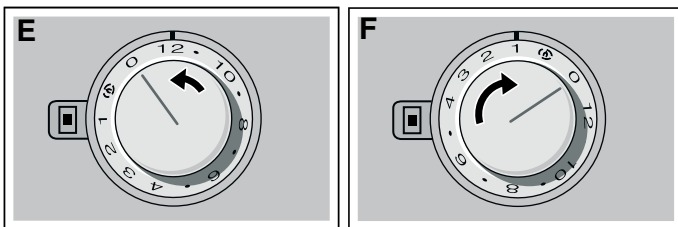
- Girar la perilla de control hasta 0 (A). Desconectar el aparato de la red eléctrica. Esperar al menos 30 segundos (B).



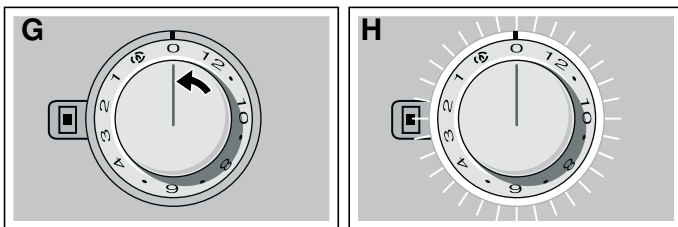
- Conectar de nuevo el electrodoméstico a la red eléctrica (C). El anillo luminoso de la perilla de control se ilumina en color verde durante unos segundos y luego pasa a amarillo (D). Esperar a que el anillo luminoso se apague.



- Girar la perilla de control hacia la izquierda, hasta la posición 12 (E).
- Girar la perilla de control hacia la derecha, hasta la posición 1 (F).

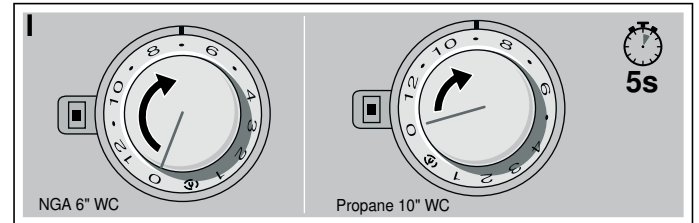


- Girar la perilla de control hacia la izquierda, hasta la posición 0 (G). Esperar a que el anillo luminoso se ilumine de color amarillo (H).

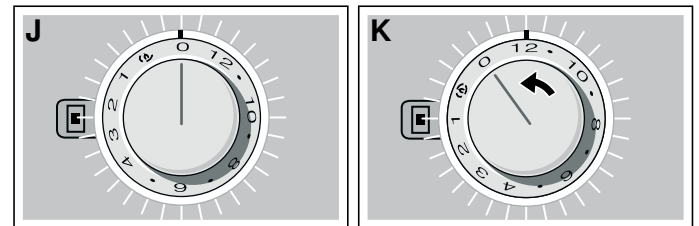


- Ajustar el tipo de gas en la perilla de control (I); la posición ajustada en ese momento se ilumina en color verde:

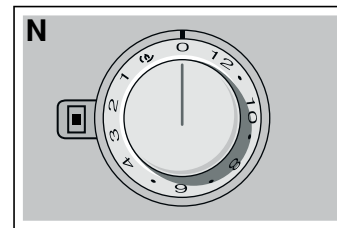
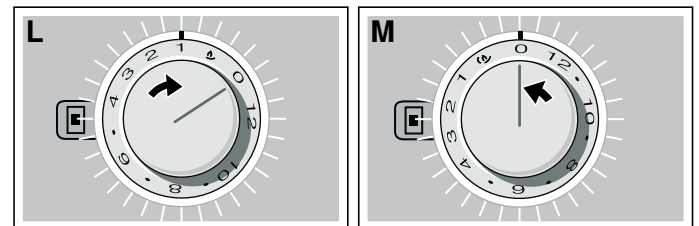
Posición de la perilla de control	Tipo de gas
7	NG A 6" WC
9	Propano 10" WC



- Dejar la perilla de control en el ajuste deseado durante al menos 5 segundos. El anillo luminoso de la perilla de control se ilumina de color verde (I).
- Para guardar el ajuste, es obligatorio salir del menú como se indica a continuación: girar la perilla de control hasta el 0 (J). Después, girar la perilla de control hacia la izquierda, hasta la posición 12 (K).



Girar la perilla de control hacia la derecha, hasta la posición 1 (L). Girar la perilla de control hacia la izquierda, hasta la posición 0 (M). Esperar a que el anillo luminoso se apague (N).



El ajuste se guarda. El anillo luminoso de la perilla de control se ilumina en color amarillo durante unos segundos. Esperar a que el anillo luminoso se apague.

Después de la conversión, compruebe que funcione el aparato:

La punta de las llamas no puede ser de color amarillo. La llama no debe apagarse al cambiar rápido de fuego grande a pequeño.

Nota: Coloque el adhesivo con el tipo de gas empleado actualmente en la placa de características del aparato.

Servicio de atención al cliente

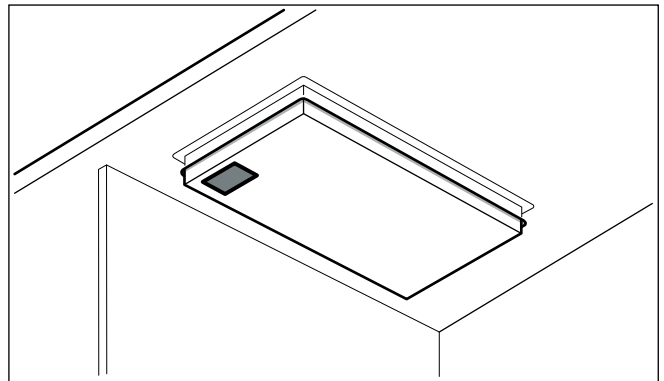
Si su aparato necesita una reparación, nuestro servicio de atención al cliente estará encantado de ayudarle. Siempre encontramos la solución adecuada, incluso para evitar visitas innecesarias de los técnicos.

Cuando llame por teléfono, indique la referencia del producto (Nº E) y el número de fabricación (Nº FD) para que podamos ofrecerle un servicio cualificado. La placa de identificación con los números correspondientes los encontrará en la parte inferior del aparato. Para evitar tener que buscar los datos de su aparato cuando los precise, es aconsejable anotarlos aquí conjuntamente con el número de teléfono del Servicio de atención al cliente.

Nº E.
Nº FD.

Servicio de atención al cliente ☎

Tenga en cuenta que la visita del técnico del servicio de atención al cliente no es gratuito en caso de que el mal funcionamiento sea debido a un manejo incorrecto del aparato.



Las señas de las delegaciones internacionales figuran en la lista adjunta de centros y delegaciones del Servicio de Asistencia Técnica Oficial.

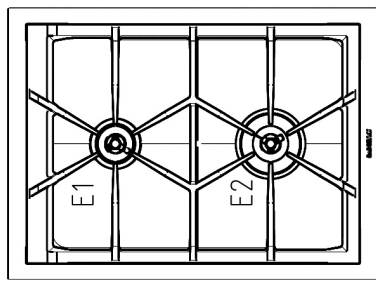
Solicitud de reparación y asesoramiento en caso de averías

US 877 442 4436
toll-free

The reproduction, transmission or use of this document or its contents is not permitted without express written authority. Offenders will be liable for damages. All rights including rights created by patent grant or registration are reserved. Copyright reserved.

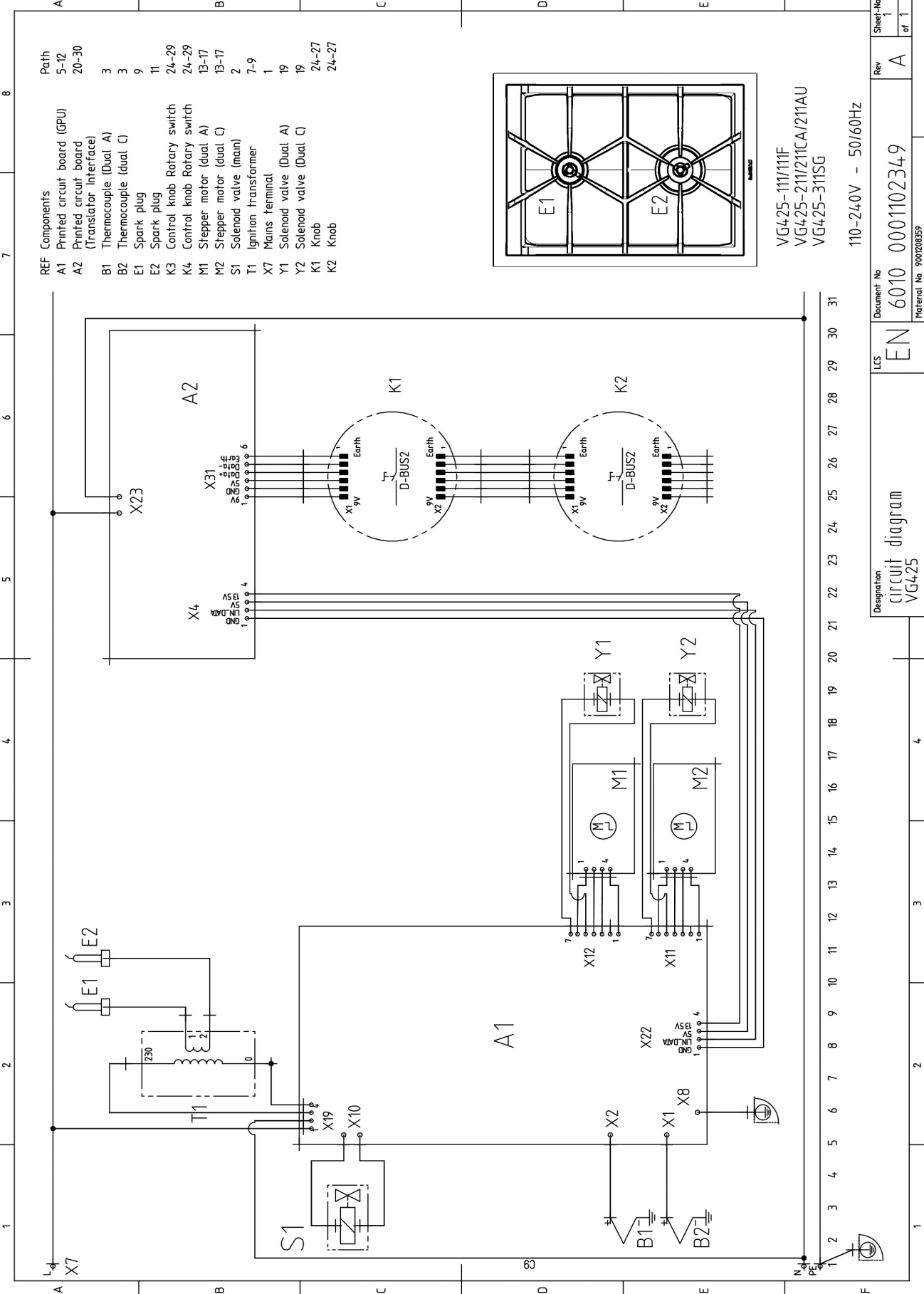
Intended changes opposing release specimen or specification offer must be advised in time and may only be introduced following written clearance. Deviating designs will be refused.

REF	Components	Path
A1	Printed circuit board (GPU)	5-12
A2	Printed circuit board (Translator Interface)	20-30
B1	Thermocouple (Dual A)	3
B2	Thermocouple (Dual C)	3
E1	Spark plug	9
E2	Spark plug	11
K3	Control knob Rotary switch	24-29
K4	Control knob Rotary switch	24-29
M1	Stepper motor (dual A)	13-17
M2	Stepper motor (dual C)	13-17
S1	Solenoid valve (main)	2
T1	Ignition transformer	7-9
X7	Mains terminal	1
Y1	Solenoid valve (Dual A)	19
Y2	Solenoid valve (Dual C)	19
K1	Knob	24-27
K2	Knob	24-27



VG425-111/111F
 VG425-211/211CA/211AU
 VG425-311SG
 110-24.0V - 50/60Hz

Designation	LCS	Document No	Rev	Sheet-No
circuit diagram VG425	EN	6010	A	1 of 1
				Material No. 900208359



1 2 3 4 5 6 7 8 9 10 11 12 13 14 15 16 17 18 19 20 21 22 23 24 25 26 27 28 29 30 31

BSH Home Appliance Corporation
1901 Main Street, Suite 600
Irvine, CA 92614 1-877-442-4436

www.gaggenau.com/us
© 2024 BSH Home Appliances



9001154634 (040510)

en-us, es-mx, fr-ca

GAGGENAU