

**SIEMENS**



## Refrigerator



KI51R.. / KI41R.. / KI31R.. / KF31R.. / KI21R.. / KF21R..

[siemens-home.com/welcome](https://www.siemens-home.com/welcome)

en User manual

Register  
your  
product  
online

## en Table of contents

 <b>Safety instructions</b> . . . . .	<b>3</b>	 <b>Alarm</b> . . . . .	<b>10</b>
About these instructions . . . . .	3	Door alarm . . . . .	10
Risk of explosion . . . . .	3	 <b>Refrigerator compartment</b> . . . . .	<b>11</b>
Risk of electric shock . . . . .	3	Note when storing food . . . . .	11
Risk of injury . . . . .	3	Note the chill zones in the refrigerator compartment . . . . .	11
Danger due to refrigerants . . . . .	3	Vegetable container with humidity control . . . . .	11
Avoiding placing children and vulnerable people at risk . . . . .	4	 <b>Defrosting</b> . . . . .	<b>12</b>
Damage . . . . .	4	Refrigerator compartment . . . . .	12
Weight . . . . .	4	 <b>Cleaning</b> . . . . .	<b>12</b>
 <b>Intended use</b> . . . . .	<b>4</b>	Cleaning the equipment . . . . .	13
 <b>Environmental protection</b> . . . . .	<b>5</b>	 <b>Odours</b> . . . . .	<b>13</b>
Packaging . . . . .	5	 <b>Lighting</b> . . . . .	<b>13</b>
Old appliances . . . . .	5	 <b>Noises</b> . . . . .	<b>13</b>
 <b>Installation and connection</b> . . . . .	<b>5</b>	Normal noises . . . . .	13
Contents of package . . . . .	5	Preventing noises . . . . .	13
Technical specifications . . . . .	6	 <b>Faults – what to do?</b> . . . . .	<b>14</b>
Installing the appliance . . . . .	6	 <b>Customer service</b> . . . . .	<b>15</b>
Cavity depth . . . . .	6	Appliance self-test . . . . .	15
Tips for saving energy . . . . .	7	Repair order and advice - on faults . . . . .	15
Before using your appliance for the first time . . . . .	8	Guarantee . . . . .	15
Electrical connection . . . . .	8	 <b>Getting to know your appliance</b> . . . . .	<b>8</b>
 <b>Operating the appliance</b> . . . . .	<b>9</b>	Appliance . . . . .	8
Switching on the appliance . . . . .	9	Controls . . . . .	8
Switching off and disconnecting the appliance . . . . .	10	Interior fittings . . . . .	9
Setting the temperature . . . . .	10	 <b>Operating the appliance</b> . . . . .	<b>9</b>
Super cooling . . . . .	10	Switching on the appliance . . . . .	9

## Safety instructions

This appliance complies with the relevant safety regulations for electrical appliances and is fitted with noise suppression.

The refrigeration circuit has been checked for leaks.

### About these instructions

- Read and follow the operating and installation instructions. They contain important information on how to install, use and maintain the appliance.
- The manufacturer is not liable if you disregard the instructions and warnings in the operating and installation instructions.
- Retain all documents for subsequent use or for the next owner.

### Risk of explosion

- Never use electric devices inside the appliance (e.g. heaters or electric ice makers).
- Do not store products which contain flammable propellants (e.g. spray cans) or explosive substances in the appliance.
- Store high-percentage alcohol tightly closed and standing up.

### Risk of electric shock

Improper installations and repairs may put the user at considerable risk.

- If the power cord is damaged: Immediately disconnect appliance from the power supply.
- Have the appliance repaired by the manufacturer, customer service or a similarly qualified person only.
- Use original parts supplied by the manufacturer only. The manufacturer guarantees that these parts satisfy the safety requirements.
- Only purchase an extension cable from customer service.

### Risk of injury

Containers which contain carbonated drinks may burst.

### Danger due to refrigerants

The tubes of the refrigeration circuit contain a small quantity of the environmentally friendly but flammable refrigerant R600a. It does not damage the ozone layer and does not increase the greenhouse effect. If refrigerant escapes, it may injure your eyes or ignite.

- Do not damage the tubes

If the tubes are damaged:

- Keep naked flames and ignition sources away from the appliance.
- Ventilate the room.
- Switch off the appliance and pull out the mains plug.
- Call the after-sales service.

## Avoiding placing children and vulnerable people at risk

At risk are:

- Children,
- People who have limited physical, mental or sensory abilities,
- People who have inadequate knowledge concerning safe operation of the appliance.

Measures:

- Ensure that children and vulnerable people have understood the hazards.
- Children or vulnerable people must be supervised by a responsible person when using the appliance.
- Only children from 8 years and above may use the appliance.
- Supervise children while the appliance is being cleaned or maintained.
- Never allow children to play with the appliance.

## Risk of suffocation

- If the appliance features a lock: keep the key out of the reach of children.
- Keep children away from the packaging and its parts.

## Damage

To prevent damage:

- Do not stand or support yourself on the base, runners or doors.
- Keep plastic parts and door seals free of oil and grease.
- Pull the mains plug – not the power cord.

## Weight

When installing and transporting the appliance, note that it may be very heavy.

→ *"Installation location"*  
on page 6



## Intended use

Use this appliance

- only for refrigerating food.
- only in the home and in the home environment.
- only according to these operating instructions.

This appliance is intended for use up to a maximum height of 2000 metres above sea level.



## Environmental protection

### Packaging

All materials are environmentally safe and recyclable:

- Dispose of packaging in an environmentally friendly manner.
- Please ask your dealer or inquire at your local authority about current means of disposal.

### Old appliances

Valuable raw materials can be reclaimed by recycling old appliances.



#### **Warning**

**Children may become locked in the appliance and suffocate!**

- To prevent children from climbing in, leave shelves and containers in the appliance.
- Keep children away from the redundant appliance.

#### **Caution!**

**Refrigerant and harmful gases may escape.**

Do not damage the tubes of the refrigerant circuit and insulation.

1. Remove the mains plug.
2. Sever the power cord.
3. Have the appliance disposed of professionally.



This appliance is labelled in accordance with European Directive 2012/19/EU concerning used electrical and electronic appliances (waste electrical and electronic equipment - WEEE). The guideline determines the framework for the return and recycling of used appliances as applicable throughout the EU.



## Installation and connection

### Contents of package

After unpacking all parts, check for any damage in transit.

If you have any complaints, contact the dealer from whom you purchased the appliance or our after-sales service.  
→ "Customer service" on page 15

The delivery consists of the following parts:

- Built-in appliance
- Interior fittings (depending on model)
- Bag containing installation materials
- User manual
- Installation instructions
- Customer service booklet
- Warranty enclosure
- Information on the energy consumption and noises

## Technical specifications

Refrigerant, cubic capacity and further technical specifications can be found on the rating plate.

## Installing the appliance

### Installation location

The more refrigerant an appliance contains, the larger the room must be in which the appliance is situated. Leaking refrigerant can form a flammable gas-air mixture in rooms which are too small.

The room must be at least 1 m<sup>3</sup> per 8 g of refrigerant. The amount of refrigerant in your appliance is indicated on the rating plate inside the appliance.

The weight of the appliance may be up to 60 kg depending on the model.

### Permitted room temperature

The permitted room temperature depends on the climatic class of the appliance.

Information on the climatic class can be found on the rating plate.

Climatic category	Permitted room temperature
SN	+10 °C ... 32 °C
N	+16 °C ... 32 °C
ST	+16 °C ... 38 °C
T	+16 °C ... 43 °C

The appliance is fully functional within the permitted room temperature.

If an appliance of climatic class SN is operated at colder room temperatures, the appliance will not be damaged up to a room temperature of +5 °C.

### Cavity depth

A cavity depth of 56 cm is recommended for the appliance. If the cavity depth is smaller – at least 55 cm – the energy consumption increases slightly.

## Tips for saving energy

If you follow the instructions below, your appliance will use less power.

**Note:** The arrangement of the features does not affect the energy consumption of the appliance.

### Installing the appliance

Keep the appliance out of direct sunlight.

Install the appliance as far away as possible from heating elements, cooker and other heat sources:  
3 cm to electric or gas cookers.  
30 cm to an oil or solid-fuel cooker.

**Note:** If this is not possible, attach an insulating plate between the appliance and heat source.

Select an installation location at a room temperature of approx. 20 °C.

Use a cavity depth of 56 cm.

**Caution!**  
**Risk of burns!**

Individual parts of the appliance become hot during operation. Touching these parts may result in burns.

Do not cover or block the ventilation openings.

Ventilate the room daily.

The appliance must cool less frequently at low ambient temperatures and therefore consumes less power.

The air on the rear panel of the appliance does not warm up so intensely. The appliance consumes less power if the warm air can escape.

### Using the appliance

Open the appliance door only briefly.

Transport purchased food in a cool bag and place quickly in the appliance.

Allow warm food and drinks to cool down before placing in the appliance.

Thaw frozen food in the refrigerator compartment in order to utilise the low temperature of the frozen food.

Always leave a space between the food and the rear panel.

Pack food airtight.

Vacuum the back of the appliance once a year.

Do not cover or block the ventilation openings.

The air in the appliance does not warm up so intensely. The appliance must cool less frequently and therefore consumes less power.

The air can circulate and the air humidity will remain constant. The appliance must cool less frequently and therefore consumes less power.

The air on the rear panel of the appliance does not warm up so intensely. The appliance consumes less power if the warm air can escape.

## Before using your appliance for the first time

1. Remove leaflets, adhesive tape and protective film.
2. Clean the appliance.  
→ "Cleaning" on page 12

## Electrical connection

### Caution!

Do not connect the appliance to electronic energy saver plugs.

**Note:** You can connect the appliance to mains-controlled and sine-controlled inverters.

Mains-controlled inverters are used for photovoltaic systems which are connected directly to the national grid. Sine-controlled inverters must be used for isolated applications. Isolated applications, e.g. on ships or in mountain lodges, which are not connected directly to the national grid.

1. After installing the appliance, wait at least 1 hour before connecting it to prevent damaging the compressor.
2. Connect the appliance via a correctly installed socket.

The socket must comply with the following data:

Socket with 220 V ... 240 V  
Conductor 50 Hz  
Fuse 10 A ... 16 A

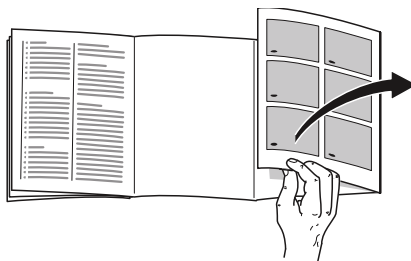
Outside Europe: Check whether the indicated current type of the appliance corresponds with the values of your power supply.

Appliance specifications are on the rating plate.

3. Connect the appliance to a socket near the appliance.  
The socket must be freely accessible even after the appliance has been installed.

## Getting to know your appliance

Fold out the last page with the diagrams. The appliance and diagrams may differ according to features.



## Appliance

→ Fig. 1

\* Not all models.

- |    |     |   |   |
|----|-----|---|---|
| 1  | ... | 5 | Controls                                  |
| 6  | *   |   | Fan                                       |
| 7  |     |   | Lighting                                  |
| 8  | *   |   | Extendable shelf                          |
| 9  |     |   | Vegetable container with humidity control |
| 10 |     |   | Rating plate                              |
| 11 |     |   | Butter and cheese compartment             |
| 12 | *   |   | Storage compartment Vario                 |
| 13 |     |   | Tray for large bottles                    |

## Controls

→ Fig. 2

- |   |  |   |
|---|--|---|
| 1 | Button ①                                     | Switches the appliance on or off.                     |
| 2 | Button <b>super</b> refrigerator compartment | Switches Super cooling on or off.                     |
| 3 | Button <b>-/+</b> refrigerator compartment   | Sets the temperature of the refrigerator compartment. |



- 4 Refrigerator compartment temperature display  
Indicates the set temperature in °C.
- 5 Button **alarm**  
Switches the warning signal off.

## Interior fittings

(not all models)

### Shelf

→ Fig. 3

You can vary the shelf:

- Pull out and remove the shelf.

### Vario shelf

→ Fig. 4

You can store tall items (e.g. cans or bottles):

- Take out the front part of the shelf and push under the rear part.

### Extendable shelf

→ Fig. 5

You can give yourself a better overview:

- Pull out a shelf.

You can completely remove the shelf:

1. Press and hold down both buttons under the shelf.
2. Pull out the shelf, lower and swing out to the side.

### Container

→ Fig. 6

You can remove the container:

- Pull out the container all the way, lift at the front and remove.

## Storage compartment

→ Fig. 7

You can remove the storage compartment:

- Lift up storage compartment and remove.

## Storage compartment Vario

→ Fig. 8

You can store large bottles in the lower storage compartment:

- Push storage compartment to the right or left.

## Bottle holder

→ Fig. 9

When you open and close the door:

- The bottle holder prevents the bottles from overturning.



## Operating the appliance

### Switching on the appliance

1. Press the ① button.  
The appliance begins to cool.
2. Set the required temperature.  
→ "Setting the temperature" on page 10

### Operating tips

- After the appliance has been switched on, it may take several hours until the set temperature has been reached. Do not put in any food until the selected temperature has been reached.
- The sides of the housing are partly heated slightly. This prevents condensation in the area of the door seal.

## Switching off and disconnecting the appliance

### Switching off the appliance

- Press the **ⓘ** button.  
The appliance no longer cools.

### Disconnecting the appliance

If you do not use the appliance for a prolonged period:

1. Press the **ⓘ** button.  
The appliance no longer cools.
2. Pull out the mains plug or switch off the fuse.
3. Clean the appliance.
4. Leave the appliance open.

## Setting the temperature

### Recommended temperature

Refrigerator compartment: +4 °C

### Refrigerator compartment

- Keep pressing the button **→/+** until the display indicates the required temperature.

### Sticker **OK**

(not all models)

You can use sticker **OK** to check whether the temperature in the refrigerator compartment reaches +4 °C or lower.

If the sticker does not indicate **OK**, gradually reduce temperature.

When the appliance is switched on, it may take up to 12 hours until the set temperature is reached.

### Correct setting



## Super cooling

Super cooling cools the refrigerator compartment as cold as possible.

Switch on super cooling mode, e.g.:

- before placing large quantities of food in the compartment
- for cooling drinks quickly

**Note:** When super cooling is switched on, increased operating noises may occur.

After 15 hours the appliance switches to normal operation.

Switching Super cooling on/off:

- Press the **super** button.  
The button is lit when Super cooling is switched on.



## Alarm

### Door alarm

The door alarm (continuous sound) switches on if the appliance door is open for longer than two minutes.

- Close the door or press the **alarm** button.  
The warning signal is switched off.

## Refrigerator compartment

The refrigerator compartment is suitable for storing meat, sausages, fish, dairy products, eggs, ready meals and pastries.

The temperature can be set from +2 °C ... +8 °C.

The refrigerator compartment can also be used to store highly perishable foods in the short to medium term. The lower the selected temperature, the slower the enzymatic and chemical processes and deterioration by microorganisms. A temperature of +4 °C or lower ensures optimum freshness and safety of the stored foods.

### Note when storing food

- Store fresh, undamaged food. The quality and freshness will then be retained for longer.
- In the case of ready products and bottled goods do not exceed the minimum sell-by date or use-by-date indicated by the manufacturer.
- To retain aroma, colour and freshness, pack or cover food well before placing it in the appliance. This avoids transference of flavours and discolouration of the plastic parts.
- Leave warm food and drinks to cool down before placing them in the refrigerator compartment.

### Note the chill zones in the refrigerator compartment

The air circulation in the refrigerator compartment creates different chill zones.

#### Coldest zone

The coldest zone is between the arrow stamped on the side and the shelf underneath.

→ Fig. **10**

**Note:** Store perishable food (e.g. fish, sausages and meat) in the coldest zone.

#### Warmest zone

The warmest zone is at the very top of the door.

**Note:** Store e.g. hard cheese and butter in the warmest zone. Cheese can continue to release its flavour and the butter will still be easy to spread.

### Vegetable container with humidity control

→ Fig. **11**

The vegetable container is the best storage location for fresh fruit and vegetables. You can adjust the air humidity in the vegetable container via the humidity controller and a special seal. This allows fresh fruit and vegetables to be stored twice as long as with conventional storage.

## en Defrosting

The air humidity in the vegetable container can be set according to the type and amount of products to be stored:

- Mainly fruit as well as for a large load – set lower air humidity
- Mainly vegetables as well as for a mixed load or small load – set higher air humidity

### Notes

- Fruit sensitive to cold (e.g. pineapple, banana, papaya and citrus fruit) and vegetables sensitive to cold (e.g. aubergines, cucumbers, zucchini, peppers, tomatoes and potatoes) should be stored outside the refrigerator at temperatures of approx. +8 °C – +12 °C for optimum preservation of quality and flavour.
- Condensation may form in the vegetable container depending on the food and quantity stored. Remove condensation with a dry cloth and adjust air humidity in the vegetable container with the humidity controller.



## Defrosting

### Refrigerator compartment

While the refrigerating unit is running, condensation droplets or frost form on the rear panel. This is due to functional reasons. It is not necessary to wipe off the condensation droplets or frost. The rear panel defrosts automatically. The condensation drains off into the condensation channel.

→ Fig. 12

The condensation runs from the condensation channel to the evaporation pan where it evaporates.

**Note:** Keep the condensation channel and drainage hole clean so that the condensation can drain and odours do not form.



## Cleaning

### Caution!

**Avoid damaging the appliance and the fittings.**

- Do not use abrasive, chloride or acidic cleaning agents or solvents.
- Do not use scouring or abrasive sponges.  
The metallic surfaces may corrode.
- Never clean the shelves or containers in the dishwasher.  
The parts may become deformed.

Proceed as follows:

1. Switch off the appliance.
2. Pull out the mains plug or switch off the fuse.
3. Take out the food and store in a cool location.  
If present: place ice pack on the food.
4. If present: wait until the layer of frost has thawed.
5. Clean the appliance with a soft cloth, lukewarm water and a little pH-neutral washing-up liquid.

### Caution!

The rinsing water must not run into the light or through the drainage hole into the evaporation area.

6. Wipe door seal with clear water and dry thoroughly with a cloth.
7. Reconnect and switch on appliance and put in food.

## Cleaning the equipment

To clean, take the variable parts out of the appliance.

→ "Interior fittings" on page 9

### Condensation channel

→ Fig. 12

Regularly clean the condensation channel and drainage hole with a cotton bud or similar implement to ensure that the condensation can drain.

### Shelf above the vegetable container

→ Fig. 13

1. Pull out vegetable container.
2. Take out shelf and dismantle to clean.

## Odours

If you experience unpleasant odours:

1. Switch off the appliance with the On/Off button ①.
2. Take all food out of the appliance.
3. Clean the inside. → "Cleaning" on page 12
4. Clean all packages.
5. Seal strong smelling food in order to avoid odours from forming.
6. Switch the appliance on again.
7. Store food in the appliance.
8. Check whether the formation of odours is still occurring after 24 hours.



## Lighting

Your appliance features a maintenance-free LED light.

Only customer service or authorised technicians may repair the light.



## Noises

### Normal noises

**Droning:** A motor is running, e.g. refrigerating unit, fan.

**Bubbling, buzzing or gurgling:** Refrigerant is flowing through the tubes.

**Clicking:** Motor, switches or solenoid valves are switching on and off.

**Cracking:** Automatic thawing successful.

### Preventing noises

**Appliance is not level:** Align appliance using a spirit level. If required, place a little packing underneath.

**Containers, shelves or storage compartments wobble or stick:** Check the removable fittings and re-insert if required.

**Bottles or receptacles are touching each other:** Move bottles or receptacles away from each other.

## Faults – what to do?

Before you call customer service, use this table to check whether you can rectify the fault yourself.

### Temperature differs greatly from the set value.

Switch off appliance for 5 minutes.  
→ *"Switching off and disconnecting the appliance" on page 10*  
If the temperature is too warm, check temperature again after a couple of hours.  
If the temperature is too cold, check temperature again on the following day.

### Displays do not illuminate.

The mains plug has not been inserted properly.	Connect the mains plug.
The fuse has tripped.	Check the fuses.
The power has failed.	Check whether the power is on.

### Display indicates "E...".

Electronics have detected a fault.	Call the customer service. → <i>"Customer service" on page 15</i>
------------------------------------	--

### A warning signal sounds and the alarm button is lit.

	Press the <b>alarm</b> button. Alarm is switched off.
Appliance door is open.	Close the appliance door.
Ventilation openings have been covered.	Clear ventilation openings.

### Appliance is not cooling, display and lighting are lit.

Showroom mode switched on.	Start the appliance self-test. → <i>"Customer service" on page 15</i> When the programme has ended, the appliance switches over to normal operation.
----------------------------	--



## Customer service

If you are unable to rectify the fault, please contact our customer service. We will always find an appropriate solution in order to avoid unnecessary visits by engineers.

The contact information for your nearest customer service can be found here or on the enclosed customer service list.

When calling, please state the product number (E-Nr.) and the production number (FD) which can be found on the rating plate.

**Trust the expertise of the manufacturer.** You can therefore be sure that the repair is carried out by trained service technicians who carry original spare parts for your domestic appliances.

### Appliance self-test

Your appliance features a self-test programme which displays the fault which your customer service can rectify.

1. Switch off the appliance and wait 5 minutes.
  2. Switch on the appliance.
  3. Within the first 10 seconds after switching on, press and hold the **super** refrigerator compartment button for 3- 5 seconds until an audible signal sounds. The self-test programme starts. While the self-test is running, a long audible signal sounds in the meantime.
- If 2 audible signals sound after the end of the self-test and the set temperature is displayed, your appliance is OK.

- If, at the end of the self-test, 5 audible signals sound and the **super** freezer compartment button flashes for 10 seconds, inform customer service.

When the programme has ended, the appliance switches over to normal operation.

### Repair order and advice on faults

Contact information for all countries can be found on the enclosed customer service list.

GB	0344 892 8999	Calls charged at local or mobile rate.
IE	01450 2655	0.03 € per minute at peak. Off peak 0.0088 € per minute.
US	866 447 4363	toll-free

### Guarantee

Detailed information on the warranty period and warranty conditions in your country are available from your customer service, your dealer and on our website.



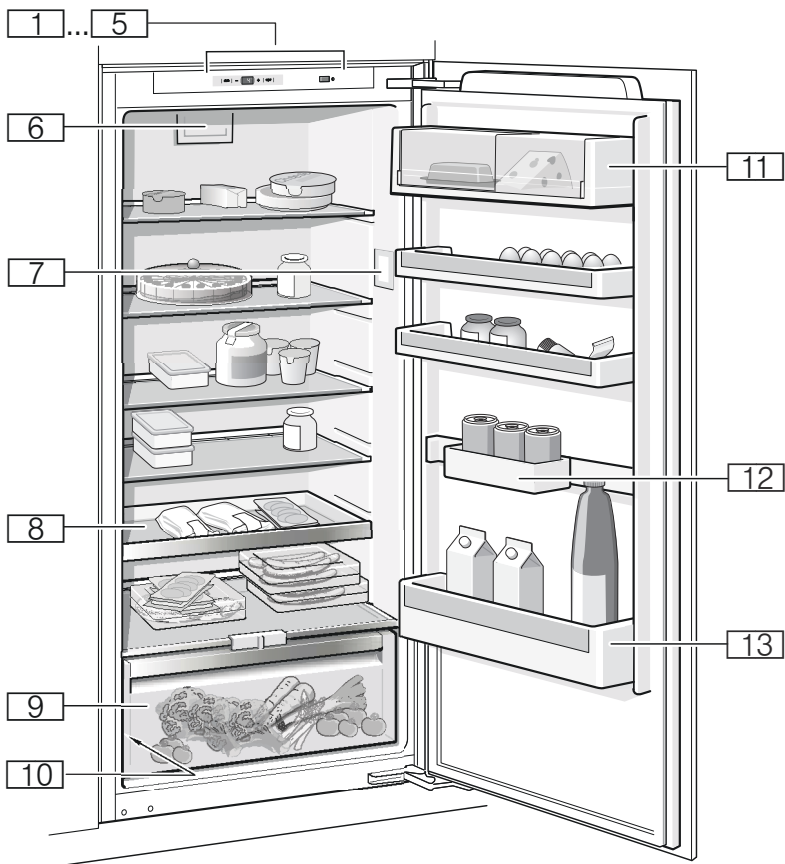
A series of horizontal lines for writing, starting from the top right of the pencil icon and extending across the page.



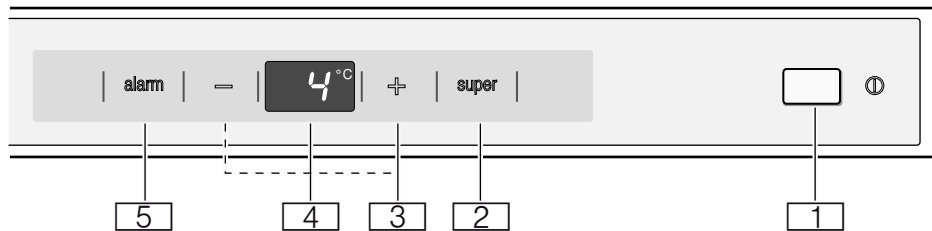




A series of horizontal lines for writing, starting from the first line below the pencil icon and extending to the bottom of the page.



**1**



**2**



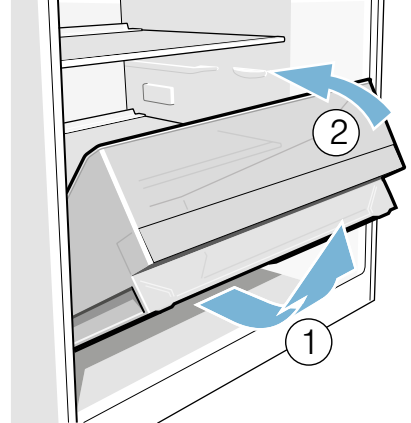
3



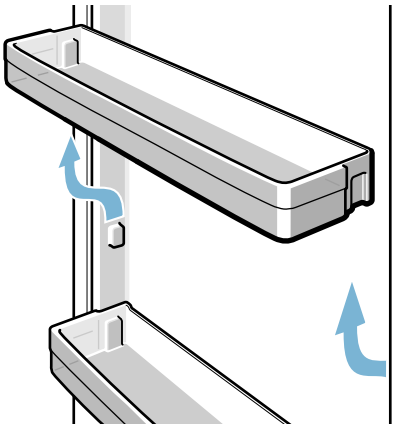
4



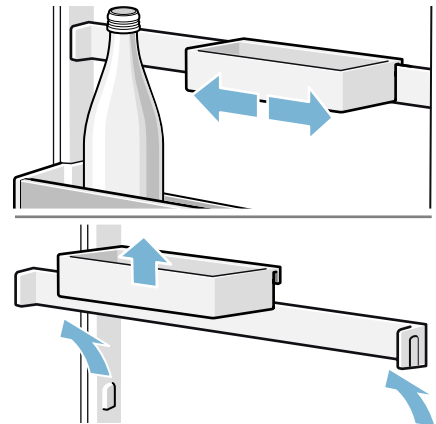
5



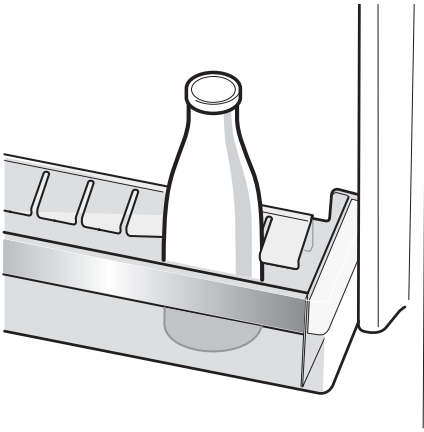
6



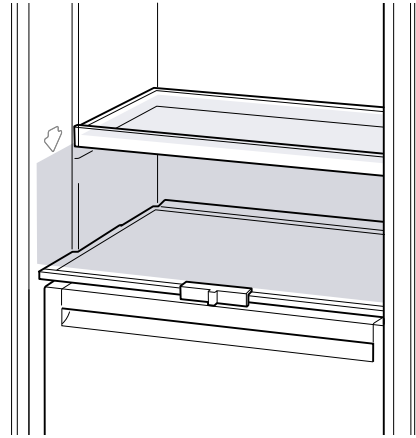
7



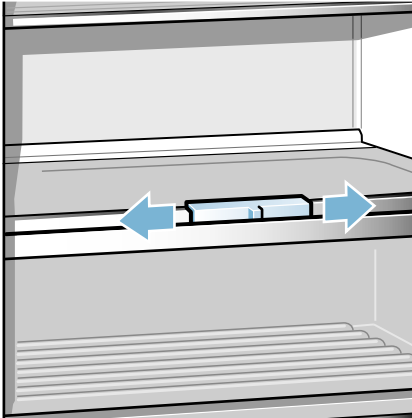
8



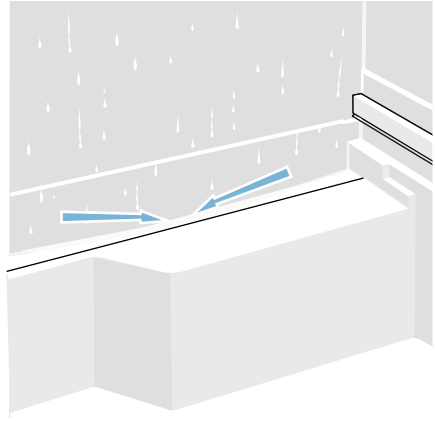
9



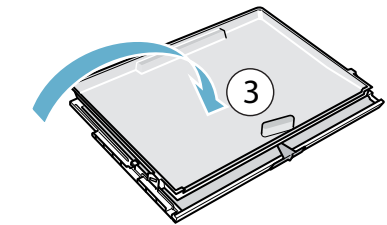
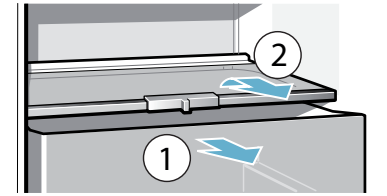
10



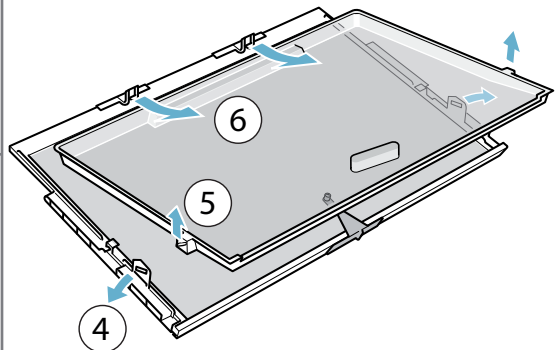
11



12



13



BSH Hausgeräte GmbH  
Carl-Wery-Straße 34  
81739 München, GERMANY

[siemens-home.com](https://www.siemens-home.com)

Manufactured by BSH Hausgeräte GmbH under Trademark License of Siemens AG



**9001042241 (9604)**  
en