



SIEMENS

Built-in oven

Four encastrable

HG10LE150

[siemens-home.com/welcome](http://siemens-home.com/welcome)

[en] Instruction manual ..... 3  
[fr] Notice d'utilisation ..... 14

Register  
your  
product  
online



## en Table of contents

<b>Important safety information</b> .....	3	Removing and installing the door panels .....	9
Causes of damage .....	5	Removing and fitting the appliance door .....	10
<b>Your new appliance</b> .....	6	Removing and inserting the hook-in racks .....	11
The oven .....	6	<b>Troubleshooting</b> .....	11
The timer.....	6	Replacing the oven light bulb.....	11
Cooling fan.....	6	<b>After-sales service</b> .....	12
Accessories .....	6	<b>Energy and environment tips</b> .....	12
<b>Before using the oven for the first time</b> .....	7	Saving energy.....	12
Baking out the oven .....	7	Environmentally-friendly disposal.....	12
Cleaning the accessories.....	7	<b>Tips for using your appliance</b> .....	12
<b>How to operate your oven</b> .....	7	Baking .....	12
Oven lighting.....	7	Roasting and grilling .....	13
Operating modes .....	7		
Operating the oven.....	7		
Operating the grill .....	8		
Operating the rotary spit.....	8		
Operating the timer.....	8		
<b>Care and cleaning</b> .....	9		
Cleaning agents .....	9		
Catalytic cooking compartment panels.....	9		

Additional information on products, accessories, replacement parts and services can be found at [www.siemens-home.com](http://www.siemens-home.com) and in the online shop [www.siemens-eshop.com](http://www.siemens-eshop.com)

## Important safety information

Read these instructions carefully. Only then will you be able to operate your appliance safely and correctly. Retain the instruction manual and installation instructions for future use or for subsequent owners.

This appliance is only intended to be fully fitted in a kitchen. Observe the special installation instructions.

Check the appliance for damage after unpacking it. Do not connect the appliance if it has been damaged in transport.

Only allow a licensed professional to connect the appliance. Damage caused by incorrect connection is not covered under warranty. Call the after-sales service if you want to convert your appliance to a different type of gas.

This appliance is intended for domestic use and the household environment only. This appliance must only be used to prepare food and drinks and must never be used as a heater. Do not leave the appliance unattended during operation. Only use the appliance indoors.

This appliance is not intended for operation with an external clock timer or a remote control.

This appliance may be used by children over the age of 8 years old and by persons with reduced physical, sensory or mental capabilities or by persons with a lack of experience or knowledge if they are supervised or are instructed by a person responsible for their safety how to use the appliance safely and have understood the associated hazards.

Children must not play with, on, or around the appliance. Children must not clean the appliance or carry out general maintenance unless they are at least 8 years old and are being supervised.

Keep children below the age of 8 years old at a safe distance from the appliance and power cable.

Always slide accessories into the cooking compartment correctly. See "*Description of accessories*" in the instruction manual.

### **Risk of overheating!**

In the event of a power cut, the cooling fan does not work. The appliance may overheat. The touchable parts become very hot and may cause injury. Due to the high temperatures, the appliance and the fitted unit could be damaged. In the case of a power cut, the appliance must not be manually ignited and put into operation.

## **WHAT TO DO IF YOU SMELL GAS!**

Escaping gas may cause an explosion.

### **If you smell gas or notice any faults in the gas installation:**

- Immediately shut off the gas supply or close the gas cylinder valve.
- Immediately extinguish all naked flames and cigarettes.
- Do not use any light or appliance switches and do not pull any plugs out of sockets. Do not use any telephones or mobile phones within the building.
- Open windows and ventilate the room.
- Call the after-sales service or the gas supplier.

### **Risk of asphyxiation!**

The use of a gas cooker leads to a build-up of heat, moisture and products of combustion in the room where the appliance is installed. Ensure that the installation room is well ventilated. The natural ventilation openings must be kept open or a mechanical ventilation device must be provided (e.g. an extractor hood). Intensive and persistent use of the appliance may mean that it is necessary to have additional ventilation (e.g. opening a window), or more effective ventilation (e.g. operating the existing mechanical ventilation device at a higher setting).

### **Risk of fire!**

- A draught is created when the appliance door is opened. Greaseproof paper may come into contact with the heating element and catch fire. Do not place greaseproof paper loosely over accessories during preheating. Always weight down the greaseproof paper with a dish or a baking tin. Only cover the surface required with greaseproof paper. Greaseproof paper must not protrude over the accessories.
- Combustible objects that are left in the cooking compartment may ignite. Never store combustible items in the cooking compartment. Never open the appliance door if there is smoke inside. Switch off the appliance and unplug the mains plug or switch off the fuse in the fuse box. Shut off the gas supply.

- Hot oil and fat can ignite very quickly. Never leave hot fat or oil unattended. Never use water to put out burning oil or fat. Switch off the hotplate. Extinguish flames carefully using a lid, fire blanket or something similar.
- The appliance becomes very hot and flammable materials could catch fire. Never store or use flammable objects (e.g. spray cans, cleaning agents) under the appliance or in its immediate vicinity. Never place flammable items on or in the appliance.
- Under no circumstances should a baking sheet, a baking tray, a pan or another form of cookware be placed directly on the oven floor. This causes the floor of the appliance to overheat and can seriously damage the bottom of the fitted unit.
- The rear of the appliance becomes very hot. This may cause damage to the power cables. Electricity and gas lines must not come into contact with the rear of the appliance.

### **Risk of burns!**

- The appliance becomes very hot. Never touch the interior surfaces of the cooking compartment or the heating elements. Always allow the appliance to cool down. Keep children at a safe distance.
- Accessories and ovenware become very hot. Always use oven gloves to remove accessories or ovenware from the cooking compartment.
- Alcoholic vapours may catch fire in the hot cooking compartment. Never prepare food containing large quantities of drinks with a high alcohol content. Only use small quantities of drinks with a high alcohol content. Open the appliance door with care.
- The accessible parts become very hot when in operation. Never touch hot parts. Keep children at a safe distance.

## **Risk of scalding!**

- The accessible parts become hot during operation. Never touch the hot parts. Keep children at a safe distance.
- When you open the appliance door, hot steam may escape. Open the appliance door with care. Keep children at a safe distance.
- Water in a hot cooking compartment may create hot steam. Never pour water into the hot cooking compartment.

## **Risk of injury!**

- Scratched glass in the appliance door may develop into a crack. Do not use a glass scraper, sharp or abrasive cleaning aids or detergents.
- Incorrect repairs are dangerous. Repairs may only be carried out, and damaged power and gas lines replaced, by an after-sales engineer trained by us. If the appliance is faulty, unplug the mains plug or switch off the fuse in the fuse box. Shut off the gas supply. Contact the after-sales service.
- Faults or damage to the appliance are dangerous. Never switch on a faulty appliance. Unplug the appliance from the mains or switch off the circuit breaker in the fuse box. Shut off the gas supply. Contact the after-sales service.

## **Risk of electric shock and serious injury!**

- The cable insulation on electrical appliances may melt when touching hot parts of the appliance. Never bring electrical appliance cables into contact with hot parts of the appliance.
- Do not use any high-pressure cleaners or steam cleaners, which can result in an electric shock.
- When replacing the cooking compartment bulb, the bulb socket contacts are live. Before replacing the bulb, unplug the appliance from the mains or switch off the circuit breaker in the fuse box.

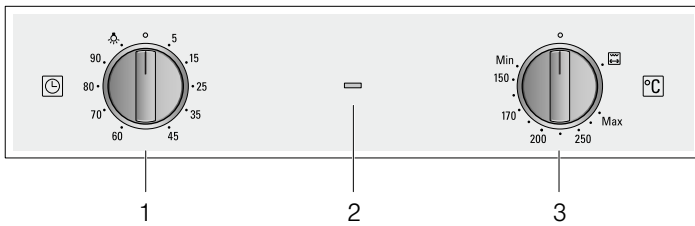
## **Causes of damage**

### **Caution!**

- Accessories, foil, greaseproof paper or ovenware on the cooking compartment floor: do not place accessories on the cooking compartment floor. Do not cover the cooking compartment floor with any sort of foil or greaseproof paper. Do not place ovenware on the cooking compartment floor. This will cause heat accumulation. The baking and roasting times will no longer be correct and the enamel will be damaged.
- Inserting accessories: depending on the appliance model, accessories can scratch the door panel when closing the appliance door. Always insert the accessories into the cooking compartment as far as they will go.
- Water in a hot cooking compartment: do not pour water into the cooking compartment when it is hot. This will cause steam. The temperature change can cause damage to the enamel.
- Moist food: do not store moist food in the cooking compartment when it is closed for prolonged periods This will damage the enamel.
- Fruit juice: when baking particularly juicy fruit pies, do not pack the baking tray too generously. Fruit juice dripping from the baking tray leaves stains that cannot be removed. If possible, use the deeper universal pan.
- Cooling with the appliance door open: only allow the cooking compartment to cool when it is closed. Even if the appliance door is only open a little, front panels of adjacent units could be damaged over time.
- Very dirty door seal: If the door seal is very dirty, the appliance door will no longer close properly when the appliance is in use. The fronts of adjacent units could be damaged. Always keep the door seal clean.
- Oven door as a bearing surface: do not stand or place objects on the oven door when it is open. Do not hang objects on the oven door.
- Carrying the appliance: do not carry or hold the appliance by the door handle. The door handle cannot support the weight of the appliance and could break.
- Heavy accessories: do not pull out heavily laden accessories too far without first unloading them sufficiently. Heavy accessories will tip when pulled out. This causes pressure to be exerted on the shelf supports in the cooking compartment, which can damage the enamel. Relieve the strain on the accessories when they are pulled out by raising them slightly with one hand. Caution: always use an oven cloth or oven gloves when handling hot accessories.
- Grilling: do not insert the baking tray or universal pan higher than level 3 when grilling. The high heat distorts it and the enamel may be damaged when it is removed. At level 4 and 5, only grill directly on the wire rack.

# Your new appliance

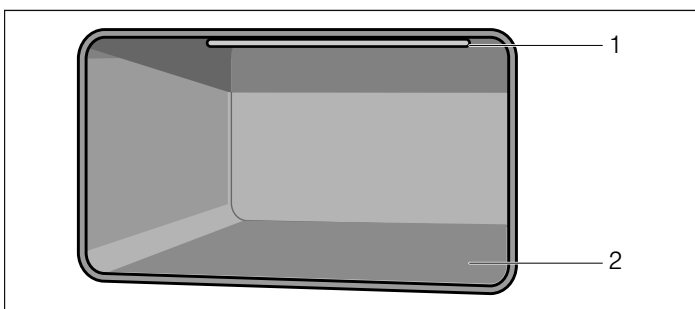
Get to know your appliance. You will find information on the control panel, the oven, types of heating and accessories.



## Explanation

- 1 Control knob for timer
- 2 Grill indicator light
- 3 Control knob for oven and grill

## The oven



## Explanation

- 1 Electric grill
- 2 Oven gas burners

## Control knob for oven

This control knob is used to adjust the heat setting of the oven and the grill.

Setting	Meaning
o	Off. The oven does not heat up.
Min	Economy flame, lowest power
150-250	Oven gas burner on, temperature range in °C
Max	Large flame, highest power
	The grill heats up and the rotary spit turns.

There is a limit stop between settings and Max. Do not turn the knob beyond this point.

The indicator light will light up when the grill is switched on.

## The timer

You can use the timer to set a cooking time.

An audible signal sounds once the cooking time has elapsed.

## Control knob for timer

Use this control knob to set the cooking time. You can also use this control knob to switch the oven lighting on.

Setting	Meaning
o	Off
5 - 90	Cooking time in minutes
	Switching on the oven lighting

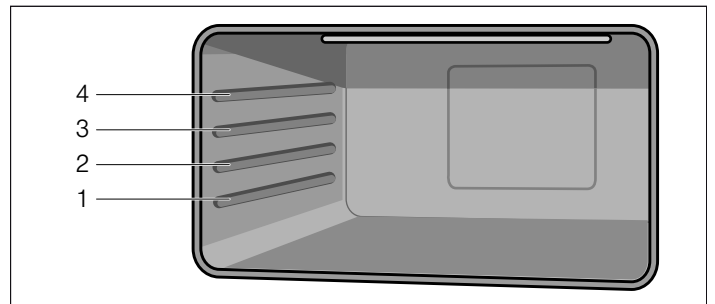
## Cooling fan

The cooling fan switches on and off as required. The hot air escapes above the door. Caution: Do not cover the ventilation slots. Otherwise the oven will overheat.

So that the cooking compartment cools down more quickly after operation, the cooling fan continues to run for a certain period afterwards.

## Accessories

The accessories can be inserted into the cooking compartment at 4 different levels. Always insert them as far as they will go so that the accessories do not touch the door panel. Ensure that the accessories have always been inserted into the cooking compartment correctly.



## Risk of fire!

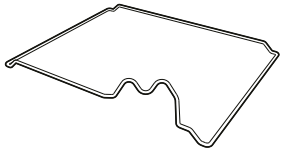
Under no circumstances should a baking sheet, a baking tray, a pan or another form of cookware be placed directly on the oven floor. This causes the floor of the appliance to overheat and can seriously damage the bottom of the fitted unit.

You can pull out the accessories two thirds of the way without them tipping. This allows dishes to be removed easily.

The accessories may become deformed when they become hot. As soon as they have cooled down, the deformation disappears with no effect on the function.

You can buy accessories from the after-sales service, from specialist retailers or online.

Accessories	Description
	<b>Baking and roasting shelf</b> For ovenware, cake tins, joints, grilled items, frozen meals.
	<b>Enamelled baking tray</b> For moist cakes, pastries, frozen meals and large roasts. Can also be used as a drip tray to collect fat.
	<b>Locking pins</b> For locking the hinges.



### Rotary spit holder

For holding the rotary spit.



### Rotary spit

For roasts and large pieces of poultry. Use only in combination with the enamelled baking tray.

## Before using the oven for the first time

In this section, you can find out what you must do before using your appliance to prepare food for the first time. Read the *Safety information* section beforehand.

Remove the appliance packaging and dispose of it appropriately.

### Baking out the oven

#### Precleaning the oven

1. Remove accessories and hook-in racks from the cooking compartment.
2. Fully remove any remaining packaging, such as small pieces of polystyrene, from the cooking compartment.
3. Some parts are covered with a protective film. Remove the protective film.
4. Clean the outside of the appliance with a soft, damp cloth.
5. Clean the cooking compartment with hot soapy water.

#### Heating up the oven

To remove the new cooker smell, heat up the oven when it is empty and closed.

1. Turn the temperature selector to the maximum temperature.
2. Switch off the oven after 45 minutes.

#### Recleaning the oven

1. Clean the cooking compartment with hot soapy water.
2. Fit the hook-in racks.

#### Cleaning the accessories

Before using the accessories, clean them thoroughly using a cloth and warm soapy water.

## How to operate your oven

### Oven lighting

#### Switching on the oven lighting

Turn the control knob to the  position.

The oven lighting switches on when the timer is switched on or the oven door is opened.



#### Switching off the oven lighting

Turn the control knob to the  position.

The oven lighting switches off.

### Operating modes

The following operating modes are available.

	Operating mode	Application
	Oven gas burner 150-250 °C	For cakes and pastries, bakes, poultry, lean joints of meat, e.g. beef, veal and game.
	Electric grill	For steaks, sausages, fish and toast.

### Operating the oven

#### Switching on the oven gas burner

1. Open the appliance door.
2. Press the control knob for the oven and turn it to the 250 °C position.
3. Press and hold the control knob for a few seconds until the flame stabilises.
4. Close the appliance door carefully.
5. Turn the control knob to set the desired temperature. Do not turn the knob beyond the "Min" position.


#### If the flame goes out

Switch off the control knob. Wait one minute and switch the burner on again.

#### Risk of fire!

If the flame goes out, gas will escape. Never leave the gas burner unattended during operation. Ensure that there are no draughts.

#### Switching off the oven gas burner

Turn the control knob to the  position. Press and hold down the control knob while doing so.


## Operating the grill

The appliance door must be closed when grilling.

### Notes

- It is not possible to use the oven gas burner and the grill at the same time.
- When using the grill, a cooking time of 60 minutes must not be exceeded.
- When switching on the grill, the drive for the rotary spit is automatically activated.

### Switching on the grill

Press the control knob for the oven and turn it to the  position.

The indicator light will light up when the grill is switched on.

### Switching off the grill

Turn the control knob to the  position.

## Operating the rotary spit

The rotary spit can be used with excellent results to cook joints, such as rolled roasting joints and poultry. The meat is roasted thoroughly and evenly.

The drive for the rotary spit is automatically activated as soon as you switch on the grill.

### Preparing roasts

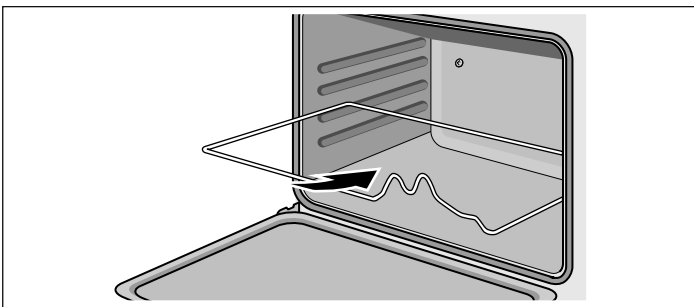
1. Place the joint as centrally as possible on the rotary spit and secure it at both ends with the retaining clips.  
You can also secure the joint using kitchen twine.
2. With poultry, bind the ends of the wings underneath the back and the thighs against the body. This prevents them from overbrowning.
3. Pierce the skin on the underside of the wings to allow the fat to escape.

### Inserting the rotary spit

#### Risk of burns!

Never touch the hot surfaces of the cooking compartment or the heating elements. Children must be kept at a safe distance from the appliance at all times. Open the appliance door carefully. Hot steam may escape.

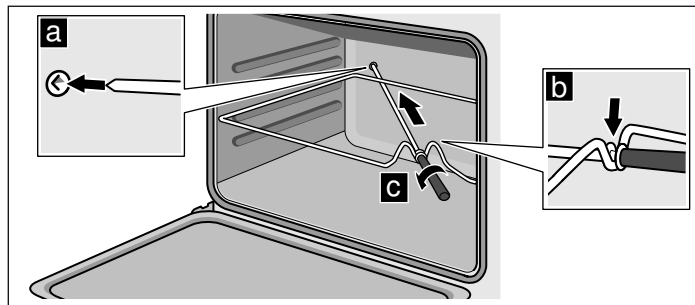
1. Insert the rotary spit shelf at level 2 as far as it will go.



2. Slide the rotary spit into the motor mount in the back wall of the cooking compartment **(a)**.
3. Place the rotary spit on the rotary spit shelf **(b)**.


**Note:** The rotary spit must engage correctly in the rotary spit shelf.

4. Unscrew the handle **(c)**.




5. Pour water into a baking tray and slide the baking tray into shelf position 1 to collect the drips of fat.
6. Close the appliance door.

### Switching on the rotary spit

Turn the control knob for the oven to the  position.

### Switching off the rotary spit

Turn the control knob for the oven to the  position.

### Removing the rotary spit

#### Risk of burns!

Never touch the hot surfaces of the cooking compartment or the heating elements. Children must be kept at a safe distance from the appliance at all times. Open the appliance door carefully. Hot steam may escape.

#### Risk of burns!

Never touch the rotary spit or other accessories directly when they are hot. Always wear oven gloves or heat-resistant gloves when handling hot accessories.

1. Carefully open the appliance door and screw the handle back onto the rotary spit.
2. Carefully pull the rotary spit from the mount in the back wall and remove it.
3. Remove the rotary spit shelf and the baking tray.

## Operating the timer

The timer runs independently of the oven.

### Setting the cooking time

1. Turn the control knob clockwise as far as the stop.
2. Turn the control knob anti-clockwise until you reach the required cooking time.

An audible signal sounds once the time has elapsed.



# Care and cleaning

With good care and cleaning, your oven will remain clean and fully-functioning for a long time to come. Here we will explain how to maintain and clean your oven correctly.

## Notes

- Slight differences in the colours on the front of the oven are caused by the use of different materials, such as glass, plastic and metal.
- Shadows on the door panel which look like streaks, are caused by reflections made by the oven light.
- Enamel is baked on at very high temperatures. This can cause some slight colour variations. This is normal and does not affect their function. The edges of thin trays cannot be completely enamelled. As a result, these edges can be rough. This will not impair the anti-corrosion protection.

## ⚠ Risk of electric shock!

Do not use any high-pressure cleaners or steam cleaners, which can result in an electric shock.

## ⚠ Risk of burns!

The appliance becomes very hot. Never touch the interior surfaces of the cooking compartment or the heating elements. Always allow the appliance to cool down. Keep children at a safe distance.

## Cleaning agents

To ensure that the different surfaces are not damaged by using the wrong cleaning agent, pay attention to the information in the table. Do not use

- sharp or abrasive cleaning agents,
- cleaning agents with a high alcohol content,
- hard scouring pads or cleaning sponges,
- high-pressure cleaners or steam cleaners.

Wash new sponge cloths thoroughly before use.

Area	Cleaning agents
Oven front	Hot soapy water: Clean with a dish cloth and dry with a soft cloth. Do not use glass cleaners or glass scrapers.
Stainless steel	Hot soapy water: Clean with a dish cloth and dry with a soft cloth. Remove flecks of limescale, grease, starch and albumin (e.g. egg white) immediately. Corrosion can form under such residues.  Special stainless steel cleaning products suitable for hot surfaces are available from our after-sales service or from specialist retailers. Apply a very thin layer of the cleaning product with a soft cloth.
Aluminium	Clean with a mild window cleaning agent. Using a window cloth or a non-fluffing microfibre cloth, wipe over the surfaces lightly in a horizontal direction.
Enamel surfaces (smooth surfaces)	Apply commercially available washing-up liquid or a vinegar solution with a soft, damp cloth or chamois; dry with a soft cloth. Soak baked-on food residues with a damp cloth and detergent. If the cooking compartment is heavily soiled, use a gel oven cleaner. This can be applied to the affected area. Leave the cooking compartment open after cleaning to allow it to dry.

Area	Cleaning agents
Self-cleaning surfaces (rough surfaces)	Note the instructions in the section: <i>Catalytic cooking compartment panel</i>
Gas burner	Never clean the gas burners in the cooking compartment yourself.
Door panels	Glass cleaner: Clean with a soft cloth. Do not use a glass scraper.
Glass cover for the oven light	Hot soapy water: Clean with a dish cloth.
Seal Do not remove.	Hot soapy water: Clean with a dish cloth. Do not scour.
Rails	Hot soapy water: Soak and clean with a dish cloth or brush.
Accessories	Hot soapy water: Soak and clean with a dish cloth or brush.

## Catalytic cooking compartment panels

The catalytic cooking compartment panels are coated with self-cleaning enamel.

The surfaces clean themselves while the oven is in operation. Larger splashes will only be removed after the oven has been used several times.

### Self-cleaning surfaces

The side walls are covered with catalytic panelling. Never clean these surfaces with oven cleaner. Slight discolouration of the enamel does not affect automatic self-cleaning.

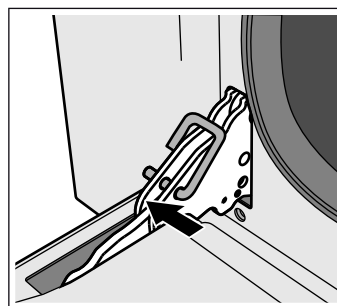
## Removing and installing the door panels

To facilitate cleaning, you can remove the glass panels from the oven door.

### Removing the door panels

1. Open the oven door fully.
2. Lock both hinges on the left and right using the locking pin.

**Note:** The locking pins must be fully inserted into the holes in the hinges.

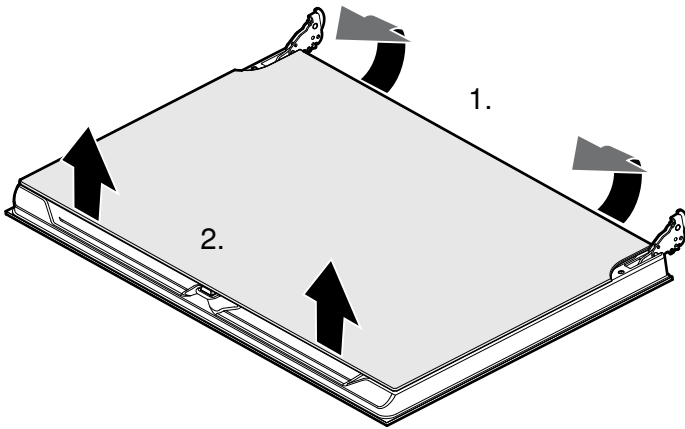


3. Lift the bottom of the inner panel slightly until the fastening pins come out of the holder (1).

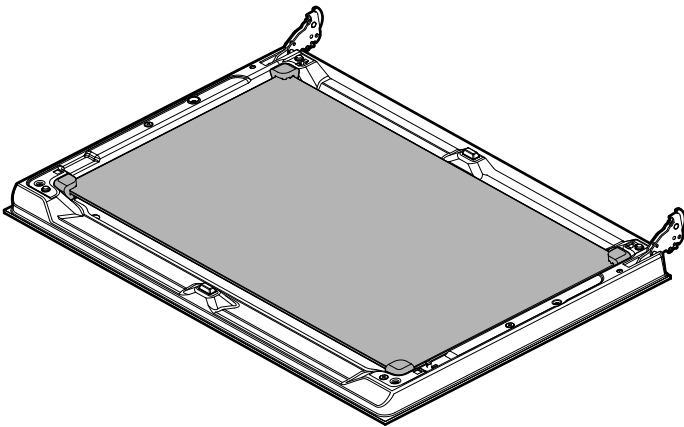
- Carefully lift the top of the inner panel until the fastening pins come out of the holder (2).

**Caution!**

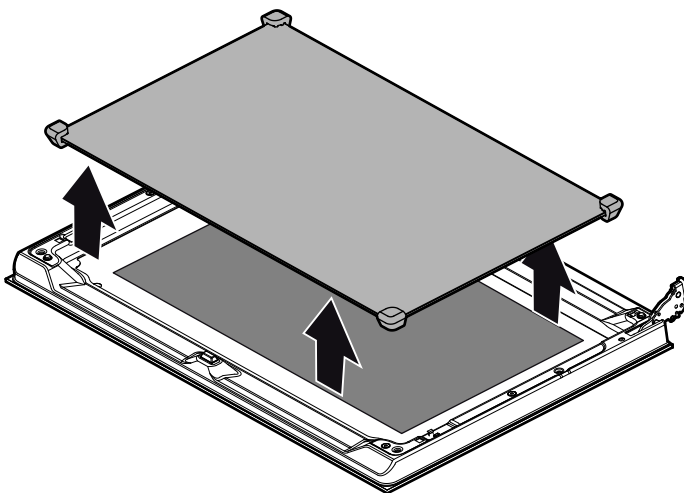
When lifting the inner panel, the middle panel may stick to the inner panel. Make sure that the middle panel does not fall.



- Remove the inner panel.
- Remove the middle panel.



**Note:** The middle panel is kept in place with rubber bushings rather than retaining pins.



Clean the panels with glass cleaner and a soft cloth.

**⚠ Risk of injury!**

Scratched glass in the appliance door may develop into a crack. Do not use a glass scraper, sharp or abrasive cleaning aids or detergents.

**Fitting the door panels**

- Reinsert the middle panel.

**Note:** Make sure that the panel is seated correctly. All rubber bushings must lay flat against the outer panel.

- Reinsert the inner panel.

**Note:** All four fastening pins must engage in the holders provided for them.

- Remove the locking pins and close the oven door.

**Removing and fitting the appliance door**

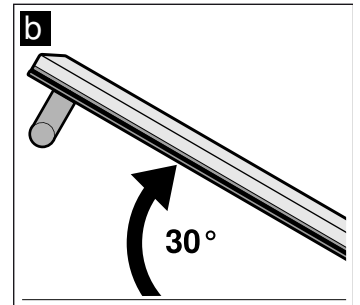
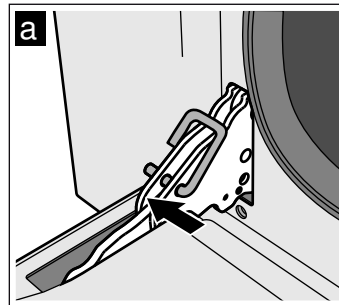
If the oven is very heavily soiled, the oven door can be removed for easier cleaning. Normally, however, this is not necessary.

**Removing the appliance door**

- Open the oven door fully.
- Lock both hinges on the left and right using the locking pin (a).

**Note:** The locking pins must be fully inserted into the holes in the hinges.

- Grip the oven door on either side with both hands and close the oven door by approx. 30° (b).



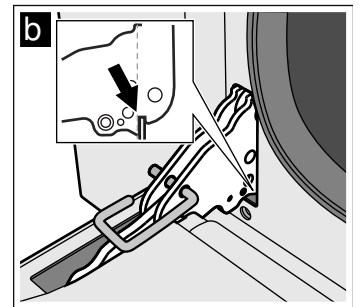
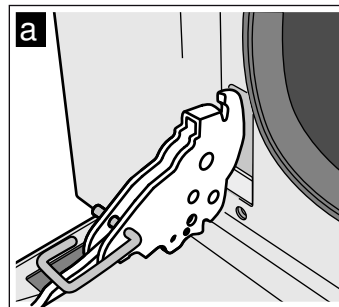
- Raise the oven door slightly and pull it out.

**Note:** Do not fully close the oven door. The hinges could become bent and the enamel could be damaged.

**Fitting the appliance door**

- Grip the oven door on either side with both hands.
- Slide the hinges into the slots in the oven (a).

**Note:** The notch below the hinges must engage into the frame of the oven (b).



- Lower the door downwards.

- Remove the locking pins.

**⚠ Risk of injury!**

Do not reach into the hinge if the oven door falls out unintentionally or a hinge snaps closed. Call after-sales service.

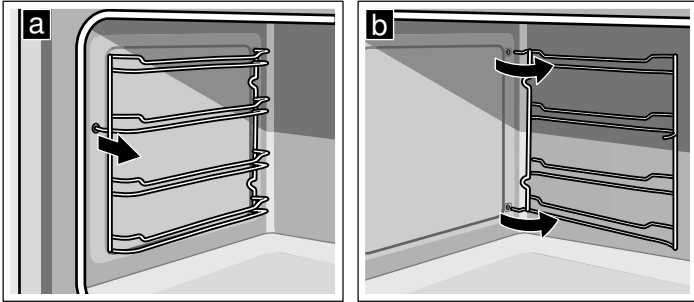
## Removing and inserting the hook-in racks

You can remove the hook-in racks for easier cleaning.

### Removing the hook-in racks

The hook-in racks are each fixed to the side panels of the cooking compartment at three points.

1. Grip the front of the hook-in rack and pull it to the middle of the cooking compartment.  
The front hook of the hook-in rack will release from the hole.
2. Fold out the hook-in rack further and pull it from the rear holes of the side panel.
3. Hold the catalytic cooking compartment panel in place.
4. Remove the hook-in rack from the cooking compartment.



### Inserting the hook-in rack

1. Hold the catalytic cooking compartment panel in place.
2. Insert the hooks of the hook-in rack into the rear holes in the side panel.
3. Press the front hook of the hook-in rack into the hole.

## Troubleshooting

Malfunctions often have simple explanations. Refer to the table before calling the after-sales service, as you may be able to remedy the fault yourself.

### **⚠ Risk of injury!**

Incorrect repairs are dangerous. Repairs may only be carried out, and damaged power and gas lines replaced, by an after-sales engineer trained by us. If the appliance is faulty, unplug the mains plug or switch off the fuse in the fuse box. Shut off the gas supply. Contact the after-sales service.

Malfunction	Possible cause	Solution
The appliance does not work	Power cut	Check whether other kitchen appliances are working
	Faulty circuit breaker	Check in the fuse box to make sure that the circuit-breaker for the appliance is OK
The oven lighting has failed.	Oven light is faulty	Replace the oven light. (See section "Replacing oven light")
The flame (oven) does not burn through all outlet openings.	Normal build-up of dirt	The burner must be professionally cleaned.
The door panel steams up when the oven heats up.	Normal occurrence; caused by the difference in temperature	Not possible; this has no effect on oven performance.

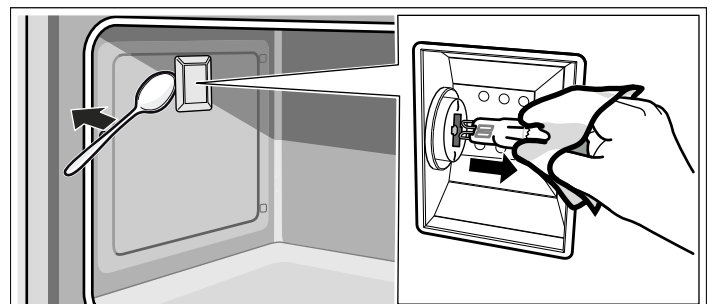
## Replacing the oven light bulb

If the oven light bulb fails, it must be replaced. Replacement heat-resistant bulbs can be obtained from the after-sales service or from specialist retailers. Please specify the E number and FD number of your appliance. Do not use any other type of bulb.

### **⚠ Risk of electric shock!**

When replacing the cooking compartment bulb, the bulb socket contacts are live. Before replacing the bulb, unplug the appliance from the mains or switch off the circuit breaker in the fuse box.

1. Allow the cooking compartment to cool down.
2. Open the appliance door.
3. Place a tea towel in the cooking compartment to prevent damage.
4. Remove the hook-in racks.
5. Remove the glass cover. To do this, open the glass cover at the front with your hand. Should you experience difficulties removing the glass cover, use a spoon to help.
6. Remove the oven light bulb.



7. Replace the oven light bulb with a bulb of the same type:

**Voltage:** 230 V;

**Power:** 40 W;

**Fitting:** G9;

**Temperature resistance:** 300 °C

8. Refit the glass cover for the oven light bulb.

9. Refit the hook-in racks.

10. Remove the tea towel.

11. Switch the circuit breaker back on.

12. Check that the oven lighting is working again.

## After-sales service

Our after-sales service is there for you if your appliance needs to be repaired. We will always find the right solution in order to avoid unnecessary visits from a service technician.

When calling us, please give the product number (E no.) and the production number (FD no.) so that we can provide you with the correct advice. The rating plate is located on the side behind the oven door.

You can make a note of the numbers of your appliance and the telephone number of the after-sales service in the space below to save time should it be required.

E no.	FD no.
After-sales service ☎	

Please be aware that a visit by an after-sales engineer will be charged if a problem turns out to be the result of operator error, even during the warranty period.

Please find the contact data of all countries in the enclosed customer service list.

### To book an engineer visit and product advice

**GB** 0344 892 8999

Calls charged at local or mobile rate.

**IE** 01450 2655

0.03 € per minute at peak. Off peak 0.0088 € per minute.

Rely on the professionalism of the manufacturer. You can therefore be sure that the repair is carried out by trained service technicians who carry original spare parts for your appliances.

## Energy and environment tips

Here you can find tips on how to save energy when baking and roasting and how to dispose of your appliance properly.

### Saving energy

- Only preheat the oven when it is specified in the recipe that you should do so.
- Open the oven door as little as possible while you are cooking, baking or roasting.
- It is best to bake several cakes one after the other. The oven is still warm. This reduces the baking time for the second cake. You can also place two loaf tins next to each other.
- For longer cooking times, you can switch the oven off 10 minutes before the end of the cooking time and use the residual heat to finish cooking.

### Environmentally-friendly disposal

Dispose of packaging in an environmentally-friendly manner.



This appliance is labelled in accordance with European Directive 2012/19/EU concerning used electrical and electronic appliances (waste electrical and electronic equipment - WEEE). The guideline determines the framework for the return and recycling of used appliances as applicable throughout the EU.

## Tips for using your appliance

Here you will find a selection of tips on ovenware and preparation methods.

### Notes

- Use the accessories provided. Additional accessories may be obtained as special accessories from specialist retailers or from the after-sales service.

Before using the oven, remove any unnecessary accessories and ovenware from the cooking compartment.

- Always use an oven cloth or oven gloves when taking accessories or cookware out of the cooking compartment.

### Baking

#### Baking tins

- Use light-coloured baking tins and trays wherever possible.
- Always place the baking tins on the middle of the baking and roasting wire rack.

## Baking tips

How to establish whether sponge cake is baked through.	Approx. 10 minutes before the end of the baking time stated in the recipe, insert a cocktail stick into the cake at its deepest point. If no cake mixture sticks to the wood, the cake is ready.
The cake collapses.	Use less fluid next time or set the oven temperature 10 degrees lower. Note the stirring times indicated in the recipe.
The cake has risen high in the middle and less around the edges.	Do not grease the sides of the springform cake tin. After baking, carefully loosen the cake using a knife.
The cake is too dark on the top.	Place it lower in the oven, select a lower temperature and bake the cake for a little longer.
The cake is too dry.	When it is done, make small holes in the cake using a cocktail stick. Then drizzle fruit juice or an alcoholic drink over it. Next time, set the temperature 10 degrees higher and reduce the baking time.
The bread or cake (e.g. cheesecake) looks good but is sticky on the inside (soggy with wet streaks).	Next time, use less liquid and bake at a lower temperature for slightly longer. For cakes with a moist topping, bake the base first. Sprinkle it with almonds or bread crumbs and then place the topping on top. Take care to follow recipes and baking times.
The pastries are not evenly browned.	Select a slightly lower temperature to ensure that the cake is baked more evenly. Excess greaseproof paper can affect the air circulation. Always cut the greaseproof paper to suit the size of the baking tray.
The bottom of a fruit flan is too light.	Place the cake one level lower the next time.
The fruit juice overflows.	Next time, use the deeper universal pan, if you have one.
Small baked items made out of yeast dough stick to one another during baking.	There should be a gap of approx. 2 cm around each item. This gives enough space for the baked items to expand and turn brown on all sides.
Condensation forms when you bake moist cakes.	Baking may create water vapour, which escapes above the door. The steam may settle and form water droplets on the control panel or on the fronts of adjacent units. This is a natural process.

## Roasting and grilling

### Ovenware

You may use any heat-resistant ovenware. Always place the ovenware in the middle of the wire rack. The enamelled baking tray is also suitable for large roasts.

### Roasting tips

- A lower temperature produces more even browning.
- Depending on the size of the joint, add 2 or 3 tablespoons of liquid to lean meat and 8 to 10 tablespoons of liquid to pot roasts.
- When cooking duck or goose, pierce the skin on the underside of the wings to allow the fat to run out.
- Poultry will turn out particularly crispy and brown if you baste it towards the end of the roasting time with butter, salted water or orange juice.
- Turn pieces of meat halfway through the cooking time.
- When the roast is ready, turn off the oven and allow it to rest for an additional 10 minutes. This will allow the meat juices to distribute themselves better inside the roast.
- When roasting large pieces of meat, you may find that the amount of steam and condensation on the oven door is more than usual. This is a normal occurrence which has no effect on the oven's performance. Once roasting is complete, dry the oven door and window with a cloth.
- If you are roasting on the wire rack, insert the enamelled baking tray into shelf position 1 to collect the drips of fat.

### Roasting tips

How can you tell when the roast is ready?	Use a meat thermometer (available from specialist retailers) or carry out a "spoon test". Press down on the roast with a spoon. If it feels firm, it is ready. If the spoon can be pressed in, it needs to be cooked for a little longer.
The roast is too dark and the crackling is burnt in places.	Check the shelf position and temperature.
The roast looks good but the juices are burnt.	Next time, use a smaller roasting dish and add more liquid.
The roast looks good, but the juices are too clear and watery.	Next time, use a larger roasting dish and add less liquid.

### Grilling tips

- If possible, grill items should be of equal thickness. They should be at least 2 to 3 cm thick. This ensures that they brown evenly while also remaining succulent.
- Place the food to be grilled in the centre of the wire rack. Pour a little water into the enamelled baking tray and insert this into the shelf position underneath the grill to collect the drips of fat. Never place it on the cooking compartment floor.
- Drizzle some oil over the food to be grilled before you place it on the wire rack under the grill.
- If the food to be grilled is thin, turn it over halfway through grilling; if it is thick, turn it over several times during grilling. Use tongs when turning the food to avoid piercing it and, in the case of meat, to keep the meat juices inside the meat.
- Dark meats such as lamb and beef brown better and more quickly than light meats such as pork and veal.

### Tips on using the rotary spit

- Place the joint as centrally as possible on the rotary spit and secure it at both ends with the retaining clips.
- You can also truss the joint with string. With poultry, bind the ends of the wings underneath the back and the thighs against the body. This prevents them from overbrowning. Pierce the skin on the underside of the wings to allow the fat to escape.

<b>Précautions de sécurité importantes</b> .....	<b>14</b>	Dépose et pose des vitres de la porte.....	21
Causes de dommages.....	17	Décrocher et accrocher la porte de l'appareil.....	22
<b>Votre nouvel appareil</b> .....	<b>17</b>	Retrait et montage des grilles supports.....	22
Le four.....	17	<b>Pannes et dépannage</b> .....	<b>23</b>
Le minuteur.....	18	Changer la lampe du four.....	23
Ventilateur de refroidissement.....	18	<b>Service après-vente</b> .....	<b>23</b>
Accessoire.....	18	<b>Conseils concernant l'énergie et l'environnement</b> .....	<b>24</b>
<b>Avant la première utilisation</b> .....	<b>18</b>	Economie d'énergie.....	24
Chauffe à vide du four.....	18	Elimination écologique.....	24
Nettoyer les accessoires.....	18	<b>Conseils pour l'utilisation</b> .....	<b>24</b>
<b>Voici comment utiliser le four</b> .....	<b>19</b>	Cuisson de pain et de pâtisseries.....	24
Eclairage.....	19	Rôtissage et grillade.....	25
Modes de fonctionnement.....	19		
Utilisation du four.....	19		
Utilisation du gril.....	19		
Commande du tournebroche.....	19		
Utilisation du minuteur.....	20		
<b>Entretien et nettoyage</b> .....	<b>20</b>		
Nettoyants.....	20		
Panneaux catalytiques du compartiment de cuisson.....	21		

Vous trouverez des informations supplémentaires concernant les produits, accessoires, pièces de rechange et services sur Internet sous : [www.siemens-home.com](http://www.siemens-home.com) et la boutique en ligne : [www.siemens-eshop.com](http://www.siemens-eshop.com)

## **Précautions de sécurité importantes**

Lire attentivement ce manuel. Ce n'est qu'alors que vous pourrez utiliser votre appareil correctement et en toute sécurité. Conserver la notice d'utilisation et de montage pour un usage ultérieur ou pour le propriétaire suivant.

Cet appareil est conçu pour être encastré uniquement. Respecter la notice spéciale de montage.

Contrôler l'état de l'appareil après l'avoir déballé. Ne pas le raccorder s'il présente des avaries de transport.

Seul un spécialiste agréé est habilité à raccorder l'appareil. En cas de dommages dus à un raccordement incorrect, il n'y a aucun droit à la garantie. Pour la modification à un autre type de gaz, appeler le service après-vente.

Cet appareil est destiné exclusivement à une utilisation domestique et non professionnelle. Utiliser l'appareil uniquement pour préparer des mets et des boissons, ne jamais l'utiliser comme appareil de chauffage. Surveiller l'appareil pendant son fonctionnement. Utiliser l'appareil uniquement à l'intérieur.

Cet appareil n'est pas conçu pour un fonctionnement avec une minuterie externe ou une commande à distance.

Cet appareil peut être utilisé par des enfants de 8 ans ou plus et par des personnes dotées de capacités physiques, sensorielles ou mentales réduites ou disposant de connaissances ou d'expérience insuffisantes, sous la surveillance d'un tiers responsable de leur sécurité ou bien lorsqu'ils ont reçu des instructions liées à l'utilisation de l'appareil en toute sécurité et qu'ils ont intégré les risques qui en résultent.

Les enfants ne doivent pas jouer avec l'appareil. Le nettoyage et l'entretien effectué par l'utilisateur ne doivent pas être accomplis par des enfants, sauf s'ils sont âgés de 8 ans et plus et qu'un adulte les surveille.

Les enfants de moins de 8 ans doivent être tenus à distance de l'appareil et du cordon d'alimentation.

Toujours insérer les accessoires à l'endroit dans le four. *Voir la description des accessoires* dans la notice d'utilisation.

## **Risque de surchauffe !**

Lors d'une coupure de courant, le ventilateur de refroidissement ne fonctionne pas. L'appareil peut surchauffer. Les pièces touchables deviennent très chaudes et peuvent occasionner des blessures. L'appareil et les meubles d'encastrement peuvent subir des dommages par les températures élevées. Lors d'une coupure de courant, l'appareil ne doit pas être allumé manuellement et être utilisé.

## **COMPORTEMENT EN CAS D'ODEUR DE GAZ !**

Du gaz qui s'échappe peut conduire à une explosion.

### **En cas de constatation d'odeur de gaz ou de dérangements sur l'installation de gaz :**

- Fermer immédiatement l'arrivée du gaz ou le robinet de la bouteille de gaz.
- Eteindre immédiatement tout feu nu et cigarettes.
- Ne plus actionner les interrupteurs de lumière et d'appareils, ne pas retirer de connecteurs de la prise. Ne pas utiliser le téléphone ou le portable dans la maison.
- Ouvrir les fenêtres et aérer en grand la pièce.
- Appeler le service après-vente ou la société de distribution de gaz.

## **Risque d'asphyxie !**

L'utilisation de l'appareil de cuisson au gaz conduit à la formation de chaleur, d'humidité et de produits de combustion dans la pièce où l'appareil est installé. Veiller à une bonne aération de la pièce où l'appareil est installé. Les bouches d'aération naturelles doivent rester ouvertes ou il faut prévoir une installation mécanique de ventilation (p.ex. une hotte). Une utilisation intensive et de longue durée de l'appareil peut rendre nécessaire une aération supplémentaire, p.ex. en ouvrant une fenêtre, ou une aération plus efficace, p.ex. faire fonctionner l'installation mécanique de ventilation à un niveau de puissance supérieur.

## **Risque d'incendie !**

- Il se produit un courant d'air lors de l'ouverture de la porte de l'appareil. Le papier sulfurisé peut toucher les résistances chauffantes et s'enflammer. Ne jamais poser de papier sulfurisé non attaché sur un accessoire lors du préchauffage. Toujours déposer un plat ou un moule de cuisson sur le papier sulfurisé pour le lester. Recouvrir uniquement la surface nécessaire de papier sulfurisé. Le papier sulfurisé ne doit pas dépasser des accessoires.
- Des objets inflammables, rangés dans le compartiment de cuisson peuvent s'enflammer. Ne jamais conserver des objets inflammables dans le compartiment de cuisson. Ne jamais ouvrir la porte de l'appareil en cas de production de fumée dans l'appareil. Eteindre l'appareil et retirer la fiche secteur ou désactiver le fusible dans le boîtier à fusibles. Fermer l'arrivée de gaz.
- L'huile et la graisse chaude s'enflamme rapidement. Ne jamais laisser l'huile et la graisse chaude sans surveillance. Ne jamais éteindre le feu avec de l'eau. Eteindre le foyer. Etouffer les flammes prudemment avec un couvercle, une couverture ou similaire.
- L'appareil devient très chaud, des matières inflammables peuvent s'enflammer. Ne jamais ranger ou utiliser des objets inflammables (p.ex. aérosols, nettoyants) en-dessous de l'appareil ou à proximité. Ne jamais poser des objets inflammables sur ou dans l'appareil.
- Ne jamais mettre une grille, une plaque à pâtisserie, une poêle ou un autre récipient directement sur la sole du four. Cela conduit à une surchauffe du fond de l'appareil et peut considérablement endommager le fond du meuble d'encastrement.
- La face arrière de l'appareil devient très chaud. Cela peut conduire à un endommagement des conduites de raccordement. Les conduites électrique et de gaz ne doivent pas toucher la face arrière de l'appareil.

### **Risque de brûlure !**

- L'appareil devient très chaud. Ne jamais toucher les surfaces intérieures chaudes du compartiment de cuisson ni les résistances chauffantes. Toujours laisser l'appareil refroidir. Tenir les enfants éloignés
- Les récipients ou les accessoires deviennent très chaud. Toujours utiliser des maniques pour retirer le récipient ou les accessoires du compartiment de cuisson.
- Les vapeurs d'alcool peuvent s'enflammer dans un compartiment de cuisson chaud. Ne jamais préparer de plats contenant de grandes quantités de boissons fortement alcoolisées. Utiliser uniquement de petites quantités de boissons fortement alcoolisées. Ouvrir la porte de l'appareil avec précaution.
- Les éléments accessibles deviennent chauds pendant le fonctionnement. Ne jamais toucher les éléments chauds. Eloigner les enfants.

### **Risque de brûlures !**

- Les éléments accessibles deviennent chauds pendant le fonctionnement. Ne jamais toucher les éléments chauds. Eloigner les enfants.
- De la vapeur chaude peut s'échapper lors de l'ouverture de la porte de l'appareil. Ouvrir la porte de l'appareil avec précaution. Tenir les enfants éloignés
- La présence d'eau dans un compartiment de cuisson chaud peut générer de la vapeur d'eau chaude. Ne jamais verser d'eau dans le compartiment de cuisson chaud.

### **Risque de blessure !**

- Un verre de porte d'appareil rayé peut se fendre. Ne pas utiliser de racloir à verre, ni de produit de nettoyage agressif ou abrasif.
- Les réparations inexpertes sont dangereuses. Seul un technicien du service après-vente formé par nos soins est habilité à effectuer des réparations et à remplacer des câbles électriques ou conduites de gaz défectueux. Si l'appareil est défectueux, retirer la fiche secteur ou déconnecter le fusible dans le boîtier à fusibles, fermer l'arrivée de gaz. Appeler le service après-vente.
- Des dérangements ou dommages sur l'appareil sont dangereux. Ne jamais mettre en service un appareil défectueux. Retirer la fiche secteur ou déconnecter le fusible dans le boîtier à fusibles. Fermer l'arrivée de gaz. Appeler le service après-vente.

### **Risque de choc électrique !**

- L'isolation des câbles des appareils électroménagers peut fondre au contact des pièces chaudes de l'appareil. Ne jamais mettre le câble de raccordement des appareils électroménagers en contact avec des pièces chaudes de l'appareil.
- De l'humidité qui pénètre peut occasionner un choc électrique. Ne pas utiliser de nettoyeur haute pression ou de nettoyer à vapeur.
- Lors du remplacement de l'ampoule du compartiment de cuisson, les contacts du culot de l'ampoule sont sous tension. Retirer la fiche secteur ou couper le fusible dans le boîtier à fusibles avant de procéder au remplacement.



## Causes de dommages

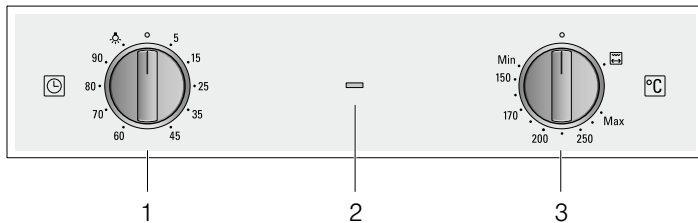
### Attention !

- Accessoires, feuille, papier cuisson ou récipient sur le fond du compartiment de cuisson : Ne posez pas d'accessoires sur le fond du compartiment de cuisson. Ne recouvrez pas le fond du compartiment de cuisson d'une feuille, quel que soit le type, ni de papier cuisson. Ne pas placer de plat sur la sole du compartiment de cuisson. Cela crée une accumulation de chaleur. Le temps de cuisson n'est plus le même et l'émail sera endommagé.
- Introduire l'accessoire : Selon le modèle d'appareil, les accessoires peuvent rayer la vitre en fermant la porte. Introduire les accessoires toujours jusqu'en butée dans le compartiment de cuisson.
- Eau dans le compartiment de cuisson chaud : Ne versez jamais d'eau dans le compartiment de cuisson chaud. Cela produit de la vapeur d'eau. Le changement de température peut occasionner des dommages sur l'émail.
- Aliments humides : Ne conservez pas d'aliments humides dans le compartiment de cuisson pendant une longue durée. Cela endommage l'émail.
- Jus de fruits : Ne garnissez pas trop la plaque à pâtisserie en cas de gâteaux aux fruits très juteux. Le jus de fruits qui goutte de la plaque laisse des taches définitives. Utilisez de préférence la lèchefrite à bords hauts.
- Refroidissement la porte de l'appareil ouverte : Laissez refroidir le compartiment de cuisson uniquement la porte fermée. Même si la porte de l'appareil n'est qu'entrouverte, les façades des meubles voisins risquent d'être endommagées au fil du temps.

- Joint de porte très encrassé : si le joint de la porte est très encrassé, la porte de l'appareil ne fermera plus correctement lors du fonctionnement. La façade des meubles voisins peut être endommagée. Veillez à ce que le joint de l'appareil soit toujours propre.
- Porte du four utilisée comme surface d'assise : Il est interdit de grimper ou de s'asseoir sur la porte du four ouverte. Ne pas se suspendre à la porte du four.
- Transporter l'appareil : Ne transportez ou ne portez pas l'appareil par la poignée de la porte. La poignée ne supportera pas le poids de l'appareil et risque de se casser.
- Accessoires lourds : Ne retirez pas trop loin les accessoires lourdement chargés, sans les soulager. Un accessoire lourd bascule en le retirant. Il exerce une pression sur les nervures du compartiment de cuisson, ce qui risque d'endommager l'émail. Soulagez l'accessoire retiré, en le relevant légèrement avec une main. Attention ! Utilisez toujours des maniques en cas d'accessoires chauds.
- Grillades : Pour des grillades, n'enfournez la plaque à pâtisserie ou la lèchefrite pas plus haut que le niveau 3. Elle se déforme par la forte chaleur et endommage l'émail lors du défournement. Ne grillez au niveau 4 et 5 que directement sur la grille.

## Votre nouvel appareil

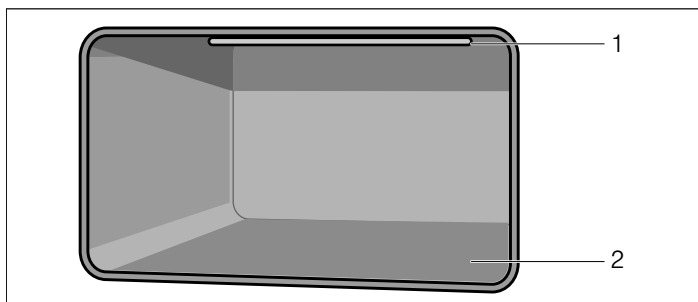
Les informations qui suivent vont vous permettre de vous familiariser avec votre nouvel appareil. Vous obtenez des informations sur le bandeau de commande, le four, les modes de cuisson et les accessoires.



### Explication

- 1 Manette de commande du minuteur
- 2 Voyant lumineux du gril
- 3 Manette de commande Four et Gril

## Le four



### Explication

- 1 Gril électrique
- 2 Brûleur du four

### Manette de commande du four

Cette manette de commande sert à régler la puissance de chauffe du four et du gril.

Position	Signification
○	Eteint. Le four ne chauffe pas.
MIN	Petite flamme, puissance minimale
150-250	Brûleur du four allumé, fourchette de température en °C
MAX	Grande flamme, puissance maximale
	Le gril chauffe et le tournebroche fonctionne.

Il y a une butée entre les positions et Max. Ne tournez pas la manette plus loin.

Le voyant lumineux est allumé lorsque le gril est en marche.


## Le minuteur

Avec le minuteur vous pouvez régler une durée.

Un signal retentit après écoulement de la durée.

### Manette de commande du minuteur

Cette manette de commande permet de régler la durée. Cette manette de commande permet aussi d'allumer l'éclairage du four.

Position	Signification
o	Eteint
5 - 90	Durée en minutes
	Allumer l'éclairage du four

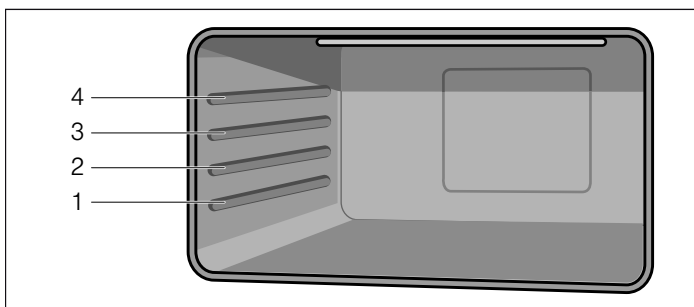
## Ventilateur de refroidissement

Le ventilateur de refroidissement se met en marche et se coupe selon les besoins. L'air chaud s'échappe au-dessus de la porte. Attention ! Ne pas couvrir les fentes d'aération. Sinon, le four surchauffe.

Le ventilateur continue de fonctionner un certain temps, afin que le compartiment de cuisson refroidisse plus vite après le fonctionnement.

## Accessoire

Les accessoires peuvent être enfournés à 4 niveaux différents. Introduisez-le toujours jusqu'en butée, afin que l'accessoire ne touche pas la vitre de la porte. Assurez-vous d'insérer les accessoires toujours dans le bon sens dans le compartiment de cuisson.



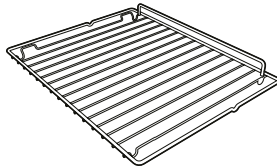
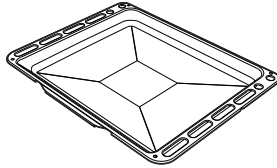
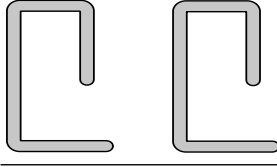
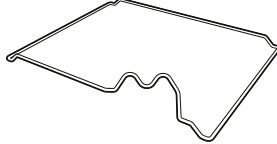

## Risque d'incendie !

Ne jamais mettre une grille, une plaque à pâtisserie, une poêle ou un autre récipient directement sur la sole du four. Cela conduit à une surchauffe du fond de l'appareil et peut considérablement endommager le fond du meuble d'encastrement.

Vous pouvez sortir l'accessoire aux deux tiers sans qu'il ne bascule. Il est ainsi plus facile de retirer les plats du four.

Lorsque l'accessoire devient chaud il peut se déformer. Cela n'a aucune influence sur le fonctionnement, il reprend sa forme dès qu'il est refroidi.

Vous pouvez acheter des accessoires auprès du service après-vente, dans le commerce spécialisé ou sur Internet.

Accessoires	Description
	<b>Grille à pâtisserie/de rôtissage</b> Pour de la vaisselle, des moules à gâteau, rôtis, grillades, plats surgelés.
	<b>Plaque à pâtisserie émaillée</b> Pour des gâteaux fondants, pâtisseries, plats surgelés et gros rôtis. Egalement utilisable comme collecteur de graisse.
	<b>Tiges de sécurité</b> Pour bloquer les charnières.
	<b>Support de tournebroche</b> Pour poser la broche.
	<b>Tournebroche</b> Pour des rôtis et des grosses volailles. L'utiliser uniquement en combinaison avec la plaque à pâtisserie émaillée.

## Avant la première utilisation

Vous apprendrez ici ce que vous devez faire avant d'utiliser votre appareil pour la première fois pour préparer des mets. Avant de commencer, lisez le chapitre *Consignes de sécurité*.

Retirez l'emballage de l'appareil et éliminez-le conformément aux réglementations en la matière.

### Chauffe à vide du four

#### Premier nettoyage du four

1. Retirer les accessoires et les grilles supports du compartiment de cuisson.
2. Enlever tous les résidus d'emballage, tels que des petits morceaux de polystyrène, du compartiment de cuisson.
3. Certaines parties sont recouvertes d'un film protecteur. Enlever le film protecteur.
4. Nettoyer l'extérieur de l'appareil avec un chiffon doux, humide.
5. Nettoyer le compartiment de cuisson à l'eau chaude additionnée de produit à vaisselle.

### Chauffer le four

Pour éliminer l'odeur de neuf, chauffer le four vide et fermé.

1. Régler le thermostat sur la température maximale.
2. Eteindre le four au bout de 45 minutes.

### Nettoyage ultérieur du four

1. Nettoyer le compartiment de cuisson à l'eau chaude additionnée de produit à vaisselle.
2. Monter les grilles supports.

### Nettoyer les accessoires

Avant d'utiliser les accessoires, nettoyez-les soigneusement avec de l'eau additionnée de produit à vaisselle et une lavette.

# Voici comment utiliser le four

## Eclairage

### Allumer l'éclairage du four

Régler la manette de commande sur la position

L'éclairage du four s'allume aussi quand le minuteur est en marche ou la porte du four est ouverte.

### Eteindre l'éclairage du four

Régler la manette de commande sur la position

L'éclairage du four s'éteint.

## Modes de fonctionnement

Les modes de fonctionnement suivants sont disponibles.

	Mode de fonctionnement	Utilisation
	Brûleur du four 150 - 250 °C	Pour des gâteaux et pâtisseries, soufflés, volailles, pièces de rôtis maigres de bœuf, veau et gibier.
	Gril électrique	Pour des steaks, saucisses, poissons et toasts

## Utilisation du four

### Allumer le brûleur du four

1. Ouvrir la porte de l'appareil.
2. Appuyer sur la manette de commande du four et la régler sur la position 250 °C.
3. Maintenir la manette enfoncée pendant quelques secondes le temps que la flamme se stabilise.
4. Fermer prudemment la porte de l'appareil.
5. Régler la température désiré au moyen de la manette de commande. Ne pas tourner plus loin que la position "Min".

### Si la flamme s'éteint de nouveau

Placez la manette de commande sur la position Arrêt. Attendez une minute et répétez l'allumage.

### Risque d'incendie !

Du gaz s'échappe lorsque la flamme s'éteint. Ne laissez pas les brûleurs sans surveillance pendant leur fonctionnement. Assurez-vous qu'il n'y a pas de courant d'air.

### Eteindre le brûleur du four

Régler la manette de commande sur la position . Ce faisant, maintenir la manette de commande appuyée.

## Utilisation du gril

La porte de l'appareil doit être fermée lors du fonctionnement du gril.

### Remarques

- Il n'est pas possible d'utiliser en même temps le brûleur du four et le gril.
- Lors de l'utilisation du gril, le temps de cuisson ne doit pas dépasser 60 minutes.
- Lors de la mise en marche du gril, l'entraînement du tournebroche est automatiquement activé.

### Allumer le gril

Appuyer sur la manette de commande du four et la régler sur la position

Le voyant lumineux est allumé lorsque le gril est en marche.

### Eteindre le gril

Régler la manette de commande sur la position

## Commande du tournebroche

Le tournebroche est idéal pour le rôtissage, comme pour préparer du rôti roulé et de la volaille. La viande sera cuite uniformément.

L'entraînement du tournebroche est automatiquement activé dès la mise en marche du gril.

### Préparer le rôti

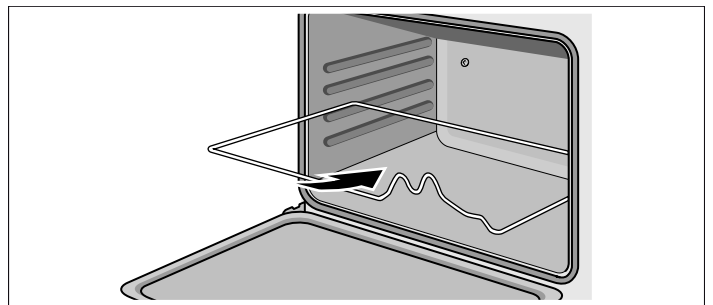
1. Embrocher le rôti sur le tournebroche en le centrant le mieux possible et le fixer aux deux extrémités avec les crochets. Le rôti peut être fixé en plus avec de la ficelle de cuisine.
2. En cas de volaille, fixer les extrémités des ailes sous le dos et les cuisses au corps. De cette sorte, elles ne brunissent pas trop.
3. Piquer la peau en-dessous des ailes, la graisse peut ainsi s'écouler.

### Mise en place de la broche

#### Risque de brûlure !

Ne jamais toucher les surfaces chaudes du compartiment de cuisson ni les éléments chauffants. Eloigner systématiquement les enfants. Ouvrir prudemment la porte de l'appareil. De la vapeur chaude peut s'échapper.

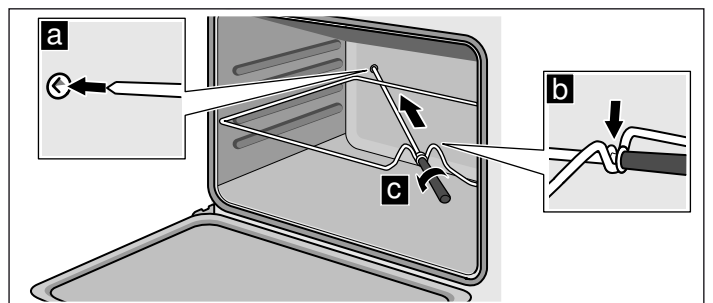
1. Introduire le support de la broche au niveau d'enfournement 2 jusqu'en butée.



2. Pousser le tournebroche dans le logement du moteur situé dans la paroi arrière du compartiment de cuisson (a).
3. Placer le tournebroche sur le support de la broche (b).

**Remarque :** La broche doit correctement s'encliqueter dans le support.

4. Dévisser la poignée (c).



5. Verser de l'eau sur une plaque à pâtisserie et enfourner la plaque au niveau 1 comme collecteur de graisse.

6. Fermer la porte de l'appareil.

### Activer le tournebroche

Régler la manette de commande du four sur la position

### Désactiver le fonctionnement du tournebroche

Régler la manette de commande du four sur la position

## Retirer la broche

### Risque de brûlure !

Ne jamais toucher les surfaces chaudes du compartiment de cuisson ni les éléments chauffants. Eloigner systématiquement les enfants. Ouvrir prudemment la porte de l'appareil. De la vapeur chaude peut s'échapper.

### Risque de brûlure !

Ne jamais toucher directement le tournebroche chaud ou d'autres accessoires chauds. Saisir un accessoire chaud uniquement avec des maniques ou des gants thermoisolants.

1. Ouvrir prudemment la porte de l'appareil et revisser la poignée sur le tournebroche.
2. Retirer prudemment le tournebroche de son logement dans paroi arrière et l'enlever.
3. Enlever le support de la broche et la plaque à pâtisserie.

## Utilisation du minuteur

Le minuteur fonctionne indépendamment du four.

### Réglage de la durée

1. Tourner la manette de commande à droite jusqu'en butée.
2. La tourner à gauche jusqu'à la durée désirée.

Une fois la durée écoulée, un signal sonore retentit.

# Entretien et nettoyage

Si vous entretenez et nettoyez soigneusement votre four il gardera longtemps l'aspect du neuf et restera opérationnel. Nous vous expliquons ici comment entretenir et nettoyer correctement votre four.

## Remarques

- Les légères variations de couleur apparaissant sur la façade du four sont dues aux différents matériaux tels que le verre, le plastique et le métal.
- Des ombres sur la vitre de la porte, qui ressemblent à des stries, sont des reflets de lumière de la lampe du four.
- L'émail est cuit à des températures très élevées. Ceci peut engendrer des différences de teintes. Ce phénomène est normal et n'a aucune incidence sur le fonctionnement du four. Les bords de plaques minces ne peuvent pas être émaillés complètement. Ils peuvent donc présenter des aspérités. La protection contre la corrosion n'en est pas compromise.

### Risque de choc électrique !

De l'humidité qui pénètre peut occasionner un choc électrique. Ne pas utiliser de nettoyeur haute pression ou de nettoyer à vapeur.

### Risque de brûlure !

L'appareil devient très chaud. Ne jamais toucher les surfaces intérieures chaudes du compartiment de cuisson ni les résistances chauffantes. Toujours laisser l'appareil refroidir. Tenir les enfants éloignés

## Nettoyants

Afin de ne pas endommager les différentes surfaces en utilisant des nettoyants inappropriés, veuillez respecter les indications dans le tableau. N'utilisez pas

- de produits agressifs ou récurants,
- de nettoyants fortement alcoolisés,
- de tampons en paille métallique ni d'éponges à dos récurant,
- de nettoyeurs haute pression ni de nettoyeurs à vapeur.

Avant d'utiliser des lavettes éponges neuves, rincez-les soigneusement.

Niveau	Nettoyants
Façade du four	Eau chaude additionnée de produit à vaisselle : Nettoyer avec une lavette et sécher avec un chiffon doux. Ne pas utiliser de nettoyant pour vitres ou de grattoir pour vitres.
Inox	Eau chaude additionnée de produit à vaisselle : Nettoyer avec une lavette et sécher avec un chiffon doux. Éliminer immédiatement les dépôts calcaires, de graisse, de fécule et de blanc d'œuf. De la corrosion peut se former sous ces salissures.  Après du service après-vente et dans le commerce spécialisé, vous pouvez vous procurer des produits d'entretien spécifiques pour inox qui sont appropriés pour des surfaces chaudes. Appliquer avec un chiffon doux une pellicule mince de produit d'entretien.
Aluminium	Nettoyer avec un nettoyant doux pour vitres. Passer horizontalement et sans pression sur les surfaces avec un chiffon pour vitres ou un chiffon à microfibres ne peluchant pas.
Surfaces émaillées (surface lisse)	Produit à vaisselle usuel du commerce ou de l'eau au vinaigre : appliquer avec un chiffon doux et humide ou une peau de chamois ; sécher avec un chiffon doux. Ramollir les résidus d'aliment incrustés avec un chiffon humide et du produit à vaisselle. En cas d'encrassement important, utiliser du gel de nettoyage pour four. Il peut être appliqué de façon précise. Après le nettoyage, laisser le compartiment de cuisson ouvert, afin qu'il sèche.
Surfaces autonettoyantes (surface rugueuse)	Respecter les consignes dans le chapitre : <i>Revêtement catalytique du compartiment de cuisson</i>
Brûleurs	Ne jamais nettoyer soi-même les brûleurs dans le compartiment de cuisson.
Vitres de la porte	Nettoyant pour vitres : Nettoyer avec un chiffon doux. Ne pas utiliser de raclor à verre.

Niveau	Nettoyants
Cache en verre de la lampe du four	Eau chaude additionnée de produit à vaisselle : Nettoyer avec une lavette.
Joint Ne pas l'enlever !	Eau chaude additionnée de produit à vaisselle : Nettoyer avec une lavette. Ne pas rincer.
Supports	Eau chaude additionnée de produit à vaisselle : Mettre à tremper et nettoyer avec une lavette ou une brosse.
Accessoires	Eau chaude additionnée de produit à vaisselle : Mettre à tremper et nettoyer avec une lavette ou une brosse.

## Panneaux catalytiques du compartiment de cuisson

Les panneaux catalytiques du compartiment de cuisson sont revêtus d'un émail autonettoyant.

Les parois se nettoient automatiquement pendant le fonctionnement du four. Les projections plus importantes disparaissent parfois seulement au bout de plusieurs utilisations du four.

### Surfaces autonettoyantes

Les parois latérales possèdent un revêtement catalytique. Ne nettoyez jamais ces surfaces avec un produit de nettoyage pour four. Une légère décoloration du revêtement en émail n'a aucune influence sur l'autonettoyage.

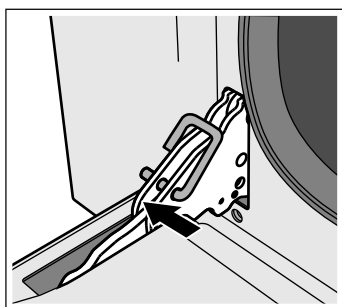
## Dépose et pose des vitres de la porte

Pour faciliter le nettoyage, vous pouvez déposer les vitres de la porte du four.

### Dépose des vitres de la porte

1. Ouvrir complètement la porte du four.
2. Bloquer les deux charnières à gauche et à droite à l'aide de la tige de sécurité.

**Remarque :** Les tiges de sécurité doivent être complètement introduites dans les trous des charnières.

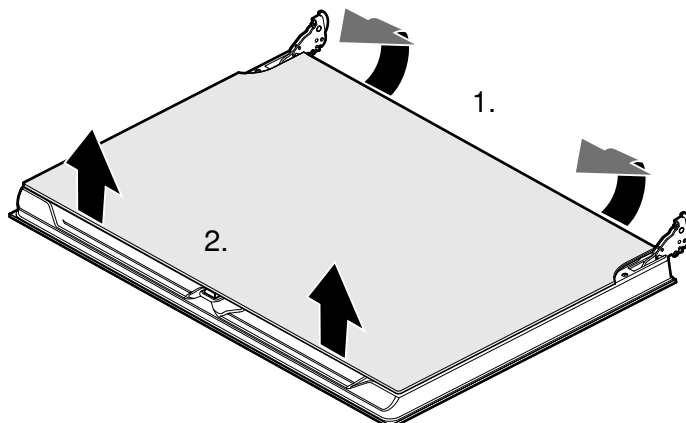


3. Lever légèrement la partie inférieure de la vitre intérieure, jusqu'à ce que les tiges de fixation sortent de la fixation (1).

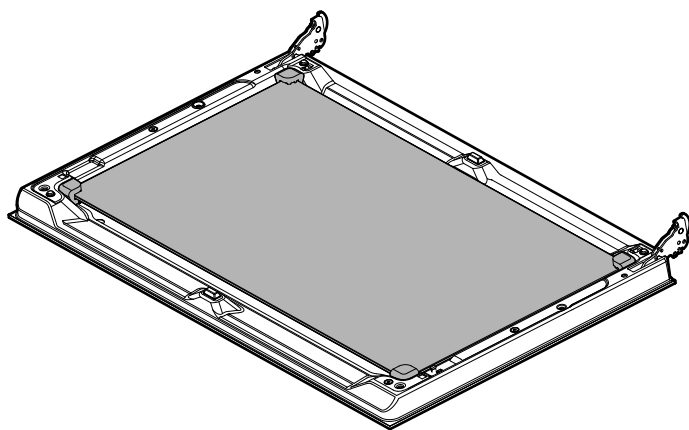
4. Lever délicatement la partie supérieure de la vitre intérieure, jusqu'à ce que les tiges de fixation sortent de la fixation (2).

### Attention !

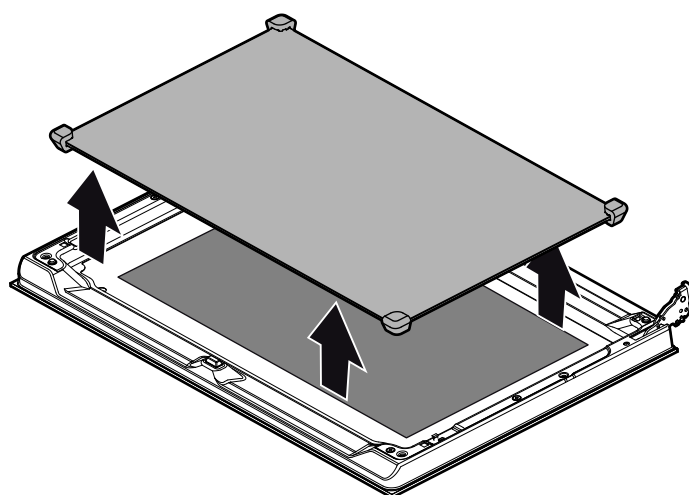
En levant la vitre intérieure, il se peut que la vitre du milieu reste collée à la vitre intérieure. Veiller à ce que la vitre du milieu ne tombe pas.



5. Enlever la vitre intérieure.
6. Enlever la vitre du milieu.



**Remarque :** La vitre du milieu n'est pas fixée avec des tiges de fixation mais est maintenue en position par des supports en caoutchouc.



Nettoyez les vitres avec un nettoyant pour vitres et un chiffon doux.

### ⚠ Risque de blessure !

Un verre de porte d'appareil rayé peut se fendre. Ne pas utiliser de racloir à verre, ni de produit de nettoyage agressif ou abrasif.

## Pose des vitres de la porte

1. Remettre la vitre du milieu.

**Remarque :** Veiller à ce que la vitre soit correctement en place. Tous les supports en caoutchouc doivent reposer à plat sur la vitre extérieure.

2. Remettre la vitre intérieure.

**Remarque :** Les quatre tiges de fixation doivent s'enclencher dans les fixations prévues à cet effet.

3. Enlever les tiges de sécurité et fermer la porte du four.

## Décrocher et accrocher la porte de l'appareil

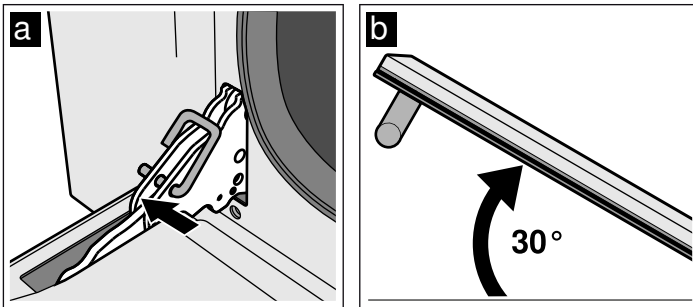
En cas d'encrassement très important, la porte du four peut être décrochée pour faciliter le nettoyage. Cependant, cela n'est pas nécessaire en cas d'encrassement normal.

### Décrocher la porte de l'appareil

1. Ouvrir complètement la porte du four.
2. Bloquer les deux charnières à gauche et à droite au moyen de la tige de sécurité (a).

**Remarque :** Les tiges de sécurité doivent être complètement introduites dans les trous des charnières.

3. Saisir la porte du four des deux mains sur les côtés et la fermer d'env 30° (b).



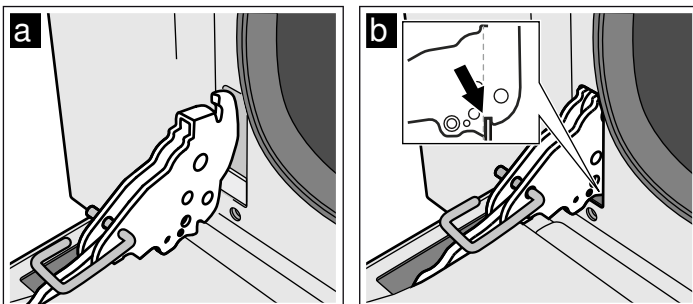
4. Soulever légèrement la porte du four et la retirer.

**Remarque :** Ne pas fermer la porte du four complètement. Cela risque de tordre les charnières et d'endommager l'émail.

### Accrocher la porte de l'appareil

1. Saisir la porte du four des deux mains sur les côtés.
2. Pousser les charnières dans les évidements du four (a).

**Remarque :** L'encoche en bas aux charnières doit s'enclencher dans le cadre du four (b).



3. Abaisser la porte.
4. Retirer les tiges de sécurité.

### ⚠ Risque de blessure !

Si la porte du four tombe par inadvertance ou une charnière se ferme, ne pas mettre la main dans la charnière. Appeler le service après-vente.

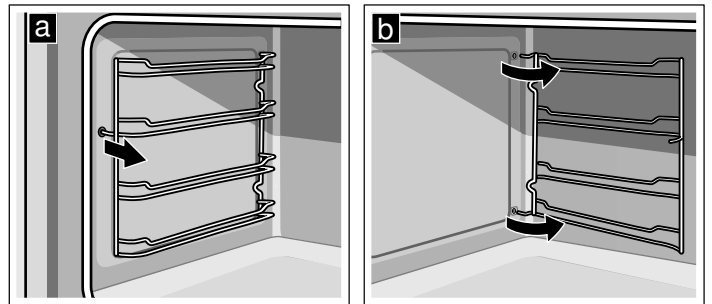
## Retrait et montage des grilles supports

Pour pouvez décrocher les grilles supports pour faciliter le nettoyage.

### Retrait des grilles supports

Les grilles porte-accessoires sont fixées respectivement à trois points aux parois latérales dans le compartiment de cuisson.

1. Saisir les grilles porte-accessoires sur le devant et les tirer vers le milieu du compartiment de cuisson. Le crochet avant de la grille porte-accessoires se détache du trou.
2. Ouvrir davantage les grilles porte-accessoires et les retirer des trous arrière de la paroi latérale.
3. Retenir les revêtements catalytiques du compartiment de cuisson.
4. Enlever les grilles porte-accessoires du compartiment de cuisson.



### Mise en place de la grille support

1. Retenir les revêtements catalytiques du compartiment de cuisson.
2. Engager les crochets des grilles supports dans les trous arrière de la paroi latérale.
3. Pousser le crochet avant des grilles supports dans le trou.

# Pannes et dépannage

Il se peut qu'une petite panne gêne le bon fonctionnement de votre appareil. Avant d'appeler le service après-vente, consultez le tableau. Vous pouvez éventuellement remédier vous-même au dérangement.

## ⚠ Risque de blessure !

Les réparations inexpertes sont dangereuses. Seul un technicien du service après-vente formé par nos soins est habilité à effectuer des réparations et à remplacer des câbles électriques ou conduites de gaz défectueux. Si l'appareil est défectueux, retirer la fiche secteur ou déconnecter le fusible dans le boîtier à fusibles, fermer l'arrivée de gaz. Appeler le service après-vente.

Panne	Cause possible	Remède
L'appareil ne fonctionne pas	Panne de courant	Vérifier si d'autres appareils de cuisine fonctionnent
	Fusible défectueux	Vérifier dans le coffret à fusibles, si le fusible pour l'appareil est en bon état
L'éclairage du four est tombé en panne.	Lampe du four défectueuse	Remplacer la lampe du four. (Voir paragraphe "Remplacement de la lampe du four")
La flamme (four) ne sort pas de tous les orifices.	Salissure normale	Le brûleur doit être nettoyé par un spécialiste.
De la buée se forme sur la vitre de la porte lorsque le four chauffe.	C'est un phénomène normale en raison de la différence de température	Pas possible ; aucune influence sur le fonctionnement.

## Changer la lampe du four

Si la lampe du four ne fonctionne pas, vous devez la changer. Des ampoules de rechange résistantes aux températures élevées sont en vente au service après-vente ou dans le commerce spécialisé. Veuillez indiquer les numéros E et FD de votre appareil. N'utilisez pas d'autres ampoules.

# Service après-vente

Si votre appareil a besoin d'être réparé, notre service après-vente se tient à votre disposition. Nous trouvons toujours une solution appropriée pour éviter des visites inutiles d'un technicien.

Lors de votre appel, veuillez indiquer le numéro de produit (n° E) et le numéro de fabrication (n° FD), afin que nous puissions vous apporter une assistance qualifiée. La plaque signalétique se trouve sur le côté derrière la porte du four.

Pour éviter d'avoir à les rechercher en cas de besoin, vous pouvez inscrire ici les données de votre appareil et le numéro de téléphone du service après-vente.

N° E \_\_\_\_\_ N° FD \_\_\_\_\_

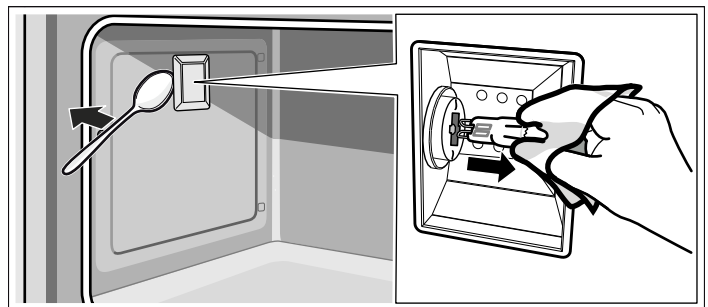
Service après-vente ☎

Tenez compte du fait que la visite d'un technicien du SAV n'est pas gratuite en cas de manipulation incorrecte, même pendant la période de garantie.

## ⚠ Risque de choc électrique !

Lors du remplacement de l'ampoule du compartiment de cuisson, les contacts du culot de l'ampoule sont sous tension. Retirer la fiche secteur ou couper le fusible dans le boîtier à fusibles avant de procéder au remplacement.

1. Laisser refroidir le compartiment de cuisson.
2. Ouvrir la porte de l'appareil.
3. Étaler un torchon dans le compartiment de cuisson afin d'éviter des endommagements.
4. Enlever les grilles porte-accessoires.
5. Retirer le couvercle en verre. Pour ce faire, ouvrir le couvercle en verre avec la main de face. Si le couvercle en verre s'enlève difficilement, utiliser une cuillère comme aide.
6. Retirer l'ampoule du four.



7. Remplacer l'ampoule du four par une ampoule de type identique :  
**Voltage** : 230 V ;  
**Puissance** : 40W ;  
**Culot** : G9 ;  
**Résistance à la température** : 300°C
8. Remettre en place le couvercle en verre de la lampe du four.
9. Monter les grilles porte-accessoires.
10. Retirer le torchon à vaisselle.
11. Réarmer le fusible.
12. Vérifier que l'éclairage du four refonctionne.

Vous trouverez les données de contact pour tous les pays dans l'annuaire ci-joint du service après-vente.

## Commande de réparation et conseils en cas de dérangements

**B** 070 222 142  
**FR** 01 40 10 12 00  
**CH** 0848 840 040

Faites confiance à la compétence du fabricant. Vous garantisiez ainsi que la réparation sera effectuée par des techniciens de SAV formés qui disposent des pièces de rechange d'origine adaptées à votre appareil.

# Conseils concernant l'énergie et l'environnement

Vous trouverez ici des conseils comment vous pouvez économiser de l'énergie lors de la cuisson et comment correctement éliminer votre appareil.

## Economie d'énergie

- Préchauffez le four uniquement si cela est indiqué dans la recette.
- Pendant la cuisson ou le rôtissage, ouvrez la porte du four le moins souvent possible.
- Si vous voulez faire cuire plusieurs gâteaux, faites-les cuire les uns après les autres. Le four étant encore chaud. Le temps de cuisson est alors réduit pour le deuxième gâteau. Vous pouvez également enfourner 2 moules à cake l'un à côté de l'autre.
- Si les temps de cuisson sont assez longs, vous pouvez éteindre le four 10 minutes avant la fin de la durée impartie puis terminez la cuisson avec la chaleur résiduelle.

## Elimination écologique

Éliminez l'emballage en respectant l'environnement.



Cet appareil est marqué selon la directive européenne 2012/19/UE relative aux appareils électriques et électroniques usagés (waste electrical and electronic equipment - WEEE).

La directive définit le cadre pour une reprise et une récupération des appareils usagés applicables dans les pays de la CE.

# Conseils pour l'utilisation

Vous trouverez ici des conseils concernant les récipients et la préparation.

## Remarques

- Utilisez les accessoires livrés avec l'appareil. Des accessoires supplémentaires sont en vente dans le commerce spécialisé ou auprès du service après-vente comme accessoires optionnels.  
Avant l'utilisation, retirez du compartiment de cuisson tous les accessoires et récipients qui ne sont pas nécessaires.
- Utilisez toujours des maniques pour retirer des accessoires ou récipients chauds du compartiment de cuisson.

## Cuisson de pain et de pâtisseries

### Moules

- Utilisez avant tout des moules ou plaques à pâtisserie de couleur claire.
- Placez toujours les moules à gâteaux au centre de la grille.

## Conseils pour la pâtisserie

Vérifiez si votre cake est complètement cuit.	A l'aide d'un bâtonnet en bois, piquez le sommet du gâteau environ 10 minutes avant la fin du temps de cuisson indiqué dans la recette. Le gâteau est cuit si la pâte n'adhère plus au bâtonnet.
Le gâteau s'affaisse.	La fois suivante, veillez à ce que la pâte soit moins liquide ou bien réduisez la température du four de 10 degrés. Respectez les temps de malaxage indiqués dans la recette.
Le gâteau a levé davantage au centre que sur les bords.	Ne graissez pas le tour du moule démontable. Après la cuisson, détachez soigneusement le gâteau à l'aide d'un couteau.
Le dessus du gâteau est trop cuit.	Enfournez-le jusqu'au fond, choisissez une température plus basse et faites cuire le gâteau un peu plus longtemps.
Le gâteau est trop sec.	A l'aide d'un cure-dent, percez plusieurs petits trous dans le gâteau cuit. Arrosez de jus de fruit ou de liquide légèrement alcoolisé. La prochaine fois, augmentez la température de 10 degrés et réduisez les temps de cuisson.
Le pain ou le gâteau (p.ex. gâteau au fromage blanc) a un bel aspect mais l'intérieur est pâteux (filets d'eau à l'intérieur)	Pour le gâteau suivant, veillez à ce que la pâte soit moins liquide. Augmentez le temps de cuisson et réduisez la température. En cas de gâteau avec une garniture fondante, faites d'abord précuire le fond. Saupoudrez-le de poudre d'amandes ou de chapelure et mettez ensuite la garniture. Suivez la recette et respectez les temps de cuisson.
Les pâtisseries ne sont pas uniformément dorées.	Baissez la température, la cuisson sera plus uniforme. Le papier cuisson dépassant de la plaque peut gêner la circulation de l'air. Découpez toujours le papier aux dimensions de la plaque.
Le dessous de la tarte aux fruits est trop clair.	La fois suivante, enfournez le gâteau un niveau plus bas.
Le jus des fruits a coulé.	La fois suivante, utilisez la lèche-frite à bords hauts (s'il y en a).
Les petites pâtisseries en pâte levée collent ensemble pendant la cuisson.	Disposez les pièces de pâtisserie sur la plaque en respectant un espace d'env. 2 cm autour de chaque pièce. Il y aura ainsi suffisamment de place pour que les pièces de pâtisserie puissent gonfler et dorer tout autour.
La cuisson de gâteaux aux fruits juteux produit de la condensation.	La cuisson peut générer de la vapeur d'eau. Elle s'échappe au-dessus de la porte. Cette vapeur peut se condenser sur le bandeau de commande ou sur les façades des meubles situés à proximité et se mettre à gouter. C'est là une propriété physique normale.



## Rôtissage et grillade

### Récipients

Vous pouvez utiliser tout récipient résistant à la chaleur. Placez toujours le plat au centre de la grille. La plaque à pâtisserie émaillée est également appropriée pour des gros rôtis.

### Conseils pour les rôtis

- Une température plus basse permet d'obtenir des mets plus uniformément dorés.
- Versez 2 à 3 cuillerées à soupe de liquide sur la viande maigre et 8 à 10 cuillerées à soupe sur les rôtis à braiser, selon leur taille.
- Pour les canards ou les oies, piquez la peau sous les ailes afin que la graisse puisse s'écouler.
- Pour obtenir une peau de volaille dorée et croustillante, enduisez la peau de beurre ou versez de l'eau salée ou du jus d'orange sur la peau vers la fin de la cuisson.
- Retournez les pièces de viande à mi-cuisson.
- Une fois le rôti cuit, laissez-le reposer 10 minutes de plus dans le four éteint et fermé. Cela permet au jus de rôti de mieux se répartir.
- Lors du rôtissage de gros morceaux de viande une plus forte formation de vapeur peut se produire et se condenser sur la porte du four. C'est un phénomène normal qui n'a aucune influence sur le bon fonctionnement. Après la cuisson, essuyez la porte du four et la vitre avec un chiffon.
- Si vous faites des grillades sur la grille, enfournez en plus la plaque à pâtisserie émaillée au niveau 1 pour récupérer la graisse.

### Conseils pour le rôtissage

Comment savoir si le rôti est cuit?	Utilisez un thermomètre pour viande (en vente dans le commerce) ou faites le "test de la cuillère". Appuyez sur le rôti avec la cuillère. Si vous sentez une résistance, le rôti est cuit. Si la cuillère s'enfonce, allongez le temps de cuisson.
Le rôti est trop cuit et l'extérieur est brûlé par endroits.	Vérifiez le niveau d'enfournement ainsi que la température.
Le rôti a un bel aspect mais la sauce est brûlée.	La fois suivante, choisissez un plat à rôtir plus petit et ajoutez plus de liquide.
Le rôti a un bel aspect, mais la sauce est trop claire et insipide.	La fois suivante, choisissez un plat à rôtir plus grand et ajoutez moins de liquide.

### Conseils pour les grillades

- Prenez si possible des pièces à griller de la même épaisseur. Elles doivent faire au moins 2 à 3 cm d'épaisseur. Elles seront alors uniformément dorées et bien juteuses.
- Placez les pièces à griller au centre de la grille. Versez un peu d'eau sur la plaque à pâtisserie émaillée et enfournez-la en plus sous la grille, afin de récupérer la graisse. Ne la placez jamais sur la sole du compartiment de cuisson.
- Badigeonnez les pièces à griller d'un peu d'huile, avant de les placer sur la grille sous le gril.
- Retournez à mi-cuisson les pièces peu épaisses, retournez les pièces épaisses plusieurs fois pendant le temps de cuisson. Utilisez pour cela une pince à grillade, les pièces à griller ne seront ainsi pas transpercées et le jus de viande restera p.ex. dans le rôti.
- Des types de viande rouge telle que de l'agneau et du bœuf brunissent davantage et plus rapidement que de la viande blanche telle que du porc et du veau.

### Conseils pour le tournebroche

- Embrochez le rôti sur le tournebroche en le centrant le mieux possible et fixez-le aux deux extrémités avec les crochets.
- De plus, vous pouvez fixer le rôti avec du fil de cuisine. En cas de volaille, fixez les extrémités des ailes sous le dos et les cuisses au corps. De cette sorte, elles ne brunissent pas trop.  
Piquez la peau sous les ailes afin que la graisse puisse s'écouler.





Siemens-Electrogeräte GmbH  
Carl-Wery-Straße 34, 81739 München

[siemens-home.com](http://siemens-home.com)



9001041812 914776003 940814