

SIEMENS



Fridge-freezer KI..N..

siemens-home.com/welcome

en User manual

Register
your
product
online

en Content

| | | | |
|---|----|---|----|
| Information concerning disposal | 3 | Super cooling | 10 |
| Safety and warning information | 3 | Freezer compartment | 10 |
| Getting to know your appliance | 5 | Freezing and storing food | 11 |
| Fascia | 5 | Freezing fresh food | 11 |
| Room temperature | 6 | Freezing food | 11 |
| Installing the appliance | 6 | Super freezing | 12 |
| Connecting the appliance | 6 | Features of the freezer compartment | 12 |
| Switching on the appliance | 7 | Thawing frozen food | 12 |
| Setting the temperature | 7 | Switching the appliance off | 13 |
| Warning signal | 8 | Defrosting | 13 |
| Store food in the appliance | 8 | Cleaning the appliance | 13 |
| Variable interior design | 9 | Light (LED) | 14 |
| Interior fittings of refrigerator compartment | 10 | Tips for saving energy | 14 |
| Refrigerator compartment | 10 | Operating noises | 14 |
| Sticker "OK" | 10 | Eliminating minor faults yourself | 15 |
| | | Customer service | 16 |

Information concerning disposal

Disposal of packaging

The packaging protects your appliance from damage during transit. All utilised materials are environmentally safe and recyclable.

Please help us by disposing the packaging in an environmentally friendly manner.

Please ask your dealer or inquire at your local authority about current means of disposal.

Disposal of your old appliance

Old appliances are not worthless rubbish! Valuable raw materials can be reclaimed by recycling old appliances.



This appliance has been identified in accordance with the European directive 2012/19/EG on Waste

Electrical and Electronic Equipment – WEEE. The directive specifies the framework for an EU-wide valid return and recycling of old appliances.

Warning

Redundant appliances

1. Pull out the mains plug.
2. Cut off the power cord and discard with the mains plug.

Refrigerators contain refrigerant and gases in the insulation. Refrigerant and gases must be disposed of professionally.

Ensure that tubing of the refrigerant circuit is not damaged prior to proper disposal.

Safety and warning information

Before you switch ON the appliance

Please read the operating and installation instructions carefully. They contain important information on how to install, use and maintain the appliance.

Retain all documents for subsequent use or for the next owner.

Technical safety

- This appliance contains a small quantity of environmentally-friendly but flammable R600a refrigerant. Ensure that the tubing of the refrigerant circuit is not damaged during transportation and installation. Leaking refrigerant may cause eye injuries or ignite.

If damage has occurred

- Keep naked flames and/or ignition sources away from the appliance,
- thoroughly ventilate the room for several minutes,
- switch off the appliance and pull out the mains plug,
- Notify customer service.

The more refrigerant an appliance contains, the larger the room must be in which the appliance is situated. Leaking refrigerant can form a flammable gas-air mixture in rooms which are too small.

The room must be at least 1 m³ per 8 g of refrigerant. The amount of refrigerant in your appliance is indicated on the rating plate inside the appliance.

- Only customer service may change the power cord and carry out any other repairs. Improper installations and repairs may put the user at considerable risk.

Important information when using the appliance

- Never use electrical appliances inside the appliance (e.g. heater, electric ice maker, etc.).
- Risk of explosion!**
- Never use a steam cleaner to defrost or clean the appliance! The steam may penetrate electrical parts and cause a short-circuit.
- Risk of electric shock!**
- Do not use pointed or sharp-edged implements to remove frost or layers of ice. You could damage the refrigerant tubing. Leaking refrigerant may ignite or cause eye injuries.
 - Do not store products which contain flammable propellants (e.g. spray cans) or explosive substances in the appliance.
- Risk of explosion!**
- Do not stand on or lean heavily against base of appliance, drawers or doors, etc
 - Before defrosting and cleaning the appliance, pull out the mains plug or switch off the fuse. Do not pull out the mains plug by tugging on the power cord.
 - Bottles which contain a high percentage of alcohol must be sealed and stored in an upright position.
 - Keep plastic parts and the door seal free of oil and grease. Otherwise, parts and door seal will become porous.
 - Never cover or block the ventilation openings for the appliance.
 - People who have limited physical, sensory or mental abilities or inadequate knowledge must not use this appliance unless they are supervised or given meticulous instructions.

- Do not store bottled or canned drinks (especially carbonated drinks) in the freezer compartment. Bottles and cans may explode!
 - Never put frozen food straight from the freezer compartment into your mouth.
- Risk of low-temperature burns!**
- Avoid prolonged touching of frozen food, ice or the evaporator pipes, etc.
- Risk of low-temperature burns!**

Children in the household

- Keep children away from packaging and its parts. Danger of suffocation from collapsible boxes and foil!
- Do not allow children to play with the appliance!
- If the appliance features a lock, keep the key out of the reach of children.

General regulations

The appliance is suitable

- for refrigerating and freezing food,
- for making ice.

The appliance is intended for domestic use only.

The appliance is suppressed according to EU Directive 2004/108/EC.

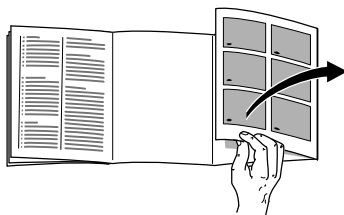
The refrigeration circuit has been checked for leaks.

This product complies with the relevant safety regulations for electrical appliances (EN 60335/2/24).

Getting to know your appliance

Please fold out the illustrated last page. These operating instructions refer to several models.

The diagrams may differ.



* not all models

Fig. 1

- 1–7 Fascia
- 8 The main switch
- 9 Light (LED)
- 10 Adjustable glass shelf (EasyLift)
- 11 Fixed glass shelf *
- 12 Delicatessen drawers
- 13 Vegetable container
- 14 Butter and cheese compartment
- 15 Egg shelf
- 16 Adjustable (EasyLift) storage compartment
- 17 Bottle holder
- 18 Storage compartments for large bottles
- 19 Berry tray *
- 20 Frozen food drawer (small)
- 21 Glass shelf
- 22 Frozen food drawer (large)
- 23 Ventilation opening

- A Refrigerator compartment
- A Freezer compartment

Fascia

Fig. 2

- 1 **Alarm button**
Used to switch off the warning signal. (See chapter entitled “Warning signal”).
- 2 **Super button (freezer compartment)**
Switches super freezing on and off.
- 3 **Temperature setting button freezer compartment**
The button sets the temperature in the freezer compartment.
- 4 **Temperature display freezer compartment**
The numbers correspond to the set freezer compartment temperatures in °C.
- 5 **“Super” button (refrigerator compartment)**
Switches super cooling on and off.
- 6 **Refrigerator compartment temperature setting button**
The button sets the temperature in the refrigerator compartment.
- 7 **Temperature display refrigerator compartment**
The numbers correspond to the set refrigerator compartment temperatures in °C.

Room temperature

The appliance is designed for a specific climate class. Depending on the climate class, the appliance can be operated at the following temperatures.

The climate class can be found on the rating plate at the bottom left-hand side in the appliance.

| Climate class | Ambient temperature |
|---------------|---------------------|
| SN | +10 °C to 32 °C |
| N | +16 °C to 32 °C |
| ST | +16 °C to 38 °C |
| T | +16 °C to 43 °C |

Ventilation

Fig. 1/23

This area needs to be well ventilated. Otherwise, the refrigeration unit will work harder. This increases energy consumption. Therefore: Never cover or block the ventilation opening!

Installing the appliance

Install the appliance in a dry, well ventilated room. The installation location should neither be exposed to direct sunlight nor near a heat source, e.g. a cooker, radiator, etc.

If installation next to a heat source is unavoidable, use a suitable insulating plate or observe the following minimum distances to a heat source:

3 cm to electric or gas cookers.

30 cm to an oil or coal-fired cooker.

Connecting the appliance

After installing the appliance, wait at least 1 hour until the appliance starts up.

During transportation the oil in the compressor may have flowed into the refrigeration system.

Before switching on the appliance for the first time, clean the interior of the appliance (see chapter “Cleaning”).

The socket should be freely accessible. Connect the appliance only to 220–240 V/ 50 Hz alternating current via a correctly installed earthed socket. The socket must be fused with a 10 to 16 A fuse.

For appliances operated in non-European countries, check whether the stated voltage and current type on the rating plate match the values of your mains supply. The rating plate is situated in the bottom left-hand side of the appliance. The power cord may be replaced by a technician only.

Warning

Never connect the appliance to electronic energy saver plugs or to power inverters which convert the direct current to 230 V alternating current (e.g. solar equipment, power supplies on ships).

Switching on the appliance

Switch on the appliance with the main switch **8**.

Fig. 2

A warning signal sounds and alarm button **1** flashes.

The warning signal is switched off by pressing the alarm button **1**.

The alarm button is lit and the temperature displays flash until the appliance has reached the set temperatures.

Operating tips

- While the refrigeration unit is running, water droplets or a thin layer of ice may form at the rear panel of the refrigerator. This is due to functional reasons. It is not necessary to scrape off the frost or wipe off the water droplets. The rear panel defrosts automatically. The condensation flows into the evaporation area of the appliance via the condensation channels and the drainage hole.
- The fully automatic No Frost system keeps the freezer compartment and refrigerator compartment free of ice. Defrosting is not required.
- The front sides of the housing are partly heated slightly. This prevents condensation in the area of the door seal.
- If you cannot open the freezer compartment door immediately after closing it, wait 2–3 minutes until the partial vacuum has equalised.

Setting the temperature

Fig. 2

Refrigerator compartment

(can be selected from +2 °C to +8 °C)

Keep pressing temperature setting button **6** until the required refrigerator compartment temperature is set. The value last selected is saved.

The set temperature is indicated on display **7**.

We recommend a setting of +4 °C.

Perishable food should not be stored above +4 °C.

Freezer compartment

(can be selected from –16 °C to –24 °C)

Keep pressing temperature setting button **3** until the required freezer compartment temperature is set.

The value last selected is saved.

The set temperature is indicated on display **4**.

We recommend a setting of –18 °C in the freezer compartment.

Warning signal

Switching off the warning signal

Fig. 2

If the alarm button **1** is pressed, the warning signal switches off and the display is reset to standby.

Door warning signal

The door warning signal switches on if the appliance door is left open for longer than one minute. A long-term warning signal sounds.

Temperature warning

The temperature warning signal switches on if the freezer compartment is too warm. A beeping signal sounds.

| Alarm button | Temperature display | Explanation |
|--------------|---------------------|--|
| illuminates | flashes | Temperature warning: Frozen food is not at risk of thawing. |
| flashes | flashes | Thaw warning: Frozen food is at risk of thawing. |
| flashes | illuminates | Thaw warning: At some time the freezer compartment was too warm. Frozen food is at risk of thawing. |

Thaw warning

If taste, odour and appearance have not changed, the food can be boiled or fried and then refrozen.

No longer store the frozen produce for the max. storage period.

Temperature warning

The warning signal may switch on without any risk to the frozen food:

- When the appliance is switched on.
- when large quantities of fresh food are placed in the appliance.
- if the freezer compartment door is open too long.

Store food in the appliance

Note the chill zones in the refrigerator compartment!

The air circulation in the refrigerator compartment produce different refrigerant zones:

• Coldest zone

is between the arrow stamped on the side and the base of the refrigerator compartment. **Fig. 3**

Note

Store perishable food (e.g. fish, sausage, meat) in the coldest zone.

• Warmest zone

is at the very top of the door.

Note

Store e.g. cheese and butter in the warmest zone. When served, the cheese will not have lost its flavour and the butter will be easy to spread.

Note when loading products

Wrap or cover food before placing in the appliance. This will retain the aroma, colour and freshness of the food. In addition, flavours will not be transferred between foods and the plastic parts will not become discoloured.

Note

Avoid contact between food and rear panel. Otherwise the air circulation will be impaired. Food or packaging could freeze to the rear panel.

We recommend arranging the food as follows:

- On the shelves in the refrigerator compartment:
Bakery products, ready meals, cold sensitive fruit and vegetables
- Delicatessen drawer:
Delicatessen, small packages, already opened packages
- In the vegetable container:
vegetables, salad, fruit.
- In the door (from top to bottom):
butter, cheese, eggs, tubes, small bottles, large bottles, milk, juice cartons
- In the freezer compartment: frozen food, ice cubes, ice cream

Usable capacity

Information on the usable capacity can be found inside your appliance on the rating plate.

Variable interior design

Adjustable “EasyLift” storage compartment

Fig. 4

The height of the shelf can be adjusted without taking it out.

Pull right lever to move the shelf upwards. Pull left lever to move the shelf downwards. Only ever press one lever.

To take out the shelf, move it all the way upwards and remove.

Note

If a load exceeds 5 kg, the position of the shelf can no longer be changed.

Fixed glass shelf

Fig. 5

To change the position of the glass shelf, press buttons on the underside and detach the glass shelf from the fixing. Reposition stopper.

Re-insert glass shelf and fix by applying light pressure.

Adjustable “EasyLift” storage compartments

Fig. 6

The height of the storage compartments can be adjusted without taking them out.

Simultaneously press up the buttons on the underside of the storage compartments to move the storage compartments downwards. They can be moved upwards without pressing the buttons.

To take out the storage compartments, push them all the way upwards in succession and remove.

Interior fittings of refrigerator compartment

Bottle shelf

Fig. 7

Bottles can be stored securely on the bottle shelf. If the bottle shelf is not required, it can be hung under the glass shelf.

Refrigerator compartment

The temperature in the refrigerator compartment can be set from +2 °C to +8 °C.

The refrigerator compartment is the ideal storage location for ready meals, cakes and pastries, preserved food, condensed milk, hard cheese, fruit and vegetables sensitive to cold as well as tropical fruit.

Sticker “OK”

not all models

The “OK” temperature monitor can be used to determine temperatures below +4 °C. Gradually reduce the temperature if the sticker does not indicate “OK”.

Note

When the appliance is switched on, it may take 12 hours until the temperature is reached.



Correct setting



Temperature too high, reduce temperature.

Super cooling

Super cooling sets the refrigerator temperature to the coldest temperature setting for approx. 6 hours.

Then the appliance automatically switches to the temperature set prior to super cooling mode.

Switch on super cooling mode, e.g.:

- before placing large quantities of food in the refrigerator compartment.
- to cool drinks quickly.

Switching on and off

Fig. 2

Press “super” button 5.

The button is lit when super cooling is switched on.

Note

When super cooling is switched on, increased operating noises may occur.

Freezer compartment

Use the freezer compartment

- To store deep frozen food
- To make ice cubes.
- To freeze food.

Ensure that the freezer compartment door has been closed properly. If the door is open, the frozen food will thaw. The freezer compartment will become covered in thick ice. Also: waste of energy due to high power consumption!

Freezing and storing food

Purchasing frozen food

Packaging must not be damaged.

Use by the “use by” date.

Temperature in the supermarket freezer
–18 °C or lower.

If possible, transport deep-frozen food in an insulated bag and place quickly in the freezer compartment.

Storing frozen food

To ensure good air circulation in the appliance, insert the freezer drawers all the way.

If a large quantity of food is to be placed in the freezer compartment, the food can be stacked directly on the glass shelves and in the bottom of the freezer compartment. To do this, remove all the freezer drawers. Pull out the freezer drawers all the way, lift at the front and remove. **Fig. 8**

Note

To insert the freezer drawer with telescopic rails, the rails must be pulled out.

Freezing fresh food

Freezing food yourself

If you are freezing food yourself, use only fresh, undamaged food.

The following foods are suitable for freezing:

Meat and sausage products, poultry and game, fish, vegetables, herbs, fruit, cakes and pastries, pizza, ready meals, leftovers, egg yolk and egg-white.

The following foods are not suitable for freezing:

Eggs in shells, soured cream and mayonnaise, green salads, radishes and onions.

Blanching vegetables and fruit

To retain colour, flavour, aroma and vitamin C, vegetables and fruits should be blanched prior to freezing.

Blanching is the brief immersion of vegetables and fruit in boiling water.

Literature on freezing and blanching is available in bookshops.

Freezing food

Freeze fresh, undamaged food only.

Keep food which is to be frozen away from food which is already frozen.

To prevent food from losing its flavour or drying out, place in airtight containers.

Max. freezing capacity

Information about the max. freezing capacity within 24 hours can be found on the rating plate.

Packing food correctly:

1. Place food in packaging.
2. Remove air.
3. Seal the wrapping.
4. Label the wrapping with the contents and date.

The following products are suitable for wrapping food:

Cling wrap, polyethylene blown film, aluminium foil and freezer tins. These products can be purchased from your dealer.

The following products are not suitable for wrapping food:

Wrapping paper, greaseproof paper, cellophane, refuse bags and used shopping bags.

The following products are suitable for sealing the wrapped food:

Rubber bands, plastic clips, string, cold-resistant adhesive tape or similar. Bags and polyethylene blown film can be sealed with a film sealer.

Shelf life of frozen food

Depends on the type of food. At a mean temperature:

- Fish, sausage, ready meals and cakes and pastries: up to **6 months**
- Cheese, poultry and meat: up to **8 months**
- Vegetables and fruit: up to **12 months**

Super freezing

Food should be frozen solid as quickly as possible in order to retain vitamins, nutritional value, appearance and flavour.

To prevent an undesirable temperature rise when placing fresh food in the freezer compartment, switch on super freezing several hours beforehand.

Smaller quantities of food can be frozen without super freezing.

Switching on and off

Fig. 2

Press "super" button 2.

If the super freezing has been switched on the button is lit.

Super freezing automatically switches off after approx. 2½ days.

Note

When super freezing is switched on, increased operating noises may occur.

Features of the freezer compartment

(not all models)

Ice pack

If a power failure or malfunction occurs, the ice packs can be used to slow down the thawing process. The longest storage time is obtained by placing the ice pack directly on the food in the top compartment.

The ice pack can also be used to cool food temporarily, e.g. in a cold bag.

Ice cube tray

Fill the ice cube tray $\frac{3}{4}$ full of drinking water and place in the freezer compartment.

If the ice tray is stuck to the freezer compartment, loosen with a blunt implement only (spoon-handle).

To loosen the ice cubes, twist the ice cube tray slightly or hold briefly under flowing water.

Thawing frozen food

Depending on the type and application, select one of the following options:

- at room temperature
- in the refrigerator
- in an electric oven, with/without fan assisted hot-air
- in the microwave

Note

Do not refreeze food which is beginning to thaw or which has already thawed. Only ready meals (boiled or fried) may be refrozen.

No longer store the frozen produce for the max. storage period.

Switching the appliance off

Press the main switch. Fig. 1/8
Refrigeration unit and interior light switch off.

Disconnecting the appliance

If you do not use the appliance for a prolonged period:

1. Switch off the appliance.
2. Pull out mains plug or switch off fuse.
3. Clean the appliance.
4. Leave the appliance door open.

Defrosting

Refrigerator compartment

Defrosting is actuated automatically.

The condensation flows into the evaporation area of the appliance via the condensation channels and the drainage hole.

Freezer compartment

The fully automatic No Frost system ensures that the freezer compartment remains free of ice. Defrosting is no longer required.

Cleaning the appliance

Attention!

Do not use abrasive, chloride or acidic cleaning agents or solvents.

Do not use scouring or abrasive sponges. The surface of the rear panel could be damaged and corrosion could occur.

Never clean shelves and containers in the dishwasher. The parts may become deformed!

Proceed as follows:

- Before cleaning: Switch off the appliance.
- Pull out the mains plug or switch off the fuse!
- Clean the appliance with a soft cloth, lukewarm water and a little pH neutral washing-up liquid. The rinsing water must not run into the light.
- Wipe the door seal with clear water only and then wipe dry thoroughly.
- Rinsing water must not run through the drainage hole into the evaporation area.
- After cleaning reconnect and switch the appliance back on.

Note

Regularly clean condensation channels and drainage hole, Fig. 9, with cotton buds, etc. so that the condensation can run out.

The upper condensation channel can be taken out for cleaning.

After cleaning, the stopper must be re-inserted into the drainage hole of the refrigerator compartment for functional reasons.

Cleaning the equipment

All variable parts of the refrigerator compartment can be taken out for cleaning. (See chapter “Variable interior design”.)

Taking out the drawers

Fig. 10

Tilt drawers forwards and take out.

To insert drawer, place the front of the drawer on the telescopic rails and push into the appliance. The drawer is engaged by pushing it into the appliance.

Remove telescopic rails

Fig. 12

1. Pull out extension rail.
2. Push lock in the direction of the arrow.
3. Detach telescopic rail from the rear pin.
4. Push telescopic rail together, push backwards above the rear pin and disengage.

Installing telescopic rails

1. Place the extended telescopic rail on the front pin.
2. Pull the telescopic rail forwards slightly until it engages.
3. Place telescopic rail on the rear pin.
4. Push lock backwards.

Take glass shelves out of the freezer compartment

Lift shelf at the front and take out.

Light (LED)

Your appliance features a maintenance-free LED light.

Caution! Light (LED)

Class 1M laser lighting (IEC 60825 Standard). Do not look directly into the lighting with optical instruments. Risk of eye injury!

These lights may be repaired by customer service or authorised technicians only.

Tips for saving energy

- Install the appliance in a dry, well ventilated room! The appliance should not be installed in direct sunlight or near a heat source (e.g. radiator, cooker). If required, use an insulating plate.
- Allow warm food and drinks to cool down before placing in the appliance!
- When thawing frozen products, place them in the refrigerator. The low temperature of the frozen products cools the food in the refrigerator.
- Open the appliance doors as briefly as possible.
- The ventilation opening in the base should be cleaned occasionally with a vacuum cleaner or paint brush to prevent increased power consumption.

Operating noises

Quite normal noises

Humming – refrigeration unit is running.

Bubbling, gurgling or whirring noises – refrigerant is flowing through the tubing.

Clicking – motor is switching on or off.

Preventing noises

The appliance is not level

Please align the installation cavity with a spirit level. To do this, use the height-adjustable feet of the cavity or place something underneath.

Drawers, baskets or storage areas wobble or stick

Please check the removable parts and re-insert them correctly if required.

Receptacles are touching each other

Move the bottles or receptacles slightly away from each other.

Eliminating minor faults yourself

Before you call customer service:

Please check whether you can eliminate the fault yourself based on the following information. Customer service will charge you for advice, even if the appliance is still under guarantee!

| Fault | Possible cause | Remedial action |
|---|--|--|
| Temperature differs greatly from the set value. | | <p>In some cases it is adequate to switch off the appliance for 5 minutes.</p> <p>If the temperature is too high wait a few hours and check whether the temperature has approached the set value.</p> <p>If the temperature is too low check the temperature again the next day.</p> |
| Displays do not illuminate. | Power failure; the fuse has been switched off; the mains plug has not been inserted properly. | Check whether the power is on, the fuse must be switched on. |
| Bottom of the refrigerator compartment is wet. | The condensation channels or condensation drainage pipe are blocked. | Clean the condensation channels and the drainage pipe, see "Cleaning the appliance". |
| The temperature in the refrigerator compartment is too cold. | Temperature has been set too low. | Increase the temperature. |
| The refrigeration unit is switching on more frequently and for longer. | The ventilation opening is covered. | Remove obstacles. |
| Refrigerator has no cooling capacity. | <p>Appliance has been switched off.</p> <p>Power failure; the fuse has been switched off; the mains plug has not been inserted properly.</p> | <p>Press main switch. Fig. 1/8</p> <p>Check whether the power is on, check the fuses.</p> |

| Fault | Possible cause | Remedial action |
|--|--|---|
| Appliance is not cooling, temperature display lamps and interior light are lit. | Showroom mode is switched on. | Hold down alarm button, Fig. 2/1 , for 10 seconds until an acknowledgement signal sounds. After a short time check whether your appliance is cooling. |
| The interior light is not working. | The LED light is defective. Door was open too long. Light is switched off after approx. 10 min. | See chapter “Light (LED)” section. When the door is closed and opened, the light is on again. |
| Temperature display lamps are flashing. Fig. 2/4, or Fig. 2/7. | Appliance door opened frequently. A lot of food was placed in the freezer. | Do not open the door unnecessarily. Switch on super freezing before inserting the food. |
| Warning signal sounds and the temperature display lamp is flashing. Fig. 2/4 | Fault – the freezer compartment is too warm! Frozen food is at risk! | See chapter entitled “Warning signal”. |

Customer service

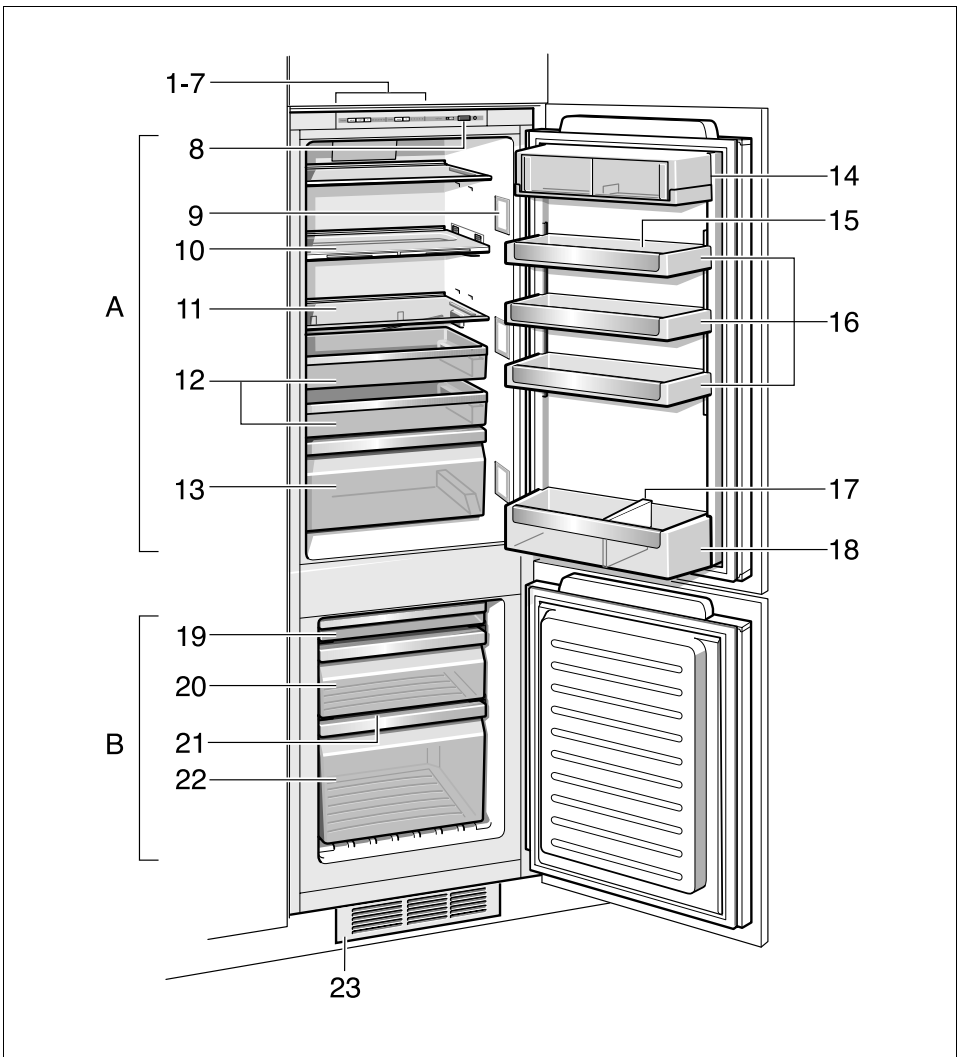
Your local customer service can be found in the telephone directory or in the customer-service index.

Please provide customer service with the appliance product number (E-Nr.) and production number (FD).

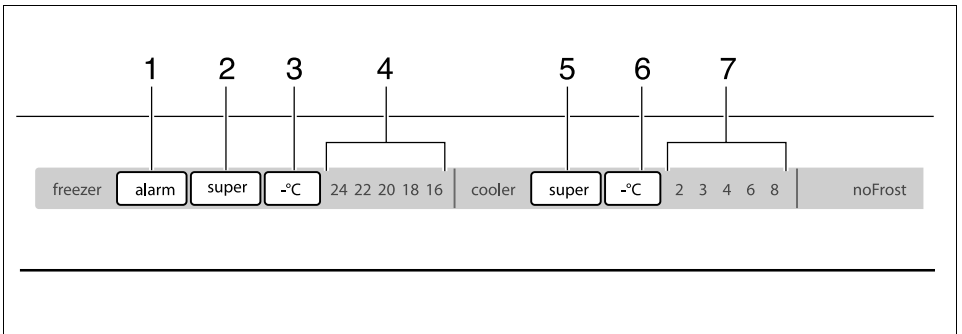
These specifications can be found on the rating plate. **Fig. 11**

To prevent unnecessary call-outs, please assist customer service by quoting the product and production numbers.

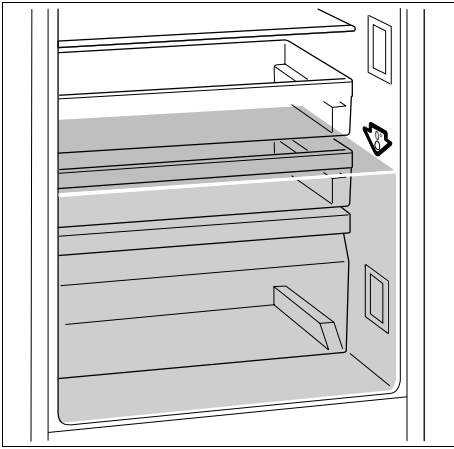
This will save you additional costs.



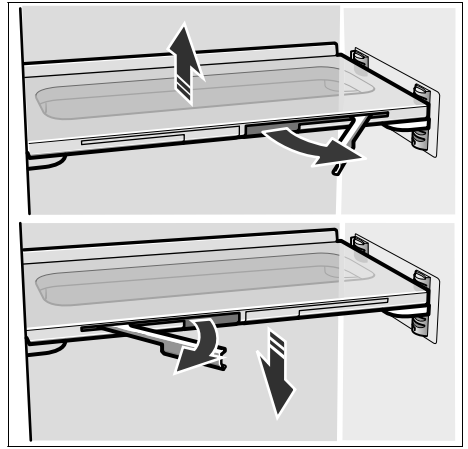
1



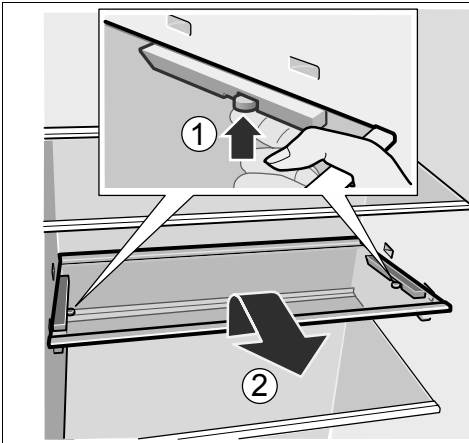
2



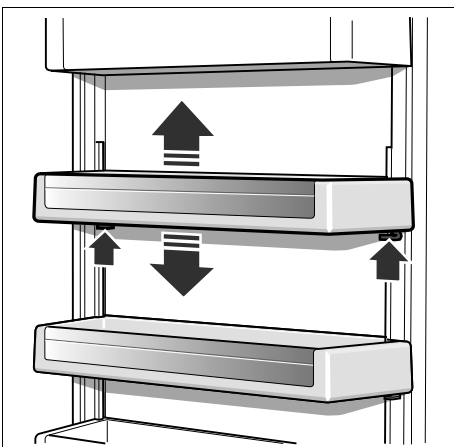
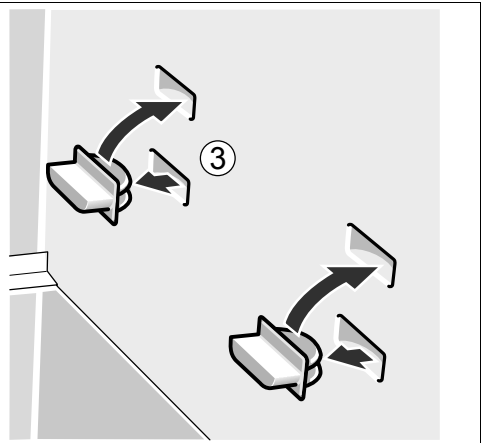
3



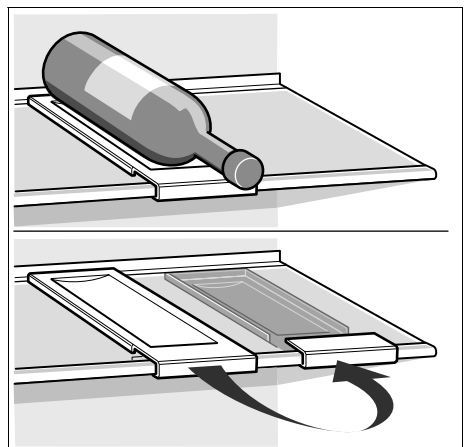
4



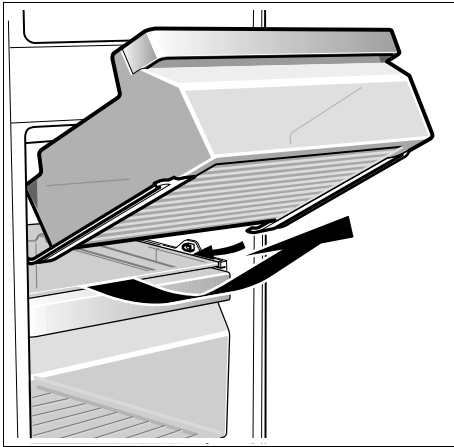
5



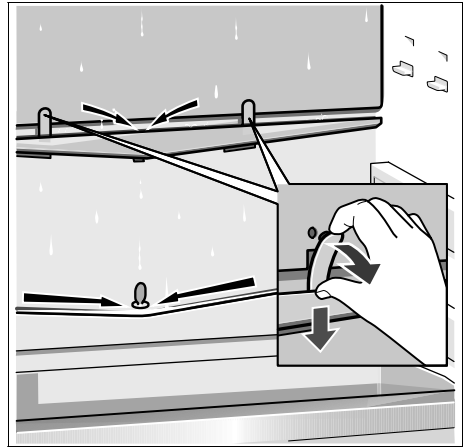
6



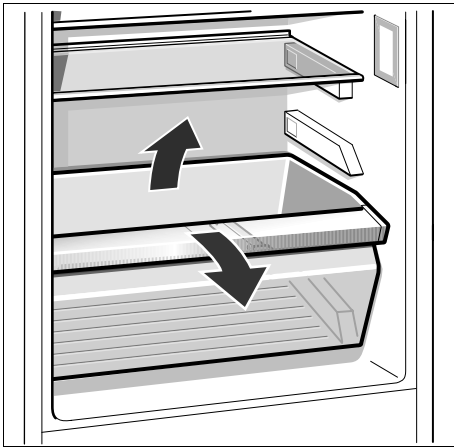
7



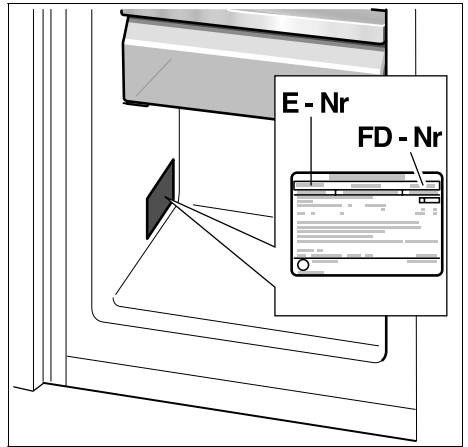
8



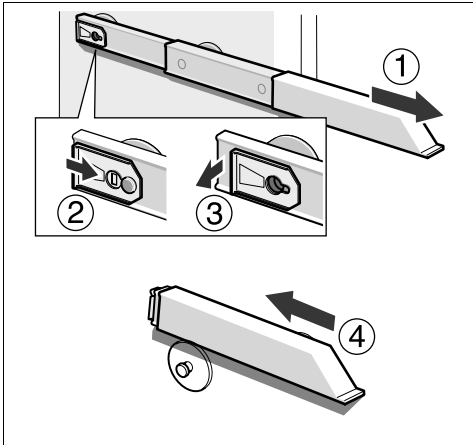
9



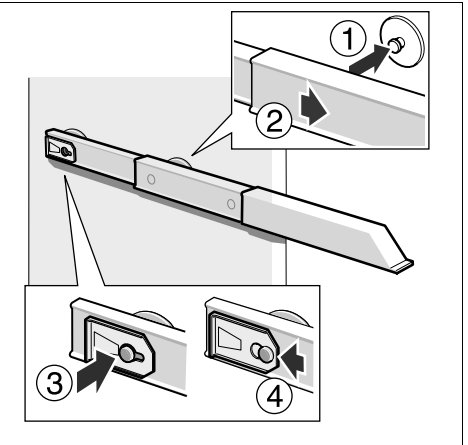
10



11



12



BSH Hausgeräte GmbH
Carl-Wery-Straße 34
81739 München, GERMANY

[siemens-home.com](https://www.siemens-home.com)

Manufactured by BSH Hausgeräte GmbH under Trademark License of Siemens AG



9000981164 (9511)

en