

Gaggenau

Installation instructions.....2
Notice de montage.....21
Instrucciones de instalación.....41

AW 442 720

AW 442 760

Hood

Hotte aspirante

Campana extractora

⚠ Safety Definitions	2
IMPORTANT SAFETY INSTRUCTIONS	3
Appliance Handling Safety	4
Safety Codes and Standards	4
Electric Safety	4
Related Equipment Safety	5
Proposition 65 Warning	5
Installation preparation	6
Check wall	6
General Notes	6
Exhaust air mode	6
Ventilation line	6
Electrical connection	7
Before you begin	7
Tools and parts needed	7
Parts included	7
Appliance dimensions	9
Safety clearances	10
Installation	11
Appliance Handling Safety	11
Installation preparation	11
Fitting the wall retainer	12
Installing the appliance	13
Establishing the connection for the exhaust air	15
Connecting the power supply	16
Attaching flue duct	17
Additional switching output	18
Connection for window contact switch AA 400 510	18
Networked operation	19
Connect Electrical Supply	19
Removing the appliance	20
Customer Service	20
Appliance Handling Safety	20

⚠ Safety Definitions

⚠ WARNING

This indicates that death or serious injuries may occur as a result of non-observance of this warning.

⚠ CAUTION

This indicates that minor or moderate injuries may occur as a result of non-observance of this warning.

NOTICE: This indicates that damage to the appliance or property may occur as a result of non-compliance with this advisory.

Note: This alerts you to important information and/or tips.

IMPORTANT SAFETY INSTRUCTIONS

READ AND SAVE THESE INSTRUCTIONS

INSTALLER: LEAVE THESE INSTRUCTIONS WITH THE APPLIANCE AFTER INSTALLATION IS COMPLETE.

IMPORTANT: SAVE THESE INSTRUCTIONS FOR THE LOCAL ELECTRICAL INSPECTOR'S USE.

WARNING

If the information in this manual is not followed exactly, fire or shock may result causing property damage or personal injury.

WARNING

Do not repair, replace or remove any part of the appliance unless specifically recommended in the manuals. Improper installation, service or maintenance can cause injury or property damage. Refer to this manual for guidance. All other servicing should be done by an authorized servicer.

WARNING

WARNING – TO REDUCE THE RISK OF FIRE, ELECTRIC SHOCK, OR INJURY TO PERSONS, OBSERVE THE FOLLOWING:

- Installation work and electrical wiring must be done by qualified person(s) in accordance with all applicable codes and standards, including fire-rated construction.
- Sufficient air is needed for proper combustion and exhausting of gases through the flue (chimney) of fuel burning equipment to prevent back drafting. Follow the heating equipment manufacturer's guideline and safety standards such as those published by the National Fire Protection Association (NFPA), and the American Society for Heating, Refrigeration and Air Conditioning Engineers (ASHRAE), and the local code authorities.
- When cutting or drilling into wall or ceiling, do not damage electrical wiring and other hidden utilities.
- Ducted fans must always be vented to the outdoors.

WARNING

The applicable regulations of the energy supply companies and the regional construction regulations must be observed when installing the hood.

WARNING

Risk of fire

Grease deposits in the grease filter can catch fire. Never work with a naked flame near the appliance (e.g. flambéing). Install the unit near a heat-producing appliance for solid fuels (e.g. wood or coal) only if there is a closed, non-detachable cover. There must be no flying sparks.

WARNING

Risk of fire

Operating several gas burners at the same time gives rise to a great deal of heat. The ventilation appliance may become damaged or catch fire. The ventilation appliance must only be combined with gas burners that do not exceed the maximum total output of 61,000 BTU/hr (18 kW). If 41,000 BTU/hr (12 kW) is exceeded, the local regulations concerning room ventilation, room size, and combination with ventilation devices in exhaust and recirculating operation must be followed.

WARNING

To reduce risk of fire and to properly exhaust air, be sure to duct air outside. Do not vent exhaust air into spaces within walls, ceilings, attics, crawl spaces or garages.

WARNING

To reduce the risk of fire, use only metal ductwork.



IMPORTANT SAFETY INSTRUCTIONS

READ AND SAVE THESE INSTRUCTIONS

WARNING

When the hood is operated in exhaust-air mode simultaneously with a different burner which also makes use of the same chimney (such as gas, oil or coal-fired heaters, continuous-flow heaters, hot-water boilers) care must be taken to ensure that there is an adequate supply of fresh air which will be needed by the burner for combustion.

Safe operation is possible provided that the under pressure in the room where the burner is installed does not exceed 4 Pa (0.04 mbar).

This can be achieved if combustion air can flow through non-lockable openings, e.g. in doors, windows and via the air-intake/exhaust-air wall box or by other technical measures, such as reciprocal interlocking, etc.

WARNING

Avoid carbon monoxide poisoning – Provide adequate air intake so combustion gases are not drawn back into the room.

An air-intake/exhaust-air wall box by itself is no guarantee that the limiting value will not be exceeded.

Note: When assessing the overall requirement, the combined ventilation system for the entire household must be taken into consideration. This rule does not apply to the use of cooking appliances, such as cooktops and ovens.

CAUTION

For general ventilating use only. Do not use to exhaust hazardous or explosive materials and vapors.

Risk of damage from condensation back flow. Install exhaust vent at a slight downward slope away from the appliance (1° slope).

Appliance Handling Safety

Unit is heavy and requires at least two people or proper equipment to move.

Hidden surfaces may have sharp edges. Use caution when reaching behind or under appliance.

WARNING

Risk of injury

The appliance may fall from the wall if it is not attached properly. All fastening components must be fixed firmly and securely in place.

Safety Codes and Standards

This appliance complies with the latest version of one or more of the following standards:

- UL 507 - Electric Fans
- CAN/CSA C22.2 No. 113 - Fans and Ventilators

It is the responsibility of the installer to determine if additional requirements and/or standards apply to specific installations.

Electric Safety

WARNING

GROUNDING INSTRUCTIONS

This appliance must be grounded. In the event of an electrical short circuit, grounding reduces the risk of electric shock by providing an escape wire for the electric current.

This appliance is equipped with a cord having a grounding wire with a grounding plug. The plug must be plugged into an outlet that is properly installed and grounded.

WARNING

Improper grounding can result in a risk of electric shock. Consult a qualified electrician if the grounding instructions are not completely understood, or if doubt exists as to whether the appliance is properly grounded. Do not use an extension cord. If the power supply cord is too short, have a qualified electrician install an outlet near the appliance.

IMPORTANT SAFETY INSTRUCTIONS

READ AND SAVE THESE INSTRUCTIONS

WARNING

Before you plug in an electrical cord or turn on power supply, make sure all controls are in the OFF position.

For appliances equipped with a cord and plug, do not cut or remove the ground prong. It must be plugged into a matching grounding type receptacle to avoid electrical shock. If there is any doubt as to whether the wall receptacle is properly grounded, the customer should have it checked by a qualified electrician.

If required by the National Electrical Code (or Canadian Electrical Code), this appliance must be installed on a separate branch circuit.

WARNING

To reduce the risk of fire or electric shock, do not use this fan with any solid-state speed control device.

Installer – show the owner the location of the circuit breaker or fuse. Mark it for easy reference.

Before installing, turn power OFF at the service panel. Lock service panel to prevent power from being turned ON accidentally.

WARNING

TO REDUCE THE RISK OF FIRE, ELECTRIC SHOCK, OR INJURY TO PERSONS, OBSERVE THE FOLLOWING:

- Use this unit only in the manner intended by the manufacturer. If you have questions, contact the manufacturer.
 - Before servicing or cleaning unit, switch power off at service panel and lock the service disconnecting means to prevent power from being switched on accidentally.
When the service disconnecting means cannot be locked, securely fasten a prominent warning device, such as a tag, to the service panel.
-

Be sure your appliance is properly installed and grounded by a qualified technician. Installation, electrical connections and grounding must comply with all applicable codes.

WARNING

Risk of electric shock

Parts inside the appliance can have sharp edges. The connection cable can be damaged. Do not bend or pinch connection cables during installation.

Related Equipment Safety

Remove all tape and packaging before using the appliance. Destroy the packaging after unpacking the appliance. Never allow children to play with packaging material.

The appliance should only be used if installed by a qualified technician in accordance with these installation instructions. The manufacturer is not responsible for any damage resulting from incorrect installation.

Never modify or alter the construction of the appliance. For example, do not remove leveling legs, panels, wire covers or anti-tip brackets/screws.

Proposition 65 Warning:

This product may contain a chemical known to the State of California, which can cause cancer or reproductive harm. Therefore, the packaging of your product may bear the following label as required by California:

STATE OF CALIFORNIA PROPOSITION 65 WARNING:

 **WARNING**

Cancer and Reproductive Harm - www.P65Warnings.ca.gov

Installation preparation

CAUTION

Ensure that there are no electric wires, gas or water pipes in the area where holes are to be made.

Check wall

- The walls must be smooth, vertical, and sufficiently load-bearing.
- The depth of the bore holes must be the same length as the screws. The wall plugs must have a secure grip.
- The enclosed screws and wall plugs are suitable for solid brickwork. Suitable fasteners must be used for other structures (e.g. plasterboard, porous concrete, perforated bricks).
- The max. weight of the extractor hood is **132 lbs (60 kg)**.

General Notes

WARNING

Risk of death

Risk of poisoning from flue gases that are drawn back in. The exhaust air must not be conveyed into a functioning smoke or exhaust gas flue or into a shaft that is used to ventilate installation rooms that contain heating appliances. If the exhaust air is to be conveyed into a non-functioning smoke or exhaust gas flue, you must obtain the consent of the heating engineer responsible.

Exhaust air mode

Note: Ventilation may not exit through an already operational smoke or exhaust chimney, nor a duct used for ventilating furnace installation areas.

- If the ventilation is intended to pass through a smoke or exhaust chimney that is not in operation, the responsible area heating inspector must give approval.
- If the ventilation passes through an external wall, use a telescope wall sleeve.

Ventilation line

Note: The appliance manufacturer does not assume any warranty for complaints attributable to the pipe section.

- The appliance achieves its optimum performance with a short, straight exhaust air pipe and as large a pipe diameter as possible.
- As a result of long rough exhaust air pipes, many pipe bends or pipe diameters that are smaller than 6" (150 mm), the optimum extraction performance is not achieved and fan noise is increased.
- The pipes or hoses for laying the exhaust air line must be made of non-combustible material.
- Use sealing strip for deviating pipe diameters.
- An inner diameter of 6" (150 mm), but at least 4¾" (120 mm), is recommended.

NOTICE: Risk of damage from condensation back flow. Install exhaust vent at a slight downward slope away from the appliance (1° slope).

Electrical connection

⚠ WARNING

Risk of electric shock

Parts inside the appliance can have sharp edges. The connection cable can be damaged. Do not bend or pinch connection cables during installation.

The required connection information is on the appliance's identification plate.

This appliance meets EC radio interference suppression requirements.

This appliance may only be connected to a correctly installed grounded socket.

Attach the grounded socket inside the flue duct if possible.

- The grounded socket should be connected via its own circuit.
- If the grounded socket is no longer accessible after installing the appliance, an all-pole isolating switch (e.g. circuit breaker, fuses, and contactors) with at least a 3 mm contact gap must be included in the installation.

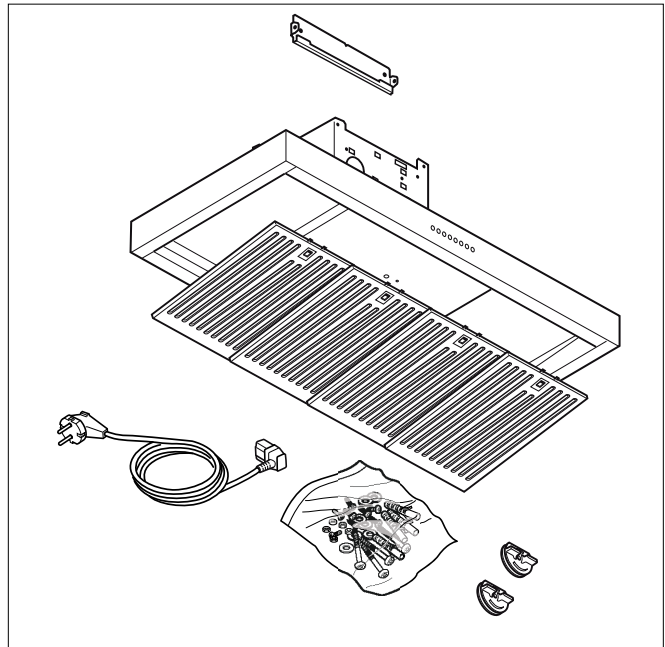
Before you begin

Tools and parts needed

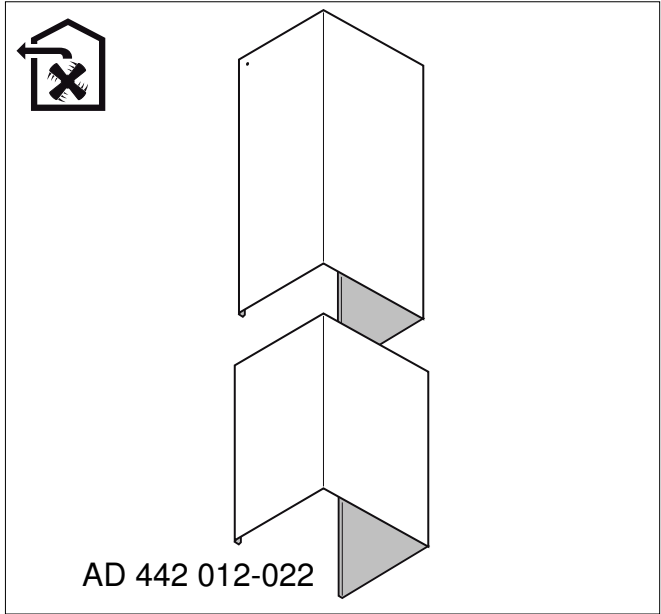
- Measuring tape
- Pencil
- Torx screwdriver TX20
- Drill with the following bits: 5/16" (8 mm)
- Spirit-level
- Aluminum tape (DO NOT use insulating tape)
- Exhaust channel (configuration depends on the installation situation)
- Additional sheet metal screws (if necessary for installation of the exhaust air duct)

Parts included

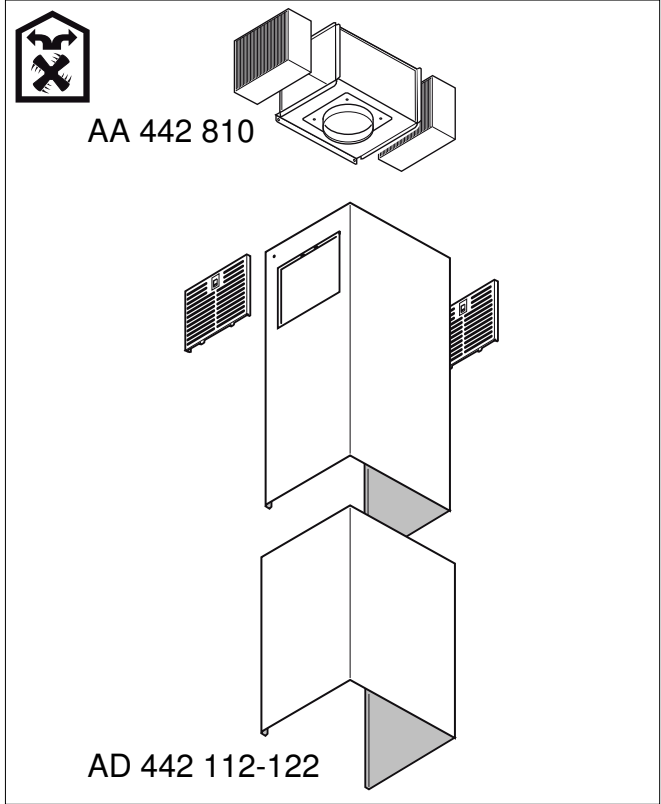
All models



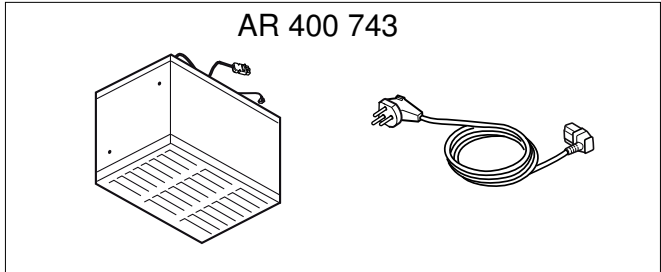
Models with exhaust air



Models with circulated air



Accessory: Remote fan unit



Safety clearances

⚠ WARNING

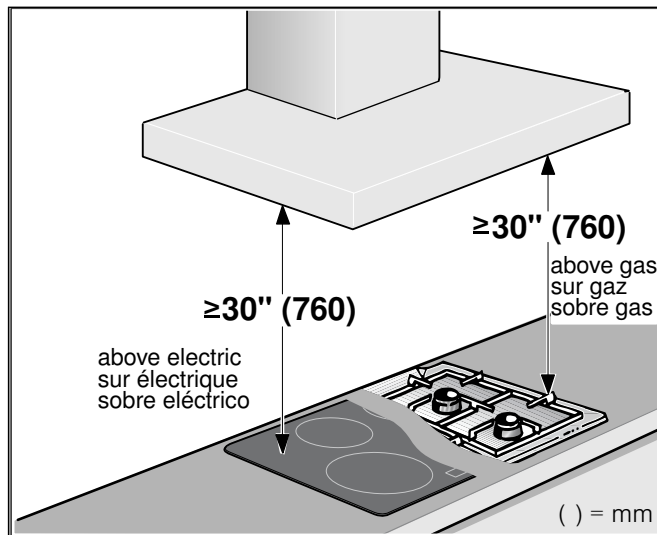
Risk of fire

Grease deposits in the grease filter may catch fire. The specified safety distances must be observed in order to prevent an accumulation of heat. Observe the specifications for your cooking appliance. If gas and electric cooktops are operated together, the largest specified distance applies.

Only one side of the appliance may be installed directly next to a high-sided unit or a wall. The distance between the appliance and wall or high-sided unit must be at least 2" (50 mm).

The minimum distance between the supporting surface for the cooking equipment on the hob and the lowest part of the range hood must be not less than 30 " (760 mm) from electric cookers and 30 " (760 mm) from gas or mixed cookers.

If the instructions for installation for the gas hob specify a greater distance, this must be adhered to.



Installation

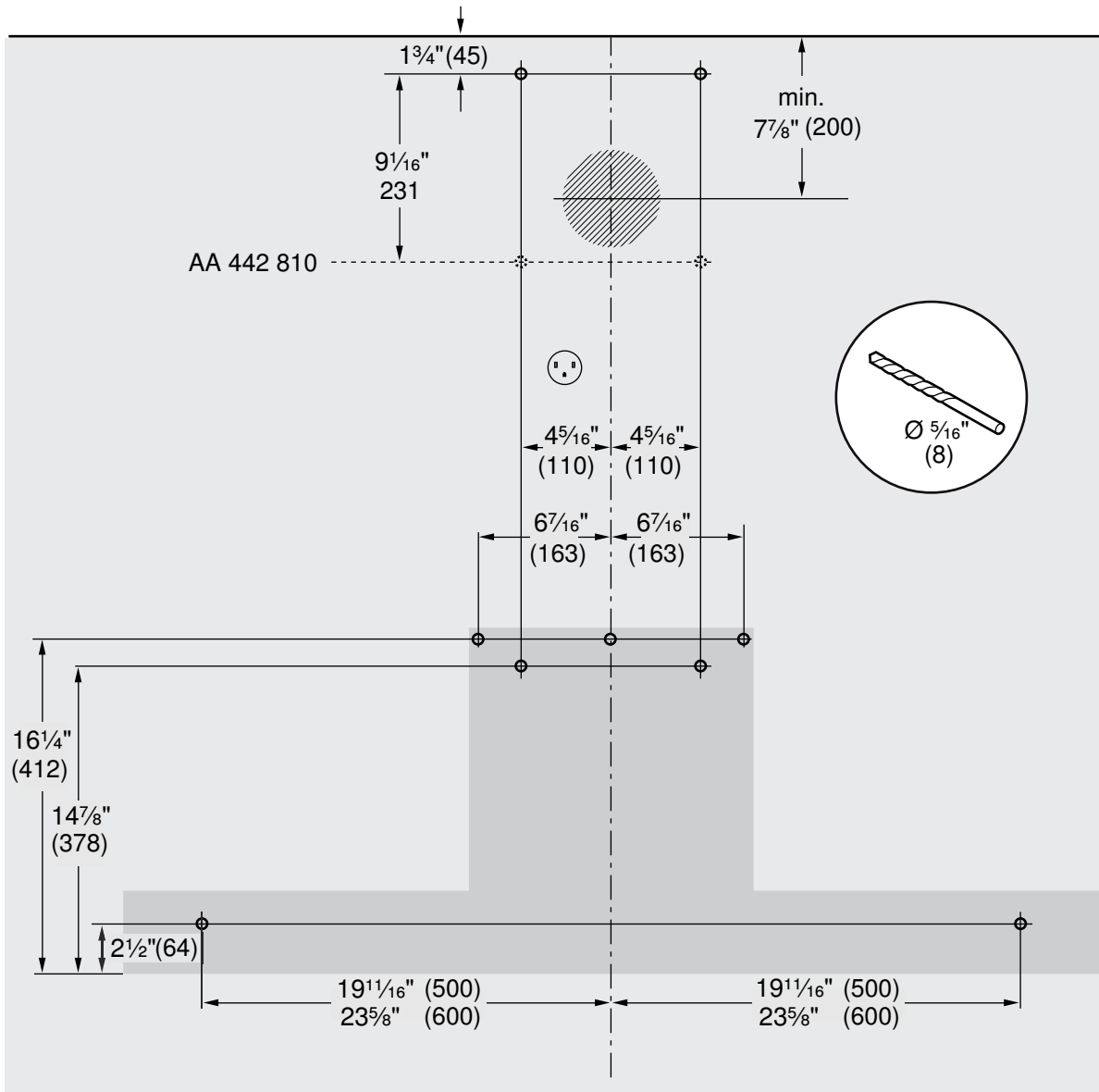
Appliance Handling Safety

Unit is heavy and requires at least two people or proper equipment to move.

Hidden surfaces may have sharp edges. Use caution when reaching behind or under appliance.

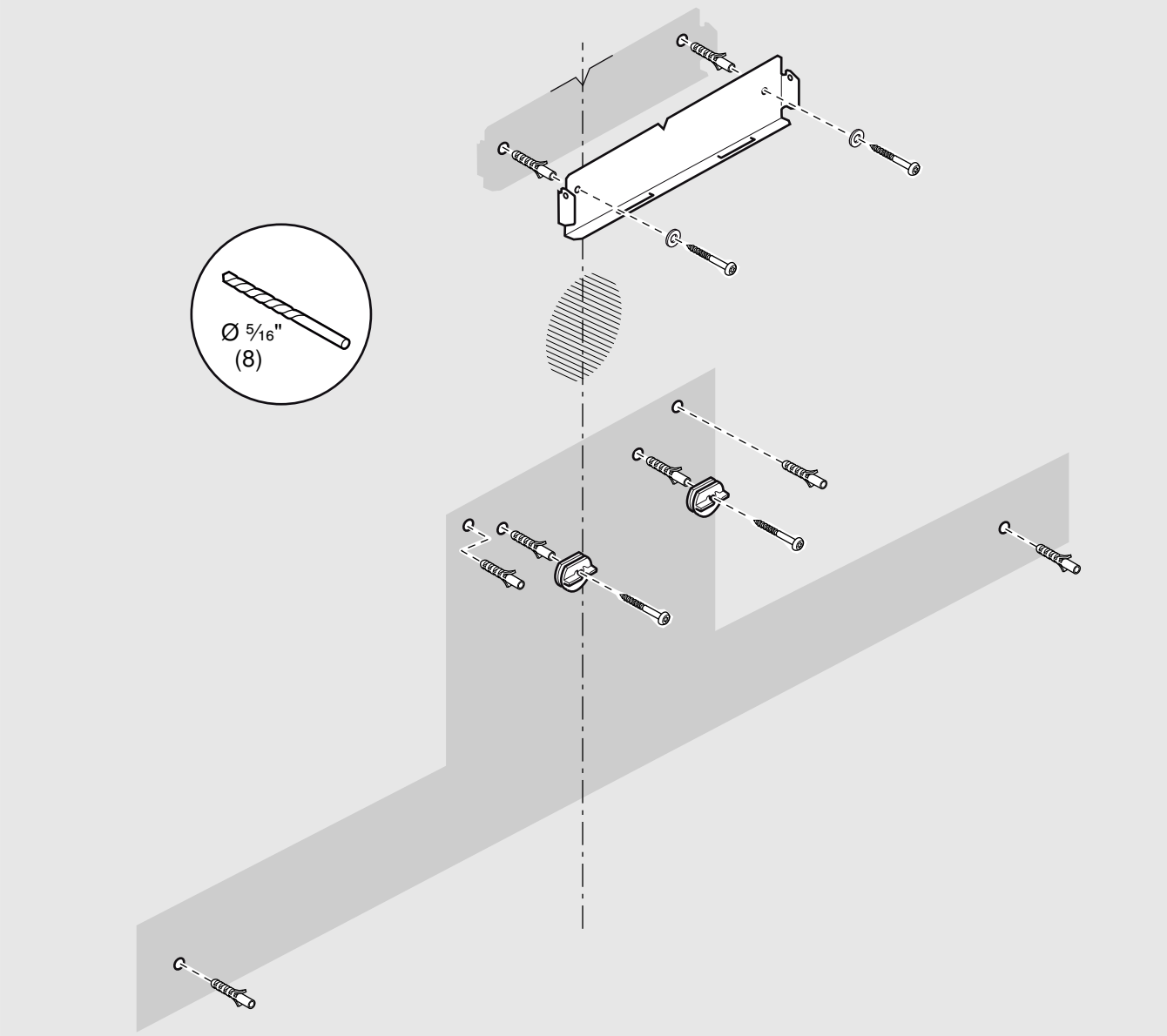
Installation preparation

- 1 Mark a vertical center line on the wall from the ceiling to the lower edge of the extractor hood.
- 2 Mark positions for the screws and the contour of the attachment area.
- 3 Drill holes for the fixtures and press in the wall plugs flush with the wall.



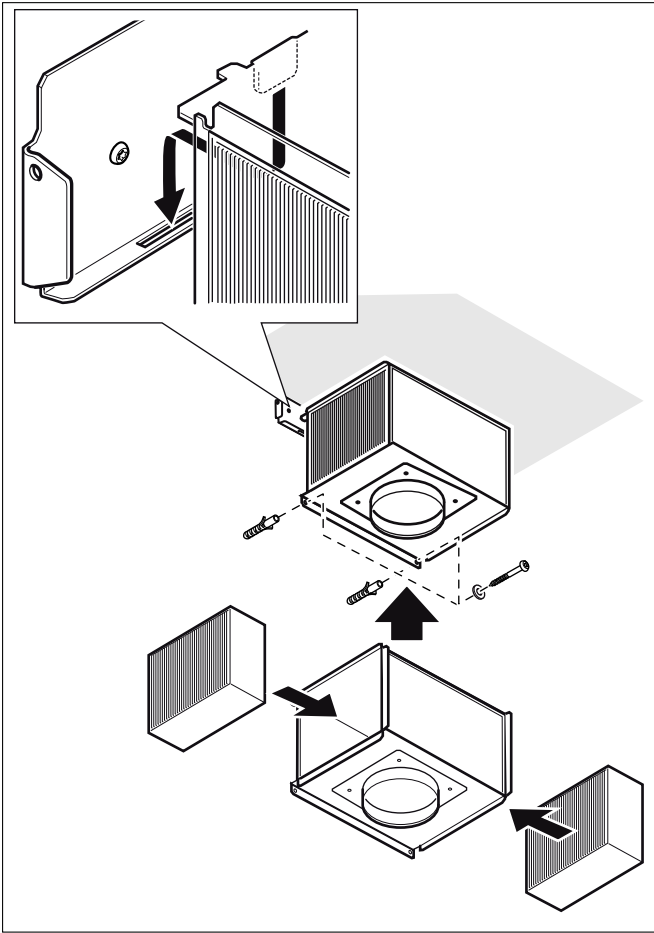
Fitting the wall retainer

- 1 Screw on the angle bracket for the flue duct.
- 2 Screw on both brackets for the extractor hood hand-tight. Do not firmly tighten the screws.

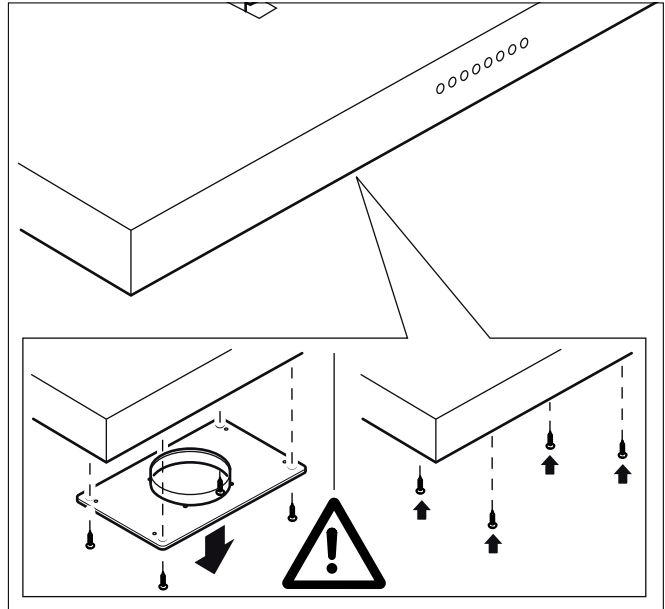


Installing the appliance

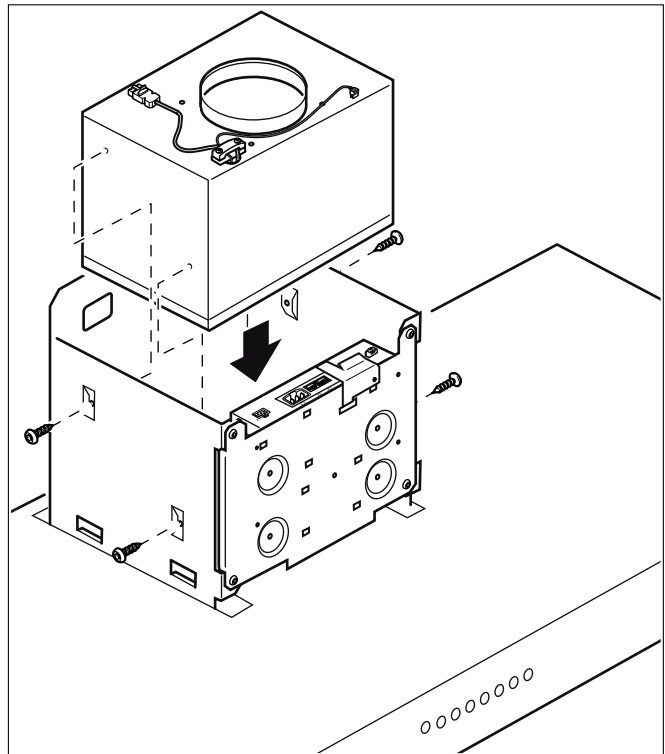
- 1 **For the air recirculation version only:** Fit filters to both sides of the AA 442 810 air recirculation module. Hook the air recirculation module into the angle brackets. Secure it to the wall with two screws.



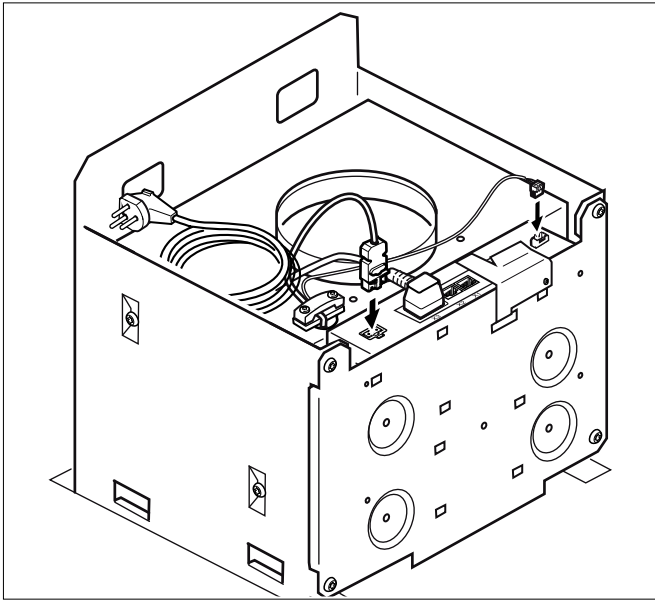
- 2 **For combination with internal remote fan unit**
AR 400 743 only: Unscrew the cover plate from the ventilation hood: Loosen the four screws, remove the cover plate and screw the four screws in again.



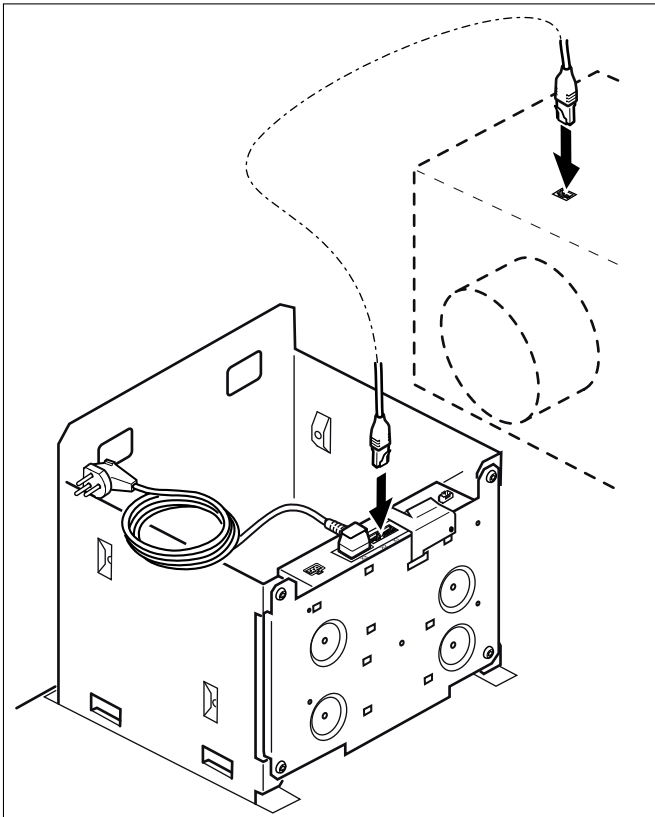
Slide the remote fan unit into the ventilation hood from above. Use four screws to secure it in place.



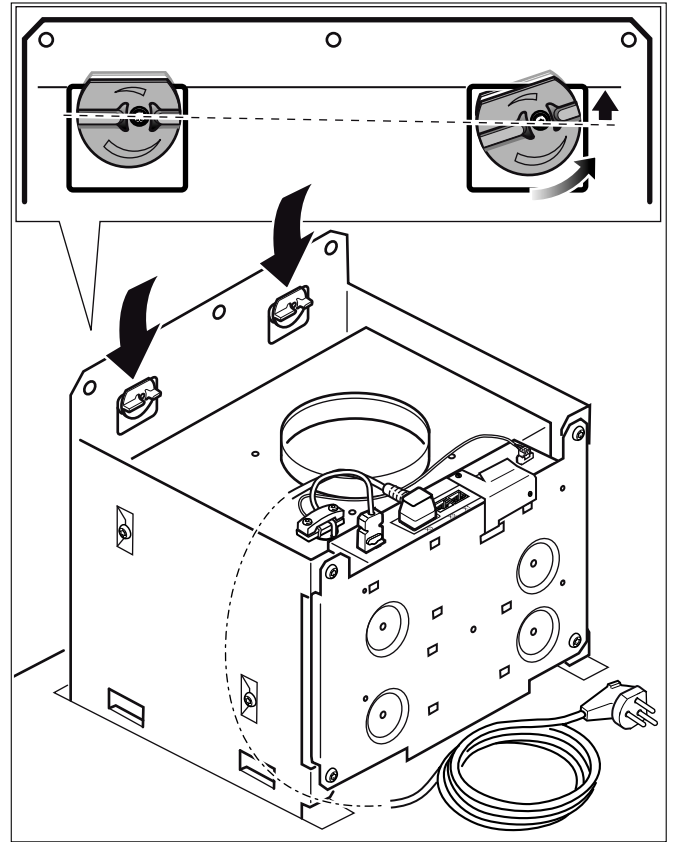
Connect the mains cable and control cable to the control module.



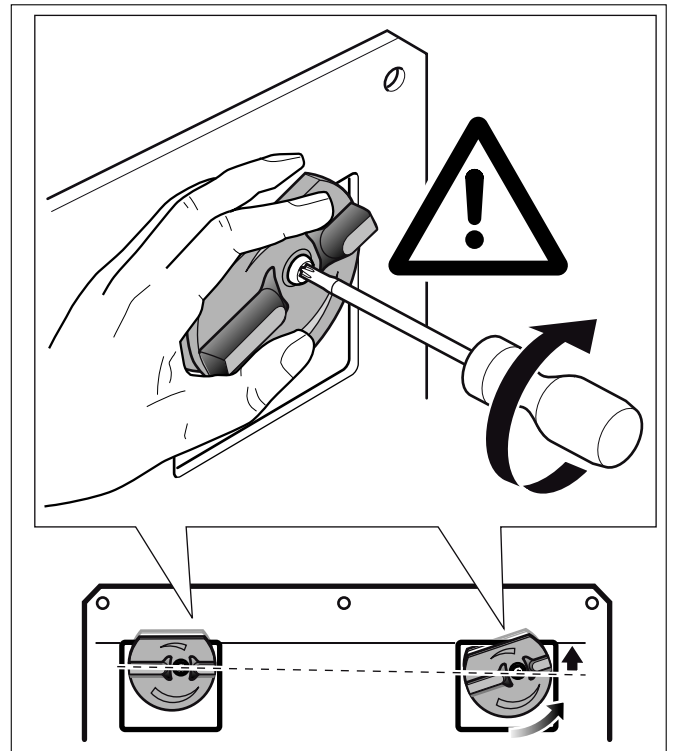
- 3** For a combination with external remote fan unit AR4.. only: Use the network cable to connect the external remote fan unit and the ventilation hood's control module. The plug must snap into place. Connect the mains cable to the control module.
- Note:** The X1 and X2 connection sockets are identical.

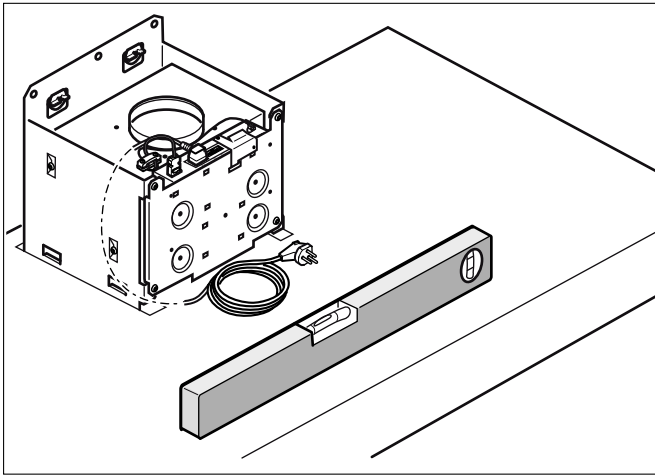


- 4** Hook the ventilation hood into both brackets in such a way that it snaps firmly into place.

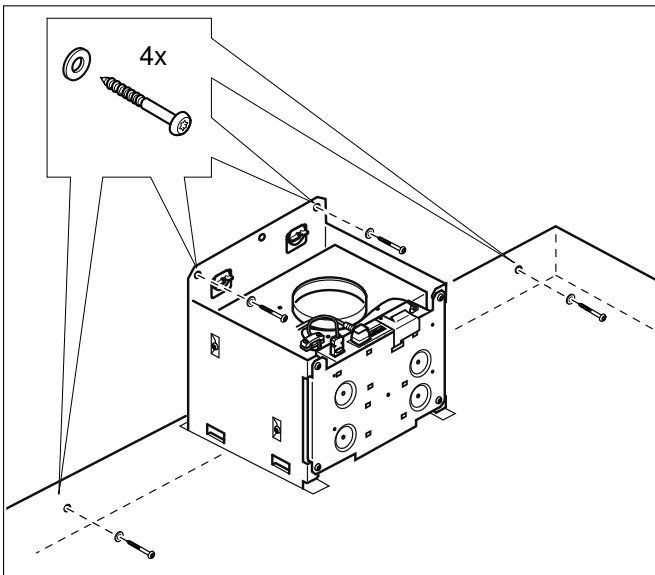


- 5** Turn the mounting brackets to align the ventilation hood horizontally. If required, the appliance can be moved to the right or to the left.





- 6 Tighten the screws on the mounting brackets. To do this, hold the mounting brackets in place to prevent them from twisting.
- 7 Use two screws above the mounting brackets and an additional two screws in the lower section of the ventilation hood to secure it to the wall.



Establishing the connection for the exhaust air

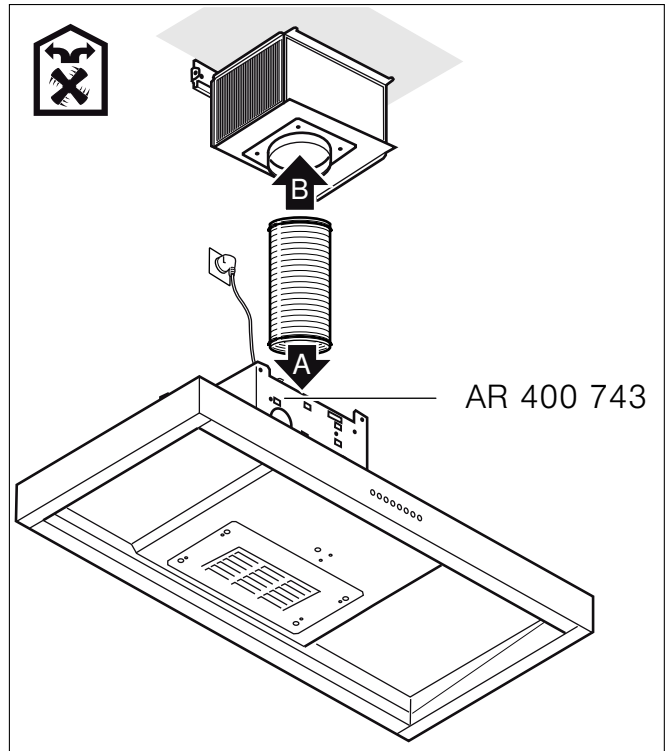
Notes

- With operation in extraction air mode, a back-pressure flap should be installed. If no back-pressure flap is included with the appliance, it can be ordered from a specialist retailer.
- If the exhaust air is conveyed through the outer wall, a telescopic wall box should be used.
- If an aluminum duct is used, smooth the connection area beforehand.

Exhaust air duct dia. 6" (150 mm) (recommended size).

Recirculation mode units with internal remote fan unit AR 400 743:

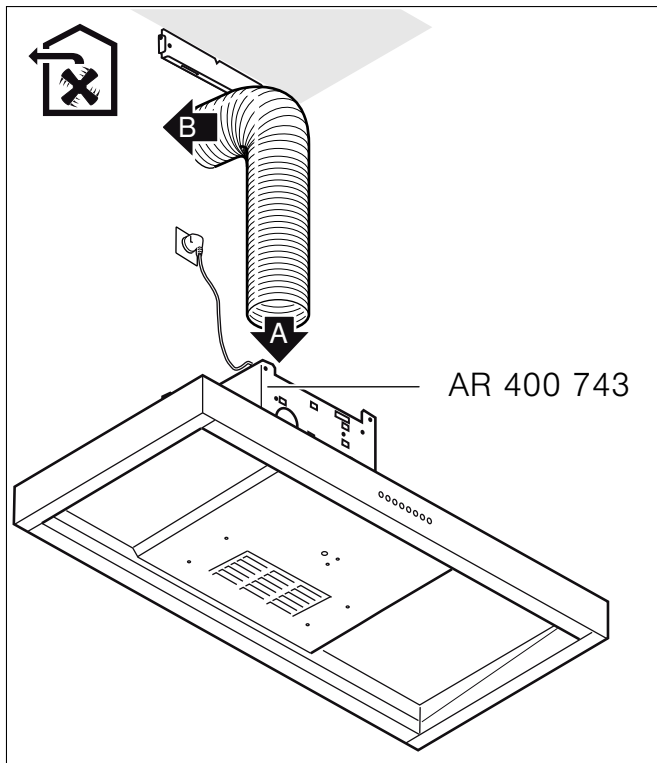
- 1 Attach the exhaust air pipe directly to the remote fan unit's air pipe connector (A).



- 2 Connect it to the air extractor opening (B).
- 3 Seal the joints appropriately.

**Extraction mode unit with internal remote fan unit
AR 400 743**

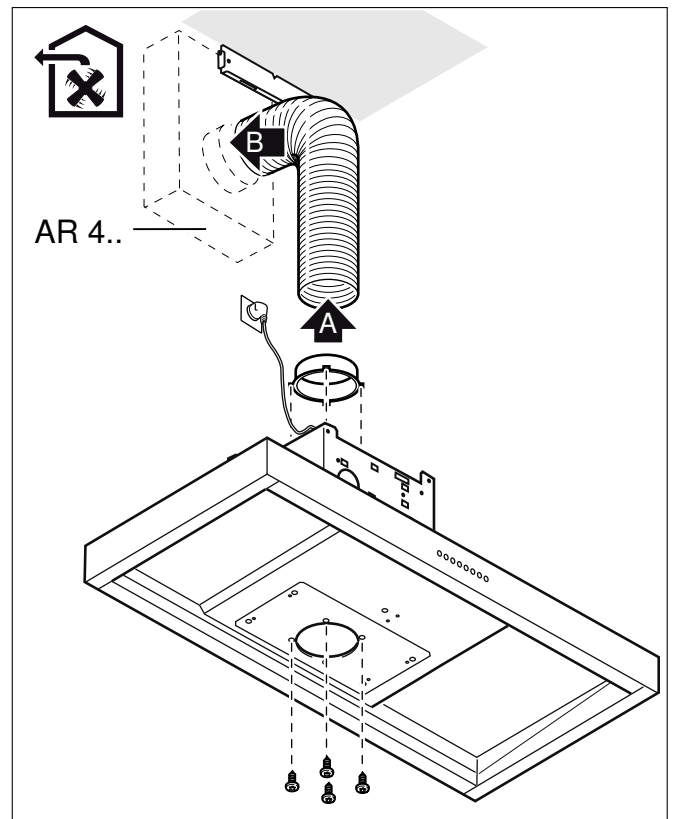
- 1 Attach the exhaust air pipe directly to the remote fan unit's air pipe connector (A).



- 2 Connect it to the air extractor opening (B).
- 3 Seal the joints appropriately.

**Extraction mode units without internal remote fan unit
AR 400 743**

- 1 Unscrew the connecting pieces from the cover plate in the ventilation hood. Secure the exhaust air pipe to the connecting piece. Screw the connecting piece to the cover plate in the ventilation hood.



- 2 Connect it to the air extractor opening.
- 3 Seal the joints appropriately.

Connecting the power supply

- 1 Plug the mains plug into the grounded socket.
- 2 If a fixed connection is required, please follow the instructions in the **Electrical Connection** section.

Attaching flue duct

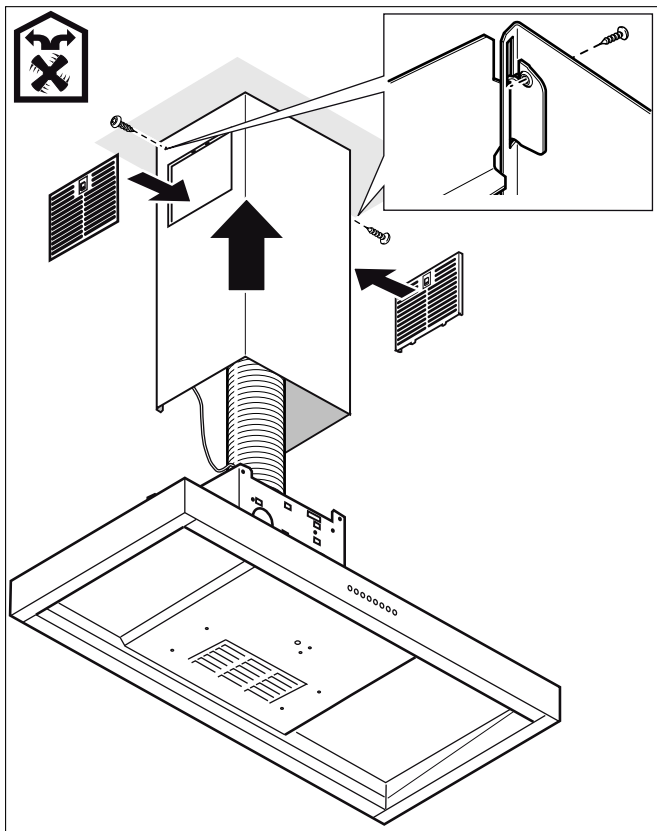
⚠ WARNING

Risk of injury

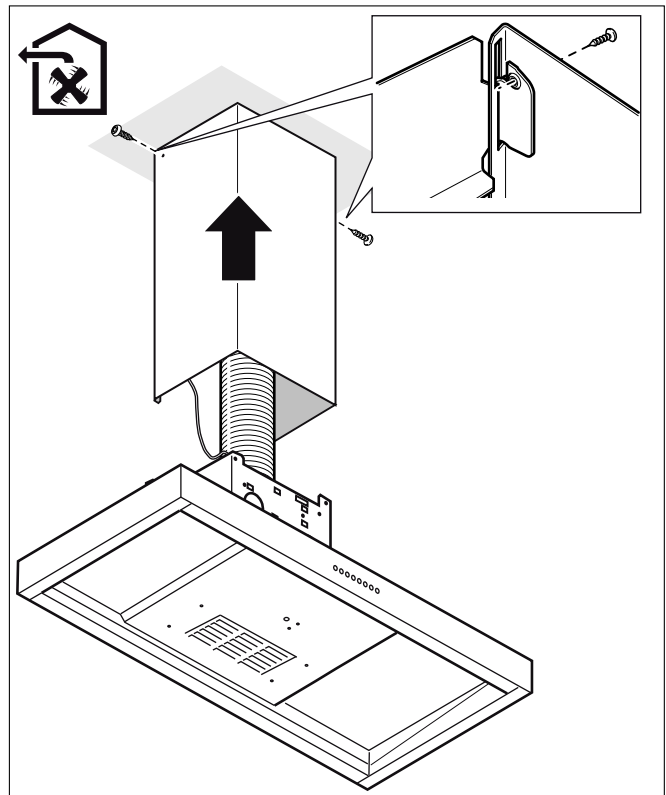
Components inside the appliance may have sharp edges. Wear protective gloves.

- 1 Remove the protective foil from both flue ducts.
- 2 Fit the upper flue duct.
Hook both side panels onto the angle brackets and screw them in at both sides.

Models with recirculation mode:

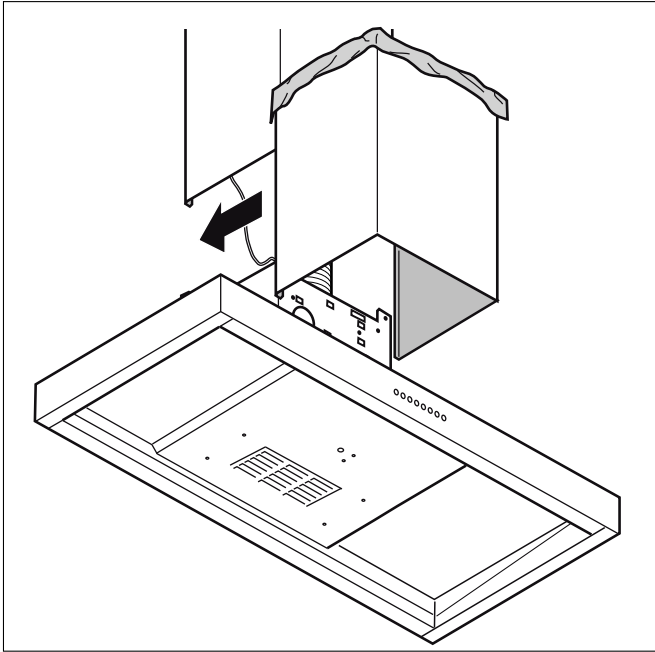


Models with extraction mode:

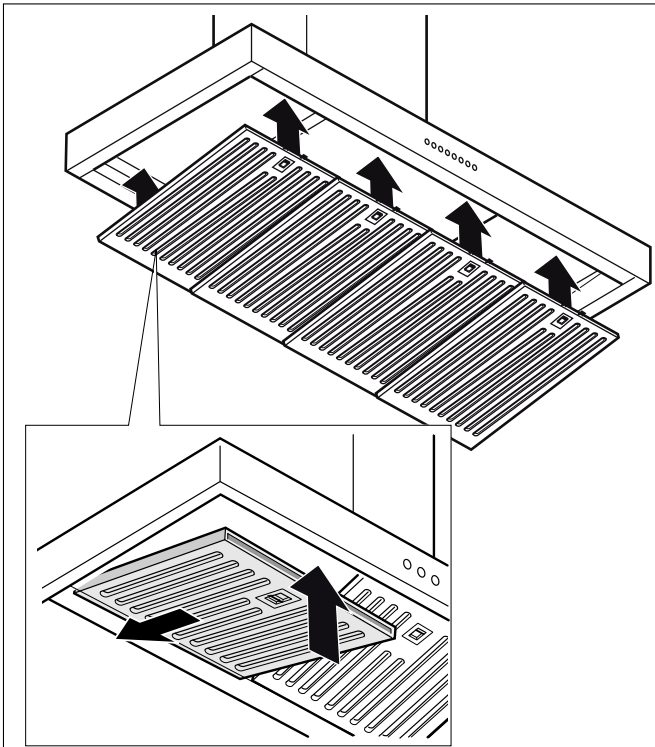


- 3 Fit the lower flue duct.
Gently bend the two side panels away from each other, hook them in behind the upper flue duct, and push them together as far as they will go.

Note: To prevent scratches, lay paper over the edges of the lower flue duct to protect the surface.



- 4 Place the lower flue duct on the appliance.
5 Fit the grease filter.



Additional switching output

⚠ WARNING

Work must only be carried out on the additional switching output by a qualified electrician in accordance with the country-specific requirements and standards.

The appliance has an additional switching output X16 (potential-free contact) that can be used to connect other appliances, such as a ventilation system that is available at the installation site. The contact is closed when the blower is switched on, and is opened when the blower is switched off.

The switching output is located under a cover. Maximum switching power 30 V/1 A (AC/DC). The signal that is connected to the contact must correspond to class of protection 3.

Connection for window contact switch AA 400 510

Work on the connection for the window contact switch must only be carried out by a qualified electrician in accordance with the requirements and standards of the country in which the appliance is being used.

The appliance has a connection (X17) for a window contact switch. The window contact switch can be flush mounted or surface mounted. You will receive the window contact switch AA 400 510 separately as an accessory. Please observe the installation instructions enclosed with the window contact switch.

If a window contact switch is connected, the extractor hood's ventilation system will only work with the window open. The lighting will work even if the window is closed.

If you switch on the ventilation system with the window closed, the button for the ventilation setting you have selected will flash, and the ventilation system will not switch on.

If you close the window while the ventilation system is on, the appliance will switch the ventilation system off within 5 seconds. The button for the ventilation setting you have selected will flash.

The entire ventilation network and window contact switch must be assessed by a master chimney sweep.

Networked operation

Several appliances can be networked together. The light and blower on each of the appliances are operated synchronously.

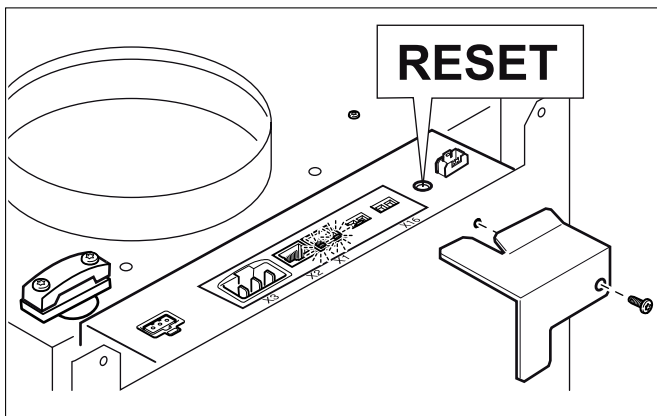
Connect the appliances in series via the connector sockets X1 and X2 (equal value). The sequence of the networking does not have any effect. If the enclosed network cables are too short, use a commercially available network cable (min. Cat. 5, shielded).

Maximum number of networked appliances: 20. Total length of all of the network cables: 131 feet (40 m). During the initial installation, a qualified electrician must check that the system functions correctly.

If one of the networked appliances fails (power interruption, network cable disconnected), this leads to the blower function being blocked for the entire system. All of the buttons on the appliance flash.

When changing the configuration, the system must be re-initialized:

- 1 Unscrew the cover plate.
- 2 Press and hold the reset button until both LEDs light up continuously (approx. 5 seconds). Then release the button within 5 seconds.
- 3 Screw on the cover plate.
- 4 After initialization, have a qualified electrician check that the system functions correctly.



Connect Electrical Supply

⚠ WARNING

Risk of electric shock

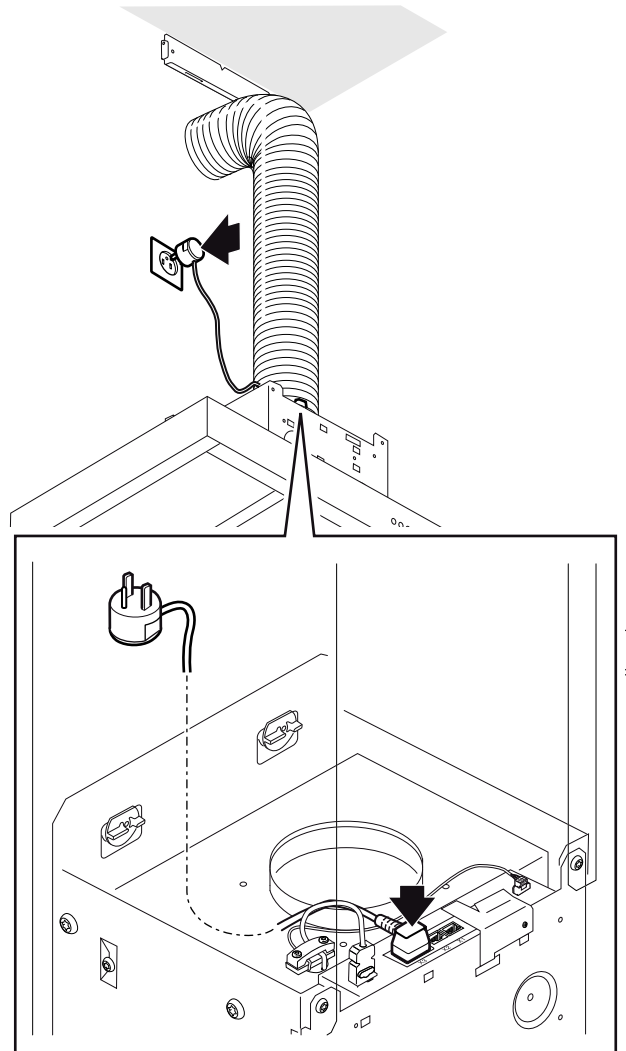
Parts inside the appliance can have sharp edges. The connection cable can be damaged. Do not bend or pinch connection cables during installation.

Refer to data plate for more information. See "Service" for data plate location.

The branch-circuit breakers ampacity, the wire sizes and the connections must conform to the requirements of the National Electrical Code or Canadian Electrical Code and all local codes and ordinances.

This appliance is connection with a plug

- Plug has to be conform with NEMA CONFIGURATIONS FOR PLUGS AND RECEPTACLES.
- The appliance must be properly grounded.
- Plug must be rated not less than type 6-20 P (2-pole 3-wire grounding).
- Only a qualified electrician should connect the plug.
- Install a socket outlet earthed in accordance with regulations approx. 27" (700 mm) above the floor behind the appliance. The socket outlet must still be accessible after installation.



Removing the appliance

- 1 Remove the grease filter.
- 2 Loosen the flue duct.
- 3 Disconnect the appliance from the power supply.
- 4 Loosen the exhaust air lines.
- 5 Undo the fastening screws.
- 6 Remove the appliance.

Customer Service

If your appliance needs repairs, our Customer Service is there for you. We work hard to help solve problems quickly and without unnecessary service calls, getting your appliance back up and running correctly in the least amount of time possible.

When you call, please indicate the product number (E-Nr.) and serial number (FD-Nr.) so that we can support you in a qualified manner. The data plate listing the numbers can be found inside of the appliance (remove metal grease filter to find it).

To avoid having to search when you need it, you can enter your appliance data and the Customer Service telephone number here.

E-Nr.

FD-Nr.

Customer Service 

Please read the use and care instructions provided with your appliance. Failure to do so may result in an error in using the appliance resulting in unnecessary service calls, which may not be covered by the warranty.

Please find the contact data of all countries in the enclosed customer service list.

To book a service visit and product advice

USA 877 442 4436
toll-free

CANADA 877 442 4436
toll-free

Appliance Handling Safety

Unit is heavy and requires at least two people or proper equipment to move.

Hidden surfaces may have sharp edges. Use caution when reaching behind or under appliance.

⚠ Définitions de sécurité	21
CONSIGNES DE SÉCURITÉ IMPORTANTES	22
Sécurité de manutention des appareils	23
Codes et normes de sécurité	23
Sécurité électrique	23
Équipement de sécurité	24
Avertissement issu de la proposition 65	25
Préparatifs du montage	26
Vérifier le mur	26
Instructions Générales	26
Mode évacuation	26
Conduit d'évacuation	26
Branchement électrique	27
Avant de commencer	27
Outils et pièces nécessaires	27
Pièces comprises	27
Cotes de l'appareil	29
Distances de sécurité	30
Installation	31
Sécurité de manutention des appareils	31
Préparatifs du montage	31
Montage de la fixation murale	32
Montage de l'appareil	33
Effectuer le raccordement de l'évacuation de l'air	35
Effectuer le raccordement électrique	36
Montage du capot de cheminée	37
Sortie de commutation supplémentaire	38
Raccord pour le contacteur de fenêtre	
AA 400 510	38
Utilisation en réseau	38
Brancher l'alimentation électrique	39
Démontage de l'appareil	39
Service après-vente	40
Sécurité de manutention des appareils	40

⚠ Définitions de sécurité

⚠ AVERTISSEMENT

Ceci indique que le non-respect de cet avertissement peut entraîner des blessures graves, voire la mort.

⚠ ATTENTION

Ceci indique que le non-respect de cet avertissement peut entraîner des blessures légères ou de gravité moyenne.

AVIS : Ceci indique que la non-conformité à cet avis de sécurité peut entraîner des dégâts matériels ou endommager l'appareil.

Remarque : Ceci vous signale des informations et/ou indications importantes.

CONSIGNES DE SÉCURITÉ IMPORTANTES

LIRE ET CONSERVER CES INSTRUCTIONS

INSTALLATEUR : LAISSEZ CES INSTRUCTIONS AVEC L'APPAREIL APRÈS UNE FOIS L'INSTALLATION TERMINÉE.

IMPORTANT : CONSERVER CES INSTRUCTIONS POUR L'USAGE DE L'INSPECTEUR ÉLECTRIQUE LOCAL.

AVERTISSEMENT

Si l'information de ce guide n'est pas suivie exactement, il peut en résulter un incendie ou un choc électrique causant des dommages à la propriété, des blessures ou la mort.

AVERTISSEMENT

Ne réparez, remplacez, ni ne retirez aucune partie de l'appareil, excepté si les manuels recommandent de le faire. Une installation, un entretien ou une inspection incorrects peuvent occasionner des blessures ou des dommages matériels. Reportez-vous au présent manuel pour obtenir des indications. Toute autre intervention doit être effectuée par un technicien agréé.

AVERTISSEMENT

ATTENTION – AFIN DE RÉDUIRE LES RISQUES D'INCENDIE, DE CHOC ÉLECTRIQUE OU DE BLESSURES CORPORELLES, VEUILLEZ SUIVRE LES INSTRUCTIONS SUIVANTES :

- Les travaux d'installation et de raccordement électrique doivent être effectués par une personne qualifiée, conformément aux codes et standards de construction, y compris ceux concernant le feu.
- Assurez-vous que l'aération est suffisante pour permettre la combustion et l'évacuation des gaz par le conduit de cheminée d'un appareil à combustible afin de prévenir le refoulement d'air. Respectez les instructions du fabricant de l'appareil de chauffage et les normes de sécurité, comme celles publiées par la National Fire Protection Association (NFPA) et par la American Society for Heating, Refrigeration and Air Conditioning Engineers (ASHRAE), ainsi que par les autorités locales.
- Lorsque vous faites une ouverture dans un mur ou un plafond, veillez à ne pas endommager les fils électriques ou les conduites qui y sont dissimulés.
- Les soufflantes canalisées doivent donner sur l'extérieur.

AVERTISSEMENT

Pour l'installation de la hotte, vous devez respecter tous les règlements des entreprises de distribution d'électricité et de construction régionaux applicables.

AVERTISSEMENT

Risque d'incendie

Les dépôts se trouvant dans le filtre à graisse peuvent s'enflammer. Ne jamais cuisiner à proximité de l'appareil avec une flamme ouverte (par exemple pour faire flamber). Installer l'appareil près d'un foyer pour combustibles solides (bois ou charbon par exemple) seulement s'il y a un couvercle fermé et non amovible. Il ne faut pas qu'il se produise de projection d'étincelles.

AVERTISSEMENT

Risque d'incendie

Le fonctionnement simultané de plusieurs feux gaz engendre une forte production de chaleur. Le cas échéant, l'appareil de ventilation peut être endommagé ou s'enflammer. L'appareil de ventilation doit uniquement être combiné avec des feux gaz dont la puissance totale maximale ne dépasse pas 61,000 BTU/hr (18 kW). Si la puissance maximale dépasse 41,000 BTU/hr (12 kW), les prescriptions locales en matière de ventilation, de volume de la pièce et de combinaison avec des appareils de ventilation en mode aspiration ou ventilation doivent être observées.

AVERTISSEMENT

Pour réduire le risque de feu et pour évacuer correctement l'air, évacuez l'air vers l'extérieur. N'évacuez pas l'air dans les murs, les plafonds, les greniers, les vides sanitaires ou les garages.

AVERTISSEMENT

Pour réduire les risques de feu, utiliser uniquement des gaines en métal.

CONSIGNES DE SÉCURITÉ IMPORTANTES

LIRE ET CONSERVER CES INSTRUCTIONS

AVERTISSEMENT

Lorsque la hotte aspirante est utilisée en mode d'évacuation d'air simultanément avec un brûleur différent utilisant également la même cheminée, (tels des appareils de chauffage au gaz, à l'huile ou au charbon, des chauffe-eau instantanés ou des chaudières à eau chaude), veillez à ce que l'apport d'air frais soit suffisant pour assurer la combustion adéquate du brûleur.

Un fonctionnement sans risque est possible si la sous-pression dans la pièce où le brûleur est installé ne dépasse pas 4 Pa (0,04 mbar).

On peut y parvenir en acheminant l'air requis pour la combustion à travers des ouvertures non verrouillables, par exemple dans les portes et fenêtres, et en association avec des boîtiers muraux d'admission/d'évacuation d'air fixées au mur ou grâce à d'autres mesures techniques telles qu'un verrouillage réciproque, etc.

AVERTISSEMENT

Évitez l'intoxication au monoxyde de carbone. – Prévoyez une admission d'air adéquate pour empêcher l'aspiration des gaz de combustion dans la pièce. Un boîtier mural air d'admission/air d'échappement ne peut garantir que la valeur limite ne sera pas dépassée.

Remarque : Lorsque vous évaluez les exigences globales, vous devez tenir compte du système combiné d'aération de la maison au complet. Cette règle ne s'applique pas aux appareils de cuisson, comme les surfaces de cuisson et les fours.

ATTENTION

Appareil conçu exclusivement pour la ventilation générale. Ne pas utiliser pour évacuer des matières et vapeurs dangereuses ou explosives.

Risque d'endommagement par le reflux de condensat. Installer le canal d'évacuation d'air légèrement incliné vers le bas à partir de l'appareil (1° de pente).

Sécurité de manutention des appareils

Cet appareil est lourd et il faut au moins deux personnes ou l'équipement approprié pour le déplacer.

Certaines surfaces peuvent avoir des bords tranchants. Faire attention en étendant le bras derrière l'appareil ou en dessous.

AVERTISSEMENT

Risque de blessure

Si l'appareil n'est pas correctement fixé au mur, il risque de tomber. Tous les éléments de fixation doivent être montés solidement et de façon sûre.

Codes et normes de sécurité

Cet appareil est conforme aux plus récentes versions de l'une ou plus des normes suivantes :

- UL 507 - Ventilateurs électrique (Electric Fans)
- CAN/CSA C22.2 No. 113 - Ventilateurs et soufflantes (Fans and Ventilators)

Il incombe à l'installateur de déterminer si des exigences et/ou normes additionnelles s'appliquent pour des installations spécifiques.

Sécurité électrique

AVERTISSEMENT

INSTRUCTIONS DE MISE À LA TERRE

Cet appareil doit être mis à la terre. En cas de court-circuit électrique, la mise à la terre réduira le risque de choc électrique en offrant au courant électrique un fil d'évacuation.

Cet appareil est muni d'un cordon électrique comportant un conducteur de terre et une prise de mise à la terre. La fiche doit être branchée dans une prise qui a été installée et mise à la terre de façon appropriée.



CONSIGNES DE SÉCURITÉ IMPORTANTES

LIRE ET CONSERVER CES INSTRUCTIONS

AVERTISSEMENT

Une mise à la terre inadéquate peut entraîner un risque de choc électrique. Consultez un électricien qualifié si vous ne comprenez pas parfaitement les instructions de mise à la terre ou si vous avez des doutes quant à la qualité de la mise à la terre. N'utilisez pas de rallonge. Si le cordon d'alimentation est trop court, demandez à un électricien d'installer une prise à proximité de l'appareil. .

AVERTISSEMENT

Avant tout raccordement de cordon électrique ou toute mise sous tension, assurez-vous que toutes les commandes sont en position OFF (d'arrêt).

Pour les appareils dotés d'un cordon et d'une fiche, ne pas couper ou enlever la broche de mise à la terre. Le cordon doit être branché dans une prise de courant adaptée de type mise à la terre pour éviter tout risque d'électrocution. S'il y a un doute en ce qui concerne la mise à la terre de la prise murale, le client devra s'adresser à un électricien qualifié.

S'il y a lieu, conformément au Code national de l'électricité (ou au Code canadien de l'électricité), cet appareil doit être installé sur un circuit de dérivation séparé.

AVERTISSEMENT

Pour réduire le risque de feu ou de choc électrique, ne pas utiliser cet aérateur avec un variateur de vitesse à semi-conducteur.

Installateur – Indiquer au propriétaire l'emplacement du disjoncteur ou du fusible. Identifier sa position pour pouvoir le retrouver facilement.

Avant l'installation, mettre l'appareil hors service au panneau de service. Verrouiller le panneau d'entrée d'électricité pour éviter que le courant ne soit accidentellement rétabli.

AVERTISSEMENT

AFIN DE RÉDUIRE LES RISQUES D'INCENDIE, DE CHOC ÉLECTRIQUE OU DE BLESSURES CORPORELLES, VEUILLEZ SUIVRE LES INSTRUCTIONS SUIVANTES :

- Utilisez cet appareil seulement de manière conforme à l'usage prévu par le fabricant. Si vous avez des questions, contactez le fabricant.
- Avant le nettoyage ou l'entretien de l'appareil, mettez-le hors tension sur le tableau électrique et verrouillez les dispositifs de sectionnement afin d'empêcher toute remise sous tension accidentelle. S'il est impossible de verrouiller les dispositifs de sectionnement, fixez de manière sûre au tableau électrique un dispositif d'alerte bien visible, par exemple une étiquette.

S'assurer que l'appareil est installé et mis à la terre par un technicien qualifié. L'installation, les connexions électriques et la mise à la terre doivent être conformes à tous les codes applicables.

AVERTISSEMENT

Risque de choc électrique

Les pièces se trouvant dans l'appareil peuvent présenter des arêtes vives. Le cordon de branchement peut être endommagé. Ne pas couder ni coincer le cordon de branchement pendant la pose.

Équipement de sécurité

Enlever le ruban adhésif et l'emballage avant d'utiliser l'appareil. Détruire l'emballage après avoir déballé l'appareil. Ne jamais laisser les enfants jouer avec les matériaux de conditionnement.

Utilisez uniquement l'appareil électroménager s'il a été installé par un technicien qualifié conformément aux présentes instructions d'installation. Le fabricant ne peut pas être tenu responsable de tous dommages causés par une installation inadéquate.

Ne jamais modifier ni altérer la configuration de l'appareil. Par exemple, ne pas retirer les pieds de nivellement, les panneaux, les couvercles de câblage ou les fixations/vis antibasculement.

CONSIGNES DE SÉCURITÉ IMPORTANTES

LIRE ET CONSERVER CES INSTRUCTIONS

Avertissement issu de la proposition 65 :

Ce produit pourrait contenir un produit chimique reconnu par l'État de la Californie comme cancérigène ou ayant des effets nocifs sur la reproduction. Par conséquent, l'emballage de votre produit pourrait porter l'étiquette suivante, comme requis par la Californie :

AVERTISSEMENT ISSU DE LA PROPOSITION 65 DE L'ÉTAT DE LA CALIFORNIE :

 **AVERTISSEMENT**

Cancer et dommages à la reproduction -
www.P65Warnings.ca.gov

Préparatifs du montage

ATTENTION

Veillez à ce qu'il n'y ait pas de conduites électriques, de tuyaux de gaz ou d'eau au niveau des perçages.

Vérifier le mur

- Le mur doit être plat, vertical et offrir une portance suffisante.
- La profondeur des trous percés doit être adaptée à la longueur des vis. Les chevilles doivent offrir une retenue sûre.
- Les vis et chevilles fournies conviennent pour la maçonnerie massive. En présence d'autres matériaux de construction (par ex. Rigips, béton cellulaire, briques Poroton), il faut utiliser des moyens de fixation correspondants.
- La hotte aspirante pèse **132 livre (60 kg)** max.

Instructions Générales

AVERTISSEMENT

Danger de mort

Il y a risque d'intoxication par réaspiration des gaz de combustion. L'air sortant ne doit pénétrer ni dans une cheminée en service destinée à évacuer la fumée ou des gaz brûlés, ni dans une gaine servant à aérer les locaux où sont installés des foyers à combustion. Si l'air sortant circule par une cheminée non en service destinée à évacuer la fumée ou des gaz brûlés, il faudra consulter un ramoneur compétent dans votre quartier.

Mode évacuation

Remarque : Il ne faut pas rejeter l'air usé dans une cheminée d'évacuation en service, ni dans un conduit servant à la ventilation de pièces où sont installés des foyers.

- Pour rejeter l'air dans un conduit de fumées qui n'est pas en service, il faut demander l'accord du maître ramoneur compétent.
- Si l'air est évacué à travers le mur extérieur de l'habitation, il faut utiliser un caisson mural télescopique.

Conduit d'évacuation

Remarque : Le fabricant de l'appareil décline toute garantie en cas de réclamation imputable à des problèmes liés au parcours des conduits.

- L'appareil atteindra un rendement supérieur si le conduit d'évacuation est court et droit et que son diamètre est grand.
- Si les conduits d'évacuation sont longs, présentent de nombreux coudes ou ont un diamètre inférieur à 6 po (150 mm), la puissance maximale d'aspiration ne sera pas atteinte et le ventilateur fera plus de bruit.
- Les tuyaux rigides ou souples constituant le conduit d'évacuation doivent être fabriqués dans un matériau ininflammable.
- Pour raccorder des tuyaux de diamètres différents, utiliser du ruban d'étanchéité.
- Nous recommandons un diamètre intérieur de 6 po (150 mm), avec un minimum de 4¼ po (120 mm).

AVIS : Risque d'endommagement par le reflux de condensat. Installer le canal d'évacuation d'air légèrement incliné vers le bas à partir de l'appareil (1° de pente).

Branchement électrique

⚠ AVERTISSEMENT

Risque de choc électrique

Les pièces se trouvant dans l'appareil peuvent présenter des arêtes vives. Le cordon de branchement peut être endommagé. Ne pas couper ni coincer le cordon de branchement pendant la pose.

Les données de raccordement nécessaires se trouvent sur la plaque signalétique sur l'appareil.

Cet appareil est conforme aux dispositions CE régissant l'antiparasitage.

Cet appareil ne doit être raccordé qu'à une prise de courant avec mise à la terre installée de manière réglementaire.

Installer la prise de courant avec mise à la terre de préférence directement à l'intérieur du capot de cheminée.

- La prise de courant avec mise à la terre doit être raccordée à un circuit électrique dédié.
- Si la prise de courant avec mise à la terre n'est plus accessible après l'installation de l'appareil, il faut intercaler dans le câblage un sectionneur omnipolaire (par ex. disjoncteur pour protéger la ligne, les fusibles et les contacteurs) présentant une ouverture d'au moins 3 mm entre les contacts.

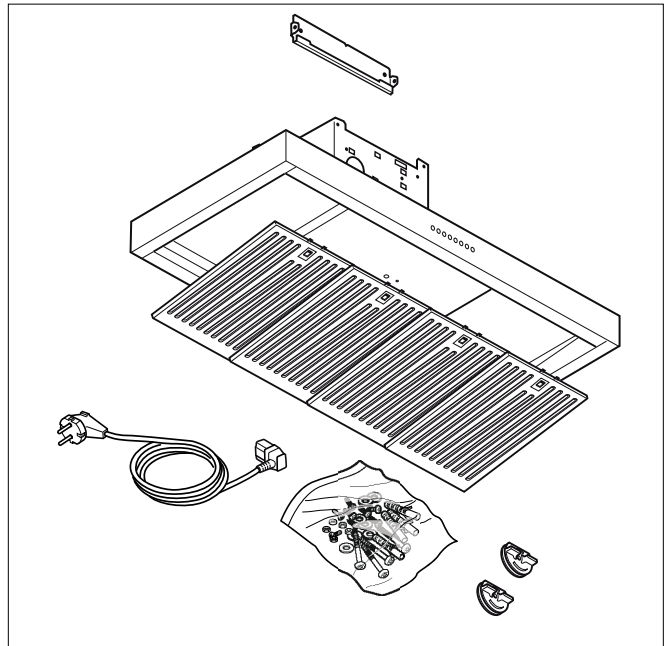
Avant de commencer

Outils et pièces nécessaires

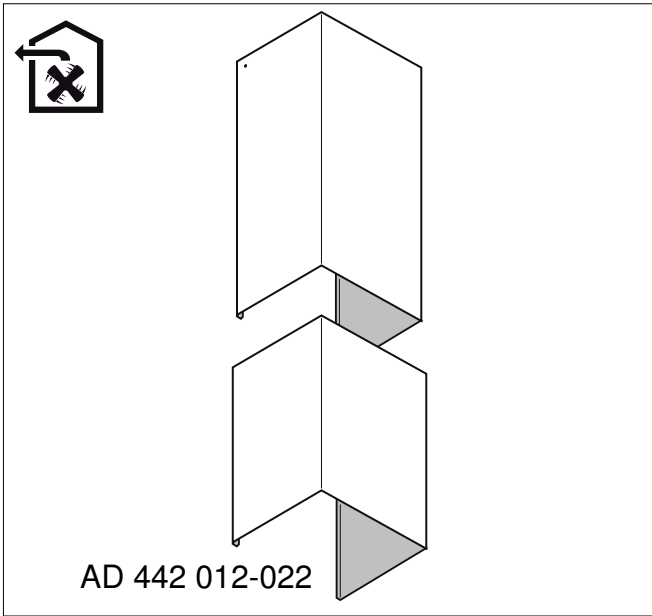
- Décamètre à ruban
- Crayon
- Tournevis Torx TX20
- Perceuse avec les forets suivants : 5/16" (8 mm)
- Niveau à bulle
- Ruban en aluminium (NE PAS utiliser un ruban isolant)
- Canal d'évacuation d'air (la configuration dépend de la situation de montage).
- Vis à tôle supplémentaires (si nécessaires pour l'installation du conduit d'évacuation)

Pièces comprises

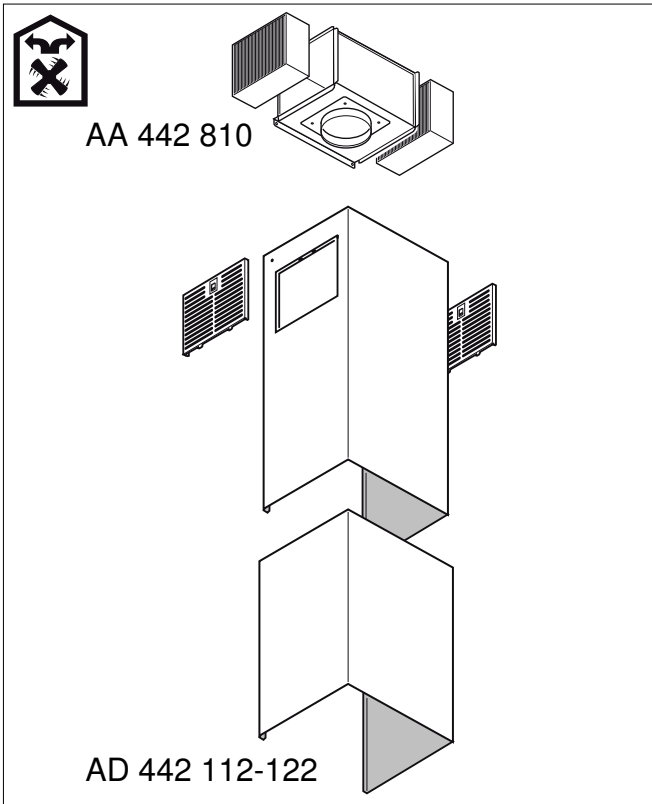
Tous les modèles



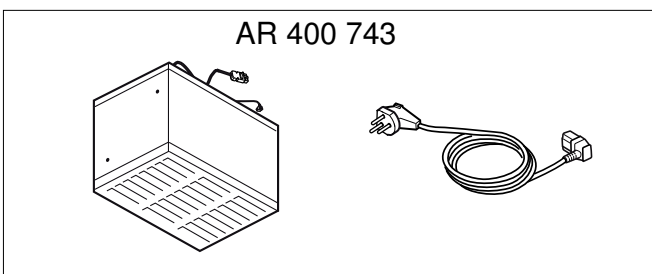
Modèles avec évacuation extérieure



Modèles avec recyclage de l'air

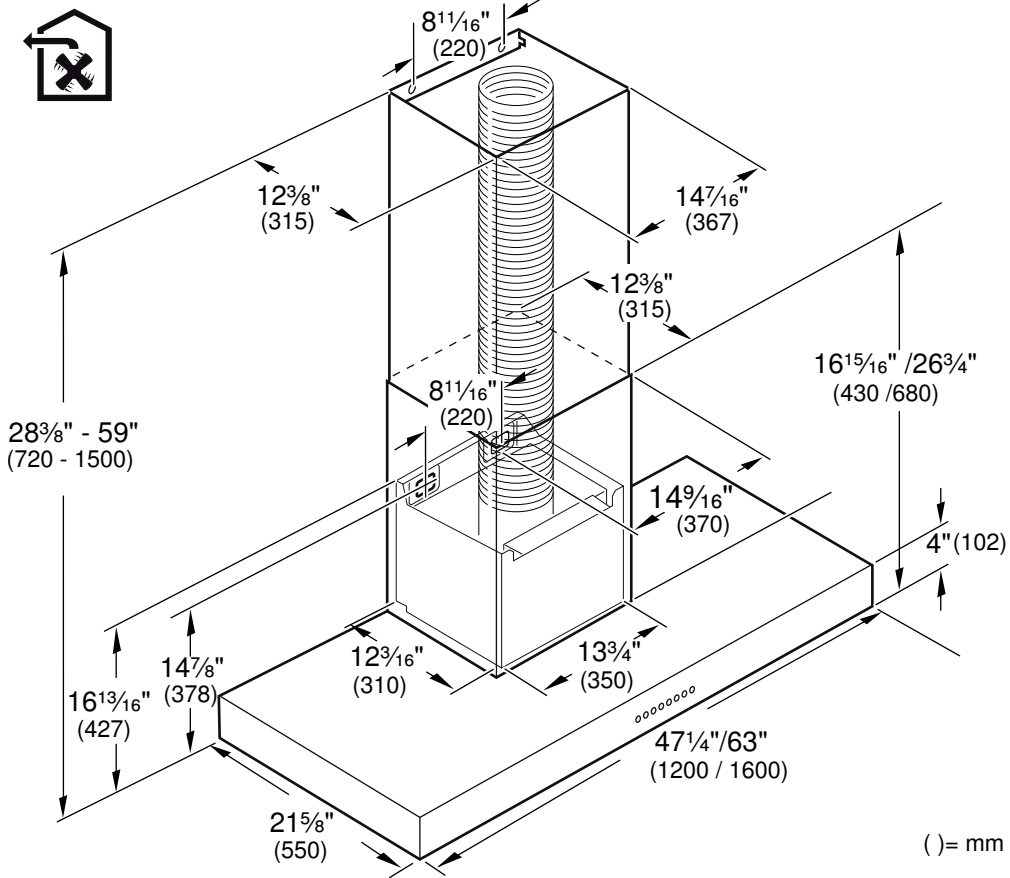


Accessoire : Moteur de ventilateur

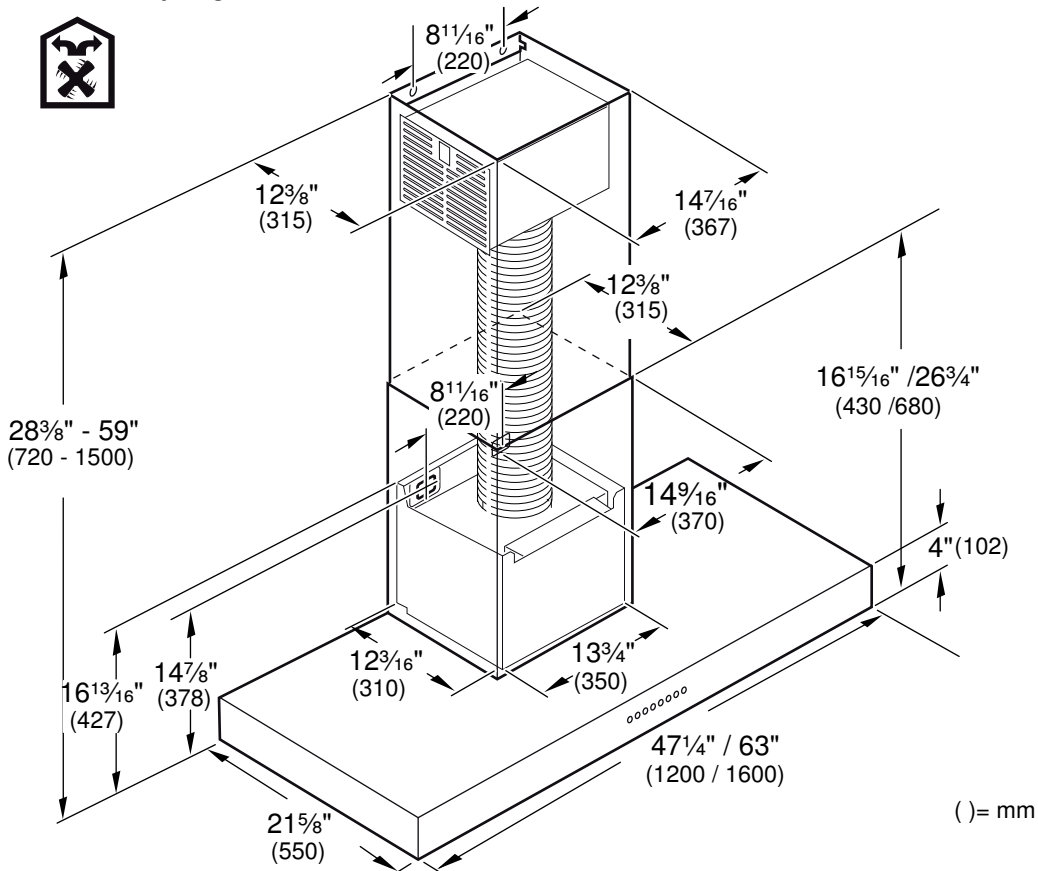


Cotes de l'appareil

Modèles de mode évacuation



Modèles avec mode recyclage



Distances de sécurité

⚠ AVERTISSEMENT

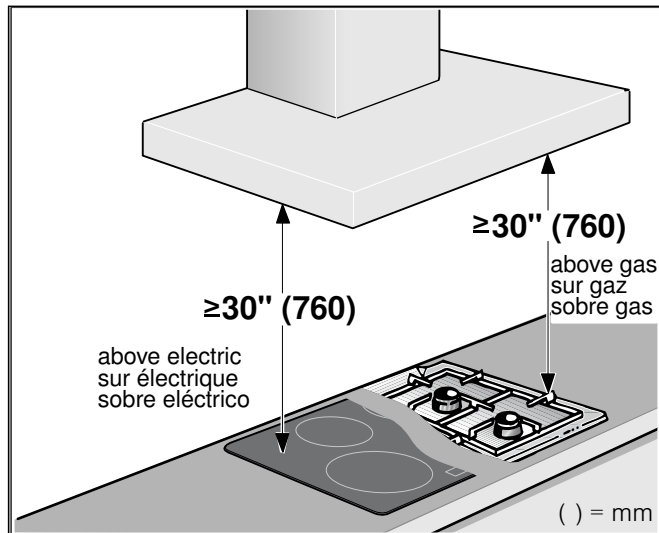
Risque d'incendie

Les dépôts de graisse dans le filtre à graisse peuvent s'enflammer. Les distances de sécurité indiquées doivent être respectées, afin d'éviter une accumulation de chaleur. Veuillez respecter les indications relatives à votre appareil de cuisson. Si votre table de cuisson combine des foyers gaz et électrique, l'écart maximal s'applique.

L'appareil ne peut jouxter que sur un côté un meuble haut ou une paroi. La distance vers la paroi ou le meuble haut doit être d'au moins 2" (50 mm).

La distance entre la surface de rangement sur la table de cuisson et le dessous de la hotte ne doit pas être inférieure à 760 mm (30") pour les tables de cuisson électriques et à 760 mm (30") pour les cuisinières à gaz ou combinées.

Si les instructions d'installation de l'appareil de cuisson au gaz spécifient une plus grande distance, celle-ci doit être prise en compte.



Installation

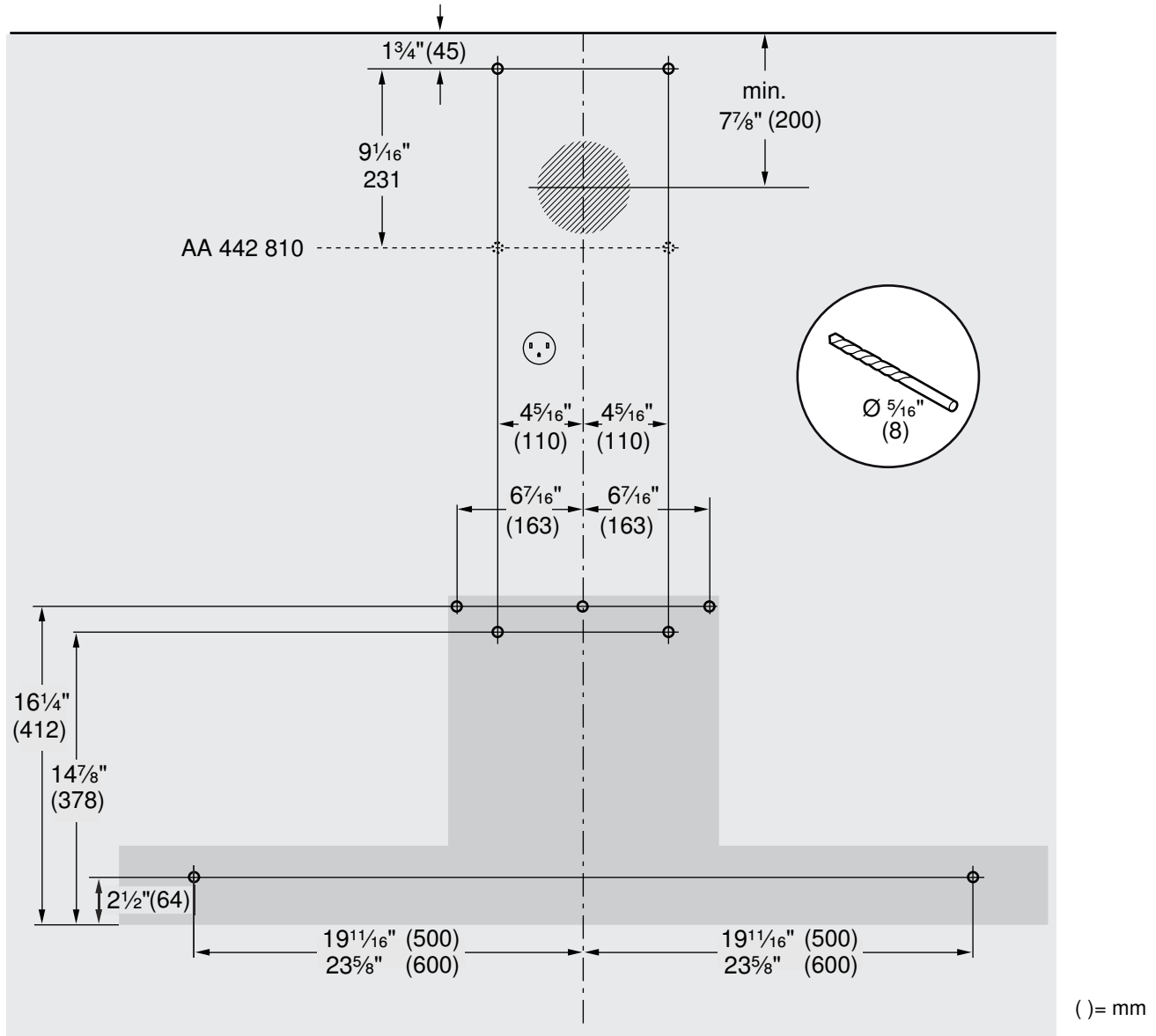
Sécurité de manutention des appareils

Cet appareil est lourd et il faut au moins deux personnes ou l'équipement approprié pour le déplacer.

Certaines surfaces peuvent avoir des bords tranchants. Faire attention en étendant le bras derrière l'appareil ou en dessous.

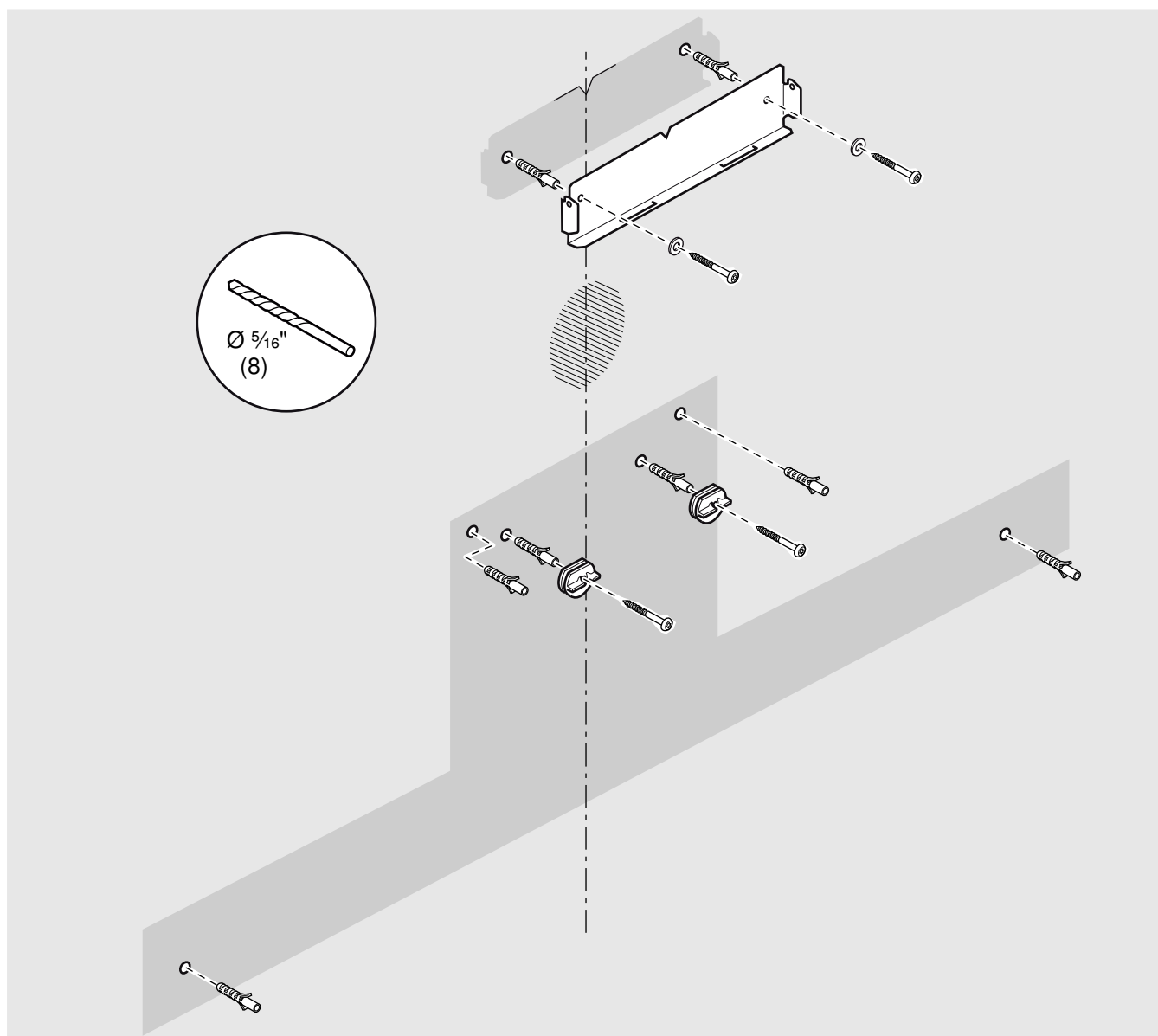
Préparatifs du montage

- 1 Du plafond au bord inférieur de la hotte aspirante, tracer une ligne médiane verticale sur le mur.
- 2 Marquer les emplacements des vis et le contour de la zone d'accrochage.
- 3 Percer les trous pour les fixations et enfoncer les chevilles jusqu'au ras du mur.



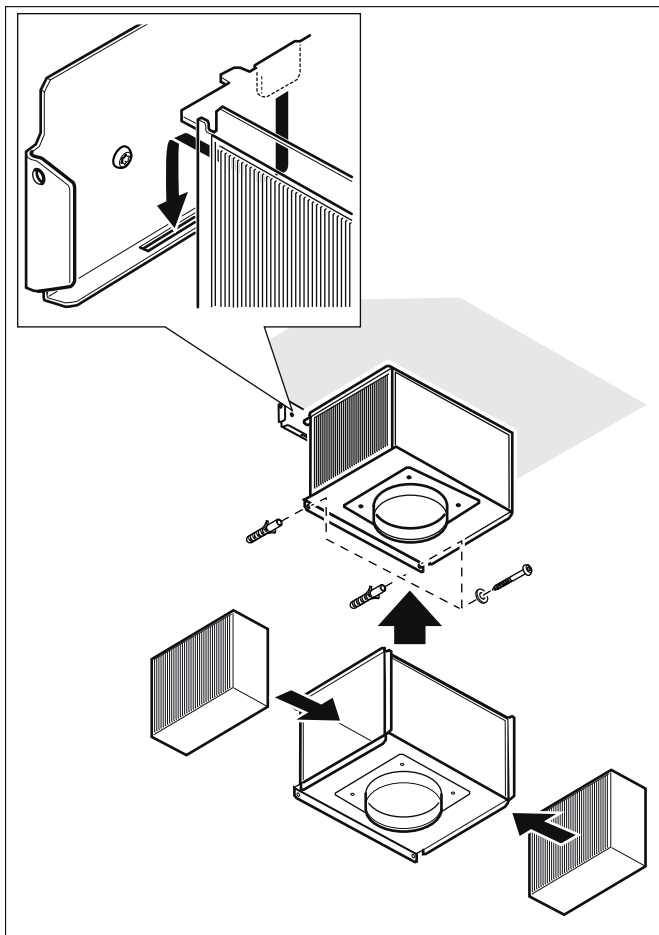
Montage de la fixation murale

- 1 Visser la cornière de retenue affectée au capot de cheminée.
- 2 Visser les deux pièces d'accrochage de la hotte à la main. Ne serrez pas les vis à fond !

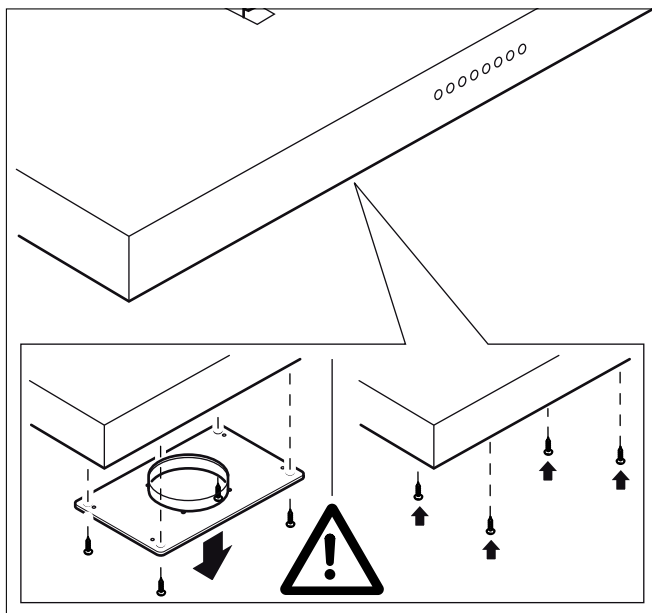


Montage de l'appareil

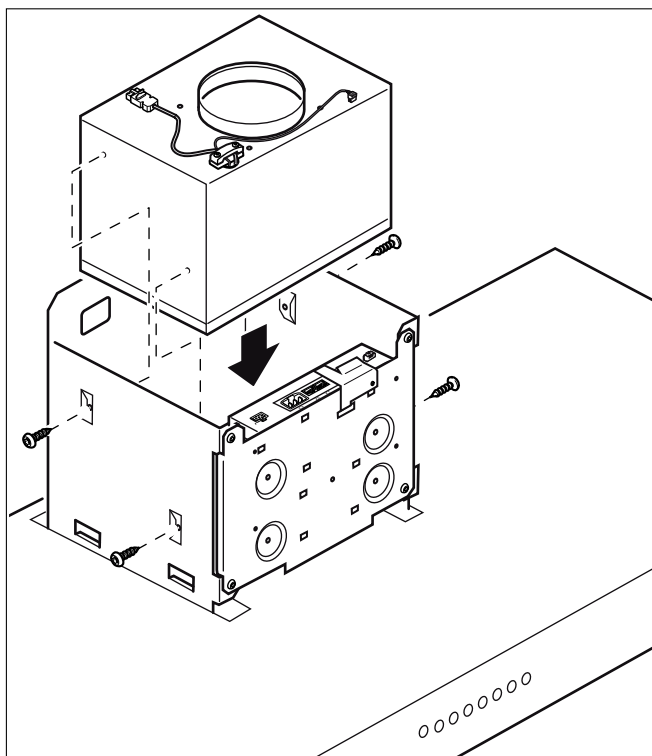
- 1 Uniquement pour la version à recyclage:** Filter beidseitig in das Umluftmodul AA 442 810 einsetzen. Accrochez le module de recyclage de l'air dans les cornières. Fixez-le contre le mur avec 2 vis.



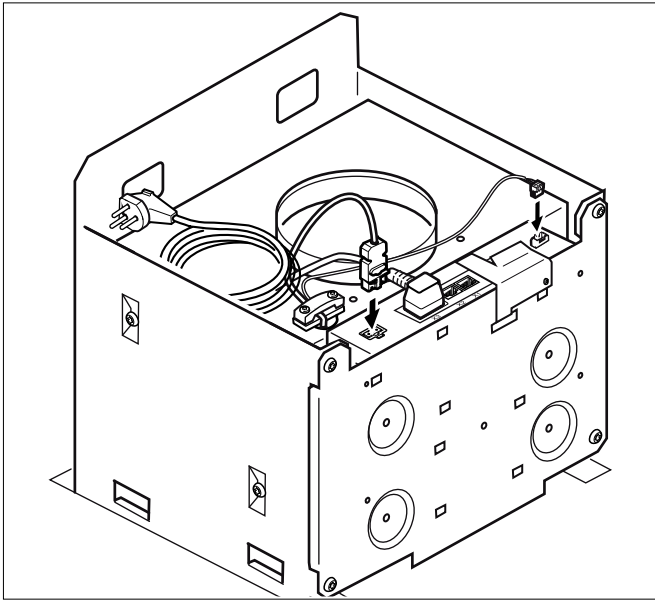
- 2 Uniquement pour la combinaison avec moteur séparé interne AR 400 743:** Dévissez la tôle de recouvrement dans la hotte : desserrez 4 vis, retirez la tôle de recouvrement, revissez 4 vis.



Introduisez le moteur séparé par en haut dans la hotte. Fixez-le avec 4 vis.

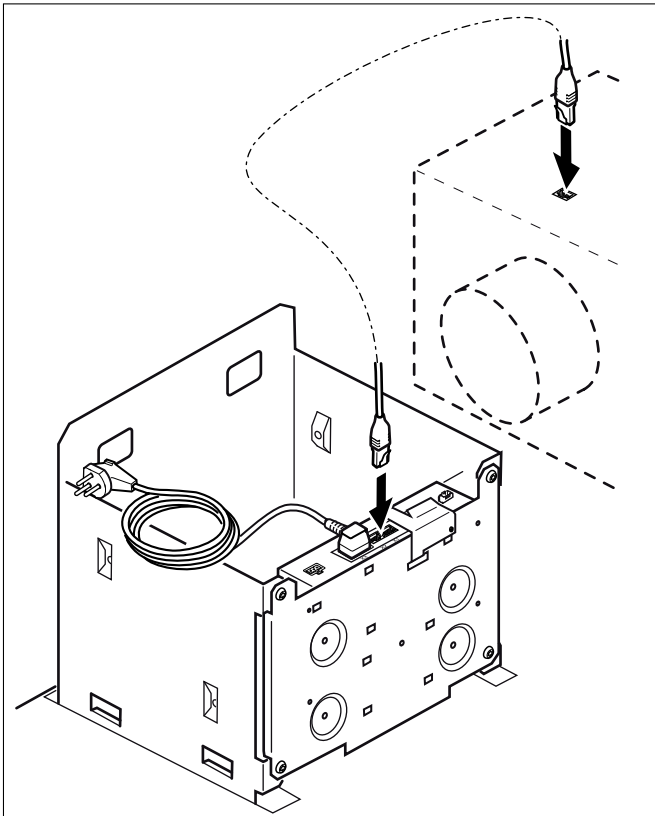


Raccordez le câble secteur et le câble de commande au module de commande.

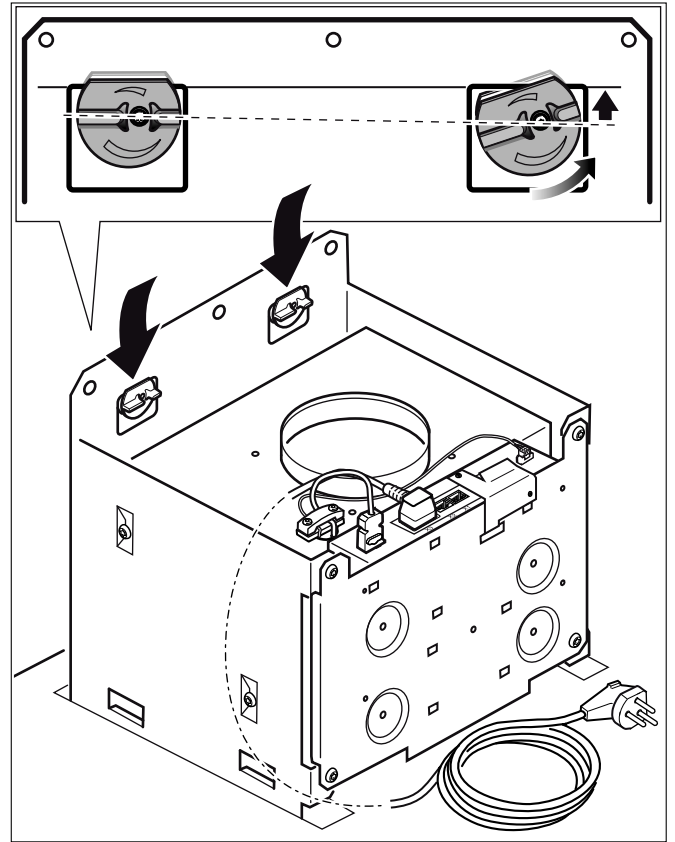


- 3 Uniquement pour la combinaison avec moteur séparé externe AR 4.. :** Raccordez le moteur séparé externe et le module de commande de la hotte avec le câble secteur. Les fiches doivent s'enclencher. Raccordez le câble secteur au module de commande.

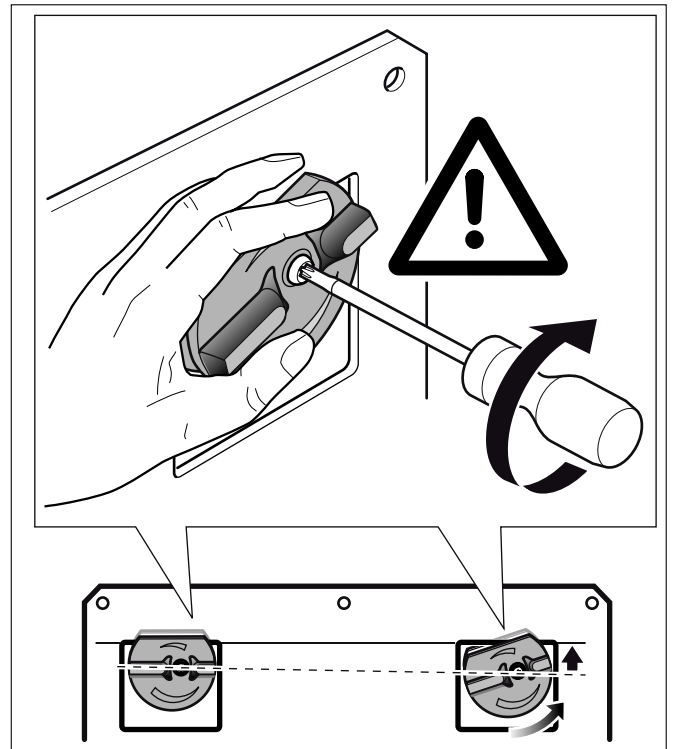
Remarque : Les prises de raccordement X1 et X2 sont identiques.

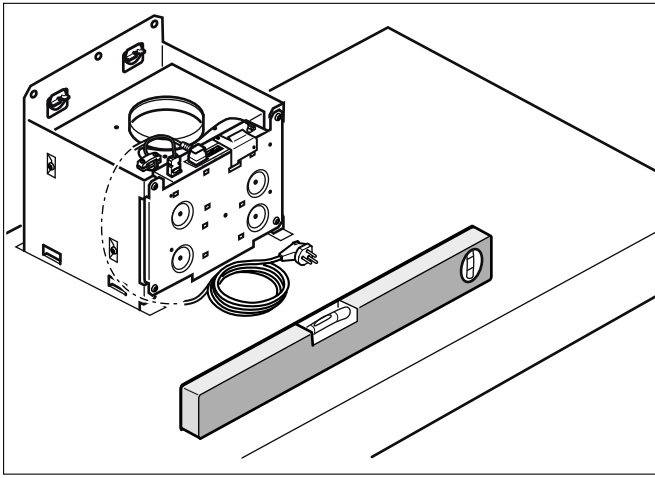


- 4** Accrochez la hotte dans les deux suspensions de sorte qu'elle s'y engage fermement.

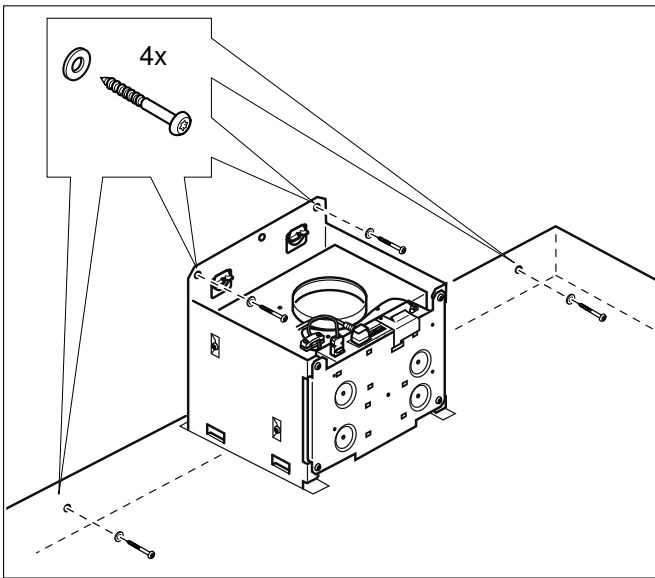


- 5** Alignez la hotte à l'horizontale en tournant les suspensions. Au besoin, il est possible de décaler l'appareil vers la droite ou vers la gauche.





- 6 Vissez fermement les vis des suspensions. Tout en les maintenant pour éviter qu'elles ne pivotent.
- 7 Bloquez la hotte sur le mur avec deux vis via les suspensions mais aussi avec deux vis dans la partie inférieure de la hotte.



Effectuer le raccordement de l'évacuation de l'air

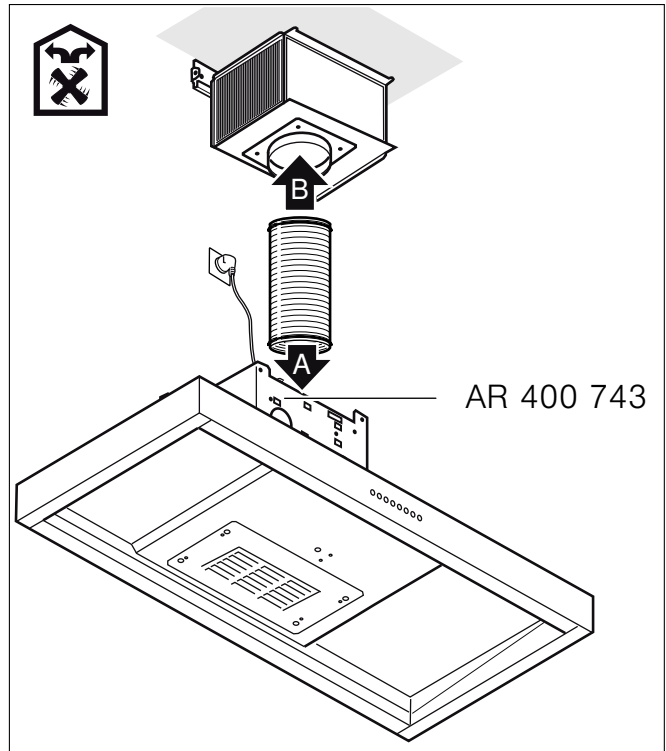
Remarques

- En mode Évacuation de l'air, un volet anti-refoulement doit être installé. Si un volet anti-refoulement n'est pas fourni avec l'appareil, il peut être acheté dans un commerce spécialisé.
- Si l'air sortant traverse la paroi extérieure, il faudrait utiliser un caisson télescopique mural.
- En cas d'utilisation d'un tuyau en aluminium, lisser au préalable la zone de raccordement.

Conduit d'évacuation Ø 6 po (150 mm) (diamètre recommandé).

Modèles à mode recyclage avec moteur séparé interne AR 400 743

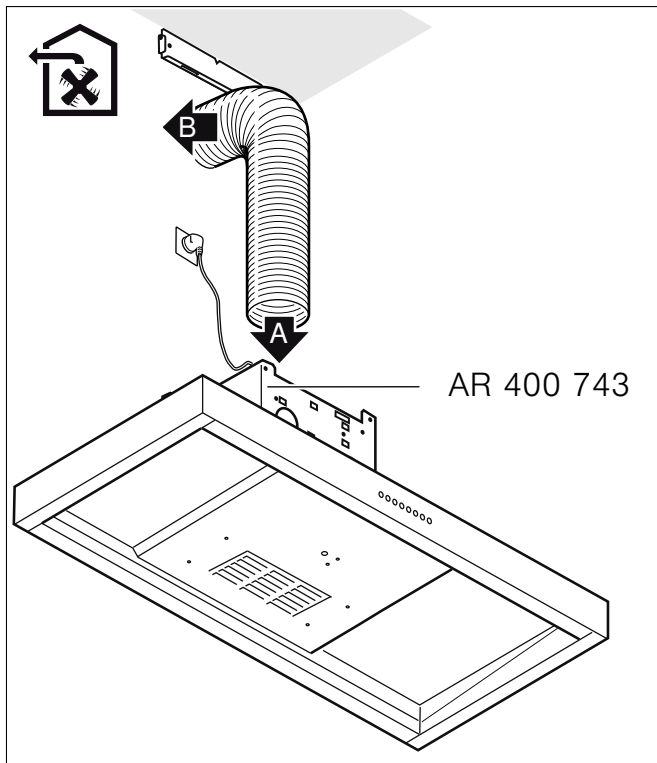
- 1 Fixer le conduit d'évacuation directement sur le manchon d'évacuation du moteur de ventilateur (A).



- 2 Effectuer la jonction vers l'orifice d'évacuation d'air (B).
- 3 Étancher les zones de jonction de façon appropriée.

Modèles de mode évacuation avec monteur séparé interne AR 400 743

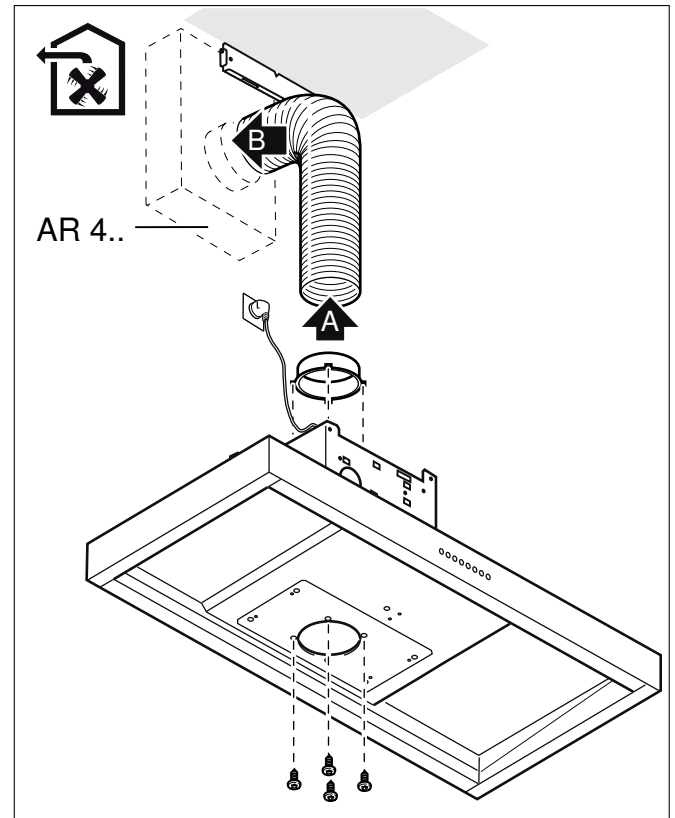
- 1 Fixer le conduit d'évacuation directement sur le manchon d'évacuation du moteur de ventilateur (A).



- 2 Effectuer la jonction vers l'orifice d'évacuation d'air (B).
- 3 Étancher les zones de jonction de façon appropriée.

Modèles de mode évacuation sans monteur séparé interne AR 400 743

- 1 Dévissez la pièce de connexion de la tôle de recouvrement dans la hotte. Fixez le conduit d'évacuation sur la pièce de connexion. Vissez fermement la pièce de connexion sur la tôle de recouvrement dans la hotte.



- 2 Réalisez la jonction vers l'orifice d'évacuation d'air.
- 3 Étanchéifiez les zones de jonction de façon appropriée.

Effectuer le raccordement électrique

- 1 Brancher la fiche secteur sur la prise avec mise à la terre.
- 2 Si un raccordement fixe est nécessaire, respecter les consignes dans le chapitre **Raccordement électrique**.

Montage du capot de cheminée

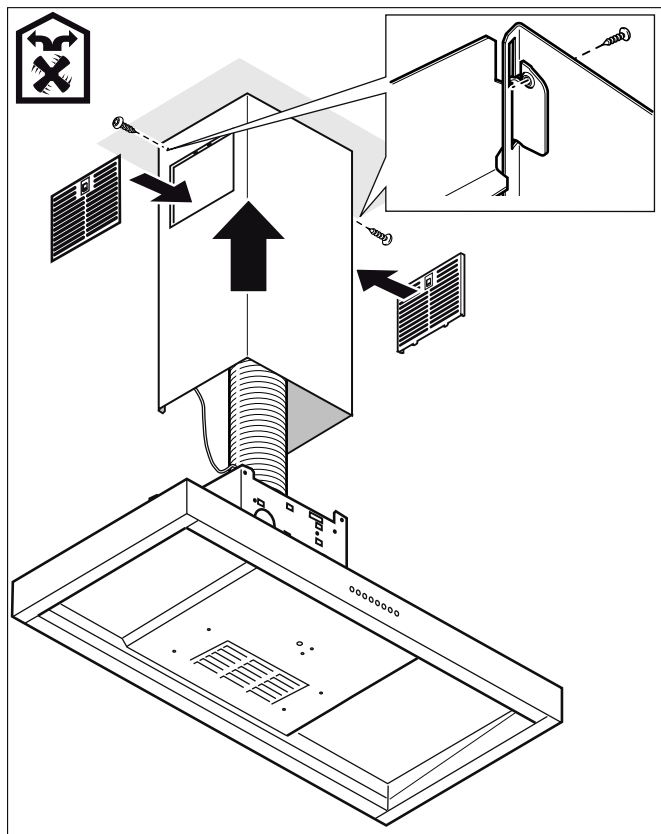
AVERTISSEMENT

Risque de blessure

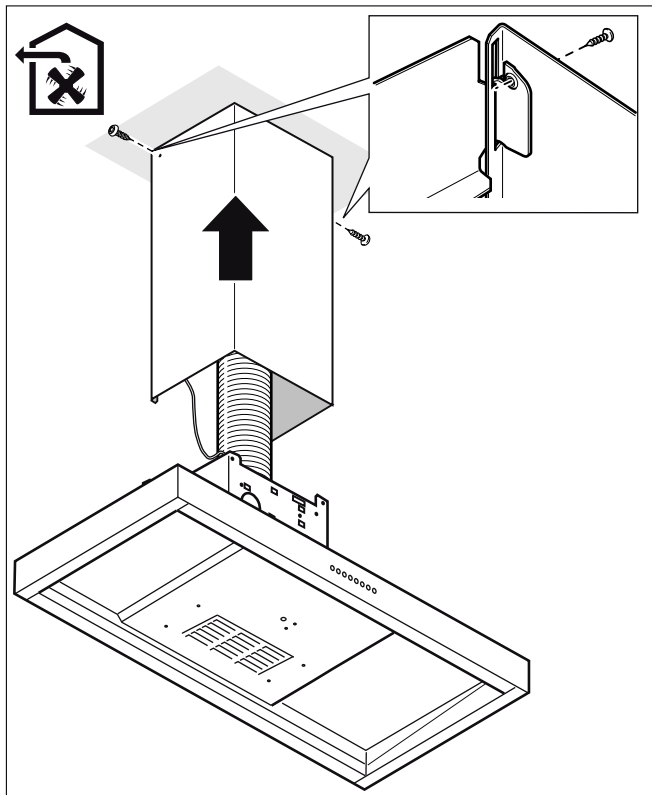
Les pièces se trouvant dans l'appareil peuvent présenter des arêtes vives. Porter des gants de protection.

- 1 Retirer les pellicules protectrices recouvrant les deux capots de cheminée.
- 2 Monter le capot de cheminée supérieur. Accrochez les deux tôles latérales aux cornières et vissez-les des deux côtés.

Modèles avec mode recyclage :

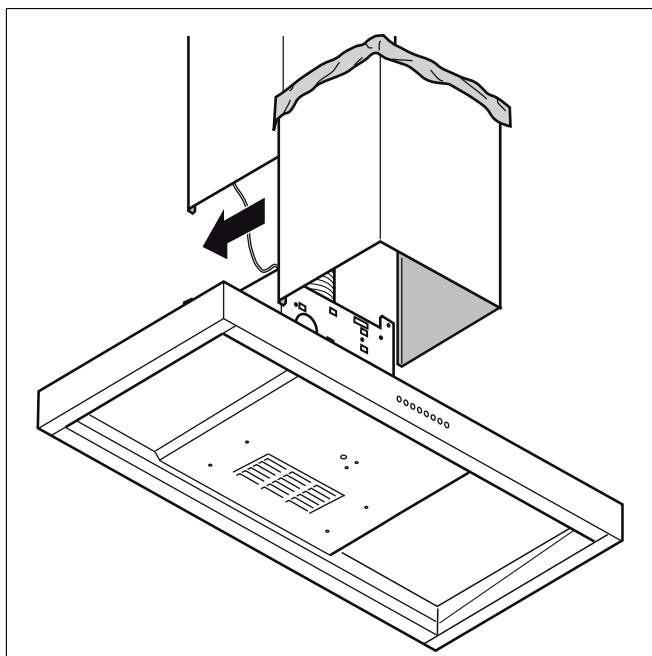


Modèles avec mode évacuation extérieure :



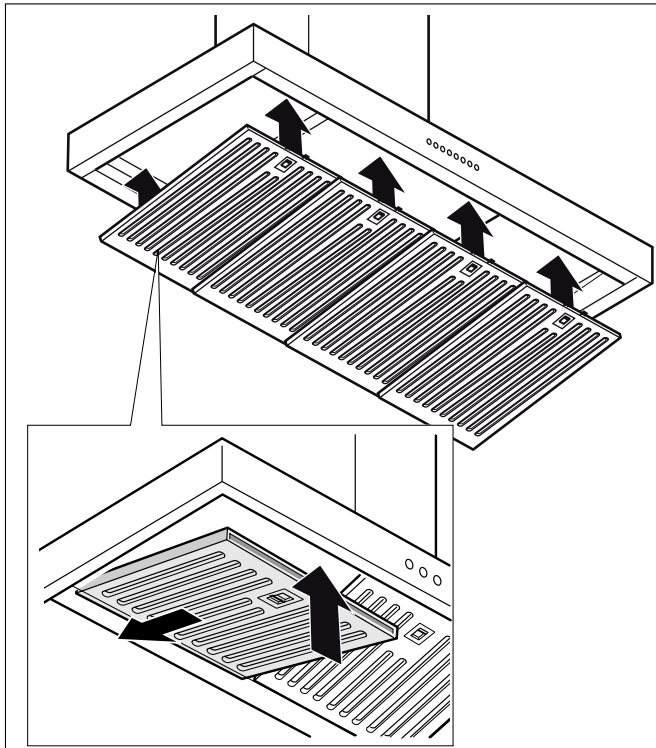
- 3 Monter le capot de cheminée inférieur. Écartez légèrement les deux tôles latérales, les accrochez derrière le capot de cheminée supérieur et les presser jusqu'en butée.

Remarque : Pour éviter des rayures, poser du papier, à titre de protection, sur les bords du capot inférieur.



- 4 Poser le capot de cheminée inférieur sur l'appareil.

5 Mettre en place le filtre à graisse.



Sortie de commutation supplémentaire

⚠ AVERTISSEMENT

Les travaux sur la sortie de commutation supplémentaire doivent uniquement être effectués par un électricien qualifié, en respectant les règlements et normes spécifiques au pays.

L'appareil possède une sortie de commutation supplémentaire X16 (contact sans potentiel) pour le raccordement d'autres appareils, tels qu'une installation de ventilation existante côté site. Le contact est fermé lorsque le ventilateur est en marche et est ouvert lorsque le ventilateur est éteint.

La sortie de commutation se situe sous un couvercle. Puissance de commutation maximale 30 V/1 A (CA/CC). Le signal qui est raccordé au contact doit correspondre à la classe de protection 3.

Raccord pour le contacteur de fenêtre AA 400 510

Les travaux sur le raccord pour le contacteur de fenêtre doivent uniquement être effectués par un électricien qualifié, en respectant les règlements et normes spécifiques au pays.

L'appareil possède un raccord X17 pour un contacteur de fenêtre. Le contacteur de fenêtre convient au montage encastré ou au montage en saillie. Le contacteur de fenêtre AA 400 510 est disponible séparément en tant qu'accessoire. Respectez les instructions de montage fournies avec le contacteur de fenêtre.

Lorsque le contacteur de fenêtre est raccordé, la ventilation de la hotte aspirante fonctionne uniquement avec la fenêtre ouverte. L'éclairage fonctionne même si la fenêtre est fermée.

Si vous activez la ventilation avec la fenêtre fermée, la touche de la vitesse du ventilateur sélectionnée clignote et la ventilation reste éteinte.

Si vous fermez la fenêtre alors que la ventilation est allumée, l'appareil coupe la ventilation en l'espace de 5 secondes. La touche de la vitesse du ventilateur sélectionnée clignote.

L'ensemble du circuit de ventilation associé à un contacteur de fenêtre doit être évalué par un ramoneur en chef.

Utilisation en réseau

Plusieurs appareils peuvent être interconnectés. La lumière et la ventilation de tous les appareils fonctionnent de manière synchrone.

Relier les appareils en série via les prises de raccordement X1 et X2 (équivalentes). L'ordre de l'interconnexion n'a pas d'influence. Si les câbles réseau fournis sont trop courts, utiliser un câble réseau usuel commercial (au moins Cat5, blindé).

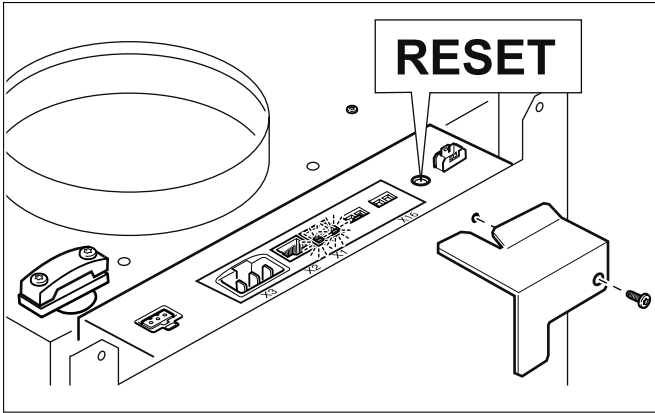
Nombre max. de participants : 20 appareils. Longueur totale de tous les câbles réseau : 40 m. La fonction de l'installation doit être vérifiée par un technicien qualifié lors de l'installation initiale.

La panne d'un participant (coupure de tension, séparation du câble réseau) conduit au blocage de la fonction de ventilation de l'ensemble du système. Toutes les touches sur l'appareil clignotent.

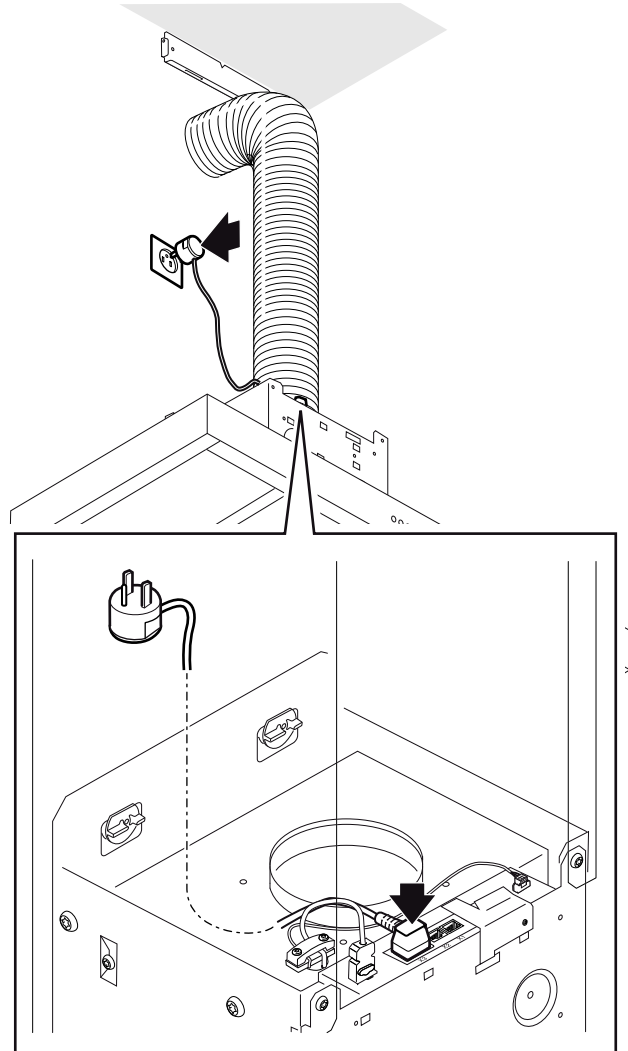
En cas de modification de la configuration, l'installation doit être réinitialisée :

- 1 Dévisser la tôle de protection.
- 2 Appuyer sur la touche Réinitialiser (Reset) jusqu'à ce que les deux DEL soient allumées en continu (env. 5 secondes). Relâcher ensuite la touche dans les 5 secondes.
- 3 Visser la tôle de protection.

- 4 Faire vérifier le fonctionnement de l'installation par un technicien qualifié après l'initialisation.



- Poser une prise de courant avec terre conformément à la réglementation, à environ 27" (700 mm) au-dessus du sol derrière l'appareil. La prise de courant doit rester accessible après la pose de l'appareil.



Brancher l'alimentation électrique

⚠ AVERTISSEMENT

Risque de choc électrique

Les pièces se trouvant dans l'appareil peuvent présenter des arêtes vives. Le cordon de branchement peut être endommagé. Ne pas couder ni coincer le cordon de branchement pendant la pose.

Consulter la plaque signalétique pour en savoir plus. Pour savoir où se trouve la plaque signalétique, se reporter à la rubrique "Service après-vente".

Le courant admissible des disjoncteurs divisionnaires, la taille des câbles et les connexions doivent être conformes aux exigences du Code électrique national ou du Code électrique canadien ainsi qu'à tous les codes et règlements locaux.

Ce appareil est relié avec une fiche

- La fiche doit être conforme aux normes NEMA pour fiches et prises de courant.
- L'appareil doit être correctement mis à la terre.
- La fiche d'alimentation doit être au minimum du type 6-20 P (2 broches, 3 fils avec terre).
- Le branchement de la fiche doit être fait exclusivement par un électricien qualifié.

Démontage de l'appareil

- 1 Retirer le filtre à graisse.
- 2 Détacher le capot de cheminée.
- 3 Mettre l'appareil hors tension.
- 4 Détacher les conduits d'évacuation.
- 5 Desserrer les vis de sécurité.
- 6 Enlever l'appareil.

Service après-vente

Si votre appareil doit être réparé, notre service après-vente est à votre disposition. Nous trouvons toujours une solution adaptée, y compris pour éviter les visites inutiles de techniciens.

Lors de votre appel, indiquez le numéro du produit (n° E) et le numéro de série (n° FD) afin que nous puissions vous donner une réponse précise. Vous trouverez la plaque signalétique à l'intérieur de l'appareil (après avoir retiré le filtre à graisse en métal).

Pour ne pas avoir à chercher en cas de besoin, vous pouvez inscrire ici les références de l'appareil et le numéro de téléphone du service après-vente.

N° E

N° FD

Service après-vente 

Veuillez lire le mode d'emploi et les directives d'entretien fournis avec l'appareil. Tout manquement à cette consigne pourrait entraîner une erreur à l'utilisation de l'appareil et des demandes de réparations inutiles, qui pourraient ne pas être sous garantie.

Vous trouverez les données de contact pour tous les pays dans l'annuaire ci-joint du service après-vente.

Demande de réparation et conseils en cas de dysfonctionnement

CA 877 442 4436

toll-free

Sécurité de manutention des appareils

Cet appareil est lourd et il faut au moins deux personnes ou l'équipement approprié pour le déplacer.

Certaines surfaces peuvent avoir des bords tranchants. Faire attention en étendant le bras derrière l'appareil ou en dessous.

⚠ Definiciones de seguridad	41
INSTRUCCIONES DE SEGURIDAD IMPORTANTES	42
Seguridad de manejo del electrodoméstico	43
Códigos y normas de seguridad	44
Seguridad eléctrica	44
Seguridad del equipo relacionado	45
Advertencia en virtud de la Proposición 65	45
Preparativos para el montaje	46
Revisar la pared	46
Información General	46
Funcionamiento con extracción de aire	46
Conducto de escape	46
Conexión eléctrica	47
Antes de empezar	47
Herramientas y piezas necesarias	47
Piezas incluidas	47
Dimensiones del equipo	49
Distancias de seguridad	50
Instalación	51
Seguridad de manejo del electrodoméstico	51
Preparativos para el montaje	51
Montaje del soporte de la pared	52
Montaje del aparato	53
Conexión de la salida de aire	55
Montaje de la toma de corriente	56
Montar los revestimientos de la chimenea	56
Salida de conexión adicional	58
Conexión para interruptor de contacto de la ventana AA 400 510	58
Funcionamiento conectado	58
Conexión de la alimentación eléctrica	59
Desmontaje del aparato	59
Servicio de atención al cliente	60
Seguridad de manejo del electrodoméstico	60

⚠ Definiciones de seguridad

⚠ ADVERTENCIA

Esto indica que pueden producirse heridas graves o incluso la muerte si no se cumple con esta advertencia.

⚠ ATENCION

Esto indica que pueden producirse heridas leves o moderadas si no se cumple con esta advertencia.

AVISO: Esto indica que pueden producirse daños en el aparato o en los bienes si no se cumple con este aviso.

Nota: Esto alerta sobre información o sugerencias importantes.



INSTRUCCIONES DE SEGURIDAD IMPORTANTES

LEA Y CONSERVE ESTAS INSTRUCCIONES

INSTALADOR: DEJE ESTAS INSTRUCCIONES CON EL ELECTRODOMÉSTICO CUANDO HAYA FINALIZADO LA INSTALACIÓN.

IMPORTANTE: CONSERVE ESTAS INSTRUCCIONES PARA USO DEL INSPECTOR DE ELECTRICIDAD LOCAL.

ADVERTENCIA

Si no sigue la información de este manual exactamente, se puede ocasionar un incendio o una descarga eléctrica que puede causar daños materiales o lesiones personales.

ADVERTENCIA

No reparar, sustituir ni quitar ninguna pieza del electrodoméstico a menos que se recomiende de forma específica en los manuales. Una instalación, servicio o mantenimiento inadecuados pueden causar lesiones o daños materiales. Consultar este manual para recibir ayuda. Todos los demás servicios debe realizarlos un agente autorizado.

ADVERTENCIA

ADVERTENCIA – PARA REDUCIR EL RIESGO DE INCENDIO, CHOQUE ELÉCTRICO O LESIONES A LAS PERSONAS, OBSERVE LAS SIGUIENTES RECOMENDACIONES:

- El trabajo de instalación y el cableado eléctrico deben realizarse por personal calificado conforme a todos los códigos y estándares aplicables, incluyendo construcción contra incendios.
 - Se requiere suficiente aire para la combustión y escape adecuado de gases por el conducto (chimenea) del equipo que quema combustible para evitar la contracorriente. Siga la directriz y las normas de seguridad del fabricante de equipos de calefacción, como las publicadas por La Asociación Nacional para la Protección contra Incendios (NFPA, por sus siglas en inglés) y la Sociedad Americana de Ingenieros en Calefacción, Refrigeración y Aire Acondicionado (ASHRAE, por sus siglas en inglés) y las autoridades locales correspondientes.
 - Al cortar o perforar la pared o el techo, no dañe el cableado eléctrico u otras instalaciones ocultas.
 - Los ventiladores entubados siempre deben ser ventilados hacia el exterior.
-

ADVERTENCIA

Al instalar la campana, deben cumplirse las reglamentaciones aplicables de las compañías de suministro de energía y las reglamentaciones regionales de construcción.

ADVERTENCIA

Peligro de incendio

Los depósitos de grasa en el filtro de grasa se pueden incendiar. Nunca trabaje con flama abierta cerca del equipo (por ejemplo con platillos flameados). Solamente instale el equipo cerca de un fogón para sustancias sólidas (p. ej. madera o carbón) si está disponible una cubierta cerrada que no se pueda quitar. No deben volar las chispas.

INSTRUCCIONES DE SEGURIDAD IMPORTANTES

LEA Y CONSERVE ESTAS INSTRUCCIONES

ADVERTENCIA

Riesgo de incendio

Cuando se usan simultáneamente varios quemadores de gas se genera mucho calor. El aparato de ventilación puede dañarse o incendiarse. El aparato de ventilación solo puede combinarse con quemadores de gas que no superen una potencia total máxima de 61,000 BTU/hr (18 kW). Al exceder la potencia total de 41,000 BTU/hr (12 kW) se deben observar los reglamentos locales respecto a la ventilación del área, tamaño del área y combinación con aparatos de ventilación en el modo de aire de extracción o aire de circulación.

ADVERTENCIA

Para reducir el riesgo de incendio y para hacer que el aire salga al exterior correctamente, asegúrese de que haya un conducto que lo dirija hacia afuera. No dirija el aire de salida hacia lugares cerrados, espacios dentro de paredes, techos, áticos, huecos sanitarios o garajes.

ADVERTENCIA

A fin de reducir el riesgo de incendio, utilizar únicamente conducciones de metal.

ADVERTENCIA

Cuando se utiliza la campana en modo de aire de escape simultáneamente con un quemador diferente que también usa la misma chimenea (como calentadores a gas, aceite o carbón, calentadores de flujo continuo, calentadores de agua) se debe asegurar que haya un suministro de aire fresco suficiente para las necesidades de combustión del quemador. La operación segura es posible siempre que la subpresión de la habitación donde está instalado el quemador no supere los 4 Pa (0.04 mbar). Esto es posible si el aire de combustión puede circular a través de aberturas que no puedan trabarse, como ser en puertas y ventanas, y a través de cajas de entrada/salida de aire en la pared, o mediante otras medidas técnicas, como enclavamiento recíproco, etc.

ADVERTENCIA

Evite la intoxicación por monóxido de carbono: proporcione una entrada de aire suficiente para que los gases de la combustión no vuelvan a ingresar en la habitación.

Una caja de entrada/salida de aire en la pared por sí sola no garantiza que no se superará el valor límite.

Nota: Al evaluar el requisito total, se debe tener en cuenta el sistema de ventilación combinado para todo el hogar. Esta norma no se aplica al uso de aparatos de cocina, como parrillas y hornos.

ATENCIÓN

Solo para la ventilación general. No utilizar para la extracción de sustancias y vapores peligrosos o explosivos.

Peligro de daños por recirculación del vapor condensado. Instalar el canal de salida de aire del aparato ligeramente inclinado hacia abajo (1° de desnivel).

Seguridad de manejo del electrodoméstico

La unidad es pesada y se requieren al menos dos personas o un equipo adecuado para trasladarla.

Las superficies ocultas pueden tener bordes filosos. Proceda con cuidado al intentar tomar el electrodoméstico por la parte trasera o desde abajo.

ADVERTENCIA

Riesgo de lesiones

Si el aparato no está fijado correctamente a la pared, puede caerse. Todos los elementos de fijación deben montarse debidamente.



INSTRUCCIONES DE SEGURIDAD IMPORTANTES

LEA Y CONSERVE ESTAS INSTRUCCIONES

Códigos y normas de seguridad

Este electrodoméstico cumple con la última versión de una o varias de las siguientes normas:

- UL 507 - Ventiladores eléctricos (Electric Fans)
- CAN/CSA C22.2 No. 113 - Ventiladores (Fans and Ventilators)

Es responsabilidad del instalador determinar si se aplican otros requisitos y/o normas en instalaciones específicas.

Seguridad eléctrica

ADVERTENCIA

INSTRUCCIONES PARA LA CONEXIÓN A TIERRA

Este aparato debe estar conectado a tierra. En caso de un cortocircuito eléctrico, la conexión a tierra reduce el riesgo de descarga eléctrica proporcionando un cable de escape para la corriente eléctrica.

Este aparato viene equipado con un cable con un enchufe de conexión a tierra. El enchufe debe colocarse en una toma de corriente adecuada que esté correctamente instalada y conectada a tierra.

ADVERTENCIA

La incorrecta conexión a tierra puede causar una descarga eléctrica. Consulte a un electricista calificado si no comprende la totalidad de las instrucciones de conexión a tierra o si tiene alguna duda respecto de si el aparato está correctamente conectado a tierra. No use un cable de extensión. Si el cable de alimentación eléctrica es demasiado corto, solicite a un electricista calificado que instale una toma de corriente cerca del aparato.

ADVERTENCIA

Antes de enchufar un cable eléctrico o activar el suministro eléctrico, asegúrese de que todos los controles están en la posición OFF.

Para los electrodomésticos equipados con cable y enchufe, no corte ni retire la espiga de conexión a tierra. Debe enchufarse en un receptáculo de conexión

a tierra compatible para evitar descargas eléctricas. Si tiene alguna duda respecto de si el receptáculo de pared está correctamente conectado a tierra, el cliente debe solicitar la verificación de un electricista calificado.

Si el Código Nacional Eléctrico (o el Código Eléctrico Canadiense) así lo requiere, este electrodoméstico debe instalarse en un circuito derivado por separado.

ADVERTENCIA

Para reducir el riesgo de choque eléctrico, no use este ventilador con ningún dispositivo de control de velocidad de estado sólido.

El instalador debe mostrar al propietario la ubicación del disyuntor o el fusible. Márquela para recordarla más fácilmente.

Antes de realizar la instalación, apague la alimentación eléctrica en el panel de servicio. Trabe el panel de servicio para impedir que se encienda accidentalmente la alimentación eléctrica.

ADVERTENCIA

PARA REDUCIR EL RIESGO DE INCENDIO, CHOQUE ELÉCTRICO O LESIONES A LAS PERSONAS, OBSERVE LAS SIGUIENTES RECOMENDACIONES:

- Utilice esta unidad sólo de la manera indicada por el fabricante. Si tiene preguntas, póngase en contacto con el fabricante.
- Antes de reparar o limpiar la unidad, desconecte el suministro eléctrico en el panel de servicio y bloquee el servicio desconectando las conexiones para evitar que se encienda accidentalmente. Cuando no pueda bloquearse la desconexión del servicio, coloque un aviso prominente de advertencia, como un letrero, en el panel de servicio.

Asegúrese de que el electrodoméstico sea correctamente instalado y conectado a tierra por un técnico calificado. La instalación, las conexiones eléctricas y la conexión a tierra deben cumplir con todos los códigos correspondientes.

ADVERTENCIA

Peligro de descarga eléctrica

Los componentes dentro del equipo pueden tener bordes filosos. Puede dañarse el cable de conexión. No retorcer ni constreñir el cable durante la instalación.

INSTRUCCIONES DE SEGURIDAD IMPORTANTES

LEA Y CONSERVE ESTAS INSTRUCCIONES

Seguridad del equipo relacionado

Retire toda la cinta y el embalaje antes de usar el electrodoméstico. Destruya el embalaje después de desembalar el electrodoméstico. Nunca deje que los niños jueguen con el material de embalaje.

El electrodoméstico solamente deberá usarse si lo ha instalado un técnico calificado, de acuerdo con estas instrucciones de instalación. El fabricante no es responsable de ningún daño causado por una instalación incorrecta.

Nunca modifique ni altere la construcción del electrodoméstico. Por ejemplo, no retire las patas niveladoras, paneles, cubiertas para cables ni soportes/tornillos antivuelco.

Advertencia en virtud de la Proposición 65:

Este producto puede contener un químico que el Estado de California reconoce como potencialmente cancerígeno o causante de daños reproductivos. Por tanto, su producto debe llevar en su embalaje la siguiente etiqueta de conformidad con la legislación de California:

ADVERTENCIA EN VIRTUD DE LA PROPOSICIÓN 65 DEL
ESTADO DE CALIFORNIA:

 ADVERTENCIA

Cáncer y daño reproductivo - www.P65Warnings.ca.gov

Preparativos para el montaje

⚠ ATENCION

Asegurarse de que no haya cables eléctricos o tuberías de gas o agua en el área donde se va a taladrar.

Revisar la pared

- La pared debe ser plana, vertical y tener suficiente capacidad de carga.
- La profundidad de los taladros debe ser equivalente a la longitud de los tornillos. Los taquetes deben quedar bien sujetos.
- Los tornillos y taquetes suministrados son apropiados para mampostería sólida. Para otro tipo de construcciones (p. ej., placas de yeso, concreto celular, ladrillos Poroton) se deberán utilizar medios de fijación apropiados.
- El peso máximo de la campana extractora es de **132 lib (60 kg)**.

Información General

⚠ ADVERTENCIA

¡Riesgo de muerte!

Los gases de combustión que se vuelven a aspirar pueden ocasionar intoxicaciones. La salida de aire no debe transmitirse ni a una chimenea de humos o gases de escape en servicio ni a un hueco que sirva como ventilación de los recintos de instalación de equipos calefactores. Si la salida de aire se va a evacuar en una chimenea de humos o gases de escape que no está en servicio, será necesario contar previamente con la aprobación correspondiente del técnico competente de la zona.

Funcionamiento con extracción de aire

Nota: La emisión de los gases no se debe canalizar hacia una chimenea de humo o de gases de escape que esté en funcionamiento, ni hacia un tiro que sirva para sacar el aire de las habitaciones donde haya equipos con fuego.

- Si los gases de escape se van a canalizar hacia una chimenea de humo o de gases de escape que no esté en funcionamiento, se tiene que conseguir la aprobación del especialista en chimeneas correspondiente.
- Si las emisiones de gases se canalizan a través del muro externo, se tiene que utilizar una caja telescópica para muros.

Conducto de escape

Nota: La garantía del fabricante del aparato no cubre las reclamaciones que se atribuyan al segmento de conductos.

- El aparato alcanza su potencia óptima con un conducto de salida de aire rectilíneo y corto, que tenga un diámetro lo más grande posible.
- Mediante conductos de salida de aire largos y rugosos, con muchos codos o con un diámetro inferior a 6" (150 mm), no se consigue la capacidad de aspiración óptima y los ruidos del ventilador serán mayores.
- Los tubos o las mangueras para el tendido del conducto de salida del aire deben estar fabricados con material no inflamable.

- Si los diámetros del conducto difieren de lo anteriormente mencionado, utilizar cintas sellantes.
- Se recomienda un diámetro interior de 6" (150 mm); el diámetro mínimo es de 4¾" (120 mm) en todo caso.

AVISO: Peligro de daños por recirculación del vapor condensado. Instalar el canal de salida de aire del aparato ligeramente inclinado hacia abajo (1° de desnivel).

Conexión eléctrica

⚠ ADVERTENCIA

Peligro de descarga eléctrica

Los componentes dentro del equipo pueden tener bordes filosos. Puede dañarse el cable de conexión. No retorcer ni constreñir el cable durante la instalación.

Los datos de conexión necesarios se encuentran en la placa de especificaciones del aparato.

Este aparato cumple con las disposiciones en materia de supresión de interferencias de la CE.

Este aparato solo podrá conectarse a una toma de corriente con toma a tierra con instalación reglamentaria.

En la medida de lo posible, colocar la toma de corriente con toma a tierra dentro del revestimiento de la chimenea.

- La toma de corriente con toma a tierra debe estar conectada mediante un circuito propio.
- Si una vez instalado el aparato no se puede acceder a la toma de corriente con toma a tierra, la instalación debe contar con un seccionador omnipolar (p. ej., interruptor automático, fusibles y contactores) con una abertura de contacto mínima de 3 mm.

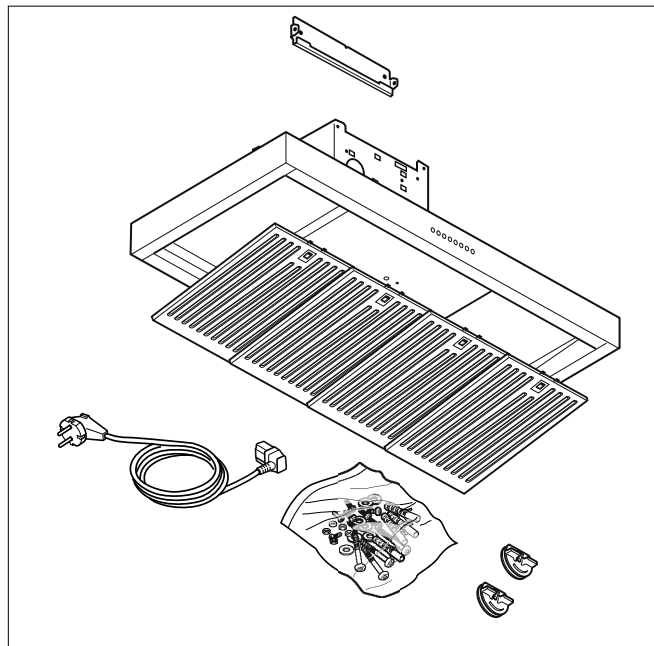
Antes de empezar

Herramientas y piezas necesarias

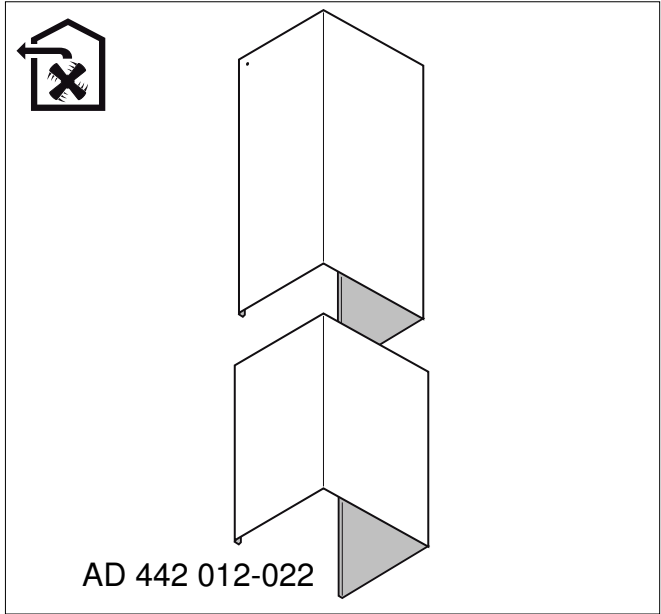
- Cinta métrica
- Lápiz
- Desarmador Torx TX20
- Taladro con las siguientes brocas: 5/16" (8 mm)
- Nivel de burbuja
- Cinta de aluminio (NO usar cinta aislante)
- Conducto de salida de aire (la configuración depende de la situación de montaje).
- Además, tornillos para chapa (en caso de que sea necesario para la instalación del conducto de salida del aire)

Piezas incluidas

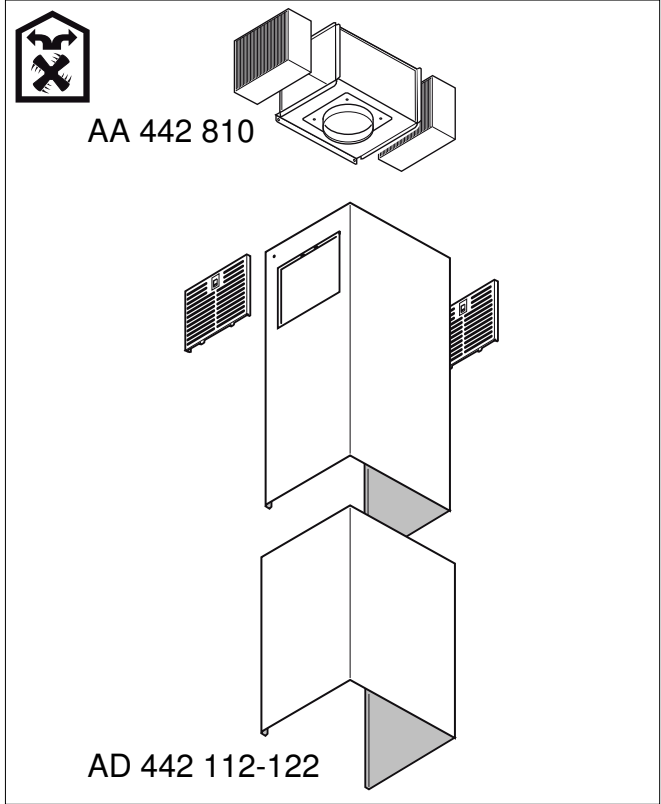
Todos los modelos



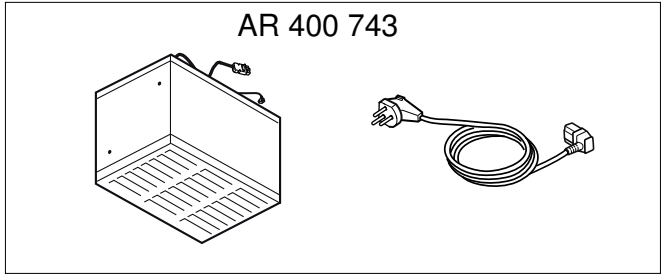
Modelos con salida de aire



Modelos con recirculación de aire

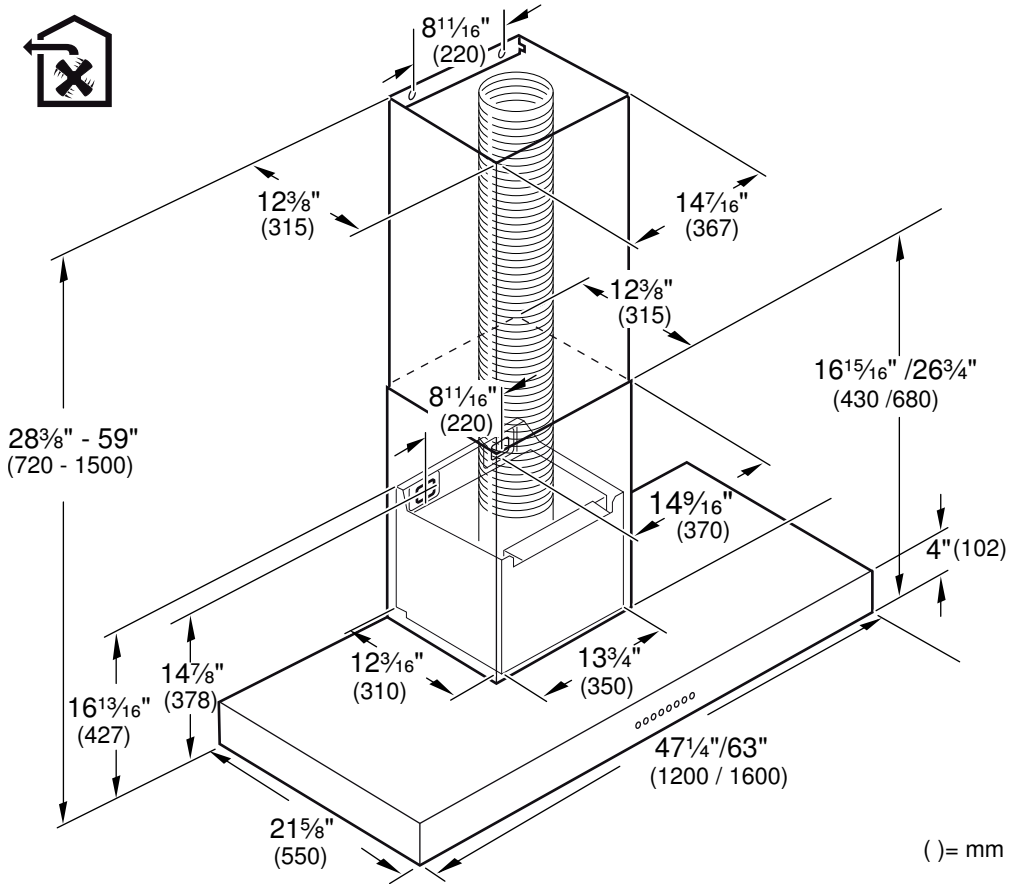


Accesorios: Motor del ventilador

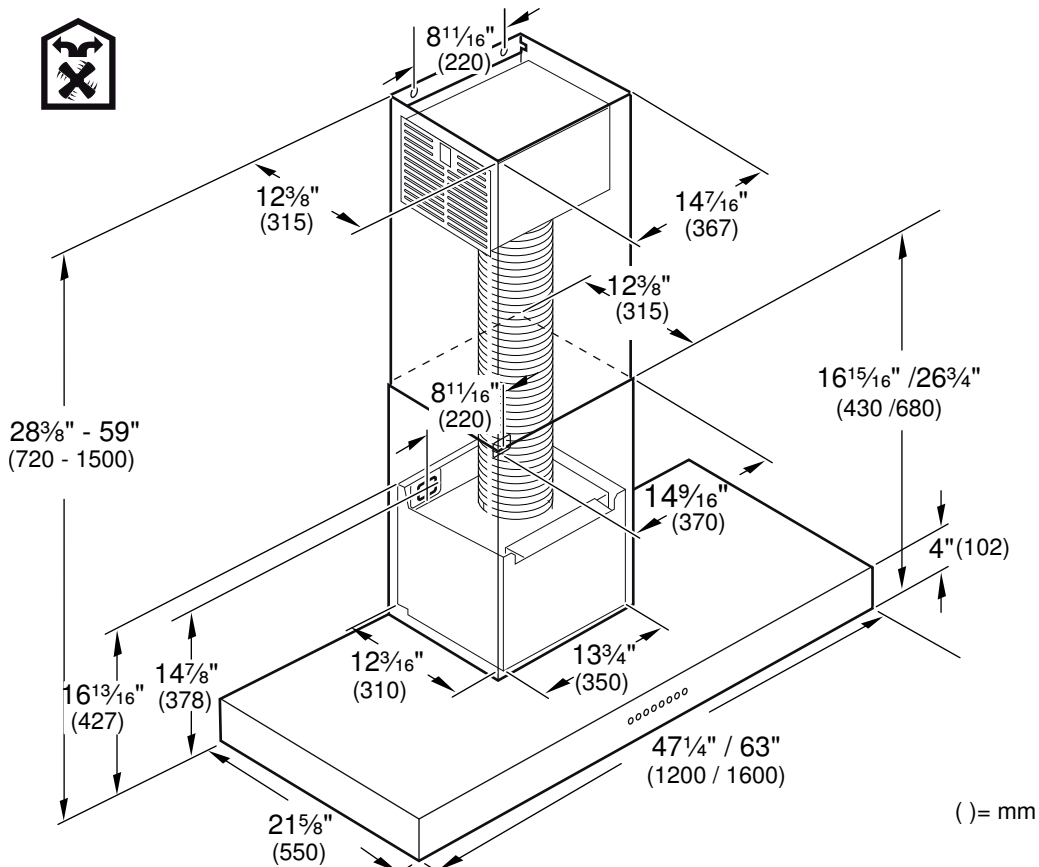


Dimensiones del equipo

Modelos de funcionamiento con extracción de aire



Modelos con funcionamiento con recirculación



Distancias de seguridad

⚠ ADVERTENCIA

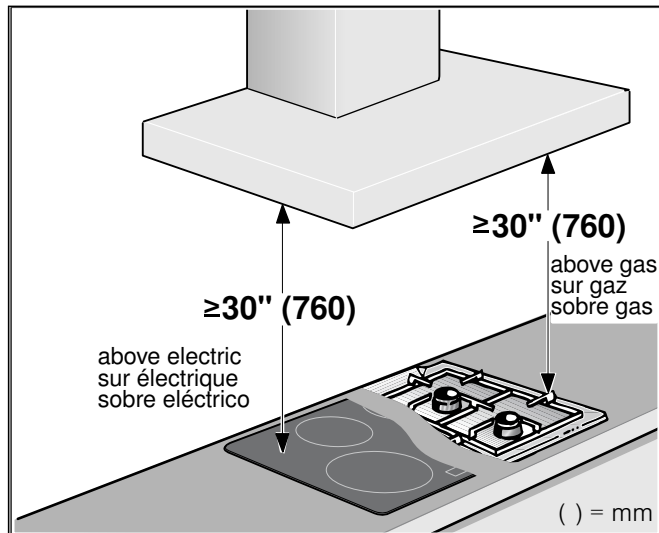
Riesgo de incendio

Los depósitos de grasa del filtro antigrasa pueden prenderse. Hay que respetar las distancias de seguridad estipuladas para evitar una condensación del calor. Se deben tener en cuenta las indicaciones del recipiente de cocción. Si se utilizan conjuntamente zonas de cocción de gas y eléctricas, aplicará la distancia indicada más grande.

Solo un lado del aparato debe instalarse directamente junto al gabinete en alto o pared. La distancia respecto a la pared o al gabinete en alto debe ser por lo menos de 2" (50 mm).

La distancia entre las superficies de apoyo sobre la placa de cocción y la parte inferior de la campana extractora no debe ser menor que 30" (760 mm), en caso de placas de cocción eléctricas, y 30" (760 mm), en caso de estufas de gas o combinadas.

Cuando las instrucciones de instalación de la estufa de gas establecen una distancia mayor, esta deberá tenerse en cuenta.



Instalación

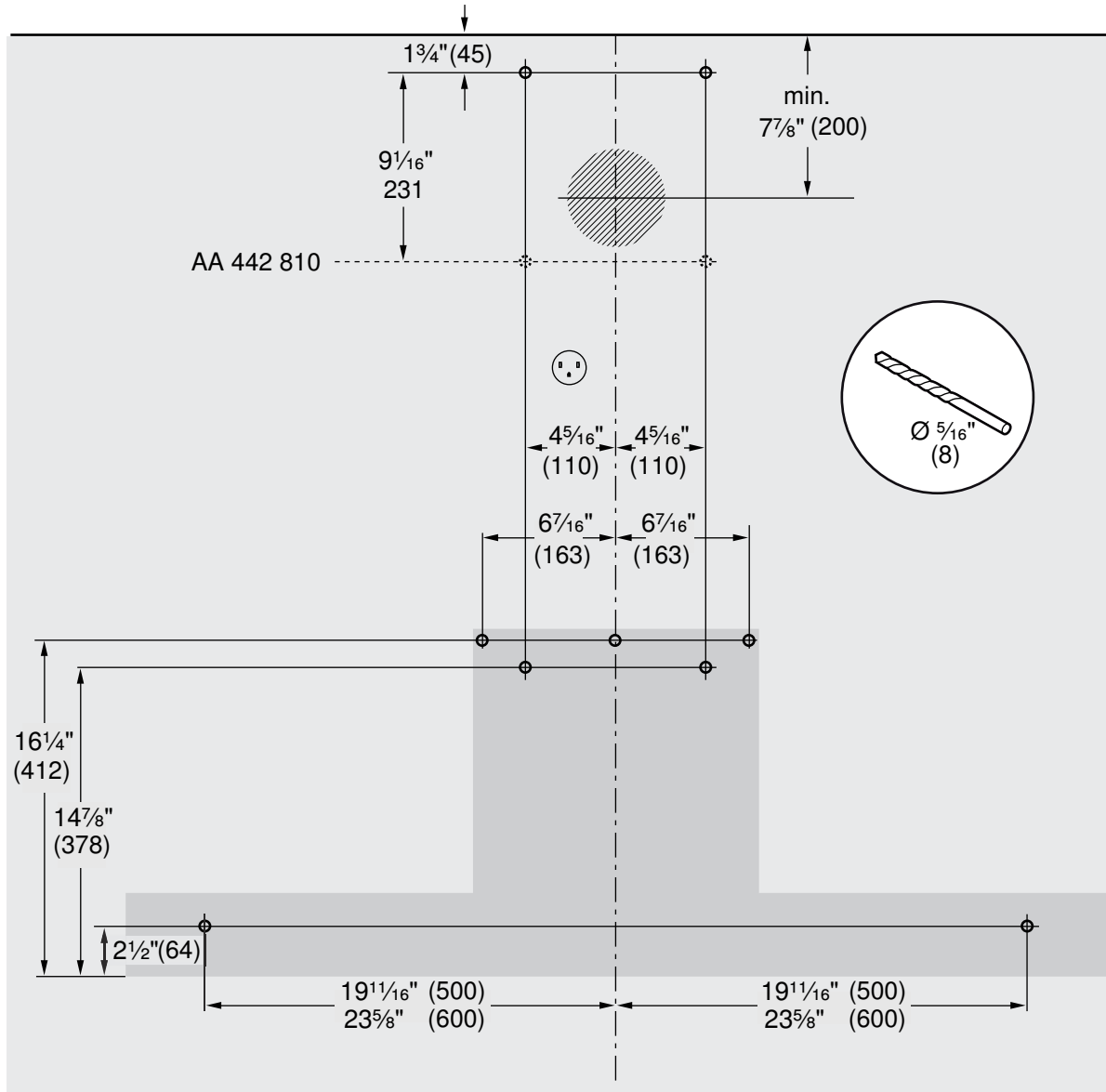
Seguridad de manejo del electrodoméstico

La unidad es pesada y se requieren al menos dos personas o un equipo adecuado para trasladarla.

Las superficies ocultas pueden tener bordes filosos. Proceda con cuidado al intentar tomar el electrodoméstico por la parte trasera o desde abajo.

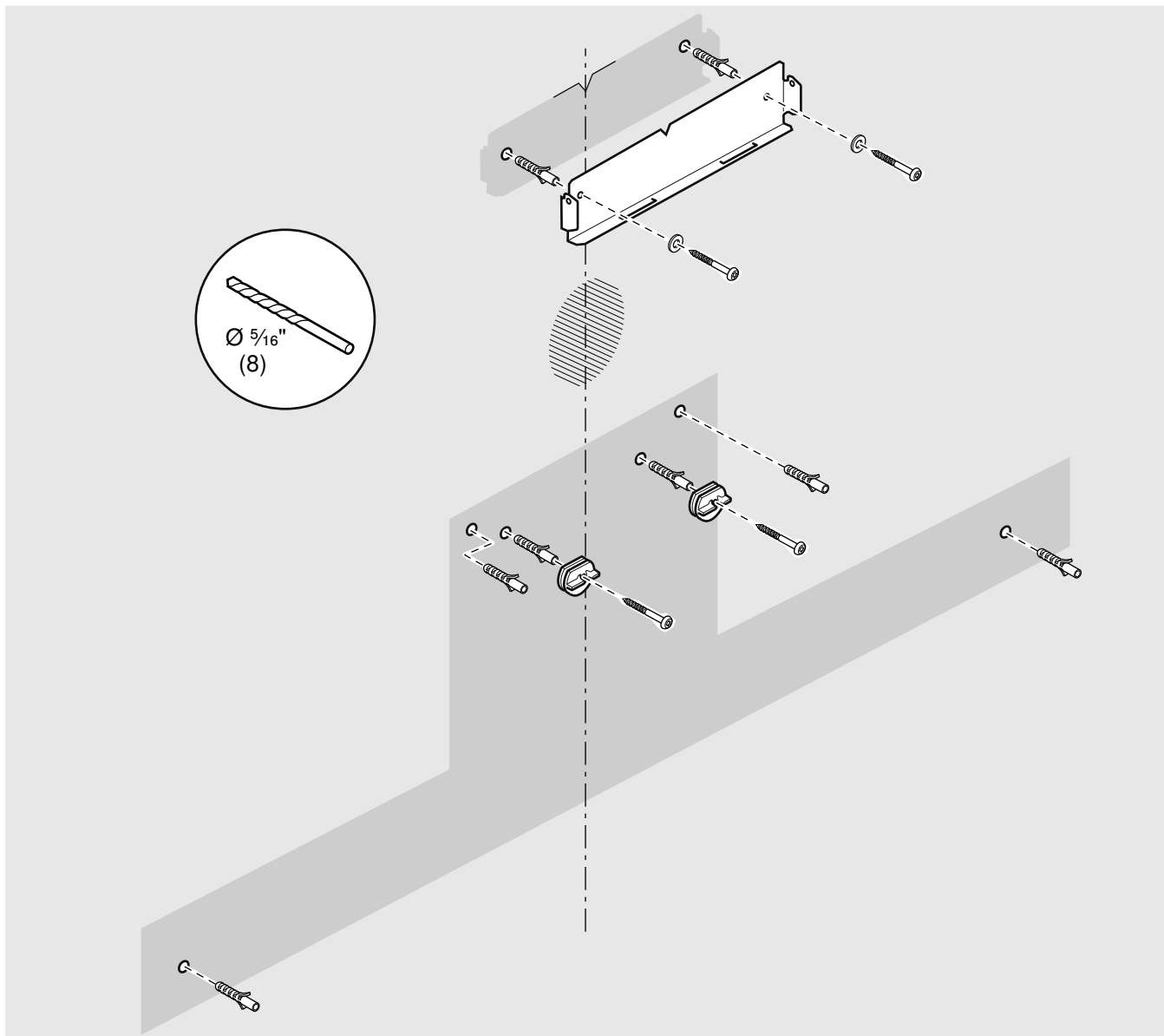
Preparativos para el montaje

- 1 Dibujar en la pared una línea central vertical desde el techo hasta el borde inferior de la campana extractora.
- 2 Dibujar las posiciones para los tornillos y el contorno de la zona de enganche.
- 3 Taladrar los orificios para las fijaciones e introducir los taquetes de tal manera que queden enrasados con la pared.



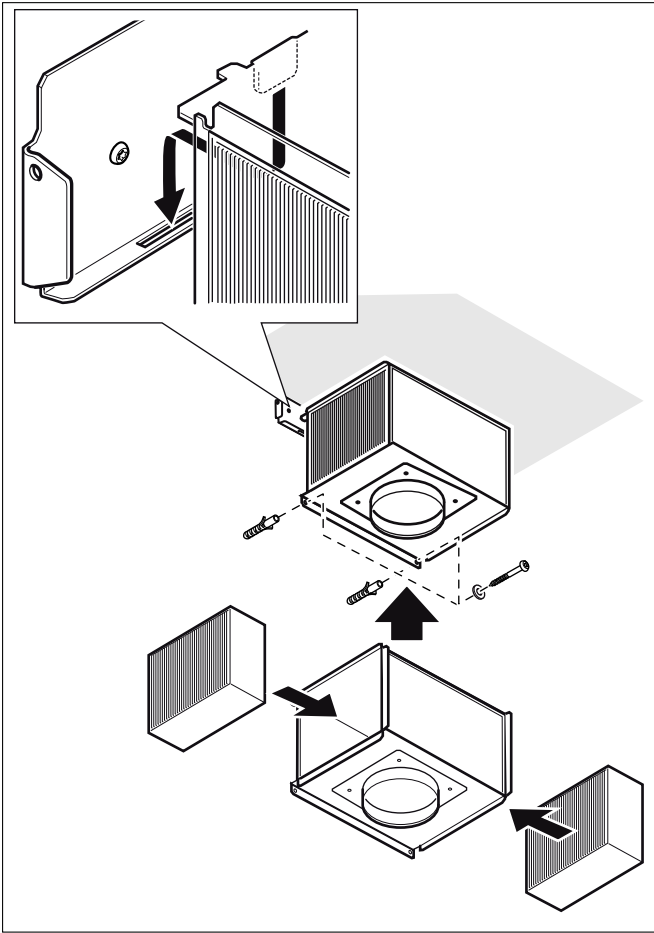
Montaje del soporte de la pared

- 1 Atornillar la escuadra de sujeción para el revestimiento de la chimenea.
- 2 Atornillar manualmente las dos suspensiones para la campana extractora. No apretar los tornillos de las suspensiones.

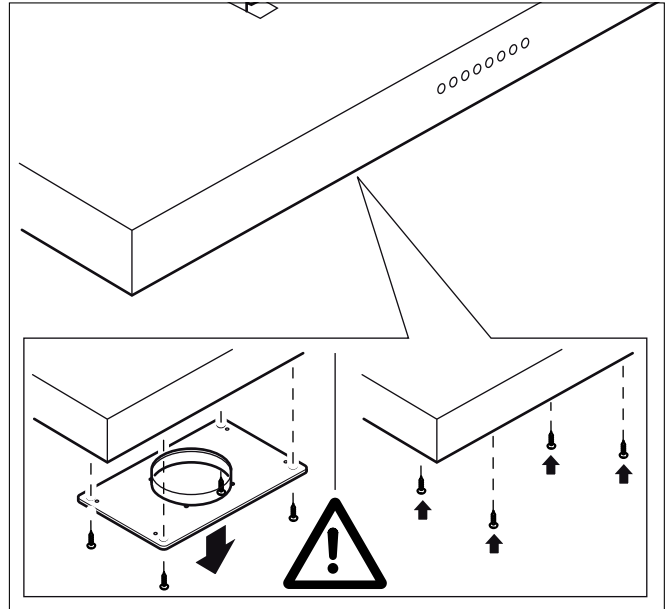


Montaje del aparato

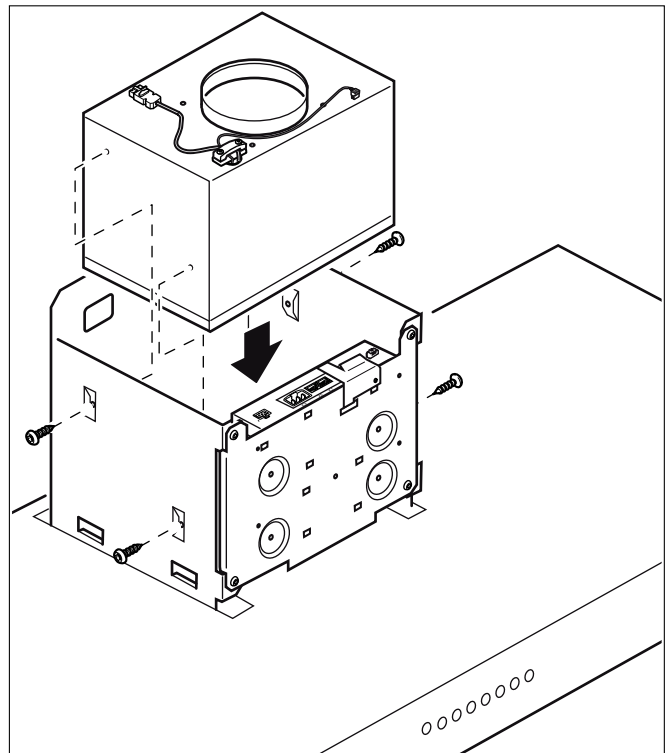
- 1 Solo para versión de recirculación de aire:** introducir el filtro en ambos lados del módulo de recirculación de aire AA 442 810. Enganchar el módulo de recirculación de aire a la escuadra de sujeción. Sujetar a la pared con 2 tornillos.



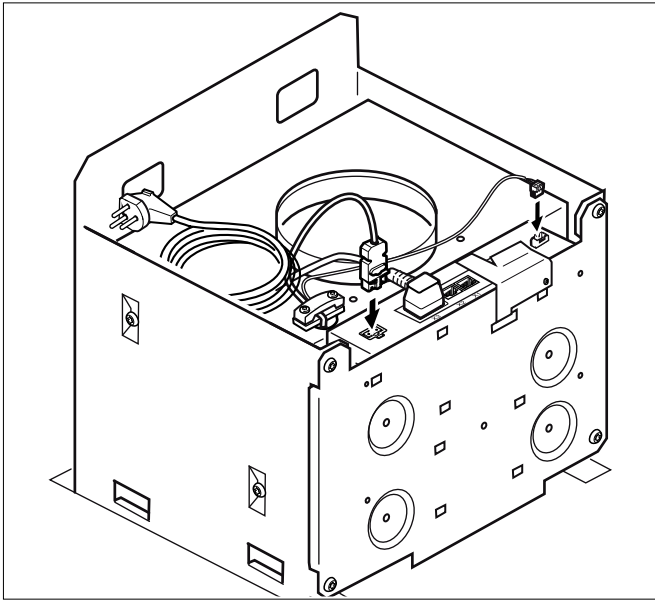
- 2 Solo en combinación con el motor de ventilador interno AR 400 743:** Desatornillar la chapa protectora en la campana extractora: desatornillar los 4 tornillos, retirar la chapa protectora, atornillar de nuevo los 4 tornillos.



Introducir el motor del ventilador desde arriba en la campana extractora. Fijar con 4 tornillos.

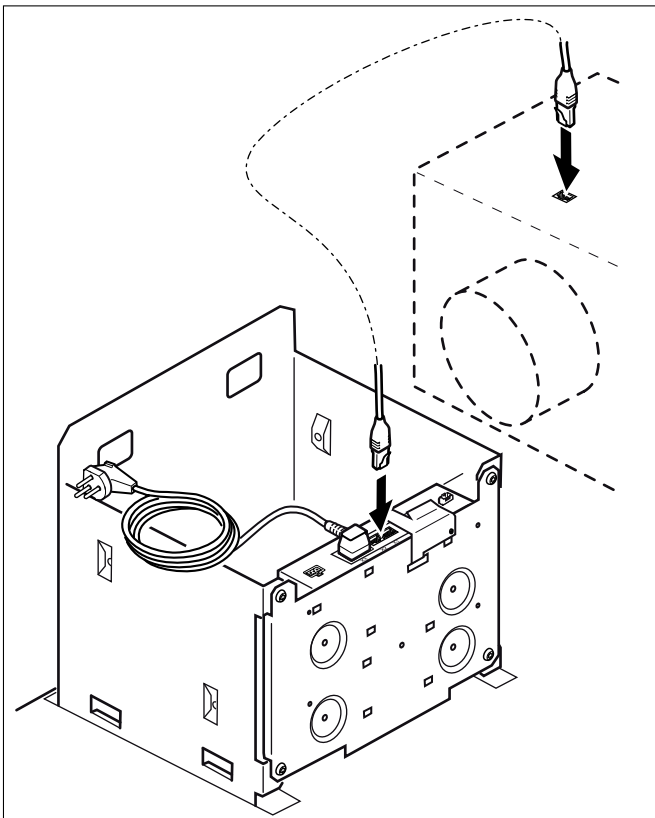


Conectar el cable de red y el cable de control al módulo de control..

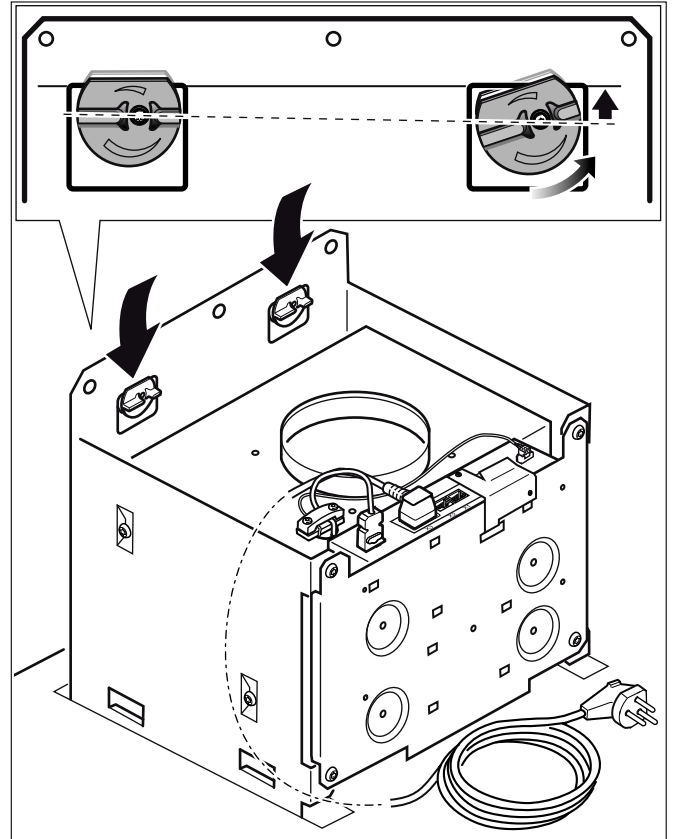


- 3 Solo para combinación con el módulo externo de ventilador AR 4..:** conectar el módulo de ventilador externo y el módulo de control de la campana extractora con el cable de red..Los enchufes tienen que encajar. Conectar el cable de red al módulo de control.

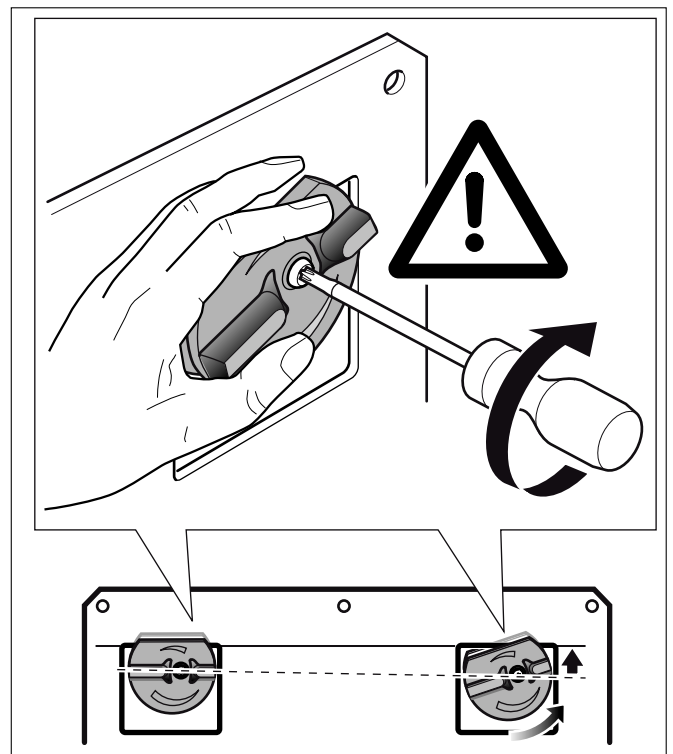
Nota: Los enchufes de conexión X1 y X2 son idénticos

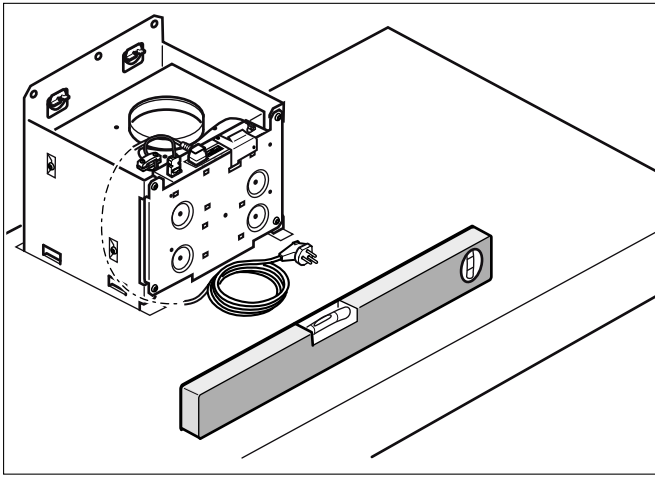


- 4 Enganchar la campana extractora a las dos suspensiones de tal modo que quede encajada firmemente.**

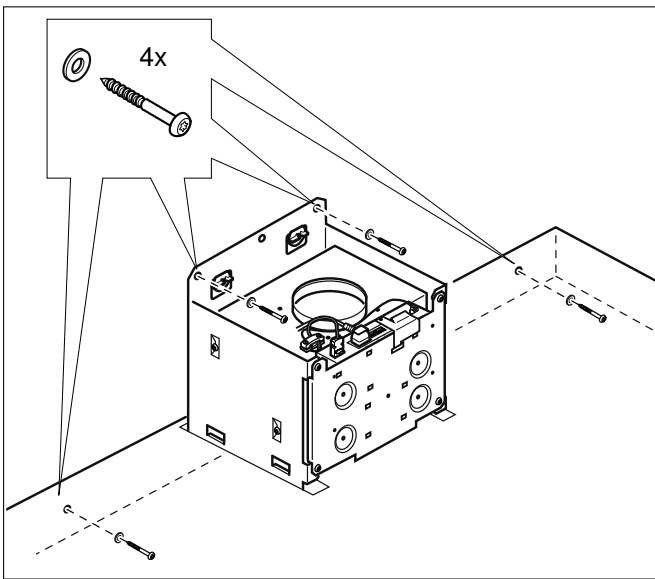


- 5 Ajustar horizontalmente la campana extractora girando las suspensiones. En caso necesario, el aparato puede desplazarse hacia la derecha o izquierda.**





- 6 Apretar los tornillos de las suspensiones. Sujetar las suspensiones para evitar que se giren excesivamente.
- 7 Asegurar en la pared la campana extractora con dos tornillos por encima de las suspensiones y adicionalmente con dos tornillos en la parte inferior de la campana extractora.



Conexión de la salida de aire

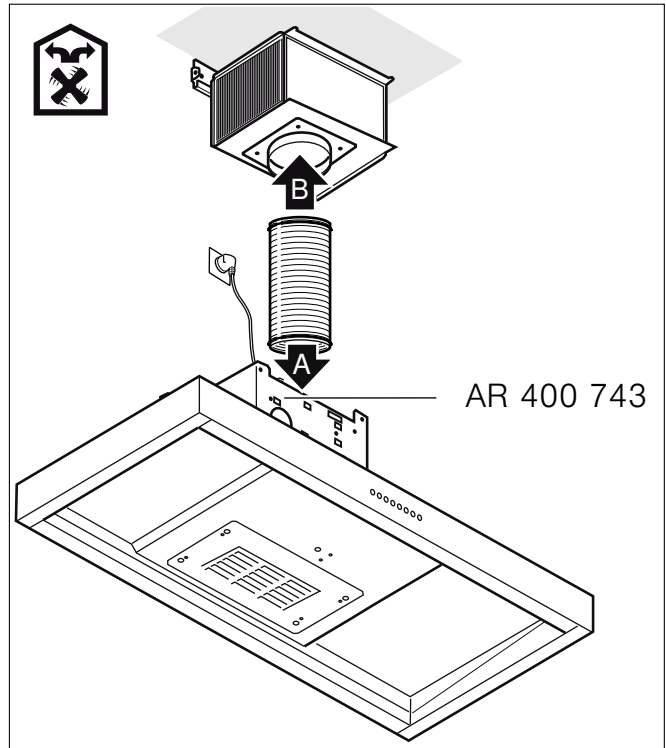
Notas

- En caso de evacuación exterior de aire, se debe montar una trampa antirretorno. Si no se incluye una trampa anti-retorno en el aparato, esta se puede adquirir en un comercio especializado.
- Si la salida de aire se evacua a través la pared exterior, se deberá utilizar un pasamuros telescópico.
- Si se utiliza un tubo de aluminio, pulir previamente la zona de conexión.

Conducto de salida de aire Ø 6" (150 mm) (tamaño recomendado).

Modelos de funcionamiento circulación del aire con módulo del ventilador interno AR 400 743

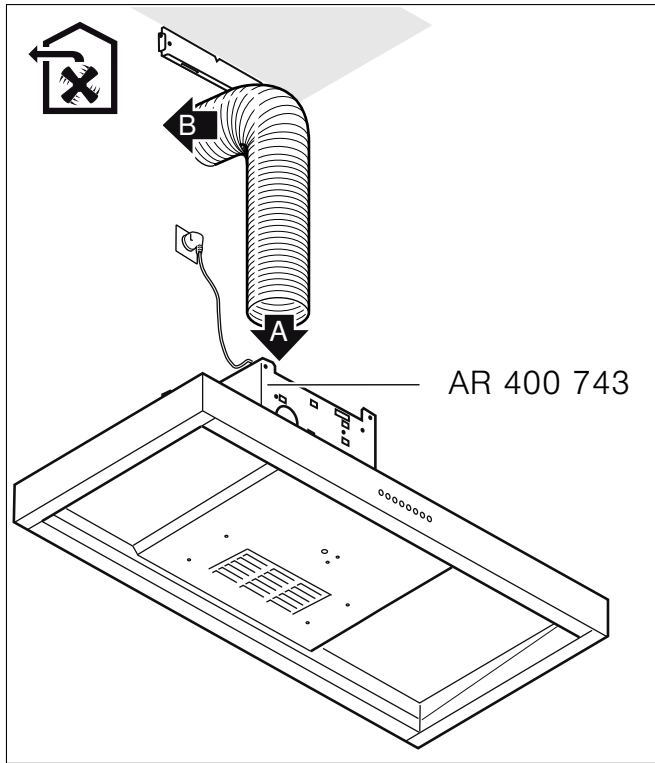
- 1 Fijar el tubo de salida de aire directamente al empalme de aire del motor del ventilador (A).



- 2 Establecer la conexión con la abertura de salida de aire (B).
- 3 Sellar convenientemente los puntos de unión.

Modelos de extracción de aire con módulo del ventilador interno AR 400 743

- 1 Fijar el tubo de salida de aire directamente al empalme de aire del motor del ventilador (A).

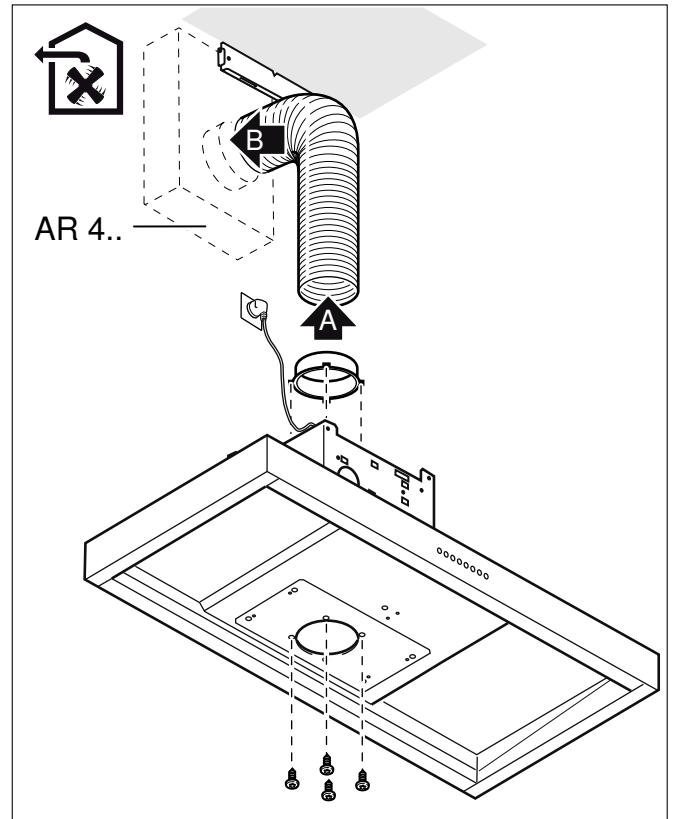


- 2 Establecer la conexión con la abertura de salida de aire (B).
- 3 Sellar convenientemente los puntos de unión.

Modelos de extracción de aire sin módulo del ventilador interno AR 400 743

- 1 Desatornillar el racor de empalme de la chapa protectora en la campana extractora. Sujetar el tubo de salida de aire en el racor de empalme. Atornillar el racor de

empalme de la chapa protectora en la campana extractora.



- 2 Establecer la conexión con la abertura de salida de aire.
- 3 Obturar convenientemente los puntos de unión.

Montaje de la toma de corriente

- 1 Insertar el enchufe en la toma de corriente con toma a tierra.
- 2 En caso de requerirse una conexión fija, tener en cuenta los consejos y advertencias del capítulo **Conexión eléctrica**.

Montar los revestimientos de la chimenea

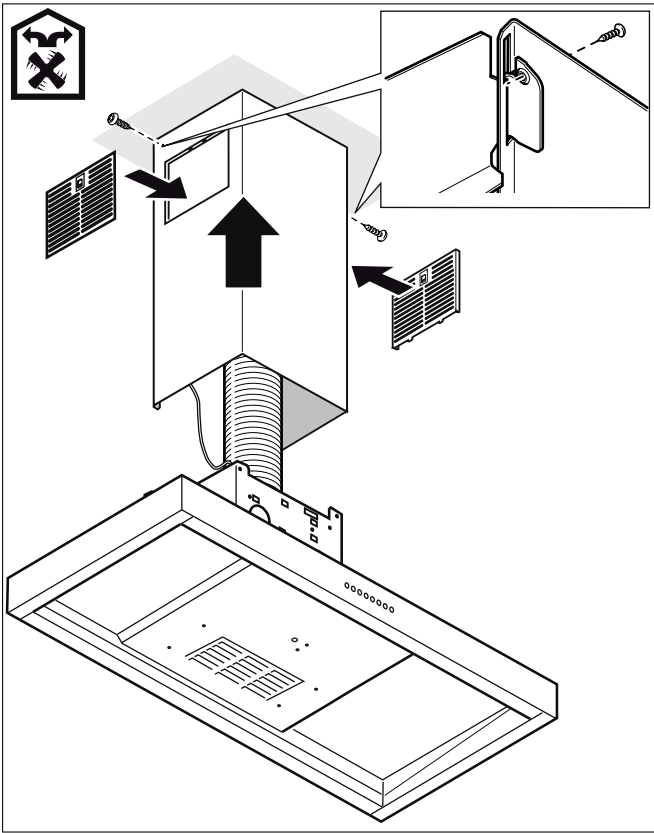
⚠ ADVERTENCIA

Peligro de lesiones

Los componentes dentro del equipo pueden tener bordes filosos. Utilice guantes protectores.

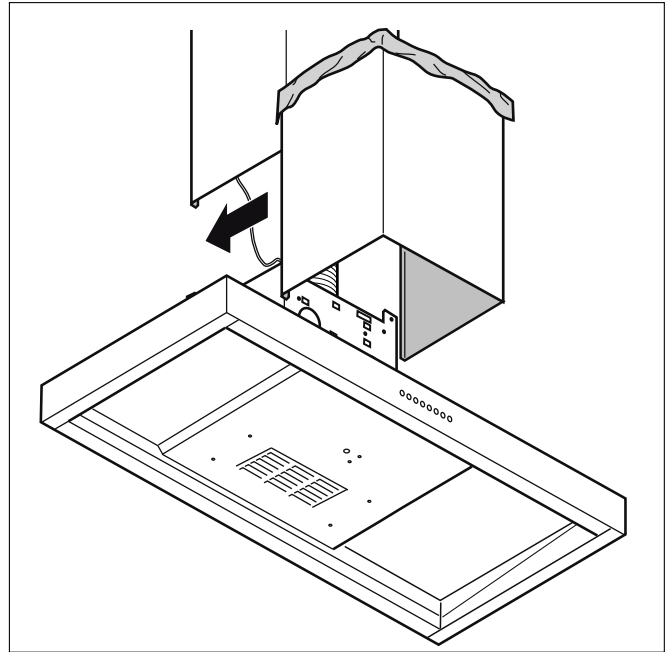
- 1 Retirar las láminas protectoras ubicadas en ambos revestimientos de la chimenea.
- 2 Montar el revestimiento superior de la chimenea. enganchar y atornillar las dos chapas laterales en la dos escuadras de fijación.

Modelos con funcionamiento con recirculación

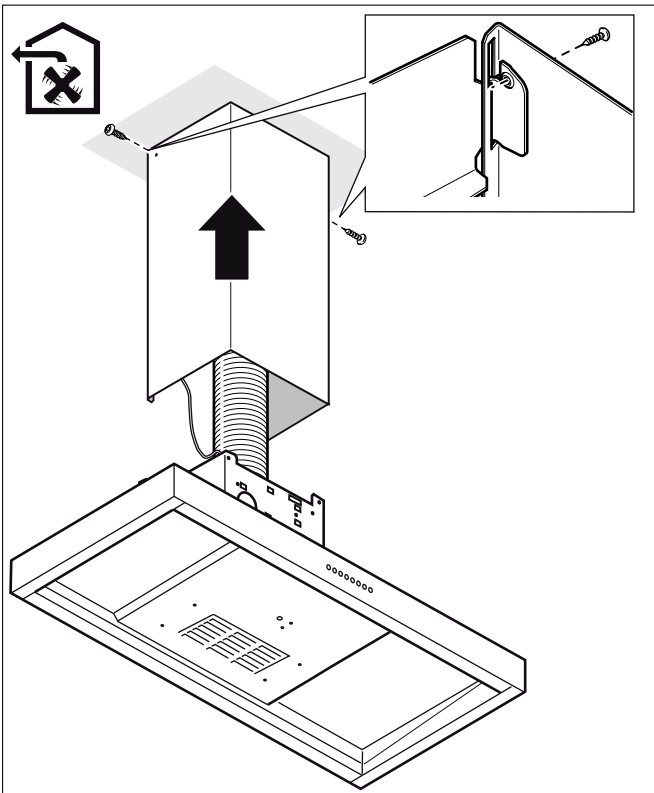


Doblar levemente hacia fuera las dos láminas laterales, engancharlas detrás del revestimiento superior de la chimenea y presionarlas hasta el tope.

Nota: Para evitar raspones, colocar papel a modo de protección sobre los bordes del revestimiento inferior de la chimenea.

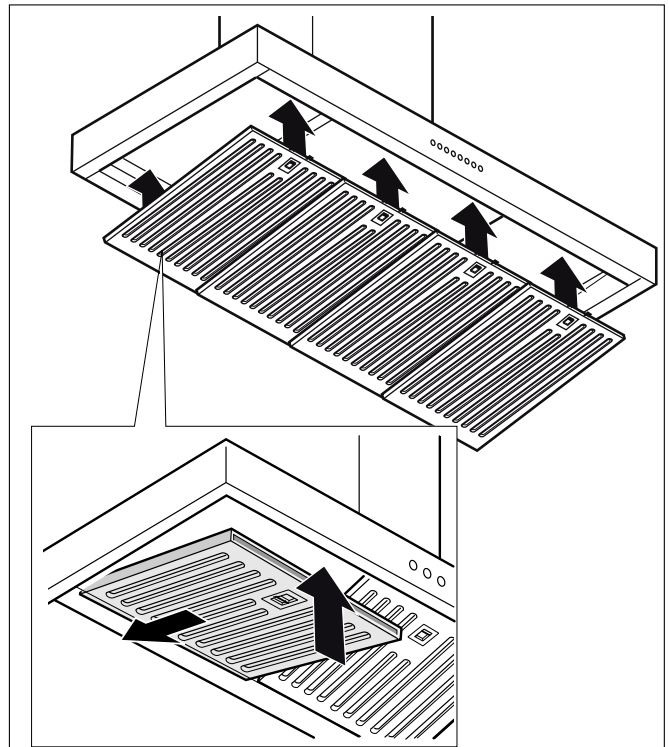


Modelos con evacuación exterior de aire:



3 Montar el revestimiento inferior de la chimenea.

- 4 Colocar el revestimiento inferior de la chimenea sobre el aparato.
- 5 Montar el filtro antigrasa.



Salida de conexión adicional

⚠ ADVERTENCIA

Los trabajos en la salida de conexión adicional solo deben llevarlos a cabo electricistas profesionales que conozcan las disposiciones y normativas vigentes en el país correspondiente.

El aparato dispone de una salida de conexión adicional X16 (contacto libre de potencial) para conectar otros aparatos como, por ejemplo, un equipo de ventilación existente. El contacto se cierra si el ventilador está conectado y se abre si el ventilador está desconectado.

La salida de conexión se encuentra debajo de una cubierta. Potencia de conexión máxima 30 V/1 A (CA/CC). La señal que se conecta al contacto debe ser de la clase de protección 3.

Conexión para interruptor de contacto de la ventana AA 400 510

Los trabajos en la conexión para el interruptor de contacto de la ventana solo deben llevarlos a cabo electricistas profesionales que conozcan las disposiciones y normativas vigentes en el país correspondiente.

El aparato cuenta con una conexión X17 para un interruptor de contacto de la ventana. El interruptor de contacto de la ventana es adecuado tanto para la instalación encajado como para la instalación en superficie. Se envía el interruptor de contacto de la ventana AA 400 510 por separado, como accesorio. Se deben tomar en cuenta las instrucciones de colocación adjuntas al interruptor de contacto de la ventana.

Cuando el interruptor de contacto de la ventana está conectado, la ventilación de la campana extractora funciona únicamente con la ventana abierta. La iluminación funciona también con la ventana cerrada.

Si se conecta la ventilación con la ventana cerrada, parpadea el pulsador del nivel de ventilación seleccionado y la ventilación permanece desconectada.

Si se cierra la ventana estando conectada la ventilación, el aparato desconecta la ventilación en un intervalo de 5 s. El pulsador del nivel de ventilación seleccionado parpadea.

Un deshollinador debe valorar todas las conexiones de ventilación junto con un interruptor de contacto de la ventana.

Funcionamiento conectado

Se pueden conectar varios aparatos. Las luces y los ventiladores de todos los aparatos funcionan de forma sincronizada.

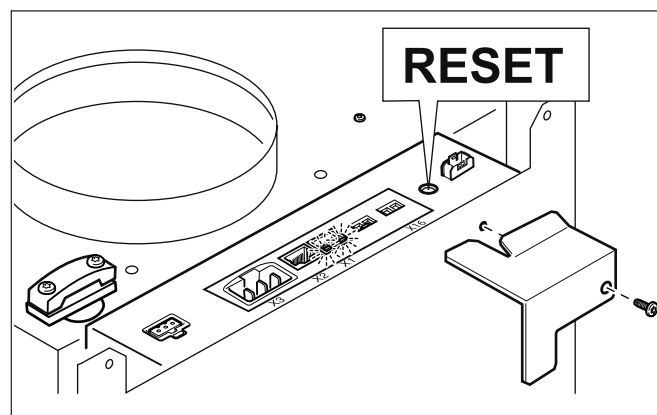
Conectar los aparatos en serie mediante los bornes de conexión X1 y X2 (equivalentes). El orden de la conexión no influye. Si los cables de red suministrados son demasiado cortos, utilizar un cable de red convencional (mín. Cat5, blindado).

Número máximo de conexiones: 20 aparatos. Longitud total de todos los cables de red: 131 pies (40 m). Un profesional calificado debe comprobar la funcionalidad de la instalación en la primera instalación.

Si uno de los aparatos conectados falla (interrupción de la tensión, separación del cable de red), se bloqueará el funcionamiento del ventilador de todo el sistema. Todas las teclas del aparato parpadean.

Si se modifica la configuración, se deberá reiniciar la instalación:

- 1 Desatornillar la tapa protectora.
- 2 Pulsar la tecla Reset hasta que los dos LED se iluminen de forma permanente (aprox. 5 segundos). Después de 5 segundos, soltar la tecla.
- 3 Atornillar la tapa protectora.
- 4 Contactar con profesionales calificados para que comprueben el funcionamiento de la instalación tras el reinicio.



Conexión de la alimentación eléctrica

⚠ ADVERTENCIA

Peligro de descarga eléctrica

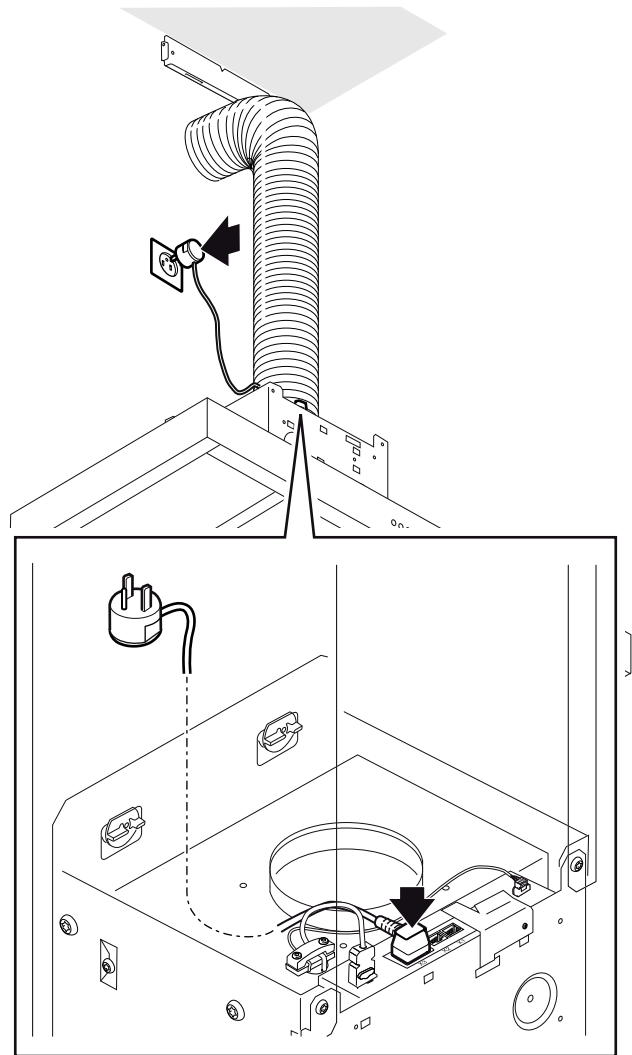
Los componentes dentro del equipo pueden tener bordes filosos. Puede dañarse el cable de conexión. No retorcer ni constreñir el cable durante la instalación.

Para más información, véase la placa de características. Véase la ubicación de la placa de características en "Servicio".

El amperaje máximo de los disyuntores derivados, la sección de los cables y las conexiones deben ser conformes con los requisitos del Reglamento electrotécnico nacional o el Reglamento eléctrico canadiense, así como con todos los demás reglamentos y disposiciones locales.

Este aparato tiene conexión con un enchufe

- El enchufe debe ser conforme con las CONFIGURACIONES NEMA PARA ENCHUFES Y CAJAS.
- El aparato debe estar debidamente conectado a tierra.
- El enchufe debe ser, como mínimo, de tipo 6-20 P (puesta a tierra de 2 polos y 3 conductores).
- La conexión del enchufe debe ser realizada únicamente por un técnico electricista cualificado.
- Instalar una base de enchufe aprox. 27" (700 mm) por encima del suelo y detrás del aparato de acuerdo con la normativa. Debe garantizarse el acceso a la base de enchufe después de su instalación.



Desmontaje del aparato

- 1 Retirar el filtro antigrasa.
- 2 Aflojar el revestimiento de la chimenea.
- 3 Desconectar el aparato de la corriente.
- 4 Aflojar las líneas de aire de salida.
- 5 Aflojar los tornillos de seguridad.
- 6 Sacar el aparato.

Servicio de atención al cliente


Si su aparato necesita una reparación, nuestro servicio de atención al cliente estará encantado de ayudarle. Siempre encontramos la solución adecuada, incluso para evitar visitas innecesarias de los técnicos.

Cuando llame por teléfono, indique la referencia del producto (Nº E) y el número de fabricación (Nº FD) para que podamos ofrecerle un servicio cualificado. La placa de características con la numeración se encuentra en el interior del aparato (desmontar el filtro de metal antigrasa).

Para evitar tener que buscar los datos de su aparato cuando los precise, es aconsejable anotarlos aquí conjuntamente con el número de teléfono del Servicio de atención al cliente.

Nº E.

Nº FD.

Servicio de atención al cliente 

Lea las instrucciones de uso y cuidado que se suministran con su aparato. De no hacerse, podría producirse un error en el uso del aparato con sus consecuentes llamadas de servicio innecesarias, que pueden no estar cubiertas por la garantía.

Las señas de las delegaciones internacionales figuran en la lista adjunta de centros y delegaciones del Servicio de Asistencia Técnica Oficial.

Solicitud de reparación y asesoramiento en caso de averías

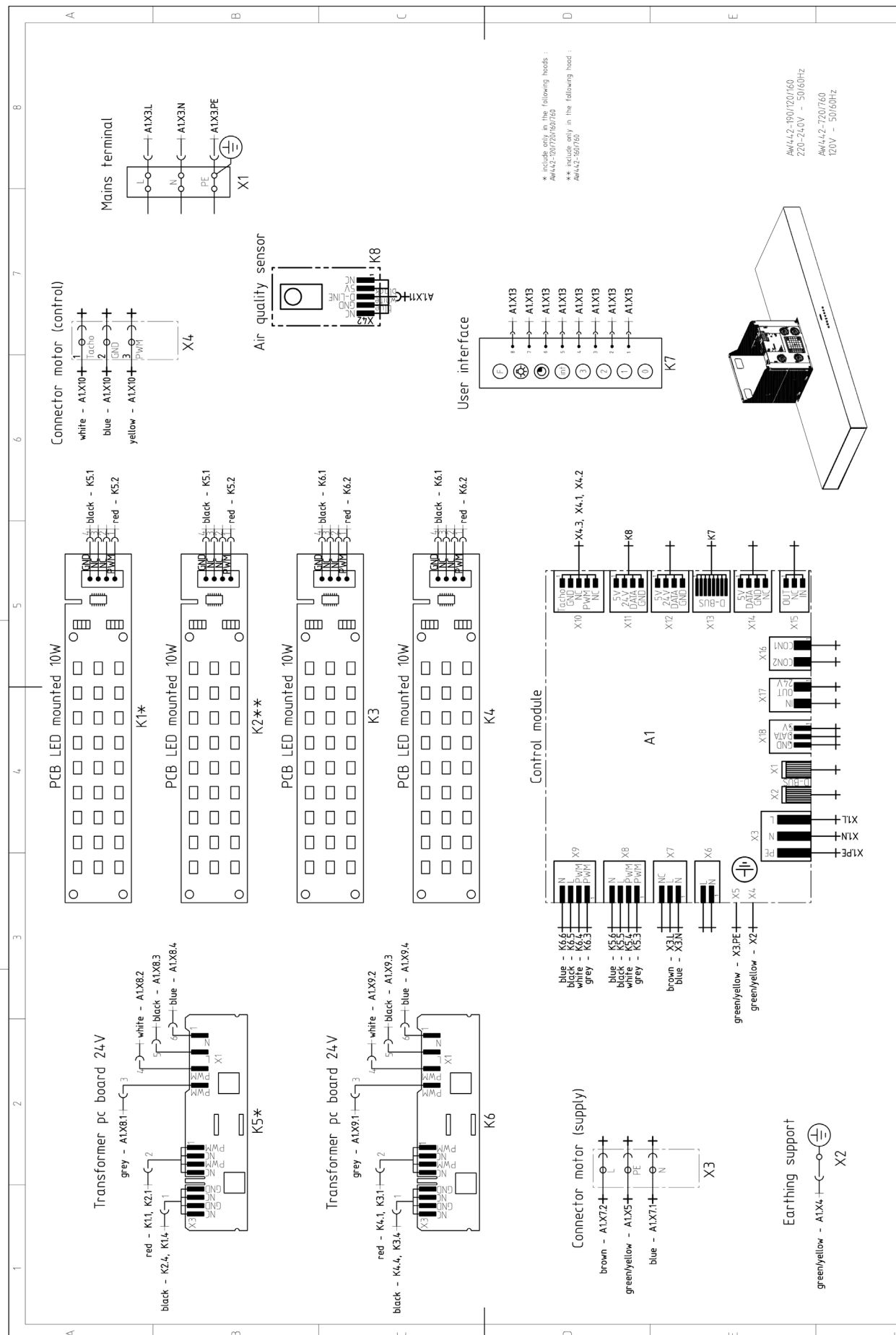
US 877 442 4436
toll-free

Seguridad de manejo del electrodoméstico

La unidad es pesada y se requieren al menos dos personas o un equipo adecuado para trasladarla.

Las superficies ocultas pueden tener bordes filosos. Proceda con cuidado al intentar tomar el electrodoméstico por la parte trasera o desde abajo.

The reproduction, transmission or use of this document or its contents is not permitted without express written authority. Orders will be liable for damages. All rights including rights created by patent grant or registration of a utility model or design are reserved. Copyright reserved.



Intended changes opposing releasing specimen or specification offer must be advised in time and may only be introduced following written clearance. Diverging designs will be refused.

AW442-190/120/160
 AW442-200/760
 AW442-200/160

AW442-190/120/160
 220-240V - 50/60Hz
 AW442-200/760
 120V - 50/60Hz

include only in the following boards :
 AW442-200/760/160
 ** include only in the following board :
 AW442-200/160

white - A1X10
 blue - A1X10
 yellow - A1X10

black - K5.1
 red - K5.2

black - K6.1
 red - K6.2

blue - K6.5
 white - K6.4
 grey - K6.3

blue - K5.6
 white - K5.4
 grey - K5.3

brown - X3.1
 blue - X3.2

green/yellow - X3PE
 green/yellow - X2

brown - A1X7.2
 green/yellow - A1X5
 blue - A1X7.1

green/yellow - A1X4
 PE

white - A1X3L
 blue - A1X3N
 yellow - A1X3PE

white - A1X10
 blue - A1X10
 yellow - A1X10

black - K5.1
 red - K5.2

black - K6.1
 red - K6.2

blue - K6.5
 white - K6.4
 grey - K6.3

blue - K5.6
 white - K5.4
 grey - K5.3

brown - X3.1
 blue - X3.2

green/yellow - X3PE
 green/yellow - X2

brown - A1X7.2
 green/yellow - A1X5
 blue - A1X7.1

green/yellow - A1X4
 PE

white - A1X3L
 blue - A1X3N
 yellow - A1X3PE

white - A1X10
 blue - A1X10
 yellow - A1X10

black - K5.1
 red - K5.2

black - K6.1
 red - K6.2

blue - K6.5
 white - K6.4
 grey - K6.3

blue - K5.6
 white - K5.4
 grey - K5.3

brown - X3.1
 blue - X3.2

green/yellow - X3PE
 green/yellow - X2

Designation
Connection Diagram
 AW442-190/120/160/1760

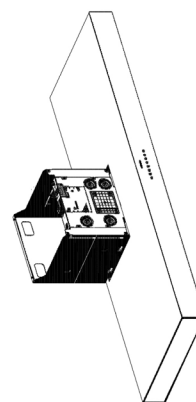
LCS
EN

Document No.
5080 0001035823

Material No. 900132283

Rev
B

Sheet No.
 1
 of
 1



Gaggenau

BSH Home Appliance Corporation
1901 Main Street, Suite 600
Irvine, CA 92614
+1-877-442-4436

www.gaggenau.com/us

© 2018 BSH Home Appliances

Gaggenau Hausgeräte GmbH

Carl-Wery-Straße 34
81739 München
GERMANY

GAGGENAU

