

SIEMENS



Fridge-freezer

Soğutucu/Dondurucu kombine cihazı KD64N..

siemens-home.bsh-group.com/welcome

en	Operating and installation instructions	3
tr	Kullanma ve montaj kılavuzu	19

Register
your
product
online

en Table of contents

Safety and warning information	3	Freezer compartment	11
Directions for disposal	5	Max. freezing capacity	11
Scope of delivery	5	Freezing and storing	12
Installing the appliance	6	Freezing fresh food	12
Connecting the appliance	7	Defrosting frozen food	13
Attaching handles	7	Features	13
Getting to know the appliance	8	Switching the appliance off and placing it out of operation	14
Switching on the appliance	9	Cleaning the appliance	14
Setting the temperature	9	Lighting (LED)	15
Super cooling function	10	Saving energy	15
Energy saving mode	10	Operating noises	16
Button lock	10	Rectifying minor faults yourself	16
Alarm function	10	After-sales service	18
Utilisable volume	11		
Cooling compartment	11		

tr İindekiler

Güvenlik bilgileri ve uyarılar	19	Soğutma bölmesi	27
Atıkların yok edilmesiyle ilgili uyarılar	21	Dondurucu	27
Paket içeriğı	21	Maks. dondurma kapasitesi	27
Cihazın kurulması	22	Dondurma ve saklama	28
Cihazın bağlantısı	23	Taze yiyeceklerin dondurulması	28
Tutamakların montajı	23	Dondurulmuş gıdanın çözülmesi	29
Cihazı tanımak	24	Donanım	29
Cihazı alıřtırmak	25	Cihazın kapatılması ve beklemeye alınması	30
Sıcaklığın ayarlanması	25	Cihazın temizlenmesi	30
Süper soğutma	26	Aydınlatma (LED)	31
Enerji tasarrufu modu	26	Enerji tasarrufu	31
Tuř kilidi	26	alıřma sesleri	32
Alarm fonksiyonu	26	Küük arızaları kendi kendinize giderme	32
Kullanım kapasitesi	27		

Safety and warning information

Before you put the appliance into operation

Carefully read through the instructions for use and assembly instructions. They contain important information on setting up, using and maintaining the appliance.

The manufacturer is not liable for any damage caused by failure to follow the guidance and warnings contained in the instructions for use. Retain all documents for later use or for subsequent owners.

Technical safety

The appliance contains a small quantity of the environmentally-friendly, though flammable, refrigerant R600a. Make sure that the pipes of the refrigerant circuit are not damaged during transport or installation. If refrigerant squirts out, it may cause eye injuries or ignite.

In the event of damage:

- Keep naked flames or sources of ignition away from the appliance,
- Ventilate the room well for a few minutes,
- Switch off the appliance and unplug it from the mains,
- Inform After-sales Service.

The more refrigerant an appliance contains, the larger the room must be in which it stands. If there is a leak and the room is too small, a flammable gas-air mixture may form.

The room must be at least 1 m³ in size for each 8 g of refrigerant. The quantity of refrigerant in your appliance is stated on the rating plate inside the appliance.

If the mains power lead of this appliance is damaged, it must be replaced by the manufacturer, After-sales Service or an equally qualified person. Incorrect installation or repairs may result in significant risks to the user.

Repairs may only be carried out by the manufacturer, After-sales Service or an equally qualified person.

Only genuine replacement parts from the manufacturer may be used. Only such parts are guaranteed by the manufacturer to meet the safety requirements.

Any mains power lead extension may only be obtained from After-sales Service.

During use

- Never use electrical appliances inside the appliance (e.g. heaters, electric ice-makers). Risk of explosion!
- Never defrost or clean the appliance with a steam-cleaning device. The steam may come into contact with electrical components and cause a short circuit. Risk of electric shock!
- Do not use pointed or sharp objects to remove layers of ice and frost! You could damage the refrigerant pipes. If refrigerant shoots out, it may ignite or cause eye injuries.
- Do not store products with flammable propellant gases (e.g. spray cans) or explosive substances inside the appliance. Risk of explosion!
- Do not use the base, rails, doors, etc. as a step or support.
- For defrosting and cleaning, unplug the appliance from the mains or switch off the circuit-breaker. When unplugging the mains plug, always take hold of the plug itself, never pull on the connecting lead.

- High-proof alcohol must always be tightly sealed and stored in an upright position.
- Do not contaminate plastic parts or door seals with oil or grease. Plastic parts and door seals will otherwise become porous.
- Never cover or block ventilation openings for the appliance.
- This appliance may only be used by persons (including children) with impaired physical, sensory, or mental abilities or insufficient knowledge of the appliance if they are supervised by a person responsible for their safety or have been instructed by such a person on how to use the appliance.
- Do not store liquids in bottles or tins in the freezer compartment (in particular carbonated drinks). Bottles and tins may burst.
- Never eat frozen foods immediately after they have been taken out of the freezer compartment.
Risk of freezer burn!
- Avoid prolonged hand contact with frozen foods, ice, and the evaporator tubes, etc.
Risk of freezer burn!

Avoiding risks to children and other at-risk persons

Persons at risk are:

- Children,
- Persons whose powers of perception are physically or psychologically limited,
- Persons who do not have sufficient knowledge about how to use the appliance safely.

Action required:

- Make sure that children and other at-risk persons have understood the dangers.
- A person responsible for safety must supervise or instruct children and other at-risk persons when they are using the appliance.
- Do not allow children under 8 years old to use the appliance.
- Supervise children when cleaning and servicing.
- Never let children play with the appliance.

General requirements

The appliance is suitable for the following tasks:

- chilling and freezing food,
- making ice cubes.

This appliance is intended for use up to a maximum height of 2000 metres above sea level.

This appliance is intended for domestic use in private households and for a domestic environment.

The appliance is fitted with interference suppression in accordance with EU Directive 2004/108/EC.

The refrigeration circuit has been checked for leak tightness.

This product complies with the applicable safety requirements for electrical appliances (EN 60335-2-24).

Directions for disposal

Disposing of packaging

The packaging protects your appliance from damage during transport. All the materials used are environmentally friendly and can be recycled. Please help by Disposing of the packaging in an environmentally-responsible manner.

You can obtain information about current disposal methods from your specialist dealer or local council.

Disposing of your old appliance

Old appliances are not useless waste. Valuable raw materials can be recovered through environmentally responsible disposal.



This appliance is labelled in accordance with European Directive 2012/19/EU concerning used electrical and electronic appliances (waste electrical and electronic equipment - WEEE).

The guideline determines the framework for the return and recycling of used appliances as applicable throughout the EU.

Warning

For worn-out appliances:

1. Unplug the mains plug.
2. Cut the power cord and remove it along with the mains plug.

3. Do not remove the shelves and containers. Leaving them intact makes it more difficult for children to climb in.
4. Never let children play with a disused appliance. Risk of asphyxiation!

Refrigerators contain refrigerant as well as gases in the insulation material. Refrigerant and gases must be disposed of properly. Do not damage the refrigerant circuit pipes before disposing of them properly.

Scope of delivery

After unpacking the appliance, check all parts for transport damage.

If you wish to make a complaint, please contact the dealer from whom you purchased the appliance or our after-sales service.

The scope of delivery includes the following parts:

- Free-standing appliance
- Features (vary depending on the model)
- Instructions for use and assembly instructions
- After-sales service booklet
- Guarantee slip
- Information on energy consumption and noises
- Bag of assembly materials

Installing the appliance

Location

The ideal installation location is a dry, well-ventilated room. The installation location should not be subject to direct sunlight or near a heat source, such as a cooker, heating element, etc. If setting up the appliance next to a heat source is unavoidable, use a suitable insulating plate or observe the following minimum distances from the heat source:

- 3 cm from an electric or gas cooker.
- 30 cm from oil or solid fuel cookers.

Appliances with fixed handles require a distance of at least 55 mm from the wall on the hinged side so that the door can be opened by 90°.

Note the room temperature and ventilation

Ambient temperature

The appliance is designed for a certain climate class. Depending on the climate class, the appliance can be operated at the following ambient temperatures.

The climate class is specified on the rating plate. Figure 10

Climate class	Permissible ambient temperature
SN	+10 °C to 32 °C
N	+16 °C to 32 °C
ST	+16 °C to 38 °C
T	+16 °C to 43 °C

Note

The appliance can function within the ambient temperature limits of the specified climate class. If an appliance in the SN climate class is operated at lower ambient temperatures, damage to the appliance can be excluded up to a temperature of +5 °C.

Ventilation

Figure 4

The air on the appliance's back panel and side panels heats up. The heated air must be able to escape unimpeded. Otherwise, the refrigerating unit has to work harder, which increases the appliance's power consumption. Therefore: You must never cover or block the ventilation openings!

The minimum distance to all sides must be at least 5 cm.

Fitting spacers

Figure 5

Use the screws to attach the spacers provided to the relevant openings at the rear of the appliance. This will maintain the minimum distance from the wall, thus providing adequate ventilation.

If the appliance is standing at an angle, this may mean that the doors do not close correctly.

Levelling the appliance

Figure 6

To ensure that it functions properly, the appliance must be set level using a spirit level.

If the appliance is standing at an angle, this may mean that the doors do not close correctly.

1. Position the appliance in the intended installation area.
2. Unscrew the two screws on the base panel and inspect the base panel.
3. Screw the front feet out until they stand firmly on the ground and align the appliance at the front.
4. Use a spirit level to check that the appliance is horizontal.
5. Position the base panel and secure it in place using the screws.

Note

The front feet must stand firmly on the ground so that the appliance does not roll away.

Connecting the appliance

After setting up the appliance, wait for at least one hour before starting the appliance up. The oil contained in the compressor may have been displaced into the refrigeration system during transport.

Before starting the appliance up for the first time, clean its interior (see section "Cleaning the appliance").

Electrical connection

The socket must be near to the appliance and easily accessible after the appliance has been installed.

The appliance conforms to protection class I. Connect the appliance to a 220-240 V/50 Hz alternating current supply using a socket with protective earthing conductor which has been correctly installed. The socket must be protected by a fuse with a rating of 10 A to 16 A.

In the case of appliances operated outside of Europe, check whether the voltage and type of current specified conform to the values of your electricity grid. You will find this information on the rating plate. Figure 10

Warning

The appliance must never be connected up to an electronic energy-saving socket. Sinusoidal-commutated and line-commutated inverters can be used with our appliances. Line-commutated inverters are used with photovoltaic systems that are connected directly to the national grid. Sinusoidal-commutated inverters must be used with standalone applications (e.g. on ships or mountain huts) that do not have a direct connection to the national grid.

Attaching handles

Figure 7

Only attach the handles once the appliance has been positioned in its installation location and has been aligned so that it is level.

1. Push the holders into the guides.
2. Position and tighten the screws.
3. Push the handles onto the holders and slide them downwards. The "Top" sticker must be facing upwards.
4. Position and tighten the screw.

Getting to know the appliance



Fold out the last page that contains the figures. These instructions for use apply for several models.

The features of the models may vary.

Deviations between the figures are possible.

Figure **1**

- 1 Lighting
 - 2 Shelf in the freezer compartment
 - 3 Ice twister
 - 4 Temperature controller
 - 5 Light switch
 - 6 Door shelf (2 star compartment) for short-term storage of food and ice cream
- Note**
- Only this door shelf has 2 stars, the rest of the freezer compartment has 4 stars.
- 7 Door shelf
 - 8 Control element
 - 9 Light switch
 - 10 Shelves in the cooling compartment
 - 11 Stay-fresh compartment

- 12 Fruit and vegetable container with deodoriser
- 13 Door shelf for eggs, tubes and small tins
- 14 Door shelf for large bottles

Control element

Figure **2**

- 1 **"super" button**
For switching the super cooling function on and off.
- 2 **"lock" button**
For switching the button lock on and off.
- 3 **"alarm" button**
For switching off the warning tone
- 4 **"fridge" button**
For adjusting the temperature in the fridge compartment.
- 5 **Display panel**
Displays the set temperature for the fridge compartment.
"lock"
The button lock is switched on.
"super"
Super cooling function is switched on.
"alarm"
The alarm function is active.

Switching on the appliance

The appliance starts to cool after it is connected to the power supply. The lighting is switched on when the door is opened.

An acoustic warning tone sounds. The "alarm" button can be used to switch off the audible warning signal.

The factory has recommended and set the following temperatures:

- Fridge compartment: +4 °C
- Freezer compartment: -18 °C

Notes on using the appliance

- After switching on the appliance, it may be several hours before the set temperatures are reached.
- Thanks to the fully automatic no-frost system, the freezer compartment remains ice-free. There is no longer any need to defrost it.
- The front side of the housing is slightly heated. This prevents condensation from forming around the door seal.
- If the freezer compartment drawer cannot be opened again soon after being closed, wait for a moment until the negative pressure has cleared.

Setting the temperature

Cooling compartment

Figure **2**/4

The temperature can be set from +2 °C up to +8 °C.

Press the "fridge" button repeatedly until the display panel shows that the required fridge compartment temperature is set.

Do not store perishable foods at temperatures higher than +4 °C.

Notes

- Do not store perishable foods at temperatures higher than +4 °C.
- For short-term storage of food, a higher temperature can be set (energy-saving operation).
- When frequently opening the door and placing large quantities of food in the cooling compartment, a lower temperature should be set.

Freezer compartment

Figure **3**

Turn the temperature controller to the required setting.

At the medium setting, the temperature reaches approx. -18 °C.

Min: higher temperature.

Max: lower temperature.

Super cooling function

With the super cooling function, the cooling compartment is cooled to the coldest temperature. Once the coldest temperature is reached, it automatically changes to the present temperature.

The super cooling function is recommended in the following cases:

- Before putting a large amount of food in the cooling compartment.
- To cool drinks quickly.

Switching on and off

Figure **2**/1

Press the 1 button.

If the super cooling function is switched on, "super" is shown on the display panel.

After approx. 40 minutes, or once the temperature in the cooling compartment is 2 °C lower than the set temperature, the super cooling function automatically switches off.

Energy saving mode

20 seconds after the doors have been closed and the last button has been pressed on the control element, the display on the control element changes to energy saving mode, with reduced illuminating power.

Once the appliance is being used again, e.g. if the door is opened or a button is pressed, the display reverts to normal illuminating power.

Button lock

When the button lock is switched on, all of the buttons on the control element are locked.

Exception: When the button lock is switched on, the "alarm" button can be used to switch off the audible warning signal.

Switching on and off

Figure **2**/2

Press the 2 button.

If the button lock is switched on, "lock" is shown on the display panel.

To switch the button lock off, press and hold button 2 for approx. 3 seconds.

Alarm function

If an alarm is triggered, an audible warning signal sounds and "alarm" is shown on the display panel.

Press the "alarm" button to switch off the audible warning signal. Figure **2**/3

Door alarm

The door alarm switches on if one of the appliance doors remains open for longer than 1 minute.

The alarm stops when the door is closed again.

Temperature alarm

The temperature alarm switches on if it becomes too warm in the cooling compartment.

Note

If it has become too warm in the cooling compartment, properly heat up any chilled goods that have been warmed before consumption.

In cases of doubt, do not use raw food.

Utilisable volume

You will find information regarding the utilisable volume on the rating plate (see section "After-sales service").

Cooling compartment

The cooling compartment is the ideal place to keep prepared dishes, baked goods, canned goods, condensed milk, hard cheese, fruit and vegetables that are sensitive to cold, and tropical fruits.

When arranging the food, note the following

When arranging the food, bear in mind the following:

- Arrange your food so that it is well-packaged or covered. This ensures that the aroma, colour and freshness are not lost. This also prevents flavours from mixing and the plastic parts from becoming discoloured.
- Allow warm food and beverages to cool before putting them into the appliance.

- Do not block the cooling compartment's air outlets with food. Doing so impedes the air circulation. Food that is stored directly in front of the air outlets may become frozen by the cold air that is discharged.

Freezer compartment

Use the freezer compartment for the following

- Storing deep frozen food.
- Making ice cubes.
- Freezing food.

Note

The 2 star door shelf can be used for short-term storage of ice and food at a temperature of -12 °C.

The rest of the freezer compartment has 4 stars.

Note

Make sure that the freezer compartment door is always closed. When the door is open, the frozen foods defrost and the freezer compartment ices up heavily. Furthermore: Energy is wasted due to the power consumption.

When you close the freezer compartment door, there is negative pressure in the freezer compartment. This causes a sucking noise. Wait for two to three minutes until the negative pressure has cleared.

Max. freezing capacity

You will find information on the maximum freezing capacity in 24 hours on the rating plate (see section "After-sales service").

Freezing and storing

Purchasing frozen foods

- Packaging must not be damaged.
- Observe the best before date.
- The temperature in the commercial chest freezer must be -18°C or colder.
- As far as possible, frozen food must be transported in an insulated container and quickly placed in the freezer compartment.

Storing frozen food

If lots of food is to be stored, you can remove the ice twister and the shelf.

To ensure that there is no impact on the air circulation in the appliance, do not stack the food beyond the stacking limit.

Freezing fresh food

Only use fresh, undamaged food for freezing.

In order to retain the nutritional value, aroma and colour of the food as much as possible, blanch vegetables before they are frozen. Blanching is not required for aubergines, peppers, courgettes and asparagus.

You can find literature about freezing and blanching in bookshops.

Note

Do not allow food that is to be frozen to sit right next to food that has already been frozen.

- The following are suitable for freezing: Baked goods, fish and seafood, meat, game, poultry, vegetables, fruit, herbs, eggs without their shells, dairy products such as cheese, butter and curd cheese, prepared dishes and leftovers such as soups, stews, cooked meat and fish, potato dishes, baked casseroles and sweet foods.
- The following are not suitable for freezing:
 - Types of vegetables that are usually eaten raw – such as green salad or radishes, eggs in their shells, grapes, whole apples, pears and peaches, hard-boiled eggs, yoghurt, soured milk, sour cream, crème fraîche and mayonnaise.

Packaging frozen food

Pack food so that it is airtight to prevent it from losing its flavour or drying out.

1. Store food in its packaging.
2. Press out any air.
3. Close the packaging tightly.
4. Label packaging with its contents and date of freezing.

The following are suitable as packaging:

Plastic film, polyethylene hose film, aluminium foil, freezer bags. You will find these products at your specialist dealer.

The following are not suitable as packaging:

Wrapping paper, greaseproof paper, cellophane, rubbish bags and used shopping bags.

The following are suitable for sealing packaging:

Rubber bands, plastic clips, pack-twines, cold-resistant scotch tape, or similar.

Polyethylene bags and hose film can be fused closed using a bag sealer.

Storage life of frozen foods

Depending on the type of food.

At a temperature of -18 °C:

- Fish, sausages, prepared dishes, baked goods:
up to 6 months.
- Cheese, poultry, meat:
up to 8 months.
- Vegetables, fruit:
up to 12 months.

Defrosting frozen food

You can decide between the following options, depending on the type of food and its intended use:

- at ambient temperature,
- in the fridge,
- in an electric oven, with/without hot air convection,
- in the microwave oven.

Caution

Do not refreeze defrosted food. It can only be refrozen after it has been made into a ready-to-eat meal (cooked or roasted).

Do not continue to use the complete max. storage time for the frozen food.

Features

You can vary positioning of the interior shelves and the door shelves depending on your requirements:

- Lift the shelf and move it towards the front.
- Lift the door shelf and remove it.

Stay-fresh compartment

The temperatures in the stay-fresh compartment are lower than in the cooling compartment. There may also be temperatures lower than 0 °C.

Ideal for storing fish, meat and sausages. Not suitable for salads, vegetables or food that is sensitive to cold.

To ensure that the stay-fresh compartment functions correctly, it must be completely closed and the shelf must rest on it correctly.

Odour filter

Unpleasant odours in the refrigerator compartment are prevented by the odour filter.

Tip: Despite this, strong-smelling foods should still be stored in securely sealed containers.

If the effect of the odour filter decreases, it can easily be revitalised:

1. Remove the odour filter.
2. Dry the filter with a hair dryer.
3. Lay the odour filter in the sun in order to eliminate any remaining unpleasant odours (decomposition of the odour compounds by ultraviolet light).
4. Place the odour filter back in the appliance.

Vegetable container with humidity controller

Figure 8

To create the perfect storage climate for vegetables, salad and fruit, depending on the quantity of food in storage, the humidity can be controlled in the vegetable container.

Small quantities of food:
Move the controller to the left.

Large quantities of food:
Move the controller to the right.

Ice twister

Figure 9

1. Remove the ice cube drawers, fill these up with water until they are $\frac{3}{4}$ full and reinsert the drawers.
2. Once the ice cubes are frozen, turn the turning handles on the ice cube drawers to the right.
The ice cubes become loose and fall into the container.
3. Pull out the container and remove the ice cubes.

Switching the appliance off and placing it out of operation

Switching off the appliance

Unplug the appliance from the mains or switch off the childproof lock.
The temperature display goes blank and the refrigerating unit switches off.

Putting the appliance out of service

If you do not use the appliance for long periods:

1. Unplug the appliance from the mains or switch off the childproof lock.
2. Clean the appliance.
3. Leave the appliance door open.

Cleaning the appliance



Caution

- Do not use gritty, acidic or chlorine-based cleaning agents or solvents.
- Do not use any abrasive materials or materials that may scratch surfaces.
This may lead to corrosion of the metallic surfaces.
- Never clean the shelves or containers in the dishwasher.
The parts may warp.

The cleaning water must not get into

- opening slots in the front bottom area of the freezer compartment,
- operating controls or
- any lighting.

Proceed as follows:

1. Before cleaning the appliance, unplug the mains plug or disconnect the fuse.
2. Take out the frozen food and store it in a cool place. Place an ice block (if you have one) on the food.
3. Clean the appliance with a soft cloth, lukewarm water, and a little pH-neutral detergent. The water used for rinsing must not get into the lighting.
4. Only wipe the door seal with clean water and then rub it until it is dry.
5. After cleaning, reconnect the appliance to the mains and switch it on.
6. Put the frozen food back in.

Features

To clean the appliance, all of the variable elements can be removed.

Removing shelves

Lift the shelf and move it towards the front.

Removing the door shelves

Lift the door shelf and remove it.

Saving energy

- Install the appliance in a dry, ventilated room. The appliance must be installed out of direct sunlight and away from heat sources (e.g. heating elements, cooker).
Use an insulating plate if necessary.
- Allow hot food and drinks to cool before placing them in the appliance.
- Place frozen food that is to be defrosted in your cooling compartment. Use the low temperature of the frozen food to cool down food.
- Open the appliance door for as little time as possible.
- Clean the rear side of the appliance occasionally with a vacuum cleaner or brush in order to avoid increased power consumption.

Lighting (LED)

Your device is equipped with a maintenance-free LED light.

Any repair work on the lighting must only be carried out by the after-sales service or authorised experts.

Operating noises

Completely normal noises

Humming

Motors running (e.g. refrigeration units, ventilator).

Bubbling, whirring or gurgling noises

Refrigerant is flowing through the pipes.

Clicking

Motors, switches or solenoid valves are switching on/off.

Crackling

Automatic defrosting is taking place.

Preventing noises

If the appliance is positioned unevenly

Align the appliance using a spirit level. Use the threaded feet for this, or place something underneath the feet.

If the appliance is touching adjacent units or appliances

Move the appliance away from adjacent furniture or appliances.

Containers or shelves are wobbling or sticking

Check the removable parts and reinsert them if necessary.

If bottles or containers are touching

Move the bottles or containers apart slightly.

Rectifying minor faults yourself

Before you call the after-sales service:

Check whether you can rectify the fault yourself by using the notes below.

You must bear the costs for consultation with the after-sales services yourself – even during the warranty period.

Problem	Possible cause	Remedy
It is too cold in the cooling compartment.	Colder freezer compartment temperatures may also cause colder cooling compartment temperatures. This is due to its cooling properties.	Set the temperature in the cooling compartment so that it is slightly warmer. If this is not sufficient, e.g. if the room temperatures are too cold, you can also set the temperature in the freezer compartment temperature so that it is warmer.

Problem	Possible cause	Remedy
The temperature in the freezer compartment is too high.	The appliance door is being opened frequently.	Do not open the appliance door unnecessarily.
	The ventilation openings are covered.	Remove any obstructions.
	Freezing larger quantities of fresh food.	Do not exceed the max. freezing capacity.
The temperature deviates considerably from the setting.		<p>In some cases, it is sufficient to switch off the appliance for 5 minutes.</p> <p>If the temperature is too high, wait a few hours and check whether the temperature has aligned with the setting.</p> <p>If the temperature is too low, wait until the next day and check the temperature again.</p>
The lighting is not working.	The LED lighting is faulty.	See section "Lighting (LED)".
	The appliance door was opened for too long.	After closing and opening the appliance door, the lighting is switched on again.
	The lighting switches off after approx. 10 minutes.	
	The light switch is jammed.	Check whether you can move the light switch. Figure 1 /5
No display lights up.	If the appliance is not operated for some time, the control panel display switches to energy-saving mode.	As soon as the appliance is used again (e.g. the door is opened), the display switches back to its normal lighting.
	Power failure; the fuse has been tripped; the mains plug is not firmly inserted.	Connect the mains plug. Check whether there is power, check the fuses.

Problem	Possible cause	Remedy
An audible warning signal sounds and "alarm" is shown on the display panel.	Problem; It is too warm in the cooling compartment.	Press the "alarm" button to switch off the audible warning signal. Figure 2/3
		Note If it has become too warm in the cooling compartment, properly heat up any chilled goods that have been warmed before consumption. In cases of doubt, do not use raw food.
	The appliance door is open.	Close the appliance door.
	The ventilation openings are covered.	Remove any obstructions.
	Too much food has been inserted for freezing at the same time.	Do not exceed the max. freezing capacity.

After-sales service

You can find an after-sales service point near to you in the telephone directory or in the list of after-sales service points.

When you call the after-sales service, quote your product number (E no.) and the production number (FD no.) of your appliance.

You will find this information on the rating plate. Figure 10

Please help us to avoid unnecessary journeys by quoting the appliance and production number. This will save you the additional associated costs.

Repair order and consultation if faults occur

The attached after-sales service directory contains the contact data for all countries.

GB	0344 892 8999	Calls charged at local or mobile rate.
IE	01450 2655	0.03 € per minute at peak. Off peak 0.0088 € per minute.
US	866 447 4363	toll-free

Güvenlik bilgileri ve uyarıları

Cihazı çalıştırmadan önce

Kullanım ve montaj kılavuzunu dikkatlice okuyunuz! Cihazın kurulumu, kullanımı ve bakımı ile ilgili önemli bilgiler içeriyorlar.

Üretici, kullanım kılavuzundaki bilgileri ve uyarıları dikkate almamanız durumunda sorumlu değildir. Belgeleri, daha sonraki kullanım veya cihazın bir sonraki sahibi için saklayınız.

Teknik Güvenlik

Cihaz, az miktarda doğa dostu ama yanıcı soğutucu madde R600a içerir. Taşıma veya montaj sırasında, soğutucu madde dolaşımına ait boruların zarar görmemesine dikkat ediniz. Soğutucu madde sızıntısı göz yaralanmalarına neden olabilir veya tutuşabilir.

Hasar durumunda

- Ateş veya ateş kaynaklarını cihazdan uzak tutunuz,
- Odayı birkaç dakika boyunca havalandırınız,
- Cihazı kapatınız ve fişini çekiniz,
- Müşteri hizmetlerine haber veriniz.

Bir cihazda ne kadar çok soğutucu madde varsa, cihazın bulunduğu oda o kadar çok büyük olmalıdır. Çok küçük odalarda, kaçak olması durumunda, bir yanıcı gaz-hava karışımı oluşabilir. Oda büyüklüğü, 8 g soğutucu madde başına, 1 m³ olmalıdır. Cihazınıza ait soğutucu madde miktarı, cihazınızın iç kısmında bulunan tip plakasında yazmaktadır.

Bu cihazın elektrik bağlantısı kablosu hasar görürse, üretici, müşteri hizmetleri veya benzer ve yetkin bir kişi tarafından değiştirilmesi gereklidir. Yanlış montaj veya onarımlar, kullanıcıyı büyük ölçüde tehlikeye sokar.

Onarımlar sadece üretici, müşteri hizmetleri veya benzer ve yetkin bir kişi tarafından yürütülebilir.

Sadece üreticinin orijinal parçaları kullanılabilir. Üretici sadece bu parçalar kullanıldığında güvenlik gereksinimlerinin karşılanacağını garanti eder.

Elektrik bağlantısı kablosunun uzatılması ancak müşteri hizmetleri tarafından gerçekleştirilebilir.

Kullanım Sırasında

- Cihaz içerisinde elektrikli cihazlar kullanmayınız (örn. ısıtıcılar, elektrikli buz hazırlayıcıları vb.). Patlama tehlikesi!
- Cihazı, asla bir buharlı temizleme cihazı ile çözmeyiniz veya temizlemeyiniz! Buhar elektrikli parçalara ulaşabilir ve bir kısa devreye yol açabilir. Elektrik çarpma tehlikesi!
- Don ve buz katmanlarını temizlemek için sivri uçlu veya keskin kenarlı nesnelere kullanmayınız. Bu şekilde, soğutucu madde borularına zarar verebilirsiniz. Soğutucu madde sızıntısı göz yaralanmalarına neden olabilir veya tutuşabilir.
- Cihaz içerisinde, yanıcı itici gaz içeren ürünler (örneğin sprey kutuları) ve patlayıcı maddeler saklamayınız. Patlama tehlikesi!
- Tabanı, sürgüleri, kapıları vs. basamak olarak veya dayanmak için kullanmayınız.
- Buz çözme ve temizlik için fişi çekiniz veya sigortayı kapatınız. Kabloyu değil, fişi çekiniz.

- Alkol oranı yüksek olanları ağız sıkıca kapalı ve dik bir şekilde saklayınız.
- Plastik parçaları ve kapı fitilini yağ veya gresle kirlenmeyiniz. Aksi takdirde plastik parçalar ve kapı fitilisi delinip aşınabilir.
- Cihazdaki havalandırma deliklerinin üzerini kapatmayınız veya onları kapalı konuma getirmeyiniz.
- Bu cihaz, fiziksel, duyuusal veya zihinsel yetenekleri kısıtlı veya bilgisi eksik kişiler (bunlara çocuklar dahildir) tarafından, ancak başlarında onların güvenliğinden sorumlu veya onlara, cihazın nasıl kullanılacağı konusunda talimat verebilecek bir kişi bulunursa kullanılabilir.
- Dondurucu bölmede şişe veya kutu içerisinde sıvı saklamayınız (özellikle de gazlı içecekler). Şişe ve kutular patlayabilir!
- Dondurulmuş gıdaları asla, dondurucu bölmeden alındıktan hemen sonra ağızınıza almayınız.
Dondurucu yanık tehlikesi!
- Ellerinizi, dondurulmuş gıda, buz veya buharlaşma boruları vs. ile uzun süreli temasından kaçınınız.
Dondurucu yanık tehlikesi!

Çocuklar ve tehlikeye açık kişiler için risklerin engellenmesi

Aşağıdaki kişiler tehlikeye açıktır:

- Çocuklar,
- Vücutları nedeniyle, fiziksel olarak veya anlama yeteneği açısından kısıtlı kişiler,
- Cihazın güvenli kullanımı hakkında yeterli bilgiye sahip olmayan kişiler.

Önlemler:

- Çocukların ve tehlikeye açık kişilerin tehlikeleri anladığından emin olunuz,
- Güvenlikten sorumlu bir kişi çocukları veya tehlikeye açık kişileri cihaz konusunda bilgilendirmeli veya eğitmelidir,
- Sadece 8 yaşından büyük çocukların cihazı kullanmasına izin verilmelidir,
- Bakım ve temizleme sırasında çocuklara dikkat ediniz,
- Asla çocukların cihazla oynamasına izin vermeyiniz.

Genel Hükümler

Cihaz;

- yiyeceklerin soğutulması ve dondurulması,
- buz yapımı için uygundur.

Bu cihaz, deniz seviyesinden en fazla 2000 metre yükseklikte kullanılmak üzere tasarlanmıştır.

Bu cihaz, ev ve ev ortamı içinde ev kullanımı için tasarlanmıştır.

Cihazın, AB Direktifi 2004/108/EC'ye göre parazit yalıtımı yapılmıştır.

Soğutma devresinin sızdırmazlık kontrolü yapılmıştır.

Bu ürün, elektrikli ev aletleri (EN 60335-2-24) için ilgili güvenlik düzenlemelerine uygundur.

Atıkların yok edilmesiyle ilgili uyarılar

♻️ Ambalajın yok edilmesi

Ambalaj, taşıma sırasında cihazınızı hasarlara karşı korur. Kullanılan tüm malzemeler çevre dostudur ve geri dönüştürülebilir. Lütfen siz de yardım ediniz: Ambalajı, çevreye zarar vermeden yok ediniz.

Güncel bertaraf yöntemleri için, satıcınızla veya yerel yönetim ile temasa geçiniz.

♻️ Eski cihazın yok edilmesi

Eski cihazlar değersiz çöp değildir! Çevreye uygun yok etme işlemi sayesinde değerli hammaddeler yeniden kazanılabilir.



Bu ürün 2012/19/EU sayılı Atık Elektrikli ve Elektronik Ekipmanlar Direktifi'ne göre etiketlenmiştir. Ulusal yönetmelik (Türkiye Resmi Gazetesi No:28300 Tarih: 22.05.2012) Avrupa genelinde geçerli olan, ürünlerin geri toplanması ve geri dönüştürülmesi ile ilgili yapıyı belirtir.

⚠️ Uyarı

Kullanım süresini doldurmuş cihazlarda

1. Fişi çekiniz.
2. Bağlantı kablosunu kesiniz ve fişi ile birlikte çıkarınız.
3. Çocukların içeri tırmanmalarını engellemek için rafları ve kapları çıkarmayınız!

4. Çocukların, kullanım süresini doldurmuş cihazla oynamasına izin vermeyiniz. Boğulma tehlikesi!

Soğutucu cihazlar soğutucu madde ve yalıtımlarında gaz içerirler. Soğutucu maddeler ve gazlar uygun şekilde bertaraf edilmelidir. Uygun bertaraf işlemine kadar soğutucu madde devresine ait borulara zarar vermeyiniz.

Paket içeriği

Parçaları paketin içerisinden çıkardıktan sonra, taşıma sırasında hasar görüp görmediklerini kontrol ediniz.

Şikayet durumunda, cihazı satın aldığınız satıcınıza veya müşteri hizmetlerimize başvurunuz.

Paket içeriği aşağıdaki parçalardan oluşmaktadır:

- Dikey cihaz
- Donanım (modele bağlı olarak)
- Kullanım ve montaj kılavuzu
- Müşteri Hizmetleri Kitapçığı
- Garanti Belgesi
- Enerji tüketimi ve sesler ile ilgili bilgiler
- Montaj malzemelerini içeren torba

Cihazın kurulması

Kurulum Yeri

Kurulum için, kuru ve havalandırılabilir bir ortam uygundur. Kurulum yeri, doğrudan güneş ışınlarına maruz kalmamalıdır ve fırın, ısıtıcı vs. gibi ısı kaynaklarının yakınında olmamalıdır. Bir ısı kaynağının yanına kurulum kaçınılmaz ise, uygun bir yalıtım plakası kullanınız veya ısı kaynaklarına olan aşağıdaki asgari mesafelere uyunuz:

- Elektrikli veya gazlı fırınlara 3 cm.
- Mazot veya kömürlü fırınlara 30 cm.

Tutamakları takılı cihazlarda, kapının 90° açılabilmesi için, menteşe tarafıyla duvar arasında en az 55 cm'lik bir mesafe olmalıdır.

Oda sıcaklığına ve Havalandırmaya dikkat edilmelidir

Oda sıcaklığı

Cihaz, belirli bir iklim sınıfına göre tasarlanmıştır. Cihaz, iklim sınıfına bağlı olarak, aşağıdaki oda sıcaklıklarında çalıştırılabilir.

İklim sınıfı, tip plakası üzerinde bulunur.

Resim 10

İklim sınıfı	izin verilen oda sıcaklığı
SN	+10 °C 32 °C arası
N	+16 °C 32 °C arası
ST	+16 °C 38 °C arası
T	+16 °C 43 °C arası

Bilgi

Cihaz, belirtilen iklim sınıfına ait oda sıcaklığı sınırları içerisinde tam işlevseldir. Eğer SN iklim sınıfına ait bir cihaz daha soğuk oda sıcaklıklarında çalıştırılırsa, +5 °C sıcaklığa kadar cihazda herhangi bir hasar söz konusu olmaz.

Havalandırma

Resim 4

Cihazın arka duvarındaki ve yan duvarlarındaki hava ısınır. Isınan hava, hiçbir engele takılmadan uçup gidebilmelidir. Yoksa soğutucu makine çok daha fazla çalışmak zorunda kalır. Bu da elektrik tüketimini artırır. Bu yüzden: Havalandırma aralığı üzerini kesinlikle kapatmayınız veya onları kapalı konuma getirmeyiniz!

Her yana olan minimum mesafe en az 5 cm olmalıdır.

Mesafe koruyucunun montajı

Resim 5

Paketin içerisinde olan mesafe koruyucularını, civataları, cihazın arka tarafındaki, onlara uygun deliklere takıp sabitleyiniz. Bu şekilde, duvara olan asgari mesafe korunacak ve havalandırma sağlanacaktır.

Eğer cihaz eğri duruyorsa, kapılar düzgün kapanmayabilir.

Cihazın hizalanması

Resim 6

Cihazın düzgün çalışabilmesi için, bir su terazisi ile hizalanmalıdır.

Eğer cihaz eğri duruyorsa, kapılar düzgün kapanmayabilir.

1. Cihazı, ön görülen yere yerleştiriniz.
2. Süpürgelikteki iki cıvataı sökünüz ve süpürgeliği çıkarınız.
3. Ön ayakları, sıkıca yere temas edene kadar çevirerek açınız ve cihazın ön kısmını hizalayınız.
4. Bir su terazisi ile cihazın düzgün bir şekilde hizalanıp hizalanmadığını kontrol ediniz.
5. Süpürgeliği yerine oturtunuz ve cıvataları takarak sıkınız.

Bilgi

Cihazın kayıp gitmemesi için ön ayakların tam olarak yere sıkıca temas etmesi gerekiyor.

Cihazın bağlantısı

Cihazı yerine yerleştirdikten sonra, çalıştırmadan önce en az 1 saat boyunca beklenmelidir. Taşıma sırasında, kompresörde bulunan yağın soğutucu maddede saklanmış olma ihtimali mevcuttur.

İlk işletmeye alımdan önce cihazın içini temizleyiniz (bkz. bölüm „Cihazın temizlenmesi“).

Elektrik Bağlantısı

Priz cihaza yakın olmalıdır. Hatta cihaz yerine yerleştirildikten sonra da prize ulaşım kolay olmalıdır.

Cihaz, Koruma Sınıfı I kapsamına girer. Cihazı, topraklama kablosuna sahip, kurallara uygun bir şekilde monte edilmiş, 220-240 V/50 Hz alternatif akımlı prize takınız. Priz, 10-A - 16-A arası bir sigorta ile emniyete alınmalıdır.

Avrupa dışı ülkelerde işletilecek olan cihazlarda, belirtilen gerilim ve akım türünün, ilgili şebeke değerleriyle uyumlu olup olmadığı kontrol edilmelidir. Bu bilgileri tip plakasında bulabilirsiniz.

Resim 10

Uyarı

Cihaz kesinlikle elektronik enerji tasarrufu prizlerine takılmamalıdır.

Cihazlarımızın kullanımında sinüs ve hat komütasyonlu invertörler kullanılabilir. Hat komütasyonlu invertörler, doğrudan elektrik şebekesine bağlanan fotovoltaik sistemlerde kullanılmaktadır. Elektrik şebekesine doğrudan bağlantısı olmayan izole uygulamalarda (örneğin gemiler veya dağ evleri), sinüs komütasyonlu invertörler kullanılmalıdır.

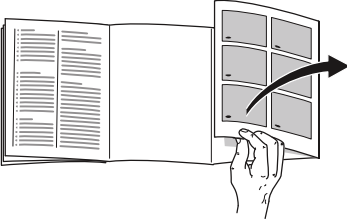
Tutamakların montajı

Resim 7

Tutamakları, cihaz yerine yerleştirildikten ve düz bir şekilde hizalandıktan sonra takınız.

1. Tutucuyu kılavuzlara sokunuz.
2. Cıvataları yerleştiriniz ve iyice sıkınız.
3. Tutamakları tutucuların üzerine sokunuz ve aşağı doğru ittiriniz. „Top“ çıkartması üstte olmalıdır.
4. Cıvataı yerleştiriniz ve iyice sıkınız.

Cihazı tanımak



Lütfen resimlerin olduğu son sayfayı açınız. Bu kullanım kılavuzu birden fazla model için geçerlidir.

Modellere göre donanımlar farklılık gösterebilir.

Resimlerde tutarsızlıklar olabilir.

Resim **1**

- 1 Aydınlatma
- 2 Dondurucu bölümdeki raf
- 3 Buz Twister
- 4 Sıcaklık ayarı
- 5 Işık düğmesi
- 6 Kapı rafı (2 yıldızlı bölüm) kısa süreli besin ve dondurma muhafaza etmek için

Bilgi

Sadece bu kapaklı saklama bölümü 2 yıldızlı sahiptir, kalan dondurma bölümü 4 yıldızlı sahiptir.

- 7 Kapı rafı
- 8 Kontrol paneli
- 9 Işık düğmesi
- 10 Soğutucu bölmedeki raflar
- 11 Taze gıda bölümü
- 12 Koku gidericili meyve ve sebze kabı

- 13 Yumurta, tüpler ve kutular için kapı rafı
- 14 Büyük şişeler için kapı rafı

Kontrol paneli

Resim **2**

- 1 **„super“ Tuşu**
Süper soğutmanın çalıştırılması ve kapatılması.
- 2 **„lock“ Tuşu**
Tuş kilidinin açılması ve kapatılması.
- 3 **„alarm“ Tuşu**
Uyarı sinyalinin kapatılması.
- 4 **„fridge“ Tuşu**
Soğutma bölümünün sıcaklığının ayarlanması.
- 5 **Ekran**
Soğutma bölümü için ayarlanmış olan sıcaklığı gösterir.
„lock“ (kilit)
Tuş kilidi devrededir.
„super“ (süper)
Süper soğutma devrededir.
„alarm“ (alarm)
Alarm fonksiyonu devrededir.

Cihazı çalıştırmak

Elektrik şebekesine bağladıktan sonra cihaz soğutmaya başlar. Aydınlatma, kapı açıkken devrededir.

Bir uyarı sinyali duyulur. "alarm" tuşu ile uyarı sinyalini kapatınız.

Fabrika çıkışı aşağıdaki sıcaklıklar ayarlanmıştır ve tavsiye edilir:

- Soğutma alanı: +4 °C
- Dondurucu: -18 °C.

Çalışma ile ilgili uyarılar

- Çalıştırdıktan sonra ayarlanan sıcaklığa ulaşana kadar birkaç saat geçebilir.
- Tam otomatik Nofrost sistemi sayesinde dondurucu buzsuz kalır. Artık buz çözme gerekli değildir.
- Muhafazanın ön cephesi kısmen az da olsa ısınabilir. Bu, kapı contası alanında terleme olmasını engeller.
- Dondurucu kapısı, kapatıldıktan hemen sonra açılmıyorsa, oluşan alçak basınç eşitlenene kadar bir süre bekleyiniz.

Sıcaklığın ayarlanması

Soğutma bölümü

Resim 2/4

Sıcaklık +2 °C - +8 °C arası ayarlanabilir.

Ekranda soğutma bölümü için istenen sıcaklık görünene kadar "fridge" (Soğut) tuşuna basınız.

Hassas yiyecekleri +4 °C'den daha yüksek bir sıcaklıkta saklamayınız.

Bilgiler

- Hassas yiyecekleri +4 °C'den daha yüksek bir sıcaklıkta saklamayınız.
- Yiyeceklerin kısa süreli saklanması için daha yüksek bir sıcaklık ayarlanabilir (enerji tasarruflu çalışma).
- Kapının sıkça açılması ve soğutma bölümüne büyük miktarlarda yiyecek konulması durumunda daha soğuk bir sıcaklık ayarlayınız.

Dondurucu

Resim 3

Sıcaklık ayarını istenen ayara getiriniz.

Orta ayarda yaklaşık olarak -18 °C'ye ulaşılır.

Min: daha yüksek sıcaklık.

Max: daha soğuk sıcaklık.

Süper soğutma

Süper soğutmada soğutma bölmesi en soğuk sıcaklığa soğutulur. Daha sonra, otomatik olarak, önceden ayarlanmış olan sıcaklığa geçilir.

Süper soğutma özellikle aşağıdaki durumlarda tavsiye edilir:

- Büyük miktarlarda yiyecek koymadan önce.
- İçeceklerin hızlı soğutulması için.

Açma ve kapama

Resim 2/1

1 tuşuna basınız.

Süper soğutma çalıştırıldıysa, ekranda „super“ yazısı belirir.

Yaklaşık olarak 40 dakika sonra veya soğutma bölümündeki sıcaklık, ayarlanmış olan sıcaklığın 2 °C altına düşerse, süper soğutma otomatik olarak kapanır.

Enerji tasarrufu modu

Kapaklar kapatıldıktan ve kumanda panelindeki son tuşa basıldıktan 20 saniye sonra gösterge alanı enerji tasarruf moduna geçer ve daha düşük aydınlatma gücüyle aydınlatılır.

Cihaz tekrar kullanılmaya başladığında, örn. kapı açıldığında veya bir tuşa basıldığında gösterge tekrar normal ışıkla yanmaya başlar.

Tuş kilidi

Tuş kilidi devredeyken, kontrol panelindeki tüm tuşlar devre dışı kalır. İstisna: Tuş kilidi devredeyken, „alarm“ tuşu ile uyarı sinyali kapatılabilir.

Açma ve kapama

Resim 2/2

2 tuşuna basınız.

Tuş kilidi devredeyken ekranda „lock“ (kilit) yazısı belirir.

Kapatmak için 2 tuşuna yaklaşık olarak 3 saniye boyunca basınız.

Alarm fonksiyonu

Eğer alarm tetiklenirse, bir uyarı sinyali duyulur ve ekranda „alarm“ yazısı belirir.

Uyarı sinyalini kapatmak için „alarm“ tuşuna basınız. Resim 2/3

Kapı alarmı

Kapı alarmı, cihaz kapılarının biri 1 dakikadan uzun bir süredir açıksa devreye girer.

Kapının kapatılmasıyla uyarı sinyali kapanır.

Sıcaklık alarmı

Sıcaklık alarmı, soğutma bölümü fazla sıcak olduğunda devreye girer.

Bilgi

Soğutma bölümü fazla ısındıysa, dondurulmuş gıda yenmeden önce ısıtılmalıdır.

Çiğ yiyecekler her ihtimale karşı artık kullanılmamalıdır.

Kullanım kapasitesi

Kullanım kapasitesiyle ilgili bilgileri tip plakasında bulabilirsiniz (bkz. bölüm „Müşteri hizmetleri“).

Soğutma bölmesi

Soğutma bölmesi, hazır gıdalar, unlu mamüller, konserveler, pastörize süt, sert peynir, soğuğa karşı hassas meyve ve sebzeler ile tropikal meyveler için ideal bir saklama alanıdır.

Yerleştirme sırasında dikkat edilecekler

Yiyecekleri yerleştirirken dikkat edilecekler:

- Yiyecekleri iyice paketlenmiş veya üstü kapatılmış bir şekilde yerleştiriniz. Böylece aroma, renk ve tazelik korunur. Ayrıca plastik parçaların tadının geçmesi veya renk vermesi engellenmiş olur.
- Sıcak yemek ve içeceklerin önce soğumasını bekleyiniz ve sonra cihaza yerleştiriniz.
- Hava sirkülasyonunu etkilememek için hava çıkışı deliklerini yiyeceklerle bloke etmeyiniz.
Hemen hava çıkışı deliklerinin önüne yerleştirilmiş olan yiyecekler, soğuk hava akışı yüzünden donabilir.

Dondurucu

Dondurucunun kullanılması

- Dondurulmuş gıdanın saklanması için.
- Buz küpleri yapmak için.
- Yiyeceklerin dondurulması için.

Bilgi

2 yıldızlı kapaklı saklama bölmesi, buz ve gıdaların -12 °C sıcaklıkta kısa süre saklanması için kullanılabilir.

Kalan dondurma bölmesi 4 yıldızla sahiptir.

Bilgi

Dondurucu kapısının her zaman kapalı olduğuna dikkat ediniz! Kapı açıkken dondurulmuş gıdalar çözülür ve dondurucu buzlanır. Ayrıca: Yüksek elektrik tüketimi yüzünden boşa giden enerji!

Dondurucu kapısının kapanmasıyla bir alçak basınç oluşur. Böylece bir emme sesi duyulur. Alçak basınç eşitlenene kadar iki üç dakika kadar bekleyiniz.

Maks. dondurma kapasitesi

24 saat içerisindeki maks. dondurma kapasitesi tip plakasında belirtilmiştir (bkz. bölüm „Müşteri hizmetleri“).

Dondurma ve saklama

Dondurulmuş gıda satın almak

- Ambalajı zarar görmemiş olmalıdır.
- Son kullanma tarihine dikkat ediniz.
- Yiyeceği satın aldığınız dondurucudaki sıcaklık -18 °C veya daha soğuk olmalıdır.
- Dondurulmuş gıda mümkün olduğunca bir yalıtımlı çanta ile taşınmalıdır ve en kısa sürede dondurucuya yerleştirilmelidir.

Dondurulmuş gıdanın saklanması

Eğer çok fazla yiyecek konulacaksa, Buz-Twister ve rafı çıkarabilirsiniz.

Cihazdaki hava sirkülasyonunu etkilememek için yiyecekleri istif sınırının dışına taşmayacak şekilde yerleştiriniz.

Taze yiyeceklerin dondurulması

Dondurmak için sadece taze ve uygun yiyecekler kullanınız.

Besin değeri, aroma ve rengi en iyi şekilde koruyabilmek için, dondurmadan önce sebzeler kaynar su ile şoklanmalıdır. Patlıcan, biber, kabak ve kuşkonmazda bu işleme gerek yoktur.

Dondurma ve şoklama ile ilgili kitapları kitapçılarda bulabilirsiniz.

Bilgi

Dondurulacak olan yiyecekleri, zaten donmuş olan yiyeceklerle temas ettirmeyiniz.

- Dondurilmaya uygun gıdalar şunlardır:
Unlu mamüller, balık ve deniz ürünleri, et, av eti, kümes hayvanları, sebze, meyve, otlar, kabuksuz yumurta, peynir, tereyağı ve çökelek gibi süt ürünleri, hazır yiyecekler ve çorbalar, güveçler, pişmiş et ve balık gibi yemek artıkları, patates yemekleri, sufleler ve tatlılar.
- Dondurilmaya uygun olmayan gıdalar: Normalde çiğ olarak tüketilen marul ve turp gibi sebze çeşitleri, kabuklu yumurta, üzüm, bütün elma, armut ve şeftali, katı pişirilmiş yumurta, yoğurt, kesilmiş süt, ekşi krema, Creme Fraiche ve mayonez.

Dondurulmuş gıda paketlemesi

Tadlarını kaybetmesin ve kurumasin diye, yiyecekleri hava almayacak şekilde paketleniniz.

1. Yiyecekleri ambalajına yerleştiriniz.
2. Bastırarak havasını alınız.
3. Ambalajı sıkıca kapatınız.
4. Ambalajın üzerine içeriğini ve dondurucuya yerleştirme tarihini yazınız.

Ambalaj olarak uygun olanlar:

Plastik folyo, polietilen tüp film, alüminyum folyo, dondurucu kutuları. Bu ürünleri yetkili satıcılarda bulabilirsiniz.

Ambalaj için uygun olmayanlar:

Ambalaj kağıdı, parşömen kağıdı, selofan, çöp torbaları ve kullanılmış alışveriş torbaları.

Sızdırmazlığı sağlamak için uygun olanlar:

Lastik bantlar, plastik klipler, ip, soğuğa karşı dayanıklı yapışkan bantlar veya benzeri.

Poliyeten torba ve tüp filmler bir folyo kaynak cihazı ile kaynatılabilir.

Dondurulmuş gıdanın saklama ömrü

Yiyeceğin türüne bağlı olarak.

-18 °C'lik bir sıcaklıkta:

- Balık, sucuk, hazır yemekler, unlu mamüller:
6 ay'a kadar
- Peynir, kümes hayvanları, et:
8 ay'a kadar
- Sebze, meyve:
12 ay'a kadar

Dondurulmuş gıdanın çözülmesi

Türüne ve kullanım amacına göre aşağıdaki seçenekler den biri seçilebilir:

- oda sıcaklığında
- buzdolabında
- Sıcak hava fanlı/fansız elektrikli fırında
- mikrodalga cihazı.

Dikkat

Dondurulmuş ve çözülmüş gıdaları tekrar dondurmuyunuz. Ancak hazır yemeğe dönüştürüldükten sonra (pişirilmiş veya kızartılmış) yeniden dondurulabilir.

Dondurulmuş gıdanın azami saklama süresini artık sonuna kadar kullanmayınız.

Donanım

İç alana ait rafları ve kapı raflarını ihtiyaçlarınıza göre değiştirebilirsiniz:

- Rafı kaldırınız ve öne doğru çekiniz.
- Kapı rafını kaldırınız ve çıkarınız.

Taze gıda bölmesi

Taze gıda bölmesinde, soğutucu bölmeye göre daha düşük bir sıcaklık hakimdir. 0 °C'nin altında sıcaklıklar da oluşabilir.

Balık, et ve sucuk saklamak için ideal. Salatalar, sebze ve soğuğa karşı duyarlı ürünlere uygun değildir.

Taze gıda bölmesinin düzgün çalışabilmesi için tamamen kapalı ve üzerindeki raf yerine oturmuş olmalıdır.

Koku filtresi

Soğutma bölmesindeki rahatsız edici kokular koku filtresiyle engellenir.

Tavsiye: Keskin kokulu yiyecekler, her şeye rağmen iyice kapatılmış kaplar içerisinde saklanmalıdır.

Koku filtresinin etkisi azaldığı zaman, çok kolay yöntemlerle yeniden işlevsel hale getirilebilir:

1. Koku filtresini çıkarınız.
2. Bir saç kurutma makinesi ile kurutunuz.
3. Kötü kokuların artıklarını yok etmek için koku filtresini güneş altına bırakınız (Koku bileşikleri, ultraviyole ışık sayesinde ayrışır).
4. Koku filtresini tekrar takınız.

Nem kontrollü sebze kabı

Resim 8

Sebze, salata ve meyve için en iyi saklama ortamını sağlayabilmek için, saklama hacmine bağlı olarak sebze kabındaki nem ayarlanabilir.

Küçük miktarlarda yiyecek -
Ayarlayıcıyı sola doğru kaydırınız.

Büyük miktarlarda yiyecek -
Ayarlayıcıyı sağa doğru kaydırınız.

Buz Twister

Resim 9

1. Buz tepsisini çıkarıp $\frac{3}{4}$ oranında su ile doldurunuz ve tekrar yerine takınız.
2. Buz küpleri donduğunda, buz tepsilerine ait döndürme kollarını sağ doğru çeviriniz.
Buz küpleri ayrılır ve buz kabına düşer.
3. Buz kabını çekip çıkarınız ve içerisinden buz küplerini alınız.

Cihazın kapatılması ve bekleme alınması

Cihazın kapatılması

Fişi çekiniz veya sigortayı kapatınız. Sıcaklık göstergesi söner ve soğutucu kapanır.

Cihazın bekleme alınması

Eğer cihaz uzun bir süre kullanılmayacaksa:

1. Fişi çekiniz veya sigortayı kapatınız.
2. Cihazı temizleyiniz.
3. Cihaz kapısını açık bırakınız.

Cihazın temizlenmesi

Dikkat

- Kum, klorür ya da asit içeren temizlik maddeleri ve solventler kullanmayınız.
- Aşındırıcı veya çizen süngerler kullanmayınız.
Metal yüzeylerde korozyon meydana gelebilir.
- Rafları ve kapları asla bulaşık makinesinde yıkamayınız.
Parçalar deformasyona uğrayabilir!

Temizleme suyu

- Dondurucu tabanının ön kısmındaki deliklere
- Kontrol paneline
- ve aydınlatmaya gelmemelidir.

Aşağıdaki gibi hareket ediniz:

1. Temizlikten önce fişi çekiniz veya sigortayı kapatınız!
2. Dondurulmuş gıdaları çıkarınız ve serin bir yerde saklayınız. Yiyeceklerin üzerine buz aküleri (eğer paketten çıktıysa) yerleştiriniz.
3. Cihazı yumuşak bir bez, ılık su ve pH değeri nötr olan biraz bulaşık deterjanı ile temizleyiniz. Deterjanlı su aydınlatmaya gelmemelidir.
4. Kapı contasını duru su ile siliniz ve sonra iyice kurulayınız.
5. Temizlik sona erdikten sonra cihazı çalıştırınız.
6. Dondurulmuş gıdaları tekrar cihaza yerleştiriniz.

Donanım

Temizlik için, cihazın değişken tüm parçaları yerinden sökülebiliyor.

Rafların çıkarılması

Rafı kaldırınız ve öne doğru çekiniz.

Kapı raflarının çıkarılması

Kapı rafını kaldırınız ve çıkarınız.

Enerji tasarrufu

- Cihazı kuru, havalandırılabilen bir odaya yerleştiriniz! Cihaz, doğrudan güneşe maruz bırakılmamalıdır veya ısı kaynaklarının yakınına yerleştirilmemelidir (örneğin ısıtıcılar, fırın).
Gerekliyse bir izolasyon plakası kullanınız.
- Sıcak yiyecek ve içeceklerin önce soğumasını bekleyiniz ve sonra cihaza yerleştiriniz!
- Dondurulmuş gıdaların çözülmesi için, onları soğutma bölmesine koyunuz. Dondurulmuş gıdaları soğutun, yiyecekleri soğutmak için kullanılması.
- Cihazı, olabildiğince kısa süreler için açınız!
- Cihazın arkası, elektrik tüketiminin artmasını önlemek için, arada bir elektrikli süpürge veya fırça ile temizlenmelidir.

Aydınlatma (LED)

Cihazınız, bakım gerektirmeyen bir LED aydınlatma ile donatılmıştır.

Bu aydınlatma üzerinde yapılacak olan onarım işleri, yalnızca müşteri hizmetleri veya yetkili uzman personel tarafından yürütülebilir.

Çalışma sesleri

Tamamen normal sesler

Uğultu

Motor çalışması (örneğin soğutma üniteleri, fan).

Köpürme, pırpır veya guruldama sesleri

Borulardan soğutucu madde geçiyor.

Tıklama sesi

Motor, şalter veya manyetik valfler açılıp kapanıyor.

Çatırdama

Otomatik buz çözme gerçekleşiyor.

Seslerin önlenmesi

Cihaz düz durmuyor

Lütfen cihazı bir su terazisi yardımıyla düz hale getiriniz. Bunun için vidalı ayakları kullanınız veya altına bir şey koyunuz.

"Cihaz" dayanıyor

Cihazı, dayandığı mobilyalardan veya cihazlardan iterek ayırınız.

Kaplar veya raflar sallanıyor veya sıkışmış

Lütfen çıkarılabilir parçaları kontrol ediniz ve onları yeniden yerleştiriniz.

Şişeler veya kaplar birbirlerine dokunuyor

Lütfen şişeleri veya kapları hafifçe birbirlerinden ayırınız.

Küçük arızaları kendi kendinize giderme

Müşteri hizmetlerini aramadan önce:

Arızayı, aşağıdaki bilgilere istinaden kendiniz giderip gidemeyeceğinizi kontrol ediniz.

Müşteri hizmetleri danışma bedelini kendiniz ödemek zorundasınız – cihaz garanti kapsamında olsa bile!

Arıza	Olası neden	Çözüm
Soğutma bölmesi çok soğuk.	Daha soğuk dondurucu sıcaklıkları da, daha soğuk soğutma bölmesi sıcaklıklarına neden olabilir. Bu teknik bir olaydır.	Soğutma bölmesinin sıcaklığını biraz yükseltiniz. Eğer bu yeterli gelmiyorsa, örneğin çok soğuk ortam sıcaklıklarında, dondurucu sıcaklığını da biraz daha yükseltiniz.

Arıza	Olası neden	Çözüm
Dondurucudaki sıcaklık çok fazla.	Cihazın çok fazla açılması.	Cihazı gereksiz yere açmayınız.
	Havalandırma delikleri kapalıdır.	Engelleri kaldırınız.
	Büyük miktarlardaki yiyeceğin dondurulması.	Maks. dondurma kapasitesini aşmayınız.
Sıcaklık, ayarlanan sıcaklığa göre çok fazla farklılık gösteriyor.		Bazı durumlarda cihazı 5 dakikalığına kapattığınızda yeterli oluyor. Eğer sıcaklık çok fazlaysa, birkaç saat sonra, bir sıcaklık yaklaşımı gerçekleşip gerçekleşmediğini kontrol ediniz. Eğer sıcaklık çok soğuksa, bir sonraki gün bir kez daha kontrol ediniz.
Aydınlatma çalışmıyor.	LED aydınlatma arızalı.	Bkz. bölüm „Aydınlatma (LED)“.
	Cihaz çok uzun süre açık kaldı. Aydınlatma yaklaşık olarak 10 dakika sonra kapanır.	Cihazın kapısı kapatılıp açıldıktan sonra, aydınlatma tekrar çalışır.
	Işık şalteri sıkışmış.	Işık şalterinin hareket edip etmediğini kontrol ediniz. Resim 1/5
Gösterge görünmüyor.	Eğer cihaz bir süreliğine kullanılmazsa, kumanda panelindeki gösterge enerji tasarrufu moduna geçer.	Cihaz kullanılabilir kullanılmaz, örneğin kapıların açılması gibi, gösterge yine normal haline döner.
	Elektrik kesintisi; sigorta atmış; fiş tam oturmamış.	Fişi takınız. Elektrik olup olmadığını, sigortaları kontrol ediniz.

Arıza	Olası neden	Çözüm
Uyarı sinyali duyulur ve ekranda „alarm“ yazısı belirir.	Arıza; soğutma bölmesi çok sıcak!	Uyarı sinyalini kapatmak için „alarm“ tuşuna basınız. Resim 2/3
		Bilgi Soğutma bölmesi fazla ısındıysa, dondurulmuş gıda yenmeden önce ısıtılmalıdır. Çiğ yiyecekler her ihtimale karşı artık kullanılmamalıdır.
	Cihaz açık.	Cihazı kapatınız.
	Havalandırma delikleri kapalıdır.	Engelleri kaldırınız.
	Dondurucuya bir kerede çok fazla yiyecek konulmuş.	Azami dondurma kapasitesini aşmayınız.

Müşteri hizmetleri

Size en yakın müşteri hizmetlerini telefon rehberinden veya müşteri hizmetleri dizininin bulabilirsiniz. Lütfen müşteri hizmetlerine cihazın ürün numarasını (E-No.) ve üretim numarasını (FD-No.) veriniz.

Bu bilgileri tip plakasında bulabilirsiniz.
Resim 10

Lütfen ürün ve üretim numaralarını belirterek, servisin gereksiz yere gelmesini önlemeye yardımcı olunuz. Böylece, buna bağlı ek masraflardan tasarruf etmiş olursunuz.

Arızalarda onarım siparişi ve danışmanlık

Tüm ülkelere ait iletişim bilgilerini, ekteki müşteri hizmetleri dizininin bulabilirsiniz.

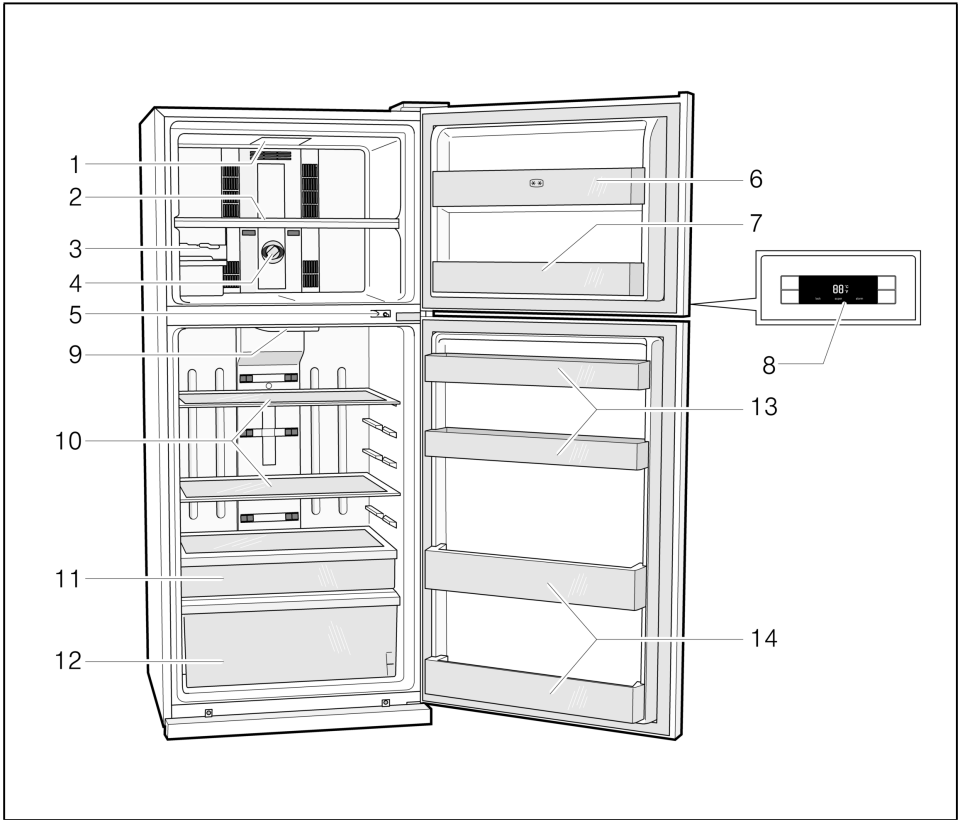
TR 444 6688 Çağrı merkezini sabit hatlardan aramanın bedeli şehir içi ücretlendirme, Cep telefonlarından ise kullanılan tarifeye göre değişkenlik göstermektedir.

Kullanım Süresi: 10 YIL (Ürünün fonksiyonunu yerine getirebilmesi için gerekli yedek parça bulundurma süresi).

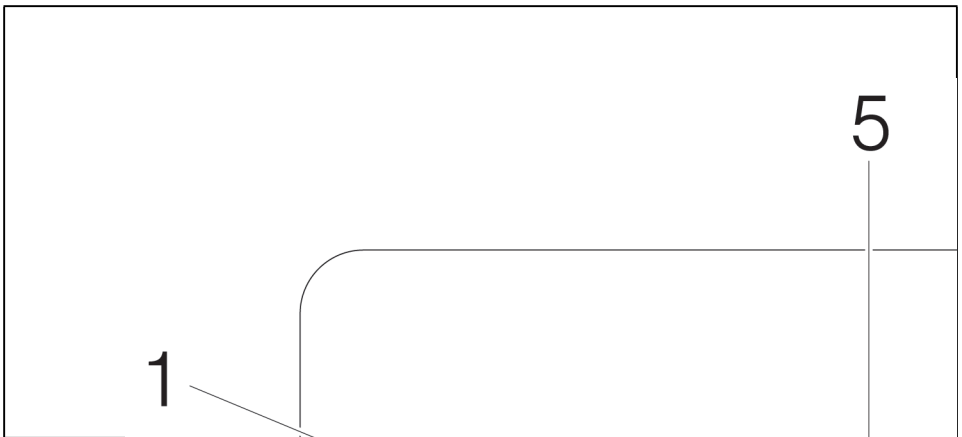
Garanti Şartları

- Malın ayıplı olduğunun anlaşılması durumunda tüketici, 6502 sayılı Tüketicinin Korunması Hakkında Kanununun 11 inci maddesinde yer alan;
 - Sözleşmeden dönme,
 - Satış bedelinden indirim isteme,
 - Ücretsiz onarılmasını isteme,
 - Satılanın ayıpsız bir misli ile değiştirilmesini isteme,
 haklarından birini kullanabilir.
- Tüketicinin bu haklarından ücretsiz onarım hakkını seçmesi durumunda satıcı; işçilik masrafı, değiştirilen parça bedeli ya da başka herhangi bir ad altında hiçbir ücret talep etmeksizin malın onarımını yapmak veya yaptırmakla yükümlüdür. Tüketici ücretsiz onarım hakkını üretici veya ithalatçıya karşı da kullanılabilir. Satıcı, üretici ve ithalatçı tüketicinin bu hakkını kullanmasından müteselsilen sorumludur.

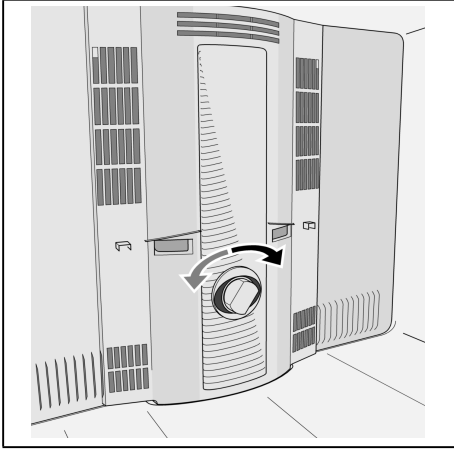
- Tüketicinin, ücretsiz onarım hakkını kullanması halinde malın;
 - Garanti süresi içinde tekrar arızalanması,
 - Tamiri için gereken azami sürenin aşılması,
 - Tamirinin mümkün olmadığına, yetkili servis istasyonu, satıcı, üretici veya ithalatçı tarafından bir raporla belirlenmesi durumlarında;
 tüketici malın bedel iadesini, ayıp oranında bedel indirimini veya imkan varsa malın ayıpsız misli ile değiştirilmesini satıcıdan talep edilir. Satıcı, tüketicinin talebini reddedemez. Bu talebin yerine getirilmemesi durumunda satıcı, üretici ve ithalatçı müteselsilen sorumludur.
- Malın kullanım kılavuzunda yer alan hususlara aykırı kullanılmasından kaynaklanan arızalar garanti kapsamı dışındadır.
- Tüketici, garantiden doğan haklarının kullanılması ile ilgili olarak çıkabilecek uyuşmazlıklarda yerleşim yerinin bulunduğu veya tüketici işleminin yapıldığı yerdeki Tüketici Hakem Heyetine veya Tüketici Mahkemesine başvurabilir.



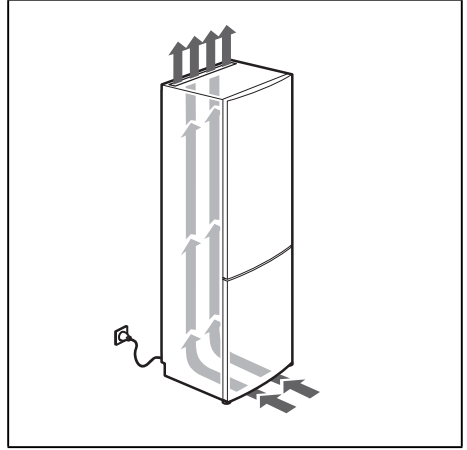
1



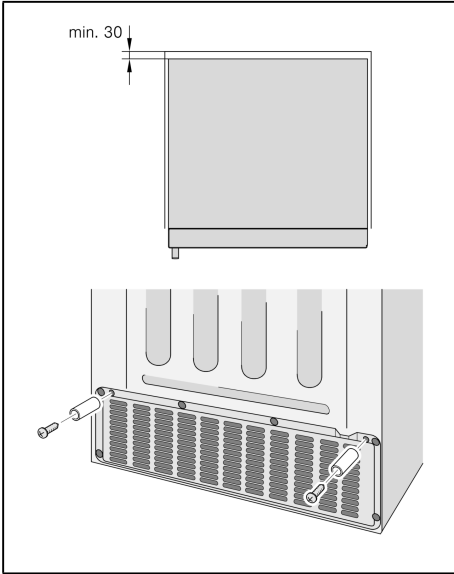
2



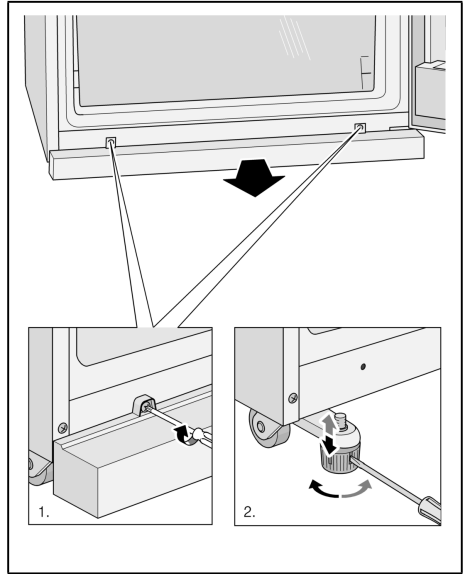
3



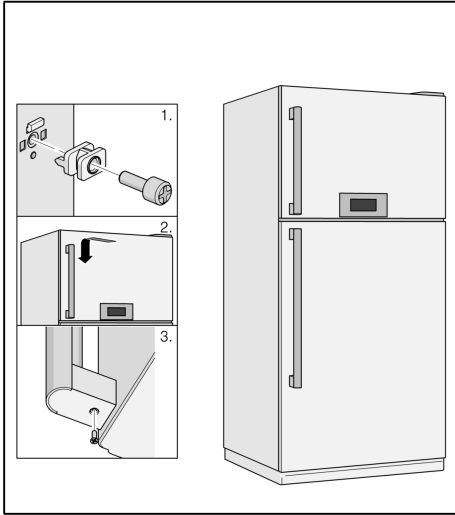
4



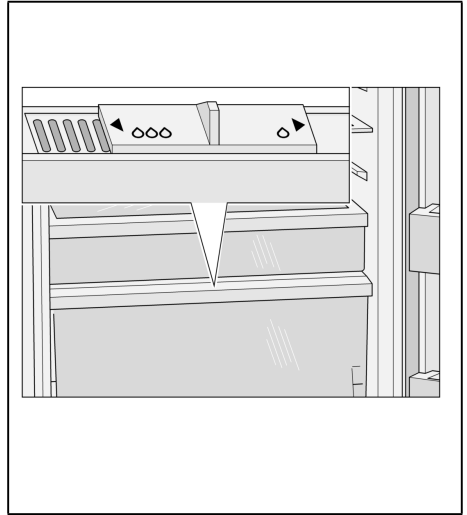
5



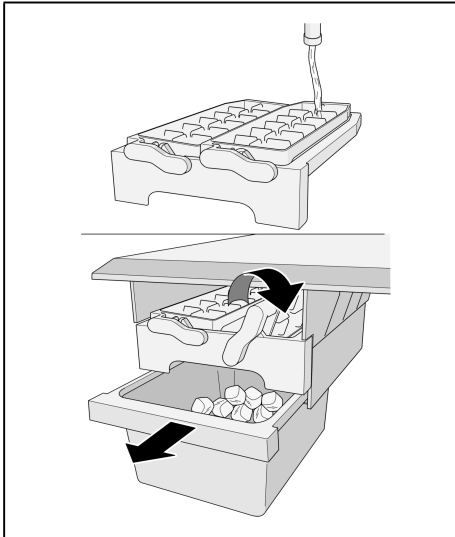
6



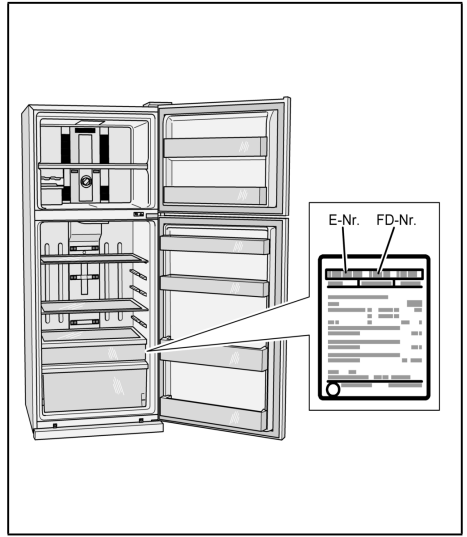
7



8



9



10

EEE Yönetmeliğine Uygundur

BSH Hausgeräte GmbH
Carl-Wery-Straße 34
81739 München, GERMANY

siemens-home.bsh-group.com

Manufactured by BSH Hausgeräte GmbH under Trademark License of Siemens AG
BSH Ev Aletleri Sanayi ve Ticaret A.Ş. tarafından Siemens AG'nin Ticari Marka Lisansı ile üretilmiştir



9000972207 (9810)
en, tr