

SIEMENS



Fridge-freezer

冷藏室和冷冻室组合

KI..N..

siemens-home.bsh-group.com/welcome

en Instruction for Use
zh 使用说明书

Register
your
product
online

en Content

Information concerning disposal	3	Super cooling	10
Safety and warning information	3	Freezer compartment	10
Getting to know your appliance	5	Freezing and storing food	11
Fascia	5	Freezing fresh food	11
Room temperature	6	Freezing food	11
Installing the appliance	6	Super freezing	12
Connecting the appliance	6	Features of the freezer compartment	12
Switching on the appliance	7	Thawing frozen food	12
Setting the temperature	7	Switching the appliance off	13
Warning signal	8	Defrosting	13
Store food in the appliance	8	Cleaning the appliance	13
Variable interior design	9	Light (LED)	14
Interior fittings of refrigerator compartment	10	Tips for saving energy	14
Refrigerator compartment	10	Operating noises	14
Sticker "OK"	10	Eliminating minor faults yourself	15
		Customer service	16

zh 目录

处理旧机器的注意事项	17	冷冻室	22
安全与警告提示	17	冷冻和存放	22
了解本机器	18	冷冻新鲜食物	23
操作面板,	19	冷冻食品	23
注意室内温度	19	超级冷冻	23
安装本设备	19	冷冻室附件	24
接通本设备	19	解冻冷冻食物	24
开机	19	关机	24
设定温度	20	除霜	24
报警声	20	清理本设备	24
将食物放入到冰箱中	21	照明 (LED)	25
可随需要调整的机器内布置	21	节能	25
冷藏室附件	21	运转时的噪声	25
粘贴标签 "OK"	22	自行解除小故障	26
冷藏室	22	售后服务	27
超级冷藏	22		

Information concerning disposal

Disposal of packaging

The packaging protects your appliance from damage during transit. All utilised materials are environmentally safe and recyclable. Please help us by disposing the packaging in an environmentally friendly manner.

Please ask your dealer or inquire at your local authority about current means of disposal.

Disposal of your old appliance

Old appliances are not worthless rubbish! Valuable raw materials can be reclaimed by recycling old appliances.



This appliance has been identified in accordance with the European directive 2012/19/EG on Waste

Electrical and Electronic Equipment – WEEE. The directive specifies the framework for an EU-wide valid return and recycling of old appliances.

Warning

Redundant appliances

1. Pull out the mains plug.
2. Cut off the power cord and discard with the mains plug.

Refrigerators contain refrigerant and gases in the insulation. Refrigerant and gases must be disposed of professionally.

Ensure that tubing of the refrigerant circuit is not damaged prior to proper disposal.

Safety and warning information

Before you switch ON the appliance

Please read the operating and installation instructions carefully. They contain important information on how to install, use and maintain the appliance.

Retain all documents for subsequent use or for the next owner.

Technical safety

- This appliance contains a small quantity of environmentally-friendly but flammable R600a refrigerant. Ensure that the tubing of the refrigerant circuit is not damaged during transportation and installation. Leaking refrigerant may cause eye injuries or ignite.

If damage has occurred

- Keep naked flames and/or ignition sources away from the appliance,
- thoroughly ventilate the room for several minutes,
- switch off the appliance and pull out the mains plug,
- Notify customer service.

The more refrigerant an appliance contains, the larger the room must be in which the appliance is situated. Leaking refrigerant can form a flammable gas-air mixture in rooms which are too small.

The room must be at least 1 m³ per 8 g of refrigerant. The amount of refrigerant in your appliance is indicated on the rating plate inside the appliance.

- Only customer service may change the power cord and carry out any other repairs. Improper installations and repairs may put the user at considerable risk.

Important information when using the appliance

- Never use electrical appliances inside the appliance (e.g. heater, electric ice maker, etc.).

Risk of explosion!

- Never use a steam cleaner to defrost or clean the appliance! The steam may penetrate electrical parts and cause a short-circuit.

Risk of electric shock!

- Do not use pointed or sharp-edged implements to remove frost or layers of ice. You could damage the refrigerant tubing. Leaking refrigerant may ignite or cause eye injuries.
- Do not store products which contain flammable propellants (e.g. spray cans) or explosive substances in the appliance.

Risk of explosion!

- Do not stand on or lean heavily against base of appliance, drawers or doors, etc
- Before defrosting and cleaning the appliance, pull out the mains plug or switch off the fuse. Do not pull out the mains plug by tugging on the power cord.
- Bottles which contain a high percentage of alcohol must be sealed and stored in an upright position.
- Keep plastic parts and the door seal free of oil and grease. Otherwise, parts and door seal will become porous.
- Never cover or block the ventilation openings for the appliance.
- People who have limited physical, sensory or mental abilities or inadequate knowledge must not use this appliance unless they are supervised or given meticulous instructions.

- Do not store bottled or canned drinks (especially carbonated drinks) in the freezer compartment. Bottles and cans may explode!

- Never put frozen food straight from the freezer compartment into your mouth.

Risk of low-temperature burns!

- Avoid prolonged touching of frozen food, ice or the evaporator pipes, etc.

Risk of low-temperature burns!

Children in the household

- Keep children away from packaging and its parts. Danger of suffocation from collapsible boxes and foil!
- Do not allow children to play with the appliance!
- If the appliance features a lock, keep the key out of the reach of children.

General regulations

The appliance is suitable

- for refrigerating and freezing food,
- for making ice.

The appliance is intended for domestic use only.

The appliance is suppressed according to EU Directive 2004/108/EC.

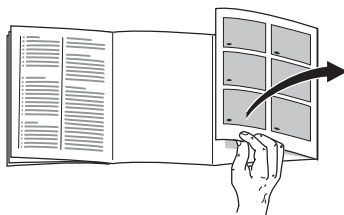
The refrigeration circuit has been checked for leaks.

This product complies with the relevant safety regulations for electrical appliances (EN 60335/2/24).

Getting to know your appliance

Please fold out the illustrated last page. These operating instructions refer to several models.

The diagrams may differ.



* not all models

Fig. 1

- 1–7 Fascia
- 8 The main switch
- 9 Light (LED)
- 10 Adjustable glass shelf (EasyLift)
- 11 Fixed glass shelf *
- 12 Delicatessen drawers
- 13 Vegetable container
- 14 Butter and cheese compartment
- 15 Egg shelf
- 16 Adjustable (EasyLift) storage compartment
- 17 Bottle holder
- 18 Storage compartments for large bottles
- 19 Berry tray *
- 20 Frozen food drawer (small)
- 21 Glass shelf
- 22 Frozen food drawer (large)
- 23 Ventilation opening

- A Refrigerator compartment
- A Freezer compartment

Fascia

Fig. 2

- 1 **Alarm button**
Used to switch off the warning signal. (See chapter entitled “Warning signal”.)
- 2 **Super button (freezer compartment)**
Switches super freezing on and off.
- 3 **Temperature setting button freezer compartment**
The button sets the temperature in the freezer compartment.
- 4 **Temperature display freezer compartment**
The numbers correspond to the set freezer compartment temperatures in °C.
- 5 **“Super” button (refrigerator compartment)**
Switches super cooling on and off.
- 6 **Refrigerator compartment temperature setting button**
The button sets the temperature in the refrigerator compartment.
- 7 **Temperature display refrigerator compartment**
The numbers correspond to the set refrigerator compartment temperatures in °C.

Room temperature

The appliance is designed for a specific climate class. Depending on the climate class, the appliance can be operated at the following temperatures.

The climate class can be found on the rating plate at the bottom left-hand side in the appliance.

Climate class	Ambient temperature
SN	+10 °C to 32 °C
N	+16 °C to 32 °C
ST	+16 °C to 38 °C
T	+16 °C to 43 °C

Ventilation

Fig. 1/23

This area needs to be well ventilated. Otherwise, the refrigeration unit will work harder. This increases energy consumption.

Therefore: Never cover or block the ventilation opening!

Installing the appliance

Install the appliance in a dry, well ventilated room. The installation location should neither be exposed to direct sunlight nor near a heat source, e.g. a cooker, radiator, etc.

If installation next to a heat source is unavoidable, use a suitable insulating plate or observe the following minimum distances to a heat source:

3 cm to electric or gas cookers.

30 cm to an oil or coal-fired cooker.

Connecting the appliance

After installing the appliance, wait at least 1 hour until the appliance starts up.

During transportation the oil in the compressor may have flowed into the refrigeration system.

Before switching on the appliance for the first time, clean the interior of the appliance (see chapter “Cleaning”).

The socket should be freely accessible. Connect the appliance only to 220–240 V/ 50 Hz alternating current via a correctly installed earthed socket. The socket must be fused with a 10 to 16 A fuse.

For appliances operated in non-European countries, check whether the stated voltage and current type on the rating plate match the values of your mains supply. The rating plate is situated in the bottom left-hand side of the appliance. The power cord may be replaced by a technician only.

Warning

Never connect the appliance to electronic energy saver plugs or to power inverters which convert the direct current to 230 V alternating current (e.g. solar equipment, power supplies on ships).

Switching on the appliance

Switch on the appliance with the main switch **8**.

Fig. 2

A warning signal sounds and alarm button **1** flashes.

The warning signal is switched off by pressing the alarm button **1**.

The alarm button is lit and the temperature displays flash until the appliance has reached the set temperatures.

Operating tips

- While the refrigeration unit is running, water droplets or a thin layer of ice may form at the rear panel of the refrigerator. This is due to functional reasons. It is not necessary to scrape off the frost or wipe off the water droplets. The rear panel defrosts automatically. The condensation flows into the evaporation area of the appliance via the condensation channels and the drainage hole.
- The fully automatic No Frost system keeps the freezer compartment and refrigerator compartment free of ice. Defrosting is not required.
- The front sides of the housing are partly heated slightly. This prevents condensation in the area of the door seal.
- If you cannot open the freezer compartment door immediately after closing it, wait 2–3 minutes until the partial vacuum has equalised.

Setting the temperature

Fig. 2

Refrigerator compartment

(can be selected from +2 °C to +8 °C)

Keep pressing temperature setting button **6** until the required refrigerator compartment temperature is set. The value last selected is saved.

The set temperature is indicated on display **7**.

We recommend a setting of +4 °C.

Perishable food should not be stored above +4 °C.

Freezer compartment

(can be selected from –16 °C to –24 °C)

Keep pressing temperature setting button **3** until the required freezer compartment temperature is set.

The value last selected is saved.

The set temperature is indicated on display **4**.

We recommend a setting of –18 °C in the freezer compartment.

Warning signal

Switching off the warning signal

Fig. 2

If the alarm button **1** is pressed, the warning signal switches off and the display is reset to standby.

Door warning signal

The door warning signal switches on if the appliance door is left open for longer than one minute. A long-term warning signal sounds.

Temperature warning

The temperature warning signal switches on if the freezer compartment is too warm. A beeping signal sounds.

Alarm button	Temperature display	Explanation
illuminates	flashes	Temperature warning: Frozen food is not at risk of thawing.
flashes	flashes	Thaw warning: Frozen food is at risk of thawing.
flashes	illuminates	Thaw warning: At some time the freezer compartment was too warm. Frozen food is at risk of thawing.

Thaw warning

If taste, odour and appearance have not changed, the food can be boiled or fried and then refrozen.

No longer store the frozen produce for the max. storage period.

Temperature warning

The warning signal may switch on without any risk to the frozen food:

- When the appliance is switched on.
- when large quantities of fresh food are placed in the appliance.
- if the freezer compartment door is open too long.

Store food in the appliance

Note the chill zones in the refrigerator compartment!

The air circulation in the refrigerator compartment produce different refrigerant zones:

• Coldest zone

is between the arrow stamped on the side and the base of the refrigerator compartment. **Fig. 3**

Note

Store perishable food (e.g. fish, sausage, meat) in the coldest zone.

• Warmest zone

is at the very top of the door.

Note

Store e.g. cheese and butter in the warmest zone. When served, the cheese will not have lost its flavour and the butter will be easy to spread.

Note when loading products

Wrap or cover food before placing in the appliance. This will retain the aroma, colour and freshness of the food. In addition, flavours will not be transferred between foods and the plastic parts will not become discoloured.

Note

Avoid contact between food and rear panel. Otherwise the air circulation will be impaired. Food or packaging could freeze to the rear panel.

We recommend arranging the food as follows:

- On the shelves in the refrigerator compartment:
Bakery products, ready meals, cold sensitive fruit and vegetables
- Delicatessen drawer:
Delicatessen, small packages, already opened packages
- In the vegetable container:
vegetables, salad, fruit.
- In the door (from top to bottom):
butter, cheese, eggs, tubes, small bottles, large bottles, milk, juice cartons
- In the freezer compartment: frozen food, ice cubes, ice cream

Usable capacity

Information on the usable capacity can be found inside your appliance on the rating plate.

Variable interior design

Adjustable “EasyLift” storage compartment

Fig. 4

The height of the shelf can be adjusted without taking it out.

Pull right lever to move the shelf upwards. Pull left lever to move the shelf downwards. Only ever press one lever.

To take out the shelf, move it all the way upwards and remove.

Note

If a load exceeds 5 kg, the position of the shelf can no longer be changed.

Fixed glass shelf

Fig. 5

To change the position of the glass shelf, press buttons on the underside and detach the glass shelf from the fixing. Reposition stopper.

Re-insert glass shelf and fix by applying light pressure.

Adjustable “EasyLift” storage compartments

Fig. 6

The height of the storage compartments can be adjusted without taking them out.

Simultaneously press up the buttons on the underside of the storage compartments to move the storage compartments downwards. They can be moved upwards without pressing the buttons.

To take out the storage compartments, push them all the way upwards in succession and remove.

Interior fittings of refrigerator compartment

Bottle shelf

Fig. 7

Bottles can be stored securely on the bottle shelf. If the bottle shelf is not required, it can be hung under the glass shelf.

Refrigerator compartment

The temperature in the refrigerator compartment can be set from +2 °C to +8 °C.

The refrigerator compartment is the ideal storage location for ready meals, cakes and pastries, preserved food, condensed milk, hard cheese, fruit and vegetables sensitive to cold as well as tropical fruit.

Sticker “OK”

not all models

The “OK” temperature monitor can be used to determine temperatures below +4 °C. Gradually reduce the temperature if the sticker does not indicate “OK”.

Note

When the appliance is switched on, it may take 12 hours until the temperature is reached.



Correct setting



Temperature too high, reduce temperature.

Super cooling

Super cooling sets the refrigerator temperature to the coldest temperature setting for approx. 6 hours.

Then the appliance automatically switches to the temperature set prior to super cooling mode.

Switch on super cooling mode, e.g.:

- before placing large quantities of food in the refrigerator compartment.
- to cool drinks quickly.

Switching on and off

Fig. 2

Press “super” button 5.

The button is lit when super cooling is switched on.

Note

When super cooling is switched on, increased operating noises may occur.

Freezer compartment

Use the freezer compartment

- To store deep frozen food
- To make ice cubes.
- To freeze food.

Ensure that the freezer compartment door has been closed properly. If the door is open, the frozen food will thaw. The freezer compartment will become covered in thick ice. Also: waste of energy due to high power consumption!

Freezing and storing food

Purchasing frozen food

Packaging must not be damaged.

Use by the “use by” date.

Temperature in the supermarket freezer
–18 °C or lower.

If possible, transport deep-frozen food in an insulated bag and place quickly in the freezer compartment.

Storing frozen food

To ensure good air circulation in the appliance, insert the freezer drawers all the way.

If a large quantity of food is to be placed in the freezer compartment, the food can be stacked directly on the glass shelves and in the bottom of the freezer compartment. To do this, remove all the freezer drawers. Pull out the freezer drawers all the way, lift at the front and remove. **Fig. 8**

Note

To insert the freezer drawer with telescopic rails, the rails must be pulled out.

Freezing fresh food

Freezing food yourself

If you are freezing food yourself, use only fresh, undamaged food.

The following foods are suitable for freezing:

Meat and sausage products, poultry and game, fish, vegetables, herbs, fruit, cakes and pastries, pizza, ready meals, leftovers, egg yolk and egg-white.

The following foods are not suitable for freezing:

Eggs in shells, soured cream and mayonnaise, green salads, radishes and onions.

Blanching vegetables and fruit

To retain colour, flavour, aroma and vitamin C, vegetables and fruits should be blanched prior to freezing.

Blanching is the brief immersion of vegetables and fruit in boiling water.

Literature on freezing and blanching is available in bookshops.

Freezing food

Freeze fresh, undamaged food only.

Keep food which is to be frozen away from food which is already frozen.

To prevent food from losing its flavour or drying out, place in airtight containers.

Max. freezing capacity

Information about the max. freezing capacity within 24 hours can be found on the rating plate.

Packing food correctly:

1. Place food in packaging.
2. Remove air.
3. Seal the wrapping.
4. Label the wrapping with the contents and date.

The following products are suitable for wrapping food:

Cling wrap, polyethylene blown film, aluminium foil and freezer tins. These products can be purchased from your dealer.

The following products are not suitable for wrapping food:

Wrapping paper, greaseproof paper, cellophane, refuse bags and used shopping bags.

The following products are suitable for sealing the wrapped food:

Rubber bands, plastic clips, string, cold-resistant adhesive tape or similar. Bags and polyethylene blown film can be sealed with a film sealer.

Shelf life of frozen food

Depends on the type of food. At a mean temperature:

- Fish, sausage, ready meals and cakes and pastries: up to **6 months**
- Cheese, poultry and meat: up to **8 months**
- Vegetables and fruit: up to **12 months**

Super freezing

Food should be frozen solid as quickly as possible in order to retain vitamins, nutritional value, appearance and flavour.

To prevent an undesirable temperature rise when placing fresh food in the freezer compartment, switch on super freezing several hours beforehand.

Smaller quantities of food can be frozen without super freezing.

Switching on and off

Fig. 2

Press “super” button 2.

If the super freezing has been switched on the button is lit.

Super freezing automatically switches off after approx. 2½ days.

Note

When super freezing is switched on, increased operating noises may occur.

Features of the freezer compartment

(not all models)

Ice pack

If a power failure or malfunction occurs, the ice packs can be used to slow down the thawing process. The longest storage time is obtained by placing the ice pack directly on the food in the top compartment.

The ice pack can also be used to cool food temporarily, e.g. in a cold bag.

Ice cube tray

Fill the ice cube tray $\frac{3}{4}$ full of drinking water and place in the freezer compartment.

If the ice tray is stuck to the freezer compartment, loosen with a blunt implement only (spoon-handle).

To loosen the ice cubes, twist the ice cube tray slightly or hold briefly under flowing water.

Thawing frozen food

Depending on the type and application, select one of the following options:

- at room temperature
- in the refrigerator
- in an electric oven, with/without fan assisted hot-air
- in the microwave

Note

Do not refreeze food which is beginning to thaw or which has already thawed. Only ready meals (boiled or fried) may be refrozen.

No longer store the frozen produce for the max. storage period.

Switching the appliance off

Press the main switch. Fig. 1/8
Refrigeration unit and interior light switch off.

Disconnecting the appliance

If you do not use the appliance for a prolonged period:

1. Switch off the appliance.
2. Pull out mains plug or switch off fuse.
3. Clean the appliance.
4. Leave the appliance door open.

Defrosting

Refrigerator compartment

Defrosting is actuated automatically.

The condensation flows into the evaporation area of the appliance via the condensation channels and the drainage hole.

Freezer compartment

The fully automatic No Frost system ensures that the freezer compartment remains free of ice. Defrosting is no longer required.

Cleaning the appliance

Attention!

Do not use abrasive, chloride or acidic cleaning agents or solvents.

Do not use scouring or abrasive sponges. The surface of the rear panel could be damaged and corrosion could occur.

Never clean shelves and containers in the dishwasher. The parts may become deformed!

Proceed as follows:

- Before cleaning: Switch off the appliance.
- Pull out the mains plug or switch off the fuse!
- Clean the appliance with a soft cloth, lukewarm water and a little pH neutral washing-up liquid. The rinsing water must not run into the light.
- Wipe the door seal with clear water only and then wipe dry thoroughly.
- Rinsing water must not run through the drainage hole into the evaporation area.
- After cleaning reconnect and switch the appliance back on.

Note

Regularly clean condensation channels and drainage hole, Fig. 9, with cotton buds, etc. so that the condensation can run out.

The upper condensation channel can be taken out for cleaning.

After cleaning, the stopper must be re-inserted into the drainage hole of the refrigerator compartment for functional reasons.

Cleaning the equipment

All variable parts of the refrigerator compartment can be taken out for cleaning. (See chapter “Variable interior design”.)

Taking out the drawers

Fig. 10

Tilt drawers forwards and take out.

To insert drawer, place the front of the drawer on the telescopic rails and push into the appliance. The drawer is engaged by pushing it into the appliance.

Remove telescopic rails

Fig. 12

1. Pull out extension rail.
2. Push lock in the direction of the arrow.
3. Detach telescopic rail from the rear pin.
4. Push telescopic rail together, push backwards above the rear pin and disengage.

Installing telescopic rails

1. Place the extended telescopic rail on the front pin.
2. Pull the telescopic rail forwards slightly until it engages.
3. Place telescopic rail on the rear pin.
4. Push lock backwards.

Take glass shelves out of the freezer compartment

Lift shelf at the front and take out.

Light (LED)

Your appliance features a maintenance-free LED light.

Caution! Light (LED)

Class 1M laser lighting (IEC 60825 Standard). Do not look directly into the lighting with optical instruments. Risk of eye injury!

These lights may be repaired by customer service or authorised technicians only.

Tips for saving energy

- Install the appliance in a dry, well ventilated room! The appliance should not be installed in direct sunlight or near a heat source (e.g. radiator, cooker). If required, use an insulating plate.
- Allow warm food and drinks to cool down before placing in the appliance!
- When thawing frozen products, place them in the refrigerator. The low temperature of the frozen products cools the food in the refrigerator.
- Open the appliance doors as briefly as possible.
- The ventilation opening in the base should be cleaned occasionally with a vacuum cleaner or paint brush to prevent increased power consumption.

Operating noises

Quite normal noises

Humming – refrigeration unit is running.

Bubbling, gurgling or whirring noises – refrigerant is flowing through the tubing.

Clicking – motor is switching on or off.

Preventing noises

The appliance is not level

Please align the installation cavity with a spirit level. To do this, use the height-adjustable feet of the cavity or place something underneath.

Drawers, baskets or storage areas wobble or stick

Please check the removable parts and re-insert them correctly if required.

Receptacles are touching each other

Move the bottles or receptacles slightly away from each other.

Eliminating minor faults yourself

Before you call customer service:

Please check whether you can eliminate the fault yourself based on the following information. Customer service will charge you for advice, even if the appliance is still under guarantee!

Fault	Possible cause	Remedial action
Temperature differs greatly from the set value.		<p>In some cases it is adequate to switch off the appliance for 5 minutes.</p> <p>If the temperature is too high wait a few hours and check whether the temperature has approached the set value.</p> <p>If the temperature is too low check the temperature again the next day.</p>
Displays do not illuminate.	Power failure; the fuse has been switched off; the mains plug has not been inserted properly.	Check whether the power is on, the fuse must be switched on.
Bottom of the refrigerator compartment is wet.	The condensation channels or condensation drainage pipe are blocked.	Clean the condensation channels and the drainage pipe, see "Cleaning the appliance".
The temperature in the refrigerator compartment is too cold.	Temperature has been set too low.	Increase the temperature.
The refrigeration unit is switching on more frequently and for longer.	The ventilation opening is covered.	Remove obstacles.
Refrigerator has no cooling capacity.	<p>Appliance has been switched off.</p> <p>Power failure; the fuse has been switched off; the mains plug has not been inserted properly.</p>	<p>Press main switch. Fig. 1/8</p> <p>Check whether the power is on, check the fuses.</p>

Fault	Possible cause	Remedial action
Appliance is not cooling, temperature display lamps and interior light are lit.	Showroom mode is switched on.	Hold down alarm button, Fig. 2/1 , for 10 seconds until an acknowledgement signal sounds. After a short time check whether your appliance is cooling.
The interior light is not working.	The LED light is defective.	See chapter "Light (LED)" section.
	Door was open too long. Light is switched off after approx. 10 min.	When the door is closed and opened, the light is on again.
Temperature display lamps are flashing. Fig. 2/4, or Fig. 2/7.	Appliance door opened frequently.	Do not open the door unnecessarily.
	A lot of food was placed in the freezer.	Switch on super freezing before inserting the food.
Warning signal sounds and the temperature display lamp is flashing. Fig. 2/4	Fault – the freezer compartment is too warm! Frozen food is at risk!	See chapter entitled "Warning signal".

Customer service

Your local customer service can be found in the telephone directory or in the customer-service index.

Please provide customer service with the appliance product number (E-Nr.) and production number (FD).

These specifications can be found on the rating plate. **Fig. 11**

To prevent unnecessary call-outs, please assist customer service by quoting the product and production numbers.

This will save you additional costs.

处理旧机器的注意事项


处理包装材料

包装材料可以保护您的机器，在搬运过程中不受损，在搬运过程中不受损，所有这些材料对环境无害并能再生处理。请帮助我们：请将包装材料按环保标准去处理。

至于目前所采用的处理方法，请向专业商店或向地方政府等单位询问。

处理旧机器

旧机器并非无价值之废品！经由合乎环保标准的处理可以回收很有价值的原材料。

 根据欧洲关于作废电气和电子设备的法令 2012/19/EG (waste electrical and electronic equipment – WEEE) 本机器

有相关标记。该法令是在全欧盟范围内关于作废设备回收处理和再生利用的有效法律依据。

警告

不再使用的机器应依下列步骤处理：

1. 拔出电源插头，
 2. 切断电源电线并连同电源插头一起丢掉，
- 冷藏冷冻设备中有制冷剂，且隔热材料含各种气体，这些制冷剂和气体需由专家人员处理，因此一直到按专业标准去处理时，请勿损坏到制冷循环管线。

安全与警告提示

启用本机器以前

请仔细阅读使用说明书和安装说明书！说明书中有重要的安装、使用与维护等说明。请将所有资料保存好，以便以后随时查阅或者提供给以后的使用者。

技术安全

- 本机器含有少量具环保性却易燃性的冷却剂 R600a。在搬运或安装机器时，请注意制冷循环的管道不受损，制冷剂可能会喷出且伤到眼睛，制冷剂为易燃之液体！

机器受损时

- 明火或点火源应远离本机器。
- 让房间好好通风几分钟。
- 关机并拔出电源插头，
- 通知售后服务部门。

机器中的制冷剂量越大，安装机器的空间也应该越大。空间太小时，且发生制冷剂外漏情况，可能会产生易燃性的气体 - 空气混合物。每 8 克制冷剂，应至少具备 1 立方米的空。

本机器的制冷剂量标示在机器内铭牌上。

- 如果需要更换电源线或需要进行其他修理工作，必须由售后服务部门专业人员进行。如果进行不合格的安装或修理工作，可能会对使用者造成很大的危险。

使用本机器时

- 请勿在机器内使用其他电器（例如加热器、电气制冰器等）。
- **引爆危险！**
- 请勿用蒸汽清洗机来对本设备进行除霜或清理！蒸汽可能会接触到电气元件并造成断路。
- **有电击危险！**
- 清除霜层或冰层时，请勿采用尖形或锐边的用具。否则可能会损坏冷却剂管。制冷剂可能会喷出再着火且伤到眼睛。
- 请勿存放含有燃气的物品（如喷雾罐等）或易爆物质。
- **引爆危险！**
- 请勿将底座、抽屉或机器门当梯级误用。
- 进行除霜或清理时，请拔出电源插头或关掉保险装置。要拉出插头，不要拉住电源电线。

- 度数高的酒类一定要密封好且只要立放。
- 塑料部件和门密封材料不要用油脂沾染，否则塑料部件和门密封材料会变疏松。
- 绝不可盖住或阻挡本设备通风口和排气口。
- 有身心或感官等障碍的人士或缺乏相关知识的使用者使用本机器时，必须在他人的监督或详细指导下才可以使用本机器。
- 冷冻室内不可存放瓶罐或罐头（特别是含碳酸的饮料），瓶子和罐头可能会爆开！
- 取出冷冻物时，请勿马上含在嘴里。
冻伤危险！
- 请避免手与冷冻食物、冰、蒸发器管等的长时间接触。
冻伤危险！

家中有儿童时应注意事项

- 包装材料和包装材料的部分不要给孩童玩耍用。可折叠的纸箱和塑料薄膜可能会有窒息危险！
- 本机器不是孩童用的玩具！
- 有门锁的机器：钥匙应远离儿童保存好！

一般性规定

本设备适于

- 食物的冷藏和冷冻，
- 制冰块。

本机器只能在家中使用。

本机器依据欧盟标准 2004/108/EC 被消除无线电干扰。

冷却循环已进行密封检查。

本产品符合有关电器产品的安全规定 (EN 60335/2/24 欧盟标准)。

了解本机器

请翻开最后一页的图示。

本使用说明书适于多种机型。

因此可能与本说明书中的图示会有所差异。



* 只有部分机型

图 1

- 1-7 操作面板，
 - 8 主开关
 - 9 照明 (LED)
 - 10 可调动的玻璃搁盘 (EasyLift)
 - 11 固定的玻璃搁盘 *
 - 12 精美食品抽屉
 - 13 湿度果蔬室
 - 14 存放黄油和奶酪的保鲜盒
 - 15 存放鸡蛋的搁架
 - 16 可调动的搁盘 (EasyLift)
 - 17 瓶挡
 - 18 大瓶搁架
 - 19 浆果盒 *
 - 20 冷冻物盘 (小型)
 - 21 玻璃层板
 - 22 冷冻物盘 (大型)
 - 23 通风口和排气口
- A 冷藏室
 - B 冷冻室

操作面板

图 2

- 报警按钮**
用于关掉报警声。
(参阅“报警声”章节)。
- “super” (超级冷冻) 按钮**
用来开 / 关超级冷冻功能。
- 调节冷冻室温度的按钮**
用此按钮可设定冷冻室内温度。
- 冷冻室温度显示灯**
数值显示冷冻室温度的摄氏度。
- “super” (智能速冷) 按钮**
用来开 / 关超级冷藏功能。
- 冷藏室温度设定按钮**
用此按钮可设定冷藏室的温度。
- 冷藏室温度显示**
数字是调节的以 $^{\circ}\text{C}$ 为单位的冷藏室温度。

注意室内温度

本机器适于一定的气候类型，依据气候类型的不同，本机器可在下列室内温度条件下使用。气候类型标示在机器铭牌上，在机器左下方。

气候类型	室内温度
SN	+10 $^{\circ}\text{C}$ 到 32 $^{\circ}\text{C}$
N	+16 $^{\circ}\text{C}$ 到 32 $^{\circ}\text{C}$
ST	+16 $^{\circ}\text{C}$ 到 38 $^{\circ}\text{C}$
T	+16 $^{\circ}\text{C}$ 到 43 $^{\circ}\text{C}$

通风

图 1/23

应确保热空气能无阻碍地消散，否则会提高制冷机的负荷，因而提高耗电量。

因此：绝不可将通风口和排气口盖住或阻挡！

安装本设备

干燥的、通风良好的空间最适合置放本机器。安装地点不应受阳光直晒，也不应靠近热源，例如炉灶、暖气设备等。如果无法避免把本机器安装在热源附近，请使用适当隔热板且于热源保持下列最小间距：

与电炉或煤气炉保持 3 公分的间距。

与烧油或烧煤的炉灶保持 30 公分的间距。

接通本设备

安装本机器后要至少等待一个小时，才可以起用。

在搬运机器的过程中，压缩机中的油可能会在冷却系统中移位。

起用前，应清理机器内部 (参阅“清理”章节的相关说明)。

插座应易于接近。

机器应该用符合相关规定的接地插座连接到 220–240 V/50Hz 的交流电电源，插座应具备 10 安培到 16 安培的保险装置。

在欧洲以外其它国家使用的机器，应该检查机器铭牌所标示电压和电流类型是否和当地电网相符，机器铭牌在机器左下方。如果需要更换电源电缆，必须由专业人员进行。

⚠ 警告

切勿将本机器连接到电子节能插头 (例如 Ecoboy, Sava Plug 等) 或到换流器 (将直流电换成 230 伏交流电的)，例如太阳能发电设备或船舶电网等。

开机

用主开关 8 启动本机器。

图 2

警示音响起，报警键 1 闪烁。

按下警报按钮 1 可停止警报声。

温度指示灯在闪耀且警报按钮指示灯亮起，一直到机器达到所设温度为止。

使用本设备的特别注意事项

- 制冷机运行时，冷藏室背面上会形成凝结水滴或霜层。那是由于冷却循环的功能特点而产生的。此时不需要刮除霜层或擦拭水珠。冷藏室背面会完全自动除霜。溶解水会通过溶解水槽和排水孔流到机器的蒸发范围。
- 全自动化无霜系统使冷冻室和冷藏室不会形成霜层。因此不需要除霜。
- 机壳正面具备局部加热功能，如此可以防止机门密封条部位会产生冷凝水。
- 冷冻室门关上以后，如果无法马上重新打开，请等候 2 到 3 分钟直到低压得到了平衡为止。

设定温度

图 2

冷藏室

(设定范围：+2 °C 到 +8 °C)。

要重复触按温度设置按钮 6，直到调节好所需的冷藏室温度为止。机器将保存最新的设定值。

显示灯 7 将显示所设置的温度。

我们建议设定为 +4 °C。

容易受损的食物应储藏在不超过 +4 °C 的温度下。

冷冻室

(设定范围：-16 °C 到 -24 °C)。

要重复按下温度设置按钮 3，一直到机器显示所需冷冻室温度为止。

机器将保存最新的设定值。

显示灯 4 将显示所设置的温度。

我们建议设定为 -18 °C。

报警声

停止警示音

图 2

按下报警键 1 可停止警示音，显示器回到准备就绪状态。

机器门警示音

当机器门打开时间超过一分钟，门警示音响起。此时会响起持续的信号声。

温度警示音

冷冻室温度过高时，温度警示音响起。此时会发出嘟嘟声。

报警按钮	温度显示	说明
发亮	闪烁	温度警示 冷冻食品没有解冻的危险。
闪烁	闪烁	开始解冻警示： 冷冻食品存在解冻的危险。
闪烁	发亮	开始解冻警示： 机器内温度曾经过高。冷冻食品存在解冻的危险。

开始解冻警示：

如果味道、香味和外观没有改变，可经烹煮或煎炒处理后再进行冷冻。

但此时不能再利用最长储存时间。

温度警示

在下列没有解冻危险的情况下，警示音也可能响起：

- 启用机器时，
- 存放大量新鲜食物时。
- 冷冻室门敞开的太久时。

将食物放入到冰箱中

注意冷藏室内不同的制冷区！

由于冷藏室内的空气流通，会形成不同温度的区域：

- **最低温区域**

位于侧边箭头和冷藏室底部。图 3

提示

请在最冷区域存放较容易变坏的食物（例如：鱼类、香肠、肉类等）。

- **温度最高区域**

在门内侧最上方。

提示

请在温度最高的区域摆放奶酪、黄油等食物，食用时，奶酪将会保持其香味，黄油较容易涂抹。

放入食物时应注意事项

食品应包装好或者盖好再放入。如此可保持香味、色泽和新鲜度。还可以避免来自塑料部件的变味或变色。

提示

请不要让食物和冰箱背面相接触。这样会影响空气流通，

或者食物跟包装有可能会冻住在机器背面上。

我们建议把食物按下列方式摆放：

- 在冷藏室的层板上：
 - 烘烤食品、备好的菜肴、易受低温影响的水果和蔬菜
- 精美食品抽屉：
 - 精美食品、小包装食品、已拆开的包装
- 在果菜盒内：
 - 蔬菜、沙拉类、水果等
- 在机器门内侧（由上而下）：
 - 黄油、奶酪、鸡蛋、管形包装、小瓶、大瓶、牛奶、果汁盒
- 冷冻室内：冷冻食品、冰块、冰淇淋

有效容积

有效容量的说明，请参见机器铭牌。

可随需要调整的机器内布置

可调动的搁盘“EasyLift”

图 4

搁盘的高度可以调节，需要调节时不必先拿出。

拉住右侧操作杆，使搁盘向上移动。拉住左侧操作杆，使搁盘向下移动。一次只能操作其中一个操作杆。

要拿出搁盘时，请移到最上面，再拿出。

提示

若超过 5 kg 的重量，搁盘的位置就无法再更动。

固定的玻璃搁盘

图 5

如果要更改玻璃搁盘的位置，应按压底部的按钮，将玻璃搁盘从固定装置松开。调动塞子的位置。将玻璃搁盘重新装上并通过按压来固定。

可调动的搁盘 (EasyLift)

图 6

门搁架的高度可以调节，需要调节时不必先拿出。

将门搁架底部的按钮同时向上压，使门搁架向下移动。向上移动时，不需要按压按钮。

要拿出搁架时，需先分别移到最上面，再拿出。

冷藏室附件

瓶罐搁架

图 7

瓶罐搁架内可以安全地摆放瓶罐。当不需要瓶搁架时，可挂在玻璃搁盘底下。

粘贴标签“OK”

* 只有部分机型

用“OK”温度监控功能可测出 +4 °C 以下的温度。如果标签不显示“OK”，应逐步把温度调低。

提示

启用本机器时，可能要等 12 小时过后，才能达到所需温度。



正确的调节

温度过高，应调低。

冷藏室

冷藏室温度的设定范围为 +2 °C 到 +8 °C。

冷藏室是存放熟菜肴、糕点、罐装食物、炼乳、硬奶酪、易冻伤水果和蔬菜、热带水果等的最佳地方。

超级冷藏

采用超级冷藏功能时，会持续大约 6 小时把冷藏室冷却到尽量低的温度，

之后会自动采用超级冷藏以前设定的温度。

在下列情况下可以起动超级冷藏功能：

- 存放大量食物以前，
- 使饮料快速变冷。

启动与关闭

图 2

按下“super”按钮 5。

在开启了“智能速冷”功能的情况下，此按钮会亮起。

提示

在开启了智能速冷功能之后，冰箱的工作噪音可能会加大。

冷冻室

使用冷冻室

- 储藏已冷冻食物，
- 制冰块，
- 欲冷冻的食物。

请注意冷冻室门应随时关上！机门开启时，冷冻食物会解冻，冷冻室也会形成厚的霜层。另外：高的耗电量是能源的浪费！

冷冻和存放

购买冷冻食物

包装应完整无损，

注意保质期，

商店的冷冻箱内的温度应至少保持在 -18 °C 或更低的温度，

最好应采用蓄冷袋将冷冻食物搬运，请尽快放入冷冻室内。

存放冷冻食物

冷冻盘放入机器时，应推入到底，机器内空气循环才会流通。

需要放入大量食品时，可将食品直接堆放在玻璃搁盘和冷冻室底面上。为此，需要拿出所有冷冻食品盘。取出冷冻盘时，请拉出到底，再把前端稍微抬起就可以拿出来。图 3

提示

插入具备伸展导轨的冷冻食品盘时，导轨必须处于伸出状态。

冷冻新鲜食物

自行冷冻食品

冷冻食品时，请只要使用新鲜无瑕疵的食品。

适合冷冻的食物：

肉和香肠类、家禽和野位类、鱼类、蔬菜、香草、水果类、糕点、比萨饼、做好的菜肴、剩的菜、蛋黄和蛋白。

不适合冷冻的食物：

包括壳的整个的鸡蛋、酸奶和蛋黄酱、生菜沙拉、小洋萝卜、萝卜和洋葱。

用沸水烫蔬菜和水果：

为了保持蔬果的色泽、美味和维生素 C，在冷冻以前应用沸水烫一下。

用沸水烫蔬果时，就是把蔬果浸泡在沸水一下。

介绍冷冻方面须知的书籍，包括用沸水烫蔬果的说明，可以到书店去购买。

冷冻食品

请只要冷冻新鲜无瑕疵的食物。

准备冷冻的食物不要与已冷冻食物相接触。

为了保持食物的美味且避免食物变干，应采用密封包装。

最大冷冻量

有关 24 小时内最大冷冻量的说明，请参见机器铭牌。

正确包装方法：

1. 把食物放入包装材料中，
2. 挤出空气，
3. 密封包装材料，
4. 在包装上注明内容和冷冻日期。

适合的包装材料：

塑料薄膜，聚乙烯管形薄膜，铝箔纸，冷冻用罐。这些产品可以到专业商店购买。

不适合的包装材料：

包装纸、防油纸、保鲜膜、垃圾袋、用过的购物袋。

适合的密封材料：

橡皮筋，塑胶夹，细绳，耐冷胶布带等。也可以使用聚乙烯的袋子或软管薄膜，再用薄膜熔焊器密封。

冷冻食物的保质期

依食物种类而定。在中等温度情况下：

- 鱼类、香肠、做好的菜肴、糕点等：最多 6 个月
- 乳酪、家禽类、肉类等：最多 8 个月
- 蔬菜、水果等：最多 12 个月

超级冷冻

食物应尽快冻透，才能保持食物的维生素、营养价值、美观和美味。

摆放新鲜食物时，应在几小时以前启动超级冷冻功能，以避免发生温度上升。

较小量食物可以不需“超级冷冻”功能进行冷冻。

启动与关闭

图 2

按下“super”按钮 2。

超级冷冻功能启动时，相应按键会亮起。

最晚约过两天半后，“超级冷冻”功能将会自动停止。

提示

启动超级冷冻功能时，机器可能会发出较大的运行噪声。

冷冻室附件

(只有部分机型)

蓄冷器

停电或者机器发生故障时，保冷盒可使存放的冷冻食物的温度延缓提升，冷冻食物就不会太快解冻。请将蓄冷器放入最上方冷藏室，直接放在食物上面。

保冷盒也可暂时拿出来，用来保冷其它食物，例如保冷袋中的食物。

制冰盒

把水倒入制冰盒中，装 $\frac{3}{4}$ 满，再放入冷冻室。使用不锋利的用具（例如食匙把等）松开冻住的制冰盒。

松解冰块时，请在制冰盒上洒一点水龙头水或者将制冰盒扭曲一下即可。

解冻冷冻食物

依据种类和用途的不同，可选择下列方式之一：

- 用室内温度，
- 在冰箱内，
- 用电烤箱（有 / 无热风风扇均可），
- 用微波炉。

提示

部分解冻或已解冻的食物请勿再冷冻。只有通过煮、炒等处理成做好的菜肴后，才可以重新冷冻。

但此时不能再利用最长冷冻时间。

关机

请按下主开关，图 11/8。压缩机和机内照明等将关闭。

停用本机器

您如果较长时间不使用本机器，则请按照下列步骤进行：

1. 关机，
2. 拔出电源插头或关掉保险装置。
3. 清理机器，
4. 让机器门保持敞开。

除霜

冷藏室

除霜自动进行。

溶解水会通过溶解水槽和排水孔流到机器的蒸发范围。

冷冻室

全自动化无霜系统使冷冻室不会形成霜层。因此不需要除霜。

清理本设备

注意！

不要使用含沙粒或含酸的清洁剂和溶剂，请不要使用磨擦性或会刮伤表面的海绵，后壁的表面可能会被损坏或产生腐蚀。

机器的层板和搁架不宜在洗碗机中清洗，部件可能会变形！

请依下列步骤进行：

- 清理以前应先关机。
- 拔出电源插头或关闭保险装置！
- 用软布、温水和少量 pH 中和洗碗精清理本机器，清理用水不可流入照明装置。
- 机门密封条只要用清水擦拭，清理完后应彻底擦干。
- 清理用水不可通过排水口流到凝结水蒸发范围中，
- 清理完后，请重新接通设备并开机。

提示

凝结水集流槽和排水口，**图 9**，应定期用棉花棒等清理，使凝结水能顺畅地流走。

必要时，可以将上方溶解水槽拿出来清理。

清理完成后，基于机器功能特点的原因，需将冷藏室排水孔的插塞插回原处。

清洁机器附件

需要清理时，可将冷藏室内所有活动部件拿出。（参阅“内部空间的可变设计”章节）。

拿出抽屉

图 10

将抽屉向前倾斜并拿出。

放回时，将抽屉放在伸缩导轨上，然后推入机内。将盒子推入机内时，使盒子固定。

拆出伸缩导轨

图 12

1. 拉出伸缩导轨。
2. 将锁紧装置顺箭头方向推动。
3. 松开伸缩导轨后方螺栓。
4. 收缩导轨，在后方螺栓的上方向后推并松开。

安装伸缩导轨

1. 伸缩导轨处于伸出状态时放在前端螺栓上。
2. 将导轨稍微向前拉，使导轨啮合。
3. 将导轨插入在后方螺栓处。
4. 将锁紧装置向后推动。

将玻璃搁盘从冷冻室内拿出。

抬起搁盘前方并拿出。

照明 (LED)

本机器装有无需维修的 LED 照明。

注意！照明 (LED)

1M 等级激光照射 (IEC 60825 标准)。请勿用光学仪器直视照射光线。眼睛受伤的危险！

对照明的修理工作只能由售后服务部门或者授权的专业人员进行。

节能

- 本机器应安放于干燥通风流畅之处！机器不要受阳光直晒，也不要靠近其它热源（暖气设备或炉灶等），如果需要，请使用隔热板。
- 热的食物和饮料应等冷却后才放入机器中。
- 解冻冷冻食物时，应先放入冷藏室中，寒冷的冷冻食物有助于冷藏室中其它食物的冷藏。
- 开门时，应尽快再关上！
- 机座中的通风孔和排气孔应定期用吸尘器或毛刷清洁，以免耗电量提高。

运转时的噪声

正常的声音

嗡嗡声 – 制冷机在运行中。

咕噜声、嗡嗡声或汩汩声 – 表示冷却剂在管道中流动。

咔嚓声 – 电机在起动或停止。

避免噪声

机器不稳

用水平仪将机器调平。可以调节螺纹脚或者放垫片。

抽屉、篮子或层板摇动或夹住

请检查可拿出的部件，如果需要重新插入。

容器相碰

请稍稍移开瓶子和容器。

自行解除小故障

联系售后服务部门以前：

请检查，是否能够按照下列说明自行解决问题。

售后服务部门的咨询费用必须由用户自己承担，尽管是在保修期内也需自己承担！

故障	可能的原因	如何解除故障
实际温度与调节的温度相差大。		有时只要关机 5 分钟即可。 温度过高时，请等几个小时以后再检查温度是否接近所设定的温度。 温度太低时，请隔天再检查温度。
都没有显示灯亮起。	停电，保险装置断路或电源插头未插好。	检查是否通电，检查保险装置。
冷藏室地面上积水。	凝结水槽或凝结水排水口堵塞。	清理凝结水槽和排水管，请参阅“清理机器”章节的说明。
冷冻室内温度过低。	温度设定过低。	将温度调高一些。
制冷机启动的频率越来越频繁，运行时间也越来越长。	通风口和排气口被盖住。	将阻挡物移除。
冰箱无制冷作用。	机器未起动。 停电，保险装置断路或电源插头未插好。	按下主开关。图 11/8 检查是否通电，检查保险装置。
机器无制冷作用，温度指示灯和内部照明灯发亮。	机器处于展示工作模式。	持续按下警报按钮 图 2/1 10 秒钟不放，一直到听到确认声为止。 过一段时间后，请确认机器是否在制冷中。
机内照明灯不亮。	LED 照明发生故障。 打开门的时间太长。约 10 分钟过后，照明会熄灭。	参见“照明(LED)”章节。 只要将门关上再重新打开，照明灯将重新发亮。
温度指示灯，图 2/4 或 图 4/7，闪烁。	因常常打开机器门。 一次摆放了过量食物。	除非有必要，请勿打开机器门。 放入食品以前，应先启动智能速冻功能。
警示音响起，温度指示灯，图 2/4，闪烁。	故障 - 冷冻室内温度过高！ 冷冻食物有被解冻的危险！	参阅“警报声”章节。

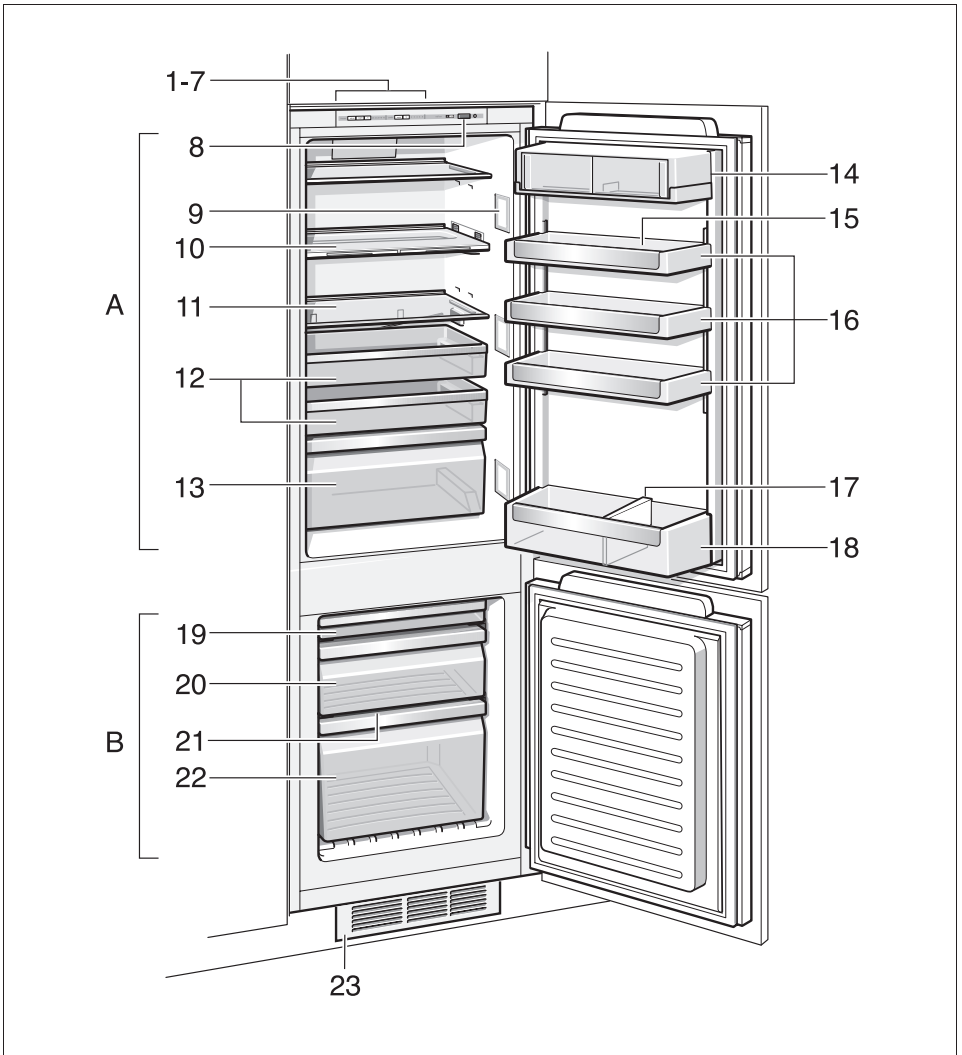
售后服务

请查电话簿或售后服务站目录，便可查到离您住处最近的服务站。

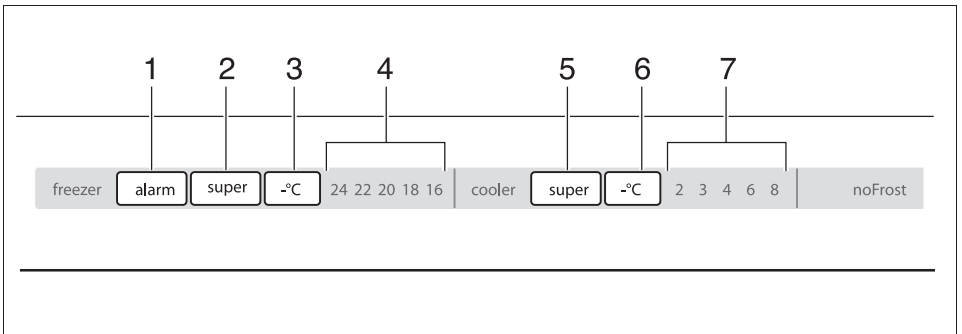
联系时，请告知售后服务部门工作人员本机器的品种代号 (E-Nr.) 和制造系列号 (FD-Nr.)。

这些号码标示在机器铭牌上。图 11

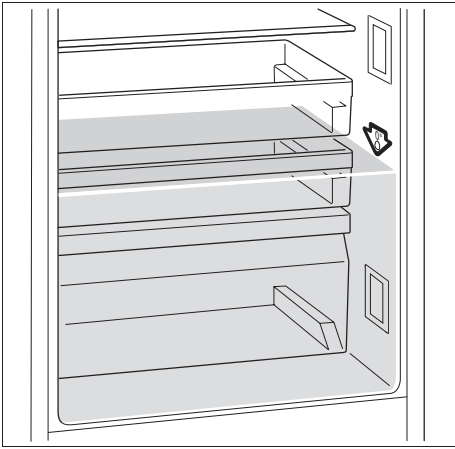
告诉我们正确的品种代号 (E-Nr.) 和制造系列号 (FD)，便可避免工作人员不必要的出差路程，从而您可免额外花费。



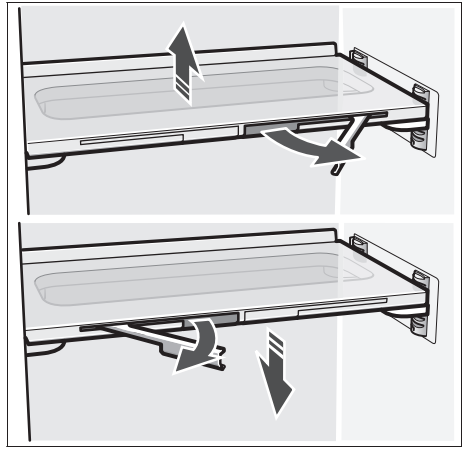
1



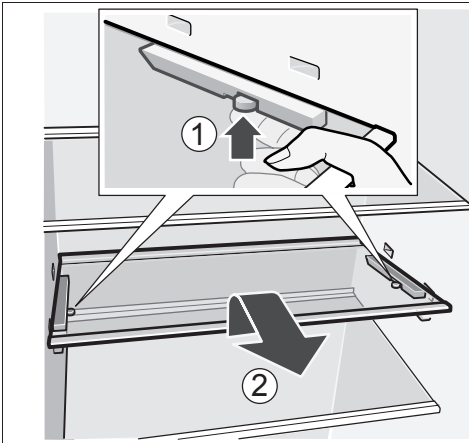
2



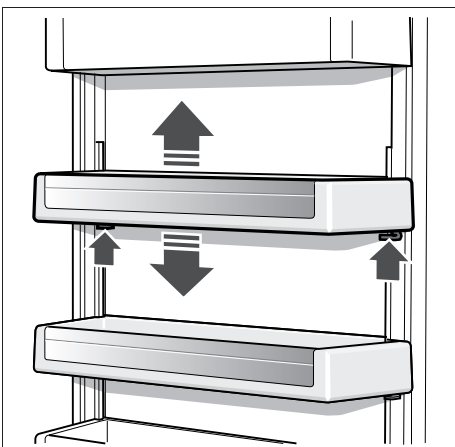
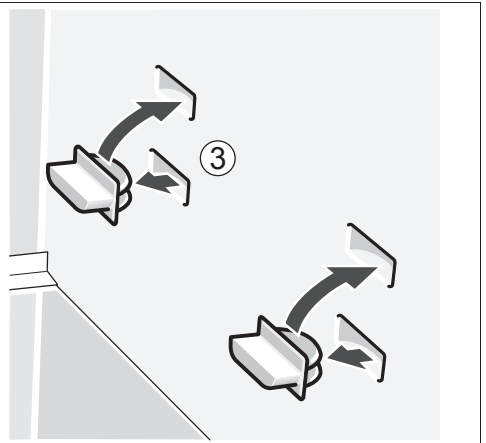
3



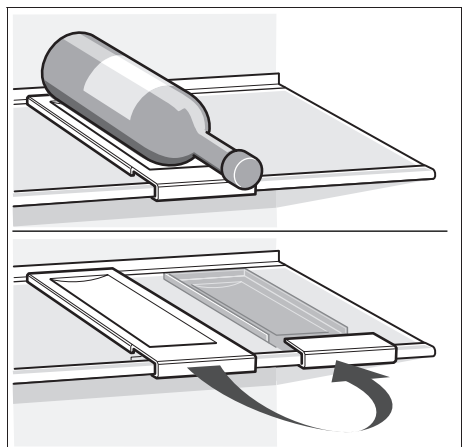
4



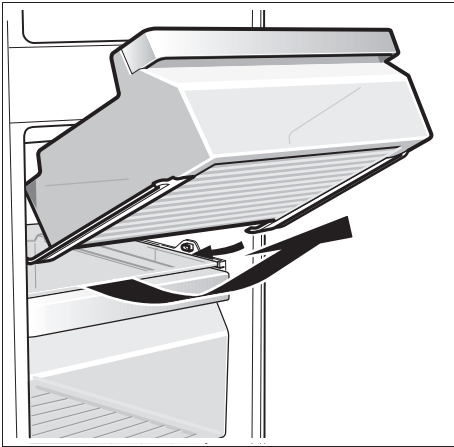
5



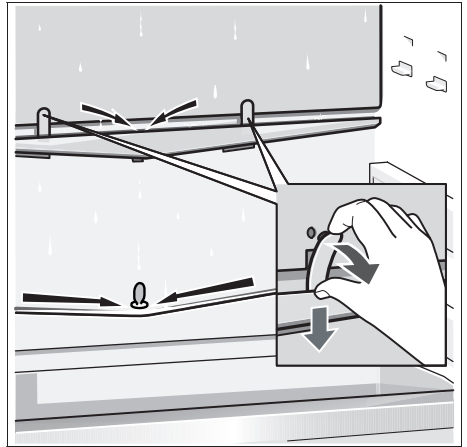
6



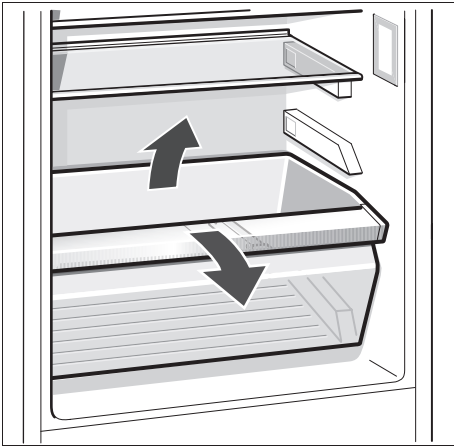
7



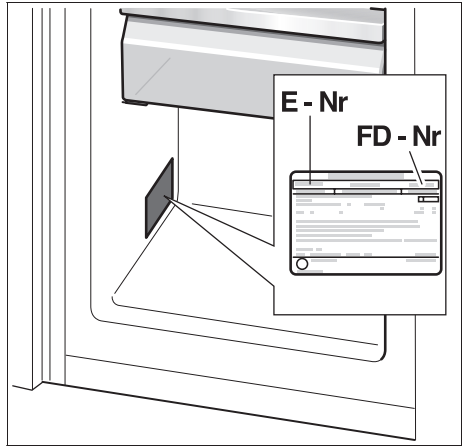
8



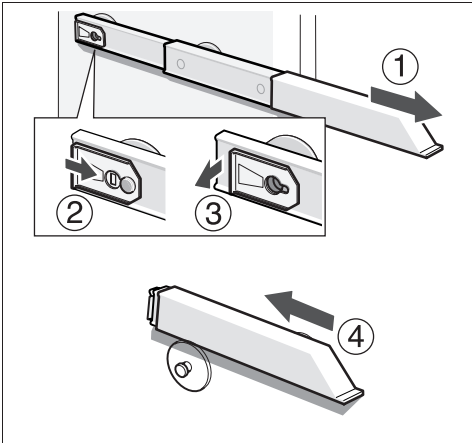
9



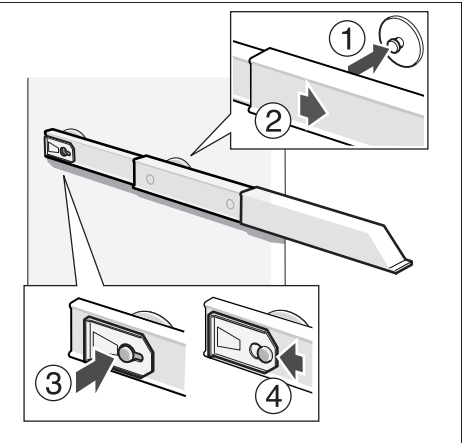
10



11



12



BSH Hausgeräte GmbH
Carl-Wery-Straße 34
81739 München, GERMANY

siemens-home.bsh-group.com

Manufactured by BSH Hausgeräte GmbH under Trademark License of Siemens AG
由博西家用电器（中国）有限公司根据西门子股份公司的商标许可制造



9000954645 (9510)
en, zh