

Gaggenau

en Operating and installation instructions

fr Instructions d'installation et d'utilisation

es Instrucciones de funcionamiento e instalación

RW 404

en	Table of contents	3
----	-------------------	---

fr	Table des matières	28
----	--------------------	----

es	Índice	53
----	--------	----

Table of contents

Safety instructions	4	Alarm	22
About these instructions	4	Temperature alarm	22
Risk of explosion!	4	Wine storage	22
Risk of electric shock!	4	Storage	22
Risk of injury!	4	Tips	22
Electrical connection	4	Drinking temperatures	23
Grounding instruction	4	Maintenance	23
Prevention of risks to children and endangered people	5	Cleaning the appliance	23
Property damage	5	Cleaning the dust filter	24
Definitions	5	Removing/inserting the bottle shelves	24
Intended use	5	Replacing the active carbon filter	25
Environmental protection	5	Care tips for stainless steel surfaces	26
Packaging	5	Noises	26
Disposal of your old appliance	5	Normal noises	26
CFC disposal	6	Solving simple noise problems	26
Installation and connection	6	Malfunctions, what to do?	26
Scope of delivery	6	Eliminating malfunctions yourself	26
Rating plate	6	Taking the appliance out of service	27
Installation conditions	7	Customer service	27
Installing the appliance	8	Repair order and advice in case of malfunctions ..	27
Electrical connection	13		
Getting to know your appliance	14		
Operating elements	14		
Equipment	15		
Operating the appliance	15		
Switching the appliance on	15		
Setting the temperature	16		
Switching the temperature unit (°C ↔ °F)	16		
Setting the display brightness	17		
Switching on the lighting permanently	18		
Setting the brightness of the permanent lighting ..	18		
Fan	18		
Child lock	19		
Sabbath mode	20		
Switching the appliance off	21		
Defrosting	21		

Safety instructions

About these instructions

Please read the operating and installation instructions carefully. They contain important information on how to install, use and maintain the appliance.

The manufacturer is not liable if you disregard the instructions and warnings in the operating instructions.

Keep all documentation for subsequent use or for the next owner.



Risk of explosion!

- Never use electrical devices inside the appliance (such as heaters, electric ice makers, etc.).
- Bottles containing a high percentage of alcohol must be tightly sealed and stored in an upright position.

Risk of electric shock!

- Never use a steam cleaner to defrost or clean the appliance. The steam can damage electrical parts and cause a short-circuit.
- For defrosting and cleaning, unplug the appliance or switch off the fuse.
Do not tug on the cord to unplug the appliance.
- If the power cord of this appliance is damaged, it must be replaced by the manufacturer, customer service or a similarly-qualified person.
Improper installations and repairs may put the user at considerable risk.
- Repairs may only be made by the manufacturer, customer service or a similarly-qualified person.
- Only the manufacturer's original parts may be used. Only with these parts does the manufacturer guarantee that they fulfill the safety requirements.
- An extension of the power cord may only be ordered from customer service.

Risk of injury!

	WARNING	
<p>Danger of damage to eyes! The light intensity of the LED lighting corresponds to laser class 1/1M. The cover of the LED light strip may only be removed by customer service. Do not look directly into the LED lighting with optical lenses.</p>		

Electrical connection

The appliance comes with a UL listed, 3-wire power supply cord.

The appliance requires a 3-wire receptacle.

The receptacle must be installed by a licensed electrician only.

The appliance must be connected to 110-120 VAC, 15 amp circuit that is controlled by a circuit breaker or fuse.

Grounding instruction

This appliance must be grounded. In the event of a malfunction or breakdown, grounding will reduce the risk of electric shock by providing a path of least resistance for the electric current.

Improper connection of the equipment grounding conductor may result in electric shock. Have the appliance checked by a qualified electrician or a service technician if you are in doubt as to whether the appliance has been properly grounded.

Some local regulations may require a separate ground. In such cases, the required accessory ground wire, clamp and screw must be purchased separately.

Never ground the appliance to plastic plumbing lines, gas lines or water pipes.

Prevention of risks to children and endangered people

Endangered are:

- Children,
- People who are physically or psychologically limited in their perception,
- People who do not have sufficient knowledge about the safe operation of the appliance.

Measures:

- Ensure that children and endangered people have understood the dangers.
- A person responsible for safety must supervise or instruct children and endangered people about the appliance.
- Only allow children 8 years and older to use the appliance.
- Supervise children during cleaning and maintenance.
- Never let children play with the appliance.

Property damage

- Do not stand or support yourself on the base or misuse the drawers or doors or other parts of the appliance.
- Keep plastic parts and the door seals free of oil and grease. Otherwise, plastic parts and the door seal will become porous.
- The appliance may not be taken to and operated at heights above 1500 m (4921 ft) above sea level.
Risk of glass break!

Definitions

 WARNING 
This indicates that death or serious injuries may occur as a result of not observing this warning.

 CAUTION 
This indicates that minor or moderate injuries may occur as a result of not observing this warning.

NOTICE
This indicates that damage may occur as a result of not observing this warning.

Intended use

This appliance is intended only for the storage of wine and for home use in private households and the domestic environment.

Environmental protection

Packaging

The packaging protects the appliance from damage in transit.



All packaging materials are environmentally friendly and recyclable. Please help: by disposing of packaging materials in an environmentally-friendly manner.

Please contact your local dealer or local authority about current disposal options.

 WARNING 
Danger of suffocation from cardboard boxes and plastic film! Keep packaging and packaging components away from children.

Disposal of your old appliance

Old appliances are not worthless rubbish! Valuable raw materials can be reclaimed by recycling old appliances.

 WARNING 
Redundant appliances:
1. Pull out the mains plug.
2. Cut off the power cord and discard with the mains plug.
3. Do not take out the trays and receptacles: children are therefore prevented from climbing in!
4. To prevent children from becoming locked in the redundant appliance: Remove appliance doors!
5. Do not allow children to play with the appliance once it has spent its useful life. Risk of suffocation!

Refrigerators contain refrigerant and gases in the insulation. Refrigerant and gases must be disposed of professionally. Ensure that tubing of the refrigerant circuit is not damaged prior to proper disposal.

CFC disposal

Your old appliance may have a cooling system that used CFCs (chlorofluorocarbons). CFCs are believed to harm stratospheric ozone.

If you are throwing away an old refrigeration product, make sure the CFC refrigerant is removed for proper disposal by a qualified servicer. If you intentionally release this CFC refrigerant, you can be subject to fines and imprisonment under provisions of environmental legislation.

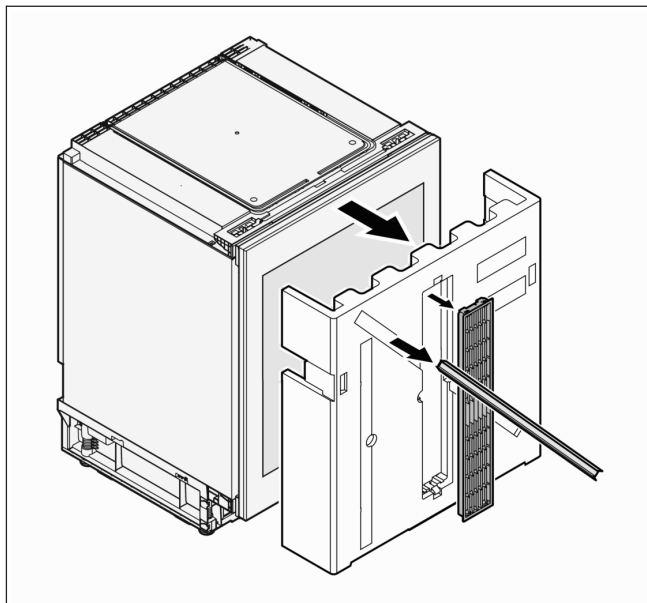
Installation and connection

Scope of delivery

The delivery consists of the following parts:

- Built-in appliance
- Air grille
- Cover strips
- Dust filter
- Foam part for the ventilation intake
- Key for adjusting the height of the appliance feet
- Bag with fastening screws
- Care cloth
- Operating and installation instructions
- Customer service booklet
- Information about energy consumption and noises

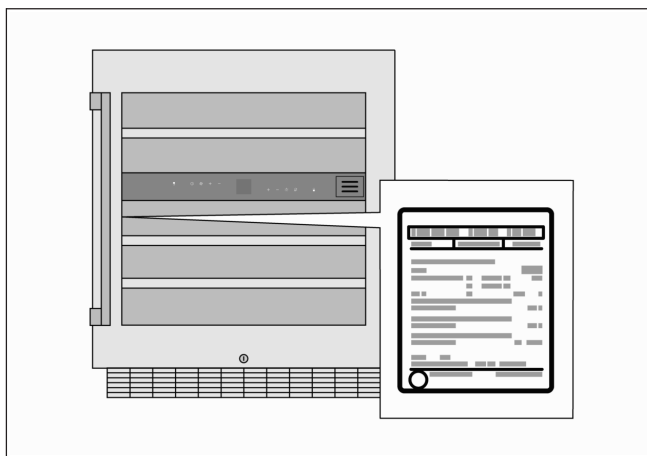
The air grille and cover strips are in the packaging on the front side of the appliance.



After unpacking, check all parts for transport damage. In case of complaints, contact the dealer from whom you purchased the appliance or customer service.

Rating plate

For the technical specifications of the appliance, see the rating plate, which is on the left inside of the appliance.



Installation conditions

Installation location

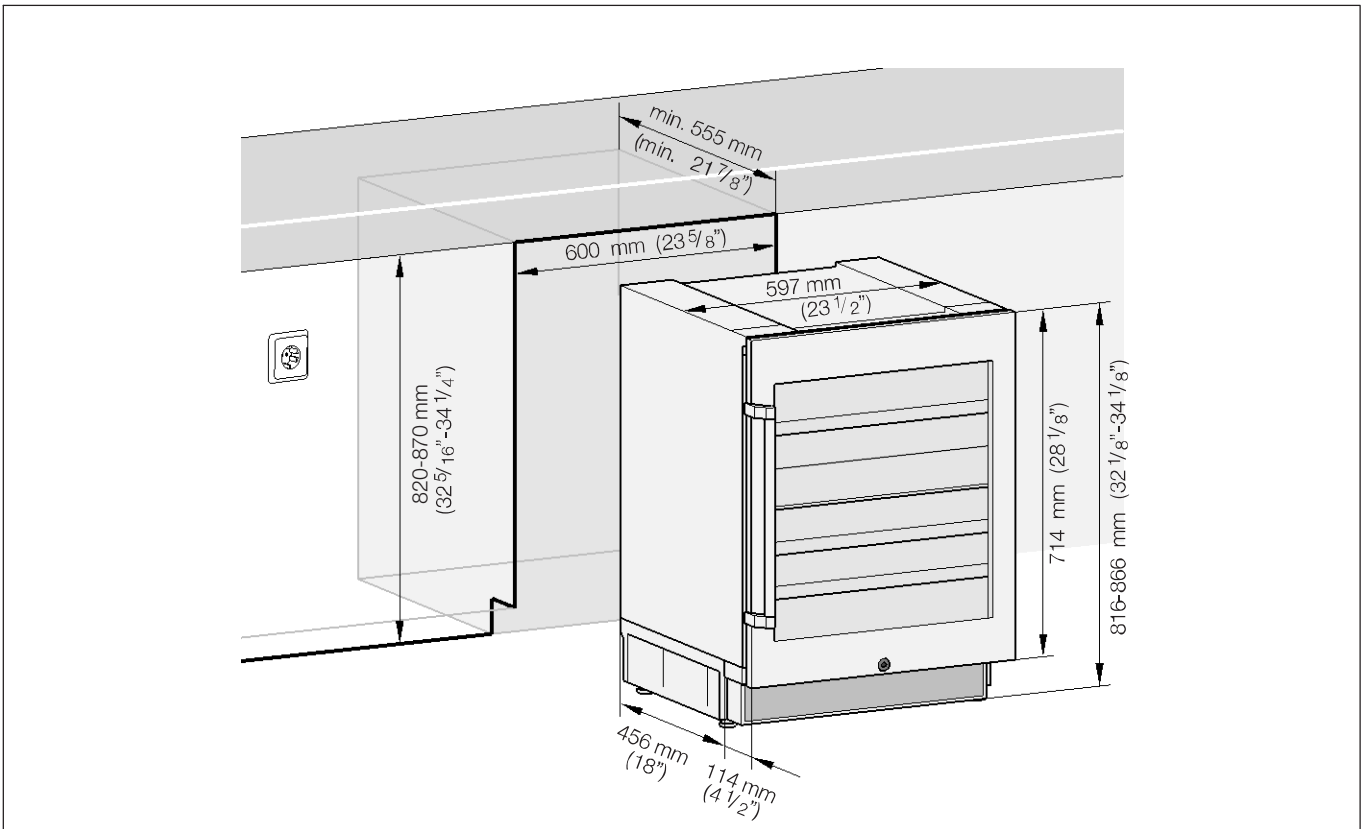
The best installation location is a dry, well ventilated room. The installation location should neither be exposed to direct sunlight nor should it be near a heat source, such as a stove, radiator, etc.

If installation next to a heat source is unavoidable, use a suitable insulating plate or observe the following minimum distances to the heat source:

- 3 cm ($1\frac{3}{16}$ ") to electric or gas stoves.
- 30 cm ($11\frac{13}{16}$ ") to oil or coal stoves.

The floor in the installation location may not sag; if necessary, reinforce the floor.

Installation dimensions



Room temperature

The climatic class can be found on the rating plate. It specifies the room temperatures at which the appliance can be operated.

Climatic class	Permitted ambient temperature
SN	+50 °F ... 90 °F (+10 °C ... 32 °C)
N	+61 °F ... 90 °F (+16 °C ... 32 °C)
ST	+61 °F ... 100 °F (+16 °C ... 38 °C)
T	+61 °F ... 109 °F (+16 °C ... 43 °C)
SN-ST	+50 °F ... 100 °F (+10 °C ... 38 °C)

The appliance is fully functional within the room temperature limits of the specified climate class.

If an appliance of the climate class SN is operated at colder room temperatures, damage to the appliance up to a temperature of +41 °F (+5 °C) can be excluded.

Installing the appliance

Have a technician install and connect the appliance according to the installation instructions in this manual.

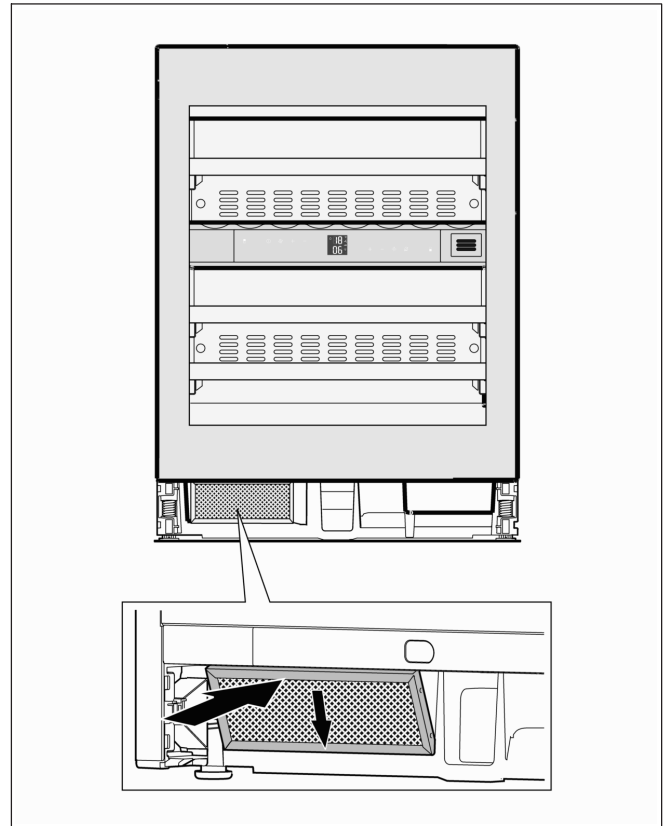
In addition to statutory national regulations, compliance with the connection requirements of local electricity and water utility companies is also required.

After installing the appliance, wait at least 1 hour before plugging in the appliance. The oil in the compressor may have flowed into the refrigeration system during transport.

Mounting the dust filter

The included dust filter must absolutely be mounted. The dust filter prevents the soiling of the motor compartment, which minimizes the cooling output with increased current consumption.

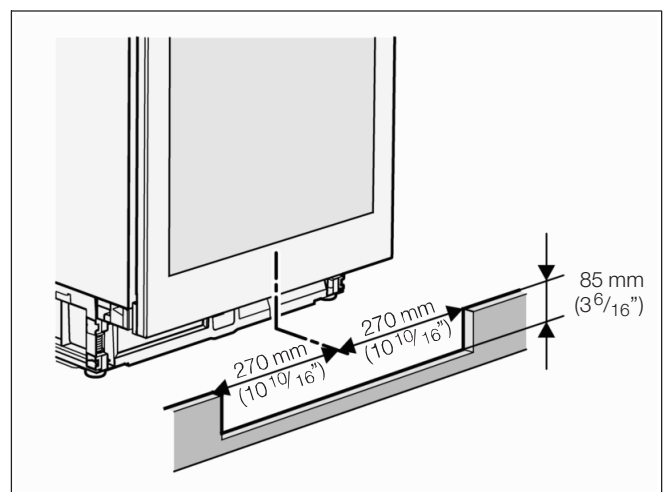
1. Remove the protective film from the dust filter.



2. Insert the filter at the bottom and snap it in at the top.

Installing the air grilles in the base plate

The air exchange for the appliance takes place around the base. The included air grille must therefore be installed in the base plate.

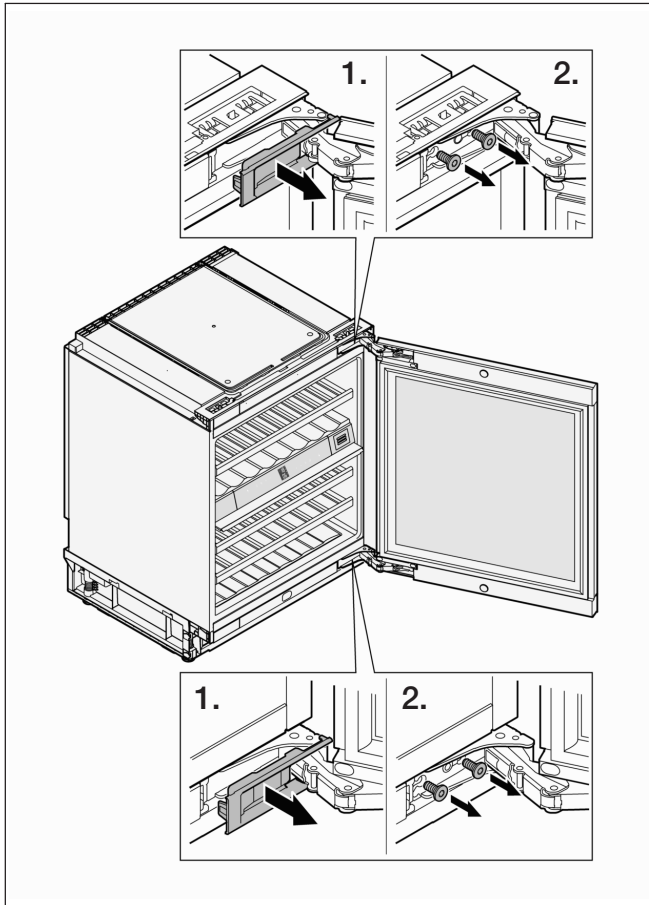


- Cut out base plate for the air grille in the middle of the appliance.
Dimensions for the required cut-out:
width: 540 mm (21 1/4"), height: 85 mm (3 6/16")

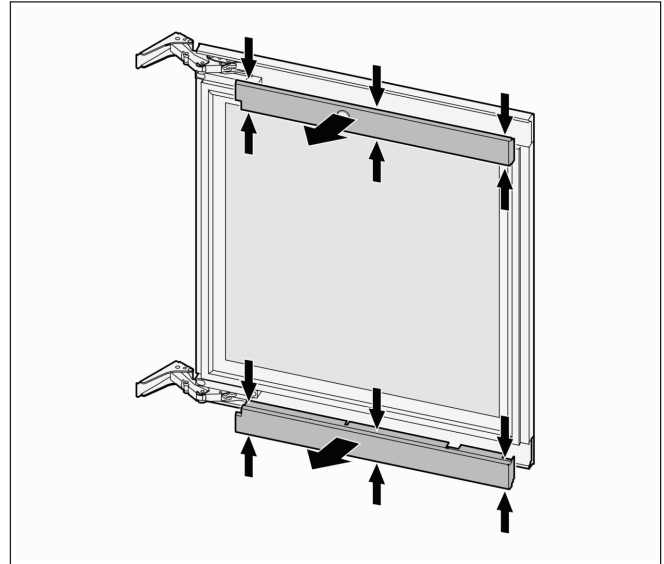
Changing the door stop

The door stop can only be changed when the appliance is not installed and should only be changed by a trained technician.

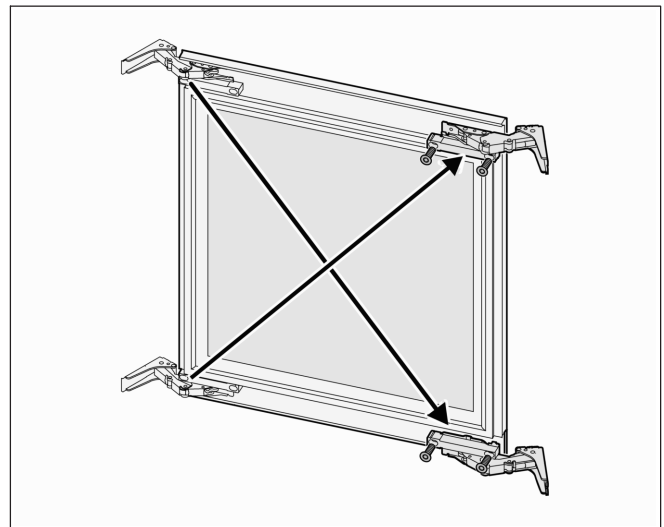
2 people are required for this work.



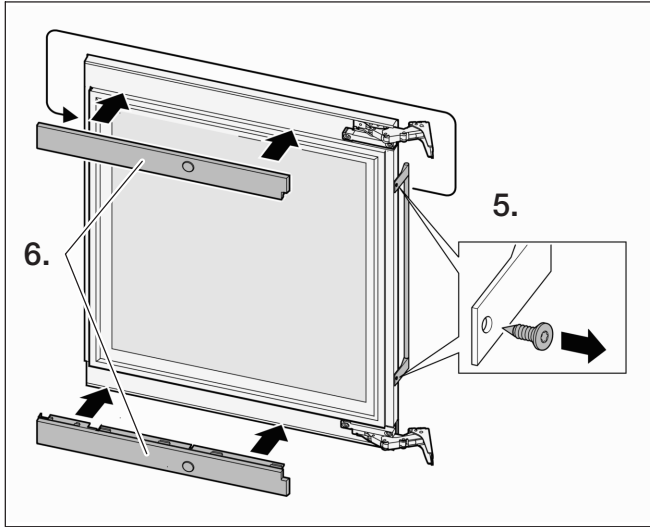
1. Remove the top and bottom hinge covers.
2. While the second person is holding the door, unscrew and remove the top and bottom hinge screws and the door.



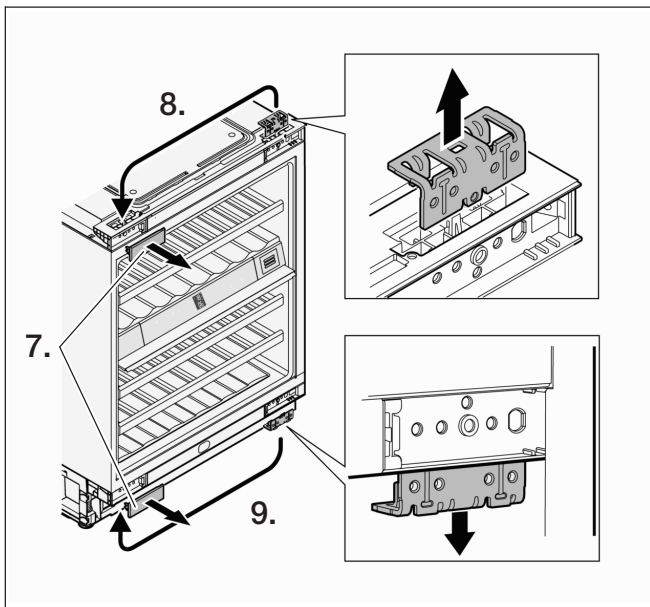
3. Press together the covers at the points indicated (narrow arrows), unsnap, and remove.



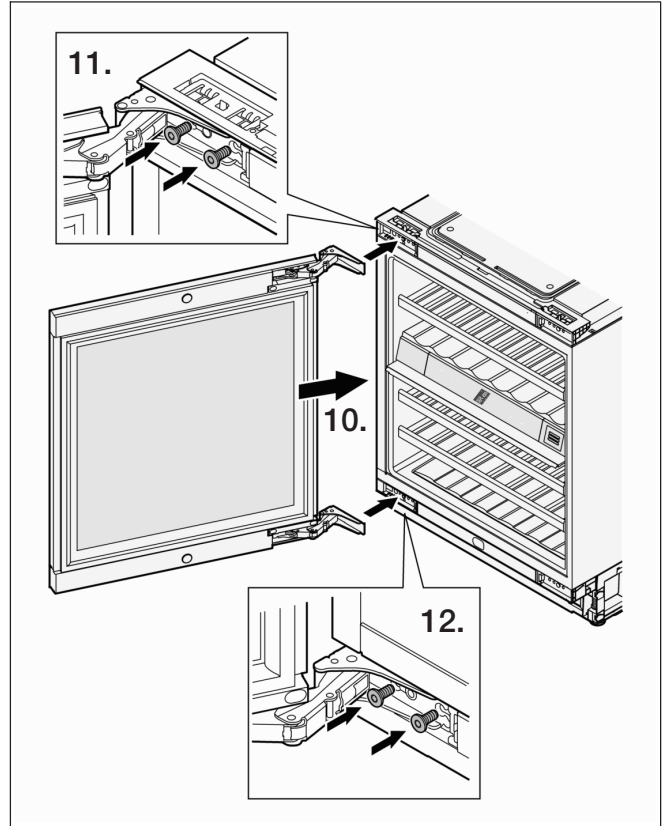
4. Unscrew the hinges and screw them back on on the side diagonally across from where they were.



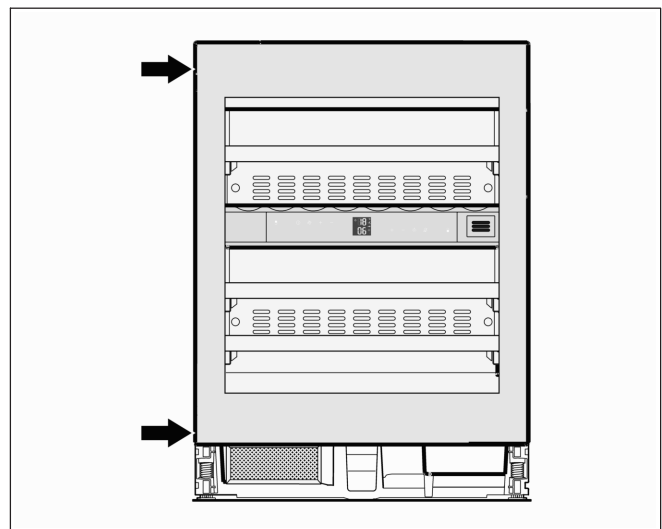
5. Unscrew the door handle and screw it back on on the opposite side; remove plastic plugs in the holes intended for these and press them in on the opposite side.
6. Replace the covers and snap them in.



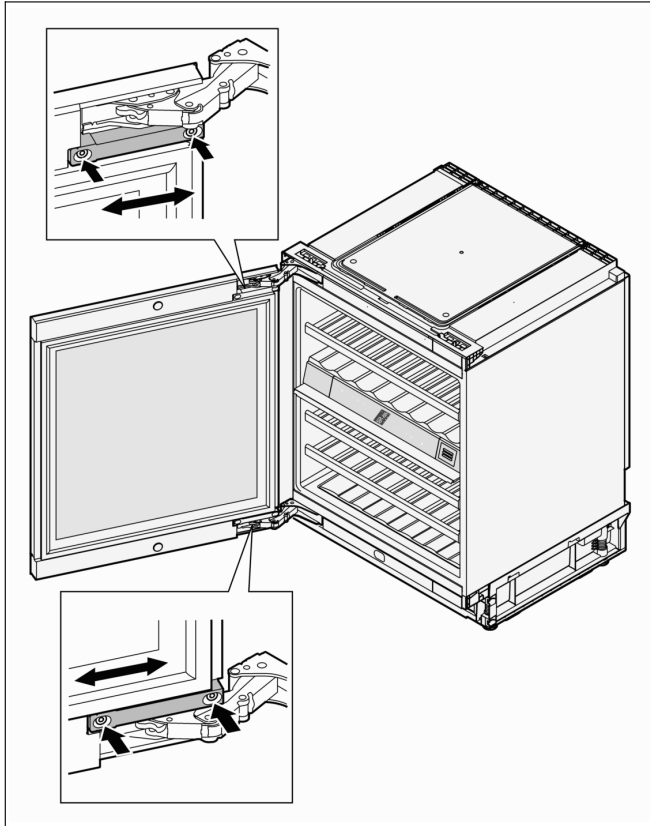
7. Remove the hinge covers.
8. Pull out the top angle bracket and insert it on the opposite side.
9. Pull out the bottom angle bracket and insert it on the opposite side.



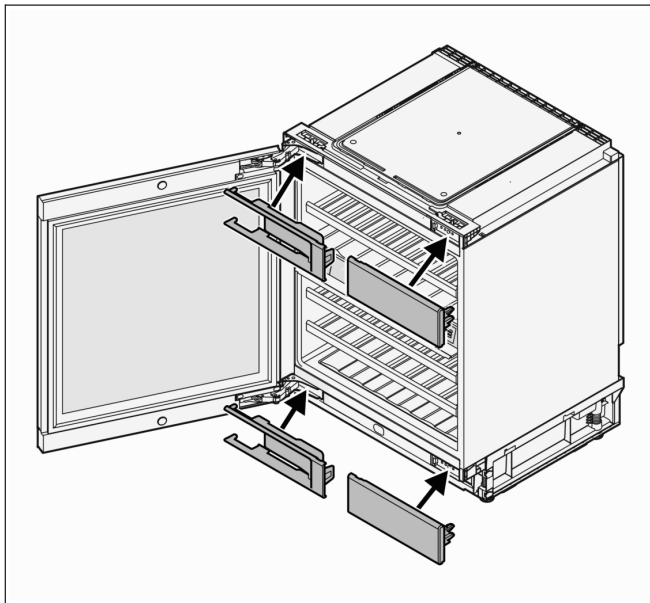
10. Work for second person: Insert the door on the appliance and hold it tight.
11. Screw on the top hinge, tighten the screws.
12. Screw on the bottom hinge, tighten the screws.



13. Close the door and check whether the door is in line with the side walls of the appliance.

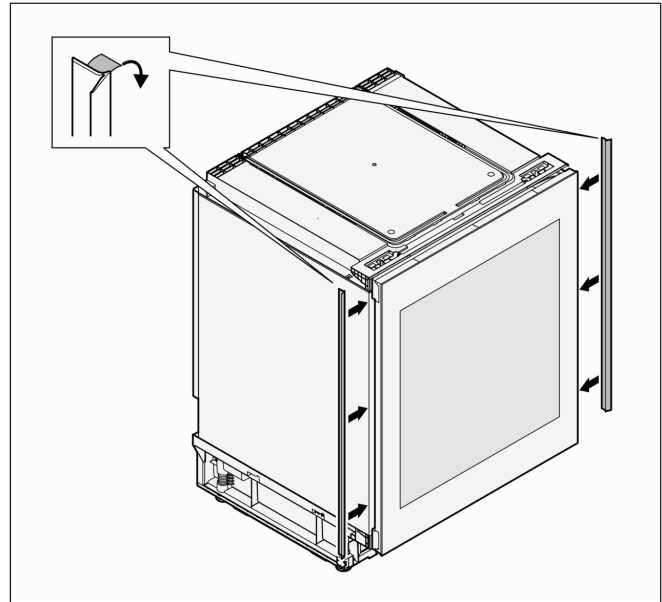


If the door is crooked: Adjust the angle; to do this, open the door, loosen the marked screws, adjust the door, and re-tighten the screws.

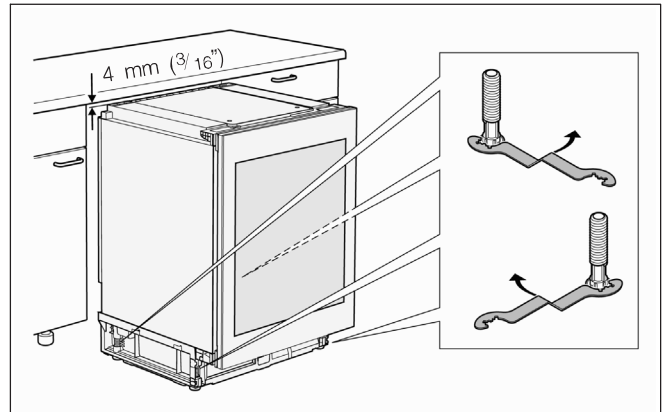


14. Replace the hinge covers.

Installing the appliance



1. Remove the protective film from the cover strips and affix cover strips left and right on the front edge of the appliance.

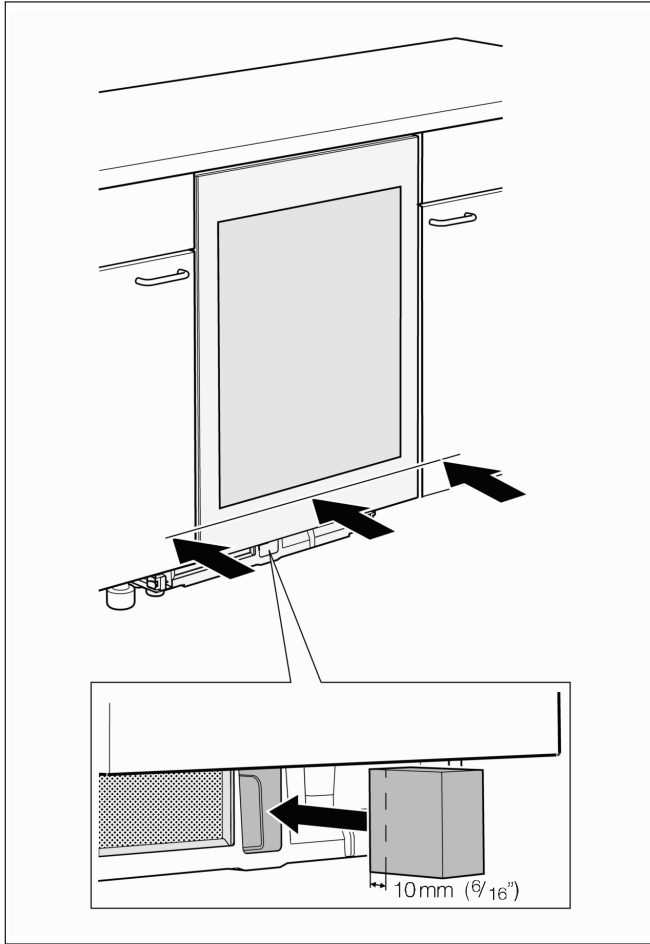


2. Adjust all 4 adjustable feet with the included key so that the appliance stands level and the appliance is 4 mm ($\frac{3}{16}$ ") from the upper edge of the installation niche.
Apply the key according to the direction of rotation.
Clockwise direction of rotation: lift the appliance.
Counter-clockwise direction of rotation: lower the appliance.

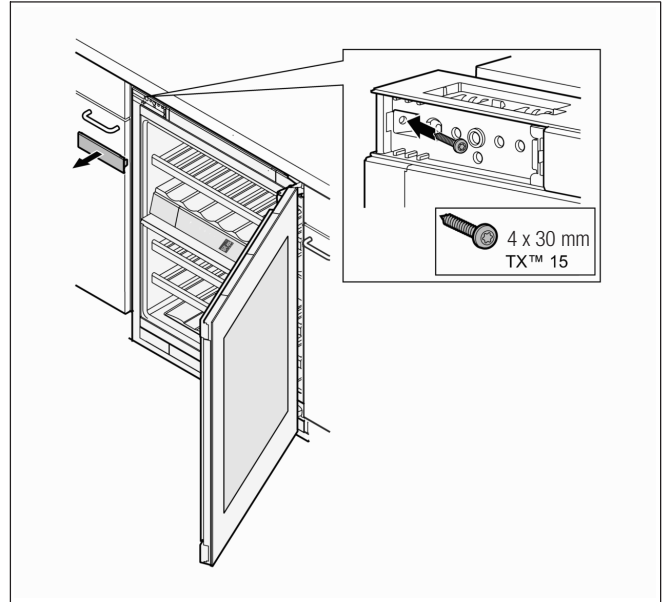
NOTICE

Risk of damage!

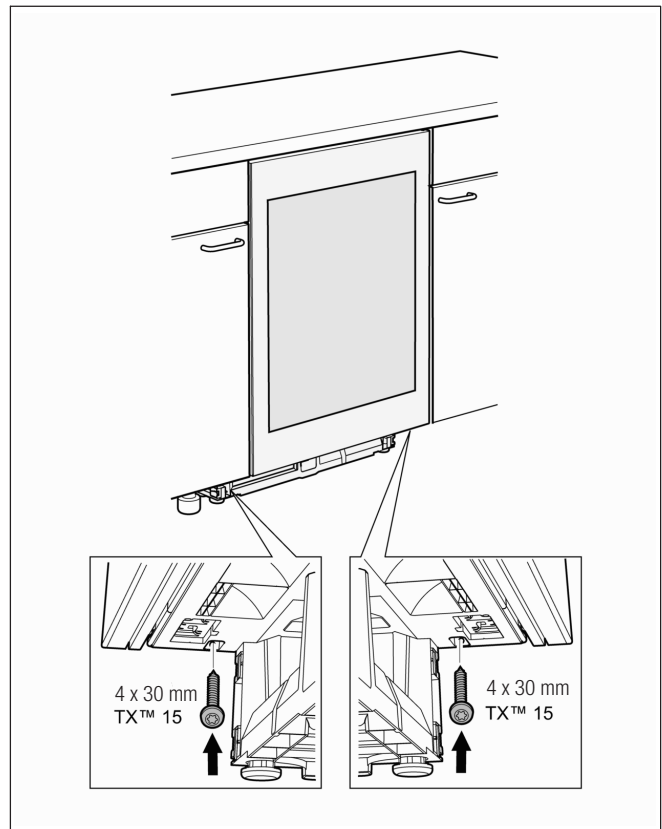
If the appliance is crooked, the appliance body can deform and the door will not close properly.
Align the appliance horizontally and vertically.



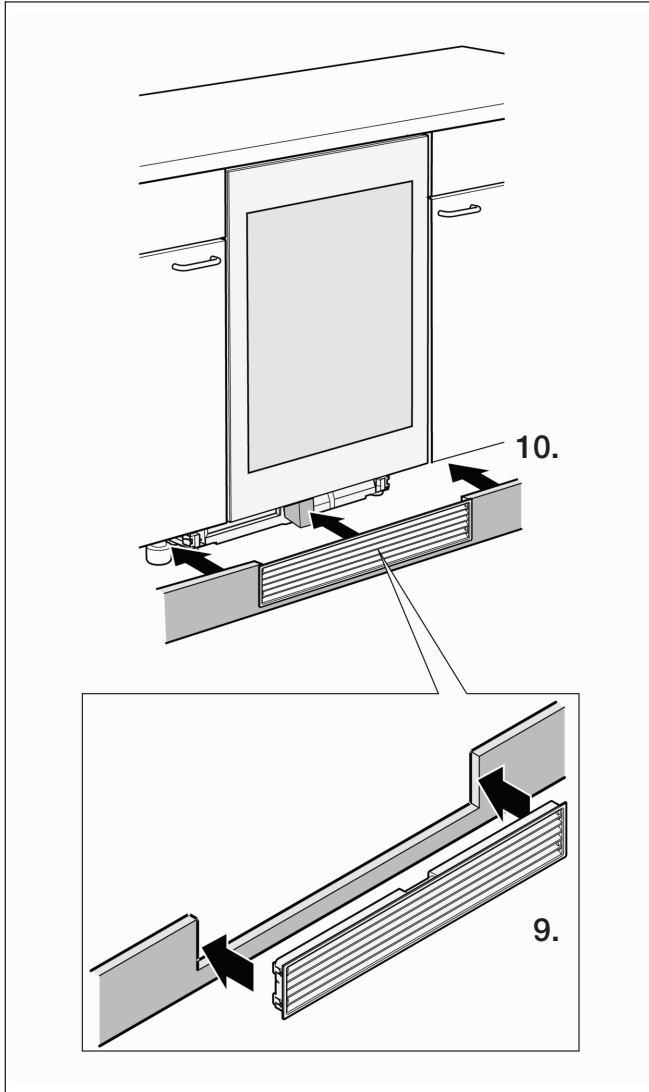
3. Push appliance into the installation niche until the door of the appliance is flush with the furniture fronts. While so doing, make sure that the power cable is not damaged.
4. Insert the foam part approx. 10 mm ($\frac{6}{16}$ "") into the opening in the appliance base shown in the picture.
Important: If the foam part is not inserted, the appliance will not achieve its full cooling output.
5. Open the door.



6. Remove the cover and screw the top of the appliance to the furniture body using the included screws.
7. Replace the cover.



8. Screw the appliance to the furniture body at the left and right bottom using the two other included screws.



9. Insert the air grille in the base plate.
10. Insert the base plate into the appliance.
Here, the foam part is pushed into the final position.

Important:
The foam part must lie against the air grille.

Electrical connection

The electrical outlet to which the appliance is connected must be easily accessible. Connect the appliance to 110-120 VAC, 15 amp circuit that is controlled by a circuit breaker or fuse.



WARNING



Avoid electric shock hazard!

- Plug into a grounded 3 prong outlet.
- Do not remove ground prong.
- Do not use an adapter.
- Do not use an extension cord.

Failure to follow these instructions can result in death, fire, or electric shock.

Improper connection of the equipment grounding conductor may result in electric shock. Have the appliance checked by a qualified electrician or service technician if you are in doubt as to whether the appliance has been properly grounded.

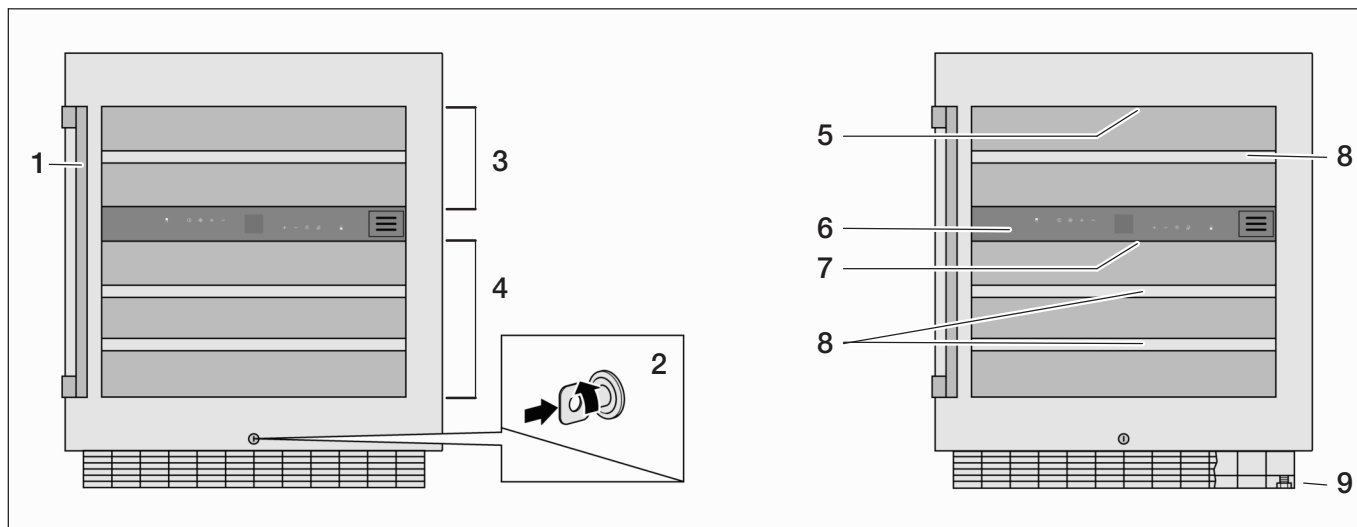
Before start-up

Clean the interior of the appliance before operating it for the first time (see "Cleaning the appliance").

Before operating for the first time, rub the stainless steel surfaces of the door with the included care cloth in the direction of the grain when they are cold. Appliances that have already been used must first be pre-cleaned with hot water and a little dishwashing detergent.

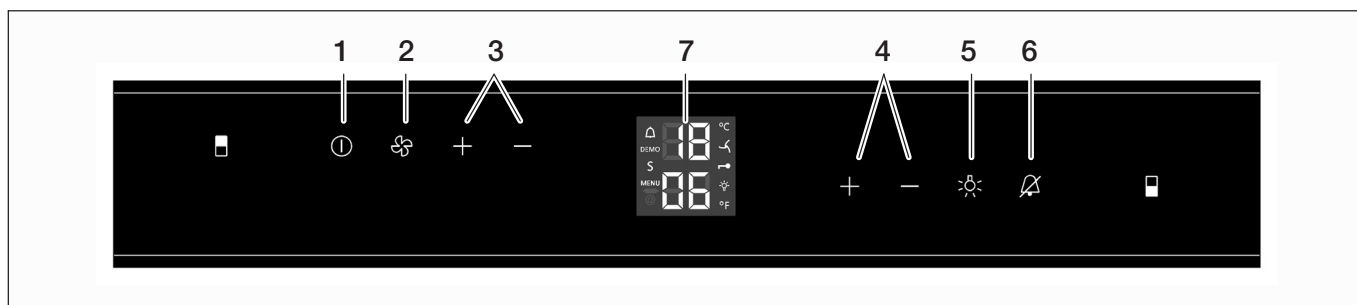
After letting them soak briefly, rub the stainless steel surfaces of the door with a dry, lint-free cloth or paper towel. Repeat this treatment at regular intervals. Additional care cloths are available from customer service; ident. no. 00311134.

Getting to know your appliance



- | | |
|----------------------|--|
| 1 Handle | 5 Interior lighting of top compartment |
| 2 Lock | 6 Operating panel with display and sensor keys |
| 3 Top compartment | 7 Interior lighting of bottom compartment |
| 4 Bottom compartment | 8 Pull-out bottle shelves |
| | 9 Adjustable feet |

Operating elements

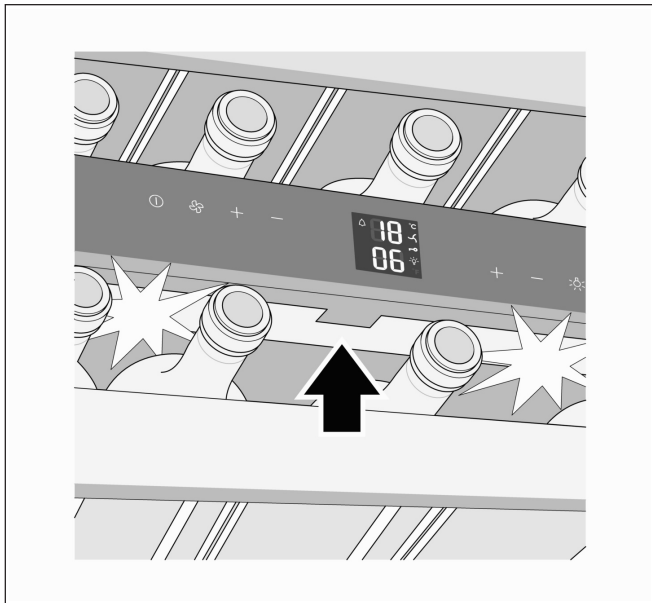


- | | |
|---|--|
| 1 On/off button | 7 Display for the temperature display and display of switched-on functions |
| 2 Fan button | MENU Setting mode, e.g. for setting the display brightness |
| 3 Temperature setting keys +/– top compartment | DEMO Presentation mode, see "Eliminating malfunctions yourself" |
| 4 Temperature setting keys +/– bottom compartment | Alarm (temperature in interior too high / door open longer than 1 minute) |
| 5 Interior lighting button | Fan in the interior switched on permanently |
| 6 Alarm off button | Child lock activated |
| | Interior lighting switched on permanently |
| | Sabbath mode |

Equipment

LED interior lighting

The interior is lit by 2 LED light strips in the top and bottom compartments.



The lighting switches on when the door is opened. Approximately 3 seconds after closing the door, the lighting switches off again.

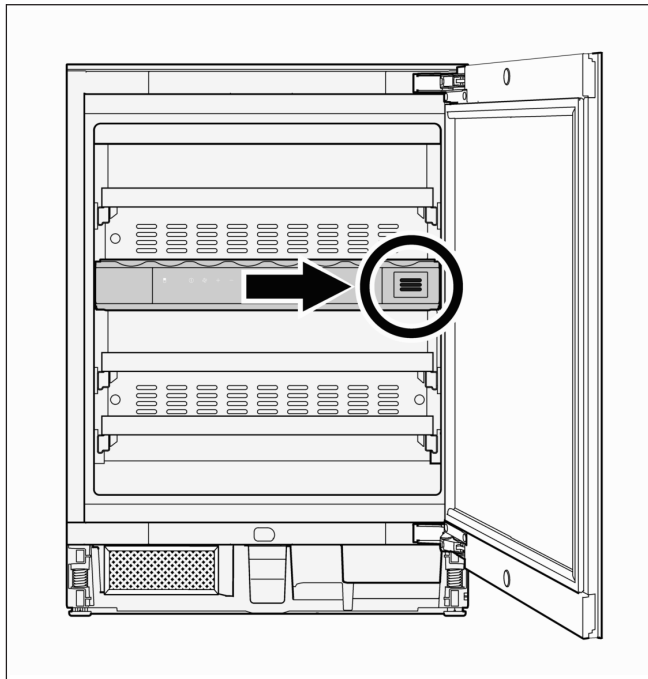
⚠ WARNING ⚠

Danger of damage to eyes!
The light intensity of the LED lighting corresponds to laser class 1/1M.
The cover of the LED light strip may only be removed by customer service.
Do not look directly into the LED lighting with optical lenses.

Notice:
With the interior lighting button, it is possible to switch the lighting on permanently; see "Switching on the lighting permanently."

Air exchange through active carbon filter

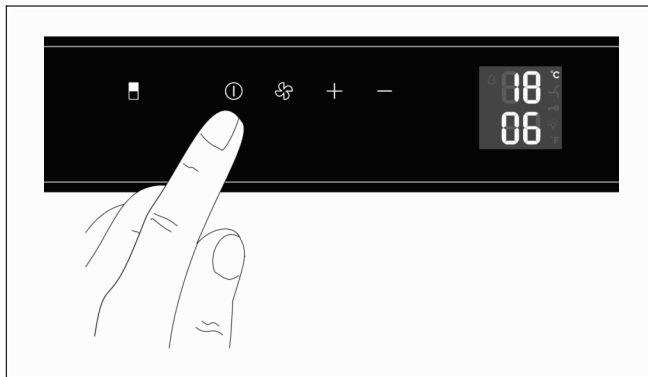
Wines continue to develop depending on the ambient conditions; therefore the quality of the air is decisive for their conservation. This is why there is an active carbon filter inside the appliance.



Operating the appliance

Switching the appliance on

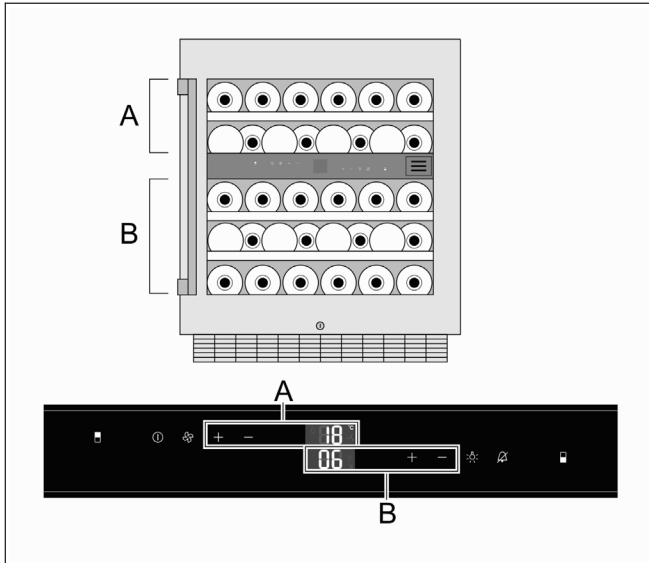
1. Plug in the power cord.



2. Press the on/off button until the temperature display lights up.

Setting the temperature

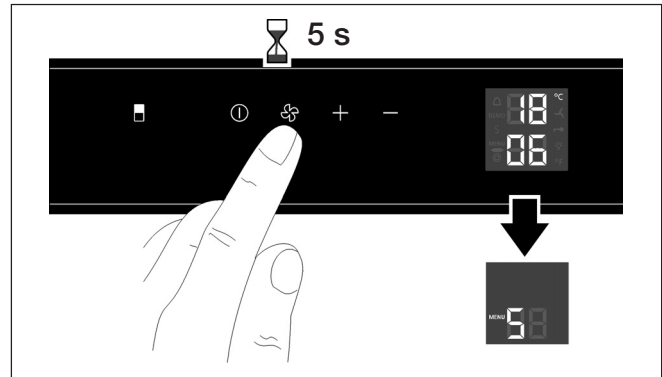
The temperature can be adjusted independently in both compartments in the range +41 °F ... +68 °F (+5 °C ... +20 °C).



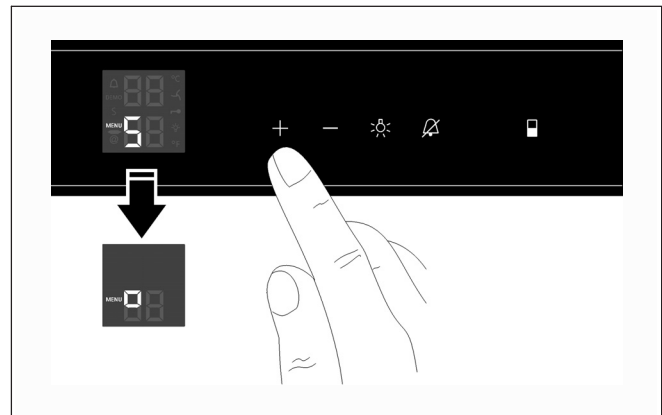
1. Press the **+** or **-** button of the compartment whose temperature should be set.
The compartment's temperature indicator begins to blink.
2. Press the **+** or **-** button until the desired temperature is set.
 - +** button: Increase temperature (warmer)
 - button: Reduce temperature (colder)
 With each press of the button, the set value changes by 1 degree.

Approximately 5 seconds after the last press of a button, the electronics save the set temperature. The display then shows the actual temperature.

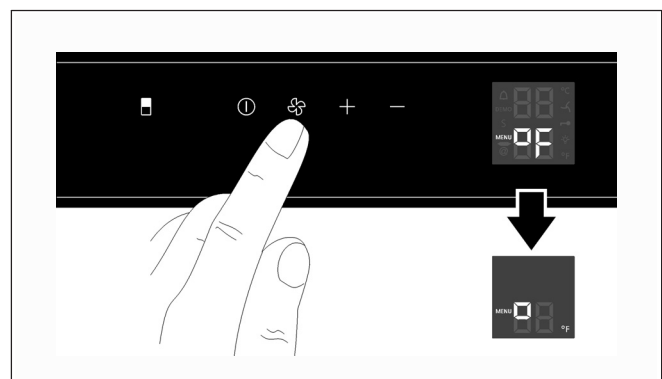
Switching the temperature unit (°C ↔ °F)



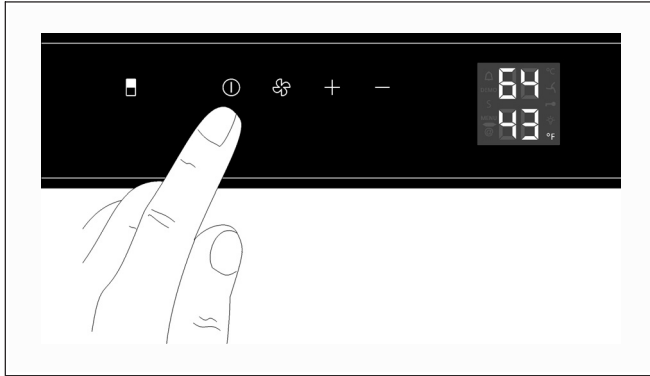
1. Press the fan button for approx. 5 seconds.
On the display, "MENU" appears for the setting mode; "S" (Sabbath mode) also blinks.



2. Press the right plus button until "°" appears on the display.



3. Press the fan button to confirm.
"°C" or "°F" blinks on the display for the currently inactive temperature unit.
4. Press the fan button to confirm.
"°" and the activated temperature unit appear on the display.

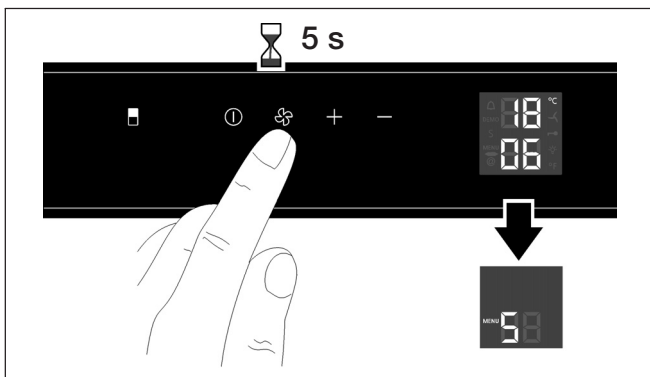


6. Press the on/off button to exit the setting mode. The current temperatures appear on the display in the new temperature unit.

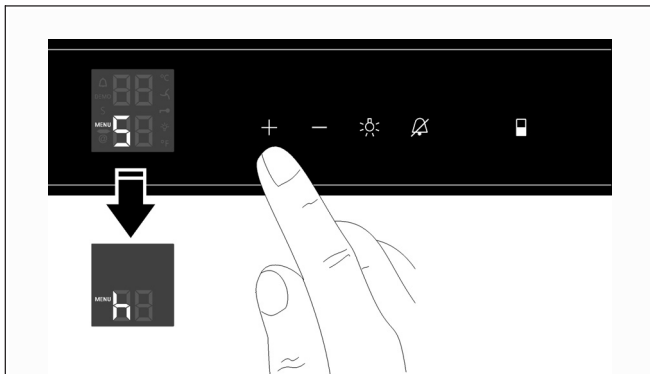
Setting the display brightness

Notice:

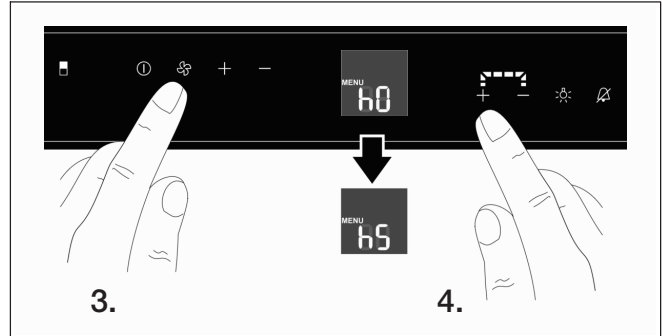
During start-up, the set display brightness only becomes effective when the set interior temperatures are reached.



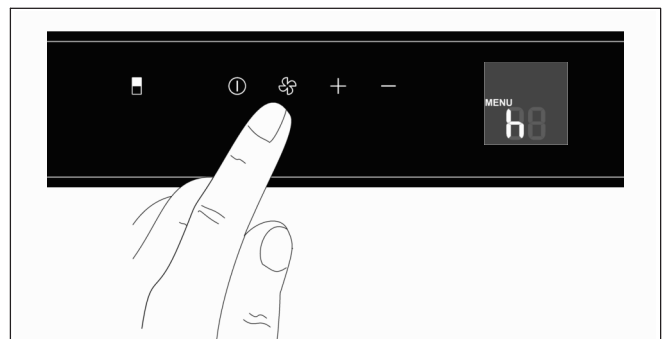
1. Press the fan button for approx. 5 seconds. On the display, "MENU" appears for the setting mode; "S" (Sabbath mode) also blinks.



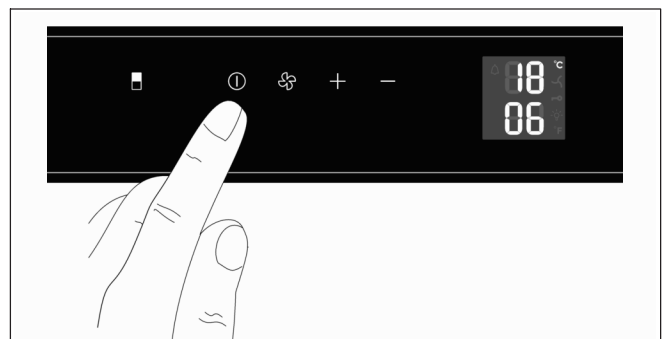
2. Press the right plus button until "h" appears on the display for the brightness setting.



3. Press the fan button to confirm. The current value of the brightness appears on the display: "h0" for lighting off to "h5" for maximum brightness.
4. Press the right plus or minus button until the desired value for the brightness appears on the display.



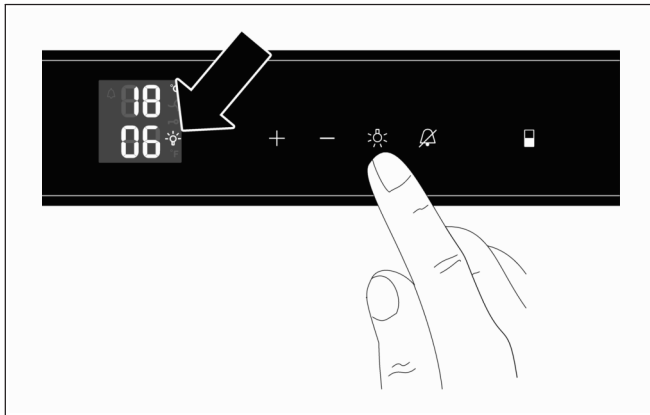
5. Press the fan button to confirm the changed value. "h" blinks on the display.



6. Press the on/off button to exit the setting mode.

After approx. 1 minute, the display brightness is changed to the set value.

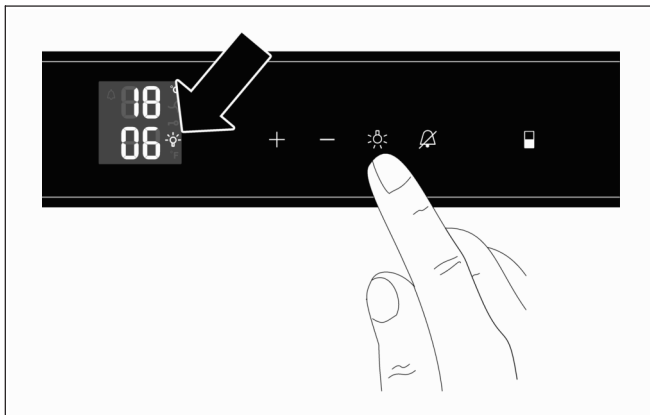
Switching on the lighting permanently



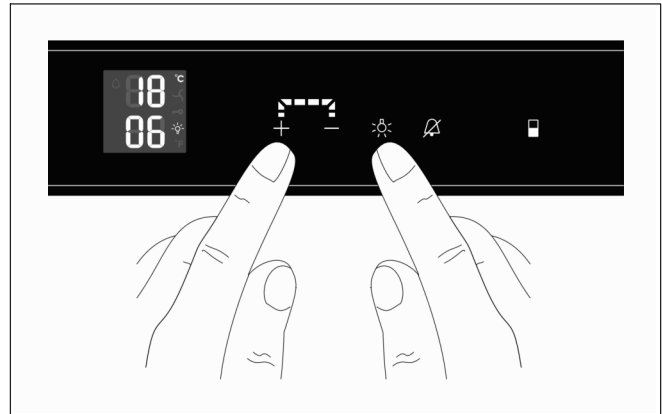
- Press the interior lighting button. The symbol for the permanently switched-on interior lighting appears on the display.

To switch off the permanent lighting, press the interior lighting button again.

Setting the brightness of the permanent lighting



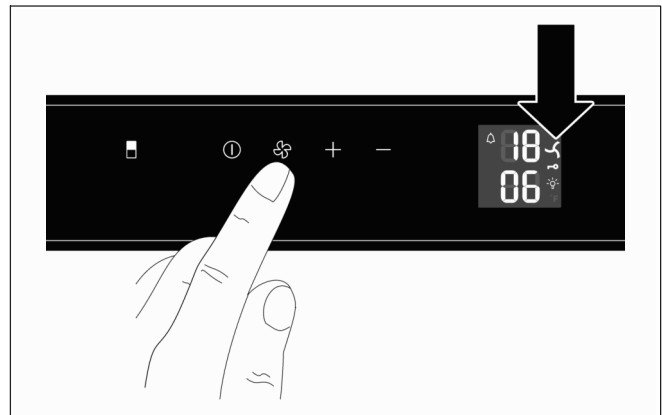
1. Press the interior lighting button. The symbol for the permanently switched-on interior lighting appears on the display.



2. Press the interior lighting button and hold it down.
3. Press the adjacent plus or minus button in order to set the desired brightness.
4. Release the interior lighting button.
5. If necessary, press the interior lighting button to switch the permanent lighting on again.

Fan

For the long-term storage of wine, the fan should be activated. This way, a climate is achieved in the interior that corresponds to a wine cellar. Thanks to the increased humidity, the corks will not dry out.



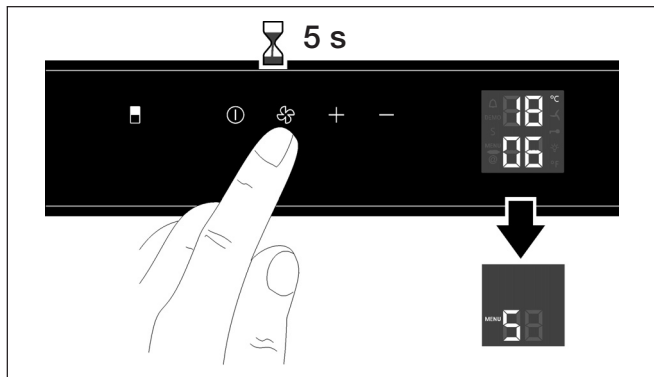
- Press the fan button. When the fan is switched on, the fan symbol will appear on the display.

The fan can be switched off by pressing the fan button again.

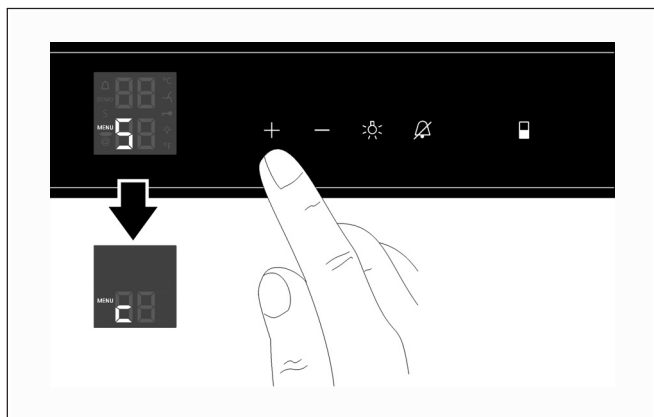
Child lock

The child lock protects the appliance against unwanted switching off.

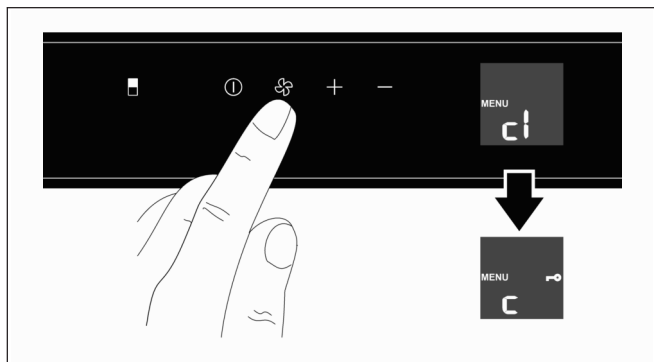
Activating the child lock



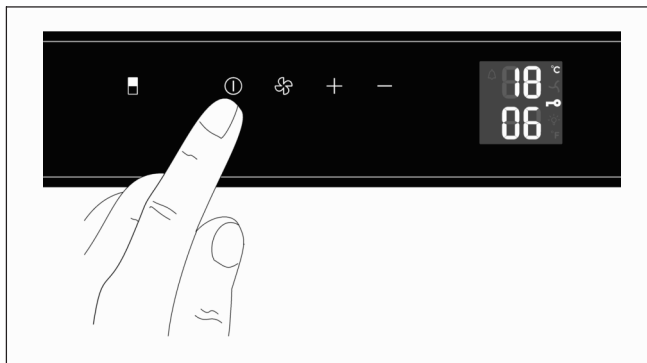
1. Press the fan button for approx. 5 seconds. On the display, "MENU" appears for the setting mode; "S" (Sabbath mode) also blinks.



2. Press the right plus button. "c" for child lock blinks on the display.



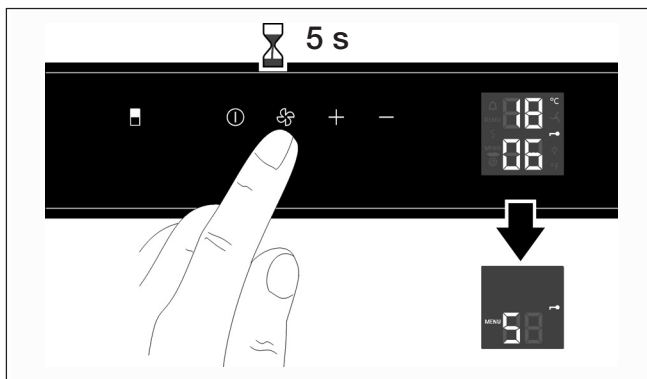
3. Press the fan button briefly. "c1" (activate child lock) appears on the display.
4. Press the fan button to confirm. "c" and the lock symbol appear on the display.



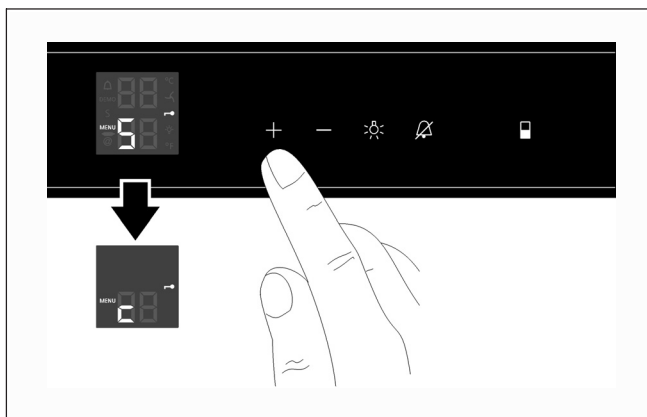
5. Press the on/off button to exit the setting mode.

On the display, the lock symbol for the active child lock appears next to the current temperature.

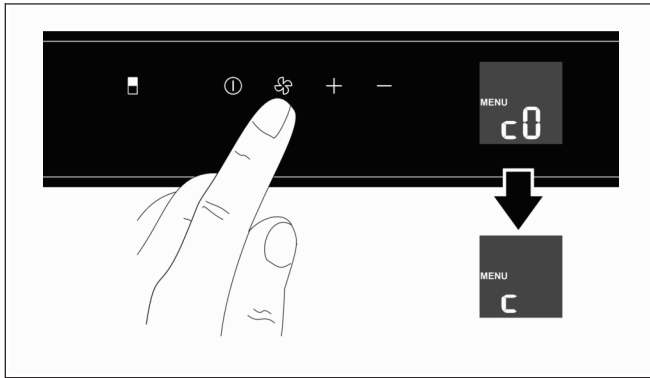
Deactivating the child lock



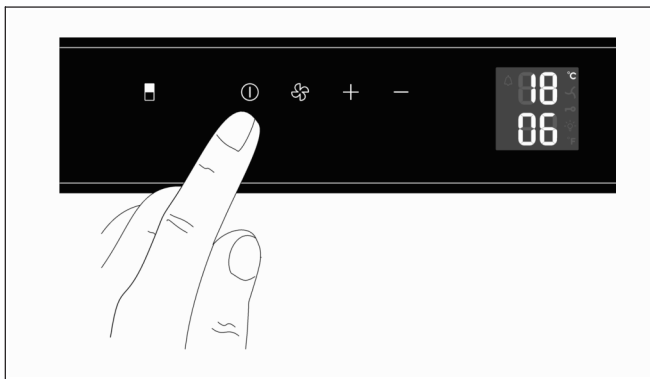
1. Press the fan button for approx. 5 seconds. On the display, "MENU" appears for the setting mode; "S" (Sabbath mode) also blinks.



2. Press the right plus button. "c" for child lock blinks on the display.



3. Press the fan button briefly.
"c0" (deactivate child lock) appears on the display.
4. Press the fan button to confirm.
"c" appears on the display.



5. Press the on/off button to exit the setting mode.

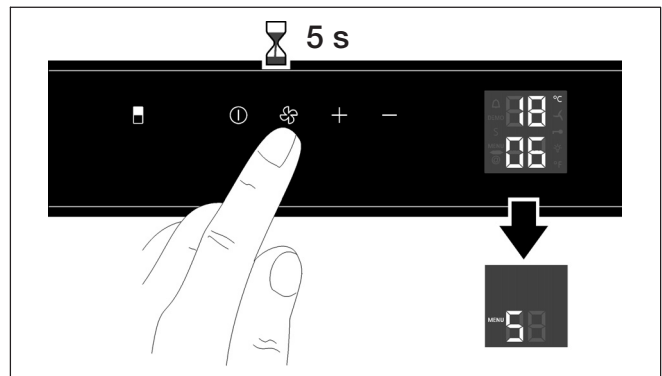
The child lock is deactivated. The current interior temperatures appear on the display.

Sabbath mode

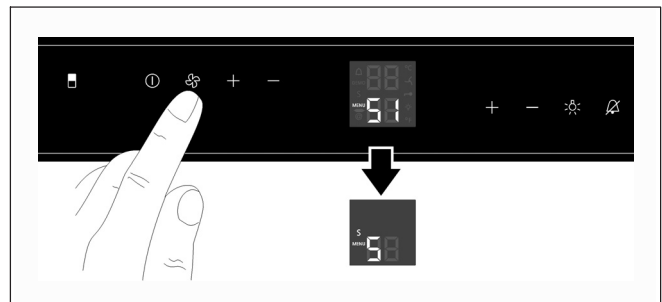
In Sabbath mode,

- only the symbol "S" appears on the display; the background lighting is switched off
- the appliance's alarms are suppressed
- the lighting and fan remains unchanged when the door is opened.

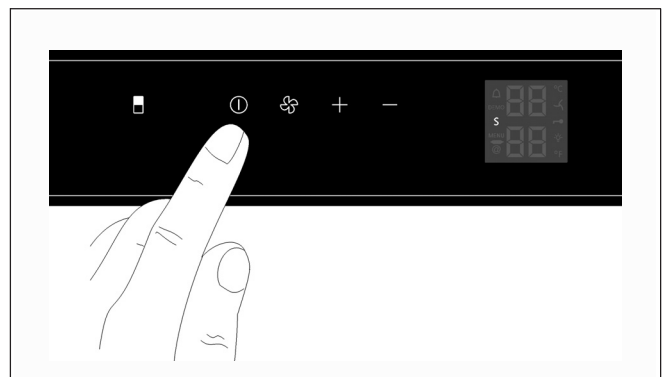
Activating Sabbath mode



1. Press the fan button for approx. 5 seconds.
On the display, "MENU" appears for the setting mode; "S" (Sabbath mode) also blinks.



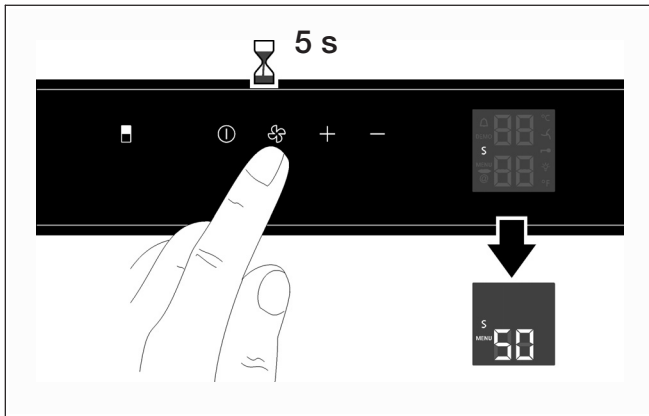
2. Press the fan button to confirm.
"S1" blinks on the display (activate Sabbath mode).
3. Press the fan button to confirm.
An "S" over "MENU" appears on the display, indicating the selected Sabbath mode.



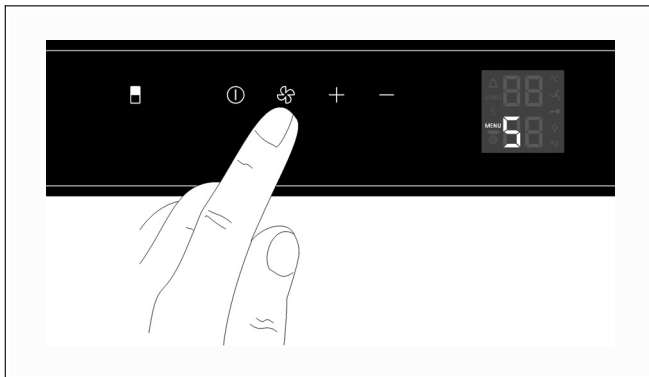
4. Press the on/off button to exit the setting mode.

The Sabbath mode is now active; only "S" for Sabbath mode appears on the display.

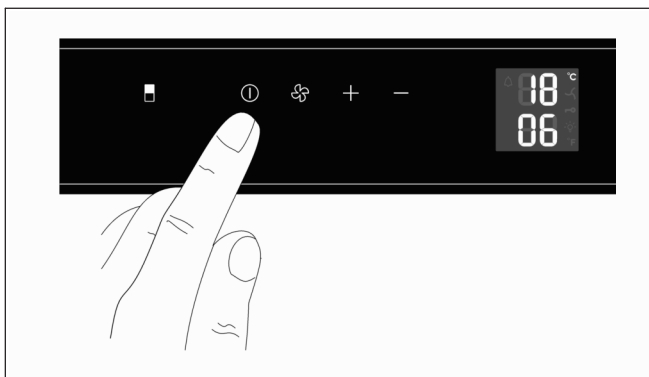
Deactivating Sabbath mode



1. Press the fan button for approx. 5 seconds. "S" appears on the left edge of the display for the active Sabbath mode and "MENU" for the setting mode; "S0" (deactivate Sabbath mode) also blinks.



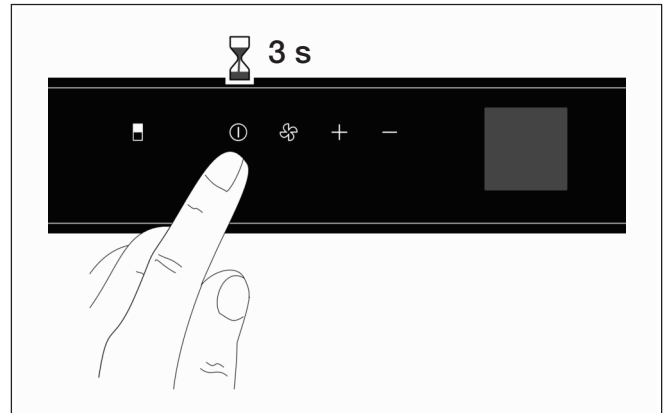
2. Press the fan button to confirm. "S" on the left edge of the display goes out, "S" appears on the display.



3. Press the on/off button to exit the setting mode.

The current temperatures appear again on the display.

Switching the appliance off



- Press the on/off button until the temperature display goes out.

Defrosting

The appliance defrosts automatically. The moisture that accumulates is fed to the outside into the defrost water condensation basin via the defrost water drain. The defrost water evaporates there due to the compressor heat.

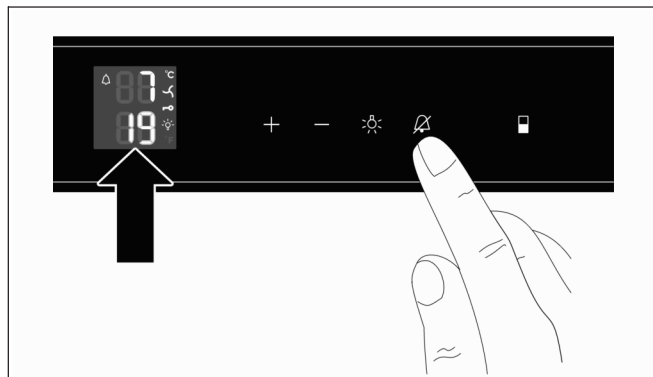
Alarm

Temperature alarm

The warning signal helps you protect your wines against improper temperatures. It sounds if the interior is too cold or too warm. The temperature indicator blinks at the same time.

The alarm always sounds if the door is open for longer than 60 seconds.

Silencing the temperature alarm



- Press the alarm off button.

The warning signal is switched off. The temperature indicator continues to blink until the alarm state ends.

Determining the cause of the alarm

1. First check whether the door has not been closed properly.

Notice:

Each time the door is closed, the alarm-off function is deactivated again; if necessary, the warning signal must be switched off again with the alarm off button.

2. Check whether "DEMO" appears on the display. If this is the case, then the presentation mode has been activated inadvertently; in this mode the cooling unit is deactivated, however the appliance can be operated as usual.

Deactivate presentation mode as follows:

- Press the right plus button and the on/off button simultaneously for approximately 5 seconds until "MENU" and "d" appear on the display.
- Press the fan button. "d0" now appears on the display.
- Press the fan button again. The cooling unit starts, the current temperatures appear on the display once again.

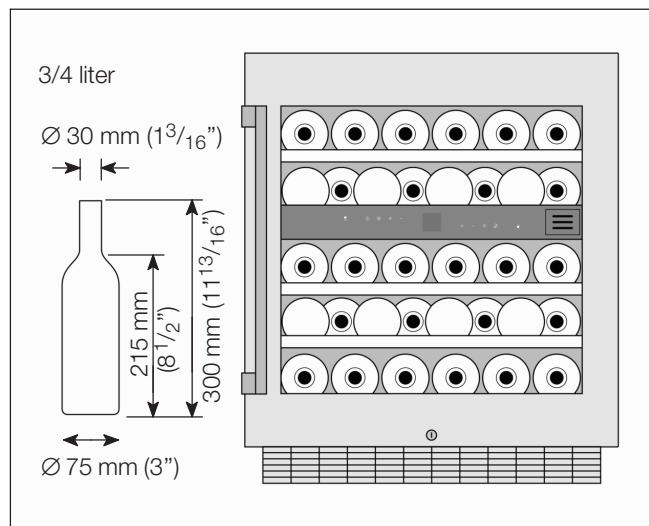
The appliance is now in normal operating mode.

If the temperature alarm is still on after 1 hour, contact customer service.

Wine storage

Storage

Capacity of the appliance:
34 bottles (0.75 liter Bordeaux bottles)



Tips

- Keep bottled wine essentially unpacked – not in cases or cartons.
- Old bottles must be placed so that the cork is always moist. There should never be air between the wine and cork.
- Before serving it, the wine should be "warmed up" (left at room temperature):
Remove the rosé approx. 2 ... 5 hours, the red approx. 4 ... 5 hours before serving and place it on the table; these wines will then be at the right drinking temperature. By contrast, white wine should be placed on the table immediately before serving. Champagne should be cooled in the refrigerator shortly before serving it.
- Consider that wines should always be cooled somewhat lower than their ideal serving temperature since they warm up by 1 ... 2 °C (2 ... 4 °F) when they are poured into the glass!

Drinking temperatures

The right serving temperature determines the right taste of the wine and thus your drinking enjoyment.

We recommend serving wine at the following drinking temperatures:

Type of wine	Drinking temperature
Great Bordeaux red	64 °F (18 °C)
Côtes du Rhône red / Barolo	63 °F (17 °C)
Great Burgundy red / Bordeaux red	61 °F (16 °C)
Port	59 °F (15 °C)
Young Burgundy red	57 °F (14 °C)
Young red wines	54 °F (12 °C)
Young Beaujolais / all white wines with little remaining sweetness	52 °F (11 °C)
Old white wines / great Chardonnay	50 °F (10 °C)
Sherry	48 °F (9 °C)
Young white wines from late harvest	47 °F (8 °C)
Loire white wines / Entre-deux-Mers	45 °F (7 °C)

Maintenance

Cleaning the appliance



WARNING



Unplug or switch off the fuse.

- Only clean the door seal with clear water and rub dry thoroughly.
- Clean the appliance with lukewarm water. The water may not reach the operating panel or lighting.

NOTICE

Never clean shelves and containers in a dishwasher. The parts may warp.

After cleaning, unplug or switch off the fuse.

Please note that as with other forms of storage, depending on the glue used on the label, there may be slight mold formation. The remedy for this is to carefully clean the bottles of any residual glue.



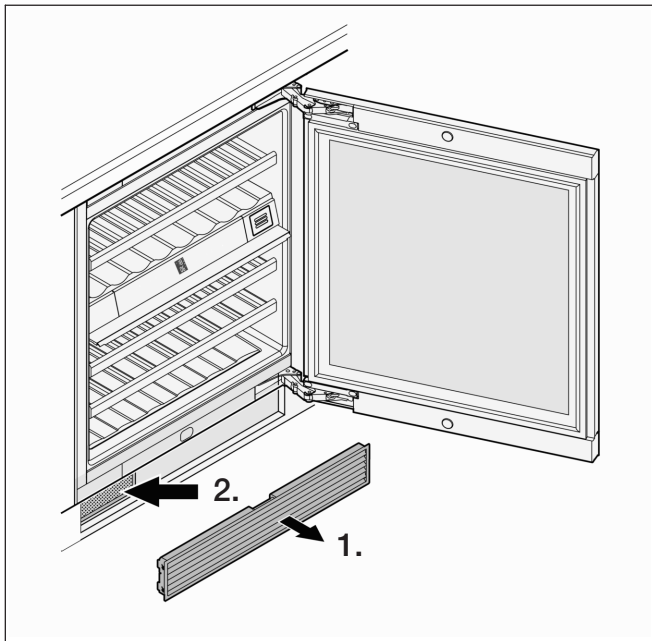
WARNING



Never use a steam cleaner to clean the appliance. The steam may damage electrical parts and cause a short-circuit or electric shock. The steam can damage the plastic surfaces.

Cleaning the dust filter

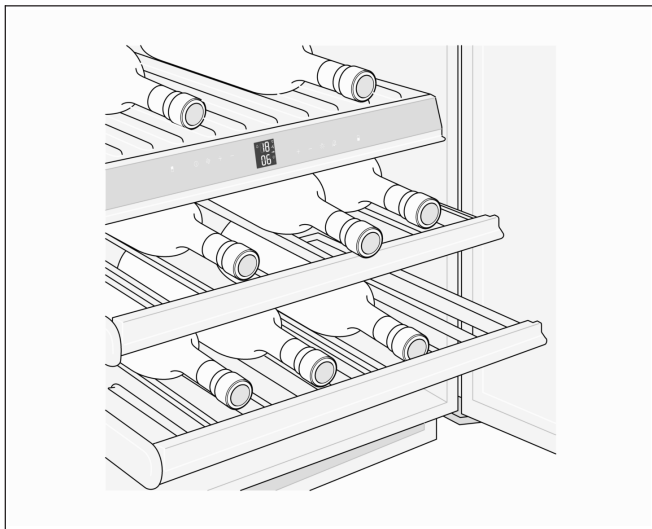
The dust filter in the appliance base must be cleaned at least once a year.



1. Remove the air grille from the furniture base.
2. Clean the dust filter with a vacuum cleaner.
3. Replace the air grille.

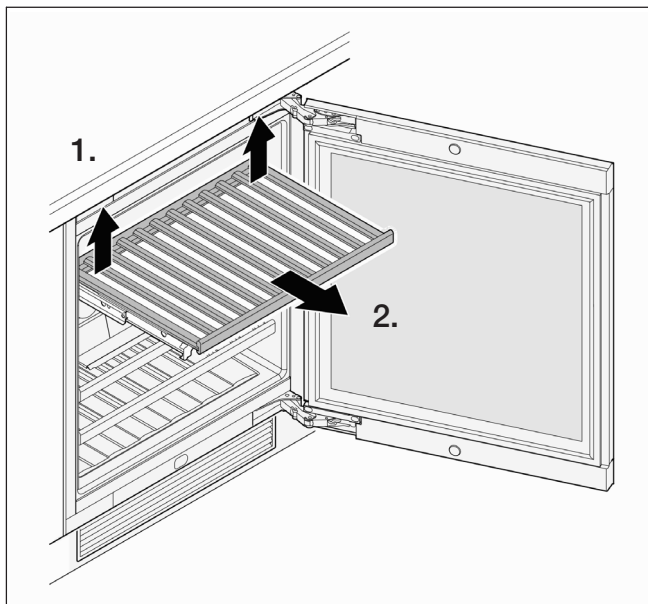
Removing/inserting the bottle shelves

The bottle shelves allow convenient removal of the wine bottles.



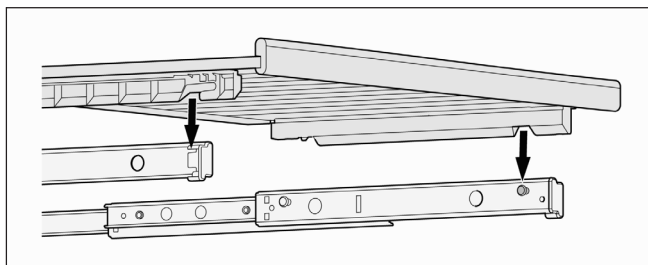
The bottle shelves can be removed for easier cleaning of the interior.

Removing a bottle shelf

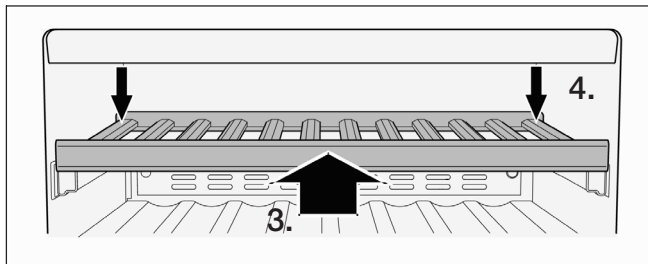


- Pull the bottle shelf upward at the rear left and right (snap out) and remove toward the front.

Inserting a bottle shelf

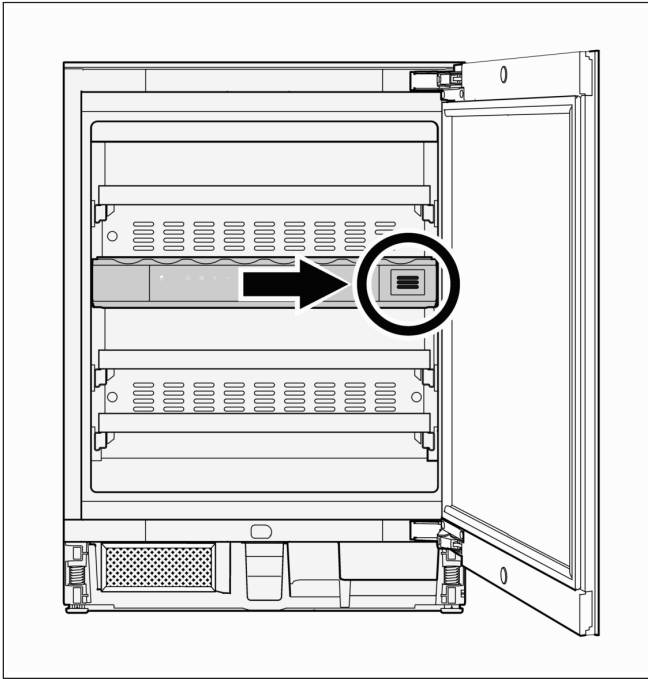


1. Remove the pull-out rails entirely. Place the bottle shelf with the front recesses on the holding bolts.
2. Push the bottle shelf with the pull-out rails into the appliance up to the stop.

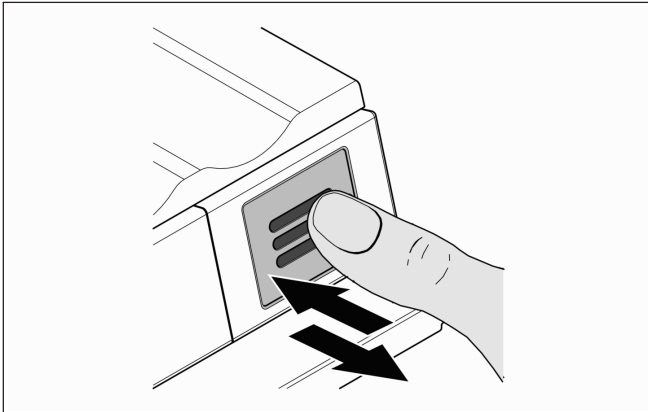


3. Press the bottle shelf all the way to the back so that it snaps in at the front.
4. Press the bottle shelf down in the rear left and right and snap it in.

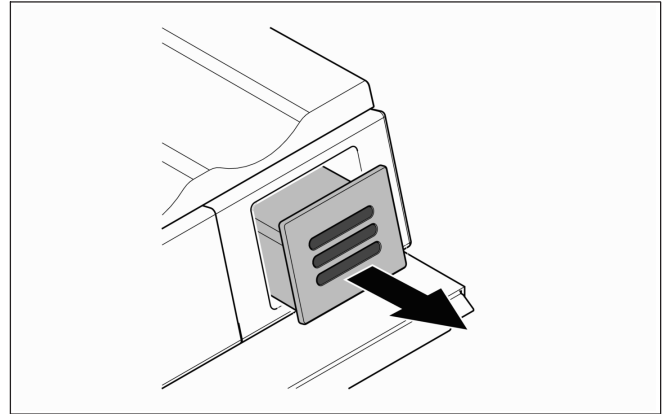
Replacing the active carbon filter



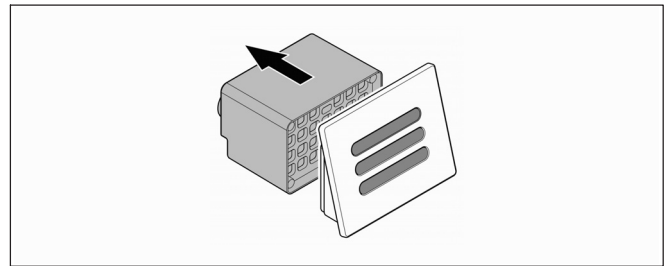
We recommend changing the filter depicted once a year; you can order one from your dealer or customer service.



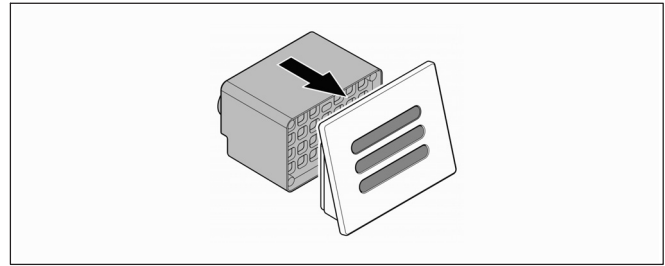
1. Press the filter in and release it again.



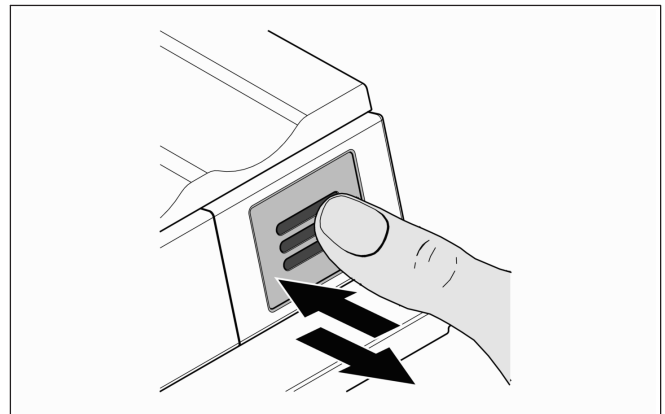
2. Pull out the filter.



3. Pull off the rear part of the filter.



4. Place the new filter on the cover.



5. Insert the filter, press in up to the stop, and let it go. The filter locks automatically. You can hear a click.

Malfunctions, what to do?

Care tips for stainless steel surfaces

Use the "Chromol" cleanser to care for the stainless steel surfaces.

You can get "Chromol" from dealers or customer service using the

- **Ident no. 00310359** as 500 ml (17 fl. oz.) spray bottle and
- **Ident no. 00166787** as 50 ml (1.7 fl. oz.) trial bottle.

In order to avoid damaging the surfaces, do not use sponges, metal brushes, sharp-edged objects or scouring agents.

Also do not use aggressive chemical cleansers such as defrost sprays, oven sprays, solvents or spot remover.

Noises

Normal noises

Humming: A motor is running, e.g. cooling unit, fan.

Bubbling, buzzing or gurgling: Coolant is flowing through the pipes.

Clicking: Motor, switch or magnetic valves are switching on or off.

Solving simple noise problems

Appliance is not level: Align the appliance with a level. If necessary, place something underneath it.

Containers, racks or shelves wiggle or jam: Check removable parts and replace if necessary.

Bottles or containers touch one another: Move bottles or containers slightly apart.

Before contacting customer service:

Please check whether you can troubleshoot the problem yourself based on the following information.

Customer service will charge you for advice, even if the appliance is still under warranty.

Eliminating malfunctions yourself

You can eliminate the following malfunctions yourself by checking the possible causes:

The appliance does not work

Please check:

- whether the plug is seated properly in the outlet and
- whether the fuse of the outlet is OK.

When plugging in the power plug, the cooling unit does not start up, however a value is displayed on the temperature indicator

If "DEMO" appears on the display, the presentation mode has been activated inadvertently.

Deactivate presentation mode as follows:

- 1 Press the right plus button and the on/off button simultaneously for approximately 5 seconds until "MENU" and "d" appear on the display.
- 2 Press the fan button.
"d0" now appears on the display.
- 3 Press the fan button again.
The cooling unit starts, the current temperatures appear on the display once again.

The appliance is now in normal operating mode.

The noises are too loud

Please check whether the appliance is standing firmly on the floor. Please note that streaming noises in the cooling circuit cannot be avoided.

Customer service

The temperature in your wine cabinet is too warm

Please check

- the setting using the "Setting the temperature" section,
- whether a thermometer inserted separately displays the correct value,
- the functionality of the ventilation,
- whether the dust filter in the appliance base is soiled – see section "Cleaning the dust filter,"
- to what extent the installation location is too close to a heat source.

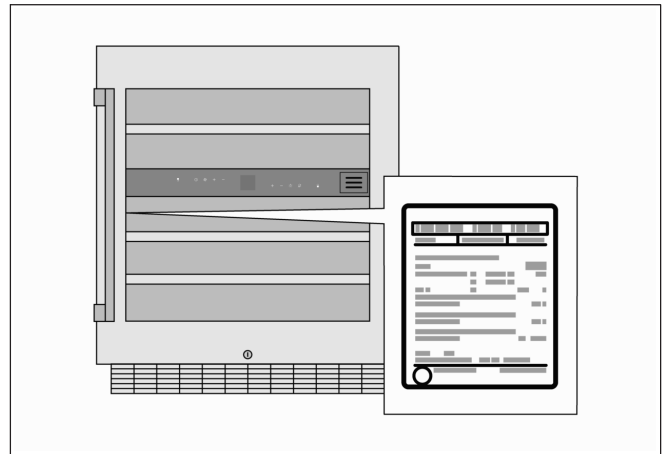
Taking the appliance out of service

If the appliance will be taken out of service for a longer period:

- Switch off the appliance.
- Unplug or switch off the fuse.
- Clean the appliance.
- Leave the door open to prevent odor formation.

If none of the causes named under "Eliminating malfunctions yourself" apply and you cannot eliminate the malfunction yourself, please contact the nearest customer service office.

You can find customer service near you in the telephone book or in the customer service directory. Please provide customer service with the appliance model number (E number) and serial number (FD number). You can find these details on the rating plate.



Please help by naming the manufacturing or production number in order to avoid unnecessary trips. You will therefore save yourself the associated additional costs.

Repair order and advice in case of malfunctions

The contact data for all countries is in the included customer service directory.

US 877 442 4436 toll-free

Table des matières

Instructions de sécurité	29	Mode Sabbat	45
À propos de ces instructions	29	Arrêt de l'appareil	46
Risque d'explosion !	29	Dégivrage	46
Risque d'électrocution !	29	Alarme	46
Risque de blessure !	29	Alarme de température	46
Connexion électrique	29	Entreposage du vin	47
Consignes pour la mise à la terre	29	Entreposage	47
Prévention des risques pour les enfants et les personnes à risque	30	Conseils	47
Dommmages matériels	30	Températures de dégustation	48
Définitions	30	Entretien	48
Utilisation prévue	30	Nettoyage de l'appareil	48
Protection de l'environnement	30	Nettoyage du filtre à poussière	49
Emballage	30	Retirer ou insérer les étagères à bouteilles	49
Mise au rebut de l'ancien appareil	31	Remplacement du filtre à charbon actif	50
Élimination des CFC	31	Conseils d'entretien pour les surfaces en acier inoxydable	51
Installation et branchement	31	Bruits de fonctionnement	51
Contenu de la livraison	31	Bruits normaux	51
Plaque signalétique	32	Éviter les petits problèmes de bruits	51
Conditions d'installation	32	Que faire en cas de défaillances ?	51
Installation de l'appareil	33	Éliminer les défaillances par vous-même	51
Connexion électrique	38	Mettre l'appareil hors service	52
Apprendre à connaître votre appareil	39	Service après-vente	52
Éléments de fonctionnement	39	Conseils et ordres de réparation en cas de défaillances	52
Équipement	40		
Utilisation de l'appareil	40		
Mise en marche de l'appareil	40		
Réglage de la température	41		
Modifier l'unité de température (°C ↔ °F)	41		
Réglage de la luminosité de l'affichage	42		
Activation permanente de l'éclairage	43		
Réglage de la luminosité de l'éclairage permanent	43		
Ventilateur	43		
Verrouillage pour les enfants	44		

Instructions de sécurité

À propos de ces instructions

Veillez lire attentivement les instructions d'installation et d'utilisation. Elles contiennent des informations importantes sur l'installation, l'utilisation et l'entretien de l'appareil.

Le fabricant n'assume aucune responsabilité si vous ignorez les instructions et les avertissements contenus dans les instructions d'utilisation.

Conservez toute la documentation pour une utilisation ultérieure ou pour le prochain propriétaire.

Risque d'explosion !

- N'utilisez jamais d'appareils électriques à l'intérieur de l'appareil (comme une chauffe-eau, une machine à glaçons électrique, etc.).
- Les bouteilles contenant un pourcentage élevé d'alcool doivent être bien scellées et entreposées en position debout.

Risque d'électrocution !

- Ne dégivrez ni ne nettoyez jamais l'appareil avec un nettoyeur à vapeur. La vapeur risque d'atteindre des pièces électriques et de provoquer un court-circuit.
- Pour le dégivrage et le nettoyage, débranchez l'appareil ou désactivez les fusibles. Ne tirez pas sur le cordon pour débrancher l'appareil.
- Si le cordon d'alimentation de l'appareil est endommagé, il doit être remplacé par le fabricant, le service après-vente ou une autre personne qualifiée. Les installations et réparations inappropriées peuvent engendrer des risques considérables pour l'utilisateur.
- Les réparations peuvent seulement être effectuées par le fabricant, le service après-vente ou une autre personne qualifiée.
- Seules les pièces originales du fabricant doivent être utilisées. Elles sont les seules pièces qui sont garanties par le fabricant pour répondre entièrement aux critères de sécurité.
- Une rallonge pour le cordon d'alimentation peut être commandée auprès du service après-vente.

Risque de blessure !

⚠	AVERTISSEMENT	⚠
Danger de lésions aux yeux ! L'intensité de l'éclairage DEL correspond à un laser de classe 1/1M. Le recouvrement de la bandelette de lumières DEL peut seulement être retiré par le service après-vente. N'observez jamais l'éclairage DEL avec des lentilles optiques.		

Connexion électrique

Cet appareil est doté d'un cordon d'alimentation à 3 broches classé UL.

Cet appareil requiert une prise à 3 broches.

La prise doit être installée par un électricien agréé seulement.

L'appareil doit être branché à un circuit 110-120 V en courant alternatif, de 15 ampères qui est contrôlé par un disjoncteur ou un fusible.

Consignes pour la mise à la terre

L'appareil doit être mis à la terre. Dans l'éventualité d'une déféctuosité ou d'une panne, la mise à la terre réduit le risque de décharge électrique en fournissant le chemin le moins résistant pour le courant électrique.

Une mauvaise connexion du conducteur de mise à la terre de l'équipement peut entraîner une décharge électrique. Faites vérifier votre appareil par un électricien ou un technicien d'entretien qualifié si vous doutez de la connexion de mise à la terre de l'appareil.

Certaines réglementations locales peuvent exiger une mise à la terre séparée. Dans de tels cas, le fil, la pince et la vis de mise à la terre accessoires doivent être achetés séparément.

Ne faites jamais la mise à la terre de l'appareil sur de la tuyauterie, de la canalisation d'essence ou des conduites d'eau en plastique.

Prévention des risques pour les enfants et les personnes à risque

Les personnes à risque sont :

- Les enfants,
- Les personnes qui sont limitées physiquement ou psychologiquement limitées dans leur perception,
- Les personnes qui ne possèdent pas les connaissances nécessaires pour utiliser cet appareil de manière sécuritaire.

Mesures :

- Assurez-vous que les enfants et les personnes à risque comprennent les dangers.
- Une personne responsable de la sécurité doit superviser ou enseigner aux enfants et aux personnes à risque le fonctionnement de l'appareil.
- Seuls les enfants âgés d'au moins 8 ans devraient utiliser cet appareil.
- Supervisez les éventilateurs au cours du nettoyage et de l'entretien de l'appareil.
- Ne laissez jamais les éventilateurs jouer avec l'appareil.

Dommmages matériels

- Ne vous tenez pas debout ou ne vous appuyez pas sur la base et veillez à ne pas utiliser les tiroirs, les portes ou toutes autres parties de l'appareil de façon inadéquate.
- Évitez d'exposer les pièces en plastique et les joints de porte à de l'huile ou de la graisse. Sinon, les pièces en plastique et les joints de porte pourraient devenir poreux.
- L'appareil ne devrait pas être installé ou utilisé à des altitudes dépassant 1500 m (4921 ft) au-dessus du niveau de la mer.
Risque de verre brisé !

Définitions



AVERTISSEMENT



Ceci indique que des blessures graves ou la mort peuvent survenir à la suite du non-respect de cet avertissement.



MISE EN GARDE



Ceci indique que des blessures mineures ou modérées peuvent survenir à la suite du non-respect de cet avertissement.

REMARQUE

Ceci indique que des dommages peuvent survenir à la suite du non-respect de cet avertissement.

Utilisation prévue

Cet appareil est conçu uniquement pour entreposer le vin dans des logements privés et dans un environnement domestique.

Protection de l'environnement

Emballage

L'emballage protège l'appareil des dommages qui pourraient être occasionnés par le transport.

Tous les matériaux d'emballage sont écologiques et recyclables. Veuillez faire votre part : en jetant les matériaux d'emballage de façon écologique.

Veuillez contacter le détaillant de votre région ou les autorités locales concernant les options de mise au rebut.



AVERTISSEMENT



Risque d'étouffement à cause des boîtes en carton et de la pellicule plastique !

Gardez l'emballage et les éléments de l'emballage hors de la portée des enfants.

Mise au rebut de l'ancien appareil

Les appareils usagés ne sont pas des déchets sans valeur ! Leur élimination dans le respect de l'environnement permet d'en récupérer de précieuses matières premières.



AVERTISSEMENT



Avant de mettre au rebut l'appareil qui ne sert plus :

1. Débranchez la fiche mâle de la prise de courant.
2. Sectionnez le cordon d'alimentation puis enlevez-le avec la fiche mâle.
3. Pour dissuader les enfants de grimper dans l'appareil, ne retirez pas les clayettes et les bacs !
4. Pour empêcher que des enfants ne s'enferment accidentellement dans l'appareil qui a cessé de servir : Retirez les portes de l'appareil !
5. Ne permettez pas aux enfants de jouer avec l'appareil lorsqu'il ne sert plus. Risque d'asphyxie !

Les appareils frigorifiques contiennent des fluides frigorigènes et des gaz isolants qui nécessitent une mise au rebut adéquate. Veillez à ce que les tuyaux du circuit frigorifique de votre appareil ne soient pas endommagés jusqu'à son élimination dans les règles de l'art.

Élimination des CFC

Votre vieil appareil peut être équipé d'un système de réfrigération utilisant des CFC (chlorofluorocarbones). Les CFC sont responsables des dommages à l'ozone de la stratosphère.

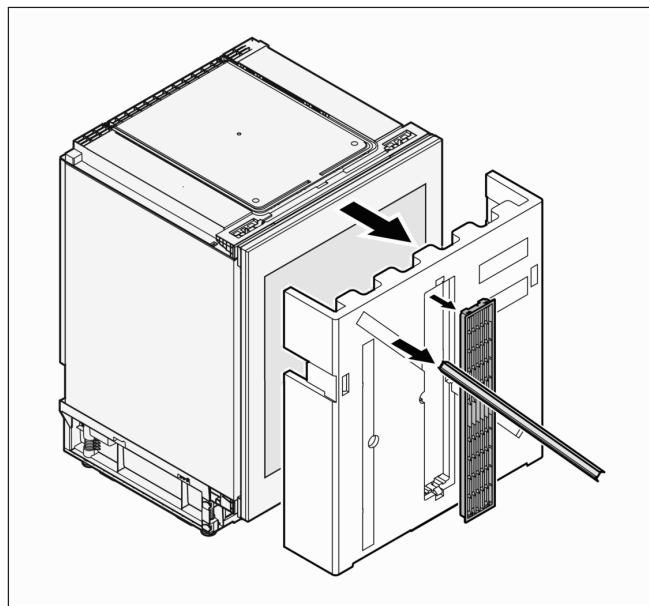
Si vous jetez votre vieil appareil de réfrigération, assurez-vous que le fluide frigorigène contenant des CFC est éliminé adéquatement par un mécanicien d'entretien qualifié. Si vous libérez intentionnellement ce fluide frigorigène contenant des CFC dans l'atmosphère, vous pouvez être condamné à une amende ou à un emprisonnement en vertu des dispositions des réglementations environnementales.

Contenu de la livraison

La livraison comprend les pièces suivantes :

- Appareil intégré
- Grille d'aération
- Bandes de recouvrement
- Filtre à poussière
- Pièce de mousse pour l'entrée de ventilation
- Clef pour ajuster la hauteur des pieds de l'appareil
- Sac avec vis de fixation
- Chiffon d'entretien
- Instructions d'installation et d'utilisation
- Livret du service après-vente
- Information à propos de la consommation d'énergie et des bruits

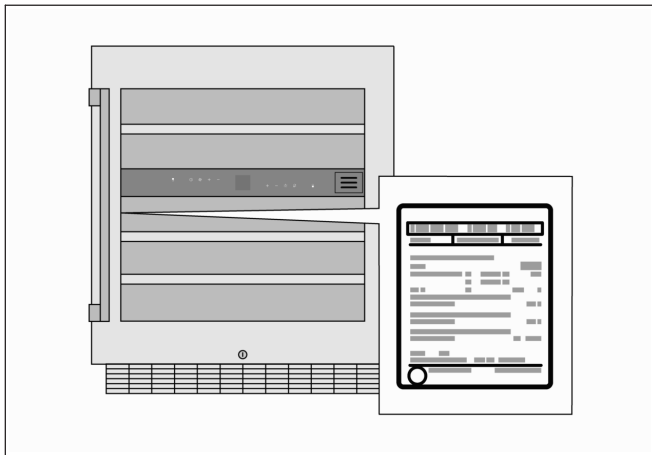
La grille d'aération et les bandes de recouvrement se trouvent dans l'emballage du côté avant de l'appareil.



Après avoir déballé l'appareil, vérifiez toutes les pièces pour des signes de dommages au cours du transport. En cas de plaintes, contactez le détaillant de qui vous avez acheté l'appareil ou encore le service après-vente.

Plaque signalétique

Pour découvrir les spécifications techniques de l'appareil, veuillez consulter la plaque signalétique qui se trouve sur le côté intérieur gauche de l'appareil.



Conditions d'installation

Lieu d'installation

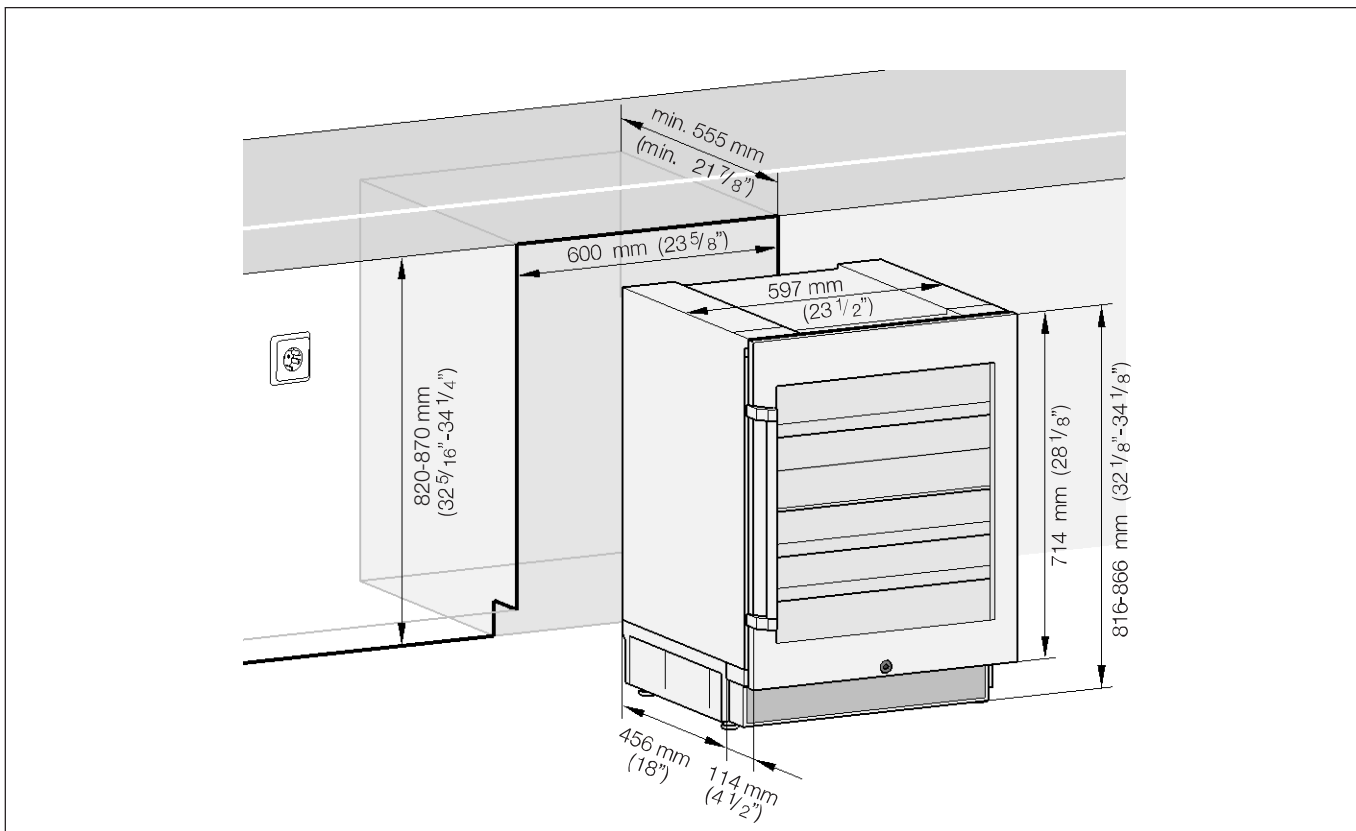
Le meilleur lieu d'installation est un endroit sec et bien aéré. Le lieu d'installation ne devrait pas être exposé à la lumière directe du soleil ou se trouver près d'une source de chaleur, comme un poêle, un radiateur, etc.

Si une installation près d'une source de chaleur est inévitable, utilisez une plaque isolante ou respectez les distances minimales suivantes entre l'appareil et la source de chaleur :

- 3 cm ($1\frac{3}{16}$ ") d'un poêle électrique ou à gaz.
- 30 cm ($11\frac{13}{16}$ ") d'un poêle à l'huile ou au charbon.

Le plancher du lieu d'installation ne doit pas s'affaisser ; au besoin, faites renforcer le plancher.

Dimensions de l'installation



Température de la pièce

La catégorie climatique est indiquée sur la plaque signalétique. Elle indique à quelles températures ambiantes l'appareil peut fonctionner.

Catégorie climatique	Température ambiante admissible
SN	+50 °F ... 90 °F (+10 °C ... 32 °C)
N	+61 °F ... 90 °F (+16 °C ... 32 °C)
ST	+61 °F ... 100 °F (+16 °C ... 38 °C)
T	+61 °F ... 109 °F (+16 °C ... 43 °C)
SN-ST	+50 °F ... 100 °F (+10 °C ... 38 °C)

L'appareil fonctionne normalement dans les limites de températures ambiantes indiquées pour la catégorie appropriée.

Si un appareil de catégorie SN fonctionne à des températures ambiantes plus froides, des dommages à l'appareil pour une température allant jusqu'à +41 °F (+5 °C) peuvent être exclus.

Installation de l'appareil

Faites appel à un technicien pour installer et brancher l'appareil conformément aux instructions d'installation de ce manuel.

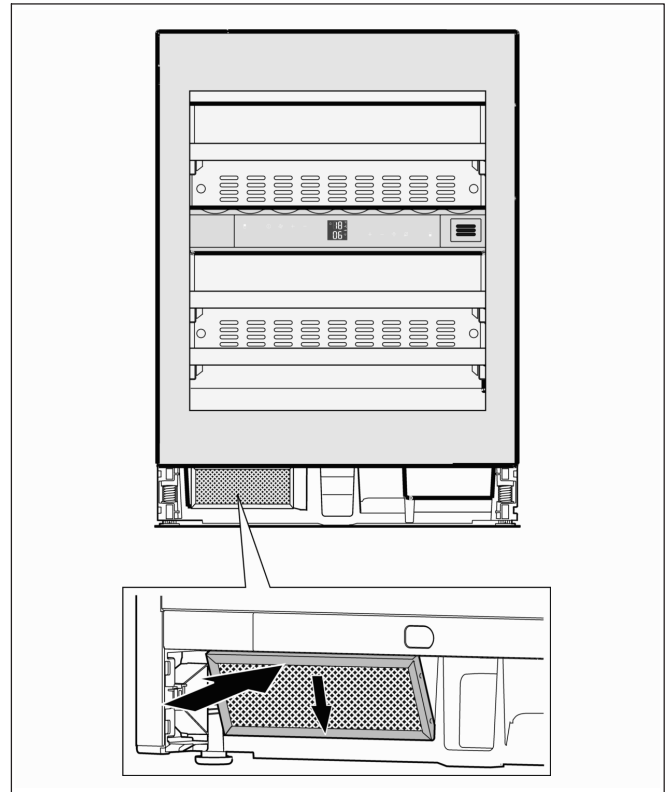
En plus des réglementations nationales, il est essentiel de respecter les exigences de branchement des services publics locaux d'eau et d'électricité.

Après avoir installé l'appareil, attendez 1 heure avant de le brancher. L'huile contenue dans le compresseur pourrait s'être déplacée dans le système de réfrigération au cours du transport.

Installation du filtre à poussière

Le filtre à poussière inclus doit absolument être installé. Le filtre à poussière prévient l'encrassement du moteur, ce qui peut réduire la capacité de réfrigération et augmenter la consommation en électricité.

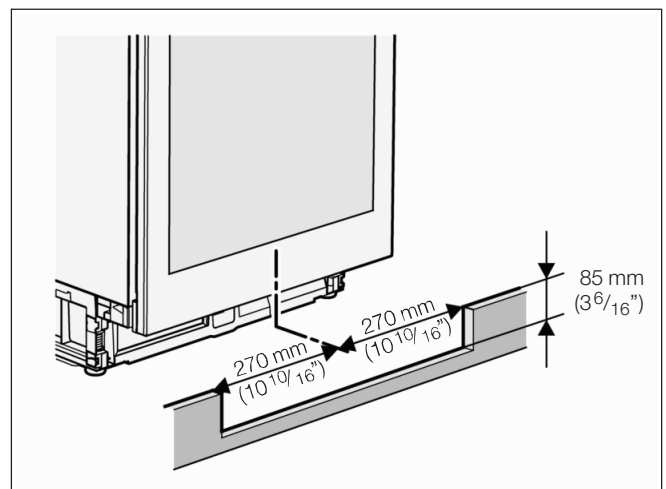
1. Retirez la pellicule protectrice du filtre à poussière.



2. Insérez le filtre dans le bas et fixez-le en place dans le haut.

Installation de la grille d'aération dans la plaque de la base

L'échange d'air de l'appareil se déroule autour de la base. La grille d'aération incluse doit donc être installée dans la plaque de la base.

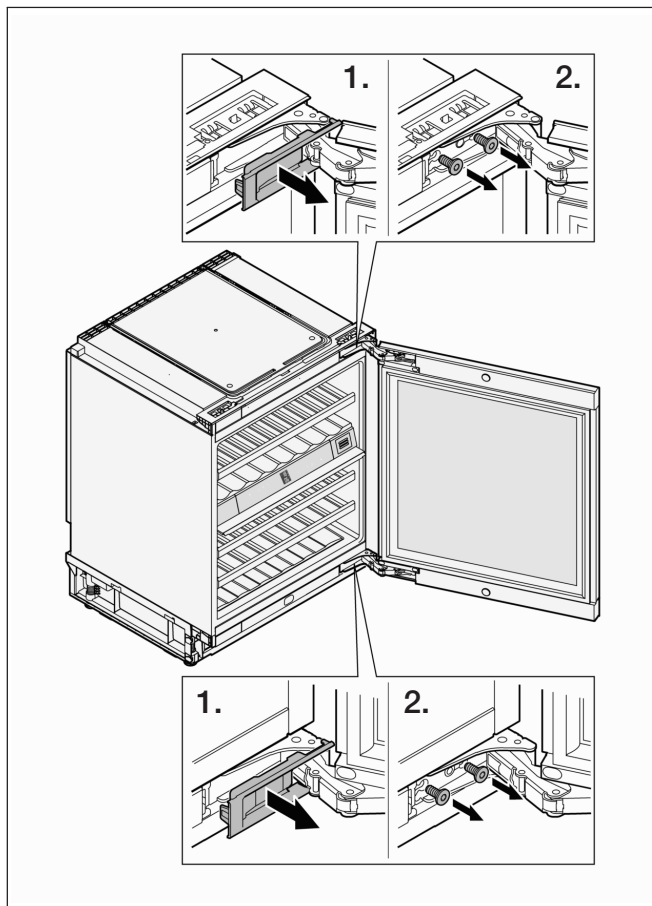


- Découpez un espace dans la plaque de la base pour la grille d'aération au milieu de l'appareil. Dimensions requises pour la découpe :
largeur : 540 mm (21 1/4"),
hauteur : 85 mm (3 3/16")

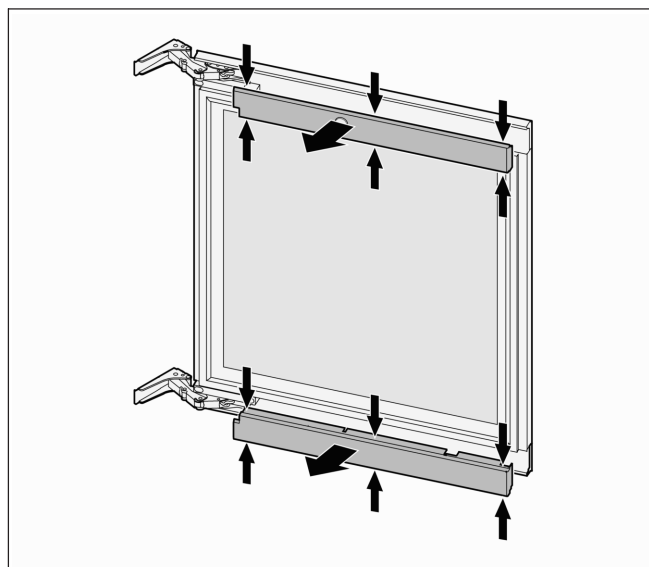
Changer la butée de porte

La butée de porte peut seulement être changée lorsque l'appareil n'est pas installé et devrait être remplacée uniquement par un technicien formé.

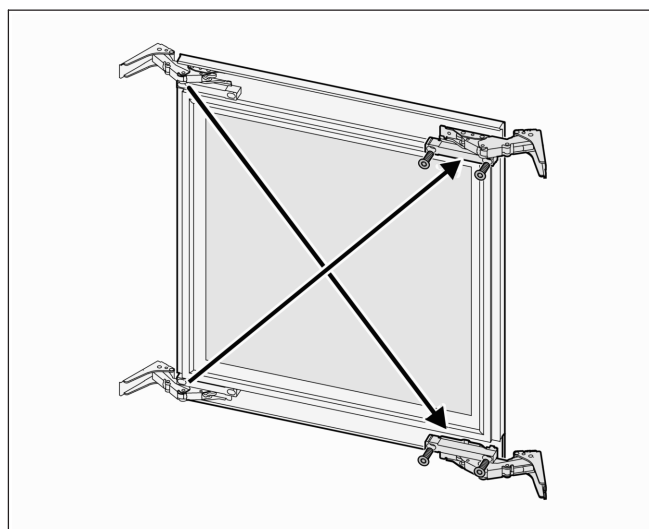
2 personnes sont requises pour effectuer ce travail.



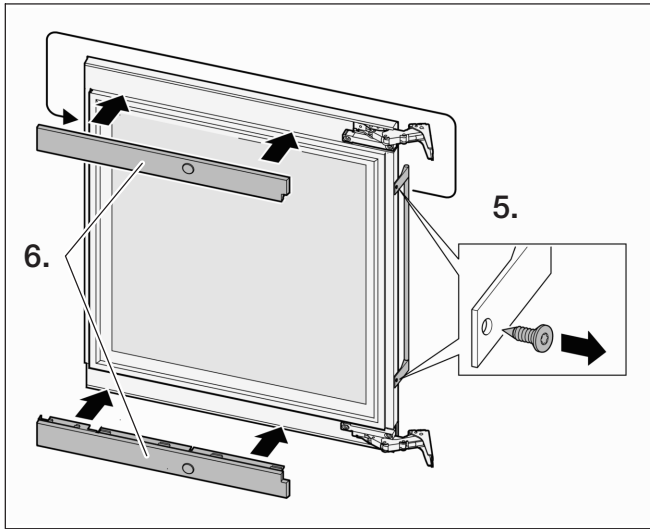
1. Retirez les couvercles supérieur et inférieur des charnières.
2. Pendant que la deuxième personne tient la porte, dévissez et retirez les vis des charnières supérieure et inférieure puis retirez la porte.



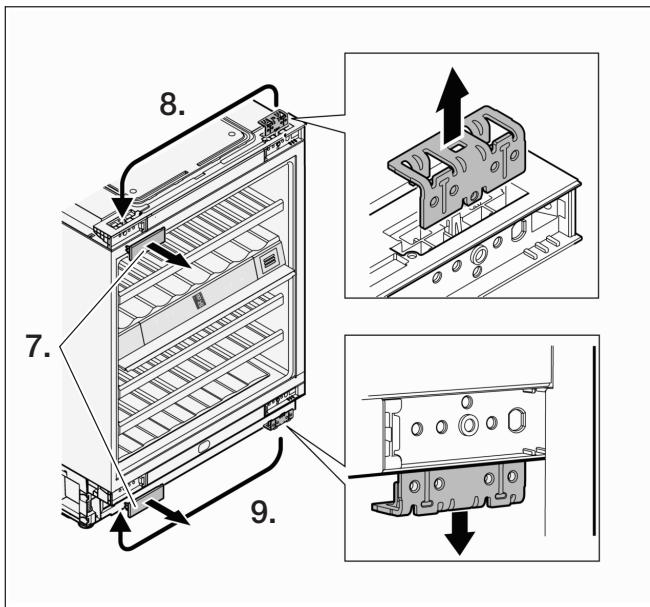
3. Appuyez sur les couvercles aux endroits indiqués (flèches étroites), dégagez-les et retirez-les.



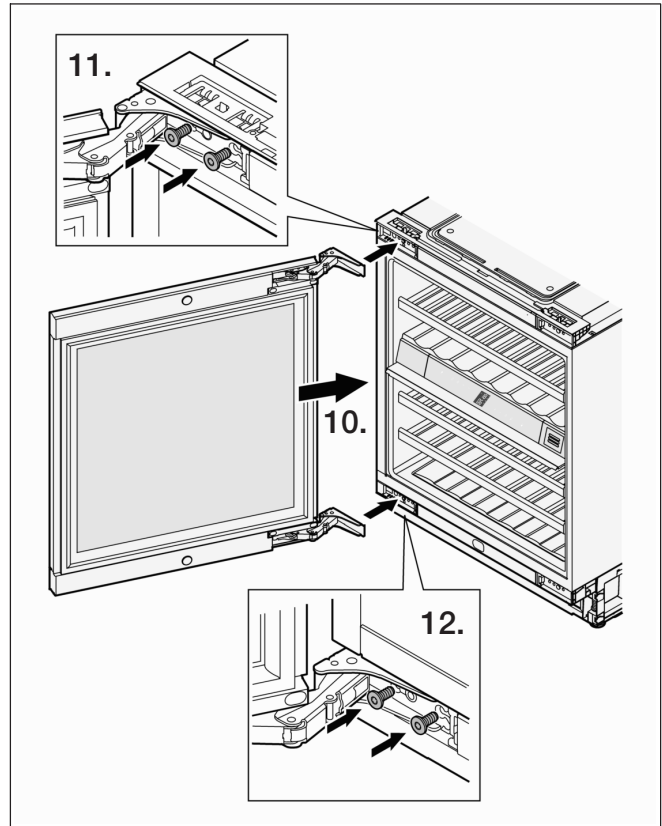
4. Dévissez les charnières et revissez-les de l'autre côté, en diagonale de leur position originale.



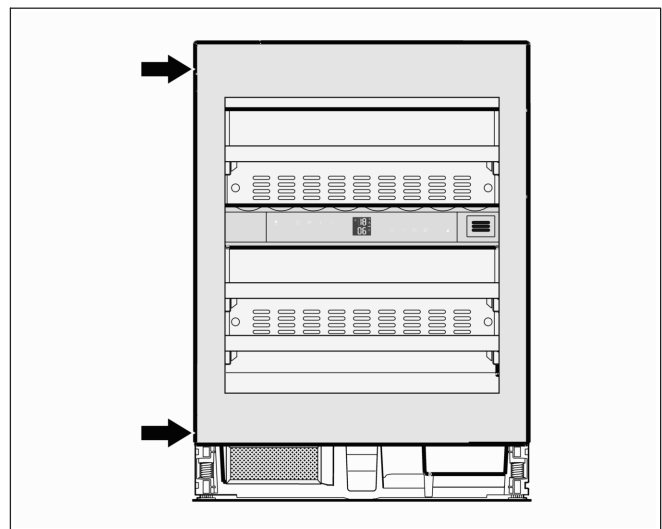
5. Dévissez la poignée de la porte et revissez-la sur le côté opposé. Retirez les bouchons de plastique des trous et remplacez-les dans les trous du côté opposé.
6. Remplacez les couvercles et fixez-les en place.



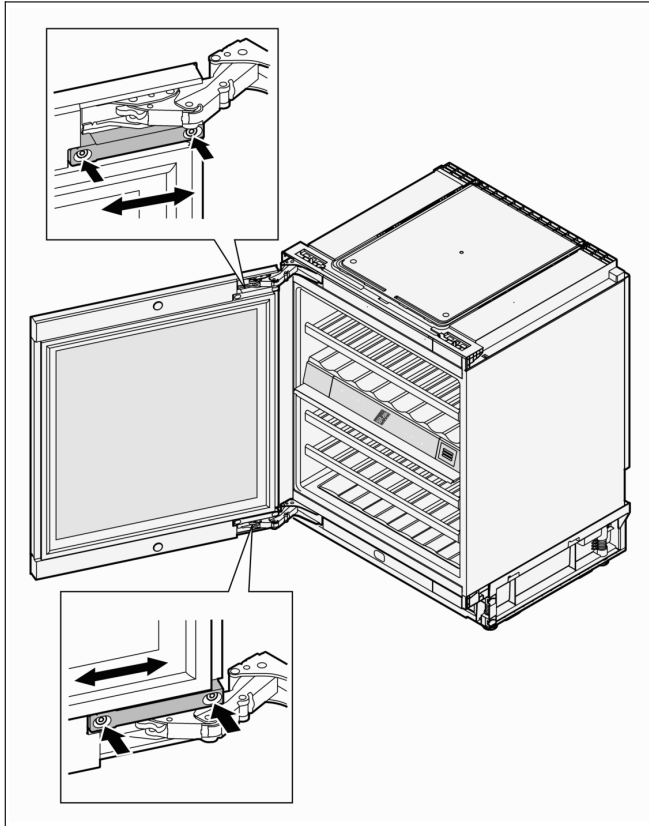
7. Retirez les couvercles des charnières.
8. Retirez l'équerre de fixation supérieure et insérez-la sur le côté opposé.
9. Retirez l'équerre de fixation inférieure et insérez-la sur le côté opposé.



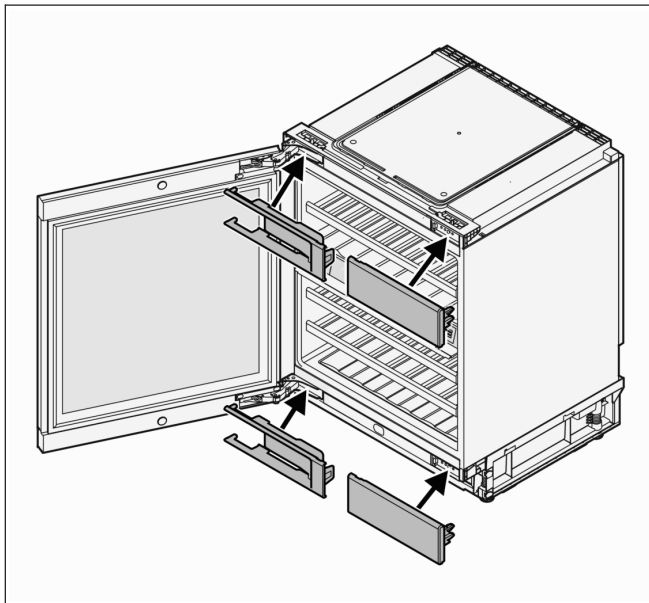
10. Travail pour la deuxième personne : Placez la porte sur l'appareil et tenez-la fermement.
11. Installez la charnière supérieure et serrez les vis.
12. Installez la charnière inférieure et serrez les vis.



13. Fermez la porte et vérifiez si la porte est bien alignée avec les parois latérales de l'appareil.

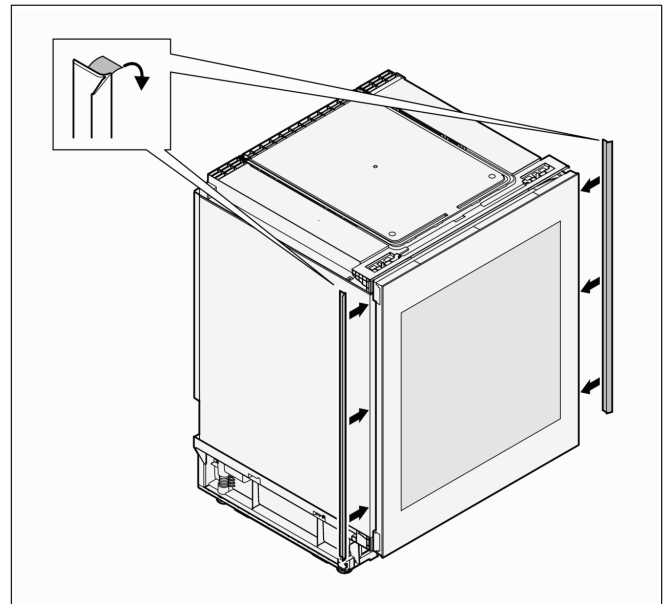


Si la porte est mal alignée : Ajustez l'angle ; pour y parvenir, ouvrez la porte, desserrez les vis indiquées, ajustez la porte et resserrez les vis.

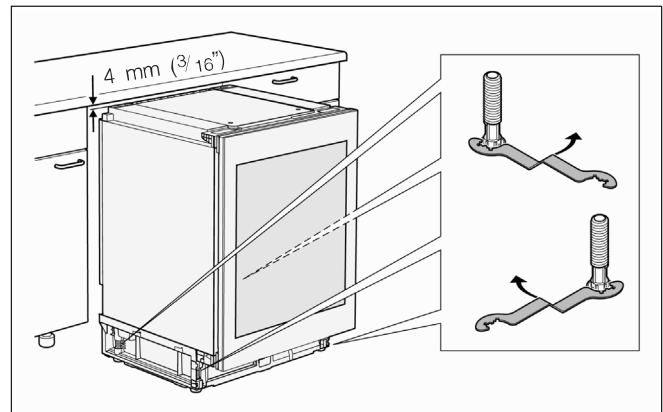


14. Replacez les couvercles des charnières.

Installation de l'appareil



1. Retirez la pellicule protectrice des bandes de recouvrement et les bandes de recouvrements sur les côtés gauche et droit du devant de l'appareil.

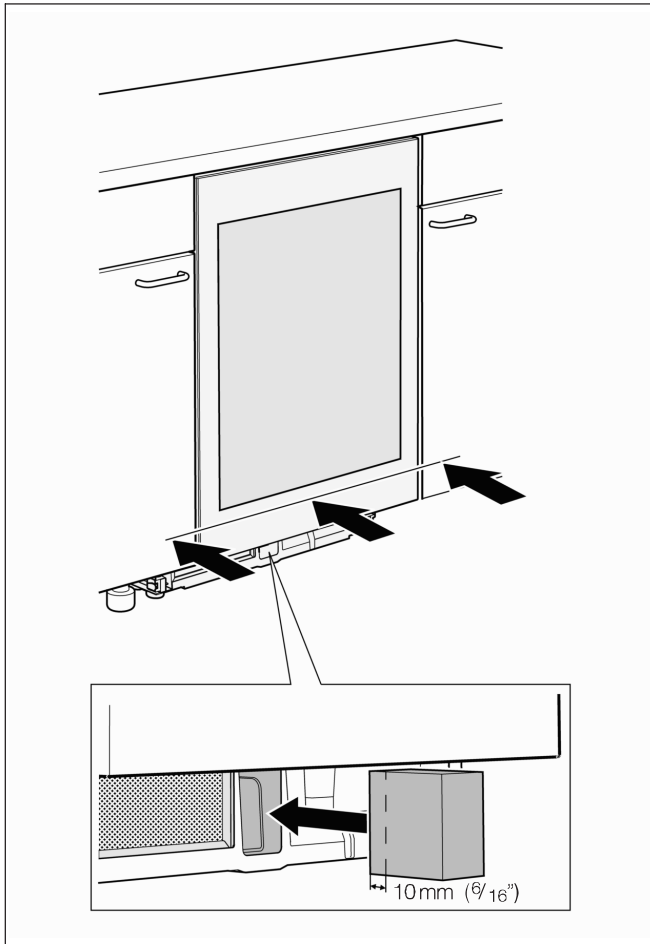


2. Ajustez les 4 pieds ajustables avec la clef incluse de façon à ce que l'appareil soit de niveau et à 4 mm ($\frac{3}{16}$ ") du rebord supérieur de la niche d'installation. Utilisez la clef en fonction de la direction de la rotation.
 Rotation dans le sens des aiguilles d'une montre : soulever l'appareil.
 Rotation dans le sens inverse des aiguilles d'une montre : abaisser l'appareil.

REMARQUE

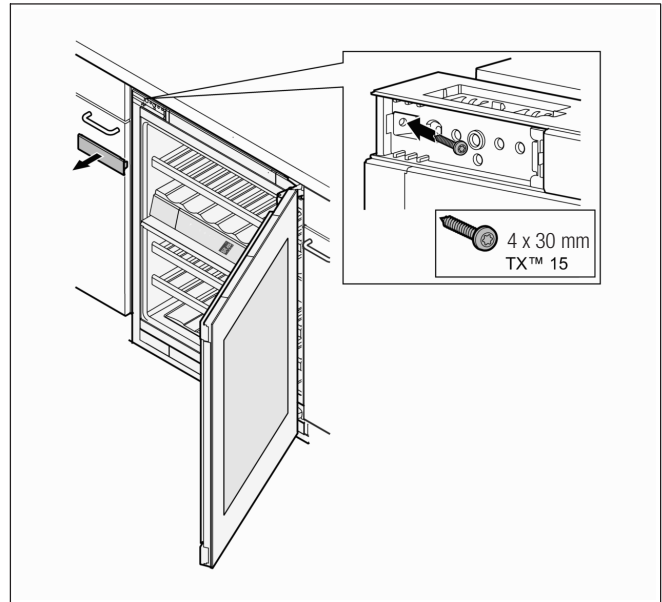
Risque de dommages !

Si l'appareil est mal aligné, la structure principale de l'appareil peut éventuellement se déformer et la porte ne pourra plus se fermer convenablement. Alignez l'appareil à la verticale et à l'horizontale.

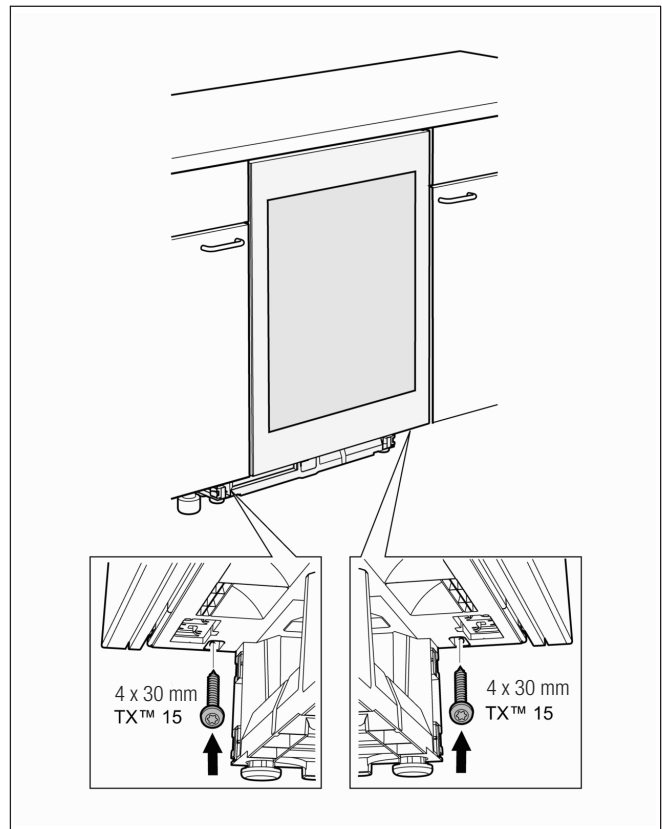


3. Poussez l'appareil dans la niche d'installation jusqu'à ce que la porte de l'appareil soit de niveau avec les façades des meubles.
En procédant à cette étape, assurez-vous que le cordon d'alimentation ne soit pas endommagé.
4. Insérez la pièce de mousse à environ 10 mm ($\frac{3}{16}$ ") dans l'ouverture de la base de l'appareil, tel qu'illustré dans l'image.

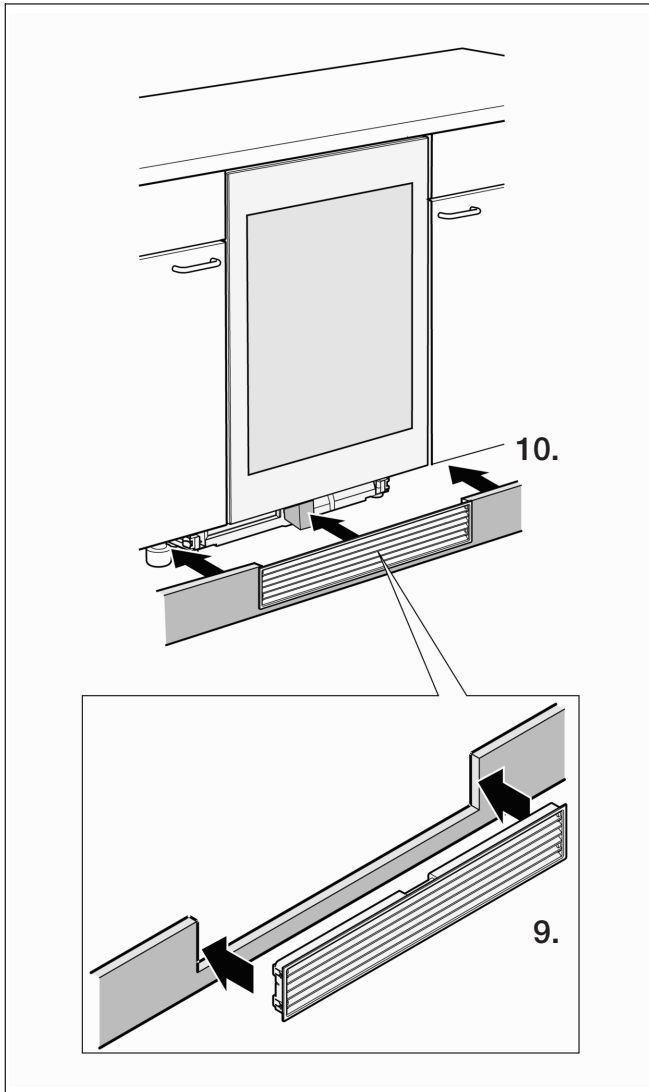
Important : Si la pièce de mousse n'est pas insérée, l'appareil ne pourra pas atteindre sa pleine capacité de réfrigération.
5. Ouvrez la porte.



6. Retirez le couvercle et vissez le dessus de l'appareil à la structure principale du meuble à l'aide des vis incluses.
7. Remplacez le couvercle.



8. Vissez l'appareil à la structure principale du meuble au bas à gauche et à droite à l'aide des deux autres vis incluses.



9. Insérez la grille d'aération dans la plaque de la base.

10. Insérez la plaque de la base dans l'appareil.
Ici, la pièce en mousse est placée dans sa position finale.

Important : La pièce en mousse doit reposer sur la grille d'aération.

Connexion électrique

La prise électrique à laquelle l'appareil est branché doit être facilement accessible. Branchez l'appareil à un circuit de 110-120 V en courant alternatif de 15 ampères qui est contrôlé par un disjoncteur ou un fusible.



AVERTISSEMENT



Risque de décharge électrique !

- Branchez l'appareil dans une prise à 3 broches mise à la terre.
- N'enlevez pas la broche de mise à la terre.
- N'utilisez pas d'adaptateur.
- N'utilisez pas de rallonge électrique.

Le non-respect de ces consignes peut entraîner la mort, un incendie ou une décharge électrique.

Une mauvaise connexion du conducteur de mise à la terre de l'équipement peut entraîner une décharge électrique. Faites vérifier votre appareil par un électricien ou un technicien d'entretien qualifié si vous doutez de la connexion de mise à la terre de l'appareil.

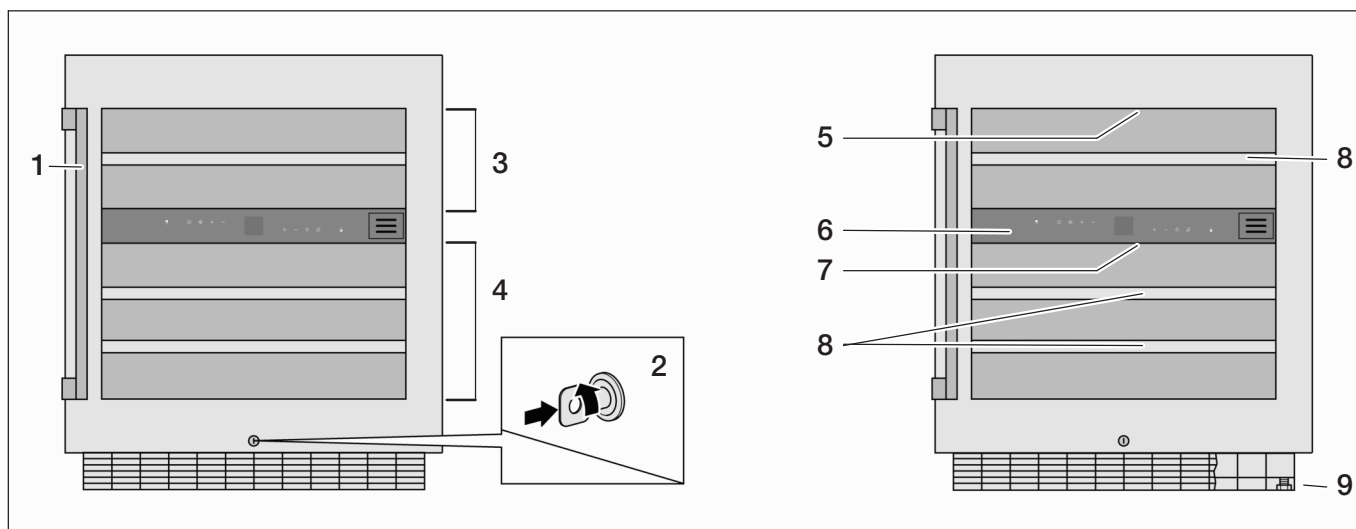
Avant la première utilisation de l'appareil

Nettoyez l'intérieur de l'appareil avant de l'utiliser pour la première fois (consultez la section « Nettoyage de l'appareil »).

Avant d'utiliser l'appareil pour la première fois, frottez les surfaces en acier inoxydable de la porte avec le chiffon d'entretien inclus dans la direction du grain lorsque la porte est froide. Les appareils qui ont déjà été utilisés doivent d'abord être lavés à l'eau chaude avec un peu de détergent à vaisselle.

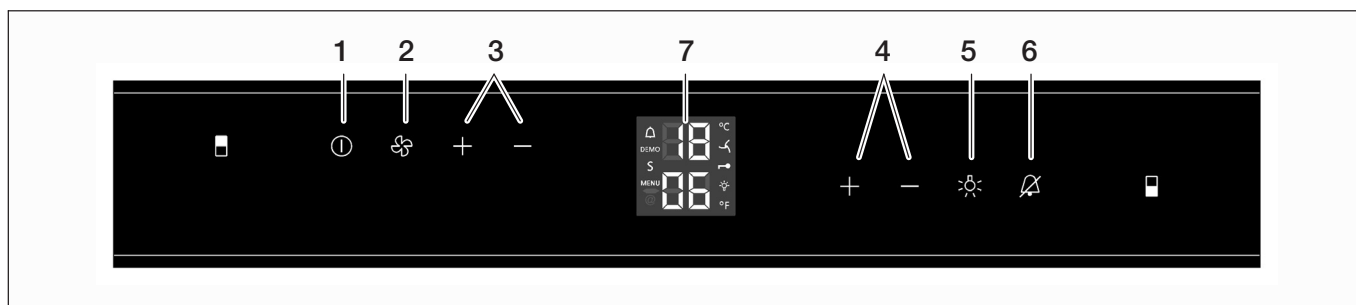
Après les avoir laissées brièvement humides, frottez les surfaces en acier inoxydable de la porte avec un chiffon sec et non pelucheux ou une serviette en papier. Répétez ce traitement à intervalles réguliers. Des chiffons d'entretien supplémentaires sont offerts par le service après-vente ; numéro d'identification 00311134.

Apprendre à connaître votre appareil



- 1 Poignée
- 2 Verrou
- 3 Compartiment supérieur
- 4 Compartiment inférieur
- 5 Éclairage intérieur du compartiment supérieur
- 6 Panneau de commande avec affichage et touches
- 7 Éclairage intérieur du compartiment inférieur
- 8 Étagères à bouteilles coulissantes
- 9 Pied ajustable

Éléments de fonctionnement

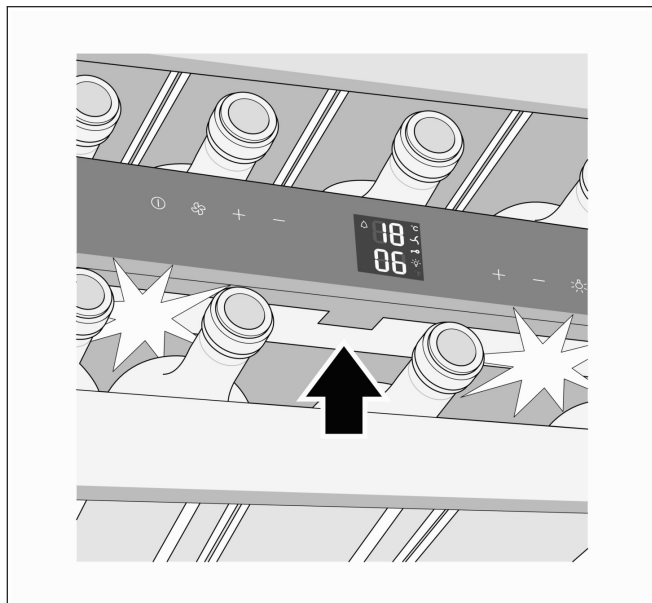


- 1 Bouton marche/arrêt
- 2 Bouton du ventilateur
- 3 Touches de réglage +/- de la température du compartiment supérieur
- 4 Touches de réglage +/- de la température du compartiment inférieur
- 5 Bouton de l'éclairage intérieur
- 6 Bouton de désactivation de l'alarme
- 7 Affichage pour la température et les fonctions activées
 - MENU** Mode réglage, par ex. pour régler la luminosité de l'affichage
 - DEMO** Mode présentation, consultez la section « Éliminer les défaillances par vous-même »
 - Alarme (température à l'intérieur trop élevée / porte ouverte pendant plus d'une minute)
 - Ventilateur à l'intérieur activé en permanence
 - Verrouillage pour les enfants activé
 - Éclairage intérieur activé en permanence
 - S** Mode Sabbat

Équipement

Éclairage intérieur à DEL

L'éclairage est assuré par deux bandes de lumières DEL dans les compartiments supérieur et inférieur.



L'éclairage s'active automatiquement lorsque la porte est ouverte.
Environ 3 secondes après la fermeture de la porte, l'éclairage se désactive automatiquement.



AVERTISSEMENT



Danger de lésions aux yeux !

L'intensité de l'éclairage DEL correspond à un laser de classe 1/1M.

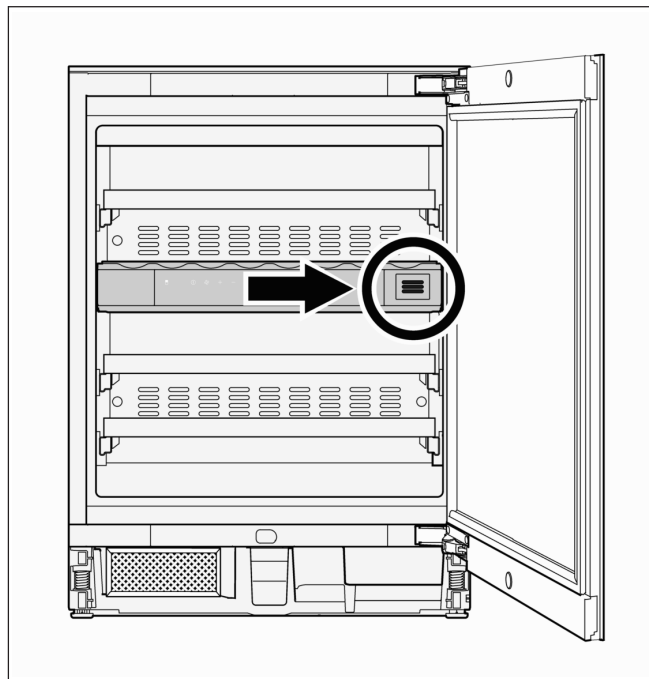
Le recouvrement de la bandelette de lumières DEL peut seulement être retiré par le service après-vente. N'observez jamais l'éclairage DEL avec des lentilles optiques.

Remarque :

Grâce au bouton d'éclairage intérieur, il est possible d'activer en permanence l'éclairage ; consultez la section « Activation permanente de l'éclairage ».

Échange d'air par le filtre à charbon actif

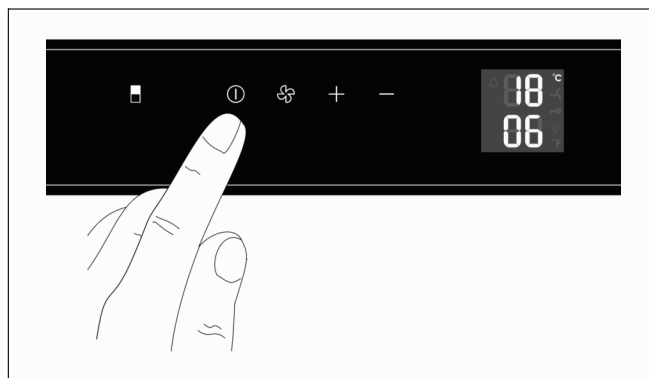
Les vins continuent de mûrir en fonction des conditions ambiantes ; c'est pourquoi la qualité de l'air est un facteur décisif dans leur conservation, et qu'un filtre à charbon actif se trouve à l'intérieur de l'appareil.



Utilisation de l'appareil

Mise en marche de l'appareil

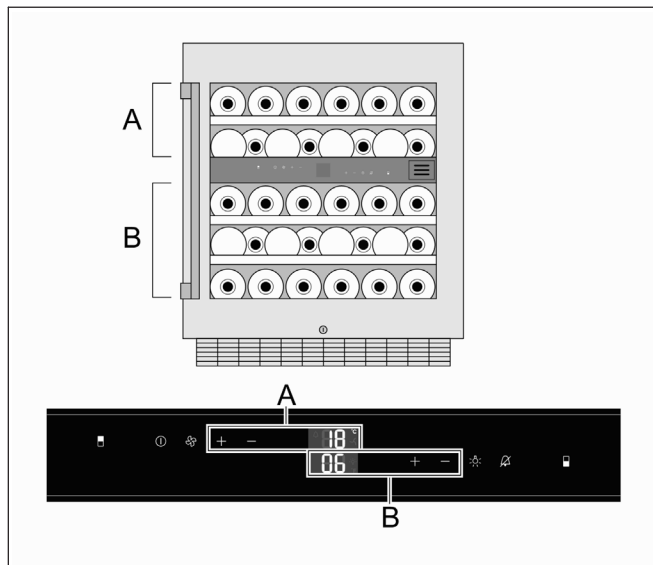
1. Branchez le cordon d'alimentation.



2. Appuyez sur le bouton marche/arrêt jusqu'à ce que l'affichage de température s'active.

Réglage de la température

La température peut être ajustée de façon indépendante pour les deux compartiments dans une plage allant de +41 °F ... +68 °F (+5 °C ... +20 °C).



1. Appuyez sur le bouton + ou – du compartiment dont la température doit être ajustée.
L'indicateur de température du compartiment commencera à clignoter.

2. Appuyez sur le bouton + ou – jusqu'à ce que vous ayez atteint la température désirée.

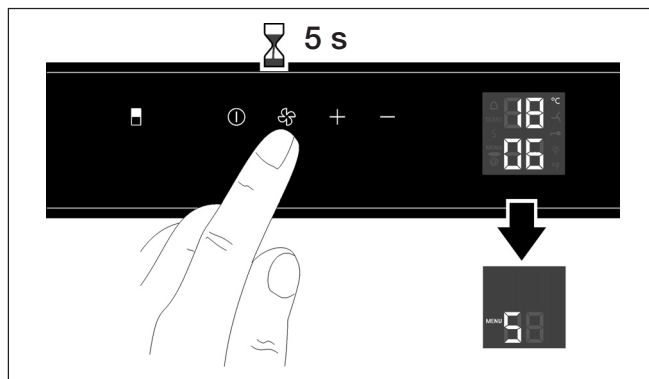
Bouton + : Pour augmenter la température (plus chaud)

Bouton – : Pour diminuer la température (plus froid)

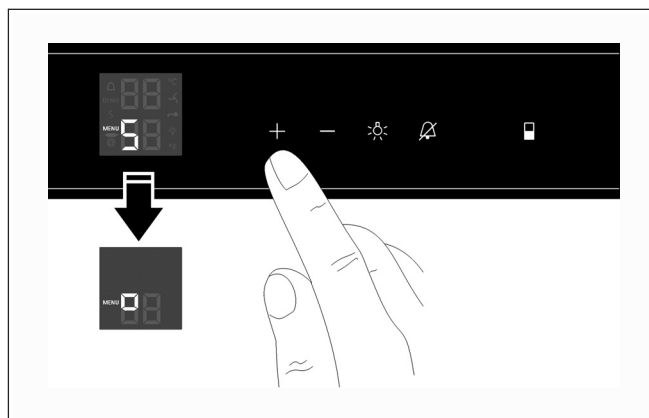
Chaque fois que vous appuyez sur un bouton, la température est modifiée de 1 degré.

Environ 5 secondes après la dernière touche appuyée, le système électronique sauvegarde la température réglée. L'affichage indique ensuite la température actuelle.

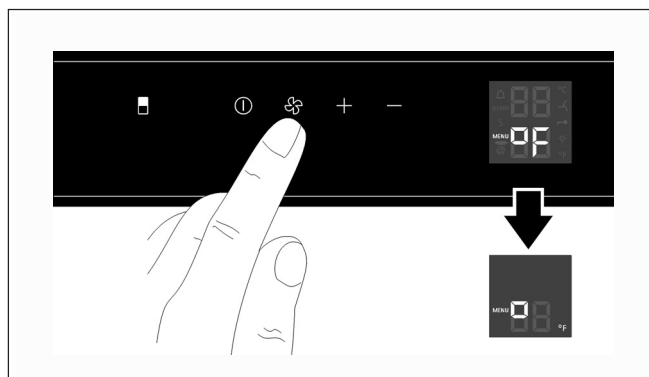
Modifier l'unité de température (°C ↔ °F)



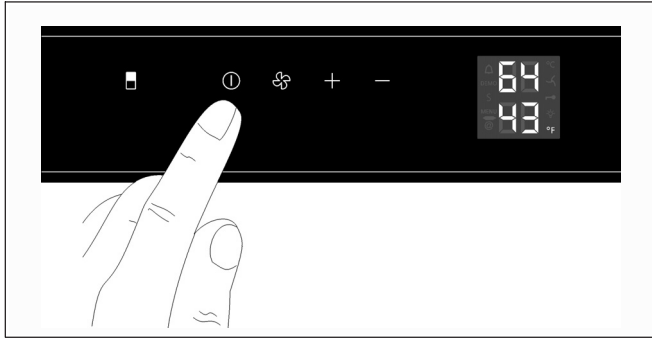
1. Appuyez sur le bouton du ventilateur pendant environ 5 secondes.
Sur l'affichage, « MENU » apparaîtra pour indiquer que le mode réglage est actif ; « S » (mode Sabbat) clignotera également.



2. Appuyez sur le bouton plus de droite jusqu'à ce que « ° » apparaisse sur l'affichage.



3. Appuyez sur le bouton du ventilateur pour confirmer.
« °C » ou « °F » clignotera sur l'affichage en fonction de l'unité de température actuellement inactive.
4. Appuyez sur le bouton du ventilateur pour confirmer.
« ° » et l'unité de température activée apparaîtront sur l'affichage.

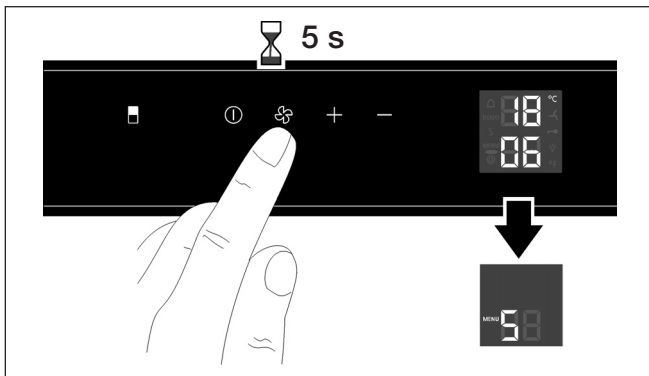


- Appuyez sur le bouton marche/arrêt pour quitter le mode réglage.
Les températures actuelles apparaissent sur l'affichage avec la nouvelle unité de température.

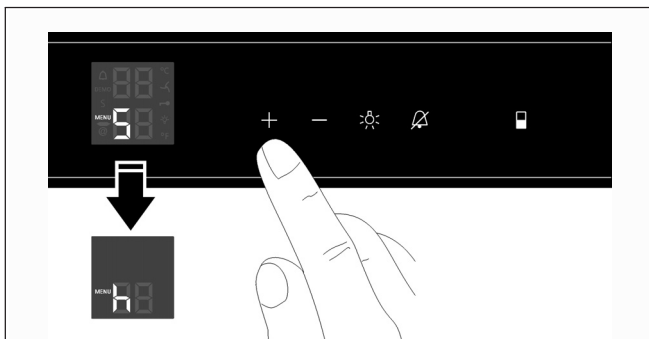
Réglage de la luminosité de l'affichage

Remarque :

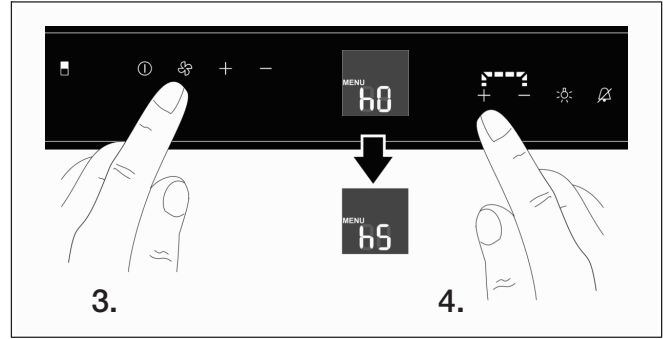
Au cours de la première utilisation, la luminosité réglée de l'affichage ne devient active que lorsque les températures intérieures réglées sont atteintes.



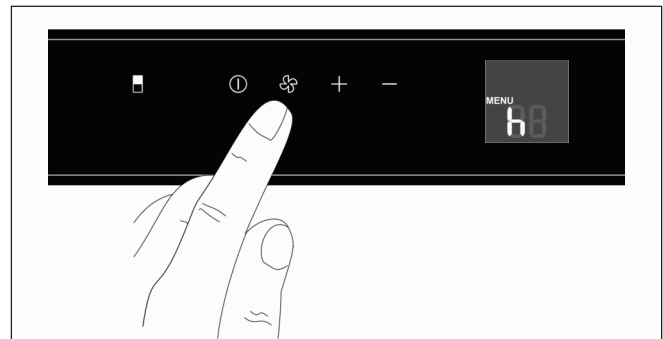
- Appuyez sur le bouton du ventilateur pendant environ 5 secondes.
Sur l'affichage, « MENU » apparaîtra pour indiquer que le mode réglage est actif ; « S » (mode Sabbat) clignotera également.



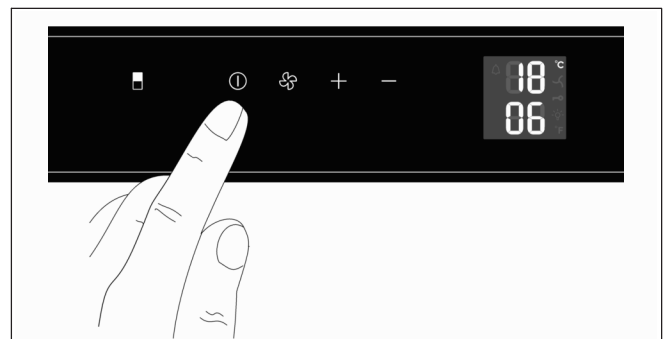
- Appuyez sur le bouton plus de droite jusqu'à ce que « h » apparaisse sur l'affichage pour le réglage de la luminosité.



- Appuyez sur le bouton du ventilateur pour confirmer. La valeur de luminosité actuelle apparaît sur l'affichage : « h0 » pour une luminosité désactivée à « h5 » pour une luminosité maximale.
- Appuyez sur le bouton plus ou moins de droite jusqu'à ce que la valeur de luminosité désirée apparaisse sur l'affichage.



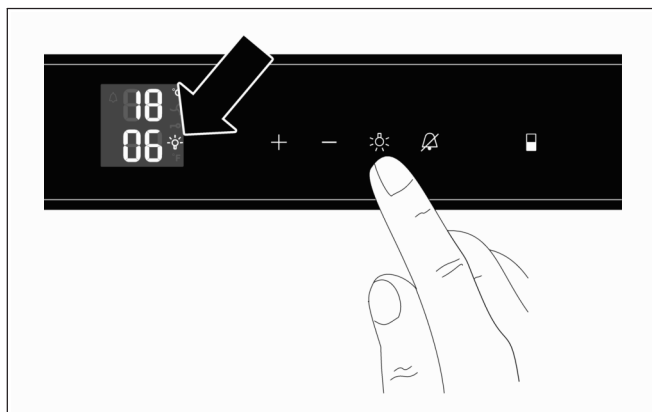
- Appuyez sur le bouton du ventilateur pour confirmer la valeur modifiée.
« h » clignotera sur l'affichage.



- Appuyez sur le bouton marche/arrêt pour quitter le mode réglage.

Après environ 1 minute, la luminosité de l'affichage sera ajustée à la valeur réglée.

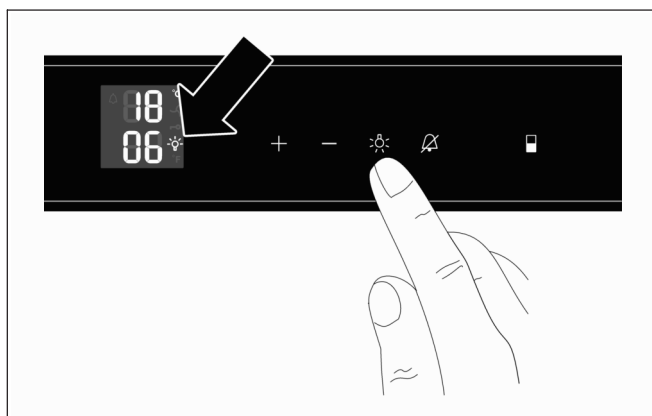
Activation permanente de l'éclairage



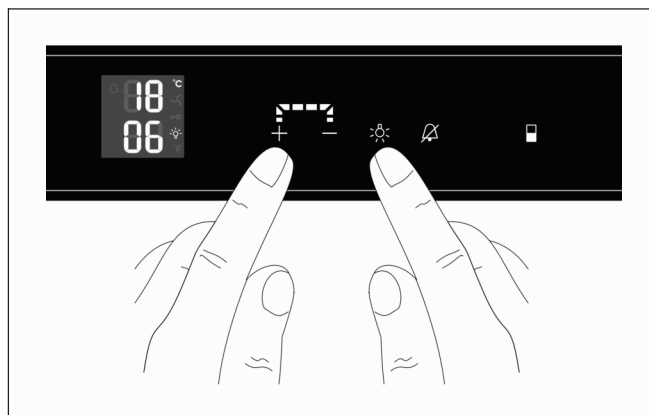
- Appuyez sur le bouton de l'éclairage intérieur. Le symbole de l'activation permanente de l'éclairage intérieur apparaît sur l'affichage.

Pour désactiver l'éclairage permanent, appuyez de nouveau sur le bouton de l'éclairage intérieur.

Réglage de la luminosité de l'éclairage permanent



- 1 Appuyez sur le bouton de l'éclairage intérieur. Le symbole de l'activation permanente de l'éclairage intérieur apparaît sur l'affichage.

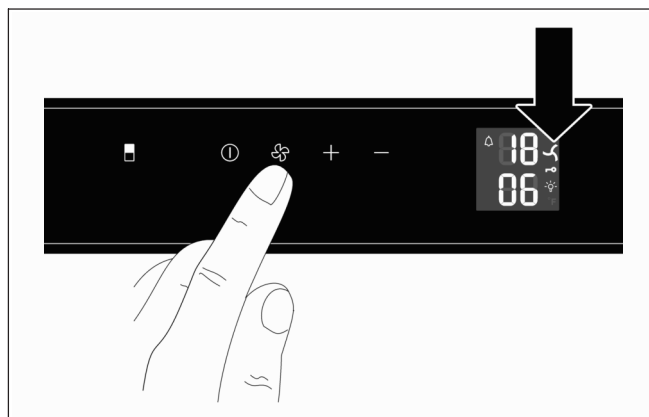


- 2 Appuyez sur le bouton de l'éclairage intérieur et maintenez-le enfoncé.
3. Appuyez sur le bouton plus ou moins adjacent pour régler la luminosité désirée.
- 4 Relâchez le bouton de l'éclairage intérieur.
- 5 Au besoin, appuyez sur le bouton de l'éclairage intérieur pour activer de nouveau l'éclairage permanent.

Ventilateur

Le ventilateur devrait être activé pour l'entreposage à long terme du vin. Vous pourrez ainsi créer un environnement correspondant à une cave à vin à l'intérieur de l'appareil.

Grâce au niveau d'humidité plus élevé, les bouchons ne sècheront pas.



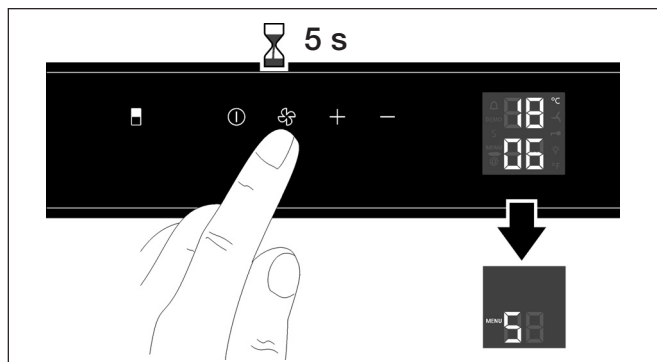
- Appuyez sur le bouton du ventilateur. Lorsque le ventilateur est activé, le symbole du ventilateur apparaît sur l'affichage.

Le ventilateur peut être désactivé en appuyant de nouveau sur le bouton du ventilateur.

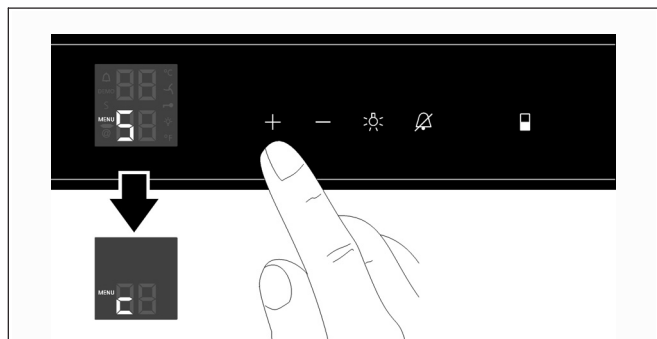
Verrouillage pour les enfants

Le verrouillage pour les enfants protège l'appareil d'une désactivation accidentelle.

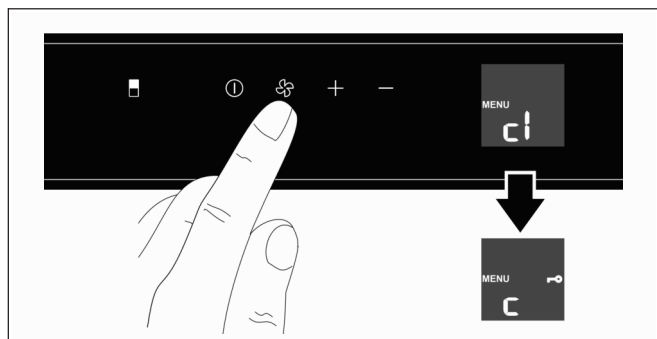
Activation du verrouillage pour les enfants



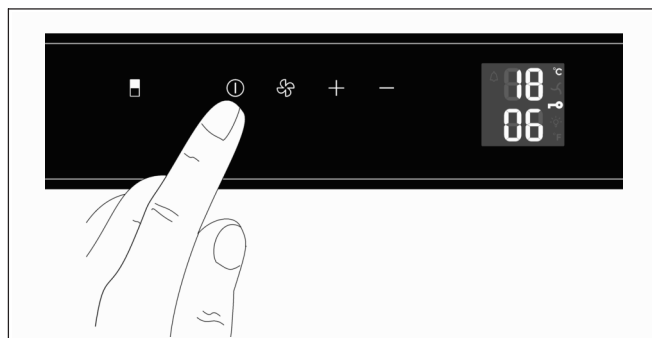
1. Appuyez sur le bouton du ventilateur pendant environ 5 secondes.
Sur l'affichage, « MENU » apparaîtra pour indiquer que le mode réglage est actif ; « S » (mode Sabbat) clignotera également.



2. Appuyez sur le bouton plus de droite.
« c » pour verrouillage pour les enfants clignotera sur l'affichage.



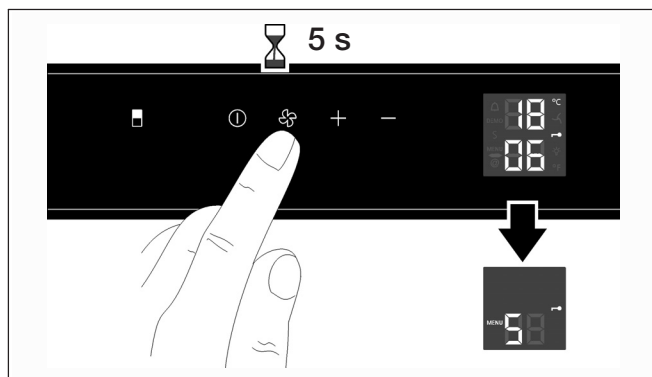
3. Appuyez brièvement sur le bouton du ventilateur.
« c1 » (verrouillage pour les enfants activé) apparaît sur l'affichage.
4. Appuyez sur le bouton du ventilateur pour confirmer.
« c » et le symbole de verrou apparaissent sur l'affichage.



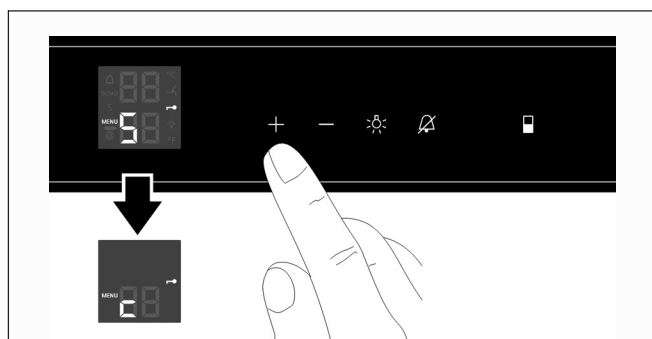
5. Appuyez sur le bouton marche/arrêt pour quitter le mode réglage.

Sur l'affichage, le symbole de verrou signifiant que le verrouillage pour les enfants est actif apparaît à côté de la température actuelle.

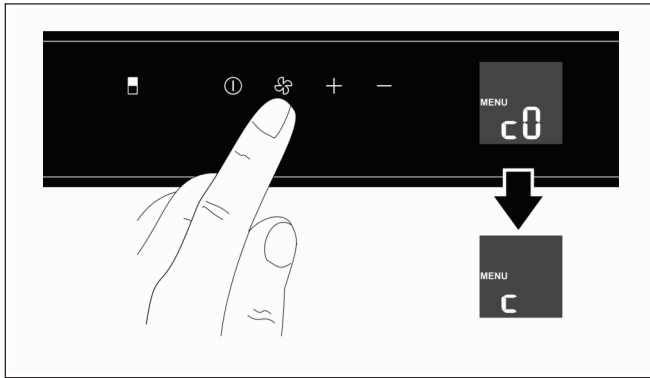
Désactivation du verrouillage pour les enfants



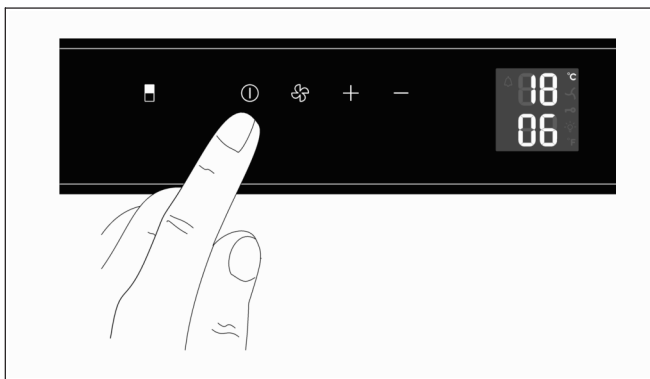
1. Appuyez sur le bouton du ventilateur pendant environ 5 secondes.
Sur l'affichage, « MENU » apparaîtra pour indiquer que le mode réglage est actif ; « S » (mode Sabbat) clignotera également.



2. Appuyez sur le bouton plus de droite.
« c » pour verrouillage pour les enfants clignotera sur l'affichage.



3. Appuyez brièvement sur le bouton du ventilateur. « c0 » (verrouillage pour les enfants désactivé) apparaît sur l'affichage.
4. Appuyez sur le bouton du ventilateur pour confirmer. « c » apparaît sur l'affichage.



5. Appuyez sur le bouton marche/arrêt pour quitter le mode réglage.

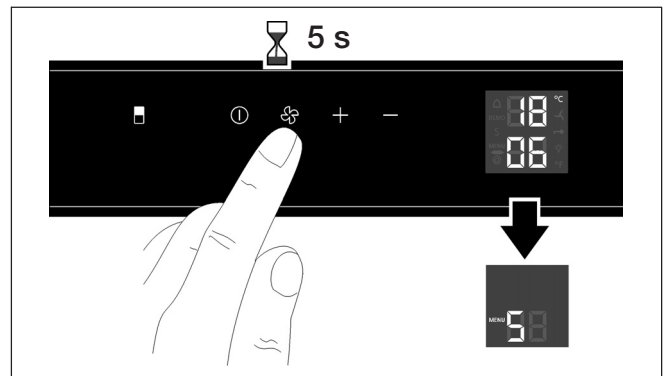
Le verrouillage pour les enfants est désactivé.
Les températures intérieures actuelles apparaissent sur l'affichage.

Mode Sabbat

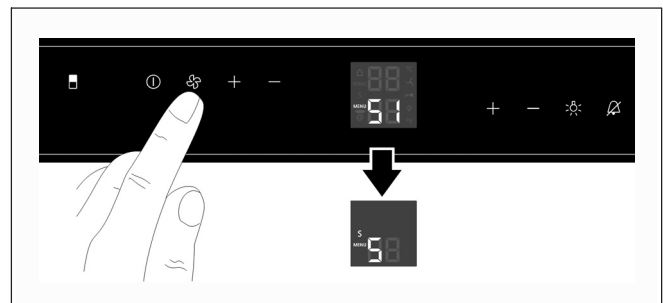
Dans le mode Sabbat,

- seul le symbole « S » apparaît sur l'affichage ; le rétroéclairage est désactivé
- les alarmes de l'appareil sont étouffées
- l'éclairage et le ventilateur demeurent inchangés lorsque la porte est ouverte.

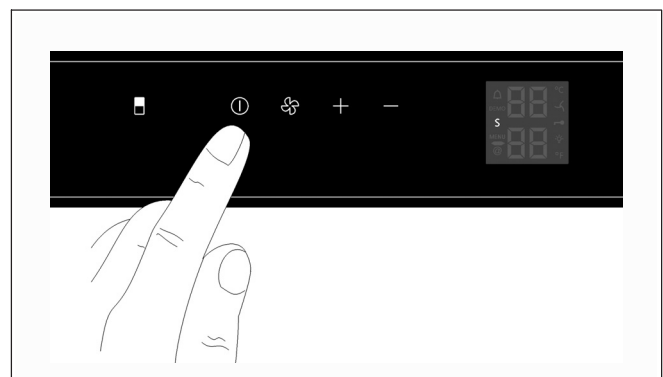
Activation du mode Sabbat



1. Appuyez sur le bouton du ventilateur pendant environ 5 secondes. Sur l'affichage, « MENU » apparaîtra pour indiquer que le mode réglage est actif ; « S » (mode Sabbat) clignotera également.



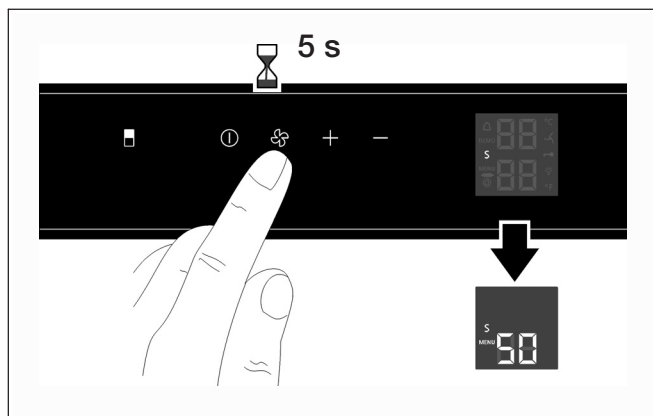
2. Appuyez sur le bouton du ventilateur pour confirmer. « S1 » clignotera sur l'affichage (activation du mode Sabbat).
3. Appuyez sur le bouton du ventilateur pour confirmer. Le lettre « S » au-dessus de « MENU » apparaît sur l'affichage, indiquant que le mode Sabbat est activé.



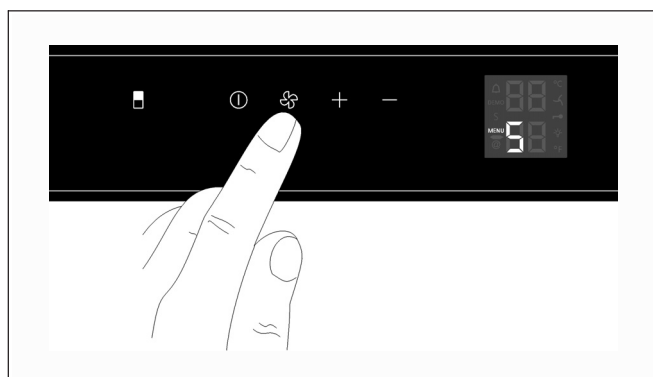
4. Appuyez sur le bouton marche/arrêt pour quitter le mode réglage.

Le mode Sabbat est maintenant activé ; seule la lettre « S » pour le mode Sabbat apparaît sur l'affichage.

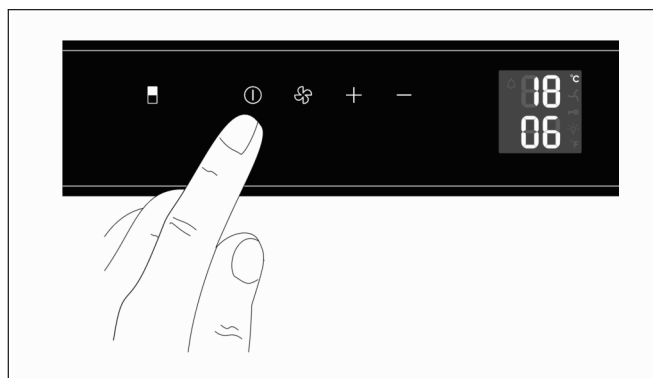
Désactivation du mode Sabbat



1. Appuyez sur le bouton du ventilateur pendant environ 5 secondes.
La lettre « S » apparaît à l'extrémité gauche de l'affichage pour indiquer que le mode Sabbat est actif et « MENU » apparaît pour indiquer que le mode réglage est actif ; « S0 » (désactiver le mode Sabbat) clignote également.



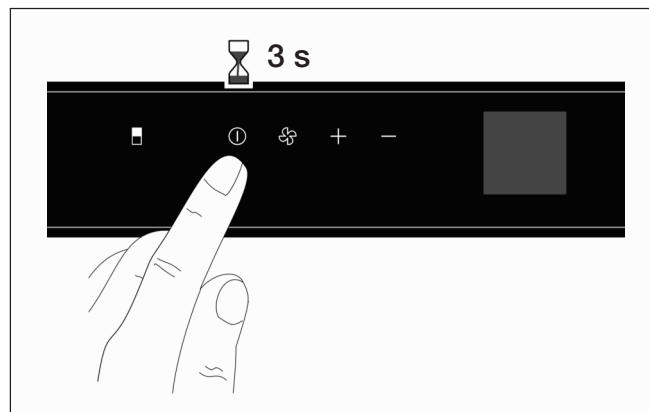
2. Appuyez sur le bouton du ventilateur pour confirmer.
La lettre « S » à l'extrémité gauche de l'affichage disparaît, et « S » apparaît sur l'affichage.



3. Appuyez sur le bouton marche/arrêt pour quitter le mode réglage.

Les températures actuelles apparaissent de nouveau sur l'affichage.

Arrêt de l'appareil



- Appuyez sur le bouton marche/arrêt jusqu'à ce que l'affichage de la température disparaisse.

Dégivrage

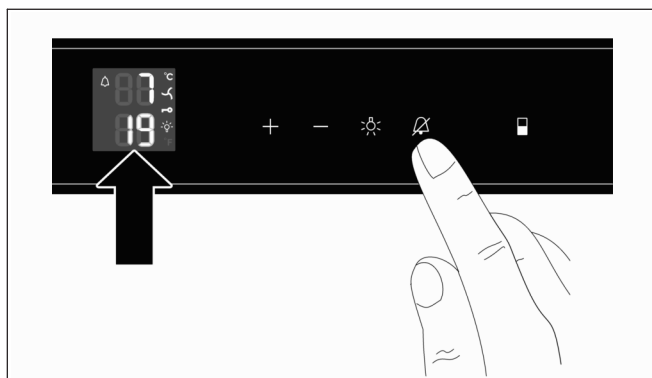
L'appareil effectue le dégivrage automatiquement. L'humidité qui s'accumule est acheminée vers l'extérieur dans le bassin de condensation d'eau de dégivrage en passant par la conduite d'évacuation de l'eau de dégivrage. L'eau de dégivrage s'évapore à cet endroit compte tenu de la chaleur générée par le compresseur.

Alarme

Alarme de température

Ce signal d'alarme vous permet de protéger vos bouteilles de vin de températures inappropriées. Il retentit si la température intérieure est trop froide ou trop chaude. L'indicateur de température clignotera en même temps. L'alarme retentira automatiquement si la porte demeure ouverte pendant plus de 60 secondes.

Mise au silence de l'alarme de température



- Appuyez sur le bouton de désactivation de l'alarme.

Le signal d'alarme sera désactivé. L'indicateur de température continuera de clignoter jusqu'à ce que l'état d'alarme prenne fin.

Déterminer la cause de l'alarme

1. Vérifiez d'abord que la porte est bien fermée.

Remarque :

Chaque fois que la porte est fermée, la fonction de désactivation de l'alarme est désactivée de nouveau ; au besoin, le signal d'alarme doit être désactivé de nouveau en appuyant sur le bouton de désactivation de l'alarme.

2. Vérifiez si le mot « DEMO » apparaît sur l'affichage. Si c'est le cas, le mode présentation a été activé accidentellement ; dans ce mode, le système de refroidissement est désactivé, mais l'appareil peut être activé normalement.

Vous pouvez désactiver le mode présentation en suivant les étapes suivantes :

- Appuyez simultanément sur le bouton plus de droit et sur le bouton marche/arrêt pendant environ 5 secondes jusqu'à ce que « MENU » et « d » apparaissent sur l'affichage.
- Appuyez sur le bouton du ventilateur. « d0 » apparaîtra sur l'affichage.
- Appuyez de nouveau sur le bouton du ventilateur. Le système de refroidissement démarrera, les températures actuelles apparaîtront de nouveau sur l'affichage.

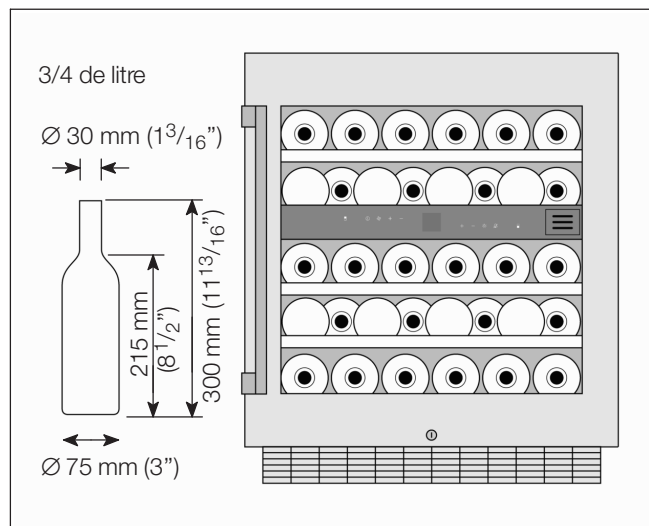
L'appareil fonctionne de nouveau de façon normale.

Si l'alarme de température demeure active pendant plus de 1 heure, contactez le service après-vente.

Entreposage

Capacité de l'appareil :

34 bouteilles (bouteilles de Bordeaux de 0,75 litre)



Conseils

- Gardez les bouteilles de vin déballées – pas dans des caisses ou des boîtes.
- Placez les bouteilles anciennes de façon à ce que le bouchon demeure toujours humide. Il ne devrait jamais y avoir d'air entre le vin et le bouchon.
- Avant de le servir, le vin devrait être « réchauffé » (laissé à la température ambiante) : Retirez les vins rosés environ 2 ... 5 heures avant de les servir et les vins rouges environ 4 ... 5 heures avant de les servir et laissez-les sur la table ; ces vins seront ensuite à la température idéale après ce délai. Par contre, retirez les vins blancs de l'appareil juste avant de les servir. Le champagne devrait être refroidi au réfrigérateur juste avant de le servir.
- Souvenez-vous qu'il faut toujours réfrigérer les vins à une température un peu plus basse que leur température de service idéale, vu qu'à l'instant où vous versez le vin dans les verres, ce dernier se réchauffe instantanément de 1 ... 2 °C (2 ... 4 °F)!

Températures de dégustation

La bonne température à laquelle vous servirez les vins décide de leur goût, donc du plaisir de leur dégustation.

Nous recommandons de servir les vins ci-dessous aux températures suivantes :

Type de vin	Température de dégustation
Bordeaux rouge	64 °F (18 °C)
Côtes du Rhône rouge / Barolo	63 °F (17 °C)
Bourgogne rouge / Bordeaux rouge	61 °F (16 °C)
Porto	59 °F (15 °C)
Jeune Bourgogne rouge	57 °F (14 °C)
Jeunes vins rouges	54 °F (12 °C)
Jeunes Beaujolais / tous les vins blancs demi-secs à secs	52 °F (11 °C)
Vins blancs âgés / Chardonnay	50 °F (10 °C)
Xérès	48 °F (9 °C)
Vins blancs jeunes de vendange tardive	47 °F (8 °C)
Vins blancs de la vallée de la Loire / Entre-deux-Mers	45 °F (7 °C)

Entretien

Nettoyage de l'appareil



AVERTISSEMENT



Débranchez l'appareil ou désactivez le fusible.

- Nettoyez le joint de porte à l'eau claire et frottez-le pour bien le sécher.
- Nettoyez l'appareil à l'eau tiède. L'eau ne doit pas atteindre le panneau de commande ou l'éclairage.

REMARQUE

Ne nettoyez jamais les étagères et les récipients au lave-vaisselle. Les pièces pourraient se plier.

Après le nettoyage, débranchez l'appareil ou désactivez le fusible.

Veillez noter que comme pour d'autres formes d'entreposage, de la moisissure pourrait se former en fonction de la colle utilisée sur l'étiquette. Vous pouvez remédier à ce problème en nettoyant soigneusement les bouteilles et en éliminant les résidus de colle sur les bouteilles.



AVERTISSEMENT

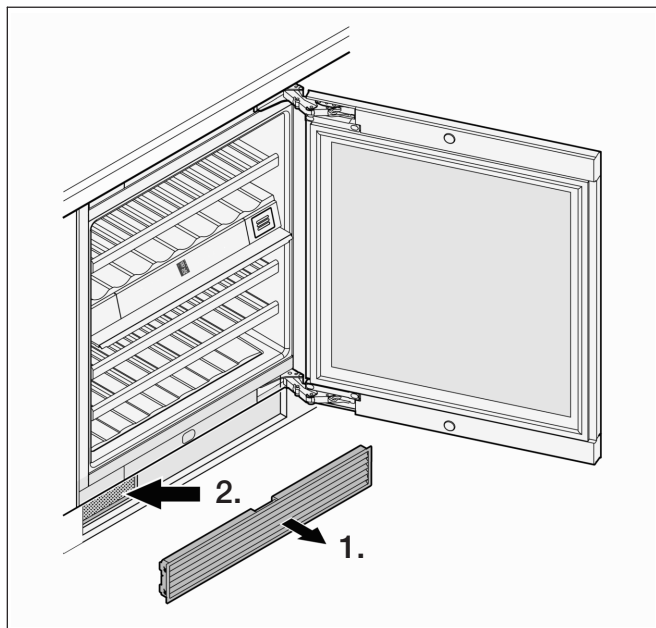


Ne nettoyez jamais l'appareil avec un nettoyeur à vapeur. La vapeur risque d'atteindre des pièces électriques et de provoquer un court-circuit ou une électrocution.

La vapeur peut endommager les surfaces en plastique.

Nettoyage du filtre à poussière

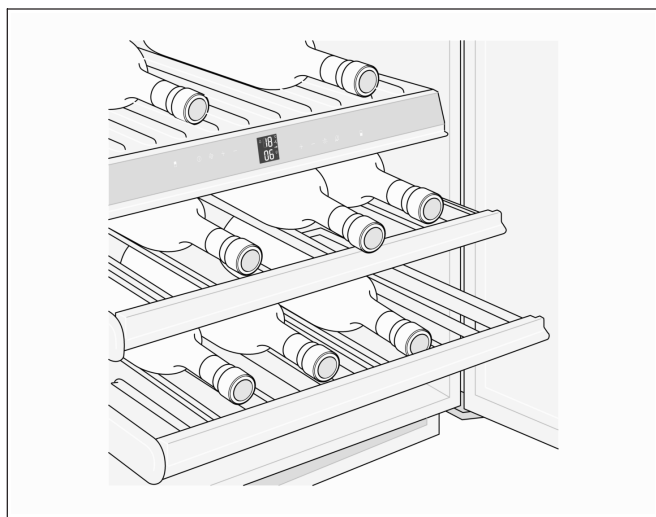
Le filtre à poussière dans la base de l'appareil doit être nettoyé au moins une fois par année.



1. Retirez la grille d'aération de la base de l'appareil.
2. Nettoyez le filtre à poussière à l'aide d'un aspirateur.
3. Remplacez la grille d'aération.

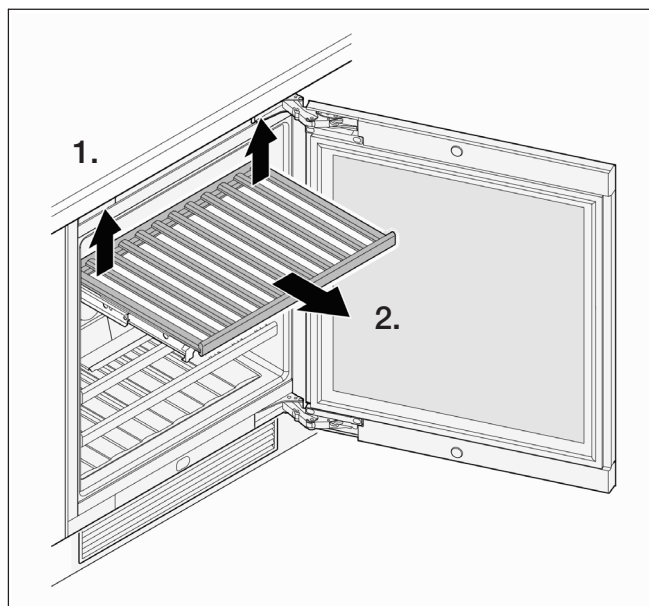
Retirer ou insérer les étagères à bouteilles

Les étagères à bouteilles permettent de retirer facilement les bouteilles de vin.



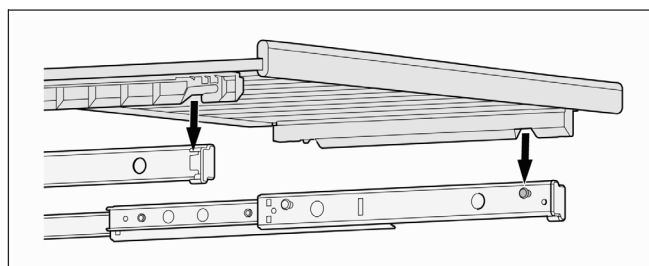
Les étagères peuvent également être retirées pour pouvoir nettoyer l'intérieur de l'appareil plus facilement.

Retirer une étagère à bouteilles

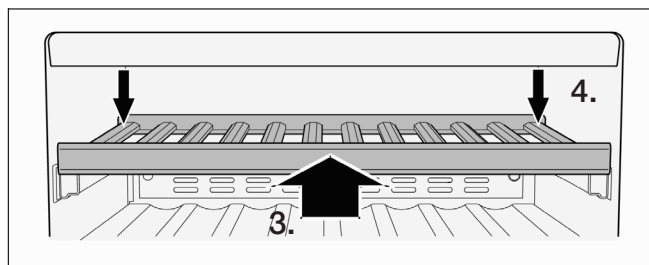


- Tirez l'étagère vers le haut à gauche et à droite à l'arrière (en dégageant) et retirez l'étagère vers l'avant.

Insérer une étagère à bouteilles

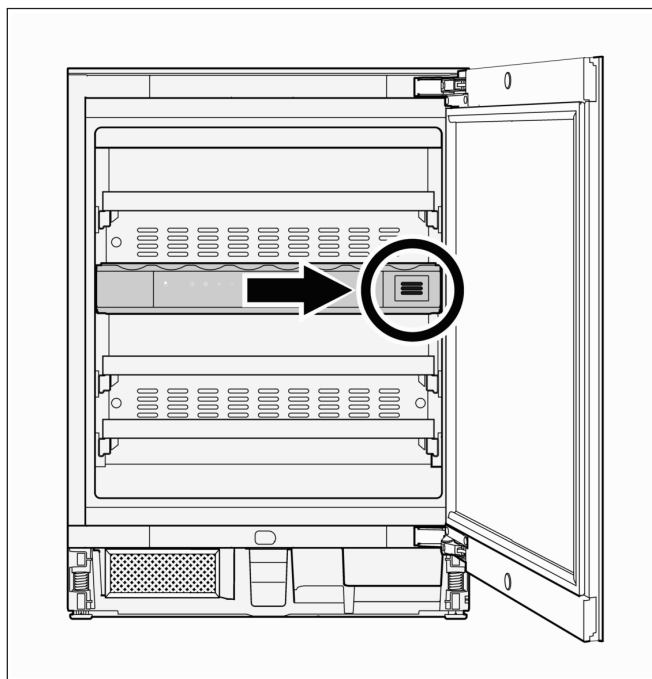


1. Retirez complètement les rails coulissants. Placez l'étagère à bouteilles avec les encoches avant sur les boulons de fixation.
2. Poussez l'étagère à bouteilles et les rails coulissants vers l'intérieur de l'appareil jusqu'à l'arrêt.

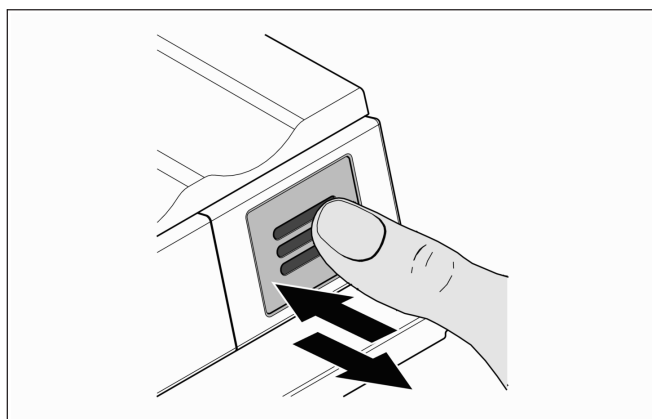


3. Appuyez sur l'étagère à bouteilles jusqu'au fond à l'arrière pour qu'elle s'enclenche à l'avant.
4. Appuyez sur l'étagère à bouteilles à gauche et à droite à l'arrière pour qu'elle s'enclenche de façon appropriée.

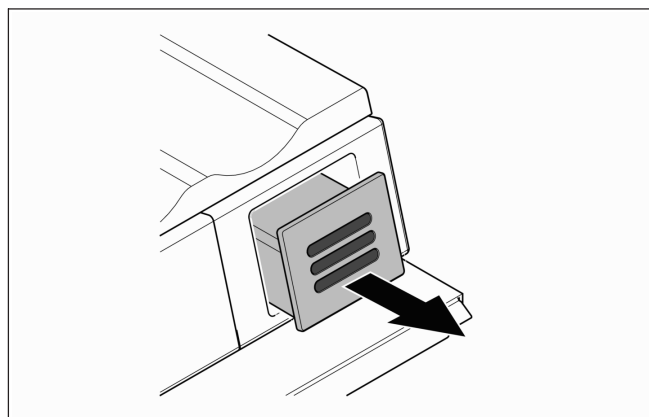
Remplacement du filtre à charbon actif



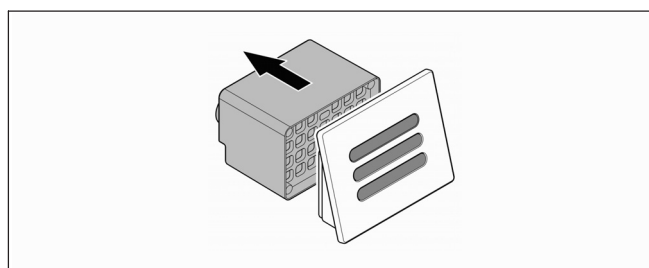
Nous vous recommandons de changer le filtre illustré une fois par année ; vous pouvez commander un filtre de remplacement chez votre détaillant ou par le service après-vente.



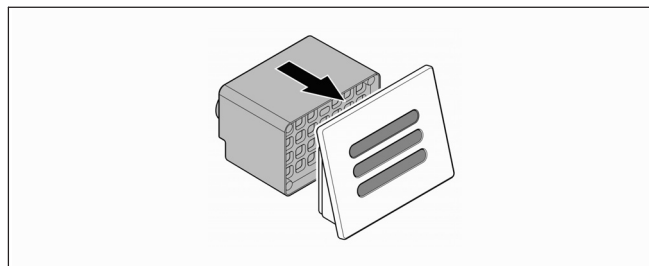
1. Appuyez sur le filtre et relâchez-le.



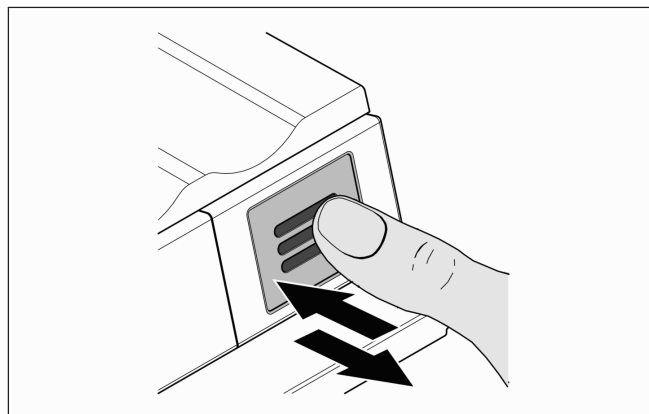
2. Retirez le filtre.



3. Retirez la partie arrière du filtre.



4. Placez le nouveau filtre sur le couvercle.



5. Insérez le filtre, poussez-le vers le haut jusqu'au fond et relâchez-le.

Le filtre se verrouille en place automatiquement. Vous pourrez entendre un déclic.

Conseils d'entretien pour les surfaces en acier inoxydable

Utilisez le nettoyant « Chromol » pour l'entretien des surfaces en acier inoxydable.

Vous pouvez obtenir le « Chromol » chez les détaillants ou par le service après-vente en utilisant le

- **numéro d'identification 00310359** pour une bouteille en vaporisateur de 500 ml et le
- **numéro d'identification 00166787** pour une bouteille d'essai de 50 ml.

Afin d'éviter d'endommager les surfaces, n'utilisez pas des éponges, des brosses métalliques, des objets coupants ou pointus ou des abrasifs.

Évitez également d'utiliser des nettoyants chimiques agressifs comme des vaporisateurs de dégivrage, des vaporisateurs pour le four, des solvants ou des détachants.

Bruits de fonctionnement

Bruits normaux

Bourdonnement léger : Un moteur fonctionne, par exemple celui du système de refroidissement ou du ventilateur.

Gargouillis, clapotis ou bourdonnement : Du fluide réfrigérant circule dans les serpentins.

Cliquetis : Le moteur, les vannes de commutation ou les vannes magnétiques s'activent ou se désactivent.

Éviter les petits problèmes de bruits

L'appareil n'est pas de niveau : Aligned l'appareil à l'aide d'un niveau. Au besoin, ajoutez un objet sous l'appareil.

Les récipients, les surfaces de rangement et les étagères vacillent ou se coincent : Vérifiez les pièces amovibles et remplacez-les au besoin.

Des bouteilles ou récipients se touchent : Éloignez légèrement les bouteilles ou récipients les uns des autres.

Avant de contacter le service après-vente :

Vérifiez si vous pouvez remédier vous-même au problème à l'aide des informations suivantes.

Le service après-vente vous facturera pour des conseils, même si l'appareil est encore couvert par la garantie.

Éliminer les défaillances par vous-même

Vous pouvez éliminer les défaillances suivantes et vérifiant par vous-même les causes possibles :

L'appareil ne fonctionne pas

Veillez vérifier :

- si la fiche est bien branchée dans la prise et
- si le fusible de la prise est fonctionnel.

Lorsque la fiche d'alimentation est branchée, le système de refroidissement ne s'active pas, mais un nombre est affiché sur l'indicateur de température

Si « DEMO » apparaît sur l'affichage, le mode de présentation a été activé par inadvertance.

Vous pouvez désactiver le mode présentation en suivant les étapes suivantes :

- 1 Appuyez simultanément sur le bouton plus de droite et sur le bouton marche/arrêt pendant environ 5 secondes jusqu'à ce que « MENU » et « d » apparaissent sur l'affichage.
- 2 Appuyez sur le bouton du ventilateur. « d0 » apparaîtra sur l'affichage.
- 3 Appuyez de nouveau sur le bouton du ventilateur. Le système de refroidissement démarrera, les températures actuelles apparaîtront de nouveau sur l'affichage.

L'appareil fonctionne de nouveau de façon normale.

L'appareil est très bruyant

Veillez vérifier si l'appareil est placé de façon appropriée sur le sol. Veillez noter que les bruits de circulation dans le système de refroidissement sont inévitables.

La température du cellier est trop chaude

Veillez vérifier

- le réglage à l'aide de la section « Réglage de la température »,
- si un thermomètre inséré séparément indique la température appropriée,
- le bon fonctionnement de la ventilation,
- si le filtre à poussière dans la base de l'appareil est sale – consultez la section « Nettoyage du filtre à poussière »,
- si l'installation se trouve trop près d'une source de chaleur.

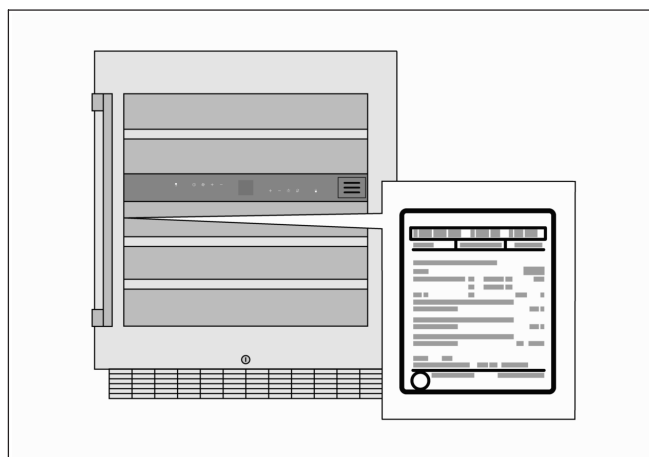
Mettre l'appareil hors service

Si l'appareil doit être mis hors service pour une période prolongée :

- Éteignez l'appareil.
- Débranchez l'appareil ou désactivez le fusible.
- Nettoyez l'appareil.
- Laissez la porte ouverte pour éviter la formation d'odeurs.

Si aucune des causes mentionnées dans la section « Éliminer les défaillances par vous-même » ne s'applique ou si vous ne parvenez pas à éliminer la défaillance par vous-même, veuillez contacter le bureau du service après-vente le plus proche.

Vous pouvez trouver le bureau du service après-vente le plus proche dans l'annuaire téléphonique ou dans le répertoire du service après-vente. Veuillez fournir au service après-vente le numéro de modèle de l'appareil (numéro E) et le numéro de série (numéro FD). Vous trouverez ces numéros sur la plaque signalétique.



Merci de nous aider à éviter des déplacements inutiles en nous indiquant les numéros de produit et de fabrication ; vous éviterez du même coup la facturation des frais supplémentaires qui en résulteraient.

Conseils et ordres de réparation en cas de défaillances

Les coordonnées pour tous les pays sont incluses dans le répertoire du service après-vente.

Índice

Instrucciones de seguridad	54	Modo sabatino	70
Acerca de estas instrucciones	54	Apagado del aparato	71
¡Riesgo de explosión!	54	Descongelación	71
¡Riesgo de descarga eléctrica!	54	Alarma	71
¡Riesgo de lesiones!	54	Alarma de temperatura	71
Conexión eléctrica	54	Almacenamiento de vino	72
Instrucciones para la conexión a tierra	54	Almacenamiento	72
Prevención de riesgos para niños y personas en peligro	55	Consejos	72
Daño a los bienes	55	Temperaturas de consumo	73
Definiciones	55	Mantenimiento	73
Uso previsto	55	Limpieza del aparato	73
Protección del ambiente	55	Limpieza del filtro de polvo	74
Embalaje	55	Retirar/insertar estantes para botellas	74
Desguace de los aparatos usados	56	Reemplazo del filtro de carbón activo	75
Eliminación de CFC	56	Consejos para el cuidado de superficies de acero inoxidable	76
Instalación y conexión	56	Ruidos	76
Alcance de la entrega	56	Ruidos normales	76
Placa de valores nominales	57	Solución de problemas de ruidos simples	76
Condiciones de instalación	57	Qué hacer con las fallas	76
Instalación del aparato	58	Eliminación de las fallas por su cuenta	76
Conexión eléctrica	63	Puesta fuera de servicio del aparato	77
Conocimiento de su aparato	64	Servicio al cliente	77
Elementos de funcionamiento	64	Pedido de reparación y asesoramiento en caso de fallas	77
Equipo	65		
Funcionamiento del aparato	65		
Encendido del aparato	65		
Configuración de la temperatura	66		
Cambio de la unidad de temperatura (°C ↔ °F) ..	66		
Configuración del brillo de la pantalla	67		
Encendido de la iluminación de manera permanente	68		
Configuración del brillo de la iluminación permanente	68		
Ventilador	68		
Bloqueo para niños	69		

Instrucciones de seguridad

Acerca de estas instrucciones

Lea detenidamente las instrucciones de funcionamiento e instalación. Contienen información importante acerca de cómo instalar, usar y mantener el aparato.

El fabricante no es responsable si usted ignora las instrucciones y advertencias incluidas en las instrucciones de funcionamiento.

Guarde toda la documentación para su uso posterior o para el siguiente dueño.

¡Riesgo de explosión!

- Nunca use dispositivos eléctricos dentro del aparato (como calentadores, máquinas de hielo eléctricas, etc.).
- Las botellas que contienen un porcentaje elevado de alcohol deben cerrarse herméticamente y almacenarse en una posición vertical.

¡Riesgo de descarga eléctrica!

- Nunca use un limpiador de vapor para descongelar o limpiar el aparato. El vapor puede dañar las partes eléctricas y provocar un cortocircuito.
- Para descongelarlo y limpiarlo, desenchufe el aparato o desconecte el fusible.
No tire del cable para desenchufar el aparato.
- Si el cable de alimentación de este aparato está dañado, debe ser reemplazado por el fabricante, por el servicio de atención al cliente o por una persona con una calificación similar.
Las instalaciones y las reparaciones inadecuadas pueden presentar un riesgo considerable para el usuario.
- Las reparaciones solo podrán ser realizadas por el fabricante, por el servicio de atención al cliente o por una persona con una calificación similar.
- Solo se pueden usar las partes originales del fabricante. El fabricante solo garantiza que se cumple con los requisitos de seguridad cuando se usan con esas partes.
- Solo se puede pedir una extensión del cable de alimentación al servicio de atención al cliente.

¡Riesgo de lesiones!



ADVERTENCIA



¡Peligro de daño ocular!

La intensidad luminosa de la iluminación del diodo emisor de luz (light-emitting diode, LED) corresponde al láser clase 1/1M.

Solo el servicio de atención al cliente puede retirar la cubierta de la tira de luz LED.

No mire directamente a la iluminación LED con lentes ópticos.

Conexión eléctrica

El electrodoméstico viene con un cable de alimentación de 3 conductores aprobado por UL.

El electrodoméstico requiere un receptáculo de 3 conductores.

El receptáculo debe ser instalado por un electricista con licencia únicamente.

El electrodoméstico debe conectarse a un circuito de 110-120 VCA, 15 A controlado por un disyuntor o un fusible.

Instrucciones para la conexión a tierra

Este electrodoméstico debe estar conectado a tierra. En caso de un mal funcionamiento a una falla, la conexión a tierra reducirá el riesgo de descarga eléctrica proporcionando una vía de menor resistencia para la corriente eléctrica.

La conexión incorrecta del conductor de conexión a tierra del equipo puede causar un riesgo de descarga eléctrica. Haga verificar el electrodoméstico por un electricista calificado o por un técnico de servicio si tiene alguna duda respecto de si el electrodoméstico está correctamente conectado a tierra.

Algunas reglamentaciones locales exigen una conexión a tierra por separado. En este caso, deberán adquirirse por separado los accesorios requeridos, como el cable de conexión a tierra, abrazaderas y tornillos.

Nunca realice la conexión a tierra conectando el electrodoméstico a tuberías de plomería, de gas ni de agua de plástico.

Prevención de riesgos para niños y personas en peligro

Se encuentran en peligro:

- Los niños.
- Las personas con una percepción física o psicológicamente limitada.
- Las personas sin conocimiento suficiente respecto del funcionamiento seguro del aparato.



Medidas:



- Asegúrese de que los niños y las personas en peligro hayan comprendido los peligros.
- Una persona responsable de la seguridad debe supervisar o instruir a los niños y a las personas en peligro respecto del aparato.
- Solo permita que niños de 8 años de edad o más usen el aparato.
- Supervise a los niños durante la limpieza y el mantenimiento del aparato.
- Nunca permita que los niños jueguen con el aparato.

Daño a los bienes

- No se pare ni se apoye sobre la base del aparato ni use incorrectamente los cajones o las puertas u otras partes del aparato.
- Mantenga las partes plásticas y los sellos de las puertas libres de aceite y grasa. De lo contrario, las partes plásticas y el sello de las puertas se volverán porosos.
- No se podrá trasladar ni operar el aparato a alturas superiores a 1500 m (4921 ft) sobre el nivel del mar. ¡Riesgo de rotura de cristales!

Definiciones

	ADVERTENCIA	
Este símbolo indica que se pueden producir lesiones graves o la muerte como resultado de no cumplir con esta advertencia.		

	PRECAUCIÓN	
Este símbolo indica que se pueden producir lesiones leves o moderadas como resultado de no cumplir con esta advertencia.		

AVISO		
Este símbolo indica que se pueden producir daños como resultado de no cumplir con esta advertencia.		

Uso previsto

Este aparato está destinado solo para el almacenamiento de vino y para su uso en el hogar en viviendas particulares y un entorno doméstico.



Protección del ambiente

Embalaje

El embalaje protege al aparato contra daños en tránsito.

Todos los materiales de embalaje son ecológicos y reciclables. Ayude: desechando los materiales de embalaje de manera ecológica.

Consulte a su distribuidor o autoridades locales acerca de las opciones actuales para desechar materiales.

	ADVERTENCIA	
¡Peligro de asfixia por cajas de cartón y película plástica! Mantenga el embalaje y los componentes del embalaje fuera del alcance de los niños.		

Desguace de los aparatos usados

¡Los aparatos usados incorporan materiales valiosos que se pueden recuperar! Entregando el aparato a dicho efecto en un centro oficial de recogida o recuperación de materiales reciclables.



ADVERTENCIA



En caso de aparatos inservibles:

1. Extraer el cable de conexión de la red eléctrica.
2. Corte el cable de conexión del aparato y retírelo conjuntamente con el enchufe.
3. No retirar los soportes y baldas del aparato a fin de no facilitar a los niños el acceso al interior de éste.
4. Para evitar que se encierren niños en el interior del equipo radiado: ¡Quitar la puerta del equipo!
5. No permita que los niños jueguen con los aparatos inservibles. ¡Peligro de asfixia!

Todos los aparatos frigoríficos contienen gases aislantes y refrigerantes, que exigen un tratamiento y eliminación específicos. Preste atención a que las tuberías del circuito de frío de su aparato no sufran daños ni desperfectos antes de haberlo entregado en el correspondiente Centro Oficial de recogida.

Eliminación de CFC

Su electrodoméstico viejo puede tener un sistema de enfriamiento que haya utilizado CFC (clorofluorocarbonos). Se cree que los CFC dañan la capa de ozono de la estratósfera.

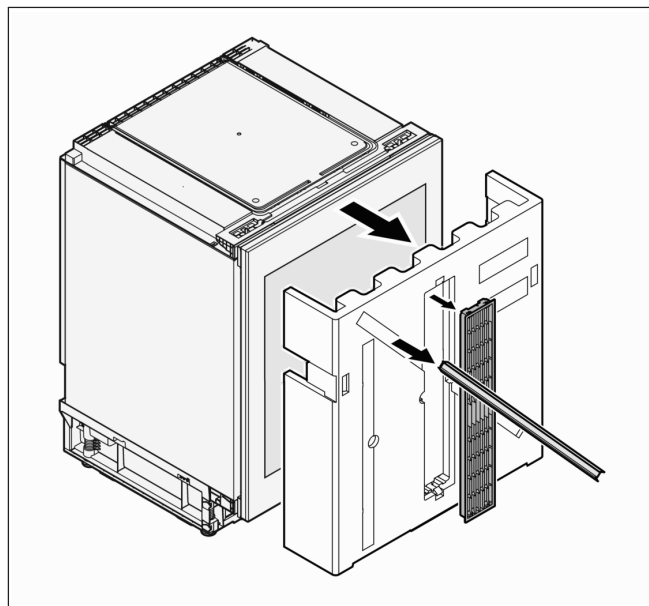
Si va a desechar un producto para refrigeración nuevo, asegúrese de retirar el refrigerante de CFC para que un centro de servicio técnico calificado lo elimine correctamente. Si libera intencionalmente este refrigerante de CFC, puede ser pasible de multas y prisión en virtud de las reglamentaciones de la legislación sobre el medio ambiente.

Alcance de la entrega

La entrega consta de las siguientes partes:

- Aparato incorporado
- Rejilla de aire
- Listones tapajuntas
- Filtro de polvo
- Parte de espuma para la válvula de ventilación
- Llave para ajustar la altura de las patas del aparato
- Bolsa con tornillos de sujeción
- Paño para el cuidado del aparato
- Instrucciones de funcionamiento e instalación
- Folleto del servicio de atención al cliente
- Información acerca del consumo de energía y de los ruidos

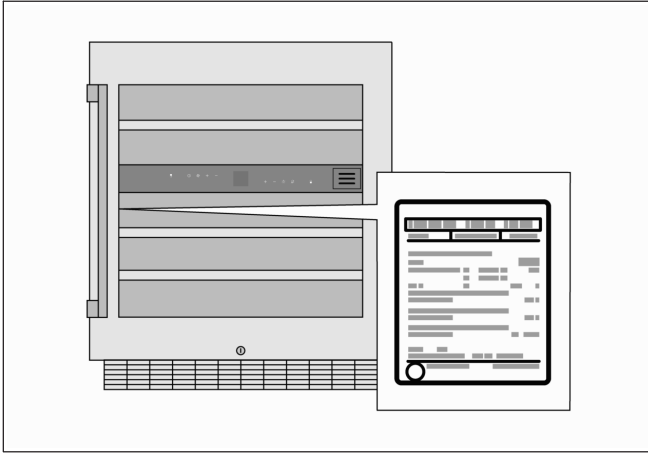
La rejilla de aire y los listones tapajuntas se encuentran en el embalaje en la parte delantera del aparato.



Después de retirar el embalaje, revise todas las partes para verificar si sufrieron daños durante el transporte. En caso de quejas, consulte al distribuidor al cual compró el aparato o al servicio de atención al consumidor.

Placa de valores nominales

Para obtener las especificaciones técnicas del aparato, consulte la placa de datos nominales, que se encuentra en la parte interna izquierda del aparato.



Condiciones de instalación

Lugar de instalación

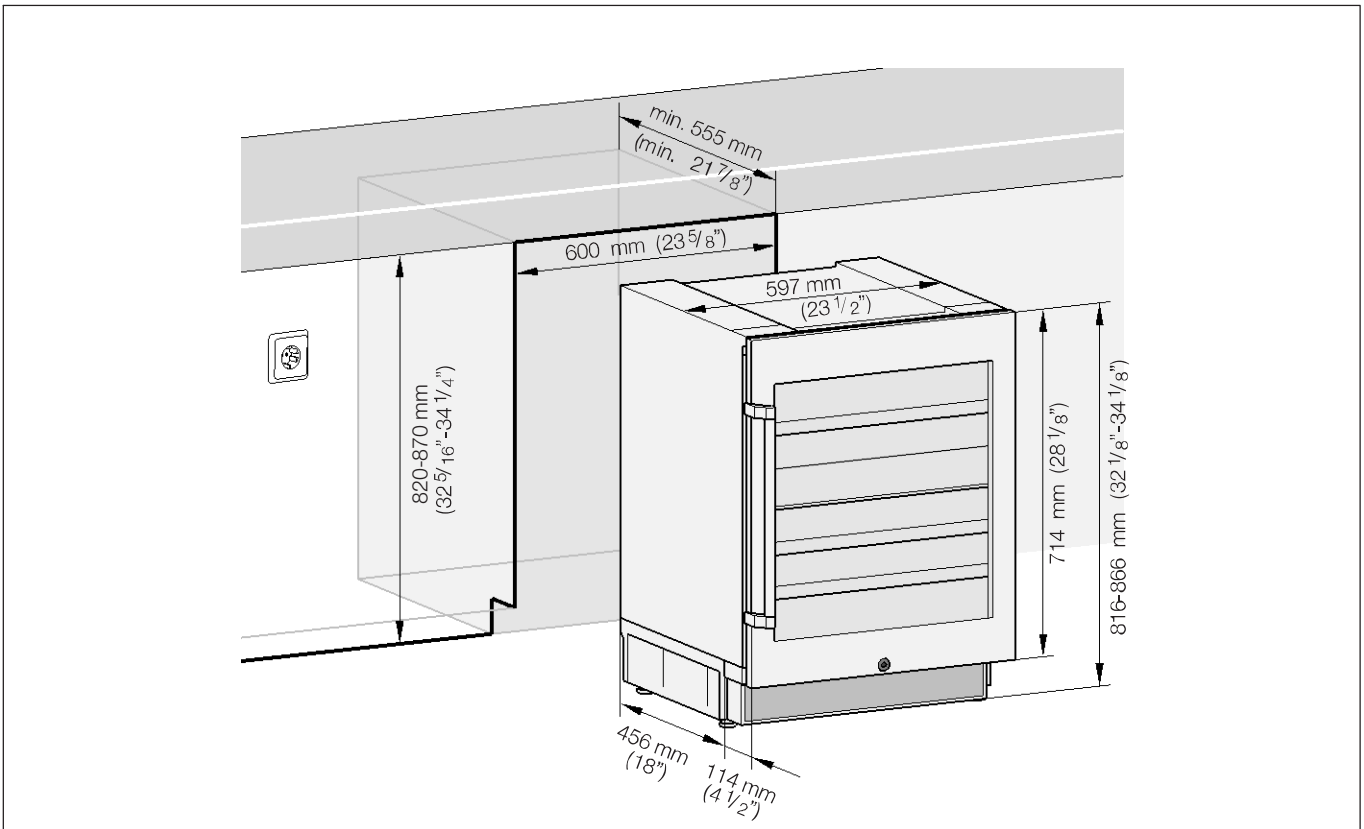
El mejor lugar de instalación es una habitación seca y bien ventilada. El lugar de instalación no debe estar expuesto al sol directo ni debe estar cerca de una fuente de calor, como una estufa, un radiador, etc.

Si no puede evitarse la instalación cerca de una fuente de calor, use una placa aisladora adecuada o cumpla con las siguientes distancias mínimas respecto de la fuente de calor:

- 3 cm ($1\frac{3}{16}$ ") respecto de estufas eléctricas o de gas.
- 30 cm ($11\frac{13}{16}$ ") respecto de estufas de aceite o estufas de carbón.

El piso en el lugar de instalación no debe hundirse; si es necesario, refuerce el piso.

Dimensiones de instalación



Temperatura ambiente

La clase climática se puede encontrar en la placa de valores nominales. Especifica las temperaturas ambiente a las cuales se puede operar el aparato.

Clase climática	Temperatura ambiente permitida
SN	+50 °F ... 90 °F (+10 °C ... 32 °C)
N	+61 °F ... 90 °F (+16 °C ... 32 °C)
ST	+61 °F ... 100 °F (+16 °C ... 38 °C)
T	+61 °F ... 109 °F (+16 °C ... 43 °C)
SN-ST	+50 °F ... 100 °F (+10 °C ... 38 °C)

El aparato es completamente funcional dentro de los límites de temperatura ambiente de la clase climática especificada.

Si se opera un aparato de la clase climática SN a temperaturas ambiente más frías, se puede descartar el daño al aparato hasta a una temperatura de +41 °F (+5 °C).

Instalación del aparato

Solicite a un técnico que instale y conecte el aparato de acuerdo con las instrucciones de instalación de este manual.

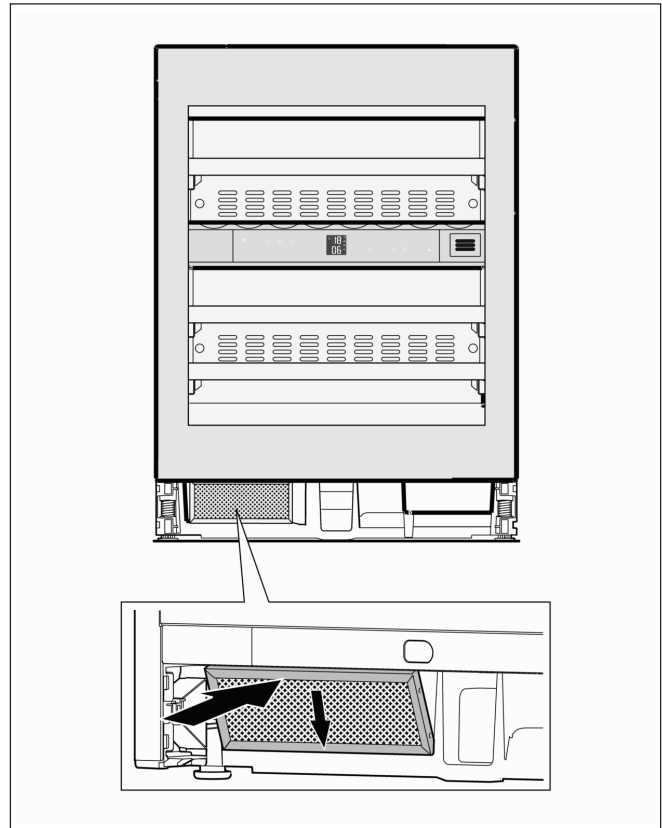
Además de las normas legales nacionales, también se requiere el cumplimiento de los requisitos de conexión de las compañías de servicios públicos locales de electricidad y agua.

Después de instalar el aparato, espere, por lo menos, 1 hora antes de enchufarlo. El aceite del compresor puede haber ingresado en el sistema de refrigeración durante el transporte.

Montaje del filtro de polvo

El filtro de polvo que se incluye debe montarse obligatoriamente. El filtro de polvo evita que se ensucie el compartimento del motor, lo que minimiza la capacidad de refrigeración con el aumento del consumo actual.

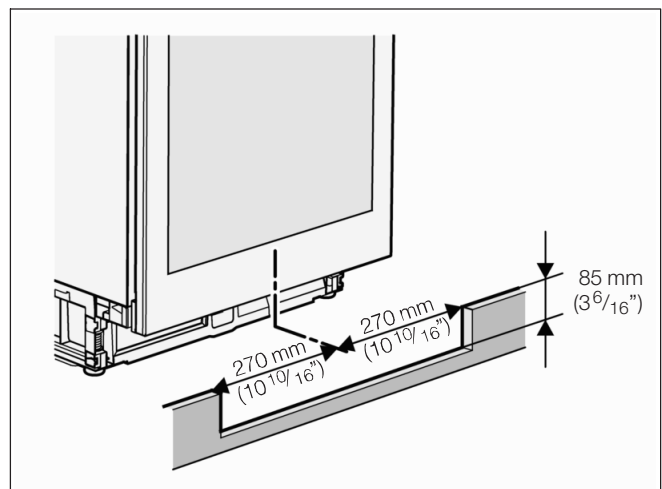
1. Retire la película protectora del filtro de polvo.



2. Inserte el filtro en la parte inferior y sujételo presionando en la parte superior.

Instalación de las rejillas de aire en la placa base

La renovación del aire para el aparato se produce alrededor de la base. La rejilla de aire que se incluye debe, por lo tanto, instalarse en la placa base.

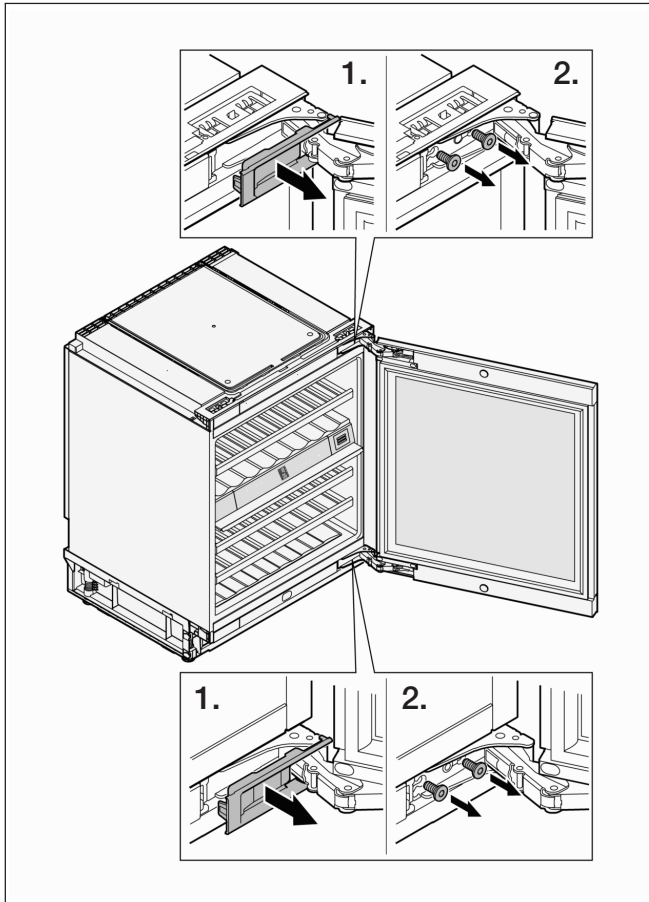


- Recorte la placa base para la rejilla de aire en el centro del aparato.
Dimensiones para el recorte requerido:
ancho: 540 mm (21 1/4"), alto: 85 mm (3 6/16")

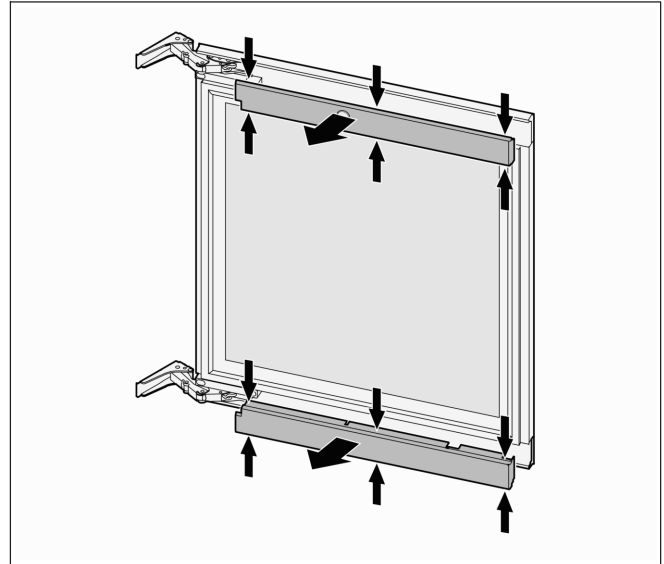
Cambio del tope de puerta

El tope de puerta solo puede ser cambiado cuando el aparato no está instalado y solo debe ser cambiado por un técnico capacitado.

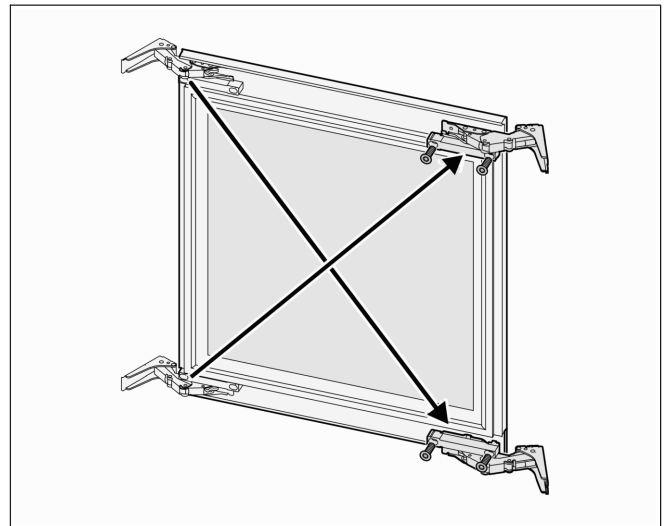
Se necesitan 2 personas para este trabajo.



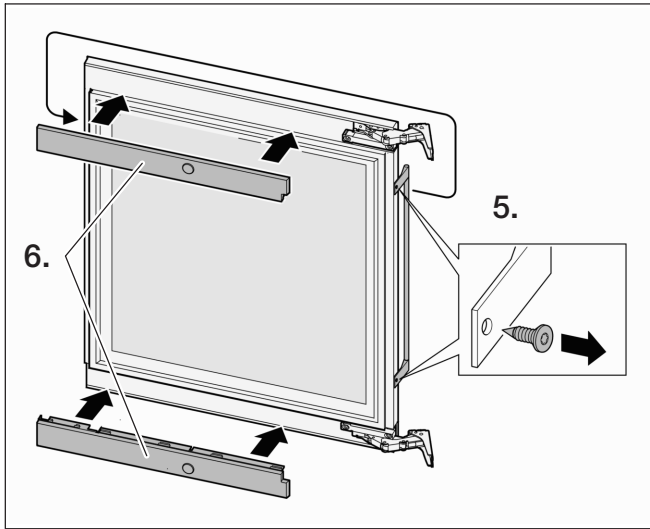
1. Retire las cubiertas de las bisagras superior e inferior.
2. Mientras que la segunda persona sostiene la puerta, desatornille y retire los tornillos de las bisagras superior e inferior y la puerta.



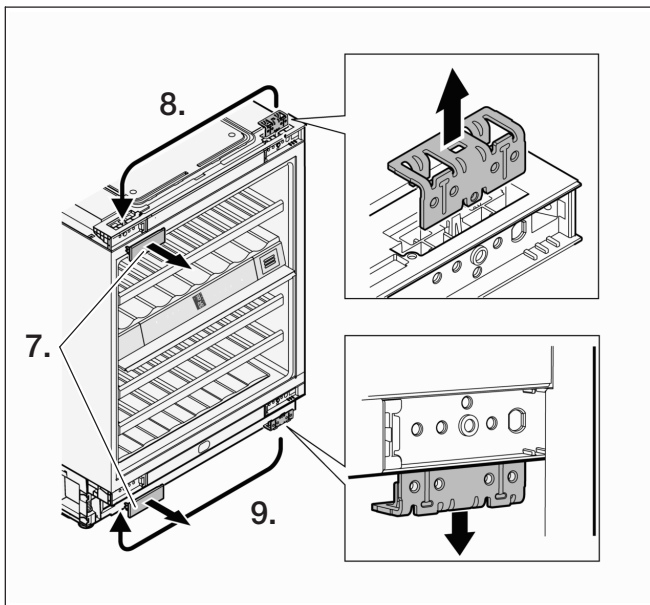
3. Presione, al mismo tiempo, las cubiertas en los puntos indicados (flechas estrechas), despréndalas y retírelas.



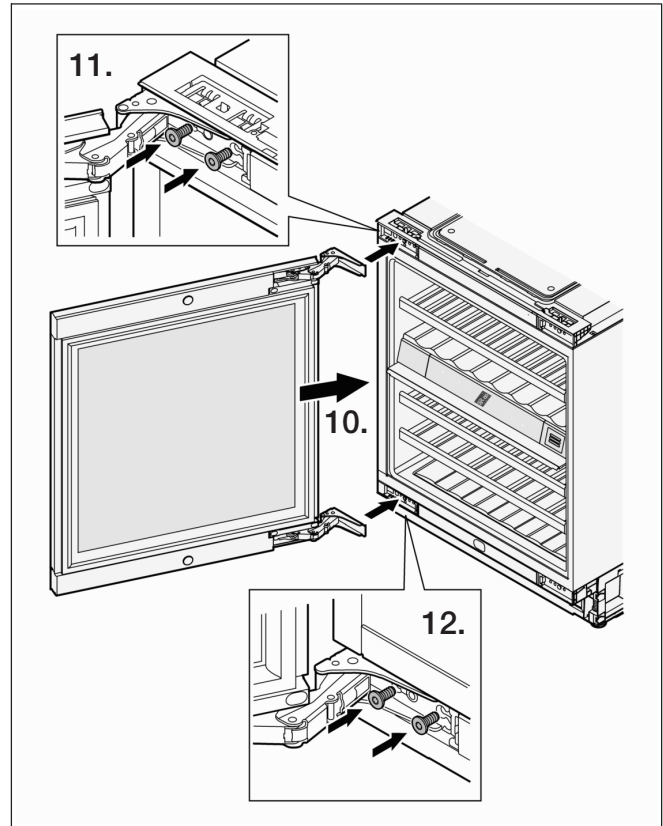
4. Desatornille las bisagras y vuelva a atornillarlas en el lado que se encuentra en diagonal al lugar en donde estaban.



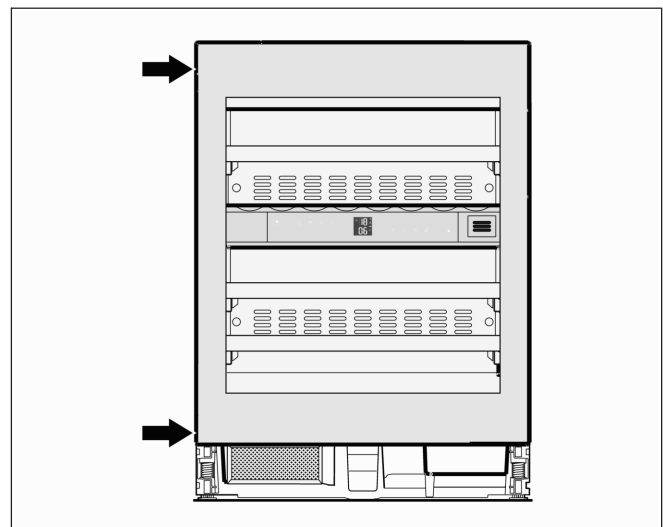
5. Desatornille la manija de la puerta y vuelva a atornillarla en el lado opuesto. Retire los tapones de plástico de los orificios destinados a estos y colóquelos, presionando en el lado opuesto.
6. Vuelva a colocar las cubiertas y sujételas presionando.



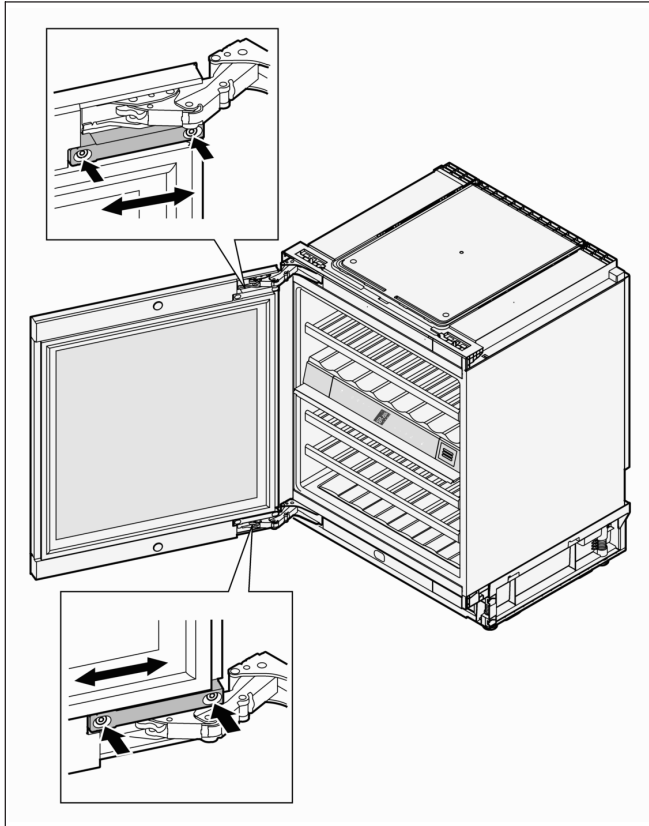
7. Retire las cubiertas de las bisagras.
8. Jale el soporte angular superior hacia afuera e insértelo en el lado opuesto.
9. Jale el soporte angular inferior hacia afuera e insértelo en el lado opuesto.



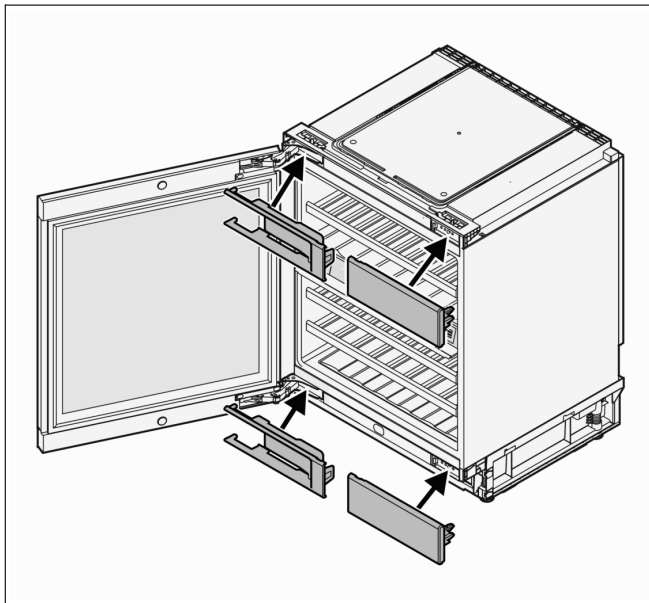
10. Trabajo para la segunda persona: Inserte la puerta en el aparato y sujétela firmemente.
11. Atornille la bisagra superior; apriete los tornillos.
12. Atornille la bisagra inferior; apriete los tornillos.



13. Cierre la puerta y revise si la puerta está alineada con las paredes laterales del aparato.

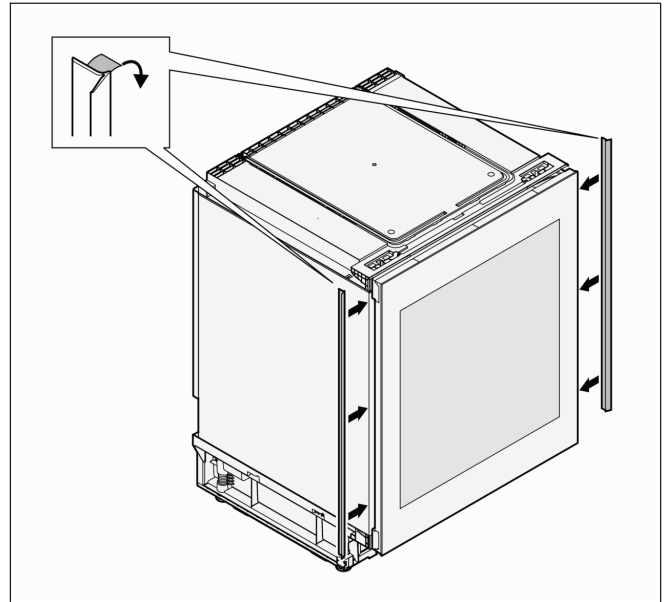


Si la puerta está torcida: Ajuste el ángulo; para hacerlo, abra la puerta, afloje los tornillos marcados, ajuste la puerta y vuelva a apretar los tornillos.

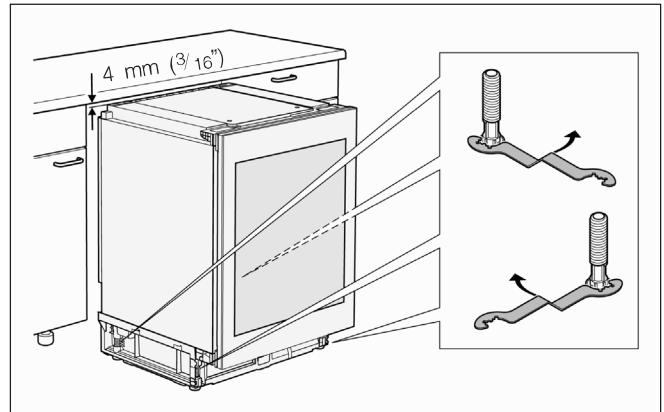


14. Vuelva a colocar las cubiertas de las bisagras.

Instalación del aparato



1. Retire la película protectora de los listones tapajuntas y los listones tapajuntas izquierdos y derechos que se encuentran en el borde delantero del aparato.

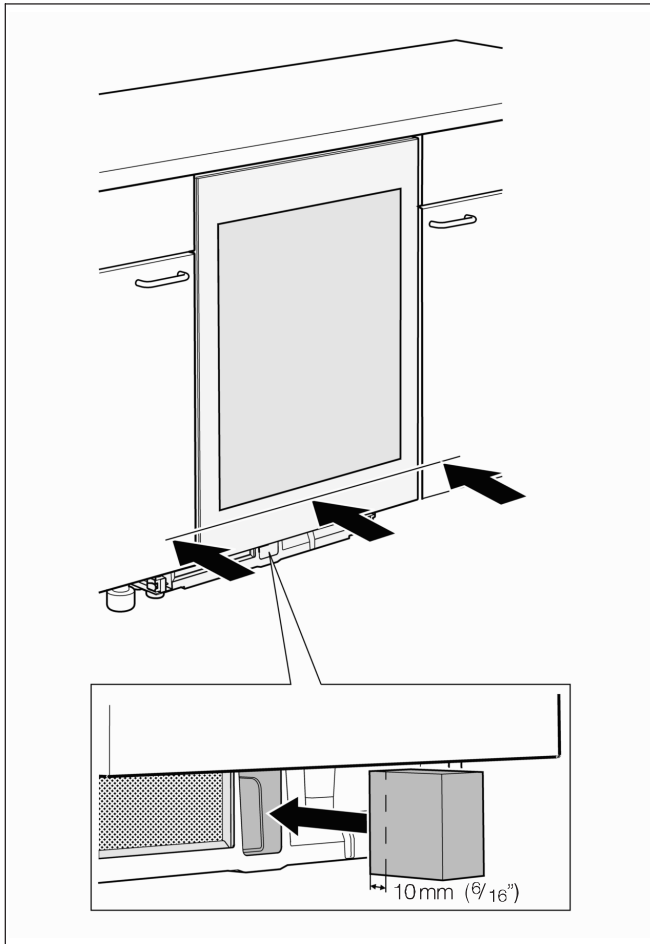


2. Ajuste las 4 patas ajustables con la llave que se incluye para que el aparato quede a nivel y se encuentre a 4 mm ($\frac{3}{16}$ "") del borde superior del habitáculo de instalación.
 Aplique la llave de acuerdo con la dirección del giro.
 Dirección del giro en el sentido de las agujas del reloj: se eleva el aparato; Dirección del giro en el sentido contrario al de las agujas del reloj: baja el aparato.

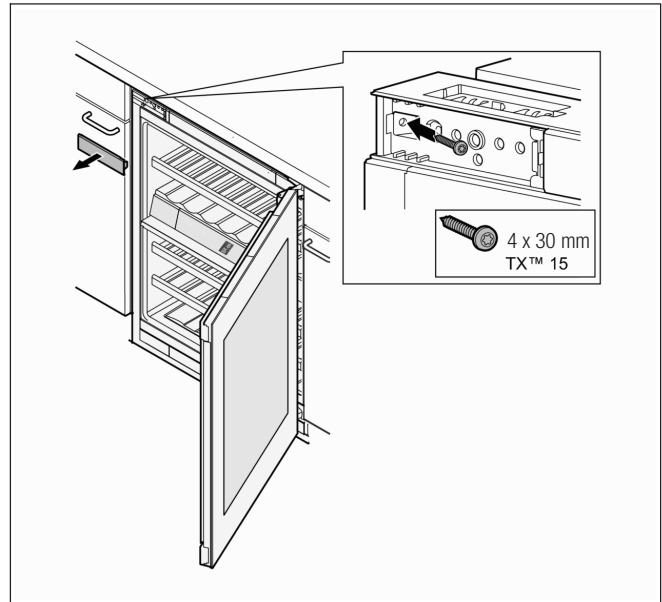
AVISO

¡Riesgo de daños!

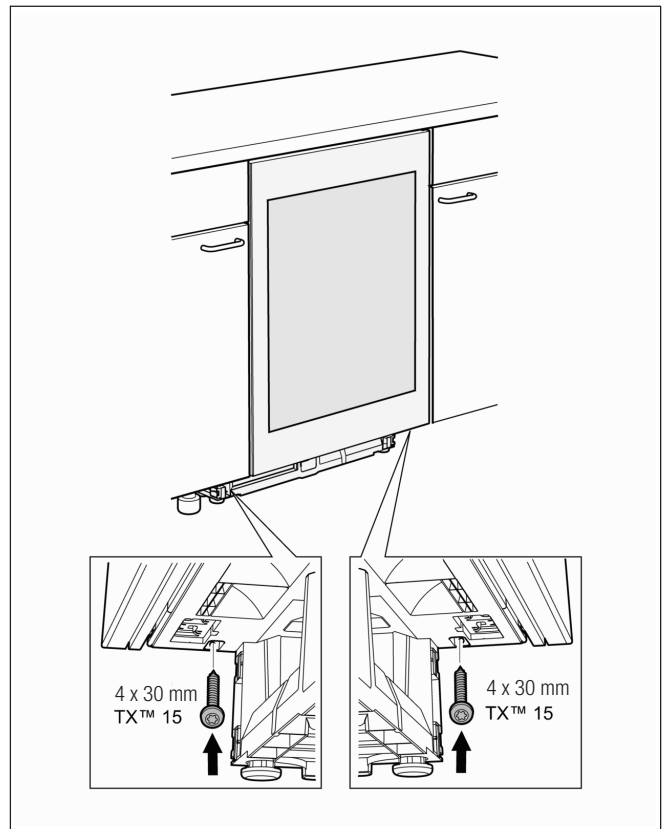
Si el aparato está torcido, el cuerpo del aparato puede deformarse y la puerta no cerrará adecuadamente. Alinee el aparato de manera horizontal y vertical.



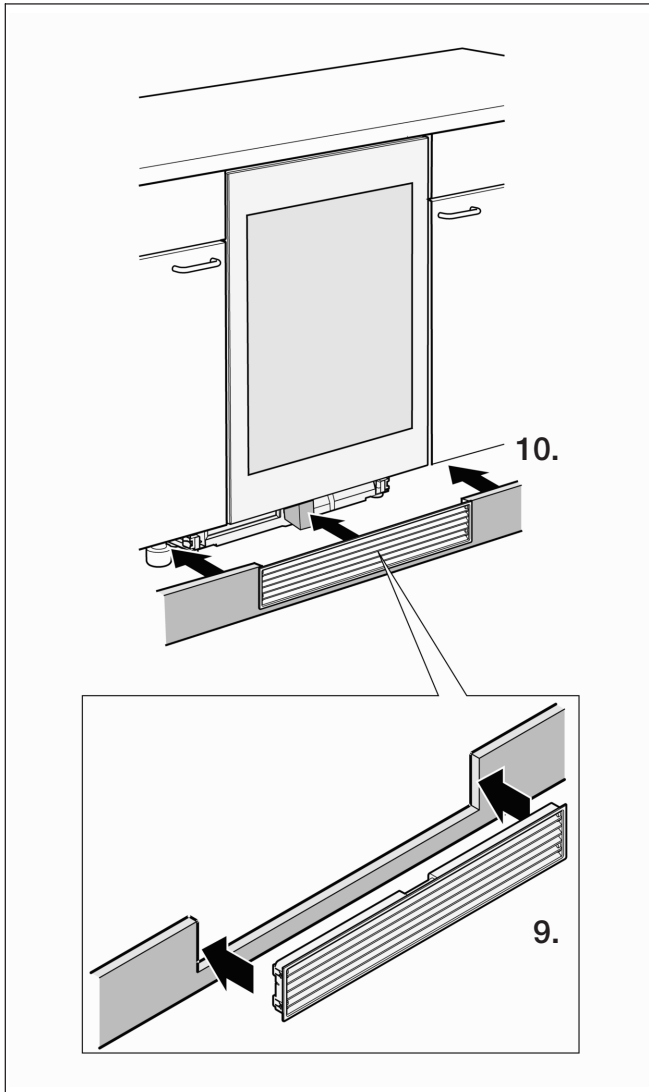
3. Coloque el aparato dentro del habitáculo de instalación hasta que la puerta del aparato esté alineada con los frentes del mueble. Al hacerlo, asegúrese de no dañar el cable de alimentación.
4. Inserte la parte de espuma aprox. 10 mm ($\frac{3}{16}$ ") dentro de la abertura en la base del aparato que se muestra en la imagen.
 Importante: Si no se inserta la parte de espuma, el aparato no alcanzará su capacidad total de refrigeración.
5. Abra la puerta.



6. Retire la cubierta y atornille la parte superior del aparato al cuerpo del mueble con los tornillos que se incluyen.
7. Vuelva a colocar la cubierta.



8. Atornille el aparato al cuerpo del mueble en la parte inferior izquierda y derecha con los otros dos tornillos que se incluyen.



9. Inserte la rejilla de aire en la placa base.
10. Inserte la placa base en el aparato.
Aquí, la parte de espuma se empuja hasta alcanzar la posición final.
- Importante: La parte de espuma debe estar pegada a la rejilla de aire.

Conexión eléctrica

La toma de corriente eléctrica a la cual se conecte el electrodoméstico debe ser de fácil acceso. Conecte el electrodoméstico a un circuito de 110-120 VCA, 15 A controlado por un disyuntor o un fusible.



ADVERTENCIA



¡Evite el peligro de descarga eléctrica!

- Enchufe a una toma de corriente de 3 espigas conectada a tierra.
- No retire la espiga de conexión a tierra.
- No use un adaptador.
- No use un cable de extensión.

No seguir estas instrucciones puede provocar la muerte, incendios o descargas eléctricas.

La conexión incorrecta del conductor de conexión a tierra del equipo puede causar un riesgo de descarga eléctrica. Haga verificar el electrodoméstico por un electricista calificado o por un técnico de servicio si tiene alguna duda respecto de si el electrodoméstico está correctamente conectado a tierra.

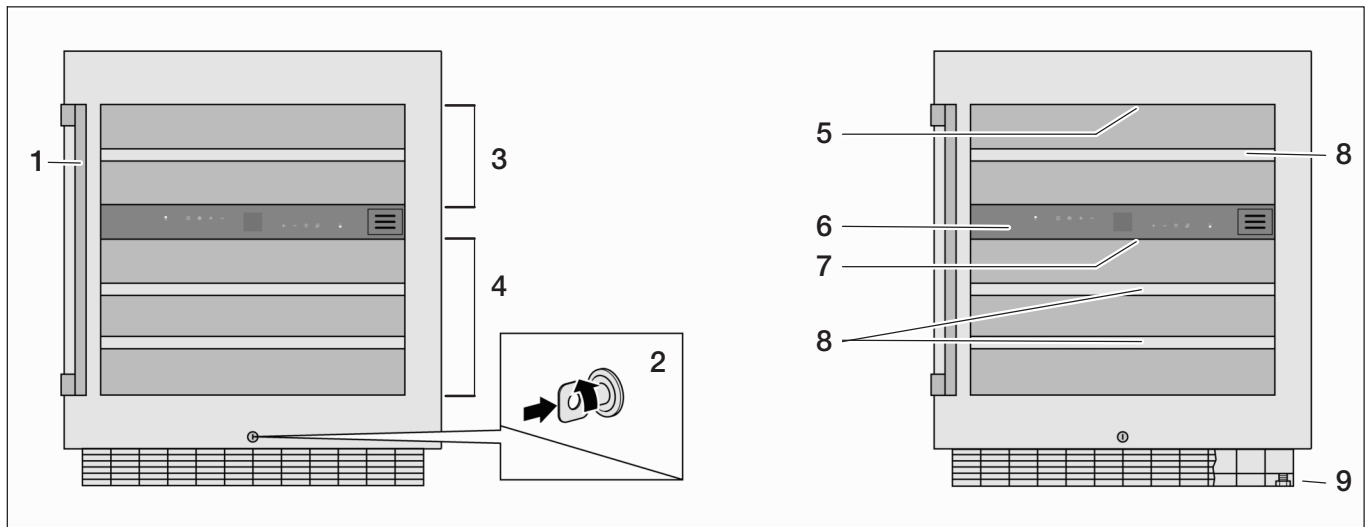
Antes del encendido

Limpie el interior del aparato antes de operarlo por primera vez (consulte "Limpieza del aparato").

Antes de operarlo por primera vez, frote las superficies de acero inoxidable de la puerta con el paño para el cuidado del aparato que se incluye en la misma dirección del grano, cuando estén frías. Los aparatos que ya hayan sido usados, primero deberán limpiarse previamente con agua caliente y con un poco de detergente para vajilla.

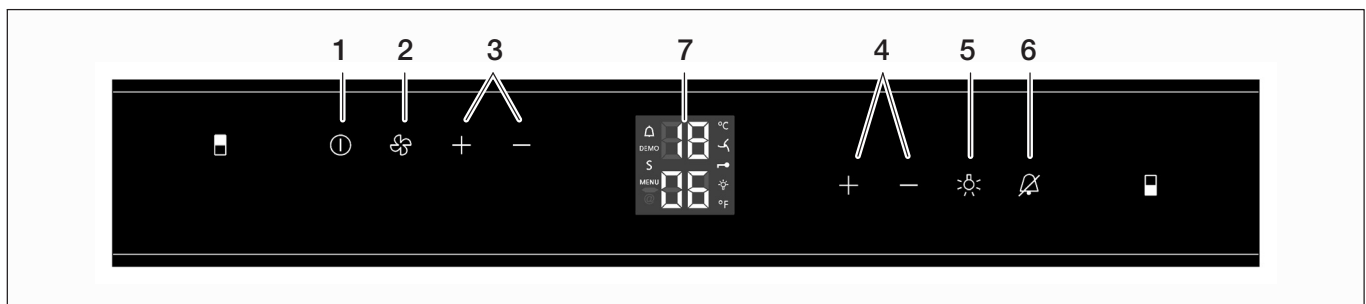
Después de dejarlos brevemente en remojo, frote las superficies de acero inoxidable de la puerta con un paño seco y sin pelusa o con una toalla de papel. Repita este tratamiento a intervalos regulares. Paños adicionales para el cuidado del aparato se encuentran disponibles a través del servicio de atención al cliente. Núm. de ident. 00311134.






Conocimiento de su aparato



- | | |
|--------------------------|--|
| 1 Manija | 5 Iluminación interior del compartimento superior |
| 2 Traba | 6 Panel de funcionamiento con pantalla y teclas sensoras |
| 3 Compartimento superior | 7 Iluminación interior del compartimento inferior |
| 4 Compartimento inferior | 8 Estantes extraíbles para botellas |
| | 9 Patas ajustables |

Elementos de funcionamiento

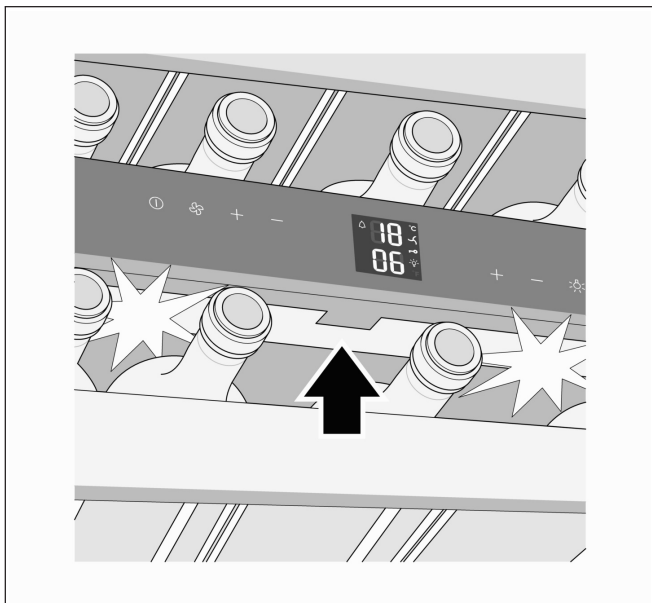


- | | |
|---|---|
| 1 Botón de encendido/apagado | 7 Pantalla del indicador de la temperatura y pantalla para las funciones encendidas |
| 2 Botón del ventilador | MENU Modo de configuración, p. ej., para configurar el brillo de la pantalla |
| 3 Teclas de configuración de temperatura +/- compartimento superior | DEMO Modo de presentación, consulte "Eliminación de las fallas por su cuenta" |
| 4 Teclas de configuración de temperatura +/- compartimento inferior |  Alarma (temperatura en el interior demasiado alta / puerta abierta más de 1 minuto) |
| 5 Botón de iluminación interior |  Ventilador en el interior encendido de manera permanente. |
| 6 Botón de apagado de alarma |  Bloqueo para niños activado |
| |  Iluminación interior encendida de manera permanente |
| |  Modo sabatino |

Equipo

Iluminación LED interior

El interior está iluminado por 2 tiras de luz LED en los compartimentos superior e inferior.



La iluminación se enciende cuando se abre la puerta. Aproximadamente 3 segundos después de cerrar la puerta, la iluminación se vuelve a apagar.



ADVERTENCIA



¡Peligro de daño ocular!

La intensidad luminosa de la iluminación del LED corresponde al láser clase 1/1M.

Solo el servicio de atención al cliente puede retirar la cubierta de la tira de luz LED.

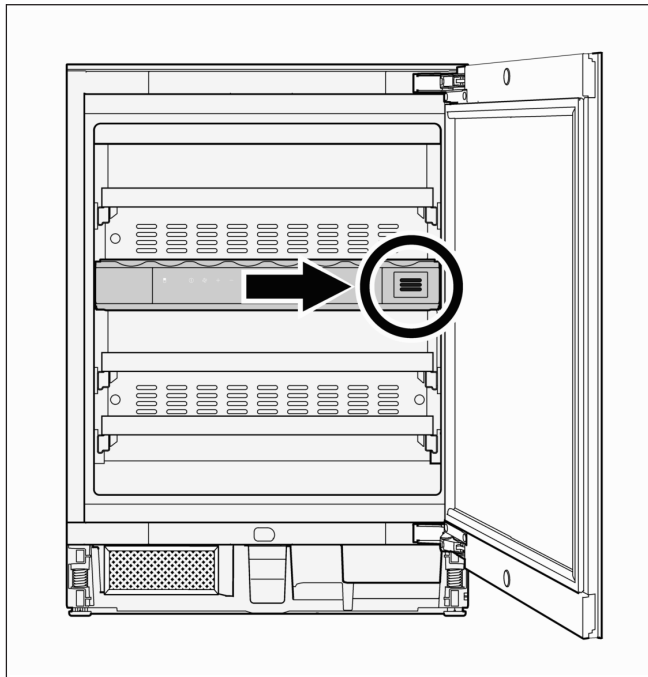
No mire directamente a la iluminación LED con lentes ópticos.

Aviso:

Con el botón de iluminación interior, es posible encender la iluminación de manera permanente; consulte "Encienda de la iluminación de manera permanente".

Renovación del aire a través del filtro de carbón activo

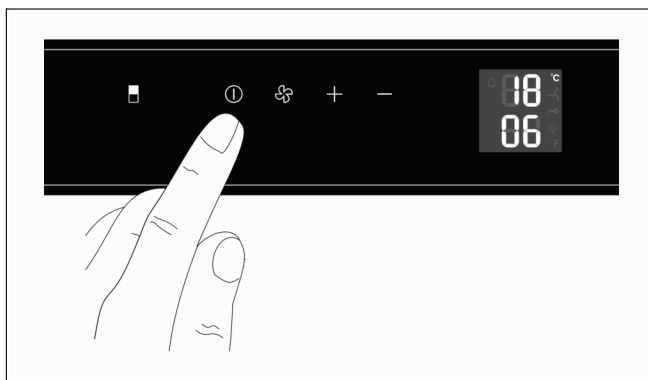
Los vinos continúan madurando en función de las condiciones del ambiente; por ello, la calidad del aire es fundamental para su conservación. Por ello, hay un filtro de carbón activo dentro del aparato.



Funcionamiento del aparato

Encendido del aparato

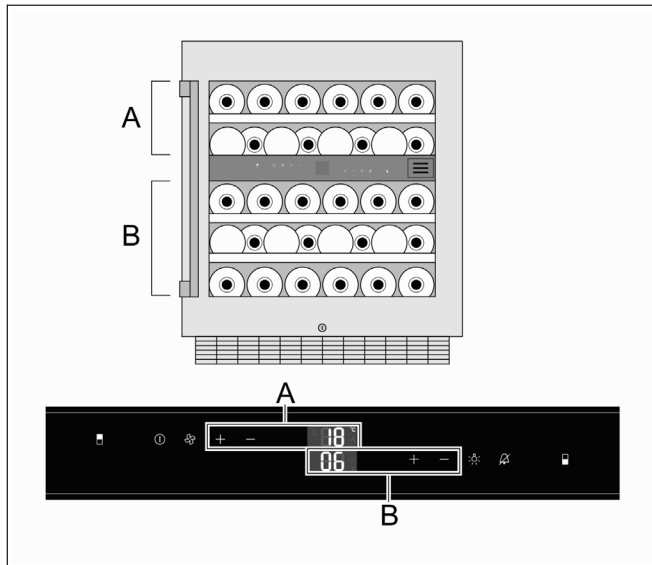
1. Enchufe el cable de alimentación.



2. Presione el botón de encendido/apagado hasta que la pantalla de la temperatura se ilumine.

Configuración de la temperatura

Se puede ajustar la temperatura en forma independiente en ambos compartimentos en el intervalo +41 ... +68 °F (+5 ... +20 °C).



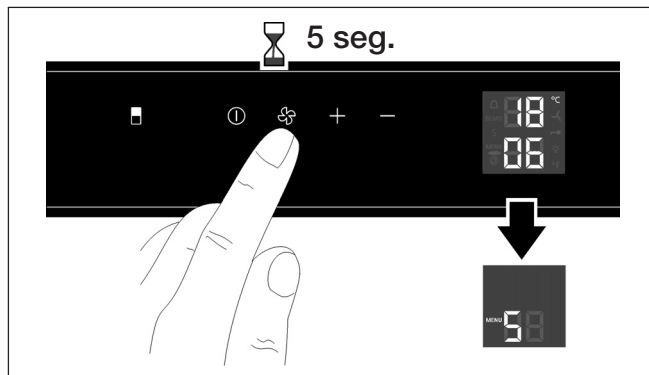
1. Presione el botón + o - del compartimento cuya temperatura se debe configurar.
El indicador de la temperatura del compartimento comienza a titilar.
2. Presione el botón + o - hasta configurar la temperatura deseada.
Botón +: Aumenta la temperatura (más caliente)
Botón -: Reduce la temperatura (más fría)

Cada vez que presiona el botón, el valor configurado cambia 1 grado.

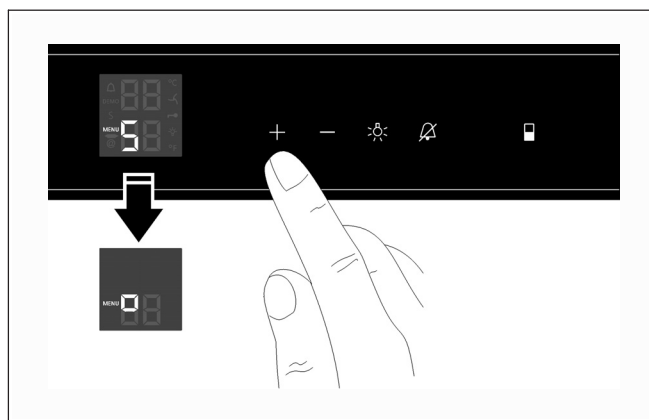
Aproximadamente 5 segundos después de la última vez que presionó el botón, el componente electrónico guarda la temperatura configurada.

La pantalla luego muestra la temperatura actual.

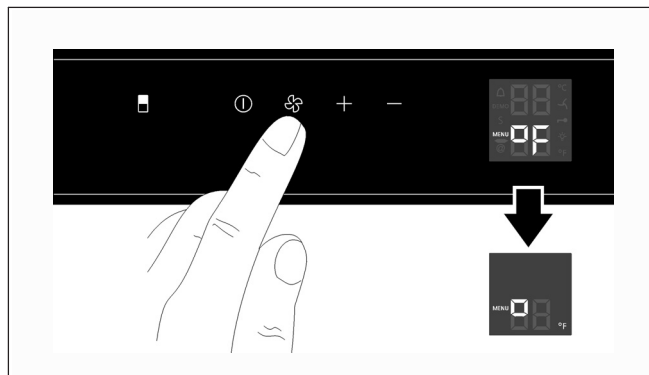
Cambio de la unidad de temperatura (°C ↔ °F)



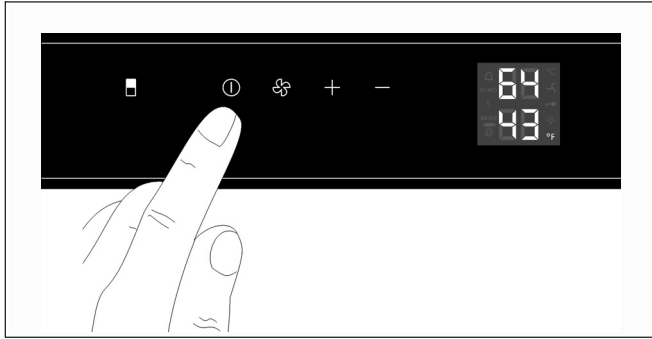
1. Presione el botón del ventilador durante, aprox., 5 segundos.
En la pantalla, aparecerá "MENU" para el modo de configuración; "S" (modo sabatino) también titila.



2. Presione el botón "más" de la derecha hasta que "°" aparezca en la pantalla.



3. Presione el botón del ventilador para confirmar.
"°C" o "°F" titila en la pantalla para la unidad de temperatura actualmente desactivada.
4. Presione el botón del ventilador para confirmar.
"°C" y la unidad de temperatura activada aparecerán en la pantalla.

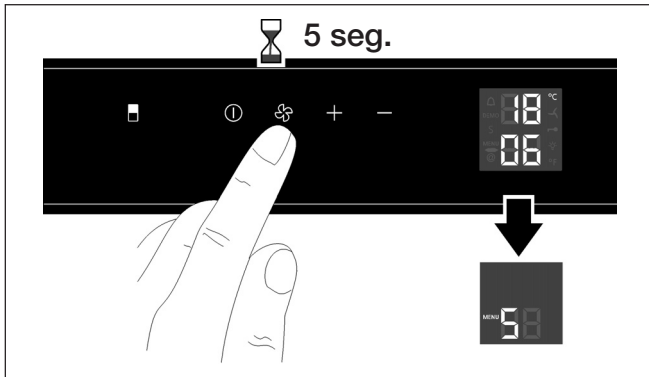


6. Presione el botón de encendido/apagado para salir del modo de configuración.
Las temperaturas actuales aparecen en la pantalla expresadas en la nueva unidad de temperatura.

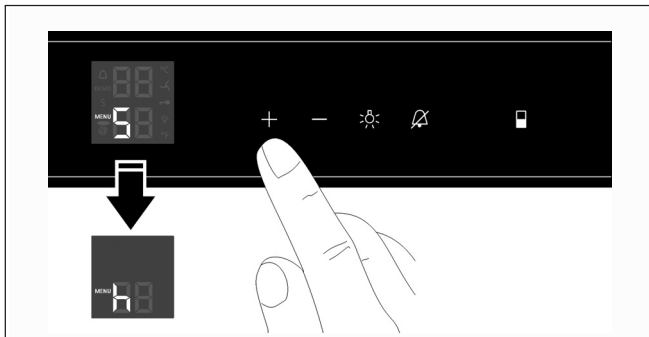
Configuración del brillo de la pantalla

Aviso:

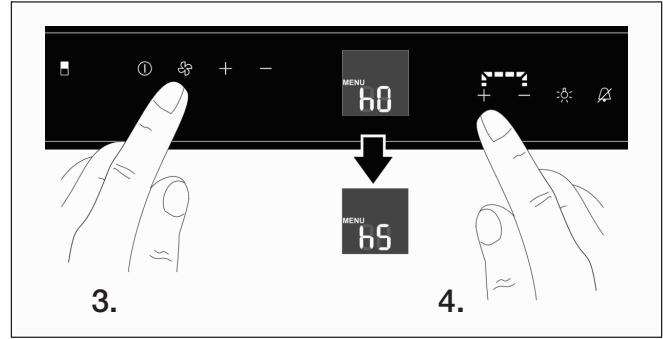
Durante el encendido, el brillo configurado de la pantalla solo comenzará a funcionar cuando se alcancen las temperaturas interiores configuradas.



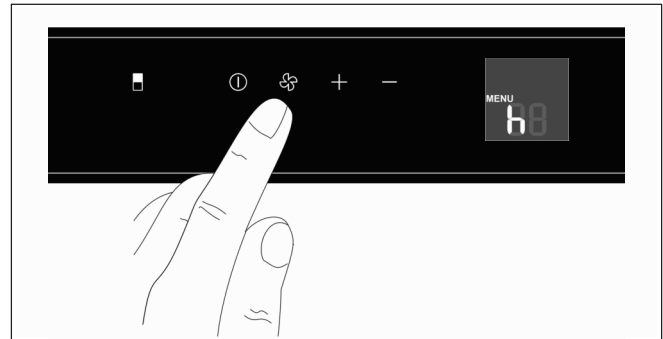
1. Presione el botón del ventilador durante, aprox., 5 segundos.
En la pantalla, aparecerá "MENU" para el modo de configuración; "S" (modo sabatino) también titila.



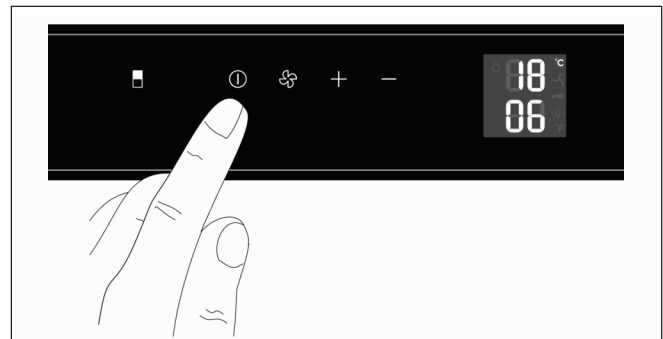
2. Presione el botón "más" derecho hasta que "h" aparezca en la pantalla para la configuración del brillo.



3. Presione el botón del ventilador para confirmar. El valor actual del brillo aparece en la pantalla: de "h0" para iluminación apagada a "h5" para brillo máximo.
4. Presione el botón "más" o "menos" de la derecha hasta que el valor deseado para el brillo aparezca en la pantalla.



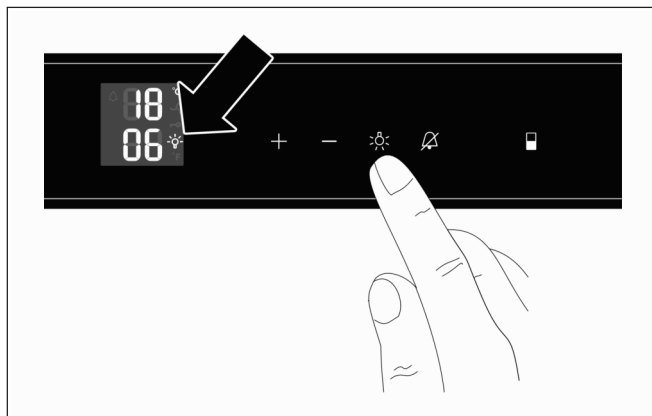
5. Presione el botón del ventilador para confirmar el valor cambiado.
"h" titila en la pantalla.



6. Presione el botón de encendido/apagado para salir del modo de configuración.

Después de, aproximadamente, 1 minuto, el brillo de la pantalla se cambia al valor configurado.

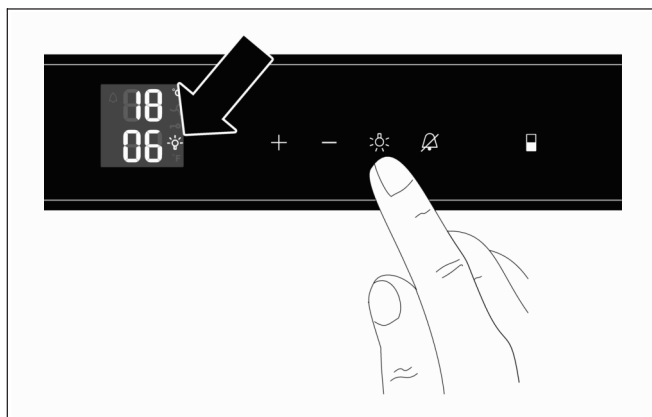
Encendido de la iluminación de manera permanente



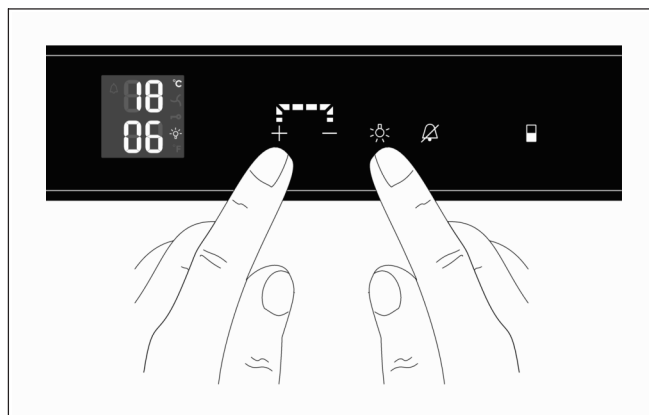
- Presione el botón de iluminación interior. El símbolo para la iluminación interior encendida de manera permanente aparece en la pantalla.

Para apagar la iluminación permanente, presione el botón de iluminación interior nuevamente.

Configuración del brillo de la iluminación permanente



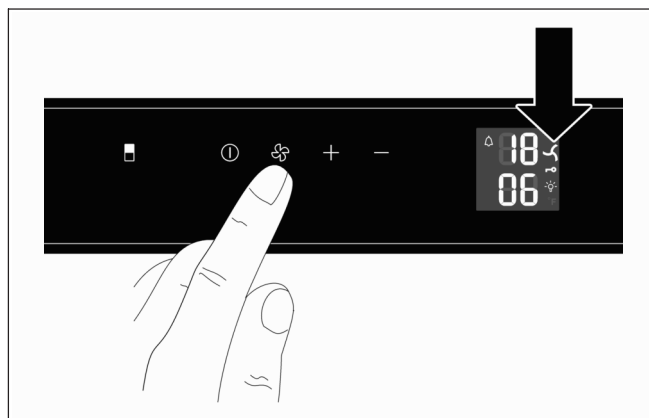
1. Presione el botón de iluminación interior. El símbolo para la iluminación interior encendida de manera permanente aparece en la pantalla.



2. Presione el botón de iluminación interior y manténgalo presionado.
3. Presione el botón “más” o “menos” adyacente, a fin de configurar el brillo deseado.
4. Suelte el botón de iluminación interior.
5. Si es necesario, presione el botón de iluminación interior para volver a encender la iluminación permanente.

Ventilador

Para el almacenamiento de vino a largo plazo, se debe activar el ventilador. De este modo, se logra un clima en el interior que corresponde al de una bodega de vino. Gracias al incremento en la humedad, los corchos no se secarán.



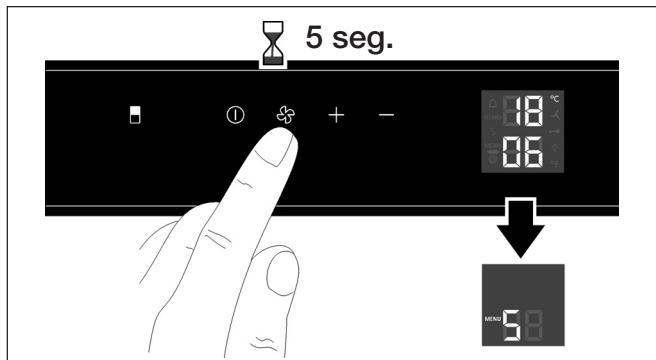
- Presione el botón del ventilador. Cuando el ventilador está encendido, el símbolo del ventilador aparecerá en la pantalla.

El ventilador puede apagarse presionando el botón del ventilador nuevamente.

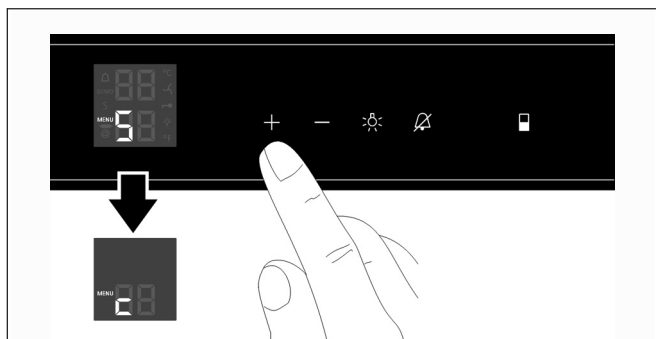
Bloqueo para niños

El bloqueo para niños protege el aparato para que este no se apague cuando no se desea.

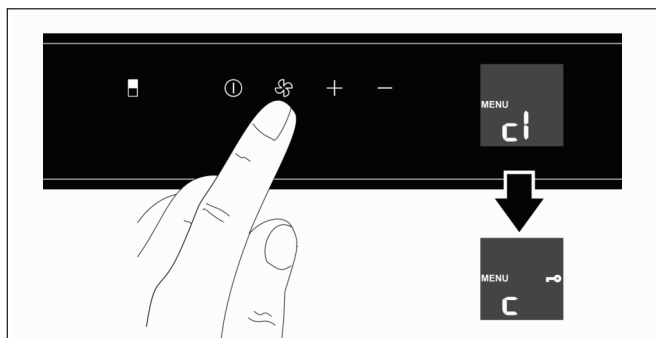
Activación del bloqueo para niños



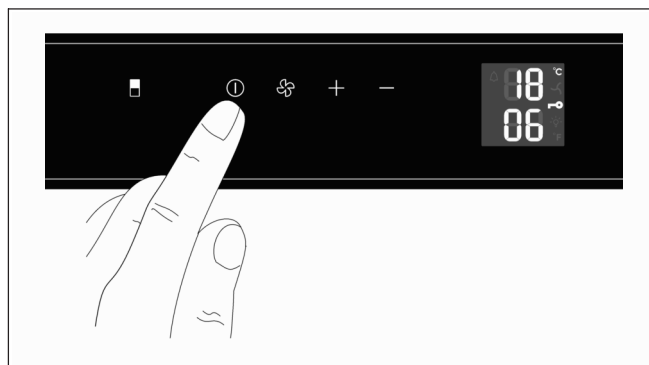
1. Presione el botón del ventilador durante, aprox., 5 segundos.
En la pantalla, aparecerá "MENU" para el modo de configuración; "S" (modo sabatino) también titila.



2. Presione el botón "más" de la derecha.
El símbolo "c" de bloqueo para niños titila en la pantalla.



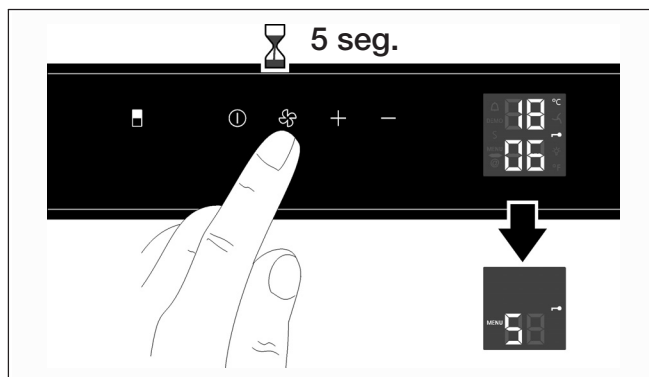
3. Presione brevemente el botón del ventilador.
El símbolo "c1" (activar bloqueo para niños) aparece en la pantalla.
4. Presione el botón del ventilador para confirmar.
El símbolo "c" y el símbolo de bloqueo aparecen en la pantalla.



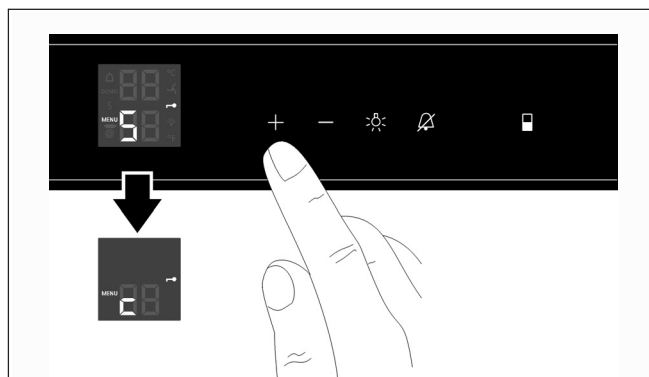
5. Presione el botón de encendido/apagado para salir del modo de configuración.

En la pantalla, el símbolo de bloqueo del bloqueo para niños activado aparece junto a la temperatura actual.

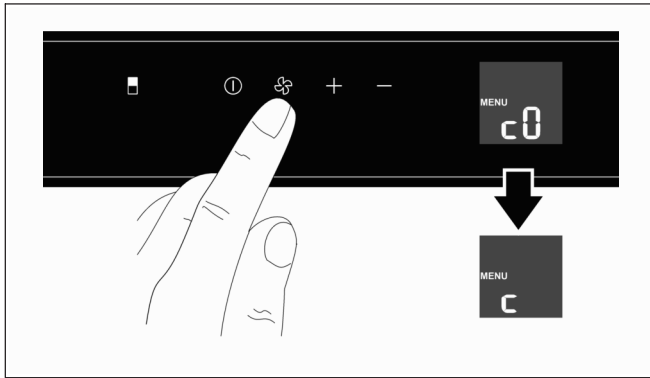
Desactivación del bloqueo para niños



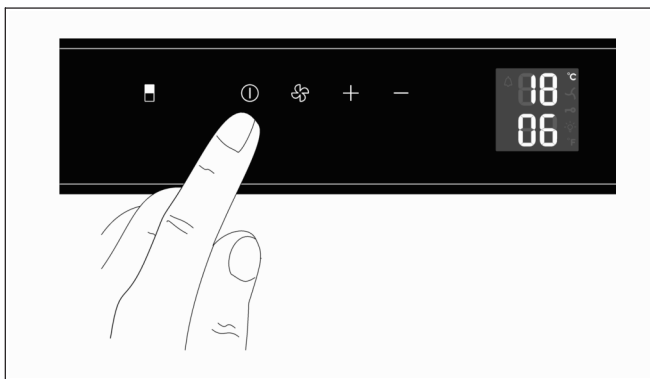
1. Presione el botón del ventilador durante, aprox., 5 segundos.
En la pantalla, aparecerá "MENU" para el modo de configuración; "S" (modo sabatino) también titila.



2. Presione el botón "más" de la derecha.
El símbolo "c" de bloqueo para niños titila en la pantalla.



3. Presione brevemente el botón del ventilador. El símbolo "c0" (desactivar bloqueo para niños) aparece en la pantalla.
4. Presione el botón del ventilador para confirmar. El símbolo "c" aparece en la pantalla.



5. Presione el botón de encendido/apagado para salir del modo de configuración.

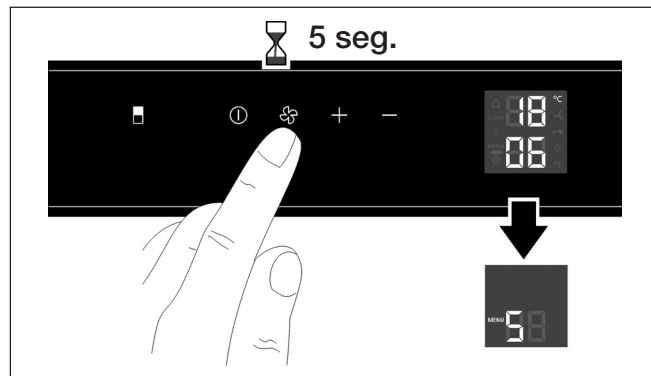
El bloqueo para niños está desactivado. Las temperaturas interiores actuales aparecen en la pantalla.

Modo sabatino

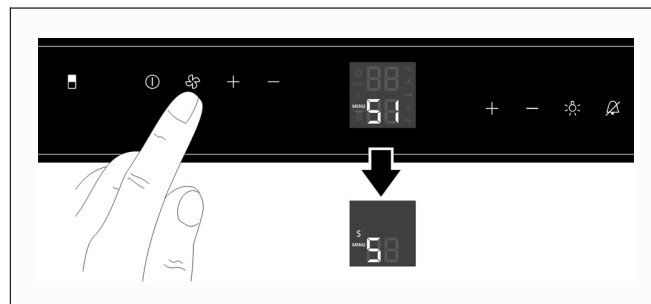
En el modo sabatino,

- solo el símbolo "S" aparece en la pantalla; la iluminación de fondo está apagada
- las alarmas del aparato quedan deshabilitadas
- la iluminación y el ventilador no cambian cuando se abre la puerta.

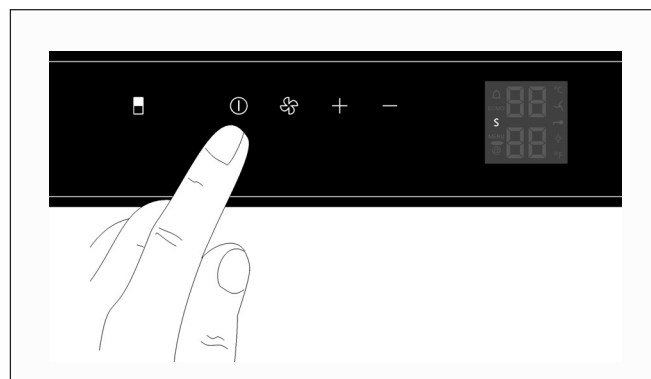
Activación del modo sabatino



1. Presione el botón del ventilador durante, aprox., 5 segundos. En la pantalla, aparecerá "MENU" para el modo de configuración; "S" (modo sabatino) también titila.



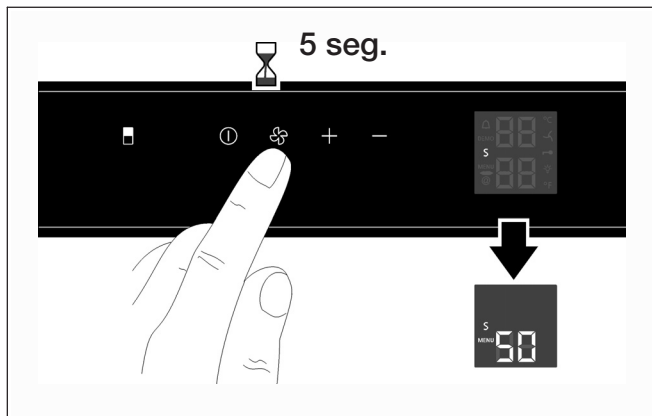
2. Presione el botón del ventilador para confirmar. "S1" titila en la pantalla (activar el modo sabatino).
3. Presione el botón del ventilador para confirmar. En la pantalla, aparece una "S" sobre "MENU", que indica el modo sabatino seleccionado.



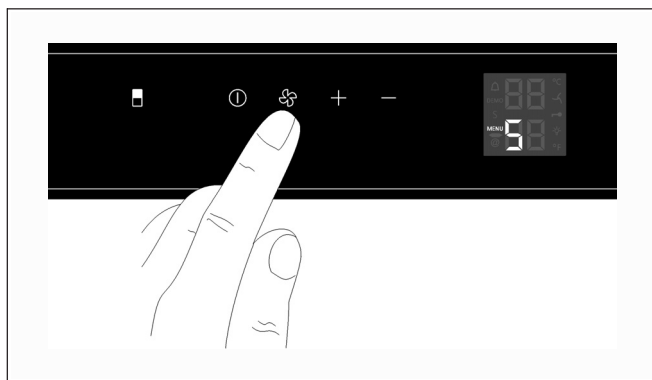
4. Presione el botón de encendido/apagado para salir del modo de configuración.

El modo sabatino ahora está activado; solo "S" del modo sabatino aparece en la pantalla.

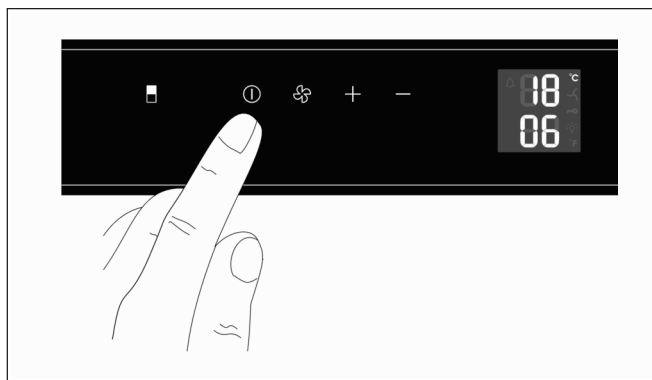
Desactivación del modo sabatino



1. Presione el botón del ventilador durante, aprox., 5 segundos.
“S” aparece en el borde izquierdo de la pantalla para el modo sabatino activado y “MENU” para el modo de configuración; “S0” (desactivar modo sabatino) también titila.



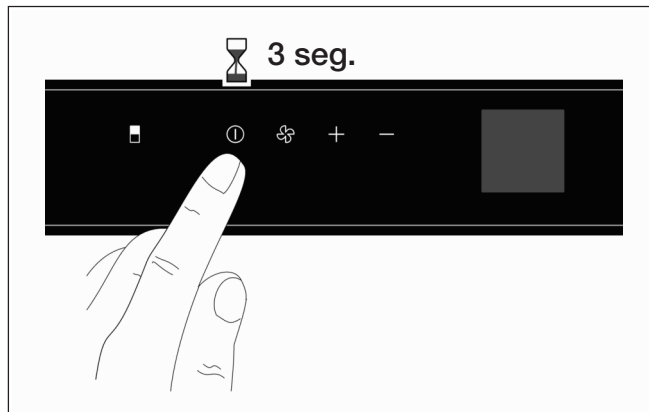
2. Presione el botón del ventilador para confirmar.
“S” desaparece del borde izquierdo de la pantalla;
“S” aparece en la pantalla.



3. Presione el botón de encendido/apagado para salir del modo de configuración.

Las temperaturas actuales aparecen nuevamente en la pantalla.

Apagado del aparato



- Presione el botón de encendido/apagado hasta que la pantalla de la temperatura se apague.

Descongelación

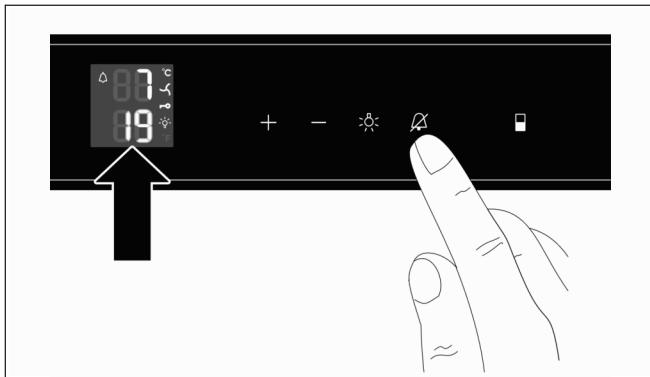
El aparato se descongela de manera automática. La humedad que se acumula se envía al exterior al recipiente de condensación de agua descongelada a través del drenaje de agua descongelada. El agua descongelada se evapora allí debido al calor del compresor.

Alarma

Alarma de temperatura

La señal de advertencia lo ayuda a proteger sus vinos de temperaturas inadecuadas. Suena si el interior está demasiado frío o demasiado caliente. El indicador de la temperatura titila al mismo tiempo. La alarma siempre suena si la puerta está abierta durante más de 60 segundos.

Silenciado de la alarma de temperatura



- Presione el botón “alarm off” (apagar alarma).

La señal de advertencia se apaga. El indicador de la temperatura continúa titilando hasta que finalice el estado de alarma.

Determinación de la causa de la alarma

1. Primero, revise si la puerta no ha sido cerrada correctamente.

Aviso:

Cada vez que se cierra la puerta, la función “alarm off” (apagar alarma) se desactiva nuevamente; si es necesario, la señal de advertencia debe apagarse nuevamente con el botón “alarm off” (apagar alarma).

2. Verifique si “DEMO” aparece en la pantalla. Si este es el caso, entonces el modo de presentación se ha activado sin que se diera cuenta; en este modo, la unidad de refrigeración está desactivada; sin embargo, el aparato puede operarse como siempre. Desactive el modo de presentación de la siguiente manera:
 - Presione el botón “más” de la derecha y el botón de encendido/apagado de manera simultánea durante, aproximadamente, 5 segundos hasta que “MENU” y “d” aparezcan en la pantalla.
 - Presione el botón del ventilador. El símbolo “d0” ahora aparece en la pantalla.
 - Presione el botón del ventilador nuevamente. La unidad de refrigeración comienza a funcionar; las temperaturas actuales aparecen en la pantalla una vez más.

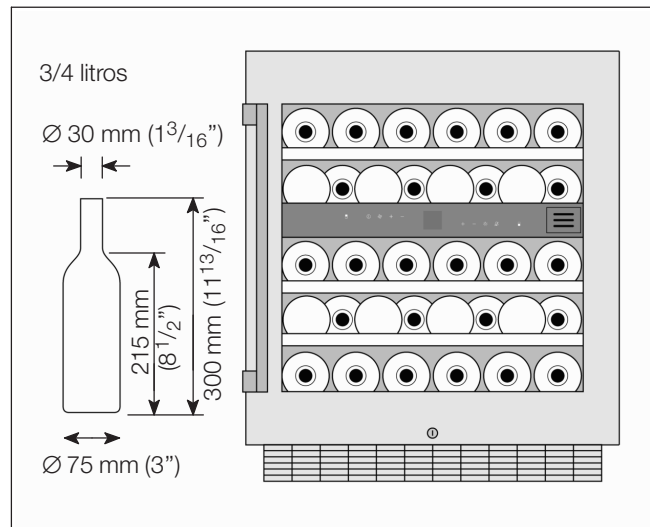
El aparato ahora está en el modo de funcionamiento normal.

Si la alarma de temperatura todavía está encendida después de 1 hora, comuníquese con el servicio de atención al cliente.

Almacenamiento

Capacidad del aparato:

34 botellas (botellas de bordelesa de 0.75 litros)



Consejos

- Mantenga el vino embotellado esencialmente sin embalaje, y fuera de cajas o envases.
- Las botellas viejas deben colocarse de modo que el corcho siempre esté húmedo. Nunca debe haber aire entre el vino y el corcho.
- Antes de servirlo, el vino debe “calentarse” (se debe dejar a temperatura ambiente): Retire el vino rosado, aprox., de 2 ... 5 horas antes de servirlo y llévalo a la mesa; el vino tinto, aprox., de 4 ... 5 horas antes; estos vinos estarán entonces a la temperatura de consumo adecuada. Por el contrario, el vino blanco debe llevarse a la mesa inmediatamente antes de servirlo. El champán debe enfriarse en el refrigerador poco antes de servirlo.
- Tenga en cuenta que los vinos siempre deben enfriarse un poco más que su temperatura óptima de servicio, dado que se calientan de 1 ... 2 °C (2 ... 4 °F) al verterlos en la copa.

Temperaturas de consumo

La temperatura de servido adecuada determina el sabor adecuado del vino y, por lo tanto, que usted disfrute al beberlo.

Recomendamos servir el vino a las siguientes temperaturas de consumo:

Tipo de vino	Temperatura de consumo
Gran bordelesa tinto	64 °F (18 °C)
Côtes du Rhône tinto / Barolo	63 °F (17 °C)
Gran Borgoña tinto / bordelesa tinto	61 °F (16 °C)
Oporto	59 °F (15 °C)
Borgoña joven tinto	57 °F (14 °C)
Vinos tintos jóvenes	54 °F (12 °C)
Beaujolais joven / todos los vinos blancos con poco dulzor residual	52 °F (11 °C)
Vinos blancos añejos / gran Chardonnay	50 °F (10 °C)
Jerez	48 °F (9 °C)
Vinos blancos jóvenes de cosecha tardía	47 °F (8 °C)
Vinos blancos del Loira / Entre-deux-Mers	45 °F (7 °C)

Mantenimiento

Limpieza del aparato



ADVERTENCIA



Desenchufe el aparato o desconecte el fusible.

- Solo limpie el sello de las puertas con agua limpia y frótelo hasta que se seque bien.
- Limpie el aparato con agua tibia. El agua no debe llegar al panel de funcionamiento ni a la iluminación.

AVISO

Nunca limpie los estantes ni los contenedores en un lavaplatos. Las partes pueden combarse.

Después de la limpieza, desenchufe el aparato o desconecte el fusible.

Tenga en cuenta que, al igual que sucede con otros tipos de almacenamiento, puede haber una leve aparición de moho dependiendo del pegamento usado en la etiqueta. La solución a esto es limpiar cuidadosamente las botellas para quitar cualquier resto de pegamento.



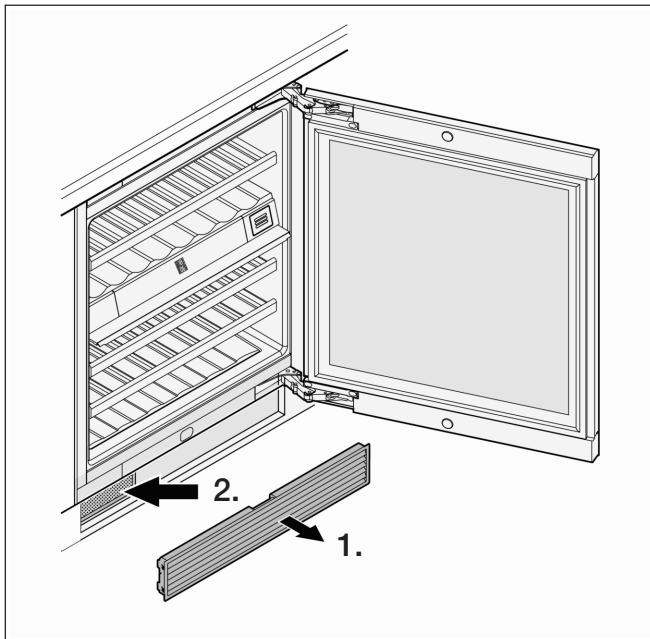
ADVERTENCIA



Nunca use un limpiador de vapor para limpiar el aparato. El vapor puede dañar las partes eléctricas y provocar un cortocircuito o una descarga eléctrica. El vapor puede dañar las superficies plásticas.

Limpeza del filtro de polvo

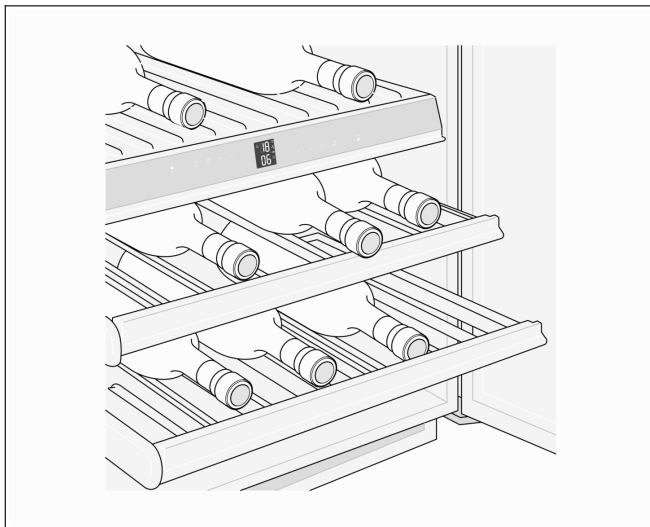
Se debe limpiar el filtro de polvo en la base del aparato, por lo menos, una vez al año.



1. Retire la rejilla de aire de la base del mueble.
2. Limpie el filtro de polvo con una aspiradora.
3. Vuelva a colocar la rejilla de aire.

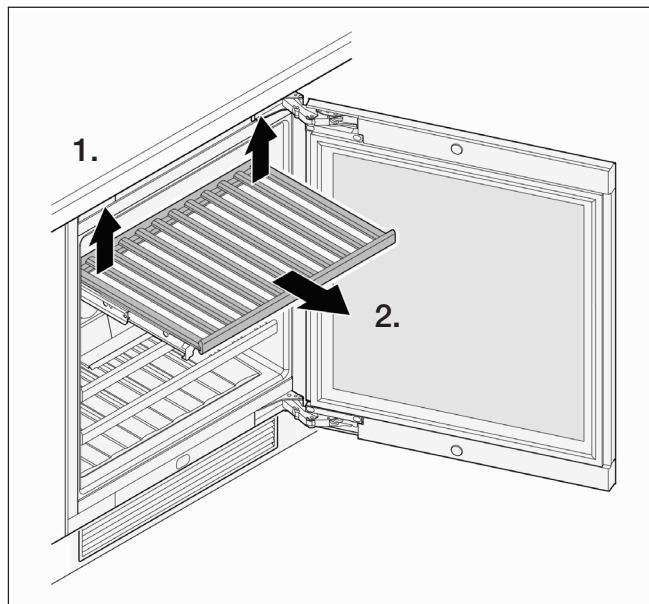
Retirar/insertar estantes para botellas

Los estantes para botellas permiten retirar las botellas de vino de manera práctica.



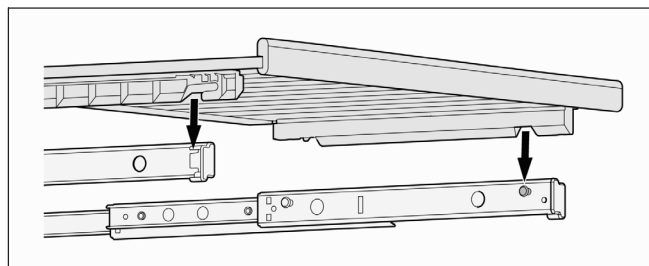
Se pueden retirar los estantes para botellas para una limpieza más fácil del interior.

Retirar un estante para botellas

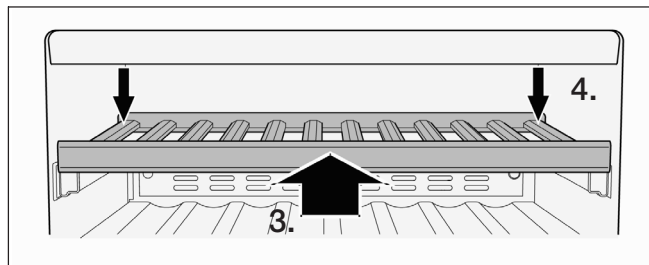


- Jale del estante para botellas hacia arriba desde la parte trasera izquierda y derecha (despréndalo) y retírelo hacia adelante.

Inserción de un estante para botellas

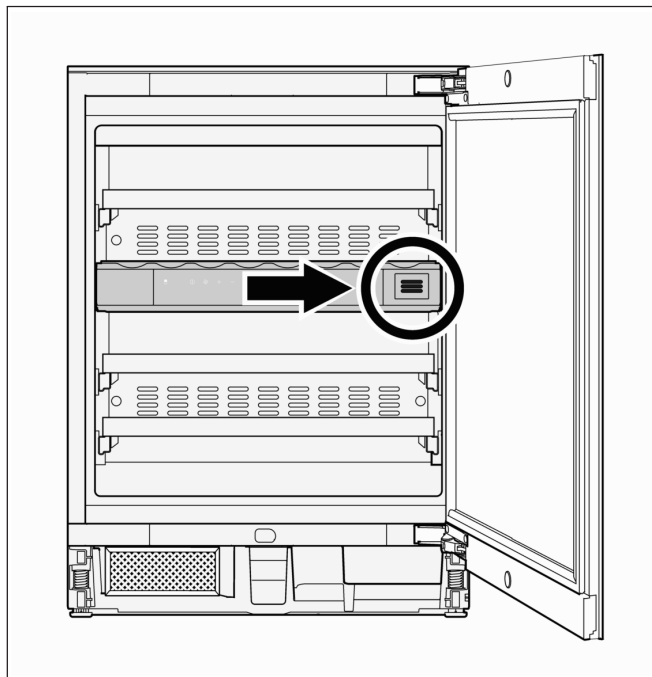


1. Retire los rieles extraíbles por completo. Coloque el estante para botellas con los encastres delanteros sobre los pernos de sujeción.
2. Empuje el estante para botellas con los rieles extraíbles hacia adentro del aparato hasta el tope.

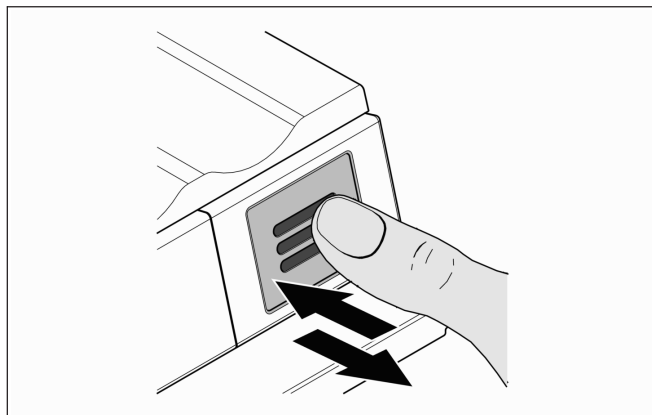


3. Empuje el estante para botellas hasta el fondo, de modo que quede sujeto con presión en la parte delantera.
4. Empuje el estante para botellas hacia abajo en la parte trasera izquierda y derecha y sujételo presionando.

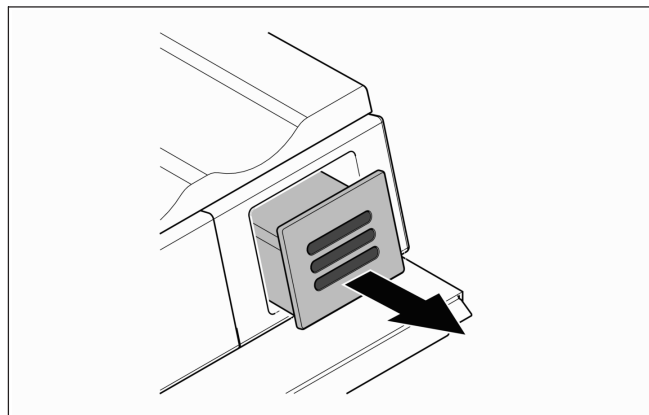
Reemplazo del filtro de carbón activo



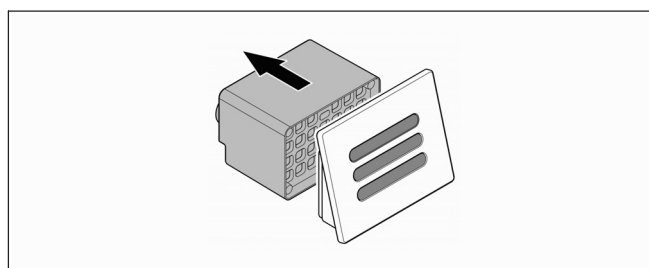
Recomendamos cambiar el filtro señalado una vez al año; puede pedir uno a su distribuidor o al servicio de atención al cliente.



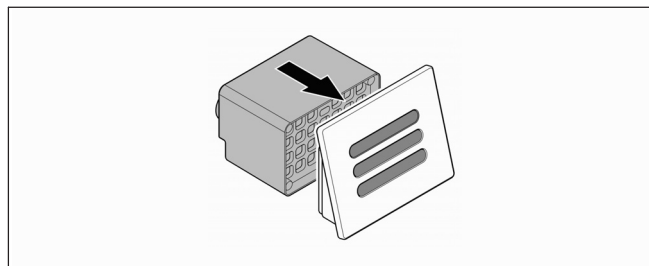
1. Presione el filtro hacia adentro y suéltelo nuevamente.



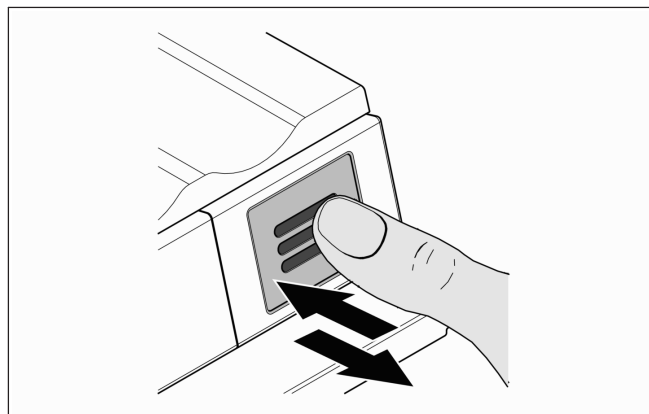
2. Jale el filtro hacia afuera.



3. Quite la parte trasera del filtro.



4. Coloque el nuevo filtro en la cubierta.



5. Inserte el filtro, presiónelo hacia adentro hasta el tope, y deje de presionar. El filtro se traba de manera automática. Escuchará un clic.

Consejos para el cuidado de superficies de acero inoxidable

Use el limpiador “Chromol” para cuidar de las superficies de acero inoxidable.

Puede adquirir “Chromol” de distribuidores o del servicio de atención al cliente usando el

- **núm. de ident. 00310359** para la botella de aerosol de 500 ml y el
- **núm. de ident. 00166787** para la botella de muestra de 50 ml.

Para evitar dañar las superficies, no use esponjas, cepillos metálicos, objetos con bordes filosos ni desengrasantes.

Tampoco use limpiadores químicos agresivos, como aerosoles para descongelar, aerosoles para horno, solventes o removedores de manchas.

Ruidos

Ruidos normales

Zumbido: El motor está funcionando, p. ej., unidad de refrigeración, ventilador.

Burbujeo, ronroneo o gorgoteo: El refrigerante está fluyendo por los tubos.

Chasquidos: El motor, el interruptor o las válvulas magnéticas se están encendiendo o apagando.

Solución de problemas de ruidos simples

El aparato no está a nivel: Alinee el aparato con un nivel. Si es necesario, coloque algún elemento debajo de este.

Los contenedores, los bastidores o los estantes se mueven o se atascan: Revise las partes removibles y vuelva a colocarlas si es necesario.

Las botellas o los contenedores se tocan entre sí: Separe ligeramente las botellas o los contenedores.

Qué hacer con las fallas

Antes de comunicarse con el servicio de atención al cliente:

Verifique si puede solucionar el problema por su cuenta en función de la siguiente información.

El servicio de atención al cliente le cobrará por asesorarlo, incluso si el aparato todavía está cubierto por la garantía.

Eliminación de las fallas por su cuenta

Puede eliminar las siguientes fallas por su cuenta verificando las posibles causas:

El aparato no funciona

Verifique:

- si el enchufe está colocado correctamente en el tomacorriente, y
- si el fusible del tomacorriente está en buenas condiciones.

Al enchufar en el enchufe de alimentación, la unidad de refrigeración no se enciende; sin embargo, aparece un valor en el indicador de la temperatura.

Si aparece “DEMO” en la pantalla, el modo de presentación se ha activado sin que se diera cuenta.

Desactive el modo de presentación de la siguiente manera:

1. Presione el botón “más” de la derecha y el botón de encendido/apagado de manera simultánea durante, aproximadamente, 5 segundos hasta que “MENU” y “d” aparezcan en la pantalla.
2. Presione el botón del ventilador. “d0” ahora aparece en la pantalla.
3. Presione el botón del ventilador nuevamente. La unidad de refrigeración comienza a funcionar; las temperaturas actuales aparecen en la pantalla una vez más.

El aparato ahora está en el modo de funcionamiento normal.

Los ruidos son muy fuertes

Revise si el aparato está ubicado firmemente sobre el piso. Tenga en cuenta que no se puede evitar el ruido del paso del líquido en el circuito de refrigeración.

Servicio al cliente

La temperatura en su gabinete para vinos está demasiado caliente.

Verifique

- la configuración con la sección “Configuración de la temperatura”;
- si un termómetro insertado, por separado, muestra el valor correcto;
- la funcionalidad de la ventilación;
- si el filtro de polvo en la base del aparato está sucio; consulte la sección “Limpieza del filtro de polvo”;
- en qué medida el lugar de instalación está demasiado cerca de una fuente de calor.

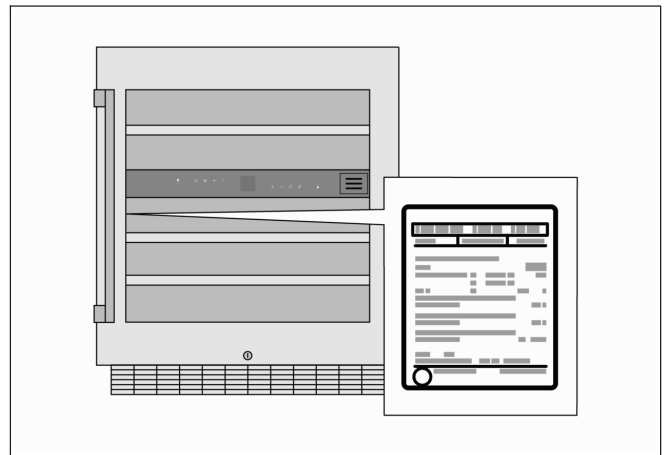
Puesta fuera de servicio del aparato

Si el aparato se pondrá fuera de servicio durante un período más prolongado:

- Apague el aparato.
- Desenchufe o desconecte el fusible.
- Limpie el aparato.
- Deje la puerta abierta para evitar la formación de olores.

Si no se aplica ninguna de las causas detalladas en “Eliminación de las fallas por su cuenta” y no puede eliminar la falla por su cuenta, comuníquese con la oficina de servicio de atención al cliente más cercana.

Puede encontrar una oficina de servicio de atención al cliente que esté cerca de usted en la guía telefónica o en el directorio de servicio de atención al cliente. Bríndele al servicio de atención al cliente el número de modelo del aparato (número E) y el número de serie (número FD). Puede encontrar estos detalles en la placa de valores nominales.



Colabore indicando el número de fabricación o de producción, a fin de evitar viajes innecesarios. De este modo, se ahorrará los costos adicionales asociados.

Pedido de reparación y asesoramiento en caso de fallas

Los datos de contacto para todos los países se encuentran en el directorio de servicio de atención al cliente que se incluye.

Gaggenau Hausgeräte GmbH

Carl-Wery-Straße 34

D-81739 München

www.gaggenau.com

Gaggenau

780 Dedham Street

Canton, MA 02021

USA

Telephone: 877.4GAGGENAU

Fax: 714.901.5360

www.gaggenau-usa.com

9000942909
f\$112L



GAGGENAU