



Extractor Hood

SIEMENS

en Table of contents

| | | | |
|---|----------|---|----------|
| INSTRUCTION MANUAL | 2 | INSTALLATION INSTRUCTIONS | 7 |
| Safety instructions | 2 | Installation instructions | 7 |
| Operating modes | 4 | Safety notes | 7 |
| Exhaust air mode | 4 | Installation | 8 |
| Circulating-air mode | 4 | Fasteners | 8 |
| Operation | 4 | Fixing extractor hood | 8 |
| Installing and removing filter | 5 | For optimum extractor hood efficiency | 9 |
| Cleaning and care | 5 | For circulating-air mode | 9 |
| Replacing bulbs | 6 | Electrical connection | 10 |
| | | Attaching flue duct | 10 |

INSTRUCTION MANUAL

Additional information on products, accessories, replacement parts and services can be found at www.siemens-home.com

Please find the contact data of all countries/areas in the enclosed customer service list regarding any queries or faults.

When calling, please quote the following numbers:

| E-Number | FD |
|----------|----|
|----------|----|

The numbers can be found on the rating plate from top side of the appliance (after installation).

Enter the numbers in the above box so that you can easily find them when required.

| | |
|-----------|---|
| India | Please visit us at www.siemens-home.com/in |
| Thailand | (66 2)975 5454 |
| Australia | 1300 368 339 You can reach us Monday to Friday from 8:30am until 6:00pm AEST. |
| Hong Kong | 2565 6151 (Hong Kong) 0800 030 (Macau local call only) E-mail: service.siemens@bshg.com Fax: 2565 6681 |

Browse What You Need 24-7

We provide a list of customer services online, including repair service appointments and warranty registration. Visit our website at siemens-home.com.hk to subscribe to our services anytime, anywhere.

Disposal of used extractor hood

You should discard the used cooker hood when it cannot be used anymore. Please pull out the plug of the power cord and cut off the power cord.

Old appliances are not worthless rubbish. Valuable raw materials can be reclaimed by recycling old appliances. Before disposing of your old appliance, render it unusable.

⚠ Safety instructions

General information

Follow these instructions, in particular the safety instructions. The appliance can only be used safely if it is correctly installed according to the safety instructions. Retain the instructions for subsequent use or for the next owner.

This appliance is designed to be used in the home only. The manufacturer is not liable for damage which is caused by improper use or in correct operation.

Danger of suffocation!

From packaging material. Never allow children to play with packaging material.

After unpacking the appliance, check it for visible damage. Do not connect the appliance if it has been damaged in transit.

These instructions apply to several appliance models. It is possible that individual features are described which do not apply to your appliance.

This appliance is not intended for use by persons (including children) with reduced physical, sensory or mental capabilities, or lack of experience and knowledge, unless they have been given supervision or instruction concerning use of the appliance by a person responsible for their safety.

Children should be supervised to ensure that they do not play with the appliance.

Installation

Mortal danger, risk of intoxication!

Due to combustion gases sucked back in. Never operate the appliance in the exhaust air mode at the same time as a room air-dependent heat-producing appliance unless an adequate supply of fresh air is ensured.



Room air-dependent heat-producing appliances (e.g. gas, oil, wood or coal-operated heaters, continuous flow heaters or water heaters) obtain combustion air from the room in which they are installed and discharge the exhaust gases into the open through an exhaust gas system (e.g. a chimney).

In combination with an activated vapour extractor hood, room air is extracted from the kitchen and neighbouring rooms - a partial vacuum is produced if not enough fresh air is supplied. Toxic gases from the chimney or the extraction shaft are sucked back into the living space.

- Adequate incoming air must therefore always be ensured.
- An incoming/exhaust air wall box alone will not ensure compliance with the limit.

Safe operation is possible only whenever the partial vacuum in the place where the firing equipment is installed does not exceed 4 Pa (0.04 mbar). This can be achieved whenever the air needed for combustion is able to enter through openings that cannot be sealed, for example in doors, windows, incoming/exhaust air wall boxes or by other technical means.



In any case, consult your responsible chimney sweep. He is able to assess the house's entire ventilation setup and will suggest the suitable ventilation measures to you.

Unrestricted operation is possible if the vapour extractor hood is operated exclusively in the recirculation mode.

Risk of fire!

from flying sparks. Do not install appliance above a solid fuel heater (e.g. wood or coal) unless a closed, non-removable cover is available.

Caution!

Risk of damage from heat accumulation due to too narrow gap between appliance and high-sided unit or wall. Only one side of the appliance may be installed directly next to a high-sided unit or a wall. Distance between the appliance and wall or high-sided unit must be at least 50 mm.

The specified safety distances must be observed. Also observe the specifications for your cooking appliance. If gas and electric hobs are operated together, the largest specified distance applies.

The width of the extractor hood must correspond at least with the width of the hob.

For the installation observe the currently valid building regulations and the regulations of the local electricity and gas suppliers.

Risk of electric shock!

from damaged connection cable. Do not kink or pinch connection cable during installation.

Risk of fire, risk of injury!

from damaged connection cable. A damaged connection cable must be replaced by a qualified technician (electrician).

Risk of injury!

from sharp edges during installation. Always wear protective gloves while installing the appliance.

Risk of injury!

from a falling appliance. All safety screws and safety caps must be firmly fitted.

Using the appliance

Risk of burns!

from hot appliance when used with cooking appliances. Keep children away and ensure appliance is used properly.

Risk of injury, risk of damage!

from objects falling on the appliance. Never place objects on the appliance.

Risk of fire, risk of burns!

if gas hotplates not covered with cooking utensils. Always use gas hotplates with appropriate cooking utensils. Regulate flame to ensure that it does not lick over the cooking utensil.

Risk of burns, risk of damage!

if several gas hotplates are operated simultaneously. Never operate two gas hotplates simultaneously on the highest flame for longer than 15 minutes. The housing will become very hot due to the intense heat.

Note: One large burner of more than 5 kW (Wok) is equivalent to the power of two gas burners.

Risk of fire!

- from grease deposits in the metal-mesh grease filter. Never work under the appliance with a naked flame. Always operate appliance with metal-mesh grease filter. Regularly clean the metal-mesh grease filter.
- from overheated fats and oils. Heat fats and oils under constant supervision only. Never extinguish fire with water, always use a fire blanket, lid or plate.

Caution!

Risk of damage due to corrosion. Always switch on the appliance while cooking to avoid condensation. Condensate can produce corrosion damage.

Accessible parts may become hot when used with cooking appliances.

Do not flambé under the extractor hood.

Cleaning and care

Risk of burns, risk of electric shock!

from appliance. Always leave appliance to cool down before cleaning or servicing. Switch off fuse or pull out mains plug.

Caution!

- Risk of damage due to ingress of humidity into the electronic circuitry. Never clean operator controls with a wet cloth.
- Surface damage due to incorrect cleaning. Clean stainless steel surfaces in the grind direction only. Do not use any stainless steel cleaners for operator controls.
- Surface damage due to strong or abrasive cleaning agents. Never use strong and abrasive cleaning agents.
- Fire risk if cleaning is not carried out in accordance with the instructions.

Maintenance and repair

Risk of fire, risk of injury!

from improper repairs. Switch off fuse or pull out mains plug. Repairs may be performed by a qualified technician (electrician) only.

Risk of injury!

from defective or damaged appliance. Switch off fuse or pull out mains plug and call customer service.

Risk of fire, risk of injury!

from damaged connection cable. A damaged connection cable must be replaced by a qualified technician (electrician).

Risk of burns, risk of electric shock!

from defective bulbs. Switch off fuse or pull out mains plug. Always replace defective bulbs immediately (leave bulbs to cool down first) to prevent the remaining bulbs from overloading.

Operating modes

This appliance can be used in exhaust-air mode or circulating-air mode.

Exhaust air mode



The air which is drawn in is cleaned by the grease filters and conveyed to the exterior by a pipe system.

Note: The exhaust air must not be conveyed into a functioning smoke or exhaust gas flue or into a shaft which is used to ventilate installation rooms which contain heating appliances.

- Before conveying the exhaust air into a non-functioning smoke or exhaust gas flue, obtain the consent of the heating engineer responsible.

- If the exhaust air is conveyed through the outer wall, a telescopic wall box should be used.

Circulating-air mode



The air which is drawn in is cleaned by the grease filters and an activated carbon filter and conveyed back into the kitchen.

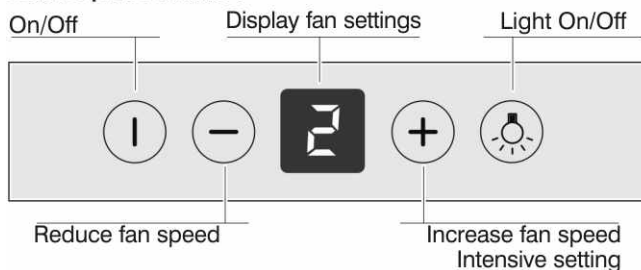
Note: To bind odours in circulating-air mode, you must install an activated carbon filter. The different options of operating the appliance in circulating-air mode can be found in the brochure or ask your dealer. The required accessories are available from specialist outlets, or customer service. The accessory numbers can be found at the end of the instructions for use.

Operation

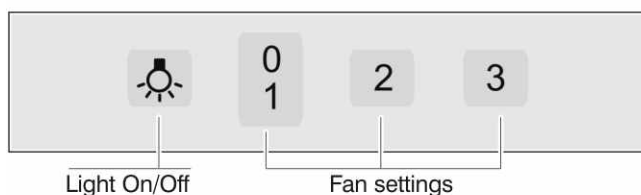
These instructions apply to several appliance models. It is possible that individual features are described which do not apply to your appliance.

Note: Switch on the extractor hood when you start cooking and switch it off again several minutes after you have finished cooking. This is the most effective way of removing the kitchen fumes.

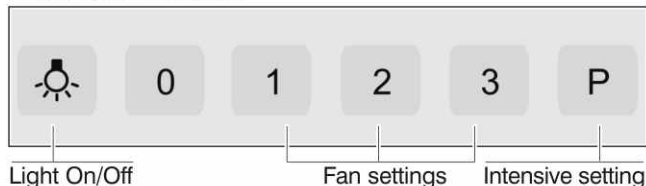
Control panel variant 1



Control panel variant 2



Control panel variant 3



Switching on fan: variant 1

Press On/Off button.
Increase fan setting by pressing button + or reduce it by pressing button -.

Intensive setting

You can use the Intensive setting for particularly strong odour and fume generation.
Keep pressing button + until P / b is indicated on the display. Run time is limited. Then the appliance sets automatically a lower fan setting. You can always switch back manually.

Switching on fan: variants 2 , 3

Increase or reduce the fan settings by pressing buttons 1, 2 and 3.

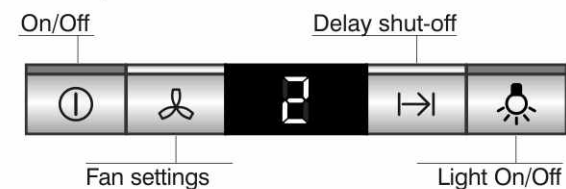
Intensive setting: variant 3

Press button P.

Light

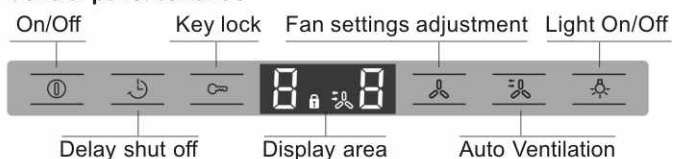
The light can be switched on and off independently of the fan.

Control panel variant 4



Delay shut-off: press the button once and the fan will be shut off in 3 minutes at speed 2. The display will show the left time by horizontal segment numbers. Press it again, the function will be cancelled.

Control panel variant 5



Switching on Fan

Press On/Off button (power icon), hood starts at 3 speed and current speed shows on right 7-segment.

To adjust Fan speed setting by pressing button (fan icon), hood will run at 3-1-2-3 accordingly.

Delay shut-off

When hood is working, press delay shut-off (arrow with vertical bar), hood will be shut-off in 5 minutes. The left 7-segment will show counting down time. By pressing delay shut-off for more than 3S, the counting down time can be changed from 0-9 minute.

During delay shut-off, (fan icon) and current speed displays on screen.

To cancel delay shut-off, press on/off button or adjust counting down time to 0

Ventilation

When Fan is off, press ventilation button (fan with arrow) to activate ventilation function. In this case, the fan will run at low speed for 6 minute per hour.

During ventilation mode, (fan with arrow) and counting down time displays on screen.

To cancel ventilation function, press on/off button or ventilation button again.

Light

Press light On/Off button (light icon), the lamp will be switched on/off independently

Key lock

To activate the key lock function, press (key icon) for more than 3S when fan power is Off. To cancel key lock mode, press (key icon) for more than 3S.

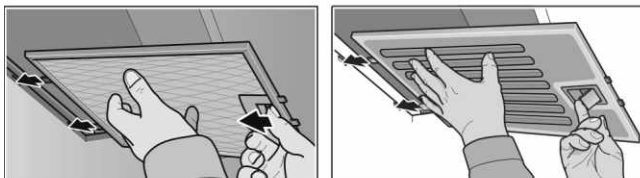
Installing and removing filter

Risk of burns, risk of electric shock!

from appliance. Always leave appliance to cool down before cleaning or servicing. Switch off fuse or pull out mains plug.

Removing metal-mesh grease filter

1. Open lock and fold down the metal-mesh grease filter.
In doing so, place other hand under the metal-mesh grease filter.
2. Take metal-mesh grease filter out of the holder.



With edge extraction

1. Pull metal-mesh grease filter downwards.
In doing so, place other hand under the metal-mesh grease filter.
2. Take metal-mesh grease filter out of the holder.

Notes

- Grease can accumulate in the bottom of the metal-mesh grease filter.
- Do not hold metal-mesh grease filter at an angle, otherwise grease will drip out.

Installing metal-mesh grease filter

1. Insert metal-mesh grease filter.
In doing so, place other hand under the metal-mesh grease filter.
2. Fold up metal-mesh grease filter and lock.

Cleaning and care

Risk of burns, risk of electric shock!

from appliance. Always leave appliance to cool down before cleaning or servicing. Switch off fuse or pull out mains plug.

Caution!

- Risk of damage due to ingress of humidity into the electronic circuitry. Never clean operator controls with a wet cloth.
- Surface damage due to incorrect cleaning. Clean stainless steel surfaces in the grind direction only. Do not use any stainless steel cleaners for operator controls.
- Surface damage due to strong or abrasive cleaning agents. Never use strong and abrasive cleaning agents.

Cleaning appliance surface

Suitable cleaning agents and care products for your appliance can be purchased via the Hotline or from the Online Shop (see front of the instructions for use).

Note: The appliance surface and controls are scratch-sensitive. Observe the warranty regulations in the enclosed service booklet and the following cleaning instructions:

- Clean the surfaces with a soft, damp cloth, washing-up liquid or a mild window cleaner. Soften dried dirt with a damp cloth.
Do not scratch!
- Dry cloths, abrasive sponges, scouring agents, cleaning agents containing sand, soda, acid, chlorine or any other aggressive substances are not suitable.
- Clean the stainless steel surfaces in the direction of the ground surface only.
- Do not use stainless steel cleaner or wet cloths for the controls.

Cleaning metal-mesh grease filters

The inserted metal-mesh grease filters absorb the grease particles from the kitchen fumes. Clean the metal-mesh grease filters under normal use (1 to 2 hours daily) approx. every three months.

Notes

- Do not use any aggressive, acidic or alkaline cleaning agents.
- When cleaning the metal-mesh grease filters, also clean the holder for the metal-mesh grease filters in the appliance using a damp cloth.
- The metal-mesh grease filters can be cleaned in the dishwasher or by hand.

In the dishwasher:

Note: If the metal-mesh grease filters are cleaned in the dishwasher, slight discolouration may occur. This has no effect on the function of the metal-mesh grease filters.

- Do not clean heavily soiled metal-mesh grease filters together with utensils.
- Place the metal-mesh grease filters loosely in the dishwasher. The metal-mesh greases filter must not be wedged in.

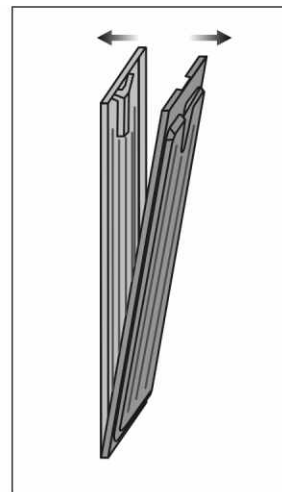
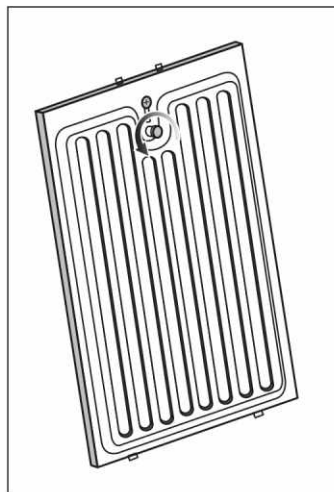
By hand:

- Soak the metal-mesh grease filters in a hot soapy solution.
- Clean the filters with a brush and then rinse them thoroughly.
- Leave the metal-mesh grease filters to drain.

Separating baffle filters

If you use filters shown in the picture, you can separate them for better and easier cleaning.

1. Rotate the "knurled screw" out.
2. Separate two filter pieces.
3. Follow the cleaning instructions in page 5.



Replacing halogen bulbs

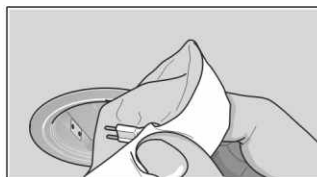
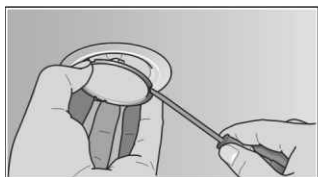
Risk of burns, risk of electric shock!

from defective bulbs. Switch off fuse or pull out mains plug. Always replace defective bulbs immediately (leave bulbs to cool down first) to prevent the remaining bulbs from overloading.

Important! Use only bulb of the same type and same power (see bulb holder or rating plate from top side of the appliance after installation).

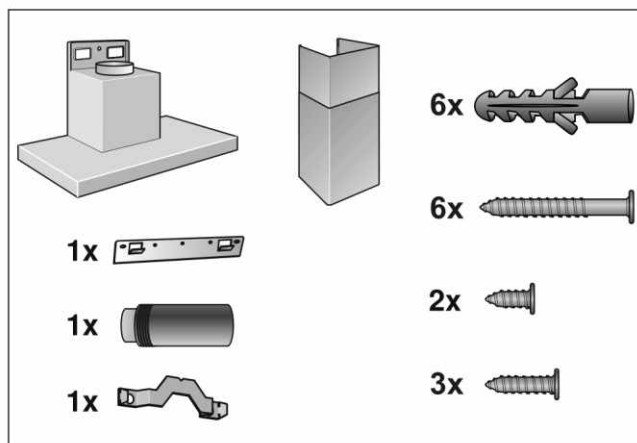
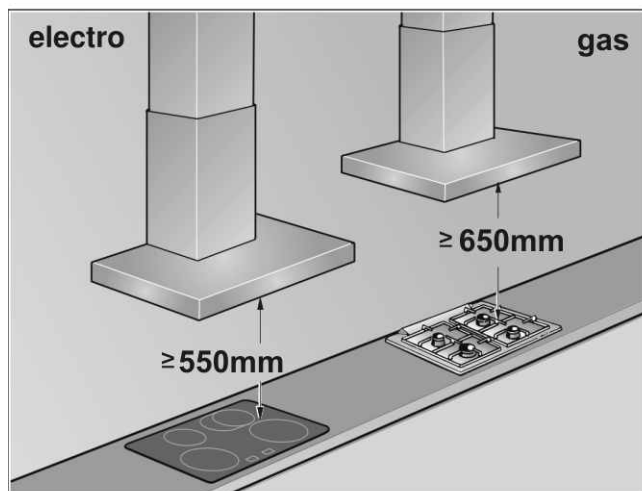
Note: When inserting halogen bulbs, do not touch the glass tube. Use a clean cloth to insert the halogen bulbs.

1. Carefully remove bulb ring using a suitable tool.
2. Pull out bulb and replace with bulb of the same type.



3. Insert bulb cover.
4. Insert mains plug or switch on fuse again.

INSTALLATION INSTRUCTIONS



- This appliance is installed on the wall.
- Follow the enclosed installation instructions for additional special accessories (e.g. for circulating-air mode).
- The surfaces of the appliance are sensitive. Avoid damaging them during installation.

Safety notes

⚠ Mortal danger, risk of intoxication!

Due to combustion gases sucked back in. Never operate the appliance in the exhaust air mode at the same time as a room air-dependent heat-producing appliance unless an adequate supply of fresh air is ensured.



Room air-dependent heat-producing appliances (e.g. gas, oil, wood or coal-operated heaters, continuous flow heaters or water heaters) obtain combustion air from the room in which they are installed and discharge the exhaust gases into the open through an exhaust gas system (e.g. a chimney).

In combination with an activated vapour extractor hood, room air is extracted from the kitchen and neighbouring rooms - a partial vacuum is produced if not enough fresh air is supplied. Toxic gases from the chimney or the extraction shaft are sucked backed into the living space.

- Adequate incoming air must therefore always be ensured.
- An incoming/exhaust air wall box alone will not ensure compliance with the limit.

Safe operation is possible only whenever the partial vacuum in the place where the firing equipment is installed does not exceed 4 Pa (0.04 mbar). This can be achieved whenever the air needed for combustion is able to enter through openings that cannot be sealed, for example in doors, windows, incoming/exhaust air wall boxes or by other technical means.



In any case, consult your responsible chimney sweep. He is able to assess the house's entire ventilation setup and will suggest the suitable ventilation measures to you.

Unrestricted operation is possible if the vapour extractor hood is operated exclusively in the recirculation mode.

⚠ Risk of fire!

from flying sparks. Do not install appliance above a solid fuel heater (e.g. wood or coal) unless a closed, non-removable cover is available.

For the installation observe the currently valid building regulations and the regulations of the local electricity and gas suppliers.

⚠ Risk of electric shock!

from damaged connection cable. Do not kink or pinch connection cable during installation.

⚠ Risk of injury!

From sharp edges during installation. Always wear protective gloves while installing the appliance.

⚠ Risk of injury!

from a falling appliance. All safety screws and safety caps must be firmly fitted.

Installation

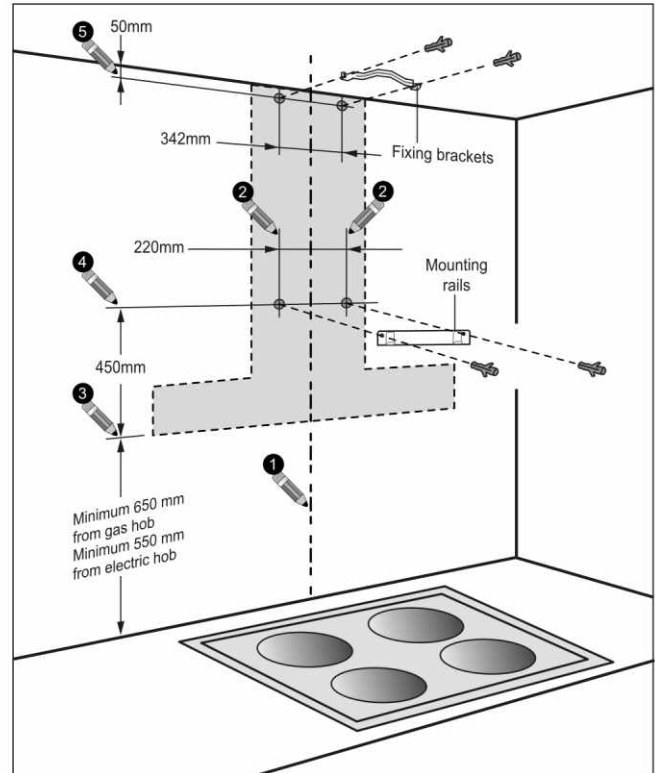
Fasteners

Determine the installation positions of the fasteners (fixing brackets and mounting rails) on the wall and follow steps indicated in the photo. If the inner flue duct is not needed, skip step 5.

Draw a line on the wall from the ceiling to the lower edge of the hood at the centre of the location where the hood is going to be mounted.

After determining the installation positions of the fasteners on the wall, use a driller with a diameter of 10 mm to drill holes in the wall.

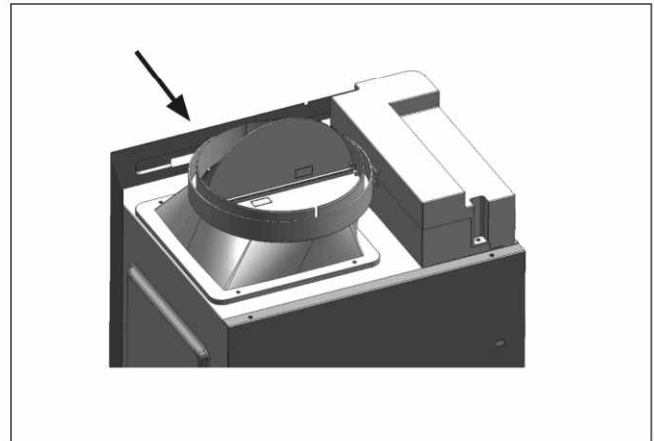
Insert the enclosed wall plug into the drilling holes and fix the fasteners (fixing brackets and mounting rails) onto the wall with the enclosed fixing screws.



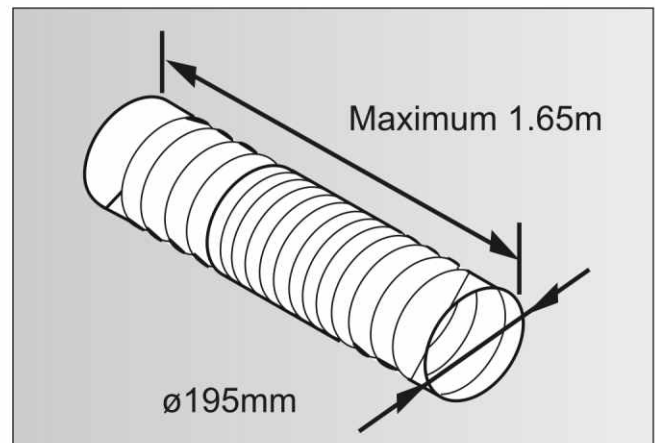
Fixing extractor hood

Hang the extractor hood on to the mounting rail on the wall. Make sure the extractor hood does not shake or hook off. Keep the extractor hood horizontal.

Install the accessory fixing screws in the notch as shown in the figure to prevent the extractor hood from falling off from the mounting rails.



Each extractor hood is equipped with an exhaust pipe in a diameter of 195 mm. The exhaust pipe is 1.65 m long when completely stretched.

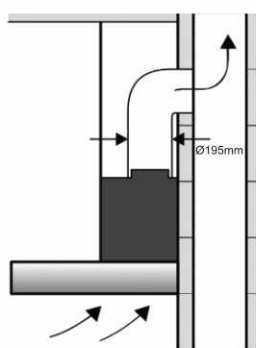


Please connect one end of the exhaust pipe to the outlet duct on the cooker hood and connect the other end of the exhaust pipe to the common flue or the drilling hole in the external wall (the diameter of the drilling hole is 200 mm).

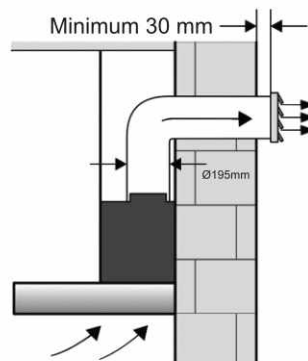
Caution

The air must not be discharged into a flue that is used for exhausting fumes from appliances burning gas or other fuels.

Connect to common flue

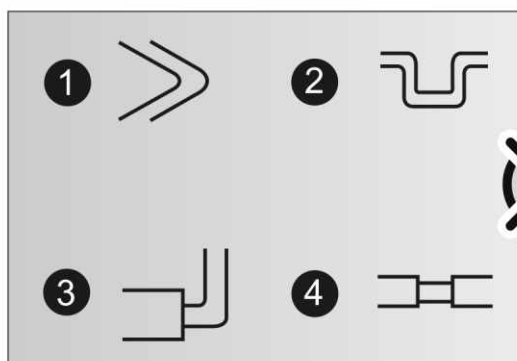


Connect outside the wall

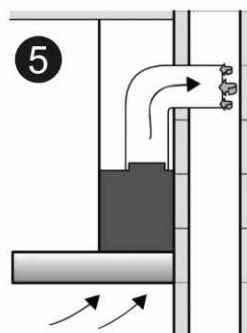


For optimum extractor hood efficiency:

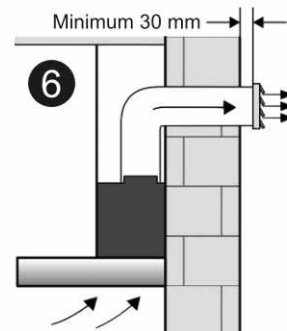
1. Diameter of pipe to be as large as possible and no tight bends in pipe.
2. The exhaust pipe cannot be bent into a "U" shape (as few bends as possible).
3. Do not connect the exhaust pipe to another pipe with a diameter smaller than 195 mm.
4. Do not use a pipe with a diameter smaller than 195 mm with an intermediate connecting pipe.
5. If you need to connect the exhaust pipe to the common flue, DO NOT deeply insert the exhaust pipe into the common flue in case the resistance increases when exhausting.
6. If you need to connect the exhaust pipe directly outside the wall, a shutter (purchase additionally) is recommended to be mounted at one end of the exhaust pipe to prevent the external wind from flowing back inside. Meanwhile, make sure the exhaust pipe extending outside the wall is at least 30 mm.
7. The exhausted gas must not enter other hot flue pipes, also for exhausting smoke of other fuels.



Connect to common flue

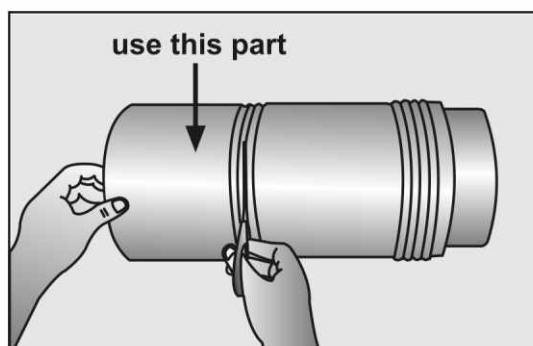


Connect outside the wall



For circulating-air mode

If you choose circulating-air mode, the pipe can still be used. You can cut it to needed length by knives or scissors. Beware of injury when you operate it. Other required accessories are available from specialist outlets or customer service. The accessory numbers can be found at the end of the instructions for use.



Electrical connection

Risk of electric shock!

from damaged connection cable. Do not kink or pinch connection cable during installation.

The required connection data can be found on the rating plate.

Length of the connection cable: approx. 1.50m

This appliance may be connected to a correctly installed earthed socket only.

Attach the earthed socket preferably inside the flue duct.

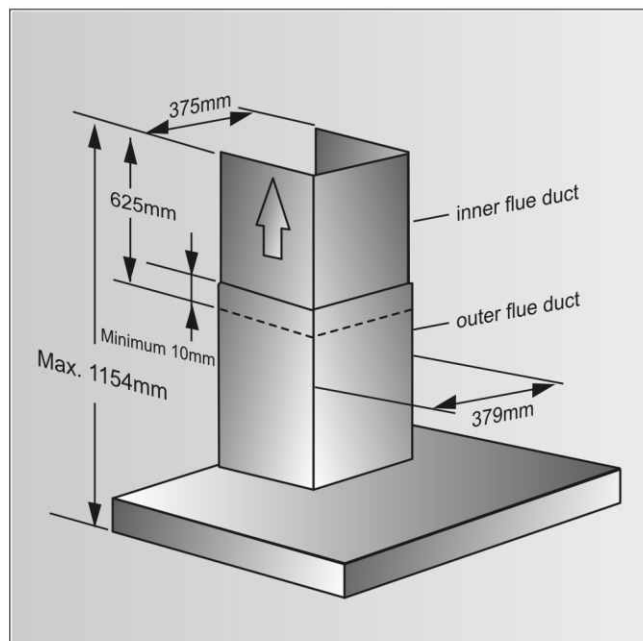
- The earthed socket should be connected via its own circuit.
- If the earthed socket is no longer accessible following installation of the appliance, a disconnector must be fitted as for a permanent connection.

If a permanent connection is required, the installation must feature an all-pole disconnector (circuit breakers, fuses and contactors) with a min. 3 mm contact opening. The permanent connection may be installed by an electrician only.

Attaching flue duct

Risk of injury!

From sharp edges during installation. Always wear protective gloves while installing the appliance.

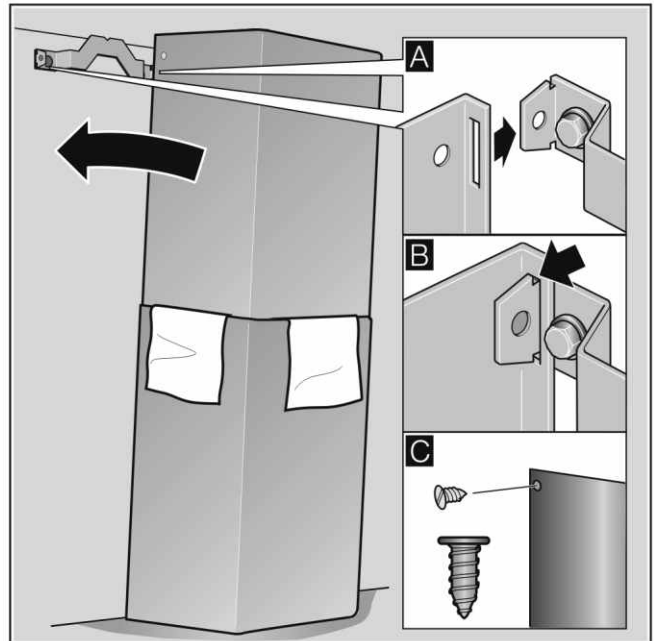


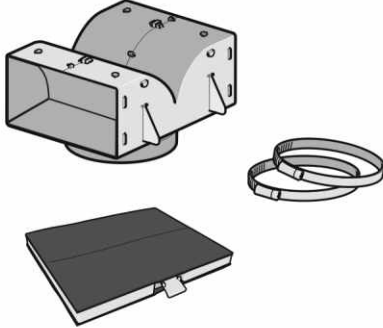

1. Separate the flue ducts.
To do this, remove the adhesive tape.
2. Remove the protective foil from both flue ducts.
3. Push one flue duct into the other.

Notes

- To prevent scratches, place paper for protection over the edges of the outer flue duct.
- Slots of the inner flue duct downwards.

4. Place flue ducts on the appliance.
5. Push inner flue duct upwards and attach to the fixing brackets on the left and right. **A**
6. Press flue duct downwards until it engages. **B**
7. Screw flue duct to the sides of the fixing bracket using two screws. **C**



| | |
|---|-----------------------|
|  | <p>LZ57050</p> |
|  | <p>LZ57051</p> |

BSH ELECTRICAL APPLIANCES (JIANGSU) CO.,LTD.
www.siemens-home.bsh-group.com

Guarantee: The guarantee conditions for this appliance are as defined by our representative in the country in which it is sold. Details regarding these conditions can be obtained from the dealer from whom the appliance was purchased. The bill of sale or receipt must be produced when making any claim under the terms of this guarantee.

Manufactured by BSH ELECTRICAL APPLIANCES (JIANGSU) CO.,LTD. under Trademark License of Siemens AG

Material number: 9000823438

Version: 05

Revision date: 2017.11