

SIEMENS



Fridge-freezer

Réfrigérateur / Congélateur combiné

ثلاجة تبريد وجميد

KG..N..

[siemens-home.com/welcome](http://siemens-home.com/welcome)

en User manual  
fr Notice d'utilisation  
ar دليل الاستخدام

Register  
your  
product  
online

---

## en Contents

Information concerning disposal	3	Interior fittings	9
Safety and warning information	3	Freezing and storing food	10
Installation	5	Freezing fresh food	10
Aligning the appliance	5	Super freezing	11
Changing over the door hinges	5	Max. freezing capacity	11
Getting to know your appliance	6	Thawing frozen food	11
Fascia	6	Switching off and disconnecting the appliance	11
Observing ambient temperature and ventilation	7	Tips for saving energy	12
Connecting the appliance	7	Operating noises	12
Switching the appliance on	8	Eliminating minor faults yourself	13
Setting the temperature	8	Customer service	14
Store food in the appliance	9		

---

## fr Table des matières

Conseils pour la mise au rebut	15	Equipement	22
Consignes de sécurité et avertissements	15	Congélation et rangement	23
Installation	18	Congélation de produits frais	24
Ajuster l'appareil	18	Supercongélation	24
Inversion du sens d'ouverture de porte	18	Capacité de congélation maximale	24
Présentation de l'appareil	19	Décongélation des produits	25
Bandeau de commande	19	Arrêt et remisage de l'appareil	25
Contrôler la température ambiante et l'aération	20	Nettoyage de l'appareil	25
Branchement de l'appareil	20	Economies d'énergie	26
Enclenchement de l'appareil	21	Bruits de fonctionnement	26
Réglage de la température	21	Remédier soi même aux petites pannes	27
Rangement des produits alimentaires	22	Service après-vente	28

## Information concerning disposal

### Disposal of packaging

The packaging protects your appliance from damage during transit. All utilised materials are environmentally safe and recyclable. Please help us by disposing the packaging in an environmentally friendly manner.

Please ask your dealer or inquire at your local authority about current means of disposal.

### Disposal of your old appliance

Old appliances are not worthless rubbish! Valuable raw materials can be reclaimed by recycling old appliances.



This appliance has been identified in accordance with the European directive 2002/96/EG on Waste Electrical and Electronic Equipment – WEEE. The directive specifies the framework for an EU-wide valid return and recycling of old appliances.

### Warning

Redundant appliances

1. Pull out the mains plug.
2. Cut off the power cord and discard with the mains plug.

Refrigerators contain refrigerant and gases in the insulation. Refrigerant and gases must be disposed of professionally. Ensure that tubing of the refrigerant circuit is not damaged prior to proper disposal.

## Safety and warning information

### Before you switch ON the appliance

Please read the operating and installation instructions carefully.

They contain important information on how to install, use and maintain the appliance.

Keep all documentation for subsequent use or for the next owner.

### Technical safety

- This appliance contains a small quantity of environmentally-friendly but flammable R600a refrigerant. Ensure that the tubing of the refrigerant circuit is not damaged during transportation and installation. Leaking refrigerant may cause eye injuries or ignite.

#### If damage has occurred

- Keep naked flames and/or ignition sources away from the appliance.
- Pull out the mains plug.
- Thoroughly ventilate the room for several minutes.
- Notify customer service.

The more refrigerant an appliance contains, the larger the room must be. Leaking refrigerant can form a flammable gas-air mixture in rooms which are too small.

The room must be at least 1 m<sup>3</sup> per 8 g of refrigerant. The amount of refrigerant in your appliance is indicated on the rating plate inside the appliance.

en

- Only customer service may change the power cord and carry out any other repairs. Improper installations and repairs may put the user at considerable risk.

### Important information when using the appliance

- Never use electrical appliances inside the appliance (e.g. heaters, electric ice makers, etc.).

#### **Risk of explosion!**

- Never use a steam cleaner to defrost or clean the appliance! The steam may penetrate electrical parts and cause a short-circuit.

#### **Risk of electric shock!**

- Do not use pointed or sharp-edged implements to remove frost or layers of ice.  
You could damage the refrigerant tubing. Leaking refrigerant may ignite or cause eye injuries.
- Do not store products which contain flammable propellants (e.g. spray cans) or explosive substances in the appliance.  
**Risk of explosion!**
- Do not stand on or lean heavily against base of appliance, drawers or doors, etc
- Before defrosting and cleaning the appliance, pull out the mains plug or switch off the fuse.  
Do not pull out the mains plug by tugging the cable.
- Bottles which contain a high percentage of alcohol must be sealed and stored in an upright position.

- Keep plastic parts and the door seal free of oil and grease. Otherwise, parts and door seal will become porous.
- Never cover or block the ventilation openings for the appliance.
- People who have limited physical, sensory or mental abilities or inadequate knowledge must not use this appliance unless they are supervised or given meticulous instructions.

### Children in the household

- Keep children away from packaging and its parts. Danger of suffocation from collapsible boxes and foil!
- Do not allow children to play with the appliance!
- If the appliance features a lock, keep the key out of the reach of children.

### General regulations

The appliance is suitable

- for refrigerating and freezing food,
- for making ice.

The appliance is intended for domestic use only.

The appliance is suppressed according to EU Directive 89/336/EEC.

The refrigeration circuit has been checked for leaks.

This product complies with the relevant safety regulations for electrical appliances (EN 60335/2/24).

---

## Installation

Install the appliance in a dry, well ventilated room. The installation location should neither be exposed to direct sunlight nor near a heat source, e.g. a cooker, radiator, etc. If installation next to a heat source is unavoidable, use a suitable insulating plate or observe the following minimum distances to a heat source:

3 cm to an electric cooker.  
30 cm to an oil or solid-fuel cooker.

Appliances with fitted handles must be situated at least 55 mm from the wall on the hinge side so that the door can be opened by 90°.

---

## Aligning the appliance

### **Fig. 8**

Place the appliance in the designated location and align.  
Adjust the height-adjustable feet with a wrench.

If the refrigerator is to be pushed, the height-adjustable feet at the front of the appliance must be completely screwed in so that the front wheels can roll. **Fig. 9**

---

## Changing over the door hinges

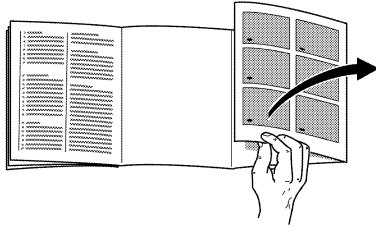
We recommend that you have the door hinges changed over by our customer service.

Before changing over the hinges, pull out the mains plug or disconnect the fuse.

**Attention! Carefully place the appliance on its back.**

Installation in numerical sequence. **Fig. 11**

## Getting to know your appliance



Please fold out the illustrated last page. These operating instructions refer to several models.

The diagrams may differ.

### Example of features

#### Fig. 1

(\* not all models)

- 1–4 Fascia
- 5 Temperature selector refrigerator compartment
- 6 Light switch
- 7 Interior light
- 8 Cold storage compartment (Chiller compartment)
- 9 Bottle shelf
- 10 Air outlet opening
- 11 Shelf in the refrigerator compartment
- 12 Fruit and vegetable container
- 13 Freezer drawer

- 14 Height-adjustable feet
- 15 Egg rack
- 16 Shelf for small bottles
- 17 Tray for large bottles
- 18 Ice pack \*/Frozen-food calendar

- A Refrigerator compartment
- B Freezer compartment

## Fascia

#### Fig. 1

- 1 **On/Off button**
- 2 **Temperature selection button freezer compartment**  
Can be selected from  $-16^{\circ}\text{C}$  to approx.  $-24^{\circ}\text{C}$ .  
Press the button until the required temperature lamp illuminates. The value last selected is stored.
- 3 **Temperature display lamp freezer compartment**  
The figures next to the temperature display lights indicate the temperature in  $^{\circ}\text{C}$ . The lit lamp indicates the selected temperature.
- 4 **Super freezing button**  
Switches super freezing on and off. When the light is on, super cooling has started.

## Observing ambient temperature and ventilation

The climate class can be found on the rating plate. It states the room temperature within which the appliance can be operated.

Climate class	Permitted ambient temperature
SN	+10 °C to 32°C
N	+16 °C to 32°C
ST	+18 °C to 38°C
T	+18 °C to 43°C

### Note

The appliance is fully functional within the room temperature limits of the indicated climatic class. If an appliance of climatic class SN is operated at colder room temperatures, the appliance will not be damaged up to a temperature of +5 °C.

## Ventilation

### Fig. 2

The air on the rear panel of the appliance heats up. Conduction of the heated air must not be obstructed. Otherwise, the refrigerator must work harder. This increases power consumption. Therefore: Never cover or block ventilation openings!

## Connecting the appliance

After installing the appliance, wait at least ½ hour before switching on the appliance. During transportation the oil in the compressor may have flowed into the refrigeration system.

Before switching on the appliance for the first time, clean the interior (see Cleaning).

The socket should be freely accessible. Connect the appliance to a 220–240 V/ 50 Hz ac via a plug which has been properly installed. The socket must be fused with a 10 A or higher.

**If the appliance is to be operated in a non-European country, check whether the stated voltage and current type on the rating plate match the values of your mains supply match the values of the mains supply. The rating plate is situated in the bottom left-hand side of the appliance. The mains connection cable may be replaced by an electrician only.**

---

## Switching the appliance on

Press the On/Off button. **Fig. 1/1**  
The appliance starts refrigerating.

Interior light in refrigerator compartment is switched on when the door is open.

## Operating tips

- The fully automatic No Frost system keeps the freezer compartment and refrigerator compartment free of ice. Defrosting is no longer required.
- The sides of the housing are sometimes heated slightly. This prevents condensation in the area of the door seal.
- The appliance doors have two different opening angles.  
When one appliance door is opened, the second door may move slightly. This is quite normal and can be ignored.
- If you cannot open the freezer compartment door immediately after closing it, wait 2–3 minutes until the partial vacuum has equalised.

---

## Setting the temperature

### Refrigerator compartment

Rotate temperature selector, **Fig. 1/5**, to a setting.

A higher setting lowers the temperature in the refrigerator compartments.

We recommend:

- for long-term storage of food: **medium** controller setting
- set a **high** controller setting only temporarily if:  
door is opened frequently, large amounts of food are placed in the refrigerator compartment.

We recommend storing perishable foods at a temperature not above +4 °C.

A temperature of about +4 °C is reached when the control is set to a centre position.

### Freezer compartment

The set values can be changed, see Description of control panel.



## Store food in the appliance

When storing food, comply with the following:

- Wrap or cover food before placing in the appliance. This will retain the aroma, colour and freshness of the food. In addition, flavours will not be transferred between foods and the plastic parts will not become discoloured.
- Allow warm food and drinks to cool down before placing in the appliance.
- Do not block air outlet openings with food in the refrigerator compartment, otherwise the air circulation will be impaired.

Food which is stored directly in front of the air outlet openings may be frozen by the cold air flowing out.

We recommend arranging the food as follows:

- **In the freezer compartment:** frozen food, ice cubes, ice cream
- **On the shelves** in the refrigerator compartment (from top to bottom): cakes and pastries, ready meals, dairy products, meat and sausage
- **In the vegetable container:** vegetables, salad, fruit
- In the **door** (from top to bottom): butter, cheese, eggs, tubes, small bottles, large bottles, milk, juice cartons

## Interior fittings

\* not all models

### Cold storage compartment (Chiller compartment)

**Fig. 5**

The cold storage compartment has lower temperatures than the refrigerator compartment. Even temperatures below 0 °C may occur. Ideal for storing fish, meat and sausage.

Not suitable for lettuce and vegetables and produce sensitive to cold.

**Note:**

The cold storage compartment functions only when the tray on the left is located below the top glass shelf (delivery condition). At other positions, the temperatures in the tray are the same as in the rest of the refrigerator compartment.

### Bottle shelf

**Fig. 4**

Bottles can be stored securely on the bottle shelf. The holder can be adjusted.

### Frozen-food calendar \*

**Fig. 1/18**

The figures next to the symbols indicate the permitted storage period of the produce in months. When purchasing frozen produce, observe the date of manufacture or use-by date.

en

---

## Freezing and storing food

### Purchasing frozen food

Packaging must not be damaged.

Use by the “use by” date.

Temperature in the supermarket freezer –18 °C or lower.

If possible, transport deep-frozen food in an insulated bag and place quickly in the freezer compartment.

### Store food in the appliance

Preferably freeze large quantities of food in the top compartments where freezing is particular quick and therefore also gentle. Place the food over the whole area of the compartments or the freezer drawers. Food which is already frozen must not come into contact with the food which is to be frozen. If required, move the frozen food to the freezer drawers.

### Storing frozen food

- To ensure good air circulation in the appliance, insert the freezer drawers all the way.
- **Note:**  
If a lot of food is to be placed in the freezer compartment, all the freezer drawers can be taken out of the appliance and the food stacked directly on the freezer shelves. To remove a freezer drawer, pull out all the way, lift at the front and remove.

## Making ice cubes

Fill the ice tray  $\frac{3}{4}$  full of water and place in the bottom of the freezer compartment. If the ice tray is stuck to the freezer compartment, loosen with a blunt implement only (spoon-handle).

To loosen the ice cubes, twist the ice tray slightly or hold briefly under flowing water.

---

## Freezing fresh food

### Freezing food yourself

If you are freezing food yourself, use only fresh, undamaged food.

#### The following foods are suitable for freezing:

Meat and sausage products, poultry and game, fish, vegetables, herbs, fruit, cakes and pastries, pizza, ready meals, leftovers, egg yolk and egg-white.

#### The following foods are not suitable for freezing:

Eggs in shells, soured cream and mayonnaise, green salads, radishes and onions.

#### Blanching vegetables and fruit

To retain colour, flavour, aroma and vitamin C, vegetables and fruits should be blanched prior to freezing. Blanching is the brief immersion of vegetables and fruit in boiling water. Literature on freezing and blanching is available in bookshops.

---

## Super freezing

If there is already food in the freezer compartment, switch on “super freezing” several hours before placing fresh produce in the freezer compartment. As a rule, 4–6 hours is adequate.

If max. freezing capacity is to be utilised, 24 hours are required. Smaller quantities of food (up to 2 kg) can be frozen without “super freezing”.

To switch on, press the super freezing button. **Fig. 1/4**

“Super freezing” switches off automatically after 2½ days at the latest.

---

## Max. freezing capacity

Food should be frozen solid as quickly as possible. Only then will vitamins, nutritional values, appearance and flavour be retained. Therefore do not exceed the max. freezing capacity of your appliance.

### Freezing capacity

Information about the max. freezing capacity within 24 hours can be found on the rating plate.

---

## Thawing frozen food

Depending on the type and application, select one of the following options:

- At room temperature,
- In the refrigerator,
- in an electric oven, with/without fan assisted hot-air,
- In the microwave.

### Note

Do NOT refreeze food which is beginning to thaw or which has already thawed. Only ready meals (boiled or fried) may be refrozen.

No longer store the frozen produce for the max. storage period.

---

## Switching off and disconnecting the appliance

### Switching the appliance off

Press the On/Off button. **Fig. 1/1**

### Disconnecting the appliance

If you do not use the appliance for a prolonged period:

1. Pull out the mains plug.
2. Cleaning the appliance.
3. Leave the appliance door open.

en

---

## Cleaning the appliance

- Pull out the mains plug or remove the fuse.
- Take out the frozen food and store in a cool location. Place the ice pack (if enclosed) on the food.
- Clean the appliance with lukewarm water and a little washing-up liquid.

### Attention

Clean the door seal with water only and dry thoroughly with a cloth.

Water used for cleaning must not drip into the control panel.

Do not use abrasive or acidic cleaning agents and solvents.

---

## Tips for saving energy

- Install the appliance in a cool, well ventilated room, but not in direct sunlight and not near a heat source (radiator, cooker, etc.). Otherwise, use an insulating plate.
- Allow warm food and drinks to cool down outside the appliance.
- When thawing frozen food, place it in the refrigerator compartment. Use the coldness of the frozen food to cool food.
- Open the appliance door as briefly as possible.
- Occasionally clean the rear of the appliance with a vacuum cleaner or paint brush to prevent an increased power consumption.

---

## Operating noises

### Quite normal noises

**Humming** – refrigeration unit is running.

**Bubbling, gurgling or whirring noises** – refrigerant is flowing through the tubing.

**Clicking** – motor is switching on or off.

**Cracking** – automatic defrosting is running.

### Noises which can be easily rectified

#### The appliance is not level

Please align the appliance with a spirit level. Use the height-adjustable feet or place packing underneath them.

#### The appliance is touching adjacent units or appliances

Please move the appliance away from adjacent furniture or appliances.

#### Drawers, baskets or storage areas wobble or stick

Please check the removable parts and re-insert them if required.

#### Receptacles are touching each other

Move the bottles or receptacles slightly away from each other.

## Eliminating minor faults yourself

### Before you call customer service:

Please check whether you can eliminate the fault yourself based on the following information.

Customer service will charge you for advice, even if the appliance is still under guarantee!

Fault	Possible cause	Remedial action
<b>The light does not work.</b>	The bulb is defective.	Replace bulb. <b>Fig. 3</b>  1. Pull out the mains plug or disconnect the fuse.  2. Change the incandescent bulb (replacement bulb max. 15 W, 220–240 V ac, E14 lampholder).
	Light switch is jammed. <b>Fig. 1/6</b>	Check whether it can be moved.
<b>The temperature in the refrigerator compartment is too cold.</b>	A colder temperature in the freezer compartment can also lower the temperature in the refrigerator compartment. This is a consequence of refrigeration.	Set the temperature in the refrigerator compartment slightly warmer.  If this is not adequate, e.g. because ambient temperatures are too cold, also increase the temperature in the freezer compartment.
<b>Displays do not illuminate.</b>	Power failure; the fuse has been switched off; the mains plug has not been inserted properly.	Check whether the power is on, the fuse must be switched on.
<b>The temperature in the freezer compartment is too warm.</b>	• Freezer compartment door is open.	Close the door.
	• The ventilation openings are blocked.	Ensure that there is adequate ventilation.
	• Too much food was placed in the freezer compartment at once.	Do not exceed max. freezing capacity.

en

Fault	Possible cause	Remedial action
<b>Freezer compartment door was open for a long time; temperature is no longer reached.</b>	The evaporator (refrigeration generator) in the No Frost system is covered in thick ice and can no longer be defrosted fully automatically.	To defrost the evaporator, remove the frozen food with the compartments, insulate well and store in a cool location.  Switch off the appliance and move it away from the wall. Leave the appliance door open.  After approx. 20 min. the condensation begins to run into the evaporation pan, at the rear of the appliance. To prevent the evaporation pan from overflowing in this case, mop up the condensation with a sponge.  The evaporator is defrosted when the water stops running into the evaporation pan. Clean the interior. Switch the appliance back on again.

---

## Customer service

Your local customer service can be found in the telephone directory or in the customer-service index. Please provide customer service with the appliance product number (E-Nr.) and production number (FD).

These specifications can be found on the rating plate. **Fig. 7**

To prevent unnecessary call-outs, please assist customer service by quoting the product and production numbers. This will save you additional costs.

## Conseils pour la mise au rebut

### Mise au rebut de l'emballage

L'emballage protège votre appareil contre les dégâts qu'il pourrait subir en cours de transport. Tous les matériaux qui le constituent sont compatibles avec l'environnement et recyclables. Aidez-nous à recycler l'emballage en respectant l'environnement.

Pour savoir comment vous débarrasser de l'emballage, veuillez consulter votre revendeur ou les services administratifs de votre mairie.

### Mise au rebut de l'ancien appareil

Les appareils usagés ne sont pas des déchets sans valeur ! Leur élimination dans le respect de l'environnement permet d'en récupérer de précieuses matières premières.



Cet appareil a été labélisé en conformité avec la directive communautaire européenne 2002 / 96 / CE visant les appareils électriques et électroniques usagés (waste electrical and electronic equipment – WEEE). Cette directive sert de règlement cadre à la reprise et au recyclage des appareils usagés dans toute l'Europe.

### Attention

Avant de mettre au rebut l'appareil qui ne sert plus :

1. Débranchez la fiche mâle de la prise de courant.
2. Sectionnez le cordon d'alimentation puis enlevez-le avec la fiche mâle.

Les appareils frigorifiques contiennent des fluides frigorigènes et des gaz isolants qui nécessitent une mise au rebut adéquate. Veillez à ce que les tuyaux du circuit frigorifique de votre appareil ne soient pas endommagés jusqu'à son élimination dans les règles de l'art. Jusqu'à l'enlèvement de l'appareil, veillez bien à ce que son circuit frigorifique ne soit pas endommagé.

## Consignes de sécurité et avertissements

### Avant de mettre l'appareil en service

Veillez lire attentivement et entièrement les informations figurant dans les notices d'utilisation et de montage. Elle contiennent des remarques importantes concernant l'installation, l'utilisation et l'entretien de l'appareil. Conservez toute la documentation pour pouvoir la consulter à nouveau ultérieurement ou si l'appareil doit changer un jour de propriétaire.

## Sécurité technique

- Cet appareil contient une petite quantité d'un fluide réfrigérant écologique mais inflammable, le R 600a. Pendant le transport et la mise en place de l'appareil, veillez à ne pas endommager les tuyauteries du circuit frigorifique. Si le fluide réfrigérant jaillit, il peut provoquer des lésions oculaires ou s'enflammer.

### Si l'appareil est endommagé

- Eloignez l'appareil de toute flamme nue ou source d'inflammation.
- Débranchez la fiche mâle de la prise de courant.
- Aérez bien la pièce pendant quelques minutes.
- Prévenez le service après-vente.

Plus l'appareil contient de fluide réfrigérant et plus grande doit être la pièce dans laquelle il se trouve. Dans les pièces trop petites, un mélange gaz-air inflammable peut se former en cas de fuite.

Comptez 1 m<sup>3</sup> de volume minimum de la pièce pour 8 g de fluide réfrigérant. La quantité de fluide présente dans l'appareil est indiquée sur la plaque signalétique située à l'intérieur de ce dernier.

- Le changement de cordon d'alimentation et d'autres réparations sont exclusivement réservées au service après-vente. Les installations et réparations inexpertes peuvent engendrer des risques considérables pour l'utilisateur.

## Pendant l'utilisation

- N'utilisez jamais d'appareils électriques à l'intérieur de l'appareil (par ex. des appareils de chauffage, sorbetières électriques, etc.).

### Risque d'explosion !

- Ne dégivrez et ne nettoyez jamais l'appareil avec un nettoyeur à vapeur ! La vapeur risque d'atteindre des pièces électriques et de provoquer un court-circuit.

### Risques d'électrocution !

- Pour détacher le givre ou les couches de glace, n'utilisez jamais d'objets pointus ou présentant des arêtes vives. Vous risqueriez d'endommager les tuyaux de fluide réfrigérant. Le fluide réfrigérant en train de jaillir risque de s'enflammer ou de provoquer des lésions oculaires.
  - Ne stockez dans l'appareil ni produits contenant des gaz propulseurs inflammables (par ex. bombes aérosols) ni produits explosifs.
- ### Risque d'explosion !
- Ne vous servez pas des socles, clayettes et portes comme marchepieds ou pour vous appuyer.
  - Pour dégivrer et nettoyer l'appareil, débranchez la fiche mâle de la prise de courant ou retirez le fusible / désarmez le disjoncteur. Pour débrancher l'appareil, tirez sur la fiche mâle et non pas sur son cordon.
  - Stockez les boissons fortement alcoolisées en position verticale dans des récipients bien fermés.



- L'huile et la graisse ne doivent pas entrer en contact avec les parties en matières plastiques et le joint de porte. (ces derniers pourraient sinon devenir poreux).
- Ne recouvrez et n'obstruez jamais les orifices de ventilation de l'appareil.
- Les personnes souffrant de restrictions de leurs capacités physiques, sensorielles ou psychiques, ou ne détenant pas les connaissances voulues, ne pourront utiliser l'appareil que sous surveillance ou après avoir reçu des instructions détaillées.

### **Les enfants et l'appareil**

- Ne permettez jamais aux enfants de jouer avec l'emballage et ses pièces constitutives. Ils risquent de s'étouffer avec les cartons pliants et les feuilles de plastique !
- L'appareil n'est pas un jouet, éloignez les enfants !
- Si l'appareil est équipé d'une serrure : rangez la clé hors de portée des enfants !

### **Dispositions générales**

L'appareil permet

- de réfrigérer et congeler des aliments,
- de préparer des glaçons.

Cet appareil est destiné à un usage domestique.

L'appareil a été antiparasité conformément à la directive UE 89 / 336 / CEE.

Le circuit frigorifique a subi un contrôle d'étanchéité.

Ce produit est conforme aux dispositions de sécurité applicables aux appareils électriques (EN 60335 / 2 / 24).

---

## Installation

Un local sec et aérable convient pour installer l'appareil. Evitez de placer l'appareil à un endroit directement exposé aux rayons solaires ou à proximité d'une source de chaleur telle une cuisinière, un radiateur, etc. Si l'installation près d'une source de chaleur est inévitable, utilisez une plaque isolante appropriée ou respectez les distances minimales suivantes :

3 cm par rapport à une cuisinière électrique.

30 cm par rapport à un appareil de chauffage au fuel ou au charbon.

Les appareils à poignée saillante requièrent, sur le côté où la porte bute contre le mur, un espace d'au moins 55 mm par rapport à ce dernier afin que la porte puisse s'ouvrir à 90°.

---

## Ajuster l'appareil

### Fig. 8

Amenez l'appareil sur l'emplacement prévu puis ajustez-le pour qu'il se retrouve bien d'aplomb.

Pour modifier le réglage des pieds à vis, servez-vous d'une clé à fourche.

S'il faut pousser le réfrigérateur, il faudra revisser entièrement les pieds réglables en hauteur situés à l'avant de l'appareil, afin que les roues avant puissent rouler.

### Fig. 9

---

## Inversion du sens d'ouverture de porte

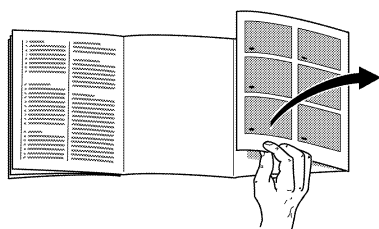
Nous recommandons de confier l'inversion du sens d'ouverture de porte à notre service après-vente.

Avant la transformation, débranchez la fiche mâle de la prise de courant ou ramenez le disjoncteur en position éteinte.

**Attention ! Couchez prudemment l'appareil sur le dos.**

Effectuez le montage dans l'ordre des chiffres. **Fig. 11**

## Présentation de l'appareil



Veuillez déplier la dernière page, illustrée, de la notice.

La présente notice d'utilisation vaut pour plusieurs modèles.

Selon le modèle, l'appareil peut différer du contenu des illustrations.

### Exemple d'équipement

#### Fig. 1

(\* selon le modèle)

#### 1-4 Bandeau de commande

- 5 Thermostat du compartiment réfrigérateur
- 6 Interrupteur d'éclairage
- 7 Éclairage intérieur
- 8 Compartiment froid (compartiment fraîcheur)
- 9 Clayette à bouteilles
- 10 Orifice de sortie d'air
- 11 Clayettes du compartiment réfrigérateur
- 12 Bac(s) à fruits et légumes
- 13 Tiroir de congélation

- 14 Pied à vis
- 15 Balconnet à œufs
- 16 Support pour petites bouteilles
- 16 Clayette à grandes bouteilles
- 18 Accumulateur de froid \* / Calendrier de congélation

- A Compartiment réfrigérateur
- B Compartiment congélateur

## Bandeau de commande

#### Fig. 1

- 1 Touche Marche / Arrêt
- 2 Touche de réglage de la température

Réglable entre  $-16$  et  $-24$  °C.

Appuyez sur la touche autant de fois que nécessaire jusqu'à ce que le petit voyant de température voulu s'allume. L'appareil mémorise la valeur réglée en dernier.

- 3 Indicateur de température Voyant Compartiment congélateur

Les chiffres accompagnant les petits voyants de température indiquent la température du compartiment réfrigérateur en °C.

Le voyant allumé indique la température ajustée.

- 4 Touche Supercongélation

Cette touche sert à allumer et éteindre la supercongélation.

Le petit voyant allumé signale l'entrée en service de cette fonction.

## Contrôler la température ambiante et l'aération

La catégorie climatique à laquelle appartient l'appareil figure sur sa plaque signalétique. Elle indique dans quelles plages de température il est possible de faire fonctionner l'appareil.

Catégorie climatique	Température ambiante admissible
SN	+10 °C à 32 °C
N	+16 °C à 32 °C
ST	+18 °C à 38 °C
T	+18 °C à 43 °C

### Remarque

L'appareil est entièrement fonctionnel à l'intérieur des limites de température ambiante prévues dans la catégorie climatique indiquée. Si un appareil de la catégorie climatique SN est utilisé à des températures ambiantes plus basses, il est possible d'exclure que l'appareil s'endommage jusqu'à une température de 5 °C.

## Aération

### Fig. 2

L'air entrant en contact avec la paroi arrière de l'appareil se réchauffe. L'air chaud doit pouvoir s'échapper sans obstacle. S'il ne le peut pas, le groupe frigorifique doit fonctionner plus longtemps, ce qui augmente la consommation de courant. Pour cette raison, ne recouvrez et n'obstruez jamais les orifices d'aération de l'appareil.

## Branchement de l'appareil

Après l'installation de l'appareil en position verticale, attendez au moins une demi-heure avant de le mettre en service. Il peut en effet arriver, pendant le transport, que l'huile présente dans le compresseur se déplace vers le circuit frigorifique.

Avant la première mise en service, nettoyez le compartiment intérieur de l'appareil (voir Nettoyage).

La prise de courant doit rester facilement accessible. Branchez la fiche mâle de l'appareil dans une prise secteur en 220–240 V / 50 Hz, réglementairement reliée à la terre. La prise doit être protégée par un fusible supportant un ampérage de 10 A ou supérieur.

**Sur les appareils destinés aux pays non européens, vérifiez si la tension de branchement et le type de courant spécifiés sur la plaque signalétique concordent bien avec ceux offerts par le secteur du pays concerné.**

**La plaque signalétique se trouve en bas à gauche dans l'appareil. S'il faut changer le cordon d'alimentation secteur, seul un spécialiste pourra réaliser cette opération.**

## Enclenchement de l'appareil

Appuyez sur la touche Marche / Arrêt  
Fig. 1/1

L'appareil commence à réfrigérer.

L'éclairage du compartiment réfrigérateur s'allume lorsque la porte est ouverte.

## Remarques concernant le fonctionnement de l'appareil

- Le système No Frost entièrement automatique fait que le compartiment congélateur et le compartiment réfrigérateur ne givrent pas. Il n'est plus nécessaire de dégivrer.
- L'appareil chauffe légèrement une partie de ses surfaces frontales pour empêcher une condensation d'eau dans la zone du joint de porte.
- Les portes de l'appareil présentent deux angles d'ouverture différents.

Lorsque vous ouvrez une porte, il peut arriver que la deuxième porte se déplace légèrement. Ceci est dû à des motifs techniques et n'a pas lieu de vous inquiéter.

- Si après avoir refermé le compartiment congélateur la porte refuse de s'ouvrir à nouveau, attendez s.v.p 2 à 3 minutes, temps nécessaire à la dépression, dans le compartiment, pour se résorber.

## Réglage de la température

### Compartiment réfrigérateur

Réglez le thermostat, Fig. 1/5, sur un chiffre repère.

Un réglage plus important donne une température plus basse dans le compartiment réfrigérateur.

Recommandations :

- Pour conserver les aliments pendant longtemps : Réglez le thermostat sur une **valeur moyenne**.
- Réglez temporairement le thermostat sur une **valeur élevée** uniquement si vous rangez une grande quantité d'aliments dans le compartiment réfrigérateur en ouvrant souvent la porte.

Nous recommandons de ne pas ranger les produits alimentaires délicats à une température supérieure à +4 °C.

Lorsque le thermostat se trouve réglé sur une valeur moyenne, la température atteint env. +4 °C.

### Compartiment congélateur

Vous pouvez modifier les valeurs réglées : voir la description sur le bandeau de commande.

## Rangement des produits alimentaires

### Consignes de rangement à respecter :

- Rangez les aliments si possible bien emballés ou bien couverts. Ils garderont ainsi arôme, couleur et fraîcheur. Ceci empêche en outre que certains aliments ne communiquent leur goût à d'autres et que les pièces en plastique changent anormalement de couleur.
- Attendez que les boissons et aliments chauds aient refroidi à la température de la pièce avant de les ranger dans l'appareil.
- Dans le compartiment réfrigérateur, veillez à ce que les produits alimentaires n'obstruent pas les orifices de sortie d'air car cela gênerait sa circulation.

Les produits alimentaires rangés directement devant les orifices de sortie d'air peuvent geler au contact de l'air froid affluant.

### Nous recommandons de ranger les produits alimentaires comme suit :

- **Dans le compartiment congélateur :** produits surgelés, glaçons, glaces alimentaires
- **Sur les clayettes** du compartiment réfrigérateur (de haut en bas) : pâtisseries, plats précuisinés, produits laitiers, viande et charcuterie
- **Dans le bac à légumes :** légumes, salades, fruits
- En **contre-porte** (de haut en bas) : beurre, fromage, œufs, tubes, petites bouteilles, grandes bouteilles, lait, jus en sachets

## Equipement

\* sur certains modèles uniquement

### Compartiment froid (compartiment fraîcheur)

#### Fig. 5

Les températures régnant dans le compartiment froid sont plus basses que dans le compartiment réfrigérateur. Des températures inférieures à 0 °C peuvent également se manifester. Idéal pour ranger le poisson, la viande et la charcuterie.

Ne convient pas pour les salades, les légumes et les produits alimentaires qui craignent le froid.

#### Remarque :

Le compartiment froid ne fonctionne correctement que si le bac se trouve sur le côté gauche, en dessous de la clayette en verre la plus haute (état à la livraison). Sur d'autres positions, il règne dans le bac les mêmes températures que dans le reste du compartiment réfrigérateur.

### Clayette à bouteilles

#### Fig. 4

Cette clayette permet de ranger des bouteilles de manière sûre. La fixation est variable.

### Calendrier de congélation \*

#### Fig. 1/18

Les chiffres à côté des symboles indiquent en mois la durée de conservation permise pour le produit concerné. Dans le cas de produits surgelés prêts à consommer, tenez également compte de la date de fabrication ou de la limite de conservation recommandée.

---

## Congélation et rangement

### Achats de produits surgelés

Leur emballage doit être intact.

Ne dépassez pas la date-limite de conservation.

La température indiquée par le thermomètre du congélateur commercial doit être égale à  $-18^{\circ}\text{C}$  ou encore plus basse.

Utilisez de préférence un sac isotherme pour le transport puis rangez les produits le plus rapidement possible dans le compartiment congélateur.

### Rangement des produits alimentaires

Rangez les quantités assez importantes de produits alimentaires dans les tiroirs supérieurs car leur congélation y est la plus rapide, ce qui en même temps les ménage. Étalez les produits alimentaires sur une grande surface dans les tiroirs et les bacs.

Veillez à ce que les produits congelés n'entrent pas en contact avec des produits frais. Le cas échéant, modifiez l'empilage des produits congelés dans les tiroirs de congélation.

### Rangement des produits surgelés

- Enfoncez bien les tiroirs de congélation jusqu'à la butée. C'est important pour que l'air puisse bien circuler.

- **Remarque**

S'il faut ranger beaucoup de produits alimentaires, vous pouvez retirer tous les tiroirs de l'appareil et empiler les produits directement sur les grilles. Pour retirer les tiroirs, tirez-les jusqu'à la butée ; levez-les à l'avant puis sortez-les.

### Préparation de glaçons

Remplissez le bac à glaçons aux trois-quarts d'eau env. puis placez-le au bas du compartiment congélateur. Si le bac est resté collé dans le compartiment congélateur, n'utilisez qu'un instrument émoussé pour le décoller (un manche de cuiller par ex.).

Pour enlever les glaçons du bac, passez-le brièvement sous l'eau du robinet ou déformez légèrement le bac.

---

## Congélation de produits frais

### Congeler soi-même les aliments

Pour congeler les aliments, n'utilisez que des aliments frais et d'un aspect impeccable.

#### Se prêtent à la congélation :

La viande et la charcuterie, les volailles et le gibier, le poisson, les légumes, les herbes aromatiques, les fruits, les pâtisseries, les pizzas, les plats cuisinés, les restes de plat, le jaune d'œuf, le blanc d'œuf.

#### Ne se prêtent pas à la congélation :

Les œufs entiers dans leur coquille, la crème fraîche et la mayonnaise, la salade verte, les radis et les oignons.

#### Blanchiment des fruits et légumes

Blanchissez les fruits et légumes avant la congélation afin qu'ils conservent couleur, arôme, goût et vitamine C.

Pour ce faire, plongez les fruits et légumes quelques instants dans de l'eau bouillante.

Vous trouverez des livres sur la congélation et le blanchiment chez votre libraire.

---

## Supercongélation

Si des denrées alimentaires se trouvent déjà dans l'appareil, enclenchez la supercongélation quelques heures avant de ranger les nouveaux produits à congeler. 4 à 6 heures suffisent généralement.

Cependant, si vous désirez congeler des quantités correspondant à la capacité de congélation maximale, vous devrez enclencher la supercongélation 24 heures avant. Si vous ne voulez congeler que de petites quantités d'aliments (jusqu'à 2 kg), vous n'avez pas besoin d'enclencher la supercongélation.

Pour enclencher la supercongélation, appuyez sur la touche. **Fig. 11/4**

La supercongélation s'éteint automatiquement deux jours et demi après au plus tard.

---

## Capacité de congélation maximale

Les aliments doivent congeler à cœur aussi vite que possible pour qu'ils conservent vitamines, valeur nutritive, aspect et goût. Pour cette raison, ne dépassez pas la capacité de congélation maximale de votre appareil. Suivant le type d'appareil, vous pouvez mettre à congeler en une fois les quantités.

## Capacité de congélation

Sur la plaque signalétique, vous trouverez des indications concernant la capacité de congélation maximale en 24 heures.



---

## Décongélation des produits

Selon la nature et l'utilisation des produits surgelés, vous pouvez choisir entre plusieurs possibilités :

- à la température ambiante,
- dans le réfrigérateur,
- dans le four électrique, avec / sans ventilateur à air chaud,
- dans le micro-ondes.

### Remarque

Ne remettez pas à congeler des produits alimentaires partiellement ou entièrement décongelés. Vous pourrez les recongeler uniquement après les avoir transformés en plats pré-cuisinés (par cuisson ou rôtissage).

Dans ce cas, consommez-les nettement avant la date limite de conservation.

---

## Nettoyage de l'appareil

- Débranchez la fiche mâle de la prise de courant ou coupez le fusible.
- Sortez les produits congelés et rangez-les dans un endroit frais. Posez les accumulateurs de froid (si fournis avec l'appareil) sur ces produits.
- Nettoyez l'appareil avec de l'eau tiède additionnée d'un peu de produit à vaisselle.

### Attention

Ne nettoyez le joint de porte qu'avec de l'eau claire puis essuyez-le à fond avec un chiffon sec.

Veillez bien à ce que l'eau de nettoyage ne pénètre pas dans le bandeau de commande.

N'employez pas de produits de nettoyage ou solvants contenant du sable ou des acides.

---

## Arrêt et remisage de l'appareil

### Coupure de l'appareil

Appuyez sur la touche Marche / Arrêt.

Fig. 1

### Remisage de l'appareil

Si l'appareil doit rester longtemps sans servir :

1. Débranchez la fiche mâle de la prise de courant.
2. Nettoyez l'appareil.
3. Laissez les portes de l'appareil ouvertes.

---

## Economies d'énergie

- Placez votre appareil dans un endroit frais et bien aéré. Veillez à ce qu'il ne soit pas exposé aux rayons solaires et qu'il ne se trouve pas à proximité d'une source de chaleur (radiateur etc.). Utilisez le cas échéant une plaque isolante.
- Laissez les boissons et plats chauds refroidir avant de les ranger dans l'appareil.
- Vous pouvez utiliser le froid qu'ils ont emmagasiné pour refroidir les aliments stockés dans le réfrigérateur. Utilisez l'excédent de froid pour refroidir les aliments.
- N'ouvrez la porte de l'appareil que le plus brièvement possible.
- De temps en temps, nettoyez le dos de l'appareil avec un aspirateur ou une brosse, ceci pour éviter une hausse de la consommation d'électricité.

---

## Bruits de fonctionnement

### Bruits parfaitement normaux

**Bourdonnements étouffés** – ces bruits normaux se font entendre pendant que le compresseur est en marche.

**Gargouillis, murmures ou clapotis légers** – le fluide frigorigène circule dans les tubulures.

**Cliquetis** – ils sont audibles lorsque le moteur se met en marche ou s'arrête.

**Craquement** – le dégivrage automatique a lieu.

### Bruits faciles à supprimer

#### L'appareil ne repose pas d'aplomb

Vérifiez l'horizontalité de l'appareil à l'aide d'un niveau à bulle. Ajustez ensuite l'horizontalité par les pieds à vis ou placez un objet dessous.

#### L'appareil «touche» quelque chose

Eloignez l'appareil de meubles ou appareils voisins.

#### Des tiroirs, paniers ou surfaces de rangement vibrent ou se coincent

Vérifiez les pièces amovibles puis remettez-les en place correctement.

#### Des récipients se touchent

Eloignez légèrement les bouteilles ou récipients les uns des autres.

## Remédier soi même aux petites pannes

### Avant d'appeler le service après-vente :

Vérifiez si, à l'aide des conseils ci dessous, vous ne pouvez pas remédier vous-même à l'incident.

Si vous faites venir le technicien, ses conseils vous seront facturés, même pendant la période de garantie !

Dérangement	Cause possible	Remède
<b>L'éclairage ne fonctionne pas.</b>	L'ampoule est grillée.	Changez l'ampoule. <b>Fig. 3</b> <ol style="list-style-type: none"> <li>Débranchez la fiche mâle de la prise de courant et / ou ramenez le disjoncteur en position éteinte.</li> <li>Changez l'ampoule (ampoule de rechange 15 W max., 220–240 V, courant alternatif, culot E14).</li> </ol>
	L'interrupteur de l'éclairage est coincé. <b>Fig. 1/6</b>	Vérifiez s'il peut s'enfoncer.
<b>La température dans le compartiment réfrigérateur est trop basse.</b>	Des températures plus basses dans le compartiment congélateur peuvent aussi faire baisser la température dans le compartiment réfrigérateur. Ceci est dû à la technique de froid utilisée.	Haussez un peu la température du compartiment réfrigérateur.  Si cela ne suffit pas, du fait par exemple que la température ambiante est trop basse dans la pièce, faites remonter aussi un peu la température dans le compartiment congélateur.
<b>Aucun voyant ne s'allume.</b>	Coupure de courant ; disjoncteur disjoncté ; fiche mâle pas complètement branchée dans la prise.	Vérifiez si la prise est sous tension. Le disjoncteur doit se trouver en position armée.

fr

Dérangement	Cause possible	Remède
<b>La température régnant dans le compartiment congélateur est trop élevée.</b>	<ul style="list-style-type: none"><li>• Porte du compartiment congélateur ouverte.</li><li>• Les orifices d'apport et d'évacuation d'air sont recouverts par des objets faisant obstacle.</li><li>• Vous avez mis d'un coup trop de produits à congeler.</li></ul>	Fermez la porte.  Veillez à ce que l'air puisse entrer et sortir librement.  Ne dépassez pas la capacité de congélation maximale.
	<b>La porte du compartiment congélateur est restée longtemps ouverte ; le compartiment congélateur n'atteint plus la température.</b>	L'évaporateur (générateur de froid) composant le système No Frost est fortement givré, de sorte qu'il ne peut plus dégivrer de façon entièrement automatique.

## Service après-vente

Pour connaître le service après-vente situé le plus près de chez vous, consultez l'annuaire téléphonique ou le répertoire des services après-vente (SAV). Veuillez indiquer au SAV le numéro de série (E-Nr.) de l'appareil et son numéro de fabrication (FD).

Vous trouverez ces indications sur la plaque signalétique. **Fig. 7**

Aidez-nous à éviter des déplacements inutiles : indiquez les numéros de série et de fabrication. Vous économiserez ainsi des suppléments de frais inutiles.

العطل	السبب المحتمل	إزالة الأعطال
باب حيز التجميد قد ترك مفتوحاً لفترة طويلة ولم يتم التوصل إلى درجة الحرارة المضبوطة في حيز التجميد.	قد تكونت طبقة كثيفة جداً من الجليد على المبخر (جهاز إصدار البرودة)، بحيث لا يمكن إزالة طبقة الجليد هذه عن طريقة نظام إذابة الجليد أوتوماتيكياً.	من أجل إذابة الجليد من على المبخر يجب استخراج المواد الغذائية المجمدة من الحاوية وعزلها بطريقة جيدة وحفظها في مكان بارد. بعد ذلك يتم إبطال عمل الجهاز وإبعاده عن الحائط، يترك الجهاز مفتوحاً.
		يبدأ الثلج في الذوبان بعد مرور حوالي 20 دقيقة وينساب في وعاء التبخير الذي يوجد بخلف الجهاز، يجب في هذه الحالة تخفيف الماء المناسب لوعاء التبخير من حين لآخر بقطعة من الإسفنج حتى لا يفيض الماء خارج الوعاء. بعد توقف انسكاب الماء إلى وعاء التبخير يكون الجليد المتكون على المبخر قد ذاب. ينظف الجهاز من الداخل، ثم يتم إعادة تشغيل التلاجة مرة أخرى.

## مراكز خدمة العملاء

سوف تجد رقم الهاتف الخاص بأقرب مركز خدمة العملاء لك بدليل التليفون الرسمي أو في قائمة فهرس مراكز خدمة العملاء. رجاء ذكر رقم المنتج (E-Nr.) وكذلك رقم التصنيع (FD) الخاص بالجهاز لمركز خدمة العملاء.

سوف تجد هذه البيانات بلوحة الطراز: **الصورة 7**

الرجاء مساعدة مركز خدمة العملاء على توفير نفقات غير ضرورية ذلك بذكر رقم المنتج ورقم التصنيع حيث يمكن بذلك توفير نفقات إضافية قد تنشأ نتيجة لعدم ذكر تلك البيانات.

## إزالة الأعطال البسيطة بنفسك

قبل استدعاء مركز خدمة العملاء:

اختبر بنفسك إذا ما كان من الممكن إزالة الأعطال بنفسك بناء على التعليمات التالية. يجب عليك أن تتحمل بتكاليف استشارة مركز خدمة العملاء بنفسك حتى أثناء فترة الضمان!

العطل	السبب المحتمل	إزالة الأعطال
الإضاءة لا تعمل.	مصباح الإضاءة تالف.	استبدال المصباح التال: الصورة 3
		1. يتم فصل التيار الكهربائي بسحب القابس من المقبس أو إغلاق مفتاح المنصهر.
		2. استبدال المصباح بمصباح بديل (15 فولت كأقصى حد 220-240 فولت تيار متردد، قاعدة المصباح E 14)
	مفتاح الإضاءة منحشر كما في الصورة 6/1	اختبر، إمكانية تحريك المصباح.
انخفاض درجة الحرارة داخل حيز التبريد أكثر مما ينبغي.	من الممكن أن يكون السبب في ذلك هو انخفاض شديد في درجة الحرارة بحيز التجميد مما يؤثر على درجة الحرارة بحيز التبريد. وهذا شئ طبيعي من الناحية التقنية.	حينئذ يجب ضبط مفتاح ضبط درجة الحرارة بحيز التبريد على درجة أقل. وان لم يكفي ذلك بسبب انخفاض درجة حرارة الوسط المحيط بالجهاز على سبيل المثال، حينئذ قم بضبط درجة الحرارة بحيز التجميد أيضا على درجة أقل.
كافة المؤشرات الضوئية لا تضيء.	انقطاع التيار الكهربائي. مفتاح المنصهر مغلق. قابس سلك التوصيل غير مثبت في مكانه جيدا	يجب اختبار إذا كان التيار الكهربائي موصل، فحص مفتاح المنصهر.
درجة الحرارة في حيز لتجميد مرتفعة أكثر مما ينبغي.	<ul style="list-style-type: none"> <li>باب حيز التجميد ترك مفتوحا.</li> <li>فتحات التهوية الموجودة بالجهاز مغطاة.</li> <li>تم تجميد كمية كبيرة من المواد الغذائية دفعة واحدة.</li> </ul>	اغلق الباب تأكد من عدم تغطية فتحات التهوية. لا تتعدى أقصى كمية تجميد متاحة للجهاز.

## الأصوات الصادرة أثناء عمل الثلاجة

### الأصوات العادية تماماً

الهدير - مجموعة محرك التبريد تعمل.

أصوات الدمدمة والقرقرة والأزيز - مادة التبريد تنساب خلال مواسير التوصيل.

صوت «كليك» - المحرك يبدأ العمل أو يتوقف عن العمل.

صوت طقطقة - يم ذوبان الثلج أوتوماتيكياً.

### الأصوات التي يسهل إزالتها

الجهاز ليس منصوب باستواء أفقي

رجاء نصب الجهاز باستواء أفقي بالاستعانة بميزان ماء. وتستخدم لذلك الحوامل القلاووظ أو يمكن وضع شيء ما تحت الحوامل.

الجهاز «مسنود»

رجاء تحريك الجهاز بعيداً عن الأثاث أو الأجهزة المسنودة عليه.

الأدراج أو السلالات أو الأسطح الأخرى المخصصة لوضع الأطعمة عليها تهتز أو تنحشر

رجاء فحص الأجزاء التي يمكن فصلها أو سحبها وإعادة تركيبها مرة أخرى عند اللزوم.

الأواني تلامس بعضها البعض

رجاء تحريك الزجاجات والأواني للفصل بينها قليلاً.

## تنظيف الجهاز

• يجب فصل الكهرباء عن الجهاز، بسحب القابس من المقبس أو إبطال عمل المنصهر.

• يجب تنظيف حشية الباب عن طريق مسحها بالماء النظيف دون خلطه بأية مواد تنظيف وجفيفها بعد ذلك جيداً بفضة جافة

• قم بتنظيف الجهاز باستخدام ماء دافئ مخلوط بقليل من مادة غسيل الأطباق.

⚠ انتبه!

يجب تنظيف حشية الباب عن طريق مسحها بالماء النظيف دون خلطه بأية مواد تنظيف وجفيفها بعد ذلك جيداً بفضة جافة.

ويجب مراعاة عدم دخول ماء التنظيف واجهه التشغيل.

منوع تماماً استخدام مواد التنظيف التي تحتوي على رمال أو أحماض أو مواد إذابة كيميائية.

## توفير الطاقة الكهربائية

- يجب نصب الجهاز في حجرة جافة قابلة للتهوية، وعدم تعريض الجهاز لأشعة الشمس المباشرة وعدم وضعه بالقرب من مصدر حراري (مثل جهاز التدفئة أو الموقد). وعند الاضطرار لذلك يفصل بينهما بلوح عازل.
- يجب ترك الأطعمة والمشروبات الساخنة حتى تبرد أولاً قبل وضعها في الثلاجة.
- يفضل وضع المواد الغذائية المجمدة في حيز التبريد حتى يذوب الثلج منها. وبهذا تستخدم البرودة المنبعثة من المواد المجمدة في تبريد المواد الغذائية الأخرى.
- الحرص على عدم فتح باب الثلاجة إلا لفترات قصيرة جداً بقدر الإمكان.
- يجب تنظيف الجانب الخلفي للجهاز من حين لآخر باستخدام المكنسة الكهربائية أو فرشاه حيث أن ذلك يساعد على تجنب زيادة معدل الاستهلاك للطاقة.

## التجميد الشديد (سوبر)

في حالة وجود مواد غذائية مجمدة بالفعل في الحيز الخاص بالتجميد، فيجب قبل وضع مواد غذائية طازجة بعدة ساعات تشغيل التجميد الشديد (سوبر). بصفة عامة تكفي فترة من 4-6 ساعات.

أما في حالة استخدام السعة القصوى لحيز التجميد فيحتاج الأمر إلى 24 ساعة. يمكن تجميد كميات المواد الغذائية القليلة (حتى 2 كغ) دون تشغيل التجميد الشديد (سوبر).

لتشغيل التجميد الشديد يتم الضغط على زر التجميد الشديد السوبر (super). الصورة 1/4  
يقوم الجهاز تلقائياً بإعادة ضبط درجة الحرارة على المستوى السابق لها قبل تشغيل خاصية التجميد السريع بعد مرور يومين ونصف على أقصى حد.

## إذابة جليد الأطعمة المجمدة

يمكن اختيار أحد الأساليب التالية حسب نوع المواد المجمدة والغرض من الاستخدام:

- تركها لتذوب بدرجة حرارة الغرفة،
- في الثلاجة العادية،
- في فرن الموقد الكهربائي، باستخدام مروحة الهواء الساخن أو بدونها،
- في جهاز فرن المايكروويف.

### ملاحظة

لا يمكن إعادة تجميد الأطعمة بعد ذوبان جليدها مرة أخرى. يجب أولاً إعدادها من خلال (طهيها أو قليها) أو تحضيرها كوجبة جاهزة ثم تجميدها مرة أخرى. لا يُنصح بترك الأطعمة المجمدة حتى أقصى فترة تخزين.

## السعة القصوى المتاحة للتجميد

يجب أن يتم تجميد المواد الغذائية تماماً حتى قلبها بأسرع ما يمكن. بهذه الطريقة فقط يمكن المحافظة على الفيتامينات وقيماتها الغذائية مظهرها الخارجي وطعمها. لذلك لا يجب تخطي سعة التجميد القصوى لثلاجتك.

### السعة المتاحة للتجميد

جد على لائحة الطراز السعة القصوى المتاحة خلال 24 ساعة طبقاً لطراز الجهاز.

## إبطال عمل الجهاز وعدم استخدامه لفترة طويلة

### إبطال عمل الجهاز

بالضغط على مفتاح التشغيل/الإبطال. الصورة 1/1

### عدم استخدام الجهاز لفترة طويلة

يجب إجراء ما يلي في حالة عدم استخدام الجهاز لفترة طويلة:

1. فصل التيار الكهربائي بسحب القابض من المقبس
2. تنظيف الثلاجة
3. بترك باب الثلاجة مفتوحاً.



## إعداد مكعبات الثلج

أخرج وعاء مكعبات الثلج، ثم املاه بالماء إلى حدٍ يصل إلى ¼ سعته، ثم أعده إلى مكانه.

عندما يتجمد الماء في وعاء مكعبات الثلج قم بدفع مقابض وعاء مكعبات الثلج لعدة مرات في اتجاه اليمين من أجل خلخلة مكعبات الثلج ثم دعها. عندئذٍ تنفصل مكعبات الثلج عن الوعاء وتتساقط في الإناء المخصص لحفظها.

ويمكن الآن الحصول على مكعبات الثلج من الإناء المخصص لحفظها.

## تجميد المواد الغذائية الطازجة

### كيف تجميد وتحفظ المواد الغذائية

#### بنفسك

في حالة القيام بتجميد المواد الغذائية بنفسك، فيجب عدم استخدام سوى المواد الغذائية الطازجة الخالية من العيوب فقط.

المواد المناسبة للتجميد هي:

منتجات اللحوم والنقانق، لحوم الطيور والصيد البري، الأسماك، الخضروات، الأعشاب، الفاكهة، الأطعمة الجبوزة، البيتزا، الوجبات الجاهزة، بقايا الوجبات، صفار البيض وبياضه.

المواد التي لا ينبغي تجميدها هي:

البيض السليم في قشرته، القشدة وسلطة المايونيز، الخضروات المستخدمة لإعداد السلطة والفجل والبنجر والبصل.

تبييض الخضروات والفاكهة بالماء المغلي

من أجل المحافظة على اللون والطعم والنكهة وفيتامين ج، يجب تبييض الخضروات والفاكهة قبل تجميدها.

عند التبييض يتم غمر الخضروات والفاكهة لفترة قصيرة في الماء المغلي.

توجد في المكتبات وصفات لطريقة التجميد تحتوي كذلك على تفاصيل عملية تبييض الخضروات والفاكهة.

## تجميد وحفظ المواد الغذائية

### يجب مراعاة ما يلي عند شراء الأطعمة المجمدة

تأكد من عدم وجود أية شقوق أو أضرار بأغلفة الأطعمة. تأكد أن تاريخ الصلاحية لم ينتهي بعد.

يجب أن يظهر في بيان درجة الحرارة بتلاجة المتجر -18° م أو أبرد. في حالة عدم توافر هذا الشرط فإن هذا يؤدي إلى قصر مدة الصلاحية.

ينبغي وضع الأطعمة المجمدة في حقيبة عازلة للحرارة ونقل الأطعمة بسرعة إلى المنزل وحفظها فوراً في الحيز الخاص بالتجميد.

### تخزين المواد الغذائية المجمدة

عند الرغبة في تجميد كميات كبيرة من المواد الغذائية يفضل وضعها في الدرج العلوي حيث يتم تجميدها بسرعة بما يحافظ في نفس الوقت على القيم الغذائية بها. يتم وضع المواد الغذائية في الأدراج أو في حاويات التجميد بحيث يتم توزيعها على كامل مسطح أرضية الدرج أو الحاوية. يجب مراعاة عدم حدوث تلامس بين المواد الغذائية المجمدة بالفعل وبين المواد الغذائية الطازجة المطلوب تجميدها. عند الافتضاء يتم إعادة رص وتكديس المواد الغذائية المجمدة بالفعل فوق بعضها في الحاويات المعدة للتجميد.

### تخزين المواد الغذائية المجمدة

- ينبغي دائماً الانتباه إلى دفع كافة الأدراج المعدة لتجميد المواد الغذائية إلى النهاية أي حتى الاصطدام بخلفية الجهاز، حيث أن هذا يلعب دوراً هاماً بالنسبة لسريان دورة الهواء داخل الجهاز بدو عوائق.

#### ملاحظة

- إذا كان من اللازم وضع كميات كبيرة من المواد الغذائية في حيز التجميد، عندئذٍ يمكن إخراج جميع الأوعية والأدراج المعدة للتجميد من الجهاز وتكديس المواد الغذائية على الرفوف الشبكية مباشرة. ولنترج الأرفق قم بسحبها للخارج تماماً ثم ارفعها قليلاً إلى أعلى ثم قم بنزعها.

## ترتيب المواد الغذائية

انتبه عند حفظ المواد الغذائية إلى التالي:

- قم بتغليف أو تغطية المواد الغذائية قبل إدخالها، حيث أن هذا يساعد على الحفاظ على نكهتها ولونها ونضارتها. وبالإضافة إلى ذلك فإن هذا يؤدي إلى تجنب انتقال الروائح إلى الأجزاء البلاستيكية (للجهاز) وحدوث تلون لها.
- دع الأطعمة الساخنة أولاً حتى تبرد ثم ضعها فيما بعد في الجهاز.
- لا تضع المواد الغذائية أمام فتحات التهوية إلى الخارج حتى لا تتسبب في إعاقة دورة التهوية.
- كما أنه من الممكن أن تتجمد المواد الغذائية المتواجدة مباشرة أمام فتحات التهوية بفعل الهواء البارد المنبعث إلى الخارج.
- وننصح بحفظ المواد الغذائية على النحو التالي.
- في قسم التجميد:
- المواد الغذائية التي يجب حفظها على درجات حرارة منخفضة لدرجة التجمد، مكعبات الثلج والجيلاتي
- على رفوف قسم التبريد (من أعلى إلى أسفل):
- المواد الغذائية المجمدة، الأطعمة الجاهزة، منتجات الألبان، اللحوم والأسماك
- في وعاء الخضراوات:
- خضراوات وسلطات وفواكه
- في الباب (من أعلى إلى أسفل):
- الزبد، الجبن، البيض، الأتابيب، الزجاجات الصغيرة، الزجاجات الكبيرة، اللبن (الحليب) وعلب العصير

## التجهيزات

(\* لا يسري على كل الأطرزة)

### قسم التخزين البارد (قسم شيللر)

#### الصورة 5

في قسم التخزين البارد (قسم شيللر) تسود درجات حرارة أكثر انخفاضاً (برودة) من تلك السائدة في حيز التبريد. في قسم التخزين البارد (قسم شيللر) يمكن أن توجد درجات حرارة أقل من 0° م (صفر). وهذه ظروف مثالية لتخزين الأسماك واللحوم والنقانق (السجق). هذا القسم غير مناسب لحفظ خضروات السلطات الورقية والخضروات والمواد الغذائية الحساسة للرطوبة.

#### ملاحظة:

وظيفة التخزين البارد لا تكون متاحة إلا عندما يكون الوعاء موجوداً على الجانب الأيسر أسفل الرف الزجاجي العلوي (الوضع الذي كان الوعاء فيه عند توريد الجهاز). عند وجود الوعاء في أية مواضع أخرى فإنه تسود فيه درجات الحرارة السائدة في باقي حيز التبريد.

### خانة الزجاجات

#### الصورة 4

يمكن وضع الزجاجات هذه الخانة المخصصة لها والتي توفر الإمكانية لوقوفها بصورة ثابتة ومستقرة.

### الجدول الزمني للتجميد \*

#### الصورة 18/1

لتجنب حدوث أي إضرار بجودة المواد الغذائية المجمدة فإنه يكون من الهام أن يتم عدم تجاوز مدة التخزين القصوى المسموح بها. مدة التخزين تكون متوقفة على نوع المواد الغذائية المجمدة. تشير الأرقام المتواجدة بجوار الرموز إلى المدة الشهرية المفترضة لحفظ المواد الغذائية المجمدة. ويغني الانتباه إلى تاريخ الإنتاج أو تاريخ الصلاحية بالنسبة للمواد الغذائية المجمدة المعروضة للبيع في المحلات التجارية.

## تشغيل الجهاز

يتم الضغط على مفتاح التشغيل/الإبطال الصورة 1/1 رقم. الجهاز يبدأ عملية التبريد. المؤشر الضوئي داخل الجهاز يضيء بمجرد فتح الباب.

### ملاحظات متعلقة بالتشغيل

- لم يعد هناك ضرورة لإزالة أي ثلوج متراكمة، حيث أن الجهاز يحول من الأساس دون تكونها بفضل النظام التلقائي المانع تماماً لتكون الثلوج في كل من قسمي التجميد والتبريد، مما يجعل الجهاز دائماً خالياً من الثلوج.
- يجري تدفئة الواجهة الأمامية للجهاز على نحو طفيف، حيث أن هذا يمنع تكثف الماء في نطاق إطار الإحكام الخاص بالباب.
- تفتح أبواب الجهاز بزوايا مختلفة.
- قد يحدث عند فتح أحد الأبواب أن يهتز الباب الآخر بعض الشيء وذلك شيء طبيعي لا يدعو للقلق.
- إذا استعصى فتح باب قسم التجميد مباشرة بعد إغلاقه فينبغي الانتظار لفترة تتراوح ما بين دقيقتين وثلاث دقائق حين حدوث توازن للضغط السفلي الناشئ عن ذلك.

## ضبط درجة الحرارة بالجهاز

### حيز التبريد

يتم ضبط مفتاح درجة الحرارة، الصورة 1/5، على الرقم المطلوب.

كلما أرتفع الرقم الذي يتم اختياره كلما زادت درجة البرودة بالجهاز.

ننصح عملائنا بما يلي:

- عند الرغبة في تخزين المواد الغذائية لفترات طويلة: يجب اختيار درجة متوسطة
- يجب اختيار درجة مرتفعة بصورة مؤقتة في الحالات التالية:  
عند تكرار فتح الباب وعند تخزين كميات كبيرة من المواد الغذائية بحيز التبريد.
- لا يجب تخزين المواد الغذائية سريعة التلف في درجة حرارة تقل عن +4 درجة مئوية.
- وتصل درجة الحرارة داخل الجهاز إلى +4 درجة مئوية عند ضبط مفتاح درجة الحرارة على درجة متوسطة.

### حيز التجميد

يمكنك تغيير درجة الحرارة داخل الجهاز عند الحاجة، أنظر التعليمات الخاصة بتشغيل واجهة التشغيل

## واجهة التشغيل

### الصورة 1

#### 1 مفتاح التشغيل/الإبطال

#### 2 مفتاح ضبط درجة الحرارة بحيز التجميد

يمكن ضبط درجة الحرارة بحيز التجميد على درجة تتراوح بين 16- و 24- درجة مئوية.

يستمر الضغط على الزر حتى يضيء المؤشر الضوئي بدرجة الحرارة المطلوبة. يتم تسجيل آخر رقم تم ضبطه.

#### 3 مؤشر ضوئي لبيان درجة الحرارة بحيز التجميد

المؤشر الضوئي يشير إلى درجة الحرارة المثوية السائدة داخل حيز التجميد. الرقم الذي يظهر بالمؤشر الذي يضيء إضاءة متقطعة يبين درجة الحرارة التي تم ضبطها.

#### 4 زر التجميد الشديد (super)

يستخدم لتشغيل وإبطال عمل التجميد الشديد (سوبر).

يشير المؤشر الضوئي إلى عمل جبهة التجميد الشديد.

## يجب الانتباه لدرجة حرارة

### الوسط المحيط بالجهاز والتهوية

يمكنك طبقاً لتصنيف الطقس المذكور في لائحة الطراز تشغيل الجهاز تبعاً لدرجات حرارة الوسط المحيط.

درجة حرارة الوسط	درجة تصنيف الطقس المحيط
10+ °م حتى 32 °م	SN
16+ °م حتى 32 °م	N
16+ °م حتى 38 °م	ST
16+ °م حتى 43 °م	T

### تنبيه

الجهاز يكون في حالة صلاحية تامة لأداء وظيفته عند تشغيله في داخل نطاق حدود درجات حرارة الوسط المحيط الخاصة بتصنيف الطقس المحيط المنصوص عليها. في حالة تشغيل جهاز من درجة تصنيف الطقس المحيط SN في درجات حرارة وسط محيط باردة (منخفضة) عما ينبغي، فإنه يمكن الانطلاق بصورة قاطعة من عدم حدوث أي تلف أو ضرر بالجهاز حتى درجة حرارة قدرها +5 درجات مئوية.

### 6

## التهوية

### الصورة 2

يسخن الهواء وراء الجدار الخلفي للثلاجة أثناء تشغيلها. يجب أن يتاح تصريف الهواء الساخن دون أية إعاقة. إذا لم يكن ذلك متاحاً فسوف يزيد التحميل على ماكينة التبريد بدرجة أعلى مما يجب، ويزداد تبعاً لذلك معدل استهلاك الكهرباء. لذلك لا يجب بأي حال من الأحوال تغطية فتحات التهوية وفتحات تصريف الهواء أو وضع أشياء أمامها.

## توصيل الجهاز بالتيار الكهربائي

ينبغي بعد نصب الجهاز الانتظار لفترة ½ ساعة على الأقل قبل تشغيل الجهاز لأول مرة. فمن الممكن أثناء النقل أن يحدث انتقال للزيت المتواجد بماكينة التبريد إلى شبكة التبريد.

يجب تنظيف الحيز الداخلي للجهاز قبل تشغيله لأول مرة (أنظر البند الخاص بالتنظيف).

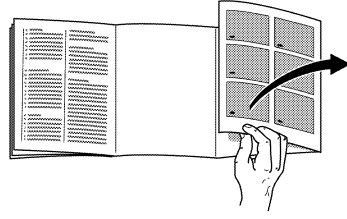
يجب أن يكون من السهل الوصول إلى مصدر توصيل التيار الكهربائي (المقبس).

يجب توصيل الجهاز بتيار كهربائي متردد يتراوح جهده ما بين 220 إلى 240 فولت/50 هرتز وذلك عن طريق مركب حسب التعليمات المعمول بها. ويجب أن يكون المقبس مؤمناً بواسطة منصهر تصل قدرته إلى 10 أمبير أو أكثر من ذلك.

بالنسبة للأجهزة التي تستخدم في دول غير أوروبية، فيجب الرجوع إلى لوحة الطراز لمعرفة إذا ما كانت البيانات المذكورة بها والخاصة بجهد التيار ونوعه تتطابق مع القيم الخاصة بشبكة التيار الكهربائي الخاصة بك. توجد لوحة الطراز في داخل الجهاز بأسفل الجهة اليسرى. وفي حالة الاضطرار إلى استبدال وسائل التوصيل بالتيار الكهربائي، فلا يجب أن يتم ذلك إلا بواسطة فني متخصص.

## تعرف على جهازك الجديد

افتح من فضلك الصفحة الأخيرة المطوية التي تتضمن الأشكال التوضيحية.  
إن دليل الاستخدام هذا مُعدّ للفيديف من الأطرزة، وقد ينجم عن ذلك تفاوت بشأن الأشكال التوضيحية.



صورة 1

(\* لا يسري على كل الأطرزة)

- 1-4 واجهه التشغيل
  - 5 مفتاح ضبط درجة الحرارة
  - 6 مفتاح الإضاءة
  - 7 الإضاءة الداخلية
  - 8 قسم التخزين البارد (قسم شيللر) \*
  - 9 خانة الزجاجات
  - 10 فتحة التهوية إلى الخارج
  - 11 الأرفف الخاصة بقسم التبريد
  - 12 وعاء الفواكه والخضراوات
  - 13 حاوية حفظ المواد المجمدة
  - 14 أقدام حلزونية
  - 15 وعاء البيض
  - 16 خانة الزجاجات الصغيرة
  - 17 خانة الزجاجات الكبيرة
  - 18 \* الصناديق الباعثة للبرودة/ جدول زمني لتسجيل تاريخ التجميد
- A قسم التبريد  
B قسم التجميد

## نصب الجهاز

يجب تنصيب الجهاز في حجرة جافة جيدة التهوية. ولا يجب أن يتعرض مكان نصب الجهاز لأشعة الشمس المباشرة وألا يكون بالقرب من مصادر حرارية مثل الموقد وأجهزة التدفئة وما إلى ذلك. إذا لم يكن من الممكن تجنب تنصيب الجهاز بجوار مصدر حراري، فيجب في هذه الحالة استخدام لوح عازل مناسب أو المحافظة على وجود المسافة التالية بين الجهاز وبين المصدر الحراري كحد أدنى:

بينه وبين المواقف الكهربائية 3 سم.  
بينه وبين المواقف القائمة التي تعمل بالزيت أو بالفحم 30 سم.

الأجهزة ذات المقابض المركبة على السطح الخارجي تحتاج إلى مسافة قدرها 55 م بين جهة فتح الباب والحائط، وذلك حتى يمكن فتح الباب بزاوية قائمة 90 درجة.

## نصب الجهاز وضبطه

الصورة 8

يتم نصب الجهاز في المكان المخصص له وبعد ذلك يتم ضبط الاستواء الأفقي للجهاز.  
ويجب استخدام مفك مسامير لضبط الحوامل اللولبية. وإذا كان من اللازم حمل الثلاجة فيمكن الإمساك بها من التجاويف المتواجدة في الجانب السفلي من الوجهة الأمامية والجانب العلوي من الناحية الخلفية. الصورة 9

## تغيير اتجاه فتح الباب

ننصح عملائنا الكرام باستدعاء أحد مراكز الخدمة التابعة لنا للقيام بعملية تغيير اتجاه فتح الباب .

يجب قبل الشروع في العمل القيام بفصل التيار الكهربائي عن الجهاز بسحب القابس من المقبس أو إغلاق المنصهر.

انتبه! يجب قلب الجهاز على الجانب الخلفي بحذر شديد. يتم التركيب حسب تسلسل الأرقام. الصورة 11

- لا يجب تلويث الأجزاء المصنوعة من البلاستيك أو حواشي إحكام غلق الباب بالزيت أو بالدهون، لأن ذلك يساعد على تكوين مسام في الأجزاء البلاستيكية وحواشي الباب.
- يجب عدم تغطية أو وضع أشياء على فتحات التهوية أو فتحات إخراج الهواء.
- ينبغي تجنب استعمال الأشخاص الذين يعانون من مشاكل في القدرات البدنية أو الحسية أو الذهنية قد تحول دون استخدامهم للجهاز على نحو آمن، بدون مساعدة أو رقابة شخص له القدرة والخبرة لمساعدتهم أو تقديم إرشادات وافية لهم لاستخدام الجهاز.

### في حالة وجود أطفال بالبيت

- يجب عدم ترك مواد التغليف للأطفال حيث ذلك يعرضهم لخطر الاختناق بواسطة علب الورق المقوى ورقائق البلاستيك.
- الجهاز ليس لعبة يلعب بها الأطفال.
- بالنسبة للأجهزة ذات الأقفال يجب حفظ المفاتيح بعيداً عن متناول الأطفال.

### قواعد عامة

- هذا الجهاز مخصص فقط
- لتبريد وتجميد المواد الغذائية
- ولتحضير الثلج.
- هذا الجهاز مخصص للاستخدام المنزلي.
- تم اختبار الحجب الكهربائي بالجهاز طبقاً للقواعد السارية بالمجموعة الأوروبية (89/336/EEC).
- قد تم فحص مسار دورة مادة التبريد للتأكد من عدم حدوث تسرب.
- تم تصنيع هذا الجهاز طبقاً لقواعد الأمان السارية لتصنيع الأجهزة الكهربائية (EN 60335/2/24).

### يجب مراعاة ما يلي عند الاستخدام

- ممنوع تماماً استخدام أية أجهزة كهربائية في داخل الثلاجة (مثل أجهزة التسخين أو التدفئة أو أجهزة إعداد الثلج الكهربائية وما إلى ذلك).
- **خطر الانفجار!**
- ممنوع تماماً استخدام جهاز تنظيف بالبخار من أجل إذابة الجليد بالثلاجة أو تنظيفها! فمن الممكن أن يصل البخار إلى بعض الأجزاء الكهربائية ويسبب بها ماس كهربائي أو يتسبب في إصابة أحد الأشخاص بالصعق الكهربائي.
- **خطر الصعق بالتيار الكهربائي!**
- ممنوع تماماً حك طبقات الجليد المتراكمة أو محاولة نزع المواد الغذائية المجمدة الملتصقة بالجهاز باستخدام سكين أو أية آلة حادة حيث قد يؤدي ذلك إلى إصابة مواسير مسار دورة التبريد بأضرار. من الممكن أن تتسبب الرذاذ المتناثرة من مادة التبريد في إحداث إصابات بالعين كما أنه من الممكن أن يشتعل.
- لا يجب تخزين أية منتجات تحتوي على غازات قابلة للاشتعال (مثل عبوات الرش) في الثلاجة أو أية مواد قابلة للانفجار.
- **خطر الانفجار!**
- لا يجب إساءة استخدام الحوامل أو الأجزاء القابلة للمسح الخارج أو الأبواب أو ما إلى ذلك، فلا يصح الوقوف أو الاستناد عليها.
- يجب عند القيام بإذابة الجليد أو بتنظيف الجهاز فصل الكهرباء عن الجهاز، بسحب القابس من المقبس أو إبطال عمل المنصهر. ويراعى سحب القابس نفسه وعدم جذب السلك.
- لا يجب تخزين سوائل تحتوي على نسبة عالية من الكحول في الثلاجة إلا إذا كانت في عبوات مغلقة بإحكام وفي الوضع القائم.

## إرشادات وتحذيرات خاصة بالأمان

### قبل أن تبدأ في تشغيل الجهاز لأول مرة

يجب قراءة تعليمات الاستخدام وتعليمات التركيب كاملة وباعتناء واهتمام!  
فهذه التعليمات تحتوي على معلومات هامة خاصة بنصب الجهاز وطريقة استخدامه وصيانته  
لذا نرجو بالاحتفاظ بتعليمات الاستخدام وتعليمات التركيب وإعطاء تلك التعليمات لمن يؤول له الجهاز فيما بعد.

### إرشادات أمان تقنية

- يحتوي الجهاز على كمية قليلة من مادة التبريد R600a وهي لا تضر البيئة ولكنها قابلة للاشتعال. نرجو الانتباه إلى عدم إصابة مواسير مسار دورة مادة التبريد بأية أضرار أثناء نقل الجهاز أو تركيبه. من الممكن أن تتسبب الرذاذ المتناثر من مادة التبريد في إحداث إصابات بالعين كما أنه من الممكن أن يشتعل.

#### في حالة إصابة الجهاز بأضرار يجب:

- ألا تكون أية نيران مكشوفة أو مصادر لإشعال النار قريبة من المكان.
- فصل التيار الكهربائي بسحب القابس من المقبس.
- افصل الجهاز عن التيار الكهربائي بسحب القابس من المقبس.
- إخبار مركز الخدمة بالحادث.

كلما زادت كمية مادة التبريد في أي جهاز، كلما كان من الضروري أن يتسع حجم المكان الذي يتواجد فيه هذا الجهاز. من الممكن في حالة الغرف الصغيرة أكثر مما ينبغي أن يتكون خليط من الغاز والهواء قابل للاشتعال عند حدوث تسرب لمادة التبريد.

يجب أن يكون هناك تناسب بين حجم الحجرة وكمية مادة التبريد بحيث يكون متاحاً لكل 8 غرام من مادة التبريد حيز لا يقل عن متر مكعب واحد. كمية مادة التبريد الموجودة في الجهاز الخاص بكم مدونة على لوحة الطراز المثبتة بالحيز الداخلي للجهاز.

- لا يجب إجراء تغيير وصلات التيار الكهربائي أو عمل إصلاحات بالجهاز إلا بواسطة أشخاص متخصصون. أية إصلاحات تتم بطريقة تخالف الأصول قد تعرض مستخدم الجهاز إلى مخاطر جسيمة.

## إرشادات التخلص من الفضلات

### التخلص من تغليف الجهاز الجديد

يعمل التغليف على حماية جهازك الجديد من التعرض لأي تلف في الطريق حتى يصل إليك. جميع المواد المستخدمة في التغليف غير ضارة بالبيئة ويمكن إعادة استخدامها. لذلك نرجو منك المساهمة معنا: تخلص من مواد التغليف بطريقة تحافظ على البيئة.

رجاء الاستفسار عن أحدث طرق التخلص من الفضلات لدى المنجر المتخصص الخاص بمنطقتك أو لدى إدارة البلدية المختصة بك.

### التخلص من الجهاز القديم

الأجهزة القديمة ليست مجرد نفايات عديمة القيمة! فعن طريق التخلص من النفايات بأسلوب يحافظ على البيئة يمكن الحصول مرة أخرى على مواد أولية ذات قيمة عالية.

هذا الجهاز مصنف طبقاً للتعليمات الأوروبية 2002/96/EG المتعلقة بالأجهزة الكهربائية والإلكترونية المستهلكة

(waste electrical and electronic equipment – WEEE) وتحدد هذه التعليمات الإطار المتعلق باسترجاع الأجهزة المستهلكة والاستفادة من خاماتها في كل أنحاء الاتحاد الأوروبي. يمكن الحصول على المعلومات المتعلقة بأحدث الأساليب الجارية للتخلص من الأجهزة المستهلكة عند أحد المحلات التجارية المتخصصة أو لدى إدارة المدينة.

#### تحذير

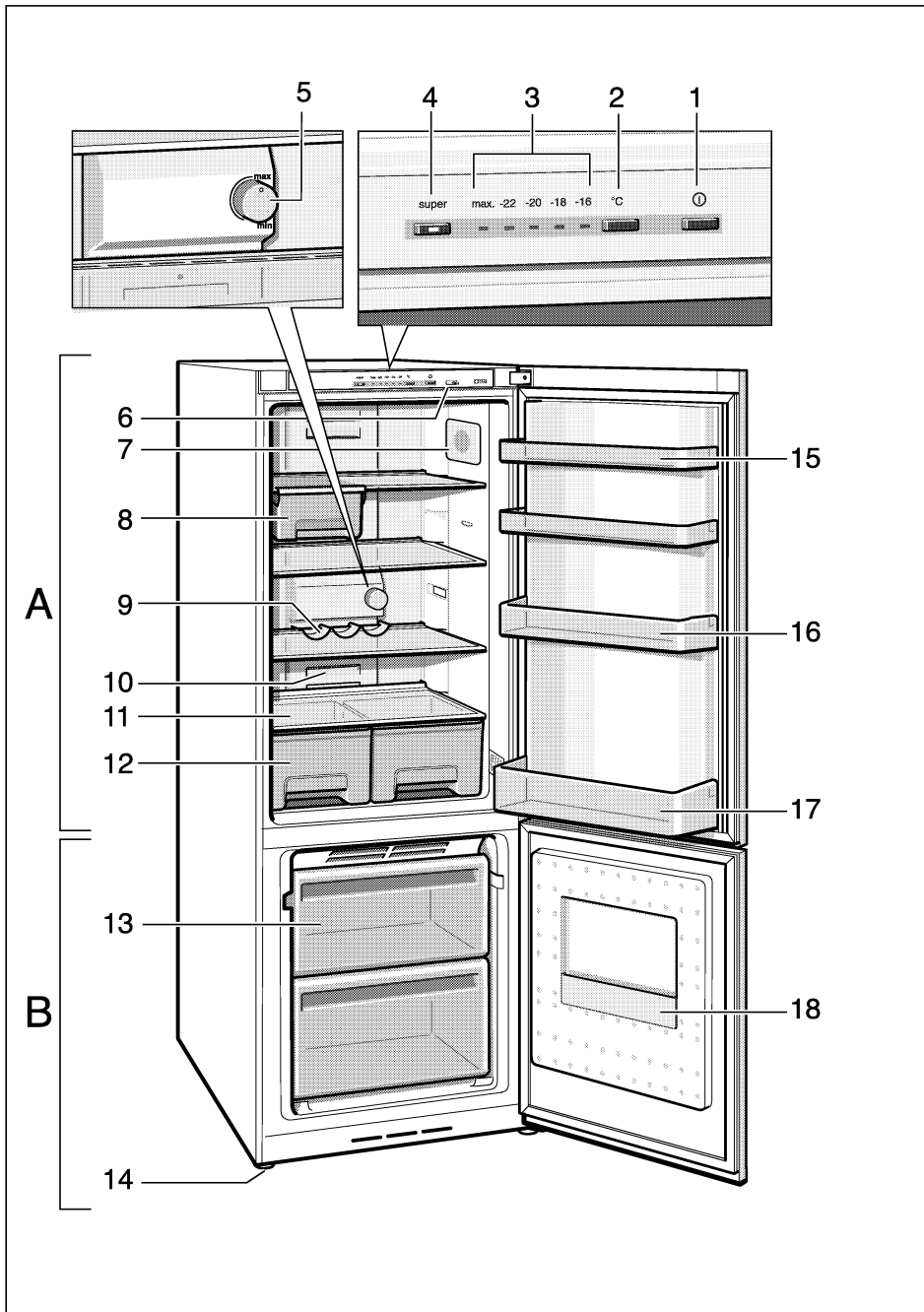
جعل الجهاز القديم غير صالح للاستخدام:

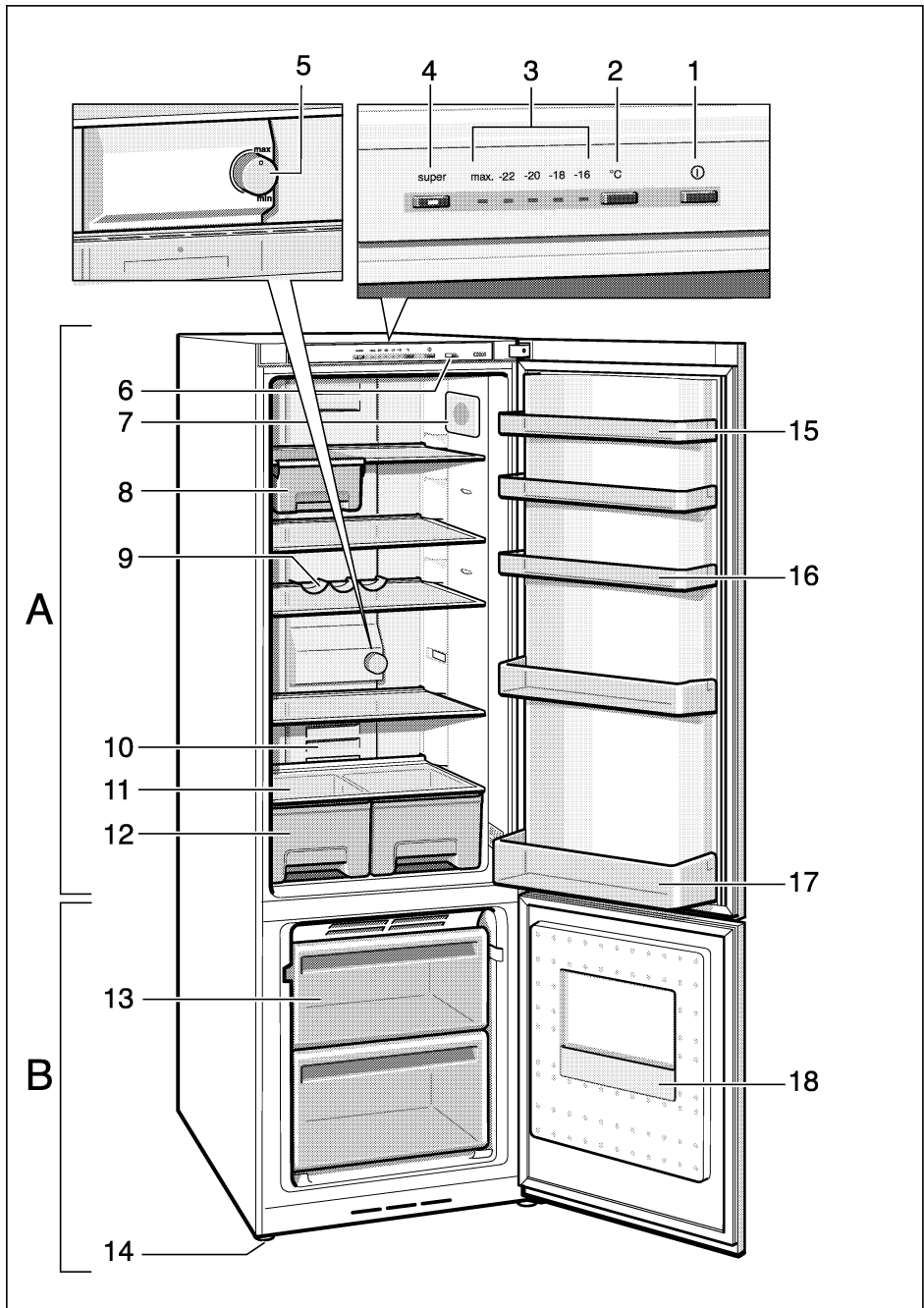
1. فصل التيار الكهربائي بسحب القابس من المقبس
  2. قطع سلك التوصيل الكهربائي واستبعاده مع القابس.
- تحتوي أجهزة التبريد على مواد تبريد كما تحتوي على غازات في الأجزاء العازلة. يجب تصريف مواد التبريد والغازات بطريقة تقنية صحيحة. لذلك يجب الحرص على عدم الإضرار بالمواسير الخاصة بمسار دورة مادة التبريد وذلك حتى يتم تصريفها بالطريقة التقنية الصحيحة.

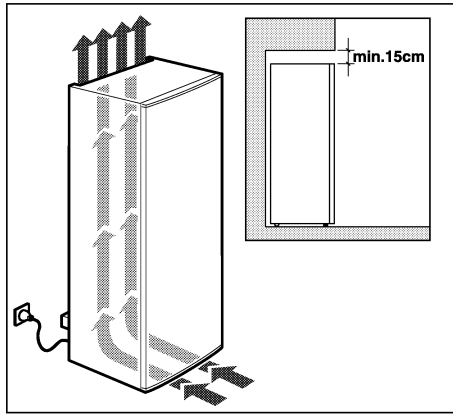
## ar فهرس المحتويات

8	التجهيزات	3	إرشادات التخلص من الفضلات
9	تجميد وحفظ المواد الغذائية	3	إرشادات وتحذيرات خاصة بالأمان
9	تجميد المواد الغذائية الطازجة	5	نصب الجهاز
10	التجميد الشديد (سوبر)	5	نصب الجهاز وضبطه
10	السعة القصوى المتاحة للتجميد	5	تغيير اتجاه فتح الباب
10	إذابة جليد الأظعمة المجمدة	5	تعرف على جهازك الجديد
	إبطال عمل الجهاز وعدم استخدامه	6	وأجهزة التشغيل
10	لفترة طويلة		يجب الانتباه لدرجة حرارة الوسط
11	تنظيف الجهاز	6	المحيط بالجهاز والتهوية
11	توفير الطاقة الكهربائية	6	توصيل الجهاز بالتيار الكهربائي
11	الأصوات الصادرة أثناء عمل الثلاجة	7	تشغيل الجهاز
12	إزالة الأعطال البسيطة بنفسك	7	ضبط درجة الحرارة بالجهاز
13	مراكز خدمة العملاء	8	ترتيب المواد الغذائية

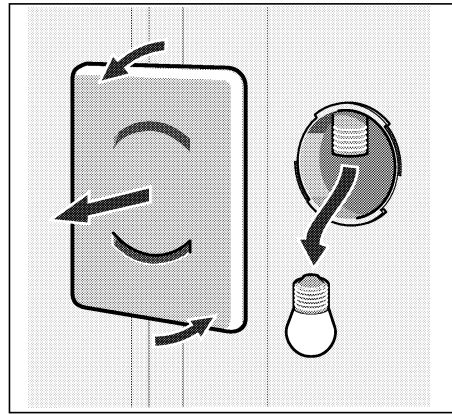




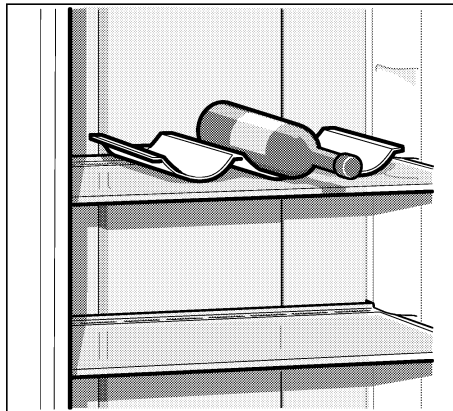




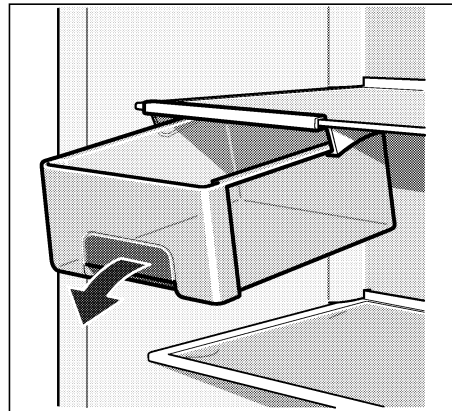
2



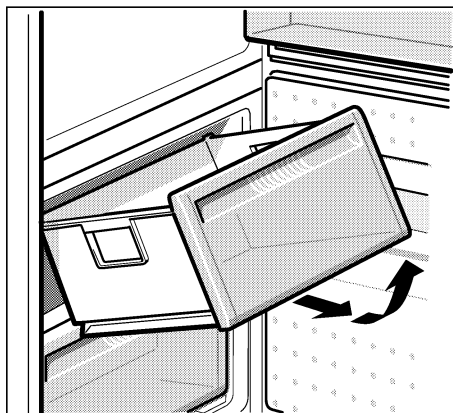
3



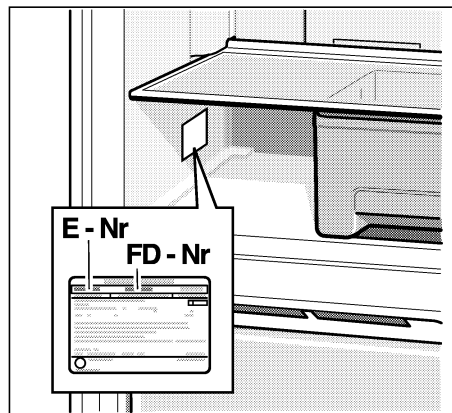
4



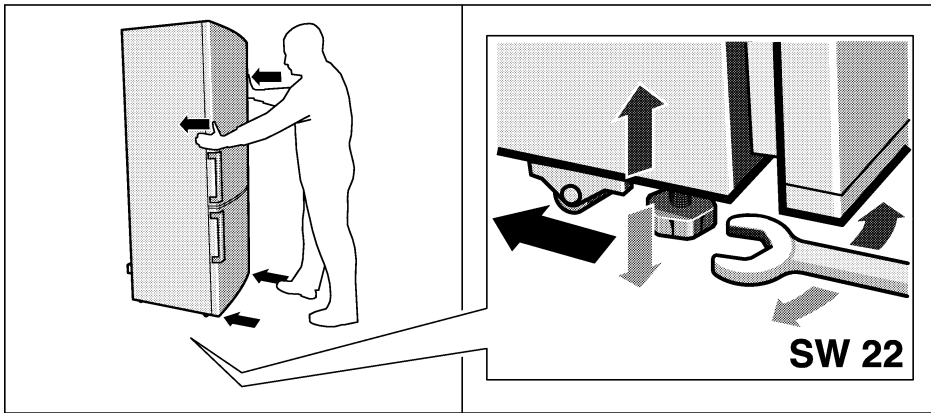
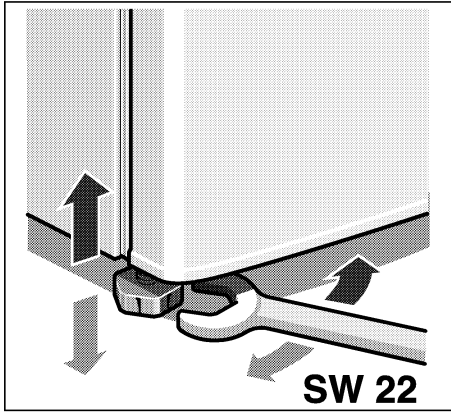
5

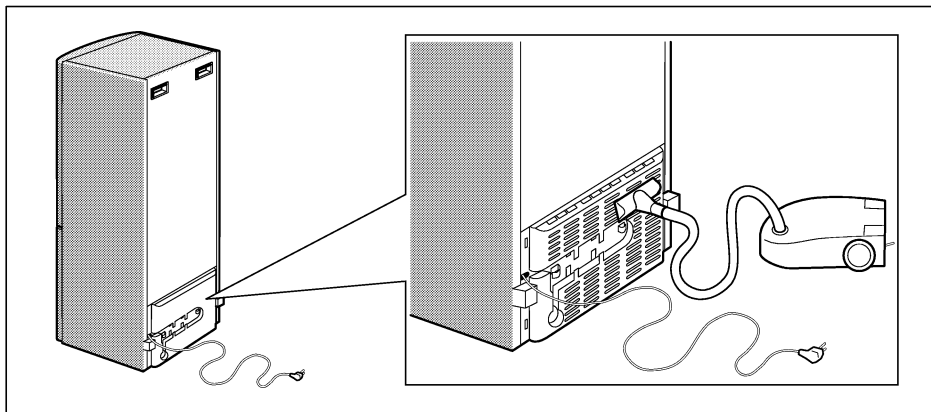


6

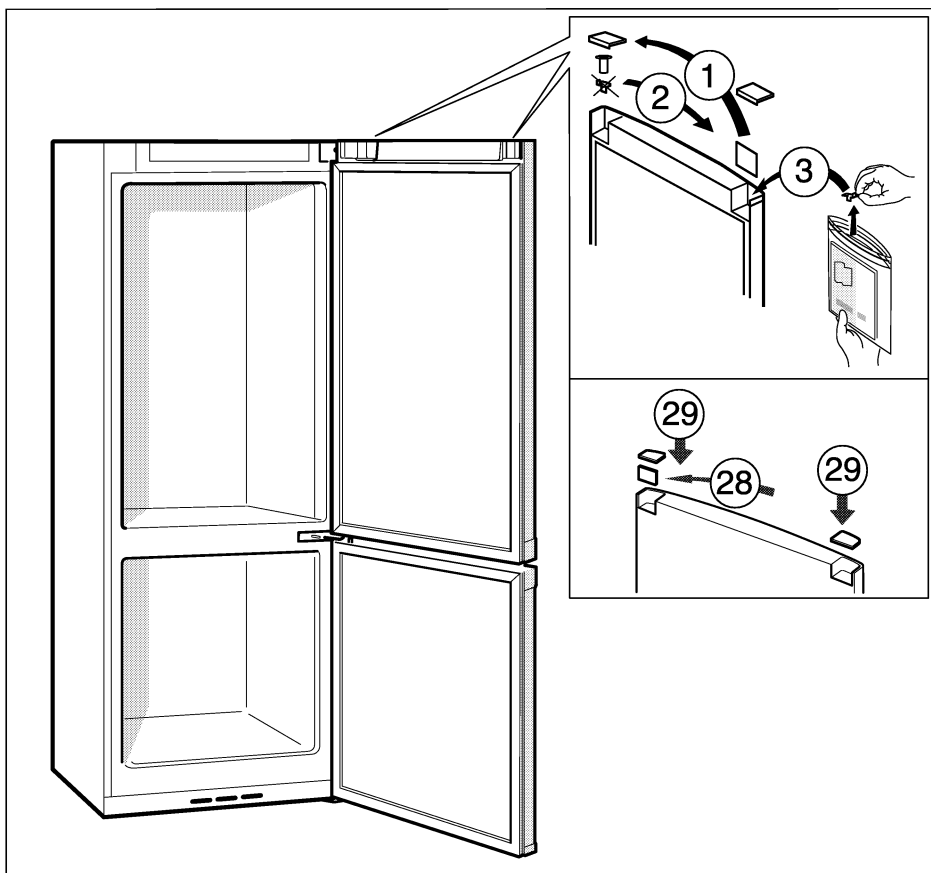


7

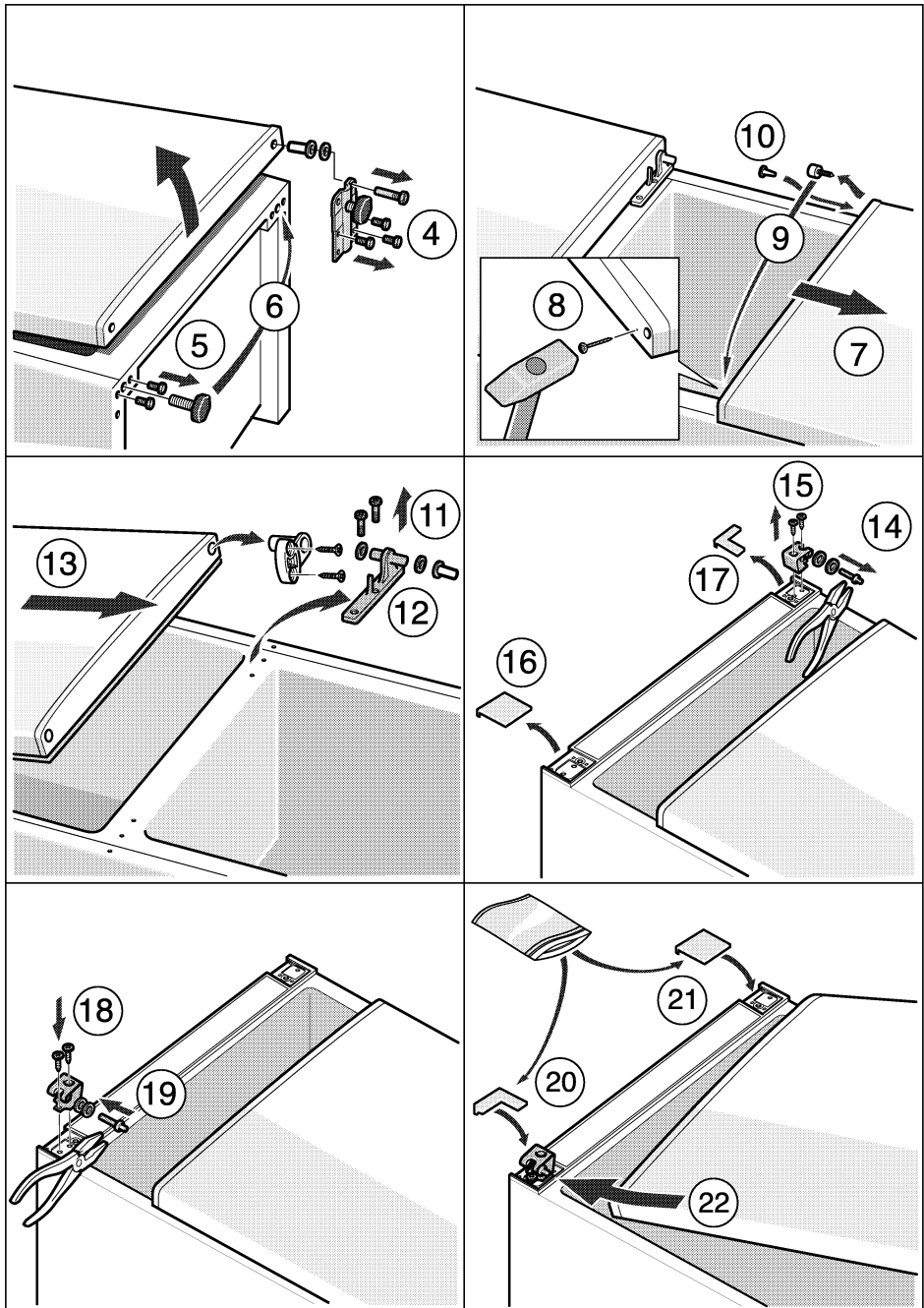


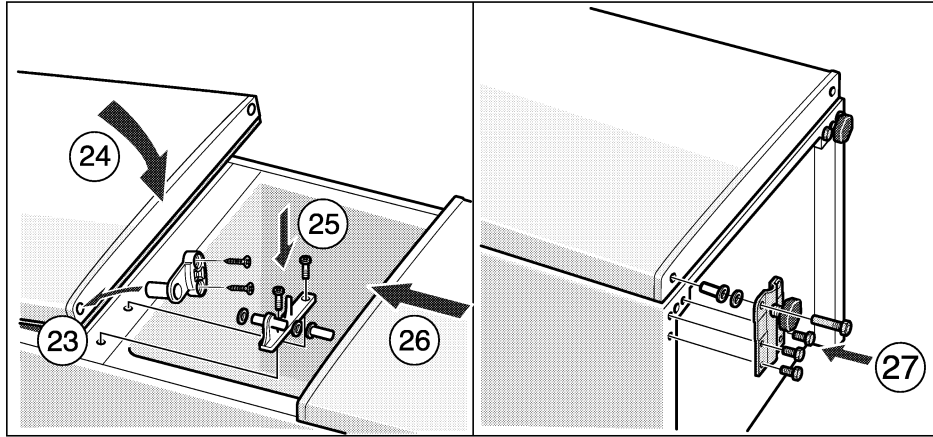


10

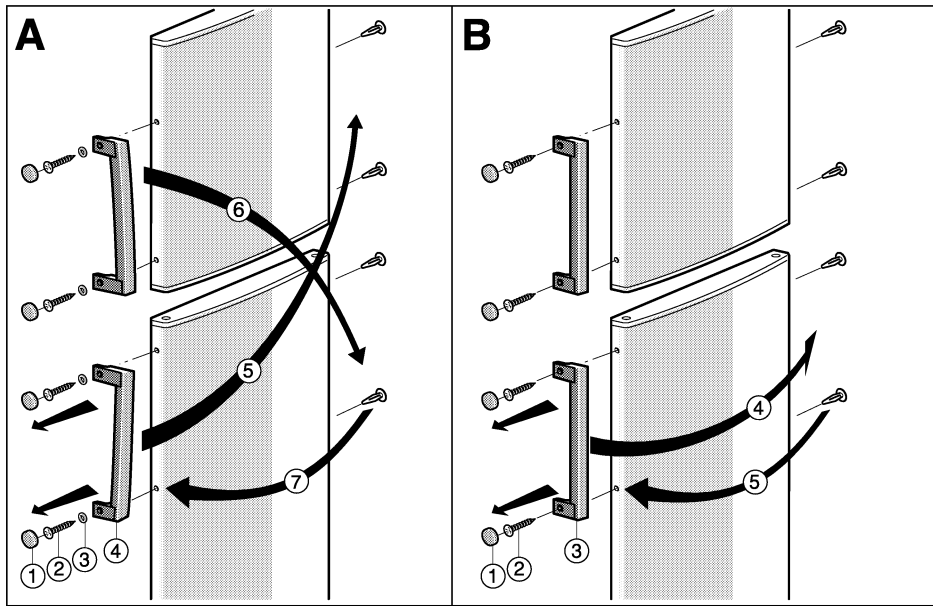


11a





11c



12

BSH Hausgeräte GmbH  
Carl-Wery-StraÙe 34  
81739 München, GERMANY

[siemens-home.com](http://siemens-home.com)

تم التصنيع بواسطة <الاسم القانوني لمجموعة بي إس إتش > BSH Hausgeräte GmbH ويحمل ترخيص العلامة التجارية سيمنز Siemens AG  
Manufactured by BSH Hausgeräte GmbH under Trademark License of Siemens AG  
Fabriqué par BSH Hausgeräte GmbH titulaire des droits d'utilisation de la marque Siemens AG



**9000782283** (9511)

en, fr, ar