

en Instruction for Use
fr Mode d'emploi
nl Gebruiksaanwijzing
it Istruzioni per l'uso



KD..N..

Fridge-freezer

Réfrigérateur / Congélateur combiné

Koel-/diepvriescombinatie

Combinazione frigorifero / congelatore

SIEMENS

en Table of Contents

Safety and warning information	4	Freezing and storing food	12
Information concerning disposal	5	Freezing fresh food	12
Scope of delivery	6	Super freezing	13
Ambient temperature and ventilation ..	6	Thawing frozen food	14
Connecting the appliance	7	Interior fittings	14
Getting to know your appliance	8	Switching off and disconnecting the appliance	15
Switching the appliance on	9	Defrosting	15
Setting the temperature	9	Cleaning the appliance	15
Alarm function	10	Light (LED)	16
Usable capacity	10	Tips for saving energy	17
Refrigerator compartment	11	Operating noises	17
Super cooling	11	Eliminating minor faults yourself	18
Freezer compartment	12	Customer service	21
Max. freezing capacity	12		

fr Table des matières

Prescriptions-d'hygiène-alimentaire ..	22	Capacité de congélation maximale ..	32
Consignes de sécurité et avertissements	22	Congélation et rangement	32
Conseil pour la mise au rebut	25	Congélation de produits frais	33
Étendue des fournitures	25	Supercongélation	34
Contrôler la température ambiante et l'aération	26	Décongélation des produits	34
Branchement de l'appareil	26	Équipement	35
Présentation de l'appareil	27	Arrêt et remisage de l'appareil	36
Enclenchement de l'appareil	28	Si vous dégivrez l'appareil	36
Réglage de la température	29	Nettoyage de l'appareil	36
Fonction alarme	29	Éclairage (LED)	37
Contenance utile	30	Economies d'énergie	38
Le compartiment réfrigérateur	31	Bruits de fonctionnement	38
Super-réfrigération	31	Remédier soi même aux petites pannes	39
Le compartiment congélateur	32	Service après-vente	43

nl Inhoud

Veiligheidsbepalingen		Maximale invriescapaciteit	52
en waarschuwingen	44	Invriezen en opslaan	52
Aanwijzingen over de afvoer	46	Verse levensmiddelen invriezen	53
Omvang van de levering	46	Supervriezen	54
Let op de omgevingstemperatuur		Ontdooien van diepvrieswaren	54
en de beluchting	47	Uitvoering	55
Apparaat aansluiten	47	Apparaat uitschakelen en buiten	
Kennismaking met het apparaat	48	werking stellen	56
Inschakelen van het apparaat	49	Ontdooien	56
Instellen van de temperatuur	50	Schoonmaken van het apparaat	56
Alarm function	50	Verlichting (LED)	57
Netto-inhoud	51	Energie besparen	58
De koelruimte	51	Bedrijfsgeluiden	58
Superkoelen	52	Kleine storingen zelf verhelpen	59
De diepvriesruimte	52	Servicedienst	62

it Indice

Avvertenze di sicurezza e potenziale		Max. capacità di congelamento	72
pericolo	63	Congelare e conservare	72
Avvertenze per lo smaltimento	65	Congelamento di alimenti freschi	72
Dotazione	66	Super-congelamento	73
Osservare la temperatura ambiente		Decongelare surgelati	74
e la ventilazione del locale	66	Dotazione	74
Collegare l'apparecchio	67	Spegnere e mettere fuori	
Conoscere l'apparecchio	67	servizio l'apparecchio	75
Accendere l'apparecchio	68	Scongelo	76
Regolare la temperatura	69	Pulizia dell'apparecchio	76
Funzione di allarme	69	Illuminazione (LED)	77
Capacità utile totale	70	Risparmiare energia	77
Il frigorifero	71	Rumori di funzionamento	77
Super-raffreddamento	71	Eliminare piccoli guasti	78
Il congelatore	72	Servizio Assistenza Clienti	82

Safety and warning information

Before you switch ON the appliance

Please read the operating and installation instructions carefully! They contain important information on how to install, use and maintain the appliance.

The manufacturer is not liable if you fail to comply with the instructions and warnings. Retain all documents for subsequent use or for the next owner.

Technical safety

This appliance contains a small quantity of environmentally-friendly but flammable R600a refrigerant. Ensure that the tubing of the refrigerant circuit is not damaged during transportation and installation. Leaking refrigerant may cause eye injuries or ignite.

If damage has occurred

- Keep naked flames and/or ignition sources away from the appliance,
- thoroughly ventilate the room for several minutes,
- switch off the appliance and pull out the mains plug,
- inform customer service.

The more refrigerant an appliance contains, the larger the room must be in which the appliance is situated. Leaking refrigerant can form a flammable gas-air mixture in rooms which are too small. The room must be at least 1 m³ per 8 g of refrigerant. The amount of refrigerant in your appliance is indicated on the rating plate inside the appliance.

If the power cord of this appliance is damaged, it must be replaced by the manufacturer, customer service or a similarly qualified person. Improper installations and repairs may put the user at considerable risk.

Repairs may be performed by the manufacturer, customer service or a similarly qualified person only.

Only original parts supplied by the manufacturer may be used. The manufacturer guarantees that only these parts satisfy the safety requirements.

An extension cable may be purchased from customer service only.

Important information when using the appliance

- Never use electrical appliances inside the appliance (e.g. heater, electric ice maker, etc.). Risk of explosion!
- Never use a steam cleaner to defrost or clean the appliance! The steam may penetrate electrical parts and cause a short-circuit. Risk of electric shock!
- Do not use pointed or sharp-edged implements to remove frost or layers of ice. You could damage the refrigerant tubing. Leaking refrigerant may ignite or cause eye injuries.
- Do not store products which contain flammable propellants (e.g. spray cans) or explosive substances in the appliance. Risk of explosion!
- Do not stand or support yourself on the base, drawers or doors, etc.

- Before defrosting and cleaning the appliance, pull out the mains plug or switch off the fuse.
Do not pull out the mains plug by tugging the cable.
- Bottles which contain a high percentage of alcohol must be sealed and stored in an upright position.
- Keep plastic parts and the door seal free of oil and grease. Otherwise, parts and door seal will become porous.
- Never cover or block the ventilation openings for the appliance.
- People (children incl.) who have limited physical, sensory or mental abilities or inadequate knowledge must not use this appliance unless they are supervised or given meticulous instructions.
- Do not store bottled or canned drinks (especially carbonated drinks) in the freezer compartment. Bottles and cans may explode!
- Never put frozen food straight from the freezer compartment into your mouth.
Risk of low-temperature burns!
- Avoid prolonged touching of frozen food, ice or the evaporator pipes, etc.
Risk of low-temperature burns!

Children in the household

- Keep children away from packaging and its parts.
Danger of suffocation from folding cartons and plastic film!
- Do not allow children to play with the appliance!
- If the appliance features a lock: keep the key out of the reach of children!

General regulations

The appliance is suitable

- for refrigerating and freezing food,
- for making ice.

This appliance is intended for use in the home and the home environment.

The appliance is suppressed according to EU Directive 2004/108/EC.

The refrigeration circuit has been checked for leaks.

This product complies with the relevant safety regulations for electrical appliances (EN 60335-2-24).

Information concerning disposal

Disposal of packaging

The packaging protects your appliance from damage during transit. All utilised materials are environmentally safe and recyclable. Please help us by disposing of the packaging in an environmentally friendly manner.

Please ask your dealer or inquire at your local authority about current means of disposal.

Disposal of your old appliance

Old appliances are not worthless rubbish! Valuable raw materials can be reclaimed by recycling old appliances.



This appliance is identified according to the European guideline 2002/96/EC on waste electrical and electronic equipment – WEEE. The directive specifies the framework for an EU-wide valid return and re-use of old appliances.

Warning

Redundant appliances

1. Pull out the mains plug.
2. Cut off the power cord and discard with the mains plug.
3. Do not take out the trays and receptacles: children are therefore prevented from climbing in!
4. Do not allow children to play with the appliance once it has spent its useful life. Danger of suffocation!

Refrigerators contain refrigerant and gases in the insulation. Refrigerant and gases must be disposed of professionally. Ensure that tubing of the refrigerant circuit is not damaged prior to proper disposal.

Scope of delivery

After unpacking all parts, check for any damage in transit.

If you have any complaints, please contact the dealer from whom you purchased the appliance or our customer service.

The delivery consists of the following parts:

- Free-standing appliance
- Bag containing installation materials
- Interior fittings (depending on model)
- Operating instructions
- Installation manual
- Customer service booklet
- Warranty enclosure
- Information on the energy consumption and noises

Ambient temperature and ventilation

Ambient temperature

The appliance is designed for a specific climate class. Depending on the climate class, the appliance can be operated at the following temperatures.

The climate class can be found on the rating plate. Fig. **13**

Climate class	Permitted ambient temperature
SN	+10 °C to 32 °C
N	+16 °C to 32 °C
ST	+16 °C to 38 °C
T	+16 °C to 43 °C

Note

The appliance is fully functional within the room temperature limits of the indicated climatic class. If an appliance of climatic class SN is operated at colder room temperatures, the appliance will not be damaged up to a temperature of +5 °C.

Ventilation

Fig. 3

The air on the rear panel and on the side panels of the appliance heats up. Conduction of the heated air must not be obstructed. Otherwise, the refrigerating unit must work harder. This increases power consumption. Therefore: Never cover or block the ventilation openings!

Connecting the appliance

After installing the appliance, wait at least 1 hour until the appliance is switched on. During transportation the oil in the compressor may have flowed into the refrigeration system.

Before switching on the appliance for the first time, clean the interior of the appliance (see chapter "Cleaning the appliance").

Electrical connection

The socket must be near the appliance and also freely accessible following installation of the appliance.

The appliance complies with the protection class I. Connect the appliance to 220–240 V/50 Hz alternating current via a correctly installed socket with protective conductor. The socket must be fused with a 10 to 16 A fuse.

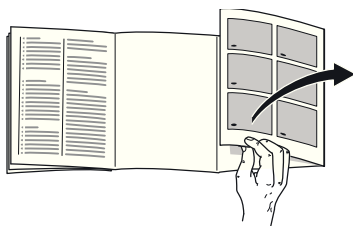
For appliances operated in non-European countries, check whether the stated voltage and current type match the values of your mains supply match the values of the mains supply. This information can be found on the rating plate. Fig. 13

**Warning**

Never connect the appliance to electronic energy saver plugs.

Our appliances can be used with mains and sine-controlled inverters. Mains-controlled inverters are used for photovoltaic systems which are connected directly to the national grid. Sine-controlled inverters must be used for isolated applications (e.g. on ships or in mountain lodges) which are not connected directly to the national grid.

Getting to know your appliance



Please fold out the illustrated last page. These operating instructions refer to several models.

The features of the models may vary.

The diagrams may differ.

Fig. **1**

- 1-7 Controls
- 8 Light switch for freezer compartment
- 9 On/Off button
- 10 Fast freezer compartment
- 11 Light (LED)
- 12 Light switch for refrigerator compartment
- 13 Extendable glass shelf
- 14 Air outlet opening
- 15 Shelf in the refrigerator compartment
- 16 Cold storage compartment
- 17 Vegetable container
- 18 Ventilation opening
- 19 Height-adjustable feet
- 20 Door shelf
- 21 Ice maker
- 22 Ice cube container
- 23 Butter and cheese compartment
- 24 Egg rack
- 25 Door container
- 26 Door shelf

- 27 Bottle holder
- 28 Shelf for large bottles

- A Freezer compartment
- B Refrigerator compartment

Controls

Fig. **2**

- 1 **Refrigerator compartment temperature selection button**
The button sets the temperature in the refrigerator compartment.
- 2 **Temperature selection button freezer compartment**
The button sets the temperature in the freezer compartment.
- 3 **Alarm button**
Used to switch off the warning signal, see chapter "Alarm function".
- 4 **"Super" button refrigerator compartment**
Switches super cooling on and off.
- 5 **Temperature display refrigerator compartment**
The numbers correspond to the set refrigerator compartment temperatures in °C.
- 6 **"Super" button (freezer compartment)**
Switches super freezing on and off.
- 7 **Temperature display freezer compartment**
The numbers correspond to the set freezer compartment temperatures in °C.

Note

When the appliance is not used for some time, the display on the fascia switches to ECO mode.

Switching the appliance on

1. Press the On/Off button **1**/9. Warning signal is emitted.
2. Press the alarm button **2**/3. Warning signal stops.

The alarm button **2**/3 remains lit until the set temperature has been reached.

The factory has recommended the following temperatures:

- Refrigerator compartment: +4 °C
- Freezer compartment: -18 °C

Operating tips

- When the appliance has been switched on, it may take several hours until the set temperatures have been reached.
- The fully automatic No Frost system ensures that the freezer compartment remains free of ice. Defrosting is no longer required.
- The sides of the housing are sometimes heated slightly. This prevents condensation in the area of the door seal.
- If the freezer compartment door cannot be immediately re-opened after it has been closed, wait until the resulting low pressure has equalised.

Setting the temperature

Fig. **2**

Refrigerator compartment

The temperature can be set from +2 °C to +8 °C.

Keep pressing temperature setting button 1 until the required refrigerator compartment temperature is set.

The value last selected is saved. The set temperature is indicated on temperature display 5.

We recommend a factory setting of +4 °C in the refrigerator compartment.

Perishable food should not be stored above +4 °C.

Freezer compartment

The temperature can be set from -16 °C to -24 °C.

Keep pressing temperature setting button 2 until the required freezer compartment temperature is set.

The value last selected is saved. The set temperature is indicated on temperature display 7.

We recommend a factory setting of -18 °C in the freezer compartment.

Alarm function

The warning signal switches on if the freezer compartment is too warm.

Switching off the warning signal

Fig. 2

Press the alarm button 3 to switch off the warning signal.

Door alarm

The door alarm switches on if an appliance door is left open for longer than one minute. Close the door to switch off the warning signal.

Temperature alarm

The temperature alarm switches on if the freezer compartment is too warm.

Alarm button	Temperature display	Explanation
illuminates	flashes	Temperature alarm: Frozen food is not at risk of thawing.
flashes	flashes	Thaw alarm: Frozen food is at risk of thawing.
flashes	illuminates	Thaw alarm: At some time the freezer compartment was too warm. Frozen food is at risk of thawing.

Temperature warning

The alarm may switch on without any risk to the frozen food:

- when the appliance is switched on,
- when large quantities of fresh food are placed in the appliance,
- if the freezer compartment door is open too long.

Thaw warning

If taste, odour and appearance remain unchanged, the food can be boiled or fried and then refrozen. No longer store the frozen produce for the max. storage period.

Note

Do not refreeze thawing or thawed food. It can only be refrozen when it has been used to prepare a ready meal (boiled or fried).

No longer store the frozen produce for the max. storage period.

Usable capacity

Information on the usable capacity can be found inside your appliance on the rating plate. Fig. 13

Fully utilising the freezer volume

The maximum amount of food can be placed in the freezer by removing the following fittings.

Removing the fittings

- The door shelf can be taken out. Fig. 4
- If appliances feature an ice maker, the latter can be taken out. Fig. 5

Refrigerator compartment

The refrigerator compartment is the ideal storage location for ready meals, cakes and pastries, preserved food, condensed milk, hard cheese, fruit and vegetables sensitive to cold as well as tropical fruit.

Note when loading products

Wrap or cover food before placing in the appliance. This will retain the aroma, colour and freshness of the food. In addition, flavours will not be transferred between foods and the plastic parts will not become discoloured.

Note

Avoid contact between food and rear panel. Otherwise the air circulation will be impaired.

Food or packaging could freeze to the rear panel.

Note the chill zones in the refrigerator compartment

The air circulation in the refrigerator compartment creates different chill zones:

- **Coldest zone**
is on the rear panel inside the appliance and on the cold storage compartment. Fig. 11/16

Note

Store perishable food e.g. fish, sausage, meat in the coldest zones.

- **Warmest zone**
is at the very top of the door.

Note

Store e.g. cheese and butter in the warmest zone. When served, the cheese will not have lost its flavour and the butter will be easy to spread.

Super cooling

Super cooling sets the refrigerator temperature to the coldest temperature setting for approx. 6 hours. Then the appliance automatically switches to the temperature set prior to super cooling mode.

Switch on super cooling mode, e.g.

- before placing large quantities of food in the refrigerator compartment.
- for the fast cooling of drinks.

Switching on and off

Fig. 2

Press "super" button 4.

The button is lit when super cooling is switched on.

Freezer compartment

Use the freezer compartment

- To store deep-frozen food.
- To make ice cubes.
- To freeze food.

Note

Ensure that the freezer compartment door has been closed properly. If the door is open, the frozen food will thaw. The freezer compartment will become covered in thick ice. Also: waste of energy due to high power consumption!

Max. freezing capacity

Information about the max. freezing capacity within 24 hours can be found on the rating plate. Fig. 13

Freezing and storing food

Purchasing frozen food

- Packaging must not be damaged.
- Use by the “use by” date.
- Temperature in the supermarket freezer must be -18 °C or lower.
- If possible, transport deep-frozen food in an insulated bag and place quickly in the freezer compartment.

Note when loading products

Freeze large quantities of food in the fast freezer compartment where food freezes particularly quickly and therefore also gently.

Food which is already frozen must not come into contact with the food which is to be frozen.

Freezing fresh food

Freeze fresh and undamaged food only.

To retain the best possible nutritional value, flavour and colour, vegetables should be blanched before freezing. Aubergines, peppers, zucchini and asparagus do not require blanching.

Literature on freezing and blanching can be found in bookshops.

Note

Keep food which is to be frozen away from food which is already frozen.

- The following foods are suitable for freezing:
 - Cakes and pastries, fish and seafood, meat, game, poultry, vegetables, fruit, herbs, eggs without shells, dairy products such as cheese, butter and quark, ready meals and leftovers such as soups, stews, cooked meat and fish, potato dishes, soufflés and desserts.
- The following foods are not suitable for freezing:
 - Types of vegetables, which are usually consumed raw, such as lettuce or radishes, eggs in shells, grapes, whole apples, pears and peaches, hard-boiled eggs, yoghurt, soured milk, sour cream, crème fraîche and mayonnaise.

Packing frozen food

To prevent food from losing its flavour or drying out, place in airtight containers.

1. Place food in packaging.
2. Remove air.
3. Seal the wrapping.
4. Label packaging with contents and date of freezing.

Suitable packaging:

Plastic film, tubular film made of polyethylene, aluminium foil, freezer containers.

These products are available from specialist outlets.

Unsuitable packaging:

Wrapping paper, greaseproof paper, cellophane, bin liners and used shopping bags.

Items suitable for sealing packaged food:

Rubber bands, plastic clips, string, cold-resistant adhesive tape, etc.

Bags and tubular film made of polyethylene can be sealed with a film heat sealer.

Shelf life of frozen food

Storage duration depends on the type of food.

At a temperature of -18 °C:

- Fish, sausage, ready meals and cakes and pastries:
up to 6 months
- Cheese, poultry and meat:
up to 8 months
- Vegetables and fruit:
up to 12 months

Super freezing

Food should be frozen solid as quickly as possible in order to retain vitamins, nutritional value, appearance and flavour.

Several hours before placing fresh food in the freezer compartment, switch on super freezing to prevent an unwanted temperature rise.

As a rule, 4-6 hours is adequate.

This appliance runs constantly and the freezer compartment drops to a very low temperature.

If the max. freezing capacity is to be used, super freezing must be switched on for 24 hours before the fresh produce is placed in the freezer compartment.

Smaller quantities of food (up to 2 kg) can be frozen without "super freezing".

Note

When super freezing is switched on, increased operating noises may occur.

Switching on and off

Fig. 2

Press "super" button 6.

If the super freezing has been switched on the button is lit.

Super freezing automatically switches off after approx. 2½ days.

Thawing frozen food

Depending on the type and application, select one of the following options:

- at room temperature
- in the refrigerator
- in an electric oven, with/without fan assisted hot-air
- in the microwave


Caution

Do not refreeze thawing or thawed food. Only ready meals (boiled or fried) may be refrozen.

No longer store the frozen produce for the max. storage period.

Interior fittings

You can reposition the shelves inside the appliance and the door shelves as required:

- Pull shelf forwards, lower and swing out to the side.
- Raise the door shelf and remove. Fig.  4

Special features

(not all models)

Taking out the extendable glass shelf

Fig.  1/13

The glass shelf can be removed for cleaning. To do this, pull out shelf, lift at the front and take out.

Bottle shelf

Fig.  6 A/B

Bottles can be stored securely on the bottle shelf.

Cold storage compartment

Fig.  1/16

The cold storage compartment has lower temperatures than the refrigerator compartment. Even temperatures below 0 °C may occur.

Ideal for storing fish, meat and sausage. Not suitable for lettuce and vegetables and produce sensitive to cold.

Vegetable container with humidity controller

Fig.  7

To create the optimum storage climate for vegetables, salad and fruit, the air humidity in vegetable container can be regulated according to the quantity stored.

Smaller quantities of food – slide the regulator to the left.

Larger quantities of food – slide the regulator to the right.

Drawer insert

Fig.  9

The insert can be taken out.

Door container

Fig.  1/25

Ideal for the storage of sweets, spices and dressings. Also suitable for cosmetic products.

Bottle holder

Fig.  1/27

The bottle holder prevents bottles from falling over when the door is opened and closed.

Ice maker

Fig. 8

1. Take out water container and fill with water up to the mark.
2. Carefully empty water into the storage container via the filler opening. Ensure that the water does not run into or splash onto the storage container. Otherwise, ice cubes could freeze to each other or to the container.
3. When the ice cubes are frozen, press lever down and release. The ice cubes loosen and fall into the storage container.
4. Remove ice cubes from the storage container. The ice cubes should be removed regularly from the storage container to prevent them from freezing to each other.

Switching off and disconnecting the appliance

Switching off the appliance

Fig. 1

Press the On/Off button 9.
Refrigerating unit and light switch off.

Disconnecting the appliance

If you do not use the appliance for a prolonged period:

1. Switch off the appliance.
2. Pull out mains plug or switch off fuse.
3. Clean the appliance.
4. Leave the appliance door open.

Defrosting

Refrigerator compartment

Defrosting is actuated automatically.

The condensation runs through the drainage hole into an evaporation pan on the rear of the appliance.

Freezer compartment

The fully automatic No Frost system ensures that the freezer compartment remains free of ice. Defrosting is no longer required.

Cleaning the appliance



Caution

- Do not use abrasive, chloride or acidic cleaning agents or solvents.
- Do not use scouring or abrasive sponges.
The metallic surfaces could corrode.
- Never clean shelves and containers in the dishwasher.
The parts may warp!

Water used for cleaning must not drip into the

- slots in the front base area in the freezer compartment,
- controls,
- and light.

Proceed as follows:

1. Before cleaning: Switch the appliance off.
2. Pull out the mains plug or switch off the fuse.
3. Take out the frozen food and store in a cool location. Place the ice pack (if enclosed) on the food.
4. Clean the appliance with a soft cloth, lukewarm water and a little pH neutral washing-up liquid. The rinsing water must not run into the light.
5. Wipe the door seal with clear water only and then wipe dry thoroughly.
6. After cleaning reconnect and switch the appliance back on.
7. Put the frozen food back in the freezer compartment.

Interior fittings

All variable parts of the appliance can be taken out for cleaning.

Take out glass shelves

Pull the glass shelves forwards and take out.

Take out shelves in the door

Fig. 4

Lift shelves upwards and take out.

Taking glass shelf out of chiller compartment

Fig. 10

Press the holder upwards and take out the glass shelf.

Note

Do not clean glass shelf of the cold storage compartment under running water.

Taking out glass shelf above vegetable drawer

Fig. 11

Before the glass shelf can be taken out, pull out the vegetable drawer.

The glass shelf can be taken apart for cleaning.

Light (LED)

Your appliance features a maintenance-free LED light.

These lights may be repaired by customer service or authorised technicians only.

Tips for saving energy

- Install the appliance in a dry, well ventilated room! The appliance should not be installed in direct sunlight or near a heat source (e.g. radiator, cooker).
If required, use an insulating plate.
- Allow warm food and drinks to cool down before placing in the appliance.
- Thaw frozen food in the refrigerator compartment and use the low temperature of the frozen food to cool refrigerated food.
- Open the appliance as briefly as possible.
- Occasionally clean the rear of the appliance to prevent an increased power consumption.
- If available: Fit wall spacers to obtain the indicated energy rating of the appliance (see Installation instructions). A reduced wall gap will not restrict the function of the appliance. The energy rating may then change slightly. The gap of 75 mm must not be exceeded.

Operating noises

Quite normal noises

Droning

Motors are running (e.g. refrigerating units, fan).

Bubbling, humming or gurgling noises

Refrigerant is flowing through the tubing.

Clicking

Motor, switches or solenoid valves are switching on/off.

Cracking

Automatic defrosting is running.

Preventing noises

The appliance is not level

Please align the appliance with a spirit level. Use the height-adjustable feet or place packing underneath them.

The appliance is not free-standing

Please move the appliance away from adjacent units or appliances.

Containers or storage areas wobble or stick

Please check the removable parts and re-insert them correctly if required.

Bottles or receptacles are touching each other

Move the bottles or receptacles slightly away from each other.

Eliminating minor faults yourself

Before you call customer service:

Please check whether you can eliminate the fault yourself based on the following information.

Customer service will charge you for advice – even if the appliance is still under guarantee!

Fault	Possible cause	Remedial action
Temperature differs greatly from the set value.		<p>In some cases it is adequate to switch off the appliance for 5 minutes.</p> <p>If the temperature is too high wait a few hours and check whether the temperature has approached the set value.</p> <p>If the temperature is too low check the temperature again the next day.</p>
The light does not function.	The LED light is defective.	See chapter “Light (LED)” section.
	<p>Appliance was open too long.</p> <p>Light is switched off after approx. 10 min.</p>	When the appliance is closed and opened, the light is on again.
Controls have reduced luminosity.	When the appliance is not used for some time, the display on the fascia switches to energy saving mode.	As soon as the appliance is again used, e.g. the door is opened, the display switches back to normal illumination.
Displays do not illuminate.	Power failure; the fuse has been switched off; the mains plug has not been inserted properly.	Connect mains plug. Check whether the power is on, check the fuses.

Fault	Possible cause	Remedial action
Warning signal sounds. The alarm button is lit. Fig. 2/3	Fault – the freezer compartment is too warm!	To switch off the warning signal, press the alarm button 3.
	Appliance is open.	Close the appliance.
	Ventilation openings have been covered.	Ensure that there is adequate ventilation.
	Too much food was placed in the freezer compartment at once.	Do not exceed max. freezing capacity.
		When the fault has been eliminated, the alarm button goes out shortly afterwards.
Warning signal sounds. Alarm button flashes. Fig. 2/3	Fault – the freezer compartment is too warm!	To switch off the warning signal, press the alarm button 3. Alarm button stops flashing.
	Frozen food is at risk!	<p>Note</p> <p>Frozen food which has started thawing or which has thawed can be refrozen if meat and fish were above +3 °C for not more than one day or other frozen food for not more than three days.</p> <p>If taste, odour and appearance have not changed, the food can be boiled or fried and then refrozen.</p> <p>No longer store the frozen produce for the max. storage period.</p>
	Appliance is open.	Close the appliance.
	Ventilation openings have been covered.	Ensure that there is adequate ventilation.
	Too much food was placed in the freezer compartment at once.	Do not exceed max. freezing capacity.
		When the fault has been eliminated, the alarm button goes out shortly afterwards.

Fault	Possible cause	Remedial action
The temperature in the freezer compartment is too warm.	Appliance opened frequently.	Do not open the appliance unnecessarily.
	The ventilation openings have been covered.	Remove obstacles.
	Large quantities of fresh food are being frozen.	Do not exceed max. freezing capacity.
Freezer compartment door was open for a long time; temperature is no longer reached.	The evaporator (refrigeration generator) in the No Frost system is covered in thick ice and can no longer be defrosted fully automatically.	<p>To defrost the evaporator, remove the frozen food with the compartments, insulate well and store in a cool location.</p> <p>Switch off the appliance and move it away from the wall. Leave the appliance door open.</p> <p>After approx. 20 min. the condensation begins to run into the evaporation pan, at the rear of the appliance. Fig. 12</p> <p>To prevent the evaporation pan from overflowing in this case, mop up the condensation with a sponge.</p> <p>The evaporator is defrosted when the water stops running into the evaporation pan. Clean the interior. Switch the appliance back on again.</p>

Customer service

Your local customer service can be found in the telephone directory or in the customer-service index. Please provide customer service with the appliance product number (E-Nr.) and production number (FD).

These specifications can be found on the rating plate. Fig. **13**

To prevent unnecessary call-outs, please assist customer service by quoting the product and production numbers.

This will save you additional costs.

Repair order and advice on faults

Contact information for all countries can be found on the enclosed customer service list.

GB	0844 8928999	Calls from a BT landline will be charged at up to 3 pence per minute. A call set-up fee of up to 6 pence may apply.
IE	01450 2655	
US	866 447 4363	toll-free

Prescriptions- d'hygiène-alimentaire

Chère cliente, cher client,

conformément à la réglementation française visant à empêcher la présence de listéries dans le compartiment réfrigérateur, nous vous remercions de respecter les consignes suivantes :

- Nettoyez fréquemment le compartiment intérieur du réfrigérateur à l'aide d'un détergent non agressif, ne provoquant pas d'oxydation des pièces métalliques (utilisez par ex. de l'eau tiède additionnée d'un peu de produit à vaisselle).

Ensuite, désinfectez avec de l'eau additionnée de vinaigre ou de jus de citron les surfaces que vous avez préalablement nettoyées, ou utilisez un produit germicide en vente dans le commerce et adapté aux réfrigérateurs (avant d'utiliser ce produit sur les pièces métalliques, faites un test de compatibilité à un endroit peu visible).

- Enlevez les emballages commerciaux avant de mettre les produits alimentaires dans le compartiment réfrigérateur (par ex. le carton qui réunit les pots de yaourt).
- Pour éviter toute contamination entre des produits alimentaires de nature différente, rangez-les bien séparés les uns des autres, bien emballés ou rangés dans des récipients à couvercle.

- Avant de préparer des plats et de saisir des produits alimentaires, lavez-vous les mains. Avant de préparer d'autres plats, lavez-vous à nouveau les mains. Lavez-les encore une fois avant de prendre un repas.
- Lavez les ustensiles de cuisine dont vous venez de vous servir avant de les réutiliser (cuillère en bois, planche de découpe, couteau de cuisine, etc.).

Consignes de sécurité et avertissements

Avant de mettre l'appareil en service

Veillez lire attentivement et entièrement les informations figurant dans les notices d'utilisation et de montage. Elle contiennent des remarques importantes concernant l'installation, l'utilisation et l'entretien de l'appareil.

Le fabricant décline toute responsabilité si les consignes et mises en garde contenues dans la notice d'utilisation ne sont pas respectées. Veillez conserver ces documents en vue d'une réutilisation ultérieure ou pour le cas où l'appareil changerait de propriétaire.

Sécurité technique

Cet appareil contient une petite quantité d'un fluide réfrigérant écologique mais inflammable, le R 600a. Pendant le transport et la mise en place de l'appareil, veillez à ne pas endommager les tuyauteries du circuit frigorifique. Si le fluide réfrigérant jaillit, il peut provoquer des lésions oculaires ou s'enflammer.

Si l'appareil est endommagé

- éloignez de l'appareil toute flamme nue ou source d'inflammation,
- aérez bien la pièce pendant quelques minutes,
- éteignez l'appareil puis débranchez la fiche mâle de la prise de courant,
- prévenez le service après-vente.

Plus l'appareil contient du fluide réfrigérant et plus grande doit être la pièce dans laquelle il se trouve. Dans les pièces trop petites, un mélange gaz-air inflammable peut se former en cas de fuite.

Comptez 1 m³ de volume minimum de la pièce pour 8 g de fluide réfrigérant. La quantité de fluide présente dans l'appareil est indiquée sur la plaque signalétique située à l'intérieur de ce dernier.

Si le cordon d'alimentation électrique de cet appareil a été endommagé, il faut confier son remplacement au fabricant, au service après-vente ou à une personne détenant des qualifications similaires. Les installations et réparations inexpertes peuvent engendrer des risques considérables pour l'utilisateur.

Les réparations ne pourront être réalisées que par le fabricant, le service après-vente ou une personne détenant des qualifications similaires.

Il ne faut utiliser que les pièces d'origine du fabricant. Le fabricant ne garantit que les pièces d'origine car elles seules remplissent les exigences de sécurité.

S'il faut allonger le cordon de raccordement au secteur avec un prolongateur, procurez-vous-le exclusivement auprès du service après-vente.

Pendant l'utilisation

- N'utilisez pas d'appareils électriques à l'intérieur de l'appareil (par ex. appareils de chauffage, machine à glaçons, etc.). Risque d'explosion !
- Ne dégivrez ni et ne nettoyez jamais l'appareil avec un nettoyeur à vapeur ! La vapeur risque d'atteindre des pièces électriques et de provoquer un court-circuit. Risque d'électrocution !
- Pour détacher le givre ou les couches de glace, n'utilisez jamais d'objets pointus ou présentant des arêtes vives. Vous risqueriez d'endommager les tuyaux de fluide réfrigérant. Le fluide réfrigérant en train de jaillir risque de s'enflammer ou de provoquer des lésions oculaires.
- Ne stockez dans l'appareil ni produits contenant des gaz propulseurs inflammables (par ex. bombes aérosols) ni produits explosifs. Risque d'explosion !
- Ne vous servez pas des socles, clayettes et portes comme marchepieds ou pour vous appuyer.
- Pour dégivrer et nettoyer l'appareil, débranchez la fiche mâle de la prise de courant ou retirez le fusible / désarmez le disjoncteur. Pour débrancher l'appareil, tirez sur la fiche mâle et non pas sur son cordon.

- Stockez les boissons fortement alcoolisées en position verticale dans des récipients bien fermés.
- L'huile et la graisse ne doivent pas entrer en contact avec les parties en matières plastiques et le joint de porte. Ces derniers pourraient sinon devenir poreux.
- Ne recouvrez et n'obstruez jamais les orifices de ventilation de l'appareil.
- Cet appareil ne pourra être utilisé par des personnes (enfants compris) présentant des capacités physiques, sensorielles ou psychiques restreintes ou manquant de connaissances que sous la surveillance d'une personne chargée de leur sécurité ou après que cette dernière leur aura enseigné à utiliser l'appareil.
- Dans le compartiment congélateur, ne stockez pas de boissons, gazeuses en particulier, en bouteilles ou en canettes car elles éclateraient. Les bouteilles et les canettes risqueraient d'éclater !
- Ne portez jamais des produits surgelés à la bouche immédiatement après les avoir sorties du compartiment congélateur. Risque d'engelures !
- Évitez tout contact prolongé des mains avec les produits congelés, la glace ou les tubes de l'évaporateur, etc. Risque d'engelures !

Les enfants et l'appareil

- Ne confiez jamais l'emballage et ses pièces constitutives aux enfants. Ils risquent de s'étouffer avec les cartons pliants et les feuilles de plastique !
- L'appareil n'est pas un jouet pour enfants !
- Appareils équipés d'une serrure : rangez la clé hors de portée des enfants !

Dispositions générales

L'appareil convient pour

- réfrigérer et congeler des aliments,
- préparer des glaçons.

Cet appareil est destiné à un usage domestique dans un foyer privé, et à l'environnement domestique.

L'appareil a été antiparasité conformément à la directive UE 2004 / 108 / EC.

Le circuit frigorifique a subi un contrôle d'étanchéité.

Ce produit est conforme aux dispositions de sécurité applicables visant les appareils électriques (EN 60335-2-24).

Conseil pour la mise au rebut

Mise au rebut de l'emballage

L'emballage protège votre appareil contre les dommages susceptibles de survenir en cours de transport. Tous les matériaux qui le composent sont compatibles avec l'environnement et recyclables. Aidez-nous : à éliminer l'emballage dans le respect de l'environnement.

Pour connaître les circuits actuels de mise au rebut, adressez-vous s.v.p. à votre revendeur ou à l'administration de votre commune.

Mise au rebut de l'ancien appareil

Les appareils usagés ne sont pas des déchets dénués de valeur ! Leur élimination dans le respect de l'environnement permet d'en récupérer de précieuses matières premières.



Cet appareil est marqué selon la directive européenne 2002 / 96 / CE relative aux appareils électriques et électroniques usagés (waste electrical and electronic equipment – WEEE). La directive définit le cadre pour une reprise et une récupération des appareils usagés applicables dans les pays de la CE.

Mise en garde

Avant de mettre au rebut l'appareil qui ne sert plus :

1. Débranchez sa fiche mâle.

2. Sectionnez son câble d'alimentation et retirez-le avec la fiche mâle.
3. Pour dissuader les enfants de grimper dans l'appareil, ne retirez pas les clayettes et les bacs !
4. Ne permettez pas aux enfants de jouer avec l'appareil lorsqu'il ne sert plus. Risque d'étouffement !

Les appareils réfrigérants contiennent du fluide réfrigérant. L'isolant contient des gaz. Il faut que le fluide réfrigérant et les gaz soient éliminés dans les règles de l'art. Jusqu'à l'enlèvement de l'appareil, veillez bien à ce que son circuit frigorifique ne soit pas endommagé.

Étendue des fournitures

Après avoir déballé, vérifiez toutes les pièces pour détecter d'éventuels dégâts dus au transport.

En cas de réclamation, veuillez vous adresser au revendeur auprès duquel vous avez acquis l'appareil ou auprès de notre service après-vente.

La livraison comprend les pièces suivantes :

- Appareil indépendant
- Sachet avec visserie de montage
- Équipement (selon le modèle)
- Notice d'utilisation
- Notice de montage
- Carnet de service après-vente
- Pièce annexe de la garantie
- Informations relatives à la consommation d'énergie et aux bruits

Contrôler la température ambiante et l'aération

Température ambiante

L'appareil a été conçu pour une catégorie climatique précise. Suivant la catégorie climatique, l'appareil est utilisable dans les températures ambiantes suivantes.

La catégorie climatique de l'appareil figure sur sa plaque signalétique, Fig. 13.

Catégorie climatique	Température ambiante admissible
SN	+10 °C à 32 °C
N	+16 °C à 32 °C
ST	+16 °C à 38 °C
T	+16 °C à 43 °C

Remarque

L'appareil est entièrement fonctionnel à l'intérieur des limites de température ambiante prévues dans la catégorie climatique indiquée. Si un appareil de la catégorie climatique SN est utilisé à des températures ambiantes plus basses, il est possible d'exclure que l'appareil s'endommage jusqu'à une température de +5 °C.

Aération

Fig. 3

L'air situé contre la paroi arrière et les parois latérales de l'appareil s'échauffe. L'air chaud doit pouvoir s'échapper sans obstacle. S'il ne le peut pas, le groupe frigorifique doit fonctionner plus longtemps, ce qui augmente la consommation de courant. Pour cette raison, ne recouvrez ni et n'obstruez jamais les orifices d'aération de l'appareil.

Branchement de l'appareil

Après l'installation de l'appareil en position verticale, attendez au moins une heure avant de le mettre en service. Il peut en effet arriver, pendant le transport, que l'huile présente dans le compresseur se déplace vers le circuit frigorifique.

Avant la première mise en service, nettoyez le compartiment intérieur de l'appareil. (Voir le chapitre « Nettoyage de l'appareil ».)

Branchement électrique

La prise doit être proche de l'appareil et demeurer librement accessible même après avoir installé ce dernier.

L'appareil est conforme à la classe de protection I. Raccordez l'appareil au courant alternatif 220–240 V / 50 Hz, via une prise femelle installée réglementairement et comportant un fil de terre. La prise doit être protégée par un fusible supportant un ampérage de 10 A à 16 A.

Sur les appareils qui fonctionneront dans des pays non européens, il faut vérifier que la tension et le type de courant mentionnés sur la plaque signalétique correspondent bien avec celle et celui offert par votre secteur. Vous trouverez ces indications sur la plaque signalétique. Fig. 13

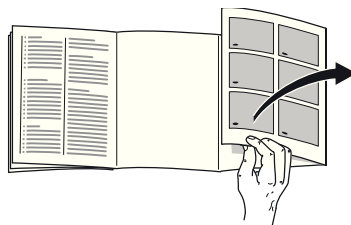


Mise en garde

Il ne faut en aucun cas raccorder l'appareil à des fiches électroniques d'économie d'énergie.

Nos appareils peuvent être alimentés via des onduleurs pilotés par le secteur ou à pilotage sinusoïdal. Directement raccordées au réseau public, les installations photovoltaïques font appel à des onduleurs pilotés par le secteur. Dans les solutions en îlots (p. ex. sur les bateaux ou les refuges de montagne), ne disposant pas d'un raccordement direct au réseau électrique public, il faut utiliser des onduleurs à pilotage sinusoïdal.

Présentation de l'appareil



Veillez déplier la dernière page, illustrée, de la notice. La présente notice d'utilisation vaut pour plusieurs modèles. L'équipement des modèles peut varier. Selon le modèle, l'appareil peut différer du contenu des illustrations.

Fig. 1

- 1-7 Éléments de commande
- 8 Interrupteur d'éclairage du compartiment congélateur
- 9 Touche Marche / Arrêt
- 10 Compartiment de congélation rapide
- 11 Éclairage (LED)
- 12 Interrupteur d'éclairage du compartiment réfrigérateur
- 13 Clayette extractible en verre
- 14 Orifice de sortie d'air
- 15 Clayettes du compartiment réfrigérateur
- 16 Compartiment froid
- 17 Bac à légumes
- 18 Orifice d'apport et d'évacuation d'air
- 19 Pied à vis
- 20 Rangement en contre-porte
- 21 Distributeur de glaçons
- 22 Bac à glaçons
- 23 Casier à beurre et à fromage

- 24 Balconnet à oeufs
- 25 Balconnet en contre-porte
- 26 Rangement en contre-porte
- 27 Porte-bouteilles
- 28 Clayette à grandes bouteilles

- A Compartiment congélateur
- B Compartiment réfrigérateur

Éléments de commande

Fig. 2

- 1 **Touche de réglage de la température dans le compartiment réfrigérateur**
Cette touche sert à régler la température du compartiment réfrigérateur.
- 2 **Touche de réglage de la température**
Cette touche sert à régler la température du compartiment congélateur.
- 3 **Touche d'alarme**
Sert à désactiver l'alarme sonore (voir le chapitre « Fonction alarme »).
- 4 **Touche « super » compartiment réfrigérateur**
Pour allumer et éteindre la super-réfrigération.
- 5 **Affichage de la température régnant dans le compartiment réfrigérateur**
Les chiffres correspondent aux températures °C réglées dans le compartiment réfrigérateur.
- 6 **Touche « Super » (compartiment congélateur)**
Pour allumer et éteindre la supercongélation.

- 7 **Affichage de la température régnant dans le compartiment congélateur**

Les chiffres correspondent aux températures °C réglées dans le compartiment congélateur.

Remarque

Si l'appareil ne sert pas pendant un certain temps, l'affichage sur le bandeau de commande passe en mode Économie d'énergie.

Enclenchement de l'appareil

1. Appuyez sur la touche Marche / Arrêt **1**/9. L'alarme sonore retentit.
2. Appuyez sur la touche d'alarme **2**/3. L'alarme sonore s'éteint.

La touche d'alarme **2**/3 s'allume jusqu'à ce que la température réglée soit atteinte.

Le fabricant recommande les températures suivantes :

- Compartiment réfrigérateur : +4 °C
- Compartiment congélateur : -18 °C

Remarques concernant le fonctionnement de l'appareil

- Après son allumage, l'appareil peut avoir besoin de plusieurs heures pour atteindre les températures réglées.
- Grâce au système No Frost entièrement automatique, le compartiment congélateur ne se couvre pas de givre. Il n'est plus nécessaire de dégivrer.
- L'appareil chauffe légèrement une partie de ses surfaces frontales pour empêcher une condensation d'eau dans la zone du joint de porte.
- Si la porte du compartiment congélateur ne se laisse pas immédiatement ouvrir après l'avoir fermée, attendez un moment pour laisser à la dépression régnant dans le compartiment le temps de se résorber.

Réglage de la température

Fig. 2

Compartiment réfrigérateur

La température est réglable entre +2 °C et +8 °C.

Appuyez sur la touche de réglage de la température 1 jusqu'à ce que la température souhaitée soit réglée dans le compartiment réfrigérateur.

L'appareil mémorise la valeur réglée en dernier. La température réglée s'affiche à l'affichage de température 5.

Nous recommandons de régler le compartiment réfrigérateur sur +4 °C (réglage usine).

Évitez de stocker les produits alimentaires délicats à une température supérieure à +4 °C.

Compartiment congélateur

La température est réglable entre -16 °C et -24 °C.

Appuyez sur la touche de réglage de la température 2 jusqu'à ce que la température souhaitée soit réglée dans le compartiment congélateur.

L'appareil mémorise la valeur réglée en dernier. La température réglée s'affiche à l'affichage de température 7.

Nous recommandons de régler le compartiment congélateur sur -18 °C (réglage usine).

Fonction alarme

L'alarme sonore retentit lorsque cette dernière monte trop dans le compartiment congélateur.

Éteindre l'alarme sonore

Fig. 2

Appuyez sur la touche « alarm » 3 pour éteindre l'alarme sonore.

Alarme relative à la porte

L'alarme de porte s'active si une porte de l'appareil reste ouverte plus d'une minute. Refermer la porte suffit pour que l'alarme sonore cesse.

Alarme de température

L'alarme de température s'active si la température a trop monté dans le compartiment congélateur.

Touche	Indicateur	Explication
Alarme	de températ ure	
allum é	clignotant	Alarme de température : Les produits congelés ne risquent pas de s'abîmer.
cligno tant	clignotant	Alarme début de décongélation : Les produits congelés risquent de s'abîmer.
cligno tant	allumé	Alarme début de décongélation : Par le passé, la température a trop monté. Les produits congelés risquent de s'abîmer.

Alarme relative à la température

L'alarme peut s'activer dans les cas suivants, sans que cela signifie que les produits congelés risquent de s'abîmer :

- Lors de la mise en service de l'appareil.
- Lors du rangement de grandes quantités de produits frais.

- Lorsque la porte du compartiment congélateur est restée trop longtemps ouverte.

Avertissement (amorce de décongélation)

Si le goût, l'odeur et l'aspect des produits n'a pas changé, vous pouvez les faire cuire ou rôtir puis les recongeler. N'utilisez pas la durée de conservation dans son intégralité.

Remarque

Ne remettez pas à congeler des produits alimentaires partiellement ou entièrement décongelés. Vous pourrez les recongeler uniquement après les avoir transformés en plats pré-cuisinés (par cuisson ou rôtissage).

N'utilisez pas la durée de conservation dans son intégralité.

Contenance utile

Vous trouverez les indications relatives à la contenance utile sur la plaque signalétique de votre appareil. Fig. 13

Utiliser l'intégralité du volume de congélation

Pour pouvoir ranger la quantité maximale de produits congelés, vous pouvez retirer les pièces composant l'équipement suivantes.

Pour retirer les pièces d'équipement

- Vous pouvez sortir le rangement en contre-porte. Fig. 4
- Sur les appareils avec distributeur de glaçons, il est possible de retirer ce dernier. Fig. 5

Le compartiment réfrigérateur

Le compartiment réfrigérateur est l'endroit idéal où ranger les plats finis de préparer, les pâtisseries, conserves, le lait condensé, le fromage dur, les fruits et légumes craignant le froid ainsi que les agrumes.

Consignes de rangement

Rangez les aliments si possible bien emballés ou bien couverts. Ils garderont ainsi arôme, couleur et fraîcheur. Ceci empêche en outre que certains aliments ne communiquent leur goût à d'autres et que les pièces en plastique changent anormalement de couleur.

Remarque

Évitez que les produits alimentaires entrent en contact avec la paroi arrière. Cela gênerait sinon la circulation de l'air.

Les produits alimentaires ou les emballages pourraient rester collés, par congélation, contre la paroi arrière.

Tenez compte des différentes zones froides dans le compartiment réfrigérateur

L'air circulant dans le compartiment réfrigérateur fait que des zones différemment froides apparaissent :

- **La zone la plus froide**
se trouve dans le compartiment intérieur, contre la paroi arrière et dans le compartiment froid. Fig. 1/16

Remarque

Dans la zone la plus froide, rangez les aliments délicats (par ex. le poisson, la charcuterie, la viande).

- **Zone la moins froide**
elle se trouve complètement en haut, contre la porte.

Remarque

Rangez dans la zone la moins froide par ex. le fromage et le beurre. Ainsi, au moment de servir, le fromage conservera tout son arôme et le beurre restera tartinable.

Super-réfrigération

Pendant la super-réfrigération, la température dans le compartiment réfrigérateur descend le plus bas possible pendant env. 6 heures. Ensuite, l'appareil commute sur la température réglée avant que vous n'activiez la super-réfrigération.

Activez la super-réfrigération par exemple

- avant de ranger de grandes quantités d'aliments.
- avant de réfrigérer rapidement des boissons.

Allumage et extinction

Fig. 2

Appuyez sur la touche « super » 4.

Le voyant de la touche est allumé si vous avez activé la super-réfrigération.

Le compartiment congélateur

Utilisation du compartiment congélateur

- Sert à ranger des produits surgelés.
- Sert à confectionner des glaçons.
- Pur congeler des produits alimentaires.

Remarque

Veillez à ce que la porte du compartiment congélateur soit correctement fermée ! Si cette porte reste ouverte, les produits surgelés dégèleront. Le compartiment congélateur se givre fortement.

En outre : gaspillage d'énergie dû à une consommation élevée d'électricité !

Capacité de congélation maximale

Sur la plaquette signalétique, vous trouverez des indications concernant la capacité de congélation maximale en 24 heures. Fig. 13

Congélation et rangement

Achats de produits surgelés

- Leur emballage doit être intact.
- Ne dépassez pas la date-limite de conservation.
- Il faut que la température dans le congélateur bahut du supermarché soit de -18 °C ou encore plus basse.
- Utilisez de préférence un sac isotherme pour le transport puis rangez les produits le plus rapidement possible dans le compartiment congélateur.

Consignes de rangement

Congeler des quantités importantes de produits alimentaires dans le compartiment de congélation rapide. Y est la plus rapide, ce qui en même temps les ménage.

Veillez à ce que les produits congelés n'entrent pas en contact avec des produits frais.

Congélation de produits frais

Pour congeler les aliments, n'utilisez que des aliments frais et d'un aspect impeccable.

Il faudrait blanchir les légumes avant de les congeler, pour préserver le mieux possible leur valeur nutritive, leur arôme et leur teinte. Il n'est pas nécessaire de blanchir les aubergines, poivrons, courgettes et asperges.

Vous trouverez en librairie toute une bibliographie sur la congélation et le blanchissement.

Remarque

Veillez à ce que les produits alimentaires à congeler n'entrent pas en contact avec des produits déjà congelés.

- Se prêtent à la congélation :
Pâtisseries, poissons et fruits de mer, viande de boucherie et gibier, volaille, fruits, légumes, herbes culinaires, œufs sans la coque, produits laitiers comme le fromage, le beurre et le fromage blanc, plats précuisinés et restes de plats tels que les soupes, ragouts, la viande et le poisson cuits, les plats aux pommes de terre, les soufflés et mets sucrés.
- Ne se prêtent pas à la congélation :
Variétés de légumes habituellement dégustées crues telles que la salade ou les radis, œufs dans leur coque, raisins, pommes, poires et pêches entières, œufs cuits durs, yaourt, lait caillé, crème acidulée, crème fraîche et mayonnaise.

Emballer les surgelés

L'air ne doit pas pénétrer dans l'emballage pour que les aliments ne perdent pas leur goût ni ne sèchent pas.

1. Placez les aliments dans l'emballage.
2. Presser pour chasser l'air.
3. Obturez l'emballage hermétiquement.
4. Indiquez sur l'emballage le contenu et la date de congélation.

Emballages adaptés :

Feuilles en plastique, feuilles en polyéthylène, feuilles d'aluminium, boîtes de congélation. Vous trouverez ces produits dans le commerce spécialisé.

Emballages inadaptés :

Le papier d'emballage, le papier sulfurisé, les feuilles de cellophane, les sacs poubelles et les sacs en plastique ayant déjà servi.

Moyens d'obturation adaptés :

Caoutchoucs, clips en plastique, ficelles, rubans adhésifs résistants au froid, ou assimilés.

Vous pouvez obturer les sachets et les feuilles en polyéthylène au moyen d'une thermosoudeuse.

Durée de conservation des produits surgelés

La durée de conservation dépend de la nature des produits alimentaires.

Si la température a été réglée sur -18 °C :

- Poisson, charcuterie, plats pré-cuisinés, pâtisseries :
jusqu'à 6 mois
- Fromage, volaille, viande :
jusqu'à 8 mois
- Fruits et légumes :
jusqu'à 12 mois

Supercongélation

Il faudrait congeler les produits alimentaires à cœur le plus rapidement possible afin de préserver leurs vitamines, leur valeur nutritive, leur aspect et leur goût.

Pour empêcher une hausse indésirable de la température, allumez la supercongélation quelques heures avant de ranger des produits alimentaires frais.

4 à 6 heures suffisent généralement.

L'appareil fonctionne désormais en permanence. Le compartiment congélateur atteint une température très basse.

S'il faut utiliser la capacité de congélation maximale, il faut enclencher la supercongélation 24 heures avant de ranger des produits frais.

Si vous ne voulez congeler que de petites quantités d'aliments (jusqu'à 2 kg), vous n'avez pas besoin d'enclencher la supercongélation.

Remarque

Si vous avez activé la supercongélation, l'appareil peut fonctionner plus bruyamment.

Allumage et extinction

Fig. 2

Appuyez sur la touche « super » 6.

À l'enclenchement de la supercongélation, le voyant de la touche s'allume.

La supercongélation se désactive automatiquement au bout de 2½ jours.

Décongélation des produits

Selon la nature et l'utilisation des produits surgelés, vous pouvez choisir entre plusieurs possibilités :

- à la température ambiante,
- dans le réfrigérateur,
- dans le four électrique, avec / sans ventilateur à air chaud,
- dans le micro-ondes.



Attention

Ne remettez pas à congeler des produits alimentaires partiellement ou entièrement décongelés. Vous pourrez les recongeler uniquement après les avoir transformés en plats pré-cuisinés (par cuisson ou rôtissage).

Dans ce cas, consommez-les nettement avant la date limite de conservation.

Équipement

Vous pouvez modifier suivant besoin l'agencement des clayettes du compartiment intérieur et l'agencement des récipients en contre-porte :

- Tirez la clayette en avant, abaissez-la et faites-la basculer latéralement pour l'extraire.
- Soulevez le rangement en contre-porte puis extrayez-le. Fig. 4

Équipement spécial

(selon le modèle)

Retirer la clayette extractible en verre

Fig. 1/13

La clayette en verre se laisse retirer pour la nettoyer. Pour ce faire, tirez la clayette, soulevez-la à l'avant et retirez-la.

Clayette à bouteilles

Fig. 6 A/B

Cette clayette permet de ranger des bouteilles de manière sûre.

Compartiment froid

Fig. 1/16

Les températures régnant dans le compartiment froid sont plus basses que dans le compartiment réfrigérateur. Des températures inférieures à 0 °C peuvent également se manifester.

Idéal pour ranger le poisson, la viande et la charcuterie. Ne convient pas pour les salades, les légumes et les produits alimentaires qui craignent le froid.

Bac à légumes avec régulateur d'humidité

Fig. 7

Pour créer un climat de stockage optimal pour les légumes, la salade et les fruits, vous pouvez, en fonction de la quantité rangée, réguler l'humidité de l'air qui règnera dans le bac à légumes.

Petites quantités de produits alimentaires –

Poussez le curseur vers la gauche.

Grandes quantités de produits alimentaires –

Poussez le curseur vers la droite.

Insert pour tiroir

Fig. 9

Vous pouvez sortir l'insert.

Balconnet en contre-porte

Fig. 1/25

Idéal pour ranger des sucreries, épices et sauces toutes prêtes. Rangement possible, également, de cosmétiques

Porte-bouteilles

Fig. 1/27

Le porte-bouteilles empêche ces dernières de se renverser lorsque vous ouvrez et refermez la porte.

Distributeur de glaçons

Fig. 8

1. Retirez le réservoir d'eau et remplissez-le d'eau jusqu'au repère.
2. Par le biais de l'orifice de remplissage, videz prudemment l'eau dans le bac à glace. Veillez ce faisant à ce que l'eau ne coule pas dans le bac à glace ou contre ses parois, et qu'elle n'éclabousse pas. Les glaçons risqueraient sinon de coller les uns contre les autres ou contre le bac.
3. Une fois les glaçons formés, poussez le levier vers le bas et relâchez-le. Les glaçons se détachent et tombent dans le bac à glace.
4. Sortez les glaçons du bac à glace. Il faudrait prélever régulièrement les glaçons de la réserve pour les empêcher de coller les uns contre les autres.

Arrêt et remisage de l'appareil

Coupure de l'appareil

Fig. 1

Appuyez sur la touche Marche / Arrêt 9. Le groupe frigorifique et l'éclairage s'éteignent.

Remisage de l'appareil

Si l'appareil doit rester longtemps sans servir :

1. Éteignez l'appareil.
2. Débranchez la fiche mâle du secteur ou ramenez le disjoncteur en position éteinte.
3. Nettoyez l'appareil.
4. Laissez la porte de l'appareil ouverte.

Si vous dégivrez l'appareil

Compartiment réfrigérateur

La décongélation a lieu automatiquement.

L'eau de condensation sort par l'orifice d'écoulement puis gagne le bac d'évaporation au dos de l'appareil.

Compartiment congélateur

Grâce au système No Frost entièrement automatique, le compartiment congélateur ne se couvre pas de givre. La nécessité de dégivrer disparaît.

Nettoyage de l'appareil



Attention

- N'utilisez aucun produit de nettoyage contenant du sable, du chlorure ou de l'acide, ni aucun solvant.
- N'utilisez jamais d'éponges abrasives ou susceptibles de rayer. Des zones corrodées pourraient apparaître sur les surfaces métalliques.
- Ne nettoyez jamais les clayettes et les bacs au lave-vaisselle. Ces pièces pourraient se déformer !

L'eau de nettoyage ne doit pas pénétrer dans

- les ouïes aménagées dans la partie avant du fond du compartiment congélateur,
- dans les éléments de commande,
- et dans l'éclairage.

Procédure :

1. Éteignez l'appareil avant de le nettoyer.
2. Débranchez la fiche mâle du secteur ou ramenez le disjoncteur en position éteinte !
3. Sortez les produits congelés et rangez-les dans un endroit frais. Posez les accumulateurs de froid (si fournis avec l'appareil) sur ces produits.
4. Ne nettoyez l'appareil qu'avec un chiffon doux, de l'eau tiède et du produit à vaisselle présentant un pH neutre. L'eau de nettoyage ne doit pas pénétrer dans l'éclairage.
5. N'essuyez le joint de porte qu'avec un chiffon et de l'eau propre ; ensuite, séchez-le à fond.
6. Après le nettoyage : rebranchez la fiche mâle de l'appareil puis réenclenchez-le.
7. Rangez à nouveau les produits surgelés dans les tiroirs.

Équipement

Pour nettoyer, il est possible de retirer toutes les pièces variables de l'appareil.

Retirer les clayettes en verre

Tirez les clayettes en verre à vous puis extrayez-les.

Sortir les supports en contre-porte

Fig. 4

Soulevez les supports et retirez-les.

Retirer la clayette en verre du compartiment froid

Fig. 10

Poussez la fixation vers le haut et sortez la clayette en verre.

Remarque

Ne nettoyez pas la clayette en verre du compartiment froid sous l'eau du robinet.

Extraire la clayette en verre au dessus du tiroir à légumes

Fig. 11

Avant de pouvoir sortir la clayette en verre, extrayez le tiroir à légumes.

Il est possible de démonter la clayette en verre pour la nettoyer.

Éclairage (LED)

Votre appareil est équipé d'un éclairage par LED ne demandant pas d'entretien.

Les réparations de cet éclairage sont exclusivement réservées au service après-vente ou à des spécialistes autorisés.

Economies d'énergie

- Placez l'appareil dans un local sec et aérable. Veillez à ce que l'appareil ne soit pas directement exposé aux rayons solaires et qu'il ne se trouve pas à proximité d'une source de chaleur (par ex. radiateur, cuisinière).
Utilisez le cas échéant une plaque isolante.
- Attendez que les plats chauds aient refroidi avant de les ranger dans le compartiment congélateur.
- Déposez le produit congelé dans le compartiment réfrigérateur et profitez de son froid pour refroidir les produits alimentaires.
- N'ouvrez la porte de l'appareil que le plus brièvement possible.
- De temps en temps, nettoyez le dos de l'appareil, ceci pour éviter une hausse de la consommation d'électricité.
- Si présent :
Montez les écarteurs muraux pour parvenir à la quantité mentionnée d'énergie absorbée par l'appareil (voir la notice de montage). Un écart moins élevé par rapport au mur ne restreint pas le fonctionnement de l'appareil. Dans ce cas, l'énergie absorbée peut différer légèrement. Il ne faut pas dépasser un écart de 75 mm.

Bruits de fonctionnement

Bruits parfaitement normaux

Bourdonnement sourd

Les moteurs tournent (par ex. groupes frigorifiques, ventilateur).

Clapotis, sifflement léger ou gargouillis

Le fluide frigorigène circule dans les tuyaux.

Cliquetis

Le moteur, les interrupteurs ou les électrovannes s'allument / s'éteignent.

Craquement

Le dégivrage automatique a lieu.

Éviter la génération de bruits

L'appareil ne repose pas d'aplomb

Veillez mettre l'appareil d'aplomb à l'aide d'un niveau à bulle. Ajustez ensuite l'horizontalité par les pieds à vis ou placez un objet dessous.

L'appareil touche quelque chose

Eloignez l'appareil de meubles ou d'appareils voisins.

Les bacs ou surfaces de rangement vacillent ou se coincent

Vérifiez les pièces amovibles puis remettez-les en place correctement.

Des bouteilles ou récipients se touchent

Eloignez légèrement les bouteilles ou récipients les uns des autres.

Remédier soi même aux petites pannes

Avant d'appeler le service après-vente (SAV) :

Vérifiez svp si vous ne pouvez pas remédier vous-même au dérangement à l'aide des instructions qui suivent.

Vous éviterez des dépenses inutiles car le déplacement du technicien du SAV vous sera facturé même pendant la période de garantie.

Dérangement	Cause possible	Remède
La température dévie fortement par rapport au réglage.		<p>Dans certains cas, il suffira d'éteindre l'appareil pendant 5 minutes.</p> <p>Si la température est trop élevée, vérifiez au bout de seulement quelques heures si un rapprochement de la température a eu lieu.</p> <p>Si la température est trop basse, vérifiez à nouveau la température le lendemain.</p>
L'éclairage ne fonctionne pas.	L'éclairage par LED est défectueux.	Voir le chapitre « Éclairage (LED) ».
	<p>L'appareil est restée ouverte trop longtemps.</p> <p>L'éclairage s'éteint au bout d'environ 10 minutes.</p>	Après avoir fermé et ouvert l'appareil, l'éclairage fonctionne à nouveau.
Luminosité réduite des éléments de commande.	Si l'appareil ne sert pas pendant un certain temps, l'affichage sur le bandeau de commande passe en mode Économie d'énergie.	Dès que vous réutilisez l'appareil, par exemple dès que vous ouvrez une porte, l'affichage revient sur sa luminosité normale.

Dérangement	Cause possible	Remède
Aucun voyant ne s'allume.	Coupure de courant ; disjoncteur disjoncté ; fiche mâle pas complètement branchée dans la prise.	Branchez la fiche mâle dans la prise de courant. Vérifiez s'il y a du courant, vérifiez les fusibles / disjoncteurs.
L'alarme sonore retentit. La touche d'alarme est allumée. Fig. 2/3	Dérangement : température excessive dans le compartiment congélateur !	Pour désactiver l'alarme sonore, appuyez sur la touche d'alarme 3.
	L'appareil est ouvert.	Fermez l'appareil.
	Orifices d'entrée et de sortie d'air recouverts.	Veillez à ce que l'air puisse entrer et sortir librement.
	Vous avez mis d'un coup trop de produits à congeler.	Ne dépassez pas la capacité de congélation maximale.
		Après avoir supprimé ce dérangement, la touche d'alarme s'éteint au bout d'un certain temps.

Dérangement	Cause possible	Remède
L'alarme sonore retentit. La touche d'alarme clignote. Fig. 2/3	Dérangement : température excessive dans le compartiment congélateur ! Les produits surgelés risquent de s'abîmer !	Pour désactiver l'alarme sonore, appuyez sur la touche d'alarme 3. La touche d'alarme cesse de clignoter. Remarque Vous pouvez remettre à congeler les produits en partie ou intégralement dégelés à condition qu'ils ne soient pas restés dégelés (à +3 °C) plus d'un jour s'il s'agit de viande ou de poisson, ou plus de trois jours s'il s'agit d'autres produits. Si le goût, l'odeur et l'aspect n'ont pas changé, vous pouvez recongeler ces produits alimentaires après les avoir faits cuire ou rôti. N'utilisez pas la durée de conservation dans son intégralité.
	L'appareil est ouvert.	Fermez l'appareil.
	Orifices d'entrée et de sortie d'air recouverts.	Veillez à ce que l'air puisse entrer et sortir librement.
	Vous avez mis d'un coup trop de produits à congeler.	Ne dépassez pas la capacité de congélation maximale.
		Après avoir supprimé ce dérangement, la touche d'alarme s'éteint au bout d'un certain temps.

Dérangement	Cause possible	Remède
La température régnant dans le compartiment congélateur est trop élevée.	Vous avez ouvert fréquemment l'appareil.	N'ouvrez pas l'appareil inutilement.
	Les orifices d'apport et d'évacuation d'air sont recouverts par des objets faisant obstacle.	Enlevez ces obstacles.
	Vous avez mis une assez grande quantité d'aliments à congeler.	Ne dépassez pas la capacité de congélation maximale.
La porte du compartiment congélateur est restée longtemps ouverte ; le compartiment congélateur n'atteint plus la température.	L'évaporateur (le générateur de froid) équipant le système No Frost est tellement givré qu'il ne peut plus se dégivrer de façon entièrement automatique.	<p>Pour dégivrer l'évaporateur, sortez les produits alimentaires dans leurs casiers et rangez-les bien isolés dans un endroit frais.</p> <p>Éteignez l'appareil et éloignez-le du mur. Laissez la porte de l'appareil ouverte.</p> <p>Au bout de 20 minutes environ, l'eau de dégivrage commence à couler dans le bac d'évaporation au dos de l'appareil. Fig. 12</p> <p>Pour éviter dans ce cas que le bac d'évaporation ne déborde, récupérez cette eau à l'aide d'une éponge.</p> <p>L'évaporateur est entièrement dégivré lorsqu'il ne coule plus d'eau de dégivrage dans le bac d'évaporation. Nettoyez le compartiment intérieur. Remettez ensuite l'appareil en service.</p>

Service après-vente

Pour connaître le service après-vente situé le plus près de chez vous, consultez l'annuaire téléphonique ou le répertoire des services après-vente (SAV). Veuillez indiquer au SAV le numéro de série (E-Nr.) de l'appareil et son numéro de fabrication (FD).

Vous trouverez ces indications sur la plaque signalétique Fig. **13**

Aidez-nous à éviter des déplacements inutiles : indiquez les numéros de série et de fabrication. Vous économiserez ainsi des suppléments de frais inutiles.

Commande de réparation et conseils en cas de dérangements

Vous trouverez les données de contact pour tous les pays dans l'annuaire ci-joint du service après-vente.

FR 01 40 10 12 00
B 070 222 142
CH 0848 840 040

Veiligheidsbepalingen en waarschuwingen

Voordat u het apparaat in gebruik neemt

Lees de gebruiksaanwijzing en het installatievoorschrift nauwkeurig door. U vindt daarin belangrijke informatie over plaatsing, gebruik en onderhoud van het apparaat.

De fabrikant aanvaardt geen aansprakelijkheid als de aanwijzingen en waarschuwingen in de gebruiksaanwijzing niet in acht worden genomen. Bewaar de gebruiksaanwijzing en het montagevoorschrift voor later gebruik of voor een eventuele latere bezitter.

Technische veiligheid

Het apparaat bevat een geringe hoeveelheid van het milieuvriendelijke maar brandbare koelmiddel R600a. Let erop dat de leidingen van het koelcircuit bij het transport of de installatie niet beschadigd worden. Koelmiddel dat naar buiten spuit kan vlam vatten of tot oogletsel leiden.

Bij beschadiging

- Open vuur of andere ontstekingsbronnen uit de buurt van het apparaat houden;
- Ruimte gedurende een paar minuten goed luchten;
- Apparaat uitschakelen en de stekker uit het stopcontact trekken;
- Contact opnemen met de Servicedienst.

Hoe meer koelmiddel het apparaat bevat, des te groter moet de ruimte zijn waarin het apparaat wordt opgesteld. In een te kleine ruimte kan bij een lek een ontvlambaar mengsel van gas en lucht ontstaan.

Per 8 g koelmiddel moet het vertrek minstens 1 m³ groot zijn. De hoeveelheid koelmiddel in uw apparaat vindt u op het typeplaatje aan de binnenkant van het apparaat.

Als de aansluitkabel van het apparaat beschadigd raakt, moet deze worden vervangen door de fabrikant, de klantenservice of een andere gekwalificeerde persoon. Onvakkundige installatie en reparaties kunnen groot gevaar opleveren voor de bezitter.

Reparaties mogen uitsluitend worden uitgevoerd door de fabrikant, de klantenservice of een andere gekwalificeerde persoon.

Er mogen alleen originele onderdelen van de fabrikant gebruikt worden. Alleen bij deze onderdelen garandeert de fabrikant dat ze aan de veiligheidseisen voldoen.

Een verlengsnoer voor de aansluitkabel mag uitsluitend via de klantenservice worden aangeschaft.

Bij het gebruik

- Nooit elektrische apparaten in het apparaat gebruiken (bijv. verwarmingsapparaten, elektrische ijsmaker etc.). Gevaar voor explosie!
- Het apparaat nooit met een stoomreiniger ontdooien of schoonmaken! De hete stoom kan in de elektrische onderdelen terechtkomen en kortsluiting veroorzaken. Kans op een elektrische schok!

- Gebruik geen puntige of scherpe voorwerpen om een laag ijs of rijp te verwijderen. Hierdoor kunt u de koelleidingen beschadigen. Koelmiddel dat naar buiten spuit kan vlam vatten of tot oogletsel leiden.
- Geen producten met brandbare drijfgassen (bijv. spuitbussen) en geen explosieve stoffen in het apparaat opslaan. Gevaar voor explosie!
- Plint, uittrekbare manden of laden, deuren etc. niet als opstapje gebruiken of om op te leunen.
- Om te ontdooien of schoon te maken: stekker uit het stopcontact trekken resp. de zekering uitschakelen of losdraaien. Altijd aan de stekker trekken, nooit aan de aansluitkabel.
- Dranken met een hoog alcoholpercentage altijd goed afgesloten en staand bewaren.
- Geen olie of vet gebruiken op kunststof onderdelen en deurdichtingen. Ze kunnen poreus worden.
- De be- en ontluchtingsopeningen van het apparaat nooit afdekken.
- Personen (inclusief kinderen) met fysieke, sensorische of psychische beperkingen of gebrekkige kennis mogen dit apparaat uitsluitend gebruiken indien ze onder toezicht staan van een persoon die verantwoordelijk is voor hun veiligheid of door deze persoon zijn ingelicht over de wijze waarop het apparaat dient te worden gebruikt.
- Flessen en blikjes met vloeistoffen – vooral koolzuurhoudende dranken – niet in de diepvriesruimte opslaan. De flessen en blikjes kunnen springen!

- Diepvrieswaren nadat u ze uit de diepvriesruimte hebt gehaald, nooit onmiddellijk in de mond nemen. Kans op verbranding!
- Vermijd langdurig contact van uw handen met de diepvrieswaren, ijs of de verdamperbuizen enz. Kans op verbranding!

Kinderen in het huishouden

- Verpakkingsmateriaal en onderdelen ervan zijn geen speelgoed voor kinderen. Verstikkingsgevaar door opvouwbare kartonnen dozen en folie!
- Het apparaat is geen speelgoed voor kinderen!
- Bij een apparaat met deurslot: sleutel buiten het bereik van kinderen bewaren!

Algemene bepalingen

Het apparaat is geschikt

- voor het koelen en invriezen van levensmiddelen,
- voor het bereiden van ijs.

Dit apparaat is bestemd voor privégebruik in het huishouden en de huiselijke omgeving.

Het apparaat is ontstoord volgens EU richtlijn 2004/108/EC.

Het koelcircuit is op dichtheid gecontroleerd.

Dit apparaat voldoet aan de veiligheidsbepalingen voor elektrische apparaten (EN 60335-2-24).

Aanwijzingen over de afvoer

Afvoeren van de verpakking van uw nieuwe apparaat

De verpakking beschermt uw apparaat tegen transportschade. De gebruikte materialen zijn onschadelijk voor het milieu en kunnen opnieuw worden gebruikt. Help daarom mee en zorg dat de verpakking milieuvriendelijk wordt afgevoerd.

U kunt bij uw leverancier of bij de reinigingsdienst in uw gemeente informeren hoe u uw oude apparaat en het verpakkingsmateriaal van het nieuwe apparaat kunt (laten) afvoeren voor een milieuvriendelijke verwerking.

Afvoeren van uw oude apparaat

Oude apparaten zijn geen waardeloos afval! Door een milieuvriendelijke afvoer kunnen waardevolle grondstoffen worden teruggewonnen.



Dit apparaat is gekenmerkt in overeenstemming met de Europese richtlijn 2002/96/EG betreffende afgedankte elektrische en elektronische apparatuur (waste electrical and electronic equipment – WEEE). Deze richtlijn geeft het kader aan voor een in de EU geldende terugname en verwerking van oude apparaten.

Waarschuwing

Bij afgedankte apparaten

1. Stekker uit het stopcontact trekken.
2. Aansluitkabel doorknippen en samen met de stekker verwijderen.
3. Legplateaus en voorraadvakken niet eruit halen om het kinderen moeilijk te maken erin te klimmen!
4. Laat kinderen niet met het afgedankte apparaat spelen. Verstikkingsgevaar!

Koelapparaten bevatten koelmiddel en in de isolatie gas. Die zorgvuldig moeten worden afgevoerd. Met het oog op een doelmatige en milieuvriendelijke afvoer mogen de leidingen van het koelcircuit tot het moment van transport niet beschadigd worden.

Omvang van de levering

Controleer na het uitpakken alle onderdelen op eventuele transportschade.

Voor klachten kunt u terecht bij de winkel waar u het apparaat hebt aangeschaft of bij onze klantenservice.

De levering bestaat uit de volgende onderdelen:

- Vrijstaand apparaat
- Zakje met montage materiaal
- Uitrusting (modelafhankelijk)
- Gebruiksaanwijzing
- Montagevoorschrift
- Klantenserviceboekje
- Garantiebijlage
- Informatie over energieverbruik en geluiden

Let op de omgevingstemperatuur en de beluchting

Omgevingstemperatuur

Het apparaat is voor een bepaalde klimaatklasse geconstrueerd. Afhankelijk van de klimaatklasse kan het apparaat bij de volgende omgevingstemperaturen gebruikt worden.

De klimaatklasse staat op het typeplaatje, afb. **13**.

Klimaatklasse	Toelaatbare omgevingstemperatuur
SN	+10 °C tot 32 °C
N	+16 °C tot 32 °C
ST	+16 °C tot 38 °C
T	+16 °C tot 43 °C

Aanwijzing

Het apparaat is volledig functioneel binnen de binnentemperatuurgrenzen van de aangegeven klimaatklasse. Wanneer een apparaat uit klimaatklasse SN wordt gebruikt bij een lagere binnentemperatuur, kunnen beschadigingen aan het apparaat worden uitgesloten tot een temperatuur van +5 °C.

Beluchting

Afb. **3**

De lucht aan de achterwand en aan de zijwanden van het apparaat wordt verwamd. De verwarmde lucht moet ongehinderd afgevoerd kunnen worden. Anders moet de koelmachine meer presteren waardoor het energieverbruik toeneemt.

De be en ontluuchtingsopeningen mogen dan ook nooit worden afgedekt!

Apparaat aansluiten

Na het plaatsen van het apparaat moet u minimaal 1 uur wachten voordat u het apparaat in gebruik neemt. Tijdens het transport kan het gebeuren dat de olie van de compressor in het koelsysteem terecht komt.

Vóór het eerste gebruik de binnenruimte van het apparaat schoonmaken (zie hoofdstuk „Schoonmaken van het apparaat”).

Elektrische aansluiting

Het stopcontact moet zich in de buurt van het apparaat bevinden en ook na het opstellen van het apparaat goed bereikbaar zijn.

Het apparaat voldoet aan beschermklasse I. Het apparaat aansluiten op een volgens de voorschriften geïnstalleerd 220–240 V/50 Hz wisselstroomstopcontact met aardleiding. Het stopcontact moet zijn beveiligd met een zekering van 10 A tot 16 A.

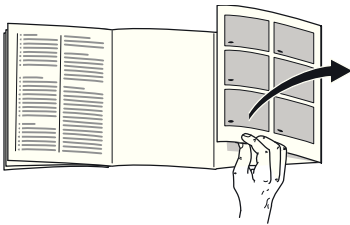
Bij apparaten die in niet Europese landen worden gebruikt op het typeplaatje controleren of de aansluitspanning en de stroomsoort overeenkomen met de waarden van uw elektriciteitsnet. U vindt deze gegevens op het typeplaatje. Afb. **13**

Waarschuwing

Het apparaat mag in geen geval worden aangesloten op elektronische energiebesparingsstekkers.

Voor onze apparaten kunnen netvoedingsinverters en sinusinverters worden gebruikt. Netvoedingsinverters worden gebruikt bij fotovoltaïsche installaties die rechtstreeks zijn aangesloten op het openbare elektriciteitsnet. Bij losstaande systemen (bijv. op schepen of in berghutten) die geen rechtstreekse aansluiting op het openbare elektriciteitsnet hebben, moet een sinusinverter worden gebruikt.

Kennismaking met het apparaat



De laatste bladzijde met de afbeeldingen uitklappen. Deze gebruiksaanwijzing is op meer dan één type van toepassing.

De uitrusting van de modellen kan variëren.

Kleine afwijkingen in de afbeeldingen zijn mogelijk.

Afb. 1

- | | |
|-----|---------------------------------------|
| 1-7 | Bedieningselementen |
| 8 | Lichtschakelaar diepvriesruimte |
| 9 | Toets Aan/Uit |
| 10 | Snelvriesvak |
| 11 | Verlichting (LED) |
| 12 | Lichtschakelaar koelruimte |
| 13 | Uittrekbaar glasplateau |
| 14 | Luchtopening |
| 15 | Legroosters/plateaus in de koelruimte |
| 16 | Verskoelvak |
| 17 | Groentelade |
| 18 | Be- en ontluichtingsopening |
| 19 | Schroefvoetjes |
| 20 | Vorraadvak in de deur |
| 21 | Ijsbereider |
| 22 | Ijsblokjesreservoir |
| 23 | Boter en kaasvak |
| 24 | Eierrekje |
| 25 | Deurvak |
| 26 | Vorraadvak in de deur |
| 27 | Flessenhouder |
| 28 | Vak voor grote flessen |
| A | Diepvriesruimte |
| B | Koelruimte |

Bedieningselementen

Afb. 2

- 1 **Temperatuurinsteltoets koelruimte**
Met de toets wordt de temperatuur van de koelruimte ingesteld.
- 2 **Insteltoets temperatuur in de diepvriesruimte**
Met de toets wordt de temperatuur van de diepvriesruimte ingesteld.
- 3 **Alarmtoets**
Om het alarmsignaal uit te schakelen (zie hoofdstuk „Alarm function”).
- 4 **Toets „super” (Koelruimte)**
Om het superkoelsysteem in en uit te schakelen.
- 5 **Temperatuurindicatie Koelruimte**
De cijfers komen overeen met de ingestelde temperaturen in de koelruimte in °C.
- 6 **Toets „super” (Diepvriesruimte)**
Om het supervriessysteem in en uit te schakelen.
- 7 **Temperatuurindicatie Diepvriesruimte**
De cijfers komen overeen met de ingestelde temperaturen in de diepvriesruimte in °C.

Aanwijzing

Wanneer het apparaat een tijdje niet wordt bediend, wordt de indicatie van het bedieningspaneel op de energiespaarmodus gezet.

Inschakelen van het apparaat

1. Toets Aan/Uit **1**/9 indrukken. Het alarmsignaal is te horen.
2. Alarmtoets **2**/3 indrukken. Het alarmsignaal gaat uit.

De alarmtoets **2**/3 brandt tot de ingestelde temperatuur is bereikt.

De fabriek adviseert de volgende temperaturen:

- Koelruimte: +4 °C
- Diepvriesruimte: -18 °C

Aanwijzingen bij het gebruik

- Na het inschakelen kan het een aantal uren duren voordat de ingestelde temperaturen zijn bereikt.
- Door het volledig automatische No Frost-systeem blijft de vriesruimte ijsvrij. Ontdooien is overbodig.
- De voorzijde van het apparaat achter de deur wordt gedeeltelijk licht verwarmd waardoor de vorming van condenswater in de buurt van de deurafdichting wordt voorkomen.
- Wanneer de deur van de diepvriesruimte na het sluiten niet direct weer geopend kan worden, dient u even te wachten tot de onderdruk is verdwenen.

Instellen van de temperatuur

Afb. 2

Koelruimte

De temperatuur is instelbaar van +2 °C tot +8 °C.

Temperatuur-insteltoets 1 net zo vaak indrukken tot de gewenste temperatuur in de koelruimte is ingesteld.

De laatst ingestelde waarde wordt in het geheugen opgeslagen. De ingestelde temperatuur wordt aangegeven op de temperatuurindicatie 5.

Wij adviseren een temperatuurinstelling van +4 °C voor de koelruimte.

Gevoelige levensmiddelen niet warmer dan bij +4 °C bewaren.

Diepvriesruimte

De temperatuur is instelbaar van -16 °C tot -24 °C.

Temperatuur-insteltoets 2 net zo vaak indrukken tot de gewenste temperatuur in de diepvriesruimte is ingesteld.

De laatst ingestelde waarde wordt in het geheugen opgeslagen. De ingestelde temperatuur wordt aangegeven op de temperatuurindicatie 7.

Wij adviseren een instelling van -18 °C voor de diepvriesruimte.

Alarm function

Het alarmsignaal wordt automatisch ingeschakeld als het in de diepvriesruimte te warm is.

Alarmsignaal uitschakelen

Afb. 2

De alarm-toets 3 indrukken om het alarmsignaal uit te schakelen.

Deuralarm

Het deuralarm wordt ingeschakeld als een deur van het apparaat langer dan een minuut openstaat. Door de deur te sluiten wordt het alarmsignaal weer uitgeschakeld.

Temperatuur-alarm

Het temperatuuralarm wordt ingeschakeld als het in de diepvriesruimte te warm is.

Alarmtoets	Temperature display	Verklaring
brandt	knippert	Temperatuur-alarm: De diepvrieswaren l open geen gevaar.
knippert	knippert	Ontdooialarm: De diepvrieswaren lopen gevaar.
knippert	brandt	Ontdooialarm: In het verleden was het te warm. De diepvrieswaren lopen gevaar.

Temperatuurwaarschuwing

Zonder gevaar voor de diepvrieswaren kan het alarm automatisch inschakelen:

- bij het in gebruik nemen van het apparaat,
- bij het inladen van grote hoeveelheden verse levensmiddelen,
- als de deur van de diepvriesruimte te lang geopend werd.

Ontdooiwaarschuwing

Als smaak, geur en uiterlijk onveranderd zijn, kunnen de levensmiddelen na koken of bakken opnieuw worden ingevroren. De maximale bewaartijd niet meer ten volle benutten.

Aanwijzing

Half of geheel ontdoide diepvrieswaren niet opnieuw invriezen. Pas na het koken of braden tot een kant-en-klaargerecht kunnen ze opnieuw worden ingevroren.

De maximale bewaartijd niet meer ten volle benutten.

Netto-inhoud

De gegevens over de netto-inhoud vindt u op het typeplaatje in uw apparaat. Afb. 13

Vriesvermogen volledig benutten

Om de maximale hoeveelheid diepvrieswaren in te ruimen, kunnen de volgende uitrustingsonderdelen worden verwijderd.

Onderdelen eruit halen

- De vakken in de deur kan eruit gehaald worden. Afb. 4
- Bij apparaten met een ijsbereider kan deze worden verwijderd. Afb. 5

De koelruimte

De koelruimte is de ideale bewaarplaats voor klaargemaakte gerechten, brood en banket, conserven, gecondenseerde melk, harde kaas, koudegevoelig fruit en groente en voor zidvruchten.

Attentie bij het inruimen

De levensmiddelen goed verpakt of afgedekt inruimen. Hierdoor blijven geur, kleur en versheid behouden. Bovendien wordt voorkomen dat de levensmiddelen naar elkaar gaan smaken en de kunststof onderdelen verkleuren.

Aanwijzing

Voorkom dat de levensmiddelen de achterwand raken. Anders wordt de luchtcirculatie verminderd.

Levensmiddelen of verpakkingen kunnen aan de achterwand vastvriezen.

Let op de koudezones in de koelruimte

Door de luchtcirculatie in de koelruimte verschillen de koudezones:

- **Koudste zone**
is in de binnenruimte tegen de achterwand en in het verskoelvak Afb. **11**/16

Aanwijzing

In de koudste zones gevoelige levensmiddelen opslaan zoals vis, worst en vlees.

- **De warmste zone**
bevindt zich helemaal bovenaan in de deur.

Aanwijzing

In de warmste zone bijv. boter en kaas bewaren. Tijdens het serveren behoudt de kaas zijn aroma en de boter blijft smeerbaar.

Superkoelen

Tijdens het superkoelen wordt de koelruimte ca. 6 uur zo koud mogelijk gekoeld. Hierna wordt automatisch omgeschakeld naar de vóór het superkoelen ingestelde temperatuur.

Het superkoelsysteem inschakelen bijv.

- vóór het inladen van grote hoeveelheden levensmiddelen.
- om dranken snel te koelen.

In- en uitschakelen

Afb. **2**

Toets „super” 4 indrukken.

De toets brandt als het superkoelsysteem is ingeschakeld.

De diepvriesruimte

De diepvriesruimte gebruiken

- voor het opslaan van diepvriesproducten,
- om ijsblokjes te maken,
- om levensmiddelen in te vriezen.

Aanwijzing

Let erop dat de deur van het diepvriesruimte goed gesloten is! Bij een open deur ontdooien de diepvrieswaren. In de diepvriesruimte vormt zich veel ijs. Bovendien: energieverstrooming door te hoog stroomverbruik!

Maximale invriescapaciteit

Gegevens over de maximale invriescapaciteit binnen 24 uur vindt u op het typeplaatje. Afb. **13**

Invriezen en opslaan

Inkopen van diepvriesproducten

- De verpakking mag niet beschadigd zijn.
- Neem de houdbaarheidsdatum in acht.
- De temperatuur in de verkoop-koelkast moet -18 °C of kouder zijn.
- De diepvriesproducten liefst in een koeltas transporteren en snel in de diepvriesruimte leggen.

Attentie bij het inruimen

Grote hoeveelheden levensmiddelen invriezen in het snelvriesvak. Daar worden ze heel snel en daardoor voorzichtig ingevroren.

De vers in te vriezen levensmiddelen mogen niet met de al ingevroren levensmiddelen in aanraking komen.

Verse levensmiddelen invriezen

Gebruik uitsluitend verse levensmiddelen.

Om de voedingswaarde, het aroma en de kleur zo goed mogelijk te behouden, dient groente geblancheerd te worden voordat het wordt ingevroren. Bij aubergines, paprika's, courgettes en asperges is blancheren niet noodzakelijk.

Literatuur over invriezen en blancheren vindt u in de boekhandel.

Aanwijzing

Al ingevroren levensmiddelen mogen niet met de nog in te vriezen levensmiddelen in aanraking komen.

- Geschikt om in te vriezen: Bakwaren, vis en zeevruchten, vlees, wild, gevogelte, groente, fruit, kruiden, gepelde eieren, melkproducten zoals kaas, boter en kwark, bereide gerechten en kliekjes zoals soep, eenpansgerechten, gaar vlees en gare vis, aardappelgerechten, ovenschotels en zoete toetjes.

- Niet geschikt om in te vriezen: Groentesoorten die meestal rauw worden gegeten, zoals kropsla en radijsjes, ongepelde eieren, wijndruiven, hele appels, peren en perziken, hardgekookte eieren, yoghurt, dikke zure melk, zure room, crème fraîche en mayonaise.

Diepvrieswaren verpakken

De levensmiddelen luchtdicht verpakken zodat ze niet uitdrogen of hun smaak verliezen.

1. Levensmiddelen in de verpakking leggen.
2. Lucht eruit drukken.
3. Het geheel van een goede sluiting voorzien.
4. Vermeld op de pakjes inhoud en invriesdatum.

Voor verpakking geschikt:

Kunststof-, polyetheen- en aluminiumfolie, diepvriesdozen. Deze producten zijn in de handel verkrijgbaar.

Niet geschikt voor verpakking:

pakpapier, vetvrij papier, cellofaan, vuilniszakken en gebruikte boodschappentasjes.

Als sluiting geschikt:

elastiekjes, clips van kunststof, touwtjes, koudebestendig plakband e.d.

Zakjes en folie van polyetheen kunnen met een folielasapparaat worden dichtgelast.

Houdbaarheid van de diepvrieswaren

De houdbaarheid is afhankelijk van het soort levensmiddelen.

Op een temperatuur van -18 °C:

- Vis, worst, klaargemaakte gerechten, brood en banket:
tot 6 maanden.
- Kaas, gevogelte, vlees:
tot 8 maanden.
- Groente, fruit:
tot 12 maanden.

Supervriezen

De levensmiddelen zo snel mogelijk door en door invriezen zodat vitamine, voedingswaarden, uiterlijk en smaak behouden blijven.

Schakel enkele uren voordat u de verse levensmiddelen inlaadt het supervriezen in, om ongewenste temperatuurstijging te voorkomen.

Doorgaans is 4-6 uur van tevoren voldoende.

Na het inschakelen werkt het apparaat permanent, in de diepvriesruimte wordt een zeer lage temperatuur bereikt.

Als u het max. vriesvermogen wilt gebruiken, dient u 24 uur vóór het inladen van de verse waar het supervriezen in te schakelen.

Kleinere hoeveelheden levensmiddelen (max. 2 kg) kunnen zonder gebruik van het supervriessysteem worden ingevroren.

Aanwijzing

Als het supervriessysteem is ingeschakeld kunnen de bedrijfsgeluiden toenemen.

In- en uitschakelen

Afb. 2

Toets „super” 6 indrukken.

Is super vriezen ingeschakeld, dan licht de toets op.

Het supervriessysteem wordt na 2½ dagen automatisch uitgeschakeld.

Ontdooien van diepvrieswaren

Afhankelijk van soort en bereidingswijze van de levensmiddelen kunt u kiezen uit de volgende mogelijkheden:

- bij omgevingstemperatuur
- in de koelkast
- in de elektrische oven, met/zonder heteluchtventilator
- in de magnetron



Attentie

Half of geheel ontdooide diepvrieswaren niet opnieuw invriezen. Pas na het koken of braden tot een kant-en-klaargerecht kunnen ze opnieuw worden ingevroren.

De maximale bewaartijd wordt hierdoor bekort.

Uitvoering

U kunt de legplateaus en de deurvakken naar wens verplaatsen:

- Legplateau naar voren trekken, iets laten zakken en aan de zijkant uitzwenken.
- Vakken in de deur iets optillen en eruit halen. Afb. 4

Speciale uitvoering

(niet bij alle modellen)

Uittrekbaar glazen legplateau verwijderen

Afb. 1/13

De glasplaat kan eruit gehaald worden om schoon te maken. Daartoe het legplateau uittrekken, vooraan optillen en verwijderen.

Flessenrek

Afb. 6 A/B

In de flessenrek kunnen flessen veilig worden bewaard.

Verskoelvak

Afb. 1/16

In het verskoelvak heersen lagere temperaturen dan in de koelruimte. Er kunnen ook temperaturen onder 0 °C optreden.

Ideaal voor het bewaren van vis, vlees en worst. Niet geschikt voor salades, groente en koudegevoelige levensmiddelen.

Groentelade met vochtigheidsregelaar

Afb. 7

Om een optimaal klimaat voor het bewaren van groente, salade en fruit te scheppen, kan de luchtvochtigheid in de groentelade worden geregeld afhankelijk van de te bewaren hoeveelheid.

Kleine hoeveelheden levensmiddelen –

Regelaar naar links schuiven.

Grote hoeveelheden levensmiddelen –

Regelaar naar rechts schuiven.

Inzetbak voor de lade

Afb. 9

De inzetstuk kan eruit gehaald worden.

Deurvak

Afb. 1/25

Ideaal voor het bewaren van zoetigheid, kruiden en dressing. Ook geschikt voor cosmetica.

Flessenhouder

Afb. 1/27

De flessenhouder voorkomt dat de flessen kantelen bij het openen en sluiten van de deur.

Ijsbereider

Afb. **8**

1. Waterreservoir eruit nemen en tot de markering vullen met water.
2. Water via de vulopening voorzichtig in de ijsblokjesbak doen. Daarbij erop letten dat het water niet in of langs het voorraadbakje loopt of spat. Anders kunnen de ijsblokjes aan elkaar of aan het voorraadbakje vriezen.
3. Zodra de ijsblokjes bevroren zijn, de hendel omlaag duwen en loslaten. De ijsblokjes laten los en vallen in het voorraadbakje.
4. Ijsblokjes uit het voorraadbakje halen. De ijsblokjes dienen regelmatig uit het voorraadbakje verwijderd te worden om aan elkaar vriezen te voorkomen.

Apparaat uitschakelen en buiten werking stellen

Uitschakelen van het apparaat

Afb. **11**

Toets Aan/Uit 9 indrukken. Koelmachine en verlichting worden uitgeschakeld.

Buiten werking stellen van het apparaat

Als u het apparaat langere tijd niet gebruikt:

1. Uitschakelen van het apparaat.
2. Stekker uit het stopcontact trekken of de zekering losdraaien resp. uitschakelen.
3. Schoonmaken van het apparaat.
4. Deur van het apparaat open laten.

Ontdooien

Koelruimte

Het apparaat wordt automatisch ontdooid.

Het dooiwater loopt via het afvoergaatje naar een verdampingsschaal aan de achterkant van het apparaat.

Diepvriesruimte

Door het volledig automatische No Frost systeem blijft de vriesruimte ijsvrij. Ontdooien is overbodig.

Schoonmaken van het apparaat



Attentie

- Gebruik geen schoonmaak of oplosmiddelen die zand, chloride of zuren bevatten.
- Geen schuursponsjes gebruiken. Op de metalen oppervlakken kan corrosie ontstaan.
- De legplateaus en voorraadvakken mogen niet in de afwasmachine gereinigd worden. Ze kunnen vervormen!

Het reinigingswater mag niet terechtkomen in

- de openings sleuf aan de voorkant in de bodem van het vriesvak,
- de bedieningselementen en
- de verlichting.

U gaat als volgt te werk:

1. Vóór het schoonmaken het apparaat uitschakelen.
2. Stekker uit het stopcontact trekken of de zekering losdraaien resp. uitschakelen!
3. De diepvrieswaren eruit halen en op een koele plaats bewaren. Koude-accu (indien aanwezig) op de levensmiddelen leggen.
4. Het apparaat schoonmaken met een zachte doek en lauw water met een scheutje pH neutraal schoonmaakmiddel. Het sop mag niet in de verlichting terechtkomen.
5. Deurafdichting alleen met schoon water schoonmaken en grondig droogwrijven.
6. Na het schoonmaken apparaat weer aansluiten en inschakelen.
7. Diepvrieswaren weer in het apparaat leggen.

Uitvoering

Voor het reinigen kunnen alle variabele onderdelen van het apparaat worden verwijderd.

Glasplateaus eruit halen

De glasplateaus naar voren trekken en verwijderen.

Legplateaus uit de deur nemen

Afb. **4**

Legplateaus optillen en verwijderen.

Glazen legplateau van het koelvak eruit nemen

Afb. **10**

De houder omhoog drukken en het glazen legplateau eruit trekken.

Aanwijzing

Glazen legplateau van het koelvak niet onder stromend water reinigen.

Glasplateau en groentelade verwijderen

Afb. **11**

Voordat het glasplateau kan worden verwijderd, de groentelade uittrekken.

De glasplaat kan eruit gehaald worden om schoon te maken.

Verlichting (LED)

Het apparaat is voorzien van een onderhoudsvrije LED verlichting.

Reparaties aan deze verlichting mogen alleen door de Servicedienst of een erkend vakman worden uitgevoerd.

Energie besparen

- Het apparaat in een droge, goed te ventileren ruimte plaatsen! Het apparaat niet direct in de zon of in de buurt van een warmtebron plaatsen zoals een verwarmingsradiator of een fornuis.
Gebruik eventueel een isolatieplaat.
- Warme gerechten en dranken eerst laten afkoelen, daarna in het apparaat plaatsen.
- Diepvrieswaren in de koelruimte leggen om ze te ontdooien en de kou van de diepvrieswaren gebruiken om andere levensmiddelen te koelen.
- Deuren van het apparaat zo kort mogelijk openen.
- Om een verhoogd stroomverbruik te vermijden, dient de achterkant van het apparaat af en toe gereinigd te worden.
- Indien aanwezig:
Wandafstandhouder monteren om de geplande energieopname van het apparaat te bereiken (zie montagehandleiding). Een kleinere afstand tot de muur heeft geen nadelige invloed op de werking van het apparaat. De energieopname kan dan wel iets veranderen. De afstand van 75 mm mag niet worden overschreden.

Bedrijfsgeluiden

Heel normale geluiden

Brommen

De motoren lopen (bijv. koelaggregaten, ventilator).

Borrelen, zoemen of gorgelen

Koelmiddel stroomt door de buizen.

Klikgeluiden

Motor, schakelaar of magneetventielen schakelen in/uit.

Knakkende geluiden

Het automatische ontdooisysteem treedt in werking.

Voorkomen van geluiden

Het apparaat staat niet waterpas

Het apparaat met behulp van een waterpas stellen. Gebruik hiervoor de schroefvoetjes of leg iets onder het apparaat.

Het apparaat staat tegen een ander meubel of apparaat

Het apparaat van het meubel of apparaat ernaast wegschuiven.

Reservoirs of draagplateaus wiebelen of klemmen

Controleer de delen die eruit gehaald kunnen worden en zet ze eventueel opnieuw in het apparaat.

Flessen of serviesgoed raken elkaar

De flessen of het serviesgoed los van elkaar zetten.

Kleine storingen zelf verhelpen

Voordat u de hulp van de Servicedienst inroept:

Controleer eerst of u aan de hand van de volgende punten de storing kunt verhelpen.

Als u om een monteur vraagt, en het blijkt dat hij alleen maar een advies (bijv. over de bediening of het onderhoud van het apparaat) hoeft te geven om de storing te verhelpen, dan moet u, ook in de garantietijd, de volledige kosten van dat bezoek betalen!

Storing	Eventuele oorzaak	Oplossing
De temperatuur wijkt erg af van de instelling.		<p>In sommige gevallen is het voldoende om het apparaat gedurende 5 minuten uit te schakelen.</p> <p>Als de temperatuur te warm is: na enkele uren controleren of de temperatuur de temperatuurinstelling genaderd is.</p> <p>Als de temperatuur te koud is: de volgende dag de temperatuur nogmaals controleren.</p>
De verlichting functioneert niet.	De LED verlichting is kapot.	Zie hoofdstuk „Verlichting (LED)”.
	<p>De deur stond te lang open.</p> <p>De verlichting wordt na ca. 10 minuten uitgeschakeld.</p>	Na het sluiten en openen van de deur brandt de verlichting weer.
Gedimde verlichting van de bedieningselementen.	Wanneer het apparaat een tijdje niet wordt bediend, wordt de indicatie van het bedieningspaneel op de energiespaarmodus gezet.	Zodra het apparaat weer in gebruik is, bijv. bij het openen van de deur, schakelt de indicatie weer op de normale verlichting om.

Storing	Eventuele oorzaak	Oplossing
Geen enkele indicatie brandt.	Stroomuitval; de zekering is uitgeschakeld; de stekker zit niet goed in het stopcontact.	Stekker in het stopcontact steken. Controleer of er stroom is. Controleer de zekeringen.
Het alarmsignaal is te horen. De alarmtoets brandt. Afb. 2/3	Storing – in de diepvriesruimte is het te warm!	Om het alarmsignaal uit te schakelen de alarmtoets 3 indrukken.
	De deur is geopend.	Deur sluiten.
	De be- en ontluuchtingsopeningen zijn afgedekt.	Afdekking verwijderen.
	Er werden te veel levensmiddelen in één keer ingeladen om in te vriezen.	Max. invriescapaciteit niet overschrijden.
		Nadat de storing is verholpen, gaat de alarmtoets na enige tijd uit.

Storing	Eventuele oorzaak	Oplossing
<p>Het alarmsignaal is te horen.</p> <p>De alarmtoets knippert. Afb. 2/3</p>	<p>Storing – in de diepvriesruimte is het te warm!</p>	<p>Om het alarmsignaal uit te schakelen de alarmtoets 3 indrukken. De alarmtoets stopt met knipperen.</p>
	<p>Gevaar voor de diepvrieswaren</p>	<p>Aanwijzing</p> <p>Half en geheel ontdooide diepvrieswaren kunnen opnieuw worden ingevroren als vlees en vis niet langer dan een dag, andere diepvrieswaren niet langer dan drie dagen warmer dan +3 °C waren.</p> <p>Als smaak, geur en uiterlijk onveranderd zijn, dan kunnen de levensmiddelen na koken of braden opnieuw worden ingevroren.</p> <p>De maximale bewaartijd niet meer ten volle benutten.</p>
	<p>De deur is geopend.</p>	<p>Deur sluiten.</p>
	<p>De be- en ontluchtingsopeningen zijn afgedekt.</p>	<p>Afdekking verwijderen.</p>
<p>De temperatuur in de diepvriesruimte is te warm.</p>	<p>Er werden te veel levensmiddelen in één keer ingeladen om in te vriezen.</p>	<p>Max. invriescapaciteit niet overschrijden.</p>
		<p>Nadat de storing is verholpen, gaat de alarmtoets na enige tijd uit.</p>
	<p>De deur van het apparaat werd te vaak geopend.</p>	<p>Deur van het apparaat niet onnodig openen.</p>
	<p>De be en ontluchtingsopeningen zijn afgedekt.</p>	<p>Afdekkingen verwijderen.</p>
	<p>Invriezen van grotere hoeveelheden verse levensmiddelen.</p>	<p>Max. invriescapaciteit niet overschrijden.</p>

Storing	Eventuele oorzaak	Oplossing
De deur van de diepvriesruimte stond te lang open; de temperatuur wordt niet meer bereikt.	Er zit zo veel ijs op de verdamper dat het No Frost-systeem niet meer volautomatisch ontdooit.	<p>Om de verdamper te ontdooien: de laden met diepvrieswaren eruit halen en goed geïsoleerd op een koele plaats bewaren.</p> <p>Apparaat uitschakelen en van de wand wegschuiven. Deur van het apparaat open laten.</p> <p>Na ca. 20 minuten begint het dooiwater in de dooiwateropvangschaal aan de achterwand van het apparaat te lopen. Afb. 12</p> <p>Om te voorkomen dat de dooiwateropvangschaal overloopt: het dooiwater met een spons opnemen.</p> <p>Als er geen dooiwater meer in de opvangschaal loopt, is de verdamper ontdooid. Binnenkant van de diepvriesruimte schoonmaken. Het apparaat weer in werking stellen.</p>

Service dienst

Adres en telefoonnummer van de Service dienst in uw omgeving kunt u vinden in het telefoonboek of in de meegeleverde brochure met service-adressen. Geef a.u.b. aan de Service dienst het E-nummer (E-Nr.) en het FD-nummer (FD) van het apparaat op.

U vindt deze gegevens op het typeplaatje. Afb. 13

Door deze nummers aan de Service dienst door te geven voorkomt u onnodig heen en weer rijden van de monteur en de hieraan verbonden kosten. En de hieraan verbonden kosten.

Verzoek om reparatie en advies bij storingen

De contactgegevens in alle landen vindt u in de bijgesloten lijst met Service dienstadressen.

NL 088 424 4020

B 070 222 142

Avvertenze di sicurezza e potenziale pericolo

Prima di mettere in funzione l'apparecchio

Leggere attentamente tutte le istruzioni per l'uso ed il montaggio. Esse contengono importanti informazioni per l'installazione, l'uso e la manutenzione dell'apparecchio.

Il produttore non è responsabile se voi trascurate le indicazioni ed avvertenze del libretto d'istruzioni per l'uso. Conservare tutta la documentazione per l'uso futuro oppure per eventuali successivi proprietari.

Elementi tecnici di sicurezza

Quest'apparecchio contiene una piccola quantità di gas refrigerante (R600a), un gas Eco-Compatibile, ma infiammabile. Prevenire danneggiamenti ai raccordi del circuito refrigerante durante il trasporto o l'installazione dell'apparecchio. Il gas fuoriuscendo per effetto della pressione, può provocare irritazioni agli occhi.

In caso di danni:

- tenere lontano dall'apparecchio fiamme o fonti di accensione,
- ventilare l'ambiente per alcuni minuti,
- spegnere l'apparecchio ed estrarre la spina di alimentazione elettrica,
- informare il Servizio Assistenza Clienti autorizzato.

La quantità di gas refrigerante contenuta nel vostro apparecchio, circa 8 gr. è indicata nella targhetta d'identificazione posta all'interno dell'apparecchio. Nel caso in cui il cavo di collegamento elettrico dovesse subire danni, è necessario sostituirlo, coinvolgere il servizio assistenza clienti autorizzato o un elettricista qualificato ad eseguire questa operazione.

Installazioni o riparazioni eseguite da personale non autorizzato, possono potenzialmente creare pericolo per l'utente e danni all'apparecchio. Le riparazioni vanno eseguite dal servizio assistenza clienti autorizzato

Le riparazioni vanno eseguite dal servizio assistenza clienti autorizzato o da personale qualificato ad eseguire questa operazione.

È consentito usare solo parti di ricambio originali del costruttore. Solo con l'impiego di detti componenti il costruttore garantisce che i requisiti di sicurezza del prodotto siano rispettati. Il prolungamento del cavo elettrico di alimentazione deve essere eseguito dal servizio assistenza clienti autorizzato.

Nell'uso

- Non usare mai apparecchi elettrici nell'interno di questo apparecchio (per es. apparecchi di riscaldamento, produttori di ghiaccio elettrici ecc.). Pericolo di esplosione!
- Non sbrinare o pulire mai l'apparecchio con una pulitrice a vapore. Il vapore può raggiungere parti elettriche e provocare un cortocircuito. Pericolo di scarica elettrica!
- Non utilizzare oggetti appuntiti o affilati per rimuovere gli strati di brina o ghiaccio. Così facendo si possono danneggiare i raccordi del circuito refrigerante. Il gas fuoriuscendo sotto effetto della pressione, può provocare infiammazione agli occhi.
- Non conservare nell'apparecchio prodotti contenenti propellenti gassosi combustibili (per es. bombolette spray) e sostanze esplosive. Pericolo di esplosione!
- Non usare impropriamente lo zoccolo, i cassetti estraibili, le porte ecc. come pedana d'appoggio oppure come sostegno.
- Per lo sbrinamento e la pulizia estrarre la spina d'alimentazione o disinserire l'interruttore di sicurezza. Evitare di esercitare trazioni sul cordone elettrico, ma impugnare correttamente la spina.
- Conservare alcool ad alta gradazione solo ermeticamente chiuso ed in posizione verticale.
- Evitare che olii o grassi imbrattino parti plastiche o le guarnizioni delle porte. Altrimenti le parti di materiale plastico e la guarnizione della porta diventano porose.

- Non ostruire le aperture di passaggio dell'aria di aereazione dell'apparecchio.
- L'uso di questo apparecchio è consentito a persone (bambini compresi) con ridotte capacità fisiche, sensoriali o psichiche o insufficienti conoscenze solo se sorvegliate da una persona responsabile della loro sicurezza o se da questa adeguatamente istruite nell'uso dell'apparecchio.
- Non conservare nel congelatore liquidi in bottiglia e lattine (specialmente le bevande contenenti anidride carbonica). Bottiglie e lattine possono rompersi!
- Non mettere in bocca alimenti congelati appena presi dal congelatore. Pericolo di ustioni!
- Evitare il contatto prolungato delle mani con alimenti congelati, ghiaccio o i raccordi dell'evaporatore ecc.. Pericolo di ustioni!

Bambini in casa

- Non abbandonare parti dell'imballaggio che possano essere fonte di gioco per i bambini. Pericolo di soffocamento causato da scatole di cartone, fogli di plastica, polistirolo!
- L'apparecchio non è un giocattolo per bambini!
- Per apparecchi con serratura della porta: conservare la chiave fuori della portata dei bambini!

Norme generali

L'apparecchio è idoneo

- per raffreddare e congelare alimenti,
- per preparare ghiaccio.

Questo apparecchio è destinato all'uso domestico privato nelle famiglie ed all'ambiente domestico.

L'apparecchio è schermato contro i radiodisturbi secondo la direttiva UE 2004/108/EC.

La tenuta ermetica del circuito del freddo è stata controllata.

Questo prodotto è conforme alle pertinenti norme di sicurezza per gli apparecchi elettrici (EN 60335-2-24).

Avvertenze per lo smaltimento

Smaltimento dell'imballaggio

L'imballaggio ha protetto l'apparecchio da eventuali danni da trasporto. Tutti i materiali impiegati sono Eco-Compatibili e riciclabili. Il Vostro contributo: smaltite l'imballaggio secondo la vigente norme.

Chiedere informazioni circa le piattaforme di smaltimento locale alla propria amministrazione comunale.

Rottamazione di un apparecchio dismesso

Gli apparecchi dismessi dispongono ancora di un valore residuo! Un corretto smaltimento nel rispetto dell'ecologia, permette di recuperare materie prime pregiate.



Questo apparecchio dispone di contrassegno ai sensi della direttiva europea 2002/96/CE in materia di apparecchi elettrici ed elettronici (Waste Electrical and Electronic Equipment – WEEE). Questa direttiva definisce le norme per la raccolta e il riciclaggio degli apparecchi dismessi valide su tutto il territorio dell'Unione Europea.



Avviso

In caso di apparecchi fuori uso

1. Estrarre la spina di alimentazione.
2. Troncare il cavo elettrico di collegamento e rimuoverlo unitamente alla spina.
3. Non estrarre i ripiani e i contenitori, questo rende più difficile ai bambini di entrare nel vano frigo dell'apparecchio!
4. Vietare ai bambini di giocare con un apparecchio dismesso. Pericolo di asfissia!

I frigoriferi contengono gas nel circuito refrigerante e gas nell'isolamento. Refrigerante e gas devono essere smaltiti in modo appropriato. Evitare di danneggiare i raccordi del circuito refrigerante, durante il conferimento dell'apparecchio alla piattaforma di riciclaggio.

Dotazione

Dopo il disimballo controllare l'apparecchio per accertare eventuali danni di trasporto.

In caso di contestazioni rivolgersi al Vs. fornitore, presso il quale l'apparecchio è stato acquistato.

La dotazione comprende i seguenti componenti:

- Apparecchio
- Busta con il materiale utile al montaggio
- Accessori (a secondo del modello)
- Istruzioni per l'uso
- Istruzioni per il montaggio
- Libretto del servizio assistenza clienti autorizzato
- Allegato di garanzia convenzionale
- Informazioni sul consumo energetico e sui possibili rumori

Osservare la temperatura ambiente e la ventilazione del locale

Temperatura ambiente

L'apparecchio è progettato per una specifica classe climatica. In funzione di questa, l'apparecchio può essere usato alle seguenti temperature ambientali.

La classe climatica è indicata nella targhetta porta-dati. Figura 13

Classe climatica	Temperatura ambiente ammessa
SN	da +10 °C a 32 °C
N	da +16 °C a 32 °C
ST	da +16 °C a 38 °C
T	da +16 °C a 43 °C

Avvertenza

L'apparecchio è perfettamente efficiente nei limiti di temperatura ambiente della classe climatica indicata. Se un apparecchio della classe climatica SN viene messo in funzione a temperature ambiente inferiori, possono essere esclusi danni all'apparecchio fino ad una temperatura di +5 °C.

Ventilazione

Figura 3

L'aria lungo la parete posteriore e quelle laterali tende a scaldarsi, l'aria riscaldata deve poter defluire liberamente. In caso contrario il refrigeratore deve lavorare di più. Questo aumenta il consumo di energia elettrica. Perciò: evitare assolutamente di coprire o di ostruire le aperture di afflusso e deflusso dell'aria di raffreddamento.

Collegare l'apparecchio

Dopo avere posizionato l'apparecchio, attendere circa 1 ore prima di metterlo in funzione, questo assicura che l'olio lubrificante si raccolga nella parte bassa del motore e non penetri nel circuito di raffreddamento.

Pulire l'interno dell'apparecchio prima di attivarne la funzione (vedi capitolo «Pulizia dell'apparecchio»).

Allacciamento elettrico

La presa elettrica deve essere vicino all'apparecchio ed accessibile anche ad installazione avvenuta dell'apparecchio.

L'apparecchio è conforme alla classe d'isolamento I. Collegare l'apparecchio a tensione alternata di 220–240 V/ 50 Hz utilizzando una presa elettrica dotata di connettore di messa a terra. La presa deve essere protetta con dispositivo elettrico di sicurezza da 10–16 A.

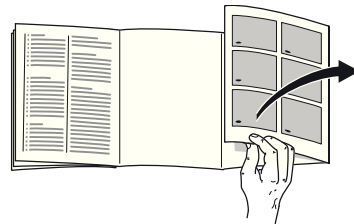
Per apparecchi, che vengono impiegati in paesi non europei, controllare se la tensione indicata corrisponda ai valori della locale rete elettrica. Questi dati sono riportati nella targhetta portadati. Figura **13**

Avviso

I nostri apparecchi possono essere collegati ad un inverter sinusoidale di rete.

Gli inverter di rete vengono utilizzati in abbinamento a impianti fotovoltaici e collegati direttamente alla rete elettrica pubblica. Usare inverter sinusoidali nel caso di soluzioni speciali (es. imbarcazioni oppure nelle baite in montagna), laddove non sia disponibile un collegamento elettrico diretto alla rete pubblica.

Conoscere l'apparecchio



Svolgere l'ultima pagina con le figure. Questo libretto d'istruzioni per l'uso è valido per vari modelli, pertanto le dotazioni possono variare. Nelle illustrazioni sono possibili differenze.

Figura **1**

- 1-7 Elementi di comando
- 8 Interruttore luce del congelatore
- 9 Pulsante Acceso/Spento
- 10 Congelatore rapido
- 11 Illuminazione (LED)
- 12 Interruttore luce frigorifero
- 13 Ripiano estraibile in vetro
- 14 Apertura di uscita dell'aria

- 15 Ripiani nel frigorifero
 - 16 Vano a 0 °C
 - 17 Cassetto per verdure
 - 18 Apertura di afflusso e deflusso dell'aria
 - 19 Piedini regolabili
 - 20 Balconcino della porta
 - 21 Produttore di ghiaccio
 - 22 Contenitore per cubetti di ghiaccio
 - 23 Scomparto per burro e formaggio
 - 24 Balconcini per uova
 - 25 Contenitore porta
 - 26 Balconcino della porta
 - 27 Fermabottiglie
 - 28 Ripiano per bottiglie grandi
- A Congelatore
B Frigorifero

Elementi di comando

Figura 2

- 1 **Pulsante di regolazione temperatura frigorifero**
Con il pulsante si regola la temperatura del frigorifero.
- 2 **Pulsante di regolazione temperatura congelatore**
Con il pulsante si regola la temperatura del congelatore.
- 3 **Pulsante di allarme**
Serve per disattivare il segnale acustico di allarme (vedi capitolo «Funzione di allarme»).
- 4 **Pulsante «super» Frigorifero**
Dispositivo per attivare o disattivare il super-raffreddamento.

- 5 **Indicatore temperatura frigorifero**
I numeri corrispondono alle temperature del frigorifero regolate in °C.
- 6 **Pulsante «Super» (congelatore)**
Dispositivo per attivare o disattivare il super-congelamento.
- 7 **Indicatore temperatura del congelatore**
I numeri corrispondono alle temperature del congelatore regolate in °C.

Avvertenza

Se per qualche tempo l'apparecchio non viene usato, l'indicazione nel pannello comandi passa a modalità di risparmio energetico.

Accendere l'apparecchio

1. Premere il pulsante Acceso/ Spento **1**/9. Viene emesso il segnale acustico.
2. Premere il pulsante di allarme **2**/3. Il segnale acustico cessa.

Il pulsante di allarme **2**/3 resta acceso finché la temperatura regolata non è stata raggiunta.

All'origine sono consigliate le seguenti temperature:

- Frigorifero: +4 °C
- Congelatore: -18 °C

Istruzioni per il funzionamento

- Dopo l'accensione possono trascorrere diverse ore prima che le temperature regolate vengano raggiunte.
- Grazie al sistema No Frost, completamente automatico, nel congelatore non si forma ghiaccio. Uno sbrinatorio non è più necessario.
- Il lato anteriore dell'apparecchio è in parte leggermente riscaldato, questo impedisce la formazione di condensa nella zona della guarnizione della porta.
- Se la porta del congelatore resiste ad una nuova apertura subito dopo averla chiusa, attendere un attimo finché la depressione interna formatasi non si è compensata.

Regolare la temperatura

Figura 2

Frigorifero

La temperatura può essere regolata da +2 °C a +8 °C.

Premere ripetutamente il pulsante di regolazione temperatura 1 finché non è viene raggiunta la temperatura del frigorifero desiderata.

L'ultimo valore regolato viene memorizzato. La temperatura regolata è visualizzata nel display della temperatura 5.

Consigliamo di regolare nel frigorifero una temperatura di +4 °C.

Gli alimenti facilmente deperibili non devono essere conservati a temperatura superiore di +4 °C.

Congelatore

La temperatura può essere regolata da -16 °C a -24 °C.

Premere ripetutamente il pulsante di regolazione temperatura 2 finché non è regolata la temperatura del congelatore desiderata.

L'ultimo valore regolato viene memorizzato. La temperatura regolata è visualizzata nel display della temperatura 7.

Consigliamo di regolare nel congelatore una temperatura di -18 °C.

Funzione di allarme

L'allarme acustico si attiva quando la temperatura nel congelatore aumenta troppo.

Disattivare il segnale acustico

Figura 2

Premere il tasto di allarme 3 per disattivare il segnale acustico.

Allarme porta

L'allarme porta si attiva se la porta dell'apparecchio è aperta per oltre un minuto. Chiudendo la porta il segnale acustico si disattiva di nuovo.

Allarme temperatura

Il segnale acustico di temperatura si attiva se la temperatura nel congelatore aumenta troppo.

Pulsante di allarme	Display temperatura	Spiegazione
acceso	intermittente	Allarme temperatura: Gli alimenti congelati non sono in pericolo.
intermittente	intermittente	Allarme inizio scongelamento: I surgelati sono in pericolo.
intermittente	acceso	Allarme inizio scongelamento: In precedenza la temperatura è aumentata troppo. I surgelati sono in pericolo.

Avviso temperatura

Senza pericolo per gli alimenti surgelati il segnale acustico di allarme può attivarsi:

- alla messa in funzione dell'apparecchio,
- all'introduzione di grandi quantità di alimenti freschi,
- quando si tiene aperta troppo a lungo la porta del congelatore.

Avviso d'inizio scongelamento:

Se gusto, odore ed aspetto non sono cambiati, gli alimenti possono essere bolliti o arrostiti e di nuovo congelati. Non utilizzare più interamente la durata max. di conservazione.

Avvertenza

Non ricongelare gli alimenti parzialmente o completamente scongelati. Questi possono essere di nuovo congelati solo dopo avere preparato (mediante qualsiasi tipo di cottura) pietanze pronte all'uso.

Non utilizzare più interamente la durata max. di conservazione.

Capacità utile totale

I dati di volume utile sono indicati sulla targhetta d'identificazione dell'apparecchio. Figura **13**

Sfruttare interamente il volume utile

Per sistemare la quantità massima di prodotti da congelare, le seguenti parti dell'attrezzatura interna possono essere rimosse.

Rimozione degli accessori

- Il balconcino della porta può essere estratto. Figura **4**
- Negli apparecchi con produttore di ghiaccio questo può essere estratto. Figura **5**

Il frigorifero

Il frigorifero è il vano di conservazione ideale per alimenti pronti, prodotti da forno, conserve, latte condensato, formaggi, frutta fresca, verdura e frutti tropicali.

Tenere presente nella sistemazione

Sistemare gli alimenti ben confezionati oppure coperti. Aroma, colore e freschezza sono salvaguardati. Inoltre si evitano passaggi di aromi o alterazioni del colore di contenitori plastici.

Avvertenza

Evitare che gli alimenti vengano a contatto con la parete di fondo. In tal caso la circolazione dell'aria viene impedita.

Durante il funzionamento attivo, le confezioni degli alimenti possono attaccarsi alla parete di fondo.

Considerare le zone più fredde nel frigorifero

La circolazione dell'aria nel frigorifero, genera delle zone con temperature differenti:

■ La zona più fredda

è nell'interno del frigorifero lungo la parete posteriore e nel vano a 0 °C. Figura **1**/16

Avvertenza

Conservare nelle zone più fredde gli alimenti delicati (per es. pesce, insaccati di carne, carne).

■ Zona più calda

è nella parte più alta della porta.

Avvertenza

Conservare nella zona meno fredda per es. formaggio e burro. Il formaggio conserva così il suo aroma e il burro si mantiene spalmabile.

Super-raffreddamento

Durante il super-raffreddamento il vano frigorifero viene raffreddato quanto più possibile per ca. 6 ore. In seguito viene regolato automaticamente alla temperatura impostata prima del super-raffreddamento.

Inserire il super-raffreddamento per es.

- prima d'introdurre grandi quantità di alimenti.
- per il raffreddamento rapido di bevande.

Attivare e disattivare

Figura **2**

Premere il pulsante «super» 4.

Il pulsante è acceso quando il super-raffreddamento è inserito.

Il congelatore

Usare il congelatore

- Per conservare alimenti surgelati.
- Per produrre cubetti di ghiaccio.
- Per il congelamento di alimenti.

Avvertenza

Attenzione che la porta del congelatore sia chiusa correttamente! Se la porta è aperta gli alimenti surgelati si scongelano. Il congelatore forma molto ghiaccio. Inoltre: spreco di energia a causa di alto consumo di corrente elettrica!

Max. capacità di congelamento

Indicazioni sulla max. possibilità di congelamento in 24 ore sono riportate sulla targhetta d'identificazione. Figura **13**

Congelare e conservare

Acquisto di alimenti surgelati

- La confezione non deve essere danneggiata.
- Rispettare la data di conservazione.
- La temperatura nell'espositore-congelatore di vendita deve essere $-18\text{ }^{\circ}\text{C}$ o inferiore.
- Trasportare gli alimenti surgelati possibilmente in una borsa termica e conservarli poi al più presto possibile nel congelatore.

Tenere presente nella sistemazione

Congelare maggiori quantità di alimenti nel vano di congelamento rapido. Qui essi vengono congelati molto rapidamente e perciò anche salvaguardandone le proprietà.

Gli alimenti già congelati non devono entrare in contatto con gli alimenti da congelare.

Congelamento di alimenti freschi

Per il congelamento utilizzare solo alimenti freschi ed integri.

Per conservare al meglio valore nutritivo, aroma e colore, sbollentare la verdura prima di congelarla. Non è necessario sbollentare melanzane, peperoni, zucchine ed asparagi.

In libreria sono reperibili pubblicazioni sul congelamento e la sbollentatura.

Avvertenza

Non mettere gli alimenti da congelare in contatto con quelli congelati.

- Sono idonei per il congelamento: Prodotti da forno, pesce e frutti di mare, carne, selvaggina, pollame, verdura, frutta, erbe aromatiche, uova senza guscio, latticini, come formaggio, burro e ricotta, pietanze pronte e residui vivande, come minestre, piatti unici, carne e pesce cotti a fuoco lento, vivande di patate, sformati e dolci.

- Non sono idonei per il congelamento: Tipi di ortaggi, che solitamente si consumano crudi, come insalate in foglia o ravanelli, uova nel guscio, uva, mele intere, pere e pesche, uova sode, yogurt, latte cagliato, panna acida, crème fraîche e maionese.

Confezionamento di alimenti surgelati

Conservare gli alimenti in confezioni ermetiche, per evitare che perdano il loro gusto o possano essiccarsi.

1. Introdurre l'alimento nella confezione.
2. Fare uscire l'aria.
3. Chiudere la confezione ermeticamente.
4. Scrivere sulla confezione il contenuto e la data di congelamento.

Sono idonei per il confezionamento:

fogli di plastica, fogli tubolari di polietilene, fogli di alluminio, contenitori per surgelati.

Questi prodotti sono in vendita nel commercio specializzato.

Non sono idonei

per il confezionamento:

carta per imballaggio, carta pergamena, cellofan, sacchetti per rifiuti e sacchetti per la spesa usati.

Sono idonei per chiudere le confezioni:

anelli di gomma, clip di plastica, fili per legare, nastri adesivi resistenti al freddo e simili.

I sacchetti ed i fogli tubolari di polietilene possono essere saldati con un saldatore per fogli di plastica.

Durata di conservazione dei surgelati

La durata di conservazione dipende dal tipo di alimento.

Ad una di temperatura di -18 °C:

- Pesce, salsiccia, pietanze pronte, prodotti da forno:
fino a 6 mesi
- Formaggio, pollame, carne:
fino a 8 mesi
- Verdura, frutta:
fino a 12 mesi

Super-congelamento

Per conservare vitamine, valori nutritivi, aspetto e gusto, gli alimenti devono essere congelati completamente, anche nell'interno, nel tempo più breve possibile.

Per evitare un indesiderato aumento della temperatura, inserire il super-congelamento alcune ore prima di introdurre alimenti freschi.

In linea di massima sono sufficienti 4-6 ore.

Dopo l'inserimento l'apparecchio funziona costantemente, nel congelatore si raggiunge una temperatura molto bassa.

Se si vuole utilizzare la max. possibilità di congelamento, il super-congelamento deve essere attivato 24 ore prima di introdurre gli alimenti freschi.

Le quantità di alimenti più piccole (fino ad 2 kg) possono essere congelate senza super-congelamento.

Avvertenza

Con il super-congelamento inserito, maggiori sono i rumori di funzionamento.

Accendere e spegnere

Figura **2**

Premere il pulsante «super» 6.

Quando il super-congelamento è inserito il pulsante è acceso.

Dopo 2½ giorni il super-congelamento si disinserisce automaticamente.

Decongelare surgelati

A seconda del genere e dell'uso, utilizzare una delle seguenti possibilità:

- a temperatura ambiente
- nel frigorifero
- nel forno elettrico, con/senza ventola aria calda
- nel forno a microonde



Attenzione

Non ricongelare gli alimenti parzialmente o completamente decongelati. Questi possono essere di nuovo congelati solo dopo avere preparato (mediante qualsiasi tipo di cottura) pietanze pronte all'uso.

Non utilizzare più la durata max. di conservazione.

Dotazione

I ripiani interni ed i balconcini della porta possono essere spostati secondo la necessità:

- Tirare i ripiani in avanti, abbassarli e ruotarli lateralmente.
- Sollevare il balconcino o ripiano ed estrarlo. Figura **4**

Dotazione speciale

(non in tutti i modelli)

Estrarre il ripiano estraibile in vetro

Figura **1**/13

Il ripiano di vetro possono essere estratti per la pulizia. A tal fine tirare il ripiano verso l'esterno, sollevarlo avanti e poi estrarlo.

Ripiano bottiglie

Figura **6** A/B

Sul ripiano bottiglie si possono deporre in sicurezza le bottiglie.

Vano a 0 °C

Figura **1**/16

Nel vano a 0 °C vi sono temperature più basse rispetto al frigorifero. Possono comparire anche temperature inferiori a 0 °C.

Ideale per la conservazione di pesce, carne e salsiccia. Non è idoneo per insalate, verdura e prodotti sensibili al freddo.

Cassetto per verdure con regolatore umidità

Figura **7**

Per creare il clima di conservazione ottimale per verdura, insalata e frutta, a seconda della quantità conservata, nel cassetto verdura si può regolare l'umidità dell'aria.

Piccole quantità di alimenti –

Far scorrere il regolatore verso sinistra.

Grandi quantità di alimenti –

Far scorrere il regolatore verso destra.

Insero del cassetto

Figura **9**

L'insero può essere estratto.

Contenitore porta

Figura **1**/25

Ideale per conservare dolci, spezie e dressing. Idoneo anche per cosmetici.

Fermabottiglie

Figura **1**/27

Il fermabottiglie impedisce la caduta delle bottiglie durante l'apertura o la chiusura della porta.

Produttore di ghiaccio

Figura **8**

1. Estrarre il contenitore dell'acqua e riempirlo con acqua fino al riferimento.
2. Vuotare con cautela l'acqua attraverso l'apertura di riempimento nella vaschetta dei cubetti di ghiaccio. Ciò facendo, prestare la massima attenzione possibile affinché l'acqua non entri, né scorra sul contenitore di raccolta. I cubetti di ghiaccio potrebbero altrimenti attaccarsi fra loro o sul contenitore.

3. Quando i cubetti di ghiaccio si sono congelati, abbassare e rilasciare la leva.
I cubetti di ghiaccio si staccano e cadono nel contenitore di raccolta.
4. Prelevare i cubetti di ghiaccio dal contenitore di raccolta. Prelevare regolarmente i cubetti di ghiaccio dal contenitore di raccolta, per evitare che si attacchino fra loro per congelamento.

Spegnere e mettere fuori servizio l'apparecchio

Spegnere l'apparecchio

Figura **1**

Premere il pulsante Acceso/Spento 9. Il refrigeratore e l'illuminazione si spengono.

Mettere fuori servizio l'apparecchio

Quando non si usa l'apparecchio per un lungo periodo:

1. Spegnere l'apparecchio.
2. Estrarre la spina di alimentazione o disinserire il dispositivo elettrico di sicurezza.
3. Pulire l'apparecchio.
4. Lasciare aperta la porta dell'apparecchio.

Scongelamento

Frigorifero

Lo sbrinamento è automatico.

L'acqua di sbrinamento scorre attraverso il foro di drenaggio in una vaschetta di evaporazione, posizionata nel lato posteriore dell'apparecchio.

Congelatore

Grazie al sistema automatico No Frost nel congelatore non si forma mai ghiaccio. Uno sbrinamento non è più necessario.

Pulizia dell'apparecchio

Attenzione

- Per la pulizia non utilizzare prodotti abrasivi, solventi o acidi.
- Non usare spugne abrasive o spugne che graffiano.
Sulle superfici metalliche potrebbe formarsi macchie da corrosione.
- Non lavare mai in lavastoviglie i ripiani ed i contenitori.
Questi elementi si possono deformare!

L'acqua di pulizia non deve penetrare

- nelle fessure nella parte anteriore del fondo nel congelatore,
- nei elementi di comando,
- e nell'illuminazione.

Procedere come segue:

1. Prima di iniziare la pulizia spegnere l'apparecchio.
2. Estrarre la spina di alimentazione o disinserire il dispositivo elettrico di sicurezza!
3. Estrarre i prodotti congelati e tenerli al fresco. Disporre sugli alimenti gli accumulatori del freddo (se disponibili).
4. Pulire l'apparecchio con un panno morbido e acqua tiepida leggermente saponata. Evitare che l'acqua penetri nell'unità di illuminazione.
5. Lavare la guarnizione della porta solo con acqua ed asciugarla con cura.
6. Dopo la pulizia: ricollegare ed accendere l'apparecchio.
7. Introdurre di nuovo i cibi congelati.

Dotazione

Per la pulizia tutte le parti mobili dell'apparecchio possono essere estratte.

Estrarre i ripiani di vetro

Tirare i ripiani di vetro in avanti ed estrarli.

Rimozione dei balconcini dalla porta

Figura **4**

Sollevare ed estrarre i balconcini.

Estrarre il ripiano di vetro vano a 0 °C

Figura 10

Spingere in alto il supporto ed estrarre il ripiano di vetro.

Avvertenza

Non lavare il ripiano di vetro del vano a 0 °C sotto acqua corrente.

Estrarre il ripiano di vetro sul cassetto verdura

Figura 11

Per rimuovere il ripiano di vetro, estrarre prima il cassetto verdura.

Per la pulizia il ripiano di vetro può essere scomposto.

- Per scongelare un alimento surgelato metterlo nel frigorifero, si utilizza così il freddo del surgelato per il raffreddamento degli alimenti.
- Aprire la porta dell'apparecchio il tempo più breve possibile.
- Per evitare un consumo eccessivo di energia elettrica, la zona del motore dell'apparecchio dovrebbe essere pulita saltuariamente.
- Se disponibile:
Per evitare sprechi di energia, applicare i distanziatori dal muro (vedi Istruzioni per il montaggio). Una minore distanza dal muro non influisce sulla funzionalità dell'apparecchio. Può tuttavia causare una piccola variazione di assorbimento di energia.

Illuminazione (LED)

L'apparecchio è dotato di un'illuminazione a LED esente da manutenzione.

Riparazioni a questa illuminazione deve essere eseguite solo dal Servizio Assistenza Clienti autorizzato.

Risparmiare energia

- Installare l'apparecchio un in ambiente asciutto ventilabile. L'apparecchio non deve essere esposto direttamente al sole o vicino ad una fonte di calore (per es. calorifero, stufa).
Altrimenti usare un pannello isolante.
- Lasciare raffreddare gli alimenti e le bevande, se caldi, prima di introdurli nell'apparecchio.

Rumori di funzionamento

Rumori normali

Ronzio

Motori in funzione (ad es. gruppi frigoriferi, ventilatore).

Gorgoglio, scroscio o fruscio

Derivano dal gas refrigerante, che circola nei i raccordi del circuito refrigerante.

Breve scatto

Motore, interruttori ed elettrovalvole s'inseriscono/disinseriscono.

Crepitio

Sbrinamento automatico in corso.

Evitare i rumori

L'apparecchio non è correttamente livellato

Livellare l'apparecchio con una livella a bolla d'aria. A tal fine utilizzare i piedini a vite o inserire uno spessore.

L'apparecchio è in contatto laterale

Allontanare l'apparecchio dai mobili o apparecchi con i quali è in contatto.

I contenitori o i ripiani traballano o non sono correttamente inseriti

Controllare le parti estraibili ed eventualmente inserirle di nuovo correttamente.

I contenitori all'interno dell'apparecchio si toccano tra loro

Allontanare un poco le bottiglie o i contenitori.

Eliminare piccoli guasti

Prima di rivolgersi al customer service:

provare ad eliminare autonomamente l'inconveniente con l'aiuto delle seguenti istruzioni.

L'intervento del Servizio Assistenza Clienti in caso di corretto funzionamento del prodotto, è a carico del consumatore.

Guasto	Causa possibile	Rimedio
La temperatura si discosta notevolmente dalle impostazioni iniziali.		In alcuni casi basta spegnere l'apparecchio per 5 minuti. Se la temperatura è troppo alta, controllare dopo qualche ora se vi è stata una normalizzazione della temperatura. Se la temperatura è troppo bassa, ricontrollare la temperatura il giorno seguente.
L'illuminazione non funziona.	L'illuminazione con il LED è guasta. La porta è rimasta troppo tempo aperta. L'illuminazione si spegne dopo ca. 10 min..	Vedi capitolo «Illuminazione (LED)». L'illuminazione si riaccende chiudendo e riaprendo la porta.

Guasto	Causa possibile	Rimedio
Luminosità ridotta degli elementi di comando.	Se per qualche tempo l'apparecchio non viene usato, l'indicazione nel pannello comandi passa a modalità di risparmio energetico.	Non appena l'apparecchio è di nuovo in uso, per es. in caso di apertura della porta, l'indicazione si riaccende con illuminazione normale.
Tutte le spie spente.	Interruzione dell'energia elettrica; è scattato il dispositivo elettrico di sicurezza; la spina d'alimentazione non è inserita correttamente.	Collegare la spina di alimentazione. Controllare se vi è energia elettrica e controllare il dispositivo elettrico di sicurezza.
Emissione del segnale acustico. Il pulsante di allarme è acceso. Figura 2/3	Guasto – nel congelatore la temperatura è troppo alta!	Per disattivare il segnale acustico, premere il pulsante di allarme 3.
	La porta dell'apparecchio è aperta.	Chiudere la porta.
	I passaggi dell'aria per l'aerazione sono ostruiti.	Provvedere a liberare le bocchette di passaggio dell'aria.
	Sono stati inseriti troppi alimenti freschi da congelare in una sola volta.	Non superare la quantità massima di congelamento.
		Eliminato l'inconveniente, dopo qualche tempo il pulsante di allarme si spegne.

Guasto	Causa possibile	Rimedio
Emissione del segnale acustico. Il pulsante di allarme lampeggia. Figura 2/3	Guasto – nel congelatore la temperatura è troppo alta! Pericolo per gli alimenti!	Per disattivare il segnale acustico, premere il pulsante di allarme 3. Il pulsante di allarme smette di lampeggiare. Avvertenza Gli alimenti semiscongelati e scongelati possono essere di nuovo congelati se carne e pesce non sono stati a temperature superiori a +3 °C per oltre un giorno e gli altri alimenti per non oltre tre giorni. Se il gusto, l'odore e l'aspetto sono invariati, gli alimenti possono essere di nuovo congelati dopo la preparazione mediante cottura o arrosto. Non utilizzare più interamente la durata max. di conservazione.
	La porta dell'apparecchio è aperta.	Chiudere la porta.
	I passaggi dell'aria per l'aerazione sono ostruiti.	Provvedere a liberare le bocchette di passaggio dell'aria.
	Sono stati inseriti troppi alimenti freschi da congelare in una sola volta.	Non superare la quantità massima di congelamento.
		Eliminato l'inconveniente, dopo qualche tempo il pulsante di allarme si spegne.

Guasto	Causa possibile	Rimedio
La temperatura nel congelatore è troppo alta.	Frequente apertura della porta dell'apparecchio.	Non aprire inutilmente la porta dell'apparecchio.
	I passaggi dell'aria per l'areazione sono ostruiti.	Liberare le aperture.
	Congelamento di grandi quantità di alimenti freschi.	Non superare la quantità massima di congelamento.
La porta del congelatore è rimasta aperta troppo a lungo; non è più possibile raggiungere la temperatura.	L'evaporatore (generatore del freddo) nel sistema No Frost è ostruito dal ghiaccio, non riesce più a sbrinarsi automaticamente.	<p>Per sbrinare l'evaporatore estrarre gli alimenti congelati con i contenitori e deporli ben isolati in un luogo fresco.</p> <p>Spegnere l'apparecchio. Lasciare aperta la porta dell'apparecchio.</p> <p>Dopo ca 20 min. l'acqua di sbrinamento comincia a gocciolare nella vaschetta d'evaporazione sul lato posteriore dell'apparecchio. Figura 12</p> <p>Per evitare in questo caso che la vaschetta d'evaporazione trabocchi, svuotarla periodicamente.</p> <p>Quando nella vaschetta d'evaporazione non defluisce più acqua di sbrinamento, l'evaporatore è sbrinato. Pulire il vano interno. Rimettere l'apparecchio in funzione.</p>

Servizio Assistenza Clienti

Trovate un centro d'assistenza clienti autorizzato a voi vicino tramite i numeri verdi (800...) in Internet oppure nell'elenco del Servizio Assistenza Clienti in dotazione all'apparecchio. Indicate al Servizio Assistenza Clienti autorizzato la sigla del prodotto (E-Nr.) e il numero di fabbricazione (FD) dell'apparecchio.

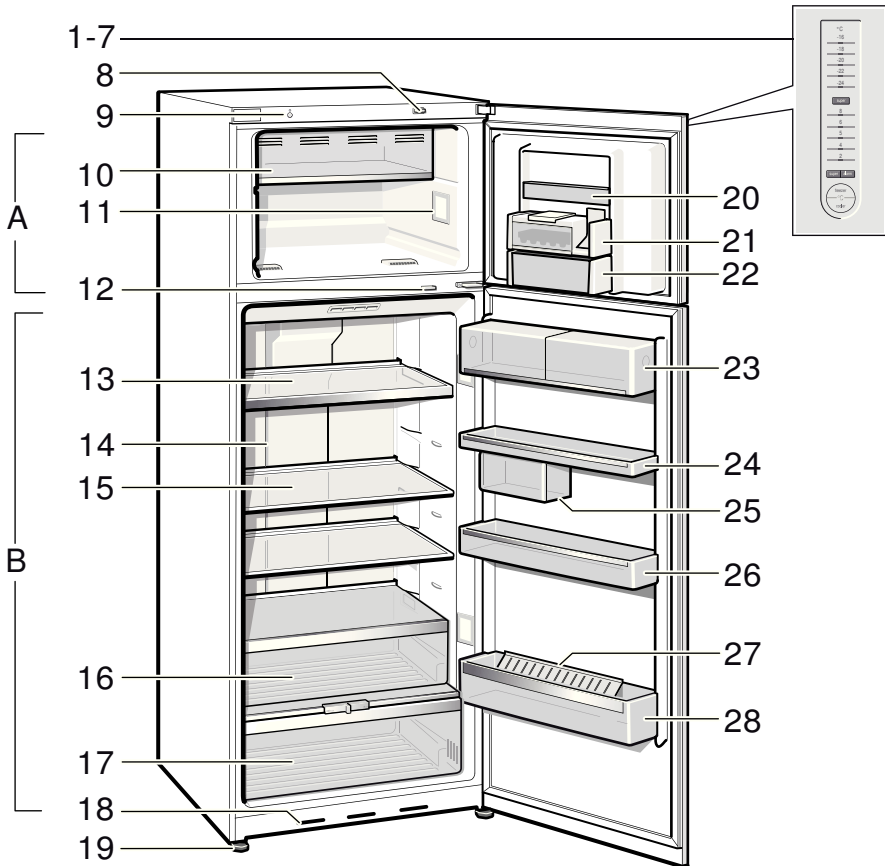
Trovate questi dati sulla targhetta d'identificazione. Figura **13**

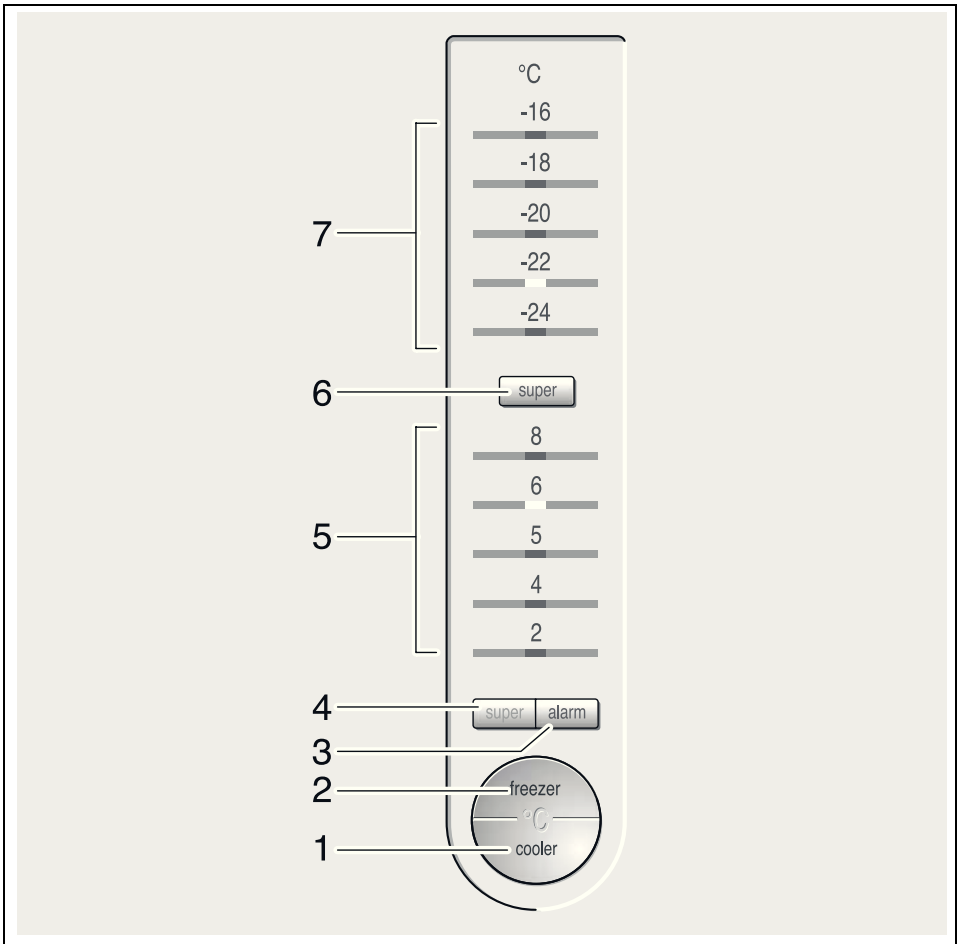
Indicando la sigla del prodotto ed il numero di fabbricazione contribuite ad evitarci interventi inutili. Risparmiate così la relativa spesa.

Ordine di riparazione e consulenza in caso di guasti

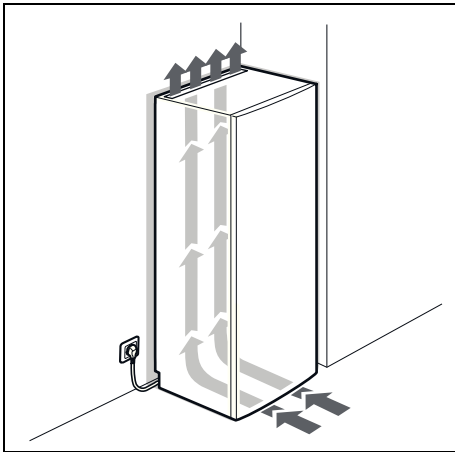
Trovate i dati di contatto di tutti i paesi nell'accluso elenco dei centri di assistenza clienti.

I	800-018346	Linea verde
CH	0848 840 040	

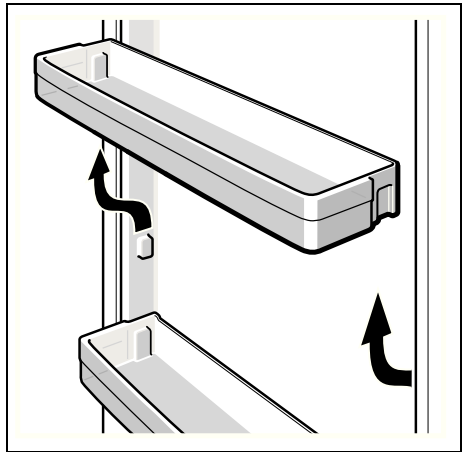




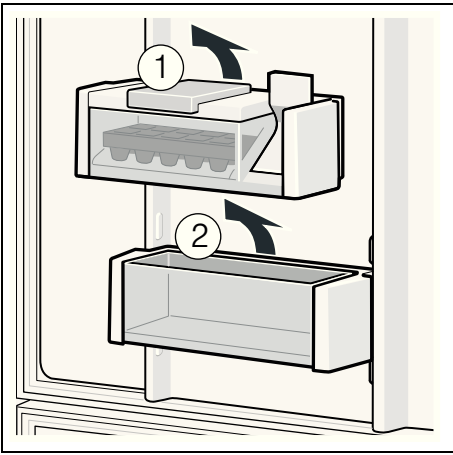
2



3



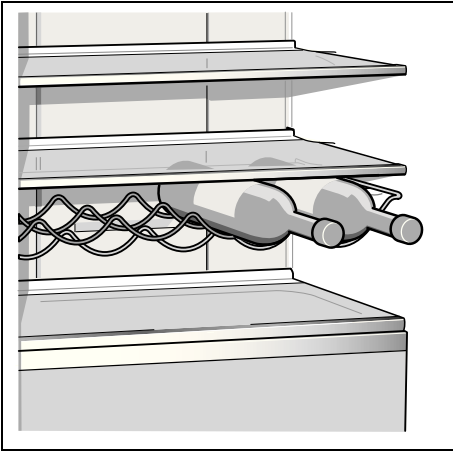
4



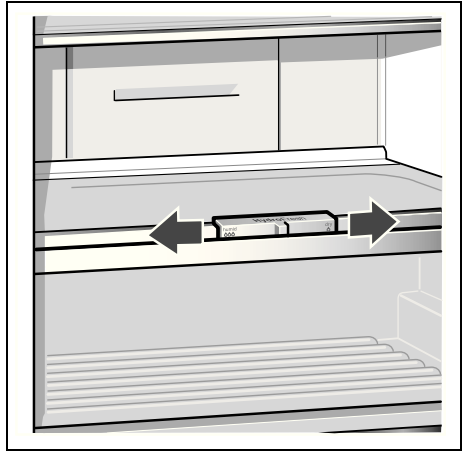
5



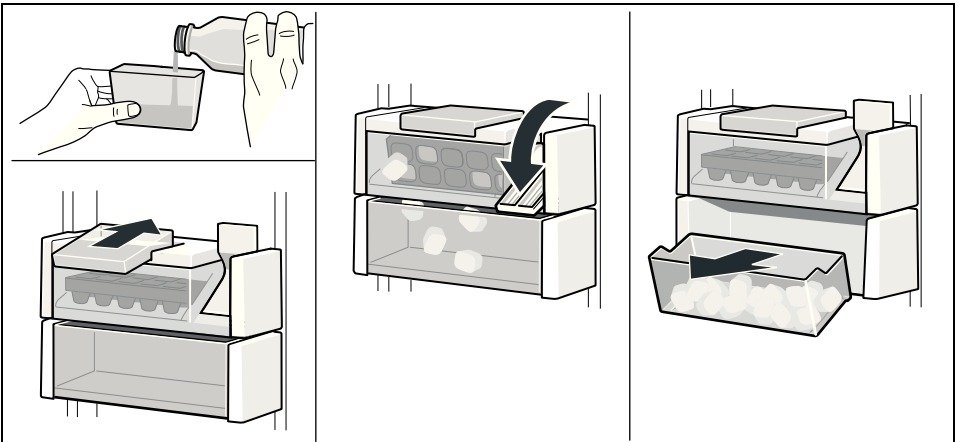
6/A



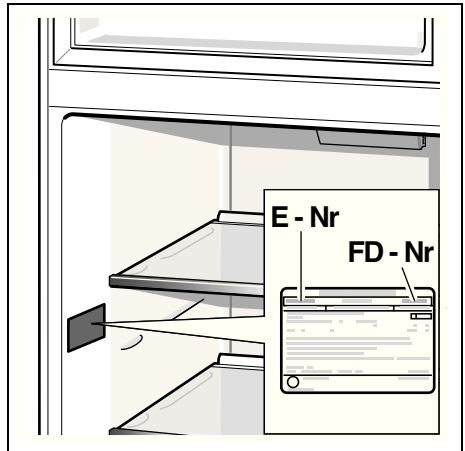
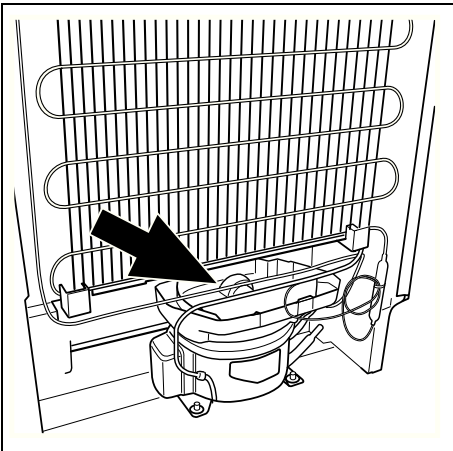
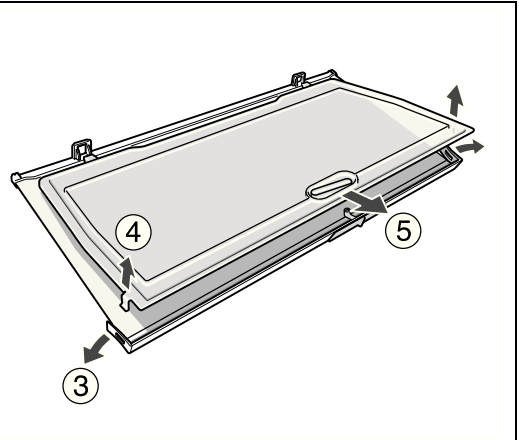
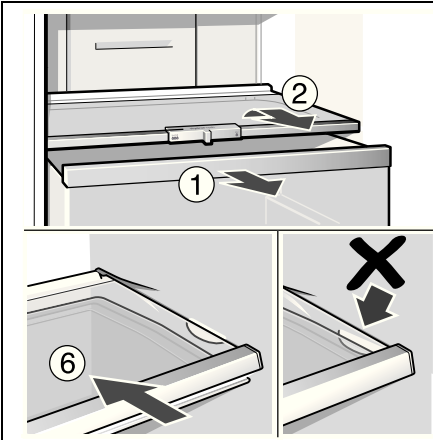
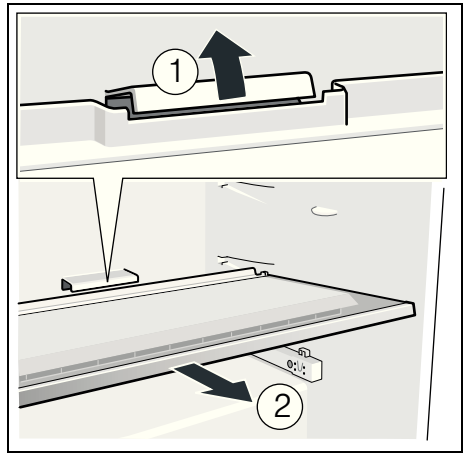
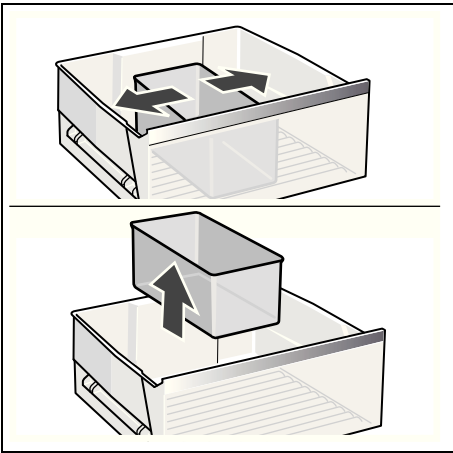
6/B



7



8



12

13

Siemens-Electrogeräte GmbH
Carl-Wery-Str. 34, 81739 München
Germany



9000758602 en, fr, it, nl (9203)