



## GL-50 Instructions for use

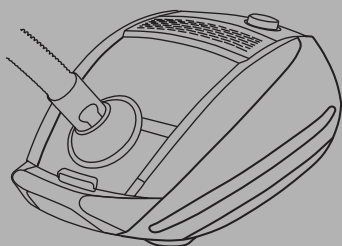
Got a question about a Bosch vacuum cleaner?  
Just give us a call. Our specially trained staff  
are here to help. Most queries can be solved  
over the phone already.



Hotline  
0844 892 89 23



Hotline  
01450 2655



**GL-50**



**BOSCH**

Thank you for buying the new GL50 vacuum cleaner from Bosch. The instructions contain valuable information about the unique features of this product. Please visit [www.bosch-home.co.uk](http://www.bosch-home.co.uk) for more product information or to register your product, just follow the link to the online guarantee registration.

Please keep this instruction manual. When passing the vacuum cleaner on to a third party, please also pass on this instruction manual.

## Intended use

This vacuum cleaner is intended for domestic use and not for commercial use.

Only use this vacuum cleaner in accordance with the instructions in this instruction manual.

The manufacturer will not accept any responsibility for damage caused by improper use or incorrect operation. Therefore, please note the following points.

The vacuum cleaner must only be operated with:

- Manufacturer's original dust bags
- Manufacturer's original replacement parts, -accessories or -special accessories

The vacuum cleaner is not to be used for:

- cleaning persons or animals
- Vacuuming up:
  - Microbes
  - Hazardous, sharp-edged, hot or burning substances
  - Damp or liquid substances
  - Highly flammable or explosive substances and gases
  - Ash, soot from tiled stoves and central heating systems
  - toner dust from printers and copiers

## Safety information

This vacuum cleaner complies with the recognised rules of technology and the relevant safety regulations.

- Stand the appliance on a firm, secure surface when vacuuming.
- When vacuuming stairs, the appliance must always be positioned below the user.
- In the following cases, do not use the appliance and contact the after-sales service.
  - if the power cable is damaged.
  - if you have accidentally vacuumed up some liquid or liquid has entered the inside of the appliance.
  - if the appliance has been dropped.
- Always observe the information on the rating plate when using the vacuum cleaner and connecting it to the power supply.
- Only allow children to use the vacuum cleaner under supervision.
- This appliance must not be operated by children or persons with limited physical, sensory or mental abilities or with a lack of experience and knowledge unless they have been instructed in the use of the appliance by a responsible person.

- Avoid vacuuming close to your head when using nozzles and tubes.  
=> Risk of injury!
- Never carry the vacuum cleaner by the power cord.
- Fully extend the power cord when using the vacuum cleaner continuously for several hours.
- When disconnecting the appliance from the mains, pull the plug itself to remove it; do not pull on the power cord.
- Do not pull the power cord over sharp edges or allow it to become trapped.
- Pull out the mains plug before carrying out any work on the vacuum cleaner.
- Do not operate the vacuum cleaner if it is damaged. Unplug the power cord from the mains if a fault is detected.
- For safety reasons, only authorised after-sales service personnel are permitted to carry out repairs and fit replacement parts to the vacuum cleaner.
- Protect the vacuum cleaner from outside weather conditions, moisture and sources of heat.
- Never use the vacuum cleaner without a dust bag fitted.  
=> This can damage the appliance.
- Do not allow any inflammable substances or substances containing alcohol to come into contact with the filters (dust bag, motor protection filter, exhaust filter, etc.).
- The vacuum cleaner is not suitable for use on construction sites.  
=> Vacuuming up building rubble could damage the appliance.
- Switch off the appliance when it is not in use.
- At the end of its life, the appliance should immediately be rendered unusable, then disposed of in an appropriate manner.
- Plastic bags and films must be kept out of the reach of children before disposal.  
=> Risk of suffocation!

## Disposal information

### ■ Packaging

The packaging is designed to protect the vacuum cleaner from being damaged during transport.

It is made of environmentally-friendly materials and can be recycled.

Dispose of packaging that is no longer required at an appropriate recycling point.

### ■ Old appliances

Old appliances still contain many valuable materials.

Therefore, please take old appliances to your retailer or recycling centre so that they can be recycled.

For current disposal methods, please enquire at your appliance dealership or local council.

### ■ Disposal of filters and dust bags

Filters and dust bags are manufactured from environmentally friendly materials. Provided that they do not contain substances that are not permitted in household waste, you can dispose of them with your normal household waste.

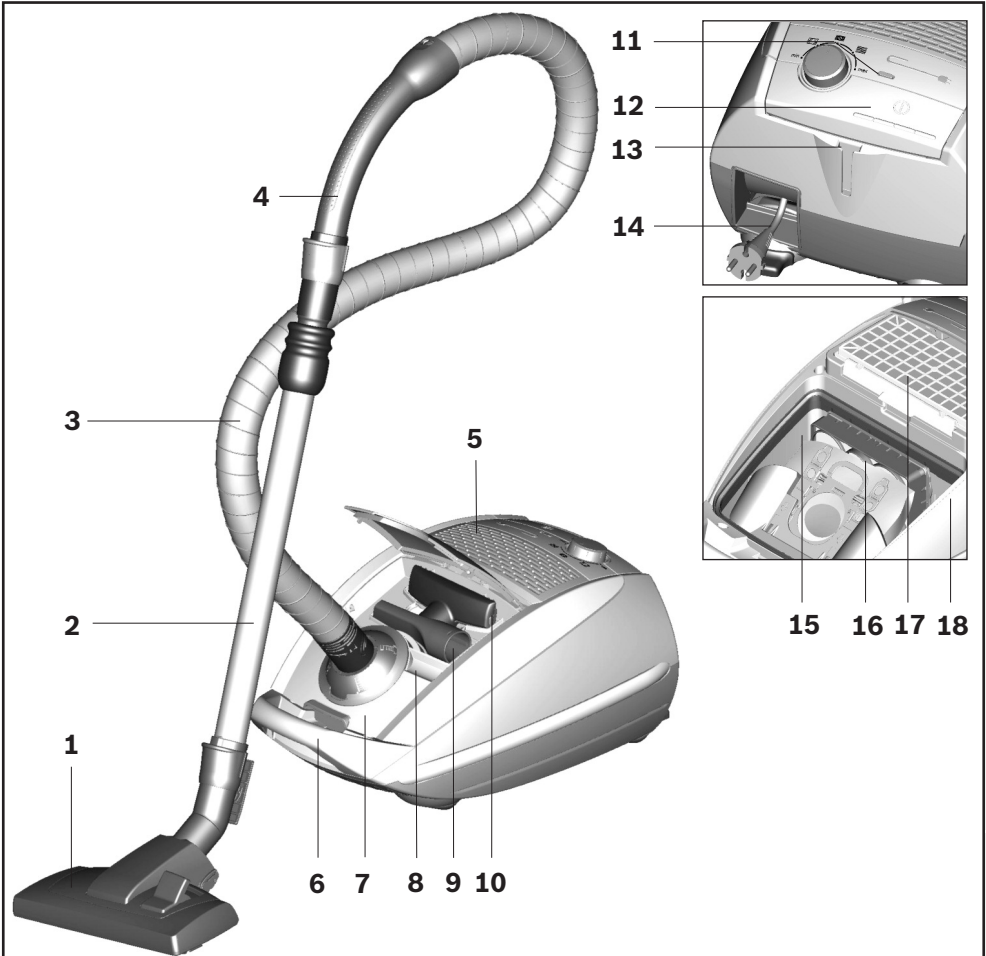
### ! Please note

- Only connect the appliance to a socket rated for at least 16 amps.

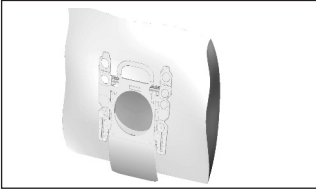
If a fuse is tripped when you switch on the vacuum cleaner, this may be because other electrical appliances which have a high current draw are connected to the same power circuit.

To prevent the fuse from blowing, select the lowest power setting before switching the appliance on, and increase the power only once it is running.

## Your vacuum cleaner



## Replacement parts and special accessories



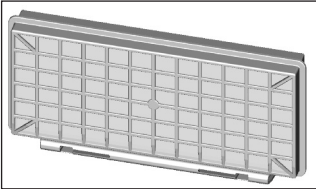
### Replacement filter pack

Filter type GXXL (BBZ41FGXXL)

For best performance: GXXL plus (BBZ41GXXLP)

Contents: 4 filter bags with seal  
1 micro-hygiene filter

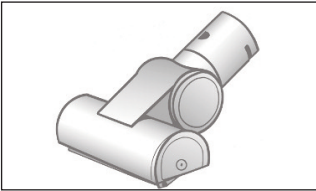
<http://www.dust-bag-bosch.com>



### Hepa filter BBZ154HF

Additional filter for cleaner exhaust air.

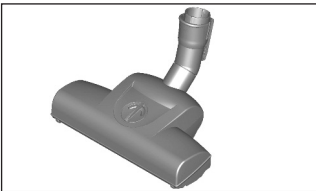
Recommended for allergy sufferers. Replace once a year.



### TURBO-UNIVERSAL<sup>®</sup> brush for upholstery BBZ42TB

All in one brushing and vacuuming of upholstered furniture, mattresses, car seats, etc. Ideal for picking up pet hair. The brush roller is driven by the suction air flow of the vacuum cleaner.

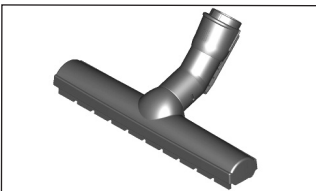
No separate electrical connection is needed.



### TURBO-UNIVERSAL<sup>®</sup> brush for floors BBZ102TBB

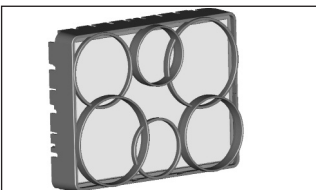
All in one brushing and vacuuming of short-pile rugs and carpets and all hard floor coverings. Ideal suitable for picking up pet hair. The brush roller is driven via the suction air flow of the vacuum cleaner.

No separate electrical connection is needed.



### Hard floor tool BBZ123HD

For vacuuming hard floors  
(parquet, tiles, terracotta, etc.)



### Bionic filter BBZ11BF

Additional filter for reducing unpleasant odours

Please replace the filter once it begins to lose its effect (after approx. 1 year)



### Before using for the first time

Figure 1

- Push the handgrip onto the flexible hose and lock it in position.

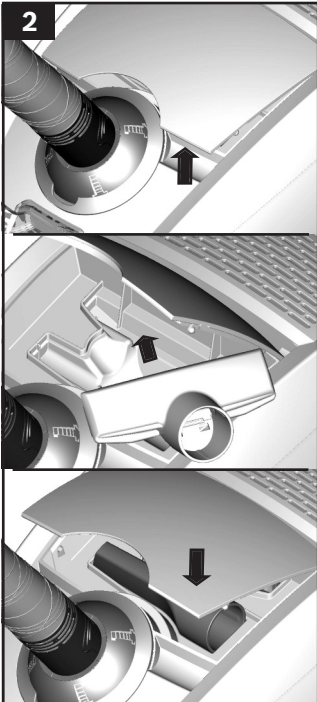


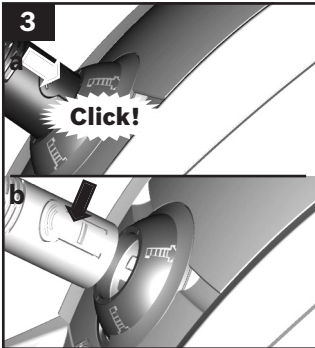
Figure 2

- Open the accessories compartment.

- Insert the crevice nozzle and upholstery nozzle in the accessories compartment in the appliance lid.

- Close the accessories compartment.

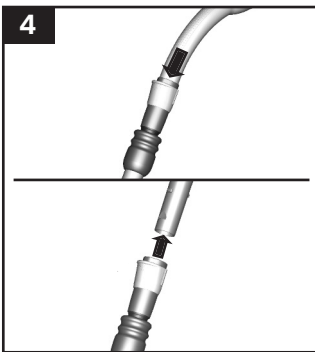
## Setting up



**Figure 3**

a) Push the flexible hose adapter into the air intake opening in the vacuum cleaner lid until it locks into place.

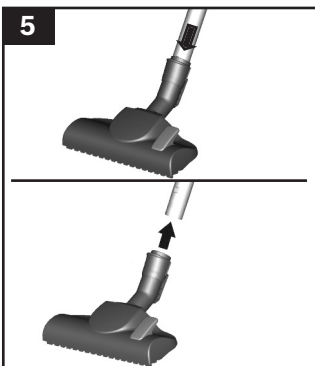
b) To remove the flexible hose, press the two catches together and pull out the hose.



**Figure 4**

- Connect the handle and the telescopic tube together.

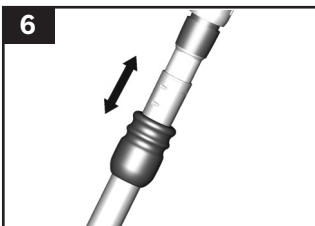
- To release the connection, pull out the telescopic tube.



**Figure 5**

- Connect the floor tool and the telescopic tube together.

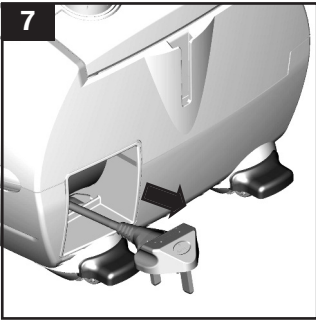
- To release the connection, pull out the telescopic tube.



**Figure 6**

- Move the sliding sleeve in the direction of the arrow to release the telescopic tube and adjust it to the length required.

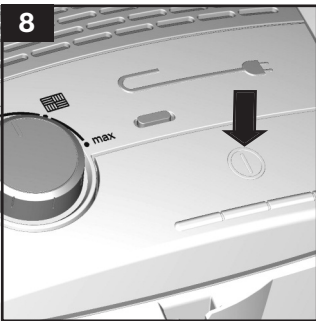
## Setting up



**Figure 7**

- Holding the power cord by the plug, pull out the required length and plug the plug into the mains socket.

## Vacuuming

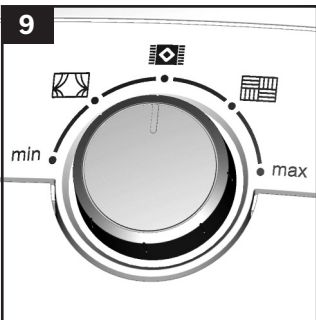


**Figure 8**

### Switching on and off




- To switch the vacuum cleaner on or off, press the ON/OFF button.

### Controlling the suction level

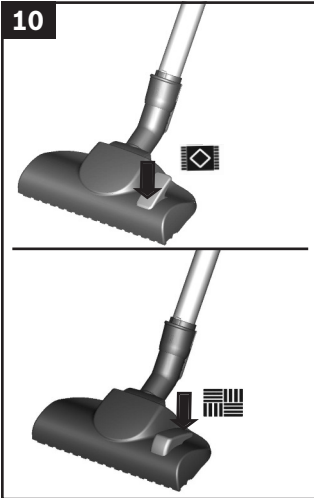


**Figure 9**

The required suction level can be set to the level required by turning the control knob in the direction of the arrow.

- Low power range =>   
For vacuuming delicate materials, e.g. curtains.
- Medium power range =>   
For the daily vacuuming of light dirt deposits.
- High power range =>   
For cleaning durable floor coverings, hard floors and heavy dirt deposits.

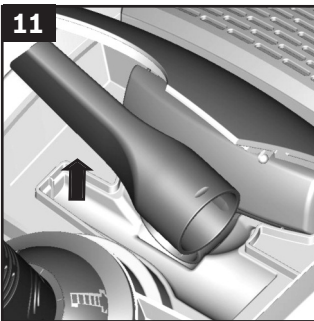




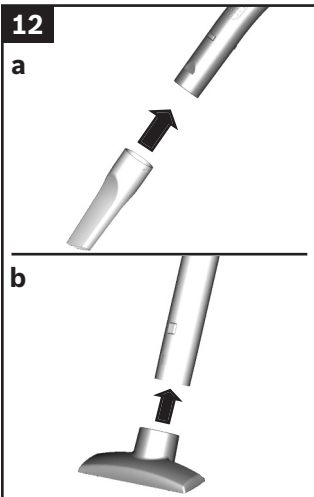
**Figure 10**  
Adjusting the floor tool:

■ Rugs and carpets => 

■ Hard floors => 



**Figure 11**  
● Remove the crevice nozzle or upholstery nozzle from the accessories compartment in the appliance lid.

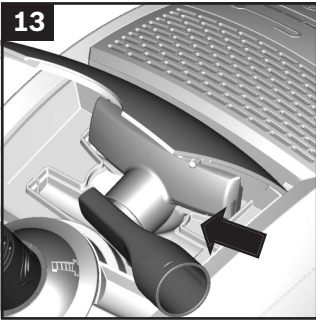


**Figure 12**  
**Vacuuming with accessories**  
Attach the nozzles to the suction pipe or handgrip as required:

a) Crevice nozzle for vacuuming crevices and corners, etc.

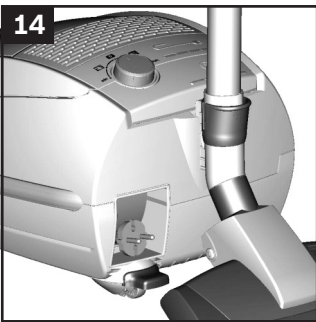
b) Upholstery nozzle for vacuuming upholstered furniture, curtains, etc.

● Connect the floor tool and the telescopic tube together.



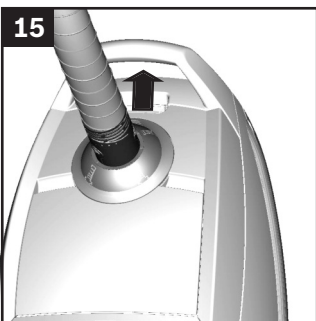
**Figure 13**

- After use, place the crevice or upholstery nozzle back into the accessories compartment in the appliance lid.



**Figure 14**

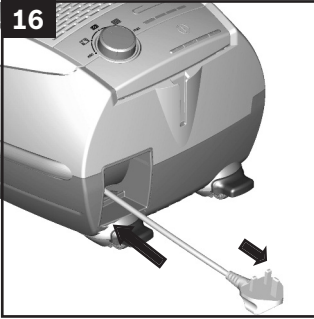
- You can use the nozzle parking aid on the back of the appliance if you wish to stop vacuuming for a short time.
- Once you have switched off the appliance, slide the hook on the floor tool into the recess on the rear of the appliance.



**Figure 15**

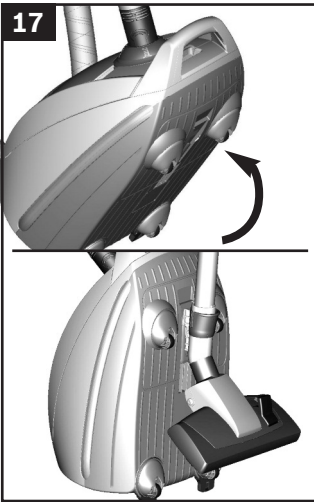
- To overcome obstacles, e.g. steps, the appliance can also be carried by the handle on the appliance body.

## When work is done



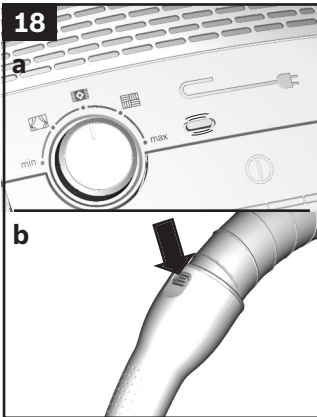
**Figure 16**

- Pull out the mains plug.
- Tug the power cord briefly and then let go (the power cord retracts automatically).



**Figure 17**

- To store or transport the appliance, you can use the storage aid on the underside of the appliance.
  
- Stand the appliance up on its end. Slide the catch on the floor tool into the groove on the underside of the appliance.



⚠ Please note: Always switch off the appliance before changing the filter.

### Replacing the dust bag

Figure 18

a) If the dust bag change indicator lights up red continuously when the floor tool is lifted from the floor and the highest power setting has been selected, the dust bag must be changed, even though it may not yet be full. Even if the dust bag is not full, it may still need changing, due to the type of dust which has been vacuumed.

First check that the nozzle, suction pipe and flexible hose are not blocked, as this would also lead to the dust bag change indicator being triggered.

b) The handle can easily be detached from the hose to remove blockages.

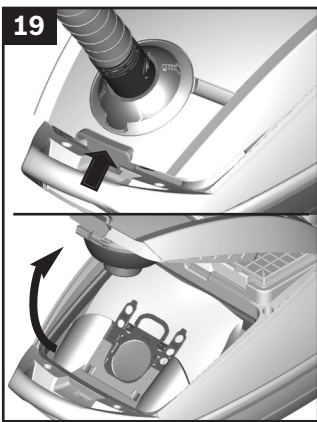


Figure 19

### Opening the lid

- Open the lid by moving the locking lever in the direction of the arrow.

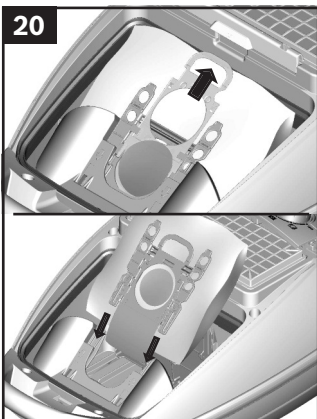


Figure 20

a) Seal the dust bag by pulling the sealing tab, and remove the bag.

b) Insert the new dust bag into the holder up to the stop.

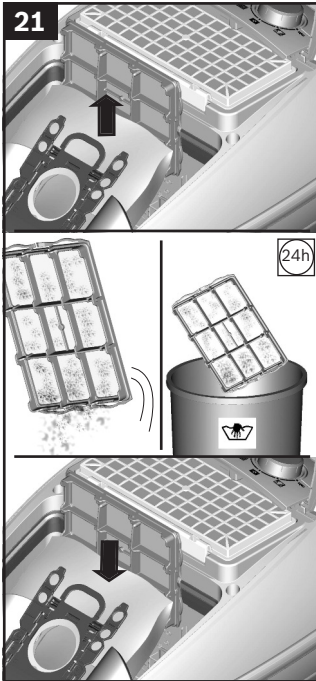
⚠ Caution: the lid will only close if a dust bag has been inserted.

### Cleaning the motor protection filter

The motor protection filter should be cleaned regularly by knocking out the dirt and rinsing.

**Figure 21**

- Open the dust bag compartment lid **Figure 19**.
- Remove the motor protection filter from the appliance in the direction of the arrow.



- Clean the motor protection filter by tapping it out.
- If it is very dirty, the motor protection filter should be rinsed out. The filter must then be left to dry for at least 24 hours.

- After cleaning, push the motor protection filter into the appliance.
- Close the dust bag compartment lid.

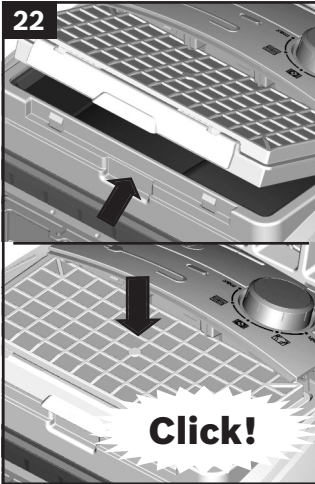
### Replacing the exhaust filter

#### Replacing the Hepa filter

If your appliance is equipped with a Hepa filter, this should be replaced once a year.

#### Figure 22

- Open the dust bag compartment lid. **Figure 19**
- Unlock the Hepa filter by turning the locking lever in the direction of the arrow and remove the filter from the appliance.



- Insert the new Hepa filter and lock it in place.

If you have vacuumed up fine dust particles, clean the motor protection filter and, if necessary, replace the micro-hygiene filter or Hepa filter.

### Care

Always switch off the vacuum cleaner and disconnect the power cord from the mains before cleaning the vacuum cleaner. The vacuum cleaner and plastic accessories can be cleaned with a commercial plastic cleaner.

**! Do not use a scourer, glass-cleaning agent or all-purpose cleaning product. Never immerse the vacuum cleaner in water.**

The dust compartment can, if necessary, be cleaned with a second vacuum cleaner or simply wiped with a dry cloth or dusting brush.

Subject to technical modifications.

**GB Great Britain**

BSH Home Appliances Ltd.

Customer Service

Grand Union House

Old Wolverton Road

Wolverton

Milton Keynes MK12 5PT

[www.bosch-home.co.uk](http://www.bosch-home.co.uk)

0844 892 8979

**To arrange an engineer visit please visit:**

[www.bosch-home.co.uk](http://www.bosch-home.co.uk)

Or call: 0844 892 8979

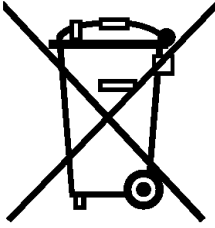
**For replacement spare parts or accessories please visit:**

[www.bosch-eshop.co.uk](http://www.bosch-eshop.co.uk)

Or call: 0844 892 8979



## Disposal



„This appliance is labelled in accordance with the European directive 2002/96/EG concerning waste electrical and electronic equipment - WEEE. The directive provides the framework for the return and recycling of used appliances as applicable throughout the EU.“

## Warranty

### GB Warranty

The guarantee conditions as set out by our representatives in the country of sale apply to this appliance. Details regarding this may be obtained from whom the appliance was purchased.

For claims under guarantee the sales receipt must be produced.







printed on recycling paper



■ The design of this product is environment-friendly. All plastic parts are identified for recycling purposes.

GA 9000 544 177