

GS..N..

en Instruction for Use

SIEMENS

en Index

Information concerning disposal	3	Freezing fresh food	9
Safety and warning information	3	Freezing food	10
Connecting the appliance	5	Super freezing	10
Getting to know your appliance	5	Features of the freezer compartment . . .	11
Fascia	6	Defrosting frozen produce	11
Note ambient temperature and ventilation	6	Switching off the appliance	12
Switching on the appliance	7	Defrosting	12
Selecting the temperature	7	Cleaning the appliance	12
Warning signal	7	Tips for saving energy	13
Usable capacity	8	Operating noises	13
Freezer compartment	9	Eliminating minor faults yourself	14
Freezing and storing frozen food	9	Customer service	15

Information concerning disposal

Disposal of packaging

The packaging protects your appliance from damage during transit. All packaging materials are environmentally friendly and recyclable. Please contribute to a better environment by disposing of packaging materials in an environmentally-friendly manner.

Please ask your dealer or inquire at your local authority about current means of disposal.

Disposal of your old appliance

Old appliances are not worthless rubbish! Valuable raw materials can be reclaimed by recycling old appliances.



This appliance is labelled in accordance with European Directive 2002/96/EG concerning used electrical and electronic appliances (waste electrical and electronic equipment - WEEE). The guideline determines the framework for the return and recycling of used appliances as applicable throughout the EU.

Warning

Redundant appliances:

1. Pull out the mains plug.
2. Cut off the power cord and discard with the mains plug.

Refrigerators contain refrigerants and the insulation contains gases. Refrigerant and gases must be disposed of properly. Ensure that tubing of the refrigerant circuit is not damaged prior to proper disposal.

Safety and warning information

Before you switch ON the appliance

Please read the operating and installation instructions carefully.

They contain important information on how to install, use and maintain the appliance.

Keep all documentation for subsequent use or for the next owner.

Technical safety

- This appliance contains a small quantity of environmentally-friendly but flammable R600a refrigerant. Ensure that the tubing of the refrigerant circuit is not damaged during transportation and installation. Leaking refrigerant may cause eye injuries or ignite.

If damage has occurred

- Keep naked flames and/or ignition sources away from the appliance.
- Thoroughly ventilate the room for several minutes.
- Switch off the appliance and pull out the mains plug or switch off the fuse.
- Notify customer service.

The more refrigerant an appliance contains, the larger the room must be. Leaking refrigerant can form a flammable gas-air mixture in rooms which are too small.

The room must be at least 1 m³ per 8 g of refrigerant. The amount of refrigerant in your appliance is indicated on the rating plate inside the appliance.

- Only customer service may change the power cord and carry out any other repairs. Improper installations and repairs may put the user at considerable risk.

Important information when using the appliance

- Never use electrical appliances inside the appliance (e. g. heaters, electric ice makers, etc.). **Risk of explosion!**
- Never use a steam cleaner to defrost or clean the appliance. The steam may penetrate electrical parts and cause a short-circuit.
Risk of electric shock!
- Do not use pointed or sharp-edged implements to remove frost or layers of ice.
You could damage the refrigerant tubing. Leaking refrigerant may ignite or cause eye injuries.
- Do not store products which contain flammable propellants (e. g. spray cans) or explosive substances in the appliance. **Explosion hazard!**
- Do not stand or support yourself on the base, drawers or doors, etc.
- Before defrosting or cleaning the appliance, switch off the appliance, pull out the mains plug or switch off the fuse.
Pull on the mains plug, not on the power cord.
- Bottles which contain a high percentage of alcohol must be sealed and stored in an upright position.
- Keep plastic parts and the door seal free of oil and grease. Otherwise, parts and door seal will become porous.
- Never cover or block the ventilation openings for the appliance.

- People who have limited physical, sensory or mental abilities or inadequate knowledge must not use this appliance unless they are supervised or given meticulous instructions.
- Do not store bottled or canned drinks (especially carbonated drinks) in the freezer compartment. Bottles and cans may explode!
- Never put frozen food straight from the freezer compartment into your mouth.
Risk of low-temperature burns!
- Avoid prolonged touching of frozen food, ice or the evaporator pipes, etc.
Risk of low-temperature burns!

Children in the household

- Keep children away from packaging and its parts. Danger of suffocation from folding cartons and plastic film!
- Do not allow children to play with the appliance!
- If the appliance features a lock, keep the key out of the reach of children.

General requirements

The appliance is suitable

- for freezing food,
- for making ice.

The appliance is designed for domestic use.

The appliance has been interference-suppressed in compliance with EU Directive 2004/108/EC.

The refrigerant circuit has been tested for leaks.

This product complies with the relevant safety regulations for electrical appliances (EN 60335/2/24).

Connecting the appliance

After installing the appliance, wait at least 1 hour until the appliance starts up. During transportation the oil in the compressor may have flowed into the refrigeration system.

Before switching on the appliance for the first time, clean the interior of the appliance (see chapter Cleaning).

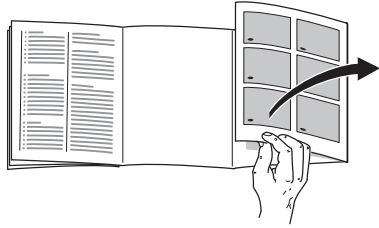
The socket should be freely accessible. Connect the appliance only to 220–240 V/50 Hz alternating current via a correctly installed earthed socket. The socket must be fused with a 10 A to 16 A fuse.

If the appliance is to be operated in a non-European country, check on the rating plate whether the indicated voltage and current type correspond to the values of your mains supply. The rating plate is situated in the bottom left-hand side of the appliance. The power cord may be replaced by a technician only.

⚠ Warning

Never connect the appliance to electronic energy saver plugs or to power inverters which convert the direct current to 230 V alternating current (e.g. solar equipment, power supplies on ships).

Getting to know your appliance



Please fold out the illustrated last page. These operating instructions refer to several models.

The illustrations may differ.

* not all models

Fig. 1

1-5 Fascia

6 No Frost System

7 Freezer compartment flap

8 Ice cube maker/pizza box*

9 Freezer shelf

10 Freezer drawer (large)

11 Freezer drawer (small)

12 Ventilation opening

13 Height-adjustable feet

14 Ice blocks*

15 Frozen-food calendar

Fascia

Fig. 2

1 On/Off button

Switches the whole appliance on and off.

2 Temperature selection button

The button sets the temperature in the freezer compartment.

3 Temperature display

The numbers correspond to the set freezer compartment temperatures in °C.

4 “alarm” button

Used to switch off the warning signal (see chapter entitled “Warning signal”).

5 Super button

Switches super freezing on and off.

Note ambient temperature and ventilation

The climatic class can be found on the rating plate. It specifies the ambient temperatures at which the appliance may be operated. The rating plate can be found inside the appliance at the bottom left-hand side.

Climatic category	Permitted ambient temperature
SN	+10 °C to 32 °C
N	+16 °C to 32 °C
ST	+16 °C to 38 °C
T	+16 °C to 43 °C

Ventilation

Fig. 3

The air at the back of the appliance will heat up. This warm air must be allowed to freely escape, otherwise the refrigerating machine must perform more. This raises electricity consumption. Hence, the air-inlet and outlet apertures should never be covered or blocked off!

Switching on the appliance

Fig. 2

Switch on the appliance with On/Off button **1**. Warning signal is emitted.

Press temperature alarm button **4** to switch off the warning signal.

The temperature display **3** flashes and the alarm button display **4** is lit up, until the appliance has reached the set temperature.

Operating tips

- When the freezer compartment has reached its operating temperature, the temperature display **3** is lit continuously.
- The sides of the housing are sometimes heated slightly. This prevents condensation in the area of the door seal.
- If you cannot open the freezer compartment door immediately after closing it, wait 2–3 minutes until the partial vacuum has equalised.
- Fully automatic No Frost system keeps the freezer compartment free of ice. Defrosting is no longer required.

Selecting the temperature

Fig. 2

The freezer compartment temperature can be adjusted from -16° to -32°C .

Keep pressing temperature setting button **2** until the required setting is lit on the temperature display.

We recommend a setting of -18°C in the freezer compartment.

Warning signal

Door warning signal

The door warning signal switches on if the appliance door is left open for longer than one minute.

Temperature warning

The temperature warning signal switches on if the freezer compartment is too warm.

Alarm button	Temperature display	Explanation
illuminates	flashes	Temperature warning: Frozen food is not at risk of thawing.
flashes	flashes	Thaw warning: Frozen food is at risk of thawing.

Alarm button	Temperature display	Explanation
flashes	illuminates	<p>Thaw warning:</p> <p>At some time the freezer compartment was too warm. Frozen food is at risk of thawing.</p>

Thaw warning

If taste, odour and appearance have not changed, the food can be boiled or fried and then refrozen.

No longer store the frozen produce for the max. storage period.

Temperature warning

The warning signal may switch on without any risk to the frozen food:

- When the appliance is switched on.
- When large quantities of fresh food are placed in the appliance.
- If the freezer compartment door is open too long.

Switching off the warning signal

Fig. 2

If the alarm button **4** is pressed, the warning signal switches off and the display is reset to standby.

Usable capacity

Information on the usable capacity can be found inside your appliance on the rating plate.

Fully utilising the freezer volume

The maximum amount of food can be placed in the freezer by removing several fittings. The food can be stacked directly on the freezer shelves.

Note

To comply with the values indicated on the rating plate, the fittings at the very top and bottom should remain in the appliance.

Removing the fittings:

- Pull out the freezer drawer all the way, lift at the front and remove. **Fig. 4**
- Open freezer compartment flap, hold one of the bearing pins and remove flap. **Fig. 5**
- If appliances feature an ice maker, the latter can be taken out. **Fig. 6**

Freezer compartment

Use the freezer compartment

- For storing frozen food
- Making ice cubes
- For freezing food

Ensure that the freezer-compartment door is always closed! If the door is open, the frozen food will thaw. The freezer compartment will become covered in a thick layer of ice. Also: energy will be wasted due to high power consumption!

Freezing and storing frozen food

Buying frozen food

The packaging must not be damaged.

Note the sell-by date.

The temperature in the supermarket freezer should be $-18\text{ }^{\circ}\text{C}$ or lower.

Transport the frozen food in an insulating bag, where possible and put it quickly into the freezer compartment.

Storing frozen food

To ensure good air circulation in the appliance, insert the freezer drawers all the way.

Preferably freeze large quantities of food in the top compartments, where food freezes particularly quickly and therefore also gently.

Do not cover the ventilation slots on the rear panel with frozen food!

Freezing fresh food

Freezing food yourself

If you are freezing food yourself, use only fresh, undamaged food.

The following foods are suitable for freezing:

Meat and sausage products, poultry and game, fish, vegetables, herbs, fruit, cakes and pastries, pizza, ready meals, leftovers, egg yolk and egg-white.

The following foods are not suitable for freezing:

Eggs in shells, soured cream and mayonnaise, green salads, radishes and onions.

Blanching vegetables and fruit

To retain colour, flavour, aroma and vitamin C, vegetables and fruits should be blanched prior to freezing. Blanching is the brief immersion of vegetables and fruit in boiling water. Literature on freezing and blanching is available in bookshops.

Freezing food

Freeze fresh, undamaged food only.

Keep food which is to be frozen away from food which is already frozen.

To prevent food from losing its flavour or drying out, place in airtight containers.

Max. freezer capacity

Information about the max. freezing capacity within 24 hours can be found on the rating plate.

How to wrap food correctly:

1. Place the food in the wrapping.
2. Press out air.
3. Seal the wrapping.
4. Label the wrapping with the contents and date.

The following products are suitable for wrapping food:

Plastic film, polyethylene blown film, aluminium foil and freezer tins. These products can be purchased from your dealer.

The following products are not suitable for wrapping food:

Wrapping paper, greaseproof paper, cellophane, refuse bags and used shopping bags.

The following products are suitable for sealing the wrapped food:

Rubber bands, plastic clips, string, cold-resistant adhesive tape or similar. Bags and polyethylene blown film can be sealed with a film sealer.

Shelf life of frozen food

Depends on the type of food.
At a temperature setting of -18°C :

- Fish, sausage, ready meals and cakes and pastries:
up to 6 months
- Cheese, poultry and meat:
up to 8 months
- Vegetables and fruit:
up to 12 months

Super freezing

Food should be frozen solid as quickly as possible in order to retain vitamins, nutritional value, appearance and flavour.

To prevent an undesirable temperature rise when placing fresh food in the freezer compartment, switch on super freezing several hours beforehand. As a rule, 4–6 hours is adequate.

If max. freezing capacity is to be utilised, 24 hours are required. Smaller quantities of food (up to 2 kg) can be frozen without super freezing.

Switching on and off

Fig. 2

Press super freezing button 5.

If the super freezing has been switched on the button is lit.

Super freezing switches off automatically after 2½ days.

Features of the freezer compartment

(not all models)

Large freezer drawer

Fig. 1/10

For freezing and storing large food items, e.g. turkey, duck and goose.

Freezer calendar

Fig. 7/A

The figures next to the symbols indicate the permitted storage period in months of the produce. If frozen produce is purchased, comply with the manufacturer's date or sell-by date.

Ice block

Fig. 7/B

If a power failure or malfunction occurs, the ice blocks can be used to slow down the thawing process. The longest storage time is obtained by placing the ice block directly on the food in the top compartment.

To save space, the ice block can be stored in the door compartment.

The ice blocks can also be used to cool food temporarily, e.g. in a cold bag.

Making ice cubes

Fig. 8/A

Fill the ice tray $\frac{3}{4}$ full of water and place in the bottom of the freezer compartment. If the ice tray is stuck to the freezer compartment, loosen with a blunt implement only (spoon-handle).

To loosen the ice cubes, twist the ice tray slightly or hold briefly under flowing water.

Fig. 8/B

1. Remove the ice cube tray, fill $\frac{3}{4}$ full of water and re-insert.
2. When the ice cubes are frozen, rotate the knobs on the ice cube trays several times to the right and release. The ice cubes loosen and fall into the storage container.
3. Remove ice cubes from the storage container

Defrosting frozen produce

Depending on the type of food and intended use, frozen produce can be defrosted:

- At room temperature,
- In a refrigerator,
- In an electric oven, with/without fan assisted hot-air,
- In a microwave

Note

Do NOT refreeze food which is beginning to defrost or which has already defrosted. Only food which is subsequently prepared (cooked or fried) may be refrozen.

No longer store the frozen produce for the max. storage period.

Switching off the appliance

Press button **Fig. 2/1**. Temperature display lamp **Fig. 2/3** goes out. The cooling process and the lighting are thereby switched off.

Disconnecting the appliance

If the appliance is not to be used for a prolonged period:

1. Switching off the appliance.
2. Pull out the mains plug or switch off the fuse.
3. Cleaning the appliance.
4. Leave the appliance door open.

Defrosting

Freezer compartment

The fully automatic NoFrost system ensures that the freezer compartment remains free of ice. Defrosting is no longer required.

Cleaning the appliance

Attention!

Do not use abrasive, chloride or acidic cleaning agents or solvents.

Do not use scouring or abrasive sponges. The metallic surfaces in the appliance could corrode.

Never clean shelves and containers in the dishwasher. The parts may warp!

Proceed as follows:

- Before cleaning: Switch off the appliance.
- Pull out the mains plug or switch off the fuse!
- Take out the frozen food and store in a cool location. Place the ice block (if enclosed) on the food.
- Clean the appliance with a soft cloth, lukewarm water and a little pH-neutral washing-up liquid. The rinsing water must not run into the light.
- Wipe the door seal with clear water only and then wipe dry thoroughly.
- After cleaning reconnect and switch on the appliance.

Tips for saving energy

- Install the appliance in a cool, well ventilated room, but not in direct sunlight and not near a heat source (radiator, cooker, etc.). Otherwise, use an insulating plate.
- Allow warm food and drinks to cool down outside the appliance.
- When thawing frozen food, place it in the refrigerator compartment. The low temperature of the frozen food will then cool the food in the refrigerator compartment.
- Open the appliance door as briefly as possible.
- Occasionally clean the rear of the appliance with a vacuum cleaner or paint brush to prevent an increased power consumption.
- Observe required distance of 60 mm to the back wall.
The heated air can then escape without obstruction.

Operating noises

Normal noises

Humming – refrigerating unit is running.

Bubbling, gurgling or whirring noises – refrigerant is flowing through the tubing.

Clicking – motor is switching on or off.

Preventing noises

The appliance is not level

Please align the appliance with a spirit level. Use the height-adjustable feet or place something under the feet.

The appliance is not free-standing

Please move the appliance away from adjacent units or appliances.

Drawers or storage areas wobble or stick

Please check the removable parts and, if required, reinsert them.

Bottles or receptacles are touching each other

Please move bottles or receptacles away from each other.

Eliminating minor faults yourself

Before you call customer service, please check whether you can eliminate the fault by yourself based on the following information.

A technician who is called out for consultation purposes will charge the customer, even if the appliance is still under guarantee.

Fault	Possible cause	Remedial action
Temperature differs greatly from the set value.		<p>In some cases it is adequate to switch off the appliance for 5 minutes.</p> <p>If the temperature is too high wait a few hours and check whether the temperature has approached the set value.</p> <p>If the temperature is too low check the temperature again the next day.</p>
Displays do not illuminate.	<p>Power failure!</p> <ul style="list-style-type: none"> • The fuse has tripped. • The mains plug has not been inserted properly. 	<p>Check whether the power is on, the fuse must be switched on.</p>
Alarm display, Fig. 2/4, comes on , acoustic warning signal sounds.	<p>Fault – the freezer compartment is too warm!</p> <ul style="list-style-type: none"> • The ventilation openings have been covered. • Freezer compartment door is open. • Too much food was placed in the freezer compartment at once. <p>When the fault has been eliminated, the indicator light goes out shortly afterwards.</p>	<p>To switch off the warning signal, press the Alarm button.</p> <p>Ensure that there is adequate ventilation.</p> <p>Close the door.</p> <p>Do not exceed max. freezing capacity.</p>

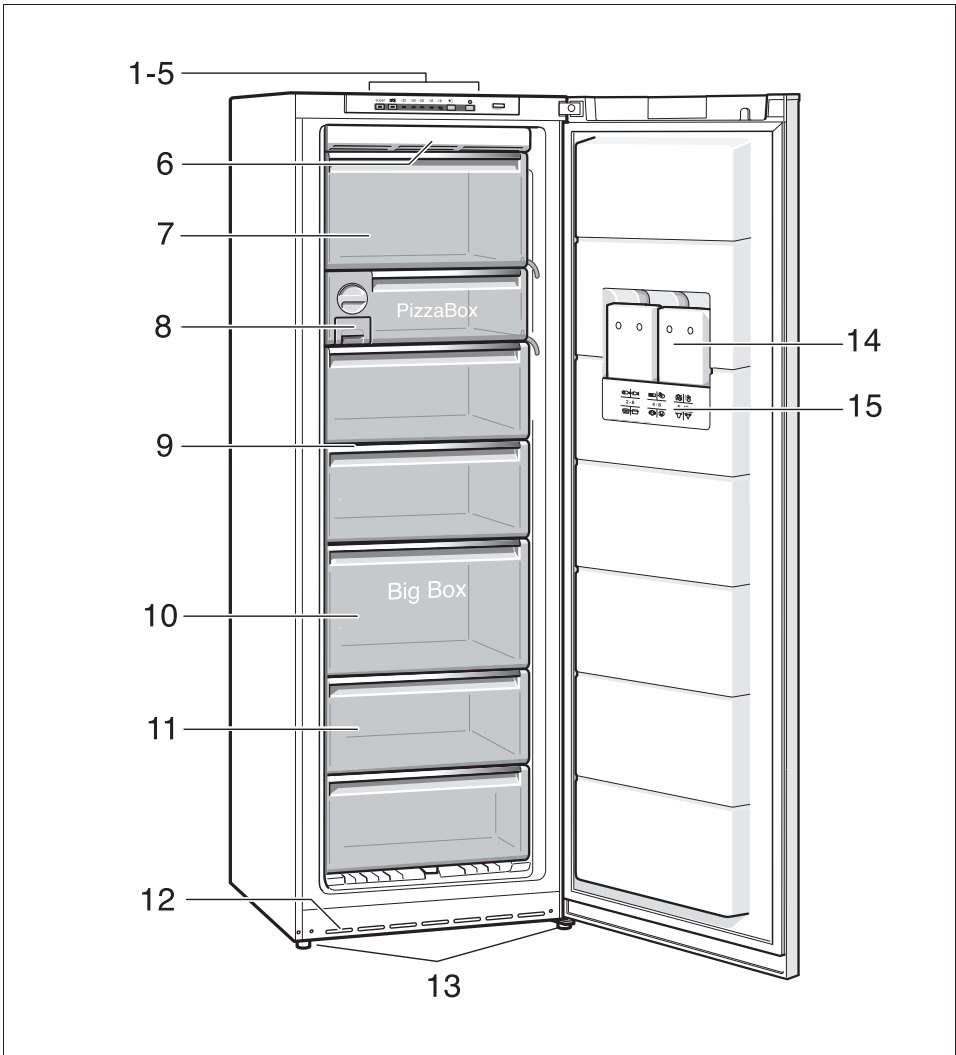
Fault	Possible cause	Remedial action
Alarm display, Fig. 2/4 flashes, acoustic warning signal sounds.	<p>Fault – the freezer compartment is too warm! Frozen food is at risk!</p> <ul style="list-style-type: none"> Freezer compartment door is open. The ventilation openings have been covered. Too much food was placed in the freezer compartment at once. <p>When the fault has been eliminated, the indicator light goes out shortly afterwards.</p>	<p>To stop the flashing display and the warning signal, press the Alarm button 4.</p> <p>Close the door.</p> <p>Ensure that there is adequate ventilation.</p> <p>Do not exceed max. freezing capacity.</p> <p>If taste, odour and appearance have not changed, the food can be boiled or fried and then refrozen.</p> <p>No longer store the frozen produce for the max. storage period.</p>
The evaporator (refrigeration generator) in the Nofrost system is so iced over that it can no longer be defrosted fully automatically.	The freezer compartment door was open for too long.	<p>To defrost the evaporator, take the frozen food out of the baskets, wrap up the food and store in a cool location. Switch off the appliance and move it away from the wall.</p> <p>After approx. 20 min. the water begins to run into the evaporation pan (at the rear of the appliance, see Fig. 9). To prevent the evaporation pan from overflowing, mop up water several times with a sponge.</p> <p>The evaporator is defrosted when the water stops running into the evaporation pan. Clean the interior. Switch the appliance back on again.</p>

Customer service

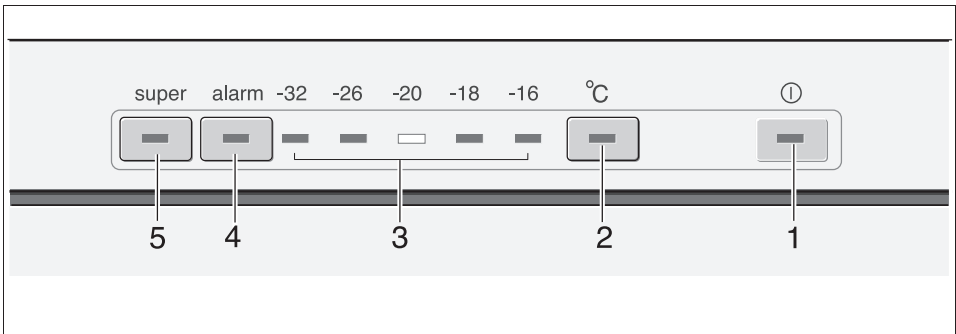
Your local customer service can be found in the telephone directory or in the customer service index. Please provide customer service with the appliance product number (E-Nr.) and production number (FD).

These specifications can be found on the rating plate. **Fig. 10**

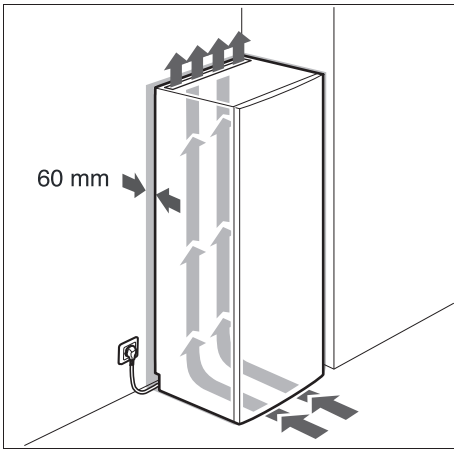
To prevent unnecessary call-outs, please assist customer service by quoting the product and production numbers. This will save you additional costs.



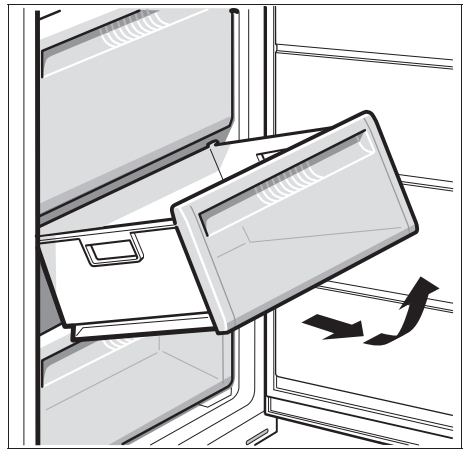
1



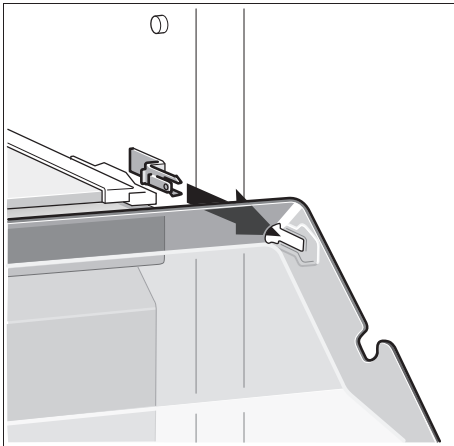
2



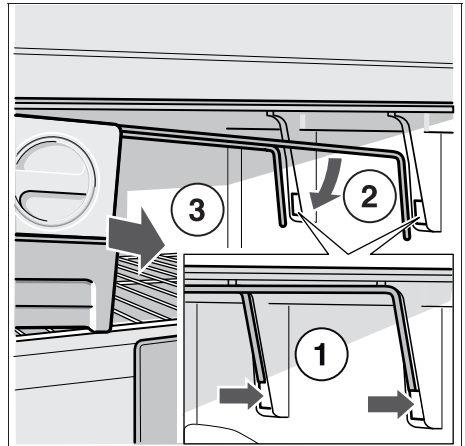
3



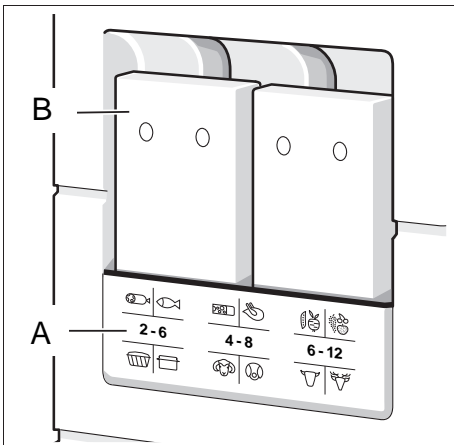
4



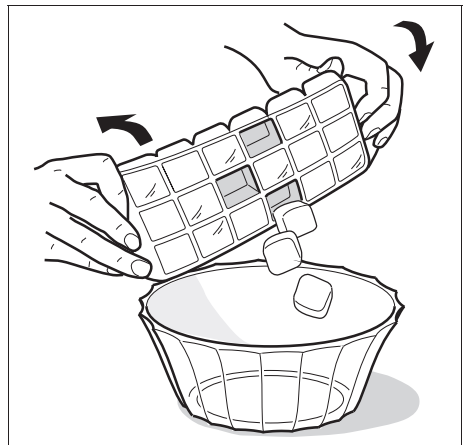
5



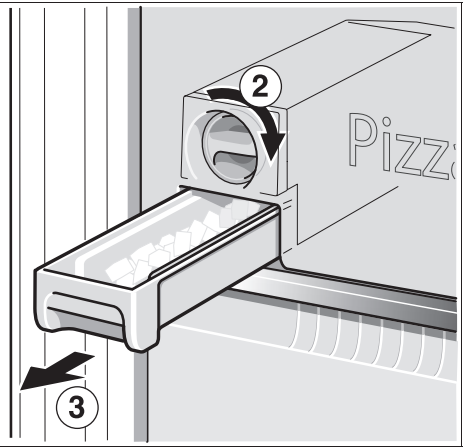
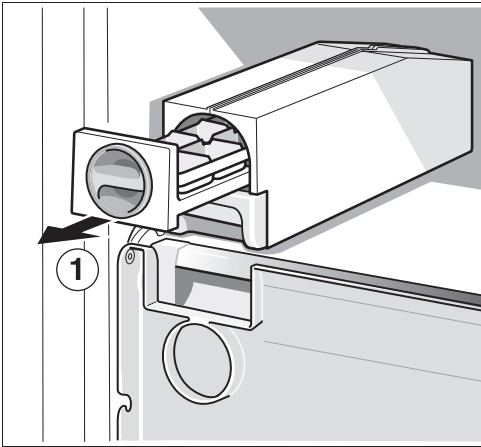
6



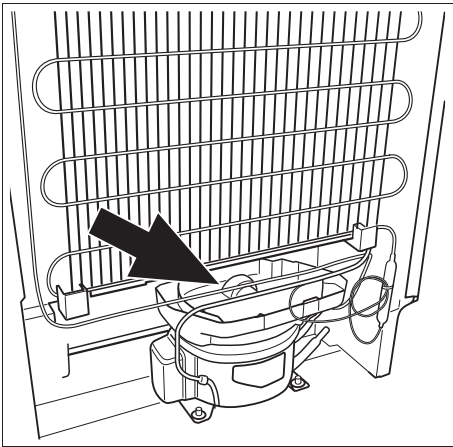
7



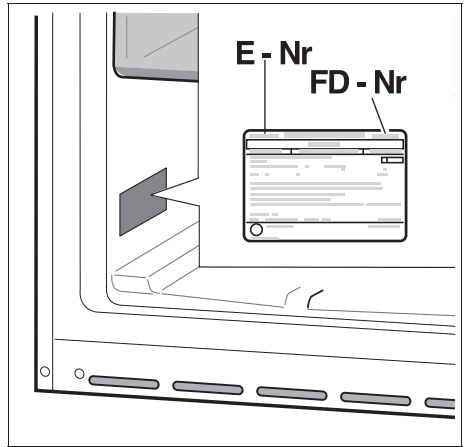
8/A



8/B



9



10

Siemens Info Line (Mo–Fr: 8.00-18.00 Uhr erreichbar)

Für Produktinformationen sowie Anwendungs- und Bedienungsfragen:

Tel.: **01805 2223*** oder unter **siemens-info-line@bshg.com**

*) 0,14 EUR/Min aus dem Festnetz der T-Com, Mobil ggfs. abweichend.

Nur für Deutschland gültig!



Siemens-Electrogeräte GmbH
Carl-Wery-Str. 34, 81739 München

© Siemens-Electrogeräte GmbH.

www.siemens-homeappliances.com 9000 534 984 (9002)