


VENTILATION INSTALLATION MANUAL


Thermador | *An American Icon*

en	page	3–10
fr	page	11–19
es	página	20–28

Important Safety Instructions – Installation

READ AND SAVE THESE INSTRUCTIONS

 **WARNING** – If the information in this manual is not followed exactly, fire or shock may result causing property damage or personal injury.

 **WARNING** – Do not repair or replace any part of the appliance unless specifically recommended in the manuals. Improper installation, service or maintenance can cause injury or property damage. Refer to this manual for guidance. All other servicing should be done by a qualified technician.

Unit is heavy and requires at least two people or proper equipment to move.

Hidden surfaces may have sharp edges. Use caution when reaching behind or under appliance.

GROUNDING INSTRUCTIONS

This appliance must be grounded. In the event of an electrical short circuit, grounding reduces the risk of electric shock by providing an escape wire for the electric current. This appliance is equipped with a cord having a grounding wire with a grounding plug. The plug must be plugged into an outlet that is properly installed and grounded.

 **WARNING** – Improper grounding can result in a risk of electric shock.


Consult a qualified electrician if the grounding instructions are not completely understood, or if doubt exists as to whether the appliance is properly grounded.

Do not use an extension cord. If the power supply cord is too short, have a qualified electrician install an outlet near the appliance.

Before you plug in an electrical cord, be sure all controls are in the OFF position.


For appliances equipped with a cord and plug, do not cut or remove the ground prong. It must be plugged into a matching grounding type receptacle to avoid electrical shock. If there is any doubt as to whether the wall receptacle is properly grounded, the customer should have it checked by a qualified electrician.

If required by the National Electrical Code (or Canadian Electrical Code), this appliance must be installed on a separate branch circuit.

 **WARNING** – To reduce the risk of fire or electric shock, do not use the fan with any solid-state speed control device.

Installer - show the owner the location of the circuit breaker or fuse. Mark it for easy reference.


Before installing, turn power OFF at the service panel. Lock service panel to prevent power from being turned ON accidentally.

 **WARNING** – TO REDUCE THE RISK OF FIRE, ELECTRIC SHOCK, OR INJURY TO PERSONS, OBSERVE THE FOLLOWING:

- a) Use this unit only in the manner intended by the manufacturer. If you have questions, contact the manufacturer.
- b) Before servicing or cleaning unit, switch power off at service panel and lock the service disconnecting means to prevent power from being switched on accidentally. When the service disconnecting means cannot be locked, securely fasten a prominent warning device, such as a tag, to the service panel.

Important Safety Instructions – Installation

Be sure your appliance is properly installed and grounded by a qualified technician. Installation, electrical connections and grounding must comply with all applicable codes.

 **WARNING** – TO REDUCE THE RISK OF FIRE, ELECTRIC SHOCK, OR INJURY TO PERSONS, OBSERVE THE FOLLOWING:

- a) Installation work and electrical wiring must be done by authorized person(s) in accordance with all applicable codes and standards, including fire-related construction.
- b) Sufficient air is needed for proper combustion and exhausting of gases through the flue (chimney) of fuel burning equipment to prevent back drafting. Follow the heating equipment manufacturer's guideline and safety standards such as those published by the National Fire Protection Association (NFPA), and the American Society for Heating, Refrigeration and Air Conditioning Engineers (ASHRAE), and the local code authorities.
- c) When cutting or drilling into wall or ceiling, do not damage electrical wiring and other hidden utilities.
- d) Ducted fans must always be vented to the outdoors.

Remove all tape and packaging before using the appliance. Destroy the packaging after unpacking the appliance.

Never allow children to play with packaging material.


Parts Needed

- Tape Measure
- Phillips Head Screwdriver
- Duct Tape
- Ductwork (configuration varies depending on location; see "Prior to installation").
- Additional Sheetmetal screws

Never modify or alter the construction of the appliance. For example, do not remove leveling legs, panels, wire covers or anti-tip brackets/screws.

CAUTION – For general ventilating use only. Do not use to exhaust hazardous or explosive materials and vapors.

To reduce risk of fire and to properly exhaust air, be sure to duct air outside. Do not vent exhaust air into spaces within walls, ceilings, attics, crawl spaces or garages.

 **WARNING** – to reduce the risk of fire, use only metal ductwork.

 **WARNING** – The applicable regulations of the energy supply companies and the regional construction regulations must be observed when installing the hood.

This appliance complies with one or more of the following Standards:

UL 858, The Standard for the Safety of Household Electric Ranges

UL 923, The Standard for the Safety of Microwave Cooking Appliances

UL 507, The Standard for the Safety of Electric Fans

ANSI Z21.1, The American National Standard for Household Cooking Gas Appliances

CAN/CSA-C22.2 No. 113-M1984 Fans and Ventilators

CAN/CSA-C22.2 No. 61-M89 Household Cooking Ranges

It is the responsibility of the owner and the installer to determine if additional requirements and/or standards apply to specific installations.

Parts Supplied

- Appliance assembly (1)
- Sheetmetal Screws (6)
- Wood Screws (4)
- Counter Sink Screws (2)
- Hardware for brackets on vent (2)
- Plugs UX6 (6)

IMPORTANT INFORMATION

Old appliances are not worthless rubbish. Valuable raw materials can be reclaimed by recycling old appliances. Before disposing of your old appliance, render it unusable.

You received your new appliance in a protective shipping carton. All packaging materials are environmentally friendly and recyclable. Please contribute to a better environment by disposing of packaging materials in an environmentally-friendly manner.

The hood can only be used in exhaust air mode.

Always mount the hood over the center of the cooking surface.

⚠ Minimum distance between electric cooktop and bottom edge of hood: **30"**, Fig. 1.

⚠ The hood must not be installed over a wood or coal burning stove – a potential fire hazard (e.g. flying sparks) – unless the stove features a **closed, non-removable cover** and all national regulations are observed.

The smaller the gap between the hood and cooktops, the greater the likelihood that droplets will form on the underside of the

Additional information concerning gas cookers:

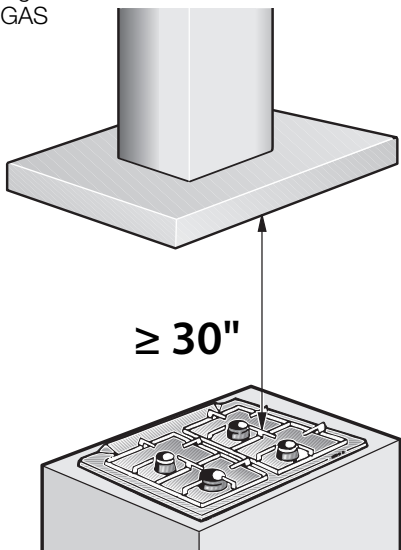
When installing gas cooktops, comply with the relevant national statutory regulations.

Always comply with the currently valid regulations and installation instructions supplied by the gas appliance manufacturer.

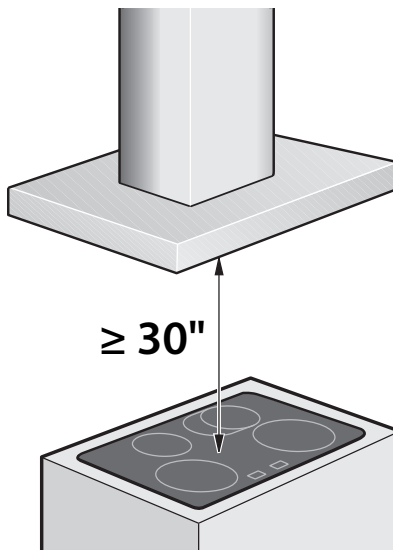
⚠ Only one side of the hood may be installed next to a high-sided unit or high wall. Gap at least 2".

⚠ Minimum distance on gas cooktops between the upper edge of the grate and lower edge of the hood: **30"**, Fig. 1.

Fig. 1
GAS

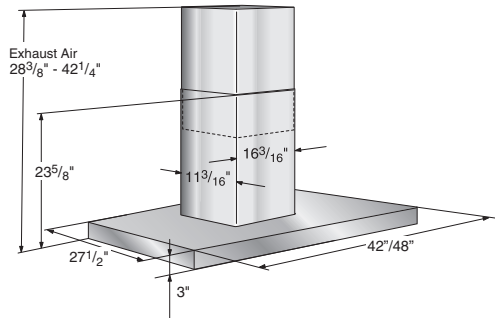
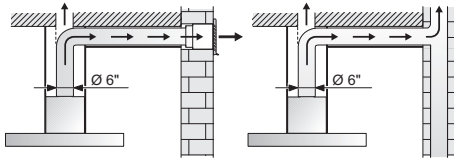


ELECTRIC



PRIOR TO INSTALLATION

Step 1: EXHAUST-AIR MODE



The exhaust air is discharged upwards through a duct or directly through the outside wall into the open.

➤ Exhaust air should neither be directed into a smoke or exhaust flue that is currently used for other purposes, nor into a duct that is used for ventilating rooms in which stoves or fireplaces are also located.

Exhaust air may be discharged in accordance with official and statutory regulations only (e.g. national building regulations).

Local authority regulations must be observed when discharging air into smoke or exhaust flues that are not otherwise in use.

➤ **When the hood is operated in exhaust-air mode simultaneously with a different burner which also makes use of the same chimney** (such as gas, oil or coal-fired heaters, continuous-flow heaters, hot-water boilers) care must be taken to ensure that there is an adequate supply of fresh air which will be needed by the burner for combustion.

Safe operation is possible provided that the underpressure in the room where the burner is installed does not exceed 4 Pa (0.04 mbar).

This can be achieved if combustion air can flow through non-lockable openings, e.g. in doors, windows and via the air-intake/exhaust-air wall box.

If the air intake is inadequate, there is a risk of poisoning from combustion gases which are drawn back into the room.

⚠ WARNING – Avoid risk of poisoning – If the air intake to the room is inadequate, there is a risk of poisoning from combustion gases which can be drawn back into the room.

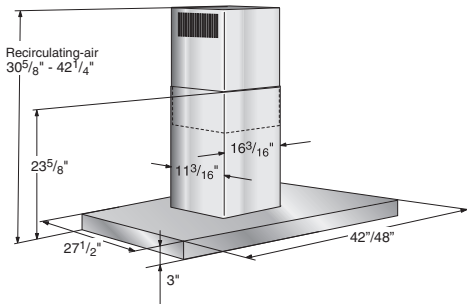
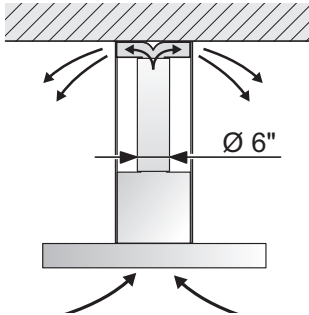
Note: When assessing the overall requirement, the combined ventilation system for the entire household must be taken into consideration. This rule does not apply to the use of cooking appliances, such as hobs and ovens.

If the exhaust air is going to be discharged into the open, a telescopic wall box should be fitted into the outside wall.

PRIOR TO INSTALLATION

Circulating-air mode

With activated carbon filter if exhaust-air



For optimum hood efficiency:

- Short, smooth duct pipe.
- As few bends in the ducting as possible.
- Diameter of ducting to be as large as possible and no tight bends in ducting.

If long, rough exhaust-air ducting, many ducting bends or smaller pipe diameters are used, the air extraction rate will no longer be at an optimum level and there will be an increase in noise.

IMPORTANT: The manufacturer of the hood accepts no liability for complaints which can be attributed to the design and layout of the duct-work.

- Round pipes:**
We recommend
Internal diameter: 6".
- Flat ducts** must have an internal cross-section that equates to that of round pipes.
There should be no sharp bends.
Ø 6" approx. 29 inches²
- If pipes have different diameters:**
Insert sealing strip.
- For exhaust-air mode,** ensure that there is an adequate supply of fresh air.

CONNECTING A Ø 6" EXHAUST-AIR DUCT:

- Mount the duct directly onto the air outlet on the hood.

Step 2: PREPARING THE CEILING

- The ceiling must be flat and horizontal.
- Make sure that the ceiling can bear the applied loads.
- The provided screws and wall plugs are suitable for solid masonry. On all other wall types (e. g. plasterboard, porous concrete, Poroton bricks) use the appropriate fasteners.
- Ensure that the ceiling is capable of providing a firm hold for mounting screws and plugs.

Weight in kg: ca. 49

We reserve the right to construction changes within the context of technical development.

PRIOR TO INSTALLATION

Step 3: ELECTRICAL CONNECTION

WARNING: THIS APPLIANCE MUST BE GROUNDED


The hood should only be connected to a grounded socket that has been installed according to relevant regulations.


If possible, site the earthed socket directly behind the chimney paneling.

- The grounded socket should be connected via its own circuit.
- If the grounded socket is no longer accessible following installation of the hood, ensure that there is a permanently installed disconnecter.

Step 4: INSTALL ELECTRICAL SERVICE

Check your local building codes for proper method of installation. In the U.S., if there are no applicable local codes, this unit should be installed in accordance with the National Electric Code ANSI/NFPA No. 70, Current Issue. (In Canada, installation must be in accordance with the CAN 1- B149.1 and .2 - Installation Codes for Gas Burning Appliances and/ or local codes).

 **CAUTION** – To reduce the risk of fire and electric shock, install this rangehood only with integral blower or remote blower manufactured by Thermador rated up to max. 8,5 A.

 **CAUTION** – Connect only to a dedicated branch circuit. Maximum ampere rating of the rangehood shall not be more than 80 percent of the branch circuit rating.

The appliance must be grounded. In the event of an electrical short circuit, grounding reduces the risk of electric shock by providing an escape wire for the electric current. This appliance is equipped with a cord having a grounding wire with a grounding plug. The plug must be plugged into an outlet that is properly installed and grounded.


 **WARNING** – Improper grounding can result in a risk of electric shock.

Consult a qualified electrician if the grounding instructions are not completely understood, or if doubt exists as to whether the appliance is properly grounded.

Do not use an extension cord. If the power supply cord is too short, have a qualified electrician install an outlet near the appliance.


If it is necessary to wire the hood directly into the mains:

The extractor hood should only be connected to the electricity supply by a properly qualified electrician.

 **WARNING** – Avoid risk of electrical shock – If the connecting cable for this appliance is damaged, the cable must be replaced by the manufacturer or his customer service or a similarly qualified person in order to prevent serious injury to the user.

ELECTRICAL DATA:

Are to be found on the name plate inside the appliance after removal of the filter frame.

 **WARNING** – Avoid risk of electrical shock – Before undertaking any repairs, always disconnect the hood from the electricity supply.

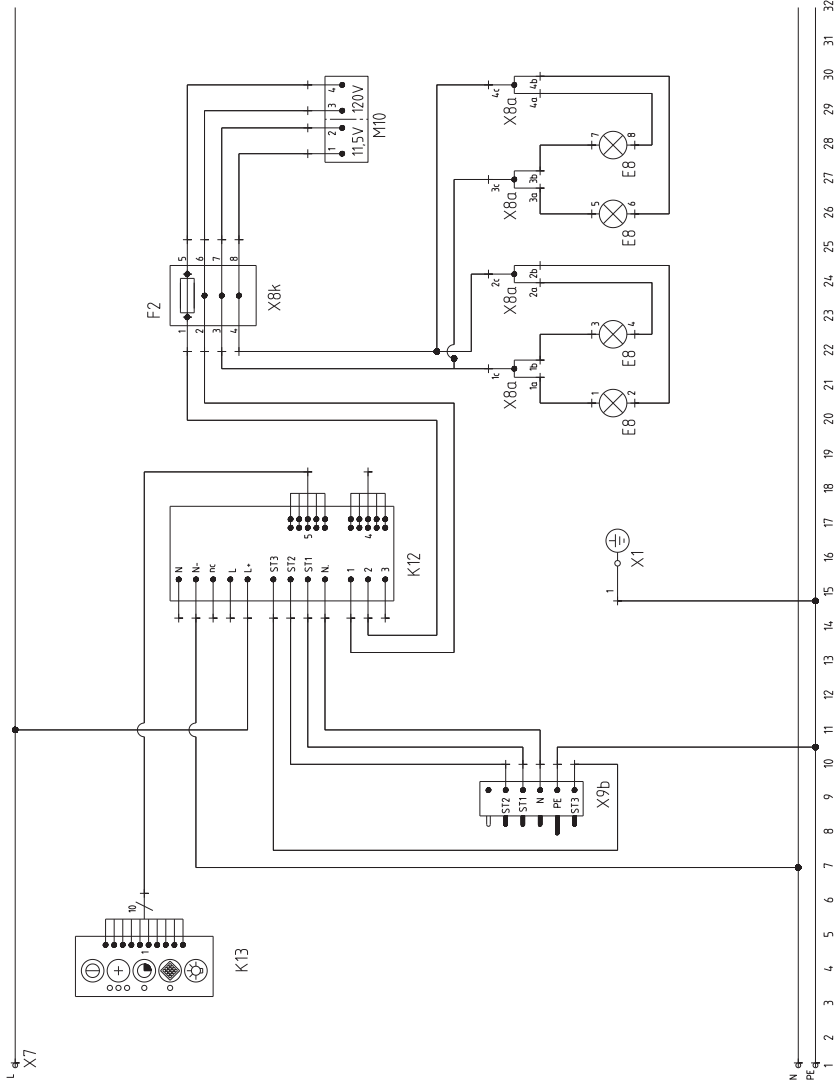
Length of the connecting cable: 4 ft.

This hood corresponds to EC regulations concerning RF interference suppression.

Wiring Diagram

⚠ WARNING – POWER MUST BE DISCONNECTED BEFORE SERVICING THIS APPLIANCE

REF	Components	Path
E8	Halogen lamp max 20 W	20,22,26,28
F2	Fuse	23-24
K12	Speed control pc board	14-18
M10	Transformer	6
X1	Earthing support	28-30
X7	Mains terminal	15
X8a	Connector lamp	1
X8b	Connector lamp	21,22,24,27,2
X8c	Connector lamp	9,30
X9b	Connector motor	22-25
		10



INSTALLATION

Step 5: INSTALLATION

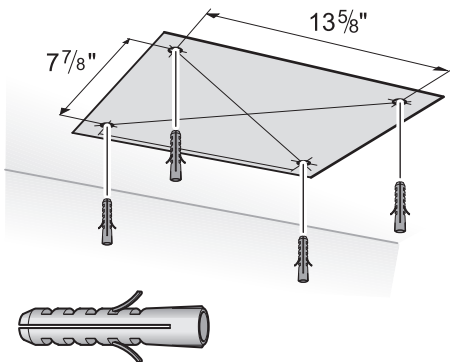
The extractor hood is designed to be fitted to the kitchen ceiling or a rigid suspended ceiling.

CAUTION:

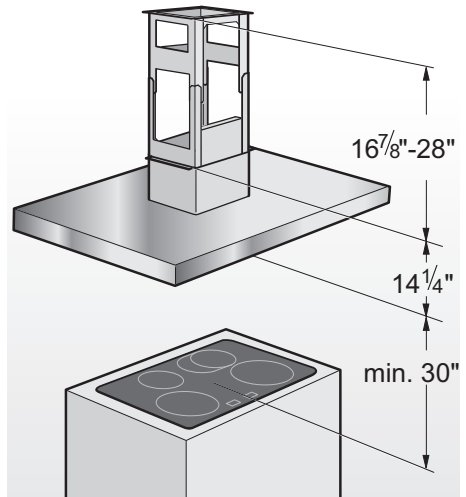
Ensure that the minimum distance between hotplate and extractor hood is **30"** for electric hotplates and **30"** for gas hot-plates.

1. Mark the centre point of the extractor hood on the ceiling.
2. Using the template, mark screw positions on the ceiling.
3. Drill 2x $\frac{1}{4}$ " \varnothing holes and insert wall plugs flush with the ceiling.

Note: At least one screw for the mounting must be installed through a stud.

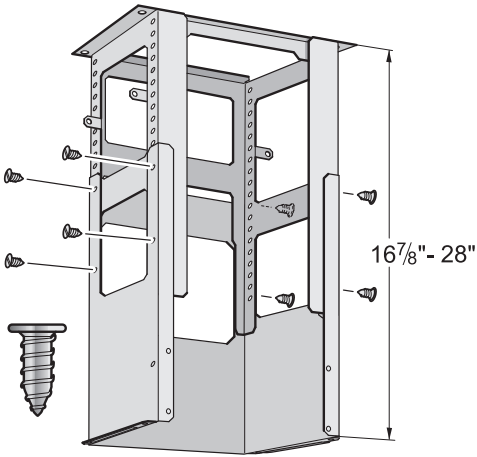


4. Determine the overall height of the support frame.
 - This is the height of the ceiling, the height of the base and the distance

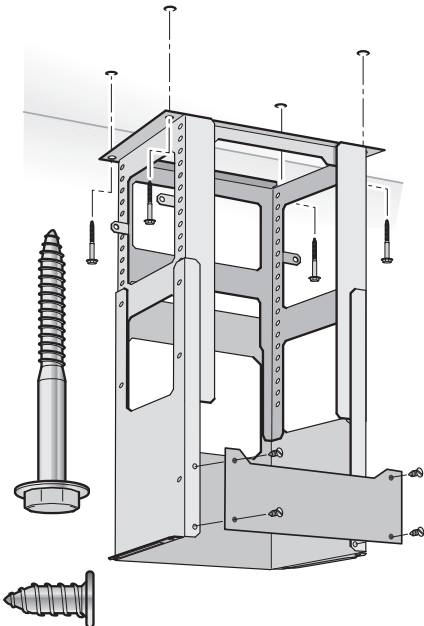


INSTALLATION

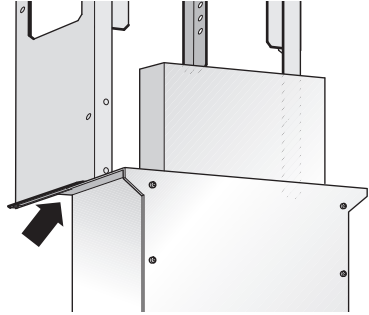
5. Screw together the upper and lower sections of the support frame at the



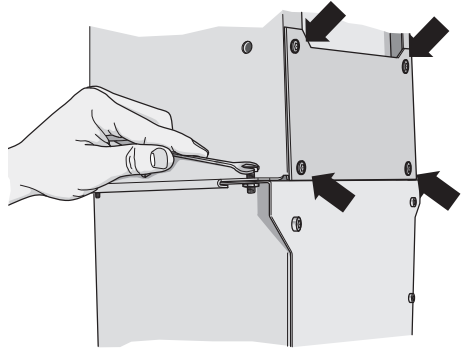
6. Screw the support frame to the ceiling with 4 screws.



8. Insert the extractor hood over the installation aids on the support frame.

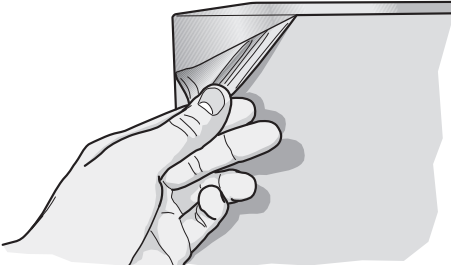


9. Screw the extractor hood to the support frame and screw back the panel.



INSTALLATION

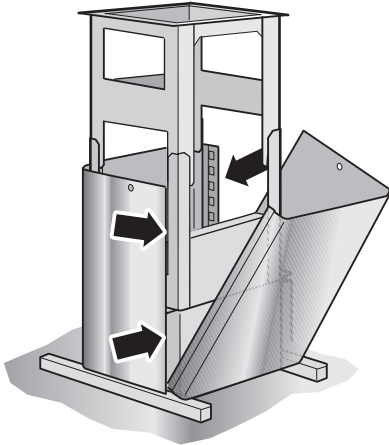
- 10. Connect the pipes.
- 11. Connect the power.



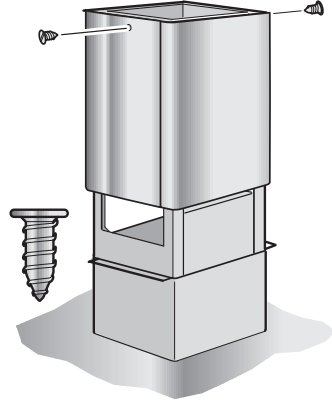
- 13. Place the two sections of the upper flue on the extractor hood and clip together.

⚠ CAUTION:

Protect the extractor hood from



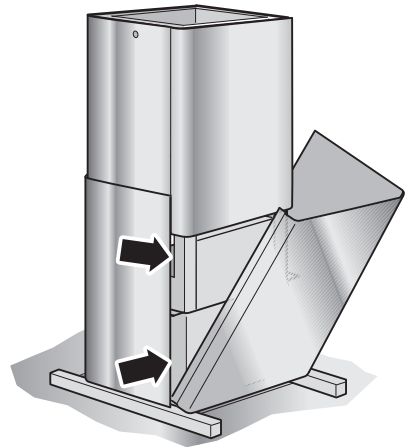
- 14. Push up the upper flue section and screw into position.



- 15. Insert the two sections of the lower flue and clip together.


⚠ CAUTION:


Protect the extractor hood from



Instructions de sécurité importantes – Installation

LIRE ET CONSERVER CES INSTRUCTIONS

 **AVERTISSEMENT** – Si les informations contenues dans ce manuel ne sont pas suivies à la lettre, un incendie ou un choc électrique peuvent se produire entraînant des dommages matériels ou des lésions corporelles.


 **AVERTISSEMENT** – Ne pas réparer ni remplacer une pièce quelconque de l'appareil à moins que ce ne soit expressément recommandé dans les manuels. Toute installation, réparation ou maintenance inadéquate peut entraîner des blessures ou des dommages matériels. Se reporter à ce manuel pour obtenir des conseils sur la façon de procéder. Les autres travaux d'entretien doivent être confiés à un technicien qualifié.

Cet appareil est lourd et nécessite au moins deux personnes ou l'équipement approprié pour le déplacer.

Certaines surfaces peuvent avoir des bords tranchants. Faire attention en étendant le bras derrière l'appareil ou en dessous.

INSTRUCTIONS DE MISE À LA TERRE

Cet appareil doit être mis à la terre. Dans l'éventualité d'un court circuit électrique, la mise à la terre peut réduire le risque de choc électrique en permettant au courant de s'échapper. Cet appareil électroménager est doté d'un cordon possédant un fil de mise à la terre avec une fiche de mise à la terre. La fiche doit être branchée dans une prise correctement installée et mise à la terre.

 **AVERTISSEMENT** – Une mise à la terre inadéquate peut entraîner un risque de choc électrique.


Si les consignes de mise à la terre ne sont pas parfaitement comprises, ou en cas de doute sur la mise à la terre correcte de l'appareil, consulter un électricien qualifié.

Ne pas utiliser de rallonge. Si le cordon d'alimentation est trop court, demandez à un électricien qualifié d'installer une prise à proximité de l'appareil.

Avant de brancher un cordon électrique, s'assurer que tous les boutons de réglage sont en position d'arrêt.


Sur les appareils dotés d'un cordon et d'une fiche, ne pas couper ou enlever la broche de mise à la terre. Pour éviter les chocs électriques, elle doit être branchée sur une prise de mise à la terre correspondante. En cas de doutes sur la mise à la terre correcte de la prise murale, le client devrait la faire vérifier par un électricien qualifié.

Si requis par le Code national d'électricité (ou le Code canadien d'électricité), cet appareil doit être installé sur un circuit terminal séparé.

 **AVERTISSEMENT** – Pour réduire le risque d'incendie ou de choc électrique, ne pas utiliser le ventilateur avec un dispositif de contrôle de vitesse à semi-conducteur.

Installateur - indiquer au propriétaire l'emplacement du disjoncteur ou du fusible. Identifier sa position pour pouvoir le retrouver facilement.


Avant l'installation, couper le courant au panneau de service. Verrouiller le panneau de service pour éviter que le courant ne soit accidentellement rétabli.

 **AVERTISSEMENT** – POUR RÉDUIRE LE RISQUE D'INCENDIE, DE CHOC ÉLECTRIQUE OU DE LÉSIONS CORPORELLES, PRENEZ LES PRÉCAUTIONS SUIVANTES :

- a) Utiliser cet appareil uniquement de la façon préconisée par le fabricant. N'hésitez pas à contacter le fabricant si vous avez des questions.
- b) Avant tout entretien ou nettoyage, coupez le courant au niveau du panneau de service et verrouillez le dispositif de sectionnement pour éviter une mise sous tension accidentelle. Si les dispositifs de mise hors tension ne peuvent pas être verrouillés, fixez de manière sûre au panneau de commande un dispositif d'alerte, par exemple une étiquette.

Instructions de sécurité importantes – Installation

S'assurer que l'appareil est adéquatement installé et mis à la terre par un technicien qualifié. L'installation, les connexions électriques et la mise à la terre doivent être conformes à tous les codes applicables.

 **AVERTISSEMENT** – POUR RÉDUIRE LE RISQUE D'INCENDIE, DE CHOC ÉLECTRIQUE OU DE LÉSIONS CORPORELLES, PRIREZ LES PRÉCAUTIONS SUIVANTES :

- a) L'installation et le câblage électrique doivent être effectués par des personnes agréées conformément à toutes les normes et codes applicables, incluant la construction relative au feu.
- b) L'apport d'air doit être suffisant pour garantir une bonne combustion et l'évacuation des gaz dans le conduit de cheminée d'un appareil à mazout, afin d'éviter les retours de flammes. Suivre les directives du fabricant d'équipement de chauffage et les normes de sécurité telles celles fournies par l'Association nationale de protection contre les incendies (NFPA) et la Société américaine d'ingénierie de chauffage, réfrigération et climatisation (ASHRAE) ainsi que les codes locaux.
- c) Au moment de couper ou percer un mur ou plafond, ne pas endommager le câblage électrique et autres services publics non apparents.
- d) Les ventilateurs à conduit doivent toujours être ventilés vers l'extérieur.

Retirer le ruban adhésif et l'emballage avant d'utiliser l'appareil. Détruire l'emballage après avoir déballé l'appareil.


Ne jamais laisser les enfants jouer avec les matériaux de conditionnement.


Ne jamais modifier ni altérer la configuration de l'appareil. Par exemple, ne pas retirer les pieds de nivellement, les panneaux, les

couvre-fils ou les fixations/vis anti-basculement.

ATTENTION – Pour la ventilation générale seulement. Ne pas utiliser pour évacuer des matières ou vapeurs explosives ou dangereuses.

Pour réduire le risque d'incendie et pour un échappement d'air approprié, s'assurer d'acheminer l'air vers l'extérieur. Ne pas ventiler l'air d'échappement dans les murs, plafonds, greniers, espaces fermés ou garages.

 **AVERTISSEMENT** – Pour réduire le risque d'incendie, n'utilisez que des conduits de métal.

 **AVERTISSEMENT** – La hotte doit être installée en conformité avec les prescriptions du distributeur d'électricité et les réglementations sur la construction en vigueur dans chaque pays.

Cet appareil est conforme à une ou plusieurs des normes suivantes :

UL 858, Norme pour la sécurité des cuisinières électriques domestiques

UL 923, Norme pour la sécurité des appareils de cuisson à micro-ondes

UL 507, Norme pour la sécurité des ventilateurs électriques

ANSI Z21.1, Norme nationale américaine pour les appareils de cuisson électroménagers au gaz

CAN/CSA-C22.2 n° 113-M1984 Ventilateurs et soufflantes

CAN/CSA-C22.2 n° 61-M89 Cuisinières pour usage ménager

Il incombe au propriétaire et à l'installateur de déterminer si des exigences et/ou normes additionnelles s'appliquent pour des installations spécifiques.

Pièces nécessaires

- Mètre à ruban
- Tournevis à tête Phillips
- Ruban à conduit
- Système de gaines (la configuration variant selon l'emplacement ; voir » Avant l'installation «).
- Vis à tôles supplémentaires (au besoin pour l'installation de conduit)

Pièces incluses

- Dispositif appareil (1)
- Vis à métal (6)
- Vis à bois (4)
- Vis à tête conique (2)
- Quincaillerie pour fixations sur évent (2)
- Chevilles UX6 (6).

INFORMATION IMPORTANTE

Les appareils usagés ne sont pas de déchets sans valeur. Leur élimination par recyclage permet de récupérer de précieuses matières premières. Avant de mettre au rebut un appareil usagé, rendez-le inutilisable.

Votre nouvel appareil vous a été livré dans une caisse d'expédition de protection. Tous les matériaux d'emballage sont respectueux de l'environnement et peuvent être recyclés. Veuillez contribuer à un environnement plus sain en mettant au rebut les matériaux d'emballage dans le respect de l'environnement.

La hotte aspirante ne peut être utilisée qu'en mode d'évacuation d'air.

Installez la hotte aspirante impérativement au-dessus du centre de la plaque de cuisson.

⚠ Distance minimale entre la plaque électrique et le bord inférieur de la hotte aspirante : **30 po.**, Fig. 1.

⚠ N'installez pas la hotte aspirante au-dessus d'un appareil de cuisson à combustible solide – générateur d'un risque d'incendie (par projection d'étincelles p. ex.) – à moins que l'appareil ne soit muni d'un **couvrefermé et inamovible**, et que le montage soit effectué dans le respect de la réglementation nationale.

Plus l'écart entre la hotte aspirante et les plaques chauffantes est faible, plus des gouttelettes de condensation sont susceptibles de

Informations supplémentaires concernant les cuisinières à gaz :

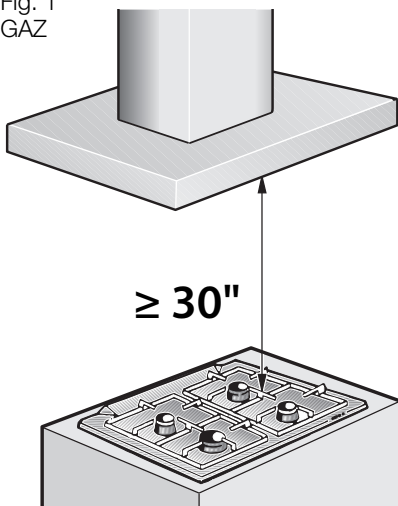
Lorsque vous installez des plaques chauffantes à gaz, veillez à respecter la réglementation légale nationale pertinente.

Veillez à toujours respecter la réglementation en vigueur et la notice d'installation fournie par le fabricant de l'appareil à gaz.

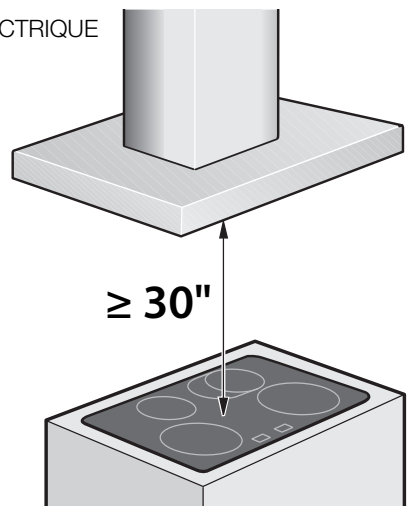
⚠ Seul un côté de la hotte aspirante peut être installé près d'une unité ou d'un mur élevé. Prévoir un écart d'au moins 2 po.

⚠ Distance minimale par rapport aux plaques chauffantes à gaz entre le bord de la grille et le bord inférieur de la hotte aspirante : **30 po.**, Fig. 1.

Fig. 1
GAZ

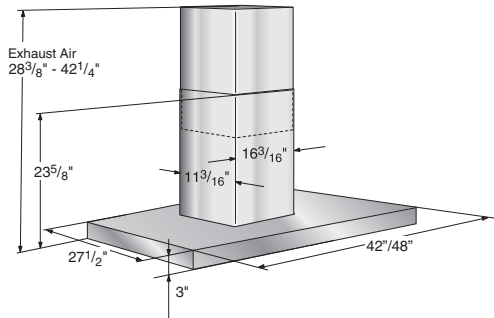
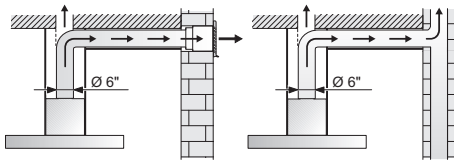


ÉLECTRIQUE



AVANT L'INSTALLATION

Étape 1: MODE D'ÉVACUATION D'AIR



L'air vicié est évacué vers le haut par un conduit d'aération ou directement à l'air libre en traversant le mur extérieur.

☞ L'air vicié ne doit jamais être évacué vers un conduit de cheminée ou d'évacuation en service pour d'autres raisons, ni vers un conduit servant à l'aération de pièces dans lesquelles se trouvent également des fourneaux ou des cheminées.

L'air vicié doit être évacué conformément à la réglementation officielle et légale seulement (p. ex. la réglementation nationale du bâtiment).

Si l'air vicié doit être évacué par des conduits de cheminée ou d'évacuation qui ne sont pas en service, veuillez respecter la réglementation des autorités locales.

☞ **Lorsque la hotte aspirante est utilisée en mode d'évacuation d'air simultanément avec un brûleur différent utilisant également la même cheminée,** (tels des appareils de chauffage au gaz, au fuel ou au charbon, des chauffe-eau instantanés ou des chaudières à eau chaude), **veillez impérativement à ce que l'apport d'air frais soit suffisant** pour assurer la combustion adéquate du brûleur.

Un fonctionnement sans risque est possible si la sous-pression dans la pièce où le brûleur est installé ne dépasse pas 4 Pa (0,04 mbar).

On peut y parvenir en acheminant l'air requis pour la combustion à travers des ouvertures non verrouillables aménagées par exemple dans les portes ou les fenêtres, et par le biais d'une ventouse d'admission/d'évacuation d'air.

Si l'admission d'air est mauvaise, il existe un risque d'intoxication par les gaz dégagés lors de la combustion qui sont réacheminés dans la pièce.

⚠ AVERTISSEMENT – Évitez le risque d'intoxication – Si l'admission d'air dans la pièce est mauvaise, il existe un risque d'intoxication par les gaz dégagés lors de la combustion qui sont réacheminés dans la pièce.

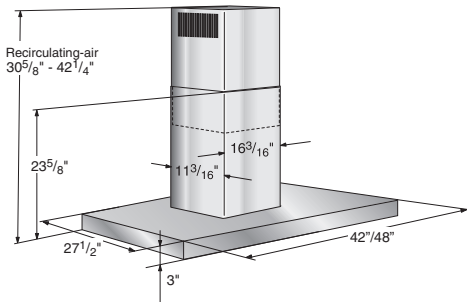
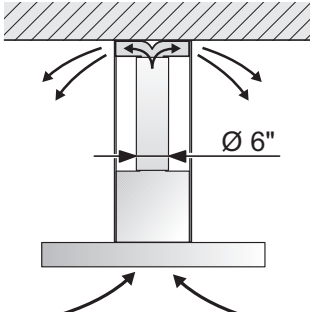
Remarque : lors de l'évaluation de l'exigence globale, toujours tenir compte de l'ensemble des moyens d'aération du logement. Cette règle ne s'applique pas à l'utilisation d'appareils de cuisson, comme les tables de cuisson et les cuisinières.

Si l'air vicié doit être évacué à l'extérieur, une ventouse télescopique doit être installée dans le mur extérieur.

AVANT L'INSTALLATION

Mode Air recyclé

Avec filtre à charbon actif, lorsqu'il n'est pas



Pour un rendement optimal de la hotte aspirante, veillez à ce que :

- Le conduit d'évacuation soit court et lisse.
- Il ait le moins possible de coudes.
- Il ait le plus fort diamètre et que les coudes soient les plus arrondis possibles.

Si l'on utilise des conduits d'évacuation d'air longs et rugueux, de nombreux coudes ou des diamètres de tuyaux plus petits, le taux d'évacuation d'air sera inférieur à son niveau optimal, ceci se traduisant par une augmentation du bruit.

IMPORTANT : Le fabricant de la hotte aspirante décline toute responsabilité pour toute plainte pouvant être attribuée au design et à l'agencement du système de conduits.

- Conduits ronds :**
nous recommandons des conduits au diamètre intérieur de : **6 po.**
- Les conduits plats** doivent avoir une section intérieure équivalente à celle des conduits ronds.
Il ne doit pas y avoir de coudes en équerre.
Ø 6 po. env. 29 po.²
- Si les conduits ont des diamètres différents :**
Utiliser du ruban de scellement.
- Dans le cas d'une utilisation en mode d'évacuation d'air** veillez à ce que l'apport d'air frais soit suffisant.

RACCORDEMENT D'UN CONDUIT D'ÉVACUATION D'AIR DE 6 PO. Ø :

- Montez le conduit directement sur la sortie d'air de la hotte.

Étape 2 : PRÉPARATION DU PLAFOND

- Le plafond doit être plat et horizontal.
- Vérifiez que le plafond offre une portance suffisante.
- Les vis et chevilles jointes à l'appareil sont destinées à de la maçonnerie massive. Si les murs ont été réalisés dans d'autres matériaux (par exemple en Rigips, en béton poreux, briques murales Poroton), utilisez des moyens de fixation qui leur soient adaptés.
- Utilisez des chevilles pour assurer une retenue ferme.

Poids en kg: ca. 49

Sous réserve de modifications constructives dans l'intérêt du progrès technique.

AVANT L'INSTALLATION

Étape 3 : BRANCHEMENT ÉLECTRIQUE

AVERTISSEMENT : CET APPAREIL DOIT ÊTRE MIS À LA TERRE


La hotte aspirante doit être raccordée uniquement à une prise électrique avec mise à la terre montée conformément à la réglementation pertinente.


Si possible, installez la prise de terre directement derrière le panneau de cheminée.

- La prise de terre doit être raccordée à son propre circuit.
- Si la prise de terre n'est plus accessible après avoir monté la hotte aspirante, veillez à ce qu'il y ait un sectionneur permanent installé.


Étape 4 : INSTALLATION DE LA SERVITUDE ÉLECTRIQUE

Consultez les codes du bâtiment locaux pour choisir la méthode d'installation qui convient le mieux. Aux États-Unis, s'il n'existe aucun code local applicable, cet appareil doit être installé conformément à l'édition en cours du Code national de l'électricité ANSI/NFPA N° 70. (Au Canada, l'installation doit être conforme aux codes d'installation CAN 1- B149.1 et .2 – codes d'installation pour appareils à gaz et/ou codes locaux).

 PRUDENCE – Pour réduire le risque d'incendie et de choc électrique, veuillez installer cette hotte aspirante uniquement avec un ventilateur intégré ou un ventilateur distant fabriqué par Thermador et conçu pour supporter jusqu'à 8,5 A.

 PRUDENCE – Ne raccordez qu'à un circuit de dérivation dédié. L'ampérage maximal demandé par la hotte ne doit pas dépasser 80 pour cent de l'ampérage pour lequel le circuit de dérivation a été conçu.

L'appareil doit être mis à la terre. Dans l'éventualité d'un court circuit électrique, la mise à la terre peut réduire le risque de choc électrique en permettant au courant de s'échapper. Cet appareil électroménager est muni d'un cordon possédant un fil avec une fiche de mise à la terre. La fiche doit être branchée dans une prise correctement installée et mise à la terre.


 AVERTISSEMENT – Une mise à la terre défectueuse peut entraîner un risque de choc électrique.

Si les consignes de mise à la terre ne sont pas parfaitement comprises, ou en cas de doute sur la mise à la terre correcte de l'appareil, consulter un électricien qualifié.

Ne pas utiliser de rallonge. Si le cordon d'alimentation est trop court, demander à un électricien qualifié d'installer une prise à proximité de l'appareil.


S'il est nécessaire de raccorder la hotte aspirante directement sur le secteur :

Dans ce cas, le branchement de la hotte ne pourra être effectué que par un électricien-installateur agréé auprès de la compagnie locale/nationale distributrice d'électricité.

 AVERTISSEMENT – Évitez le risque de choc électrique – Si le câble de branchement de cet appareil a été endommagé, il devra être remplacé par le fabricant ou son service après-vente ou encore par une personne possédant des qualifications identiques afin d'éviter que l'utilisateur ne subisse des blessures graves.

DONNÉES ÉLECTRIQUES :

visibles à l'intérieur de l'appareil sur la plaque d'identification après retrait du cadre porte-filtre.

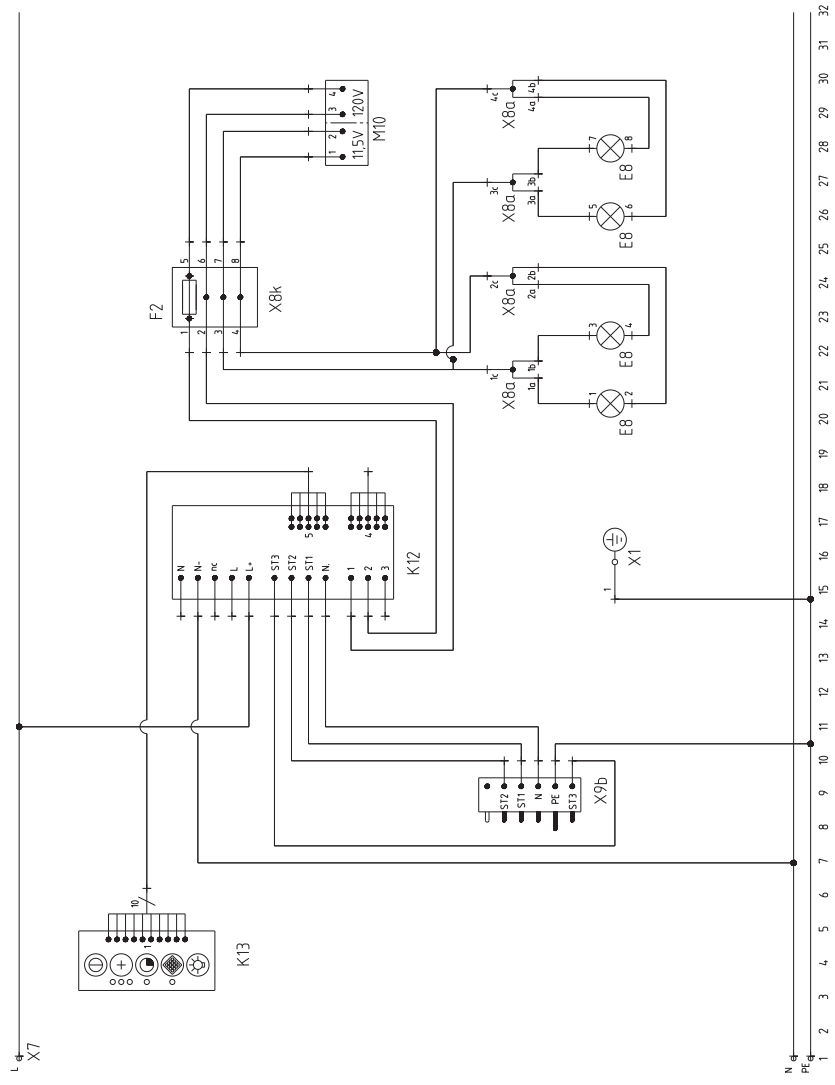
 AVERTISSEMENT – Évitez le risque de choc électrique – Avant toute intervention sur l'appareil, veillez à toujours débrancher la hotte aspirante de l'alimentation électrique.

Longueur du câble de raccordement : 51' ¹/₈ po.

Cette hotte aspirante satisfait la réglementation de l'UE en matière de suppression des interférences sur les

⚠ AVERTISSEMENT – DÉBRANCHER L'ALIMENTATION AVANT DE RÉPARER CET APPAREIL

REF	Composants	Circuit
E8	Ampoule halogène max 20 W	20,22,26,28
F2	Fusible disjoncteur	23-24
K12	Variateur de vitesse sur carte	14-18
K13	Carte de commande	6
M10	Transformateur	28-30
X1	Support de mise à la terre	15
X7	Banc de raccordement au secteur	1
X8a	Connecteur ampoule	21,22,24,27,2
X8b	Connecteur ampoule	6,30
X9b	Connecteur ampoule	22-25
X9c	Connecteur ampoule	10



INSTALLATION

Étape 5: INSTALLATION

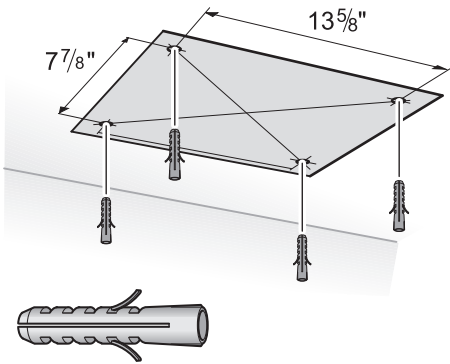
La hotte aspirante est prévue pour être installée au plafond de la cuisine ou à un faux plafond stable.

⚠ ATTENTION:

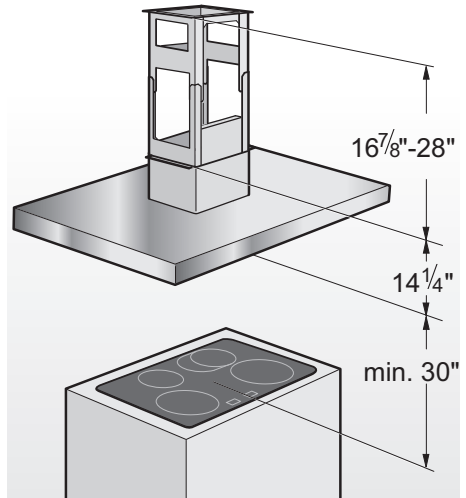
L'écart minimum entre les foyers et la hotte aspirante doit être de **30"** pour des foyers électriques et de **30"** pour des foyers à gaz.

1. Marquez le point central de la hotte sur le plafond.
2. A l'aide du gabarit, marquez les positions des vis sur le plafond.
3. Percez quatre trous de $\frac{1}{4}$ " \varnothing puis enfoncez les chevilles au ras du plafond.

Remarque : posez au moins une vis de montage dans une solive.

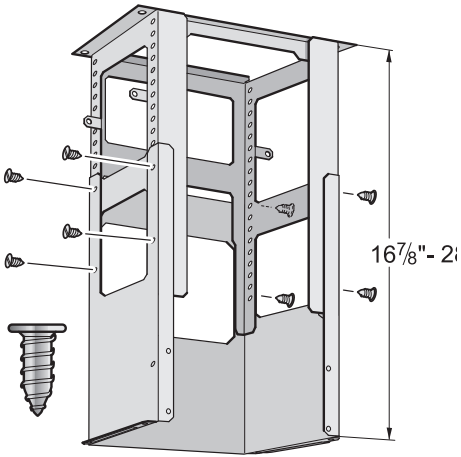


4. Définissez la hauteur totale du support.
 - Pour cela, prenez la hauteur du plafond, la hauteur du socle, et les distances correspondantes entre la

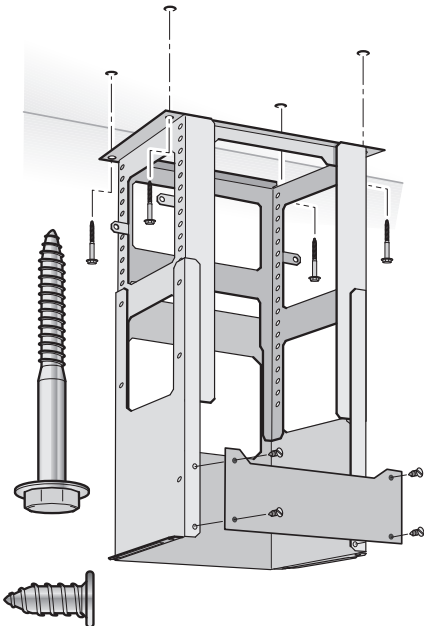


INSTALLATION

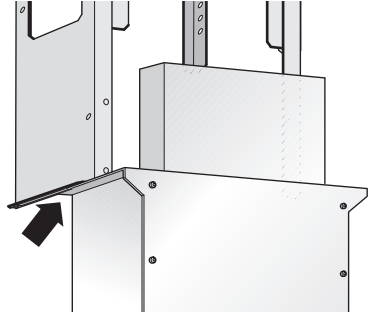
5. A l'aide de huit vis, vissez la partie supérieure à la partie inférieure du



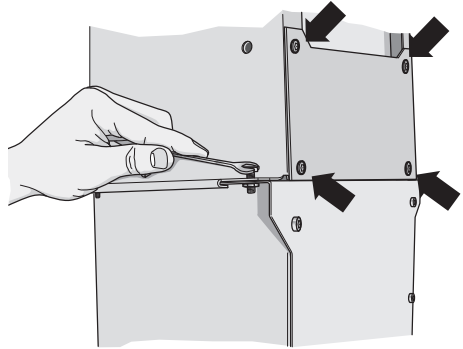
6. Vissez le support au plafond avec quatre vis.



8. Faites glisser la hotte aspirante sur les accessoires de montage du support.

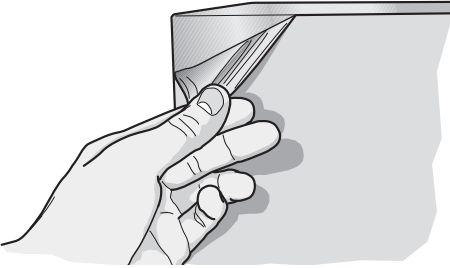


9. Vissez la hotte aspirante sur le support puis revissez le bandeau.

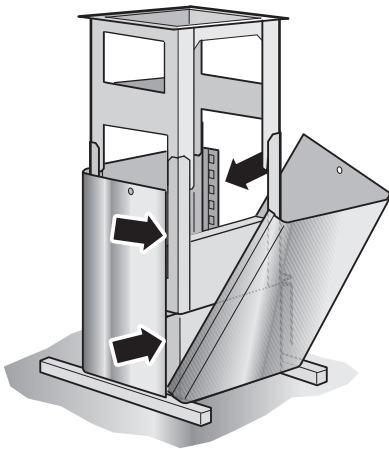


INSTALLATION

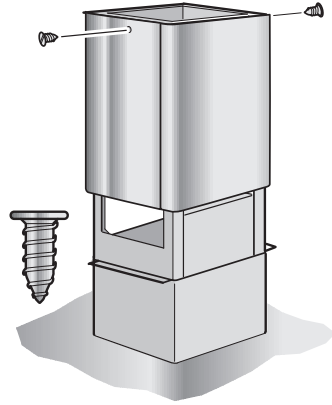
10. Montez le raccord de tuyau.
11. Réalisez le branchement électrique.



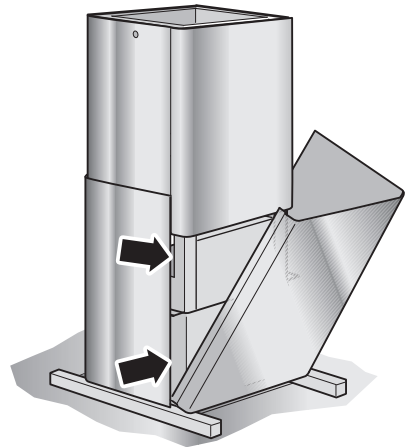
13. Placez sur la hotte aspirante les deux parties de la cheminée supérieure puis rassemblez-les en les clipsant.
⚠ Ce faisant, protégez la hotte aspirante contre d'éventuels dégâts.



14. Faites glisser la cheminée supérieure puis vissez à fond.





15. Mettez en place les deux parties de la cheminée inférieure puis rassemblez-les en les clipsant.
⚠ Ce faisant, protégez la hotte



Instrucciones de seguridad importantes – Instalación

LEA Y GUARDE ESTAS INSTRUCCIONES

 **ADVERTENCIA** – Si no sigue la información de este manual exactamente, puede ocasionarse un incendio o una descarga eléctrica que puede causar daños materiales o lesiones personales.


 **ADVERTENCIA** – No repare ni reemplace ninguna parte del electrodoméstico, a menos que se recomiende específicamente en los manuales. La instalación, el servicio técnico o el mantenimiento incorrectos pueden causar lesiones o daños materiales. Consulte este manual para su orientación. Cualquier otro tipo de reparación debe ser realizada por un técnico calificado.

La unidad es pesada y se requieren al menos dos personas o un equipo adecuado para trasladarla.

Las superficies ocultas pueden tener bordes filosos. Proceda con cuidado al intentar tomar el electrodoméstico por la parte trasera o desde abajo.

INSTRUCCIONES PARA CONECTAR A TIERRA

Este electrodoméstico debe estar conectado a tierra. En caso de un cortocircuito eléctrico, la conexión a tierra reduce el riesgo de descarga eléctrica proporcionando un cable de escape para la corriente eléctrica. Este aparato viene equipado con un cable con un hilo de conexión a tierra y un enchufe para conexión a tierra. El enchufe debe colocarse en una toma de corriente que esté correctamente instalada y conectada a tierra.

 **ADVERTENCIA** – Una conexión incorrecta a tierra puede crear el riesgo de sufrir una descarga eléctrica.


Consulte a un electricista calificado si no comprende la totalidad de las instrucciones de conexión a tierra o si tiene alguna duda respecto de si el aparato está correctamente conectado a tierra.

No use un cable de extensión. Si el cable de alimentación eléctrica es demasiado corto, solicite a un electricista calificado que instale una toma de corriente cerca del

Antes de enchufar un cable eléctrico, asegúrese de que todos los controles estén en la posición OFF (Apagado).


Para los electrodomésticos equipados con cable y enchufe, no corte ni retire la espiga de conexión a tierra. Debe enchufarse en un receptáculo de conexión a tierra compatible para evitar la descarga eléctrica. Si tiene alguna duda respecto de si el receptáculo de pared está correctamente conectado a tierra, el cliente debe solicitar la verificación de un electricista calificado.

Si lo exige el Código Eléctrico Nacional [National Electrical Code] (o el Código Eléctrico Canadiense [Canadian Electrical Code]), este electrodoméstico debe instalarse en un circuito derivado separado.

 **ADVERTENCIA** – Para reducir el riesgo de incendio o descarga eléctrica, no use el ventilador con ningún regulador de velocidad de estado sólido.

Instalador: muestre al propietario la ubicación del disyuntor o del fusible. Márquela para recordarla más fácilmente.


Antes de realizar la instalación, apague la alimentación eléctrica en el panel de servicio. Trabe el panel de servicio para impedir que se encienda accidentalmente la alimentación eléctrica.

 **ADVERTENCIA** – PARA REDUCIR EL RIESGO DE INCENDIO, DESCARGA ELÉCTRICA O LESIONES PERSONALES, RESPETE LO SIGUIENTE:

- a) Use esta unidad solamente para el uso previsto por el fabricante. Si tiene preguntas, comuníquese con el fabricante.
- b) Antes de realizar el servicio técnico o limpiar la unidad, desconéctela de la red eléctrica desde el panel de servicio y trabe el dispositivo de desconexión del servicio para impedir que se encienda accidentalmente la alimentación eléctrica. Cuando el dispositivo de desconexión del servicio no pueda trabarse, coloque firmemente algún tipo de advertencia que destaque, como por ejemplo una etiqueta, en el panel de servicio.

Instrucciones de seguridad importantes – Instalación

Asegúrese de que el electrodoméstico sea correctamente instalado y conectado a tierra por un técnico calificado. La instalación, las conexiones eléctricas y la conexión a tierra deben cumplir con todos los códigos correspondientes.

 **ADVERTENCIA** – PARA REDUCIR EL RIESGO DE INCENDIO, DESCARGA ELÉCTRICA O LESIONES PERSONALES, RESPECTE LO SIGUIENTE:

- a) El trabajo de instalación y la instalación eléctrica deben ser realizados por (una) persona(s) autorizada(s) de acuerdo con todos los códigos y normas aplicables, incluidos los códigos de construcción con respecto a incendios.
- b) Para una apropiada combustión y evacuación de gases a través del cañón (chimenea) del equipo donde se quema el combustible, es necesario que haya suficiente aire para evitar contrarritajes. Siga las pautas del fabricante del equipo de calefacción y las normas de seguridad, tales como las que fueron publicadas por la Asociación Nacional de Protección contra Fuegos [National Fire Protection Association, NFPA] y la Sociedad Americana para Ingenieros de Calefacción, Refrigeración y Aire Acondicionado [American Society for Heating, Refrigeration and Air Conditioning Engineers, ASHRAE], y por las autoridades locales.
- c) Al cortar o taladrar en la pared o el techo, no dañe cables eléctricos ni otras instalaciones ocultas que pueda haber.
- d) Los ventiladores entubados siempre deben ser ventilados hacia el exterior.


Retire toda la cinta y el embalaje antes de usar el electrodoméstico. Destruya el embalaje después de desembalar el electrodoméstico.


Nunca deje que los niños jueguen con el material de embalaje.

Nunca modifique ni altere la construcción del electrodoméstico. Por ejemplo, no retire las patas de nivelación, los paneles, las cubiertas para cables ni los soportes/tornillos antivuelco.

PRECAUCIÓN – Usar sólo para ventilación general. No se debe usar para extraer materiales ni vapores peligrosos o explosivos.

Para reducir el riesgo de incendio y para extraer el aire correctamente, asegúrese de conducir el aire hacia el exterior. No ventile el aire de escape a espacios dentro de paredes, techos, áticos, huecos sanitarios o garajes.

 **ADVERTENCIA** – Para reducir el riesgo de incendio, use sólo ductos metálicos.

 **ADVERTENCIA** – Al montar la campana, se deben respetar las normativas aplicables de las compañías de suministro de energía y las normativas de construcción regionales.

Este electrodoméstico cumple con una o más de las siguientes normas:

UL 858, Norma de seguridad para estufas eléctricas de uso doméstico (Standard for the Safety of Household Electric Ranges)

UL 923, Norma de seguridad para electrodomésticos de cocción por microondas (Standard for the Safety of Microwave Cooking Appliances)

UL 507, Norma de seguridad para ventiladores eléctricos (Standard for the Safety of Electric Fans)

ANSI Z21.1, Norma nacional estadounidense para electrodomésticos a gas para cocinar de uso doméstico (American National Standard for Household Cooking Gas Appliances)

CAN/CSA-C22.2 N.º 113-M1984 para ventiladores (Fans and Ventilators)

CAN/CSA-C22.2 N.º 61-M89 para estufas para cocinar de uso doméstico (Household Cooking Ranges)

Es responsabilidad del propietario y del instalador determinar si se aplican otros requisitos y/o normas en instalaciones específicas.

Instrucciones de seguridad importantes – Instalación

Piezas necesarias

- Cinta métrica
- Destornillador con cabeza Phillips
- Cinta para ductos
- Conducto (la configuración varía según el lugar; para "Antes de la instalación").
- Tornillos autorroscantes adicionales (la cantidad necesaria para la instalación del conducto)

Piezas incluidas

- Conjunto del electrodoméstico (1)
- Tornillos autorroscantes (6)
- Tornillos para madera (4)
- Tornillos avellanados (2)
- Elementos de sujeción para soportes en la ventilación (2)
- Tacos UX6 (6)

INFORMACIÓN IMPORTANTE

Los electrodomésticos viejos no son basura sin valor. Las valiosas materias primas pueden recuperarse mediante el reciclado de electrodomésticos viejos. Antes de desechar su electrodoméstico viejo, haga que sea inutilizable.

Usted recibió su electrodoméstico nuevo en una caja de envío protectora. Todos los materiales de embalaje son ecológicos y reciclables. Ayude a lograr un mejor medioambiente desechando los materiales de embalaje de manera ecológica.

La campana extractora sólo puede utilizarse en el modo de aire de salida.

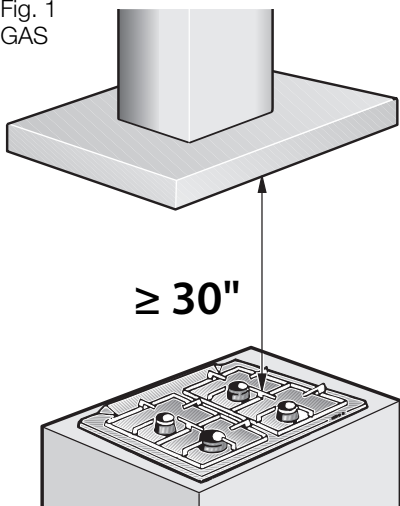
Siempre instale la campana extractora sobre el centro de la parrilla.

⚠ Distancia mínima entre la parrilla eléctrica y el borde inferior de la campana extractora: **30"**, Fig. 1.

⚠ La campana extractora no debe instarse sobre una estufa a combustible sólido – se puede producir un riesgo de incendio (p. ej., que se desprendan chispas), a menos que la estufa tenga una **tapa cerrada que no se pueda retirar** y que se cumplan todas las reglamentaciones nacionales.

Cuanto más pequeño es el espacio entre la campana extractora y las placas calentadoras, mayor es la probabilidad de que se formen gotas en la parte inferior de la campana extractora.

Fig. 1
GAS



Información adicional sobre estufas a gas:

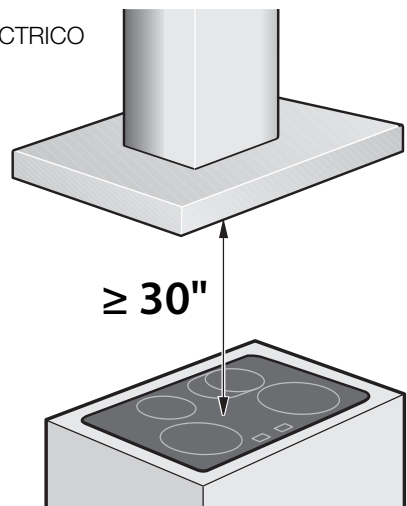
Al instalar placas calentadoras a gas, cumpla con las reglamentaciones legales nacionales pertinentes.

Siempre cumpla con las reglamentaciones válidas vigentes y las instrucciones de instalación provistas por el fabricante del electrodoméstico de gas.

⚠ Sólo un lado de la campana extractora puede instalarse junto a una unidad de costado alto o a una pared alta. La distancia debe ser de 2" como mínimo.

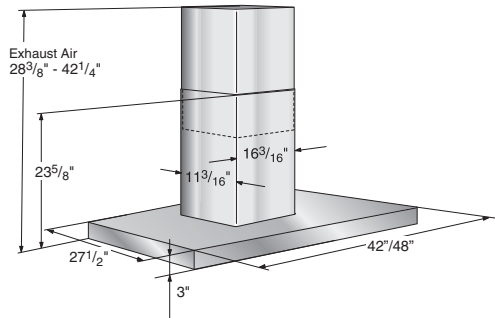
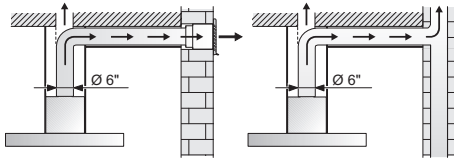
⚠ Distancia mínima en placas calentadoras a gas entre el borde superior de la rejilla y el borde inferior de la campana extractora: **30"**, Fig. 1.

ELÉCTRICO



ANTES DE LA INSTALACIÓN

Paso 1: MODO DE AIRE DE SALIDA



El aire de salida debe ser liberado hacia arriba a través de un conducto o directamente a través de la pared externa a la intemperie.

☞ El aire de salida no debe ser dirigido a un conducto de humo ni de salida que actualmente se utilice para otros fines, ni a un conducto que se utilice para ventilar habitaciones en las cuales también se encuentran estufas o chimeneas.

El aire de salida puede liberarse sólo respetando las reglamentaciones oficiales y legales (p. ej., reglamentaciones nacionales sobre construcción).

Se deben cumplir las reglamentaciones de autoridades locales al liberar el aire en conductos de humo o de salida que no se utilicen para otros fines.

☞ **Cuando se utiliza la campana extractora en el modo de aire de salida simultáneamente con una hornilla diferente, que también utiliza la misma chimenea (como calentadores a gas, aceite o carbón, calentadores de flujo continuo, calentadores de agua), se debe asegurar que haya un suministro de aire fresco suficiente, que será necesario para la combustión en la hornilla.**

La operación segura es posible siempre que la subpresión de la habitación donde está instalada la hornilla no supere los 4 Pa (0,04 mbar).

Esto es posible si el aire de combustión puede circular a través de aberturas que no puedan trabarse, como ser puertas y ventanas, y a través de cajas de entrada/salida de aire en la pared.

Si la entrada de aire es insuficiente, existe un riesgo de intoxicación con los gases de la combustión que vuelven a ingresar a la habitación.

⚠ ADVERTENCIA – Evite el riesgo de intoxicación. Si la entrada de aire a la habitación es insuficiente, existe un riesgo de intoxicación con los gases de la combustión que vuelven a ingresar a la habitación.

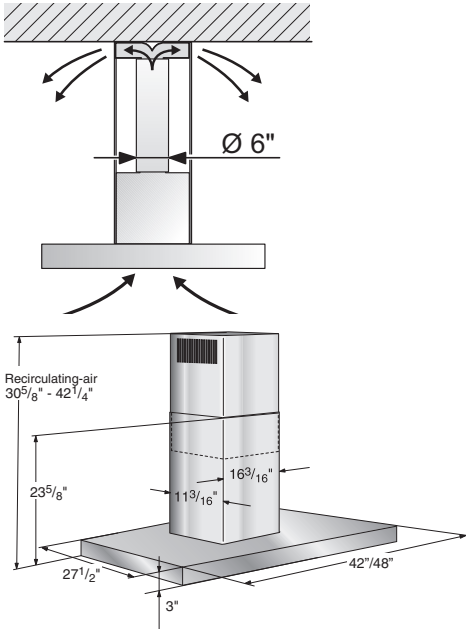
Nota: Al evaluar el requisito total, se debe tener en cuenta el sistema de ventilación combinado para todo el hogar. Esta norma no se aplica al uso de electrodomésticos de cocina, como parrillas y hornos.

Si el aire de salida será liberado a la intemperie, se debe colocar una caja de pared telescópica en la pared externa.

ANTES DE LA INSTALACIÓN

Funcionamiento con evacuación del aire hacia el interior (recirculación del aire)

Filtro de carbón activo en caso de no existir la posibilidad de trabajar con evacuación del aire hacia el exterior.



Para obtener la máxima eficiencia de la campana extractora:

- Tubería corta, lisa.
- La menor cantidad posible de codos en el conducto.
- El diámetro del conducto debe ser lo más grande posible y no debe tener codos cerrados.

Si se utiliza un conducto de aire de salida largo e irregular, hay muchos codos en el conducto o el diámetro de la tubería es más pequeño, el caudal de extracción de aire ya no será el máximo, y el ruido aumentará.

IMPORTANTE: El fabricante de la campana extractora no asume responsabilidad alguna por las reclamaciones que puedan atribuirse al diseño y a la distribución del conducto.

- Tuberías circulares:**
Recomendamos que el diámetro interno sea de 6".
- Los conductos planos** deben tener una sección transversal interna que sea igual a la de las tuberías circulares.
No debe haber codos cerrados.
Ø 6" aprox. 29 pulgadas²
- Si las tuberías tienen diámetros diferentes:**
Coloque la tira selladora.
- Para el modo de aire de salida,** asegúrese de que haya un suministro de aire fresco suficiente.

PARA CONECTAR UN CONDUCTO DE AIRE DE SALIDA DE Ø 6":

- Instale el conducto directamente en la salida de aire de la campana.

Paso 2: PREPARATIVOS EN EL TECHO

- El techo tiene que ser liso y horizontal.
- ¡Prestar atención a la capacidad de sustentación de la techo!
- Los tornillos y tacos suministrados con la campana son adecuados para muros macizos. En caso de montar la campana sobre paredes o muros de distintas características (por ej. pladur, hormigón de celdillas, ladrillos porotón) deberán emplearse los medios de fijación adecuados a dichos materiales.
- Procurar un asiento firme de los tacos en la techo.

Peso en kg: ca. 49

Nos reservamos el derecho de introducir modificaciones o cambios constructivos en los aparatos como consecuencia del progreso técnico.

ANTES DE LA INSTALACIÓN

Paso 3: CONEXIÓN ELÉCTRICA

ADVERTENCIA: ESTE ELECTRODOMÉSTICO DEBE ESTAR CONECTADO A TIERRA.


La campana extractora sólo debe conectarse a una toma de corriente con conexión a tierra que haya sido instalada conforme a las reglamentaciones pertinentes.


Si es posible, ubique la toma de corriente con conexión a tierra directamente detrás de los paneles de la chimenea.

- La toma de corriente con conexión a tierra debe conectarse por medio de su propio circuito.
- Si la toma de corriente con conexión a tierra no se encuentra accesible después de la instalación de la campana extractora, asegúrese de que haya un desconectador instalado en forma permanente.

Paso 4: INSTALE EL SERVICIO ELÉCTRICO

Consulte el método de instalación adecuado en sus códigos de construcción locales. En los EE. UU., si no hubiera códigos locales aplicables, esta unidad debe instalarse conforme al Código Eléctrico Nacional ANSI/NFPA N.º 70, edición actual. (En Canadá, la instalación debe realizarse de conformidad con los CAN 1- B149.1 y .2 - Códigos de Instalación para Electrodomésticos de Combustión a Gas y/o los códigos locales).


 **CUIDADO** – A fin de reducir el peligro de incendio o descargas eléctricas, instale la campana de extracción con un ventilador integrado o remoto producido por Thermador, especificado para un máx. de 8,5 A.

 **CUIDADO** – Conectar exclusivamente a una línea de alimentación exclusiva para la campana. La corriente máxima de la campana no debe exceder el 80 por ciento de la alimentación del caso.

El electrodoméstico debe estar conectado a tierra. En caso de un cortocircuito eléctrico, la conexión a tierra reduce el riesgo de descarga eléctrica proporcionando un cable de escape para la corriente eléctrica.

Este electrodoméstico viene equipado con un cable con un hilo de conexión a tierra y un enchufe para conexión a tierra.

El enchufe debe colocarse en una toma de corriente que esté correctamente instalada y conectada a tierra.


 **ADVERTENCIA** – La incorrecta conexión a tierra puede causar una descarga eléctrica.

Consulte a un electricista calificado si no comprende la totalidad de las instrucciones de conexión a tierra o si tiene alguna duda respecto de si el electrodoméstico está correctamente conectado a tierra.

No use un cable de extensión. Si el cable de alimentación eléctrica es demasiado corto, solicite a un electricista calificado que instale una toma de corriente cerca del electrodoméstico.


En caso de necesitar una conexión fija a la red eléctrica:

El aparato sólo deberá ser conectado a la red eléctrica por un instalador-electricista registrado como tal en la empresa de abastecimiento de energía eléctrica de la zona.

 **ADVERTENCIA** – Evite el riesgo de descarga eléctrica. Si el cable de conexión de este electrodoméstico está dañado, debe ser reemplazado por el fabricante o su centro de servicio al cliente, o una persona que esté igualmente calificada, para prevenir lesiones graves al usuario.

DATOS ELÉCTRICOS:

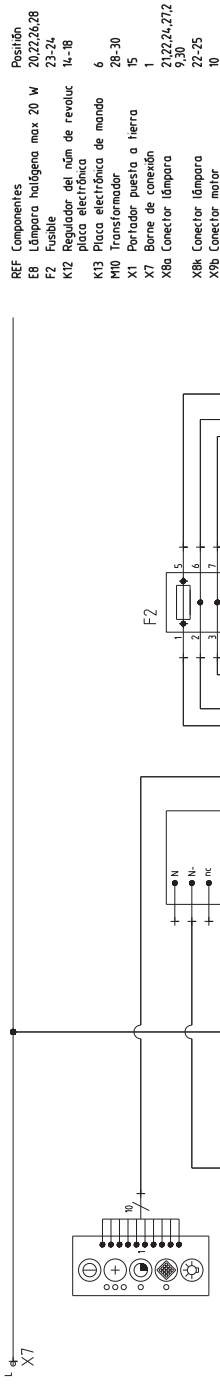
en la placa de nombre dentro del electrodoméstico después de retirar el marco del filtro.

 **ADVERTENCIA** – Evite el riesgo de descarga eléctrica. Antes de realizar una reparación, siempre desconecte la campana extractora del suministro de electricidad.

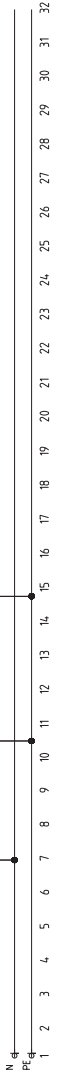
Longitud del cable de conexión: 51 1/8”.

Esta campana extractora cumple con las reglamentaciones de la CE con respecto a

⚠️ ADVERTENCIA: SE DEBE DESCONECTAR LA CORRIENTE ELÉCTRICA ANTES DE REALIZAR EL SERVICIO TÉCNICO A ESTE APARATO



REF	Componentes	Posición
E8	Lámpara halógena max 20 W	20,22,26,28
F2	Fusible	23-24
K12	Regulador del núm de revoluc placa electrónica	14-18
K13	Placa electrónica de mando	6
M10	Transformador	28-30
X1	Portador puesta a tierra	15
X7	Borne de conexión	1
X8a	Conector lámpara	21,22,24-27,2
X8b	Conector lámpara	9,30
X8c	Conector lámpara	22-25
X9b	Conector motor	10



INSTALACIÓN

Step 5: INSTALACIÓN

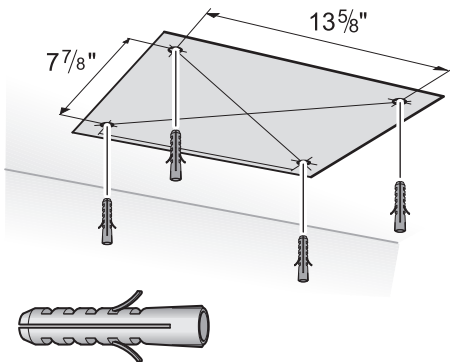
La presente campana extractora ha sido diseñada para el montaje en el techo de la cocina o en un techo suspendido de suficiente estabilidad y capacidad de sustentación.

⚠ PRECAUCIÓN:

Prestar atención a las distancias mínimas a observar entre la zona de cocción y la campana extractora de **30"** para las placas de cocción eléctricas y **30"** para las placas de cocción de gas.

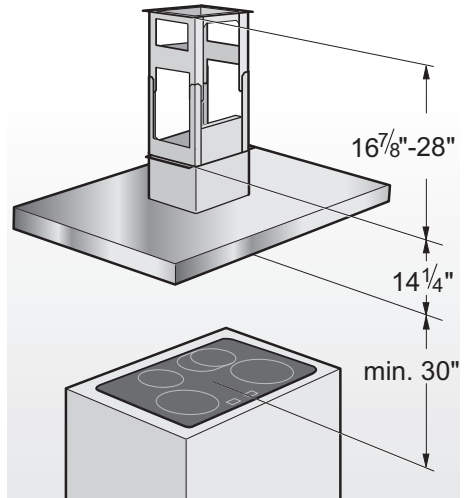
1. Marcar el centro de la campana extractora en el techo.
2. Marcar en el techo la posición de los tornillos con ayuda de la plantilla correspondiente.
3. Practicar cuatro taladros con una broca de $\frac{1}{4}$ " de diámetro; introducir los tacos a ras del techo.

Nota: Al menos un tornillo debe instalarse a través de un pasador.



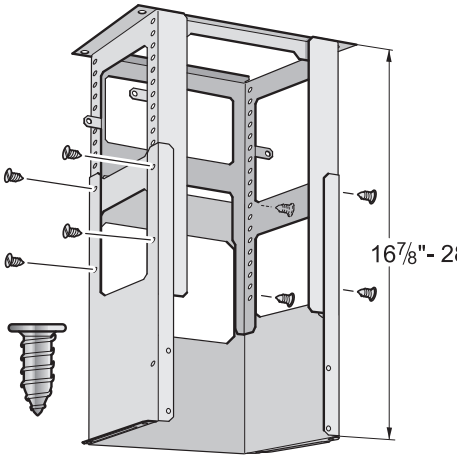
4. Determinar la altura total del bastidor de soporte.

– Se obtiene de la altura del techo, la altura del zócalo y la distancia a observar entre la placa de cocción y

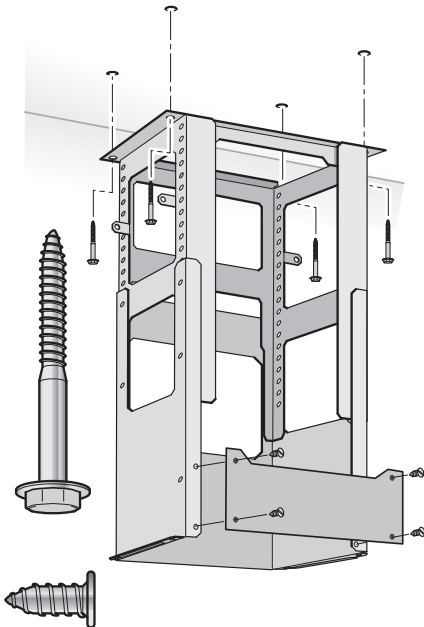


INSTALACIÓN

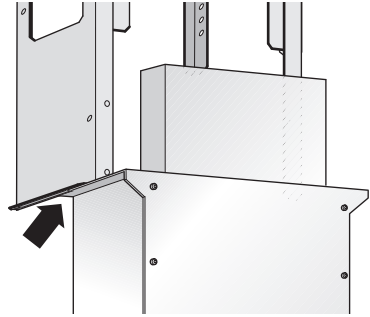
5. Unir y fijar las partes superior e inferior del bastidor de soporte en la altura total determinada previamente, con



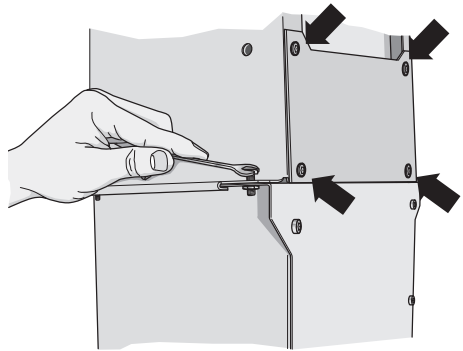
6. Fijar el bastidor de soporte al techo con 4 tornillos.



8. Introducir la campana en el bastidor de soporte con ayuda de los elementos

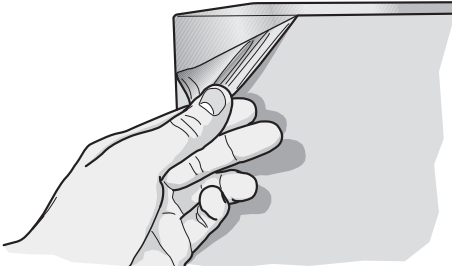


9. Atornillar la campana extractora al bastidor de soporte; colocar y atornillar el



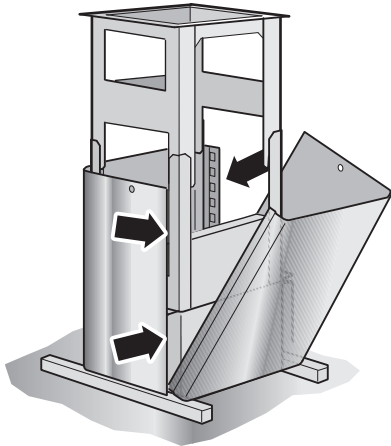
INSTALACIÓN

10. Empalmar el tubo de evacuación del aire en la campana extractora.
11. Conectar el aparato a la red eléctrica.
12. Retirar cuidadosamente las láminas

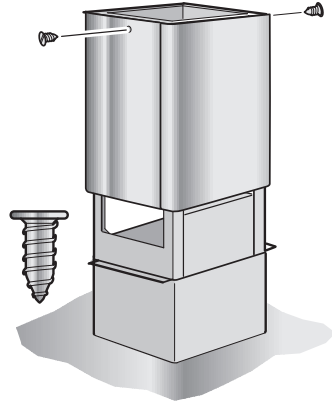


13. Colocar los dos elementos de la parte superior del revestimiento de chimenea sobre el cuerpo de la campana y encajarlos con los clips correspondientes.

⚠ ¡Proteger la campana contra daños

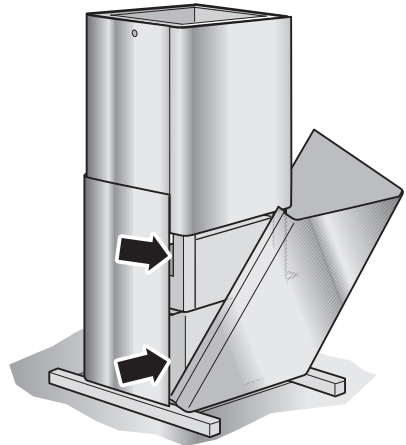


14. Deslizar el elemento superior del revestimiento de chimenea hacia arriba



15. Insertar los dos elementos del revestimiento de chimenea inferior y fijarlos mediante los clips correspondientes.

⚠ ¡Proteger la campana contra daños



Notes

Noticias

Thermador[®] | *An American Icon*[®]

1 8 0 0 7 3 5 4 3 2 8

WWW.THERMADOR.COM

5551 MCFADDEN AVENUE | HUNTINGTON BEACH, CA 92649

©2008 BSH HOME APPLIANCES CORPORATION, ALL RIGHTS RESERVED.

#6508-0024 LITHO DATE: 6/08

9000 466 407
Printed in Germany 0709 Es.