

Use and care
GUIDE

Ventilation

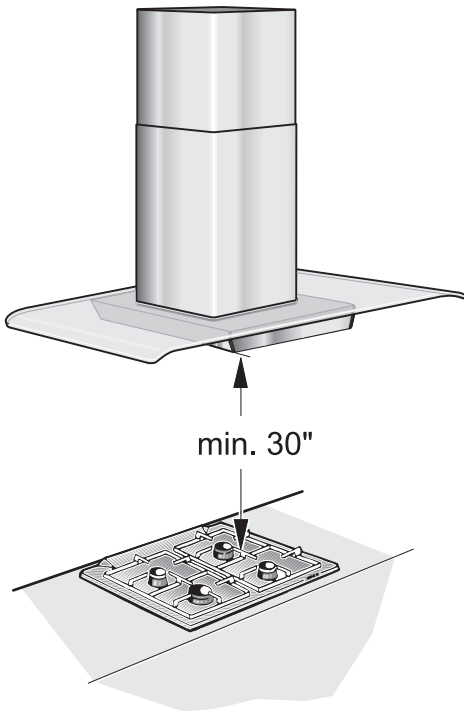


en	page	3–11
fr	pages	13–21
es	página	23–31

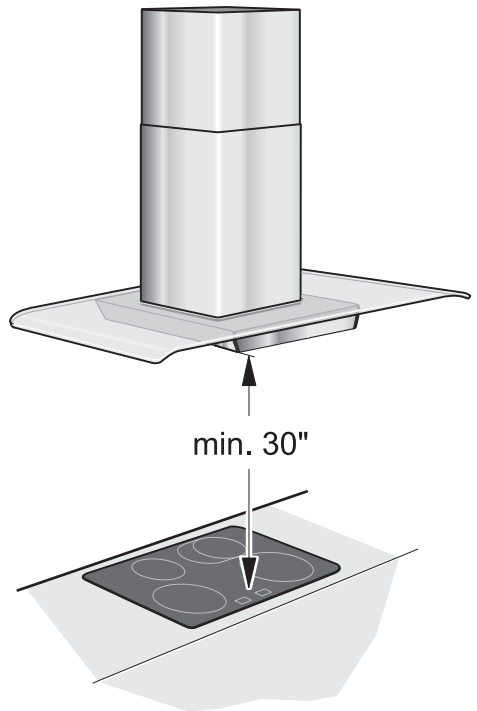
TABLE OF CONTENTS

Safety Instructions	4	Replacing the Bulbs	12
Important notes	6	Troubleshooting guide	13
If you encounter a problem	6	Customer Services	14
Operating modes	7	Before Calling for Service	14
Operation	8	How to Obtain Service	14
Filters and Maintenance	9	Service Data	14
Care and Cleaning	11		

Fig. 1
GAS



ELECTRIC





IMPORTANT SAFETY INSTRUCTIONS

Read All Instructions Before Using the Appliance.

READ AND SAVE THESE INSTRUCTIONS

WARNING – TO REDUCE THE RISK OF A RANGE TOP GREASE FIRE.

- a) Never leave surface units unattended at high settings. Boilovers cause smoking and greasy spillovers that may ignite. Heat oils slowly on low or medium settings.
- b) Always turn hood ON when cooking at high or when flambéing food (i.e. Crepes Suzette, Cherries Jubilee, Peppercorn Beef Flambé).
- c) Clean ventilating fans frequently. Grease should not be allowed to accumulate on fan or filter.
- d) Use proper pan size. Always use cookware appropriate for the size of the surface element.

In the event that personal clothing or hair catches fire, drop and roll immediately to extinguish flames.

Smother flames from food fires other than grease fires with baking soda.

Never use water on cooking fires.

CAUTION: Grease left on filters can remelt and move into the vent.

Always have a working smoke detector near the kitchen.

WARNING – TO REDUCE THE RISK OF INJURY TO PERSONS IN THE EVENT OF A COOKTOP GREASE FIRE, OBSERVE THE FOLLOWING:

- a) **SMOTHER FLAMES** with a closefitting lid, cookie sheet, or metal tray, then turn off the burner. **BE CAREFUL TO PREVENT BURNS.** If the flames do not go out immediately, **EVACUATE AND CALL THE FIRE DEPARTMENT.**

- b) **NEVER PICK UP A FLAMING PAN.** You may be burned.
- c) **DO NOT USE WATER,** including wet dish cloths or towels. A violent steam explosion will result.
- d) Use an extinguisher **ONLY** if:
 - 1) You know you have a Class ABC extinguisher, and you already know how to operate it.
 - 2) The fire is small and contained in the area where it started.
 - 3) The fire department is being called.
 - 4) You can fight the fire with your back to an exit.

WARNING – Whenever possible, do not operate blower during a cooktop fire. However, do not reach through fire to turn off blower.

When children become old enough to use the appliance, it is the legal responsibility of the parents or legal guardians to ensure that they are instructed in safe practices by qualified persons.

Do not allow children to use this appliance unless closely supervised by an adult.

Children and pets should not be left alone or unattended in the area where the appliance is in use. They should never be allowed to play in its vicinity, whether or not the appliance is in use.

 **IMPORTANT SAFETY INSTRUCTIONS**

CAUTION – Items of interest to children should not be stored in an appliance, in cabinets above an appliance or on the backsplash. Children climbing on an appliance to reach items could be seriously injured.

Do not allow anyone to climb, stand, lean, sit, or hang on any part of an appliance, especially a door, warming drawer, or storage drawer. This can damage the appliance, and the unit may tip over, potentially causing severe injury.

WARNING – Be sure the entire appliance (including the grease filters and light bulbs, if applicable) has cooled and grease has solidified before attempting to clean any part of the appliance.

Have the installer show you the location of the circuit breaker or fuse. Mark it for easy reference.

CAUTION – Turn power off at breaker before removing a damaged bulb. Do not touch the bulbs immediately after use.

The bulbs will remain hot for several minutes.

WARNING – Make sure the appliance and lights are cool and power to the appliance has been turned off before replacing the light bulb(s). Failure to do so could result in electrical shock or burns.

The lenses (if equipped) must be in place when using the appliance.

The lenses (if equipped) serve to protect the light bulb from breaking.

The lenses (if equipped) are made of glass. Handle carefully to avoid breaking.

Broken glass can cause an injury.

This appliance must be properly installed and grounded by a qualified technician. Connect only to properly grounded outlet. Refer to Installation Instructions for details.

This appliance is intended for normal family household use only. It is not approved for outdoor use. See the Warranty. If you have any questions, contact the manufacturer.

WARNING – FOR GENERAL VENTILATION USE ONLY. DO NOT USE TO EXHAUST HAZARDOUS OR EXPLOSIVE MATERIALS AND VAPORS.

Do not store or use corrosive chemicals, vapors, flammables or nonfood products in or near this appliance. It is specifically designed for use when heating or cooking food. The use of corrosive chemicals in heating or cleaning will damage the appliance and could result in injury.

Do not operate this appliance if it is not working properly, or if it has been damaged. Contact an authorized servicer.

Do not repair or replace any part of the appliance unless specifically recommended in this manual. Refer all servicing to a factory authorized service center.

State of California Proposition 65 Warnings:

 **WARNING**

This product can expose you to chemicals including vinyl chloride, which is known to the State of California to cause cancer and birth defects or other reproductive harm. For more information go to **www.P65Warnings.ca.gov**.

IMPORTANT NOTES

- ❑ The Instructions for Use apply to several versions of this appliance. Accordingly, you may find descriptions of individual features that do not apply to your specific appliance.
- ❑ This hood complies with all relevant safety regulations.
Repairs should be carried out by qualified technicians only.



CAUTION

Improper repairs may put the user at considerable risk.

- ❑ Before using your appliance for the first time, please read these Instructions for Use carefully. They contain important information concerning your personal safety as well as on use and care of the appliance.
- ❑ Please retain the operating and installation instructions for a subsequent owner.
- ❑ Remove the packaging from the appliance and dispose of it properly. Pay attention to the fact that there are accessories in the packaging. Keep packaging elements out of the reach of children!
- ❑ Thoroughly clean the appliance before using it for the first time.
- ❑ Before operating the appliance for the first time, check that the mains connection is in proper working order.

IF YOU ENCOUNTER A PROBLEM

In the event of malfunctions, first of all check the household fuses. If the problem has nothing to do with the power supply, please contact your specialist dealer or your local after-sales service.

If it is not possible to operate the extractor hood:

Disconnect the extractor hood from the mains electricity supply by pulling out the plug or switching it off at the main fuse box.

Wait for approx. 1 minute and then switch it on again.

If you have any questions or if a fault occurs, please call Customer Service.

When you call, please quote the following:

E-Nr.	FD
-------	----


Enter the relevant numbers into the box above. The E-Nr. (product no.) and FD (production date) are shown on the nameplate which can be seen inside the extractor hood after the filter frame has been detached.

The manufacturer of the extractor hoods accepts no liability for complaints which can be attributed to the design and layout of the ductwork.

OPERATING MODES

EXHAUST-AIR MODE:

- ❑ The fan extracts the kitchen vapors and conveys them through the grease filter into the atmosphere.
- ❑ The grease filter traps the solid particles in the kitchen vapors.
- ❑ The kitchen is kept almost free of grease and odors.

 **When the hood is operated in exhaust-air mode simultaneously with a different burner which also makes use of the same chimney** (such as gas, oil or coal-fired heaters, continuous-flow heaters, hot-water boilers) care must be taken to **ensure that there is an adequate supply of fresh air** which will be needed by the burner for combustion.

Safe operation is possible provided that the under pressure in the room where the burner is installed does not exceed 4 Pa (0.04 mbar).

This can be achieved if combustion air can flow through non-lockable openings, e.g. in doors, windows and air exchanger or by other technical measures, such as reciprocal interlocking, etc.

CAUTION

Avoid carbon monoxide poisoning – Provide adequate air intake so combustion gases are not drawn back into the room.

An air exchanger by itself is no guarantee that the limiting value will not be exceeded.

Note: When assessing the overall requirement, the combined ventilation system for the entire household must be taken into consideration. This rule does not apply to the use of cooking appliances, such as cooktops and ovens.

CIRCULATING-AIR MODE:

- ❑ An activated carbon filter must be fitted for this operating mode (see Filters and maintenance).
The complete installation set and replacement filters can be obtained from **specialist** outlets.
- ❑ The extractor-hood fan extracts the kitchen vapours which are purified in the grease filter and activated carbon filter and then conveyed back into the kitchen.
- ❑ The activated carbon filter binds the odors.
If no activated carbon filter is installed, it is not possible to bind the odors in the cooking vapors.

Gas Cooktops / Gas Ranges:

CAUTION

Avoid risk of burns or damage to extractor hood.

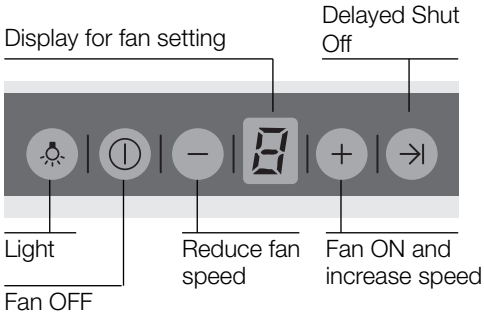
Do not use all gas burners simultaneously at high settings for a prolonged period (max.15 minutes).

If the hood is located over a gas cooktop, operate the hood at maximum setting whenever three or more gas burners are being used.

OPERATION

IMPORTANT: The most effective method of removing vapors produced during cooking is to:

- ❑ **Switch the ventilator ON** prior to cooking or as soon as you begin cooking.
- ❑ **Switch the ventilator OFF** a few minutes after you have finished cooking.



Acoustic signal:

- ❑ When a button is pressed, this is verified by an acoustic signal.

Switching off the acoustic signal:

- ❑ Simultaneously press buttons **0** and **+** until a signal is emitted after approx. 3 seconds.

Switching on the acoustic signal:

- ❑ Repeat the process.

Switching the fan ON

- ❑ Press the **+** button or pull out the filter drawer.

Setting the required fan speed:

- ❑ Press the **+** button.
The fan speed is increased by one step.
- ❑ Press the **-** button.
The fan speed is reduced by one step.

Switching the fan OFF:

- ❑ Press the **0** button.
The displayed goes out shortly afterwards.
Or:
 - ❑ Keep pressing the **-** button until the fan switches off.
The displayed goes out shortly afterwards.

Intensive setting:

Maximum power is obtained at the intensive setting.

It is only required for short intervals.

- ❑ Keep pressing the **+** button until a appears in the display.
- ❑ If the intensive setting is not cancelled by hand, the fan will automatically switch back to step after 10 minutes.

Delayed Shut Off:

- ❑ Press the **→** button or push in the filter drawer.
The fan runs for 10 minutes at setting **1**.
At the same time a dot flashes in the display.
Then the fan switches off automatically.

Lighting:

- ❑ Briefly press the button to switch the light on and off.
- ❑ The light can be switched on at any time, even though the fan is switched off.
- ❑ **Adjusting the brightness:**
Hold down the button until the desired brightness is obtained.

FILTERS AND MAINTENANCE

GREASE FILTERS:

Metal filters are used to trap the greasy element of the vapors that develop during cooking.

The filter mats are made from non-combustible metal.

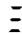
WARNING

As the filter becomes more and more saturated with grease, not only does the risk of it catching fire increase but the efficiency of the hood can also be adversely affected.

Important:

By cleaning the metal grease filters at appropriate intervals, the possibility of them catching fire as a result of a build-up of heat such as occurs when deep-fat frying or roasting is taking place, is reduced.

Saturation indicator:

When the grease filters reach saturation point, an acoustic signal is sounded for 6 seconds after the fan has switched off, and an  appears in the display. The grease filters should be cleaned right away.

Cleaning the metal grease filters:


- In normal operation (1 to 2 hours daily), the metal grease filter must be cleaned 1 x a month.
- The filters can be cleaned in a dishwasher. It is however possible that they will become slightly discolored.
- The filter must be placed loosely, and NOT wedged, in the dishwasher.

Important:

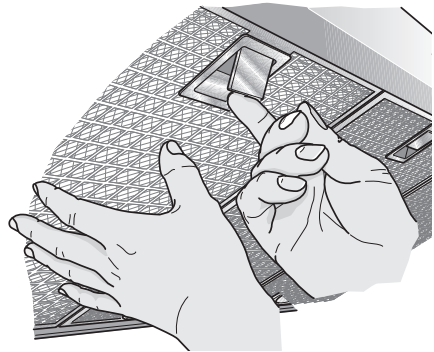
Metal filters that are saturated with grease should not be washed together with other dishes etc.

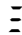
- When cleaning the filters by hand, soak them in hot soapy water first of all. Do not use aggressive, acidic or caustic cleaners. Then brush the filters clean, rinse them thoroughly and leave the water to drain off.

Removing and inserting the metal grease filters:

 **CAUTION:** Avoid risk of burns. The halogen bulbs must be switched off and cool.

1. Pull the catch on the grease filters and lower the grease filters. At the same time take hold of the underside of the grease filter with your other hand.



2. Clean the filter.
3. Insert the clean filter back into the hood.
4. Cancel the  in the display: Press the button ON/OFF.

FILTERS AND MAINTENANCE

Activated carbon filter:

For neutralizing odours in recirculating mode.


WARNING

As the filter becomes more and more saturated with grease, there is an increased risk of fire and the function of the extractor hood may be impaired.

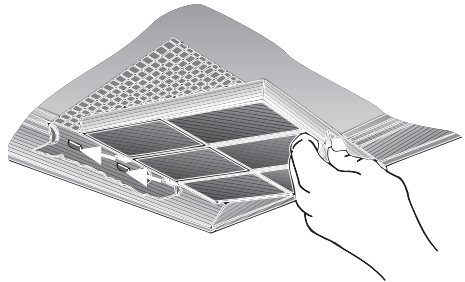
Important:

Change the activated carbon filter promptly to prevent the risk of fire from the accumulation of heat when deep-fat frying or roasting.

Installation and removal:

 **CAUTION:** The halogen bulbs must be switched off and left to cool.

1. Remove the metal-mesh filters (see "Removing and inserting the metal-mesh grease filters").
2. Insert the activated carbon filter.



3. Engage the catch.
4. Insert the metal grease filters (see "Removing and inserting the metal grease filters").

Replacing the activated carbon filter:

- During normal operation (1 to 2 hours per day) the activated carbon filters should be replaced approximately 2 x year.
- A replacement filter can be obtained from any authorized dealer (see optional accessories).
- Use original filters only.**
By doing so you will obtain maximum performance from your extractor hood.

Disposing of the old activated carbon filter:

- There are no pollutants in the activated carbon filters. They can therefore be disposed of as part of your normal domestic refuse.

CARE AND CLEANING



WARNING To avoid risk of fire and explosion do not use flammable liquids or solvents.
Always unplug or disconnect the appliance from the power supply before servicing.

IMPORTANT: Do not clean the hood with abrasive sponges or with cleaning agents which contain sand, soda, acid or chlorine!

- Clean the hood with a hot soap solution or a mild window cleaner.
- Do not scrape off dried-on dirt but wipe off with a damp cloth.
- When cleaning the grease filters, remove grease deposits from accessible parts of the housing.
This prevents the risk of fire and ensures that the hood continues operating at maximum efficiency.
- Note:** Do not use alcohol (rubbing) on plastic surfaces, as dull marks may appear.
Observe all instructions and cautions provided with cleaners.

IMPORTANT: Clean the operating buttons with a mild soapy solution and a soft, damp cloth only.

Do not use stainless-steel cleaner to clean the operating buttons.

Stainless steel surfaces:

- Use a mild non-abrasive stainless steel cleaner.
- Clean the surface in the same direction as it has been ground and polished.
- We recommend the stainless steel cleaner Fantastik® or Formula 409® **sprayed onto a paper towel.**

Aluminum and plastic surfaces:

- Do not use dry cloths.
- Use a mild window cleaning agent.
- Do not use aggressive, acidic or caustic cleaners.

Observe the warranty regulations in the enclosed service booklet.

REPLACING THE BULBS

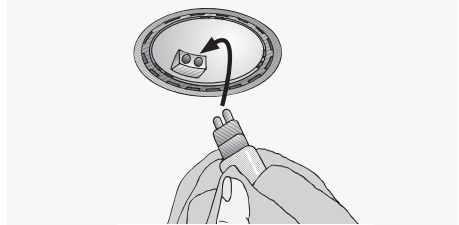
⚠ CAUTION. Avoid risk of electric shock by switching off the hood and pull out the power plug or switch off the electricity

⚠ CAUTION. Avoid risk of burns. Halogen bulbs become very hot and remain hot for some time after being switched off.

1. Remove the bulb ring with a screwdriver or similar tool.



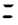
2. Replace the halogen light bulb (conventional halogen bulb, 12 Volt, max. 20 Watt, G4 bulbholder). **IMPORTANT:** Plug-in bulbholder. Take hold of the bulb with a clean cloth. Finger prints can shorten bulb life.



3. Re-insert the bulb ring.
4. Restore the power by inserting the mains plug or switching on the fuse.

Note: If the light does not function, check that the bulbs have been inserted correctly.

TROUBLESHOOTING GUIDE

Problem	Possible Cause	Remedy
Nothing works – display is not illuminated	Control button board has become disconnected.	Contact qualified appliance service technician.
If an  appears in the display	Filters saturated	See "Filters and Maintenance" Section.
If is not possible to operate the hood	Power failure	Disconnect the hood from the mains electricity supply by pulling out the plug or switching it off at the main fuse box. Wait for approx. 1 minute and then switch it on again.

CUSTOMER SERVICES

Before Calling for Service

If the blower does not operate:

- Ensure that the electrical cord is properly connected and the supply circuit is energized.
- Check that the intake is fully raised.
- Make sure that the blower speed control knob is not in the OFF position.

How to Obtain Service

For authorized service or parts information, call 1-800-735-4328.

We want you to be a satisfied customer. If a situation arises that has not been resolved to your satisfaction, please let us know.

Write: Customer Support, BSH Home Appliances, Corp. 5551 1901 Main Street, Suite 600, Irvine, CA 92614, or call: 1-800-735-4328.

Please include the model number, serial number, and date of original purchase/installation.

Service Data

For handy reference, the serial tag information has been affixed below.

Keep your invoice for warranty validation. To obtain service, see previous page.



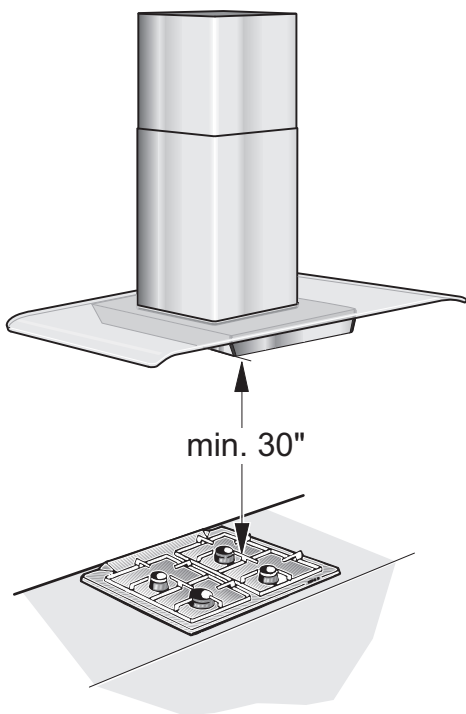
Serial Number/Data Plate Location: Above Electrical Connection Box. See Page 10.

We reserve the right to change specifications or design without notice. Some models are certified for use in Canada. BSH is not responsible for products which are transported from the U.S. for use in Canada. Check with your local Canadian distributor or dealer.

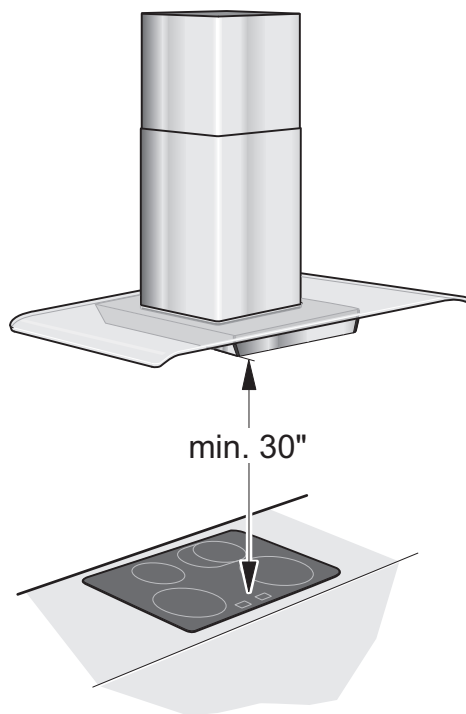
TABLE DES MATIÈRES

Consignes de sécurité	16	Remplacement des ampoules	24
Remarques importantes	18	Guide de dépannage	25
Dérangements	18	Service après-vente	26
Mode de fonctionnement	19	Avant d'appeler le service après-vente	26
Fonctionnement	20	Obtention du service après-vente . . .	26
Filtres et maintenance	21	Données concernant le service	26
Entretien et nettoyage	23		

Fig. 1
GAZ



ÉLECTRIQUE





INSTRUCTIONS DE SÉCURITÉ IMPORTANTES

Lire toutes les instructions avant d'utiliser cet appareil.

LIRE ET CONSERVER CES INSTRUCTIONS

AVERTISSEMENT – POUR RÉDUIRE LE RISQUE D'INCENDIE DE GRAISSE SUR LA TABLE DE CUISSON.

- a) Ne laissez jamais des éléments de surface allumés à forte puissance sans surveillance. Les débordements provoquent de la fumée et des résidus graisseux qui peuvent s'enflammer. Faites chauffer l'huile à feu doux ou moyen.
- b) Allumez toujours la hotte aspirante lorsque vous cuisinez à feu vif ou lorsque vous faites flamber des aliments (p. ex. les crêpes Suzette, les cerises Jubilee, le steak au poivre flambé).
- c) Nettoyez souvent les ailettes du ventilateur. Ne laissez pas la graisse s'accumuler sur le ventilateur ou le filtre.
- d) Utilisez des casseroles de taille appropriée. Utilisez toujours des casseroles et ustensiles correspondant à la taille de la plaque chauffante.

Si vos cheveux ou vêtements prennent feu, se jeter à terre et se rouler sur le sol immédiatement pour éteindre les flammes.

Étouffer les flammes d'un feu l'aliments autre qu'un feu de graisse avec du bicarbonate de soude.

Ne jamais utiliser d'eau sur les feux de cuisine.

ATTENTION : La graisse déposée sur les filtres peut fondre et se déplacer dans l'évent.

Toujours avoir un détecteur de fumée qui fonctionne à proximité de la cuisine.

AVERTISSEMENT – POUR RÉDUIRE LE RISQUE DE LÉSIONS CORPORELLES EN CAS D'INCENDIE DE GRAISSE SUR LA TABLE DE CUISSON, PRENEZ LES PRÉCAUTIONS SUIVANTES :

- a) **ÉTOUFFEZ LES FLAMMES** avec un couvercle étanche, une plaque à pâtisserie ou un plateau métallique, puis éteignez le brûleur. **SOYEZ PRUDENT AFIN D'ÉVITER DES BRÛLURES.** Si les flammes ne s'éteignent pas immédiatement, **SORTEZ DE LA PIÈCE ET APPELEZ LES POMPIERS.**
- b) **NE JAMAIS SAISIR UNE CASSEROLE ENFLAMMÉE.** Vous risquez de vous brûler.
- c) **NE PAS UTILISER D'EAU,** y compris des torchons ou serviettes mouillés. Une violente explosion de vapeur se produira.
- d) Utiliser un extincteur **UNIQUEMENT** si :
 - 1) Vous savez que vous possédez un extincteur de classe ABC et vous savez déjà vous en servir.
 - 2) Le feu est de faible importance et confiné dans la zone où il a pris.
 - 3) Les pompiers ont déjà été appelés.
 - 4) Vous pouvez combattre le feu en ayant le dos tourné vers une sortie.

AVERTISSEMENT – Lorsque possible, ne pas faire fonctionner le ventilateur lors d'un incendie de table de cuisson. Toutefois, ne pas passer à travers les flammes pour essayer d'éteindre le ventilateur.

Lorsque les enfants sont en âge d'utiliser l'appareil, les parents ou tuteurs légaux ont la responsabilité légale de vérifier qu'ils ont reçu de personnes qualifiées les informations nécessaires pour respecter les règles de sécurité.

Ne pas laisser les enfants utiliser cet appareil sans l'étroite surveillance d'un adulte.

Enfants et animaux ne doivent pas être laissés seuls ou sans surveillance à proximité de l'appareil en fonctionnement. Ne pas laisser les enfants jouer à proximité de l'appareil, que celui-ci soit en fonctionnement ou non.



INSTRUCTIONS DE SÉCURITÉ IMPORTANTES

ATTENTION – Les articles d'intérêt pour les enfants ne doivent pas être rangés dans un appareil électroménager, dans les armoires au-dessus d'un tel appareil ou sur le dossier. Un enfant qui grimpe sur l'appareil pour prendre ces objets peut se blesser sérieusement.

Ne laisser personne grimper, se tenir debout, s'appuyer, s'asseoir ou se suspendre à une partie quelconque d'un appareil, en particulier une porte, un tiroir chauffant ou un tiroir de rangement. Ceci peut endommager l'appareil et l'unité peut se renverser et provoquer des blessures potentiellement graves.

AVERTISSEMENT – S'assurer que l'ensemble de l'appareil (y compris les filtres à graisse et les ampoules, le cas échéant) ont refroidi et que la graisse s'est solidifiée avant de tenter de nettoyer une partie quelconque de l'appareil.

Demander à l'installateur de vous indiquer l'emplacement du coupe-circuit ou du fusible. Identifier sa position pour pouvoir le retrouver facilement.

CAUTION – Couper le courant au niveau du disjoncteur avant de changer une ampoule endommagée. Ne pas toucher les ampoules immédiatement après les avoir utilisées.

Les ampoules resteront chaudes pendant plusieurs minutes.

AVERTISSEMENT – Avant de remplacer une ou plusieurs ampoules, s'assurer que l'appareil et les ampoules ont refroidi et que le courant qui alimente l'appareil est coupé. Le non respect de cette consigne peut entraîner un choc électrique ou des brûlures.

Les lentilles de protection (s'il y en a) doivent être mises en place lorsque l'appareil est en fonctionnement.

Les lentilles de protection (s'il y en a) servent à protéger l'ampoule contre toute casure.

Les lentilles de protection (s'il y en a) sont en verre. Elles sont à manipuler avec précautions afin de ne pas les casser.

Les brisures de verre risquent de causer des lésions.

Cet appareil doit être correctement installé et mis à terre par un technicien qualifié. Il ne doit être branché que sur une prise de courant correctement reliée à la terre. Pour plus de détails, se reporter à la notice d'installation.

Cet appareil est destiné uniquement à un usage domestique familial normal. Il n'est pas approuvé pour l'usage en extérieur. Voir la garantie. Pour toute question, communiquer avec le fabricant.

ATTENTION – POUR LA VENTILATION GÉNÉRALE SEULEMENT. NE PAS UTILISER POUR ÉVACUER DES MATIÈRES OU VAPEURS DANGEREUSES OU EXPLOSIVES.

Ne pas entreposer ni utiliser de produits chimiques corrosifs, vapeurs, matières inflammables ou produits non alimentaires à l'intérieur ou à proximité de cet appareil. Celui-ci a été spécialement conçu pour être utilisé pendant le chauffage et la cuisson des aliments. L'emploi de produits chimiques corrosifs pour chauffer ou nettoyer peut endommager l'appareil et occasionner des blessures.

Ne pas utiliser cet appareil s'il ne fonctionne pas correctement, ou s'il est endommagé. Communiquer avec un service de réparation autorisé.

Ne pas réparer ou remplacer une pièce quelconque de l'appareil à moins de recommandations spécifiques figurant dans ce manuel. Toute réparation doit être confiée à un centre de réparation agréé par l'usine.

Avertissement issue de la proposition 65 de l'État de la Californie :



AVERTISSEMENT

Ce produit peut vous exposer à des produits chimiques, comme du chlorure de vinyle, reconnu par l'État de la Californie comme causant le cancer, des malformations congénitales ou d'autres effets nocifs sur la reproduction.

Pour de plus amples renseignements, consultez www.P65Warnings.ca.gov.

REMARQUES IMPORTANTES

- ❑ Le mode d'emploi s'applique à plusieurs versions de cet appareil. Ainsi, il se peut que certaines descriptions de caractéristiques individuelles ne correspondent pas exactement à votre appareil.
- ❑ Cette hotte aspirante se conforme à tous les règlements de sécurité pertinents.

Les réparations doivent être effectuées uniquement par des techniciens qualifiés.



MISE EN GARDE

Des réparations réalisées de manière non conforme peuvent entraîner des dangers considérables pour l'utilisateur

- ❑ Avant la première utilisation de l'appareil, veuillez lire attentivement le mode d'emploi. Celui-ci contient d'importantes informations concernant votre sécurité personnelle ainsi que sur l'utilisation et l'entretien de l'appareil.
- ❑ Veuillez conserver la notice d'utilisation et d'installation pour un futur propriétaire de l'appareil.
- ❑ Sortez l'appareil de son emballage et éliminez ce dernier de manière conforme aux réglementations !
Attention: l'emballage contient des accessoires ! Ne laissez pas des enfants jouer avec l'emballage !
- ❑ Nettoyez soigneusement l'appareil avant la première utilisation (voir chapitre « Nettoyage et entretien »).
- ❑ Avant la mise en marche, vérifiez si le branchement électrique est correct.

DÉRANGEMENTS

En cas d'anomalies de fonctionnement, commençez par vérifier les fusibles du logement. S'il ne s'agit pas d'un problème d'alimentation électrique, prévenez votre distributeur ou le service après-vente le plus proche.

Si les touches de la hotte aspirante restent inopérantes:

Débranchez pendant une minute environ la fiche mâle de la hotte aspirante ou retirez le fusible pour la mettre hors tension.

Ensuite, réenclenchez la hotte.

Si vous avez des questions à poser ou en cas de dérangement, appelez s.v.p. le service après-vente.

(Voir la liste des agences du service après-vente).

Lors de votre appel, veuillez mentionner les numéros suivants:

N° E	FD
------	----


Inscrivez les numéros correspondants de votre hotte dans le cadre ci-dessus. Ces numéros se trouvent à l'intérieur de l'appareil, sur la plaque signalétique accessible une fois la grille de filtre retirée.

Si des réclamations résultent de la conception et de la pose de la conduite, le fabricant de la hotte aspirante décline toute garantie.

MODES DE FONCTIONNEMENT

MODE D'ÉVACUATION D'AIR :

- Le ventilateur de la hotte aspirante extrait les vapeurs de cuisine et les fait traverser un filtre à graisse avant de les expulser dans l'atmosphère.
- Le filtre à graisse absorbe les particules solides qui sont présentes dans les vapeurs de cuisine.
- La cuisine est pratiquement dépourvue de graisses et d'odeurs.

 **Lorsque la hotte aspirante est utilisée en mode d'évacuation d'air simultanément avec un brûleur différent utilisant également la même cheminée,** (tels des appareils de chauffage au gaz, au fuel ou au charbon, des chauffe-eau instantanés ou des chaudières à eau chaude), **veillez impérativement à ce que l'apport d'air frais soit suffisant** pour assurer la combustion adéquate du brûleur.

Un fonctionnement sans risque est possible si la sous-pressure dans la pièce où le brûleur est installé ne dépasse pas 4 Pa (0,04 mbar).

On peut y parvenir en acheminant l'air requis pour la combustion à travers des ouvertures non verrouillables, par exemple dans les portes et fenêtres, et en association avec des ventouses 'admission/ d'évacuation d'air fixées au mur ou grâce à d'autres mesures techniques telles qu'un verrouillage réciproque, etc.

MISE EN GARDE

Évitez l'asphyxie par l'oxyde de carbone – Veillez à prévoir une admission d'air suffisante de façon à ce que les gaz de combustion ne soient pas refoulés dans la pièce.

Une ventouse d'admission ou d'évacuation d'air fixée au mur ne constitue pas à elle seule une garantie que la valeur limite ne sera pas dépassée.

Remarque : lors de l'évaluation de l'exigence globale, toujours tenir compte de l'ensemble des moyens d'aération du logement. Cette règle ne s'applique pas à l'utilisation d'appareils de cuisson, comme les tables de cuisson et les cuisinières.

AIR RECYCLÉ:

- La hotte doit, dans ce cas, être équipée d'un filtre au charbon actif (voir le filtre et son entretien).
Vous pouvez vous procurer le kit de montage complet ainsi que les filtres de rechange auprès de **votre revendeur spécialisé.**
- Le ventilateur de la hotte aspirante aspire les buées qui traversent le filtre à graisse et celui à charbon actif avant de revenir dans la cuisine.
- Le filtre à graisse retient les particules solides en suspension dans les buées de cuisson. Le filtre à charbon actif retient les substances odoriférantes.
Si vous n'incorporez aucun filtre au charbon actif, impossible de retenir les odeurs présentes dans les buées de cuisson.

TABLES DE CUISSON/CUISINIÈRES À GAZ :

MISE EN GARDE

Évitez le risque de brûlures ou de détérioration de la hotte aspirante.

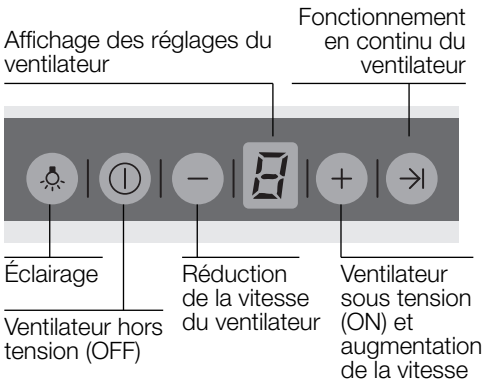
N'utilisez pas tous les brûleurs à gaz simultanément à des températures élevées pendant une période prolongée (max.15 minutes).

Si la hotte aspirante est montée au-dessus d'une table de cuisson à gaz, réglez la hotte sur la puissance maximale si vous avez allumé trois brûleurs ou plus.

FONCTIONNEMENT

IMPORTANT Le moyen le plus efficace d'éliminer les vapeurs de cuisson est le suivant :

- Mettez le ventilateur sous tension (ON)** dès que vous commencez à cuisiner.
- Mettez le ventilateur hors tension (OFF)** quelques minutes après avoir terminé la cuisson.



Signal acoustique :

- Lorsqu'on appuie sur une touche, un signal sonore retentit.

Désactivation du signal sonore :

- Appuyez simultanément sur les touches **0** et **+** jusqu'à ce qu'un signal retentisse au bout d'environ 3 secondes.

Activation du signal sonore :

- Répétez la procédure.



Pour mettre le ventilateur sous tension (ON) :

- Appuyez sur la touche **+** ou ouvrez le tiroir à filtre.

Réglage de la vitesse de ventilateur requise :

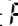
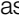
- Appuyez sur la touche **+**.
La vitesse du ventilateur augmente d'un cran.
- Appuyez sur la touche **-**.
La vitesse du ventilateur diminue d'un cran.

Pour mettre le ventilateur hors tension (OFF) :

- Appuyez sur la touche **0**.
Le voyant  affiché s'éteint peu de temps après.
Ou bien :
- Maintenez la touche **-** enfoncée jusqu'à ce que le ventilateur s'arrête. Le voyant  affiché s'éteint peu de temps après.

Réglage intensif :

Le réglage intensif permet d'obtenir une puissance maximale. Ce réglage est requis uniquement pendant de courts intervalles.



- Maintenez la touche **+** enfoncée, jusqu'à ce que le voyant  apparaisse sur l'afficheur.
- Si le réglage intensif n'est pas annulé manuellement, le ventilateur passera automatiquement à l'étape  au bout de 10 minutes.

Réglage en continu :

- Appuyez sur la touche **→** ou enfoncez le tiroir à filtre.

Le ventilateur fonctionne pendant 10 minutes sur le réglage **1**. Pendant ce temps, un point clignote sur l'afficheur. Puis, le ventilateur s'arrête automatiquement.

Éclairage :

- Appuyez rapidement sur la touche  pour allumer et éteindre la lumière.
- On peut allumer et éteindre la lumière à n'importe quel moment, même si le ventilateur est hors tension.
- Réglage de la luminosité :**
Maintenez la touche  enfoncée jusqu'à ce que vous ayez obtenu la luminosité voulue.

FILTRES ET MAINTENANCE

FILTRES À GRAISSE :

Les filtres en métal sont utilisés pour piéger les particules graisseuses des vapeurs dégagées pendant la cuisson.

Les nattes filtrantes sont en métal incombustible.

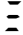
⚠ MISE EN GARDE :

Plus le filtre se sature de particules graisseuses, plus il risque de s'enflammer, mais également de nuire au rendement de la hotte aspirante.

Important :

En nettoyant les filtres à graisse en métal à intervalles réguliers, vous réduisez le risque que ceux-ci ne prennent feu en raison de l'accumulation de chaleur comme par exemple pendant la friture ou le rôtissage.

Voyant de saturation :

Lorsque les filtres à graisse atteignent le point de saturation, un signal sonore retentit pendant 6 secondes après l'arrêt du ventilateur, et le voyant  apparaît sur l'afficheur. Les filtres à graisse doivent être nettoyés immédiatement.

Nettoyage des filtres à graisse en métal :

- En fonctionnement normal (1 à 2 heures par jour), le filtre à graisse en métal doit être nettoyé une fois par mois.
- Les filtres peuvent être nettoyés au lave-vaisselle. Cela dit, une légère décoloration peut se produire au lavage.
- Le filtre doit être placé de manière lâche dans le lave-vaisselle et ne doit PAS être coincé.

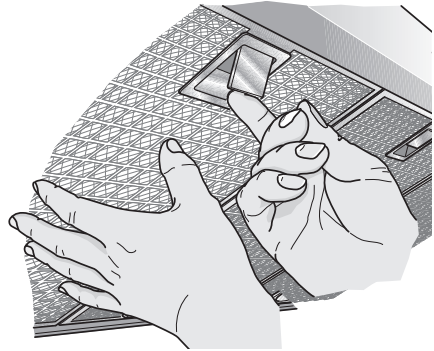
Important Ne lavez pas en même temps la vaisselle et les filtres en métal saturés de graisse.

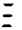
- Si vous nettoyez les filtres à la main, faites-les d'abord tremper dans de l'eau savonneuse chaude.
N'utilisez pas de produits de nettoyage trop puissants, acides ou caustiques.
Ensuite, brossez les filtres, rincez-les bien et laissez-les s'égoutter.

Retrait et mise en place des filtres à graisse en métal :

⚠ AVERTISSEMENT : Évitez le risque de brûlures. Les ampoules à halogène doivent être éteintes et avoir refroidi.

1. Tirez le cran des filtres à graisse et abaissez-les.
Ce faisant, passez l'autre main sous le filtre.



2. Nettoyez le filtre à graisse.
3. Remettez le filtre à graisse nettoyé en place.
4. Annulez le voyant  sur l'afficheur : Appuyez sur la touche ON/OFF.

FILTRES ET MAINTENANCE

Filtre à charbon actif :

Ce filtre sert à retenir les substances odoriférantes lorsque la hotte recycle l'air.

ATTENTION

Plus elles se saturent en particules grasses et plus elles risquent de s'enflammer. D'autre part, leur saturation risque de gêner le bon fonctionnement de la hotte.

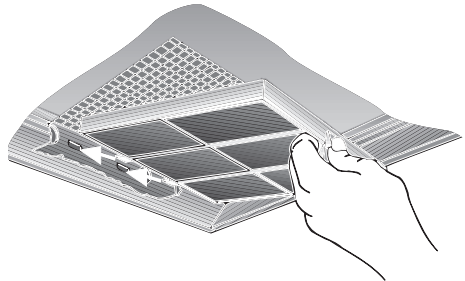
Important :

Un changement à temps des filtres à charbon actif prévient le risque d'incendie. Ce risque est dû à l'accumulation de chaleur qui se produit pendant une friture ou la cuisson d'un rôti.

Incorporation et déposition :

Attention : les ampoules halogènes doivent s'être éteintes et avoir refroidi.

1. Retirez d'abord les filtres à graisse (voir la section intitulée "Retrait et mise en place des filtres à graisse en métal).
2. Mettez en place le filtre à charbon actif.



3. Faites enclanter la platte.
4. Remontez les filtres à graisse en métal (voir la section intitulée "Retrait et mise en place des filtres à graisse en métal).

Changement du filtre à charbon actif :

- Hotte fonctionnant normalement (1 à 2 heures par jour), il faudra changer les filtres à charbon actif environ 2 fois par an.
- Vous pouvez vous procurer un filtre à charbon actif de rechange dans le commerce spécialisé. Voir la section sur les accessoires spéciaux.
- N'utilisez qu'un filtre d'origine.** Vous garantirez ainsi un fonctionnement optimal de la hotte.

Mise au rebut du filtre à charbon actif usagé :

- Les filtres à charbon actif ne contiennent aucune substance nocive. Vous pouvez les mettre à la poubelles de déchets résiduels.

ENTRETIEN ET NETTOYAGE



AVERTISSEMENT : Pour éviter incendie et explosion, ne pas utiliser de solvants ou liquides inflammables.
Toujours débrancher l'appareil de l'alimentation avant d'effectuer le service.

IMPORTANT : Ne nettoyez pas la hotte aspirante avec des éponges à récurer ou des détergents à base de sable, soude caustique, acide ou chlore !

- Nettoyez la hotte aspirante avec une solution d'eau savonneuse chaude ou un produit nettoyant pour vitre non puissant.
- Ne raclez pas la surface pour déloger les aliments séchés, mais essuyez-la plutôt avec un chiffon humide.
- Lors du nettoyage des filtres à graisse, nettoyez la graisse qui s'est déposée aux endroits accessibles du corps de hotte. Vous évitez ainsi les risques d'incendie et garantisiez un rendement optimal de la hotte.
- Remarque :** ne nettoyez pas les surfaces en plastique avec de l'alcool (essence), car vous risquez de les ternir.

ATTENTION : Respectez toutes les consignes et précautions fournies avec les produits de nettoyage.

IMPORTANT : Nettoyez les touches de commande avec de l'eau légèrement savonneuse et utilisez un chiffon doux et humide uniquement. N'utilisez jamais de produit de nettoyage pour acier inoxydable pour nettoyer les touches de commande.

Surfaces en acier inoxydable :

- Utilisez un produit de nettoyage non abrasif pour l'acier inoxydable.
- Nettoyez la surface dans le sens où elle a été polie.
- Nous recommandons d'utiliser le produit de nettoyage pour acier inoxydable Fantastik® ou Formula 409® **à vaporiser sur du papier essuie-tout.**

Surfaces en aluminium et en plastique :

- N'utilisez pas de chiffons secs.
- Utilisez un produit de nettoyage pour vitres non puissant.
- N'utilisez pas de produits de nettoyage trop puissants, acides ou caustiques.

Respectez les règlements de la garantie du livret service ci-joint.

REPLACEMENT DES AMPOULES

⚠ MISE EN GARDE. Évitez le risque de choc électrique.

1. Mettez la hotte aspirante hors tension et débranchez la prise secteur ou coupez l'alimentation électrique au niveau de la boîte à fusibles.

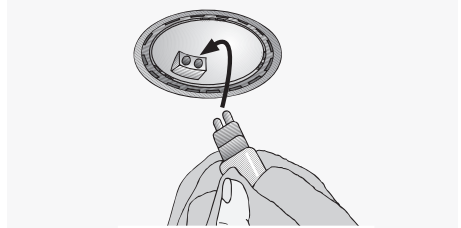
⚠ MISE EN GARDE. Évitez le risque de brûlures. Les ampoules à halogène allumées deviennent très chaudes et restent chaudes assez longtemps après avoir été éteintes.

2. Enlevez l'anneau d'ampoule à l'aide d'un tournevis ou d'un outil identique.



3. Remplacez l'ampoule à halogène (ampoule à halogène classique, 12 Volts, max. 20 Watts, support d'ampoule G4). **IMPORTANT :** Support d'ampoule enfichable.


Prenez l'ampoule en vous servant d'un chiffon propre. Les empreintes de doigts peuvent raccourcir la durée de vie des ampoules.



4. Remontez l'anneau d'ampoule.
5. Rétablissez le courant en branchant de nouveau la prise secteur ou en réactivant le fusible.

Remarque : si la lumière ne fonctionne pas, vérifiez que les ampoules sont correctement installées.

GUIDE DE DÉPANNAGE

Problème	Cause Possible	Solution
Rien ne fonctionne – Afficheur non éclairé	Le tableau d'affichage des touches de commande est débranché.	Contactez un technicien d'entretien d'appareils électroménagers qualifié.
Si le voyant  apparaît sur l'afficheur	Les filtres sont saturés	Consultez la section "Filtres et entretien".
Impossible de faire fonctionner la hotte aspirante	Panne de courant	Débranchez la hotte aspirante du réseau d'alimentation secteur en tirant sur la prise ou en coupant l'électricité au niveau de la boîte à fusible Attendez pendant environ 1 minute, puis remettez-la hotte sous tension.

SERVICE APRÈS-VENTE

Avant d'appeler pour un service

Si la soufflerie ne fonctionne pas :

- Vérifiez que le cordon électrique est correctement branché et que le circuit d'alimentation est alimenté.
- Assurez-vous que la touche de commande de la soufflerie n'est pas en position d'arrêt (OFF).
- Le fabricant des hottes aspirantes décline toute responsabilité pour toute plainte pouvant être attribuée au design et à l'agencement des conduites.

Obtention du service

Pour un centre de service autorisé ou des informations sur les pièces, appelez le +1-800-735-4328.

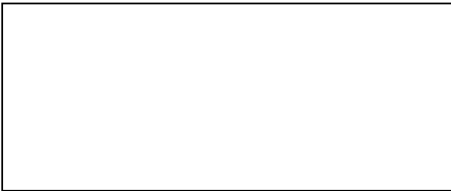
Nous attachons une extrême importance à la satisfaction de nos clients. Si un problème n'est pas résolu à votre satisfaction, veuillez nous en informer.

Écrivez à : Customer Support, BSH Home Appliances, Corp. 1901 Main Street, Suite 600, Irvine, CA 92614, USA ou appelez le : +1-800-735-4328.

Veuillez inclure le numéro de modèle, le numéro de série et la date d'achat/d'installation d'origine.

Données concernant le service

À des fins de références, l'information de la plaque signalétique est donnée ci-dessous. Conserver la facture pour valider la garantie. Pour un service, voir la page précédente.



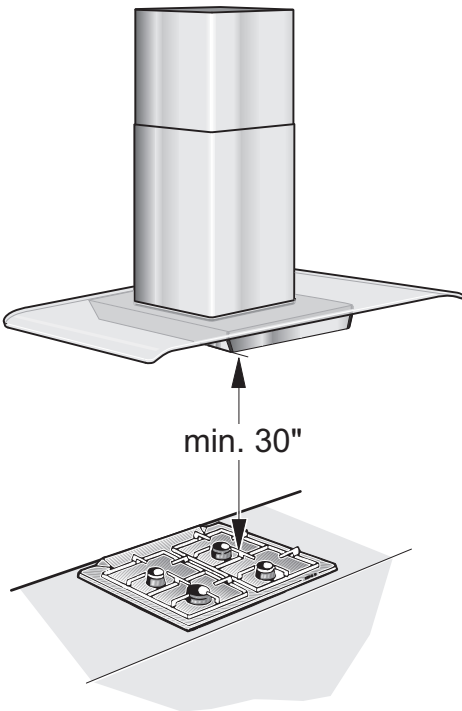
Emplacement de la plaque signalétique ; au-dessus de la boîte de connexion électrique. Voir page 20.

Nous nous réservons le droit de modifier les données techniques sans préavis. Certains modèles sont certifiés pour une utilisation au Canada. BSH n'est pas responsable des appareils transportés des É.-U. pour une utilisation au Canada. Vérifier auprès d'un distributeur ou d'un marchand canadien.

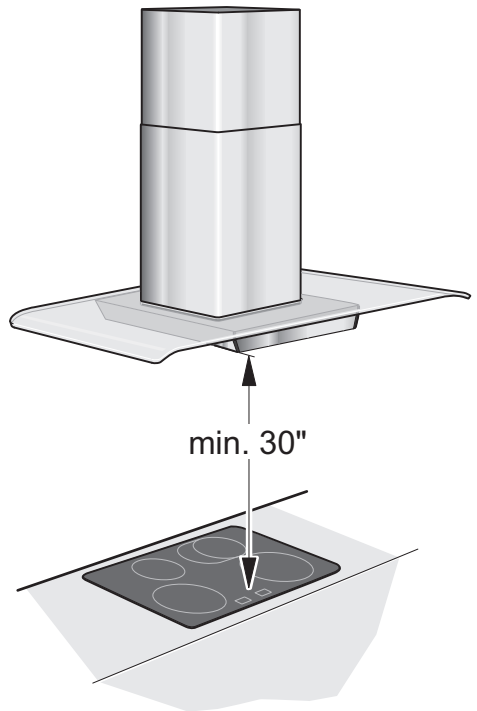
CONTENIDO

Instrucciones de seguridad	28	Reemplazo de focos	36
Notas importantes	30	Guía de resolución de problemas . . .	37
Averías y perturbaciones	30	Servicio al cliente	38
Modalidades de funcionamiento	31	Antes de llamar al servicio técnico . .	38
Operación	32	Cobertura Cómo obtener servicio técnico	38
Filtros y mantenimiento	33	Información para Servicio	38
Cuidado y limpieza	35		

Fig. 1
GAS



ELÉCTRICO





INSTRUCCIONES IMPORTANTES DE SEGURIDAD

Lea todas las instrucciones antes de usar este aparato.

LEA Y GUARDE ESAS INSTRUCCIONES

ADVERTENCIA – Si no sigue la información de este manual exactamente, puede ocasionarse un incendio o una descarga eléctrica que puede causar daños materiales o lesiones personales.

ADVERTENCIA – No repare ni reemplace ninguna parte del electrodoméstico, a menos que se recomiende específicamente en los manuales. La instalación, el servicio técnico o el mantenimiento incorrectos pueden causar lesiones o daños materiales. Consulte este manual para su orientación. Cualquier otro tipo de reparación debe ser realizada por un técnico calificado.

La unidad es pesada y se requieren al menos dos personas o un equipo adecuado para trasladarla.

Las superficies ocultas pueden tener bordes filosos. Proceda con cuidado al intentar tomar el electrodoméstico por la parte trasera o desde abajo.

INSTRUCCIONES PARA CONECTAR A TIERRA

Este electrodoméstico debe estar conectado a tierra. En caso de un cortocircuito eléctrico, la conexión a tierra reduce el riesgo de descarga eléctrica proporcionando un cable de escape para la corriente eléctrica. Este aparato viene equipado con un cable con un hilo de conexión a tierra y un enchufe para conexión a tierra. El enchufe debe colocarse en una toma de corriente que esté correctamente instalada y conectada a tierra.

ADVERTENCIA – Una conexión incorrecta a tierra puede crear el riesgo de sufrir una descarga eléctrica.

Consulte a un electricista calificado si no comprende la totalidad de las instrucciones de conexión a tierra o si tiene alguna duda respecto de si el aparato está correctamente conectado a tierra.

No use un cable de extensión. Si el cable de alimentación eléctrica es demasiado corto, solicite a un electricista calificado que instale una toma de corriente cerca del aparato.

Antes de enchufar un cable eléctrico, asegúrese de que todos los controles estén en la posición OFF (Apagado).

Para los electrodomésticos equipados con cable y enchufe, no corte ni retire la espiga de conexión a tierra. Debe enchufarse en un receptáculo de conexión a tierra compatible para evitar la descarga eléctrica. Si tiene alguna duda respecto de si el receptáculo de pared está correctamente conectado a tierra, el cliente debe solicitar la verificación de un electricista calificado.

Si lo exige el Código Eléctrico Nacional [National Electrical Code] (o el Código Eléctrico Canadiense [Canadian Electrical Code]), este electrodoméstico debe instalarse en un circuito derivado separado.

ADVERTENCIA – Para reducir el riesgo de incendio o descarga eléctrica, no use el ventilador con ningún regulador de velocidad de estado sólido.

Instalador: muestre al propietario la ubicación del disyuntor o del fusible. Márquela para recordarla más fácilmente.

Antes de realizar la instalación, apague la alimentación eléctrica en el panel de servicio. Trabe el panel de servicio para impedir que se encienda accidentalmente la alimentación eléctrica.

ADVERTENCIA – PARA REDUCIR EL RIESGO DE INCENDIO, DESCARGA ELÉCTRICA O LESIONES PERSONALES, RESPETE LO SIGUIENTE:

- a) Use esta unidad solamente para el uso previsto por el fabricante. Si tiene preguntas, comuníquese con el fabricante.
- b) Antes de realizar el servicio técnico o limpiar la unidad, desconéctela de la red eléctrica desde el panel de servicio y trabe el dispositivo de desconexión del servicio para impedir que se encienda accidentalmente la alimentación eléctrica. Cuando el dispositivo de desconexión del servicio no pueda trabarse, coloque firmemente algún tipo de advertencia que destaque, como por ejemplo una etiqueta, en el panel de servicio.



INSTRUCCIONES IMPORTANTES DE SEGURIDAD

Asegúrese de que el electrodoméstico sea correctamente instalado y conectado a tierra por un técnico calificado. La instalación, las conexiones eléctricas y la conexión a tierra deben cumplir con todos los códigos correspondientes.

ADVERTENCIA – PARA REDUCIR EL RIESGO DE INCENDIO, DESCARGA ELÉCTRICA O LESIONES PERSONALES, RESPETE LO SIGUIENTE:

- a) El trabajo de instalación y la instalación eléctrica deben ser realizados por (una) persona(s) autorizada(s) de acuerdo con todos los códigos y normas aplicables, incluidos los códigos de construcción con respecto a incendios.
- b) Para una apropiada combustión y evacuación de gases a través del cañón (chimenea) del equipo donde se quema el combustible, es necesario que haya suficiente aire para evitar contrarritajes. Siga las pautas del fabricante del equipo de calefacción y las normas de seguridad, tales como las que fueron publicadas por la Asociación Nacional de Protección contra Fuegos [National Fire Protection Association, NFPA] y la Sociedad Americana para Ingenieros de Calefacción, Refrigeración y Aire Acondicionado [American Society for Heating, Refrigeration and Air Conditioning Engineers, ASHRAE], y por las autoridades locales.
- c) Al cortar o taladrar en la pared o el techo, no dañe cables eléctricos ni otras instalaciones ocultas que pueda haber.
- d) Los ventiladores entubados siempre deben ser ventilados hacia el exterior.

Retire toda la cinta y el embalaje antes de usar el electrodoméstico. Destruya el embalaje después de desembalar el electrodoméstico.

Nunca deje que los niños jueguen con el material de embalaje.

Nunca modifique ni altere la construcción del electrodoméstico. Por ejemplo, no retire las patas de nivelación, los paneles, las cubiertas para cables ni los soportes/tornillos antivuelco.

PRECAUCIÓN – Usar sólo para ventilación general. No se debe usar para extraer materiales ni vapores peligrosos o explosivos.

Para reducir el riesgo de incendio y para extraer el aire correctamente, asegúrese de conducir el aire hacia el exterior. No ventile el aire de escape a espacios dentro de paredes, techos, áticos, huecos sanitarios o garajes.

ADVERTENCIA – Para reducir el riesgo de incendio, use sólo ductos metálicos.

ADVERTENCIA – Al montar la campana, se deben respetar las normativas aplicables de las compañías de suministro de energía y las normativas de construcción regionales.

Este electrodoméstico cumple con una o más de las siguientes normas:

UL 858, Norma de seguridad para estufas eléctricas de uso doméstico (Standard for the Safety of Household Electric Ranges)

UL 923, Norma de seguridad para electrodomésticos de cocción por microondas (Standard for the Safety of Microwave Cooking Appliances)

UL 507, Norma de seguridad para ventiladores eléctricos (Standard for the Safety of Electric Fans)

ANSI Z21.1, Norma nacional estadounidense para electrodomésticos a gas para cocinar de uso doméstico (American National Standard for Household Cooking Gas Appliances)

CAN/CSA-C22.2 N.º 113-M1984 para ventiladores (Fans and Ventilators)

CAN/CSA-C22.2 N.º 61-M89 para estufas para cocinar de uso doméstico (Household Cooking Ranges)

Es responsabilidad del propietario y del instalador determinar si se aplican otros requisitos y/o normas en instalaciones específicas.

Advertencia en virtud de la Proposición 65 del estado de California:



ADVERTENCIA

Este producto puede exponerlo a sustancias químicas, incluyendo cloruro de vinilo, que el estado de California sabe que provocan cáncer, defectos congénitos u otro daño reproductivo. Para obtener más información, ir a la página web:

www.P65Warnings.ca.gov

NOTAS IMPORTANTES

- ❑ Las instrucciones de uso se aplican a varias versiones de este electrodoméstico. Por lo tanto, puede encontrar descripciones de características individuales que no se apliquen a su electrodoméstico específico.
- ❑ Esta campana extractora cumple con todas las reglamentaciones de seguridad pertinentes.

Las reparaciones deben ser realizadas por técnicos calificados únicamente.



PRECAUCIÓN

Las reparaciones incorrectas pueden poner en grave riesgo al usuario.

- ❑ Antes de usar su electrodoméstico por primera vez, lea atentamente estas instrucciones de uso. Contienen información importante sobre su seguridad personal, así como también sobre el uso y cuidado del electrodoméstico.
- ❑ Conserve las instrucciones de operación e instalación para un propietario posterior.
- ❑ Retire el embalaje del aparato y evacue este correctamente! Por favor tenga en cuenta: que existe accesorios dentro del embalaje.
Mantener los elementos de embalaje fuera del alcance de los niños.
- ❑ Limpie el aparato cuando lo utilice por primera vez a fondo.
- ❑ Antes de la puesta en servicio, deberá comprobar que la conexión a la red es la correcta.

AVERÍAS Y PERTURBACIONES

En caso de que se produzcan anomalías de funcionamiento, deberá comprobar primeramente las protecciones eléctricas de la casa. Si la causa no es debido al suministro de corriente, avise a su comercial o al servicio de asistencia técnica de cliente correspondiente.

En caso de no poder accionar los mandos ni activar las funciones de la campana extractora:

Dejar la campana sin corriente durante aproximadamente 1 minuto extrayendo el enchufe de la toma de corriente o desconectando el fusible de la red. Conectar a continuación la campana extractora.

En caso de consultas o averías de la campana extractora, no dude en llamar al Servicio de Asistencia Técnica.

(Véase al respecto la lista con las delegaciones y distribuidores oficiales).

Para cualquier consulta deberán indicarse los números de producto y de fabricación:

N° E	FD
------	----


Anote los números correspondientes a su aparato en los espacios correspondientes. Los números figuran en la placa de características, a la que se accede tras desmontar la rejilla del filtro dentro de la campana extractora.

Las reclamaciones atribuibles o relacionadas con la planificación y ejecución de la instalación de las tuberías de la campana extractora, no están cubiertas por el servicio de garantía del fabricante.

MODALIDADES DE FUNCIONAMIENTO

MODO DE AIRE DE SALIDA:

- El ventilador de la campana extractora extrae los vapores de cocina y los conduce por el filtro de grasa a la atmósfera.
- El filtro de grasa absorbe las partículas sólidas de los vapores de cocina.
- La cocina se mantiene prácticamente sin grasa ni olores.

 **Cuando se utiliza la campana extractora en el modo de aire de salida simultáneamente con una hornilla diferente que también utiliza la misma chimenea** (como calentadores a gas, aceite o carbón, calentadores de flujo continuo, calentadores de agua), **se debe asegurar que haya un suministro de aire fresco suficiente**, que será necesario para la combustión en la hornilla.

La operación segura es posible siempre que la subpresión de la habitación donde está instalada la hornilla no supere los 4 Pa (0,04 mbar).

Esto es posible si el aire de combustión puede circular a través de aberturas que no puedan trabarse, como ser puertas y ventanas, y a través de cajas de entrada/salida de aire en la pared, o mediante otras medidas técnicas, como enclavamiento recíproco, etc.

PRECAUCIÓN

Evite la intoxicación por monóxido de carbono – Proporcione una entrada de aire suficiente para que los gases de la combustión no vuelvan a ingresar a la habitación.

Una caja de entrada/salida de aire en la pared por sí sola no garantiza que no se superará el valor límite.

Nota: Al evaluar el requisito total, se debe tener en cuenta el sistema de ventilación combinado para todo el hogar. Esta norma no se aplica al uso de electrodomésticos de cocina, como parrillas y hornos.

EVACUACIÓN DEL AIRE HACIA EL INTERIOR (SISTEMA DE RECIRCULACIÓN DEL AIRE):

- Para trabajar con esta modalidad hay que montar un filtro de carbón activo en la campana extractora (véase el capítulo «Filtros y antenamiento» de las presentes Instrucciones).
El kit de montaje completo, así como los filtros de repuesto, se pueden adquirir en el **comercio especializado**.
- El ventilador que incorpora la campana extractora aspira los vahos de la cocina y los hace pasar a través de los filtros antigrasa y de carbón activo, devolviéndolos a continuación, una vez purificados, a la cocina.
- El filtro antigrasa absorbe las partículas sólidas contenidas en los vahos de la cocina. El filtro de carbón activo absorbe el olor.

En caso de no montar la campana un filtro de carbón activo, no se pueden absorber los olores producidos durante la preparación de los alimentos.

PARRILLAS A GAS/ESTUFAS A GAS:

PRECAUCIÓN

Evite el riesgo de quemaduras o daños a la campana extractora.

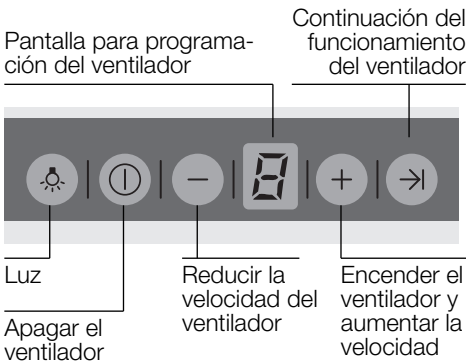
No use todas las hornillas a gas simultáneamente a temperaturas altas durante un período prolongado (máx. 15 minutos).

Si la campana extractora se encuentra sobre una placa a gas, haga funcionar la campana en el valor máximo cuando se usen tres o más hornillas a gas.

OPERACIÓN

IMPORTANTE: El método más efectivo para eliminar los vapores producidos mientras cocina es:

- ❑ **Encender el ventilador** apenas comienza a cocinar.
- ❑ **Apagar el ventilador** unos minutos después de haber terminado de cocinar.



Señal acústica:

- ❑ Cada vez que se presiona un botón, se escucha una señal acústica.

Para apagar la señal acústica:

- ❑ Presione simultáneamente el botón 0 y el + hasta que se emita una señal de aproximadamente 3 segundos.

Para encender la señal acústica:

- ❑ Repita el proceso.

Para encender el ventilador

- ❑ Presione el botón + o extraiga el cajón del filtro.

Para programar la velocidad requerida del ventilador:

- ❑ Presione el botón +.
La velocidad del ventilador aumenta de a un paso por vez.
- ❑ Presione el botón -.
La velocidad del ventilador disminuye de a un paso por vez.

Para apagar el ventilador:

- ❑ Presione el botón 0.
El de la pantalla desaparecerá a la brevedad.
O:
❑ Mantenga presionado el botón - hasta que el ventilador se apague.
El de la pantalla desaparecerá a la brevedad.

Valor intensivo:

La potencia máxima se obtiene en el valor intensivo.

Sólo se requiere para intervalos cortos.

- ❑ Mantenga presionado el botón + hasta que aparezca una en la pantalla.
- ❑ Si el valor intensivo no se cancela manualmente, el ventilador volverá al paso automáticamente después de 10 minutos.

Continuación del funcionamiento del ventilador:

- ❑ Presione el botón o empuje hacia adentro el cajón del filtro.
El ventilador funciona durante 10 minutos en el valor 1. En el mismo momento, en la pantalla aparecerá titilando un punto.
Luego, el ventilador se apaga automáticamente.

Iluminación:

- ❑ Presione brevemente el botón para encender y apagar la luz.
- ❑ La luz se puede encender en cualquier momento, incluso cuando el ventilador está apagado.
- ❑ **Para ajustar el brillo:**
Mantenga presionado el botón hasta obtener el brillo deseado.

FILTROS Y MANTENIMIENTO

FILTROS DE GRASA:

Los filtros de metal se utilizan para atrapar los elementos grasosos de los vapores que se producen mientras cocina.

Las láminas de filtro están hechas de metal no combustible.


PRECAUCIÓN:

A medida que el filtro se va saturando de grasa, no solo aumenta el riesgo de que se incendie, sino que la eficiencia de la campana extractora se ve afectada adversamente.

Importante:

Limpiando los filtros de grasa de metal en intervalos adecuados, disminuye la posibilidad de que se incendien como consecuencia de la acumulación de calor, como cuando se fríe con abundante aceite o se asan alimentos.

Indicador de saturación:

Cuando los filtros de grasa alcanzan el punto de saturación, escuchará una señal acústica durante 6 segundos después de haber apagado el ventilador, y en la pantalla aparecerá el siguiente símbolo . Los filtros de grasa deben limpiarse de inmediato.

Para limpiar los filtros de grasa de metal:


- Con el uso normal (1 a 2 horas por día), el filtro de grasa de metal debe limpiarse 1 vez por mes.
- Los filtros pueden limpiarse en un lavavajillas. Sin embargo, es posible que se decoloren ligeramente.
- El filtro debe quedar suelto en el lavavajillas, no debe quedar atascado.

Importante:

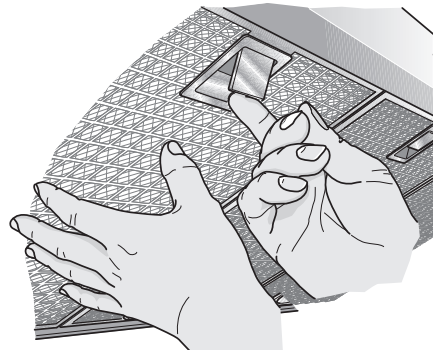
Los filtros de metal que están saturados con grasa no deben lavarse junto con los demás platos, etc.


- Al limpiar los filtros a mano, primero sumérgalos en agua jabonosa caliente. No utilice limpiadores agresivos, ácidos ni cáusticos. Luego, cepille los filtros para limpiarlos, enjuáguelos bien y deje que se escurra el agua.

Para retirar y colocar los filtros de grasa de metal:

 **ADVERTENCIA:** Evite el riesgo de quemaduras. Los focos halógenos deben estar apagados y fríos.

1. Abrir el seguro de retención de los filtros antigrasa. Abatir los filtros antigrasa hacia abajo. Sujetar los filtros antigrasa por abajo con la otra mano.



2. Limpiar el filtro antigrasa.
3. Colocar el filtro antigrasa limpio en su sitio.
4. Cancele el símbolo  en la pantalla: Presione el botón ON/OFF.

Filtro de carbón activo:

Para retener los olores durante el funcionamiento de la campana extractora con evacuación del aire al interior (recirculación del aire).


¡ATENCIÓN!

A medida que crece el grado de saturación de la esterilla de filtro con partículas de grasa, aumenta su inflamabilidad, influyendo negativamente en el funcionamiento de la campana.

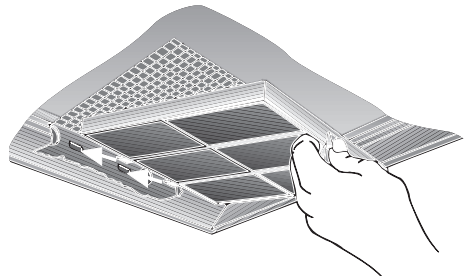
¡Importante!:

La limpieza a tiempo de los filtros metálicos, eliminando las partículas de grasa adheridas en el mismo, puede prevenir el peligro de incendio a causa de una acumulación de calor al freír o asar alimentos.

Montaje y desmontaje:

 ¡ATENCIÓN! Las lámparas halógenas tienen que estar desconectadas y frías.

1. Desmontar los filtros antigrasa (véase a este respecto el capítulo «Desmontar y montar los filtros antigrasa metálicos»).
2. Montar el filtro de carbón activo.



3. Encajar la lengüeta.
4. Montar los filtros antigrasa (véase al respecto el capítulo «Desmontar y montar los filtros antigrasa metálicos»).

Sustituir el filtro de carbón activo:

- Bajo unas condiciones de funcionamiento normal (1 ó 2 horas diarias), los filtros de carbón activo tienen que sustituirse dos veces al año.
- El filtro de carbón activo puede adquirirse en el COMERCIO ESPECIALIZADO (véanse los accesorios opcionales).
- Utilizar sólo filtros originales del Fabricante.**
De este modo se cumplen las normas y disposiciones de seguridad vigentes, asegurando un funcionamiento óptimo.

Evacuación del filtro de carbón activo usado:

- Los filtros de carbón activo no incorporan ningún tipo de material o sustancia tóxica o nociva. Por esta razón pueden evacuarse conjuntamente con los desechos domésticos (cubo de basura).

CUIDADO Y LIMPIEZA



ADVERTENCIA No use líquidos inflamables o disolventes para evitar un fuego o una explosión.
Siempre desenchufe o desconecte el aparato de la fuente de alimentación antes de dar servicio.

IMPORTANTE: ¡No limpie la campana extractora con esponjas abrasivas ni con agentes de limpieza que contengan arena, soda cáustica, ácido ni cloro!

- Limpie la campana extractora con una solución jabonosa caliente o un limpiador suave para ventanas.
- No raspe la suciedad seca, límpiela con un paño húmedo.
- Cuando limpie los filtros de grasa, retire los depósitos de grasa de las partes accesibles de la carcasa. Esto previene el riesgo de incendio y asegura que la campana extractora continúe funcionando en su nivel máximo de eficiencia.
- Nota:** No use alcohol en las superficies de plástico, ya que pueden aparecer marcas opacas.

Precaución: Siga todas las instrucciones y precauciones incluidas con los limpiadores.

IMPORTANTE: Limpie los botones de operación solamente con una solución jabonosa suave y un paño suave húmedo. No use limpiadores para acero inoxidable para limpiar los botones de operación.

Superficies de acero inoxidable:

- Use un limpiador para acero inoxidable no abrasivo suave.
- Limpie la superficie en la misma dirección del grano y del pulido.
- Recomendamos nuestro limpiador para acero inoxidable Fantastik® o Formula 409®.

Rocíe este producto en una toalla de papel.

Superficies de aluminio y plástico:

- No use paños secos.
- Use un agente de limpieza suave para ventanas.
- No utilice limpiadores agresivos, ácidos ni cáusticos.

Siga las reglamentaciones de la garantía incluidas en el manual de servicio técnico adjunto.

REEMPLAZO DE FOCOS

⚠ PRECAUCIÓN. Evite el riesgo de descarga eléctrica.

1. Apague la campana extractora y retire el enchufe de alimentación de red o apague el suministro de electricidad en la caja de fusibles.

⚠ PRECAUCIÓN. Evite el riesgo de quemaduras.

Los focos halógenos se calientan mucho y permanecen calientes durante algún tiempo después de que se apagaron.

2. Retire el aro del foco con un destornillador o una herramienta similar.

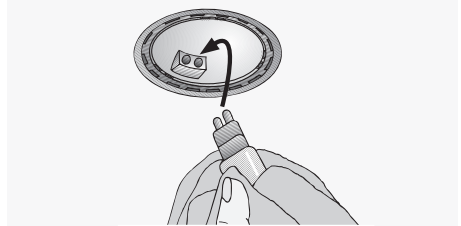


3. Coloque el foco de luz halógena (foco halógeno convencional de 12 voltios, 20 vatios como máximo, portalámparas G4)

IMPORTANTE: Enchufe el portalámparas.

Tome el foco con un paño limpio.

Las huellas digitales pueden acortar la vida útil del foco.



4. Vuelva a colocar el aro del foco.
5. Restablezca la alimentación eléctrica colocando el enchufe de alimentación de red o encendiendo el fusible.

Nota: Si la luz no funciona, verifique que los focos estén correctamente insertados.

GUÍA DE RESOLUCIÓN DE PROBLEMAS

Problema	Causa probable	Solución
No funciona nada: la pantalla no está iluminada	El tablero de botones de control se ha desconectado.	Comuníquese con un técnico de servicio de electrodomésticos calificado.
Si aparece E en la pantalla	Los filtros están saturados.	Consulte la sección "Filtros y mantenimiento".
Si no se puede operar la	Corte del suministro eléctrico	Desconecte la campana extractora del suministro de electricidad de red desenchufando el enchufe o desconectándolo en la caja de fusibles principal. Espere aproximadamente 1 minuto y luego vuelva a encenderla.

SERVICIO AL CLIENTE

Antes de llamar al servicio técnico

Si el soplador no funciona:

- Verifique que el cable eléctrico esté correctamente conectado y que el circuito de alimentación eléctrica esté energizado.
- Verifique que la perilla de control de velocidad del soplador no esté en la posición OFF (Apagado).
- El fabricante de las campanas extractoras no asume responsabilidad alguna por las reclamaciones que puedan atribuirse al diseño y a la distribución de las tuberías.

Cómo obtener servicio técnico

Para obtener información sobre servicio técnico autorizado o sobre las piezas, llame al 1-800-735-4328.

Queremos que esté conforme como cliente. Si usted no ha quedado conforme respecto de la resolución de una situación, infórmenos.

Escriba a: Customer Support, BSH Home Appliances, Corp. 1901 Main Street, Suite 600, Irvine, CA 92614, o llame al: 1-800-735-4328.

Incluya el número de modelo, el número de serie y la fecha original de compra/instalación.

Información para Servicio

Se fijó la información con el número de serie en la etiqueta indicada abajo. Guarde su factura para validar la garantía. Vea la página anterior para obtener servicio.



Ubicación de la placa de datos/número de serie: Arriba de la caja de conexiones eléctricas. Vea la página 30.

Nos reservamos del derecho de modificar las especificaciones o el diseño sin previo aviso. Algunos modelos están certificados para ser usados en Canadá. BSH no es responsable de productos que son transportados desde los Estados Unidos para ser utilizados en Canadá. Consulte a su distribuidor local en Canadá.



1901 MAIN STREET, SUITE 600 IRVINE, CA 92614 // 1-800-735-4328 // WWW.THERMADOR.COM
© 2018 BSH HOME APPLIANCES CORPORATION
9000411578 en-us, es-mx, fr-ca 980422