

Installation
GUIDE

Ventilation



en	page	3–10
fr	page	11–19
es	página	20–28

SAFETY INSTRUCTIONS

Read All Instructions Before Using the Appliance.

READ AND SAVE THESE INSTRUCTIONS

WARNING

TO REDUCE THE RISK OF FIRE, ELECTRIC SHOCK, OR INJURY TO PERSONS, OBSERVE THE FOLLOWING:

- A. Installation work and electrical wiring must be done by qualified person(s) in accordance with all applicable codes and standards, including fire-related construction.
- B. Sufficient air is needed for proper combustion and exhausting of gases through the flue (chimney) of fuel burning equipment to prevent back-drafting. Follow the heating equipment manufacturer's guideline and safety standards such as those published by the National Fire Protection Association (NFPA), and the American Society for Heating, Refrigeration and Air Conditioning Engineers (ASHRAE), and the local code authorities.
- C. When cutting or drilling into wall or ceiling, do not damage electrical wiring and other hidden utilities.
- D. Ducted fans must always be vented to the outdoors.
- E. Always unplug or disconnect the appliance from the power supply before servicing.
- F. This unit is designed for indoor use only. Use this unit only in the manner intended by the manufacturer.

Parts Needed

- Tape Measure
- Phillips Head Screwdriver
- Duct Tape
- Ductwork (configuration varies depending on location; see "Prior to installation").
- Additional Sheetmetal screws (as necessary for ductwork installation)

WARNING

For general ventilating use only. Do not use to exhaust hazardous or explosive materials and vapors.

To reduce risk of fire and to properly exhaust air, be sure to duct air outside. Do not vent exhaust air into spaces within walls, ceilings, attics, crawl spaces or garages.

TO REDUCE THE RISK OF FIRE, USE ONLY METAL DUCT WORK.

To reduce the risk of fire or electric shock, do not use the fan with any solid-state speed control device.

This appliance has been found to be in compliance with UL 507 Standard for Electric Fans and CAN/CSA-22.2 No. 113 Canadian Standard for Fans and Ventilators. It is the responsibility of the owner and the installer to determine if additional requirements or standard apply in specific installation.

State of California Proposition 65 Warnings:

WARNING

This product can expose you to chemicals including vinyl chloride, which is known to the State of California to cause cancer and birth defects or other reproductive harm. For more information go to www.P65Warnings.ca.gov.

Parts Supplied

- Appliance assembly (1)
- Sheetmetal Screws (6)
- Wood Screws (4)
- Counter Sink Screws (2)
- Hardware for brackets on vent (2)
- Plugs UX6 (6)

IMPORTANT INFORMATION

Old appliances are not worthless rubbish. Valuable raw materials can be reclaimed by recycling old appliances. Before disposing of your old appliance, render it unusable.

You received your new appliance in a protective shipping carton. All packaging materials are environmentally friendly and recyclable. Please contribute to a better environment by disposing of packaging materials in an environmentally-friendly manner.

The hood can only be used in exhaust air mode.

Always mount the hood over the center of the cooking surface.

⚠ Minimum distance between electric cooktop and bottom edge of hood: **30"**, Fig. 1.

⚠ The hood must not be installed over a wood or coal burning stove – a potential fire hazard (e.g. flying sparks) – unless the stove features a **closed, non-removable cover** and all national regulations are observed.

The smaller the gap between the hood and cooktops, the greater the likelihood that droplets will form on the underside of the hood.

Additional information concerning gas cookers:

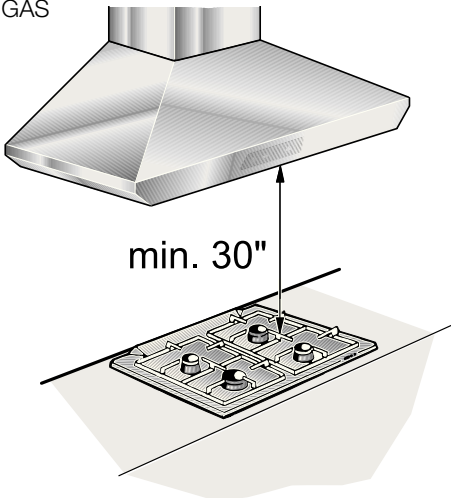
When installing gas cooktops, comply with the relevant national statutory regulations.

Always comply with the currently valid regulations and installation instructions supplied by the gas appliance manufacturer.

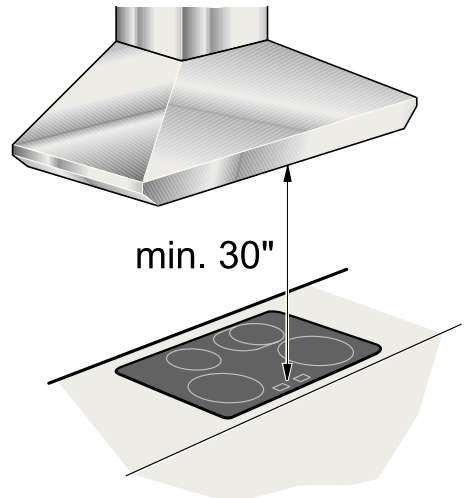
⚠ Only one side of the hood may be installed next to a high-sided unit or high wall. Gap at least 2".

⚠ Minimum distance on gas cooktops between the upper edge of the grate and lower edge of the hood: **30"**, Fig. 1.

Fig. 1
GAS

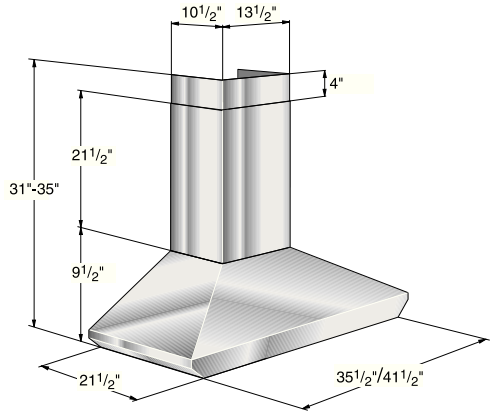
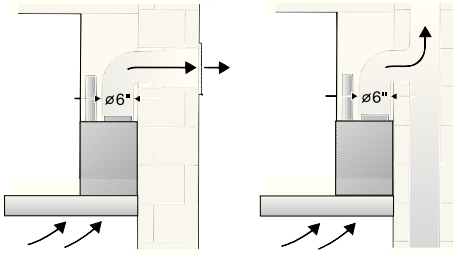


ELECTRIC



PRIOR TO INSTALLATION

Step 1: EXHAUST-AIR MODE



The exhaust air is discharged upwards through a duct or directly through the outside wall into the open.

➤ Exhaust air should neither be directed into a smoke or exhaust flue that is currently used for other purposes, nor into a duct that is used for ventilating rooms in which stoves or fireplaces are also located.

Exhaust air may be discharged in accordance with official and statutory regulations only (e.g. national building regulations).

Local authority regulations must be observed when discharging air into smoke or exhaust flues that are not otherwise in use.

➤ **When the hood is operated in exhaust-air mode simultaneously with a different burner which also makes use of the same chimney** (such as gas, oil or coal-fired heaters, continuous-flow heaters, hot-water boilers) care must be taken to **ensure that there is an adequate supply of fresh air** which will be needed by the burner for combustion.

Safe operation is possible provided that the underpressure in the room where the burner is installed does not exceed 4 Pa (0.04 mbar).

This can be achieved if combustion air can flow through non-lockable openings, e.g. in doors, windows and via the air-intake/exhaust-air wall box.

If the air intake is inadequate, there is a risk of poisoning from combustion gases which are drawn back into the room.

⚠ WARNING – Avoid risk of poisoning – If the air intake to the room is inadequate, there is a risk of poisoning from combustion gases which can be drawn back into the room.

Note: When assessing the overall requirement, the combined ventilation system for the entire household must be taken into consideration. This rule does not apply to the use of cooking appliances, such as hobs and ovens.

If the exhaust air is going to be discharged into the open, a telescopic wall box should be fitted into the outside wall.

PRIOR TO INSTALLATION

For optimum hood efficiency:

- Short, smooth duct pipe.
- As few bends in the ducting as possible.
- Diameter of ducting to be as large as possible and no tight bends in ducting.

If long, rough exhaust-air ducting, many ducting bends or smaller pipe diameters are used, the air extraction rate will no longer be at an optimum level and there will be an increase in noise.

IMPORTANT: The manufacturer of the hood accepts no liability for complaints which can be attributed to the design and layout of the duct-work.

- Round pipes:**
We recommend
Internal diameter: **6"**.
- Flat ducts** must have an internal cross-section that equates to that of round pipes.
There should be no sharp bends.
∅ 6" approx. 50.3 inches²
- If pipes have different diameters:**
Insert sealing strip.
- For exhaust-air mode,** ensure that there is an adequate supply of fresh air.

CONNECTING A ∅ 6" EXHAUST-AIR DUCT:

- Mount the duct directly onto the air outlet on the hood.

Step 2: PREPARING THE WALL

- The wall must be flat and perpendicular.
- Ensure that the wall is capable of providing a firm hold for mounting screws and plugs.

Weight in kg: 23.0

PRIOR TO INSTALLATION

Step 3: ELECTRICAL CONNECTION

WARNING: THIS APPLIANCE MUST BE GROUNDED


The hood should only be connected to a grounded socket that has been installed according to relevant regulations.

If possible, site the earthed socket directly behind the chimney paneling.

- The grounded socket should be connected via its own circuit.
- If the grounded socket is no longer accessible following installation of the hood, ensure that there is a permanently installed disconnecter.

Step 4: INSTALL ELECTRICAL SERVICE

Check your local building codes for proper method of installation. In the U.S., if there are no applicable local codes, this unit should be installed in accordance with the National Electric Code ANSI/NFPA No. 70, Current Issue. (In Canada, installation must be in accordance with the CAN 1- B149.1 and .2 - Installation Codes for Gas Burning Appliances and/ or local codes).


 **CAUTION** – Connect only to a dedicated branch circuit. Maximum ampere rating of the rangehood shall not be more than 80 percent of the branch circuit rating. The appliance must be grounded. In the event of an electrical short circuit, grounding reduces the risk of electric shock by providing an escape wire for the electric current. This appliance is equipped with a cord having a grounding wire with a grounding plug. The plug must be plugged into an outlet that is properly installed and grounded.

 **WARNING** – Improper grounding can result in a risk of electric shock.

Consult a qualified electrician if the grounding instructions are not completely understood, or if doubt exists as to whether the appliance is properly grounded.


Do not use an extension cord. If the power supply cord is too short, have a qualified electrician install an outlet near the appliance.

If it is necessary to wire the hood directly into the mains:

 **WARNING** – Avoid risk of electrical shock – If the connecting cable for this appliance is damaged, the cable must be replaced by the manufacturer or his customer service or a similarly qualified person in order to prevent serious injury to the user.

ELECTRICAL DATA:

Are to be found on the name plate inside the appliance after removal of the filter frame.

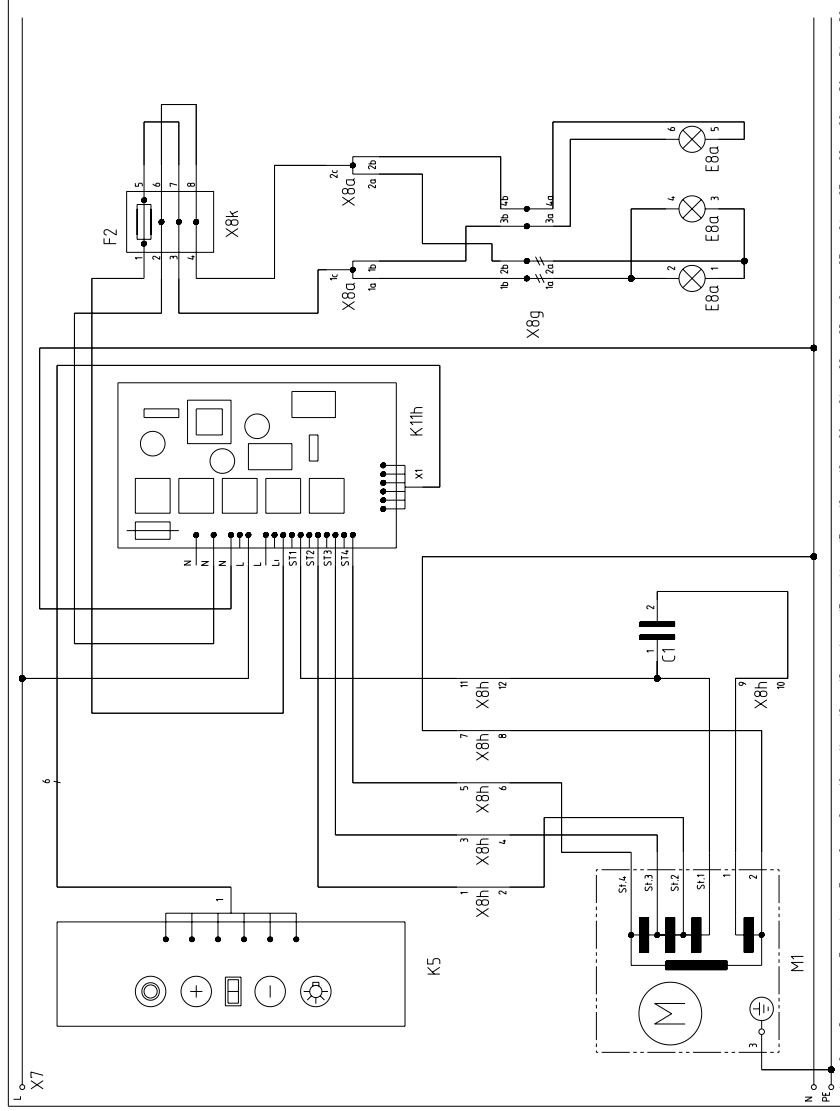
 **WARNING** – Avoid risk of electrical shock – Before undertaking any repairs, always disconnect the hood from the electricity supply.

Length of the connecting cable: 51 1/8".

This hood corresponds to EC regulations concerning RF interference suppression.

The reproduction, transmission or use of this document or its contents is not permitted without express written authority. Offenders will be liable for damages. All rights including rights created by patent grant or registration of a utility model or design are reserved. Copyright reserved.

REF	Components	Path
C1	Capacitor	13-15
E8a	Halogen lamp max. 20 W	24,26,28
F2	Fuse	75-77
K5	Control pc board	16-18
M1	Fan motor	2-8
X7	Mains terminal	24,25,27,28
X8a	Connector lamp	24-28
X8b	Connector lamp	24-26
X8c	Connector lamp	24-26
X8d	Connector motor	7,8,10,11,13



Rev	Sheet No.
A	1
Document No. 5750 25024.17P01 Material No. 90034.782	
LCS	EN
Designation Circuit Diagram HMCB36FS	
31	30
29	28
27	26
25	24
23	22
21	20
19	18
17	16
15	14
13	12
11	10
9	8
7	6
5	4
3	2
1	0

INSTALLATION

Step 5: INSTALLATION

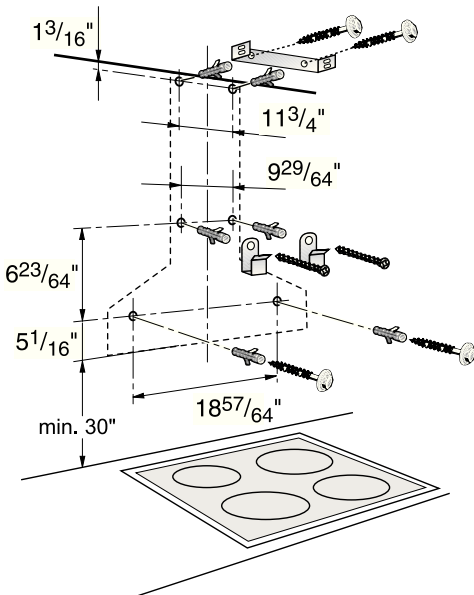
This hood is intended to be mounted onto the kitchen wall.

1. Remove the grease filter (refer to Operating Instructions).
2. Draw a line on the wall from the ceiling to the lower edge of the hood at the center of the location where the hood is going to be mounted.
3. Use the template to mark the points on the wall where the screws will be mounted. In order to make it easier to hook the hood onto the screws, draw the outline of the area where the hood will be attached.

CAUTION – Ensure that the minimum distance between the cooktop and the hood is maintained – 30". The bottom edge of the template equates to the lower edge of the hood.

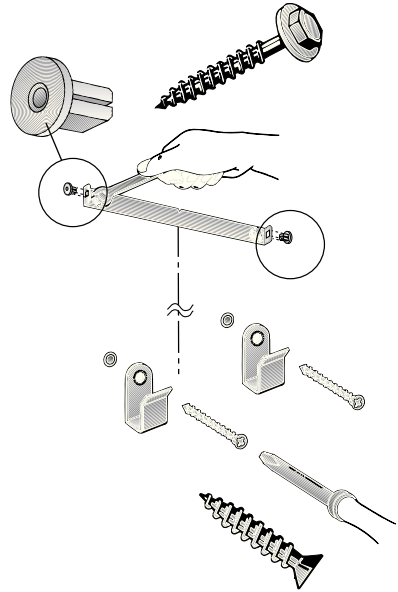
4. Drill 2x 1/4" ϕ holes for the upper fixing bracket and 2x 1/4" ϕ holes for the lower fixing bracket and press in wall plugs flush with the wall.

Note: At least one screw for the mounting must be installed through a stud.

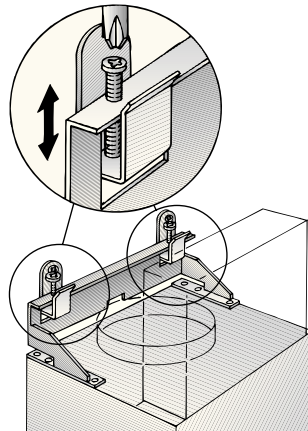


Note: Take into account any special accessories that are going to be fitted.

5. Attach the 2 enclosed spacers to the fixing bracket for the flue duct panelling. Attach the fixing bracket to the chimney panelling using two hexagon head cap screws.

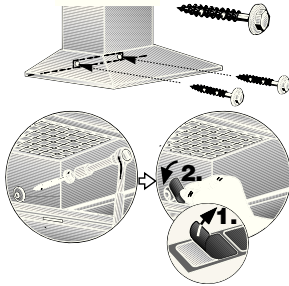


6. Attach the hood. Adjust the height and align horizontally with the adjusting screws.



INSTALLATION

7. Screw in lower screws (hex screws).
8. Stick protective film over the holes of the 2 lower mounting bolts in the protective grid.

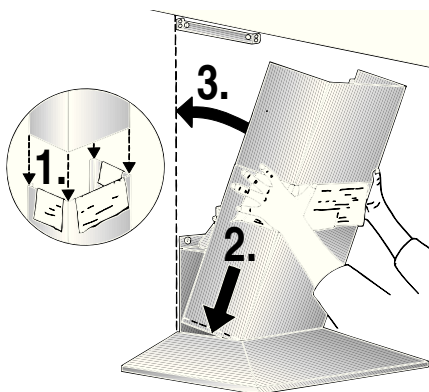


9. Connect up the air outlet pipe.
10. Connect the hood to the electricity supply.
11. Remove the protective film from the two flue ducts.

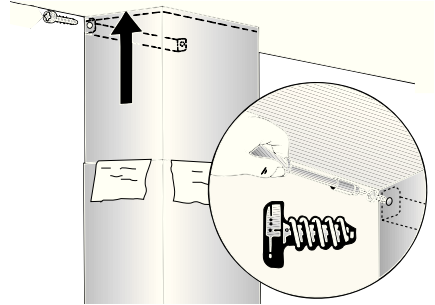
⚠ Take care not to damage the surfaces which are susceptible to scratches etc.

Warning: The interior walls of the flue panelling can have sharp edges – Risk of injury –
We recommend that you wear gloves when installing.

12. Push both sections of the flue panelling together (slots in the upper section must be pointing downwards) and insert into the opening in the hood.
⚠ Protect the cover panels from scratches, for example by laying the template used for marking the wall over the top edge of the lower section.



13. Insert the cover panels at an angle and tilt them back.
14. Slide out the upper section and attach it to the mounting brackets at the sides with two screws.



15. Insert the grease filter (refer to Operating Instructions).

If the vent system does not operate satisfactorily during any of the above procedures, review all steps in these Installation Instructions to ensure that nothing has been omitted or overlooked. Also, refer to the Care & Use Manual for additional information or call Thermador Customer Support 1-800-735-4328.

INSTRUCTIONS DE SÉCURITÉ

Lire toutes les instructions avant d'utiliser l'appareil.

LIRE ET CONSERVER CES INSTRUCTIONS

AVERTISSEMENT

POUR RÉDUIRE LE RISQUE D'INCENDIE, DE CHOC ÉLECTRIQUE OU DE BLESSURES, OBSERVER CE QUI SUIT:

- A. L'installation et le câblage électrique doivent être effectués par des personnes qualifiées conformément à toutes les normes et codes applicables, incluant la construction relative au feu.
- B. Siffisamment d'air est nécessaire pour une combustion appropriée et l'échappement des gaz par tirage (cheminée) d'équipement à combustion pour éviter le tirage arrière. Suivre les directives du fabricant d'équipement de chauffage et les normes de sécurité telles celles fournies par l'Association de protection des incendies nationale (NFPA) et la Société américaine d'ingénierie de chauffage, réfrigération et climatisation (ASHRAE) ainsi que les codes locaux.
- C. Au moment de couper ou percer un mur ou plafond, ne pas endommager le câblage électriques et autres.
- D. Les ventilateurs à conduit doivent toujours être ventilés vers l'extérieur.
- E. Avant toute intervention, pensez à toujours débrancher l'appareil du réseau d'alimentation électrique.
- F. Cet appareil est conçu pour une utilisation intérieure seulement. Utiliser cet appareil de la façon à laquelle il est destiné par le fabricant.

AVERTISSEMENT

Pour ventilation générale seulement. Ne pas ventiler des vapeurs ou matériaux explosifs ou hasardeux.

Pour réduire le risque d'incendie et pour un échappement d'air approprié, s'assurer d'acheminer l'air vers l'extérieur. Ne pas ventiler l'air d'échappement dans les murs, plafonds, greniers, espaces fermés ou garages.

POUR RÉDUIRE LE RISQUE D'INCENDIE, UTILISER DES CONDUITS EN METAL.

Pour réduire le risque d'incendie ou de choc électrique, ne pas utiliser le ventilateur avec dispositif de contrôle de vitesse à semi-conducteur.

Cet appareil est conforme avec la norme UL 507 pour ventilateurs électriques et la norme canadienne CAN/CSA-22-2 n° 113 pour ventilateurs. Il incombe au propriétaire et à l'installateur de déterminer si des normes ou exigences additionnelles s'appliquent pour une installation spécifique.

Avertissement issue de la proposition 65 de l'État de la Californie :

AVERTISSEMENT

Ce produit peut vous exposer à des produits chimiques, comme du chlorure de vinyle, reconnus par l'État de la Californie comme causant le cancer, des malformations congénitales ou d'autres effets nocifs sur la reproduction. Pour de plus amples renseignements, consultez www.P65Warnings.ca.gov.

Pièces nécessaires

- Mètre à ruban
- Tournevis à tête Phillips
- Ruban à conduit
- Système de gaines (la configuration variant selon l'emplacement ; voir » Avant l'installation «).
- Vis à tôles suppl,émentaires (au besoin pour l'installation de conduit)

Pièces incluses

- Dispositif appareil (1)
- Vis à métal (6)
- Vis à bois (4)
- Vis à tête conique (2)
- Quincaillerie pour fixations sur évent (2)
- Chevilles UX6 (6).

INFORMATION IMPORTANTE

Les appareils usagés ne sont pas de déchets sans valeur. Leur élimination par recyclage permet de récupérer de précieuses matières premières. Avant de mettre au rebut un appareil usagé, rendez-le inutilisable.

Votre nouvel appareil vous a été livré dans une caisse d'expédition de protection. Tous les matériaux d'emballage sont respectueux de l'environnement et peuvent être recyclés. Veuillez contribuer à un environnement plus sain en mettant au rebut les matériaux d'emballage dans le respect de l'environnement.

La hotte aspirante ne peut être utilisée qu'en mode d'évacuation d'air.

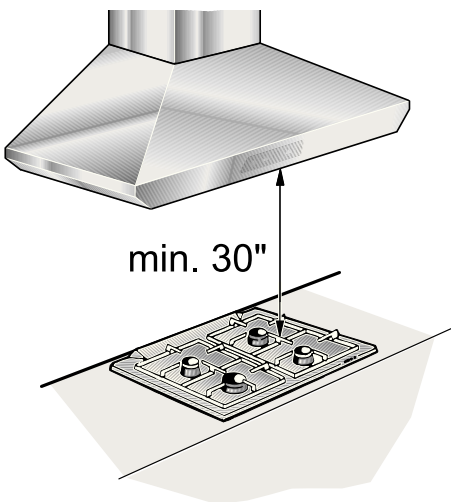
Installez la hotte aspirante impérativement au-dessus du centre de la plaque de cuisson.

⚠ Distance minimale entre la plaque électrique et le bord inférieur de la hotte aspirante : **30 po.**, Fig. 1.

⚠ N'installez pas la hotte aspirante au-dessus d'un appareil de cuisson à combustible solide – générateur d'un risque d'incendie (par projection d'étincelles p. ex.) – à moins que l'appareil ne soit muni **d'un couvercle fermé et inamovible**, et que le montage soit effectué dans le respect de la réglementation nationale.

Plus l'écart entre la hotte aspirante et les plaques chauffantes est faible, plus des gouttelettes de condensation sont susceptibles de s'accumuler sur la face intérieure de la hotte.

Fig. 1
GAZ



Informations supplémentaires concernant les cuisinières à gaz :

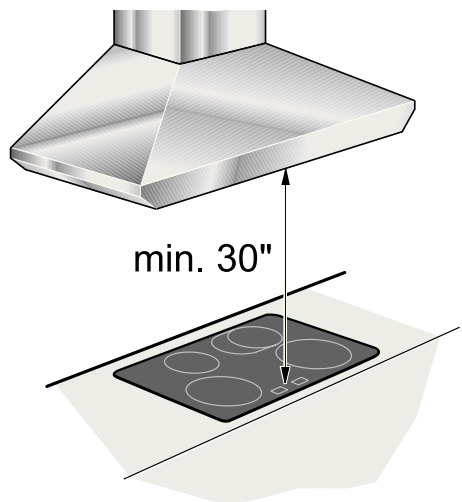
Lorsque vous installez des plaques chauffantes à gaz, veillez à respecter la réglementation légale nationale pertinente.

Veillez à toujours respecter la réglementation en vigueur et la notice d'installation fournie par le fabricant de l'appareil à gaz.

⚠ Seul un côté de la hotte aspirante peut être installé près d'une unité ou d'un mur élevé. Prévoir un écart d'au moins 2 po.

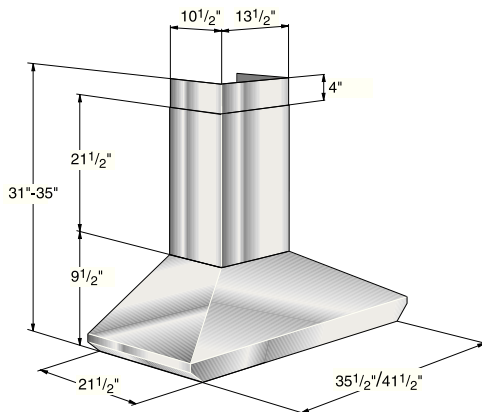
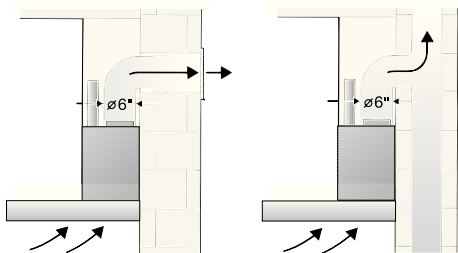
⚠ Distance minimale par rapport aux plaques chauffantes à gaz entre le bord de la grille et le bord inférieur de la hotte aspirante : **30 po.**, Fig. 1.

ÉLECTRIQUE



AVANT L'INSTALLATION

Étape 1: MODE D'ÉVACUATION D'AIR



L'air vicié est évacué vers le haut par un conduit d'aération ou directement à l'air libre en traversant le mur extérieur.

⚠ L'air vicié ne doit jamais être évacué vers un conduit de cheminée ou d'évacuation en service pour d'autres raisons, ni vers un conduit servant à l'aération de pièces dans lesquelles se trouvent également des fourneaux ou des cheminées.

L'air vicié doit être évacué conformément à la réglementation officielle et légale seulement (p. ex. la réglementation nationale du bâtiment).

Si l'air vicié doit être évacué par des conduits de cheminée ou d'évacuation qui ne sont pas en service, veuillez respecter la réglementation des autorités locales.

⚠ **Lorsque la hotte aspirante est utilisée en mode d'évacuation d'air simultanément avec un brûleur différent utilisant également la même cheminée**, (tels des appareils de chauffage au gaz, au fuel ou au charbon, des chauffe-eau instantanés ou des chaudières à eau chaude), **veuillez impérativement à ce que l'apport d'air frais soit suffisant** pour assurer la combustion adéquate du brûleur.

Un fonctionnement sans risque est possible si la sous-pression dans la pièce où le brûleur est installé ne dépasse pas 4 Pa (0,04 mbar).

On peut y parvenir en acheminant l'air requis pour la combustion à travers des ouvertures non verrouillables aménagées par exemple dans les portes ou les fenêtres, et par le biais d'une ventouse d'admission/d'évacuation d'air.

Si l'admission d'air est mauvaise, il existe un risque d'intoxication par les gaz dégagés lors de la combustion qui sont réacheminés dans la pièce.

⚠ AVERTISSEMENT – Évitez le risque d'intoxication – Si l'admission d'air dans la pièce est mauvaise, il existe un risque d'intoxication par les gaz dégagés lors de la combustion qui sont réacheminés dans la pièce.

Remarque : lors de l'évaluation de l'exigence globale, toujours tenir compte de l'ensemble des moyens d'aération du logement. Cette règle ne s'applique pas à l'utilisation d'appareils de cuisson, comme les tables de cuisson et les cuisinières.

Si l'air vicié doit être évacué à l'extérieur, une ventouse télescopique doit être installée dans le mur extérieur.

AVANT L'INSTALLATION

Pour un rendement optimal de la hotte aspirante, veillez à ce que :

- Le conduit d'évacuation soit court et lisse.
- Il ait le moins possible de coudes.
- Il ait le plus fort diamètre et que les coudes soient les plus arrondis possibles.

Si l'on utilise des conduits d'évacuation d'air longs et rugueux, de nombreux coudes ou des diamètres de tuyaux plus petits, le taux d'évacuation d'air sera inférieur à son niveau optimal, ceci se traduisant par une augmentation du bruit.

IMPORTANT : Le fabricant de la hotte aspirante décline toute responsabilité pour toute plainte pouvant être attribuée au design et à l'agencement du système de conduits.

- Conduits ronds :**
nous recommandons des conduits au diamètre intérieur de : **6 po.**
- Les conduits plats** doivent avoir une section intérieure équivalente à celle des conduits ronds.
Il ne doit pas y avoir de coudes en équerre.
ø 6 po. env. 50,3 po.²
- Si les conduits ont des diamètres différents :**
Utiliser du ruban de scellement.
- Dans le cas d'une utilisation en mode d'évacuation d'air** veillez à ce que l'apport d'air frais soit suffisant.

RACCORDEMENT D'UN CONDUIT D'ÉVACUATION D'AIR DE 6 PO. ø :

- Montez le conduit directement sur la sortie d'air de la hotte.

Étape 2 : PRÉPARATION DU MUR

- Le mur doit être plat et perpendiculaire.
- Veillez à ce que le mur puisse supporter solidement les vis et les pièces d'ancrage nécessaires à l'installation.

Poids en kg : 23.0

AVANT L'INSTALLATION

Étape 3 : BRANCHEMENT ÉLECTRIQUE

AVERTISSEMENT : CET APPAREIL DOIT ÊTRE MIS À LA TERRE


La hotte aspirante doit être raccordée uniquement à une prise électrique avec mise à la terre montée conformément à la réglementation pertinente.

Si possible, installez la prise de terre directement derrière le panneau de cheminée.


- La prise de terre doit être raccordée à son propre circuit.
- Si la prise de terre n'est plus accessible après avoir monté la hotte aspirante, veuillez à ce qu'il y ait un sectionneur permanent installé.

Étape 4 : INSTALLATION DE LA SERVITUDE ÉLECTRIQUE

Consultez les codes du bâtiment locaux pour choisir la méthode d'installation qui convient le mieux. Aux États-Unis, s'il n'existe aucun code local applicable, cet appareil doit être installé conformément à l'édition en cours du Code national de l'électricité ANSI/NFPA N° 70. (Au Canada, l'installation doit être conforme aux codes d'installation CAN 1- B149.1 et .2 – codes d'installation pour appareils à gaz et/ou codes locaux).

 PRUDENCE – Ne raccordez qu'à un circuit de dérivation dédié. L'ampérage maximal demandé par la hotte ne doit pas dépasser 80 pour cent de l'ampérage pour lequel le circuit de dérivation a été conçu.


L'appareil doit être mis à la terre. Dans l'éventualité d'un court circuit électrique, la mise à la terre peut réduire le risque de choc électrique en permettant au courant de s'échapper. Cet appareil électroménager est muni d'un cordon possédant un fil avec une fiche de mise à la terre. La fiche doit être branchée dans une prise correctement installée et mise à la terre.

 AVERTISSEMENT – Une mise à la terre défectueuse peut entraîner un risque de choc électrique.

Si les consignes de mise à la terre ne sont pas parfaitement comprises, ou en cas de doute sur la mise à la terre correcte de l'appareil, consulter un électricien qualifié.


Ne pas utiliser de rallonge. Si le cordon d'alimentation est trop court, demander à un électricien qualifié d'installer une prise à proximité de l'appareil.

S'il est nécessaire de raccorder la hotte aspirante directement sur le secteur :

 AVERTISSEMENT – Évitez le risque de choc électrique – Si le câble de branchement de cet appareil a été endommagé, il devra être remplacé par le fabricant ou son service après-vente ou encore par une personne possédant des qualifications identiques afin d'éviter que l'utilisateur ne subisse des blessures graves.

DONNÉES ÉLECTRIQUES :

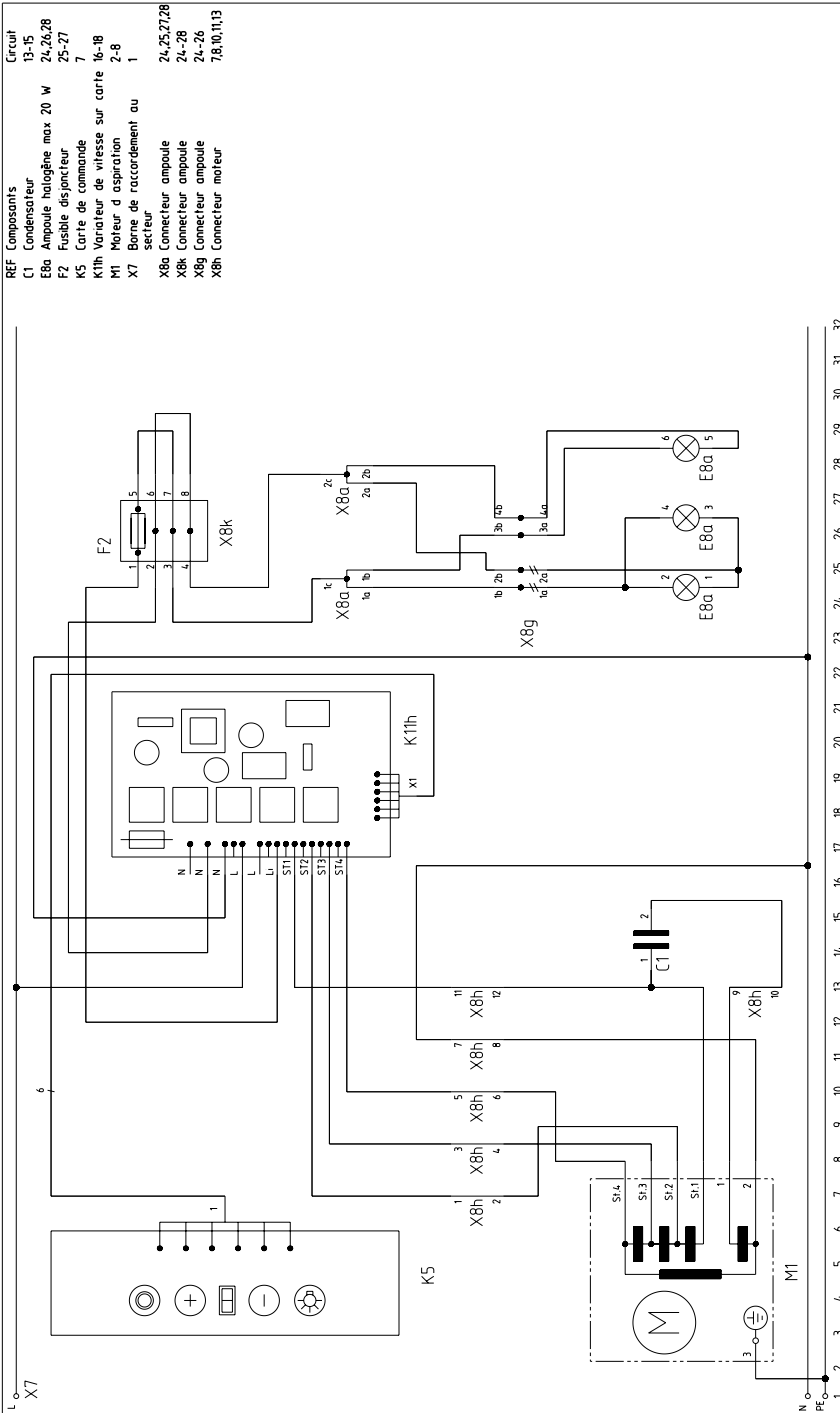
visibles à l'intérieur de l'appareil sur la plaque d'identification après retrait du cadre porte-filtre.

 AVERTISSEMENT – Évitez le risque de choc électrique – Avant toute intervention sur l'appareil, veuillez à toujours débrancher la hotte aspirante de l'alimentation électrique.

Longueur du câble de raccordement : 51 1/8 po.

Cette hotte aspirante satisfait la réglementation de l'UE en matière de suppression des interférences sur les fréquences radioélectriques.

The reproduction, transmission or sale of this document or its contents is not permitted without express written authority. Offenders will be liable for damages. All rights including rights created by patent grant or registration of a utility model or design are reserved. Copyright reserved.



REF	Composants	Circuit
C1	Condensateur	13-15
E8a	Ampoule halogène max 20 W	24,26,28
F2	Fusible disjoncteur	25-27
K5	Carte de commande	7
K11h	Variableur de vitesse sur carte	16-18
M1	Moteur d'aspiration	2-8
X7	Borne de raccordement au secteur	1
X8a	Connecteur ampoule	24,25,27,28
X8g	Connecteur ampoule	24-28
X8h	Connecteur ampoule	24-26
X8k	Connecteur moteur	7,8,10,11,13

Document No	FR	5750 25024.17P01	Rev	Sheet No
			A	1
Designation			Material No	
Circuit Diagram			900334782	
HMCE36FS				

INSTALLATION

Étape 5: INSTALLATION

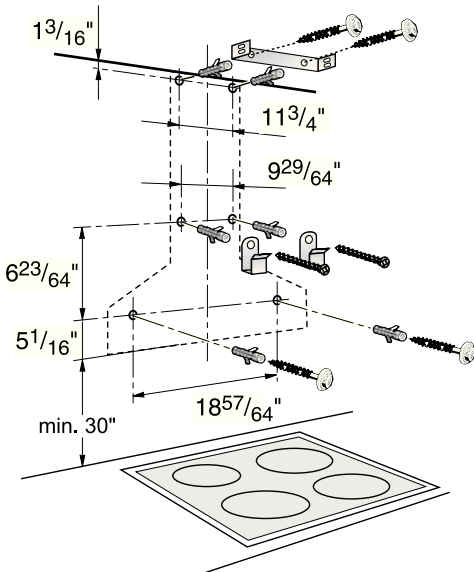
Cette hotte aspirante est destinée à être montée sur un mur de cuisine.

1. Enlevez le filtre à graisse (reportez-vous à la Notice technique d'utilisation).
2. Tirez un trait sur le mur depuis le plafond jusqu'au bord inférieur de la hotte au centre de l'emplacement où cette dernière doit être montée.
3. Utilisez le gabarit pour tracer les repères de trou sur le mur où les vis doivent être fixées. Pour suspendre facilement la hotte sur les vis, dessinez le contour de l'emplacement où elle doit être installée.

⚠ MISE EN GARDE – Veillez à ce que la distance minimale entre la plaque de cuisson et la hotte aspirante soit conservée – 30 po. Le bord inférieur du gabarit doit correspondre au bord inférieur de la hotte aspirante.

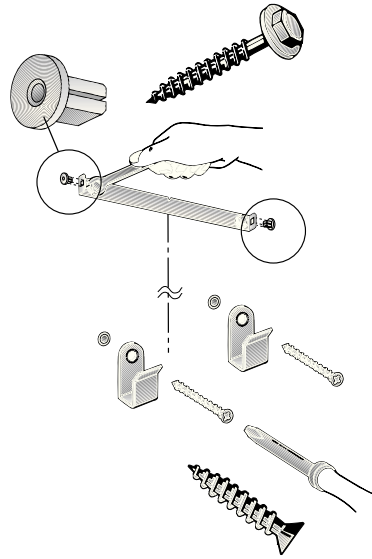
4. Percez 2 trous de $\frac{1}{4}$ po. \varnothing pour la cornière de fixation supérieure et 2 trous de $\frac{1}{4}$ de po. \varnothing pour la cornière de fixation inférieure et enfoncez les chevilles jusqu'à ce qu'elles soient de niveau avec le mur.

Remarque : posez au moins une vis de montage dans une solive.

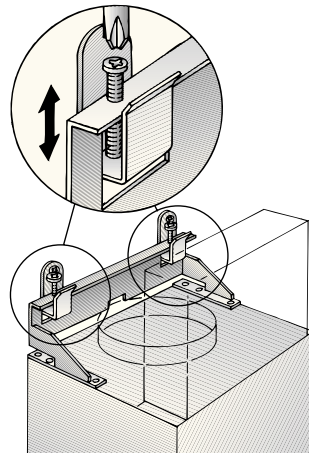


Remarque: rappelez-vous que vous aurez peut-être des accessoires spéciaux à monter.

5. Faites enclanter les 2 écarteurs ci-joints dans la cornière retenant le capotage de cheminée.
Au moyen de 2 vis hexagonales, visser les cornières servant à retenir le capotage de cheminée.

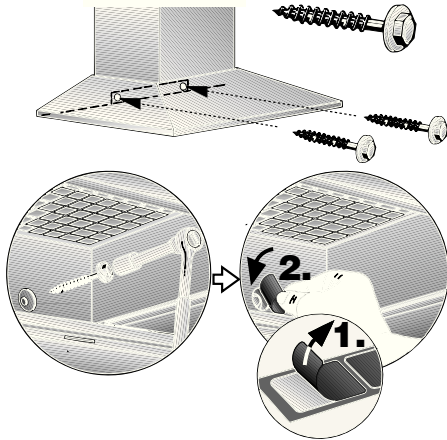


6. Accrochez la hotte. A l'aide des vis de réglage, ajustez sa hauteur et sa verticalité.



INSTALLATION

7. Vissez la vis inférieures (boulon hexagonales).
8. Collez une par une les pellicules plastique de protection sur les trous des 2 vis de fixation inférieures situés sur la grille protectrice.

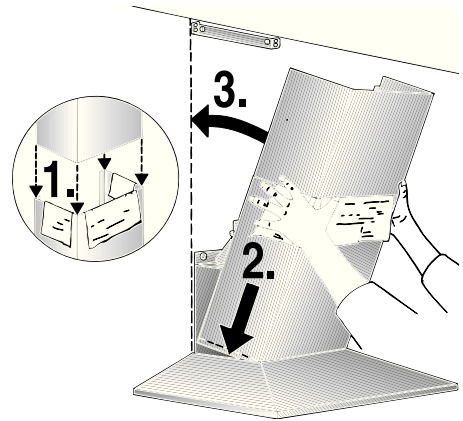


9. Raccorder la hotte aux tuyaux.
10. Effectuer le branchement électrique de la hotte.
11. Retirez la pellicule de plastique protégeant les deux capots en inox.
⚠ Evitez d'endommager les surfaces lisses en acier inox.

Prudence : les côtés intérieurs des capots de hotte peuvent présenter des arêtes vives. Risques de blessures. Nous recommandons de porter des gants de protection pendant le montage.

12. Insérer l'un dans l'autre les deux éléments du capotage-cheminée (les fentes de l'élément télescopique supérieur doivent être tournées vers le bas) puis les introduire dans la découpe ménagée à cet effet dans la hotte aspirante.

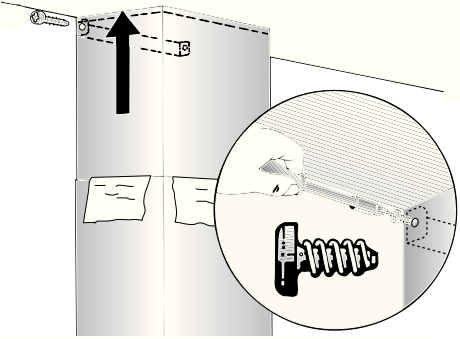
⚠ Evitez de rayer les éléments du capotage-cheminée au moment de les introduire l'un dans l'autre. Dans ce but, placez par exemple le gabarit sur les arêtes de l'élément inférieur.



13. Introduisez en biais l'ensemble du capot de cheminée et faites-le basculer en arrière.

INSTALLATION

- 14.** Soulever l'élément supérieur puis le visser au moyen de deux vis contre la cornière de retenue.



- 15.** Remettre le filtre à graisse en place (voir la notice d'utilisation).

Si après avoir terminé les procédures ci-dessus, le système de ventilation ne fonctionne pas convenablement, passez en revue les étapes de cette Notice d'installation pour vérifier que rien n'a été omis. Reportez-vous également au Manuel d'utilisation et d'entretien pour obtenir des informations supplémentaires ou appelez le Service à la clientèle de Thermador au +1-800-735-4328.4328.

INSTRUCCIONES DE SEGURIDAD

Lea todas las instrucciones antes de usar el aparato.

LEA Y GUARDE ESTAS INSTRUCCIONES

ADVERTENCIA

PARA REDUCIR EL RIESGO DE FUEGO, DESCARGAS ELÉCTRICAS O SUFRIR LESIONES, OBSERVE LO SIGUIENTE:

- A. El trabajo de instalación y la instalación eléctrica deben ser realizados por una persona calificada de acuerdo con todos los códigos y normas aplicables, incluyendo los códigos de construcción con respecto a incendios.
- B. Se necesita suficiente aire para lograr una combustión apropiada y para sacar los gases a través de la chimenea del quemador de gas combustible para evitar el reflujo. Siga las pautas del fabricante del calentador y las normas de seguridad, tal como las que fueron publicadas por la Asociación Nacional de Protección contra Fuegos (NFFPA) y la Sociedad Americana para Ingeniería de Calefacción, Refrigeración y Aire Acondicionado (ASHRAE) y de las autoridades locales.
- C. No dañe el cableado eléctrico y otras instalaciones ocultas cuando corte o perforo la pared o el techo.
- D. Ventiladores entubados deben ser ventilados hacia el exterior.
- E. Siempre desenchufe o desconecte el electrodoméstico de la fuente de alimentación eléctrica antes de realizar el servicio técnico.
- F. Esta unidad fue diseñada para uso exclusivo en interiores. Use esta unidad solamente para el uso intencionado por el fabricante.

ADVERTENCIA

Solamente para uso de ventilación general. No se debe usar para extraer materiales y vapores peligrosos o explosivos.

Para reducir el riesgo de fuego y para extraer el aire correctamente, asegúrese de conducir el aire hacia el exterior. No extraiga el aire de escape a espacios dentro de paredes, techos, áticos, espacios para arrastrarse o garajes.

PARA REDUCIR EL RIESGO DE FUEGO, UTILICE SOLAMENTE DUCTOS DE METAL.

Para reducir el riesgo de un fuego o de una descarga eléctrica, no use el ventilador con un regulador de velocidad de estado sólido.

Este aparato cumple con la norma UL 507 para ventiladores eléctricos y la norma canadiense CAN/CSA-22.2 No. 113 para ventiladores. Es la responsabilidad del propietario y del instalador determinar si aplican requerimientos o normas adicionales en instalaciones específicas.

Advertencia en virtud de la Proposición 65 del estado de California:

ADVERTENCIA

Este producto puede exponerlo a sustancias químicas, incluyendo cloruro de vinilo, que el estado de California sabe que provocan cáncer, defectos congénitos u otro daño reproductivo. Para obtener más información, ir a la página web: www.P65Warnings.ca.gov.

Piezas necesarias

- Cinta métrica
- Destornillador con cabeza Phillips
- Cinta para ductos
- Conducto (la configuración varía según el luga; para "Antes de la instalación").
- Tornillos autorroscantes adicionales (la cantidad necesaria para la instalación del conducto)

Piezas incluidas

- Conjunto del electrodoméstico (1)
- Tornillos autorroscantes (6)
- Tornillos para madera (4)
- Tornillos avellanados (2)
- Elementos de sujeción para soportes en la ventilación (2)
- Tacos UX6 (6)

INFORMACIÓN IMPORTANTE

Los electrodomésticos viejos no son basura sin valor. Las valiosas materias primas pueden recuperarse mediante el reciclado de electrodomésticos viejos. Antes de desechar su electrodoméstico viejo, haga que sea inutilizable.

Usted recibió su electrodoméstico nuevo en una caja de envío protectora. Todos los materiales de embalaje son ecológicos y reciclables. Ayude a lograr un mejor medioambiente desechando los materiales de embalaje de manera ecológica.

La campana extractora sólo puede utilizarse en el modo de aire de salida.

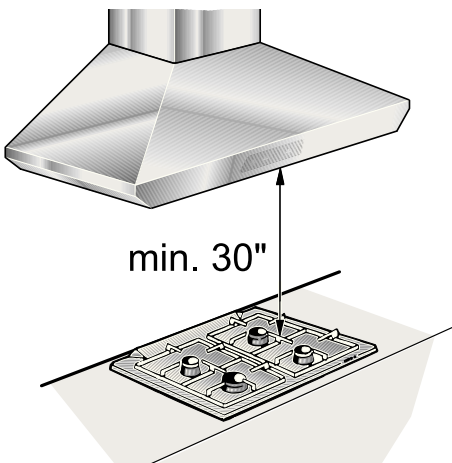
Siempre instale la campana extractora sobre el centro de la parrilla.

⚠ Distancia mínima entre la parrilla eléctrica y el borde inferior de la campana extractora: **30"**, Fig. 1.

⚠ La campana extractora no debe instarse sobre una estufa a combustible sólido – se puede producir un riesgo de incendio (p. ej., que se desprendan chispas), a menos que la estufa tenga una **tapa cerrada que no se pueda retirar** y que se cumplan todas las reglamentaciones nacionales.

Cuanto más pequeño es el espacio entre la campana extractora y las placas calentadoras, mayor es la probabilidad de que se formen gotas en la parte inferior de la campana extractora.

Fig. 1
GAS



Información adicional sobre estufas a gas:

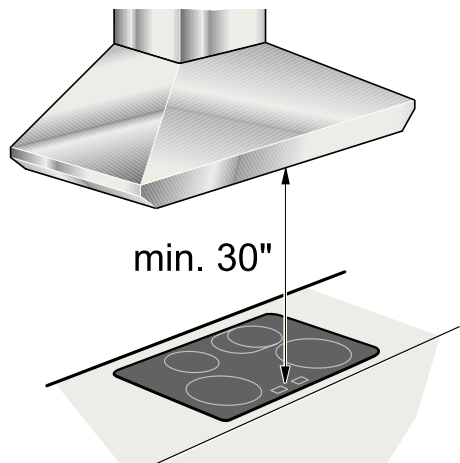
Al instalar placas calentadoras a gas, cumpla con las reglamentaciones legales nacionales pertinentes.

Siempre cumpla con las reglamentaciones válidas vigentes y las instrucciones de instalación provistas por el fabricante del electrodoméstico de gas.

⚠ Sólo un lado de la campana extractora puede instalarse junto a una unidad de costado alto o a una pared alta. La distancia debe ser de 2" como mínimo.

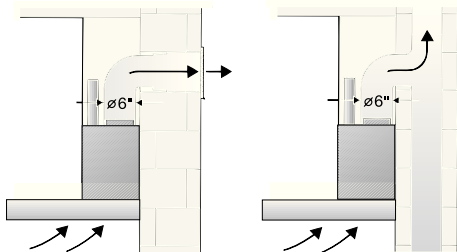
⚠ Distancia mínima en placas calentadoras a gas entre el borde superior de la rejilla y el borde inferior de la campana extractora: **30"**, Fig. 1.

ELÉCTRICO



ANTES DE LA INSTALACIÓN

Paso 1: MODO DE AIRE DE SALIDA



El aire de salida debe ser liberado hacia arriba a través de un conducto o directamente a través de la pared externa a la intemperie.

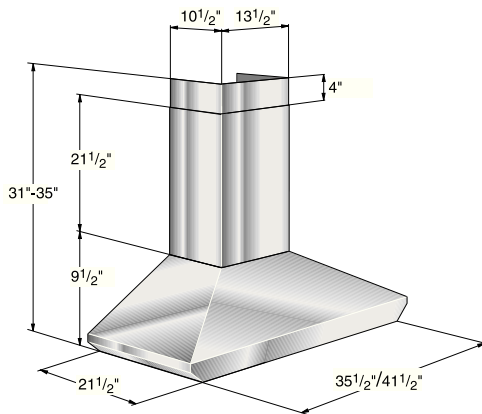
☞ El aire de salida no debe ser dirigido a un conducto de humo ni de salida que actualmente se utilice para otros fines, ni a un conducto que se utilice para ventilar habitaciones en las cuales también se encuentran estufas o chimeneas.

El aire de salida puede liberarse sólo respetando las reglamentaciones oficiales y legales (p. ej., reglamentaciones nacionales sobre construcción).

Se deben cumplir las reglamentaciones de autoridades locales al liberar el aire en conductos de humo o de salida que no se utilicen para otros fines.

☞ **Cuando se utiliza la campana extractora en el modo de aire de salida simultáneamente con una hornilla diferente, que también utiliza la misma chimenea** (como calentadores a gas, aceite o carbón, calentadores de flujo continuo, calentadores de agua), **se debe asegurar que haya un suministro de aire fresco suficiente**, que será necesario para la combustión en la hornilla.

La operación segura es posible siempre que la subpresión de la habitación donde está instalada la hornilla no supere los 4 Pa (0,04 mbar).



Esto es posible si el aire de combustión puede circular a través de aberturas que no puedan trabarse, como ser puertas y ventanas, y a través de cajas de entrada/salida de aire en la pared.

Si la entrada de aire es insuficiente, existe un riesgo de intoxicación con los gases de la combustión que vuelven a ingresar a la habitación.

⚠ ADVERTENCIA – Evite el riesgo de intoxicación. Si la entrada de aire a la habitación es insuficiente, existe un riesgo de intoxicación con los gases de la combustión que vuelven a ingresar a la habitación.

Nota: Al evaluar el requisito total, se debe tener en cuenta el sistema de ventilación combinado para todo el hogar. Esta norma no se aplica al uso de electrodomésticos de cocina, como parrillas y hornos.

Si el aire de salida será liberado a la intemperie, se debe colocar una caja de pared telescópica en la pared externa.

ANTES DE LA INSTALACIÓN

Para obtener la máxima eficiencia de la campana extractora:

- Tubería corta, lisa.
- La menor cantidad posible de codos en el conducto.
- El diámetro del conducto debe ser lo más grande posible y no debe tener codos cerrados.

Si se utiliza un conducto de aire de salida largo e irregular, hay muchos codos en el conducto o el diámetro de la tubería es más pequeño, el caudal de extracción de aire ya no será el máximo, y el ruido aumentará.

IMPORTANTE: q El fabricante de la campana extractora no asume responsabilidad alguna por las reclamaciones que puedan atribuirse al diseño y a la distribución del conducto.

- Tuberías circulares:**
Recomendamos que el diámetro interno sea de 6".
- Los conductos planos** deben tener una sección transversal interna que sea igual a la de las tuberías circulares.
No debe haber codos cerrados.
ø 6" aprox. 508,3 pulgadas²
- Si las tuberías tienen diámetros diferentes:**
Coloque la tira selladora.
- Para el modo de aire de salida,** asegúrese de que haya un suministro de aire fresco suficiente.

PARA CONECTAR UN CONDUCTO DE AIRE DE SALIDA DE ø 6":

- Instale el conducto directamente en la salida de aire de la campana.

Paso 2: PREPARACIÓN DE LA PARED

- La pared debe ser plana y perpendicular.
- Verifique que la pared pueda sujetar firmemente los tornillos y tacos de montaje.

Peso en kg: 23.0

ANTES DE LA INSTALACIÓN

Paso 3: CONEXIÓN ELÉCTRICA

ADVERTENCIA: ESTE ELECTRODOMÉSTICO DEBE ESTAR CONECTADO A TIERRA.


La campana extractora sólo debe conectarse a una toma de corriente con conexión a tierra que haya sido instalada conforme a las reglamentaciones pertinentes.

Si es posible, ubique la toma de corriente con conexión a tierra directamente detrás de los paneles de la chimenea.


- La toma de corriente con conexión a tierra debe conectarse por medio de su propio circuito.
- Si la toma de corriente con conexión a tierra no se encuentra accesible después de la instalación de la campana extractora, asegúrese de que haya un desconector instalado en forma permanente.

Paso 4: INSTALE EL SERVICIO ELÉCTRICO

Consulte el método de instalación adecuado en sus códigos de construcción locales. En los EE. UU., si no hubiera códigos locales aplicables, esta unidad debe instalarse conforme al Código Eléctrico Nacional ANSI/NFPA N.º 70, edición actual. (En Canadá, la instalación debe realizarse de conformidad con los CAN 1- B149.1 y .2 - Códigos de Instalación para Electrodomésticos de Combustión a Gas y/o los códigos locales).

 **CUIDADO** – Conectar exclusivamente a una línea de alimentación exclusiva para la campana. La corriente máxima de la campana no debe exceder el 80 por ciento de la alimentación del caso.


El electrodoméstico debe estar conectado a tierra. En caso de un cortocircuito eléctrico, la conexión a tierra reduce el riesgo de descarga eléctrica proporcionando un cable de escape para la corriente eléctrica. Este electrodoméstico viene equipado con un cable con un hilo de conexión a tierra y un enchufe para conexión a tierra. El enchufe debe colocarse en una toma de corriente que esté correctamente instalada y conectada a tierra.

 **ADVERTENCIA** – La incorrecta conexión a tierra puede causar una descarga eléctrica.

Consulte a un electricista calificado si no comprende la totalidad de las instrucciones de conexión a tierra o si tiene alguna duda respecto de si el electrodoméstico está correctamente conectado a tierra.


No use un cable de extensión. Si el cable de alimentación eléctrica es demasiado corto, solicite a un electricista calificado que instale una toma de corriente cerca del electrodoméstico.

If it is necessary to wire the extractor hood directly into the mains:

 **ADVERTENCIA** – Evite el riesgo de descarga eléctrica. Si el cable de conexión de este electrodoméstico está dañado, debe ser reemplazado por el fabricante o su centro de servicio al cliente, o una persona que esté igualmente calificada, para prevenir lesiones graves al usuario.

DATOS ELÉCTRICOS:

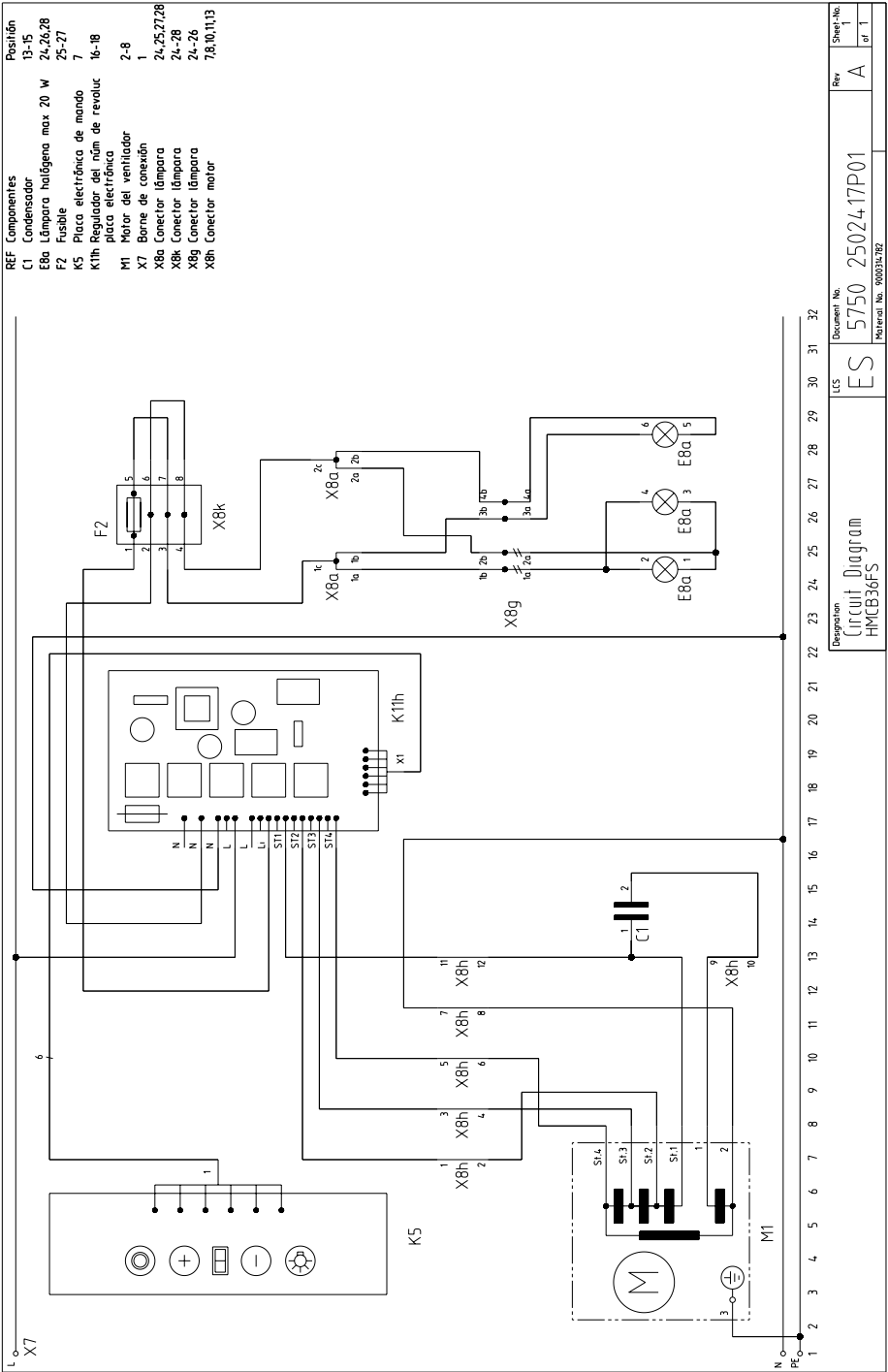
en la placa de nombre dentro del electrodoméstico después de retirar el marco del filtro.

 **ADVERTENCIA** – Evite el riesgo de descarga eléctrica. Antes de realizar una reparación, siempre desconecte la campana extractora del suministro de electricidad.

Longitud del cable de conexión: 51 1/8”.

Esta campana extractora cumple con las reglamentaciones de la CE con respecto a la supresión de interferencia de RF.

The reproduction, transmission or use of this document or its contents is not permitted without express written authority. Offenders will be liable for damages. All rights including rights created by patent grant or registration of a utility model or design are reserved. Copyright reserved.



REF	Componentes	Posición
C1	Condensador	13-15
E8a	Lámpara halógena max 20 W	24-26,28
F2	Fusible	25-27
K5	Placa electrónica de mando	7
K11h	Regulador del núm de revoluc placa electrónica	16-18
M1	Motor del ventilador	2-8
X7	Barne de conexión	1
X8a	Conector lámpara	24,25,27,28
X8b	Conector lámpara	24-28
X8c	Conector lámpara	24-26
X8d	Conector motor	7,8,10,11,13

Document No.	Rev	Sheet No.
ES 5750 2502417P01	A	1
Material No. 900314782		of 1

Deposited in
 Circuit Diagram
 HMCB36FS

US 30 31 32
 ES 27 28 29 30 31 32

INSTALACIÓN

Step 5: INSTALACIÓN

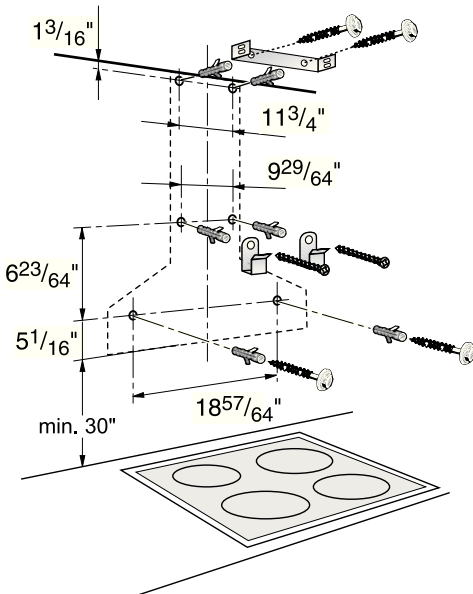
Esta campana extractora ha sido diseñada para ser montada en la pared de la cocina.

1. Retire el filtro de grasa (consulte la sección Instrucciones de operación).
2. Dibuje una línea en la pared desde el techo hasta el borde inferior de la campana en el centro de la ubicación donde se montará la campana.
3. Use la plantilla para marcar los puntos en la pared donde se montarán los tornillos. Para poder enganchar más fácilmente la campana a los tornillos, dibuje el contorno del área donde se colocará la campana.

⚠ PRECAUCIÓN – Asegúrese de que la distancia mínima entre la parrilla y la campana extractora se mantenga en 30". El borde inferior de la plantilla es igual al borde inferior de la campana extractora.

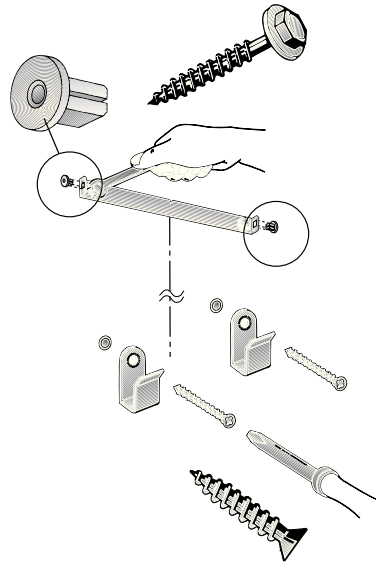
4. Perfore 2 agujeros de $\varnothing 1/4"$ para el soporte de sujeción superior y 2 agujeros de $\varnothing 1/4"$ para el soporte de sujeción inferior, y presione los tacos en la pared de manera que queden a ras.

Nota: Al menos un tornillo debe instalarse a través de un pasador.

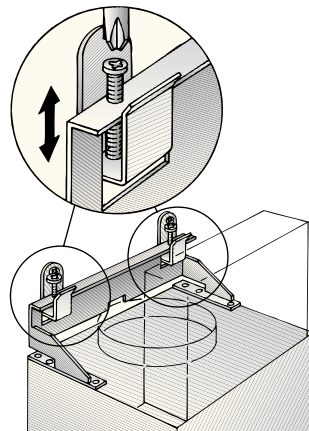


Atención: ¡Ténganse en cuenta los posibles accesorios opcionales que se vayan a montar con la campana extractora!

5. Encajar los 2 distanciadores adjuntos en la escuadra de soporte para el revestimiento de la chimenea. Montar y fijar la escuadra de soporte del revestimiento con dos tornillos hexagonales.

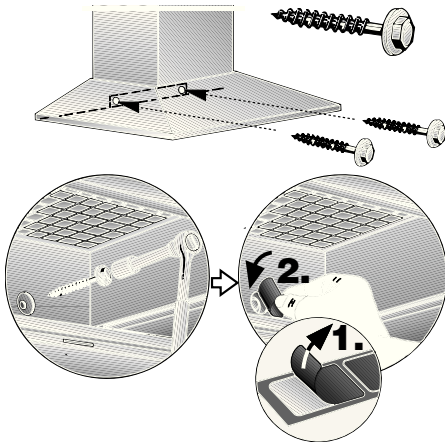


6. Enganchar la campana extractora. Ajustar la altura y la posición horizontal de la misma con ayuda de los tornillos de ajuste.



INSTALACIÓN

7. Enroscar el tornillos inferior (tornillos hexagonal).
8. Pegar una lámina protectora sobre los agujeros de la rejilla protectora correspondientes a los tornillos de sujeción inferiores.

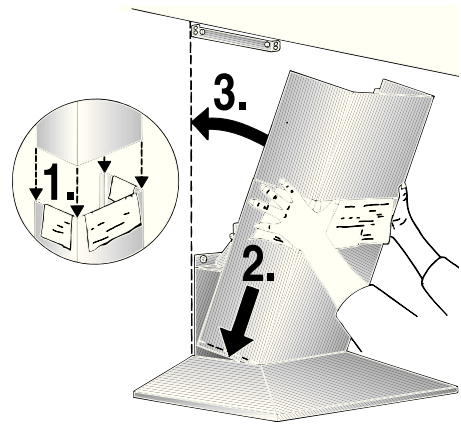


9. Empalmar el tubo de evacuación del aire en la campana extractora.
10. Conectar el aparato a la red eléctrica.
11. Retirar la lámina protectora de los revestimientos laterales de la chimenea.
⚠ ¡Prestar atención a no dañar la superficie sensible de acero inoxidable de los revestimientos!

Atención: La cara interior de los elementos de revestimiento pueden tener aristas vivas – ¡peligro de lesiones!
Por esta razón aconsejamos usar guantes protectores durante el montaje.

12. Enganchar los dos elementos del revestimiento de la chimenea desplazándolos uno respecto al otro - las ranuras de la parte telescópica superior deberá estar hacia abajo. Colocar el revestimiento en forma de chimenea en la ranura de soporte de la campana extractora.

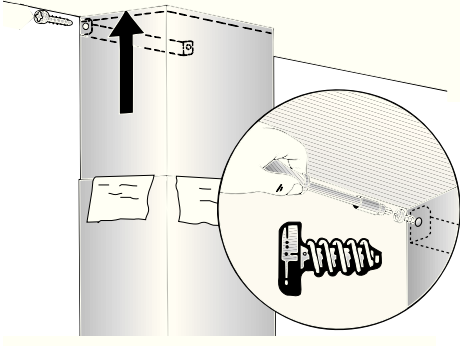
⚠ ¡Evite los rasguños al montar los elementos de revestimiento en forma de chimenea, protegiendo con la plantilla de montaje el borde del elemento inferior del revestimiento.



13. Montar el revestimiento de chimenea completo en posición inclinada y desplazarlo hacia atrás.

INSTALACIÓN

- 14.** Levantar ligeramente el elemento superior del revestimiento de la chimenea y fijarlo lateralmente, con ayuda de dos tornillos, a la escuadra de soporte.



- 15.** Montar el filtro antigrasa (véanse al respecto las instrucciones de uso de la campana extractora).

Si el sistema de ventilación no funciona correctamente durante cualquiera de los procedimientos mencionados, revise todos los pasos de la sección Instrucciones de instalación para asegurarse de no haber omitido ni pasado por alto ningún paso. Además, consulte información adicional en el Manual de Uso y Cuidado o llame a Atención al Cliente de Thermador al 1-800-735-4328.

Notes

Notes

Noticias



1901 MAIN STREET, SUITE 600 IRVINE, CA 92614 // 1-800-735-4328 // WWW.THERMADOR.COM
© 2018 BSH HOME APPLIANCES CORPORATION
9000333897 en-us, es-mx, fr-ca 980422