

Thermador® | *An American Icon*™

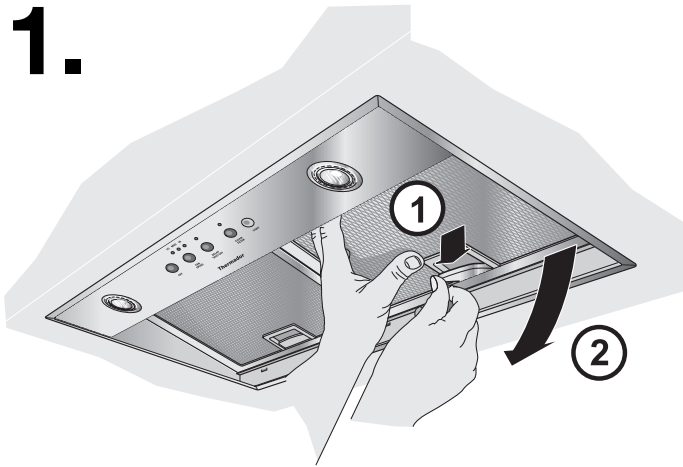
INSTALLATION MANUAL

MODEL: BAFFLT30/36/48

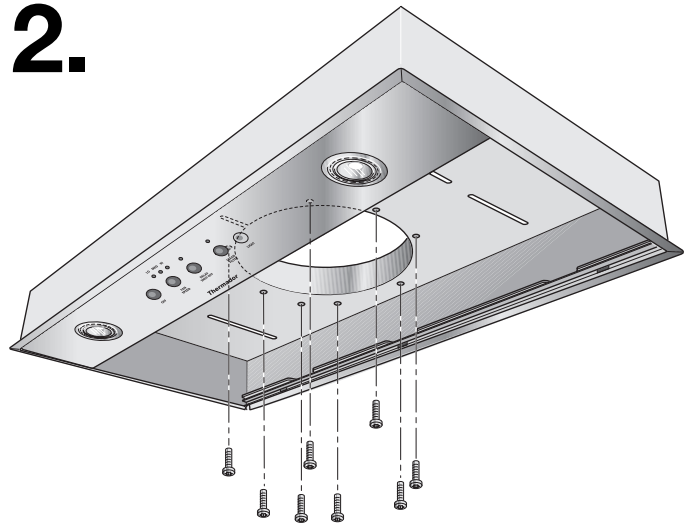


INSTALLATION

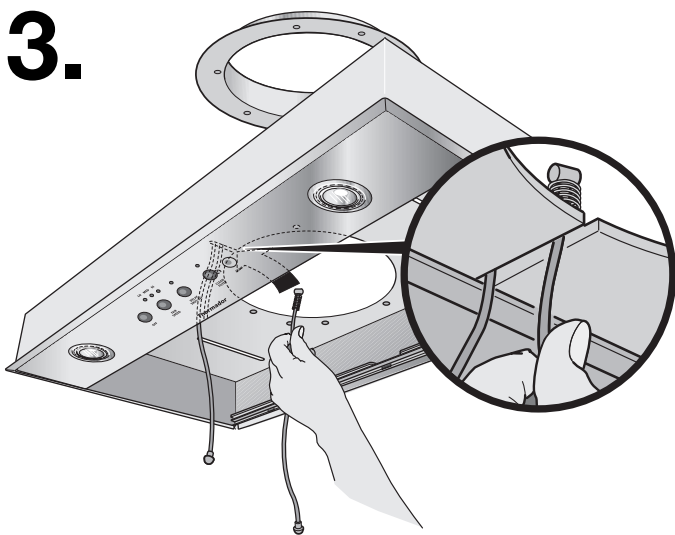
1.



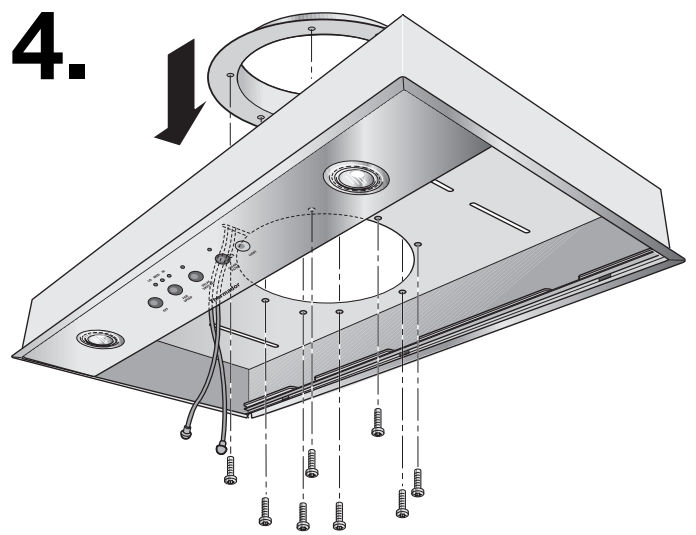
2.



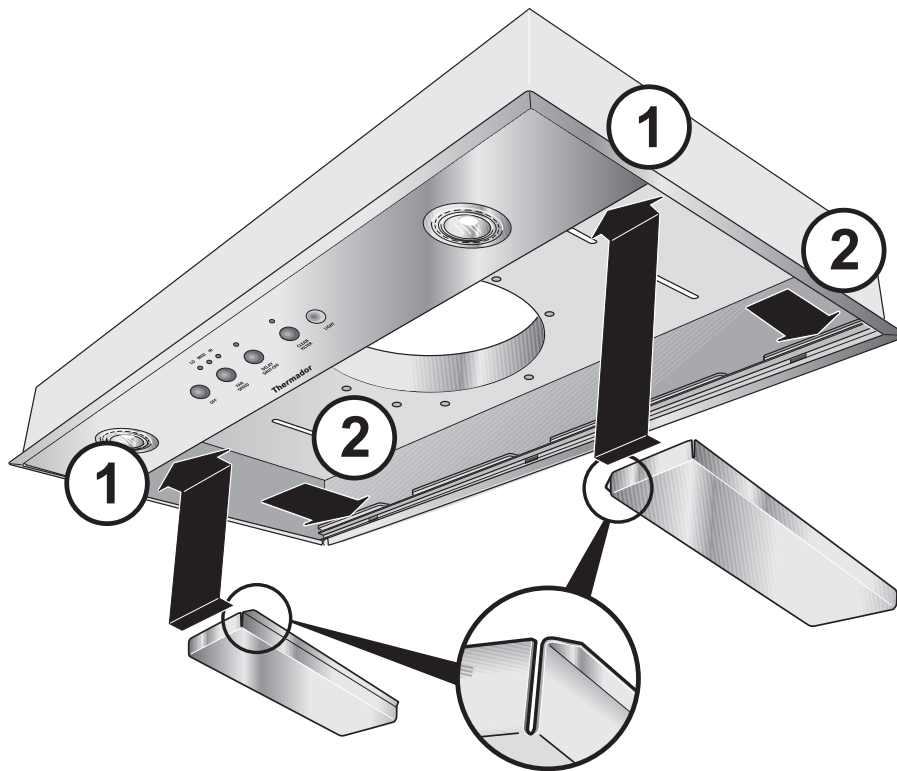
3.



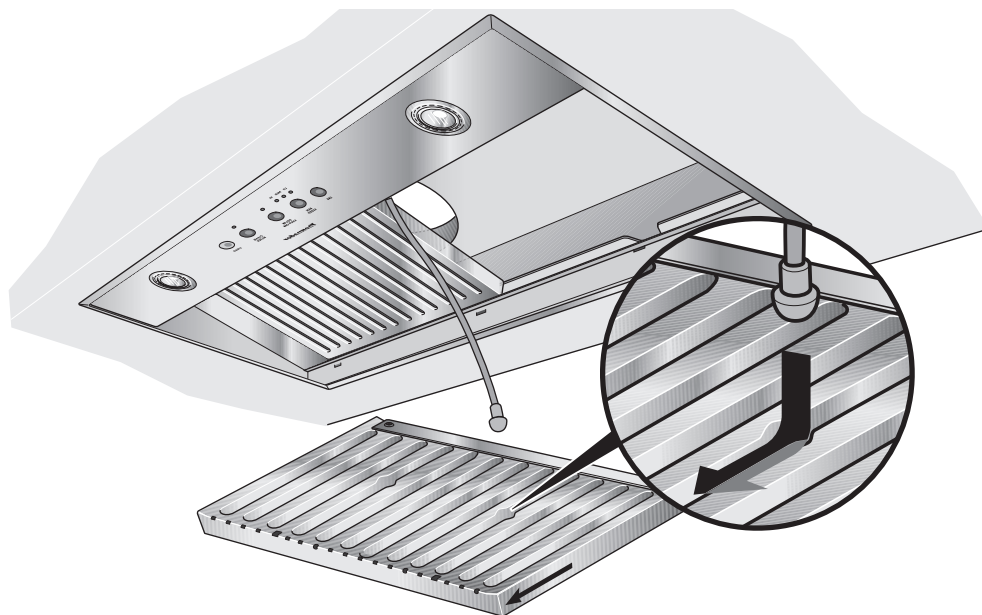
4.



5.



6.



7.



Thermador[®] | *An American Icon*[™]

5551 McFadden Avenue, Huntington Beach CA, 92649 • 800-735-4328 • www.thermador.com
9000220534 • 10013 RevB • 02/07 © BSH Home Appliances Corporation • Litho in U.S.A.