

Thermador® | *An American Icon™*

VENTILATION USE AND CARE MANUAL

MODEL: VCI 230/236/248 DS

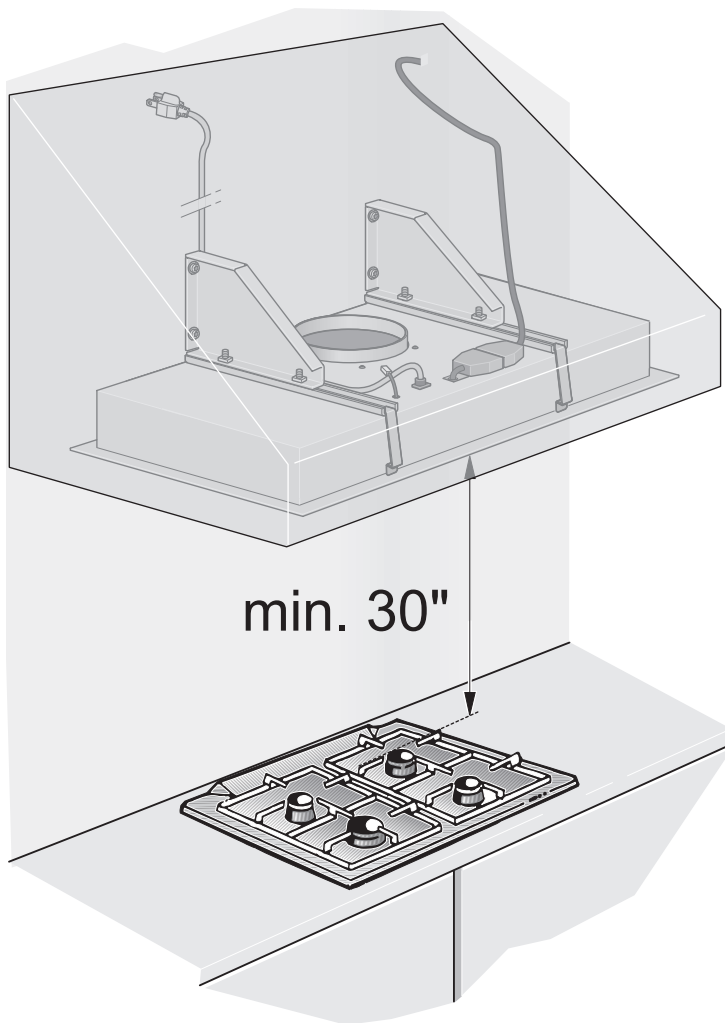


TABLE OF CONTENTS

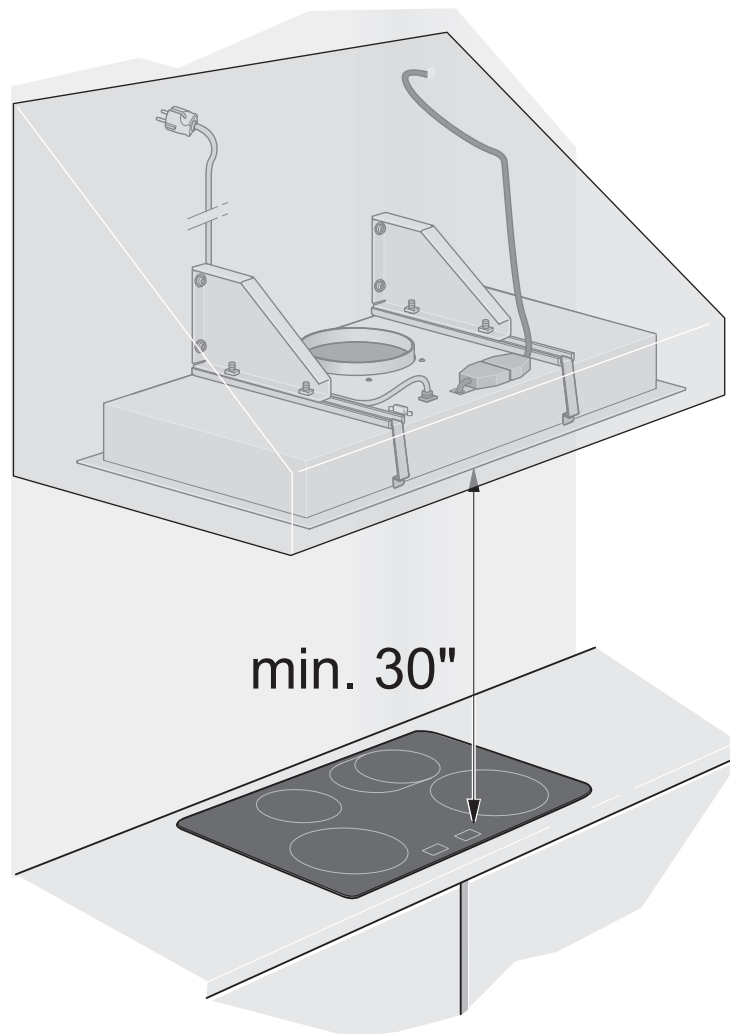
Important Safety Instructions	2
Features	3
Operation	4
Filters and Maintenance	5
Care and Cleaning	6

Replacing the Bulbs	7
Customer Service	7+8

Fig. 1
GAS



ELECTRIC



IMPORTANT SAFETY INSTRUCTIONS

READ ALL INSTRUCTIONS BEFORE USING THE APPLIANCE.

READ AND SAVE THESE INSTRUCTIONS.

WARNING – TO REDUCE THE RISK OF A COOK-TOP GREASE FIRE:

- a) Never leave surface units unattended at high settings. Boilovers cause smoking and greasy spillovers that may ignite. Heat oils slowly on low or medium settings.
- b) Always turn hood ON when cooking at high heat or when flambéing food (i.e. Crepes Suzettes, Cherries Jubilee, Peppercorn Beef Flambé).
- c) Clean ventilating fans frequently. Grease should not be allowed to accumulate on fan or filter.
- d) Use proper pan size. Always use cookware appropriate for the size of the surface element.

Caution: Grease left on filters can remelt and move into the vent.

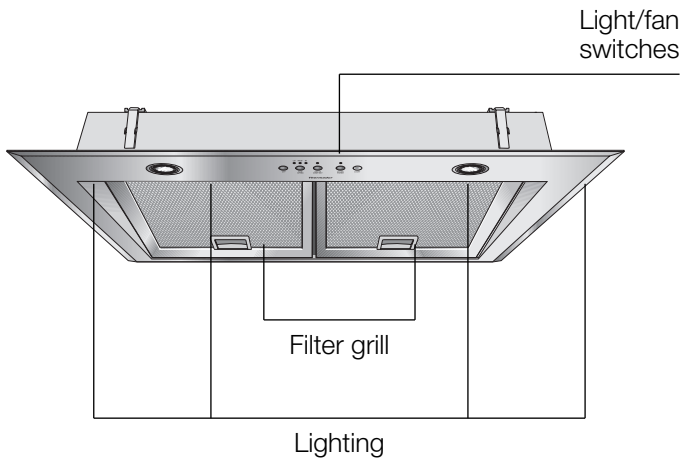
When children become old enough to use the appliance, it is the legal responsibility of the parents or legal guardians to ensure that they are instructed in safe practices by qualified persons.

WARNING – TO REDUCE THE RISK OF INJURY TO PERSONS IN THE EVENT OF A COOKTOP GREASE FIRE, OBSERVE THE FOLLOWING:

- a) SMOTHER FLAMES with a close-fitting lid, cookie sheet, or metal tray, then turn off the burner. BE CAREFUL TO PREVENT BURNS. If the flames do not go out immediately, EVACUATE AND CALL THE FIRE DEPARTMENT.
- b) NEVER PICK UP A FLAMING PAN. You may be burned.
- c) DO NOT USE WATER, including wet dish cloths or towels. A violent explosion will result.
- d) Use an extinguisher ONLY if:
 - 1) You know you have a Class ABC extinguisher, and you already know how to operate it.
 - 2) The fire is small and contained in the area where it started.
 - 3) The fire department is being called.
 - 4) You can fight the fire with your back to an exit.

WARNING: Whenever possible, do not operate blower during a cooktop fire. However, DO NOT REACH THROUGH FIRE TO TURN OFF BLOWER.

FEATURES



IMPORTANT NOTES:

- ❑ The Instructions for Use apply to several versions of this appliance. Accordingly, you may find descriptions of individual features that do not apply to your specific appliance.
- ❑ This hood complies with all relevant safety regulations.
Repairs should be carried out by qualified technicians only.
⚠ CAUTION
Improper repairs may put the user at considerable risk.
- ❑ Before using your appliance for the first time, please read these Instructions for Use carefully. They contain important information concerning your personal safety as well as on use and care of the appliance.
- ❑ Please retain the operating and installation instructions for any subsequent owner.

EXHAUST-AIR MODE:

- ❑ The hood fan extracts kitchen vapors and conveys them through the grease filter and then into the air.
- ❑ The grease filter absorbs solid particles in the kitchen vapors.
- ❑ The kitchen is kept mostly free of grease and odors.

👉 When the hood is operated in exhaust-air mode simultaneously with a different heating system that also makes use of the same chimney (such as gas, oil or coal-fired heaters, continuous-flow heaters, hot-water boilers), care must be taken to **ensure that there is an adequate supply of fresh air**, which will be needed by the heating system for combustion.

Safe operation is possible provided that the negative pressure in the room where the heating system is installed does not exceed 4 Pa (0.04 mbar).

This can be achieved if combustion air can flow through non-lockable openings, such as doors, windows and via the air-intake/exhaust-air wall box, or by using other technical means, such as reciprocal interlocking, etc.

⚠ CAUTION

Avoid carbon monoxide poisoning by providing adequate air intake so combustion gases are not drawn back into the room.

An air-intake/exhaust-air wall box by itself is no guarantee that the maximum threshold will not be exceeded.

Note: When assessing the overall requirements, the combined ventilation system for the entire household must be taken into consideration. This rule does not apply to the use of cooking appliances, such as cooktops and ovens.

GAS COOKTOPS/GAS COOKERS:

⚠ CAUTION

Avoid risk of burns or damage to hood.

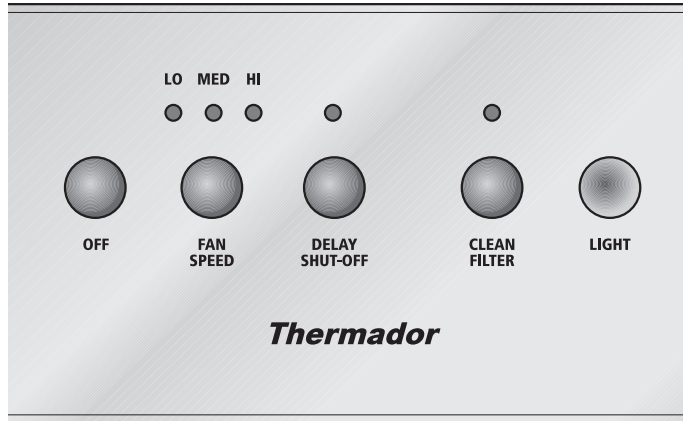
Do not use all gas burners simultaneously at high settings for a prolonged period of time (max.15 minutes).

If the hood is located over a gas cooktop, operate the hood at maximum setting whenever three or more gas burners are being used.

OPERATION

IMPORTANT: The most effective way to remove vapors produced during cooking is to:

- Switch the ventilator ON**
as soon as you begin cooking.
- Switch the ventilator OFF**
a few minutes after you have finished cooking.



Switching the fan OFF:

- Press the OFF button.

Delay shut-off:

- Press the DELAY SHUT-OFF button.

The fan runs for 10 minutes on **HI**.
At the same time, a dot flashes in the display.
Then the fan switches off automatically. The illuminated LED indicates that DELAY SHUT-OFF is working.

Lighting:

- Press the LIGHT button to switch the light on and off.
- The light can be switched on at any time, even if the fan is switched off.

Switching the fan ON

- Press the FAN SPEED button.

Setting the required fan speed:

- Press the FAN SPEED button.
The fan speed increases by one level.

FILTERS AND MAINTENANCE

GREASE FILTERS:

Metal filters are used to trap the grease in vapors that develop during cooking.

The filter mats are made from non-combustible metal.

Caution:

As the filter becomes more and more saturated with grease, not only does the risk of it catching fire increase, but the efficiency of the hood can also be adversely affected.

Important:

By cleaning the metal grease filters at appropriate intervals, the possibility of them catching fire as a result of heat build-up, such as when deep-fat frying or roasting, is reduced.

Saturation indicator:

When the grease filters reach saturation point, the CLEAN FILTER LED lights up. The grease filters should be cleaned right away. To switch off the LED, press the CLEAN FILTER button for 6 seconds.

Cleaning the metal grease filters:

- Under normal use (1 to 2 hours daily), the metal grease filters must be cleaned once a month.
- The filters can be cleaned in a dishwasher. They may, however, become slightly discolored.
- The filter must be placed loosely, and NOT wedged, in the dishwasher.

Important:

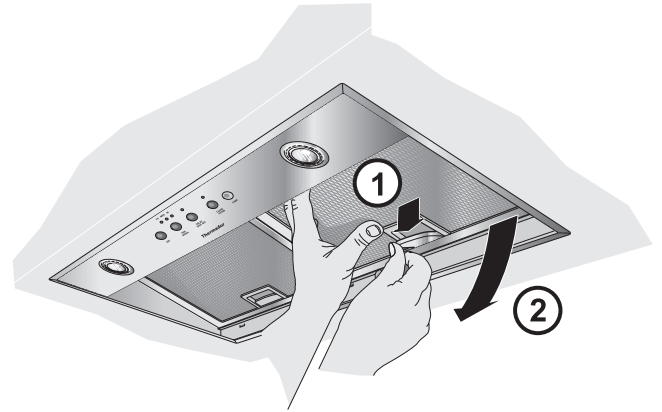
Do not wash grease-saturated metal filters together with other dishes, etc.

- When cleaning the filters by hand, soak them in hot soapy water.
Do not use aggressive, acidic or abrasive cleaners. Brush the filters clean, rinse them thoroughly, shake off water and let them dry.

Removing and inserting the metal grease filters:

⚠ Warning: Avoid risk of burns. The halogen bulbs must be switched off and cool.

1. Press the grease filter locks and pull the filters down. At the same time, hold the underside of the grease filters with your other hand.



2. Clean the filters.
3. Insert the clean filters back into the hood.

CARE AND CLEANING



WARNING: To avoid risk of fire and explosion, do not use flammable liquids or solvents. Always unplug or disconnect the appliance from the power supply before servicing.

IMPORTANT: Do not clean the hood with abrasive sponges or with cleaning agents that contain sand, baking soda, acid or chlorine!

- Clean the hood with a hot soap solution or a mild window cleaner.
- Do not scrape off dried-on dirt. Wipe off with a damp cloth instead.

- When cleaning the grease filters, remove grease deposits from accessible parts of the housing. This prevents the risk of fire and ensures that the hood continues operating at maximum efficiency.

- Note:** Do not use alcohol (spirits), as dull marks may appear.

Caution: Follow all instructions and precautions provided with cleaners.

IMPORTANT: Clean the operating buttons with a mild soapy solution and a soft, damp cloth only. Do not use stainless steel cleaners to clean the operating buttons.

Stainless steel surfaces:

- Use a mild non-abrasive stainless steel cleaner.
- Clean the surface in the same direction as the grain.
- We recommend stainless steel cleaners, such as Fantastik® or Formula 409® **sprayed onto a paper towel.**

Aluminum and plastic surfaces:

- Do not use dry cloths.
- Use a mild window cleaning agent.
- Do not use aggressive, acidic or abrasive cleaners.

Observe the warranty regulations in the enclosed service booklet.

REPLACING THE BULBS

⚠ CAUTION: Avoid risk of electric shock.

1. Switch off the hood and unplug the power cord, or switch off the electrical power supply at the main fuse box.

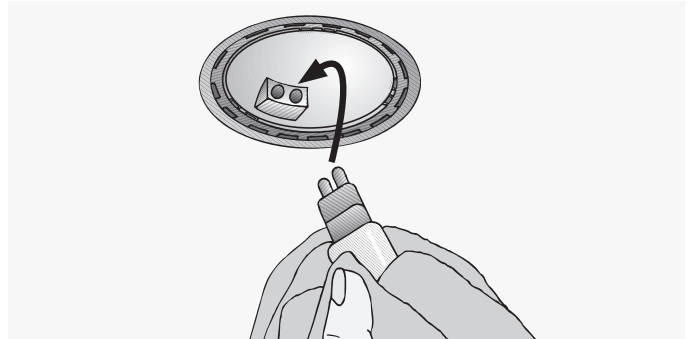
⚠ CAUTION: Avoid risk of burns.

Halogen bulbs become very hot and remain hot for some time after being switched off.

2. Remove the bulb ring with a screwdriver or similar tool.



3. Replace the halogen light bulb (conventional halogen bulb, 12 volts, 20 watts max., G4 bulb socket). **IMPORTANT:** Grasp bulb with a clean cloth before inserting bulb into bulb socket.



4. Reattach the bulb ring.
5. Restore the power by plugging in the power cord or switching on the fuse or circuit breaker.

Note: If the light does not work, make sure the bulbs have been inserted correctly.

CUSTOMER SERVICE

Before Calling for Service

If the blower does not operate:

- Ensure that the electrical cord is properly connected and that power is supplied to the electrical circuit.
- Make sure that the blower speed control knob is not in the OFF position.
- The hood manufacturer accepts no liability for complaints that can be attributed to the design and layout of the ductwork.

How to obtain service

For authorized service or parts information, call 1-800-735-4328.

We want you to be a satisfied customer. If a situation arises that has not been resolved to your satisfaction, please let us know.

Write to: Customer Support, BSH Home Appliances, Corp. 5551 McFadden Ave., Huntington Beach, CA 92649, or call: 1-800-735-4328.

Please include the model number, serial number, and date of original purchase/installation.

CUSTOMER SERVICE

Warranty

What is Covered

Full One Year Warranty

For one year from the date of installation or date of occupancy of a new, previously unoccupied dwelling, any part that fails under normal home use will be repaired or replaced free of charge. Save your dated receipt or other proof of installation/date of occupancy. BSH shall pay for any repairs and replacement of parts proven to be defective in material or workmanship. Service must be provided by a BSH Authorized Service Agency during normal working hours.

What is not Covered

1. Service by an unauthorized agency. Damage or repairs due to service by an unauthorized agency or the use of unauthorized parts.
2. Service visits to:
 - Teach you how to use the appliance.
 - Correct the installation. You are responsible for providing electrical wiring and other connections.
 - Reset circuit breakers or replace home fuses.
3. Damage resulting from accident, alteration, misuse, abuse, improper installation or installation not in accordance with local electrical codes or plumbing codes, or improper storage of the appliance.
4. Repairs due to use other than normal home use.

Scope of Warranty

This warranty applies to appliances used in normal family households. It does not cover commercial use of appliances.

This warranty is for products purchased and retained within the 50 states of the U.S.A., the District of Columbia and Canada. The warranty applies even if you should move during the warranty period. Should the appliance be sold by the original purchaser during the warranty period, the new owner shall continue to be protected until the expiration date of the original purchaser's warranty period. BSH DOES NOT ASSUME ANY RESPONSIBILITY FOR INCIDENTAL OR CONSEQUENTIAL DAMAGES. Some states do not allow the exclusion or limitation of incidental or consequential damages, so the above limitation or exclusion may not apply to you. This warranty gives you specific legal rights, and you may also have other rights which may vary from state to state or province to province.

Service Data

For handy reference, the serial tag information has been affixed below. Keep your invoice for warranty validation. To obtain service, see previous page.



Serial Number/Data Plate Location: Are located on the name plate inside the appliance after removal of the filter frame.

We reserve the right to change specifications or design without notice. Some models are certified for use in Canada. BSH is not responsible for products which are transported from the U.S. for use in Canada. Check with your local Canadian distributor or dealer.

TABLE DES MATIÈRES

Instructions de sécurité importantes	2
Caractéristiques	3
Fonctionnement	4
Filtres et maintenance	5
Entretien et nettoyage	6

Remplacement des ampoules	7
Services après-vente	7+8

Fig. 1
GAZ

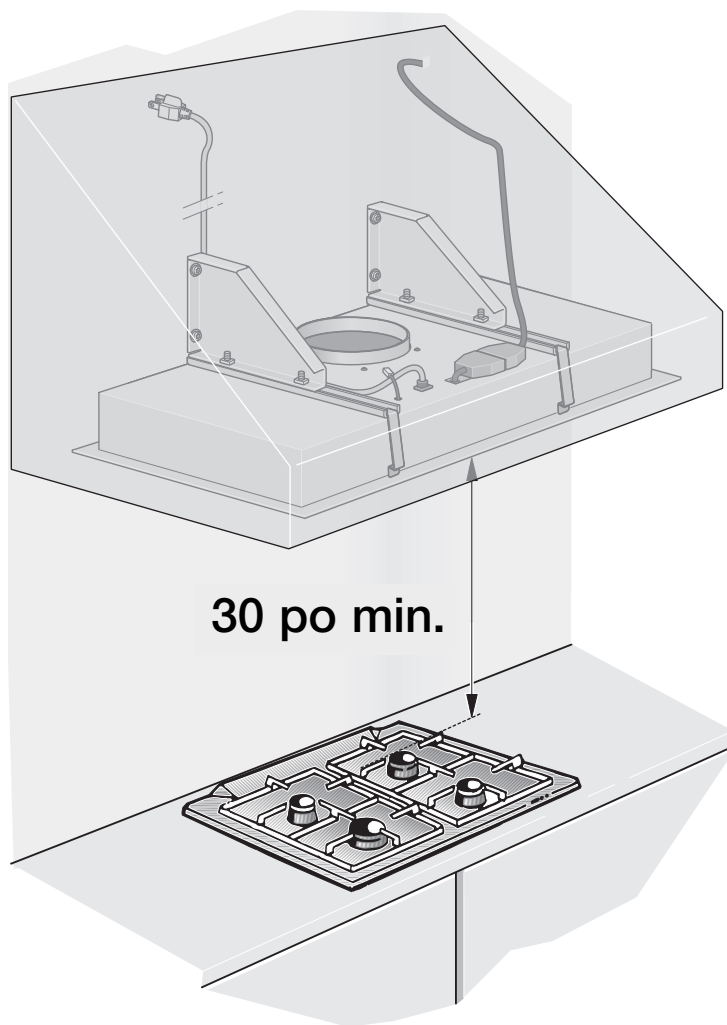
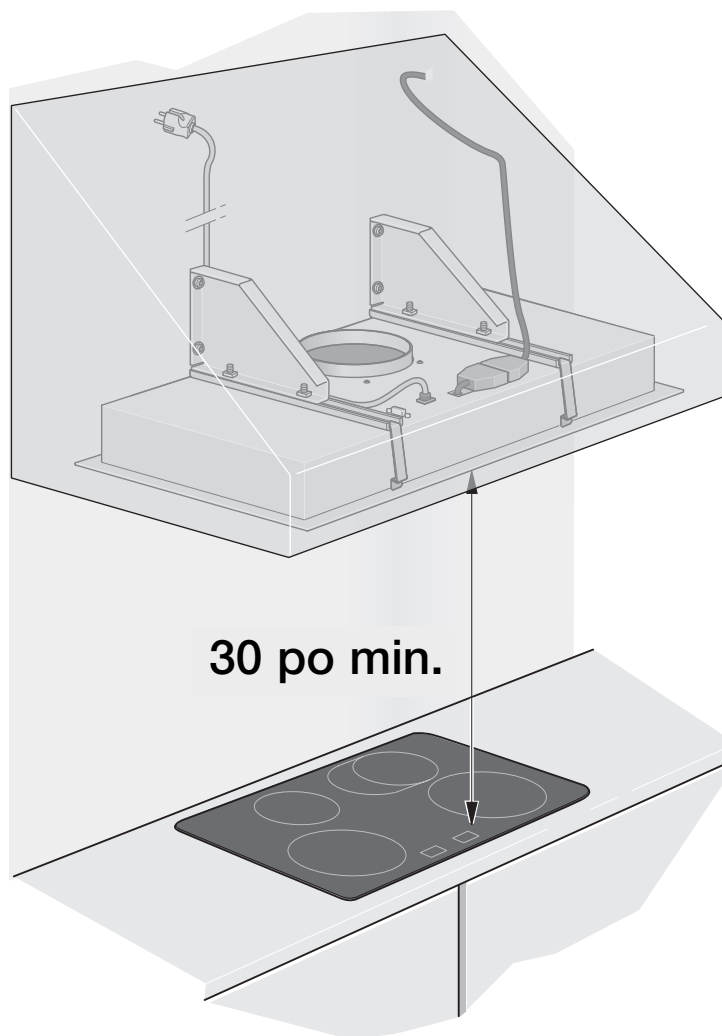


Fig. 1
ÉLECTRIQUE



INSTRUCTIONS DE SÉCURITÉ IMPORTANTES

LISEZ TOUTES LES INSTRUCTIONS AVANT D'UTILISER CET APPAREIL.
LIRE ET CONSERVER CES INSTRUCTIONS.

AVERTISSEMENT – AFIN DE RÉDUIRE LE RISQUE D'INCENDIE DE GRAISSE SUR LA TABLE DE CUISSON :

- a) Ne laissez jamais les plans de cuisson réglés à haute température sans surveillance. L'ébullition peut provoquer des dégagements de fumée et des débordements pouvant prendre feu. Chauffez l'huile lentement, à feu doux ou moyen.
- b) Veillez à toujours mettre la hotte en marche (ON) quand vous cuisinez à haute température ou quand vous faites flamber des aliments (p. ex. des crêpes Suzette, des cerises jubiléés ou du bœuf flambé au poivre).
- c) Nettoyez fréquemment les ventilateurs d'aération. Ne laissez pas la graisse s'accumuler sur le ventilateur ou le filtre.
- d) Utilisez des ustensiles de cuisson de la bonne dimension. Utilisez toujours des ustensiles adaptés à la taille des éléments de surface.

Attention ! La graisse accumulée sur les filtres peut se refondre et être expulsée dans l'orifice de ventilation.

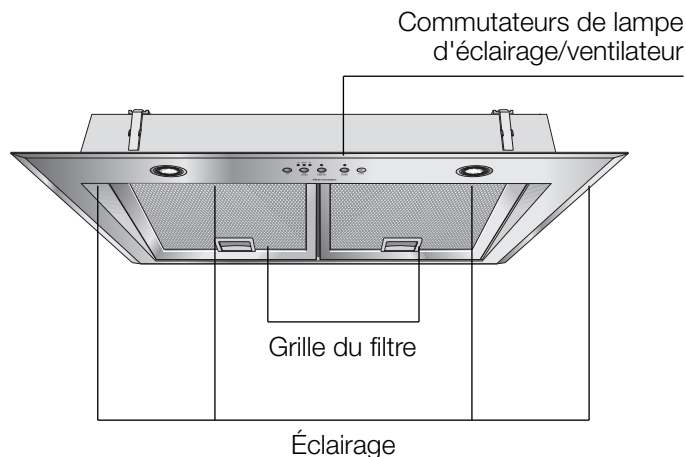
Dès que les enfants sont en âge d'utiliser l'appareil, il est de la responsabilité des parents ou des tuteurs légaux de veiller à ce qu'ils soient informés des pratiques de sécurité par une personne qualifiée.

AVERTISSEMENT – POUR RÉDUIRE LE RISQUE DE LÉSIONS CORPORELLES, DANS L'ÉVENTUALITÉ D'UN INCENDIE DE GRAISSE SUR LA TABLE DE CUISSON, RESPECTEZ LES CONSIGNES SUIVANTES :

- a) ÉTOUFFEZ LES FLAMMES à l'aide d'un couvercle bien étanche, d'une tôle à biscuits ou d'un plateau en métal, puis éteindre le brûleur. VEILLENZ À ÉVITER LES BRÛLURES. Si les flammes ne s'éteignent pas immédiatement, ÉVACUEZ LES LIEUX ET FAITES APPEL AU SERVICE D'INCENDIE.
- b) NE JAMAIS SOULEVER UNE POËLE EN FEU. Vous risquez de vous brûler.
- c) NE JAMAIS UTILISER D'EAU, ou des torchons et serviettes mouillés. Une violente explosion s'en suivra.
- d) N'utiliser un extincteur QUE SI :
 - 1) On dispose d'un extincteur de classe ABC et l'on sait s'en servir.
 - 2) L'incendie est petit et limité à l'endroit où il s'est déclaré.
 - 3) On a fait appel aux pompiers.
 - 4) Il est possible de combattre l'incendie le dos à une sortie.

AVERTISSEMENT : lorsque possible, ne pas actionner la soufflerie en présence d'un feu sur la plaque de cuisson. Toutefois, NE PAS PASSER À TRAVERS LE FEU POUR ÉTEINDRE LA SOUFFLERIE.

CARACTÉRISTIQUES



MODE D'ÉVACUATION D'AIR :

- Le ventilateur de la hotte extrait les vapeurs de cuisine et les fait traverser un filtre à graisse avant de les expulser dans l'atmosphère.
- Le filtre à graisse absorbe les particules solides qui sont présentes dans les vapeurs de cuisine.
- La cuisine est presque entièrement dépourvue de graisses et d'odeurs.

👉 **Lorsque la hotte est utilisée en mode d'évacuation d'air simultanément avec un système de chauffage différent utilisant également la même cheminée,** (tels des appareils de chauffage au gaz, au fuel ou au charbon, des chauffe-eau instantanés ou des chaudières à eau chaude), **veuillez impérativement à ce que l'apport d'air frais nécessaire au système de chauffage soit suffisant pour assurer la combustion.**

Un fonctionnement sans risque est possible si la pression négative dans la pièce où le système de chauffage est installé ne dépasse pas 4 Pa (0,04 mbar).

On y parvient si l'air de combustion peut circuler à travers des ouvertures non-obturables telles que portes et fenêtres, et à travers la ventouse télescopique d'admission/ d'évacuation d'air ou en utilisant d'autres mesures techniques telles qu'un verrouillage réciproque, etc.

⚠ MISE EN GARDE

Évitez l'asphyxie par l'oxyde de carbone en prévoyant une admission d'air suffisante de façon à ce que les gaz de combustion ne soient pas refoulés dans la pièce.

Une ventouse d'admission ou d'évacuation d'air fixée au mur ne constitue pas à elle seule une garantie que le seuil maximal ne sera pas dépassé.

Remarque : lors de l'évaluation des exigences globales, il convient de tenir compte de l'ensemble des moyens d'aération du logement. Cette règle ne s'applique pas à l'utilisation des appareils de cuisson tels que les tables de cuisson et les fours.

REMARQUES IMPORTANTES :

- Le mode d'emploi s'applique à plusieurs versions de cet appareil. Ainsi, il se peut que certaines descriptions de caractéristiques individuelles ne correspondent pas exactement à votre appareil.
- Cette hotte se conforme à tous les règlements de sécurité pertinents.

Les réparations doivent être effectuées uniquement par des techniciens qualifiés.

⚠ MISE EN GARDE

Des réparations inexpertes peuvent engendrer des risques considérables pour l'utilisateur.

- Avant la première utilisation de l'appareil, veuillez lire attentivement le mode d'emploi. Celui-ci contient d'importantes informations concernant votre sécurité personnelle ainsi que sur l'utilisation et l'entretien de l'appareil.
- Veuillez conserver la notice d'utilisation et d'installation pour un futur propriétaire de l'appareil.

TABLES DE CUISSON/CUISINIÈRES À GAZ :

⚠ MISE EN GARDE

Évitez le risque de brûlures ou de dommage causé à la hotte.

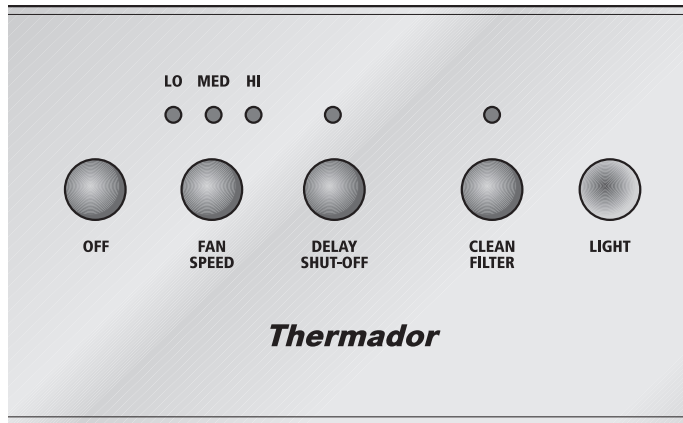
N'utilisez pas tous les brûleurs à gaz simultanément à des températures élevées pendant une période de temps prolongée (max. 15 minutes).

Si la hotte est montée au-dessus d'une table de cuisson à gaz, réglez la hotte sur la puissance maximale si vous avez allumé trois brûleurs ou plus.

FONCTIONNEMENT

IMPORTANT : la meilleure façon d'éliminer les vapeurs générées au cours de la cuisson consiste à :

- mettez le ventilateur sous tension (ON)** dès que vous commencez à cuisiner.
- mettez le ventilateur hors tension (OFF)** quelques minutes après avoir fini de cuisiner.



Pour mettre le ventilateur hors tension (OFF) :

- Appuyez sur la touche OFF.

Arrêt temporisé :

- Appuyez sur la touche DELAY SHUT-OFF (Arrêt temporisé).

Le ventilateur tourne pendant 10 minutes sur **HI**. En même temps, un point clignote sur l'afficheur. Puis, le ventilateur s'arrête automatiquement. La DEL lumineuse indique que DELAY SHUT-OFF est activé.

Éclairage

- Appuyez sur la touche LIGHT (Lumière) pour allumer et éteindre la lumière.
- On peut allumer et éteindre la lumière à n'importe quel moment, même si le ventilateur est hors tension.

Pour mettre le ventilateur sous tension (ON) :

- Appuyez sur la touche FAN SPEED (Régime ventilateur), ou tirez le plateau de filtre.

Réglage de la vitesse de ventilateur requise :

- Appuyez sur la touche FAN SPEED. Le régime du ventilateur augmente d'un cran.

FILTRES ET MAINTENANCE

FILTRES À GRAISSE :

Les filtres métalliques sont utilisés pour intercepter la graisse présente dans les vapeurs produites pendant que vous cuisinez.

Les cartouches filtrantes sont en métal incombustible.

Mise en garde :

Au fur et à mesure que le filtre se sature davantage de graisse, non seulement le risque qu'il s'enflamme augmente, mais le rendement de la hotte risque aussi d'être affecté de façon négative.

IMPORTANT :

En nettoyant les filtres à graisse en métal à intervalles réguliers, vous réduisez le risque que ceux-ci ne prennent feu en raison de l'accumulation de chaleur, comme par exemple pendant la friture ou le rôtissage.

Voyant de saturation :

Lorsque les filtres à graisse atteignent un point de saturation, la DEL CLEAN FILTER (Nettoyage filtre) s'allume. Les filtres à graisse doivent être nettoyés immédiatement. Pour éteindre la DEL, appuyez sur la touche CLEAN FILTER pendant 6 secondes.

Nettoyage des filtres à graisse en métal :

- En fonctionnement normal (1 à 2 heures par jour), les filtres à graisse en métal doivent être nettoyés une fois par mois.
- Les filtres peuvent être nettoyés au lave-vaisselle. Cela dit, ils peuvent se décolorer quelque peu.
- Le filtre doit être placé de manière lâche dans le lave-vaisselle et NE doit PAS être coincé.

Important :

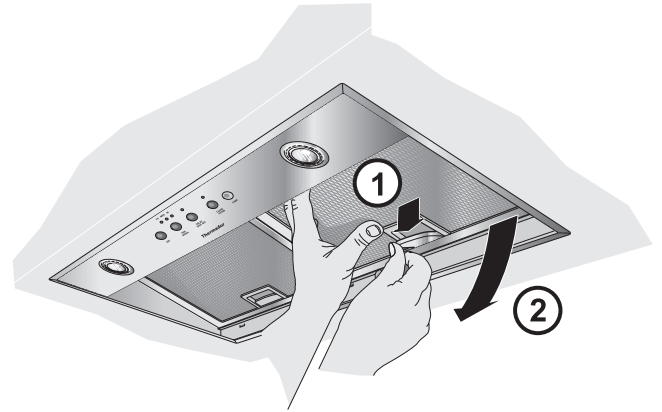
Ne pas nettoyer les filtres en métal saturés de graisse avec la vaisselle.

- Si vous nettoyez les filtres à la main, faites-les tremper dans de l'eau savonneuse chaude. N'utilisez pas de produits de nettoyage trop puissants, acides ou abrasifs. Brossez les filtres puis rincez-les soigneusement et égouttez l'eau et laissez-les sécher.

Retrait et mise en place des filtres à graisse en métal :

⚠ Avertissement Évitez le risque de brûlures. Les ampoules à halogène doivent être éteintes et avoir refroidi.

1. Appuyez sur les verrous de blocage du filtre à graisse et tirez le filtre vers le bas. En même temps, tenez le dessous du filtre à graisse de l'autre main.



2. Nettoyez les filtres.

3. Remettez en place les filtres propres dans la hotte.

ENTRETIEN ET NETTOYAGE



AVERTISSEMENT : Pour éviter le risque d'incendie et d'explosion, n'utilisez pas de liquides ou solvants inflammables. Avant toute intervention, pensez toujours à débrancher ou à couper le courant de l'appareil du réseau d'alimentation électrique.

IMPORTANT : Ne nettoyez pas la hotte avec des éponges abrasives ou des détergents qui contiennent du sable, du bicarbonate de soude, de l'acide ou du chlore !

- Nettoyez la hotte avec une solution d'eau savonneuse chaude ou un produit nettoyant pour vitre non puissant.
- Ne raclez pas la surface pour déloger les aliments séchés. Essuyez plutôt avec un chiffon humide.

- Lors du nettoyage des filtres à graisse, nettoyez la graisse qui s'est déposée aux endroits accessibles du bâti.

Vous évitez ainsi les risques d'incendie et garantisiez un rendement optimal de la hotte.

- Remarque** : ne nettoyez pas avec de l'alcool (essences), car vous risquez de les ternir.

Mise en garde : respectez toutes les consignes et précautions fournies avec les produits de nettoyage.

IMPORTANT : Nettoyez les touches de commande avec de l'eau légèrement savonneuse et utilisez un chiffon doux et humide uniquement.

N'utilisez pas de produits de nettoyage pour acier inoxydable pour nettoyer les touches de commande.

Surfaces en acier inoxydable :

- Utilisez un produit de nettoyage pour l'acier inoxydable non abrasif.
- Nettoyez la surface dans la direction du grain.
- Nous recommandons d'utiliser des produits de nettoyage pour acier inoxydable tels que Fantastik® ou Formula 409®, **vaporisés sur du papier essuie-tout.**

Surfaces en aluminium et en plastique :

- N'utilisez pas de chiffons secs.
- Utilisez un produit de nettoyage pour vitres non puissant.

N'utilisez pas de produits de nettoyage trop puissants, acides ou abrasifs.

Respectez les règlements de la garantie du livret d'entretien ci-joint.

REEMPLACEMENT DES AMPOULES

⚠ MISE EN GARDE : évitez le risque de choc électrique.

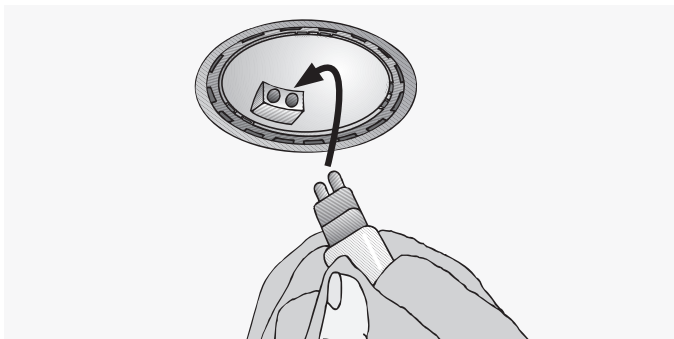
1. Mettez la hotte hors tension et débranchez la prise secteur ou coupez l'alimentation électrique au niveau de la boîte à fusibles principale.

⚠ MISE EN GARDE. évitez le risque de brûlures. Les ampoules à halogène allumées deviennent très chaudes et restent chaudes assez longtemps après avoir été éteintes.

2. Enlevez l'anneau d'ampoule à l'aide d'un tournevis ou d'un outil similaire.



3. Remplacez l'ampoule à halogène (ampoule à halogène classique, 12 volts, 20 watts maximum, douille G4). **IMPORTANT** : Saisir l'ampoule avec un chiffon propre avant de l'introduire dans la douille.



4. Remise en place de l'anneau d'ampoule.

5. Remettez l'alimentation en service en branchant le cordon d'alimentation ou en remettant le fusible ou le disjoncteur.

Remarque : si la lumière ne fonctionne pas, vérifiez que les ampoules sont correctement installées.

SERVICE APRÈS VENTE

Avant d'appeler le service après-vente

Si la soufflerie ne fonctionne pas :

- Assurez-vous que le cordon électrique est correctement branché et que le courant circule dans le circuit électrique.
- Assurez-vous que le bouton de réglage de la vitesse de la soufflerie n'est pas en position d'arrêt (OFF).
- Le fabricant de la hotte décline toute responsabilité pour toute plainte pouvant être attribuée à la conception et à l'agencement du système de conduits.

Obtention du service

Pour un centre de service autorisé ou des informations sur les pièces, appelez le +1-800-735-4328.

Nous attachons une extrême importance à la satisfaction de nos clients. Si un problème n'est pas résolu à votre satisfaction, veuillez nous en informer.

Écrivez à : Customer Support, BSH Home Appliances, Corp. 5551 McFadden Ave., Huntington Beach, CA 92649, USA ou appelez le : +1-800-735-4328.

Veuillez inclure le numéro de modèle, le numéro de série et la date d'achat/d'installation d'origine.

SERVICE APRÈS VENTE

Garantie

Ce qui est couvert

Garantie complète d'un an

Pendant un an à compter de la date d'installation ou d'occupation pour une nouvelle résidence non précédemment occupée, toute pièce qui présente un défaut dans le cadre d'un usage domestique normal sera réparée ou remplacée sans frais. Conservez le reçu daté ou autre preuve d'installation ou de la date d'occupation. BSH assumera les frais de réparation et de remplacement des pièces s'avérant défectueuses en raison d'un défaut de matière ou de fabrication. Le service doit être fourni par une agence de service autorisée par BSH pendant les heures normales de travail.

Ce qui n'est pas couvert

1. Le service par une agence non autorisée. Les dommages ou réparations à cause d'un service effectué par une agence non autorisée ou l'utilisation de pièces non autorisées.
2. Les visites de service pour :
 - Vous montrer comment utiliser l'appareil.
 - Rectifier l'installation. Vous êtes responsable du câblage électrique et autres branchements.
 - Remettre les disjoncteurs ou remplacer des fusibles de la résidence.
3. Les dommages consécutifs à un accident, une modification, une mauvaise utilisation, un abus, une installation inadéquate ou une installation non conforme aux codes électriques locaux ou aux codes de plomberie, ou un rangement inadéquat de l'appareil.
4. Les réparations causées par un usage autre qu'un usage normal à domicile.

Champ d'application de la garantie

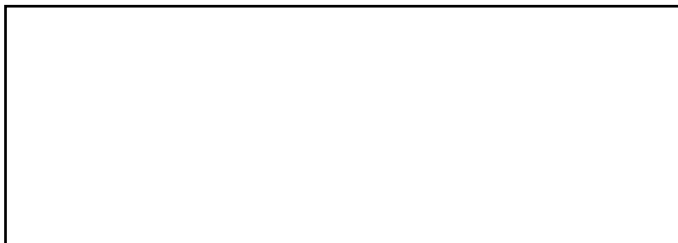
Cette garantie s'applique aux appareils utilisés dans des résidences familiales normales. Elle ne couvre pas l'usage commercial des appareils.

Cette garantie concerne les produits achetés et gardés dans les 50 états des É.-U., le district de Colombie et au Canada. Elle s'applique même si l'utilisateur déménage pendant la période de garantie. Si cet appareil est vendu par l'acheteur d'origine pendant la période de garantie, le nouveau propriétaire continue d'être couvert jusqu'à la date d'expiration de la période de garantie du propriétaire d'origine.

BSH N'EST PAS RESPONSABLE DES DOMMAGES ACCESSOIRES OU INDIRECTS. Certains états ne permettent pas l'exclusion ou la limitation des dommages accessoires ou indirects, de sorte que les limitations ou exclusions ci-dessus peuvent ne pas vous concerner. Cette garantie vous donne des droits légaux spécifiques et il se peut que vous ayez d'autres droits qui varient d'un état à l'autre ou d'une province à l'autre.

Données concernant le service

À des fins de référence pratique, l'information de la plaque signalétique figure ci-dessous. Conservez votre facture pour la validation de la garantie. Obtention du service, voir page précédente.



Numéro de série/Plaque signalétique : sont placés à l'intérieur de l'appareil sur la plaque d'identification après retrait du cadre porte-filtre.

Nous nous réservons le droit de modifier les données techniques ou la conception sans préavis. Certains modèles sont certifiés pour utilisation au Canada.

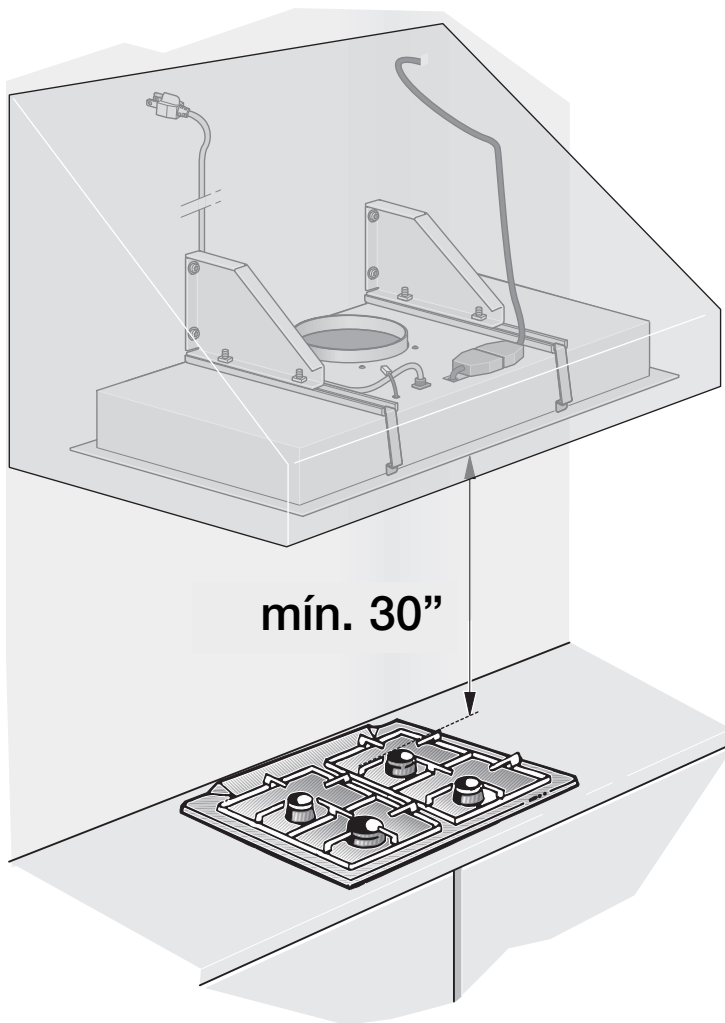
BSH n'est pas responsable des produits qui sont transportés des États-Unis pour une utilisation au Canada. Vérifiez auprès d'un distributeur ou d'un revendeur canadien local.

ÍNDICE

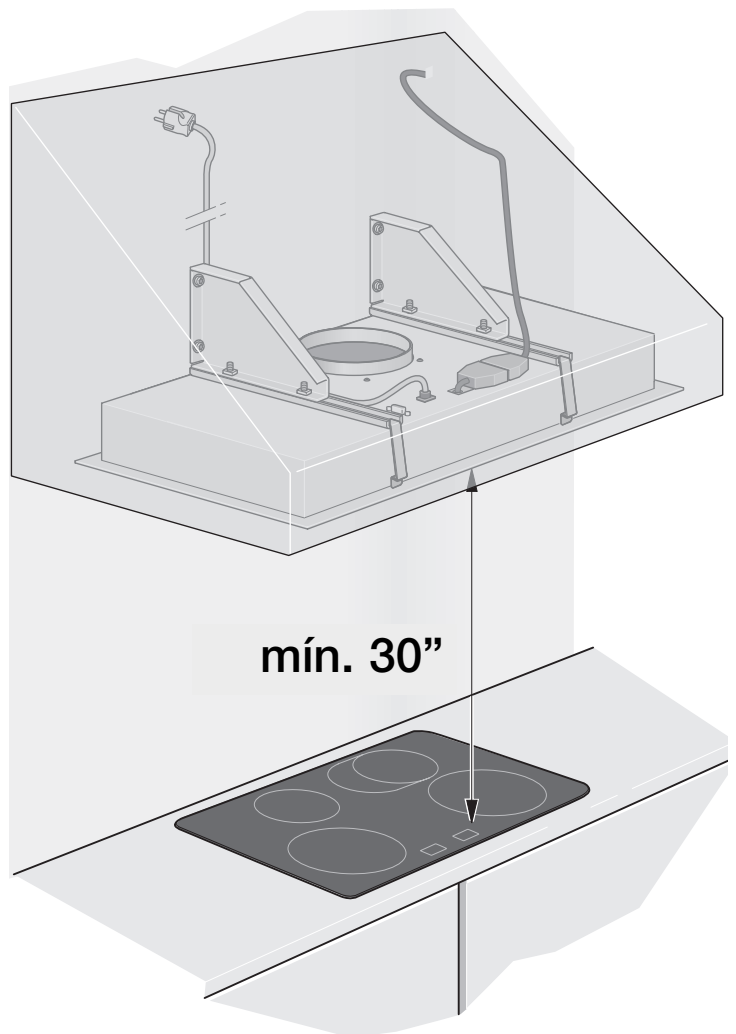
Instrucciones de seguridad importantes	2
Características	3
Operación	4
Filtros y mantenimiento	5
Cuidado y limpieza	6

Reemplazo de focos	7
Servicio al Cliente	7+8

Fig. 1
A GAS



ELÉCTRICA



INSTRUCCIONES DE SEGURIDAD IMPORTANTES

LEA TODAS LAS INSTRUCCIONES ANTES DE USAR EL ELECTRODOMÉSTICO.
LEA Y CONSERVE ESTAS INSTRUCCIONES

ADVERTENCIA – PARA REDUCIR EL RIESGO DE INCENDIO OCASIONADO POR GRASA EN LA PLACA:

- a) Nunca deje las unidades de la superficie sin vigilancia a temperaturas altas. Los derrames por hervor causan humo y salpicaduras grasosas que pueden prenderse fuego. Caliente los aceites despacio a temperaturas bajas o medianas.
- b) Siempre encienda la campana al cocinar a una temperatura alta o al flambeo alimentos (p. ej., crepas Suzette, cerezas Jubilee, carne flambeada con granos de pimienta).
- c) Limpie los ventiladores extractores con frecuencia. No se debe permitir la acumulación de grasa en el ventilador ni en el filtro.
- d) Use el tamaño adecuado de olla. Siempre use utensilios de cocina apropiados para el tamaño del elemento de la superficie.

Precaución: La grasa acumulada en los filtros puede volver a derretirse y entrar en las aberturas de ventilación.

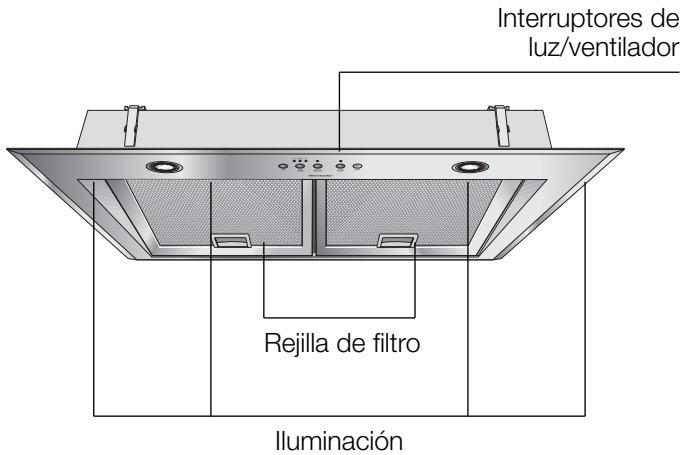
Cuando los niños tienen la edad adecuada para utilizar el electrodoméstico, es responsabilidad legal de los padres o tutores legales asegurarse de que reciban las instrucciones sobre prácticas seguras por parte de personas calificadas.

ADVERTENCIA – PARA REDUCIR EL RIESGO DE LESIONES A PERSONAS EN CASO DE INCENDIO OCASIONADO POR GRASA EN LA PLACA, SIGA ESTAS INDICACIONES:

- a) SOFOQUE LAS LLAMAS con una tapa que ajuste correctamente, una placa para galletas o una bandeja de metal; luego, apague la hornilla. SEA CUIDADOSO PARA PREVENIR QUEMADURAS.
Si las llamas no se apagan de inmediato, EVACUE EL ÁREA Y LLAME AL DEPARTAMENTO DE BOMBEROS.
- b) NUNCA LEVANTE UNA OLLA EN LLAMAS. Se puede quemar.
- c) NO USE AGUA, ni repasadores ni toallas húmedos. Puede ocasionar una violenta explosión.
- d) Use un extinguidor SÓLO si:
 - 1) Sabe que tiene un extinguidor Clase ABC y ya sabe cómo usarlo.
 - 2) El incendio es pequeño y se limita al área donde se originó.
 - 3) Alguien llamó al departamento de bomberos.
 - 4) Puede combatir el incendio de espaldas a una salida.

ADVERTENCIA: Cuando sea posible, no ponga el soplador en funcionamiento durante un incendio en la placa. Pero NO ATRAVIESE EL FUEGO CON LA MANO PARA APAGAR EL SOPLADOR.

CARACTERÍSTICAS



MODO DE AIRE DE SALIDA:

- El ventilador de la campana extrae los vapores de cocina y los conduce por el filtro de grasa al aire libre.
- El filtro de grasa absorbe las partículas sólidas de los vapores de cocina.
- La cocina se mantiene prácticamente sin grasa ni olores.

👉 Cuando se utiliza la campana en el modo de aire de salida simultáneamente con un sistema de calentamiento diferente que también utiliza la misma chimenea (como calentadores a gas, aceite o carbón, calentadores de flujo continuo, calentadores de agua), **se debe asegurar que haya un suministro de aire fresco suficiente**, que será necesario para la combustión en el sistema de calentamiento.

La operación segura es posible siempre que la subpresión de la habitación donde está instalado el sistema de calentamiento no supere los 4 Pa (0.04 mbar).

Esto es posible si el aire de combustión puede circular a través de aberturas que no puedan trabarse, como ser puertas y ventanas, y a través de cajas de entrada/salida de aire en la pared, o mediante otros medios técnicos, como enclavamiento recíproco, etc.

⚠ PRECAUCIÓN

Evite la intoxicación por monóxido de carbono proporcionando una entrada de aire suficiente para que los gases de la combustión no vuelvan a ingresar a la habitación.

Una caja de entrada/salida de aire en la pared por sí sola no garantiza que no se superará el umbral máximo.

Nota: Al evaluar los requisitos totales, se debe tener en cuenta el sistema de ventilación combinado para todo el hogar. Esta norma no se aplica al uso de electrodomésticos de cocina, como placas y hornos.

NOTAS IMPORTANTES:

- Las instrucciones de uso se aplican a varias versiones de este electrodoméstico. Por lo tanto, puede encontrar descripciones de características individuales que no se apliquen a su electrodoméstico específico.
- Esta campana cumple con todas las reglamentaciones de seguridad pertinentes.

Las reparaciones deben ser realizadas por técnicos calificados únicamente.

⚠ PRECAUCIÓN

Las reparaciones incorrectas pueden poner en grave riesgo al usuario.

- Antes de usar su electrodoméstico por primera vez, lea atentamente estas instrucciones de uso. Contienen información importante sobre su seguridad personal, así como también sobre el uso y cuidado del electrodoméstico.
- Conserve las instrucciones de operación e instalación para un propietario posterior.

PLACAS A GAS/ESTUFAS A GAS:

⚠ PRECAUCIÓN

Evite el riesgo de quemaduras o daños a la campana.

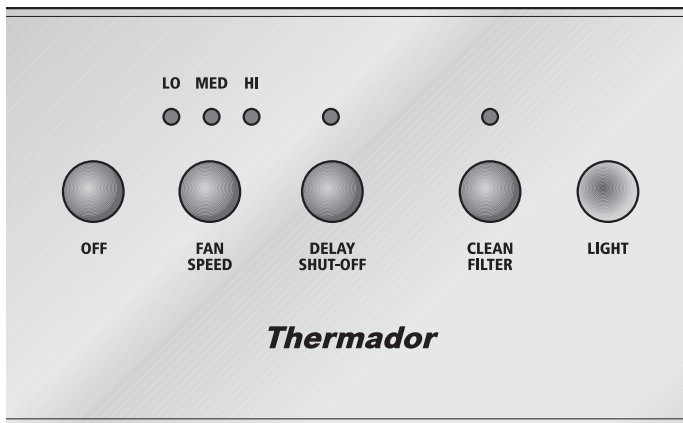
No use todas las hornillas a gas simultáneamente a temperaturas altas durante un período prolongado (máx. 15 minutos).

Si la campana se encuentra sobre una placa a gas, haga funcionar la campana en el valor máximo cuando se usen tres o más hornillas a gas.

OPERACIÓN

IMPORTANTE: La manera más efectiva para eliminar los vapores producidos mientras cocina es:

- Encender el ventilador**
apenas comienza a cocinar.
- Apagar el ventilador**
unos minutos después de haber terminado de cocinar.



Para encender el ventilador

- Presione el botón FAN SPEED (VELOCIDAD DEL VENTILADOR) o jale la bandeja del filtro hacia afuera.

Para programar la velocidad requerida del ventilador:

- Presione el botón FAN SPEED (VELOCIDAD DEL VENTILADOR).
La velocidad del ventilador aumenta de a un nivel por vez.

Para apagar el ventilador:

- Presione el botón OFF (APAGADO).

Apagado con demora:

- Presione el botón DELAY SHUT-OFF (APAGADO CON DEMORA).

El ventilador funciona durante 10 minutos en el valor **HI**.

En el mismo momento, en la pantalla aparecerá titilando un punto.

Luego, el ventilador se apaga automáticamente. El LED iluminado indica que la función DELAY SHUT-OFF (APAGADO CON DEMORA) está activada.

Iluminación:

- Presione el botón LIGHT (LUZ) para encender y apagar la luz.
- La luz se puede encender en cualquier momento, incluso cuando el ventilador está apagado.

FILTROS Y MANTENIMIENTO

FILTROS DE GRASA:

Los filtros de metal se utilizan para atrapar la grasa de los vapores que se producen mientras cocina.

Las láminas de filtro están hechas de metal no combustible.

Precaución:

A medida que el filtro se va saturando de grasa, no sólo aumenta el riesgo de que se incendie, sino que la eficiencia de la campana se ve afectada adversamente.

IMPORTANTE:

Limpiando los filtros de grasa de metal en intervalos adecuados, disminuye la posibilidad de que se incendien como consecuencia de la acumulación de calor, como cuando se fríe con abundante aceite o se asan alimentos.

Indicador de saturación:

Cuando los filtros de grasa alcanzan el punto de saturación, se ilumina el LED CLEAN FILTER (LIMPIE EL FILTRO). Los filtros de grasa deben limpiarse de inmediato. Para apagar el LED, presione el botón CLEAN FILTER (LIMPIE EL FILTRO) durante 6 segundos.

Para limpiar los filtros de grasa de metal:

- ❑ Con el uso normal (1 a 2 horas por día), los filtros de grasa de metal deben limpiarse una vez por mes.
- ❑ Los filtros pueden limpiarse en un lavavajillas. Sin embargo, es posible que se decoloren ligeramente.
- ❑ El filtro debe quedar suelto en el lavavajillas, no debe quedar atascado.

Importante:

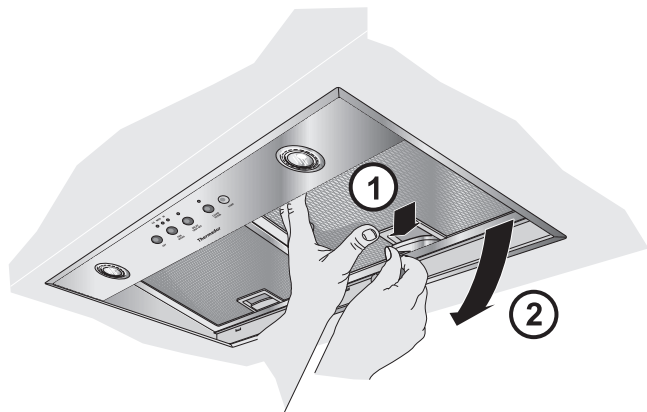
No lave filtros de metal saturados con grasa junto con los demás platos, etc.

- ❑ Al limpiar los filtros a mano, sumérjalos en agua jabonosa caliente.
No utilice limpiadores agresivos, ácidos ni abrasivos.
Cepille los filtros para limpiarlos, enjuáguelos bien, sacúdalos para eliminar el agua y déjelos secar.

Para retirar y colocar los filtros de grasa de metal:

⚠ Advertencia: Evite el riesgo de quemaduras. Los focos halógenos deben estar apagados y fríos.

1. Presione las trabas de los filtros de grasa y jale los filtros hacia abajo. Al mismo tiempo, sujete la parte inferior de los filtros de grasa con la otra mano.



2. Limpie los filtros.

3. Vuelva a colocar los filtros limpios en la campana.

CUIDADO Y LIMPIEZA



ADVERTENCIA: Para evitar el riesgo de incendio y explosión, no utilice líquidos ni solventes inflamables. Siempre desenchufe o desconecte el electrodoméstico de la fuente de alimentación eléctrica antes de realizar el servicio técnico.

IMPORTANTE: ¡No limpie la campana con esponjas abrasivas ni con agentes de limpieza que contengan arena, bicarbonato de sodio, ácido ni cloro!

- Limpie la campana con una solución jabonosa caliente o un limpiador suave para ventanas.
- No raspe la suciedad seca. Límpiela con un paño húmedo.

- Cuando limpie los filtros de grasa, retire los depósitos de grasa de las partes accesibles de la carcasa. Esto previene el riesgo de incendio y asegura que la campana continúe funcionando en su nivel máximo de eficiencia.

- Nota:** No use alcohol, ya que pueden aparecer marcas opacas.

Precaución: Siga todas las instrucciones y precauciones incluidas con los limpiadores.

IMPORTANTE: Limpie los botones de operación solamente con una solución jabonosa suave y un paño suave húmedo. No use limpiadores para acero inoxidable para limpiar los botones de operación.

Superficies de acero inoxidable:

- Use un limpiador para acero inoxidable no abrasivo suave.
- Limpie la superficie en la misma dirección del grano.
- Recomendamos limpiadores para acero inoxidable, como Fantastik® o Formula 409®. **Rocíe este producto en una toalla de papel.**

Superficies de aluminio y plástico:

- No use paños secos.
- Use un agente de limpieza suave para ventanas.

No utilice limpiadores agresivos, ácidos ni abrasivos.

Siga las reglamentaciones de la garantía incluidas en el manual de servicio técnico adjunto.

REEMPLAZO DE FOCOS

⚠ PRECAUCIÓN: Evite el riesgo de descarga eléctrica.

1. Apague la campana y desenchufe el cable de alimentación o apague la alimentación eléctrica en la caja de fusibles principal.

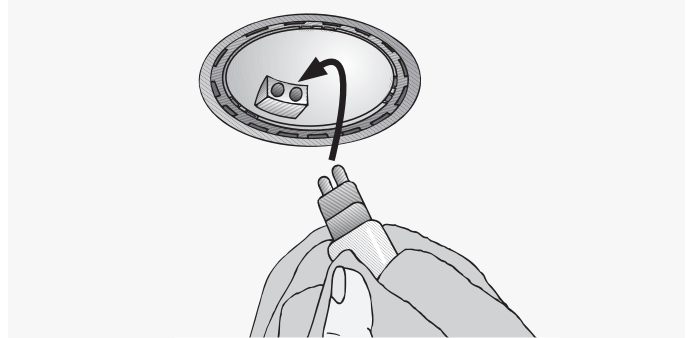
⚠ PRECAUCIÓN: Evite el riesgo de quemaduras. Los focos halógenos se calientan mucho y permanecen calientes durante algún tiempo después de que se apagaron.

2. Retire el aro del foco con un destornillador o una herramienta similar.



3. Coloque el foco de luz halógena (foco halógeno convencional de 12 voltios, 20 vatios como máximo, portalámparas G4).

IMPORTANTE: Tome el foco con un paño limpio antes de introducir el foco en el portalámparas.



4. Vuelva a colocar el aro del foco.

5. Restablezca la alimentación eléctrica enchufando el cable de alimentación o encendiendo el fusible o disyuntor.

Nota: Si la luz no funciona, asegúrese de que los focos estén correctamente insertados.

SERVICIO AL CLIENTE

Antes de llamar al servicio técnico

Si el soplador no funciona:

- Verifique que el cable eléctrico esté correctamente conectado y que se suministre alimentación al circuito eléctrico.
- Verifique que la perilla de control de velocidad del soplador no esté en la posición OFF (APAGADO).
- El fabricante de la campana no asume responsabilidad alguna por las reclamaciones que puedan atribuirse al diseño y a la distribución del conducto.

Cómo obtener servicio técnico

Para obtener información sobre servicio técnico autorizado o sobre las piezas, llame al 1-800-735-4328.

Queremos que esté conforme como cliente. Si usted no ha quedado conforme respecto de la resolución de una situación, infórmenos.

Escriba a: Customer Support, BSH Home Appliances, Corp. 5551 McFadden Ave., Huntington Beach, CA 92649, o llame al: 1-800-735-4328.

Incluya el número de modelo, el número de serie y la fecha original de compra/instalación.

SERVICIO AL CLIENTE

Garantía

Lo que cubre

Garantía total por un año

Durante un año a partir de la fecha de instalación o de la fecha de ocupación de una vivienda nueva, que no haya estado ocupada previamente, cualquier pieza que no funcione en condiciones de uso doméstico normales será reparada o reemplazada sin cargo. Conserve su recibo fechado o cualquier otro comprobante de la fecha de instalación/ocupación. BSH pagará por todas las reparaciones y las piezas de repuesto que tengan defectos en los materiales o en la mano de obra. El servicio técnico debe ser brindado por una Agencia de Servicio Técnico Autorizada por BSH durante el horario normal de trabajo.

Lo que no cubre

1. El servicio técnico brindado por una agencia no autorizada. Los daños o las reparaciones debidos al servicio técnico brindado por una agencia no autorizada o el uso de piezas no autorizadas.
2. Las visitas del servicio técnico para:
 - Enseñarle cómo usar el electrodoméstico.
 - Corregir la instalación. Usted es responsable de proporcionar el cableado eléctrico y demás conexiones.
 - Reponer disyuntores o reemplazar fusibles domésticos.
3. Los daños que resulten del accidente, alteración, uso indebido, abuso, instalación incorrecta o instalación no conforme a los códigos de electricidad o plomería locales, o almacenamiento incorrecto del electrodoméstico.
4. Reparaciones requeridas debido a uso distinto del uso doméstico normal.

Alcance de la garantía

Esta garantía se aplica a los electrodomésticos utilizados para fines domésticos normales de una familia. No cubre el uso comercial de los electrodomésticos.

Esta garantía cubre productos comprados y mantenidos dentro de los 50 estados de los Estados Unidos de América, el Distrito de Columbia y Canadá. La garantía se aplica incluso si usted se muda durante el período de garantía. Si el comprador original vende el electrodoméstico durante el período de garantía, el nuevo propietario seguirá contando con la protección de la garantía hasta la fecha de vencimiento del período de garantía del comprador original.

BSH NO ASUME RESPONSABILIDAD POR LOS DAÑOS INCIDENTALES O CONSECUENTES. Algunos estados no permiten la exclusión o limitación de daños incidentales o consecuentes; por lo tanto, es posible que la limitación o exclusión precedente no se aplique en su caso. Esta garantía le otorga derechos legales específicos, y también pueden corresponderle otros derechos que pueden variar según el estado o la provincia.

Datos para el servicio técnico

Para una referencia rápida, se ha incluido la información de la etiqueta con el número de serie a continuación. Conserve su factura para la validación de la garantía. Para obtener servicio técnico, consulte la página anterior.



Ubicación de la placa de datos/número de serie: en la placa de nombre dentro del electrodoméstico después de retirar el marco del filtro.

Nos reservamos el derecho de modificar las especificaciones o el diseño sin previo aviso. Algunos modelos cuentan con certificación para uso en Canadá.

BSH no se responsabiliza por los productos que se transportan desde los EE. UU. para uso en Canadá. Consulte a su distribuidor o agente local de Canadá.

Thermador[®] | *An American Icon*[™]

5551 McFadden Avenue, Huntington Beach CA, 92649 • 800-735-4328 • www.thermador.com
9000201949 • 10013 RevB • 02/07 © BSH Home Appliances Corporation • Litho in U.S.A.