

Installation
GUIDE

Professionalfi Series Rangetops

PCG305W PCG366W PCG364WD
PCG486WD



Table of contents

1 IMPORTANT SAFETY INSTRUCTIONS.....	3
1.1 Safety definitions.....	4
1.2 General information.....	4
1.3 General safety instructions.....	4
1.4 Appliance handling safety	4
1.5 Electrical safety.....	5
1.6 Gas safety.....	5
1.7 Safety codes and standards.....	6
1.8 Ventilation recommendations	6
1.9 State of California Proposition 65 Warnings	7
2 Before you begin.....	8
2.1 Parts included	8
2.2 Tools and parts needed	8
2.3 Power requirements and grounding	8
2.4 Ventilation requirements	8
3 Installation requirements	8
3.1 Location requirements.....	8
4 Countertop cutout.....	12
5 Gas inlet location	14
6 Unpacking the appliance.....	14
6.1 Removing the rangetop from the pallet.....	14
7 Gas requirements and connections	14
7.1 High altitude installation	15
7.2 Gas requirements	15
7.3 Connecting the gas supply.....	15
8 Electrical requirements and connection for GAS models	16
8.1 Electrical supply circuit requirements	17
9 Installation procedure	17
9.1 Installing the low backguard (purchased separately)	17
9.2 Setting the appliance.....	18
9.3 Burner cap placement.....	18
9.4 Placing the burner grates	19
9.5 Preparing the electric griddle.....	19
10 Testing the rangetop burners	19
10.1 Flame characteristics	20
11 Installer checklist.....	20
12 Customer Service	21
12.1 Model number (E-Nr.) and production number (FD)	21
12.2 Rating plate location.....	21
12.3 Product registration.....	21



IMPORTANT SAFETY INSTRUCTIONS

READ AND SAVE THESE INSTRUCTIONS

Read all of the instructions carefully before using the appliance. In order to reduce the risk of fire, electric shocks and personal injuries when using the appliance, follow the basic safety precautions, including the following safety instructions.

⚠ WARNING: If the information in these instructions is not followed exactly, a fire or explosion may result causing property damage, personal injury or death.

- Do not store or use gasoline or other flammable vapors and liquids in the vicinity of this or any other appliance.
- **WHAT TO DO IF YOU SMELL GAS**
 - Do not try to light any appliance.
 - Do not touch any electrical switch.
 - Do not use any phone in your building.
 - Immediately call your gas supplier from a neighbor's phone. Follow the gas supplier's instructions.
 - If you cannot reach your gas supplier, call the fire department.
- Installation and service must be performed by a qualified installer, service agency or the gas supplier.

⚠ WARNING:

Never Operate the Top Surface Cooking Section of this Appliance Unattended.

- Failure to follow this warning statement could result in fire, explosion, or burn hazard that could cause property damage, personal injury, or death.
- If a fire should occur, keep away from the appliance and immediately call your fire department.

**DO NOT ATTEMPT TO EXTINGUISH
AN OIL/GREASE FIRE WITH WATER.**



IMPORTANT SAFETY INSTRUCTIONS

READ AND SAVE THESE INSTRUCTIONS

1.1 Safety definitions

Here you can find explanations of the safety signal words used in this manual.

WARNING

This indicates that death or serious injuries may occur as a result of non-observance of this warning.

CAUTION

This indicates that minor or moderate injuries may occur as a result of non-observance of this warning.

NOTICE:

This indicates that damage to the appliance or property may occur as a result of non-compliance with this advisory.

Note: This alerts you to important information and/or tips.

1.2 General information

All product manuals may be downloaded online at www.thermador.com/us/support/owner-manuals.

INSTALLER: Please leave these instructions with this unit for the owner.

OWNER: Please retain these instructions for future reference. Read all safety instructions before operating the appliance. Have the installer show you where the electric circuit breaker and the gas supply shut-off valve are located so you know how and where to turn off the gas and electricity to the appliance.

1.3 General safety instructions

All product manuals may be downloaded online at www.thermador.com/us/support/owner-manuals.

IMPORTANT: THE APPLIANCE MUST BE INSTALLED BY A QUALIFIED INSTALLER.

IMPORTANT: SAVE THESE INSTRUCTIONS FOR THE LOCAL ELECTRICAL INSPECTOR'S USE.

INSTALLER: LEAVE THESE INSTALLATION INSTRUCTIONS WITH THE UNIT FOR THE OWNER.

OWNER: Please retain these instructions for future reference. Read all safety instructions before operating the appliance. Have the installer show you where the electric circuit breaker and the gas supply shut-off valve are located so you know how and where to turn off the gas and electricity to the appliance.

Examine the appliance after unpacking it. In the event of transport damage, do not plug it in.

WARNING

If the information in this manual is not followed exactly, fire or shock may result causing property damage or personal injury.

Do not repair, replace or remove any part of the appliance unless specifically recommended in the manuals.

Improper installation, service or maintenance can cause injury or property damage.

- ▶ Refer to this manual for guidance.
- ▶ All other servicing should be done by an authorized service provider.

Disconnect electrical and gas supply before servicing.

Never modify or alter the construction of the appliance.

The appliance should only be used if installed by a qualified technician in accordance with these installation instructions and all applicable regulations and codes. The manufacturer is not responsible for any damage resulting from incorrect installation or the failure to follow appropriate local codes and regulations.

To eliminate the risk of burns or fire by reaching over heated surface units, cabinet storage space located above the surface units should be avoided.

WARNING

DO NOT install this appliance outdoors.

WARNING

Remove all tape and packaging before using the appliance.

- ▶ Dispose of packaging in an environmentally responsible manner.
- ▶ Never allow children to play with packaging material.
- ▶ Store small parts safely as they can be a choke hazard.

WARNING

To avoid possible burn or fire hazard, a backguard designed specifically for this appliance should be installed whenever the appliance is used.

CAUTION

This unit is designed as a cooking appliance. Based on safety considerations, never use it for warming or heating a room. Doing so may result in carbon monoxide poisoning and overheating the appliance.

1.4 Appliance handling safety

WARNING



Hidden surfaces may have sharp edges.

- ▶ Use caution when reaching behind or under appliance.



IMPORTANT SAFETY INSTRUCTIONS

READ AND SAVE THESE INSTRUCTIONS

1.5 Electrical safety

- **Installer** - show the owner the location of the circuit breaker or fuse. Mark it for easy reference.
- If required by the National Electrical Code (or Canadian Electrical Code), this appliance must be installed on a separate branch circuit.
- The appliance, when installed, must be electrically grounded in accordance with local codes or, in the absence of local codes, with the National Electrical Code, NFPA 70 latest edition, or the Canadian Electrical Code, CSA C22.1 latest edition.
- Refer to the rating plate for more information.
→ "Rating plate location", Page 21

WARNING

Before installing, turn power OFF at the service panel.

- ▶ Lock service panel to prevent power from being turned ON accidentally.

For appliances equipped with a cord and plug, do not cut or remove the ground prong.

- ▶ It must be plugged into a matching grounding type receptacle to avoid electrical shock.
- ▶ If there is any doubt as to whether the wall receptacle is properly grounded, the customer should have it checked by a qualified electrician.

WARNING



ELECTRIC SHOCK HAZARD

- ▶ Disconnect power before installing or servicing. Before turning power ON, be sure that all controls are in the OFF position.
- ▶ DO NOT remove connections.
- ▶ DO NOT use an extension cord.
- ▶ Improper grounding can result in a risk of electric shock.
- ▶ Failure to follow these instructions can result in death, fire, or electrical shock.

GROUNDING INSTRUCTIONS

- ▶ This appliance must be grounded.
- ▶ Grounding reduces the risk of electric shock by providing a safe pathway for electric current in the event of a short circuit.
- ▶ Be sure your appliance is properly installed and grounded by a qualified technician.

- ▶ Installation, electrical connections and grounding must comply with all applicable codes.

Do not use an extension cord. If the power supply cord is too short, have a qualified electrician install an outlet near the appliance.

Before you turn on power supply, make sure all controls are in the OFF position.

1.6 Gas safety

Requirements for gas supply:

- Verify the type of gas supplied to the location. Ensure that the appliance is connected to the type of gas for which it is certified.
- Install a gas shutoff valve near the appliance. It must be easily accessible in an emergency.
- Leak testing must be conducted by the installer according to the instructions in this manual.
- The appliance and its individual shutoff valve must be disconnected from the gas supply piping system during any pressure testing at pressures in excess of ½ psi (3.5 kPa).
- The appliance must be isolated from the gas supply piping system by closing its individual manual shutoff valve during any pressure testing of the gas supply piping system at test pressures equal to or less than ½ psi (3.5 kPa).
- A metal flex line or fixed metal pipe shall be used to connect gas to the appliance. If a metal gas line cannot be used, consult your local certified electrician or local electric codes for proper grounding.
- **Natural gas** — 7 inch water column. (17.4 mbar) min., 14 inch (34.9 mbar) maximum.
- **Propane gas** — 11 inch water column. (27.4 mbar) min., 14 inch (34.9 mbar) maximum.

This appliance is capable of being safely placed in operation in the event of a power failure. Only the standard top burners can be manually lit.

Always keep appliance area clear from combustible materials, gasoline and other flammable vapors and liquids.

CAUTION

When connecting the unit to propane gas, make certain the propane gas tank is equipped with its own high pressure regulator in addition to the pressure regulator supplied with the appliance. The maximum gas pressure



IMPORTANT SAFETY INSTRUCTIONS

READ AND SAVE THESE INSTRUCTIONS

to this appliance must not exceed 14.0" water column (34.9 mbar) from the propane gas tank to the pressure regulator.

Propane gas installation

- The propane gas tank must be equipped with its own high pressure regulator. In addition, the regulator supplied with this unit must also be used.
- The appliance is shipped from the factory for use with natural gas. It must be converted for use with propane. A qualified technician or certified installer must do the conversion.
- For use with propane the appliance must be converted per the LP conversion instructions.

For Massachusetts installations

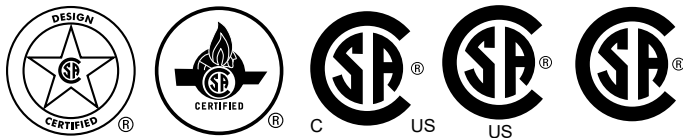
- Installation must be performed by a qualified or licensed contractor, plumber or gas fitter qualified or licensed by the state, province or region where this appliance is being installed.
- Shut-off valve must be a "T" handle gas cock.
- Flexible gas connector must not be longer than 36 inches.

Installer - show the owner where the gas shut-off valve is located.

1.7 Safety codes and standards

This appliance complies with the latest version of one or more of the following standards:

- UL 858 - Household Electric Ranges
- ANSI Z21.1 / CSA 1.1 Household Cooking Gas Appliances
- CAN/CSA C22.2 No. 61 - Household Cooking Ranges
- CAN1-1.1-M81, Domestic Gas Ranges



Applicable codes:

- Check local building codes for the proper method of appliance installation.
- Local codes vary. The installer is responsible for ensuring that the installation, gas and electrical connections, and grounding comply with all applicable codes. The manufacturer is not responsible for improper installation or the failure to follow appropriate local codes and regulations.

- The installation of appliances designed for manufactured (mobile) home installation must conform with the Manufactured Home Construction and Safety Standard, Title 24 CFR, Part 3280 [formerly the Federal Standard for Mobile Home Construction and Safety, Title 24, HUD {Part 280}] or with local codes where applicable.
- The installation of appliances designed for Recreational Park Trailers must conform with state or other codes or, in the absence of such codes, with the ANSI A119.5 Park Model Recreational Vehicle Standard.
- In the absence of local codes the appliance should be installed in accordance with the National Electrical Code NFPA 70 current issue and National Gas Code NFPA 54/ ANSI Z223.1 – current issue. In Canada, installation must be in accordance with the Canadian Electrical Code, CSA C22.1-02 and the latest editions of the CSA B149.1 Natural Gas and Propane Installation Code and the CSA B149.2 Propane Storage and Handling Code and/or local codes.

It is the responsibility of the owner and the installer to determine if additional requirements and/or standards apply to specific installations.

1.8 Ventilation recommendations

We strongly recommend the installation of a ventilation hood above this appliance.

The hood must be installed according to instructions furnished with the hood.

WARNING

The appliance should not be installed with a ventilation system that blows air downward toward the burners. This type of ventilation system may cause ignition and combustion problems with the gas cooking appliance resulting in personal injury or unintended operation.



IMPORTANT SAFETY INSTRUCTIONS

READ AND SAVE THESE INSTRUCTIONS

1.9 State of California Proposition 65 Warnings

This product may contain a chemical known to the State of California, which can cause cancer or reproductive harm. Therefore, the packaging of your product may bear the following label as required by California:

STATE OF CALIFORNIA PROPOSITION 65 WARNING:

 **WARNING**

Cancer and Reproductive Harm - www.P65Warnings.ca.gov

2 Before you begin

This Installation Guide covers several models. All graphics are representative. Your appliance may vary in appearance and features.

2.1 Parts included

After unpacking all the parts, check for any damage in transit and for completeness of delivery.

- Rangetop
- STAR® burner caps (1 per burner)
- Burner grates (2 or 3, depending on model)

2.2 Tools and parts needed

Prepare these tools and accessories before you start to install your appliance.

Tools

- Pencil
- Measuring tape
- Level
- Safety gloves
- T20 star bit screwdriver
- 7/16" (11 mm) box end wrench or ratchet and socket
- 12" (305 mm) adjustable wrench

Additional parts needed

- Pipe compound/tape
- 3/4" (19 mm) Flex line

NOTICE:

There is a possibility to discolor the back wall under certain cooking conditions.

2.3 Power requirements and grounding

The outlet must be properly grounded in accordance with all applicable codes.

2.4 Ventilation requirements

WARNING

The appliance should not be installed with a ventilation system that blows air downward toward the burners. This type of ventilation system may cause ignition and combustion problems with the gas cooking appliance resulting in personal injury or unintended operation.

- Refer to the "Ventilation Planning Guide" for approved ventilation combinations.
- It is strongly recommended that this appliance be installed in conjunction with a Thermador vent hood. Due to the high heat capability of this appliance, particular attention should be paid to the hood and duct work installation to assure it meets local building codes.
- Ventilation hoods and blowers are designed for use with single wall ducting. However, some local building codes or inspectors may require double wall ducting. Consult

local building codes and/or local agencies before starting to assure that hood and duct installation will meet local requirements.

NOTICE:

Most range hoods contain combustible components which must be considered when planning the installation.

Preparing for the ventilation

1. Select hood and blower models.
 - For wall installations, the hood width must, at a minimum, equal the width of the range/rangetop. Where space permits, a hood larger in width than the range/rangetop may be desirable for improved ventilation performance.
 - For island installations, the hood width should overhang the width of the range/rangetop by a minimum of 3" (76 mm) on each side.
2. Consider hood placement.
 - For best smoke elimination, the lower edge of the hood should be installed 30" (762 mm) above the range cooking surface.
 - If the hood contains any combustible materials (i.e. a wood covering), it must be installed a minimum of 36" (914 mm) above the cooking surface.
3. Consider make-up air.
 - Due to the high volume of ventilation air, a source of outside replacement air is recommended. This is particularly important for tightly sealed and insulated homes.
 - A qualified heating and ventilating contractor should be consulted.

3 Installation requirements

Read these instructions to prepare the installation space for your appliance.

3.1 Location requirements

Ensure your installation location fulfills the following requirements before you begin with the installation procedure.

CAUTION

To prevent possible damage to cabinets and cabinet finishes:

- ▶ Use only materials and finishes that will not discolor or divide into layers.
- ▶ Materials should be able to withstand temperatures up to 194°F (90°C).
- ▶ Heat and moisture resistant adhesive must be used if the product is to be installed in laminated cabinetry.
- ▶ Check with the product manufacturer to ensure materials meet these requirements.

Specifications:

- To ensure professional results, the cabinet and countertop openings should be prepared by a qualified cabinet worker.
- The gas and electrical supply must be located in an area that is accessible without requiring removal of the rangetop.
- The same clearances apply to island installations, except for the overhead cabinets, which must have a space wide enough to accept the island hood.
- See the Ventilation Planning Guide for recommended hood options. Due to the high heat of the burners, installing a microwave oven with a ventilation system over the appliance is not recommended on anything other than the 30" 5-burner model. Refer to the OTR manufacturer's installation manual for clearances.
- The rangetop is designed to hang from the countertop by its flanges. Ensure that the countertop is strong enough to support this rangetop. It may be necessary to add a supporting cleat along each side or a 2 x 4 corner brace.
→ *"Countertop cutout", Page 12* As an alternative you can construct a deck to set the rangetop on.
- The rangetop can be installed in various positions with the front either flush or projecting, depending on the countertop's depth.
- The upper shaded area behind the appliance indicates an opportunity to discolor the back wall under certain cooking conditions.
- There must be a minimum of 5" (127 mm) side clearance from the appliance to combustible vertical surfaces above the 36" (914 mm) counter height.
- Within the 5" (127 mm) side clearance to combustible vertical surfaces above 36" (91.4 cm), the maximum wall cabinet depth must be 13" (330 mm).
- Wall cabinets within this 5" (127 mm) side clearance must be 18" (457 mm) above the 36" (914 mm) high countertop.
- The maximum depth of the cabinets hanging on either side of the hood is 13" (330 mm).
- There is a 36" (914 mm) minimum clearance required between the top of the cooking surface and the bottom of an unprotected cabinet. A 30" (762 mm) clearance can be used when the bottom of the wood or metal cabinet is protected by not less than ¼" (6 mm) of a flame retardant material covered with not less than No. 28 MSG sheet steel, 0.015" (0.38 mm) thick stainless steel, 0.024" (0.61 mm) aluminum, or 0.02" (0.51 mm) thick copper.
- Establish the centerline of the appliance's desired location. It should be the same as the center of the overhead ventilation hood.
- Cut the openings depending on the installation location.
→ *"Countertop cutout", Page 12*

Rear clearance requirements

To avoid staining on the back wall, high temperature, non-porous construction materials suitable for use in a cooking environment are recommended.

IMPORTANT: There is a possibility to discolor the back wall under certain cooking conditions.

Models suitable for 0" rear clearance to combustible surfaces:

- PCG305xx

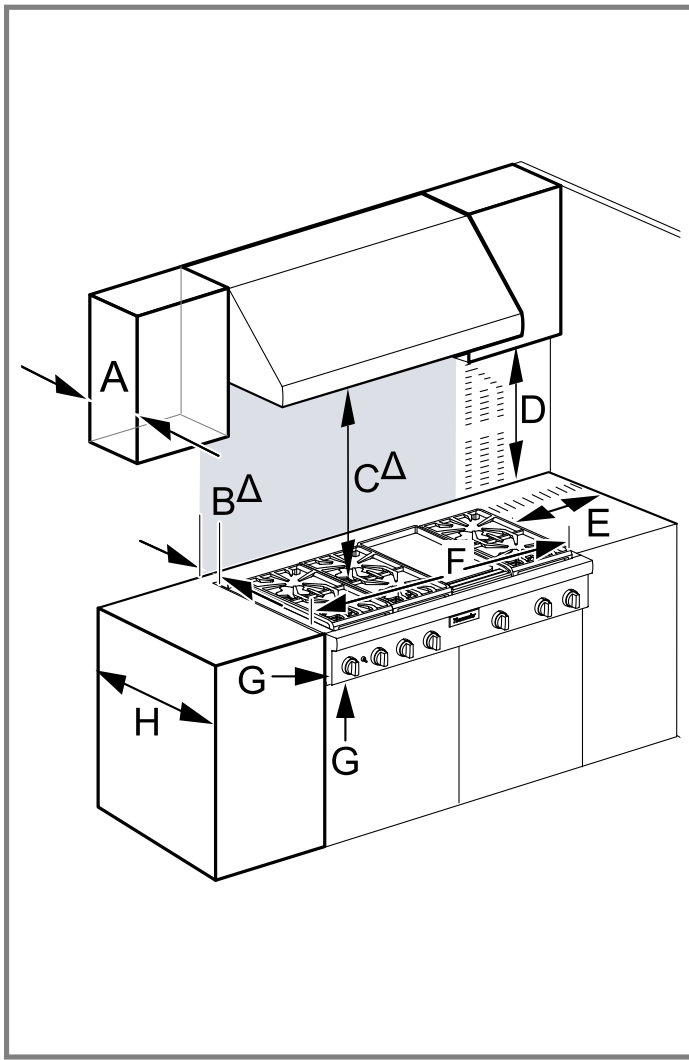
All other models:

- When using the included island trim a minimum 6" (152 mm)* rear clearance is required to a combustible surface*.
- When installing against a combustible surface, a Thermador low backguard is required for a 0" rear clearance to the combustible surface. A Thermador low backguard must be purchased separately.
- A rear clearance to a surface covered in a non-combustible material (metal, ceramic tile, brick, marble, or stone)^{*Δ}, is 0" when using the included Island Trim.

Additional requirements

- If a solid side cabinet wall exists on one or both sides, you will need to notch the front corner of the cabinet to match the countertop notch and to allow clearance for the rangetop front. See Detail X
→ *"Countertop cutout", Page 12*
- If a supporting deck is used, the sides or bottom of the cutout may be solid combustible or noncombustible material. If the bottom is solid, provide a 12" by 12" (305 mm x 305 mm) cutout in the left rear corner of the supporting deck. This will provide clearance for the gas inlet and power cord.
- Always keep appliance area clean and free from combustible materials, gasoline and other flammable vapors and liquids.
- DO NOT obstruct the flow of combustion and ventilation air to the unit.

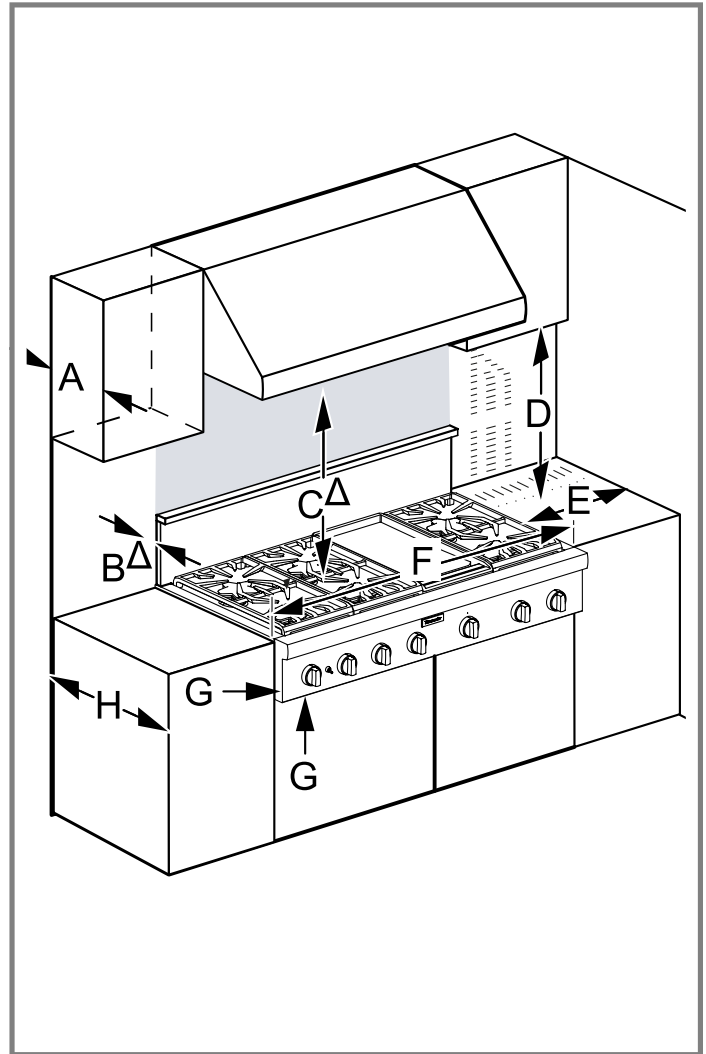
Cabinet clearance requirements with island trim



A	13" (330 mm)
B ^Δ	6" (152 mm)
C ^Δ	30" - 40" (762 mm - 1016 mm)
D	18" (457 mm)
E	5" (127 mm)
F	Depending on model: <ul style="list-style-type: none"> ■ 36" (914 mm) ■ 48" (1219 mm)
G	0" (0 mm)
H	23 ⁷ / ₈ " (606 mm)

Δ as defined in the "National Fuel Gas Code" (ANSI Z223.1, Current Edition). Clearances from non-combustible materials are not part of the ANSI Z21.1 scope and are not certified by CSA. Clearances of less than 6" (152 mm) should be approved by the local codes and/or by the local authority having jurisdiction. **There is a possibility to discolor the back wall under certain cooking conditions.**

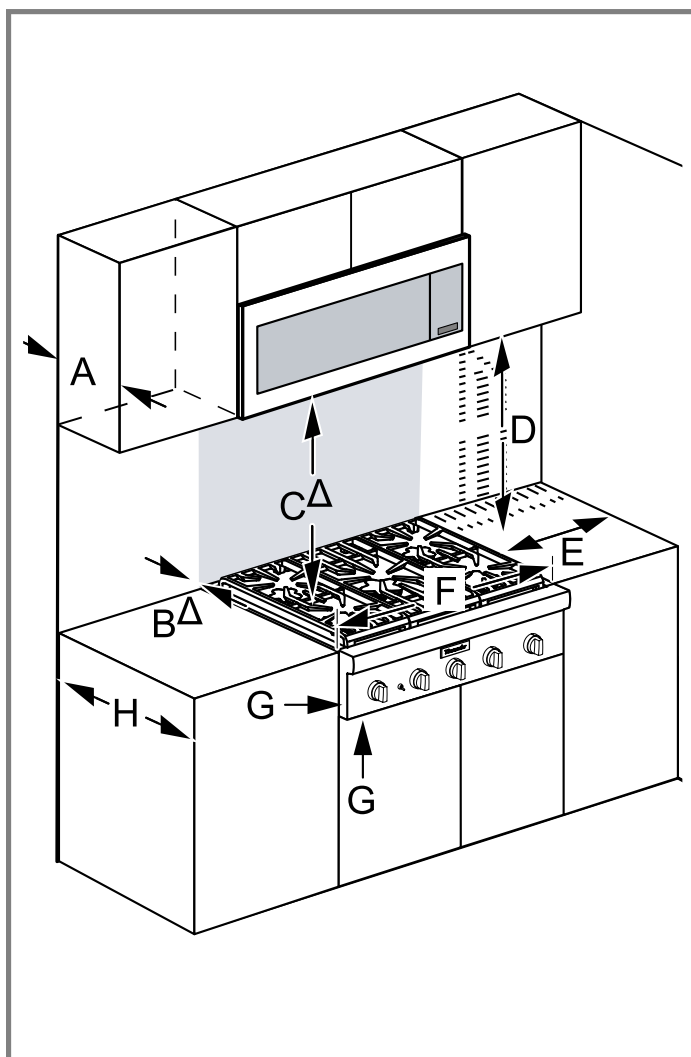
Cabinet clearance requirements with low backguard (purchased separately)



A	13" (330 mm)
B ^Δ	0" (0 mm)
C ^Δ	30" - 40" (762 mm - 1016 mm)
D	18" (457 mm)
E	5" (127 mm)
F	Depending on model: <ul style="list-style-type: none"> ■ 36" (914 mm) ■ 48" (1219 mm)
G	0" (0 mm)
H	23 ⁷ / ₈ " (606 mm)

Δ as defined in the "National Fuel Gas Code" (ANSI Z223.1, Current Edition). Clearances from non-combustible materials are not part of the ANSI Z21.1 scope and are not certified by CSA. Clearances of less than 6" (152 mm) should be approved by the local codes and/or by the local authority having jurisdiction. **There is a possibility to discolor the back wall under certain cooking conditions.**

Cabinet clearance requirements with OTR microwave for 30" 5-burner



A 13" (330 mm)

B^Δ 0" (0 mm)

C^Δ min. 30" (762 mm) to non-combustible material above the cooking surface.
Refer to OTR manufacturer's installation manual for clearances.

D 18" (457 mm)

E 5" (127 mm)

F 30" (762 mm)

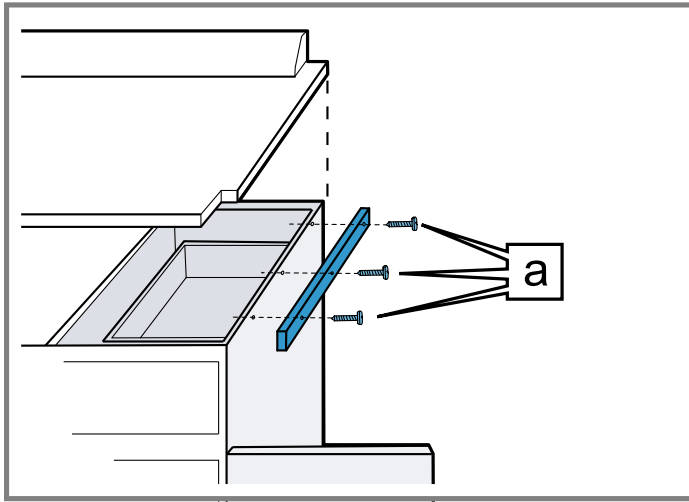
G 0" (0 mm)

H 23⁷/₈" (606 mm)

^Δ as defined in the "National Fuel Gas Code" (ANSI Z223.1, Current Edition). Clearances from non-combustible materials are not part of the ANSI Z21.1 scope and are not certified by CSA. Clearances of less than 6" (152 mm) should be approved by the local codes and/or by the local authority having jurisdiction. **There is a possibility to discolor the back wall under certain cooking conditions.**

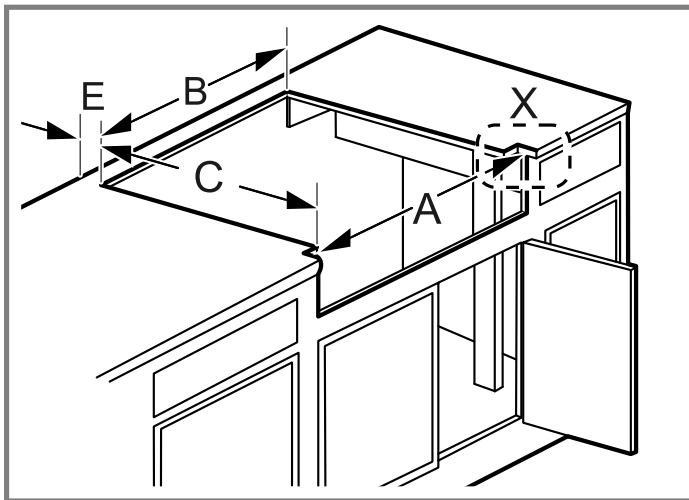
4 Countertop cutout

Installing side support cleats (both sides)

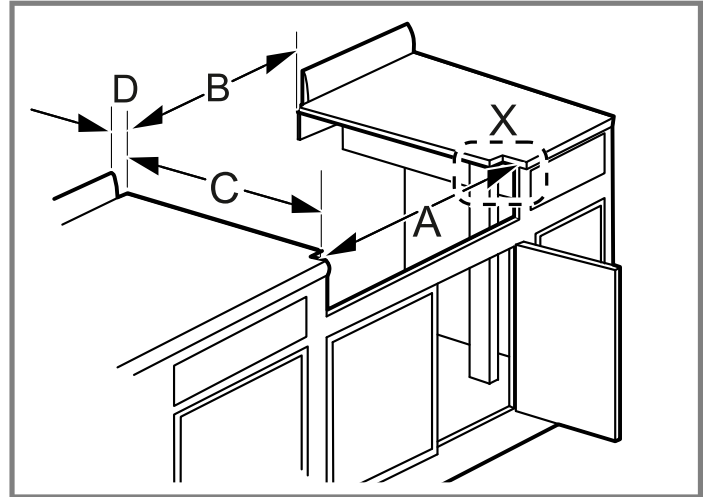


a Counter sunk screws

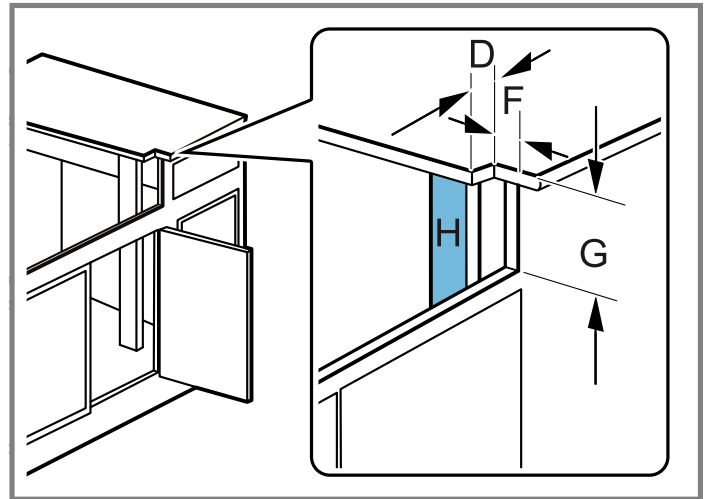
Island installation without countertop backsplash



Wall installation with countertop backsplash



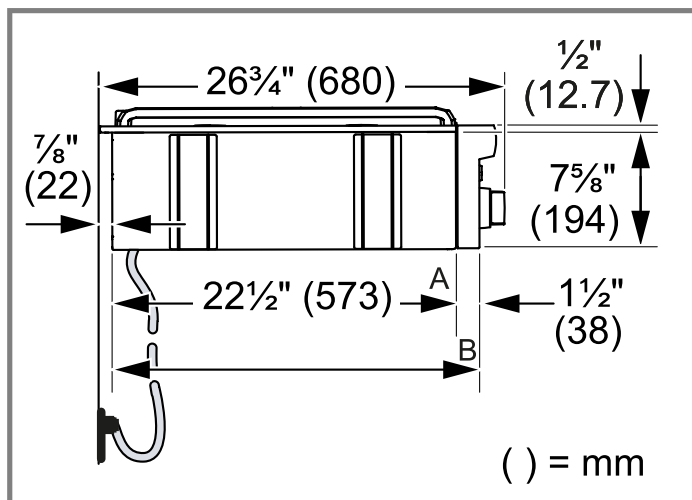
Detail X: Corner notch detail at front face of cabinet



	30" Rangetop	36" Rangetop	48" Rangetop
A	29 ¹⁵ / ₁₆ " (760 mm)	35 ¹⁵ / ₁₆ " (913 mm)	47 ¹⁵ / ₁₆ " (1,218 mm)
B	29 ¹ / ₈ " (740 mm)	35 ¹ / ₈ " (892 mm)	46 ¹ / ₄ " (1,175 mm)
C	Island installation: 22 ¹³ / ₁₆ " (580 mm) Wall installation: 23 ⁵ / ₁₆ " (592 mm)	Island installation: 22 ¹³ / ₁₆ " (580 mm) Wall installation: 23 ⁵ / ₁₆ " (592 mm)	Island installation: 22 ¹³ / ₁₆ " (580 mm) Wall installation: 23 ⁵ / ₁₆ " (592 mm)
D	³ / ₈ " (10 mm)	³ / ₈ " (10 mm)	⁷ / ₈ " (22 mm)
E	min. ³ / ₄ " (19 mm)	min. ³ / ₄ " (19 mm)	min. ³ / ₄ " (19 mm)
F	Corner notch: <ul style="list-style-type: none"> ■ 0" (0 mm): Control panel projecting 1¹/₂" (38 mm) from base cabinet face. ■ ¹/₁₆" (18 mm): Required for standard 24" (610 mm) deep base cabinet; Control panel projecting ¹³/₁₆" (20 mm) from base cabinet face. 	See column 30" rangetop	See column 30" rangetop
G	7 ¹ / ₁₆ " (195 mm)	7 ¹ / ₁₆ " (195 mm)	7 ¹ / ₁₆ " (195 mm)

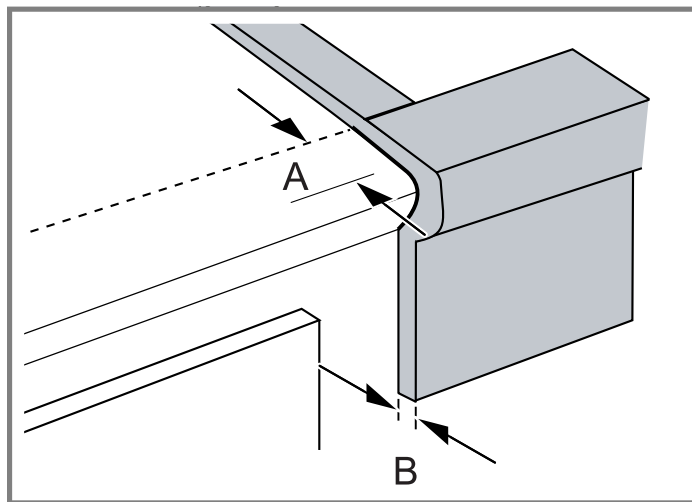
	30" Rangetop	36" Rangetop	48" Rangetop
H	2x4 corner support	2x4 corner support	2x4 corner support

Side view of rangetop



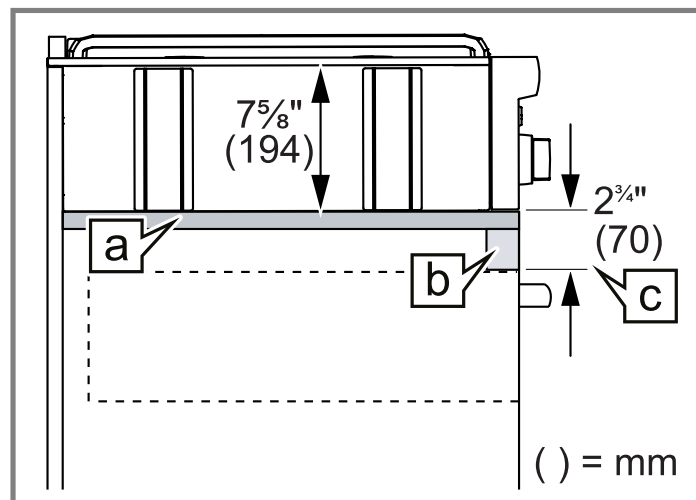
- A Cabinet face for installation with projecting control panel.
- B Cabinet face for installation with flush control panel.

Projecting from cabinet front



- A Notch depth: $1\frac{1}{16}$ " (18 mm)
- B Front projects outward $1\frac{3}{16}$ " (20 mm) as shown from standard 24" deep base.

Installation above Thermador warming drawer

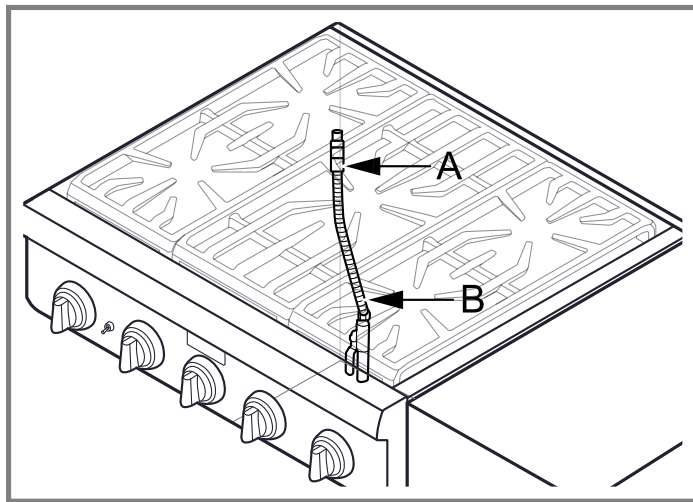


- a Plywood support
- b Install additional wood support along front edge of cutout.
- c Minimum distance between cutouts

5 Gas inlet location

A manual valve must be installed external to the appliance, in an accessible location from the front, for the purpose of shutting off the gas supply.

Gas inlet location	30"	36"	48"
From left side to centerline of gas inlet	6 $\frac{3}{8}$ " (152 mm)	11" (267 mm)	11" (267 mm)
From rear to centerline of gas inlet	2 $\frac{1}{4}$ " (54 mm)	2 $\frac{1}{4}$ " (54 mm)	2 $\frac{1}{4}$ " (54 mm)



A 1/2" (12.7 mm) NTP

B 3/4" (19 mm) flex line

6 Unpacking the appliance

⚠ WARNING



Unit is heavy and requires at least two people or proper equipment to move and install.

⚠ WARNING



Hidden surfaces may have sharp edges.

▶ Use caution when reaching behind or under appliance.

6.1 Removing the rangetop from the pallet

1. Remove the outer carton and packing material from the shipping base. Ensure that you have all rangetop components before proceeding.
2. Remove the cooking grates, griddle plate, if applicable, and burner caps to reduce the rangetop's weight.
3. Leave the protective film over brushed-metal surfaces, to protect the finish from scratches, until the rangetop is installed in its final position.
4. Use a cross-head screwdriver to remove the screws from the pallet brackets on the left and right sides of the unit. Discard the screws and brackets after removal.

7 Gas requirements and connections

⚠ CAUTION

The appliance must be isolated from the gas supply piping system by closing its individual manual shutoff valve during any pressure testing of the gas supply piping system at test pressures equal to or less than 1/2 psi (3.5 kPa).

When connecting unit to propane gas, make certain the propane gas tank is equipped with its own high pressure regulator in addition to the pressure regulator supplied with the appliance. The pressure of the gas supplied to the appliance regulator must not exceed 14" water column (34.9 mbar).

⚠ WARNING

DO NOT use a flame of any kind to check for gas leaks.

- **IMPORTANT:** Do not ground to a gas pipe.
- **IMPORTANT:** If not already present, install a gas shut-off valve in an easily accessible location. Make sure all users know where and how to shut off the gas supply to the appliance.
- Verify the type of gas being used at the installation site. Make certain the range matches the type of gas available at this location.
- The appliance must be connected only to the type of gas for which it is certified. If the appliance is to be connected to propane gas, ensure that the propane gas supply tank is equipped with its own high pressure regulator in addition to the pressure regulator supplied with the appliance.
- The gas supply connections shall be made by a competent technician and in accordance with local codes or ordinances. In the absence of local codes, the installation must conform to the National Fuel Gas Code ANSI Z223.1/NFPA54- current issue.
- A metal flex line or fixed metal pipe shall be used to connect gas to the appliance. If a metal gas line cannot be used, consult your local certified electrician or local electric codes for proper grounding.
- A manual gas shut-off valve must be installed external to the appliance, in a location accessible from the front, for the purpose of shutting off the gas supply. The supply line must not interfere with the back of the unit.
- The installer should inform the owner of the location of the gas shut-off valve. Make sure all users know where and how to shut off the gas supply to the appliance.

7.1 High altitude installation

- This appliance has been tested for operation up to an altitude of 10,100 ft (3,078 m) elevation above sea level.
- A high altitude kit is required for natural gas above 5,400 ft (1,646 m) elevation above sea level, and for propane (LP) above 10,000 ft (3,048 m) elevation above sea level.
- If desired, for altitudes above 2,000 ft (610 m) elevation above sea level, adjustments can be made to the rangetop burners with an adjustment kit. If flame performance is satisfactory, adjustment will not be required.
- See Customer Service information about service, parts, and accessories.
→ "Customer Service", Page 21

7.2 Gas requirements

Natural gas requirements:

- Inlet connection: ½" NPT internal (min. ¾" diameter flex line)
- Supply pressure: 7" min. to 14" max. water column (17.4 to 34.9 mbar)
- Manifold pressure: 5" water column (12.5 mbar)

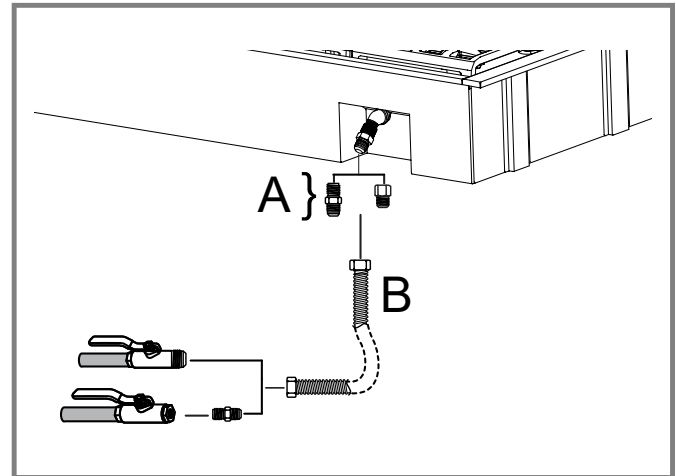
Propane gas requirements:

- Inlet connection: ½" NPT internal (minimum ¾" diameter flex line)
- Supply pressure: 11" min. to 14" max. water column (27.4 mbar to 34.9 mbar)
- Manifold pressure: 10" water column (24.9 mbar)

7.3 Connecting the gas supply

1. Make sure the gas supply is turned off at the manual shut-off valve before connecting the appliance.

2. Use a ¾" (19 mm) flex line to connect between the gas supply and the appliance gas inlet. The gas supply line connection is located at the lower right portion. The appliance gas inlet connection is ½" (12.7 mm) NPT.
 - Use caution to avoid crimping the ¾" (19 mm) flex line when making bends. Suggested length of flex line is 48" (1219 mm); however, please check local codes for your area's requirements before installation.



- | | |
|---|--|
| A | ¾" (19 mm) external threads
½" (12.7 mm) internal threads |
| B | ¾" (19 mm) flex line |

3. Use pipe sealing compound or Teflon® tape on the pipe threads. **DO NOT** apply sealing compound or tape to flare fittings. Take care not to apply excessive pressure when tightening the fittings.
4. Leak testing of the appliance shall be in accordance with the following instructions:
 - Turn on gas and check supply line connections for leaks using a soap and water solution.
 - Bubbles forming indicate a gas leak. Repair all leaks immediately.

Checking the gas line for leaks

Leak testing must be conducted by the installer according to the following instructions.

⚠ WARNING

DO NOT use a flame of any kind to check for gas leaks.

1. Turn on gas.
2. Apply a non-corrosive leak detection fluid to all joints and fittings in the gas connection between the shut-off valve and the appliance. Also check gas fittings and joints in the appliance if the connections may have been disturbed during installation.
- ✓ Bubbles appearing around fittings and connections indicate a leak.
3. If a leak appears, turn off the supply line gas shut-off valve and tighten the connections.

4. Retest for leaks by turning on the supply line gas shut-off valve.
 - ✓ When the leak check is complete and no bubbles appear, the test is complete.
5. Wipe off all soap solution or detection fluid residue.
 - ✓ Do not continue the installation until all leaks are eliminated.

Propane gas connection

Your appliance is shipped by the factory to operate on natural gas. It must be converted for use with propane gas. Verify the type of gas being used at the installation site matches the type of gas used by the appliance.

If the location site requires conversion from natural gas to propane (LP), contact the dealer where the appliance was purchased or contact Thermador to purchase a conversion kit. Obey all instructions in this kit for correct conversion of the gas regulator and settings for the gas valves. Field conversion must be done by qualified service personnel only.

WARNING

When using a gas conversion kit:

- ▶ The gas conversion kit shall be installed by a qualified service personnel in accordance with the manufacturer's instructions and all applicable codes and requirements of the authority having jurisdiction.
- ▶ If the information in the instructions is not followed exactly, a fire, explosion or production of carbon monoxide may result causing property damage, personal injury or loss of life.
- ▶ The qualified service personnel is responsible for the proper installation of the gas conversion kit.
- ▶ The installation is not proper and complete until the operation of the converted appliance is checked as specified in the manufacturer's instructions supplied with the gas conversion kit.

CAUTION

The appliance must be isolated from the gas supply piping system by closing its individual manual shutoff valve during any pressure testing of the gas supply piping system at test pressures equal to or less than ½ psi (3.5 kPa).

The appliance and its individual shut off valve must be disconnected from the gas supply piping system during any pressure testing of the system at test pressures in excess of ½ psi (3.5 kPa).

When checking the manifold gas pressure, the inlet pressure to the regulator should be at least 7.0"(17.4 mb) W.C. for natural gas or 11.0" (27.4 mb) for propane. **DO NOT** attempt any adjustment of the pressure regulator.

CAUTION

Save the orifices removed from the appliance for future use. When connecting appliance to propane gas, make certain the propane gas tank is equipped with its own high pressure regulator in addition to the pressure regulator supplied with the appliance. The pressure of the gas supplied to the appliance regulator must not exceed a 14" water column (34.9 mb).

8 Electrical requirements and connection for GAS models

WARNING

Before installing, turn power OFF at the service panel.

- ▶ Lock service panel to prevent power from being turned ON accidentally.

WARNING

Always disconnect appliance from the electric supply either by disconnecting power cord or shutting off the breaker at the service panel before servicing the appliance.

WARNING

This appliance must be properly grounded. Electrical grounding instructions

- ▶ This appliance is equipped with a three-prong grounding plug for your protection against shock hazard and should be plugged directly into a properly grounded receptacle. **DO NOT** cut or remove the grounding prong from this plug.

CAUTION

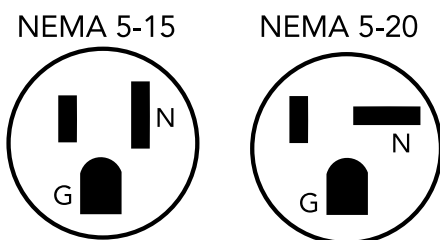
Improper grounding or reverse polarization will cause malfunction, such as continuous sparking of the burner igniters. This can damage the appliance and can create a condition of shock hazard.

- ▶ If the dedicated circuit is not correctly grounded and polarized, it is the responsibility and obligation of the installer and user to have the existing receptacle changed to a properly dedicated grounded and polarized receptacle.
- ▶ This must be accomplished by a qualified electrician in accordance with all applicable local codes and ordinances. In the absence of local codes and ordinances, the receptacle replacement shall be in accordance with the National Electrical Code.

INSTALLER - show the owner the location of the circuit breaker. Mark it for easy reference.

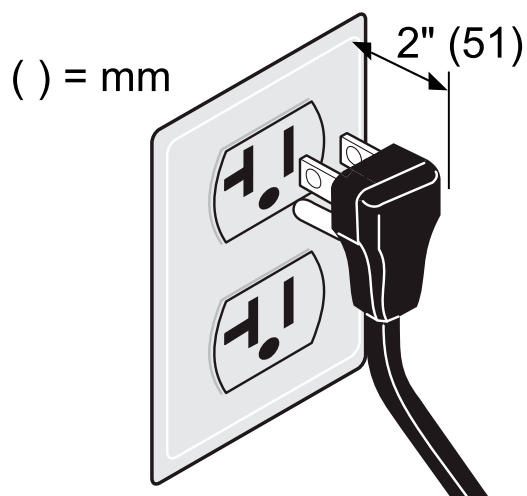
8.1 Electrical supply circuit requirements

The cord supplied with the gas rangetops having an electric griddle requires a NEMA 5-20 receptacle. All other gas appliances require a NEMA 5-15 receptacle.



Model	Voltage	Dedicated circuit	Phase
PCG305W	120 VAC	15 Amps	Single
PCG366W	120 VAC	15 Amps	Single
PCG364WD	120 VAC	20 Amps	Single
PCG486WD	120 VAC	20 Amps	Single

- Before you plug in an electrical cord, be sure all controls are in the OFF position.
- A neutral supply wire must be provided from the power source (breaker) because critical range components, including the surface burner spark reignition modules, require it to operate safely and properly.
- All 120 volt models must be plugged into a mating 3-prong, grounding-type receptacle. The receptacle must be connected to a properly dedicated grounded and polarized electrical power supply rated at 120 VAC, single phase, 60 Hz.
- Observe all governing codes and ordinances when grounding. In the absence of these codes or ordinances observe National Electrical Code ANSI/ NFPA 70 current issue, or the relevant Canadian Electrical Code, CSA C22.1 latest edition.
- Power cord and receptacle should protrude no more than 2" (51 mm) from the rear wall.
- Plug styles may vary.



9 Installation procedure

9.1 Installing the low backguard (purchased separately)

Installation methods will vary upon need. Before you begin read these instructions carefully. Observe all local codes and ordinances.

⚠ WARNING

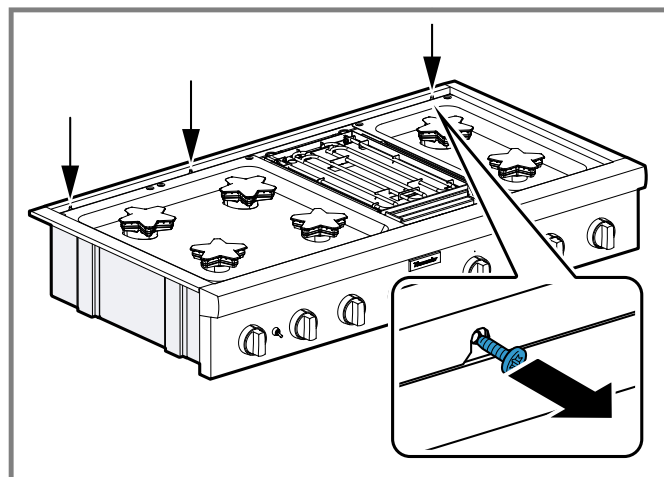
Fingers or hands could get pinched when installing the backguard. Severe injury could result.

- ▶ Use extreme caution and wear thick protective gloves to avoid potential laceration to finger or hand while sliding the backguard down onto the range.

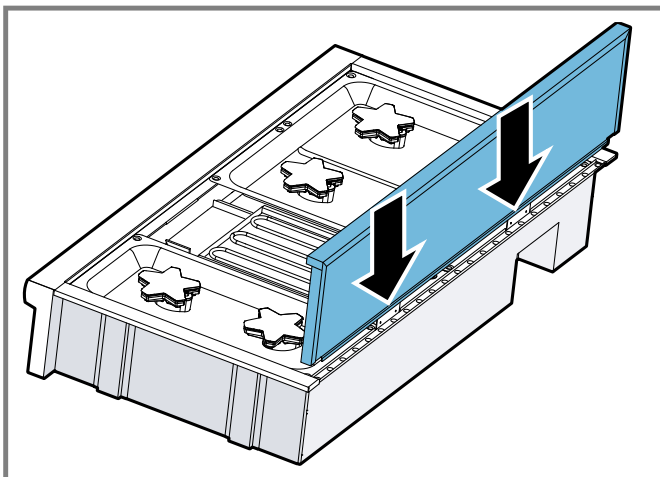
⚠ WARNING

To reduce the risk of fire or injury to persons, check to make sure all packaging has been removed from accessory devices before use.

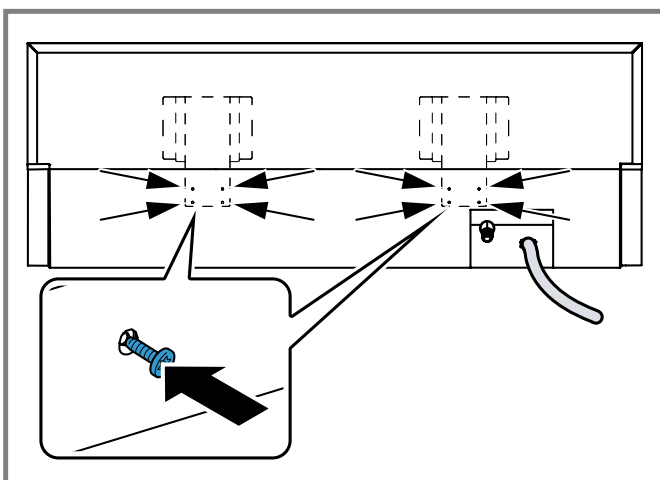
1. Depending on model, remove the 2 or 3 stainless star head screws in the front face of the included island trim. Lift up to fully remove the island trim.



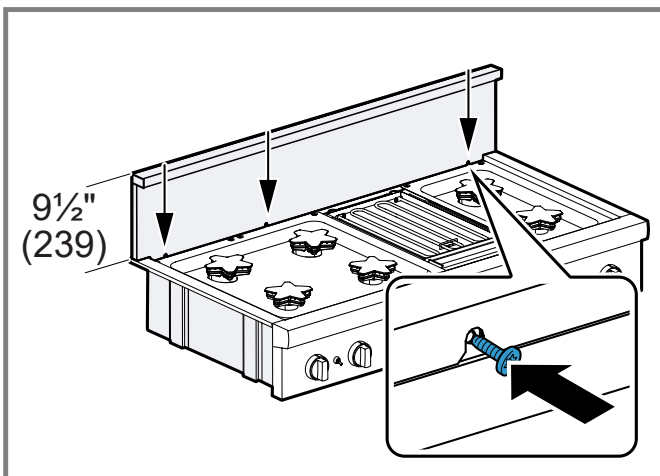
- Slide the support brackets of the low backguard between the two rangetop chassis back panels.



- Secure the back with 8 x 1 1/2" (38 mm) screws.



- Secure the front of the low backguard to the rangetop with 2 or 3 x 1/2" (12.7 mm) screws.



9.2 Setting the appliance

- Attach the backguard, if applicable, before sliding the appliance into the final installed position.
→ "Installing the low backguard (purchased separately)", Page 17

- Lift and place the appliance in the countertop opening. Be careful not to pinch the power cord or gas inlet. Care should be used not to scratch the countertop.
- Make sure that the power cord is free and hanging loose.
- The appliance must be level for proper performance.
- Replace the cooking grates, griddle plate, and burner caps. Ensure that the burner caps are correctly seated on the burner bases.

9.3 Burner cap placement

The burner caps must be properly placed for the cooktop to function properly.

If the burner cap is not properly placed, one or more of the following may occur:

- Burner flames are too high
- Flames shoot out of the burners
- Stainless steel discolorations
- Burners do not ignite
- Burner flames light unevenly
- Burner emits gas odor

⚠ WARNING

To prevent flare-ups do not use the cooktop without all burner caps and all burner grates properly positioned.

⚠ CAUTION

To prevent burns, do not touch burner caps or grates while hot.

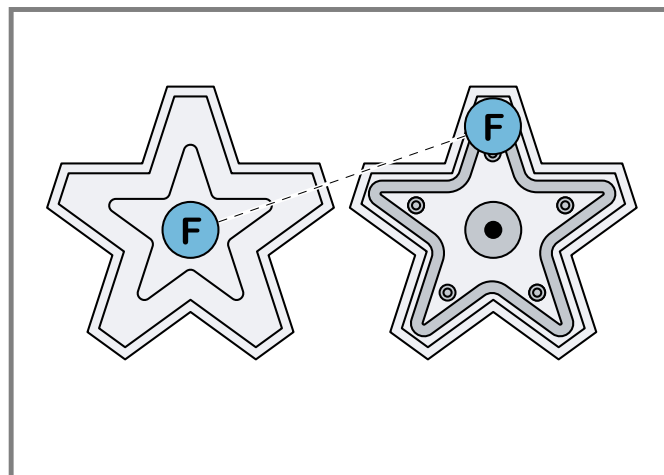
- ▶ Turn the cooktop off and allow the burners to cool.

Your rangetop has sealed STAR® burners. There are no burner parts under the rangetop to clean, disassemble or adjust.

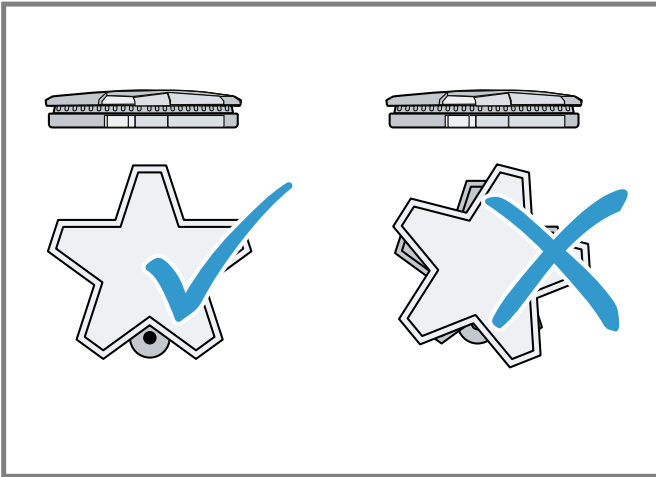
Placing the burner caps

Each cap has a letter (B, D, or F) cast in the underside of the cap that corresponds to a letter (B, D, or F) cast in the burner base that is attached to the appliance.

- Place each burner cap on its correct burner base per its corresponding letter designation.



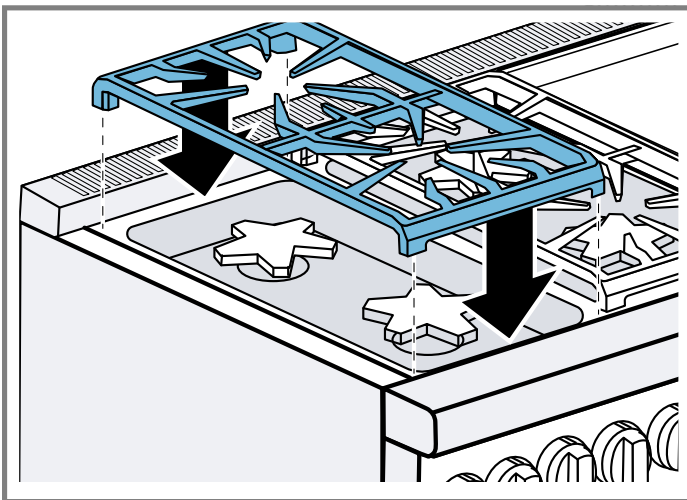
2. Place the burner cap gently on top of base so that the prongs of the burner base fit snugly into the groove of the burner cap.
3. Check each burner to make sure there is no gap between the burner cap and burner base.
 - Gently try to move the burner caps from side to side to check if the caps are properly placed on the burner bases.
 - When properly placed, each burner cap rests flat on top of its burner base, and completely covers the star-shape of the burner base when viewed from the top.



9.4 Placing the burner grates

For proper combustion do not use the rangetop without the burner grates in place.

1. Place the burner grates flat-side down and align them into the rangetop recess.
2. The burner grates should rest flush against each other and against the sides of the recess.

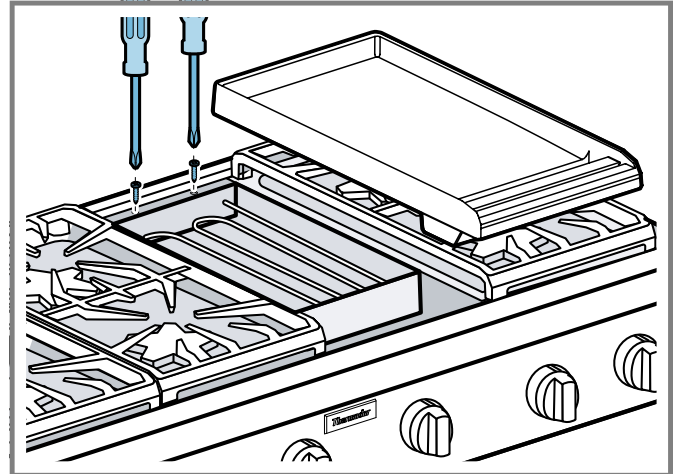


9.5 Preparing the electric griddle

⚠ WARNING

To avoid risk of injury, never operate the griddle without the griddle plate installed.


1. Check the griddle plate adjustment by pouring two tablespoons of water on the back of the griddle plate.
2. If the water does not flow to the front of the griddle, the griddle plate needs to be adjusted.
 - Lift off the griddle plate.
 - Adjust the two screws under the back of the griddle plate. Start with one half turn counterclockwise of the screws.
 - Replace the griddle plate and check the result.
 - For further adjustment apply one-quarter turn until the water slowly flows into the grease tray.



10 Testing the rangetop burners

Each burner must be tested for proper lighting and proper flame characteristics on the lowest and highest power level.

1. Test all rangetop burners for proper ignition.
 - Push down the knob and turn it counter-clockwise to the ignition symbol ϕ .
 - Verify that the igniter/spark module clicks.
 - Once the air has been purged from the supply lines, verify that the burner lights within four (4) seconds. When the burner lights, turn the knob back to the off position.
 - If any of the burners do not ignite, do not continue testing. Call Customer Service.
2. Test all rangetop burners for flame characteristics on the lowest setting.
 - Push down the knob and turn it counter-clockwise to the ignition symbol ϕ . Keep it pushed down until the burner ignites.
 - Turn the knob quickly to the lowest setting.
 - Verify that the flame is a minimum height of approximately $\frac{1}{4}$ " (6 mm).
 - Verify that the flame is steady. The flame should not go out, lift or blow off of the burner. It should carry over, or surround the entire burner.
 - Verify that the flame is the right color.
 - "Flame characteristics", Page 20
 - If the flame goes out, does not carry over properly or is too large, contact Customer Service.

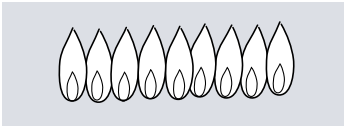
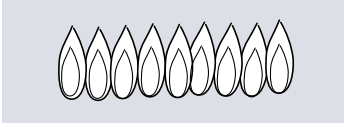
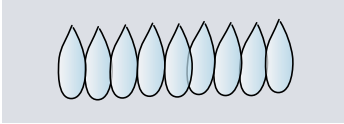
3. Test all rangetop burners for flame characteristics on the highest setting.
 - Push down the knob and turn it counter-clockwise to the ignition symbol . Keep it pushed down until the burner ignites.
 - Turn the knob to the highest setting.

- Verify that the flame is steady. The flame should not go out, lift or blow off of the burner. It should carry over, or surround the entire burner.
- Verify that the flame is the right color.
 - "Flame characteristics", Page 20
- If the flame burns yellow or does not carry over properly, contact Customer Service.

10.1 Flame characteristics

The color of the flame tells you if the gas supply is properly adjusted.

Note: Allow the appliance to operate for 4 to 5 minutes before evaluating the flame. Some yellow streaking is normal during the initial startup.

Flame	Image	Measure
Completely or mostly yellow		Verify that the regulator is set for the correct fuel. Retest after adjustment.
Yellow tips on outer cone		Normal for LP gas
Soft blue		Normal for natural gas

11 Installer checklist

Final check.

- Rangetop correctly positioned in countertop recess.
- Specified clearances maintained to cabinet surfaces.
- Burner caps positioned properly on burner bases.
- All packaging material removed.
- Flush island trim or low backguard attached according to instructions.
- Verify that the ExtraLow® feature works and relights around the entire burner.

Gas supply

- Gas Connection: 3/4" (19 mm) N.P.T. with a min. 3/4" (19 mm) diameter flex line.
- If converting from natural to LP gas, refer to LP Conversion Instructions for details.
- Manual gas shut off valve installed in an accessible location (without requiring removal of appliance).
- Owner is aware of location of the gas shut-off valve.
- Unit tested and free of gas leaks.

Electrical

- A dedicated polarized and grounded 120VAC receptacle with a 15/ 20 AMP over current protection is required for cord connection.
- Proper ground connection.
- Owner is aware of location of the main circuit breaker.

Operation

- Bezels centered on burner knobs, and knobs turn freely.
- Verify flame at each burner. Flame may need to burn for several minutes to remove impurities from the gas lines.
- Each burner lights satisfactorily, both individually and with other burners operating.
- Burner grates correctly positioned, level, and do not rock.
- INSTALLER: Write the model number and serial number in the Use and Care Guide. Leave the Use and Care Guide and Installation Guide with the owner of the appliance.

Troubleshooting

See the Use and Care Guide for troubleshooting information.

12 Customer Service

With any warranty repair, we will make sure your appliance is repaired by an authorized service provider using genuine replacement parts. We use only genuine replacement parts for all repairs.

Detailed information on the warranty period and terms of warranty can be found in the Statement of Limited Product Warranty, from your retailer, or on our website.

If you contact Customer Service, you will need the model number (E-Nr.) and the production number (FD) of your appliance.

USA:

1-800-735-4328

www.thermador.com/support

www.thermador.com/us/accessories

CA:

1-800-735-4328

www.thermador.ca

www.thermador.ca/en/support/filters-cleaners-accessories

For assistance with connecting to Home Connect®, you can also view instructions here:

www.home-connect.com/us/en/help-support/set-up

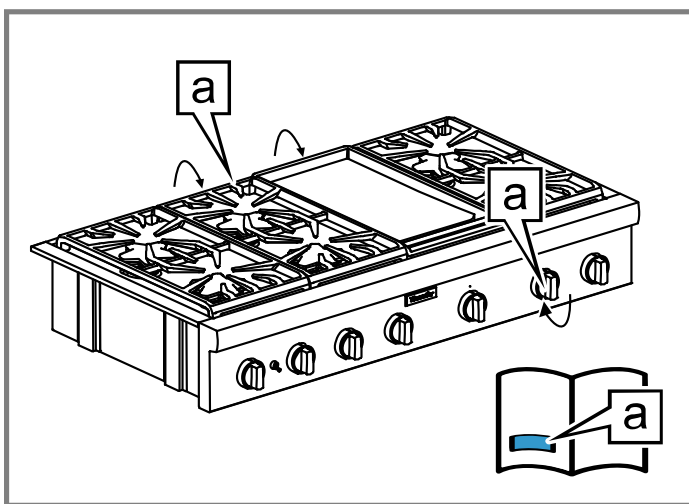
12.1 Model number (E-Nr.) and production number (FD)

You can find the model number (E-Nr.) and the production number (FD) on the appliance's rating plate.

Making a note of your appliance's details and the Customer Service telephone number will enable you to find them again quickly.

12.2 Rating plate location

The rating plate is located as indicated in the figure below. Additionally, you will find the rating label on the front cover of the printed Use and Care Guide.



a Rating plate

12.3 Product registration

Register your Thermador product to access information related to your product.

You may register your product through one of the following ways:

- Register your product online at:
 - US: www.thermador.com
 - CA: www.thermador.ca
- Mail in the completed product registration card to the address printed on the card.
- Scan the QR code with your smartphone and follow the prompts:



- Call Thermador Customer Service at 1-800-735-4328.

Please make sure to register your product; failure to register will not affect your warranty rights.

Table des matières

1 IMPORTANTES CONSIGNES DE SÉCURITÉ	23
1.1 Définitions des termes de sécurité	24
1.2 Informations générales.....	24
1.3 Consignes générales de sécurité	24
1.4 Manipulation sécuritaire des appareils	25
1.5 Sécurité électrique	25
1.6 Sécurité des gaz	25
1.7 Codes et normes de sécurité	26
1.8 Recommandations de ventilation	27
1.9 Mises en garde conformément à la proposition 65 de l'État de Californie	27
2 Avant de commencer.....	28
2.1 Pièces incluses	28
2.2 Outils et pièces nécessaires.....	28
2.3 Exigences d'alimentation et mise à la terre	28
2.4 Exigences concernant la ventilation	28
3 Exigences d'installation	29
3.1 Exigences concernant l'emplacement	29
4 Découpe de comptoir	32
5 Emplacement de l'entrée de gaz.....	34
6 Déballage de l'appareil	34
6.1 Retrait de la table de cuisson de la palette	34
7 Besoins en gaz et raccordements	34
7.1 Installation à haute altitude.....	35
7.2 Exigences en matière de gaz	35
7.3 Raccordement de l'alimentation en gaz.....	35
8 Exigences électriques et connexion pour les modèles GAZ.....	36
8.1 Exigences du circuit d'alimentation électrique	37
9 Procédure d'installation	38
9.1 Installation du dossieret bas (acheté séparément) ...	38
9.2 Réglage de l'appareil	39
9.3 Placement du chapeau du brûleur.....	39
9.4 Placer les grilles de brûleur	39
9.5 Préparation de la plaque électrique.....	40
10 Test des brûleurs de cuisinière	40
10.1 Caractéristiques de la flamme	40
11 Liste de contrôle de l'installateur	41
12 Service à la clientèle.....	41
12.1 Numéro de modèle (E-Nr.) et numéro de fabrication (FD)	42
12.2 Emplacement de la plaque signalétique	42
12.3 Enregistrement de produit.....	42



IMPORTANTES CONSIGNES DE SÉCURITÉ

LIRE ET CONSERVER CES INSTRUCTIONS

Lisez attentivement toutes les instructions avant d'utiliser l'appareil. Afin de réduire les risques d'incendie, d'électrocution et de blessures corporelles lorsque vous utilisez l'appareil, suivez les précautions de base, et notamment les consignes de sécurité suivantes.

⚠ AVERTISSEMENT : Si les directives ne sont pas suivies à la lettre, il y a un risque d'incendie ou d'explosion pouvant entraîner des dommages matériels, des blessures ou un décès.

- Ne pas conserver ou utiliser de l'essence ou d'autres liquides ou vapeurs inflammables à proximité de cet appareil ou de tout autre appareil.
- **QUE FAIRE SI VOUS PERCEVEZ UNE ODEUR DE GAZ**
 - Ne pas essayer de mettre un appareil sous tension.
 - Ne pas toucher d'interrupteur de courant électrique.
 - Ne pas utiliser de téléphones dans l'édifice.
 - Communiquer immédiatement avec le fournisseur de gaz depuis l'appareil téléphonique d'un voisin. Respecter les directives du fournisseur de gaz.
 - S'il s'avère impossible de joindre le fournisseur de gaz, communiquer avec les pompiers.
- Utiliser les services d'un installateur ou d'une agence de services qualifiés ou le fournisseur de gaz pour procéder à l'installation et aux réparations.

⚠ AVERTISSEMENT :

Ne jamais faire fonctionner la surface de la table de cuisson de cet appareil sans surveillance.

- Le non-respect de cet avertissement pourrait entraîner un risque d'incendie, d'explosion ou de brûlure qui pourrait provoquer des dommages matériels, des blessures ou un décès.
- En cas d'incendie, se tenir à l'écart de l'appareil et appeler immédiatement les pompiers.

NE PAS ESSAYER D'ÉTEINDRE UN INCENDIE DE GRAISSE OU D'HUILE AVEC DE L'EAU.



IMPORTANTES CONSIGNES DE SÉCURITÉ

LIRE ET CONSERVER CES INSTRUCTIONS

1.1 Définitions des termes de sécurité

Vous trouverez ici des explications sur les mots de signalisation de sécurité utilisés dans ce manuel.

⚠ AVERTISSEMENT

Signale un risque de mort ou de blessure grave si l'avertissement n'est pas respecté.

⚠ MISE EN GARDE

Signale un risque de blessures mineures ou modérées si l'avertissement n'est pas respecté.

AVIS :

Ceci indique que la non-conformité à cet avis de sécurité peut entraîner des dégâts matériels ou endommager l'appareil.

Remarque : Ceci vous signale des informations et/ou indications importantes.

1.2 Informations générales

Tous les manuels des produits peuvent être téléchargés en ligne à l'adresse www.thermador.ca/fr/soutien/manuels-du-propietaire.

INSTALLATEUR : Prière de laisser ces instructions d'installation avec cet appareil à l'intention du propriétaire.

PROPRIÉTAIRE : Prière de conserver ces instructions pour référence ultérieure. Lisez toutes les consignes de sécurité avant d'utiliser l'appareil. Demandez à l'installateur de vous montrer où se trouvent le disjoncteur électrique et le robinet d'arrêt de l'alimentation en gaz afin que vous sachiez comment et où couper le gaz et l'électricité de l'appareil.

1.3 Consignes générales de sécurité

Tous les manuels des produits peuvent être téléchargés en ligne à l'adresse www.thermador.ca/fr/soutien/manuels-du-propietaire.

IMPORTANT : L'APPAREIL DOIT ÊTRE INSTALLÉ PAR UN INSTALLATEUR QUALIFIÉ.

IMPORTANT : CONSERVEZ CES INSTRUCTIONS POUR L'UTILISATION DE L'INSPECTEUR ÉLECTRIQUE LOCAL.

INSTALLATEUR : PRIÈRE DE LAISSER CES INSTRUCTIONS D'INSTALLATION AVEC CET APPAREIL À L'INTENTION DU PROPRIÉTAIRE.

PROPRIÉTAIRE : Prière de conserver ces instructions pour référence ultérieure. Lisez toutes les consignes de sécurité avant d'utiliser l'appareil. Demandez à l'installateur de vous montrer où se trouvent le disjoncteur électrique et le robinet d'arrêt de l'alimentation en gaz afin que vous sachiez comment et où couper le gaz et l'électricité de l'appareil.

Examinez l'appareil après l'avoir déballé. En cas de dommage en cours de transport, ne branchez pas l'appareil.

AVERTISSEMENT

Si les consignes du présent manuel ne sont pas suivies à la lettre, il y a un risque d'incendie ou d'électrocution pouvant entraîner des dommages matériels ou des blessures.

Ne pas réparer, remplacer ni retirer toute pièce de l'électroménager à moins que cela ne soit spécifiquement recommandé par les manuels. L'installation, les réparations ou l'entretien inadéquats pourraient causer des blessures ou des dégâts matériels.

- ▶ Consulter ce manuel pour les directives d'utilisation.
- ▶ Toutes les autres réparations doivent être effectuées par un prestataire de services agréé.

Couper l'alimentation électrique et de gaz avant toute réparation.

Ne jamais modifier ni altérer la structure de l'appareil électroménager.

L'appareil ne doit être utilisé que s'il est installé par un technicien qualifié conformément à ces instructions d'installation et à tous les règlements et codes. Le fabricant n'est pas responsable des dommages résultant d'une installation incorrecte ou du non-respect des codes et réglementations locaux appropriés.

Pour éliminer le risque de brûlure ou d'incendie lorsque vous vous étirez au-dessus des surfaces chauffantes de l'électroménager, il faut éviter d'installer des armoires de rangement au-dessus de la surface de l'électroménager.

AVERTISSEMENT

NE PAS installer cet appareil à l'extérieur.

AVERTISSEMENT

Retirer tout le ruban adhésif et l'emballage avant d'utiliser l'électroménager.

- ▶ Éliminez l'emballage d'une manière respectueuse de l'environnement.
- ▶ Ne laissez jamais les enfants jouer avec le matériel d'emballage.
- ▶ Conservez les pièces de petite taille dans un endroit sûr, car elles peuvent être avalées facilement.



IMPORTANTES CONSIGNES DE SÉCURITÉ

LIRE ET CONSERVER CES INSTRUCTIONS

AVERTISSEMENT

Pour éviter un possible risque de brûlure ou d'incendie, une protection arrière spécialement conçue pour l'appareil devrait être installée chaque fois que l'appareil est utilisé.

MISE EN GARDE

Cet appareil est conçu comme un appareil de cuisson. Pour des raisons de sécurité, ne l'utilisez jamais pour réchauffer ou chauffer une pièce. Cela pourrait entraîner une intoxication au monoxyde de carbone et une surchauffe de l'appareil.

1.4 Manipulation sécuritaire des appareils

AVERTISSEMENT



Certaines surfaces cachées peuvent avoir des rebords tranchants.

- ▶ Redoubler de vigilance quand vous passez la main derrière ou sous l'appareil électroménager.

1.5 Sécurité électrique

- **Installateur** - indiquez au propriétaire l'emplacement du disjoncteur ou du fusible. Identifiez sa position pour pouvoir le retrouver facilement.
- S'il y a lieu, conformément au Code national de l'électricité (ou au Code canadien de l'électricité), cet appareil doit être installé sur un circuit de dérivation séparé.
- L'appareil, une fois installé, doit être électriquement mis à la terre conformément aux codes locaux ou, en l'absence de codes locaux, au National Electrical Code, NFPA 70 dernière édition, ou au Canadian Electrical Code, CSA C22.1 dernière édition.
- Voir la fiche signalétique pour plus d'information.
→ "Emplacement de la plaque signalétique", Page 42

AVERTISSEMENT

Avant l'installation, couper l'alimentation au panneau de service.

- ▶ Verrouiller le panneau de service pour empêcher que l'alimentation ne soit rétablie par accident.

Pour les électroménagers dotés d'un cordon d'alimentation avec fiche, ne pas couper ni enlever la broche de mise à la terre.

- ▶ Pour éviter toute électrocution, brancher le cordon dans une prise de courant correspondante avec mise à la terre.
- ▶ En cas de doute concernant la mise à la terre appropriée de la prise murale, le client doit faire vérifier celle-ci par un électricien qualifié.

AVERTISSEMENT



RISQUE D'ÉLECTROCUTION

- ▶ Débranchez l'alimentation avant l'installation ou l'entretien. Avant de rétablir l'alimentation, s'assurer que toutes les commandes sont à la position d'arrêt (OFF).
- ▶ NE PAS enlever de raccords.
- ▶ NE PAS utiliser de rallonge.
- ▶ Une mise à la terre inadéquate peut entraîner un risque d'électrocution.
- ▶ Tout manquement à ces directives peut entraîner la mort ou une électrocution, ou déclencher un incendie.

INSTRUCTIONS DE MISE À LA TERRE

- ▶ Cet appareil doit être mis à la terre.
- ▶ La mise à la terre réduit le risque de choc électrique en fournissant une voie sûre pour le courant électrique en cas de court-circuit.
- ▶ Assurez-vous que l'appareil est correctement installé et mis à la terre par un technicien qualifié.
- ▶ L'installation, les raccordements électriques et la mise à la terre doivent être conformes avec tous les codes en vigueur.

N'utilisez pas de rallonge. Si le cordon d'alimentation est trop court, demandez à un électricien ou un technicien qualifié d'installer une prise à proximité de l'appareil. Avant de mettre sous tension la source d'alimentation, vérifiez que toutes les commandes sont à la position OFF (Arrêt).

1.6 Sécurité des gaz

Exigences pour l'alimentation en gaz :

- Vérifier le type de gaz fourni à cet endroit. S'assurer que l'appareil est bien raccordé au type de gaz pour lequel il est certifié.
- Installer un robinet d'arrêt près de l'électroménager. Il doit être facilement accessible en cas d'urgence.



IMPORTANTES CONSIGNES DE SÉCURITÉ

LIRE ET CONSERVER CES INSTRUCTIONS

- L'installateur doit procéder au test de fuites selon les consignes fournies dans le présent manuel.
- L'appareil et son propre robinet d'arrêt doivent être déconnectés de la canalisation du système d'alimentation en gaz au cours de test aux pressions qui dépassent ½ PSI (3,5 kPa).
- L'électroménager doit être isolé de la canalisation du système d'alimentation en gaz en fermant son propre robinet d'arrêt manuel pour tout test de pression à des pressions égales ou inférieures à ½ PSI (3,5 kPa).
- Une ligne de production métallique souple ou un tuyau métallique fixe doit être utilisé pour raccorder le gaz à l'appareil. Si une conduite de gaz en métal ne peut pas être utilisée, veuillez vous adresser à un électricien agréé local ou aux codes électriques locaux pour obtenir une mise à la terre appropriée.
- **Gaz naturel** — Colonne d'eau de 7 pouces. (17,4 mbar) min., 14 pouces (34,9 mbar) maximum.
- **Gaz propane** — Colonne d'eau de 11 pouces. (27,4 mbar) min., 14 pouces (34,9 mbar) maximum.

L'appareil peut être utilisé en toute sécurité en cas de panne de courant. Seuls les brûleurs normaux du haut peuvent être allumés manuellement.

Gardez toujours la zone de l'appareil à l'écart des matériaux combustibles, de l'essence et d'autres vapeurs et liquides inflammables.

MISE EN GARDE

Lors du raccordement de l'appareil au gaz propane, assurez-vous que le réservoir de gaz propane est équipé de son propre régulateur de haute pression en plus du régulateur de pression fourni avec l'appareil. La pression de gaz maximale de cet appareil ne doit pas dépasser 14,0 po de colonne d'eau (34,9 mbar) entre le réservoir de gaz propane et le régulateur de pression.

Installation au gaz propane

- Le réservoir de gaz propane doit être doté de son propre régulateur de pression élevée. De plus, le régulateur de pression livré avec cet appareil doit aussi être utilisé.
- L'électroménager est livré de l'usine prêt à utiliser avec du gaz naturel. Il doit être converti pour usage avec gaz propane. Un technicien qualifié ou un installateur certifié doit procéder à la conversion.
- Pour une utilisation avec du propane, l'appareil doit être converti selon les instructions de conversion LP.

Pour les installations au Massachusetts

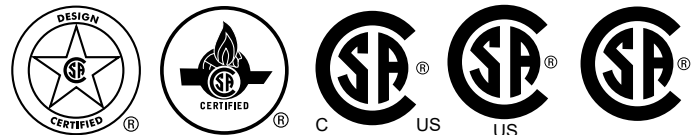
- L'installation doit être exécutée par un entrepreneur, un plombier ou un ajusteur d'appareils à gaz qualifié ou autorisé par l'État, la province ou la région d'installation de cet électroménager.
- Le robinet d'arrêt doit être robinet à gaz avec poignées en T.
- Le connecteur à gaz souple ne doit pas dépasser 36 pouces.

Installateur : prière d'indiquer au propriétaire, l'emplacement du robinet d'arrêt.

1.7 Codes et normes de sécurité

Cet appareil est conforme aux plus récentes versions de l'une ou plus des normes suivantes :

- UL 858 - Cuisinières électriques domestiques
- ANSI Z21.1/CSA 1.1, Appareils électroménagers pour la cuisson à gaz
- CAN/CSA C22.2 no 61 - Cuisinières domestiques
- CAN1-1.1-M81, Cuisinières à gaz domestiques



Codes applicables :

- Vérifiez les codes du bâtiment locaux pour connaître la bonne méthode d'installation de l'appareil.
- Les codes locaux peuvent varier. L'installateur est responsable de s'assurer que l'installation, les connexions de gaz et d'électricité et la mise à la terre sont conformes à tous les codes applicables. Le fabricant n'est pas responsable d'une installation incorrecte ou du non-respect des codes et réglementations locaux appropriés.
- L'installation d'appareils conçus pour une installation dans des maisons préfabriquées (mobiles) doit être conforme à la Norme de sécurité et de construction de maisons préfabriquées, Titre 24 CFR, Partie 3280 [anciennement la Norme fédérale pour la construction et la sécurité des maisons mobiles, Titre 24, HUD {Partie 280}] ou avec les codes locaux le cas échéant.
- L'installation d'appareils conçus pour les remorques de parc de loisirs doit être conforme aux codes de l'État ou autres ou, en l'absence de tels codes, à la norme ANSI A119.5 Park Model Recreational Vehicle.



IMPORTANTES CONSIGNES DE SÉCURITÉ

LIRE ET CONSERVER CES INSTRUCTIONS

- En l'absence de codes locaux, l'appareil doit être installé conformément au National Electrical Code NFPA 70 version actuelle et National Gas Code NFPA 54/ ANSI Z223.1 – version actuelle. Au Canada, l'installation doit être conforme au Code canadien de l'électricité, CSA C22.1-02 et aux dernières éditions du Code d'installation du gaz naturel et du propane CSA B149.1 et du Code d'entreposage et de manutention du propane CSA B149.2 et/ou codes locaux.

Il est de la responsabilité du propriétaire et de l'installateur de déterminer si des exigences et/ou des normes supplémentaires s'appliquent à des installations spécifiques.

1.8 Recommandations de ventilation

Nous recommandons fortement l'installation d'une hotte de ventilation au-dessus de cet appareil.

La hotte doit être installée conformément aux instructions fournies avec la hotte.

AVERTISSEMENT

L'électroménager ne doit pas être installé avec un système de ventilation qui souffle l'air vers le bas en direction des brûleurs. Ce type de système de ventilation peut entraîner des problèmes d'allumage et de combustion avec l'appareil de cuisson au gaz pouvant causer des blessures corporelles ou un fonctionnement indésirable.

1.9 Mises en garde conformément à la proposition 65 de l'État de Californie

Ce produit pourrait contenir un produit chimique reconnu par l'État de la Californie comme cancérigène ou ayant des effets nocifs sur la reproduction. Par conséquent, vous pourriez devoir apposer l'étiquette suivante sur l'emballage du produit comme requis par la Californie :

AVERTISSEMENT ISSUE DE LA PROPOSITION 65 DE L'ÉTAT DE LA CALIFORNIE :



AVERTISSEMENT
Cancer et dommages à la reproduction -
www.P65Warnings.ca.gov

2 Avant de commencer

Ce manuel d'installation couvre plusieurs modèles. Tous graphiques sont représentatifs. Votre appareil peut varier en apparence et en fonctionnalités.

2.1 Pièces incluses

Après avoir déballé le produit, inspectez toutes les pièces pour détecter d'éventuels dégâts dus au transport et pour vous assurer de l'intégralité de la livraison.

- Plaque de cuisson
- Chapeaux de brûleur STAR® (1 par brûleur)
- Grilles de brûleur (2 ou 3, selon modèle)

2.2 Outils et pièces nécessaires

Préparez ces outils et accessoires avant de commencer à installer votre électroménager.

Outils

- Crayon
- Ruban à mesurer
- Niveau
- Gants de sécurité
- Tournevis à embout étoile T20
- Clé polygonale ou cliquet et douille de $\frac{7}{16}$ po (11 mm)
- Clé à molette de 12 po (305 mm)

Pièces supplémentaires requises

- Composé de tuyau/ruban
- Ligne flexible de $\frac{3}{4}$ po (19 mm)

AVIS :

Il est possible que la paroi arrière se décolore sous certaines conditions de cuisson.

2.3 Exigences d'alimentation et mise à la terre

La prise de courant doit être correctement mise à la terre selon tous les codes applicables.

2.4 Exigences concernant la ventilation

AVERTISSEMENT

L'électroménager ne doit pas être installé avec un système de ventilation qui souffle l'air vers le bas en direction des brûleurs. Ce type de système de ventilation peut entraîner des problèmes d'allumage et de combustion avec l'appareil de cuisson au gaz pouvant causer des blessures corporelles ou un fonctionnement indésirable.

- Reportez-vous au « Guide de planification de la ventilation » pour les combinaisons de ventilation approuvées.
- Il est fortement recommandé d'installer cet appareil en conjonction avec une hotte de ventilation Thermador. En raison de la capacité thermique élevée de cet

appareil, une attention particulière doit être accordée à l'installation de la hotte et des conduits pour s'assurer qu'ils sont conformes aux codes du bâtiment locaux.

- Les hottes de ventilation et les souffleurs sont conçues pour être utilisées avec des conduits à simple paroi. Cependant, certains codes du bâtiment locaux ou certains inspecteurs peuvent exiger des conduits à double paroi. Consultez les codes du bâtiment locaux et/ou les agences locales avant de commencer pour vous assurer que l'installation de la hotte et du conduit répondra aux exigences locales.

AVIS :

La plupart des hottes de cuisine contiennent des composants combustibles qui doivent être pris en compte lors de la planification de l'installation.

Préparation de l'aération

1. Sélectionnez les modèles de hotte et de ventilateur.
 - Pour les installations murales, la largeur de la hotte doit, au minimum, être égale à la largeur de la cuisinière/du dessus de la plaque de cuisson. Lorsque l'espace le permet, une hotte plus large que la cuisinière/le dessus de la cuisinière peut être souhaitable pour améliorer les performances de ventilation.
 - Pour les installations en îlot, la largeur de la hotte doit dépasser la largeur de la cuisinière/plaque de cuisson d'au moins 3 po (76 mm) de chaque côté.
2. Considérez le placement de la hotte.
 - Pour une meilleure élimination de la fumée, le bord inférieur de la hotte doit être installé à 30 po (762 mm) au-dessus de la surface de cuisson de la cuisinière.
 - Si la hotte contient des matériaux combustibles (c.-à-d. un revêtement en bois), elle doit être installée à un minimum de 36 po (914 mm) au-dessus de la surface de cuisson.
3. Pensez à l'air d'appoint.
 - En raison du volume élevé d'air de ventilation, une source d'air de remplacement extérieur est recommandée. Ceci est particulièrement important pour les maisons hermétiquement fermées et isolées.
 - Un entrepreneur qualifié en chauffage et en ventilation doit être consulté.

3 Exigences d'installation

Lisez ces instructions pour préparer l'espace d'installation de votre appareil.

3.1 Exigences concernant l'emplacement

Assurez-vous que votre emplacement d'installation remplit les conditions suivantes avant de commencer la procédure d'installation.

MISE EN GARDE

Pour éviter d'endommager les armoires et les finitions des armoires :

- ▶ Utilisez uniquement des matériaux et des finis qui ne se décolorent pas ni se décollent en couches multiples.
- ▶ Les matériaux doivent être en mesure de supporter des températures pouvant atteindre 90 °C (194 °F).
- ▶ Utilisez des matières adhésives résistantes à la chaleur et à l'humidité si l'appareil est installé dans des armoires stratifiées.
- ▶ Vérifiez auprès du fabricant du produit pour vous assurer que les matériaux répondent à ces exigences.

Spécifications :

- Pour garantir des résultats professionnels, les ouvertures des armoires et des comptoirs doivent être préparées par un ébéniste qualifié.
- L'alimentation en gaz et en électricité doivent se situer dans un endroit accessible sans qu'il soit nécessaire de retirer la cuisinière.
- Les mêmes dégagements s'appliquent aux installations sur îlot, sauf pour les armoires au-dessus qui doivent comporter un espace assez grand pour recevoir une hotte d'îlot.
- Voir le Guide de planification de la ventilation pour les options de hotte recommandées. En raison de la chaleur élevée des brûleurs, l'installation d'un four à micro-ondes avec système de ventilation au-dessus de l'appareil n'est pas recommandée sur autre chose que le modèle 30 po à 5 brûleurs. Pour connaître les dégagements nécessaires, consulter le manuel d'installation du fabricant de micro-ondes à hotte intégrée.
- La cuisinière est conçue pour être suspendue au comptoir par ses rebords. Assurez-vous que le comptoir est suffisamment solide pour supporter cette plaque de cuisson. Il peut être nécessaire d'ajouter un taquet de soutien le long de chaque côté ou un renfort d'angle 2 x 4.
 - "Découpe de comptoir", Page 32 Comme alternative, vous pouvez construire une terrasse sur laquelle installer la plaque de cuisson.
- La plaque de cuisson peut être installée dans diverses positions avec le devant affleurant ou en saillie, selon la profondeur du comptoir.
- La zone ombrée supérieure derrière l'appareil indique une opportunité de décolorer la paroi arrière dans certaines conditions de cuisson.

- Laissez un dégagement latéral minimum de 5 po (127 mm) entre l'appareil et les surfaces verticales inflammables au-dessus de la hauteur du plan de travail de 36 po (914 mm).
- Dans ces limites de dégagement latéral minimum de 5 po (127 mm) des surfaces verticales inflammables au-dessus du plan de travail de 36 po (914 mm), la profondeur maximale de l'armoire doit être de 13 po (330 mm).
- Les armoires murales situées à l'intérieur de ce dégagement latéral de 5 po (127 mm) doivent être à 18 po (457 mm) au-dessus du comptoir de 36 po (914 mm) de haut.
- La profondeur maximale des armoires suspendues de chaque côté de la hotte est de 13 po (330 mm).
- Il y a un dégagement minimum de 36 po (914 mm) requis entre le haut de la surface de cuisson et le bas d'une armoire non protégée. Un dégagement de 30 po (762 mm) peut être utilisé lorsque le fond de l'armoire en bois ou en métal est protégé par au moins ¼ po (6 mm) d'un matériau ignifuge recouvert d'au moins une tôle d'acier n° 28 MSG, 0,015 po (0,38 mm) d'acier inoxydable d'épaisseur, 0,024 po (0,61 mm) d'aluminium ou 0,02 po (0,51 mm) d'épaisseur de cuivre.
- Établissez la ligne médiane de l'emplacement souhaité de l'appareil. Il doit être le même que le centre de la hotte de ventilation supérieure.
- Couper les ouvertures en fonction de l'emplacement d'installation.
 - "Découpe de comptoir", Page 32

Exigences de dégagement arrière

Pour éviter de tacher le mur arrière, on recommande des matériaux de construction non-poreux, résistants à haute température qui conviennent à un environnement propre à la cuisson.

IMPORTANT : Il est possible que la paroi arrière se décolore sous certaines conditions de cuisson.

Modèles convenant à un dégagement arrière de 0 po par rapport aux surfaces combustibles :

- PCG305xx

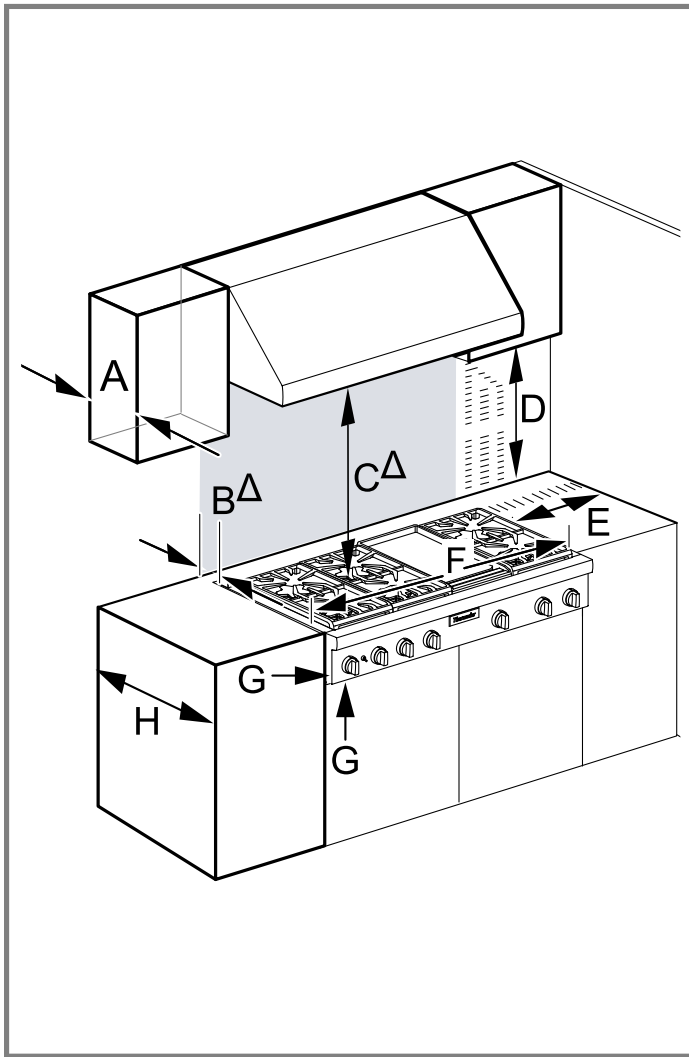
Tous les autres modèles :

- Lors de l'utilisation de la garniture d'îlot incluse, un dégagement arrière minimum de 6 po (152 mm)* est requis par rapport à une surface combustible*.
- Lors de l'installation contre une surface combustible, un dossierer bas Thermador est requis pour un dégagement arrière de 0 po avec la surface combustible. Il faudrait acheter séparément un dossierer bas Thermador.
- Un dégagement arrière à une surface recouverte d'un matériau incombustible (métal, carreaux de céramique, brique, marbre ou pierre)*^Δ, est de 0 po lors de l'utilisation de la garniture d'îlot incluse.

Exigences supplémentaires

- Si un mur latéral solide existe sur un ou les deux côtés, vous devrez encocher le coin avant de l'armoire pour correspondre à l'encoche du comptoir et pour laisser un dégagement pour l'avant de la cuisinière. Voir le détail X
→ "Découpe de comptoir", Page 32
- Si une plate-forme de support est utilisée, les côtés ou le fond de la découpe peuvent être en matériau solide combustible ou incombustible. Si le fond est solide, prévoir une découpe de 12 po par 12 po (305 mm x 305 mm) dans le coin arrière gauche de la plate-forme de support. Cela fournira un dégagement pour l'entrée de gaz et le cordon d'alimentation.
- Gardez toujours la zone de l'appareil propre et exempte de matériaux combustibles, d'essence et d'autres vapeurs et liquides inflammables.
- NE PAS obstruer le flux d'air de combustion et de ventilation vers l'appareil.

Exigences de dégagement de l'armoire avec garniture d'îlot

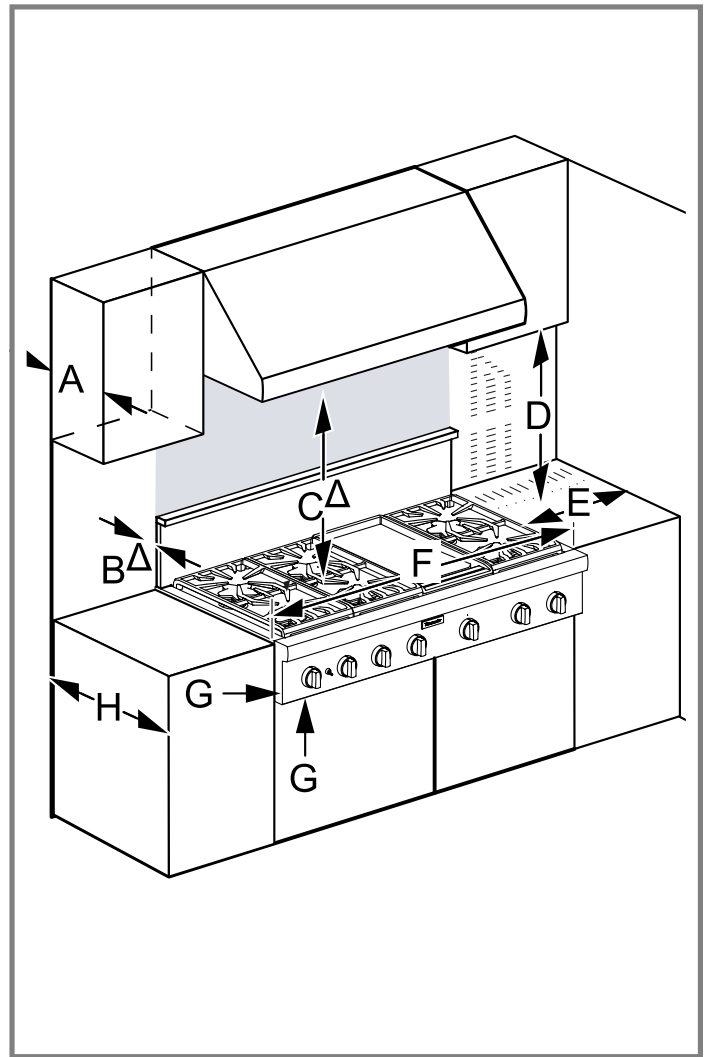


A	13 po (330 mm)
B ^Δ	6 po (152 mm)
C ^Δ	30 po - 40 po (762 mm - 1016 mm)

D	18 po (457 mm)
E	5 po (127 mm)
F	Selon le modèle : <ul style="list-style-type: none"> ■ 36 po (914 mm) ■ 48 po (1219 mm)
G	0 po (0 mm)
H	23 7/8 po (606 mm)

* tel que défini dans le « National Fuel Gas Code » (ANSI Z223.1, édition actuelle). Les dégagements pour matériaux non combustibles ne sont pas abordés dans la norme ANSI Z21.1 et ne sont pas certifiés par la CSA. Les dégagements de moins de 6 po (152 mm) doivent être approuvés par le et / ou par l'autorité locale compétente. **Il est possible que la paroi arrière se décolore sous certaines conditions de cuisson.**

Exigences de dégagement de l'armoire avec dossier bas (acheté séparément)



A	13 po (330 mm)
B ^Δ	0 po (0 mm)
C ^Δ	30 po - 40 po (762 mm - 1016 mm)
D	18 po (457 mm)
E	5 po (127 mm)

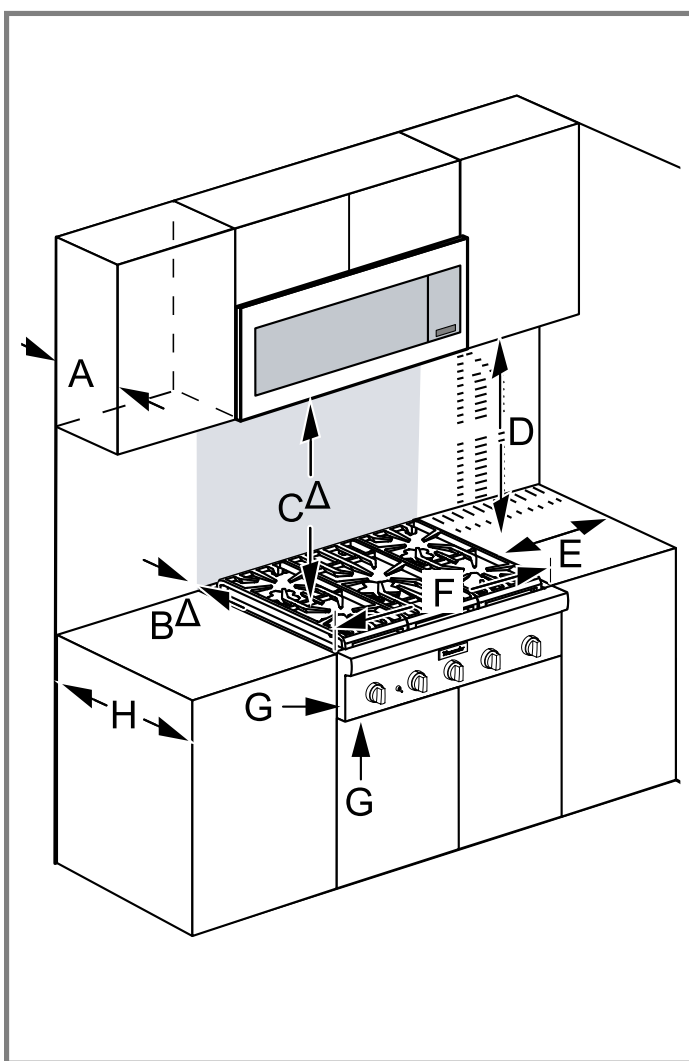
F	Selon le modèle : ■ 36 po (914 mm) ■ 48 po (1219 mm)
---	--

G	0 po (0 mm)
---	-------------

H	23 7/8 po (606 mm)
---	--------------------

* tel que défini dans le « National Fuel Gas Code » (ANSI Z223.1, édition actuelle). Les dégagements pour matériaux non combustibles ne sont pas abordés dans la norme ANSI Z21.1 et ne sont pas certifiés par la CSA. Les dégagements de moins de 6 po (152 mm) doivent être approuvés par le et / ou par l'autorité locale compétente. **Il est possible que la paroi arrière se décolore sous certaines conditions de cuisson.**

Exigences de dégagement de l'armoire avec four à micro-ondes avec hott intégrée pour 30 po à 5 brûleurs



A	13 po (330 mm)
---	----------------

B ^Δ	0 po (0 mm)
----------------	-------------

C ^Δ	min. 30 po (762 mm) à un matériau incombustible au-dessus de la surface de cuisson. Pour connaître les dégagements nécessaires, consulter le manuel d'installation du fabricant de micro-ondes à hotté intégrée.
----------------	---

D	18 po (457 mm)
---	----------------

E	5 po (127 mm)
---	---------------

F	30 po (762 mm)
---	----------------

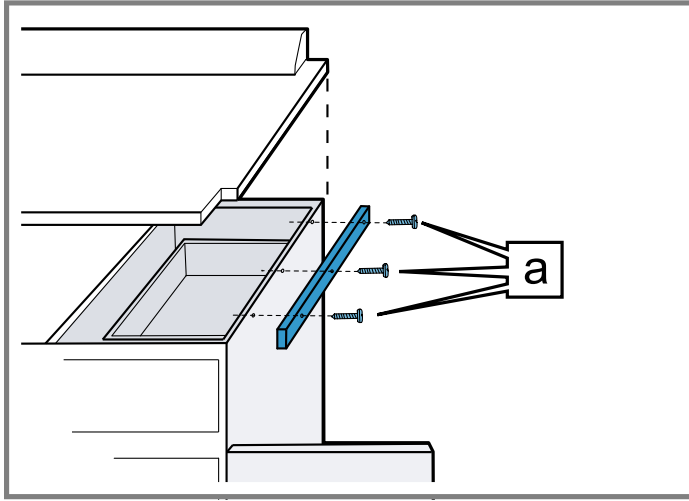
G	0 po (0 mm)
---	-------------

H	23 7/8 po (606 mm)
---	--------------------

* tel que défini dans le « National Fuel Gas Code » (ANSI Z223.1, édition actuelle). Les dégagements pour matériaux non combustibles ne sont pas abordés dans la norme ANSI Z21.1 et ne sont pas certifiés par la CSA. Les dégagements de moins de 6 po (152 mm) doivent être approuvés par le et / ou par l'autorité locale compétente. **Il est possible que la paroi arrière se décolore sous certaines conditions de cuisson.**

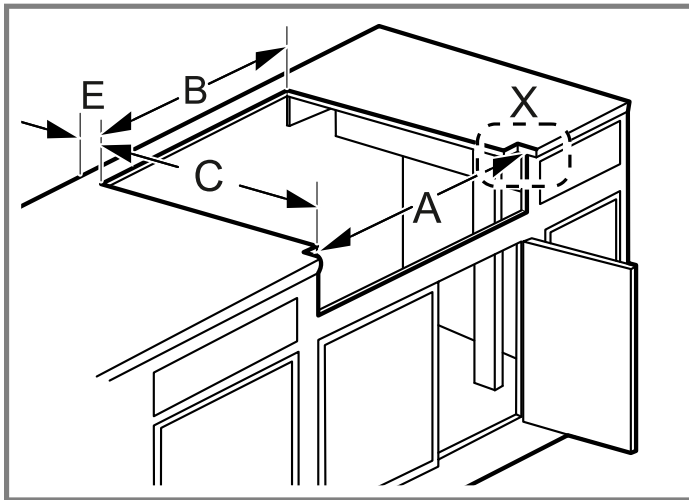
4 Découpe de comptoir

Installation des taquets de support latéraux (des deux côtés)

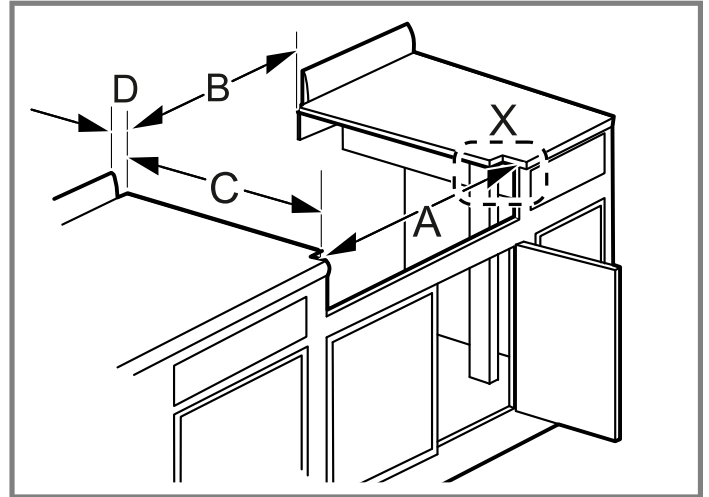


a Vis à tête fraisée

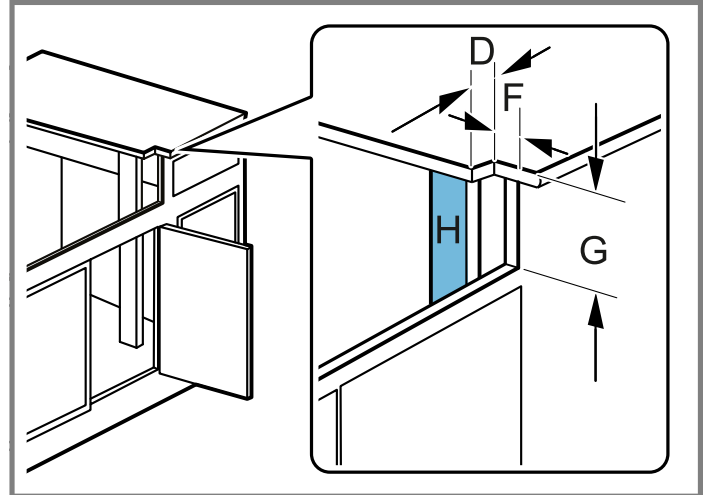
Installation en îlot sans dossier de comptoir



Installation murale avec dossier de comptoir

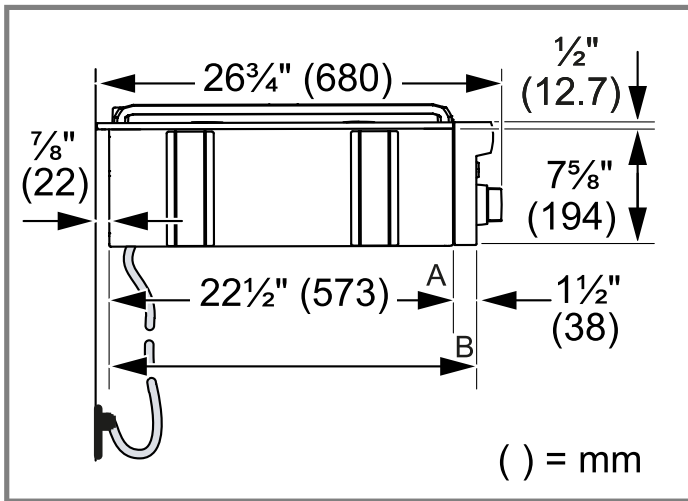


Détail X : détail de l'encoche d'angle sur la face avant de l'armoire

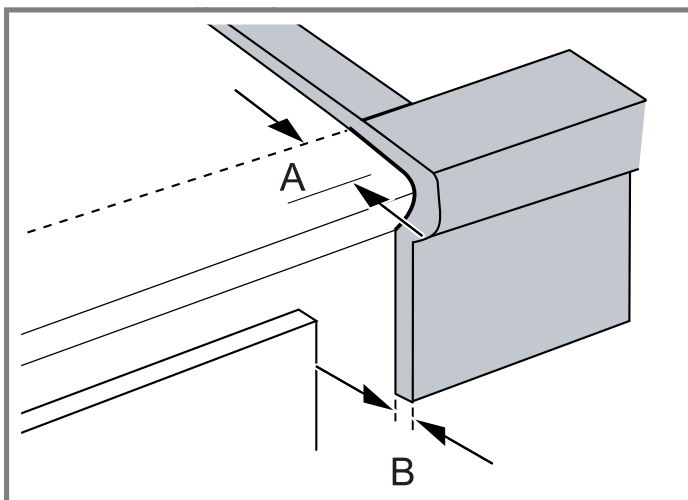


	Plaque de cuisson 30 po	Plaque de cuisson 36 po	Plaque de cuisson 48 po
A	29 ¹⁵ / ₁₆ po (760 mm)	35 ¹⁵ / ₁₆ po (913 mm)	47 ¹⁵ / ₁₆ po (1 218 mm)
B	29 ¹ / ₈ po (740 mm)	35 ¹ / ₈ po (892 mm)	46 ¹ / ₄ po (1 175 mm)
C	Installation en îlot : 22 ¹³ / ₁₆ po (580 mm) Installation murale : 23 ⁵ / ₁₆ po (592 mm)	Installation en îlot : 22 ¹³ / ₁₆ po (580 mm) Installation murale : 23 ⁵ / ₁₆ po (592 mm)	Installation en îlot : 22 ¹³ / ₁₆ po (580 mm) Installation murale : 23 ⁵ / ₁₆ po (592 mm)
D	³ / ₈ po (10 mm)	³ / ₈ po (10 mm)	⁷ / ₈ po (22 mm)
E	min. ³ / ₄ po (19 mm)	min. ³ / ₄ po (19 mm)	min. ³ / ₄ po (19 mm)

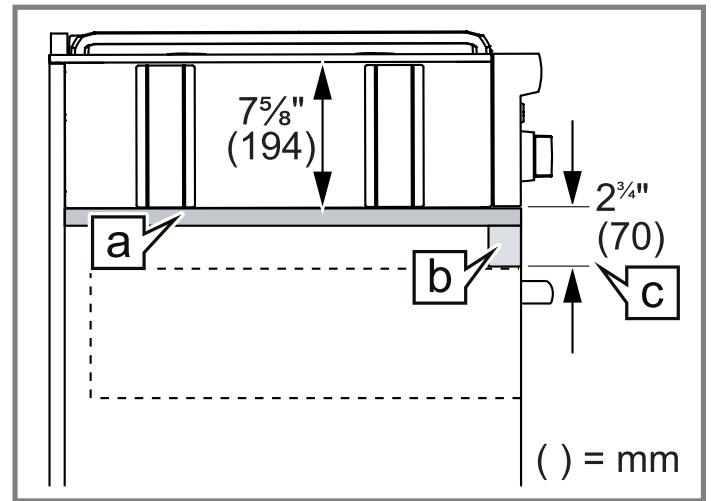
	Plaque de cuisson 30 po	Plaque de cuisson 36 po	Plaque de cuisson 48 po
F	Encoche d'angle : <ul style="list-style-type: none"> 0 po (0 mm) : panneau de commande dépassant de 1 1/2 po (38 mm) de la face de l'armoire de base. 1 1/16 po (18 mm) : Requis pour une armoire de base standard de 24 po (610 mm) de profondeur ; Le panneau de commande dépasse de 1 3/16 po (20 mm) de la face de l'armoire de base. 	Voir table de cuisson colonne 30 po	Voir table de cuisson colonne 30 po
G	7 1/16 po (195 mm)	7 1/16 po (195 mm)	7 1/16 po (195 mm)
H	support d'angle 2x4	support d'angle 2x4	support d'angle 2x4

Vue latérale de la plaque de cuisson


- A Façade du meuble pour installation avec panneau de commande en saillie.
- B Façade de l'armoire pour installation avec panneau de commande affleurant.

Dépassement de l'avant de l'armoire


- A Profondeur de l'encoche : 1 1/16 po (18 mm)
- B L'avant dépasse vers l'extérieur de 1 3/16 po (20 mm) comme illustré à partir d'une base standard de 24 po de profondeur.

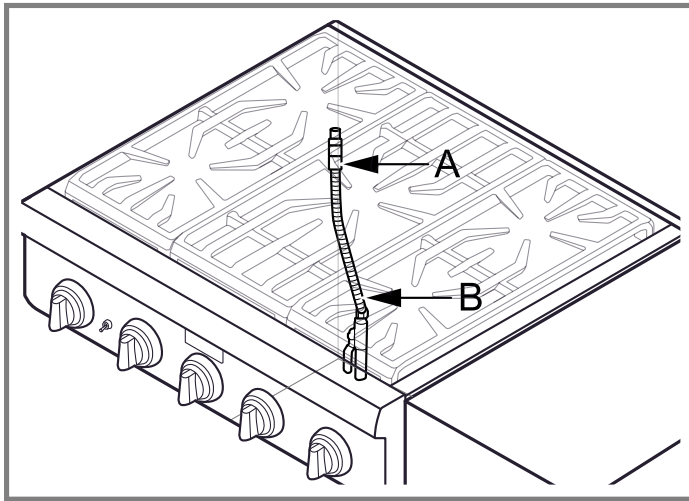
Installation au-dessus du tiroir-réchaud Thermador


- a Support en contreplaqué
- b Installez un support en bois supplémentaire le long du bord avant de la découpe.
- c Distance minimale entre les découpes

5 Emplacement de l'entrée de gaz

Une vanne manuelle doit être installée à l'extérieur de l'appareil, dans un endroit accessible par l'avant, dans le but de couper l'alimentation en gaz.

Emplacement de l'arrivée de gaz	30"	36"	48"
Du côté gauche à la ligne médiane de l'arrivée de gaz	6 $\frac{3}{8}$ po (152 mm)	11 po (267 mm)	11 po (267 mm)
De l'arrière à l'axe de l'arrivée de gaz	2 $\frac{1}{4}$ po (54 mm)	2 $\frac{1}{4}$ po (54 mm)	2 $\frac{1}{4}$ po (54 mm)



A 1/2 po (12,7 mm) NTP

B Ligne flexible de 3/4 po (19 mm)

6 Déballage de l'appareil

⚠ AVERTISSEMENT



L'appareil est lourd et son déplacement et installation exigent au moins deux personnes ou encore un équipement approprié.

⚠ AVERTISSEMENT



Certaines surfaces cachées peuvent avoir des rebords tranchants.

- ▶ Redoubler de vigilance quand vous passez la main derrière ou sous l'appareil électroménager.

6.1 Retrait de la table de cuisson de la palette

1. Retirez le carton extérieur et les matériaux d'emballage de la base d'expédition. Assurez-vous d'avoir tous les composants de la cuisinière avant de continuer.
2. Retirez les grilles de cuisson, la plaque chauffante, le cas échéant, et les chapeaux des brûleurs pour réduire le poids de la plaque de cuisson.

3. Laissez le film protecteur sur les surfaces en métal brossé, pour protéger la finition des rayures, jusqu'à ce que la table de cuisson soit installée dans sa position finale.
4. Utilisez un tournevis cruciforme pour retirer les vis des supports de palette sur les côtés gauche et droit de l'unité. Jetez les vis et les supports après leur retrait.

7 Besoins en gaz et raccords

⚠ MISE EN GARDE

L'électroménager doit être isolé de la canalisation du système d'alimentation en gaz en fermant son propre robinet d'arrêt manuel pour tout test de pression à des pressions égales ou inférieures à 1/2 PSI (3,5 kPa). Lors du raccordement de l'appareil au gaz propane, assurez-vous que le réservoir de gaz propane est équipé de son propre régulateur de haute pression en plus du régulateur de pression fourni avec l'appareil. La pression du gaz fourni au régulateur de l'appareil ne doit pas dépasser 14 pouces de colonne d'eau (34,9 mbar).

⚠ AVERTISSEMENT

NE PAS utiliser une flamme quelconque pour vérifier l'étanchéité.

- **IMPORTANT:** Ne pas mettre à la terre sur un tuyau de gaz.
- **IMPORTANT :** S'il n'est pas déjà présent, installez une vanne d'arrêt de gaz dans un endroit facilement accessible. Assurez-vous que tous les utilisateurs savent où et comment couper l'alimentation en gaz de l'appareil.
- Vérifiez le type de gaz utilisé sur le site d'installation. Assurez-vous que la cuisinière correspond au type de gaz disponible à cet endroit.
- L'appareil doit être raccordé uniquement au type de gaz pour lequel il est certifié. Si l'appareil doit être raccordé au gaz propane, assurez-vous que le réservoir d'alimentation en gaz propane est équipé de son propre régulateur haute pression en plus du régulateur de pression fourni avec l'appareil.
- Les raccords d'alimentation en gaz doivent être effectués par un technicien compétent et conformément aux codes ou ordonnances locaux. En l'absence de codes locaux, l'installation doit être conforme à la version actuelle du National Fuel Gas Code ANSI Z223.1/NFPA54.

- Une ligne de production métallique souple ou un tuyau métallique fixe doit être utilisé pour raccorder le gaz à l'appareil. Si une conduite de gaz en métal ne peut pas être utilisée, veuillez vous adresser à un électricien agréé local ou aux codes électriques locaux pour obtenir une mise à la terre appropriée.
- Pour couper l'alimentation en gaz, il faut installer un robinet d'arrêt manuel externe à l'appareil électroménager, à un endroit accessible de l'avant. La conduite d'alimentation en gaz ne doit pas nuire à l'arrière de l'appareil.
- L'installateur doit informer le propriétaire de l'emplacement de la vanne d'arrêt du gaz. Assurez-vous que tous les utilisateurs savent où et comment couper l'alimentation en gaz de l'appareil.

7.1 Installation à haute altitude

- Cet appareil a été testé pour fonctionner à une altitude allant jusqu'à 3 078 m (10 100 pi) au-dessus du niveau de la mer.
- Une trousse de haute altitude est requise pour le gaz naturel au-dessus de 5,400 pieds (1,646 m) d'altitude au-dessus du niveau de la mer et pour le propane (LP) au-dessus de 10 000 pieds (3 048 m) d'altitude au-dessus du niveau de la mer.
- Si vous le souhaitez, pour les altitudes supérieures à 2 000 pieds (610 m) au-dessus du niveau de la mer, des ajustements peuvent être apportés aux brûleurs de la cuisinière à l'aide d'une trousse d'ajustement. Si la flamme réagit de manière satisfaisante, aucun ajustement n'est requis.
- Voir les informations du service à la clientèle sur le service, les pièces et les accessoires.
→ "Service à la clientèle", Page 41

7.2 Exigences en matière de gaz

Besoins en gaz naturel :

- Connexion d'entrée : ½ po NPT interne (conduite flexible de diamètre min. ¾ po)
- Pression d'alimentation : 7 po min. à 14 po max. colonne d'eau (17,4 à 34,9 mbar)
- Pression d'admission : colonne d'eau de 5 pouces (12,5 mbar)

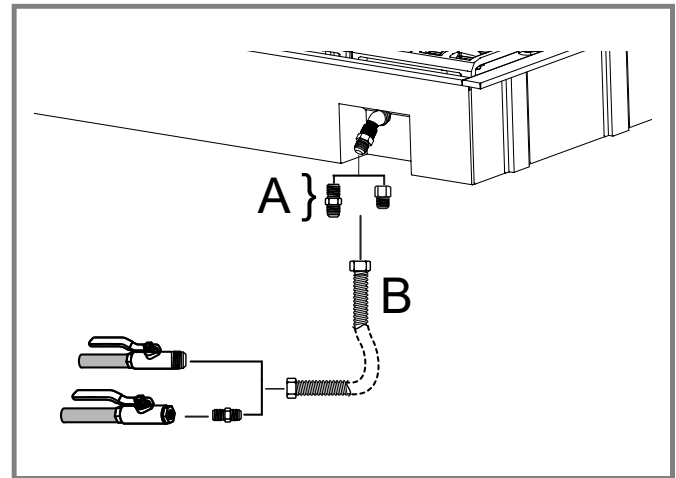
Besoins en gaz propane :

- Connexion d'entrée : ½ po NPT interne (conduite flexible de ¾ po de diamètre minimum)
- Pression d'alimentation : 11 po min. à 14 po max. colonne d'eau (27,4 mbar à 34,9 mbar)
- Pression d'admission : colonne d'eau de 10 pouces (24,9 mbar)

7.3 Raccordement de l'alimentation en gaz

1. S'assurer que le robinet d'arrêt manuel est fermée pour couper l'alimentation en gaz avant de raccorder l'appareil électroménager.

2. Utilisez une conduite flexible de ¾ po (19 mm) pour connecter l'alimentation en gaz à l'entrée de gaz de l'appareil. La connexion de la conduite d'alimentation en gaz est située dans la partie inférieure droite. Le raccord d'entrée de gaz de l'appareil est de ½ po (12,7 mm) NPT.
 - Soyez prudent afin d'éviter de pincer la ligne flexible de ¾ po (19 mm) lorsque vous effectuez des virages. La longueur suggérée de la ligne flexible est de 48 po (1 219 mm) ; cependant, veuillez vérifier les codes locaux pour les exigences de votre région avant l'installation.



- | | |
|---|--|
| A | Filetages externes de ¾ po (19 mm)
Filetages internes de ½ po (12,7 mm) |
| B | Ligne flexible de ¾ po (19 mm) |

3. Utilisez un composé d'étanchéité pour tuyaux ou du ruban Teflon® sur les filetages des tuyaux. **NE PAS** appliquer un composé d'étanchéité ou du ruban adhésif sur les raccords évasés. Veillez à ne pas appliquer une pression excessive lors du serrage des raccords.
4. Le test d'étanchéité de l'appareil doit être conforme aux instructions suivantes :
 - Allumez le gaz et vérifiez les connexions de la conduite d'alimentation pour détecter les fuites à l'aide d'une solution d'eau et de savon.
 - La formation de bulles indique une fuite de gaz. Réparez toutes les fuites immédiatement.

Vérification de la conduite de gaz pour les fuites

Les tests d'étanchéité doivent être effectués par l'installateur conformément aux instructions suivantes.

⚠ AVERTISSEMENT

NE PAS utiliser une flamme quelconque pour vérifier l'étanchéité.

1. Ouvrez le gaz.
2. Appliquer un liquide de détection de fuites non corrosif à toutes les jonctions et tous les raccords des conduites de gaz entre le robinet d'arrêt et l'appareil. Vérifiez

également les raccords de gaz et les joints de l'appareil si les connexions peuvent avoir été perturbées pendant l'installation.

- ✓ Les bulles qui apparaissent autour des raccords indiquent une fuite.
- 3. En présence d'une fuite, coupez l'alimentation en gaz en fermant le robinet d'arrêt et serrez le ou les raccords qui fuient.
- 4. Contrôlez à nouveau l'étanchéité en ouvrant la soupape d'arrêt de gaz de la conduite d'alimentation.
- ✓ Lorsque la vérification des fuites est terminée et qu'aucune bulle n'apparaît, le test est terminé.
- 5. Essuyez toute solution savonneuse ou résidu de liquide de détection.
- ✓ Ne continuez pas l'installation tant que toutes les fuites ne sont pas éliminées.

Raccordement au gaz propane

Votre appareil est expédié par l'usine pour fonctionner au gaz naturel. Il doit être converti pour être utilisé avec du gaz propane. Vérifiez que le type de gaz utilisé sur le site d'installation correspond au type de gaz utilisé par l'appareil.

Si le site d'emplacement nécessite une conversion du gaz naturel au propane (LP), contactez le revendeur où l'appareil a été acheté ou contactez Thermador pour acheter une trousse de conversion. Respectez toutes les instructions de cette trousse pour une conversion correcte du régulateur de gaz et des réglages des vannes de gaz. La conversion sur site doit être effectuée uniquement par un personnel de service qualifié.

AVERTISSEMENT

Lors de l'utilisation d'une trousse de conversion de gaz :

- ▶ La trousse de conversion au gaz doit être installée par un personnel de service qualifié conformément aux instructions du fabricant et à tous les codes et exigences applicables de l'autorité compétente.
- ▶ Si les directives ne sont pas suivies à la lettre, il y a un risque d'incendie, d'explosion ou de génération de monoxyde de carbone pouvant entraîner des dommages matériels, des blessures ou une perte de vie.
- ▶ Le personnel de service qualifié est responsable de l'installation correcte de la trousse de conversion de gaz.
- ▶ L'installation n'est pas correcte et complète tant que le fonctionnement de l'appareil converti n'a pas été vérifié conformément aux instructions du fabricant fournies avec la trousse de conversion au gaz.

MISE EN GARDE

L'électroménager doit être isolé de la canalisation du système d'alimentation en gaz en fermant son propre robinet d'arrêt manuel pour tout test de pression à des pressions égales ou inférieures à ½ PSI (3,5 kPa).

L'appareil et sa vanne d'arrêt individuelle doivent être déconnectés du système de tuyauterie d'alimentation en gaz lors de tout essai de pression du système à des pressions d'essai supérieures à ½ psi (3,5 kPa). Lors de la vérification de la pression de gaz du collecteur, la pression d'entrée du régulateur doit être d'au moins 7,0 po (17,4 mb) W.C. pour le gaz naturel ou 11,0 po (27,4 mb) pour le propane. N'essayez PAS de régler le régulateur de pression.

MISE EN GARDE

Conservez les ports retirés de l'appareil électroménager pour un usage ultérieur. Lors du raccordement de l'appareil au gaz propane, assurez-vous que le réservoir de gaz propane est équipé de son propre régulateur de haute pression en plus du régulateur de pression fourni avec l'appareil. La pression du gaz fourni au régulateur de l'appareil ne doit pas dépasser une colonne d'eau de 14 po (34,9 mb).

8 Exigences électriques et connexion pour les modèles GAZ

AVERTISSEMENT

Avant l'installation, couper l'alimentation au panneau de service.

- ▶ Verrouiller le panneau de service pour empêcher que l'alimentation ne soit rétablie par accident.

AVERTISSEMENT

Débranchez toujours l'appareil de l'alimentation électrique en débranchant le cordon d'alimentation ou en fermant le disjoncteur au niveau du panneau de service avant de procéder à l'entretien de l'appareil.

AVERTISSEMENT

Cet appareil doit être correctement mis à la terre. Instructions de mise à la terre

- ▶ L'électroménager est doté d'une fiche à trois broches mise à la terre pour vous protéger contre le danger d'électrocution. La fiche doit être utilisée dans une prise correctement mise à la terre. **NE PAS** enlever ni couper la broche de mise à la terre de la fiche.

MISE EN GARDE

Une mauvaise mise à la terre ou une polarisation inversée entraînera un dysfonctionnement, tel que des étincelles continues des allumeurs des brûleurs. Cela peut endommager l'appareil et créer un état de risque d'électrocution.

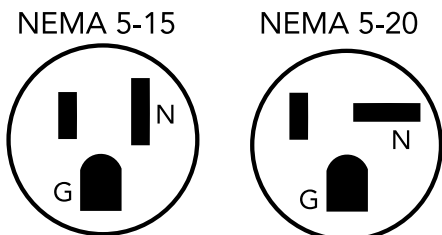
- ▶ Si le circuit dédié n'est pas correctement mis à la terre et polarisé, il est de la responsabilité et de l'obligation de l'installateur et de l'utilisateur de faire remplacer la prise existante par une prise correctement dédiée mise à la terre et polarisée.

- ▶ Ceci doit être accompli conformément à tous les codes et ordonnances locaux applicables par un électricien qualifié. En l'absence de codes et d'ordonnances locaux, le remplacement de la prise doit être conforme au Code national de l'électricité.

INSTALLATEUR – Montrer au propriétaire l'emplacement du disjoncteur. Identifiez sa position pour pouvoir le retrouver facilement.

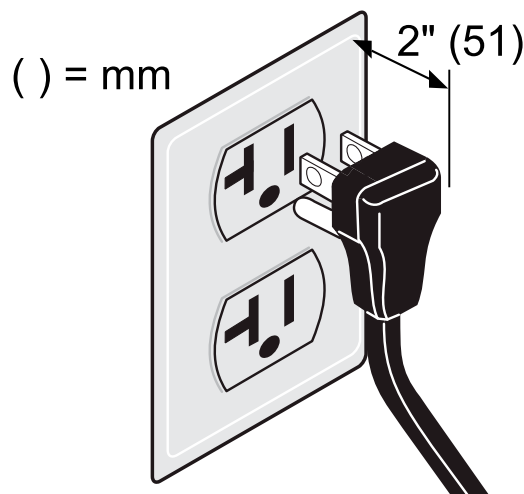
8.1 Exigences du circuit d'alimentation électrique

Le cordon d'alimentation fourni avec les plaques de cuisson au gaz dotées d'une plaque électrique exige une prise NEMA 5-20. Tous les autres appareils à gaz nécessitent une prise NEMA 5-15.



Modèle	Tension	Circuit dédié	Phase
PCG305W	120 VAC	15 A	Simple
PCG366W	120 VAC	15 A	Simple
PCG364WD	120 VAC	20 A	Simple
PCG486WD	120 VAC	20 A	Simple

- Avant de brancher le cordon électrique, vérifie que toutes les commandes sont à la position OFF (Arrêt).
- Un fil d'alimentation neutre doit être fourni à partir de la source d'alimentation (disjoncteur) car les composants critiques de la cuisinière, y compris les modules de rallumage par étincelle du brûleur de surface, nécessitent qu'il fonctionne correctement et en toute sécurité.
- Tous les modèles de 120 volts doivent être branchés dans une prise de courant à 3 broches avec mise à la terre. La prise doit être connectée à une alimentation électrique correctement mise à la terre et polarisée de 120 VAC, monophasée, 60 Hz.
- Respectez tous les codes et ordonnances en vigueur lors de la mise à la terre. En l'absence de ces codes ou ordonnances, respectez la version actuelle du Code national de l'électricité ANSI/NFPA 70 ou la dernière édition du Code canadien de l'électricité, CSA C22.1.
- Le cordon d'alimentation et la prise ne doivent pas dépasser de plus de 51 mm (2 Po) de la paroi arrière.
- Les styles de prise peuvent varier.



9 Procédure d'installation

9.1 Installation du dossieret bas (acheté séparément)

Les méthodes d'installation varient selon les besoins. Lisez attentivement les présentes directives avant de commencer. Respectez tous les codes et ordonnances locaux.

⚠ AVERTISSEMENT

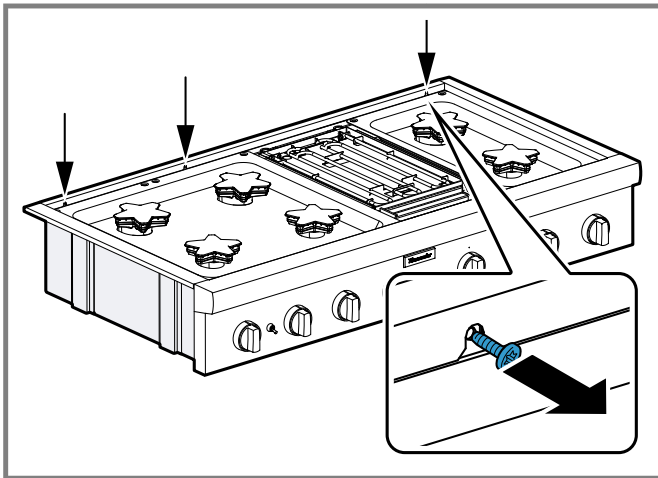
Les doigts ou les mains pourraient se pincer lors de l'installation du protecteur arrière. Des blessures graves pourraient en résulter.

- ▶ Faites preuve d'une extrême prudence et porter des gants de protection épais pour éviter toute laceration du doigt ou de la main tout en faisant glisser la protection arrière sur la cuisinière.

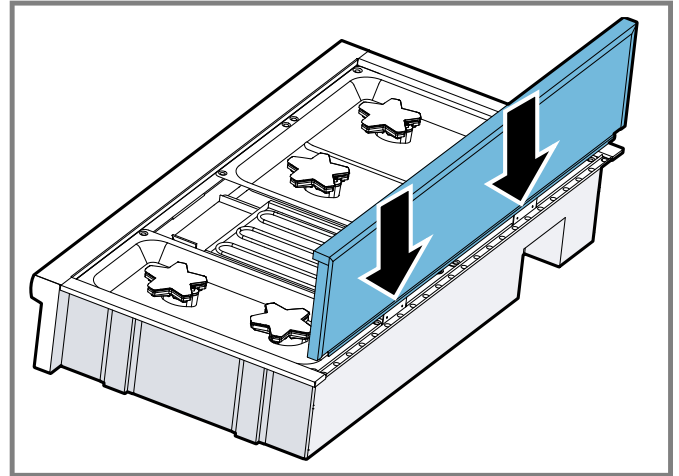
⚠ AVERTISSEMENT

Pour réduire le risque d'incendie ou de blessure, assurez-vous que tous les emballages ont été retirés des appareils accessoires avant utilisation.

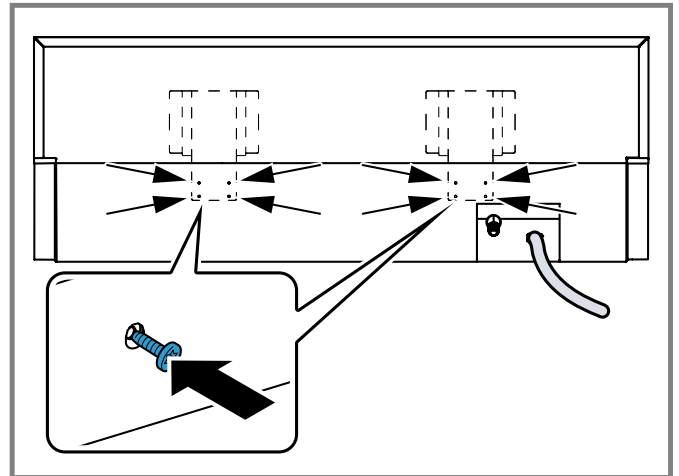
1. Selon le modèle, retirez les 2 ou 3 vis à tête étoile en acier inoxydable de la face avant de la garniture d'îlot incluse. Soulevez pour retirer complètement la garniture de l'îlot.



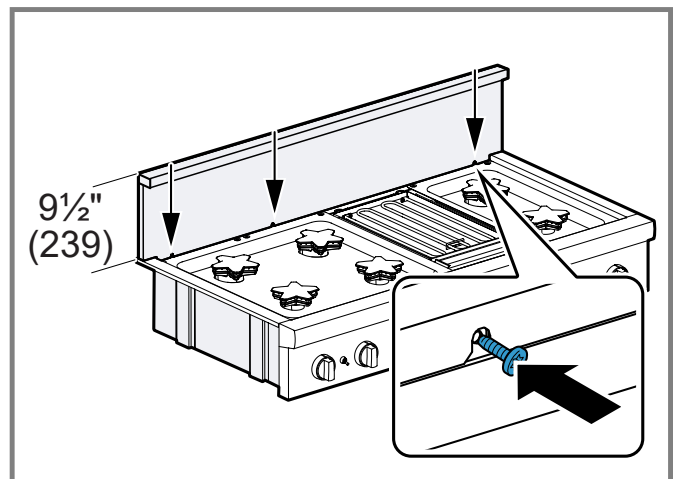
2. Faites glisser les supports du dossieret inférieur entre les deux panneaux arrière du châssis de la plaque de cuisson.



3. Fixez le dos avec 8 vis de 1 ½ po (38 mm).



4. Fixez l'avant du dossieret bas au dessus de la cuisinière avec 2 ou 3 vis de ½ po (12,7 mm).



9.2 Réglage de l'appareil

1. Fixez le dossier, le cas échéant, avant de faire glisser l'appareil dans la position d'installation finale.
→ "Installation du dossier bas (acheté séparément)", Page 38
2. Soulevez et placez l'appareil dans l'ouverture du plan de travail. Veillez à ne pas pincer le cordon d'alimentation ou l'entrée de gaz. Des précautions doivent être prises pour ne pas rayer le comptoir.
3. Assurez-vous que le cordon d'alimentation est libre et suspendu.
4. L'appareil doit être de niveau pour un bon fonctionnement.
5. Remplacez les grilles de cuisson, la plaque chauffante et les chapeaux des brûleurs. Assurez-vous que les chapeaux des brûleurs sont correctement installés sur les bases des brûleurs.

9.3 Placement du chapeau du brûleur

Il faut que les chapeaux de brûleurs soient correctement positionnés pour le bon fonctionnement de la table de cuisson.

Si le chapeau du brûleur n'est pas correctement placé, une ou plusieurs des situations suivantes peuvent se produire :

- La flamme du brûleur est trop élevée
- Des flammes jaillissent des brûleurs
- Décolorations de l'acier inoxydable
- Les brûleurs ne s'allument pas
- La flamme du brûleur n'est pas uniforme
- Une odeur de gaz se dégage du brûleur

⚠ AVERTISSEMENT

Pour éviter des flambées, ne pas utiliser la table de cuisson sans tous les chapeaux de brûleurs en place et toutes les grilles de brûleur bien positionnées.

⚠ MISE EN GARDE

Pour éviter les brûlures, ne pas toucher aux chapeaux de brûleur ni aux grilles quand ils sont chauds.

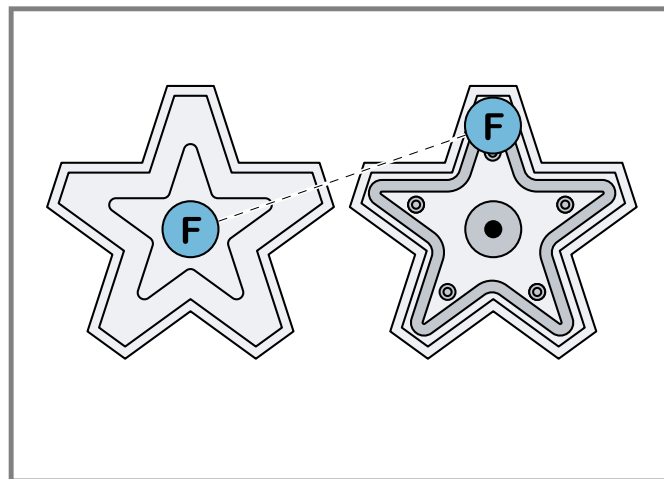
- ▶ Éteindre la table de cuisson et laisser les brûleurs refroidir.

Votre table de cuisson est équipée de brûleurs STAR® scellés. Il n'y a aucune pièce de brûleur sous la cuisinière à nettoyer, démonter ou régler.

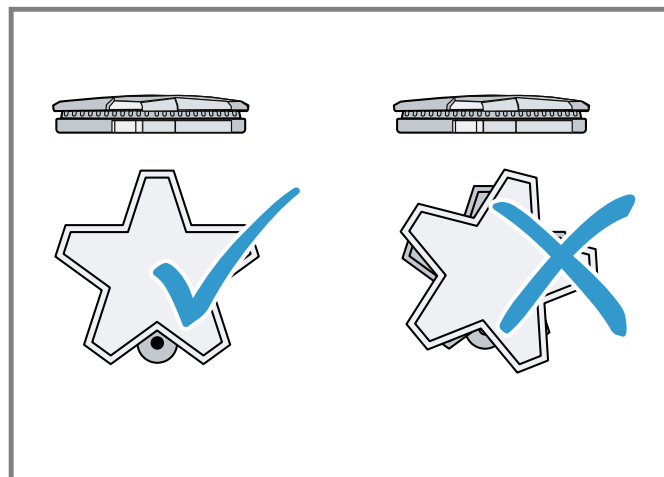
Placement des chapeaux de brûleur

Une lettre (B, D ou F) est moulée sous chacun des chapeaux de brûleur et correspond à une lettre moulée dans la base du brûleur (B, D ou F) fixée à l'appareil électroménager.

1. Déposer chaque chapeau de brûleur sur sa base correspondante selon la lettre moulée.



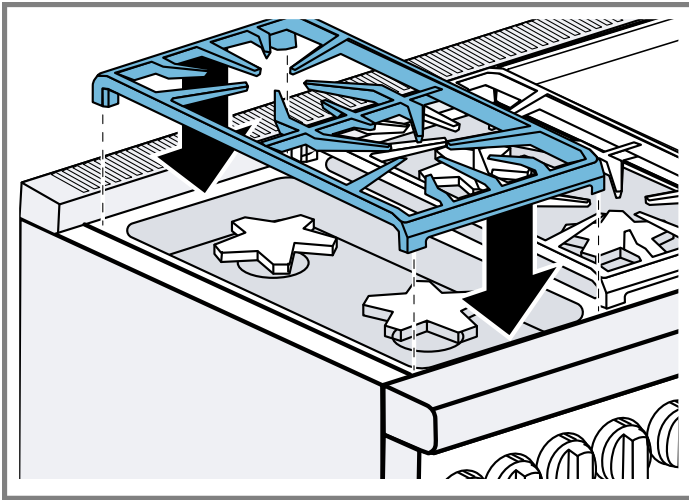
2. Déposer délicatement le chapeau de brûleur sur le dessus de la base de sorte que les pattes de la base soient bien ajustées dans la goulotte du chapeau du brûleur.
3. Vérifiez chaque brûleur pour vous assurer qu'il n'y a pas d'espace entre le chapeau du brûleur et la base du brûleur.
 - Doucement essayer de déplacer les chapeaux de brûleur d'un côté à l'autre pour vérifier si les chapeaux sont correctement placés sur les bases des brûleurs.
 - Lorsqu'il est correctement placé, chaque capuchon de brûleur repose à plat sur le dessus de sa base de brûleur et recouvre complètement la forme en étoile de la base du brûleur lorsqu'il est vu du dessus.



9.4 Placer les grilles de brûleur

Pour une combustion correcte, n'utilisez pas la table de cuisson sans les grilles du brûleur en place.

1. Placez les grilles du brûleur à plat vers le bas et alignez-les dans le renforcement de la cuisinière.
2. Les grilles des brûleurs doivent reposer l'une contre l'autre et contre les côtés de l'évidement.

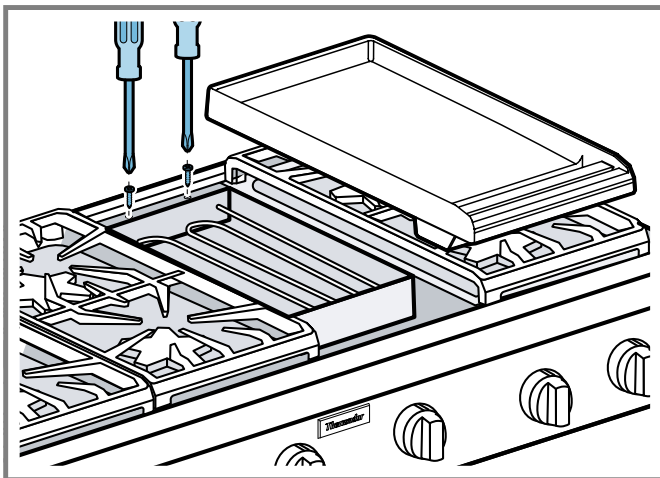


9.5 Préparation de la plaque électrique

⚠ AVERTISSEMENT

Pour éviter tout risque de blessure, n'utilisez jamais la plaque chauffante sans la plaque chauffante installée.

1. Vérifiez le réglage de la plaque chauffante en versant deux cuillères à soupe d'eau à l'arrière de la plaque chauffante.
2. Si l'eau ne s'écoule pas vers l'avant de la plaque chauffante, la plaque chauffante doit être ajustée.
 - Soulevez la plaque chauffante.
 - Ajustez les deux vis sous l'arrière de la plaque chauffante. Commencez par un demi-tour dans le sens antihoraire des vis.
 - Remplacez la plaque chauffante et vérifiez le résultat.
 - Pour un réglage supplémentaire, appliquez un quart de tour jusqu'à ce que l'eau s'écoule lentement dans le bac à graisse.



10.1 Caractéristiques de la flamme

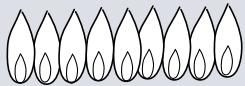
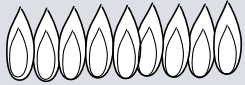
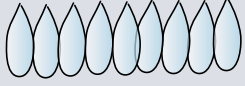
La couleur de la flamme vous indique si l'alimentation en gaz est correctement réglée.

Remarque : Laisser l'appareil fonctionner pendant 4 à 5 minutes avant d'évaluer la flamme. Des stries jaunes sont normales lors de la première mise en service.

10 Test des brûleurs de cuisinière

Chaque brûleur doit être testé pour un éclairage approprié et des caractéristiques de flamme appropriées au niveau de puissance le plus bas et le plus élevé.

1. Testez tous les brûleurs de la cuisinière pour un allumage correct.
 - Appuyez sur le bouton et tournez-le dans le sens inverse des aiguilles d'une montre jusqu'au symbole d'allumage ⚡.
 - Vérifiez que l'allumeur / module d'étincelle clique.
 - Une fois que l'air a été purgé des conduites d'alimentation, vérifiez que le brûleur s'allume dans les quatre (4) secondes. Lorsque le brûleur s'allume, remettez le bouton en position d'arrêt.
 - Si l'un des brûleurs ne s'allume pas, ne poursuivez pas le test. Communiquez avec le Service après-vente.
2. Testez tous les brûleurs de la cuisinière pour les caractéristiques de la flamme sur le réglage le plus bas.
 - Appuyez sur le bouton et tournez-le dans le sens inverse des aiguilles d'une montre jusqu'au symbole d'allumage ⚡. Maintenez-le enfoncé jusqu'à ce que le brûleur s'allume.
 - Tournez rapidement le bouton sur le réglage le plus bas.
 - Vérifiez que la flamme a une hauteur minimale d'environ 1/4 po (6 mm).
 - Vérifiez que la flamme est stable. La flamme ne doit pas s'éteindre, se soulever ou se détacher du brûleur. Il doit se propager ou entourer tout le brûleur.
 - Vérifiez que la flamme est de la bonne couleur.
 - "Caractéristiques de la flamme", Page 40
 - Si la flamme s'éteint, ne se propage pas correctement ou est trop grande, contactez le service client.
3. Testez tous les brûleurs de cuisinière pour les caractéristiques de la flamme sur le réglage le plus élevé.
 - Appuyez sur le bouton et tournez-le dans le sens inverse des aiguilles d'une montre jusqu'au symbole d'allumage ⚡. Maintenez-le enfoncé jusqu'à ce que le brûleur s'allume.
 - Tournez le bouton sur le réglage le plus élevé.
 - Vérifiez que la flamme est stable. La flamme ne doit pas s'éteindre, se soulever ou se détacher du brûleur. Il doit se propager ou entourer tout le brûleur.
 - Vérifiez que la flamme est de la bonne couleur.
 - "Caractéristiques de la flamme", Page 40
 - Si la flamme brûle en jaune ou ne se propage pas correctement, contactez le service à la clientèle.

Flamme	Image	Mesure
Complètement ou principalement jaune		Vérifiez que le régulateur est réglé pour le bon carburant. Recommencez le test après le réglage.
Pointes jaunes sur les cônes extérieurs :		Normales pour un gaz de pétrole liquéfié
Bleu doux		Normales pour le gaz naturel

11 Liste de contrôle de l'installateur

Dernière vérification.

- La plaque de cuisson est correctement positionnée dans le renforcement du plan de travail.
- Dégagements spécifiés maintenus avec les surfaces des armoires.
- Les chapeaux des brûleurs sont correctement positionnés sur les bases des brûleurs.
- Tout le matériel d'emballage retiré.
- Garniture d'îlot affleurante ou dossier bas fixé selon les instructions.
- Vérifiez que la fonction ExtraLow® fonctionne et se rallume autour de l'ensemble du brûleur.

Approvisionnement en gaz

- Connexion de gaz : 3/4 po (19 mm) N.P.T. avec une conduite flexible de 3/4 po (19 mm) de diamètre minimum.
- Si vous passez du gaz naturel au GPL, reportez-vous aux instructions de conversion au GPL pour plus de détails.
- Robinet d'arrêt manuel du gaz installé dans un endroit accessible (sans qu'il soit nécessaire de retirer l'appareil).
- Le propriétaire connaît l'emplacement de la vanne d'arrêt du gaz.
- Unité testée et exempte de fuites de gaz.

Électrique

- Une prise de 120 VCA polarisée et mise à la terre dédiée avec une protection contre les surintensités de 15/20 A est requise pour la connexion du cordon.
- Connexion de mise à la terre appropriée.
- Le propriétaire sait où se trouve le disjoncteur principal.

Fonctionnement

- Les cadres sont centrés sur les boutons des brûleurs et les boutons tournent librement.
- Vérifiez la flamme à chaque brûleur. La flamme peut avoir besoin de brûler pendant plusieurs minutes pour éliminer les impuretés des conduites de gaz.
- Chaque brûleur s'allume de manière satisfaisante, à la fois individuellement et avec d'autres brûleurs en fonctionnement.
- Les grilles des brûleurs sont correctement positionnées, de niveau et ne basculent pas.
- INSTALLATEUR : Notez le numéro de modèle et le numéro de série dans le manuel. Laissez le manuel et manuel d'installation avec le propriétaire de l'appareil.

Dépannage

Voir le manuel pour obtenir des informations de dépannage.

12 Service à la clientèle

Lors de toute réparation réalisée dans le cadre de la garantie, nous nous assurons que votre appareil est réparé avec des pièces de rechange d'origine par un technicien dûment formé et agréé. Nous utilisons exclusivement des pièces de rechange d'origine lors des réparations.

Pour plus d'informations sur la durée et les conditions de la garantie dans votre pays, consultez nos modalités de garantie auprès de votre détaillant ou sur notre site Web. Si vous contactez le service à la clientèle, indiquez le numéro de modèle (E-Nr.) et le numéro de fabrication (FD) de l'appareil.

USA:

1-800-735-4328

www.thermador.com/support

www.thermador.com/us/accessories

CA:

1-800-735-4328

www.thermador.ca

www.thermador.ca/fr/soutien/filtres-nettoyants-accessoires

Vous trouverez également de l'aide pour contacter Home Connect® à l'adresse suivante :
www.home-connect.com/us/en/help-support/set-up

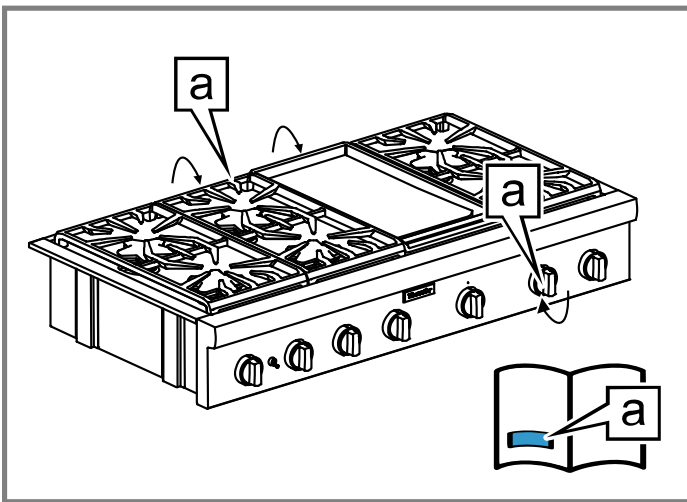
Veillez vous assurer d'enregistrer votre produit ; le défaut d'enregistrement n'affectera pas vos droits de garantie.

12.1 Numéro de modèle (E-Nr.) et numéro de fabrication (FD)

Le numéro de modèle (E-Nr.) et le numéro de fabrication (FD) sont indiqués sur la plaque signalétique de l'appareil. Pour retrouver rapidement les données de votre appareil et le numéro de téléphone du service à la clientèle, n'hésitez pas à les recopier ailleurs.

12.2 Emplacement de la plaque signalétique

La plaque signalétique est située comme indiqué sur la figure ci-dessous. De plus, vous trouverez l'étiquette signalétique couverture avant du guide d'utilisation et d'entretien imprimé.



a Plaque signalétique

12.3 Enregistrement de produit

Enregistrez votre produit Thermador pour accéder aux informations relatives à votre produit.

Vous pouvez enregistrer votre produit de plusieurs manières :

- Enregistrez le produit en ligne au
 - É.-U. : www.thermador.com
 - Canada : www.thermador.ca
- Postez la carte d'enregistrement du produit remplie à l'adresse imprimée sur la carte.
- Scannez le code QR avec votre smartphone et suivez les instructions :



- Appelez Thermador Support à la clientèle au 1-800-735-4328.

Tabla de contenidos

1 INSTRUCCIONES DE SEGURIDAD

IMPORTANTES.....	44
1.1 Definiciones de seguridad	45
1.2 Información general	45
1.3 Instrucciones generales de seguridad.....	45
1.4 Seguridad de manejo del aparato	46
1.5 Seguridad eléctrica	46
1.6 Seguridad de los aparatos de gas.....	46
1.7 Códigos y normas de seguridad.....	47
1.8 Recomendaciones de ventilación.....	48
1.9 Advertencias en virtud de la Proposición 65 del estado de California	48
2 Antes de empezar	49
2.1 Partes incluidas.....	49
2.2 Herramientas y componentes necesarios	49
2.3 Requisitos de potencia y de conexión a tierra	49
2.4 Requisitos para la ventilación.....	49
3 Requisitos de instalación	50
3.1 Requisitos de ubicación	50
4 Recorte de la encimera.....	53
5 Ubicación de la entrada de gas.....	55
6 Desembalar el aparato.....	55
6.1 Extraer la placa de cocción del palet.....	55
7 Requisitos de gas y conexiones	55
7.1 Instalación a gran altitud	56
7.2 Requisitos de gas	56
7.3 Conectar el suministro de gas.....	56
8 Requisitos eléctricos y conexión para modelos GAS.....	57
8.1 Requisitos del circuito de suministro eléctrico	58
9 Procedimiento de instalación	59
9.1 Instalar la protección trasera baja (comprar por separado).....	59
9.2 Ajustar el aparato	60
9.3 Colocación de las tapas de los quemadores	60
9.4 Colocar las rejillas de los quemadores	60
9.5 Preparar la plancha eléctrica.....	61
10 Comprobación de los quemadores del aparato .	61
10.1 Características de la llama	62
11 Lista de comprobación del instalador	62
12 Servicio de atención al cliente	63
12.1 Número de modelo (E-Nr.) y número de fabricación (FD)	63
12.2 Ubicación de la placa de características del aparato.....	63
12.3 Registro del producto	63



INSTRUCCIONES DE SEGURIDAD IMPORTANTES

LEA Y CONSERVE ESTAS INSTRUCCIONES

Leer atentamente todas las instrucciones antes de proceder con el uso del aparato. Para reducir el riesgo de incendio, descarga eléctrica y lesiones personales al utilizar el aparato, se deben tomar precauciones de seguridad básicas, incluidas las que se detallan en las siguientes instrucciones de seguridad.

⚠ ADVERTENCIA: Si la información en estas instrucciones no se sigue con precisión, se puede producir un incendio o una explosión ocasionando daños a la propiedad, lesiones a las personas o incluso la muerte.

- No almacene ni use gasolina u otros vapores y líquidos inflamables en la proximidad de este aparato o cualquier otro.
- **QUÉ HACER SI DETECTA OLOR A GAS**
 - No trate de encender ningún aparato.
 - No toque ningún interruptor eléctrico.
 - No utilice ningún teléfono en su edificio.
 - Llame inmediatamente a su proveedor de gas desde un teléfono vecino. Siga las instrucciones del proveedor de gas.
 - Si no puede contactar a su proveedor de gas, comuníquese con el departamento de bomberos.
- La instalación y el servicio deben ser llevados a cabo por un instalador calificado, agencia de servicio o el proveedor de gas.

⚠ ADVERTENCIA:

No operar nunca la zona de cocción de la superficie de este electrodoméstico sin supervisión.

- Si no se observa esta advertencia, se podría producir una explosión o un riesgo de quemaduras que podría dar lugar a daños materiales, personales o incluso la muerte.
- Si ocurriera un incendio, mantenerse alejado del aparato y ponerse en contacto de inmediato con los bomberos.

**NO INTENTAR EXTINGUIR CON AGUA
UN INCENDIO CAUSADO POR ACEITE/GRASA**



INSTRUCCIONES DE SEGURIDAD IMPORTANTES

LEA Y CONSERVE ESTAS INSTRUCCIONES

1.1 Definiciones de seguridad

Aquí puede encontrar explicaciones de las palabras de señal de seguridad utilizadas en este manual.

⚠ ADVERTENCIA

Esto indica que pueden producirse la muerte o heridas graves si no se cumple con esta advertencia.

⚠ PRECAUCIÓN

Esto indica que pueden producirse heridas leves o moderadas si no se cumple con esta advertencia.

AVISO:

Esto indica que pueden producirse daños en el aparato o en los bienes si no se cumple con este aviso.

Nota: Esto alerta sobre información o sugerencias importantes.

1.2 Información general

Todos los manuales de producto pueden descargarse en línea en www.thermador.com/us/support/owner-manuals.

INSTALADOR: Dejar estas instrucciones con esta unidad para el propietario.

PROPIETARIO: Conservar estas instrucciones para referencia futura. Leer íntegramente las instrucciones antes de utilizar el aparato. El instalador debe mostrar al usuario dónde se encuentran el breaker del circuito eléctrico y la llave de cierre del gas, para que sepa dónde puede desconectar el suministro eléctrico y de gas del aparato.

1.3 Instrucciones generales de seguridad

Todos los manuales de producto pueden descargarse en línea en www.thermador.com/us/support/owner-manuals.

IMPORTANTE: EL MONTAJE DEL ELECTRODOMÉSTICO DEBE REALIZARLO UN INSTALADOR CALIFICADO.

IMPORTANTE: CONSERVAR ESTAS INSTRUCCIONES PARA QUE PUEDA USARLAS EL INSPECTOR DE ELECTRICIDAD LOCAL.

INSTALADOR: DEJAR ESTAS INSTRUCCIONES DE INSTALACIÓN JUNTO A LA UNIDAD PARA EL PROPIETARIO.

PROPIETARIO: Conservar estas instrucciones para referencia futura. Leer íntegramente las instrucciones antes de utilizar el aparato. El instalador debe mostrar al usuario dónde se encuentran el breaker del circuito eléctrico y la llave de cierre del gas, para que sepa dónde puede desconectar el suministro eléctrico y de gas del aparato.

Examinar el aparato después de desembalarlo. En el caso de que se hayan producido daños en el transporte, no enchufarlo.

ADVERTENCIA

Si no se sigue con exactitud la información de este manual, se puede producir un incendio o una descarga eléctrica que podrían causar daños materiales o lesiones personales.

No reparar, reemplazar ni retirar ninguna parte del aparato a menos que se recomiende específicamente en los manuales. La instalación, el servicio técnico o el mantenimiento incorrectos pueden causar lesiones o daños materiales.

- ▶ Consultar este manual como guía.
- ▶ Cualquier otra labor de mantenimiento debe de ser efectuada por un proveedor de servicios de mantenimiento autorizado.

Desconectar el suministro eléctrico y el gas antes de proceder al mantenimiento.

No modificar ni alterar la construcción del aparato. El aparato solamente deberá usarse si lo ha instalado un técnico calificado, de acuerdo con estas instrucciones de instalación y todos los códigos y regulaciones aplicables. El fabricante no es responsable de la instalación incorrecta o de la omisión de seguir los códigos y regulaciones locales aplicables.

Para eliminar el riesgo de sufrir quemaduras o que se produzca un incendio al alcanzar las unidades cuya superficie esté caliente, se deberá evitar colocar gabinetes de almacenamiento encima de las unidades de la superficie.

ADVERTENCIA

NO instalar este aparato en zonas exteriores.

ADVERTENCIA

Retirar toda la cinta y el embalaje antes de usar el aparato.

- ▶ Desechar el embalaje de manera respetuosa con el medio ambiente.
- ▶ No dejar nunca que los niños jueguen con el material de embalaje.



INSTRUCCIONES DE SEGURIDAD IMPORTANTES

LEA Y CONSERVE ESTAS INSTRUCCIONES

- ▶ Almacenar las partes pequeñas con seguridad, ya que estas pueden ser tragadas fácilmente.

ADVERTENCIA

Para evitar posibles riesgos de quemaduras o incendios, se debe instalar una consola trasera diseñada específicamente para este aparato siempre que sea usado.

PRECAUCIÓN

Esta unidad está diseñada como electrodoméstico para cocinar. Como lo indican las consideraciones de seguridad, no se debe utilizar bajo ninguna circunstancia para calentar una habitación. De hacerlo así, se podría sufrir una intoxicación por monóxido de carbono y el aparato podría sobrecalentarse.

1.4 Seguridad de manejo del aparato

ADVERTENCIA



Las superficies ocultas pueden tener bordes afilados.

- ▶ Proceder con cuidado al intentar sujetar el aparato por la parte trasera o desde abajo.

1.5 Seguridad eléctrica

- **Instalador:** es preciso mostrar al propietario la ubicación del breaker del circuito o del fusible. Marcarla para recordarla más fácilmente.
- Si el Código Nacional Eléctrico (o el Código Eléctrico Canadiense) así lo exige, este aparato debe instalarse con un circuito derivado dedicado por separado.
- El electrodoméstico, al instalarse, debe conectarse a tierra conforme a la normativa local o, en ausencia de esta, conforme a la última edición del Código Eléctrico Nacional (NFPA 70) o la última edición del Código Eléctrico de Canadá (CSA C22.1).
- Para obtener más información, consultar la placa de características.
 - "Ubicación de la placa de características del aparato", Página 63

ADVERTENCIA

Antes de realizar la instalación, desconectar la alimentación eléctrica en el panel de servicio.

- ▶ Bloquear el panel de servicio para impedir que se conecte accidentalmente la alimentación eléctrica.

Para los aparatos provistos de cable y enchufe, no cortar ni retirar la terminal de conexión a tierra;

- ▶ se requiere para enchufarla en un receptáculo adecuado con conexión a tierra para evitar descargas eléctricas.
- ▶ Si se tienen dudas acerca de si el enchufe de la pared tiene una conexión a tierra adecuada, el cliente debería pedirle a un electricista calificado que lo compruebe.

ADVERTENCIA



PELIGRO DE DESCARGA ELÉCTRICA

- ▶ Desconectar la alimentación eléctrica antes de proceder a la instalación o al mantenimiento. Antes de encender la alimentación, es preciso asegurarse de que todos los controles estén en la posición OFF (apagado).
- ▶ NO quitar las conexiones.
- ▶ NO usar un cable de extensión.
- ▶ Una puesta a tierra incorrecta puede causar una descarga eléctrica.
- ▶ No seguir estas instrucciones puede producir la muerte, provocar un incendio o una descarga eléctrica.

INSTRUCCIONES PARA LA CONEXIÓN A TIERRA

- ▶ Este aparato debe estar conectado a tierra.
- ▶ La conexión a tierra reduce el riesgo de descargas eléctricas, ya que proporciona una vía de escape de la corriente eléctrica en caso de cortocircuito.
- ▶ Asegurarse de que el aparato esté correctamente instalado y conectado a tierra por un técnico calificado.
- ▶ La instalación, las conexiones eléctricas y la conexión a tierra deben cumplir con todas las normas aplicables.

No usar un cable de extensión. Si el cable de suministro de alimentación es demasiado corto, se deberá solicitar a un electricista calificado que instale una toma de corriente cerca del aparato.

Antes de conectar o encender la fuente de alimentación eléctrica, asegurarse de que todos los controles se encuentren en la posición OFF (Apagado).

1.6 Seguridad de los aparatos de gas

Requisitos para el suministro de gas:

- Comprobar el tipo de gas suministrado en la ubicación. Asegurarse de que el electrodoméstico está conectado al tipo de gas para el que está certificado.



INSTRUCCIONES DE SEGURIDAD IMPORTANTES

LEA Y CONSERVE ESTAS INSTRUCCIONES

- Instalar una llave de cierre de gas cerca del aparato. Tiene que de ser de fácil acceso a ella en caso de emergencia.
- El instalador debe realizar una prueba de fugas conforme a las instrucciones de este manual.
- El aparato y su llave de cierre individual deben estar desconectados del sistema de tuberías de suministro de gas durante cualquier prueba de presión con presiones superiores a ½ psi (3.5 kPa).
- El aparato debe aislarse del sistema de tuberías de suministro de gas cerrando su llave de cierre individual manual durante cualquier prueba de presión del sistema de tuberías de suministro de gas con presiones iguales o inferiores a ½ psi (3.5 kPa).
- Se debe usar un conducto flexible metálico o una tubería de metal fija para conectar el gas al aparato. Si no se puede utilizar tubería de metal para el gas, se debe consultar a un electricista certificado local o los códigos eléctricos locales para realizar una conexión a tierra correcta.
- **Gas natural:** 7 pulgadas de columna de agua, (17.4 mbar) como mínimo; 14 pulgadas (34.9 mbar) como máximo.
- **Gas propano:** 11 pulgadas de columna de agua, (27.4 mbar) como mínimo; 14 pulgadas (34.9 mbar) como máximo.

Este electrodoméstico puede ponerse en funcionamiento de forma segura en el caso de que se produzca una interrupción de la energía eléctrica. Solo se pueden encender manualmente los quemadores estándar superiores.

Mantener en todo momento el área donde se colocó el aparato libre de sustancias combustibles, gasolina y otros líquidos o vapores inflamables.

PRECAUCIÓN

Al conectar la unidad con el gas propano, asegurarse de que el tanque de gas propano esté equipado con su propio regulador de alta presión, y con el regulador de presión suministrado junto con el aparato. La presión de gas máxima que llegue al electrodoméstico no debe ser superior a 14.0 pulgadas de columna de agua (34.9 mbar) desde el regulador de presión del tanque de gas propano.

Instalación con gas propano

- El tanque de gas propano debe estar equipado con su propio regulador de alta presión. Además, también se debe utilizar el regulador suministrado con esta unidad.

- El aparato se envía desde la fábrica para usarlo con gas natural. Tiene que adaptarse para poder utilizarse con gas propano. Esta conversión tiene que realizarla un técnico calificado o un instalador certificado.
- Para su uso con gas propano, el aparato deberá convertirse de acuerdo con las instrucciones de conversión de LP.

Para instalaciones en Massachusetts

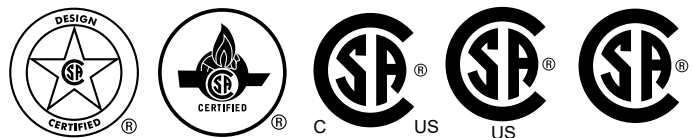
- La instalación debe hacerla un contratista, plomero o instalador de gas calificado o con licencia del estado, provincia o región donde se vaya a instalar este aparato.
- La llave de cierre tiene que ser una llave de gas en T.
- El conector de gas flexible debe tener una longitud no superior a 36 pulgadas.

Instalador: mostrar al propietario dónde está situada la llave para cerrar el gas.

1.7 Códigos y normas de seguridad

Este aparato cumple con la última versión de una o varias de las siguientes normas:

- UL 858: estufas eléctricas de uso doméstico
- ANSI Z21.1/CSA 1.1: Electrodomésticos de cocción con gas
- CAN/CSA-C22.2 n.º 61: electrodomésticos de cocción
- CAN1-1.1-M81, placas domésticas de gas



Normas aplicables:

- Comprobar las normas locales de construcción para conocer el método adecuado de instalación de aparatos.
- Las normativas locales varían. El instalador es responsable de asegurarse de que la instalación, las conexiones eléctricas y de gas y la toma de tierra cumplan con todas las normativas aplicables. El fabricante no es responsable de la instalación incorrecta o de la omisión de seguir los códigos y regulaciones locales aplicables.
- La instalación de aparatos diseñados para ser instalados en casas prefabricadas (móviles) debe cumplir con la Norma de Seguridad y Construcción de Casas Prefabricadas, Título 24 CFR, Parte 3280



INSTRUCCIONES DE SEGURIDAD IMPORTANTES

LEA Y CONSERVE ESTAS INSTRUCCIONES

[antigua Norma Federal de Seguridad y Construcción de Casas Móviles, Título 24, HUD {Parte 280}] o con las normas locales donde aplique.

- El montaje de aparatos diseñados para casas móviles debe cumplir con las normas estatales o de otro tipo o, en ausencia de dichas normas, con la normativa para vehículos recreativos, ANSI A119.5 Park Model Recreational Vehicle Standard.
- En ausencia de normativas locales, el electrodoméstico debe instalarse conforme a la edición actual del Código Eléctrico Nacional NFPA 70 y la edición actual del Código de Gas Nacional NFPA 54/ ANSI Z 223.1. En Canadá, la instalación debe cumplir con el Código Eléctrico Canadiense, CSA C22.1-02 y las últimas ediciones del Código de Instalación de Gas Natural y Propano CSA B149.1 y el Código de Manejo y Almacenamiento de Propano CSA B149.2 y/o códigos locales.

Es responsabilidad del propietario y del instalador determinar si son aplicables otros requisitos o normas en instalaciones específicas.

1.8 Recomendaciones de ventilación

Recomendamos encarecidamente instalar una campana extractora de ventilación encima de este aparato.

La campana extractora debe instalarse de acuerdo con las instrucciones suministradas con ella.

ADVERTENCIA

El aparato no debe instalarse con un sistema de ventilación que expulse aire hacia abajo, en dirección a los quemadores. Este tipo de ventilación podría causar problemas de ignición y combustión en el aparato de cocción de gas, con lo que se podrían producir lesiones u operación indeseada.

1.9 Advertencias en virtud de la Proposición 65 del estado de California

Este producto puede contener un químico que el Estado de California reconoce como potencialmente cancerígeno o causante de daños reproductivos. Por tanto, su producto debe llevar en su embalaje la siguiente etiqueta de conformidad con la legislación de California:

ADVERTENCIA EN VIRTUD DE LA PROPOSICIÓN 65 DEL ESTADO DE CALIFORNIA:

⚠ ADVERTENCIA

Cáncer y daño reproductivo - www.P65Warnings.ca.gov

2 Antes de empezar

Este manual de instalación abarca varios modelos. Todos los gráficos son representativos. La apariencia y las funciones del aparato pueden variar.

2.1 Partes incluidas

Después de desembalar el aparato, verifique que todas las piezas no presenten daños ocasionados durante el transporte, así como que el volumen de suministro esté completo.

- Placa de cocción
- Tapas de los quemadores STAR® (1 por zona de cocción)
- Rejillas de los quemadores (2 o 3, en función del modelo)

2.2 Herramientas y componentes necesarios

Preparar los siguientes accesorios y herramientas antes de comenzar la instalación del aparato.

Herramientas

- Lápiz
- Cinta métrica
- Nivel
- Guantes de seguridad
- Desarmador de estrella T20
- Llave estriada o dado con matraca de $\frac{7}{16}$ " (11 mm)
- Llave ajustable de 12" (305 mm)

Partes adicionales requeridas

- Compuesto/cinta para tuberías
- Conducto flexible de $\frac{3}{4}$ " (19 mm)

AVISO:

Existe la posibilidad de que la pared trasera se decolore bajo ciertas condiciones de cocción.

2.3 Requisitos de potencia y de conexión a tierra

El contacto para el enchufe debe incorporar una conexión a tierra adecuada de conformidad con todas las normas aplicables.

2.4 Requisitos para la ventilación

ADVERTENCIA

El aparato no debe instalarse con un sistema de ventilación que expulse aire hacia abajo, en dirección a los quemadores. Este tipo de ventilación podría causar problemas de ignición y combustión en el aparato de cocción de gas, con lo que se podrían producir lesiones u operación indeseada.

- Consultar la «Guía de planificación de ventilación» para ver las combinaciones de ventilación aprobadas.
- Se recomienda encarecidamente que este aparato se instale junto con una campana extractora de Thermador. Debido a la alta capacidad térmica de este

aparato, se debe prestar especial atención a la instalación de la campana y los conductos para garantizar que cumpla con las normas locales de construcción.

- Las campanas extractoras y los extractores están diseñados para utilizarse con ductos de pared simple. Sin embargo, algunas normas locales de construcción o algunos inspectores pueden exigir ductos de doble pared. Consultar las normas locales de construcción o las agencias locales antes de comenzar para asegurarse de que la instalación de campanas y ductos cumpla con los requisitos locales.

AVISO:

La mayoría de las campanas extractoras contienen componentes combustibles que deben tenerse en cuenta al planificar la instalación.

Preparar la ventilación

1. Seleccionar los modelos de campanas y extractores.
 - Para el montaje en pared, el ancho de la campana extractora debe ser igual, como mínimo, al ancho de la estufa o placa de cocción. Si el espacio lo permite, una campana extractora con un ancho mayor que la estufa/placa de cocción puede ser deseable para mejorar el rendimiento de ventilación.
 - Para montaje en isla, el ancho de la campana extractora debe sobresalir del ancho de la estufa/placa de cocción por cada lado un mínimo de 3" (76 mm).
2. Tener en cuenta la ubicación de la campana extractora.
 - Para eliminar mejor el humo, el borde inferior de la campana debe instalarse 30" (762 mm) por encima de la superficie de cocción de la estufa.
 - Si la campana extractora contiene materiales combustibles (p. ej., una cubierta de madera), debe instalarse a un mínimo de 36" (914 mm) por encima de la superficie de cocción.
3. Tener en cuenta el aire de reposición.
 - Debido al elevado volumen de aire de ventilación, se recomienda disponer de una fuente de aire de reemplazo exterior. Esto es especialmente importante en hogares herméticamente selladas y aisladas.
 - Se debe consultar a un contratista calificado en calefacción y ventilación.

3 Requisitos de instalación

Leer las presentes instrucciones para preparar el espacio de instalación del aparato.

3.1 Requisitos de ubicación

Antes de comenzar con el proceso de instalación, es preciso asegurarse de que la ubicación de instalación cumpla con los requisitos que se indican a continuación.

PRECAUCIÓN

Para evitar posibles daños a los gabinetes y su acabados:

- ▶ Usar solo materiales y acabados que no se decoloren ni se separen en capas.
- ▶ Los materiales deben soportar temperaturas de hasta 90 °C (194 °F).
- ▶ Se debe usar adhesivo resistente al calor y la humedad si el producto se va a instalar en gabinetes laminados.
- ▶ Verificar con el fabricante para asegurarse que los materiales cumplan con estos requisitos.

Especificaciones:

- Para garantizar resultados profesionales, un instalador de gabinetes profesional debe realizar las aberturas del gabinete y de la encimera.
- El suministro eléctrico y de gas debe estar situado en una zona accesible sin necesidad de retirar la placa de cocción.
- Se aplican los mismos espacios libres para las instalaciones de isla, excepto para los gabinetes superiores, que deben tener un espacio lo suficientemente ancho para la campana extractora de isla.
- Véase la guía de planificación de la circulación del aire adicional para conocer las opciones recomendadas de campanas de extracción. Debido a la alta temperatura de los quemadores, no se recomienda instalar un horno de microondas con un sistema de ventilación sobre el aparato, ni tampoco nada que no sea el modelo de 5 quemadores de 30". Consultar el manual de instalación del fabricante OTR para obtener información sobre los espacios que deben quedar libres.
- La placa de cocción está diseñada para sobresalir por los bordes de la encimera. Asegurarse de que la encimera sea lo suficientemente resistente como para soportar el peso de esta placa. Podría ser necesario añadir una abrazadera de soporte a cada lado o una sujeción de esquina de 2 x 4.
→ "Recorte de la encimera", Página 53 Como alternativa, es posible construir una base de colocación para la placa.
- La placa de cocción puede instalarse en varias posiciones, con la parte frontal enrasada o sobresaliendo, en función de la profundidad de la encimera.
- El área superior sombreada detrás del aparato indica que existe la posibilidad de que la pared trasera se decolore en ciertas condiciones de cocinado.

- Debe haber un espacio libre lateral mínimo de 5" (127 mm) entre el aparato y las superficies verticales combustibles a una altura de 36" (914 mm) sobre la cubierta.
- Dentro de los 127 mm (5") de distancia lateral hasta las superficies verticales combustibles por arriba de 91.4 cm (36"), la profundidad máxima de los gabinetes de pared debe ser de 330 mm (13").
- Los gabinetes de pared con este espacio libre lateral de 5" (127 mm) deben estar 18" (457 mm) por encima de la cubierta de 36" (914 mm).
- La profundidad máxima de los gabinetes que cuelguen a ambos lados de la campana extractora es de 330 mm (13").
- Se exige un espacio libre mínimo 36" (914 mm) entre la parte superior de la superficie de cocción y la base de un mueble no protegido. Se puede aplicar un espacio libre de 30" (762 mm) si la base del gabinete de madera o metal está protegida por un material ignífugo de grosor no inferior a 1/4" (6 mm) y cubierto con una chapa de acero de categoría no inferior al n.º 28 de MSG, de acero inoxidable de 0.015" (0.38 mm) de grosor, de aluminio de 0.024" (0.61 mm) de grosor o de cobre de 0.02" (0.51 mm) de grosor.
- Establecer la línea central de la ubicación deseada del aparato. Debe ser la misma que la central de la campana extractora situada por encima.
- Cortar las aberturas en función de la ubicación de montaje.
→ "Recorte de la encimera", Página 53

Requisitos de espacio libre

Para evitar manchas en la pared trasera, se recomienda el uso de materiales de construcción no porosos y de alta temperatura, adecuados para un entorno de cocina.

IMPORTANTE: Existe la posibilidad de que la pared trasera se decolore bajo ciertas condiciones de cocción.

Modelos adecuados para un espacio trasero de 0" con respecto a superficies combustibles:

- PCG305xx

Resto de modelos:

- Si se utiliza la moldura de ventilación incluida, es necesario dejar un espacio libre trasero mínimo de 152 mm (6")* con respecto a una superficie combustible*.
- Si se instala contra una superficie combustible, se necesita instalar una protección trasera baja de Thermador para un espacio trasero de 0" con respecto a una superficie combustible. La protección trasera baja de Thermador se debe comprar por separado.
- El espacio libre trasero respecto a una superficie cubierta con un material no combustible (metal, baldosas de cerámica, ladrillo, mármol o piedra)*^Δ es de 0" si se utiliza la moldura de ventilación incluida.

Requisitos adicionales

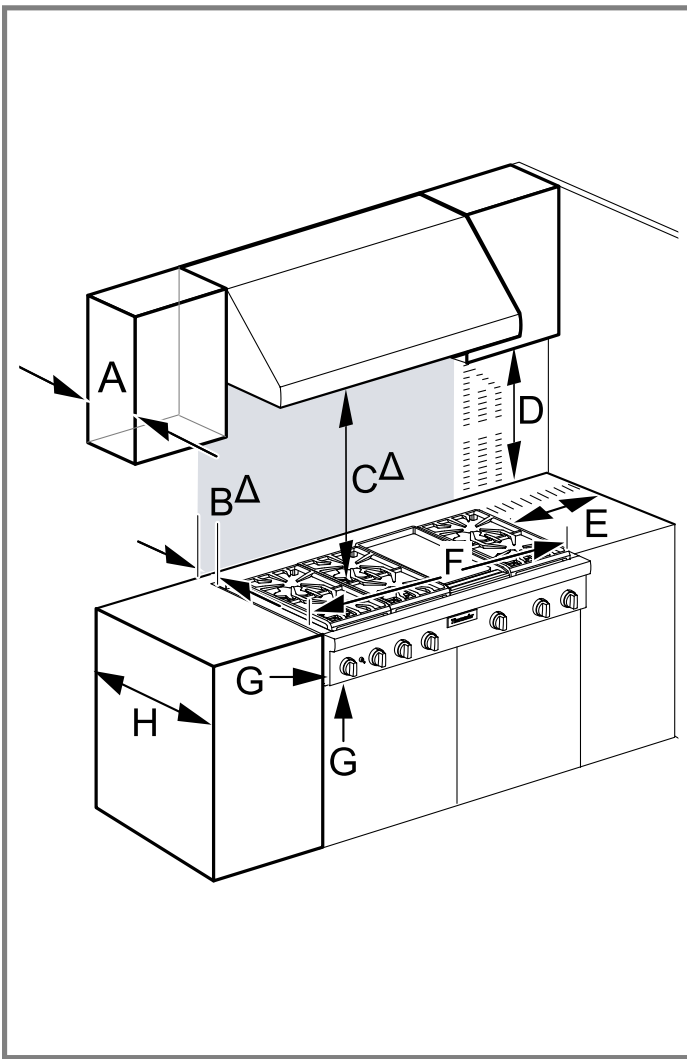
- Si hay una pared de mueble lateral sólida en uno de los lados (o en ambos), será preciso ranurar la esquina frontal del mueble para que coincida con la muesca de

la encimera, para así dejar espacio para la parte frontal de la placa de cocción. Véase la vista detallada **X**

→ "Recorte de la encimera", *Página 53*

- Si se utiliza una base de soporte, los costados o la parte inferior del recorte pueden ser de material sólido combustible o no combustible. Si el fondo es sólido, prever un recorte de 305 mm x 305 mm (12" x 12") en la esquina trasera izquierda de la base de soporte. De este modo, se deja espacio para la entrada de aire y el cable de alimentación.
- Mantener en todo momento el área de montaje del aparato limpia de sustancias combustibles, gasolina y otros líquidos o vapores inflamables.
- NO obstruir el flujo de aire de combustión y ventilación al aparato.

Requisitos de espacio libre de los gabinetes con moldura de ventilación



A 13 mm (330")

B^Δ 6 mm (152")

C^Δ 762 mm - 1016 mm (30" - 40")

D 18 mm (457")

E 5 mm (127")

F Según modelo:
 ■ 36 mm (914")
 ■ 48 mm (1219")

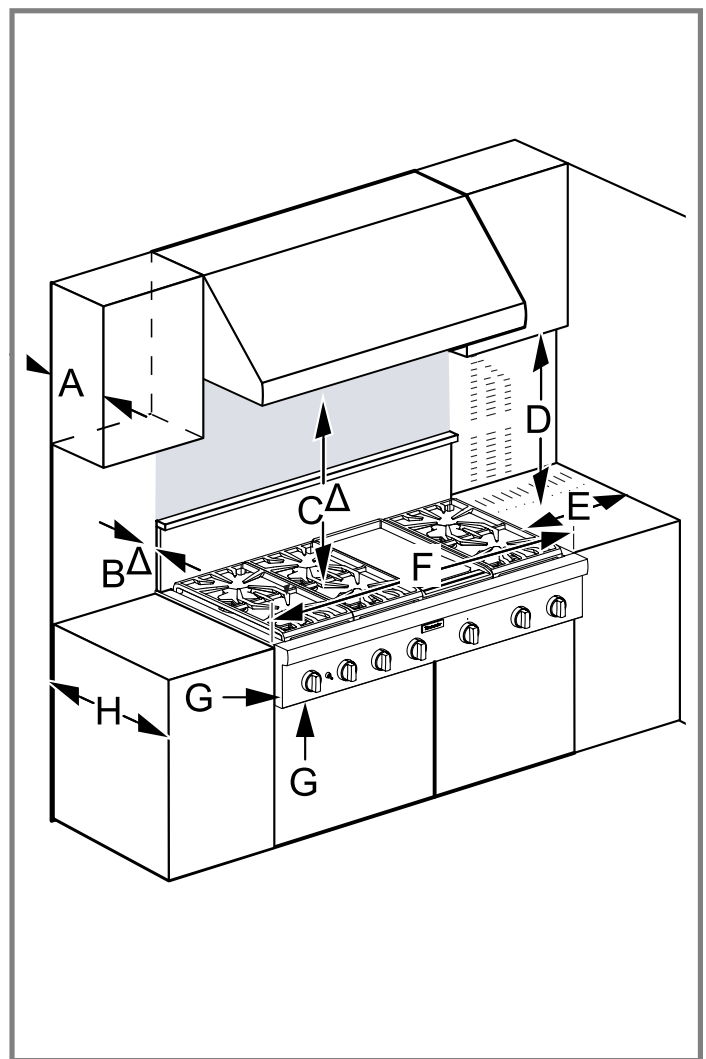
G 0 mm (0")

H 606 mm (23⁷/₈")

Δ según lo definido en el «Código nacional de gas combustible» («National Fuel Gas Code», ANSI Z223.1, edición actual). Los espacios libres con respecto a materiales no combustibles no son parte del alcance ANSI Z21.1 y no están certificados por CSA. *Los espacios libres de menos de 6" (152 mm) deben ser aprobados por los códigos locales o por la autoridad local competente.

Existe la posibilidad de que la pared trasera se decolore bajo ciertas condiciones de cocción.

Requisitos de espacio libre de los gabinetes con protección trasera baja (adquirida por separado)



A 13 mm (330")

B^Δ 0 mm (0")

C^Δ 762 mm - 1016 mm (30" - 40")

D 18 mm (457")

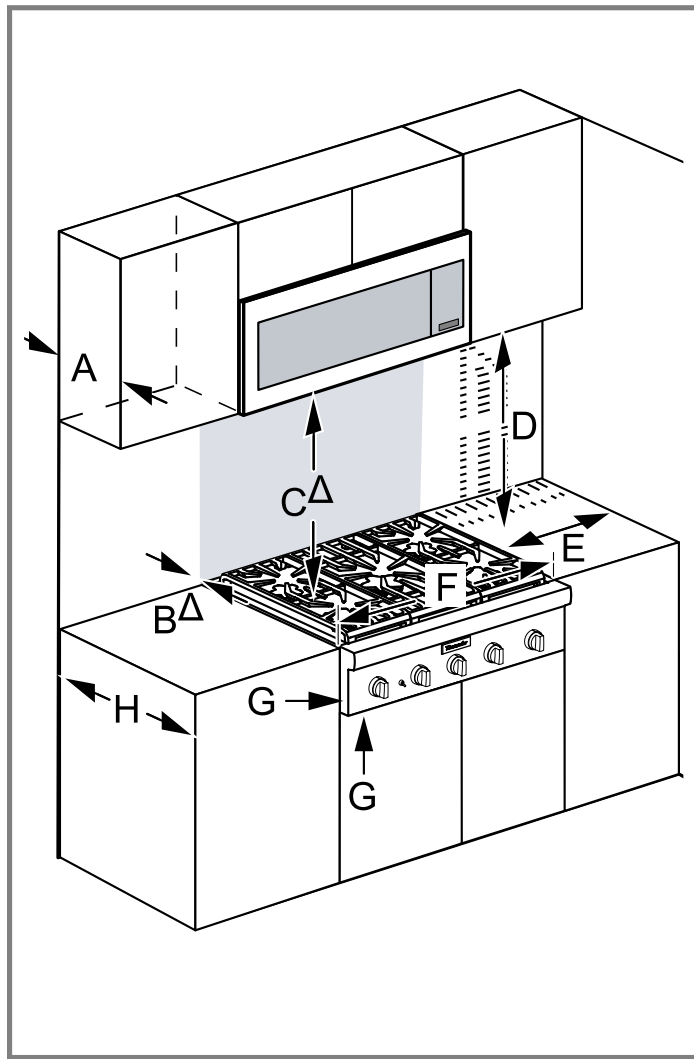
E 5 mm (127")

F	Según modelo: <ul style="list-style-type: none"> ■ 36 mm (914") ■ 48 mm (1219")
G	0 mm (0")
H	606 mm (23 ⁷ / ₈ ")

Δ según lo definido en el «Código nacional de gas combustible» («National Fuel Gas Code», ANSI Z223.1, edición actual). Los espacios libres con respecto a materiales no combustibles no son parte del alcance ANSI Z21.1 y no están certificados por CSA. *Los espacios libres de menos de 6" (152 mm) deben ser aprobados por los códigos locales o por la autoridad local competente.

Existe la posibilidad de que la pared trasera se decolore bajo ciertas condiciones de cocción.

Requisitos de espacio libre de los gabinetes con microondas OTR para placas de cocción de 5 quemadores y de 30"



A	13 mm (330")
B ^Δ	0 mm (0")
C ^Δ	mín. 762 mm (30") a material no combustible sobre la superficie de cocción.

Consultar el manual de instalación del fabricante OTR para obtener información sobre los espacios que deben quedar libres.

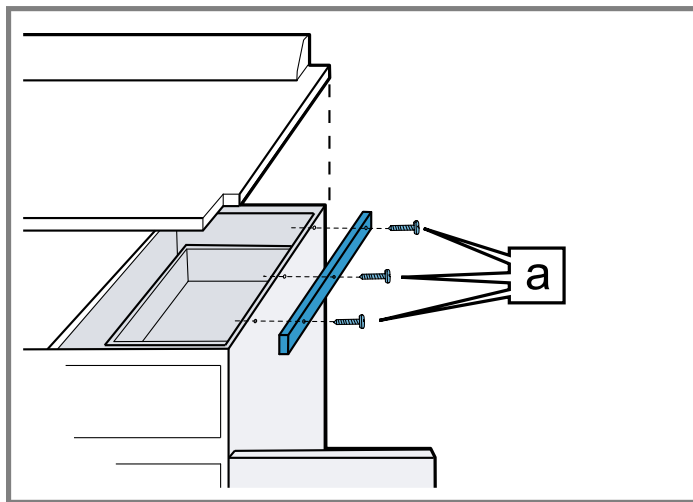
D	18 mm (457")
E	5 mm (127")
F	30 mm (762")
G	0 mm (0")
H	606 mm (23 ⁷ / ₈ ")

Δ según lo definido en el «Código nacional de gas combustible» («National Fuel Gas Code», ANSI Z223.1, edición actual). Los espacios libres con respecto a materiales no combustibles no son parte del alcance ANSI Z21.1 y no están certificados por CSA. *Los espacios libres de menos de 6" (152 mm) deben ser aprobados por los códigos locales o por la autoridad local competente.

Existe la posibilidad de que la pared trasera se decolore bajo ciertas condiciones de cocción.

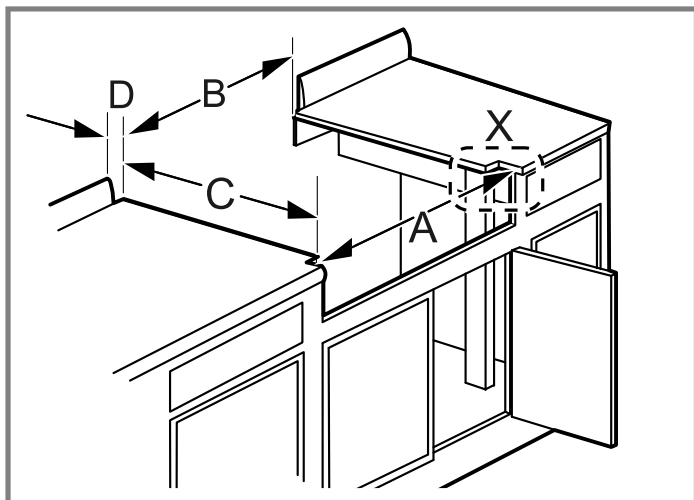
4 Recorte de la encimera

Montaje de abrazaderas de soporte laterales (a ambos lados)

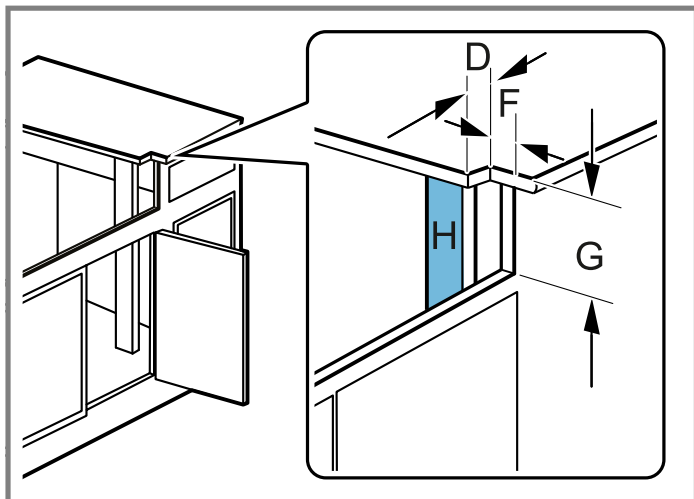


a Tornillos avellanados

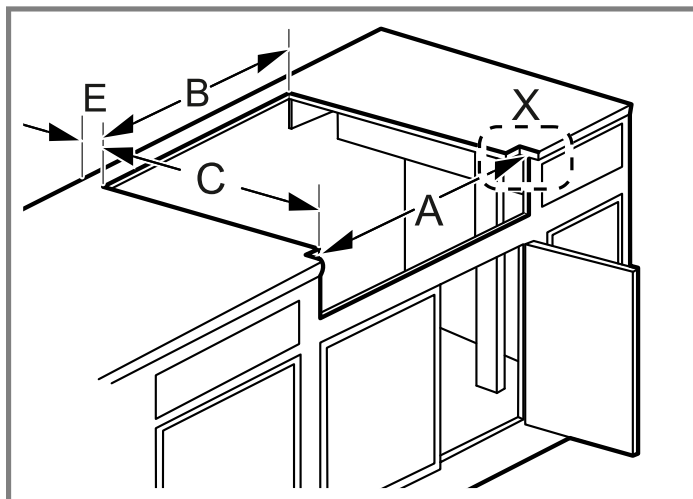
Montaje en pared con protector contra salpicaduras en la encimera



Vista detallada X: detalle de la ranura de la esquina en la parte frontal del mueble



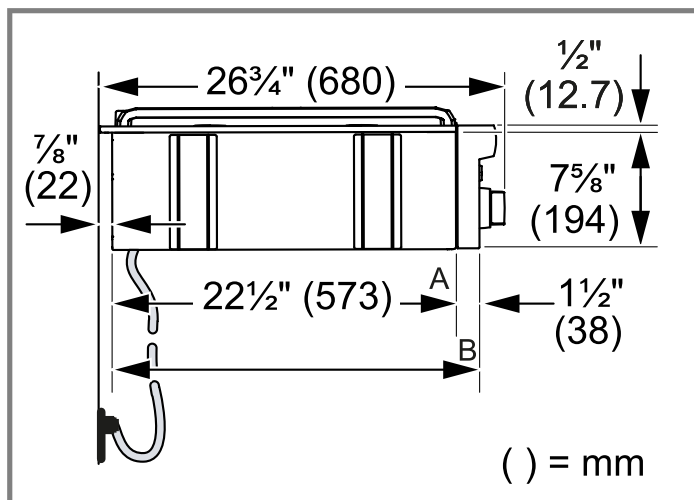
Montaje en isla sin protector contra salpicaduras en la encimera



	Placa de cocción de 30"	Placa de cocción de 36"	Placa de cocción de 48"
A	760 mm (29 ¹⁵ / ₁₆ ")	913 mm (35 ¹⁵ / ₁₆ ")	1218 mm (47 ¹⁵ / ₁₆ ")
B	740 mm (29 ¹ / ₈ ")	892 mm (35 ¹ / ₈ ")	1175 mm (46 ¹ / ₄ ")
C	Montaje en isla: 580 mm (22 ¹³ / ₁₆ ") Montaje en pared: 592 mm (23 ⁵ / ₁₆ ")	Montaje en isla: 580 mm (22 ¹³ / ₁₆ ") Montaje en pared: 592 mm (23 ⁵ / ₁₆ ")	Montaje en isla: 580 mm (22 ¹³ / ₁₆ ") Montaje en pared: 592 mm (23 ⁵ / ₁₆ ")
D	10 mm (3/ ₈ ")	10 mm (3/ ₈ ")	22 mm (7/ ₈ ")
E	mín. 19 mm (3/ ₄ ")	mín. 19 mm (3/ ₄ ")	mín. 19 mm (3/ ₄ ")

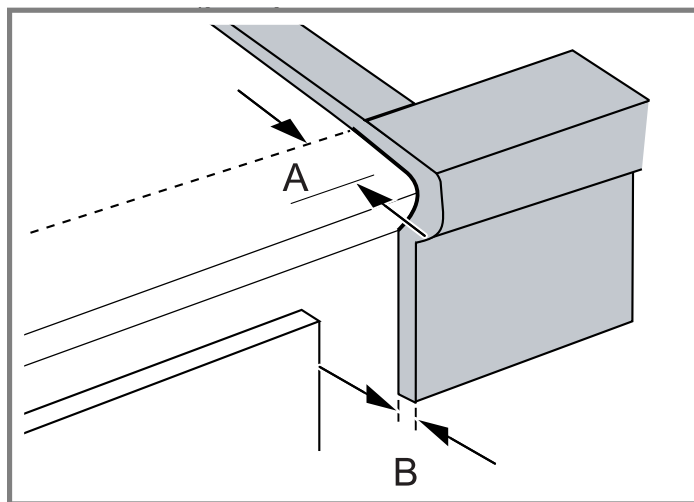
	Placa de cocción de 30"	Placa de cocción de 36"	Placa de cocción de 48"
F	<p>Ranura de la esquina:</p> <ul style="list-style-type: none"> 0 mm (0"): el panel de control sobresale 38 mm (1½") de la parte frontal del mueble de base. 18 mm (1¼"): se requiere para un mueble de base de 610 mm (24") de profundidad; el panel de control sobresale 20 mm (13/16") de la parte frontal del mueble de base. 	Véase la columna de la placa de cocción de 30"	Véase la columna de la placa de cocción de 30"
G	195 mm (7½")	195 mm (7½")	195 mm (7½")
H	Soporte de esquina 2 x 4	Soporte de esquina 2 x 4	Soporte de esquina 2 x 4

Vista lateral de la placa de cocción



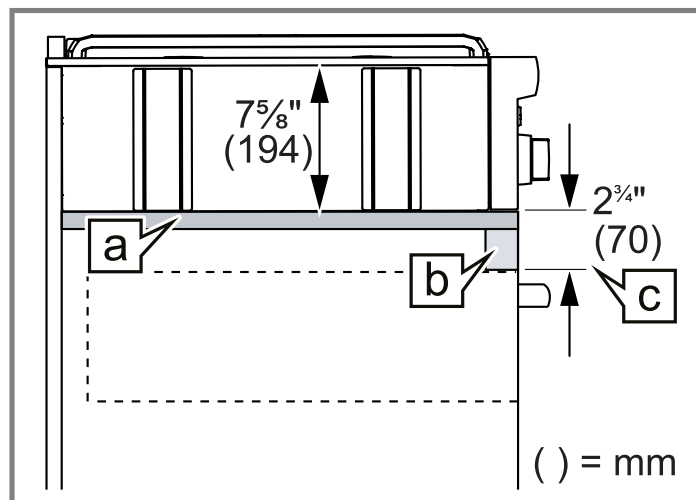
- A Frente del mueble para montaje con panel de control que sobresale.
- B Frente del mueble para montaje con panel de control enrasado.

Sobresale de la parte frontal del mueble



- A Profundidad de la ranura: 18 mm (1¼")
- B El frente sobresale 20 mm (13/16") hacia fuera, como se muestra para la base estándar de 24" de profundidad.

Montaje sobre cajón calentaplatos Thermador

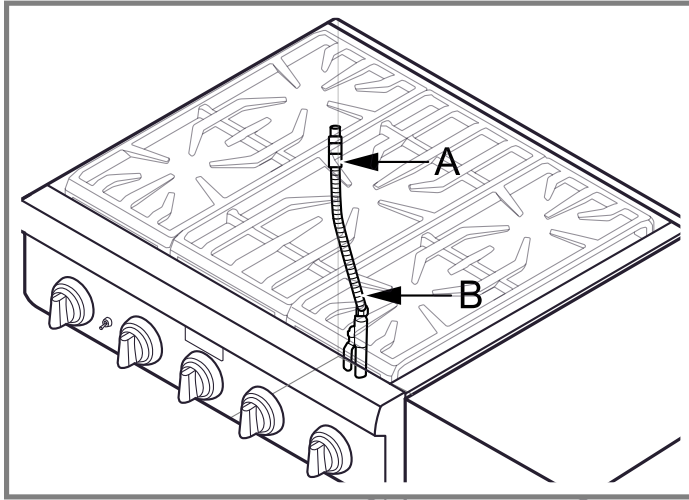


- a Soporte de contrachapado
- b Instalar un soporte de madera adicional a lo largo del borde frontal del recorte.
- c Distancia mínima entre recortes

5 Ubicación de la entrada de gas

Se debe instalar una válvula manual en la parte externa del aparato, en un lugar accesible desde la parte frontal, con el fin de cortar el suministro de gas.

Ubicación de la entrada de gas	30"	36"	48"
Del lado izquierdo a la línea central de la entrada de gas	6 $\frac{3}{8}$ " (152 mm)	11" (267 mm)	11" (267 mm)
De la parte posterior a la línea central de la entrada de gas	2 $\frac{1}{4}$ " (54 mm)	2 $\frac{1}{4}$ " (54 mm)	2 $\frac{1}{4}$ " (54 mm)



A 1/2" (12.7 mm) NTP

B Conducto flexible de 3/4" (19 mm)

6 Desembalar el aparato

⚠ ADVERTENCIA



La unidad es pesada y se requieren al menos dos personas o un equipo adecuado para trasladarla e instalarla.

⚠ ADVERTENCIA



Las superficies ocultas pueden tener bordes afilados.

- Proceder con cuidado al intentar sujetar el aparato por la parte trasera o desde abajo.

6.1 Extraer la placa de cocción del palet

1. Retirar la caja exterior y los materiales de embalaje de la base de envío. Asegurarse de disponer de todos los componentes de la placa de cocción antes de proceder.
2. Retirar las rejillas de cocción, la plancha y, si procede, las tapas de los quemadores, para reducir el peso de la placa de cocción.

3. Dejar las láminas protectoras que cubren las superficies de metal pulido, para proteger los acabados de rayones, hasta que la placa esté instalada en su posición final.
4. Usar un desarmador de cruz para retirar los tornillos de los soportes del palet ubicados en los costados izquierdo y derecho de la unidad. Desechar los tornillos y los soportes una vez retirados.

7 Requisitos de gas y conexiones

⚠ PRECAUCIÓN

El aparato debe aislarse del sistema de tuberías de suministro de gas cerrando su llave de cierre individual manual durante cualquier prueba de presión del sistema de tuberías de suministro de gas con presiones iguales o inferiores a 1/2 psi (3.5 kPa).

Al conectar la unidad con el gas propano, asegurarse de que el tanque de gas propano esté equipado con su propio regulador de alta presión además del regulador de presión suministrado con el aparato. La presión del gas suministrado al aparato no debe exceder la columna de agua de 14" (34.9 mbar).

⚠ ADVERTENCIA

NO utilizar ningún tipo de llama para detectar las fugas de gas.

- **IMPORTANTE:** No realizar la conexión a tierra a través de una tubería de gas.
- **IMPORTANTE:** Si aún no la tiene, instalar una válvula de cierre de gas en un lugar de fácil acceso. Asegurarse de que todos los usuarios sepan dónde y cómo cerrar el suministro de gas del aparato.
- Comprobar el tipo de gas que se utiliza en el lugar de instalación. Asegurarse de que la estufa coincida con el tipo de gas disponible en esta ubicación.
- El aparato solo debe estar conectado al tipo de gas para el que está certificado. Si el aparato se va a conectar a gas propano, asegurarse de que el tanque de suministro de gas propano esté equipado con su propio regulador de alta presión además del regulador de presión suministrado con el electrodoméstico.
- Las conexiones de suministro de gas deben ser realizadas por un técnico competente de acuerdo con las normativas y reglamentos locales. En ausencia de

códigos locales, la instalación se debe llevar a cabo en conformidad con la edición actual del Código Nacional de Combustibles Gaseosos ANSI Z223.1/NFPA 54.

- Se debe usar una tubería flexible de metal o un tubo de metal fijo para conectar el gas al aparato. Si no se puede utilizar una línea de metal para el gas, se debe consultar a un electricista certificado local o los códigos eléctricos locales para realizar una conexión a tierra correcta.
- Se debe instalar una llave de cierre manual del gas en la parte externa del aparato en un lugar accesible desde la parte frontal con el fin de cerrar el paso del gas. La línea de suministro no debe interferir con la parte trasera de la unidad.
- El instalador debe informar al propietario de la ubicación de la válvula de cierre de gas. Asegurarse de que todos los usuarios sepan dónde y cómo cerrar el suministro de gas del aparato.

7.1 Instalación a gran altitud

- Este aparato se ha probado para que funcione a una altitud de hasta 3078 m (10 100 pies) sobre el nivel del mar.
- Se requiere un kit para gran altitud si se va a usar gas natural por encima de 1646 m (5400 pies) de altura sobre el nivel del mar, y si se va a usar gas propano (LP) por encima de 3048 m (10 000 pies) de altura sobre el nivel del mar.
- Si se desea, para altitudes superiores a 610 m (2000 pies) sobre el nivel del mar, se pueden hacer ajustes a los quemadores de la placa con un kit de ajuste. Si el rendimiento de la llama es satisfactorio, no será necesario realizar ningún ajuste.
- Consultar la información de Servicio de atención al cliente acerca del servicio, piezas y accesorios.
→ "Servicio de atención al cliente", *Página 63*

7.2 Requisitos de gas

Requisitos de gas natural:

- Conexión de entrada: NPT interna de 1/2" (tubo flexible con diámetro mín. de 3/4")
- Presión de suministro: 7" mín. y 14" máx. (17.4 a 34.9 mbar) de columna de agua
- Presión del colector: 5" de columna de agua (12.5 mbar)

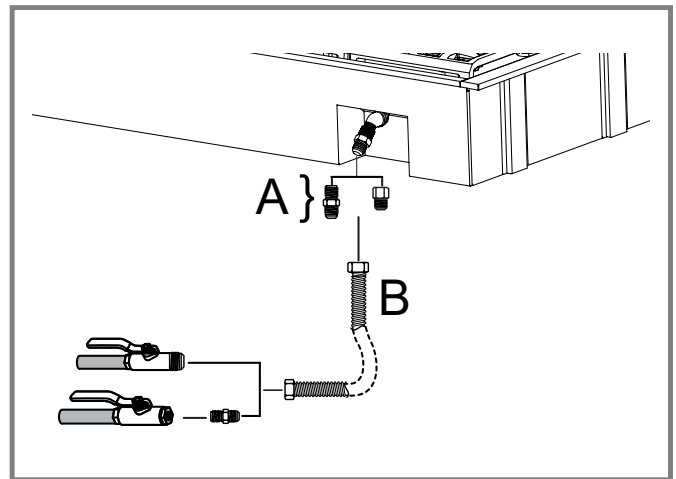
Requisitos de gas propano:

- Conexión de entrada: NPT interna de 1/2" (tubo flexible con diámetro mín. de 3/4")
- Presión de suministro: 11" mín. y 14" máx. (27.4 mbar a 34.9 mbar) de columna de agua
- Presión del colector: 10" de columna de agua (24.9 mbar)

7.3 Conectar el suministro de gas

1. Asegurarse que el suministro de gas esté cerrado mediante la llave de cierre manual antes de conectar el aparato.

2. Usar un conducto flexible de 3/4" (19 mm) para establecer una conexión entre el suministro de gas y la entrada de gas del aparato. La conexión de la línea de suministro de gas se encuentra en la parte inferior derecha. La conexión de entrada de gas del aparato es de 1/2" (12.7 mm) NPT.
 - Tomar precauciones para evitar engarzar el conducto de 3/4" (19 mm) al hacer dobleces. La longitud sugerida del conducto flexible es de 1219 mm (48"); sin embargo, consultar los códigos locales para conocer los requisitos de su área antes de la instalación.



- | | |
|-------|--|
| A | Roscas externas de 3/4" (19 mm)
Roscas internas de 1/2" (12.7 mm) |
| <hr/> | |
| B | Conducto flexible de 3/4" (19 mm) |

3. Usar compuesto para sellar tuberías o cinta Teflon® en las roscas de las tuberías. **NO** aplicar compuesto sellador o cinta a los accesorios abocinados. Tener cuidado de no aplicar una presión excesiva al apretar los accesorios.
4. Las pruebas de fugas deben realizarse de acuerdo con las instrucciones descritas a continuación:
 - Encender el gas y comprobar que no haya fugas en las conexiones de los tubos de suministro mediante una solución de jabón y agua.
 - Las burbujas indican la presencia de una fuga de gas. Reparar todas las fugas inmediatamente.

Comprobar si hay fugas en el conducto de gas

El instalador debe realizar una prueba de fugas de forma de acuerdo con las instrucciones descritas a continuación.

⚠ ADVERTENCIA

NO utilizar ningún tipo de llama para detectar las fugas de gas.

1. Abrir el gas.
2. Aplicar un fluido de detección de fugas en todas las juntas y acoplamientos en el suministro de gas entre la llave de cierre y el aparato. Comprobar también los

acoplamientos y las juntas de gas del aparato si existe la posibilidad de que las conexiones se hayan visto alteradas durante la instalación.

- ✓ Si aparecen burbujas en los acoplamientos y conexiones, hay una fuga.
- 3. Si se detecta una fuga, cerrar la llave de cierre del suministro de gas y apretar las conexiones.
- 4. Volver a comprobar si hay fugas abriendo la llave.
- ✓ Una vez finalizada la comprobación de fugas sin que aparezcan burbujas, la prueba ha terminado.
- 5. Limpiar con un trapo todos los restos de fluido de detección o solución jabonosa.
- ✓ No continuar con la instalación hasta que se hayan eliminado todas las fugas.

Conexión de gas propano

El aparato se envía ajustado de fábrica para funcionar con gas natural. Tiene que adaptarse para poder utilizarse con gas propano. Comprobar si el tipo de gas que se utiliza en el lugar de instalación coincide con el que utiliza el aparato.

Si el lugar de instalación requiere una conversión de gas natural a propano (LP), contactar con el distribuidor del que se adquirió el aparato o con Thermador para adquirir un kit de conversión. Es preciso atenerse a todas las instrucciones del kit para una conversión correcta del regulador de gas, así como para ajustar las válvulas de gas. La conversión en el lugar de uso debe correr a cargo únicamente de personal calificado.

ADVERTENCIA

Si se utiliza un kit de conversión de gas:

- ▶ El kit de conversión de gas deberá ser instalado por personal de servicio calificado de acuerdo con las instrucciones del fabricante y respetando todos los requisitos y normas de la autoridad competente.
- ▶ Si no se sigue exactamente la información de las instrucciones, se puede producir un incendio, una explosión o una emisión de monóxido de carbono que pueden causar daños materiales, lesiones personales o la muerte.
- ▶ El personal de servicio calificado es responsable de la instalación adecuada del kit de conversión de gas.
- ▶ La instalación no se considerará correcta y completa hasta que se haya comprobado el funcionamiento del electrodoméstico adaptado del modo especificado en las instrucciones del fabricante que se facilitan con el kit de conversión de gas.

PRECAUCIÓN

El aparato debe aislarse del sistema de tuberías de suministro de gas cerrando su llave de cierre individual manual durante cualquier prueba de presión del sistema de tuberías de suministro de gas con presiones iguales o inferiores a ½ psi (3,5 kPa).

El aparato y su llave de cierre de gas individual deben de estar desconectados del sistema de tuberías de suministro de gas durante cualquier prueba de presión en el sistema con presiones superiores a ½ psi (3,5 kPa). Al comprobar la presión del gas del manómetro, la presión de entrada hacia el regulador debe ser de al menos 7,0" de columna de agua (17,4 mbar) para el gas natural o de 11,0" (27,4 mbar) para el propano. NO debe intentarse ajuste en el regulador de presión.

PRECAUCIÓN

Guardar las espreas extraídas del aparato para uso futuro. Al conectar el aparato con el gas propano, asegurarse de que el tanque de gas propano esté equipado con su propio regulador de alta presión además del regulador de presión suministrado con el aparato. La presión del gas suministrado al aparato no debe exceder una columna de agua de 14" (34,9 mbar).

8 Requisitos eléctricos y conexión para modelos GAS

ADVERTENCIA

Antes de realizar la instalación, desconectar la alimentación eléctrica en el panel de servicio.

- ▶ Bloquear el panel de servicio para impedir que se conecte accidentalmente la alimentación eléctrica.

ADVERTENCIA

Desconectar siempre el electrodoméstico del suministro eléctrico, ya sea desconectando el cable de alimentación o apagando el breaker en el panel de servicio antes de repararlo.

ADVERTENCIA

Este aparato debe estar adecuadamente conectado a tierra.

Instrucciones para poner a tierra la instalación eléctrica

- ▶ Este aparato está equipado con un enchufe de conexión a tierra de tres clavijas para proteger contra los riesgos de descargas eléctricas y debe conectarse directamente a un enchufe con toma de tierra. **NO** cortar ni quitar la clavija de conexión a tierra de este enchufe.

PRECAUCIÓN

Una conexión a tierra incorrecta o la polarización inversa provocarán un mal funcionamiento, como chispas continuas de los encendedores de los quemadores. Esto puede dañar el aparato y puede crear una condición de riesgo de descarga eléctrica

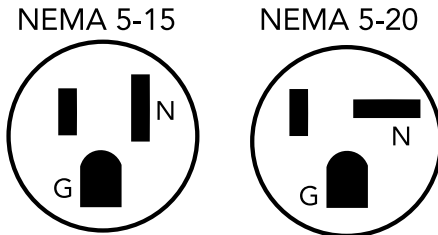
- ▶ Si el circuito dedicado no está conectado a tierra y polarizado correctamente, es responsabilidad y obligación del instalador y del usuario cambiar el tomacorriente existente por uno debidamente conectado a tierra y polarizado.

- ▶ Esto debe realizarse por un electricista calificado de acuerdo con todas las normas y ordenanzas locales aplicables. En ausencia de normas y ordenanzas locales, la sustitución del receptáculo deberá estar de acuerdo con el Código Nacional Eléctrico.

INSTALADOR: Muestre al propietario la ubicación del breaker. Marcarla para recordarla más fácilmente.

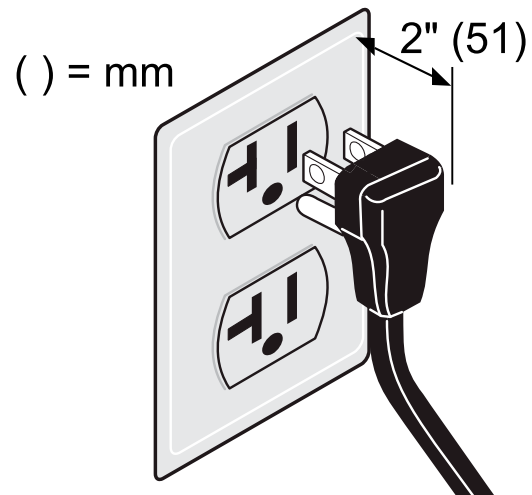
8.1 Requisitos del circuito de suministro eléctrico

El cable suministrado junto con las placas que tienen una plancha eléctrica requiere un receptáculo NEMA 5-20. Los demás aparatos de gas requieren un receptáculo NEMA 5-15.



Modelo	Voltaje	Circuito dedicado	Fase
PCG305W	120 V CA	15 A	Sencillo
PCG366W	120 V CA	15 A	Sencillo
PCG364WD	120 V CA	20 A	Sencillo
PCG486WD	120 V CA	20 A	Sencillo

- Antes de enchufar un cable eléctrico, asegurarse de que todos los controles se encuentren en la posición OFF (apagado).
- Se debe proporcionar un cable neutro desde la fuente de alimentación (breaker) porque los componentes críticos de la estufa, incluidos los módulos de reignición por chispa del quemador superficial, lo requieren para operar de manera segura y adecuada.
- Todos los modelos de 120 voltios se deben enchufar en un receptáculo de conexión a tierra de 3 puntas. El receptáculo debe estar conectado a una fuente de alimentación eléctrica debidamente polarizada y puesta a tierra con una capacidad nominal de 120 V CA, monofásica, 60 Hz.
- Respetar todas las normas y ordenanzas vigentes a la hora de realizar la conexión a tierra. En ausencia de estas normas u ordenanzas, respetar la edición actual del Código Nacional Eléctrico ANSI/ NFPA 70 o la edición actual correspondiente del Código Canadiense Eléctrico, CSA C22.1
- El cable eléctrico y el receptáculo no deben sobresalir más de 51 mm (2") de la pared posterior.
- Los estilos de enchufe pueden variar.



9 Procedimiento de instalación

9.1 Instalar la protección trasera baja (comprar por separado).

Los métodos de instalación varían de acuerdo con sus necesidades. Antes de empezar, leer estas instrucciones atentamente. Respetar todas las normas y ordenanzas locales.

⚠ ADVERTENCIA

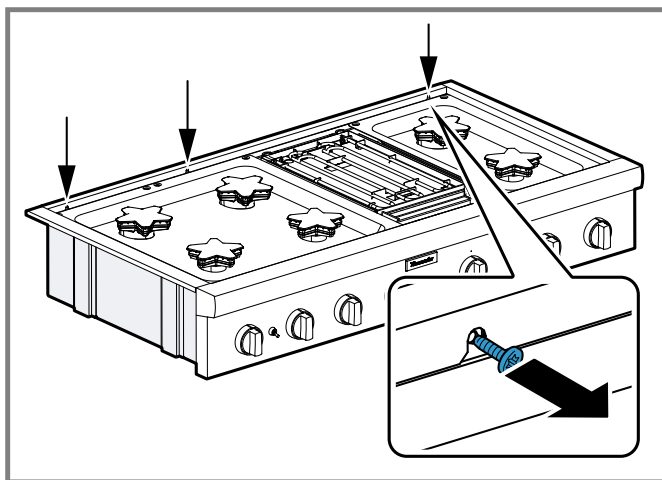
Los dedos o las manos pueden resultar pellizcados al instalar la protección trasera. Se pueden producir lesiones graves.

- ▶ Extremar las precauciones y utilizar guantes gruesos de protección para evitar posibles laceraciones en dedos o manos mientras se desliza la protección trasera hacia abajo en el aparato.

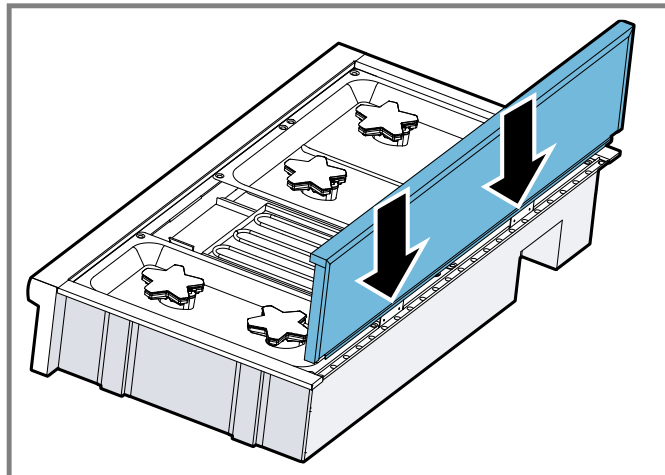
⚠ ADVERTENCIA

Para disminuir el riesgo de incendio o lesiones personales, asegurarse de que se haya quitado todo el embalaje de los dispositivos accesorios antes de usarlos.

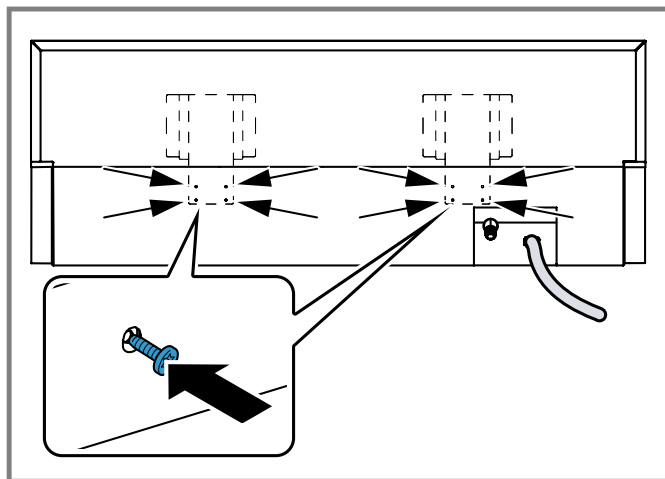
1. En función del modelo de que se trate, retirar los dos o tres tornillos inoxidable con cabeza de estrella de la parte delantera de la moldura de ventilación incluida. Levantar para retirar por completo la moldura de ventilación.



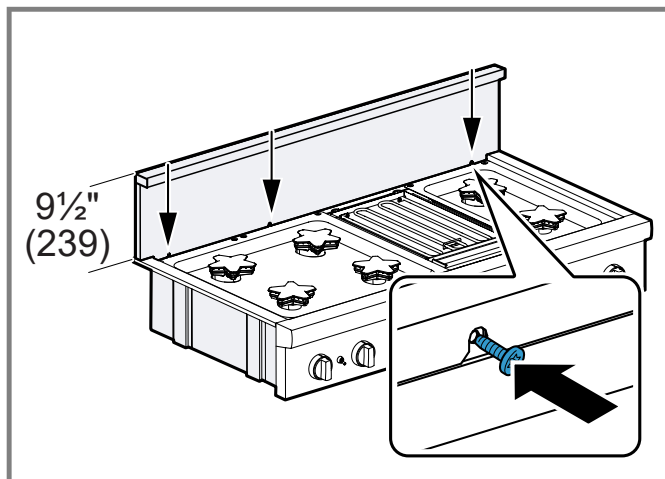
2. Deslizar las fijaciones de soporte de la protección trasera baja entre los dos paneles traseros del chasis de la placa de cocción.



3. Asegurar la parte posterior con ocho tornillos de 38 mm (1½").



4. Asegurar la parte frontal de la protección trasera baja a la placa con dos o tres tornillos de 12,7 mm (½").



9.2 Ajustar el aparato

1. Fijar la protección trasera baja, si procede, antes de deslizar el aparato en su posición de montaje final.
→ "Instalar la protección trasera baja (comprar por separado).", Página 59
2. Elevar y colocar el aparato en la abertura de la encimera. Proceder con cuidado para no dejar aprisionado el cable eléctrico o el conducto de suministro de gas. Proceder con cuidado para no arañar la encimera.
3. Asegurarse de que el cable eléctrico esté libre y tenga suficiente holgura.
4. Para funcionar correctamente, el aparato debe estar nivelado.
5. Volver a colocar las rejillas de cocción, la plancha y las tapas de los quemadores. Asegurarse de que las tapas de los quemadores estén correctamente asentadas sobre sus respectivas bases.

9.3 Colocación de las tapas de los quemadores

Las tapas de los quemadores deben estar colocadas correctamente para que la parrilla de gas funcione correctamente.

Si la tapa del quemador no está bien colocada, podrían darse uno o varios de los siguientes problemas:

- Las llamas de los quemadores son demasiado altas.
- Las llamas salen disparadas de los quemadores.
- Se producen decoloraciones en el acero inoxidable.
- Los quemadores no se encienden.
- Las llamas del quemador no son uniformes.
- El quemador desprende olor a gas.

⚠ ADVERTENCIA

Para evitar que se produzcan llamaradas, no utilizar la parrilla hasta que todas las tapas de los quemadores y las rejillas estén correctamente colocadas.

⚠ PRECAUCIÓN

Para evitar quemaduras, no tocar las tapas de los quemadores ni las rejillas cuando estén calientes.

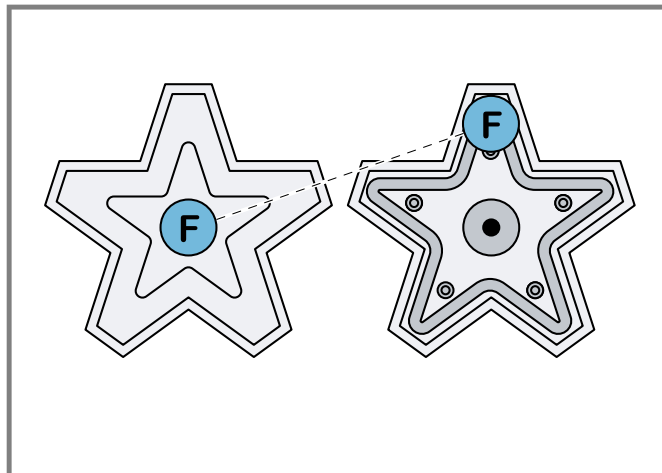
- ▶ Apagar la parrilla de gas y dejar enfriar los quemadores.

Su placa de cocción tiene quemadores de gas sellados STAR®. Bajo la parrilla de la estufa no hay componentes de los quemadores que se tengan que limpiar, desmontar o ajustar.

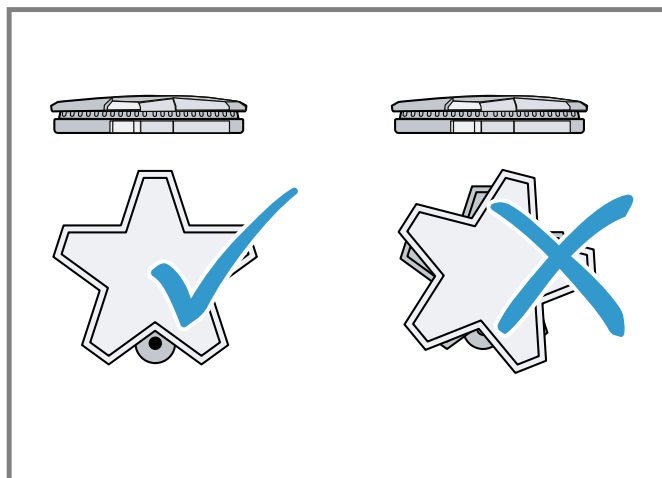
Colocar las tapas de los quemadores

Todas las tapas tienen una letra (B, D o F) en el lado inferior de la tapa que corresponde con una letra (B, D o F) en la base del quemador que viene con el electrodoméstico.

1. Colocar todas las tapas de los quemadores en las bases de los quemadores correctas según la designación de letra correspondiente.



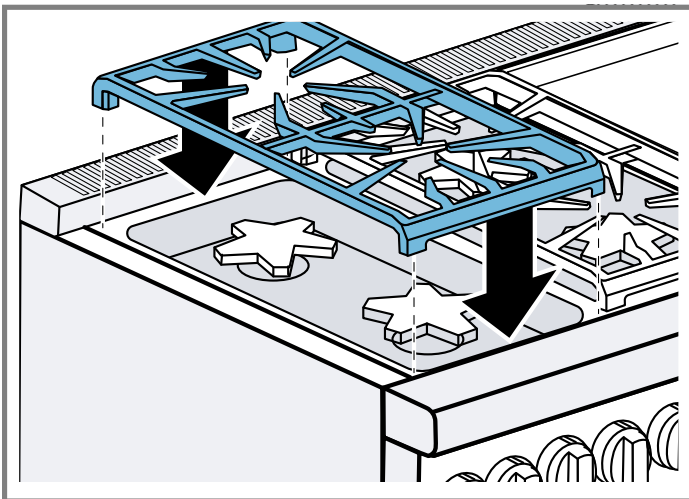
2. Colocar las tapas de los quemadores suavemente sobre las bases de modo que los dientes de estas encajen cómodamente en las ranuras de las tapas.
3. Comprobar cada quemador para asegurarse de que no haya ninguna separación entre la tapa y la base.
 - Se puede mover con suavidad la tapa del quemador hacia los lados para comprobar si está correctamente colocada sobre su base.
 - Si la tapa de un quemador está correctamente colocada, descansa plana de forma horizontal sobre su base y cubre completamente la forma de estrella de esta cuando se le observa desde arriba.



9.4 Colocar las rejillas de los quemadores

Para garantizar una combustión apropiada, no utilizar la parrilla de gas sin colocar las rejillas de los quemadores.

1. Colocar las rejillas de quemador boca abajo, en horizontal, y alinearlas con el hueco de la parrilla de gas.
2. Las rejillas de quemador deben descansar a ras las unas de las otras, contra los laterales del hueco.

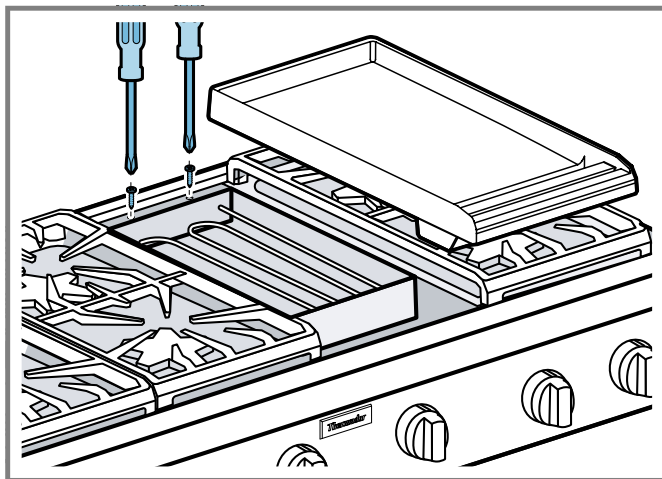


9.5 Preparar la plancha eléctrica

⚠ ADVERTENCIA

Para evitar riesgos de lesiones, no utilizar nunca la plancha sin tener colocada su placa correspondiente.

1. Para comprobar el ajuste correcto de la placa para la plancha, echar dos cucharadas soperas de agua en la parte trasera de la misma;
2. si el agua no fluye hasta la parte frontal de la plancha, se deberá ajustar la placa.
 - Levantar la placa de la plancha.
 - Ajustar los dos tornillos situados bajo la parte trasera de la placa. En principio, empezar dando media vuelta en sentido opuesto a las agujas del reloj a los tornillos. En principio, empezar dando media vuelta en sentido opuesto a las agujas del reloj a los tornillos.
 - Reemplazar la placa y comprobar el resultado.
 - Para seguir ajustando el componente, girar un cuarto de vuelta hasta que el agua fluya lentamente a la bandeja de goteo de grasa.



10 Comprobación de los quemadores del aparato

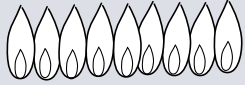
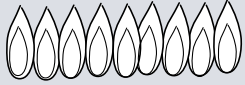
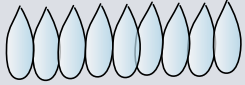
Es preciso comprobar que todos los quemadores se encienden correctamente y presentan las características de llama apropiadas en los niveles de potencia más bajo y más alto.

1. Comprobar que todos los quemadores del aparato se encienden correctamente.
 - Presionar la perilla y girarla en sentido contrario a las agujas del reloj hasta el símbolo de encendido ⚡.
 - Comprobar que hace clic el dispositivo de ignición / módulo de chispas.
 - Una vez purgado el aire de los conductos de alimentación, comprobar que el quemador se enciende en menos de cuatro (4) segundos. Cuando se encienda el quemador, volver a poner la perilla en la posición de apagado.
 - Si no se enciende ninguno de los quemadores, interrumpir la comprobación. Llamar al Servicio de atención al cliente.
2. Comprobar si todos los quemadores del aparato presentan características de llama apropiadas en su ajuste más bajo.
 - Presionar la perilla y girarla en sentido contrario a las agujas del reloj hasta el símbolo de encendido ⚡. Mantenerla presionada hasta que se encienda el quemador.
 - Girar rápidamente la perilla a su ajuste más bajo.
 - Comprobar si la llama presenta una altura aproximada de unos 6 mm ($\frac{1}{4}$ ”).
 - Verificar que la llama sea firme. La llama no debe apagarse, elevarse o extinguirse del quemador. Debe distribuirse homogéneamente o rodear todo el quemador.
 - Verificar que la llama sea del color apropiado.
 - "Características de la llama", Página 62
 - Si la llama se apaga, no se distribuye adecuadamente o es demasiado grande, contactar con el Servicio de atención al cliente.
3. Comprobar si todos los quemadores del aparato presentan características de llama apropiadas en su ajuste más alto.
 - Presionar la perilla y girarla en sentido contrario a las agujas del reloj hasta el símbolo de encendido ⚡. Mantenerla presionada hasta que se encienda el quemador.
 - Girar rápidamente la perilla a su ajuste más alto.
 - Verificar que la llama sea firme. La llama no debe apagarse, elevarse o extinguirse del quemador. Debe distribuirse homogéneamente o rodear todo el quemador.
 - Verificar que la llama sea del color apropiado.
 - "Características de la llama", Página 62
 - Si la llama se torna amarilla o no se distribuye adecuadamente, contactar con el servicio de atención al cliente.

10.1 Características de la llama

El color de la llama indica si el suministro de gas está ajustado correctamente.

Nota: Dejar que el aparato funcione durante 4 o 5 minutos antes de evaluar la llama. Es normal que haya algunas vetas amarillas al inicio.

Llama	Imagen	Medida
Completamente amarilla o casi amarilla		Comprobar que el regulador esté configurado para el combustible correcto. Volver a comprobar tras el ajuste.
Puntas amarillas en la parte exterior		Normal en gas LP
Azul claro		Normal en gas natural

11 Lista de comprobación del instalador

Comprobación final

- Placa correctamente posicionada en el hueco de la encimera.
- Se han mantenido en las superficies del gabinete los espacios libres especificados.
- Las tapas de los quemadores están colocadas correctamente en las bases de los quemadores.
- Se ha retirado todo el material de embalaje.
- Moldura de ventilación o protección trasera baja fijadas y enrasadas según las instrucciones.
- Comprobar que la función ExtraLow® tenga una operación adecuada y que se encienda todo el quemador.

Suministro de gas

- Conexión de gas: NPT de 19 mm (3/4") con tubo flexible con diámetro mín. de 19 mm (3/4").
- Si se convierte de gas natural a LP, consultar las instrucciones de conversión a LP para más detalles.
- Llave de cierre manual de gas instalada en un lugar accesible (sin necesidad de retirar el aparato).
- El propietario está informado sobre la ubicación de la válvula de cierre de gas.
- Unidad probada y libre de fugas de gas.

Asistencia eléctrica

- Para la conexión con cable, se requiere un receptáculo específico de 120 V CA, polarizado y puesto a tierra, con una protección contra sobrecorriente de 15/20 A.
- La conexión a tierra es adecuada.
- El propietario conoce la ubicación del disyuntor principal.

Manejo

- Los biseles centrados en las perillas de los quemadores y las perillas giran libremente.
- Comprobar la llama en cada quemador. Puede ser necesario dejar arder la llama por unos minutos para eliminar las impurezas de los tubos de gas.
- Cada quemador se enciende satisfactoriamente, tanto individualmente como con otros quemadores en funcionamiento.
- Las rejillas de los quemadores están correctamente colocadas, niveladas y no se balancean.
- INSTALADOR:** Escriba el número de modelo y el número de serie que se encuentran en manual. Dejar manual y manual de instalación con el dueño del aparato.

Solución de problemas

Para obtener información sobre solución de problemas consultar el manual.

12 Servicio de atención al cliente

En cada reparación cubierta por la garantía, nos aseguramos de que su aparato sea reparado con repuestos originales por un proveedor de servicio capacitado y autorizado. Solo utilizamos repuestos originales para todos los tipos de reparaciones. Las informaciones detalladas sobre el periodo de validez de la garantía y las condiciones de garantía las podrá encontrar en nuestras condiciones de garantía, con su distribuido o en nuestra página web. Cuando se ponga en contacto con el servicio de atención al cliente, no olvide indicar el número de modelo (E-Nr.) y el número de fabricación (FD) de su aparato.

USA:

1-800-735-4328

www.thermador.com/support

www.thermador.com/us/accessories

CA:

1-800-735-4328

www.thermador.ca

www.thermador.ca/en/support/filters-cleaners-accessories

Aquí podrá encontrar ayuda para la conexión con Home Connect®:

www.home-connect.com/us/en/help-support/set-up

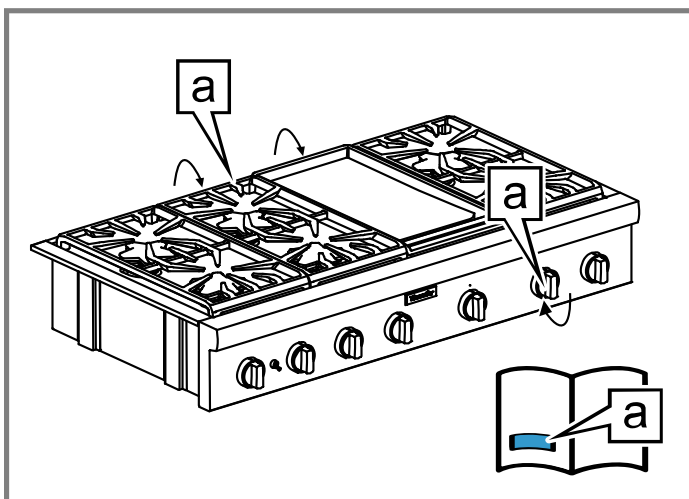
12.1 Número de modelo (E-Nr.) y número de fabricación (FD)

El número de modelo (E-Nr.) y el número de fabricación (FD) se encuentran en la placa de características del aparato.

Para volver a encontrar rápidamente los datos del aparato o el número de teléfono del servicio de atención al cliente, puede anotar dichos datos.

12.2 Ubicación de la placa de características del aparato

La placa de características se halla donde indica la figura a continuación. Además, se puede encontrar la etiqueta de clasificación en la portada de la Guía de uso y cuidado impresa.



a Placa de características

12.3 Registro del producto

Registrar su producto Thermador para acceder a la información relacionada con su producto.

Es posible registrar su producto a través de una de las siguientes maneras:

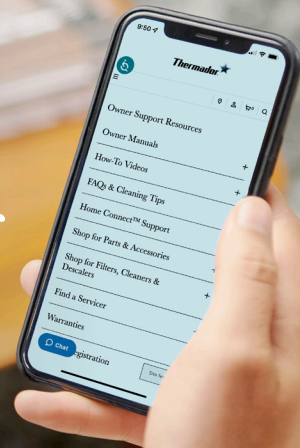
- Registrar el producto en línea en
 - EE. UU : www.thermador.com
 - Canadá: www.thermador.ca
- Enviar la tarjeta completa de registro del producto a la dirección que figura en la misma.
- Escanea el código QR con tu smartphone y sigue las indicaciones:



- Llamar a Thermador Soporte de asistencia técnica al 1-800-735-4328.

Asegúrese de registrar su producto; La falta de registro no afectará sus derechos de garantía.

Thermador[®] ★ Exclusive Insider Information



[Thermador.com/us/support/quicklinks](https://thermador.com/us/support/quicklinks)



Owner Manuals

Download owner manuals, specifications and CADs.



How-To Videos

View instructional videos for changing water filters, cleaning, adjusting settings, and beyond.



FAQs & Cleaning Tips

Browse through cleaning, usage, and troubleshooting tips.



Home Connect[®] Support

Find the answers to all your Home Connect[®] related questions.



Thermador Accessories Store

Purchase filters, cleaners, accessories, and parts.



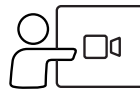
Warranties

View information on Thermador product warranties.



Product Registration

Register your products today to easily manage your appliance information.



Virtual Demo

Schedule a product overview to receive step-by-step guidance on using your appliance.



Virtual Showroom

Take a Virtual Showroom tour to view and interact with our entire collection of appliances.



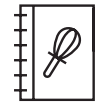
Newsletter

Get the latest information on product news and events.



Blog

Read about the latest in home design and culinary inspiration.



Recipes

Need inspiration for your next gathering? Browse our vast collection of recipes.

1901 MAIN STREET, SUITE 600 IRVINE, CA 92614 USA // 1-800-735-4328 // WWW.THERMADOR.COM

© 2024 BSH HOME APPLIANCES CORPORATION

8001318109 // en-us, fr-ca, es-mx // 040723

