



Register your  
appliance and join  
the Bosch  
family of perks:  
[bosch-home.com/us  
mybosch](https://www.bosch-home.com/us/mybosch)



# Fully automatic espresso machine

## 800 Series TQU6...

|                                     |                                  |    |
|-------------------------------------|----------------------------------|----|
| <b>[en-us]</b> Use and Care Manual  | Fully automatic espresso machine | 2  |
| <b>[fr-ca]</b> Manuel d'utilisation | Machine à expresso automatique   | 42 |
| <b>[es-mx]</b> Manual del usuario   | Cafetera automática              | 86 |

**Further information and explanations are available online:**



## Table of contents

|   |           |  |           |
|---|-----------|--|-----------|
| <b>1 Safety</b> .....                                     | <b>4</b>  | 6.5 General instructions .....                                     | 19        |
| 1.1 Safety definitions.....                               | 4         | <b>7 Basic Operation</b> .....                                     | <b>19</b> |
| 1.2 IMPORTANT SAFEGUARDS .....                            | 4         | 7.1 Switching the appliance on or off.....                         | 19        |
| 1.3 General information.....                              | 5         | 7.2 Dispensing beverages.....                                      | 20        |
| 1.4 Intended use .....                                    | 5         | 7.3 doubleShot and tripleShot.....                                 | 20        |
| 1.5 Restrictive Use .....                                 | 5         | 7.4 Dispensing a coffee drink with milk .....                      | 20        |
| 1.6 Safety instructions.....                              | 6         | 7.5 Dispensing two cups at once.....                               | 21        |
| 1.7 State of California Proposition 65 Warnings.....      | 8         | <b>8 Grinder</b> .....   | <b>21</b> |
| <b>2 Environmental protection and energy-saving</b> ..... | <b>9</b>  | 8.1 Setting the grinding level.....                                | 21        |
| 2.1 Disposal of packaging .....                           | 9         | <b>9 Child protection</b> .....                                    | <b>22</b> |
| 2.2 Saving energy .....                                   | 9         | 9.1 Activating the child lock.....                                 | 22        |
| <b>3 Installation and connection</b> .....                | <b>9</b>  | 9.2 Deactivating the child lock.....                               | 22        |
| 3.1 Contents of package .....                             | 9         | <b>10 Cup warmer<sup>1</sup></b> .....                             | <b>22</b> |
| 3.2 Installing and connecting the appliance .....         | 10        | 10.1 Activating and deactivating the cup warmer <sup>1</sup> ..... | 22        |
| <b>4 Familiarizing yourself with your appliance</b> ..... | <b>10</b> | <b>11 Favorites</b> .....  | <b>22</b> |
| 4.1 Appliance .....                                       | 10        | 11.1 Saving beverages from the beverage selection .....            | 22        |
| 4.2 Control elements .....                                | 12        | 11.2 Saving the beverage in the menu.....                          | 22        |
| <b>5 Accessories</b> .....                                | <b>12</b> | 11.3 Changing beverage settings....                                | 23        |
| <b>6 Before using for the first time</b> ..               | <b>13</b> | 11.4 Deleting a favorite .....                                     | 23        |
| 6.1 Preparing and cleaning the appliance .....            | 13        | 11.5 Sorting favorites .....                                       | 23        |
| 6.2 Checking the water hardness....                       | 17        | <b>12 Home Connect</b> .....                                       | <b>23</b> |
| 6.3 Water filter .....                                    | 18        |  |           |
| 6.4 Performing initial start-up .....                     | 18        |  |           |

<sup>1</sup> Depending on the appliance specifications

|           |   |           |      |   |    |
|-----------|---|-----------|------|---|----|
| 12.1      | Setting up the Home Connect app .....   | 24        | 19.1 | What this warranty covers & Who it applies to ..... | 38 |
| 12.2      | Setting up Home Connect .....   | 24        | 19.2 | Obtaining warranty service.....                     | 38 |
| 12.3      | Home Connect settings.....  | 24        | 19.3 | How long the warranty lasts ....                    | 38 |
| 12.4      | Remote diagnostics.....   | 25        | 19.4 | Repair/replace as your exclusive remedy .....       | 39 |
| 12.5      | Data Protection .....   | 25        | 19.5 | Out of warranty product.....                        | 39 |
| <b>13</b> | <b>Basic settings.....</b>  | <b>25</b> | 19.6 | Warranty exclusions.....                            | 40 |
| 13.1      | Changing the basic settings ....  | 25        | 19.7 | Product information .....                           | 41 |
| 13.2      | Overview of the basic settings .....  | 25        |      |   |    |
| <b>14</b> | <b>Cleaning and maintenance.....</b>  | <b>27</b> |      |   |    |
| 14.1      | Dishwasher-safe components .....  | 27        |      |   |    |
| 14.2      | Cleaning agents .....   | 27        |      |   |    |
| 14.3      | Cleaning the appliance.....   | 28        |      |   |    |
| 14.4      | Cleaning the drip tray and coffee dregs container.....                              | 28        |      |   |    |
| 14.5      | Cleaning the milk container .....   | 29        |      |   |    |
| 14.6      | Machine care cycles.....  | 29        |      |   |    |
| <b>15</b> | <b>Troubleshooting.....</b>   | <b>31</b> |      |   |    |
| <b>16</b> | <b>Transportation, storage and disposal .....</b>                                   | <b>36</b> |      |   |    |
| 16.1      | Activate frost protection.....  | 36        |      |   |    |
| 16.2      | Disposal of your old appliance .....  | 36        |      |   |    |
| <b>17</b> | <b>Customer Service .....</b>   | <b>36</b> |      |   |    |
| 17.1      | Model number (E-Nr.), production number (FD) and consecutive numbering (Z-Nr.)..... | 36        |      |   |    |
| <b>18</b> | <b>Technical specifications.....</b>  | <b>37</b> |      |   |    |
| 18.1      | Information regarding Free and Open Source Software .....                           | 37        |      |   |    |
| <b>19</b> | <b>STATEMENT OF LIMITED PRODUCT WARRANTY .....</b>                                  | <b>37</b> |      |   |    |



# IMPORTANT SAFETY INSTRUCTIONS

## READ AND SAVE THESE INSTRUCTIONS

---

Observe the following safety instructions.

### 1.1 Safety definitions

Here you can find explanations of the safety signal words used in this manual.

#### **WARNING**

This indicates that death or serious injuries may occur as a result of non-observance of this warning.

#### **CAUTION**

This indicates that minor or moderate injuries may occur as a result of non-observance of this warning.

#### **NOTICE:**

This indicates that damage to the appliance or property may occur as a result of non-compliance with this advisory.

**Note:** This alerts you to important information and/or tips.

### 1.2 IMPORTANT SAFEGUARDS

#### **WARNING**

When using electrical appliances, basic safety precautions should always be followed including the following:

- ▶ Read all instructions.
- ▶ Do not touch hot surfaces. Use handles or knobs.
- ▶ To protect against fire, electric shock and injury to persons do not immerse cord or plugs in water or other liquid.
- ▶ Close supervision is necessary when any appliance is used by or near children.
- ▶ Unplug from outlet when not in use and before cleaning. Allow to cool before putting on or taking off parts, and before cleaning the appliance.
- ▶ Do not operate any appliance with a damaged cord or plug or after the appliance malfunctions, or has been damaged in any manner. Return appliance to the nearest authorized service facility for examination, repair or adjustment.
- ▶ The use of accessory attachments not recommended by the appliance manufacturer may result in fire, electric shock or injury to persons.
- ▶ Do not use outdoors.



# IMPORTANT SAFETY INSTRUCTIONS

## READ AND SAVE THESE INSTRUCTIONS

---

- ▶ Do not let cord hang over edge of table or counter, or touch hot surfaces.
- ▶ Do not place on or near a hot gas or electric burner, or in a heated oven.
- ▶ Always attach plug to appliance first, then plug cord into the wall outlet. To disconnect, turn any control to "off," then remove plug from wall outlet.
- ▶ Do not use appliance for other than intended use.
- ▶ Save these instructions.

### 1.3 General information

- Read this manual carefully.
- Keep the manual and the product information in a safe place for future reference or for the next owner.
- Do not connect the appliance if it has been damaged in transit.

### 1.4 Intended use

Only use this appliance:

- for preparing hot drinks.
- for normal household use and in enclosed spaces in a residential environment.
- up to an altitude of max. 6,560 ft (2000 m) above sea level.

### 1.5 Restrictive Use

This appliance is not intended for use by persons (including children) with reduced physical, sensory or mental capabilities, or lack of experience and knowledge, unless they have been given supervision or instruction concerning use of the appliance by a person responsible for their safety.

Do not let children play with the appliance.

When children become old enough to use the appliance, it is the responsibility of the parents or legal guardians to ensure that they are instructed in safe practices by qualified persons.

Children should be supervised to ensure that they do not play with the appliance.



# IMPORTANT SAFETY INSTRUCTIONS

## READ AND SAVE THESE INSTRUCTIONS

---

### 1.6 Safety instructions

#### WARNING

Children may pull packaging material over their heads, or wrap themselves up in it and suffocate.

- ▶ Keep packaging material away from children.
- ▶ Do not allow children to play with packaging material.

Children may breathe in or swallow small parts, causing them to suffocate.

- ▶ Keep small parts away from children.
- ▶ Do not allow children to play with small parts.

#### WARNING

Incorrect installation is dangerous.

- ▶ Connect and operate the appliance only in accordance with the specifications on the rating plate.
- ▶ Connect the appliance to a power supply with alternating current only via a correctly installed socket outlet with grounding.
- ▶ The protective conductor system of the domestic electrical installation must be properly installed.

If the appliance or the power cord is damaged, this is dangerous.

- ▶ Never operate a damaged appliance.
- ▶ Never operate an appliance with a cracked or broken surface.
- ▶ Never pull on the power cord to unplug the appliance. Always unplug the appliance at the power outlet.
- ▶ If the appliance or the power cord is damaged, immediately unplug the power cord or switch off the breaker in the circuit breaker box.
- ▶ Call Customer Service. → *Page 36*

Improper repairs are dangerous.

- ▶ Only original spare parts may be used to repair the appliance.
- ▶ If the power cord of this appliance becomes damaged, it must be replaced by the manufacturer, the manufacturer's Customer Service, or an authorized service provider in order to prevent injury.

An ingress of moisture may cause an electric shock.

- ▶ Never immerse the appliance or the power cord in water.
- ▶ Liquids must not be spilled on the appliance plug connection.
- ▶ Use the appliance in enclosed spaces only.



# IMPORTANT SAFETY INSTRUCTIONS

## READ AND SAVE THESE INSTRUCTIONS

---

- ▶ Never expose the appliance to intense heat or humidity.
- ▶ Do not use any steam cleaners or high-pressure cleaners to clean the appliance.

### **WARNING**

The appliance gets hot.

- ▶ Ventilate the appliance adequately.
  - ▶ Never operate the appliance in a cupboard.
- It is dangerous to use an extended power cord and non-approved adapters.

- ▶ Do not use extension cords or multiple socket strips.
- ▶ Only use adapters and power cords approved by the manufacturer.
- ▶ If the power cord is too short and a longer one is not available, please contact an electrician to have the domestic installation adapted.

### **WARNING**

Some parts of the appliance become very hot.

- ▶ Never touch hot appliance parts.
- ▶ Allow hot appliance parts to cool down before touching.

### **WARNING**

Freshly prepared beverages are very hot.

- ▶ Let drinks cool down if necessary.
  - ▶ Do not let escaping liquids or steam come into contact with your skin.
- A remote start via the Home Connect app while the appliance is unattended may cause scalding to third parties.
- ▶ Do not reach under the coffee dispenser during the dispensing of drinks.
  - ▶ Keep other persons, particularly children, away from the appliance.

### **WARNING**

Improper use of the appliance may endanger the user.

- ▶ To avoid injuries, only use the appliance for its intended purpose.
- Trapped fingers when closing the appliance door.
- ▶ Be careful of your fingers when closing the appliance door.

The grinder rotates.

- ▶ Never reach into the grinder.



# IMPORTANT SAFETY INSTRUCTIONS

## READ AND SAVE THESE INSTRUCTIONS

---

### WARNING

The appliance contains permanent magnets. They may affect electronic implants, e.g. pacemakers or insulin pumps.

- ▶ Persons with electronic implants must stand at least 25.4" (10 cm) away from the appliance.
- ▶ This minimum distance of 25.4" (10 cm) must also be observed for the water tank, even when removed.

### WARNING

Soiling on the appliance may be harmful to health.

- ▶ To ensure hygiene, follow the cleaning instructions for the appliance.

## 1.7 State of California Proposition 65 Warnings

This product may contain a chemical known to the State of California, which can cause cancer or reproductive harm. Therefore, the packaging of your product may bear the following label as required by California:

### STATE OF CALIFORNIA PROPOSITION 65 WARNING:

 **WARNING**

Cancer and Reproductive Harm - [www.P65Warnings.ca.gov](http://www.P65Warnings.ca.gov)



## 2 Environmental protection and energy-saving

### 2.1 Disposal of packaging

The packaging materials are environmentally compatible and can be recycled.

- ▶ Sort the individual components by type and dispose of them separately.

### 2.2 Saving energy

If you follow these instructions, your appliance will use less energy.

Set the interval for automatic switch-off to the lowest value.

- ✓ If the appliance is not being used, it will switch itself off earlier.  
→ "Basic settings", Page 25

Descalcify the appliance regularly.

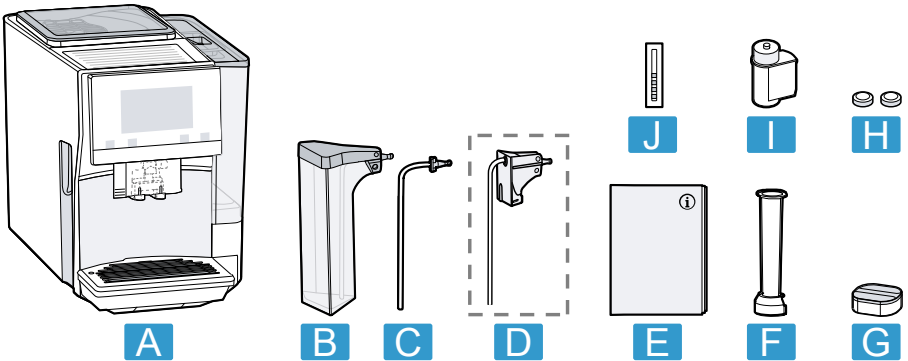
- ✓ Limescale deposits increase the appliance's energy consumption.

## 3 Installation and connection

### 3.1 Contents of package

After unpacking all the parts, check for any damage in transit and for completeness of delivery.

**Note:** Different accessories are enclosed depending on the appliance model. The accessory is identified by a frame with a dashed line.



**A** Fully automatic coffee machine

**B** Milk container

**C** Milk inlet tube

**D** Adapter for milk container <sup>1</sup>

<sup>1</sup> Depending on the appliance specifications

<sup>1</sup> Depending on the appliance specifications

## en-us Familiarizing yourself with your appliance

|          |                               |
|----------|-------------------------------|
| <b>E</b> | Instructions for use          |
| <b>F</b> | Water filter insertion tool   |
| <b>G</b> | Descaling tablet              |
| <b>H</b> | Cleaning tablet               |
| <b>I</b> | Water filter                  |
| <b>J</b> | Water hardness testing strips |

<sup>1</sup> Depending on the appliance specifications

- ▶ If the appliance has been transported or stored below 0 °C, wait 3 hours at room temperature before starting it up.
  - ▶ After plugging in, always wait approx. 5 seconds.
1. Place the appliance on a level, water-resistant surface that is capable of bearing its weight.
  2. Connect the appliance with the electrical plug to a properly grounded wall outlet.

## 3.2 Installing and connecting the appliance

### **NOTICE:**

Risk of damage to the appliance. If the appliance is not started up correctly, it may be damaged.

- ▶ Only use the appliance in frost-free rooms.

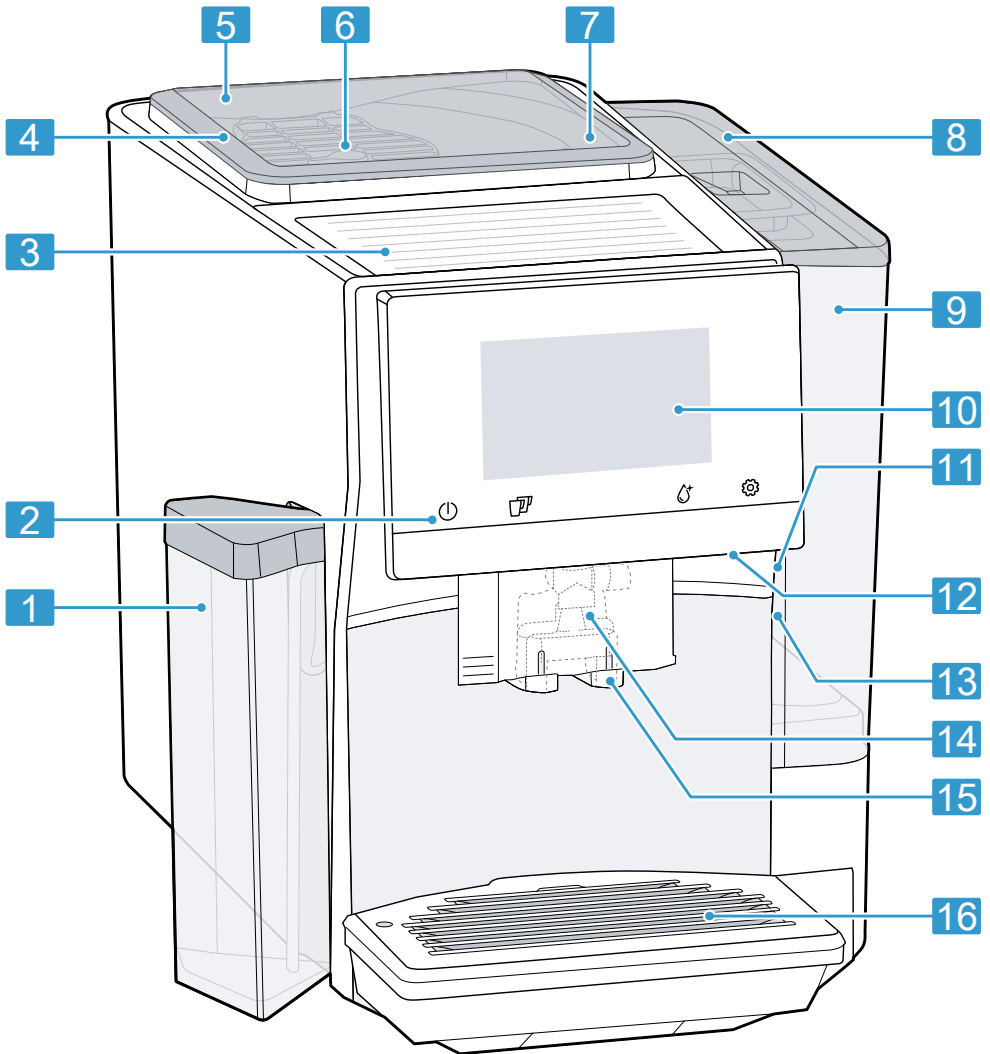
---

# 4 Familiarizing yourself with your appliance

## 4.1 Appliance

Here you can find an overview of the parts of your appliance.

**Note:** Individual details and colors may differ, depending on the appliance model.



**1** Milk container

**2** Touch fields

**3** Cup warmer<sup>1</sup>

<sup>1</sup> Depending on the appliance specifications

**4** Aroma lid

**5** Bean container

**6** Rotary selector for grinding level adjustment

<sup>1</sup> Depending on the appliance specifications

|           |                          |
|-----------|--------------------------|
| <b>7</b>  | Tablet compartment       |
| <b>8</b>  | Lid for water tank       |
| <b>9</b>  | Water tank               |
| <b>10</b> | Touch display            |
| <b>11</b> | Brewing chamber door     |
| <b>12</b> | Cup lighting             |
| <b>13</b> | Rating plate             |
| <b>14</b> | Milk system              |
| <b>15</b> | Beverage dispenser cover |
| <b>16</b> | Drip tray                |


<sup>1</sup> Depending on the appliance specifications


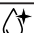
## 4.2 Control elements

Here is an overview of the control elements for your appliance.

### Touch fields

Here is an overview of the symbols that are permanently visible on the appliance.

|   |                                 |
|---|---------------------------------|
|  | Switch the appliance on or off. |
|---|---------------------------------|

|   |                                       |
|---|---------------------------------------|
|  | Dispense two cups.                    |
|  | Open or exit the machine care cycles. |

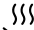
### Touch display


The touch display functions both as a display and a control element.

|           |  |
|-----------|--|
| Favorites | Select saved beverages with personal settings.<br>→ <i>Page 22</i> |
|-----------|--|

|          |                            |
|----------|----------------------------|
| Classics | Select standard beverages. |
|----------|----------------------------|


|              |  |
|--------------|--|
| coffee-World | You can choose more beverages from the Home Connect app (wider selection). |
|--------------|--|

|   |                            |
|---|----------------------------|
|  | Cup warmer is switched on. |
|---|----------------------------|

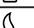
|   |   |
|---|---|
|  | Appliance is connected to Home Connect. |
|---|---|

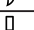
**Note:** When the appliance is switched on, you have additional operating options with relevant displays and messages, e.g. beverage settings.

|   |               |
|---|---------------|
|  | Set strength. |
|---|---------------|

|   |               |
|---|---------------|
|  | Set capacity. |
|---|---------------|

|   |                           |
|---|---------------------------|
|  | Set coffee to milk ratio. |
|---|---------------------------|

|  |            |
|--|------------|
|  | Set aroma. |
|--|------------|

|   |                  |
|---|------------------|
|  | Set temperature. |
|---|------------------|

## 5 Accessories

Only use original accessories. These are designed especially for your appliance.

| Accessories                  | Retail    | Customer Service |
|------------------------------|-----------|------------------|
| Adapter for milk container   | TCZ6008US | 17008464         |
| Milk container               | TCZ6009US | 17008463         |
| Accessories small appliances | TCZ7003US | 12008246         |
| Cleaning tablets             | TCZ8001US | 00312423         |

| Accessories          | Retail    | Customer Service |
|----------------------|-----------|------------------|
| Descaling tablets    | TCZ8002US | 00312422         |
| Care set             | TCZ8004US | 00312421         |
| Insulated coffee jug | TCZ8007US | 17008465         |

## 6 Before using for the first time

Prepare the appliance for use.

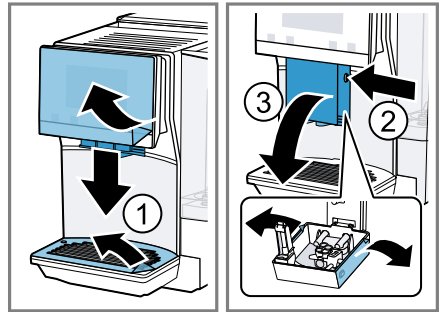
### 6.1 Preparing and cleaning the appliance

#### **NOTICE:**

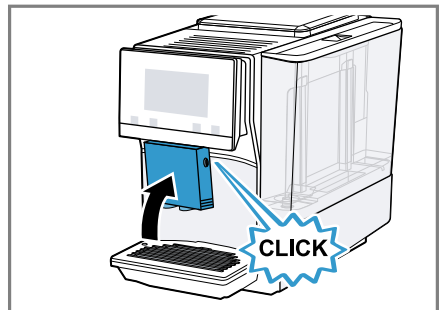
Unsuitable beans can block up the grinder.

- ▶ Only use pure, roasted bean mixes that are suitable for use in fully automatic coffee or espresso machines.
- ▶ Do not use coated coffee beans.
- ▶ Do not use caramelized coffee beans.
- ▶ Do not use oily coffee beans.
- ▶ Do not use coffee beans that have been treated with additives containing sugar.
- ▶ Do not add ground coffee.

1. Remove the protective film on the display and push the beverage dispenser down completely ①.
  - Press the locking button on the beverage dispenser ② and remove its cover ③.
  - Remove the protective film.

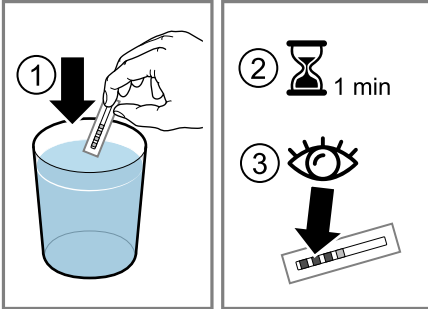


2. Hook in the cover of the beverage dispenser at the bottom and snap it in at the top.

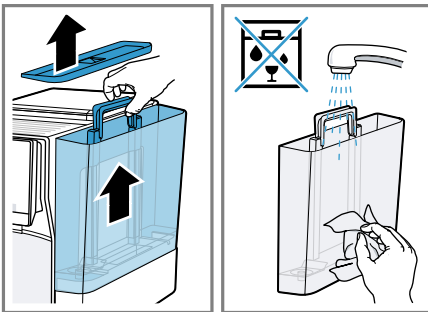


**en-us** Before using for the first time

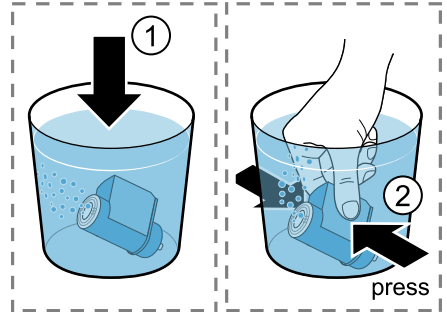
3. Briefly dip the test strip in tap water  
① and leave to drain off.  
→ "Checking the water hardness",  
Page 17
  - Wait for one minute ②.
  - Read the water hardness value  
off the test strip ③.



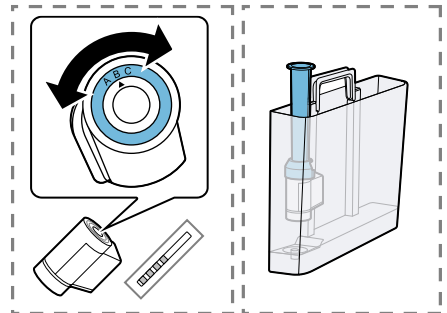
4. Open the lid and take out the water tank by the handle.
  - Clean the water tank and lid.



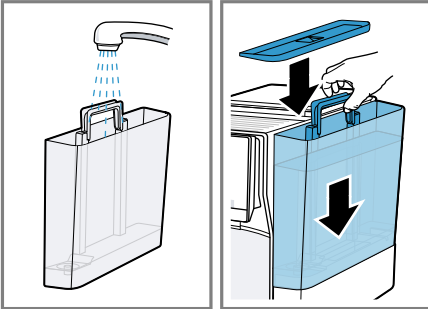
5. Immerse the water filter in a glass of water with the opening facing up and press the sides together lightly until no more air bubbles rise to the surface.  
→ "Water filter", Page 18



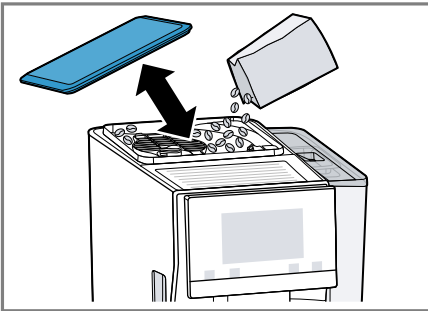
6. Set the correct water hardness value on the aroma ring of the water filter.
  - Press the water filter firmly into the water tank.



7. Fill the water tank with water up to the max marking and insert.

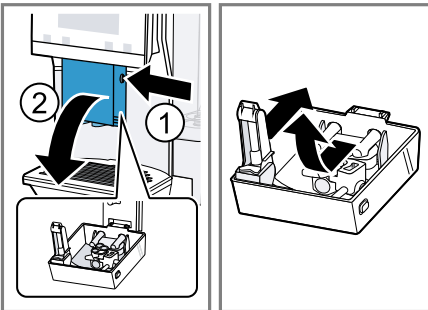


8. Open the aroma lid and add coffee beans.

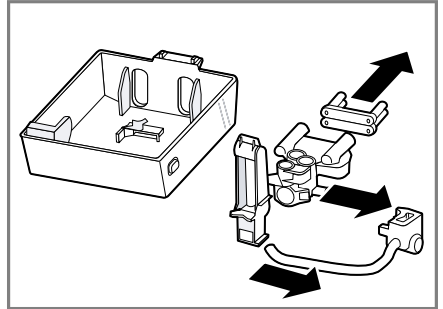


9. Push the beverage dispenser down completely.

- Press the locking button on the beverage dispenser ① and remove its cover ②.

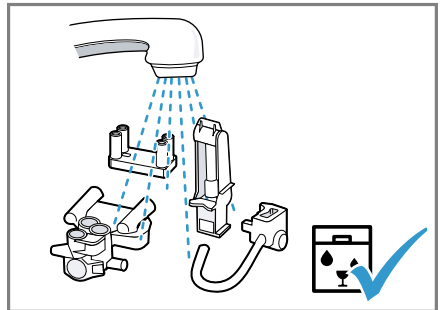


10. Remove the milk system and dismantle it into its components.

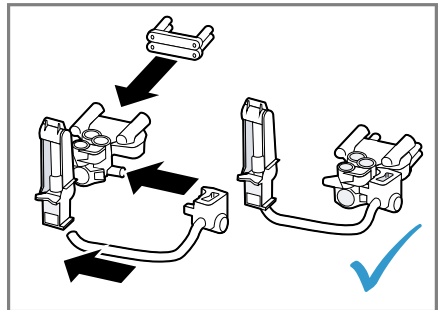


11. Clean the components with dishwashing detergent and a soft cloth.

- Rinse all components with clean water and dry.

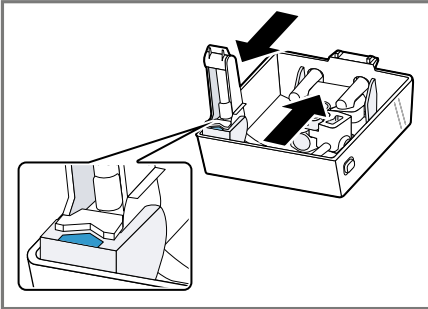


12. Assemble the components of the milk system.

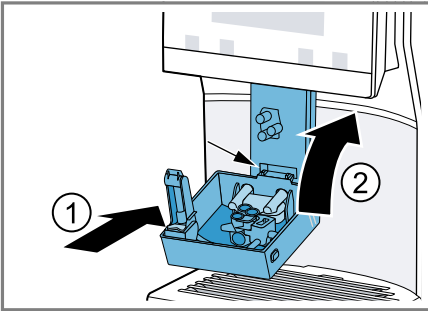


**en-us** Before using for the first time

13. Insert the milk system in the cover of the beverage dispenser.

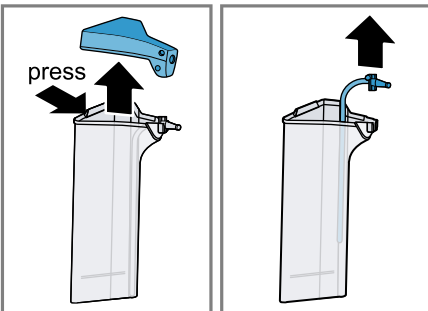


14. Hook in the cover of the beverage dispenser at the bottom and snap it in at the top.

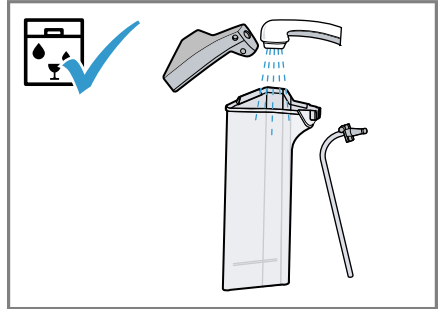


15. Remove the milk container.

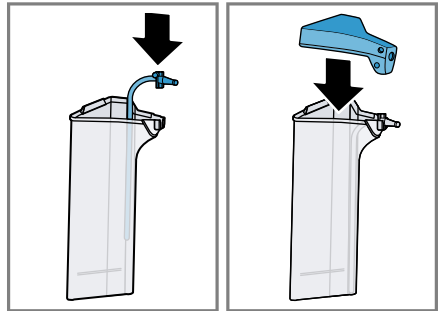
16. Dismantle the milk container into its individual parts.



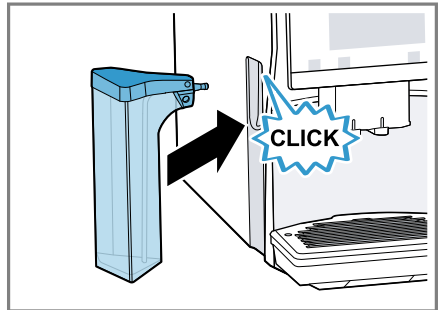
17. Clean and dry the individual parts of the milk container.



18. Reassemble the individual parts of the milk container.

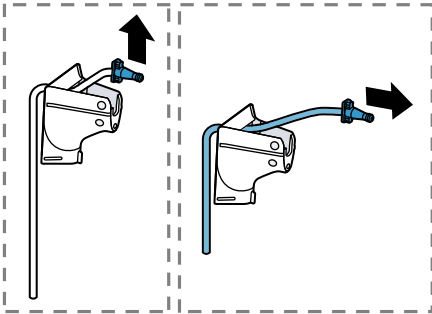


19. Insert the milk container.

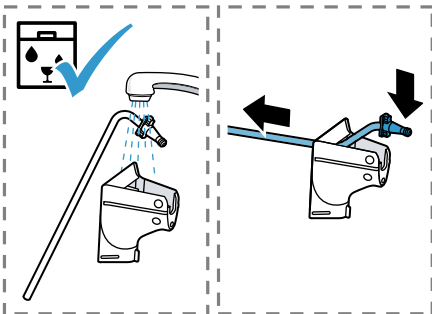




20. Remove the milk inlet tube from the adapter of the milk container.

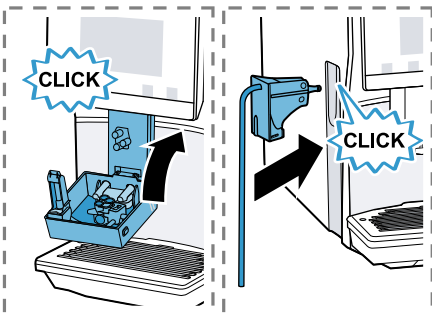


21. Clean, dry, and assemble the milk inlet tube and adapter.

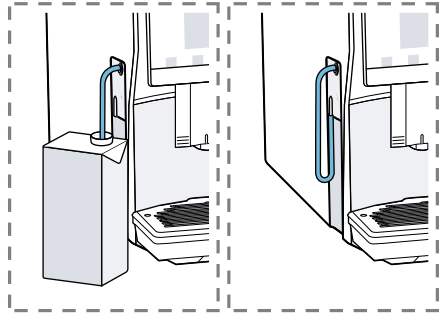


22. Insert the cover of the beverage dispenser with the milk system at the beverage dispenser.

- Insert the milk adapter.



23. Connect a carton of milk to the milk inlet tube or tuck in the milk inlet tube to store.



**Note:** Fill the water tank each day with fresh, cold, non-carbonated water.

**Tip:** To keep the coffee beans at their best, store them in a sealed container in a cool place.

You can keep the coffee beans in the bean container for several days without them losing their aroma.

## 6.2 Checking the water hardness

It is important to set the right water hardness so your appliance indicates in good time that it needs descaling. You can use the enclosed test strip to check the water hardness or ask your local water company.

1. Briefly dip the test strip in fresh tap water.
2. Allow the water to drain off the test strip.
3. Read the water hardness off the test strip after 1 minute.

The table shows allocation of the levels to the different degrees of water hardness:

**en-us** Before using for the first time

| Level          | Water hardness in gr/<br>gal (US) |
|----------------|-----------------------------------|
| 1              | 1.0426 - 7.2985                   |
| 2              | 8.3412 - 14.597                   |
| 3              | 15.64 - 21.896                    |
| 4 <sup>1</sup> | 22.938 - 31.279                   |

<sup>1</sup> Factory setting

**Note:** Please use the test strip even if you have a water softening system installed as they generate different water hardnesses.

### Tips

- You can change the settings at any time.  
→ *"Basic settings", Page 25*
- If the water hardness is higher than 21.896 gr/gal (US), you can fill the water tank with prefiltered water to reduce limescale deposits in the water tank.

## 6.3 Water filter


You can use a water filter to minimize limescale deposits and reduce impurities in the water.

### Insert water filter

#### **NOTICE:**


Possible damage to the appliance due to limescale build-up.

- ▶ Change the water filter at the correct time.
- ▶ Change the water filter after 2 months at the latest.
- ▶ Observe the display messages.

1. Press .
2. Select "INTENZA filter" and follow the instructions on the display.

## Changing or removing the water filter

You can also operate your appliance without a water filter.


1. Press .
2. Select "INTENZA filter".
3. Select "Replace" or "Remove" and follow the instructions on the display.

### Tips

- You should also change your water filter for sanitation reasons.
- With a water filter you need to descale your appliance less frequently.
- If you use a water filter, your coffee will be more flavorful.
- If your appliance has not been used for a long time, for example if you were on vacation, you should rinse the water filter before use by dispensing a cup of hot water.
- The water filter can be purchased from retailers or customer service.  
→ *"Accessories", Page 12*

## 6.4 Performing initial start-up

After connecting the appliance to the power supply, configure the settings for initial start-up. Initial start-up only appears when switching on for the first time.

1. Press  to switch the appliance on.
  2. Follow the instructions on the display.
- ✓ The display will guide you through the cycle.

## Notes

- If you want to set up Home Connect now, follow the instructions in the Home Connect app.  
→ *"Setting up Home Connect", Page 24*
- If "Demo mode" is selected, only the display screens will work. You cannot dispense a beverage or run a cycle.

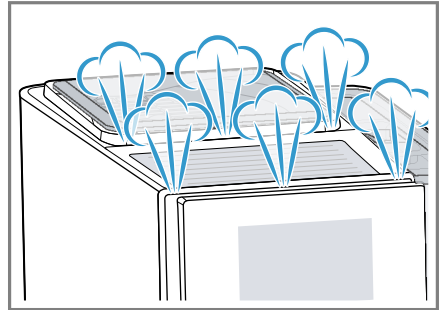
## 6.5 General instructions

Please bear this information in mind so that you can get the best out of your appliance.

### Notes

- The appliance has been programmed at the factory with standard settings for optimum operation.
- The grinder has been factory-set for optimum operation. If coffee is only dispensed drop by drop or is too thin and with too little crema, you can adjust the grinding level when the grinder is running.  
→ *"Setting the grinding level", Page 21*
- During operation water droplets may form at the ventilation slits and on the lid of the tablet compartment.
- If you do not perform any actions on the appliance for a certain period, it will automatically switch off. You can change the duration in the basic settings.

- For technical reasons steam can escape from the appliance.



- The first beverage will not yet have its full aroma if:
  - You are using the appliance for the first time.
  - You have run a machine care cycle.
  - You have not used the appliance for a long time.

**Tip:** You will get a stable, fine-pored crema after you have started up your appliance and dispensed a few cups.

---

## 7 Basic Operation

### 7.1 Switching the appliance on or off

- ▶ Press .

When the appliance switches on, the display shows the logo. When the appliance is switched on or off, it will rinse itself automatically. When switched off, the appliance will emit steam into the drip tray for cleaning. The appliance will not rinse itself if the appliance is still warm when switched on or if no beverage was dispensed before it was switched off.

## 7.2 Dispensing beverages

Find out how to prepare a drink of your choice.

### WARNING

Freshly prepared beverages are very hot.

- ▶ Let drinks cool down if necessary.
- ▶ Do not let escaping liquids or steam come into contact with your skin.

### Notes

- With a number of settings your coffee is prepared in several steps. Wait until the process has completely finished.
- If you are dispensing a beverage with milk, always connect the milk container filled with milk or the milk adapter to a milk carton.
- You can only connect the milk container or milk adapter if the milk system is fitted with the adapter and the tube in the beverage dispenser cover.
- The milk container is specially designed for this appliance. Only use the milk container for storing milk in the refrigerator and in the house.
- If the milk system has not been cleaned, small amounts of milk may escape when hot water is dispensed.

## 7.3 doubleShot and tripleShot

Your appliance grinds the coffee two or three times.

To ensure that only pleasant-tasting and easily digestible flavorful substances are released, coffee beans are freshly ground and brewed again by the appliance.

The longer the coffee brews, the more the bitter and unpleasant flavors are removed. These bitter substances and undesirable flavors affect the taste and digestibility of coffee.

**Note:** The functions "doubleShot" and "tripleShot" depend on the beverage strength and beverage size selected.

## 7.4 Dispensing a coffee drink with milk

Learn how to prepare a latte macchiato by following this example.

### WARNING

The milk system becomes very hot.

- ▶ Never touch the milk system when it is hot.
- ▶ Allow the hot milk system to cool down before touching it.

### Requirements

- The milk container or milk adapter is connected.
  - The milk container is filled with milk or the milk adapter hose is immersed in milk.
1. Place a glass underneath the beverage dispenser.
  2. Press "Classics".
  3. Select and press the beverage symbol for latte macchiato.
  4. Press "Start" and wait until the process is complete.
    - To completely stop dispensing the beverage, press "Stop".

- To only stop the current dispensing step, press "Skip". After preparing the beverage, the milk system will automatically clean itself with a short jet of steam.

### Notes

- If you do not change any settings for approx. 30 seconds, the appliance will exit settings mode.
- The appliance saves the settings automatically.
- Do not use creamers.



### Tips

- You can also pre-heat cups before dispensing using hot water or the cup heater<sup>1</sup>.
- You can also use plant-based alternatives to milk, e.g. soy milk.
- The quality of the milk froth depends on the type of milk or plant-based alternative used.

## 7.5 Dispensing two cups at once

Depending on your beverage, you can make 2 cups at the same time.

**Note:** If the "doubleShot" or "tripleShot" function is active, the function for dispensing two cups at once is not possible.

1. Press .
- ✓ The display shows the setting .
2. Place two cups on the left and right underneath the beverage dispenser.
3. Press "Start".

The drink is prepared in 2 steps. The beans are ground in 2 grinding operations.

- ✓ The beverage is brewed and then runs into the cups.
4. Wait until the process is complete.

---

## 8 Grinder

Your appliance has an adjustable grinder, which you can use to customize the right coffee grind size of your coffee beans.

### 8.1 Setting the grinding level

Set the required grinding level while the coffee beans are being ground.

#### WARNING

The grinder rotates.

- ▶ Never reach into the grinder.

#### **NOTICE:**

Risk of damage to the grinder. The grinder may be damaged if the grinding level is not set properly.

- ▶ Only set the grinding level when the grinder is running.
- ▶ Select the grinding level step by step using the rotary selector.

---

#### Grinding level Setting

---


|   |  |
|---|--|
| Fine grinding level for light-roasted beans | Turn rotary selector counterclockwise. |
|---|--|




---

<sup>1</sup> Depending on the appliance specifications

| Grinding level                               | Setting                         |
|--|---------------------------------|
| Coarse grinding level for dark-roasted beans | Turn rotary selector clockwise. |



The grinding level setting only takes effect after the second cup.

**Tip:** If the coffee is only dispensed drop by drop, set a coarser grinding level.

If the coffee is too thin with too little crema, set a finer grinding level.


---

## 9 Child protection


You can lock the appliance to protect children against scalding and burns.

### 9.1 Activating the child lock

**Requirement:** The appliance is switched on.

- ▶ Press and hold  for at least 3 seconds.
- ✓ The child lock is now activated.

### 9.2 Deactivating the child lock

- ▶ Press and hold  for at least 3 seconds.
- ✓ This deactivates the child lock.

---

## 10 Cup warmer<sup>1</sup>

You can use the cup warmer to pre-heat your cups.

### 10.1 Activating and deactivating the cup warmer<sup>1</sup>

#### WARNING

The cup warmer<sup>1</sup> can become hot.

- ▶ Don't touch the cup warmer<sup>1</sup> while hot.
- ▶ Allow the hot cup warmer<sup>1</sup> to cool down before touching it.


**Tip:** To optimally heat the cups, place the cups with the cup base on the cup warmer<sup>1</sup>.

---

## 11 Favorites

Save beverages with your personal settings as a favorite.

You can mark your favorites with a color. A favorite is a beverage with personal settings. You can change the settings at any time.

**Note:** To exit the settings, press  or start dispensing the beverage.

### 11.1 Saving beverages from the beverage selection


1. Select a beverage from "Classics" or "coffeeWorld".
2. Select personal beverage settings.
3. Press "Favorite".
4. Select the desired color for the beverage.
5. Press "Save".

### 11.2 Saving the beverage in the menu

1. Press "Favorites".

---

<sup>1</sup> Depending on the appliance specifications

2. Press .
- ✓ The display shows all available beverages.
3. Select the desired beverage.
4. Select personal beverage settings.
5. Press "Next".
6. Select the desired color for the beverage.
7. Press "Save".

### 11.3 Changing beverage settings

1. Press "Favorites".
2. Select the beverage and press briefly.
3. Change the beverage settings.
4. Press "Apply".
- ✓ The new settings are saved.

### 11.4 Deleting a favorite

1. Press "Favorites".
2. Select the beverage.
3. Press the beverage for at least 3 seconds.
4. Confirm "Delete".

### 11.5 Sorting favorites

1. Press "Settings".
2. Press "Personalization".
3. Press "Sort favorites".
4. Sort favorites, e.g. by name or color.

---

## 12 Home Connect

This appliance is network-capable. Connecting your appliance to a mobile device lets you control its functions via the Home Connect app, adjust its basic settings and monitor its operating status.

The Home Connect services are not available in every country. The availability of the Home Connect function depends on the availability of Home Connect services in your country. You can find information on this at: [www.home-connect.com](http://www.home-connect.com).

To be able to use Home Connect, you must first set up the connection to the WLAN home network (Wi-Fi <sup>1</sup>) and to the Home Connect app.

The Home Connect app guides you through the entire registration process. Follow the instructions in the Home Connect app to implement the settings.

**Tip:** Follow the instructions in the Home Connect app as well.

#### Notes

- Also note the safety information in this instruction manual and ensure that it is also observed when operating the appliance using the Home Connect app.  
→ *"Safety", Page 4*
- Operating the appliance on the appliance itself always takes priority. It is not possible to operate the appliance using the Home Connect app during this time.

---

<sup>1</sup> Wi-Fi is a registered trade mark of the Wi-Fi Alliance.

## 12.1 Setting up the Home Connect app

1. Install the Home Connect app on your mobile device.
2. Start the Home Connect app and set up access for Home Connect.

The Home Connect app guides you through the entire registration process.

## 12.2 Setting up Home Connect

### Requirements

- The Home Connect app is installed on your mobile device.
- The appliance receives signals from the WLAN home network (Wi-Fi) at its installation location.

1. Open the Home Connect app and scan the following QR code.



2. Follow the instructions in the Home Connect app.

## 12.3 Home Connect settings

Adapt Home Connect to your needs. You can find the Home Connect settings in the basic settings for your appliance. Which settings the display shows will depend on whether Home Connect has been set up and whether the appliance is connected to your home network.

## Overview of the Home Connect settings

Here is an overview of the Home Connect settings and network settings.

| Basic setting           | Select    | Description  |
|-------------------------|-----------|--|
| Wi-Fi connection        | On<br>Off | Switch off the wireless module during long absences or to save energy.<br><b>Note:</b> In networked standby mode your appliance requires max. 2 W. |
| Remote start            | On<br>Off | Switch remote start on the appliance on and off.<br><b>Note:</b> With the Home Connect app only switch-off is possible.                            |
| Add mobile device       | -         | Connect the appliance to the "Home Connect" app or additional accounts.  |
| Network information     | -         | Display network information and appliance information.   |
| Delete network settings | -         | <b>Note:</b> You cannot operate your appliance via the "Home Connect" app without a network connection.  |



| Basic setting   | Select | Description   |
|-----------------|--------|---|
| Software update | -      | <b>Note:</b> This setting is only available with a software update. |

## 12.4 Remote diagnostics

The Customer Service can access your appliance via Remote Diagnostics if you ask them to do so, if your appliance is connected to the Home Connect server and if Remote Diagnostics is available in the country where you are using the appliance.

**Tip:** Further information and details about the availability of Remote Diagnostics in your country can be found in the Service/Support section of your local website: [www.home-connect.com](http://www.home-connect.com).

## 12.5 Data Protection

Please see the information on data protection.

The first time your appliance is registered on a home network connected to the Internet, your appliance will transmit the following types of data to the Home Connect server (initial registration):

- Unique appliance identification (consisting of appliance codes as well as the MAC address of the installed Wi-Fi communication module).
- Security certificate of the Wi-Fi communication module (to ensure a secure data connection).

## 13.2 Overview of the basic settings

Here is an overview of the basic settings.

- The current software and hardware version of your appliance.
- Status of any previous reset to factory settings.

This initial registration prepares the Home Connect functions for use and is only required when you want to use the Home Connect functions for the first time.

**Note:** Please note that the Home Connect functions can be utilized only with the Home Connect app. Information on data protection can be called up in the Home Connect app.

## 13 Basic settings

You can configure the basic settings for your appliance to meet your needs and call up additional functions.

### 13.1 Changing the basic settings

1. Change the desired basic setting.
  - ✓ The appliance saves the basic setting automatically.
2. To exit the basic settings, press ←.

|  |                                |  |
|--|--------------------------------|--|
| Beverage setting                                       | Brewing temperature            | Set the brewing temperature.   |
|  | Milk sequence                  | Select the sequence for milk and coffee.   |
|  | Latte macchiato pause          | Select the pause between milk and coffee.  |
| Appliance setting                                      | Reset beverage parameters      | Reset the beverage settings.   |
|  | Cup heater <sup>1</sup>        | Switch the cup heater <sup>1</sup> on or off.  |
|  | Automatic switch-off           | Set the length of time after which the appliance will turn off.  |
|  | Display brightness             | Set the brightness in steps.   |
|  | Tones                          | <ul style="list-style-type: none"> <li>■ Switch sounds on and off.</li> <li>■ Set the volume.</li> </ul> |
|  | Water hardness                 | Set the water hardness.  |
|  | Language                       | Set language.  |
|  | Factory settings               | Reset appliance to factory settings.   |
|  | Customization                  |  |
|  | Operation after switch-on      | Set the display screen for "Favorites", "Classics" or "coffeeWorld".                                     |
|  | Sort favorites                 | Set the sequence of favorites.   |
| Home Connect   | Information about Home Connect | → <i>"Setting up Home Connect", Page 24</i>  |
| Appliance information                                  | Drink counter                  | Display the number of beverages dispensed.   |
|  | Cleaning information           | Time until the water filter should next be changed or a machine care cycle started.                      |
|  | Version information            | Display network information and appliance information.   |
| <sup>1</sup> Depending on the appliance specifications |                                |  |

|  |                               |
|--|-------------------------------|
| License information                                    | Display FOSS license text.    |
| Mode for demo purposes                                 | Switch "Demo mode" on or off. |
| <sup>1</sup> Depending on the appliance specifications |                               |

## 14 Cleaning and maintenance

To keep your appliance working efficiently for a long time, it is important to clean and maintain it carefully.

### 14.1 Dishwasher-safe components

Here is an overview of the components you can clean in the dishwasher.

#### **NOTICE:**

Some components are sensitive to heat and may be damaged if they are cleaned in a dishwasher.

- ▶ Follow the operating instructions of the dishwasher.

- ▶ Only clean dishwasher-safe components in the dishwasher.
- ▶ Only use programs that do not heat the components above 60 °C.

Suitable: 

- Drip tray
  - Drip plate
  - Coffee dregs container
  - Mechanical fill level indicator
- Milk system with adapter
- Milk container with lid

Not suitable: 

- Water tank
- Lid for water tank
- Brewing unit
- Beverage dispenser cover

### 14.2 Cleaning agents

Only use suitable cleaning agents.

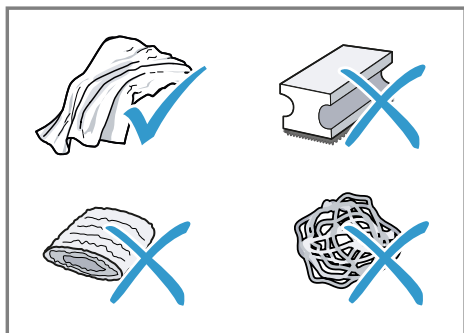
#### **NOTICE:**

Unsuitable cleaning agents may damage the surfaces of the appliance.

- ▶ Do not use strong or abrasive cleaning agents.
- ▶ Do not use cleaning agents containing alcohol or spirits.
- ▶ Do not use hard scouring pads or cleaning sponges.

Unsuitable cleaning and descaling agents may damage the appliance.

- ▶ Do not use pure citric acid, vinegar or any vinegar-based agents to descale the appliance.
- ▶ Do not use descaling agent with phosphoric acid.
- ▶ Only use cleaning tablets and descaling tablets that have been specially developed for the appliance.
  - "Accessories", Page 12



### Tips

- Wash new sponge cloths thoroughly to remove any salt adhering to them. Salt can cause rust film to develop on stainless steel surfaces.
- Always remove any residues of limescale, coffee, milk and cleaning/descaling solutions immediately to prevent corrosion.

## 14.3 Cleaning the appliance

### **!** WARNING

Moisture intrusion may cause an electric shock.

- ▶ Never immerse the appliance or the power cord in water.
- ▶ Liquids must not be spilled on the appliance plug connection.
- ▶ Do not use any steam cleaners or high-pressure cleaners to clean the appliance.

### **!** WARNING

Some parts of the appliance become very hot.

- ▶ Never touch hot appliance parts.
- ▶ Allow hot appliance parts to cool down before touching.

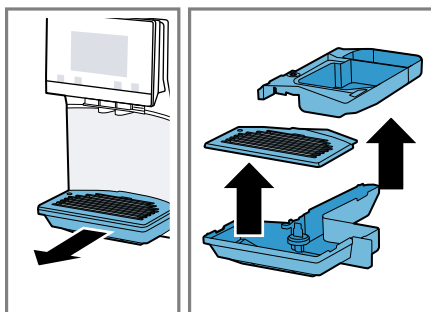
1. Clean the housing, the high-gloss surfaces and the control panel with a microfiber cloth.
2. Clean the outlet system with a soft, damp cloth after beverages have been dispensed.
3. Rinse the water tank with fresh, clean water.
4. If the appliance has not been used for a long time, e.g. after a vacation, clean the entire appliance, including moving parts such as the brewing unit or water tank.

**Note:** The appliance will rinse itself automatically if you switch it on when it is cold or switch it off after it has dispensed coffee. In other words the system cleans itself.

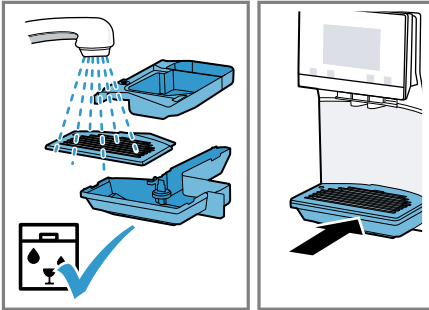
## 14.4 Cleaning the drip tray and coffee dregs container

Clean and empty the drip tray and coffee dregs container every day to prevent deposits.

1. Pull the drip tray and the coffee dregs container forwards and out.
  - Insert the coffee dregs container in the drip tray and put the drip plate on top.



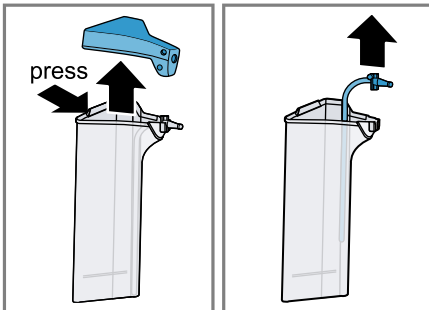
2. Clean and dry all parts.
  - Insert the coffee dregs container in the drip tray and put the drip plate on top.
  - Insert the drip tray with the coffee dregs container in the appliance.



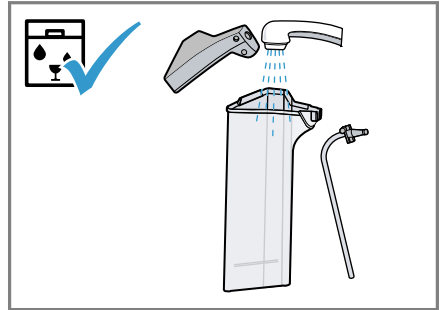
## 14.5 Cleaning the milk container

Clean the milk container regularly for sanitation reasons. You can clean the milk container in the dishwasher.

1. Dismantle the milk container into its individual parts.



2. Clean and dry the individual parts of the milk container.



## 14.6 Machine care cycles

Use the machine care cycles if you insert or remove a water filter or in order to clean your appliance thoroughly. Your appliance will tell you when you need to perform a machine care cycle, e.g. cleaning.

### **NOTICE:**

Improper cleaning and descaling or a delay in doing so may damage the appliance.

- ▶ Immediately perform the descaling process in accordance with the instructions.
- ▶ Only use cleaning tablets in the tablet compartment.
- ▶ Do not put descaling tablets or other products in the tablet compartment.


### **Notes**

- The display indicates the progress of the descaling or cleaning process.
- If your appliance has been locked, you can only operate it again once the descaling process has been carried out.

**en-us** Cleaning and maintenance

**Tip:** In addition to automatic rinsing, also remove and clean the brewing unit regularly.

### **Using the machine care cycles**

- ▶ Press .
- ✓ The display will guide you through the cycle.

# 15 Troubleshooting

## WARNING

Improper repairs are dangerous.

- ▶ Only original spare parts may be used to repair the appliance.
- ▶ If the power cord of this appliance becomes damaged, it must be replaced by the manufacturer, the manufacturer's Customer Service, or an authorized service provider in order to prevent injury.

| Issue                                       | Cause and troubleshooting  |
|---|--|
| Appliance no longer responds.               | Appliance has an error. <ol style="list-style-type: none"> <li>1. Unplug the appliance and wait 60 seconds.</li> <li>2. Plug it back in.</li> </ol>  |
| Home Connect is not working properly.       | Various causes are possible. <ul style="list-style-type: none"> <li>▶ Go to <a href="http://www.home-connect.com">www.home-connect.com</a>.</li> </ul>   |
| Appliance only dispenses water, not coffee. | Empty bean container is not detected by the appliance. <ul style="list-style-type: none"> <li>▶ Pour in coffee beans.</li> </ul> <hr/> Coffee shaft on brewing unit is blocked. <ul style="list-style-type: none"> <li>▶ Clean the brewing unit.</li> </ul> <hr/> Coffee beans are too oily and do not fall into the grinder. <ul style="list-style-type: none"> <li>▶ Gently tap the bean container.</li> <li>▶ Change the type of coffee.</li> <li>▶ Do not use oily beans.</li> <li>▶ Clean the empty bean container with a damp cloth.</li> </ul> <hr/> Brewing unit is not inserted properly. <ol style="list-style-type: none"> <li>1. Check whether the brewing unit is inserted correctly and is securely locked.</li> <li>2. Push the red lever up to the left.</li> <li>3. Insert the brewing unit cover.</li> </ol> |
| Appliance is not dispensing milk froth.     | Milk system is soiled. <ul style="list-style-type: none"> <li>▶ Clean the milk system in the dishwasher.</li> </ul> <hr/> Milk inlet tube not immersed in milk. <ul style="list-style-type: none"> <li>▶ Use more milk.</li> <li>▶ Check whether the milk inlet tube is immersed in the milk.</li> </ul> <hr/> Heavy build-up of limescale in the appliance. <ul style="list-style-type: none"> <li>▶ Descale the appliance.</li> </ul>  |

| Issue  | Cause and troubleshooting  |
|--|--|
| No milk intake by the milk system.                     | <p>The milk system is assembled incorrectly.</p> <ul style="list-style-type: none"> <li>▶ Assemble the milk system correctly.</li> </ul> <hr/> <p>Order for connecting the milk container and milk system is wrong.</p> <ul style="list-style-type: none"> <li>▶ First insert the milk system into the outlet and then the milk container.</li> </ul> <hr/> <p>Milk inlet tube not immersed in milk.</p> <ul style="list-style-type: none"> <li>▶ Use more milk.</li> <li>▶ Check whether the milk inlet tube is immersed in the milk.</li> </ul>    |
| Milk froth is too cold.                                | <p>Milk is too cold.</p> <ul style="list-style-type: none"> <li>▶ Warm the milk.</li> </ul>  |
| Appliance is not dispensing hot water.                 | <p>Milk system is soiled.</p> <ul style="list-style-type: none"> <li>▶ Clean the milk system in the dishwasher.</li> </ul>   |
| Milk system cannot be assembled or disassembled.       | <p>Order of assembly is wrong.</p> <ul style="list-style-type: none"> <li>▶ First connect the milk system and then the milk container. When disassembling, you must first remove the milk container and then the milk system.</li> </ul>   |
| Appliance is not dispensing drinks.                    | <p>Air in the water filter.</p> <ol style="list-style-type: none"> <li>1. Immerse the water filter in water with the opening facing upwards until no more air bubbles escape.</li> <li>2. Reinsert the filter.</li> </ol> <ul style="list-style-type: none"> <li>▶ Firmly press the water filter straight down into the tank connection.</li> </ul> <hr/> <p>Residues of limescale remover are blocking the water tank.</p> <ol style="list-style-type: none"> <li>1. Remove the water tank.</li> <li>2. Clean the water tank thoroughly.</li> </ol> |
| Water has dripped inside at the base of the appliance. | <p>Drip tray was removed too soon.</p> <ul style="list-style-type: none"> <li>▶ Wait a few seconds after the last drink was dispensed before removing the drip tray.</li> </ul>  |
| Brewing unit cannot be removed.                        | <p>Locking mechanism cannot be released, brewing unit is jammed.</p> <ul style="list-style-type: none"> <li>▶ Switch the appliance off and back on after 3 minutes.</li> </ul>   |
| Grinder will not start.                                | <p>Appliance is too hot.</p> <ol style="list-style-type: none"> <li>1. Disconnect the appliance from the power supply.</li> <li>2. Wait 1 hour so the appliance can cool down.</li> </ol>  |



| Issue   | Cause and troubleshooting   |
|---|---|
| Grinder is not grinding any coffee beans despite full bean container. | <p>Coffee beans are too oily and do not fall into the grinder.</p> <ul style="list-style-type: none"> <li>▶ Gently tap the bean container.</li> <li>▶ Change the type of coffee.</li> <li>▶ Do not use oily beans.</li> <li>▶ Clean the empty bean container with a damp cloth.</li> </ul>  |
| Coffee or milk froth quality varies considerably.                     | <p>Build-up of limescale in the appliance.</p> <ul style="list-style-type: none"> <li>▶ Descale the appliance.</li> </ul>   |
| Milk froth quality varies considerably.                               | <p>Milk froth quality depends on the type of milk or plant-based alternative used.</p> <ul style="list-style-type: none"> <li>▶ Optimize the result through the selection of the milk or plant-based drink type.</li> </ul>   |
| Coffee is not dispensed or has slowed to a trickle.                   | <p>Grinding level is set too fine.</p> <ul style="list-style-type: none"> <li>▶ Set a coarser grinding level.<br/>→ <i>"Setting the grinding level", Page 21</i></li> </ul>   |
| Set quantity is not reached.  | <p>Heavy build-up of limescale in the appliance.</p> <ul style="list-style-type: none"> <li>▶ Descale the appliance.</li> </ul> <p>Air in the water filter.</p> <ol style="list-style-type: none"> <li>1. Immerse the water filter in water with the opening facing upwards until no more air bubbles escape.</li> <li>2. Reinsert the filter.</li> </ol> <p>Appliance is soiled.</p> <ul style="list-style-type: none"> <li>▶ Clean the brewing unit.</li> <li>▶ Descale and clean the appliance.</li> </ul> |
| Coffee has no crema.  | <p>Type of coffee is not optimal.</p> <ul style="list-style-type: none"> <li>▶ Use a coffee variety with a higher proportion of Robusta beans.</li> </ul> <p>Coffee beans are no longer freshly roasted.</p> <ul style="list-style-type: none"> <li>▶ Use fresh coffee beans.</li> </ul> <p>Grinding level is not appropriate for coffee beans.</p> <ul style="list-style-type: none"> <li>▶ Adjust the grinder to a finer setting.<br/>→ <i>"Setting the grinding level", Page 21</i></li> </ul>             |
| Coffee is too acidic.   | <p>Grinding level is set too coarse.</p> <ul style="list-style-type: none"> <li>▶ Adjust the grinder to a finer setting.<br/>→ <i>"Setting the grinding level", Page 21</i></li> </ul> <p>Type of coffee is not optimal.</p>  |

| Issue   | Cause and troubleshooting  |
|---|--|
| Coffee is too acidic.   | <ul style="list-style-type: none"> <li>▶ Use a coffee variety with a higher proportion of Robusta beans.</li> </ul>  |
| Coffee is too bitter.   | <p>Grinding level is set too fine.</p> <ul style="list-style-type: none"> <li>▶ Set a coarser grinding level.<br/>→ <i>"Setting the grinding level", Page 21</i></li> </ul> <hr/> <p>Type of coffee is not optimal.</p> <ul style="list-style-type: none"> <li>▶ Change the type of coffee.</li> </ul>   |
| Coffee tastes burnt.  | <p>Grinding level is set too fine.</p> <ul style="list-style-type: none"> <li>▶ Set a coarser grinding level.<br/>→ <i>"Setting the grinding level", Page 21</i></li> </ul> <hr/> <p>Type of coffee is not optimal.</p> <ul style="list-style-type: none"> <li>▶ Change the type of coffee.</li> </ul> <hr/> <p>Coffee temperature setting is too high.</p> <ul style="list-style-type: none"> <li>▶ Set the coffee temperature lower.</li> </ul>  |
| Coffee grounds are not compact and are too wet.                               | <p>Grinding level is not set correctly.</p> <ul style="list-style-type: none"> <li>▶ Adjust the grinder to a coarser or finer setting.<br/>→ <i>"Setting the grinding level", Page 21</i></li> </ul> <hr/> <p>Coffee beans are too oily.</p> <ul style="list-style-type: none"> <li>▶ Use a different type of bean.</li> </ul>   |
| Display shows "Please insert the brewing unit."                               | <p>Cover is inserted wrong.</p> <ol style="list-style-type: none"> <li>1. Check whether the brewing unit is inserted correctly and is securely locked.</li> <li>2. Push the red lever up to the left.</li> <li>3. Insert the brewing unit cover.</li> </ol>  |
| Display shows "Please fill the water tank" despite the water tank being full. | <p>Water tank is inserted wrong.</p> <ul style="list-style-type: none"> <li>▶ Insert the water tank correctly.</li> </ul> <hr/> <p>Carbonated water is in the water tank.</p> <ul style="list-style-type: none"> <li>▶ Fill the water tank with fresh tap water.</li> </ul> <hr/> <p>Float is stuck in the water tank.</p> <ol style="list-style-type: none"> <li>1. Remove the water tank.</li> <li>2. Clean the water tank thoroughly.</li> </ol> <hr/> <p>New water filter was not rinsed as per instructions.</p> <ol style="list-style-type: none"> <li>1. Rinse the water filter according to the instructions.</li> <li>2. Place the water filter into operation.</li> </ol> <hr/> <p>Air in the water filter.</p> <ol style="list-style-type: none"> <li>1. Immerse the water filter in water with the opening facing upwards until no more air bubbles escape.</li> </ol> |

| Issue   | Cause and troubleshooting  |
|---|--|
| <p>Display shows "Please fill the water tank" despite the water tank being full.</p>                    | <p>2. Reinsert the filter.</p> <hr/> <p>Water filter is old.</p> <ul style="list-style-type: none"> <li>▶ Insert a new water filter.</li> </ul> <hr/> <p>Limescale deposits in the water tank are blocking the system.</p> <ol style="list-style-type: none"> <li>1. Clean the water tank thoroughly.</li> <li>2. Start the descaling program.</li> </ol>  |
| <p>Display shows "Please clean brewing unit. Instructions in Use and Care Manual".</p>                  | <p>Brewing unit is soiled.</p> <ul style="list-style-type: none"> <li>▶ Clean the brewing unit.</li> </ul> <hr/> <p>Mechanism of brewing unit is stiff.</p> <ul style="list-style-type: none"> <li>▶ Clean the brewing unit.</li> </ul>  |
| <p>Display shows "Over-voltage or undervoltage".</p>  | <p>There are problems with the power supply.</p> <ul style="list-style-type: none"> <li>▶ Only operate the appliance at 120 V ~.</li> </ul>  |
| <p>Display shows "Error in water system. Unplug the appliance, wait one minute and plug in again.".</p> | <p>Appliance has an error.</p> <ol style="list-style-type: none"> <li>1. Unplug the appliance and wait 60 seconds.</li> <li>2. Plug it back in.</li> </ol>   |
| <p>Display shows "Please run Calc'nClean program!" very frequently.</p>                                 | <p>Decalcified water still contains small amounts of lime.</p> <ol style="list-style-type: none"> <li>1. Insert a new water filter.</li> <li>2. Set the corresponding water hardness.</li> </ol> <hr/> <p>Incorrect or too little descaling agent used.</p> <ul style="list-style-type: none"> <li>▶ When descaling, only use suitable tablets.</li> </ul> <hr/> <p>Machine care cycle has not been carried out in its entirety.</p> <ul style="list-style-type: none"> <li>▶ Start the "Special rinsing" machine care cycle.<br/>→ <i>"Machine care cycles", Page 29</i></li> </ul> |

---

## 16 Transportation, storage and disposal

### 16.1 Activate frost protection

Protect your appliance from frost during transport and storage.

**NOTICE:**

Residues of liquid in the appliance may damage it during transport or storage.

- ▶ Empty the pipe system before transport or storage.
1. Run the "Frost protection" program.
  2. Disconnect the appliance from the power supply.

### 16.2 Disposal of your old appliance

Environmentally compatible disposal allows valuable raw materials to be recycled.

1. Unplug the appliance from the power supply.
2. Cut through the power cord.
3. Dispose of the appliance in an environmentally responsible manner.

Information about current disposal methods can be obtained from your specialist dealer or local authority.

---

## 17 Customer Service

With any warranty repair, we will make sure your appliance is repaired by an authorized service provider using

genuine replacement parts. We use only genuine replacement parts for all repairs.

Detailed information on the warranty period and terms of warranty can be found in the Statement of Limited Product Warranty, from your retailer, or on our website.

If you contact Customer Service, you will need the model number (E-Nr.), the production number (FD) and the consecutive numbering (Z-Nr.) of your appliance.

USA:

1-800-944-2904

[www.bosch-home.com/us/owner-support/get-support](http://www.bosch-home.com/us/owner-support/get-support)

[www.bosch-home.com/us/shop](http://www.bosch-home.com/us/shop)

CA:

1-800-944-2904

[www.bosch-home.ca/en/service/get-support](http://www.bosch-home.ca/en/service/get-support)

[www.bosch-home.ca/en/service/cleaners-and-accessories](http://www.bosch-home.ca/en/service/cleaners-and-accessories)

For assistance with connecting to Home Connect, you can also view instructions here:

[www.home-connect.com/us/en/help-support/set-up](http://www.home-connect.com/us/en/help-support/set-up)

### 17.1 Model number (E-Nr.), production number (FD) and consecutive numbering (Z-Nr.)

You can find the model number (E-Nr.), the production number (FD) and the consecutive numbering (Z-Nr.) on the appliance's rating plate.

Making a note of your appliance's details and the Customer Service telephone number will enable you to find them again quickly.

## 18 Technical specifications

|   |                     |
|---|---------------------|
| Voltage   | 120 V ~             |
| Frequency                                       | 60 Hz               |
| Power rating                                    | 1600 W              |
| Maximum static pump pressure                    | 19 bar              |
| Maximum capacity of water tank (without filter) | 81 oz.<br>(2.4 l)   |
| Maximum capacity of bean container              | 11.3 oz.<br>(320 g) |
| Power cord length                               | 39 3/8" (1 m)       |
| Appliance height                                | 15"<br>(380 mm)     |
| Appliance width                                 | 13 6/7"<br>(352 mm) |
| Appliance depth                                 | 18 2/5"<br>(467 mm) |
| Weight, empty                                   | 20 lbs<br>(9 kg)    |
| Type of grinding unit                           | Ceramic             |

This product contains light sources from energy efficiency classes D and F. These light sources are available as spare parts and may only be replaced by trained specialist staff.

### 18.1 Information regarding Free and Open Source Software

This product includes software components that are licensed by the copyright holders as free or open source software.

The applicable license information is stored on your home appliance. You can also access the applicable license information via your Home Connect app: "Profile -> Legal information -> License Information".<sup>1</sup> You can download the license information on the brand product website. (Please search on the product website for your appliance model and additional documents). Alternatively, you can request the relevant information from [ossrequest@bshg.com](mailto:ossrequest@bshg.com) or BSH Hausgeräte GmbH, Carl-Wery-Str. 34, 81739 Munich, Germany.

The source code will be made available to you on request.

Please send your request to [ossrequest@bshg.com](mailto:ossrequest@bshg.com) or BSH Hausgeräte GmbH, Carl-Wery-Str.34, 81739 Munich, Germany. Subject: „OSSREQUEST“

The cost of performing your request will be charged to you. This offer is valid for three years from the date of purchase or at least as long as we offer support and spare parts for the relevant appliance.

## 19 STATEMENT OF LIMITED PRODUCT WARRANTY

THIS LIMITED WARRANTY GIVES YOU SPECIFIC LEGAL RIGHTS, AND YOU MAY ALSO HAVE OTHER RIGHTS WHICH VARY FROM STATE TO STATE.

<sup>1</sup> Depending on the appliance specifications

## 19.1 What this warranty covers & Who it applies to

The limited warranty provided by BSH Home Appliances (“Bosch”) in this Statement of Limited Product Warranty applies only to the Bosch appliance (“Product”) sold to you provided that the Product was purchased:

- For your normal, household (non-commercial) use (i.e., no more than 7,000 cups during the warranty period), and has in fact at all times only been used for normal, non-commercial household purposes.
- New at retail from a BSH authorized dealer or directly from BSH (not a display, floor, “As Is”, or “B” stock appliances), and not for resale, or commercial use.
- Within the United States or Canada, and has at all times remained within the country of original purchase.

The warranties stated herein apply to the original purchaser of the product warranted herein purchased for ordinary household use during the term of the warranty.

Please make sure to register your product; failure to register will not affect your warranty rights. Registering your product is the best way for Bosch to notify you in the unlikely event of a safety notice or product recall.

Upon purchase or receipt of the product, it is recommended to register it using the QR code on the side of the machine or at

<https://registerbosch.com/>

## 19.2 Obtaining warranty service

To obtain warranty service for your product, you should contact Bosch Customer Service at 1-800-944-2904 to arrange a repair.

## 19.3 How long the warranty lasts

Bosch warrants that the Product is free from defects in materials and workmanship for a period of seven hundred thirty (730) days from the date of the original delivery. The foregoing timeline begins to run upon the date of the original delivery.

The warranty shall only be extended for the time that elapsed between the date of your warranty claim and the date of the completed repair or replacement.

This Product is also warranted to be free from **cosmetic** defects in material and workmanship (such as scratches of stainless steel, paint/porcelain blemishes, chips, dents, or other damage to the finish) of the Product, for a period of thirty (30) days from the date of delivery. This **cosmetic** warranty excludes slight color variations due to inherent differences in painted and porcelain parts, as well as differences caused by kitchen lighting, product location, or other similar factors. This **cosmetic** warranty specifically excludes any display, floor, “As Is”, or “B” stock appliances. UNDER THIS SPECIFIC WARRANTY, A PROOF OF PURCHASE (E.G., RECEIPT) IS REQUIRED. If proof of purchase

cannot be provided, date of production plus three months will be used as the purchase date. You may be required to provide clear images (e.g., pictures of the Product and/or including the data tag showing model and serial number), but failure to do so will not diminish your warranty rights.

#### **19.4 Repair/replace as your exclusive remedy**

During this warranty period, Bosch or one of its authorized service providers will repair your Product without charge to you (subject to certain limitations stated herein) under a valid warranty claim under the terms of the applicable warranty.

Bosch will cover the cost of returning the Bosch Product to Bosch via ground shipping, and the original Product (removed parts and components) shall become the property of Bosch.

**CONSUMERS MUST USE THE SHIPPING TOTE OR SPECIAL PACKAGING INSTRUCTIONS PROVIDED BY BOSCH. This warranty does not cover for shipping damage or loss of product during shipping.**

If reasonable attempts to repair the Product have been made without success, then Bosch will replace your Product with a new or factory certified (i.e., refurbished) replacement (upgraded models may be available to you, in Bosch's sole discretion, for an additional charge). Bosch may repair a part of the original Product with a factory certified (i.e., refurbished) part.

You have the right to reject a replacement Product that materially differs from the original Product. Bosch's sole liability and responsibility hereunder is to repair the Product under a valid warranty claim, using a Bosch technician or one of its authorized service providers during normal business hours. For safety and property damage concerns, Bosch highly recommends that you do not attempt to repair the Product yourself, or use a non-authorized service provider; **Bosch will have no responsibility or liability for damage resulting from repairs or work performed by a non-authorized service provider.** Authorized service providers are those persons or companies that have been specially trained on Bosch products, and who possess, in Bosch's opinion, a superior reputation for customer service and technical ability (note that they are independent entities and are not agents, partners, affiliates or representatives of Bosch). Nevertheless, having your product serviced by a repair shop that is not affiliated with or an authorized dealer of Bosch will not void this warranty. Also, using third-party parts will not void this warranty.

#### **19.5 Out of warranty product**

Bosch is under no obligation, at law or otherwise, to provide you with any concessions, including repairs, prorates, or Product replacement, once this warranty has expired.

## 19.6 Warranty exclusions

This Limited Warranty does not cover any of the following:

- Products sold outside of the United States of America, USA Territories, and Canada
- Consumables (e.g., water filter)
- Repairs made by non-authorized retailer or dealers
- Products purchased on eBay or auctions
- Shipping damage or loss of product during shipping
- Use and care related repairs
- Use of care products not sold by Bosch (e.g., descalers, cleaners, etc.)

The warranty coverage described herein excludes all defects or damage caused by, including without limitation, one or more of the following:

- Use of the Product in anything other than its normal, household (non-commercial), and intended manner (including without limitation, any form of commercial use, use or storage of an indoor product outdoors, use of the Product in conjunction with air or water-going vessels).
- Use of the Product with voltage or frequency outside of the dataplate rating.
- Use of the product on a generator, solar, inverter, or DC to AC converter.
- Any party's willful misconduct, negligence, misuse, abuse, accidents, neglect, improper operation, failure to maintain according to Use & Care Manual, improper or negligent installation,

tampering, failure to follow operating instructions, mishandling, unauthorized service (including self-performed "fixing" or exploration of the appliance's internal workings).

- Adjustment, alteration or modification of any kind.
- A failure to comply with any applicable state, local, city, or county electrical, plumbing and/or building codes, regulations, or laws, including failure to install the product in strict conformity with local fire and building codes and regulations.
- Ordinary wear and tear, spills of food, liquid, grease accumulations, or other substances that accumulate on, in, or around the Product.
- Any external, elemental and/or environmental forces and factors, including without limitation, rain, wind, sand, floods, fires, mud slides, freezing temperatures, excessive moisture or extended exposure to humidity, lightning, power surges, structural failures surrounding the appliance, and acts of God.
- Service calls to correct the installation of your Product, to instruct you how to use your Product, to replace house fuses, or correct house wiring.
- Damage or defects caused by labor or parts installed by any non-authorized service provider, unless approved by Bosch before service is performed.

In no event shall Bosch have any liability or responsibility whatsoever for damage to surrounding property, including cabinetry, floors, ceilings,



and other structures or objects around the Product. Also excluded from this warranty are Products, on which the serial numbers have been altered, defaced, or removed; any type of service to teach you how to use the Product, or servicing where there is nothing wrong with the Product; correction of installation problems (you are solely responsible for any structure and setting for the Product, including all electrical, or other connecting facilities, for proper foundation/flooring, and for any alterations including without limitation cabinetry, walls, floors, shelving, etc.); and resetting of breakers or fuses.

TO THE EXTENT ALLOWED BY LAW, THIS WARRANTY SETS OUT YOUR EXCLUSIVE REMEDIES WITH RESPECT TO PRODUCT, WHETHER THE CLAIM ARISES IN CONTRACT OR TORT (INCLUDING STRICT LIABILITY, OR NEGLIGENCE) OR OTHERWISE. THIS WARRANTY IS IN LIEU OF ALL OTHER WARRANTIES, WHETHER EXPRESS OR IMPLIED. ANY WARRANTY IMPLIED BY LAW, WHETHER FOR MERCHANTABILITY OR FITNESS FOR A PARTICULAR PURPOSE, OR OTHERWISE, SHALL BE EFFECTIVE ONLY FOR THE PERIOD THAT THIS EXPRESS LIMITED WARRANTY IS EFFECTIVE. IN NO EVENT WILL THE MANUFACTURER BE LIABLE FOR CONSEQUENTIAL, SPECIAL, INCIDENTAL, INDIRECT, "BUSINESS LOSS", AND/OR PUNITIVE DAMAGES, LOSSES, OR EXPENSES, INCLUDING WITHOUT LIMITATION TIME AWAY FROM

WORK, HOTELS AND/OR RESTAURANT MEALS, REMODELLING EXPENSES IN EXCESS OF DIRECT DAMAGES WHICH ARE DEFINITELY CAUSED EXCLUSIVELY BY BOSCH, OR OTHERWISE. SOME STATES DO NOT ALLOW THE EXCLUSION OR LIMITATION OF INCIDENTAL OR CONSEQUENTIAL DAMAGES, AND SOME STATES DO NOT ALLOW LIMITATIONS ON HOW LONG AN IMPLIED WARRANTY LASTS, SO THE ABOVE EXCLUSIONS OR LIMITATIONS MAY NOT APPLY TO YOU. THIS WARRANTY GIVES YOU SPECIFIC LEGAL RIGHTS, AND YOU MAY ALSO HAVE OTHER RIGHTS WHICH VARY FROM STATE TO STATE.

No attempt to alter, modify or amend this warranty shall be effective unless authorized in writing by an officer of BSH.

## 19.7 Product information

For handy reference, copy the information below from the rating plate. Keep your invoice and/or delivery documents for warranty validation.

---

Model  
number (E-  
Nr.)

---

Production  
number (FD)

---

Date of  
delivery

---

**Pour plus d'informations, veuillez vous reporter au Guide de l'utilisateur numérique.**



## Table des matières

|  |           |   |           |
|--|-----------|---|-----------|
| <b>1 Sécurité.....</b>   | <b>44</b> | 6.1 Préparer et nettoyer l'appareil ...                                 | 54        |
| 1.1 Définitions des termes de sécurité .....                                     | 44        | 6.2 Déterminer la dureté de l'eau ....                                  | 59        |
| 1.2 CONSIGNES DE SÉCURITÉ IMPORTANTES .....                                      | 44        | 6.3 Filtre à eau .....  | 59        |
| 1.3 Indications générales .....  | 45        | 6.4 Première mise en service.....                                       | 60        |
| 1.4 Conformité d'utilisation.....  | 45        | 6.5 Remarques générales.....  | 60        |
| 1.5 Restrictions au cercle d'utilisateurs .....                                  | 45        | <b>7 Opération de base.....</b>   | <b>61</b> |
| 1.6 Consignes de sécurité.....   | 46        | 7.1 Allumer ou éteindre l'appareil....                                  | 61        |
| 1.7 Mises en garde conformément à la proposition 65 de l'État de Californie..... | 49        | 7.2 Préparation de boisson .....  | 61        |
| <b>2 Protection de l'environnement et économies .....</b>                        | <b>50</b> | 7.3 doubleShot et tripleShot.....                                       | 62        |
| 2.1 Mise au rebut de l'emballage ....  | 50        | 7.4 Préparer une boisson de café lactée .....                           | 62        |
| 2.2 Économie d'énergie .....   | 50        | 7.5 Préparer deux tasses à la fois...                                   | 63        |
| <b>3 Installation et branchement .....</b>                                       | <b>50</b> | <b>8 Moulin .....</b>   | <b>63</b> |
| 3.1 Contenu de livraison .....   | 50        | 8.1 Régler le degré de mouture.....                                     | 63        |
| 3.2 Installation et raccordement de l'appareil .....                             | 51        | <b>9 Sécurité enfants .....</b>   | <b>64</b> |
| <b>4 Description de l'appareil .....</b>   | <b>51</b> | 9.1 Activer la sécurité enfants .....                                   | 64        |
| 4.1 Appareil.....  | 51        | 9.2 Désactiver la sécurité enfants ...                                  | 64        |
| 4.2 Éléments de commande .....   | 53        | <b>10 Chauffe-tasses<sup>1</sup> .....</b>                              | <b>64</b> |
| <b>5 Accessoires.....</b>  | <b>53</b> | 10.1 Activer et désactiver le chauffe-tasses <sup>1</sup> .....         | 64        |
| <b>6 Avant la première utilisation ....</b>                                      | <b>54</b> | <b>11 Favoris .....</b>   | <b>64</b> |
|  |           | 11.1 Enregistrer une boisson à partir de la sélection des boissons..... | 64        |
|  |           | 11.2 Enregistrer la boisson dans le menu .....                          | 64        |
|  |           | 11.3 Modifier les réglages des boissons.....                            | 65        |

<sup>1</sup> selon l'équipement de l'appareil

|  |           |  |           |
|--|-----------|--|-----------|
| 11.4 Supprimer un favori.....  | 65        | 18.1 Informations sur le logiciel<br>libre.....                      | 80        |
| 11.5 Trier les favoris .....   | 65        |  |           |
| <b>12 Home Connect .....</b>   | <b>65</b> | <b>19 ÉNONCÉ DE LA GARANTIE<br/>LIMITÉE DU PRODUIT .....</b>         | <b>81</b> |
| 12.1 Configurer l'application<br>Home Connect.....   | 66        | 19.1 Couverture de la garantie<br>limitée .....                      | 81        |
| 12.2 Configurer Home Connect.....  | 66        | 19.2 Obtention du service de<br>garantie.....                        | 81        |
| 12.3 Home Connect Réglages .....   | 66        | 19.3 Durée de la garantie.....                                       | 81        |
| 12.4 Diagnostic à distance .....   | 67        | 19.4 Réparation ou<br>remplacement : votre<br>recours exclusif ..... | 82        |
| 12.5 Protection des données .....  | 67        | 19.5 Produit hors garantie .....                                     | 83        |
| <b>13 Réglages de base.....</b>  | <b>67</b> | 19.6 Exclusions de garantie .....                                    | 83        |
| 13.1 Modifier les réglages de<br>base.....   | 68        | 19.7 Information sur le produit .....                                | 85        |
| 13.2 Aperçu des réglages de<br>base.....   | 68        |  |           |
| <b>14 Nettoyage et entretien .....</b>   | <b>69</b> |  |           |
| 14.1 Nettoyage au lave-vaisselle ....  | 69        |  |           |
| 14.2 Produits de nettoyage .....   | 70        |  |           |
| 14.3 Nettoyer l'appareil .....   | 70        |  |           |
| 14.4 Nettoyer la cuvette<br>d'égouttage et le réservoir<br>pour marc de café .....                     | 71        |  |           |
| 14.5 Nettoyage du réservoir à lait ...   | 71        |  |           |
| 14.6 Programmes d'entretien .....  | 72        |  |           |
| <b>15 Dépannage .....</b>  | <b>73</b> |  |           |
| <b>16 Transport, entreposage et<br/>élimination.....</b>   | <b>79</b> |  |           |
| 16.1 Activer la protection contre<br>le gel .....  | 79        |  |           |
| 16.2 Éliminer un appareil usagé.....   | 79        |  |           |
| <b>17 Service à la clientèle.....</b>  | <b>79</b> |  |           |
| 17.1 Numéro de modèle (E-Nr.),<br>numéro de fabrication (FD)<br>et numéro de comptage (Z-<br>Nr.)..... | 80        |  |           |
| <b>18 Données techniques.....</b>  | <b>80</b> |  |           |



# IMPORTANTES CONSIGNES DE SÉCURITÉ

## LIRE ET CONSERVER CES INSTRUCTIONS

---

Respectez les consignes de sécurité suivantes.

### 1.1 Définitions des termes de sécurité

Vous trouverez ici des explications sur les mots de signalisation de sécurité utilisés dans ce manuel.



#### **AVERTISSEMENT**

Signale un risque de mort ou de blessure grave si l'avertissement n'est pas respecté.



#### **MISE EN GARDE**

Signale un risque de blessures mineures ou modérées si l'avertissement n'est pas respecté.

#### **AVIS :**

Ceci indique que la non-conformité à cet avis de sécurité peut entraîner des dégâts matériels ou endommager l'appareil.

**Remarque :** Ceci vous signale des informations et/ou indications importantes.

### 1.2 CONSIGNES DE SÉCURITÉ IMPORTANTES

#### **AVERTISSEMENT**

Lors de l'utilisation d'appareils électriques, il convient de suivre les consignes de sécurité de base, notamment les suivantes :

- ▶ Lire toutes les consignes.
- ▶ Ne pas toucher les surfaces chaudes. Utiliser les poignées.
- ▶ Pour éviter les risques d'incendie, de choc électrique et de blessures, ne pas immerger de cordon d'alimentation ou de fiche dans quelque liquide que ce soit.
- ▶ Une étroite surveillance est nécessaire lorsqu'un appareil électroménager est utilisé par ou à proximité d'enfants.
- ▶ Débrancher l'appareil lorsqu'il n'est pas utilisé et avant de le nettoyer. Laisser l'appareil refroidir avant de mettre ou de retirer des pièces et avant de le nettoyer.
- ▶ Ne pas utiliser l'appareil avec une fiche ou un cordon endommagé ou encore si l'appareil ne fonctionne pas correctement ou a été endommagé de quelque façon. Communiquer avec le centre de service autorisé le plus proche pour un examen, une réparation ou un réglage.



# IMPORTANTES CONSIGNES DE SÉCURITÉ

## LIRE ET CONSERVER CES INSTRUCTIONS

---

- ▶ L'utilisation d'accessoires complémentaires non autorisés par le fabricant peut provoquer des risques d'incendie, de choc électrique ou de blessures.
- ▶ Ne pas utiliser à l'extérieur.
- ▶ Ne pas laisser le cordon pendre de la table ou du comptoir, ni entrer en contact avec une surface chaude.
- ▶ Ne pas placer l'appareil sur ou à proximité d'un brûleur à gaz ou électrique ou dans un four chauffé.
- ▶ Raccordez toujours la fiche à l'appareil en premier avant de le raccorder à la prise murale. Pour débrancher l'appareil, mettez tous les boutons de réglage en position « off » (arrêt) et retirez ensuite la fiche de la prise murale.
- ▶ N'utilisez pas cet appareil pour un usage autre que celui auquel il est destiné.
- ▶ Conserver les présentes instructions.

### 1.3 Indications générales

- Lisez attentivement cette notice.
- Veuillez conserver la notice et les renseignements sur le produit en vue d'une réutilisation ultérieure ou pour un futur nouveau propriétaire.
- Ne branchez pas l'appareil si ce dernier a été endommagé durant le transport.

### 1.4 Conformité d'utilisation

Utilisez l'appareil uniquement :

- pour préparer des boissons chaudes.
- dans un domicile privé et dans une pièce fermée de l'environnement domestique.
- jusqu'à une altitude maximale de 6,560 ft (2000 m) au-dessus du niveau de la mer.

### 1.5 Restrictions au cercle d'utilisateurs

Cet appareil n'est pas destiné à être utilisé par des personnes (y compris des enfants) présentant des capacités physiques, sensorielles ou mentales réduites, à moins qu'elles n'aient été informées de la manière d'utiliser l'appareil par une personne responsable de leur sécurité.

Ne permettez jamais aux enfants de jouer avec l'appareil.



# IMPORTANTES CONSIGNES DE SÉCURITÉ

## LIRE ET CONSERVER CES INSTRUCTIONS

---

Lorsque les enfants sont assez âgés pour utiliser l'appareil, il incombe aux parents ou tuteurs légaux de veiller à ce qu'ils soient formés aux pratiques sécuritaires par des personnes qualifiées.

Les enfants doivent être surveillés afin de s'assurer qu'ils ne jouent pas avec l'appareil.

### 1.6 Consignes de sécurité

#### AVERTISSEMENT

Les enfants peuvent se passer le matériel d'emballage par-dessus la tête, s'y enrouler et s'y étouffer.

- ▶ Gardez le matériel d'emballage à l'écart des enfants.
- ▶ Ne permettez jamais aux enfants de jouer avec le matériel d'emballage. Les enfants risquent d'inhaler ou d'avaler des petits morceaux et s'étouffer.
- ▶ Gardez les petits morceaux à l'écart des enfants.
- ▶ Ne permettez jamais aux enfants de jouer avec les petits morceaux.

#### AVERTISSEMENT

Les installations non conformes sont dangereuses.

- ▶ Observer impérativement les indications figurant sur la plaque signalétique lors du raccordement et de l'utilisation de l'appareil.
- ▶ Brancher l'appareil uniquement à l'aide d'une fiche dûment installée avec mise à la terre dans une prise secteur à courant alternatif.
- ▶ Le système à conducteur de protection de l'installation électrique de la maison doit être installé correctement.

Un appareil endommagé ou un cordon d'alimentation secteur endommagé est dangereux.

- ▶ N'utilisez jamais un appareil endommagé.
- ▶ N'opérez jamais d'appareil avec une surface fissurée ou brisée.
- ▶ Ne jamais tirer sur le cordon d'alimentation secteur pour débrancher l'appareil du secteur. Toujours débrancher la fiche mâle du cordon d'alimentation secteur.
- ▶ Si l'appareil ou le cordon d'alimentation secteur est endommagé, débrancher immédiatement la fiche mâle du cordon d'alimentation secteur ou couper le fusible dans le boîtier à fusibles.
- ▶ Appelez le service après-vente. → *Page 79*



# IMPORTANTES CONSIGNES DE SÉCURITÉ

## LIRE ET CONSERVER CES INSTRUCTIONS

---

Les réparations non conformes sont dangereuses.

- ▶ Seules des pièces de rechange d'origine peuvent être utilisées pour réparer l'appareil.
- ▶ Afin d'écartier tout danger, quand le cordon d'alimentation de cet appareil est endommagé, seul le fabricant, son service à la clientèle ou toute autre personne de qualification équivalente est habilité à le faire.

L'humidité qui pénètre peut occasionner une électrocution.

- ▶ Ne plongez jamais l'appareil ou le cordon d'alimentation dans l'eau.
- ▶ Veillez à ce qu'aucun liquide ne coule sur la fiche de raccordement de l'appareil.
- ▶ Utiliser l'appareil uniquement dans des pièces fermées.
- ▶ Ne jamais exposer l'appareil à une forte chaleur ou humidité.
- ▶ N'utilisez pas de nettoyeur haute pression ou de nettoyer à vapeur pour nettoyer l'appareil.

### AVERTISSEMENT

L'appareil devient chaud.

- ▶ Aérer suffisamment l'appareil.
- ▶ Ne jamais utiliser l'appareil dans une armoire.

Il est dangereux d'utiliser un cordon d'alimentation rallongé ou un adaptateur non autorisé.

- ▶ Ne pas utiliser de rallonge ni de bloc multiprise.
- ▶ Utiliser uniquement les adaptateurs et cordons d'alimentation secteur autorisés par le fabricant.
- ▶ Si le cordon d'alimentation secteur est trop court et qu'aucun autre cordon plus long n'est disponible, contacter un électricien spécialisé pour adapter l'installation domestique.

### AVERTISSEMENT

Certaines pièces de l'appareil deviennent très chaudes.

- ▶ Ne jamais toucher les pièces chaudes de l'appareil.
- ▶ Laisser refroidir les pièces chaudes de l'appareil après utilisation et avant de les toucher.

### AVERTISSEMENT

Les boissons fraîchement préparées sont très chaudes.

- ▶ Si nécessaire, laisser refroidir les boissons.



# IMPORTANTES CONSIGNES DE SÉCURITÉ

## LIRE ET CONSERVER CES INSTRUCTIONS

---

- ▶ Éviter tout contact entre la peau et les liquides et vapeurs qui s'échappent. Un démarrage à distance sans surveillance via l'application Home Connect peut occasionner des brûlures à d'autres personnes.
- ▶ Ne pas mettre la main sous la buse d'écoulement du café pendant la distribution de la boisson.
- ▶ Les personnes, notamment les enfants, doivent être tenues à distance de l'appareil.

### AVERTISSEMENT

Une utilisation inappropriée de l'appareil peut être dangereuse pour l'utilisateur.

- ▶ Pour éviter des blessures, utiliser l'appareil uniquement conformément à son emploi prévu.

Pincement des doigts lors de la fermeture de la porte de l'appareil.

- ▶ Attention à ne pas se coincer les doigts à la fermeture de la porte.

Le moulin tourne.

- ▶ Ne jamais mettre les mains dans le moulin.

### AVERTISSEMENT

L'appareil contient des aimants permanents. Ceux-ci peuvent influencer sur des implants électroniques, par exemple des stimulateurs cardiaques ou des pompes à insuline.

- ▶ Les personnes portant un implant électronique doivent respecter une distance d'au moins 25,4 po (10 cm) par rapport à l'appareil.
- ▶ Une distance minimale de 25,4 po (10 cm) doit également être respectée par rapport au réservoir d'eau retiré.

### AVERTISSEMENT

Les salissures sur l'appareil peuvent nuire à la santé.

- ▶ Respecter les consignes de nettoyage relatives à l'hygiène.





# IMPORTANTES CONSIGNES DE SÉCURITÉ

LIRE ET CONSERVER CES INSTRUCTIONS

---

## 1.7 Mises en garde conformément à la proposition 65 de l'État de Californie

Ce produit pourrait contenir un produit chimique reconnu par l'État de la Californie comme cancérigène ou ayant des effets nocifs sur la reproduction. Par conséquent, vous pourriez devoir apposer l'étiquette suivante sur l'emballage du produit comme requis par la Californie :

**AVERTISSEMENT ISSUE DE LA PROPOSITION 65 DE L'ÉTAT DE LA CALIFORNIE :**

 **AVERTISSEMENT**

Cancer et dommages à la reproduction -  
[www.P65Warnings.ca.gov](http://www.P65Warnings.ca.gov)

## 2 Protection de l'environnement et économies

### 2.1 Mise au rebut de l'emballage

Les matériaux d'emballage sont écologiques et recyclables.

- ▶ Veuillez éliminer les pièces détachées après les avoir triées par matières.

### 2.2 Économie d'énergie

Si vous respectez ces consignes, votre appareil consommera encore moins d'énergie.

Régler l'intervalle d'arrêt automatique sur la plus petite valeur.

- ✓ Si l'appareil n'est pas utilisé, il s'éteint plus tôt.  
→ "Réglages de base", Page 67

Détartrer régulièrement l'appareil.

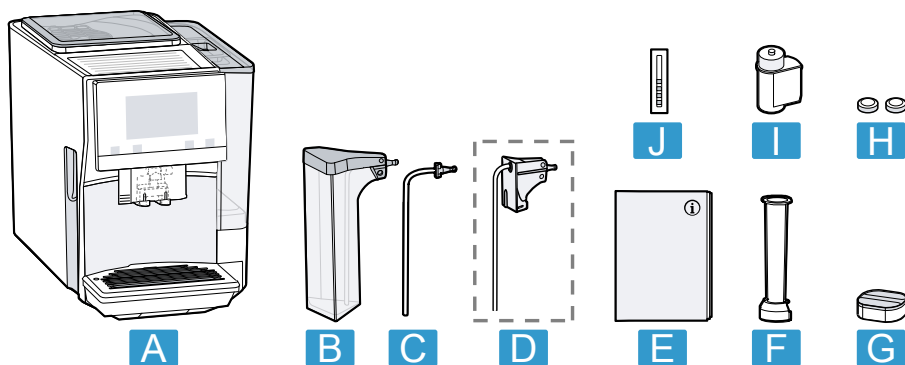
- ✓ Les dépôts de tartre augmentent la consommation d'énergie.

## 3 Installation et branchement

### 3.1 Contenu de livraison

Après avoir déballé le produit, inspectez toutes les pièces pour détecter d'éventuels dégâts dus au transport et pour vous assurer de l'intégralité de la livraison.

**Remarque :** Selon le modèle, différents accessoires sont fournis. Cet accessoire est marqué par un cadre en pointillés.



**A** Machine à café automatique

**B** Réservoir à lait

<sup>1</sup> selon l'équipement de l'appareil

<sup>1</sup> selon l'équipement de l'appareil

|          |   |
|----------|---|
| <b>C</b> | Tuyau à lait                                  |
| <b>D</b> | Adaptateur pour réservoir à lait <sup>1</sup> |
| <b>E</b> | Notice d'utilisation                          |
| <b>F</b> | Outil de mise en place du filtre à eau        |
| <b>G</b> | Pastille de détartrage                        |
| <b>H</b> | Pastille de nettoyage                         |
| <b>I</b> | Filtre à eau                                  |
| <b>J</b> | Bandelette pour déterminer la dureté de l'eau |

<sup>1</sup> selon l'équipement de l'appareil

## 3.2 Installation et raccordement de l'appareil

### **AVIS :**

Risque d'endommagement de l'appareil. L'appareil peut être endommagé en cas de mise en service non conforme.

- ▶ Utiliser l'appareil uniquement dans des locaux à l'abri du gel.
  - ▶ Si l'appareil a été transporté ou entreposé à moins de 0 °C, attendre 3 heures à température ambiante avant de le mettre en service.
  - ▶ Après chaque branchement, attendre env. 5 secondes.
1. Poser l'appareil sur une surface plane, solide et résistante à l'eau.
  2. Brancher la fiche secteur de l'appareil sur une prise de courant à contact de protection installée dans les règles.

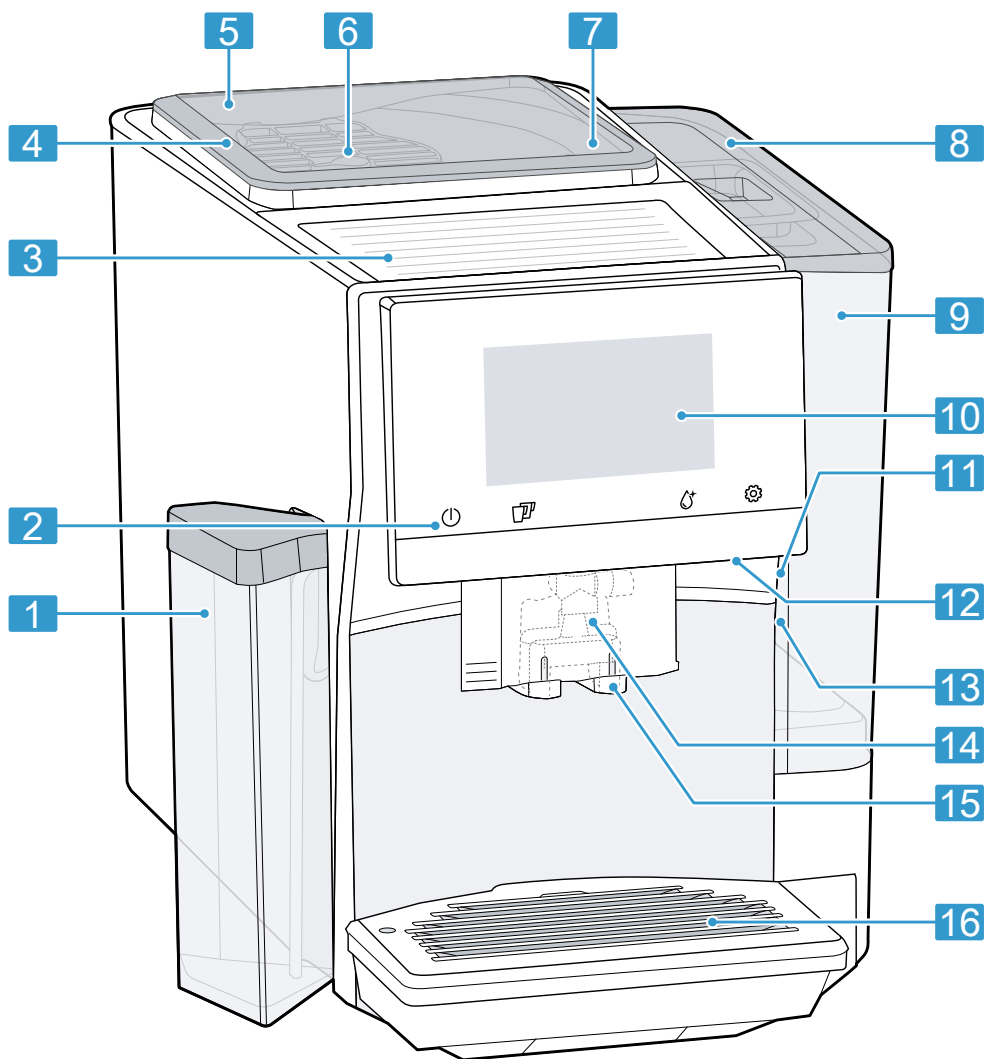
## 4 Description de l'appareil

### 4.1 Appareil

Cette section contient une vue d'ensemble des composants de votre appareil.

**Remarque :** Des variations de détails ou de couleurs sont possibles selon le modèle d'appareil.

fr-ca Description de l'appareil



**1** Réservoir à lait

**2** Champs tactiles

**3** Chauffe-tasses<sup>1</sup>

**4** Couvercle préservateur  
d'arôme

**5** Réservoir pour café en grains

**6** Sélecteur du réglage du degré  
de mouture

**7** Compartiment à pastille

**8** Couvercle du réservoir d'eau

<sup>1</sup> selon l'équipement de l'appareil

<sup>1</sup> selon l'équipement de l'appareil

|           |                                       |
|-----------|---------------------------------------|
| <b>9</b>  | Réservoir d'eau                       |
| <b>10</b> | Écran tactile                         |
| <b>11</b> | Porte du compartiment de percolation  |
| <b>12</b> | Éclairage des tasses                  |
| <b>13</b> | Plaque signalétique                   |
| <b>14</b> | Système à lait                        |
| <b>15</b> | Couvercle du distributeur de boissons |
| <b>16</b> | Bac collecteur                        |




<sup>1</sup> selon l'équipement de l'appareil

## 4.2 Éléments de commande

Vous trouverez ici un aperçu des éléments de commande de votre appareil.

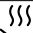

### Champs tactiles

Vous trouverez ici un aperçu des symboles qui sont toujours visibles.






|   |   |
|---|---|
|   | Allumer ou éteindre l'appareil.               |
|   | Préparer deux tasses.                         |
|  | Ouvrir ou quitter les programmes d'entretien. |

## Écran tactile

L'écran tactile sert aussi bien d'affichage que d'élément de commande.

|   |   |
|---|---|
| Favoris   | Sélectionner les boissons enregistrées avec des réglages personnels.<br>→ Page 64         |
| Classiques  | Sélectionner des boissons standard.   |
| coffeeWorld   | Sélectionner des boissons de base qui peuvent être adaptées en liaison avec Home Connect. |
|  | Le chauffe-tasses est activé.   |
|  | L'appareil est connecté à Home Connect.   |

**Remarque :** Lorsque l'appareil est en marche, vous disposez d'autres possibilités de commande avec affichages et messages correspondants, p. ex. les réglages de boissons.

|   |                                    |
|---|------------------------------------|
|    | Régler l'intensité.                |
|    | Régler la quantité de remplissage. |
|  | Régler la portion de lait.         |
|  | Régler l'arôme.                    |
|  | Régler la température.             |

## 5 Accessoires

Utilisez uniquement des accessoires d'origine. Ils ont été spécialement conçus pour votre appareil.

| Accessoires                      | Commerce  | Service à la clientèle |
|----------------------------------|-----------|------------------------|
| Adaptateur pour réservoir à lait | TCZ6008US | 17008464               |

| Accessoires                     | Commerce  | Service à la clientèle |
|---------------------------------|-----------|------------------------|
| Réservoir à lait                | TCZ6009US | 17008463               |
| Accessoire petit électroménager | TCZ7003US | 12008246               |
| Pastilles de nettoyage          | TCZ8001US | 00312423               |
| Pastilles de détartrage         | TCZ8002US | 00312422               |
| Trousse d'entretien             | TCZ8004US | 00312421               |
| Verseuse, isolée                | TCZ8007US | 17008465               |

## 6 Avant la première utilisation

Préparez l'appareil pour l'utilisation.

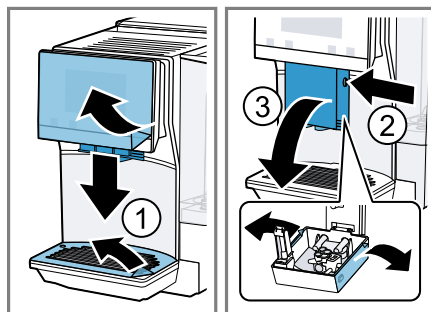
### 6.1 Préparer et nettoyer l'appareil

#### AVIS :

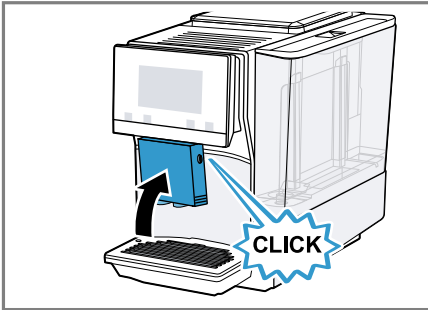
Les grains inadaptés peuvent boucher le moulin.

- ▶ Utiliser exclusivement un mélange de café en grains torréfiés pour expresso ou percolateur.
- ▶ Ne pas utiliser de grains de café enrobés d'un glaçage.
- ▶ Ne pas utiliser de grains de café caramélisés.
- ▶ Ne pas utiliser de grains de café huileux.
- ▶ Ne pas utiliser de grains de café traités avec un additif contenant du sucre.
- ▶ Ne pas utiliser de café en poudre.

1. Retirer le film protecteur au niveau de l'écran et pousser le distributeur de boissons entièrement vers le bas ①.
  - Appuyer sur le bouton de verrouillage au niveau du distributeur de boissons ② et retirer le couvercle du distributeur de boissons ③.
  - Retirer le film protecteur.



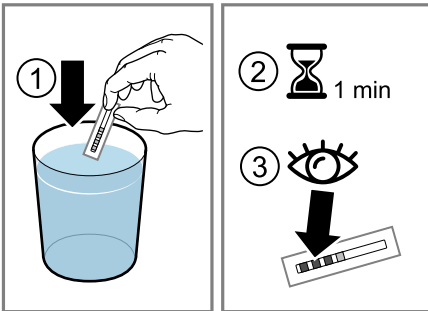
2. Accrocher le couvercle du distributeur de boissons en bas et l'encliqueter en haut.



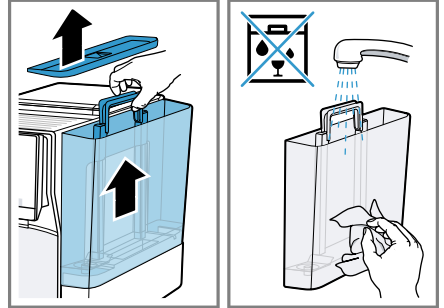
3. Plonger brièvement la bandelette de test dans de l'eau fraîche du robinet ① et laisser égoutter.

→ "Déterminer la dureté de l'eau",  
Page 59

- Patienter une ② minute.
- Lire la dureté de l'eau sur la bandelette de test ③.

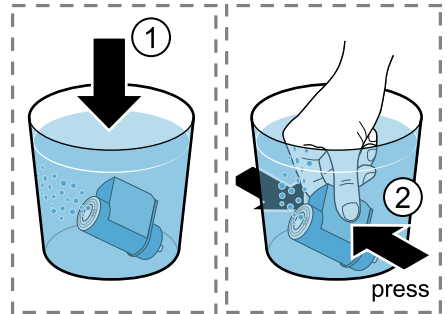


4. Ouvrir le couvercle et sortir le réservoir d'eau par la poignée.
  - Nettoyer le réservoir d'eau et le couvercle.



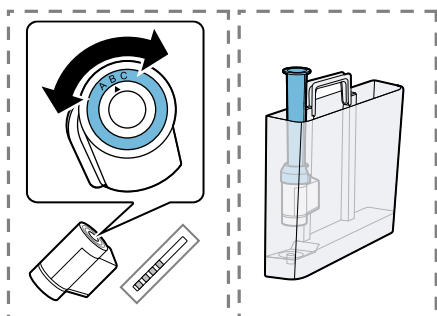
5. Plonger le filtre à eau, ouverture orientée ver le haut, dans un verre d'eau, puis le presser légèrement sur les côtés jusqu'à ce que des bulles cessent d'en sortir.

→ "Filtre à eau", Page 59

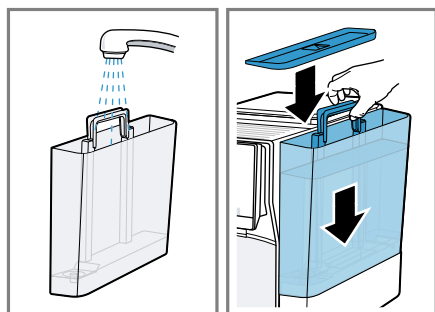


**fr-ca** Avant la première utilisation

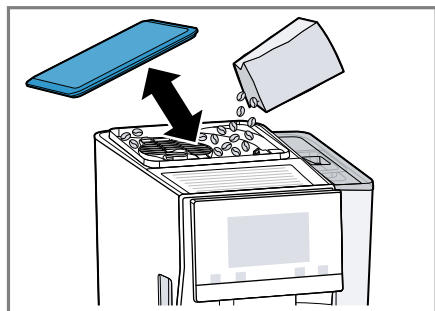
6. Régler la dureté de l'eau relevée sur l'anneau arôme du filtre à eau.
- Bien enfoncer le filtre à eau dans le réservoir à eau.



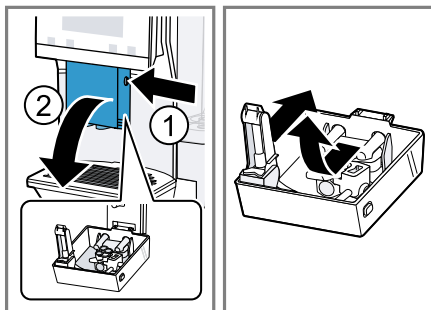
7. Remplir le réservoir d'eau jusqu'au repère « max » et le remettre en place.



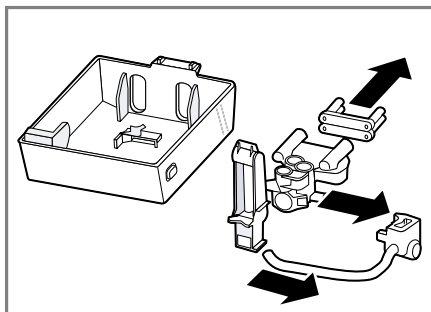
8. Ouvrir le couvercle arôme et verser le café en grains.



9. Faire glisser la buse d'écoulement tout en bas.
- Appuyer sur le bouton de verrouillage au niveau du distributeur de boissons ① et retirer le couvercle du distributeur de boissons ②.



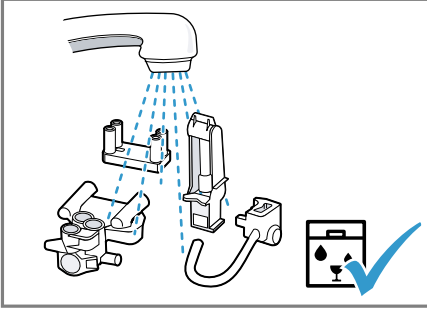
10. Retirer le système à lait et en démonter les composants.



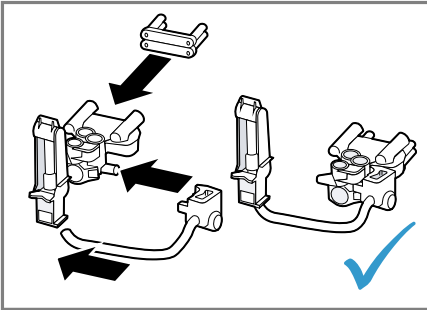


11. Nettoyer les composants avec un produit de nettoyage et un chiffon doux.

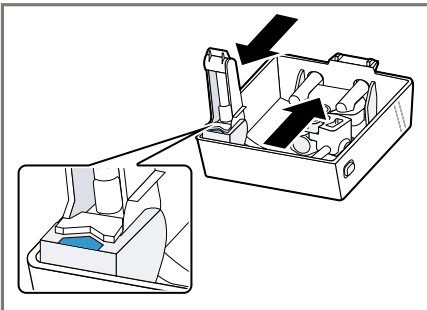
- Rincer tous les composants à l'eau claire et les sécher.



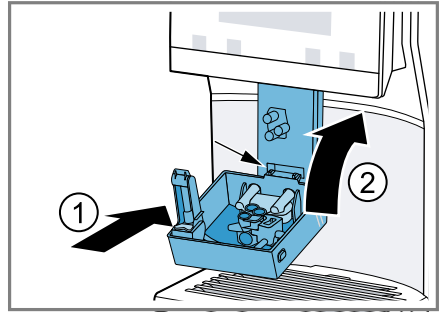
12. Assembler les composants du système à lait.



13. Mettre en place le système à lait dans le couvercle du distributeur de boissons.

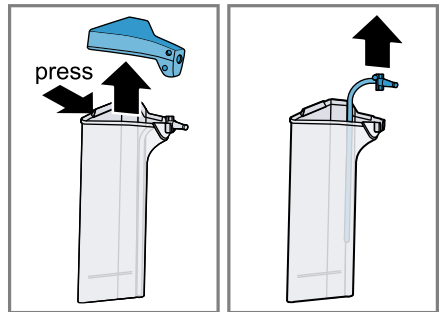


14. Accrocher le couvercle du distributeur de boissons en bas et l'encliqueter en haut.

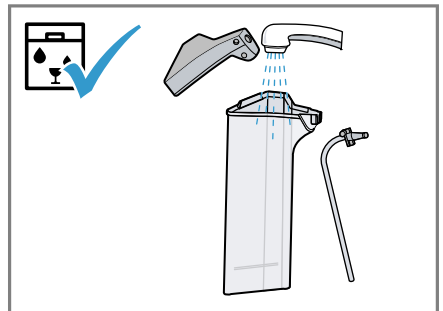


15. Retirer le réservoir à lait.

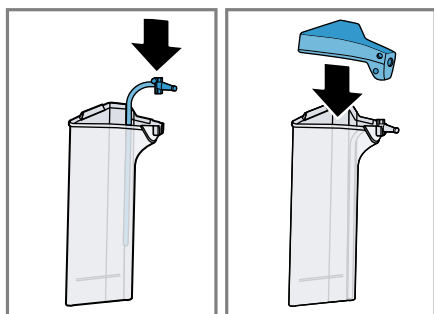
16. Démontez les différents composants du réservoir à lait.



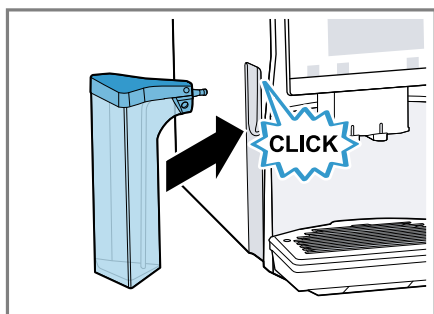
17. Nettoyer et sécher les différents composants du réservoir à lait.



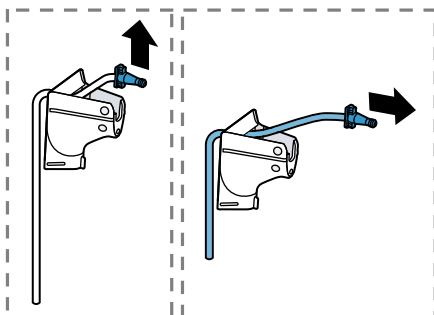
18. Assembler les différents composants du réservoir à lait.



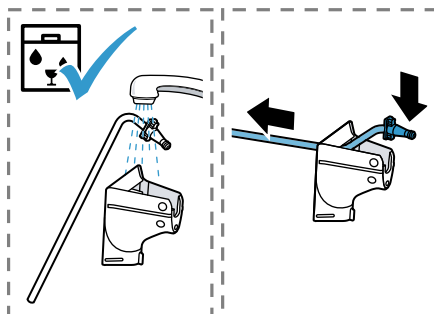
19. Insérer le réservoir à lait.



20. Retirer le tuyau à lait de l'adaptateur du réservoir à lait.

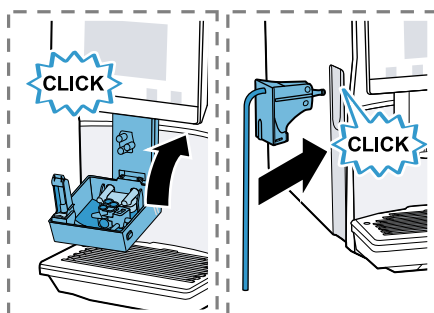


21. Nettoyer le tuyau à lait et l'adaptateur, sécher et assembler.

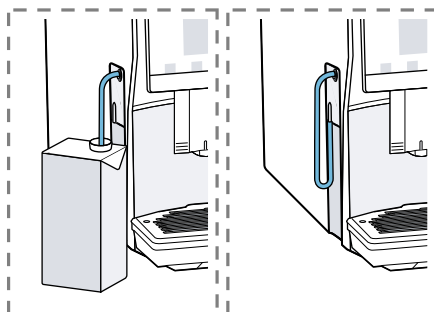


22. Insérer le couvercle du distributeur de boissons avec le système à lait au niveau du distributeur de boissons.

– Insérer l'adaptateur de lait.



23. Insérer le tuyau à lait dans un carton de lait plein ou coincer le tuyau à lait pour le ranger.



**Remarque :** Remplir quotidiennement le réservoir d'eau fraîche non gazeuse.

**Conseil :** Stockez le café en grains dans un endroit frais, à l'abri de l'air, pour conserver toute sa qualité.

Vous pouvez laisser le café en grains dans le réservoir pour café en grains plusieurs jours sans que le café ne perde son arôme.

## 6.2 Déterminer la dureté de l'eau

Le réglage de la dureté de l'eau est important, car il permet à la machine d'indiquer le moment où un détartrage est nécessaire. Vous pouvez déterminer la dureté de l'eau avec la bandelette de test jointe ou la demander à la compagnie locale de distribution d'eau.

1. Plonger brièvement la bandelette de test dans de l'eau fraîche du robinet.
2. Laisser la bandelette de test s'égoutter.
3. Lire la dureté de l'eau après 1 minute sur la bandelette de test.

Le tableau indique les équivalences entre les niveaux et les différents degrés de dureté de l'eau :

| Niveau         | Dureté de l'eau en gr/gal (US) |
|----------------|--------------------------------|
| 1              | 1.0426 - 7.2985                |
| 2              | 8.3412 - 14 597                |
| 3              | 15.64 - 21 896                 |
| 4 <sup>1</sup> | 22 938 - 31 279                |

<sup>1</sup> Réglage usine

**Remarque :** Utilisez la bandelette de test même si un adoucisseur d'eau est installé, car les adoucisseurs génèrent des duretés d'eau différentes.

### Conseils

- Vous pouvez modifier les réglages à tout moment.  
→ "Réglages de base", Page 67
- Si la dureté de l'eau est supérieure à 21,896 gr/gal (US), vous pouvez remplir le réservoir avec de l'eau préfiltrée afin de réduire les dépôts de calcaire dans le réservoir d'eau.

## 6.3 Filtre à eau

Un filtre à eau vous permet de réduire les dépôts de tartre et les salissures dans l'eau.

### Mettre en place le filtre à eau

#### AVIS :


Endommagement possible de l'appareil par l'entartrage.

- ▶ Changer le filtre à eau à temps.
- ▶ Remplacer le filtre à eau au plus tard après 2 mois.
- ▶ Tenir compte des messages apparaissant à l'écran.

1. Appuyer sur .
2. Sélectionner "Filtre INTENZA" et suivre les instructions à l'écran.

### Changer ou retirer le filtre à eau

Vous pouvez également utiliser votre appareil sans filtre à eau.


1. Appuyer sur .
2. Sélectionner "Filtre INTENZA".
3. Sélectionner "Remplacer" ou "Retirer" et suivre les instructions à l'écran.

## Conseils

- Changez le filtre à eau également pour des raisons d'hygiène.
- Avec un filtre à eau, le détartrage de l'appareil est moins souvent nécessaire.
- Si vous utilisez un filtre à eau, vous obtiendrez des boissons de café plus goûteuses.
- Rincez le filtre à eau avant utilisation en préparant une tasse d'eau chaude si votre appareil n'a pas été utilisé depuis longtemps, p. ex. pendant les vacances.
- Le filtre à eau est disponible en magasin ou auprès du service à la clientèle.  
→ *"Accessoires", Page 53*

## 6.4 Première mise en service

Après le raccordement électrique, effectuez les réglages pour la première mise en service de l'appareil. La première mise en service n'apparaît que lors de la première mise en marche.

1. Allumer l'appareil avec .
  2. Suivre les instructions à l'écran.
- ✓ Des mentions apparaissent sur l'écran pour vous guider.

## Remarques

- Si vous souhaitez configurer Home Connect maintenant, suivez les instructions apparaissant dans l'application Home Connect.  
→ *"Configurer Home Connect", Page 66*

- Lorsque "Mode démo" est sélectionné, seuls les affichages fonctionnent. Vous ne pouvez préparer aucune boisson ni effectuer aucun programme.

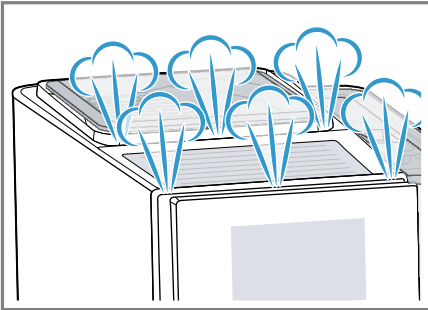
## 6.5 Remarques générales

Respectez les indications pour utiliser votre appareil de manière optimale.

### Remarques

- À la fabrication, l'appareil a été programmé sur des réglages standard lui permettant de fonctionner de façon optimale.
- Le moulin est réglé en usine en vue d'un fonctionnement optimal. Si le café est distribué uniquement goutte par goutte, s'il n'est pas assez corsé et s'il a trop peu de crema, vous pouvez adapter le degré de mouture pendant que le moulin tourne.  
→ *"Régler le degré de mouture", Page 63*
- Pendant le fonctionnement, des gouttes d'eau peuvent se former au niveau des fentes d'aération et sur le couvercle du compartiment à pastille.
- Si vous n'utilisez pas l'appareil pendant un certain laps de temps, l'appareil s'éteint automatiquement. Vous pouvez modifier la durée dans les réglages de base.

- Pour des raisons techniques, de la vapeur peut s'échapper de l'appareil.



- La première boisson servie n'a pas encore développé son plein arôme lorsque :
  - Vous utilisez l'appareil pour la première fois.
  - Vous avez effectué un programme d'entretien.
  - Vous n'avez pas utilisé l'appareil pendant une période prolongée.

**Conseil :** Une crema fine et consistante sera obtenue lorsque vous aurez préparé quelques tasses après la mise en service de votre appareil.

## 7 Opération de base

### 7.1 Allumer ou éteindre l'appareil

- ▶ Appuyer sur ☺.

Lors de la mise en marche, l'écran affiche le logo de la marque. Lors de la mise en marche et de l'arrêt, l'appareil effectue un rinçage automatique. Lors de l'arrêt, l'appareil éjecte de la vapeur dans la cuvette d'égouttage pour se nettoyer. Si l'appareil est encore

chaud au moment de l'arrêt ou si aucune boisson n'a été préparée avant l'arrêt, l'appareil n'effectue pas de rinçage.

### 7.2 Préparation de boisson

Apprenez comment préparer la boisson de votre choix.

#### **⚠ AVERTISSEMENT**

Les boissons fraîchement préparées sont très chaudes.

- ▶ Si nécessaire, laisser refroidir les boissons.
- ▶ Éviter tout contact entre la peau et les liquides et vapeurs qui s'échappent.

#### **Remarques**

- Avec certains réglages, le café est préparé en plusieurs étapes. Attendre que l'opération soit entièrement terminée.
- Si vous préparez une boisson lactée, fermez toujours le réservoir rempli de lait ou l'adaptateur avec un carton de lait.
- Vous pouvez raccorder le réservoir à lait ou l'adaptateur de lait uniquement si le système à lait est équipé de l'adaptateur et du tuyau monté dans le couvercle de la buse d'écoulement.
- Le réservoir à lait a été spécialement conçu pour cet appareil. Utilisez le réservoir à lait exclusivement pour un usage domestique et pour conserver le lait au réfrigérateur.

- Si le système à lait n'est pas propre, de petits résidus de lait risquent de se mélanger à l'eau lors du prélèvement d'eau chaude.

## 7.3 doubleShot et tripleShot

Votre appareil moule deux ou trois fois du café.

Afin de ne libérer que les arômes agréables et digestes, la machine moule de nouveau du café et effectue une nouvelle percolation.

Plus la percolation du café dure longtemps, plus les substances amères et les arômes indésirables sont libérés. Les substances amères et les arômes indésirables altèrent le goût et la digestibilité du café.

**Remarque :** Les fonctions "doubleShot" et "tripleShot" dépendent de l'intensité et de la taille de la boisson sélectionnée.

## 7.4 Préparer une boisson de café lactée

Apprenez comment préparer un Latte Macchiato à l'aide d'un exemple.

### AVERTISSEMENT

Le mousser à lait devient très chaud.

- ▶ Ne jamais toucher le système à lait chaud.
- ▶ Laisser le système à lait refroidir avant de le toucher.

## Exigence

- Le réservoir à lait ou l'adaptateur de lait est raccordé.
- Le réservoir à lait est rempli de lait ou le tuyau de lait de l'adaptateur est plongé dans le lait.

1. Placer un verre sous le distributeur de boissons.
2. Appuyer sur "Classiques".
3. Sélectionner le symbole de boisson Latte Macchiato et appuyer dessus.
4. Appuyer sur "Démarrer" et attendre la fin de l'opération.
  - Pour arrêter complètement la préparation de boisson, appuyer sur "Arrêter".
  - Pour arrêter uniquement l'étape de préparation actuelle, appuyer sur "Passer".

Le système à lait se nettoie automatiquement après la préparation avec un bref jet de vapeur.

## Remarques

- Si vous ne modifiez aucun réglage pendant env. 30 secondes, l'appareil quitte le mode réglage.
- L'appareil mémorise automatiquement les réglages.
- N'utilisez pas de colorant à café.

## Conseils

- Vous pouvez préchauffer les tasses en prélevant de l'eau chaude ou en utilisant le chauffe-tasses <sup>1</sup>.
- Vous pouvez aussi utiliser des boissons végétales au lieu de lait, p. ex. du lait de soya.

---



<sup>1</sup> selon l'équipement de l'appareil

- La qualité de la mousse de lait dépend du type de lait ou de boisson végétale.

## 7.5 Préparer deux tasses à la fois

Selon le type de boisson, vous pouvez préparer simultanément 2 tasses.

**Remarque :** Si la fonction "doubleShot" ou "tripleShot" est active, la fonction de préparation simultanée de deux tasses n'est pas disponible.

1. Appuyer sur .
  - ✓ L'écran affiche le réglage .
2. Placer deux tasses, une à gauche et une à droite, sous le distributeur de boissons.
3. Appuyer sur "Démarrer".
 

La boisson est préparée en 2 étapes. Les grains de café sont moulus en 2 étapes.

  - ✓ L'appareil effectue la percolation et la boisson s'écoule dans les tasses.
4. Attendre la fin de l'opération.

## 8 Moulin

Votre appareil est muni d'un moulin réglable qui vous permet d'ajuster individuellement le degré de mouture des grains de café.

### 8.1 Régler le degré de mouture

Pendant la mouture des grains de café, réglez le degré de mouture souhaité.

### AVERTISSEMENT


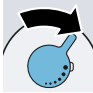
Le moulin tourne.

- ▶ Ne jamais mettre les mains dans le moulin.

### AVIS :

Risque d'endommagement du moulin. Un mauvais réglage du degré de mouture peut endommager le moulin.

- ▶ Ne régler le degré de mouture que lorsque le moulin tourne.
- ▶ Régler le degré de mouture graduellement à l'aide du sélecteur rotatif.

| Degré de mouture  | Réglage   |
|---|---|
| Degré de mouture fin pour du café en grains torréfié clair      | Tourner le sélecteur dans le sens inverse des aiguilles d'une montre.  |
| Degré de mouture grossier pour du café en grains torréfié foncé | Tourner le sélecteur dans le sens des aiguilles d'une montre.        |

Le réglage du degré de mouture est perceptible seulement après la deuxième tasse de café.

**Conseil :** Si le café est distribué uniquement goutte par goutte, réglez un degré de mouture plus grossier. Si le café n'est pas assez corsé et s'il présente trop peu de crema, réglez un degré de mouture plus fin.


---

## 9 Sécurité enfants


Afin d'éviter que les enfants se brûlent ou s'ébouillent, il est possible de verrouiller l'appareil.

### 9.1 Activer la sécurité enfants

**Exigence :** L'appareil est allumé.

- ▶ Appuyer sur  pendant au moins 3 secondes.
- ✓ Le verrouillage pour enfants est activé.

### 9.2 Désactiver la sécurité enfants

- ▶ Appuyer sur  pendant au moins 3 secondes.
- ✓ Le verrouillage pour enfants est désactivé.

---

## 10 Chauffe-tasses<sup>1</sup>

Vous pouvez chauffer vos tasses avec le chauffe-tasses.

### 10.1 Activer et désactiver le chauffe-tasses<sup>1</sup>

#### AVERTISSEMENT

Le chauffe-tasses<sup>1</sup> devient très chaud.

- ▶ Ne jamais toucher le chauffe-tasses<sup>1</sup> très chaud.
- ▶ Laisser le chauffe-tasses<sup>1</sup> refroidir avant de le toucher.


**Conseil :** Pour bien chauffer les tasses, placez-les avec le fond sur le chauffe-tasses<sup>1</sup>.

---

## 11 Favoris

Enregistrez les boissons contenant des réglages personnels sous forme de favori.


Vous pouvez identifier chaque favori avec une couleur. Un favori contient une boisson nécessitant des réglages personnels. Vous pouvez remodifier les réglages à tout moment.

**Remarque :** Pour quitter les réglages, appuyer sur  ou lancer la préparation de la boisson.

### 11.1 Enregistrer une boisson à partir de la sélection des boissons

1. Sélectionner une boisson à partir de "Classiques" ou "coffeeWorld".
2. Effectuer les réglages de boissons personnels.
3. Appuyer sur "Favori".
4. Sélectionner la couleur souhaitée pour la boisson.
5. Appuyer sur "Enregistrer".

### 11.2 Enregistrer la boisson dans le menu

1. Appuyer sur "Favoris".
2. Appuyer sur .
- ✓ L'écran indique toutes les boissons disponibles.
3. Sélectionner la boisson souhaitée.
4. Effectuer les réglages de boissons personnels.
5. Appuyer sur "Suivant".

---

<sup>1</sup> selon l'équipement de l'appareil



6. Sélectionner la couleur souhaitée pour la boisson.
7. Appuyer sur "Enregistrer".

### 11.3 Modifier les réglages des boissons

1. Appuyer sur "Favoris".
2. Sélectionner la boisson et appuyer brièvement dessus.
3. Modifier les réglages des boissons.
4. Appuyer sur "Reprendre".
- ✓ Les nouveaux réglages sont mémorisés.

### 11.4 Supprimer un favori

1. Appuyer sur "Favoris".
2. Sélectionner la boisson.
3. Appuyer sur la boisson pendant au moins 3 secondes.
4. Confirmer "Effacer".

### 11.5 Trier les favoris

1. Appuyer sur "Réglages".
2. Appuyer sur "Personnalisation".
3. Appuyer sur "Classement des favoris".
4. Trier les favoris, p. ex. d'après leur nom ou leur couleur.

---

## 12 Home Connect

Cet appareil peut être mis en réseau. Branchez votre appareil à un appareil mobile pour en effectuer la commande via l'application Home Connect, en modifier les réglages de base ou pour surveiller l'état de fonctionnement.

Les Home Connect ne sont pas proposés dans tous les pays. La disponibilité de la fonction Home Connect de l'offre des services Home Connect dans votre pays. Vous trouverez de plus amples informations à ce sujet à l'adresse : [www.home-connect.com](http://www.home-connect.com).

Pour utiliser Home Connect, configurez d'abord la connexion à votre réseau domestique WLAN (Wi-Fi<sup>1</sup>) et à l'application Home Connect.

L'appli Home Connect vous guide tout au long du processus de connexion. Suivez les étapes prescrites par l'application Home Connect pour procéder aux réglages.

**Conseil :** Observez également les consignes dans l'application Home Connect.

#### Remarques

- Observez les consignes de sécurité de la présente notice d'utilisation et assurez-vous qu'elles sont également respectées si vous utilisez l'appareil via l'application Home Connect.  
→ "*Sécurité*", Page 44
- Les commandes sur l'appareil même ont toujours priorité. Pendant ce temps, la commande via l'application Home Connect n'est pas possible.

---

<sup>1</sup> Wi-Fi est une marque déposée de la société Wi-Fi Alliance.

## 12.1 Configurer l'application Home Connect

1. Installer l'application Home Connect sur votre appareil mobile.
2. Démarrez l'appli Home Connect et configurez l'accès à Home Connect.  
L'appli Home Connect vous guide tout au long du processus de connexion.

## 12.2 Configurer Home Connect

### Exigence

- L'application Home Connect est configurée sur l'appareil mobile.
- L'appareil a accès au réseau domestique WLAN (Wi-Fi) sur le lieu d'installation.

1. Ouvrir l'appli Home Connect et scanner le code QR suivant.



2. Suivez les instructions de l'application Home Connect.

## 12.3 Home Connect Réglages

Ajustez Home Connect à vos besoins personnels.  
Vous trouverez les réglages Home Connect dans les réglages de base de votre appareil. Les réglages qui s'affichent dépendent de la configuration de Home Connect et de la connexion de l'appareil au réseau domestique.

## Aperçu des réglages de Home Connect

Cette section présente les réglages de Home Connect et des réglages du réseau.

| Réglage de base            | Sélection       | Description   |
|----------------------------|-----------------|---|
| Connexion WiFi             | Marche<br>Arrêt | Éteindre le module radio en cas d'absence prolongée ou pour économiser l'énergie.<br><b>Remarque :</b> En mode veille avec maintien de la connexion au réseau, votre appareil consomme 2 W maximum. |
| Démarrage à distance       | Marche<br>Arrêt | Activer et désactiver le démarrage à distance sur l'appareil.<br><b>Remarque :</b> L'application Home Connect permet uniquement d'éteindre l'appareil.  |
| Ajouter un terminal mobile | -               | Connecter l'appareil à l'application "Home Connect" ou à des comptes supplémentaires.   |

| Réglage de base             | Sélection | Description  |
|-----------------------------|-----------|--|
| Informations réseau         | -         | Afficher des informations sur le réseau et l'appareil.   |
| Effacer les réglages réseau | -         | <b>Remarque</b> : Sans connexion au réseau, la commande via l'application "Home Connect" est impossible. |
| Mise à jour du logiciel     | -         | <b>Remarque</b> : Ce réglage est disponible uniquement lors d'une mise à jour logicielle.                |

## 12.4 Diagnostic à distance

Le service à la clientèle peut accéder à votre appareil via le diagnostic à distance si vous en faites la demande spécifique, si votre appareil est connecté au serveur Home Connect et si le diagnostic à distance est disponible dans le pays où vous utilisez l'appareil.

**Conseil** : Pour plus d'informations et pour connaître la disponibilité du service de diagnostic à distance dans votre pays, veuillez consulter la section Service/Support du site Web local : [www.home-connect.com](http://www.home-connect.com).

## 12.5 Protection des données

Observez les consignes de protection des données.

Lors de la première connexion de votre appareil à un réseau domestique branché à Internet, votre appareil transmet les catégories de données suivantes au serveur Home Connect (premier enregistrement) :

- Code d'appareil univoque (constitué de clés d'appareil ainsi que de l'adresse MAC du module de communication Wi-Fi intégré).

- Certificat de sécurité du module de communication Wi-Fi (pour la protection des informations de la connexion).
- La version actuelle du logiciel et du matériel de l'électroménager.
- État d'une précédente restauration éventuelle des réglages d'usine.

Ce premier enregistrement prépare l'utilisation des fonctions Home Connect et ne s'avère nécessaire qu'au moment où vous voulez utiliser les fonctions Home Connect pour la première fois.

**Remarque** : Veuillez noter que les fonctions Home Connect ne sont utilisables qu'avec l'application Home Connect. Vous pouvez consulter les informations sur la protection des données dans l'application Home Connect.

## 13 Réglages de base

Vous pouvez modifier les réglages de base de votre appareil en fonction de vos besoins et appeler des fonctions supplémentaires.

## 13.1 Modifier les réglages de base

1. Modifier le réglage de base souhaité.
- ✓ L'appareil mémorise le réglage de base automatiquement.
2. Pour quitter les réglages de base, appuyer sur ←.

## 13.2 Aperçu des réglages de base

Vous trouverez ici un aperçu des réglages de base de l'appareil.

|                       |   |  |
|-----------------------|---|--|
| Réglage des boissons  | Température de percolation              | Régler la température de percolation.  |
|                       | Ordre lait                              | Régler l'ordre lait et café.   |
|                       | Pause Latte Macchiato                   | Régler la pause entre lait et café.  |
| Réglage de l'appareil | Réinitialiser les paramètres boisson    | Réinitialiser les réglages de boissons.  |
|                       | Chauffe-tasses <sup>1</sup>             | Activer ou désactiver le chauffe-tasses <sup>1</sup> .   |
|                       | Arrêt automatique                       | Régler la durée après laquelle l'appareil s'éteint.  |
|                       | Luminosité de l'afficheur               | Régler la luminosité par étapes.   |
|                       | Sons                                    | <ul style="list-style-type: none"> <li>■ Allumer et éteindre les tons.</li> <li>■ Régler le volume.</li> </ul> |
|                       | Dureté de l'eau                         | Régler la dureté de l'eau.   |
|                       | Langue                                  | Régler la langue.  |
|                       | Réglages usine                          | Réinitialiser l'appareil aux réglages usine.   |
|                       | Personnalisation                        |  |
|                       | Fonctionnement après la mise en service | Régler l'écran pour "Favoris", "Classiques" ou "coffeeWorld".  |
|                       | Tri des favoris                         | Déterminer l'ordre des favoris.  |
| Home Connect          | Informations sur Home Connect           | → <i>"Configurer Home Connect", Page 66</i>  |

<sup>1</sup> selon l'équipement de l'appareil

|   |  |   |
|---|--|---|
| Informations sur l'appareil                   | Compteur de boissons                         | Afficher le nombre des boissons prélevées.  |
|   | Information de nettoyage                     | Afficher la durée jusqu'au prochain changement de filtre à eau ou démarrage du programme d'entretien. |
|   | Information sur la version                   | Afficher des informations sur le réseau et l'appareil.  |
|   | Informations sur la licence                  | Afficher le texte de la licence FOSS.   |
|   | Mode d'opération à des fins de démonstration | Activer ou désactiver "Mode démo".  |
| <sup>1</sup> selon l'équipement de l'appareil |  |   |

## 14 Nettoyage et entretien

Pour que votre appareil reste longtemps opérationnel, nettoyez-le et entretenez-le avec soin.

### 14.1 Nettoyage au lave-vaisselle

Vous trouverez ici une vue d'ensemble des composants qui peuvent être lavés au lave-vaisselle.

#### **AVIS :**

Certains composants ne sont pas résistants aux températures élevées et peuvent être endommagés lors du nettoyage en lave-vaisselle.

- ▶ Respecter la notice d'utilisation du lave-vaisselle.

- ▶ Nettoyer au lave-vaisselle uniquement les composants adaptés.
- ▶ Utiliser uniquement des programmes qui ne chauffent pas les composants à plus de 60 °C.

Adapté : 

- Baç collecteur
  - Égouttoir
  - Réservoir à café
  - Indicateur mécanique de niveau de remplissage
- Système à lait avec adaptateur
- Réservoir de lait avec couvercle

Non adapté : 

- Réservoir d'eau
- Couvercle du réservoir d'eau
- Unité de percolation
- Couvercle du distributeur de boissons

## 14.2 Produits de nettoyage

Utilisez uniquement des produits de nettoyage appropriés.

### AVIS :

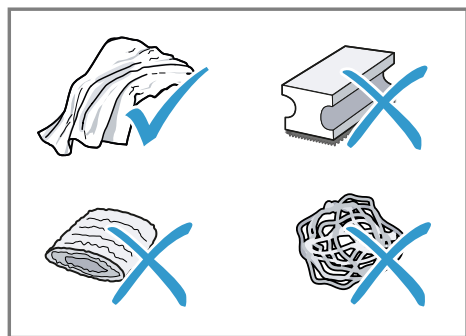
Les produits de nettoyage inappropriés risquent d'endommager la surface de l'appareil.

- ▶ N'utilisez pas de produits de nettoyage agressifs ou récurants.
- ▶ Ne pas utiliser de produit nettoyant contenant de l'alcool ou de l'alcool à brûler.
- ▶ N'utilisez pas de tampon abrasif ni d'éponge en laine d'acier.

Des produits nettoyants et détartrants inappropriés peuvent endommager l'appareil.

- ▶ Ne pas utiliser d'acide citrique pur, de vinaigre ou de produit à base de vinaigre pour le détartrage.
- ▶ Ne pas utiliser de détartrant contenant de l'acide phosphorique.
- ▶ Utiliser uniquement des pastilles de détartrage et de nettoyage développées spécialement pour l'appareil.

→ "Accessoires", Page 53



## Conseils

- Lavez soigneusement les chiffons éponges neufs pour retirer les sels qui y adhèrent éventuellement. Les sels peuvent occasionner une rouille superficielle sur les surfaces en acier inox.
- Enlevez toujours immédiatement les résidus de tartre, de café, de lait, de produit de nettoyage et de produit de détartrage afin d'éviter la formation de corrosion.

## 14.3 Nettoyer l'appareil

### ⚠ AVERTISSEMENT

L'humidité qui pénètre peut occasionner une électrocution.

- ▶ Ne plongez jamais l'appareil ou le cordon d'alimentation dans l'eau.
- ▶ Veillez à ce qu'aucun liquide ne coule sur la fiche de raccordement de l'appareil.
- ▶ N'utilisez pas de nettoyeur haute pression ou de nettoyeur à vapeur pour nettoyer l'appareil.

### ⚠ AVERTISSEMENT

Certaines pièces de l'appareil deviennent très chaudes.

- ▶ Ne jamais toucher les pièces chaudes de l'appareil.
- ▶ Laisser refroidir les pièces chaudes de l'appareil après utilisation et avant de les toucher.

1. Nettoyer le boîtier, les surfaces brillantes et le bandeau de commande avec un chiffon en microfibras.
2. Nettoyer le système verseur après la préparation de boisson avec un chiffon doux et humide.

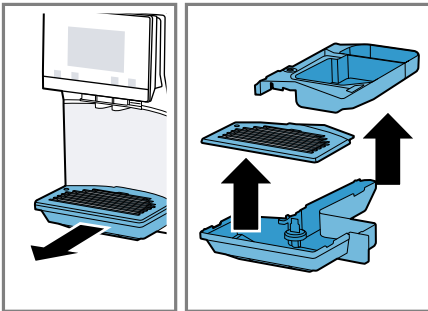
3. Rincer le réservoir d'eau à l'eau claire, fraîche.
4. Si l'appareil n'a pas été utilisé pendant une période prolongée, p. ex. pendant les vacances, nettoyer tout l'appareil, y compris les pièces amovibles comme l'unité de percolation ou le réservoir d'eau.

**Remarque :** L'appareil effectue un rinçage automatique lorsque vous l'allumez à froid ou lorsque vous l'éteignez après la préparation de café. L'appareil se nettoie donc de lui-même.

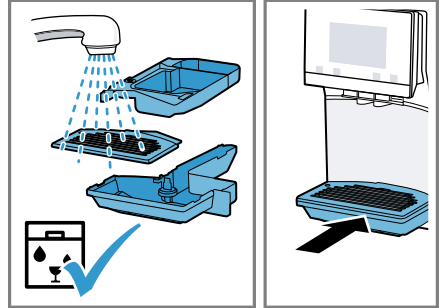
#### 14.4 Nettoyer la cuvette d'égouttage et le réservoir pour marc de café

Nettoyez et videz quotidiennement la cuvette d'égouttage et le bac à marc de café pour éviter les dépôts.

1. Retirer la cuvette d'égouttage et le réservoir pour marc de café en les tirant vers l'avant.
  - Insérer le bac à marc de café dans la cuvette d'égouttage et mettre l'égouttoir en place.



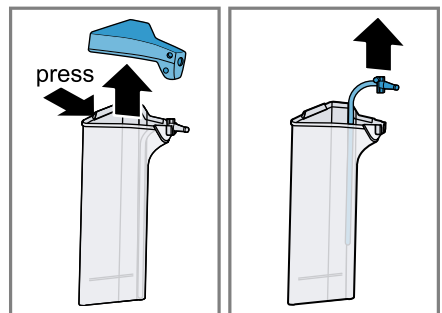
2. Nettoyer et sécher toutes les pièces.
  - Insérer le bac à marc de café dans la cuvette d'égouttage et mettre l'égouttoir en place.
  - Mettre en place la cuvette d'égouttage et le bac à marc de café dans l'appareil.



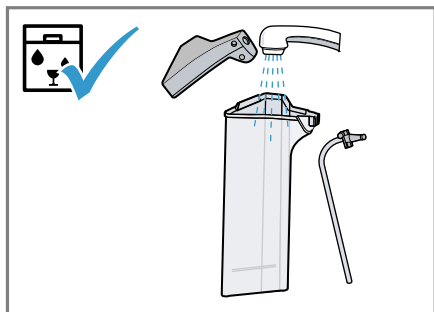
#### 14.5 Nettoyage du réservoir à lait

Pour des raisons d'hygiène, nettoyez régulièrement le réservoir à lait. Vous pouvez nettoyer le réservoir à lait au lave-vaisselle.

1. Démontez les différents composants du réservoir à lait.




2. Nettoyer et sécher les différents composants du réservoir à lait.



**Conseil :** En plus du programme de rinçage automatique, retirez et nettoyez régulièrement l'unité de percolation.

### Utiliser les programmes d'entretien

- ▶ Appuyer sur .
- ✓ Des mentions apparaissent sur l'écran pour vous guider.

## 14.6 Programmes d'entretien

Utilisez les programmes d'entretien pour insérer ou retirer un filtre à eau ou nettoyer à fond votre appareil. Votre appareil vous indique quand un programme d'entretien doit être effectué, p. ex. nettoyage.

### AVIS :

Un nettoyage ou un détartrage effectué de manière incorrecte ou retardée peut endommager l'appareil.

- ▶ Réaliser le processus de détartrage conformément aux instructions.
- ▶ Placer uniquement des pastilles de nettoyage dans le compartiment à pastille.
- ▶ Ne jamais placer de pastilles de détartrage ni autres produits dans le compartiment à pastilles.

### Remarques

- L'écran indique où en est l'opération.
- Si l'appareil est verrouillé, il ne peut être réutilisé qu'une fois le détartrage effectué.



## 15 Dépannage

### AVERTISSEMENT

Les réparations non conformes sont dangereuses.

- ▶ Seules des pièces de rechange d'origine peuvent être utilisées pour réparer l'appareil.
- ▶ Afin d'écartier tout danger, quand le cordon d'alimentation de cet appareil est endommagé, seul le fabricant, son service à la clientèle ou toute autre personne de qualification équivalente est habilité à le faire.

| <b>Défaut</b>                                      | <b>Cause et dépannage</b>   |
|--|---|
| L'appareil ne réagit plus.                         | Erreur de l'appareil.<br><ol style="list-style-type: none"> <li>1. Débranchez la prise et attendez 60 secondes.</li> <li>2. Branchez la fiche secteur.</li> </ol>   |
| Home Connect ne fonctionne pas correctement.       | Ce problème peut avoir de nombreuses causes.<br><ul style="list-style-type: none"> <li>▶ Rendez-vous sur <a href="http://www.home-connect.com">www.home-connect.com</a>.</li> </ul>   |
| L'appareil verse uniquement de l'eau, pas de café. | L'appareil ne détecte pas que le réservoir pour café en grains est vide.<br><ul style="list-style-type: none"> <li>▶ Versez du café en grains.</li> </ul> <hr/> La cuve à café de l'unité de percolation est obstruée.<br><ul style="list-style-type: none"> <li>▶ Nettoyez l'unité de percolation.</li> </ul> <hr/> Les grains de café sont trop huileux et ne tombent pas dans le moulin.<br><ul style="list-style-type: none"> <li>▶ Tapotez légèrement sur le réservoir pour café en grains.</li> <li>▶ Changez de variété de café.</li> <li>▶ N'utilisez pas de grains huileux.</li> <li>▶ Nettoyez le réservoir pour café en grains vide avec un chiffon humide.</li> </ul> <hr/> L'unité de percolation est mal insérée.<br><ol style="list-style-type: none"> <li>1. Vérifiez si l'unité de percolation est correctement mise en place et bien verrouillée.</li> <li>2. Poussez le levier rouge situé en haut vers la gauche.</li> <li>3. Remettez en place le couvercle de l'espace de percolation.</li> </ol> |
| L'appareil de fournit pas de mousse de lait.       | Le système à lait est sale.<br><ul style="list-style-type: none"> <li>▶ Nettoyez le système à lait au lave-vaisselle.</li> </ul> <hr/> Le tube à lait ne plonge pas dans le lait.   |

| <b>Défaut</b>   | <b>Cause et dépannage</b>  |
|---|--|
| L'appareil de fournit pas de mousse de lait.                  | <ul style="list-style-type: none"> <li>▶ Utilisez plus de lait.</li> <li>▶ Vérifiez si le tube à lait plonge dans le lait.</li> </ul>  |
|   | <p>L'appareil est fortement entartré.</p> <ul style="list-style-type: none"> <li>▶ Détartrez l'appareil.</li> </ul>  |
| Le système à lait n'aspire pas de lait.                       | <p>Le système à lait n'est pas assemblé correctement.</p> <ul style="list-style-type: none"> <li>▶ Assemblez correctement le système à lait.</li> </ul> <p>Le raccordement du réservoir à lait et du système à lait est effectué dans le mauvais ordre.</p> <ul style="list-style-type: none"> <li>▶ Placez d'abord le système à lait dans la buse d'écoulement, puis le réservoir à lait.</li> </ul> <p>Le tube à lait ne plonge pas dans le lait.</p> <ul style="list-style-type: none"> <li>▶ Utilisez plus de lait.</li> <li>▶ Vérifiez si le tube à lait plonge dans le lait.</li> </ul>  |
| La mousse de lait est trop froide.                            | <p>Le lait est trop froid.</p> <ul style="list-style-type: none"> <li>▶ Réchauffez le lait.</li> </ul>   |
| L'appareil ne délivre pas d'eau chaude.                       | <p>Le système à lait est sale.</p> <ul style="list-style-type: none"> <li>▶ Nettoyez le système à lait au lave-vaisselle.</li> </ul>   |
| Il est impossible de monter ou de démonter le système à lait. | <p>L'ordre de montage est incorrect.</p> <ul style="list-style-type: none"> <li>▶ Raccordez tout d'abord le système à lait, puis le réservoir à lait. Pour le démontage, retirez tout d'abord le réservoir, puis le système à lait.</li> </ul>   |
| L'appareil de verse pas de boisson.                           | <p>De l'air se trouve dans le filtre à eau.</p> <ol style="list-style-type: none"> <li>1. Plongez le filtre à eau dans de l'eau, ouverture vers le haut, jusqu'à ce que plus aucune bulle d'air ne s'échappe.</li> <li>2. Remettez le filtre en place.</li> </ol> <ul style="list-style-type: none"> <li>▶ Placez le filtre à eau bien droit et appuyez fortement pour l'enfoncer dans le raccordement au réservoir.</li> </ul> <p>Des résidus de détartrant obstruent le réservoir à eau.</p> <ol style="list-style-type: none"> <li>1. Retirez le réservoir d'eau.</li> <li>2. Nettoyez soigneusement le réservoir d'eau.</li> </ol> |
| Il y a des gouttes d'eau au fond de l'appareil.               | <p>La cuvette d'égouttage a été retirée trop tôt.</p> <ul style="list-style-type: none"> <li>▶ Attendez quelques secondes après la préparation de la dernière boisson avant de retirer la cuvette d'égouttage.</li> </ul>  |

| <b>Défaut</b>  | <b>Cause et dépannage</b>  |
|--|--|
| L'unité de percolation ne peut pas être retirée.                                       | Impossible de débloquer le verrouillage, unité de percolation bloquée. <ul style="list-style-type: none"> <li>▶ Mettez l'appareil hors, puis sous tension après 3 minutes.</li> </ul>  |
| Le moulin ne démarre pas.  | L'appareil est trop chaud. <ol style="list-style-type: none"> <li>1. Débranchez l'appareil du secteur.</li> <li>2. Laissez l'appareil refroidir 1 heure.</li> </ol>  |
| Le moulin ne moule pas de grains alors que le réservoir pour café en grains est plein. | Les grains de café sont trop huileux et ne tombent pas dans le moulin. <ul style="list-style-type: none"> <li>▶ Tapotez légèrement sur le réservoir pour café en grains.</li> <li>▶ Changez de variété de café.</li> <li>▶ N'utilisez pas de grains huileux.</li> <li>▶ Nettoyez le réservoir pour café en grains vide avec un chiffon humide.</li> </ul>                      |
| Qualité de la mousse de café ou de lait très variable.                                 | L'appareil est entartré. <ul style="list-style-type: none"> <li>▶ Détartrez l'appareil.</li> </ul>   |
| Qualité variable de la mousse de lait.   | La qualité de la mousse de lait est fonction de la nature de la boisson végétale ou du lait utilisé. <ul style="list-style-type: none"> <li>▶ Optimisez le résultat par le choix du lait ou de la boisson végétale.</li> </ul>   |
| Le café ne se verse pas ou ne se verse qu'une goutte à la fois.                        | Le degré de mouture réglé est trop fin. <ul style="list-style-type: none"> <li>▶ Réglez un degré de mouture plus grossier.<br/>→ <i>"Régler le degré de mouture", Page 63</i></li> </ul>   |
| La quantité réglée n'est pas atteinte.   | L'appareil est fortement entartré. <ul style="list-style-type: none"> <li>▶ Détartrez l'appareil.</li> </ul> <p>De l'air se trouve dans le filtre à eau.</p> <ol style="list-style-type: none"> <li>1. Plongez le filtre à eau dans de l'eau, ouverture vers le haut, jusqu'à ce que plus aucune bulle d'air ne s'échappe.</li> <li>2. Remettez le filtre en place.</li> </ol> |
|  | L'appareil est encrassé. <ul style="list-style-type: none"> <li>▶ Nettoyez l'unité de percolation.</li> <li>▶ Détartrez et nettoyez l'appareil.</li> </ul>   |
| Le café ne présente pas de crema.  | La variété de café n'est pas optimale. <ul style="list-style-type: none"> <li>▶ Utilisez un café contenant une proportion plus importante de Robusta.</li> </ul>   |

| Défaut   | Cause et dépannage   |
|--|--|
| Le café ne présente pas de crema.                              | <p>Les grains de café ne sont pas fraîchement torréfiés.</p> <ul style="list-style-type: none"> <li>▶ Utilisez des grains de café frais.</li> </ul> <hr/> <p>Le degré de mouture est inadapté aux grains de café.</p> <ul style="list-style-type: none"> <li>▶ Réglez un degré de mouture plus fin.</li> <li>→ <i>"Réglage le degré de mouture", Page 63</i></li> </ul>  |
| Le café est trop acide.  | <p>Le degré de mouture réglé est trop grossier.</p> <ul style="list-style-type: none"> <li>▶ Réglez un degré de mouture plus fin.</li> <li>→ <i>"Réglage le degré de mouture", Page 63</i></li> </ul> <hr/> <p>La variété de café n'est pas optimale.</p> <ul style="list-style-type: none"> <li>▶ Utilisez un café contenant une proportion plus importante de Robusta.</li> </ul>  |
| Le café est trop amer.   | <p>Le degré de mouture réglé est trop fin.</p> <ul style="list-style-type: none"> <li>▶ Réglez un degré de mouture plus grossier.</li> <li>→ <i>"Réglage le degré de mouture", Page 63</i></li> </ul> <hr/> <p>La variété de café n'est pas optimale.</p> <ul style="list-style-type: none"> <li>▶ Changez de variété de café.</li> </ul>  |
| Le café a un goût de brûlé.                                    | <p>Le degré de mouture réglé est trop fin.</p> <ul style="list-style-type: none"> <li>▶ Réglez un degré de mouture plus grossier.</li> <li>→ <i>"Réglage le degré de mouture", Page 63</i></li> </ul> <hr/> <p>La variété de café n'est pas optimale.</p> <ul style="list-style-type: none"> <li>▶ Changez de variété de café.</li> </ul> <hr/> <p>La température réglée du café est trop élevée.</p> <ul style="list-style-type: none"> <li>▶ Réduisez la température du café.</li> </ul> |
| Le marc de café n'est pas compact et est trop humide.          | <p>Le degré de mouture réglé n'est pas optimal.</p> <ul style="list-style-type: none"> <li>▶ Réglez un degré de mouture plus grossier ou plus fin.</li> <li>→ <i>"Réglage le degré de mouture", Page 63</i></li> </ul> <hr/> <p>Les grains de café sont trop huileux.</p> <ul style="list-style-type: none"> <li>▶ Utilisez une autre variété de grains de café.</li> </ul>  |
| Le message "Mettre en place l'unité de percolation." apparaît. | <p>Le couvercle est mal mis en place.</p> <ol style="list-style-type: none"> <li>1. Vérifiez si l'unité de percolation est correctement mise en place et bien verrouillée.</li> <li>2. Poussez le levier rouge situé en haut vers la gauche.</li> <li>3. Remettez en place le couvercle de l'espace de percolation.</li> </ol>   |

| <b>Défaut</b>  | <b>Cause et dépannage</b>  |
|--|--|
| Le message "Remplir le réservoir d'eau." s'affiche alors que le réservoir d'eau est plein.                       | <p>Le réservoir d'eau est mal mis en place.</p> <ul style="list-style-type: none"> <li>▶ Mettez correctement en place le réservoir d'eau.</li> </ul> <hr/> <p>Le réservoir d'eau contient de l'eau gazeuse.</p> <ul style="list-style-type: none"> <li>▶ Remplissez le réservoir d'eau avec de l'eau fraîche du robinet.</li> </ul> <hr/> <p>Le flotteur qui se trouve dans le réservoir d'eau est bloqué.</p> <ol style="list-style-type: none"> <li>1. Retirez le réservoir d'eau.</li> <li>2. Nettoyez soigneusement le réservoir d'eau.</li> </ol> <hr/> <p>Le filtre à eau neuf n'a pas été rincé conformément aux instructions.</p> <ol style="list-style-type: none"> <li>1. Rincez le filtre à eau d'après les instructions.</li> <li>2. Mettez le filtre à eau en service.</li> </ol> <hr/> <p>De l'air se trouve dans le filtre à eau.</p> <ol style="list-style-type: none"> <li>1. Plongez le filtre à eau dans de l'eau, ouverture vers le haut, jusqu'à ce que plus aucune bulle d'air ne s'échappe.</li> <li>2. Remettez le filtre en place.</li> </ol> <hr/> <p>Le filtre à eau est trop usé.</p> <ul style="list-style-type: none"> <li>▶ Mettez en place un nouveau filtre à eau.</li> </ul> <hr/> <p>Des dépôts de tartre dans le réservoir d'eau bouchent le système.</p> <ol style="list-style-type: none"> <li>1. Nettoyez soigneusement le réservoir d'eau.</li> <li>2. Démarrez le programme de détartrage.</li> </ol> |
| Le message "Nettoyer l'unité de percolation. Voir les instructions dans le mode d'emploi" apparaît.              | <p>L'unité de percolation est sale.</p> <ul style="list-style-type: none"> <li>▶ Nettoyez l'unité de percolation.</li> </ul> <hr/> <p>Le mécanisme de l'unité de percolation est grippé.</p> <ul style="list-style-type: none"> <li>▶ Nettoyez l'unité de percolation.</li> </ul>  |
| Le message "Surtension ou sous-tension" apparaît.  | <p>Problèmes associés à l'alimentation électrique.</p> <ul style="list-style-type: none"> <li>▶ Ne faites fonctionner l'appareil que sur 120 V ~.</li> </ul>   |
| Le message "Défaut dans le circuit d'eau. Débrancher l'appareil, attendre 10 minutes et le rebrancher" apparaît. | <p>Erreur de l'appareil.</p> <ol style="list-style-type: none"> <li>1. Débranchez la prise et attendez 60 secondes.</li> <li>2. Branchez la fiche secteur.</li> </ol>  |

| Défaut   | Cause et dépannage  |
|--|---|
| Le message "Effectuer le programme Calc'nClean !" apparaît très fréquemment. | <p data-bbox="374 161 1049 220">L'eau déminéralisée contient encore de faibles quantités de calcaire.</p> <ol data-bbox="374 225 882 284" style="list-style-type: none"><li data-bbox="374 225 882 252">1. Mettez en place un nouveau filtre à eau.</li><li data-bbox="374 252 710 284">2. Réglez la dureté de l'eau.</li></ol> <hr/> <p data-bbox="374 300 1049 359">Le produit détartrant est utilisé en trop faible quantité ou ne convient pas.</p> <ul data-bbox="374 363 1049 422" style="list-style-type: none"><li data-bbox="374 363 1049 422">▶ Pour le détartrage, utilisez exclusivement les pastilles appropriées.</li></ul> <hr/> <p data-bbox="374 438 941 466">Programme d'entretien pas entièrement réalisé.</p> <ul data-bbox="374 470 941 555" style="list-style-type: none"><li data-bbox="374 470 941 523">▶ Démarrez le programme d'entretien "Rinçage spécial".<br/>→ <i>"Programmes d'entretien", Page 72</i></li></ul> |

## 16 Transport, entreposage et élimination

### 16.1 Activer la protection contre le gel

Protégez l'appareil contre le gel durant le transport et le stockage.

#### **AVIS :**

Les résidus de liquide risquent d'endommager l'appareil pendant le transport et le stockage.

- ▶ Vider le circuit avant le transport ou le stockage.
1. Exécuter le programme "Protection contre le gel".
  2. Débrancher l'appareil du réseau électrique.

### 16.2 Éliminer un appareil usagé

L'élimination dans le respect de l'environnement permet de récupérer de précieuses matières premières.

1. Débranchez la fiche du secteur.
2. Coupez le câble de raccordement secteur.
3. Éliminez l'appareil dans le respect de l'environnement.

Pour connaître les circuits d'élimination actuels, veuillez vous adresser à votre revendeur ou à votre administration municipale.

## 17 Service à la clientèle

Lors de toute réparation réalisée dans le cadre de la garantie, nous nous assurons que votre appareil est réparé avec des pièces de rechange d'origine par un technicien dûment formé et agréé. Nous utilisons exclusivement des pièces de rechange d'origine lors des réparations.

Pour plus d'informations sur la durée et les conditions de la garantie dans votre pays, consultez nos modalités de garantie auprès de votre détaillant ou sur notre site Web.

Si vous contactez le service à la clientèle, indiquez le numéro de modèle (E-Nr.), le numéro de fabrication (FD) et le numéro de comptage (Z-Nr.) de l'appareil.

USA:

1-800-944-2904

[www.bosch-home.com/us/owner-support/get-support](http://www.bosch-home.com/us/owner-support/get-support)

[www.bosch-home.com/us/shop](http://www.bosch-home.com/us/shop)

CA:

1-800-944-2904

[www.bosch-home.ca/en/service/get-support](http://www.bosch-home.ca/en/service/get-support)

[www.bosch-home.ca/en/service/cleaners-and-accessories](http://www.bosch-home.ca/en/service/cleaners-and-accessories)

Vous trouverez également de l'aide pour contacter Home Connect à l'adresse suivante :

[www.home-connect.com/us/en/help-support/set-up](http://www.home-connect.com/us/en/help-support/set-up)

## 17.1 Numéro de modèle (E-Nr.), numéro de fabrication (FD) et numéro de comptage (Z-Nr.)

Le numéro de modèle (E-Nr.), le numéro de fabrication (FD) et le numéro de comptage (Z-Nr.) sont indiqués sur la plaque signalétique de l'appareil.

Pour retrouver rapidement les données de votre appareil et le numéro de téléphone du service à la clientèle, n'hésitez pas à les recopier ailleurs.

## 18 Données techniques

|   |                     |
|---|---------------------|
| Tension                                 | 120 V ~             |
| Fréquence                               | 60 Hz               |
| Puissance raccordée                     | 1500 W              |
| Pression statique maximale de la pompe  | 19 bar              |
| Volume du réservoir d'eau (sans filtre) | 81 oz.<br>(2,4 l)   |
| Volume du réservoir pour café en grains | 11,3 oz.<br>(320 g) |
| Longueur du cordon d'alimentation       | 39 ⅜ po<br>(1 m)    |
| Hauteur de l'appareil                   | 15 po<br>(380 mm)   |
| Largeur de l'appareil                   | 13 ⅞ po<br>(352 mm) |
| Profondeur de l'appareil                | 18 ⅝ po<br>(467 mm) |
| Poids, à vide                           | 9 kg                |
| Type de moulin                          | Céramique           |

Ce produit contient des sources de lumière de la classe d'efficacité énergétique D et F. Les sources de lumière sont disponibles en tant que pièces de rechange et doivent être remplacées uniquement par du personnel qualifié.

## 18.1 Informations sur le logiciel libre

Ce produit comprend des composants logiciels distribués à titre de logiciel libre par le détenteur du droit d'auteur. Les informations de licence correspondantes sont énoncées sur l'électroménager. Il est également possible d'accéder aux informations de licence via l'application

Home Connect; « Profil -> Consignes légales -> Informations de licence ».<sup>1</sup>

Vous pouvez télécharger les informations de licence sur le site Web du produit de marque. (Veuillez rechercher votre modèle d'appareil et la documentation connexe sur le site Web du produit.) Vous pouvez également demander les informations nécessaires par courriel à l'adresse [ossrequest@bshg.com](mailto:ossrequest@bshg.com) ou par courrier à l'adresse BSH Hausgeräte GmbH, Carl-Wery-Str. 34, D-81739 München. Le code source vous sera mis à votre disposition sur demande.

Veuillez envoyer votre demande par courriel à l'adresse [ossrequest@bshg.com](mailto:ossrequest@bshg.com) ou par courrier à l'adresse BSH Hausgeräte GmbH, Carl-Wery-Str. 34, D-81739 München. Objet : „OSSREQUEST“

<sup>1</sup> selon l'équipement de l'appareil



Les coûts de traitement de votre demande vous seront facturés. Cette offre est valide pour une durée de trois ans à compter de la date d'achat ou du moins pour la période durant laquelle nous offrons la prise en charge et des pièces de rechange pour l'appareil correspondant.

---

## 19 ÉNONCÉ DE LA GARANTIE LIMITÉE DU PRODUIT

LA PRÉSENTE GARANTIE LIMITÉE VOUS ACCORDE DES DROITS PRÉCIS RECONNUS PAR LA LOI ET VOUS POUVEZ ÉGALEMENT AVOIR D'AUTRES DROITS QUI VARIENT D'UN ÉTAT À L'AUTRE.

### 19.1 Couverture de la garantie limitée

La garantie limitée fournie par BSH Home Appliances Corporation (« Bosch ») dans la présente déclaration de produit limitée s'applique uniquement à l'appareil Bosch (« produit ») vendu à vous, pourvu que le produit ait été acheté :

- Pour une utilisation normale et résidentielle (non commerciale, c.-à-d. au maximum 7 000 tasses durant la période de garantie), et ce dès l'achat.
- Neuf au détail auprès d'un revendeur agréé BSH ou directement auprès de BSH (pas un présentoir, un plancher, « tel quel », ou un modèle précédemment retourné), et non à des fins de revente ou d'usage commercial.

- Aux États-Unis ou au Canada, et qu'il soit demeuré en tout temps dans le pays où l'appareil a été acheté.

Les garanties aux présentes s'appliquent à l'acheteur original du produit sous garantie pour une utilisation résidentielle normale durant la période de garantie.

Assurez-vous d'enregistrer votre produit (cela n'affectera pas vos droits en vertu de la garantie). Enregistrer votre produit est la meilleure façon de permettre à Bosch de vous avertir dans l'éventualité improbable d'un avis de sécurité ou d'un rappel du produit. Lors de l'achat ou de la réception du produit, il est recommandé de l'enregistrer à l'aide du code QR situé sur le côté de la machine ou sur le site <https://registerbosch.com/>

### 19.2 Obtention du service de garantie

Pour obtenir un service sous garantie pour votre produit, téléphonez le service à la clientèle de Bosch au 1-800-944-2904 pour planifier une réparation.

### 19.3 Durée de la garantie

Bosch garantit que le produit est exempt de défaut matériel et de fabrication pour une période de sept cent trente (730) jours à compter de la date de livraison originale. La période susmentionnée commence à partir de la date de livraison originale.

La garantie ne sera prolongée que pour la période écoulée entre la date de votre demande de garantie et la date de la réparation ou du remplacement effectué.

Ce produit est également garanti exempt de défauts **cosmétiques** de matériaux et de fabrication (tels que des rayures sur l'acier inoxydable, des taches de peinture/porcelaine, des éclats, des bosses ou d'autres dommages à la finition) pendant une période de trente (30) jours à compter de la date de livraison. Cette garantie **cosmétique** exclut les variations légères de couleur causées par les différences inhérentes entre les sections peintes et les sections en porcelaine, de même que les différences causées par l'éclairage de la cuisine, l'emplacement du produit et autres facteurs similaires. La présente garantie **cosmétique** exclut spécifiquement tous les appareils de démonstration, de plancher, « tel quel » et remis à neuf. **DANS LE CADRE DE CETTE GARANTIE SPÉCIFIQUE, UNE PREUVE D'ACHAT (PAR EXEMPLE, UN REÇU) EST REQUISE.** Sans preuve d'achat, la date de production plus trois mois sera utilisée comme date d'achat. Il peut vous être demandé de fournir des images claires (par exemple, des photos du produit ou de l'étiquette indiquant le modèle et le numéro de série), mais le fait de ne pas le faire ne diminuera pas vos droits à la garantie.

## 19.4 Réparation ou remplacement : votre recours exclusif

Pendant la période de garantie, Bosch, ou l'un de ses centres de réparations autorisés, réparera gratuitement le produit (sous réserve de certaines restrictions aux présentes) dans le cadre d'une réclamation valide aux termes de la garantie applicable. Bosch couvrira les frais de retour du produit Bosch à Bosch par voie terrestre, et le produit d'origine (pièces et composants retirés) deviendra la propriété de Bosch. **LES CONSOMMATEURS DOIVENT UTILISER LE CARTON D'EXPÉDITION OU LES INSTRUCTIONS D'EMBALLAGE SPÉCIALES FOURNIES PAR BOSCH.** Cette garantie ne couvre pas les dommages causés par le transport ou la perte du produit pendant le transport.

Si des tentatives raisonnables pour réparer le produit sont vaines, alors Bosch remplacera le produit par un modèle neuf ou certifié en usine (c.-à-d. remise à neuf). Un modèle supérieur peut être offert, à la seule appréciation de Bosch, moyennant des frais supplémentaires. Bosch peut réparer une pièce du produit d'origine avec une pièce certifiée en usine (c.-à-d. remise à neuf). Vous avez le droit de refuser un produit de rechange qui diffère substantiellement du produit d'origine.

La responsabilité de Bosch se limite à réparer le produit, dans le cadre d'une demande au titre de la garantie valide,

en faisant appel à un technicien Bosch ou à l'un de ses fournisseurs de services agréés pendant les heures ouvrables normales. Pour des raisons de sécurité et de dommages matériels, Bosch vous décourage fortement d'essayer de réparer le produit vous-même ou de faire appel à un fournisseur de services non agréé ; **Bosch décline toute responsabilité en cas de dommages résultant de réparations ou de travaux effectués par un fournisseur de services non agréé.** Les centres de réparation autorisés sont les personnes ou les entreprises qui ont été spécialement formées sur les produits Bosch et qui possèdent, selon Bosch, une réputation supérieure pour le service à la clientèle et la capacité technique (il est à noter qu'elles sont des entités indépendantes et non des agents, partenaires, affiliés ou représentants de Bosch). Néanmoins, le fait de confier l'entretien de votre produit à un atelier de réparation qui n'est pas affilié ou agréé par Bosch n'annulera pas cette garantie. De plus, l'utilisation de pièces tierces n'annulera pas cette garantie.

## 19.5 Produit hors garantie

Bosch n'a aucune obligation, aux termes de la loi ou autrement, d'offrir toute concession, incluant réparation, prorata ou remplacement de produit une fois la garantie expirée.

## 19.6 Exclusions de garantie

La présente garantie limitée ne couvre pas les éléments suivants :

- Les produits vendus en dehors des États-Unis d'Amérique, des territoires américains et du Canada
- Produits consommables (par exemple, filtre à eau)
- Réparations effectuées par un détaillant ou un revendeur non agréé
- Produits achetés sur eBay ou aux enchères
- Dommages causés par le transport ou perte du produit pendant le transport
- Réparations liées à l'utilisation et à l'entretien
- Utilisation de produits d'entretien non vendus par Bosch (par exemple, détartrants, nettoyeurs, etc.)

La couverture de garantie décrite aux présentes exclut tous les défauts ou dommages causés, notamment, par l'un ou plusieurs des éléments suivants :

- Utilisation du produit autre qu'un usage normal, résidentiel et de la façon destinée (notamment, toute forme d'utilisation commerciale, d'utilisation ou de rangement à l'extérieur d'un produit destiné à une utilisation 'intérieure, d'utilisation du produit de concert avec un appareil de transport aérien ou marin).
- Utilisation du produit avec une tension ou une fréquence supérieure à celle indiquée sur la plaque signalétique.
- Utilisation du produit sur une génératrice, un système solaire, un onduleur ou un convertisseur de courant continu en courant alternatif.

## fr-ca ÉNONCÉ DE LA GARANTIE LIMITÉE DU PRODUIT

- Inconduite, négligence, mauvaise utilisation, abus, accidents, utilisation inadéquate, mauvais entretien aux termes du manuel d'entretien, installation inadéquate ou négligente, altération, non-respect des instructions de fonctionnement, mauvaise manipulation, réparation non autorisée (incluant réparation par le consommateur ou exploration du fonctionnement interne du produit), de toutes les parties, et ce, de façon délibérée.
- Ajustement, modification ou altération de toute sorte.
- Manquement à la conformité des normes applicables fédérales, provinciales, municipales ou électriques du pays, codes de plomberie ou de construction, réglementation ou lois, incluant le manquement d'installer le produit en stricte conformité avec les codes et réglementations de construction et d'incendie locaux.
- Usure ordinaire, déversements d'aliments, liquide, accumulation de graisse ou autres substances accumulées dans, sur ou autour du produit.
- Toute force ou tout facteur externe, élémentaire et/ou environnemental, incluant sans limitation, pluie, vent, sable, inondation, incendie, coulée de boue, gel, humidité excessive et exposition prolongée à l'humidité, foudre, surtension, problème de structure autour de l'appareil et désastres naturels.
- Demandes de service visant à corriger l'installation de votre produit, à obtenir des conseils à propos de son utilisation, à remplacer les fusibles de votre maison ou à réparer l'installation électrique de votre foyer.
- Dommages ou défauts résultant de la main-d'œuvre ou de pièces installées par un centre de réparation non autorisé, à moins d'être approuvé par Bosch avant de procéder à sa réparation.

En aucun cas, Bosch ne sera tenu responsable de dommages survenus à la propriété, incluant les armoires, planchers, plafonds et autres objets ou structures autour du produit. Sont également exclus de la garantie les produits dont les numéros de série ont été modifiés, rendus illisibles ou effacés; tout type de service visant à vous enseigner le fonctionnement du produit ou l'entretien là où il n'y a aucun problème avec le produit; la correction de problèmes d'installation (le consommateur est seul responsable pour toute structure et tout réglage du produit, incluant l'électricité et les autres raccordements nécessaires, pour une fondation ou plancher approprié, et pour toute modification, notamment les armoires, murs, planchers, tablettes, etc.) et le réenclenchement de disjoncteurs ou de fusibles.

DANS LA MESURE AUTORISÉE PAR LOI, LA PRÉSENTE GARANTIE PRÉCISE LES RECOURS EXCLUSIFS DONT VOUS DISEPOSEZ À L'ÉGARD DU PRODUIT, QUE LA DEMANDE SOIT FONDÉE SUR UN

CONTRAT OU DÉLIT (Y COMPRIS RESPONSABILITÉ ABSOLUE OU NÉGLIGENCE) OU AUTRE. LA PRÉSENTE GARANTIE REMPLACE TOUTES LES AUTRES GARANTIES, EXPRESSES OU IMPLICITES. TOUTES GARANTIES IMPLICITES AUX TERMES DE LA LOI, QUE SE SOIT LES GARANTIES DE QUALITÉ MARCHANDE OU D'APTITUDE À UN USAGE PARTICULIER, OU AUTRES, SONT LIMITÉES DANS LE TEMPS À LA DURÉE DE CETTE GARANTIE LIMITÉE EXPRESSE. LE FABRICANT NE SERA EN AUCUN CAS RESPONSABLE DE DOMMAGES CONSÉCUTIFS, SPÉCIAUX, ACCESSOIRES, INDIRECTS OU DE « PERTES COMMERCIALES » ET / OU DE DOMMAGES PUNITIFS, DE PERTES OU DE DÉPENSES, Y COMPRIS SANS S'Y LIMITER, ABSENCE DU TRAVAIL, FRAIS D'HÔTEL ET / OU FRAIS DE RESTAURANT, FRAIS DE REMANIEMENT EN EXCÉDENT DES DOMMAGES DIRECTS QUI SONT DÉFINITIVEMENT CAUSÉS EXCLUSIVEMENT PAR BOSCH, OU AUTREMENT. CERTAINS ÉTATS N'AUTORISENT PAS L'EXCLUSION OU LA LIMITATION DE DOMMAGES ACCESSOIRES OU CONSÉCUTIFS, ET CERTAINS ÉTATS N'AUTORISENT PAS LA LIMITATION DE LA DURÉE DES GARANTIES IMPLICITES. PAR CONSÉQUENT, LES EXCLUSIONS OU LES LIMITES SUSMENTIONNÉES POURRAIENT NE PAS VOUS CONCERNER. LA PRÉSENTE GARANTIE VOUS DONNE DES DROITS PRÉCIS

RECONNUS PAR LA LOI ET VOUS POUVEZ ÉGALEMENT AVOIR D'AUTRES DROITS QUI VARIENT D'UN ÉTAT À L'AUTRE.

Aucune tentative de modifier, changer ou amender la présente garantie ne peut être valide sans le consentement écrit autorisé par un dirigeant de BSH.

## 19.7 Information sur le produit

Pour référence pratique, copiez l'information ci-après de la plaque signalétique. Conservez votre facture et/ou vos documents de livraison pour la validation de la garantie.

---

Numéro de modèle (E-Nr.)

---

Numéro de fabrication (FD)

---

Date de livraison

---

**Para más información, consulte la Guía del usuario digital.**



## Tabla de contenidos

|  |           |   |            |
|--|-----------|---|------------|
| <b>1 Seguridad .....</b>   | <b>88</b> | 6.2 Determinar el grado de dureza del agua .....                                    | 102        |
| 1.1 Definiciones de seguridad .....  | 88        | 6.3 Filtro de agua .....  | 102        |
| 1.2 PROTECCIONES IMPORTANTES .....   | 88        | 6.4 Realizar la primera puesta en marcha .....                                      | 103        |
| 1.3 Indicaciones generales .....   | 89        | 6.5 Indicaciones generales .....  | 103        |
| 1.4 Uso previsto .....   | 89        | <b>7 Manejo básico .....</b>  | <b>104</b> |
| 1.5 Limitación del grupo de usuarios .....                                     | 89        | 7.1 Conectar o desconectar el aparato .....   | 104        |
| 1.6 Indicaciones de seguridad .....  | 90        | 7.2 Preparación de bebidas .....  | 104        |
| 1.7 Advertencias en virtud de la Proposición 65 del estado de California ..... | 92        | 7.3 doubleShot y tripleShot .....   | 105        |
| <b>2 Protección del medio ambiente y ahorro .....</b>                          | <b>93</b> | 7.4 Preparar café con leche .....   | 105        |
| 2.1 Consejos para la eliminación del embalaje .....                            | 93        | 7.5 Preparación de dos tazas al mismo tiempo .....                                  | 105        |
| 2.2 Ahorrar energía .....  | 93        | <b>8 Molinillo .....</b>  | <b>106</b> |
| <b>3 Instalación y conexión .....</b>  | <b>93</b> | 8.1 Ajuste del grado de molido .....  | 106        |
| 3.1 Componentes entregados .....   | 93        | <b>9 Seguro para niños .....</b>  | <b>106</b> |
| 3.2 Instalación y conexión del aparato .....                                   | 94        | 9.1 Activar el seguro para niños .....  | 107        |
| <b>4 Familiarizándose con el aparato .....</b>                                 | <b>94</b> | 9.2 Desactivar el seguro para niños .....   | 107        |
| 4.1 Aparato .....  | 94        | <b>10 Calefacción de las tazas<sup>1</sup> .....</b>                                | <b>107</b> |
| 4.2 Controles .....  | 96        | 10.1 Activar y desactivar la función de calefacción de las tazas <sup>1</sup> ..... | 107        |
| <b>5 Accesorios .....</b>  | <b>96</b> | <b>11 Favoritos .....</b>   | <b>107</b> |
| <b>6 Antes del primer uso .....</b>  | <b>97</b> | 11.1 Guardar una bebida de la selección de bebidas .....                            | 107        |
| 6.1 Preparar y limpiar el aparato .....  | 97        |   |            |

<sup>1</sup> Según el equipamiento del aparato

|  |            |  |            |
|--|------------|--|------------|
| 11.2 Guardar la bebida en el menú.....                                   | 107        | 16.2 Eliminación de los aparatos usados .....  | 122        |
| 11.3 Modificar los ajustes de la bebida.....                             | 108        | <b>17 Servicio de atención al cliente .....</b>  | <b>122</b> |
| 11.4 Eliminar favorito .....   | 108        | 17.1 Número de modelo (E-Nr.), número de fabricación (FD) y número de conteo (Z-Nr.) ... | 123        |
| 11.5 Ordenar los favoritos.....  | 108        | <b>18 Datos técnicos .....</b>   | <b>123</b> |
| <b>12 Home Connect .....</b>   | <b>108</b> | 18.1 Informaciones referentes al software libre y de código abierto.....                 | 123        |
| 12.1 Configurar la aplicación Home Connect.....                          | 108        | <b>19 DECLARACIÓN DE GARANTÍA LIMITADA DEL PRODUCTO .....</b>                            | <b>124</b> |
| 12.2 Configurar Home Connect.....  | 109        | 19.1 Qué cubre esta garantía y a quién se aplica.....                                    | 124        |
| 12.3 Ajustes de Home Connect.....  | 109        | 19.2 Obtener el servicio técnico de la garantía.....                                     | 124        |
| 12.4 Diagnóstico remoto .....  | 110        | 19.3 Plazo de vigencia de la garantía.....   | 125        |
| 12.5 Protección de datos .....   | 110        | 19.4 Reparación/Reemplazo como único recurso.....  | 125        |
| <b>13 Ajustes básicos.....</b>   | <b>110</b> | 19.5 Producto fuera de garantía....  | 126        |
| 13.1 Modificar los ajustes básicos.                                      | 110        | 19.6 Exclusiones de la garantía ....   | 126        |
| 13.2 Vista general de los ajustes básicos.....                           | 111        | 19.7 Información del producto.....   | 128        |
| <b>14 Limpieza y cuidados .....</b>                                      | <b>112</b> |  |            |
| 14.1 Componentes adecuados para lavavajillas .....                       | 112        |  |            |
| 14.2 Productos de limpieza.....  | 113        |  |            |
| 14.3 Limpiar el aparato .....  | 113        |  |            |
| 14.4 Limpiar la bandeja de goteo y el recipiente para posos de café..... | 114        |  |            |
| 14.5 Limpiar el recipiente de leche .....                                | 114        |  |            |
| 14.6 Programas de mantenimiento .....                                    | 115        |  |            |
| <b>15 Solucionar pequeñas averías .....</b>                              | <b>116</b> |  |            |
| <b>16 Transporte, almacenamiento y eliminación de desechos.....</b>      | <b>122</b> |  |            |
| 16.1 Activar la protección contra las bajas temperaturas.....            | 122        |  |            |



# INSTRUCCIONES DE SEGURIDAD IMPORTANTES

LEA Y CONSERVE ESTAS INSTRUCCIONES

---

Tenga en cuenta las siguientes indicaciones de seguridad.

## 1.1 Definiciones de seguridad

Aquí puede encontrar explicaciones de las palabras de señal de seguridad utilizadas en este manual.

### **ADVERTENCIA**

Esto indica que pueden producirse la muerte o heridas graves si no se cumple con esta advertencia.

### **PRECAUCIÓN**

Esto indica que pueden producirse heridas leves o moderadas si no se cumple con esta advertencia.

### **AVISO:**

Esto indica que pueden producirse daños en el aparato o en los bienes si no se cumple con este aviso.

**Nota:** Esto alerta sobre información o sugerencias importantes.

## 1.2 PROTECCIONES IMPORTANTES

### **ADVERTENCIA**

Al utilizar aparatos eléctricos, deben seguirse siempre las precauciones básicas de seguridad, entre las que se incluyen las siguientes:

- ▶ Leer todas las instrucciones.
- ▶ No tocar las superficies calientes. Utilizar las asas o los mandos.
- ▶ Para evitar incendios, descargas eléctricas y lesiones personales, no sumergir el cable ni los enchufes en agua ni otros líquidos.
- ▶ Es necesaria una estrecha supervisión cuando cualquier aparato sea utilizado por niños o cerca de ellos.
- ▶ Desenchufar el aparato de la toma de corriente cuando no se utilice y antes de limpiarlo. Dejar que el aparato se enfríe antes de poner o quitar piezas y antes de limpiarlo.
- ▶ No utilizar ningún aparato con un cable o enchufe dañado o después de que el aparato haya sufrido alguna avería o daño. Devolver el aparato al servicio técnico autorizado más cercano para su examen, reparación o ajuste.





# INSTRUCCIONES DE SEGURIDAD IMPORTANTES

## LEA Y CONSERVE ESTAS INSTRUCCIONES

---

- ▶ El uso de accesorios no recomendados por el fabricante del aparato puede provocar incendios, descargas eléctricas o lesiones personales.
- ▶ No utilizar en exteriores.
- ▶ No dejar que el cable cuelgue del borde de la mesa o encimera, ni que toque superficies calientes.
- ▶ No colocar el aparato sobre o cerca de un quemador de gas o eléctrico caliente, ni en un horno caliente.
- ▶ Conectar siempre primero el enchufe al aparato y, a continuación, enchufar el cable a la toma de corriente. Para desconectarlo, girar cualquier mando a la posición «off» y desenchufarlo de la toma de corriente.
- ▶ No utilizar el aparato para un uso distinto al previsto.
- ▶ Guardar estas instrucciones.

### 1.3 Indicaciones generales

- Lea atentamente estas instrucciones.
- Guarde las instrucciones y la información del producto para consultas posteriores o para el próximo propietario.
- El aparato no debe conectarse en caso de haber sufrido daños durante el transporte.

### 1.4 Uso previsto

Utilizar este aparato solo:

- para elaborar bebidas calientes.
- en el uso doméstico privado y en espacios cerrados del entorno doméstico.
- hasta a una altura de 6,560 ft (2000 m) sobre el nivel del mar.

### 1.5 Limitación del grupo de usuarios

Este aparato no está diseñado para ser utilizado por personas (incluidos niños) con capacidades físicas, sensoriales o mentales reducidas, o falta de experiencia y conocimiento, a menos que sean supervisados o instruidos acerca del uso del aparato por una persona responsable de su seguridad.

Impida que los niños jueguen con el aparato.

Cuando los niños tienen la edad adecuada para utilizar el electrodoméstico, es responsabilidad de los padres o tutores legales asegurarse de que reciban las instrucciones sobre prácticas seguras por parte de personas calificadas.



# INSTRUCCIONES DE SEGURIDAD IMPORTANTES

LEA Y CONSERVE ESTAS INSTRUCCIONES

---

Se debe vigilar a los niños para asegurarse de que no jueguen con el aparato.

## 1.6 Indicaciones de seguridad

### ADVERTENCIA

Los niños pueden ponerse el material de embalaje por encima de la cabeza, o bien enrollarse en él, y asfixiarse.

▶ Mantener el material de embalaje fuera del alcance de los niños.

▶ No permita que los niños jueguen con el material de embalaje.

Los niños pueden inhalar o ingerir pequeñas piezas y asfixiarse.

▶ Mantener las piezas pequeñas fuera del alcance de los niños.

▶ No permita que los niños jueguen con piezas pequeñas.

### ADVERTENCIA

Las instalaciones incorrectas son peligrosas.

▶ Conectar y poner en funcionamiento el aparato solo de conformidad con los datos que figuran en la placa de características.

▶ Conectar el aparato solo a una fuente de alimentación con corriente alterna a través de una toma de corriente instalada reglamentariamente y provista de puesta a tierra.

▶ La conexión de puesta a tierra de la instalación eléctrica doméstica debe estar instalada de acuerdo con las normas vigentes.

Un aparato dañado o un cable de conexión defectuoso son peligrosos.

▶ No poner nunca en funcionamiento un aparato dañado.

▶ No poner nunca en funcionamiento un aparato con una superficie agrietada o rota.

▶ No jalar nunca el cable de conexión a la red eléctrica para desenchufar el aparato. Desenchufar siempre el cable de conexión de red de la toma de corriente.

▶ Si el aparato o el cable de conexión de red están dañados, desenchufar inmediatamente el cable de conexión de red o desconectar el fusible de la caja de fusibles.

▶ Avisar al servicio de atención al cliente. → *Página 122*

Las reparaciones indebidas son peligrosas.

▶ Solo se pueden utilizar repuestos originales para reparar el aparato.



# INSTRUCCIONES DE SEGURIDAD IMPORTANTES

## LEA Y CONSERVE ESTAS INSTRUCCIONES

---

- ▶ Si el cable de conexión de red de este aparato resulta dañado, éste debe ser sustituido por el fabricante, por el servicio de atención al cliente o por una persona cualificada a fin de evitar posibles situaciones de peligro.

La penetración de humedad puede causar una descarga eléctrica.

- ▶ No sumergir nunca el aparato ni el cable de conexión de red en agua.
- ▶ No derramar ningún líquido sobre la conexión por enchufe del aparato.
- ▶ El aparato solo debe utilizarse en espacios interiores.
- ▶ No exponer el aparato a fuentes intensas de calor y humedad.
- ▶ No utilizar limpiadores por chorro de vapor ni de alta presión para limpiar el aparato.

### ADVERTENCIA

El aparato se calienta.

- ▶ Ventilar suficientemente el aparato.
- ▶ No utilizar nunca el aparato dentro de un armario.

Utilizar un cable de conexión de red prolongado y adaptadores no autorizados es peligroso.

- ▶ No utilizar cables de prolongación ni regletas de tomas de corriente múltiples.
- ▶ Utilizar solo adaptadores y cables de conexión de red autorizados por el fabricante.
- ▶ Si el cable de conexión de red es demasiado corto y no hay disponible ningún cable de mayor longitud, ponerse en contacto con un técnico electricista para adaptar la instalación doméstica.

### ADVERTENCIA

Algunas piezas del aparato se calientan mucho.

- ▶ No tocar nunca las piezas calientes del aparato.
- ▶ Después del uso, dejar enfriar las piezas calientes del aparato antes de tocarlas.

### ADVERTENCIA

Las bebidas recién preparadas están muy calientes.

- ▶ Dejar enfriar las bebidas si es necesario.
- ▶ Evitar el contacto de los líquidos y vapores con la piel.

La conexión a distancia desatendida a través de la aplicación Home Connect puede causar quemaduras a terceros.

- ▶ No tocar el dispensador de café mientras sale la bebida.



# INSTRUCCIONES DE SEGURIDAD IMPORTANTES

LEA Y CONSERVE ESTAS INSTRUCCIONES

- ▶ Mantener a las personas, especialmente a los niños, alejados del aparato.

## ADVERTENCIA

Un uso incorrecto del aparato puede exponer al usuario a una situación de riesgo.

- ▶ Para evitar el peligro de lesiones, utilizar el aparato únicamente conforme al uso previsto.

Aprisionamiento de los dedos al cerrar la puerta del aparato.

- ▶ Tener cuidado con los dedos al cerrar la puerta del aparato.

El molinillo gira.

- ▶ No introducir las manos en el molinillo.

## ADVERTENCIA

El aparato contiene imanes permanentes. Estos pueden repercutir en el correcto funcionamiento de implantes electrónicos como marcapasos o bombas de insulina.

- ▶ Las personas con implantes electrónicos deberán mantener una distancia mínima de 10 cm respecto al aparato.
- ▶ Mantener también una distancia mínima de 10 cm respecto del depósito de agua extraído.

## ADVERTENCIA

La suciedad en el aparato puede ser peligrosa para la salud.

- ▶ Respetar las indicaciones de limpieza para la higiene del aparato.

## 1.7 Advertencias en virtud de la Proposición 65 del estado de California

Este producto puede contener un químico que el Estado de California reconoce como potencialmente cancerígeno o causante de daños reproductivos. Por tanto, su producto debe llevar en su embalaje la siguiente etiqueta de conformidad con la legislación de California:

**ADVERTENCIA EN VIRTUD DE LA PROPOSICIÓN 65 DEL ESTADO DE CALIFORNIA:**

**⚠ ADVERTENCIA**

Cáncer y daño reproductivo - [www.P65Warnings.ca.gov](http://www.P65Warnings.ca.gov)

## 2 Protección del medio ambiente y ahorro

### 2.1 Consejos para la eliminación del embalaje

Todos los materiales del embalaje son ecológicos y reciclables.

- ▶ Desechar los diferentes materiales separados según su naturaleza.

### 2.2 Ahorrar energía

Si se tienen en cuenta estas indicaciones, el aparato consumirá menos energía.

Ajustar el intervalo para desconexión automática al valor más bajo.

- ✓ Si el aparato no se utiliza, se apaga antes.  
→ "Ajustes básicos", *Página 110*

Descalcificar periódicamente el aparato.

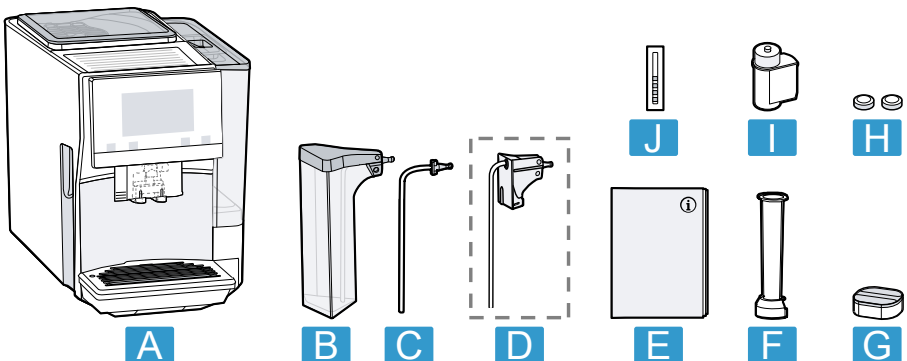
- ✓ Los sedimentos de cal aumentan el consumo de energía.

## 3 Instalación y conexión

### 3.1 Componentes entregados

Después de desembalar el aparato, verifique que todas las piezas no presenten daños ocasionados durante el transporte, así como que el volumen de suministro esté completo.

**Nota:** Dependiendo del aparato se suministran diferentes accesorios. El presente accesorio está identificado con una línea discontinua.



|          |   |
|----------|---|
| <b>A</b> | Cafetera automática                             |
| <b>B</b> | Recipiente de leche                             |
| <b>C</b> | Tubo para la leche                              |
| <b>D</b> | Adaptador para recipiente de leche <sup>1</sup> |
| <b>E</b> | Manual de instrucciones                         |
| <b>F</b> | Ayuda para colocar el filtro de agua            |
| <b>G</b> | Pastilla descalcificadora                       |
| <b>H</b> | Pastilla de limpieza                            |
| <b>I</b> | Filtro de agua                                  |
| <b>J</b> | Tira de prueba de dureza del agua               |

<sup>1</sup> Según el equipamiento del aparato

## 3.2 Instalación y conexión del aparato

### **AVISO:**

Peligro de daños en el aparato. El aparato puede sufrir daños debido a una puesta en marcha incorrecta.

- ▶ Utilizar el aparato solo en recintos a salvo de heladas.
- ▶ Si el aparato ha sido transportado o almacenado a temperaturas inferiores a 0 °C, esperar 3 horas a una temperatura ambiente antes de la primera puesta en marcha.
- ▶ Esperar aprox. 5 segundos después de cada conexión.

1. Colocar el aparato sobre una superficie horizontal, con suficiente capacidad portante y resistente al agua.
2. Conectar el enchufe de red del aparato a una toma de corriente de instalación reglamentaria y provista de toma a tierra.

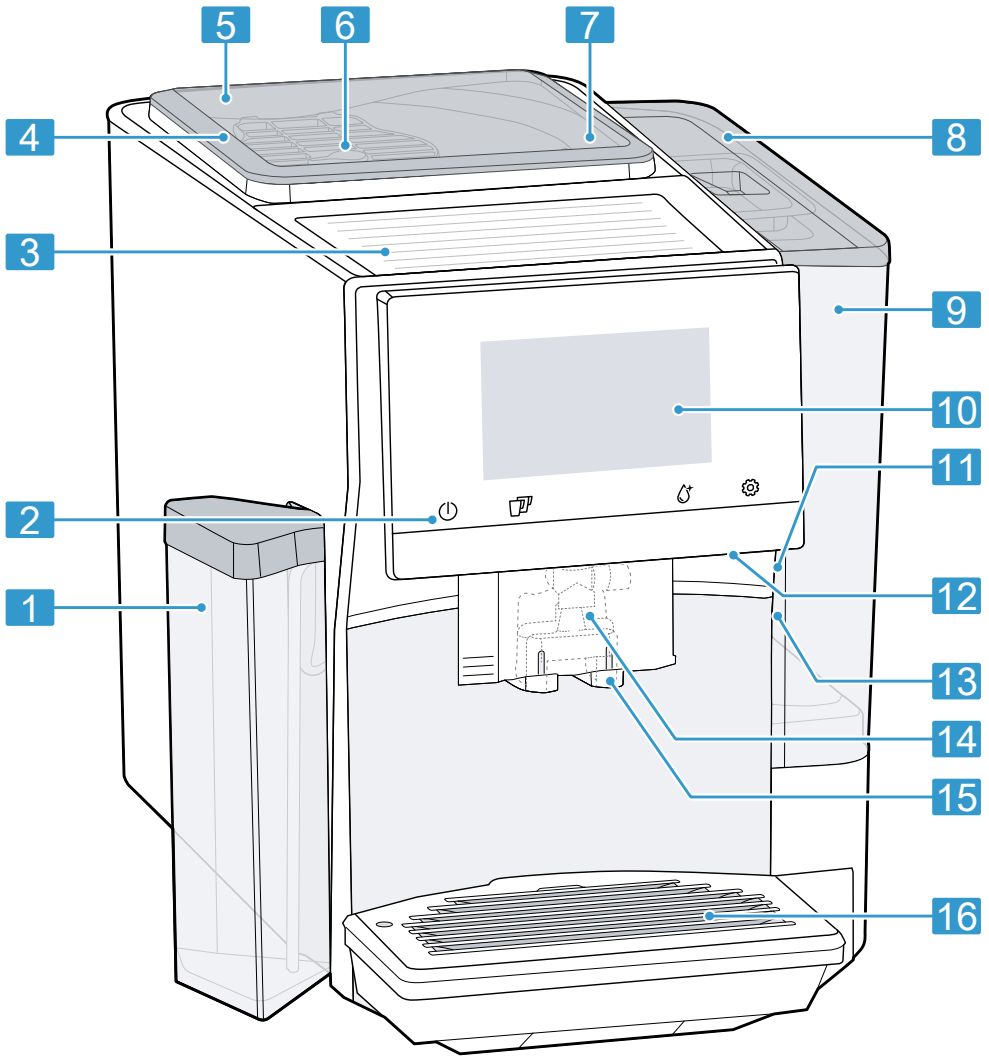
---

## 4 Familiarizándose con el aparato

### 4.1 Aparato

Aquí encontrará una vista general de los componentes de su aparato.

**Nota:** Los colores y elementos individuales pueden variar según el modelo de aparato.



- 1** Recipiente de leche
- 2** Paneles táctiles
- 3** Calefacción de las tazas<sup>1</sup>
- 4** Tapa para conservar el aroma

- 5** Recipiente para café en grano
- 6** Mando giratorio para ajustar el grado de molido
- 7** Ranura para pastillas
- 8** Tapa del depósito de agua

<sup>1</sup> Según el equipamiento del aparato

<sup>1</sup> Según el equipamiento del aparato

|           |                                    |
|-----------|------------------------------------|
| <b>9</b>  | Depósito de agua                   |
| <b>10</b> | Pantalla táctil                    |
| <b>11</b> | Puerta de la unidad de preparación |
| <b>12</b> | Iluminación de la taza             |
| <b>13</b> | Placa de características           |
| <b>14</b> | Sistema de la leche                |
| <b>15</b> | Tapa de la salida de bebidas       |
| <b>16</b> | Bandeja de goteo                   |

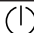


<sup>1</sup> Según el equipamiento del aparato

## 4.2 Controles

A continuación, se muestra una vista general de los mandos del aparato.




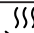

### Paneles táctiles

Aquí encontrará una vista general de los símbolos que siempre son visibles.






|  |  |
|--|--|
|  | Conectar o desconectar el aparato.               |
|  | Preparar dos tazas.                              |
|  | Abrir o salir de los programas de mantenimiento. |

### Pantalla táctil

La pantalla táctil es tanto un elemento de visualización como un elemento de mando.

|   |   |
|---|---|
|  | Seleccionar bebidas memorizadas con ajustes personales. → <i>Página 107</i>       |
|  | Seleccionar bebidas estándar.   |
|  | Seleccionar bebidas básicas que pueden ampliarse en combinación con Home Connect. |
|  | La calefacción de las tazas está conectada.                                       |
|  | El aparato está conectado con Home Connect.                                       |

**Nota:** Con el aparato encendido se disponen de otras posibilidades de manejo con las indicaciones y los avisos correspondientes, p. ej., los ajustes de las bebidas.

|   |                                 |
|---|---------------------------------|
|    | Ajustar la intensidad.          |
|    | Ajustar cantidad de llenado.    |
|    | Ajustar la proporción de leche. |
|  | Ajustar el aroma.               |
|  | Ajustar la temperatura.         |

## 5 Accesorios

Utilizar accesorios originales. Están diseñados para su aparato.

| Accesorios                         | Establecimiento comercial | Servicio de atención al cliente |
|------------------------------------|---------------------------|---------------------------------|
| Adaptador para recipiente de leche | TCZ6008US                 | 17008464                        |
| Recipiente de leche                | TCZ6009US                 | 17008463                        |



| Accesorios                   | Establecimiento comercial | Servicio de atención al cliente |
|------------------------------|---------------------------|---------------------------------|
| Accesorios aparatos pequeños | TCZ7003US                 | 12008246                        |
| Pastillas de limpieza        | TCZ8001US                 | 00312423                        |
| Pastillas descalcificadoras  | TCZ8002US                 | 00312422                        |
| Set de limpieza              | TCZ8004US                 | 00312421                        |
| Jarra de café térmica        | TCZ8007US                 | 17008465                        |

## 6 Antes del primer uso

Prepare el aparato para el uso.

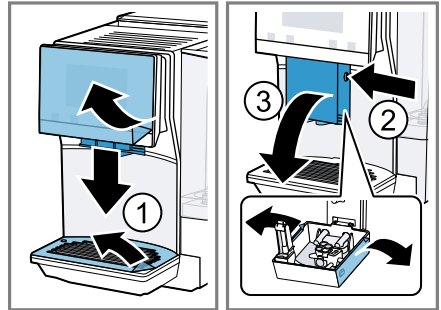
### 6.1 Preparar y limpiar el aparato

#### **AVISO:**

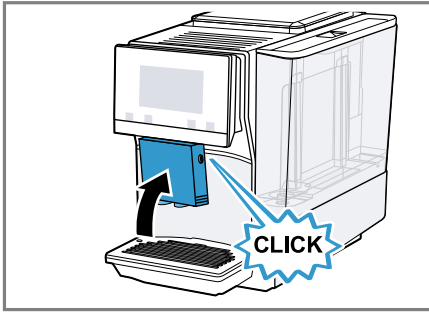
Los granos de café inadecuados podrían atascar el molinillo.

- ▶ Utilizar exclusivamente mezclas de granos de café puros tostados para su preparación en cafeteras espresso y automáticas.
- ▶ No utilizar granos de café glaseados.
- ▶ No utilizar granos de café caramelizados.
- ▶ No utilizar granos de café aceitosos.
- ▶ No utilizar granos de café tratados con aditivos azucarados.
- ▶ No llenar con café en polvo.

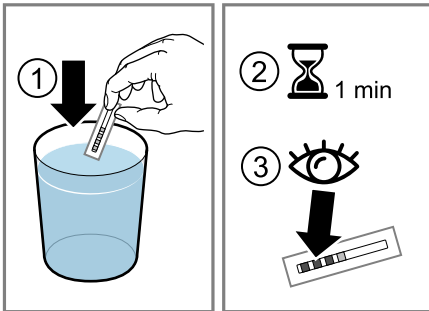
1. Retirar la lámina protectora de la pantalla y desplazar el dispensador de bebidas completamente hacia abajo ①.
  - Pulsar el botón de bloqueo del dispensador de bebidas ② y retirar la cubierta del dispensador de bebidas ③.
  - Retirar la lámina protectora.



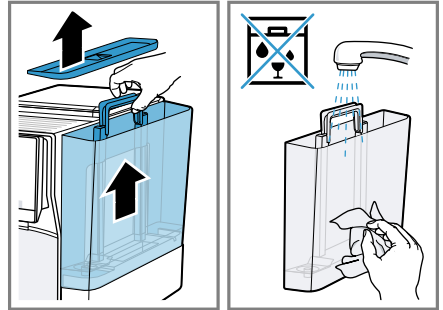
- Enganchar la cubierta del dispensador de bebidas abajo y encajarla por arriba.



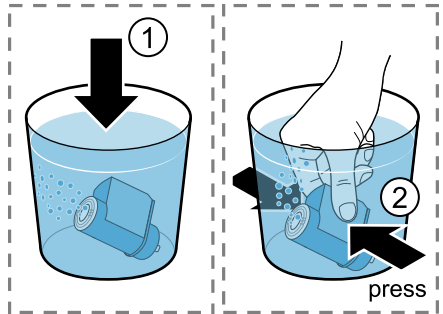
- Sumergir brevemente en agua corriente limpia la tira de prueba ① y dejar que se seque.  
→ "Determinar el grado de dureza del agua", Página 102
  - Esperar un minuto ②.
  - Leer el valor de la dureza del agua en la tira de prueba ③.



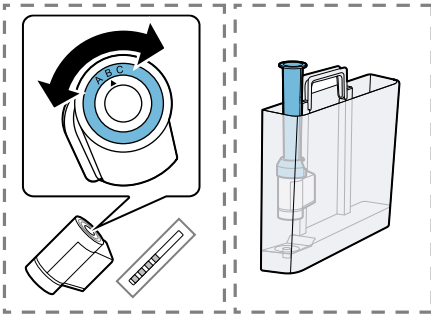
- Abrir la tapa y extraer el depósito de agua sujetándolo por el asa.
  - Limpiar el depósito de agua y la tapa.



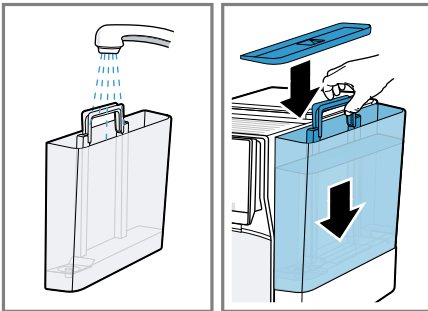
- Sumergir el filtro de agua con la abertura hacia arriba en un vaso de agua y presionar ligeramente por los lados hasta que ya no se formen burbujas de aire.  
→ "Filtro de agua", Página 102



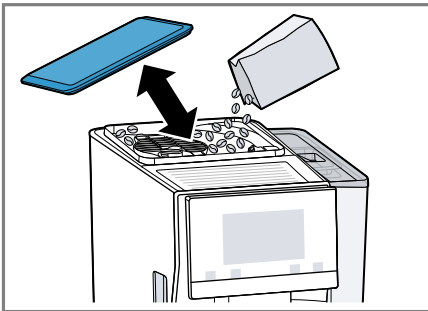
6. Ajustar la dureza del agua en el anillo aromático del filtro de agua.
  - Presionar firmemente el filtro de agua en el depósito de agua.



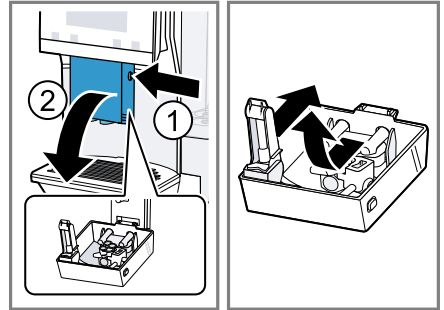
7. Llenar el depósito de agua hasta la marca «máx» e introducirlo.



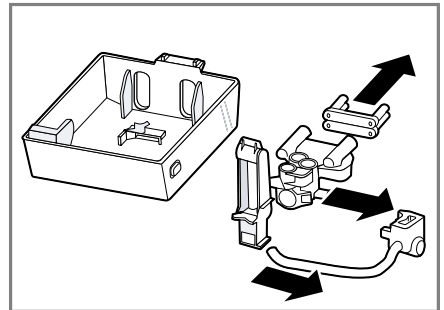
8. Abrir la tapa para conservar el aroma y llenar los granos de café.



9. Bajar el dispensador de bebidas completamente.
  - Pulsar el botón de bloqueo del dispensador de bebidas ① y retirar la cubierta del dispensador de bebidas ②.

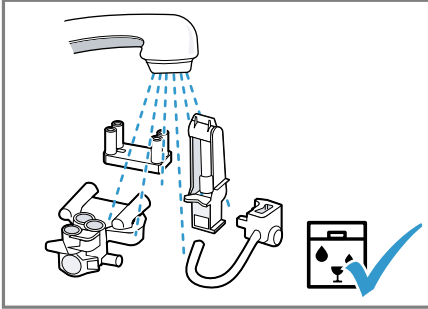


10. Retirar el sistema de leche y desmontar su componentes.

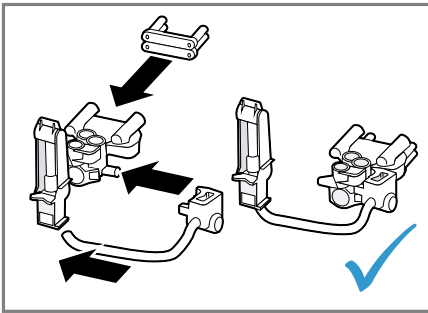


11. Limpiar los componentes con agua jabonosa y un paño suave.

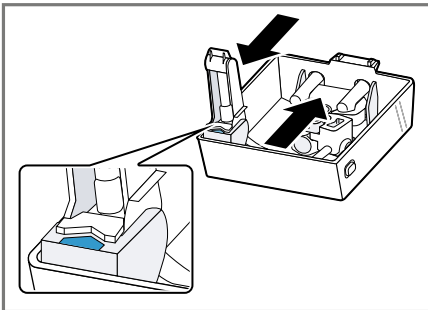
- Aclarar todos los componentes con agua limpia y secarlos.



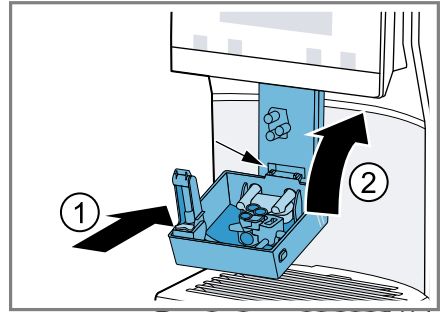
12. Ensamblar los componentes del sistema de leche.



13. Introducir el sistema de leche en la cubierta del dispensador de bebidas.

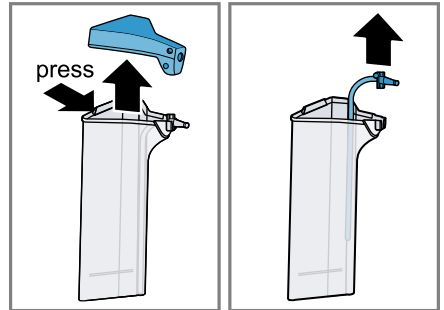


14. Enganchar la cubierta del dispensador de bebidas abajo y encajarla por arriba.

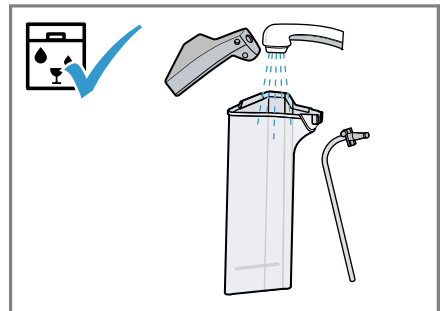


15. Retirar el recipiente para la leche.

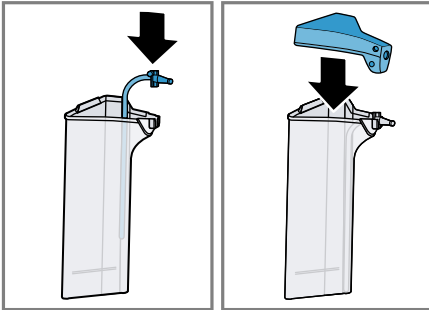
16. Desarmar el recipiente de leche en piezas individuales.



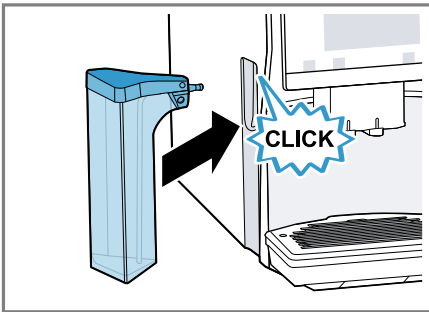
17. Limpiar y secar las piezas del recipiente de leche.



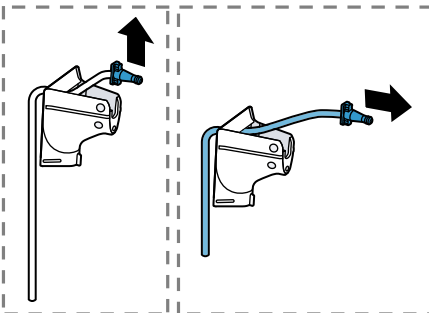
18. Ensamblar las piezas del recipiente de leche.



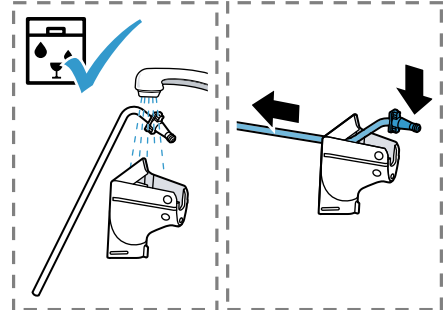
19. Colocar el recipiente para la leche.



20. Retirar el tubo para la leche del adaptador del recipiente de leche.

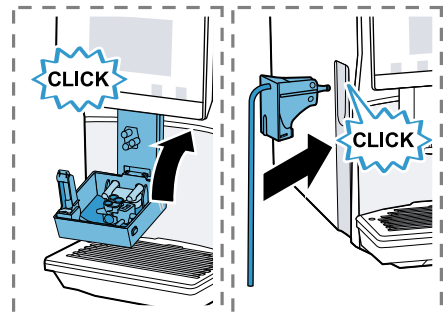


21. Limpiar, secar y armar el tubo para la leche y el adaptador.

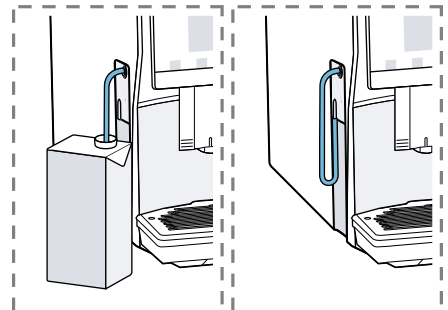


22. Montar la cubierta del dispensador de bebidas con el sistema de leche en el dispensador de bebidas.

- Colocar el adaptador para la leche.



23. Conectar un cartón de leche lleno al tubo para la leche o pinzar el tubo para la leche para guardarlo.



**Nota:** Llenar el depósito de agua a diario con agua limpia, fría y sin gas.

**Consejo** Guardar el café en grano en un lugar fresco y en envases cerrados para que conserve su óptima calidad. Los granos de café pueden permanecer varios días en el recipiente para café en grano sin que pierdan su aroma.

## 6.2 Determinar el grado de dureza del agua

Es importante ajustar correctamente la dureza del agua para que el aparato pueda indicar a tiempo el momento en que se debe descalcificar. Se puede determinar la dureza del agua con la tira de prueba adjunta o consultar a la empresa local de abastecimiento de agua.

1. Sumergir brevemente en agua corriente limpia la tira de prueba.
2. Dejar secar la tira de prueba.
3. Leer la dureza del agua en la tira de prueba después de 1 minuto.

En la tabla se muestra la correspondencia entre los niveles y los grados de dureza del agua:

| Nivel          | Dureza del agua en gr/gal (US) |
|----------------|--------------------------------|
| 1              | 1.0426 - 7.2985                |
| 2              | 8.3412 - 14.597                |
| 3              | 15.64 - 21.896                 |
| 4 <sup>1</sup> | 22.938 - 31.279                |

<sup>1</sup> Ajuste de fábrica

**Nota:** Utilice la tira de prueba aunque haya instalado un descalcificador, ya que estos generan durezas de agua diferentes.

### Recomendaciones

- Puede modificar los ajustes en cualquier momento.  
→ "Ajustes básicos", Página 110
- Si la dureza del agua es superior a 21.896 gr/gal (US), puede llenar el depósito de agua con agua previamente filtrada para reducir los sedimentos de cal en dicho depósito.

## 6.3 Filtro de agua


Con un filtro de agua se reducen los depósitos de cal y las impurezas del agua.

### Introducir el filtro de agua

#### AVISO:


Posibles daños en el aparato por calcificación.

- ▶ Sustituir el filtro de agua puntualmente.
- ▶ Sustituir el filtro de agua, a más tardar, después de 2 meses.
- ▶ Tener en cuenta los mensajes que aparecen en pantalla.

1. Presionar .
2. Seleccionar "Filtro INTENZA" y seguir las instrucciones de la pantalla.

### Sustituir o retirar el filtro del agua

También se puede utilizar el aparato sin filtro de agua.

1. Presionar .
2. Seleccionar "Filtro INTENZA".


3. Seleccionar "Reemplazar" o "Retirar" y seguir las instrucciones de la pantalla.

### Recomendaciones

- El filtro de agua también se puede cambiar por motivos de higiene.
- Con un filtro de agua, el aparato debe descalcificarse con menor frecuencia.
- Si utiliza un filtro de agua, obtendrá un café con sabor más intenso.
- Si el aparato no se ha utilizado durante un largo periodo de tiempo, p. ej., durante las vacaciones, antes de volver a usar el aparato se debe aclarar el filtro de agua colocado dispensando una taza de agua caliente.
- El filtro de agua se puede adquirir en el comercio especializado o a través del servicio de atención al cliente.  
→ *"Accesorios", Página 96*

## 6.4 Realizar la primera puesta en marcha

Tras la conexión de corriente, efectuar los ajustes para la primera puesta en marcha. La primera puesta en marcha solo se muestra al conectar por primera vez el aparato.

1. Encender el aparato con .
  2. Seguir las instrucciones del panel indicador.
- ✓ La pantalla de visualización va mostrando los procesos en curso y facilita instrucciones.

### Notas

- Para configurar Home Connect ahora, seguir las instrucciones de la aplicación Home Connect.  
→ *"Configurar Home Connect", Página 109*
- Si se selecciona "Modo Demo", solo funcionan las indicaciones de la pantalla. No se puede preparar ninguna bebida ni ejecutar ningún programa.

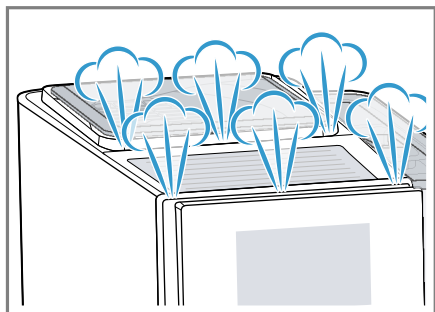
## 6.5 Indicaciones generales

Tenga en cuenta las indicaciones para poder utilizar su aparato de forma óptima.

### Notas

- El aparato se programa en fábrica con los ajustes estándar para el funcionamiento óptimo.
- El molinillo viene con ajustes de fábrica para un funcionamiento óptimo. Si el café solo sale a gotas o está demasiado claro y contiene muy poca crema, puede ajustar el grado de molido con el molinillo en funcionamiento.  
→ *"Ajuste del grado de molido", Página 106*
- Es posible que se formen gotas de agua en las rendijas de ventilación y en la tapa de la ranura para pastillas durante el funcionamiento.
- Si no se utiliza el aparato durante un tiempo determinado, este se apagará automáticamente. La duración se puede modificar en los ajustes básicos.

- Por razones técnicas, puede salir vapor del aparato.



- La primera bebida no tiene aún todo su aroma:
  - Si se utiliza el aparato por primera vez.
  - Si se ha ejecutado un programa de mantenimiento.
  - Si no se ha utilizado el aparato durante un período de tiempo prolongado.

**Consejo** Una crema duradera y de porosidad fina se obtiene después de que el aparato se ha puesto en marcha y ha preparado varias tazas.

---

## 7 Manejo básico

### 7.1 Conectar o desconectar el aparato

- ▶ Presionar .

Al encenderlo, la pantalla muestra el logotipo. Al conectar y desconectar el aparato, este ejecuta automáticamente un ciclo de enjuague. Cuando se apaga, el aparato echa vapor en la bandeja de goteo para su limpieza. Si el aparato todavía está caliente al conectarlo o no ha preparado

ninguna bebida antes de desconectarlo, no se ejecuta el ciclo de enjuague.

### 7.2 Preparación de bebidas

Descubra cómo preparar una bebida de su elección.

#### **ADVERTENCIA**

Las bebidas recién preparadas están muy calientes.

- ▶ Dejar enfriar las bebidas si es necesario.
- ▶ Evitar el contacto de los líquidos y vapores con la piel.

#### **Notas**

- Con algunos ajustes, el café se prepara en varias fases. Esperar hasta que el proceso haya concluido completamente.
- Si se prepara una bebida con leche, acoplar siempre el recipiente de leche lleno o el adaptador con un cartón de leche.
- Solo se puede acoplar el recipiente de leche o el adaptador si el sistema de leche está montado con el adaptador y el tubo en la tapa del dispensador de bebidas.
- El recipiente de leche está especialmente diseñado para este aparato. Utilizar el recipiente de leche exclusivamente para el uso doméstico y para guardar leche en el frigorífico.
- Si el sistema de leche no está limpio, podrían salir pequeñas cantidades de leche al preparar agua caliente.



### 7.3 doubleShot y tripleShot

El aparato muele dos o tres veces café.

Para liberar únicamente los olores más agradables y aromáticos, el aparato vuelve a moler y preparar café.

Cuanto más se prolonga el tiempo de preparación del café, más sustancias amargas y aromas no deseados se liberan. Las sustancias amargas y los aromas no deseados perjudican el sabor y la digestibilidad del café.

**Nota:** Las funciones "doubleShot" y "tripleShot" dependen de la intensidad y del tamaño de la bebida seleccionada.

### 7.4 Preparar café con leche

En este ejemplo mostramos cómo preparar un Latte Macchiato.

#### ADVERTENCIA

El sistema de leche se calienta mucho.

- ▶ No tocar nunca el sistema de leche caliente.
- ▶ Dejar enfriar el sistema de leche antes de tocarlo.

#### Requisitos

- El recipiente de leche o el adaptador está acoplado.
  - El recipiente de leche está lleno o el tubo del adaptador está sumergido en la leche.
1. Colocar un vaso debajo del dispensador de bebidas.
  2. Presionar "Clásicos".

3. Seleccionar y pulsar el símbolo de bebida para Latte Macchiato.
4. Pulsar "Iniciar" y esperar hasta que el proceso haya finalizado.
  - Pulsar "Detener" para detener completamente el dispensado de la bebida.
  - Pulsar "Omitir" para detener únicamente el paso actual.
 El sistema de leche se limpia automáticamente después de la preparación de una bebida por medio de una breve ráfaga de vapor.

#### Notas

- Si no se modifica ningún ajuste durante aproximadamente 30 segundos, el aparato abandona el modo de ajuste.
- El aparato guarda los ajustes automáticamente.
- No usar ningún sustituto de crema (creamer).

#### Recomendaciones


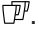
- Antes de dispensar la bebida, las tazas también se pueden precalentar con agua caliente o la función de calefacción de las tazas<sup>1</sup>.
- También se pueden utilizar bebidas de base vegetal en lugar de leche, p. ej., de soja.
- La calidad de la espuma de leche depende del tipo de leche utilizado o de la bebida de base vegetal.

### 7.5 Preparación de dos tazas al mismo tiempo

Dependiendo de la bebida, se pueden preparar 2 tazas al mismo tiempo.

<sup>1</sup> Según el equipamiento del aparato

**Nota:** Si la función "doubleShot" o "tripleShot" está activa, no se puede utilizar la función para preparar dos tazas al mismo tiempo.

1. Presionar .
  - ✓ La pantalla muestra el ajuste .
2. Colocar dos tazas debajo del dispensador de bebidas, a la izquierda y a la derecha.
3. Presionar "Iniciar".
  - La bebida se prepara en 2 pasos. Los granos de café se muelen en 2 procesos de molido.
  - ✓ La bebida se prepara y las tazas empiezan a llenarse.
4. Esperar hasta que el proceso haya concluido.

## 8 Molinillo

El aparato dispone de un molinillo regulable con el que se puede ajustar individualmente el grado de molido de los granos de café.

### 8.1 Ajuste del grado de molido

Ajustar el grado de molido deseado durante el molido de los granos de café.

#### ADVERTENCIA


El molinillo gira.

- ▶ No introducir las manos en el molinillo.

#### **AVISO:**

Peligro de daños en el molinillo. El ajuste incorrecto del grado de molido puede dañar el molinillo.

- ▶ Ajustar el grado de molido solo con el molinillo en funcionamiento.
- ▶ Ajustar gradualmente el grado de molido con el mando giratorio.

| Grado de molido  | Ajuste  |
|--|---|
| Grado de molido fino para granos de café con tueste claro    | Girar el mando giratorio en sentido antihorario.<br> |
| Grado de molido grueso para granos de café con tueste oscuro | Girar el mando giratorio en sentido horario.<br>     |

El ajuste del grado de molido tiene efecto después de la segunda taza de café.


**Consejo** Si el café solo sale a gotas, ajuste un grado de molido más grueso. Si el café está muy claro o tiene poca crema, ajuste el grado de molido más fino.

## 9 Seguro para niños


Se puede bloquear la cafetera para proteger a los niños contra escaldaduras y quemaduras.

## 9.1 Activar el seguro para niños

**Requisito:** El aparato está conectado.

- ▶ Pulsar  durante al menos 3 segundos.
- ✓ El seguro para niños está activado.

## 9.2 Desactivar el seguro para niños

- ▶ Pulsar  durante al menos 3 segundos.
- ✓ El seguro para niños está desactivado.

---

## 10 Calefacción de las tazas<sup>1</sup>

Las tazas se pueden precalentar con la función de calefacción de las tazas.

### 10.1 Activar y desactivar la función de calefacción de las tazas<sup>1</sup>

#### ADVERTENCIA

La calefacción de las tazas<sup>1</sup> se calienta mucho.

- ▶ No tocar nunca la calefacción de las tazas<sup>1</sup> cuanto esté caliente.
- ▶ Dejar enfriar la calefacción de las tazas<sup>1</sup> antes de tocarla.


**Consejo** Para precalentar las tazas de forma óptima, colocar las tazas con la base sobre la calefacción de las tazas<sup>1</sup>.

---

## 11 Favoritos

Guardar las bebidas con ajustes personales en un favorito.


Los favoritos se pueden marcar con un color. Un favorito incluye una bebida con ajustes personales. Los ajustes se pueden modificar en cualquier momento.

**Nota:** Para salir de los ajustes, pulsar  o iniciar el dispensado de la bebida.

### 11.1 Guardar una bebida de la selección de bebidas

1. Seleccionar una bebida de "Clásicos" o "coffeeWorld".
2. Realizar los ajustes personales de las bebidas.
3. Presionar "Favoritos".
4. Seleccionar el color deseado para la bebida.
5. Presionar "Guardar".

### 11.2 Guardar la bebida en el menú

1. Presionar "Favoritos".
2. Presionar .
- ✓ En la pantalla se visualizan todas las bebidas disponibles.
3. Seleccionar la bebida deseada.
4. Realizar los ajustes personales de las bebidas.
5. Presionar "Continuar".
6. Seleccionar el color deseado para la bebida.
7. Presionar "Guardar".

---

<sup>1</sup> Según el equipamiento del aparato

## 11.3 Modificar los ajustes de la bebida

1. Presionar "Favoritos".
  2. Seleccionar y pulsar brevemente la bebida.
  3. Modificar los ajustes de la bebida.
  4. Presionar "Aplicar".
- ✓ Los nuevos ajustes están guardados.

## 11.4 Eliminar favorito

1. Presionar "Favoritos".
2. Seleccionar la bebida.
3. Pulsar al menos 3 segundos sobre la bebida.
4. Confirmar "Borrar".

## 11.5 Ordenar los favoritos

1. Presionar "Ajustes".
2. Presionar "Personalización".
3. Presionar "Clasificación de favoritos".
4. Clasificar los favoritos, p. ej., por nombre o color.

---

## 12 Home Connect

Este aparato es apto para la conexión en red. Conecte el aparato con su dispositivo móvil para manejar las funciones a través de la aplicación Home Connect, adaptar los ajustes básicos o para supervisar el estado de funcionamiento actual.

Los servicios Home Connect no están disponibles en todos los países. La disponibilidad de la función

Home Connect depende de la disponibilidad de los servicios Home Connect en su país. Para obtener más información, consulte: [www.home-connect.com](http://www.home-connect.com). Para poder utilizar Home Connect establezca primero la conexión con la red doméstica WLAN (Wi-Fi<sup>1</sup>) y con la aplicación Home Connect.

La aplicación Home Connect le guiará durante el proceso de registro. Siga las instrucciones indicadas en la aplicación Home Connect para establecer los ajustes.

**Consejo** Observe también las indicaciones de la aplicación Home Connect.

### Notas

- Debe tener en cuenta las indicaciones de seguridad de este manual de instrucciones y garantizar el cumplimiento de las mismas, cuando opere el aparato a través de la aplicación Home Connect.  
→ "Seguridad", *Página 88*
- En todo caso, tiene prioridad el manejo desde el propio electrodoméstico. Durante ese tiempo, el manejo del aparato no es posible a través de la aplicación Home Connect.

## 12.1 Configurar la aplicación Home Connect

1. Instalar la aplicación Home Connect en el dispositivo móvil.

---

<sup>1</sup> Wi-Fi es una marca registrada de Wi-Fi Alliance.

2. Iniciar la aplicación Home Connect y configurar el acceso para Home Connect.

La aplicación Home Connect le guiará durante el proceso de registro.

## 12.2 Configurar Home Connect

### Requisitos

- La aplicación Home Connect está configurada en el dispositivo móvil.
- En el lugar en que se encuentra, el aparato recibe cobertura de la red doméstica WLAN (Wi-Fi).

1. Abrir la aplicación Home Connect y escanear el siguiente código QR.



2. Seguir las instrucciones de la aplicación Home Connect.

## 12.3 Ajustes de Home Connect

Personalice Home Connect según sus necesidades.

Los ajustes de Home Connect se encuentran en los ajustes básicos del aparato. El ajuste que aparece en la pantalla de visualización depende de si Home Connect está configurada y de si el aparato está conectado a la red doméstica.

## Vista general de los ajustes de Home Connect

Aquí se ofrece una vista general de los ajustes de Home Connect y de red.

| Ajuste básico            | Opción                  | Descripción  |
|--------------------------|-------------------------|--|
| Conexión Wi-Fi           | Activado<br>Desactivado | Desactivar el módulo remoto en caso de ausencia prolongada o para ahorrar energía.<br><b>Nota:</b> En el modo preparado en red el aparato consume 2 W como máximo. |
| Inicio remoto            | Activado<br>Desactivado | Activar y desactivar el inicio a distancia en el aparato.<br><b>Nota:</b> Con la aplicación Home Connect solo se puede desconectar el aparato.                     |
| Añadir dispositivo móvil | -                       | Conectar el aparato con la aplicación "Home Connect" o con las cuentas adicionales.  |

| Ajuste básico             | Opción | Descripción  |
|---------------------------|--------|--|
| Información de red        | -      | Mostrar la información de red y del aparato.   |
| Borre los ajustes de red  | -      | <b>Nota:</b> Sin conexión de red no se permite el manejo a través de la aplicación "Home Connect". |
| Actualización de software | -      | <b>Nota:</b> Este ajuste solo está disponible en una actualización de software.                    |

## 12.4 Diagnóstico remoto

El servicio de atención al cliente puede acceder al aparato a través del Diagnóstico Remoto al ponerse en contacto con dicho servicio si el aparato está conectado con el servidor Home Connect y si el Diagnóstico Remoto está disponible en el país en el que se utiliza el aparato.

**Consejo** Para más información, así como para consultar la disponibilidad del servicio de Diagnóstico Remoto en un país en concreto, consulte la página web de ayuda/Servicio Técnico local: [www.home-connect.com](http://www.home-connect.com).

## 12.5 Protección de datos

Tenga en cuenta las indicaciones relativas a la protección de datos. Al conectar por primera vez su aparato a una red doméstica asociada a Internet, el aparato transmite las siguientes categorías de datos al servidor de Home Connect (registro inicial):

- Identificación unívoca del aparato (compuesta por la clave del aparato y la dirección MAC del módulo de comunicación Wi-Fi utilizado).
- Certificado de seguridad del módulo de comunicación Wi-Fi (para la protección técnica de la información de la conexión).

- Las versiones actuales del software y del hardware del electrodoméstico.
- El estado de un posible restablecimiento previo a los ajustes de fábrica.

El registro inicial prepara la utilización de las funciones Home Connect y solo es necesario la primera vez que se vayan a utilizar dichas funciones Home Connect.

**Nota:** Se debe tener en cuenta que las funciones Home Connect solo se pueden utilizar en conexión con la aplicación Home Connect. Se puede consultar la información relativa a la protección de datos en la aplicación Home Connect.

# 13 Ajustes básicos

Puede adaptar los ajustes básicos del aparato a sus necesidades propias y acceder a las funciones adicionales.

## 13.1 Modificar los ajustes básicos

1. Modificar el ajuste básico deseado.
- ✓ El aparato guarda el ajuste básico automáticamente.
2. Presionar ← para salir de los ajustes básicos.

## 13.2 Vista general de los ajustes básicos

Aquí encontrará una vista general de los ajustes básicos.

|  |                                       |   |
|--|---------------------------------------|---|
| Ajuste de bebidas                              | Temperatura de elaboración            | Ajuste de la temperatura del agua.  |
|  | Orden de la leche                     | Ajustar el orden de la leche y del café.  |
|  | Pausa de Latte Macchiato              | Ajustar la pausa entre la leche y el café.  |
|  | Restablecer los parámetros de bebidas | Restablecer los ajustes de bebidas.   |
| Ajuste del aparato                             | Calefacción de las tazas <sup>1</sup> | Activar o desactivar la calefacción de las tazas <sup>1</sup> .   |
|  | Desconexión automática                | Ajustar el tiempo tras el cual el aparato se desconecta.  |
|  | Brillo de la pantalla                 | Ajustar el brillo en niveles.   |
|  | Tonos                                 | <ul style="list-style-type: none"> <li>■ Encender y apagar los tonos.</li> <li>■ Ajustar el volumen.</li> </ul> |
|  | Dureza del agua                       | Ajustar la dureza del agua.   |
|  | Idioma                                | Seleccionar el idioma.  |
|  | Ajustes de fábrica                    | Restablecer los ajustes de fábrica.   |
| Personalización                                |                                       |   |
|  | Funcionamiento tras encender          | Ajustar la indicación de la pantalla para "Favoritos", "Clásicos" o "coffeeWorld".                              |
|  | Ordenar los favoritos                 | Establecer el orden de los favoritos.   |
| Home Connect                                   | Información acerca de Home Connect    | → <i>"Configurar Home Connect"</i> , <i>Página 109</i>  |
| Información del aparato                        | Contador de bebidas                   | Mostrar la cantidad de bebidas preparadas.  |
| <sup>1</sup> Según el equipamiento del aparato |                                       |   |

|  |   |
|--|---|
| Información de limpieza                          | Mostrar la duración hasta el siguiente cambio del filtro de agua o el inicio de un programa de mantenimiento. |
| Información de la versión                        | Mostrar la información de red y del aparato.  |
| Información de la licencia                       | Mostrar el texto de licencia FOSS.  |
| Modo de funcionamiento con fines de demostración | Activar o desactivar "Modo Demo".   |

<sup>1</sup> Según el equipamiento del aparato

## 14 Limpieza y cuidados

Para que el aparato mantenga durante mucho tiempo su capacidad funcional, debe mantenerse y limpiarse con cuidado.

### 14.1 Componentes adecuados para lavavajillas


Aquí encontrará una vista general de los componentes que se pueden lavar en el lavavajillas.

#### **AVISO:**

Algunas piezas son sensibles a las variaciones de temperatura y pueden dañarse en el lavavajillas.

- ▶ Observar las instrucciones de uso del lavavajillas.

- ▶ Lavar en el lavavajillas solo los componentes adecuados.
- ▶ Utilizar solo programas que no calienten los componentes a más de 60 °C.

Adecuado: 

- Bandeja de goteo
  - Cubierta de bandeja de goteo
  - Recipiente para los posos de café
  - Indicador mecánico del nivel de llenado
- Sistema de la leche con adaptador
- Recipiente para la leche con tapa

No adecuado: 

- Depósito de agua
- Tapa del depósito de agua
- Unidad de preparación
- Tapa de la salida de bebidas



## 14.2 Productos de limpieza

Utilizar exclusivamente productos de limpieza adecuados.

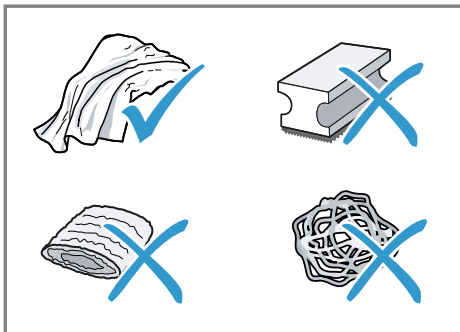
### AVISO:

Los productos de limpieza inadecuados pueden dañar la superficie del aparato.

- ▶ No utilizar agentes agresivos ni abrasivos.
- ▶ No utilizar productos de limpieza que contengan alcohol o alcoholes.
- ▶ No utilizar estropajos ni esponjas de fibra dura.

Los productos de limpieza y descalcificación inadecuados pueden dañar el aparato.

- ▶ Para la descalcificación, no utilizar ácido cítrico puro, vinagre o agentes a base de vinagre.
- ▶ No utilizar productos de descalcificación que contengan ácido fosfórico.
- ▶ Utilizar únicamente pastillas descalcificadoras y pastillas de limpieza especialmente desarrolladas para el aparato.  
→ "Accesorios", Página 96



## Recomendaciones

- Lavar bien los paños de esponja nuevos para eliminar las posibles sales adheridas. Las sales pueden provocar una corrosión ligera en las superficies de acero inoxidable.
- Eliminar inmediatamente los restos de cal, café, leche y soluciones de descalcificación y de limpieza para evitar la formación de corrosión.

## 14.3 Limpiar el aparato

### ⚠ ADVERTENCIA

La penetración de humedad puede causar una descarga eléctrica.

- ▶ No sumergir nunca el aparato ni el cable de conexión de red en agua.
- ▶ No derramar ningún líquido sobre la conexión por enchufe del aparato.
- ▶ No utilizar limpiadores por chorro de vapor ni de alta presión para limpiar el aparato.

### ⚠ ADVERTENCIA

Algunas piezas del aparato se calientan mucho.

- ▶ No tocar nunca las piezas calientes del aparato.
- ▶ Después del uso, dejar enfriar las piezas calientes del aparato antes de tocarlas.

1. Limpiar la carcasa, las superficies brillantes y el panel de mando con un paño de microfibra.
2. Después de la preparación de una bebida, limpiar el dispensador con un paño suave y húmedo.
3. Enjuagar el depósito de agua con agua limpia y fresca.

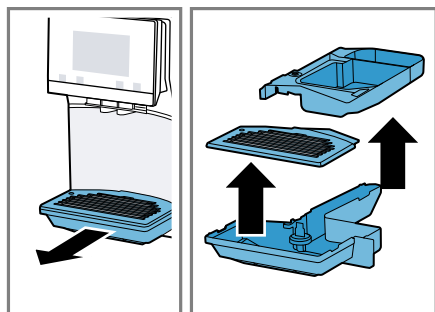
4. Si no se ha utilizado el aparato durante un período de tiempo prolongado (p. ej., durante las vacaciones) limpiar todo el aparato, inclusive las piezas móviles como, p. ej., la unidad de preparación o el depósito de agua.

**Nota:** El aparato ejecuta automáticamente un ciclo de enjuague cuando se enciende en frío o cuando se apaga después de dispensar café. Es decir, el sistema se limpia a sí mismo.

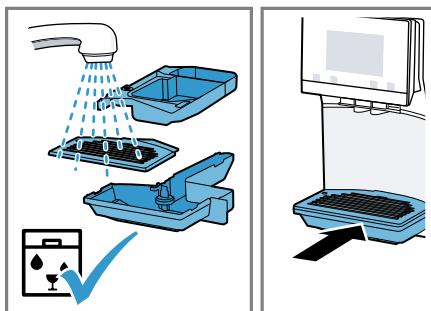
#### 14.4 Limpiar la bandeja de goteo y el recipiente para posos de café

Limpia y vaciar a diario la bandeja de goteo y el recipiente para posos de café para evitar sedimentos.

1. Extraer hacia adelante la bandeja de goteo y el recipiente para posos de café.
  - Colocar el recipiente para posos de café en la bandeja de goteo y colocar la bandeja escurridora.



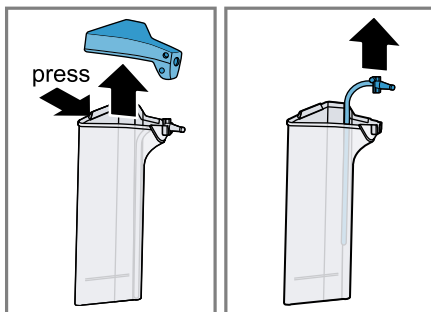
2. Limpiar y secar todas las piezas.
  - Colocar el recipiente para posos de café en la bandeja de goteo y colocar la bandeja escurridora.
  - Colocar la bandeja de goteo y el recipiente para posos de café en el aparato.



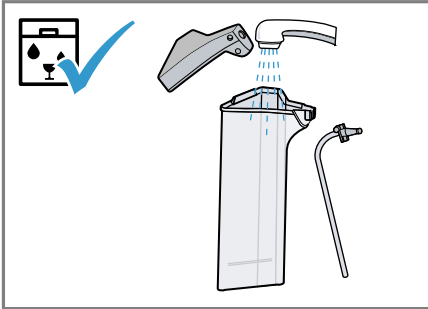
#### 14.5 Limpiar el recipiente de leche

Por razones de higiene, el recipiente de leche debe limpiarse regularmente. El recipiente de leche se puede lavar en el lavavajillas.

1. Desarmar el recipiente de leche en piezas individuales.




2. Limpiar y secar las piezas del recipiente de leche.



**Consejo** La unidad de preparación debe extraerse y limpiarse con frecuencia de forma manual, además de hacerlo con el programa de aclarado automático.

### Utilizar los programas de mantenimiento

- ▶ Presionar .
- ✓ La pantalla de visualización va mostrando los procesos en curso y facilita instrucciones.

## 14.6 Programas de mantenimiento

Si se desea colocar o retirar un filtro de agua, o bien limpiar el aparato en profundidad, deben utilizarse los programas de mantenimiento. El aparato avisa cuando es necesario ejecutar un programa de mantenimiento (p. ej., limpieza).

### **AVISO:**

Una limpieza y descalcificación inadecuadas o no realizadas a tiempo pueden dañar el aparato.

- ▶ Efectuar el proceso de descalcificación inmediatamente.
- ▶ Introducir solo pastillas de limpieza en la ranura para pastillas.
- ▶ No introducir pastillas descalcificadoras ni otros agentes en la ranura para pastillas.

### **Notas**

- La pantalla indica el avance del proceso.
- Si el aparato está bloqueado, solo podrá utilizarse de nuevo cuando se haya completado correctamente el proceso de descalcificación.

## 15 Solucionar pequeñas averías

### ADVERTENCIA

Las reparaciones indebidas son peligrosas.

- ▶ Solo se pueden utilizar repuestos originales para reparar el aparato.
- ▶ Si el cable de conexión de red de este aparato resulta dañado, éste debe ser sustituido por el fabricante, por el servicio de atención al cliente o por una persona cualificada a fin de evitar posibles situaciones de peligro.

| Falla                                   | Causas y resolución de problemas  |
|---|---|
| El aparato no reacciona.                | El aparato presenta una avería. <ol style="list-style-type: none"> <li>1. Extraer el enchufe de red de la toma de corriente y esperar 60 segundos.</li> <li>2. Introducir el enchufe de red en la toma de corriente.</li> </ol>   |
| Home Connect no funciona correctamente. | Son posibles diferentes causas. <ul style="list-style-type: none"> <li>▶ Acceder a <a href="http://www.home-connect.com">www.home-connect.com</a>.</li> </ul>   |
| El aparato solo dispensa agua, no café. | El aparato no reconoce el recipiente para café en grano vacío. <ul style="list-style-type: none"> <li>▶ Echar granos de café.</li> </ul>  |
|   | El conducto de café de la unidad de preparación está obstruido. <ul style="list-style-type: none"> <li>▶ Limpiar la unidad de preparación.</li> </ul>   |
|   | Los granos de café son demasiado aceitosos y no caen en el molinillo. <ul style="list-style-type: none"> <li>▶ Golpear levemente el recipiente del café en grano.</li> <li>▶ Utilice otro tipo de café.</li> <li>▶ No utilizar granos aceitosos.</li> <li>▶ Limpiar el recipiente vacío para café en grano con un paño húmedo.</li> </ul> |
| El aparato no dispensa espuma de leche. | La unidad de preparación no está colocada correctamente. <ol style="list-style-type: none"> <li>1. Comprobar si la unidad de elaboración está correctamente colocada y bien cerrada.</li> <li>2. Empujar el tirador rojo superior hacia la izquierda.</li> <li>3. Colocar la cubierta del compartimento de preparación.</li> </ol>        |
|   | El sistema de la leche está sucio. <ul style="list-style-type: none"> <li>▶ Limpiar el sistema de la leche en el lavavajillas.</li> </ul>   |

| <b>Falla</b>  | <b>Causas y resolución de problemas</b>   |
|---|---|
| El aparato no dispensa espuma de leche.             | <p>El tubo de la leche no está sumergido en la leche.</p> <ul style="list-style-type: none"> <li>▶ Utilizar más leche.</li> <li>▶ Comprobar si el tubo de leche está sumergido en la leche.</li> </ul> <hr/> <p>La máquina está fuertemente calcificada.</p> <ul style="list-style-type: none"> <li>▶ Descalcifique el aparato.</li> </ul>  |
| El sistema de la leche no absorbe leche.            | <p>El sistema de la leche no está montado correctamente.</p> <ul style="list-style-type: none"> <li>▶ Colocar correctamente el sistema de leche.</li> </ul> <hr/> <p>El recipiente para la leche y el sistema de la leche se han conectado en el orden incorrecto.</p> <ul style="list-style-type: none"> <li>▶ Conectar primero el sistema de leche al dispensador y, a continuación, el recipiente para la leche.</li> </ul> <hr/> <p>El tubo de la leche no está sumergido en la leche.</p> <ul style="list-style-type: none"> <li>▶ Utilizar más leche.</li> <li>▶ Comprobar si el tubo de leche está sumergido en la leche.</li> </ul> |
| La espuma de leche está demasiado fría.             | <p>La leche está demasiado fría.</p> <ul style="list-style-type: none"> <li>▶ Caliente la leche.</li> </ul>   |
| El aparato no dispensa agua caliente.               | <p>El sistema de la leche está sucio.</p> <ul style="list-style-type: none"> <li>▶ Limpiar el sistema de la leche en el lavavajillas.</li> </ul>  |
| El sistema de leche no se puede montar o desmontar. | <p>La secuencia de montaje es incorrecta.</p> <ul style="list-style-type: none"> <li>▶ Conectar primero el sistema de leche y, a continuación, el recipiente para la leche. Al desmontar los componentes, extraer primero el recipiente para la leche y, a continuación, el sistema de leche.</li> </ul>  |
| El aparato no dispensa bebidas.                     | <p>Hay aire en el filtro de agua.</p> <ol style="list-style-type: none"> <li>1. Sumergir en agua el filtro de agua con la abertura hacia arriba hasta que no salgan burbujas de aire.</li> <li>2. Volver a colocar el filtro.</li> </ol> <ul style="list-style-type: none"> <li>▶ Presionar el filtro de agua en el empalme del depósito de forma recta y firme.</li> </ul> <hr/> <p>Los restos de los agentes de descalcificación obturan el depósito de agua.</p> <ol style="list-style-type: none"> <li>1. Retirar el depósito de agua.</li> <li>2. Limpiar a fondo el depósito de agua.</li> </ol>                                      |

| Falla  | Causas y resolución de problemas   |
|--|--|
| Hay gotas de agua en la parte inferior interna del aparato.                              | La bandeja de goteo se retiró demasiado pronto. <ul style="list-style-type: none"> <li>▶ Retirar la bandeja de goteo unos segundos después de haber dispensado la última bebida.</li> </ul>  |
| La unidad de preparación no puede retirarse.   | No se puede soltar el cierre, la unidad de preparación está atascada. <ul style="list-style-type: none"> <li>▶ Apagar el aparato y volver a encenderlo después de 3 minutos.</li> </ul>  |
| El molinillo no arranca.   | El aparato está demasiado caliente. <ol style="list-style-type: none"> <li>1. Desconectar el aparato de la red eléctrica.</li> <li>2. Esperar 1 hora para enfriar el aparato.</li> </ol>   |
| El molinillo no muele granos de café aunque el recipiente para café en grano está lleno. | Los granos de café son demasiado aceitosos y no caen en el molinillo. <ul style="list-style-type: none"> <li>▶ Golpear levemente el recipiente del café en grano.</li> <li>▶ Utilice otro tipo de café.</li> <li>▶ No utilizar granos aceitosos.</li> <li>▶ Limpiar el recipiente vacío para café en grano con un paño húmedo.</li> </ul>                |
| Calidad del café o de la leche muy variable.   | El aparato está calcificado. <ul style="list-style-type: none"> <li>▶ Descalcifique el aparato.</li> </ul>   |
| Calidad de la espuma de leche muy variable.  | La calidad de la espuma de leche depende del tipo de leche o de la bebida de base vegetal utilizada. <ul style="list-style-type: none"> <li>▶ Optimizar el resultado seleccionando el tipo de leche o de la bebida de base vegetal.</li> </ul>   |
| El café se dispensa solo a gotas o no se dispensa del todo.                              | El grado de molido ajustado es demasiado fino. <ul style="list-style-type: none"> <li>▶ Ajuste un grado de molido más grueso.<br/>→ <i>"Ajuste del grado de molido", Página 106</i></li> </ul>   |
| La cantidad de llenado ajustada no se alcanza.   | La máquina está fuertemente calcificada. <ul style="list-style-type: none"> <li>▶ Descalcifique el aparato.</li> </ul> Hay aire en el filtro de agua. <ol style="list-style-type: none"> <li>1. Sumergir en agua el filtro de agua con la abertura hacia arriba hasta que no salgan burbujas de aire.</li> <li>2. Volver a colocar el filtro.</li> </ol> |
| El café no tiene «crema».  | El aparato está sucio. <ul style="list-style-type: none"> <li>▶ Limpiar la unidad de preparación.</li> <li>▶ Descalcificar y limpiar el aparato.</li> </ul> El tipo de café no es óptimo. <ul style="list-style-type: none"> <li>▶ Utilice un tipo de café con una mayor proporción de granos de la variedad Robusta.</li> </ul>                         |

| <b>Falla</b>   | <b>Causas y resolución de problemas</b>  |
|--|--|
| El café no tiene «crema».  | Los granos de café ya no están recién tostados.<br>▶ Se recomienda utilizar granos de café frescos.  |
|  | El grado de molido no es el adecuado para los granos de café.<br>▶ Ajuste un grado de molido más fino.<br>→ <i>"Ajuste del grado de molido", Página 106</i>  |
| El café es demasiado «ácido».  | Se ha ajustado un grado de molido demasiado grueso.<br>▶ Ajuste un grado de molido más fino.<br>→ <i>"Ajuste del grado de molido", Página 106</i>  |
|  | El tipo de café no es óptimo.<br>▶ Utilice un tipo de café con una mayor proporción de granos de la variedad Robusta.  |
| El café es demasiado «amargo».   | El grado de molido ajustado es demasiado fino.<br>▶ Ajuste un grado de molido más grueso.<br>→ <i>"Ajuste del grado de molido", Página 106</i>   |
|  | El tipo de café no es óptimo.<br>▶ Utilice otro tipo de café.  |
| El café tiene sabor a «quemado».   | El grado de molido ajustado es demasiado fino.<br>▶ Ajuste un grado de molido más grueso.<br>→ <i>"Ajuste del grado de molido", Página 106</i>   |
|  | El tipo de café no es óptimo.<br>▶ Utilice otro tipo de café.  |
|  | La temperatura del café ajustada es demasiado alta.<br>▶ Disminuir la temperatura del café.  |
| Los posos de café no son compactos y están demasiado húmedos.            | El grado de molido no está ajustado de modo óptimo.<br>▶ Ajustar un grado de molido más grueso o más fino.<br>→ <i>"Ajuste del grado de molido", Página 106</i>  |
|  | Los granos de café son demasiado aceitosos.<br>▶ Utilizar otro tipo de grano de café.  |
| Aparece la indicación de la pantalla "Coloque la unidad de elaboración". | La tapa no está colocada correctamente.<br>1. Comprobar si la unidad de elaboración está correctamente colocada y bien cerrada.<br>2. Empujar el tirador rojo superior hacia la izquierda.<br>3. Colocar la cubierta del compartimento de preparación. |

| Falla   | Causas y resolución de problemas   |
|---|--|
| <p>La indicación de la pantalla muestra "Llenar el depósito de agua.", a pesar de que el depósito de agua está lleno.</p>               | <p>El depósito de agua no está colocado correctamente.</p> <ul style="list-style-type: none"> <li>▶ Colocar correctamente el depósito de agua.</li> </ul> <hr/> <p>El depósito de agua contiene agua con gas.</p> <ul style="list-style-type: none"> <li>▶ Llenar el depósito de agua con agua limpia del grifo.</li> </ul> <hr/> <p>El flotador del depósito de agua está atascado.</p> <ol style="list-style-type: none"> <li>1. Retirar el depósito de agua.</li> <li>2. Limpiar a fondo el depósito de agua.</li> </ol> <hr/> <p>El filtro de agua nuevo no se ha enjuagado según las instrucciones.</p> <ol style="list-style-type: none"> <li>1. Lavar el filtro de agua según las instrucciones.</li> <li>2. Poner en funcionamiento el filtro de agua.</li> </ol> <hr/> <p>Hay aire en el filtro de agua.</p> <ol style="list-style-type: none"> <li>1. Sumergir en agua el filtro de agua con la abertura hacia arriba hasta que no salgan burbujas de aire.</li> <li>2. Volver a colocar el filtro.</li> </ol> <hr/> <p>El filtro de agua es viejo.</p> <ul style="list-style-type: none"> <li>▶ Colocar un nuevo filtro de agua.</li> </ul> <hr/> <p>Los depósitos de cal en el depósito de agua obstruyen el sistema.</p> <ol style="list-style-type: none"> <li>1. Limpiar a fondo el depósito de agua.</li> <li>2. Iniciar el programa de descalcificación.</li> </ol> |
| <p>Aparece la indicación de la pantalla "Limpie la unidad de elaboración".</p>  | <p>La unidad de preparación está sucia.</p> <ul style="list-style-type: none"> <li>▶ Limpiar la unidad de preparación.</li> </ul> <hr/> <p>El mecanismo de la unidad de preparación se mueve con dificultad.</p> <ul style="list-style-type: none"> <li>▶ Limpiar la unidad de preparación.</li> </ul>   |
| <p>Aparece la indicación de la pantalla "Sobretensión o subtensión".</p>  | <p>Problemas con el suministro de corriente.</p> <ul style="list-style-type: none"> <li>▶ Utilizar el aparato solo con 120 V ~.</li> </ul>   |
| <p>Aparece la indicación de la pantalla "Error en el sistema de agua. Desenchufe el aparato, espere un minuto y vuelva a enchufar".</p> | <p>El aparato presenta una avería.</p> <ol style="list-style-type: none"> <li>1. Extraer el enchufe de red de la toma de corriente y esperar 60 segundos.</li> <li>2. Introducir el enchufe de red en la toma de corriente.</li> </ol>   |



| Falla  | Causas y resolución de problemas   |
|--|--|
| La indicación de la pantalla muestra "¡Debe ejecutarse el programa Calc'nClean!" con mucha frecuencia. | <p>El agua descalcificada todavía contiene algo de cal.</p> <ol style="list-style-type: none"> <li>1. Colocar un nuevo filtro de agua.</li> <li>2. Ajuste la dureza del agua.</li> </ol>   |
|  | <p>Se ha utilizado el descalcificador incorrecto o una cantidad insuficiente.</p> <ul style="list-style-type: none"> <li>▶ Para la descalcificación, utilizar exclusivamente las pastillas adecuadas.</li> </ul>                             |
|  | <p>El programa de mantenimiento no se ha ejecutado completamente.</p> <ul style="list-style-type: none"> <li>▶ Iniciar el programa de mantenimiento "Enjuague especial".</li> </ul> <p>→ <i>"Programas de mantenimiento", Página 115</i></p> |

---

## 16 Transporte, almacenamiento y eliminación de desechos

### 16.1 Activar la protección contra las bajas temperaturas

Proteja el aparato contra las heladas durante el transporte y el almacenamiento.

#### **AVISO:**

Los restos de líquido en el aparato pueden dañar el aparato durante el transporte o el almacenamiento.

- ▶ Vaciar el sistema de conductos antes del transporte o el almacenamiento.
- 1. Ejecutar el programa "Protección antihielo".
- 2. Desenchufar el aparato de la red eléctrica.

### 16.2 Eliminación de los aparatos usados

Mediante una eliminación respetuosa con el medio ambiente se pueden reutilizar materias primas valiosas.

1. Desenchufar el cable de conexión a la red de la toma de corriente.
2. Separar el cable de conexión a la red.
3. Desechar el aparato de manera respetuosa con el medio ambiente.

Su distribuidor o el ayuntamiento local puede proporcionarle información sobre las vías y posibilidades actuales de desecho de materiales.

---

## 17 Servicio de atención al cliente

En cada reparación cubierta por la garantía, nos aseguramos de que su aparato sea reparado con repuestos originales por un proveedor de servicio capacitado y autorizado. Solo utilizamos repuestos originales para todos los tipos de reparaciones. Las informaciones detalladas sobre el periodo de validez de la garantía y las condiciones de garantía las podrá encontrar en nuestras condiciones de garantía, con su distribuido o en nuestra página web.

Cuando se ponga en contacto con el servicio de atención al cliente, no olvide indicar el número de modelo (E-Nr.), el número de fabricación (FD) y el número de conteo (Z-Nr.) del aparato.

USA:  
1-800-944-2904  
[www.bosch-home.com/us/owner-support/get-support](http://www.bosch-home.com/us/owner-support/get-support)

CA:  
1-800-944-2904  
[www.bosch-home.ca/en/service/get-support](http://www.bosch-home.ca/en/service/get-support)  
[www.bosch-home.ca/en/service/cleaners-and-accessories](http://www.bosch-home.ca/en/service/cleaners-and-accessories)

Aquí podrá encontrar ayuda para la conexión con Home Connect:

www.home-connect.com/us/en/help-support/set-up

## 17.1 Número de modelo (E-Nr.), número de fabricación (FD) y número de conteo (Z-Nr.)

El número de modelo (E-Nr.), el número de fabricación (FD) y el número de conteo (Z-Nr.) se encuentran en la placa de características del aparato. Para volver a encontrar rápidamente los datos del aparato o el número de teléfono del servicio de atención al cliente, puede anotar dichos datos.

## 18 Datos técnicos

|   |                     |
|---|---------------------|
| Tensión   | 120 V ~             |
| Frecuencia                                      | 60 Hz               |
| Valor de conexión                               | 1500 W              |
| Presión máxima de la bomba, estática            | 19 bar              |
| Capacidad máxima, depósito de agua (sin filtro) | 81 oz.<br>(2.4 l)   |
| Capacidad máxima, recipiente para café en grano | 11.3 oz.<br>(320 g) |
| Longitud del conducto de alimentación           | 39 3/8" (1 m)       |
| Altura del aparato                              | 15"<br>(380 mm)     |
| Ancho del aparato                               | 13 5/7"<br>(352 mm) |

|                         |                     |
|-------------------------|---------------------|
| Profundidad del aparato | 18 2/5"<br>(467 mm) |
| Peso, vacío             | 9 kg                |
| Tipo de molinillo       | Cerámica            |

Este producto contiene fuentes luminosas de la clase de eficiencia energética D y F. Las fuentes luminosas están disponibles como piezas de recambio y solo pueden ser sustituidas por especialistas con formación.

## 18.1 Informaciones referentes al software libre y de código abierto

El presente producto contiene componentes de software que están licenciados como software libre y de código abierto por los derechos de autor.

Las informaciones de licencia correspondientes se encuentran memorizadas en el aparato. También se puede acceder a las informaciones de licencia correspondientes a través de la aplicación Home Connect: «Perfil -> Advertencias legales -> Informaciones de licencia». <sup>1</sup> Se puede descargar las informaciones de licencia en la página web de la marca del producto. (Por favor, busque el modelo de aparato y demás documentos en la página web del producto). También se pueden solicitar las informaciones correspondientes en [ossrequest@bshg.com](mailto:ossrequest@bshg.com) o BSH Hausgeräte GmbH, Carl-Wery-Str. 34, D-81739 München.

<sup>1</sup> Según el equipamiento del aparato

El código fuente se pondrá a disposición a pedido.

Por favor, envíe su solicitud a [ossrequest@bshg.com](mailto:ossrequest@bshg.com) o BSH Hausgeräte GmbH, Carl-Wery-Str. 34, D-81739 München.

Asunto: „OSSREQUEST“

Los costos para el trámite de su solicitud le serán facturados. Esta oferta es válida por tres años a partir de la fecha de compra o, como mínimo, por el tiempo en el que ofrecemos asistencia técnica y repuestos para el aparato correspondiente.

---

## 19 DECLARACIÓN DE GARANTÍA LIMITADA DEL PRODUCTO

ESTA GARANTÍA LIMITADA LE OTORGA DERECHOS LEGALES ESPECÍFICOS. USTED TAMBIÉN PUEDE TENER OTROS DERECHOS QUE VARÍAN DE UN ESTADO A OTRO.

### 19.1 Qué cubre esta garantía y a quién se aplica

La garantía limitada proporcionada por BSH Home Appliances («Bosch») en esta Declaración de Garantía Limitada del Producto se aplica únicamente al aparato Bosch («Producto») que usted ha adquirido siempre y cuando el Producto haya sido adquirido:

- Para su uso doméstico normal (no comercial) (es decir, no más de 7000 tazas durante el período de garantía) y solo se haya utilizado en

todo momento para fines domésticos normales y no comerciales.

- Nuevo al por menor de un distribuidor autorizado de BSH o directamente de BSH (no aparatos de exposición, «en estado actual» o «B»), y no para la reventa, o uso comercial.
- Dentro de Estados Unidos o Canadá, y ha permanecido en todo momento dentro del país de compra original.

Las garantías aquí establecidas se aplican al comprador original del producto aquí garantizado adquirido para uso doméstico ordinario durante la vigencia de la garantía.

Asegúrese de registrar su producto; la falta de registro no afectará a sus derechos de garantía. El registro de su producto es la mejor manera de que Bosch le informe en el improbable caso de un aviso de seguridad o retirada del producto.

Al comprar o recibir el producto, se recomienda registrarlo mediante el código QR que aparece en el lateral de la máquina o [en <https://registerbosch.com/>](https://registerbosch.com/)

### 19.2 Obtener el servicio técnico de la garantía

Para obtener servicio de garantía para su producto, debe ponerse en contacto con el servicio al cliente de Bosch en el 1-800-944-2904 para concertar una reparación.

### 19.3 Plazo de vigencia de la garantía

Bosch garantiza que el Producto está libre de defectos de material y de mano de obra durante un período de setecientos treinta (730) días a partir de la fecha de la entrega original. El plazo anterior empieza a contar a partir de la fecha de la entrega original.

La garantía solo se ampliará por el tiempo transcurrido entre la fecha de su reclamación de garantía y la fecha de la reparación o sustitución completada.

Se garantiza también que el Producto está libre de defectos **cosméticos** en material y por mano de obra (tales como arañazos en el acero inoxidable, manchas de pintura/porcelana, astillas, abolladuras u otros daños en el acabado) del Producto, por un período de treinta (30) días a partir de la fecha de entrega. Esta garantía **cosmética** excluye ligeras variaciones de color debidas a diferencias inherentes a las piezas pintadas y de porcelana, así como diferencias causadas por la iluminación de la cocina, la ubicación del producto u otros factores similares. Esta garantía **cosmética** excluye expresamente cualquier aparato de exposición, «en estado actual» o «B». EN VIRTUD DE ESTA GARANTÍA ESPECÍFICA, SE REQUIERE UNA PRUEBA DE COMPRA (POR EJEMPLO, EL RECIBO). Si no se puede aportar la prueba de compra, se utilizará como fecha de compra la fecha de producción más tres meses. Es posible que se le pida que proporcione

imágenes claras (por ejemplo, fotografías del Producto y/o que incluya la etiqueta de datos que muestre el modelo y el número de serie), pero el hecho de no hacerlo no mermará sus derechos de garantía.

### 19.4 Reparación/Reemplazo como único recurso

Durante este período de garantía, Bosch o uno de sus proveedores de servicios autorizados reparará su Producto sin cargo alguno para usted (sujeto a ciertas limitaciones establecidas en este documento) en virtud de una reclamación de garantía válida bajo los términos de la garantía aplicable.

Bosch correrá con los gastos de devolución del Producto Bosch a Bosch mediante envío terrestre, y el Producto original (piezas y componentes retirados) pasará a ser propiedad de Bosch. **LOS CONSUMIDORES DEBEN UTILIZAR LA BOLSA DE TRANSPORTE O LAS INSTRUCCIONES DE EMBALAJE ESPECIALES PROPORCIONADAS POR BOSCH. Esta garantía no cubre los daños de transporte ni la pérdida del producto durante el envío.**

Si se han realizado intentos razonables de reparar el Producto sin éxito, entonces Bosch reemplazará su Producto por uno de sustitución nuevo o certificado de fábrica (es decir, reacondicionado) (modelos mejorados pueden estar disponibles para usted, a discreción exclusiva de Bosch, por un cargo adicional). Bosch puede reparar una pieza del Producto original con

una pieza certificada de fábrica (es decir, reacondicionada). Usted tiene derecho a rechazar un Producto de sustitución que difiera materialmente del Producto original.

La única obligación y responsabilidad de Bosch en virtud del presente documento es reparar el Producto en virtud de una reclamación de garantía válida, recurriendo a un técnico de Bosch o uno de sus proveedores de servicios autorizados durante el horario comercial normal. Por cuestiones de seguridad y daños a la propiedad, Bosch recomienda encarecidamente que no intente reparar el Producto usted mismo, ni recurra a un proveedor de servicios no autorizado; **Bosch no tendrá ninguna responsabilidad por los daños resultantes de reparaciones o trabajos realizados por un proveedor de servicios no autorizado.** Proveedores de servicios autorizados son aquellas personas o empresas que han recibido una formación especial sobre los productos Bosch y que poseen, en opinión de Bosch, una reputación superior en cuanto a servicio al cliente y capacidad técnica (tenga en cuenta que son entidades independientes y no son agentes, socios, filiales ni representantes de Bosch). No obstante, la garantía no quedará anulada si el producto es reparado en un taller que no esté afiliado a Bosch o no sea distribuidor autorizado de Bosch. El uso de piezas de terceros tampoco anulará esta garantía.

## 19.5 Producto fuera de garantía

Bosch no tiene obligación alguna, en virtud de la ley ni por otro motivo, de otorgarle ninguna concesión, incluidos reparaciones, prorratesos o reemplazo del Producto, con posterioridad al vencimiento de la garantía.

## 19.6 Exclusiones de la garantía

Esta Garantía Limitada no cubre ninguno de los siguientes elementos:

- Productos vendidos fuera de los Estados Unidos de América, territorios de EE. UU. y Canadá
- Consumibles (por ejemplo, filtro de agua)
- Reparaciones realizadas por minoristas o distribuidores no autorizados
- Productos comprados en eBay o en subastas
- Daños o pérdida del producto durante el envío
- Reparaciones relacionadas con el uso y el cuidado
- Uso de productos de cuidado no vendidos por Bosch (por ejemplo, desincrustantes, limpiadores, etc.)

La cobertura de la garantía aquí descrita excluye todos los defectos o daños causados por, incluyendo sin limitación, uno o más de los siguientes:

- Uso del Producto de cualquier forma que no sea la normal, doméstica (no comercial) y prevista (incluyendo, sin limitación, cualquier forma de uso comercial, uso o almacenamiento de un producto de

- interior al aire libre, uso del Producto junto con aeronaves o embarcaciones).
- Utilización del Producto con una tensión o frecuencia fuera de la indicada en la placa de datos.
  - Uso del producto en un generador, solar, inversor o convertidor de CC a CA.
  - La mala conducta intencionada, negligencia, mal uso, abuso, accidentes, negligencia, manejo negligente o inadecuado, falta de mantenimiento de acuerdo con el Manual de Uso y Cuidado, instalación incorrecta o negligente, manipulación, incumplimiento de las instrucciones de funcionamiento, manipulación incorrecta, servicio no autorizado (incluida la «reparación» realizada por uno mismo o la exploración del funcionamiento interno del aparato).
  - Ajuste, alteración o modificación de cualquier tipo.
  - El incumplimiento de cualquier código, normativa o ley estatal, local, municipal o del condado en materia de electricidad, fontanería y/o construcción, incluido el hecho de no instalar el producto en estricta conformidad con los códigos y normativas locales en materia de incendios y construcción.
  - Desgaste ordinario, derrames de alimentos, líquidos, acumulaciones de grasa u otras sustancias que se acumulen sobre, dentro o alrededor del Producto.
  - Cualquier fuerza o factor externo, elemental y/o ambiental, incluyendo, sin limitación, lluvia, viento, arena, inundaciones, incendios, deslizamientos de lodo, temperaturas de congelación, humedad excesiva o exposición prolongada a la humedad, rayos, subidas de tensión, fallos estructurales en el entorno del aparato y causas de fuerza mayor.
  - Llamadas al servicio técnico para corregir la instalación de su Producto, para instruirle sobre cómo utilizar su Producto, para sustituir fusibles domésticos o para corregir el cableado doméstico.
  - Daños o defectos provocados por la mano de obra o piezas instaladas por cualquier proveedor de servicio técnico no autorizado, a menos que este último haya sido aprobado por Bosch antes de realizar el servicio.
- En ningún caso Bosch tendrá responsabilidad alguna por daños a la propiedad circundante, incluyendo armarios, suelos, techos y otras estructuras u objetos alrededor del Producto. También quedan excluidos de esta garantía los Productos cuyos números de serie hayan sido alterados, rayados o eliminados; cualquier tipo de servicio para enseñarle a utilizar el Producto o trabajos de mantenimiento cuando no haya ningún problema con el Producto; la corrección de problemas de instalación (usted es el único responsable de cualquier estructura y ajuste para el Producto, incluidas todas las instalaciones eléctricas u otras instalaciones de conexión, de los cimientos/suelos adecuados y de cualquier alteración, incluidos, entre

otros, armarios, paredes, suelos, estanterías, etc.); y el restablecimiento de disyuntores o fusibles.

EN LA MEDIDA PERMITIDA POR LA LEY, ESTA GARANTÍA ESTABLECE SUS RECURSOS EXCLUSIVOS CON RESPECTO AL PRODUCTO, INDEPENDIENTEMENTE DE QUE LA RECLAMACIÓN SEA

CONTRACTUAL O

EXTRACONTRACTUAL (INCLUIDA LA RESPONSABILIDAD OBJETIVA O LA NEGLIGENCIA), O DE

CUALQUIER OTRO TIPO. ESTA GARANTÍA REEMPLAZA TODAS LAS DEMÁS GARANTÍAS

EXPRESAS O IMPLÍCITAS. LAS GARANTÍAS IMPLÍCITAS POR LEY, YA SEA DE COMERCIABILIDAD O DE APTITUD PARA UN FIN

ESPECÍFICO, O DE CUALQUIER OTRO TIPO, TENDRÁN VIGENCIA ÚNICAMENTE POR EL PERÍODO DE VIGENCIA DE LA PRESENTE

GARANTÍA LIMITADA EXPRESA. EN NINGÚN CASO SERÁ EL FABRICANTE RESPONSABLE POR LOS DAÑOS CONSECUENTES, ESPECIALES, Y/O DAÑOS

PUNITIVOS, PÉRDIDAS O GASTOS, INCLUIDOS, ENTRE OTROS, TIEMPO FUERA DEL TRABAJO,

HOTELES O COMIDAS EN RESTAURANTES, GASTOS DE REMODELACIÓN QUE SUPEREN

LOS DAÑOS DIRECTOS, QUE DEFINITIVAMENTE HAYAN SIDO

PROVOCADOS DE MANERA EXCLUSIVA POR BOSCH O DE OTRA MANERA. ALGUNOS

ESTADOS NO PERMITEN LA EXCLUSIÓN O LIMITACIÓN DE

DAÑOS INCIDENTALES O CONSECUENTES, Y ALGUNOS ESTADOS NO PERMITEN LIMITACIONES CON RESPECTO AL PLAZO DE VIGENCIA DE UNA GARANTÍA IMPLÍCITA; POR LO TANTO, ES POSIBLE QUE LAS EXCLUSIONES O LIMITACIONES PRECEDENTES NO SE APLIQUEN. ESTA GARANTÍA OTORGA DERECHOS LEGALES ESPECÍFICOS, Y TAMBIÉN PUEDEN CORRESPONDERLE OTROS DERECHOS QUE PUEDEN VARIAR SEGÚN EL ESTADO.

Ningún intento de alterar, modificar o enmendar esta garantía será efectivo a menos que sea autorizado por escrito por un directivo de BSH.

## 19.7 Información del producto

Para una referencia rápida, copiar la información que se encuentra a continuación de la placa de características. Conservar su factura y/o los documentos de entrega para la validación de la garantía.

---

Número de modelo (E-Nr.)

---

Número de fabricación (FD)

---

Fecha de entrega

---







A series of horizontal lines for writing, starting from the top line and continuing down the page.



A series of 25 horizontal lines, evenly spaced, extending across the width of the page. These lines are intended for writing.



## Register your appliance to enjoy customized benefits.

Thank you for being a Bosch customer!  
Simply create a MyBosch account, then register your appliance.  
You'll find a variety of customized information in MyBosch such as:

- **Discounts for filters, cleaners, accessories & parts**
- **Easy access to manuals & appliance specifications**
- **Easy access to part lists**
- **Customized offer for the Bosch Appliance Service Plan (sent by mail after appliance registration)**

Register here:  
[www.bosch-home.com/us/owner-support/mybosch](http://www.bosch-home.com/us/owner-support/mybosch)



## Looking for help? You'll find it here.

No matter what, no matter when: Bosch is here to support you.  
We're here to assist with usage instructions, cleaning tips,  
accessories & parts, troubleshooting, and repairs.  
Find online resources such as FAQs, how-to-videos, manuals,  
warranties and authorized Bosch servicers at:  
[www.bosch-home.com/us/owner-support/get-support](http://www.bosch-home.com/us/owner-support/get-support)

Contact us:  
**Please have your Model Number (E-Nr) ready when contacting us.**  
1-800-944-2904  
[www.bosch-home.com/us/owner-support/contact-us](http://www.bosch-home.com/us/owner-support/contact-us)

**BSH Home Appliances Corporation**  
1901 Main Street, Suite 600  
Irvine, CA 92614  
USA  
[www.bosch-home.com](http://www.bosch-home.com)  
1-800-944-2904  
© 2023 BSH Home Appliances Corporation



**8001311727** (040212)

en-us, fr-ca, es-mx