

Drawer Microwave

Installation Instructions

Models:

HMD8454UC

HMD8054UC



BOSCH

Invented for life



Table of Contents

Safety Definitions	2	Drawer Microwave Measurements.....	7-9
Important Safety Instructions.....	3-5	Anti-Tip Block	10
Safety Codes and Standards	3	Electrical Requirements.....	10
Grounding Instructions	3	Drawer Installation	11
Clearances and Dimensions.....	4	Contacting Bosch Customer Support	11
Electric Safety	5		
Related Equipment Safety.....	5		
Unpacking Your Drawer Microwave.....	6		
Important Notes to the Installer.....	6		
Important Notes to the Consumer.....	6		

Safety Definitions

WARNING

This indicates that death or serious injuries may occur as a result of non-observance of this warning.

CAUTION

This indicates that minor or moderate injuries may occur as a result of non-observance of this warning.

NOTICE: This indicates that damage to the appliance or property may occur as a result of non-compliance with this advisory.

Note: This alerts you to important information and/or tips.

WARNING

- Installation must be performed by a qualified installer.
 - **INSTALLER:** Leave these instructions with the appliance after installation.
 - **IMPORTANT:** Save this installation manual for local electrical inspector's use.
 - **HOMEOWNER:** Please read and save these instructions for future reference.
-

WARNING

If the information in this manual is not followed exactly, fire or shock may result causing property damage or personal injury.

This Bosch Appliance is made by
BSH Home Appliances Corporation
1901 Main Street, Suite 600
Irvine, CA 92614

Questions?

1-800-944-2904

www.bosch-home.com/us

We look forward to hearing from you!

IMPORTANT SAFETY INSTRUCTIONS

READ ALL INSTRUCTIONS BEFORE USING THE APPLIANCE

Safety Codes and Standards

This appliance complies with the latest version of one or more of the following standards:

- CAN/CSA C22.2 No. 61 - Household Cooking Ranges
- UL 858 - Household Electric Ranges
- CAN/CSA C22.2 No. 150 - Microwave Ovens
- UL 923 - Microwave Cooking Appliances
- UL 507 - Electric Fans
- CAN/CSA C22.2 No. 113 - Fans and Ventilators
- CSA C22.2 No. 64 - Household Cooking and Liquid-Heating Appliances
- UL 1026 - Electric Household Cooking and Food Serving Appliances

It is the responsibility of the owner and the installer to determine if additional requirements and/or standards apply to specific installations.

Grounding Instructions

This appliance must be grounded. In the event of an electrical short circuit, grounding reduces the risk of electric shock by providing an escape wire for the electric current. This appliance is equipped with a cord having a grounding wire with grounding plug. The plug must be plugged into a outlet that is properly installed and grounded.

WARNING

Improper grounding can result in a risk of electric shock.

Consult a qualified electrician if the grounding instructions are not completely understood, or if doubt exists as to whether the appliance is properly grounded.

Do not use an extension cord. If the power supply cord is too short, have a qualified electrician install an outlet near the appliance.

The installer must perform a ground continuity check on the power outlet box before beginning the installation to insure that the outlet box is properly grounded. If not properly grounded, or if the outlet box does not meet Electrical Requirements, a qualified electrician should be employed to correct any deficiencies.

IMPORTANT SAFETY INSTRUCTIONS

READ ALL INSTRUCTIONS BEFORE USING THE APPLIANCE

Clearances and Dimensions

- For safety considerations, do not install Drawer Microwave in any combustible cabinetry which is not in accord with the stated clearances and dimensions in the following Drawer Microwave Measurements section. See Figure 3 (standard installation) or Figure 4 (flush installation).
- Dimensions that are shown in Figure 3 (standard installation) or Figure 4 (flush installation) must be used. Given dimensions provide minimum clearance. Locate electrical outlet in the shaded area in the upper left-hand corner of the cutout. See Figure 6.
- Supporting surface must be solid and level. Pay special attention to the floor of the cabinet opening on which the Drawer Microwave will sit. The floor of the opening should be constructed of plywood strong enough to support the weight of the oven (approximately 100 pounds).
- Check the location where the Drawer Microwave will be installed for proper electrical supply.
- If installing the Drawer Microwave underneath a cooktop, a clearance of 2 inches or greater is required between the top of the Drawer Microwave unit and the bottom of the cooktop.
- The microwave interior will accommodate a 9" x 13" oblong dish or a bag of microwave popcorn.
- **INSTALLER: LEAVE THESE INSTRUCTIONS WITH THE APPLIANCE AFTER INSTALLATION IS COMPLETE.**

IMPORTANT: SAVE THESE INSTRUCTIONS FOR THE LOCAL ELECTRICAL INSPECTOR'S USE.

WARNING

If the information in this manual is not followed exactly, fire or shock may result causing property damage or personal injury.

WARNING

Do not repair, replace or remove any part of the appliance unless specifically recommended in the manuals. Improper installation, service or maintenance can cause injury or property damage. Refer to this manual for guidance. All other servicing should be done by a qualified technician.

Appliance Handling Safety


The Drawer Microwave unit is heavy and requires at least two people or proper equipment to move.

Do not lift the appliance by the door or the control panel.

Hidden surfaces may have sharp edges. Use caution when reaching behind or under appliance.

Proposition 65 Warning:

This product may contain a chemical known to the State of California, which can cause cancer or reproductive harm. Therefore, the packaging of your product may bear the following label as required by California:

<p>STATE OF CALIFORNIA PROPOSITION 65 WARNING:</p> <p> WARNING</p> <p>Cancer and Reproductive Harm - www.P65Warnings.ca.gov</p>
--

IMPORTANT SAFETY INSTRUCTIONS

READ ALL INSTRUCTIONS BEFORE USING THE APPLIANCE

Electric Safety

WARNING

Before you plug in an electrical cord or turn on power supply, make sure all controls are in the OFF position.

WARNING

The appliance must be disconnected from the source of supply before attempting the installation.

For appliances equipped with a cord and plug, do not cut or remove the ground prong. It must be plugged into a matching grounding type receptacle to avoid electrical shock. If there is any doubt as to whether the wall receptacle is properly grounded, the customer should have it checked by a qualified electrician.

If required by the National Electrical Code (or Canadian Electrical Code), this appliance must be installed on a separate branch circuit.

INSTALLER: Show the owner the location of the circuit breaker or fuse. Mark it for easy reference.

Before installing, turn OFF power at the service panel. Lock service panel to prevent power from being turned ON accidentally.

Be sure your appliance is properly installed and grounded by a qualified technician. Installation, electrical connections and grounding must comply with all applicable codes.

Related Equipment Safety

Remove all tape and packaging before using the appliance. Destroy the packaging after unpacking the appliance. Never allow children to play with packaging material.

Never modify or alter the construction of the appliance. For example, do not remove leveling legs, panels, wire covers or anti-tip brackets/screws.

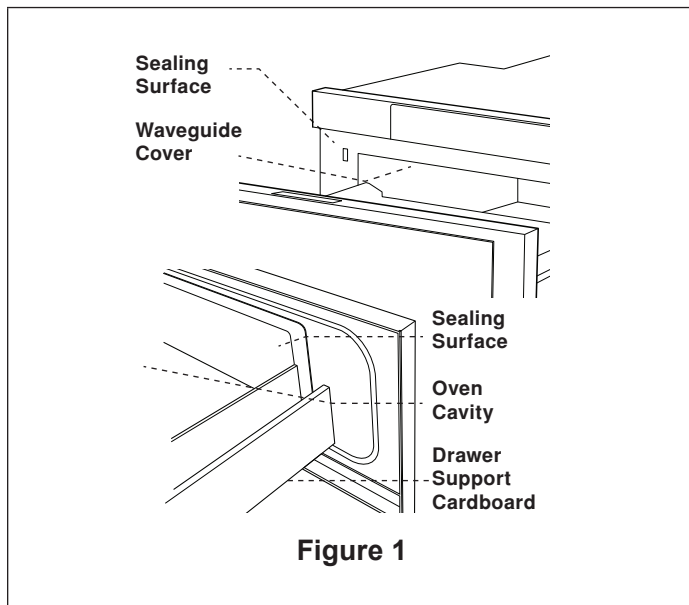
Unpacking Your Drawer Microwave

- For instructions to remove the Drawer Microwave from the carton, refer to unpacking instructions located on the top of the unit carton.
- Remove the drawer support cardboard from the unit.

⚠ CAUTION

Remove all packing materials from inside the Drawer Microwave. **DO NOT REMOVE THE WAVEGUIDE COVER.** The Waveguide Cover is attached to the ceiling of the Drawer Microwave. The mica cover is dark grey and cardboard-like, and measures approximately 9" x 10". The Waveguide Cover must remain in place at all times. Never allow children to play with packaging material.

- Check the drawer for any damage, such as a misaligned or bent drawer, damaged drawer seals or sealing surfaces, broken or loose drawer guides or dents inside the cavity or on the front of the drawer. If there is any damage, do not operate the Drawer Microwave. Contact your dealer or Bosch Customer Support.
- After installation, remove the protective film from the unit door and control panel.



Important Notes to the Installer

- Unit is heavy and requires at least two people or proper equipment to move.
- Read and understand the contents of this Installation Manual before installing the Drawer Microwave.
- Remove all packing material before connecting the electrical supply.
- It is the responsibility of the owner and the installer to assure compliance with all applicable safety codes and standards. See UL 923, The Microwave Cooking Appliances.
- The unit may be installed using a standard or flush (inset) installation per the following instructions.

⚠ CAUTION

Hidden surfaces may have sharp edges. Use caution when reaching behind or under appliance.

Important Notes to the Consumer

Keep this manual with your Use and Care Manual for future reference.

- As when using any microwave oven generating heat, there are certain safety precautions you should follow. These are listed in the Use and Care Manual. Read all and follow carefully.

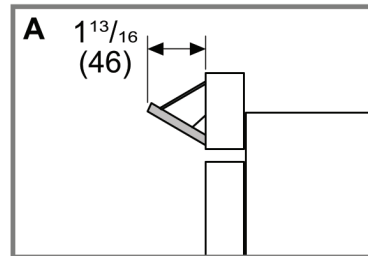
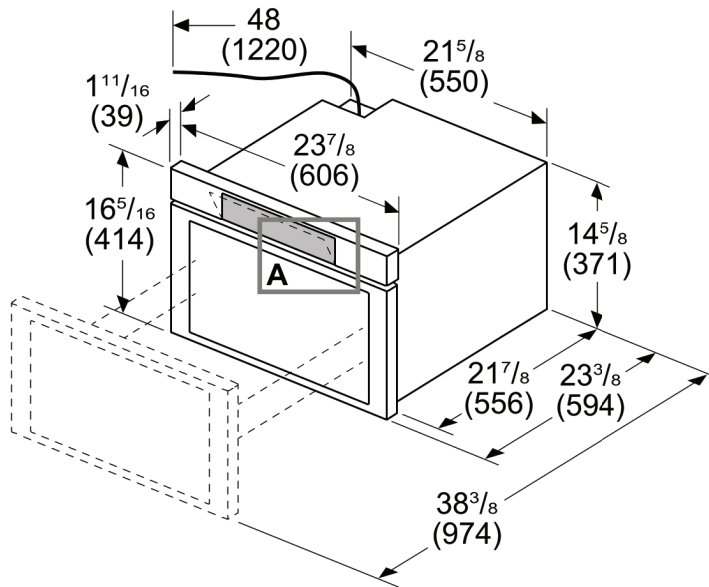
⚠ WARNING

The appliance should only be installed by a licensed electrician or a qualified technician.

Drawer Microwave Measurements

Appliance Dimensions

HMD8454UC Measurements in inches (mm)



HMD8054UC Measurements in inches (mm)

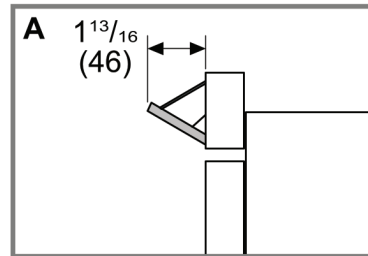
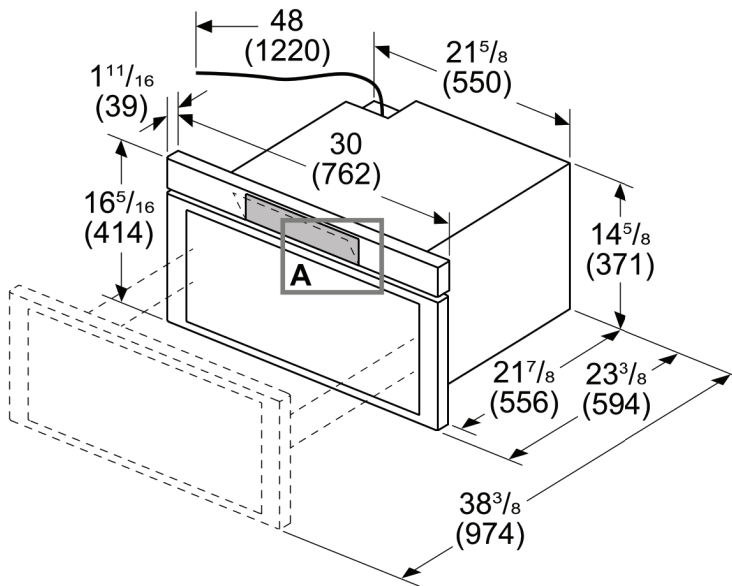
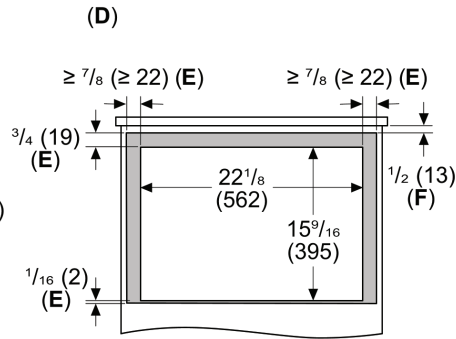
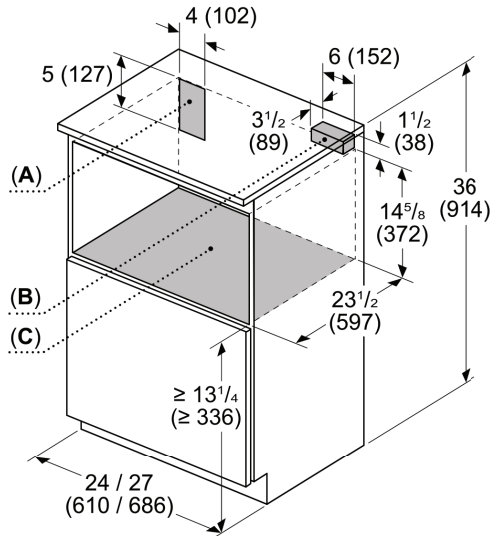


Figure 2

Drawer Microwave Measurements

Standard Installation Dimensions and Clearances

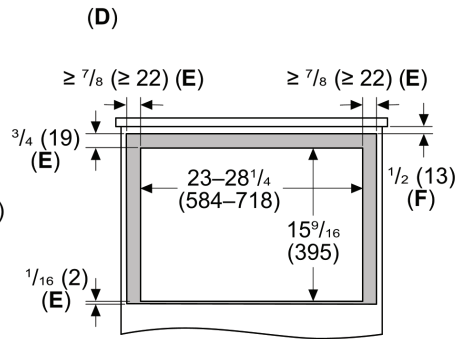
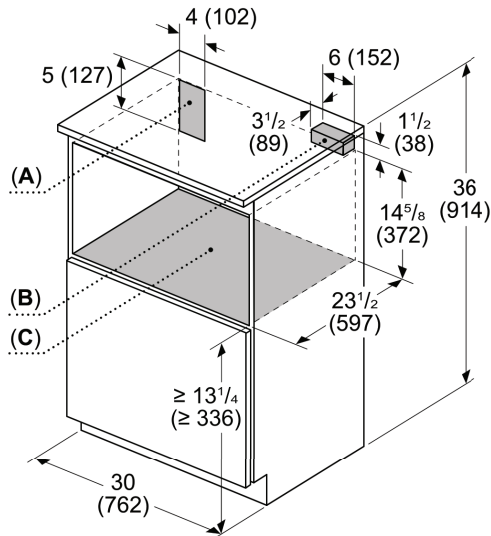
HMD8454UC Measurements in inches (mm)
Standard Installation



- A:** Recommended location of electrical socket
- B:** Anti-tip block
- C:** Base should support up to 100 lb (45 kg)
- D:** Front view of cut-out
- E:** Overlap
- F:** Visible area

If under a worktop, minimum clearance to worktop should be $\frac{7}{16}$ " (11 mm)

HMD8054UC Measurements in inches (mm)
Standard Installation



- A:** Recommended location of electrical socket
- B:** Anti-tip block
- C:** Base should support up to 100 lb (45 kg)
- D:** Front view of cut-out
- E:** Overlap
- F:** Visible area

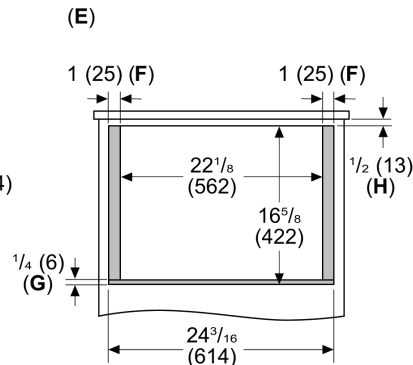
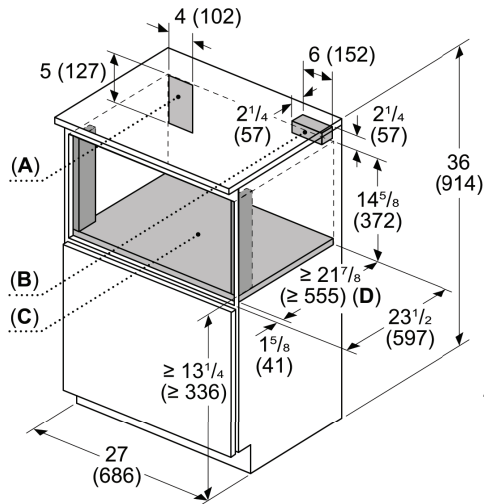
If under a worktop, minimum clearance to worktop should be $\frac{7}{16}$ " (11 mm)

Figure 3

Drawer Microwave Measurements

Flush Installation Dimensions and Clearances

HMD8454UC Measurements in inches (mm)
Standard Installation



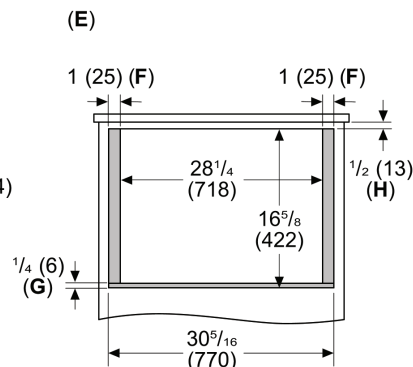
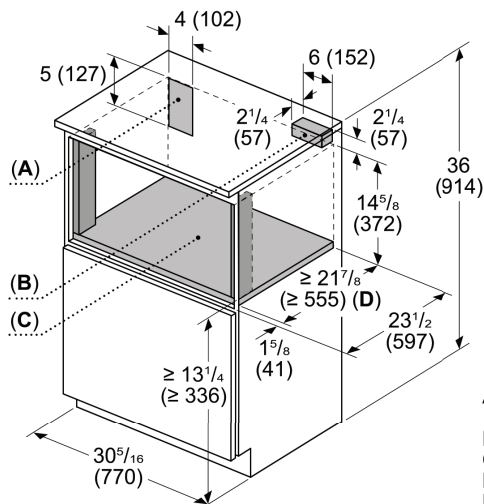
- A: Recommended location of electrical socket
- B: Anti-tip block
- C: Base should support up to 100 lb (45 kg)
- D: Base depth
- E: Front view of cut-out
- F: Sides should be finished and extend back to cleat

Cleats should also be finished, as they may be visible after installation

- G: Base thickness
- H: Visible area

If under a worktop, minimum clearance to worktop should be $7/16"$ (11 mm)

HMD8054UC Measurements in inches (mm)
Standard Installation



- A: Recommended location of electrical socket
- B: Anti-tip block
- C: Base should support up to 100 lb (45 kg)
- D: Base depth
- E: Front view of cut-out
- F: Sides should be finished and extend back to cleat

Cleats should also be finished, as they may be visible after installation

- G: Base thickness
- H: Visible area

If under a worktop, minimum clearance to worktop should be $7/16"$ (11 mm)

Figure 4

Anti-Tip Block (not included)

Normal Installation Steps

Anti-Tip Block Installation Instructions

The 6-inch wooden anti-tip block must be provided by the installer. The anti-tip block reduces the risk of drawer tipping when installed properly. Install the anti-tip block 14 ¹³/₁₆ inches above the installation opening floor (where the unit will sit) for a standard installation or 14 ⁵/₈ inches for a flush installation. See Figure 3 (standard installation) or Figure 4 (flush installation) and Figure 5.

If the Drawer Microwave is ever moved to a different location, the anti-tip block must also be moved and installed.

If the anti-tip block is to be anchored to the wall make certain that the screws holding it penetrate into the structural members (studs) behind any covering such as drywall.

The anti-tip block prevents serious injury that might result from spilled hot liquids.

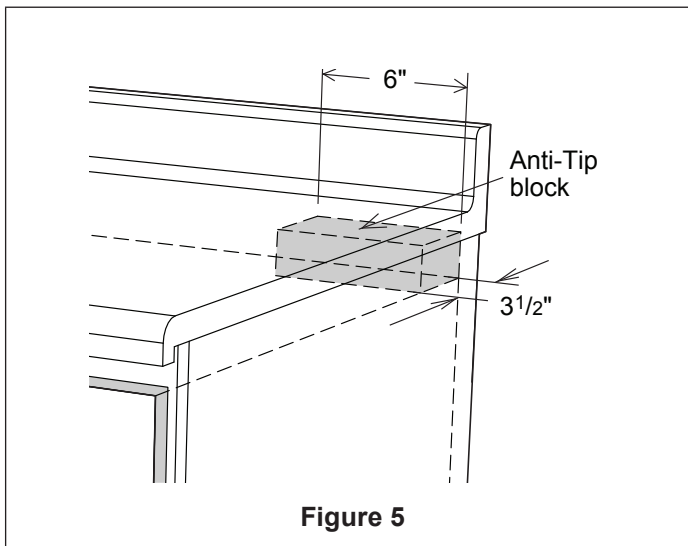


Figure 5

⚠ CAUTION

Make sure the screws do not contact any wiring or plumbing that may be present in the wall.

⚠ WARNING

The unit can tip and cause spills and potential burns or other injuries if the anti-tip block is not installed correctly.

Electrical Requirements

The unit requires a 120 volt, 60 Hz, 15 AMP (minimum) circuit. It is recommended that the unit be installed on a separate circuit that serves only this appliance.

This appliance is fitted with a 3-prong grounded electrical plug. Do not modify the plug or use an adapter. If the plug does not fit with the available receptacle, have a licensed electrician install a properly grounded outlet before proceeding with the installation. The power cord length is approximately 48".

Installer - show the owner the location of the circuit breaker or fuse. Mark it for easy reference.

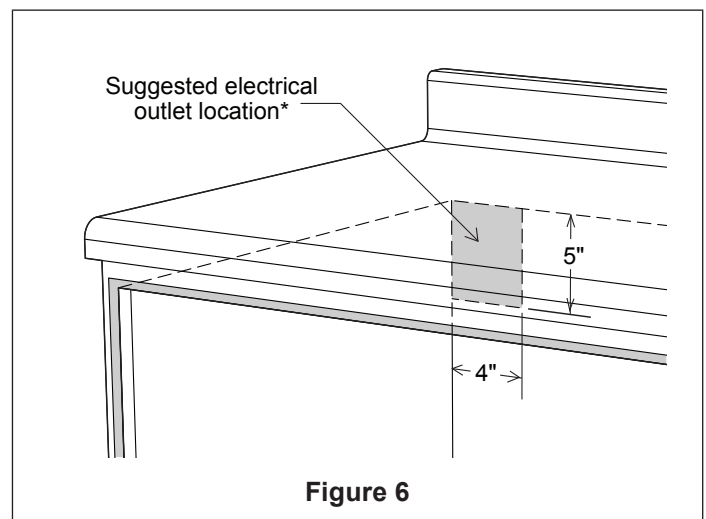


Figure 6

⚠ WARNING

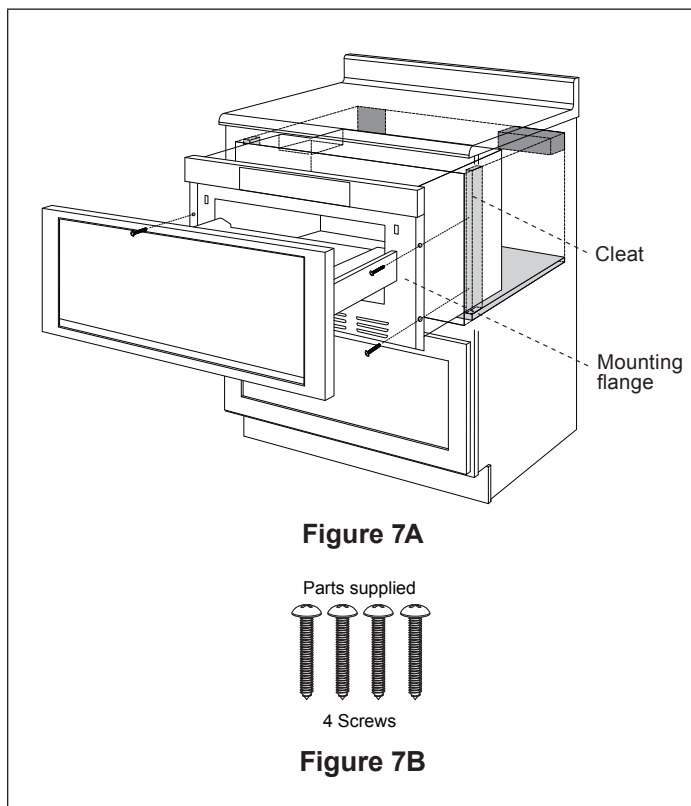
If you have any questions about the grounding or electrical instructions, consult a qualified electrician.

* Can also be installed using an electrical outlet in an adjacent cabinet within the area where the provided electrical cord can reach.

Always check electrical codes for requirements.

Drawer Installation

1. Place the drawer adjacent to the wall or cabinet opening. Plug the power supply cord into the electrical outlet.
2. Carefully guide the drawer into the prepared opening. Avoid pinching the cord between the oven and the wall.
3. Slide the drawer all the way until the mounting flange makes contact with the face of the cabinet for standard installation or side cleats for flush installation. See Figure 7A.
4. Open the drawer. Using the 4 holes on the drawer as a template, pre drill the cabinet using a $\frac{1}{16}$ " bit. See Figure 7A.
5. Secure the drawer with the 4 screws supplied. See Figure 7B.
6. Test operation to confirm that the Drawer Microwave is functioning properly and the drawer opens and closes freely.



Contacting Bosch Customer Support

The Bosch Customer Support Team is available to help and can be reached at 800-944-2904.

Before calling for assistance...

1. Refer to the Use and Care Manual for additional product information.
2. Have the complete model number and FD number available; this information can be found on the name plate. Open the drawer fully. The name plate is beyond the back wall of the Drawer Microwave cavity facing up from the flat surface.

Tiroir Micro-onde

Instructions d'installation

Models:

HMD8454UC

HMD8054UC



BOSCH

Invented for life



Table des matières

Définitions de sécurité.....	2	Mesures pour le tiroir à micro-ondes	7-9
Instructions de sécurité importantes	3-5	Bloc antibasculement	10
Codes et normes de sécurité.....	3	Exigences électriques.....	10
Instructions de mise à la terre	3	Installation du tiroir à micro-ondes	11
Dégagement et dimensions	4	Communiquer avec le service à la clientèle de Bosch.....	11
Sécurité électrique.....	5		
Sécurité des équipements associés	5		
Déballage de votre tiroir à micro-ondes.....	6		
Notes importantes pour l'installateur	6		
Notes importantes pour le consommateur.....	6		

Définitions de sécurité

AVERTISSEMENT

Cela indique que la mort ou de graves blessures peuvent se produire si ces avertissements ne sont pas respectés.

PRÉCAUTION

Cela indique que des blessures mineures ou modérées peuvent se produire si ces avertissements ne sont pas respectés.

AVIS : Cela indique que des dommages à l'appareil ou la propriété peuvent se produire dans le cas où ce conseil n'est pas suivi.

Remarque : Ces alertes communiquent de l'information ou des conseils importants.

AVERTISSEMENT

- L'installation doit être effectuée par un installateur qualifié.
- **INSTALLATEUR** : Laisser ces instructions avec l'appareil après l'installation.
- **IMPORTANT** : Conserver ce manuel d'installation pour l'inspecteur électrique.
- **PROPRIÉTAIRE** : Lire et conserver ces instructions pour consultation ultérieure.

AVERTISSEMENT

Ne pas suivre les instructions contenues dans ce manuel à la lettre pourrait provoquer un incendie ou des décharges électriques pouvant entraîner des dommages à la propriété ou des dommages corporels.

Cet appareil Bosch est fabriqué par
BSH Home Appliances Corporation
1901 Main Street, Suite 600
Irvine, CA 92614

Questions?

1 (800) 944-2904

www.bosch-home.com/us

Nous sommes impatients d'avoir de vos nouvelles!

INSTRUCTIONS DE SÉCURITÉ IMPORTANTES

LIRE TOUTES LES INSTRUCTIONS AVANT D'UTILISER L'APPAREIL

Codes et normes de sécurité

Cet appareil se conforme avec la dernière version de l'une ou plusieurs des normes suivantes :

- CAN/CSA C22.2 No. 61 – Cuisinières domestiques
- UL 858 – Cuisinières électriques domestiques
- CAN/CSA C22.2 No. 150 – Four à micro-ondes
- UL 923 – Appareils de cuisson à micro-ondes
- UL 507 – Ventilateurs électriques
- CAN/CSA C22.2 No. 113 – Ventilateurs
- CSA C22.2 No. 64 – Appareils ménagers de cuisson et de chauffage des liquides
- UL 1026 – Appareils électriques de cuisson et de service alimentaire

Il est de la responsabilité du propriétaire et de l'installateur de déterminer si les exigences supplémentaires et/ou les normes en vigueur s'appliquent selon les installations spécifiques.

Instructions pour la mise à la terre

Cet appareil doit être mis à la terre. En cas de court circuit électrique, la mise à la terre réduit les risques de choc électrique en permettant au courant de s'échapper par le fil de mise à la terre. Cet appareil est équipé d'un cordon d'alimentation avec fil de mise à la terre et d'une fiche de mise à la terre. La fiche doit être branchée dans une prise murale installée correctement et mise à la terre.

AVERTISSEMENT

Une mise à la terre inappropriée peut entraîner un risque de décharge électrique.

Consulter un électricien qualifié si les instructions de mise à la terre ne sont pas complètement comprises ou en cas de doute à savoir si l'appareil possède une mise à la terre appropriée.

Ne pas utiliser de rallonge électrique. Si le cordon d'alimentation est trop court, faire installer une prise de courant près de l'appareil par un électricien.

L'installateur doit effectuer une vérification de continuité de la mise à la terre sur la prise de courant avant de commencer l'installation pour s'assurer que la boîte de la prise de courant est correctement mise à la terre. Si la prise n'est pas correctement mise à la terre ou si la boîte de la prise de courant ne répond pas aux normes de connexion électrique, un électricien qualifié devrait être appelé pour corriger les problématiques.

▲ IMPORTANTES CONSIGNES DE SÉCURITÉ

LIRE TOUTES LES INSTRUCTIONS AVANT D'UTILISER L'APPAREIL

Dégagements et dimensions

- À des fins de sécurité, ne pas installer le tiroir à micro-ondes dans des armoires combustibles qui ne sont pas conformes avec les dégagements et les dimensions indiqués dans la section mesures pour le tiroir à micro-ondes. Voir la Figure 3 (installation standard) ou la Figure 4 (installation encastrée).
- Les dimensions indiquées à la Figure 3 (installation standard) ou à la Figure 4 (installation encastrée) doivent être utilisées. Les dimensions données donnent le dégagement minimum. Localiser la prise de courant dans la zone ombragée dans le coin supérieur gauche de la découpe. Consulter la Figure 6.
- La surface de soutien doit être solide et au niveau. Portez une attention particulière au fond de l'ouverture de l'armoire sur laquelle le tiroir à micro-ondes reposera. Le fond de l'ouverture doit être fabriqué à l'aide d'un contreplaqué assez résistant pour soutenir le poids du four (environ 45 kg/100 lb).
- Vérifier l'emplacement où le tiroir à micro-ondes sera installé pour la présence d'une alimentation électrique appropriée.
- Si le tiroir à micro-ondes est installé sous une surface de cuisson, un dégagement de 5 cm (2 po) ou plus est requis entre le dessus du tiroir à micro-ondes et le fond de la surface de cuisson.
- L'intérieur du four à micro-ondes permet de recevoir des plats de forme allongés de 23 x 33 cm (9 x 13 po) ou un sac de maïs soufflé allant au micro-ondes.
- **INSTALLATEUR : LAISSER CES INSTRUCTIONS AVEC L'APPAREIL APRÈS AVOIR TERMINÉ L'INSTALLATION.**

IMPORTANT : CONSERVER CES INSTRUCTIONS POUR L'INSPECTION PAR L'INSPECTEUR ÉLECTRIQUE RÉGIONAL.

▲ AVERTISSEMENT

Ne pas suivre les instructions contenues dans ce manuel à la lettre pourrait provoquer un incendie ou des décharges électriques pouvant entraîner des dommages à la propriété ou des dommages corporels.

▲ AVERTISSEMENT

Ne pas réparer, remplacer ou enlever de pièces sur l'appareil à moins que cela ne soit mentionné dans les manuels. Une mauvaise installation, une réparation ou un entretien peut provoquer des blessures ou endommager la propriété.

Consulter ce manuel pour obtenir les directives. Toutes les autres réparations doivent être effectuées par un technicien qualifié.

Manipulation sécuritaire de l'appareil

Le tiroir à micro-ondes est lourd et nécessite au moins deux personnes pour déplacer facilement l'équipement.

Ne pas soulever l'appareil par la porte ou le panneau de commande.

Les surfaces cachées peuvent avoir des rebords tranchants. Faire preuve de prudence en saisissant l'appareil par-derrière ou dessous.

Avertissement Proposition 65 :

Ce produit peut contenir un produit chimique reconnu par l'État de la Californie comme pouvant provoquer le cancer ou nuire au système reproductif. Par conséquent, l'emballage de votre produit peut présenter l'étiquette suivante comme requise par l'État de la Californie :

AVERTISSEMENT DE LA PROPOSITION 65 DE L'ÉTAT DE LA CALIFORNIE :

▲ WARNING

Cancer et problème au système reproductif –
www.P65Warnings.ca.gov

IMPORTANTES CONSIGNES DE SÉCURITÉ

LIRE TOUTES LES INSTRUCTIONS AVANT D'UTILISER L'APPAREIL

Sécurité électrique

AVERTISSEMENT

Avant de brancher un cordon électrique ou la mise sous tension d'alimentation, assurez-vous que toutes les commandes sont en position OFF.

AVERTISSEMENT

L'appareil doit être déconnecté de la source d'alimentation avant de tenter l'installation.

Pour les appareils munis d'un cordon et d'une fiche, ne pas couper ou enlever la broche de mise à la terre. Il doit être branché dans une prise de courant avec une mise à la terre pour éviter les décharges électriques. En cas d'incertitude à savoir si la prise de courant murale est correctement mise à la terre, il est nécessaire de la faire vérifier par un électricien qualifié.

Si requis par le Code national de l'électricité (ou le Code canadien de l'électricité), cet appareil doit être installé sur un circuit électrique séparé.

INSTALLATEUR : Montrer l'emplacement du disjoncteur ou du fusible au propriétaire. Indiquer l'emplacement en écrivant une note au crayon.

Avant l'installation, couper l'alimentation au niveau du tableau de distribution.

Verrouiller le tableau de distribution pour éviter que l'alimentation ne soit remise à en marche accidentellement.

S'assurer que l'appareil est correctement installé et mis à la terre par un technicien qualifié. L'installation, les connexions électriques et la mise à la terre doivent être conformes avec les codes en vigueur.

Équipement de sécurité connexe

Retirer tous les rubans et l'emballage avant d'utiliser l'appareil. Jeter l'emballage après avoir déballé l'appareil. Ne jamais laisser les enfants jouer avec le matériel d'emballage.

Ne pas modifier ou altérer la fabrication de l'appareil. Par exemple, ne pas enlever les pattes, les panneaux, les couvre-fils, les vis ou le support antibasculement.

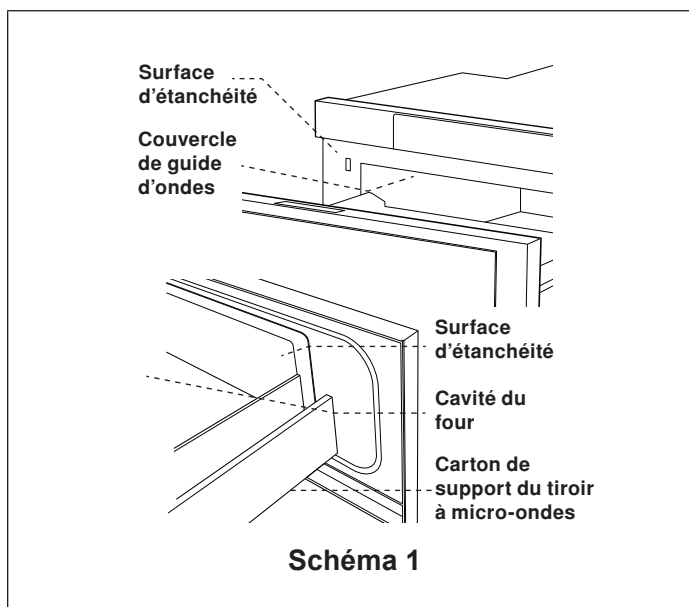
Déballage du tiroir à micro-ondes

- Pour obtenir les instructions afin d'enlever le tiroir à micro-ondes de la boîte, consulter les instructions de déballage qui se trouvent dans le haut de la boîte de l'unité.
- Retirer le carton de support du tiroir de l'unité.

⚠ PRÉCAUTION

Retirer tout le matériel d'emballage de l'intérieur du tiroir à micro-ondes. **NE PAS ENLEVER LE COUVERCLE DU GUIDE D'ONDES** Le couvercle du guide d'ondes est fixé dans la partie supérieure du tiroir à micro-ondes. Le couvercle en mica est de couleur gris foncé et ressemble à un carton et il mesure environ 23 x 25 cm (9 x 10 po). Le couvercle de guide d'ondes doit rester en place en tout temps. Ne jamais laisser les enfants jouer avec le matériel d'emballage.

- Vérifier la présence de dommages, comme un mauvais alignement ou un tiroir recourbé ou des joints d'étanchéités ou des surfaces d'étanchéité endommagées, des glissières mal fixées ou brisées ou des bosses dans la cavité ou à l'avant du tiroir. Si des dommages sont détectés, ne pas utiliser le tiroir à micro-ondes. Communiquer avec votre détaillant ou avec le service à la clientèle de Bosch.
- Après l'installation, retirer la pellicule de protection qui est sur la porte et le panneau de commande de l'appareil.



Notes importantes pour l'installateur

- L'unité est lourde et nécessite au moins deux personnes ou l'équipement approprié pour être déplacée.
- Lire et comprendre le contenu de ce manuel d'installation avant d'installer le tiroir à micro-ondes.
- Retirer tout le matériel d'emballage avant de faire le branchement de l'alimentation électrique.
- Il est de la responsabilité du propriétaire et de l'installateur de s'assurer de respecter tous les codes et normes de sécurité en vigueur. Consulter la norme UL 923 – Appareils de cuisson à micro-ondes.
- L'unité peut être installée de façon standard ou encastree selon ces instructions suivantes.

⚠ PRÉCAUTION

Les surfaces cachées peuvent avoir des rebords tranchants. Faire preuve de prudence en saisissant l'appareil par-dessous ou dessous.

Notes importantes pour le consommateur

Conserver ce manuel avec le Manuel d'utilisation et d'entretien aux fins de consultation ultérieure.

- Certaines mesures de sécurité doivent être suivies lors de l'utilisation d'un four à micro-ondes qui génère de la chaleur.
- Celles-ci sont indiquées dans le Manuel d'utilisation et d'entretien. Veiller à les lire et les suivre à la lettre.

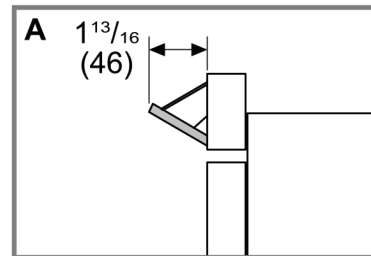
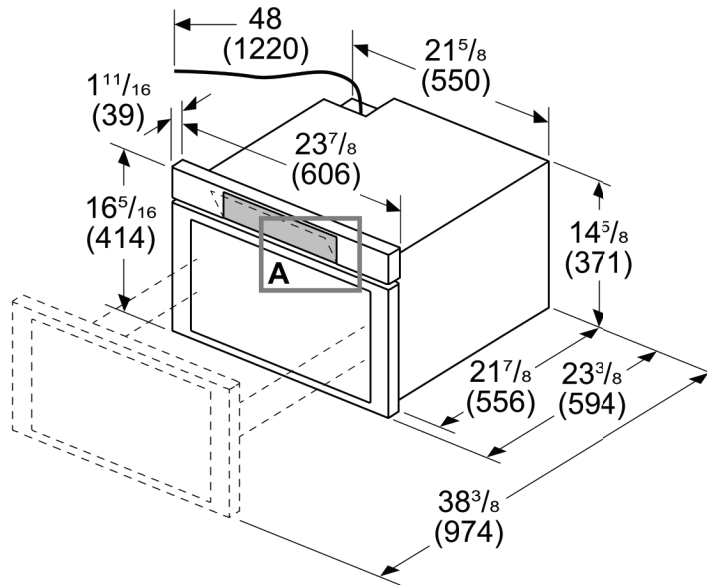
⚠ AVERTISSEMENT

L'appareil doit être installé uniquement par un électricien ou un technicien qualifié et autorisé.

Mesures pour le Tiroir à micro-ondes

Dimensions de l'appareil

Mesures en mm (po)



Mesures en mm (po)

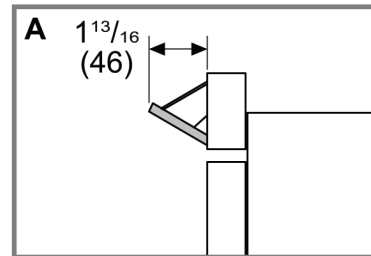
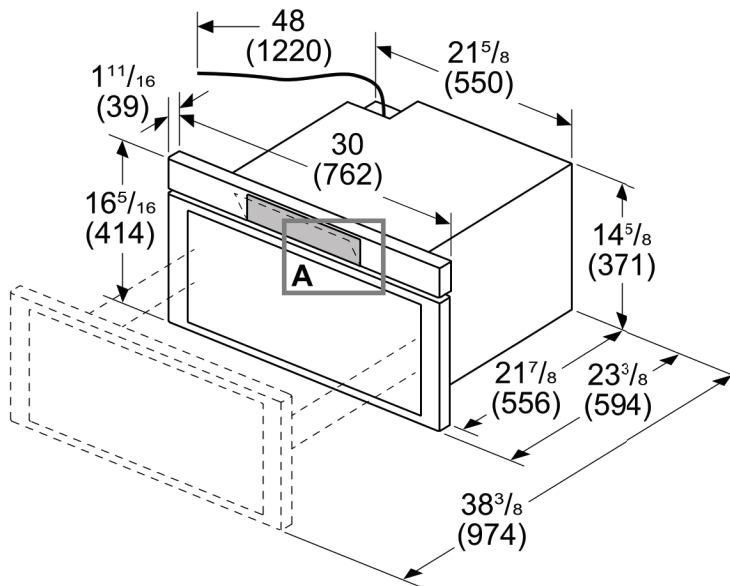
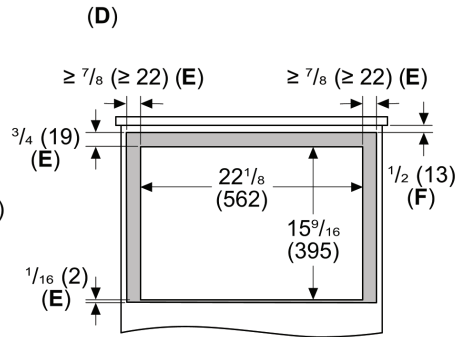
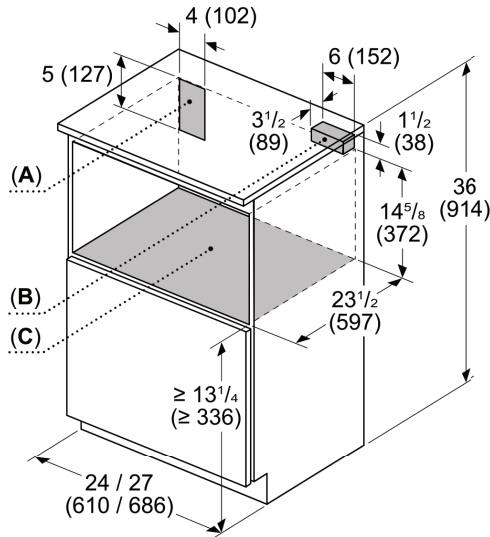


Schéma 2

Mesures pour le Tiroir à micro-ondes

Dimensions et dégagements d'une installation standard

HMD8454UC Mesures en mm (po)
Installation standard



A Emplacement recommandé pour la prise électrique

B Bloc antibasculement

C La base doit être en mesure de supporter un poids de 45 kg (100 lb)

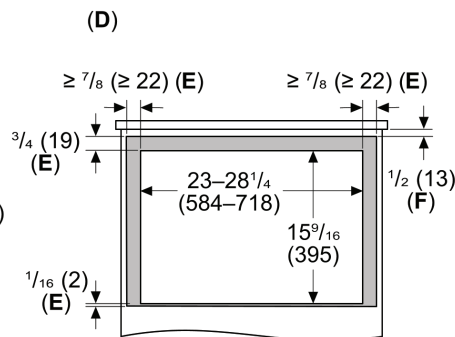
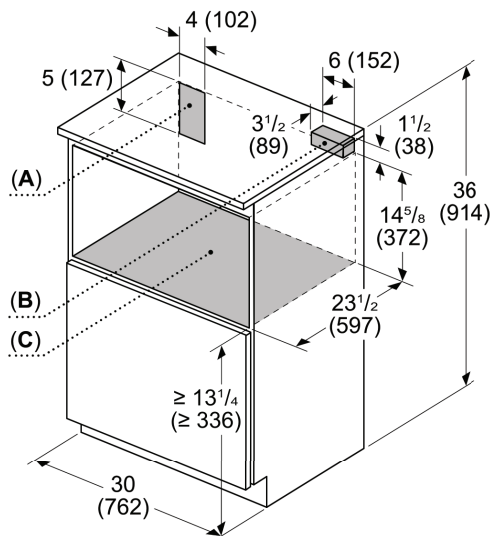
D Vue de l'avant de la découpe

E Superposition

F Zone visible

Sous un plan de travail l'appareil doit avoir un dégagement d'un moins 11 mm (7/16 po) du plan de travail

HMD8054UC Mesures en mm (po)
Installation standard



A Emplacement recommandé pour la prise électrique

B Bloc antibasculement

C La base doit être en mesure de supporter un poids de 45 kg (100 lb)

D Vue de l'avant de la découpe

E Superposition

F Zone visible

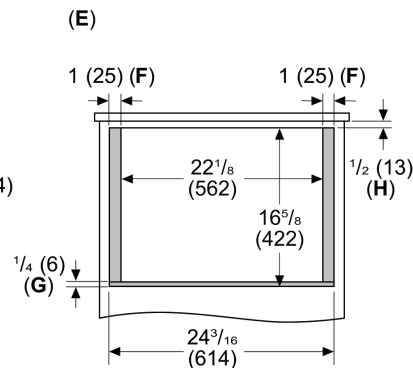
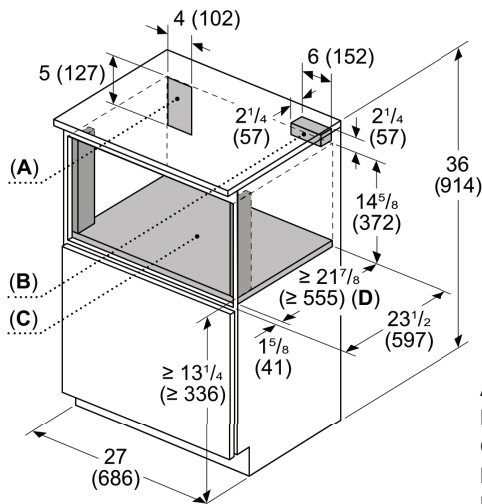
Sous un plan de travail l'appareil doit avoir un dégagement d'un moins 11 mm (7/16 po) du plan de travail

Schéma 3

Mesures pour le Tiroir à micro-ondes

Dimensions et dégagement pour une installation encastrée

HMD8454UC Mesures en mm (po)
Installation standard



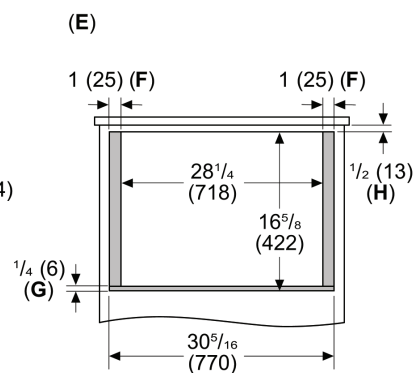
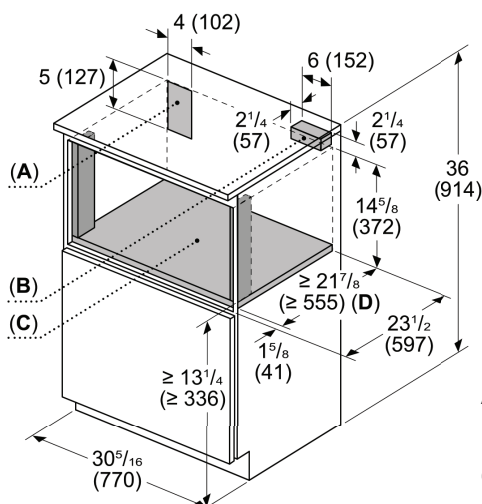
- A Emplacement recommandé pour la prise électrique
- B Bloc antibasculement
- C La base doit être en mesure de supporter un poids de 45 kg (100 lb)
- D Profondeur de la base
- E Vue de l'avant de la découpe
- F Les côtés doivent être finis et s'étendre jusqu'au taquet

Les taquets doivent être finis, car ils peuvent être visibles après l'installation

- G Épaisseur de la base
- H Zone visible

Sous un plan de travail l'appareil doit avoir un dégagement d'un moins 11 mm (7/16 po) du plan de travail

HMD8054UC Mesures en mm (po)
Installation standard



- A Emplacement recommandé pour la prise électrique
- B Bloc antibasculement
- C La base doit être en mesure de supporter un poids de 45 kg (100 lb)
- D Vue de l'avant de la découpe
- E Superposition
- F Zone visible

Sous un plan de travail l'appareil doit avoir un dégagement d'un moins 11 mm (7/16 po) du plan de travail

Schéma 4

Bloc antibasculement (Non inclus)

Étapes d'installation normales

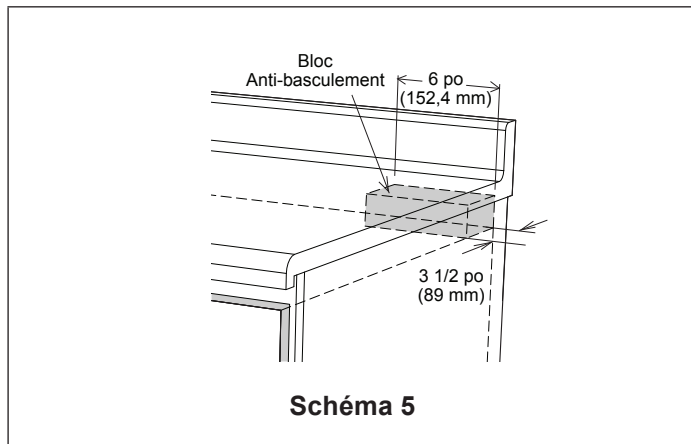
Instructions d'installation du bloc antibasculement

Un bloc de bois antibasculement de 15 cm (6 po) doit être fourni par l'installateur. Le bloc antibasculement réduit le risque que le tiroir bascule lorsqu'il est installé correctement. Installer le bloc antibasculement à 37,6 cm (14 13/16 po) au-dessus du fond de l'ouverture d'installation (ou l'unité repose) pour une installation standard ou 37,2 cm (14 5/8 po) pour une installation encastrée. Voir la Figure 3 (installation standard) ou la Figure 4 (installation encastrée) et Figure 5.

Si le tiroir-four à micro-ondes est déplacé dans un endroit différent, le bloc antibasculement doit aussi être déplacé et réinstallé.

Si le bloc antibasculement doit être ancré dans le mur, vérifier que les vis de maintien sont bien ancrées dans les éléments structurels (montants) derrière les cloisons sèches.

Le bloc antibasculement prévient les graves blessures qui pourraient se produire en raison de déversement de liquides chauds.



⚠ CAUTION

Veiller à ce que les vis n'entrent pas en contact avec des fils ou des éléments de plomberie qui peuvent être présents dans le mur.

⚠ WARNING

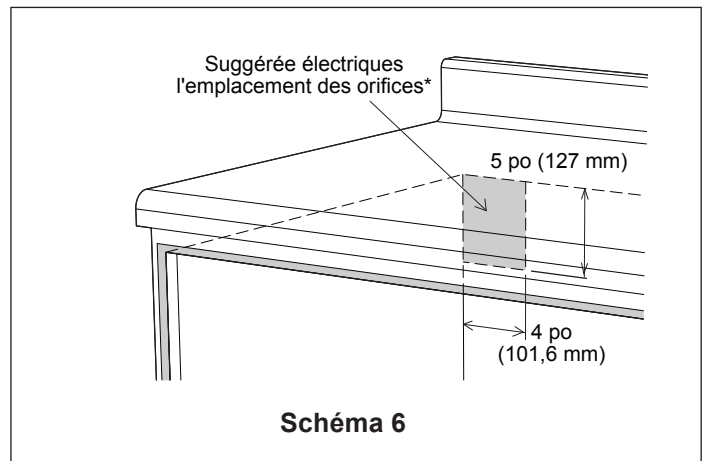
L'unité peut basculer et provoquer des déversements et potentiellement entraîner des brûlures ou d'autres blessures si le bloc antibasculement n'est pas correctement installé.

Exigences électriques

L'unité nécessite un circuit électrique de 120 volts, 60 Hz, 15 A. Il est recommandé que l'unité soit installée sur un circuit séparé qui sert uniquement pour cet appareil.

Cet appareil est équipé d'une fiche électrique à trois broches avec mise à la terre. Ne pas modifier la fiche ou ne pas utiliser d'adaptateur. Si la fiche ne convient pas à la prise de courant disponible, faire installer une prise de courant correctement mise à la terre par un électricien autorisé avant de poursuivre l'installation. La longueur du cordon d'alimentation est d'environ 1,4 m (48 po).

Installateur – montrer l'emplacement du disjoncteur ou du fusible au propriétaire. Indiquer l'emplacement en écrivant une note au crayon.



⚠ WARNING

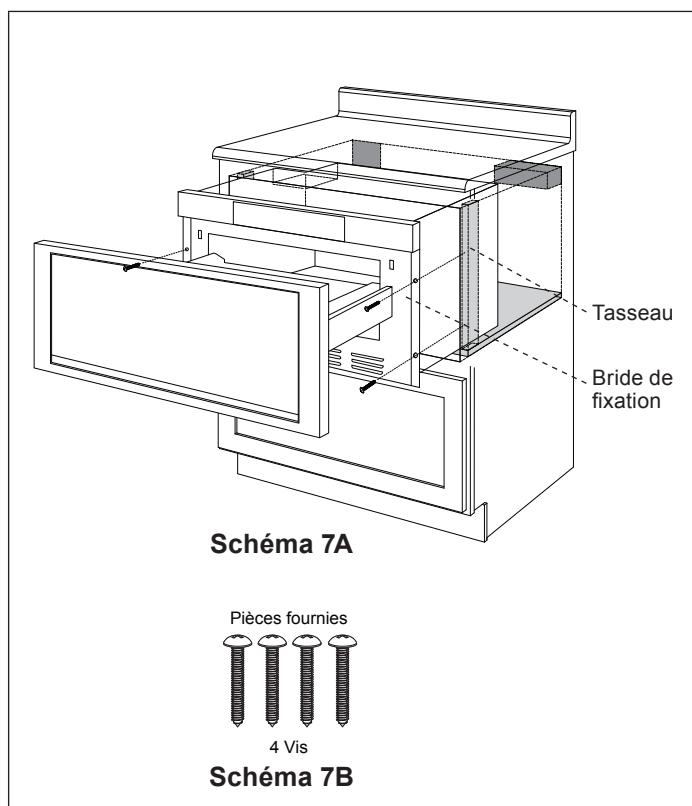
Consulter un électricien en cas de questions au sujet de la mise à la terre ou des instructions électriques.

* Peut aussi être installé en utilisant une prise électrique dans une armoire adjacente dans la zone lorsque le cordon électrique peut atteindre cette prise.

Toujours vérifier les codes électriques pour connaître les exigences.

Installation du tiroir

1. Placer le tiroir adjacent au mur ou à l'ouverture de l'armoire. Brancher le cordon d'alimentation dans la prise de courant électrique.
2. Glisser soigneusement le tiroir dans l'ouverture préparée. Éviter de pincer le cordon entre le four et le mur.
3. Glisser le tiroir complètement jusqu'à ce que la bride de fixation touche le devant de l'armoire pour l'installation standard ou les taquets latéraux pour l'installation encastrée. Voir la Figure 7A.
4. Ouvrir le tiroir. Utiliser les 4 trous sur le tiroir comme modèle, prépercer l'armoire en utilisant un foret de 1,57 mm (1/16 po). Voir la Figure 7A.
5. Visser le tiroir avec les 4 vis fournies. Voir la Figure 7B.
6. Faire un test de fonctionnement pour voir si le tiroir à micro-ondes fonctionne correctement et que le tiroir ouvre et ferme correctement.



Communiquer avec le service à la clientèle de Bosch

L'équipe du service à la clientèle de Bosch est là pour vous aider et peut être contacté au 800 944-2904.

Avant d'appeler pour obtenir de l'aide...

1. Consulter le Manuel d'utilisation et d'entretien pour des informations supplémentaires sur le produit.
2. S'assurer d'avoir le numéro de modèle complet et le numéro FD sous la main; cette information se trouve sur la plaque signalétique. Ouvrir complètement le tiroir. La plaque signalétique est située légèrement au-delà de la paroi arrière de la cavité du tiroir à micro-ondes à partir de la surface plane.

Microondas del cajón

Instrucciones de instalación

Models:

HMD8454UC

HMD8054UC



BOSCH

Invented for life



Tabla de contenidos

Definiciones de seguridad.....	2	Medidas del cajón microondas	7-9
Instrucciones importantes de seguridad	3-5	Bloque antivuelco.....	10
Códigos y estándares de seguridad	3	Requisitos eléctricos	10
Instrucciones de conexión a tierra.....	3	Instalación del cajón	11
Espacios libres y dimensiones.....	4	Ponte en contacto con el Servicio de atención al cliente de Bosch	11
Seguridad eléctrica.....	5		
Seguridad del equipo relacionado	5		
Desempaque de su cajón microondas	6		
Notas importantes para el instalador.....	6		
Notas importantes para el cliente	6		

Definiciones de seguridad

ADVERTENCIA

Esto indica que la falta de atención a esta advertencia puede resultar en la muerte o lesiones graves.

PRECAUCIÓN

Esto indica que la falta de atención a esta advertencia puede resultar en lesiones leves o moderadas.

AVISO: Esto indica que pueden producirse daños en el aparato o en la propiedad debido a la falta de cumplimiento de esta recomendación.

Aviso: Esto alerta sobre información importante y/o consejos.

ADVERTENCIA

- La instalación debe ser realizada por un instalador calificado.
- **INSTALADOR:** Guarda estas instrucciones junto con el aparato después de la instalación.
- **IMPORTANTE:** Guarde este manual de instalación para uso del inspector eléctrico local.
- **PROPIETARIO:** Lee y guarda estas instrucciones para futuras consultas.

ADVERTENCIA

Si no se siguen las instrucciones de este manual con exactitud, pueden producirse incendios o descargas eléctricas que causen daños materiales o lesiones a personas.

Este aparato Bosch es fabricado por
BSH Home Appliances Corporation
1901 Main Street, Suite 600
Irvine, CA 92614

¿Preguntas?

1-800-944-2904

www.bosch-home.com/us

¡Esperamos tener noticias tuyas!

INSTRUCCIONES IMPORTANTES DE SEGURIDAD

LEE TODAS LAS INSTRUCCIONES ANTES DE USAR EL APARATO

Códigos y estándares de seguridad

Este aparato cumple con la última versión de una o más de los siguientes estándares:

- CAN/CSA C22.2 n.º 61 - Electrodomésticos de cocción
- UL 858 - Electrodomésticos de cocción
- CAN/CSA C22.2 n.º 150 - Hornos microondas
- UL 923 - Electrodomésticos de cocción con microondas
- UL 507 - Ventiladores eléctricos
- CAN/CSA C22.2 n.º 113 - Ventiladores y ventilaciones
- CSA C22.2 n.º 64 - Electrodomésticos de cocción y calentamiento de líquidos
- UL 1026 - Electrodomésticos de cocción y servicio de comidas

Es responsabilidad del propietario y del instalador determinar si se aplican requisitos y/o estándares adicionales a instalaciones específicas.

Instrucciones de conexión a tierra

Este aparato debe estar conectado a tierra. En caso de un cortocircuito eléctrico, la conexión a tierra reduce el riesgo de descarga eléctrica al proporcionar un cable de escape para la corriente eléctrica. El aparato está equipado con un cable que tiene un conductor de tierra con un enchufe de conexión a tierra. El enchufe debe conectarse a un tomacorriente que esté correctamente instalado y conectado a tierra.

ADVERTENCIA

Una conexión a tierra inadecuada puede resultar en un riesgo de descarga eléctrica.

Consulta a un electricista calificado si no comprendes completamente las instrucciones de conexión a tierra, o si tienes dudas sobre si el aparato está correctamente conectado a tierra.

No utilices un cable de extensión. Si el cable de alimentación es demasiado corto, haz que un electricista calificado instale un tomacorriente cerca del aparato.

El instalador debe realizar una revisión de la conexión a tierra de la caja de tomacorriente antes de comenzar la instalación para asegurarse de que la caja de tomacorriente está correctamente conectada a tierra. Si no está correctamente conectado a tierra, o si la caja de tomacorriente no cumple con los requisitos eléctricos, se debe contratar a un electricista calificado para corregir cualquier falla.

INSTRUCCIONES IMPORTANTES DE SEGURIDAD

LEE TODAS LAS INSTRUCCIONES ANTES DE USAR EL APARATO

Espacios libres y dimensiones

- Por razones de seguridad, no instales el cajón microondas en ningún gabinete combustible que no cumpla con los espacios libres y dimensiones indicados en la siguiente sección Medidas del cajón microondas. Consulta la Figura 3 (instalación estándar) o la Figura 4 (instalación empotrada).
- Deben utilizarse las dimensiones que se muestran en la figura 3 (instalación estándar) o en la figura 4 (instalación empotrada). Las dimensiones indicadas proporcionan un espacio libre mínimo. Ubica el tomacorriente en el área sombreada en la esquina superior izquierda del recorte. Consulta la Figura 6.
- La superficie sobre la que se apoye debe ser sólida y estar nivelada. Pon atención al suelo de la abertura del mueble sobre la que se colocará el cajón microondas. El piso de la abertura debe estar hecho de madera contrachapada lo suficientemente fuerte como para soportar el peso del horno (aproximadamente 100 libras [45 kg]).
- Revisa que el lugar en donde se instalará el cajón microondas cuente con el suministro eléctrico adecuado.
- Si instalas el cajón microondas debajo de una parrilla, se requiere un espacio libre de 2 pulgadas (5 cm) o más entre la parte superior de la unidad de cajón microondas y la parte inferior de la parrilla.
- En el interior del microondas cabe un plato largo de 9" x 13" o una bolsa de palomitas de maíz para microondas.
- **INSTALADOR: GUARDA ESTAS INSTRUCCIONES JUNTO CON EL APARATO DESPUÉS DE LA INSTALACIÓN.**

IMPORTANTE: GUARDA ESTAS INSTRUCCIONES PARA USO DEL INSPECTOR ELÉCTRICO LOCAL.

ADVERTENCIA

Si no se siguen las instrucciones de este manual con exactitud, pueden producirse incendios o descargas eléctricas que causen daños materiales o lesiones a personas.

ADVERTENCIA

No repares, reemplaces ni desmontes ninguna pieza del aparato a menos que se recomiende específicamente en los manuales. La instalación, servicio o mantenimiento incorrecto pueden causar lesiones o daños materiales. Consulta este manual como guía. Cualquier otro mantenimiento debe ser realizado por un técnico calificado.

Seguridad en el manejo del aparato

La unidad de cajón microondas es pesada y requiere al menos dos personas o el equipo adecuado para trasladarla.

No levantes el aparato por la puerta ni por el panel de control.

Las superficies ocultas pueden tener bordes afilados.

Ten cuidado al colocar las manos por detrás o por debajo del aparato.

Advertencia de la Proposición 65:

Este producto puede contener una sustancia química reconocida por el Estado de California que puede causar cáncer o daño reproductivo. Por lo tanto, el paquete de tu producto puede llevar la siguiente etiqueta, tal y como lo exige California:

ADVERTENCIA DE LA PROPOSICIÓN 65 DEL ESTADO DE CALIFORNIA:

ADVERTENCIA

Cáncer y daño reproductivo -

www.P65Warnings.ca.gov

INSTRUCCIONES IMPORTANTES DE SEGURIDAD

LEE TODAS LAS INSTRUCCIONES ANTES DE USAR EL APARATO

Seguridad eléctrica

ADVERTENCIA

Antes de enchufar un cable eléctrico o encender el suministro de energía, asegúrate de que todos los controles estén en la posición OFF (DESCONECTADO).

ADVERTENCIA

El aparato debe desconectarse del suministro de energía antes de realizar la instalación.

En los aparatos equipados con cable y enchufe, no cortes ni retires la jabalina de conexión a tierra. Debe enchufarse a un tomacorriente con conexión a tierra para evitar descargas eléctricas. Si existen dudas sobre si el tomacorriente está correctamente conectado a tierra, el cliente debe solicitar a un electricista calificado que lo revise.

Si así lo exige el National Electrical Code (Código Eléctrico Nacional) (o el Canadian Electrical Code [Código Eléctrico Canadiense]), este aparato deberá instalarse en un circuito derivado independiente.

INSTALADOR: Muestra al propietario la ubicación del interruptor o del fusible. Márcalo para una referencia fácil.

Antes de la instalación, desconecte la energía en el panel de servicio. Bloquea el panel de servicio para evitar que la energía se CONECTE accidentalmente.

Asegúrate de que tu aparato está correctamente instalado y conectado a tierra por un técnico calificado. La instalación, las conexiones eléctricas y la conexión a tierra deben cumplir todos los códigos aplicables.

Seguridad de equipos relacionados

Retira toda la cinta adhesiva y el paquete antes de utilizar el aparato. Rompe el paquete después de sacar el aparato. Nunca permitas que los niños jueguen con el material de empaquetado.

No modifiques ni alteres nunca la construcción del aparato. Por ejemplo, no retires los soportes de nivelación, los paneles, las cubiertas de los cables ni los soportes/tornillos antivuelco.

Desempaque del cajón microondas

- Para obtener instrucciones sobre cómo sacar el cajón microondas de la caja, consulta las instrucciones de desempaque ubicadas en la parte superior de la caja de la unidad.
- Retira el cartón de soporte del cajón de la unidad.

⚠ PRECAUCIÓN

Retira todos los materiales de embalaje del interior del cajón microondas. **NO RETIRES LA CUBIERTA DE LA GUÍA DE ONDAS.** La cubierta de la guía de ondas está fijada al techo del cajón microondas. La cubierta de mica es de color gris oscuro y de aspecto acartonado, y mide aproximadamente 9" x 10". La cubierta de la guía de ondas debe permanecer en su sitio en todo momento. Nunca permitas que los niños jueguen con el material de empaquetado.

- Revisa que el cajón no presente daños, como que esté desalineado o doblado, que los sellos o las superficies de sellado del cajón estén dañados, que las guías del cajón estén rotas o sueltas o que haya abolladuras dentro de la cavidad o en la parte frontal del cajón. Si hay algún daño, no operes el cajón microondas. Ponte en contacto con tu distribuidor o el Servicio de atención al cliente de Bosch.
- Después de la instalación, retira la lámina protectora de la puerta de la unidad y del panel de control.

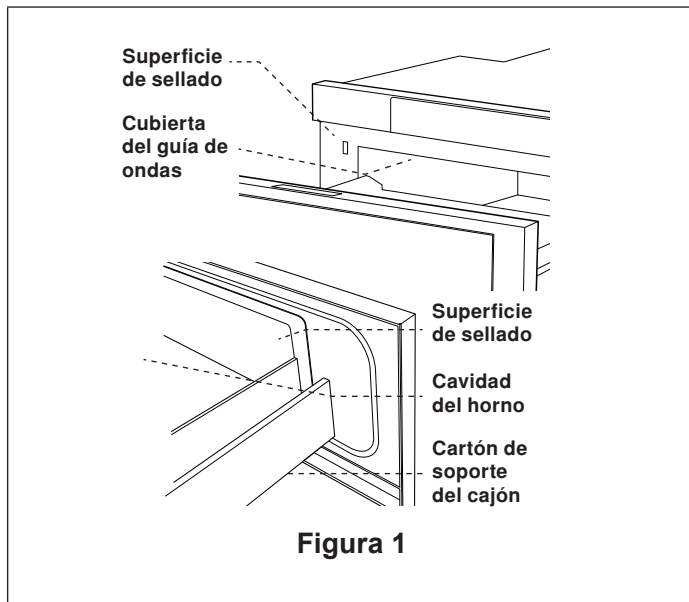


Figura 1

Important Notes to the Installer

- La unidad es pesada y requiere al menos dos personas o el equipo adecuado para moverla.
- Lee y comprende el contenido de este manual de instalación antes de instalar el cajón microondas.
- Retira todo el material de empaque antes de conectar el suministro de energía eléctrica.
- Es responsabilidad del propietario y del instalador garantizar el cumplimiento de todos los códigos y estándares de seguridad aplicables. Consulta la norma UL 923, Electrodomésticos de cocción con microondas.
- La unidad puede instalarse de forma estándar o empotrada según las siguientes instrucciones.

⚠ PRECAUCIÓN

Las superficies ocultas pueden tener bordes afilados. Ten cuidado al colocar las manos por detrás o por debajo del aparato.

Notas importantes para el cliente

Conserva este manual junto con el Manual de uso y cuidado para futuras consultas.

- Al igual que en cualquier horno microondas que genere calor, hay ciertas precauciones de seguridad que debes seguir. Estas precauciones se enumeran en el Manual de uso y cuidado. Lee todo el manual y sigue las instrucciones.

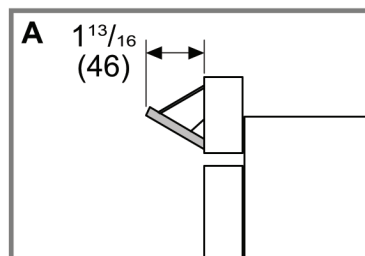
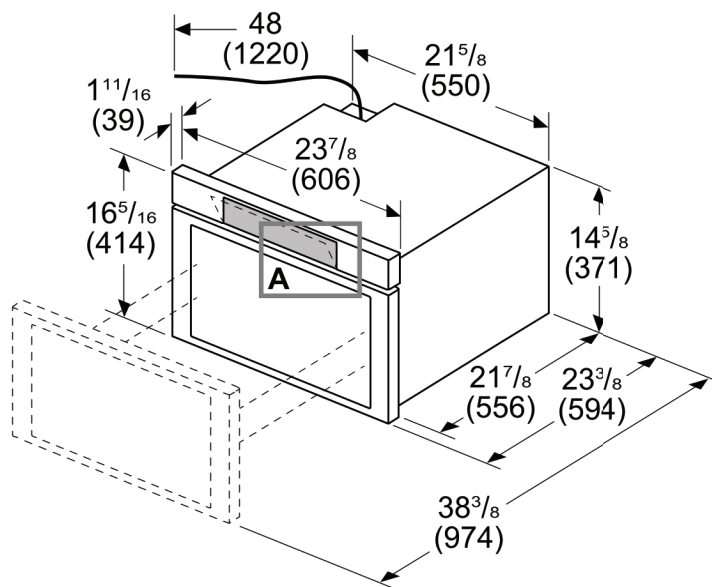
⚠ ADVERTENCIA

El aparato solo debe ser instalado por un electricista autorizado o un técnico calificado.

Medida del cajón microondas

Dimensiones del aparato

HMD8454UC Medidas en pulgadas (mm)



HMD8054UC Medidas en pulgadas (mm)

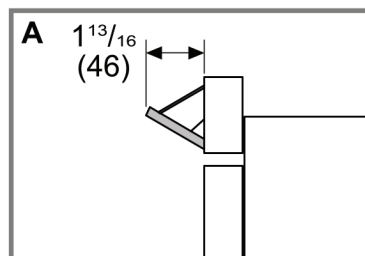
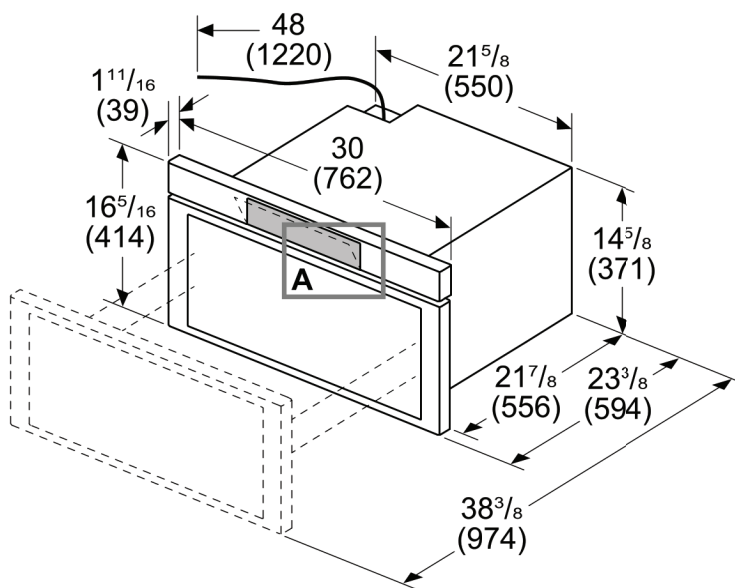
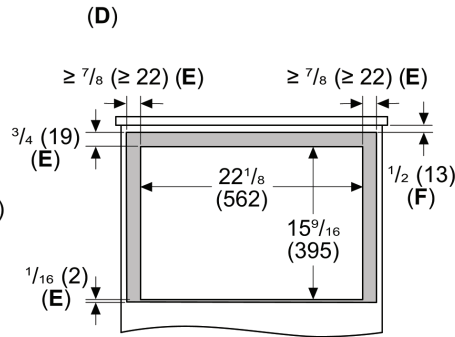
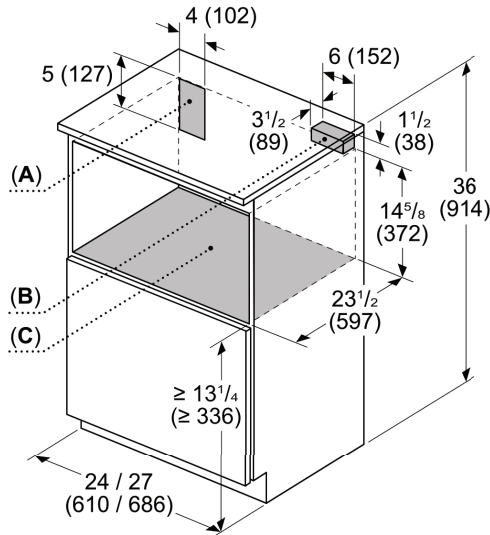


Figura 2

Medida del cajón microondas

Dimensiones y espacios libres de instalación estándar

HMD8454UC Measures in mm (po)
Installation standard



A Ubicación recomendada para el tomacorriente

B Bloque antivuelco

C La base debe soportar hasta 100 lb (45 kg)

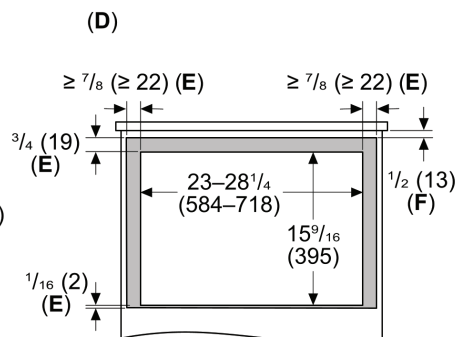
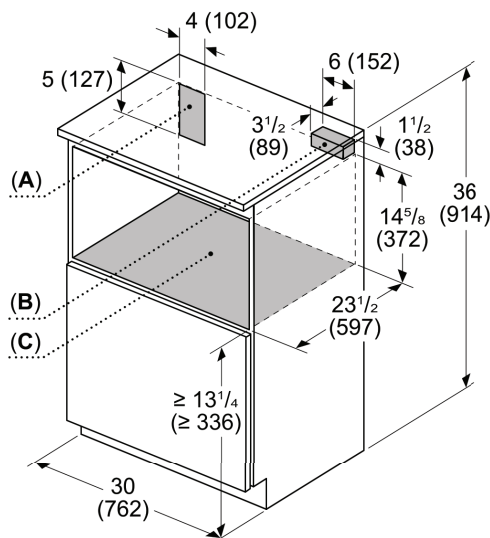
D Vista frontal del recorte

E Superposición

F Área visible

Si está debajo de una encimera, la distancia mínima a la encimera debe ser de 7/16" (11 mm)

HMD8054UC Measures in mm (po)
Installation standard



A Ubicación recomendada para el tomacorriente

B Bloque antivuelco

C La base debe soportar hasta 100 lb (45 kg)

D Vista frontal del recorte

E Superposición

F Área visible

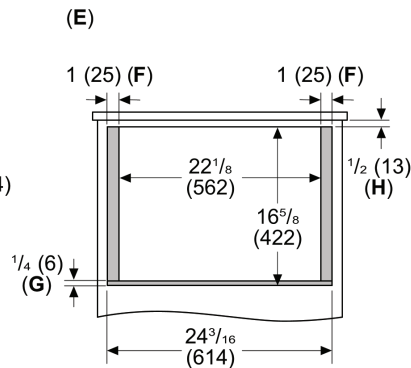
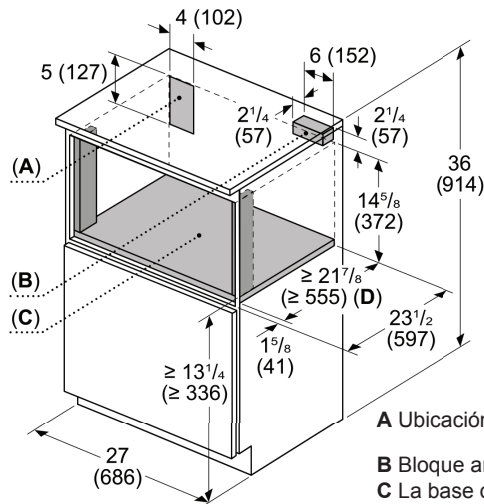
Si está debajo de una encimera, la distancia mínima a la encimera debe ser de 7/16" (11 mm)

Figura 3

Medida del cajón microondas

Dimensiones del aparato

HMD8454UC Medidas en pulgadas (mm)
Instalación estándar



A Ubicación recomendada para el tomacorriente

B Bloque antivuelco

C La base debe soportar hasta 100 lb (45 kg)

D Profundidad de la base

E Vista frontal del recorte

F Los laterales deben estar acabados y extenderse hacia atrás hasta el listón

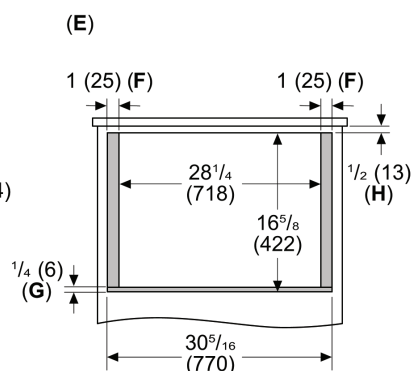
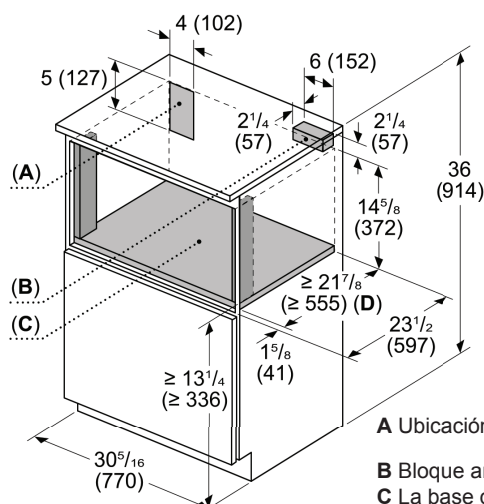
Los listones también deben estar acabados, ya que pueden ser visibles después de la instalación.

G Grosor de la base

H Área visible

Si está debajo de una encimera, la distancia mínima a la encimera debe ser de 7/16" (11 mm)

HMD8054UC Medidas en pulgadas (mm)
Instalación estándar



A Ubicación recomendada para el tomacorriente

B Bloque antivuelco

C La base debe soportar hasta 100 lb (45 kg)

D Profundidad de la base

E Vista frontal del recorte

F Los laterales deben estar acabados y extenderse hacia atrás hasta el listón

Los listones también deben estar acabados, ya que pueden ser visibles después de la instalación.

G Grosor de la base

H Área visible

Si está debajo de una encimera, la distancia mínima a la encimera debe ser de 7/16" (11 mm)

Figura 4

Bloque antivuelco (no está incluido)

Pasos generales de instalación

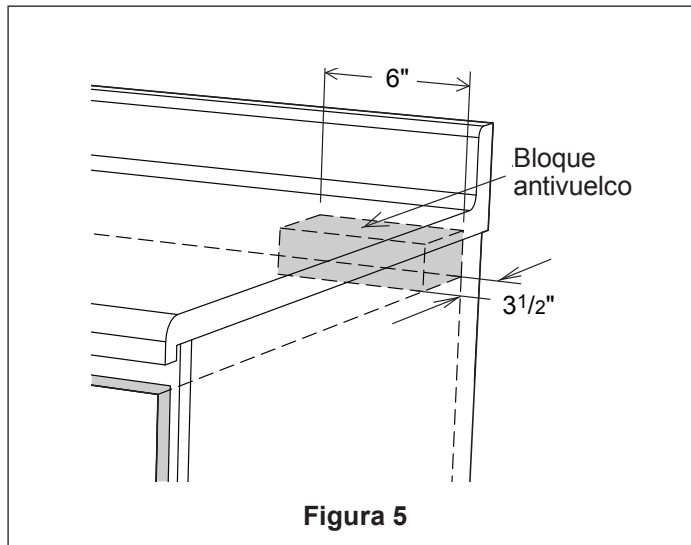
Instrucciones de instalación del bloque antivuelco

El bloque antivuelco de madera de 6 pulgadas (15 cm) debe ser proporcionado por el instalador. El bloque antivuelco reduce el riesgo de vuelco del cajón cuando se instala correctamente. Instala el bloque antivuelco 14 13/16 pulgadas por encima del suelo de la abertura de instalación (donde se colocará la unidad) para una instalación estándar, o 14 5/8 pulgadas para una instalación empotrada. Consulta la Figura 3 (instalación estándar) o la Figura 4 (instalación empotrada) y la Figura 5.

Si alguna vez se traslada el cajón microondas a otro lugar, también deberá trasladarse e instalarse el bloque antivuelco.

Si el bloque antivuelco debe anclarse a la pared, asegúrate de que los tornillos que lo sujetan atraviesen los elementos estructurales (montantes) detrás de cualquier revestimiento, como placas de yeso.

El bloqueo antivuelco evita las lesiones graves que podrían producirse por el derrame de líquidos calientes.



⚠ PRECAUCIÓN

Asegúrate de que los tornillos no entren en contacto con ningún cableado o tubería que pueda haber en la pared.

⚠ ADVERTENCIA

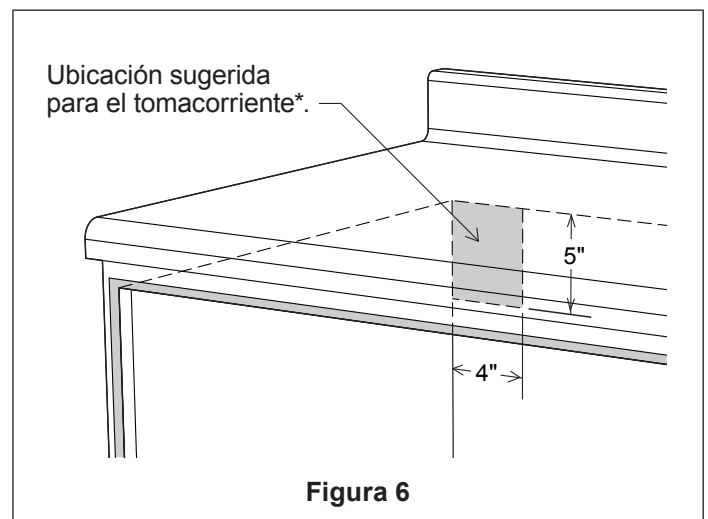
La unidad puede volcar y provocar derrames y posibles quemaduras u otras lesiones si el bloque antivuelco no está instalado correctamente.

Requisitos eléctricos

The unit requires a 120 volt, 60 Hz, 15 AMP (minimum) circuit. It is recommended that the unit be installed on a separate circuit that serves only this appliance.

This appliance is fitted with a 3-prong grounded electrical plug. Do not modify the plug or use an adapter. If the plug does not fit with the available receptacle, have a licensed electrician install a properly grounded outlet before proceeding with the installation. The power cord length is approximately 48".

Installer - show the owner the location of the circuit breaker or fuse. Mark it for easy reference.



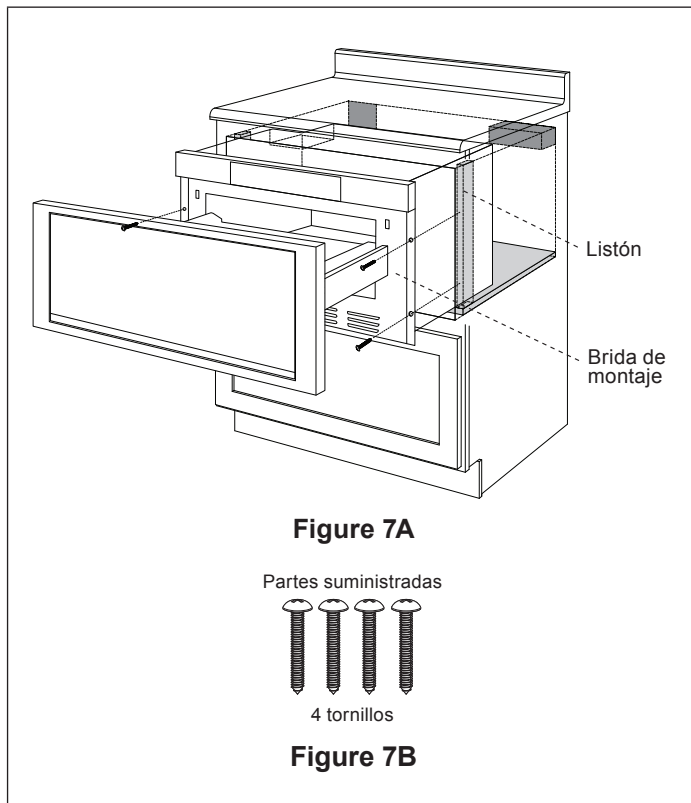
⚠ ADVERTENCIA

Si tienes alguna pregunta sobre las instrucciones de conexión a tierra o eléctricas, consulta a un electricista calificado.

- *También puede instalarse utilizando un tomacorriente en un gabinete adyacente dentro del área donde pueda llegar el cable eléctrico proporcionado.*
- Revisa siempre los códigos eléctricos para conocer los requisitos.*

Instalación del cajón

1. Coloca el cajón junto a la pared o a la apertura del mueble. Enchufa el cable de suministro de energía al tomacorriente.
2. Coloca con cuidado el cajón en la apertura preparada. Evita que el cable quede apretado entre el horno y la pared.
3. Desliza el cajón hasta que la brida de montaje haga contacto con la parte frontal del mueble en caso de instalación estándar, o con los listones laterales en caso de instalación empotrada. Consulta la Figura 7A.
4. Abre el cajón. Utilizando los 4 agujeros del cajón como plantilla, perfora previamente el mueble con una broca de 1/16". Consulta la Figura 7A.
5. Fija el cajón con los 4 tornillos suministrados. Consulta la Figura 7B.
6. Prueba el funcionamiento para confirmar que el cajón microondas funciona correctamente y que el cajón se abre y se cierra sin problemas.



Ponte en contacto con el Servicio de atención al cliente de Bosch

El Equipo de atención al cliente de Bosch está a su disposición y los puedes contactar llamando al 800-944-2904.

Antes de llamar...

1. Consulta el Manual de uso y cuidado para obtener información adicional sobre el producto.
2. Ten a mano el número de modelo completo y el número FD; esta información se encuentra en la placa de características. Abre el cajón por completo. La placa de características se encuentra en la parte posterior de la cavidad del cajón microondas, en la parte superior de la superficie plana.



BOSCH

Invented for life

1901 Main Street, Suite 600, Irvine, CA 92614 • 800-944-2904 • www.bosch-home.com/us
© BSH Home Appliances Corporation, 2024 • All rights reserved