



Register your
appliance and join
the Bosch
family of perks:
[bosch-home.com/us/
mybosch](https://bosch-home.com/us/mybosch)



Hood

DUH30253UC DUH36253UC

[en-us] Use and Care Manual	Hood	2
[fr-ca] Manuel d'utilisation	Hotte	15
[es-mx] Manual del usuario	Campana	29

Table of contents

1 IMPORTANT SAFETY INSTRUCTIONS.....	3
1.1 Safety definitions.....	3
1.2 General information.....	3
1.3 Safe use.....	3
1.4 Child safety	5
1.5 State of California Proposition 65 Warnings	5
2 Preventing material damage	6
3 Environmental protection and energy-saving	6
3.1 Disposal of packaging	6
3.2 Saving energy.....	6
4 Operating modes	6
4.1 Exhaust-air mode.....	6
4.2 Air recirculation mode	6
5 Familiarizing yourself with your appliance	6
5.1 Appliance	6
5.2 Control knobs.....	7
6 Accessories.....	7
7 Basic Operation	7
7.1 For better results.....	7
7.2 Switching the appliance on or off.....	7
7.3 Turning the light on or off	7
8 Cleaning and maintenance.....	8
8.1 Cleaning agents.....	8
8.2 Turning off the main power switch.....	8
8.3 Cleaning the grease filters.....	8
8.4 Odor filters for recirculation mode	9
8.5 Cleaning recommendations.....	9
9 Troubleshooting.....	11
10 Disposal.....	12
10.1 Disposal of your old appliance	12
11 Customer Service	12
11.1 Model number (E-Nr.) and production number (FD)	12
11.2 Rating plate location.....	12
12 STATEMENT OF LIMITED PRODUCT WARRANTY	12
12.1 What this warranty covers & Who it applies to.....	12
12.2 How long the warranty lasts	12
12.3 Repair/replace as your exclusive remedy.....	13
12.4 Out of warranty product.....	13
12.5 Warranty exclusions.....	13
12.6 Obtaining warranty service.....	14
12.7 Product information.....	14



IMPORTANT SAFETY INSTRUCTIONS

READ AND SAVE THESE INSTRUCTIONS

Read all of the instructions carefully before using the appliance. In order to reduce the risk of fire, electric shocks and personal injuries when using the appliance, follow the basic safety precautions, including the following safety instructions.

1.1 Safety definitions

Here you can find explanations of the safety signal words used in this manual.

WARNING

This indicates that death or serious injuries may occur as a result of non-observance of this warning.

CAUTION

This indicates that minor or moderate injuries may occur as a result of non-observance of this warning.

NOTICE:

This indicates that damage to the appliance or property may occur as a result of non-compliance with this advisory.

Note: This alerts you to important information and/or tips.

1.2 General information

This Use and Care Manual explains the basics of operating your appliance and those safety measures that must be followed. For complete and safe installation information, refer to the Installation Instructions included with the appliance.

All product manuals may be downloaded online at www.bosch-home.com/us/owner-support/owner-manuals.

INSTALLER: Please leave these instructions with this unit for the owner.

OWNER: Please retain these instructions for future reference. Read all safety instructions before operating the appliance. Have the installer show you where the electric circuit breaker is located so you know how and where to turn off the electricity to the appliance.

1.3 Safe use

WARNING

TO REDUCE THE RISK OF FIRE, ELECTRIC SHOCK, OR INJURY TO PERSONS, OBSERVE THE FOLLOWING:

- ▶ Use this unit only in the manner intended by the manufacturer. If you have questions, contact the manufacturer.
→ "Customer Service", Page 12
- ▶ Before servicing or cleaning the unit, switch power off at service panel and lock service panel. This will prevent power from being switched on accidentally. When the service panel cannot be locked, securely fasten a prominent warning device, such as a tag to the service panel.



WARNING: If the information in this manual is not followed exactly, a fire or explosion may result causing property damage, personal injury or death.

- DO NOT store or use gasoline or other flammable vapors and liquids in the vicinity of this or any other appliance.
- WHAT TO DO IF YOU SMELL GAS
 - DO NOT try to light any appliance.
 - DO NOT touch any electrical switch.
 - DO NOT use any phone in your building.
 - Immediately call your gas supplier from a neighbor's phone. Follow the gas supplier's instructions.
 - If you cannot reach your gas supplier, call the fire department.
- Installation and service must be performed by a qualified installer, service agency or the gas supplier.

CAUTION

For general ventilating use only.

- ▶ To avoid a fire or explosion hazard, do not use to exhaust hazardous or explosive materials and vapors.



IMPORTANT SAFETY INSTRUCTIONS

READ AND SAVE THESE INSTRUCTIONS

WARNING

TO REDUCE THE RISK OF A RANGE TOP GREASE FIRE

- ▶ Never Leave Surface Units Unattended at High Settings - Boilovers cause smoking and greasy spillovers that may ignite. Heat oils slowly on low or medium settings.
- ▶ Always turn hood ON when cooking at high heat.
- ▶ Clean ventilating fans frequently. Grease should not be allowed to accumulate on fan or filter.
- ▶ Use proper pan size. Always use cookware appropriate for the size of the surface element.
- ▶ Do not flambé under the extractor hood or work with a naked flame. When switched on, the extractor hood draws flames into the filter. There is a risk of fire due to deposits on the grease filter!

WARNING

Repairs should only be done by an authorized service provider. Improper repair of your appliance may result in risk of severe physical injury or death.

CAUTION

Grease left on filters can re-melt and move into the vent. Clean ventilating fans frequently. Grease should not be allowed to accumulate on fan, filters, or exhaust ducts.

- This appliance must be properly installed and grounded by a qualified technician. Connect only to properly grounded supply. Refer to installation instructions for details.
- Have the installer show you the location of the circuit breaker or fuse. Mark it for easy reference.
- This appliance is intended for normal family household use only. It is not approved for outdoor use. Use of this product in a commercial setting or if installed outdoors is not covered by the warranty. If you have any questions, contact the manufacturer.
- DO NOT store or use corrosive chemicals, vapors, flammables, or nonfood products in or near this appliance. It is specifically designed for use when heating or cooking food. The use of corrosive chemicals in heating or cleaning will damage the appliance and could result in injury.
- DO NOT operate this appliance if it is not working properly or if it has been damaged. Contact a qualified service provider.
- DO NOT repair or replace any part of the appliance unless specifically recommended in this manual.

- For safety reasons and to avoid potential equipment damage, do not hang cookware, fabrics, or other articles from any part of the appliance.
- Have an appropriate fire extinguisher available, nearby, highly visible and easily accessible near the cooking appliance.
- Always have a working smoke detector near the kitchen.
- Do Not Use Water on Grease Fires - Smother fire or flame or use dry chemical or foam-type extinguisher.
- Whenever possible, do not operate the ventilation system during a cooktop fire. However, do not reach through fire to turn it off.
- If your garments or hair catch fire, fall to the ground immediately and roll to extinguish the flames.
- Examine the appliance after unpacking it. In the event of transport damage, do not plug it in.

WARNING

To reduce the risk of fire, electric shock or injury to persons, do not use replacement parts that have not been recommended by the manufacturer (e.g. parts made at home using a 3D printer).

WARNING

While cooking food items, small amounts of certain by-products, such as particulate matter / soot, can be released. To minimize exposure to these substances:

- ▶ Always ensure proper ventilation by using an appropriate ventilation fan or hood vented to the outside and/or an open window.
- ▶ Always operate the unit according to the instructions in this manual.

WARNING

Overheated materials can cause fire or burns and may produce potentially harmful smoke or fumes.

- ▶ To prevent overheating, turn ventilation hood ON when heating grease, fats or frying using medium to high heat settings.
- ▶ Avoid heating empty pots and pans.
- ▶ Do not allow pans to boil dry.
- ▶ Do not allow aluminum foil, plastic, paper, or cloth to come in contact with a hot surface element, burner, or grate.

WARNING

Never leave the cooktop unattended when in use. Unattended cooking on a cooktop with fat or oil can be dangerous and may result in a fire. Boilovers cause smoking, and greasy spillovers may ignite.



IMPORTANT SAFETY INSTRUCTIONS

READ AND SAVE THESE INSTRUCTIONS

1.4 Child safety

This appliance is not intended for use by persons (including children) with reduced physical, sensory or mental capabilities, or lack of experience and knowledge, unless they have been given supervision or instruction concerning use of the appliance by a person responsible for their safety.

When children become old enough to use the appliance, it is the responsibility of the parents or legal guardians to ensure that they are instructed in safe practices by qualified persons.

Children should be supervised to ensure that they do not play with the appliance.

WARNING

Do not allow children to use this appliance unless closely supervised by an adult.

- ▶ Children and pets should not be left alone or unattended in the area where the appliance is in use. They should never be allowed to play in its vicinity, whether or not the appliance is in use.

Do not allow anyone to climb, stand, lean, sit, or hang on any part of an appliance.

CAUTION

Do not store items of interest to children in cabinets above an appliance or on the backguard of an appliance. Children climbing on the appliance to reach items could be seriously injured.

WARNING

To avoid the risk of suffocation:

- ▶ Do not allow children to play with packaging material.

1.5 State of California Proposition 65 Warnings

This product may contain a chemical known to the State of California, which can cause cancer or reproductive harm. Therefore, the packaging of your product may bear the following label as required by California:

STATE OF CALIFORNIA PROPOSITION 65 WARNING:

 **WARNING**

Cancer and Reproductive Harm - www.P65Warnings.ca.gov

2 Preventing material damage

NOTICE:

Condensation may cause corrosion damage.

- ▶ To prevent condensation from building up, switch on the appliance during cooking.

If moisture gets into the controls, this may result in damage.

- ▶ Never clean controls with a wet cloth.

Incorrect cleaning damages the surfaces.

- ▶ Follow the cleaning instructions.
- ▶ Do not use harsh or abrasive cleaning agents.
- ▶ Clean stainless steel surfaces in the grain direction only.
- ▶ Never clean controls with stainless steel cleaners.

Condensation that flows back in may damage the appliance.

- ▶ To prevent condensate from returning, fit the exhaust air pipe with a 1° gradient from the appliance.

There is a risk of surface damage if you do not peel off the protective film.

- ▶ Remove the protective film from all parts of the appliance before using for the first time.

3 Environmental protection and energy-saving

3.1 Disposal of packaging

The packaging materials are environmentally compatible and can be recycled.

- ▶ Sort the individual components by type and dispose of them separately.

3.2 Saving energy

If you follow these instructions, your appliance will use less power.

Clean or replace the filters at the specified intervals, or as frequently as needed.

- ✓ The effectiveness of the filters is retained.

Switch off the lighting if you no longer require it.

- ✓ When the lighting is switched off, it does not consume any energy.

Put the cooking lid on.

- ✓ The cooking vapors and condensation are reduced.

Only use the additional functions if required.

- ✓ Switching off additional functions reduces power consumption.

4 Operating modes

You can use your appliance in exhaust air mode or circulating air mode.

4.1 Exhaust-air mode

The air that is drawn in is cleaned by the grease filters and conducted to the outside via a duct system.



The air must not be discharged into a flue that is used for exhaust fumes from appliances burning gas or other fuels (not applicable for recirculation appliances).

- If the exhaust air is to be conducted into a non-functioning smoke or exhaust gas flue, you must obtain the consent of the responsible area heating inspector.
- If the exhaust air is conducted through the outer wall, a telescopic wall box should be used.

4.2 Air recirculation mode

The air which is drawn in is cleaned by the grease filters and an odor filter, and conveyed back into the room.



To bind odors in air recirculation mode, you must install an odor filter. The different options for operating the appliance in air recirculation mode can be found in our catalog. Alternatively, ask your dealer. The required accessories are available from specialist retailers, from Customer Service, or from the online shop.

→ "Accessories", Page 7

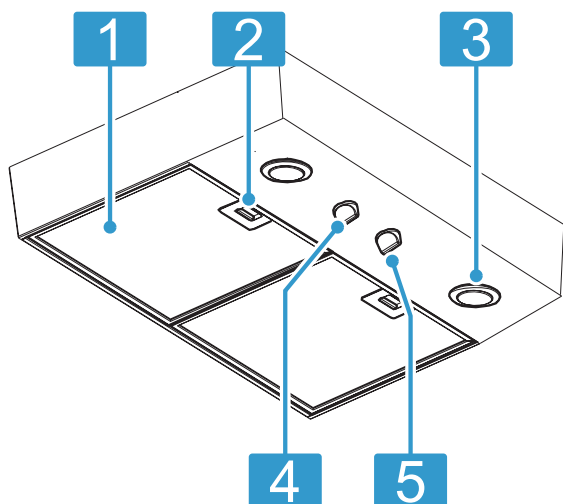
5 Familiarizing yourself with your appliance

This Use and Care Manual covers several models. Your model may have some but not all of the features listed.

5.1 Appliance

Here you can find an overview of the parts of your appliance.

Note: The graphics are representative. Your appliance may have different graphic or design appearances.



1 Grease filter (2x)

2 Finger cup (2x)

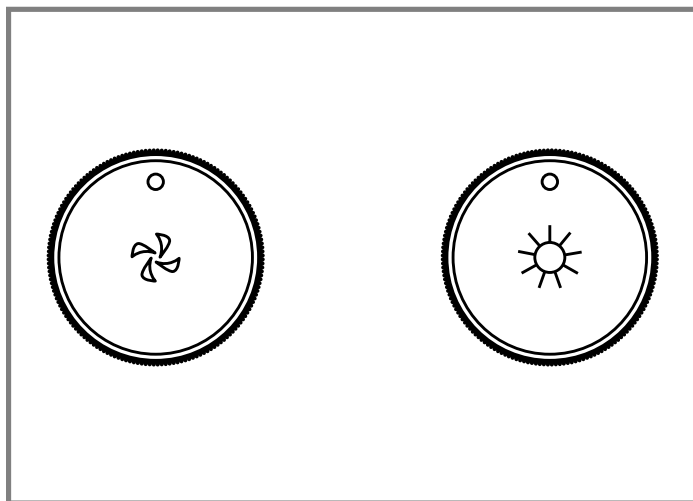
3 LED lights (2x)



4 Fan control knob

5 Light control knob

5.2 Control knobs

You can use the control panel to configure all functions of your appliance and to obtain information about the operating status.



Symbol	Function
	Fan control 4 knob positions: <ul style="list-style-type: none"> ■ OFF ■ Low speed ■ Medium speed ■ High speed
	Light control 2 knob positions: <ul style="list-style-type: none"> ■ ON ■ OFF
°	OFF position

6 Accessories

Accessories are available from Customer Service, specialist retailers or online. You should only use original accessories as they are specially designed for your appliance.

Accessories are appliance-specific. When purchasing, always check for compatibility with your appliance model number (E no.). → *Page 12*

You can find out which accessory is available for your appliance in our catalog, the online shop or the Customer Service.

www.bosch-home.com

7 Basic Operation

7.1 For better results

Follow these recommendations to achieve better ventilation results.

- Turn on the blower for about 5 minutes before cooking in order to establish air currents upward through the hood. Thus when heat, smoke, moisture, grease and cooking odors are produced, they will be carried outside instead of drifting into other rooms.
- Use the lower speed levels for normal use and the higher speed levels for strong odors or fumes.
- Drafts across the range or cooktop will reduce the effectiveness of the hood. Such drafts should be prevented when possible.
- Ventilation is done best where the only air currents are those created by the blower itself.
- Regular use of the hood while cooking helps keep the kitchen comfortable and less humid.
- Use a rear burner when browning or pan frying meat.
- For optimal performance, the width of the hood should equal that of the cooktop or rangetop or exceed it by 3" (76 mm) on either side.

7.2 Switching the appliance on or off

Turning the appliance on

- ▶ Turn the fan control knob to the desired fan level.

Turning the appliance off

- ▶ Turn the fan control knob to the OFF position.

7.3 Turning the light on or off

- ▶ Turn the light control knob to the ON or OFF position.

8 Cleaning and maintenance

To keep your appliance working efficiently for a long time, it is important to clean and maintain it carefully.

8.1 Cleaning agents

You can obtain suitable cleaning products from Customer Service or the online shop.

NOTICE:

Unsuitable cleaning agents may damage the surfaces of the appliance.

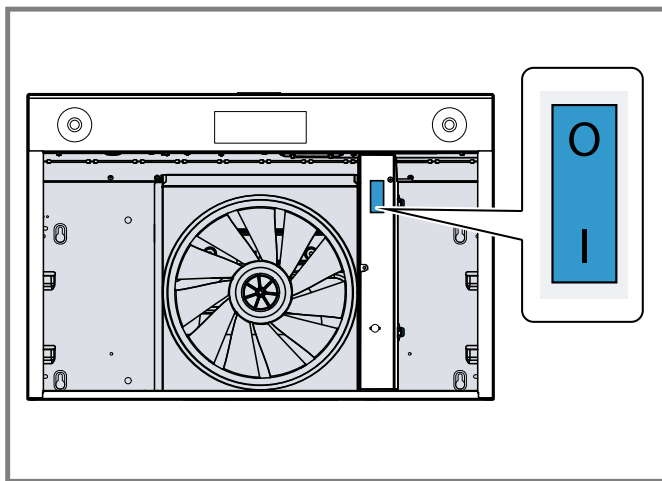
- ▶ Do not use strong or abrasive cleaning agents.
- ▶ Do not use cleaning agents with a high alcohol content.
- ▶ Do not use hard scouring pads or cleaning sponges.
- ▶ Only use glass cleaners, glass scrapers or stainless steel care products if recommended in the cleaning instructions for the relevant part.
- ▶ Wash sponge cloths thoroughly before use.

8.2 Turning off the main power switch

⚠ WARNING

To avoid the risk of burns, DO NOT reach through fire or over hot surfaces to turn off the hood.

1. Remove the grease filters.
2. Turn the main power switch to the OFF position. The main power switch is located on the wiring cover.



Main power switch position	Function
I	ON
O	OFF

8.3 Cleaning the grease filters

The grease filters filter the grease from the cooking vapors. Regularly cleaned grease filters help ensure a high level of grease separation.

⚠ WARNING

Grease deposits in the grease filter can ignite.

- ▶ Clean the grease filter at least every two months.

- ▶ Never operate the appliance without the grease filter.

⚠ WARNING

Be sure the entire appliance (including the grease filters and light bulbs, if applicable) has cooled and grease has solidified before attempting to clean any part of the appliance.

⚠ WARNING

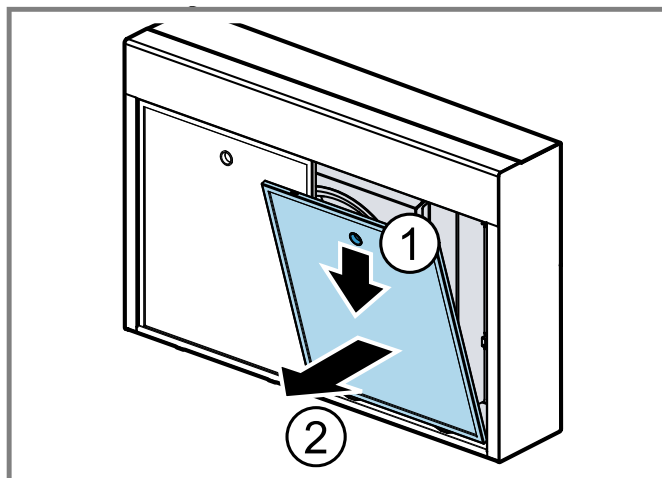
Do not reach inside the hood, there can be sharp points and hidden edges.

Removing the grease filters

NOTICE:

Falling grease filters may damage the cooktop below.

- ▶ Grip below the grease filter with one hand.
1. Use the finger cup to push the filter down ① and tilt it out ②.



2. Remove the grease filters from the holders. To prevent grease from dripping, hold the grease filter horizontally.

Cleaning the grease filters manually

Requirement: The grease filters have been removed.

1. Observe the information regarding the cleaning agents.
2. Soak the grease filter in hot soapy water. Use special degreaser solvent for stubborn dirt. You can purchase degreaser from Customer Service or the online shop.
3. Use a brush to clean the grease filters.
4. Rinse the grease filters thoroughly.
5. Allow the grease filters to drip and dry.

Cleaning the grease filters in the dishwasher

Note: A slight discoloration is possible when cleaning the grease filters in the dishwasher. This does not affect the performance of the grease filters.

1. Observe the information regarding the cleaning agents.
2. Place the grease filters loosely into the dishwasher. Do not clean heavily soiled grease filters with cookware.

Use special degreaser solvent for stubborn dirt. You can purchase degreaser from Customer Service or the online shop.

3. Start the dishwasher. Select a temperature of no more than 160°F (70°C.)
4. Allow the grease filters to drip and dry.

Reinstalling the grease filters

NOTICE:

Falling grease filters may damage the cooktop below.

- ▶ Grip below the grease filter with one hand.

1. Insert the grease filters.
2. Fold the grease filters upwards and engage the locks.
3. Ensure that the locks engage.

8.4 Odor filters for recirculation mode

Odor filters bind smells in recirculation mode. Regularly replaced odor filters guarantee a high level of odor removal.

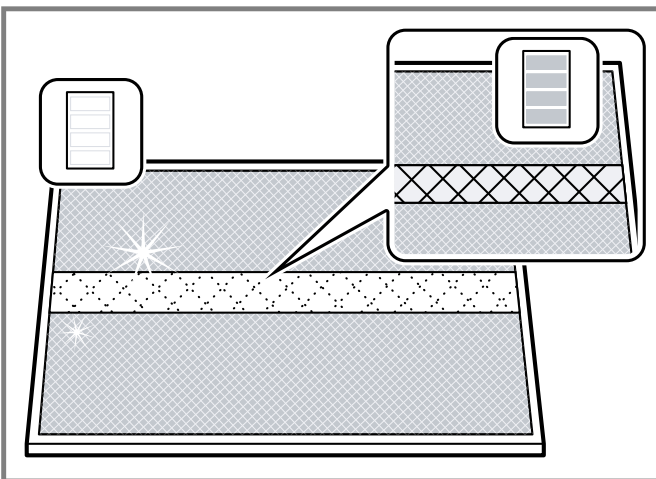
With normal use (approx. 1 hour a day), the odor filter must be replaced every 3 - 6 months. Replace it more often if your cooking style generates extra grease, such as frying and wok cooking. The odor filter cannot be cleaned or regenerated.

You can obtain odor filters from Customer Service or the online shop. Only use original odor filters.

→ "Accessories", Page 7

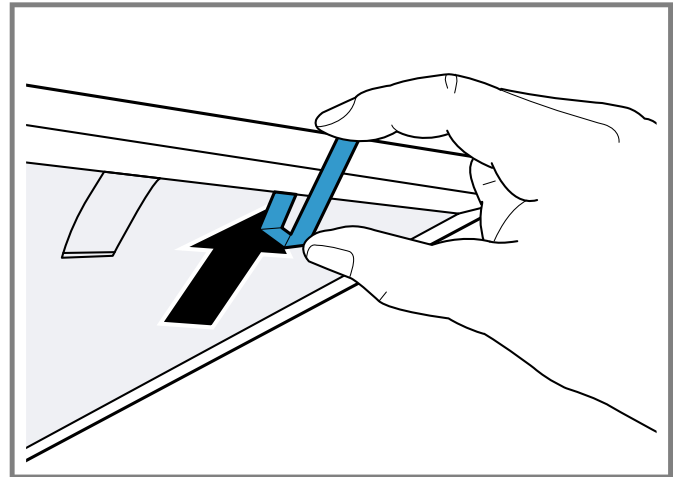
Replacing the odor filters

1. Remove the grease filter.
→ "Removing the grease filters", Page 8
2. Place the odor filter inside the frame of the grease filter.

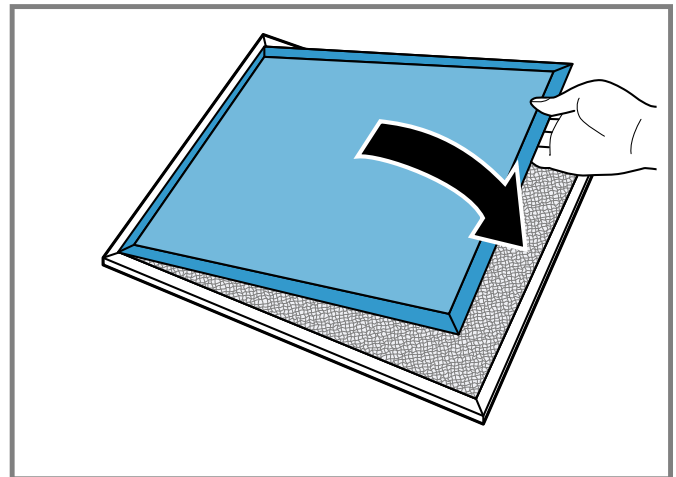


The odor filter has a white stripe on one side. This "Clean Sense" indicator should be facing towards the cooking surface when the grease filter is installed.

3. Place the short end of the clip against the frame on the outside of the grease filter.



4. Rotate clip up and over frame until clip snaps in place over the odor filter.
5. Install the second clip on the opposite side.
6. Reinstall the grease filter.



Checking the odor filters

1. Remove the grease filters.
→ "Removing the grease filters", Page 8
2. Remove the filter clips and lift the odor filter from the grease filter to view the indicator strip.
 - The indicator strip has dotted lines. When the lines have turned to wide solid lines the odor filter is saturated and should be replaced.

Note: DO NOT immerse the odor filters in water or put them in the dishwasher.

8.5 Cleaning recommendations

Area	Cleaning agents
Stainless steel	Warm soapy water: <ul style="list-style-type: none"> ▪ Clean with a non-abrasive, non-sponge dish towel and dry with a clean, soft towel. ▪ Clean stainless steel surfaces in the grain direction only.

Area	Cleaning agents
	<ul style="list-style-type: none"> ■ Do not use cellulose sponges. Some sponges are processed with salt and can cause corrosion by leaving salt deposits on the metal. ■ Do not allow any cleaning compounds to remain in contact with stainless steel for extended periods. ■ Do not use chlorine-based cleaners. ■ To remove fingerprints and produce added shine, use a stainless steel cleaner or conditioner. The Bosch Stainless Steel Conditioner can be purchased online (US only) at: www.bosch-home.com/us/shop
Painted surfaces	<p>Warm soapy water:</p> <ul style="list-style-type: none"> ■ Clean with a non-abrasive, non-sponge dish towel and dry with a clean, soft towel. ■ Do not use stainless steel cleaners.
Aluminum and plastic	<p>Glass cleaner:</p> <ul style="list-style-type: none"> ■ Clean with a soft cloth.
Glass	<p>Glass cleaner:</p> <ul style="list-style-type: none"> ■ Clean with a soft cloth. Do not use a glass scraper.
Controls	<p>Warm soapy water:</p> <ul style="list-style-type: none"> ■ Clean with a non-abrasive, non-sponge dish towel and dry with a clean, soft towel. ■ Risk of damage to electronics due to moisture penetration. Never clean controls with a wet cloth. ■ Do not use stainless steel cleaners.

9 Troubleshooting

You can eliminate minor issues on your appliance yourself. Please read the information on eliminating issues before contacting Customer Service. This may avoid unnecessary repair visits.

⚠ WARNING

Improper repairs are dangerous.

- ▶ Repairs to the appliance should only be performed by authorized service providers.

- ▶ If the power cord of this appliance becomes damaged, it must be replaced by the manufacturer, the manufacturer's Customer Service, or an authorized service provider in order to prevent injury.
- ▶ Only original spare parts may be used to repair the appliance.
- ▶ If the appliance has an issue, call Customer Service.

Issue	Cause and troubleshooting
Noise during operation.	<p>Some noise is normal due to vibration and air movement.</p> <ul style="list-style-type: none"> ▶ This is normal. There is no action required. <hr/> <p>Excessive noise can indicate an issue with installation.</p> <ol style="list-style-type: none"> 1. Excessive noise could indicate one of the following issues: <ul style="list-style-type: none"> – Ductwork is too small / undersized – Ductwork is too large / oversized – Ductwork is loose – Transition is too small or is loose – Wood screws are not fully tightened – Loose screws in trim parts, etc. 2. Check the Installation Instructions to verify that the ductwork is the proper size. 3. Tighten screws.
Noise when the appliance is turned off.	<p>The backflow flap on the outside of the duct wall cap moves with the wind.</p> <ul style="list-style-type: none"> ▶ This is normal. There is no action required.
Lights and fan blower do not work.	<p>The circuit breaker has tripped.</p> <ol style="list-style-type: none"> 1. Check circuit breaker or fuse box to your house. 2. Make sure there is proper electrical power to the appliance.
Fan blower does not work.	<p>The electric wiring is incorrectly connected.</p> <ul style="list-style-type: none"> ▶ See the Installation Instructions for more information.
The hood causes the breaker to trip.	<p>The electric wiring is incorrectly connected.</p> <ul style="list-style-type: none"> ▶ See the Installation Instructions for more information. <hr/> <p>The circuit is not sufficient.</p> <ul style="list-style-type: none"> ▶ See the Installation Instructions for more information.
The hood is not venting properly.	<p>The hood might be too high from the cooktop.</p> <hr/> <p>The hood may not be centered above the cooktop.</p> <hr/> <p>The make up air is not sufficient.</p> <hr/> <p>The wind from opened windows or opened doors in the surrounding area is affecting the ventilation of the hood.</p> <ul style="list-style-type: none"> ▶ Close all the windows and doors to eliminate the outside air flow. <hr/> <p>There is a blockage in the duct opening or ductwork.</p> <ul style="list-style-type: none"> ▶ Remove all blockage from the ductwork or duct opening. <hr/> <p>Duct length might be too long, too many elbows, "back to back" elbows, or too small roof.</p> <ul style="list-style-type: none"> ▶ See the Installation Instructions for more information.

10 Disposal

10.1 Disposal of your old appliance

Environmentally compatible disposal allows valuable raw materials to be recycled.

- ▶ Dispose of the appliance in an environmentally responsible manner.

Information about current disposal methods can be obtained from your specialist dealer or local authority.

11 Customer Service

With any warranty repair, we will make sure your appliance is repaired by an authorized service provider using genuine replacement parts. We use only genuine replacement parts for all repairs.

Detailed information on the warranty period and terms of warranty can be found in the Statement of Limited Product Warranty, from your retailer, or on our website.

If you contact Customer Service, you will need the model number (E-Nr.) and the production number (FD) of your appliance.

The LED light sources are available as a spare part and should only be replaced by an authorized service provider.

USA:

1-800-944-2904

www.bosch-home.com/us/owner-support/get-support

www.bosch-home.com/us/shop

CA:

1-800-944-2904

www.bosch-home.ca/en/service/get-support

www.bosch-home.ca/en/service/cleaners-and-accessories

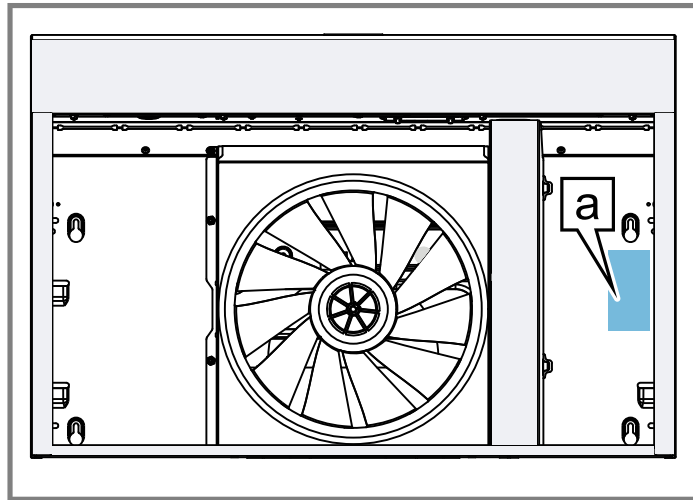
11.1 Model number (E-Nr.) and production number (FD)

You can find the model number (E-Nr.) and the production number (FD) on the appliance's rating plate.

Making a note of your appliance's details and the Customer Service telephone number will enable you to find them again quickly.

11.2 Rating plate location

The data rating plate is located on the frame behind the filter. Remove the filter to view it (see figure below for an example).



a Rating plate

12 STATEMENT OF LIMITED PRODUCT WARRANTY

12.1 What this warranty covers & Who it applies to

The limited warranty provided by BSH Home Appliances ("Bosch") in this Statement of Limited Product Warranty applies only to the Bosch appliance sold to you ("Product"), provided that the Product was purchased:

- For your normal, household (non-commercial) use, and has in fact at all times only been used for normal household purposes.
- New at retail from a BSH authorized dealer or directly from BSH (not a display, "as is", or previously returned model), and not for resale, or commercial use.
- Within the United States or Canada, and has at all times remained within the country of original purchase.

The warranties stated herein apply to the original purchaser of the product warranted herein and to each succeeding owner of the product purchased for ordinary home use during the term of the warranty.

Please make sure to register your Product; while not necessary to effectuate warranty coverage, it is the best way for Bosch to notify you in the unlikely event of a safety notice or product recall.

12.2 How long the warranty lasts

Bosch warrants that the Product is free from defects in materials and workmanship for a period of three hundred and sixty-five (365) days from the date of the original delivery. The foregoing timeline begins to run upon the date of the original delivery, and shall not be stalled, tolled,

extended, or suspended, for any reason whatsoever. This Product is also warranted to be free from **cosmetic** defects in material and workmanship (such as scratches of stainless steel, paint/porcelain blemishes, chips, dents, or other damage to the finish) of the Product, for a period of thirty (30) days from the date of delivery or closing date for new construction. This **cosmetic** warranty excludes slight color variations due to inherent differences in painted and porcelain parts, as well as differences caused by kitchen lighting, product location, or other similar factors. This **cosmetic** warranty specifically excludes any display, floor, "As Is", or "B" stock appliances.

12.3 Repair/replace as your exclusive remedy

During this warranty period, Bosch or one of its authorized service providers will repair your Product without charge to you (subject to certain limitations stated herein) if your Product proves to have been manufactured with a defect in materials or workmanship. If reasonable attempts to repair the Product have been made without success, then Bosch will replace your Product (upgraded models may be available to you, in Bosch's sole discretion, for an additional charge). Nothing in this warranty requires damaged or defective parts to be replaced with parts of a different type or design than the original part. All removed parts and components shall become the property of Bosch at its sole option. All replaced and/or repaired parts shall assume the identity of the original part for purposes of this warranty and this warranty shall not be extended with respect to such parts. Bosch's sole liability and responsibility hereunder is to repair manufacturer-defective Product only, using a Bosch authorized service provider during normal business hours. For safety and property damage concerns, Bosch highly recommends that you do not attempt to repair the Product yourself, or use a non-authorized service provider; Bosch will have no responsibility or liability for damage resulting from repairs or work performed by a non-authorized service provider. Authorized service providers are those persons or companies that have been specially trained on Bosch products, and who possess, in Bosch's opinion, a superior reputation for customer service and technical ability (note that they are independent entities and are not agents, partners, affiliates or representatives of Bosch). Nevertheless, taking your product to be serviced by a repair shop that is not affiliated with or an authorized dealer of Bosch will not void this warranty. Also, using third-party parts will not void this warranty. Notwithstanding the foregoing, Bosch will not incur any liability, or have responsibility, for the Product if it is located in a remote area (more than 100 miles from an authorized service provider) or is reasonably inaccessible, hazardous, threatening, or treacherous locale, surroundings, or environment; in any such event, if you request, Bosch would still pay for labor and parts and ship the parts to the nearest authorized service provider, but you would still be fully liable and responsible for any travel time or other special charges by the service company,

assuming they agree to make the service call. Further, to the extent you have installed the Product in a difficult-to-access location or have otherwise installed temporary or permanent fixtures that create barriers to accessing or removing the Product, Bosch will not incur any liability for, or have responsibility, for work or costs associated with moving the Product or otherwise creating access to the Product in order to repair or replace it. All such costs shall be your sole responsibility.

12.4 Out of warranty product

Bosch is under no obligation, at law or otherwise, to provide you with any concessions, including repairs, prorates, or Product replacement, once this warranty has expired.

12.5 Warranty exclusions

The warranty coverage described herein excludes all defects or damage that are not the direct fault of Bosch, including without limitation, one or more of the following:

- Use of the Product in anything other than its normal, customary and intended manner (including without limitation, any form of commercial use, use or storage of an indoor product outdoors, use of the Product in conjunction with air or water-going vessels).
- Any party's willful misconduct, negligence, misuse, abuse, accidents, neglect, improper operation, failure to maintain, improper or negligent installation, tampering, failure to follow operating instructions, mishandling, unauthorized service (including selfperformed "fixing" or exploration of the appliance's internal workings).
- Adjustment, alteration or modification of any kind.
- A failure to comply with any applicable state, local, city, or county electrical, plumbing and/or building codes, regulations, or laws, including failure to install the product in strict conformity with local fire and building codes and regulations.
- Ordinary wear and tear, spills of food, liquid, grease accumulations, or other substances that accumulate on, in, or around the Product.
- Any external, elemental and/or environmental forces and factors, including without limitation, rain, wind, sand, floods, fires, mud slides, freezing temperatures, excessive moisture or extended exposure to humidity, lightning, power surges, structural failures surrounding the appliance, and acts of God.
- Service calls to correct the installation of your Product, to instruct you how to use your Product, to replace house fuses or correct house wiring or plumbing.
- Removal and replacement of trim or decorative panels that interfere with servicing the Product.
- Damage or defects caused by labor or parts installed by any non-authorized service provider, unless approved by Bosch before service is performed.

In no event shall Bosch have any liability or responsibility whatsoever for damage to surrounding property, including cabinetry, floors, ceilings, and other structures or objects around the Product. Also excluded from this warranty are

Products, on which the serial numbers have been altered, defaced, or removed; service visits to teach you how to use the Product, or visits where there is nothing wrong with the Product; correction of installation problems (you are solely responsible for any structure and setting for the Product, including all electrical, plumbing or other connecting facilities, for proper foundation/flooring, and for any alterations including without limitation cabinetry, walls, floors, shelving, etc.); and resetting of breakers or fuses. TO THE EXTENT ALLOWED BY LAW, THIS WARRANTY SETS OUT YOUR EXCLUSIVE REMEDIES WITH RESPECT TO PRODUCT, WHETHER THE CLAIM ARISES IN CONTRACT OR TORT (INCLUDING STRICT LIABILITY, OR NEGLIGENCE) OR OTHERWISE. THIS WARRANTY IS IN LIEU OF ALL OTHER WARRANTIES, WHETHER EXPRESS OR IMPLIED. ANY WARRANTY IMPLIED BY LAW, WHETHER FOR MERCHANTABILITY OR FITNESS FOR A PARTICULAR PURPOSE, OR OTHERWISE, SHALL BE EFFECTIVE ONLY FOR THE PERIOD THAT THIS EXPRESS LIMITED WARRANTY IS EFFECTIVE. IN NO EVENT WILL THE MANUFACTURER BE LIABLE FOR CONSEQUENTIAL, SPECIAL, INCIDENTAL, INDIRECT, "BUSINESS LOSS", AND/OR PUNITIVE DAMAGES, LOSSES, OR EXPENSES, INCLUDING WITHOUT LIMITATION TIME AWAY FROM WORK, HOTELS AND/OR RESTAURANT MEALS, REMODELLING EXPENSES IN EXCESS OF DIRECT DAMAGES WHICH ARE DEFINITELY CAUSED EXCLUSIVELY BY BOSCH, OR OTHERWISE. SOME STATES DO NOT ALLOW THE EXCLUSION OR LIMITATION OF INCIDENTAL OR CONSEQUENTIAL DAMAGES, AND SOME STATES DO NOT ALLOW LIMITATIONS ON HOW LONG AN IMPLIED WARRANTY LASTS, SO THE ABOVE EXCLUSIONS OR LIMITATIONS MAY NOT APPLY TO YOU. THIS WARRANTY GIVES YOU SPECIFIC LEGAL RIGHTS, AND YOU MAY ALSO HAVE OTHER RIGHTS WHICH VARY FROM STATE TO STATE.

No attempt to alter, modify or amend this warranty shall be effective unless authorized in writing by an officer of BSH.

12.6 Obtaining warranty service

To obtain warranty service for your product, you should contact Bosch Customer Support at 1-800-944-2904 to schedule a repair.

12.7 Product information

For handy reference, copy the information below from the rating plate. Keep your invoice and/or delivery documents for warranty validation.

Model number (E-Nr.)

Production number
(FD)

Date of delivery

Table des matières

1 IMPORTANTES CONSIGNES DE SÉCURITÉ	16
1.1 Définitions des termes de sécurité	16
1.2 Informations générales.....	16
1.3 Utilisation sécuritaire	16
1.4 Sécurité des enfants	18
1.5 Mises en garde conformément à la proposition 65 de l'État de Californie	19
2 Prévenir les dommages matériels	20
3 Protection de l'environnement et économies	20
3.1 Mise au rebut de l'emballage	20
3.2 Économiser de l'énergie.....	20
4 Modes de fonctionnement	20
4.1 Mode d'extraction d'air	20
4.2 Mode de recirculation de l'air.....	20
5 Description de l'appareil	20
5.1 Électroménager.....	20
5.2 Boutons de commande	21
6 Accessoires.....	21
7 Opération de base.....	21
7.1 Pour de meilleurs résultats.....	21
7.2 Allumer ou éteindre l'appareil.....	21
7.3 Allumer ou éteindre la lumière.....	21
8 Nettoyage et entretien	22
8.1 Produits de nettoyage	22
8.2 Éteindre l'interrupteur d'alimentation principal	22
8.3 Nettoyage des filtres à graisse	22
8.4 Filtres anti-odeurs pour le mode de recirculation	23
8.5 Recommandations en matière de nettoyage	24
9 Dépannage	25
10 Élimination	26
10.1 Éliminer un appareil usagé.....	26
11 Service à la clientèle.....	26
11.1 Numéro de modèle (E-Nr.) et numéro de fabrication (FD)	26
11.2 Emplacement de la plaque signalétique.....	26
12 ÉNONCÉ DE LA GARANTIE LIMITÉE DU PRODUIT.....	26
12.1 Couverture de la garantie limitée.....	26
12.2 Durée de la garantie.....	26
12.3 Réparation ou remplacement : votre recours exclusif.....	27
12.4 Produit hors garantie.....	27
12.5 Exclusions de garantie	27
12.6 Obtention du service de garantie.....	28
12.7 Information sur le produit	28



IMPORTANTES CONSIGNES DE SÉCURITÉ

LIRE ET CONSERVER CES INSTRUCTIONS

Lisez attentivement toutes les instructions avant d'utiliser l'appareil. Afin de réduire les risques d'incendie, d'électrocution et de blessures corporelles lorsque vous utilisez l'appareil, suivez les précautions de base, et notamment les consignes de sécurité suivantes.

1.1 Définitions des termes de sécurité

Vous trouverez ici des explications sur les mots de signalisation de sécurité utilisés dans ce manuel.

AVERTISSEMENT

Signale un risque de mort ou de blessure grave si l'avertissement n'est pas respecté.

MISE EN GARDE

Signale un risque de blessures mineures ou modérées si l'avertissement n'est pas respecté.

AVIS :

Ceci indique que la non-conformité à cet avis de sécurité peut entraîner des dégâts matériels ou endommager l'appareil.

Remarque : Ceci vous signale des informations et/ou indications importantes.

1.2 Informations générales

Ce manuel explique les principes de base du fonctionnement de votre appareil et les mesures de sécurité à suivre. Pour des informations d'installation complètes et sûres, reportez-vous aux instructions d'installation fournies avec l'appareil.

Tous les manuels des produits peuvent être téléchargés en ligne à l'adresse www.bosch-home.ca/fr/service/manuels-utilisateur.

INSTALLATEUR : Prière de laisser ces instructions d'installation avec cet appareil à l'intention du propriétaire.

PROPRIÉTAIRE : Prière de conserver ces instructions pour référence ultérieure. Lisez toutes les consignes de sécurité avant d'utiliser l'appareil. Demandez à l'installateur de vous montrer où se trouve le disjoncteur électrique afin que vous sachiez comment et où couper l'électricité de l'appareil.

1.3 Utilisation sécuritaire

AVERTISSEMENT

POUR RÉDUIRE LE RISQUE D'INCENDIE, D'ÉLECTROCUTION OU DE BLESSURES, RESPECTER LES INDICATIONS SUIVANTES :

- ▶ Utilisez cet appareil uniquement de la façon recommandée par le fabricant. Pour toutes questions, veuillez contacter le fabricant.
→ "Service à la clientèle", Page 26
- ▶ Avant d'entretenir ou de nettoyer l'appareil, coupez l'alimentation au niveau du panneau de service et verrouillez le panneau de service. Cela empêchera la mise sous tension accidentelle. Lorsque le panneau de service ne peut pas être verrouillé, fixer un accessoire d'avertissement visible et adéquat, comme une étiquette, au panneau de service.



IMPORTANTES CONSIGNES DE SÉCURITÉ

LIRE ET CONSERVER CES INSTRUCTIONS

AVERTISSEMENT



Si vous ne suivez pas rigoureusement les renseignements fournis dans le présent guide, des risques d'incendie ou d'explosion sont susceptibles de causer des dommages matériels, des blessures ou la mort.

- N'entreposez pas et n'utilisez pas d'essence ou d'autres produits inflammables sous forme de liquide ou de vapeur à proximité de la table de cuisson ou de tout autre appareil.
- SI VOUS DÉTECTEZ UNE ODEUR DE GAZ
 - N'allumez aucun appareil.
 - Ne touchez pas aux interrupteurs électriques.
 - N'utilisez pas les téléphones du bâtiment où vous trouvez.
 - Appelez immédiatement votre société gazière chez un voisin et suivez les instructions qu'elle vous donne.
 - Si vous n'arrivez pas à contacter votre société gazière, appelez le service d'incendie.
- L'installation et les travaux d'entretien doivent être réalisés par un installateur qualifié, un centre de réparation agréé ou une société gazière.

MISE EN GARDE

Uniquement aux fins de ventilation générale.

- ▶ Pour éviter tout risque d'incendie ou d'explosion, ne pas utiliser pour évacuer des matières et des vapeurs dangereuses ou explosives.

AVERTISSEMENT

POUR RÉDUIRE LE RISQUE D'UN INCENDIE DE GRAISSE AU-DESSUS DE LA CUISINIÈRE

- ▶ Ne laissez jamais la surface de cuisson sans surveillance à des températures élevées - Les débordements provoquent de la fumée et des débordements graisseux qui peuvent s'enflammer. Chauffez l'huile lentement à feu doux ou moyen.
- ▶ Faites toujours fonctionner la hotte lorsque vous cuisinez à feu vif.

- ▶ Nettoyez régulièrement les ventilateurs. Ne pas laisser la graisse s'accumuler sur le ventilateur ou sur le filtre.
- ▶ Utilisez une taille de casserole appropriée. Toujours utiliser des ustensiles de cuisson adaptés à la taille de l'élément de surface.
- ▶ Ne flambez jamais sous la hotte aspirante et ne travaillez jamais avec une flamme nue. Une hotte aspirante en marche aspire les flammes dans le filtre. Les dépôts de graisse sur les filtre risquent alors de s'enflammer!

AVERTISSEMENT

Les réparations ne doivent être effectuées que par un fournisseur de services agréé. Toute réparation inadéquate de votre appareil peut entraîner un risque de blessure grave ou de mort.

MISE EN GARDE

La graisse laissée sur les filtres peut fondre à nouveau et pénétrer dans l'évent. Nettoyez régulièrement les ventilateurs. La graisse ne doit pas s'accumuler sur le ventilateur, les filtres ou les conduits d'évacuation.

- L'appareil doit être correctement installé et mis à la terre par un technicien qualifié. Connectez uniquement à une alimentation correctement mise à la terre. Reportez-vous aux instructions d'installation pour plus de détails.
- Demander à l'installateur de vous montrer où se trouve le disjoncteur ou le fusible. Identifiez sa position pour pouvoir le retrouver facilement.
- Cet appareil électroménager est conçu uniquement pour un usage domestique habituel. Il n'est pas approuvé pour une utilisation en extérieur. L'utilisation de ce produit dans un cadre commercial ou s'il est installé à l'extérieur n'est pas couverte par la garantie. Pour toute question, veiller à communiquer avec le fabricant.
- N'entreposez pas et n'utilisez pas des produits chimiques corrosifs, des vapeurs, des matériaux inflammables ou des produits non alimentaires près ou dans cet appareil. Cet appareil est spécialement conçu pour chauffer ou cuire la nourriture. L'emploi de produits chimiques corrosifs dans la cuisson ou le nettoyage endommagera l'appareil et pourrait causer des blessures.
- NE PAS utiliser cet appareil électroménager s'il ne fonctionne pas correctement ou s'il a été endommagé. Contactez un fournisseur de services qualifié.



IMPORTANTES CONSIGNES DE SÉCURITÉ

LIRE ET CONSERVER CES INSTRUCTIONS

- NE PAS réparer ni remplacer une pièce de l'appareil électroménager à moins que cela ne soit spécifiquement recommandé dans le présent manuel.
- Pour des raisons de sécurité et pour éviter d'endommager l'équipement, ne suspendez pas d'ustensiles de cuisine, de tissus ou d'autres articles à aucune partie de l'appareil.
- Ayez à disposition un extincteur approprié, à proximité, bien visible et facilement accessible à proximité de l'appareil de cuisson.
- Toujours avoir un détecteur de fumée en état de marche près de la cuisine.
- Ne pas utiliser d'eau sur les feux de graisse - Éteindre le feu ou les flammes ou utiliser un extincteur à poudre ou à mousse.
- Dans la mesure du possible, ne mettez pas en marche le système de ventilation pendant un feu de table de cuisson. Toutefois, ne passez pas la main à travers le feu pour l'éteindre.
- Si vos vêtements ou vos cheveux prennent feu, tombez immédiatement au sol et roulez pour éteindre les flammes.
- Examinez l'appareil après l'avoir déballé. En cas de dommage en cours de transport, ne branchez pas l'appareil.

AVERTISSEMENT

Afin de réduire les risques d'incendie, de choc électrique ou de blessures corporelles, n'utilisez pas de pièces de rechange non recommandées par le fabricant (par exemple des pièces fabriquées à la maison à l'aide d'une imprimante 3D).

AVERTISSEMENT

Lors de la cuisson des aliments, de petites quantités de certains sous-produits, tels que des particules / de la suie, peuvent être libérés. Pour minimiser l'exposition à ces substances:

- ▶ Assurez-vous d'avoir toujours une ventilation adéquate en utilisant un ventilateur approprié ou une hotte avec une évacuation vers l'extérieur et/ou une fenêtre ouverte.
- ▶ Faites toujours fonctionner l'appareil en suivant les consignes de ce manuel.

AVERTISSEMENT

Les matériaux surchauffés peuvent provoquer un incendie ou des brûlures et peuvent produire des émanations ou fumées potentiellement dangereuses.

- ▶ Pour éviter une surchauffe, allumez la hotte lorsque vous chauffez des graisses ou faites frire quelque chose en utilisant des paramètres de température moyen à haut.
- ▶ Évitez de chauffer des casseroles et des poêles vides.
- ▶ Ne laissez pas les casseroles bouillir à sec.
- ▶ Ne laissez pas du papier d'aluminium, du plastique, du papier ou du tissu entrer en contact avec un élément chaud, un brûleur ou une grille.

AVERTISSEMENT

Ne laissez jamais la table de cuisson sans surveillance lors de son utilisation. Une cuisson sans surveillance sur une table de cuisson avec de la graisse ou de l'huile peut être dangereuse et peut provoquer un incendie. Les débordements provoquent de la fumée et les résidus de graisses peuvent s'enflammer.

1.4 Sécurité des enfants

Cet appareil n'est pas destiné à être utilisé par des personnes (y compris des enfants) présentant des capacités physiques, sensorielles ou mentales réduites, à moins qu'elles n'aient été informées de la manière d'utiliser l'appareil par une personne responsable de leur sécurité.

Lorsque les enfants sont assez âgés pour utiliser l'appareil, il incombe aux parents ou tuteurs légaux de veiller à ce qu'ils soient formés aux pratiques sécuritaires par des personnes qualifiées.

Les enfants doivent être surveillés afin de s'assurer qu'ils ne jouent pas avec l'appareil.

AVERTISSEMENT

Ne pas permettre aux enfants d'utiliser cet appareil électroménager à moins d'être étroitement surveillés par un adulte.

- ▶ Les enfants et les animaux domestiques ne doivent pas être laissés seuls ou sans surveillance à un endroit où un appareil électroménager est utilisé. Ils ne doivent jamais jouer à proximité, que l'appareil soit utilisé ou non.

Ne pas laisser quiconque monter, se tenir debout, se pencher, s'asseoir ou se suspendre sur une partie quelconque de l'appareil électroménager.



IMPORTANTES CONSIGNES DE SÉCURITÉ

LIRE ET CONSERVER CES INSTRUCTIONS

MISE EN GARDE

Ne rangez pas d'articles d'intérêt pour les enfants dans des armoires au-dessus d'un appareil ou sur la protection arrière d'un appareil. Les enfants qui essaient de monter sur un appareil électroménager pour atteindre ces articles pourraient être gravement blessés.

AVERTISSEMENT

Pour éviter tout risque d'étouffement :

- ▶ Ne jamais laisser les enfants jouer avec le matériel d'emballage.

1.5 Mises en garde conformément à la proposition 65 de l'État de Californie

Ce produit pourrait contenir un produit chimique reconnu par l'État de la Californie comme cancérigène ou ayant des effets nocifs sur la reproduction. Par conséquent, vous pourriez devoir apposer l'étiquette suivante sur l'emballage du produit comme requis par la Californie :

AVERTISSEMENT ISSUE DE LA PROPOSITION 65 DE L'ÉTAT DE LA CALIFORNIE :



AVERTISSEMENT

Cancer et dommages à la reproduction -
www.P65Warnings.ca.gov

2 Prévenir les dommages matériels

AVIS :

Le condensat peut causer des dommages par corrosion.

- ▶ Pour éviter la formation de condensation, allumez l'appareil pendant la cuisson.

Si de l'humidité pénètre dans les commandes, cela peut entraîner des dommages.

- ▶ Ne jamais nettoyer les commandes avec un chiffon mouillé.

Un nettoyage incorrect endommage les surfaces.

- ▶ Suivez les instructions de nettoyage.
- ▶ N'utilisez pas de détergents agressifs ou abrasifs.
- ▶ Nettoyez les surfaces en acier inoxydable uniquement dans le sens de la finition.
- ▶ Ne nettoyez jamais les commandes avec des nettoyeurs pour acier inoxydable.

L'eau de condensation qui s'écoule à l'arrière peut endommager l'appareil.

- ▶ Pour éviter tout retour de condensat, montez le conduit d'évacuation de l'appareil avec 1° de pente.

Il existe un risque d'endommagement de la surface si vous ne retirez pas le film protecteur.

- ▶ Retirez le film protecteur de toutes les pièces de l'appareil avant de l'utiliser pour la première fois.

3 Protection de l'environnement et économies

3.1 Mise au rebut de l'emballage

Les matériaux d'emballage sont écologiques et recyclables.

- ▶ Veuillez éliminer les pièces détachées après les avoir triées par matières.

3.2 Économiser de l'énergie

Si vous respectez les instructions suivantes, votre appareil consommera moins de courant.

Nettoyez ou remplacez les filtres aux intervalles spécifiés ou aussi souvent que nécessaire.

- ✓ L'efficacité des filtres est conservée.

Éteignez l'éclairage si vous n'en avez plus besoin.

- ✓ Lorsque l'éclairage est éteint, il ne consomme aucune énergie.

Utilisez le couvercle de cuisson.

- ✓ Les vapeurs de cuisson et les condensats sont réduits.

N'utilisez les fonctions supplémentaires que si nécessaire.

- ✓ La désactivation des fonctions supplémentaires réduit la consommation d'énergie.

4 Modes de fonctionnement

Vous pouvez utiliser votre appareil en mode évacuation extérieure ou en mode recirculation de l'air.

4.1 Mode d'extraction d'air

L'air aspiré est épuré par les filtres à graisse et acheminé vers l'extérieur par un système de tuyauterie.



L'air ne doit pas être évacué dans un conduit de fumée utilisé pour évacuer les fumées des appareils brûlant du gaz ou d'autres combustibles (non applicable aux appareils qui ne rejettent que l'air dans la pièce).

- Si l'air évacué doit être acheminé vers un conduit de fumée ou de gaz d'échappement qui ne fonctionne pas, vous devez obtenir l'accord d'un ingénieur en chauffage responsable.
- Si l'air d'échappement est acheminé à travers la paroi externe, un conduit télescopique doit être utilisé.

4.2 Mode de recirculation de l'air

L'air aspiré est nettoyé par les filtres à graisse et un filtre anti-odeurs, puis renvoyé dans la pièce.



Pour lier les odeurs en mode recyclage d'air, vous devez installer un filtre anti-odeurs. Les différentes possibilités de fonctionnement de l'appareil en mode recyclage d'air se trouvent dans notre catalogue. D'autre part, vous pouvez demander au commerçant. Les accessoires nécessaires sont disponibles auprès des revendeurs spécialisés, du service à la clientèle ou de la boutique en ligne.

→ "Accessoires", Page 21

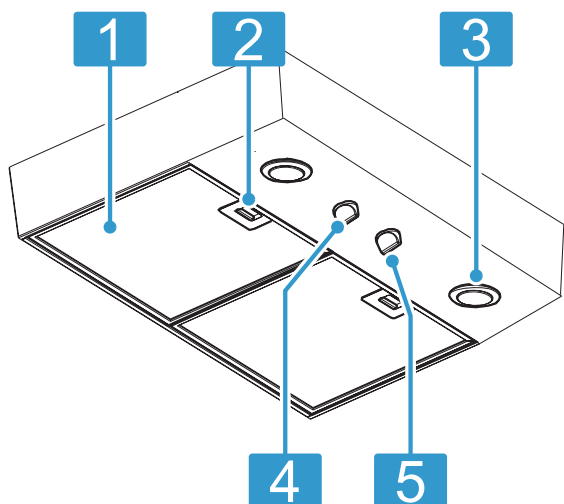
5 Description de l'appareil

Ce manuel couvre plusieurs modèles. Votre modèle peut avoir certaines des caractéristiques répertoriées, mais pas toutes.

5.1 Électroménager

Cette section contient une vue d'ensemble des composants de votre appareil.

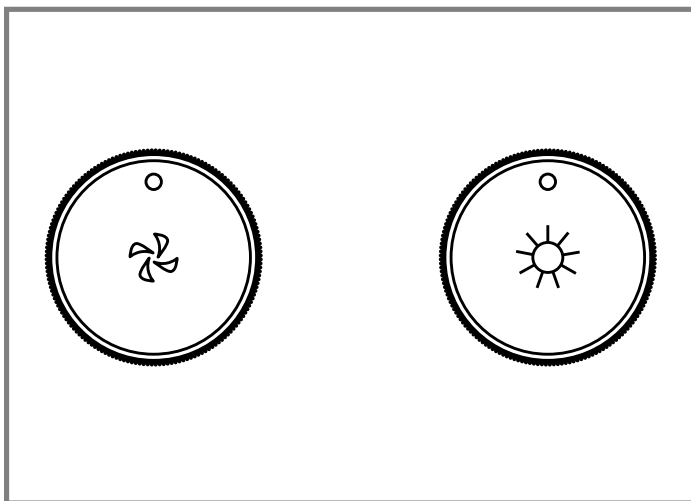
Remarque : Les graphiques sont représentatifs. Votre appareil peut avoir des apparences graphiques ou de conception différentes.



1	Filtre à graisse (2x)
2	Doigt tasse (2x)
3	Lumières à DEL (2x)
4	Bouton de commande du ventilateur
5	Bouton de contrôle de la lumière

5.2 Boutons de commande

Le bandeau de commande vous permet de configurer toutes les fonctions de votre appareil et d'obtenir des informations sur son état de fonctionnement.



Symbole	Fonction
	Contrôle du ventilateur 4 positions de bouton : <ul style="list-style-type: none"> ■ ARRÊT (DÉSACTIVÉ) ■ Vitesse basse ■ Vitesse moyenne ■ Vitesse élevée
	Contrôle de la lumière 2 positions de bouton : <ul style="list-style-type: none"> ■ ON (ACTIVÉ) ■ ARRÊT (DÉSACTIVÉ)
°	Position d'arrêt

6 Accessoires

Vous pouvez acheter des accessoires auprès du service à la clientèle, dans les commerces spécialisés ou sur Internet. Utilisez uniquement les accessoires d'origine, car ils sont précisément adaptés à votre appareil.

Les accessoires sont spécifiques à l'appareil. Lors de l'achat, indiquez toujours la désignation exacte de votre appareil (E-Nr.). → Page 26

Pour connaître les accessoires disponibles pour votre appareil, consultez notre catalogue, notre boutique en ligne ou le service à la clientèle.

www.bosch-home.com

7 Opération de base

7.1 Pour de meilleurs résultats

Suivez ces recommandations pour obtenir de meilleurs résultats de ventilation.

- Allumez le ventilateur pendant environ 5 minutes avant la cuisson afin d'établir des courants d'air vers le haut à travers la hotte. Par conséquent, lors de la génération de chaleur, de fumée, d'humidité, de graisse et d'odeurs de cuisson, le tout sera évacué vers l'extérieur au lieu d'aller dans les autres pièces.
- Utilisez les niveaux de vitesse inférieurs pour une utilisation normale et les niveaux de vitesse supérieurs pour les odeurs ou les vapeurs fortes.
- Des courants d'air au-dessus de la cuisinière ou de la table de cuisson réduiront l'efficacité de la hotte. Dans la mesure du possible, il faudrait prévenir ces courants d'air.
- La ventilation se fait mieux là où les seuls courants d'air sont ceux créés par le ventilateur lui-même.
- L'utilisation régulière de la hotte pendant la cuisson aide à garder la cuisine confortable et moins humide.
- Utilisez un brûleur arrière pour le brunissage ou la friture de viande dans une poêle.
- Pour des performances optimales, la largeur de la hotte doit être égale à celle de la table de cuisson ou de la cuisinière ou la dépasser de 3 po (76 mm) de chaque côté.

7.2 Allumer ou éteindre l'appareil

Allumer l'appareil

- ▶ Tournez le bouton de commande du ventilateur au niveau de ventilateur souhaité.

Éteindre l'appareil

- ▶ Tournez le bouton de commande du ventilateur en position OFF (DÉSACTIVÉ).

7.3 Allumer ou éteindre la lumière

- ▶ Tournez le bouton de commande d'éclairage sur la position ON (ACTIVÉ) ou OFF (DÉSACTIVÉ).

8 Nettoyage et entretien

Pour que votre appareil reste longtemps opérationnel, nettoyez-le et entretenez-le avec soin.

8.1 Produits de nettoyage

Vous pouvez vous procurer des produits de nettoyage adaptés auprès du service après-vente ou du magasin en ligne.

AVIS :

Les produits de nettoyage inappropriés risquent d'endommager la surface de l'appareil.

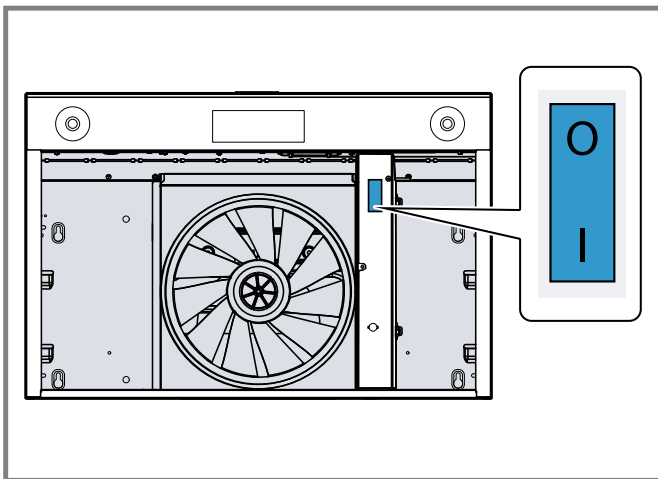
- ▶ N'utilisez pas de produits de nettoyage agressifs ou récurants.
- ▶ N'utilisez pas de produits de nettoyage fortement alcoolisés,
- ▶ N'utilisez pas de tampon abrasif ni d'éponge en laine d'acier.
- ▶ N'utilisez des nettoyeurs pour vitres, des grattoirs ou des produits d'entretien en acier inoxydable que si cela est recommandé dans les instructions de nettoyage de la pièce concernée.
- ▶ Lavez bien les tissus éponges avant de les utiliser.

8.2 Éteindre l'interrupteur d'alimentation principal

⚠ AVERTISSEMENT

Pour éviter tout risque de brûlure, NE PAS passer la main à travers le feu ou sur des surfaces chaudes pour éteindre la hotte.

1. Retirez les filtres à graisse.
2. Mettez l'interrupteur d'alimentation principal en position OFF (DÉSACTIVÉ). L'interrupteur d'alimentation principal est situé sur le couvercle du câblage.



Position de l'interrupteur d'alimentation principal	Fonction
I	ON (ACTIVÉ)
O	ARRÊT (DÉSACTIVÉ)

8.3 Nettoyage des filtres à graisse

Les filtres à graisse filtrent la graisse des vapeurs de cuisson. Des filtres à graisse régulièrement nettoyés contribuent à assurer un haut niveau de séparation des graisses.

⚠ AVERTISSEMENT

Les dépôts de graisse dans le filtre à graisse peuvent s'enflammer.

- ▶ Nettoyer le filtre à graisse au moins tous les deux mois.
- ▶ N'utilisez jamais l'appareil sans le filtre à graisse.

⚠ AVERTISSEMENT

S'assurer que l'appareil tout entier (y compris les filtres à graisse et les ampoules, le cas échéant) s'est refroidi et que la graisse s'est solidifiée avant de tenter de nettoyer une partie quelconque de l'appareil électroménager.

⚠ AVERTISSEMENT

N'atteignez pas l'intérieur de la hotte, il peut y avoir des points pointus et des bords cachés.

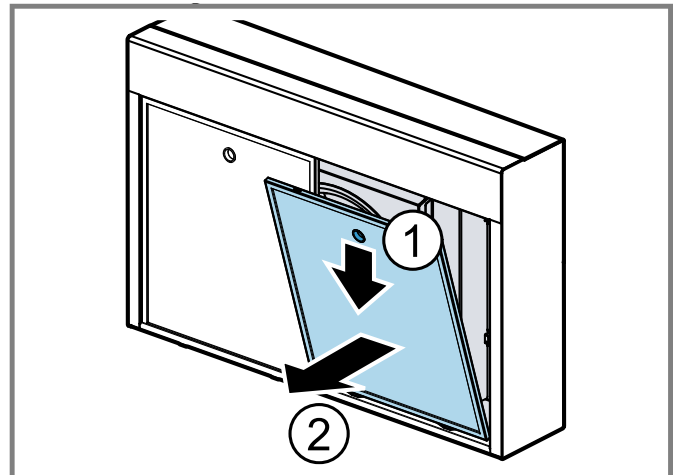
Retrait des filtres à graisse

AVIS :

La chute des filtres à graisse peut endommager la table de cuisson ci-dessous.

- ▶ Saisissez d'une main sous le filtre à graisse.

1. Utilisez la coupelle pour pousser le filtre vers le bas ① et inclinez-le ②.



2. Retirez les filtres à graisse des supports.

Pour éviter que la graisse ne coule, tenez le filtre à graisse horizontalement.

Nettoyage manuel des filtres à graisse

Exigence : Les filtres à graisse ont été retirés.

1. Respectez les informations relatives aux agents de nettoyage.
2. Faites tremper le filtre à graisse dans de l'eau chaude savonneuse.

Utilisez un solvant dégraissant spécial pour les salissures tenaces. Vous pouvez acheter du dégraissant auprès du service à la clientèle ou de la boutique en ligne.

3. Utilisez une brosse pour nettoyer les filtres à graisse.
4. Rincez soigneusement les filtres à graisse.
5. Laissez les filtres à graisse s'égoutter et sécher.

Nettoyage des filtres à graisse au lave-vaisselle

Remarque : Une légère décoloration est possible lors du nettoyage des filtres à graisse au lave-vaisselle. Cela n'affecte pas les performances des filtres à graisse.

1. Respectez les informations relatives aux agents de nettoyage.
2. Placez les filtres à graisse sans serrer dans le lave-vaisselle.

Ne nettoyez pas les filtres à graisse très sales avec des ustensiles de cuisine.

Utilisez un solvant dégraissant spécial pour les salissures tenaces. Vous pouvez acheter du dégraissant auprès du service à la clientèle ou de la boutique en ligne.

3. Démarrez le lave-vaisselle. Sélectionnez une température ne dépassant pas 160 °F (70 °C.)
4. Laissez les filtres à graisse s'égoutter et sécher.

Réinstallation des filtres à graisse

AVIS :

La chute des filtres à graisse peut endommager la table de cuisson ci-dessous.

► Saisissez d'une main sous le filtre à graisse.

1. Insérez les filtres à graisse.
2. Pliez les filtres à graisse vers le haut et engagez les verrous.
3. Assurez-vous que les verrous s'enclenchent.

8.4 Filtres anti-odeurs pour le mode de recirculation

Les filtres anti-odeurs lient les odeurs en mode recirculation. Des filtres anti-odeurs régulièrement remplacés garantissent un haut niveau d'élimination des odeurs.

Dans le cadre d'une utilisation normale (environ 1 heure par jour), le filtre anti-odeurs doit être remplacé tous les 3 - 6 mois. Remplacez-le plus souvent si votre style de cuisson génère un surplus de graisse, comme la friture et la cuisson au wok. Le filtre anti-odeurs ne peut pas être nettoyé ou régénéré.

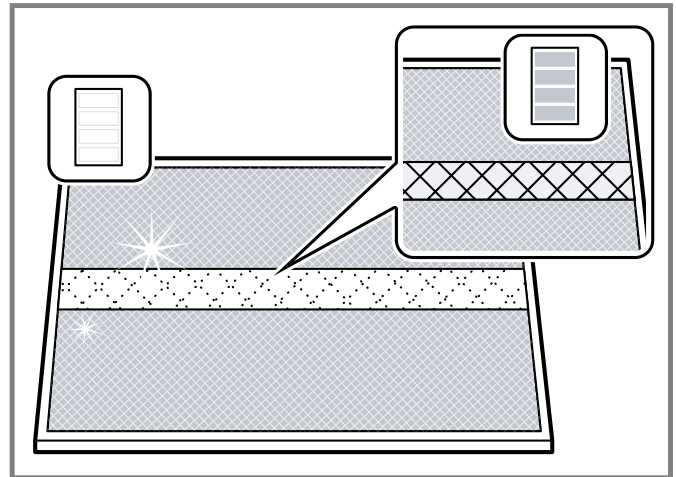
Vous pouvez vous procurer des filtres anti-odeurs auprès du service à la clientèle ou de la boutique en ligne.

N'utilisez que des filtres anti-odeurs d'origine.

→ "Accessoires", Page 21

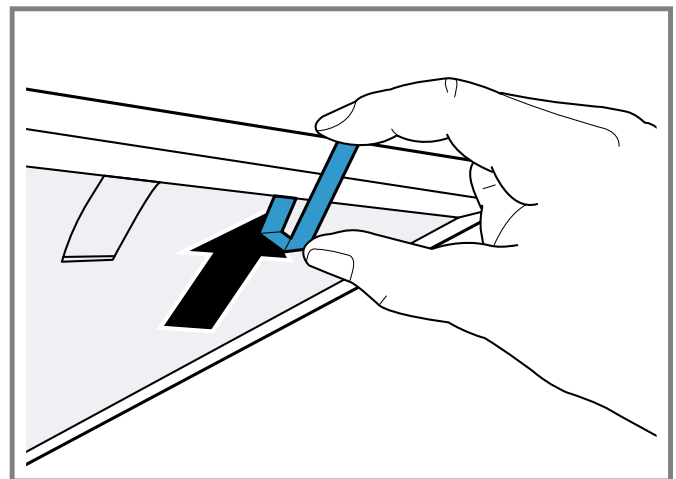
Remplacement des filtres anti-odeurs

1. Retirez le filtre à graisse.
→ "Retrait des filtres à graisse", Page 22
2. Placez le filtre anti-odeurs à l'intérieur du cadre du filtre à graisse.



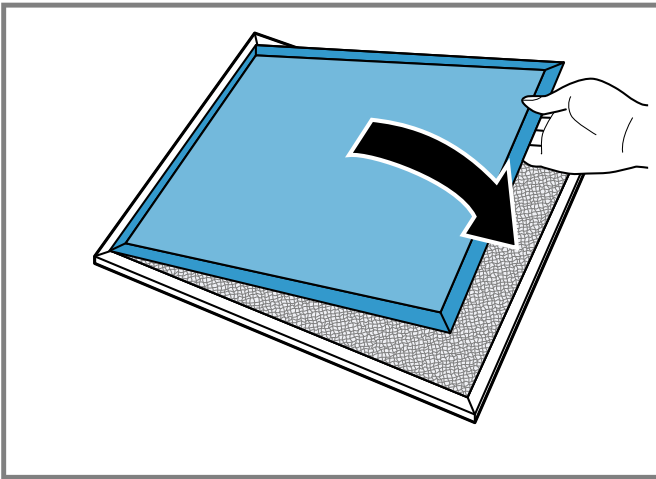
Le filtre anti-odeurs a une bande blanche sur un côté. Cet indicateur « Clean Sense » doit être orienté vers la surface de cuisson lorsque le filtre à graisse est installé.

3. Placez l'extrémité courte du clip contre le cadre à l'extérieur du filtre à graisse.



4. Faites pivoter le clip vers le haut et sur le cadre jusqu'à ce que le clip s'enclenche sur le filtre anti-odeurs.
5. Installez le deuxième clip sur le côté opposé.

6. Réinstallez le filtre à graisse.

**Vérification des filtres anti-odeurs**

1. Retirez les filtres à graisse.
→ "Retrait des filtres à graisse", Page 22
2. Retirez les clips du filtre et soulevez le filtre anti-odeurs du filtre à graisse pour voir la bande indicatrice.
 - La bande indicatrice comporte des lignes pointillées. Lorsque les lignes se sont transformées en larges lignes pleines, le filtre anti-odeurs est saturé et doit être remplacé.

Remarque : NE PAS immerger les filtres anti-odeurs dans l'eau ni les mettre au lave-vaisselle.

8.5 Recommandations en matière de nettoyage

Surface	Produits de nettoyage
Acier inoxydable	<p>Eau chaude savonneuse :</p> <ul style="list-style-type: none"> ■ Nettoyez avec un torchon non abrasif et non éponge et séchez avec une serviette propre et douce. ■ Nettoyer les surfaces d'acier inoxydable uniquement dans le sens du grain. ■ Ne pas utiliser d'éponges cellulosiques. Certaines éponges sont traitées avec du sel qui pourrait entraîner de la corrosion en laissant des dépôts de sel sur le métal. ■ Ne laissez aucun composé de nettoyage rester en contact avec l'acier inoxydable pendant de longues périodes. ■ N'utilisez pas de nettoyeurs à base de chlore. ■ Utiliser un produit nettoyant ou un revitalisant pour acier inoxydable afin d'enlever les empreintes digitales et donner davantage de lustre. <p>Le conditionneur d'acier inoxydable Bosch peut être acheté en ligne (États-Unis uniquement) à : www.bosch-home.com/us/shop</p>

Surface	Produits de nettoyage
Surfaces peintes	<p>Eau chaude savonneuse :</p> <ul style="list-style-type: none"> ■ Nettoyez avec un torchon non abrasif et non éponge et séchez avec une serviette propre et douce. ■ N'utilisez pas de nettoyeurs pour acier inoxydable.
Aluminium et plastique	<p>Nettoyant pour vitres :</p> <ul style="list-style-type: none"> ■ Nettoyer avec un chiffon doux.
Verre	<p>Nettoyant pour vitres :</p> <ul style="list-style-type: none"> ■ Nettoyer avec un chiffon doux. N'utilisez pas de grattoir à vitre.
Commandes	<p>Eau chaude savonneuse :</p> <ul style="list-style-type: none"> ■ Nettoyez avec un torchon non abrasif et non éponge et séchez avec une serviette propre et douce. ■ Risque d'endommagement de l'électronique dû à la pénétration d'humidité. Ne jamais nettoyer les commandes avec un chiffon mouillé. ■ N'utilisez pas de nettoyeurs pour acier inoxydable.

9 Dépannage

Vous pouvez éliminer vous-même les défauts mineurs de votre appareil. Veuillez lire les informations de dépannage avant de contacter le service à la clientèle. Cela peut éviter des frais de visite inutiles.

AVERTISSEMENT

Des réparations mal exécutées sont dangereuses.

- ▶ Les réparations de l'appareil ne doivent être effectuées que par des prestataires de services agréés.

- ▶ Afin d'écartier tout danger, quand le cordon d'alimentation de cet appareil est endommagé, seul le fabricant, son service à la clientèle ou toute autre personne de qualification équivalente est habilité à le faire.
- ▶ Seules des pièces de rechange d'origine peuvent être utilisées pour réparer l'appareil.
- ▶ Si l'appareil a un problème, appelez le service client.

Défaut	Cause et dépannage
Bruit en cours de fonctionnement.	<p>Une certaine quantité de bruit est normale en raison de la vibration et de la circulation d'air.</p> <ul style="list-style-type: none"> ▶ Cela est normal. Aucune action n'est requise. <p>Un bruit excessif peut indiquer un problème d'installation.</p> <ol style="list-style-type: none"> 1. Un bruit excessif peut indiquer l'un des problèmes suivants : <ul style="list-style-type: none"> – Diamètre de la conduite de trop petit ou sousdimensionnement du système de gaines – Diamètre de la conduite trop grand ou surdimensionnement du système de gaines – Système de gaines mal fixé – Pièce de transition trop petite ou fixée incorrectement – Vis à bois partiellement serrées – Vis des boiseries partiellement serrées, etc. 2. Vérifiez le manuel d'installation pour vérifier que les conduits sont de la bonne taille. 3. Serrer les vis.
Bruit lorsque l'appareil est éteint.	<p>Le volet de refoulement à l'extérieur du capuchon mural du conduit se déplace avec le vent.</p> <ul style="list-style-type: none"> ▶ Cela est normal. Aucune action n'est requise.
Système de soufflerie et éclairage inopérants.	<p>Le disjoncteur est déclenché.</p> <ol style="list-style-type: none"> 1. Vérifier le disjoncteur ou le boîtier à fusibles de la résidence. 2. S'assurer que l'alimentation électrique de l'appareil est adéquate.
Système de soufflerie du ventilateur inopérant.	<p>Le câblage électrique est mal branché.</p> <ul style="list-style-type: none"> ▶ Voir le manuel d'installation pour plus d'informations.
La hotte provoque le déclenchement du disjoncteur.	<p>Le câblage électrique est mal branché.</p> <ul style="list-style-type: none"> ▶ Voir le manuel d'installation pour plus d'informations. <p>Le circuit n'est pas suffisant.</p> <ul style="list-style-type: none"> ▶ Voir le manuel d'installation pour plus d'informations.
Extraction inadéquate de la hotte.	<p>La hotte est peut-être trop haute par rapport à la table de cuisson.</p> <p>La hotte peut ne pas être centrée au-dessus de la table de cuisson.</p> <p>L'air d'appoint n'est pas suffisant.</p> <p>Le vent de fenêtres ou de portes ouvertes dans les environs influence de l'extraction de la hotte.</p> <ul style="list-style-type: none"> ▶ Fermer toutes les portes et fenêtres pour éliminer les courants d'air extérieur. <p>Il y a un blocage dans l'ouverture du conduit ou dans les conduits.</p> <ul style="list-style-type: none"> ▶ Retirez tout blocage des conduits ou de l'ouverture des conduits. <p>La longueur du conduit peut être trop longue, trop de coudes, des coudes « dos à dos » ou un toit trop petit.</p> <ul style="list-style-type: none"> ▶ Voir le manuel d'installation pour plus d'informations.

10 Élimination

10.1 Éliminer un appareil usagé

L'élimination dans le respect de l'environnement permet de récupérer de précieuses matières premières.

- ▶ Éliminez l'appareil dans le respect de l'environnement.

Pour connaître les circuits d'élimination actuels, veuillez vous adresser à votre revendeur ou à votre administration municipale.

11 Service à la clientèle

Lors de toute réparation réalisée dans le cadre de la garantie, nous nous assurons que votre appareil est réparé avec des pièces de rechange d'origine par un technicien dûment formé et agréé. Nous utilisons exclusivement des pièces de rechange d'origine lors des réparations.

Pour plus d'informations sur la durée et les conditions de la garantie dans votre pays, consultez nos modalités de garantie auprès de votre détaillant ou sur notre site Web. Si vous contactez le service à la clientèle, indiquez le numéro de modèle (E-Nr.) et le numéro de fabrication (FD) de l'appareil.

La source de lumière est disponible en tant que pièce de rechange et doit être remplacée uniquement par du personnel qualifié.

USA:

1-800-944-2904

www.bosch-home.com/us/owner-support/get-support

www.bosch-home.com/us/shop

CA:

1-800-944-2904

www.bosch-home.ca/en/service/get-support

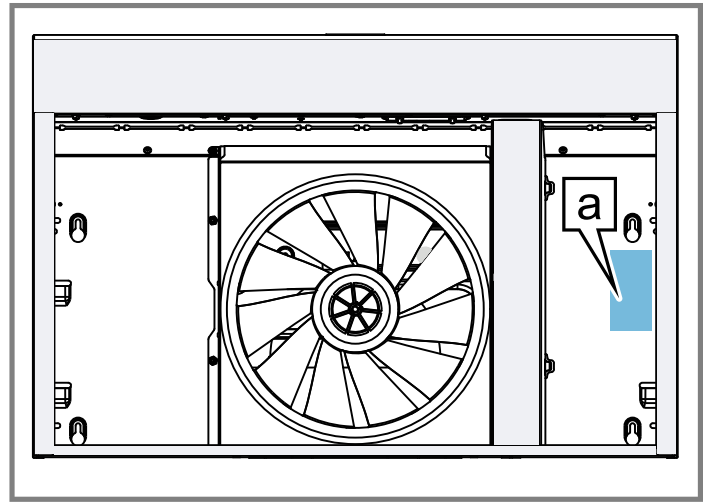
www.bosch-home.ca/en/service/cleaners-and-accessories

11.1 Numéro de modèle (E-Nr.) et numéro de fabrication (FD)

Le numéro de modèle (E-Nr.) et le numéro de fabrication (FD) sont indiqués sur la plaque signalétique de l'appareil. Pour retrouver rapidement les données de votre appareil et le numéro de téléphone du service à la clientèle, n'hésitez pas à les recopier ailleurs.

11.2 Emplacement de la plaque signalétique

La plaque signalétique se trouve sur le cadre derrière le filtre. Pour la visualiser, il faut retirer le filtre (voir la figure ci-dessous pour un exemple).



a Plaque signalétique

12 ÉNONCÉ DE LA GARANTIE LIMITÉE DU PRODUIT

12.1 Couverture de la garantie limitée

La garantie limitée fournie par BSH Home Appliances (« Bosch ») dans cet énoncé de garantie limitée s'applique seulement à l'appareil Bosch qui vous a été vendu (« Produit »), pour autant que le produit ait été acheté :

- Pour une utilisation normale résidentielle (non commerciale), et qu'il a été utilisé en tout temps pour un usage domestique normal.
- Neuf au détail auprès d'un revendeur agréé BSH ou directement auprès de BSH (pas un présentoir, « tel quel », ou un modèle précédemment retourné), et non destiné à la revente ou à un usage commercial.
- Aux États-Unis ou au Canada et qu'il est demeuré en tout temps dans son pays d'achat.

Les garanties aux présentes s'appliquent à l'acheteur original du produit sous garantie et à tout propriétaire successif du produit acheté pour une utilisation résidentielle habituelle et la durée de la garantie. Assurez-vous d'enregistrer votre produit ; bien qu'il ne soit pas nécessaire pour appliquer la garantie, c'est le meilleur moyen pour Bosch de vous informer dans le cas peu probable d'un avis de sécurité ou d'un rappel de produit.

12.2 Durée de la garantie

Bosch garantit que le produit est exempt de défauts de matériaux et de fabrication pendant une période de trois cent soixante-cinq (365) jours à compter de la date de livraison initiale. La période susmentionnée commence à partir de la date de livraison et ne doit pas être retenue, retardée, prolongée, ou interrompue pour une raison

quelconque. Ce produit est également garanti exempt de défauts **cosmétiques** de matériaux et de fabrication (tels que des rayures sur l'acier inoxydable, des taches de peinture/porcelaine, des éclats, des bosses ou d'autres dommages à la finition) du produit, pendant une période de trente (30) jours à compter de la date de livraison ou de la date de clôture pour les nouvelles constructions. La présente garantie **cosmétique** exclut les variations légères de couleur causées par les différences inhérentes entre les sections peintes et les sections en porcelaine, de même que les différences causées par l'éclairage de la cuisine, l'emplacement du produit et autres facteurs similaires. La présente garantie **cosmétique** exclut spécifiquement tous les appareils en montre, de plancher, « tel quel » et remis à neuf.

12.3 Réparation ou remplacement : votre recours exclusif

Pendant cette période de garantie, Bosch ou l'un de ses centres de réparations autorisés réparera gratuitement votre produit (sous réserve de certaines restrictions aux présentes) si celui-ci présente des défauts de matériels ou de fabrication. Si des tentatives raisonnables pour réparer le produit sont vaines, alors Bosch remplacera le produit (un modèle supérieur peut être offert, à la seule discrétion de Bosch, moyennant des frais supplémentaires). Rien dans cette garantie n'exige que les pièces endommagées ou défectueuses soient remplacées par des pièces d'un type ou d'une conception différent de la pièce d'origine. Toutes les pièces ou les composants enlevés demeurent la seule propriété de Bosch. Toute pièce remplacée ou réparée doit être identique à la pièce d'origine aux fins de la présente garantie et la garantie ne sera pas prolongée en regard de telles pièces. La seule responsabilité de Bosch est de faire réparer le produit défectueux uniquement par un centre de réparation autorisé pendant les heures de travail normales. Pour des raisons de sécurité et de dommages matériels, Bosch vous recommande fortement de ne pas essayer de réparer le produit vous-même ou de faire appel à un prestataire de services non agréé ; Bosch décline toute responsabilité en cas de dommages résultant de réparations ou de travaux effectués par un prestataire de services non agréé. Les centres de réparation autorisés sont les personnes ou les entreprises qui ont été spécialement formées sur les produits Bosch et qui possèdent, selon l'opinion de Bosch, une réputation supérieure pour le service après-vente et la capacité technique (il est à noter qu'elles sont des entités indépendantes et non des agents, partenaires, affiliés ou représentants de Bosch). Néanmoins, le fait de confier l'entretien de votre produit à un atelier de réparation non affilié ou à un revendeur agréé Bosch n'annulera pas cette garantie. De plus, l'utilisation de pièces tierces n'annulera pas cette garantie. Nonobstant ce qui précède, Bosch ne sera pas tenue responsable d'aucune façon si le produit est situé dans une région éloignée (supérieure à 100 miles d'un centre de réparation autorisé) ou n'est pas accessible de façon raisonnable, dans un environnement ou un local dangereux, menaçant ou périlleux; dans une telle

éventualité, à la demande du consommateur, Bosch pourrait encore payer les frais de main-d'œuvre et de pièces et expédier les pièces au centre de réparation autorisé le plus près, mais le consommateur serait entièrement responsable pour tous les frais de déplacement et autres frais spéciaux encourus par le centre de réparation, en autant qu'il accepte la demande de réparation. En outre, dans la mesure où vous avez installé le produit dans un endroit difficile d'accès ou si vous avez installé des installations temporaires ou permanentes qui créent des obstacles à l'accès ou au retrait du produit, Bosch n'encourra aucune responsabilité ou n'aura aucune responsabilité pour les travaux ou les coûts associés au déplacement du Produit ou à la création d'un accès au Produit afin de le réparer ou de le remplacer. Tous ces frais seront à votre charge exclusive.

12.4 Produit hors garantie

Bosch n'a aucune obligation, aux termes de la loi ou autrement, d'offrir toute concession, incluant réparation, prorata ou remplacement de produit une fois la garantie expirée.

12.5 Exclusions de garantie

La couverture de garantie décrite dans les présentes exclut tous les défauts ou dommages pour lesquels Bosch serait directement imputable, y compris, sans s'y limiter, l'un ou plusieurs des cas suivants :

- Utilisation du produit autre qu'un usage normal, habituel et de la façon destinée (incluant, sans s'y limiter, toute forme d'utilisation commerciale, d'utilisation ou de rangement d'un produit pour l'intérieur à l'extérieur, d'utilisation du produit de concert avec un transporteur aérien ou marin).
- Mauvaise conduite de toute partie, négligence, mauvaise utilisation, abus, accidents, fonctionnement inadéquat, mauvais entretien, installation inadéquate ou négligente, altération, manquement d'observer les instructions de fonctionnement, mauvaise manipulation, service non autorisé (incluant réparation par le consommateur ou exploration du fonctionnement interne du produit).
- Réglage, modification ou altération de tout type.
- Non conformité aux normes fédérales, provinciales, municipales ou électriques en vigueur au pays, aux codes de plomberie ou du bâtiment, aux réglementations ou aux lois, incluant le non respect d'installer le produit en stricte conformité avec les codes et les réglementations du bâtiment et d'incendie locaux.
- Bris et usure normaux, déversements d'aliments ou de liquides, accumulations de graisse ou d'autres substances dans, sur ou autour du Produit.
- Toute force ou tout facteur externe, élémentaire et / ou environnemental, incluant sans limitation, la pluie, le vent, le sable, les inondations, les incendies, les coulées de boue, le gel, l'humidité excessive ou

l'exposition prolongée à l'humidité, la foudre, les surtensions, les problèmes de structure autour de l'appareil et les désastres naturels.

- Demandes de service visant à corriger l'installation de votre Produit, à obtenir des conseils à propos de son utilisation, à remplacer les fusibles de votre maison ou à réparer l'installation électrique ou la plomberie de votre foyer.
- Retrait et remplacement de la garniture ou des panneaux de décoration qui entravent l'entretien du produit.
- Dommages ou défauts résultant de la main-d'œuvre ou de pièces installées par un centre de réparation non autorisé, à moins d'être approuvé par Bosch avant de procéder à sa réparation.

En aucun cas, Bosch ne sera tenue responsable de dommages survenus à la propriété environnantes, incluant les armoires, les planchers, les plafonds et les autres objets ou structures situés autour du produit. Également exclus de la garantie sont les Produits dont les numéros de série ont été modifiés, effacés ou enlevés; les demandes de réparations pour enseigner le fonctionnement du Produit ou les visites où il n'y a aucun problème avec le produit; la correction de problèmes d'installation (le consommateur est seul responsable pour toute structure et tout réglage du Produit, incluant l'électricité, la plomberie et les autres raccordements nécessaires, pour une fondation / plancher approprié[e], et pour toute modification incluant, sans limitation, armoires, murs, planchers, tablettes, etc.) et le réenclenchement de disjoncteurs ou le remplacement de fusibles.

DANS LA MESURE AUTORISÉE PAR LOI, LA PRÉSENTE GARANTIE PRÉCISE LES RECOURS EXCLUSIFS DONT VOUS DISPOSEZ À L'ÉGARD DU PRODUIT, QUE LA DEMANDE SOIT FONDÉE SUR UN CONTRAT OU DÉLIT (Y COMPRIS RESPONSABILITÉ ABSOLUE OU NÉGLIGENCE) OU AUTRE. LA PRÉSENTE GARANTIE REMPLACE TOUTES LES AUTRES GARANTIES, EXPRESSES OU IMPLICITES. TOUTES GARANTIES IMPLICITES AUX TERMES DE LA LOI, QUE SE SOIT LES GARANTIES DE QUALITÉ MARCHANDE OU D'APTITUDE À UN USAGE PARTICULIER, OU AUTRES, SONT LIMITÉES DANS LE TEMPS À LA DURÉE DE CETTE GARANTIE LIMITÉE EXPRESSE. LE FABRICANT NE SERA EN AUCUN CAS RESPONSABLE DE DOMMAGES CONSÉCUTIFS, SPÉCIAUX, ACCESSOIRES, INDIRECTS OU DE « PERTES COMMERCIALES » ET / OU DE DOMMAGES PUNITIFS, DE PERTES OU DE DÉPENSES, Y COMPRIS SANS S'Y LIMITER, ABSENCE DU TRAVAIL, FRAIS D'HÔTEL ET / OU FRAIS DE RESTAURANT, FRAIS DE REMANIEMENT EN EXCÉDENT DES DOMMAGES DIRECTS QUI SONT DÉFINITIVEMENT CAUSÉS EXCLUSIVEMENT PAR BOSCH, OU AUTREMENT. CERTAINS ÉTATS N'AUTORISENT PAS L'EXCLUSION OU LA LIMITATION DE DOMMAGES ACCESSOIRES OU CONSÉCUTIFS, ET CERTAINS ÉTATS N'AUTORISENT PAS LA LIMITATION DE LA DURÉE DES GARANTIES IMPLICITES. PAR

CONSÉQUENT, LES EXCLUSIONS OU LES LIMITES SUSMENTIONNÉES POURRAIENT NE PAS VOUS CONCERNER. LA PRÉSENTE GARANTIE VOUS DONNE DES DROITS PRÉCIS RECONNUS PAR LA LOI ET VOUS POUVEZ ÉGALEMENT AVOIR D'AUTRES DROITS QUI VARIENT D'UN ÉTAT À L'AUTRE. Aucune tentative de modifier, changer ou amender la présente garantie ne peut être valide sans le consentement écrit autorisé par un dirigeant de BSH.

12.6 Obtention du service de garantie

Pour obtenir le service de garantie de votre produit, vous devez contacter le service client Bosch au 1-800-944-2904 pour planifier une réparation.

12.7 Information sur le produit

Pour référence pratique, copiez l'information ci-après de la plaque signalétique. Conservez votre facture et/ou vos documents de livraison pour la validation de la garantie.

Numéro de modèle
(E-Nr.)

Numéro de
fabrication (FD)

Date de livraison

Tabla de contenidos

1 INSTRUCCIONES DE SEGURIDAD	
IMPORTANTES.....	30
1.1 Definiciones de seguridad	30
1.2 Información general	30
1.3 Uso seguro	30
1.4 Seguridad infantil	32
1.5 Advertencias en virtud de la Proposición 65 del estado de California	32
2 Prevención de daños materiales	33
3 Protección del medio ambiente y ahorro	33
3.1 Consejos para la eliminación del embalaje	33
3.2 Ahorrar energía.....	33
4 Modos de funcionamiento.....	33
4.1 Modo evacuación exterior de aire	33
4.2 Modo de recirculación de aire	33
5 Familiarizándose con el aparato	33
5.1 Aparato	33
5.2 Perillas de control	34
6 Accesorios	34
7 Manejo básico	34
7.1 Para obtener mejores resultados	34
7.2 Encender o apagar el aparato	34
7.3 Encender o apagar la iluminación	34
8 Limpieza y cuidados	35
8.1 Productos de limpieza.....	35
8.2 Apagar el interruptor de alimentación eléctrica principal	35
8.3 Limpiar los filtros antigrasa.....	35
8.4 Filtros antiolores para el modo de recirculación	36
8.5 Recomendaciones de limpieza	37
9 Solución de problemas.....	38
10 Eliminación.....	39
10.1 Eliminación de los aparatos usados	39
11 Servicio de atención al cliente	39
11.1 Número de modelo (E-Nr.) y número de fabricación (FD)	39
11.2 Ubicación de la placa de características del aparato.....	39
12 DECLARACIÓN DE GARANTÍA LIMITADA DEL PRODUCTO	39
12.1 Qué cubre esta garantía y a quiénes se aplica.....	39
12.2 Plazo de vigencia de la garantía	40
12.3 Reparación/Reemplazo como único recurso	40
12.4 Producto fuera de garantía.....	40
12.5 Exclusiones de la garantía	40
12.6 Obtener el servicio técnico de la garantía	41
12.7 Información del producto.....	41



INSTRUCCIONES DE SEGURIDAD IMPORTANTES

LEA Y CONSERVE ESTAS INSTRUCCIONES

Leer atentamente todas las instrucciones antes de proceder con el uso del aparato. Para reducir el riesgo de incendio, descarga eléctrica y lesiones personales al utilizar el aparato, se deben tomar precauciones de seguridad básicas, incluidas las que se detallan en las siguientes instrucciones de seguridad.

1.1 Definiciones de seguridad

Aquí puede encontrar explicaciones de las palabras de señal de seguridad utilizadas en este manual.

ADVERTENCIA

Esto indica que pueden producirse la muerte o heridas graves si no se cumple con esta advertencia.

PRECAUCIÓN

Esto indica que pueden producirse heridas leves o moderadas si no se cumple con esta advertencia.

AVISO:

Esto indica que pueden producirse daños en el aparato o en los bienes si no se cumple con este aviso.

Nota: Esto alerta sobre información o sugerencias importantes.

1.2 Información general

Esta manual explica los aspectos básicos del manejo del aparato y otras medidas de seguridad que es preciso seguir. Para obtener información relativa a una instalación completa y segura, consultar las instrucciones de instalación que se incluyen con el aparato.

Todos los manuales de producto pueden descargarse en línea en www.bosch-home.com/us/owner-support/owner-manuals.

INSTALADOR: Dejar estas instrucciones con esta unidad para el propietario.

PROPIETARIO: Conservar estas instrucciones para referencia futura. Leer íntegramente las instrucciones antes de utilizar el aparato. El instalador debe mostrar al usuario dónde se encuentra el breaker del circuito eléctrico para que el usuario sepa dónde puede desconectar el suministro eléctrico del aparato.

1.3 Uso seguro

ADVERTENCIA

PARA REDUCIR EL RIESGO DE INCENDIO, DESCARGA ELÉCTRICA O LESIONES PERSONALES, ES PRECISO CUMPLIR CON LAS INDICACIONES SIGUIENTES:

- ▶ Utilizar esta unidad solo de la manera prevista por el fabricante. En caso de duda, ponerse en contacto con el fabricante.
→ "Servicio de atención al cliente", *Página 39*
- ▶ Antes de realizar tareas de mantenimiento o limpieza en la unidad, desconectar la alimentación eléctrica en el panel de servicio y bloquearlo. De este modo, se evita que la alimentación eléctrica se vuelva a conectar accidentalmente. Si no es posible bloquear el panel de servicio, colocar algún tipo de advertencia visible, como una nota, sobre los interruptores del mismo.

ADVERTENCIA



Si no sigue rigurosamente la información contenida en este manual podría provocar un incendio o una explosión, y como resultado podría causar daños a la propiedad, lesiones o la muerte.

- No guarde o use materiales combustibles, gasolina u otros productos inflamables, bajo cualquier tipo de envase cerca de esta placa de coacción o de cualquier otro aparato.
- **QUÉ HACER EN CASO DE OLER A GAS**
 - No trate de encender ningún aparato.
 - No toque ningún interruptor eléctrico.
 - No use ningún teléfono en su casa.
 - Llame de inmediato a su proveedor de gas desde el teléfono de algún vecino y siga las instrucciones de su proveedor de gas.
 - Cuando no pueda localizar a su proveedor de gas, llame a los bomberos.
- Un instalador cualificado, una agencia de servicio autorizada o el proveedor de gas debe realizar la instalación y el servicio.



INSTRUCCIONES DE SEGURIDAD IMPORTANTES

LEA Y CONSERVE ESTAS INSTRUCCIONES

PRECAUCIÓN

Solo para ventilación general.

- ▶ Para evitar el riesgo de incendio o explosión, no utilizar para evacuar materiales y vapores peligrosos o explosivos.

ADVERTENCIA

PARA REDUCIR EL RIESGO DE INCENDIO POR LA GRASA EN LA ESTUFA

- ▶ No desatender el aparato cuando se cocine a alta temperatura. Los derrames causan humo y se puede prender la grasa derramada. Calentar el aceite lentamente, con temperaturas bajas o medias.
- ▶ Siempre encienda la campana extractora al cocinar a una temperatura alta.
- ▶ Limpiar los ventiladores con frecuencia. No debe permitirse que se acumule grasa en el ventilador o el filtro.
- ▶ Utilizar un sartén de tamaño adecuado. Utilizar siempre recipientes apropiados para el tamaño de la superficie.
- ▶ No se deben flambear alimentos bajo la campana extractora ni trabajar con una llama directa. Cuando está encendida, la campana extractora atrae las llamas hacia el filtro. Existe riesgo de incendio debido a la grasa acumulada en el filtro.

ADVERTENCIA

Solo un proveedor de servicio autorizado puede realizar reparaciones. La reparación inadecuada de su aparato puede provocar riesgo de lesiones físicas graves o la muerte.

PRECAUCIÓN

La grasa acumulada en los filtros puede volver a fundirse y penetrar en la abertura de ventilación. Limpiar los ventiladores con frecuencia. No debe permitirse que se acumule grasa en un ventilador, los filtros o los conductos de ventilación.

- Este aparato ha sido diseñado únicamente para un uso doméstico normal. No está aprobado para su uso en exteriores. El uso de este producto en entornos comerciales o en exteriores no está cubierto por la garantía. En caso de duda, contactar con el fabricante.
- NO almacenar ni utilizar productos químicos corrosivos, vapores, materiales inflamables o productos no alimentarios cerca o dentro del aparato. Está especialmente diseñado para utilizarse mientras se calienta o cocina la comida. El uso de productos químicos corrosivos para el calentamiento o la limpieza provocará daños en el aparato y podría causar lesiones personales.
- NO utilizar este aparato si no funciona correctamente o si ha sufrido daños. Contactar con un profesional calificado.
- NO reparar ni modificar parte alguna del aparato a menos que se recomiende específicamente en este manual.
- Por motivos de seguridad, y para evitar daños potenciales en el equipo, no colgar utensilios de cocina, tejidos u otros artículos de ninguna de las partes del aparato.
- Se debe tener a mano un extintor de incendios adecuado en un área fácilmente visible y accesible cerca del aparato de cocina.
- Se debe disponer en todo momento de un detector de humo en funcionamiento cerca de la cocina.
- No usar agua para apagar fuegos causados por grasa: Sofocar el fuego o la llama o usar un polvo químico o un extintor de espuma.
- Siempre que sea posible, evitar el uso del sistema de ventilación si se produce un incendio en la placa de cocción. No obstante, no se debe atravesar el fuego con la mano para intentar apagarlo.
- Si se prenden la ropa o el cabello, es preciso tirarse de inmediato al suelo y rodar para extinguir las llamas.
- Examinar el aparato después de desmontarlo. En el caso de que se hayan producido daños en el transporte, no enchufarlo.

ADVERTENCIA

Para reducir el riesgo de incendio, descarga eléctrica o lesiones a las personas, no utilizar partes de refacción que no hayan sido recomendadas por el fabricante (p. ej., partes fabricadas en casa con una impresora 3D).



INSTRUCCIONES DE SEGURIDAD IMPORTANTES

LEA Y CONSERVE ESTAS INSTRUCCIONES

ADVERTENCIA

Al cocinar los alimentos, pueden liberarse pequeñas cantidades de ciertos subproductos, como partículas/hollín. Para reducir la exposición a estas sustancias:

- ▶ Asegurar siempre una ventilación adecuada mediante el uso de un ventilador o campana extractora apropiados, con salida al exterior y/o una ventana abierta.
- ▶ Utilizar la unidad siempre de forma acorde con las instrucciones de este manual.

ADVERTENCIA

Los materiales calentados en exceso pueden causar incendios o quemaduras y pueden producir humo o vapores potencialmente nocivos.

- ▶ Para evitar el calentamiento en exceso, encender la campana extractora cuando se calienten grasas o se fríen a fuego medio o alto.
- ▶ Evitar calentar ollas y sartenes vacías.
- ▶ No deje hervir líquidos en recipientes hasta su evaporación completa.
- ▶ Es preciso evitar que materiales como el papel de aluminio, el plástico, el papel o la tela entren en contacto con un elemento superficial de calentamiento, con una parrilla o con una rejilla.

ADVERTENCIA

No dejar bajo ninguna circunstancia la placa de cocción desatendida durante su uso. Desatender el cocinado con grasas o aceites en una placa de cocción puede ser peligroso y podría causar un incendio. Los derrames provocan humo y salpicaduras de aceite que pueden incendiarse.

1.4 Seguridad infantil

Este aparato no está diseñado para ser utilizado por personas (incluidos niños) con capacidades físicas, sensoriales o mentales reducidas, o falta de experiencia y conocimiento, a menos que sean supervisados o instruidos acerca del uso del aparato por una persona responsable de su seguridad.

Cuando los niños tienen la edad adecuada para utilizar el electrodoméstico, es responsabilidad de los padres o tutores legales asegurarse de que reciban las instrucciones sobre prácticas seguras por parte de personas calificadas.

Se debe vigilar a los niños para asegurarse de que no jueguen con el aparato.

ADVERTENCIA

No permitir que los niños usen este aparato a menos que sean supervisados de cerca por un adulto.

- ▶ Los niños y las mascotas no deben dejarse solos o desatendidos en la zona donde el aparato esté en uso. No se les debe permitir nunca jugar en sus inmediaciones, independientemente de que el aparato esté o no en uso.

No debe permitirse que nadie se suba, se pare, se recline, se siente o se cuelgue de cualquier parte de un aparato.

PRECAUCIÓN

No guardar artículos que puedan atraer la atención de los niños en gabinetes por encima de un aparato o en la parte trasera de un electrodoméstico. Si un niño trepa por un aparato para llegar a alguno de estos elementos, podría sufrir lesiones graves.

ADVERTENCIA

Para evitar riesgo de sofocación:

- ▶ No dejar nunca que los niños jueguen con el material de empaque.

1.5 Advertencias en virtud de la Proposición 65 del estado de California

Este producto puede contener un químico que el Estado de California reconoce como potencialmente cancerígeno o causante de daños reproductivos. Por tanto, su producto debe llevar en su embalaje la siguiente etiqueta de conformidad con la legislación de California:

ADVERTENCIA EN VIRTUD DE LA PROPOSICIÓN 65 DEL ESTADO DE CALIFORNIA:

⚠ ADVERTENCIA

Cáncer y daño reproductivo - www.P65Warnings.ca.gov

2 Prevención de daños materiales

AVISO:

La condensación puede provocar daños por corrosión.

- ▶ Para evitar que se forme condensación, encender el aparato durante el cocinado.

La entrada de humedad en los controles puede provocar daños.

- ▶ No limpiar nunca los controles con un paño mojado.

Una limpieza inadecuada daña las superficies.

- ▶ Deben seguirse las instrucciones de limpieza.
- ▶ No utilizar detergentes fuertes o abrasivos.
- ▶ Limpiar las superficies de acero inoxidable exclusivamente en la dirección del acabado.
- ▶ No limpiar nunca los controles con limpiadores de acero.

El retorno de agua condensada puede dañar el aparato.

- ▶ Para evitar el retorno de condensados, montar el tubo de salida de aire del aparato con una inclinación de 1°.

Existe riesgo de daños en la superficie si no se despega la película protectora.

- ▶ Retirar la película protectora de todas las piezas del aparato antes de usarlo por primera vez.

3 Protección del medio ambiente y ahorro

3.1 Consejos para la eliminación del embalaje

Todos los materiales del embalaje son ecológicos y reciclables.

- ▶ Desechar los diferentes materiales separados según su naturaleza.

3.2 Ahorrar energía

Si tiene en cuenta estas indicaciones, su aparato consumirá menos corriente.

Limpiar o sustituir los filtros en los intervalos indicados, o tan frecuentemente como sea necesario.

- ✓ De este modo, se mantiene la eficacia de los filtros.

Apagar la iluminación si no se necesita.

- ✓ Si la iluminación está apagada, no consume energía.

Colocar la tapa de cocción.

- ✓ El vapor de cocción y la condensación se reducen.

Solamente utilice las funciones adicionales si es necesario.

- ✓ Desactivar las funciones adicionales disminuye el consumo energético.

4 Modos de funcionamiento

El aparato puede utilizarse en funcionamiento con evacuación exterior de aire o en funcionamiento con recirculación de aire.

4.1 Modo evacuación exterior de aire

Los filtros antigrasa limpian el aire aspirado y lo transportan al exterior a través de un sistema de tubos.



No se debe extraer el aire a una chimenea que se utilice para evacuar humos de aparatos que queman gas u otros combustibles (esto no se aplica a aparatos que solo devuelven aire a la estancia).

- Si el aire de salida se necesita transportar a una chimenea de humos o gas que no funciona, debe obtenerse primero el permiso del técnico de calefacción responsable.
- Si el aire de salida se transporta por medio de la pared exterior, se debe utilizar un pasamuros telescópico.

4.2 Modo de recirculación de aire

Los filtros antigrasa y los filtros antiolores limpian el aire aspirado y lo transportan a la estancia de nuevo.



Para retener los olores en modo de recirculación de aire, debe instalarse un filtro antiolores. Las diferentes opciones para el funcionamiento del aparato en el modo de recirculación de aire se encuentran en nuestro catálogo. Si lo prefiere, consulte a su distribuidor. Los accesorios necesarios están disponibles en tiendas especializadas, en el servicio de atención al cliente o en la tienda en línea.

→ "Accesorios", Página 34

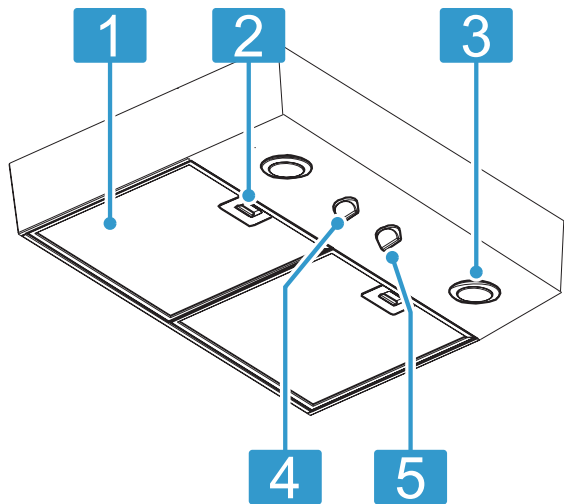
5 Familiarizándose con el aparato

Este manual abarca varios modelos. Es posible que el modelo adquirido tenga solo algunas de las funciones descritas.

5.1 Aparato

Aquí encontrará una vista general de los componentes de su aparato.

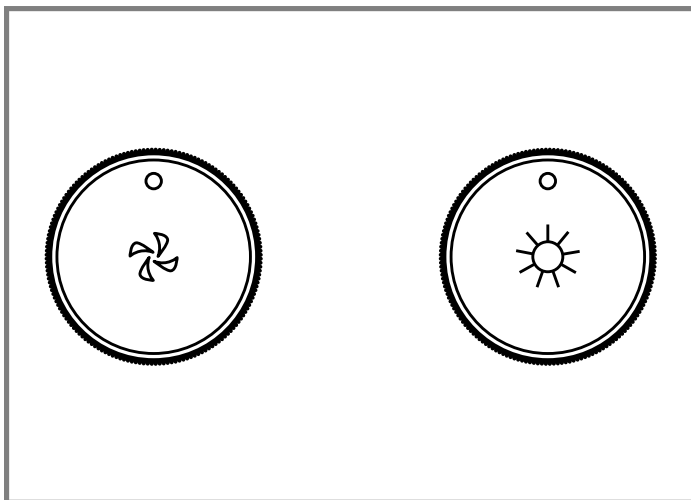
Nota: Los gráficos son representativos. El aparato adquirido puede presentar una apariencia o diseño distinto.



- 1** Filtro antigrasa (2x)
- 2** Protector de dedos (2x)
- 3** Luces LED (2x)
- 4** Perilla de control del ventilador.
- 5** Perilla de control de la iluminación

5.2 Perillas de control

A través del panel de control se ajustan todas las funciones de su aparato y se obtiene información sobre el estado de funcionamiento.



Símbolo	Función
	Control del ventilador 4 posiciones de la perilla: <ul style="list-style-type: none"> ■ Apagado ■ Velocidad baja ■ Velocidad media ■ Velocidad alta
	Control de la iluminación 2 posiciones de la perilla: <ul style="list-style-type: none"> ■ Encendido ■ Apagado
°	Posición de apagado

6 Accesorios

Puede adquirir los accesorios en el servicio de atención al cliente, en comercios especializados o en Internet. Utilice solo accesorios originales, ya que están adaptados a la perfección a su aparato.

Los accesorios son específicos del aparato. Al comprarlos, indique siempre la denominación exacta (E-Nr.) de su aparato. → *Página 39*

La información relativa a los accesorios para su aparato está disponible en nuestro catálogo, a través del servicio de atención al cliente o en la tienda en línea.

www.bosch-home.com

7 Manejo básico

7.1 Para obtener mejores resultados

Seguir las recomendaciones siguientes para obtener mejores resultados de ventilación.

- Encender el ventilador unos 5 minutos antes de empezar a cocinar para establecer una corriente de aire ascendente a través de la campana extractora. Así, cuando se produzca calor, humo, humedad, grasa y olores, se evacuarán al exterior en vez de extenderse a otras habitaciones.
- Utilizar niveles de velocidad más bajos para el uso normal y más altos cuando haya humaredas u olores intensos.
- Las corrientes de aire que puedan pasar a través de la estufa o la placa de cocción pueden reducir la eficacia de la campana extractora. Se deben evitar estas corrientes de aire en la medida de lo posible.
- La ventilación funciona mejor en una cocina en la que las únicas corrientes de aire sean las que crea el ventilador.
- El uso constante de la campana mientras se cocina ayuda a crear un ambiente cómodo y a bajar el nivel de humedad en la cocina.
- Hay que utilizar un quemador trasero al dorar carne o pasarla por el sartén.
- Para conseguir un rendimiento óptimo, el ancho de la campana extractora debe ser igual al de la placa de cocción o al de la parrilla empotrable e incluso tener 76 mm (3") más a cada lado.

7.2 Encender o apagar el aparato

Encender el aparato

- ▶ Girar la perilla de control al nivel de ventilador deseado.

Apagar el aparato

- ▶ Girar la perilla de control a la posición de apagado.

7.3 Encender o apagar la iluminación

- ▶ Girar la perilla de control de la iluminación a la posición de encendido o apagado.

8 Limpieza y cuidados

Para que el aparato mantenga durante mucho tiempo su capacidad funcional, debe mantenerse y limpiarse con cuidado.

8.1 Productos de limpieza

Puede adquirir productos de limpieza adecuados en el servicio postventa o en la tienda en línea.

AVISO:

Los productos de limpieza inadecuados pueden dañar la superficie del aparato.

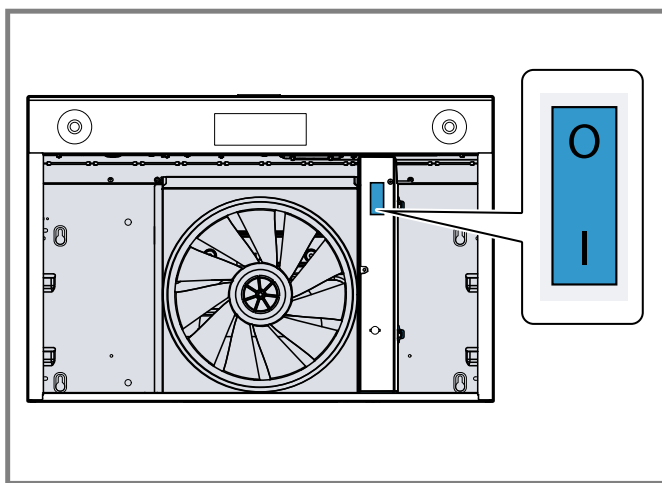
- ▶ No utilizar agentes agresivos ni abrasivos.
- ▶ No utilizar productos de limpieza con un alto contenido de alcohol.
- ▶ No utilizar estropajos ni esponjas de fibra dura.
- ▶ Utilizar únicamente limpiadores y espátulas para cristal o productos para el cuidado de acero inoxidable si así lo recomiendan las instrucciones de limpieza de la parte correspondiente.
- ▶ Lavar meticulosamente las esponjas y los trapos antes de usarlos.

8.2 Apagar el interruptor de alimentación eléctrica principal

⚠ ADVERTENCIA

Para evitar el riesgo de quemaduras, NO pasar la mano por el fuego o las superficies calientes para apagar la campana.

1. Retirar los filtros antigrasa.
2. Girar el interruptor de alimentación eléctrica principal a la posición de apagado. El interruptor de alimentación eléctrica principal se encuentra en la cubierta de cableado.



Posición del interruptor de alimentación eléctrica principal	Función
I	Encendido
O	Apagado

8.3 Limpiar los filtros antigrasa

Los filtros antigrasa filtran la grasa de los vapores de cocción. La limpieza regular de los filtros antigrasa ayudan a asegurar un alto nivel de eliminación de grasa.

⚠ ADVERTENCIA

Los depósitos de grasa en el filtro antigrasa pueden incendiarse.

- ▶ Limpiar el filtro antigrasa por lo menos cada dos meses.
- ▶ No utilizar nunca el electrodoméstico sin el filtro antigrasa.

⚠ ADVERTENCIA

Asegurarse de que todo el aparato (incluidos los filtros antigrasa y los focos, si procede) se haya enfriado y la grasa se haya solidificado antes de intentar limpiar cualquier parte del aparato.

⚠ ADVERTENCIA

No tocar el interior de la campana, puede haber puntos con filo y bordes ocultos.

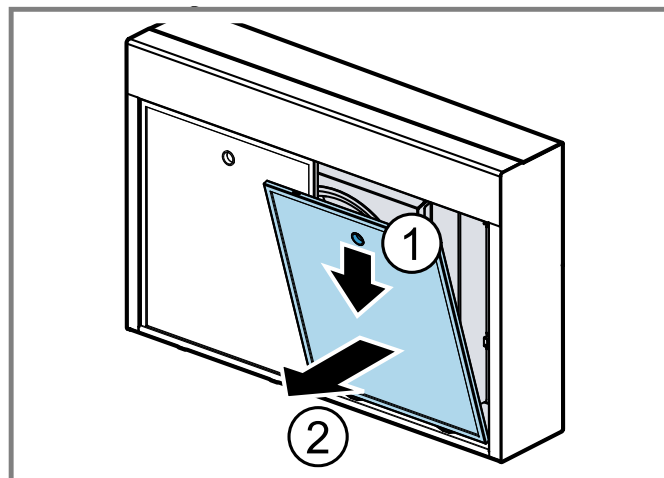
Retirar los filtros antigrasa

AVISO:

La caída de los filtros antigrasa puede dañar la hornilla.

- ▶ Mantener sujeto el filtro antigrasa por debajo con una mano.

1. Con el protector de dedos, empujar el filtro hacia abajo ① e inclinarlo hacia afuera ②.



2. Retirar los filtros antigrasa de los soportes. Sujetar el filtro antigrasa en posición horizontal para evitar que gotee grasa.

Limpiar los filtros antigrasa manualmente

Requisito: Los filtros antigrasa ya extraídos.

1. Tener presente la información relativa a los productos de limpieza.
2. Dejar los filtros antigrasa remojando en agua jabonosa caliente.

Utilizar un desengrasante especial para la suciedad persistente. Se puede comprar el desengrasante en el servicio al cliente o en la tienda en línea.

3. Utilizar un cepillo para limpiar los filtros antigrasa.
4. Enjuagar bien los filtros antigrasa.
5. Dejar secar los filtros antigrasa.

Limpieza los filtros antigrasa en el lavavajillas

Nota: La limpieza de los filtros antigrasa en el lavavajillas podría ocasionarles ligeras decoloraciones. Dicha decoloración no influye en el rendimiento de los filtros antigrasa.

1. Tener presente la información relativa a los productos de limpieza.
2. Colocar los filtros antigrasa holgadamente en el lavavajillas.

No lavar los filtros antigrasa con los utensilios de cocina si están muy sucios.

Utilizar un desengrasante especial para la suciedad persistente. Se puede comprar el desengrasante en el servicio al cliente o en la tienda en línea.

3. Poner en funcionamiento el lavavajillas. Seleccionar una temperatura no superior a 70 °C (160 °F).
4. Dejar secar los filtros antigrasa.

Reinstalar los filtros antigrasa

AVISO:

La caída de los filtros antigrasa puede dañar la hornilla.

- Mantener sujeto el filtro antigrasa por debajo con una mano.

1. Insertar las filtros antigrasa.
2. Plegar los filtros antigrasa hacia arriba y accionar los bloqueos.
3. Asegurarse de que los bloqueos queden accionados.

8.4 Filtros antiolores para el modo de recirculación

Los filtros antiolores retienen olores en el modo de recirculación. Reemplazar regularmente los filtros antigrasa garantiza un alto nivel de eliminación de olores.

Con un uso normal (aprox. 1 hora al día), el filtro antiolores se debe reemplazar cada 3 - 6 meses. Reemplazar más frecuentemente si su estilo de cocinar genera grasa adicional, como podría ocurrir al freír comida o cocinar en wok. El filtro antiolores no se puede limpiar o regenerar.

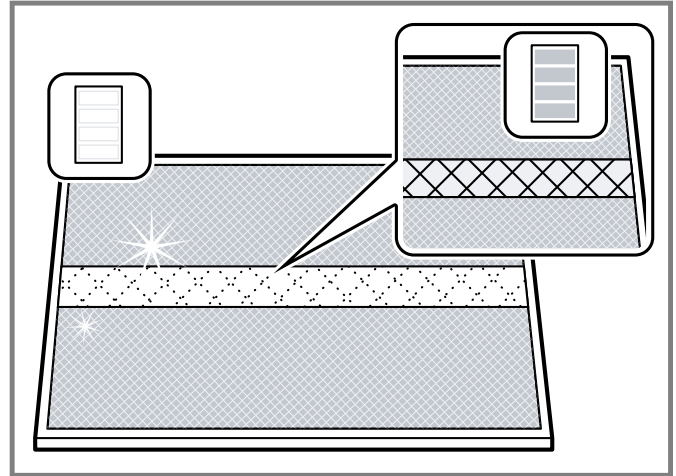
Se pueden adquirir filtros antiolores en el servicio de atención al cliente o en la tienda en línea. Usar exclusivamente filtros antiolores originales.

→ "Accesorios", Página 34

Cambiar los filtros antiolores

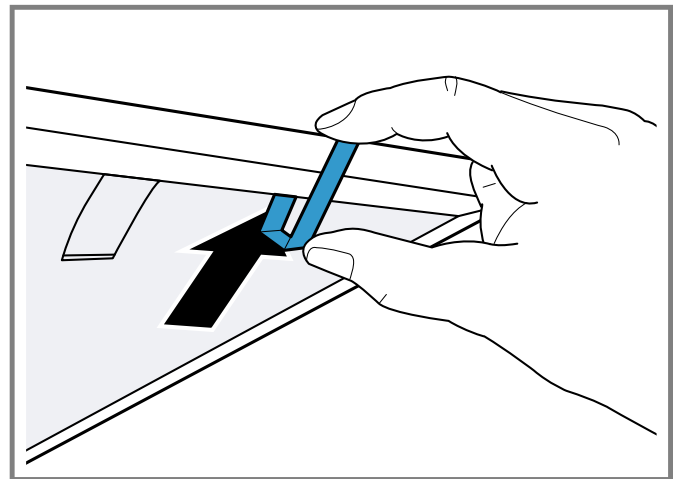
1. Retirar el filtro antigrasa.
→ "Retirar los filtros antigrasa", Página 35

2. Colocar el filtro antiolores dentro del marco del filtro antigrasa.

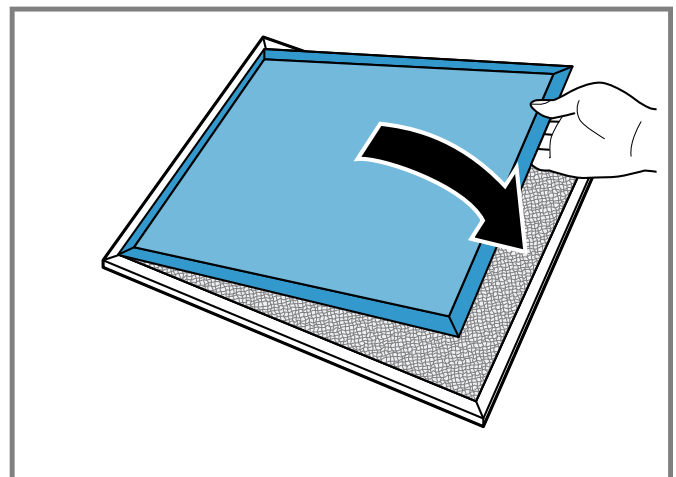


El filtro antiolores cuenta con una tira blanca en un costado. Este indicador "Clean Sense" debe estar dirigido hacia la superficie de cocción al instalar el filtro antigrasa.

3. Colocar el extremo corto del clip contra el marco en el exterior del filtro antigrasa.



4. Girar el clip hacia arriba y sobre el marco hasta que el clip encaje en su lugar sobre el filtro antiolores.
5. Instalar el segundo clip del lado opuesto.
6. Volver a instalar el filtro antigrasa.



Comprobar los filtros antiolores

1. Retirar los filtros antigrasa.
→ "*Retirar los filtros antigrasa*", *Página 35*
2. Retirar los clips del filtro y extraer el filtro antiolores del filtro antigrasa para ver la tira indicadora.
 - La tira indicadora tiene líneas punteadas. Cuando las líneas se han convertido en líneas sólidas anchas, el filtro antiolores está saturado y debe reemplazarse.

Nota: NO sumerja los filtros antiolores en agua ni los ponga en el lavavajillas.

8.5 Recomendaciones de limpieza

Área	Productos de limpieza
Acero inoxidable	<p>Agua jabonosa tibia:</p> <ul style="list-style-type: none"> ■ Limpiar con un trapo de cocina sin esponja y no abrasivo, y secar con un trapo limpio y suave. ■ Limpiar las superficies de acero inoxidable exclusivamente en la dirección del pulido original. ■ No usar esponjas de celulosa. Algunas esponjas se tratan con sal y pueden causar corrosión al dejar depósitos de sal en el metal. ■ No dejar que los productos de limpieza entren en contacto prolongado con el acero inoxidable. ■ No utilizar productos de limpieza a base de cloro. ■ Para quitar las huellas dactilares y aportar un brillo extra, utilizar productos de limpieza o acondicionadores para acero inoxidable. El acondicionador para acero inoxidable Bosch se puede comprar en línea (solo EE. UU.) en: www.bosch-home.com/us/shop
Superficies pintadas	<p>Agua jabonosa tibia:</p> <ul style="list-style-type: none"> ■ Limpiar con un trapo de cocina sin esponja y no abrasivo, y secar con un trapo limpio y suave. ■ No usar productos de limpieza para acero inoxidable.
Aluminio y plástico	<p>Limpiador para vidrios:</p> <ul style="list-style-type: none"> ■ Limpiar con un trapo suave.
Cristal	<p>Limpiador para vidrios:</p> <ul style="list-style-type: none"> ■ Limpiar con un trapo suave. No utilizar espátulas para vidrio.
Elementos de control	<p>Agua jabonosa tibia:</p> <ul style="list-style-type: none"> ■ Limpiar con un trapo de cocina sin esponja y no abrasivo, y secar con un trapo limpio y suave. ■ Riesgo de daños a los circuitos electrónicos a causa de penetración de la humedad. No limpiar nunca los controles con un trapo mojado.

Área	Productos de limpieza
	<ul style="list-style-type: none"> ■ No usar productos de limpieza para acero inoxidable.

9 Solución de problemas

Usted mismo puede solucionar los errores menores de su aparato. Lea la información acerca de cómo solucionar los errores antes de contactar con Atención al Cliente. Así podrá evitar visitas de reparación innecesarias.

ADVERTENCIA

Es peligroso realizar reparaciones de forma inadecuada.

- ▶ Las reparaciones solo deben ser realizadas por un proveedor de servicio técnico autorizado.

- ▶ Si el cable de conexión de red de este aparato resulta dañado, éste debe ser sustituido por el fabricante, por el servicio de atención al cliente o por una persona cualificada a fin de evitar posibles situaciones de peligro.
- ▶ Solo se pueden utilizar repuestos originales para reparar el aparato.
- ▶ Si el aparato presenta un problema, llamar al Servicio al cliente.

Falla	Causas y resolución de problemas
Ruido durante el funcionamiento.	<p>Es normal que las vibraciones y los movimientos de aire produzcan ruido.</p> <ul style="list-style-type: none"> ▶ Es algo normal. No es necesario realizar ninguna acción. <hr/> <p>Un ruido excesivo puede indicar que existe un problema de montaje.</p> <ol style="list-style-type: none"> 1. El ruido excesivo podría indicar alguno de los problemas siguientes: <ul style="list-style-type: none"> – los conductos son demasiado pequeños; – los conductos son demasiado grandes; – los conductos están sueltos; – las transiciones son pequeñas o están sueltas; – los tornillos para madera no están adecuadamente apretados; – hay tornillos flojos en las molduras, etc. 2. Comprobar manual de instalación para verificar si los conductos son del tamaño adecuado. 3. Apretar los tornillos.
Hay ruido cuando está apagado el aparato.	<p>El viento puede mover la tapa antirretorno del exterior de la tapa del conducto.</p> <ul style="list-style-type: none"> ▶ Es algo normal. No es necesario realizar ninguna acción.
Las luces y el ventilador no funcionan.	<p>Se ha disparado el breaker del circuito.</p> <ol style="list-style-type: none"> 1. Comprobar el breaker del circuito o la caja de fusibles local. 2. Comprobar que haya un suministro eléctrico adecuado para el aparato.
El ventilador no funciona.	<p>El cableado eléctrico no está conectado correctamente.</p> <ul style="list-style-type: none"> ▶ Ver manual de instalación para más información.
La campana hace que se dispare el disyuntor.	<p>El cableado eléctrico no está conectado correctamente.</p> <ul style="list-style-type: none"> ▶ Ver manual de instalación para más información. <hr/> <p>El circuito no es suficiente.</p> <ul style="list-style-type: none"> ▶ Ver manual de instalación para más información.
La ventilación de la campana extractora no es adecuada.	<p>La campana puede tener una altura excesiva para la placa de cocción.</p> <hr/> <p>Puede ser que la campana extractora no esté centrada sobre la superficie de cocción.</p> <hr/> <p>El aire de reposición no es suficiente.</p> <hr/> <p>El aire que entra por las ventanas o puertas abiertas de los alrededores está afectando a la ventilación de la campana extractora.</p> <ul style="list-style-type: none"> ▶ Cerrar todas las ventanas y puertas para eliminar las corrientes de aire externas. <hr/> <p>La abertura del conducto o los conductos están bloqueados.</p> <ul style="list-style-type: none"> ▶ Retirar los elementos que puedan bloquear la abertura del conducto o los conductos. <hr/> <p>El conducto puede ser demasiado largo, presentar acodaduras excesivas o muy próximas entre sí, o un techo demasiado pequeño.</p> <ul style="list-style-type: none"> ▶ Ver manual de instalación para más información.

10 Eliminación

10.1 Eliminación de los aparatos usados

Mediante una eliminación respetuosa con el medio ambiente se pueden reutilizar materias primas valiosas.

- ▶ Desechar el aparato de manera respetuosa con el medio ambiente.

Su distribuidor o el ayuntamiento local puede proporcionarle información sobre las vías y posibilidades actuales de desecho de materiales.

11 Servicio de atención al cliente

En cada reparación cubierta por la garantía, nos aseguramos de que su aparato sea reparado con repuestos originales por un proveedor de servicio capacitado y autorizado. Solo utilizamos repuestos originales para todos los tipos de reparaciones. Las informaciones detalladas sobre el periodo de validez de la garantía y las condiciones de garantía las podrá encontrar en nuestras condiciones de garantía, con su distribuido o en nuestra página web.

Cuando se ponga en contacto con el servicio de atención al cliente, no olvide indicar el número de modelo (E-Nr.) y el número de fabricación (FD) de su aparato.

Las fuentes de luz se encuentran disponibles como repuesto y su sustitución solo la puede llevar a cabo personal cualificado.

USA:

1-800-944-2904

www.bosch-home.com/us/owner-support/get-support

www.bosch-home.com/us/shop

CA:

1-800-944-2904

www.bosch-home.ca/en/service/get-support

www.bosch-home.ca/en/service/cleaners-and-accessories

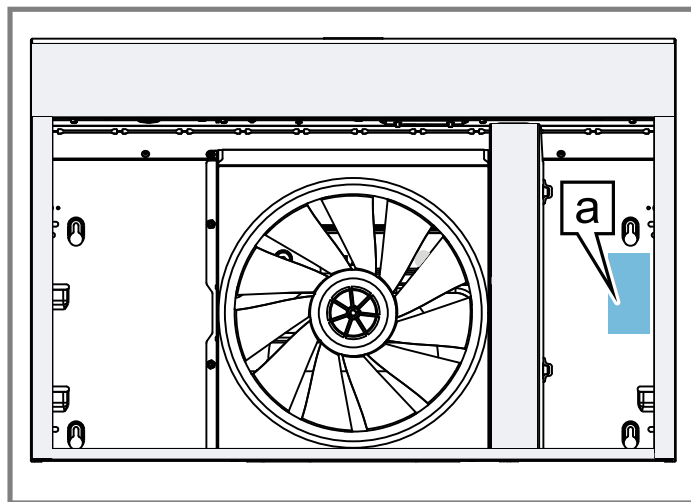
11.1 Número de modelo (E-Nr.) y número de fabricación (FD)

El número de modelo (E-Nr.) y el número de fabricación (FD) se encuentran en la placa de características del aparato.

Para volver a encontrar rápidamente los datos del aparato o el número de teléfono del servicio de atención al cliente, puede anotar dichos datos.

11.2 Ubicación de la placa de características del aparato

La placa de especificaciones del producto se encuentra en el marco detrás del filtro. Retirar el filtro para verla (ver la figura de abajo a modo de ejemplo).



a Placa de características

12 DECLARACIÓN DE GARANTÍA LIMITADA DEL PRODUCTO

12.1 Qué cubre esta garantía y a quiénes se aplica

La garantía limitada otorgada por BSH Home Appliances («Bosch») en esta Declaración de Garantía Limitada del Producto se aplica únicamente al aparato Bosch vendido a usted («Producto»), el primer comprador usuario, condicionada estrictamente a que el Producto haya sido comprado:

- Para uso doméstico normal (no comercial) y haya sido utilizado en todo momento únicamente para fines domésticos normales.
- Nuevo en una tienda minorista autorizada de BSH o directamente de BSH (que no sea un producto de exhibición ni un producto vendido «en las condiciones en que se encuentre» ni un modelo devuelto anteriormente) y que no esté destinado a reventa ni uso comercial.
- Dentro de los Estados Unidos o Canadá, y que haya permanecido en todo momento dentro del país de compra original.

La garantía descrita aquí es válida para el comprador original del producto cubierto por esta garantía y para todo usuario posterior del producto, adquirido para un uso doméstico, durante el término de la garantía.

Asegurarse de registrar su producto; si bien no es necesario para hacer efectiva la cobertura de la garantía, es la mejor manera de que Bosch pueda enviar una notificación en el caso poco probable de que se emita un aviso de seguridad o se retire del mercado un producto.

12.2 Plazo de vigencia de la garantía

Bosch garantiza que el producto no tiene defectos de materiales ni de mano de obra durante un período de trescientos sesenta y cinco (365) días a partir de la fecha de entrega original. Dicho período comienza a contar a partir de la fecha de entrega original y no se interrumpirá, dejará sin efecto, extenderá ni suspenderá por ningún motivo. También se garantiza que este Producto no presenta defectos **estéticos** en el material ni en la mano de obra (como rayas en el acero inoxidable, imperfecciones en la pintura/porcelana, desportilladuras, astillas, abolladuras ni ningún otro daño en el acabado) del Producto durante un período de treinta (30) días desde la fecha de entrega o fecha de cierre para una nueva construcción. Se excluyen de esta garantía por defectos **estéticos** las variaciones leves de color que se deban a diferencias inherentes a las piezas pintadas y de porcelana, así como diferencias provocadas por la iluminación de la cocina, la ubicación del producto u otros factores similares. Se excluye específicamente de esta garantía por defectos **estéticos** cualquier electrodoméstico en exposición, de piso, vendido “en el estado en que se encuentra” o de segunda selección.

12.3 Reparación/Reemplazo como único recurso

Durante el período de esta garantía, Bosch o uno de sus proveedores de servicio técnico autorizados reparará el producto sin cargo (sujeto a determinadas limitaciones especificadas en el presente) si se prueba que el producto ha sido fabricado con un defecto en los materiales o en la mano de obra. Si se ha intentado de manera razonable reparar el Producto sin éxito, Bosch reemplazará el Producto (es posible llegar a disponer de modelos mejorados, a entera discreción de Bosch, por un cargo adicional). Esta garantía no establece que las piezas dañadas o defectuosas se reemplacen por piezas de diferente tipo o diseño a las originales. Todas las partes y los componentes retirados serán propiedad de Bosch, a su entera discreción. Todas las partes reemplazadas y/o reparadas se considerarán como la parte original a los fines de esta garantía y esta garantía no se extenderá con respecto a dichas partes. En virtud del presente documento, la exclusiva responsabilidad y obligación de Bosch es únicamente reparar el Producto defectuoso de fábrica, a través de un proveedor de servicio técnico autorizado por Bosch, durante el horario normal de oficina. Por cuestiones de seguridad y daños materiales, Bosch recomienda categóricamente no intentar reparar el Producto por cuenta propia ni usar un proveedor de servicio técnico no autorizado; Bosch no tendrá ninguna responsabilidad ni obligación por daños ocasionados por reparaciones o trabajos realizados por un proveedor de servicio técnico no autorizado. Los proveedores de servicio técnico autorizados son aquellas personas o compañías que han sido especialmente capacitadas para manejar los productos de Bosch y que tienen, según el criterio de Bosch, una reputación superior de servicio de

atención al cliente y capacidad técnica (tenga en cuenta que son entidades independientes y no son agentes, socias, afiliadas ni representantes de Bosch). Sin embargo, llevar su producto a un taller de reparación que no esté afiliado o a un distribuidor autorizado de Bosch no anulará esta garantía. Además, el uso de piezas de terceros no anulará esta garantía. Independientemente de lo antedicho, Bosch no tendrá responsabilidad ni obligación alguna por el Producto que se encuentre en un área remota (a más de 100 millas de un proveedor de servicio técnico autorizado) o en un lugar, área circundante o entorno que no sean accesibles por medios razonables o que sean peligrosos, hostiles o arriesgados; en ese caso, a su solicitud, Bosch de todas maneras pagará por la mano de obra y las partes, y enviará las partes al proveedor de servicio técnico autorizado más cercano, pero el cliente seguirá siendo totalmente responsable por el tiempo de viaje y demás cargos especiales de la compañía de servicio técnico, siempre que esta acepte realizar la visita de servicio técnico. Además, en la medida en que haya instalado el producto en una ubicación de difícil acceso o haya instalado accesorios temporales o permanentes que creen barreras para acceder o retirar el producto, Bosch no incurrirá en ninguna responsabilidad por el trabajo o los costos asociados con el traslado del producto o la creación de acceso al producto para repararlo o reemplazarlo. Todos estos costos serán responsabilidad exclusiva de usted.

12.4 Producto fuera de garantía

Bosch no tiene obligación alguna, en virtud de la ley ni por otro motivo, de otorgarle ninguna concesión, incluidos reparaciones, prorrates o reemplazo del Producto, con posterioridad al vencimiento de la garantía.

12.5 Exclusiones de la garantía

La cobertura de garantía descrita en el presente documento excluye todos los defectos o daños que no fueron provocados directamente por Bosch, incluidos, entre otros, alguno de los siguientes:

- Uso del Producto de maneras distintas del uso normal, habitual y previsto (incluidos, entre otros, cualquier forma de uso comercial, uso o almacenamiento en exteriores de un producto diseñado para interiores, uso del Producto en aeronaves o embarcaciones).
- Conducta indebida, negligencia, uso indebido, abuso, accidentes, descuido, operación inadecuada, omisión de mantenimiento, instalación inadecuada o negligente, adulteración, omisión de seguir las instrucciones de operación, manipulación inadecuada, servicio técnico no autorizado (incluidos «arreglos» o exploración de los mecanismos internos del aparato realizados por uno mismo) por parte de cualquier persona.
- Ajuste, alteración o modificación de cualquier tipo.
- Incumplimiento de los códigos, reglamentaciones o leyes de electricidad, plomería y/o construcción estatales, locales, municipales o de condado, incluida la

omisión de instalar el producto cumpliendo estrictamente con los códigos y reglamentaciones locales de construcción y protección contra incendios.

- Desgaste habitual, derrames de alimentos, líquidos, acumulaciones de grasa u otras sustancias que se acumulen sobre el Producto, dentro o alrededor de este.
- Cualquier fuerza y factor externo, elemental y/o ambiental, incluidos, entre otros, lluvia, viento, arena, inundaciones, incendios, aludes de lodo, temperaturas bajas extremas, humedad excesiva o exposición prolongada a la humedad, rayos, sobrecargas eléctricas, fallos estructurales alrededor del aparato y catástrofes naturales.
- Llamadas al servicio técnico para subsanar la instalación del Producto, enseñar al usuario a usar el Producto, reemplazar los fusibles domésticos o subsanar el cableado o las instalaciones de fontanería.
- Extracción y sustitución de recortes o paneles decorativos que interfieran con el mantenimiento del Producto.
- Daños o defectos provocados por la mano de obra o piezas instaladas por cualquier proveedor de servicio técnico no autorizado, a menos que este último haya sido aprobado por Bosch antes de realizar el servicio.

En ningún caso Bosch tendrá responsabilidad ni obligación alguna por los daños ocasionados a los bienes circundantes, incluidos los gabinetes, pisos, techos y demás estructuras u objetos que se encuentren alrededor del Producto. También se excluyen de esta garantía los Productos en los cuales los números de serie hayan sido alterados, modificados o eliminados; las visitas del servicio técnico para enseñarle a usar el Producto o las visitas en las que se determine que no hay ningún problema con el Producto; la corrección de los problemas de instalación (usted es el único responsable de cualquier estructura y soporte del Producto, incluidas todas las instalaciones de electricidad y plomería o demás instalaciones de conexión, de la correcta instalación en bases/pisos, y de cualquier alteración, incluidos, a modo de ejemplo, gabinetes, paredes, pisos, repisas, etc.); y el restablecimiento de breakers o fusibles.

EN LA MEDIDA PERMITIDA POR LA LEY, ESTA GARANTÍA ESTABLECE SUS RECURSOS EXCLUSIVOS CON RESPECTO AL PRODUCTO, INDEPENDIENTEMENTE DE QUE LA RECLAMACIÓN SEA CONTRACTUAL O EXTRA CONTRACTUAL (INCLUIDA LA RESPONSABILIDAD OBJETIVA O LA NEGLIGENCIA), O DE CUALQUIER OTRO TIPO. ESTA GARANTÍA REEMPLAZA TODAS LAS DEMÁS GARANTÍAS EXPRESAS O IMPLÍCITAS. LAS GARANTÍAS IMPLÍCITAS POR LEY, YA SEA DE COMERCIABILIDAD O DE APTITUD PARA UN FIN ESPECÍFICO, O DE CUALQUIER OTRO TIPO, TENDRÁN VIGENCIA ÚNICAMENTE POR EL PERÍODO DE VIGENCIA DE LA PRESENTE GARANTÍA LIMITADA EXPRESA. EN NINGÚN CASO SERÁ EL FABRICANTE RESPONSABLE POR LOS DAÑOS CONSECUENTES, ESPECIALES, Y/O DAÑOS PUNITIVOS, PÉRDIDAS O

GASTOS, INCLUIDOS, ENTRE OTROS, TIEMPO FUERA DEL TRABAJO, HOTELES O COMIDAS EN RESTAURANTES, GASTOS DE REMODELACIÓN QUE SUPEREN LOS DAÑOS DIRECTOS, QUE DEFINITIVAMENTE HAYAN SIDO PROVOCADOS DE MANERA EXCLUSIVA POR BOSCH O DE OTRA MANERA. ALGUNOS ESTADOS NO PERMITEN LA EXCLUSIÓN O LIMITACIÓN DE DAÑOS INCIDENTALES O CONSECUENTES, Y ALGUNOS ESTADOS NO PERMITEN LIMITACIONES CON RESPECTO AL PLAZO DE VIGENCIA DE UNA GARANTÍA IMPLÍCITA; POR LO TANTO, ES POSIBLE QUE LAS EXCLUSIONES O LIMITACIONES PRECEDENTES NO SE APLIQUEN. ESTA GARANTÍA OTORGA DERECHOS LEGALES ESPECÍFICOS, Y TAMBIÉN PUEDEN CORRESPONDERLE OTROS DERECHOS QUE PUEDEN VARIAR SEGÚN EL ESTADO.

Ningún intento de alterar, modificar o enmendar la presente garantía será válido, a menos que fuera autorizado por escrito por un ejecutivo de BSH.

12.6 Obtener el servicio técnico de la garantía

Para obtener el servicio de garantía para su producto, debe comunicarse con el Servicio de asistencia técnica de Bosch al 1-800-944-2904 para programar una reparación.

12.7 Información del producto

Para una referencia rápida, copiar la información que se encuentra a continuación de la placa de características. Conservar su factura y/o los documentos de entrega para la validación de la garantía.

Número de modelo
(E-Nr.)

Número de
fabricación (FD)

Fecha de entrega



Register your appliance to enjoy customized benefits.

Thank you for being a Bosch customer!
Simply create a MyBosch account, then register your appliance.
You'll find a variety of customized information in MyBosch such as:

- **Discounts for filters, cleaners, accessories & parts**
- **Easy access to manuals & appliance specifications**
- **Easy access to part lists**
- **Customized offer for the Bosch Appliance Service Plan (sent by mail after appliance registration)**

Register here:
www.bosch-home.com/us/owner-support/mybosch

BOSCH
HOME APPLIANCES
SERVICE

Looking for help? You'll find it here.

No matter what, no matter when: Bosch is here to support you.
We're here to assist with usage instructions, cleaning tips,
accessories & parts, troubleshooting, and repairs.
Find online resources such as FAQs, how-to-videos, manuals,
warranties and authorized Bosch servicers at:
www.bosch-home.com/us/owner-support/get-support

Contact us:
Please have your Model Number (E-Nr) ready when contacting us.
1-800-944-2904
www.bosch-home.com/us/owner-support/contact-us

BSH Home Appliances Corporation
1901 Main Street, Suite 600
Irvine, CA 92614
USA
www.bosch-home.com
1-800-944-2904
© 2024 BSH Home Appliances Corporation



8001296823 (041008)
en-us, fr-ca, es-mx