

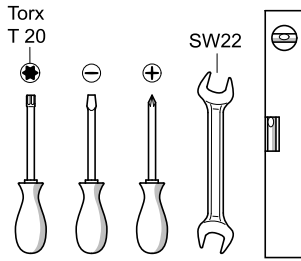
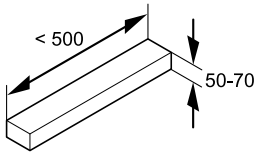
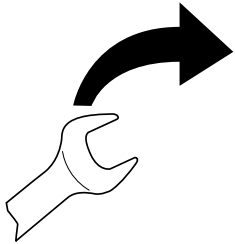
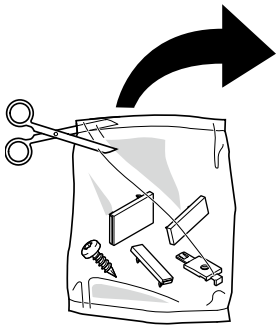
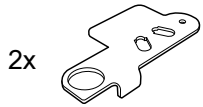
8001270949 (040418)

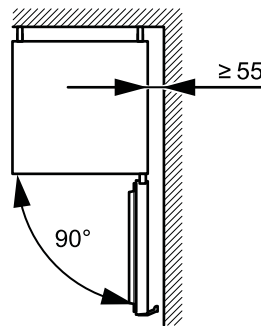
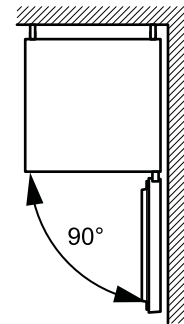
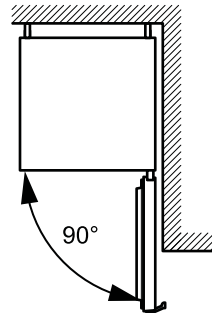
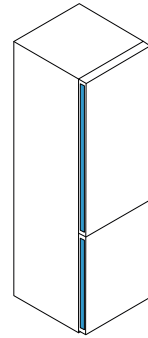
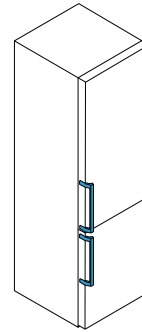
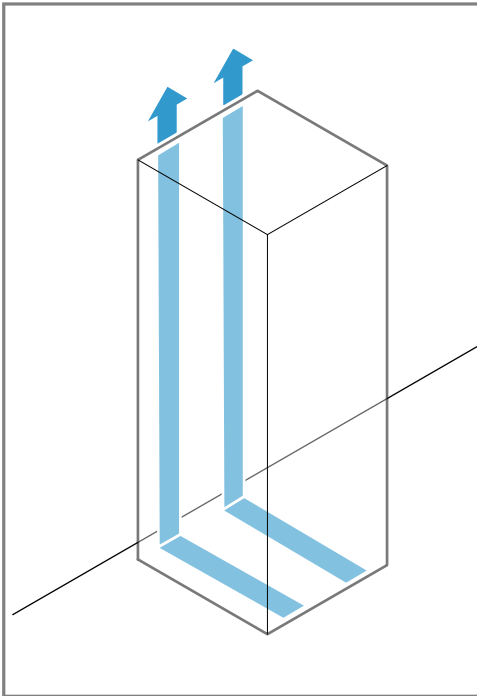
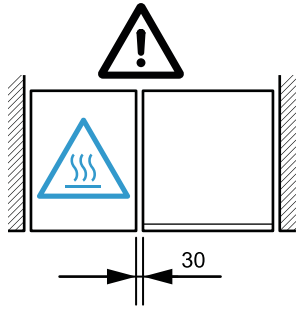


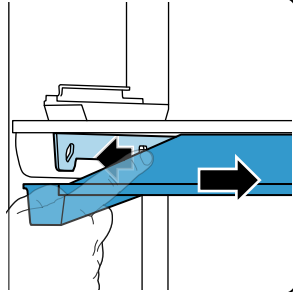
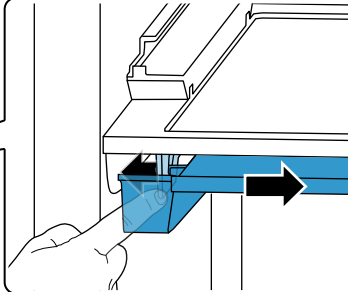
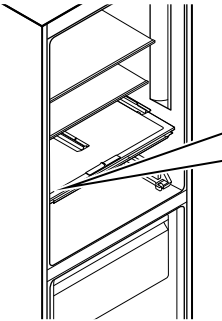
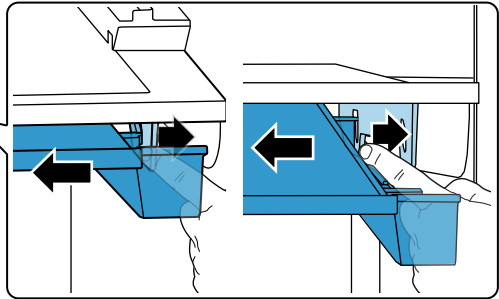
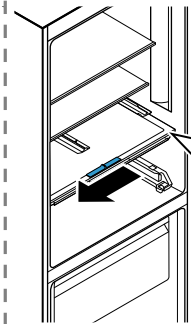
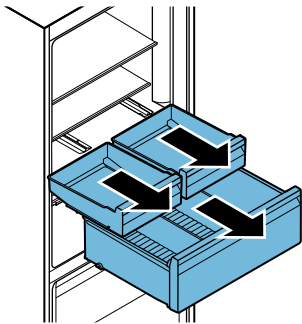
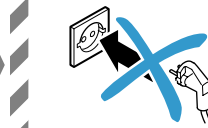
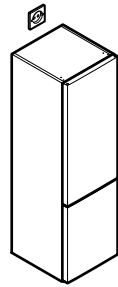
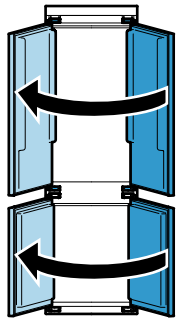
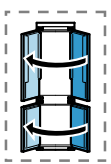
mm

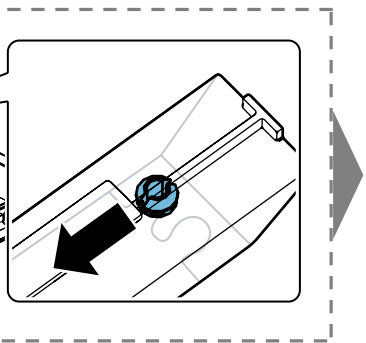
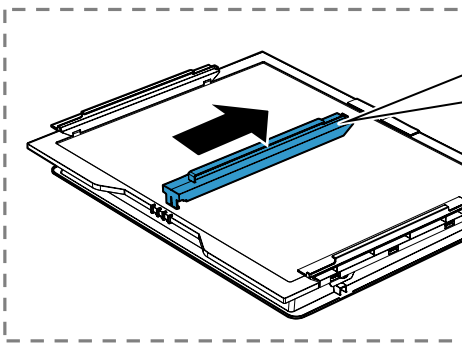
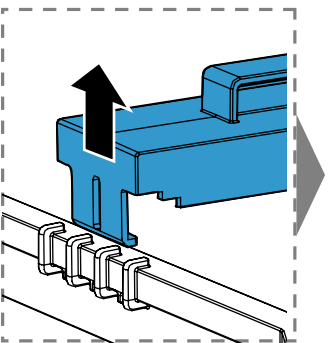
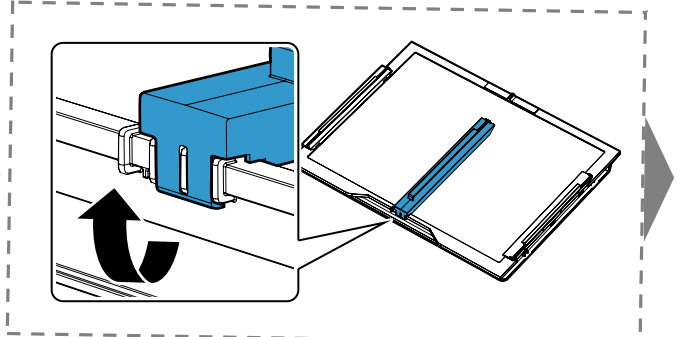
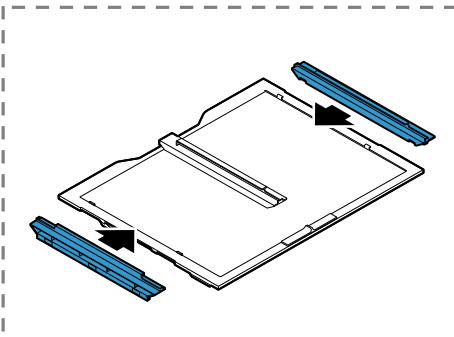
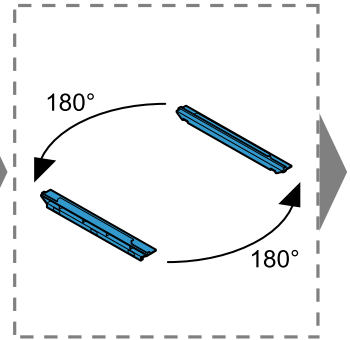
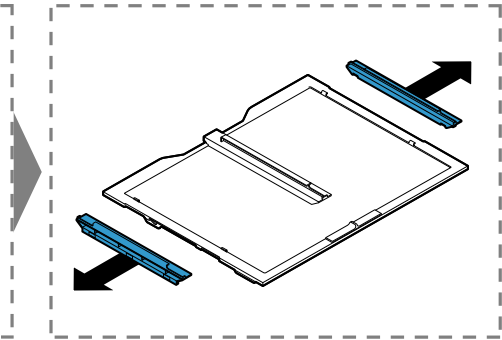
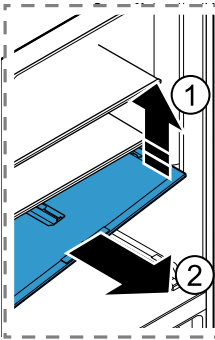
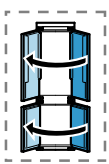
- de** Montageanleitung
- tr** Kurulum talimatları
- cs** Pokyny k instalaci
- sl** Navodila za montažo
- sk** Pokyny na inštaláciu
- ro** Instrucțiuni de instalare
- hr** Upute za instalaciju
- bg** Инструкции за монтаж

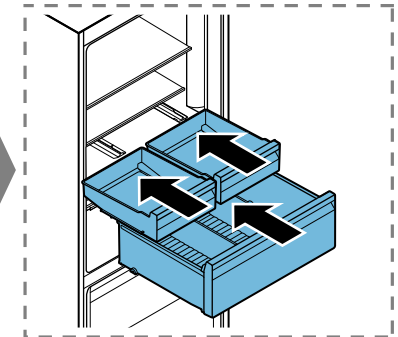
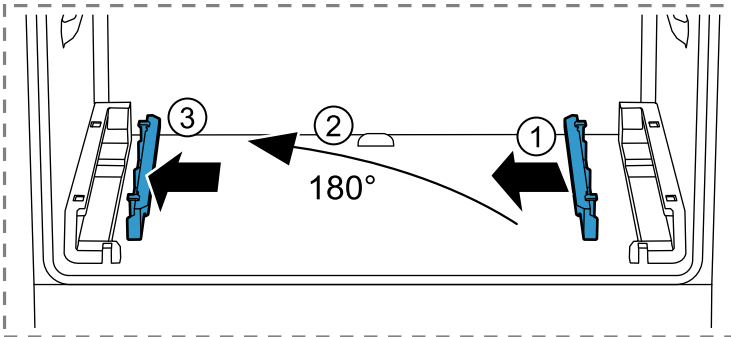
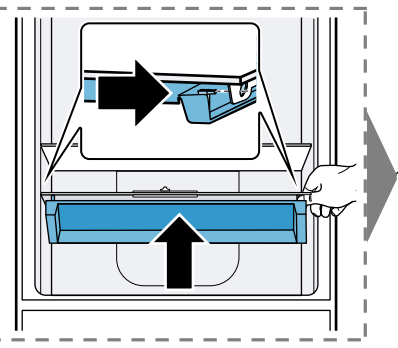
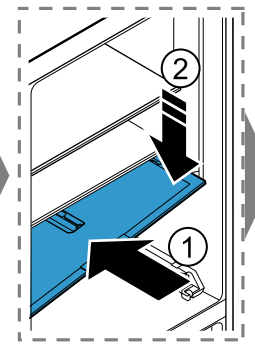
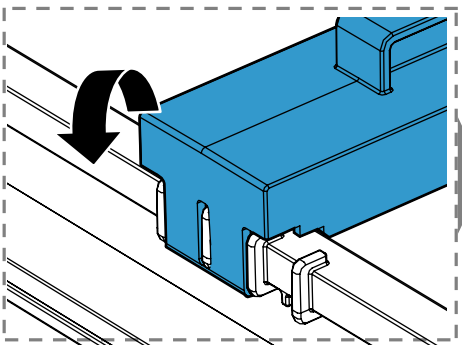
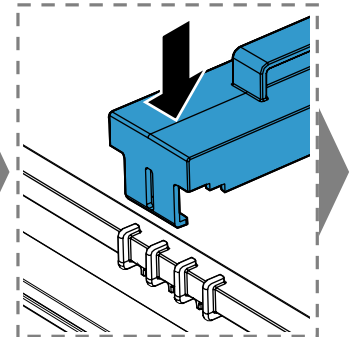
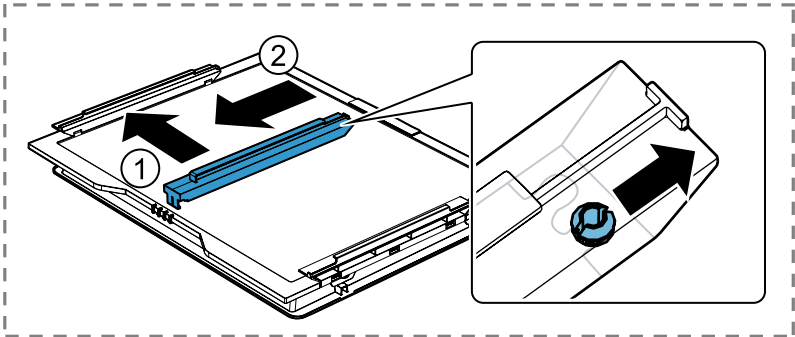
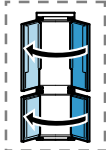
- sq** Udhëzimet e instalimit
- sr** Uputstva za montažu
- mk** Упатства за инсталирање
- ru** Инструкция по установке
- uz** O'rnatish bo'yicha yo'riqnomalar
- az** Quraşdırma təlimatları
- ka** ინსტალაციის ინსტრუქციები

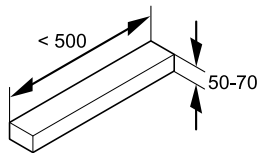
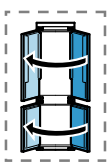




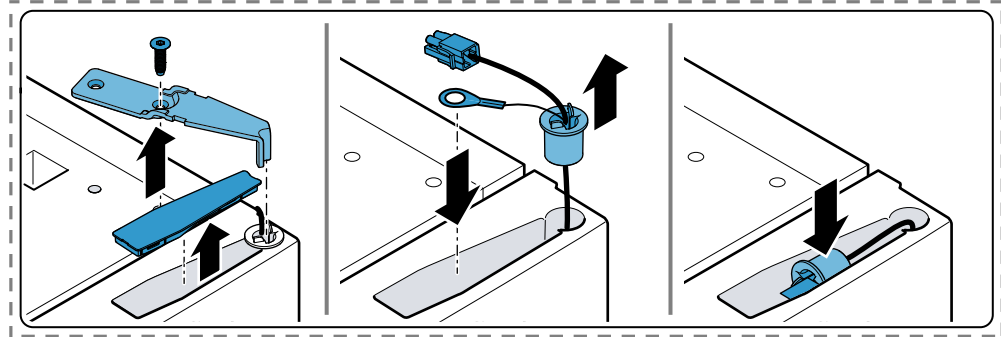
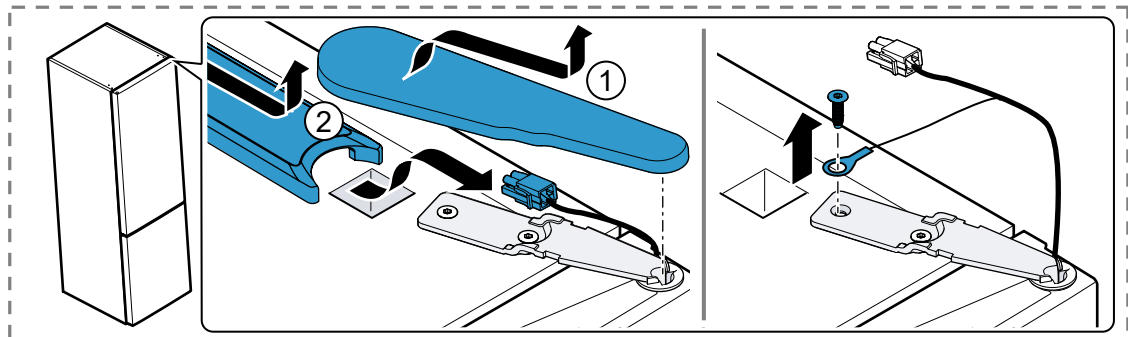
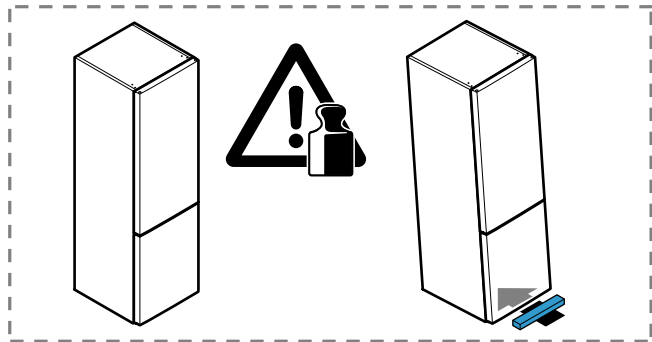
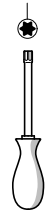


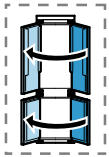




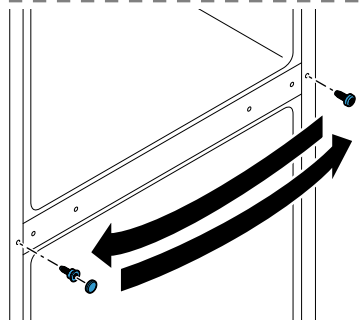
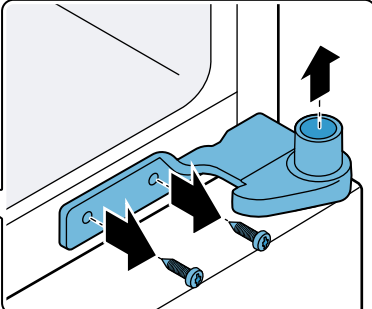
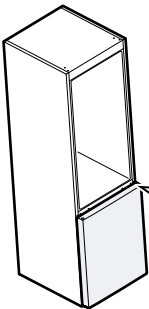
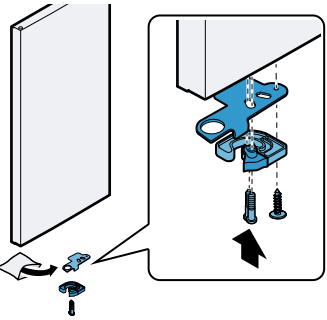
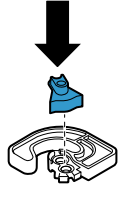
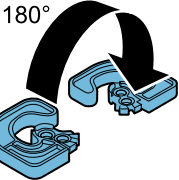
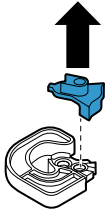
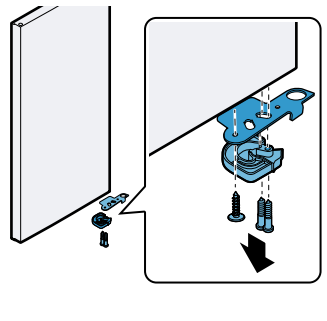
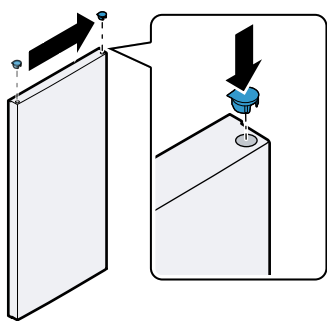
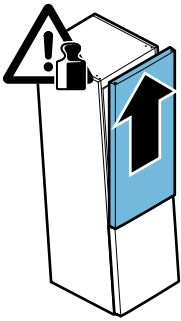
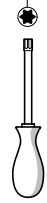


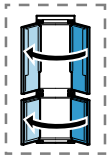
Torx
T 20



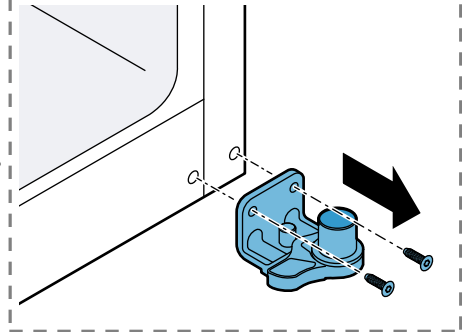
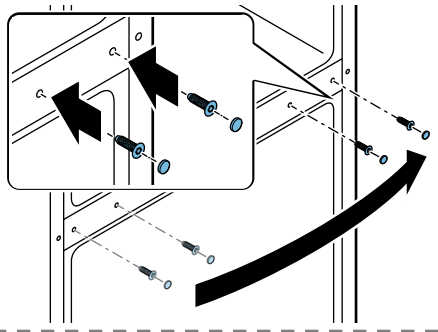
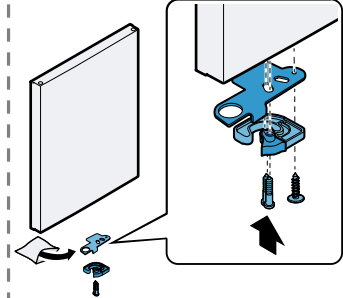
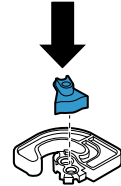
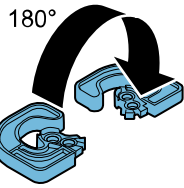
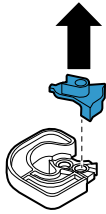
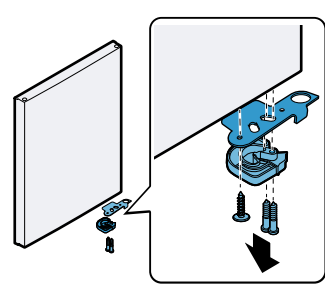
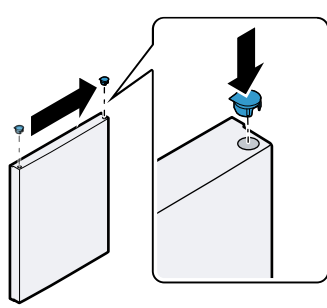
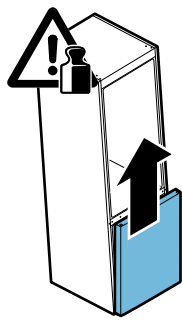


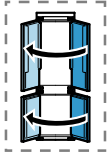
Torx
T 20



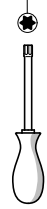


Torx
T 20

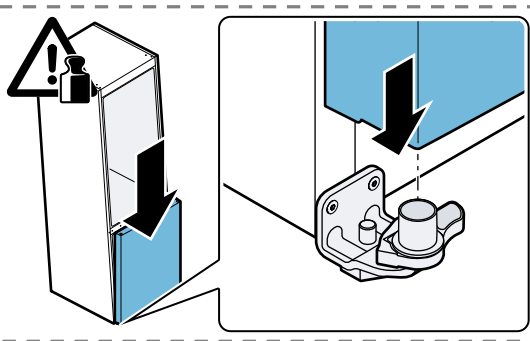
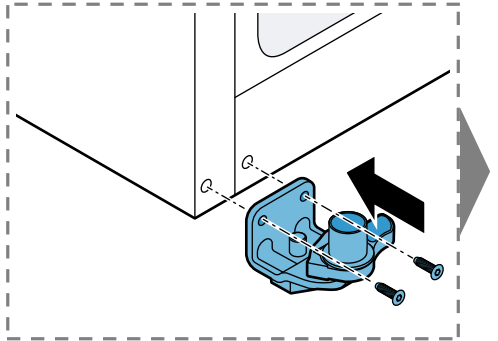
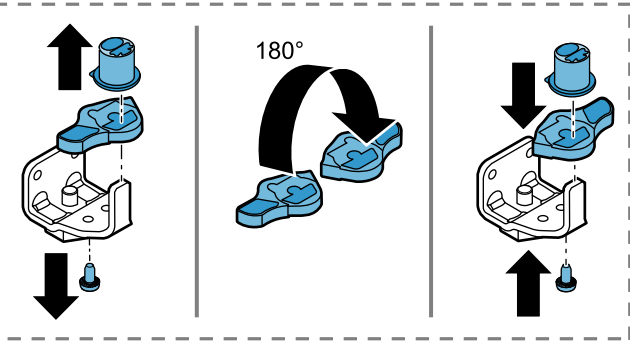
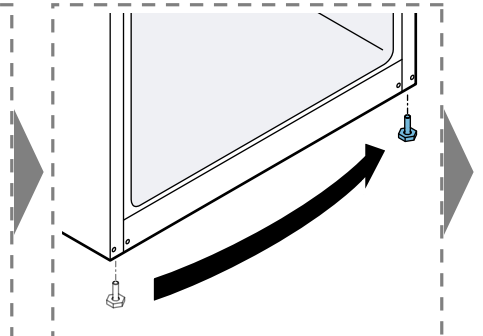
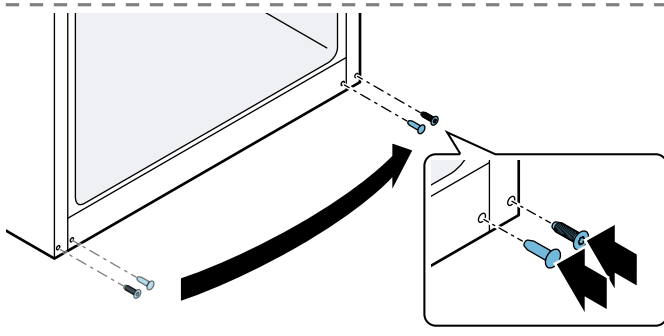
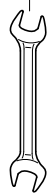


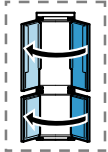


Torx
T 20

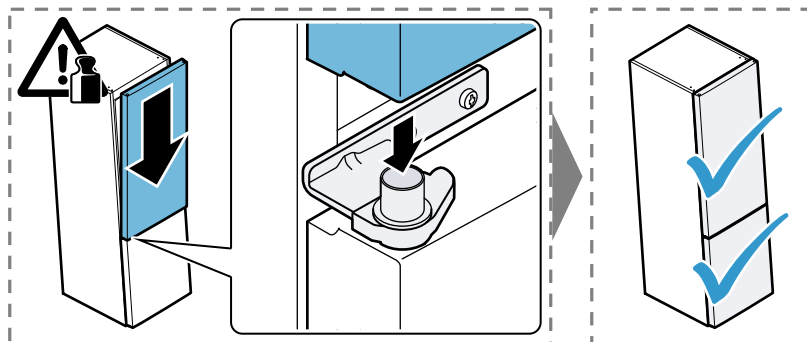
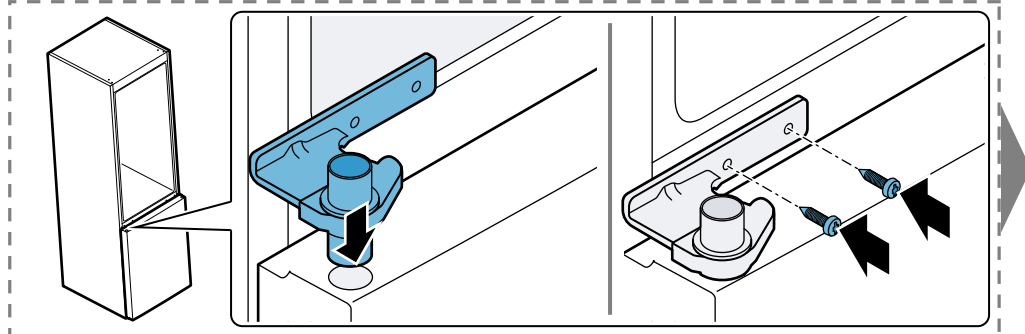


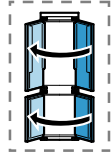
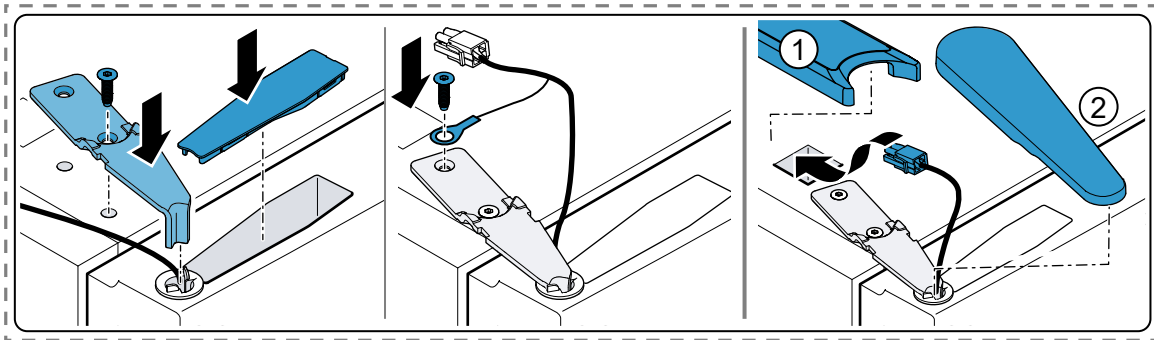
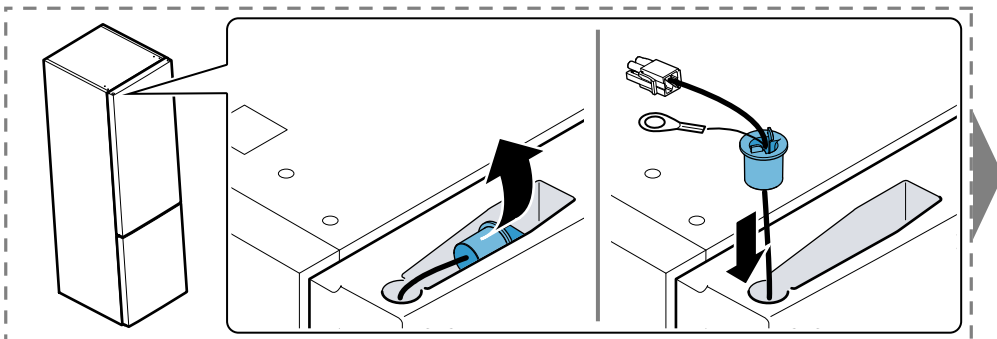
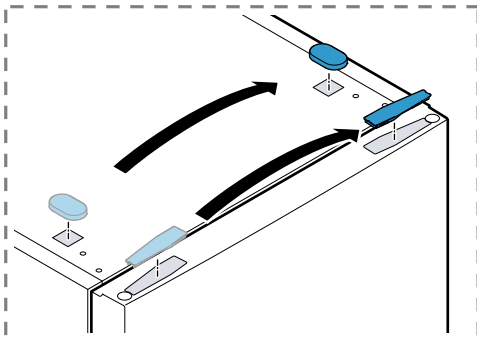
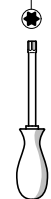
SW22

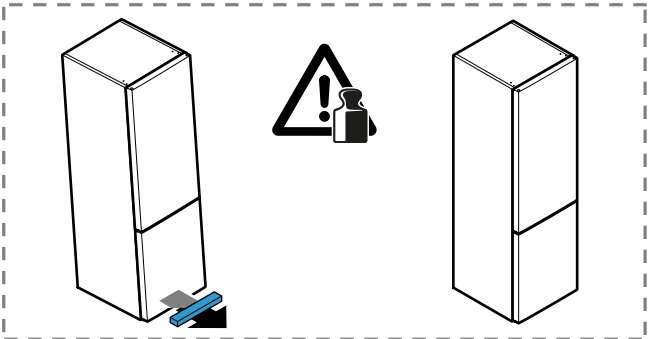
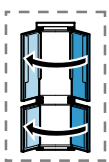


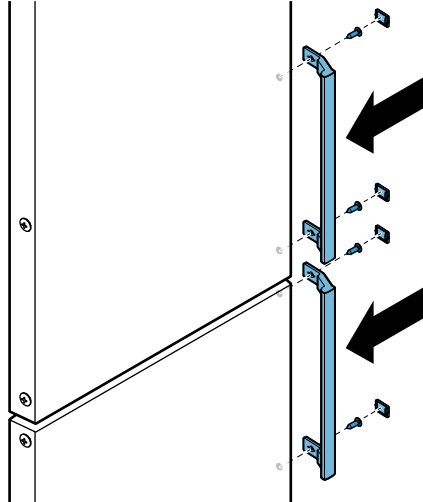
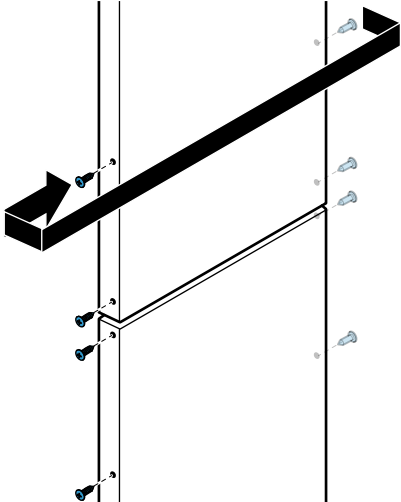
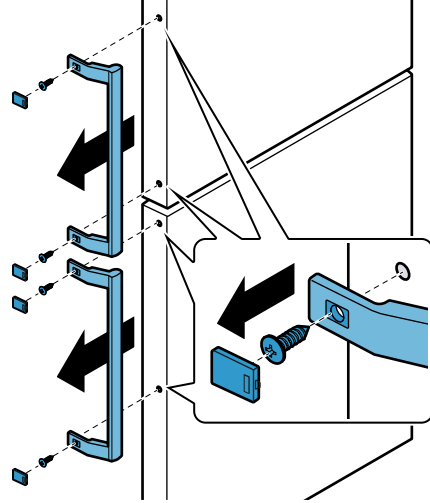
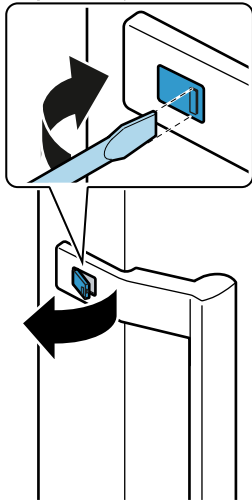
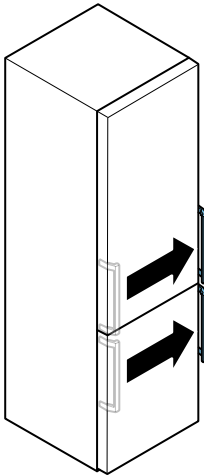
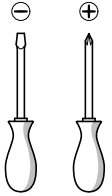
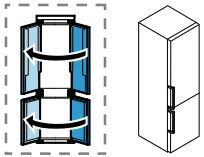


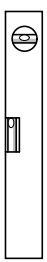
Torx
T 20



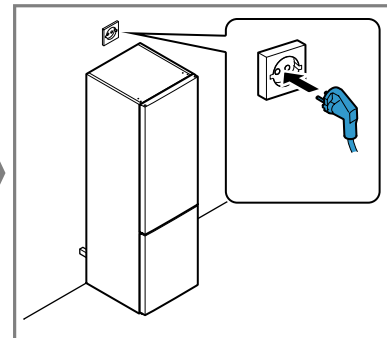
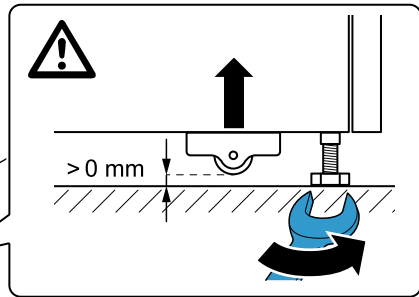
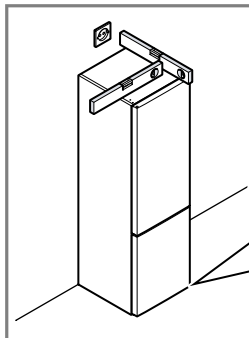
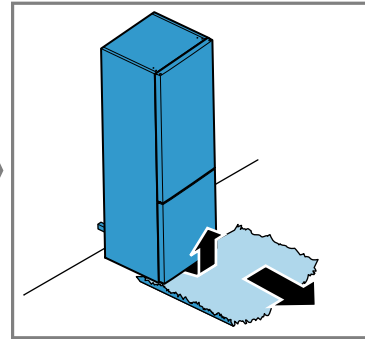
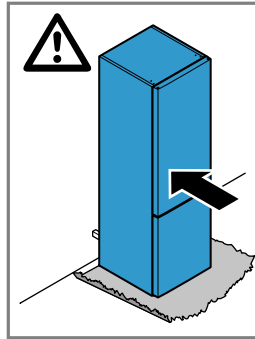
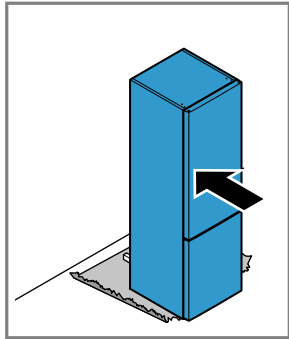
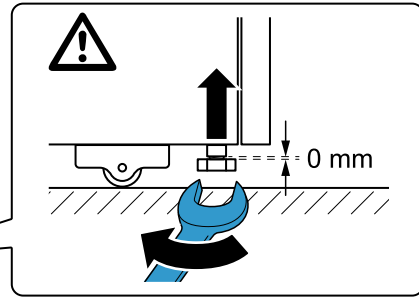
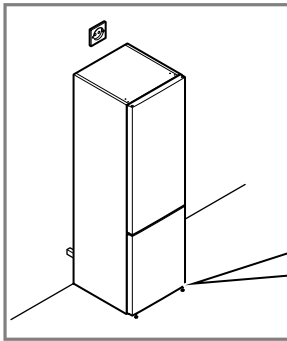
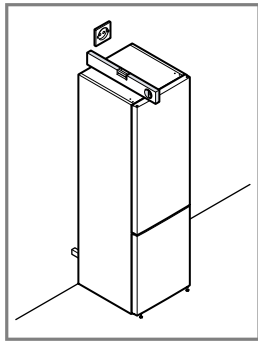
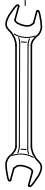
Torx
T 20







SW22





A series of horizontal lines for writing, starting from the top and extending to the bottom of the page, with a vertical margin line on the left side.