

# *Installation* **GUIDE**

---

Professional® Series Custom Insert Hoods

VCIN36GWS VCIN42GWS  
VCIN48GWS VCIN54GWS  
VCIN60GWS



## Table of contents

<b>1 IMPORTANT SAFETY INSTRUCTIONS.....</b>	<b>3</b>
1.1 Safety definitions.....	3
1.2 General information.....	3
1.3 General safety instructions.....	3
1.4 Safety codes and standards.....	4
1.5 State of California Proposition 65 Warnings .....	5
<b>2 Before you begin.....</b>	<b>6</b>
2.1 Important notes .....	6
2.2 Distance from cooking surface .....	6
2.3 Parts included .....	6
2.4 Tools and parts needed .....	6
<b>3 Installation requirements and clearances.....</b>	<b>7</b>
3.1 Appliance dimensions .....	7
3.2 Clearances.....	7
3.3 Hood width .....	8
3.4 Distance from cooking surface .....	8
3.5 Unit weight .....	8
3.6 Support structure .....	8
3.7 Venting.....	8
3.8 Electrical requirements.....	8
<b>4 Preparing the installation .....</b>	<b>10</b>
4.1 Ductwork preparation .....	10
4.2 Choosing the correct blower.....	12
4.3 Hood transition.....	13
<b>5 Installation .....</b>	<b>14</b>
5.1 Preparing the ceiling cutout and housing.....	14
5.2 Custom insert installation with hood trims .....	15
5.3 Blower motor installation .....	16
5.4 Make-up air damper relay switch (optional).....	18
5.5 Built-in remote control accessory (optional).....	18
5.6 Installing the grease trays and filters .....	19
<b>6 Installer checklist.....</b>	<b>20</b>
<b>7 Customer Service .....</b>	<b>21</b>
7.1 Model number (E-Nr.) and production number (FD) .....	21
7.2 Rating plate location.....	21
7.3 Product registration .....	21



# IMPORTANT SAFETY INSTRUCTIONS

## READ AND SAVE THESE INSTRUCTIONS

Read all instructions carefully before use. These precautions will reduce the risk of electrical shock, fire and injury to persons. When using kitchen appliances, basic safety precautions must be followed including those in the following pages.

### 1.1 Safety definitions

Here you can find explanations of the safety signal words used in this manual.

#### **WARNING**

This indicates that death or serious injuries may occur as a result of non-observance of this warning.

#### **CAUTION**

This indicates that minor or moderate injuries may occur as a result of non-observance of this warning.

#### **NOTICE:**

This indicates that damage to the appliance or property may occur as a result of non-compliance with this advisory.

**Note:** This alerts you to important information and/or tips.

### 1.2 General information

All product manuals may be downloaded online at [www.thermador.com/us/support/owner-manuals](http://www.thermador.com/us/support/owner-manuals).

**INSTALLER:** Please leave these instructions with this unit for the owner.

**OWNER:** Please retain these instructions for future reference. Read all safety instructions before operating the appliance. Have the installer show you where the electric circuit breaker is located so you know how and where to turn off the electricity to the appliance.

### 1.3 General safety instructions



**WARNING:** If the information in this manual is not followed exactly, a fire or explosion may result causing property damage, personal injury or death.

- DO NOT store or use gasoline or other flammable vapors and liquids in the vicinity of this or any other appliance.
- WHAT TO DO IF YOU SMELL GAS
  - DO NOT try to light any appliance.
  - DO NOT touch any electrical switch.
  - DO NOT use any phone in your building.
  - Immediately call your gas supplier from a neighbor's phone. Follow the gas supplier's instructions.
  - If you cannot reach your gas supplier, call the fire department.
- Installation and service must be performed by a qualified installer, service agency or the gas supplier.

#### **WARNING**

Turn off power circuit at service panel and lock out panel before wiring this appliance. Requirement: 120 VAC, 60 Hz, 15 A or 20 A for some models. Allow the appliance to cool after the power has been turned off before servicing the appliance.

#### **WARNING**

Automatically operated device

- ▶ To reduce the risk of injury disconnect from power supply before servicing.

#### **WARNING**

TO REDUCE THE RISK OF FIRE, ELECTRIC SHOCK, OR INJURY TO PERSONS, OBSERVE THE FOLLOWING:

- ▶ Use this unit only in the manner intended by the manufacturer. If you have questions, contact the manufacturer.
  - "Customer Service", Page 21
- ▶ Before servicing or cleaning the unit, switch power off at service panel and lock service panel. This will prevent power from being switched on accidentally.



# IMPORTANT SAFETY INSTRUCTIONS

## READ AND SAVE THESE INSTRUCTIONS

When the service panel cannot be locked, securely fasten a prominent warning device, such as a tag to the service panel.

Do not repair, replace or remove any part of the appliance unless specifically recommended in the manuals.

Improper installation, service or maintenance can cause injury or property damage.

- ▶ Refer to this manual for guidance.
- ▶ All other servicing should be done by an authorized service provider.

### WARNING



#### ELECTRIC SHOCK HAZARD

- ▶ Disconnect power before installing or servicing. Before turning power ON, be sure that all controls are in the OFF position.
- ▶ DO NOT remove connections.
- ▶ DO NOT use an extension cord.
- ▶ Improper grounding can result in a risk of electric shock.
- ▶ Failure to follow these instructions can result in death, fire, or electrical shock.

### GROUNDING INSTRUCTIONS

- ▶ This appliance must be grounded.
- ▶ Grounding reduces the risk of electric shock by providing a safe pathway for electric current in the event of a short circuit.
- ▶ Be sure your appliance is properly installed and grounded by a qualified technician.
- ▶ Installation, electrical connections and grounding must comply with all applicable codes.
- If required by the National Electrical Code (or Canadian Electrical Code), this appliance must be installed on a separate branch circuit.

### WARNING

To reduce the risk of fire or electric shock, do not use this appliance with any solid-state speed control device.

### WARNING

**TO REDUCE THE RISK OF FIRE, ELECTRIC SHOCK, OR INJURY TO PERSONS, OBSERVE THE FOLLOWING.**

- ▶ Installation work and electrical wiring must be done by qualified person(s) in accordance with all applicable codes and standards, including fire-rated construction.

- ▶ Sufficient air is needed for proper combustion and exhausting of gases through the flue (chimney) of fuel burning equipment to prevent back drafting. Follow the heating equipment manufacturer's guideline and safety standards such as those published by the National Fire Protection Association (NFPA), and the American Society for Heating, Refrigeration and Air Conditioning Engineers (ASHRAE), and the local code authorities.
- ▶ When cutting or drilling into wall or ceiling, do not damage electrical wiring and other hidden utilities.
- ▶ Ducted fans must always be vented to the outdoors.
- ▶ **USE ONLY METAL DUCTWORK.**
- ▶ **DO NOT** vent exhaust air in spaces with walls or ceilings or into attics, crawl spaces or garages.

### CAUTION

For general ventilating use only.

- ▶ Do not use to exhaust hazardous or explosive materials and vapors.

### WARNING

Never modify or alter the construction of the appliance.

### WARNING

Remove all tape and packaging before using the appliance.

- ▶ Dispose of packaging in an environmentally responsible manner.
- ▶ Never allow children to play with packaging material.

### WARNING



Unit is heavy and requires at least two people or proper equipment to move and install.

### WARNING



Hidden surfaces may have sharp edges.

- ▶ Use caution when reaching behind or under appliance.

### CAUTION

An outside fan is to be mounted behind louvers or in a location where the entrance of drawn in water is unlikely.

## 1.4 Safety codes and standards

This appliance complies with the latest version of one or more of the following standards:

- UL 507 - Electric Fans
- CAN/CSA C22.2 No. 113 - Fans and Ventilators



# IMPORTANT SAFETY INSTRUCTIONS

## READ AND SAVE THESE INSTRUCTIONS

---

It is the responsibility of the owner and the installer to determine if additional requirements and/or standards apply to specific installations.

### 1.5 State of California Proposition 65 Warnings

This product may contain a chemical known to the State of California, which can cause cancer or reproductive harm. Therefore, the packaging of your product may bear the following label as required by California:

**STATE OF CALIFORNIA PROPOSITION 65 WARNING:**



**WARNING**

Cancer and Reproductive Harm - [www.P65Warnings.ca.gov](http://www.P65Warnings.ca.gov)

## 2 Before you begin

Read these instructions before you begin to install your appliance.

### 2.1 Important notes

#### **⚠ WARNING**

Improper installation of gas appliances and ventilation hoods can create a risk for carbon monoxide which can be harmful. To reduce the risk of carbon monoxide poisoning, ensure the gas appliance is properly installed according to the manufacturer's instructions, as well as ensuring the hood is vented to the outside for proper exhausting of gases or fumes.

- Gas cooking appliances release carbon monoxide that can be harmful or fatal if inhaled. To reduce the risk of fire and to properly exhaust air, the exhaust gases extracted by the hood should be vented outside of the building only.
- Consult local building codes for requirements or restrictions related to installation of ventilation products in recirculation mode.
- Hood installation height above a cooktop, rangetop or range can vary. To obtain the necessary installation height above a cooktop, rangetop or range, consult the appliance's installation manual or combination matrix.

#### **NOTICE:**

The hood can be damaged from excessive heat if a range or rangetop is operated with multiple burners at high settings under a hood that is installed at minimum clearances and is turned off.

### 2.2 Distance from cooking surface

The installation height above a cooktop, rangetop or range is recommended as a minimum height of 30" (762 mm); however, it is necessary to follow the cooking appliance manufacturer's installation instructions for proper hood height.

Refer to local building codes for the latest requirements or restrictions when installing ventilation products in recirculation mode.

### 2.3 Parts included

After unpacking all the parts, check for any damage in transit and for completeness of delivery.

- Metal transition with backdraft damper
  - Baffle filters
  - Grease trays
  - Filter spacers
  - Side trims
  - Blower adapter
  - Literature packet with fastener assortment
- Hardware provided is for mounting through standard thickness drywall or plaster into wood studs. Installers are responsible to provide hardware for other types of mounting situations.

### 2.4 Tools and parts needed

Prepare these tools and accessories before you start to install your appliance.

- Blower (Refer to the Ventilation Planning Guide for compatible blowers)
- Ducting as needed (Refer to table Equivalent duct lengths for commonly used transitions. → *Page 11*)
- Aluminum tape (DO NOT use insulating or cloth duct tape)
- ½" (13 mm) conduit if required  
Follow local codes
- 1" (25.4 mm) strain relief
- Cross head screwdriver
- T20 star bit screwdriver
- 1½" nut driver or socket and ratchet
- Drill with ⅜" (4.76 mm) drill bit
- Circular saw or jigsaw
- Framing material (as necessary for framework)
- Wire stripper
- Measuring tape
- Pencil
- Level
- Safety gloves

**IMPORTANT:** DO NOT throw away any packaging until appliance is fully installed.

#### **Optional accessories available for separate purchase**

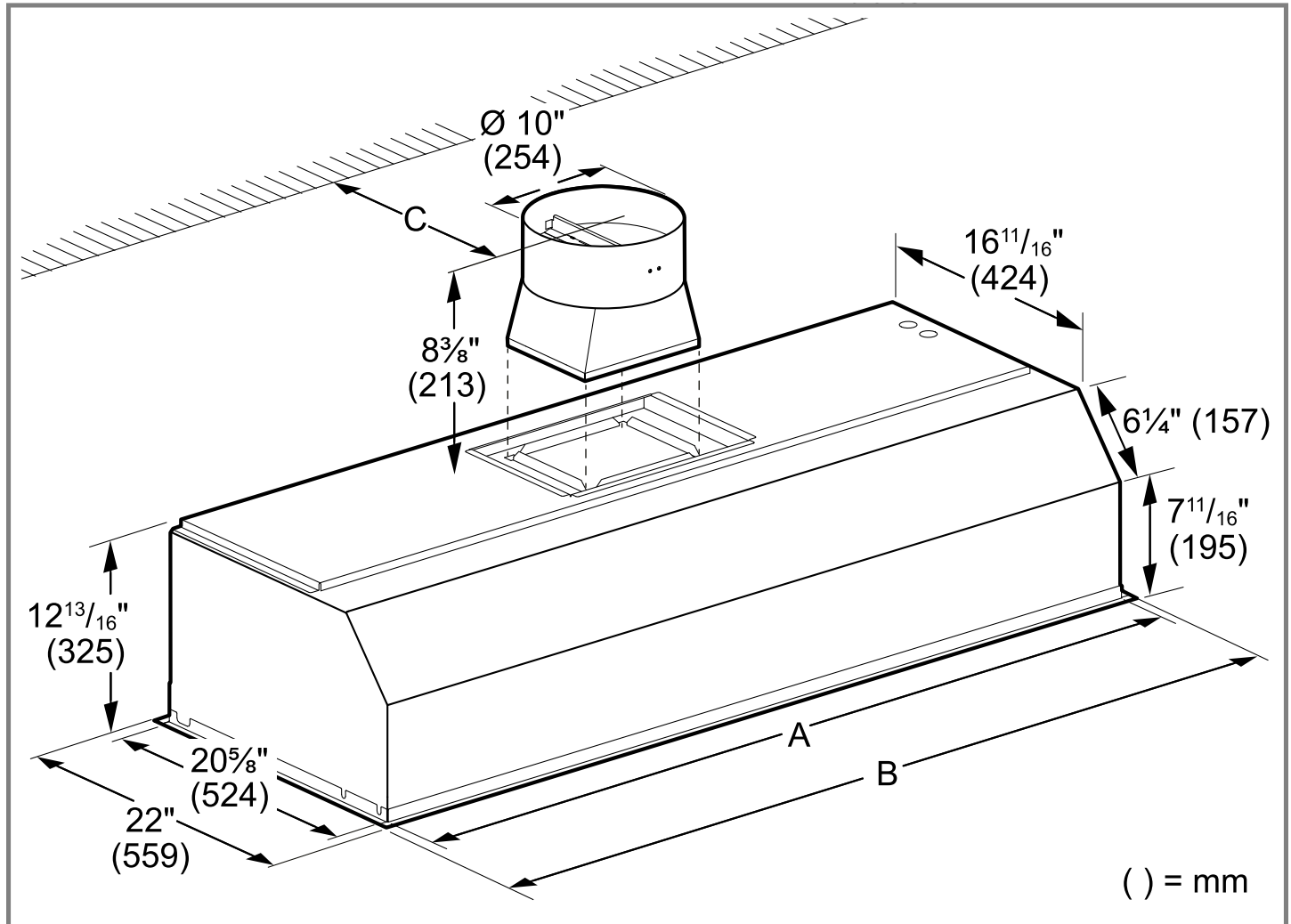
Refer to [www.thermador.com](http://www.thermador.com) for details.

Accessory	Description
EXTNCB25W	25 ft. remote and in-line blower extension cable
EXTNSET4	25 ft. remote and in-line blower extension cable adapter kit
RFPLT600P	Roof plate for use with <ul style="list-style-type: none"> <li>■ 600 CFM remote blower VTR630</li> </ul>
RFPLT1000P	Roof plate for use with <ul style="list-style-type: none"> <li>■ 1000 CFM remote blower VTR1030</li> <li>■ 1300 CFM blower VTR1330</li> </ul>
REMCPW	Remote control panel

### 3 Installation requirements and clearances

#### 3.1 Appliance dimensions

This model series features filters, LED lights, and side trims.



Model	Dimension A	Dimension B	Dimension C	
			With rear trim piece	Without rear trim piece
VCIN36WS	32 $\frac{3}{8}$ " (822 mm)	33 $\frac{3}{4}$ " (857 mm)	7 $\frac{3}{8}$ " – 10 $\frac{3}{8}$ " (187 – 264 mm)	6 $\frac{5}{8}$ " – 9 $\frac{5}{8}$ " (168 – 245 mm)
VCIN42WS	38 $\frac{3}{8}$ " (974 mm)	39 $\frac{3}{4}$ " (1010 mm)	7 $\frac{3}{8}$ " – 10 $\frac{3}{8}$ " (187 – 264 mm)	6 $\frac{5}{8}$ " – 9 $\frac{5}{8}$ " (168 – 245 mm)
VCIN48WS	44 $\frac{3}{8}$ " (1127 mm)	45 $\frac{3}{4}$ " (1162 mm)	7 $\frac{3}{8}$ " – 10 $\frac{3}{8}$ " (187 – 264 mm)	6 $\frac{5}{8}$ " – 9 $\frac{5}{8}$ " (168 – 245 mm)
VCIN54WS	50 $\frac{3}{8}$ " (1280 mm)	51 $\frac{3}{4}$ " (1315 mm)	7 $\frac{3}{8}$ " – 10 $\frac{3}{8}$ " (187 – 264 mm)	6 $\frac{5}{8}$ " – 9 $\frac{5}{8}$ " (168 – 245 mm)
VCIN60WS	56 $\frac{1}{2}$ " (1435 mm)	57 $\frac{3}{4}$ " (1467 mm)	7 $\frac{3}{8}$ " – 10 $\frac{3}{8}$ " (187 – 264 mm)	6 $\frac{5}{8}$ " – 9 $\frac{5}{8}$ " (168 – 245 mm)

#### Notes

- The transition is centered horizontally.
- For optimal performance, the hood should be mounted flush against the back wall. In such installations, the rear trim piece is not necessary. For installations of  $\frac{1}{2}$ " – 3" (13 – 76 mm) from the back wall, the rear trim piece can be used.

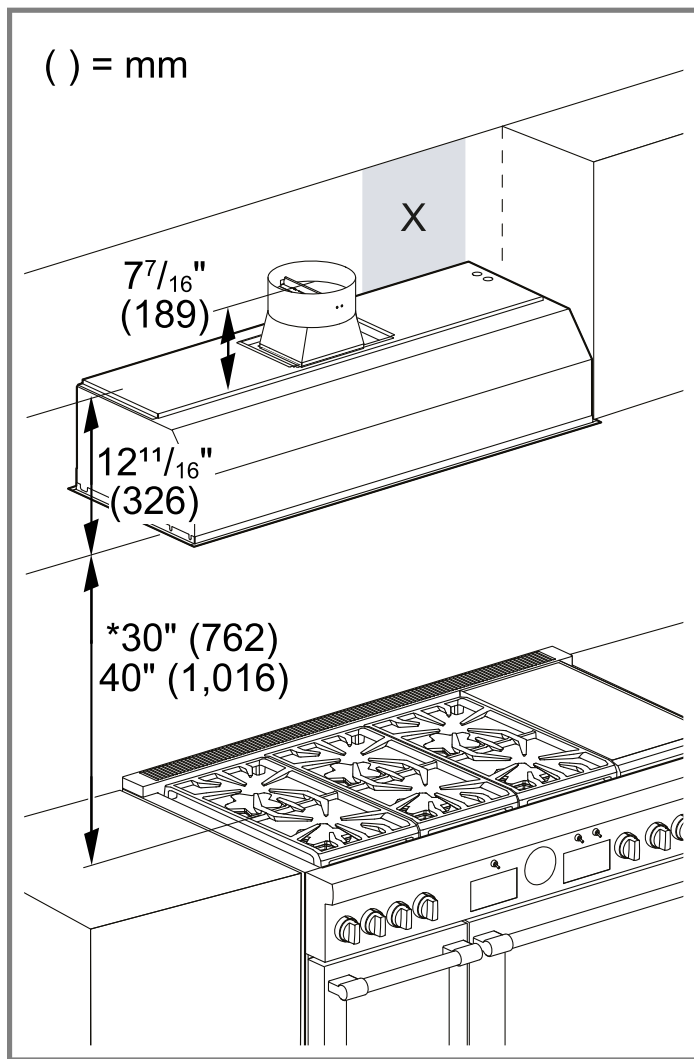
**IMPORTANT:** The hood needs to be centered over the cooking surface for best performance.

#### 3.2 Clearances

The custom insert hood is designed for installation inside a custom-built hood assembly.

This appliance requires the ducting to be vented to the outside. It cannot be used in conjunction with a recirculation unit.

Hood installation height above a cooktop, rangetop or range can vary. To obtain the necessary installation height above a cooktop, rangetop or range, consult the appliance's installation manual.



X Electrical zone

\*Follow cooking appliance manufacturer's recommendations.

### 3.3 Hood width

- The hood width should be no less than the width of the cooking surface. For proper performance, the housing must cover the entire cooking surface.
- For proper performance, the hood must be centered horizontally above the cooking surface. Where space is not restricted, a wider hood can be used to increase capture area.

### 3.4 Distance from cooking surface

- Hood installation height above a cooktop, rangetop or range can vary.

- The installation height ranges from a minimum height of 30" (762 mm) to a suggested maximum height of 40" (1,016 mm). However, it is necessary to follow the cooking appliance manufacturer's installation instructions for proper hood height.

#### **NOTICE:**

The hood could incur some damage from heat if a Thermador Professional® Series range or rangetop is operated with multiple burners at high settings under a hood that is installed at minimum clearances while the hood is turned off.

### 3.5 Unit weight

- This vent hood is heavy. Adequate structure and support must be provided in all types of installations.
- When calculating the load for the housing support system, be sure to consider the weight of the ventilation unit.

Description	Weight
VCIN36WS	53 lbs (24 kg)
VCIN42WS	63 lbs (29 kg)
VCIN48WS	69 lbs (31 kg)
VCIN54WS	79 lbs (36 kg)
VCIN60WS	85 lbs (39 kg)
Integral blower model VTN2FZ	19 lbs (8.6 kg)

#### **NOTICE:**

The supplied weights address only the ventilation unit and blower. The installer must account for weight of any materials of construction when calculating the total dead weight load of installation, including but not limited to: wall, tile, mortar, plaster, brick, finishes, partitions, and other similarly incorporated architectural and structural items. It is the responsibility of the owner and the installer to determine if additional requirements and/or standards apply to specific installations.

### 3.6 Support structure

- Wall framing should be made of 2"x 4" lumber at minimum. Proper structural support is required to accommodate the weight of the hood.

### 3.7 Venting

- The hood requires the ducting to be vented to the exterior of the building.

### 3.8 Electrical requirements

#### **⚠ WARNING**

This appliance must be properly grounded.

- The appliance requires a 120V AC, 60Hz. 15A branch circuit.
- The VTN2FZ blower in conjunction with a PHxxGWS requires a 20A circuit breaker.




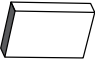
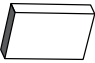

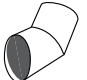
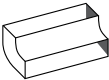


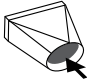
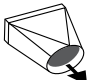
- The appliance should only be connected to a dedicated circuit (with ground) that has been installed according to relevant regulations.
- When connected to a GFCI-protected supply, Thermador Professional® Series hoods are suitable for use in damp locations that are protected from outside weather conditions and not subject to saturation with water and other liquids, but can be subject to moderate degrees of moisture, such as an outdoor covered patio or lanai area. Refer to local codes, NEC/CEC, and/or the Authority Having Jurisdiction (AHJ) for additional information.
- Check your local building codes for proper method of installation. This appliance should be installed in accordance with applicable local codes or, in the absence of local codes, with the National Electrical Code, NFPA 70 or the Canadian Electric Code, CSA C22.1-02.
- The 25 ft. remote and in-line blower extension cable accessory (EXTNCB25W) will only work for distances up to 25 ft. The accessory cable must be purchased separately. **DO NOT** use more than one blower extension cable per installation.
- **Electrical data:**  
Refer to the rating plate for product data, including the model and serial number.  
→ *"Rating plate location", Page 21*

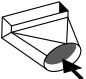
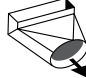
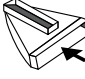
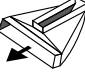
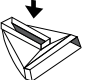



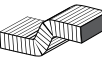
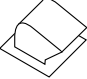
## 4 Preparing the installation

### 4.1 Ductwork preparation

- The exhaust air is discharged upwards through a duct or directly through the outside wall into the open.
- The appliance can be mounted on the wall only with a vertical discharge.
- Proper performance is dependent upon proper ducting. Local building codes may require the use of make-up air systems when using ducted ventilation systems greater than specified cubic feet per minute (CFM) of air.
- The specified CFM varies from locale to locale. It is the responsibility of the owner and the installer to determine if additional requirements and/or standards apply to specific installations.
- **DO NOT USE FLEXIBLE DUCT**; it creates back pressure/air turbulence and reduces performance.
- Always install a metal vent cover where the ductwork exits the house.
- The appliance must be vented to the outside of the building only.
- **COLD WEATHER** installations should have an additional backdraft damper installed to minimize backward cold air flow and a nonmetallic thermal break to minimize conduction of outside temperatures as part of the ductwork. The damper should be on the cold air side of the thermal break. The break should be as close as possible to where the ducting enters the heated portion of the house.
- **MAKE-UP AIR:** Local building codes may require the use of make-up air systems when using ducted ventilation systems greater than specified CFM of air movement. The specified CFM varies from locale to locale. It is the responsibility of the owner and the installer to determine if additional requirements and/or standards apply to specific installations.
- To reduce risk of fire and to properly exhaust air, be sure to duct air outside. Do not vent exhaust air in spaces with walls or ceilings or into attics, crawl spaces or garages.
- Thermador recommends not exceeding 50 ft (15.24 m) equivalent of duct.
- Keep duct runs as short and straight as possible. Elbows and transitions fittings reduce air flow efficiency. Back to back elbows and “S” turns give very poor delivery and are not recommended.
- A short, straight length of duct at the inlet of a remote blower gives the best delivery.
- Hoods are supplied with a 10" (254 mm) transition. A locally supplied transition is required for other sizes.
- Use the “Equivalent duct lengths for commonly used transitions” table to compute permissible lengths for duct runs to outdoors. → *Page 11*

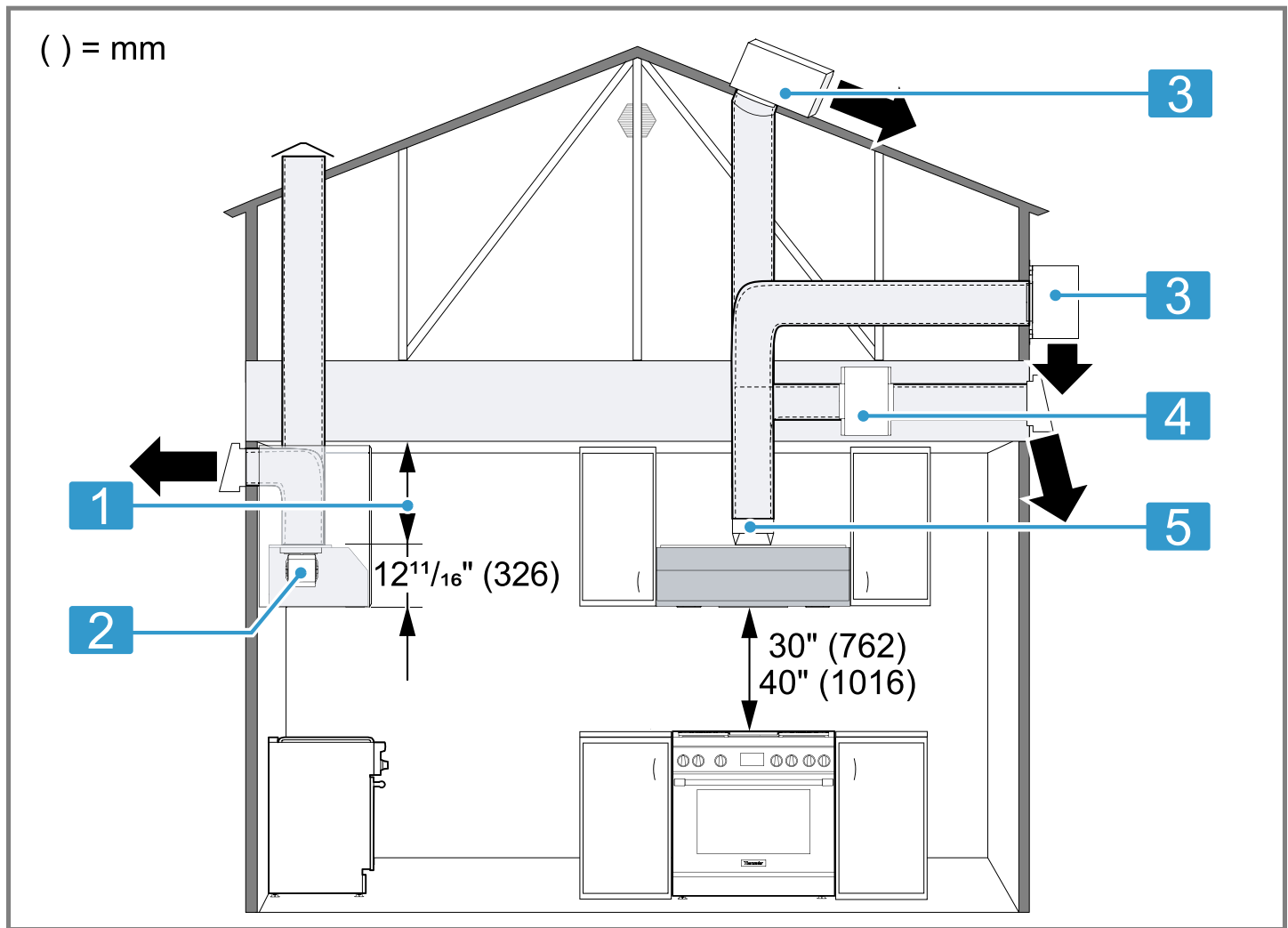
**Equivalent duct lengths for commonly used transitions**

Duct piece	Size (in)	Equivalent length (ft)
 Smooth, straight	6	1.2
	8	0.7
	10	0.6
 3 1/4" x 10", straight	N/A	1
 3 1/4" x 14", straight	N/A	0.7
 90° elbow, round	6	12
	8	6
	10	5
 45° elbow, round	6	5
	8	3
	10	2
 3 1/4" x 10", 90° elbow, round	N/A	5
 3 1/4" x 10", 45° elbow, round	N/A	15
 3 1/4" x 10", flat elbow	N/A	20
 Round to 3 1/4" x 10"	6	1
	8	10
 3 1/4" x 10" to round	6	5
	8	2

Duct piece	Size (in)	Equivalent length (ft)
 Round to 3 1/4" x 10" 90° elbow	6	10
 3 1/4" x 10" to round 90° elbow	6	10
 3 1/4" x 10", center reverse elbow, left	N/A	15
 3 1/4" x 10", center reverse elbow, right	N/A	25
 3 1/4" x 10", left reverse elbow	N/A	15
 3 1/4" x 10", right reverse elbow	N/A	25
 Round wall cap	6	2
	8	2
	10	2
 Round roof cap	6	2
	8	2
	10	2
 2' long, 3 1/4" x 10" flex	N/A	20
 3 1/4" x 10", roof jack and shutter	N/A	2

**Note:** These commonly used installation parts can be purchased at a local hardware store. Thermador does not manufacture all these parts.

## Common ducting configurations



- |   |                                 |
|---|---------------------------------|
| 1 | Varies                          |
| 2 | Integral blower                 |
| 3 | Remote blower                   |
| 4 | Inline blower                   |
| 5 | Back-draft damper on transition |

**Note:** The figure does not represent all configurations or installation methods. The image is to be used as a guide ONLY.

### 4.2 Choosing the correct blower

All blower models are sold separately. It is recommended to use only Thermador blowers with Thermador Pro ventilation hoods. See the "Ventilation Planning Guide" for recommended blowers. Contact Customer Service for additional options.

→ "Customer Service", Page 21

You can purchase integral, in-line and remote blowers through your authorized Thermador dealer. For local dealer information, visit the "Find a Dealer" section at [www.thermador.com](http://www.thermador.com).

The blower performance options vary in cubic feet per minute (CFM). The required performance is dictated by the cooking surface, the volume of air that needs to be moved and the length of the duct run. For long duct runs with multiple turns and bends, consider using a more powerful blower. For the most efficient air-flow exhaust, use a straight run or as few elbows as possible.

→ "Ductwork preparation", Page 10

### Blower options

Description	SKU
Remote blower Mounted to roof or external wall	VTR2FZ
In-line blower Mounted between kitchen and external wall	VTI2FZ
Integrated blower Mounted inside the hood	VTN2FZ

### 25 ft. remote and in-line blower extension cable

The accessory cable must be purchased separately. DO NOT use more than one extension cable per installation.

Description	SKU
25 ft. remote and in-line blower extension cable Available to connect the hood to the inline and remote blowers for distances up to 25 ft.	EXTNCB25W

### 4.3 Hood transition

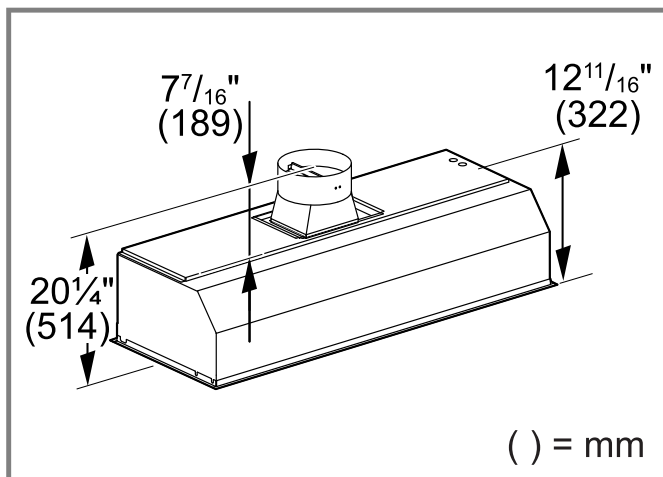
#### Discharge direction

The exhaust air is discharged upwards through a duct or directly through the outside wall into the open. The hood can be mounted on the wall only with a vertical discharge.

#### Attaching the hood transition

Your hood is supplied with a 10" (254 mm) round transition. A locally supplied transition is required for other sizes.

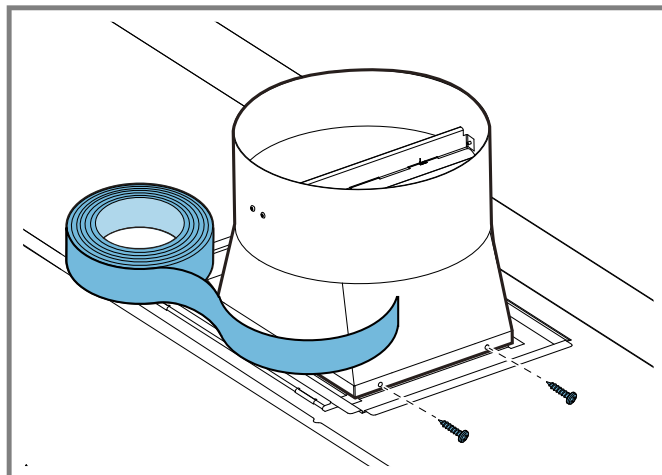
1. A minimum height clearance of  $7\frac{7}{16}$ " (189 mm) is needed above the hood for transition mounting.



2. Align the mounting holes at the base of the transition over the mounting holes of the  $\frac{1}{2}$ " (13 mm) flange located at the top of the hood.
3. Fasten the transition to the hood using four (4)  $\frac{1}{4}$ " (6 mm) sheet metal screws included with the hood.

**Note:** Make sure the screws do not hinder the damper operation.

4. Seal the connection between transition and hood with aluminum tape. DO NOT use duct tape. Ensure that the connection is completely sealed.



5. Remove the tape that is holding the damper closed.

## 5 Installation

### **⚠ WARNING**

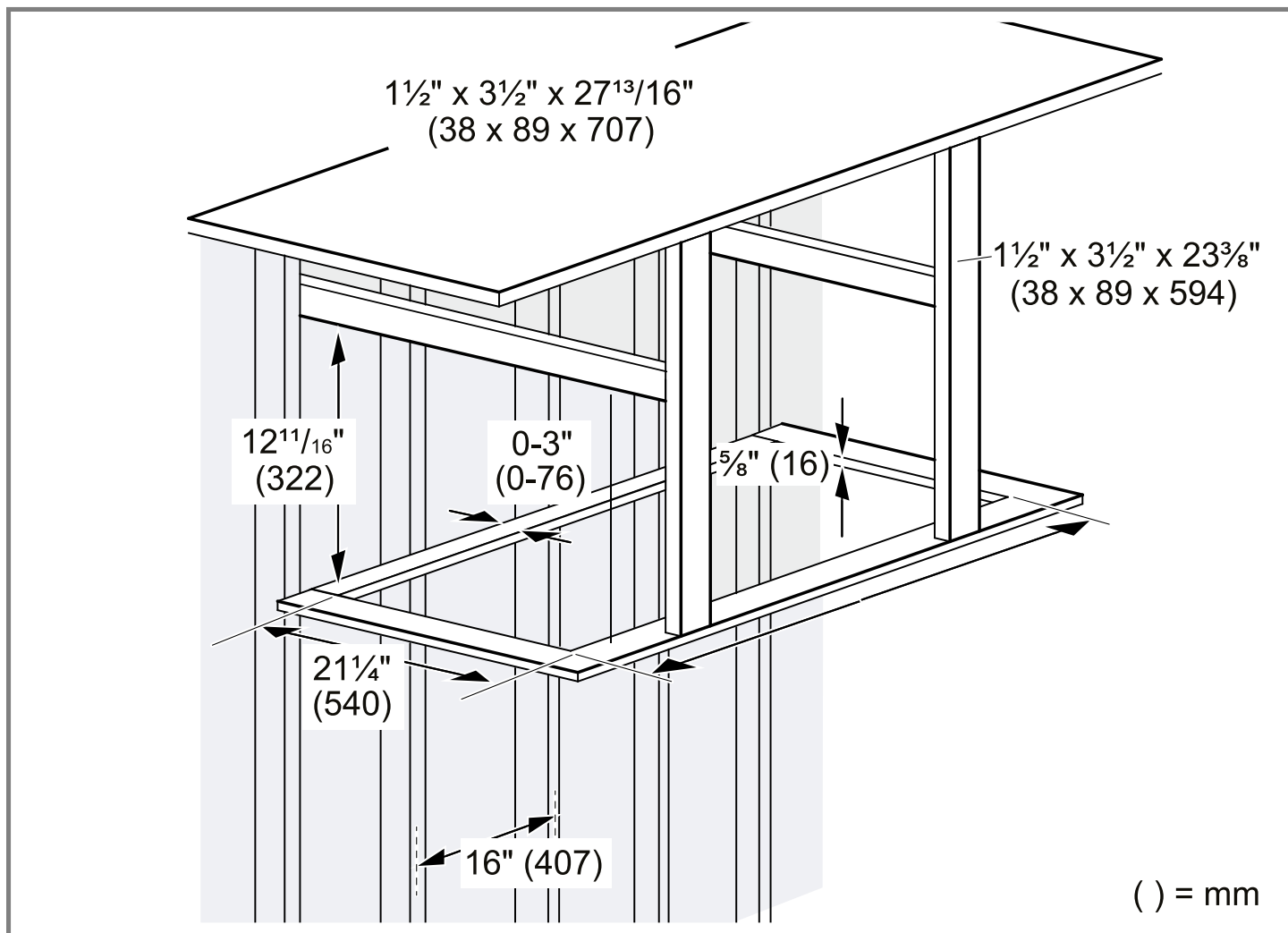
Before installing, turn power OFF at the service panel.

- ▶ Lock service panel to prevent power from being turned ON accidentally.

### 5.1 Preparing the ceiling cutout and housing

- The appliance must be mounted to the surrounding housing. See the section on installation requirement and clearances for determining the installation height. → *Page 7*
- When calculating the load for the housing support system, be sure to include the weight of the ventilation unit. → *Page 8*
- Build the housing in accordance with the dimensions noted in the section on Ceiling cutout and supporting stud housing dimensions. → *Page 14*
- For optimal performance, the hood should be mounted flush against the back wall. In such installations, the rear trim piece may not be necessary.
- For installations of ½" – 3" (13 – 76 mm) from the back wall, the rear trim piece can be used.

### Ceiling cutout and supporting housing dimensions



SKU	Dimension for A
VCIN36GWS	$32\frac{15}{16}''$ (836 mm)
VCIN42GWS	$38\frac{15}{16}''$ (989 mm)
VCIN48GWS	$44\frac{15}{16}''$ (1141 mm)
VCIN54GWS	$50\frac{15}{16}''$ (1294 mm)

SKU	Dimension for A
VCIN60GWS	$56\frac{15}{16}''$ (1446 mm)

## 5.2 Custom insert installation with hood trims

### ⚠ WARNING

Before installing, turn power OFF at the service panel.

- ▶ Lock service panel to prevent power from being turned ON accidentally.

### ⚠ WARNING



Unit is heavy and requires at least two people or proper equipment to move and install.

### ⚠ WARNING



Hidden surfaces may have sharp edges.

- ▶ Use caution when reaching behind or under appliance.

### Preparing the ductwork

1. Refer to the section on ductwork preparation.  
→ Page 10
2. Install the metal transition with backdraft damper so that the flap opens up toward the ceiling. If necessary, install a thermal break and additional backdraft damper. Refer to the section on attaching the hood transition.  
→ Page 13

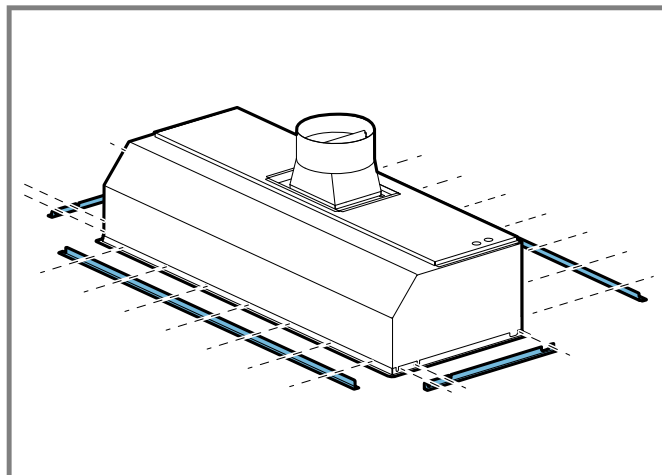
### Building the housing framework

1. Refer to the appliance dimensions. → Page 7
2. Refer to the section on installation requirements and clearances for clearance specification. → Page 7
3. Build the housing framework for your model. Refer to the dimensions in the section on preparing the ceiling cutout and housing. → Page 14

### Installing the hood trim

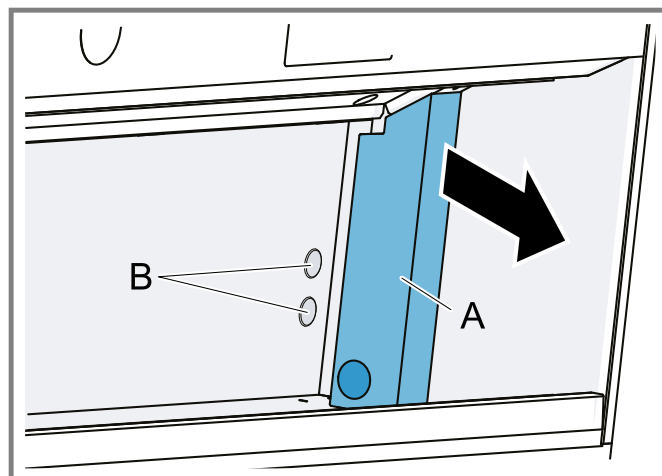
1. Hold the trim flush to the bottom of the housing. Secure the trim to the hood with (20) x 3/8" (9.5 mm) screws.

2. The back trim piece may not be necessary in some installation scenarios where there is a 1/2" (12.7 mm) or less space between the hood and the back wall.

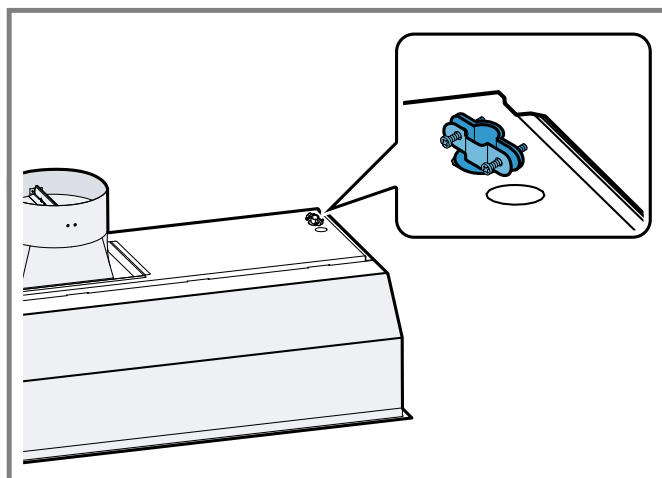


### Preparing the wire routing

1. Remove the junction box cover A.
2. Remove one circular knockout B.



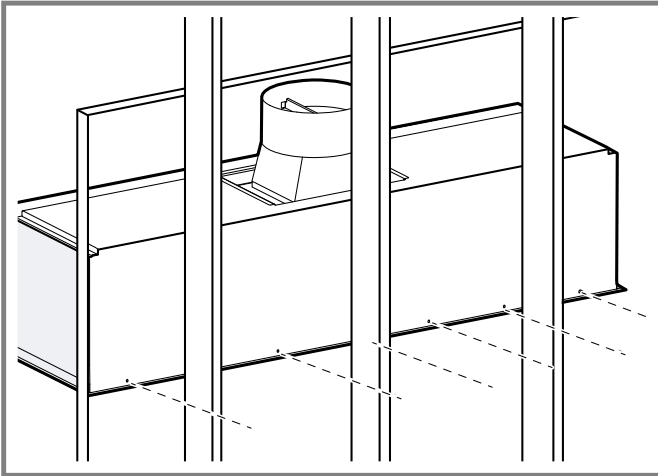
3. Install the strain relief (not included) into one of the circular knockouts.



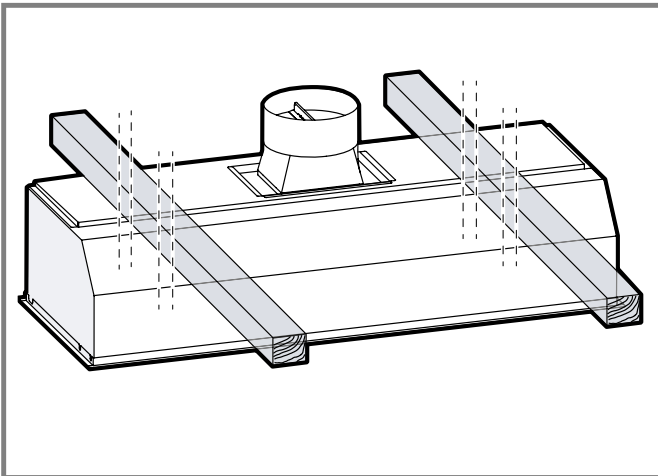
### Installing the appliance

1. Install the custom insert inside the custom housing.

- Secure to the rear of the housing framework using six (6) x 1" (25.4 mm) mounting screws, as indicated below.



- Secure to the top of the housing framework using eight (8) x 1" (25.4 mm) mounting screws, 4 per side.



- Connect to the ductwork.

### 5.3 Blower motor installation

#### ⚠ CAUTION

To reduce the risk of fire and electric shock, install this range hood only with the blowers listed in the Ventilation Planning Guide.

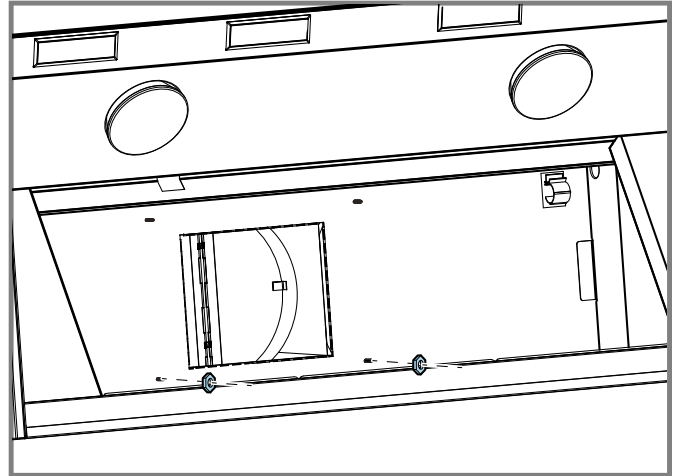
**Note:** Cutting the plug of the blower will void the warranty or eligibility for return or exchange.

#### Installing the integral blower

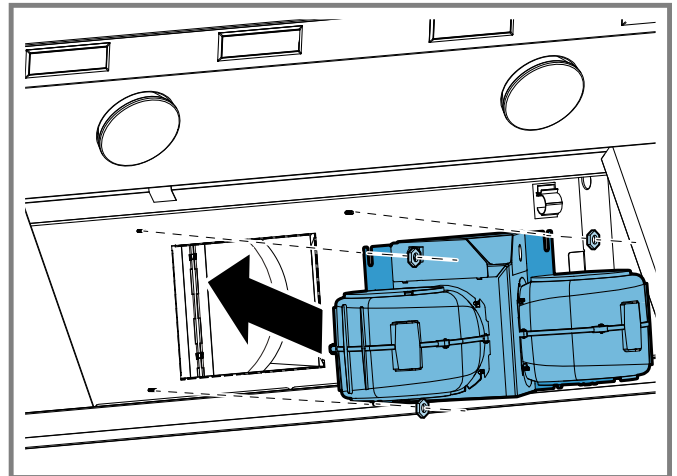
Integral blower models are integrated into the hood at the time of installation. Integral blowers should be installed after the hood is mounted to the wall. For complete installation instructions, see the instructions supplied with the blower unit.

**Note:** Blower and hood image views vary depending on model.

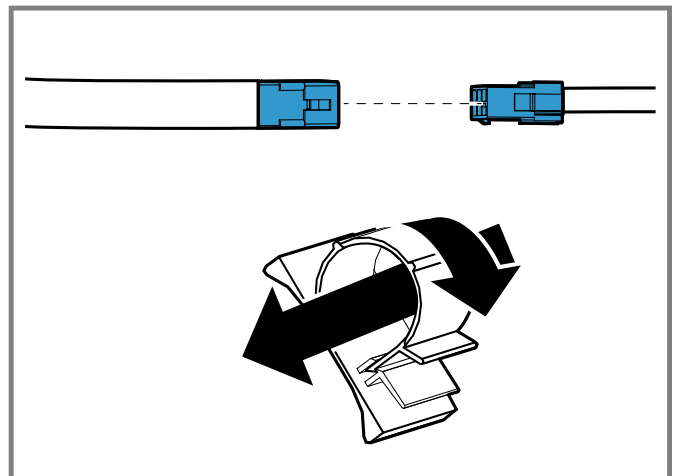
- Thread one (1) 4m flange nut (included with the hood) half-way down each of the two weld studs indicated.



- Slide the blower mounting plate behind the nuts on the weld studs.



- Install two (2) 4m flange nuts (included with hood) to the top weld studs and tighten.
- Tighten the two (2) nuts from step 1 to fully secure the blower to the hood.
- Connect the blower's plug connector to the connector present inside the hood. Route the blower harness through the self-locking clip.

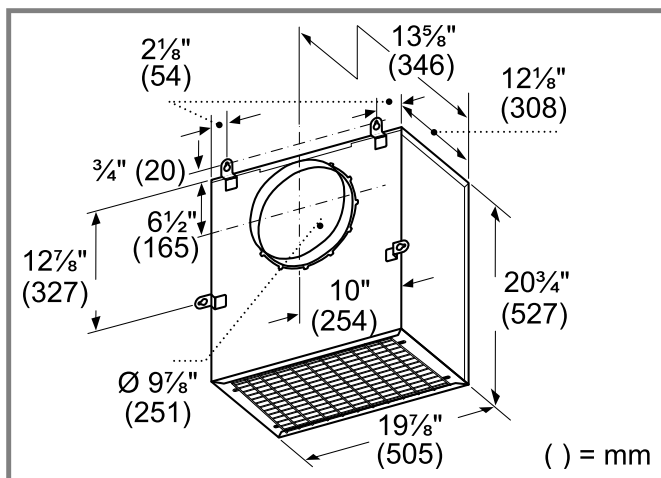




## Installing a remote blower or an in-line blower

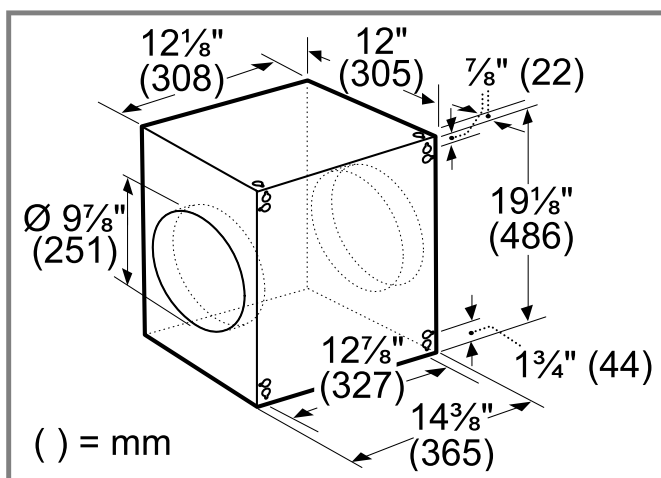
Depending on preference and ducting situation these blowers can be installed outside the kitchen. This reduces the noise in the kitchen. For complete installation instructions see the instructions supplied with the blower unit.

### 1. Remote blower



Remote blowers can be mounted on the roof or exterior wall of the home

### 2. In-line blower



In-line blowers can be mounted along the duct line anywhere between the kitchen and the exterior wall, if there is easy access to duct line, e.g. in an attic.

### 3. Remote and in-line blower motor wire connection:

- Remove junction box channel covering the wires.
- Remove one circular knockout.
- Route the blower motor's plug connector to the hood. Connect the blower's harness to the hood harness.
- Route the blower harness through the self-locking clip.

## Connecting the electrical wires

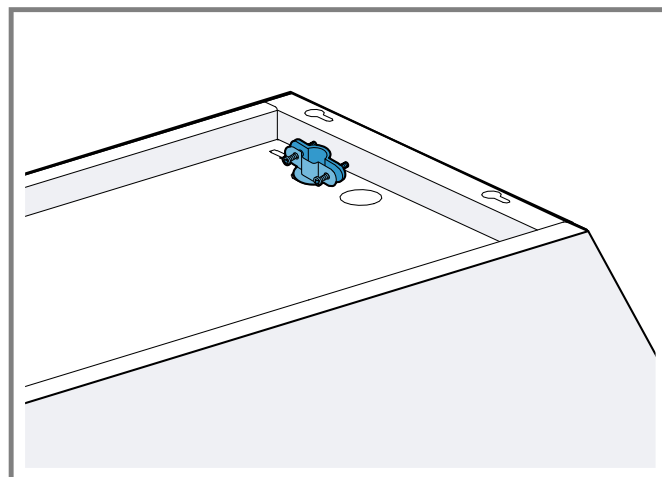
### Notes

- BSH is not responsible for wiring errors during installation. Installation wiring errors are not covered by the Statement of Limited Product Warranty.

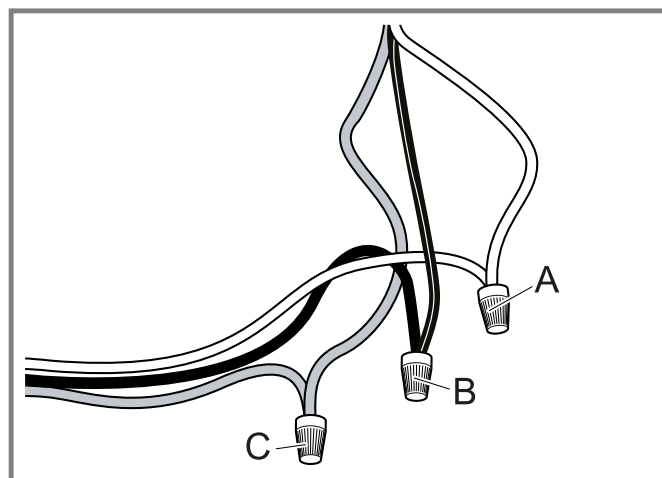
- Refer to the wire diagram included with the appliance.



1. Run a 120V AC, 15A circuit power cable from the service panel through the strain relief.



2. Connect black wire to power supply black wire, white wire to power supply white wire and green wire to green wire or bare wire.



- |   |                             |
|---|-----------------------------|
| A | White to white              |
| B | Black to black              |
| C | Green to green or bare wire |

3. Place all wiring connections inside the junction box channel. Reinstall on the top plate. Ensure that the wires are secure and that no wires are pinched.

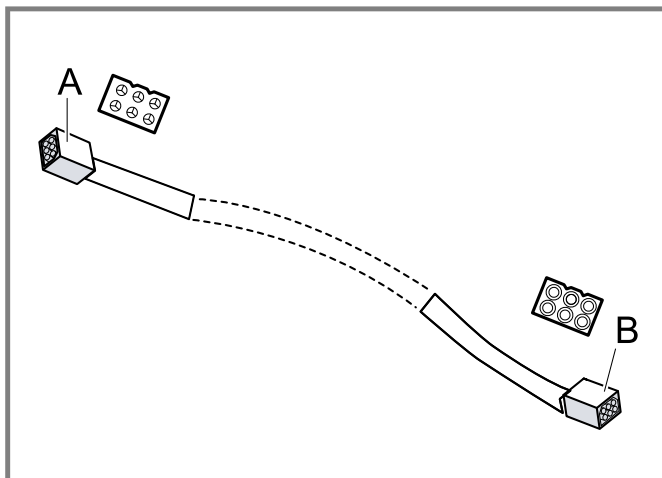
## Connecting the extension cable (optional)

EXTNCB25W 25 ft. remote and in-line blower extension cable.

### 1. Parts included:

- 25 ft. cable (1)
- Adapter cables (2) - not needed for all models

2. Route the hood's internal blower harness through the strain relief.
3. Connect the 25 ft. extension cable to the blower harness outside the hood.



- A Connects to the hood
- B Connects to a remote or in-line blower

**Note:** Cutting of the connector will void the warranty of the appliance.

**The blower extension cable is compatible with the following in-line and remote blowers:**

Blower	Model
Remote blower	VTR2FZ
In-line blower	VTI2FZ

### 5.4 Make-up air damper relay switch (optional)

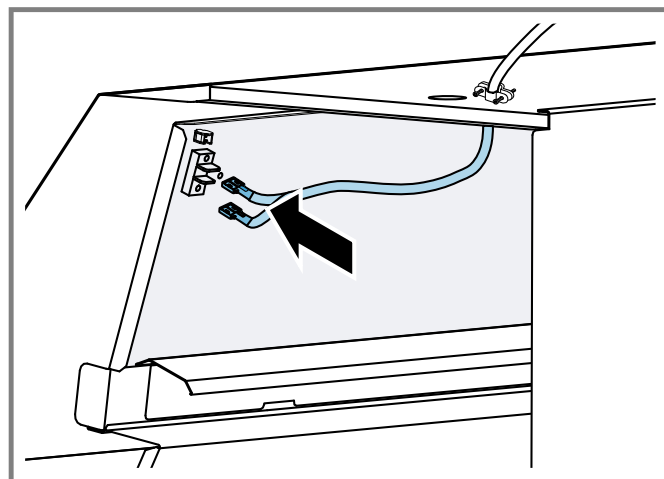
Local codes may require the use of an additional backdraft and/or make-up air damper. Contact your local HVAC professional for specific requirements.

This hood provides a relay switch to connect a make-up air damper (120V max). Installations will vary according to the location in the home where the appliance is installed and the damper used. Use the following illustration as guidance for your installation. Always comply with local code requirements.

#### Connecting the make-up air damper relay switch

1. Access the hood's wiring.

2. Route the make-up air damper harness through the strain relief to the terminal block.
  - The make-up air kit hot and return connections can use either terminal connection. There is no polarity requirement for the two pin terminal block.



3. Secure the ground wire with the green T-20 ground screw.

### 5.5 Built-in remote control accessory (optional)

Before you begin, read these instructions carefully. It is recommended that the remote control be wired to the hood after the hood is installed.

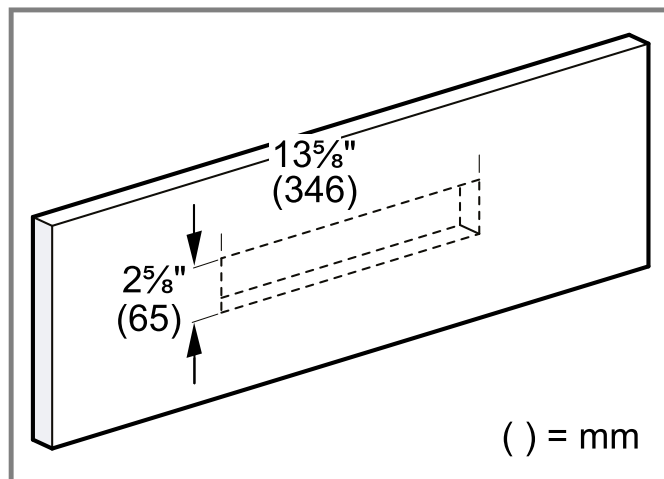
**IMPORTANT:** Cutting off a connector to the appliance or to the extension cable kit will void the warranty.

#### REMCPW parts included:

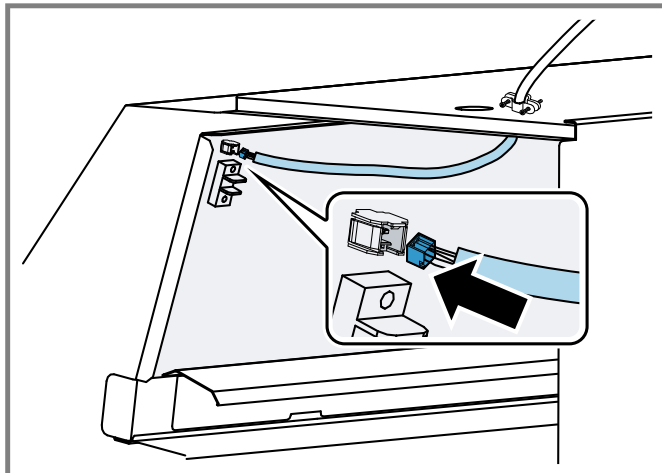
- Remote control (1)
- 30 ft. extension harness (1)

#### Installing the remote control

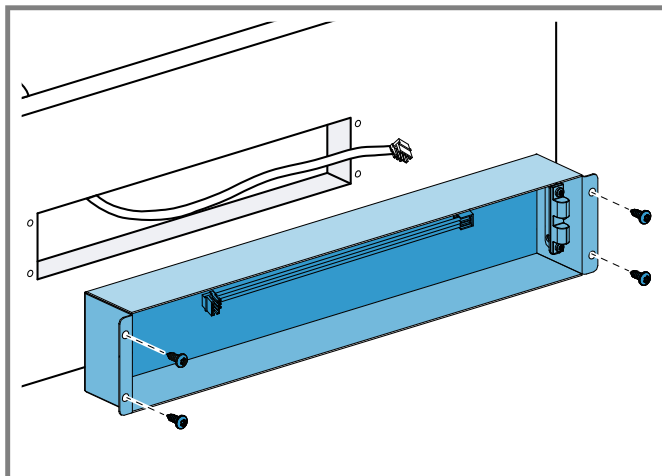
1. Prepare the cutout in the wall or similar surface for installation as shown below (view is shown facing wall).



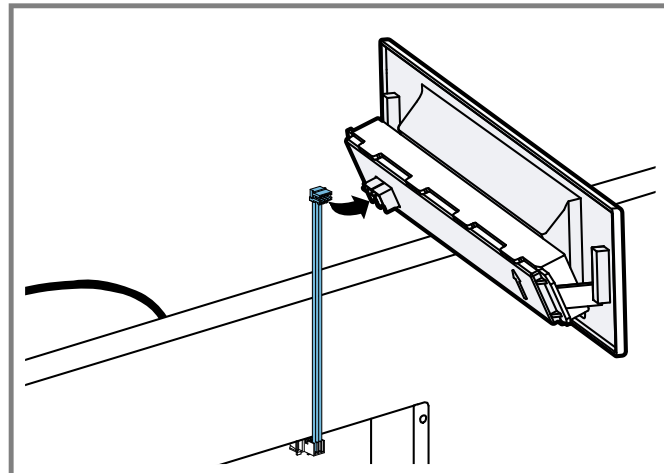
2. Access the hood's wiring. Route the 30 ft. extension harness through the strain relief to the square mounting clip until it clicks.



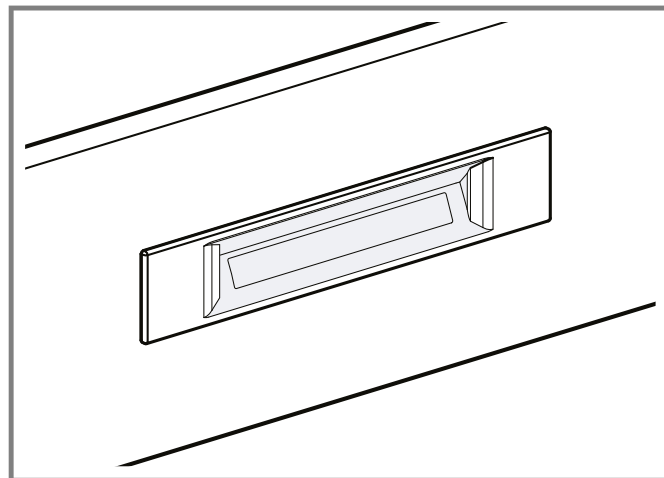
3. Route the 30 ft. extension harness through the cutout and connect the harness to the back of the remote control bracket.
4. Press the bracket inside the cutout. Drill a 1/4" (6 mm) tap hole through the bracket holes into the wall. Mount the bracket to the wall using the four (4) screws provided.



5. Hook up the wire harness connector inside the bracket to the terminal on the back side of the remote control. Use either terminal.



6. Snap the remote control into the bracket.

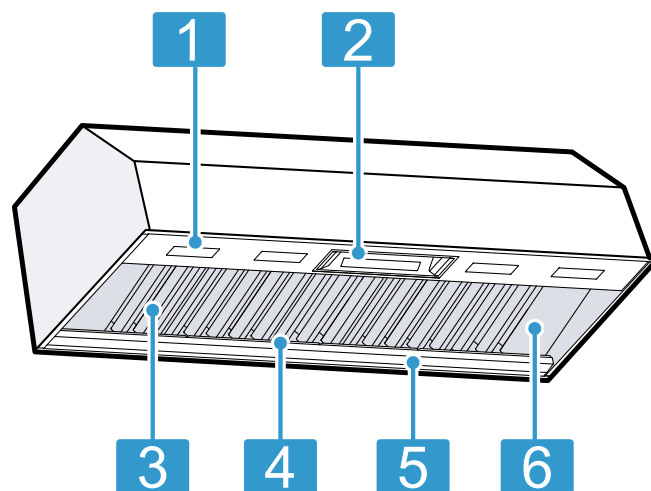


## 5.6 Installing the grease trays and filters

**IMPORTANT: DO NOT** use the cooktop, rangetop, or range while the hood is disassembled.

### Custom insert hood

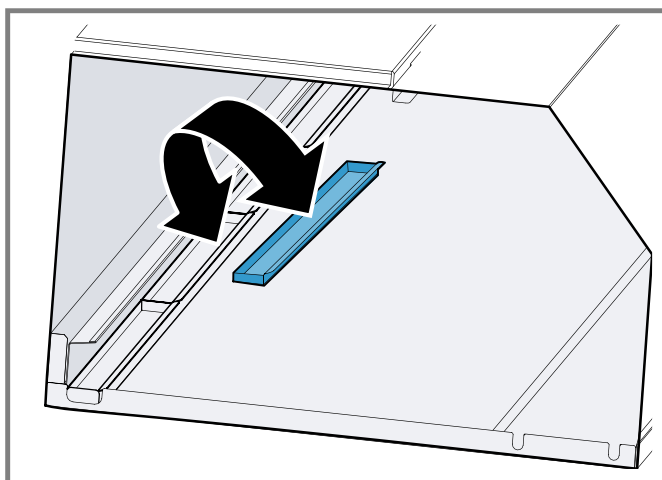
VCINxxGWx



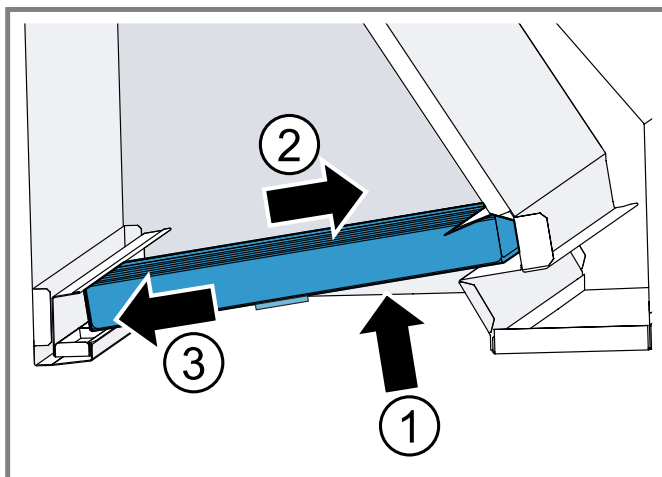
1	LED lights
2	Touch control panel
3	Baffle filters
4	Grease trays
5	Grease tray trough
6	Filter spacers

### Installing the filters and grease trays

1. Turn the fan and lights off.
2. Remove all plastic from hood pieces.
3. Insert the grease tray in rear tray. Push the grease tray in and down inside the grease tray trough. Grease trays must be in place before installing the filters.
  - The small grease tray must be installed in the center of hood.



4. Install the filters. Start with an outside filter. Grab the filter by the handle, if applicable, or by the sides. Do not place fingers inside the filter slats. Slide the filter up, toward the front of the hood, then push down on top of the grease tray.
  - The 8" filter must be installed in the center of hood at all times.



5. Install the filter spacers. If applicable, insert the filter spacers on the left and right ends. Push up, slide toward the front of the hood, then push in at the bottom.
6. To remove the filters and grease trays, ensure the filters are cool and grease has congealed. Then proceed in reverse order of the previous instructions.

## 6 Installer checklist

### Final check

- Specified clearances maintained to cabinet surfaces.
- Appliance is level.
- All packaging material removed.
- Proper ground connection.
- Owner is aware of location of the main circuit breaker.
- INSTALLER:** Write the model number and serial number in the Use and Care Guide. Leave the Use and Care Guide and Installation Guide with the owner of the appliance.

### To clean and protect exterior surfaces

- Clean the stainless steel surfaces by wiping with a damp soapy cloth. Rinse with clear water and dry with a soft cloth to avoid water marks. Remove fingerprints and smears with mild glass cleaner.
- To polish and protect stainless steel, apply a stainless steel conditioner with a soft cloth. The Thermador Stainless Steel Conditioner is available for purchase in the online accessories store (US only) [www.thermador.com/us/accessories](http://www.thermador.com/us/accessories). Order part number 00576697 (spray bottle) or 17002200 (wipes).
- Do not use conditioner on non-steel surfaces, logos, control markings, labels, black or smudge-proof stainless steel, and appliance interiors.
- DO NOT allow deposits to remain for long periods of time.
- DO NOT use ordinary steel wool or steel brushes. Small bits of steel may adhere to the surface causing rust.
- DO NOT allow salt solutions, disinfectants, bleaches or cleaning compounds to remain in contact with stainless steel for extended periods. Many of these compounds contain chemicals which could prove harmful. Rinse with water after exposure and wipe dry with a clean cloth.

### Troubleshooting

See the Use and Care Guide for troubleshooting information.

Refer to the Limited Product Warranty in the Use and Care Guide. Please be prepared with the information printed on your product data rating plate when calling.

## 7 Customer Service

With any warranty repair, we will make sure your appliance is repaired by an authorized service provider using genuine replacement parts. We use only genuine replacement parts for all repairs.

Detailed information on the warranty period and terms of warranty can be found in the Statement of Limited Product Warranty, from your retailer, or on our website.

If you contact Customer Service, you will need the model number (E-Nr.) and the production number (FD) of your appliance.

The LED light sources are available as a spare part and should only be replaced by an authorized service provider.

USA:

1-800-735-4328

[www.thermador.com/support](http://www.thermador.com/support)

[www.thermador.com/us/accessories](http://www.thermador.com/us/accessories)

CA:

1-800-735-4328

[www.thermador.ca](http://www.thermador.ca)

[www.thermador.ca/en/support/filters-cleaners-accessories](http://www.thermador.ca/en/support/filters-cleaners-accessories)

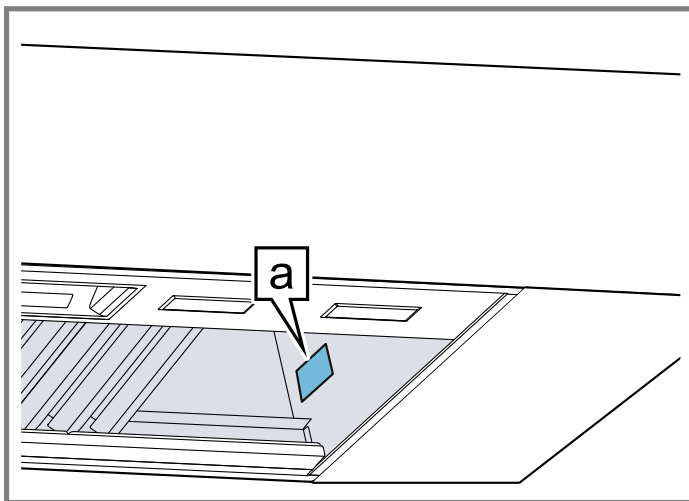
### 7.1 Model number (E-Nr.) and production number (FD)

You can find the model number (E-Nr.) and the production number (FD) on the appliance's rating plate.

Making a note of your appliance's details and the Customer Service telephone number will enable you to find them again quickly.

### 7.2 Rating plate location

The data rating plate is located on the frame behind the filter. Remove the filter to view it (see figure below for an example).



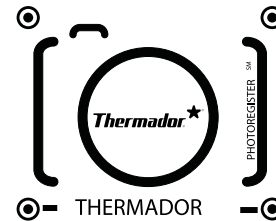
**a** Rating plate

### 7.3 Product registration

Register your Thermador product to access to your product related information.

**You may register your product through one of the following ways:**

- Register with your phone (USA only):



- Take a photo of the camera icon on the registration card, including the points (⊙).
- Text the photo to 21432.  
(USA only, text and data rates may apply.)
- Mail in the completed product registration card to the address printed on the card.
- Register your product online at
  - US: [www.thermador.com](http://www.thermador.com)
  - Canada: [www.thermador.ca](http://www.thermador.ca)
- Call Thermador Customer Service at 1-800-735-4328.

## Table des matières

<b>1 IMPORTANTES CONSIGNES DE SÉCURITÉ .....</b>	<b>23</b>
1.1 Définitions des termes de sécurité .....	23
1.2 Informations générales.....	23
1.3 Consignes générales de sécurité .....	23
1.4 Codes et normes de sécurité .....	25
1.5 Mises en garde conformément à la proposition 65 de l'État de Californie .....	25
<b>2 Avant de commencer.....</b>	<b>26</b>
2.1 Notes importantes.....	26
2.2 Distance de la surface de cuisson.....	26
2.3 Pièces incluses .....	26
2.4 Outils et pièces nécessaires.....	26
<b>3 Exigences d'installation et dégagements .....</b>	<b>27</b>
3.1 Dimensions de l'électroménager .....	27
3.2 Dégagements.....	28
3.3 Largeur de la hotte.....	28
3.4 Distance de la surface de cuisson.....	28
3.5 Poids de l'appareil.....	28
3.6 Structure de support.....	28
3.7 Ventilation .....	28
3.8 Exigences électriques .....	29
<b>4 Préparation pour l'installation.....</b>	<b>30</b>
4.1 Préparation des conduits .....	30
4.2 Choisir le bon ventilateur.....	32
4.3 Pièce de transition de la hotte .....	33
<b>5 Installation.....</b>	<b>34</b>
5.1 Préparation de la découpe du plafond et du boîtier.....	34
5.2 Installation d'insert personnalisé avec garnitures de la hotte .....	35
5.3 Installation du moteur du ventilateur.....	36
5.4 Commutateur de relais de volet d'air d'appoint (en option).....	38
5.5 Accessoire de télécommande intégré (en option)....	39
5.6 Installation des bacs à graisse et des filtres .....	40
<b>6 Liste de contrôle de l'installateur .....</b>	<b>41</b>
<b>7 Service à la clientèle.....</b>	<b>42</b>
7.1 Numéro de modèle (E-Nr.) et numéro de fabrication (FD) .....	42
7.2 Emplacement de la plaque signalétique .....	42
7.3 Enregistrement de produit.....	42



# IMPORTANTES CONSIGNES DE SÉCURITÉ

## LIRE ET CONSERVER CES INSTRUCTIONS

Lisez toutes les instructions attentivement avant l'utilisation. Ces précautions réduiront le risque d'électrocution, d'incendie et de blessure pour les personnes utilisant l'appareil. Lorsque vous utilisez des appareils électroménagers, il importe de suivre les précautions de sécurité de base, y compris celles indiquées dans les pages suivantes.

### 1.1 Définitions des termes de sécurité

Vous trouverez ici des explications sur les mots de signalisation de sécurité utilisés dans ce manuel.

#### **AVERTISSEMENT**

Signale un risque de mort ou de blessure grave si l'avertissement n'est pas respecté.

#### **MISE EN GARDE**

Signale un risque de blessures mineures ou modérées si l'avertissement n'est pas respecté.

#### **AVIS :**

Ceci indique que la non-conformité à cet avis de sécurité peut entraîner des dégâts matériels ou endommager l'appareil.

**Remarque :** Ceci vous signale des informations et/ou indications importantes.

### 1.2 Informations générales

Tous les manuels des produits peuvent être téléchargés en ligne à l'adresse [www.thermador.ca/fr/soutien/manuels-du-propretaire](http://www.thermador.ca/fr/soutien/manuels-du-propretaire).

**INSTALLATEUR :** Prière de laisser ces instructions d'installation avec cet appareil à l'intention du propriétaire.

**PROPRIÉTAIRE :** Prière de conserver ces instructions pour référence ultérieure. Lisez toutes les consignes de sécurité avant d'utiliser l'appareil. Demandez à l'installateur de vous montrer où se trouve le disjoncteur électrique afin que vous sachiez comment et où couper l'électricité de l'appareil.

### 1.3 Consignes générales de sécurité

#### AVERTISSEMENT



Si vous ne suivez pas rigoureusement les renseignements fournis dans le présent guide, des risques d'incendie ou d'explosion sont susceptibles de causer des dommages matériels, des blessures ou la mort.

- N'entreposez pas et n'utilisez pas d'essence ou d'autres produits inflammables sous forme de liquide ou de vapeur à proximité de la table de cuisson ou de tout autre appareil.
- SI VOUS DÉTECTEZ UNE ODEUR DE GAZ
  - N'allumez aucun appareil.
  - Ne touchez pas aux interrupteurs électriques.
  - N'utilisez pas les téléphones du bâtiment où vous trouvez.
  - Appelez immédiatement votre société gazière chez un voisin et suivez les instructions qu'elle vous donne.
  - Si vous n'arrivez pas à contacter votre société gazière, appelez le service d'incendie.
- L'installation et les travaux d'entretien doivent être réalisés par un installateur qualifié, un centre de réparation agréé ou une société gazière.

#### AVERTISSEMENT

Couper l'alimentation du circuit électrique au boîtier à fusibles ou des disjoncteurs et le verrouiller avant de câbler cet appareil électroménager. Exigence : 120 VAC, 60 Hz, 15 A ou 20 A pour certains modèles. Après la coupure de l'alimentation électrique, laisser refroidir l'appareil électroménager avant de procéder aux réparations.

#### AVERTISSEMENT

Dispositif à fonctionnement automatique

- Couper l'alimentation électrique avant toute réparation pour réduire le risque de blessure.



# IMPORTANTES CONSIGNES DE SÉCURITÉ

## LIRE ET CONSERVER CES INSTRUCTIONS

### AVERTISSEMENT

POUR RÉDUIRE LE RISQUE D'INCENDIE, D'ÉLECTROCUTION OU DE BLESSURES, RESPECTER LES INDICATIONS SUIVANTES :

- ▶ Utilisez cet appareil uniquement de la façon recommandée par le fabricant. Pour toutes questions, veuillez contacter le fabricant.  
→ "Service à la clientèle", Page 42
- ▶ Avant d'entretenir ou de nettoyer l'appareil, coupez l'alimentation au niveau du panneau de service et verrouillez le panneau de service. Cela empêchera la mise sous tension accidentelle. Lorsque le panneau de service ne peut pas être verrouillé, fixer un accessoire d'avertissement visible et adéquat, comme une étiquette, au panneau de service.

Ne pas réparer, remplacer ni retirer toute pièce de l'électroménager à moins que cela ne soit spécifiquement recommandé par les manuels. L'installation, les réparations ou l'entretien inadéquats pourraient causer des blessures ou des dégâts matériels.

- ▶ Consulter ce manuel pour les directives d'utilisation.
- ▶ Toutes les autres réparations doivent être effectuées par un prestataire de services agréé.

### AVERTISSEMENT



#### RISQUE D'ÉLECTROCUTION

- ▶ Débranchez l'alimentation avant l'installation ou l'entretien. Avant de rétablir l'alimentation, s'assurer que toutes les commandes sont à la position d'arrêt (OFF).
- ▶ NE PAS enlever de raccords.
- ▶ NE PAS utiliser de rallonge.
- ▶ Une mise à la terre inadéquate peut entraîner un risque d'électrocution.
- ▶ Tout manquement à ces directives peut entraîner la mort ou une électrocution, ou déclencher un incendie.

#### INSTRUCTIONS DE MISE À LA TERRE

- ▶ Cet appareil doit être mis à la terre.
- ▶ La mise à la terre réduit le risque de choc électrique en fournissant une voie sûre pour le courant électrique en cas de court-circuit.
- ▶ Assurez-vous que l'appareil est correctement installé et mis à la terre par un technicien qualifié.
- ▶ L'installation, les raccordements électriques et la mise à la terre doivent être conformes avec tous les codes en vigueur.

- ▶ S'il y a lieu, conformément au Code national de l'électricité (ou au Code canadien de l'électricité), cet appareil doit être installé sur un circuit de dérivation séparé.

### AVERTISSEMENT

Pour réduire le risque d'incendie ou d'électrocution, n'utilisez pas cet appareil avec un dispositif de contrôle de vitesse à semi-conducteurs.

### AVERTISSEMENT

**POUR RÉDUIRE LE RISQUE D'INCENDIE, D'ÉLECTROCUTION OU DE BLESSURES, RESPECTER LES INDICATIONS SUIVANTES.**

- ▶ Les travaux d'aménagement et de câblage électrique doivent être exécutés par du personnel qualifié en conformité aux codes et aux normes en vigueur, y compris ceux relatifs à la construction à l'épreuve du feu.
- ▶ Un apport d'air suffisant est nécessaire pour la bonne combustion et évacuation des gaz par le carneau (cheminée), émanant de tout appareil de combustion afin d'éviter le refoulement de l'air. Respecter les lignes directrices du fabricant des appareils de chauffage et les normes de sécurité comme celles établies par la National Fire Protection Association (NFPA), la American Society for Heating, Refrigeration and Air Conditioning Engineers (ASHRAE) et les codes des autorités locales.
- ▶ En coupant ou perçant un mur ou un plafond pour l'installation de l'appareil, s'assurer de ne pas endommager le câblage électrique et les autres services publics masqués.
- ▶ Les ventilateurs raccordés à une conduite doivent toujours évacuer l'air vers l'extérieur.
- ▶ **UTILISEZ UNIQUEMENT DES CONDUITS MÉTALLIQUES.**
- ▶ **NE PAS** évacuer l'air évacué dans les espaces avec des murs ou des plafonds ou dans les greniers, les vides sanitaires ou les garages.

### MISE EN GARDE

Uniquement aux fins de ventilation générale.

- ▶ Ne pas utiliser pour évacuer des matières et des gaz dangereux ou explosifs.

### AVERTISSEMENT

Ne jamais modifier ni altérer la structure de l'appareil électroménager.





# IMPORTANTES CONSIGNES DE SÉCURITÉ

## LIRE ET CONSERVER CES INSTRUCTIONS

### AVERTISSEMENT

Retirer tout le ruban adhésif et l'emballage avant d'utiliser l'électroménager.

- ▶ Éliminez l'emballage d'une manière respectueuse de l'environnement.
- ▶ Ne laissez jamais les enfants jouer avec le matériel d'emballage.

### AVERTISSEMENT



L'appareil est lourd et son déplacement et installation exigent au moins deux personnes ou encore un équipement approprié.

### AVERTISSEMENT



Certaines surfaces cachées peuvent avoir des rebords tranchants.

- ▶ Redoubler de vigilance quand vous passez la main derrière ou sous l'appareil électroménager.

### MISE EN GARDE

Un ventilateur externe doit être installé derrière les déflecteurs ou à un endroit où il est peu probable que de l'eau soit aspiré.

## 1.4 Codes et normes de sécurité

Cet appareil est conforme aux plus récentes versions de l'une ou plus des normes suivantes :

- UL 507 - Ventilateurs électriques
- CAN/CSA-C22.2 No 113 - Ventilateurs

Il est de la responsabilité du propriétaire et de l'installateur de déterminer si des exigences et/ou des normes supplémentaires s'appliquent à des installations spécifiques.

## 1.5 Mises en garde conformément à la proposition 65 de l'État de Californie

Ce produit pourrait contenir un produit chimique reconnu par l'État de la Californie comme cancérigène ou ayant des effets nocifs sur la reproduction. Par conséquent, vous pourriez devoir apposer l'étiquette suivante sur l'emballage du produit comme requis par la Californie :

**AVERTISSEMENT ISSUE DE LA PROPOSITION 65 DE L'ÉTAT DE LA CALIFORNIE :**



**AVERTISSEMENT**

Cancer et dommages à la reproduction -  
[www.P65Warnings.ca.gov](http://www.P65Warnings.ca.gov)

## 2 Avant de commencer

Lisez ces instructions avant de commencer l'installation de votre appareil.

### 2.1 Notes importantes

#### AVERTISSEMENT

Une mauvaise installation d'appareils à gaz et de hottes de ventilation peut créer un risque de monoxyde de carbone, qui peut être nocif. Pour réduire le risque d'intoxication au monoxyde de carbone, assurez-vous que l'appareil à gaz est correctement installé selon les instructions du fabricant, ainsi que la hotte est ventilée vers l'extérieur pour une évacuation adéquate des gaz ou des fumées.

- Les appareils de cuisson au gaz libèrent du monoxyde de carbone qui peut être nocif ou mortel en cas d'inhalation. Pour réduire le risque d'incendie et pour évacuer correctement l'air, les gaz d'échappement extraits par la hotte doivent être évacués à l'extérieur du bâtiment uniquement.
- Consultez les codes du bâtiment locaux ou les restrictions liées à l'installation de produits de ventilation en mode de recirculation.
- La hauteur d'installation de la hotte au-dessus d'une table de cuisson ou d'une cuisinière peut varier. Pour obtenir la hauteur d'installation nécessaire au-dessus d'une table de cuisson, d'une cuisinière ou d'une table de cuisson, consultez le manuel d'installation de l'appareil ou la matrice de combinaison.

#### AVIS :

La hotte peut être endommagée par une chaleur excessive si une cuisinière ou une table de cuisson fonctionne avec plusieurs brûleurs à des réglages élevés sous une hotte installée à des dégagements minimums et éteinte.

### 2.2 Distance de la surface de cuisson

La hauteur d'installation au-dessus d'une table de cuisson ou d'une cuisinière est recommandée comme une hauteur minimale de 30 po (762 mm); cependant, il est nécessaire de suivre les instructions d'installation du fabricant de l'appareil de cuisson pour une hauteur de hotte appropriée.

Reportez-vous aux codes du bâtiment locaux pour connaître les dernières exigences ou restrictions lors de l'installation de produits de ventilation en mode de recirculation.

### 2.3 Pièces incluses

Après avoir déballé le produit, inspectez toutes les pièces pour détecter d'éventuels dégâts dus au transport et pour vous assurer de l'intégralité de la livraison.

- Transition métallique avec clapet anti-retour
- Filtres à déflecteurs
- Bacs à graisse

- Entretoises de filtre
- Garnitures latérales
- Adaptateur de ventilateur
- Pochette de documentation avec assortiment de fixations

La quincaillerie fournie est destinée au montage à travers des cloisons sèches ou du plâtre d'épaisseur standard dans des montants en bois. Il incombe à l'installateur de fournir la quincaillerie nécessaire à d'autres types de mur.

### 2.4 Outils et pièces nécessaires

Préparez ces outils et accessoires avant de commencer à installer votre électroménager.

- Ventilateur (Consultez le Guide de planification de la ventilation pour les ventilateurs compatibles)
- Conduits au besoin ( Se reporter au tableau Longueurs de conduits équivalentes pour les transitions couramment utilisées. → *Page 31*)
- Ruban en aluminium (NE PAS utiliser de ruban adhésif isolant ou en tissu)
- Conduit de 1/2 po (13 mm) si nécessaire  
Suivez les codes locaux
- Décharge de traction de 1 po (25,4 mm)
- Tournevis cruciforme
- Tournevis à embout étoile T20
- Tourne-écrou ou douille de 1 1/32 po et clé à cliquet
- Perceuse avec mèche de 3/16 po (4,76 mm)
- Scie circulaire ou à contourner
- Matériel d'encadrement (si nécessaire pour le cadre)
- Outil à dénuder
- Ruban à mesurer
- Crayon
- Niveau
- Gants de sécurité

**IMPORTANT** : NE PAS jeter de morceaux d'emballage avant l'installation complète de l'appareil électroménager.

#### Accessoires facultatifs vendus séparément

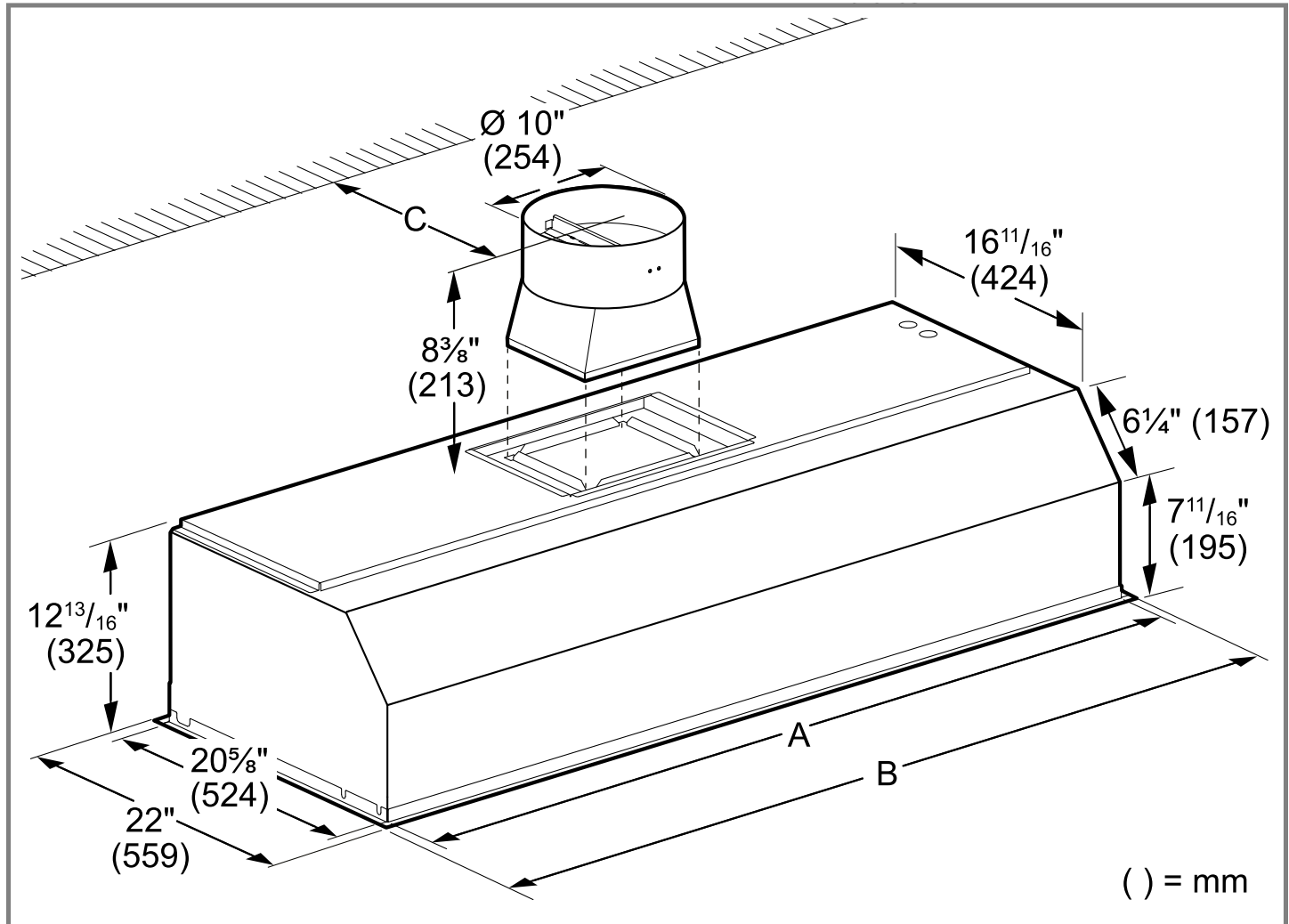
Pour de plus amples renseignements, veuillez consulter [www.thermador.com](http://www.thermador.com).

Accessoire	Description
EXTNCB25W	Câble d'extension de 25 pi pour ventilateur à distance et en ligne
EXTNSET4	Trousse d'adaptateur de câble d'extension de soufflerie à distance et en ligne de 25 pi
RFPLT600P	Plaque de toit à utiliser avec <ul style="list-style-type: none"> <li>■ Ventilateur externe de 600 PCM VTR630</li> </ul>
RFPLT1000P	Plaque de toit à utiliser avec <ul style="list-style-type: none"> <li>■ Ventilateur externe de 1000 PCM VTR1030</li> <li>■ Ventilateur de 1300 PCM VTR1330</li> </ul>
REMCPW	Panneau de contrôle à distance

### 3 Exigences d'installation et dégagements

#### 3.1 Dimensions de l'électroménager

Cette série de modèles comprend des filtres, des lumières à DEL et des garnitures latérales.



Modèle	Dimension A	Dimension B	Dimension C	
			Avec garniture arrière	Sans garniture arrière
VCIN36WS	32 3/8 po (822 mm)	33 3/4 po (857 mm)	7 3/8 po – 10 3/8 po (187 – 264 mm)	6 5/8 po – 9 5/8 po (168 – 245 mm)
VCIN42WS	38 3/8 po (974 mm)	39 3/4 po (1010 mm)	7 3/8 po – 10 3/8 po (187 – 264 mm)	6 5/8 po – 9 5/8 po (168 – 245 mm)
VCIN48WS	44 3/8 po (1127 mm)	45 3/4 po (1162 mm)	7 3/8 po – 10 3/8 po (187 – 264 mm)	6 5/8 po – 9 5/8 po (168 – 245 mm)
VCIN54WS	50 3/8 po (1280 mm)	51 3/4 po (1315 mm)	7 3/8 po – 10 3/8 po (187 – 264 mm)	6 5/8 po – 9 5/8 po (168 – 245 mm)
VCIN60WS	56 1/2 po (1 435 mm)	57 3/4 po (1467 mm)	7 3/8 po – 10 3/8 po (187 – 264 mm)	6 5/8 po – 9 5/8 po (168 – 245 mm)

#### Remarques

- La transition est centrée horizontalement.
- Pour un rendement optimal, la hotte devrait être installée au niveau avec le mur arrière. Pour des installations de ce genre, la moulure arrière n'est pas

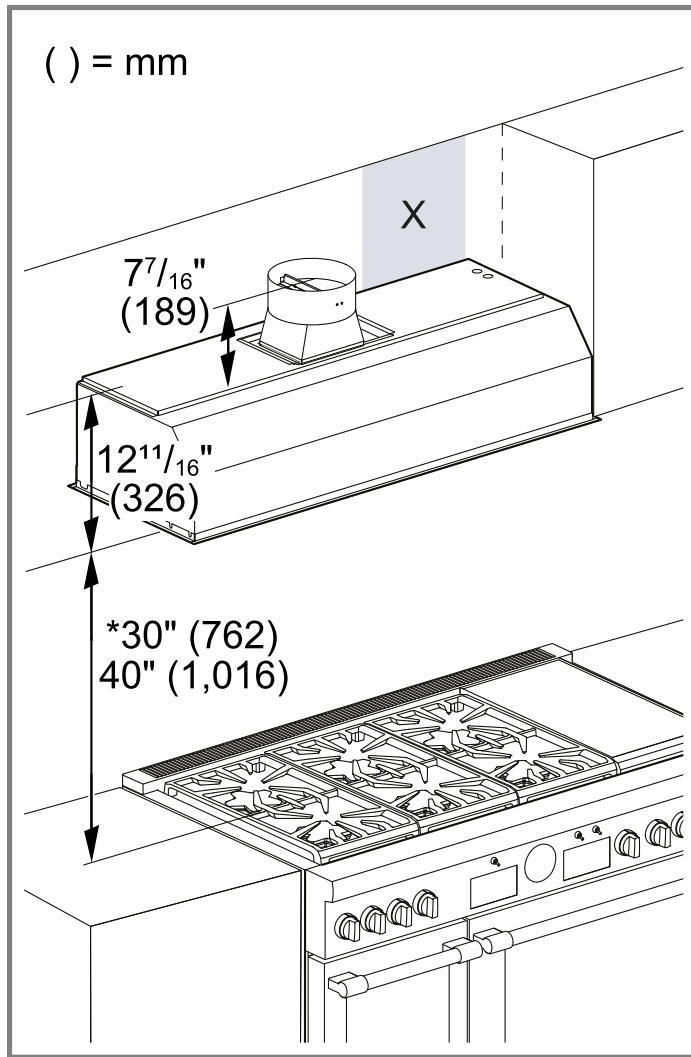
nécessaire. Vous pouvez utiliser la moulure arrière pour des installations de 1/2 po à 3 po (13 à 76 mm) du mur arrière.

**IMPORTANT :** La hotte doit être centrée sur la surface de cuisson pour de meilleures performances.

### 3.2 Dégagements

La hotte à insertion personnalisée est conçue pour être installée à l'intérieur d'un ensemble de hotte sur mesure. Cet appareil nécessite que les conduits soient évacués vers l'extérieur. Il ne peut pas être utilisé en conjonction avec une unité de recirculation.

La hauteur d'installation de la hotte au-dessus d'une table de cuisson ou d'une cuisinière peut varier. Veuillez consulter le manuel d'installation pour connaître la hauteur d'installation nécessaire au-dessus d'une table de cuisson ou d'une cuisinière.



X Zone électrique

\*Suivez les recommandations du fabricant de l'appareil de cuisson.

### 3.3 Largeur de la hotte

- La largeur de la hotte ne doit pas être moindre que celle de la surface de cuisson. Pour un bon rendement, le boîtier doit couvrir l'ensemble de la surface de cuisson.
- La hotte doit être centrée horizontalement au-dessus de la surface de cuisson pour offrir un bon rendement. Une hotte plus large peut être utilisée s'il n'y a pas de contraintes d'espace pour accroître l'aire d'aspiration.

### 3.4 Distance de la surface de cuisson

- La hauteur d'installation de la hotte au-dessus d'une table de cuisson ou d'une cuisinière peut varier.
- La hauteur d'installation varie d'une hauteur minimale de 30" po (762 mm) à une hauteur maximale suggérée de 40" po (1 016 mm). En revanche, reportez-vous aux instructions d'installation du fabricant de la hotte et du ventilateur.

#### AVIS :

REMARQUE : La hotte peut être endommagée par la chaleur si une cuisinière ou une table de cuisson Thermador Professional® est utilisée avec plusieurs brûleurs à des réglages élevés sous une hotte installée avec un minimum d'espace libre lorsque la hotte est éteinte.

### 3.5 Poids de l'appareil

- Cette hotte d'évacuation d'air est lourde. Peu importe le type d'installation, il faut avoir une structure et des nervures de renforcement adéquats.
- Assurez-vous de tenir compte du poids de l'unité de ventilation lors du calcul de la charge du système de support du boîtier.

Description	Poids
VCIN36WS	53 lb (24 kg)
VCIN42WS	63 lb (29 kg)
VCIN48WS	69 lb (31 kg)
VCIN54WS	79 lb (36 kg)
VCIN60WS	85 lb (39 kg)
Ventilateur intégré modèle VTN2FZ	19 lb (8,6 kg)

#### AVIS :

Les poids indiqués sont uniquement pour l'appareil de ventilation et le système de soufflerie. L'installateur doit tenir compte du poids du reste du matériel de montage lors du calcul de la charge du poids mort total du module, y compris, sans toutefois se limiter à/au : mur, carreaux, mortier, plâtre, brique, finition, sections et autres éléments similaires intégrés dans l'architecture et la structure. Il est de la responsabilité du propriétaire et de l'installateur de déterminer si des exigences et/ou des normes supplémentaires s'appliquent à des installations spécifiques.

### 3.6 Structure de support

- La charpente du mur doit être fabriquée avec des montants de 2 x 4 po minimum. Une nervure de renforcement adéquate est nécessaire pour prendre charge le poids de la hotte.

### 3.7 Ventilation

- La hotte nécessite que les conduits soient ventilés vers l'extérieur du bâtiment.

### 3.8 Exigences électriques

#### AVERTISSEMENT

Cet appareil doit être correctement mis à la terre.


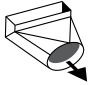
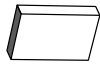
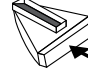
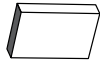
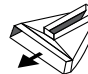

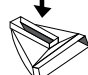

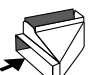
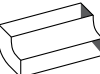

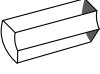


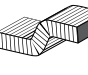
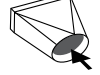
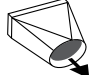

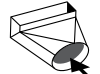
- L'appareil nécessite une alimentation 120 V CA, 60 Hz. Circuit de dérivation 15 A.
- Le ventilateur VTN2FZ en conjonction avec un PHxxGWS nécessite un disjoncteur de 20 A.
- L'appareil ne doit être connecté qu'à un circuit dédié (avec terre) qui a été installé conformément aux réglementations en vigueur.
- Lorsqu'il est connecté à une alimentation protégée par GFCI, Les hottes de la série Thermador Professional® conviennent à une utilisation dans des endroits humides qui sont protégés des conditions météorologiques extérieures et non soumis à la saturation en eau et autres liquides, mais peuvent être soumis à des degrés modérés d'humidité, comme un patio extérieur couvert ou une véranda. Reportez-vous aux codes locaux, au NEC/CEC et/ou à l'autorité compétente (AHJ) pour plus d'informations.
- Vérifiez les codes du bâtiment locaux pour connaître la méthode d'installation appropriée. Cet appareil doit être installé conformément aux codes locaux applicables ou, en l'absence de codes locaux, au Code national de l'électricité, NFPA 70 ou au Code canadien de l'électricité, CSA C22.1-02.
- L'accessoire de câble d'extension de ventilateur à distance et en ligne de 25 pi (EXTNCB25W) ne fonctionnera que pour des distances allant jusqu'à 25 pi. Le câble accessoire doit être acheté séparément. **NE PAS** utiliser plus d'un câble d'extension de ventilateur par installation.
- **Données électriques :**  
Reportez-vous à la plaque signalétique pour les données du produit, y compris le modèle et le numéro de série.  
→ "Emplacement de la plaque signalétique", Page 42

## 4 Préparation pour l'installation

### 4.1 Préparation des conduits

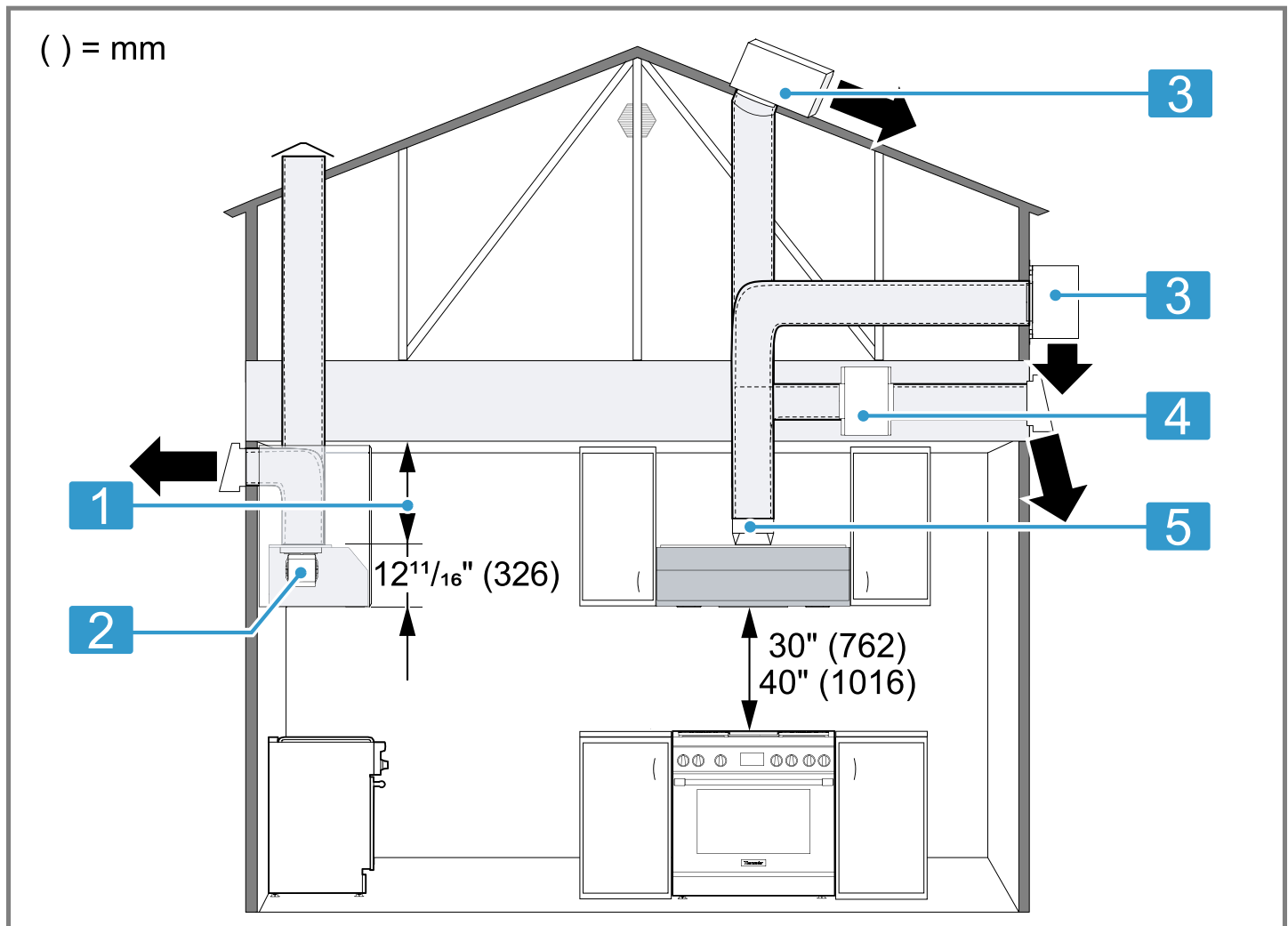
- L'air est évacué vers le haut par un conduit ou directement par une ouverture au travers de la paroi extérieure.
- L'appareil ne peut être monté au mur qu'avec un refoulement vertical.
- Un bon rendement dépend d'un système de gaines adéquat. Les codes du bâtiment locaux peuvent exiger l'utilisation de systèmes d'air d'appoint lorsque vous installez des systèmes de ventilation par conduites de plus grande capacité que le nombre de pieds cubes par minute (pi<sup>3</sup>/min) spécifiés pour la ventilation.
- Le nombre de pi<sup>3</sup>/min spécifié varie d'un endroit à l'autre. Il est de la responsabilité du propriétaire et de l'installateur de déterminer si des exigences et/ou des normes supplémentaires s'appliquent à des installations spécifiques.
- **N'UTILISEZ PAS DE CONDUITS SOUPLES**, elles créent une contre-pression ou des turbulences et réduisent le rendement du système.
- Installez toujours un abat-vent de métal au point de sortie de la gaine, à l'extérieur.
- L'appareil doit être ventilé à l'extérieur du bâtiment uniquement.
- Pour les installations de systèmes de gaines en **CLIMAT FROID**, veuillez installer un clapet antiretour supplémentaire pour atténuer le retour d'air froid et une résistance thermique non métallique pour minimiser la conduction de la température externe. Le clapet antiretour doit être installé du côté de l'air froid de la résistance thermique. La rupture doit être aussi proche que possible de l'endroit où le conduit entre dans la partie chauffée de la maison.
- **AIR D'APPOINT** : Les codes du bâtiment locaux peuvent exiger l'utilisation de systèmes d'air d'appoint lorsque vous installez des systèmes de ventilation par conduites de plus grande capacité que le nombre de pieds cubes par minute (pi<sup>3</sup>/min) spécifiés pour la ventilation. Le nombre de pi<sup>3</sup>/min spécifié varie d'un endroit à l'autre. Il incombe au propriétaire et à l'installateur de déterminer si des exigences et/ou normes additionnelles s'appliquent pour des installations spécifiques.
- Pour réduire le risque de feu et pour évacuer correctement l'air, évacuez l'air vers l'extérieur. Ne pas évacuer l'air évacué dans les espaces avec des murs ou des plafonds ou dans les greniers, les vides sanitaires ou les garages.
- Thermador recommande de ne pas dépasser 50 pi (15,24 m) équivalent de conduit.
- Maintenez le système de gaines aussi court et droit que possible. Les coudes et les raccords de transition réduisent l'efficacité du débit d'air. Les coudes installés l'un après l'autre et les configurations en « S » donnent un très faible rendement et ne sont pas recommandés.
- Une gaine droite et courte installée à l'admission d'un souffleur à distance offre le meilleur rendement d'aspiration.
- Les hottes sont fournies avec une transition de 10 po (254 mm). Pour d'autres diamètres, une pièce de transition fournie dans la région est requise.
- Utilisez le tableau « Longueurs de conduits équivalentes pour les transitions couramment utilisées » pour calculer les longueurs admissibles pour les conduits vers l'extérieur. → *Page 31*

## Longueurs de conduits équivalentes pour les transitions couramment utilisées

Type de conduit	Diamètre de la pièce (po)	Longueur équivalente (pi)	Type de conduit	Diamètre de la pièce (po)	Longueur équivalente (pi)
 Circulaire droit	6	1.2	 3/4 po x 10 po à coude circulaire à 90°	6	10
	8	0.7			
	10	0.6			
 3/4 po x 10 po droit	S/O	1	 Coude inversé gauche à centre de 3/4 po x 10 po	S/O	15
 3/4 po x 14 po droit	S/O	0.7	 Coude inversé droit à centre de 3/4 po x 10 po	S/O	25
 Coude circulaire à 90°	6	12	 Coude inversé à gauche de 3/4 po x 10 po	S/O	15
	8	6			
	10	5			
 Coude circulaire à 45°	6	5	 Coude inversé à droite de 3/4 po x 10 po	S/O	25
	8	3			
	10	2			
 Coude de 3/4 po x 10 po à 90°	S/O	5	 Bouche d'aération circulaire murale	6	2
				8	2
				10	2
 Coude de 3/4 po x 10 po à 45°	S/O	15	 Bouche d'aération circulaire de toit	6	2
				8	2
				10	2
 Coude plat de 3/4 po x 10 po	S/O	20	 Conduit souple de 3/4 po x 10 po de 2 pieds de long	S/O	20
 Circulaire à 3/4 po x 10 po	6	1			
	8	10			
 3/4 po x 10 po à circulaire	6	5	 Support de fixation et obturateur de toit de 3/4 po x 10 po	S/O	2
	8	2			
 Circulaire à coude de 3/4 po x 10 po à 90°	6	10			

**Remarque :** Ces pièces d'installation couramment utilisées peuvent être achetées dans une quincaillerie locale. Thermador ne fabrique pas toutes ces pièces.

## Dispositions courantes de conduites



1	Varie
2	Ventilateur intégré
3	Ventilateur à distance
4	Ventilateur en ligne
5	Clapet antirefoulement de la conduite de transition

**Remarque :** REMARQUE : L'image ne présente pas toutes les dispositions ou méthodes d'installation. Elle est à titre indicatif SEULEMENT.

## 4.2 Choisir le bon ventilateur

Tous les modèles de ventilateur sont vendus séparément. Il est recommandé d'utiliser uniquement des ventilateurs Thermador avec des hottes de ventilation professionnelles Thermador. Voir le « Guide de planification de la ventilation » pour les ventilateurs recommandés. Contactez le service à la clientèle pour des options supplémentaires.

→ "Service à la clientèle", Page 42

Vous pouvez acheter des ventilateurs intégrés, en ligne et à distance auprès de votre revendeur agréé Thermador. Pour obtenir des informations sur les revendeurs locaux, visitez la section « Trouver un revendeur » sur [www.thermador.com](http://www.thermador.com).

Les options de performance du ventilateur varient en pieds cubes par minute (PCM). Les performances requises sont dictées par la surface de cuisson, le volume d'air à déplacer et la longueur du conduit. Pour les longs conduits avec plusieurs virages et coudes, envisagez d'utiliser un ventilateur plus puissant. Pour une évacuation d'air plus efficace, utilisez une conduite droite ou le moins de coudes possible.

→ "Préparation des conduits", Page 30

### Options de soufflerie

Description	UGS (SKU)
Ventilateur à distance Monté sur le toit ou le mur extérieur	VTR2FZ
Souffleur en ligne Monté entre la cuisine et le mur extérieur	VTI2FZ



Description	UGS (SKU)
Ventilateur intégré Monté à l'intérieur de la hotte	VTN2FZ

### Câble d'extension de 25 pi pour ventilateur à distance et en ligne

Le câble accessoire doit être acheté séparément. NE PAS utiliser plus d'un câble de rallonge par installation.

Description	UGS (SKU)
Câble d'extension de 25 pi pour ventilateur à distance et en ligne Disponible pour connecter la hotte aux ventilateurs en ligne et à distance pour des distances allant jusqu'à 25 pieds.	EXTNCB25W

## 4.3 Pièce de transition de la hotte

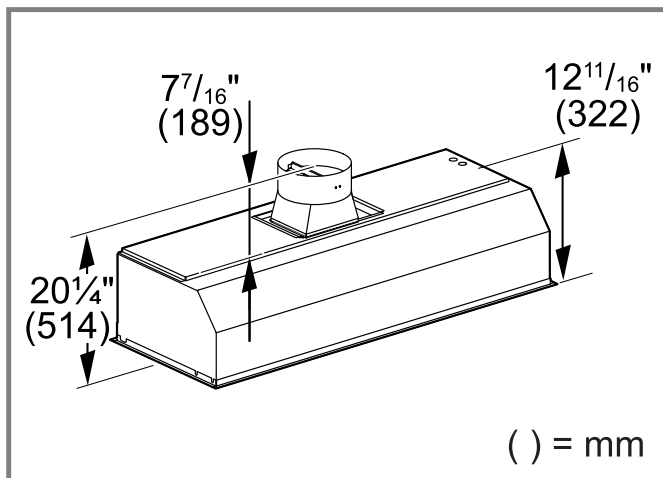
### Direction d'évacuation

L'air est évacué vers le haut par un conduit ou directement par une ouverture au travers de la paroi extérieure. La hotte peut être montée au mur uniquement avec une évacuation verticale.

### Fixation de la transition de la hotte

Votre hotte est fournie avec une transition ronde de 10 po (254 mm). Pour d'autres diamètres, une pièce de transition fournie dans la région est requise.

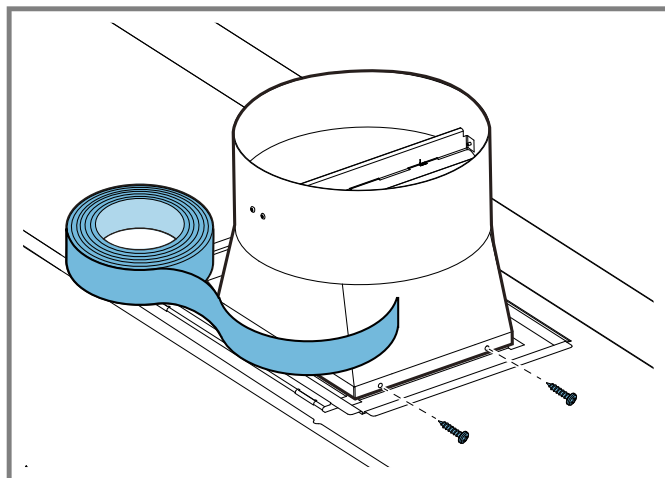
1. Un dégagement en hauteur minimum de  $7\frac{7}{16}$  po (189 mm) est nécessaire au-dessus de la hotte pour le montage de transition.



2. Alignez les trous de montage à la base de la transition sur les trous de montage de la bride de  $\frac{1}{2}$  po (13 mm) située en haut de la hotte.
3. Fixez la transition à la hotte à l'aide de quatre (4) vis à tôle de  $\frac{1}{4}$  po (6 mm) fournies avec la hotte.

**Remarque :** Assurez-vous que les vis ne gênent pas le fonctionnement du registre.

4. Scellez la connexion entre la transition et la hotte avec du ruban d'aluminium. N'UTILISEZ PAS de ruban adhésif en toile. Assurez-vous que le raccord est complètement scellé.



5. Retirez le ruban adhésif qui maintient le registre fermé.

## 5 Installation

### ⚠ AVERTISSEMENT

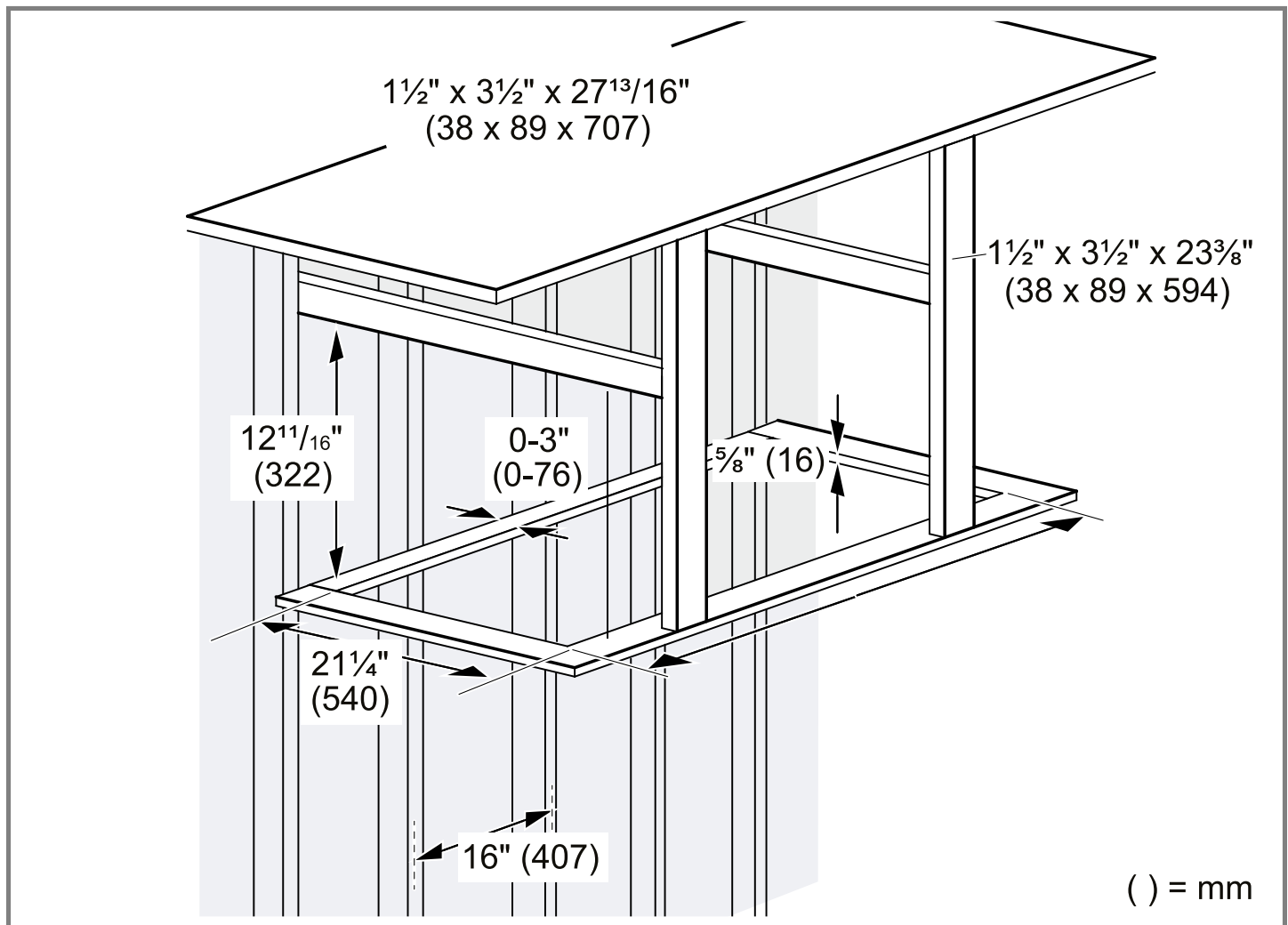
Avant l'installation, couper l'alimentation au panneau de service.

- ▶ Verrouiller le panneau de service pour empêcher que l'alimentation ne soit rétablie par accident.

### 5.1 Préparation de la découpe du plafond et du boîtier

- L'appareil doit être monté sur le boîtier environnant. Voir la section sur les exigences d'installation et les dégagements pour déterminer la hauteur d'installation. → *Page 27*
- Lors du calcul de la charge du système de support du logement, assurez-vous d'inclure le poids de l'unité de ventilation. → *Page 28*
- Construisez le boîtier conformément aux dimensions indiquées dans la section sur les dimensions de la découpe au plafond et du boîtier du montant de support. → *Page 34*
- Pour un rendement optimal, la hotte devrait être installée au niveau avec le mur arrière. Dans de telles installations, la pièce de garniture arrière peut ne pas être nécessaire.
- Vous pouvez utiliser la moulure arrière pour des installations de 1/2 po à 3 po (13 à 76 mm) du mur arrière.

### Dimensions de la découpe au plafond et du boîtier de support



UGS (SKU)	Dimension pour A
VCIN36GWS	32 $\frac{15}{16}$ po (836 mm)
VCIN42GWS	38 $\frac{15}{16}$ po (989 mm)

UGS (SKU)	Dimension pour A
VCIN48GWS	44 $\frac{15}{16}$ po (1 141 mm)
VCIN54GWS	50 $\frac{15}{16}$ po (1294 mm)

UGS (SKU)	Dimension pour A
VCIN60GWS	56 <sup>15</sup> / <sub>16</sub> po (1446 mm)

## 5.2 Installation d'insert personnalisé avec garnitures de la hotte

### ⚠ AVERTISSEMENT

Avant l'installation, couper l'alimentation au panneau de service.

- ▶ Verrouiller le panneau de service pour empêcher que l'alimentation ne soit rétablie par accident.

### ⚠ AVERTISSEMENT



L'appareil est lourd et son déplacement et installation exigent au moins deux personnes ou encore un équipement approprié.

### ⚠ AVERTISSEMENT



Certaines surfaces cachées peuvent avoir des rebords tranchants.

- ▶ Redoubler de vigilance quand vous passez la main derrière ou sous l'appareil électroménager.

### Préparation des conduits

1. Reportez-vous à la section sur la préparation des conduits. → *Page 30*
2. Installez la transition métallique avec clapet anti-retour de manière à ce que le volet s'ouvre vers le plafond. Si nécessaire, installez une rupture de pont thermique et un clapet anti-retour supplémentaire. Reportez-vous à la section sur la fixation de la transition de la hotte. → *Page 33*

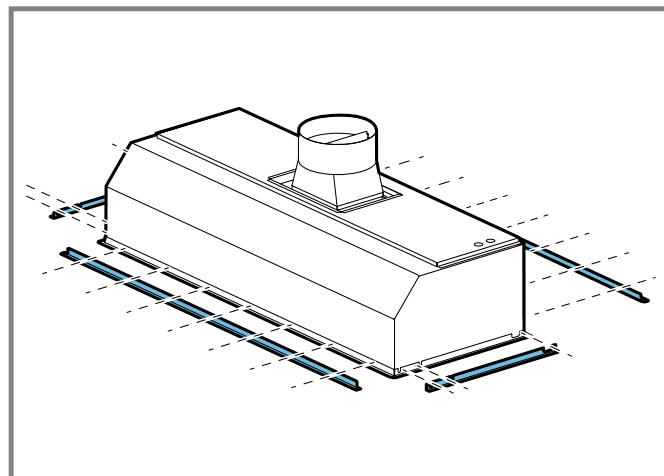
### Construire le cadre du boîtier

1. Reportez-vous aux dimensions de l'appareil. → *Page 27*
2. Reportez-vous à la section sur les exigences d'installation et les dégagements pour les spécifications de dégagement. → *Page 27*
3. Construisez le cadre de logement pour votre modèle. Reportez-vous aux dimensions dans la section sur la préparation de la découpe du plafond et du boîtier. → *Page 34*

### Installation de la garniture de la hotte

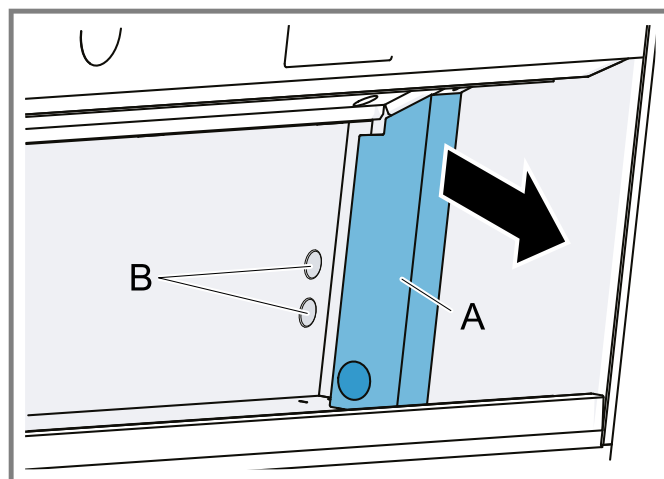
1. Maintenez la garniture au ras du fond du boîtier. Fixez la garniture à la hotte à l'aide de (20) vis de  $\frac{3}{8}$  po (9,5 mm).

2. La pièce de garniture arrière peut ne pas être nécessaire dans certains scénarios d'installation où il y a un espace de  $\frac{1}{2}$  po (12,7 mm) ou moins entre la hotte et le mur arrière.

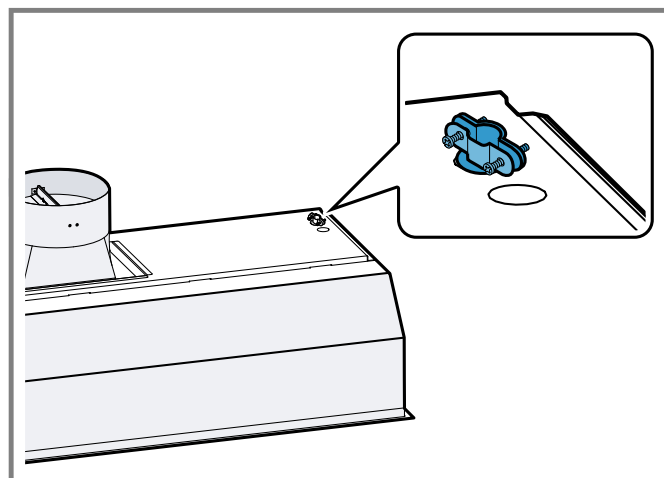


### Préparation du cheminement des fils

1. Retirer le couvercle de la boîte de jonction A.
2. Retirez une découpe circulaire B.

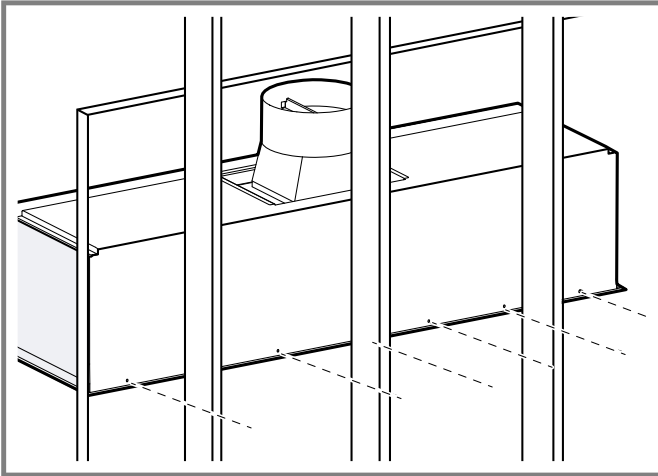


3. Installez le réducteur de tension (non inclus) dans l'une des entrées défonçables circulaires.

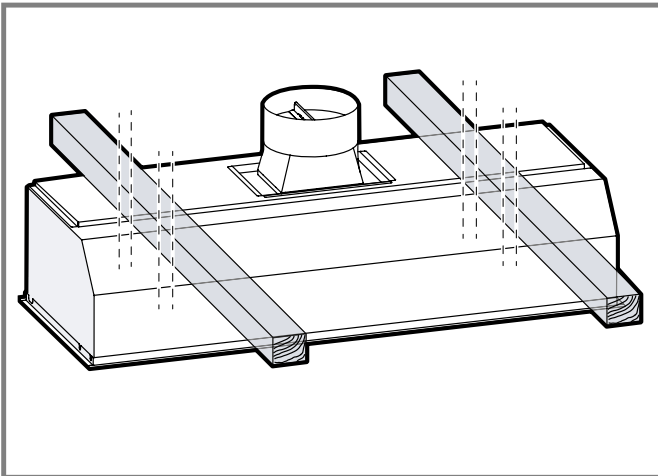


## Installation de l'appareil

1. Installez l'insert personnalisé à l'intérieur du boîtier personnalisé.
2. Fixez à l'arrière du cadre du boîtier à l'aide de six (6) vis de montage de 1 po (25,4 mm), comme indiqué ci-dessous.



3. Fixez au haut du cadre du boîtier à l'aide de huit (8) vis de montage de 1 po (25,4 mm), 4 de chaque côté.



4. Connectez aux conduits.

## 5.3 Installation du moteur du ventilateur

### ⚠ MISE EN GARDE

Pour réduire le risque d'incendie et de choc électrique, installez cette hotte de cuisinière uniquement avec les ventilateurs répertoriés dans le Guide de planification de la ventilation.

**Remarque :** Couper la prise du ventilateur annulera la garantie ou l'éligibilité au retour ou à l'échange.

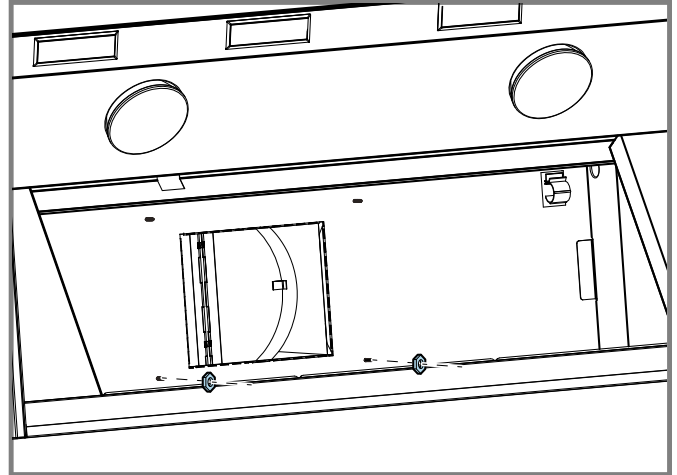
### Installation de la soufflerie intégrée

Les modèles à soufflerie intégrale sont intégrés à la hotte au moment de l'installation. Les ventilateurs intégrés doivent être installés après le montage de la hotte au mur.

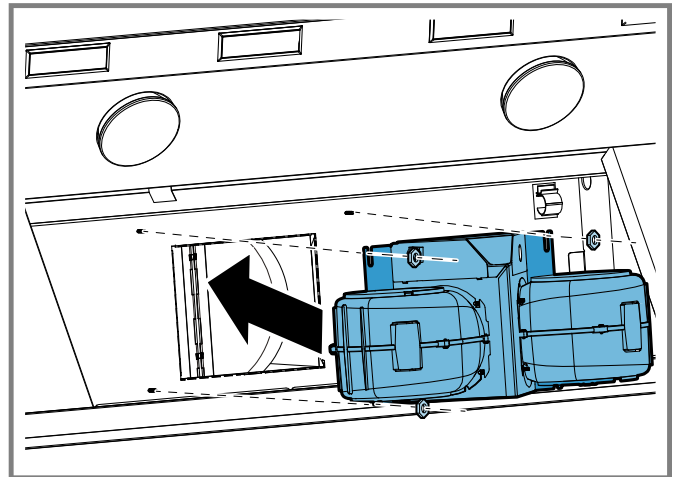
Pour accéder aux instructions de montage complètes, consultez les directives fournies avec le module du souffleur.

**Remarque :** Les vues d'image du ventilateur et de la hotte varient selon le modèle.

1. Vissez un (1) écrou à bride de 4m (inclus avec la hotte) à mi-chemin de chacun des deux goujons à souder indiqués.



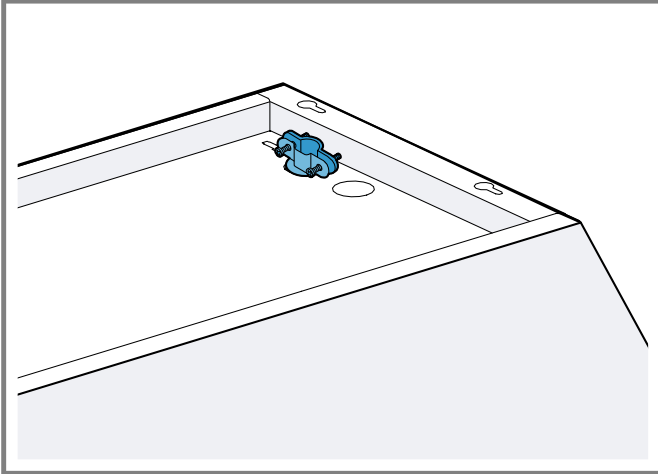
2. Faites glisser la plaque de montage du ventilateur derrière les écrous sur les goujons à souder.



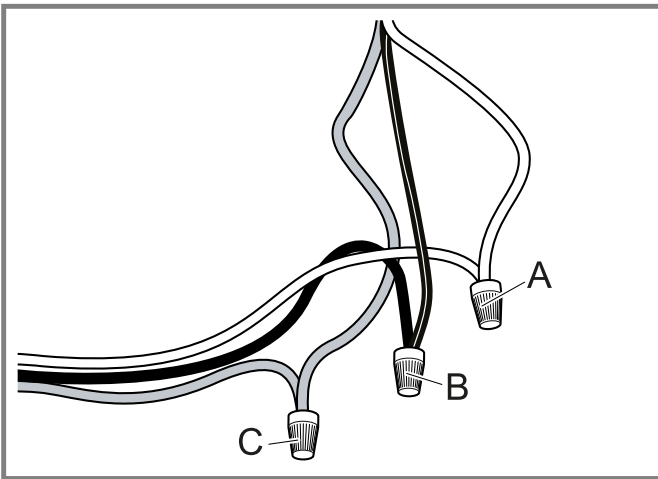
3. Installez deux (2) écrous à bride de 4m (inclus avec la hotte) sur les goujons à souder supérieurs et serrez.
4. Serrez les deux écrous (x2) de l'étape 1 pour fixer complètement le ventilateur à la hotte.



1. Faites passer un câble d'alimentation de circuit de 120 V CA, 15 A depuis le panneau de service jusqu'au serre-câble.



2. Connectez le fil noir au fil noir d'alimentation, le fil blanc au fil blanc d'alimentation et le fil vert au fil vert ou au fil nu.



- |   |                           |
|---|---------------------------|
| A | Blanc à blanc             |
| B | Noir à noir               |
| C | Fil vert à vert ou dénudé |

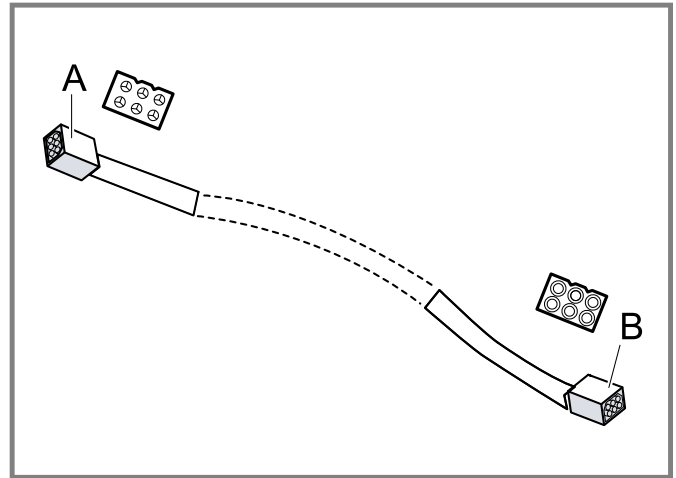
3. Placez toutes les connexions de câblage à l'intérieur du canal de la boîte de jonction. Réinstallez sur la plaque supérieure. Assurez-vous que les fils sont bien fixés et qu'aucun fil n'est pincé.

### Connexion du câble d'extension (en option)

EXTNCB25W Câble d'extension de 25 pi pour ventilateur à distance et en ligne.

1. Pièces incluses :
  - Câble de 25 pieds (1)
  - Câbles adaptateurs (2) - non nécessaires pour tous les modèles
2. Acheminez le harnais du souffleur interne à travers le réducteur de tension.

3. Connectez le câble d'extension de 25 pieds au harnais du souffleur de la hotte.



- |   |                                                                |
|---|----------------------------------------------------------------|
| A | Valeurs de raccordement à la hotte                             |
| B | Valeur de raccordement à une soufflerie à distance ou en ligne |

**Remarque :** Couper le connecteur annulera la garantie de l'appareil.

**Le câble d'extension du ventilateur est compatible avec les ventilateurs en ligne et à distance suivants :**

Ventilateur	Modèle
Ventilateur à distance	VTR2FZ
Souffleur en ligne	VTI2FZ

### 5.4 Commutateur de relais de volet d'air d'appoint (en option)

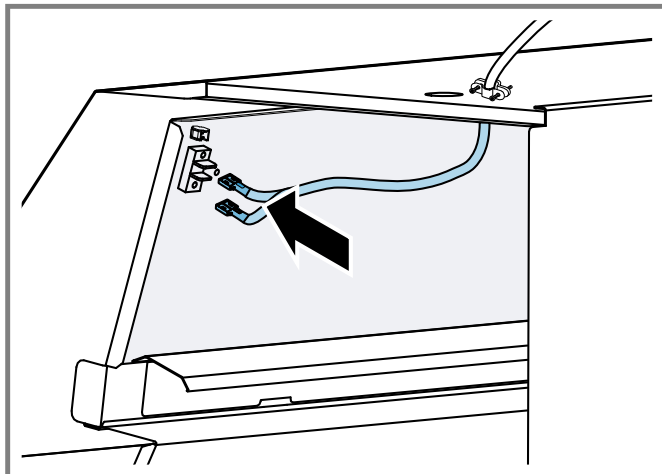
Il se peut que les codes locaux demandent l'utilisation d'un clapet antirefoulement et/ou pour air d'appoint supplémentaire. Communiquez avec un professionnel en système de chauffage, de ventilation et de climatisation (CVC) de votre région pour connaître les exigences.

Cette hotte fournit un interrupteur à relais pour connecter un registre d'air d'appoint (120 V max). Les installations varient en fonction de l'emplacement de la maison où sera installé l'appareil et le clapet utilisé. Utilisez l'illustration suivante comme guide pour votre installation. Respectez toujours les exigences des codes locaux.

#### Raccordement du commutateur de relais du volet d'air d'appoint

1. Accédez au câblage de la hotte.

2. Acheminez le faisceau du clapet d'appoint d'air par le protecteur de fil vers la plaque à bornes.
  - Les raccordements électrique et de retour de la trousse d'appoint d'air s'enfichent dans n'importe quelle borne. Il n'y a aucune exigence en matière de polarité sur la plaque à bornes à deux broches.



3. Fixez solidement le fil de mise à la terre avec la vis verte de mise à la terre T-20.

## 5.5 Accessoire de télécommande intégré (en option)

Lisez attentivement les présentes directives avant de commencer. Nous conseillons de câbler la télécommande à la hotte après installation de cette dernière.

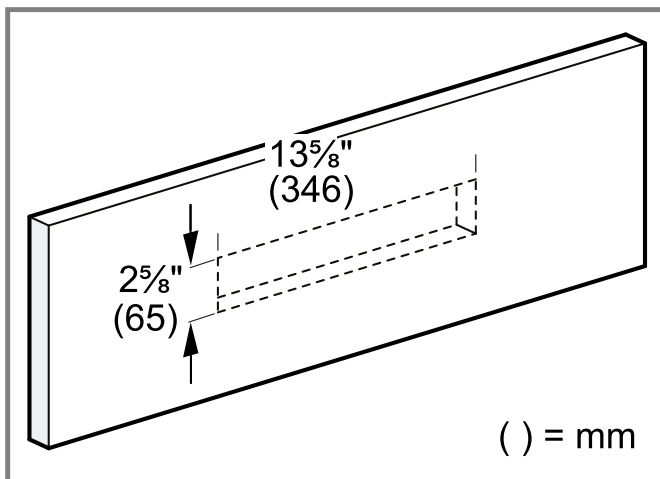
**IMPORTANT** : Sectionner un connecteur vers l'appareil ou la trousse de la rallonge annulera la garantie.

### Pièces REMCPW incluses :

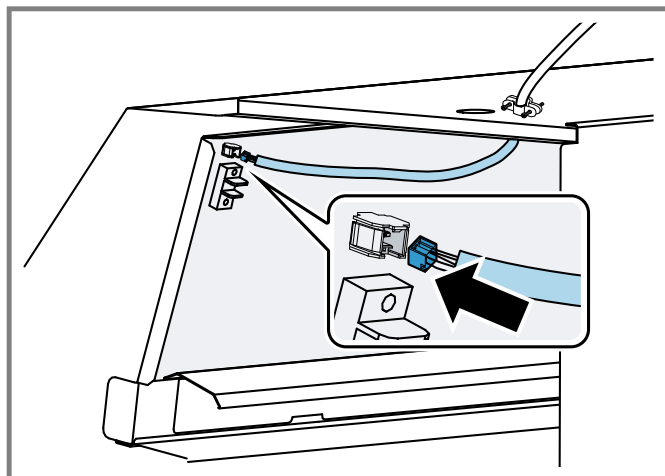
- Télécommande (1)
- Faisceau d'extension de 30 pi (914 cm) (1)

### Installation de la télécommande

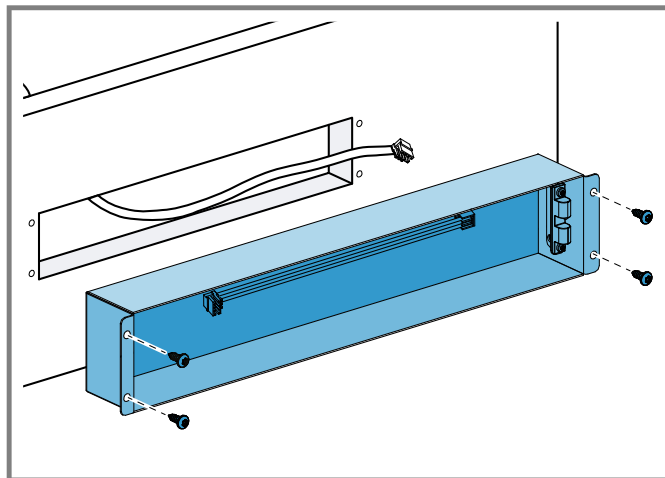
1. Préparez la découpe dans le mur ou une surface similaire pour l'installation comme indiqué ci-dessous (la vue est montrée face au mur).



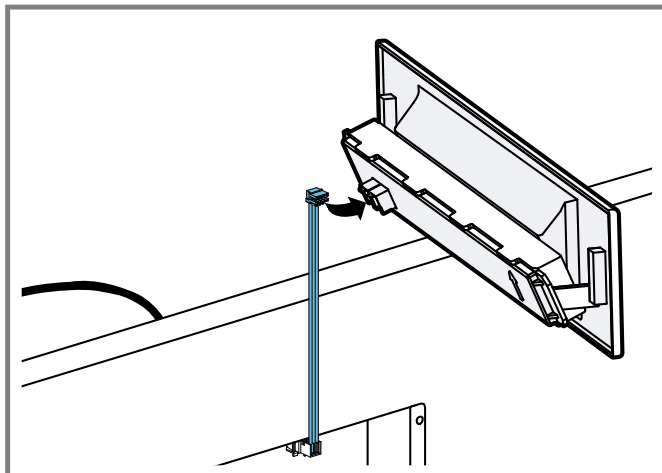
2. Accédez au câblage de la hotte. Acheminez le faisceau d'extension de 30 pi (914 cm) vers la bride de fixation carrée en passant à travers le protecteur de cordon jusqu'à ce qu'il s'enclenche.



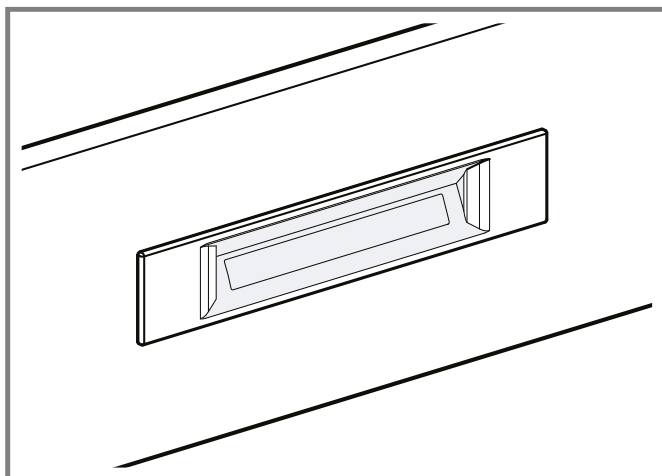
3. Faites passer le faisceau d'extension de 30 pi (914 cm) par la découpe et fixez-le au dos du support de la télécommande.
4. Fixez le support à l'intérieur de la découpe en appuyant dessus. Percez un trou taraudé de 1/4 po (6 mm) dans les trous du support pour atteindre le mur. Fixez le support au mur avec les quatre (4) vis fournies.



5. Raccordez le connecteur du faisceau de fil à l'intérieur du support à la borne au dos de la télécommande. Utilisez une borne ou l'autre.



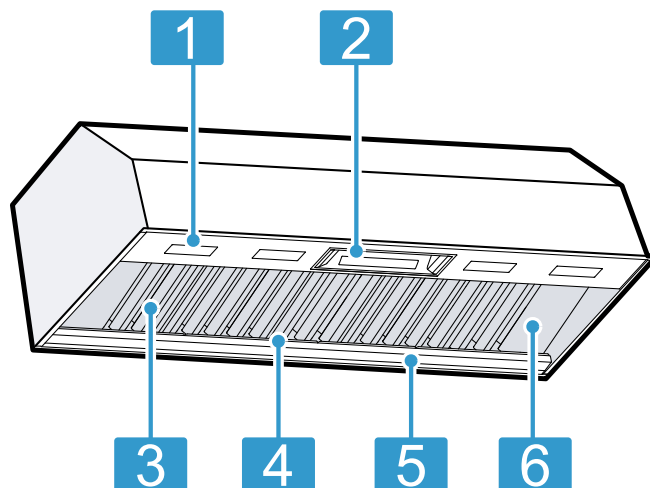
6. Enclenchez la télécommande dans le support.



## 5.6 Installation des bacs à graisse et des filtres

**IMPORTANT : NE PAS** utiliser la table de cuisson ou la cuisinière sans la hotte.

**Hotte personnalisée**  
VCINxxGWx



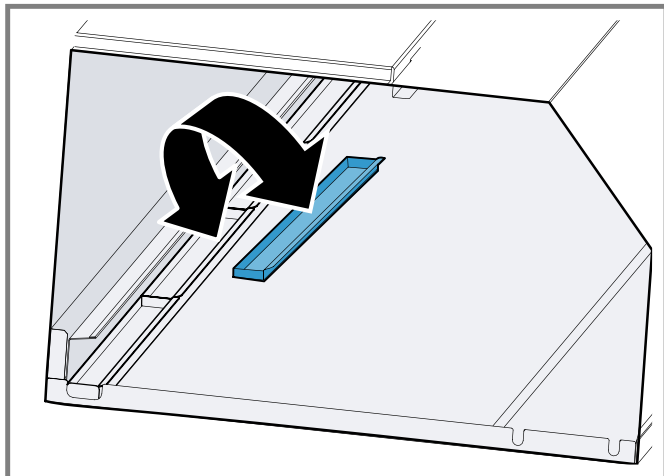
- |   |                              |
|---|------------------------------|
| 1 | Lumières à DEL               |
| 2 | Panneau à commandes tactiles |
| 3 | Filtres à déflecteurs        |
| 4 | Bacs à graisse               |
| 5 | Bac à graisse                |
| 6 | Entretoises de filtre        |

### Installation des filtres et bacs à graisse

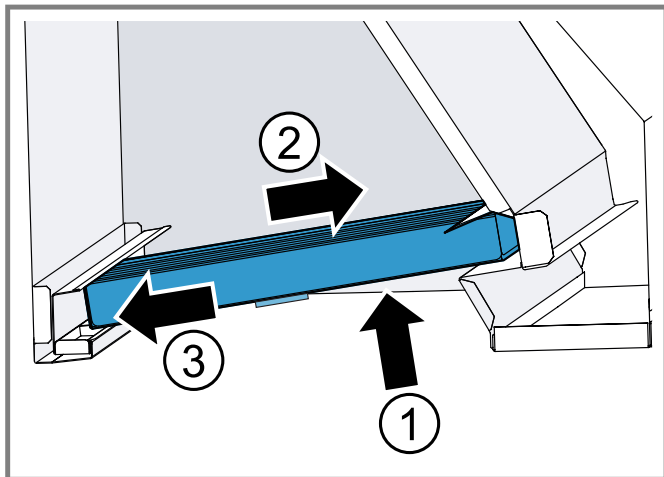
1. Éteignez le ventilateur et les lumières.
2. Retirez tout le plastique des pièces de la hotte.



3. Insérez le bac à graisse dans le bac arrière. Insérez puis enfoncez complètement le plateau à graisse dans le compartiment. Installer les plateaux à graisse avant les filtres.
- Le petit bac à graisse doit être installé au centre de la hotte.



4. Installez les filtres. Commencer avec un filtre externe. Saisissez le filtre par la poignée, le cas échéant, ou par les côtés. Ne placez pas les doigts à l'intérieur des lamelles du filtre. Glissez le filtre vers le haut en direction de l'avant de la hotte puis enfoncez-le sur le dessus du plateau à graisse.
- Le filtre de 8 po doit être installé au centre de la hotte en tout temps.



5. Installez les entretoises du filtre. Le cas échéant, insérez les entretoises de filtre aux extrémité gauche et droite. Poussez vers le haut, faites glisser vers l'avant de la hotte, puis poussez vers le bas.
6. Pour retirer les filtres et les bacs à graisse, assurez-vous que les filtres sont froids et que la graisse a figé. Procédez ensuite dans l'ordre inverse des instructions précédentes.

## 6 Liste de contrôle de l'installateur

### Dernière vérification

- Dégagements spécifiés maintenus avec les surfaces des armoires.
- Appareil électroménager de niveau.
- Tout le matériel d'emballage retiré.
- Connexion de mise à la terre appropriée.
- Le propriétaire sait où se trouve le disjoncteur principal.
- INSTALLATEUR : Notez le numéro de modèle et le numéro de série dans le manuel. Laissez le manuel et manuel d'installation avec le propriétaire de l'appareil.

### Pour nettoyer et protéger les surfaces extérieures

- Nettoyez les surfaces en acier inoxydable en les essuyant avec un chiffon savonneux humide. Rincez à l'eau claire et séchez avec un chiffon doux pour éviter les traces d'eau. Enlevez les empreintes digitales et les taches avec un nettoyant pour vitres doux.
- Appliquez un produit revitalisant pour acier inoxydable avec un chiffon doux pour polir et protéger la surface. Le conditionneur en acier inoxydable Thermador est disponible à l'achat dans la boutique d'accessoires en ligne (États-Unis uniquement) [www.thermador.com/us/accessories](http://www.thermador.com/us/accessories). Commandez le numéro de pièce 00576697 (flacon pulvérisateur) ou 17002200 (lingettes).
- N'utilisez pas le conditionneur sur des surfaces autres qu'en acier, des logos, des marques de contrôle, des étiquettes, de l'acier inoxydable noir ou résistant aux taches et des intérieurs d'appareils.
- NE PAS laisser de dépôts sur les surfaces pendant de longues périodes.
- NE PAS utiliser des brosses en acier ou de la laine d'acier ordinaires. De petits morceaux d'acier pourraient coller à la surface et provoquer des taches de rouille.
- NE PAS laisser de solutions à base de sel, des produits désinfectants, des javellisants ou des composés de nettoyage en contact avec l'acier inoxydable pendant des périodes prolongées. Plusieurs de ces composés renferment des produits chimiques qui pourraient être nocifs. Rincez avec de l'eau après l'exposition et séchez avec un chiffon propre.

### Dépannage

Voir le manuel pour obtenir des informations de dépannage.

Reportez-vous à la garantie limitée du produit dans le Guide d'utilisation et d'entretien. Veuillez vous préparer avec les informations imprimées sur la plaque signalétique de votre produit lors de votre appel.

## 7 Service à la clientèle

Lors de toute réparation réalisée dans le cadre de la garantie, nous nous assurons que votre appareil est réparé avec des pièces de rechange d'origine par un technicien dûment formé et agréé. Nous utilisons exclusivement des pièces de rechange d'origine lors des réparations.

Pour plus d'informations sur la durée et les conditions de la garantie dans votre pays, consultez nos modalités de garantie auprès de votre détaillant ou sur notre site Web. Si vous contactez le service à la clientèle, indiquez le numéro de modèle (E-Nr.) et le numéro de fabrication (FD) de l'appareil.

La source de lumière est disponible en tant que pièce de rechange et doit être remplacée uniquement par du personnel qualifié.

USA:

1-800-735-4328

[www.thermador.com/support](http://www.thermador.com/support)

[www.thermador.com/us/accessories](http://www.thermador.com/us/accessories)

CA:

1-800-735-4328

[www.thermador.ca](http://www.thermador.ca)

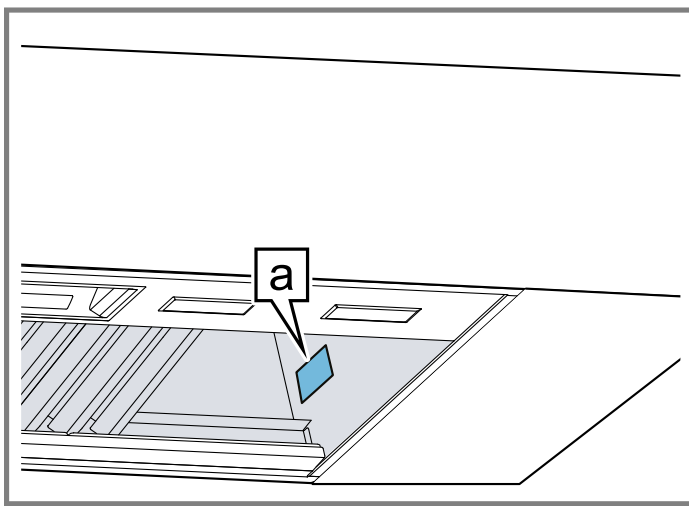
[www.thermador.ca/fr/soutien/filtres-nettoyants-accessoires](http://www.thermador.ca/fr/soutien/filtres-nettoyants-accessoires)

### 7.1 Numéro de modèle (E-Nr.) et numéro de fabrication (FD)

Le numéro de modèle (E-Nr.) et le numéro de fabrication (FD) sont indiqués sur la plaque signalétique de l'appareil. Pour retrouver rapidement les données de votre appareil et le numéro de téléphone du service à la clientèle, n'hésitez pas à les recopier ailleurs.

### 7.2 Emplacement de la plaque signalétique

La plaque signalétique se trouve sur le cadre derrière le filtre. Pour la visualiser, il faut retirer le filtre (voir la figure ci-dessous pour un exemple).



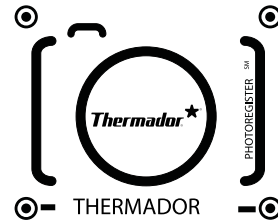
**a** Plaque signalétique

### 7.3 Enregistrement de produit

Enregistrez votre produit Thermador pour accéder aux informations relatives à votre produit.

**Vous pouvez enregistrer votre produit de plusieurs manières :**

- Inscrivez-vous avec votre téléphone (aux É.-U. seulement) :



- Prenez une photo de l'icône de la caméra sur la carte d'enregistrement, y compris les points (©).
- Envoyez la photo par texto au numéro 21432. (É.-U. seulement, des frais de messagerie et de données peuvent s'appliquer.)
- Postez la carte d'enregistrement du produit remplie à l'adresse imprimée sur la carte.
- Enregistrez le produit en ligne au
  - É.-U. : [www.thermador.com](http://www.thermador.com)
  - Canada : [www.thermador.ca](http://www.thermador.ca)
- Appelez Thermador Support à la clientèle au 1-800-735-4328.

# Tabla de contenidos

## 1 INSTRUCCIONES DE SEGURIDAD

<b>IMPORTANTES.....</b>	<b>44</b>
1.1 Definiciones de seguridad .....	44
1.2 Información general .....	44
1.3 Instrucciones generales de seguridad.....	44
1.4 Códigos y normas de seguridad.....	46
1.5 Advertencias en virtud de la Proposición 65 del estado de California .....	46

## 2 Antes de empezar .....

<b>2 Antes de empezar .....</b>	<b>47</b>
2.1 Notas importantes .....	47
2.2 Distancia desde la superficie de cocción.....	47
2.3 Componentes incluidos .....	47
2.4 Herramientas y partes necesarias.....	47

## 3 Montaje de distancias y requisitos .....

<b>3 Montaje de distancias y requisitos .....</b>	<b>49</b>
3.1 Medidas del aparato.....	49
3.2 Espacios libres.....	49
3.3 Ancho de la campana .....	50
3.4 Distancia desde la superficie de cocción.....	50
3.5 Peso del aparato.....	50
3.6 Estructura de soporte .....	50
3.7 Ventilación .....	50
3.8 Requisitos eléctricos .....	51

## 4 Preparativos del montaje .....

<b>4 Preparativos del montaje .....</b>	<b>52</b>
4.1 Preparación de los conductos .....	52
4.2 Elegir el ventilador adecuado .....	54
4.3 Transición de la campana .....	55

## 5 Instalación .....

<b>5 Instalación .....</b>	<b>56</b>
5.1 Preparar la abertura del techo y la carcasa.....	56
5.2 Montaje de grupo filtrante con molduras de la campana .....	57
5.3 Montaje del motor del ventilador .....	58
5.4 Interruptor de relé de regulador de aire de compensación (opcional) .....	60
5.5 Accesorio integrado para el mando a distancia (opcional) .....	61
5.6 Montar las bandejas para la grasa y los filtros.....	62

## 6 Lista de comprobación del instalador .....

## 7 Servicio de atención al cliente .....

<b>6 Lista de comprobación del instalador .....</b>	<b>63</b>
<b>7 Servicio de atención al cliente .....</b>	<b>64</b>
7.1 Número de modelo (E-Nr.) y número de fabricación (FD) .....	64
7.2 Ubicación de la placa de características del aparato.....	64
7.3 Registro del producto .....	64



# INSTRUCCIONES DE SEGURIDAD IMPORTANTES

## LEA Y CONSERVE ESTAS INSTRUCCIONES

Leer atentamente todas las instrucciones antes de proceder con el uso. Si se toman estas precauciones, se reducirán los riesgos de descargas eléctricas, incendios y lesiones personales. Al utilizar aparatos de cocina, se deben tomar precauciones de seguridad básicas, incluidas las que se detallan en las páginas siguientes.

### 1.1 Definiciones de seguridad

Aquí puede encontrar explicaciones de las palabras de señal de seguridad utilizadas en este manual.

#### ADVERTENCIA

Esto indica que pueden producirse la muerte o heridas graves si no se cumple con esta advertencia.

#### PRECAUCIÓN

Esto indica que pueden producirse heridas leves o moderadas si no se cumple con esta advertencia.

#### **AVISO:**

Esto indica que pueden producirse daños en el aparato o en los bienes si no se cumple con este aviso.

**Nota:** Esto alerta sobre información o sugerencias importantes.

### 1.2 Información general

Todos los manuales de producto pueden descargarse en línea en [www.thermador.com/us/support/owner-manuals](http://www.thermador.com/us/support/owner-manuals).

**INSTALADOR:** Dejar estas instrucciones con esta unidad para el propietario.

**PROPIETARIO:** Conservar estas instrucciones para referencia futura. Leer íntegramente las instrucciones antes de utilizar el aparato. El instalador debe mostrar al usuario dónde se encuentra el breaker del circuito eléctrico para que el usuario sepa dónde puede desconectar el suministro eléctrico del aparato.

### 1.3 Instrucciones generales de seguridad

#### ADVERTENCIA



Si no sigue rigurosamente la información contenida en este manual podría provocar un incendio o una explosión, y como resultado podría causar daños a la propiedad, lesiones o la muerte.

- No guarde o use materiales combustibles, gasolina u otros productos inflamables, bajo cualquier tipo de envase cerca de esta placa de cocción o de cualquier otro aparato.
- QUÉ HACER EN CASO DE OLER A GAS
  - No trate de encender ningún aparato.
  - No toque ningún interruptor eléctrico.
  - No use ningún teléfono en su casa.
  - Llame de inmediato a su proveedor de gas desde el teléfono de algún vecino y siga las instrucciones de su proveedor de gas.
  - Cuando no pueda localizar a su proveedor de gas, llame a los bomberos.
- Un instalador cualificado, una agencia de servicio autorizada o el proveedor de gas debe realizar la instalación y el servicio.

#### ADVERTENCIA

Interrumpir la alimentación eléctrica en el panel de servicio y bloquear el panel antes de instalar el cableado de este aparato. Requisitos: 120 V CA, 60 Hz, 15 A o 20 A para algunos modelos. Una vez que se haya interrumpido la alimentación eléctrica, dejar enfriar el aparato antes de proceder al mantenimiento.

#### ADVERTENCIA

Dispositivo automático

- Desconectarlo de la red eléctrica antes de proceder al mantenimiento para reducir el riesgo de lesiones.



# INSTRUCCIONES DE SEGURIDAD IMPORTANTES

## LEA Y CONSERVE ESTAS INSTRUCCIONES

### ADVERTENCIA

PARA REDUCIR EL RIESGO DE INCENDIO, DESCARGA ELÉCTRICA O LESIONES PERSONALES, ES PRECISO CUMPLIR CON LAS INDICACIONES SIGUIENTES:

- ▶ Utilizar esta unidad solo de la manera prevista por el fabricante. En caso de duda, ponerse en contacto con el fabricante.  
→ "Servicio de atención al cliente", Página 64
- ▶ Antes de realizar tareas de mantenimiento o limpieza en la unidad, desconectar la alimentación eléctrica en el panel de servicio y bloquearlo. De este modo, se evita que la alimentación eléctrica se vuelva a conectar accidentalmente. Si no es posible bloquear el panel de servicio, colocar algún tipo de advertencia visible, como una nota, sobre los interruptores del mismo.

No reparar, reemplazar ni retirar ninguna parte del aparato a menos que se recomiende específicamente en los manuales. La instalación, el servicio técnico o el mantenimiento incorrectos pueden causar lesiones o daños materiales.

- ▶ Consultar este manual como guía.
- ▶ Cualquier otra labor de mantenimiento debe de ser efectuada por un proveedor de servicios de mantenimiento autorizado.

### ADVERTENCIA



#### PELIGRO DE DESCARGA ELÉCTRICA

- ▶ Desconectar la alimentación eléctrica antes de proceder a la instalación o al mantenimiento. Antes de encender la alimentación, es preciso asegurarse de que todos los controles estén en la posición OFF (apagado).
- ▶ NO quitar las conexiones.
- ▶ NO usar un cable de extensión.
- ▶ Una puesta a tierra incorrecta puede causar una descarga eléctrica.
- ▶ No seguir estas instrucciones puede producir la muerte, provocar un incendio o una descarga eléctrica.

#### INSTRUCCIONES PARA LA CONEXIÓN A TIERRA

- ▶ Este aparato debe estar conectado a tierra.
- ▶ La conexión a tierra reduce el riesgo de descargas eléctricas, ya que proporciona una vía de escape de la corriente eléctrica en caso de cortocircuito.
- ▶ Asegurarse de que el aparato esté correctamente instalado y conectado a tierra por un técnico calificado.

- ▶ La instalación, las conexiones eléctricas y la conexión a tierra deben cumplir con todas las normas aplicables.
- ▶ Si el Código Nacional Eléctrico (o el Código Eléctrico Canadiense) así lo exige, este aparato debe instalarse con un circuito derivado dedicado por separado.

### ADVERTENCIA

Para reducir el riesgo de incendio o descarga eléctrica, no utilizar este aparato con ningún dispositivo de control de velocidad de estado sólido.

### ADVERTENCIA

**PARA REDUCIR EL RIESGO DE INCENDIO, DESCARGA ELÉCTRICA O LESIONES PERSONALES, ES PRECISO CUMPLIR CON LAS INDICACIONES SIGUIENTES.**

- ▶ Los trabajos de montaje y el tendido del cableado eléctrico deberá realizarlos personal calificado de conformidad con todos los códigos y normas aplicables, incluidas aquellas relativas a la construcción resistente al fuego.
- ▶ Se necesita una cantidad suficiente de aire para la correcta combustión y extracción de gases a través de la salida de humos (chimenea) del equipo de quema de combustible para evitar el reflujo. Seguir las indicaciones del fabricante del aparato de calentamiento y las normas de seguridad, como las publicadas por la Asociación Nacional de Protección contra el Fuego (NFPA, por sus siglas en inglés), la Sociedad Americana de Ingenieros de Calefacción, Refrigeración y Aire Acondicionado (ASHRAE, por sus siglas en inglés) y las autoridades locales.
- ▶ Cuando se corte o perforo la pared o el techo, no dañar el cableado eléctrico ni otros sistemas ocultos.
- ▶ Los ventiladores de ductos siempre deben extraer el aire hacia el exterior.
- ▶ **UTILIZAR ÚNICAMENTE CONDUCTOS METÁLICOS.**
- ▶ **NO** dirigir el aire de salida hacia lugares cerrados, espacios dentro de paredes, techos, áticos, entrepisos o cocheras.

### PRECAUCIÓN

Solo para ventilación general.

- ▶ No utilizar para la extracción de sustancias y vapores peligrosos o explosivos.



# INSTRUCCIONES DE SEGURIDAD IMPORTANTES

## LEA Y CONSERVE ESTAS INSTRUCCIONES

### ADVERTENCIA

No modificar ni alterar la construcción del aparato.

### ADVERTENCIA

Retirar toda la cinta y el embalaje antes de usar el aparato.

- ▶ Desechar el embalaje de manera respetuosa con el medio ambiente.
- ▶ No dejar nunca que los niños jueguen con el material de embalaje.

### ADVERTENCIA



La unidad es pesada y se requieren al menos dos personas o un equipo adecuado para trasladarla e instalarla.

### ADVERTENCIA



Las superficies ocultas pueden tener bordes afilados.

- ▶ Proceder con cuidado al intentar sujetar el aparato por la parte trasera o desde abajo.

### PRECAUCIÓN

Se debe instalar un ventilador exterior detrás de las rejillas o en un lugar donde sea poco probable que se ubique la entrada de extracción de agua.

## 1.4 Códigos y normas de seguridad

Este aparato cumple con la última versión de una o varias de las siguientes normas:

- UL 507: Ventiladores eléctricos
- CAN/CSA C22.2 n.º 113: Ventiladores y ventilaciones

Es responsabilidad del propietario y del instalador determinar si son aplicables otros requisitos o normas en montajes específicos.

## 1.5 Advertencias en virtud de la Proposición 65 del estado de California

Este producto puede contener un químico que el Estado de California reconoce como potencialmente cancerígeno o causante de daños reproductivos. Por tanto, su producto debe llevar en su embalaje la siguiente etiqueta de conformidad con la legislación de California:

**ADVERTENCIA EN VIRTUD DE LA PROPOSICIÓN 65 DEL ESTADO DE CALIFORNIA:**

**⚠ ADVERTENCIA**

Cáncer y daño reproductivo - [www.P65Warnings.ca.gov](http://www.P65Warnings.ca.gov)

## 2 Antes de empezar

Leer estas instrucciones antes de comenzar la instalación del aparato.

### 2.1 Notas importantes

#### ADVERTENCIA

El montaje incorrecto de aparatos de gas y campanas de ventilación puede provocar un riesgo de escape de monóxido de carbono, que puede resultar dañino. Para reducir el riesgo de intoxicación por monóxido de carbono, asegurarse de que el electrodoméstico de gas esté correctamente instalado según las instrucciones del fabricante, así como de que la campana extraiga el aire hacia el exterior para la correcta extracción de gases o humos.

- Los electrodomésticos de gas liberan monóxido de carbono que puede ser dañino o fatal si se inhala. Para reducir el riesgo de incendio y para extraer adecuadamente el aire, los gases de escape que extraiga la campana deben ventilarse únicamente hacia el exterior del edificio.
- Consultar los códigos de construcción locales para conocer los requisitos o restricciones sobre la instalación de productos de ventilación en modo de recirculación.
- La altura de instalación de la campana extractora sobre la placa de cocción, parrilla empotrable o estufa puede variar. Para obtener la altura de instalación necesaria sobre una placa de cocción, parrilla de gas o estufa, consultar el manual de instalación del aparato o la matriz de combinaciones.

#### AVISO:

La campana podría dañarse por un exceso de calor si se opera una estufa o parrilla de estufa con varios quemadores en configuraciones altas, situada debajo de una campana que esté instalada a distancias mínimas y apagada.

### 2.2 Distancia desde la superficie de cocción

Por encima de una placa de cocción, parrillas de estufa o estufa, se recomienda una altura de instalación mínima de 762 mm (30"); sin embargo, es necesario seguir las instrucciones de instalación del fabricante del electrodoméstico para obtener la altura adecuada de la campana.

Consultar los códigos de construcción locales para ver los requisitos o restricciones durante la instalación de productos de ventilación en modo de recirculación.

### 2.3 Componentes incluidos

Después de desembalar el aparato, verifique que todas las piezas no presenten daños ocasionados durante el transporte, así como que el volumen de suministro esté completo.

- Transición metálica con regulador de contracorriente

- Deflectores de aire
  - Bandejas de goteo de grasa
  - Espaciadores para filtros
  - Molduras laterales
  - Adaptador de ventilador
  - Paquete de documentación con juego de sujeciones
- Los elementos de fijación suministrados son para la instalación en estructuras de madera a través de tablaroca o yeso de grosor estándar. Los instaladores son los responsables de proporcionar los elementos de fijación para otro tipo de situaciones de instalación.

### 2.4 Herramientas y partes necesarias

Preparar los siguientes accesorios y herramientas antes de comenzar la instalación del aparato.

- Ventilador (consultar la Guía de Planeación de Ventilación para obtener información sobre los ventiladores compatibles)
- Conductos según sea necesario (consultar la tabla «Longitudes equivalentes de conductos para las transiciones más utilizadas.» → *Página 53*)
- Cinta de aluminio (NO utilizar cinta aislante o de tela para conductos)
- Conducto de 13 mm (½") si es necesario
- Cumplir con los códigos locales
- Prensacable de 25.4 mm (1")
- Desarmador Phillips
- Desarmador de estrella T20
- Llave de tuercas o vaso y trinquete de 5.5 cm (1½")
- Taladrar con broca de 4.76 mm (3/16")
- Sierra circular o caladora
- Material de armazón (según sea necesario)
- Pelacables
- Cinta métrica
- Lápiz
- Nivel
- Guantes de seguridad

**IMPORTANTE:** NO tirar ningún embalaje antes de que el aparato esté completamente instalado.

#### Hay disponibles accesorios opcionales para su compra por separado

Consultar [www.thermador.com](http://www.thermador.com) para obtener más detalles.

Accesorio	Descripción
EXTNCB25W	Cable de extensión del módulo del ventilador y del ventilador remoto de 25 pies
EXTNSET4	Kit de adaptador de cable de extensión de módulo de ventilador y ventilador en línea de 25 pies
RFPLT600P	Placa de techo para utilizarse con <ul style="list-style-type: none"> <li>■ Módulo del ventilador de 600 CFM VTR630</li> </ul>
RFPLT1000P	Placa de techo para utilizarse con <ul style="list-style-type: none"> <li>■ Módulo del ventilador de 1000 CFM VTR1030</li> </ul>

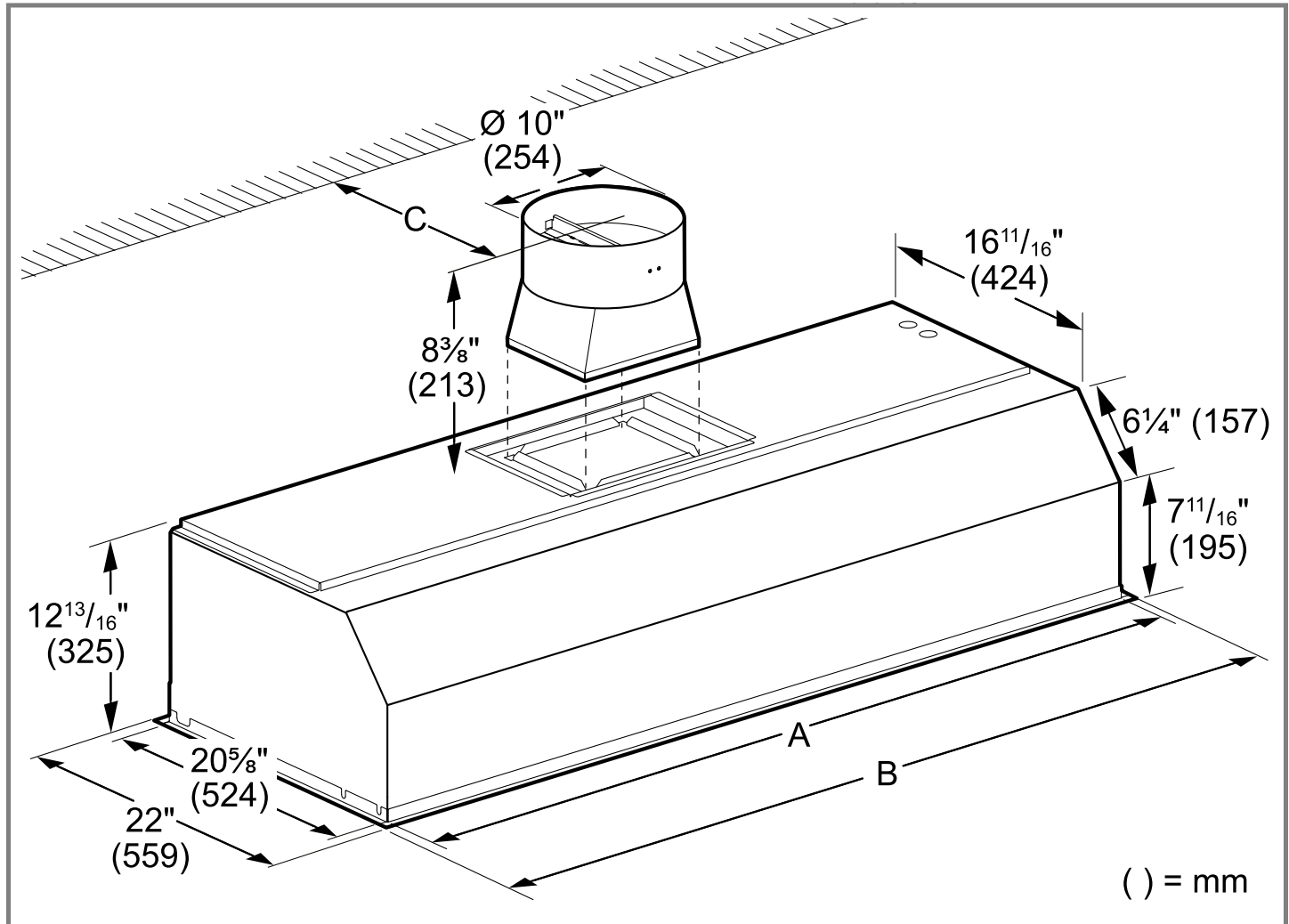
Accesorio	Descripción
REMCPW	■ Módulo del ventilador de 1300 CFM VTR1330
REMCPW	Panel del mando a distancia



### 3 Montaje de distancias y requisitos

#### 3.1 Medidas del aparato

Esta serie de modelos incorpora filtros, iluminación LED y molduras laterales.



Modelo	Medida A	Medida B	Medida C	Medida C
			Con moldura trasera	Sin moldura trasera
VCIN36WS	822 mm (32 <sup>3</sup> / <sub>8</sub> " )	857 mm (33 <sup>3</sup> / <sub>4</sub> " )	187 – 264 mm (7 <sup>3</sup> / <sub>8</sub> " – 10 <sup>3</sup> / <sub>8</sub> " )	168 – 245 mm (6 <sup>5</sup> / <sub>8</sub> " – 9 <sup>5</sup> / <sub>8</sub> " )
VCIN42WS	974 mm (38 <sup>3</sup> / <sub>8</sub> " )	1,010 mm (39 <sup>3</sup> / <sub>4</sub> " )	187 – 264 mm (7 <sup>3</sup> / <sub>8</sub> " – 10 <sup>3</sup> / <sub>8</sub> " )	168 – 245 mm (6 <sup>5</sup> / <sub>8</sub> " – 9 <sup>5</sup> / <sub>8</sub> " )
VCIN48WS	1,127 mm (44 <sup>3</sup> / <sub>8</sub> " )	1,162 mm (45 <sup>3</sup> / <sub>4</sub> " )	187 – 264 mm (7 <sup>3</sup> / <sub>8</sub> " – 10 <sup>3</sup> / <sub>8</sub> " )	168 – 245 mm (6 <sup>5</sup> / <sub>8</sub> " – 9 <sup>5</sup> / <sub>8</sub> " )
VCIN54WS	1,280 mm (50 <sup>3</sup> / <sub>8</sub> " )	1,315 mm (51 <sup>3</sup> / <sub>4</sub> " )	187 – 264 mm (7 <sup>3</sup> / <sub>8</sub> " – 10 <sup>3</sup> / <sub>8</sub> " )	168 – 245 mm (6 <sup>5</sup> / <sub>8</sub> " – 9 <sup>5</sup> / <sub>8</sub> " )
VCIN60WS	1,435 mm (56 <sup>1</sup> / <sub>2</sub> " )	1,467 mm (57 <sup>3</sup> / <sub>4</sub> " )	187 – 264 mm (7 <sup>3</sup> / <sub>8</sub> " – 10 <sup>3</sup> / <sub>8</sub> " )	168 – 245 mm (6 <sup>5</sup> / <sub>8</sub> " – 9 <sup>5</sup> / <sub>8</sub> " )

#### Notas

- La transición se centra horizontalmente.
- Para un desempeño óptimo, la campana se debe instalar nivelada a la pared trasera. En tales instalaciones, la moldura trasera no es necesaria. Para los montajes de 13 – 76 mm (½" – 3") desde la pared trasera, se puede usar la moldura trasera.

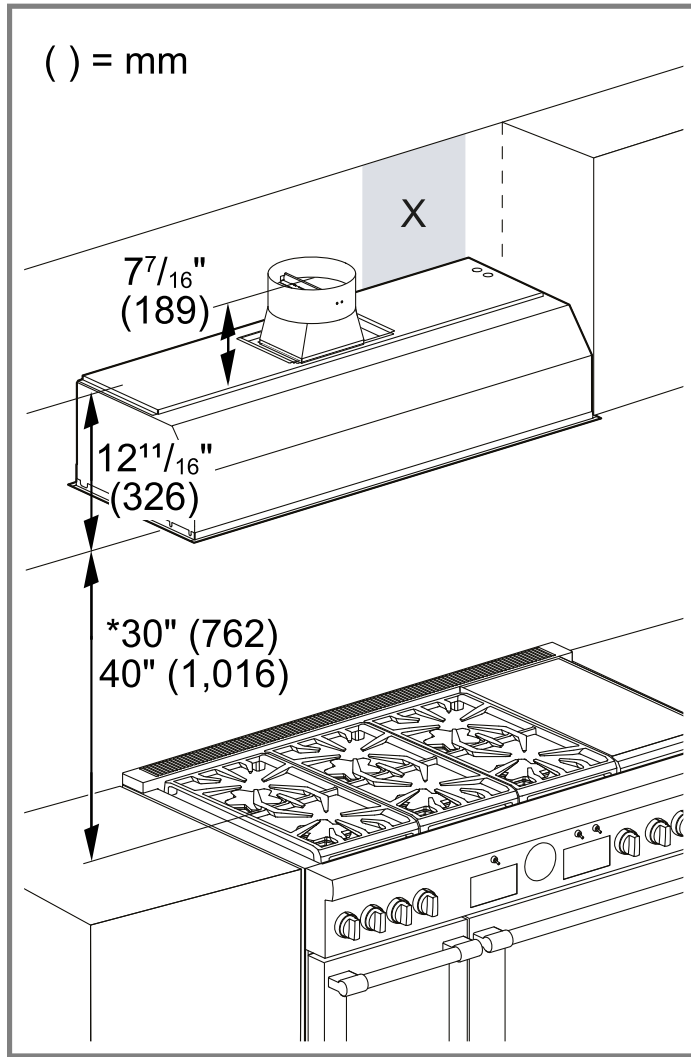
**IMPORTANTE:** la campana debe estar centrada sobre la superficie de cocción para un mejor rendimiento.

#### 3.2 Espacios libres

El grupo filtrante de la campana está diseñado para su montaje en el interior de una campana fabricada a medida.

Este aparato necesita que el conducto extraiga el aire hacia el exterior. No se puede utilizar en combinación con una unidad de recirculación.

La altura de instalación de la campana extractora sobre la placa de cocción, parrilla empotrable o estufa puede variar. Para obtener la altura de instalación necesaria sobre una placa de cocción, parrillas de estufa o estufa, consultar el manual de instalación del aparato.



X Zona eléctrica

\*Seguir las recomendaciones del fabricante del aparato de cocción.

### 3.3 Ancho de la campana

- El ancho de la campana extractora no debe ser inferior al ancho de la superficie de cocción. Para que el rendimiento sea el adecuado, la carcasa debe cubrir la totalidad de la superficie de cocción del aparato.
- Para obtener un rendimiento adecuado, la campana extractora debe estar centrada horizontalmente sobre la superficie de cocción. Si no hay limitaciones de espacio se puede usar una campana extractora más ancha para aumentar la superficie de aspiración.

### 3.4 Distancia desde la superficie de cocción

- La altura de instalación de la campana extractora sobre la placa de cocción, parrilla empotrable o estufa puede variar.

- La altura de instalación varía desde una altura mínima de 762 mm (30") hasta una altura máxima sugerida de 1,016 mm (40"). Sin embargo, es necesario seguir las instrucciones de montaje del fabricante del electrodoméstico para la altura adecuada de la campana.

#### AVISO:

La campana podría sufrir daños por el calor si se utiliza una cocina o una encimera de las series Thermador Professional® con varios quemadores a alta potencia debajo de una campana montada a una distancia mínima mientras la campana está apagada.

### 3.5 Peso del aparato

- Esta campana extractora de ventilación es pesada. Se debe proporcionar la estructura y el soporte adecuados en todos los tipos de montaje.
- Al calcular la carga para el sistema de soporte de la carcasa, asegurarse de tener en cuenta el peso del aparato de ventilación.

Descripción	Peso
VCIN36WS	24 kg (53 lb)
VCIN42WS	29 kg (63 lb)
VCIN48WS	31 kg (69 lb)
VCIN54WS	36 kg (79 lb)
VCIN60WS	39 kg (85 lb)
Modelo de ventilador integral VTN2FZ	8.6 kg (19 lb)

#### AVISO:

Los pesos mencionados solo se aplican al aparato de ventilación y al ventilador. El instalador debe tener en cuenta el peso del material de construcción al calcular la carga permanente total de la instalación, incluso, sin limitarse a ello, de los elementos siguientes: pared, baldosas, cemento, yeso, ladrillos, acabados, tabiques y otros componentes arquitectónicos y estructurales. Es responsabilidad del propietario y del instalador determinar si son aplicables otros requisitos o normas en montajes específicos.

### 3.6 Estructura de soporte

- El armazón debe estar hecho de madera de construcción, con un mínimo de 2"x 4". Es necesario un soporte estructural adecuado para acomodar el peso de la campana.

### 3.7 Ventilación

- La campana extractora requiere que los conductos se ventilen hacia el exterior del edificio.

### 3.8 Requisitos eléctricos

#### ADVERTENCIA

Este aparato debe estar adecuadamente conectado a tierra.




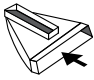

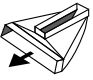

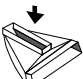
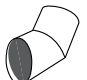
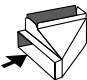
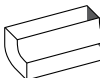

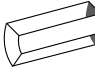


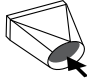
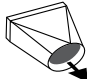
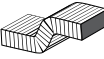
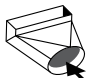
- Este aparato necesita un circuito dedicado de 120 V CA, 60 Hz. 15 A.
- El ventilador VTN2FZ junto con un PHxxGWS requiere un disyuntor de 20 A.
- El aparato solo se debería conectar a un circuito (conectado a tierra) que haya sido instalado conforme a las regulaciones aplicables.
- Cuando se conectan a un suministro con protección GFCI, las campanas de las series Thermador Professional® son adecuadas para su uso en lugares húmedos que están protegidos de las condiciones climáticas exteriores y no están sujetos a la saturación con agua y otros líquidos, pero pueden estar sujetos a grados moderados de humedad, como un patio cubierto al aire libre o zona de terraza. Para más información, consultar los códigos locales, NEC/CEC y/o la autoridad competente (AHJ).
- Comprobar sus códigos de construcción locales para conocer el método de montaje adecuado. Este aparato debería instalarse conforme a los códigos locales aplicables o, en ausencia de estas, conforme al Código Eléctrico Nacional (NFPA 70) o al Código Eléctrico de Canadá (CSA C22.1-02).
- El accesorio de cable de extensión del ventilador en línea y un módulo de ventilador de 25 pies (aprox. 8 m) (EXTNCB25W) solo funcionará para distancias de hasta 25 pies (aprox. 8 m). El cable del accesorio debe adquirirse por separado. **NO** usar más de una extensión de cable de ventilador por montaje.
- **Datos eléctricos:**  
Consultar en la placa de señalización del producto, incluido el modelo y el número de serie.  
→ *"Ubicación de la placa de características del aparato", Página 64*

## 4 Preparativos del montaje

### 4.1 Preparación de los conductos

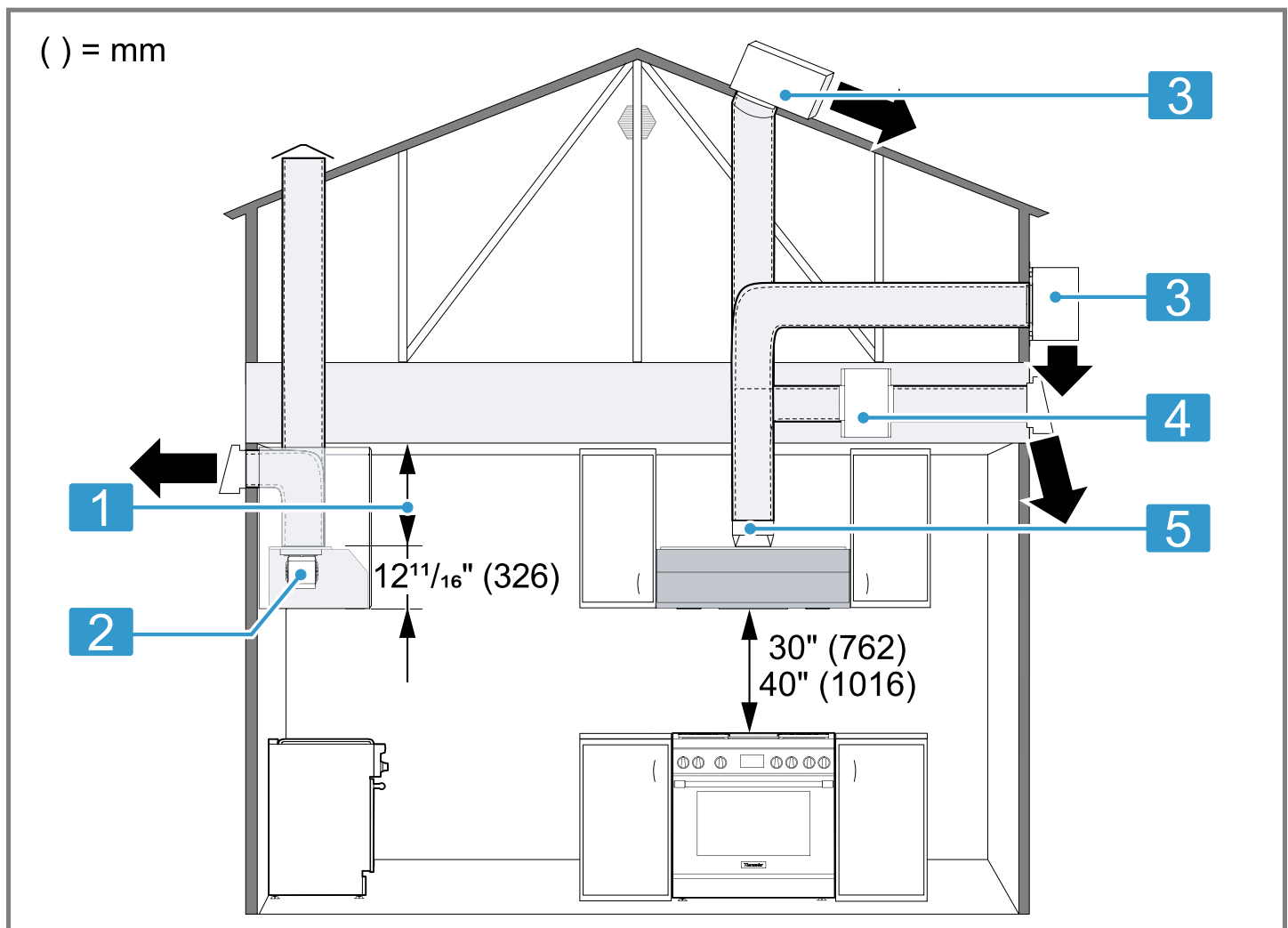
- El aire de salida se descarga hacia arriba a través de un conducto o directamente a través de la pared exterior hacia el aire libre.
- El aparato se puede montar en la pared solamente con una descarga vertical.
- El rendimiento adecuado depende de que los conductos sean los adecuados. Los códigos de construcción locales pueden exigir que se utilicen sistemas de aire de reposición cuando se use un sistema de ventilación con conductos cuya cantidad de pies cúbicos por minuto (CFM, por sus siglas en inglés) de aire sea superior a la que está indicado.
- La cantidad de pies cúbicos por minuto indicados varía de un lugar a otro. Es responsabilidad del propietario y del instalador determinar si son aplicables otros requisitos o normas en montajes específicos.
- **NO USAR CONDUCTOS FLEXIBLES** porque provocan contrapresión y turbulencias y reducen el rendimiento.
- Instalar siempre una cubierta de ventilación metálica en el lugar de la carcasa donde sale el conducto.
- El aparato solo debe extraer el aire hacia el exterior del edificio.
- Los montajes en **CLIMAS FRÍOS** deben contar con un regulador de contracorriente adicional para minimizar el retorno de las corrientes de aire frío y un aislante térmico no metálico para minimizar la conducción de la exterior. El regulador debe colocarse en el lado del aire frío del aislante térmico. El aislante debe estar tan cerca como sea posible de la parte donde el conducto entra en la parte caliente de la carcasa.
- **AIRE DE REPOSICIÓN:** los códigos de construcción locales pueden exigir que se utilicen sistemas de aire de reposición cuando se use un sistema de ventilación con conductos cuya cantidad de pies cúbicos por minuto (CFM, por sus siglas en inglés) de aire sea superior a lo que está indicado. La cantidad de pies cúbicos por minuto indicados varía de un lugar a otro. Es responsabilidad del propietario y del instalador determinar si se aplican otros requisitos o normas en montajes específicos.
- Para reducir el riesgo de incendio y para hacer que el aire salga al exterior correctamente, asegurarse de que haya un conducto que lo dirija hacia afuera. No dirigir el aire de salida hacia lugares cerrados, espacios dentro de paredes, techos, áticos, entrepisos o cocheras.
- Thermador recomienda que la longitud total del conducto no exceda 50 pies (15.24 m).
- Tender el conducto de modo que sea lo más corto y esté lo más recto posible. Los racores en codo y las transiciones reducen la eficacia de la circulación de aire. Colocar codos uno al lado de otro o en forma de «S» da malos resultados y no es recomendable.
- El uso de un conducto corto y recto en la entrada del módulo del ventilador da mejores resultados.
- Las campanas se suministran con una transición de 254 mm (10"). Se requiere una transición suministrada localmente para otros tamaños.
- Utilizar la tabla «Longitudes equivalentes del conducto con las transiciones más comunes» para calcular las longitudes aceptables del conducto entre la campana y el exterior. → *Página 53*

## Longitudes equivalentes del conducto para transiciones más comunes

Pieza de conducto	Diámetro de la pieza (pulg.)	Longitud equivalente (pi)	Pieza de conducto	Diámetro de la pieza (pulg.)	Longitud equivalente (pi)
 Liso, recto	6	1.2	 3/4 pulg. x 10 pulg. a codo circular a 90°	6	10
	8	0.7			
	10	0.6			
 3/4 pulg. x 10 pulg. recto	N/D	1	 Codo invertido izquierdo a céntrico de 3/4 pulg. x 10 pulg.	N/D	15
 3/4 pulg. x 14 pulg. recto	N/D	0.7	 Codo invertido recto a centro de 3/4 pulg. x 10 pulg.	N/D	25
 Codo circular a 90°	6	12	 Codo invertido a izquierda de 3/4 pulg. x 10 pulg.	N/D	15
	8	6			
	10	5			
 Codo circular a 45°	6	5	 Codo invertido a recto de 3/4 pulg. x 10 pulg.	N/D	25
	8	3			
	10	2			
 Codo de 3/4 pulg. x 10 pulg. a 90°	N/D	5	 Salida circular mural	6	2
 Codo de 3/4 pulg. x 10 pulg. a 45°	N/D	15		8	2
				10	2
 Codo llano de 3/4 pulg. x 10 pulg.	N/D	20	 Salida circular de techo	6	2
 Circular a 3/4 pulg. x 10 pulg.	6	1		8	2
				10	2
 3/4 pulg. x 10 pulg. a circular	6	5	 Conducto flexible de 3/4 pulg. x 10 pulg. de 2 pies de long.	N/D	20
 Circular a codo de 3/4 pulg. x 10 pulg. a 90°	6	10			

**Nota:** Estas piezas de montaje de uso común se pueden comprar en una ferretería local. Thermador no fabrica todas estas piezas.

## Comunicaciones comunes de conductos



1	Variedad
2	Ventilador integral
3	Módulo del ventilador
4	Ventilador en línea
5	Regulador de contracorriente en transición

**Nota:** La figura no representa todas las configuraciones o los métodos de montaje. La imagen se debe usar SOLO como una guía.

### 4.2 Elegir el ventilador adecuado

Todos los modelos de extractor se venden por separado. Se recomienda usar solo ventiladores Thermador con campanas extractoras Pro Thermador. Véase la «Guía de Planificación de la Circulación del Aire Adicional» para conocer los extractores recomendados. Contactar con el servicio de atención al cliente para opciones adicionales.  
→ "Servicio de atención al cliente", Página 64

Es posible adquirir ventiladores integrales, en línea y módulos del ventilador a través de su distribuidor autorizado Thermador. Para obtener información sobre distribuidores locales, visitar la sección «Encontrar distribuidor» [www.thermador.com](http://www.thermador.com).

Las opciones de rendimiento del ventilador varían en pies cúbicos por minuto (CFM). El rendimiento necesario depende de la superficie de cocción, el volumen de aire que hay que mover y la longitud del conducto. Para conductos largos con múltiples curvas y giros, considerar la posibilidad de utilizar un ventilador más potente. Para que el flujo de aire de extracción sea lo más eficaz posible, utilizar un tramo recto o el menor número posible de codos.

→ "Preparación de los conductos", Página 52

### Opciones de ventiladores

Descripción	Denominación identificadora de ventas
Módulo del ventilador Montado en el tejado o la pared exterior	VTR2FZ
Ventilador en línea	VTI2FZ

Descripción	Denominación identificadora de ventas
Montado entre la cocina y la pared exterior	
Ventilador integrado	VTN2FZ
Montado dentro de la campana	

### Cable de extensión del módulo del ventilador y del ventilador remoto de 25 pies

El cable del accesorio debe adquirirse por separado. NO usar más de una extensión de cable por montaje.

Descripción	Denominación identificadora de ventas
Cable de extensión del módulo del ventilador y del ventilador remoto de 25 pies Disponibles para conectar la campana a los ventiladores en línea y módulos del ventilador remoto para distancias de hasta 8 m (25 pies).	EXTNCB25W

## 4.3 Transición de la campana

### Dirección de descarga

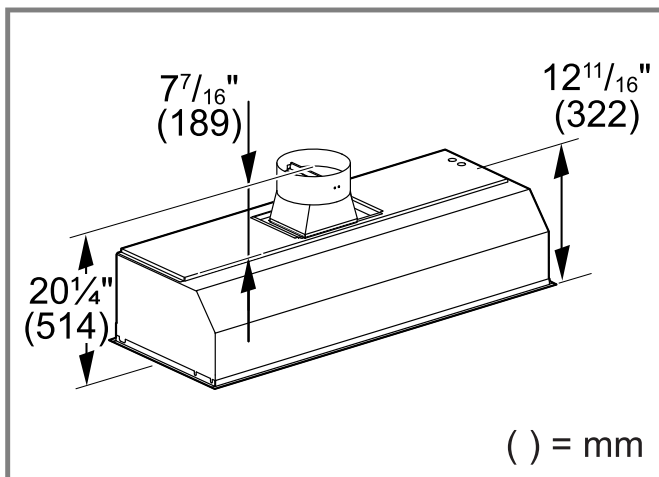
El aire de salida se descarga hacia arriba a través de un conducto o directamente a través de la pared exterior hacia el aire libre.

La campana se puede montar en la pared solamente con una descarga vertical.

### Fijar la transición de la campana

Su campana es suministrada con una transición redonda de 254 mm (10"). Se requiere una transición suministrada localmente para otros tamaños.

1. Se necesita una altura libre mínima de 189 mm ( $7\frac{7}{16}$ " ) sobre la campana para el montaje de transición.

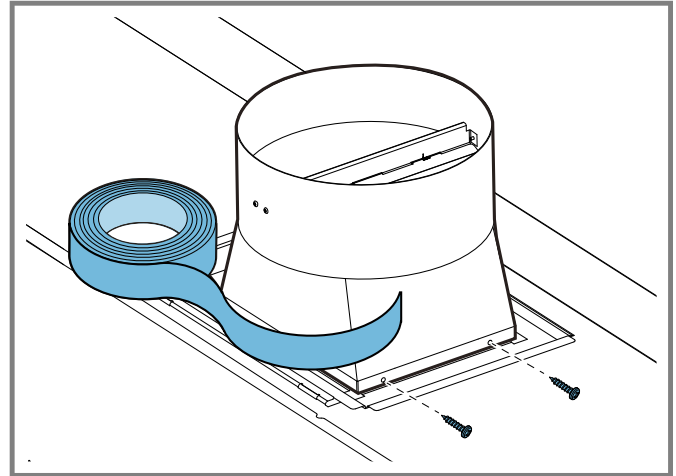


2. Alinear los agujeros de montaje de la base de la transición sobre los agujeros de montaje de la brida de 13 mm ( $\frac{1}{2}$ " ) situada en la parte superior de la campana.

3. Fijar la transición a la campana extractora con cuatro tornillos para placas metálicas de 6 mm ( $(4)\frac{1}{4}$ ' ) incluidos con la campana.

**Nota:** Comprobar que los tornillos no obstaculizan el funcionamiento del regulador.

4. Sellar la junta entre la transición y la campana con cinta de aluminio. NO usar cinta para conductos. Asegurarse de que la conexión está completamente sellada.



5. Quitar la cinta que sujeta el regulador en posición cerrada.

## 5 Instalación

### ⚠ ADVERTENCIA

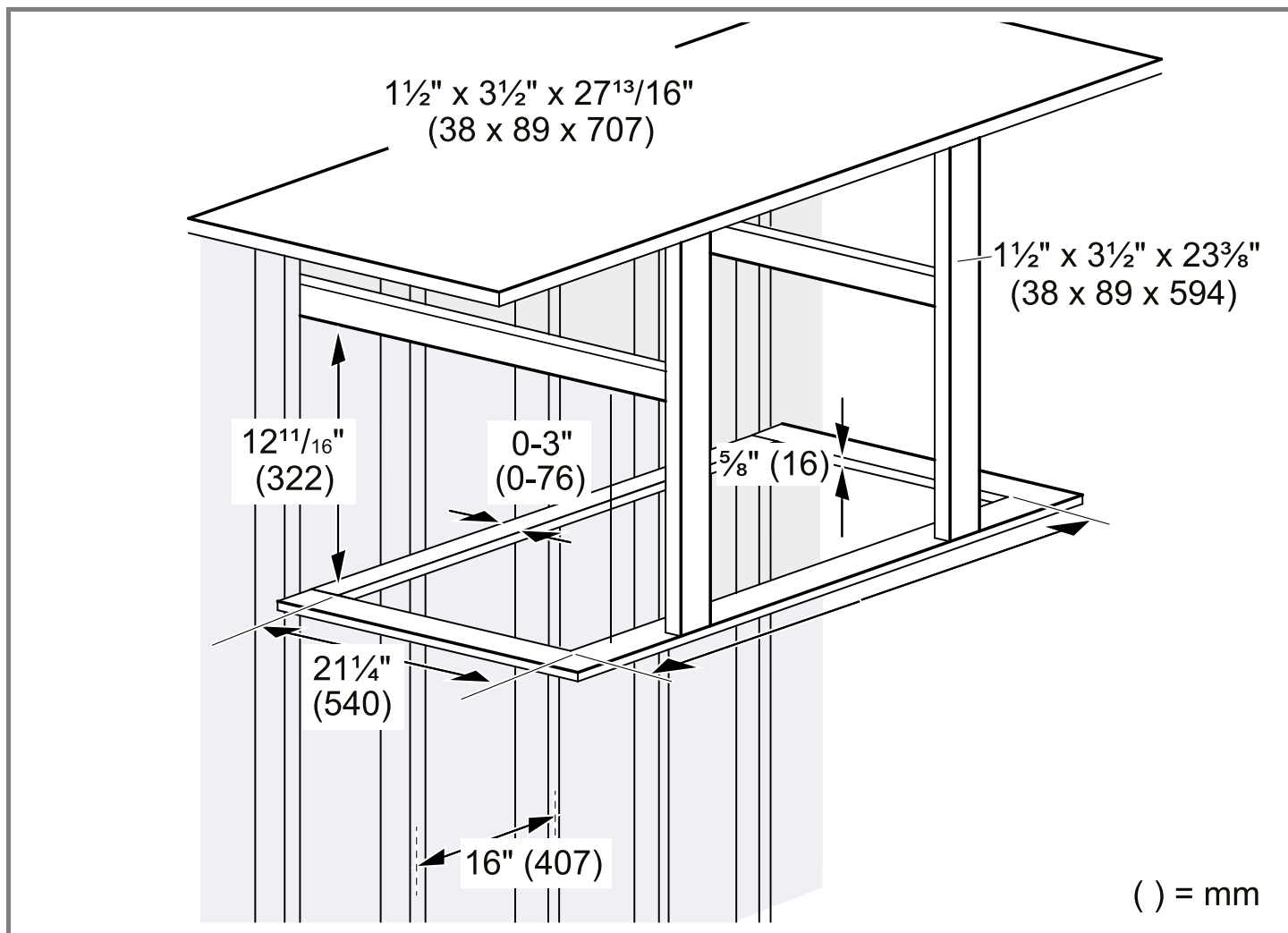
Antes de realizar la instalación, desconectar la alimentación eléctrica en el panel de servicio.

- ▶ Bloquear el panel de servicio para impedir que se conecte accidentalmente la alimentación eléctrica.

### 5.1 Preparar la abertura del techo y la carcasa

- El aparato debe montarse en la carcasa circundante. Para determinar la altura de instalación, consultar la sección sobre «Requisitos de montaje y espacios libres». → *Página 49*
- Al calcular la carga para el sistema de soporte de la carcasa, asegurarse de incluir el peso de la unidad de ventilación. → *Página 50*
- Construir la carcasa según las dimensiones indicadas en la sección «Dimensiones del recorte del techo y de la carcasa del montante de soporte». → *Página 56*
- Para un desempeño óptimo, la campana se debe instalar nivelada a la pared trasera. En tales montajes, la moldura trasera puede no ser necesaria.
- Para los montajes de 13 – 76 mm (½" – 3") desde la pared trasera, se puede usar la moldura trasera.

### Dimensiones de la abertura del techo y de la carcasa de soporte



Denominación identificadora de ventas	Medida para A
VCIN36GWS	836 mm ( $32\frac{15}{16}''$ )
VCIN42GWS	989 mm ( $38\frac{15}{16}''$ )

Denominación identificadora de ventas	Medida para A
VCIN48GWS	1,141 mm ( $44\frac{15}{16}''$ )
VCIN54GWS	1,294 mm ( $50\frac{15}{16}''$ )



**Denominación** Medida para A  
**identificadora**  
**de ventas**

VCIN60GWS 1,446 mm (56<sup>15</sup>/<sub>16</sub>"")

## 5.2 Montaje de grupo filtrante con molduras de la campana

### ⚠ ADVERTENCIA

Antes de realizar la instalación, desconectar la alimentación eléctrica en el panel de servicio.

- ▶ Bloquear el panel de servicio para impedir que se conecte accidentalmente la alimentación eléctrica.

### ⚠ ADVERTENCIA



La unidad es pesada y se requieren al menos dos personas o un equipo adecuado para trasladarla e instalarla.

### ⚠ ADVERTENCIA



Las superficies ocultas pueden tener bordes afilados.

- ▶ Proceder con cuidado al intentar sujetar el aparato por la parte trasera o desde abajo.

### Preparar los conductos

1. Consultar la sección sobre «Preparación de los conductos». → *Página 52*
2. Montar la transición metálica con regulador de contracorriente de forma que la ventanilla se abra hacia el techo. En caso necesario, montar una rotura de puente térmico y un regulador de contracorriente adicional. Consultar la sección sobre «Fijación de la transición de la campana». → *Página 55*

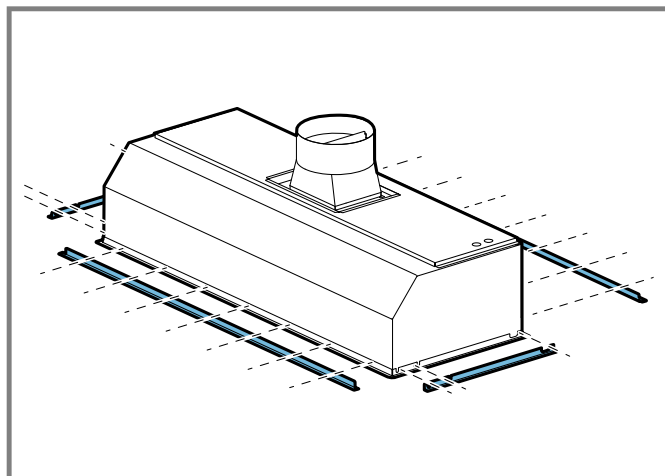
### Construir el marco de la carcasa

1. Consultar las medidas del aparato. → *Página 49*
2. Consultar la sección sobre los «Requisitos de montaje y espacios libres para la especificación de los espacios libres». → *Página 49*
3. Construir el marco de la carcasa para su modelo. Consultar las medidas en el apartado de preparación de la abertura del techo y de la carcasa. → *Página 56*

### Montar la moldura de la campana

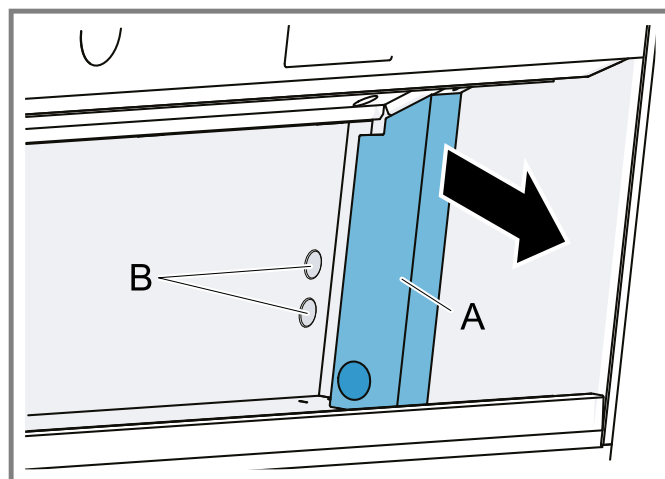
1. Sujetar la moldura a ras con la parte inferior de la carcasa. Asegurar la moldura a la campana con veinte (20) tornillos x 9.5 mm (3/8").

2. La pieza de moldura trasera puede no ser necesaria en algunos escenarios de montaje en los que haya un espacio de 12.7 mm (1/2") o menos entre la campana y la pared trasera.

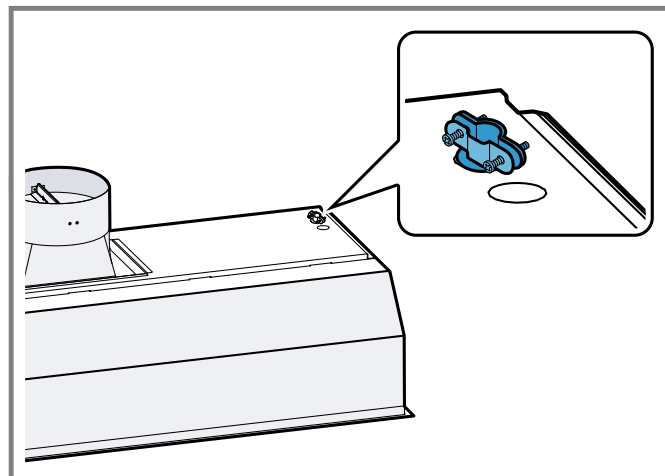


### Preparar el tendido de cables

1. Retirar la cubierta de la caja de conexiones **A**.
2. Retirar un prepunzonado circular **B**.

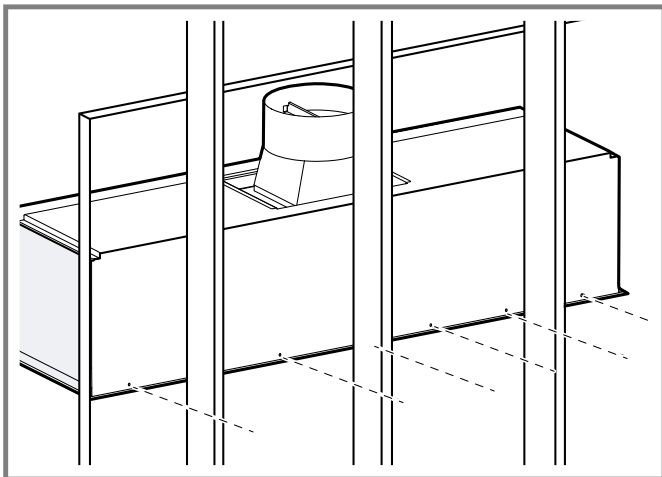


3. Instalar el prensacable (no incluido) en uno de los prepunzonados circulares.

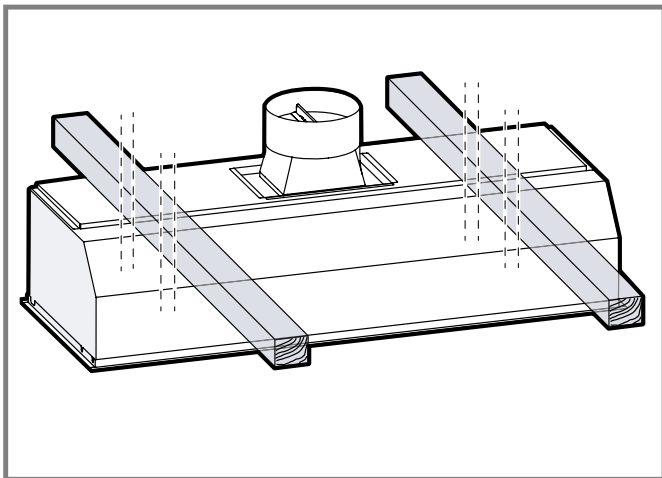


## Montar el aparato

1. Montar el grupo filtrante en la carcasa personalizada.
2. Fijar a la parte posterior del marco de la carcasa utilizando seis (6) tornillos de montaje de 25.4 mm (1"), como se indica a continuación.



3. Fijar a la parte superior del marco de la carcasa con ocho (8) tornillos de montaje de 25.4 mm (1"), 4 por lado.



4. Conectar al conducto.

## 5.3 Montaje del motor del ventilador

### ⚠ PRECAUCIÓN

Para reducir el riesgo de incendio y descarga eléctrica, montar esta campana extractora únicamente con los ventiladores indicados en la Guía de Planificación de la Ventilación.

**Nota:** Cortar el enchufe del ventilador anulará la garantía o la posibilidad de devolución o cambio.

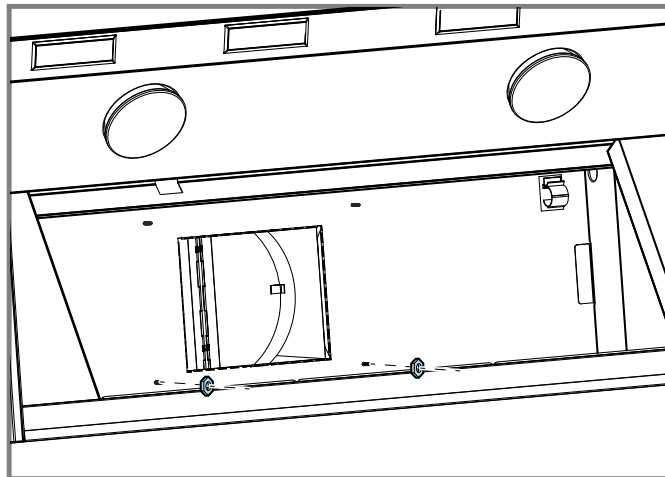
### Instalación del ventilador integral

Los modelos con ventilador integral se instalan en la campana en el momento del montaje. Los ventiladores integrados deben instalarse después de montar la

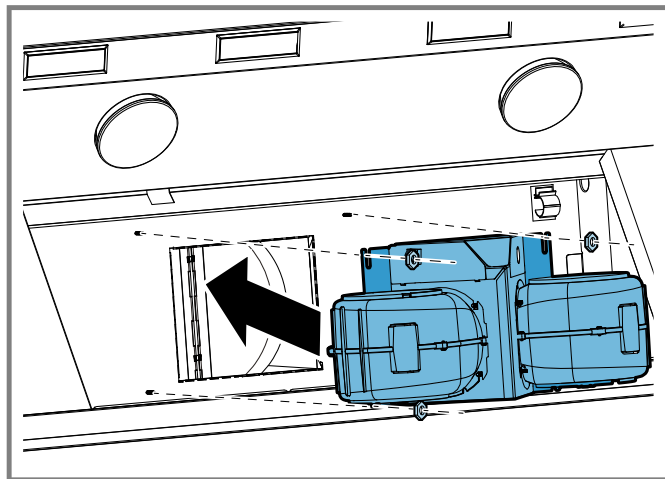
campana en la pared. Para obtener instrucciones de instalación completas, consultar las instrucciones suministradas con la unidad del ventilador.

**Nota:** Las vistas de la imagen del ventilador y la campana varían según el modelo.

1. Enroscar una (1) tuerca de brida de 4 m (incluida con la campana) hasta la mitad de cada uno de los dos tornillos de soldadura indicados.

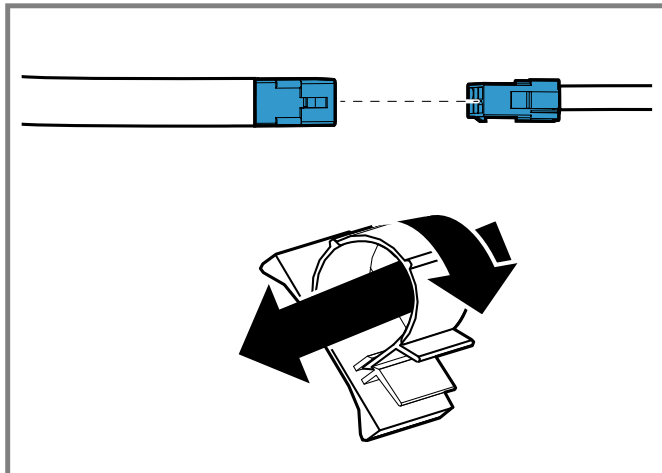


2. Deslizar la placa de fijación del ventilador detrás de las tuercas de los tornillos de soldadura.



3. Instalar dos (2) tuercas de brida de 4 m (incluidas con la campana) en los tornillos de soldadura superiores y apretar.
4. Apretar las dos (x2) tuercas del paso 1 para fijar por completo el ventilador de la campana.

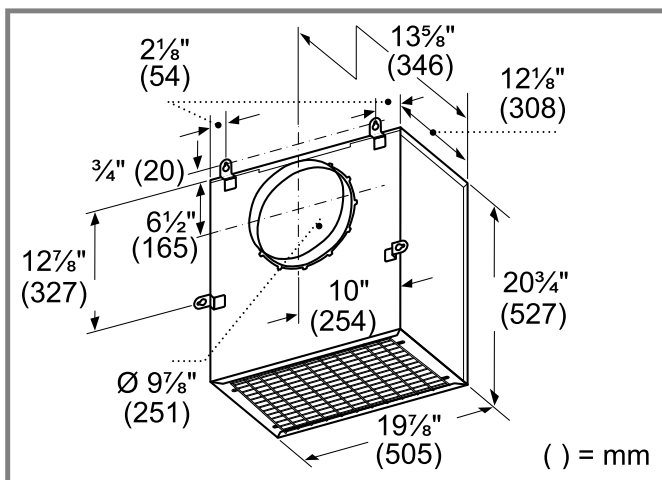
- Conectar el conector de enchufe del ventilador al conector presente en el interior de la campana. Pasar el arnés del ventilador a través del clip autobloqueante.



### Instalar un módulo del ventilador o un ventilador en línea

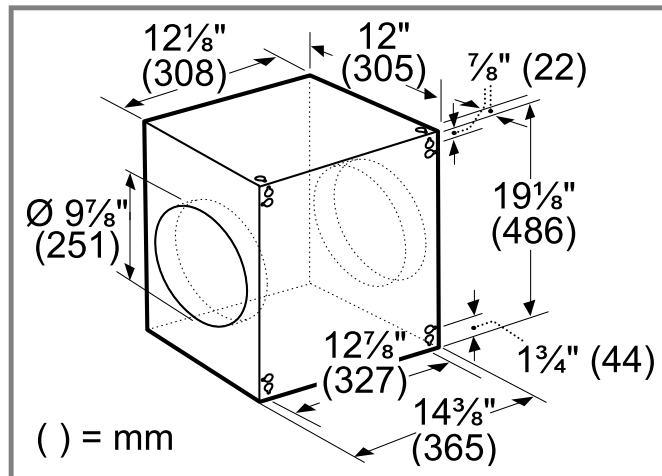
En función de las preferencias y de la situación de los conductos, estos ventiladores pueden montarse fuera de la cocina. Así se reduce el ruido en la cocina. Para obtener instrucciones de instalación completas, consultar las instrucciones suministradas con la unidad del ventilador.

#### 1. Módulo del ventilador



Los módulos de los ventiladores remotos pueden montarse en el tejado o en la pared exterior de la vivienda

#### 2. Ventilador en línea



Los ventiladores en línea pueden montarse a lo largo de la línea de conductos en cualquier lugar entre la cocina y la pared exterior, si hay fácil acceso a la línea de conductos, por ejemplo, en un ático.

#### 3. Conexión de cables del motor del módulo de ventilador o ventilador en línea:

- Retirar el canal de la caja de conexiones que cubre los cables.
- Retirar un prepunzonado circular.
- Pasar el conector del motor del ventilador hacia la campana extractora. Conectar el arnés del ventilador al arnés de la campana extractora.
- Pasar el arnés del ventilador a través del clip autobloqueante.

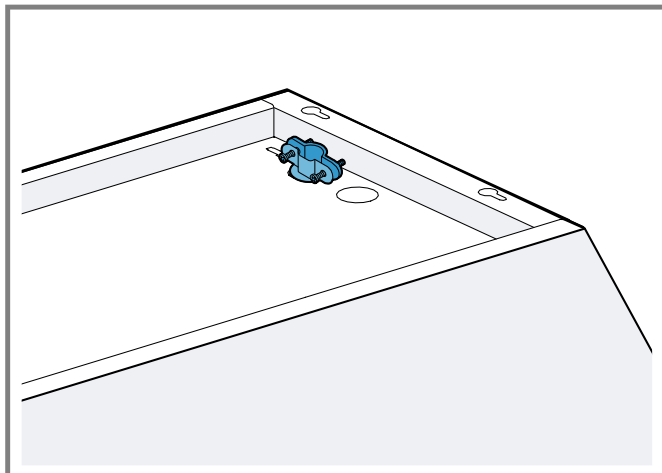
### Conectar los cables eléctricos

#### Notas

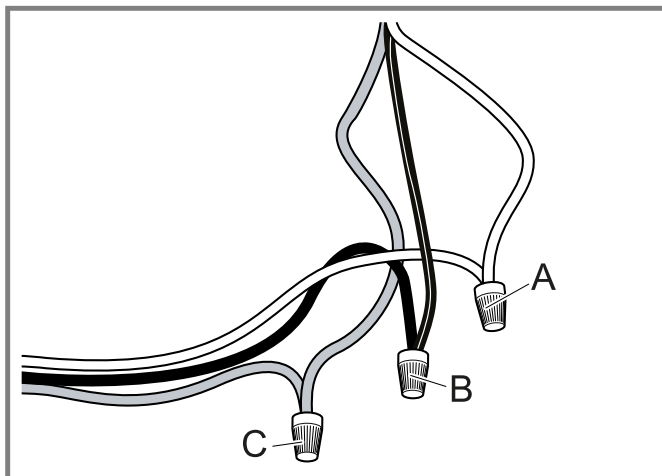
- BSH no se hace responsable de los errores de cableado durante el montaje. Los errores de cableado en el montaje no están cubiertos por la declaración de garantía limitada del producto.
- Consultar el diagrama de cableado incluido con el aparato.



1. Pasar un cable de alimentación de 120 V CA, circuito de 15 amperios desde el panel de servicio a través del prensacable.



2. Conectar el cable negro al cable negro de la fuente de alimentación, el cable blanco al cable blanco de la fuente de alimentación y el cable verde al cable verde o al cable desnudo.



A Blanco a blanco

B Negro a negro

C Verde a verde o cable desnudo

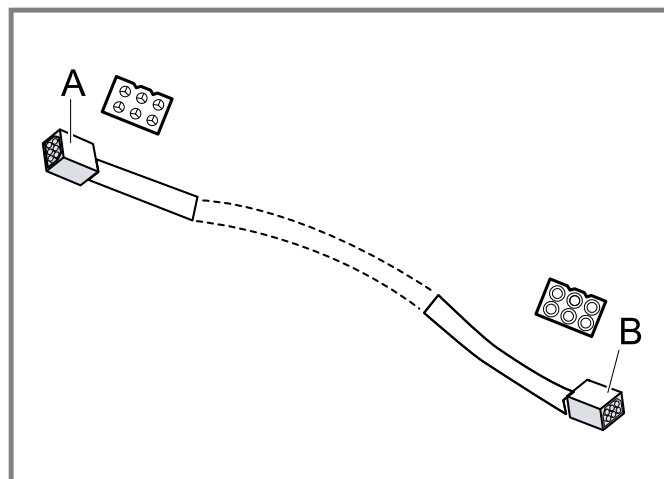
3. Colocar todas las conexiones de cableado dentro del canal de la caja de conexiones. Volver a montar en la placa superior. Asegurarse de que los cables están bien sujetos y de que no hay ningún cable pinzado.

### Conectar el cable de extensión (opcional)

Cable de extensión del módulo del ventilador y del ventilador remoto de 25 pies EXTNCB25W.

1. Componentes incluidos:
  - (1) Cable de 25 pies
  - Cables adaptadores (2) - no necesarios para todos los modelos
2. Pasar el arnés del ventilador interno de la campana a través del prensacable.

3. Conectar el cable de extensión de 25 pies al arnés del ventilador fuera de la campana.



A Se conecta a la campana

B Se conecta a un módulo de ventilador o ventilador en línea

**Nota:** Cortar el conector anulará la garantía del aparato.

**El cable de extensión del ventilador es compatible con el ventilador en línea y el módulo del ventilador:**

Ventilador	Modelo
Módulo del ventilador	VTR2FZ
Ventilador en línea	VTI2FZ

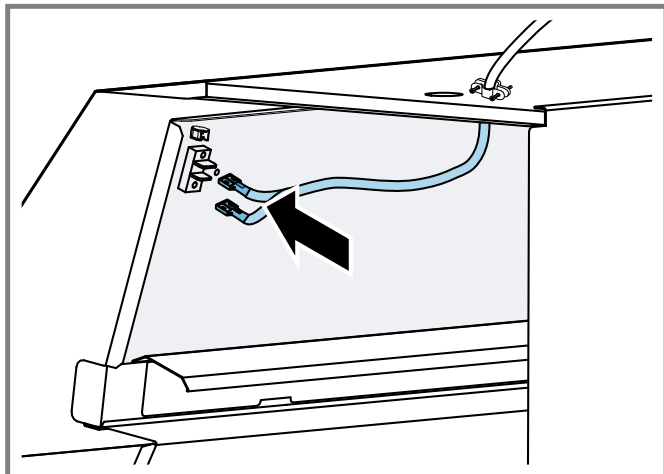
### 5.4 Interruptor de relé de regulador de aire de compensación (opcional)

Los códigos locales pueden requerir el uso de un regulador de contracorriente adicional y/o regulador de aire de compensación. Contactar con su profesional local de HVAC para conocer los requisitos específicos. Esta campana posee un interruptor de relé para conectar un regulador de aire de compensación (máx. 120 V). Los montajes variarán según la ubicación en el hogar donde se instale el aparato y se use el regulador. Usar la siguiente ilustración como guía para el montaje. Cumplir siempre con los requisitos del código local.

#### Conectar el interruptor de relé de regulador de aire de compensación

1. Acceso al cableado de la campana.

2. Pasar el arnés del regulador de aire de compensación a través del prensacable hacia el bloque de terminales.
  - Las conexiones de retorno y en caliente del kit de aire de compensación pueden usar cualquier conexión de terminal. No hay requisito de polaridad para el bloque de terminales de dos pines.



3. Asegurar el cable de tierra con el tornillo de tierra verde T-20.

### 5.5 Accesorio integrado para el mando a distancia (opcional)

Antes de empezar, leer estas instrucciones atentamente. Se recomienda colocar el cableado del mando a distancia una vez instalada la campana.

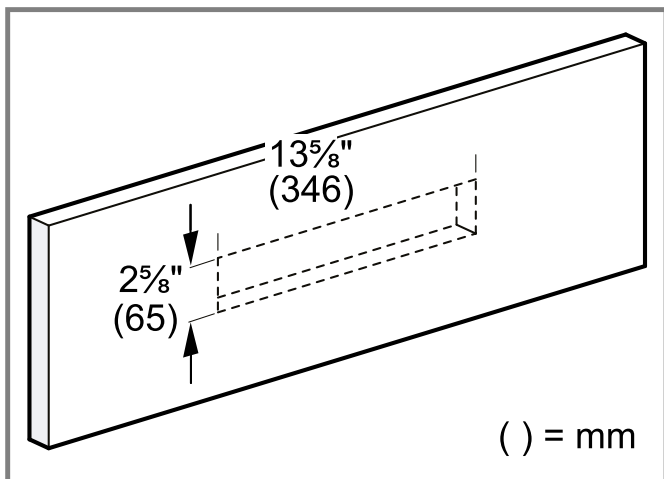
**IMPORTANTE:** cortar un conector del aparato o del kit del cable de extensión anulará la garantía.

**REMCPW piezas incluidas:**

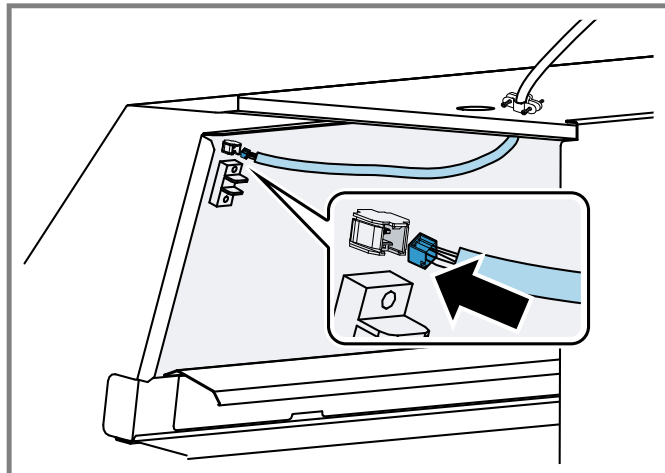
- Mando a distancia (1)
- Cable de extensión de 10 m (30 pies)

**Montar el mando a distancia**

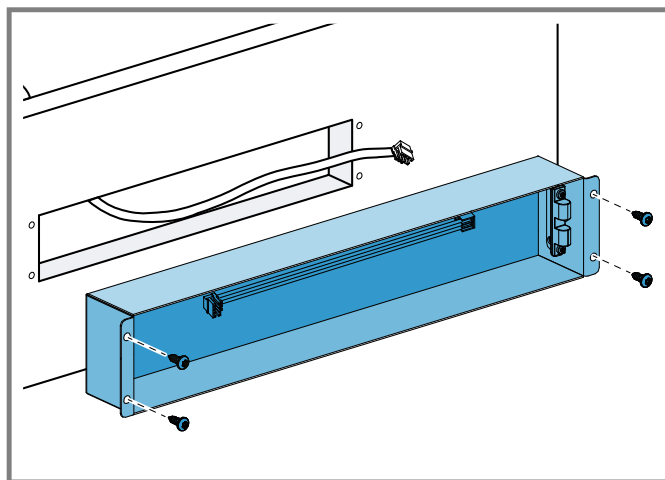
1. Preparar la abertura en la pared o superficie similar para el montaje como se muestra a continuación (vista frente a la pared).



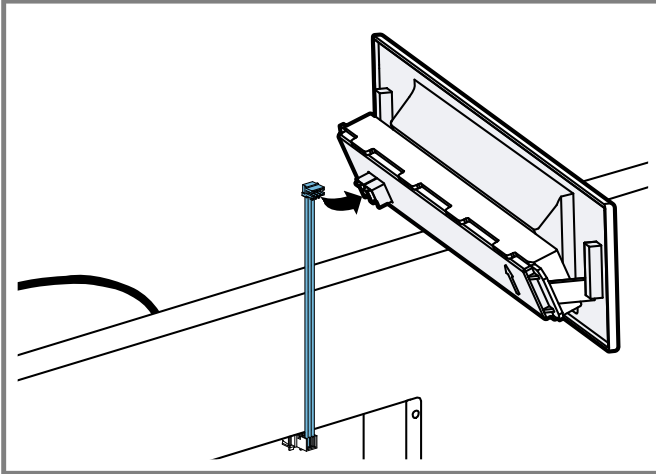
2. Acceso al cableado de la campana. Pasar el arnés de extensión de 30 pies a través del prensacable al clip de montaje cuadrado, hasta que haga clic.



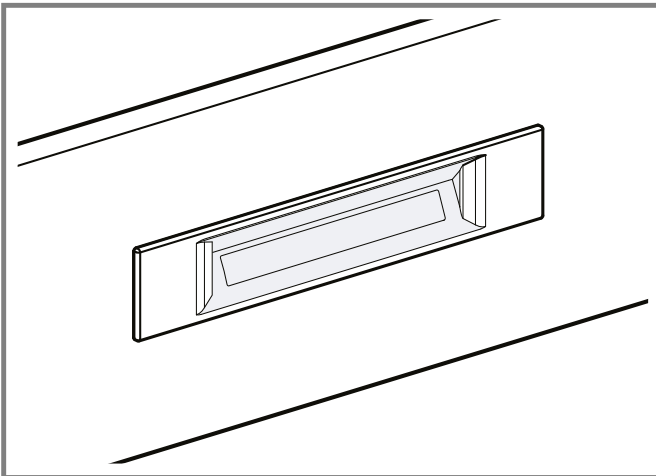
3. Pasar el arnés de extensión de 30 pies a través de la abertura y conectar el arnés a la parte posterior de la placa de fijación del mando a distancia.
4. Presionar la placa de fijación dentro de la abertura. Perforar un agujero roscado de 6 mm (1/4") a través de los agujeros de la placa de fijación en la pared. Colocar la placa de fijación a la pared, usando los cuatro (4) tornillos suministrados.



5. Conectar el conector del arnés de cables dentro de la placa de fijación al terminal en la parte posterior del mando a distancia. Usar cualquiera de las terminales.



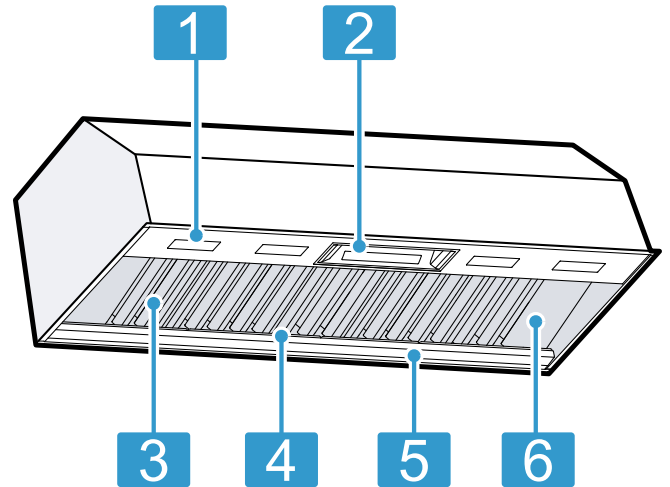
6. Ajustar el mando a distancia en la placa de fijación hasta que haga clic.



## 5.6 Montar las bandejas para la grasa y los filtros

**IMPORTANTE: NO** usar la placa de cocción, la parrilla empotrable o la estufa mientras la campana extractora esté desmontada.

### Campana de inserción personalizada VCINxxGWx



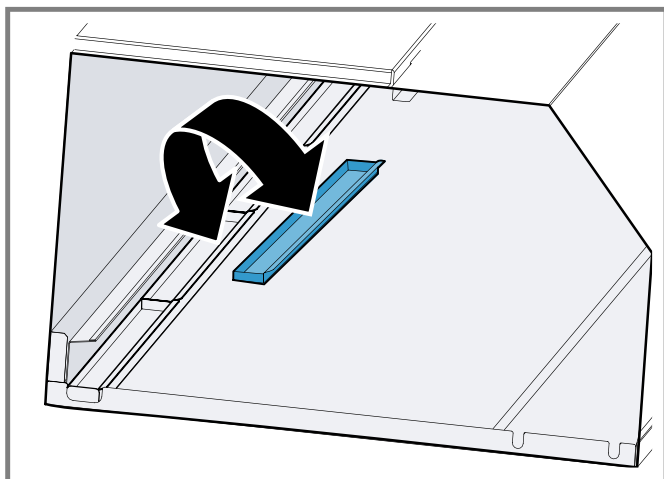
- |   |                                          |
|---|------------------------------------------|
| 1 | Iluminación LED                          |
| 2 | Panel de control táctil                  |
| 3 | Deflectores de aire                      |
| 4 | Bandejas de goteo de grasa               |
| 5 | Ranura para la bandeja de goteo de grasa |
| 6 | Espaciadores para filtros                |

### Montar los filtros y las bandejas para la grasa

1. Apagar el ventilador y la iluminación.
2. Retirar todo el plástico de las piezas de la campana.

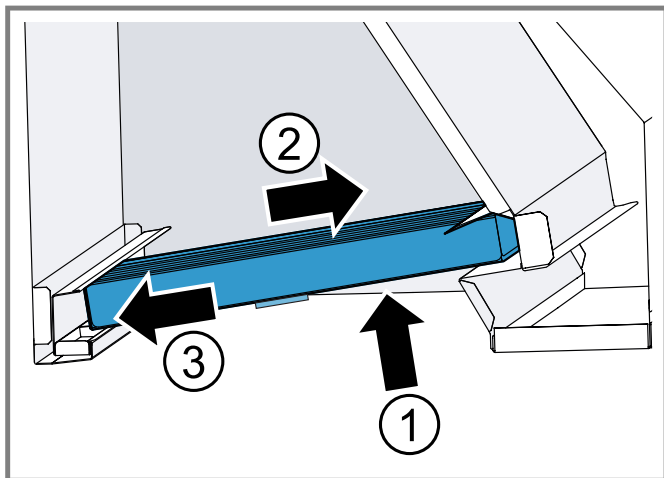
3. Introducir la bandeja para la grasa en la bandeja trasera. Empujar la bandeja para la grasa hacia dentro y hacia abajo dentro de la ranura para la bandeja de la grasa. Las bandejas para la grasa deben estar en su lugar antes de montar los filtros.

- La pequeña bandeja para grasa debe instalarse en el centro de la campana.



4. Montar los filtros. Empezar por un filtro externo. Agarrar el filtro por el asa, si corresponde, o por los costados. No colocar los dedos dentro de las rejillas del filtro. Deslizar el filtro hacia arriba, hacia la parte frontal de la campana; a continuación, empujarlo hacia abajo en la parte superior de la bandeja para grasa.

- El filtro de 8" debe instalarse siempre en el centro de la campana.



5. Instalar los espaciadores para filtros. Si aplica, insertar los elementos distanciadores del filtro en los extremos izquierdo y derecho. Presionar hacia arriba, deslizar hacia la parte delantera de la campana y, a continuación, presionar en la parte inferior.

6. Para extraer los filtros y las bandejas para grasa, asegurarse de que los filtros estén fríos y la grasa se haya solidificado. Proceder según las instrucciones anteriores, pero en el orden inverso.

## 6 Lista de comprobación del instalador

### Comprobación final

- Se mantienen las distancias especificadas a las superficies de los armarios.
- El aparato está nivelado.
- Se ha retirado todo el material de embalaje.
- La conexión a tierra es adecuada.
- El propietario conoce la ubicación del disyuntor principal.
- INSTALADOR:** escribir el número de modelo y el número de serie que se encuentran en manual. Dejar manual y manual de instalación con el dueño del aparato.

### Limpiar y proteger las superficies exteriores

- Limpiar las superficies de acero inoxidable con un paño húmedo enjabonado. Enjuagar con agua limpia y secar con un paño suave para evitar marcas de agua. Eliminar las huellas dactilares y las manchas con un limpiacristales suave.
- Usar un producto de limpieza para acero inoxidable con un paño suave para dar brillo y proteger el acero inoxidable. El acondicionador de acero inoxidable Thermador está disponible para su compra en la tienda en línea de accesorios ( solo EE.UU.) [www.thermador.com/us/accessories](http://www.thermador.com/us/accessories). Solicitar la referencia 00576697 (frasco pulverizador) o 17002200 (toallitas).
- No utilizar el acondicionador en superficies que no sean de acero, logotipos, marcas de control, etiquetas, acero inoxidable negro o a prueba de manchas e interiores de electrodomésticos.
- NO dejar que la suciedad permanezca largos períodos de tiempo.
- NO usar fibras de acero o cepillos de acero comunes. Se pueden pegar trozos pequeños de acero a la superficie y oxidarla.
- NO permitir que soluciones salinas, desinfectantes, blanqueadores o compuestos de detergentes tengan contacto prolongado con el acero inoxidable. Muchos de estos compuestos contienen químicos que podrían ser dañinos. Enjuagar con agua después de cada exposición y secar con un paño limpio.

### Solución de problemas

Para obtener información sobre solución de problemas consultar el manual.

Consultar la Garantía Limitada del Producto en la Guía de Uso y Cuidado. Al momento de llamar, tener preparada la información que aparece en la placa de características del producto.

## 7 Servicio de atención al cliente

En cada reparación cubierta por la garantía, nos aseguramos de que su aparato sea reparado con repuestos originales por un proveedor de servicio capacitado y autorizado. Solo utilizamos repuestos originales para todos los tipos de reparaciones. Las informaciones detalladas sobre el periodo de validez de la garantía y las condiciones de garantía las podrá encontrar en nuestras condiciones de garantía, con su distribuido o en nuestra página web.

Cuando se ponga en contacto con el servicio de atención al cliente, no olvide indicar el número de modelo (E-Nr.) y el número de fabricación (FD) de su aparato.

Las fuentes de luz se encuentran disponibles como repuesto y su sustitución solo la puede llevar a cabo personal cualificado.

USA:

1-800-735-4328

[www.thermador.com/support](http://www.thermador.com/support)

[www.thermador.com/us/accessories](http://www.thermador.com/us/accessories)

CA:

1-800-735-4328

[www.thermador.ca](http://www.thermador.ca)

[www.thermador.ca/en/support/filters-cleaners-accessories](http://www.thermador.ca/en/support/filters-cleaners-accessories)

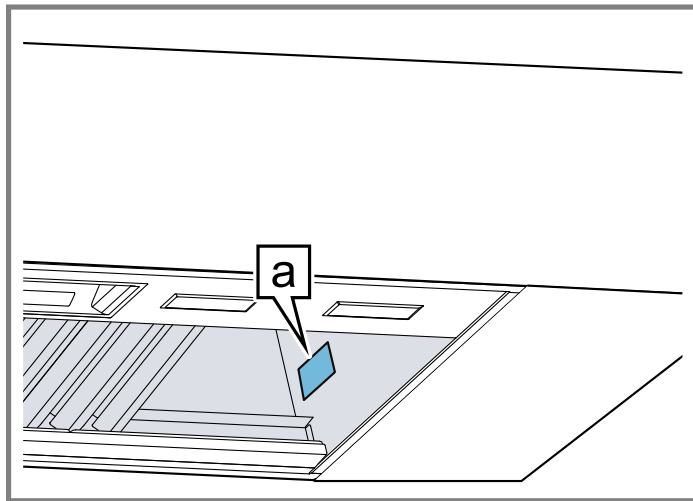
### 7.1 Número de modelo (E-Nr.) y número de fabricación (FD)

El número de modelo (E-Nr.) y el número de fabricación (FD) se encuentran en la placa de características del aparato.

Para volver a encontrar rápidamente los datos del aparato o el número de teléfono del servicio de atención al cliente, puede anotar dichos datos.

### 7.2 Ubicación de la placa de características del aparato

La placa de datos del producto se encuentra en el marco detrás del filtro. Retirar el filtro para verla (ver la figura de abajo a modo de ejemplo).



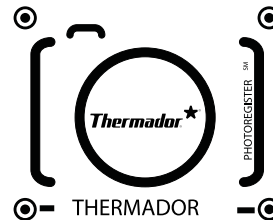
**a** Placa de características

### 7.3 Registro del producto

Registrar su producto Thermador para acceder a la información relacionada con su producto.

**Es posible registrar su producto a través de una de las siguientes maneras:**

- Registrarse con su teléfono (solo EE. UU.):



- Tomar una foto del ícono de la cámara en la tarjeta de registro, incluidos los puntos (⊙).
- Enviar la foto al 21432.  
(Solo EE. UU.; pueden aplicar tarifas de texto y datos).
- Enviar la tarjeta completa de registro del producto a la dirección que figura en la misma.
- Registrar el producto en línea en
  - EE. UU.: [www.thermador.com](http://www.thermador.com)
  - Canadá: [www.thermador.ca](http://www.thermador.ca)
- Llamar a Thermador Soporte de asistencia técnica al 1-800-735-4328.









A series of horizontal lines for writing, starting from the top right of the pencil icon and extending across the width of the page. The lines are evenly spaced and cover the majority of the page's vertical space.



1901 MAIN STREET, SUITE 600 IRVINE, CA 92614 USA // 1-800-735-4328 // WWW.THERMADOR.COM  
© 2023 BSH HOME APPLIANCES CORPORATION  
8001265294 // en-us, fr-ca, es-mx // 030417