

*Use and care*

# GUIDE

---

Professional® Series Single Steam Oven and  
Double Steam Oven

PODS301B PODS302B



## Table of contents

<b>1 IMPORTANT SAFETY INSTRUCTIONS.....</b>	<b>4</b>	8.3 Setting delayed operation with End Time .....	23
1.1 Safety definitions.....	4	8.4 Sabbath mode.....	24
1.2 General information.....	4	<b>9 Basic settings.....</b>	<b>24</b>
1.3 Safe use.....	4	9.1 Overview of the basic settings.....	24
1.4 Child safety .....	6	9.2 Changing the basic settings .....	25
1.5 Steam cooking .....	6	9.3 Oven temperature offset.....	25
1.6 Cleaning function .....	7	9.4 Auto convection conversion.....	25
1.7 Proper installation and maintenance .....	7	<b>10 Operating the steam oven .....</b>	<b>25</b>
1.8 Remote operation .....	8	10.1 Water tank.....	25
1.9 State of California Proposition 65 Warnings .....	8	10.2 Rack positions.....	27
<b>2 Preventing material damage .....</b>	<b>9</b>	10.3 Inserting the wire rack .....	27
2.1 General.....	9	10.4 Using the telescopic rack.....	27
<b>3 Environmental protection and energy-saving .....</b>	<b>9</b>	10.5 Getting the best results with your steam oven .....	28
3.1 Disposal of packaging .....	9	10.6 General tips for heating modes.....	28
3.2 Saving energy.....	9	10.7 Opening the oven door during a steam mode.....	29
<b>4 Familiarizing yourself with your appliance .....</b>	<b>10</b>	10.8 Using a steam cooking mode .....	29
4.1 Appliance .....	10	10.9 Using steam assisted cooking mode .....	29
4.2 Oven cavities .....	10	10.10 Automatic steam programs.....	31
4.3 Control panel.....	13	<b>11 Operating the conventional oven.....</b>	<b>32</b>
4.4 Basic features .....	13	11.1 Rack positions.....	32
4.5 Heating modes and functions.....	14	11.2 Inserting the wire rack .....	32
<b>5 Accessories.....</b>	<b>16</b>	11.3 Inserting the telescopic rack .....	33
5.1 Accessories included - conventional oven.....	16	11.4 Rotisserie .....	33
5.2 Accessories included - steam oven .....	17	11.5 Getting the best results with your conventional oven .....	36
5.3 Other accessories .....	17	11.6 General tips for heating modes.....	36
5.4 Safe use of oven racks.....	18	<b>12 Home Connect® .....</b>	<b>38</b>
<b>6 Before using for the first time .....</b>	<b>18</b>	12.1 Setting up Home Connect®.....	39
6.1 Initial adjustment of basic settings.....	18	12.2 Home Connect® settings .....	39
6.2 Setting the water hardness.....	19	12.3 Changing the settings via the Home Connect® app.....	39
6.3 Pairing your oven with Home Connect®.....	19	12.4 Remote start.....	39
6.4 Cleaning the appliance before using it for the first time.....	19	12.5 Setting remote control .....	39
<b>7 Basic Operation .....</b>	<b>19</b>	12.6 Remote diagnostics.....	40
7.1 Turning the appliance on.....	19	12.7 Software update .....	40
7.2 Turning the appliance off.....	19	12.8 Data Protection .....	40
7.3 Operating the full-touch display.....	20	<b>13 Cleaning and maintenance.....</b>	<b>40</b>
7.4 Setting the heating mode and temperature .....	20	13.1 Cleaning agents .....	40
7.5 Changing the heating mode or temperature .....	21	13.2 Cleaning the conventional oven.....	41
7.6 Canceling a heating mode.....	21	13.3 Cleaning the steam oven.....	43
7.7 Heating time limitation.....	21	13.4 Maintenance.....	46
7.8 Preheating .....	21	<b>14 Troubleshooting .....</b>	<b>49</b>
7.9 Fast preheat.....	21	<b>15 Disposal .....</b>	<b>50</b>
7.10 Turning the panel lock on or off.....	22	15.1 Disposal of your old appliance.....	50
7.11 Meat probe.....	22	<b>16 Customer Service.....</b>	<b>50</b>
<b>8 Timer functions .....</b>	<b>22</b>	16.1 Model number (E-Nr.) and production number (FD).....	51
8.1 Setting the oven timer .....	22		
8.2 Setting the kitchen timer.....	23		

16.2 Rating plate location.....	51
16.3 Product registration .....	51

## **17 STATEMENT OF LIMITED PRODUCT**

<b>WARRANTY .....</b>	<b>51</b>
17.1 What this warranty covers & Who it applies to.....	51
17.2 How long the warranty lasts .....	51
17.3 Repair/replace as your exclusive remedy.....	52
17.4 Out of warranty product.....	52
17.5 Warranty exclusions.....	52
17.6 Obtaining warranty service.....	53
17.7 Product information .....	53





# IMPORTANT SAFETY INSTRUCTIONS

## READ AND SAVE THESE INSTRUCTIONS

Read all instructions carefully before use. These precautions will reduce the risk of electrical shock, fire and injury to persons. When using kitchen appliances, basic safety precautions must be followed including those in the following pages.

### 1.1 Safety definitions

Here you can find explanations of the safety signal words used in this manual.

#### **WARNING**

This indicates that death or serious injuries may occur as a result of non-observance of this warning.

#### **CAUTION**

This indicates that minor or moderate injuries may occur as a result of non-observance of this warning.

#### **NOTICE:**

This indicates that damage to the appliance or property may occur as a result of non-compliance with this advisory.

**Note:** This alerts you to important information and/or tips.

### 1.2 General information

Here you can find general information about this manual.

- Please read this manual carefully.
- Observe the safety instructions and warnings.
- Keep the manual and the product information in a safe place for future reference or for the next owner.
- Check the appliance for damage after unpacking it. Do not connect the appliance if it has been damaged in transit.

All product manuals may be downloaded online at [www.thermador.com/us/support/owner-manuals](http://www.thermador.com/us/support/owner-manuals).

### 1.3 Safe use

#### **WARNING**

When properly cared for, your new appliance has been designed to be safe and reliable.

- ▶ Read all instructions carefully before use. These precautions will reduce the risk of burns, electric shock, fire, and injury to persons.
- ▶ When using kitchen appliances, basic safety precautions must be followed, including those in the following pages.

#### **WARNING**

If materials inside an oven or warming drawer should ignite, keep door closed.

- ▶ Turn off the appliance and disconnect the circuit at the circuit breaker box.

A fire could occur during cooking.

- ▶ Always have a working smoke detector near the kitchen.
- ▶ Have an appropriate fire extinguisher available, nearby, highly visible and easily accessible near the appliance. NEVER cover any slots, holes or passages in the oven bottom or cover an entire rack with materials such as aluminum foil.
- ▶ Doing so blocks air flow through the oven.
- ▶ Aluminum foil linings may also trap heat, causing a fire hazard.

Cooking fires can spread if extinguished incorrectly.

- ▶ Never use water on cooking fires.

Wear Proper Apparel. Loose-fitting or hanging garments, such as ties, scarves, jewelry, or dangling sleeves, should never be worn while using the appliance.

- ▶ Tie long hair so that it does not hang loose.
  - ▶ Secure all loose garments, etc. before beginning.
- In the event that personal clothing or hair catches fire, drop and roll immediately to extinguish flames.  
Do Not Use Water on Grease Fires.
- ▶ Smother fire or flame or use dry chemical or foam-type extinguisher.

#### **CAUTION**

The oven vents are important for air circulation. Covering the oven vents will cause the oven to overheat. Refer to the appliance overview for the location of the oven vents. → "Appliance", Page 10

- ▶ Do not obstruct oven vents.

#### **WARNING**

Use Only Dry Potholders - Moist or damp potholders on hot surfaces may result in burns from steam.

- ▶ Do not let potholders touch hot heating elements.
- ▶ Do not use a towel or other bulky cloth.

**DO NOT TOUCH HEATING ELEMENTS OR INTERIOR SURFACES OF OVEN** - Heating elements may be hot even though they are dark in color. Interior surfaces of an oven become hot enough to cause burns.

- ▶ During and after use, do not touch, or let clothing, potholders, or other flammable materials contact heating elements or interior surfaces of oven until they have had sufficient time to cool. Other surfaces of the





# IMPORTANT SAFETY INSTRUCTIONS

## READ AND SAVE THESE INSTRUCTIONS

appliance may become hot enough to cause burns.

Among these surfaces are oven vent openings, surfaces near these openings and oven doors.

Use Care When Opening Door - Let hot air or steam escape before removing or replacing food.

- ▶ Standing to the side, open the door (or drawer) slowly and slightly to let hot air and/or steam escape.
- ▶ Keep your face clear of the opening and make sure there are no children or pets near the appliance.
- ▶ After the release of hot air and/or steam, proceed with your cooking.
- ▶ Keep doors shut unless necessary for cooking or cleaning purposes.
- ▶ Do not leave open doors unattended.

Do not clean the appliance while it is still hot. Some cleaners produce noxious fumes when applied to a hot surface. Wet clothes and sponges can cause burns from steam.

### CAUTION

Use caution when cooking foods with high alcohol content (e.g. rum, brandy, bourbon) in the oven. Alcohol evaporates at high temperatures. There is a risk of burning as the alcohol vapors may catch fire in the oven.

- ▶ Use only small quantities of alcohol in foods, and open the oven door carefully.

Placement of Oven Racks - Always place oven racks in desired location while oven is cool. If the rack must be moved while the oven is hot, do not let potholders contact the hot heating elements in the oven. Use caution when removing oven racks from the lowest rack position to avoid contact with the hot oven door.

### WARNING

The oven interior and the meat probe become very hot.

- ▶ Use oven mitts to plug and unplug the meat probe.

### WARNING

Storage in or on Appliance - The use of corrosive chemicals in heating or cleaning will damage the appliance and could result in injury.

- ▶ Flammable materials, corrosive chemicals, vapors or non-food products should not be stored or used in an oven or on or near surface units.
- ▶ The appliance is specifically designed for use when heating or cooking food.

This appliance is intended for normal family household use only. It is not approved for outdoor use. See the Statement of Limited Product Warranty. If you have any questions, contact the manufacturer.

### WARNING

Using this appliance other than for its intended use can cause fire or injury to persons.

- ▶ Use this appliance only for its intended use as described in this manual.
- ▶ NEVER use your appliances as a space heater for warming or heating the room. Doing so may result in overheating the appliance.
- ▶ Never use the appliance for storage.

**WARNING - TO REDUCE THE RISK OF INJURY TO PERSONS IN THE EVENT OF A GREASE FIRE, OBSERVE THE FOLLOWING.**

- ▶ **SMOTHER FLAMES** with a close-fitting lid, cookie sheet, or metal tray, then turn off the burner. **BE CAREFUL TO PREVENT BURNS.** If the flames do not go out immediately, **EVACUATE AND CALL THE FIRE DEPARTMENT.**
- ▶ **NEVER PICK UP A FLAMING PAN** – You may be burned.
- ▶ **DO NOT USE WATER**, including wet dishcloths or towels – a violent steam explosion will result.
- ▶ Use an extinguisher **ONLY** if:
  - You know you have a Class ABC extinguisher, and you already know how to operate it.
  - The fire is small and contained in the area where it started.
  - The fire department is being called.
  - You can fight the fire with your back to an exit.

Do not heat or warm unopened food containers. Build-up of pressure may cause the container to burst and cause injury.

Failure to operate knobs properly may result in personal injury and damage to the appliance.

Cooking or roasting bags might explode.

- ▶ Follow the manufacturer's directions when using cooking or roasting bags.

### CAUTION

To avoid possible injury or damage to the appliance, ensure oven rack is installed exactly per installation instructions and not backwards or upside down.

Do not place anything on the oven cavity bottom. Do not cover it with aluminum foil. A build-up of heat could damage the appliance or cause injury.

### WARNING

Moisture intrusion may cause an electric shock.

- ▶ Do not use any steam cleaners or high-pressure cleaners to clean the appliance.



# IMPORTANT SAFETY INSTRUCTIONS

## READ AND SAVE THESE INSTRUCTIONS

---

If the appliance or the power cord is damaged, this is dangerous.

- ▶ Do not turn the power on if the appliance or the power cord is damaged. Doing so may cause injury.
- ▶ Never operate a damaged appliance.
- ▶ If the appliance or the power cord is damaged, immediately switch off the breaker in the circuit breaker box.
- ▶ Call Customer Service. → *Page 50*
- ▶ Repairs to the appliance must only be performed by an authorized service provider.

### WARNING

Scratched glass in the appliance door may develop into a crack.

- ▶ Do not use any harsh or abrasive cleaners or sharp metal scrapers to clean the glass on the oven door, as they may scratch the surface.

Use of a wrong meat probe can damage the insulation. Use only the meat probe intended for this appliance.

### 1.4 Child safety

This appliance is not intended for use by persons (including children) with reduced physical, sensory or mental capabilities, or lack of experience and knowledge, unless they have been given supervision or instruction concerning use of the appliance by a person responsible for their safety.

When children become old enough to use the appliance, it is the responsibility of the parents or legal guardians to ensure that they are instructed in safe practices by qualified persons.

### WARNING

Do not allow children to use this appliance unless closely supervised by an adult.

- ▶ Children and pets should not be left alone or unattended in the area where the appliance is in use. They should never be allowed to play in its vicinity, whether or not the appliance is in use.

Do not allow anyone to climb, stand, lean, sit, or hang on any part of an appliance, especially a door, warming drawer, or storage drawer.

- ▶ This can damage the appliance, and the unit may tip over, potentially causing severe injury.

### CAUTION

Do not store items of interest to children in an appliance, in cabinets above an appliance or on the backguard of an appliance. Children climbing on the appliance to reach items could be seriously injured.

Do Not Leave Children Alone.

- ▶ Children should not be left alone or unattended in the area where the appliance is in use.
- ▶ They should never be allowed to sit or stand on any part of the appliance.
- ▶ Always check inside the oven before turning it on.

### WARNING

To avoid the risk of suffocation:

- ▶ Do not allow children to play with packaging material.
- ▶ Store small parts safely as they can be a choke hazard.

### 1.5 Steam cooking

Follow these additional safety instructions when using a steam cooking mode.

### CAUTION

The water in the oven cavity is hot.

- ▶ Let the oven cavity cool down before you clean the appliance.

### WARNING

Hot steam may escape when the appliance door is opened. Steam is not visible at certain temperatures!

- ▶ Open the appliance door carefully during or after cooking.
- ▶ Do not stand too near or lean over the appliance when opening the appliance door .

The water in the oven cavity becomes very hot during cooking.

- ▶ DO NOT clean the appliance immediately after switching it off.

- ▶ Wait until the appliance has cooled down.

Hot steam can leak during operation.

- ▶ Do not touch the ventilation openings.

- ▶ Keep children away.

Hot liquid may spill over the sides of cooking accessories when they are removed from the oven cavity.

- ▶ Carefully remove cooking accessories with oven mitts. Movement when opening the appliance door and when removing the cookware can cause hot liquid to spray out.
- ▶ Do not stand too close to the appliance when opening it.
- ▶ Open appliance door carefully.



# IMPORTANT SAFETY INSTRUCTIONS

## READ AND SAVE THESE INSTRUCTIONS

- ▶ Remove cookware carefully.
- ▶ Keep children away.

### 1.6 Cleaning function

Follow these safety instructions when using the cleaning function.

#### WARNING

Do not block the oven vent(s) during the self-cleaning cycle. Doing so may cause injury or damage to the appliance.

#### WARNING

During the elimination of soil during self-cleaning, small amounts of carbon monoxide can be created and the fiberglass insulation could give off very small amounts of formaldehyde during the first several cleaning cycles.

- ▶ To minimize exposure to these substances, provide good ventilation with an open window, or use a ventilation fan or hood.

The oven heats up to a very high temperature during self cleaning. Opening the door can result in injury.

- ▶ When self-cleaning, confirm that the door locks and will not open.
- ▶ If the door does not lock, do not run Self Clean. Contact Customer Service.

#### WARNING

The outside of the appliance gets very hot when the cleaning function is in progress.

- ▶ Never touch the appliance door.
- ▶ Allow the appliance to cool down.
- ▶ Keep children at a safe distance.

#### WARNING

Do not leave food or cooking utensils, etc., in an oven during the pyrolytic self-cleaning mode of operation.

#### CAUTION

Remove broiler pans, pots, and other utensils and excess spillage before self-cleaning.

#### CAUTION

Birds have very sensitive respiratory systems.

- ▶ Keep pet birds out of the kitchen or other rooms where kitchen fumes could reach them.
- ▶ During self clean, fumes are released that may be harmful to birds.

#### WARNING

For conventional oven cavity with self-clean function: Do not clean the door gasket – The door gasket is essential for a good seal. Care should be taken not to rub, damage, or move the gasket.

#### WARNING

Do not use a protective coating to line the oven and do not use commercial oven cleaner.

Clean only parts listed in this manual.

Please note that some pets or humans can be sensitive to the odors created during the self-cleaning process whether it is a manufacturing residue burn off or food. It is recommended that those potentially affected be removed from the kitchen area during the self-clean process.

### 1.7 Proper installation and maintenance

See the Installation Guide for electrical requirements, grounding instructions and clearance to combustible material requirements.

#### WARNING

In the event of a malfunction, it might become necessary to turn off the power supply.

- ▶ Have the installer show you the circuit breaker or fuse. Mark it for easy reference.

To avoid electrical shock hazard, before servicing the appliance, turn power off at the service panel and lock the panel to prevent the power from being switched on accidentally.

Proper Installation - Improper installation or grounding can cause electric shock.

- ▶ This appliance must be properly installed and grounded by a qualified technician.
- ▶ Connect only to properly grounded outlet.
- ▶ Refer to installation instructions for details.

User Servicing - Do not repair or replace any part of the appliance unless specifically recommended in this manual.

- ▶ All other servicing should be referred to an authorized service provider.

Light socket is live when door is open if main power supply is not turned off.

- ▶ For conventional oven cavity: Turn off main power supply at the service panel before changing the light bulbs.
- ▶ For steam oven cavity: If an LED bulb or the bulb's glass cover fails, call Customer Service.





# IMPORTANT SAFETY INSTRUCTIONS

## READ AND SAVE THESE INSTRUCTIONS

### WARNING

For conventional oven cavity: Make sure the appliance and lights are cool and power to the appliance has been turned off before replacing the light bulb(s). Failure to do so could result in electrical shock or burns.

- ▶ The lenses must be in place when using the appliance.
- ▶ The lenses serve to protect the light bulb from breaking.
- ▶ The lenses are made of glass. Handle carefully to avoid breaking. Broken glass can cause an injury.

Failure to follow these instructions when removing the oven door may lead to personal injury or product damage.

- ▶ Make sure oven is cool and power to the oven has been turned off before removing the door. Failure to do so could result in electrical shock or burns.
- ▶ The oven door is heavy and parts of it are fragile. Use both hands to remove the oven door.
- ▶ The door front is glass. Handle it carefully to avoid breakage.
- ▶ Grasp only the side of the oven door. Do not grasp the handle. It may swing in your hand and cause damage or injury. Failure to grasp the oven door firmly and properly could result in personal injury or product damage.
- ▶ To avoid injury from hinge bracket snapping closed, be sure both levers are securely in place before removing the door.
- ▶ Do not force the door open or closed. The hinge could be damaged and cause damage or injury.
- ▶ Do not lay the removed door on sharp or pointed objects as this could break the glass. Lay it on a flat, smooth surface, positioned so that the door cannot fall over.

### WARNING

Grease and fat can ignite when heated.

- ▶ Keep the oven free from grease build up.

### CAUTION

In the event of an error the display flashes and beeps continuously.

- ▶ Disconnect appliance from the power supply and call an authorized service provider.

### WARNING

Malfunctions can cause injuries.

- ▶ Do not operate this appliance if it is not working properly, or if it has been damaged. Contact an authorized service provider.

## 1.8 Remote operation

### CAUTION

This appliance may be configurable to allow remote operation at any time.

- ▶ Do not store any flammable materials or temperature sensitive items inside, on top or near surface units of the appliance.

## 1.9 State of California Proposition 65 Warnings

This product may contain a chemical known to the State of California, which can cause cancer or reproductive harm. Therefore, the packaging of your product may bear the following label as required by California:

#### STATE OF CALIFORNIA PROPOSITION 65 WARNING:



Cancer and Reproductive Harm - [www.P65Warnings.ca.gov](http://www.P65Warnings.ca.gov)

**IMPORTANT SAFETY NOTICE:** The California Safe Drinking and Toxic Enforcement Act requires the Governor of California to publish a list of substance known to the state to cause cancer, birth defect or other reproductive harm, and requires businesses to warn customers of potential exposure to such substances. The burning of gas cooking fuel and the elimination of soil during self-cleaning can generate small amounts of carbon monoxide. The fiberglass insulation in self clean ovens gives off very small amounts of formaldehyde during the first several cleaning cycles. California lists formaldehyde as a potential cause of cancer. Carbon monoxide is a potential cause of reproductive toxicity. Exposure to these substances can be minimized by:

- Providing good ventilation when cooking with gas.
- Providing good ventilation during and immediately after self-cleaning the oven.
- Operating the unit according to the instructions in this manual.

## 2 Preventing material damage

### 2.1 General

#### **NOTICE:**

The presence of objects on the oven cavity bottom will cause heat to build up. The baking and roasting times will no longer be correct and the enamel will be damaged.

- ▶ Do not cover the oven cavity bottom with any sort of foil or greaseproof paper.

- ▶ Do not place accessories on the oven cavity bottom.

Do not allow aluminum foil in the oven cavity to come into contact with the door glass, it could cause permanent discoloration.

Never pour water into the oven cavity when it is still hot.

Never place cookware containing water on the oven cavity bottom.

The prolonged presence of moisture in the oven cavity leads to corrosion.

- ▶ Allow the oven cavity to dry after use.

- ▶ Do not keep moist food in the oven cavity for a long time with the door closed.

- ▶ Do not store food in the oven cavity.

Leaving the appliance to cool down with the door open will damage the front of neighboring kitchen units over time.

- ▶ Always allow the oven cavity to cool down with the door closed after cooking at high temperatures. Only leave the oven cavity to dry with the door open if a lot of moisture was produced during operation.

Fruit juice dripping from the baking tray leaves stains that cannot be removed.

- ▶ When baking very juicy fruit pies, do not pack too much on the baking tray.

If the seal is very dirty, the appliance door will not close properly when the appliance is in operation. This may damage the front of adjacent kitchen units.

- ▶ Never operate the appliance if the seal is damaged or missing.

Sitting or placing objects on the appliance door may damage it.

- ▶ Do not place or hang objects on the appliance door.

- ▶ Do not place cookware or accessories on the appliance door.

With certain models, accessories may scratch the door glass when closing the appliance door.

- ▶ Always push accessories fully into the oven cavity.

Carrying the appliance by the door handle could break it.

The door handle cannot support the weight of the appliance.

- ▶ Do not carry or hold the appliance by the door handle.

Silicone bakeware is not suitable for combined operation with steam.

- ▶ Cookware must be heat- and steam-resistant.

Cleaning the water tank in the dishwasher will damage it.

- ▶ Do not clean the water tank in the dishwasher.

- ▶ Clean the water tank with a soft cloth and standard washing-up liquid.

Using cookware with rust spots may cause corrosion in the oven cavity. Even the smallest spots of rust can cause corrosion.

- ▶ Do not use cookware with rust spots.

If descaling solution comes into contact with the control panel or other delicate surfaces, it will damage them.

- ▶ Remove descaling solution immediately with water.

Dripping liquids make the oven cavity bottom dirty.

- ▶ When steaming with a perforated cooking container, always place the baking tray or the unperforated cooking container underneath.

If there is water on the oven cavity bottom when operating the appliance, this will damage the enamel.

- ▶ Do not use the appliance if there is water on the oven cavity bottom.

- ▶ Wipe away any water on the oven cavity bottom before operation.

Pouring hot water in the water tank may damage the pump.

- ▶ Only fill the water tank with cold water.

Improper cleaning can cause corrosion in the oven cavity.

- ▶ Follow the cleaning recommendations.

- ▶ After the oven has cooled down, remove the dirt from the oven cavity.

- ▶ Completely wipe out any type of cleaning solution in order to prevent damage to the coating.

## 3 Environmental protection and energy-saving

### 3.1 Disposal of packaging

The packaging materials are environmentally compatible and can be recycled.

- ▶ Sort the individual components by type and dispose of them separately.

### 3.2 Saving energy

If you follow these recommendations, your appliance will use less energy.

Only preheat the appliance if the recipe or the recommended settings tell you to do so.

- ✓ Not preheating the appliance can reduce the energy used.

Use dark-colored, black-coated or enameled baking pans.

- ✓ These types of baking pans absorb the heat particularly well.

Open the appliance door as little as possible during operation.

- ✓ This will maintain the temperature in the oven cavity and eliminate the need for the appliance to reheat.

When baking multiple dishes, do so in succession or at the same time.

- ✓ The oven cavity is heated after baking the first dish. This reduces the baking time for the second dish.

If the cooking time is relatively long, you can switch the appliance off 10 minutes before the cooking time ends.

- ✓ There will be enough residual heat to finish cooking the dish.

Remove any accessories that are not being used from the oven cavity.

- ✓ An extra pan without food affects the browning and cooking.

Allow frozen food to defrost before cooking.

- ✓ This will save the energy that would otherwise be required to defrost it.

---

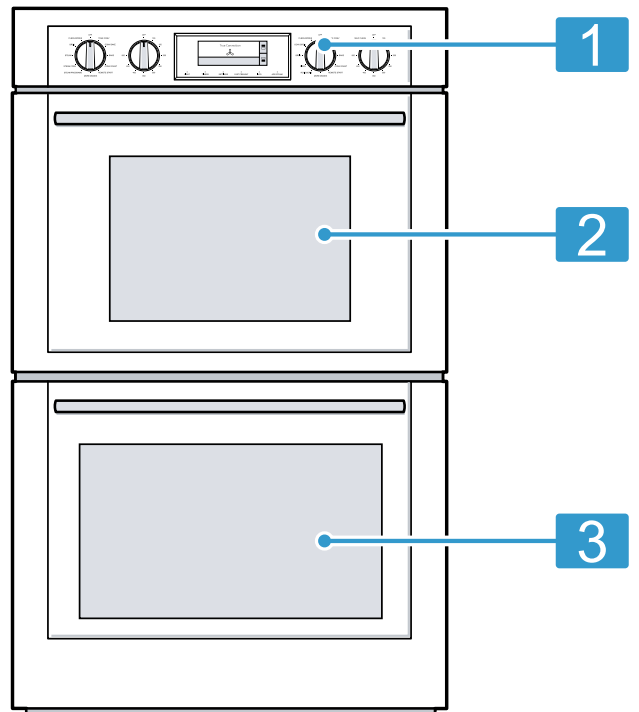
## 4 Familiarizing yourself with your appliance

This Use and Care Guide covers several models. Your model may have some but not all of the features listed.

### 4.1 Appliance

Here you can find an overview of the parts of your appliance.

**Note:** This Use and Care Guide covers several models. Your model may have some but not all of the features or displays listed.



- 
- |   |                   |
|---|-------------------|
| 1 | Control panel     |
| 2 | Steam oven        |
| 3 | Conventional oven |
- 

### 4.2 Oven cavities

Here you can find information about the features of the oven cavities.

The bottom of the oven cavity conceals the lower heating element.

#### **⚠ WARNING**

Trapped heat and the use of metallic liners may result in a risk of electric shock or fire.

- ▶ Do not use aluminum foil or protective liners on any part of the appliance, especially the oven bottom.
- ▶ NEVER cover any slots, holes or passages in the oven bottom or cover an entire rack with materials such as aluminum foil. Doing so blocks air flow through the oven. Aluminum foil linings may also trap heat, causing a fire hazard.

#### **⚠ CAUTION**

A build-up of heat can damage the appliance or cause injury.

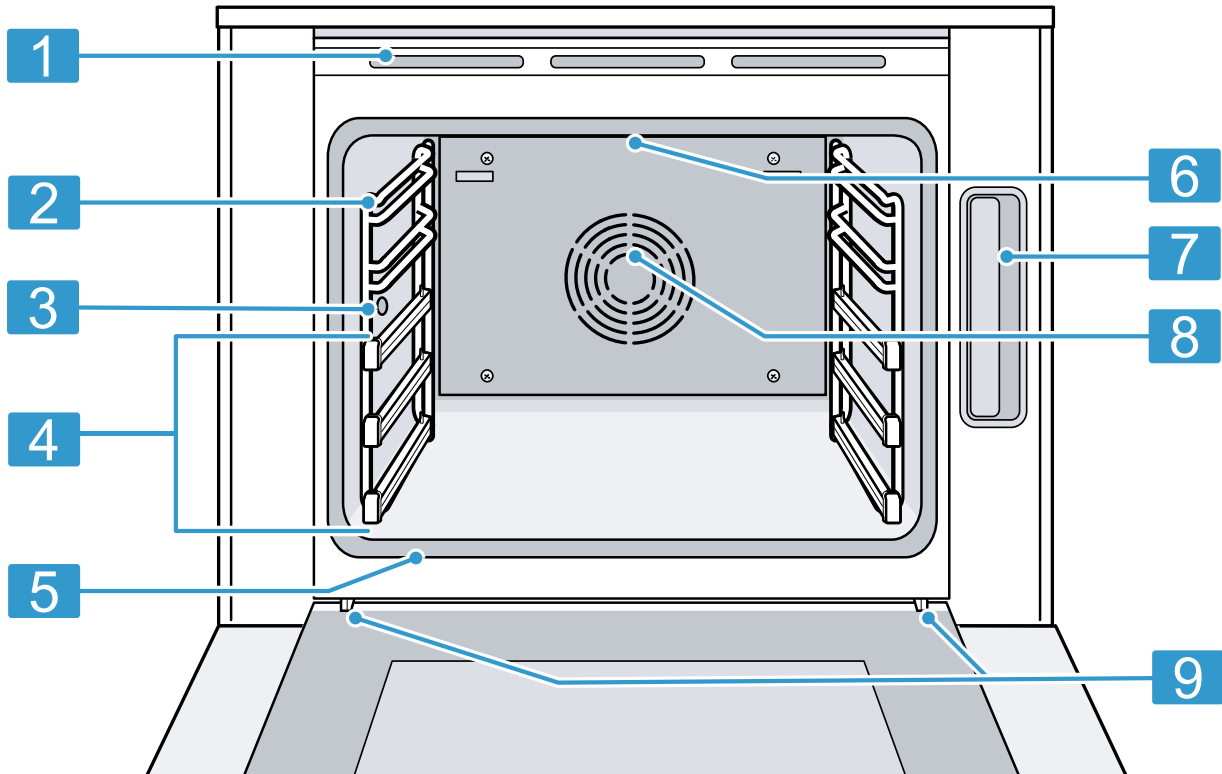
- ▶ Do not place anything on the bottom of the oven cavity.
- ▶ Always place cookware in the perforated cooking pan or on a rack.
- ▶ Do not cover the bottom of the oven cavity with aluminum foil.



- ▶ Do not place the broiler pan on the bottom of the oven cavity to catch spills. It will damage the surface of the oven cavity bottom.

### Steam oven cavity

Here you can find components of the steam oven cavity.

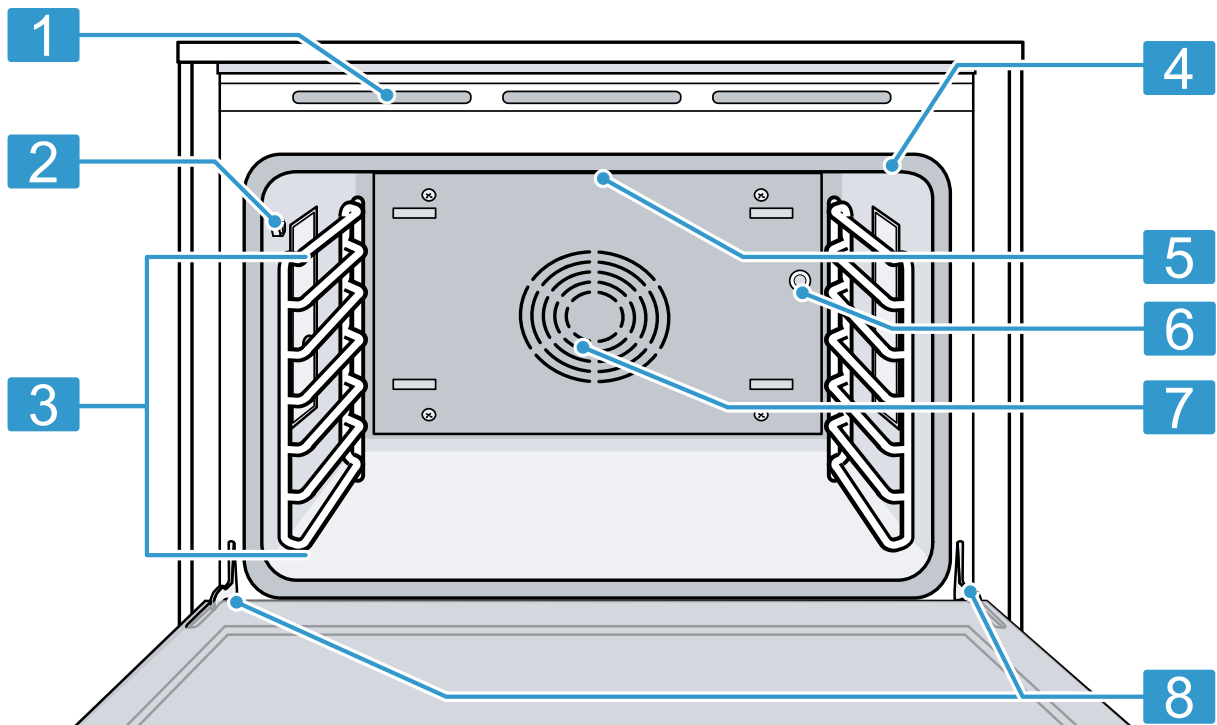


- |   |                       |
|---|-----------------------|
| 1 | Oven vent             |
| 2 | Oven rails            |
| 3 | Socket for meat probe |
| 4 | Telescopic rails      |
| 5 | Door seal             |

- |   |                |
|---|----------------|
| 6 | Broil element  |
| 7 | Water tank     |
| 8 | Convection fan |
| 9 | Door hinges    |

## Conventional oven cavity

Here you can find the components of the conventional oven cavity.



1	Oven vent
2	Socket for meat probe
3	Oven rails
4	Door gasket
5	Broil element
6	Socket for rotisserie spit
7	Convection fan
8	Door hinges

### Oven light

Your appliance is equipped with an oven light. When you open the appliance door, the oven light turns on. If the door remains open for longer than 20 minutes, the oven light turns off again.

To turn the light back on, touch **LIGHT**.

### Convection fan

Convection baking uses a fan to circulate the oven's heat evenly and continuously within the oven.

This improved heat distribution allows for even cooking and excellent results using multiple racks at the same time.

The convection fan operates during all convection modes. When the oven is operating in a convection mode, the fan turns off automatically when the door is opened.

### Cooling fan

The cooling fan runs during all cooking modes.

The fan can be heard when it is running, and warm air may be felt as it is released from the oven vent. The fan may also run after the oven is off.

### Oven vents

Warm air may be released from the oven vents before, during and after cooking. It is normal to see steam escaping from the vents, and condensation may collect in this area. This area may be warm when the oven is in use.

### ⚠ CAUTION

The oven vents are important for air circulation. Covering the oven vents will cause the oven to overheat. Refer to the appliance overview for the location of the oven vents.

→ "Steam oven cavity", Page 11

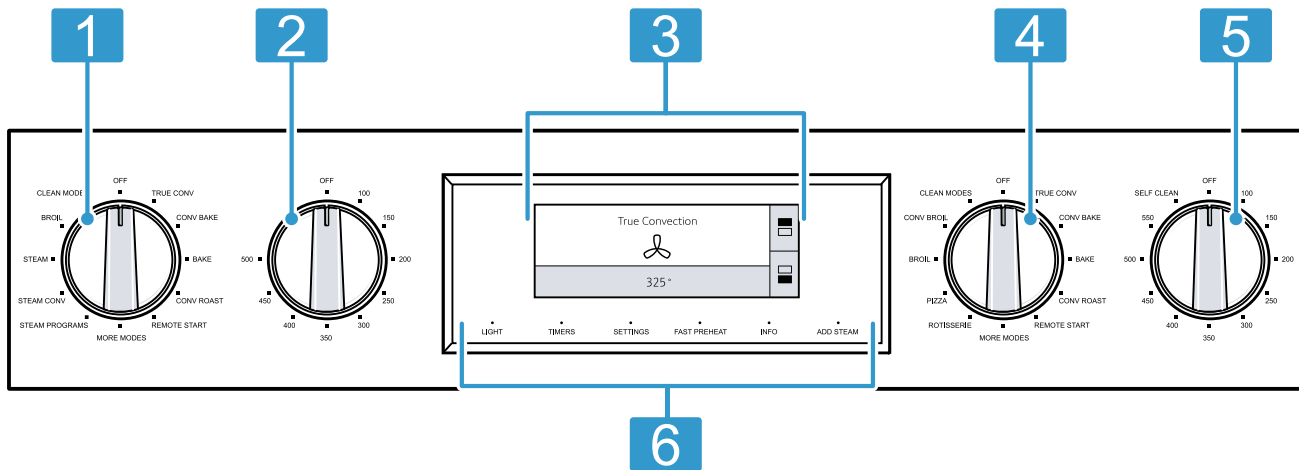
→ "Conventional oven cavity", Page 12

▶ Do not obstruct oven vents.

### 4.3 Control panel

You can use the control panel to configure all functions of your appliance and to obtain information about the operating status.

**Note:** The control panel graphics are representative. Your oven may have different graphic appearances.







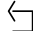
<b>1</b>	Mode selection knob for steam oven	Use to select the desired mode for the steam oven cavity.
<b>2</b>	Temperature selection knob for steam oven	Use to set the desired temperature for the steam oven cavity.
<b>3</b>	Full touch display	The full touch display is a touch sensitive area. Use it to navigate through the menus and select settings. The feature that is active will be illuminated in blue.
<b>4</b>	Mode selection knob for conventional oven	Use to select the desired mode for the conventional oven cavity.
<b>5</b>	Temperature selection knob for conventional oven	Use to set the desired temperature for the conventional oven cavity.
<b>6</b>	Touch keys	Touch keys are touch sensitive areas. Press on the words of the touch buttons to select a function. The available functions are indicated by a light above the respective touch button. Depending on the operation you are running, the number of available functions can change.

### 4.4 Basic features

Here you can find information on the basic operating features of your oven.

This Use and Care Guide covers several models. Your model may have some but not all of the touch keys listed.

Touch key	Function
LIGHT	While the oven door is closed, press this key to turn the oven light on and off. When the oven door is opened, the oven light will automatically turn on. During self clean the oven light cannot be turned on.
TIMERS	Enters the kitchen timer or oven timer function.
INFO	Displays additional information on current modes.

Touch key	Function
SETTINGS	Enters the basic settings menu.
ADD STEAM	Turns on steam assisted cooking.
FAST PREHEAT	Activates or deactivates the fast preheat function. The display shows  .
	Select upper oven cavity to change settings.
	Select lower oven cavity to change settings.
	Confirm settings on the full touch display
	Return to prior screen on the full touch display



### INFO touch key

If the **INFO** touch key lights up, important information regarding the mode you are using is available, for example recommendations on suitable cookware or how to prepare food for a safe cooking result.



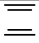


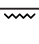








How to use this feature:

- When you press **INFO**, the information is displayed for a few seconds.
- To exit the information mode immediately, press **INFO** or touch the display.

## 4.5 Heating modes and functions

Here you can find a list of heating modes and other features of your appliance.

This Use and Care Guide covers several models. Your model may have some but not all of the features or displays listed.

Symbol	Function/Mode	Temperature range °F (°C)	How it works and what it is used for
	True Convection <sup>1</sup>	150 - 475 (65 - 250)	For baking and cooking small food items on one or more racks.
	Convection Bake <sup>1</sup>	150 - 475 (65 - 250)	Use for large baked items and breads on 1 or 2 racks. Also suitable for side dishes and casseroles.
	Bake <sup>1</sup>	150 - 475 (65 - 250)	Cooks with dry, heated air. Use for traditional baking and roasting on one level.
	Convection Roast <sup>1</sup>	150 - 475 (65 - 250)	Uses intense heat and air circulated by a fan. Use for roasting of poultry, larger pieces of meat and vegetables.
	Roast <sup>1</sup>	150 - 475 (65 - 250)	Use for roasting poultry or meats.
	Broil	450 - 500 (230 - 260)	Use for broiling flat items such as steaks or hamburgers, for making toast and for cooking au gratin.
	Max Broil	450 - 550 (230 - 290)	Use for cooking thin, tender cuts of meat, poultry and fish.
	Convection Broil	450 - 500 (230 - 260)	Combines intense heat from upper element with fan circulation. Use for roasting poultry, whole fish and larger pieces of meat.
	Max Convection Broil	450 - 550 (230 - 290)	Use for thick tender cuts of meat, poultry and fish.
	Speed Convection <sup>1</sup>	150 - 475 (65 - 250)	Use for frozen convenience foods. Preheating is not required.
	Pizza	150 - 475 (65 - 250)	For preparing fresh or frozen pizza.
	Slow Roast	150 - 250 (65 - 120)	Use for gentle slow cooking of seared, tender pieces of meat in ovenware without a lid.
	Rotisserie	175 - 550 (80 - 290)	Use for roasting poultry and large pieces of meat. The food is slowly turned on a skewer.
	Dehydrate	100 - 160 (40 - 70)	Use for drying herbs, fruits and vegetables.

<sup>1</sup> Added steam feature available for steam oven cavity. The water tank MUST be full before starting operation.

<sup>2</sup> Steam heating mode. The water tank MUST be full before starting operation.

### Sounds

The appliance uses various sound signals during operation.

Sounds may indicate the following:

- A touch key or touch field has been pressed.
- An operation has started or finished.

You can adjust the volume of the sounds in the basic settings → *Page 24*.

Depending on your model, some of the modes listed may be accessible through the **MORE MODES** feature.

Symbol	Function/Mode	Temperature range °F (°C)	How it works and what it is used for
	Proof	85 - 110 (30 - 45)	Maintains the warm, non-drafty environment needed for proofing yeast leavened product. Use for yeast doughs and sourdough.
	Warm	150 - 225 (65 - 110)	Use for keeping cooked food warm.
	Steam <sup>2</sup>	85 - 212 (30 - 100)	Use for vegetables, fish, side dishes, juicing fruit and blanching.
	Steam Convection <sup>2</sup>	250 - 450 (120 - 230)	Combines steam and convection oven mode. Use for meat, soufflés and baked goods.
	Reheat <sup>2</sup>	175 - 350 (80 - 175)	Use for plated meals and baked items.
	Defrost <sup>2</sup>	100 - 125 (40 - 50)	Use for vegetables, meat, fish and fruit.
	Sabbath	100 - 450 (40 - 230)	The Sabbath mode enables those of particular faiths to use their ovens on the Sabbath.
	Steam Programs	Automatic	Automatic programs for a variety of dishes.
	Easy Clean	n/a	Use this steam cleaning program to lift food soils for cleaning.
	Ecolytic Clean	n/a	Use this cleaning program to refresh ecolytic surfaces.
	Descaling	n/a	Run this program regularly to maintain proper functioning of the steam oven.
	Self Clean	n/a	This cleaning program uses high temperatures to burn off food soil.
	Remote Start	n/a	Allows you to start, pause, and abort oven programs remotely via the Home Connect® app on a mobile device.

<sup>1</sup> Added steam feature available for steam oven cavity. The water tank MUST be full before starting operation.

<sup>2</sup> Steam heating mode. The water tank MUST be full before starting operation.

### Heating mode availability

Some heating modes and functions are only available for the steam oven or conventional oven cavity. Refer to this chart to check which heating modes and functions are available.

Heating mode / function	Steam oven cavity	Conventional oven cavity
True Convection	+	+
Convection Bake	+	+
Bake	+	+
Convection Roast	+	+
Roast	+	+
Broil	+	+
Max Broil	—	+
Convection Broil	+	+
Max Convection Broil	—	+
Speed Convection	+	+
Pizza	+	+
Slow Roast	+	+
Rotisserie	—	+
Dehydrate	+	+
Proof	+	+

Heating mode / function	Steam oven cavity	Conventional oven cavity
Warm	+	+
Steam	+	—
Steam Convection	+	—
Reheat	+	—
Defrost	+	—
Sabbath	+	+
Yom Tov	+	+
Steam Programs	+	—
Easy Clean	+	+
Ecolytic Clean	+	—
Descaling	+	—
Self Clean	—	+
Remote Start	+	+

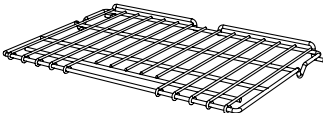
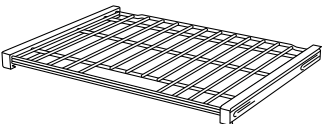
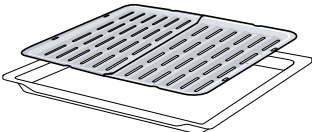
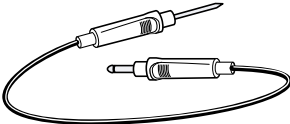
## 5 Accessories

Only use original accessories. These are designed especially for your appliance.

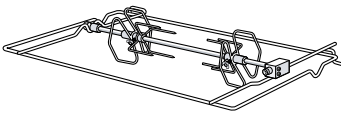
**Note:** Accessories may become deformed if they get hot. Deformation has no effect on function. As the accessory cools down, it will regain its original shape.

The accessories supplied may differ depending on the appliance model.


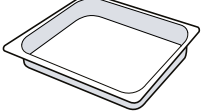
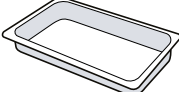

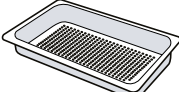
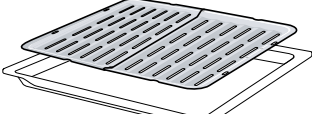

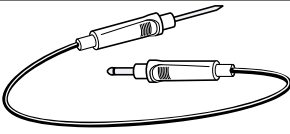
### 5.1 Accessories included - conventional oven

Accessories		Use
Wire rack		<ul style="list-style-type: none"> <li>These racks can be used for most cooking.</li> <li>You can use multiple racks at the same time.</li> </ul> <p><b>Note:</b> Do not clean using the <b>SELF CLEAN</b> function.</p>
Telescopic rack		<p>Use with heavier dishes to make placement into the oven easier.</p> <p><b>Note:</b> Do not clean using the <b>SELF CLEAN</b> function.</p>
Broiler pan and grid		<p>Use for broiling and roasting.</p> <p><b>Notes</b></p> <ul style="list-style-type: none"> <li>Do not clean using the <b>SELF CLEAN</b> function.</li> <li>You can clean this accessory in the dishwasher.</li> </ul>
Multi-point meat probe		<p>Three measurement points enable precision roasting to your exact requirements.</p> <p><b>Notes</b></p> <ul style="list-style-type: none"> <li>Do not clean using the <b>SELF CLEAN</b> function.</li> <li>Do not clean in the dishwasher.</li> </ul>



Accessories	Use
Rotisserie	 <p>Use this accessory when using the rotisserie mode.</p> <p><b>Note:</b> Do not clean using the <b>SELF CLEAN</b> function.</p>

## 5.2 Accessories included - steam oven

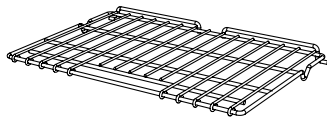
Accessories	Use
Wire rack	 <ul style="list-style-type: none"> <li>Use for support during cooking.</li> <li>Place meats on the wire rack with the baking pan underneath and insert both together into one level.</li> </ul>
Baking pan, full-size	 <ul style="list-style-type: none"> <li>1 5/8" (40 mm) deep</li> <li>Ideal for baking cakes and catching dripping liquid when steaming.</li> </ul>
Baking pan, half-size	 <ul style="list-style-type: none"> <li>1 5/8" (40 mm) deep</li> <li>Use for smaller quantities and for rice and cereals.</li> </ul>
Perforated baking pan, full-size	 <ul style="list-style-type: none"> <li>1 5/8" (40 mm) deep</li> <li>Ideal for steaming fish or large quantities of vegetables, extracting juice from berries, and much more.</li> </ul>
Perforated baking pan, half-size	 <ul style="list-style-type: none"> <li>1 5/8" (40 mm) deep</li> <li>Ideal for steaming fish or vegetables, extracting juice from berries, and much more.</li> </ul>
Broiler pan and grid	 <p>Use for broiling and roasting.</p> <p><b>Notes</b></p> <ul style="list-style-type: none"> <li>Do not clean using the <b>SELF CLEAN</b> function.</li> <li>You can clean this accessory in the dishwasher.</li> </ul>
Sponge	 <p>Use to wipe out excess water from the oven cavity.</p>
Multi-point meat probe	 <p>Three measurement points enable precision roasting to your exact requirements.</p> <p><b>Notes</b></p> <ul style="list-style-type: none"> <li>Do not clean using the <b>SELF CLEAN</b> function.</li> <li>Do not clean in the dishwasher.</li> </ul>

## 5.3 Other accessories

You can purchase other accessories from our Customer Service, specialist retailers or online. You will find a comprehensive range of products for your appliance in our brochures and online: [www.thermador.com](http://www.thermador.com)

Accessories are appliance-specific. When purchasing, always check for compatibility with your appliance model number (E-Nr). You can find out which accessories are available for your appliance in our online shop or from our Customer Service.

Other accessories	Use
Self cleaning rack for conventional oven (3 pack)	For ovenware, cake pans and ovenproof dishes. These racks do not need to be removed during <b>SELF CLEAN</b> .



### Other accessories for steam oven

You can order these accessories.

Item	Order number
Descaler (powder)	00573828
Descaler (liquid)	10008170
Water hardness test strips	00056317

### 5.4 Safe use of oven racks

For your safety, follow these recommendations on how to use the oven racks correctly.

#### CAUTION

Placement of Oven Racks - Always place oven racks in desired location while oven is cool. If the rack must be moved while the oven is hot, do not let potholders contact the hot heating elements in the oven. Use caution when removing oven racks from the lowest rack position to avoid contact with the hot oven door.

#### CAUTION

To avoid possible injury or damage to the appliance, ensure oven rack is installed exactly per installation instructions and not backwards or upside down. Do not slide any accessories between the rack positions, or they may tip.

## 6 Before using for the first time

Carry out these steps before using your appliance.

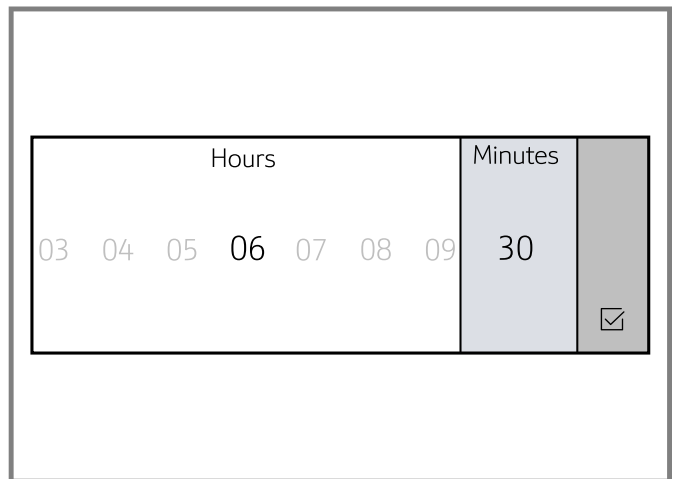
- The appliance must be properly installed by a qualified service provider before use.
- Read and understand all safety precautions → *Page 4* and information in the Use and Care Guide prior to operating.
- Download the Home Connect® (America) app to remotely control your appliance, get cooking inspiration, and access service tips and support. → *"Home Connect®", Page 38*
- This Use and Care Guide covers several models. Not all features are available on all models.

### 6.1 Initial adjustment of basic settings

After the appliance has been connected to the power supply, you are prompted to set some basic settings to ensure you can use your appliance conveniently and safely.

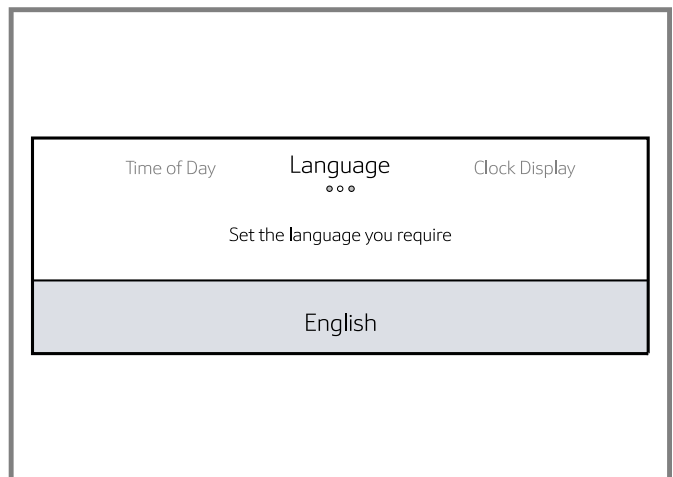
#### 1. Setting the clock:

- Touch the bottom line on the full-touch display. The time setting options are displayed.
- Touch "Hours" and swipe to the left or right until the desired number is in focus.
- Touch "Minutes" and swipe to the left or right until the correct number is in focus.
- Touch  to confirm.



#### 2. Setting the language:

- Touch the bottom line on the full-touch display.
- Swipe to the left or right in the bottom line until the desired language is in focus.
- Touch the bottom line and swipe to the left or right until the correct language is in focus.
- Touch the top line.



3. Setting the clock display:
  - Touch "Clock Display".
  - Touch the bottom line.
  - Swipe to the left or right to select "digital" or "analogue".
  - Touch the top line.
4. Setting the water hardness. → *Page 19*

## 6.2 Setting the water hardness

You will need to descale your steam oven at regular intervals. Set the correct water hardness level to ensure your appliance reminds you when descaling is necessary.

**Note:** If you move or if your water source changes, you will need to reset the water hardness level.

1. Determine the water hardness using a water hardness test strip or ask your water utility company.
2. Touch "Water Hardness".
3. Touch the bottom line.
4. Swipe to the left or right to select the appropriate water hardness level.
5. Touch the top line.

### Water hardness levels

Here you can find an overview of the water hardness levels and the recommended settings.

Water hardness level	Setting
1 (0 - 17 mg/L)	0 - softened
2 (18 - 60 mg/L)	1 - soft
3 (61 - 120 mg/L)	2 - medium
4 (121 - 180 mg/L)	3 - hard
5 (over 180 mg/L)	4 - very hard <sup>1</sup>

<sup>1</sup> Factory setting

## 6.3 Pairing your oven with Home Connect®

In order to utilize the full feature potential of the appliance, download the Home Connect® app on a smart device and pair the appliance to the home's Wi-Fi device.

- ▶ For step-by-step instructions, see → *"Home Connect®", Page 38.*

## 6.4 Cleaning the appliance before using it for the first time

Clean the oven cavities and accessories before using the appliance to prepare food for the first time.

### **NOTICE:**

#### ENAMEL DAMAGE!

- ▶ Do not start an operation if water is on the bottom of the oven cavity.
- ▶ Let the appliance cool down and wipe the water from the oven cavity bottom before starting an operation.

**Note:** There may be a slight odor during first uses. This is normal and will disappear.

1. Remove all packaging materials from inside and outside the oven. Check both oven cavities.
2. Before heating the appliance, wipe the smooth surfaces in the oven cavities with a soft, damp cloth and dry.
3. Keep the room ventilated while the appliance is heating.
4. Close both oven doors.
5. Carry out the following steps for the steam oven cavity:
  - Fill the water tank of the steam oven and slide it in. → *"Filling the water tank", Page 26.*
  - Select the heating mode and temperature. → *"Basic Operation", Page 19*

Heating mode	Steam
Temperature	212°F (100°C)
Duration	30 minutes

- ✓ This initial operation also calibrates the steam oven to the air pressure at your location.
6. Carry out the following step for the conventional oven cavity:
    - Select the heating mode and temperature.

Heating mode	Bake
Temperature	475°F (245°C)
Duration	30 minutes

7. Switch off the appliance after the specified cooking time by pressing turning all selector knobs to **OFF**.
8. Wait until the oven cavities have cooled off.
9. Clean the smooth surfaces with soapy water and a dish cloth.
10. Wash the accessories thoroughly with soapy water and a cloth and rinse well.

## 7 Basic Operation

### 7.1 Turning the appliance on

- ▶ Turn the mode selection knob to the desired mode or press the desired touch key.

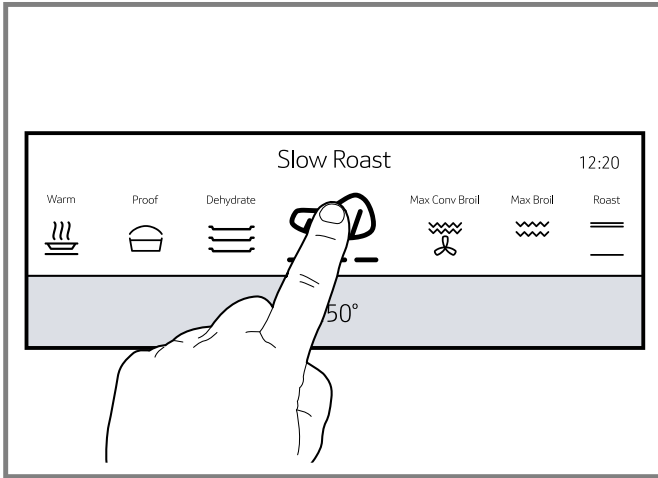
### 7.2 Turning the appliance off

Switch off your appliance when you do not need to use it.

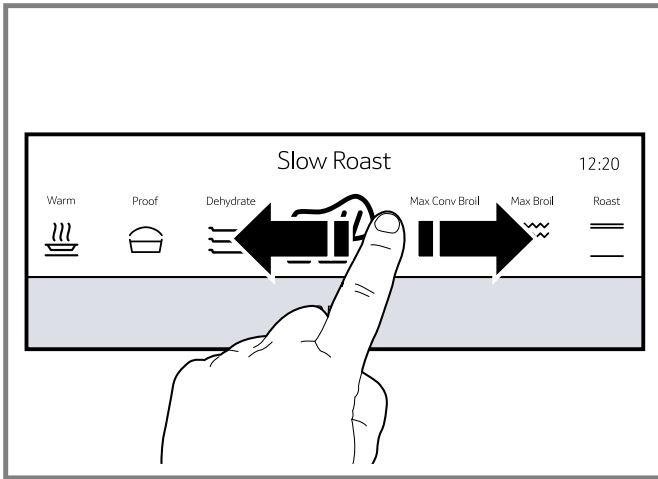
- ▶ Turn the mode and temperature selectors to **OFF**.
  - If no settings are applied for a long time, the appliance switches itself off automatically.
- ✓ The cooling fan may continue to run.
- ✓ Certain indicators remain visible on the display after the appliance has been switched off, for example the residual heat notification.

### 7.3 Operating the full-touch display

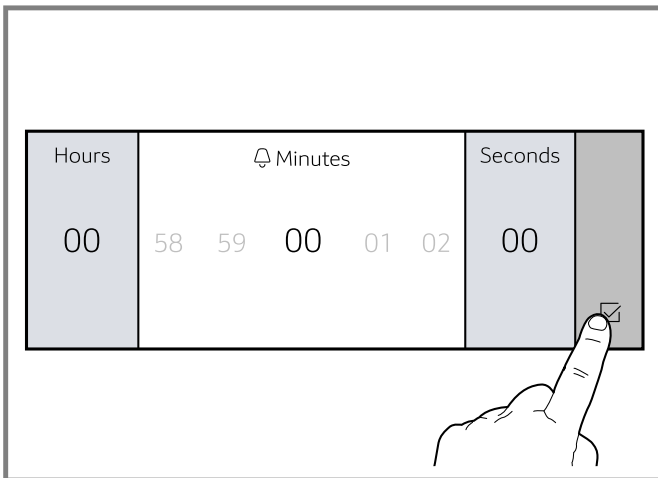
1. Touch the desired area on the display to select an option.



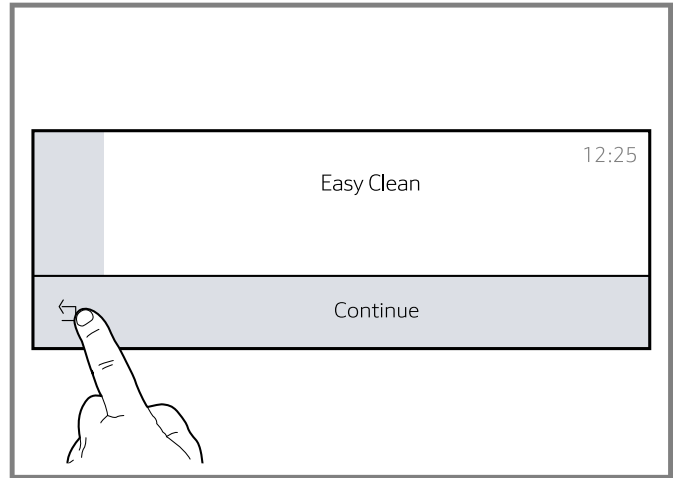
2. Swipe to the left or right to move through the various settings.



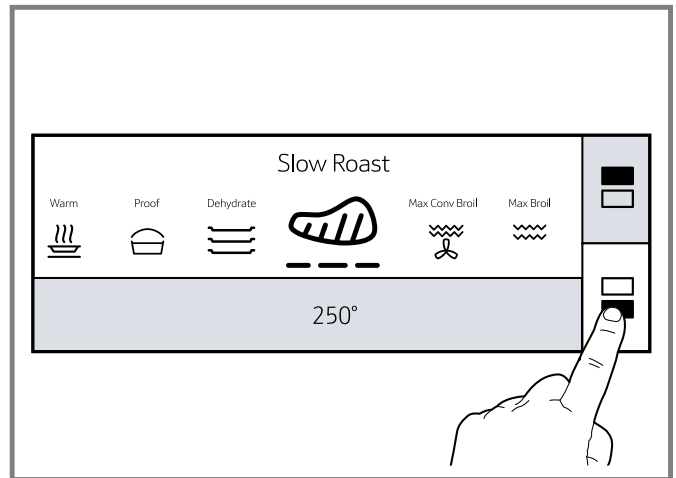
- ✓ The setting that is in focus appears larger and blue.
3. In some instances settings need to be confirmed by touching .



4. Some operations allow you to return to the previous screen by touching .



5. For double ovens, you have to select the desired oven cavity first. Touch  to select the steam oven, touch  to select the conventional oven.



The oven cavity icons light up in different colors:

Color or cavity icon	Meaning
Blue	The oven cavity is selected, proceed to make settings.
White	The oven cavity is operating.
Gray	The oven cavity is inactive.

### 7.4 Setting the heating mode and temperature

**Requirement:** For steam modes, place food into the oven before starting the oven operation.

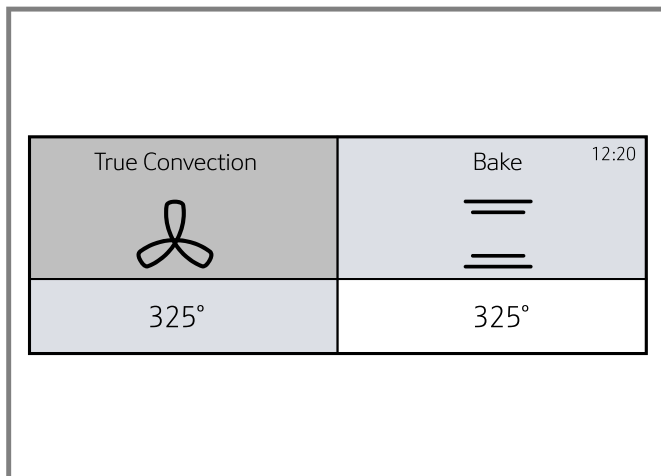
1. Turn the mode selection knob to the desired heating mode.
  2. Turn the temperature selection knob to the desired temperature.
- ✓ The oven begins to preheat. The preheat bar begins to fill in.
3. For steam modes you also have to set a duration:
    - Touch the timer field .



- Swipe to set a duration.

The default duration is 20 minutes. The timer starts to count down once the oven has reached the set temperature.

4. Make settings for the second oven cavity in the same way.
- ✓ The settings for both oven cavities are shown side by side on the display. The steam oven settings are shown in the left half, the conventional oven settings are shown in the right half of the display.



5. To change the settings, turn the selection knob to the desired position.

For settings that are made on the full-touch display, select the desired oven cavity first.

**Note:** Turn the mode selection knob to **MORE MODES** to access additional heating modes. The settings for these modes are made on the full-touch display.

## 7.5 Changing the heating mode or temperature

1. To change the heating mode or temperature, turn the selection knob to the desired setting.
  2. To change any other settings:
    - For double ovens: Select the desired oven cavity.
    - Touch the area of the setting you want to change.
    - Swipe to change the setting.
- ✓ After a few seconds the appliance continues operation with the changed settings.

## 7.6 Canceling a heating mode

- ▶ Turn the mode and temperature selectors to **OFF**.

## 7.7 Heating time limitation

The maximum heating time is limited. If you forget to turn off the oven, it turns off automatically after a set period of time.

The maximum time for Sabbath mode is 74 hours. For all other heating modes the maximum allowed time is 24 hours.

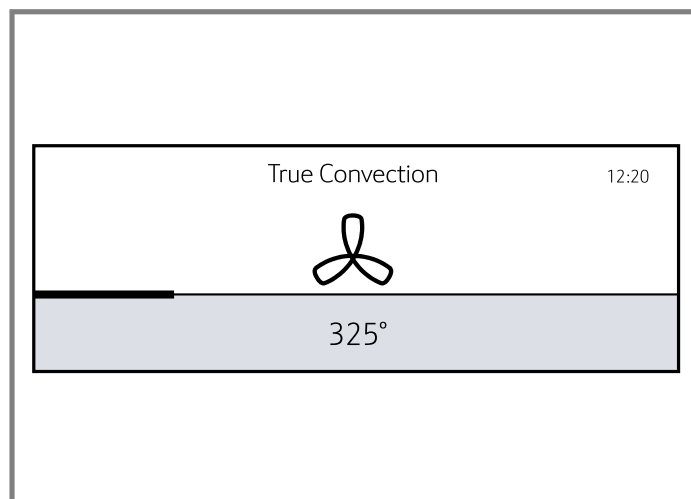
Temperature °F (°C)	Max. time allowed without activity
100 - 200 (30 - 120)	24 hours
201 - 550 (121 - 300)	12 hours

## 7.8 Preheating

Depending on the heating mode, it is recommended to place the food into the oven before or after preheating.

- For heating modes that use steam, place the food into the oven cavity before preheating. If you open the oven door during the preheat cycle the steam will leave the oven cavity, lowering the temperature. The food will be undercooked.
- For all other modes place the food into the oven after preheating is complete.

As soon as a new heating mode is started, the preheating bar appears on the display. The preheating bar indicates the temperature increase in the oven cavity. When the oven is fully preheated, a signal tone sounds.



## 7.9 Fast preheat

With this function you can shorten the time the oven needs to reach the set temperature.

Fast preheat is available for the following heating modes:



- "True Convection"
- "Convection Bake"
- "Bake"
- "Roast"
- "Convection Roast"

**Note:** If the **FAST PREHEAT** touch key lights up, the function can be activated.

### Setting fast preheat

To achieve an even cooking result, wait until fast preheat is complete before placing your food or accessories into the oven cavity.

1. Set the desired heating mode and temperature.
2. Press **FAST PREHEAT**.

- ✓  lights up on the display.
  - ✓ When the set temperature is reached, the function turns off automatically. The  indicator turns off.
3. Place the food into the oven cavity.

**Note:** You can turn off fast preheat manually by pressing **FAST PREHEAT**.

## 7.10 Turning the panel lock on or off

With the panel lock you can disable all touch keys on the control panel.

**Requirement:** The oven is in standby mode.

1. Press and hold **TIMERS** for 4 seconds.
  - ✓ The panel lock is activated.
2. Press and hold **TIMERS** again for 4 seconds to turn off the panel lock.
  - ✓ The display returns to standby mode.

## 7.11 Meat probe

The meat probe measures the internal temperature of the food. You can set a core temperature and the heating mode turns off automatically as soon as the set temperature is reached.


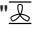

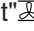


The multi-point meat probe measures the temperature in three different areas of your food ensuring the most accurate cooking results.

### WARNING

Use of a wrong meat probe can damage the insulation.

- ▶ Use only the meat probe intended for this appliance.

Suitable heating modes:

- "True Convection" 
  - "Convection Bake" 
  - "Bake" 
  - "Convection Roast" 
  - "Roast" 
  - "Slow Roast" 
- The meat probe measures the temperature on the inside of the food between 85°F (30°C) and 210°F (99°C).
  - To prevent the meat probe from being damaged, do not set an oven temperature above 480°F (250°C).
  - Use only the meat probe supplied with your appliance. Additional or replacement meat probes can be ordered from Customer Service.
  - Do not store the probe in the oven cavity. Always remove the meat probe from the oven cavity after use.

### Inserting the meat probe

#### Requirements

- Food must be completely thawed before inserting the probe into the meat.
- The probe ships with a black plastic safety cap over the pointed metal end of the probe. The cap must be removed prior to use.

1. Insert the tip of the probe in the middle and thickest part of the meat or the breast for poultry. Make sure the probe is not touching fat, bone or parts of the oven or the pan.

Always use the handle of the probe for inserting and removing.

**Note:** The handle of the probe becomes hot during cooking. Always use oven mitts when touching the probe handle.



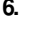
2. Insert the plug of the probe into the socket at the side of the oven cavity.
  - Push the probe in all the way and pull back until it catches in the socket.

### Setting the meat probe

#### WARNING

The oven interior and the meat probe become very hot.

- ▶ Use oven mitts to plug and unplug the meat probe.

1. Insert the meat probe into the food.
  - "Inserting the meat probe", Page 22
2. Insert the plug of the probe into the socket at the side of the oven cavity.
  - "Oven cavities", Page 10
- ✓  lights up on the display.
3. Close the appliance door.
4. Set the desired heating mode and temperature.
5. Touch .
6. Touch  and swipe to the left or right to select the required core temperature.
  - The set oven cavity temperature must be at least 50°F (10°C) higher than the meat probe temperature.
7. After a few seconds the mode starts automatically.
  - ✓ The current and the target temperature of the probe are displayed.
  - ✓ When the set probe temperature is reached, the heating mode turns off.
8. Unplug the meat probe from the socket.

## 8 Timer functions

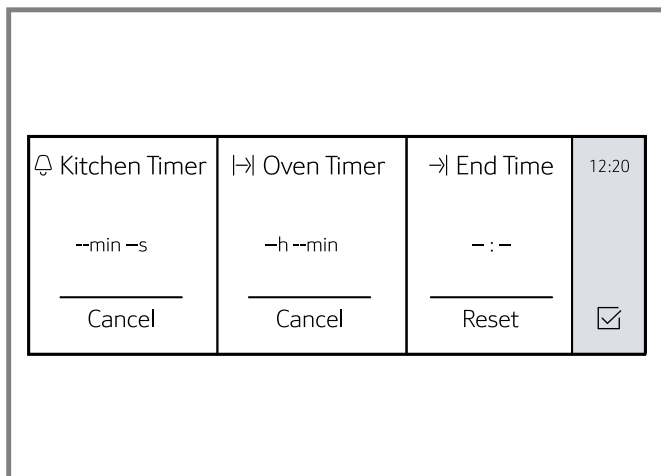
Your appliance has various time setting functions.

### 8.1 Setting the oven timer

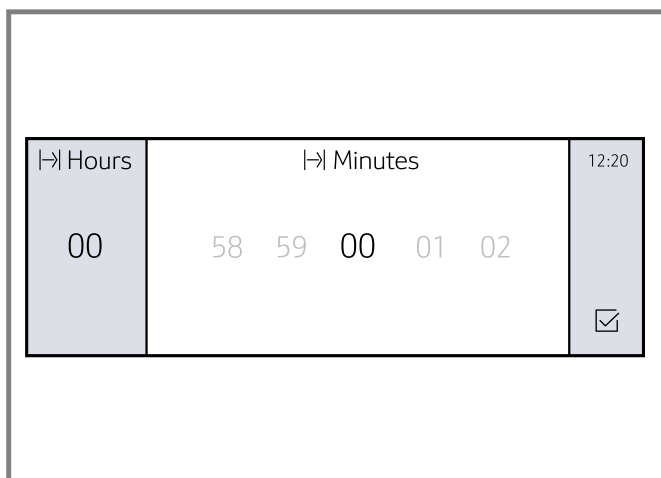
If you set an oven timer, operation of the oven stops automatically once this time has elapsed.

1. Set a heating mode and temperature.

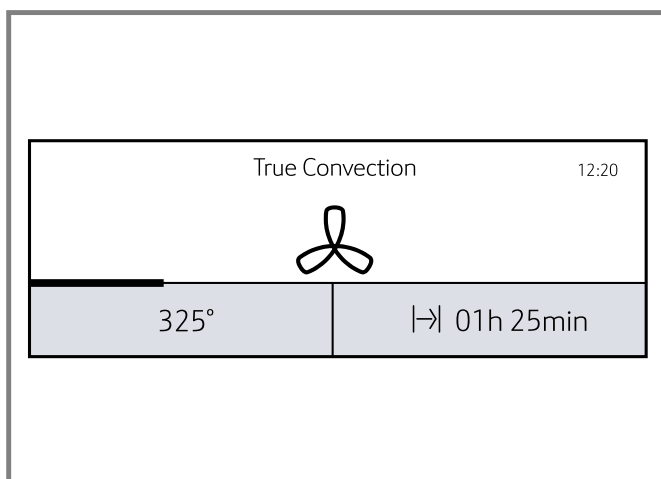
## 2. Press **TIMERS**.



3. Touch **Oven Timer**.
4. Swipe to the left or right to select the desired value. You can set hours and minutes.



5. Touch .
  - ✓ The oven timer begins to count down.
  - ✓ The timer value and **Oven Timer** are displayed in the bottom line of the display.



- ✓ When the time has elapsed, signal sounds. A notification is shown on the display.

## Editing or canceling the oven timer

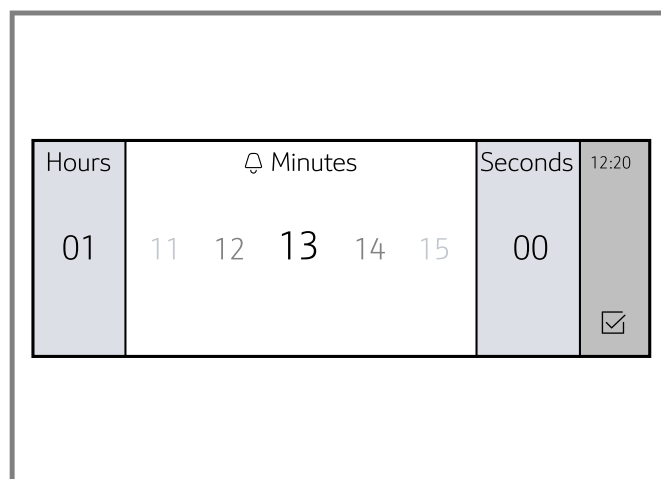
1. Press **TIMERS**.
2. Select **Oven Timer**.
3. Set a new value and touch . To cancel the oven timer select 0 or touch "Cancel".

## 8.2 Setting the kitchen timer

The kitchen timer is a countdown timer that has no affect on oven heating.

**Note:** You can set the kitchen timer when the appliance is turned on or off.

1. Press **TIMERS**.
2. If the appliance is switched on, touch **Kitchen Timer**.
3. Swipe to the left or right to select the desired value. You can set hours, minutes and seconds.



4. Touch .
  - ✓ The kitchen timer begins to count down.
  - ✓ The timer value and **Kitchen Timer** are displayed in the top left corner of the display.
  - ✓ When the time has elapsed, a signal sounds. A notification is shown on the display.

## Editing or canceling the kitchen timer

1. Press **TIMERS**.
2. Select **Kitchen Timer**.
3. Set a new value and touch . To cancel the kitchen timer select 0 or touch "clear".

## 8.3 Setting delayed operation with End Time

With this feature you can program your oven to finish a heating mode at a predetermined time.

### ⚠ CAUTION

Food might spoil when left standing for too long.

- ▶ To maintain food safety, do not leave food in the oven for more than one hour before or after cooking.

1. Place the food onto the appropriate accessory in the oven cavity and close the appliance door.
2. Set a heating mode.

3. Press **TIMERS**.
  4. Set an oven timer and touch .
  5. Press **TIMERS**.
  6. Set an end time for delayed cooking.
  7. Set a temperature.
- ✓ After a few seconds the display shows a delayed start message.
  - ✓ The appliance waits until the appropriate time to start the operation.
  - ✓ When the time has elapsed, signal sounds. A notification is shown on the display.

### Editing or canceling delay time



1. Press **TIMERS**.
2. Select →"End Time".
3. Set a new value and touch . To cancel the end time select 0 or touch "Cancel".

## 8.4 Sabbath mode

The Sabbath mode enables those of particular faiths to use their ovens on the Sabbath.

- Sabbath mode has to be enabled in the basic settings menu → *Page 24*.
- Sabbath mode automatically uses the heating mode "Bake". The heating mode cannot be changed.
- The temperature range may be set between 100°F (38 °C) and 450°F (230 °C).
- You can set a duration of up to 74 hours.
- Kitchen timer, oven timer and meat probe function are not available in Sabbath mode.
- Pressing any of the touch keys while the oven is in Sabbath mode will have no effect.
- If the oven light is on when you set Sabbath mode, the light remains on. If it is off when you set Sabbath mode, the light remains off.
- You can run Sabbath mode on one oven cavity or on both oven cavities at the same time. The two oven cavities share one Sabbath mode timer but you can set different temperatures for each oven cavity.

### Setting the Sabbath mode

1. Turn the mode selection knob to **MORE MODES**.
  2. Swipe to the left or right to select  "Sabbath".
- ✓ "Bake" is set as the default heating mode and cannot be changed.
3. Set a temperature within the allowed temperature range with the temperature selection knob.
  4. Touch .
  5. Touch  "Oven Timer" and set the desired time.
  6. Touch .
- ✓ Sabbath mode starts after 5 minutes. During this time you can still make changes.
  - ✓ Once Sabbath mode has started, all controls are disabled.
  - ✓ The operation is not interrupted if you open the appliance door.

- ✓ Once the Sabbath mode duration has elapsed, a signal sounds. The appliance stops heating.

### Canceling Sabbath mode

You can cancel the function at any time.

- ▶ Turn the mode and temperature selectors to **OFF**.

## 9 Basic settings

You can configure the basic settings for your appliance to meet your needs.


### 9.1 Overview of the basic settings

Here you can find an overview of the basic settings and factory settings. The basic settings depend on the features of your appliance.

Setting	Option
Time of day	Time in hours and minutes
Language	<ul style="list-style-type: none"> <li>■ English<sup>1</sup></li> <li>■ Français</li> <li>■ Español</li> </ul>
Clock format	<ul style="list-style-type: none"> <li>■ 12 hr<sup>1</sup></li> <li>■ 24 hr</li> </ul>
Clock display	<ul style="list-style-type: none"> <li>■ digital</li> <li>■ analogue</li> </ul>
Temperature format	<ul style="list-style-type: none"> <li>■ °F<sup>1</sup></li> <li>■ °C</li> </ul>
Weight format	<ul style="list-style-type: none"> <li>■ lb<sup>1</sup></li> <li>■ kg</li> </ul>
Water Hardness	<ul style="list-style-type: none"> <li>■ 0 (softened)</li> <li>■ 1 (soft)</li> <li>■ 2 (medium)</li> <li>■ 3 (hard)</li> <li>■ 4 (very hard)<sup>1</sup></li> </ul>
Signal volume	<ul style="list-style-type: none"> <li>■ 1</li> <li>■ 2</li> <li>■ 3</li> <li>■ 4</li> <li>■ 5</li> </ul>
Key press sound	<ul style="list-style-type: none"> <li>■ On</li> <li>■ Off</li> </ul>
Display brightness	<ul style="list-style-type: none"> <li>■ 1</li> <li>■ 2</li> <li>■ 3</li> <li>■ 4</li> <li>■ 5</li> </ul>
Dark mode	Turn on dark mode for improved contrast. <ul style="list-style-type: none"> <li>■ On</li> <li>■ Off</li> </ul>
Standby mode	<ul style="list-style-type: none"> <li>■ On</li> <li>■ Off</li> </ul>

<sup>1</sup> Factory setting (may vary according to model)



Setting	Option
Start-up animation	<ul style="list-style-type: none"> <li>■ On</li> <li>■ Off</li> </ul>
Convection conversion	<ul style="list-style-type: none"> <li>■ On</li> <li>■ Off<sup>1</sup></li> </ul>
Temperature offset	<ul style="list-style-type: none"> <li>■ Temp offset: Upper (-35°F to +35°F) (-20°C to +20°C)</li> <li>■ Temp offset: Lower (-35°F to +35°F) (-20°C to +20°C)</li> </ul>
Sabbath mode	<ul style="list-style-type: none"> <li>■ On</li> <li>■ Off</li> </ul>
Home Connect	<ul style="list-style-type: none"> <li>■ Wi-Fi: <ul style="list-style-type: none"> <li>On</li> <li>Off</li> </ul> </li> <li>■ Remote control <ul style="list-style-type: none"> <li>On</li> <li>Off</li> </ul> </li> <li>■ Disconnect from network</li> <li>■ Connect to app</li> <li>■ Show network status</li> <li>■ Customer Service access: <ul style="list-style-type: none"> <li>Allow </li> <li>Deny</li> </ul> </li> </ul>
Demo mode	<p>Only available in the settings menu within 5 minutes after the appliance is connected to the power supply.</p> <ul style="list-style-type: none"> <li>■ On</li> <li>■ Off</li> </ul>
Factory settings	Restore
Customer Service	Customer Service contact information

<sup>1</sup> Factory setting (may vary according to model)

## 9.2 Changing the basic settings

1. Press **SETTINGS**.
2. Swipe to the left or right on the top line to select the desired setting.
3. Swipe to the left or right in the bottom line to select the desired value.
4. Touch  (for some settings).
5. Touch the top line.
6. Press **SETTINGS**.
7. Touch "Save".

## 9.3 Oven temperature offset

The oven is calibrated to provide accurate results. This feature is useful if you prefer your foods lighter or darker.

- When an offset temperature is selected, the actual oven temperature is raised or lowered by this value.
- Do not use residential oven thermometers to evaluate oven temperatures as they will fluctuate throughout cooking.

- You can set a temperature offset from the factory baseline. Each time you call up the temperature offset option in the basic settings menu, the factory baseline temperature is restored so you can set a new offset value.

## 9.4 Auto convection conversion

Convection bake and convection multi-rack modes require a 25°F reduction in temperature. Auto convection conversion reduces the temperature you enter automatically.

- Simply enter the package or recipe temperature when setting the mode. The control calculates the correct temperature and it is shown in the display.

**Note:** This function is set to off as a factory default.

# 10 Operating the steam oven

Food can be cooked very gently using steam. You can also use steam assistance with some conventional heating modes.

## WARNING

Hot steam may escape when the appliance door is opened. Steam is not visible at certain temperatures!

- ▶ Open the appliance door carefully during or after cooking.
- ▶ Do not stand too near or lean over the appliance when opening the appliance door .

**Note:** There is a humming noise while the pump is in operation and after switching it off. This noise is caused by the pump function test. It is a normal operating noise. You will also hear this noise after running non-steam modes when the oven is turned off. This is normal.

## 10.1 Water tank

The steam oven is equipped with a water tank. When you open the door you can see the water tank at the right side of the oven cavity. Fill the water tank with water to operate the appliance using steam modes.

### **NOTICE:**

Use of inappropriate liquids can damage the appliance.

- ▶ Do not fill the water tank with distilled water or any other liquids. For descaling use the descaling solution specified in the section on descaling. → *Page 45*

**THE WATER TANK IS NOT DISHWASHER SAFE.**

- Moisten the seal in the tank lid with some water before using it for the first time.
- Use only fresh tap water or, if necessary, plain non-carbonated purchased water to fill water tank.
- If your water is very hard (10 grains per gallon or higher), we recommend using softened water.
- If your tap water is highly chlorinated (>4 mg/L), use plain non-carbonated purchased water with a low amount of chlorine.

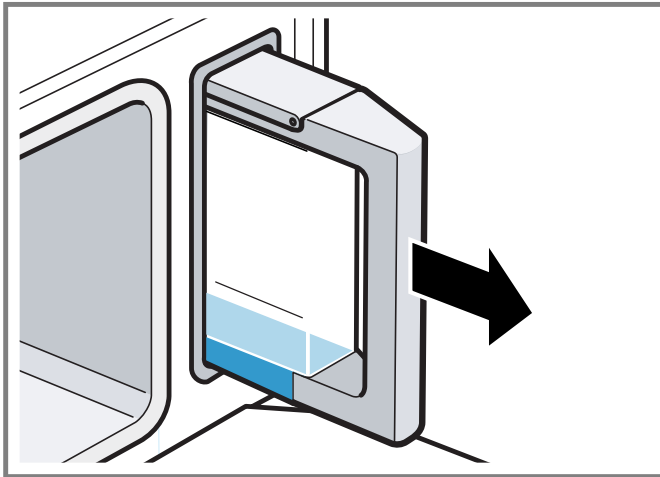
## Filling the water tank

Most heating modes use steam. Ensure the water tank is sufficiently filled before operation.

### Requirements

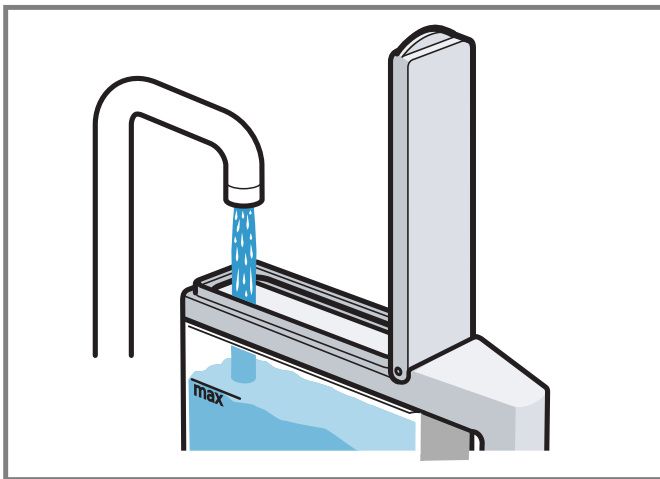
- You have read the important notes about the water tank. → "Water tank", Page 25
- You have set the water hardness level. → "Setting the water hardness", Page 19

1. Open door and remove the water tank.



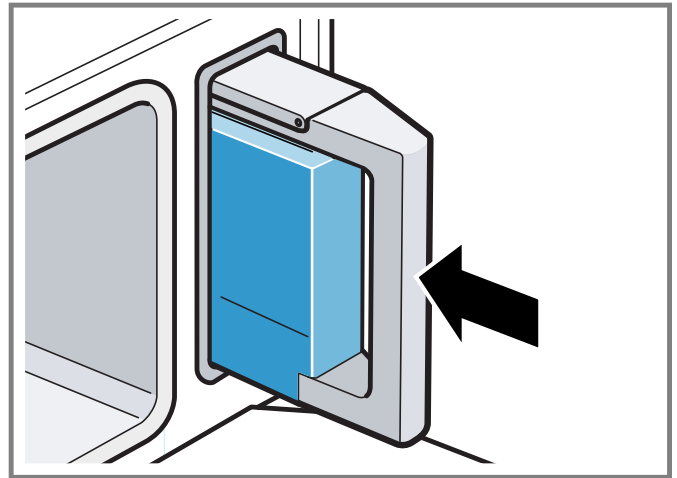
The water tank is on the right side of the steam oven cavity.

2. Moisten the seal in the tank lid with some water before using it for the first time.
3. Fill the water tank to the "MAX" line with cold water. The tank holds 1.4 quarts (1.3 liters) of water.

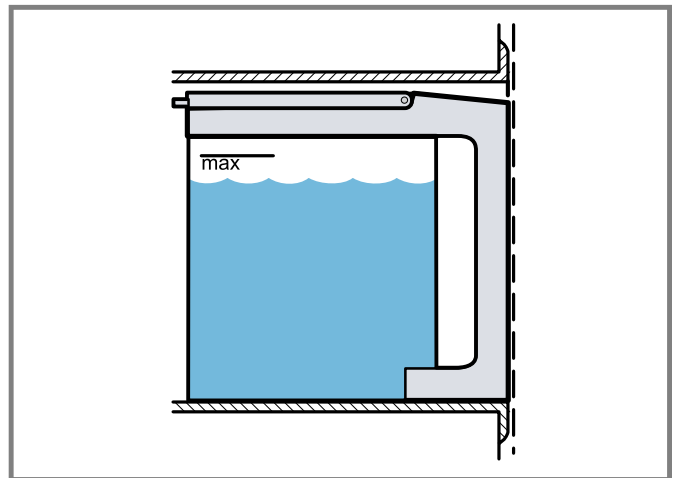


4. Close tank lid until it snaps.

5. Insert water tank completely so the tank handle is flush with the tank holder flange.



6. Ensure that the water tank rests level within the tank holder.



## Removing the water tank during or after operation

EMPTY THE WATER TANK AFTER EACH USE.

### ⚠ CAUTION

Exercise caution when opening the appliance. Standing to the side, open the door slowly and only slightly to let hot air and/or steam escape.

- ▶ Keep your face clear of the opening and make sure there are no children or pets near the unit.
- ▶ After the hot air and/or steam is released, proceed with your cooking.
- ▶ Keep the appliance door shut unless necessary for cooking or cleaning purposes.
- ▶ Do not leave the open appliance door unattended.

1. Carefully open the appliance door.
2. Keep the water tank level while slowly pulling it out of the appliance to ensure that no remaining water drips down and out through the vent.
3. Pour out the water.
4. Thoroughly dry the seal of the tank lid and the slot where the tank resides in the appliance.
5. Leave the water tank to dry with the lid open.

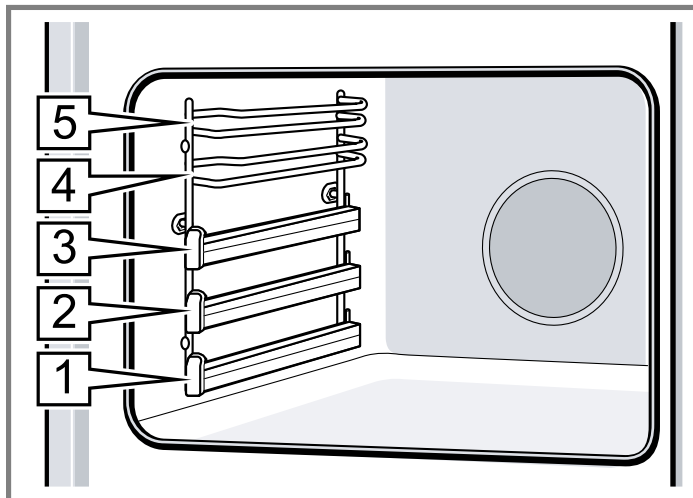
Prolonged dampness could lead to a musty odor in the water tank.

6. Close the lid and reinstall the empty water tank.

## 10.2 Rack positions

Your steam oven has 5 rack positions. The rack positions are counted from bottom to top. Rack positions 1 to 3 are fitted with telescopic rack guides.

Place the universal pan on rack position 1 when using full steam modes. This will prevent food drippings from burning on to the bottom of the oven cavity.



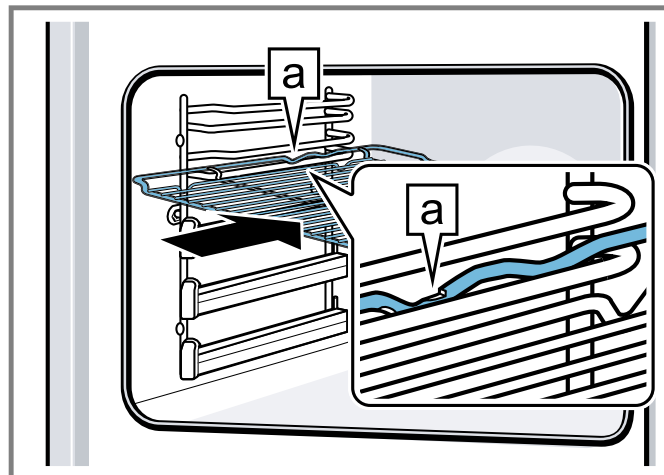
## 10.3 Inserting the wire rack

The wire rack has a stop function to prevent the rack from tilting when you pull it out. The wire rack can be used on oven rails 4 and 5 in the steam oven.

**Requirement:** You have read the recommendation on → "Safe use of oven racks", Page 18.

1. Grasp the rack firmly on both sides.
2. Insert the wire rack between the two rails that belong to the desired level.
  - Ensure that the stop catch is at the rear and is facing downwards.
  - Ensure that the open side is facing towards the door and the curvature of the wire rack is facing downwards .

3. Confirm that you have inserted the wire rack correctly by pulling it out approximately halfway until the stop function locks into place.

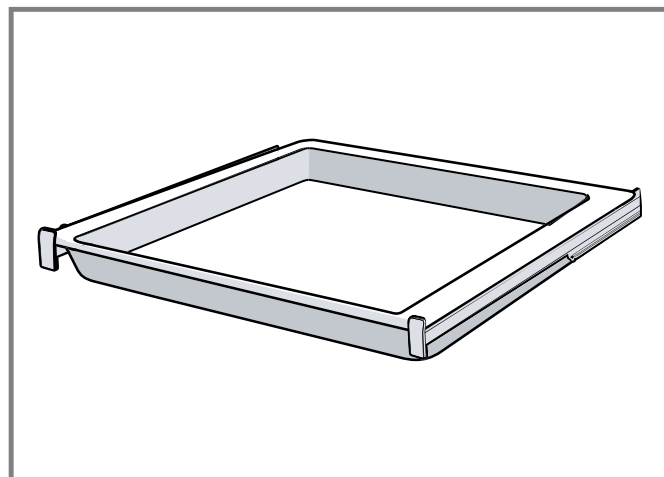


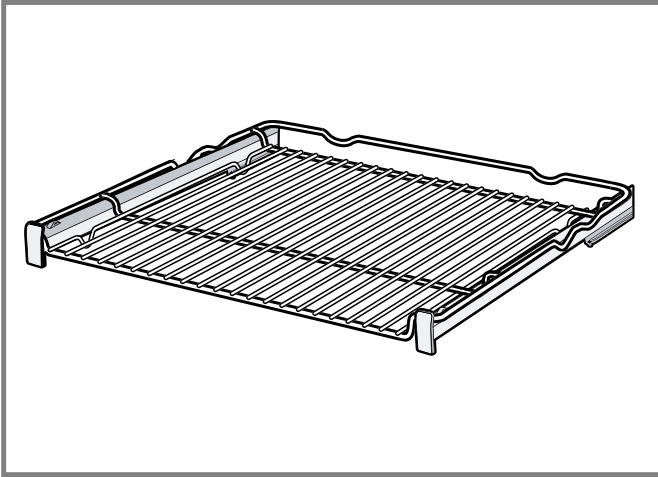
## 10.4 Using the telescopic rack

Level 1 to 3 of the steam oven cavity are fitted with telescopic rails.

**Requirement:** You have read the recommendation on → "Safe use of oven racks", Page 18.

1. Place the accessories evenly onto the telescopic rack guides. The accessory must rest on both telescopic rack guides and within the notches at the front and rear end of the telescopic rack guides.





2. To remove the accessory, pull it out until the telescopic rack guides stop. Hold the accessory on both sides and lift it up.

## 10.5 Getting the best results with your steam oven

Follow these general recommendations for best cooking results.

### Preheating the oven

- Place oven rack in desired position before heating the oven.
- For heating modes that use steam, place the food into the oven cavity before preheating. If you open the oven door during the preheat cycle the steam will leave the oven cavity, lowering the temperature. The food will be undercooked.

### Ovenware

- If you use ovenware, always place it on the center of the wire rack.
- The ovenware must be heat and steam resistant.
- Thick-walled ovenware extends the cooking time.
- Use foil to cover food that would normally be prepared in a water bath, such as when melting chocolate.

### Distribute food evenly

Always distribute the food evenly in the ovenware. If the food is placed unevenly in the ovenware, it will cook unevenly.

### Delicate food

Do not layer delicate foods too high in the baking pan. It is better to use two pans in this case.

### Converting conventional baking to convection baking

- Cooking temperatures versus traditional ovens may be 25 degrees less, and times may be about 25% faster, saving valuable time and lowering energy costs.
- To convert most recipes for baked items, such as cookies, cakes, pies, etc., reduce the oven temperature by 25°F (14°C). For meats and poultry, use the temperature recommended in recipes and cooking charts; do not reduce the temperature for these foods.

### Cooking an entire meal

- With **STEAM** mode, you can cook entire meals at the same time without mixing the flavors of the different foods. Place the food with the longest cooking time in the oven first and then add the remaining dishes at the appropriate time. This will ensure that all dishes are ready at the same time.
- The total cooking time will be longer when cooking an entire meal, since every time the oven door is opened, some steam escapes and the appliance has to reheat.

## 10.6 General tips for heating modes

### How to use STEAM mode

Advantages of cooking with steam:

- Almost no loss of nutrients: When steamed, food is not immersed in water, so the vitamins and minerals do not leach out. Studies have shown that steamed broccoli, for example, contains 50% more vitamin C than boiled broccoli.
- Low-fat cooking: Food can be cooked with low amounts of fat or, depending on taste, with no fat at all. When meat is steamed, the fat separates itself from the meat and drips into the baking pan.
- Meat cooking: Cook a 14 lb. turkey in just 90 minutes in the oven's steam conv mode. Golden on the outside; moist on the inside.
- Appetizing appearance: Foods retain their natural color when cooked with steam. Cooked vegetables look like they have been freshly harvested. You rarely need to stir or turn the food, which means that even delicate fish dishes retain their shape. Foods do not dry out.
- Flavorful enjoyment: Steaming provides naturally flavorful food that needs hardly any salt.
- Cooking a menu: With steam you can cook several components of a menu at the same time, with little or no seasoning, without the different flavors mixing.

### Note

Tips for using steam mode:

- Foods with similar cooking times may be cooked together, saving energy and clean-up time.
- Place the baking pan underneath the perforated pan to collect precipitate and food spills.
- Season vegetables after steaming.

### How to use STEAM CONV mode

Use the bake mode to prepare a variety of food items, from pastries to casseroles.

Refer to recipe or package directions for oven temperature and baking time.

### Note

- Fully preheat the oven before baking items like cakes, biscuits and breads.
- Use **TRUE CONV** for best results when baking cookies on multiple racks.
- **BAKE** is the best function to use for baking cakes.
- Allow at least 2" (5 cm) of space between bakeware for proper air circulation.

- Dark or dull bakeware absorbs more heat than shiny bakeware, resulting in dark or over browned foods. It may be necessary to reduce oven temperature or cook time to prevent overbrowning of some foods.
- Shiny pans are recommended for cakes, cookies, and muffins.
- Do not open oven door often. Opening the door will reduce the temperature in the oven and may increase cook time.

### How to use DEFROST mode

Use the defrost function for defrosting food such as meat, poultry, vegetables, pastries and cakes, bread and fruit.

Tips for using defrost mode:

- When defrosting poultry and other meats, set the food on the perforated pan with the universal pan on the rack below. This prevents the food from lying in the defrosting liquid.
- Turn, stir, or separate food about halfway through the defrosting period.
- DO NOT refreeze food once it has been defrosted. Food should be cooked immediately after defrosting.
- Defrost deep frozen, precooked meals according to the manufacturer's instructions.

### How to use REHEAT mode

This mode uses steam and hot air to gently restore food. The combination of air and moisture warms food evenly and without drying.

Entrees, casseroles, side dishes, and leftovers are warmed to serving temperature without compromising quality.

Tips for using reheat mode:

- If possible, arrange the food so that it is spread out evenly on the dish.
- Food does not need to be stirred during reheating.
- Reheat times vary for foods, so check food occasionally to prevent overcooking.
- Reheat a plate of food, no cover necessary.

### How to use PROOF mode

Use the **PROOF** mode to raise yeast dough.

#### Note

- Start with a cool oven when using this mode.
- Allow frozen dough to thaw first.
- The ideal temperature for proofing will be maintained until the mode is turned off. Dough has proofed when it has doubled in size.
- Loosely cover the bowl or pan and use any rack that accommodates the size of the container.
- Keep the door closed and use the oven light to check the rising of the dough.

Size	Time in min.
Loaf, 1 lb (4.5 kg)	60 - 75
Rolls, 0.1 lb (50 g)	30 - 45

## 10.7 Opening the oven door during a steam mode

### ⚠ CAUTION

Exercise caution when opening the appliance. Standing to the side, open the door slowly and only slightly to let hot air and/or steam escape.



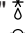
- ▶ Keep your face clear of the opening and make sure there are no children or pets near the unit.
- ▶ After the hot air and/or steam is released, proceed with your cooking.
- ▶ Keep the appliance door shut unless necessary for cooking or cleaning purposes.
- ▶ Do not leave the open appliance door unattended.

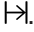
1. Carefully open the oven door.
  - ✓ If the convection fan is running, it will shut off automatically.
  - ✓ The display prompts you to shut the door.
2. Close the oven door.
  - ✓ The oven resumes operation.

## 10.8 Using a steam cooking mode

### Note

In addition to the automatic steam programs, your steam oven has 5 heating modes for steam cooking:

- "Steam" 
- "Steam Convection" 
- "Proof" 
- "Defrost" 
- "Reheat" 

1. Refill the water tank.
2. Set a steam cooking mode and temperature.
3. Touch the timer field .
4. Swipe to set a duration.
 



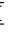
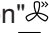
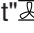

The default duration is 20 minutes.
5. After a few seconds the mode starts automatically.
  - ✓ Once the appliance has reached the set temperature the oven timer starts to count down.
  - ✓ When the cooking time has elapsed a signal sounds and the operation stops.
6. Press **TIMERS** to end the sound signal.

## 10.9 Using steam assisted cooking mode

When cooking with steam assist, you can use a conventional heating mode in combination with different levels of steam intensity.

### Note

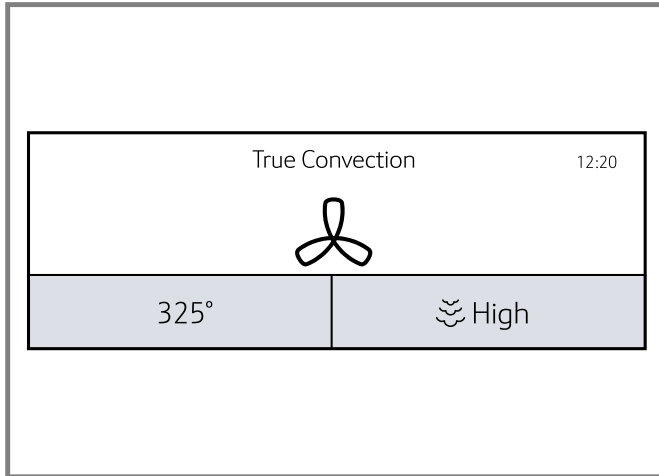
You can use steam assist with the following heating modes:

- "True Convection" 
- "Convection Bake" 
- "Bake" 
- "Speed Convection" 
- "Convection Roast" 
- "Roast" 



**Requirement:** The oven cavity is cool.

1. Refill the water tank.
2. Set the desired heating mode and temperature.
3. Press **ADD STEAM**.
4. Touch the steam intensity in the bottom right corner of the touch display and swipe to select the steam intensity.
5. Touch .
6. After a few seconds the mode starts automatically.



- ✓ The appliance starts preheating.

7. Place the food into the oven cavity, after preheating is complete.

**Canceling steam assist**

1. Press **ADD STEAM**.
  2. Touch the steam intensity in the bottom right corner of the touch display and swipe to "Off".
  3. Touch .
- ✓ The heating mode continues without steam assist.

**Recommendations for steam assisted cooking**

**Bread**

Food type	Steam intensity	Heating mode
Multigrain bread	High	BAKE
Honey-whole wheat bread	Low or medium	BAKE
Frozen yeast bread	Low	CONV BAKE

**Meat and poultry**

Food type	Steam intensity	Heating mode
Whole chicken	Low or medium	CONV ROAST
Cornish hens	Low	CONV ROAST
Turkey	Medium	CONV ROAST
Pork loin	Medium	CONV ROAST
Pork tenderloin	Low	CONV ROAST
Eye of round	Medium	CONV ROAST
Ribeye roast	Low	CONV ROAST
Lamb roast	Medium	CONV ROAST
Boston butt or pork shoulder	High	CONV ROAST

**Pizza and casseroles**

Food type	Steam intensity	Heating mode
Fresh pizza	Low	BAKE
Fresh thin pizza	Low	CONV BAKE
Frozen pizza DiGorno	Low	BAKE

Food type	Steam intensity	Heating mode
Frozen thin crust pizza	Low	BAKE
Frozen pizza	Low	CONV BAKE
Fresh lasagna	Low	BAKE
Frozen lasagna	Medium	BAKE
Chicken casserole	Low	BAKE
Roasted vegetables	Low or medium	CONV ROAST

#### Pies and small baked items

Food type	Steam intensity Level of steam	Heating mode
Frozen rolls	Medium	BAKE
Cinnamon rolls	Low	BAKE CONV BAKE
Chocolate chip cookies	Low	BAKE
Key lime pie	Low	BAKE
Crescent rolls	Low	TRUE CONV
Frozen fruit pie	Low	CONV BAKE

## 10.10 Automatic steam programs

The steam programs help you to use your appliance to prepare different dishes by selecting the optimum settings automatically.

- You can select a program directly on the appliance or by using the Home Connect™ app.
- For some dishes, you have to enter a weight. The display will show the possible weight range.
- The display shows recommendations on cookware, shelf position or the addition of liquid when cooking meat.
- Some dishes require turning or stirring, during cooking. The display shows a note shortly after operation starts. An audible signal reminds you at the right time.
- Press **INFO** to display information on the right cookware and tips for preparing the selected dish.

**Note:** You cannot pause a steam program. You can cancel it by turning the oven off, but you will have to start from the beginning.

### Overview of steam programs

Here you can find an overview of the automatic programs.

Category	Dish
Reheat	<ul style="list-style-type: none"> <li>■ Pizza - thin, 1 pc.</li> <li>■ Pizza - thin, 2 pcs.</li> <li>■ Pizza - thin, 3 pcs.</li> <li>■ Pizza - thin, 4 pcs.</li> <li>■ Pizza - thin, 5 pcs.</li> <li>■ Pizza - thin, 6 pc.</li> <li>■ Pizza - thin, whole</li> <li>■ Pizza - thick, 1 pc.</li> <li>■ Pizza - thick, 2 pcs.</li> <li>■ Pizza - thick, 3 pcs.</li> <li>■ Pizza - thick, 4 pcs.</li> </ul>

Category	Dish
	<ul style="list-style-type: none"> <li>■ Pizza - thick, 5 pcs.</li> <li>■ Pizza - thick, 6 pcs.</li> <li>■ Pizza - thick, whole</li> </ul>
Vegetables	<ul style="list-style-type: none"> <li>■ Steamed cauliflower florets</li> <li>■ Steamed green beans</li> <li>■ Steamed broccoli florets</li> <li>■ Steamed green asparagus</li> <li>■ Fresh Brussel sprouts</li> <li>■ Sliced carrots</li> <li>■ Fresh artichokes</li> <li>■ Steamed fresh spinach</li> <li>■ Snow peas</li> </ul>
Potatoes	<ul style="list-style-type: none"> <li>■ Boiled potatoes with skin</li> <li>■ Boiled potatoes</li> </ul>
Cereals and grains	Couscous
Poultry	<ul style="list-style-type: none"> <li>■ Whole chicken, fresh</li> <li>■ Chicken portions</li> </ul>
Beef	<ul style="list-style-type: none"> <li>■ Sirloin, fresh</li> <li>■ Pot roast, fresh</li> </ul>
Pork	Roast, fresh
Lamb	Leg of lamb, fresh
Fish	<ul style="list-style-type: none"> <li>■ Fresh fish, whole</li> <li>■ Fresh fish, fillets</li> <li>■ Frozen fish, fillets</li> <li>■ Shellfish</li> <li>■ Shrimp</li> </ul>
Baked goods, Desserts	<ul style="list-style-type: none"> <li>■ Fruit compote</li> <li>■ Rice pudding</li> </ul>
Breads	<ul style="list-style-type: none"> <li>■ White bread</li> <li>■ Multigrain bread</li> <li>■ Rye bread</li> </ul>

Category	Dish
	<ul style="list-style-type: none"> <li>■ Fresh bread rolls</li> <li>■ Frozen bread rolls</li> <li>■ Braided loaf</li> <li>■ Flat bread</li> </ul>
Defrost	Berries
Eggs	<ul style="list-style-type: none"> <li>■ Hard-boiled eggs, 1-24</li> <li>■ Hard-boiled eggs, 25-36</li> </ul>
Rice	<ul style="list-style-type: none"> <li>■ Basmati rice</li> <li>■ Brown rice</li> <li>■ Long grain rice</li> <li>■ Risotto, Arborio rice</li> </ul>

### Setting a steam program

1. Turn the mode selection knob to **STEAM PROGRAMS**.
2. Touch the bottom line of the display.
3. Touch the required category.
4. Swipe to select the desired dish.
  - ✓ The display shows the settings for the selected dish. For some dishes there are additional notes. Swipe to the left to display all notes.
5. Some programs require a weight input. Touch the weight field and swipe to adjust the setting.
6. After a few seconds the mode starts automatically.
  - ✓ The calculated cooking time is displayed. The cooking time depends on the temperature of the food and may change during the first few minutes.
  - ✓ When the cooking time has elapsed a signal sounds and the operation stops.
7. For some dishes the display offers the option to continue cooking the dish.
  - Touch "Continue cooking". You can adjust the recommended setting or cooking time.
  - If you are satisfied with the cooking result, touch "End".
8. Press **TIMERS** to end the sound signal.

### Canceling a steam program

- ▶ Turn the mode and temperature selection knobs of the steam oven to **OFF**.

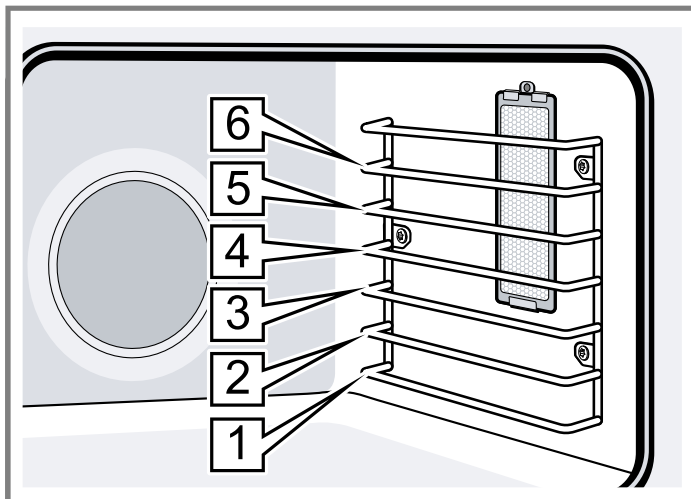
## 11 Operating the conventional oven

Here you can find information on operating the conventional oven cavity.

### 11.1 Rack positions

Your oven has six rack positions. The rack positions are counted from bottom to top.

Use rack positions 1 through 6 only. **DO NOT** attempt to use the top guide to support an oven rack.



#### ⚠ CAUTION

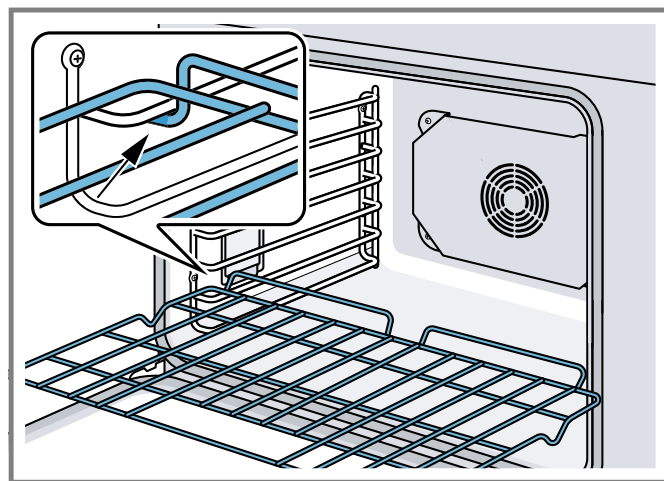
Use caution when removing oven racks from the lowest rack position to avoid contact with the hot oven door.

### 11.2 Inserting the wire rack

The wire rack can be used in the conventional oven on level 1 to 6.

**Requirement:** You have read the recommendation on → "Safe use of oven racks", Page 18.

1. Grasp the rack firmly on both sides.
2. Tilt the rack up to allow the stop into rack guide.



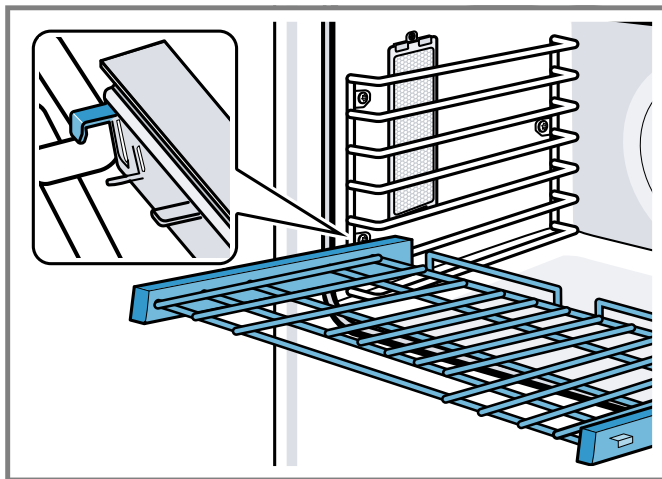
3. Bring the rack to a horizontal position and push it in the rest of the way.

The rack should be straight and flat, not crooked.

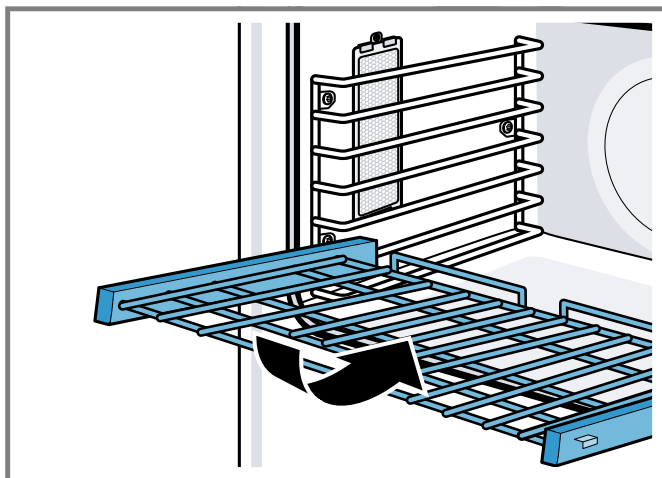
### 11.3 Inserting the telescopic rack

**Requirement:** You have read the recommendation on → "Safe use of oven racks", Page 18.

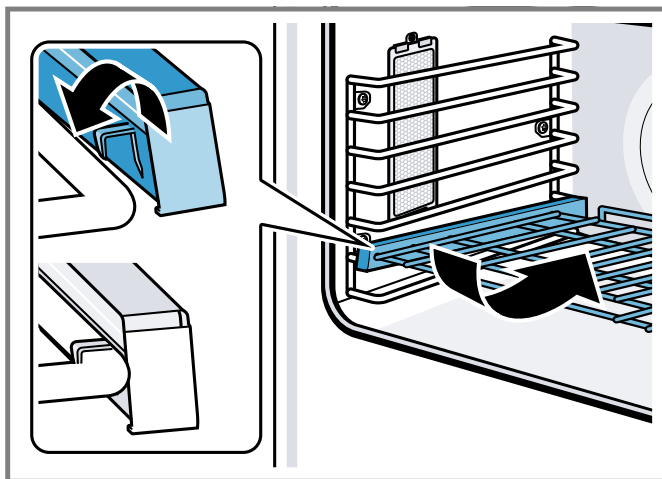
1. Hold the telescopic rack at a slight angle and engage the rear hooks in the oven rails on both sides of the oven cavity.



2. Hold the rack straight to allow the second tab to rest over the oven rail.
3. Push the rack in until it is even with the front hooks.



4. Lift the rack up to lock the last hook into place.



5. Push the rack in completely.

6. Make sure that the front hooks of the telescopic rack engage in the oven rails.

### 11.4 Rotisserie

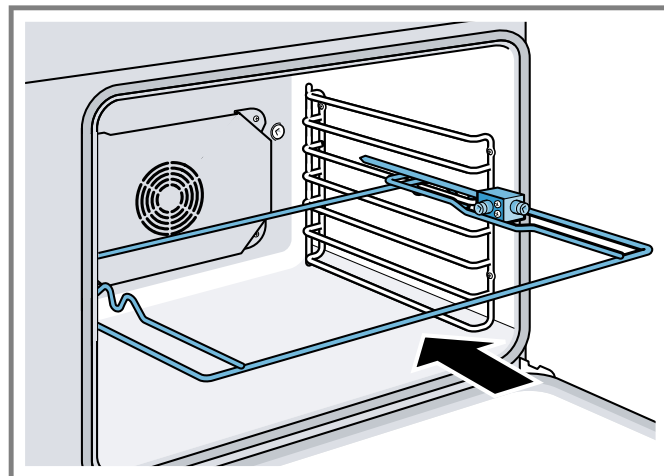
The rotisserie uses heat radiated from the broil element. The food is slowly turned on a skewer in the center of the oven. This mode helps seal in flavor and juices while allowing the meat to be cooked without the addition of fats or liquids.

The rotisserie mode is best suited for cooking large pieces of meat, such as a whole chicken, turkey or a large roast. General notes:

- The maximum weight allowed for the rotisserie is 12 lb (6 kg).
- Use a meat thermometer to check the internal temperature of the meat.
- The allowed temperature range is 175 - 550° F (80 - 290° C).

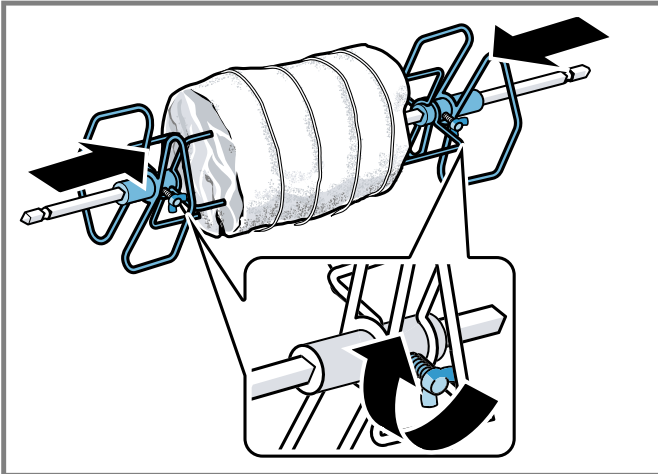
#### Assembling the rotisserie

1. Insert the rotisserie rack half way into the oven on rack position 5.

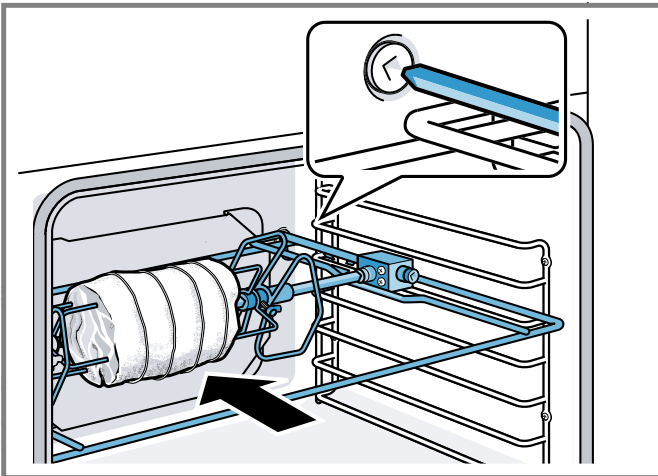


2. Slide the left fork into the skewer and tighten the screw.
3. Slide meat or poultry for roasting onto the skewer.
4. Slide the right fork onto the skewer and tighten the screw.

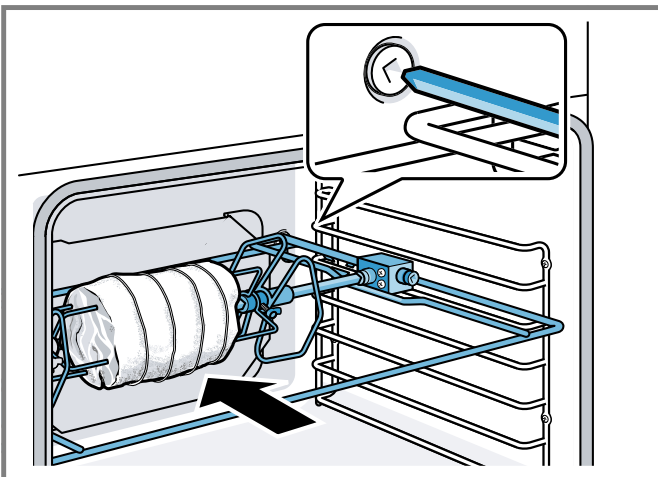
5. Check the balance of the food on the skewer by rolling the skewer in the palms of your hands. Food that is not evenly balanced on the skewer will not cook evenly.



6. Place the rotisserie skewer onto the rack.



7. Place the skewer rack into the oven and insert the drive shaft into the opening on the back oven wall.

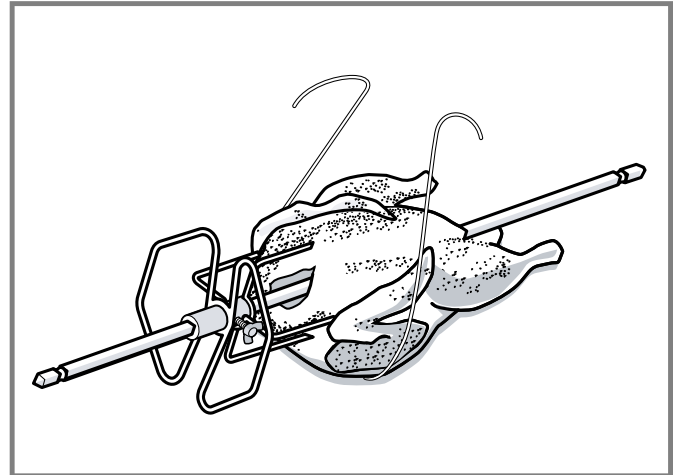


If necessary, turn the rotisserie skewer slightly so that the drive shaft fits properly into the opening.

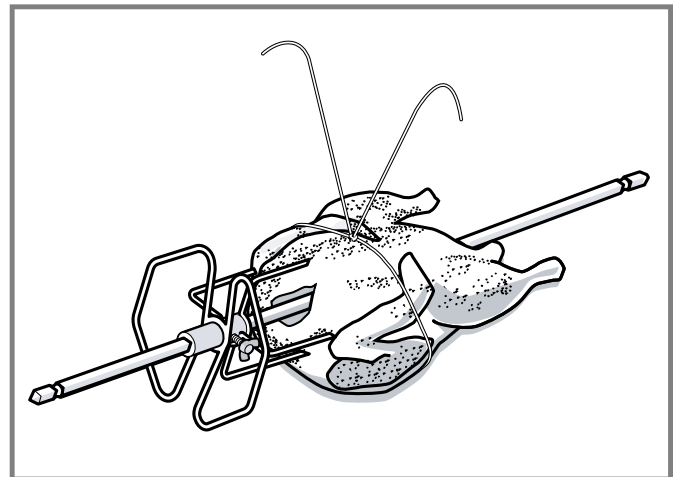
8. Insert the wire rack on position 1 and use the broiler pan to catch drippings.

### Trussing poultry for the rotisserie

1. Slip one of the forks onto the skewer with the tines pointing to the tip of the skewer. Loosely tighten the screw to keep it from slipping.
2. Insert the skewer through the poultry securing the poultry with the fork.
3. Cut 24" (61 cm) of kitchen string and lay it under the poultry, breast side up, with equal lengths of string on each side.

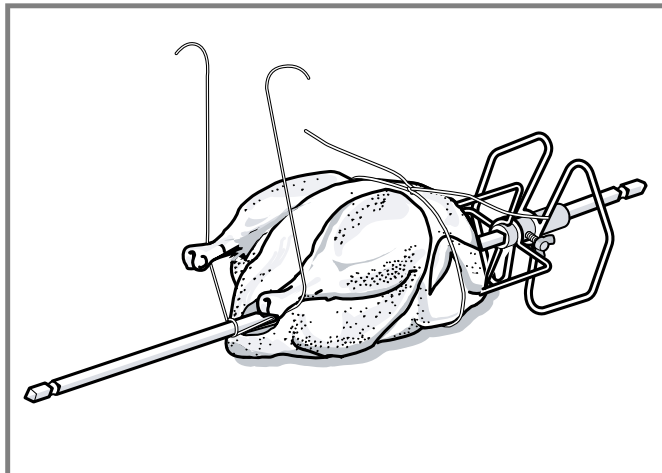


4. Wrap each end of the string around each of the wings. Catch each wing tip as you bring the string tightly together at the top and knot it. Do not cut off the extra string.

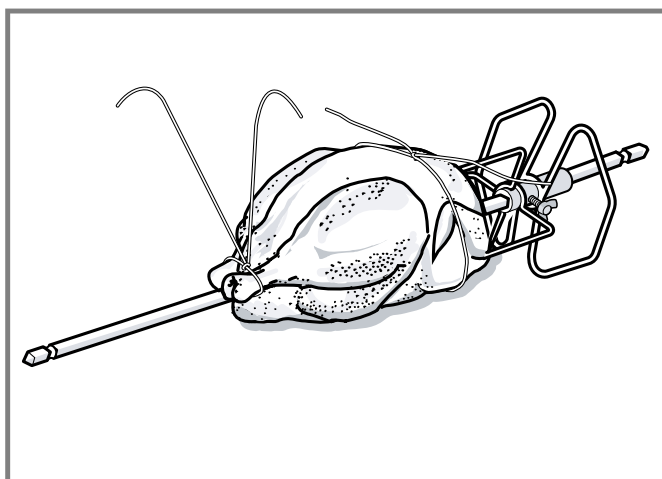




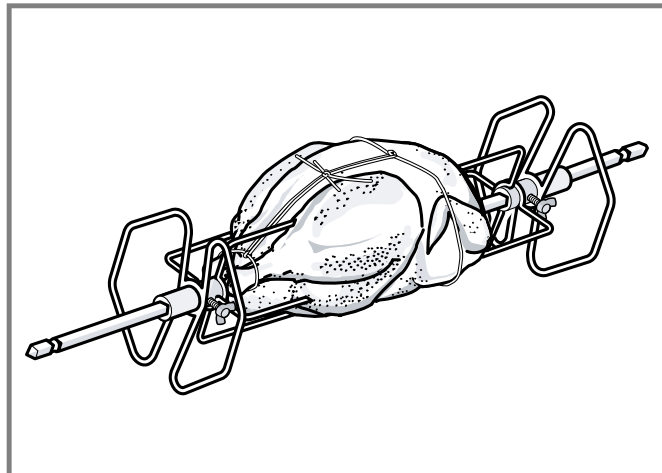
5. Cut another 24" (61 cm) of string and lay it under the back. Wrap it around the tail and then around the skewer. Cinch tightly.



6. Pull the legs forward, cross them on top of the skewer. Bring the string around and tie a knot.



7. Connect the string holding the legs to the string holding the wings and knot them together. Add the other fork and push the tines into the drumsticks to secure.



8. Check the balance by rolling the skewer in your palms. The poultry should not rotate or be loose in any way. If it does, redo the trussing. The poultry will not cook evenly if it is not balanced on the skewer.

**Starting the rotisserie mode**

1. Turn the mode selector to **ROTISSERIE**.
  2. Turn the temperature selection to the desired temperature.
- ✓ After a few seconds the mode starts automatically.

**Cooking recommendations for rotisserie**

Here you can find recommendations for cooking different foods with the rotisserie mode.

**Beef**

Food item	Weight in lb	Oven temperature in °F (°C)	Time in min./lb	Internal food temperature in °F (°C)
Rib eye roast, medium rare	3 - 5.5	400 (200)	17 - 23	145 (65)
Rib eye roast, medium	3 - 5.5	400 (200)	18 - 27	160 (70)

**Pork**

Food item	Weight in lb	Oven temperature in °F (°C)	Time in min./lb	Internal food temperature in °F (°C)
Loin roast, boneless	1.5 - 4	400 (200)	16 - 24	145 (65)
Loin roast, boneless	1.5 - 4	400 (200)	20 - 26	160 (70)

**Poultry**

Food item	Weight in lb	Oven temperature in °F (°C)	Time in min./lb	Internal food temperature in °F (°C)
Chicken, whole	4 - 8	450 (230)	12 - 17	165 (75)
Turkey, whole	10 - 12	400 (200)	10 - 12	165 (75)
Turkey breast	4 - 7	400 (200)	16 - 19	165 (75)
4 Cornish hens	1.5 each	450 (230)	60 - 70 total	165 (75)

**Lamb**

Food item	Weight in lb	Oven temperature in °F (°C)	Time in min./lb	Internal food temperature in °F (°C)
Leg, boneless, medium	4 - 6	400 (200)	20 - 23	160 (70)
Leg, boneless, well	4 - 6	400 (200)	27 - 29	170 (75)

**11.5 Getting the best results with your conventional oven**

- Minimize opening the oven door.
- Use the rack position recommended by the recipe.
- Use the bakeware recommended in the recipe.
- Store pans outside the oven. An extra pan without food affects the browning and cooking.
- The type of pan used affects the browning.
  - For tender, golden brown crusts, use light non-stick/ anodized or shiny metal pans.
  - For brown crisp crusts, use dark non-stick, anodized or dark, dull metal pans or glass bakeware. These may require lowering the bake temperature 25°F.

**Preheating the oven**

- Most cooking times in recipes are designed for a preheated oven and require that the oven already be at a certain temperature before cooking starts. Refer to your recipe for preheating recommendations.
- Preheating time depends on the temperature setting and the number of racks in the oven. Remove unused oven racks to shorten the preheat time.
- Preheating is not necessary for **ROAST** and **CONV ROAST**.

**Bakeware type**

- Metal bakeware with or without a non-stick finish, heat-proof glass, glass-ceramic, pottery, or other utensils are suitable for the oven.
- Suitable cookie sheets have a small lip on one side. Heavy sheets or those with more than one side may affect the baking time.

**Pan placement**

- Allow at least 1" (2.5 cm) of space between the pans and the oven walls so heat can circulate around each pan.
- Stagger bakeware so that one is not directly above another. Allow 1½" (4 cm) above and below each pan.

**High altitude baking**

When cooking at high altitudes, recipes and cooking times will vary. For accurate information, go to [www.csuextstore.com](http://www.csuextstore.com), or write to the Extension Service, Colorado State University, Fort Collins, Colorado 80521. There may be a cost for the guides. Specify which high altitude food preparation guide you prefer: general information, cakes, cookies, breads, etc.

**Condensation**

It is normal for a certain amount of moisture to evaporate from the food during any cooking process. The amount depends on the moisture content of the food. The moisture will condense on any surface cooler than the inside of the oven, such as the control panel.

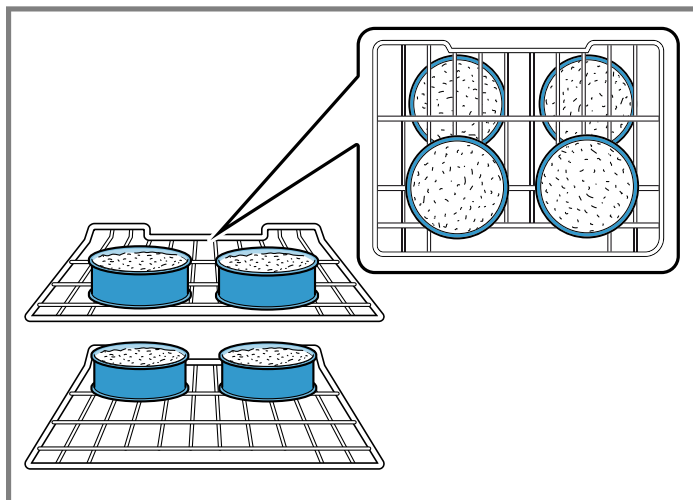
**11.6 General tips for heating modes****How to use BAKE mode**

Use the **BAKE** mode to prepare a variety of food items, from pastries to casseroles. Refer to recipe or package directions for oven temperature and baking time.

**Note**

- Fully preheat the oven before baking items like cakes, biscuits and breads.
- **BAKE** is the best function to use for baking cakes on two racks.
- Allow at least 2" (5 cm) of space between bakeware for proper air circulation.
- Dark or dull bakeware absorbs more heat than shiny bakeware, resulting in dark or over browned foods. It may be necessary to reduce oven temperature or cook time to prevent overbrowning of some foods.
- Shiny pans are recommended for cakes, cookies, and muffins.
- Do not open oven door often. Opening the door will reduce the temperature in the oven and may increase cook time.

- For cakes use rack positions 2 and 5. Stagger pans so that one is not directly above the other.



### How to use CONV BAKE mode

Use the **CONV BAKE** mode for bar cookies and breads. This mode takes advantage of the bottom heat, yielding a better crust on baked items.

The benefits of convection bake include a slight decrease in cook time and a higher dough volume, for example yeast items rise higher with this mode.

#### Note

- Reduce recipe temperature by 25°F. Refer to the cooking chart.
- Place food in shallow, uncovered pans, such as cookie sheets without sides.
- If baking more than one pan on a rack, allow at least 1" to 1½" (2.5 to 4 cm) of air space around the pan.
- Allow at least 2" (5 cm) of space between bakeware for proper air circulation.

### How to use TRUE CONV mode

Use true convection for cooking individual serving-sized foods such as cookies and biscuits. It is also good for cooking on multiple racks (2 or 3) at the same time.

The benefits of **TRUE CONV** include even browning and time savings as a result of using multiple racks at one time.

#### Note

- Baking cookies is possible on 6 racks simultaneously. In this case, the baking time increases slightly.
- Reduce recipe temperature by 25°F if auto convection conversion is not activated.
- Place food in low-sided, uncovered pans such as cookie sheets without sides.
- If baking more than one pan on a rack, allow at least 1" to 1½" (2.5 to 4 cm) of air space around the pan.
- Stagger pans so that one is not directly above the other.

### How to use PIZZA mode

#### Note

Follow these recommendations:

- There might be a slight decrease in baking time. Check before minimum package time.

- When baking a frozen pizza: For a crispy crust, place directly on the rack. For a softer crust, use a pizza pan.
- If par baking handmade pizza dough, prick the dough with a fork before baking.
- If using a pizza pan, choose a dark, perforated pan for a more crisp crust and a non-perforated pan for a softer crust.
- Preheat baking stones following manufacturer's recommendations while the oven is preheating.
- Bake homemade pizzas on rack position 2 in the center of the rack.
- Follow manufacturer's directions for frozen pizza.
- The convection fan cycles on and off when using pizza mode.

### How to use ROAST mode

Use **ROAST** mode for large cuts of meat and poultry.

#### Note

- Preheating the oven is not necessary.
- Use a high-sided broil pan or roasting pan. Cover dish with a lid or foil for less tender cuts of meat.
- For less tender cuts of meat, add liquids, such as water, juice, wine, bouillon or stock for flavor and moisture.
- Roasting bags and using a liquid are suitable for use in this mode.
- When roasting whole chicken or turkey, tuck wings behind back and loosely tie legs with kitchen string.
- When cooking large meats (e.g. turkey over 10 lbs) do not use the lowest rack position.

### How to use CONV ROAST mode

Use the **CONV ROAST** mode for preparing tender cuts of meat and poultry. It is also suitable for roasting vegetables.

The benefits of **CONV ROAST** mode include as much as 25% faster cooking than non-convection modes and rich, golden browning.

#### Note

- Preheating the oven is not necessary.
- Use the same temperature as indicated in the recipe.
- Check doneness early, since roasting time may decrease.
- Do not cover meat or use cooking bags.
- Use a broil pan with a rack and grid or a shallow, uncovered pan with a rack for roasting.
- Use a meat thermometer to determine the internal temperature of the meat.
- If the meat is browned to your liking, but is not yet done, foil can be placed over the meat to prevent overbrowning.
- Let meat stand covered with foil 10-15 minutes after removing it from the oven.
- When cooking large meats (e.g. turkey over 10 lbs) do not use the lowest rack position.

### How to use BROIL mode

The **BROIL** mode uses intense heat radiated from the upper element. Use this mode for cooking thin, tender cuts of meat, 1" (2.5 cm) or less, poultry and fish. It can also be used to brown breads and casseroles.

#### Note

- Always broil with the oven door closed.
- Preheat the oven for 3 to 4 minutes. Do not preheat for more than 5 minutes.
- Steaks and chops should be at least ¾" (2 cm) thick.
- Use the broil pan and grid or a deep pan with a metal rack, for broiling.
- Do not cover the broil grid with foil. It is designed to drain fats and oils away from the cooking surface to prevent smoking and spattering.
- Turn meats once during the recommended cook time. Fish does not need to be turned.
- When top browning casseroles, use only metal or glass ceramic dishes such as Corningware®.
- Never use heat-proof glass, such as Pyrex®; it cannot tolerate the high temperature.

### How to use CONV BROIL mode

Use the **CONV BROIL** mode for cooking thick, tender cuts of meat, poultry and fish. This mode is not recommended for browning breads, casseroles and other foods. In addition to the benefits of standard broiling, convection broiling is faster.

#### Note

- Always use convection broil with the oven door closed.
- Preheat the oven for 3 to 4 minutes. Do not preheat for more than 5 minutes.
- Steaks and chops should be at least 1½" (4 cm) thick.
- Use the broil pan and grid or a deep pan with a metal rack, for broiling.
- Do not cover the broil grid with foil. It is designed to drain fats and oils away from the cooking surface to prevent smoking and spattering.
- Turn meats once during the recommended cook time. Fish does not need to be turned.
- Never use heat-proof glass, such as Pyrex®; it cannot tolerate the high temperature.

### How to use PROOF mode

Use the **PROOF** mode to raise yeast dough.

#### Note

- Start with a cool oven when using this mode.
- Allow frozen dough to thaw first.
- The ideal temperature for proofing will be maintained until the mode is turned off. Dough has proofed when it has doubled in size.
- Loosely cover the bowl or pan and use any rack that accommodates the size of the container.
- Keep the door closed and use the oven light to check the rising of the dough.

Size	Time in min.
Loaf, 1 lb (4.5 kg)	60 - 75

Size	Time in min.
Rolls, 0.1 lb (50 g)	30 - 45

### How to use WARM mode

Use the **WARM** mode to keep hot, cooked foods at serving temperature.

#### ⚠ CAUTION

Food may spoil when kept warm for too long.

- ▶ Do not use the warm mode to heat cold food.
- ▶ Be sure to maintain proper food temperature. The USDA recommends holding hot food at 140°F (60 °C) or warmer.
- ▶ DO NOT warm food longer than one hour.

#### Note

- ALWAYS start with hot food. DO NOT use this mode to heat cold food other than for crisping crackers, chips, and dry cereal.
- Serving dishes, plates, and cups may be kept warm with this mode.
- Foods that must be kept moist should be covered with a lid or aluminum foil.
- Aluminum foil may be used to cover food. Use only heat-safe dishes.
- DO NOT open the oven door unnecessarily. Opening the door will reduce the temperature of the oven.
- When keeping cooked food warm, allow time for the oven to preheat before placing the item in the oven.

## 12 Home Connect®

This appliance may be network-capable. Connecting your appliance to a mobile device lets you control its functions via the Home Connect® app, adjust its basic settings and monitor its operating status.

The Home Connect® services are not available in every country. The availability of the Home Connect® function depends on the availability of Home Connect® services in your country. You can find information on this at: [www.home-connect.com](http://www.home-connect.com).

The Home Connect® app guides you through the entire registration process. Follow the instructions in the Home Connect® app to implement the settings.

#### Tips

- Consult the Home Connect® documents supplied.
- Follow the instructions in the Home Connect® app as well.

#### Notes

- Also note the safety information in this instruction manual and ensure that it is also observed when operating the appliance using the Home Connect® app.
- Operating the appliance on the appliance itself always takes priority. It is not possible to operate the appliance using the Home Connect® app during this time.
- In networked standby mode, the appliance requires a maximum of 2 watts.

## 12.1 Setting up Home Connect®

### Requirements

- The appliance is connected to the power supply and is switched on.
- You have a mobile device with a current version of the iOS or Android operating system, e.g. a smartphone.
- The mobile device and the appliance are within range of your home network's WLAN signal.

1. Download the Home Connect® app.



2. Open the Home Connect® app and scan the following QR code.



3. Follow the instructions in the Home Connect® app.

## 12.2 Home Connect® settings

Adapt Home Connect® to your needs.

You can find the Home Connect® settings in the basic settings for your appliance. Which settings the display shows will depend on whether Home Connect® has been set up and whether the appliance is connected to your home network.

## 12.3 Changing the settings via the Home Connect® app

You can use the Home Connect® app to change the appliance settings and send them to the appliance.

Prerequisites for using the Home Connect®:

- The appliance is connected to the home network and to the Home Connect® app.
- In order to set the appliance via the app, Home Connect® must be activated in the basic settings.  
→ *Page 24*  
Activate Home Connect ON in the oven basic settings.
- The oven must be turned on.

## 12.4 Remote start

If you want to start an oven operation using your mobile device, you must activate Remote Start.

### ⚠ WARNING

**REMOTE OPERATION** This appliance is configurable to allow remote operation at any time.

- ▶ Do not store any flammable materials or temperature sensitive items inside, on top or near surface units of the appliance.

### Notes

- For some models a permanent Remote start can be activated via the Home Connect™ app. This function allows a remote start of the available operating modes without automatically deactivating Remote start.
- Remote start can only be activated if the Home Connect™ set-up has been successfully completed.
- Some operating modes can only be started on the oven itself.

### Setting remote start

- ▶ Turn the mode selection knob to **REMOTE START**.
- ✓ □ appears in the display.
- ✓ When you start the oven operation on the appliance, remote start is automatically activated. You can make changes from your mobile device or start a new operation.

**Note:** If set to manual for remote control level, **REMOTE START** must be enabled the day you intend to use it. Opening the oven door after enabling **REMOTE START** will deactivate it in certain circumstances. If so, pressing **REMOTE START** will enable it again.

## 12.5 Setting remote control

You can use the Home Connect® app to easily access the functions of your oven.

### Notes

- You can select from three different remote control preferences.
- Operating the appliance directly from the oven always has priority. During this time, it is not possible to operate the oven using the Home Connect® app.
- The remote control is already activated when you connect your oven.
- If the remote control has been deactivated, only the oven's operating statuses will be displayed in the Home Connect® app.
- The remote control is automatically activated when remote start is activated.

1. Press **SETTINGS**.
2. Swipe to select "Home Connect".
3. Press "Open settings".
4. Swipe to select "Remote control".



5. Touch the bottom line and swipe to select the desired setting.

Setting	Function
Monitoring	You can view your appliance status remotely, but you cannot start or operate your appliance remotely.
Manual Remote Start	You can start and operate your device remotely, but you must press the Remote Start button on the appliance before you start the first remote operation and again after any instance where the door is opened. This is the default setting.
Permanent Remote Start	You can start and operate your appliance at any time without pressing any touch key on your appliance.
Off	No remote control possible.

6. Touch  to return to the "Home Connect" menu.

## 12.6 Remote diagnostics

The Customer Service can access your appliance via Remote Diagnostics if you ask them to do so, if your appliance is connected to the Home Connect® server and if Remote Diagnostics is available in the country where you are using the appliance.

**Tip:** Further information and details about the availability of Remote Diagnostics in your country can be found in the Service/Support section of your local website: [www.home-connect.com](http://www.home-connect.com).

## 12.7 Software update

The oven checks at regular intervals whether updates are available for the Home Connect™ software.

To do this, you need to be a registered Home Connect™ user, have installed the app on your mobile device and be connected to the Home Connect™ server.

As soon as a software update is available, you will be informed by the Home Connect™ app, from which you will also be able to download the update. Once the update has been successfully downloaded, you can start installing it via the basic settings of your oven, or the Home Connect™ app if you are on your local area network. The Home Connect™ app will notify you once installation is complete.

### Notes

- You can continue to use your oven as usual while updates are downloading.
- Depending on your personal settings in the app, software updates can also be set to download automatically.
- We recommend that you install security updates as soon as possible.

## 12.8 Data Protection

Please see the information on data protection.

The first time your appliance is registered on a home network connected to the Internet, your appliance will transmit the following types of data to the Home Connect® server (initial registration):

- Unique appliance identification (consisting of appliance codes as well as the MAC address of the installed Wi-Fi communication module).
- Security certificate of the Wi-Fi communication module (to ensure a secure data connection).
- The current software and hardware version of your appliance.
- Status of any previous reset to factory settings.

This initial registration prepares the Home Connect® functions for use and is only required when you want to use the Home Connect® functions for the first time.

**Note:** Please note that the Home Connect® functions can be utilized only with the Home Connect® app. Information on data protection can be called up in the Home Connect® app.

## 13 Cleaning and maintenance

To keep your appliance working efficiently for a long time, it is important to clean and maintain it carefully.

For more cleaning recommendations and tips to get the most out of your appliance, refer to the website:

- USA: [www.thermador.com/us/support/customer-care](http://www.thermador.com/us/support/customer-care)
- Canada: [www.thermador.ca/en/support/customer-care](http://www.thermador.ca/en/support/customer-care)

### WARNING

Do not clean the appliance while it is still hot. Some cleaners produce noxious fumes when applied to a hot surface. Wet clothes and sponges can cause burns from steam.

- For customers in the USA:  
You can purchase suitable cleaners from Customer Support or in our online shop [www.thermador.com/us/accessories](http://www.thermador.com/us/accessories).
- For customers in Canada:  
Visit this web page to learn how to purchase cleaners for your appliance, [www.thermador.ca/en/support/filters-cleaners-accessories](http://www.thermador.ca/en/support/filters-cleaners-accessories).

## 13.1 Cleaning agents

Only use suitable cleaning agents to avoid damage to the appliance surfaces.

### Brand names

- The use of brand names is intended only to indicate a type of cleaner. This does not constitute an endorsement.
- The omission of any brand name cleaner does not imply its adequacy or inadequacy.
- Many products are regional in distribution and can be found in local markets.

- It is imperative that all cleaning products be used in strict accordance with the instructions on its package.

#### Avoid these cleaners

Do not use commercial oven cleaners such as Easy Off®<sup>1</sup>. They may damage the oven finish or parts. Chlorine or chlorine compounds in some cleansers are corrosive to stainless steel. Check ingredients on label. Never use scouring pads or abrasive cleaners.

#### ⚠ WARNING

Be sure the entire appliance (including the light bulb) has cooled and grease has solidified before attempting to clean any part of the appliance.

#### ⚠ WARNING

To avoid risk of electrical shock, DO NOT use a steam cleaner or high pressure cleaners to clean the appliance. Penetrating moisture may cause electrical shock.

## 13.2 Cleaning the conventional oven

Here you can find information on cleaning the conventional oven cavity.

### Self clean function

With pyrolytic self cleaning the oven is heated to a very high temperature. Stubborn soil is burnt off and can be wiped out after self clean is finished and the oven has cooled.

After the completion of a self-clean cycle, the oven will not allow you to start another self-clean cycle for 24 hours. For a double oven, if one cavity runs self clean, neither cavity may operate a self clean cycle for 24 hours.

### Preparing self clean

#### ⚠ WARNING

During the elimination of soil during self-cleaning, small amounts of carbon monoxide can be created and the fiberglass insulation could give off very small amounts of formaldehyde during the first several cleaning cycles.

- To minimize exposure to these substances, provide good ventilation with an open window, or use a ventilation fan or hood.

During the self clean cycle, parts of the appliance may become potentially harmful to persons who lack adult knowledge of appliances and adult reactions to potentially harmful conditions.

- Children should not be left alone or unattended in an area where appliances are in use.

The oven heats up to a very high temperature during self cleaning. Opening the door can result in injury.

- When self-cleaning, confirm that the door locks and will not open.
- If the door does not lock, do not run Self Clean. Contact Customer Service.

#### ⚠ CAUTION

Remove broiler pans, pots, and other utensils and excess spillage before self-cleaning.

Do not leave food or cooking utensils, etc., in the oven during the pyrolytic self-cleaning mode of operation.

#### ⚠ CAUTION

The oven vents are important for air circulation. Covering the oven vents will cause the oven to overheat. Refer to the appliance overview for the location of the oven vents.

→ "Appliance", Page 10

- Do not obstruct oven vents.


#### NOTICE:

Do not clean parts or accessories with the self clean function.

- Wipe out excessive spillage from the oven cavity.

### Starting self clean

**Requirement:** You have carried out the steps for preparing the oven for self clean → Page 41.

- Turn the mode selection knob to **CLEAN MODES**.
- Swipe to select "Self Clean" .
- Select a cleaning intensity according to the amount of soiling.

Intensity level	Duration (excluding cool off)
high	3 hours
medium	2½ hours
low	2 hours

- Turn the temperature selection knob to **SELF CLEAN**.
- Touch "Continue".
  - The oven door locks automatically.
  - When self clean is finished, a signal sounds and the appliance is turned off.
  - The door remains locked until the appliance has cooled off.
- Wipe the remaining ash from the oven with a moist cloth.

**Note:** After the self clean cycle is completed, the appliance will not allow you to start another self clean cycle for 24 hours.

### Easy clean

This function makes it easier to clean the bottom of the oven cavity. Food and food spills are soaked and can then be removed more easily.

### Setting easy clean for the conventional oven

#### ⚠ CAUTION


Hot steam can arise due to water in the hot oven cavity.

- Never pour water into the hot oven cavity.

<sup>1</sup> These marks are registered trademarks of their respective owners. All other trademarks are trademarks of BSH Home Appliances Corporation or its affiliated companies.

**Note:** Do not open the appliance door during operation, or the function will be interrupted.

**Requirement:** The oven cavity has cooled off.

1. Place the wire rack on level 3. Remove all other racks and accessories from the oven cavity.
  2. Mix 2 cups of water and ½ cup of vinegar into the broiler pan and place it on the wire rack.
  3. Turn the mode selection knob to **CLEAN MODES**.
  4. Swipe to select "Easy Clean"<sup>1</sup> .
  5. Touch the bottom line of the display.
- ✓ After a few seconds the mode starts automatically.
  - ✓ The cleaning time counts down on the display.
6. Carry out the steps for subsequent cleaning.

**Subsequently cleaning the oven cavity after the cleaning function**

Clean the oven cavity manually as soon as it has cooled off after the cleaning function.

**NOTICE:**

Moisture in the oven cavity can cause damage to the surfaces.

- ▶ Remove remaining water from the oven cavity promptly.
  - ▶ Do not leave the remaining water in the oven cavity for a long time, for example overnight.
  - ▶ Do not operate the appliance when the oven cavity is still wet or damp.
1. Open the appliance door and remove the remaining water with an absorbent sponge cloth.
  2. Clean the smooth surfaces in the oven cavity with a dish cloth or a soft brush. Stubborn residues can be removed using a soft scouring pad.
  3. Remove limescale with a cloth soaked in vinegar and wipe it with clean water. Rub the oven cavity dry with a soft cloth; also dry under the door seal.
  4. Turn the appliance off.
  5. Leave the appliance door ajar in the stop position (approx. 30°) for about one hour to allow the enamel surfaces in the oven cavity to dry thoroughly.

**Cleaning recommendations for the conventional oven**

Clean only those parts of you oven that are listed in this cleaning chart.

Part	Suitable cleaning method	Recommendations
Flat rack	<ul style="list-style-type: none"> <li>■ Wash with soapy water.</li> <li>■ Rinse thoroughly and dry, or gently rub with cleansing powder or soap-filled pads as directed.</li> </ul>	<ul style="list-style-type: none"> <li>■ DO NOT CLEAN USING THE SELF CLEAN FUNCTION.</li> <li>■ If the flat racks remain in the oven during the self clean mode, they will loose their shiny finish and may not glide smoothly. If this happens, wipe the rack edges with a small amount of vegetable oil. Then wipe off excess oil.</li> </ul>
Telescopic rack	<ul style="list-style-type: none"> <li>■ Wash with soapy water.</li> <li>■ Rinse thoroughly and dry, or gently rub with cleansing powder or soap-filled pads as directed.</li> </ul>	<ul style="list-style-type: none"> <li>■ DO NOT CLEAN USING THE SELF CLEAN FUNCTION.</li> <li>■ Avoid getting cleansing powder in the telescopic slides. Re-lubrication may become necessary. Use only high-temperature food-grade lubricants to re-lubricate the slides.</li> </ul>
Door gasket	<ul style="list-style-type: none"> <li>■ None</li> </ul>	<ul style="list-style-type: none"> <li>■ DO NOT CLEAN THE DOOR GASKET.</li> <li>■ The door gasket is essential for a good seal. Care should be taken not to rub, damage, or move the gasket.</li> </ul>
Glass	<ul style="list-style-type: none"> <li>■ Wash with soap and water or glass cleaner.</li> <li>■ Use Fantastik<sup>1</sup> on a clean sponge or paper towel and wipe clean.</li> </ul>	<ul style="list-style-type: none"> <li>■ Avoid using powder cleaning agents, steel wool pads and oven cleaners.</li> </ul>
Painted surfaces	<ul style="list-style-type: none"> <li>■ Clean with hot soapy water or apply Fantastik<sup>1</sup> to a clean sponge or paper towel and wipe clean.</li> </ul>	<ul style="list-style-type: none"> <li>■ Avoid using powder cleaning agents, steel wool pads and oven cleaners.</li> </ul>

<sup>1</sup> These marks are registered trademarks of their respective owners. All other trademarks are trademarks of BSH Home Appliances Corporation or its affiliated companies.

Part	Suitable cleaning method	Recommendations
Porcelain surfaces	<ul style="list-style-type: none"> <li>■ Immediately wipe up acid spills like fruit juice, milk, and tomatoes with a dry cloth.</li> <li>■ When cool, clean with hot soapy water or apply Bon-Ami®<sup>1</sup> or Soft Scrub®<sup>1</sup> to a damp sponge. Rinse and dry.</li> <li>■ For stubborn stains, use soap-filled pads.</li> </ul>	<ul style="list-style-type: none"> <li>■ Do not use a moistened sponge/cloth on hot porcelain. It is normal for porcelain to show fine lines with age due to exposure to heat and food soil.</li> </ul>
Heat resistant enamel and polished components in the oven cavity	<ul style="list-style-type: none"> <li>■ Use the self clean function for heavy soiling.</li> </ul>	<ul style="list-style-type: none"> <li>■ These surfaces can become discolored over time. This is normal and does not affect operation.</li> <li>■ Do not use scouring pads or abrasive cleaners to treat discolorations.</li> </ul>
Stainless steel surfaces	<ul style="list-style-type: none"> <li>■ Clean with soapy water and soft cloth, then rinse and dry with a soft cloth.</li> <li>■ Condition steel with the Thermador Stainless Steel Conditioner (part # 00576697).</li> <li>■ Remove water spots with a cloth dampened with white vinegar.</li> <li>■ Remove heat discoloration with Bar Keeper's Friend®<sup>1</sup>.</li> </ul>	<ul style="list-style-type: none"> <li>■ Never allow food stains or salt to remain on stainless steel for any length of time.</li> <li>■ Always wipe or rub in the direction of the grain.</li> <li>■ Chlorine or chlorine compounds in some cleansers are corrosive to stainless steel. Check the ingredients on the label of the cleanser.</li> </ul>
Plastic and controls	<ul style="list-style-type: none"> <li>■ When cool, clean with soapy water, rinse and dry.</li> </ul>	
Probe	<ul style="list-style-type: none"> <li>■ Wipe with soapy water.</li> </ul>	<ul style="list-style-type: none"> <li>■ Do not submerge in water.</li> <li>■ Do not wash in the dishwasher.</li> </ul>
Printed areas (words and numbers)		<ul style="list-style-type: none"> <li>■ Do not use abrasive cleaners or petroleum based solvents.</li> </ul>

<sup>1</sup> These marks are registered trademarks of their respective owners. All other trademarks are trademarks of BSH Home Appliances Corporation or its affiliated companies.

### 13.3 Cleaning the steam oven

Here you can find information on cleaning the steam oven cavity.

#### Cleaning the oven cavity

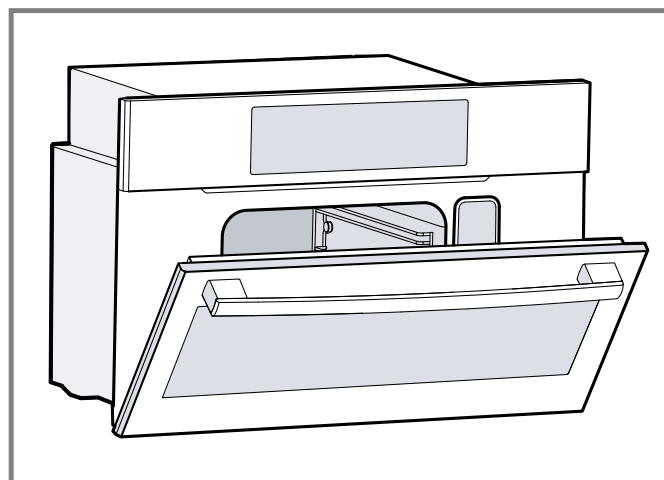
Carry out the following steps after every use. The steam oven cavity can rust if not properly cared for.

#### **⚠ CAUTION**

Exercise caution when opening the appliance. Standing to the side, open the door slowly and only slightly to let hot air and/or steam escape.

- ▶ Keep your face clear of the opening and make sure there are no children or pets near the unit.
- ▶ After the hot air and/or steam is released, let the oven cool down.
- ▶ Keep the appliance door shut unless necessary for cooking or cleaning purposes.
- ▶ Do not leave the open appliance door unattended.

1. Leave the oven door open in the "at-rest" position, until the oven cavity has cooled down.



2. Empty and dry the water tank.  
→ "Removing the water tank during or after operation", Page 44
3. Remove food residue and spills from the oven immediately after the appliance has cooled down.

### Note

- Burned on residue is very difficult to remove at a later time.
  - Salts are very abrasive and can cause rust spots.
4. Wipe down the oven cavity with the cleaning sponge.
  5. Dry the oven cavity with a soft cloth.
  6. Close the oven door.

### Removing the water tank during or after operation EMPTY THE WATER TANK AFTER EACH USE.

### CAUTION

Exercise caution when opening the appliance. Standing to the side, open the door slowly and only slightly to let hot air and/or steam escape.

- ▶ Keep your face clear of the opening and make sure there are no children or pets near the unit.
- ▶ After the hot air and/or steam is released, proceed with your cooking.
- ▶ Keep the appliance door shut unless necessary for cooking or cleaning purposes.
- ▶ Do not leave the open appliance door unattended.

1. Carefully open the appliance door.
2. Keep the water tank level while slowly pulling it out of the appliance to ensure that no remaining water drips down and out through the vent.
3. Pour out the water.
4. Thoroughly dry the seal of the tank lid and the slot where the tank resides in the appliance.
5. Leave the water tank to dry with the lid open.  
Prolonged dampness could lead to a musty odor in the water tank.
6. Close the lid and reinstall the empty water tank.

### Ecolytic Clean

Some surfaces in the steam oven cavity have a self-cleaning surface. You can refresh them with the "Ecolytic Clean" function.

The side, ceiling and back panels are coated with a porous, matte ceramic material known as an ecolytic coating. The coating absorbs and breaks down splashes from baking, roasting and broiling over time, while the oven is in operation. If the surfaces no longer clean themselves adequately and dark patches appear, you can run "Ecolytic Clean". This mode operates at a higher temperature, which helps to speed up the self-cleaning process.

### NOTICE:

Follow these recommendations to avoid damage to the self-cleaning surfaces or accessories.

- ▶ The appliance records the number of times it is used and indicates when cleaning is recommended. The recommendation is displayed until "Ecolytic Clean" has finished. Always carry out the cleaning function when prompted.

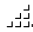
- ▶ If your appliance becomes prematurely soiled or if you notice dark patches on the back panel you should run "Ecolytic Clean", even if there is no recommendation displayed.
- ▶ The more often the appliance is cleaned, the longer the porous surfaces will retain their cleaning capability. You can use "Ecolytic Clean" as often as necessary.
- ▶ Do not clean parts or accessories with "Ecolytic Clean".

**Note:** During operation and while the cleaning function is active, reddish patches may form on the surfaces. This is not rust, but food residues. These patches are not hazardous to your health and do not limit the cleaning capacity of the self-cleaning surfaces.

### Setting Ecolytic Clean

#### Notes

- The cleaning cycle takes 1 hour. The duration cannot be changed.
- Keep the kitchen ventilated while the cleaning function is running.

1. Wipe out large spills from the oven cavity.
  2. Remove racks, rails, accessories and ovenware from the oven cavity.
  3. Turn the mode selection knob to **CLEAN MODES**.
  4. Swipe to select "Ecolytic Clean" .
  5. Touch the bottom line.
  6. After a few seconds the mode starts automatically.
- ✓ The cleaning time starts to count down on the display.

### Easy clean

This function makes it easier to clean the bottom of the oven cavity. Food and food spills are soaked and can then be removed more easily.

### Setting Easy Clean for the steam oven


### CAUTION

Hot steam can arise due to water in the hot oven cavity.

- ▶ Never pour water into the hot oven cavity.

**Note:** Do not open the appliance door during operation, or the function will be interrupted.

**Requirement:** The oven cavity has cooled off.

1. Remove all racks and accessories from the oven cavity.
  2. Turn the mode selection knob to **CLEAN MODES**.
  3. Swipe to select "Easy Clean" .
  4. Touch the bottom line of the display.
  5. After a few seconds the mode starts automatically.
- ✓ The cleaning time counts down on the display.
6. Carry out the steps for subsequent cleaning.

### Subsequently cleaning the oven cavity after the cleaning function

Clean the oven cavity manually as soon as it has cooled off after the cleaning function.



**NOTICE:**

Moisture in the oven cavity can cause damage to the surfaces.

- ▶ Remove remaining water from the oven cavity promptly.
- ▶ Do not leave the remaining water in the oven cavity for a long time, for example overnight.
- ▶ Do not operate the appliance when the oven cavity is still wet or damp.

1. Open the appliance door and remove the remaining water with an absorbent sponge cloth.
2. Clean the smooth surfaces in the oven cavity with a dish cloth or a soft brush. Stubborn residues can be removed using a soft scouring pad.
3. Remove limescale with a cloth soaked in vinegar and wipe it with clean water. Rub the oven cavity dry with a soft cloth; also dry under the door seal.
4. Turn the appliance off.
5. Leave the appliance door ajar in the stop position (approx. 30°) for about one hour to allow the enamel surfaces in the oven cavity to dry thoroughly.

You can also use the drying function.

**Setting the drying function**

You can use the drying function to dry the steam oven cavity after operation.

1. Turn the mode selection knob to **CLEAN MODES**.
2. Swipe to select "Drying" ∞∞∞.
3. Touch the bottom line.
4. After a few seconds the mode starts automatically.

**Descaling**

Even if you use softened water, you will need to descale the steam oven at regular intervals.

The descaling program consists of several steps. For hygiene reasons, the descaling program must be run through completely so that the appliance can be ready for operation again. In total, the descaling program runs for approx. 70-90 minutes.

**Setting the descaling function**

**Tip:** Follow the step by step instructions on the display.

1. Mix 3½ cups (800 ml) of water with half a bottle (200 ml) of descaler and set it aside.
2. Turn the mode selection knob to **CLEAN MODES**.

**Cleaning recommendations for the steam oven****⚠ CAUTION**

Wait until the appliance has cooled before cleaning.

- Use only clean soft cloths, sponges, paper towels, or fibrous brushes for cleaning and scouring.
- DO NOT use abrasive products such as steel wool or abrasive pads.

3. Swipe to select "Descaling" ∞∞.
4. Touch "Continue".
5. Touch "Continue".
  - ✓ The instructions for the descaling solution are displayed.
6. Remove the water tank and fill it with the prepared descaling solution. Insert the water tank.
7. Touch "Start".
  - ✓ The duration of the descaling program is displayed. It cannot be changed.
  - ✓ The appliance starts the descaling cycle.
  - ✓ The remaining time counts down on the display.
  - ✓ When the descaling cycle is finished a signal sounds.
8. Continue with the first rinse cycle:
  - When the display prompts you to open the appliance door, remove the water tank and rinse it thoroughly.
  - Fill the water tank with fresh water and reinsert it.
  - Close the appliance door.
  - ✓ The rinse cycle starts automatically.
  - ✓ When the first rinse cycle is finished a signal sounds.
9. Continue with the seconds rinse cycle:
  - When the display prompts you to open the appliance door, remove the water tank and rinse it thoroughly.
  - Fill the water tank with fresh water and reinsert it.
  - Close the appliance door.
  - ✓ The rinse cycle starts automatically.
  - ✓ When the second rinse cycle is finished a signal sounds.
10. Complete the descaling program:
  - Open the appliance door.
  - Empty the water tank, rinse it thoroughly. Dry the water tank and reinsert it.
  - ✓ Descaling is complete. The appliance is ready for use.

**Cleaning sponge**

The cleaning sponge provided is very absorbent. Use the cleaning sponge to wipe down the oven cavity and to remove any water remaining on the oven cavity bottom.

- Wash the cleaning sponge thoroughly before initial use. The cleaning sponge can be washed in a dishwasher.
- Wipe down the oven using the cleaning sponge and dry afterwards using a soft cloth.
- Use the cleaning sponge only to clean the oven cavity and to remove any water remaining on the oven cavity bottom.

- DO NOT use cellulose sponges. Some sponges are processed with salt and can cause corrosion by leaving salt deposits on the metal.
- DO NOT allow any cleaning compounds to remain in contact with stainless steel for extended periods.
- DO NOT USE CHLORINE-BASED CLEANERS.



- Always wipe dry immediately to avoid water marks.
- Always rub metal finishes in the direction of the polish lines for maximum effectiveness and to avoid marring the surface.
- Clean only those parts of your oven that are listed in the cleaning chart.

Part	Suitable cleaning method	Recommendations
Appliance exterior <ul style="list-style-type: none"> <li>■ Stainless steel front trim</li> <li>■ Door handle</li> </ul>	<ul style="list-style-type: none"> <li>■ Soapy water, use a soft cloth to dry.</li> <li>■ Wipe stainless steel surfaces with mild, lukewarm, soapy water. Always wipe and dry in the direction of the stainless steel grain. Rinse thoroughly.</li> <li>■ To remove fingerprints and produce added shine, use a stainless steel cleaner or conditioner.</li> <li>■ Special stainless steel cleaners are available through Customer Support or at retail stores.</li> </ul>	<ul style="list-style-type: none"> <li>■ Always remove lime deposits, grease, oil, starch and egg white stains immediately after the appliance has cooled down.</li> <li>■ Do not use corrosive or abrasive cleaners, which dull the surface. In the event that one of these products comes into contact with the oven, immediately clean it using a damp cloth.</li> </ul>
Control panel	Apply glass cleaner to a soft cloth or sponge, not directly on the control panel.	Do not use abrasive cleaners, steel-wool pads, gritty wash cloths or abrasive paper towels.
Oven interior	<ul style="list-style-type: none"> <li>■ Warm soapy water or vinegar and water mixture.</li> <li>■ Use the cleaning sponge provided or a soft dishwashing brush.</li> <li>■ If heavily soiled, use an all-purpose cleaner, such as Simple Green®<sup>1</sup>. Follow package directions for mixing. Spray on soils, allow to work for 15 – 30 minutes, then wipe the entire oven cavity with paper towels or a cloth. Run the steam clean cycle so the cavity is rinsed thoroughly.</li> </ul>	<ul style="list-style-type: none"> <li>■ NEVER USE STEEL WOOL OR ABRASIVE PADS! The oven cavity can rust.</li> <li>■ If you use an all-purpose cleaner, do not allow the oven light, bulb or door gaskets to come in contact with the cleaner.</li> <li>■ Remove all traces of cleaners used in the oven cavity by carefully following all instructions for wiping out the oven and running rinse cycles. Cleaner residues can bond to the glass in the oven door. They can also adversely affect the flavor of foods cooked in the steam oven.</li> </ul>
Outer gasket on oven	Warm soapy water.	
Water tank:	<ul style="list-style-type: none"> <li>■ Tank slot: Wipe dry after each use.</li> <li>■ Lid seal: Dry well after each use.</li> </ul>	
Rack rails	Warm soapy water or wash in the dishwasher.	
Door glass	Glass cleaner	
Accessories	<ul style="list-style-type: none"> <li>■ Soak in warm soapy water.</li> <li>■ Clean with a brush or kitchen sponge or wash in dishwasher.</li> <li>■ Use a water and vinegar mixture for stains or discoloration caused by starchy foods, such as rice.</li> </ul>	

<sup>1</sup> These marks are registered trademarks of their respective owners. All other trademarks are trademarks of BSH Home Appliances Corporation or its affiliated companies.

## 13.4 Maintenance

### Replacing a steam oven light bulb

Your steam oven cavity is equipped with one or more long-life LED bulbs. The lamp cover cannot be removed.

- ▶ If an LED bulb or the bulb's glass cover fails, call Customer Service.

### Replacing a conventional oven light bulb

When the conventional oven light fails you can exchange the light bulb.

### WARNING

Light socket is live when door is open if main power supply is not turned off.

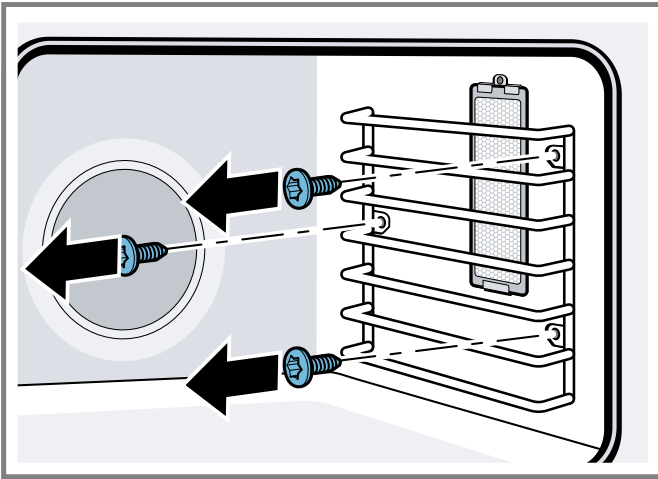
- ▶ For conventional oven cavity: Turn off main power supply at the service panel before changing the light bulbs.
- ▶ For steam oven cavity: If an LED bulb or the bulb's glass cover fails, call Customer Service.

**⚠ WARNING**

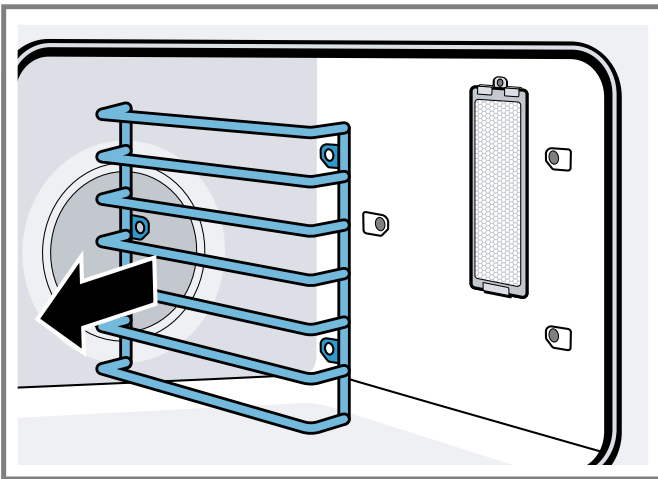
For conventional oven cavity: Make sure the appliance and lights are cool and power to the appliance has been turned off before replacing the light bulb(s). Failure to do so could result in electrical shock or burns.

- ▶ The lenses must be in place when using the appliance.
- ▶ The lenses serve to protect the light bulb from breaking.
- ▶ The lenses are made of glass. Handle carefully to avoid breaking. Broken glass can cause an injury.

1. Turn off the power to the oven at the main power supply in the fuse or breaker box.
2. Remove the 3 screws that hold the oven rails in place.

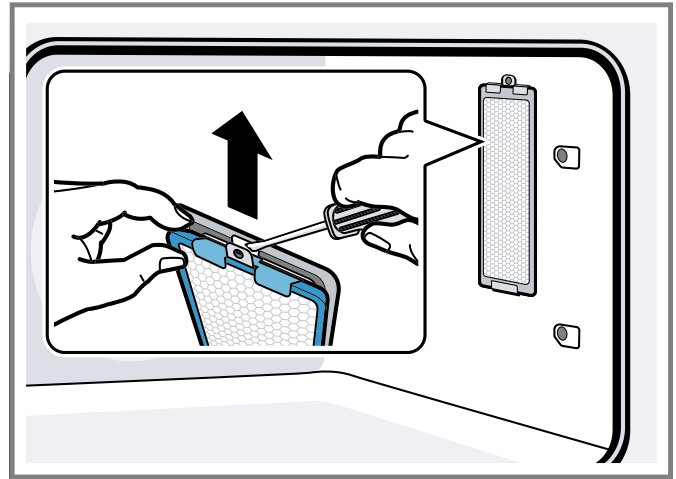


3. Detach the oven rails to access the bulb housing.



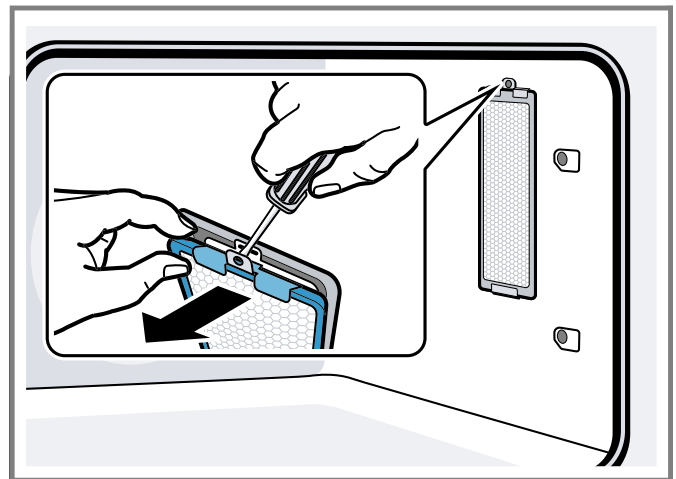
4. Remove the screw from the top of the bulb housing.

5. Insert the tip of a narrow flat-blade screwdriver between the metal clips at about a 40° angle.

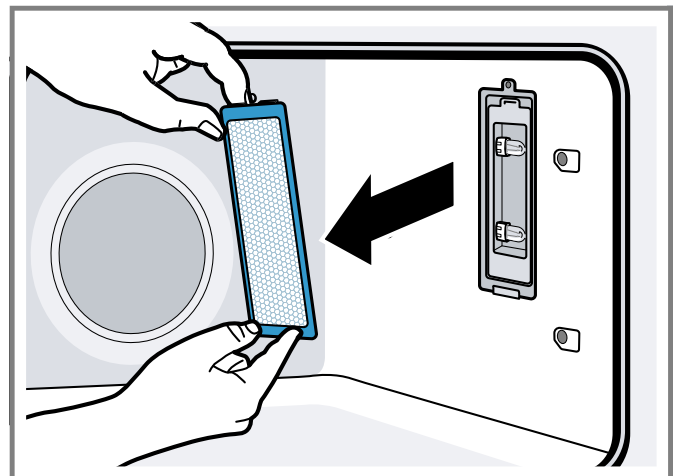


The screwdriver blade must be able to pass between the metal clips to reach the inner catch.

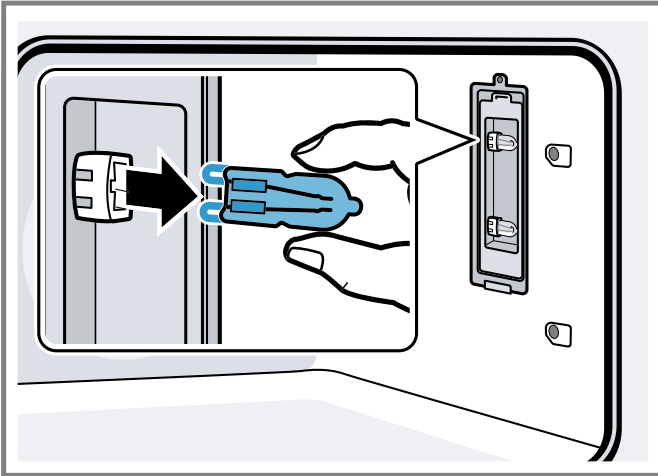
6. Push the screwdriver blade inward to disengage the catch from the slot in the bulb housing. Gently pry the lens off by moving the screwdriver handle away from the oven wall.



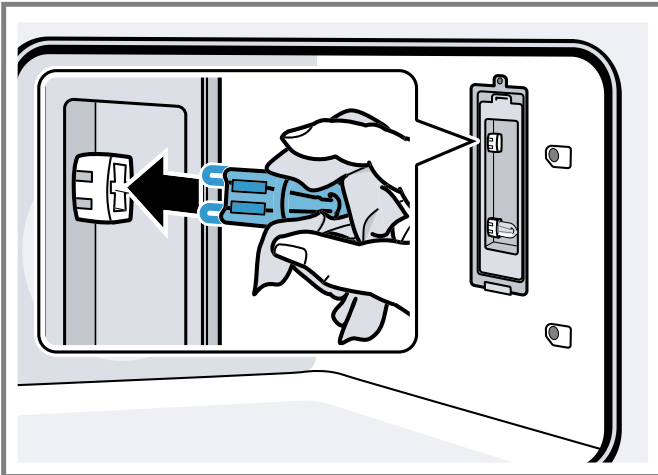
7. Support the glass lens cover with both hands to prevent the cover from falling to the bottom of the oven. The lens should detach easily. Do not attempt to force it.



8. Remove the bulb by grasping and sliding the bulb straight back until the two prongs have cleared the ceramic holder.



9. DO NOT touch the glass of the new replacement bulb with your fingers. It may cause the bulb to fail when it first lights. Grasp the replacement bulb with a clean dry cloth. Locate the two prongs in the ceramic holder, gently poking until the two prongs locate in the ceramic socket.



10. Press down to seat the bulb.
11. Put the glass lense cover back on by inserting it into the mounting clip and pressing the end nearest you into the housing until it locks into place. Insert the screw through the glass lense cover and tighten.
12. Reinstall the oven rails.
13. Turn on the circuit breaker.

### Recalibrating the steam oven

The steam oven automatically calibrates to adjust to the pressure conditions in your area the first time steam is used at 212°F (100°C). If you should move, you can recalibrate the steam oven manually to ensure that it automatically adjusts to your new location. Recalibration is not necessary after a power failure.

**Requirement:** The oven cavity is cool.

1. Fill the water tank.
2. Remove the accessories from the steam oven cavity.

3. Wipe the smooth surfaces in the oven cavity with a soft, wet cloth.
4. Set the heating mode and temperature.

Heating mode	Steam
Temperature	212°F (100°C)
Duration	30 minutes

5. Switch off the appliance after the specified cooking time by turning the selection knobs to **OFF**.

## 14 Troubleshooting


You can eliminate minor issues on your appliance yourself. Please read the information on eliminating issues before contacting Customer Service. This may avoid unnecessary repair visits.

### WARNING

Improper repairs are dangerous.

- ▶ Only authorized service providers should repair the appliance.

- ▶ If the power cord of this appliance becomes damaged, it must be replaced by the manufacturer, the manufacturer's Customer Service, or an authorized service provider in order to prevent injury.
- ▶ Only original spare parts may be used to repair the appliance.
- ▶ If the appliance has an issue, call Customer Service.

Issue	Cause and troubleshooting
Oven door is locked and will not open, even after cooling. The door lock symbol  lights up.	The door lock is engaged <ol style="list-style-type: none"> <li>1. Turn the oven off at the circuit breaker and wait five minutes.</li> <li>2. Turn breaker back on.</li> </ol> ✓ The oven should reset itself and will be operable.
Oven is not heating	There is no power supply to the appliance <ol style="list-style-type: none"> <li>1. Check circuit breaker or fuse box to your house.</li> <li>2. Make sure there is proper electrical power to the oven.</li> </ol>
	There is no cooking temperature set <ul style="list-style-type: none"> <li>▶ Set a heating mode temperature.</li> </ul>
Baking results are not as expected	The rack position is not ideal <ul style="list-style-type: none"> <li>▶ Refer to the tips and suggestions for using the appliance. → <i>"Getting the best results with your steam oven", Page 28</i></li> </ul>
Food takes longer to cook than expected	The oven temperature needs to be recalibrated <p><b>Note:</b> The oven is carefully calibrated to provide accurate results.</p> <ul style="list-style-type: none"> <li>▶ If food is consistently too brown or too light the temperature can be offset. → <i>"Oven temperature offset", Page 25</i></li> </ul>
Food is overcooked	The oven temperature needs to be recalibrated <p><b>Note:</b> The oven is carefully calibrated to provide accurate results.</p> <ul style="list-style-type: none"> <li>▶ If food is consistently too brown or too light the temperature can be offset. → <i>"Oven temperature offset", Page 25</i></li> </ul>
Oven light is not working properly	The oven light bulb is loose or burnt out <ul style="list-style-type: none"> <li>▶ Replace or reinsert the light bulb.</li> </ul> <p><b>Tip:</b> Touching the bulb with fingers may cause the bulb to burn out.</p>
Oven light does not turn off	The oven door does not close properly <ol style="list-style-type: none"> <li>1. Check the oven door for obstructions.</li> <li>2. Check to see if the hinge is bent.</li> </ol>
	The oven light is turned on <ul style="list-style-type: none"> <li>▶ Press the oven light button to turn the oven light off.</li> </ul>
Cannot remove lens cover on conventional oven cavity light	There is soil build-up around the lens cover <ol style="list-style-type: none"> <li>1. Let the oven cavity cool off.</li> <li>2. Wipe the lens cover area with a clean, dry towel, then try to remove the lens cover.</li> </ol>
Oven is not self-cleaning properly	The oven is too hot to start self clean <ol style="list-style-type: none"> <li>1. Allow the oven to cool before running self clean.</li> <li>2. Always wipe out loose soils or heavy spillovers before running self clean.</li> <li>3. If the oven is heavily soiled, set the maximum self clean time.</li> </ol>

Issue	Cause and troubleshooting
Clock and timer are not working properly	There is no power supply to the appliance <ol style="list-style-type: none"> <li>1. Check circuit breaker or fuse box to your house.</li> <li>2. Make sure there is proper electrical power to the oven.</li> </ol>
"E" and a number appears in display and control beeps	An electronics fault has occurred <ol style="list-style-type: none"> <li>1. Press <b>TIMERS</b> to stop the beeping.</li> <li>2. Reset the oven if necessary.</li> <li>3. Call an authorized service provider.</li> </ol>
With a new oven there is a strong odor when oven is turned on	This is normal with a new oven and will disappear after a few uses <ul style="list-style-type: none"> <li>▶ Operate the self clean mode to burn-off the smell more quickly.</li> </ul>
Control does not react when a key is touched	The control is wet or soiled <ul style="list-style-type: none"> <li>▶ Clean the control panel and wipe it dry.</li> </ul> <hr/> The touch keys are not pressed correctly <ol style="list-style-type: none"> <li>1. Press the center of the button.</li> <li>2. Use the flat part of your finger.</li> </ol>
Warm air or steam escapes from oven vent	It is normal to see or feel steam or warm air escaping from the oven vent <p><b>⚠ CAUTION</b></p> The oven vents are important for air circulation. Covering the oven vents will cause the oven to overheat. Refer to the appliance overview for the location of the oven vents. → <i>"Appliance", Page 10</i> <ul style="list-style-type: none"> <li>▶ Do not obstruct oven vents.</li> </ul>
Cooling fan runs even when the oven is turned off	The cooling fan will continue to run, even after the oven has been turned off, until the oven has cooled sufficiently <ul style="list-style-type: none"> <li>▶ This is normal. There is no action required.</li> </ul>
Water tank empties without any apparent reason	The water tank is not closed properly <ul style="list-style-type: none"> <li>▶ Close the tank lid until it clearly snaps into place.</li> </ul> <hr/> The tank lid seal is dirty <ul style="list-style-type: none"> <li>▶ Clean the seal of the tank lid.</li> </ul> <hr/> The tank lid seal is not functioning <ul style="list-style-type: none"> <li>▶ You can purchase a new water tank through Customer Support.</li> </ul>
A "plop" noise can be heard during cooking	The water vapor causes a temperature change in frozen food <ul style="list-style-type: none"> <li>▶ This is normal. There is no action required.</li> </ul>
Appliance no longer produces steam correctly	The appliance needs to be descaled <ul style="list-style-type: none"> <li>▶ Descal the appliance.</li> </ul>

## 15 Disposal

### 15.1 Disposal of your old appliance

Environmentally compatible disposal allows valuable raw materials to be recycled.

- ▶ Dispose of the appliance in an environmentally responsible manner.

Information about current disposal methods can be obtained from your specialist dealer or local authority.

## 16 Customer Service

With any warranty repair, we will make sure your appliance is repaired by an authorized service provider using genuine replacement parts. We use only genuine replacement parts for all repairs.

Detailed information on the warranty period and terms of warranty can be found in the Statement of Limited Product Warranty, from your retailer, or on our website.

If you contact Customer Service, you will need the model number (E-Nr.) and the production number (FD) of your appliance.

The LED light sources are available as a spare part and should only be replaced by an authorized service provider.

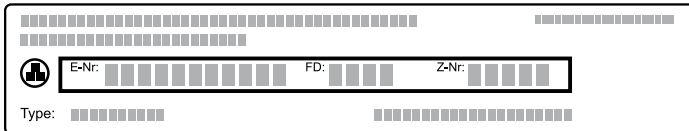
USA:

1-800-735-4328

www.thermador.com/support  
 www.thermador.com/us/accessories  
 CA:  
 1-800-735-4328  
 www.thermador.ca  
 www.thermador.ca/en/support/filters-cleaners-accessories  
 For assistance with connecting to Home Connect®, you  
 can also view instructions here:  
 www.home-connect.com/us/en/help-support/set-up

## 16.1 Model number (E-Nr.) and production number (FD)

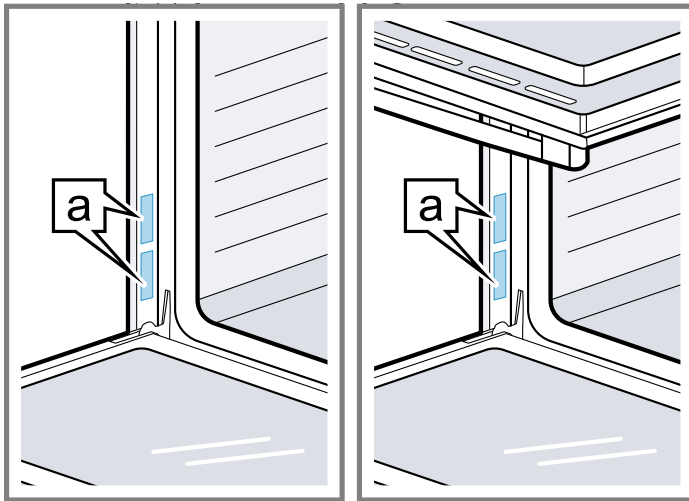
You can find the model number (E-Nr.) and the production number (FD) on the appliance's rating plate.



Making a note of your appliance's details and the Customer Service telephone number will enable you to find them again quickly.

## 16.2 Rating plate location

The rating plate is located at the left hand side of the door trim.



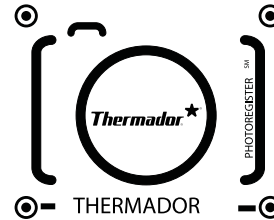
**a** Rating plate

## 16.3 Product registration

Register your Thermador product to access information related to your product.

**You may register your product through one of the following ways:**

- Register with your phone (USA only):



- Take a photo of the camera icon on the registration card, including the points (⊙).
- Text the photo to 21432.  
(USA only, text and data rates may apply.)
- Mail in the completed product registration card to the address printed on the card.
- Register your product online at
  - US: www.thermador.com
  - Canada: www.thermador.ca
- Call Thermador Customer Service at 1-800-735-4328.

## 17 STATEMENT OF LIMITED PRODUCT WARRANTY

### 17.1 What this warranty covers & Who it applies to

The limited warranty provided by BSH Home Appliances ("Thermador") in this Statement of Limited Product Warranty applies only to the Thermador appliance sold to you ("Product"), provided that the Product was purchased:

- For your normal, household (non-commercial) use, and has in fact at all times only been used for normal household purposes.
- New at retail from a BSH authorized dealer or directly from BSH (not a display, "as is", or previously returned model), and not for resale, or commercial use.
- Within the United States or Canada, and has at all times remained within the country of original purchase.

The warranties stated herein apply to the original purchaser of the product warranted herein and to each succeeding owner of the product purchased for ordinary home use during the term of the warranty.

Please make sure to register your Product; while not necessary to effectuate warranty coverage, it is the best way for Thermador to notify you in the unlikely event of a safety notice or product recall.

### 17.2 How long the warranty lasts

Thermador warrants that the Product is free from defects in materials and workmanship for a period of seven hundred and thirty (730) days from the date of the original delivery. The foregoing timeline begins to run upon the date of original delivery, and shall not be stalled, tolled, extended, or suspended, for any reason whatsoever. This Product is also warranted to be free from **cosmetic** defects in material and workmanship (such as scratches of stainless steel, paint/porcelain blemishes, chips, dents, or other damage to the finish) of the Product, for a period of



sixty (60) days from the date of delivery or closing date for new construction. This **cosmetic** warranty excludes slight color variations due to inherent differences in painted and porcelain parts, as well as differences caused by kitchen lighting, product location, or other similar factors. This **cosmetic** warranty specifically excludes any display, floor, "As Is", or "B" stock appliances.

### 17.3 Repair/replace as your exclusive remedy

During this warranty period, Thermador or one of its authorized service providers will repair your Product without charge to you (subject to certain limitations stated herein) if your Product proves to have been manufactured with a defect in materials or workmanship. If reasonable attempts to repair the Product have been made without success, then Thermador will replace your Product (upgraded models may be available to you, in Thermador's sole discretion, for an additional charge). Nothing in this warranty requires damaged or defective parts to be replaced with parts of a different type or design than the original part. All removed parts and components shall become the property of Thermador at its sole option. All replaced and/or repaired parts shall assume the identity of the original part for purposes of this warranty and this warranty shall not be extended with respect to such parts. Thermador's sole liability and responsibility hereunder is to repair manufacturer-defective Product only, using a Thermador authorized service provider during normal business hours. For safety and property damage concerns, Thermador highly recommends that you do not attempt to repair the Product yourself, or use a non-authorized service provider; Thermador will have no responsibility or liability for damage resulting from repairs or work performed by a non-authorized service provider. Authorized service providers are those persons or companies that have been specially trained on Thermador products, and who possess, in Thermador's opinion, a superior reputation for customer service and technical ability (note that they are independent entities and are not agents, partners, affiliates or representatives of Thermador). Nevertheless, taking your product to be serviced by a repair shop that is not affiliated with or an authorized dealer of Thermador will not void this warranty. Also, using third-party parts will not void this warranty. Notwithstanding the foregoing, Thermador will not incur any liability, or have responsibility, for the Product if it is located in a remote area (more than 100 miles from an authorized service provider) or is reasonably inaccessible, hazardous, threatening, or treacherous locale, surroundings, or environment; in any such event, if you request, Thermador would still pay for labor and parts and ship the parts to the nearest authorized service provider, but you would still be fully liable and responsible for any travel time or other special charges by the service company, assuming they agree to make the service call. Further, to the extent you have installed the Product in a difficult-to-access location or have otherwise installed temporary or permanent fixtures that create barriers to

accessing or removing the Product, Thermador will not incur any liability for, or have responsibility, for work or costs associated with moving the Product or otherwise creating access to the Product in order to repair or replace it. All such costs shall be your sole responsibility.

### 17.4 Out of warranty product

Thermador is under no obligation, at law or otherwise, to provide you with any concessions, including repairs, prorates, or Product replacement, once this warranty has expired.

### 17.5 Warranty exclusions

The warranty coverage described herein excludes all defects or damage that are not the direct fault of Thermador, including without limitation, one or more of the following:

- Use of the Product in anything other than its normal, customary and intended manner (including without limitation, any form of commercial use, use or storage of an indoor product outdoors, use of the Product in conjunction with air or water-going vessels).
- Any party's willful misconduct, negligence, misuse, abuse, accidents, neglect, improper operation, failure to maintain, improper or negligent installation, tampering, failure to follow operating instructions, mishandling, unauthorized service (including selfperformed "fixing" or exploration of the appliance's internal workings).
- Adjustment, alteration or modification of any kind.
- A failure to comply with any applicable state, local, city, or county electrical, plumbing and/or building codes, regulations, or laws, including failure to install the product in strict conformity with local fire and building codes and regulations.
- Ordinary wear and tear, spills of food, liquid, grease accumulations, or other substances that accumulate on, in, or around the Product.
- Any external, elemental and/or environmental forces and factors, including without limitation, rain, wind, sand, floods, fires, mud slides, freezing temperatures, excessive moisture or extended exposure to humidity, lightning, power surges, structural failures surrounding the appliance, and acts of God.
- Service calls to correct the installation of your Product, to instruct you how to use your Product, to replace house fuses or correct house wiring or plumbing.
- Removal and replacement of trim or decorative panels that interfere with servicing the Product.
- Damage or defects caused by labor or parts installed by any non-authorized service provider, unless approved by Thermador before service is performed.

In no event shall Thermador have any liability or responsibility whatsoever for damage to surrounding property, including cabinetry, floors, ceilings, and other structures or objects around the Product. Also excluded from this warranty are Products, on which the serial numbers have been altered, defaced, or removed; service visits to teach you how to use the Product, or visits where

there is nothing wrong with the Product; correction of installation problems (you are solely responsible for any structure and setting for the Product, including all electrical, plumbing or other connecting facilities, for proper foundation/flooring, and for any alterations including without limitation cabinetry, walls, floors, shelving, etc.); and resetting of breakers or fuses TO THE EXTENT ALLOWED BY LAW, THIS WARRANTY SETS OUT YOUR EXCLUSIVE REMEDIES WITH RESPECT TO PRODUCT, WHETHER THE CLAIM ARISES IN CONTRACT OR TORT (INCLUDING STRICT LIABILITY, OR NEGLIGENCE) OR OTHERWISE. THIS WARRANTY IS IN LIEU OF ALL OTHER WARRANTIES, WHETHER EXPRESS OR IMPLIED. ANY WARRANTY IMPLIED BY LAW, WHETHER FOR MERCHANTABILITY OR FITNESS FOR A PARTICULAR PURPOSE, OR OTHERWISE, SHALL BE EFFECTIVE ONLY FOR THE PERIOD THAT THIS EXPRESS LIMITED WARRANTY IS EFFECTIVE. IN NO EVENT WILL THE MANUFACTURER BE LIABLE FOR CONSEQUENTIAL, SPECIAL, INCIDENTAL, INDIRECT, "BUSINESS LOSS", AND/OR PUNITIVE DAMAGES, LOSSES, OR EXPENSES, INCLUDING WITHOUT LIMITATION TIME AWAY FROM WORK, HOTELS AND/OR RESTAURANT MEALS, REMODELLING EXPENSES IN EXCESS OF DIRECT DAMAGES WHICH ARE DEFINITELY CAUSED EXCLUSIVELY BY THERMADOR, OR OTHERWISE. SOME STATES DO NOT ALLOW THE EXCLUSION OR LIMITATION OF INCIDENTAL OR CONSEQUENTIAL DAMAGES, AND SOME STATES DO NOT ALLOW LIMITATIONS ON HOW LONG AN IMPLIED WARRANTY LASTS, SO THE ABOVE EXCLUSIONS OR LIMITATIONS MAY NOT APPLY TO YOU. THIS WARRANTY GIVES YOU SPECIFIC LEGAL RIGHTS, AND YOU MAY ALSO HAVE OTHER RIGHTS WHICH VARY FROM STATE TO STATE.

No attempt to alter, modify or amend this warranty shall be effective unless authorized in writing by an officer of BSH.

## 17.6 Obtaining warranty service

To obtain warranty service for your product, you should contact Thermador Customer Support at 1-800-735-4328 to schedule a repair.

## 17.7 Product information

For handy reference, copy the information below from the rating plate. Keep your invoice and/or delivery documents for warranty validation.

---

Model number (E-Nr.)

---

Production number  
(FD)

---

Date of delivery

---

## Table des matières

<b>1 IMPORTANTES CONSIGNES DE SÉCURITÉ .....</b>	<b>56</b>	<b>8 Fonctions de minuterie.....</b>	<b>78</b>
1.1 Définitions des termes de sécurité .....	56	8.1 Réglage de la minuterie du four.....	78
1.2 Informations générales.....	56	8.2 Réglage de la minuterie de cuisine.....	78
1.3 Utilisation sécuritaire .....	56	8.3 Réglage du fonctionnement différé avec Heure de fin .....	79
1.4 Sécurité des enfants .....	58	8.4 Mode sabbat .....	79
1.5 Cuisson vapeur .....	59	<b>9 Réglages de base.....</b>	<b>80</b>
1.6 Fonction de nettoyage.....	59	9.1 Présentation des paramètres de base .....	80
1.7 Installation et entretien appropriés .....	60	9.2 Modification des réglages de base .....	80
1.8 Fonctionnement à distance .....	61	9.3 Décalage de la température du four .....	80
1.9 Mises en garde conformément à la proposition 65 de l'État de Californie .....	61	9.4 Conversion de convection automatique.....	81
<b>2 Prévenir les bris matériels .....</b>	<b>63</b>	<b>10 Fonctionnement du four à vapeur.....</b>	<b>81</b>
2.1 Généralités .....	63	10.1 Réservoir d'eau .....	81
<b>3 Protection de l'environnement et économies .....</b>	<b>63</b>	10.2 Positions des grilles.....	82
3.1 Mise au rebut de l'emballage .....	63	10.3 Insertion de la grille métallique .....	83
3.2 Économie d'énergie .....	64	10.4 Utilisation du support télescopique .....	83
<b>4 Description de l'appareil .....</b>	<b>64</b>	10.5 Obtenir les meilleurs résultats avec votre four à vapeur .....	83
4.1 Électroménager.....	64	10.6 Conseils généraux pour les modes de chauffage..	84
4.2 Cavités du four.....	64	10.7 Ouverture de la porte du four en mode vapeur .....	85
4.3 Panneau de commande .....	67	10.8 Utilisation d'un mode de cuisson vapeur.....	85
4.4 Caractéristiques de base .....	67	10.9 Utilisation du mode de cuisson à la vapeur .....	85
4.5 Modes et fonctions de chauffage.....	68	10.10 Programmes de vapeur automatiques.....	87
<b>5 Accessoires.....</b>	<b>70</b>	<b>11 Fonctionnement du four conventionnel .....</b>	<b>88</b>
5.1 Accessoires inclus - Four conventionnel .....	71	11.1 Positions des grilles.....	88
5.2 Accessoires inclus - Four à vapeur .....	71	11.2 Insertion de la grille métallique .....	88
5.3 Autres accessoires.....	72	11.3 Insertion de la grille télescopique .....	89
5.4 Utilisation sûre des grilles de four.....	72	11.4 Rôtissoire .....	89
<b>6 Avant d'utiliser pour la première fois .....</b>	<b>72</b>	11.5 Obtenir les meilleurs résultats avec votre four conventionnel .....	92
6.1 Réglage initial des paramètres de base .....	73	11.6 Conseils généraux pour les modes de chauffage..	93
6.2 Réglage de la dureté de l'eau.....	73	<b>12 Home Connect® .....</b>	<b>95</b>
6.3 Jumeler votre four avec Home Connect®.....	74	12.1 Configurer Home Connect® .....	95
6.4 Nettoyage de l'appareil avant sa première utilisation.....	74	12.2 Home Connect® Réglages.....	96
<b>7 Opération de base.....</b>	<b>74</b>	12.3 Modification des paramètres via l'application Home Connect®.....	96
7.1 Allumer l'appareil.....	74	12.4 Démarrage à distance .....	96
7.2 Éteindre l'appareil .....	74	12.5 Réglage du contrôle à distance .....	96
7.3 Utilisation de l'écran tactile.....	74	12.6 Diagnostic à distance .....	97
7.4 Réglage du mode de chauffage et de la température .....	75	12.7 Mise à jour logicielle .....	97
7.5 Modification du mode de chauffage ou de la température .....	76	12.8 Protection des données.....	97
7.6 Annulation d'un mode de chauffage .....	76	<b>13 Nettoyage et entretien .....</b>	<b>97</b>
7.7 Limitation du temps de chauffage.....	76	13.1 Produits de nettoyage .....	97
7.8 Préchauffage.....	76	13.2 Nettoyage du four conventionnel.....	98
7.9 Préchauffage rapide.....	76	13.3 Nettoyage du four à la vapeur .....	101
7.10 Activer ou désactiver le verrouillage du panneau ..	77	13.4 Entretien.....	105
7.11 Sonde thermométrique.....	77		

<b>14 Dépannage .....</b>	<b>107</b>
<b>15 Élimination .....</b>	<b>108</b>
15.1 Éliminer un appareil usagé.....	108
<b>16 Service à la clientèle.....</b>	<b>109</b>
16.1 Numéro de modèle (E-Nr.) et numéro de fabrication (FD) .....	109
16.2 Emplacement de la plaque signalétique.....	109
16.3 Enregistrement de produit.....	109
<b>17 ÉNONCÉ DE LA GARANTIE LIMITÉE DU PRODUIT.....</b>	<b>110</b>
17.1 Couverture de la garantie limitée.....	110
17.2 Durée de la garantie.....	110
17.3 Réparation ou remplacement : votre recours exclusif.....	110
17.4 Produit hors garantie.....	111
17.5 Exclusions de garantie .....	111
17.6 Obtention du service de garantie.....	112
17.7 Information sur le produit .....	112



# IMPORTANTES CONSIGNES DE SÉCURITÉ

## LIRE ET CONSERVER CES INSTRUCTIONS

Lisez toutes les instructions attentivement avant l'utilisation. Ces précautions réduiront le risque d'électrocution, d'incendie et de blessure pour les personnes utilisant l'appareil. Lorsque vous utilisez des appareils électroménagers, il importe de suivre les précautions de sécurité de base, y compris celles indiquées dans les pages suivantes.

### 1.1 Définitions des termes de sécurité

Vous trouverez ici des explications sur les mots de signalisation de sécurité utilisés dans ce manuel.

#### **AVERTISSEMENT**

Signale un risque de mort ou de blessure grave si l'avertissement n'est pas respecté.

#### **MISE EN GARDE**

Signale un risque de blessures mineures ou modérées si l'avertissement n'est pas respecté.

#### **AVIS :**

Ceci indique que la non-conformité à cet avis de sécurité peut entraîner des dégâts matériels ou endommager l'appareil.

**Remarque :** Ceci vous signale des informations et/ou indications importantes.

### 1.2 Informations générales

Vous trouverez ici des informations générales sur ce manuel.

- Veuillez lire attentivement ce manuel.
- Respectez les consignes de sécurité et les avertissements.
- Conservez le manuel et les informations sur le produit dans un endroit sûr pour référence future ou pour le prochain propriétaire.
- Vérifiez que l'appareil n'est pas endommagé après l'avoir déballé. Ne branchez pas l'appareil s'il a été endommagé pendant le transport.

Tous les manuels des produits peuvent être téléchargés en ligne à l'adresse [www.thermador.ca/fr/soutien/manuels-du-propietaire](http://www.thermador.ca/fr/soutien/manuels-du-propietaire).

### 1.3 Utilisation sécuritaire

#### **AVERTISSEMENT**

Lorsqu'il est correctement entretenu, votre nouvel appareil a été conçu pour être sûr et fiable.

- ▶ Lisez toutes les instructions attentivement avant l'utilisation. Ces consignes réduiront le risque de brûlure, d'électrocution, d'incendie et de blessure pour les personnes utilisant l'appareil.
- ▶ Lorsque vous utilisez des appareils électroménagers, il importe de suivre les précautions de sécurité de base, y compris celles indiquées dans les pages suivantes.

#### **AVERTISSEMENT**

Si une matière à l'intérieur du four ou un tiroir-réchaud venait à prendre feu, conservez la porte fermée.

- ▶ Éteindre l'appareil et déconnecter le circuit depuis le boîtier de disjoncteurs.
- Un incendie pourrait se produire pendant la cuisson.
- ▶ Toujours avoir un détecteur de fumée en état de marche près de la cuisine.
  - ▶ Prière d'avoir à portée de main un extincteur d'incendie en bon état de marche, placé visiblement près de l'appareil électroménager et facile d'accès.
- NE couvrez JAMAIS les fentes, les orifices ou les canaux de la sole du four, ni ne couvrez toute une grille avec une matière comme du papier d'aluminium.
- ▶ Cela bloque la circulation de l'air à travers le four.
  - ▶ Utiliser une feuille de papier aluminium pourrait également emprisonner la chaleur, entraînant un risque d'incendie.

Les incendies de cuisson peuvent se propager s'ils ne s'éteignent pas correctement.

- ▶ Ne jamais utiliser d'eau sur les feux de cuisson. Portez des vêtements appropriés. Les vêtements amples ou suspendus, tels que les cravates, les foulards, les bijoux ou les manches pendantes, ne doivent jamais être portés lors de l'utilisation de l'appareil.
- ▶ Attachez les cheveux longs pour qu'ils ne pendent pas.
- ▶ Fixez tous les vêtements amples, etc. avant de commencer.

Si des vêtements ou des cheveux s'enflamment, rouler par terre immédiatement pour éteindre les flammes. N'utilisez pas d'eau sur les feux de graisse.

- ▶ Étouffer le feu ou la flamme ou utiliser un extincteur à sec chimique ou à mousse.





# IMPORTANTES CONSIGNES DE SÉCURITÉ

## LIRE ET CONSERVER CES INSTRUCTIONS

### MISE EN GARDE

Les événements du four sont importants pour la circulation de l'air. Couvrir les événements du four entraînera une surchauffe du four. Reportez-vous à l'aperçu de l'appareil pour connaître l'emplacement des événements du four.

→ "Électroménager", Page 64

- ▶ N'obstruez pas les événements du four.

### AVERTISSEMENT

Utiliser seulement des maniques sèches - Des maniques mouillées ou humides sur des surfaces chaudes peuvent entraîner en brûlures de vapeur.

- ▶ Ne laissez pas les maniques toucher les éléments chauffants chauds.
  - ▶ N'utilisez pas de serviette ou autre chiffon volumineux.
- NE PAS TOUCHER LES ÉLÉMENTS CHAUFFANTS OU LES SURFACES INTÉRIEURES DU FOUR** - Les éléments chauffants peuvent être chauds même s'ils sont de couleur sombre. Les parois intérieures d'un four peuvent devenir suffisamment chaudes pour provoquer des brûlures.
- ▶ Pendant et après l'utilisation, ne touchez pas et ne laissez pas les vêtements, les maniques ou autres matériaux inflammables entrer en contact avec les éléments chauffants ou les surfaces intérieures du four avant d'avoir suffisamment de temps pour refroidir. Les autres surfaces de l'appareil peuvent devenir suffisamment chaudes pour provoquer des brûlures. Parmi ces surfaces se trouvent les ouvertures de ventilation du four, les surfaces proches de ces ouvertures et les portes du four.

Soyez prudent lors de l'ouverture de la porte - Laissez l'air chaud ou la vapeur s'échapper avant de retirer ou remplacer les aliments.

- ▶ En se plaçant sur le côté, ouvrir la porte lentement et légèrement pour laisser l'air chaud et/ou la vapeur s'échapper du four.
  - ▶ Éloigner le visage de l'ouverture et s'assurer qu'aucun enfant ou animal ne se trouve près de l'appareil.
  - ▶ Une fois l'air chaud et/ou la vapeur sortis, continuer la cuisson.
  - ▶ Ne pas laisser les portes ouvertes à moins que l'on soit en train de cuisiner ou de nettoyer.
  - ▶ Ne pas laisser les portes ouvertes sans surveillance.
- Ne pas nettoyer l'appareil pendant qu'il est encore chaud. Certains nettoyants produisent des émanations toxiques lorsqu'ils sont appliqués sur une surface chaude. Les vêtements et les éponges mouillés peuvent provoquer des brûlures causées par la vapeur.

### MISE EN GARDE

Soyez prudent lorsque vous cuisinez des aliments à forte teneur en alcool (par exemple rhum, brandy, bourbon) dans le four. L'alcool s'évapore à des températures élevées. Il y a un risque de brûlure car les vapeurs d'alcool peuvent prendre feu dans le four.

- ▶ N'utilisez que de petites quantités d'alcool dans les aliments et ouvrez soigneusement la porte du four.
- Placement des grilles du four - Placez toujours les grilles du four dans l'emplacement pendant que le four est froid. Si la grille doit être déplacée alors que le four est chaud, ne laissez pas les maniques entrer en contact avec les éléments chauffants chauds du four. Soyez prudent lorsque vous retirez les grilles du four de la position la plus basse pour éviter tout contact avec la porte chaude du four.

### AVERTISSEMENT

L'intérieur du four et la sonde thermométrique peuvent devenir très chauds.

- ▶ Utiliser des gants de four pour enficher et débrancher la sonde thermométrique.

### AVERTISSEMENT

Stockage dans ou sur l'appareil - L'utilisation de produits chimiques corrosifs dans le chauffage ou le nettoyage endommagera l'appareil et pourrait entraîner des blessures.

- ▶ Les matériaux inflammables, les produits chimiques corrosifs, les vapeurs ou les produits non alimentaires ne doivent pas être stockés ou utilisés dans un four ou sur ou près des unités de surface.
- ▶ L'appareil est spécialement conçu pour être utilisé lors du chauffage ou de la cuisson des aliments.

Cet appareil électroménager est conçu uniquement pour un usage domestique habituel. Il n'est pas approuvé pour une utilisation en extérieur. Consultez l'énoncé de garantie limitée de produit. Pour toute question, veiller à communiquer avec le fabricant.

### AVERTISSEMENT

L'utilisation de cet appareil autrement que pour son utilisation prévue peut provoquer un incendie ou des blessures corporelles.

- ▶ N'utilisez cet appareil que pour l'usage auquel il est destiné, comme décrit dans ce manuel.
- ▶ N'utilisez JAMAIS vos appareils comme appareil de chauffage pour réchauffer ou chauffer la pièce. Cela pourrait entraîner une surchauffe de l'appareil.
- ▶ N'utilisez jamais l'appareil pour le stockage.



# IMPORTANTES CONSIGNES DE SÉCURITÉ

## LIRE ET CONSERVER CES INSTRUCTIONS

**AVERTISSEMENT - POUR RÉDUIRE LE RISQUE DE BLESSURE AUX PERSONNES EN CAS D'INCENDIE DE GRAISSE, RESPECTEZ CE QUI SUIT.**

- ▶ **FLAMMES PLUS DOUCES** avec un ajustement serré du couvercle, plaque à biscuits ou plateau métallique, puis éteignez le brûleur. **FAIRE ATTENTION AUX BRÛLURES.** Si les flammes ne s'éteignent pas immédiatement, **ÉVACUEZ ET APPELEZ LE SERVICE D'INCENDIE.**
- ▶ **NE JAMAIS PRENDRE UNE POÊLE A FLAMBER** - vous pourriez être brûlé.
- ▶ **NE PAS UTILISER D'EAU**, y compris des torchons ou des serviettes mouillés, cela provoquerait une violente explosion de vapeur.
- ▶ Utilisez un extincteur **UNIQUEMENT** si :
  - Vous savez que vous avez un extincteur de classe ABC, et vous savez déjà comment le faire fonctionner.
  - L'incendie est petit et contenu dans la zone où il a commencé.
  - Si vous avez appelé les pompiers.
  - Vous pouvez combattre l'incendie en gardant le dos tourné vers la sortie.

Ne chauffez pas et ne réchauffez pas des récipients non ouverts. L'accumulation de pression peut faire exploser le contenant et provoquer des blessures.

Le fait de ne pas utiliser correctement les boutons peut entraîner des blessures corporelles et des dommages à l'appareil.

Les sacs de cuisson ou de rôtissage peuvent exploser.

- ▶ Observez les instructions du fabricant lors de l'utilisation de sacs de cuisson ou de rôtissage.

### MISE EN GARDE

Pour éviter d'éventuelles blessures ou dommages à l'appareil, assurez-vous que la grille du four est installée exactement selon les instructions d'installation et non vers l'arrière ou à l'envers.

Ne placez rien sur le fond de la cavité du four. Ne couvrez pas la sole avec une feuille de papier aluminium. Une accumulation de chaleur pourrait endommager l'appareil ou causer des blessures.

### AVERTISSEMENT

L'humidité qui pénètre peut occasionner une électrocution.

- ▶ N'utilisez pas de nettoyeur haute pression ou de nettoyer à vapeur pour nettoyer l'appareil.

Si l'appareil ou le cordon d'alimentation est endommagé, cela est dangereux.

- ▶ Ne mettez pas l'appareil sous tension si l'appareil ou le cordon d'alimentation est endommagé. Cela pourrait causer des blessures.
- ▶ Ne faites jamais fonctionner un appareil endommagé.
- ▶ Si l'appareil ou le cordon d'alimentation est endommagé, coupez immédiatement le disjoncteur dans le boîtier du disjoncteur.
- ▶ Communiquez avec le service à la clientèle.  
→ *Page 109*
- ▶ Les réparations de l'appareil ne doivent être effectuées que par du personnel qualifié formé à cet effet.

### AVERTISSEMENT

Si la porte de l'appareil est rayée, le verre peut se fissurer.

- ▶ N'utilisez pas de nettoyeurs agressifs ou abrasifs ou de grattoirs métalliques tranchants pour nettoyer la vitre de la porte du four, car ils pourraient rayer la surface.

L'utilisation de la mauvaise sonde thermométrique peut endommager l'isolant. Utiliser uniquement la sonde thermométrique conçue pour cet appareil électroménager.

## 1.4 Sécurité des enfants

Cet appareil n'est pas destiné à être utilisé par des personnes (y compris des enfants) présentant des capacités physiques, sensorielles ou mentales réduites, à moins qu'elles n'aient été informées de la manière d'utiliser l'appareil par une personne responsable de leur sécurité.

Lorsque les enfants sont assez âgés pour utiliser l'appareil, il incombe aux parents ou tuteurs légaux de veiller à ce qu'ils soient formés aux pratiques sécuritaires par des personnes qualifiées.

### AVERTISSEMENT

Ne pas permettre aux enfants d'utiliser cet appareil électroménager à moins d'être étroitement surveillés par un adulte.

- ▶ Les enfants et les animaux domestiques ne doivent pas être laissés seuls ou sans surveillance à un endroit où un appareil électroménager est utilisé. Ils ne doivent jamais jouer à proximité, que l'appareil soit utilisé ou non.



# IMPORTANTES CONSIGNES DE SÉCURITÉ

## LIRE ET CONSERVER CES INSTRUCTIONS

Ne pas laisser quiconque monter, se tenir debout, se pencher, s'asseoir ou se suspendre sur une partie quelconque de l'appareil électroménager, principalement une porte, un tiroir chauffant ou un tiroir de rangement.

- ▶ Cela peut endommager l'appareil et l'appareil peut basculer et provoquer des blessures graves.

### MISE EN GARDE

Ne rangez pas d'objets présentant un intérêt pour les enfants dans un appareil, dans des armoires au-dessus d'un appareil ou sur le dossier d'un appareil. Les enfants qui essaient de monter sur un appareil électroménager pour atteindre ces articles pourraient être gravement blessés.

Ne laissez pas les enfants seuls.

- ▶ Les enfants ne doivent pas être laissés seuls ou sans surveillance à un endroit où un appareil électroménager est utilisé.
- ▶ Les enfants ne doivent jamais s'asseoir ou rester debout sur une partie quelconque de l'appareil.
- ▶ Vérifiez toujours l'intérieur du four avant de l'allumer.

### AVERTISSEMENT

Pour éviter tout risque d'étouffement :

- ▶ Ne jamais laisser les enfants jouer avec le matériel d'emballage.
- ▶ Conservez les pièces de petite taille dans un endroit sûr, car elles peuvent être avalées facilement.

## 1.5 Cuisson vapeur

Suivez ces instructions de sécurité supplémentaires lorsque vous utilisez un mode de cuisson à la vapeur.

### MISE EN GARDE

L'eau dans la cavité du four est chaude.

- ▶ Laissez refroidir la cavité du four avant de nettoyer l'appareil.

### AVERTISSEMENT

De la vapeur chaude peut s'échapper lorsque la porte de l'appareil est ouverte. Elle est invisible à certaines températures.

- ▶ Ouvrez la porte de l'appareil avec précaution pendant ou après la cuisson.
- ▶ Ne vous tenez pas trop près ou ne vous penchez pas sur l'appareil lorsque vous ouvrez la porte de l'appareil.

L'eau dans la cavité du four devient très chaude pendant la cuisson.

- ▶ NE nettoyez PAS l'appareil immédiatement après l'avoir éteint.

- ▶ Attendez que l'appareil se soit refroidi.

De la vapeur chaude peut s'échapper pendant le fonctionnement.

- ▶ Ne pas toucher les ouvertures de ventilation.
- ▶ Tenez les enfants éloignés.

Du liquide chaud peut déborder sur les côtés des accessoires de cuisson lorsqu'ils sont retirés de la cavité du four.

- ▶ Retirez soigneusement les accessoires de cuisson avec des gants de cuisine.

Des mouvements lors de l'ouverture de la porte de l'appareil et lors du retrait des ustensiles de cuisson peuvent provoquer des projections de liquide chaud.

- ▶ Ne vous tenez pas trop près de l'appareil électroménager à l'ouverture de sa porte.
- ▶ Ouvrez la porte de l'appareil avec précaution.
- ▶ Retirez soigneusement les ustensiles de cuisine.
- ▶ Tenez les enfants éloignés.

## 1.6 Fonction de nettoyage

Suivez ces consignes de sécurité lorsque vous utilisez la fonction de nettoyage.

### AVERTISSEMENT

Ne pas bloquer les événements du four pendant le cycle d'autonettoyage. Cela pourrait causer des blessures ou endommager l'appareil.

### AVERTISSEMENT

Lors de l'élimination des salissures lors de l'autonettoyage, de petites quantités de monoxyde de carbone peuvent être créées et l'isolant en fibre de verre peut dégager de très petites quantités de formaldéhyde au cours des premiers cycles de nettoyage.

- ▶ Pour minimiser l'exposition à ces substances, s'assurez d'avoir une bonne ventilation en laissant une fenêtre ouverte, ou utiliser un ventilateur ou une hotte d'aération.

Le four chauffe à très haute température pendant l'autonettoyage. L'ouverture de la porte peut entraîner des blessures.

- ▶ Lors de l'autonettoyage, vérifiez que la porte est verrouillée et ne s'ouvre pas.
- ▶ Si la porte ne se verrouille pas, ne pas lancer le Nettoyage Auto. Communiquez avec le service après-vente.



# IMPORTANTES CONSIGNES DE SÉCURITÉ

## LIRE ET CONSERVER CES INSTRUCTIONS

### AVERTISSEMENT

L'extérieur de l'appareil devient très chaud lorsque la fonction de nettoyage est en cours.

- ▶ Ne touchez jamais la porte de l'appareil électroménager.
- ▶ Laissez refroidir l'appareil.
- ▶ Gardez les enfants à une distance sécuritaire.

### AVERTISSEMENT

Ne laissez pas de nourriture ou d'ustensiles de cuisine, etc., dans le four pendant le mode de fonctionnement autonettoyant pyrolytique.

### MISE EN GARDE

Retirez les poêles à griller, les casseroles et autres ustensiles et tout déversement excessif avant l'autonettoyage.

### MISE EN GARDE

Les oiseaux ont un système respiratoire très sensible.

- ▶ Éloigner les oiseaux de compagnie de la cuisine ou des pièces où la fumée peut les atteindre.
- ▶ Pendant l'autonettoyage, des fumées sont libérées et peuvent être nocives pour les oiseaux.

### AVERTISSEMENT

Pour la cavité du four conventionnel avec fonction d'auto-nettoyage : Ne nettoyez pas le joint de la porte – Le joint de la porte est essentiel pour une bonne étanchéité. Veillez à ne pas frotter, endommager ou déplacer le joint.

### AVERTISSEMENT

N'utilisez pas de revêtement protecteur pour recouvrir le four et n'utilisez pas de nettoyant pour four du commerce. Nettoyez uniquement les pièces répertoriées dans ce manuel.

Veillez noter que certains animaux domestiques ou humains peuvent être sensibles aux odeurs créées pendant le processus d'auto-nettoyage, qu'il s'agisse de résidus de fabrication brûlés ou d'aliments. Il est recommandé que les personnes potentiellement affectées soient retirées de la cuisine pendant le processus d'auto-nettoyage.

## 1.7 Installation et entretien appropriés

Voir le manuel d'installation pour les exigences électriques, les instructions de mise à la terre et le dégagement aux exigences en matière de matériaux combustibles.

### AVERTISSEMENT

En cas de dysfonctionnement, il peut s'avérer nécessaire de couper l'alimentation.

- ▶ Demandez à l'installateur de vous montrer le disjoncteur ou le fusible. Identifiez sa position pour pouvoir le retrouver facilement.

Pour éviter les risques d'électrocution, avant de réparer l'appareil, coupez l'alimentation au niveau du panneau de service et verrouillez le panneau pour éviter que l'alimentation ne soit accidentellement activée.

Installation correcte - Une installation ou une mise à la terre incorrecte peut provoquer un choc électrique.

- ▶ L'appareil doit être correctement installé et mis à la terre par un technicien qualifié.
- ▶ Raccordez l'appareil uniquement à une prise de courant correctement mise à la terre.
- ▶ Reportez-vous aux instructions d'installation pour plus de détails.

Entretien par l'utilisateur - Ne réparez ni ne remplacez aucune pièce de l'appareil à moins que ce ne soit spécifiquement recommandé dans ce manuel.

- ▶ Tous les autres services doivent être référés à un fournisseur de services agréé.

La prise d'éclairage est sous tension lorsque la porte est ouverte si l'alimentation principale n'est pas coupée.

- ▶ Pour la cavité du four conventionnel : Coupez l'alimentation électrique principale au niveau du panneau de service avant de changer les ampoules.
- ▶ Pour la cavité du four à vapeur : Si une ampoule à DEL ou le couvercle en verre de l'ampoule tombe en panne, appelez le service à la clientèle.

### AVERTISSEMENT

Pour la cavité du four conventionnel : assurez-vous que l'appareil et les lumières sont froids et que l'alimentation de l'appareil a été coupée avant de remplacer la ou les ampoules. Le non-respect de cette précaution pourrait entraîner un choc électrique ou des brûlures.

- ▶ Les lentilles doivent être en place lors de l'utilisation de l'appareil.
- ▶ Les lentilles servent à protéger l'ampoule de la rupture.



# IMPORTANTES CONSIGNES DE SÉCURITÉ

## LIRE ET CONSERVER CES INSTRUCTIONS

- ▶ Les lentilles sont en verre. Manipulez les lentilles avec précaution pour éviter de les endommager. Les éclats de verre peuvent entraîner une blessure. Le non-respect de ces instructions lors du retrait de la porte du four peut entraîner des blessures ou endommager le produit.
- ▶ Avant de démonter la porte, s'assurer que le four soit froid et que le courant qui l'alimente a été coupé. Le non-respect de cette précaution pourrait entraîner un choc électrique ou des brûlures.
- ▶ La porte du four est lourde et certaines parties sont fragiles. Utilisez les deux mains pour retirer la porte du four.
- ▶ Le devant de la porte est en verre. Manipulez-la avec précaution pour éviter des cassures.
- ▶ Saisir uniquement les côtés de la porte. Ne saisissez pas la poignée. Il peut osciller dans votre main et provoquer des dommages ou des blessures. Si la porte du four n'est pas saisie fermement et correctement, il y a un risque de blessure ou de dommage à l'appareil.
- ▶ Pour éviter toute blessure causée par l'enclenchement soudain du support de charnière, s'assurer que les deux leviers sont bien enclenchés avant d'enlever la porte.
- ▶ Ne forcez pas la porte pour l'ouvrir ou la fermer. La charnière pourrait être endommagée et provoquer des dommages ou des blessures.
- ▶ Ne pas déposer la porte sur des objets acérés ou pointus, car ils risquent de briser la vitre. Posez-la sur une surface plane et lisse, positionnée de manière à ce que la porte ne puisse pas tomber.

### AVERTISSEMENT

La graisse et la gras peuvent s'enflammer lorsqu'elles sont chauffées.

- ▶ Gardez le four exempt de graisse.

### MISE EN GARDE

En cas d'erreur, l'écran clignote et un signal sonore retentit en permanence.

- ▶ Débranchez l'appareil de l'alimentation électrique et appelez un prestataire de services agréé.

### AVERTISSEMENT

Les dysfonctionnements peuvent provoquer des blessures.

- ▶ Ne pas utiliser cet appareil électroménager s'il ne fonctionne pas correctement ou s'il a été endommagé. Contactez un prestataire de services agréé.

## 1.8 Fonctionnement à distance

### MISE EN GARDE

Cet appareil peut être configurable pour permettre un fonctionnement à distance à tout moment.

- ▶ Ne pas ranger de matières inflammables ou d'articles sensibles à la chaleur à l'intérieur, sur le dessus ou près de la surface de l'appareil.

## 1.9 Mises en garde conformément à la proposition 65 de l'État de Californie

Ce produit pourrait contenir un produit chimique reconnu par l'État de la Californie comme cancérigène ou ayant des effets nocifs sur la reproduction. Par conséquent, vous pourriez devoir apposer l'étiquette suivante sur l'emballage du produit comme requis par la Californie :

**AVERTISSEMENT ISSUE DE LA PROPOSITION 65 DE L'ÉTAT DE LA CALIFORNIE :**



**AVERTISSEMENT**

Cancer et dommages à la reproduction -

[www.P65Warnings.ca.gov](http://www.P65Warnings.ca.gov)

**AVIS DE SÉCURITÉ IMPORTANT :** En application de la loi californienne concernant la salubrité de l'eau et la protection contre les substances chimiques (« California Safe Drinking Water and Toxic Enforcement Act »), le gouverneur de Californie est tenu de publier une liste des substances reconnues par l'État de Californie comme étant cancérigènes ou pouvant causer des malformations ou présenter un danger pour la reproduction, et les entreprises sont tenues d'avertir les consommateurs des risques potentiels d'exposition à de telles substances. La combustion de gaz combustible pour la cuisson et l'élimination de résidus pendant l'autonettoyage peuvent générer de faibles quantités de monoxyde de carbone. Dans les fours équipés du Nettoyage Auto, de faibles quantités de formaldéhyde peuvent se dégager lors de l'élimination des salissures pendant les quelques premiers cycles autonettoyants. La Californie classe le





# IMPORTANTES CONSIGNES DE SÉCURITÉ

## LIRE ET CONSERVER CES INSTRUCTIONS

---

formaldéhyde parmi les produits potentiellement cancérigènes. Le monoxyde de carbone est une cause possible de toxicité pour la reproduction.

Il est possible de réduire l'exposition à ces substances en :

- assurant une bonne ventilation lors de la cuisson au gaz; et
- assurant une bonne ventilation pendant et immédiatement après le cycle d'autonettoyage du four;
- utilisant l'appareil selon les instructions de ce manuel.

## 2 Prévenir les bris matériels

### 2.1 Généralités

#### AVIS :

La présence d'objets sur le fond de la cavité du four provoquera une accumulation de chaleur. Les temps de cuisson et de rôtissage ne seront alors plus exacts et cela risque d'endommager l'émail.

- ▶ Ne couvrez pas le fond de la cavité du four avec du papier d'aluminium ou du papier sulfurisé.
- ▶ Ne placez pas d'accessoires sur le fond de la cavité du four.

Ne laissez pas le papier d'aluminium dans la cavité du four entrer en contact avec la vitre de la porte, cela pourrait provoquer une décoloration permanente.

Ne versez jamais d'eau dans la cavité du four lorsqu'elle est encore chaude. Ne placez jamais d'ustensiles de cuisine contenant de l'eau sur le fond de la cavité du four. La présence prolongée d'humidité dans la cavité du four entraîne une corrosion.

- ▶ Laissez la cavité du four sécher après usage.
- ▶ Ne gardez pas les aliments humides dans la cavité du four pendant une longue période avec la porte fermée.
- ▶ Ne conservez pas d'aliments dans la cavité du four.

Laisser l'appareil refroidir avec la porte ouverte endommagera le devant des éléments de cuisine voisins au fil du temps.

- ▶ Laissez toujours la cavité du four refroidir avec la porte fermée après la cuisson à des températures élevées. Ne laissez la cavité du four sécher avec la porte ouverte que si beaucoup d'humidité a été produite pendant le fonctionnement.

Le jus de fruit qui s'égoutte d'un moule laisse des taches qui ne peuvent pas s'enlever.

- ▶ Lors de la cuisson de tartes aux fruits très juteuses, n'en mettez pas trop sur la plaque à pâtisserie.

Si le joint est très sale, la porte de l'appareil ne se fermera pas correctement lorsque l'appareil est en marche. Cela pourrait endommager l'avant des unités de cuisine adjacentes.

- ▶ Ne faites pas fonctionner l'appareil si le joint est endommagé ou manquant. Ne faites pas fonctionner l'appareil si le joint est endommagé ou manquant.

S'asseoir ou placer des objets sur la porte de l'appareil peut l'endommager.

- ▶ Ne placez pas et ne suspendez pas d'objets sur la porte de l'appareil.
- ▶ Ne placez pas d'ustensiles de cuisine ou d'accessoires sur la porte de l'appareil.

Avec certains modèles, les accessoires peuvent rayer la vitre de la porte lors de la fermeture de la porte de l'appareil.

- ▶ Poussez toujours complètement les accessoires dans la cavité du four.

Le transport de l'appareil par la poignée de porte pourrait le casser. La poignée de porte ne peut pas supporter le poids de l'appareil.

- ▶ Ne pas porter ou tenir l'appareil par la porte.

Les ustensiles de cuisson en silicone ne conviennent pas pour un fonctionnement combiné avec de la vapeur.

- ▶ Les ustensiles de cuisine doivent être résistants à la chaleur et à la vapeur.

Le nettoyage du réservoir d'eau dans le lave-vaisselle l'endommagera.

- ▶ Ne nettoyez pas le réservoir d'eau au lave-vaisselle.
- ▶ Nettoyez le réservoir d'eau avec un chiffon doux et du liquide vaisselle standard.

L'utilisation d'ustensiles de cuisine avec des taches de rouille peut provoquer de la corrosion dans la cavité du four. Même les plus petites taches de rouille peuvent provoquer de la corrosion.

- ▶ N'utilisez pas d'ustensiles de cuisine avec des taches de rouille.

Si la solution de détartrage entre en contact avec le panneau de commande ou d'autres surfaces délicates, elle les endommagera.

- ▶ Retirez immédiatement la solution de détartrage avec de l'eau.

Les gouttes de liquide salissent le fond de la cavité du four.

- ▶ Lors de la cuisson à la vapeur avec un récipient de cuisson perforé, placez toujours la plaque de cuisson ou le récipient de cuisson non perforé en dessous.

S'il y a de l'eau sur le fond de la cavité du four lors de l'utilisation de l'appareil, cela endommagera l'émail.

- ▶ N'utilisez pas l'appareil s'il y a de l'eau au fond de la cavité du four.
- ▶ Essuyez toute eau sur le fond de la cavité du four avant de l'utiliser.

Verser de l'eau chaude dans le réservoir d'eau peut endommager la pompe.

- ▶ Remplissez uniquement le réservoir d'eau avec de l'eau froide.

Un nettoyage incorrect peut provoquer de la corrosion dans la cavité du four.

- ▶ Suivez les recommandations de nettoyage.
- ▶ Une fois le four refroidi, retirez la saleté de la cavité du four.
- ▶ Essuyez complètement tout type de solution de nettoyage afin d'éviter d'endommager le revêtement.

## 3 Protection de l'environnement et économies

### 3.1 Mise au rebut de l'emballage

Les matériaux d'emballage sont écologiques et recyclables.

- ▶ Veuillez éliminer les pièces détachées après les avoir triées par matières.

## 3.2 Économie d'énergie

Si vous suivez ces recommandations, votre appareil consommera moins d'énergie.

Préchauffez l'appareil uniquement si la recette ou les réglages recommandés vous le demandent.

✓ Ne pas préchauffer l'appareil peut réduire l'énergie consommée.

Utilisez des plaques de cuisson de couleur foncée, à revêtement noir ou émaillées.

✓ Ces types de moules absorbent particulièrement bien la chaleur.

Ouvrez la porte de l'appareil le moins possible pendant le fonctionnement.

✓ Cela maintiendra la température dans la cavité du four et éliminera le besoin de réchauffer l'appareil.

Lors de la cuisson de plusieurs plats, faites-le successivement ou en même temps.

✓ La cavité du four est chauffée après la cuisson du premier plat. Cela réduit le temps de cuisson du deuxième plat.

Si le temps de cuisson est relativement long, vous pouvez éteindre l'appareil 10 minutes avant la fin du temps de cuisson.

✓ Il y aura suffisamment de chaleur résiduelle pour terminer la cuisson du plat.

Retirez tous les accessoires non utilisés de la cavité du four.

✓ Une casserole supplémentaire sans nourriture affecte le brunissement et la cuisson.

Laissez décongeler les aliments congelés avant de les cuire.

✓ Cela permettra d'économiser l'énergie qui serait autrement nécessaire pour le dégivrer.

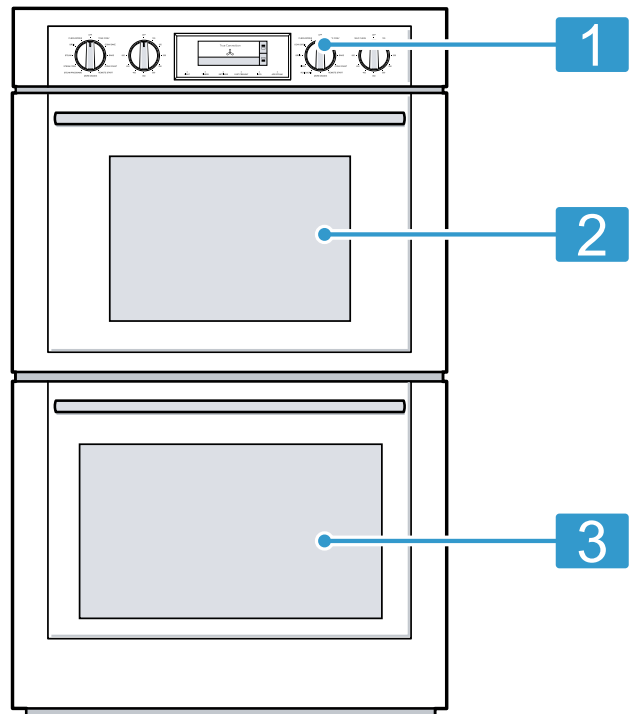
## 4 Description de l'appareil

Ce manuel couvre plusieurs modèles. Votre modèle peut avoir certaines des caractéristiques répertoriées, mais pas toutes.

### 4.1 Électroménager

Cette section contient une vue d'ensemble des composants de votre appareil.

**Remarque :** Ce manuel couvre plusieurs modèles. Votre modèle peut avoir certaines mais pas toutes les fonctionnalités ou affichages répertoriés.



1 Panneau de commande

2 Four à vapeur

3 Four conventionnel

### 4.2 Cavités du four

Vous trouverez ici des informations sur les caractéristiques des cavités du four.

Le fond de la cavité du four cache l'élément chauffant inférieur.

#### ⚠ AVERTISSEMENT

La chaleur emprisonnée et l'utilisation de doublures métalliques peuvent entraîner un risque d'électrocution ou d'incendie.

- ▶ Ne pas utiliser de papier aluminium ou de doublure de protection pour revêtir toute partie de l'appareil électroménager, et en particulier la sole du four.
- ▶ NE couvrez JAMAIS les fentes, les orifices ou les canaux de la sole du four, ni ne couvrez toute une grille avec une matière comme du papier d'aluminium. Cela bloque la circulation de l'air à travers le four. Utiliser une feuille de papier aluminium pourrait également emprisonner la chaleur, entraînant un risque d'incendie.

#### ⚠ MISE EN GARDE

Une accumulation de chaleur peut endommager l'appareil ou causer des blessures.

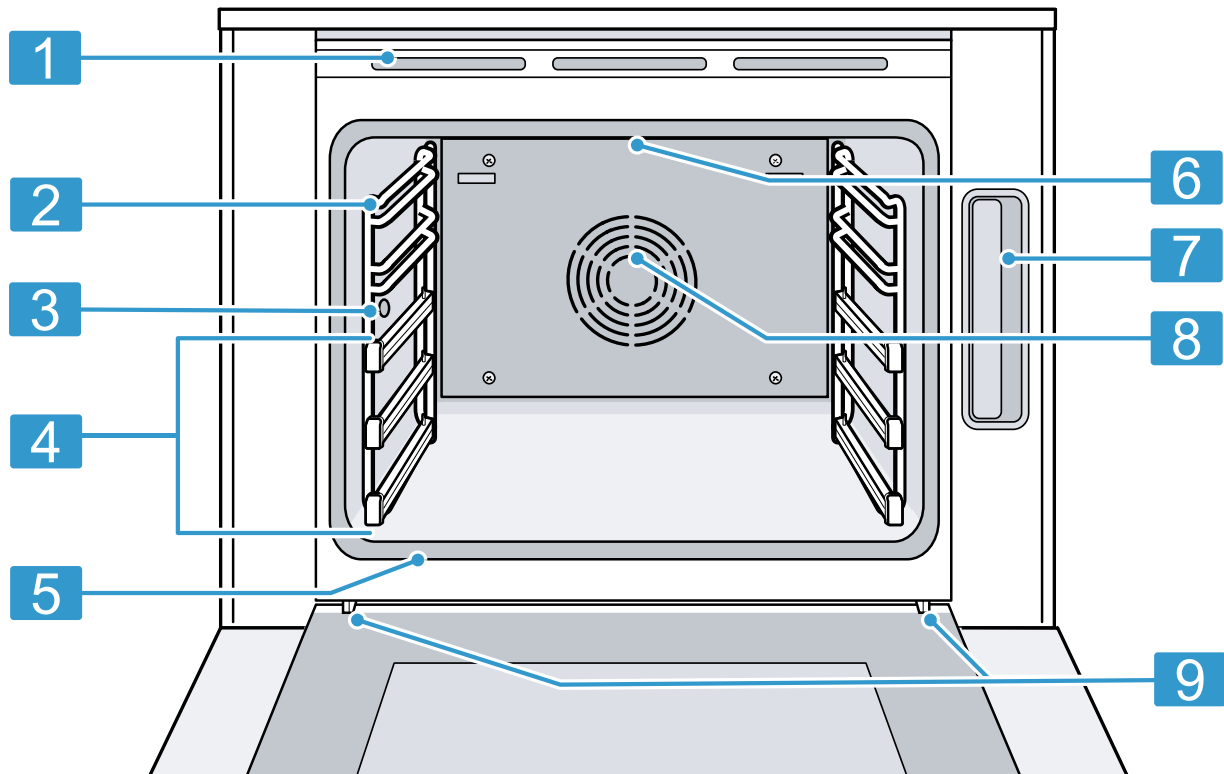
- ▶ Ne placez rien sur la sole de la cavité du four.
- ▶ Placez toujours l'ustensile de cuisson sur le plat de cuisson perforé ou sur une grille.

► Ne couvrez pas le fond de la cavité du four avec du papier d'aluminium.

► Ne placez pas la lèche-frite au fond de la cavité du four pour attraper les déversements. Cela endommagerait la surface du fond de la cavité du four.

### Cavité du four à vapeur

Vous trouverez ici les composants de la cavité du four à vapeur.

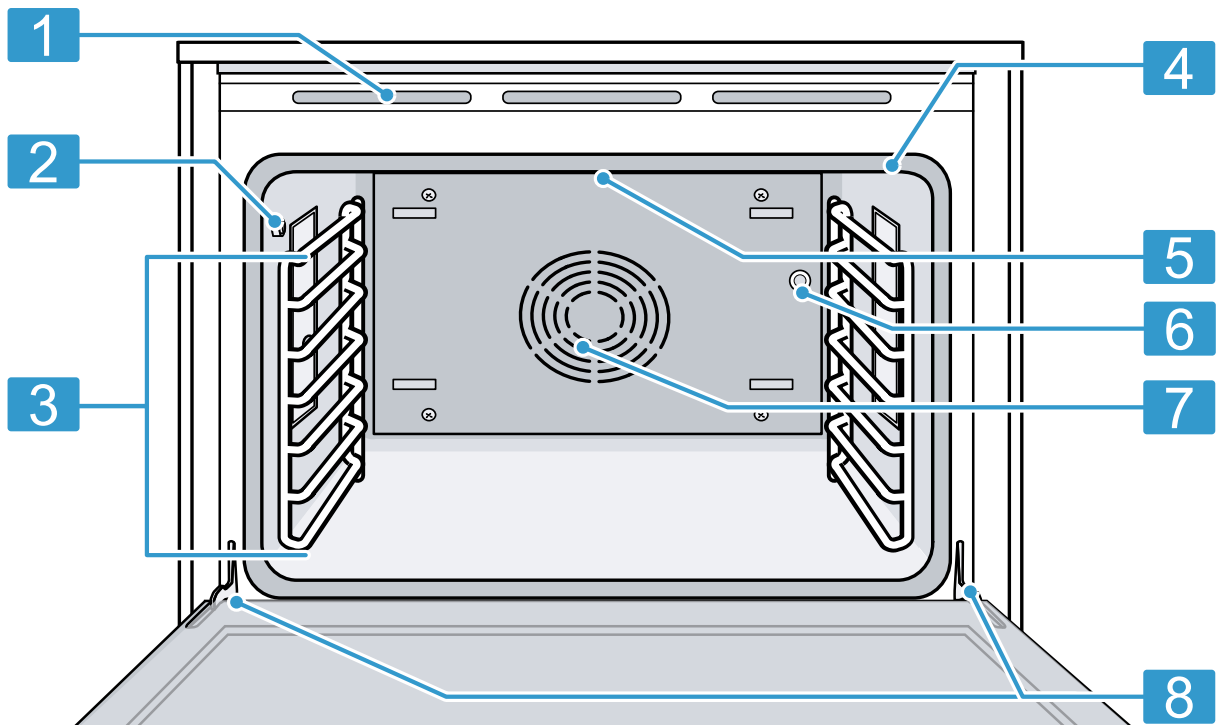


- |   |                            |
|---|----------------------------|
| 1 | Évent du four              |
| 2 | Rails de four              |
| 3 | Prise pour sonde thermique |
| 4 | Rails télescopiques        |
| 5 | Joint de porte             |

- |   |                           |
|---|---------------------------|
| 6 | Élément de grill          |
| 7 | Réservoir d'eau           |
| 8 | Ventilateur de convection |
| 9 | Charnières de porte       |

## Cavité du four conventionnel

Vous trouverez ici les composants de la cavité de four conventionnelle.



1	Évent du four
2	Prise pour sonde thermique
3	Rails de four
4	Joint d'étanchéité de porte
5	Élément de gril
6	Prise pour broche de tournebroche
7	Ventilateur de convection
8	Charnières de porte

### Éclairage de four

Votre appareil est équipé d'un éclairage de four. Lorsque vous ouvrez la porte l'appareil électroménager, l'éclairage de four s'allume. Si la porte reste ouverte plus de 20 minutes, l'éclairage du four s'éteint à nouveau. Pour rallumer, effleurez la touche tactile **LIGHT**.

### Ventilateur de convection

La cuisson par convection utilise un ventilateur pour faire circuler la chaleur du four de manière uniforme et continue dans le four.

Cette distribution de chaleur améliorée permet une cuisson uniforme et d'excellents résultats en utilisant plusieurs grilles en même temps.

Le ventilateur de convection fonctionne pendant tous les modes de convection. Lorsque le four fonctionne en mode convection, le ventilateur s'éteint automatiquement lorsque la porte est ouverte.

### Ventilateur de refroidissement

Le ventilateur de refroidissement est en marche dans tous les modes de cuisson.

Lorsque le four est en marche, le ventilateur est audible et l'air chaud peut être ressenti par la ventilation du four. Il se peut également que le ventilateur continue de tourner après que le four a été éteint.

### Évents de four

De l'air chaud peut s'échapper des évents du four avant, pendant et après la cuisson. Il est normal de voir de la vapeur s'échapper des évents, et de la condensation pourrait s'accumuler dans cette zone. Cette zone peut être chaude lorsque le four fonctionne.

### ⚠ MISE EN GARDE

Les évents du four sont importants pour la circulation de l'air. Couvrir les évents du four entraînera une surchauffe du four. Reportez-vous à l'aperçu de l'appareil pour connaître l'emplacement des évents du four.

→ "Cavité du four à vapeur", Page 65

→ "Cavité du four conventionnel", Page 66

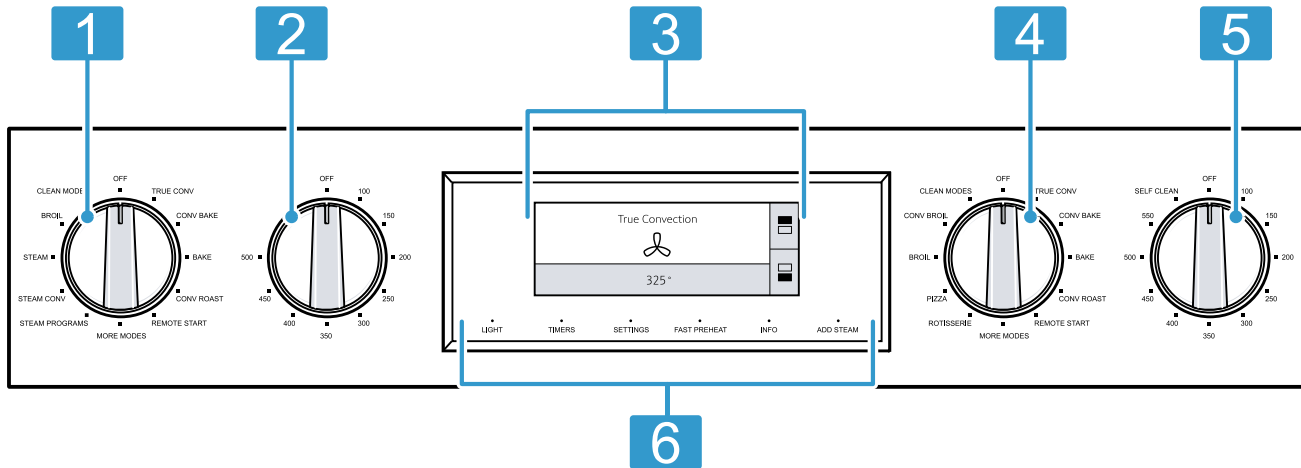
► N'obstruez pas les évents du four.



### 4.3 Panneau de commande

Le bandeau de commande vous permet de configurer toutes les fonctions de votre appareil et d'obtenir des informations sur son état de fonctionnement.

**Remarque :** Les graphiques du panneau de commande sont représentatifs. Votre four peut avoir différentes apparences graphiques.

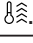






1	Bouton de sélection de mode pour four à vapeur	Utilisez pour sélectionner le mode souhaité pour la cavité du four à vapeur.
2	Bouton de sélection de température pour four à vapeur	Utilisez pour régler la température souhaitée pour la cavité du four à vapeur.
3	Écran tactile complet	L'écran tactile complet est une zone tactile. Utilisez-le pour naviguer dans les menus et sélectionner les paramètres. La fonctionnalité active s'illumine de bleu.
4	Bouton de sélection de mode pour four conventionnel	Utilisez pour sélectionner le mode souhaité pour la cavité de four conventionnelle.
5	Bouton de sélection de température pour four conventionnel	Utilisez pour régler la température souhaitée pour la cavité de four conventionnelle.
6	Touches tactiles	Les touches tactiles sont des zones sensibles au toucher. Appuyez sur les mots des touches tactiles pour sélectionner une fonction. Les fonctions disponibles sont indiquées par un voyant au-dessus du bouton tactile respectif. Selon l'opération que vous exécutez, le nombre de fonctions disponibles peut changer.

### 4.4 Caractéristiques de base


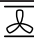
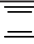




Vous trouverez ici des informations sur les fonctions de fonctionnement de base de votre four. Ce manuel couvre plusieurs modèles. Votre modèle peut avoir certaines mais pas toutes les touches tactiles répertoriées.

Touche tactile	Fonction
LIGHT	Lorsque la porte du four est fermée, appuyez sur cette touche pour allumer et éteindre la lumière du four. Lorsque la porte du four est ouverte, la lumière du four s'allume automatiquement. Pendant l'autonettoyage, l'éclairage du four ne peut pas être allumé.
TIMERS	Permet d'accéder à la fonction de minuterie de cuisine ou de minuterie du four.
INFO	Affiche des informations supplémentaires sur les modes actuels.

Touche tactile	Fonction
SETTINGS	Vous amène au menu des réglages de base.
ADD STEAM	Active la cuisson assistée par vapeur.
FAST PREHEAT	Active ou désactive la fonction de préchauffage rapide. L'écran affiche  .
	Sélectionnez la cavité du four supérieur pour modifier les paramètres.
	Sélectionnez la cavité inférieure du four pour modifier les paramètres.
	Confirmez les paramètres sur l'écran tactile complet
	Revenez à l'écran précédent sur l'écran tactile complet

## 4.5 Modes et fonctions de chauffage

Vous trouverez ici une liste des modes de chauffage et d'autres fonctionnalités de votre appareil. Ce manuel couvre plusieurs modèles. Votre modèle peut avoir certaines mais pas toutes les fonctionnalités ou affichages répertoriés.

Symbole	Fonction/Mode	Plage de température °F (°C)	Comment cela fonctionne et à quoi il sert
	Convection réelle <sup>1</sup>	150 - 475 (65 - 250)	Pour la cuisson de petits mets sur une ou plusieurs grilles.
	Cuisson à Convection <sup>1</sup>	150 - 475 (65 - 250)	Sert à cuire les grands plats d'aliment et les pains sur 1 ou 2 grilles. Convient également aux plats d'accompagnement et aux casseroles.
	Cuisson <sup>1</sup>	150 - 475 (65 - 250)	Cuit les aliments avec de l'air chaud et sec. Utiliser pour la cuisson et le braisage traditionnels sur un niveau.
	Rôtissage par convection <sup>1</sup>	150 - 475 (65 - 250)	Utilise une chaleur intense et de l'air circulé par un ventilateur. Utiliser pour rôtir de la volaille, de plus gros morceaux de viande et des légumes.
	Rôtissage <sup>1</sup>	150 - 475 (65 - 250)	Utiliser pour rôtir de la volaille ou des viandes.
	Gril	450 - 500 (230 - 260)	À utiliser pour griller des plats plats comme des steaks ou des hamburgers, pour faire des rôtis et pour cuire des gratins.
	Gril Max	450 - 550 (230 - 290)	À utiliser pour la cuisson de coupes fines et tendres de viande, de volaille et de poisson.

<sup>1</sup> Ajout de la fonction vapeur disponible pour la cavité du four à vapeur. Le réservoir d'eau DOIT être plein avant de commencer le fonctionnement.

<sup>2</sup> Mode de chauffage à la vapeur. Le réservoir d'eau DOIT être plein avant de commencer le fonctionnement.

### Touche tactile INFO

Si la touche tactile **INFO** s'allume, des informations importantes concernant le mode que vous utilisez sont disponibles, par exemple des recommandations sur des ustensiles de cuisine appropriés ou comment préparer les aliments pour un résultat de cuisson sûr.

Comment utiliser cette fonction :

- Lorsque vous appuyez sur **INFO**, les informations s'affichent pendant quelques secondes.
- Pour quitter immédiatement le mode information, appuyez sur **INFO** ou touchez l'écran.

### Sons






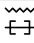


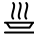






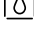
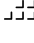


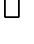
L'appareil émet plusieurs sons en cours de fonctionnement.

Les sons peuvent indiquer ce qui suit :

- Une touche tactile ou un champ tactile a été enfoncé.
- Une opération a commencé ou s'est terminée.

Vous pouvez régler le volume des sons dans les Paramètres de base → Page 80.

Selon votre modèle, certains des modes répertoriés peuvent être accessibles via la fonction **MORE MODES**.

<b>Symbole</b>	<b>Fonction/Mode</b>	<b>Plage de température °F (°C)</b>	<b>Comment cela fonctionne et à quoi il sert</b>
	Gril à Convection	450 - 500 (230 - 260)	Allie la chaleur intense diffusée par l'élément supérieur à l'air chaud qui circule sous l'action d'un ventilateur. À utiliser pour rôtir de la volaille, du poisson entier et de plus gros morceaux de viande.
	Gril à convection max	450 - 550 (230 - 290)	À utiliser pour des pièces tendres et épaisses de viande, de volaille et de poisson.
	Convection rapide <sup>1</sup>	150 - 475 (65 - 250)	À utiliser pour des plats préparés surgelés. Aucun préchauffage requis.
	Pizza	150 - 475 (65 - 250)	Pour la préparation de pizzas fraîches ou surgelées.
	Cuisson lente	150 - 250 (65 - 120)	À utiliser pour cuire lentement des morceaux de viande tendres poêlés pour aller dans un plat allant au four, sans couvercle.
	Rôtisserie	175 - 550 (80 - 290)	À utiliser pour rôtir de la volaille et des gros morceaux de viande. Les aliments tournent lentement sur une broche.
	Déshydratation	100 - 160 (40 - 70)	À utiliser pour déshydrater des herbes, des fruits et des légumes.
	Levée de pâte	85 - 110 (30 - 45)	Maintient l'environnement chaud et sans courants d'air nécessaire à la fermentation des produits à base de levure. À utiliser pour la fermentation de la pâte à levure et du pain au levain.
	Maintien au chaud	150 - 225 (65 - 110)	À utiliser pour conserver les aliments cuits au chaud.
	Vapeur <sup>2</sup>	85 - 212 (30 - 100)	À utiliser pour cuire les légumes, le poisson et les plats d'accompagnement, l'extraction de jus de fruits et le blanchiment.
	Convection à vapeur <sup>2</sup>	250 - 450 (120 - 230)	Conjugué la vapeur au mode de four à convection. À utiliser pour la viande, les soufflés et les pâtisseries.
	Réchauffer <sup>2</sup>	175 - 350 (80 - 175)	À utiliser pour les plats cuisinés et les aliments cuits.
	Décongélation <sup>2</sup>	100 - 125 (40 - 50)	À utiliser pour les légumes, la viande, poissons et fruits.
	Sabbat	100 - 450 (40 - 230)	Le mode Sabbat permet à ceux de confessions particulières d'utiliser leurs fours le jour du sabbat.
	Programmes vapeur	Automatique	Programmes automatiques pour une variété de plats.
	Nettoyage facile	s/o	Utilisez ce programme de nettoyage à la vapeur pour soulever les saletés alimentaires pour le nettoyage.
	Nettoyage par écolyse	s/o	Utilisez ce programme de nettoyage pour rafraîchir les surfaces écologiques.
	Détratrer	s/o	Exécutez ce programme régulièrement pour maintenir le bon fonctionnement du four à vapeur.
	Nettoyage Auto	s/o	Ce programme de nettoyage utilise des températures élevées pour brûler la saleté des aliments.
	Démarrage à distance	s/o	Vous permet de démarrer, suspendre et abandonner les programmes du four à distance via l'application Home Connect® sur un appareil mobile.

<sup>1</sup> Ajout de la fonction vapeur disponible pour la cavité du four à vapeur. Le réservoir d'eau DOIT être plein avant de commencer le fonctionnement.

<sup>2</sup> Mode de chauffage à la vapeur. Le réservoir d'eau DOIT être plein avant de commencer le fonctionnement.

## Disponibilité du mode de chauffage

Certains modes et fonctions de chauffage ne sont disponibles que pour le four à vapeur ou la cavité du four conventionnel. Reportez-vous à ce tableau pour vérifier les modes et fonctions de chauffage disponibles.

Mode/fonction de chauffage	Cavité du four à vapeur	Cavité du four conventionnel
Convection réelle	+	+
Cuisson à Convection	+	+
Cuisson	+	+
Rôtissage par convection	+	+
Rôtissage	+	+
Gril	+	+
Gril Max	—	+
Gril à Convection	+	+
Gril à convection max	—	+
Convection rapide	+	+
Pizza	+	+
Cuisson lente	+	+
Rôtisserie	—	+
Déshydratation	+	+
Levée de pâte	+	+
Maintien au chaud	+	+
Vapeur	+	—
Convection à vapeur	+	—
Réchauffer	+	—
Décongélation	+	—
Sabbat	+	+
Yom Tov	+	+
Programmes vapeur	+	—
Nettoyage facile	+	+
Nettoyage par écolyse	+	—
Détrater	+	—
Nettoyage Auto	—	+
Démarrage à distance	+	+

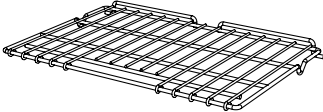
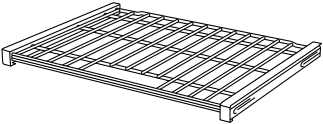
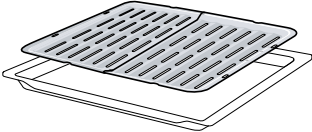
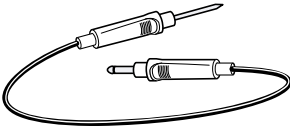
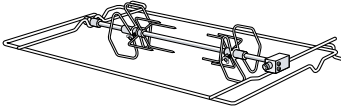
## 5 Accessoires

Utilisez uniquement des accessoires d'origine. Ils ont été spécialement conçus pour votre appareil.


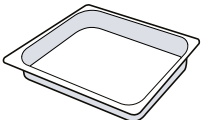
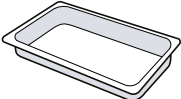
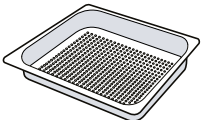
**Remarque :** Lorsque l'accessoire devient chaud il peut se déformer. Cela n'influe en rien sur son fonctionnement. Quand il refroidit, la déformation disparaît.

Les accessoires fournis peuvent différer selon le modèle d'appareil.


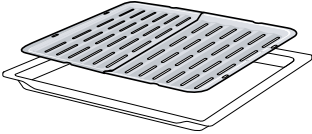
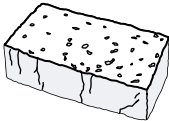
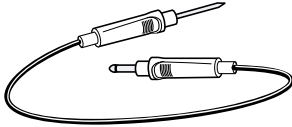
## 5.1 Accessoires inclus - Four conventionnel

Accessoires		Utilisation
Grille métallique		<ul style="list-style-type: none"> <li>■ Ces grilles peuvent être utilisées pour la plupart des cuissons.</li> <li>■ Vous pouvez utiliser plusieurs grilles en même temps.</li> </ul> <p><b>Remarque :</b> Ne nettoyez pas en utilisant la fonction <b>SELF CLEAN</b> .</p>
Grille télescopique		<p>Utiliser cette grille afin de faciliter l'insertion des plats dans le four.</p> <p><b>Remarque :</b> Ne nettoyez pas en utilisant la fonction <b>SELF CLEAN</b> .</p>
Lèchefrite et grille		<p>Sert à griller et rôtir.</p> <p><b>Remarques</b></p> <ul style="list-style-type: none"> <li>■ Ne nettoyez pas en utilisant la fonction <b>SELF CLEAN</b> .</li> <li>■ Vous pouvez nettoyer cet accessoire au lave-vaisselle.</li> </ul>
Accessoires inclus - Four conventionnel		<p>Les trois points de mesure permettent de rôtir à la perfection selon vos propres critères.</p> <p><b>Remarques</b></p> <ul style="list-style-type: none"> <li>■ Ne nettoyez pas en utilisant la fonction <b>SELF CLEAN</b> .</li> <li>■ Ne pas nettoyer au lave-vaisselle.</li> </ul>
Rôtissoire		<p>Utilisez cet accessoire en mode Tournebroche.</p> <p><b>Remarque :</b> Ne nettoyez pas en utilisant la fonction <b>SELF CLEAN</b> .</p>

## 5.2 Accessoires inclus - Four à vapeur

Accessoires		Utilisation
Grille métallique		<ul style="list-style-type: none"> <li>■ Utilisez-le comme support pendant la cuisson.</li> <li>■ Placez les viandes sur la grille avec le plat de cuisson en dessous et insérez les deux dans un niveau.</li> </ul>
Plaque de cuisson pleine grandeur		<ul style="list-style-type: none"> <li>■ 1 5/8 po (40 mm) de profondeur</li> <li>■ Idéal pour cuire des gâteaux et attraper du liquide dégoulinant lors de la cuisson à la vapeur.</li> </ul>
Plaque à cuisson, demi-taille		<ul style="list-style-type: none"> <li>■ 1 5/8 po (40 mm) de profondeur</li> <li>■ Utiliser pour de plus petites quantités et pour le riz et les céréales.</li> </ul>
Plaque de cuisson perforée, pleine grandeur		<ul style="list-style-type: none"> <li>■ 1 5/8 po (40 mm) de profondeur</li> <li>■ Idéal pour cuire à la vapeur du poisson ou de grandes quantités de légumes, extraire le jus des baies et bien plus encore.</li> </ul>



Accessoires		Utilisation
Plat de cuisson perforé, demi-taille		<ul style="list-style-type: none"> <li>■ 1 5/8 po (40 mm) de profondeur</li> <li>■ Idéal pour cuire à la vapeur du poisson ou des légumes, extraire le jus des baies et bien plus encore.</li> </ul>
Lèche-frite et grille		<p>Sert à griller et rôtir.</p> <p><b>Remarques</b></p> <ul style="list-style-type: none"> <li>■ Ne nettoyez pas en utilisant la fonction <b>SELF CLEAN</b>.</li> <li>■ Vous pouvez nettoyer cet accessoire au lave-vaisselle.</li> </ul>
Éponge		Utilisez pour essuyer l'excès d'eau de la cavité du four.
Accessoires inclus - Four conventionnel		<p>Les trois points de mesure permettent de rôtir à la perfection selon vos propres critères.</p> <p><b>Remarques</b></p> <ul style="list-style-type: none"> <li>■ Ne nettoyez pas en utilisant la fonction <b>SELF CLEAN</b>.</li> <li>■ Ne pas nettoyer au lave-vaisselle.</li> </ul>

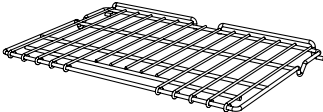
### 5.3 Autres accessoires

Vous pouvez acheter des accessoires supplémentaires auprès du service client, de revendeurs spécialisés ou sur Internet.

Vous pouvez trouver une gamme complète de votre appareil sur Internet ou dans nos brochures: [www.thermador.com](http://www.thermador.com)

Les accessoires sont spécifiques à l'appareil. Indiquez toujours la description exacte (n ° E) de votre appareil lors de l'achat.

Vous pouvez connaître les accessoires disponibles pour votre appareil dans la boutique en ligne ou auprès du service client.

Autres accessoires		Utilisation
Unterstützung autonettoyant gießen vier Conventionnel (Ensemble de 3)		<p>Pour les plats et les mets allant au four, et les moules à gâteau. Il n'est pas nécessaire de retirer ces grilles au cours de <b>SELF CLEAN</b>.</p>

### Autres accessoires pour le four à vapeur

Vous pouvez commander ces accessoires.

Article	Numéro de commande
Détartrant (poudre)	00573828
Détartrant (liquide)	10008170
Bandes d'essai de dureté de l'eau	00056317

### 5.4 Utilisation sûre des grilles de four

Pour votre sécurité, suivez ces recommandations sur l'utilisation correcte des grilles du four.

#### MISE EN GARDE

Placement des grilles du four - Placez toujours les grilles du four dans l'emplacement pendant que le four est froid. Si la grille doit être déplacée alors que le four est chaud, ne laissez pas les maniques entrer en contact avec les éléments chauffants chauds du four. Soyez prudent

lorsque vous retirez les grilles du four de la position la plus basse pour éviter tout contact avec la porte chaude du four.

#### MISE EN GARDE

Pour éviter d'éventuelles blessures ou dommages à l'appareil, assurez-vous que la grille du four est installée exactement selon les instructions d'installation et non vers l'arrière ou à l'envers.

Ne glissez pas d'accessoires entre les grilles, sinon ils risquent de se renverser.

## 6 Avant d'utiliser pour la première fois

Effectuez ces étapes avant d'utiliser votre appareil.

- L'appareil doit être correctement installé par un prestataire de services qualifié avant l'utilisation.
- Lisez et comprenez toutes les précautions et informations de sécurité → Page 56 dans le manuel avant de l'utiliser.

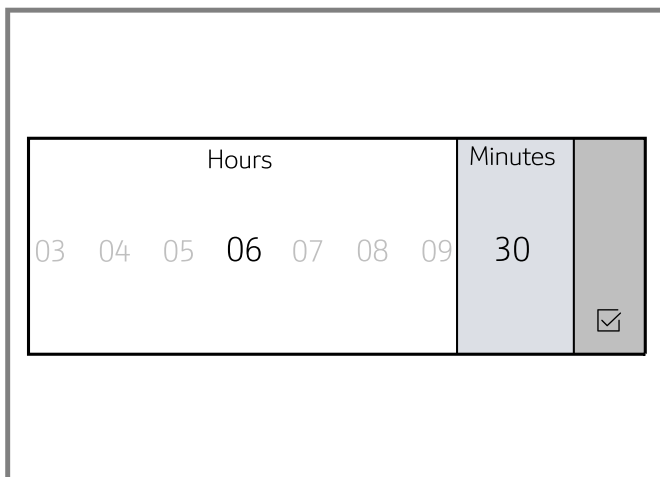
- Téléchargez l'application Home Connect® (Amérique) pour contrôler à distance votre appareil, trouver l'inspiration pour cuisiner et accéder aux conseils et à l'assistance technique.  
→ "Home Connect®", Page 95
- Ce manuel couvre plusieurs modèles. Toutes les fonctionnalités ne sont pas disponibles sur tous les modèles.

## 6.1 Réglage initial des paramètres de base

Une fois l'appareil connecté à l'alimentation électrique, vous êtes invité à définir certains paramètres de base pour vous assurer que vous pouvez utiliser votre appareil de manière pratique et sûre.

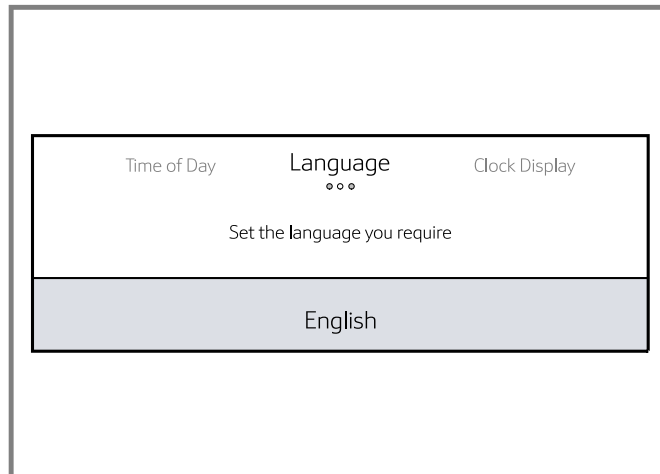
### 1. Réglage de l'horloge :

- Touchez la ligne du bas sur l'écran tactile. Les options de réglage du temps sont affichées.
- Toucher "Heures" et balayez vers la gauche ou la droite jusqu'à ce que le numéro souhaité soit net.
- Toucher "Minutes" et balayez vers la gauche ou la droite jusqu'à ce que le nombre correct soit net.
- Toucher  pour confirmer.



### 2. Réglage de la langue

- Touchez la ligne du bas sur l'écran tactile.
- Faites glisser votre doigt vers la gauche ou la droite jusqu'à la dernière ligne jusqu'à ce que la langue souhaitée soit nette.
- Appuyez sur la ligne du bas et faites glisser votre doigt vers la gauche ou la droite jusqu'à ce que la langue correcte soit mise au point.
- Effleurez la ligne du haut.



### 3. Réglages de l'affichage de l'heure :

- Touchez "Affichage de l'Heure".
- Effleurez la ligne du bas.
- Glissez vers la gauche ou la droite pour sélectionner "Numérique" ou "Analogue".
- Effleurez la ligne du haut.

### 4. Réglage de la dureté de l'eau. → Page 73

## 6.2 Réglage de la dureté de l'eau

Il vous faudra détartre le four à vapeur à intervalles réguliers. Réglez le niveau de dureté de l'eau pour vous assurer que votre appareil vous rappelle à temps lorsqu'un détartage est nécessaire.

**Remarque :** Si vous déménagez ou si la source d'eau change, il vous faudra modifier le niveau de la dureté de l'eau.

1. Déterminez la dureté de l'eau à l'aide d'une bandelette de test de dureté de l'eau ou demandez à votre compagnie de distribution d'eau.
2. Touchez "Dureté de l'Eau".
3. Effleurez la ligne du bas.
4. Faites glisser votre doigt vers la gauche ou la droite pour sélectionner le niveau de dureté de l'eau approprié.
5. Effleurez la ligne du haut.

### Niveau de dureté de l'eau

Vous trouverez ici un aperçu des niveaux de dureté de l'eau et des réglages recommandés.

Niveau de dureté de l'eau	Réglage
1 (0 - 17 mg/l)	0 - adoucie
2 (18 - 60 mg/l)	1 - douce
3 (61 - 120 mg/l)	2 - moyen
4 (121 - 180 mg/l)	3 - dure
5 (plus de 180 mg/l)	4 - très dure <sup>1</sup>

<sup>1</sup> Réglage usine

### 6.3 Jumeler votre four avec Home Connect®

Pour utiliser toutes les fonctionnalités de l'appareil, téléchargez Home Connect® l'application sur un appareil intelligent et associez l'appareil à l'appareil Wi-Fi de la maison.

- ▶ Pour obtenir des instructions pas à pas, voir → "Home Connect®", Page 95.

### 6.4 Nettoyage de l'appareil avant sa première utilisation

Nettoyez la cavité du four et les accessoires avant d'utiliser l'appareil pour préparer des aliments pour la première fois.

#### AVIS :

##### DOMMAGES À L'ÉMAIL!

- ▶ Ne lancez pas une commande s'il y a de l'eau sur la sole de la cavité du four.
- ▶ Laissez l'appareil électroménager refroidir et essuyez l'eau sur la sole de la cavité du four avant de lancer une commande.

**Remarque :** Il peut y avoir une légère odeur aux premières utilisations. Ceci est normal et disparaîtra.

1. Retirez tout l'emballage à l'intérieur et à l'extérieur du four. Vérifiez les deux cavités du four.
2. Avant de chauffer l'appareil, essuyez les surfaces lisses dans les cavités du four avec un chiffon doux et humide et séchez.
3. Gardez la pièce ventilée pendant que l'appareil chauffe.
4. Fermez les deux portes du four.
5. Exécutez les étapes suivantes pour la cavité du four à vapeur :
  - Remplissez le réservoir d'eau du four à vapeur et faites-le glisser.  
→ "Remplissage du réservoir d'eau", Page 81.
  - Sélectionnez le mode de chauffage et la température.  
→ "Opération de base", Page 74

Mode de cuisson	Vapeur
Température	212°F (100°C)
Durée	30 minutes

- ✓ L'opération initiale calibrera également le four à vapeur selon la pression d'air de votre emplacement.

6. Effectuez l'étape suivante pour la cavité de four conventionnelle :
  - Sélectionnez le mode de chauffage et la température.

Mode de cuisson	Cuisson
Température	475°F (245°C)
Durée	30 minutes

7. Éteignez l'appareil après le temps de cuisson spécifié en appuyant sur tous les boutons de sélection à **OFF**.
8. Attendez que les cavités du four se soient refroidies.
9. Nettoyez les surfaces lisses avec un torchon à vaisselle et de l'eau savonneuse.
10. Laver soigneusement les accessoires avec de l'eau savonneuse et un chiffon et bien rincer.

## 7 Opération de base

### 7.1 Allumer l'appareil

- ▶ Tournez le bouton de sélection de mode sur le mode souhaité ou appuyez sur la touche tactile souhaitée.

### 7.2 Éteindre l'appareil

Éteignez l'appareil électroménager lorsque vous ne l'utilisez pas.

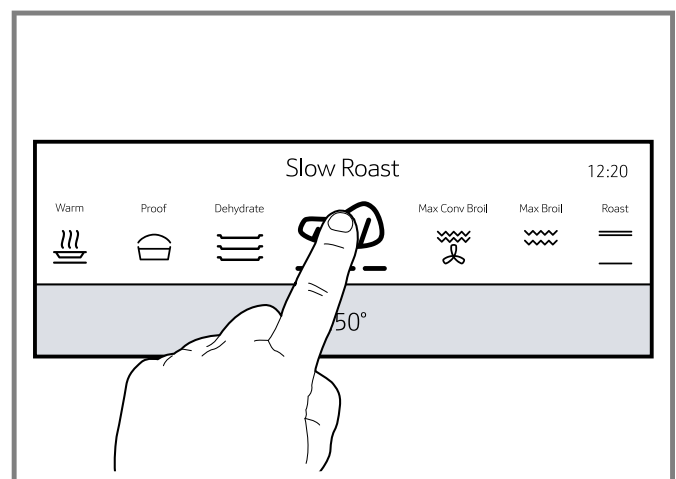
- ▶ Tournez les sélecteurs de mode et de température sur **OFF**.

Il s'éteint de lui-même automatiquement lorsqu'aucun paramètre n'est saisi pendant un certain temps.

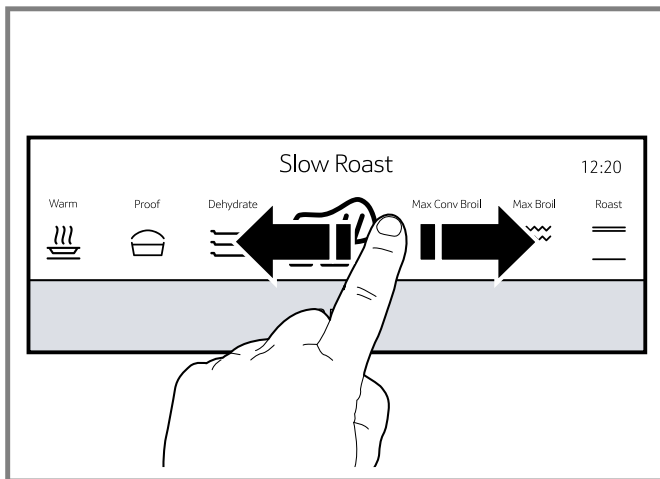
- ✓ Le ventilateur de refroidissement peut continuer à tourner.
- ✓ Certains indicateurs restent visibles à l'écran après l'arrêt de l'appareil, par exemple la notification de chaleur résiduelle.

### 7.3 Utilisation de l'écran tactile

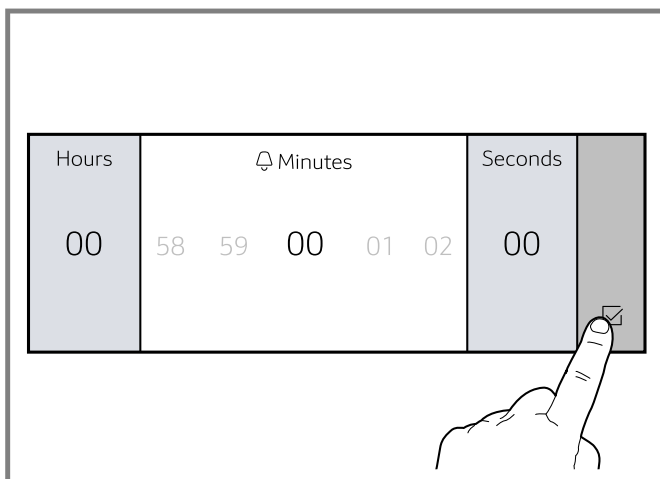
1. Appuyez sur la zone souhaitée sur l'écran pour sélectionner une option.



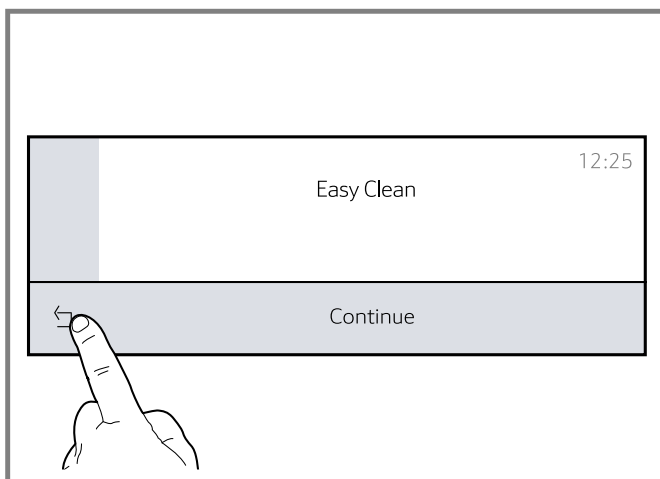
2. Faites glisser votre doigt vers la gauche ou la droite pour parcourir les différents paramètres.



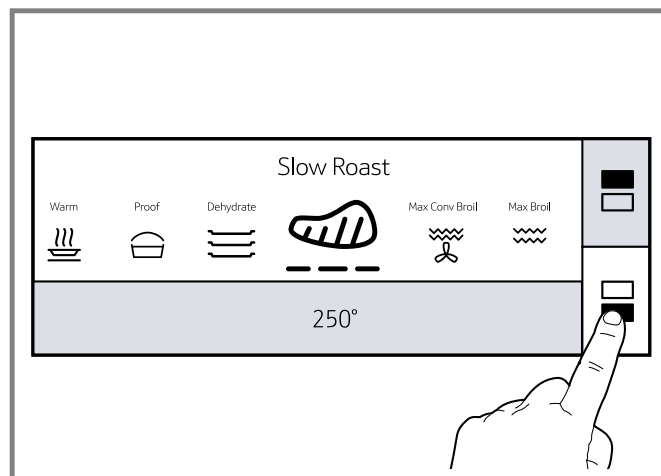
- ✓ Le paramètre mis au point apparaît plus grand et bleu.  
3. Dans certains cas, les paramètres doivent être confirmés en touchant .



4. Certaines opérations vous permettent de revenir à l'écran précédent en touchant .



5. Pour les fours doubles, vous devez d'abord sélectionner la cavité de four souhaitée. Toucher  pour sélectionner le four à vapeur, toucher  pour sélectionner le four conventionnel.



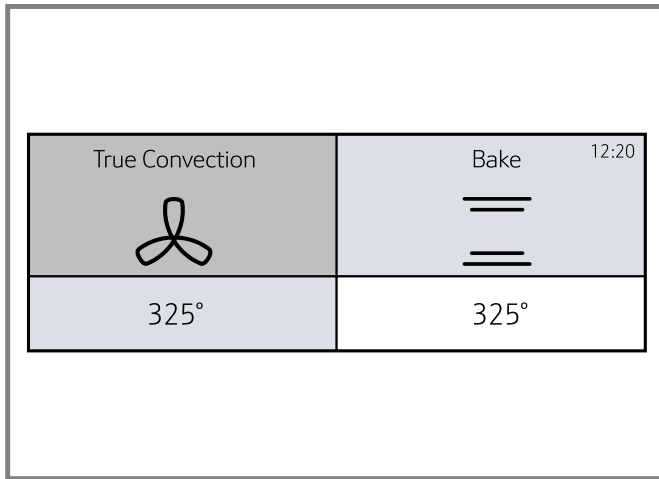
Les icônes de la cavité du four s'allument de différentes couleurs :

Icône de couleur ou de cavité	Signification
Bleu	La cavité du four est sélectionnée, procédez aux réglages.
Blanc	La cavité du four est en cours de fonctionnement.
Gris	La cavité du four est inactive.

## 7.4 Réglage du mode de chauffage et de la température

**Exigence :** Pour les modes vapeur, placez les aliments dans le four avant de commencer le fonctionnement du four.

1. Tournez le bouton de sélection de mode sur le mode de chauffage souhaité.
  2. Tournez le bouton de sélection de la température sur la température désirée.
- ✓ Le four commence à préchauffer. La barre de préchauffage commence à se remplir.
3. Pour les modes vapeur, vous devez également définir une durée :
    - Effleurez le champ  $\rightarrow$  de la minuterie.
    - Faites glisser votre doigt pour définir une durée. La durée par défaut est de 20 minutes. La minuterie commence à décompter une fois que le four a atteint la température réglée.
  4. Procédez de la même manière pour la cavité des secondes du four.
- ✓ L'écran affiche les réglages des deux cavités du four côte-à-côte. Les réglages du four à vapeur sont indiqués dans la moitié gauche, les réglages conventionnels du four sont affichés dans la moitié droite de l'écran.



5. Pour modifier les paramètres, tournez le bouton de sélection sur la position souhaitée.

Pour les réglages effectués sur l'écran tactile, sélectionnez d'abord la cavité de four souhaitée.

**Remarque :** Tournez le bouton de sélection de mode sur **MORE MODES** pour accéder à des modes de chauffage supplémentaires. Les réglages de ces modes sont effectués sur l'écran tactile.

## 7.5 Modification du mode de chauffage ou de la température

- Pour modifier le mode de chauffage ou la température, tournez le bouton de sélection sur le réglage souhaité.
  - Pour modifier tout autre paramètre :
    - Pour les fours doubles : sélectionnez la cavité du four souhaitée.
    - Appuyez sur la zone du paramètre que vous souhaitez modifier.
    - Balayez pour modifier le paramètre.
- ✓ Après quelques secondes, l'appareil continue de fonctionner avec les réglages modifiés.

## 7.6 Annulation d'un mode de chauffage

- ▶ Tournez les sélecteurs de mode et de température sur **OFF**.

## 7.7 Limitation du temps de chauffage

La durée de chauffage maximale est limitée. Si vous oubliez d'éteindre le four, il s'éteint automatiquement après une durée établie.

La durée maximale du mode Sabbath est de 74 heures. Pour tous les autres modes de chauffage, la durée maximale autorisée est de 24 heures.

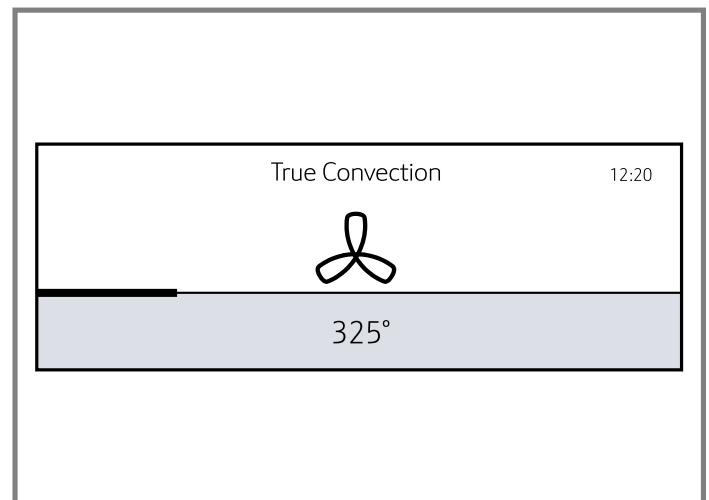
Température °F (°C)	Maximum temps alloué sans activité
100 - 200 (30 - 120)	24 heures
201 - 550 (121 - 300)	12 heures

## 7.8 Préchauffage

Selon le mode de chauffage, il est recommandé de placer les aliments dans le four avant ou après le préchauffage.

- Pour les modes de chauffage utilisant de la vapeur, placez les aliments dans la cavité du four avant de préchauffer.  
Si vous ouvrez la porte du four pendant le cycle de préchauffage, la vapeur quittera la cavité du four, abaissant la température. La nourriture sera insuffisamment cuite.
- Pour tous les autres modes, placez les aliments dans le four une fois le préchauffage terminé.

Dès qu'un nouveau mode de cuisson est amorcé, la barre de préchauffage apparaît à l'écran. Elle indique l'augmentation de la température dans la cavité du four. Lorsque le four est complètement préchauffé, un signal sonore retentit.



## 7.9 Préchauffage rapide



Cette fonction vous permet de raccourcir le temps nécessaire au four pour atteindre la température réglée. Le préchauffage rapide est disponible pour les modes de chauffage suivants :

- "Convection réelle"
- "Cuisson à Convection"
- "Cuisson"
- "Rôtissage"
- "Rôtissage par convection"

**Remarque :** Si la touche tactile **FAST PREHEAT** s'allume, la fonction peut être activée.

### Réglage du préchauffage rapide

Pour obtenir un résultat de cuisson uniforme, attendez la fin du préchauffage rapide avant de placer vos aliments ou vos accessoires dans la cavité du four.

- Réglez le mode de chauffage et la température souhaités.
- Appuyez sur **FAST PREHEAT**.
  - ✓  s'allume à l'écran.
  - ✓ Lorsque la température réglée est atteinte, la fonction se désactive automatiquement. L'indicateur  s'éteint.



3. Placez les aliments dans la cavité du four.

**Remarque :** Vous pouvez désactiver manuellement le préchauffage rapide en appuyant sur **FAST PREHEAT**.

## 7.10 Activer ou désactiver le verrouillage du panneau

Avec le verrouillage du panneau, vous pouvez désactiver toutes les touches tactiles du panneau de commande.

**Exigence :** Le four est en mode veille.

1. Appuyez et maintenez **TIMERS** pendant 4 secondes.
  - ✓ Le verrouillage du panneau est activé.
2. Appuyez sur **TIMERS** et maintenez à nouveau pendant 4 secondes pour désactiver le verrouillage du panneau.
  - ✓ L'écran repasse en mode veille.

## 7.11 Sonde thermométrique

La sonde à viande mesure la température interne de l'aliment. Vous pouvez régler une température à cœur et le mode de chauffage s'éteint automatiquement dès que la température réglée est atteinte.


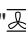
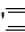

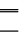

La sonde à viande multipoint mesure la température dans trois zones différentes de vos aliments pour garantir les résultats de cuisson les plus précis.

### AVERTISSEMENT

L'utilisation de la mauvaise sonde thermométrique peut endommager l'isolant.

- ▶ Utiliser uniquement la sonde thermométrique conçue pour cet appareil électroménager.

Modes de chauffage appropriés :

- "Convection réelle" 
- "Cuisson à Convection" 
- "Cuisson" 
- "Rôtissage par convection" 
- "Rôtissage" 
- "Cuisson lente" 
- La sonde thermométrique mesure la température interne des mets entre 85 °F et 210 °F (30 °C et 99 °C).
- Pour éviter que la sonde thermique ne soit endommagée, ne réglez pas une température du four au-dessus de 480 °F (250 °C).
- Utilisez uniquement la sonde thermométrique fournie avec cet appareil électroménager. Des sondes à viande supplémentaires ou de remplacement peuvent être commandées auprès du service clientèle.
- Ne stockez pas la sonde dans la cavité du four. Retirez toujours la sonde thermique de la cavité du four après utilisation.

## Insertion de la sonde à viande

### Exigence

- L'aliment doit être complètement dégelé avant d'introduire la sonde dans la viande.
- La sonde est livrée avec un capuchon de plastique noir sur son extrémité. Le capuchon doit être retiré avant l'emploi.

1. Introduire la pointe de la sonde dans la viande au milieu, dans la partie la plus épaisse de la viande ou de la poitrine, dans le cas d'une volaille. S'assurer que la sonde ne touche pas au gras, à l'os ou à des parties du four ou du plat.

Utilisez toujours la sonde par la poignée pour l'insérer et la retirer.

**Remarque :** La poignée de la sonde devient chaude pendant la cuisson. Utilisez toujours des gants de cuisine lorsque vous touchez la poignée de la sonde.

2. Insérez la fiche de la sonde dans la prise située sur le côté de la cavité du four.



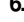
Poussez la sonde à fond et tirez-la jusqu'à ce qu'elle s'enclenche dans la douille.

## Réglage de la sonde à viande

### AVERTISSEMENT

L'intérieur du four et la sonde thermométrique peuvent devenir très chauds.

- ▶ Utiliser des gants de four pour enficher et débrancher la sonde thermométrique.

1. Insérez la sonde à viande dans les aliments.
  - "Insertion de la sonde à viande", Page 77
2. Insérez la fiche de la sonde dans la prise située sur le côté de la cavité du four.
  - "Cavités du four", Page 64
- ✓  s'allume à l'écran.
3. Fermer la porte de de l'appareil.
4. Réglez le mode de chauffage et la température souhaités.
5. Touchez .
6. Touchez  et glissez vers la gauche ou la droite pour sélectionner la température interne requise.
  - La température réglée de la cavité du four doit être d'au moins 50 °F (10 °C) de plus que la température de la sonde thermométrique.
7. Après quelques secondes, le mode démarre automatiquement.
  - ✓ La température actuelle et la température cible de la sonde sont affichées.
  - ✓ Lorsque la température de sonde réglée est atteinte, le mode de chauffage s'éteint.
8. Débrancher la sonde thermométrique de la douille.

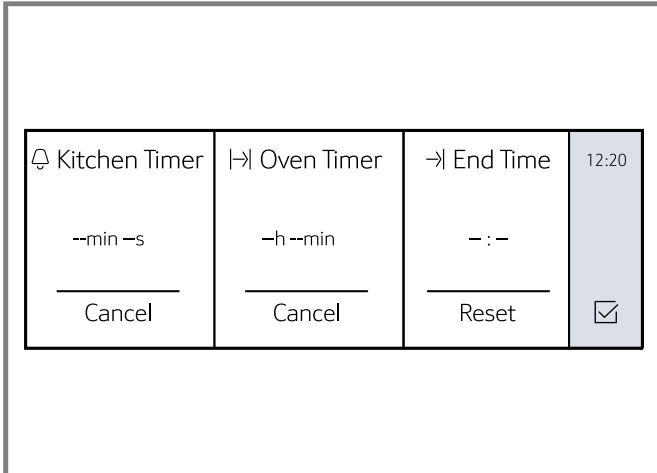
## 8 Fonctions de minuterie

Votre appareil possède diverses fonctions de réglage de l'heure.

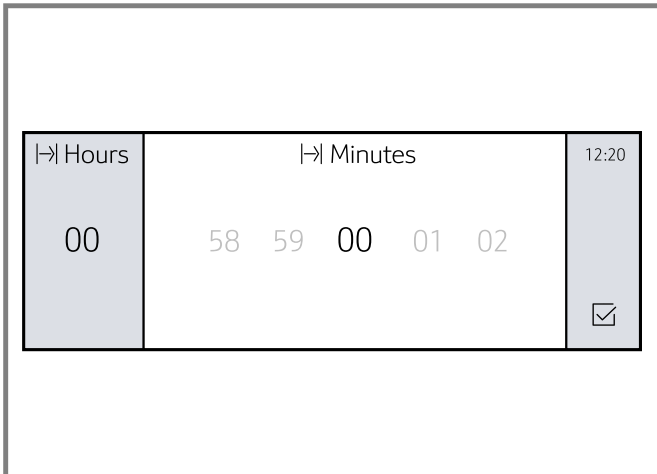
### 8.1 Réglage de la minuterie du four

Si vous réglez une minuterie de four, le fonctionnement du four s'arrête automatiquement une fois ce temps écoulé.

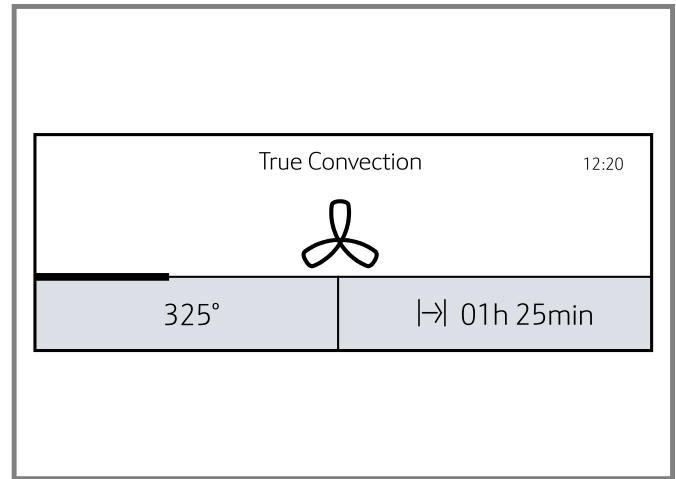
1. Réglez un mode de chauffage et une température.
2. Appuyez sur **TIMERS**.



3. Touchez  $\rightarrow$  "Minuterie du four".
4. Faites glisser votre doigt vers la gauche ou la droite pour sélectionner la valeur souhaitée. Vous pouvez régler les heures et les minutes.



5. Touchez .
  - ✓ La minuterie de four lance le compte à rebours.
  - ✓ La valeur de la minuterie et  $\rightarrow$  s'affichent sur la dernière ligne de l'écran.



- ✓ Une fois le temps écoulé, un signal retentit. Une notification s'affiche à l'écran.

### Modification ou annulation de la minuterie du four

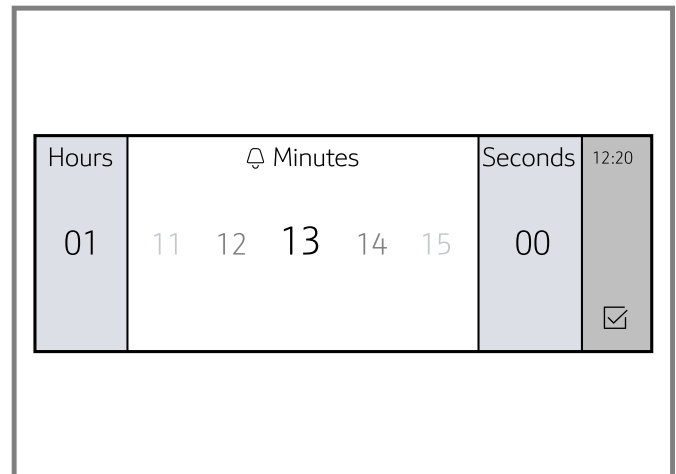
1. Appuyez sur **TIMERS**.
2. Sélectionnez  $\rightarrow$  "Minuterie du four".
3. Définissez une nouvelle valeur et touchez . Pour annuler la minuterie du four, sélectionnez 0 ou touchez "Cancel".

### 8.2 Réglage de la minuterie de cuisine

La minuterie de cuisine est une minuterie à compte à rebours qui n'a aucun effet sur le chauffage du four.

**Remarque :** Vous pouvez régler la minuterie de cuisine lorsque l'appareil est allumé ou éteint.



1. Appuyez sur **TIMERS**.
2. Si l'appareil électroménager est sous tension, touchez  $\mathcal{C}$  "Minuterie de cuisine".
3. Faites glisser votre doigt vers la gauche ou la droite pour sélectionner la valeur souhaitée. Vous pouvez régler les heures, les minutes et les secondes.



4. Touchez .
  - ✓ La minuterie de cuisine lance le compte à rebours.
  - ✓ La valeur de la minuterie et  $\mathcal{C}$  s'affichent dans le coin supérieur gauche de l'écran.

- ✓ Une fois le temps écoulé, un signal retentit. Une notification s'affiche à l'écran.

### Modification ou annulation du minuteur de cuisine


1. Appuyez sur **TIMERS**.
2. Sélectionnez  "Minuterie de cuisine".
3. Définissez une nouvelle valeur et touchez . Pour annuler la minuterie de la cuisine, sélectionnez 0 ou touchez "clear".

### 8.3 Réglage du fonctionnement différé avec Heure de fin



Avec cette fonction, vous pouvez programmer votre four pour terminer un mode de chauffage à une heure prédéterminée.

#### MISE EN GARDE

La nourriture peut se gâter lorsqu'elle est laissée sur place trop longtemps.

- ▶ Pour préserver la sécurité alimentaire, ne pas laisser les aliments dans le four plus d'une heure avant ou après leur cuisson.
1. Placez les aliments dans le bon accessoire et glissez-le dans la cavité du four. Fermez la porte de l'appareil électroménager.
  2. Réglez un mode de cuisson.
  3. Appuyez sur **TIMERS**.
  4. Réglez une minuterie de four et touchez .
  5. Appuyez sur **TIMERS**.
  6. Définissez une heure de fin pour la cuisson différée.
  7. Réglez une température.
- ✓ Après quelques secondes, l'écran affiche un message de départ différé.
  - ✓ L'appareil électroménager attend la bonne heure pour lancer la commande.
  - ✓ Une fois le temps écoulé, un signal retentit. Une notification s'affiche à l'écran.

### Modification ou annulation du temps de délai

1. Appuyez sur **TIMERS**.
2. Sélectionnez  "Heure de fin".
3. Définissez une nouvelle valeur et touchez . Pour annuler l'heure de fin, sélectionnez 0 ou touchez "Cancel".





### 8.4 Mode sabbat

Le mode Sabbat permet à ceux de confessions particulières d'utiliser leurs fours le jour du sabbat.

- Le mode Sabbat doit être activé dans le menu des paramètres de base → *Page 80*.
- Le mode Sabbat utilise automatiquement le mode chauffage "Cuisson". Le mode de chauffage ne peut pas être modifié.
- La plage de température peut être réglée entre 100°F (38 °C) et 450°F (230 °C).

- Vous pouvez définir une durée pouvant aller jusqu'à 74 heures.
- La minuterie de cuisine, la minuterie du four et la fonction de sonde à viande ne sont pas disponibles en mode Sabbat.
- Le fait d'appuyer sur l'une des touches tactiles lorsque le four est en mode Sabbat n'aura aucun effet.
- Si la lumière du four est allumée lorsque vous réglez le mode Sabbat, la lumière reste allumée. S'il est éteint lorsque vous réglez le mode Sabbat, le voyant reste éteint.
- Vous pouvez exécuter le mode Sabbat sur une cavité du four ou sur les deux cavités du four en même temps. Les deux cavités du four partagent une minuterie en mode Sabbat, mais vous pouvez définir des températures différentes pour chaque cavité du four.

### Réglage du mode Sabbat

1. Tournez le bouton de sélection de mode sur **MORE MODES**.
  2. Glissez vers la gauche ou la droite pour sélectionner  "Sabbat".
- ✓ "Cuisson" est défini comme mode de chauffage par défaut et ne peut pas être modifié.
3. Réglez une température dans la plage de température autorisée avec le bouton de sélection de température.
  4. Touchez .
  5. Touchez  "Minuterie du four" et réglez l'heure souhaitée.
  6. Touchez .
- ✓ Le mode Sabbat démarre après 5 minutes. Pendant ce temps, vous pouvez toujours apporter des modifications.
  - ✓ Une fois que le mode Sabbat a démarré, toutes les commandes sont désactivées.
  - ✓ Le fonctionnement se poursuit même si vous ouvrez la porte de l'appareil électroménager.
  - ✓ Une fois la durée du mode Sabbath écoulée, un signal sonore retentit. L'appareil cesse de chauffer.

### Annulation du mode Sabbat

Vous pouvez annuler la fonction à tout moment.

- ▶ Tournez les sélecteurs de mode et de température sur **OFF**.

## 9 Réglages de base


Vous pouvez modifier les réglages de base de votre appareil en fonction de vos besoins.

### 9.1 Présentation des paramètres de base

Cette section contient une vue d'ensemble réglages de base et d'usine. Les réglages de base dépendent de l'équipement de votre appareil.

Réglage	Option
Heure	Temps donnée en heures et en minutes
Langue	<ul style="list-style-type: none"> <li>■ Anglais<sup>1</sup></li> <li>■ Français</li> <li>■ Espagnol</li> </ul>
Format de l'Heure	<ul style="list-style-type: none"> <li>■ 12 hr <sup>1</sup></li> <li>■ 24 h</li> </ul>
Affichage de l'Heure	<ul style="list-style-type: none"> <li>■ Numérique</li> <li>■ Analogue</li> </ul>
Format Temperature	<ul style="list-style-type: none"> <li>■ °F<sup>1</sup></li> <li>■ °C</li> </ul>
Format du poids	<ul style="list-style-type: none"> <li>■ <sup>1</sup>lb</li> <li>■ kg</li> </ul>
Dureté de l'Eau	<ul style="list-style-type: none"> <li>■ 0 (adoucie)</li> <li>■ 1 (douce)</li> <li>■ 2 (moyenne)</li> <li>■ 3 (dure)</li> <li>■ 4 (très dure)<sup>1</sup></li> </ul>
Volume du Signal	<ul style="list-style-type: none"> <li>■ 1</li> <li>■ 2</li> <li>■ 3</li> <li>■ 4</li> <li>■ 5</li> </ul>
Touch Son	<ul style="list-style-type: none"> <li>■ Marche</li> <li>■ Arrêt</li> </ul>
Luminosité Écran	<ul style="list-style-type: none"> <li>■ 1</li> <li>■ 2</li> <li>■ 3</li> <li>■ 4</li> <li>■ 5</li> </ul>
Dark mode	Activez le mode sombre pour un contraste amélioré. <ul style="list-style-type: none"> <li>■ Marche</li> <li>■ Arrêt</li> </ul>
Mode Veille	<ul style="list-style-type: none"> <li>■ Marche</li> <li>■ Arrêt</li> </ul>
Démarrage animation	<ul style="list-style-type: none"> <li>■ Marche</li> <li>■ Arrêt</li> </ul>
Conversion Convection	<ul style="list-style-type: none"> <li>■ Marche</li> <li>■ Arrêt<sup>1</sup></li> </ul>
Écart de Température	<ul style="list-style-type: none"> <li>■ Écart temp. : Supérieur (de -35 °F à +35 °F)</li> </ul>

<sup>1</sup> Réglages d'usine (peut varier selon l'appareil)

Réglage	Option
	(de -20 °C à +20 °C) <ul style="list-style-type: none"> <li>■ Écart temp. : Inférieur (de -35 °F à +35 °F)</li> <li>(de -20 °C à +20 °C)</li> </ul>
Mode Sabbat	<ul style="list-style-type: none"> <li>■ Marche</li> <li>■ Arrêt</li> </ul>
Home Connect	<ul style="list-style-type: none"> <li>■ Wi-Fi : Marche Arrêt</li> <li>■ Télécommande Marche Arrêt</li> <li>■ Déconnexion du réseau</li> <li>■ Connexion à l'application</li> <li>■ Affiche l'état du réseau</li> <li>■ Accès au Service après-vente : Autoriser  Refuser</li> </ul>
Mode Démo	Uniquement disponible dans le menu des réglages dans les 5 minutes suivant le raccordement de l'appareil à l'alimentation électrique. <ul style="list-style-type: none"> <li>■ Marche</li> <li>■ Arrêt</li> </ul>
Réglages d'Usine	Restauration
Service Après-vente	Coordonnées du Service après-vente

<sup>1</sup> Réglages d'usine (peut varier selon l'appareil)

### 9.2 Modification des réglages de base

1. Appuyez sur **SETTINGS**.
2. Faites glisser votre doigt vers la gauche ou la droite sur la ligne supérieure pour sélectionner le paramètre souhaité.
3. Faites glisser votre doigt vers la gauche ou la droite sur la ligne du bas pour sélectionner la valeur souhaitée.
4. Touchez  (pour certains paramètres).
5. Effleurez la ligne du haut.
6. Appuyez sur **SETTINGS**.
7. Touchez "Save".

### 9.3 Décalage de la température du four

Le four est calibré de manière à offrir des résultats précis. La fonction est utile si vous préférez des aliments plus ou moins dorés.

- Lorsqu'une valeur compensée est saisie, la température réelle du four est augmentée ou diminuée de cette valeur.
- Ne pas utiliser les thermomètres de cuisson résidentiels pour mesurer les températures du four, car elles fluctueront au gré de la cuisson.

- Vous pouvez définir un décalage de température par rapport à la ligne de base d'usine. Chaque fois que vous appelez l'option de décalage de température dans le menu des paramètres de base, la température de référence d'usine est restaurée afin que vous puissiez définir une nouvelle valeur de décalage.

## 9.4 Conversion de convection automatique

Les modes de cuisson par convection et multi-grilles de convection nécessitent une réduction de 25 ° F de la température. La conversion automatique par convection réduit la température que vous entrez automatiquement.

- Entrer simplement la température de la recette ou indiquée sur l'emballage lors du réglage du mode. La commande calcule la bonne température et l'affiche à l'écran.

**Remarque :** Cette fonction est désactivée par défaut.

## 10 Fonctionnement du four à vapeur

Il est possible de cuire les aliments très doucement à la vapeur.

Vous pouvez également utiliser l'assistance vapeur avec certains modes de chauffage conventionnels.

### ⚠ AVERTISSEMENT

De la vapeur chaude peut s'échapper lorsque la porte de l'appareil est ouverte. Elle est invisible à certaines températures.

- ▶ Ouvrez la porte de l'appareil avec précaution pendant ou après la cuisson.
- ▶ Ne vous tenez pas trop près ou ne vous penchez pas sur l'appareil lorsque vous ouvrez la porte de l'appareil.

**Remarque :** Il y a un bourdonnement pendant que la pompe fonctionne et après l'avoir mise hors tension. Ce bruit est causé par le test de fonctionnement de la pompe. C'est un bruit normal de fonctionnement. Vous entendrez également ce bruit après le fonctionnement de modes sans vapeur au moment d'éteindre le four. L'émission du bruit est normale.

### 10.1 Réservoir d'eau

Le four à vapeur est doté d'un réservoir d'eau. Quand vous ouvrez la porte du four, vous pouvez voir le réservoir d'eau du côté droit de la cavité du four. Remplissez le réservoir d'eau avec de l'eau pour faire fonctionner l'appareil électroménager en modes vapeur.

#### AVIS :

L'utilisation de liquides inappropriés peut endommager l'appareil.

- ▶ Ne pas remplir le réservoir d'eau avec de l'eau distillée ou avec tout autre liquide. Pour le détartrage, utilisez la solution de détartrage spécifiée dans la section sur le détartrage. → Page 103

**LE RÉSERVOIR D'EAU NE VA PAS AU LAVE-VAISSELLE.**

- Humectez le joint du couvercle de réservoir avec un peu d'eau avant de l'utiliser pour la première fois.
- Utilisez seulement de l'eau de robinet fraîche ou, si nécessaire, de l'eau ordinaire achetée non gazeuse pour remplir le réservoir d'eau.
- Si votre eau est très dure (10 grains par gallon ou plus), nous recommandons l'utilisation d'eau adoucie.
- Si votre eau de robinet a une forte teneur en chlore (> 4 mg/l), utilisez de l'eau achetée non gazeuse à faible teneur en chlore.

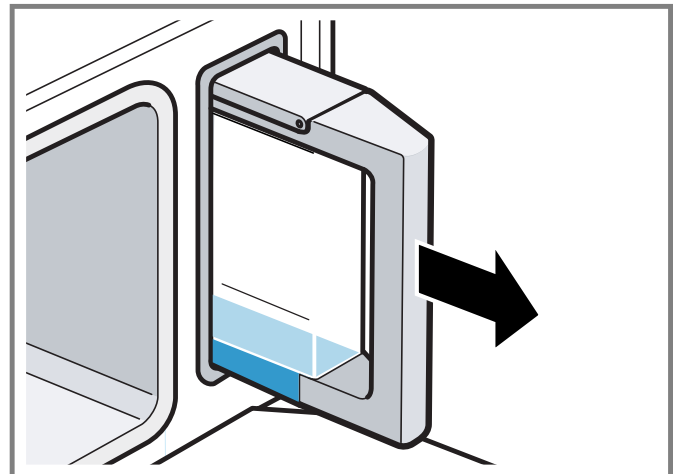
### Remplissage du réservoir d'eau

La plupart des modes de chauffage utilisent de la vapeur. Assurez-vous que le réservoir d'eau est suffisamment rempli avant de l'utiliser.

#### Exigence

- Vous avez lu les notes importantes sur le réservoir d'eau. → "Réservoir d'eau", Page 81
- Vous avez réglé le niveau de dureté de l'eau. → "Réglage de la dureté de l'eau", Page 73

1. Ouvrez la porte et retirez le réservoir d'eau.

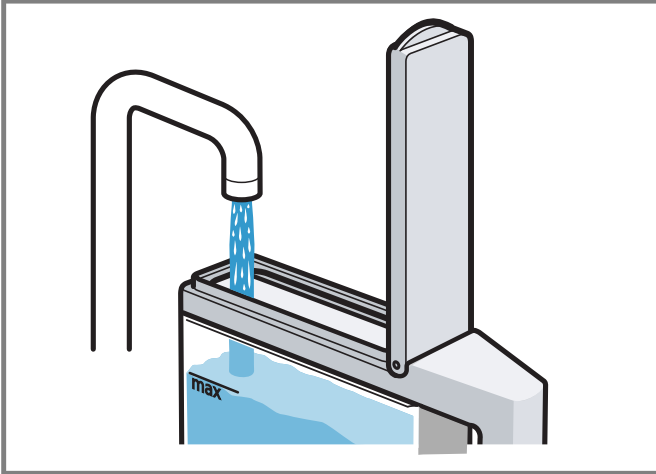


Le réservoir d'eau se trouve sur le côté droit de la cavité du four à vapeur.

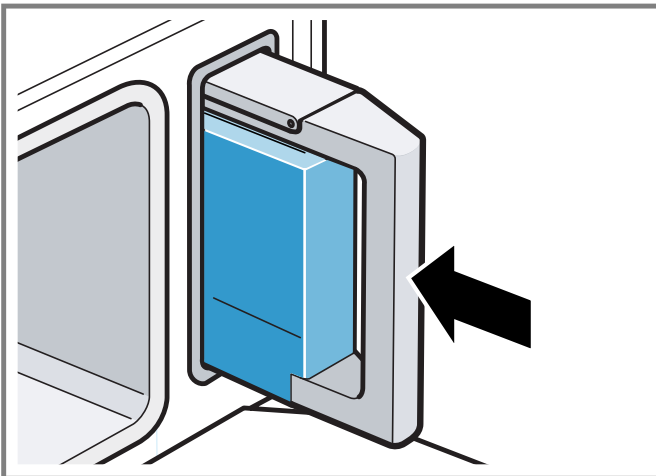
2. Humectez le joint du couvercle de réservoir avec un peu d'eau avant de l'utiliser pour la première fois.



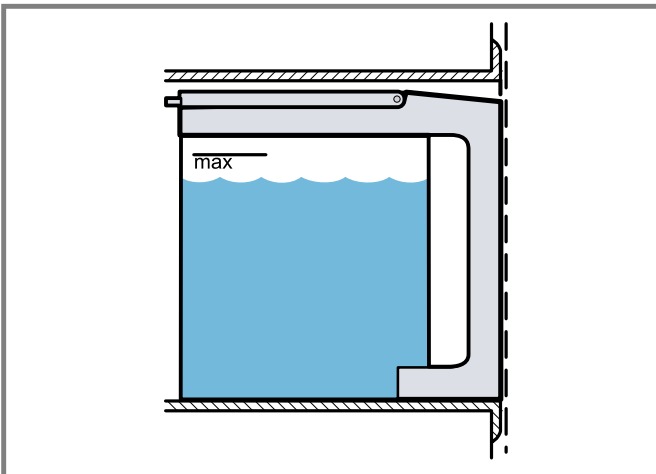
3. Remplissez le réservoir d'eau jusqu'à la ligne « MAX » avec de l'eau froide. Le réservoir contient 1,4 quart (1,3 litre) d'eau.



4. Fermez le couvercle de réservoir jusqu'à ce qu'il s'enclenche.  
5. Insérez complètement le réservoir d'eau de sorte que la poignée du réservoir affleure la bride du support de réservoir.



6. Assurez-vous que le réservoir d'eau repose de niveau dans le support de réservoir.



### Retrait du réservoir d'eau pendant ou après le fonctionnement

VIDER LE RÉSERVOIR D'EAU APRÈS CHAQUE UTILISATION.

#### ⚠ MISE EN GARDE

Faire attention en ouvrant l'appareil. En se plaçant sur le côté, ouvrir la porte lentement et légèrement pour laisser l'air chaud et/ou la vapeur s'échapper du four.

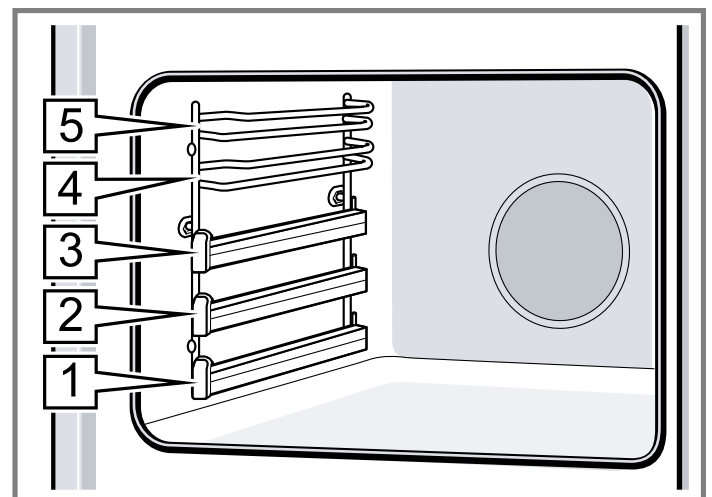
- ▶ Éloigner le visage de l'ouverture et s'assurer qu'aucun enfant ou animal ne se trouve près de l'appareil.
- ▶ Une fois l'air chaud et/ou la vapeur sortis, continuer la cuisson.
- ▶ Gardez la porte de l'appareil fermée, sauf si cela est nécessaire pour la cuisson ou le nettoyage.
- ▶ Ne laissez pas la porte ouverte de l'appareil sans surveillance.

1. Ouvrez soigneusement la porte de l'appareil.
2. Gardez le réservoir d'eau à niveau tout en le tirant lentement hors de l'appareil pour vous assurer qu'aucune eau restante ne coule vers le bas et hors de l'évent.
3. Videz l'eau.
4. Séchez complètement le joint du couvercle de réservoir et la fente où le réservoir s'insère dans l'appareil.
5. Laissez le réservoir d'eau sécher avec le couvercle ouvert.  
Une humidité prolongée peut entraîner une odeur de moisi dans le réservoir d'eau.
6. Fermez le couvercle et réinstallez le réservoir d'eau vide.

### 10.2 Positions des grilles

Votre four à vapeur dispose de 5 positions de grille. Les positions de grille sont comptées de bas en haut. Les positions de crémaillère 1 à 3 sont équipées de guides de crémaillère télescopiques.

Placez le plat universel sur la position de grille 1 lorsque vous utilisez les modes de vapeur complète. Cela empêchera les gouttes de nourriture de brûler au fond de la cavité du four.

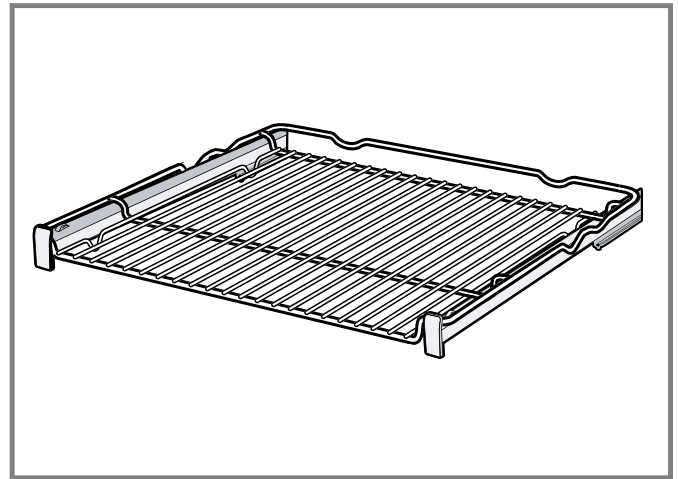
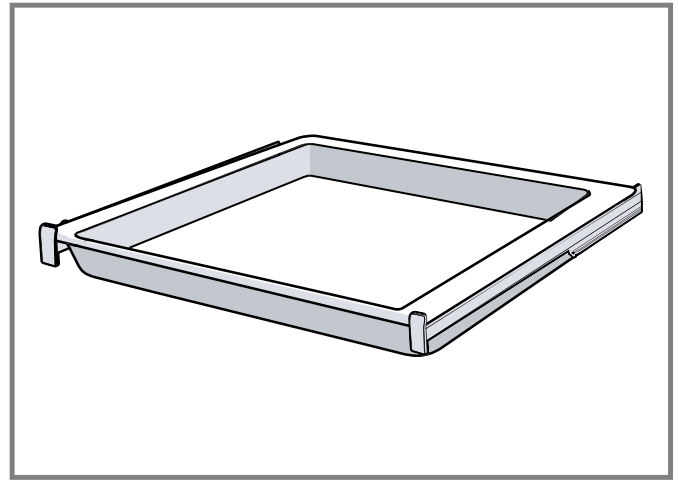
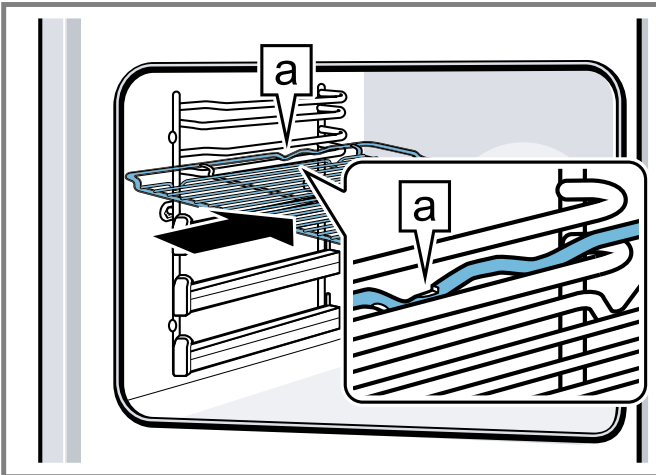


### 10.3 Insertion de la grille métallique

La grille métallique a une fonction d'arrêt pour empêcher la grille de s'incliner lorsque vous la retirez. La grille peut être utilisée sur les rails de four 4 et 5 dans le four à vapeur.

**Exigence :** Vous avez lu la recommandation sur → "Utilisation sûre des grilles de four", Page 72.

1. Saisissez fermement la grille des deux côtés.
2. Insérez la grille entre les deux rails qui appartiennent au niveau souhaité.
  - Assurez-vous que le loquet d'arrêt est à l'arrière et orienté vers le bas.
  - Assurez-vous que le côté ouvert est orienté vers la porte et que la courbure de la grille est orientée vers le bas de .
3. Confirmez que vous avez correctement inséré la grille métallique en la tirant vers la moitié environ jusqu'à ce que la fonction d'arrêt se verrouille en place.



2. Pour retirer l'accessoire, tirez jusqu'à ce que les guides de la grille télescopique bloquent le déplacement. Tenez l'accessoire des deux côtés et soulevez-le.

### 10.4 Utilisation du support télescopique

Les niveaux 1 à 3 de la cavité du four à vapeur sont équipés de rails télescopiques.

**Exigence :** Vous avez lu la recommandation sur → "Utilisation sûre des grilles de four", Page 72.

1. Placez les accessoires uniformément sur les guides télescopiques de la grille. L'accessoire doit être déposé sur les guides de la grille télescopique entre les encoches avant et arrière.

### 10.5 Obtenir les meilleurs résultats avec votre four à vapeur

Suivez ces recommandations générales pour de meilleurs résultats de cuisson.

#### Préchauffe du four

- Placez la grille du four dans la position souhaitée avant de chauffer le four.
- Pour les modes de chauffage utilisant de la vapeur, placez les aliments dans la cavité du four avant de préchauffer. Si vous ouvrez la porte du four pendant le cycle de préchauffage, la vapeur quittera la cavité du four, abaissant la température. La nourriture sera insuffisamment cuite.

#### Plats allant au four

- Si vous utilisez des plats allant au four, placez-les toujours au centre de la grille.
- Les plats allant au four doivent être résistants à la chaleur et à la vapeur.
- Les plats de cuisson à parois épaisses prolongent le temps de cuisson.
- Utilisez de l'aluminium pour couvrir les aliments qui normalement se préparent dans un bain-marie, comme lorsque vous faites fondre du chocolat.

### Répartissez la nourriture uniformément

Distribuez toujours les aliments uniformément dans les plats allant au four. Si les aliments ne sont pas placés uniformément dans le plat, leur cuisson sera inégale.

### Nourriture délicate

N'empilez pas trop hauts les aliments délicats dans un plat de cuisson. Il est préférable d'utiliser deux plats dans ce cas.

### Conversion de la cuisson conventionnelle en cuisson par convection

- Les températures de cuisson par rapport aux fours traditionnels peuvent être inférieures de 25 degrés et les temps peuvent être environ 25 % plus rapides, ce qui permet de gagner un temps précieux et de réduire les coûts énergétiques.
- Pour convertir la plupart des recettes de produits de boulangerie, comme les biscuits, les gâteaux, les tartes, etc., réduisez la température du four de 25 °F (14 °C). Pour les viandes et la volaille, utilisez la température recommandée dans les recettes et les tableaux de cuisine; ne réduisez pas la température de ces aliments.

### Cuisiner un repas entier

- Avec le mode **STEAM**, vous pouvez cuisiner des repas entiers en même temps sans mélanger les saveurs des différents aliments. Placez d'abord les aliments dont le temps de cuisson est le plus long dans le four, puis ajoutez les plats restants au moment approprié. Cela garantira que tous les plats sont prêts en même temps.
- Le temps de cuisson total sera plus long lors de la cuisson d'un repas entier, car à chaque ouverture de la porte du four, de la vapeur s'échappe et l'appareil doit réchauffer.

## 10.6 Conseils généraux pour les modes de chauffage

### Comment utiliser le mode STEAM

Avantages de la cuisson à la vapeur :

- Presque aucune perte de nutriments: lorsqu'ils sont cuits à la vapeur, les aliments ne sont pas immergés dans l'eau, de sorte que les vitamines et les minéraux ne s'échappent pas. Des études ont montré que le brocoli cuit à la vapeur, par exemple, contient 50 % plus de vitamine C que le brocoli bouilli.
- Cuisson faible en gras: les aliments peuvent être cuits avec de faibles quantités de gras ou, selon le goût, sans aucun gras. Lorsque la viande est cuite à la vapeur, la graisse se sépare de la viande et coule dans le moule.
- Cuisson de la viande : faites cuire une dinde de 14 lb en seulement 90 minutes dans le mode à convection à la vapeur du four. Doré à l'extérieur ; humide à l'intérieur.
- Aspect appétissant: les aliments conservent leur couleur naturelle lorsqu'ils sont cuits à la vapeur. Les légumes cuits à la vapeur semblent avoir été fraîchement récoltés. Vous devez rarement remuer ou

retourner les aliments, ce qui signifie que même les plats de poisson délicats conservent leur forme. Les aliments ne se dessèchent pas.

- Plaisir savoureux : la cuisson à la vapeur fournit des aliments naturellement savoureux qui ne nécessitent pratiquement pas de sel.
- Cuisson d'un menu : Avec la vapeur, vous pouvez cuire plusieurs composants d'un menu en même temps, avec peu ou pas d'assaisonnement, sans mélanger les différentes saveurs.

### Remarque

Conseils d'utilisation du mode vapeur :

- Les aliments avec des temps de cuisson similaires peuvent être cuits ensemble, économisant de l'énergie et du temps de nettoyage.
- Placer la plaque de cuisson sous la plaque perforée pour recueillir les précipités et les déversements de nourriture.
- Assaisonner les légumes après la cuisson à la vapeur.

### Comment utiliser le mode STEAM CONV

Utilisez le mode de cuisson pour préparer une variété d'aliments, des pâtisseries aux casseroles.

Consultez les conseils de préparation de la recette ou de l'emballage pour connaître les températures et les temps de cuisson.

### Remarque

- Préchauffez complètement le four avant de cuire des objets comme des gâteaux, des biscuits et du pain.
- Utilisez **TRUE CONV** pour de meilleurs résultats lors de la cuisson de biscuits sur plusieurs grilles.
- **BAKE** est la meilleure fonction à utiliser pour la cuisson des gâteaux.
- Laisser au moins 2 po (5 cm) d'espace entre les ustensiles de cuisson pour une bonne circulation de l'air.
- Les ustensiles de cuisson foncés ou ternes absorbent plus de chaleur que les ustensiles de cuisson brillants, ce qui donne des aliments brunis ou trop dorés. Il peut être nécessaire de réduire la température du four ou le temps de cuisson pour éviter la coloration excessive de certains aliments.
- Des moules brillants sont recommandés pour les gâteaux, les biscuits et les muffins.
- N'ouvrez pas souvent la porte du four. L'ouverture de la porte réduira la température du four et peut augmenter le temps de cuisson.

### Comment utiliser le mode DEFROST

Utilisez la fonction de décongélation pour décongeler des aliments tels que viande, volaille, légumes, pâtisseries, gâteaux, pain et fruits.

Conseils d'utilisation du mode de dégivrage :

- Lors de la décongélation de la volaille et d'autres viandes, placez les aliments sur la lèchefrite avec sur la grille universelle en dessous. Cela empêche les aliments de se trouver dans le liquide de décongélation.
- Retournez, remuez ou séparez les aliments à mi-chemin de la décongélation.

- NE PAS recongeler les aliments une fois décongelés. Les aliments doivent être cuits immédiatement après décongélation.
- Décongeler des plats surgelés et précuits selon les instructions du fabricant.

### Comment utiliser le mode REHEAT

Ce mode utilise de la vapeur et de l'air chaud pour restaurer en douceur les aliments. La combinaison de l'air et de l'humidité réchauffe les aliments uniformément et sans les sécher.

Les plats, les casseroles, les accompagnements et les restes sont réchauffés à la température de service sans compromettre la qualité.

Conseils d'utilisation du mode de réchauffage :

- Si possible, disposez les aliments de manière à ce qu'ils soient répartis uniformément sur le plat.
- Il n'est pas nécessaire de remuer les aliments pendant le réchauffage.
- Les temps de réchauffage varient pour les aliments, alors vérifiez les aliments de temps en temps pour éviter une cuisson excessive.
- Réchauffez une assiette de nourriture, sans couvercle.

### Comment utiliser le mode PROOF

Utilisez le mode **PROOF** pour lever la pâte à levure.

#### Remarque

- Commencez avec un four froid lorsque vous utilisez ce mode.
- Laissez d'abord décongeler la pâte congelée.
- La température idéale pour la fermentation sera maintenue jusqu'à ce que le mode soit désactivé. La pâte a fait ses preuves lorsqu'elle a doublé de volume.
- Couvrez sans serrer le bol ou l'ustensile de cuisson et utilisez une grille adaptée à la taille du contenant.
- Laissez la porte fermée et utilisez l'éclairage du four pour vérifier la levée de la pâte.

Taille	Durée en minute
Miche, 1 lb (4,5 kg)	60 - 75
Roulades, 0,1 lb (50 g)	30 - 45

## 10.7 Ouverture de la porte du four en mode vapeur

### ⚠ MISE EN GARDE

Faire attention en ouvrant l'appareil. En se plaçant sur le côté, ouvrir la porte lentement et légèrement pour laisser l'air chaud et/ou la vapeur s'échapper du four.

- ▶ Éloigner le visage de l'ouverture et s'assurer qu'aucun enfant ou animal ne se trouve près de l'appareil.
- ▶ Une fois l'air chaud et/ou la vapeur sortis, continuer la cuisson.
- ▶ Gardez la porte de l'appareil fermée, sauf si cela est nécessaire pour la cuisson ou le nettoyage.
- ▶ Ne laissez pas la porte ouverte de l'appareil sans surveillance.


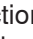


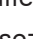
1. Ouvrez soigneusement la porte du four.

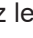
- ✓ Si le ventilateur de convection fonctionne, il s'éteindra automatiquement.
  - ✓ L'écran vous invite à fermer la porte.
2. Fermez la porte de four.
- ✓ Le four reprend son fonctionnement.

## 10.8 Utilisation d'un mode de cuisson vapeur

### Remarque

En plus des programmes vapeur automatiques, votre four vapeur dispose de 5 modes de cuisson pour la cuisson vapeur :

- "Vapeur" 
- "Convection à vapeur" 
- "Levée de pâte" 
- "Décongélation" 
- "Réchauffer" 


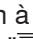
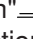
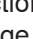

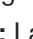
1. Remplissez le réservoir d'eau.
  2. Réglez un mode de cuisson à la vapeur et une température.
  3. Effleurez le champ  de la minuterie.
  4. Faites glisser votre doigt pour définir une durée. La durée par défaut est de 20 minutes.
  5. Après quelques secondes, le mode démarre automatiquement.
- ✓ Une fois que l'appareil a atteint la température réglée, la minuterie du four commence à décompter.
  - ✓ Lorsque le temps de cuisson est écoulé, un signal retentit et l'opération s'arrête.
6. Appuyez sur **TIMERS** pour arrêter le signal sonore.

## 10.9 Utilisation du mode de cuisson à la vapeur


Avec la cuisson avec l'assistance vapeur, vous pouvez utiliser un mode de chauffage conventionnel en combinaison avec différents niveaux d'intensité de vapeur.

### Remarque

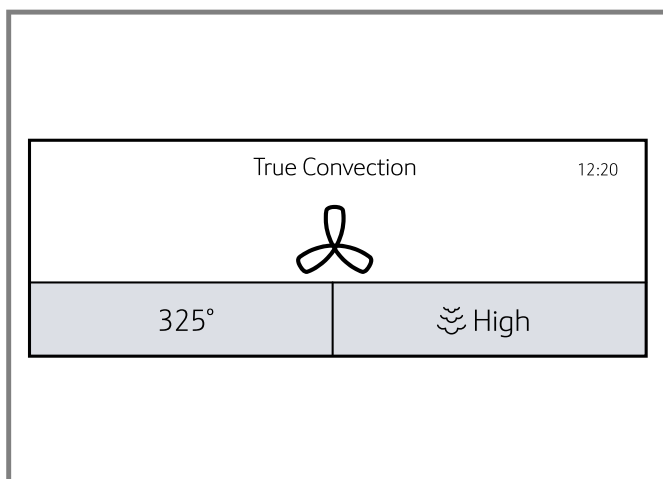
Vous pouvez utiliser l'assistance vapeur avec les modes de chauffage suivants :

- "Convection réelle" 
- "Cuisson à Convection" 
- "Cuisson" 
- "Convection rapide" 
- "Rôtissage par convection" 
- "Rôtissage" 

**Exigence** : La cavité du four est froide.

1. Remplissez le réservoir d'eau.
2. Réglez le mode de chauffage et la température souhaités.
3. Appuyez sur **ADD STEAM**.
4. Appuyez sur l'intensité de la vapeur dans le coin inférieur droit de l'écran tactile et faites glisser pour sélectionner l'intensité de la vapeur.
5. Touchez .

6. Après quelques secondes, le mode démarre automatiquement.



- ✓ Le préchauffage du four est lancé.

7. Placez les aliments dans la cavité du four, une fois le préchauffage terminé.

### Annulation de l'assistance vapeur

1. Appuyez sur **ADD STEAM**.
  2. Appuyez sur l'intensité de la vapeur dans le coin inférieur droit de l'écran tactile et faites glisser à "Off".
  3. Touchez .
- ✓ Le mode de chauffage continue sans assistance vapeur.

## Recommandations pour la cuisson à la vapeur

### Pain

Type d'aliment	Intensité de la vapeur	Mode de cuisson
Pain multicéréales	Élevé	BAKE
Pain complet au miel	Faible ou moyen	BAKE
Pain à la levure surgelé	Faible	CONV BAKE

### Viande et volaille

Type d'aliment	Intensité de la vapeur	Mode de cuisson
Poulet entier	Faible ou moyen	CONV ROAST
Poulet de Cornouaille	Faible	CONV ROAST
Dinde	Moyen	CONV ROAST
Longe de porc	Moyen	CONV ROAST
Filet de porc	Faible	CONV ROAST
Oeil de rond	Moyen	CONV ROAST
Rôti de faux-filet	Faible	CONV ROAST
Rôti d'agneau	Moyen	CONV ROAST
Soc boston ou épaule de porc	Élevé	CONV ROAST

### Pizzas et cocottes

Type d'aliment	Intensité de la vapeur	Mode de cuisson
Pizza fraîche	Faible	BAKE
Pizza fine fraîche	Faible	CONV BAKE
Pizza surgelée DiGiorno	Faible	BAKE
Pizza à croûte mince surgelée	Faible	BAKE
Pizza congelée	Faible	CONV BAKE
Lasagne fraîche	Faible	BAKE
Lasagnes surgelées	Moyen	BAKE
Plat de poulet	Faible	BAKE
Légumes rôtis	Faible ou moyen	CONV ROAST

**Tartes et petites pâtisseries**

Type d'aliment	Intensité de la vapeur Niveau de vapeur	Mode de cuisson
Petits pains surgelés	Moyen	BAKE
Brioche à la cannelle	Faible	BAKE CONV BAKE
Biscuits aux pépites de chocolat	Faible	BAKE
Tarte à la lime	Faible	BAKE
Rouleaux de croissant	Faible	TRUE CONV
Tarte aux fruits surgelée	Faible	CONV BAKE

**10.10 Programmes de vapeur automatiques**

Les programmes vapeur vous aident à utiliser votre appareil pour préparer différents plats en sélectionnant automatiquement les réglages optimaux.

- Vous pouvez sélectionner un programme directement sur l'appareil ou en utilisant l'application Home Connect™.
- Pour certains plats, vous devez entrer un poids. L'écran affichera la plage de poids possible.
- L'écran affiche des recommandations sur les ustensiles de cuisine, la position de la grille ou l'ajout de liquide lors de la cuisson de la viande.
- Certains plats doivent être retournés ou remués pendant la cuisson. L'écran affiche une note peu de temps après le début de l'opération. Un signal sonore vous rappelle au bon moment.
- Appuyez sur **INFO** pour afficher des informations sur le bon récipient et des conseils pour préparer le plat sélectionné.

**Remarque :** Vous ne pouvez pas suspendre un programme vapeur. Vous pouvez l'annuler en éteignant le four, mais vous devrez recommencer depuis le début.

**Vue d'ensemble des programmes de vapeur**

Vous trouverez ici un aperçu des programmes automatiques.

Catégorie	PLat
Réchauffer	<ul style="list-style-type: none"> <li>■ Pizza mince, 1 mc</li> <li>■ Pizza - mince, 2 mcx</li> <li>■ Pizza - mince, 3 mcx</li> <li>■ Pizza - mince, 4 mcx</li> <li>■ Pizza - mince, 5 mcx</li> <li>■ Pizza mince, 6 mc</li> <li>■ Pizza - mince, entière</li> <li>■ Pizza - épaisse, 1 mc</li> <li>■ Pizza - épaisse, 2mcx</li> <li>■ Pizza - épaisse, 3mcx</li> <li>■ Pizza - épaisse, 4mcx</li> <li>■ Pizza - épaisse, 5mcx</li> <li>■ Pizza - épaisse, 6mcx</li> <li>■ Pizza - épaisse, entière</li> </ul>
Légumes	<ul style="list-style-type: none"> <li>■ Fleurons de chou-fleur cuits à la vapeur</li> </ul>

Catégorie	PLat
	<ul style="list-style-type: none"> <li>■ Haricots verts cuits à la vapeur</li> <li>■ Fleurons de brocoli cuits à la vapeur</li> <li>■ Asperges vertes cuites à la vapeur</li> <li>■ Choux de Bruxelles frais</li> <li>■ Carottes en rondelles</li> <li>■ Artichauts frais</li> <li>■ Épinards frais cuits à la vapeur</li> <li>■ Pois mange-tout</li> </ul>
Pommes de terre	<ul style="list-style-type: none"> <li>■ Pommes de terre bouillies avec peau</li> <li>■ Pommes de terre bouillies</li> </ul>
Céréale et grains	Couscous
Volaille	<ul style="list-style-type: none"> <li>■ Poulet entier, frais</li> <li>■ Morceaux de poulet</li> </ul>
Bœuf	<ul style="list-style-type: none"> <li>■ Entrecôte, fraîche</li> <li>■ Bœuf braisé, frais</li> </ul>
Porc	Rôti, frais
Agneau	Gigot d'agneau, frais
Poisson	<ul style="list-style-type: none"> <li>■ Poisson frais, entier</li> <li>■ Filets de poisson, frais</li> <li>■ Filets de poisson, surgelés</li> <li>■ Fruits de mer</li> <li>■ Crevette</li> </ul>
Pâtisseries, desserts	<ul style="list-style-type: none"> <li>■ Compote de fruits</li> <li>■ Riz au lait</li> </ul>
Pains	<ul style="list-style-type: none"> <li>■ Pain blanc</li> <li>■ Pain multigrain</li> <li>■ Pain de seigle</li> <li>■ Petits pains frais</li> <li>■ Petits pains surgelés</li> <li>■ Pain tressé</li> <li>■ Galette</li> </ul>
Décongélation	Baies
Œufs	<ul style="list-style-type: none"> <li>■ Œufs durs, 1 à 24</li> <li>■ Œufs durs, 25 à 36</li> </ul>
Riz	<ul style="list-style-type: none"> <li>■ Riz basmati</li> <li>■ Riz brun</li> <li>■ Riz à grains longs</li> <li>■ Risotto, riz arborio</li> </ul>



## Réglage d'un programme à la vapeur

1. Tournez le bouton de sélection de mode sur **STEAM PROGRAMS**.
2. Effleurez la ligne inférieure de l'écran.
3. Effleurez la catégorie requise.
4. Faites glisser pour sélectionner le plat souhaité.
  - ✓ L'écran affiche les réglages du plat sélectionné. Pour certains plats, il y a des notes supplémentaires. Faites glisser votre doigt vers la gauche pour afficher toutes les notes.
5. Certains programmes nécessitent une entrée de poids. Appuyez sur le champ de poids et faites glisser pour ajuster le paramètre.
6. Après quelques secondes, le mode démarre automatiquement.
  - ✓ Le temps de cuisson calculé s'affiche. Le temps de cuisson dépend de la température des aliments et peut changer au cours des premières minutes.
  - ✓ Lorsque le temps de cuisson est écoulé, un signal retentit et l'opération s'arrête.
7. Pour certains plats, l'écran offre la possibilité de poursuivre la cuisson du plat.
  - Touchez "Continue cooking". Vous pouvez ajuster le réglage recommandé ou le temps de cuisson.
  - Si vous êtes satisfait(e) des résultats de cuisson, touchez "End".
8. Appuyez sur **TIMERS** pour arrêter le signal sonore.

## Annuler un programme vapeur

- ▶ Tourner les manettes de sélection de mode et de température du four vapeur sur **OFF**.

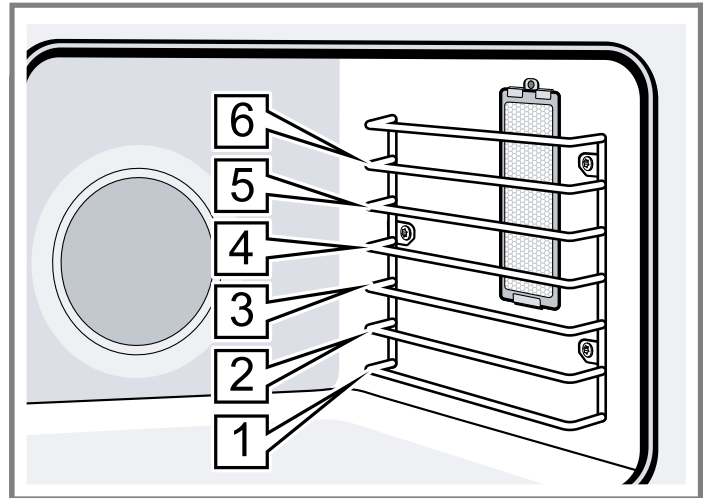
## 11 Fonctionnement du four conventionnel

Vous trouverez ici des informations sur le fonctionnement de la cavité conventionnelle du four.

### 11.1 Positions des grilles

Votre four a six positions de grille. Les positions de grille sont comptées de bas en haut.

Utiliser uniquement les positions de grille de 1 à 6. NE PAS tenter d'utiliser le dispositif de guidage supérieur pour soutenir une grille de four.



### ⚠ MISE EN GARDE

Soyez prudent lorsque vous retirez les grilles du four de la position la plus basse pour éviter tout contact avec la porte chaude du four.

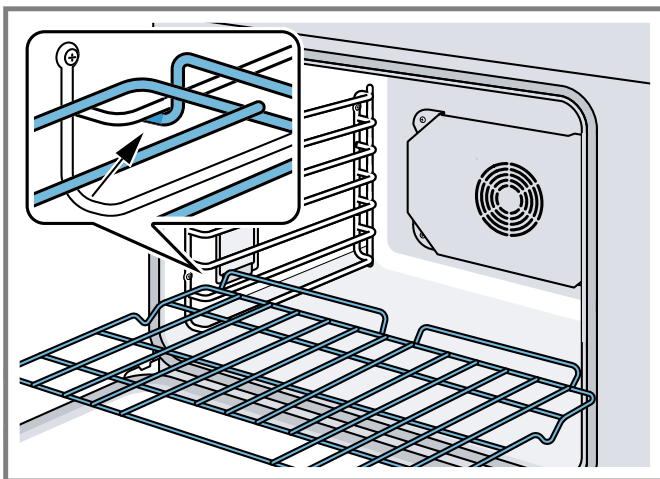
### 11.2 Insertion de la grille métallique

La grille peut être utilisée dans le four conventionnel au niveau 1 à 6.

**Exigence :** Vous avez lu la recommandation sur → "Utilisation sûre des grilles de four", Page 72.

1. Saisissez fermement la grille des deux côtés.

- Inclinez la grille vers le haut pour permettre l'arrêt dans le guide de la grille.



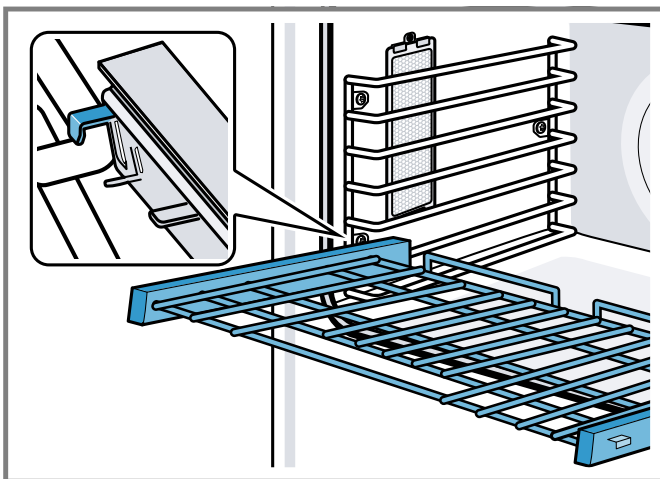
- Amenez la grille en position horizontale et poussez-la à fond.

La grille doit être droite et plate, pas tordue.

### 11.3 Insertion de la grille télescopique

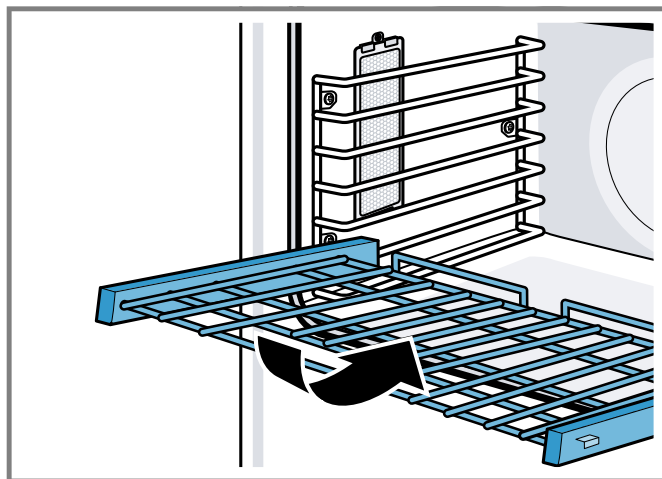
**Exigence :** Vous avez lu la recommandation sur → "Utilisation sûre des grilles de four", Page 72.

- Tenez la grille télescopique légèrement inclinée et engagez les crochets arrière dans les rails du four des deux côtés de la cavité du four.

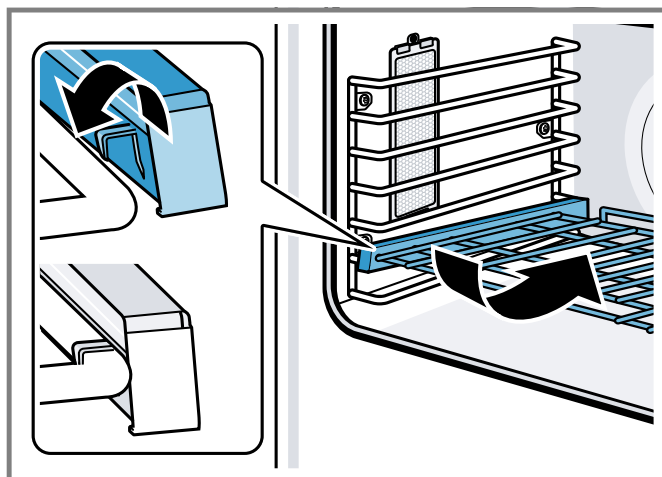


- Tenez la grille bien droite pour permettre à la deuxième languette de reposer sur la barre du four.

- Poussez la grille jusqu'à ce qu'elle soit de niveau avec les crochets avant.



- Levez la grille pour verrouiller la dernière languette en position.



- Enfoncez complètement la grille.
- Assurez-vous que les crochets avant de la grille télescopique s'engagent dans les rails du four.

### 11.4 Rôtissoire

La rôtissoire utilise la chaleur rayonnée par l'élément de gril. Les aliments tournent lentement sur une broche au centre du four. Il permet de sceller la saveur et le jus tout en cuisant la viande sans ajout de matières grasses ou de liquides.

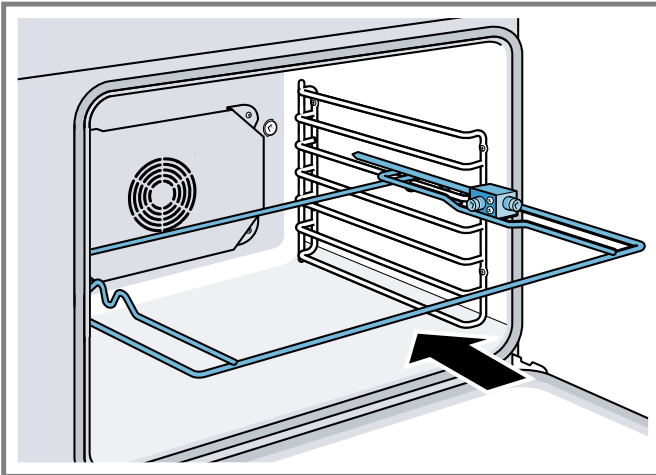
Le mode rôtisserie est le mieux adapté à la cuisson de gros morceaux de viande, comme un poulet entier, une dinde ou un gros rôti.

Notes générales :

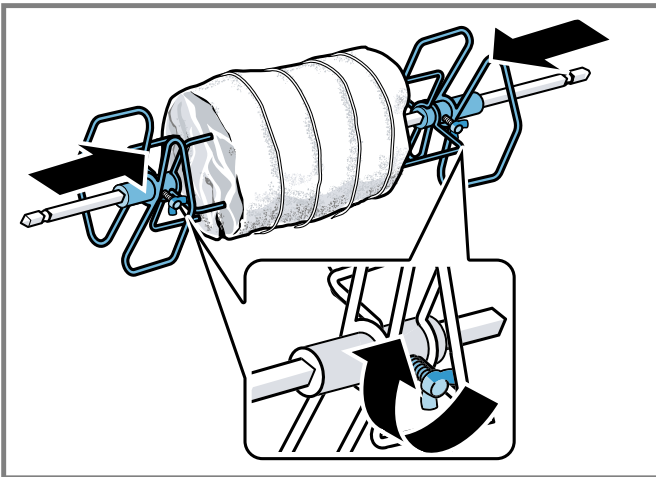
- Le poids maximum permis pour l'utilisation du tournebroche est de 12 lb (6 kg).
- Utilisez une sonde thermométrique pour vérifier la température interne de la viande.
- La plage de température autorisée est de 175 à 550 °F (80 à 290 °C).

## Assemblage de la rôtissoire

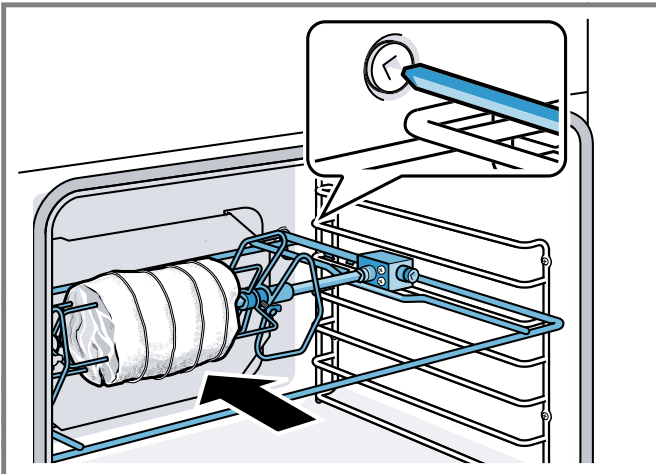
1. Insérez à moitié la grille du tourne-broche dans le four au niveau 5.



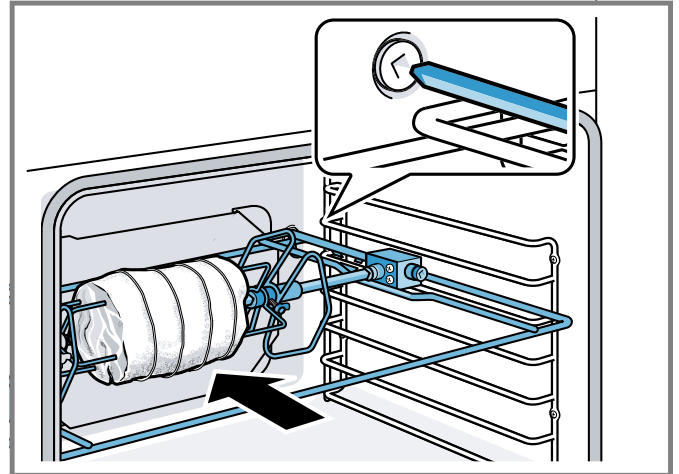
2. Coulez l'attache gauche sur la broche et serrez la vis.
3. Glissez la viande ou la volaille à rôtir sur la broche.
4. Coulez l'attache droite sur la broche et serrez la vis.
5. Vérifiez l'équilibre de l'aliment sur la broche en la tournant dans la paume de vos mains. La cuisson d'un aliment mal équilibré sur la broche ne sera pas uniforme.



6. Placez la broche du tourne-broche sur la grille.



7. Insérez la grille de la broche dans le four et insérez l'arbre d'entraînement dans l'orifice de la paroi arrière du four.

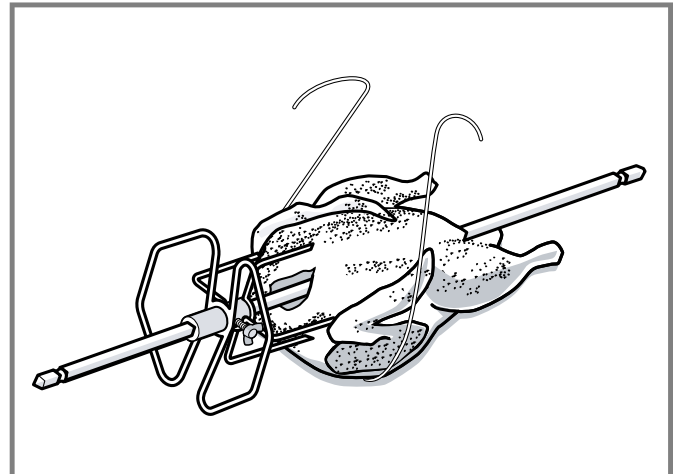


Au besoin, tournez légèrement la broche pour bien l'insérer dans l'orifice.

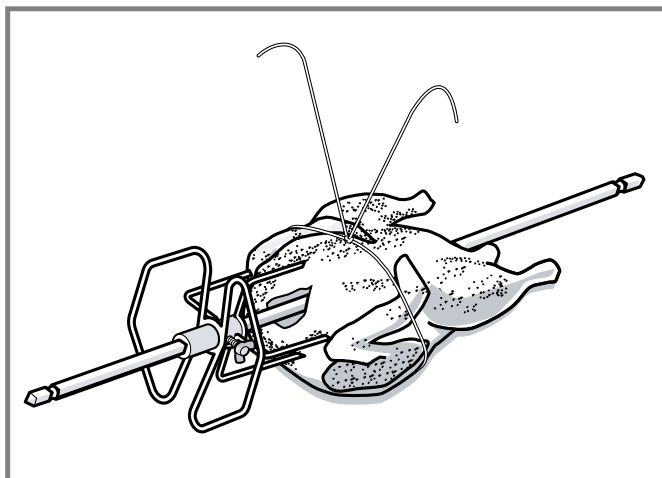
8. Insérez la grille en position 1 et utilisez la lèchefrite pour récupérer les gouttes.

## Briquer la volaille pour la rôtisserie

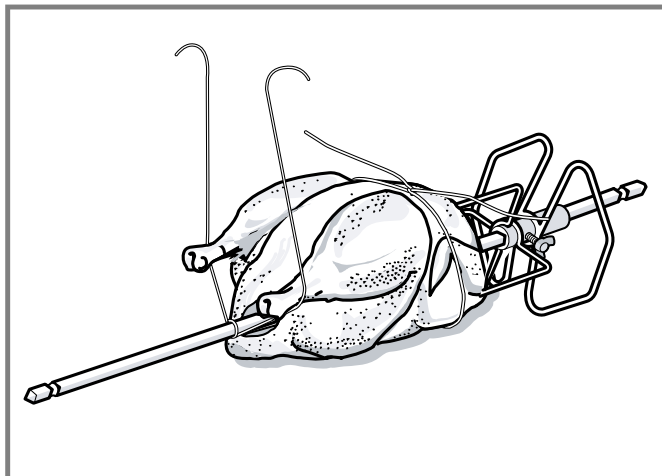
1. Glissez une attache sur la broche, les dents pointant vers l'extrémité de la broche. Serrez légèrement la vis pour l'empêcher de glisser.
2. Insérez la brochette dans la volaille en fixant la volaille avec la fourchette.
3. Coupez 24 po (61 cm) de corde de cuisine. Déposez la corde sous la volaille, poitrine vers le haut, en gardant les deux bouts égaux de chaque côté.



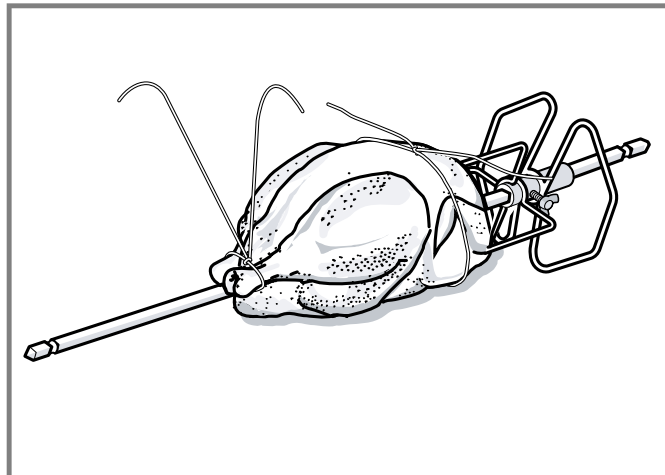
4. Enroulez chaque extrémité de la ficelle autour de chacune des ailes. Attrapez chaque extrémité de l'aile pendant que vous rapprochez la corde en haut et nouez-la. Ne coupez pas la corde restante.



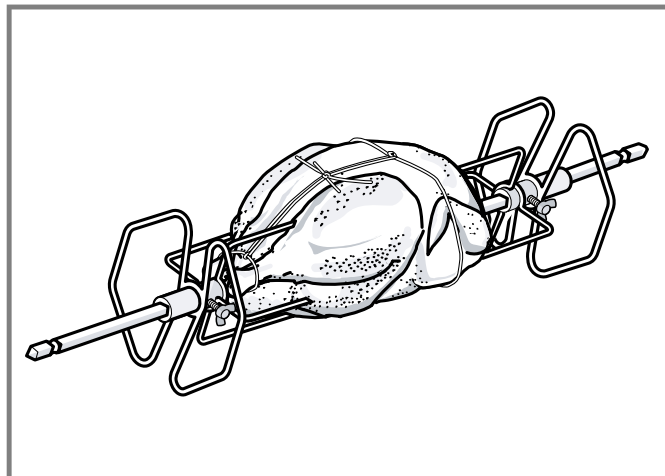
5. Coupez un autre bout de corde de cuisine de 24 po (61 cm) et déposez-la sur le dos. Enroulez la corde autour de la queue puis de la broche. Serrez bien.



6. Tirez les jambes vers l'avant, croisez-les sur le dessus de la brochette. Enroulez avec la corde et faites un nœud.



7. Connectez la ficelle qui retient les jambes à la ficelle tenant les ailes et nouez-les ensemble. Glissez l'autre attache et enfoncez les dents dans les pilons de la volaille pour les fixer solidement.



8. Vérifiez l'équilibre tournant la broche dans la paume de vos mains. La volaille ne devrait pas tourner sur la broche ni être lâche à un endroit quelconque. Si c'est le cas, bridez-la de nouveau.

La cuisson d'une volaille mal équilibrée sur la broche ne sera pas uniforme.

### Démarrage du mode rôtisserie

1. Tournez le sélecteur de mode sur **ROTISSERIE**.
  2. Tournez la sélection de température sur la température souhaitée.
- ✓ Après quelques secondes, le mode démarre automatiquement.

### Recommandations de cuisson pour la rôtisserie

Vous trouverez ici des recommandations pour la cuisson de différents aliments avec le mode rôtissoire.

**Bœuf**

Produit alimentaire	Poids en lb	Température du four en °F (°C)	Temps en min./lb	Température interne des aliments en °F (°C)
Rôti de faux-filet, mi-saignant	3 - 5,5	400 (200)	17 - 23	145 (65)
Rôti de faux-filet, moyen	3 - 5,5	400 (200)	18 - 27	160 (70)

**Porc**

Produit alimentaire	Poids en lb	Température du four en °F (°C)	Temps en min./lb	Température interne des aliments en °F (°C)
Rôti de longe, désossé	1,5 - 4	400 (200)	16 - 24	145 (65)
Rôti de longe, désossé	1,5 - 4	400 (200)	20 - 26	160 (70)

**Volaille**

Produit alimentaire	Poids en lb	Température du four en °F (°C)	Temps en min./lb	Température interne des aliments en °F (°C)
Poulet, entier	4 - 8	450 (230)	12 - 17	165 (75)
Dinde, entière	10 - 12	400 (200)	10 - 12	165 (75)
Poitrine de dinde	4 - 7	400 (200)	16 - 19	165 (75)
4 poulets de Cornouaille	1,5 chacune	450 (230)	60 - 70 total	165 (75)

**Agneau**

Produit alimentaire	Poids en lb	Température du four en °F (°C)	Temps en min./lb	Température interne des aliments en °F (°C)
Cuisse, désossée, moyenne	4 - 6	400 (200)	20 - 23	160 (70)
Cuisse, désossée, bien cuit	4 - 6	400 (200)	27 - 29	170 (75)

**11.5 Obtenir les meilleurs résultats avec votre four conventionnel**

- Minimisez l'ouverture des portes du four.
- Utilisez la position de grille recommandée par la recette.
- Utilisez les ustensiles de cuisson recommandés dans la recette.
- Rangez les poêles à l'extérieur du four. Une casserole supplémentaire sans nourriture affecte le brunissement et la cuisson.
- Le type de casserole utilisé affecte le brunissement.
  - Pour les croûtes tendres et dorées, utilisez des casseroles métalliques légères antiadhésives/ anodisées ou brillantes.
  - Pour les croûtes croustillantes brunes, utilisez des casseroles métalliques antiadhésives foncées, anodisées ou foncées, ternes ou des ustensiles de cuisson en verre. Ceux-ci peuvent nécessiter d'abaisser la température de cuisson de 25 ° F.

**Préchauffe du four**

- La plupart des temps de cuisson dans les recettes sont conçus pour un four préchauffé et nécessitent que le four soit déjà à une certaine température avant le début de la cuisson. Reportez-vous à votre recette pour les recommandations de préchauffage.
- Le temps de préchauffage dépend du réglage de température et du nombre de grilles dans le four. Retirez les grilles de four inutilisées pour raccourcir le temps de préchauffage.
- Le préchauffage n'est pas nécessaire pour **ROAST** et **CONV ROAST**.

**Type d'ustensiles de cuisson**

- Des ustensiles de cuisson en métal avec ou sans finition antiadhésive, du verre résistant à la chaleur, de la vitrocéramique, de la poterie ou d'autres ustensiles conviennent au four.



- Les plaques à biscuits appropriées ont une petite lèvre d'un côté. Les feuilles épaisses ou celles avec plus d'un côté peuvent affecter le temps de cuisson.

### Positionnement de plats de cuisson

- Laissez au moins 1 po (2,5 cm) d'espace entre les casseroles et les parois du four pour que la chaleur puisse circuler autour de chaque poêle.
- Décaler les ustensiles de cuisson de sorte que l'un ne soit pas directement au-dessus d'un autre. Laisser 1½ po (4 cm) au-dessus et au-dessous de chaque casserole.

### Cuisson à haute altitude

À haute altitude, les recettes et les temps de cuisson peuvent varier. Pour des informations précises, consultez [www.csuextstore.com](http://www.csuextstore.com) ou écrivez au service d'extension, Colorado State University, Fort Collins, Colorado 80521. Des frais peuvent être exigés pour l'achat de ces guides de cuisson. Préciser le nom du guide de préparation culinaire à haute altitude que vous désirez : renseignements généraux, gâteaux, biscuits, pains, etc.

### Condensation

Il est normal de voir une certaine quantité de vapeur d'eau s'échapper des aliments lors de la cuisson. La quantité dépend de la teneur en humidité de l'aliment. L'humidité se condensera sur toute surface plus froide que l'intérieur du four, comme le panneau de commande.

## 11.6 Conseils généraux pour les modes de chauffage

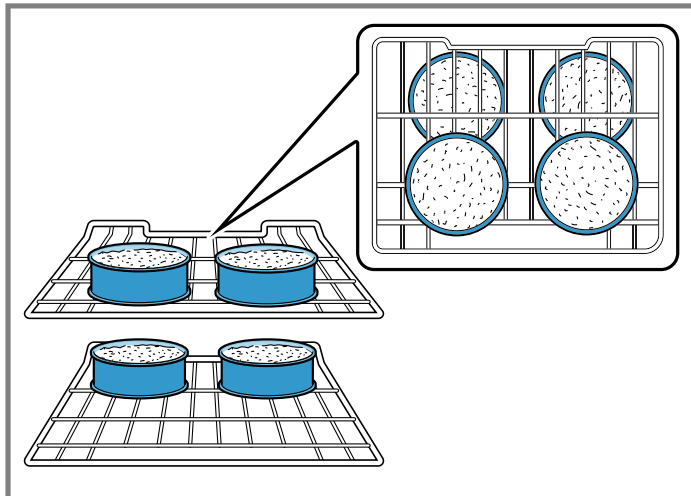
### Comment utiliser le mode BAKE

Utilisez le mode **BAKE** pour préparer une variété d'aliments, des pâtisseries aux casseroles. Consultez les conseils de préparation de la recette ou de l'emballage pour connaître les températures et les temps de cuisson.

#### Remarque

- Préchauffez complètement le four avant de cuire des objets comme des gâteaux, des biscuits et du pain.
- **BAKE** est la meilleure fonction à utiliser pour cuire des gâteaux sur deux grilles.
- Laissez au moins 2 po (5 cm) d'espace entre les ustensiles de cuisson pour une bonne circulation de l'air.
- Les ustensiles de cuisson foncés ou ternes absorbent plus de chaleur que les ustensiles de cuisson brillants, ce qui donne des aliments brunis ou trop dorés. Il peut être nécessaire de réduire la température du four ou le temps de cuisson pour éviter la coloration excessive de certains aliments.
- Des moules brillants sont recommandés pour les gâteaux, les biscuits et les muffins.
- N'ouvrez pas souvent la porte du four. L'ouverture de la porte réduira la température du four et peut augmenter le temps de cuisson.

- Pour les gâteaux, utilisez les positions 2 et 5. Étagez les moules de manière à ce que l'un ne soit pas placé directement au-dessus de l'autre.



### Comment utiliser le mode CONV BAKE

Utilisez le mode **CONV BAKE** pour les biscuits et les pains. Ce mode profite de la chaleur du fond, produisant une meilleure croûte sur les plats cuits.

Les avantages de la cuisson par convection incluent une légère diminution du temps de cuisson et un volume de pâte plus élevé, par exemple les levures augmentent plus avec ce mode.

#### Remarque

- Réduire la température du four indiquée dans la recette de 25 ° F (3,9 ° C). Reportez-vous au tableau de cuisson.
- Mettez les aliments dans des moules peu profonds, non couverts, telles des plaques à biscuit sans rebords.
- Si plus d'un plat cuit sur une grille, laissez environ 1 à 1,5 po (2,5 à 4 cm) d'espace entre les plats.
- Laissez au moins 2 po (5 cm) d'espace entre les ustensiles de cuisson pour une bonne circulation de l'air.

### Comment utiliser le mode TRUE CONV

Utilisez la véritable convection pour cuire des aliments individuels tels que des biscuits. Il est également efficace pour la cuisson sur plusieurs grilles (2 ou 3) en même temps.

Les avantages de **TRUE CONV** incluent un brunissement uniforme et un gain de temps grâce à l'utilisation de plusieurs grilles à la fois.

#### Remarque

- La cuisson des biscuits peut se faire sur 6 grilles différentes simultanément. Dans ce cas, le temps de cuisson augmente légèrement.
- Réduisez la température de la recette de 25 ° F si la conversion automatique par convection n'est pas activée.
- Mettez les aliments dans des plats peu profonds, non couverts, telles des plaques à biscuit sans rebords.
- Si plus d'un plat cuit sur une grille, laissez environ 1 à 1,5 po (2,5 à 4 cm) d'espace entre les plats.



- Étapez les plats de manière à ce que l'un ne soit pas placé directement au-dessus de l'autre.

### Comment utiliser le mode PIZZA

#### Remarque

Suivez ces recommandations :

- Il se peut qu'il ait une légère diminution du temps de cuisson. Vérifiez la durée minimale inscrite sur l'emballage.
- Lors de la cuisson d'une pizza surgelée : Pour une croûte croustillante, placez-la directement sur la grille. Pour obtenir une croûte plus molle, utilisez une plaque à pizza.
- Si vous faites cuire à blanc une pâte à pizza faites à la main, piquez le fond avec une fourchette avant de la mettre au four.
- Si vous utilisez un moule à pizza, choisissez un moule foncé muni de trous pour obtenir une croûte plus croustillante et un moule non troué pour obtenir une croûte plus molle.
- Faites préchauffer les pierres à pizza au four en suivant les recommandations du fabricant pendant.
- Faites cuire les pizzas maison au centre de la grille et placez celles-ci en position 2.
- Pour les pizzas congelées, observez les recommandations du fabricant.
- Lors de l'utilisation du mode Pizza, le ventilateur à convection s'allume et s'éteint par intermittence.

### Comment utiliser le mode ROAST

Utilisez le mode **ROAST** pour les grosses coupes de viande et de volaille.

#### Remarque

- Il n'est pas nécessaire de préchauffer le four.
- Utilisez un plat à rôtir ou une rôtissoire à grands rebords. Couvrir le plat avec un couvercle ou une feuille d'aluminium pour faire cuire les coupes de viande moins tendres.
- Pour les coupes de viande moins tendres, ajouter des liquides, tels de l'eau, du jus, du vin, du bouillon ou un fond pour parfumer et mouiller la viande.
- Les sacs à rôtir se prêtent bien à ce mode de cuisson de même que les couvercles.
- Pour faire rôtir un poulet entier ou une dinde entiers, replier les ailes en dessous et attacher les cuisses de manière lâche avec de la ficelle de cuisine.
- Lors de la cuisson de grosses viandes (par exemple, une dinde de plus de 10 lb), n'utilisez pas la position de grille la plus basse.

### Comment utiliser le mode CONV ROAST

Utilisez le mode **CONV ROAST** pour préparer des morceaux de viande et de volaille tendres. Il convient également au rôtissage de légumes.

Les avantages du mode **CONV ROAST** incluent une cuisson jusqu'à 25 % plus rapide que les modes sans convection et un brunissement doré qui est riche.

#### Remarque

- Il n'est pas nécessaire de préchauffer le four.

- Utilisez la température exacte indiquée sur la recette.
- Vérifiez la cuisson au début car la durée de rôtissage peut être écourtée.
- Ne couvrez pas la viande. N'utilisez pas de sac brunisseur.
- Utilisez un plat à rôtir avec une grille, un lèche frite ou un plat peu profond, à découvert, doté d'une grille pour le rôtissage.
- Utilisez un thermomètre à viande pour déterminer la température interne de celle-ci.
- Si la viande est dorée à votre goût, mais n'est pas encore terminée, du papier d'aluminium peut être placé sur la viande pour éviter la coloration excessive.
- Une fois la viande sortie du four, la couvrir avec du papier d'aluminium et laisser reposer de 10 à 15 minutes.
- Lors de la cuisson de grosses viandes (par exemple, une dinde de plus de 10 lb), n'utilisez pas la position de grille la plus basse.

### Comment utiliser le mode BROIL

Le mode **BROIL** utilise une chaleur intense rayonnée par l'élément supérieur. Utilisez ce mode pour cuire de fines coupes de viande tendres, 1 po (2,5 cm) ou moins, de la volaille et du poisson. On peut l'utiliser également pour faire griller le pain et gratiner les plats en casserole.

#### Remarque

- Faites toujours griller avec la porte du four fermée.
- Préchauffez le four pendant 3 à 4 minutes. Ne préchauffez pas plus de 5 minutes.
- Le steak et les côtelettes doivent avoir au moins 3/4 po (2 cm) d'épaisseur.
- Pour le rôtissage, utiliser un plat à rôtir et une lèche frite ou un plat profond doté d'une plaque-gril en métal.
- Ne recouvrez pas la grille avec du papier d'aluminium. Elle est conçue pour évacuer les graisses et les huiles de la surface de cuisson afin d'éviter la fumée et les éclaboussures.
- Retournez les viandes une fois pendant le temps de cuisson recommandé. Le poisson n'a pas besoin d'être retourné.
- Pour faire gratiner les plats en casserole, utiliser uniquement des plats en métal ou en céramique de verre tels que Corningware®.
- N'utilisez jamais de verre résistant à la chaleur, comme le Pyrex®; il ne peut pas tolérer la température élevée.

### Comment utiliser le mode CONV BROIL

Utilisez le mode **CONV BROIL** pour cuire des coupes tendres de viande, de volaille et de poisson. Ce mode n'est pas recommandé pour le brunissage des pains, des plats en casserole et d'autres aliments.

Outre les avantages de la cuisson au gril normale, le mode Gril Convection est plus rapide.

#### Remarque

- Utilisez toujours le gril à convection avec la porte du four fermée.
- Préchauffez le four pendant 3 à 4 minutes. Ne préchauffez pas plus de 5 minutes.

- Le steak et les côtelettes doivent avoir au moins 1 1/2 po (4 cm) d'épaisseur.
- Pour le rôtissage, utiliser un plat à rôtir et une lèchefrite ou un plat profond doté d'une plaque-gril en métal.
- Ne recouvrez pas la grille avec du papier d'aluminium. Elle est conçue pour évacuer les graisses et les huiles de la surface de cuisson afin d'éviter la fumée et les éclaboussures.
- Retournez les viandes une fois pendant le temps de cuisson recommandé. Le poisson n'a pas besoin d'être retourné.
- N'utilisez jamais de verre résistant à la chaleur, comme le Pyrex®; il ne peut pas tolérer la température élevée.

### Comment utiliser le mode PROOF

Utilisez le mode **PROOF** pour lever la pâte à levure.

#### Remarque

- Commencez avec un four froid lorsque vous utilisez ce mode.
- Laissez d'abord décongeler la pâte congelée.
- La température idéale pour la fermentation sera maintenue jusqu'à ce que le mode soit désactivé. La pâte a fait ses preuves lorsqu'elle a doublé de volume.
- Couvrez sans serrer le bol ou l'ustensile de cuisson et utilisez une grille adaptée à la taille du contenant.
- Laissez la porte fermée et utilisez l'éclairage du four pour vérifier la levée de la pâte.

Taille	Durée en minute
Miche, 1 lb (4,5 kg)	60 - 75
Roulades, 0,1 lb (50 g)	30 - 45

### Comment utiliser le mode WARM

Utilisez le mode **WARM** pour conserver les aliments chauds et cuits à la température de service.

#### ⚠ MISE EN GARDE

Les aliments peuvent se gâter lorsqu'ils sont gardés au chaud trop longtemps.

- ▶ N'utilisez pas le mode maintenir au chaud pour chauffer des aliments froids.
- ▶ Veillez à garder la nourriture à la bonne température. L'USDA recommande de maintenir les aliments chauds à 140 ° F (60 ° C) ou plus.
- ▶ NE PAS maintenir des aliments au chaud pendant plus d'une heure.

#### Remarque

- Commencez TOUJOURS par des plats chauds. N'UTILISEZ PAS ce mode pour chauffer des aliments froids autres que des craquelins, des croustilles et des céréales sèches.
- Dans ce mode, il est possible de maintenir au chaud les plats préparés, les assiettes et les tasses.
- Protéger les aliments devant rester humides avec un couvercle ou du papier d'aluminium.
- Il est possible de couvrir le plat de papier d'aluminium. N'utiliser que de la vaisselle résistante à la chaleur.

- N'ouvrez PAS la porte du four inutilement. Vous réduirez ainsi la température du four.
- Pour maintenir les aliments cuits au chaud, laissez les temps au four de préchauffer avant d'enfourner les plats.

## 12 Home Connect®

Cet appareil peut être mis en réseau. Connectez votre appareil à un appareil mobile pour utiliser ses fonctions via l'appli Home Connect®, modifier ses réglages de base ou surveiller son état de fonctionnement.

Les Home Connect® ne sont pas proposés dans tous les pays. La disponibilité de la fonction Home Connect® de l'offre des services Home Connect® dans votre pays. Vous trouverez de plus amples informations à ce sujet à l'adresse : [www.home-connect.com](http://www.home-connect.com).

L'application Home Connect® vous guide tout au long du processus de connexion. Suivez les étapes prescrites par l'application Home Connect® pour procéder aux réglages.

#### Conseils

- Pour ce faire, observez les documents Home Connect® fournis.
- Observez également les consignes dans l'application Home Connect®.

#### Remarques

- Observez les consignes de sécurité de la présente notice d'utilisation et assurez-vous qu'elles sont également respectées si vous utilisez l'appareil via l'application Home Connect®.
- Les commandes sur l'appareil même ont toujours priorité. Pendant ce temps, la commande via l'application Home Connect® n'est pas possible.
- En veille avec maintien de la connexion au réseau, l'appareil consomme au plus 2 W.

### 12.1 Configurer Home Connect®

#### Exigence

- L'appareil est déjà connecté au réseau électrique et est allumé.
- Vous disposez d'un terminal mobile doté de la version actuelle du système d'exploitation iOS ou Android, par ex. un smartphone.
- Le terminal mobile et l'appareil se trouvent à portée du signal WLAN de votre réseau domestique.

1. Télécharger l'appli Home Connect®.



2. Ouvrir l'appli Home Connect® et scanner le code QR suivant.



3. Suivre les instructions de l'application Home Connect®.

## 12.2 Home Connect® Réglages

Ajustez Home Connect® à vos besoins personnels. Vous trouverez les réglages Home Connect® dans les réglages de base de votre appareil. Les réglages qui s'affichent dépendent de la configuration de Home Connect® et de la connexion de l'appareil au réseau domestique.

### 12.3 Modification des paramètres via l'application Home Connect®

Vous pouvez utiliser l'application Home Connect® pour modifier les paramètres de l'appareil et les envoyer à l'appareil.

Prérequis pour utiliser le Home Connect® :

- L'appareil est connecté au réseau domestique et à l'application Home Connect®.
- Pour configurer l'appareil via l'application, Home Connect® doit être activé dans les réglages de base. → *Page 80*  
Activez Home Connect ON (Marche) dans les réglages de base du four.
- Le four doit être allumé.

### 12.4 Démarrage à distance

Vous devez activer le démarrage à distance pour lancer une commande de four avec l'appareil mobile.

#### **⚠ AVERTISSEMENT**

**FONCTIONNEMENT À DISTANCE** On peut configurer cet appareil électroménager pour le télécommander à tout moment.


- ▶ Ne pas ranger de matières inflammables ou d'articles sensibles à la chaleur à l'intérieur, sur le dessus ou près de la surface de l'appareil.

#### **Remarques**

- Pour certains modèles, un démarrage à distance permanent peut être activé via l'application Home Connect™. Cette fonction permet un démarrage à distance des modes de fonctionnement disponibles sans désactiver automatiquement le démarrage à distance.
- Le démarrage à distance peut uniquement être activé après la réussite de la configuration de Home Connect™.

- Certains modes de fonctionnement se lancent uniquement sur le four.

### Réglage du démarrage à distance

- ▶ Tournez le bouton de sélection de mode sur **REMOTE START**.
- ✓  s'affiche à l'écran.
- ✓ Lorsque vous démarrez le fonctionnement du four sur l'appareil, le démarrage à distance est automatiquement activé. Vous pouvez apporter des modifications à partir de votre appareil mobile ou démarrer une nouvelle opération.

**Remarque :** S'il est réglé sur manuel pour le niveau de télécommande, **REMOTE START** doit être activé le jour où vous comptez l'utiliser. Ouvrir la porte du four après avoir activé **REMOTE START** le désactivera dans certaines circonstances. Si tel est le cas, appuyez sur **REMOTE START** pour le réactiver.

### 12.5 Réglage du contrôle à distance

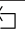
Vous pouvez utiliser l'appli Home Connect® pour accéder facilement aux fonctions du four.

#### **Remarques**

- Vous pouvez sélectionner parmi trois préférences de télécommande différentes.
  - Les commandes données directement depuis le four ont toujours préséance sur les autres. Au cours de cette période, il est impossible de faire fonctionner le four avec l'appli Home Connect®.
  - La télécommande est déjà active à la connexion du four.
  - Si elle a été désactivée, seul l'état du fonctionnement du four apparaîtra à l'appli Home Connect®.
  - Le contrôle à distance est automatiquement activée lorsque le démarrage à distance est activé.
1. Appuyez sur **SETTINGS**.
  2. Faites glisser pour sélectionner "Home Connect".
  3. Appuyez sur "Open settings".
  4. Faites glisser pour sélectionner "Remote control".
  5. Appuyez sur la ligne du bas et balayez pour sélectionner le paramètre souhaité.

Réglage	Fonction
Monitoring	Vous pouvez afficher l'état de votre appareil à distance, mais vous ne pouvez pas démarrer ou faire fonctionner votre appareil à distance.
Manual Remote Start	Vous pouvez démarrer et utiliser votre appareil à distance, mais vous devez appuyer sur le bouton de démarrage à distance de l'appareil avant de démarrer la première opération à distance et à nouveau après tout cas où la porte est ouverte. Ce sont les paramètres par défauts.

Réglage	Fonction
Permanent Remote Start	Vous pouvez démarrer et utiliser votre appareil à tout moment sans appuyer sur aucune touche tactile de votre appareil.
Arrêt	Aucune télécommande possible.

6. Toucher  pour revenir au menu "Home Connect".

## 12.6 Diagnostic à distance

Le service à la clientèle peut accéder à votre appareil via le diagnostic à distance si vous en faites la demande spécifique, si votre appareil est connecté au serveur Home Connect® et si le diagnostic à distance est disponible dans le pays où vous utilisez l'appareil.

**Conseil :** Pour plus d'informations et pour connaître la disponibilité du service de diagnostic à distance dans votre pays, veuillez consulter la section Service/Support du site Web local : [www.home-connect.com](http://www.home-connect.com).

## 12.7 Mise à jour logicielle

Le four vérifie à intervalles réguliers si des mises à jour sont disponibles pour le logiciel Home Connect™.

Pour ce faire, vous devez être inscrit comme utilisateur Home Connect™, disposer de l'appli sur votre appareil mobile et avoir une connexion au serveur Home Connect™.

Dès l'offre d'une mise à jour, l'appli Home Connect™ vous en avise. Vous pourrez aussi l'utiliser pour télécharger cette mise à jour. Une fois le téléchargement réussi, installez la mise à jour par les réglages de base du four ou l'appli Home Connect™ si vous êtes sur le réseau domestique. L'appli Home Connect™ vous avisera à la fin de l'installation.

### Remarques

- Vous pouvez utiliser le four comme d'habitude au cours du téléchargement des mises à jour.
- Dans les réglages personnels de l'appli, il est également possible d'automatiser les téléchargements.
- Nous vous recommandons d'installer les mises à jour de sécurité dès que possible.

## 12.8 Protection des données

Observez les consignes de protection des données. Lors de la première connexion de votre appareil à un réseau domestique branché à Internet, votre appareil transmet les catégories de données suivantes au serveur Home Connect® (premier enregistrement) :

- Code d'appareil univoque (constitué de clés d'appareil ainsi que de l'adresse MAC du module de communication Wi-Fi intégré).
- Certificat de sécurité du module de communication Wi-Fi (pour la protection des informations de la connexion).
- La version actuelle du logiciel et du matériel de l'électroménager.

- État d'une précédente restauration éventuelle des réglages d'usine.

Ce premier enregistrement prépare l'utilisation des fonctions Home Connect® et ne s'avère nécessaire qu'au moment où vous voulez utiliser les fonctions Home Connect® pour la première fois.

**Remarque :** Veuillez noter que les fonctions Home Connect® ne sont utilisables qu'avec l'application Home Connect®. Vous pouvez consulter les informations sur la protection des données dans l'application Home Connect®.

## 13 Nettoyage et entretien

Pour que votre appareil reste longtemps opérationnel, nettoyez-le et entretenez-le avec soin.

Pour plus de recommandations de nettoyage et de conseils pour tirer le meilleur parti de votre appareil, consultez le site Web :

- États-Unis : [www.thermador.com/us/support/customer-care](http://www.thermador.com/us/support/customer-care)
- Canada : <https://www.thermador.ca/fr/soutien/assistance-a-la-clientele>

### AVERTISSEMENT

Ne pas nettoyer l'appareil pendant qu'il est encore chaud. Certains nettoyeurs produisent des émanations toxiques lorsqu'ils sont appliqués sur une surface chaude. Les vêtements et les éponges mouillés peuvent provoquer des brûlures causées par la vapeur.

- Pour les clients aux États-Unis : Vous pouvez acheter des nettoyeurs appropriés auprès du service à la clientèle ou dans notre boutique en ligne [www.thermador.com/us/accessories](http://www.thermador.com/us/accessories).
- Pour les clients au Canada : Visitez cette page Web pour savoir comment acheter des nettoyeurs pour votre appareil, <https://www.thermador.ca/fr/soutien/filtres-nettoyeurs-accessoires>.

## 13.1 Produits de nettoyage

Utilisez uniquement des produits de nettoyage appropriés pour éviter d'endommager les surfaces de l'appareil.

### Noms de marques

- L'utilisation de noms de marque vise uniquement à indiquer un type de nettoyeur. Cela ne constitue pas une approbation.
- L'omission d'un nettoyeur de marque n'implique pas son adéquation ou son insuffisance.
- De nombreux produits sont de distribution régionale et peuvent être trouvés sur les marchés locaux.
- Il est impératif que tous les produits de nettoyage soient utilisés en stricte conformité avec les instructions sur son emballage.



### Éviter ces produits de nettoyage

Ne pas utiliser les produits de nettoyage commerciaux tels que Easy Off®<sup>1</sup>. Ils risquent d'abîmer le fini ou les pièces du four. Le chlore ou les composés chlorés de certains nettoyants sont corrosif pour l'acier inoxydable. Vérifier les ingrédients sur l'étiquette. Ne jamais utiliser des tampons à récurer ou des produits de nettoyage abrasifs.

#### ⚠ AVERTISSEMENT

Assurez-vous que tout l'appareil (y compris l'ampoule) a refroidi et que la graisse s'est solidifiée avant d'essayer de nettoyer une partie de l'appareil.

#### ⚠ AVERTISSEMENT

Pour éviter tout risque d'électrocution, N'UTILISEZ PAS de nettoyeur haute pression ou de nettoyer à vapeur pour nettoyer l'appareil. L'humidité qui pénètre peut occasionner une électrocution.

## 13.2 Nettoyage du four conventionnel

Vous trouverez ici des informations sur le nettoyage de la cavité du four conventionnel.

### Fonction autonettoyante

Avec l'autonettoyage pyrolytique, le four est chauffé à une température très élevée. La saleté tenace est brûlée et peut être essuyée une fois l'auto-nettoyage terminé et le four refroidi.

Après la fin d'un cycle d'autonettoyage, le four ne vous permettra pas de démarrer un autre cycle d'autonettoyage pendant 24 heures.

Pour un four double, si une cavité fonctionne en autonettoyage, aucune d'entre elles ne peut exécuter un cycle d'autonettoyage pendant 24 heures.

### Préparation de l'autonettoyage

#### ⚠ AVERTISSEMENT

Lors de l'élimination des salissures lors de l'autonettoyage, de petites quantités de monoxyde de carbone peuvent être créées et l'isolant en fibre de verre peut dégager de très petites quantités de formaldéhyde au cours des premiers cycles de nettoyage.

- ▶ Pour minimiser l'exposition à ces substances, s'assurez d'avoir une bonne ventilation en laissant une fenêtre ouverte, ou utiliser un ventilateur ou une hotte d'aération.

Pendant le cycle d'autonettoyage, certaines parties de l'appareil peuvent devenir potentiellement dangereuses pour les personnes qui ne connaissent pas les appareils et les réactions des adultes à des conditions potentiellement dangereuses.

- ▶ Ne pas laisser les enfants seuls ou sans surveillance lorsque l'appareil est en cours d'utilisation.

Le four chauffe à très haute température pendant l'autonettoyage. L'ouverture de la porte peut entraîner des blessures.

- ▶ Lors de l'autonettoyage, vérifier que la porte est verrouillée et ne s'ouvre pas.
- ▶ Si la porte ne se verrouille pas, ne pas lancer le Nettoyage Auto. Communiquez avec le service après-vente.

#### ⚠ MISE EN GARDE

Retirez les poêles à griller, les casseroles et autres ustensiles et tout déversement excessif avant l'autonettoyage.

Ne laissez pas de nourriture ou d'ustensiles de cuisine, etc., dans le four pendant le mode de fonctionnement autonettoyant pyrolytique.

#### ⚠ MISE EN GARDE

Les événements du four sont importants pour la circulation de l'air. Couvrir les événements du four entraînera une surchauffe du four. Reportez-vous à l'aperçu de l'appareil pour connaître l'emplacement des événements du four.

→ "Électroménager", Page 64

- ▶ N'obstruez pas les événements du four.

#### AVIS :

Ne nettoyez pas les pièces ou les accessoires avec la fonction d'autonettoyage.

- ▶ Essuyez tout déversement excessif de la cavité du four.

### Démarrage de l'autonettoyage

**Exigence :** Vous avez effectué les étapes pour la préparation du four pour l'autonettoyage → Page 98.

1. Tournez le bouton de sélection de mode sur **CLEAN MODES**.
2. Faites glisser pour sélectionner "Nettoyage Auto" ☼☼☼.
3. Sélectionnez une intensité de nettoyage en fonction de la quantité de saleté.

Niveau de puissance	Durée (exclut la période de refroidissement)
élevée	3 heures
medium (moyenne)	2½ heures
faible	2 heures

4. Tournez le bouton de sélection de la température sur **SELF CLEAN**.
5. Touchez "Continuer".
  - ✓ La porte du four se verrouille automatiquement.
  - ✓ Lorsque l'autonettoyage est terminé, un signal retentit et l'appareil s'éteint.
  - ✓ La porte reste verrouillée jusqu'à ce que l'appareil refroidisse.
6. Essuyez les cendres restantes du four avec un chiffon humide.

<sup>1</sup> Ces marques sont des marques déposées de leurs propriétaires respectifs. Toutes les autres marques sont des marques de BSH Home Appliances Corporation ou ses sociétés affiliées.

**Remarque :** Une fois le cycle d'autonettoyage terminé, l'appareil ne vous permettra pas de démarrer un autre cycle d'autonettoyage pendant 24 heures.

### Nettoyage facile

Cette fonction facilite le nettoyage du fond de la cavité du four. La nourriture et les éclaboussures de nourriture sont trempées et peuvent ensuite être éliminées plus facilement.

### Réglage facile à nettoyer pour le four conventionnel

#### MISE EN GARDE

De l'eau dans la cavité du four chaude peut générer de la vapeur chaude.

- ▶ Ne jamais verser d'eau dans la cavité d'un four chaud.

**Remarque :** N'ouvrez pas la porte de l'appareil pendant le fonctionnement, sinon la fonction sera interrompue.

**Exigence :** La cavité du four s'est refroidie.

1. Placez la grille au niveau 3. Retirez toutes les autres grilles et accessoires de la cavité du four.
  2. Mélangez 2 tasses d'eau et ½ tasse de vinaigre dans le lèchefrite et placez-le sur la grille.
  3. Tournez le bouton de sélection de mode sur **CLEAN MODES**.
  4. Faites glisser pour sélectionner "Nettoyage facile"<sup>1</sup>.
  5. Effleurez la ligne inférieure de l'écran.
- ✓ Après quelques secondes, le mode démarre automatiquement.
  - ✓ Le temps de nettoyage est décompté sur l'écran.

6. Suivez les étapes du nettoyage ultérieur.

### Nettoyage ultérieur de la cavité du four après la fonction de nettoyage

Nettoyez la cavité du four manuellement dès qu'elle s'est refroidie après la fonction de nettoyage.

#### **AVIS :**

L'humidité dans la cavité du four peut endommager les surfaces.

- ▶ Retirez rapidement l'eau restante de la cavité du four.
- ▶ Ne laissez pas l'eau restante dans la cavité du four pendant une longue période, par exemple pendant la nuit.
- ▶ N'utilisez pas l'appareil lorsque la cavité du four est encore mouillée ou humide.

1. Ouvrez la porte de l'appareil électroménager et retirez l'eau restante avec un chiffon absorbant.
2. Nettoyez les surfaces lisses de la cavité du four avec un torchon à vaisselle ou une brosse à soies douces. Les résidus tenaces peuvent être éliminés avec un tampon à récurer doux.
3. Éliminez le calcaire avec un chiffon imbibé de vinaigre et essuyez-le avec de l'eau propre. Frottez la cavité du four avec un chiffon doux ; sécher également sous le joint de porte.
4. Éteignez l'appareil.
5. Laissez la porte de l'appareil entrouverte en position d'arrêt (environ 30°) pendant environ une heure pour permettre aux surfaces en émail dans la cavité du four de sécher complètement.

### Recommandations de nettoyage pour le four conventionnel

Nettoyez uniquement les parties de votre four répertoriées dans ce tableau de nettoyage.

Pièce	Méthode de nettoyage appropriée	Recommandations
Support plat	<ul style="list-style-type: none"> <li>■ Laver à l'eau savonneuse.</li> <li>■ Rincez à fond et séchez ou frottez doucement avec une poudre de nettoyage ou des tampons savonneux selon les instructions.</li> </ul>	<ul style="list-style-type: none"> <li>■ <b>NE PAS NETTOYER À L'AIDE DE LA FONCTION D'AUTONETTOYAGE.</b></li> <li>■ Si les grilles plates restent dans le four pendant le mode d'autonettoyage, elles perdront leur finition brillante et pourraient ne pas glisser en douceur. Si cela se produit, frotter les bords de la grille avec un peu d'huile végétale. Essayez ensuite l'excès d'huile.</li> </ul>
Grille télescopique	<ul style="list-style-type: none"> <li>■ Laver à l'eau savonneuse.</li> <li>■ Rincez à fond et séchez ou frottez doucement avec une poudre de nettoyage ou des tampons savonneux selon les instructions.</li> </ul>	<ul style="list-style-type: none"> <li>■ <b>NE PAS NETTOYER À L'AIDE DE LA FONCTION D'AUTONETTOYAGE.</b></li> <li>■ Évitez d'insérer de la poudre de nettoyage dans les rails télescopiques. Il peut s'avérer nécessaire de lubrifier de nouveau les glissières. Utilisez uniquement des lubrifiants pour haute température de qualité alimentaire pour les lubrifier.</li> </ul>

<sup>1</sup> Ces marques sont des marques déposées de leurs propriétaires respectifs. Toutes les autres marques sont des marques de BSH Home Appliances Corporation ou ses sociétés affiliées.



Pièce	Méthode de nettoyage appropriée	Recommandations
Joint d'étanchéité de porte	<ul style="list-style-type: none"> <li>▪ Aucun</li> </ul>	<ul style="list-style-type: none"> <li>▪ NE PAS NETTOYER LE JOINT DE PORTE.</li> <li>▪ Le joint de la porte est essentiel pour maintenir une bonne étanchéité. Veillez à ne pas frotter, endommager ou déplacer le joint.</li> </ul>
Verre	<ul style="list-style-type: none"> <li>▪ Laver avec de l'eau et du savon ou avec un nettoyant pour vitres.</li> <li>▪ Utilisez Fantastik®<sup>1</sup> sur une éponge ou une serviette en papier propre et essuyez.</li> </ul>	<ul style="list-style-type: none"> <li>▪ Évitez d'utiliser des produits de nettoyage en poudre, des tampons de laine d'acier et des nettoyants pour fours.</li> </ul>
Surfaces peintes	<ul style="list-style-type: none"> <li>▪ Nettoyer avec de l'eau savonneuse chaude ou appliquer Fantastik®<sup>1</sup> sur une éponge ou une serviette en papier propre et essuyer.</li> </ul>	<ul style="list-style-type: none"> <li>▪ Évitez d'utiliser des produits de nettoyage en poudre, des tampons de laine d'acier et des nettoyants pour fours.</li> </ul>
Surfaces en porcelaine	<ul style="list-style-type: none"> <li>▪ Essuyer immédiatement les déversements acides comme le jus de fruits, le lait et les tomates avec un chiffon sec.</li> <li>▪ Une fois refroidi, nettoyez avec de l'eau chaude savonneuse ou appliquez le nettoyant Bon-Ami®<sup>1</sup> ou Soft Scrub®<sup>1</sup> sur une éponge humide. Rincez et séchez.</li> <li>▪ Pour les taches tenaces, utiliser des tampons savonneux.</li> </ul>	<ul style="list-style-type: none"> <li>▪ N'utilisez pas d'éponge ou de chiffon humide sur la porcelaine chaude. Il est normal que la porcelaine présente de fines ridules avec l'âge en raison de l'exposition à la chaleur et au sol alimentaire.</li> </ul>
Émail résistant à la chaleur et composants polis dans la cavité du four	<ul style="list-style-type: none"> <li>▪ Utilisez la fonction autonettoyante pour les salissures importantes.</li> </ul>	<ul style="list-style-type: none"> <li>▪ Ces surfaces peuvent se décolorer avec le temps. Cela est normal et n'a aucune incidence sur le fonctionnement.</li> <li>▪ Ne pas utiliser des tampons à récurer ou des produits de nettoyage abrasifs pour tenter d'éliminer les décolorations.</li> </ul>
Surfaces en acier inoxydable	<ul style="list-style-type: none"> <li>▪ Nettoyez avec de l'eau savonneuse et un chiffon doux, puis rincez et séchez avec un chiffon doux.</li> <li>▪ Conditionner l'acier avec le conditionneur pour acier inoxydable Thermador (pièce n° 00576697).</li> <li>▪ Retirer les traces d'eau avec un chiffon humecté de vinaigre blanc.</li> <li>▪ Éliminez la décoloration due à la chaleur avec Bar Keeper's Friend®<sup>1</sup>.</li> </ul>	<ul style="list-style-type: none"> <li>▪ Ne laissez jamais de taches alimentaires ou du sel sur de l'acier inoxydable, peu importe la durée de temps.</li> <li>▪ Essuyez ou frottez toujours dans la direction du grain.</li> <li>▪ Le chlore ou les composés chlorés de certains nettoyants sont corrosifs pour l'acier inoxydable. Vérifiez les ingrédients sur l'étiquette du nettoyant.</li> </ul>
Plastique et contrôles	<ul style="list-style-type: none"> <li>▪ Lorsqu'il est refroidi, nettoyez à l'eau savonneuse puis rincez et séchez.</li> </ul>	
Sonde thermométrique	<ul style="list-style-type: none"> <li>▪ Essuyez à l'eau savonneuse.</li> </ul>	<ul style="list-style-type: none"> <li>▪ Ne plongez pas dans l'eau.</li> <li>▪ Ne lavez pas au lave-vaisselle.</li> </ul>

<sup>1</sup> Ces marques sont des marques déposées de leurs propriétaires respectifs. Toutes les autres marques sont des marques de BSH Home Appliances Corporation ou ses sociétés affiliées.

Pièce	Méthode de nettoyage appropriée	Recommandations
Zones imprimées (mots et chiffres)		<ul style="list-style-type: none"> <li>■ N'utilisez pas de nettoyants abrasifs ou de solvants à base de pétrole.</li> </ul>
<p><sup>1</sup> Ces marques sont des marques déposées de leurs propriétaires respectifs. Toutes les autres marques sont des marques de BSH Home Appliances Corporation ou ses sociétés affiliées.</p>		

### 13.3 Nettoyage du four à la vapeur

Vous trouverez ici des informations sur le nettoyage de la cavité du four à vapeur.

#### Nettoyage de la cavité du four

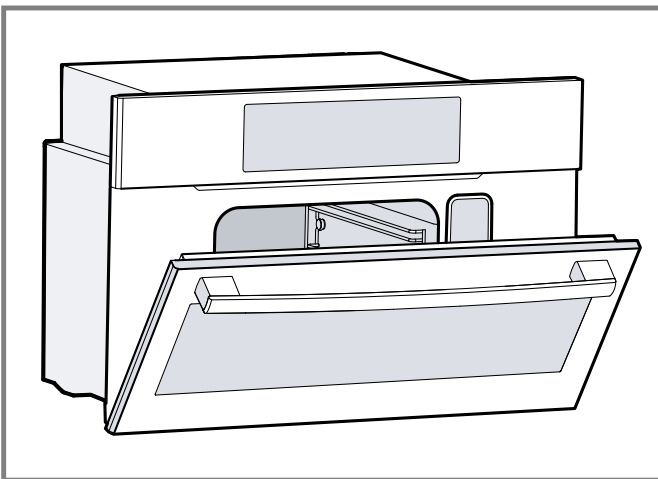
Effectuez les étapes suivantes après chaque utilisation. La cavité du four à vapeur peut se rouiller si elle n'est pas correctement entretenue.

#### ⚠ MISE EN GARDE

Faire attention en ouvrant l'appareil. En se plaçant sur le côté, ouvrir la porte lentement et légèrement pour laisser l'air chaud et/ou la vapeur s'échapper du four.

- ▶ Éloigner le visage de l'ouverture et s'assurer qu'aucun enfant ou animal ne se trouve près de l'appareil.
- ▶ Une fois l'air chaud et/ou la vapeur dégagés, laissez refroidir le four.
- ▶ Gardez la porte de l'appareil fermée, sauf si cela est nécessaire pour la cuisson ou le nettoyage.
- ▶ Ne laissez pas la porte ouverte de l'appareil sans surveillance.

1. Laissez la porte du four ouverte en position « au repos » jusqu'à ce que la cavité du four se soit refroidie.



2. Videz et séchez le réservoir d'eau.  
→ "Retrait du réservoir d'eau pendant ou après le fonctionnement", Page 101
3. Éliminez les résidus et déversements d'aliments du four immédiatement après que l'appareil se soit refroidi.

#### Remarque

- Les résidus brûlés sont très difficiles à enlever plus tard.
  - Les sels sont très abrasifs et peuvent entraîner des taches de rouille.
4. Essuyez la cavité du four avec l'éponge de nettoyage.

5. Sécher la cavité du four avec un chiffon doux.
6. Fermez la porte du four.

#### Retrait du réservoir d'eau pendant ou après le fonctionnement

VIDER LE RÉSERVOIR D'EAU APRÈS CHAQUE UTILISATION.

#### ⚠ MISE EN GARDE

Faire attention en ouvrant l'appareil. En se plaçant sur le côté, ouvrir la porte lentement et légèrement pour laisser l'air chaud et/ou la vapeur s'échapper du four.

- ▶ Éloigner le visage de l'ouverture et s'assurer qu'aucun enfant ou animal ne se trouve près de l'appareil.
- ▶ Une fois l'air chaud et/ou la vapeur sortis, continuer la cuisson.
- ▶ Gardez la porte de l'appareil fermée, sauf si cela est nécessaire pour la cuisson ou le nettoyage.
- ▶ Ne laissez pas la porte ouverte de l'appareil sans surveillance.

1. Ouvrez soigneusement la porte de l'appareil.
2. Gardez le réservoir d'eau à niveau tout en le tirant lentement hors de l'appareil pour vous assurer qu'aucune eau restante ne coule vers le bas et hors de l'évent.
3. Videz l'eau.
4. Séchez complètement le joint du couvercle de réservoir et la fente où le réservoir s'insère dans l'appareil.
5. Laissez le réservoir d'eau sécher avec le couvercle ouvert.  
Une humidité prolongée peut entraîner une odeur de moisi dans le réservoir d'eau.
6. Fermez le couvercle et réinstallez le réservoir d'eau vide.

#### Nettoyage par écolyse

Certaines surfaces de la cavité du four à vapeur ont une surface autonettoyante. Vous pouvez les actualiser avec la fonction "Nettoyage par écolyse".

Les panneaux latéraux, de plafond et arrière sont recouverts d'un matériau céramique poreux et mat connu sous le nom de revêtement écolytique. Le revêtement absorbe et décompose les éclaboussures de cuisson, de rôtissage et de grillage au fil du temps, pendant que le four fonctionne. Si les surfaces ne se nettoient plus correctement et que des taches sombres apparaissent, vous pouvez exécuter "Nettoyage par écolyse". Ce mode fonctionne à une température plus élevée, ce qui contribue à accélérer le processus d'auto-nettoyage.

### AVIS :

Suivez ces recommandations pour éviter d'endommager les surfaces autonettoyantes ou les accessoires.

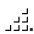
- ▶ L'appareil enregistre le nombre de fois où il est utilisé et indique quand le nettoyage est recommandé. La recommandation est affichée jusqu'à ce que "Nettoyage par écolyse" soit terminé. Exécutez toujours la fonction de nettoyage lorsque vous y êtes invité.
- ▶ Si votre appareil devient prématurément sale ou si vous remarquez des taches sombres sur le panneau arrière, vous devez exécuter "Nettoyage par écolyse", même si aucune recommandation n'est affichée.
- ▶ Plus l'appareil électroménager est nettoyé souvent, plus longtemps les surfaces poreuses retiendront leur caractéristique de nettoyage. Vous pouvez utiliser "Nettoyage par écolyse" aussi souvent que nécessaire.
- ▶ Ne nettoyez pas les pièces ou les accessoires avec "Nettoyage par écolyse".

**Remarque :** Il est possible d'apercevoir des tâches rougeâtres sur les surfaces lorsque le four est en cours de fonctionnement et que la fonction Nettoyage est active. Il ne s'agit pas de taches de rouille, mais plutôt de résidus alimentaires. Elles ne sont pas dangereuses pour votre santé et ne limitent pas la capacité de nettoyage des surfaces autonettoyantes.

### Réglage de Nettoyage par écolyse

#### Remarques

- Le cycle de nettoyage dure 1 heure. Il est impossible de modifier la durée.
- Maintenez la cuisine aérée lors de l'exécution de la fonction de nettoyage.

1. Essuyez les gros déversements de la cavité du four.
  2. Retirez les accessoires, les rails, les grilles et les plats allant au four de la cavité du four.
  3. Tournez le bouton de sélection de mode sur **CLEAN MODES**.
  4. Faites glisser pour sélectionner "Nettoyage par écolyse" .
  5. Effleurez la ligne du bas.
  6. Après quelques secondes, le mode démarre automatiquement.
- ✓ Le temps de nettoyage commence à décompter sur l'affichage.

### Nettoyage facile

Cette fonction facilite le nettoyage du fond de la cavité du four. La nourriture et les éclaboussures de nourriture sont trempées et peuvent ensuite être éliminées plus facilement.

### Réglage de Nettoyage facile pour le four à vapeur

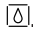
#### MISE EN GARDE

De l'eau dans la cavité du four chaude peut générer de la vapeur chaude.

- ▶ Ne jamais verser d'eau dans la cavité d'un four chaud.

**Remarque :** N'ouvrez pas la porte de l'appareil pendant le fonctionnement, sinon la fonction sera interrompue.

**Exigence :** La cavité du four s'est refroidie.

1. Retirez toutes les grilles et accessoires de la cavité du four.
  2. Tournez le bouton de sélection de mode sur **CLEAN MODES**.
  3. Faites glisser pour sélectionner "Nettoyage facile" .
  4. Effleurez la ligne inférieure de l'écran.
  5. Après quelques secondes, le mode démarre automatiquement.
- ✓ Le temps de nettoyage est décompté sur l'écran.
6. Suivez les étapes du nettoyage ultérieur.

### Nettoyage ultérieur de la cavité du four après la fonction de nettoyage

Nettoyez la cavité du four manuellement dès qu'elle s'est refroidie après la fonction de nettoyage.

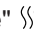
### AVIS :

L'humidité dans la cavité du four peut endommager les surfaces.

- ▶ Retirez rapidement l'eau restante de la cavité du four.
  - ▶ Ne laissez pas l'eau restante dans la cavité du four pendant une longue période, par exemple pendant la nuit.
  - ▶ N'utilisez pas l'appareil lorsque la cavité du four est encore mouillée ou humide.
1. Ouvrez la porte de l'appareil électroménager et retirez l'eau restante avec un chiffon absorbant.
  2. Nettoyez les surfaces lisses de la cavité du four avec un torchon à vaisselle ou une brosse à soies douces. Les résidus tenaces peuvent être éliminés avec un tampon à récurer doux.
  3. Éliminez le calcaire avec un chiffon imbibé de vinaigre et essuyez-le avec de l'eau propre. Frottez la cavité du four avec un chiffon doux ; sécher également sous le joint de porte.
  4. Éteignez l'appareil.
  5. Laissez la porte de l'appareil entrouverte en position d'arrêt (environ 30°) pendant environ une heure pour permettre aux surfaces en émail dans la cavité du four de sécher complètement.
- Vous pouvez également utiliser la fonction de séchage.

### Sélection d'une fonction de séchage

Vous pouvez utiliser la fonction de séchage pour sécher la cavité du four à vapeur après le fonctionnement.

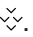
1. Tournez le bouton de sélection de mode sur **CLEAN MODES**.
2. Faites glisser pour sélectionner "Séchage" .
3. Effleurez la ligne du bas.
4. Après quelques secondes, le mode démarre automatiquement.

## Détartrage

Même si vous utilisez de l'eau adoucie, vous devrez détartrer le four à vapeur à intervalles réguliers. Le programme de détartrage comprend plusieurs étapes. Pour des raisons hygiéniques, le programme de détartrage doit se poursuivre jusqu'à la fin pour que l'appareil électroménager soit de nouveau prêt à fonctionner. En tout, le nettoyage prend entre 70 et 90 minutes environ.

### Réglage de la fonction de détartrage

**Conseil :** Suivez les instructions étape par étape à l'écran.

1. Mélangez 3½ tasses (800 ml) d'eau avec une demi-bouteille (200 ml) de détartrant et mettez-la de côté.
  2. Tournez le bouton de sélection de mode sur **CLEAN MODES**.
  3. Faites glisser pour sélectionner "Détartrer" .
  4. Touchez "Continuer".
  5. Touchez "Continuer".
- ✓ Les instructions relatives à la solution détartrante s'affichent.
6. Retirez le réservoir d'eau et remplissez-le avec la solution de détartrage préparée. Insérer le réservoir d'eau.
  7. Touchez "Start".
- ✓ L'écran affiche la durée du programme de détartrage. Il est impossible de la modifier.
  - ✓ L'appareil démarre le cycle de détartrage.
  - ✓ Le temps restant compte à rebours sur l'affichage.
  - ✓ Lorsque le cycle de détartrage est terminé, un signal retentit.
8. Continuez avec le premier cycle de rinçage :
    - Lorsque l'écran vous demande d'ouvrir la porte de l'appareil, retirez le réservoir d'eau et rincez-le soigneusement.

- Remplissez le réservoir d'eau avec de l'eau fraîche et réinsérez-le.
  - Fermer la porte de de l'appareil.
  - ✓ Le cycle de rinçage démarre automatiquement.
  - ✓ Lorsque le premier cycle de rinçage est terminé, un signal retentit.
9. Continuez avec le deuxième cycle de rinçage :
    - Lorsque l'écran vous demande d'ouvrir la porte de l'appareil, retirez le réservoir d'eau et rincez-le soigneusement.
    - Remplissez le réservoir d'eau avec de l'eau fraîche et réinsérez-le.
    - Fermer la porte de de l'appareil.
    - ✓ Le cycle de rinçage démarre automatiquement.
    - ✓ Lorsque le deuxième cycle de rinçage est terminé, un signal retentit.
  10. Terminez le programme de détartrage :
    - Ouvrez la porte de l'appareil électroménager.
    - Videz le réservoir d'eau, rincez-le soigneusement. Séchez le réservoir d'eau et réinsérez-le.
    - ✓ Le détartrage est terminé. L'appareil est prêt à être utilisé.

### Éponge de nettoyage

L'éponge de nettoyage fournie est très absorbante. Utilisez l'éponge de nettoyage pour essuyer la cavité du four et pour éliminer l'eau restante sur le fond de la cavité du four.

- Lavez l'éponge de nettoyage en profondeur après sa première utilisation. L'éponge de nettoyage peut être lavée au lave-vaisselle.
- Essuyez le four avec l'éponge de nettoyage et séchez par la suite avec un chiffon doux.
- Utilisez l'éponge de nettoyage uniquement pour nettoyer la cavité du four et pour éliminer l'eau restante sur le fond de la cavité du four.

## Recommandations de nettoyage pour le four à vapeur

### MISE EN GARDE

Attendez que l'appareil ait refroidi avant de le nettoyer.

- Utilisez uniquement des chiffons doux propres, des éponges, des serviettes en papier ou des brosses fibreuses pour le nettoyage et le récurage.
- NE PAS utiliser de produits abrasifs tels que de la laine d'acier ou des tampons abrasifs.
- NE PAS utiliser d'éponges de cellulose. Certaines éponges sont traitées avec du sel qui pourrait entraîner de la corrosion en laissant des dépôts de sel sur le métal.
- NE PAS laisser de composés de nettoyage en contact avec l'acier inoxydable pendant des périodes prolongées.
- NE PAS UTILISER DE PRODUITS NETTOYANTS À BASE DE JAVELLISANT.
- Essuyez toujours immédiatement pour éviter les traces d'eau.
- Frottez toujours les finitions métalliques dans le sens des lignes de polissage pour une efficacité maximale et pour éviter de tacher la surface.
- Nettoyez uniquement les parties de votre four répertoriées dans ce tableau de nettoyage.

Pièce	Méthode de nettoyage appropriée	Recommandations
Extérieur de l'appareil <ul style="list-style-type: none"> <li>■ Garniture avant en acier inoxydable</li> <li>■ Poignée de porte</li> </ul>	<ul style="list-style-type: none"> <li>■ Utilisez de l'eau savonneuse et un chiffon doux pour sécher.</li> <li>■ Essuyez les surfaces en acier inoxydable avec de l'eau savonneuse douce et tiède. Essuyez et séchez toujours l'acier inoxydable dans le sens du grain. Rincez complètement.</li> <li>■ Utiliser un produit nettoyant ou un revitalisant pour acier inoxydable afin d'enlever les empreintes digitales et donner davantage de lustre.</li> <li>■ Des nettoyeurs spéciaux pour acier inoxydable sont disponibles auprès du service client ou dans les magasins de détail.</li> </ul>	<ul style="list-style-type: none"> <li>■ Nettoyez toujours immédiatement les taches occasionnées par les dépôts de calcaire, la graisse, l'huile, l'amidon et les blancs d'oeuf.</li> <li>■ N'utilisez pas de nettoyeurs corrosifs ou abrasifs qui terniraient la surface. Si l'un de ces produits entre en contact avec le four, nettoyez-le immédiatement à l'aide d'un chiffon humide.</li> </ul>
Panneau de commande	Appliquez du nettoyant pour vitres sur un chiffon doux ou une éponge, pas directement sur le panneau de commande.	N'utilisez pas de nettoyeurs abrasifs, de tampons en laine d'acier, de débarbouillettes abrasives ou de serviettes en papier abrasif.
Intérieur du four	<ul style="list-style-type: none"> <li>■ Eau chaude savonneuse ou un mélange de vinaigre et d'eau.</li> <li>■ Utilisez l'éponge de nettoyage fournie ou une brosse à vaisselle douce.</li> <li>■ S'il est très sale, utilisez un nettoyant tout usage, tel que Simple Green<sup>1</sup>. Suivez les directives de l'emballage pour le mélange. Vaporiser sur les sols, laisser agir 15 à 30 minutes, puis essuyer toute la cavité du four avec du papier absorbant ou un chiffon. Exécutez le cycle de nettoyage à la vapeur pour rincer soigneusement la cavité.</li> </ul>	<ul style="list-style-type: none"> <li>■ NE JAMAIS UTILISER DE LAINE D'ACIER OU DES TAMPONS ABRASIFS! La cavité du four peut rouiller.</li> <li>■ Si vous utilisez un nettoyant tout usage, ne laissez pas la lumière du four, l'ampoule ou les joints de porte entrer en contact avec le nettoyant.</li> <li>■ Retirez toutes les traces de produits nettoyants utilisés dans la cavité du four en suivant attentivement toutes les consignes pour l'essuyage du four et l'exécution des cycles de rinçage. Les résidus de nettoyage peuvent adhérer au verre de la porte du four. Ils peuvent également avoir un effet néfaste sur la saveur des aliments cuits dans le four à vapeur.</li> </ul>
Joint extérieur sur le four	Eau chaude savonneuse.	
Réservoir d'eau :	<ul style="list-style-type: none"> <li>■ Fente de réservoir : essuyez-la après chaque utilisation.</li> <li>■ Joint de couvercle : Bien sécher après chaque utilisation.</li> </ul>	
Rails de grille	Eau savonneuse tiède ou laver au lave-vaisselle.	
Vitre de porte	Nettoyant pour vitres	
Accessoires	<ul style="list-style-type: none"> <li>■ Trempez dans de l'eau chaude savonneuse.</li> <li>■ Nettoyez avec une brosse ou une éponge de cuisine ou lavez au lave-vaisselle.</li> <li>■ Utilisez un mélange d'eau et de vinaigre pour les taches ou la décoloration causée par les aliments contenant de l'amidon (comme le riz).</li> </ul>	

<sup>1</sup> Ces marques sont des marques déposées de leurs propriétaires respectifs. Toutes les autres marques sont des marques de BSH Home Appliances Corporation ou ses sociétés affiliées.



## 13.4 Entretien

### Remplacement d'une ampoule de four à vapeur

La cavité de votre four à vapeur est équipée d'une ou plusieurs ampoules à DEL de longue durée. Il est impossible de retirer le couvercle de l'ampoule.

- ▶ Si une ampoule à DEL ou le couvercle en verre de l'ampoule tombe en panne, appelez le Support à la clientèle.

### Remplacement d'une ampoule de four conventionnelle

Lorsque la lumière du four conventionnelle tombe en panne, vous pouvez remplacer l'ampoule.

#### ⚠ AVERTISSEMENT

La prise d'éclairage est sous tension lorsque la porte est ouverte si l'alimentation principale n'est pas coupée.

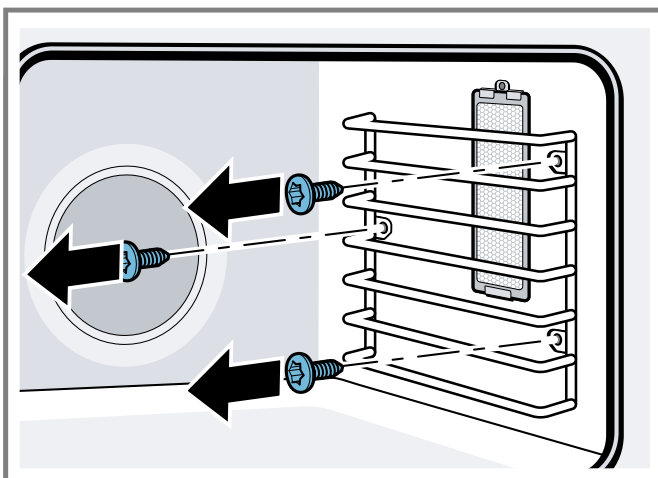
- ▶ Pour la cavité du four conventionnel : Coupez l'alimentation électrique principale au niveau du panneau de service avant de changer les ampoules.
- ▶ Pour la cavité du four à vapeur : Si une ampoule à DEL ou le couvercle en verre de l'ampoule tombe en panne, appelez le service à la clientèle.

#### ⚠ AVERTISSEMENT

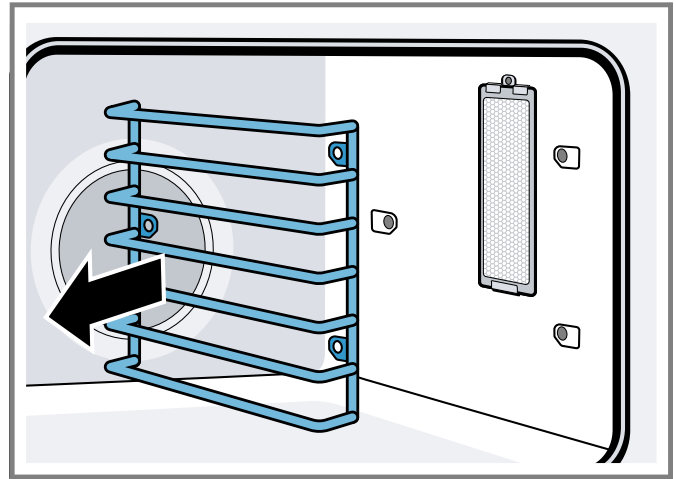
Pour la cavité du four conventionnel : assurez-vous que l'appareil et les lumières sont froids et que l'alimentation de l'appareil a été coupée avant de remplacer la ou les ampoules. Le non-respect de cette précaution pourrait entraîner un choc électrique ou des brûlures.

- ▶ Les lentilles doivent être en place lors de l'utilisation de l'appareil.
- ▶ Les lentilles servent à protéger l'ampoule de la rupture.
- ▶ Les lentilles sont en verre. Manipulez les lentilles avec précaution pour éviter de les endommager. Les éclats de verre peuvent entraîner une blessure.

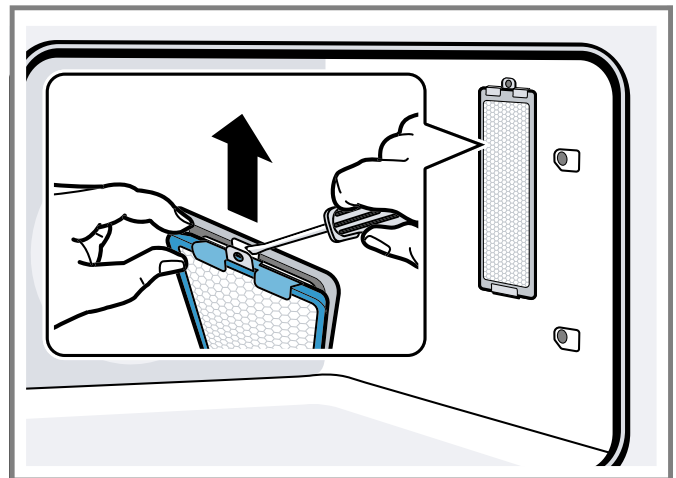
1. Coupez l'alimentation du four au niveau de l'alimentation principale du fusible ou du disjoncteur.
2. Retirez les 3 vis qui maintiennent les rails du four en place.



3. Détachez les rails du four pour accéder au boîtier de l'ampoule.

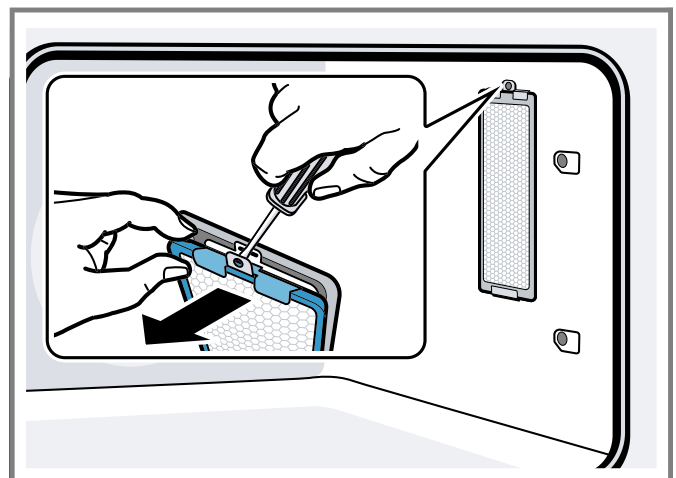


4. Retirez la vis du haut du boîtier de l'ampoule.
5. Insérez l'extrémité du tournevis à lame plate étroite à un angle de 40 degrés entre les clips de métal.



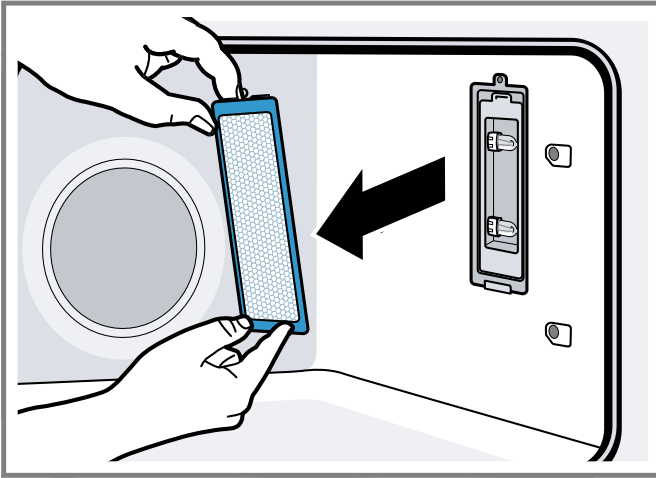
La lame du tournevis doit être en mesure de passer entre les clips de métal pour atteindre le loquet interne.

6. Enfoncez la lame du tournevis pour dégager le loquet de la fente dans le boîtier de l'ampoule. Soulevez délicatement la lentille en éloignant la poignée du tournevis de la paroi du four.

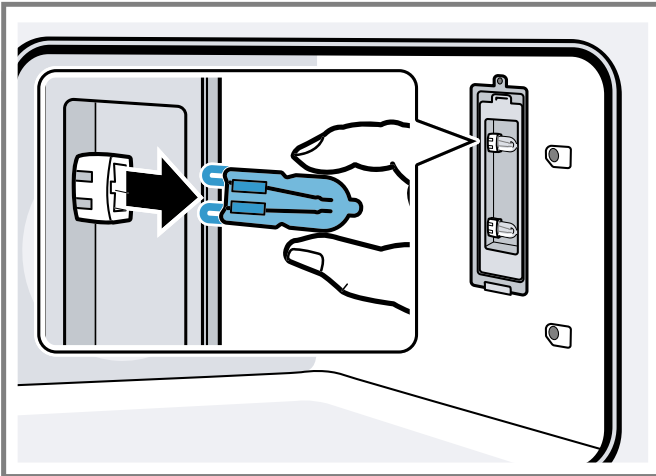




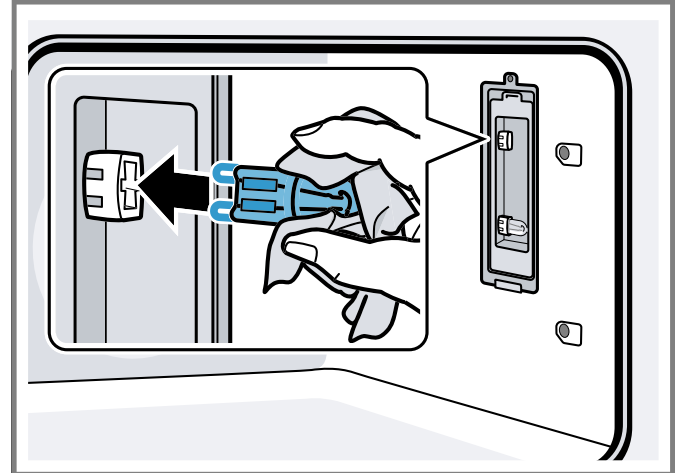
7. Maintenez le couvercle de la lentille en verre avec les deux mains pour empêcher le couvercle de tomber au fond du four. La lentille doit se détacher facilement. Ne essayez pas de le décoller de force.



8. Retirez l'ampoule en saisissant et en faisant glisser l'ampoule vers l'arrière jusqu'à ce que les deux broches aient dégagé le support en céramique.



9. NE touchez PAS au verre de la nouvelle ampoule de remplacement avec les doigts. Cela pourrait provoquer la défaillance de l'ampoule lorsqu'elle s'allume pour la première fois. Saisissez l'ampoule de remplacement avec un chiffon propre et sec. Repérez les deux tiges dans le support de céramique, en tâtant légèrement jusqu'à ce que les deux tiges s'insèrent dans la douille céramique.



10. Appuyez pour asseoir l'ampoule.  
 11. Remettez le couvercle de la lentille en place en l'insérant sur les brides de fixation. Appuyez sur l'extrémité la plus proche de vous pour l'enfoncer sur le boîtier jusqu'à ce que le couvercle s'enclenche. Insérez la vis dans le couvercle de la lentille en verre et serrez.  
 12. Réinstallez les rails du four.  
 13. Allumez le disjoncteur.

### Recalibrer le four à vapeur

Le four à vapeur s'étalonne automatiquement selon les conditions de pression de votre zone la première fois que le four à vapeur est utilisé à 212 °F (100 °C). Si vous devez vous déplacer, vous pouvez recalibrer le four à vapeur manuellement pour vous assurer qu'il s'adapte automatiquement à votre nouvel emplacement. Le recalibrage n'est pas nécessaire après une panne de courant.

**Exigence :** La cavité du four est froide.

1. Remplissez le réservoir d'eau.
2. Retirez les accessoires de la cavité du four à vapeur.
3. Essuyez les surfaces lisses dans la cavité du four avec un chiffon doux et humide.
4. Réglez le mode de cuisson et la température.

Mode de cuisson	Vapeur
Température	212°F (100°C)
Durée	30 minutes

5. Éteignez l'appareil après le temps de cuisson spécifié en tournant les boutons de sélection sur **OFF**.

## 14 Dépannage


Vous pouvez éliminer vous-même les défauts mineurs de votre appareil. Veuillez lire les informations de dépannage avant de contacter le service à la clientèle. Cela peut éviter des frais de visite inutiles.

### AVERTISSEMENT

Des réparations mal exécutées sont dangereuses.

- ▶ Seuls les prestataires de services agréés doivent réparer l'appareil.

- ▶ Afin d'écartier tout danger, quand le cordon d'alimentation de cet appareil est endommagé, seul le fabricant, son service à la clientèle ou toute autre personne de qualification équivalente est habilité à le faire.
- ▶ Seules des pièces de rechange d'origine peuvent être utilisées pour réparer l'appareil.
- ▶ Si l'appareil a un problème, appelez le service client.

Défaut	Cause et dépannage
La porte du four est verrouillée et refuse de s'ouvrir, même après le refroidissement. Le symbole de serrure de porte  s'allume.	La serrure de porte est enclenchée <ol style="list-style-type: none"> <li>1. Mettre le four hors circuit au disjoncteur et attendre cinq minutes.</li> <li>2. Remettre le disjoncteur en circuit.</li> </ol> <ul style="list-style-type: none"> <li>✓ Le four devrait se réinitialiser et être fonctionnel.</li> </ul>
Le four ne chauffe pas	Il n'y a pas d'alimentation électrique à l'appareil <ol style="list-style-type: none"> <li>1. Vérifier le disjoncteur ou le boîtier à fusibles de la résidence.</li> <li>2. S'assurer que l'alimentation électrique du four est adéquate.</li> </ol> <hr/> Il n'y a pas de température de cuisson réglée <ul style="list-style-type: none"> <li>▶ Réglez une température de mode de chauffage.</li> </ul>
Les résultats de cuisson ne sont pas satisfaisants	La position de la grille n'est pas idéale <ul style="list-style-type: none"> <li>▶ Reportez-vous aux conseils et suggestions d'utilisation de l'appareil. → "Obtenir les meilleurs résultats avec votre four à vapeur", Page 83</li> </ul>
La durée de cuisson des aliments est plus longue que prévue	La température du four doit être recalibrée <b>Remarque :</b> Le four est soigneusement étalonné de manière à offrir des résultats précis. <ul style="list-style-type: none"> <li>▶ Si la nourriture est toujours trop brune ou trop claire, la température peut être décalée. → "Décalage de la température du four", Page 80</li> </ul>
Les aliments sont trop cuits	La température du four doit être recalibrée <b>Remarque :</b> Le four est soigneusement étalonné de manière à offrir des résultats précis. <ul style="list-style-type: none"> <li>▶ Si la nourriture est toujours trop brune ou trop claire, la température peut être décalée. → "Décalage de la température du four", Page 80</li> </ul>
L'éclairage du four fonctionne mal	L'ampoule du four est desserrée ou brûlée <ul style="list-style-type: none"> <li>▶ Remplacez ou réinsérez l'ampoule.</li> </ul> <b>Conseil :</b> Toucher l'ampoule avec les doigts peut la faire griller.
L'éclairage refuse de s'éteindre	La porte du four ne se ferme pas correctement <ol style="list-style-type: none"> <li>1. Vérifiez que la porte du four n'est pas obstruée.</li> <li>2. Vérifiez si la charnière est pliée.</li> </ol> <hr/> La lumière du four est allumée <ul style="list-style-type: none"> <li>▶ Appuyez sur le bouton d'éclairage du four pour éteindre l'éclairage du four.</li> </ul>
Impossible de retirer le couvercle de la lentille sur la lumière de la cavité du four conventionnel	Il y a une accumulation de saleté autour du couvercle de l'objectif <ol style="list-style-type: none"> <li>1. Laissez refroidir la cavité du four.</li> <li>2. Essuyez la zone du couvercle de la lentille avec une serviette propre et sèche, puis essayez de retirer le couvercle de la lentille.</li> </ol>

Défaut	Cause et dépannage
La fonctionnalité d'autonettoyage du four ne fonctionne pas correctement	Le four est trop chaud pour démarrer l'autonettoyage <ol style="list-style-type: none"> <li>1. Laissez le four refroidir avant de lancer l'autonettoyage.</li> <li>2. Essuyez toujours les saletés libres ou les déversements importants avant de procéder à un autonettoyage.</li> <li>3. Si le four est très sale, réglez la durée maximale d'autonettoyage.</li> </ol>
L'horloge et la minuterie fonctionnent mal	Il n'y a pas d'alimentation électrique à l'appareil <ol style="list-style-type: none"> <li>1. Vérifier le disjoncteur ou le boîtier à fusibles de la résidence.</li> <li>2. S'assurer que l'alimentation électrique du four est adéquate.</li> </ol>
« E » et un numéro s'affichent à l'écran et la commande émet un signal sonore	Une panne électronique s'est produite <ol style="list-style-type: none"> <li>1. Appuyez sur <b>TIMERS</b> pour arrêter le bip.</li> <li>2. Réinitialisez le four si nécessaire.</li> <li>3. Appelez un fournisseur de services agréé.</li> </ol>
Une forte odeur se dégage du four neuf lorsqu'il est mis sous tension	Cela est normal pour un four neuf et l'odeur disparaîtra après quelques utilisations <ul style="list-style-type: none"> <li>► Utilisez le mode autonettoyant pour brûler l'odeur plus rapidement.</li> </ul>
Le panneau de commande ne répond pas lorsqu'une touche est activée	Le contrôle est mouillé ou sale <ul style="list-style-type: none"> <li>► Nettoyez le panneau de commande et essuyez-le.</li> </ul> Les touches tactiles ne sont pas correctement enfoncées <ol style="list-style-type: none"> <li>1. Appuyez au centre du bouton.</li> <li>2. Utiliser le plat du doigt.</li> </ol>
De l'air chaud ou de la vapeur s'échappent de l'évent du four	Il est normal de voir ou de sentir de la vapeur ou de l'air chaud s'échapper de l'évent du four <p><b>⚠ MISE EN GARDE</b></p> <p>Les événements du four sont importants pour la circulation de l'air. Couvrir les événements du four entraînera une surchauffe du four. Reportez-vous à l'aperçu de l'appareil pour connaître l'emplacement des événements du four. → "Électroménager", Page 64</p> <ul style="list-style-type: none"> <li>► N'obstruez pas les événements du four.</li> </ul>
Le ventilateur de refroidissement fonctionne même si le four est éteint	Le ventilateur de refroidissement peut encore fonctionner, même après avoir éteint le four, jusqu'au refroidissement suffisant du four <ul style="list-style-type: none"> <li>► Cela est normal. Aucune action n'est requise.</li> </ul>
La réserve d'eau se vide sans raison apparente	Le réservoir d'eau n'est pas fermé correctement <ul style="list-style-type: none"> <li>► Fermez le couvercle du réservoir jusqu'à ce qu'il s'insère correctement en place.</li> </ul> Le joint du couvercle du réservoir est sale <ul style="list-style-type: none"> <li>► Nettoyez le joint du couvercle du réservoir.</li> </ul> Le joint du couvercle du réservoir ne fonctionne pas <ul style="list-style-type: none"> <li>► Vous pouvez acheter un nouveau réservoir d'eau via le service à la clientèle.</li> </ul>
Un bruit de « plop » peut être entendu pendant la cuisson	La vapeur d'eau provoque un changement de température dans les aliments surgelés <ul style="list-style-type: none"> <li>► Cela est normal. Aucune action n'est requise.</li> </ul>
L'appareil ne produit plus de vapeur de façon normale	L'appareil doit être détartré <ul style="list-style-type: none"> <li>► Détartrez l'appareil.</li> </ul>

## 15 Élimination

Pour connaître les circuits d'élimination actuels, veuillez vous adresser à votre revendeur ou à votre administration municipale.

### 15.1 Éliminer un appareil usagé

L'élimination dans le respect de l'environnement permet de récupérer de précieuses matières premières.

- Éliminez l'appareil dans le respect de l'environnement.

## 16 Service à la clientèle

Lors de toute réparation réalisée dans le cadre de la garantie, nous nous assurons que votre appareil est réparé avec des pièces de rechange d'origine par un technicien dûment formé et agréé. Nous utilisons exclusivement des pièces de rechange d'origine lors des réparations.

Pour plus d'informations sur la durée et les conditions de la garantie dans votre pays, consultez nos modalités de garantie auprès de votre détaillant ou sur notre site Web. Si vous contactez le service à la clientèle, indiquez le numéro de modèle (E-Nr.) et le numéro de fabrication (FD) de l'appareil.

La source de lumière est disponible en tant que pièce de rechange et doit être remplacée uniquement par du personnel qualifié.

USA:

1-800-735-4328

[www.thermador.com/support](http://www.thermador.com/support)

[www.thermador.com/us/accessories](http://www.thermador.com/us/accessories)

CA:

1-800-735-4328

[www.thermador.ca](http://www.thermador.ca)

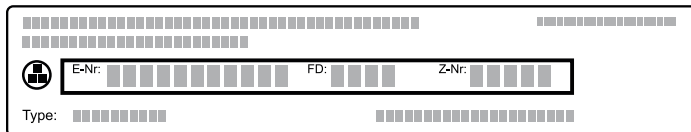
[www.thermador.ca/fr/soutien/filtres-nettoyants-accessoires](http://www.thermador.ca/fr/soutien/filtres-nettoyants-accessoires)

Vous trouverez également de l'aide pour contacter Home Connect® à l'adresse suivante :

[www.home-connect.com/us/en/help-support/set-up](http://www.home-connect.com/us/en/help-support/set-up)

### 16.1 Numéro de modèle (E-Nr.) et numéro de fabrication (FD)

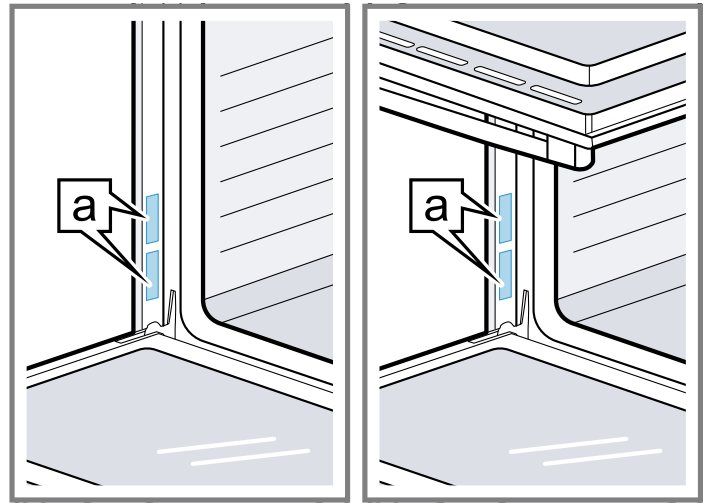
Le numéro de modèle (E-Nr.) et le numéro de fabrication (FD) sont indiqués sur la plaque signalétique de l'appareil.



Pour retrouver rapidement les données de votre appareil et le numéro de téléphone du service à la clientèle, n'hésitez pas à les recopier ailleurs.

### 16.2 Emplacement de la plaque signalétique

La plaque signalétique est située sur le côté gauche de la garniture de porte.



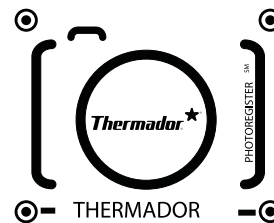
**a** Plaque signalétique

### 16.3 Enregistrement de produit

Enregistrez votre produit Thermador pour accéder aux informations relatives à votre produit.

**Vous pouvez enregistrer votre produit de plusieurs manières :**

- Inscrivez-vous avec votre téléphone (aux É.-U. seulement) :



- Prenez une photo de l'icône de la caméra sur la carte d'enregistrement, y compris les points (⊙).
- Envoyez la photo par texto au numéro 21432. (É.-U. seulement, des frais de messagerie et de données peuvent s'appliquer.)
- Postez la carte d'enregistrement du produit remplie à l'adresse imprimée sur la carte.
- Enregistrez le produit en ligne au
  - É.-U. : [www.thermador.com](http://www.thermador.com)
  - Canada : [www.thermador.ca](http://www.thermador.ca)
- Appelez Thermador Support à la clientèle au 1-800-735-4328.

## 17 ÉNONCÉ DE LA GARANTIE LIMITÉE DU PRODUIT

### 17.1 Couverture de la garantie limitée

La garantie limitée fournie par BSH Home Appliances (« Thermador ») dans cet énoncé de garantie limitée s'applique seulement à l'appareil Thermador qui vous a été vendu (« Produit »), pour autant que le produit ait été acheté :

- Pour une utilisation normale résidentielle (non commerciale), et qu'il a été utilisé en tout temps pour un usage domestique normal.
- Neuf au détail auprès d'un revendeur agréé BSH ou directement auprès de BSH (pas un présentoir, « tel quel », ou un modèle précédemment retourné), et non destiné à la revente ou à un usage commercial.
- Aux États-Unis ou au Canada et qu'il est demeuré en tout temps dans son pays d'achat.

Les garanties aux présentes s'appliquent à l'acheteur original du produit sous garantie et à tout propriétaire successif du produit acheté pour une utilisation résidentielle habituelle et la durée de la garantie. Assurez-vous d'enregistrer votre produit ; Bien qu'il ne soit pas nécessaire pour appliquer la garantie, c'est le meilleur moyen pour Thermador de vous informer dans le cas peu probable d'un avis de sécurité ou d'un rappel de produit.

### 17.2 Durée de la garantie

Thermador garantit que le produit est exempt de défaut de matériau et de fabrication pour une période de sept cent trente (730) jours à compter de la date de livraison. La période susmentionnée commence à partir de la date de livraison et ne doit pas être retenue, retardée, prolongée, ou interrompue pour une raison quelconque. Ce Produit est également garanti exempt de défauts **cosmétiques** de matériaux et de fabrication (tels que des rayures sur l'acier inoxydable, des taches de peinture/porcelaine, des éclats, des bosses ou d'autres dommages à la finition) du Produit, pendant une période de soixante (60) jours à compter de la date de livraison ou de la date de clôture pour une nouvelle construction. La présente garantie **cosmétique** exclut les variations légères de couleur causées par les différences inhérentes entre les sections peintes et les sections en porcelaine, de même que les différences causées par l'éclairage de la cuisine, l'emplacement du produit et autres facteurs similaires. La présente garantie **cosmétique** exclut spécifiquement tous les appareils en montre, de plancher, « tel quel » et remis à neuf.

### 17.3 Réparation ou remplacement : votre recours exclusif

Pendant cette période de garantie, Thermador ou l'un de ses centres de réparations autorisés réparera gratuitement votre Produit (sous réserve de certaines restrictions aux présentes) si celui-ci présente des défauts de matériels ou de fabrication. Si des tentatives

raisonnables pour réparer le produit sont vaines, alors Thermador remplacera le produit (un modèle supérieur peut être offert, à la seule discrétion de Thermador, moyennant des frais supplémentaires). Rien dans cette garantie n'exige que les pièces endommagées ou défectueuses soient remplacées par des pièces d'un type ou d'une conception différent de la pièce d'origine. Toutes les pièces ou les composants enlevés demeurent la seule propriété de Thermador. Toute pièce remplacée ou réparée doit être identique à la pièce d'origine aux fins de la présente garantie et la garantie ne sera pas prolongée en regard de telles pièces. La seule responsabilité de Thermador, en vertu des présentes, se limite à la réparation des produits défectueux au départ de l'usine, par le biais d'un fournisseur de services agréé Thermador pendant les heures de travail normales. Pour des raisons de sécurité et de dommages matériels, Thermador vous recommande fortement de ne pas essayer de réparer le produit vous-même ou de faire appel à un fournisseur de services non autorisé ; Thermador n'assume aucune responsabilité pour les dommages résultant de réparations ou de travaux effectués par un fournisseur de services non autorisé. Les centres de réparation autorisés sont les personnes ou les entreprises qui ont été spécialement formées sur les produits Thermador et qui possèdent, selon l'opinion de Thermador, une réputation supérieure pour le service après-vente et la capacité technique (il est à noter qu'elles sont des entités indépendantes et non des agents, partenaires, affiliés ou représentants de Thermador). Néanmoins, le fait de confier l'entretien de votre produit à un atelier de réparation qui n'est pas affilié à Thermador ou à un revendeur agréé de Thermador n'annulera pas cette garantie. De plus, l'utilisation de pièces tierces n'annulera pas cette garantie. Nonobstant ce qui suit, Thermador ne sera pas tenue responsable d'aucune façon si le produit est situé dans une région éloignée (supérieure à 100 miles d'un centre de réparation autorisé) ou n'est pas accessible de façon raisonnable, dans un environnement ou un local dangereux, menaçant ou périlleux; dans une telle éventualité, à la demande du consommateur, Thermador pourrait encore payer les frais de main-d'œuvre et de pièces et expédier les pièces au centre de réparation autorisé le plus près, mais le consommateur serait entièrement responsable pour tous les frais de déplacement et autres frais spéciaux encourus par le centre de réparation, en autant qu'il accepte la demande de réparation. De plus, dans la mesure où vous avez installé le produit dans un endroit difficile d'accès ou avez autrement installé des installations temporaires ou permanentes qui créent des obstacles à l'accès ou au retrait du produit, Thermador n'encourra aucune responsabilité ou n'aura aucune responsabilité pour les travaux ou les coûts associés au déplacement du Produit



ou à la création d'un accès au Produit afin de le réparer ou de le remplacer. Tous ces frais seront à votre charge exclusive.

## 17.4 Produit hors garantie

Thermador n'a aucune obligation, aux termes de la loi ou autrement, d'offrir toute concession, incluant réparation, prorata ou remplacement de produit une fois la garantie expirée.

## 17.5 Exclusions de garantie

La couverture de garantie décrite dans les présentes exclut tous les défauts ou dommages pour lesquels Thermador serait directement imputable, y compris, sans s'y limiter, l'un ou plusieurs des cas suivants :

- Utilisation du produit autre qu'un usage normal, habituel et de la façon destinée (incluant, sans s'y limiter, toute forme d'utilisation commerciale, d'utilisation ou de rangement d'un produit pour l'intérieur à l'extérieur, d'utilisation du produit de concert avec un transporteur aérien ou marin).
- Mauvaise conduite de toute partie, négligence, mauvaise utilisation, abus, accidents, fonctionnement inadéquat, mauvais entretien, installation inadéquate ou négligente, altération, manquement d'observer les instructions de fonctionnement, mauvaise manipulation, service non autorisé (incluant réparation par le consommateur ou exploration du fonctionnement interne du produit).
- Réglage, modification ou altération de tout type.
- Non conformité aux normes fédérales, provinciales, municipales ou électriques en vigueur au pays, aux codes de plomberie ou du bâtiment, aux réglementations ou aux lois, incluant le non respect d'installer le produit en stricte conformité avec les codes et les réglementations du bâtiment et d'incendie locaux.
- Bris et usure normaux, déversements d'aliments ou de liquides, accumulations de graisse ou d'autres substances dans, sur ou autour du Produit.
- Toute force ou tout facteur externe, élémentaire et / ou environnemental, incluant sans limitation, la pluie, le vent, le sable, les inondations, les incendies, les coulées de boue, le gel, l'humidité excessive ou l'exposition prolongée à l'humidité, la foudre, les surtensions, les problèmes de structure autour de l'appareil et les désastres naturels.
- Demandes de service visant à corriger l'installation de votre Produit, à obtenir des conseils à propos de son utilisation, à remplacer les fusibles de votre maison ou à réparer l'installation électrique ou la plomberie de votre foyer.
- Retrait et remplacement de la garniture ou des panneaux de décoration qui entravent l'entretien du produit.
- Dommages ou défauts résultant de la main-d'œuvre ou de pièces installées par un centre de réparation non autorisé, à moins d'être approuvé par Thermador avant de procéder à sa réparation.

En aucun cas, Thermador ne sera tenue responsable de dommages survenus à la propriété environnantes, incluant les armoires, les planchers, les plafonds et les autres objets ou structures situés autour du produit. Également exclus de la garantie sont les Produits dont les numéros de série ont été modifiés, effacés ou enlevés; les demandes de réparations pour enseigner le fonctionnement du Produit ou les visites où il n'y a aucun problème avec le produit; la correction de problèmes d'installation (le consommateur est seul responsable pour toute structure et tout réglage du Produit, incluant l'électricité, la plomberie et les autres raccordements nécessaires, pour une fondation / plancher approprié[e], et pour toute modification incluant, sans limitation, armoires, murs, planchers, tablettes, etc.) et le réenclenchement de disjoncteurs ou le remplacement de fusibles.

DANS LA MESURE AUTORISÉE PAR LOI, LA PRÉSENTE GARANTIE PRÉCISE LES RECOURS EXCLUSIFS DONT VOUS DISEPOSEZ À L'ÉGARD DU PRODUIT, QUE LA DEMANDE SOIT FONDÉE SUR UN CONTRAT OU DÉLIT (Y COMPRIS RESPONSABILITÉ ABSOLUE OU NÉGLIGENCE) OU AUTRE. LA PRÉSENTE GARANTIE REMPLACE TOUTES LES AUTRES GARANTIES, EXPRESSES OU IMPLICITES. TOUTES GARANTIES IMPLICITES AUX TERMES DE LA LOI, QUE SE SOIT LES GARANTIES DE QUALITÉ MARCHANDE OU D'APTITUDE À UN USAGE PARTICULIER, OU AUTRES, SONT LIMITÉES DANS LE TEMPS À LA DURÉE DE CETTE GARANTIE LIMITÉE EXPRESSE. LE FABRICANT NE SERA EN AUCUN CAS RESPONSABLE DE DOMMAGES CONSÉCUTIFS, SPÉCIAUX, ACCESSOIRES, INDIRECTS OU DE « PERTES COMMERCIALES » ET / OU DE DOMMAGES PUNITIFS, DE PERTES OU DE DÉPENSES, Y COMPRIS SANS S'Y LIMITER, ABSENCE DU TRAVAIL, FRAIS D'HÔTEL ET / OU FRAIS DE RESTAURANT, FRAIS DE REMANIEMENT EN EXCÉDENT DES DOMMAGES DIRECTS QUI SONT DÉFINITIVEMENT CAUSÉS EXCLUSIVEMENT PAR THERMADOR, OU AUTREMENT. CERTAINS ÉTATS N'AUTORISENT PAS L'EXCLUSION OU LA LIMITATION DE DOMMAGES ACCESSOIRES OU CONSÉCUTIFS, ET CERTAINS ÉTATS N'AUTORISENT PAS LA LIMITATION DE LA DURÉE DES GARANTIES IMPLICITES. PAR CONSÉQUENT, LES EXCLUSIONS OU LES LIMITES SUSMENTIONNÉES POURRAIENT NE PAS VOUS CONCERNER. LA PRÉSENTE GARANTIE VOUS DONNE DES DROITS PRÉCIS RECONNUS PAR LA LOI ET VOUS POUVEZ ÉGALEMENT AVOIR D'AUTRES DROITS QUI VARIENT D'UN ÉTAT À L'AUTRE. Aucune tentative de modifier, changer ou amender la présente garantie ne peut être valide sans le consentement écrit autorisé par un dirigeant de BSH.

## 17.6 Obtention du service de garantie

Pour obtenir le service de garantie de votre produit, vous devez contacter le service client de Thermador au 1-800-735-4328 pour planifier une réparation.

## 17.7 Information sur le produit

Pour référence pratique, copiez l'information ci-après de la plaque signalétique. Conservez votre facture et/ou vos documents de livraison pour la validation de la garantie.

---

Numéro de modèle  
(E-Nr.)

---

Numéro de  
fabrication (FD)

---

Date de livraison

---









1901 MAIN STREET, SUITE 600 IRVINE, CA 92614 USA // 1-800-735-4328 // WWW.THERMADOR.COM  
© 2023 BSH HOME APPLIANCES CORPORATION  
8001252114 // en-us, fr-ca // 030606