

**Gaggenau**

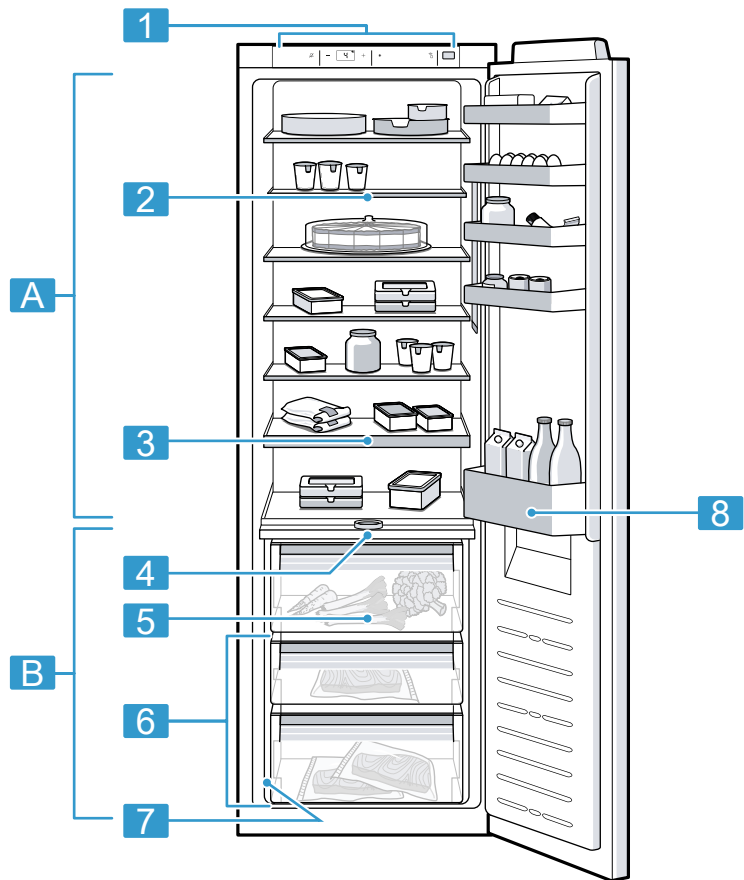
en User manual

nl Gebruikershandleiding

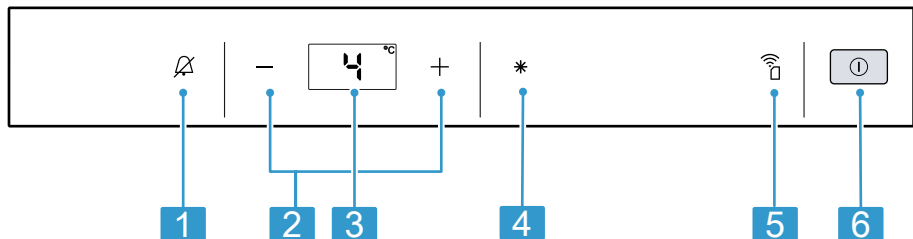
# RC 282

Refrigerator

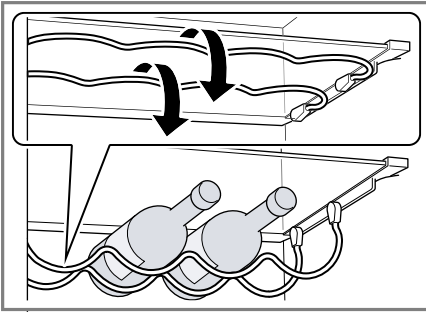
Koelkast



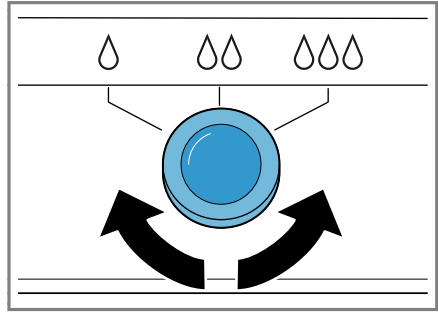
1



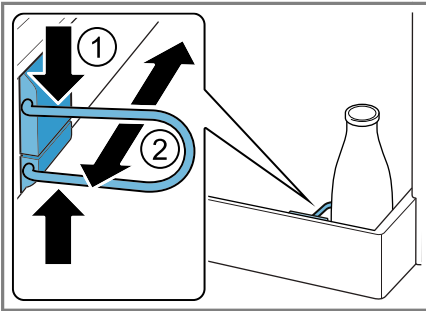
2



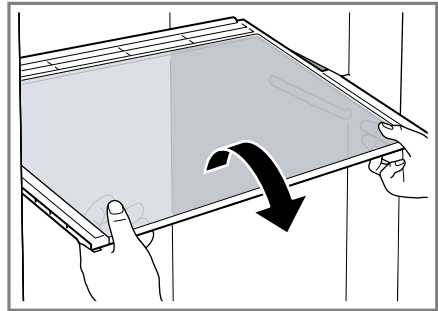
3



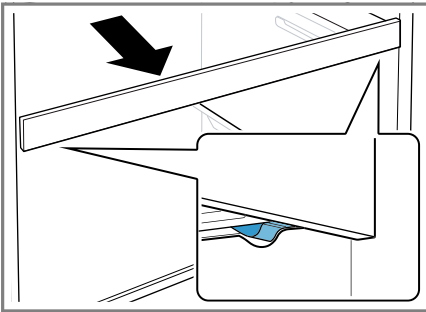
4



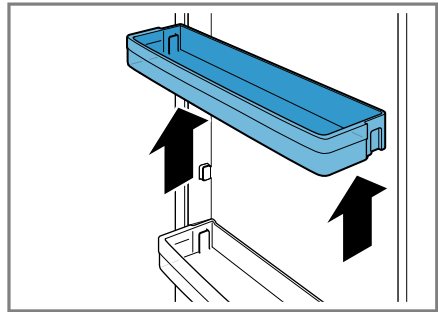
5



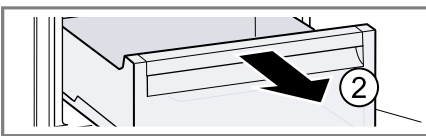
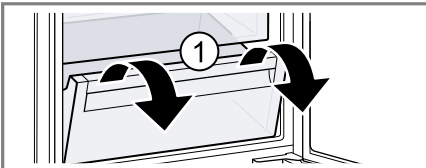
6



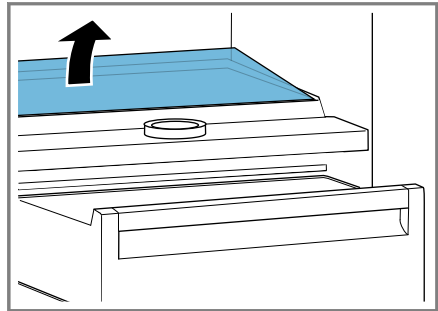
7



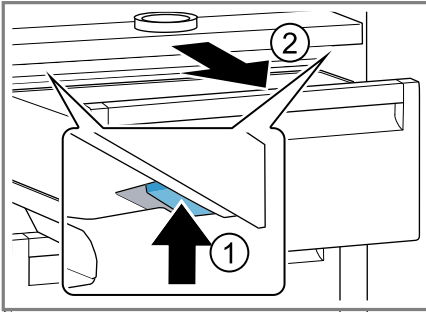
8



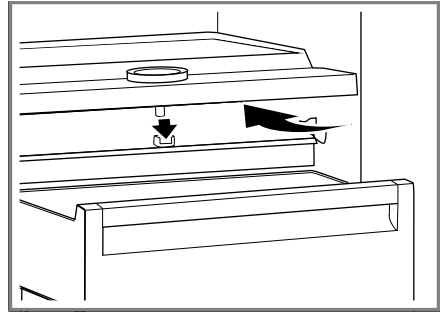
9



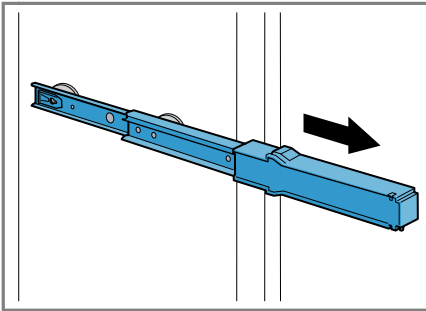
10



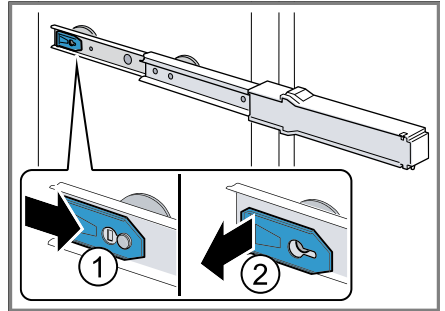
11



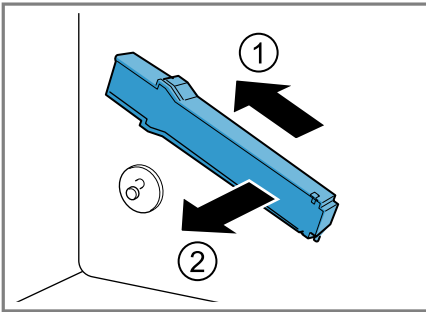
12



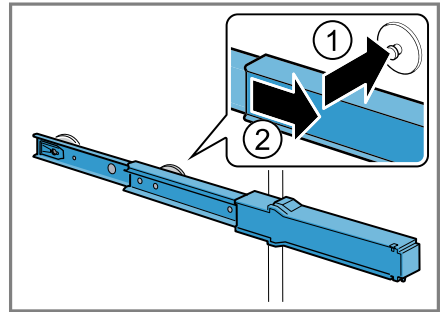
13



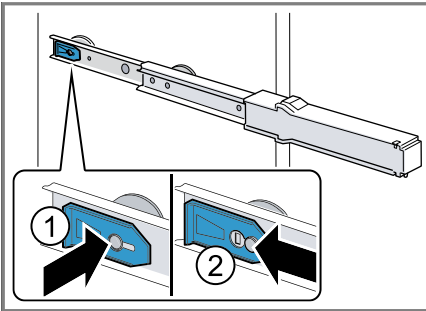
14



15



16



17

# Table of contents

<b>Safety</b> .....	<b>7</b>	Operating tips .....	18
General information .....	7	Switching off the appliance .....	18
Intended use .....	7	Setting the temperature .....	18
Restriction on user group .....	7	<b>Additional functions</b> .....	<b>18</b>
Safe transport .....	8	Fast cooling .....	18
Safe installation .....	8	<b>Alarm</b> .....	<b>19</b>
Safe use .....	9	Door alarm .....	19
Damaged appliance .....	11	<b>Home Connect</b> .....	<b>19</b>
<b>Preventing material damage</b> .....	<b>13</b>	Connecting the appliance to a WLAN home network (Wi-Fi) with WPS function .....	19
<b>Environmental protection and saving energy</b> .....	<b>13</b>	Connecting the appliance to a WLAN home network (Wi-Fi) without WPS function .....	20
Disposing of packaging .....	13	Connecting the appliance to the Home Connect app .....	20
Saving energy .....	13	Installing the Home Connect software update .....	21
<b>Installation and connection</b> .....	<b>14</b>	Resetting Home Connect set- tings .....	21
Scope of delivery .....	14	Data protection .....	21
Installing and connecting the ap- pliance .....	14	Declaration of Conformity .....	22
Criteria for the installation loca- tion .....	15	<b>Refrigerator compartment</b> .....	<b>22</b>
Preparing the appliance for the first time .....	15	Tips for storing food in the refri- gerator compartment .....	22
Connecting the appliance to the electricity supply .....	15	Chill zones in the refrigerator compartment .....	23
<b>Familiarising yourself with your appliance</b> .....	<b>16</b>	<b>Cool-fresh compartment</b> .....	<b>23</b>
Appliance .....	16	Storage times in the cool-fresh compartment at 0 °C .....	23
Controls .....	16	<b>Defrosting</b> .....	<b>23</b>
<b>Features</b> .....	<b>16</b>	Defrosting in the refrigerator compartment .....	23
Shelf .....	16	Defrosting in the cool-fresh com- partment .....	23
Extendable shelf .....	16	<b>Cleaning and servicing</b> .....	<b>23</b>
Folding bottle shelf .....	16	Preparing the appliance for cleaning .....	24
Fruit and vegetable container .....	16		
Cool-fresh container .....	17		
Butter and cheese compartment ...	17		
Door racks .....	17		
Accessories .....	17		
<b>Basic operation</b> .....	<b>18</b>		
Switching on the appliance .....	18		

Cleaning the appliance ..... 24  
Removing the fittings..... 24  
Removing appliance components..... 25

**Troubleshooting..... 26**

Malfunctions ..... 26  
Information on display panel..... 27  
Temperature problem..... 27  
Noise ..... 27  
Odours..... 28  
Conducting an appliance self-test..... 29

**Storage and disposal..... 29**

Switching off the appliance ..... 29  
Disposing of old appliance ..... 29

**Customer Service..... 30**

Product number (E-Nr.) and production number (FD)..... 30

**Technical data ..... 30**



## Safety

Please read the safety information to ensure that you use the appliance safely.

### General information

You can find general information for this instruction manual here.

- Read this instruction manual carefully. Only this will ensure you use the appliance safely and efficiently.
- This manual is intended for the user of the appliance.
- Follow the safety instructions and warnings.
- Keep the instruction manual and the product information safe for future reference or for the next owner.
- Check the appliance after unpacking it. Do not connect the appliance if it has been damaged in transit.

### Intended use

Read the information on intended use to ensure that you use the appliance correctly and safely.

This appliance is only intended to be fully fitted in a kitchen.

Only use this appliance:

- As specified in this instruction manual.
- For chilling food.
- In private households and in enclosed spaces in a domestic environment.
- Up to an altitude of max. 2000 m above sea level.

### Restriction on user group

Avoid risks to children and vulnerable persons.

This appliance may be used by children aged 8 or over and by people who have reduced physical, sensory or mental abilities or inadequate experience and/or knowledge, provided that they are supervised or have been instructed on how to use the appliance safely and have understood the resulting dangers.

Children must not play with the appliance.

Cleaning and user maintenance must not be performed by children unless they are being supervised.

Children above the age of three years old and younger than eight years old may load and unload the the fridge-freezer.

## **Safe transport**

Follow these safety instructions when transporting the appliance.

### **⚠ WARNING – Risk of injury!**

The high weight of the appliance may result in injury when lifted.

- ▶ Do not lift the appliance on your own.

## **Safe installation**

Follow these safety instructions when installing the appliance.

### **⚠ WARNING – Risk of electric shock!**

- Improper installation is dangerous.
  - ▶ Connect and operate the appliance only in accordance with the specifications on the rating plate.
  - ▶ Connect the appliance to a power supply with alternating current only via a properly installed socket with earthing.
  - ▶ The protective conductor system of the domestic electrical installation must be properly installed.
  - ▶ Never equip the appliance with an external switching device, e.g. a timer or remote control.
  - ▶ When the appliance is installed, the mains plug of the power cord must be freely accessible. If free access is not possible, an all-pole isolating switch must be installed in the permanent electrical installation according to the installation regulations.
  - ▶ When installing the appliance, check that the power cable is not trapped or damaged.
- If the insulation of the power cord is damaged, this is dangerous.
  - ▶ Never let the power cord come into contact with heat sources.



- ▶ Never let the power cord come into contact with sharp points or edges.
- ▶ Never kink, crush or modify the power cord.

**⚠ WARNING – Risk of explosion!**

If the appliance's ventilation openings are sealed, a leak in the refrigeration circuit may result in a flammable mixture of gas and air.

- ▶ Keep ventilation openings, in the appliance enclosure or in the built-in structure, clear of obstruction.

**⚠ WARNING – Risk of fire!**

- It is dangerous to use an extended power cord and non-approved adapters.
  - ▶ Do not use extension cables or multiple socket strips.
  - ▶ If the power cord is too short, contact Customer Service.
  - ▶ Only use adapters approved by the manufacturer.
- Portable multiple socket strips or portable power supply units may overheat and cause a fire.
  - ▶ Do not place portable multiple socket strips or power supply units on the back of the appliance.

## Safe use

Follow these safety instructions when using the appliance.

**⚠ WARNING – Risk of electric shock!**

An ingress of moisture can cause an electric shock.

- ▶ Only use the appliance in enclosed spaces.
- ▶ Never expose the appliance to intense heat or humidity.
- ▶ Do not use steam- or high-pressure cleaners to clean the appliance.

**⚠ WARNING – Risk of suffocation!**

- Children may put packaging material over their heads or wrap themselves up in it and suffocate.
  - ▶ Keep packaging material away from children.
  - ▶ Do not let children play with packaging material.

- Children may breathe in or swallow small parts, causing them to suffocate.
  - ▶ Keep small parts away from children.
  - ▶ Do not let children play with small parts.

**⚠ WARNING – Risk of explosion!**

- Mechanical devices or other devices may damage the refrigeration circuit; flammable refrigerant may escape and explode.
  - ▶ To accelerate the defrosting process, do not use any other mechanical devices or devices other than those recommended by the manufacturer.
- Products which contain flammable propellants and explosive substances may explode, e.g. spray cans.
  - ▶ Do not store products which contain flammable propellants (e.g. spray cans) or explosive substances in the appliance.

**⚠ WARNING – Risk of fire!**

Electrical devices within the appliance may cause a fire, e.g. heaters or electric ice makers.

- ▶ Do not operate electrical devices within the appliance.

**⚠ WARNING – Risk of injury!**

- Containers that contain carbonated drinks may burst.
  - ▶ Do not store containers that contain carbonated drinks in the cool-fresh compartment.
- Injury to the eyes caused by escaping flammable refrigerant and hazardous gases.
  - ▶ Do not damage the tubes of the refrigerant circuit or the insulation.

**⚠ CAUTION – Risk of harm to health!**

- To prevent food from being contaminated, you must observe the following instructions.
  - ▶ If the door is open for an extended period of time, this may lead to a considerable temperature increase in the compartments of the appliance.

- ▶ Regularly clean the surfaces that may come into contact with food and accessible drain systems.
- ▶ Store raw meat and fish in suitable containers in the refrigerator so that they do not touch or drip on other food.
- ▶ If the fridge/freezer is empty for an extended period of time, switch off the appliance, defrost it, clean it and leave the door open to prevent the formation of mould.
- If acidic food comes into contact with aluminium in the appliance, aluminium foil ions may pass into the food.
  - ▶ Do not consume soiled food.

## **Damaged appliance**

Follow the safety instructions if your appliance is damaged.

### **WARNING – Risk of electric shock!**

- If the appliance or the power cord is damaged, this is dangerous.
  - ▶ Never operate a damaged appliance.
  - ▶ Never operate an appliance with a cracked or fractured surface.
  - ▶ Never pull on the power cord to unplug the appliance. Always unplug the appliance at the mains.
  - ▶ If the appliance or the power cord is damaged, immediately unplug the power cord or switch off the fuse in the fuse box.
  - ▶ "Call Customer Service." → *Page 30*
  - ▶ Repairs to the appliance should only be carried out by trained specialist staff.
- Incorrect repairs are dangerous.
  - ▶ Repairs to the appliance should only be carried out by trained specialist staff.
  - ▶ Only use genuine spare parts when repairing the appliance.
  - ▶ If the power cord of this appliance is damaged, it must be replaced by the manufacturer, the manufacturer's Customer Service or a similarly qualified person in order to prevent any risk.

 **WARNING – Risk of fire!**



If the tubes are damaged, flammable refrigerant and harmful gases may escape and ignite.

- ▶ Keep naked flames and ignition sources away from the appliance.
- ▶ Ventilate the room.
- ▶ "Switch off the appliance." → *Page 18*
- ▶ Unplug the appliance from the mains or switch off the circuit breaker in the fuse box.
- ▶ "Call after-sales service." → *Page 30*

---

## Preventing material damage

Follow these instructions to prevent material damage to your appliance, accessories or other objects in your kitchen.

### ATTENTION!

- Using the base, runners or appliance doors as a seat surface or climbing surface may damage the appliance.
  - ▶ Do not stand or support yourself on the base, runners or doors.
- Contamination with oil or fat may cause plastic parts and door seals to become porous.
  - ▶ Keep plastic parts and door seals free of oil and grease.
- Metal or metal-style parts in the appliance may contain aluminium. Aluminium reacts when it comes into contact with acidic foods.
  - ▶ Do not store unpackaged food in the appliance.

---

## Environmental protection and saving energy

Help protect the environment by using your appliance in a way that conserves resources and by disposing of reusable materials properly.

### Disposing of packaging

The packaging materials are environmentally compatible and can be recycled.

- ▶ Sort the individual components by type and dispose of them separately.

Information about current disposal methods are available from your specialist dealer or local authority.

### Saving energy

If you follow these instructions, your appliance will use less power.

### Selecting the installation location

Follow these instructions when installing your appliance.

- Keep the appliance out of direct sunlight.
- Install the appliance as far away as possible from heating elements, cookers and other heat sources:
  - Maintain a 30 mm clearance to electric or gas cookers.
  - Maintain a 30 cm clearance to oil or solid-fuel cookers.
- + The appliance needs to cool less frequently at low ambient temperatures.
  - Use a niche depth of 560 mm.
  - Do not cover or block ventilation openings.
- + The air on the back wall of the appliance can escape more easily and the appliance does not warm up so intensely. The appliance must cool less frequently.

### Saving energy during use

Follow these instructions when using your appliance.

**Note:** The arrangement of the fittings does not affect the energy consumption of the appliance.

## en Installation and connection

- Do not cover or block ventilation openings.
- + The air on the back wall of the appliance can escape more easily and the appliance does not warm up so intensely.
- Open the appliance door only briefly.
- Transport purchased food in a cool bag and place in the appliance quickly.
- Allow warm food and drinks to cool down before placing them in the appliance.
- Thaw frozen food in the refrigerator compartment to utilise the low temperature of the food.
- + The air in the appliance does not warm up so intensely. The appliance must cool less frequently.
- Always leave some space between the food and to the back panel.
- Pack the food airtight.
- + The air can circulate and the air humidity remains constant.

---

## Installation and connection

You can find out where and how best to install your appliance here. You will also learn how to connect your appliance to the power supply.

### Scope of delivery

After unpacking all parts, check for any transport damage and for completeness of delivery.

If you have any complaints, contact your dealer or our "after-sales service" → *Page 30*.

The delivery consists of the following:

- Built-in appliance
- Equipment and accessories<sup>1</sup>
- Installation material
- Installation instructions
- User manual
- Customer service booklet
- Warranty enclosure<sup>2</sup>
- Energy label
- Information on energy consumption and noises
- Information about Home Connect

### Installing and connecting the appliance

**Requirement:** "The scope of delivery of the appliance is checked."

→ *Page 14*

1. "Observe the criteria for the appliance's installation location."  
→ *Page 15*
2. Install the appliance according to the enclosed installation instructions.

---

<sup>1</sup> Depending on the appliance specifications

<sup>2</sup> Not in all countries

3. "Prepare the appliance for first use." → *Page 15*
4. "Electrically connect the appliance." → *Page 15*

## Criteria for the installation location

Follow these instructions when installing your appliance.

### **WARNING** **Risk of explosion!**

If the appliance is in a space that is too small, a leak in the refrigeration circuit may result in a flammable mixture of gas and air.

- ▶ Only install the appliance in a space with a volume of at least 1 m<sup>3</sup> per 8 g refrigerant. The volume of refrigerant is indicated on the rating plate. → *Fig. 1/7*

The weight of the appliance ex works may be up to 70 kg depending on the model.

The subfloor must be of sufficient stability to bear the weight of the appliance.

### **Permitted room temperature**

The permitted room temperature depends on the appliance's climate class.

The climate class can be found on the rating plate. → *Fig. 1/7*

Climate class	Permitted room temperature
SN	10 °C to 32 °C
N	16 °C to 32 °C
ST	16 °C to 38 °C
T	16 °C to 43 °C

The appliance is fully functional within the permitted room temperature.

If an appliance with climate class SN is operated at colder room temperatures, the appliance will not be damaged up to a room temperature of 5 °C.

### **Niche dimensions**

Observe the niche dimensions if you install your appliance in the niche. If this is not the case, problems may occur when installing the appliance.

#### **Niche depth**

Install the appliance in the recommended niche depth of 560 mm. If the niche depth is smaller, the energy consumption increases slightly. The niche depth must be a minimum 550 mm.

#### **Niche width**

An inside niche width of at least 560 mm is required for the appliance.

## Preparing the appliance for the first time

1. Remove the informative material.
2. Remove the protective foil and transit bolts, e.g. remove the adhesive strips and carton.
3. "Clean the appliance for the first time." → *Page 24*

## Connecting the appliance to the electricity supply

1. Insert the mains plug of the appliance's power cable in a socket nearby.

The connection data of the appliance can be found on the rating plate. → *Fig. 1/7*

2. Check the mains plug is inserted properly.
  - ✓ The appliance is now ready for use.

---

## Familiarising yourself with your appliance

Familiarise yourself with the parts of your appliance.

### Appliance

You can find an overview of the parts of your appliance here.

→ Fig. 1

---

A	Refrigerator compartment
B	Cool-fresh compartment
1	Controls
3	"Extendable shelf" → Page 16
4	Partition with humidity controller
5	"Fruit and vegetable container" → Page 16
6	"Cool-fresh container" → Page 17
7	Rating plate
8	Door storage compartment for large bottles

---

**Note:** Deviations between your appliance and the diagrams may differ with regard to their features and size.

### Controls

The controls are used to configure all functions of your appliance and to obtain information about the operating status.

→ Fig. 2

---

1	⊗ switches the warning signal off.
2	Displays the set temperature for the refrigerator compartment in °C.
3	—/+ sets the temperature of the refrigerator compartment.
4	* switches Fast cooling on or off.

---

---

5  opens the menu for setting Home Connect.

---

6  switches the appliance on or off.

---

---

## Features

Here you can see an overview of the features of your appliance and their use.

The features of your appliance depend on the model.

### Shelf

To vary the shelf as required, you can remove the shelf and re-insert it elsewhere.

→ "Removing the shelf", Page 24

### Extendable shelf

In order to achieve an improved overview and to remove food more quickly, remove the shelf.

### Folding bottle shelf

Store bottles securely on the folding bottle shelf.

To use the bottle shelf, fold the metal bracket down.

→ Fig. 3

### Fruit and vegetable container

Store fresh fruit and vegetables in the fruit and vegetable container.

You can adjust the humidity in the fruit and vegetable container via the humidity controller on the partition and a special seal.

→ Fig. 4



The air humidity in the fruit and vegetable container can be set according to the type and amount of food to be stored by turning the humidity control:

- Low humidity  $\Delta$  required when primarily storing fruit or if the appliance is very full.
- Medium humidity  $\Delta\Delta$  required for a mixed load.
- High humidity  $\Delta\Delta\Delta$  required when primarily storing vegetables or when the appliance is not very full.

Condensation may form in the fruit and vegetable container depending on the food and quantity stored. Remove the condensation with a dry cloth and adjust the air humidity using the humidity controller.

To ensure that the quality and aroma are retained, store fruit and vegetables that are sensitive to cold outside of the appliance at temperatures of approx. 8 °C to 12 °C.

Fruit that is sensitive to cold	<ul style="list-style-type: none"> <li>■ Pineapples</li> <li>■ Bananas</li> <li>■ Mangoes</li> <li>■ Papayas</li> <li>■ Citrus fruits</li> </ul>
Vegetables that are sensitive to cold	<ul style="list-style-type: none"> <li>■ Aubergines</li> <li>■ Gherkins</li> <li>■ Courgettes</li> <li>■ Peppers</li> <li>■ Tomatoes</li> <li>■ Potatoes</li> </ul>

## Cool-fresh container

Use the lower temperatures in the cool-fresh container to store perishable food, e.g. fish, meat and sausages.

## Butter and cheese compartment

Store butter and hard cheese in the butter and cheese compartment.

## Door racks

To adjust the door racks as required, you can remove the door rack and re-insert elsewhere.

→ "Removing door racks", Page 25

## Accessories

Only use original accessories. These have been made especially for your appliance. Here you can find an overview of your appliance's accessories and how to use them.

The accessories for your appliance depend on the model.

### Egg tray

Store eggs safely on the egg tray.

### Bottle holder

The bottle holder prevents bottles from falling over when the appliance door is opened and closed.

Press the metal bracket together ① and slide the bottle tray as close to the bottle as possible ②.


→ Fig. **5**

---

## Basic operation

You can find out everything you need to know about operating your appliance here.


### Switching on the appliance

1. Press .
- ✓ The appliance begins to cool.
2. "Set the required temperature."  
→ *Page 18*

### Operating tips

- Once you have switched on the appliance, the set temperature is only reached after several hours. Do not put any food in the appliance until the temperature has been reached.
- The housing to the left, the right and beneath the cool-fresh compartment may heat up slightly temporarily. This prevents condensation in the area of the door seal.
- When you close the door, a vacuum may be created. The door is then difficult to open again. Wait a moment until the vacuum is offset.

### Switching off the appliance

- ▶ Press .
- ✓ The appliance stops cooling.

### Setting the temperature

After you have switched on the appliance, you can set the temperature.

#### Setting the refrigerator compartment temperature

- ▶ Press  $-/+$  repeatedly until the temperature display shows the required temperature.

The recommended temperature in the refrigerator compartment is 4 °C.

#### Setting the cool-fresh compartment temperature

**Note:** The temperature in the cool-fresh compartment is kept at around 0 °C.

- ▶ "If frost forms on the food items in the cool-fresh compartment, set a higher cool-fresh temperature."  
→ *Page 27*

---

## Additional functions

Find out which additional functions which can be used for your appliance.

### Fast cooling

Fast cooling cools the refrigerator compartment to make it as cold as possible. This cools food and drinks quickly through. Switch on Fast cooling before placing large quantities of food in the freezer compartment.


**Note:** When Fast cooling is switched on, increased noise may occur.

#### Switching on Fast cooling

- ▶ Press .
- ✓  lights up.

**Note:** After approx. 15 hours, the appliance switches to normal operation.

#### Switching off Fast cooling

- ▶ Press .
- ✓ The previously set temperature is displayed.

---


## Alarm

Your appliance is equipped with alarm functions.

### Door alarm

If the appliance door is open for a longer period, the door alarm switches on.

#### Switching off the warning tone (door alarm)

- ▶ Close the appliance door or press .
- ✓ The warning tone is switched off.

---

## Home Connect

This appliance is network-capable. Connect your appliance to a mobile device to control its functions via the Home Connect app.

The Home Connect services are not available in every country. The availability of the Home Connect function depends on the availability of Home Connect services in your country. You can find information about this at: [www.home-connect.com](http://www.home-connect.com).

To be able to use Home Connect, you must first set up the connection to the WLAN home network (Wi-Fi<sup>1</sup>) and to the Home Connect app. After switching on the appliance, wait at least 2 minutes until internal device initialisation is complete. Only then should you set up Home Connect.

- "Connecting appliance to WLAN home network (Wi-Fi) with WPS function" → *Page 19*

- "Connecting appliance to WLAN home network (Wi-Fi) without WPS function" → *Page 20*

The Home Connect app guides you through the entire login process. Follow the instructions in the Home Connect app to configure the settings.

#### Tips






- Please consult the documents supplied by Home Connect.
- Please also follow the instructions in the Home Connect app.

#### Notes

- Please note the safety precautions in this instruction manual and make sure that they are also observed when operating the appliance via the Home Connect app. → "Safety", *Page 7*
- Operating the appliance on the appliance itself always takes priority. During this time it is not possible to operate the appliance using the Home Connect app.

### Connecting the appliance to a WLAN home network (Wi-Fi) with WPS function

If your router has a WPS function, you can connect the appliance to your WLAN home network (Wi-Fi) automatically.

1. Press .
- ✓ The temperature display shows .
2. Press  repeatedly until the temperature display shows .
3. Press .
- ✓ The temperature display shows an animation for two minutes. The appliance is ready for automatic connection to the WLAN home network (Wi-Fi).

---

<sup>1</sup> Wi-Fi is a registered trademark of the Wi-Fi Alliance.

4. Activate the WPS function on the router during this period.  
To do this, take note of the information in the documents for your router.
  - ✓ Once successfully connected, **0n** flashes in the temperature display.
5. If the temperature display shows **0F**, the appliance was unable to establish a connection to the WLAN home network (WiFi).
  - Check whether the appliance is located within the range of the WLAN home network (Wi-Fi).
  - Repeat the process or "establish the connection manually"  
→ *Page 20*.
6. "Connect the appliance to the Home Connect app." → *Page 20*

## Connecting the appliance to a WLAN home network (Wi-Fi) without WPS function

If your router does not have a WPS function, you can connect the appliance to your WLAN home network (Wi-Fi) manually. The appliance briefly sets up its own WLAN network. You can connect a mobile device to the WLAN network and transfer the network information for the WLAN home network (Wi-Fi) to your appliance.

**Requirement:** The Home Connect app has been installed on your mobile device.

1. Press **ⓘ**.
  - ✓ The temperature display shows **Ln**.
2. Press **\*** repeatedly until the temperature display shows **SR**.
3. Press **+**.
  - ✓ The appliance now sets up its own WLAN network with the network name "HomeConnect".

- ✓ The temperature display shows an animation. The appliance is ready for manual connection to the WLAN home network (Wi-Fi).
4. Follow the instructions in the Home Connect app on the mobile device.
    - ✓ The network information for the WLAN home network (Wi-Fi) is transferred to the appliance.
    - ✓ Once successfully connected, **0n** flashes in the temperature display.
  5. If the temperature display shows **0F**, the appliance was unable to establish a connection to the WLAN home network (WiFi).
    - Check whether the appliance is located within the range of the WLAN home network (Wi-Fi).
    - Repeat the process.

## Connecting the appliance to the Home Connect app

If you have automatically connected your appliance to your WLAN home network (Wi-Fi), you can connect your appliance to the Home Connect app.

### Requirements


- "The appliance is connected to the WLAN home network (Wi-Fi)."  
→ *Page 19*
  - The Home Connect app has been installed on your mobile device.
1. Press **ⓘ**.
    - ✓ The temperature display shows **Ln**.
  2. Press **\*** repeatedly until the temperature display shows **PR**.
  3. Press **+**.
    - ✓ The temperature display shows an animation.

4. Follow the instructions in the Home Connect app until the process is complete.
  - ✓ Once successfully connected, the temperature display shows **0n**.
5. If the temperature display shows **Er**, the appliance was able to establish a connection to the Home Connect app.
  - In the Home Connect app, check whether the mobile device is connected to the WLAN home network (Wi-Fi).
  - Repeat the process.
6. If the temperature display shows , reset the "Home Connect", reset the settings. → *Page 21*

## Installing the Home Connect software update

The appliance searches for updates to the Home Connect software at regular intervals.


**Note:** If updates are available, the temperature display shows **UP**. To reset the update and the temperature display to the set temperature, press any touch field.

1. Press .
  - ✓ The temperature display shows **Ln**.
2. Press **\*** repeatedly until the temperature display shows **UP**.
3. Press **+**.
  - ✓ The temperature display shows an animation.
  - ✓ The update is installed.
  - ✓ The controls are locked during the installation.
  - ✓ If the installation is successful, the temperature display shows **0n**.
4. If the temperature display shows **Er**, the appliance was unable to install the update.
  - Repeat the process at a later point.

5. If the update cannot be completed after several attempts, contact the "After-sales service " → *Page 30*.

## Resetting Home Connect settings

If your appliance experiences connection problems with the WLAN home network (Wi-Fi) or your appliance wants to log into a different WLAN home network (Wi-Fi), you can reset the Home Connect settings.

1. Press .
  - ✓ The temperature display shows **Ln**.
2. Press **\*** repeatedly until the temperature display shows **rE**.
3. Press **+**.
  - ✓ The temperature display shows an animation for 15 seconds.
  - ✓ The temperature display then shows **0n**.
  - ✓ The Home Connect settings have been reset.

## Data protection

Please see the information on data protection.

The first time your appliance is registered on a home network connected to the Internet, your appliance will transmit the following types of data to the Home Connect server (initial registration):

- Unique appliance identification (consisting of appliance codes as well as the MAC address of the Wi-Fi communication module installed).
- Security certificate of the Wi-Fi communication module (to ensure a secure data connection).
- The current software and hardware version of your appliance.
- Status of any previous reset to factory settings.


## en Refrigerator compartment

This initial registration prepares the Home Connect functions for use and is only required when you want to use the Home Connect functions for the first time.

**Note:** Please note that the Home Connect functions can only be utilised with the Home Connect app. Information on data protection can be retrieved in the Home Connect app.

### Declaration of Conformity

Gaggenau Hausgeräte GmbH hereby declares that the appliance with Home Connect functionality meets

	BE	BG	CZ	DK	DE	EE	IE	EL
	ES	FR	HR	IT	CY	LV	LT	LU
	HU	MT	NL	AT	PL	PT	RO	SI
	SK	FI	SE	UK	NO	CH	TR	

5 GHz WLAN (Wi-Fi): For indoor use only.

the essential requirements and other relevant provisions of the Directive 2014/53/EU.

A detailed RED Declaration of Conformity can be found online at [www.gaggenau.com](http://www.gaggenau.com) among the additional documents on the product page for your appliance.



2.4 GHz band: 100 mW max.

5 GHz band: 100 mW max.

## Refrigerator compartment

You can keep dairy products, eggs, prepared meals, pastries, open preserves and hard cheese in the refrigerator compartment.

You can set the temperature in the refrigerator compartment from 3 °C to 8 °C.

The recommended temperature in the refrigerator compartment is 4 °C. The refrigerator compartment can also be used to store highly perishable foods in the short to medium term. The lower the selected temperature, the longer the food remains fresh.

## Tips for storing food in the refrigerator compartment

Follow the tips if you store food in your refrigerator compartment.

- To ensure that the freshness and quality of the food is retained for longer, only store fresh and unspoiled food.
- In the case of ready-made products and bottled goods, do not exceed the best-before date or use-by date specified by the manufacturer.
- To retain aroma, colour and freshness or to prevent taste transfer and discolouration of the plastic parts, store food well wrapped or covered.
- Leave warm food and beverages to cool down before placing them in the refrigerator compartment.

## Chill zones in the refrigerator compartment

The air circulation in the refrigerator compartment creates different chill zones.

### Coldest zone

The coldest zone is on the partition and in the door rack for large bottles.

### Warmest zone

The warmest zone is at the very top of the door.

### Tips

- Store food that does not spoil easily in the warmest zone, e.g. hard cheese and butter. Cheese can then continue to release its aroma and the butter will still be easy to spread.
- Store perishable food such as fish, sausages and meat in the cool-fresh compartment.  
→ "Cool-fresh compartment",  
Page 23

---

## Cool-fresh compartment

In the cool-fresh compartment, you can keep fresh food fresh three times longer than in the refrigerator compartment.

The temperature in the cool-fresh compartment is kept at around 0 °C. Storing food in the fresh compartment retains the quality of the food better. The low temperature and the optimum moisture provide ideal storage conditions for fresh food.

## Storage times in the cool-fresh compartment at 0 °C

The storage times are dependent on the original quality of your food.

Food	Storage time
Fresh fish, seafood	up to 3 days
Poultry, meat (boiled/fried)	up to 5 days
Beef, pork, lamb, sausage (cold meat)	up to 7 days
Smoked fish, broccoli	up to 14 days
Salad greens, fennel, apricots, plums	up to 21 days
Soft cheese, yoghurt, quark, buttermilk, cauliflower	up to 30 days

---

## Defrosting

Observe the information when you want to defrost your appliance.

### Defrosting in the refrigerator compartment

The refrigerator compartment in your appliance defrosts automatically.

### Defrosting in the cool-fresh compartment

The cool-fresh compartment in your appliance defrosts automatically.

---

## Cleaning and servicing

To keep your appliance working efficiently for a long time, it is important to clean and maintain it carefully. Customer Service must clean inaccessible points. Cleaning by customer service can give rise to costs.

## Preparing the appliance for cleaning

Find out how to prepare your appliance for cleaning.

1. "Switch off the appliance."  
→ Page 18
2. Disconnect the appliance from the power supply.  
Unplug the appliance from the mains or switch off the circuit breaker in the fuse box.
3. Take out all of the food and store it in a cool place.  
Place ice packs (if available) onto the food.
4. If there is a layer of hoarfrost, allow this to defrost.
5. "Remove all fittings from the appliance." → Page 24
6. Remove the following components from the appliance:
  - → "Partition and cover of the fruit and vegetable container", Page 25
  - → "Telescopic rails", Page 25
  - Door ventilation cover

## Cleaning the appliance

Clean the appliance as specified to ensure that it is not damaged by incorrect cleaning or unsuitable cleaning products.

### **WARNING** **Risk of electric shock!**

- An ingress of moisture can cause an electric shock.
  - ▶ Do not use steam- or high-pressure cleaners to clean the appliance.
- Liquid in the lighting can be dangerous.
  - ▶ The rinsing water must not run into the light.

### **ATTENTION!**

- Unsuitable cleaning products may damage the surfaces of the appliance.
    - ▶ Do not use hard scouring pads or cleaning sponges.
    - ▶ Do not use harsh or abrasive detergents.
    - ▶ Do not use cleaning products with a high alcohol content.
  - If you clean fittings and accessories in the dishwasher, this may cause them to become deformed or discoloured.
    - ▶ Never clean fittings and accessory in the dishwasher.
1. "Prepare the appliance for cleaning." → Page 24
  2. Clean the appliance, the fittings, the components and the door seals with a dish cloth, lukewarm water and a little pH-neutral washing-up liquid.
  3. Dry thoroughly with a soft, dry cloth.
  4. Refit the fittings and the components.
  5. Electrically connect the appliance.
  6. "Switch on the appliance."  
→ Page 18
  7. Putting the food into the appliance.

## Removing the fittings

If you want to clean the fittings thoroughly, remove these from your appliance.

### Removing the shelf

- ▶ Pull out and remove the shelf.  
→ Fig. **6**

### Removing the extendable shelf

1. Pull out the extendable shelf until the locking catch is released.  
→ Fig. **7**



2. Lower the shelf and swing it out to the side.

### Removing door racks

- ▶ Lift the door rack upwards and remove it.  
→ Fig. **8**

### Removing the fruit and vegetable container

- ▶ Tilt the fruit and vegetable container forwards ① and remove it ②.  
→ Fig. **9**

### Removing the cool-fresh container

- ▶ Tilt the cool-fresh container forwards ① and remove it ②.  
→ Fig. **9**

## Removing appliance components

If you want to clean your appliance thoroughly, you can remove certain components from your appliance.

### Partition and cover of the fruit and vegetable container

You can remove the partition and the cover of the fruit and vegetable container in order to clean it thoroughly.

#### Removing the partition

1. Remove the glass plate from the partition.  
→ Fig. **10**
2. Remove the fruit and vegetable container.
3. Press the lever on the underside on both sides ① and pull the partition forwards ②.  
→ Fig. **11**
4. Lift the partition and swivel it out to the side.

### Removing the cover

- ▶ Lift the cover of the fruit and vegetable container, pull it forwards and swivel it out to the side.

### Fitting the partition and cover

1. Insert the cover for the fruit and vegetable container.
2. Insert the partition.  
→ Fig. **12**
3. Place the glass plate on the partition.

### Telescopic rails

You can remove the telescopic rails in order to clean them thoroughly.

#### Removing telescopic rails

1. Pull out the telescopic rail.  
→ Fig. **13**
2. Move the lock in the direction of the arrow ① and loosen the pin from the rear ②.  
→ Fig. **14**
3. Push in the telescopic rail.
4. Push the telescopic rail backwards above the rear pin ① and disengage ②.  
→ Fig. **15**

#### Installing telescopic rails

1. Place the extended telescopic rail on the front pin ① and pull it forwards slightly to lock in place ②.  
→ Fig. **16**
2. Place the telescopic rail on the rear pin ① and push the locking mechanism back ②.  
→ Fig. **17**

## Troubleshooting

You can rectify minor faults on your appliance yourself. Read the troubleshooting information before contacting after-sales service. This will avoid unnecessary costs.

### WARNING

#### Risk of electric shock!


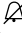
Incorrect repairs are dangerous.

- ▶ Repairs to the appliance should only be carried out by trained specialist staff.
- ▶ Only use genuine spare parts when repairing the appliance.
- ▶ If the power cord of this appliance is damaged, it must be replaced by the manufacturer, the manufacturer's Customer Service or a similarly qualified person in order to prevent any risk.




## Malfunions

Fault	Cause	Troubleshooting
The appliance is not working. No displays light up.	The mains plug has not been inserted properly.	▶ Check whether the mains plug for the power cord is fully inserted into the socket.
	Fuse has been tripped.	▶ Check the fuses.
	The power has failed.	<ol style="list-style-type: none"> <li>1. Check whether the power is on.</li> <li>2. Place ice packs (if available) on the top shelf.</li> </ol>
The appliance is not cooling, the displays and lighting light up.	Showroom mode is switched on.	▶ "Carry out the appliance self-test." → <i>Page 29</i> ✓ Once the appliance self-test has ended, the appliance switches to normal operation.
The LED lighting does not work. Do not remove the lamp cover.	Different causes are possible.	▶ Call the after-sales service. → <i>"Customer Service", Page 30</i>
The refrigeration unit is switching on more frequently and for longer.	The appliance door was opened frequently.	▶ Do not open appliance door unnecessarily.
	The ventilation openings are covered up.	▶ Remove any obstructions from in front of the ventilation openings.
HomeConnect is not working correctly.	Different causes are possible.	▶ Go to <a href="http://www.home-connect.com">www.home-connect.com</a> .

## Information on display panel

Fault	Cause	Troubleshooting
E or d appears in the temperature display.	The electronics have detected a fault.	<ul style="list-style-type: none"> <li>▶ Call the after-sales service. → "Customer Service", Page 30</li> </ul>
A warning signal sounds and  lights up.	Different causes are possible.	<ul style="list-style-type: none"> <li>▶ Press .</li> <li>✓ The alarm is switched off.</li> </ul>
	The appliance door is open.	<ul style="list-style-type: none"> <li>▶ Close the appliance door.</li> </ul>

## Temperature problem

Fault	Cause	Troubleshooting
The temperature differs greatly from the setting.	Different causes are possible.	<ol style="list-style-type: none"> <li>1. "Switch off the appliance." → Page 18</li> <li>2. "Switch the appliance back on after five minutes." → Page 18                             <ul style="list-style-type: none"> <li>- If the temperature is too warm, check the temperature again after a couple of hours.</li> <li>- If the temperature is too cold, check the temperature again on the following day.</li> </ul> </li> </ol>
Cool-fresh compartment is too warm or cold.	Standard setting is too high or too low, e.g. frost in cool-fresh compartment.	<p><b>Note:</b> The standard setting of the cool-fresh compartment is preset at 0. Setting 0 corresponds to a temperature of around 0 °C. You can set the temperature in the cool-fresh compartment to 3 settings warmer or colder.</p> <ol style="list-style-type: none"> <li>1. Press  until the temperature display flashes.</li> <li>2. To change the setting, press /.                             <ul style="list-style-type: none"> <li>- Setting -3 corresponds to the coldest setting.</li> <li>- Setting +3 corresponds to the warmest setting.</li> </ul> </li> </ol> <ul style="list-style-type: none"> <li>✓ The selected setting is saved after one minute.</li> </ul>

## Noise

Fault	Cause	Troubleshooting
Appliance has a humming sound.	Not a fault. A motor is running, e.g. refrigerating unit, fan.	No action required.

<b>Fault</b>	<b>Cause</b>	<b>Troubleshooting</b>
The appliance bubbles, buzzes or gargles.	Not a fault. Refrigerant flows through the pipes.	No action required.
The appliance clicks.	Not a fault. Motor, switches or solenoid valves are switching on or off.	No action required.
The appliance makes noises.	Fittings wobble or stick.	▶ Check the removable fittings and, if required, replace these.
	Bottles or containers are touching.	▶ Move the bottles or containers away from each other.

## Odours

<b>Fault</b>	<b>Cause</b>	<b>Troubleshooting</b>
The appliance has an unpleasant smell.	Different causes are possible.	<ol style="list-style-type: none"> <li>1. "Prepare the appliance for cleaning." → <i>Page 24</i></li> <li>2. "Clean the appliance." → <i>Page 24</i></li> <li>3. Clean all food packaging.</li> <li>4. To prevent odours from forming, store strong smelling food in airtight containers.</li> <li>5. After 24 hours, check whether odours are still forming.</li> </ol>

## Conducting an appliance self-test

1. "Switch off the appliance."  
→ *Page 18*
2. "Switch the appliance back on after approx. five minutes."  
→ *Page 18*
3. Within the first 10 seconds after switching on, press and hold \* 3 to 5 seconds.
  - ✓ The appliance self-test starts.
  - ✓ While the appliance self-test is running, a long audible signal sounds.
  - ✓ If, at the end of the appliance self-test, two audible signals sound and the temperature display indicates the set temperature, your appliance is OK. The appliance then switches to normal operation.
  - ✓ If, at the end of the appliance self-test, five audible signals sound and \* flashes for 10 seconds, inform the after-sales service.

---

## Storage and disposal

You can find out here how to prepare your appliance for storage. You will also find out how to dispose of old appliances.

### Switching off the appliance

1. "Switch off the appliance."  
→ *Page 18*
2. Disconnect the appliance from the power supply.  
Unplug the appliance from the mains or switch off the circuit breaker in the fuse box.
3. "Defrost the appliance." → *Page 23*
4. "Clean the appliance." → *Page 24*
5. To ensure the ventilation inside the appliance, leave the appliance open.

## Disposing of old appliance

Valuable raw materials can be re-used by recycling.

### **WARNING** **Risk of harm to health!**

Children can lock themselves in the appliance, thereby putting their lives at risk.

- ▶ Leave shelves and containers inside the appliance to prevent children from climbing in.
- ▶ Keep children away from the redundant appliance.

### **WARNING** **Risk of fire!**

If the tubes are damaged, flammable refrigerant and harmful gases may escape and ignite.

- ▶ Do not damage the tubes of the refrigerant circuit or the insulation.
1. Unplug the appliance from the mains.
  2. Cut through the power cord.
  3. Dispose of the appliance in an environmentally friendly manner.



This appliance is labelled in accordance with European Directive 2012/19/EU concerning used electrical and electronic appliances (waste electrical and electronic equipment - WEEE). The guideline determines the framework for the return and recycling of used appliances as applicable throughout the EU.

---

---

## Customer Service

If you have any queries, are unable to rectify faults on the appliance yourself or if your appliance needs to be repaired, contact Customer Service. You can solve many problems yourself by consulting the information on troubleshooting in these instructions or on our website. If this is not the case, contact our after-sales service. We will always find an appropriate solution and try to avoid unnecessary visits being made by a Customer Service technician.

With any warranty claims, we will make sure that your appliance is repaired by trained after-sales technicians using genuine spare parts, including after the manufacturer's warranty has expired.

For safety reasons repairs to the appliance should only be carried out by trained specialist staff. The warranty claim becomes void if repairs or interventions have been carried out by persons not authorised by us for that purpose or if our appliances have been fitted with spare, supplementary or accessory parts that were not genuine parts and then resulted in a defect.

Function-relevant genuine spare parts according to the corresponding Eco-design Order can be obtained from Customer Service for a period of at least 10 years from the date on which your appliance was placed on the market within the European Economic Area.

**Note:** Under the terms of the manufacturer's warranty applicable to the location, the use of Customer Service is free of charge. The minimum duration of the warranty (manufacturer's

warranty for private consumers) in the European Economic Area is 2 years according to the terms of warranty applicable to the location. The terms of warranty do not affect other rights or claims held by yourself under local legislation.

Detailed information on the warranty period and terms of warranty in your country is available from our after-sales service, your retailer or on our website.

If you contact Customer Service, you will require the product number (E-Nr.) and the production number (FD) of your appliance.

The contact details for Customer Service can be found in the enclosed Customer Service directory or on our website.

### Product number (E-Nr.) and production number (FD)

You can find the product number (E-Nr.) and the production number (FD) on the appliance's rating plate.

→ Fig. 1/7

Make a note of your appliance's details and the Customer Service telephone number to find them again quickly.

---

## Technical data

Refrigerant, cubic capacity and further technical specifications can be found on the rating plate.

→ Fig. 1/7

More information about your model can be found online at <https://energylabel.bsh-group.com><sup>1</sup>. This web address is linked to the official EU EPREL product database. At the time

---

<sup>1</sup> Only applies to countries in the European Economic Area

of printing its web address had not yet been published. Please then follow the instructions on searching for models. The model identifier is made up of the characters before the slash in the product number (E-Nr.) on the rating plate. Alternatively you can also find the model identifier in the first line of the EU energy label.

## Inhoudsopgave

<b>Veiligheid</b> .....	<b>34</b>	Machine uitschakelen.....	45
Algemene aanwijzingen .....	34	Temperatuur instellen.....	45
Bestemming van het apparaat.....	34	<b>Extra functies</b> .....	<b>45</b>
Inperking van de gebruikers .....	34	Snelkoelen .....	45
Veilig transport .....	35	<b>Alarm</b> .....	<b>46</b>
Veilige installatie.....	35	Deuralarm.....	46
Veilig gebruik.....	36	<b>Home Connect</b> .....	<b>46</b>
Beschadigd apparaat.....	38	Apparaat met WLAN-thuisnet- werk (Wi-Fi) met WPS-functie verbinden.....	46
<b>Het voorkomen van materiële schade</b> .....	<b>40</b>	Apparaat met WLAN-thuisnet- werk (Wi-Fi) zonder WPS-functie verbinden.....	47
<b>Milieubescherming en bespa- ring</b> .....	<b>40</b>	Apparaat met Home Connect app verbinden .....	47
Afvoeren van de verpakking .....	40	Update van de Home Connect software installeren .....	48
Energie besparen.....	40	Home Connect instellingen te- rugzetten.....	48
<b>Opstellen en aansluiten</b> .....	<b>41</b>	Bescherming persoonsgege- vens .....	49
Leveringsomvang .....	41	Conformiteitsverklaring.....	49
Apparaat opstellen en aanslui- ten.....	41	<b>Koelvak</b> .....	<b>49</b>
Criteria voor de opstellocatie .....	42	Tips voor het bewaren van le- vensmiddelen in het koelvak.....	50
Het apparaat voor het eerste ge- bruik voorbereiden .....	42	Koudezones in het koelvak.....	50
Apparaat elektrisch aansluiten.....	42	<b>Verskoelruimte</b> .....	<b>50</b>
<b>Uw apparaat leren kennen</b> .....	<b>43</b>	Bewaartijden in de verskoelruim- te bij 0 °C.....	50
Apparaat.....	43	<b>Ontdooien</b> .....	<b>51</b>
Bedieningselementen.....	43	Ontdooien in het koelvak. ....	51
<b>Uitrusting</b> .....	<b>43</b>	Ontdooien in de verskoelruimte....	51
Legplateau.....	43	<b>Reiniging en onderhoud</b> .....	<b>51</b>
Uittrekbaar legplateau .....	43	Apparaat voorbereiden voor rei- niging.....	51
Uitklapbaar flessenrek.....	43	Apparaat schoonmaken .....	51
Groente- en fruitlade.....	43	Onderdelen eruit halen .....	52
Verskoellade.....	44		
Boter- en kaasvak .....	44		
Deurrekken.....	44		
Accessoires.....	44		
<b>De Bediening in essentie</b> .....	<b>45</b>		
Apparaat inschakelen.....	45		
Opmerkingen bij het gebruik .....	45		



Apparaatonderdelen demonteer- ren .....	52
<b>Storingen verhelpen .....</b>	<b>54</b>
Functiestoringen .....	54
Aanwijzingen op het display.....	55
Temperatuurprobleem.....	55
Geluiden .....	56
Geurtjes .....	56
Apparaatzelftest uitvoeren.....	57
<b>Opslaan en afvoeren .....</b>	<b>57</b>
Apparaat buiten gebruik stellen .....	57
Afvoeren van uw oude apparaat....	57
<b>Servicedienst.....</b>	<b>58</b>
Productnummer (E-nr.) en pro- ductienummer (FD) .....	58
<b>Technische gegevens .....</b>	<b>59</b>



## Veiligheid

---

Houd de informatie omtrent veiligheid aan, zodat u het apparaat veilig kunt gebruiken.

### Algemene aanwijzingen

Hier vindt u algemene informatie over deze gebruiksaanwijzing.

- Lees deze gebruiksaanwijzing zorgvuldig door. Alleen dan kunt u het apparaat veilig en efficiënt gebruiken.
- Deze gebruiksaanwijzing is bestemd voor de gebruiker van het apparaat.
- Neem de veiligheidsvoorschriften en waarschuwingen in acht.
- Bewaar de gebruiksaanwijzing en de productinformatie voor later gebruik of voor volgende eigenaren.
- Controleer het apparaat na het uitpakken. Sluit het apparaat in geval van transportschade niet aan.

### Bestemming van het apparaat

Om het apparaat veilig en op de juiste manier te gebruiken dient u de aanwijzingen over het beoogd gebruik in acht te nemen.

Dit apparaat is uitsluitend voor de inbouw bedoeld.

Gebruik het apparaat uitsluitend:

- volgens deze gebruiksaanwijzing.
- voor het koelen van levensmiddelen.
- voor huishoudelijk gebruik en in gesloten ruimtes binnen de huiselijke omgeving.
- tot een hoogte van 2000 m boven zeeniveau.

### Inperking van de gebruikers

Voorkom risico's voor kinderen en kwetsbare personen.

Dit apparaat kan worden bediend door kinderen vanaf 8 jaar en door personen met fysieke, sensorische of geestelijke beperkingen of met gebrekkige ervaring en/of kennis, indien zij onder toezicht staan of zijn geïnstrueerd in het veilige gebruik van het apparaat en de daaruit resulterende gevaren hebben begrepen.

Kinderen mogen niet met het apparaat spelen.

Reiniging en gebruikersonderhoud mogen niet worden uitgevoerd door kinderen indien deze niet onder toezicht staan. Kinderen vanaf 3 jaar en jonger dan 8 jaar mogen de koelkast/diepvriezer vullen en legen.

## **Veiliger transport**

Houd de veiligheidsaanwijzingen aan wanneer u het apparaat transporteert.

### **⚠ WAARSCHUWING – Kans op letsel!**

Het hoge gewicht van het apparaat kan bij het optillen letsels veroorzaken.

- ▶ Het apparaat niet alleen optillen.

## **Veilige installatie**

Houd deze veiligheidsaanwijzingen in acht bij de installatie van het apparaat.

### **⚠ WAARSCHUWING – Kans op elektrische schok!**

- Ondeskundige installaties zijn gevaarlijk.
  - ▶ Het apparaat uitsluitend aansluiten en gebruiken volgens de gegevens op het typeplaatje.
  - ▶ Het apparaat uitsluitend via een volgens de voorschriften geïnstalleerd stopcontact met randaarde op een stroomnet met wisselstroom aansluiten.
  - ▶ Het randaardesysteem van de elektrische huisinstallatie moet conform de elektrotechnische voorschriften zijn geïnstalleerd.
  - ▶ Nooit het apparaat via een externe schakelinrichting voeden, bijvoorbeeld een tijdschakelaar of besturing op afstand.
  - ▶ Wanneer het apparaat is ingebouwd, moet de netstekker van de netaansluitkabel vrij toegankelijk zijn, of wanneer vrije toegang niet mogelijk is, moet in de vast geplaatste elektrische installatie een alpolige scheidingsinrichting volgens de installatievoorschriften worden ingebouwd.

- ▶ Bij het opstellen van het apparaat erop letten dat het netsnoer niet wordt afgeklemd of beschadigd.
- Een beschadigde isolatie van het netsnoer is gevaarlijk.
  - ▶ Nooit het aansluitsnoer met warmtebronnen in contact brengen.
  - ▶ Nooit het aansluitsnoer met scherpe punten of randen in contact brengen.
  - ▶ Het aansluitsnoer nooit knikken, knellen of veranderen.

**⚠ WAARSCHUWING – Kans op explosie!**

Wanneer de ventilatie-openingen van het apparaat zijn gesloten, dan kan bij een lek van het koude circuit een brandbaar gas-luchtmengsel ontstaan.

- ▶ Sluit ventilatie-openingen in de behuizing van het apparaat of in de inbouwbehuizing niet af.

**⚠ WAARSCHUWING – Kans op brand!**

- Het gebruik van een verlengd netsnoer en niet-toegestane adapters is gevaarlijk.
  - ▶ Geen verlengsnoeren of meervoudige stopcontacten gebruiken.
  - ▶ Als het netsnoer te kort is, contact opnemen met de servicedienst.
  - ▶ Alleen door de fabrikant goedgekeurde adapters gebruiken.
- Draagbare mobiele meervoudige stopcontacten of draagbare netvoedingen kunnen oververhit raken en tot brand leiden.
  - ▶ Draagbare mobiele meervoudige stopcontacten of draagbare netvoedingen niet aan de achterkant van de apparaten plaatsen.

## **Veilig gebruik**

Neem bij gebruik van het apparaat de veiligheidsaanwijzingen in acht.

**⚠ WAARSCHUWING – Kans op elektrische schok!**

Binnendringend vocht kan een elektrische schok veroorzaken.

- ▶ Gebruik het apparaat alleen in gesloten ruimtes.

- ▶ Stel het apparaat nooit bloot aan grote hitte en vochtigheid.
- ▶ Geen stoomreiniger of hogedrukreiniger gebruiken om het apparaat te reinigen.

### **WAARSCHUWING – Kans op verstikking!**

- Kinderen kunnen verpakkingsmateriaal over het hoofd trekken en hierin verstrikt raken en stikken.
  - ▶ Verpakkingsmateriaal uit de buurt van kinderen houden.
  - ▶ Laat kinderen niet met verpakkingsmateriaal spelen.
- Kinderen kunnen kleine onderdelen inademen of inslikken en hierdoor stikken.
  - ▶ Kleine onderdelen uit de buurt van kinderen houden.
  - ▶ Kinderen niet met kleine onderdelen laten spelen.

### **WAARSCHUWING – Kans op explosie!**

- Mechanische inrichtingen of andere middelen kunnen de koudekringloop beschadigen, brandbaar koudemiddel kan lekken en exploderen.
  - ▶ Gebruik voor het versnellen van het ontdoeien geen andere mechanische inrichtingen of andere middelen dan diegene die door de fabrikant zijn aanbevolen.
- Producten met brandbare drijfgassen en explosieve stoffen kunnen exploderen, bijv. spuitbussen.
  - ▶ Bewaar geen producten met brandbare drijfgassen en explosieve stoffen in het apparaat.

### **WAARSCHUWING – Kans op brand!**

Elektrische apparaten binnenin het apparaat kunnen tot een brand leiden, bijv. verwarmingsapparaten of elektrische ijsbereiders.

- ▶ Gebruik geen elektrische apparaten binnenin het apparaat.

### **WAARSCHUWING – Kans op letsel!**

- Flessen of blikjes met koolzuurhoudende drank kunnen barsten.
  - ▶ Geen flessen of blikjes met koolzuurhoudende drank in de verkoelruimte bewaren.

- Letsel aan de ogen door lekkend brandbaar koudemiddel en schadelijke gassen.
  - ▶ De buizen van de koudemiddelkringloop en de isolatie niet beschadigen.

### **⚠ VOORZICHTIG – Kans op gevaar voor de gezondheid!**

- Houd de volgende aanwijzingen aan om verontreiniging van levensmiddelen te voorkomen.
  - ▶ Wanneer de deur langere tijd wordt geopend, kan dit leiden tot een aanzienlijke temperatuurstijging in de vakken van het apparaat.
  - ▶ Maak de oppervlakken, die met levensmiddelen en toegankelijke afvoersystemen in contact komen, regelmatig schoon.
  - ▶ Rauw vlees en vis in geschikte containers in de koelkast dusdanig bewaren dat het niet in contact komt met andere levensmiddelen of op deze drupt.
  - ▶ Wanneer het koel-/vriesapparaat langere tijd leeg staat, het apparaat uitschakelen, ontdooien, reinigen en de deur open laten, om schimmelvorming te voorkomen.
- Wanneer zure levensmiddelen in contact komen met aluminium in het apparaat in contact komen, dan kunnen aluminiumionen overdragen naar de levensmiddelen.
  - ▶ Verontreinigde levensmiddelen niet consumeren.

### **Beschadigd apparaat**

Neem deze veiligheidsvoorschriften in acht als uw apparaat beschadigd is.

### **⚠ WAARSCHUWING – Kans op elektrische schok!**

- Een beschadigd apparaat of een beschadigd netsnoer is gevaarlijk.
  - ▶ Nooit een beschadigde apparaat gebruiken.
  - ▶ Nooit een apparaat met gescheurd of gebroken oppervlak gebruiken.

- ▶ Nooit aan het netsnoer trekken, om het apparaat van het elektriciteitsnet te scheiden. Altijd aan de stekker van het netsnoer trekken.
- ▶ Wanneer het apparaat of het netsnoer is beschadigd, dan direct de stekker van het netsnoer uit het stopcontact halen of de zekering in de meterkast uitschakelen.
- ▶ "Neem contact op met de servicedienst." → *Pagina 58*
- ▶ Alleen daarvoor geschoold vakpersoneel mag reparaties aan het apparaat uitvoeren.
- Ondeskundige reparaties zijn gevaarlijk.
  - ▶ Alleen daarvoor geschoold vakpersoneel mag reparaties aan het apparaat uitvoeren.
  - ▶ Er mogen uitsluitend originele reserveonderdelen worden gebruikt voor reparatie van het apparaat.
  - ▶ Als het netsnoer van dit apparaat beschadigd raakt, moet het ter vermindering van risico's worden vervangen door de fabrikant, de servicedienst of een andere gekwalificeerde persoon.

### **WAARSCHUWING – Kans op brand!**



Bij beschadiging van de leidingen kunnen brandbaar koudemiddel en schadelijke gassen ontsnappen en ontsteken.

- ▶ Houd vuur en ontstekingsbronnen uit de buurt van het apparaat.
- ▶ Ventileer de ruimte.
- ▶ "Het apparaat uitschakelen." → *Pagina 45*
- ▶ De stekker van het netsnoer uit het stopcontact trekken of de zekering in de meterkast uitschakelen.
- ▶ "Neem contact op met de service-afdeling." → *Pagina 58*

---

## Het voorkomen van materiële schade

Ter voorkoming van materiële schade, aan het apparaat, de accessoires of keukenvoorwerpen dient u de aanwijzingen in acht te nemen.

### LET OP!

- Door het gebruik van de plint, laden of apparaatdeuren als zitvlak of opstapje kan het apparaat beschadigd raken.
  - ▶ Niet op de plint, laden of deuren staat of leunen.
- Door verontreinigingen met olie of vet kunnen kunststofdelen en deurafdichtingen poreus worden.
  - ▶ Houd kunststofdelen en deurafdichtingen olie- en vetvrij.
- Delen in het apparaat van metaal of met een metalen uiterlijk kunnen aluminium bevatten. Aluminium reageert bij contact met zure levensmiddelen.
  - ▶ Geen levensmiddelen onverpakt in het apparaat bewaren.

---

## Milieubescherming en besparing

Bescherm het milieu door het apparaat op een hulpbronnenbesparende manier te gebruiken en herbruikbare materialen op de juiste manier af te voeren.

### Afvoeren van de verpakking

De verpakkingsmaterialen zijn milieuvriendelijk en kunnen worden hergebruikt.

- ▶ De afzonderlijke componenten op soort gescheiden afvoeren.

Bij uw dealer en uw gemeente- of deelraadskantoor kunt u informatie verkrijgen over de actuele afvoermethoden.

### Energie besparen

Als u deze aanwijzingen opvolgt, verbruikt uw apparaat minder stroom.

#### Keuze van de opstellingslocatie

Houd deze aanwijzing aan wanneer u het apparaat plaatst.

- Stel het apparaat niet bloot aan direct zonlicht.
- Plaats het apparaat zo ver mogelijk van radiatoren, fornuis en andere warmtebronnen:
  - Houd 30 mm afstand aan tot elektrische- of gasfornuizen.
  - Houd 30 cm afstand aan tot olie- en kolenfornuizen.
- + Het apparaat hoeft bij lagere omgevingstemperaturen minder vaak te koelen.
- Een nisdiepte van 560 mm gebruiken.
- Ventilatieopeningen niet afdekken of blokkeren.
- + De lucht aan de achterwand van het apparaat kan beter ontsnappen, het apparaat warmt niet zo sterk op.  
Het apparaat hoeft minder vaak te koelen.

#### Energie besparen bij het gebruik.

Houd deze aanwijzing aan wanneer u uw apparaat gebruikt.

**Opmerking:** De plaatsing van de uitrustingsonderdelen heeft geen invloed op het energieverbruik van het apparaat.



- Ventilatieopeningen niet afdekken of blokkeren.
- + De lucht aan de achterwand van het apparaat kan beter ontsnappen, het apparaat warmt niet zo sterk op.
- Open de deur van het apparaat slechts kort.
- Transporteer gekoelde levensmiddelen in een koeltas en leg ze snel in het apparaat.
- Warme gerechten en dranken eerst laten afkoelen, daarna in het apparaat plaatsen.
- Leg om de koude van de diepvriesproducten te benutten, deze ter ontdooiing in het koelvak.
- + De lucht in het apparaat warmt niet zo sterk op.  
Het apparaat hoeft minder vaak te koelen.
- Laat altijd wat ruimte tussen de levensmiddelen en de achterwand.
- Verpak de levensmiddelen luchtdicht.
- + De lucht kan circuleren en de luchtvochtigheid blijft constant.

---

## Opstellen en aansluiten

Waar en hoe u het apparaat het beste opstelt, komt u hier te weten. Bovendien komt u te weten hoe u het apparaat op het elektriciteitsnet aansluit.

### Leveringsomvang

Controleer na het uitpakken alle onderdelen op transportschade en de volledigheid van de levering.

Neem bij klachten met uw dealer of onze "servicedienst" → *Pagina 58* contact op.

De levering bestaat uit:

- Inbouw
- Uitrusting en accessoires<sup>1</sup>
- Montagemateriaal
- Montagehandleiding
- Gebruiksaanwijzing
- Klantenserviceboekje
- Garantiebijlage<sup>2</sup>
- Energielabel
- Informatie over energieverbruik en geluiden
- Informatie over Home Connect

### Apparaat opstellen en aansluiten

**Vereiste:** "De leveringsomvang van het apparaat is gecontroleerd."

→ *Pagina 41*

1. "Houd de criteria aan voor de opstellocatie van het apparaat."  
→ *Pagina 42*
2. Het apparaat conform meegeleverde montagehandleiding installeren.
3. "Het apparaat voor het eerste gebruik voorbereiden." → *Pagina 42*

---

<sup>1</sup> Afhankelijk van de apparaatuitvoering

<sup>2</sup> Niet in alle landen

4. "Het apparaat elektrisch aansluiten." → *Pagina 42*

## Criteria voor de opstellocatie

Houd deze aanwijzing aan wanneer u het apparaat plaatst.

### **WAARSCHUWING** **Kans op explosie!**

Wanneer het apparaat in een te kleine ruimte staat, kan er bij een lek van het koudecircuit een brandbaar gasluchtmengsel ontstaan.

- ▶ Stel het apparaat uitsluitend op in een ruimte, welke tenminste een volume heeft van 1 m<sup>3</sup> per 8 g koudemiddel. De hoeveelheid van het koudemiddel staat op het typeplaatje. → *Fig. 1/7*

Het gewicht van het apparaat kan afhankelijk van het model tot 70 bedragen.

De ondergrond moet stabiel genoeg zijn om het gewicht van het apparaat te dragen.

### **Toegestane ruimtetemperatuur**

De toegestane kamertemperatuur is afhankelijk van de klimaatklasse van het apparaat.

De klimaatklasse vindt u op het typeplaatje. → *Fig. 1/7*

Klimaatklasse	Toegestane ruimtetemperatuur
SN	10 °C...32 °C
N	16 °C...32 °C
ST	16 °C...38 °C
T	16 °C...43 °C

Het apparaat is volledig functioneel binnen de toegestane binnentemperatuur.

Wanneer u een apparaat van de klimaatklasse SN gebruikt bij lagere kamertemperaturen, dan kunnen be-

schadigingen aan het apparaat tot een kamertemperatuur van 5 °C worden uitgesloten.

### **Nismaten**

Neem de nisafmetingen in acht als u uw apparaat in de nis inbouwt. Bij afwijkingen kunnen problemen optreden tijdens de installatie van het apparaat.

### **Nisdiepte**

Bouw het apparaat in de aanbevolen nisdiepte van 560 mm in.

Bij een kleinere nisdiepte wordt het energieverbruik iets hoger. De nisdiepte moet minimaal 550 mm bedragen.

### **Nisbreedte**

Voor het apparaat is een meubelnis met een binnenbreedte van minimaal 560 mm nodig.

## Het apparaat voor het eerste gebruik voorbereiden

1. Haal het informatiemateriaal er uit.
2. Verwijder de beschermfolie en transportborgingen, bijv. plakstrips en karton.
3. "Het apparaat voor de eerste keer reinigen." → *Pagina 51*

## Apparaat elektrisch aansluiten

1. De netstekker van het aansluit snoer van het apparaat in een stopcontact in de omgeving van het apparaat steken.

De aansluitgegevens van het apparaat staan op het typeplaatje. → *Fig. 1/7*

2. De netstekker op vastheid controleren.
- ✓ Het apparaat is nu gereed voor gebruik.

## Uw apparaat leren kennen

Lees meer over de onderdelen van uw apparaat.

### Apparaat

Hier vindt u een overzicht van de onderdelen van uw apparaat.

→ Fig. 1

<b>A</b>	Koelvak
<b>B</b>	Verskoelruimte
<b>1</b>	Bedieningselementen
<b>3</b>	"Uittrekbaar legplateau" → Pagina 43
<b>4</b>	Scheidingsplaat met vochtigheidsregelaar
<b>5</b>	"Groente- en fruitlade" → Pagina 43
<b>6</b>	"Verskoellade" → Pagina 44
<b>7</b>	Typeplaatje
<b>8</b>	Deurrek voor grote flessen

**Opmerking:** Verschillen tussen uw apparaat en de afbeeldingen zijn mogelijk op basis van uitrusting en grootte.

### Bedieningselementen

Via de bedieningselementen kunt u alle functies van uw apparaat instellen en informatie krijgen over de gebruikstoestand.

→ Fig. 2

<b>1</b>	⊗ schakelt het alarmsignaal uit.
<b>2</b>	Toont de ingestelde temperatuur van het koelvak in °C.
<b>3</b>	—/+ stelt de temperatuur van het koelvak in.

**4** \* schakelt Snelkoelen in of uit.

**5**  open het menu voor het instellen van Home Connect.

**6** ① schakelt het apparaat in of uit.

## Uitrusting

Hier krijgt u een overzicht van de accessoires behorende bij uw apparaat en de manier waarop ze worden gebruikt.

De uitrusting van uw apparaat is modelafhankelijk.

### Legplateau

Om de schappen naar wens te variëren, kunt u het schap uitnemen en op een andere positie weer plaatsen.

→ "Plateau verwijderen", Pagina 52

### Uittrekbaar legplateau

Om een beter overzicht te krijgen en levensmiddelen sneller te kunnen uitnemen, trekt u het legplateau er uit.

### Uitklapbaar flessenrek

Bewaar flessen veilig op het uitklapbare flessenrek.

Om het flessenrek te gebruiken, klapt u de metalen beugel naar beneden.

→ Fig. 3

### Groente- en fruitlade

Bewaar vers fruit en groente in de fruit- en groentelade.

Met de vochtigheidsregelaar van de scheidingsplaat en een speciale afdichting kunt u de luchtvochtigheid in de fruit- en groentelade aanpassen.

→ Fig. 4

De luchtvochtigheid in de fruit- en groentelade kunt u afhankelijk van het soort en de hoeveelheid bewaarde

## nl Uitrusting

levensmiddelen door aan de vochtigheidsregelaar te draaien instellen:

- Lage luchtvochtigheid  $\Delta$  bij overwegend bewaren van fruit of hoge belading.
- Gemiddelde luchtvochtigheid  $\Delta\Delta$  bij gemengde belading.
- Hoge luchtvochtigheid  $\Delta\Delta\Delta$  bij overwegend bewaren van groente of bij geringe belading.

Afhankelijk van de soort levensmiddelen en de hoeveelheid kan zich in de fruit- en groentelade condenswater vormen.

Het condenswater verwijderen met een droge doek en de luchtvochtigheid in de groentelade aanpassen met behulp van de vochtigheidsregelaar.

Om ervoor te zorgen dat de kwaliteit en het aroma behouden blijven, moet u koudegevoelig fruit en groente buiten het apparaat bewaren bij temperaturen van ca. 8°C tot 12°C.

---

Koudegevoelig fruit	<ul style="list-style-type: none"><li>■ Ananas</li><li>■ Bananen</li><li>■ Mango</li><li>■ Papaya</li><li>■ Citrusvruchten</li></ul>
Koudegevoelige groente	<ul style="list-style-type: none"><li>■ Aubergines</li><li>■ Komkommers</li><li>■ Courgette</li><li>■ Paprika</li><li>■ Tomaten</li><li>■ Aardappels</li></ul>

---

## Verskoellade

Gebruik de lagere temperaturen in de verskoellade om gevoelige levensmiddelen te bewaren, bijv. vis, vlees en worst.

## Boter- en kaasvak

Bewaar boter en harde kaas in het boter- en kaasvak.

## Deurrekken

Om het deurrek naar behoefte te variëren kunt u het deurrek er uit nemen en op een andere positie weer plaatsen.

→ "Deurrek verwijderen", Pagina 52

## Accessoires

Gebruik alleen originele accessoires. Deze zijn speciaal op uw apparaat afgestemd. Hier krijgt u een overzicht van de accessoires behorende bij uw apparaat en de manier waarop ze worden gebruikt.

De accessoires van het apparaat zijn afhankelijk van het model.

## Eierplateau

Bewaar eieren veilig op het eierplateau.

## Flessenhouder

De flessenhouder voorkomt dat flessen bij het openen en sluiten van de apparaatdeur kantelen.

De metalen beugel samendrukken ① en de flessenhouder zo dicht mogelijk tegen de fles schuiven ②.

→ Fig. 5

---

## De Bediening in essentie

Hier wordt de bediening van het apparaat in essentie beschreven.

### Apparaat inschakelen

1. ① indrukken.
- ✓ Het apparaat begint te koelen.
2. "De gewenste temperatuur instellen." → *Pagina 45*

### Opmerkingen bij het gebruik

- Wanneer u het apparaat heeft ingeschakeld, duurt het tot enkele uren voordat de ingestelde temperatuur wordt bereikt.  
Geen levensmiddelen in het apparaat doen voordat de temperatuur is bereikt.
- De behuizing links, rechts en onder de verskoelruimte wordt tijdelijk licht verwarmd. Dit voorkomt vorming van condenswater in de zone van de deurafdichting.
- Wanneer u de deur sluit, kan een onderdruk ontstaan. De deur gaat dan alleen moeilijker open. Wacht een ogenblik tot de onderdruk wordt gecompenseerd.

### Machine uitschakelen

- ▶ ① indrukken.
- ✓ Het apparaat koelt niet meer.

### Temperatuur instellen

Nadat u het apparaat heeft ingeschakeld, kunt u de temperatuur instellen.

#### Koelvaktemperatuur instellen

- ▶ Zo vaak op  $-/+$  drukken tot de temperatuurindicatie de gewenste temperatuur toont.  
De aanbevolen temperatuur in het koelvak bedraagt 4 °C.

### Temperatuur verskoelruimte instellen

**Opmerking:** De temperatuur in de verskoelruimte wordt op circa 0 °C gehouden.

- ▶ "Wanneer rijp op de kleine koelproducten in de verskoelruimte voorkomt, de verskoeltemperatuur hoger instellen." → *Pagina 55*

---

## Extra functies

Kom te weten over welke instelbare extra functies uw apparaat beschikt.

### Snelkoelen

Bij het Snelkoelen koelt het koelvak zo koud mogelijk. Daardoor koelen levensmiddelen en dranken snel tot in de kern.

Schakel Snelkoelen vóór het inladen van grote hoeveelheden levensmiddelen in.

**Opmerking:** Als Snelkoelen is ingeschakeld, kan er meer geluid ontstaan.

#### Snelkoelen inschakelen

- ▶ \* indrukken.
- ✓ \* brandt.

**Opmerking:** Na ca. 15 uur schakelt het apparaat over op de normale werking.

#### Snelkoelen uitschakelen

- ▶ \* indrukken.
- ✓ De voordien ingestelde temperatuur wordt op indicatie aangegeven.

---


## Alarm

Uw apparaat beschikt over alarm-functies.

### Deuralarm

Als de deur van het apparaat langere tijd openstaat wordt het deuralarm ingeschakeld.

### Waarschuwingssignaal (deuralarm) uitschakelen

- ▶ De apparaatdeur sluiten of op  drukken.
- ✓ Het waarschuwingssignaal is uitgeschakeld.

---

## Home Connect

Dit apparaat is geschikt voor netwerken. Verbind uw apparaat met een mobiel eindapparaat om functies te kunnen bedienen via de Home Connect app te bedienen.

De Home Connect diensten zijn niet in elk land beschikbaar. De beschikbaarheid van de functie Home Connect is afhankelijk van de beschikbaarheid van de Home Connect diensten in uw land. Informatie hierover vindt u op: [www.home-connect.com](http://www.home-connect.com). Om Home Connect te kunnen gebruiken, dient u eerst de verbinding met het WLAN-thuisnetwerk (Wi-Fi<sup>1</sup>) en met de Home Connect app te configureren.

Na het inschakelen van het apparaat ten minste 2 minuten wachten tot de interne initialisatie van het apparaat is voltooid. Configureer pas dan Home Connect.

- "Apparaat met WLAN-thuisnetwerk (Wi-Fi) middels WPS-functie verbinden" → *Pagina 46*
- "Apparaat met WLAN-thuisnetwerk (Wi-Fi) zonder WPS-functie verbinden" → *Pagina 47*

De Home Connect app leidt u door het gehele aanmeldingsproces. Volg de aanwijzingen in de Home Connect app om de instellingen aan te brengen.

### Tips





- Neem de meegeleverde documenten van Home Connect in acht.
- Neem ook de aanwijzingen in de Home Connect app in acht.

### Opmerkingen

- Houd u aan de veiligheidsinstructies in deze gebruiksaanwijzing en zorg ervoor dat deze ook worden nageleefd wanneer u het apparaat via de Home Connect app bedient. → "*Veiligheid*", *Pagina 34*
- De bediening aan het apparaat heeft altijd voorrang. Gedurende deze tijd is de bediening via de Home Connect app niet mogelijk.

## Apparaat met WLAN-thuisnetwerk (Wi-Fi) met WPS-functie verbinden

Heeft uw router een WPS-functie, dan kunt u het apparaat automatisch met uw WLAN (Wi-Fi) thuisnetwerk verbinden.

1.  indrukken.
- ✓ De temperatuurindicatie geeft  weer.
2. Zo vaak op  drukken tot de temperatuurindicatie  toont.

---

<sup>1</sup> Wi-Fi is een geregistreerd handelsmerk van de Wi-Fi Alliance.

3. + indrukken.
  - ✓ De temperatuurindicatie toont gedurende 2 minuten een animatie. Het apparaat is gereed voor de automatische verbinding met het WLAN-thuisnetwerk (Wi-Fi).
4. In deze tijd de WPS-functie op de router inschakelen.
 

Houd hiervoor de informatie aan in de documentatie van uw router.

  - ✓ Bij een succesvolle verbinding knippert **0n** in de temperatuurindicatie.
5. Als de temperatuurindicatie **0F** toont, kon het apparaat geen verbinding met het WLAN-thuisnetwerk (Wi-Fi) maken.
  - Controleer of het apparaat zich binnen het bereik van het WLAN-thuisnetwerk (Wi-Fi) bevindt.
  - Het proces herhalen of "handmatig verbinding maken" → *Pagina 47*.
6. "Het apparaat met de Home Connect app verbinden." → *Pagina 47*

## Apparaat met WLAN-thuisnetwerk (Wi-Fi) zonder WPS-functie verbinden

Heeft uw router geen WPS-functie, dan kunt u het apparaat handmatig met uw WLAN-thuisnetwerk (Wi-Fi) verbinden. Het apparaat bouwt in korte tijd een eigen WLAN-netwerk op. U kunt met een mobiel eindapparaat verbinding maken met het Wi-Fi-netwerk en de netwerkinformatie van het WLAN-thuisnetwerk (Wi-Fi) aan uw apparaat overdragen.

**Vereiste:** De Home Connect app is op het mobiele eindapparaat geïnstalleerd.

1.  indrukken.
  - ✓ De temperatuurindicatie geeft **0n** weer.
2. Zo vaak op **\*** drukken tot de temperatuurindicatie **5R** toont.
3. + indrukken.
  - ✓ Het apparaat bouwt een eigen Wi-Fi-netwerk met de netwerknaam "HomeConnect" op.
  - ✓ De temperatuurindicatie toont een animatie. Het apparaat is gereed voor de handmatige verbinding met het WLAN-thuisnetwerk (Wi-Fi).
4. De instructies in de Home Connect app op het mobiele eindapparaat volgen.
  - ✓ De netwerkinformatie van het WLAN-thuisnetwerk (Wi-Fi) wordt op het apparaat overgedragen.
  - ✓ Bij een succesvolle verbinding knippert **0n** in de temperatuurindicatie.
5. Als de temperatuurindicatie **0F** toont, kon het apparaat geen verbinding met het WLAN-thuisnetwerk (Wi-Fi) maken.
  - Controleer of het apparaat zich binnen het bereik van het WLAN-thuisnetwerk (Wi-Fi) bevindt.
  - De procedure herhalen.

## Apparaat met Home Connect app verbinden

Als u uw apparaat automatisch met uw WLAN-thuisnetwerk (Wi-Fi) hebt verbonden, kunt u uw apparaat met de Home Connect app verbinden.

### Vereisten

- "Het apparaat is verbonden met het Wi-Fi thuisnetwerk." → *Pagina 46*
- De Home Connect app is op het mobiele eindapparaat geïnstalleerd.


1.  indrukken.
- ✓ De temperatuurindicatie geeft **Ln** weer.
2. Zo vaak op **\*** drukken tot de temperatuurindicatie **PA** toont.
3. **+** indrukken.
- ✓ De temperatuurindicatie toont een animatie.
4. De instructies in de Home Connect app opvolgen tot het proces is voltooid.
- ✓ Bij een geslaagde verbinding toont de temperatuurindicatie **On**.
5. Als de temperatuurindicatie **Er** toont, kon het apparaat geen verbinding met de Home Connect app maken.
  - In de Home Connect app controleren of het mobiele eindapparaat met het WLAN-thuisnetwerk (Wi-Fi) is verbonden.
  - De procedure herhalen.
6. Als de temperatuurindicatie toont, de "Home Connect" toont, de instellingen terugzetten.  
→ *Pagina 48*

## Update van de Home Connect software installeren

Het apparaat zoekt regelmatig naar updates voor de Home Connect software.

**Opmerking:** Als er updates beschikbaar zijn, toont de temperatuurindicatie **UP**.


Om de update af te breken en de temperatuurindicatie op de ingestelde temperatuur terug te zetten, op een willekeurig touchveld drukken.

1.  indrukken.
- ✓ De temperatuurindicatie geeft **Ln** weer.
2. Zo vaak op **\*** drukken tot de temperatuurindicatie **UP** toont.
3. **+** indrukken.

- ✓ De temperatuurindicatie toont een animatie.
- ✓ De update wordt geïnstalleerd.
- ✓ Tijdens de installatie zijn de bedieningselementen geblokkeerd.
- ✓ Bij een succesvolle installatie toont de temperatuurindicatie **On**.
- 4. Als de temperatuurindicatie **Er** toont, kon het apparaat de update niet installeren.
  - De procedure op een later tijdstip herhalen.
- 5. Als de update na meerdere pogingen niet kan worden afgesloten, met de "klantenservice"  
→ *Pagina 58* contact opnemen.

## Home Connect instellingen terugzetten

Als het tot verbindingproblemen van uw apparaat met uw WLAN-thuisnetwerk (Wi-Fi) komt of als u uw apparaat in een ander WLAN-thuisnetwerk (Wi-Fi) wilt aanmelden, kunt u de Home Connect instellingen terugzetten.

1.  indrukken.
- ✓ De temperatuurindicatie geeft **Ln** weer.
2. Zo vaak op **\*** drukken tot de temperatuurindicatie **rE** toont.
3. **+** indrukken.
- ✓ De temperatuurindicatie toont gedurende ca. 15 seconden een animatie.
- ✓ Vervolgens toont de temperatuurindicatie **On**.
- ✓ De Home Connect instellingen zijn teruggezet.



## Bescherming persoonsgegevens

Neem de aanwijzingen m.b.t. de bescherming van de persoonsgegevens in acht.

Wanneer uw apparaat voor de eerste keer wordt verbonden met een thuisnetwerk dat op het internet is aangesloten, geeft het de volgende gegevenscategorieën door aan de Home Connect server (eerste registratie):

- Eenduidige identificatie van het apparaat (bestaande uit apparaatsleutels en het MAC-adres van de ingebouwde Wi-Fi communicatiemodule).
- Veiligheidscertificaat van de Wi-Fi communicatiemodule (voor de informatietechnische beveiliging van de verbinding).
- De actuele software- en hardwareversie van uw huishoudapparaat.
- Status van een eventuele eerdere reset naar de fabrieksinstellingen.

Bij de eerste registratie wordt het gebruik van de Home Connect functionaliteiten voorbereid. Deze registratie

dient pas te worden uitgevoerd op het moment dat u voor het eerst van de Home Connect functionaliteiten gebruik wilt maken.

**Opmerking:** Let erop dat de Home Connect functionaliteiten alleen kunnen worden gebruikt in combinatie met de Home Connect app. Informatie over gegevensbescherming kan worden opgeroepen in de Home Connect app.

## Conformiteitsverklaring

Hierbij verklaart Gaggenau Hausgeräte GmbH dat het apparaat met Home Connect functionaliteit voldoet aan de fundamentele vereisten en de overige toepasselijke bepalingen van de richtlijn 2014/53/EU.

Een uitvoerige RED conformiteitsverklaring vindt u op het internet onder [www.gaggenau.com](http://www.gaggenau.com) op de productpagina van uw apparaat bij de aanvullende documenten.



2,4 GHz band: 100 mW max.  
5 GHz band: 100 mW max.



BE	BG	CZ	DK	DE	EE	IE	el
ES	FR	HR	IT	CY	LV	LT	LU
HU	MT	NL	AT	PL	PT	RO	SI
SK	FI	SE	UK	NO	CH	TR	

5 GHz WLAN (WiFi): alleen voor het gebruik binnenshuis.

## Koelvak

In het koelvak kunt u melkproducten, eieren, bereide gerechten, brood en banket, geopende conservenblikken en harde kaas bewaren.

De temperatuur in het koelvak kunt u van 3 °C tot 8 °C instellen.

De aanbevolen temperatuur in het koelvak bedraagt 4 °C.

Door de koelopslag kunt u ook zeer bederfelijke levensmiddelen op korte of middellange termijn bewaren. Hoe lager de gekozen temperatuur is, des te langer blijven de levensmiddelen vers.

## Tips voor het bewaren van levensmiddelen in het koelvak

Volg de tips op bij het bewaren van levensmiddelen in uw koelvak.

- Om ervoor te zorgen dat de versheid en kwaliteit van de levensmiddelen langer behouden blijven, uitsluitend verse en ongeschonden levensmiddelen bewaren.
- Bij kant-en-klaar-producten en gebottelde producten de door de fabrikant vermelde houdbaarheidsdatum of gebruiksdatum niet overschrijden.
- Om aroma, kleur en versheid te behouden of smaakoverdracht en verkleuringen van de kunststofdelen te vermijden, levensmiddelen goed verpakt of afgedekt bewaren.
- Warme gerechten en dranken eerst laten afkoelen, voordat u deze in het koelvak plaatst.

## Koudezones in het koelvak

Door de luchtcirculatie in et koelvak ontstaan verschillende koudezones.

### Koudste zone

De koudste zone is op de scheidingsplaat en in het deurrek voor grote flessen.

### Warmste zone

De warmste zone bevindt zich helemaal bovenaan in de deur.

### Tips

- Bewaar minder gevoelige levensmiddelen in de warmste zone, bijv. harde kaas en boter. Hierdoor komt het aroma van de kaas beter tot ontwikkeling en blijft de boter smeerbaar.
- Bewaar gevoelige levensmiddelen in de verskoelruimte, bijv. vis, worst en vlees.  
→ "Verskoelruimte", Pagina 50

## Verskoelruimte

In de verskoelruimte kunt u verse levensmiddelen tot drie keer langer vers houden dan in het koelvak. De temperatuur in de verskoelruimte wordt op circa 0 °C gehouden. Door het vershouden blijft de kwaliteit van de opgeslagen levensmiddelen beter behouden. De lage temperatuur en de optimale luchtvochtigheid maken ideale omstandigheden mogelijk voor het bewaren van verse levensmiddelen.

## Bewaartijden in de verskoelruimte bij 0 °C

De bewaartijden zijn afhankelijk van de uitgangskwaliteit van uw levensmiddelen.

Levensmiddel	Bewaartijd
Verse vis, zeevruchten	tot 3 dagen
Gevogelte, vlees (gekookt/gebraden)	tot 5 dagen
Rundvlees, varkensvlees, lamsvlees, worstwaren (broodbeleg)	tot 7 dagen
Gerookte vis, broccoli	tot 14 dagen
Sla, venkel, abrikozen, pruimen	tot 21 dagen
Zachte kaas, yoghurt, kwark, karnemelk, bloemkool	tot 30 dagen

---

## Ontdooien

Houdt u de informatie aan, wanneer u uw apparaat wilt ontdooien.

### Ontdooien in het koelvak.

Het koelvak van uw apparaat ontdooit automatisch.

### Ontdooien in de verskoelruimte

De verskoelruimte van uw apparaat ontdooit automatisch.

---

## Reiniging en onderhoud

Reinig en onderhoud uw apparaat zorgvuldig om er voor te zorgen dat het lang goed blijft werken.

De reiniging van ontoegankelijke plaatsen moet door de servicedienst worden uitgevoerd. Aan de reiniging door de servicedienst kunnen kosten verbonden zijn.

### Apparaat voorbereiden voor reiniging

Informatie over de wijze waarop u uw apparaat voorbereid voor reiniging

1. "Het apparaat uitschakelen."  
→ *Pagina 45*
2. Haal de stekker van het apparaat uit het stopcontact.  
De stekker van het netsnoer uit het stopcontact trekken of de zekering in de meterkast uitschakelen.
3. Haal alle levensmiddelen uit het apparaat en bewaar deze op een koele plek.  
Indien beschikbaar koelelementen op de levensmiddelen leggen.
4. Als een rijplag voorhanden is, deze laten ontdooien.

5. "Neem alle uitrustingsdelen uit het apparaat." → *Pagina 52*
6. De volgende apparaatonderdelen uit het apparaat demonteren:
  - → *"Scheidingsplaat en afdekking van de fruit- en groentelade", Pagina 52*
  - → *"Telescooprails", Pagina 53*
  - Afdekking van de deurventilatie

### Apparaat schoonmaken

Maak het apparaat schoon zoals voorgeschreven, zodat het niet door een verkeerde reiniging of ongeschikte schoonmaakmiddelen beschadigd raakt.



#### WAARSCHUWING

##### Kans op elektrische schok!

- Binnendringend vocht kan een schok veroorzaken.
  - ▶ Geen stoomreiniger of hogedrukreiniger gebruiken om het apparaat te reinigen.
- Vloeistof in de verlichting kan gevaarlijk zijn.
  - ▶ Het sop mag niet in de verlichting terechtkomen.

#### LET OP!

- Ongeschikte reinigingsmiddelen kunnen de oppervlakken van het apparaat beschadigen.
  - ▶ Geen harde schuur- of afwaspopsjes gebruiken.
  - ▶ Geen scherpe of schurende reinigingsmiddelen gebruiken.
  - ▶ Geen sterk alcoholhoudende reinigingsmiddelen gebruiken.
- Wanneer u uitrustingsdelen en accessoires in de vaatwasser reinigt, kunnen deze vervormen of verkleuren.
  - ▶ Nooit uitrustingsdelen en accessoires in de vaatwasser reinigen.

1. "Apparaat voorbereiden voor reiniging." → *Pagina 51*
2. Het apparaat, de uitrustingsdelen, de apparaatdelen en de deurafdichtingen met een vaatdoek, lauwwarm water en een beetje pH-neutraal afwasmiddel reinigen.
3. Met een zachte, droge doek grondig nadrogen.
4. De uitrustingsdelen plaatsen en de apparaatdelen inbouwen.
5. Het apparaat elektrisch aansluiten.
6. "Het apparaat inschakelen." → *Pagina 45*
7. Doe de levensmiddelen in het apparaat.

## Onderdelen eruit halen

Neem wanneer u de uitrustingsdelen grondig wilt reinigen deze uit het apparaat.

### Plateau verwijderen

- ▶ Het legplateau uittrekken en verwijderen.  
→ Fig. **6**

### Uittrekbaar legplateau verwijderen

1. Het uittrekbare legplateau uittrekken tot de grendelnok losklikt.  
→ Fig. **7**
2. Het legplateau neerlaten en zijwaarts naar buiten draaien.

### Deurrek verwijderen

- ▶ Het deurrek omhoog tillen en verwijderen.  
→ Fig. **8**

### Groente- en fruitlade verwijderen

- ▶ De fruit- en groentelade naar voren kantelen ① en verwijderen ②.  
→ Fig. **9**

### Verskoellade verwijderen

- ▶ De verskoellade naar voren kantelen ① en verwijderen ②.  
→ Fig. **9**

## Apparaatonderdelen demonteren

Als u uw apparaat grondig wilt reinigen, kunt u bepaalde onderdelen uit uw apparaat demonteren.

### Scheidingsplaat en afdekking van de fruit- en groentelade

Om de scheidingsplaat en de afdekking van de fruit- en groentelade grondig te reinigen, kunt u deze demonteren.

#### Scheidingsplaat demonteren

1. De glasplaat van de scheidingsplaat verwijderen.  
→ Fig. **10**
2. De fruit- en groentelade verwijderen.
3. De hendels aan de onderkant aan beide zijden indrukken ① en de scheidingsplaat naar voren trekken ②.  
→ Fig. **11**
4. De scheidingsplaat optillen en zijwaarts naar buiten draaien.

#### Afdekking demonteren

- ▶ De afdekking van de fruit- en groentelade optillen, naar voren trekken en zijwaarts naar buiten draaien.

#### Scheidingsplaat en afdekking inbouwen

1. De afdekking van de fruit- en groentelade plaatsen.
2. De scheidingsplaat aanbrengen.  
→ Fig. **12**
3. De glasplaat op de scheidingsplaat plaatsen.

## Telescooprails

Om de telescooprails grondig te reinigen, kunt u deze demonteren.

### Telescooprails demonteren

1. De telescooprail uittrekken.  
→ Fig. **13**
2. De vergrendeling in de richting van de pijl schuiven ① en van de achterste pen losmaken ②.  
→ Fig. **14**
3. De telescooprail in elkaar schuiven.
4. De telescooprail boven de achterste pen naar achteren schuiven ① en losklikken ②.  
→ Fig. **15**

### Uittrekbare rails monteren

1. De telescooprail in uitgeschoven toestand op de voorste pen plaatsen ① en om te vergrendelen iets naar voren trekken ②.  
→ Fig. **16**
2. De telescooprail aan de achterste pen plaatsen ① en de vergrendeling naar achteren schuiven ②.  
→ Fig. **17**

## Storingen verhelpen

Kleinere storingen aan het apparaat kunt u zelf verhelpen. Raadpleeg voordat u contact opneemt met de klantenservice de informatie over het verhelpen van storingen. Zo voorkomt u onnodige kosten.

### WAARSCHUWING

#### Kans op elektrische schok!

Ondeskundige reparaties zijn gevaarlijk.

- ▶ Alleen daarvoor geschoold vakpersoneel mag reparaties aan het apparaat uitvoeren.
- ▶ Er mogen uitsluitend originele reserveonderdelen worden gebruikt voor reparatie van het apparaat.
- ▶ Als het netsnoer van dit apparaat beschadigd raakt, moet het ter vermindering van risico's worden vervangen door de fabrikant, de servicedienst of een andere gekwalificeerde persoon.


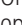
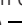
## Functiestoringen

Storing	Oorzaak	Probleemoplossing
Apparaat werkt niet. Er brandt geen enkele indicatie.	De stekker zit niet goed in het stopcontact.	▶ Controleer of de netstekker van de stroomkabel volledig in het stopcontact is gestoken.
	De zekering is geactiveerd.	▶ Controleer de zekeringen.
	De stroom is uitgevallen.	1. Controleer of er stroom is. 2. Leg indien beschikbaar koelelementen op het bovenste plateau.
Apparaat koelt niet, indicaties en verlichting branden.	Het presentatielicht is ingeschakeld.	▶ "Voer de apparaatzelftest uit." → <i>Pagina 57</i> ✓ Na het verstrijken van de apparaatzelftest gaat het apparaat weer over op normale werking.
LED-verlichting functioneert niet. Kapje van de lamp niet verwijderen.	Verschillende oorzaken zijn mogelijk.	▶ Neem contact op met de klantenservice. → <i>"Servicedienst", Pagina 58</i>
De koelmachine schakelt vaker en langer in.	Apparaatdeur werd vaak geopend.	▶ Open de apparaatdeur niet onnodig.
	De ventilatieopeningen zijn afgedekt.	▶ Verwijder blokkades voor de ventilatieopeningen
Home Connect functioneert niet correct.	Verschillende oorzaken zijn mogelijk.	▶ Ga naar <a href="http://www.home-connect.com">www.home-connect.com</a> .

## Aanwijzingen op het display

Storing	Oorzaak	Probleemoplossing
E of d verschijnt op het temperatuurdisplay.	De elektronica heeft een fout geconstateerd.	<ul style="list-style-type: none"> <li>▶ Neem contact op met de klantenservice. → "Servicedienst", Pagina 58</li> </ul>
Alarmsignaal weerklinkt en  brandt.	Verschillende oorzaken zijn mogelijk.	<ul style="list-style-type: none"> <li>▶ Druk op .</li> <li>✓ Schakel het alarm uit.</li> </ul>
	Deur van het apparaat is open.	<ul style="list-style-type: none"> <li>▶ Sluit de deur van het apparaat.</li> </ul>

## Temperatuurprobleem

Storing	Oorzaak	Probleemoplossing
Temperatuur wijkt erg af van de instelling.	Verschillende oorzaken zijn mogelijk.	<ol style="list-style-type: none"> <li>1. "Schakel het apparaat uit." → Pagina 45</li> <li>2. "Schakel het apparaat na ca. 5 minuten opnieuw in." → Pagina 45 <ul style="list-style-type: none"> <li>- Als de temperatuur te hoog is, controleer dan de temperatuur na een paar uur opnieuw.</li> <li>- Als de temperatuur te laag is, controleer de temperatuur dan de volgende dag opnieuw.</li> </ul> </li> </ol>
Cool-fresh-vak is te warm of te koud	Standaardinstelling is te hoog of te laag, bijv. bevriezing in cool-fresh-vak	<p><b>Opmerking:</b> De standaardinstelling van het cool-fresh-vak is vooraf ingesteld op 0. Instelling 0 komt overeen met een temperatuur van ca. 0 °C. U kunt de temperatuur in het cool-fresh-vak tot 3 instellingen warmer of kouder instellen.</p> <ol style="list-style-type: none"> <li>1. Druk op  tot het temperatuurdisplay knippert.</li> <li>2. Om de instelling te wijzigen drukt u op /. <ul style="list-style-type: none"> <li>- Instelling -3 komt overeen met de koudste instelling.</li> <li>- Instelling +3 komt overeen met de warmste instelling.</li> </ul> </li> </ol> <p>✓ De geselecteerde instelling wordt na een minuut opgeslagen.</p>

## Geluiden

Storing	Oorzaak	Probleemoplossing
Apparaat broemt.	Geen storing. Een motor draait, bijv. koelaggregaat, ventilator.	Geen handeling vereist. Geen handeling vereist.
Apparaat borrelt, zoemt of gorgelt.	Geen storing. Er stroomt koudemiddel door de buizen.	Geen handeling vereist. Geen handeling vereist.
Apparaat klikt.	Geen storing. Motor, schakelaars of magneetventielen schakelen in- of uit.	Geen handeling vereist. Geen handeling vereist.
Apparaat produceert geluiden.	Uitrustingsdelen wiebelen of klemmen.	► Controleer de uitneembare uitrustingsdelen en zet ze eventueel opnieuw in het apparaat.
	Flessen of containers raken elkaar.	► Haal flessen of containers van elkaar.

## Geurtjes

Storing	Oorzaak	Probleemoplossing
Het apparaat ruikt onaangenaam.	Verschillende oorzaken zijn mogelijk.	<ol style="list-style-type: none"> <li>1. "Bereid het apparaat voor om te reinigen." → <i>Pagina 51</i></li> <li>2. "Reinig het apparaat." → <i>Pagina 51</i></li> <li>3. Reinig alle levensmiddelenverpakkingen.</li> <li>4. Verpak sterk ruikende levensmiddelen luchtdicht om geurvorming te voorkomen.</li> <li>5. Controleer na 24 uur opnieuw of er luchtjes zijn ontstaan.</li> </ol>



## Apparaatzelftest uitvoeren

1. "Het apparaat uitschakelen."  
→ *Pagina 45*
2. "Het apparaat na ca. 5 minuten opnieuw inschakelen." → *Pagina 45*
3. Binnen 10 seconden na het inschakelen \* gedurende 3 tot 5 seconden ingedrukt houden.
  - ✓ De apparaatzelftest start.
  - ✓ Tijdens de apparaatzelftest weerklinkt tussendoor een lang akoestisch signaal.
  - ✓ Als na het einde van de apparaatzelftest 2 akoestische signalen weerklinken en de temperatuurindicatie de ingestelde temperatuur toont, is uw apparaat in orde. Het apparaat gaat over op de normale werking.
  - ✓ Als na het einde van de apparaatzelftest 5 akoestische signalen weerklinken en \* gedurende 10 seconden knippert, contact opnemen met de service.

---

## Opslaan en afvoeren

Hier krijgt u uitleg over de manier waarop u het apparaat voorbereidt voor de opslag. Daarnaast leggen we u uit hoe u oude apparaten dient af te voeren.

### Apparaat buiten gebruik stellen

1. "Het apparaat uitschakelen."  
→ *Pagina 45*
2. Haal de stekker van het apparaat uit het stopcontact.

De stekker van het netsnoer uit het stopcontact trekken of de zekering in de meterkast uitschakelen.

3. "Het apparaat ontdooien."  
→ *Pagina 51*

4. "Het apparaat reinigen."  
→ *Pagina 51*
5. Om de ventilatie van het interieur te waarborgen het apparaat geopend laten.

### Afvoeren van uw oude apparaat

Door een milieuvriendelijke afvoer kunnen waardevolle grondstoffen opnieuw worden gebruikt.

#### **WAARSCHUWING** **Kans op gevaar voor de gezondheid!**

Kinderen kunnen zich in het apparaat opsluiten en in levensgevaar geraken.

- ▶ Om te voorkomen dat kinderen in het apparaat kruipen legplateaus en lades niet uit het apparaat nemen.
- ▶ Kinderen uit de buurt van een afgedankt apparaat houden.

#### **WAARSCHUWING** **Kans op brand!**

Bij beschadiging van de leidingen kunnen brandbaar koudemiddel en schadelijke gassen ontsnappen en ontsteken.

- ▶ De buizen van de koudemiddelkringloop en de isolatie niet beschadigen.
1. De stekker van het netsnoer uit het stopcontact trekken.
  2. Het netsnoer doorknippen.
  3. Het apparaat milieuvriendelijk afvoeren.



Dit apparaat is gekenmerkt in overeenstemming met de Europese richtlijn 2012/19/EU betreffende afgedankte elektri-

sche en elektronische apparatuur (waste electrical and electronic equipment - WEEE). De richtlijn geeft het kader aan voor de in de EU geldige terugneming en verwerking van oude apparaten.

---

## Servicedienst

Als u vragen hebt, een storing aan het apparaat niet zelf kunt verhelpen of als het apparaat moet worden gerepareerd, neem dan contact op met onze servicedienst.

Veel problemen kunt u via de informatie voor het verhelpen van storingen in deze gebruiksaanwijzing of op onze website zelf verhelpen. Als dit niet het geval is, neem dan contact op met onze servicedienst.

We vinden altijd een passende oplossing en proberen onnodig bezoek van de servicetechnicus te vermijden. We zorgen ervoor dat het apparaat zowel binnen de garantieperiode als na het verstrijken van de fabrieksgarantie met originele reserveonderdelen door geschoolde servicetechnici wordt gerepareerd.

Om veiligheidsredenen mag alleen geschoold vakpersoneel reparaties aan het apparaat uitvoeren. De garantieclaim vervalt indien reparaties of ingrepen worden uitgevoerd door personen die daartoe niet door ons zijn gemachtigd, dan wel indien onze apparaten worden voorzien van vervangende onderdelen, aanvullende onderdelen of accessoires die geen originele onderdelen zijn en daardoor een defect wordt veroorzaakt.

Originele vervangende onderdelen die relevant zijn voor de werking in overeenstemming met de desbetreffende Ecodesign-verordening kunt u voor de duur van ten minste 10 jaar

vanaf het moment van in de handel brengen van het apparaat binnen de Europese Economische Ruimte bij onze servicedienst verkrijgen.

**Opmerking:** Het inschakelen van de servicedienst is in het kader van de plaatselijk geldende fabrieksgarantievoorwaarden gratis. De minimumduur van de garantie (fabrieksgarantie voor particuliere gebruikers) in de Europese Economische Ruimte bedraagt 2 jaar in overeenstemming met de geldende plaatselijke garantievoorwaarden. De garantievoorwaarden doen geen afbreuk aan eventuele andere rechten of claims die u op grond van het plaatselijke recht heeft.

Gedetailleerde informatie over de garantieperiode en garantievoorwaarden in uw land kunt u opvragen bij onze servicedienst, uw dealer of op onze website.

Als u contact opneemt met de servicedienst, hebt u het productnummer (E-Nr.) en het productienummer (FD) van het apparaat nodig.

De contactgegevens van de servicedienst vindt u in de meegeleverde servicedienstlijst of op onze website.

## Productnummer (E-nr.) en productienummer (FD)

Het productnummer (E-Nr.) en het productienummer (FD) vindt u op het typeplaatje van het apparaat.

→ Fig. 11/7

Om uw apparaatgegevens en de servicedienst-telefoonnummers snel terug te kunnen vinden, kunt u de gegevens noteren.

---

## Technische gegevens

Koudemiddel, netto inhoud en overige technische gegevens bevinden zich op het typeplaatje.

→ Fig. **1/7**

Overige informatie over uw model vindt u op het internet onder <https://energylabel.bsh-group.com><sup>1</sup>. Dit webadres bevat een link naar de officiële EU-productdatabase EPREL, waarvan de URL ten tijde van het drukken nog niet was gepubliceerd. Volg dan de aanwijzingen bij het zoeken naar het model op. De modelidentificatie bestaat uit het teken voor de slash van het E-nummer (E-Nr.) op het typeplaatje. Alternatief vindt u de modelidentificatie ook in de eerste regel van het EU-energielabel.

---

<sup>1</sup> Geldt alleen voor landen in de Europese Economische Ruimte

**Gaggenau Hausgeräte GmbH**  
Carl-Wery-Straße 34  
81739 München  
GERMANY  
[www.gaggenau.com](http://www.gaggenau.com)

**GAGGENAU**



8001204480 en, nl 000817