

RC462305

RC472305

RC492305

RC462504

RC472504

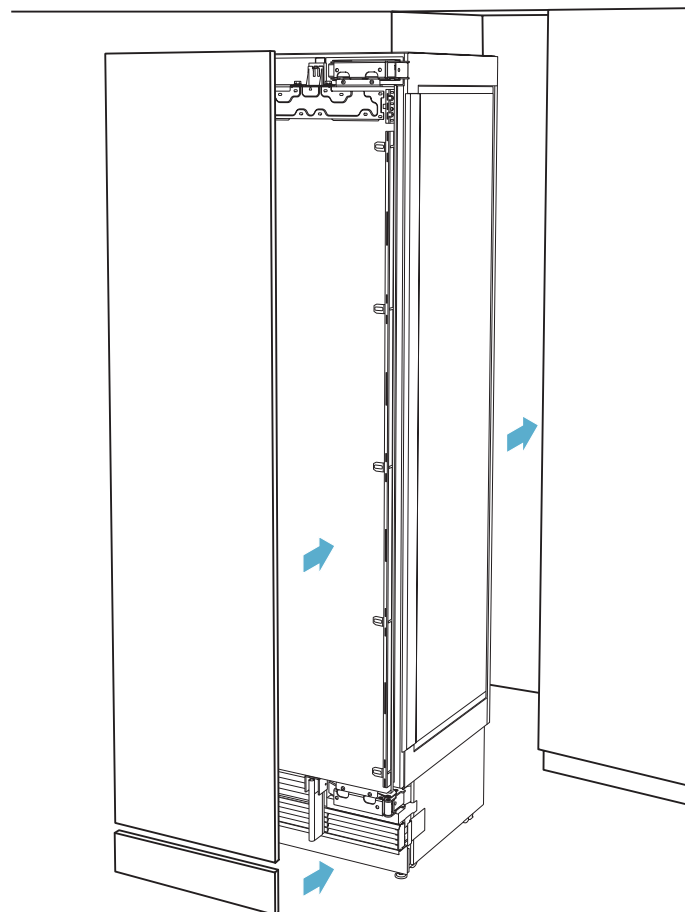
RC492504

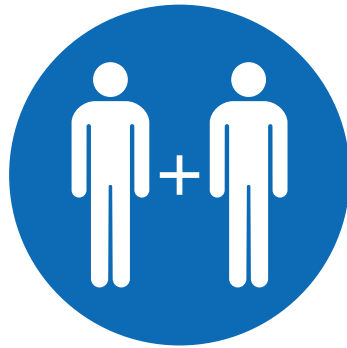
RC462304

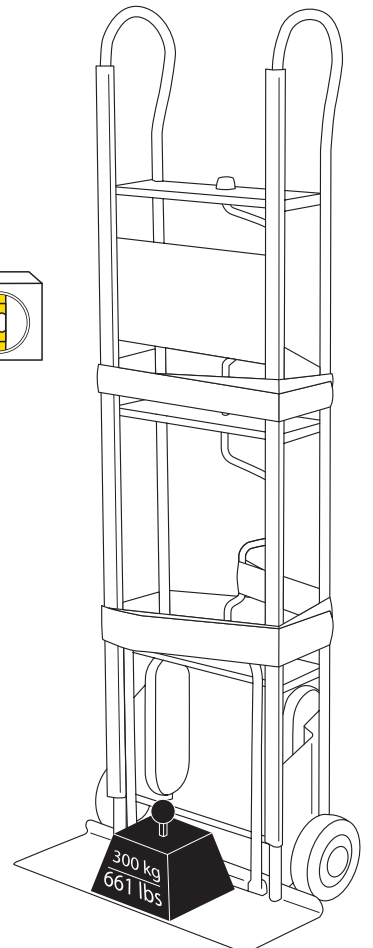
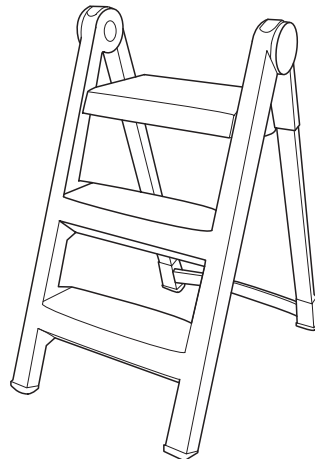
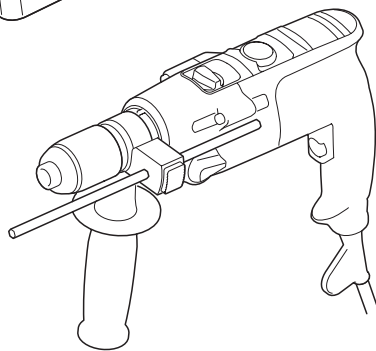
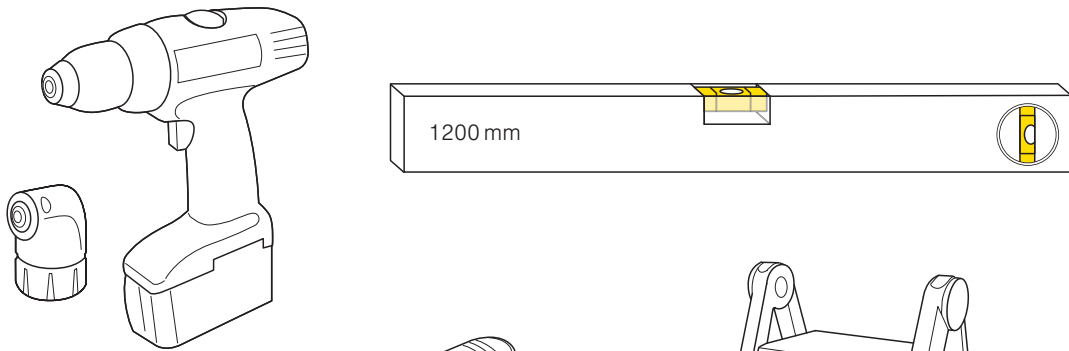
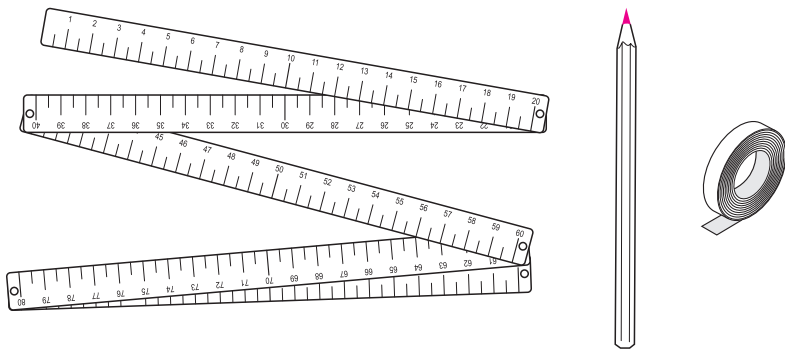
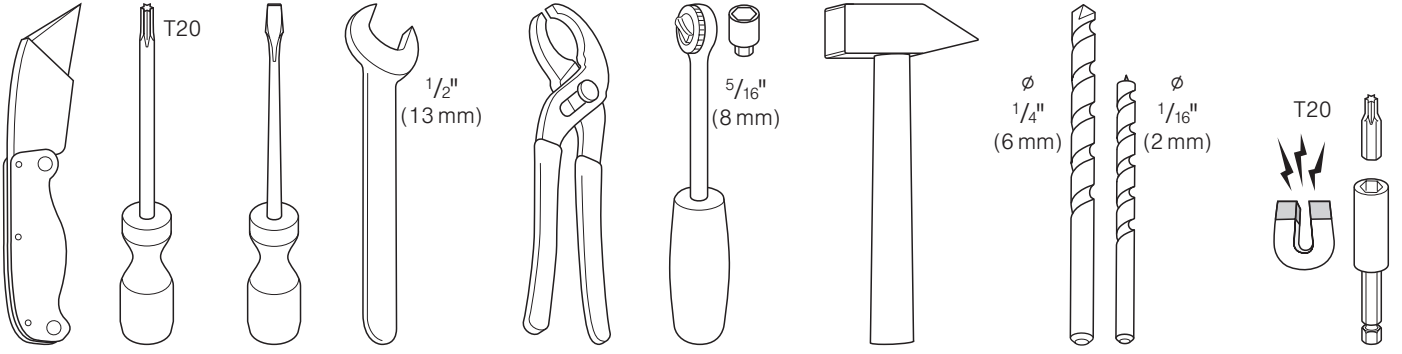
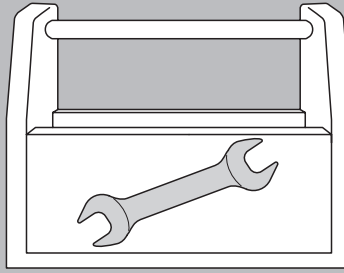
RC472304

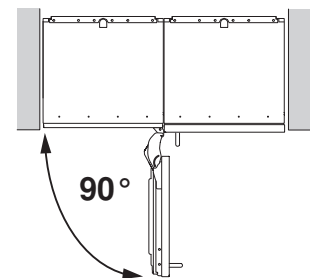
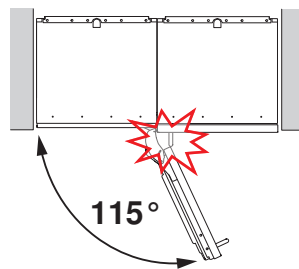
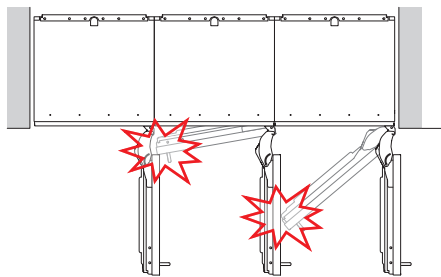
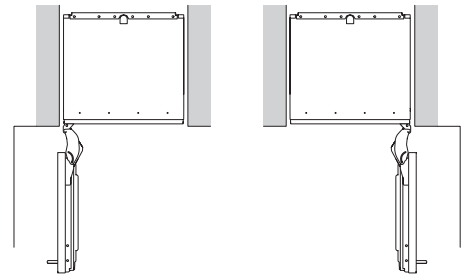
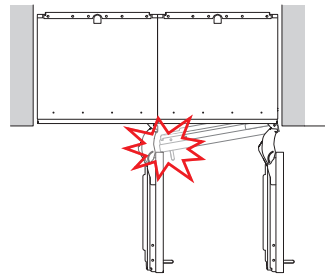
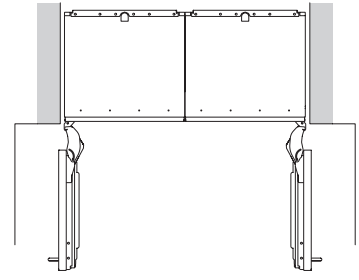
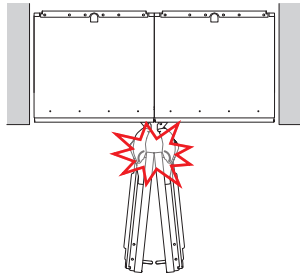
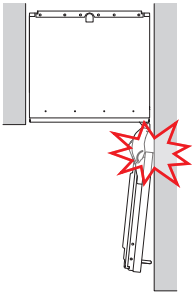
RC492304

RC462904



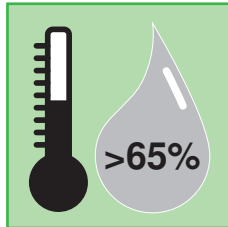




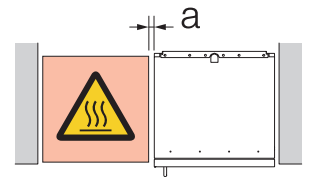




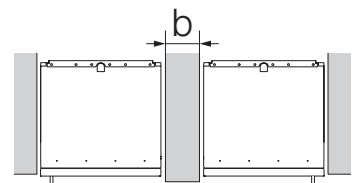
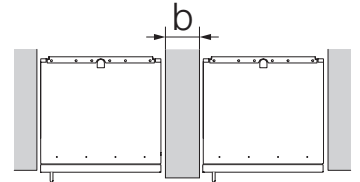
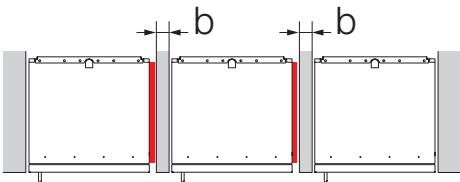
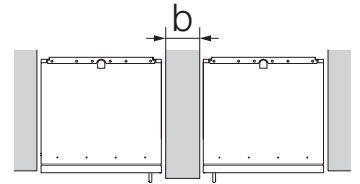
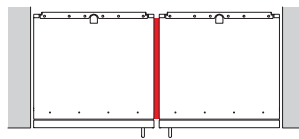
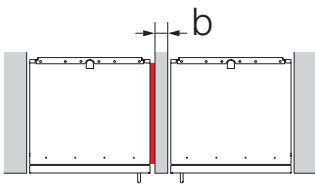
$\frac{5}{8}'' \leq b < 6\frac{1}{4}''$
(16 mm \leq b < 160 mm)

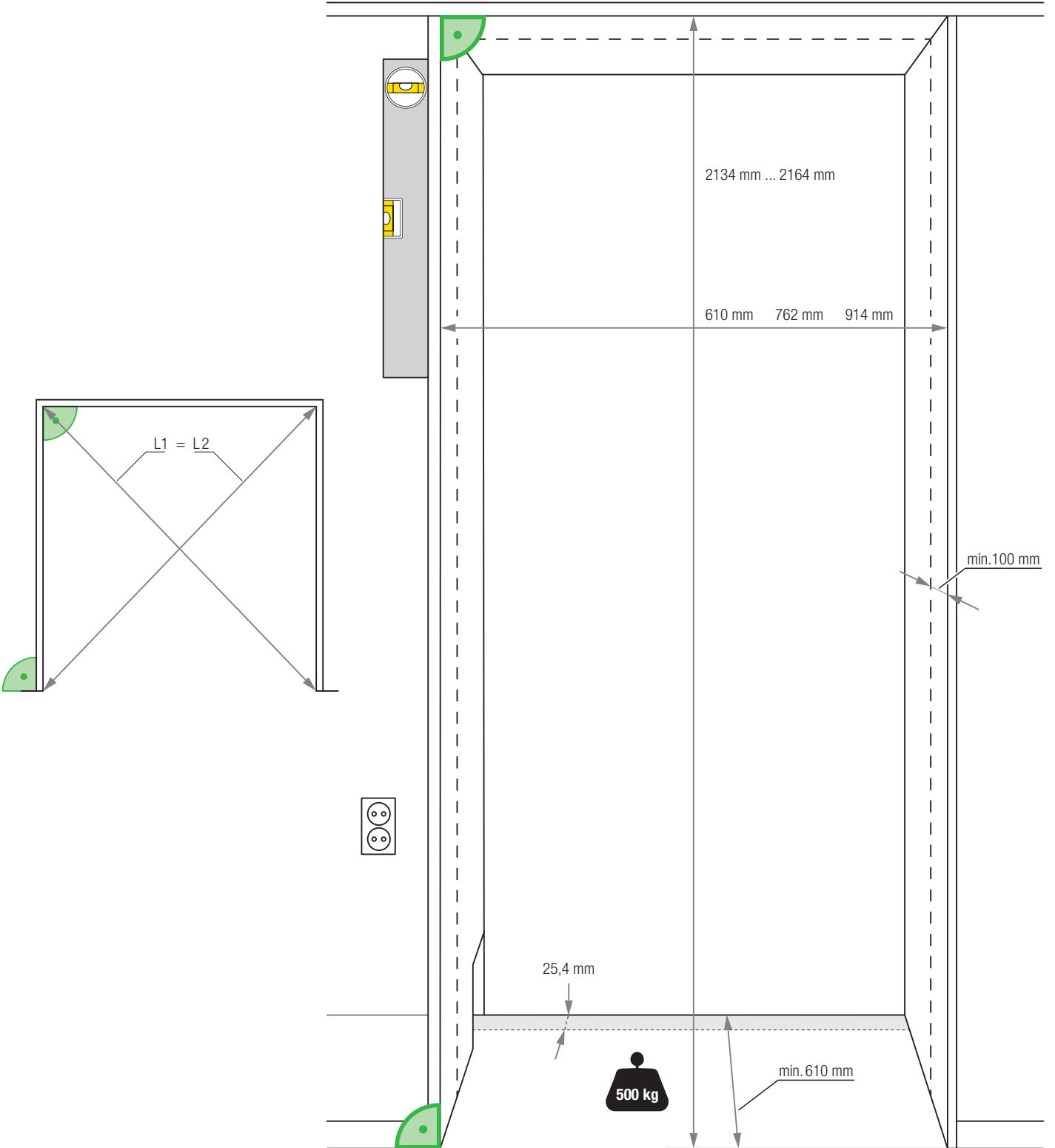


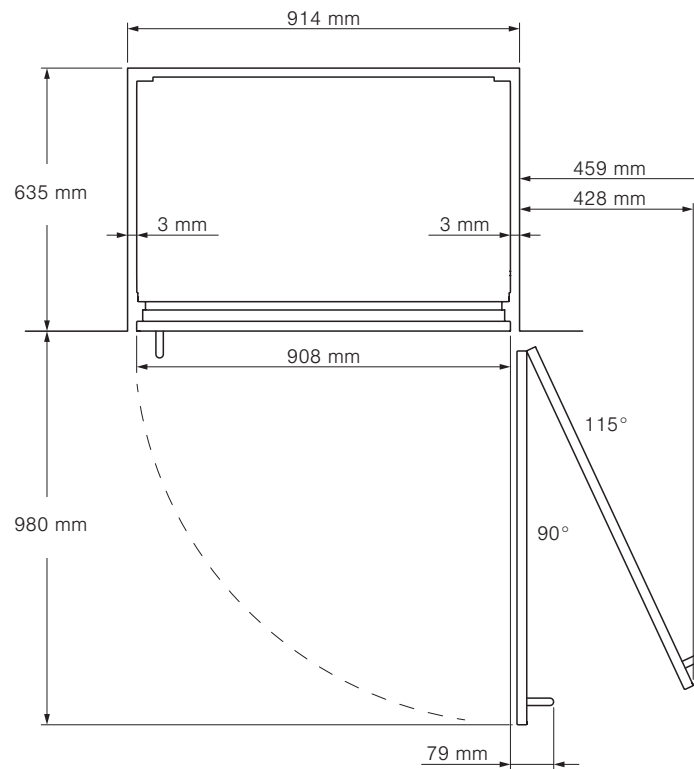
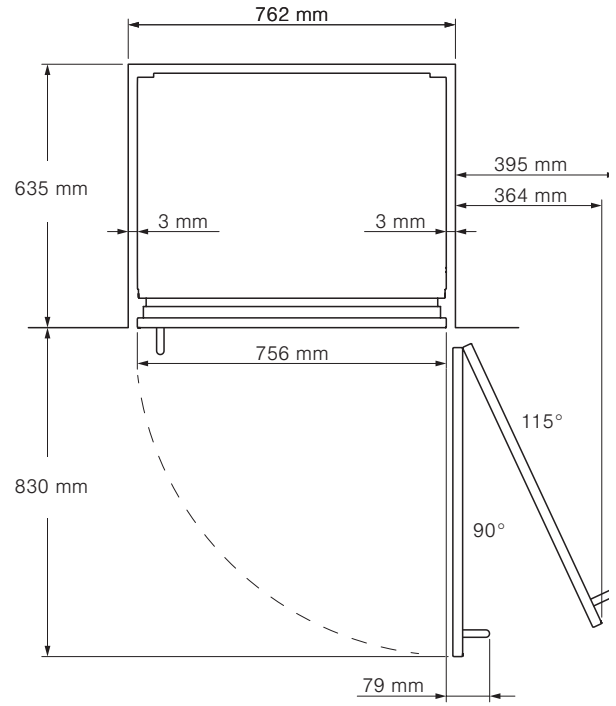
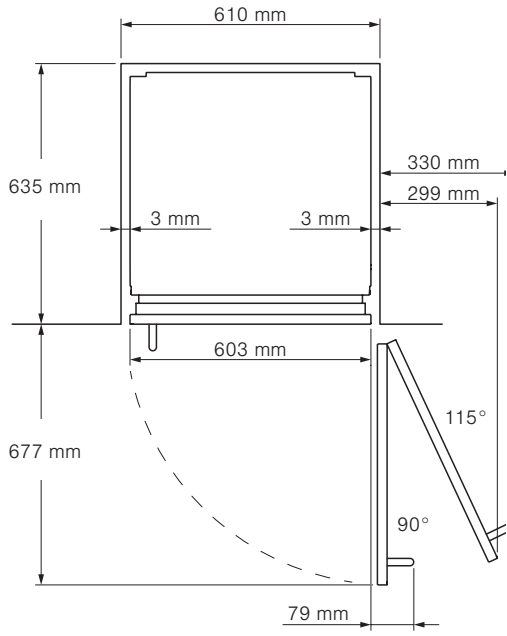
$a \geq 1\frac{3}{16}''$
(a \geq 30 mm)

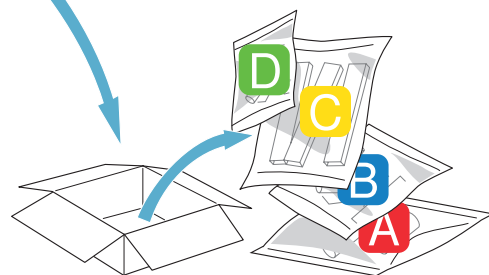
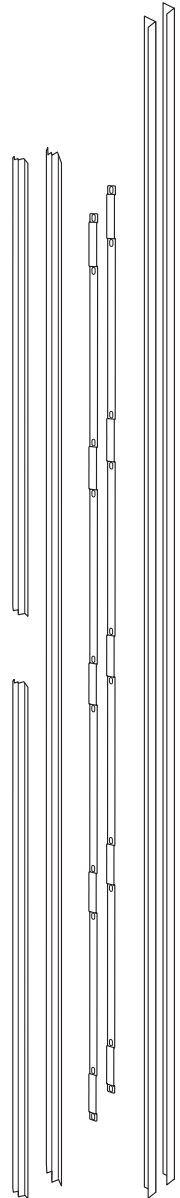
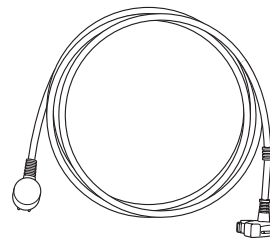
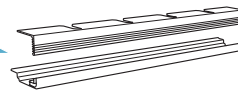
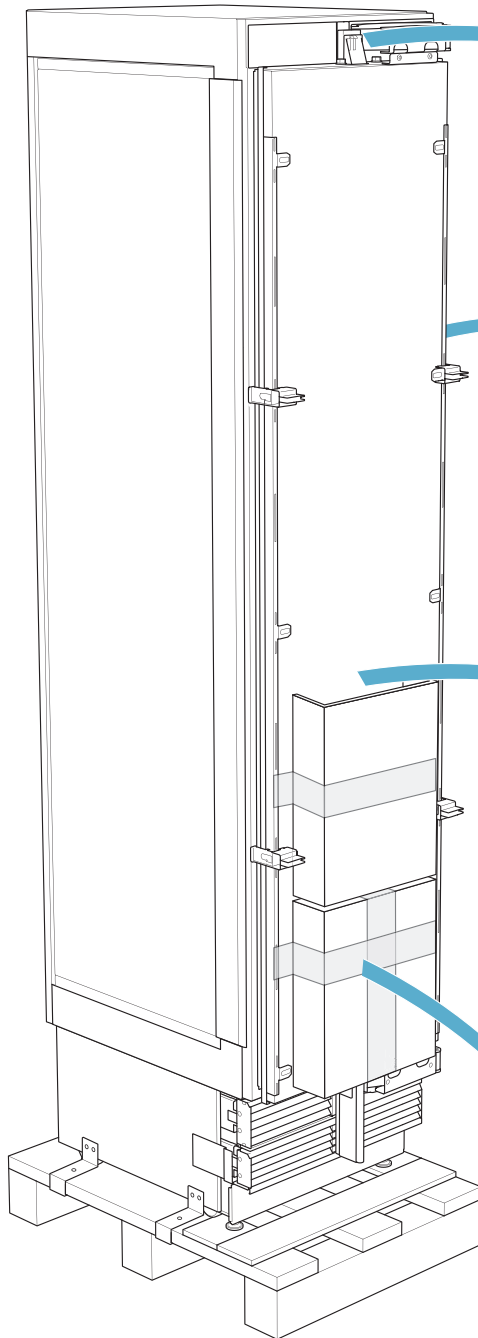
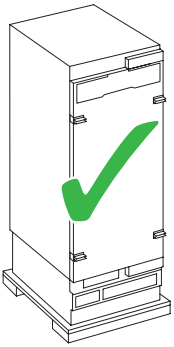
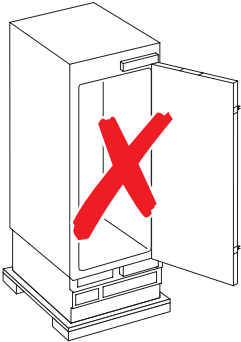
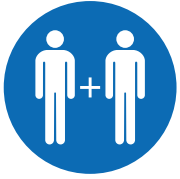


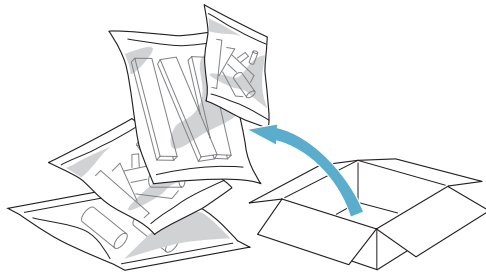
$b \geq 6\frac{1}{4}''$
 $b \geq 160$ mm




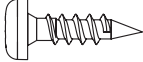

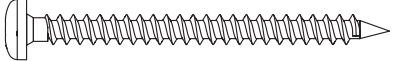
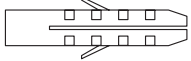


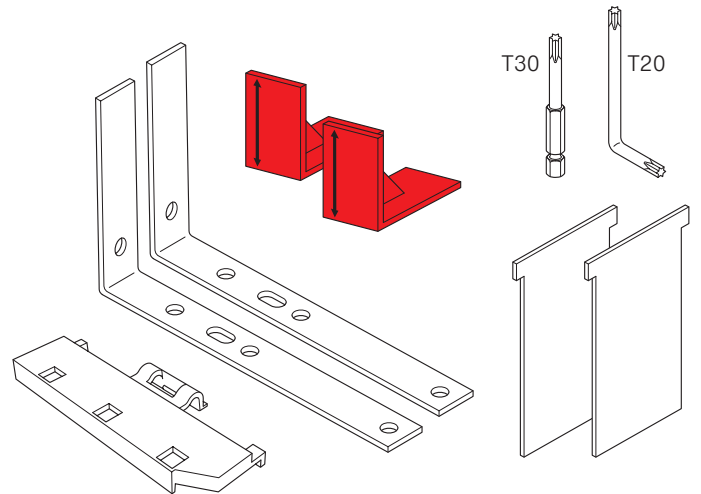








A





4x15			6x
5x60			4x
6x31			4x

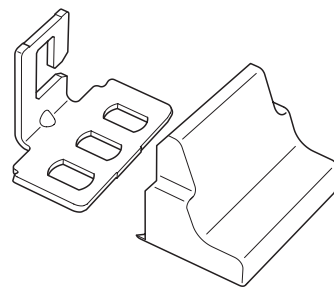


B

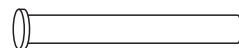
4x15			8x
------	---	---	----

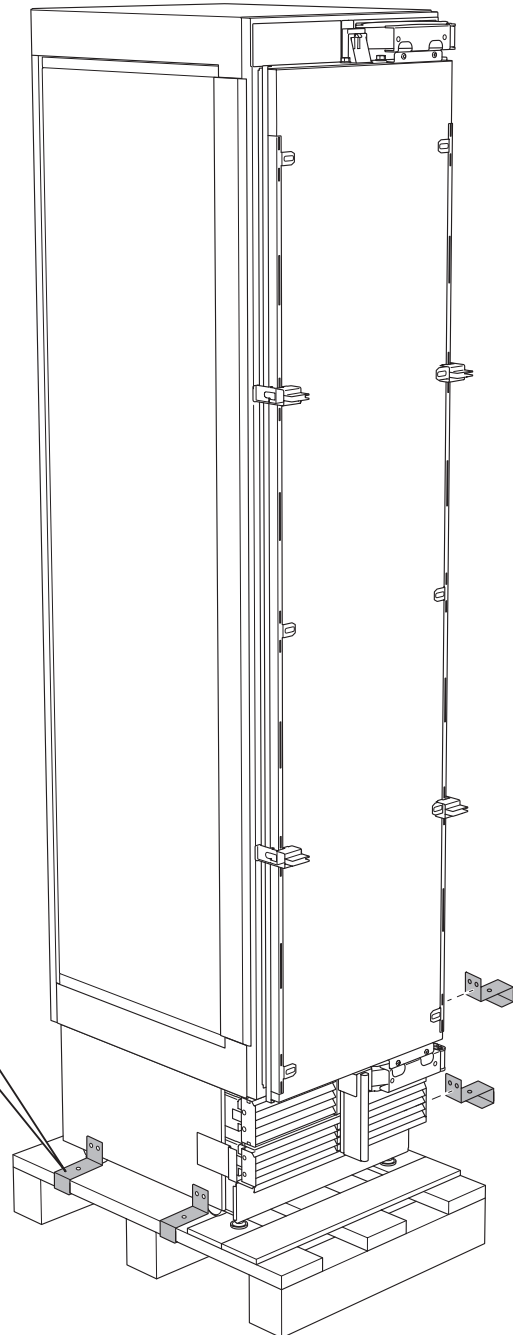
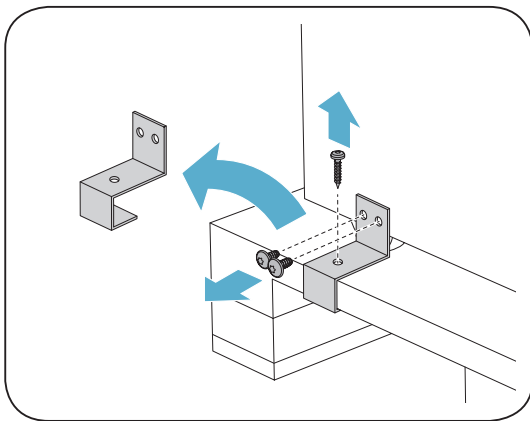
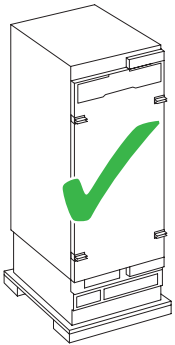
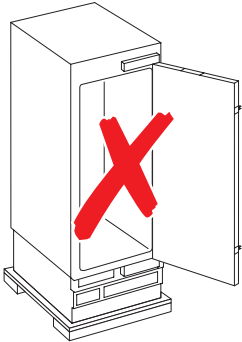
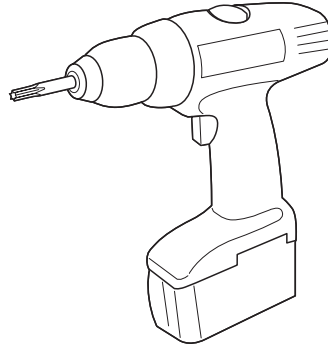
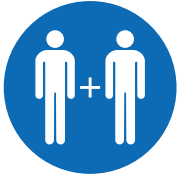
C

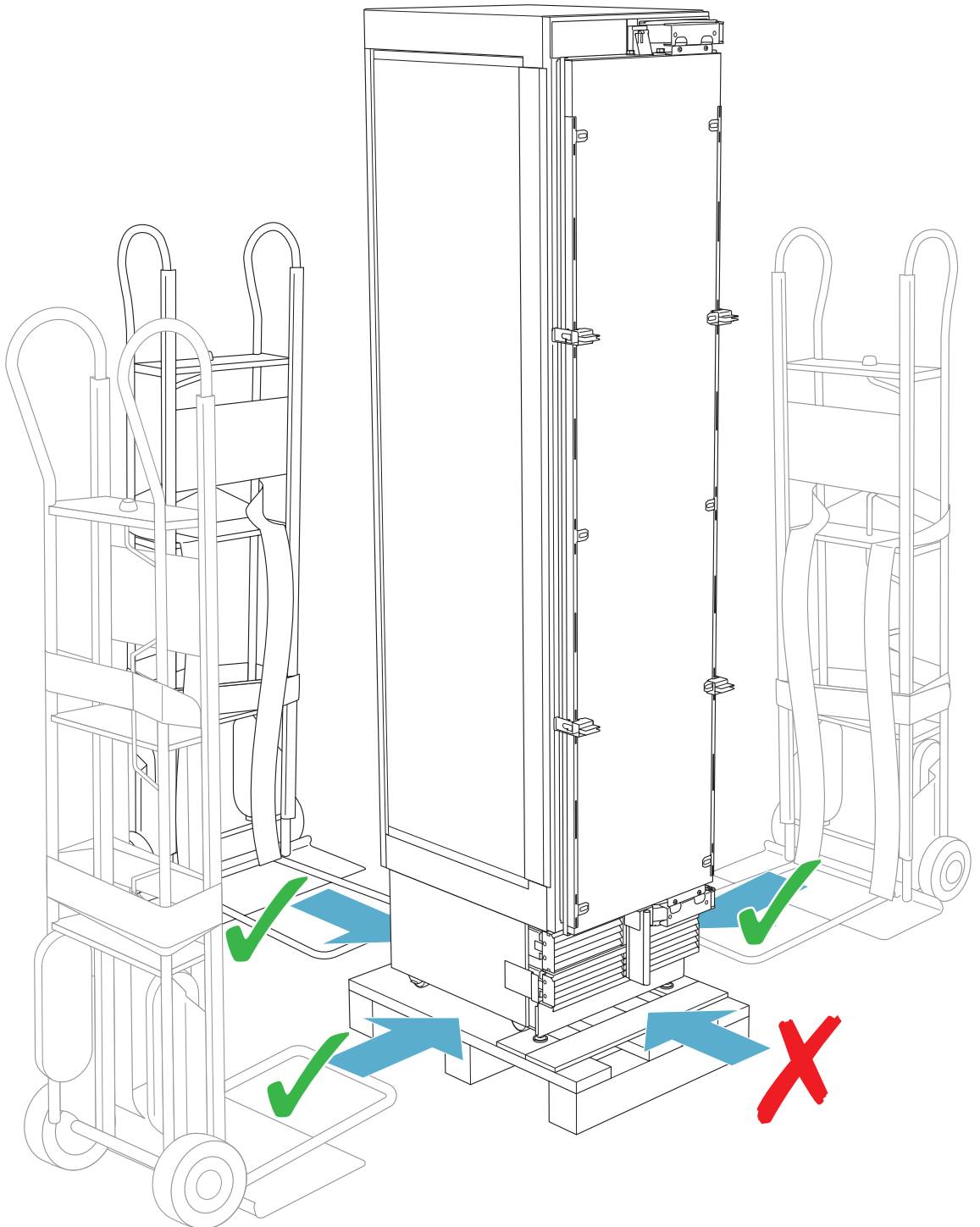
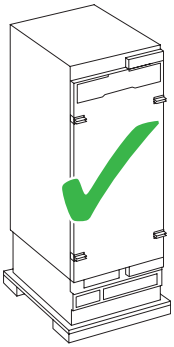
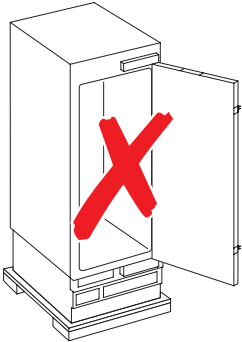
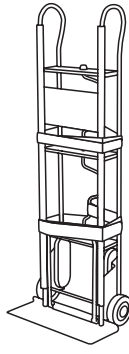
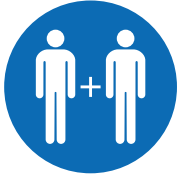
4x15			32x
4x15			2x

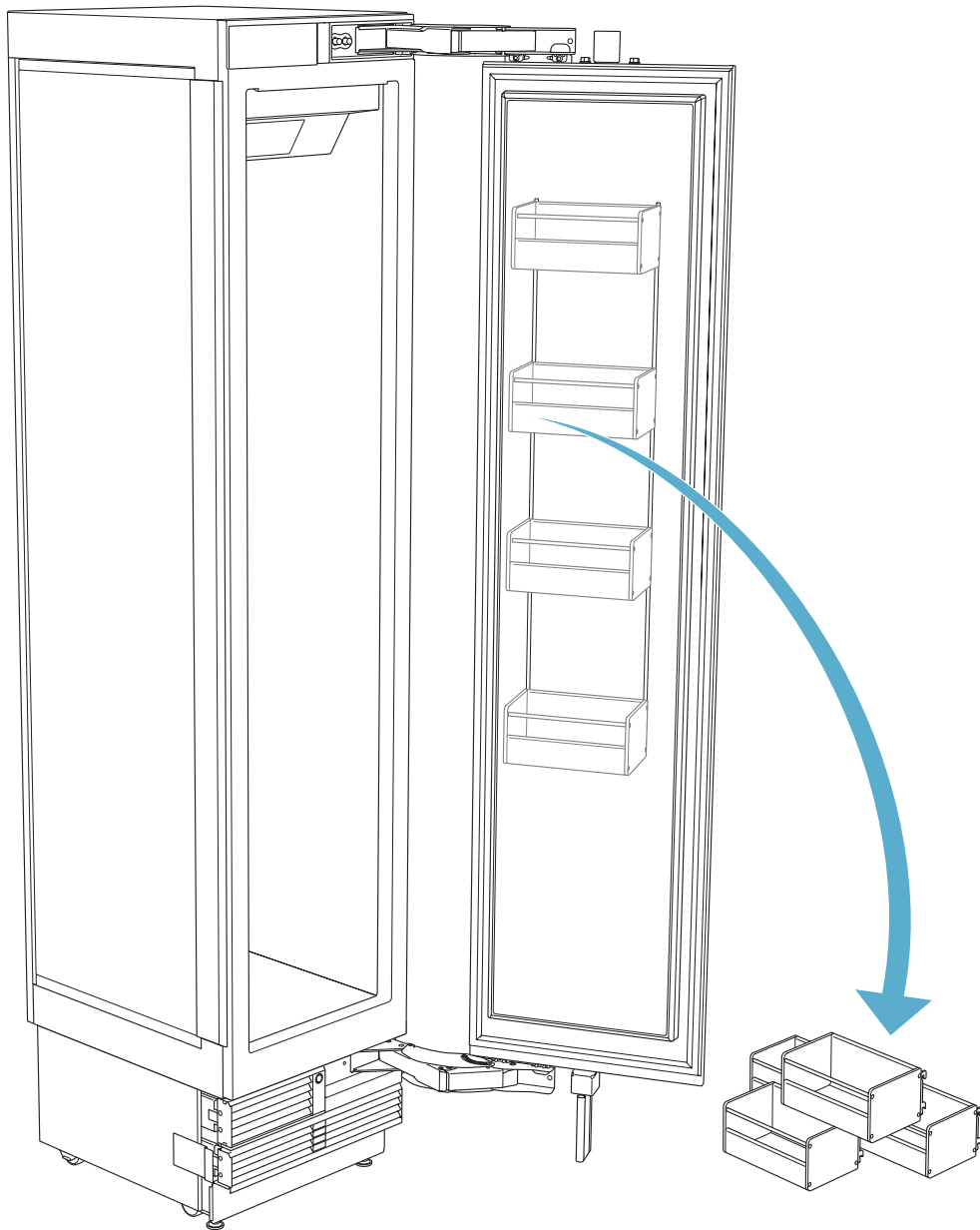
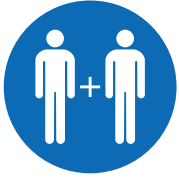


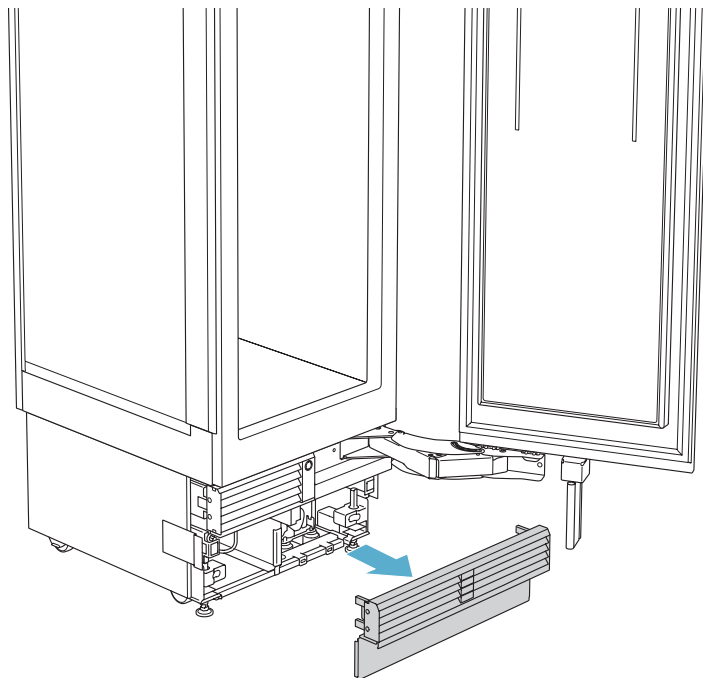
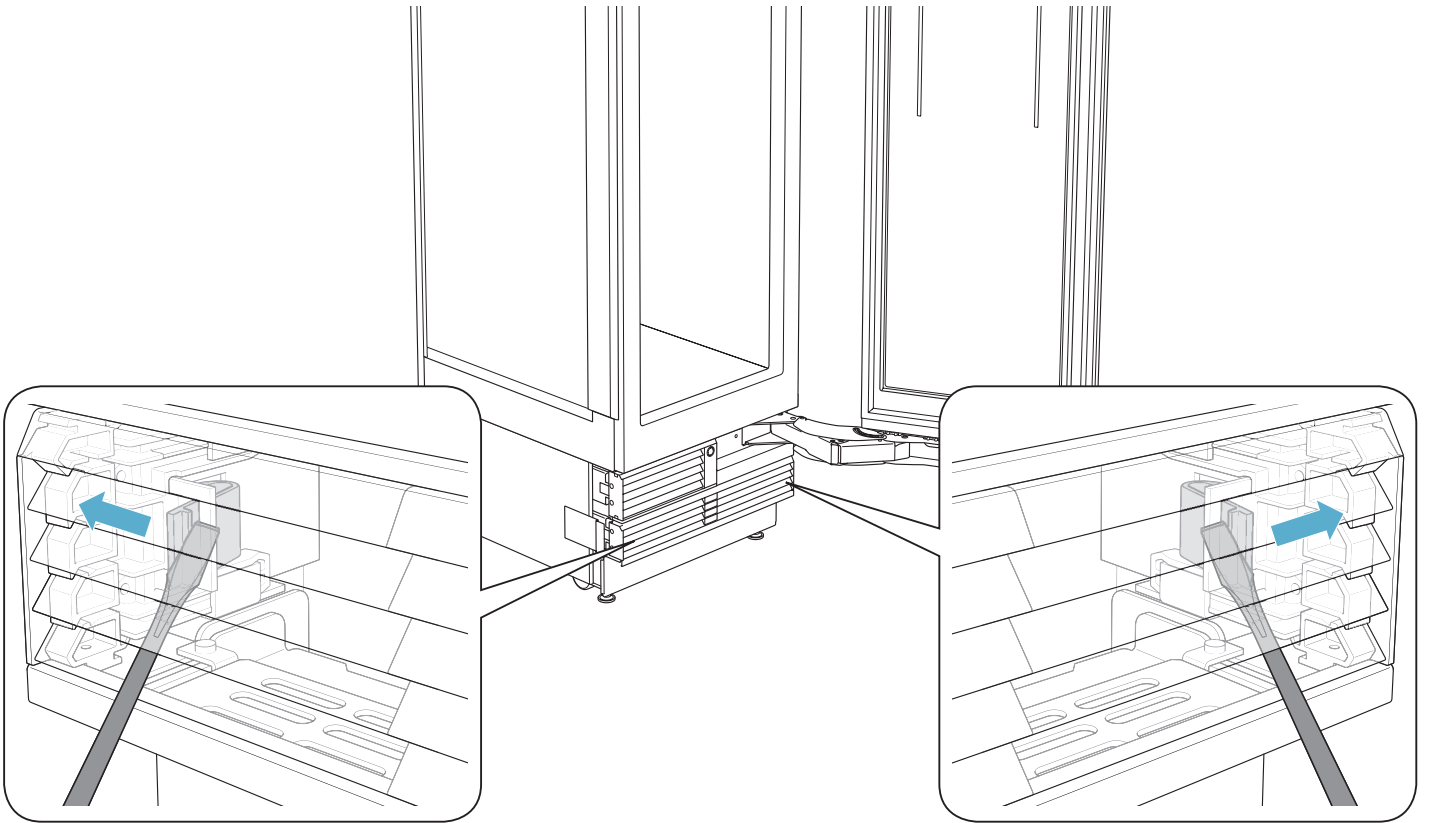
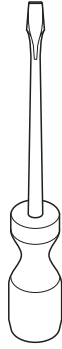
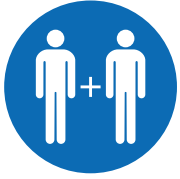
D

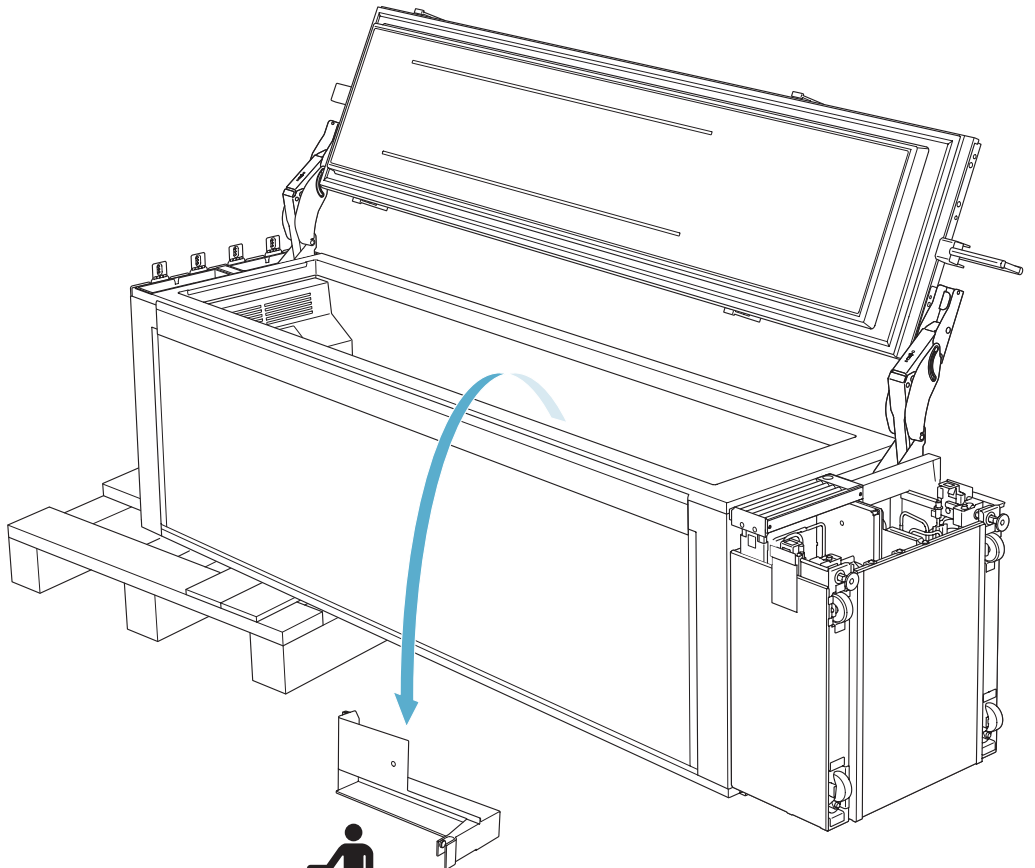
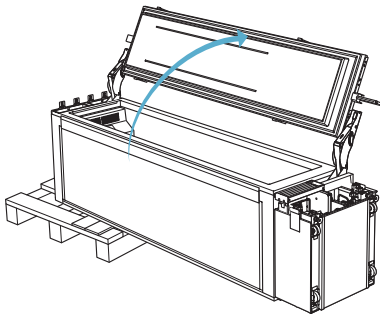
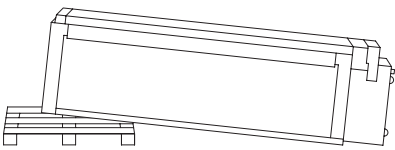
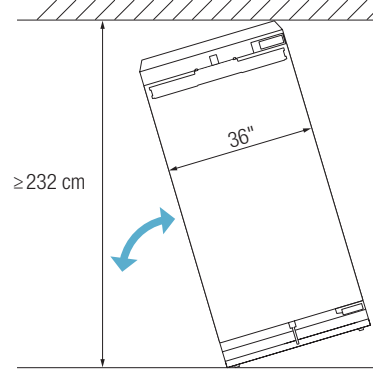
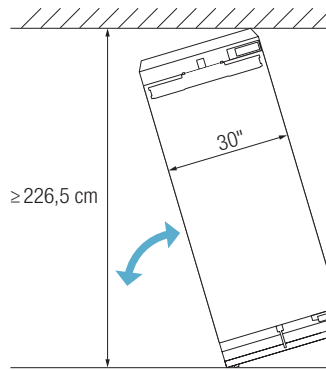
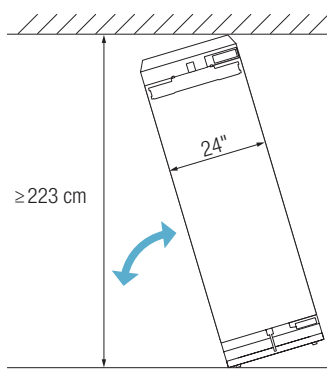
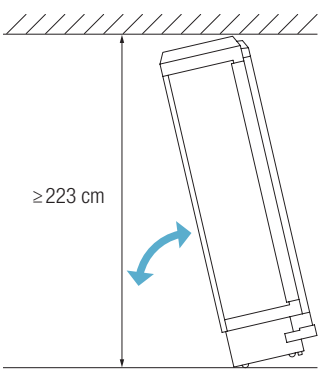
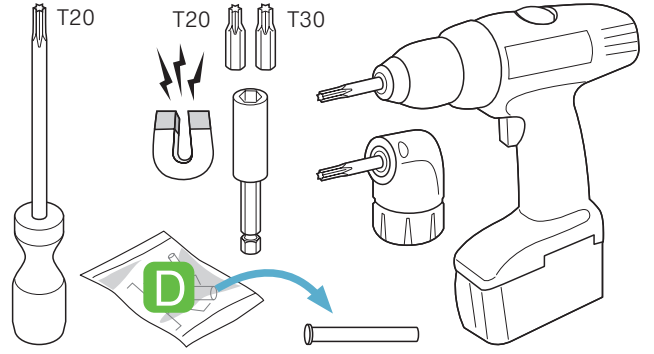
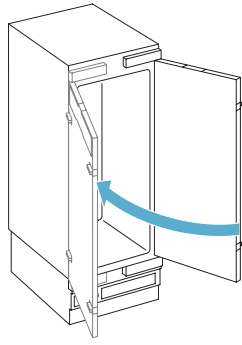
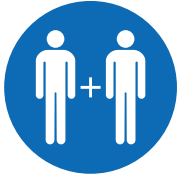




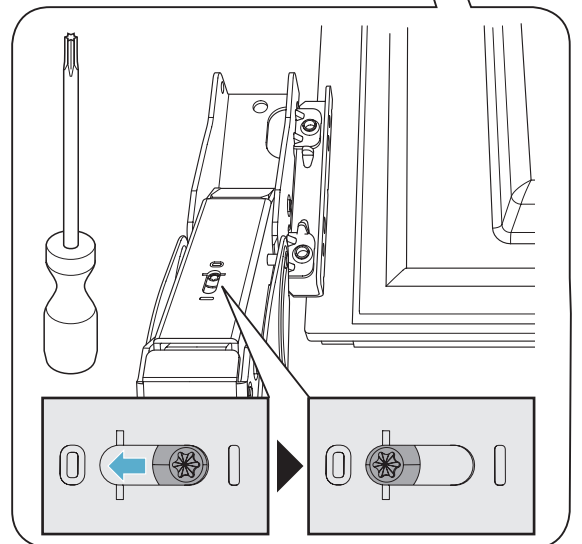
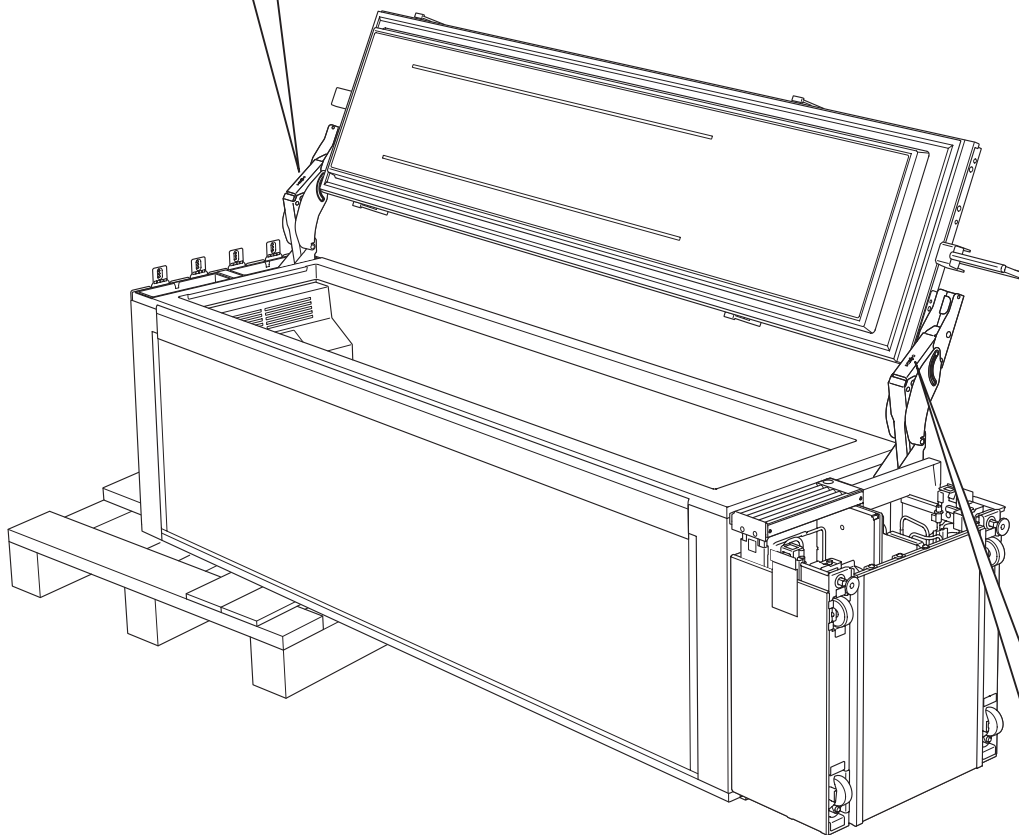
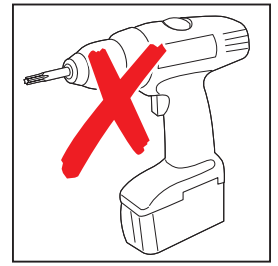
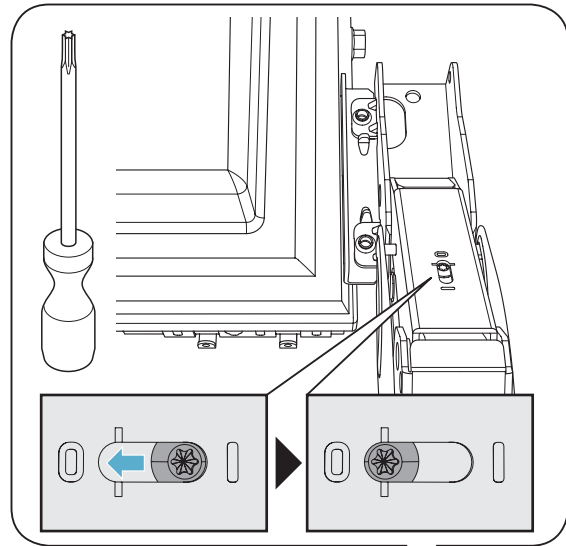


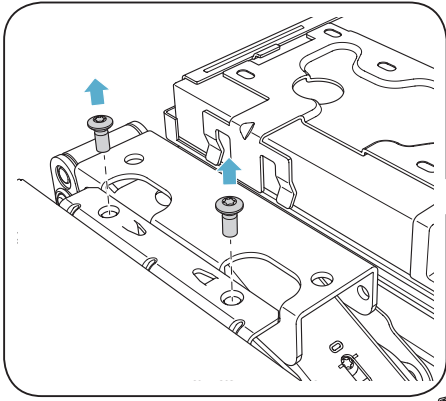




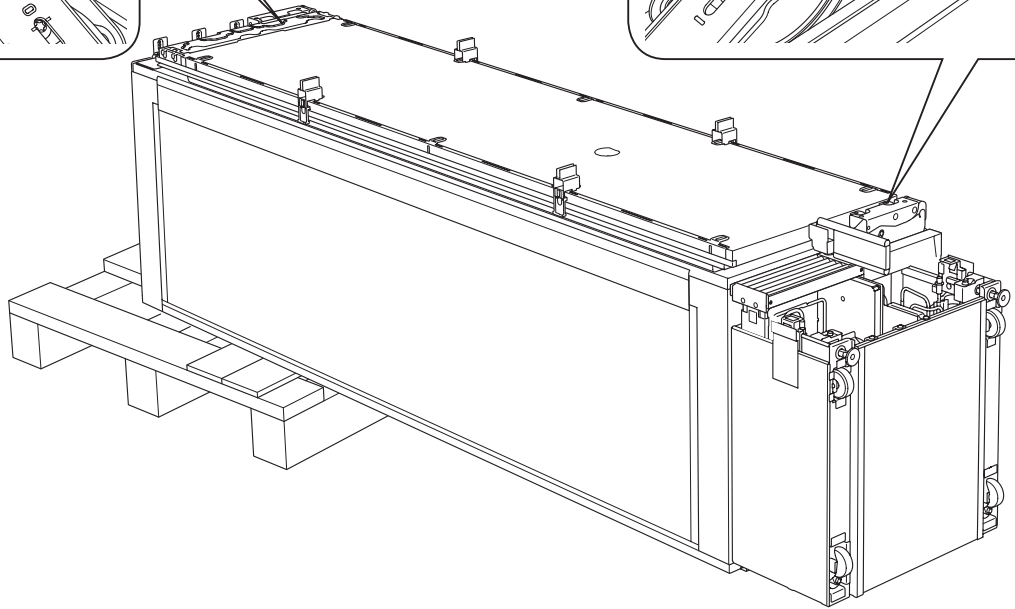
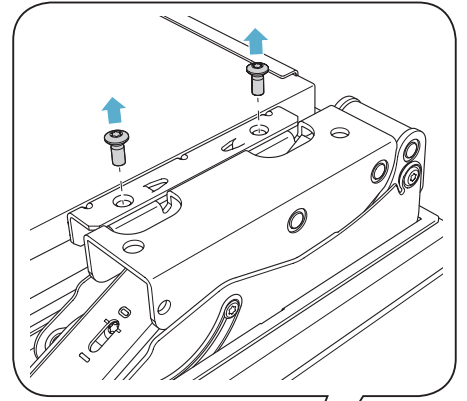


A
B
C
D

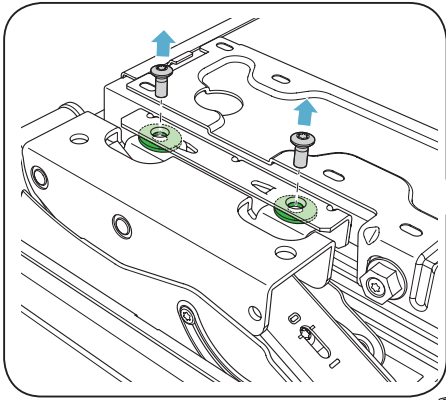




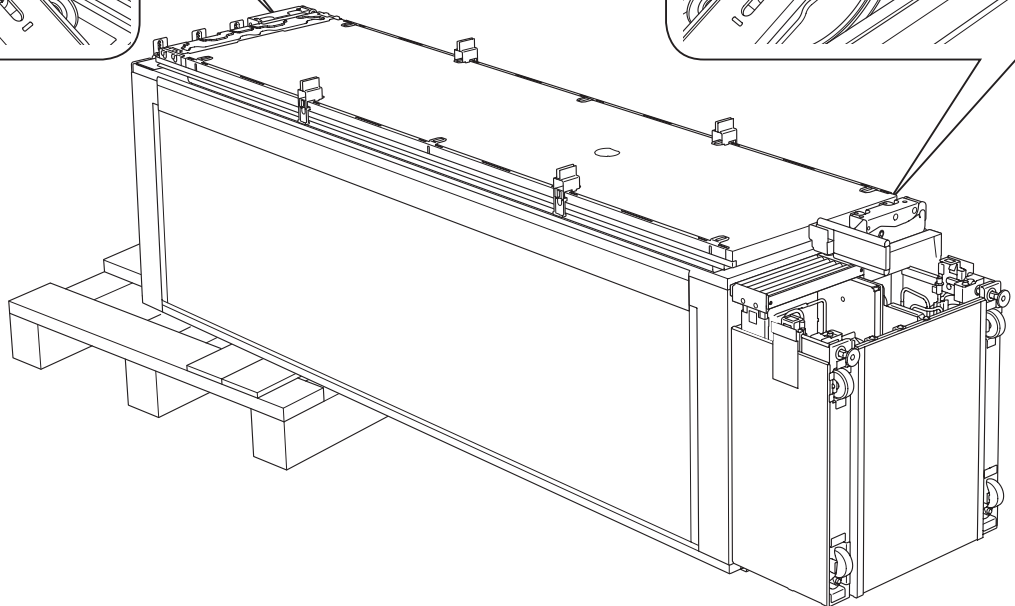
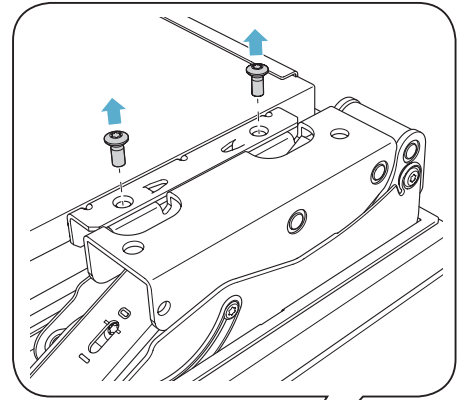
A



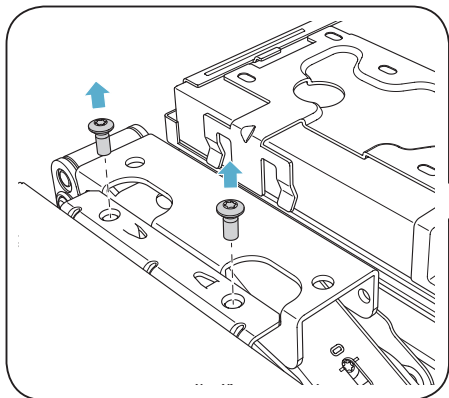
A
B
C
D



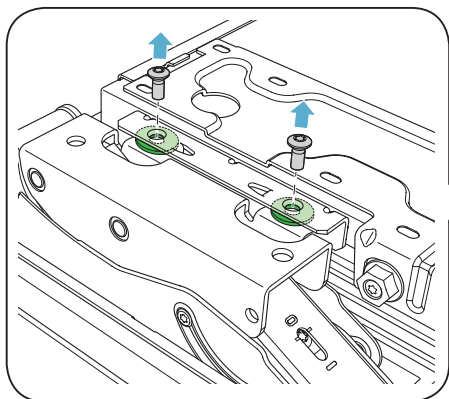
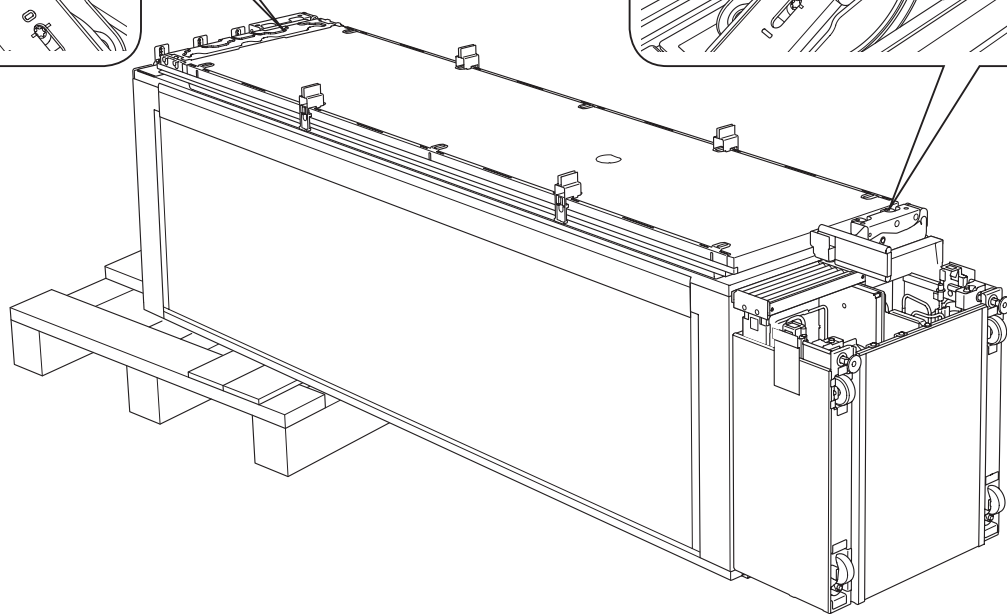
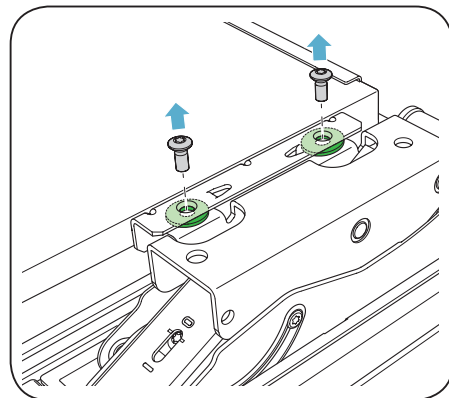
B



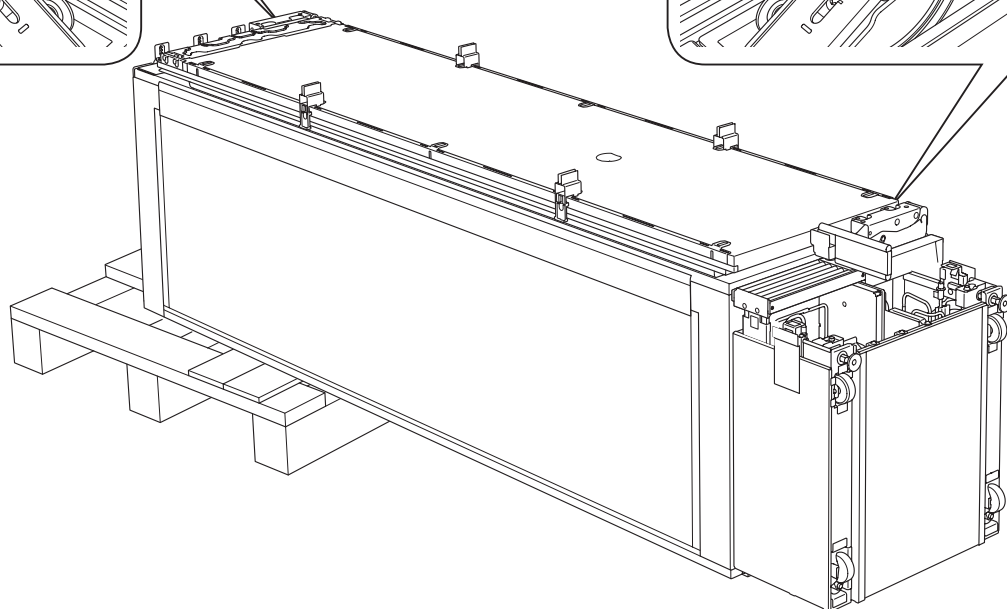
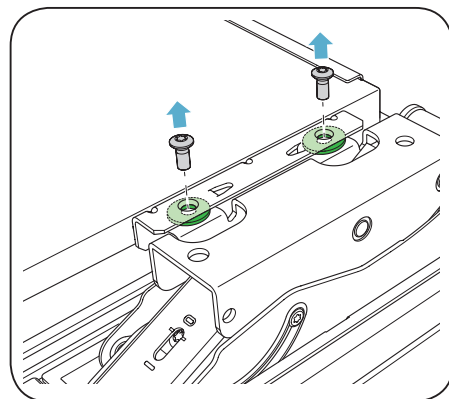
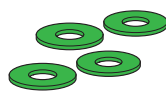
A
B
C
D



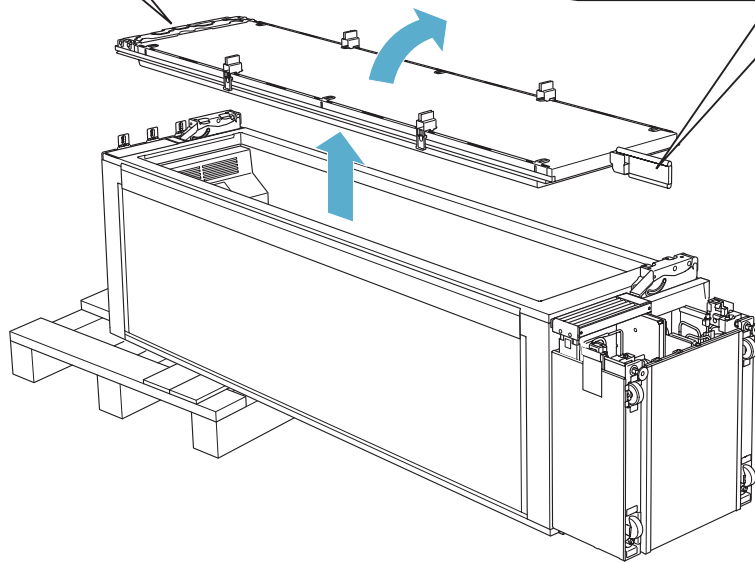
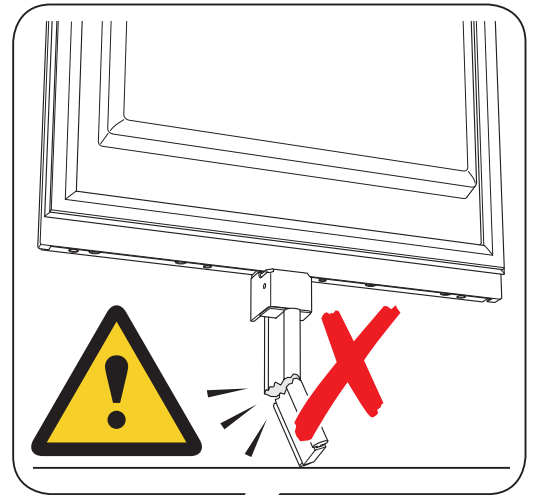
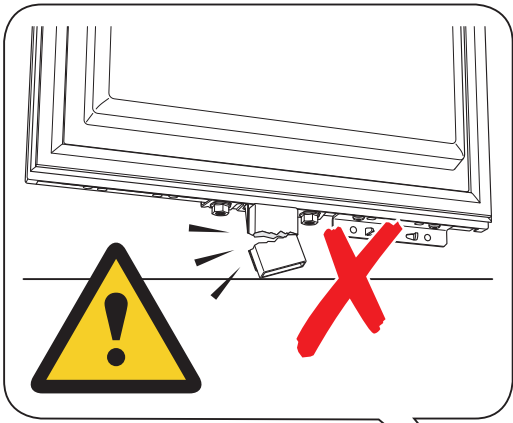
C



D

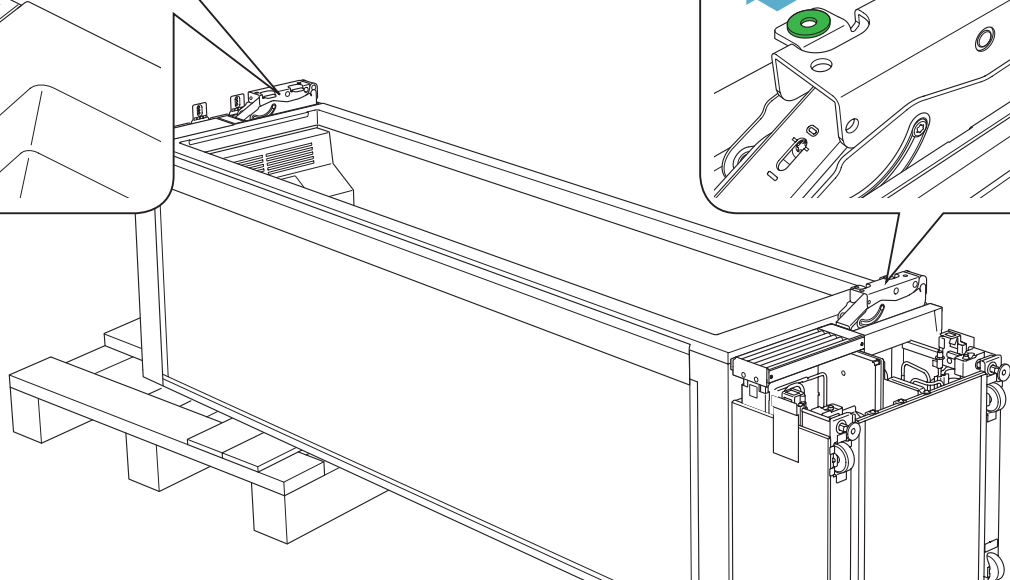
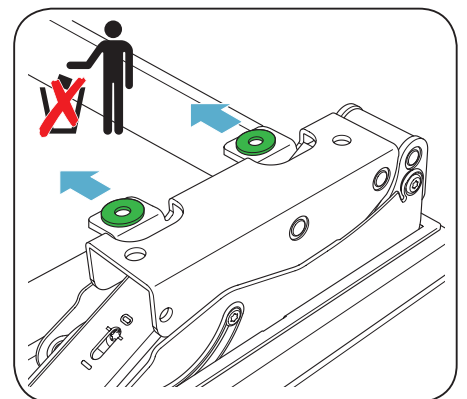
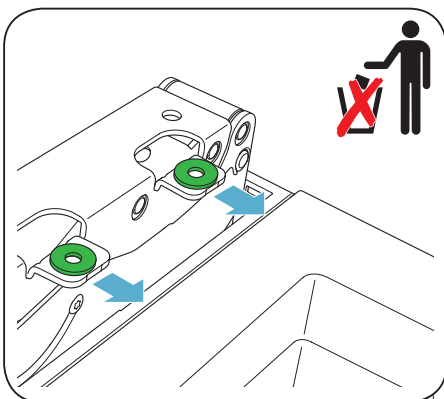


A
B
C
D

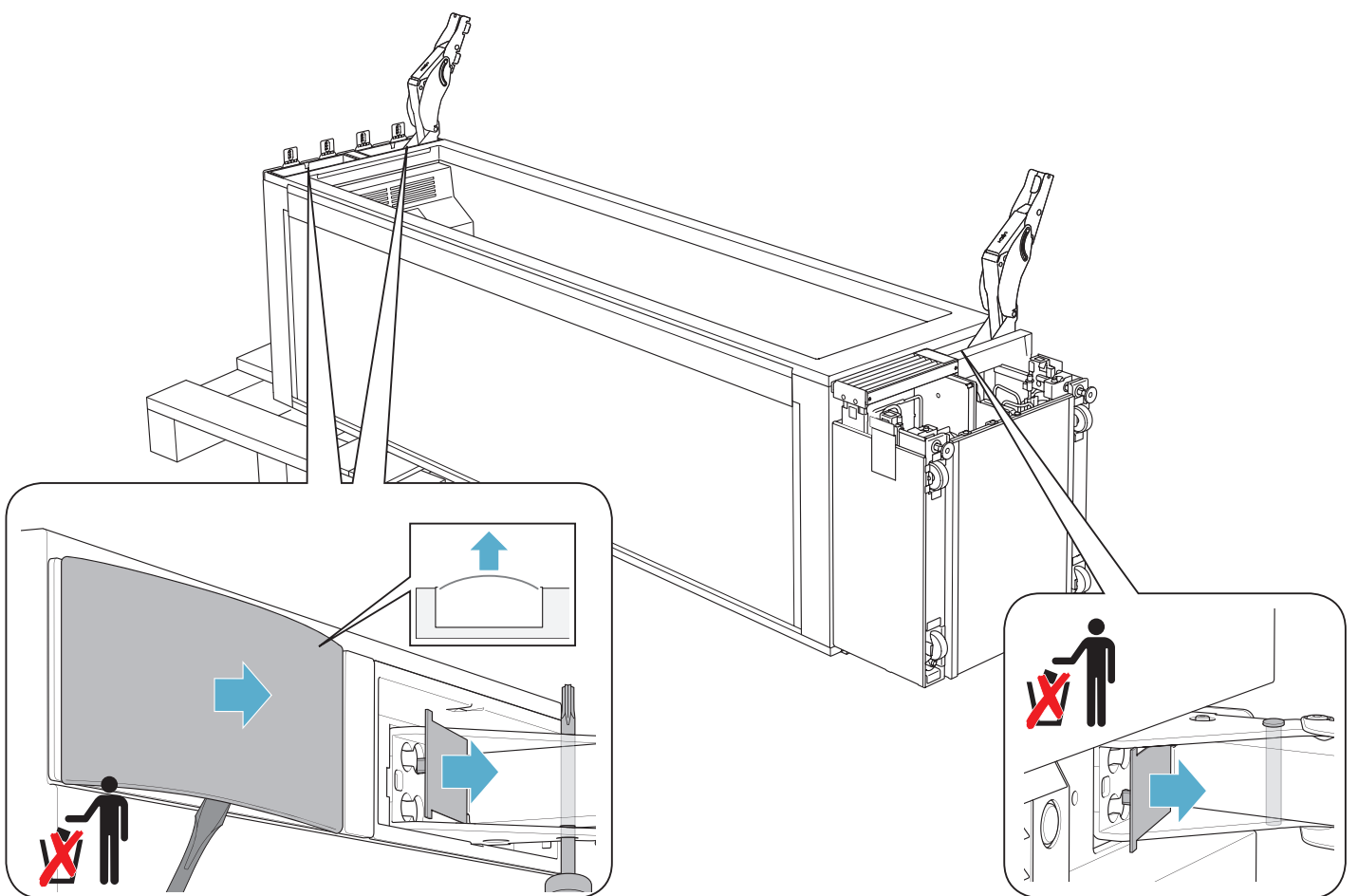
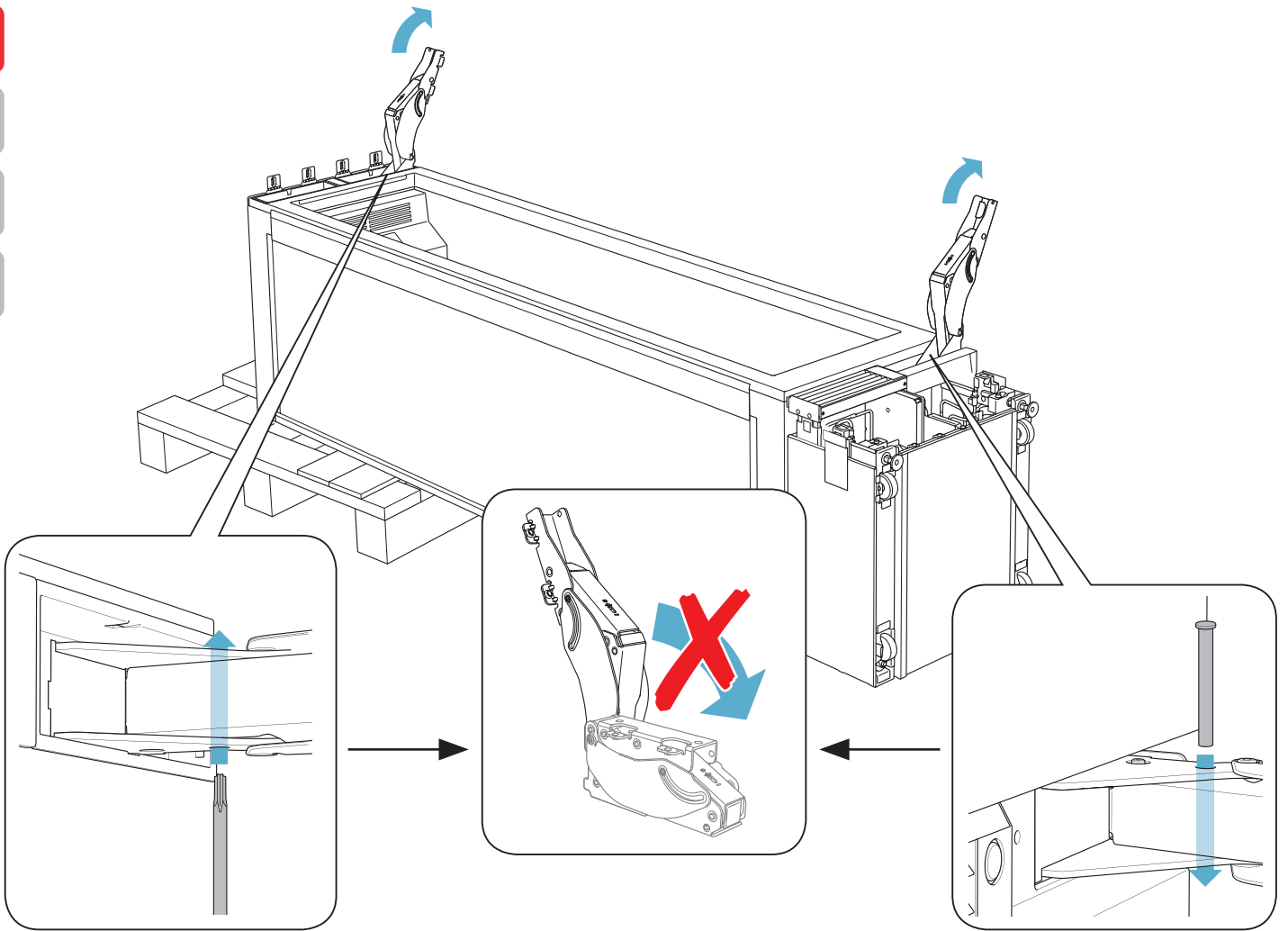


B D

C D



A
B
C
D

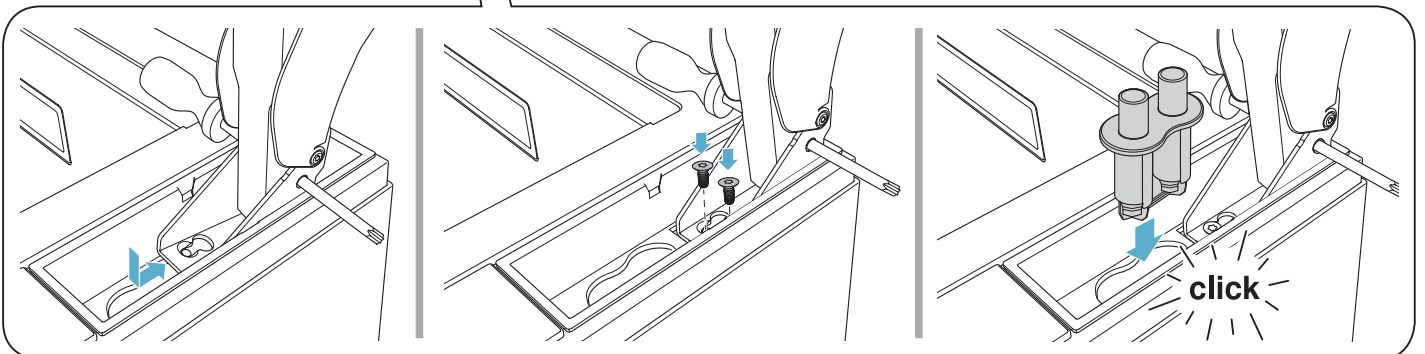
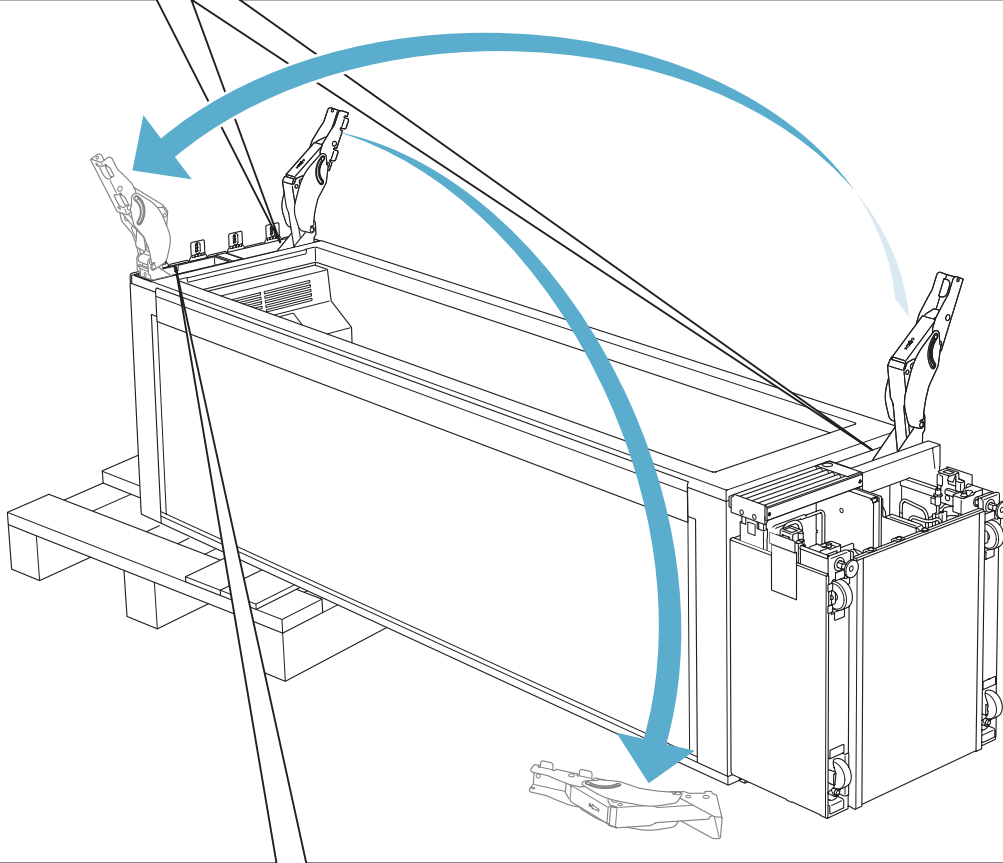
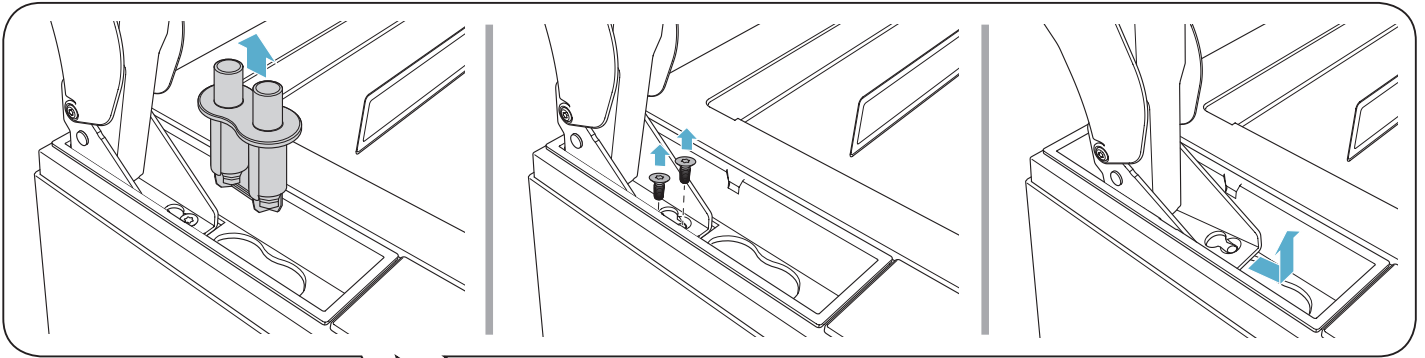
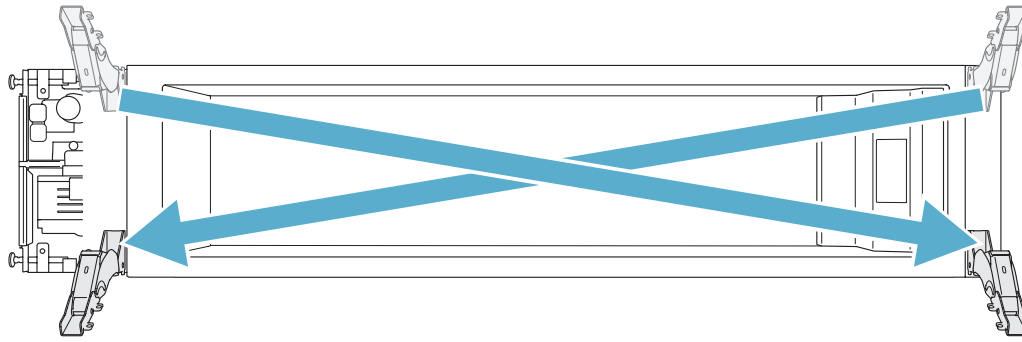


A

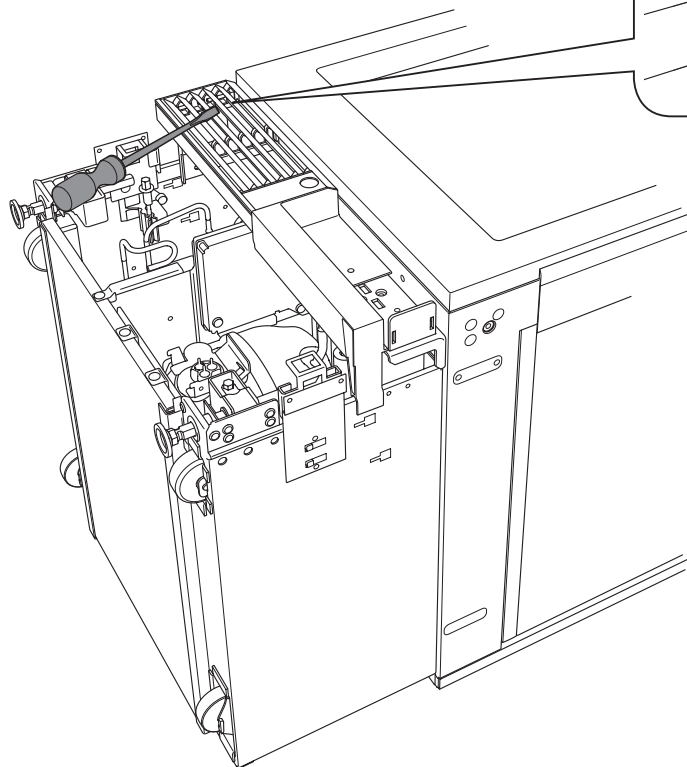
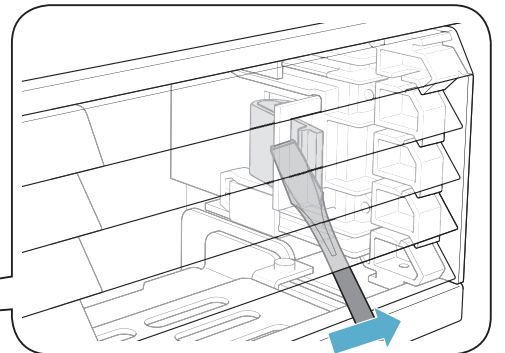
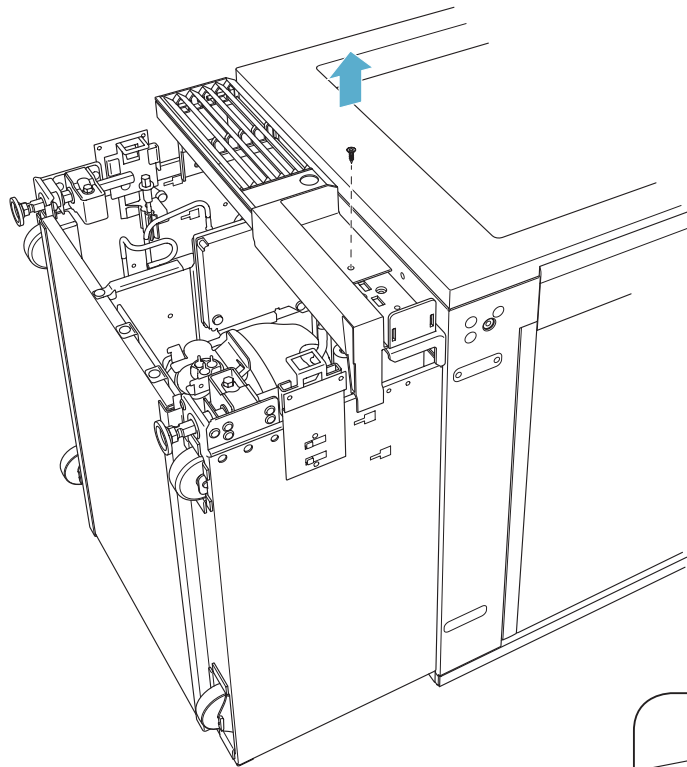
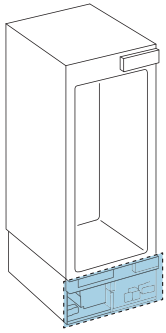
B

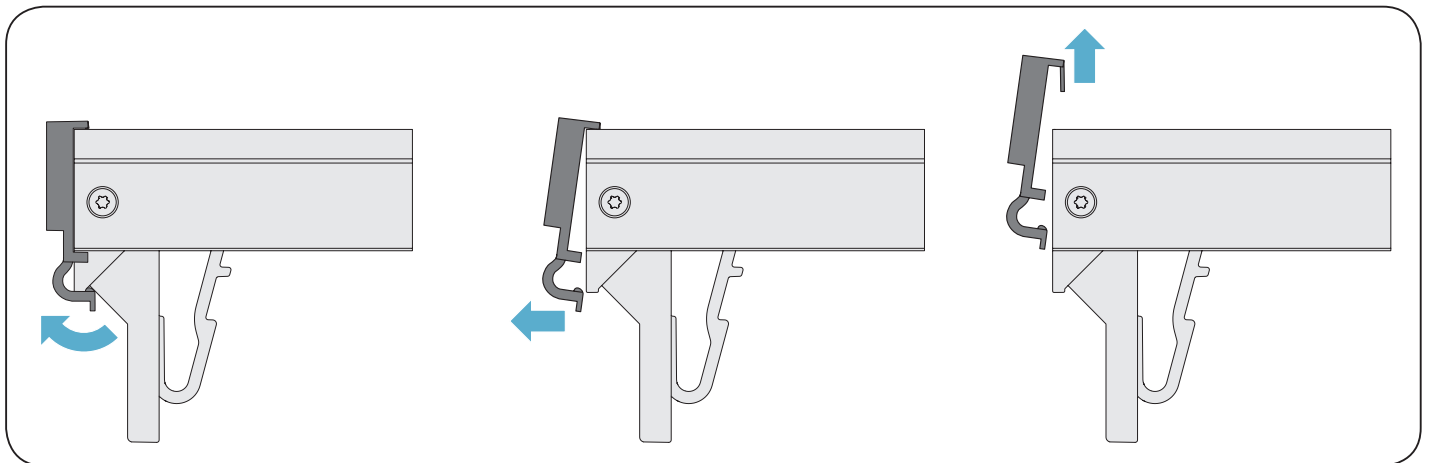
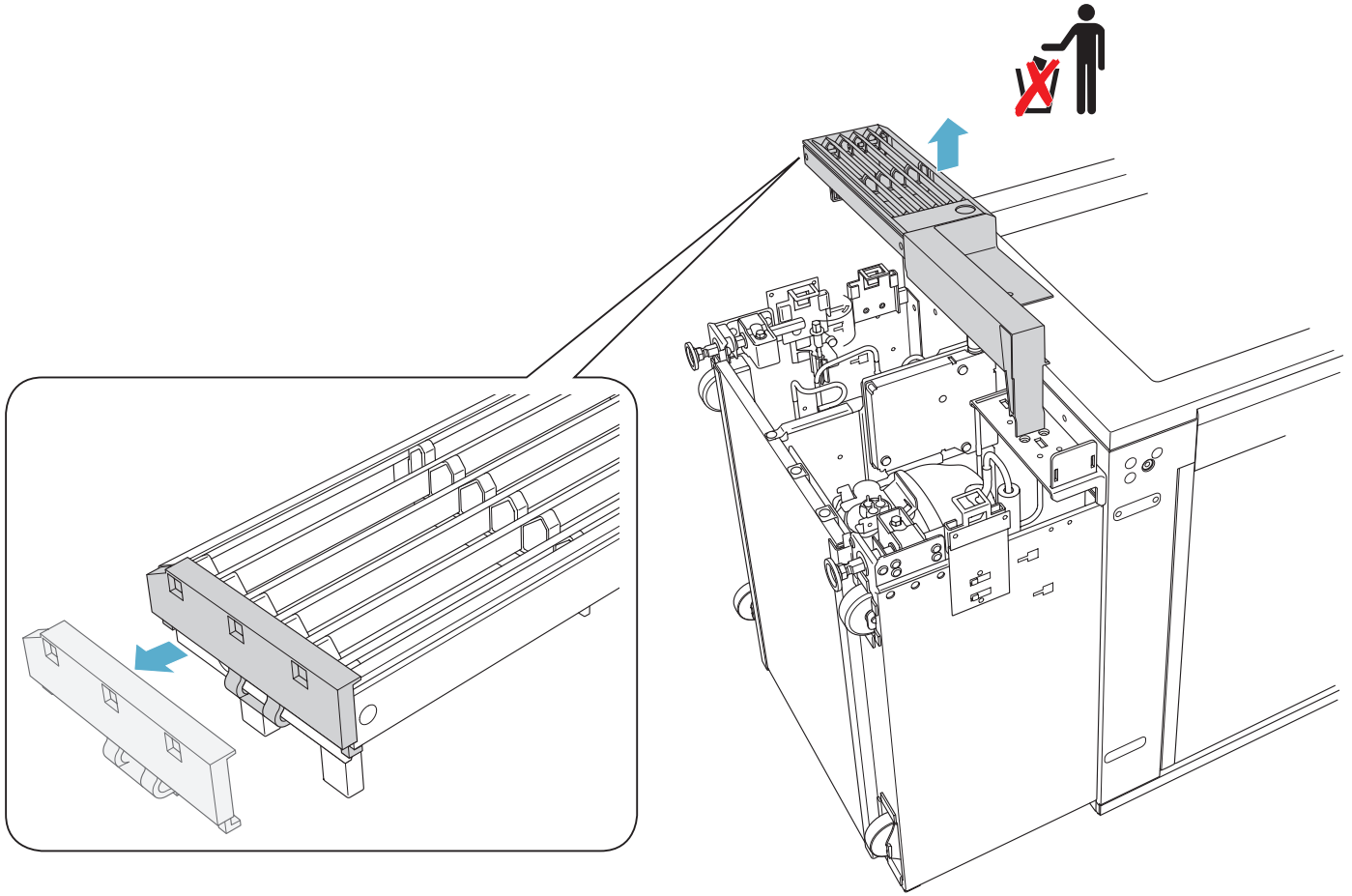
C

D

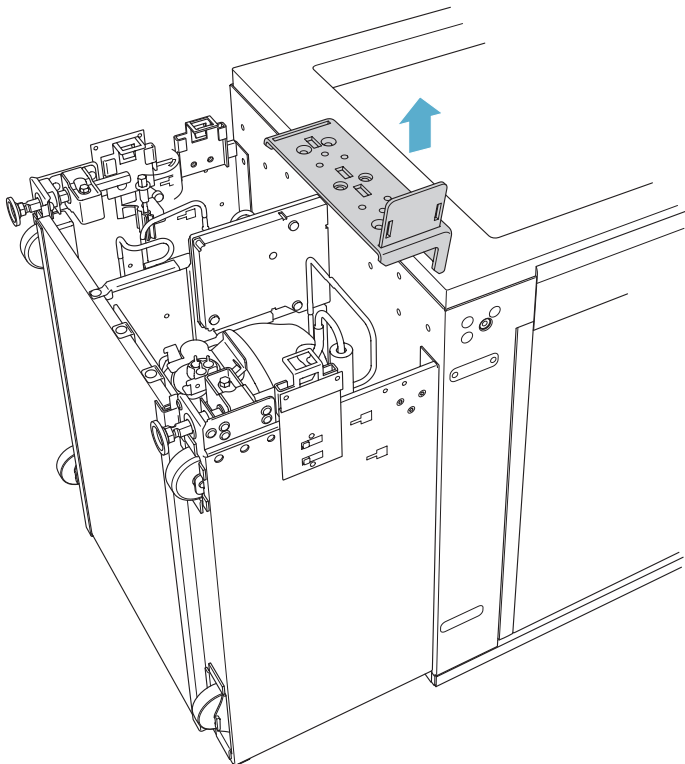
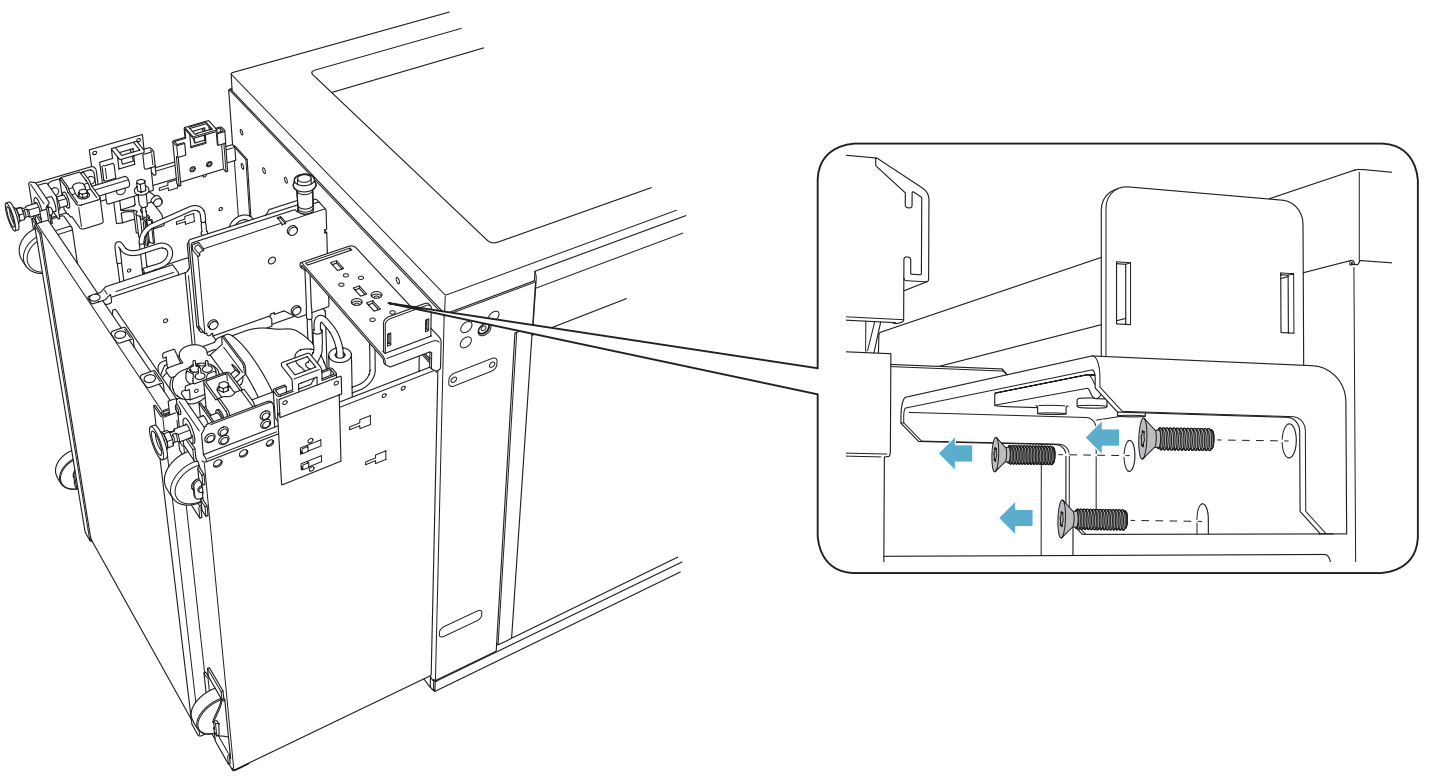
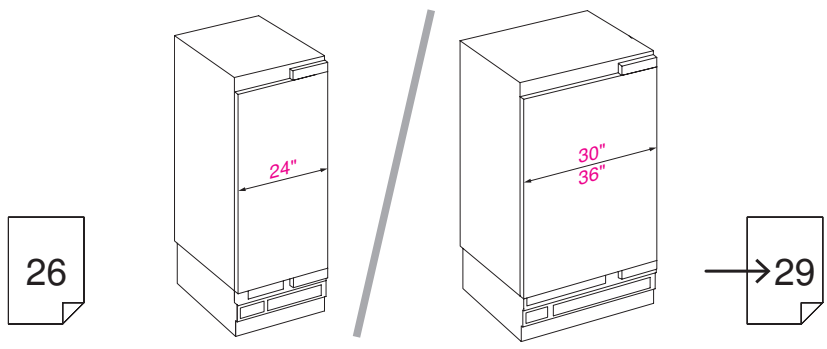


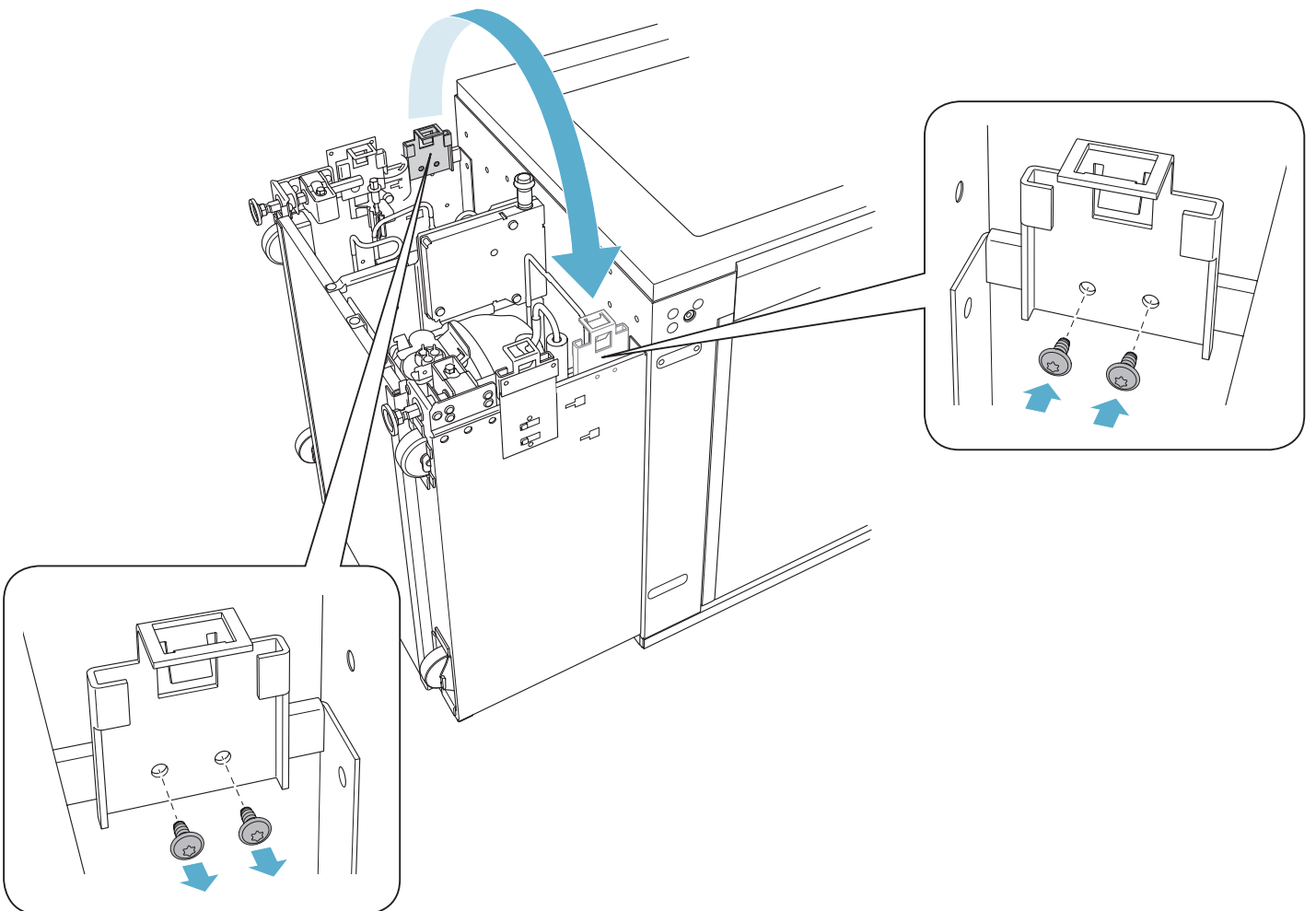
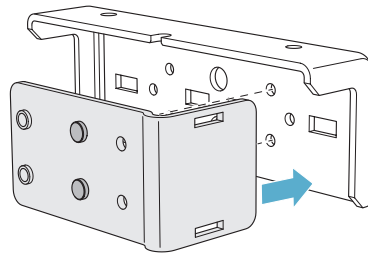
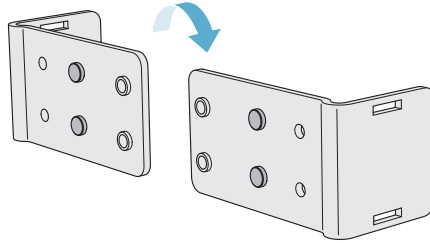
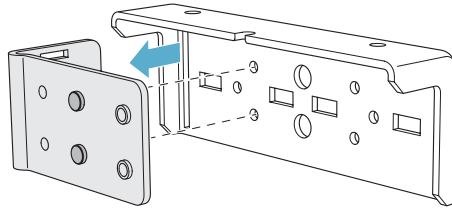
A
B
C
D



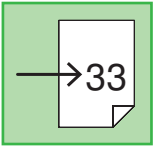
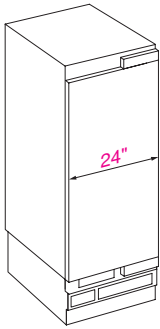
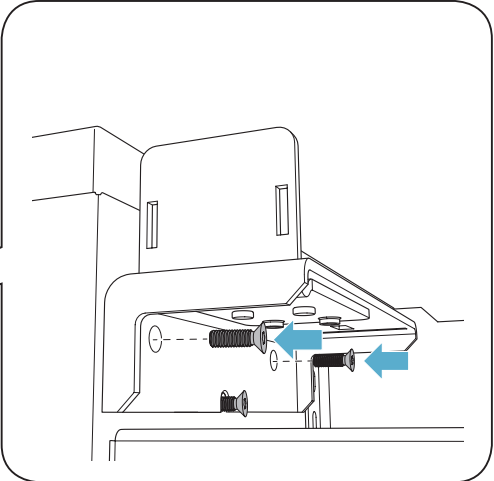
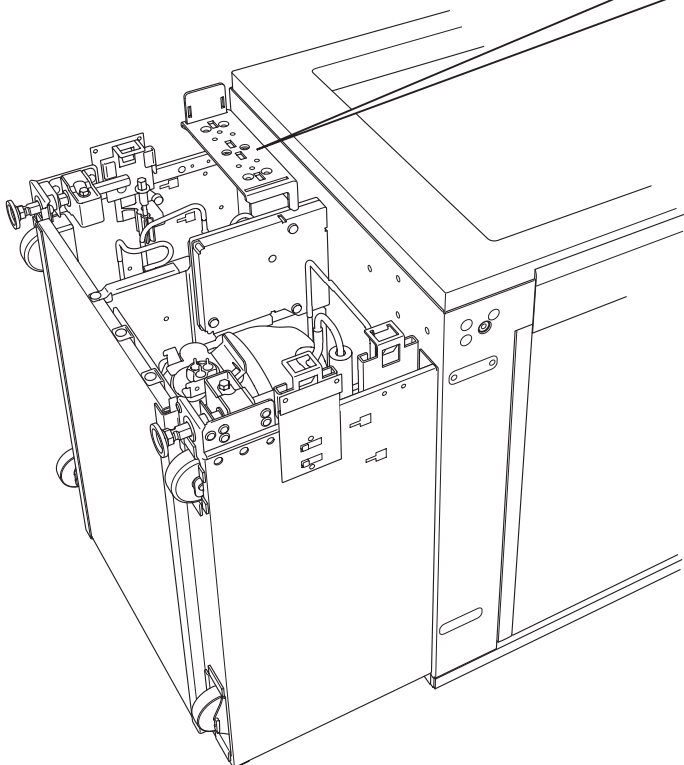
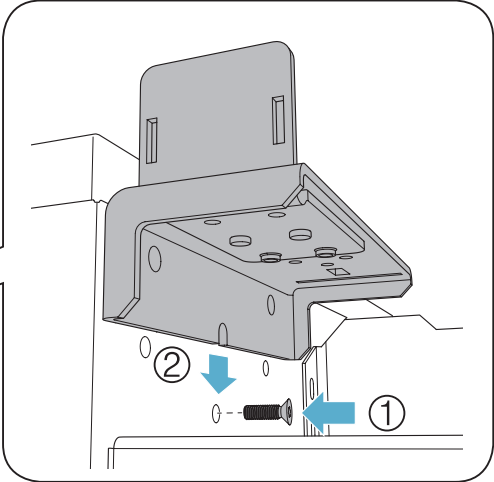
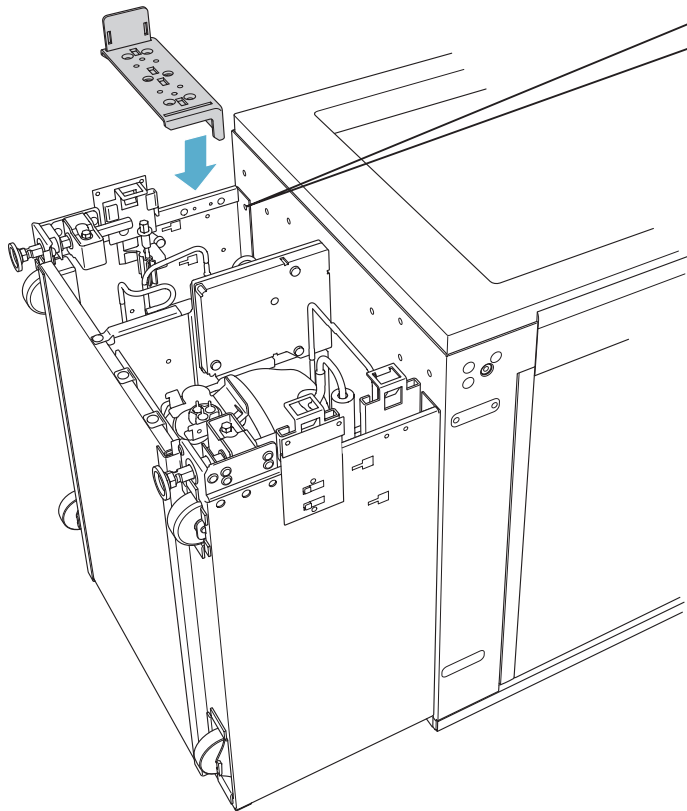


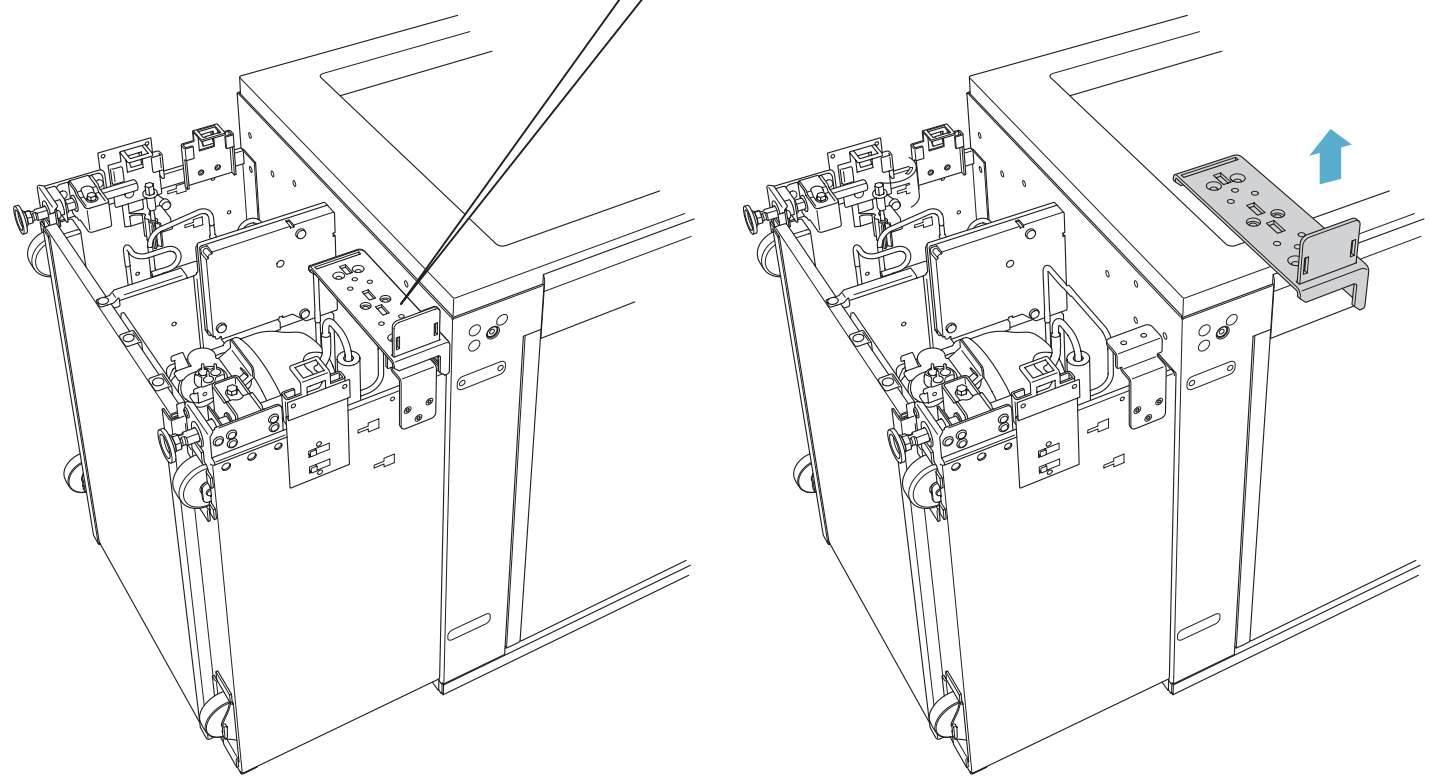
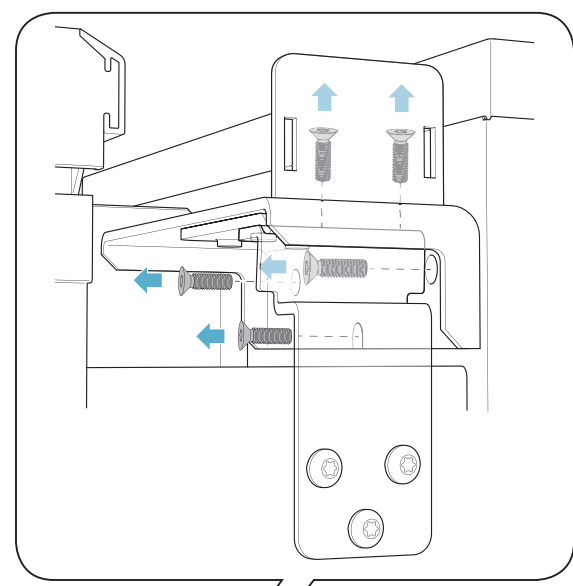
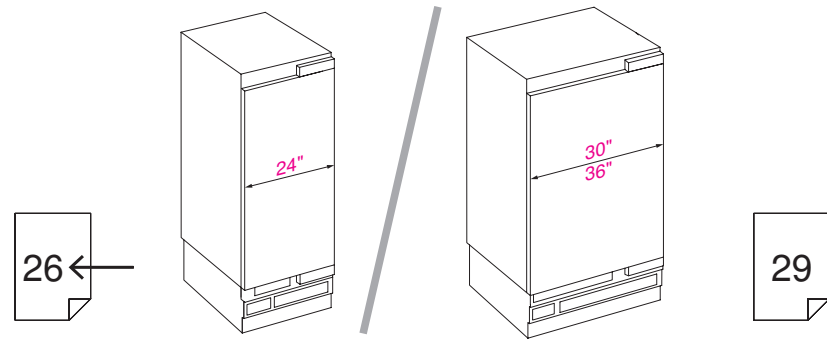
A
B
C
D



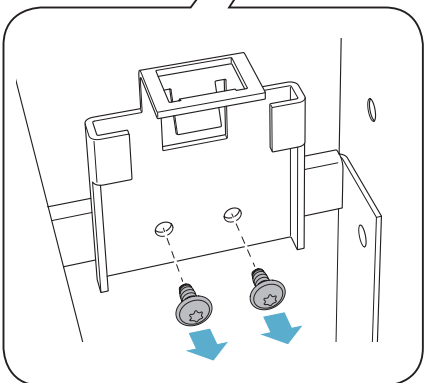
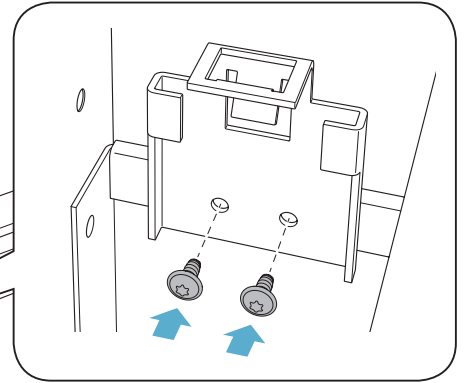
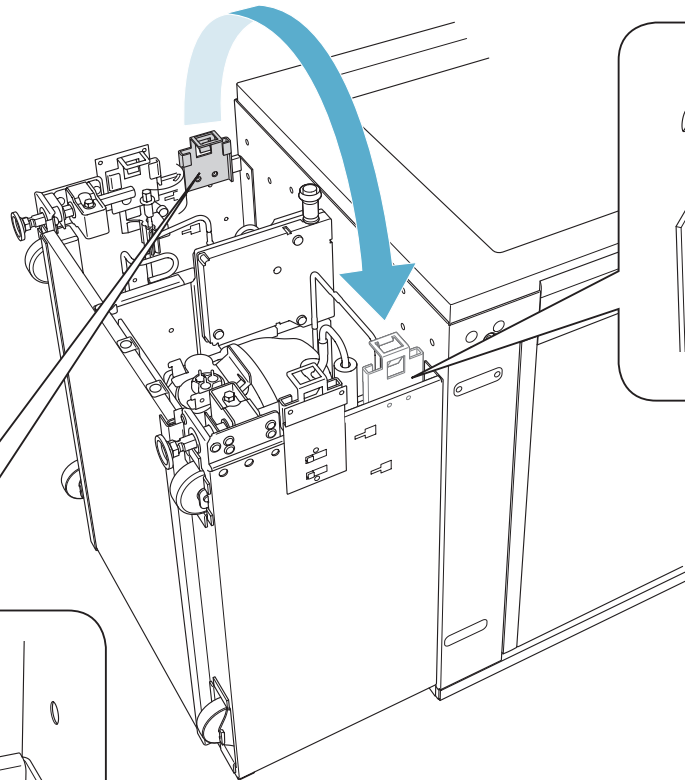
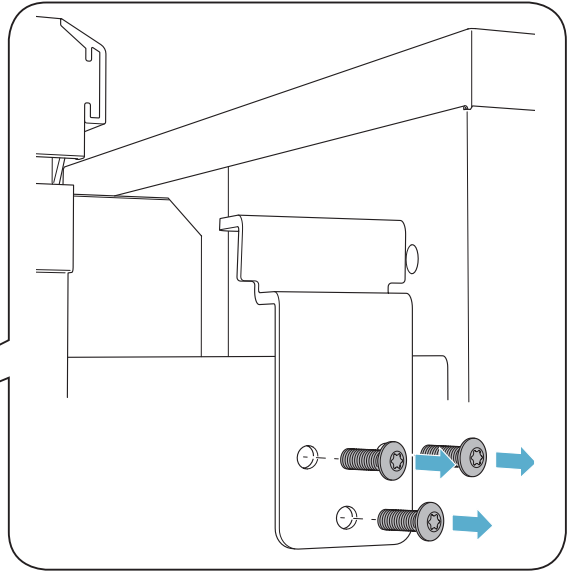
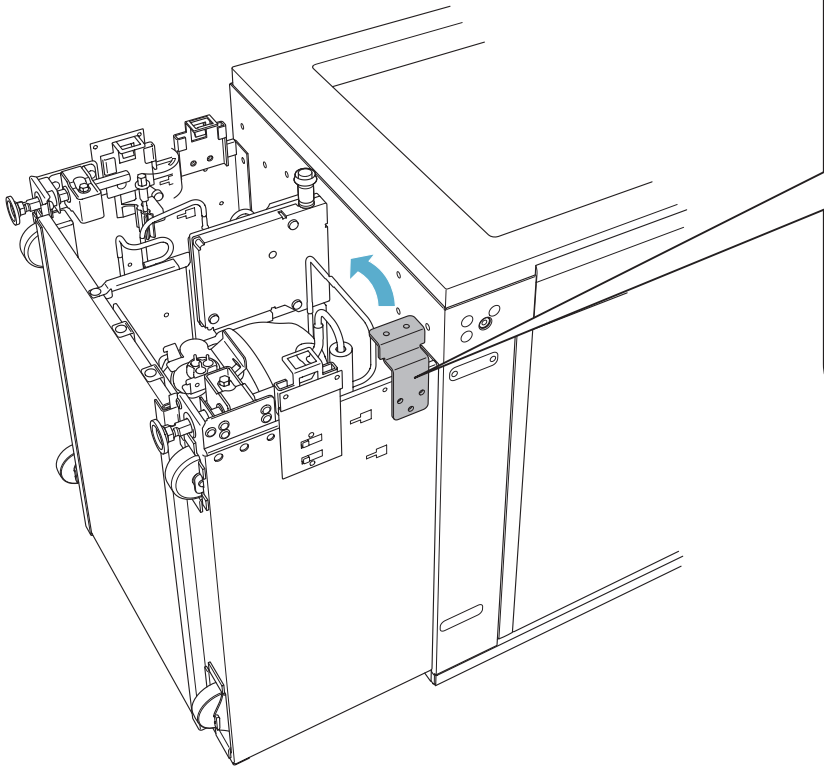


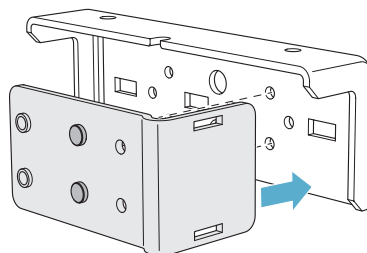
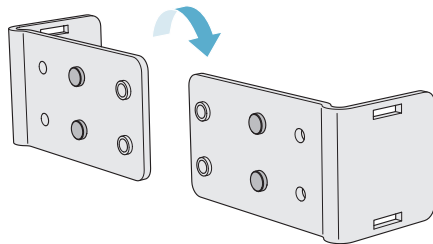
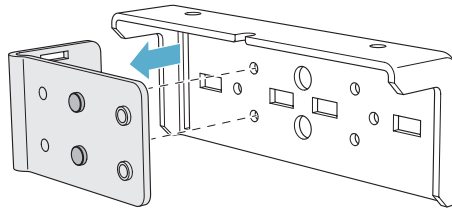
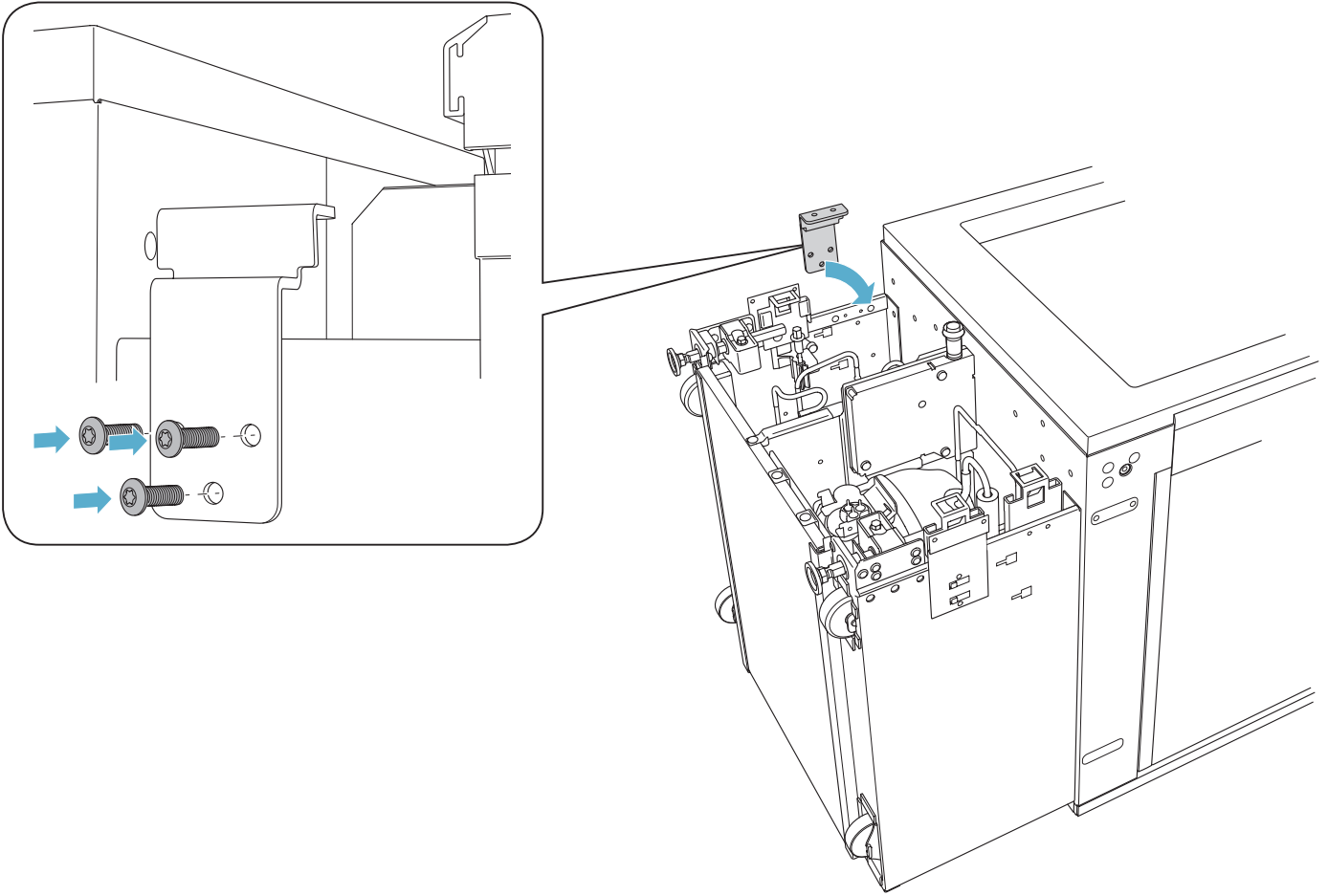
A
B
C
D



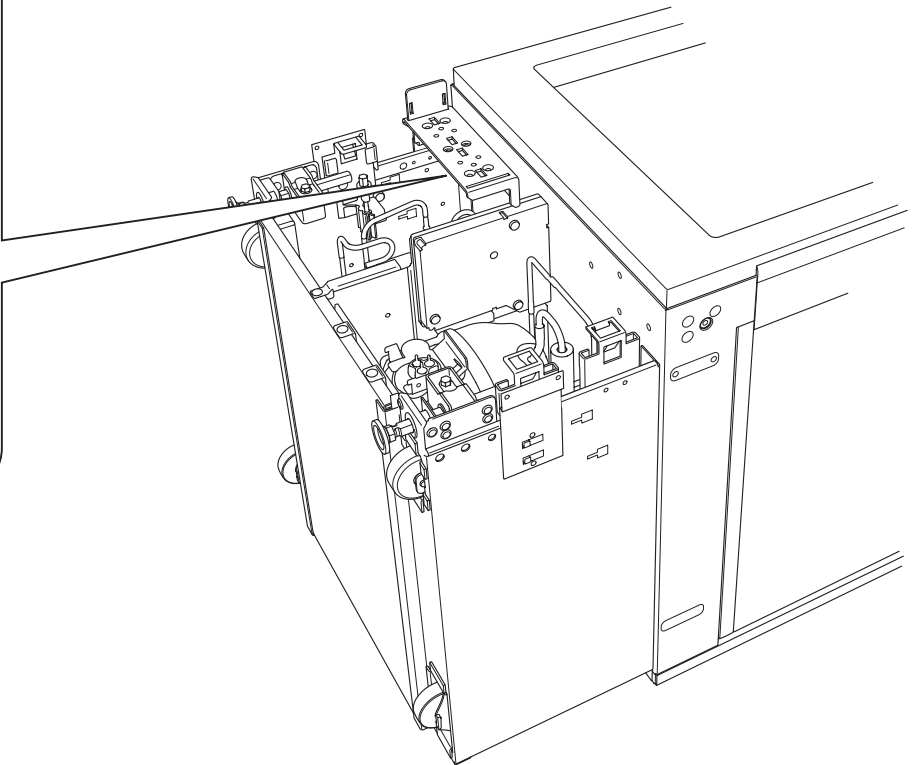
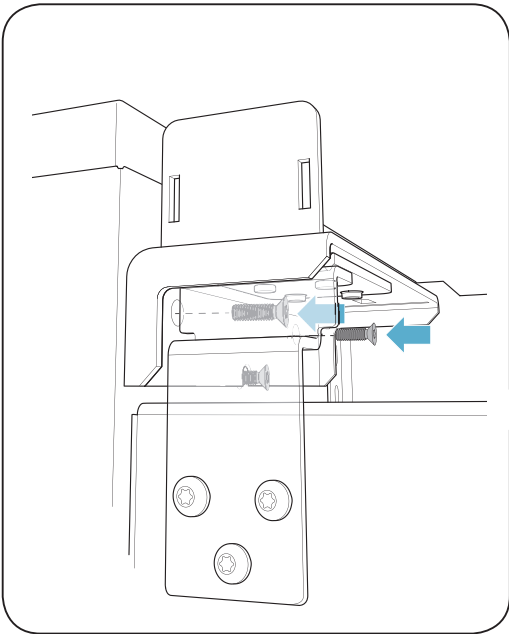
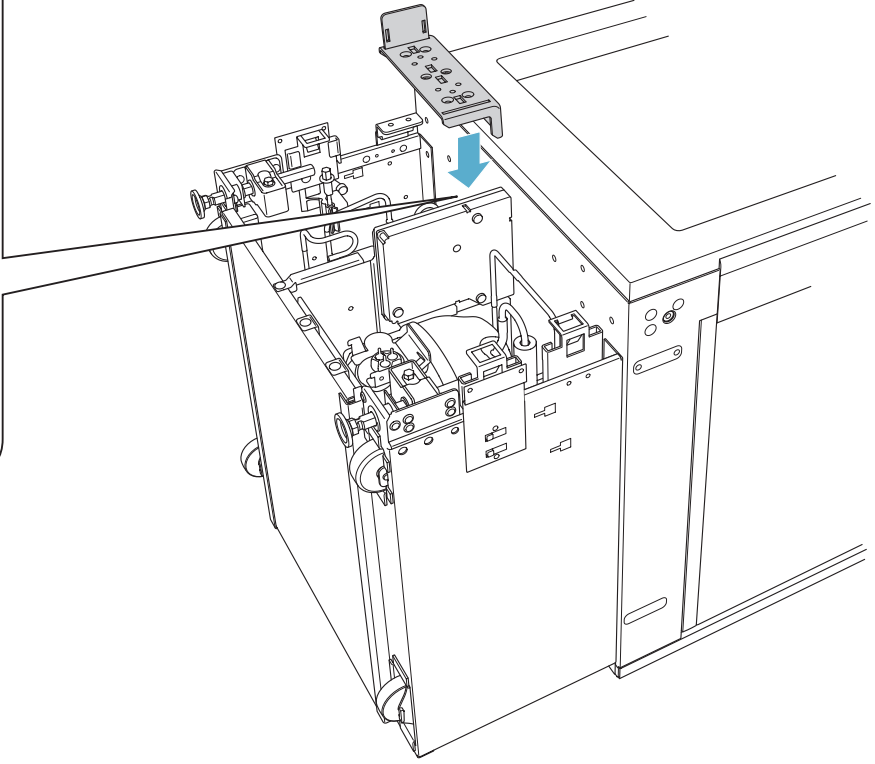
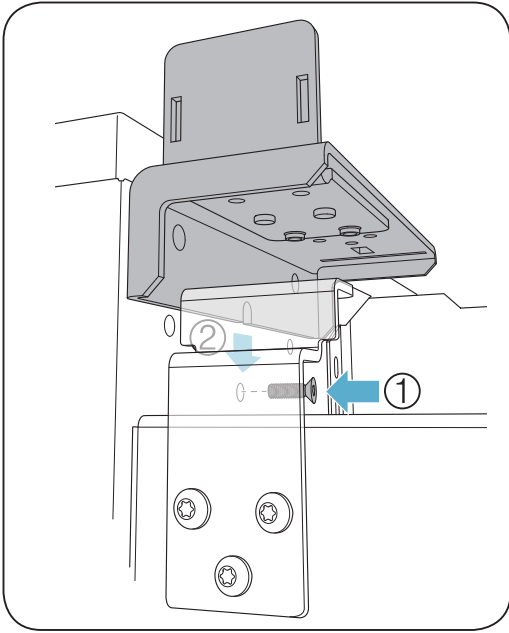


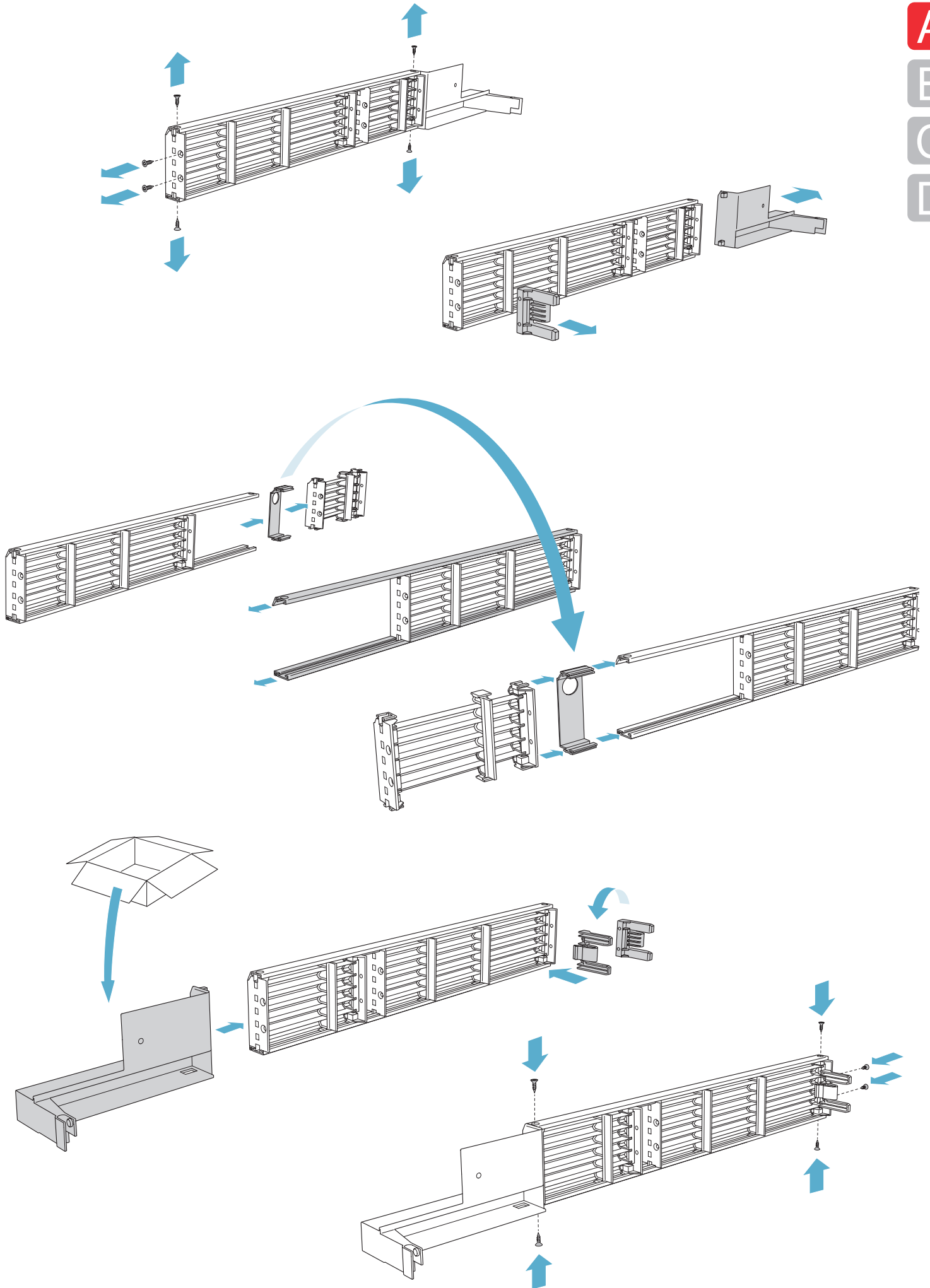
A
B
C
D



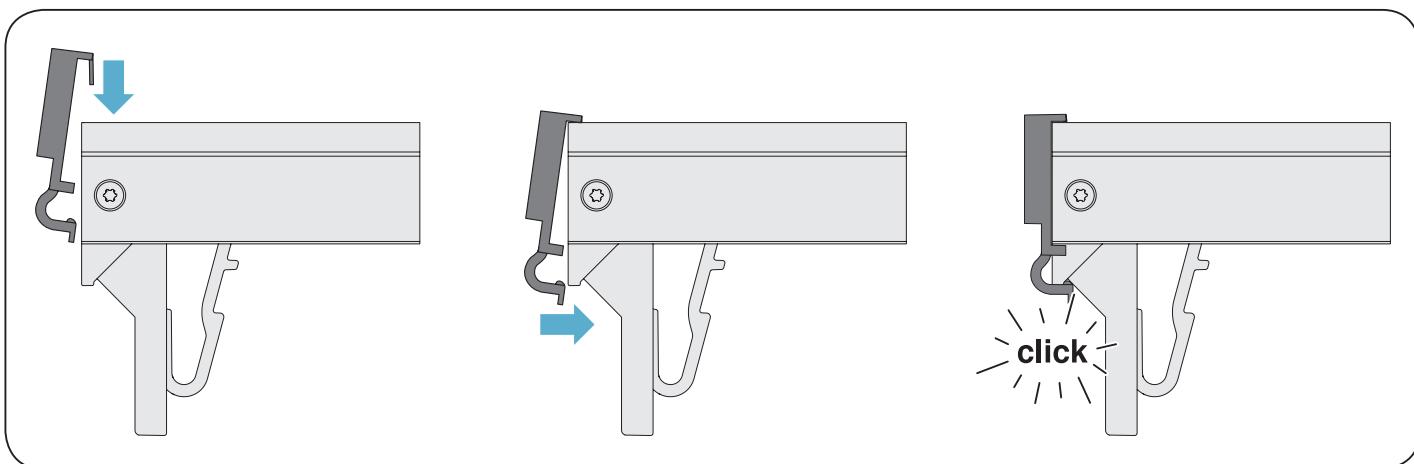
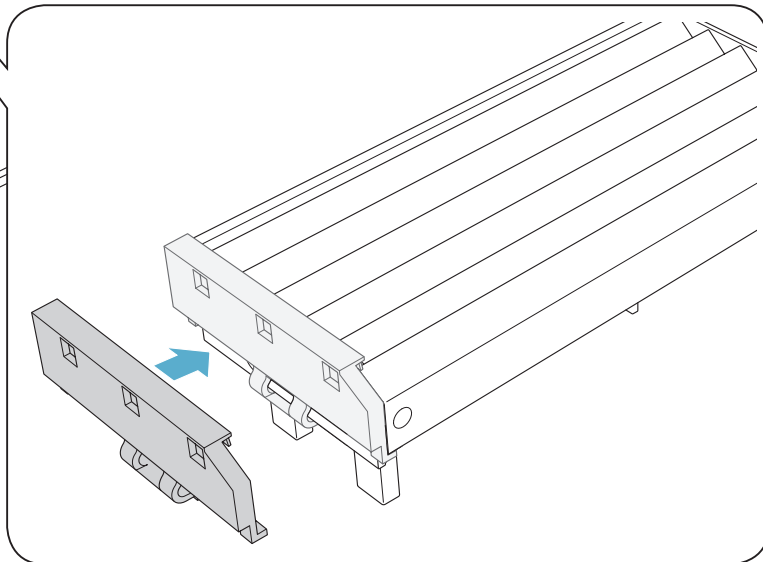
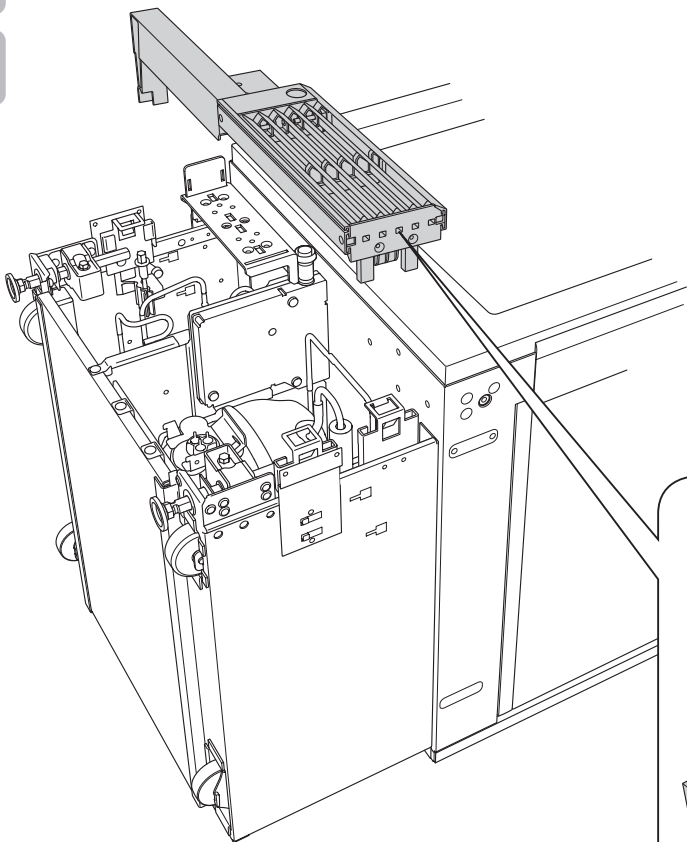
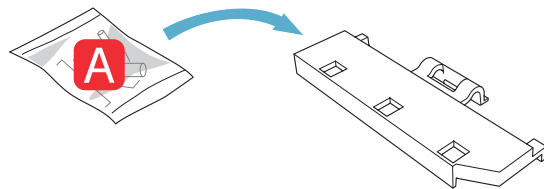


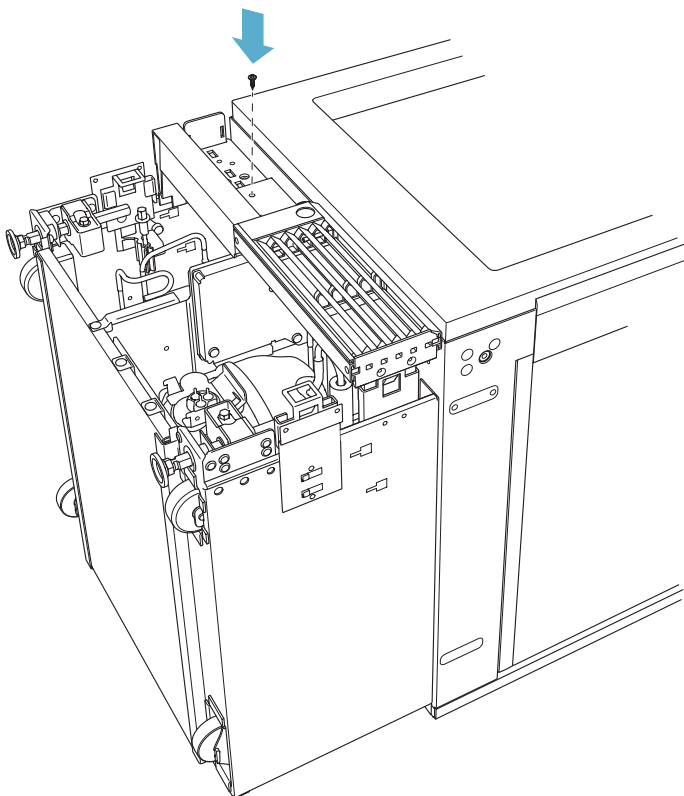
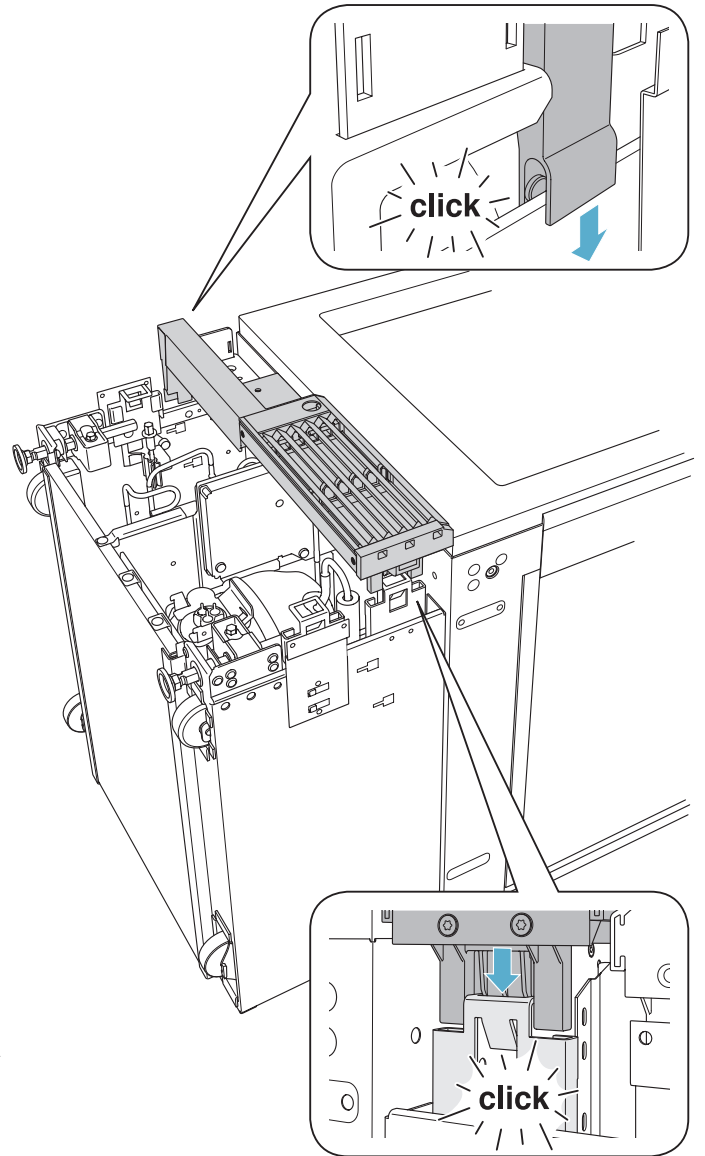
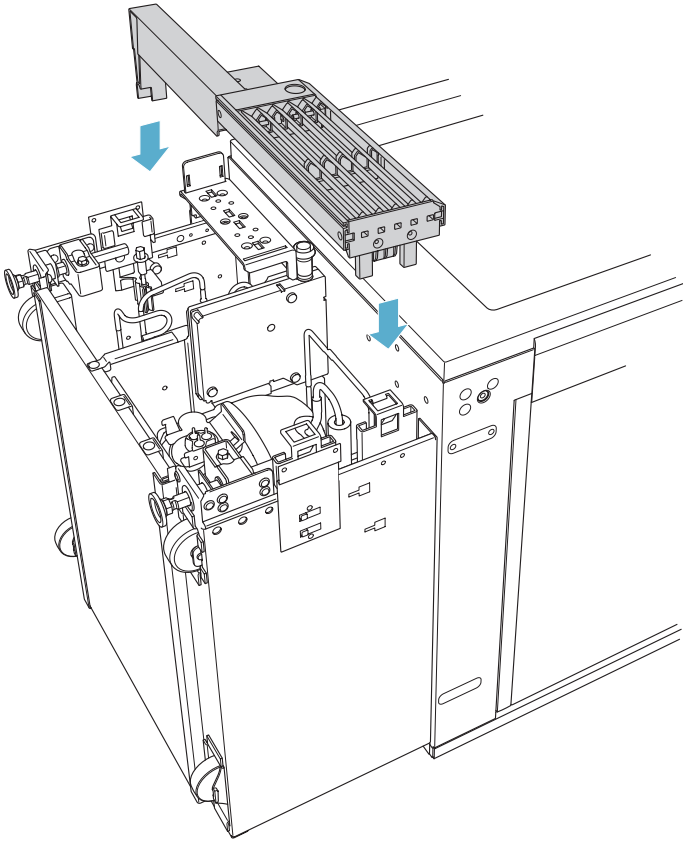
A
B
C
D



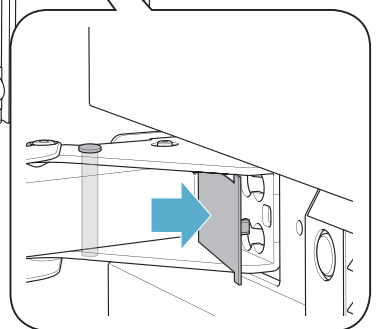
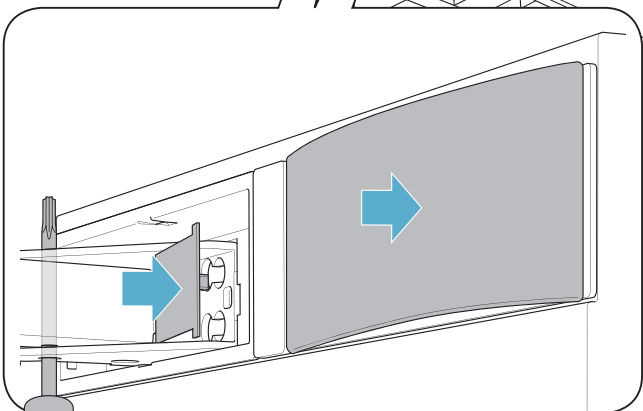
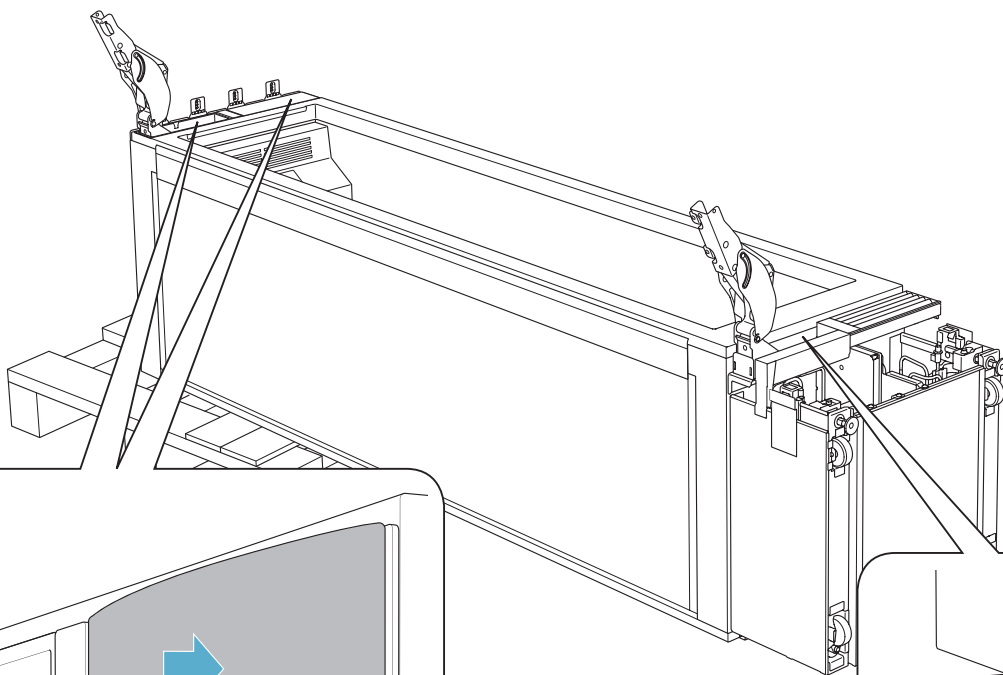
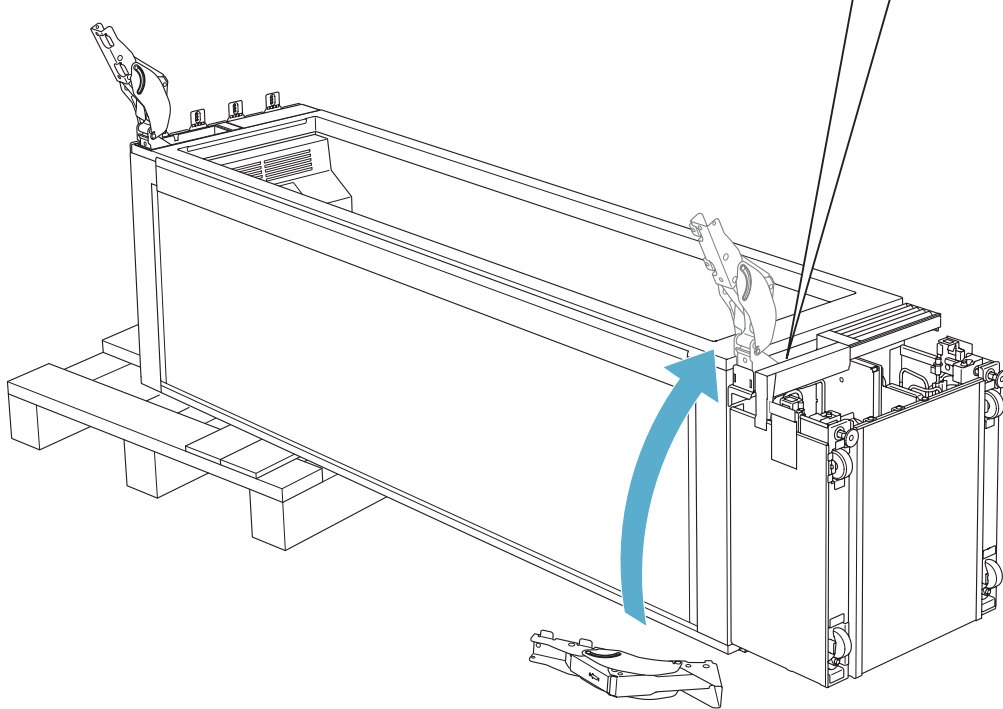
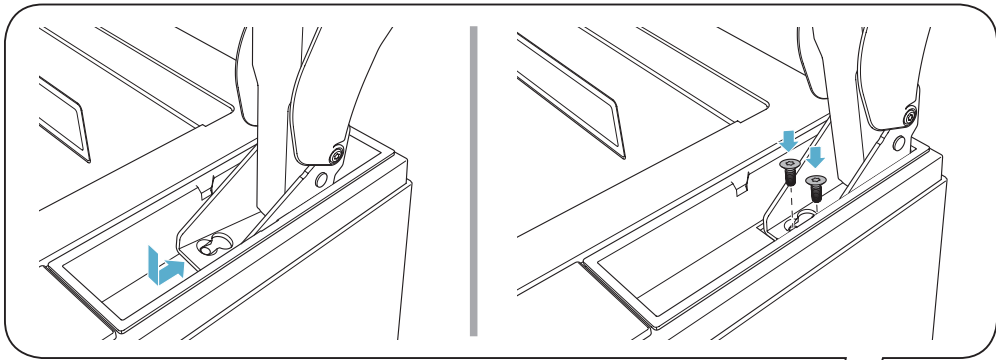


A
B
C
D

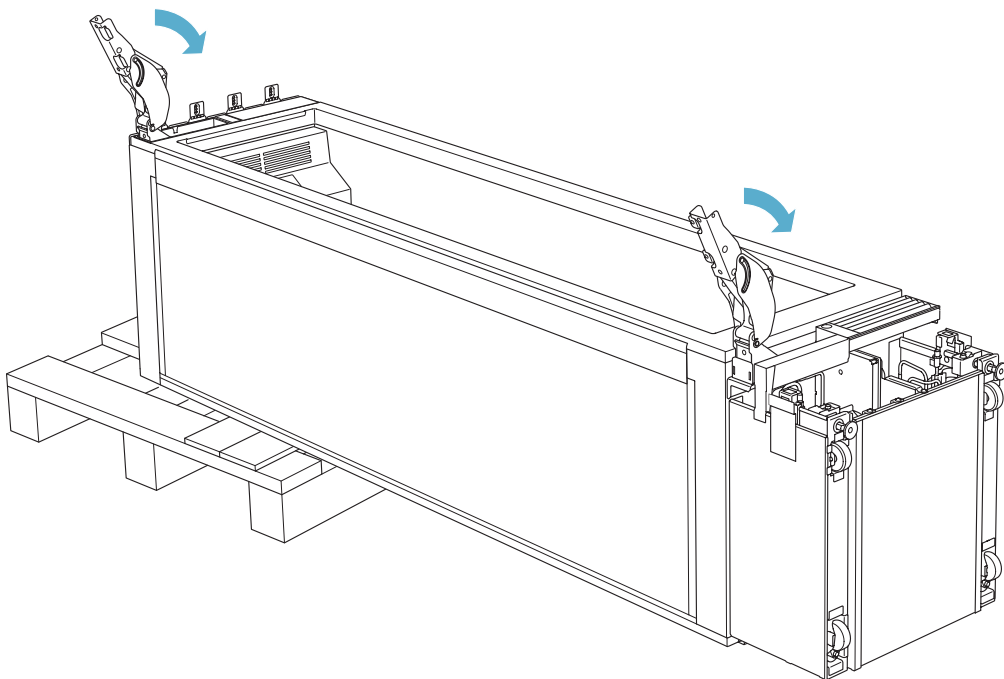
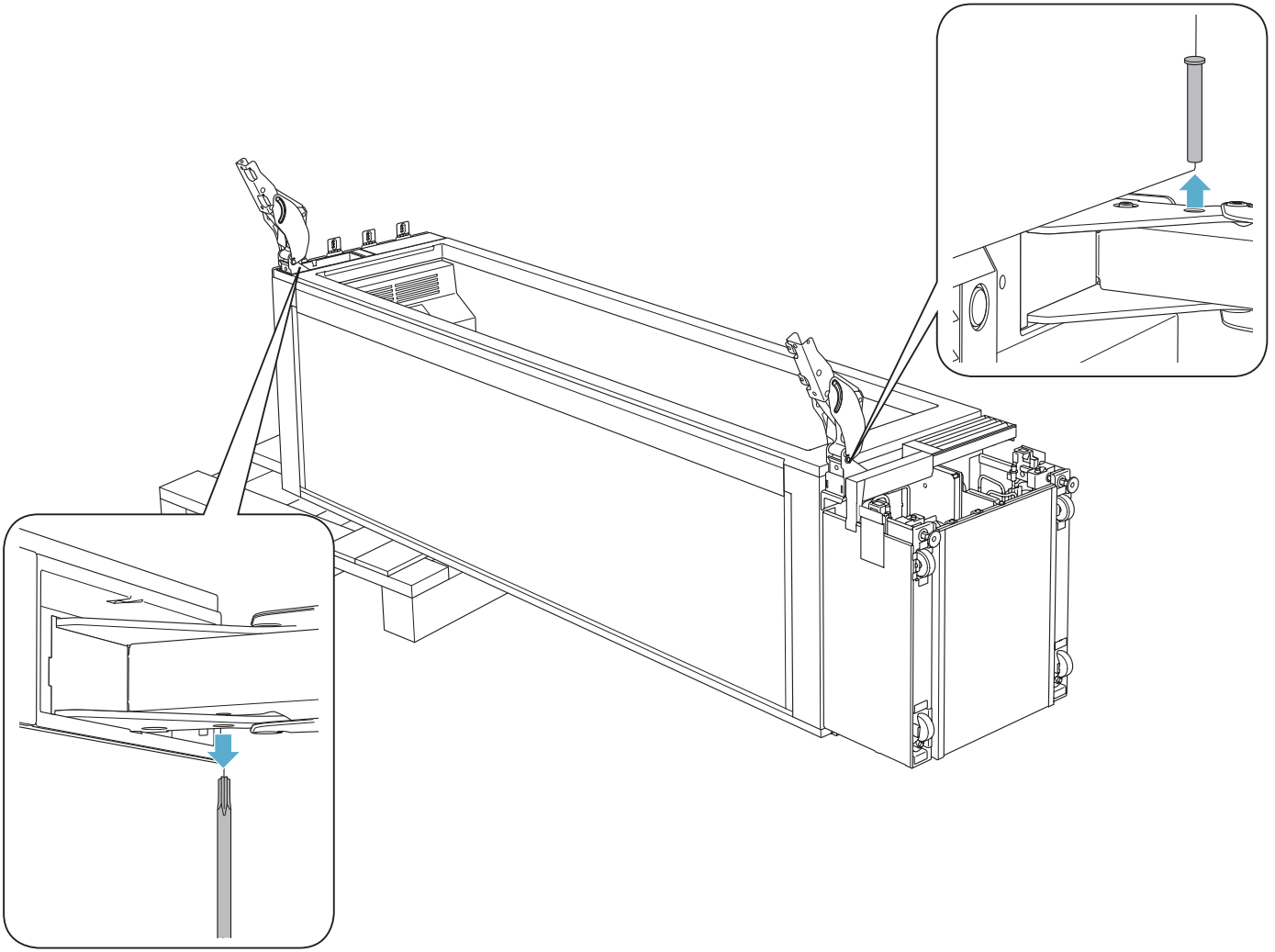




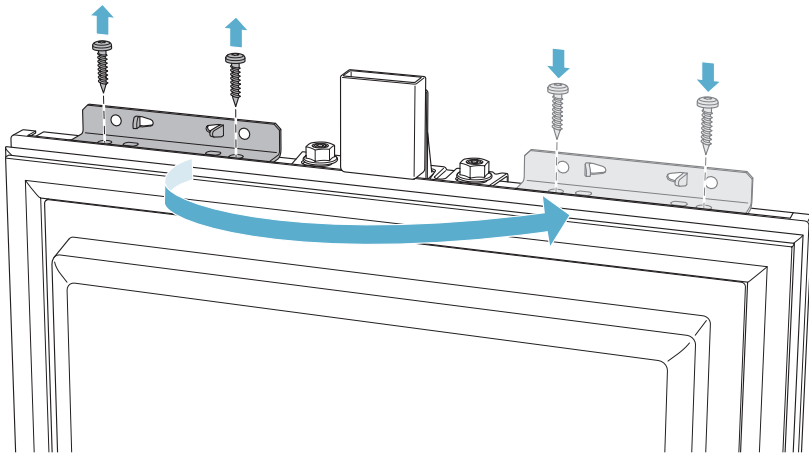
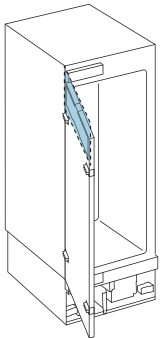
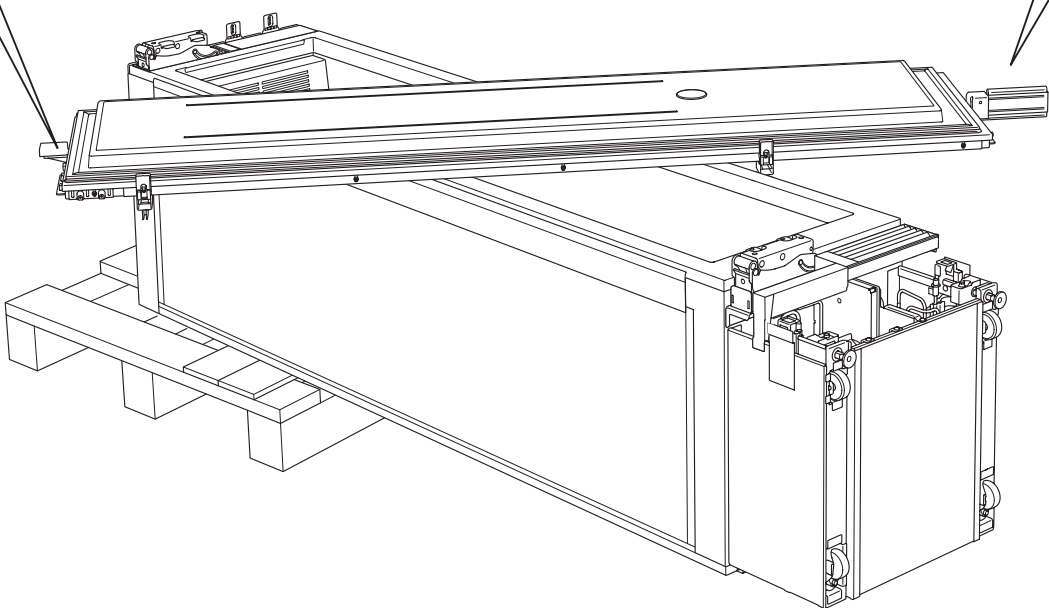
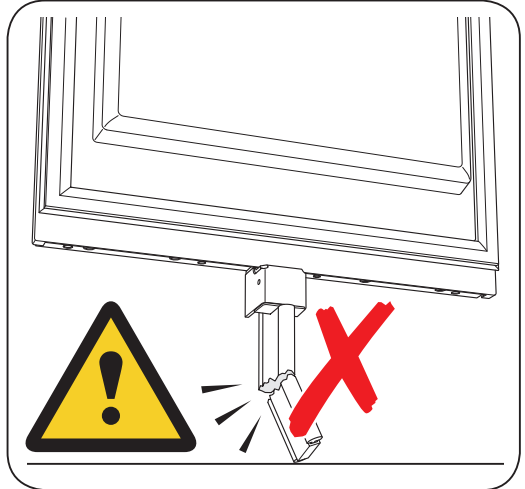
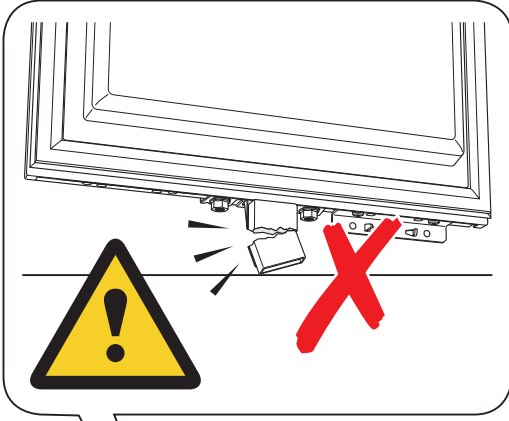
A
B
C
D

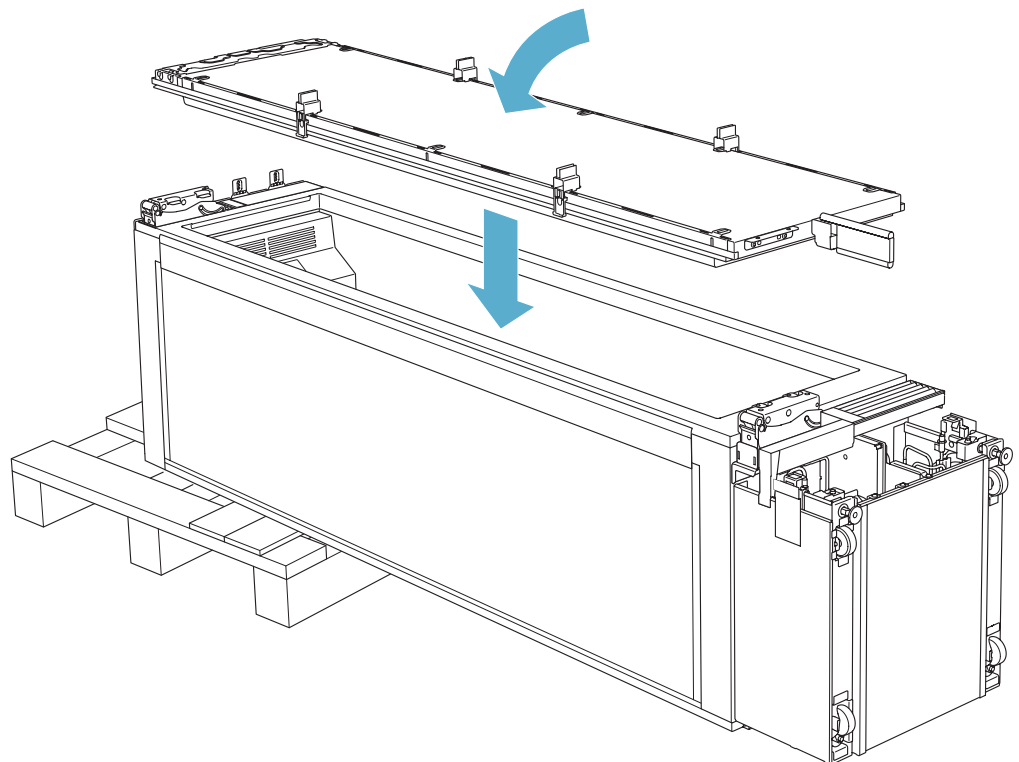
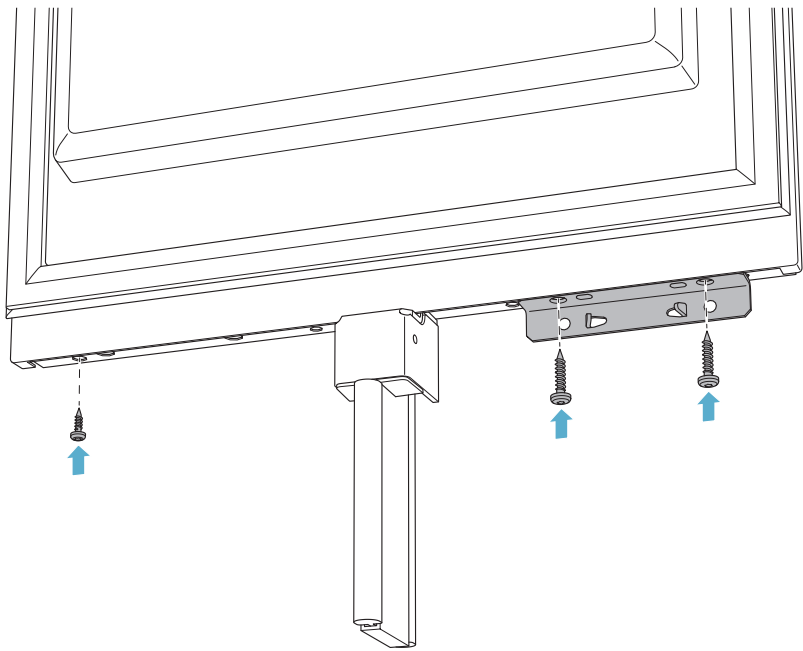
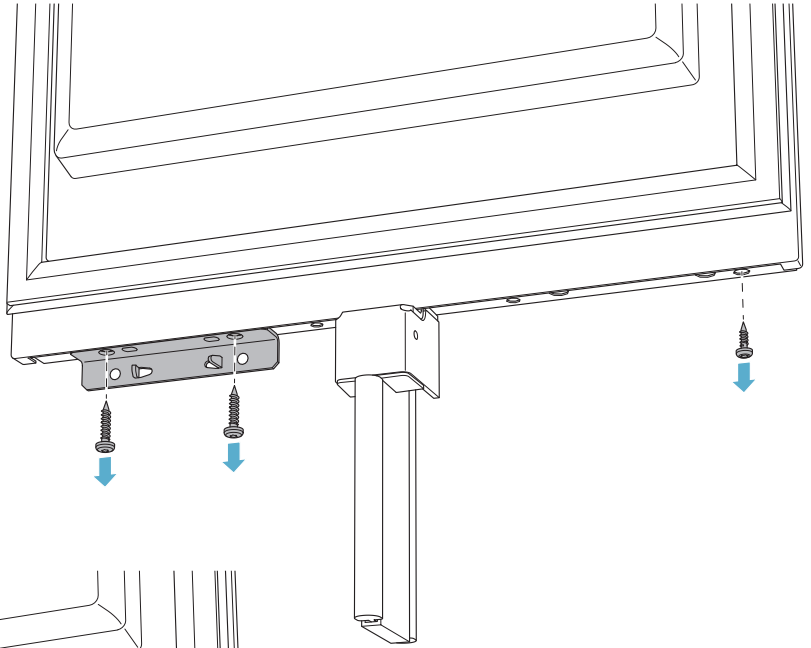
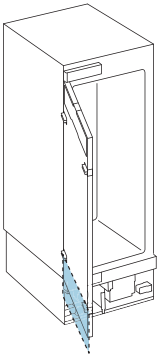


A
B
C
D



A
B
C
D





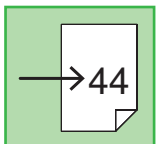
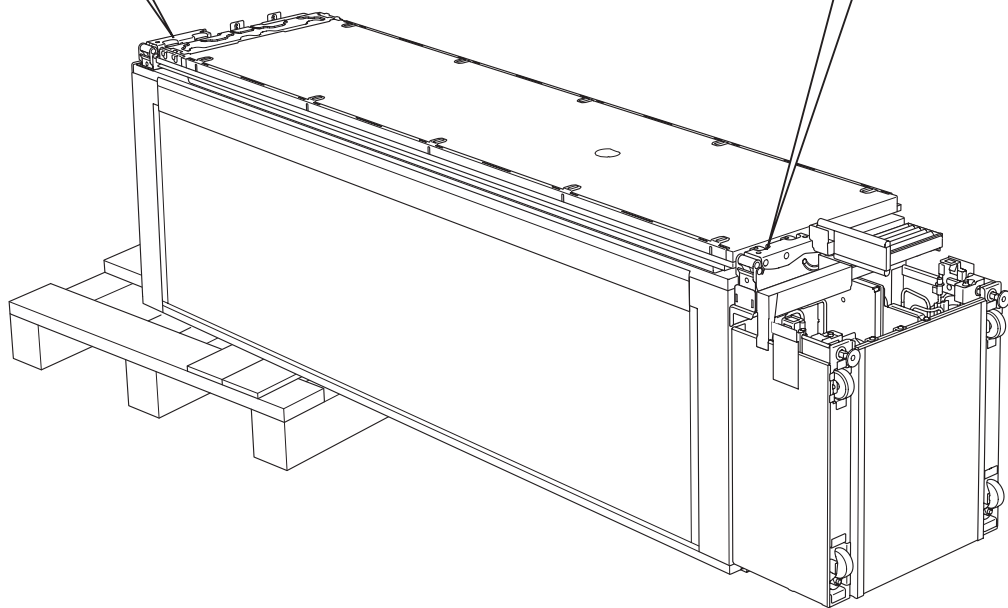
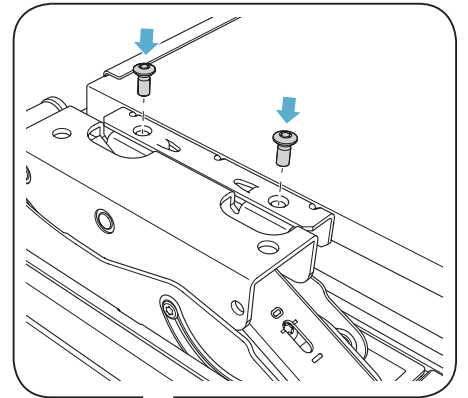
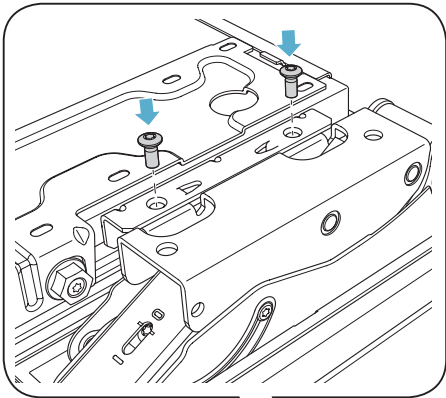
A

B

C

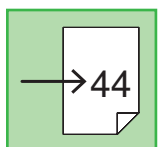
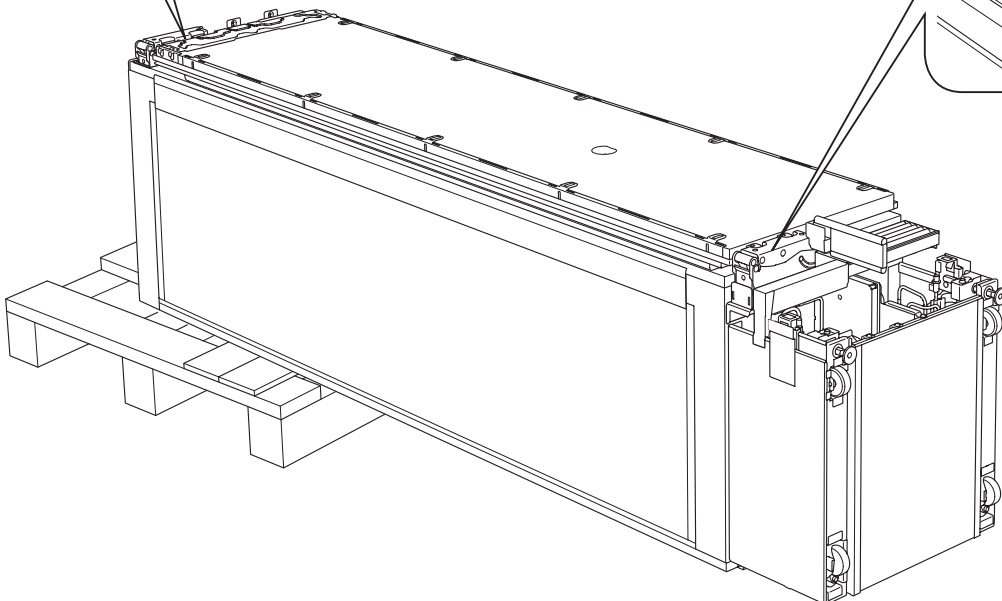
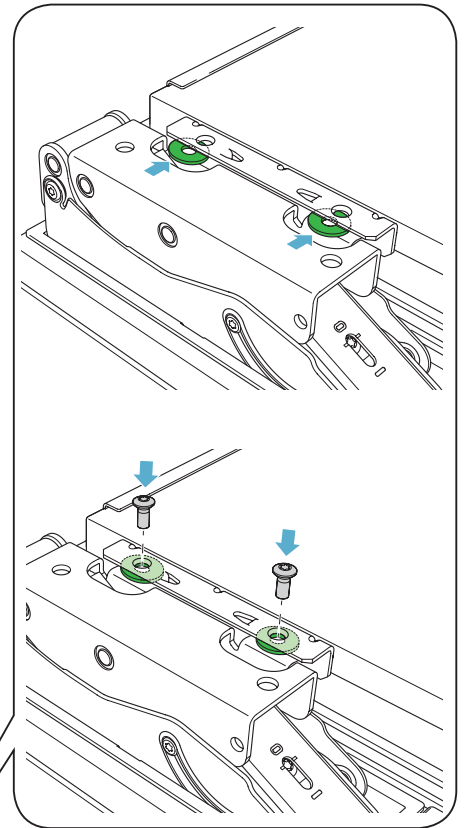
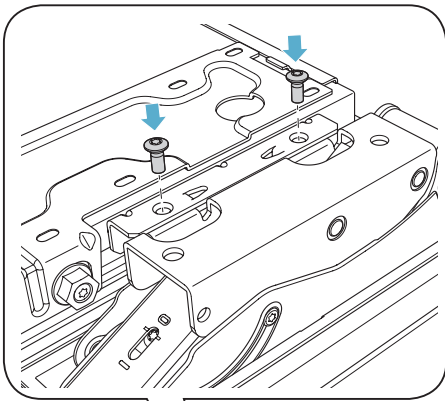
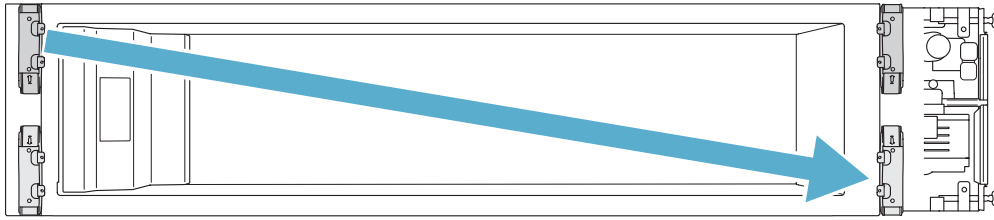
D

A



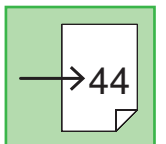
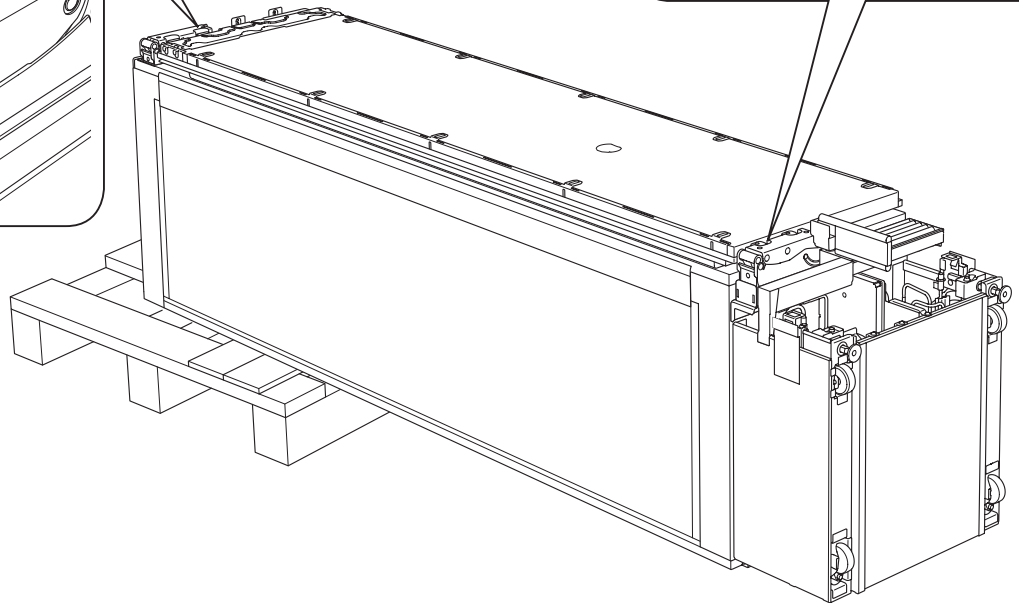
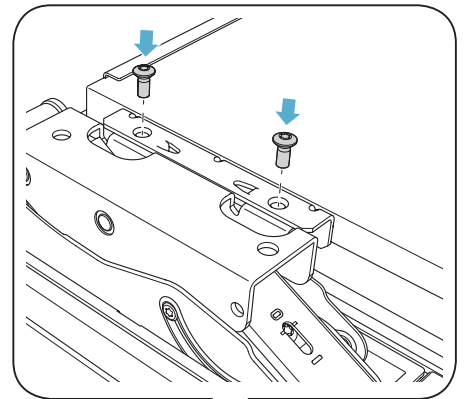
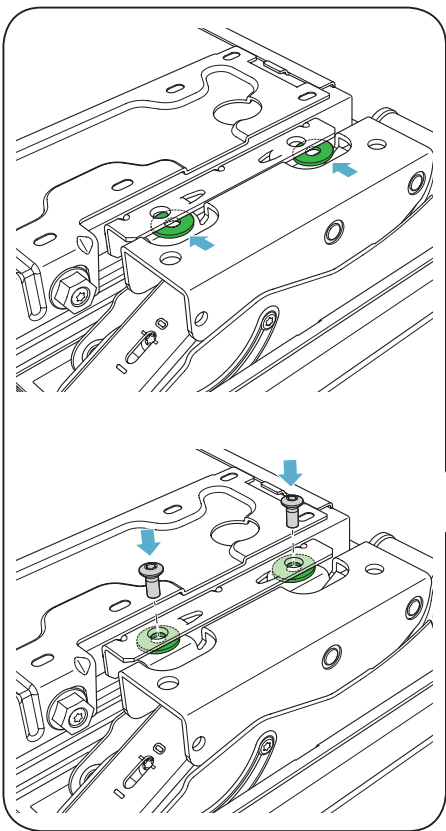
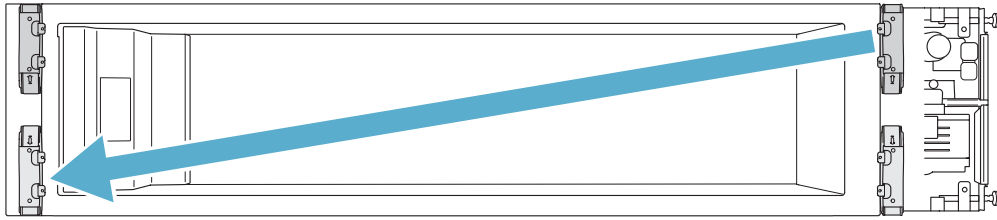


- A
- B
- C
- D

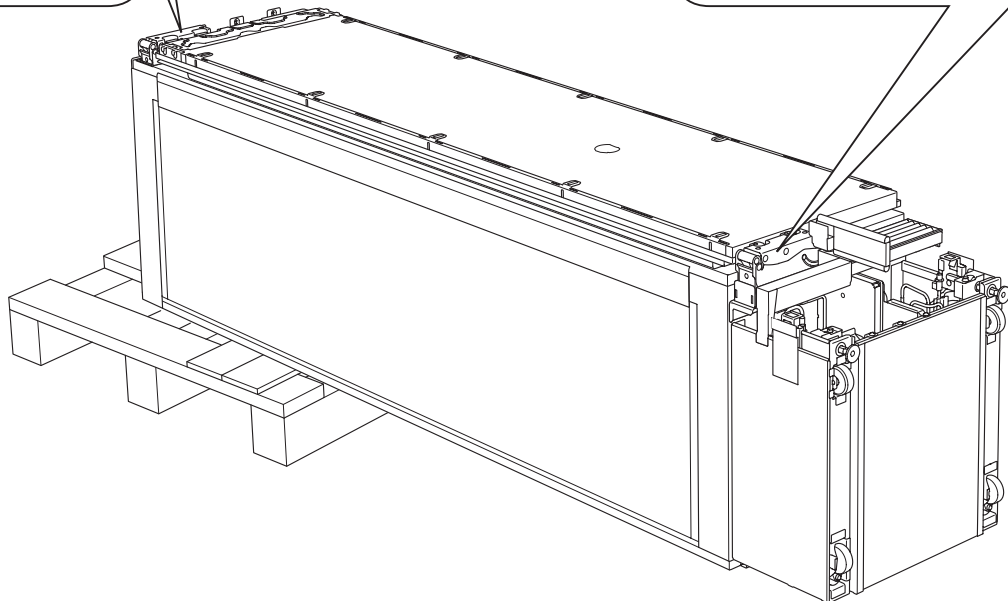
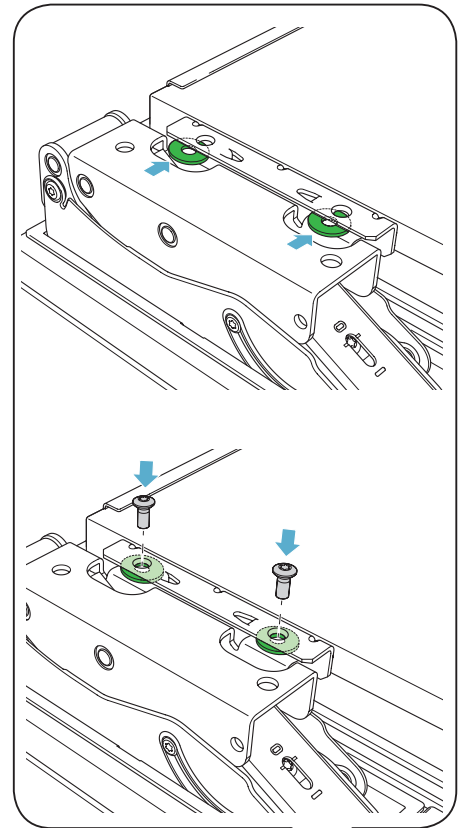
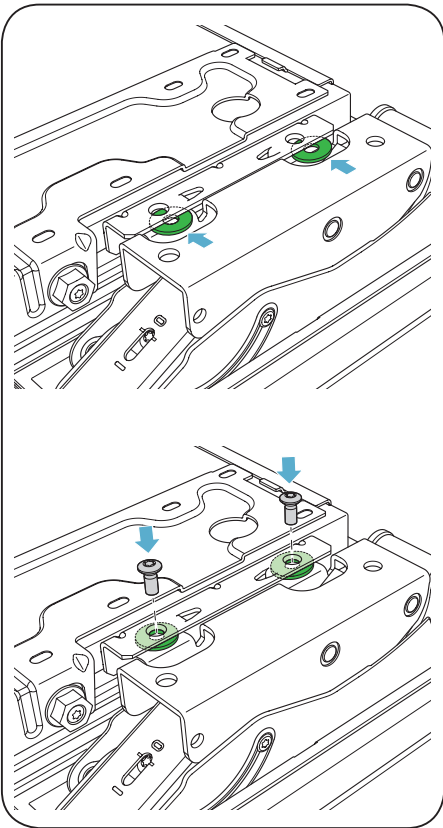
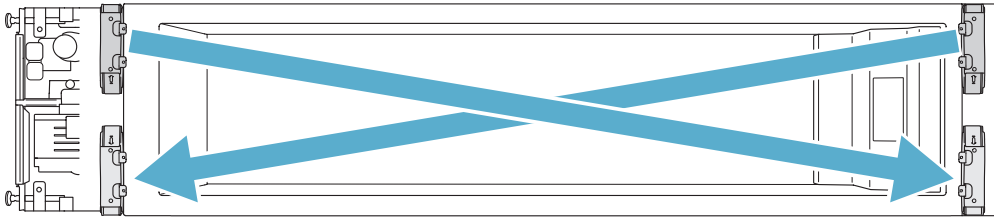


A
B
C
D

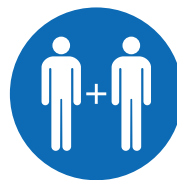
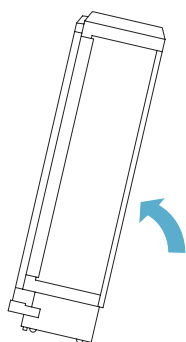
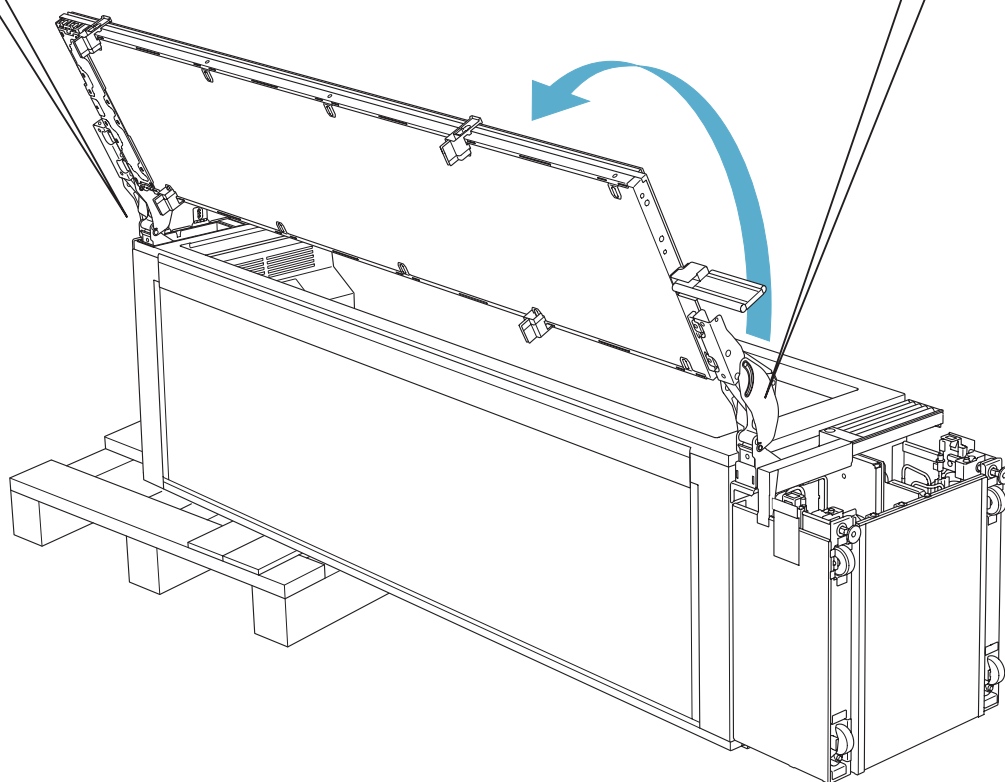
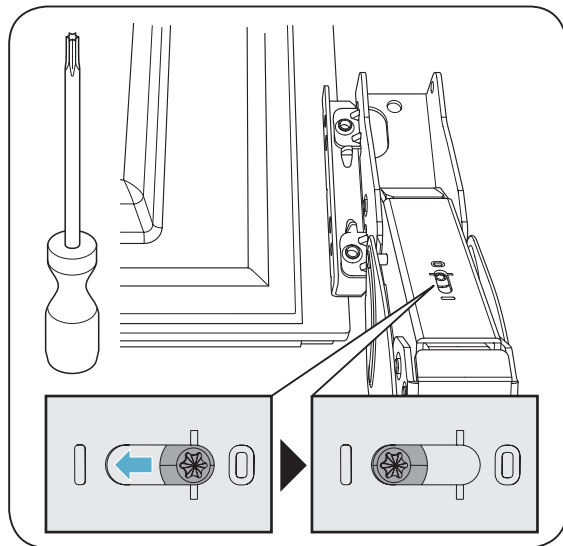
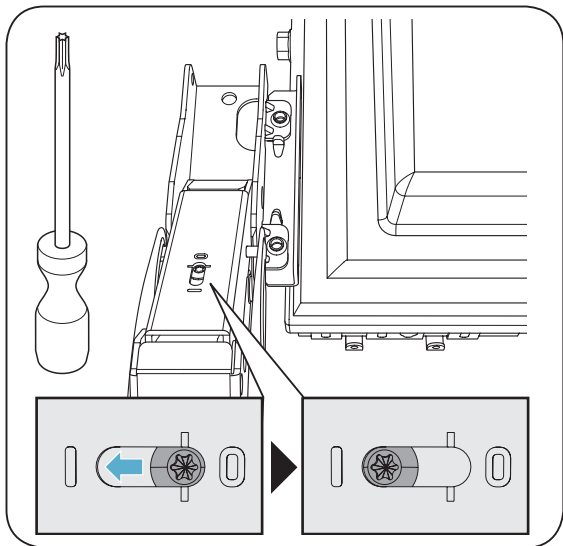
©

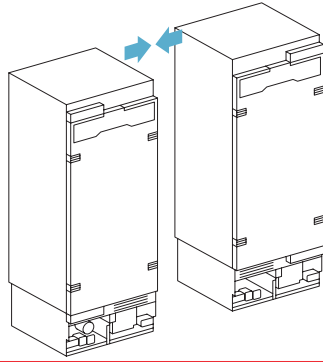
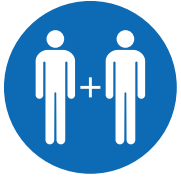


D

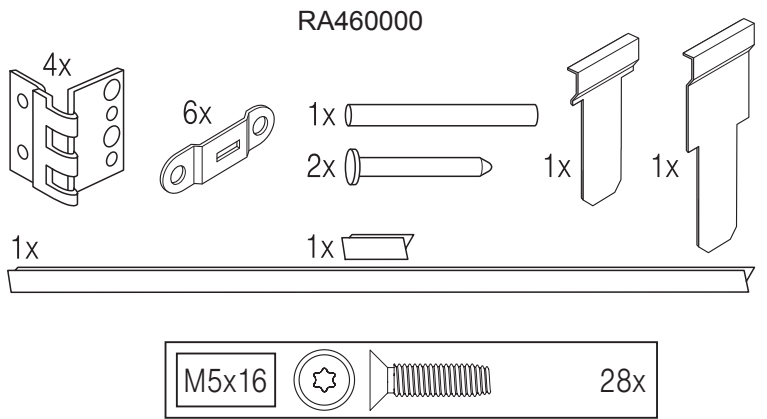
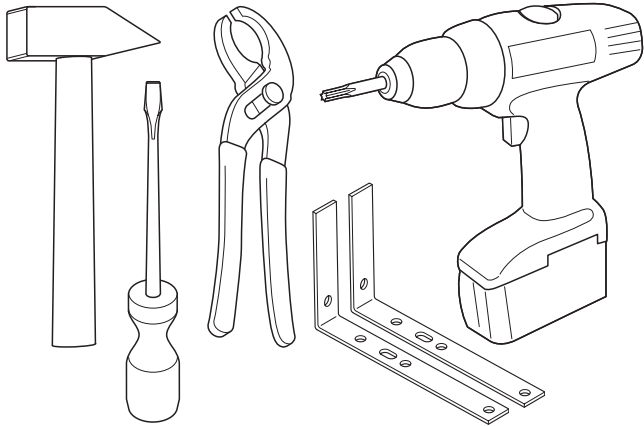


A
B
C
D

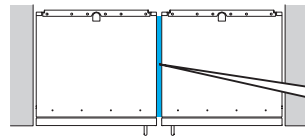




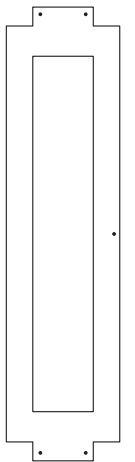
A
B
C
D



46

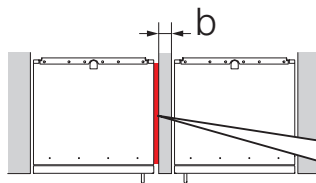


RA460000

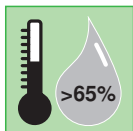
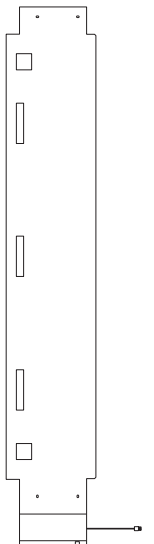


49

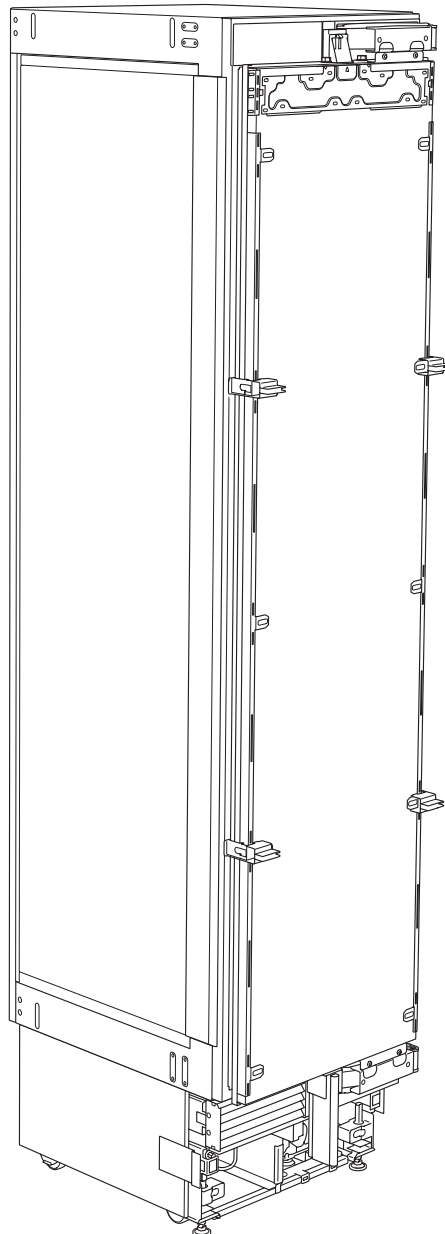
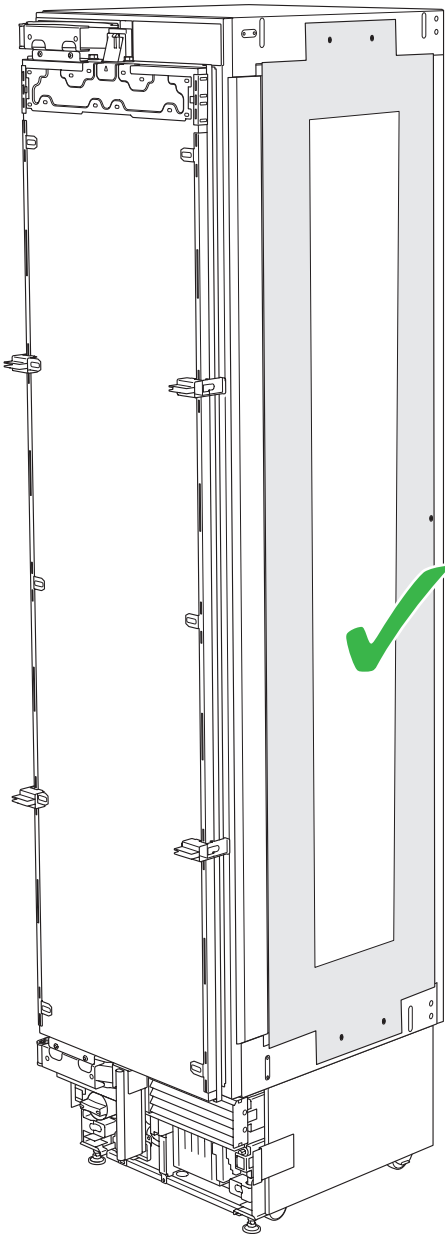
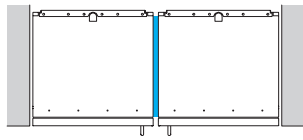
$\frac{5}{8}'' \leq b < 6\frac{1}{4}''$
(16 mm \leq b < 160 mm)





RA460013

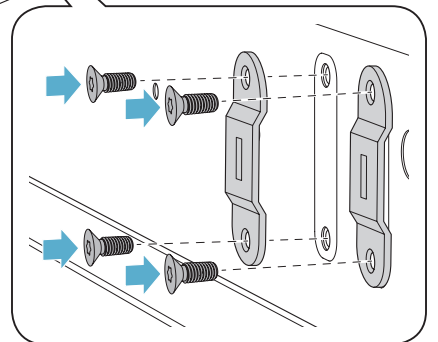
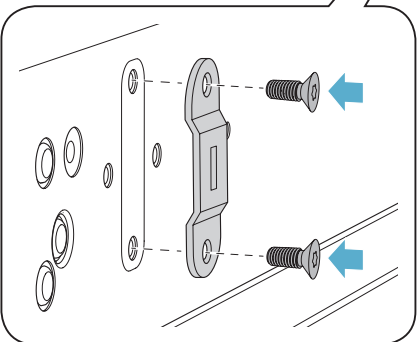
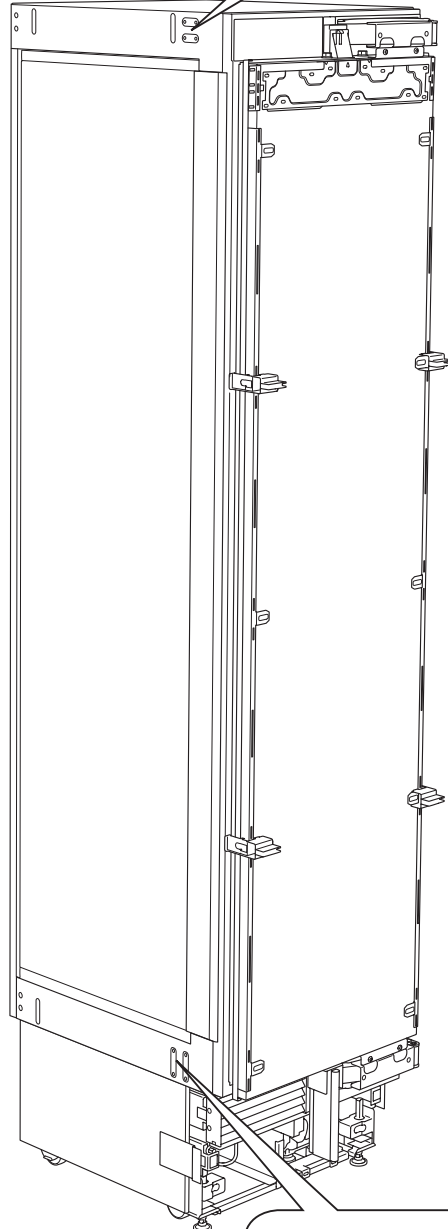
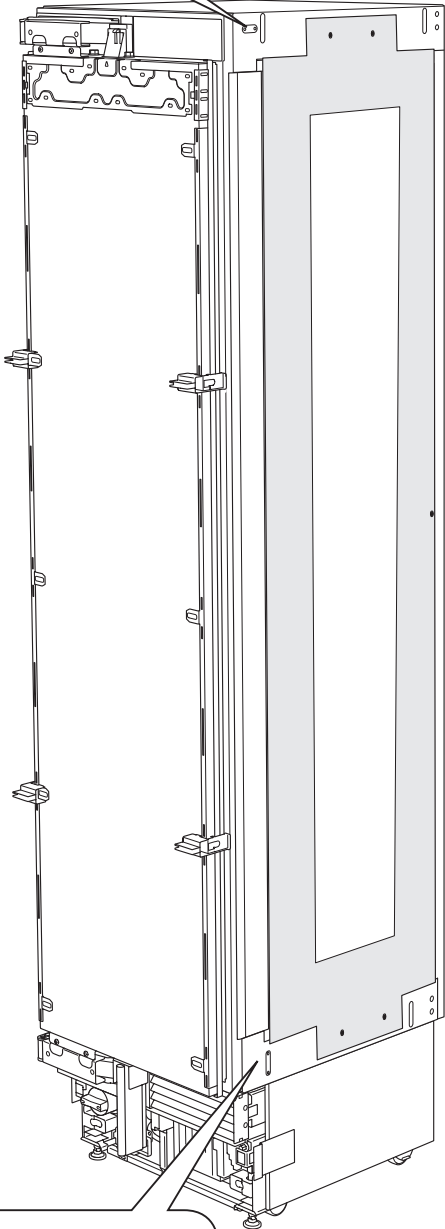
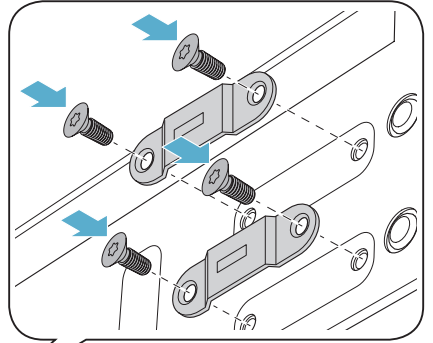
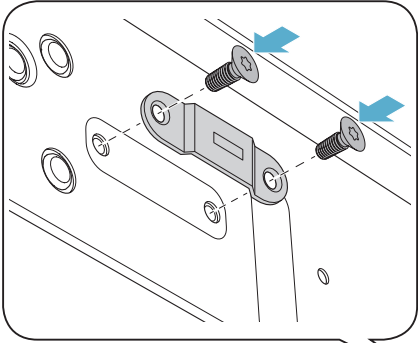


A
B
C
D



M5x16   12x

A
B
C
D





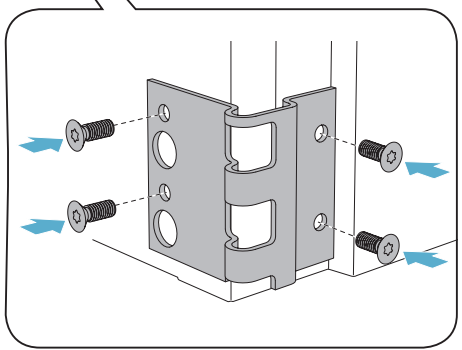
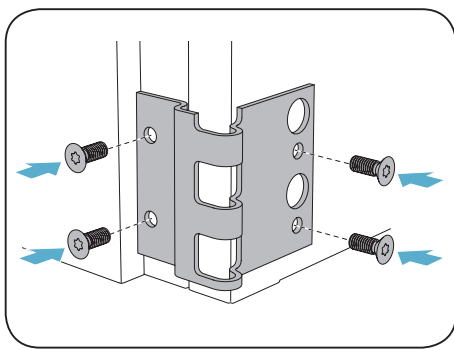
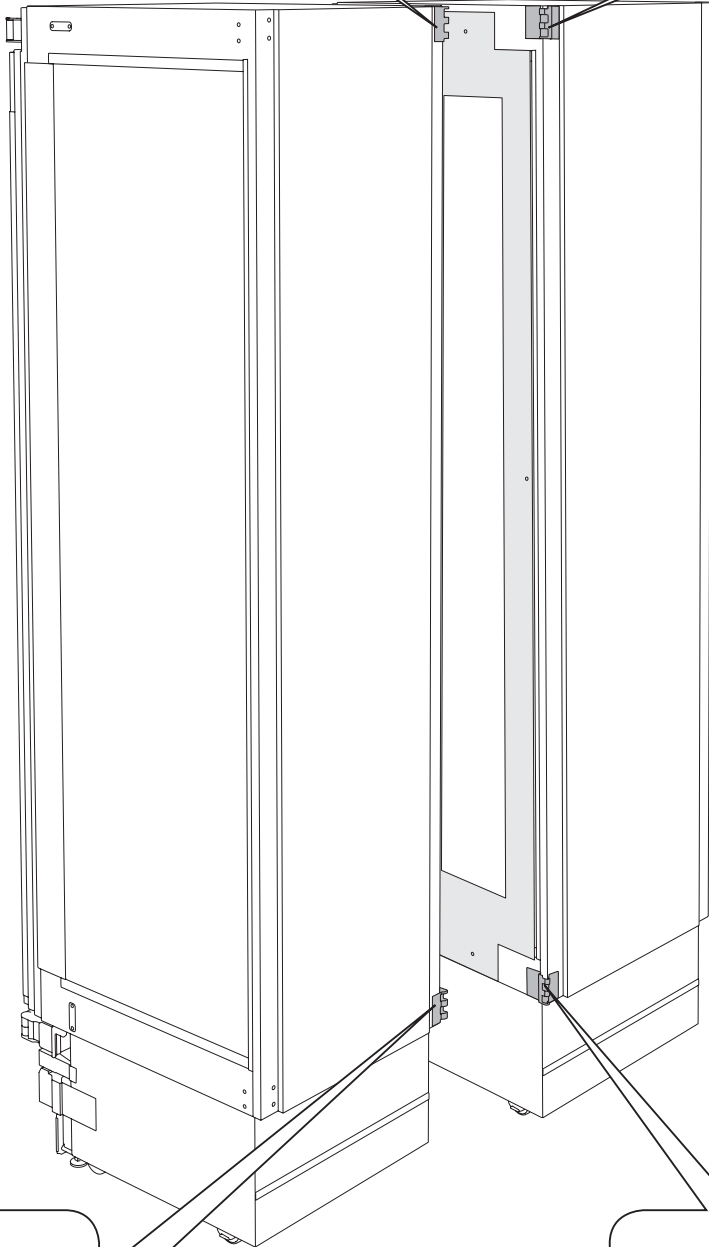
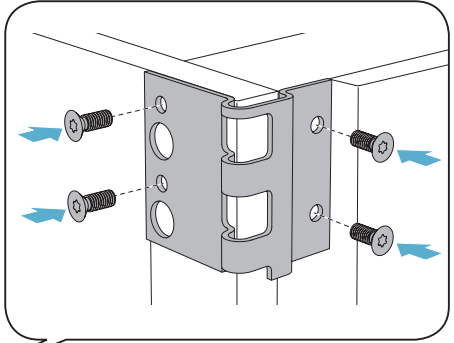
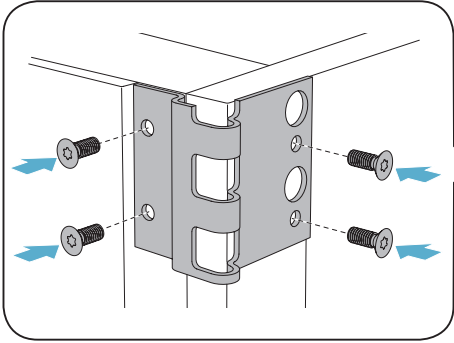
A

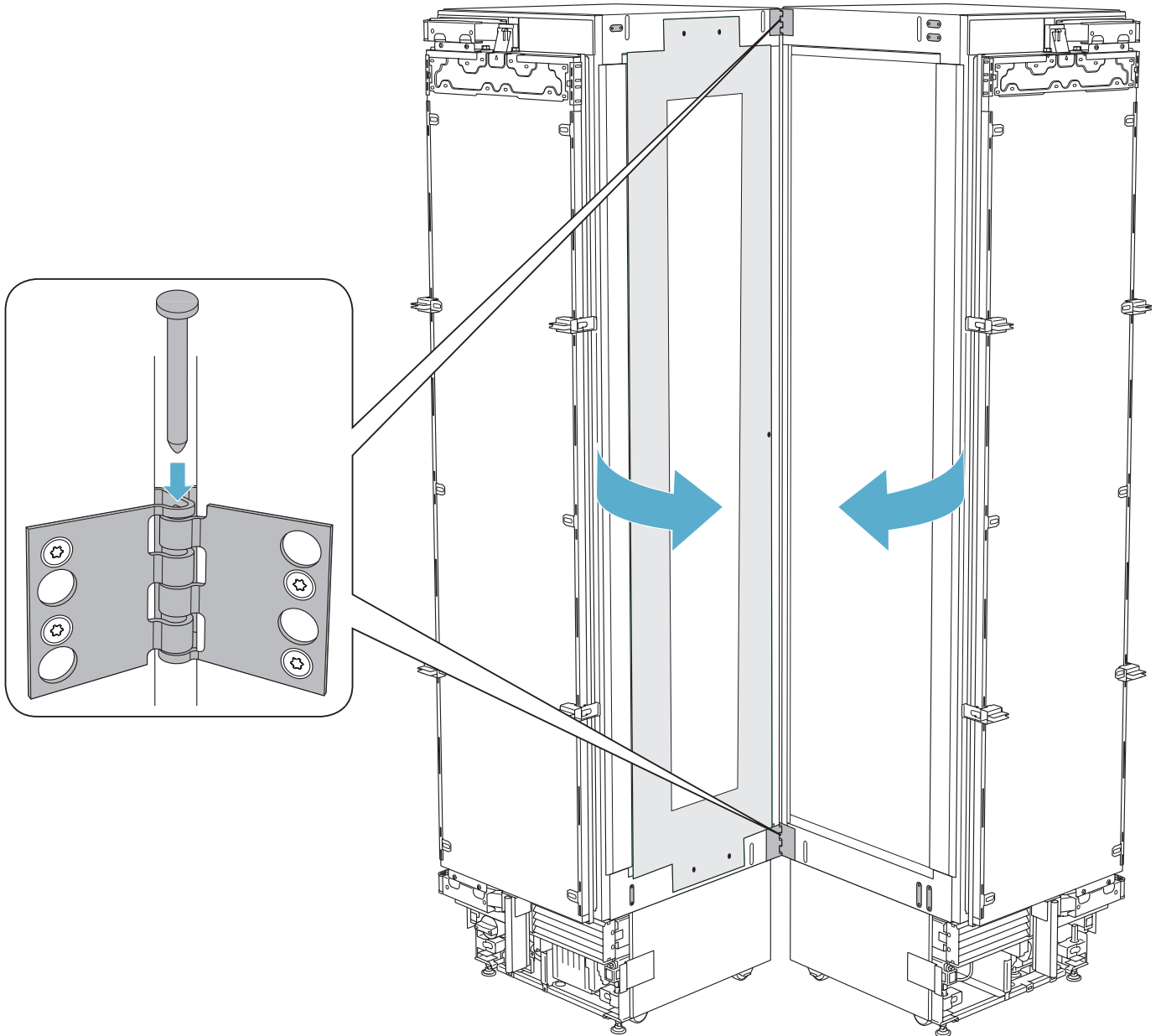
B

C

D

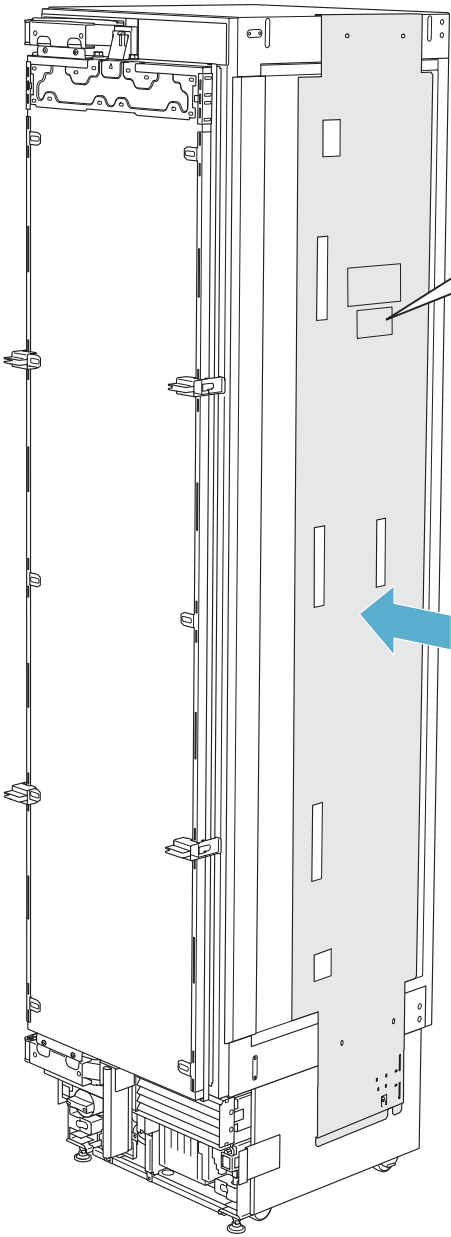
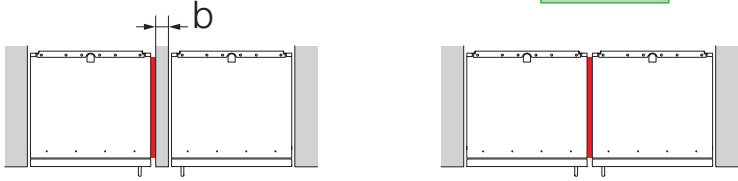
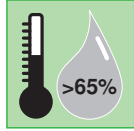
M5x16   16x



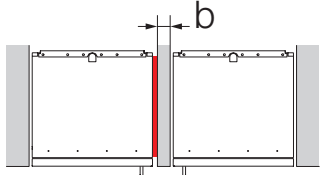


A
B
C
D



$\frac{5}{8}'' \leq b < 6\frac{1}{4}''$
(16 mm \leq b < 160 mm)



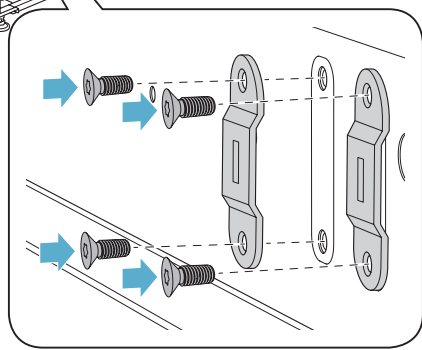
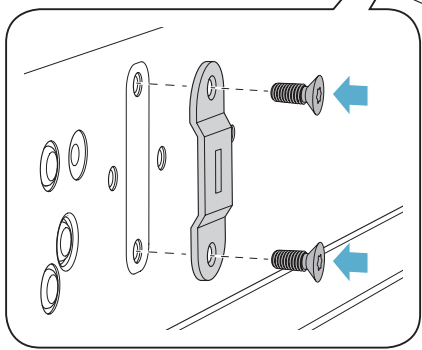
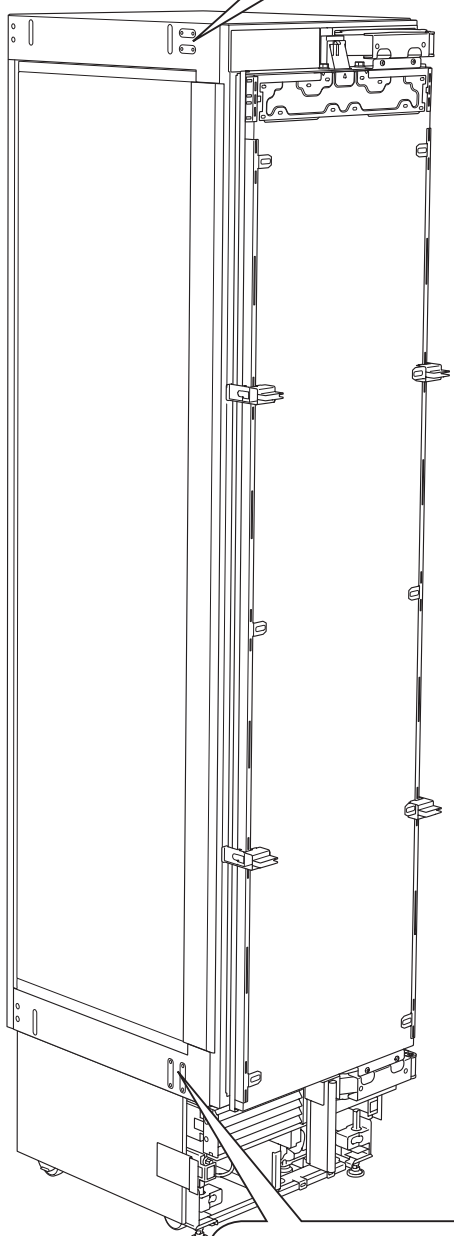
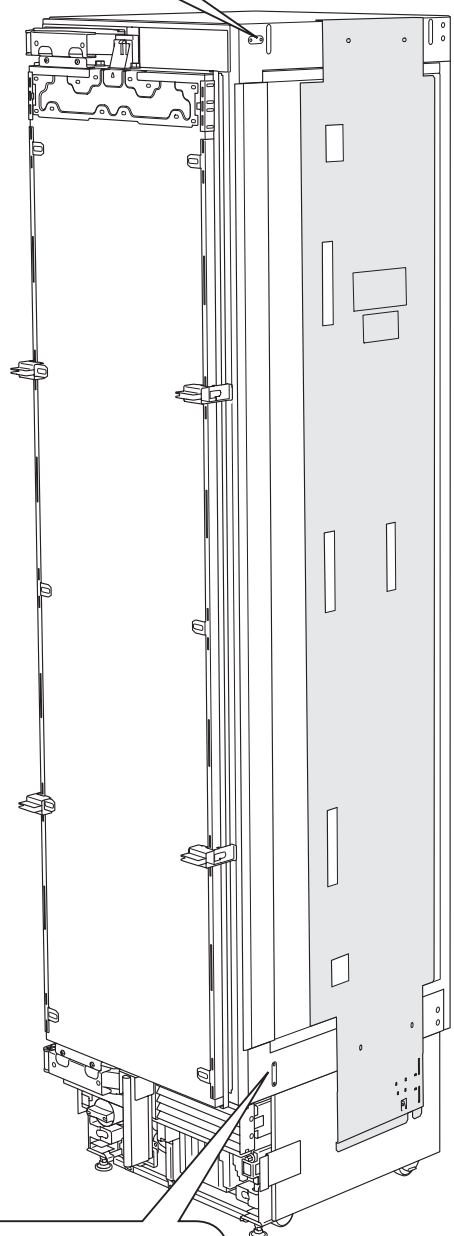
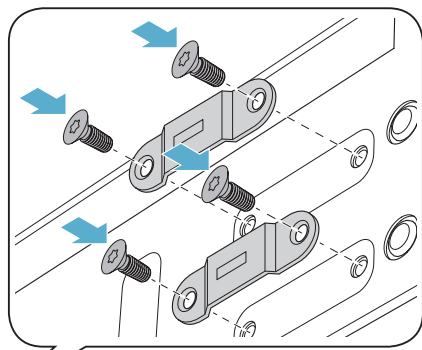
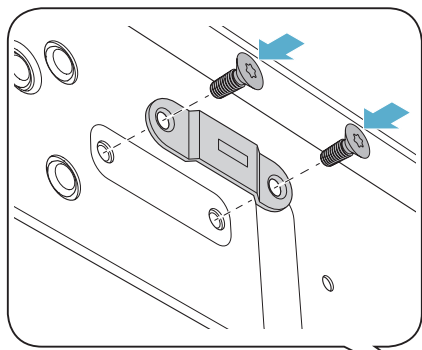
RA460013



→ 56

M5x16   12x

A
B
C
D





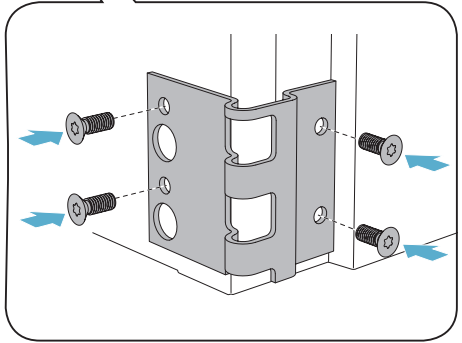
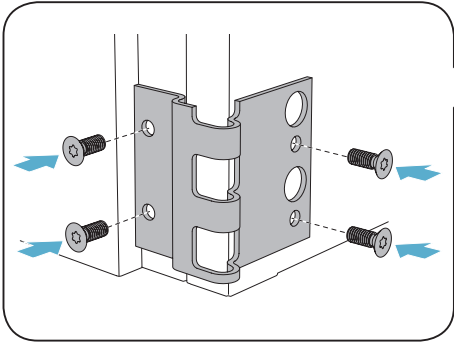
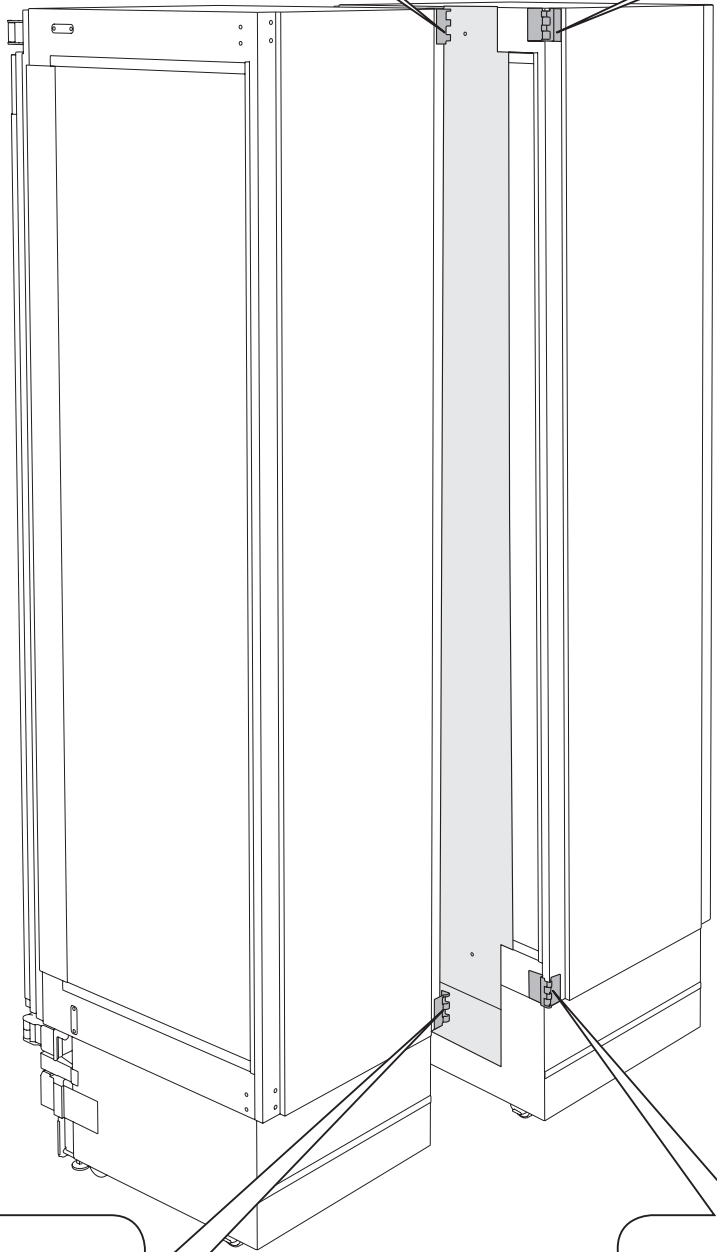
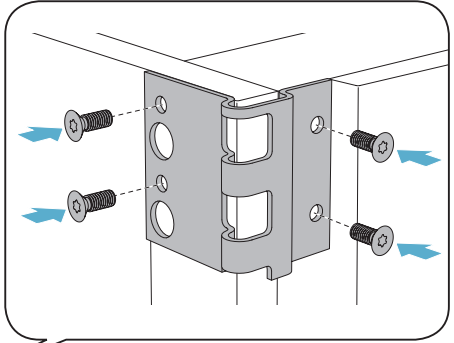
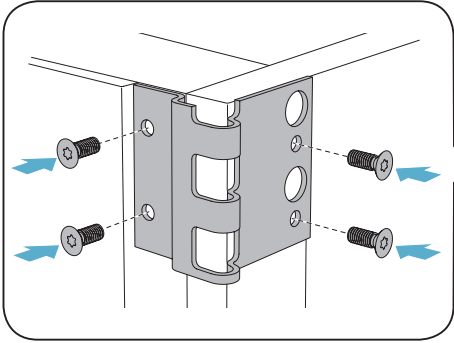
A

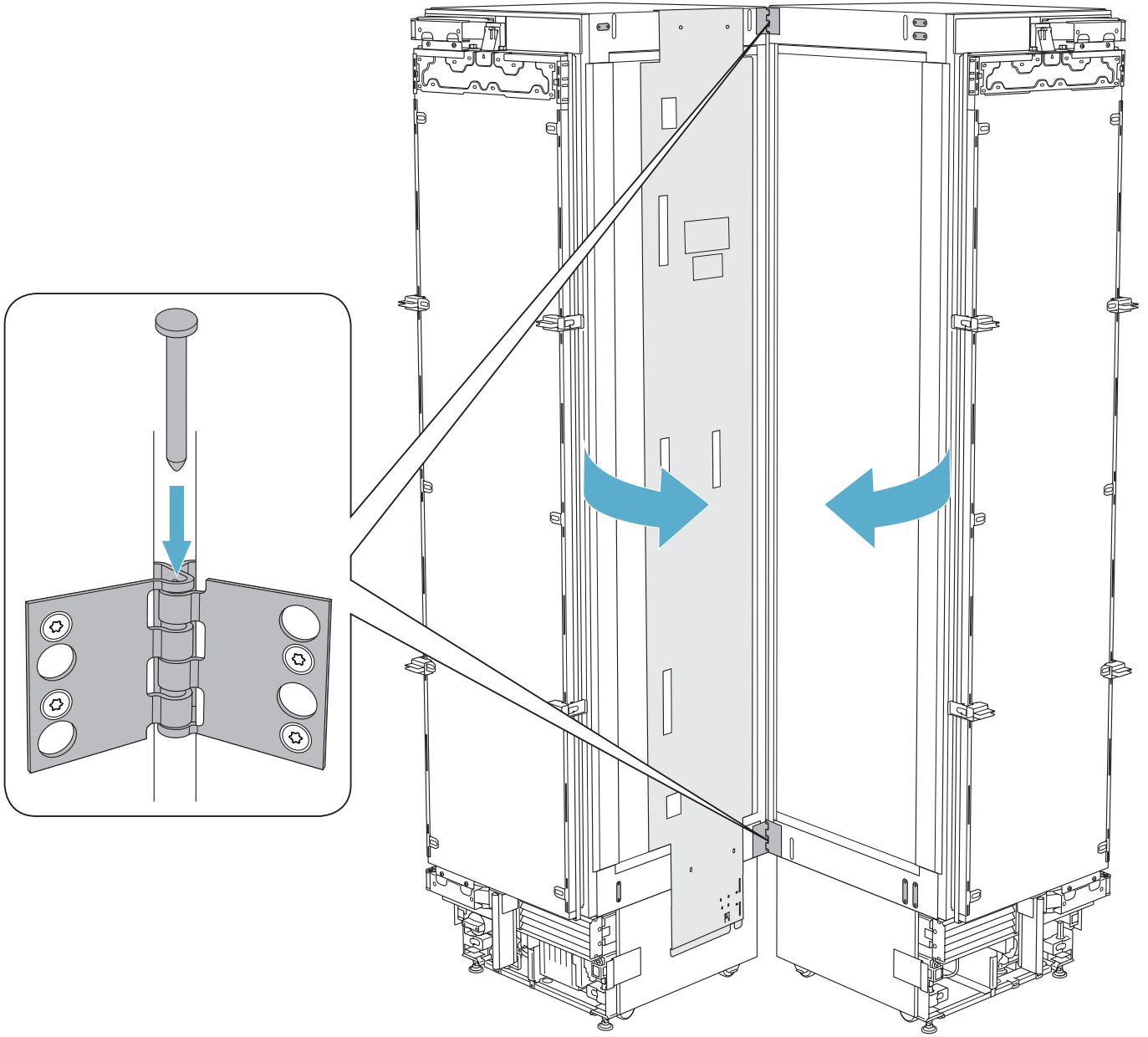
B

C

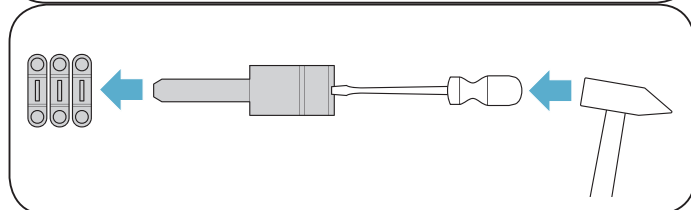
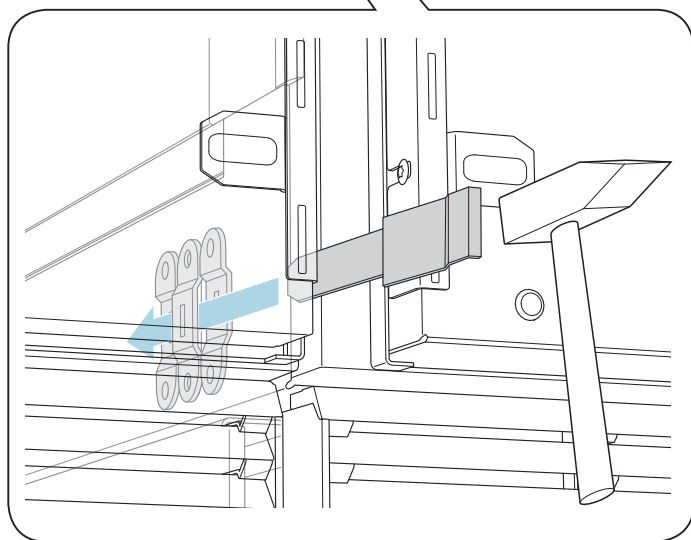
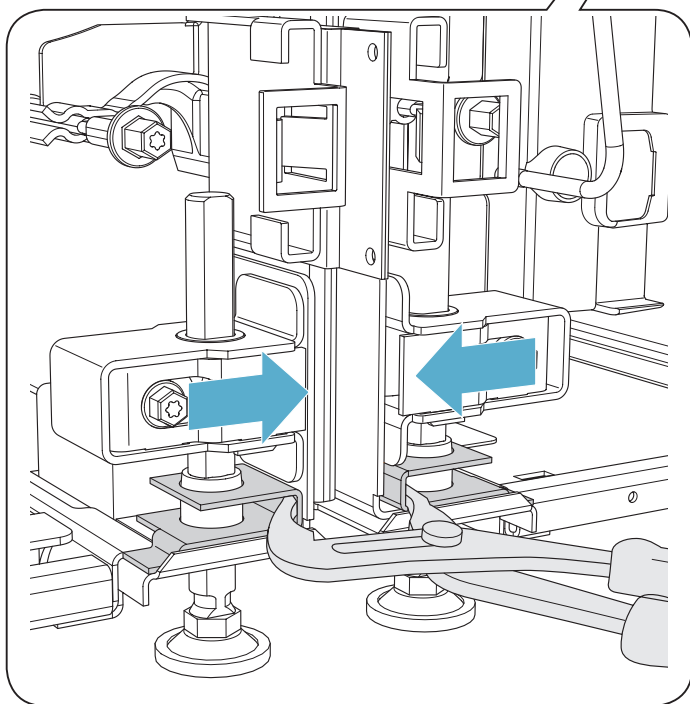
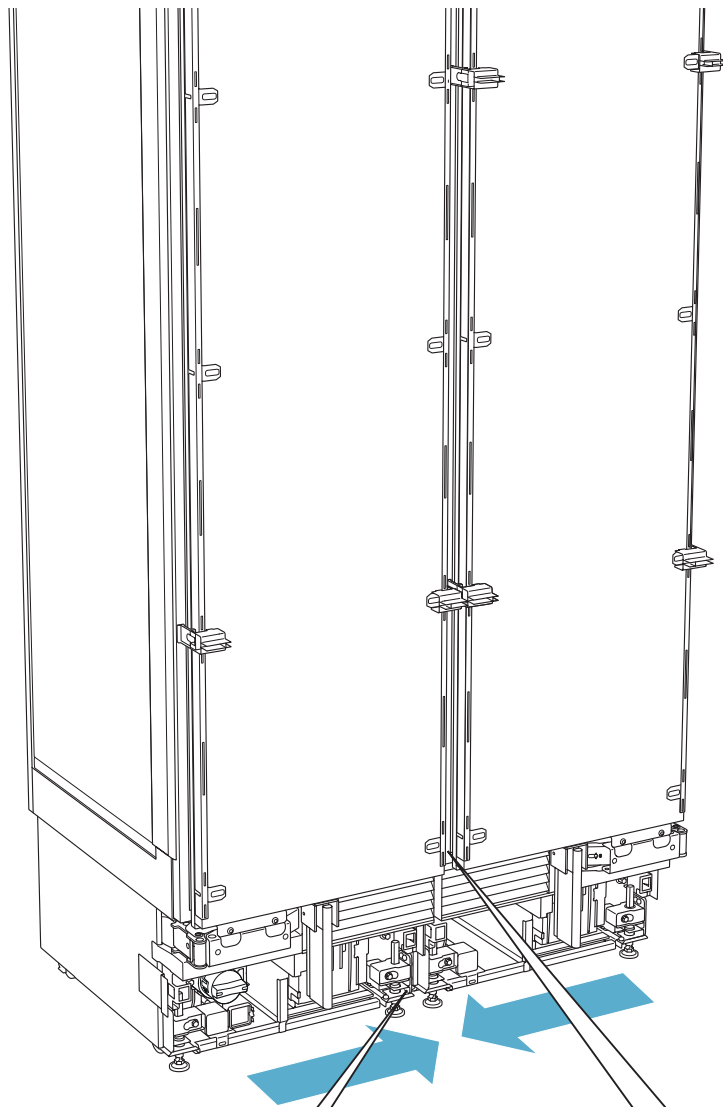
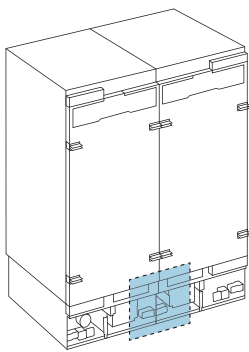
D

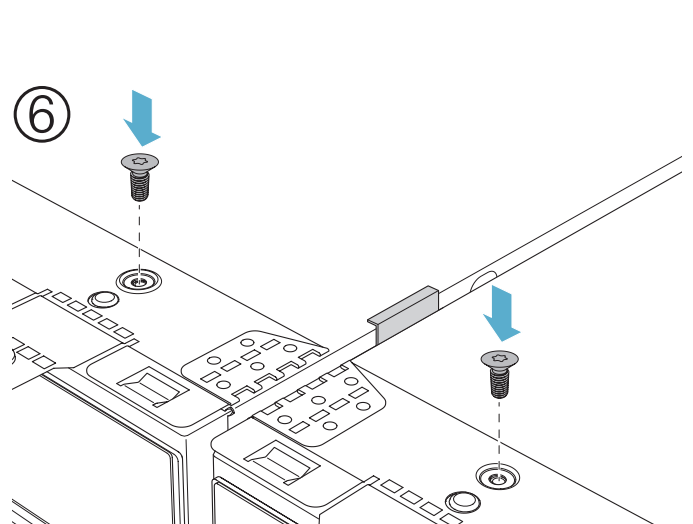
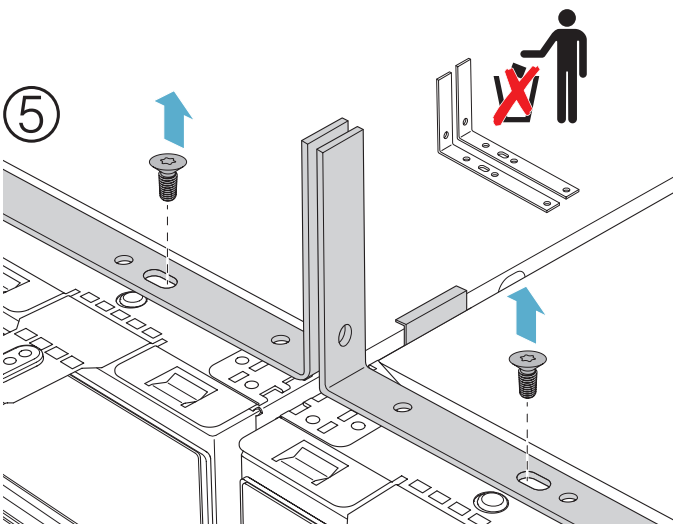
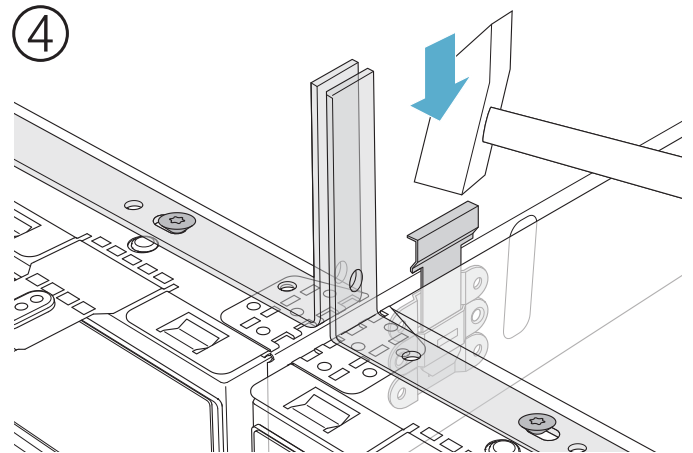
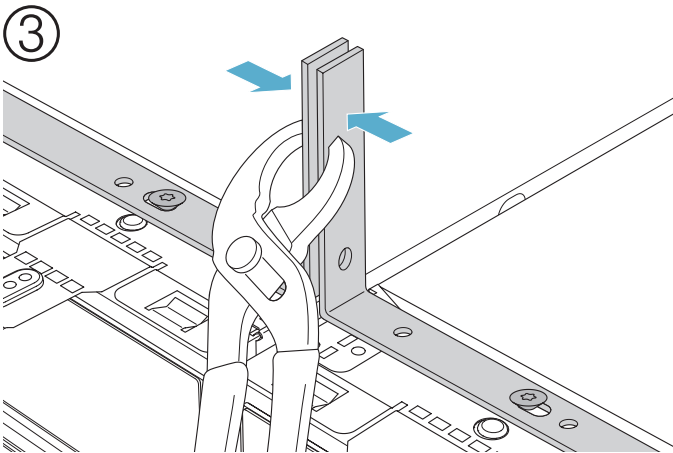
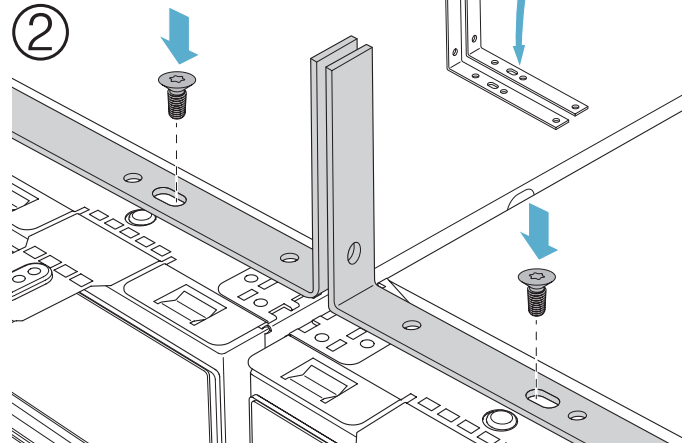
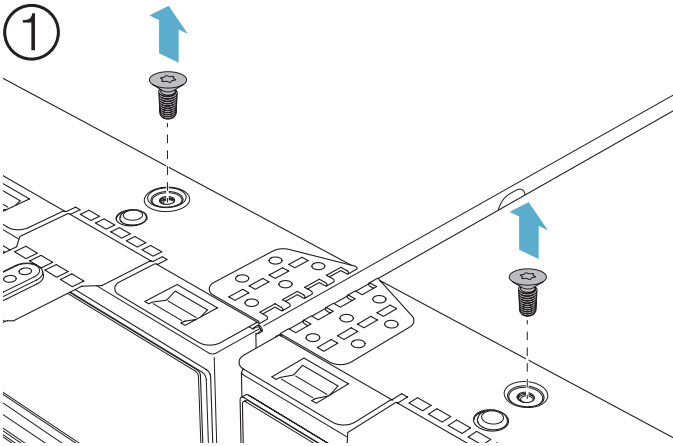
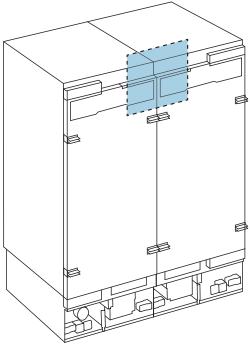
M5x16   16x

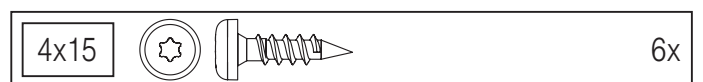
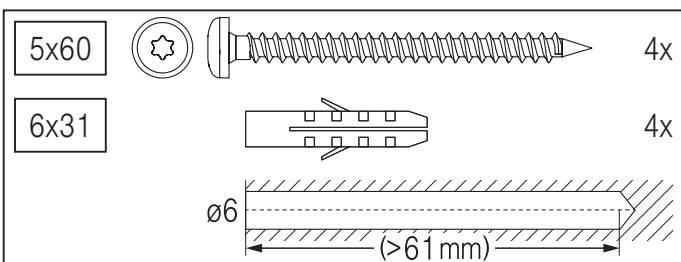
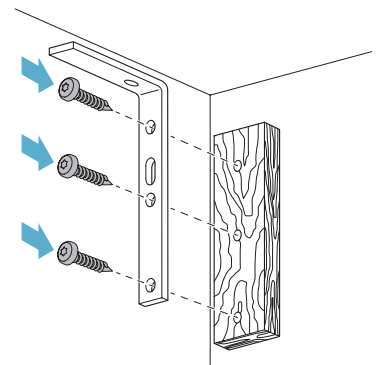
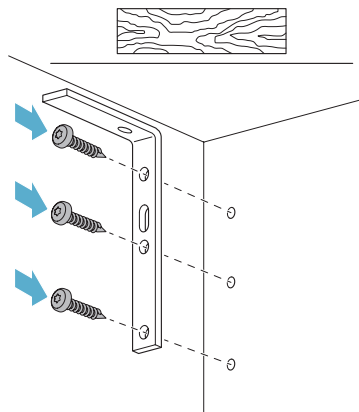
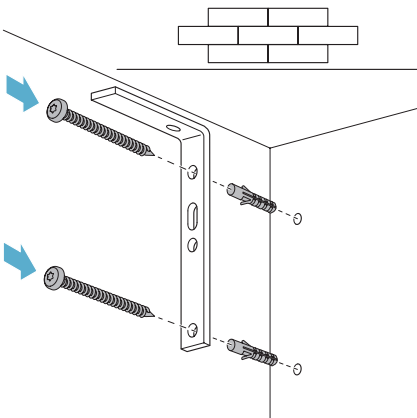
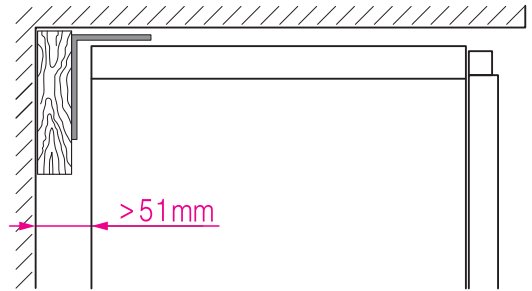
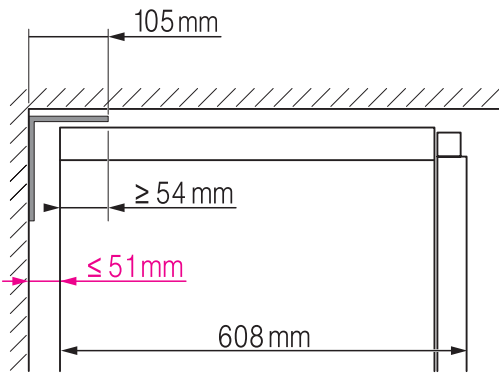
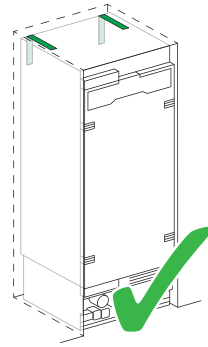
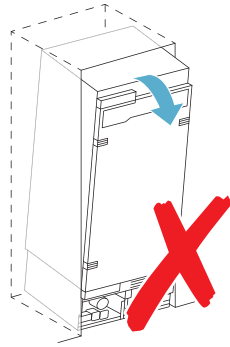
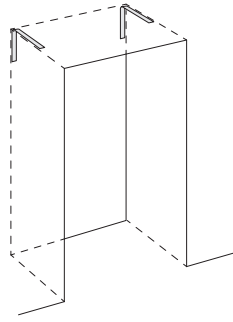


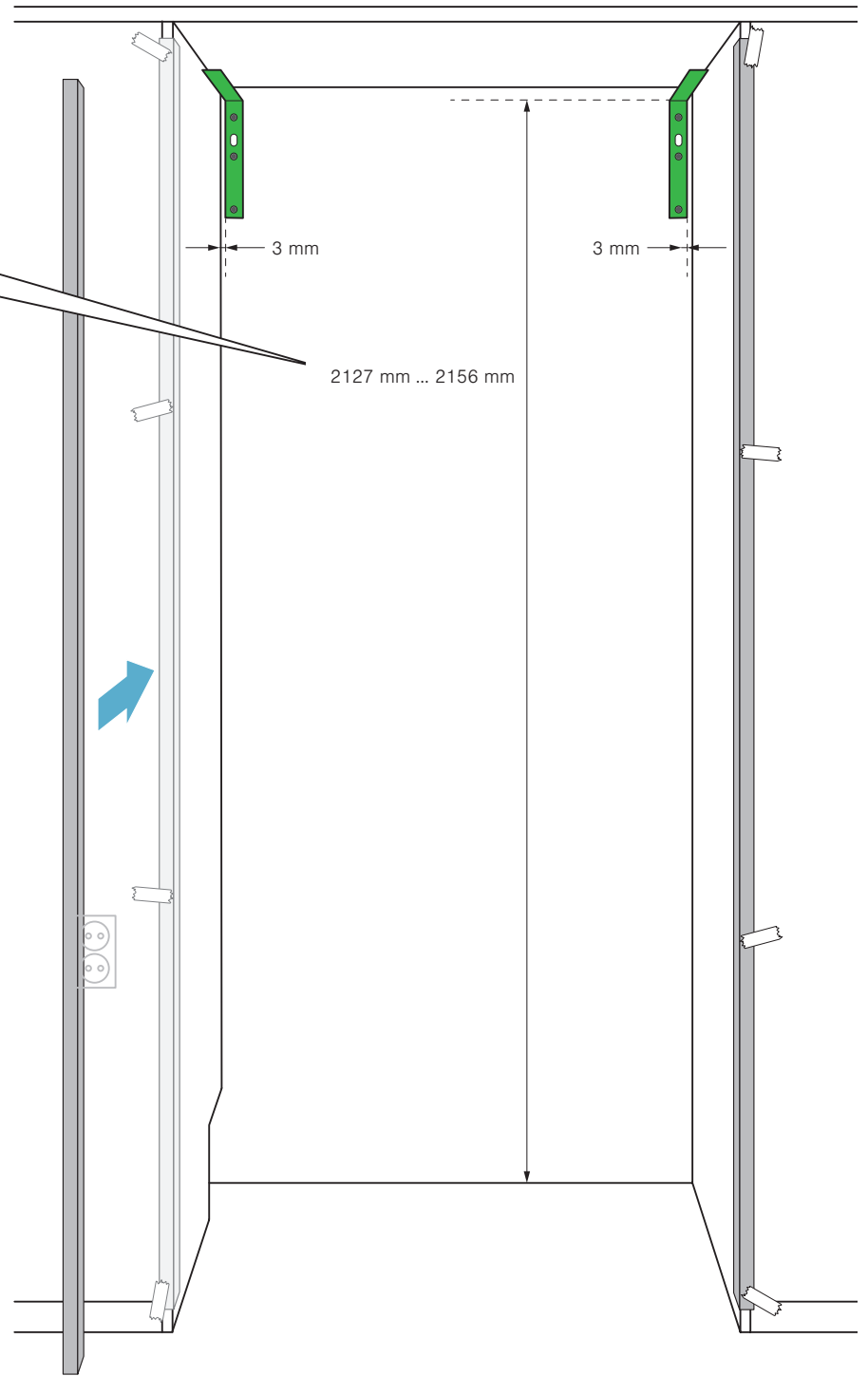
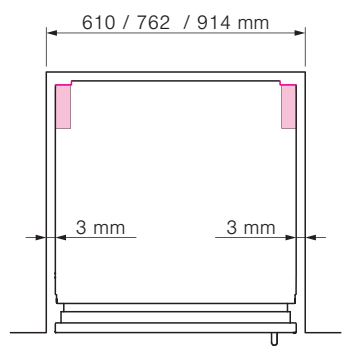
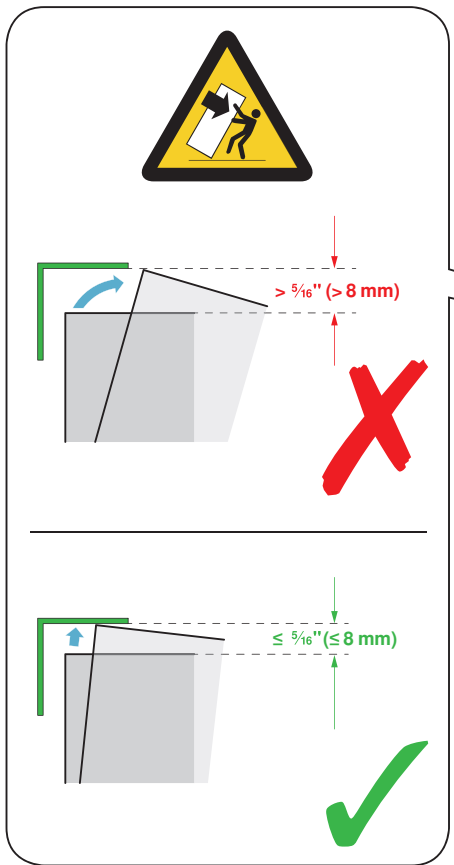
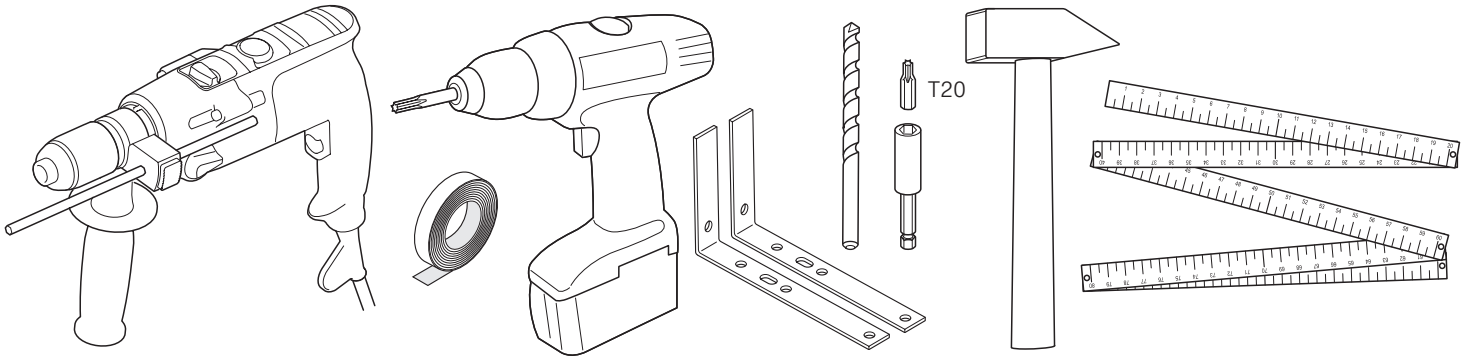


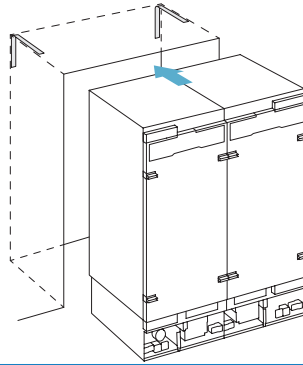
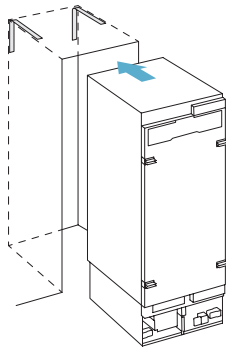
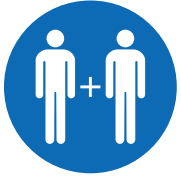
A
B
C
D



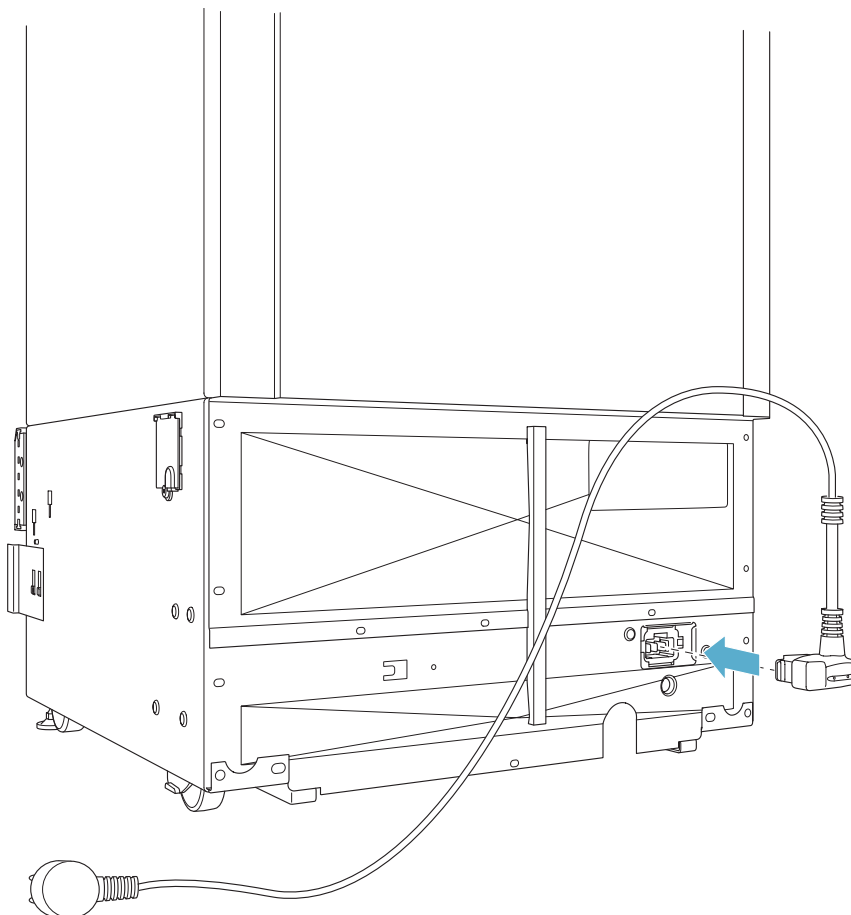
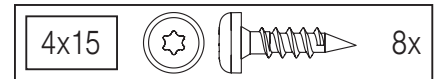
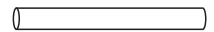
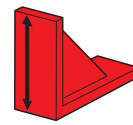
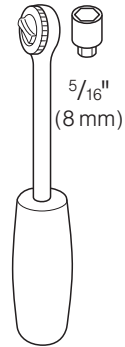
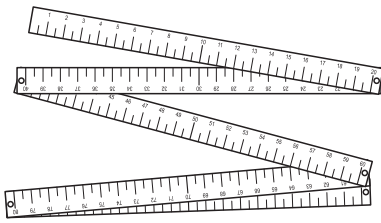
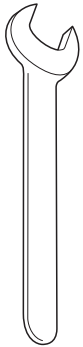
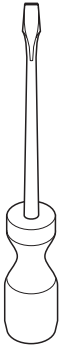
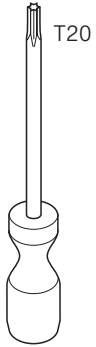




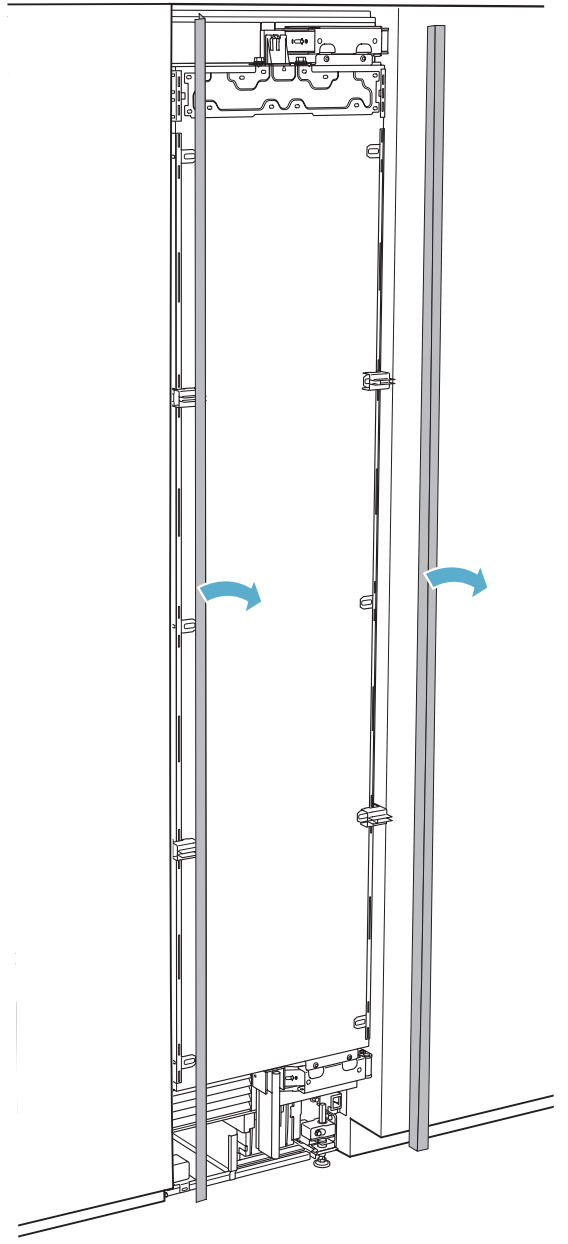
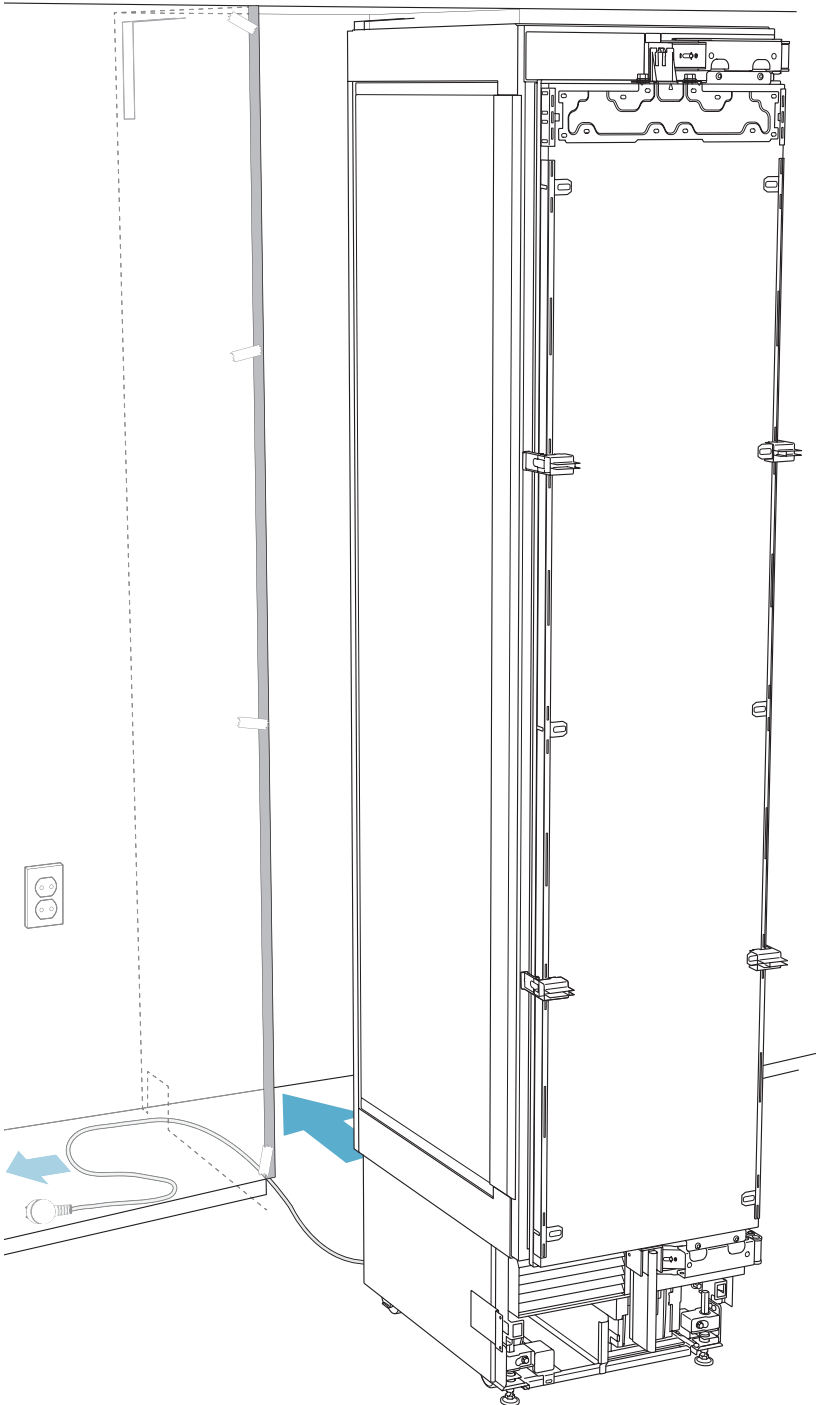
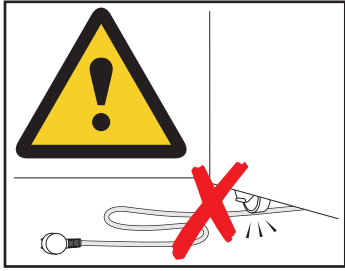


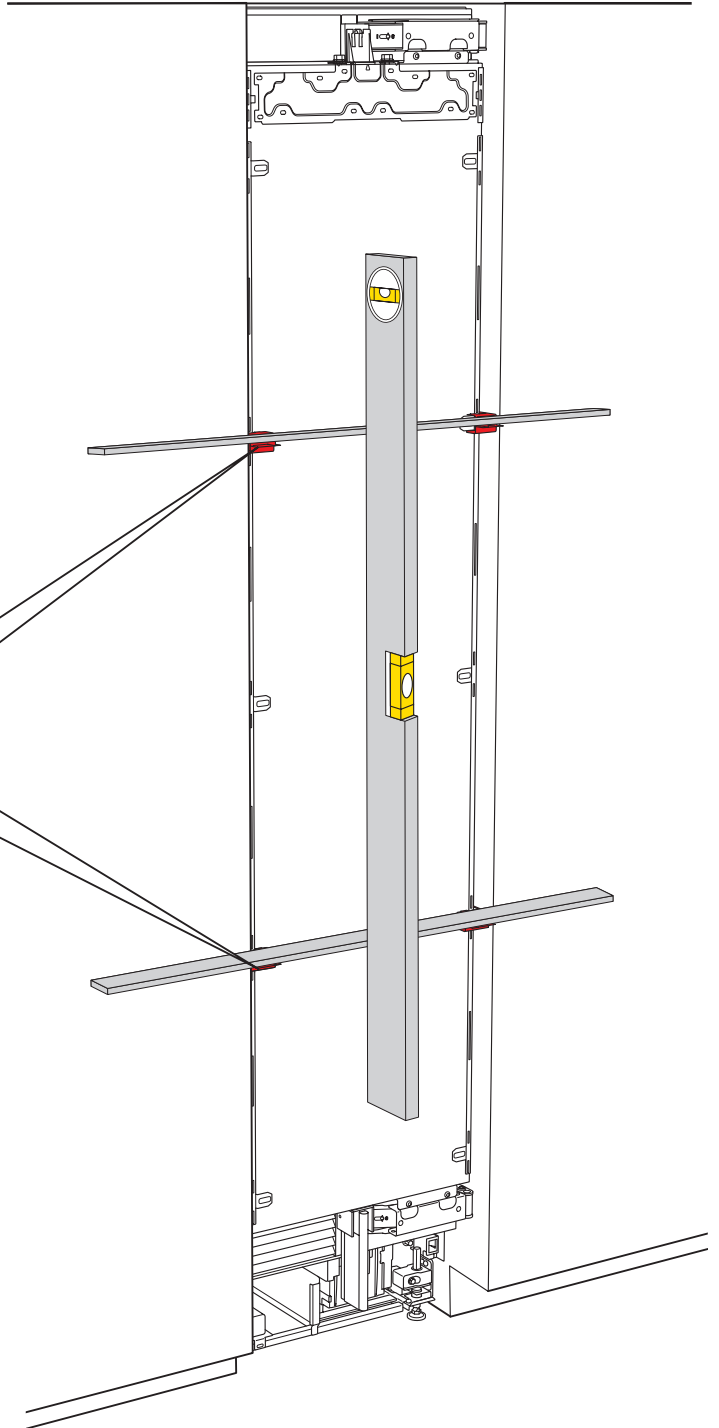
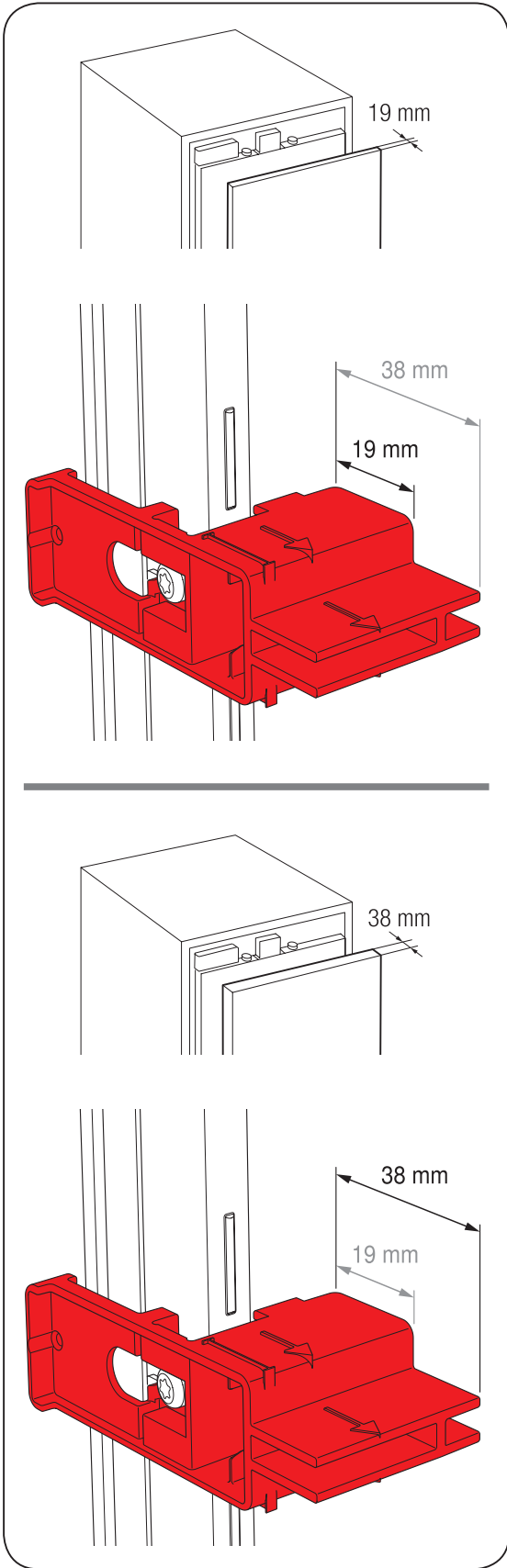


A
B
C
D

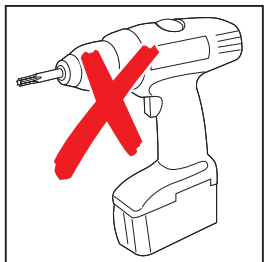
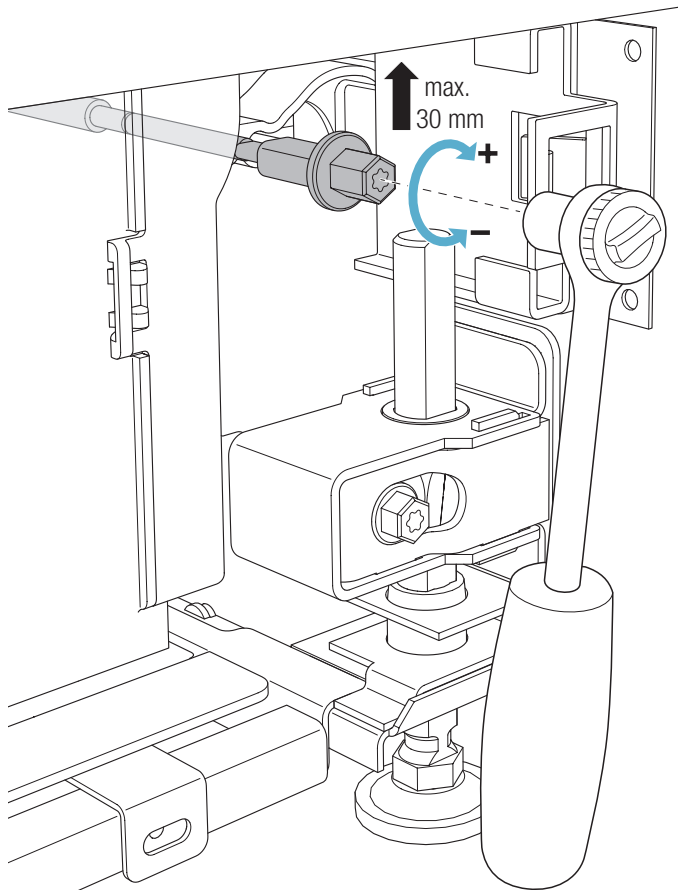
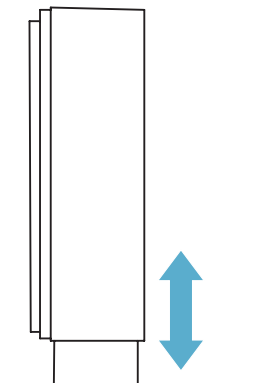
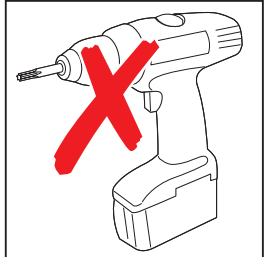
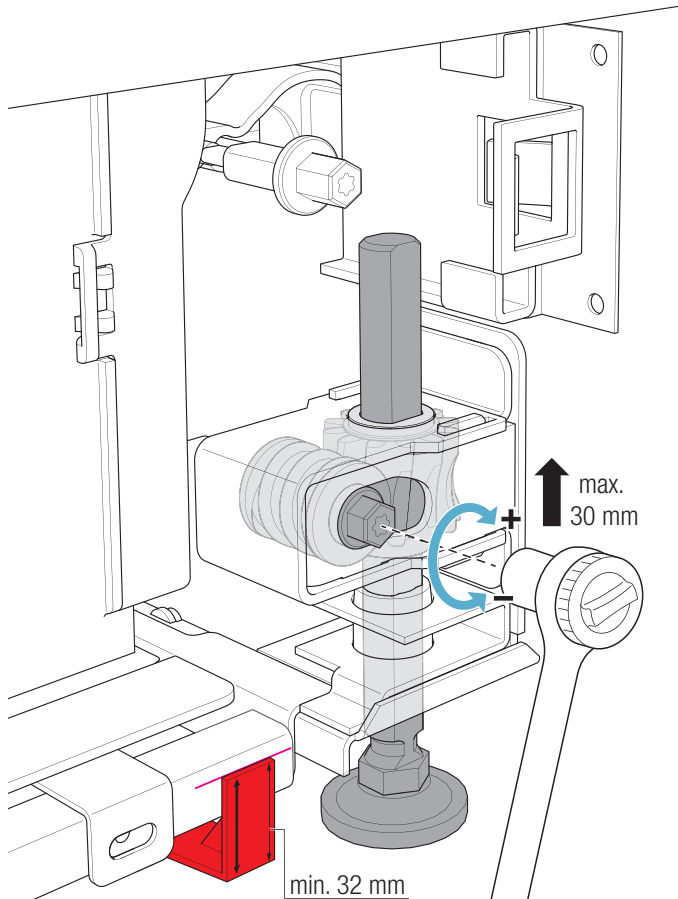
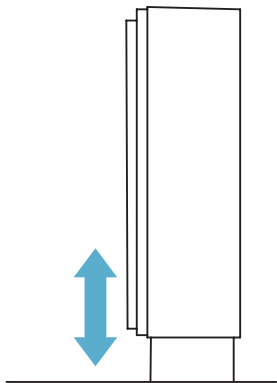
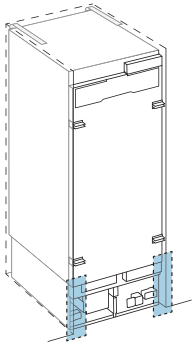



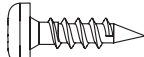
- A
- B
- C
- D



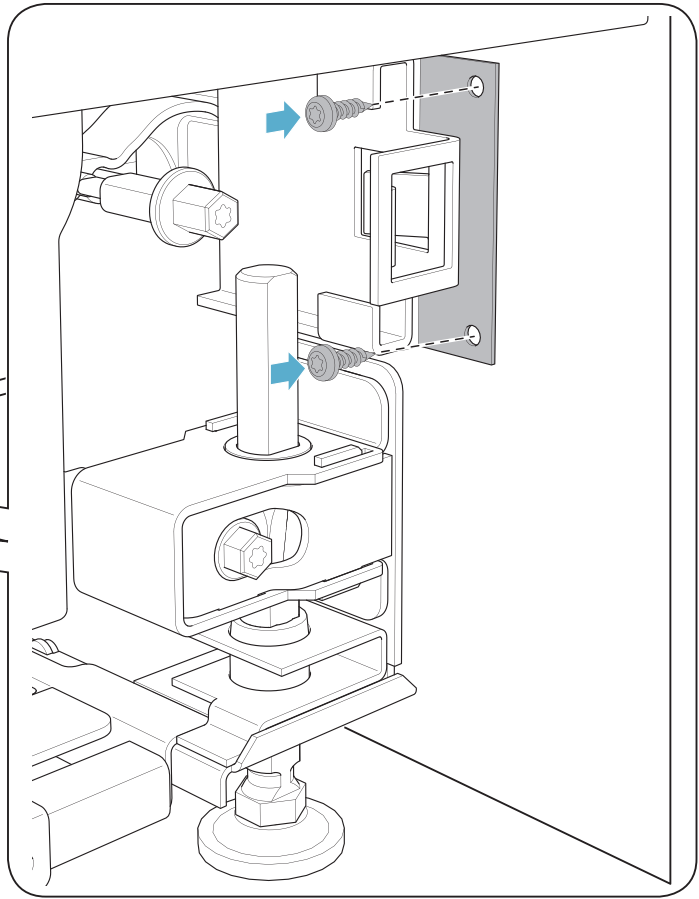
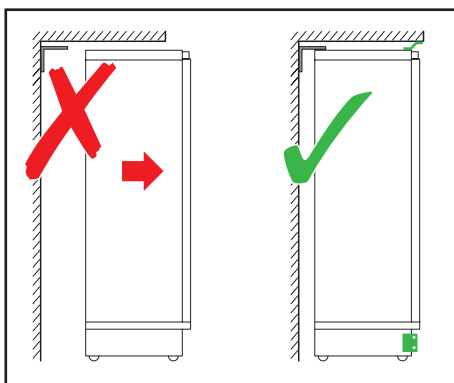
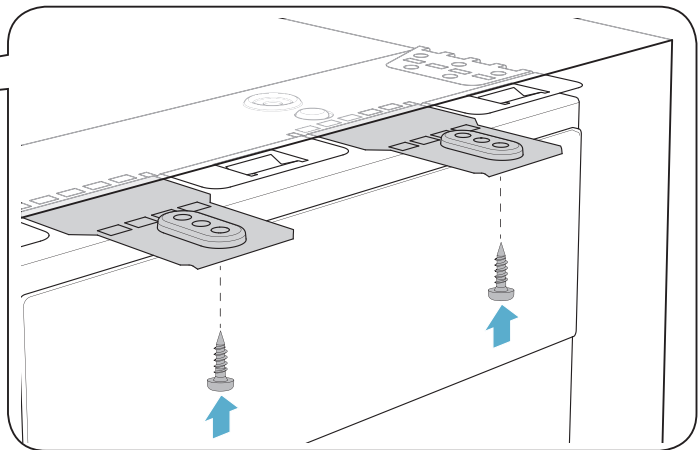
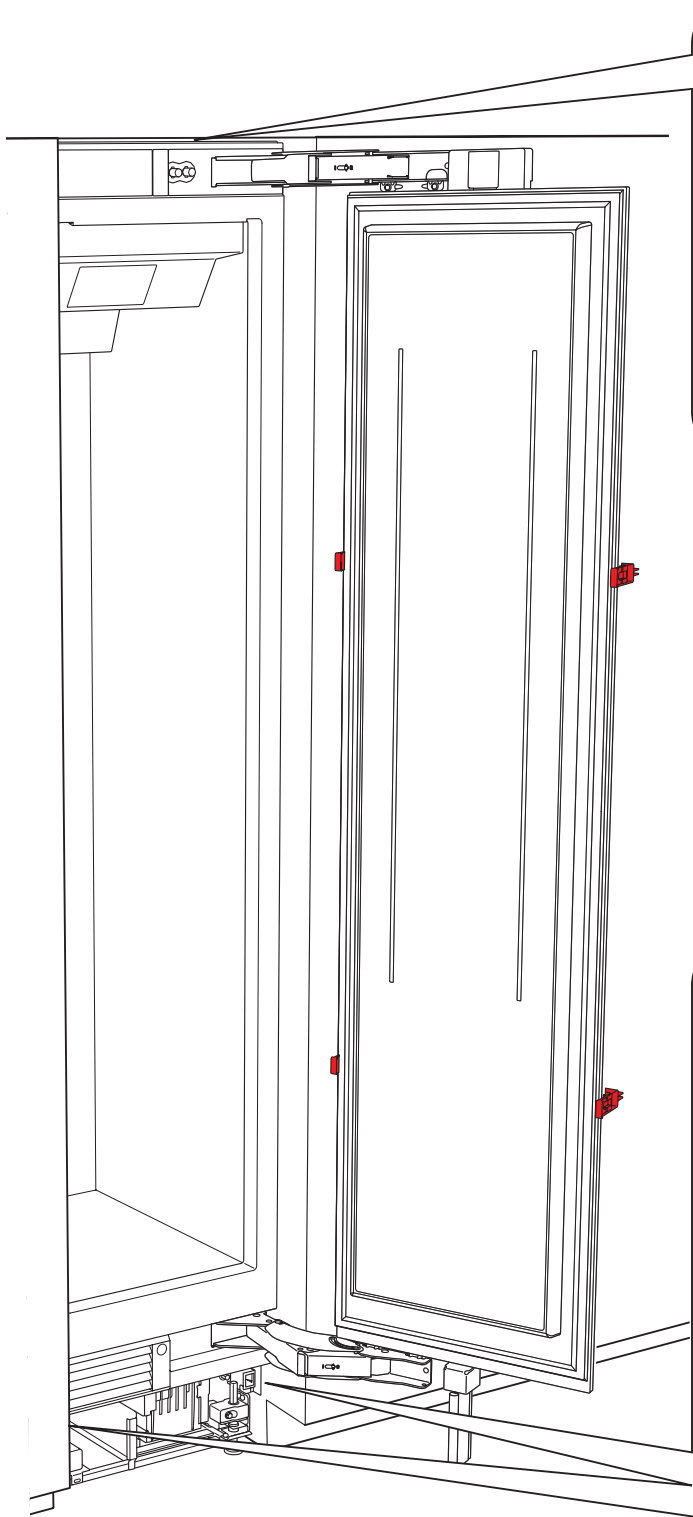


- A
- B
- C
- D

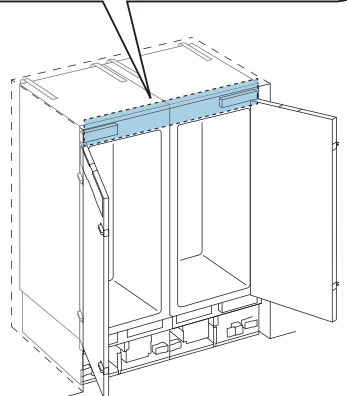
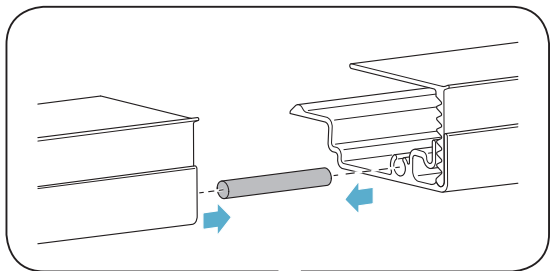
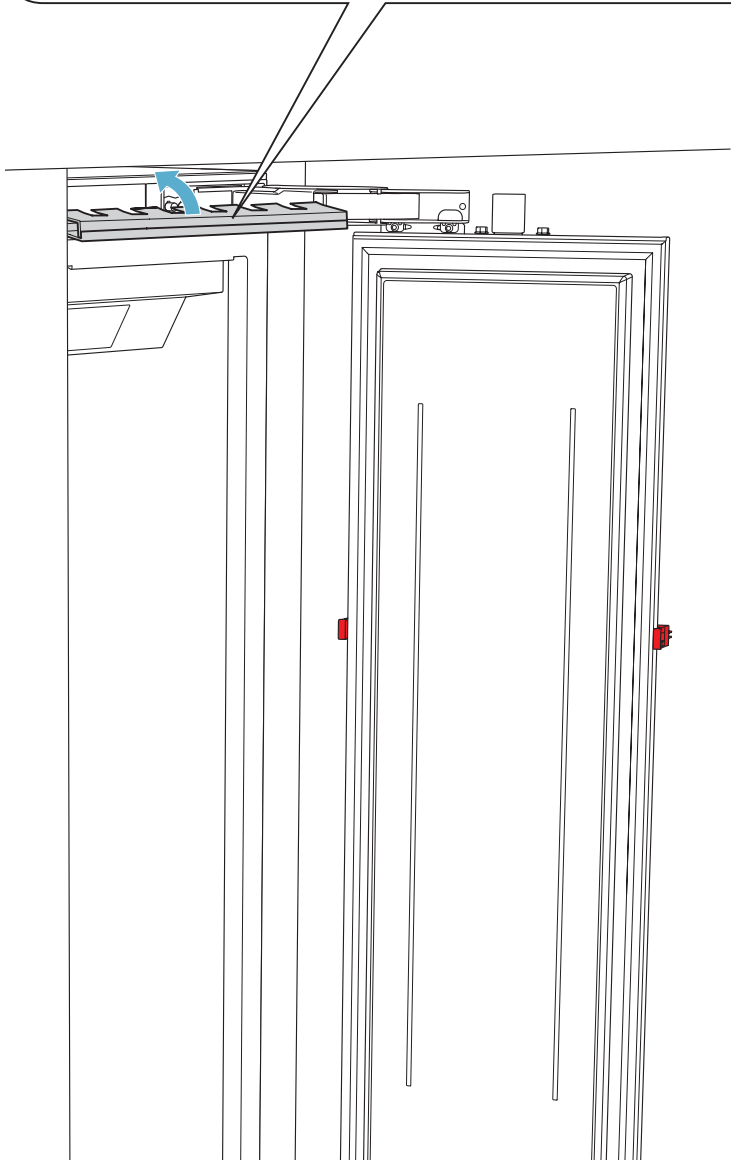
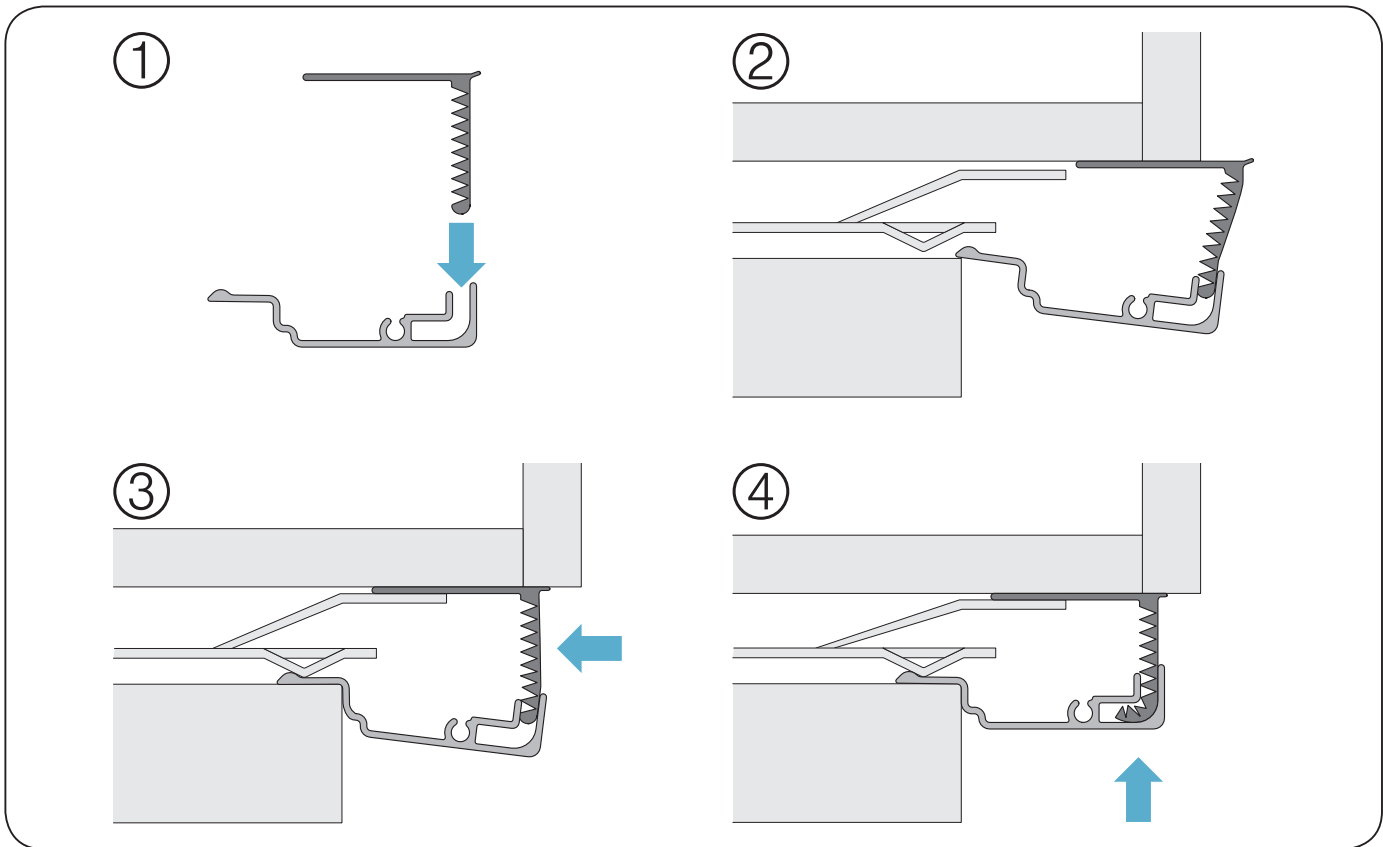


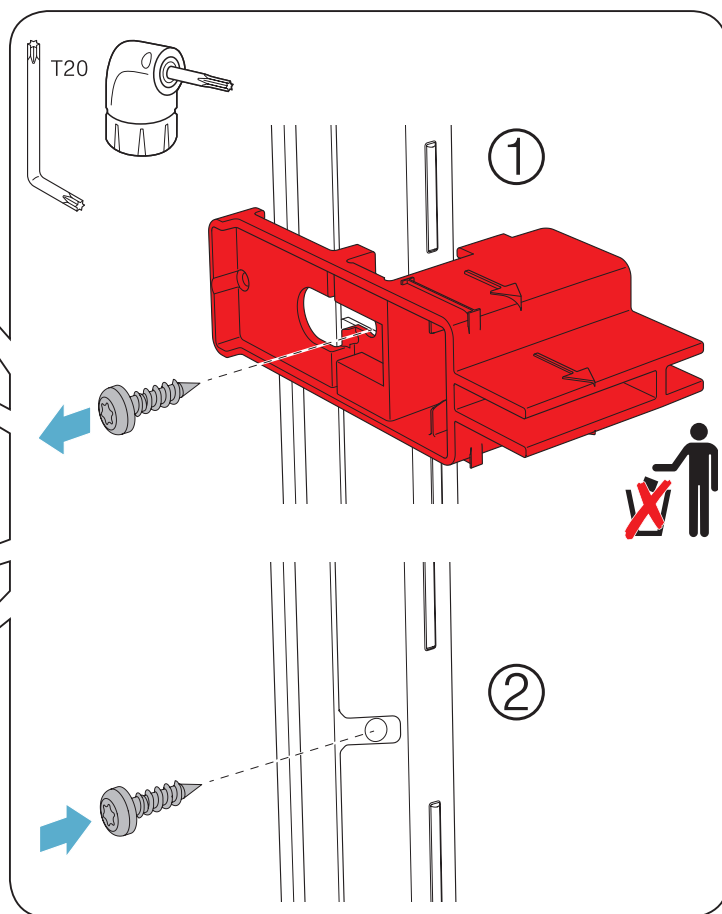
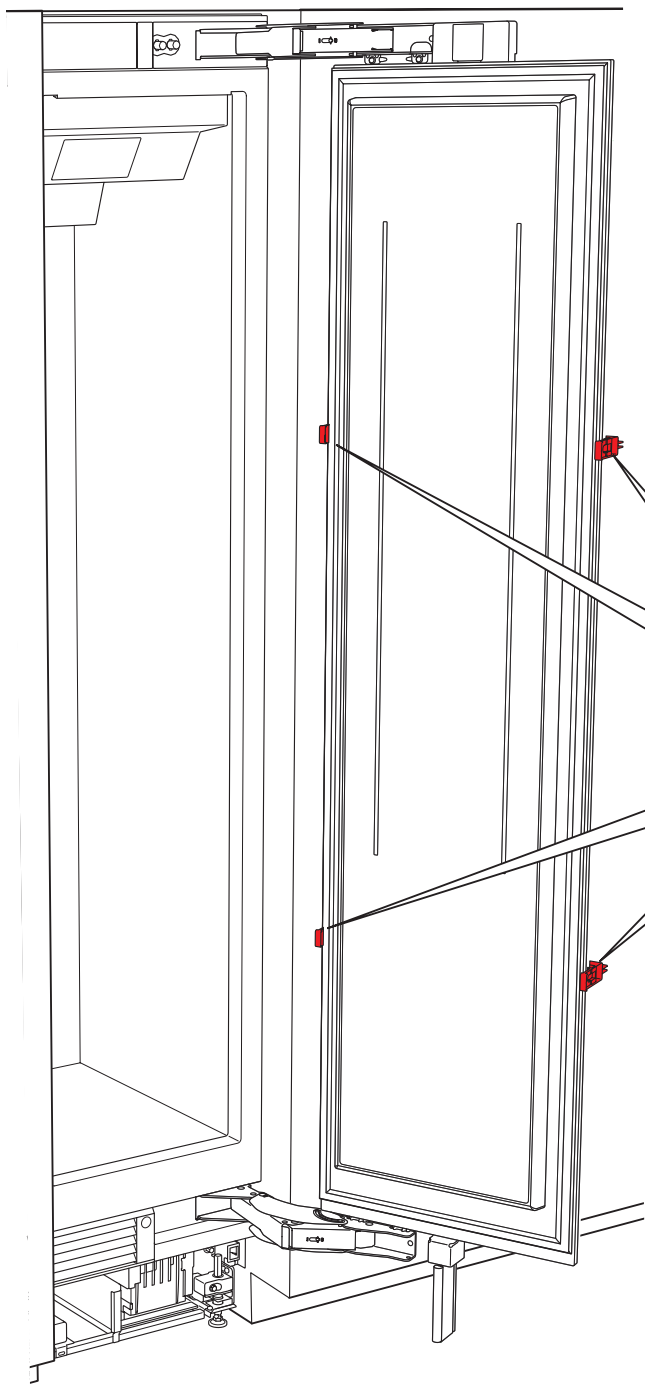
4x15   8x

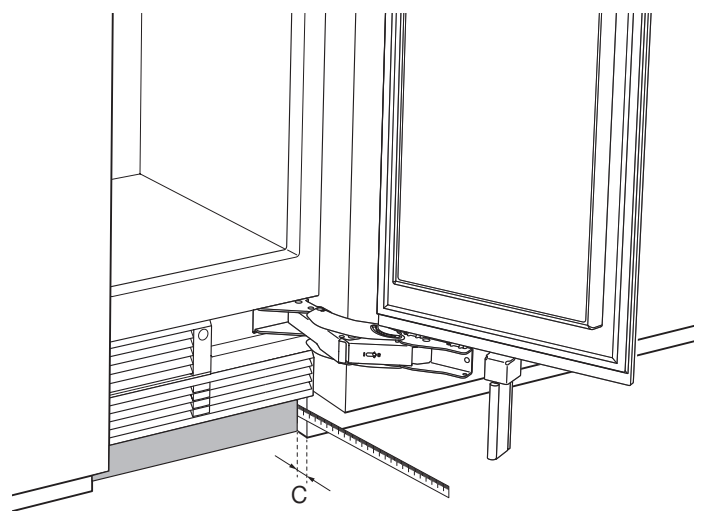
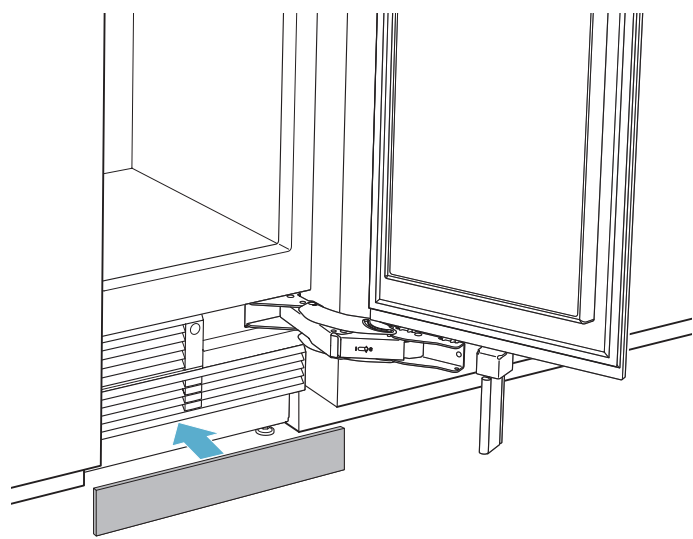
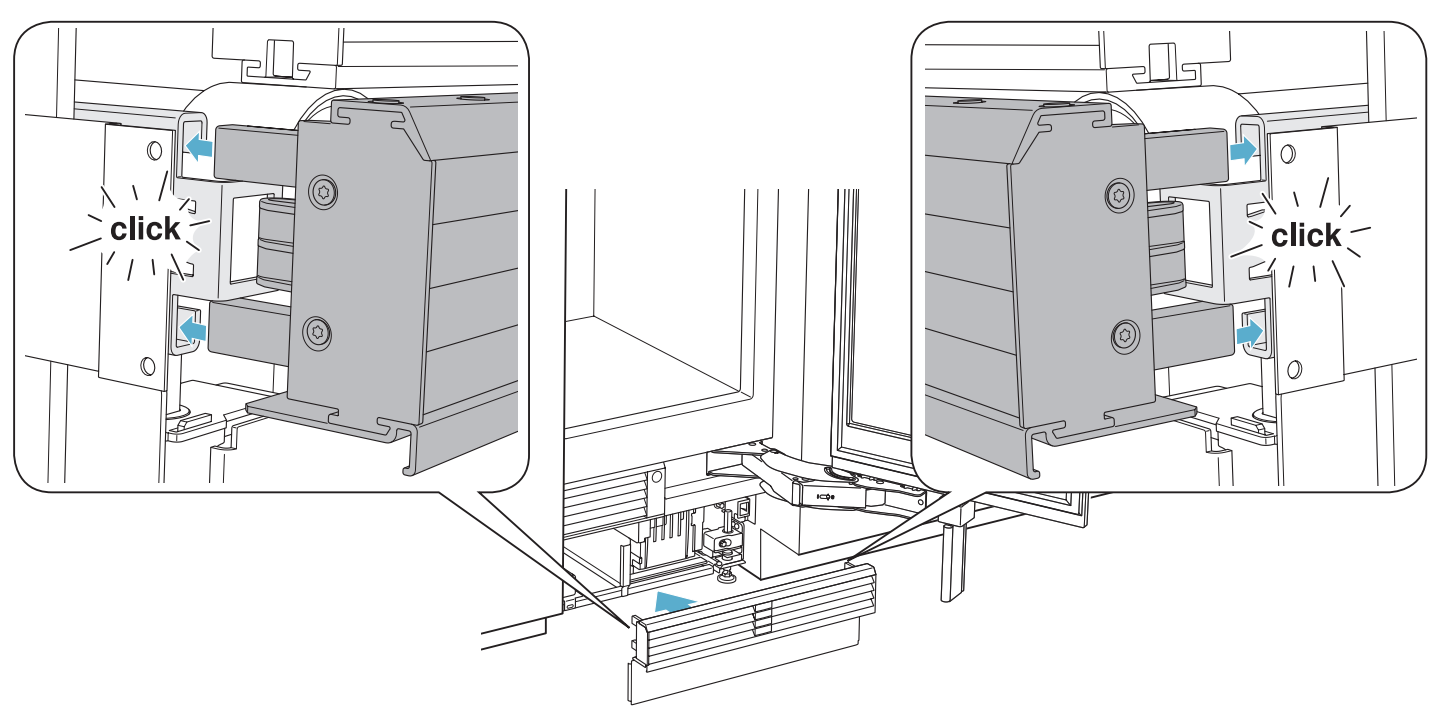
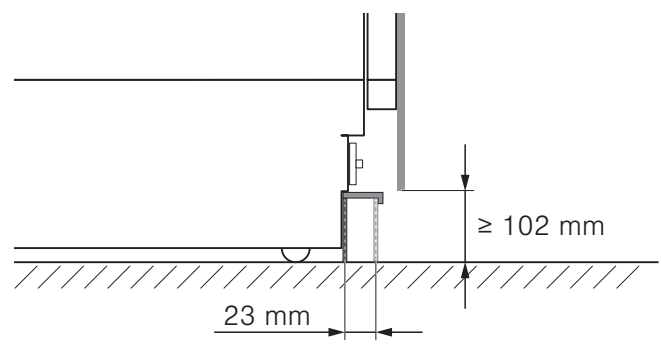
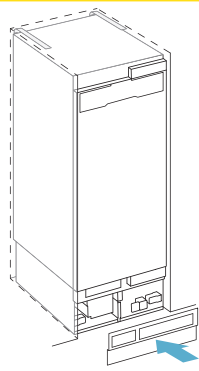
A
B
C
D



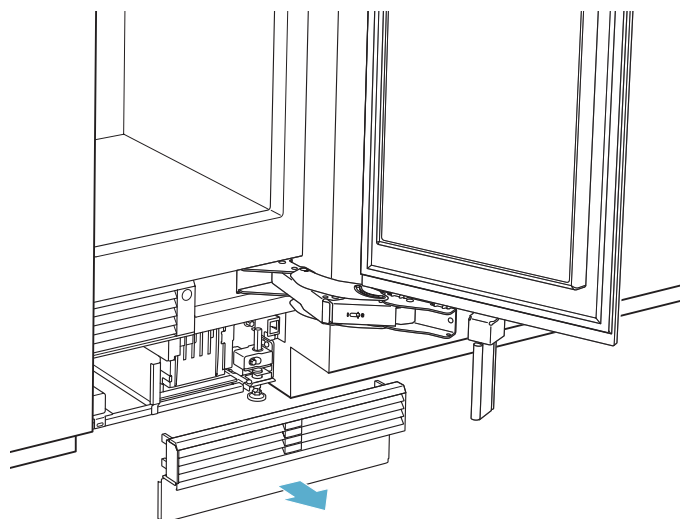
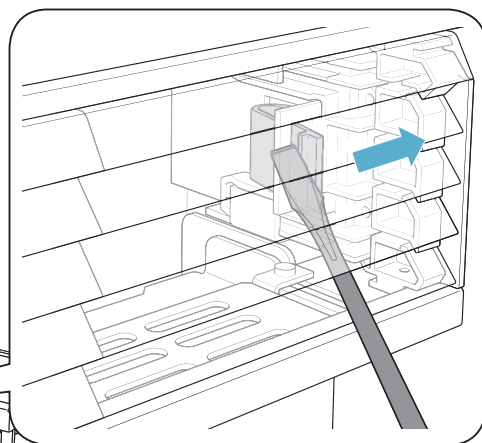
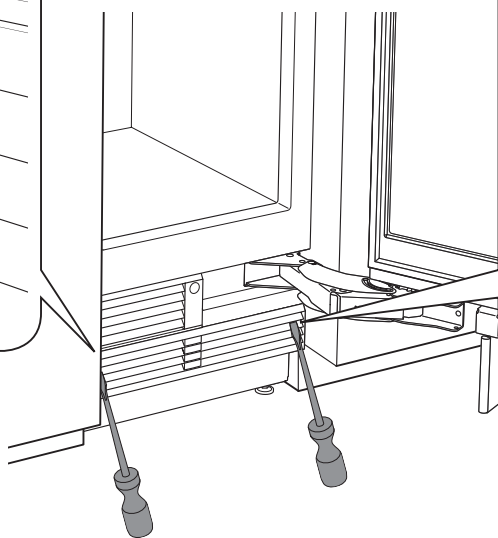
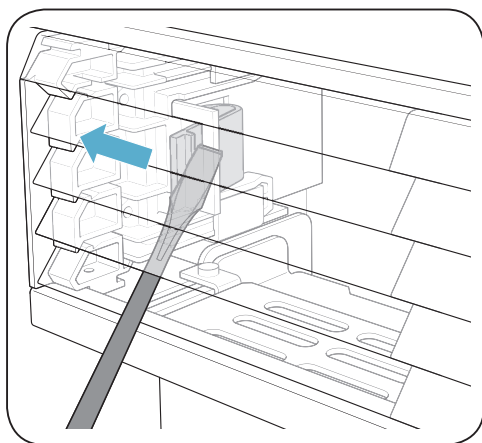
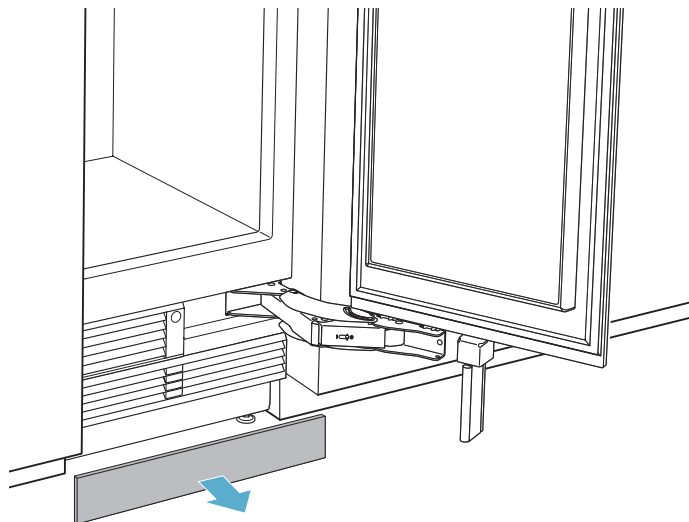
A
B
C
D

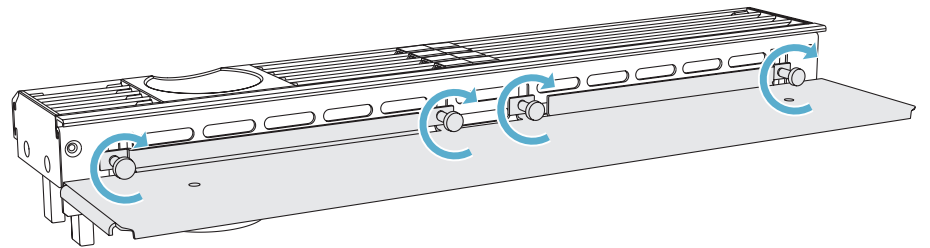
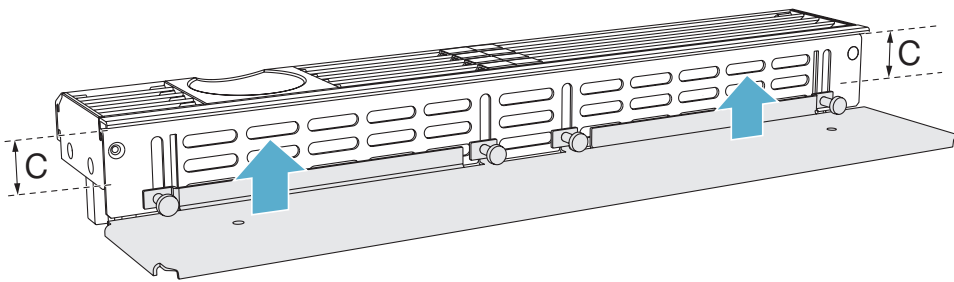
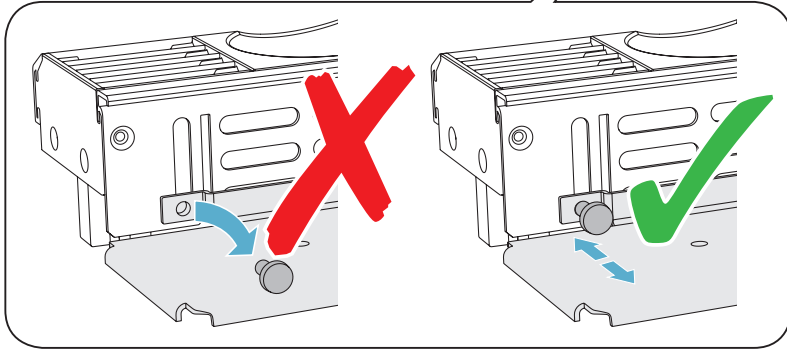
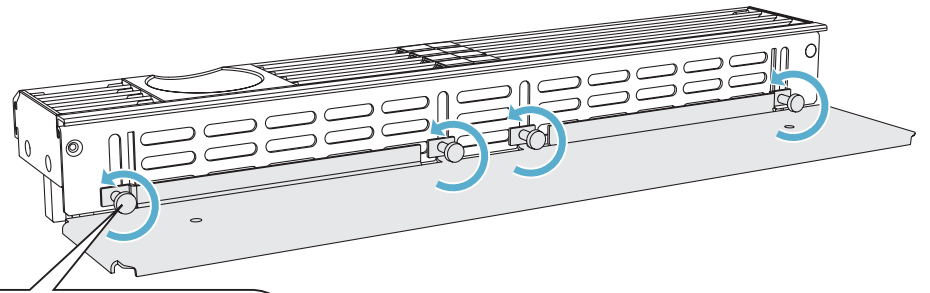
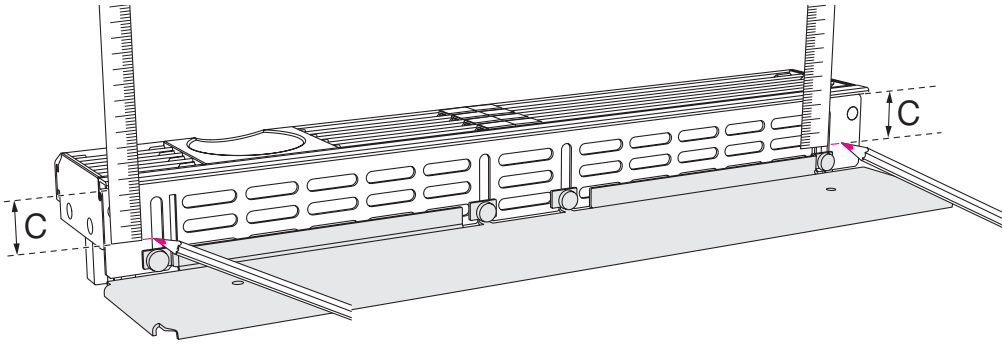




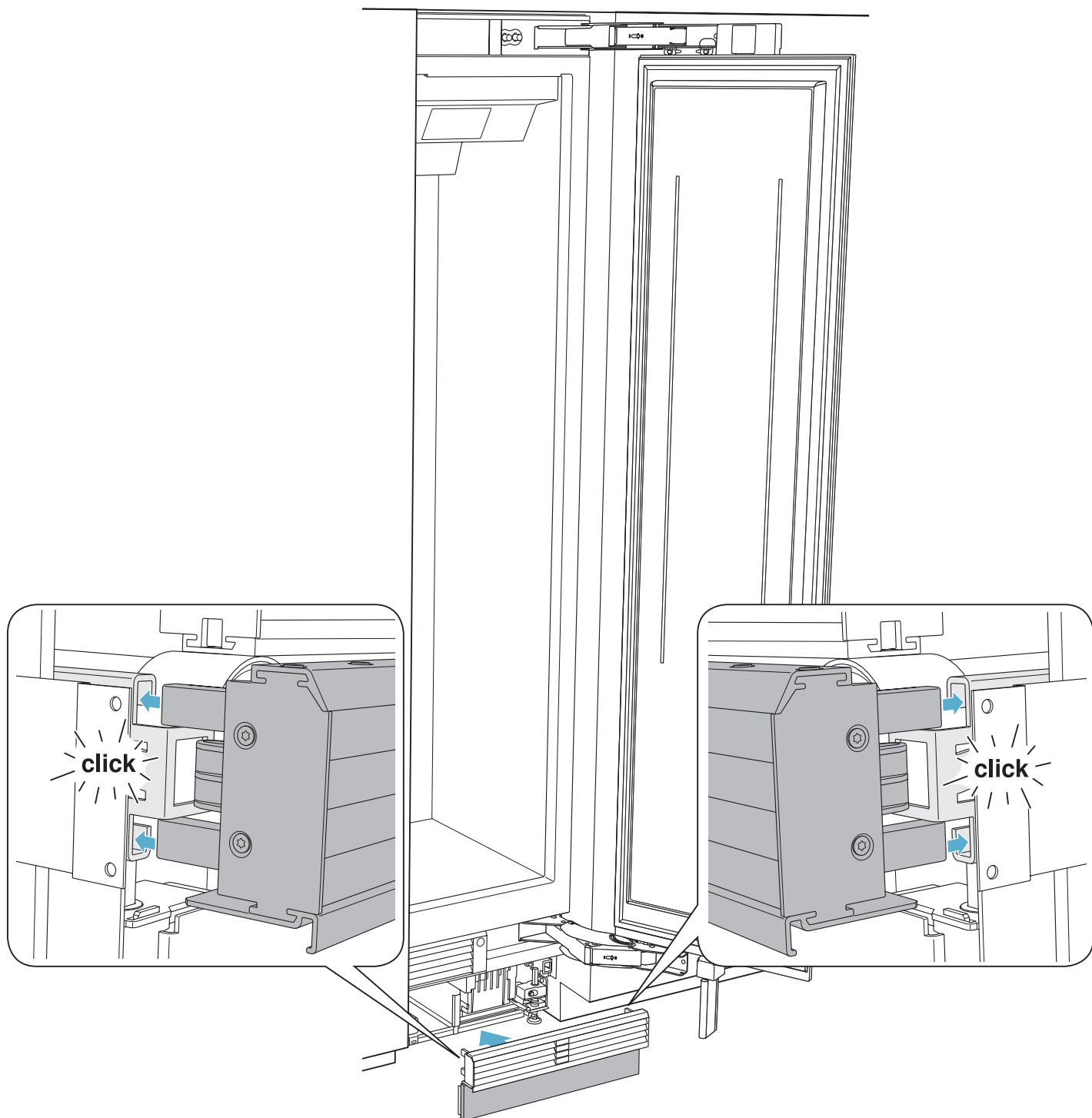
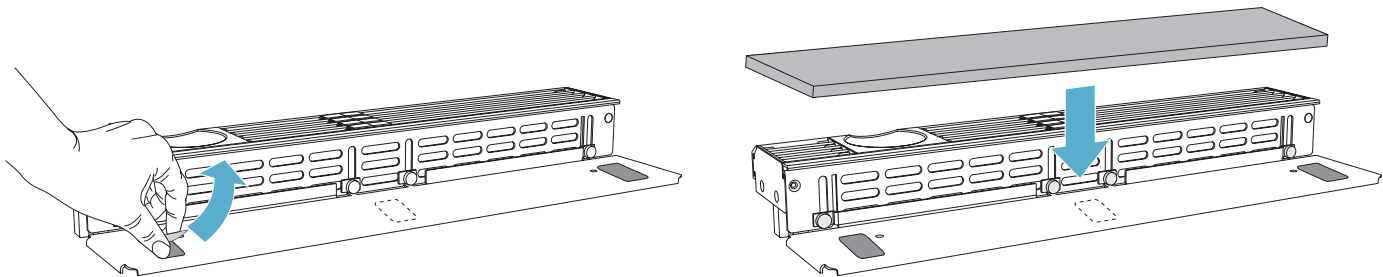


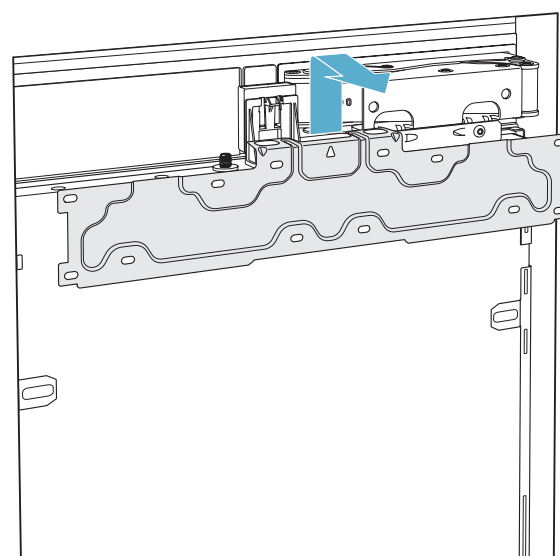
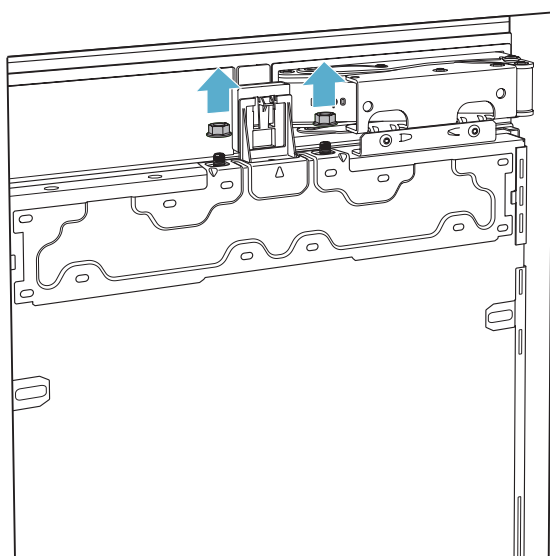
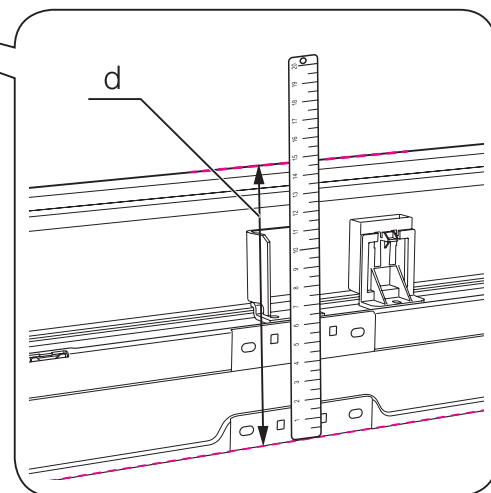
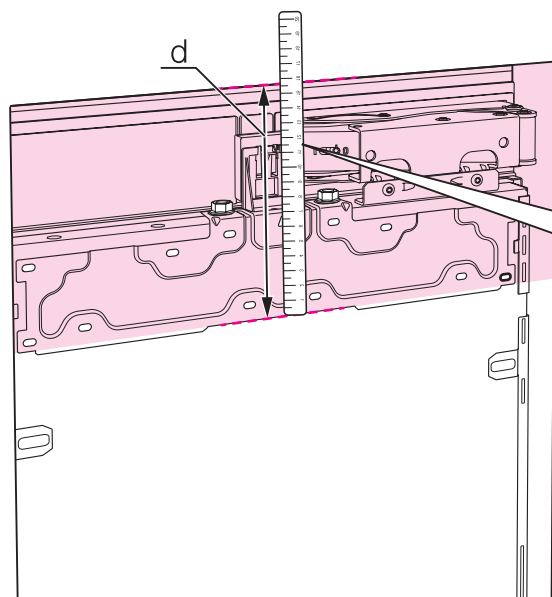
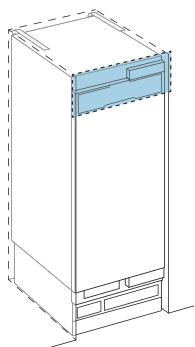
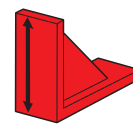
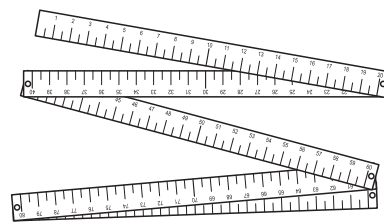
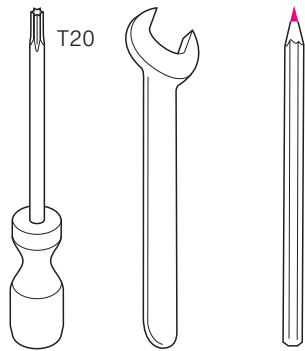
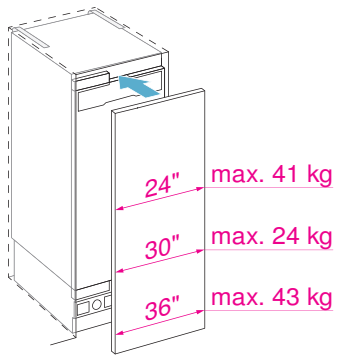
- A
- B
- C
- D



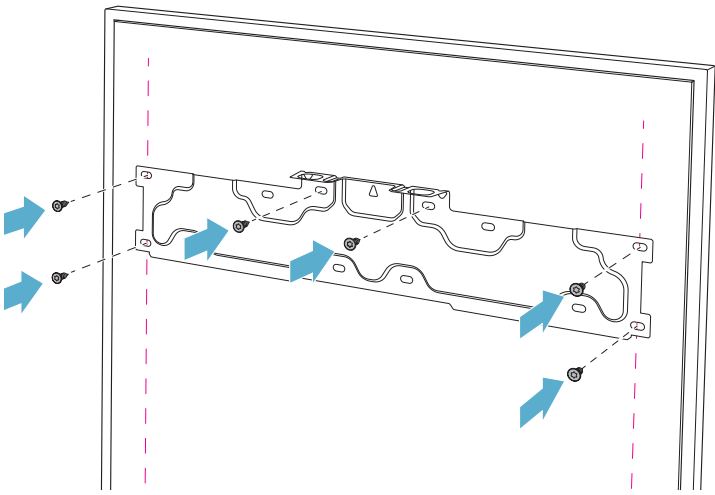
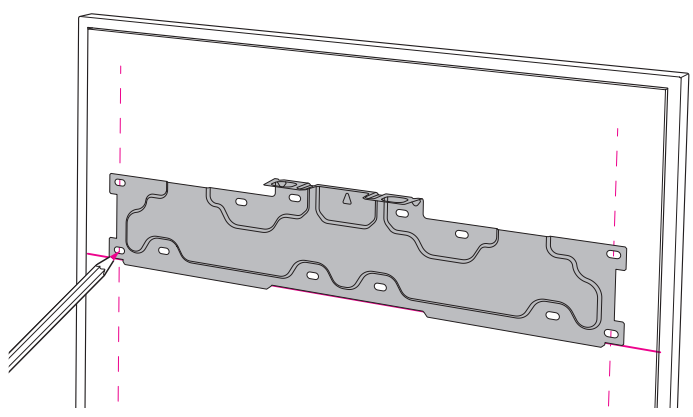
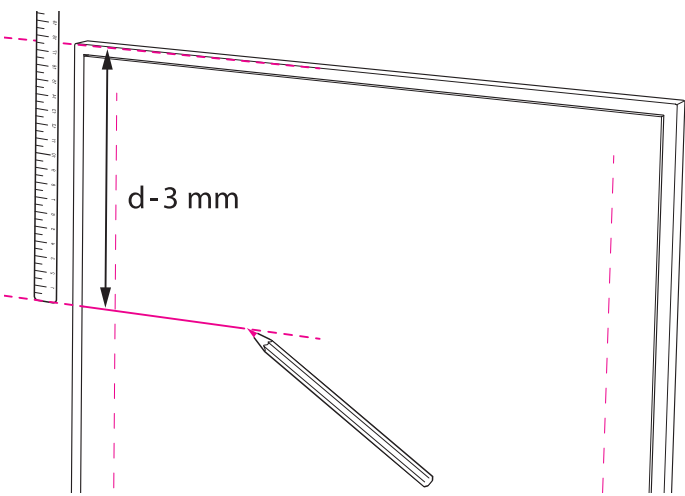
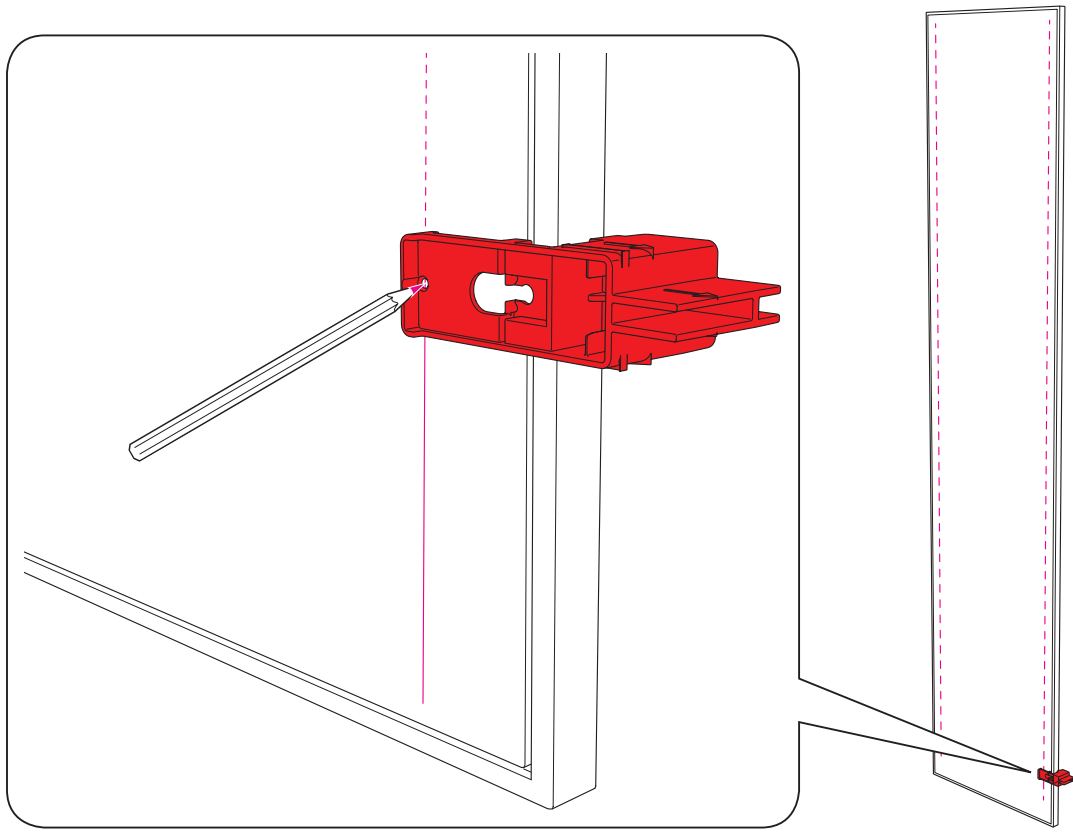



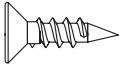
- A
- B
- C
- D

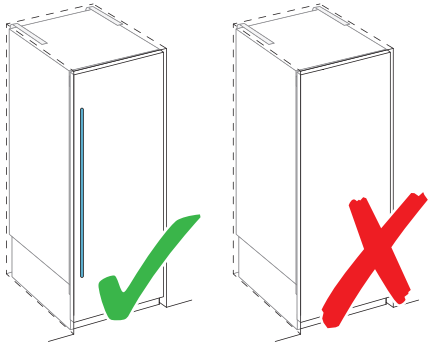



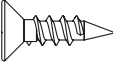


A
B
C
D

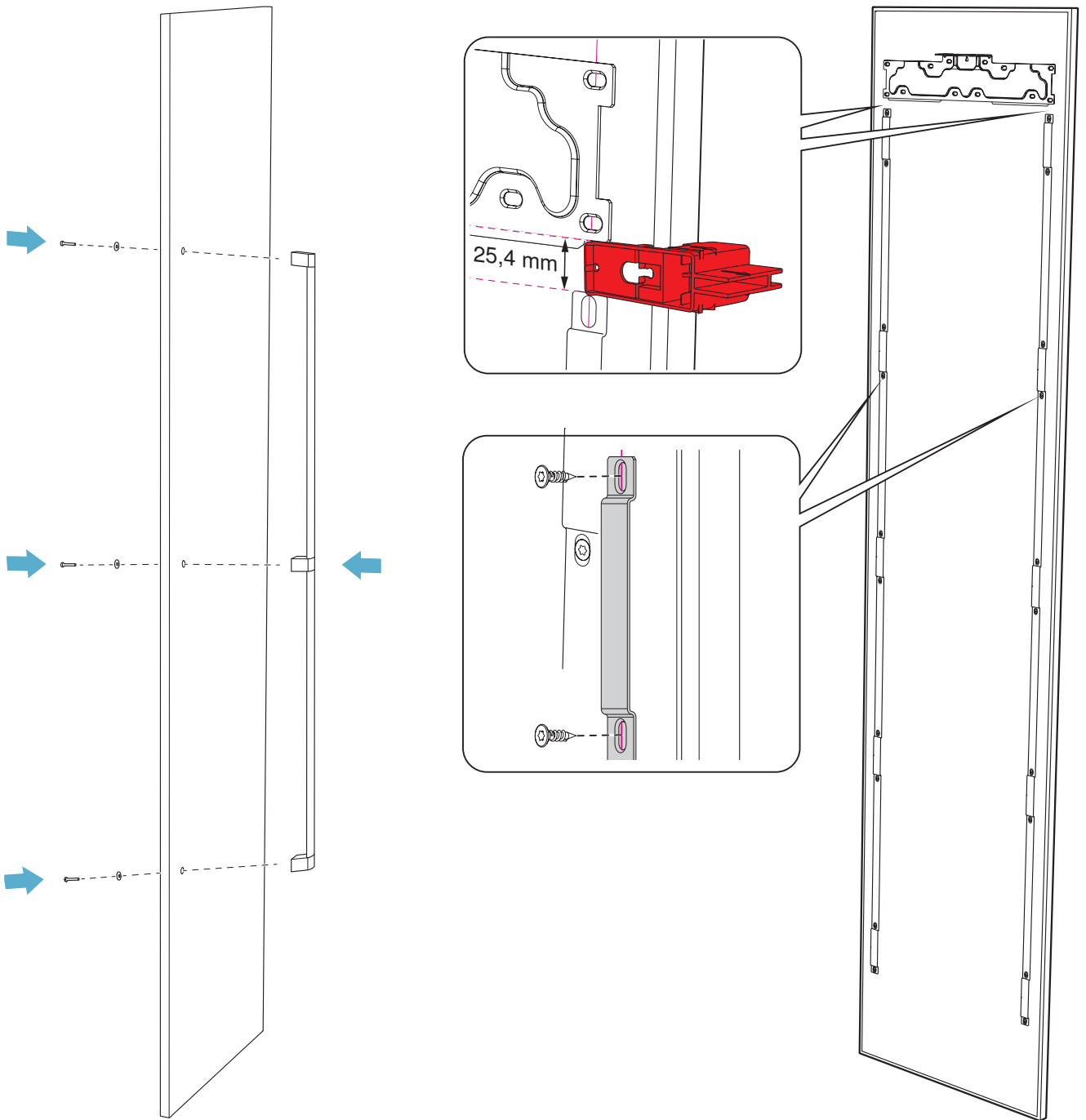


4x15			24" (610 mm) min. 6x
			30" (762 mm) min. 10x
			36" (915 mm) 12x

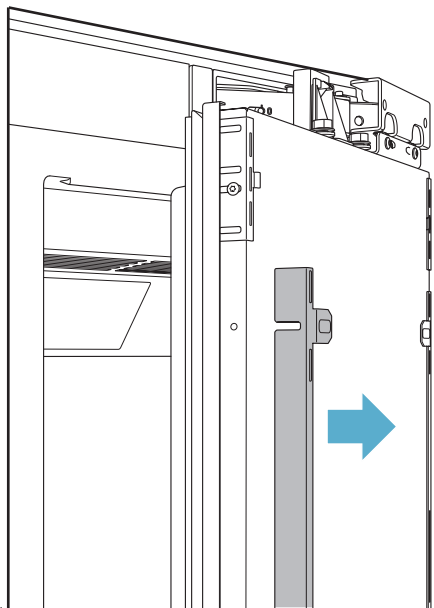
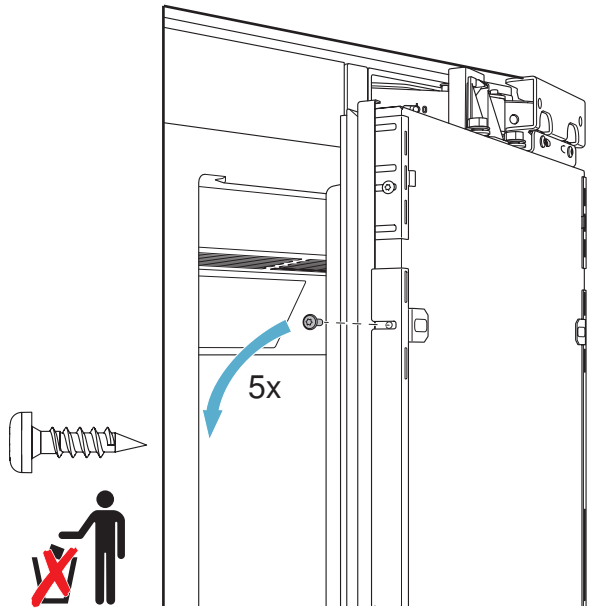
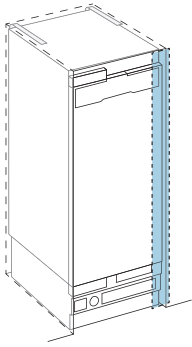


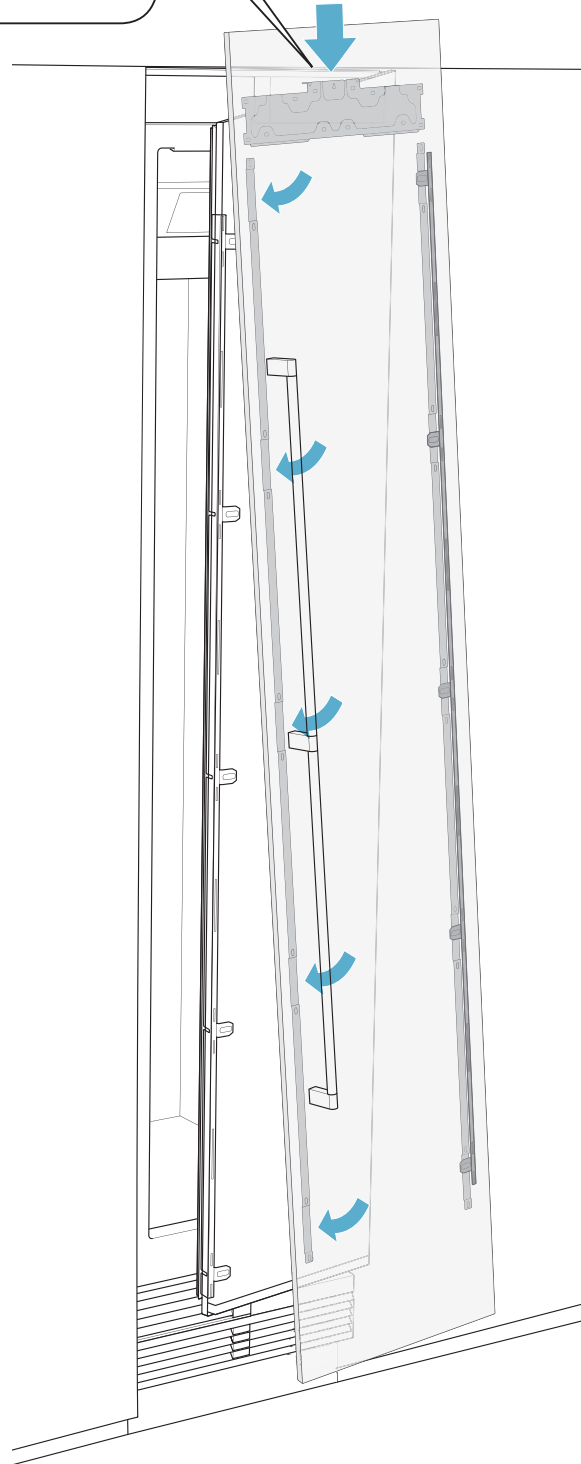
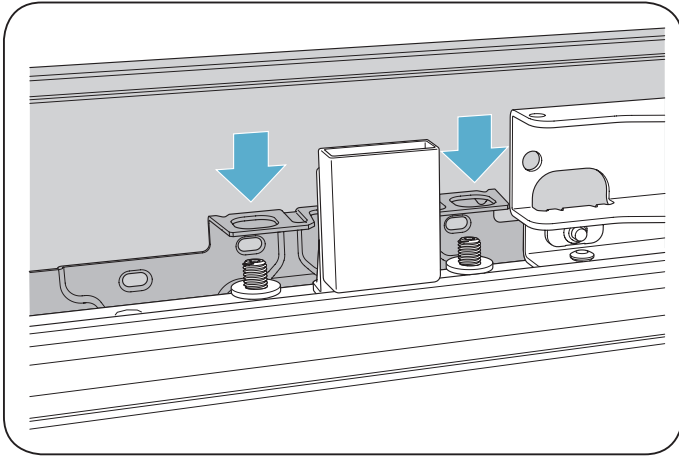
4x15   20x

- A
- B
- C
- D

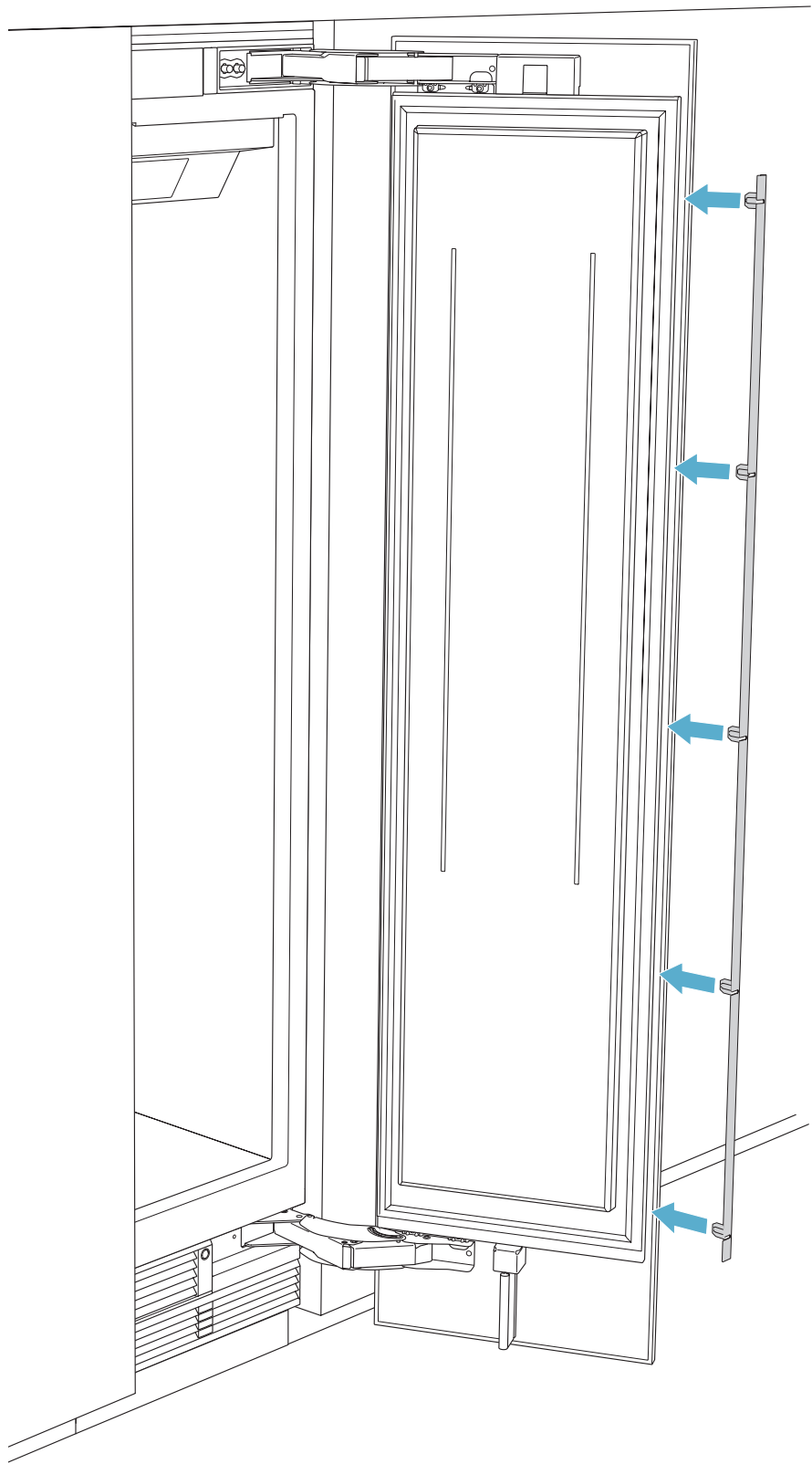


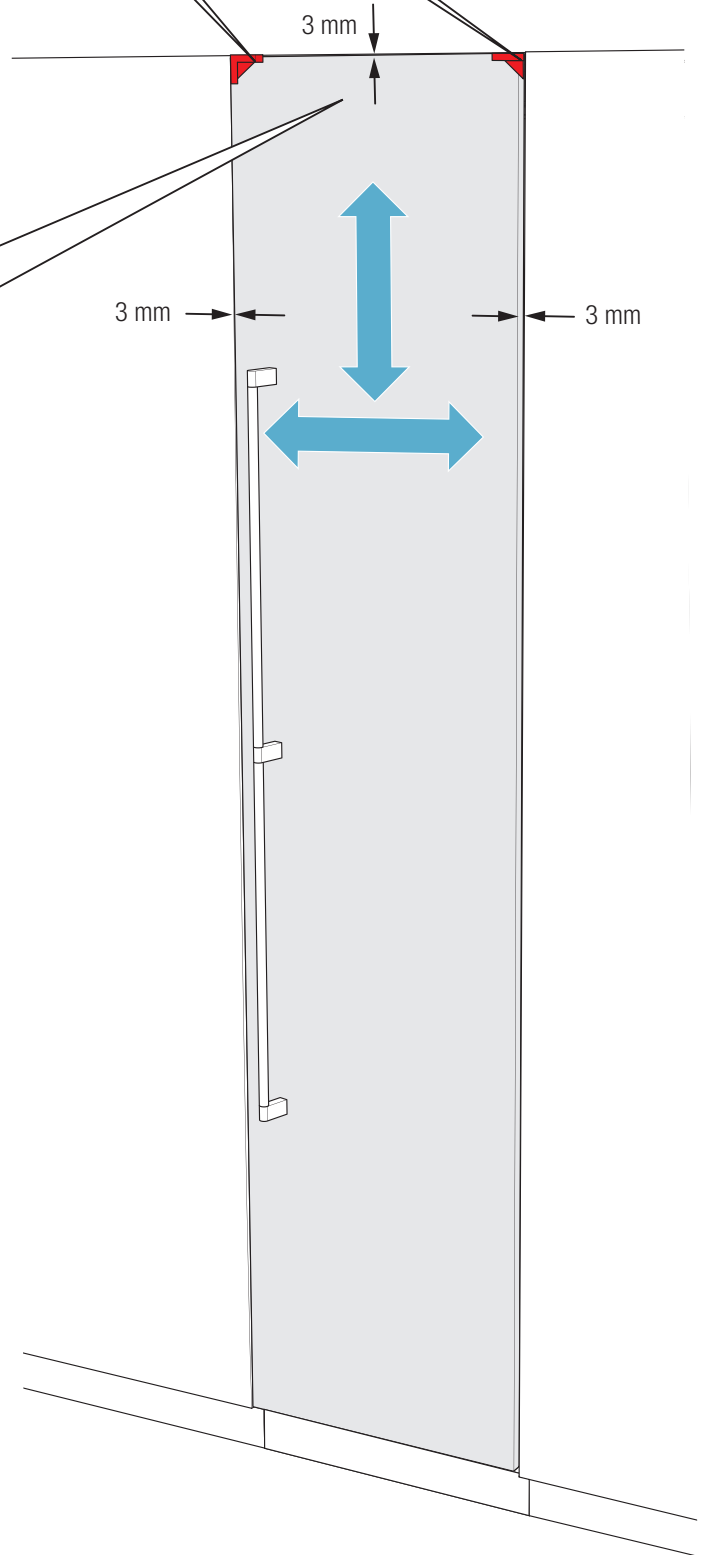
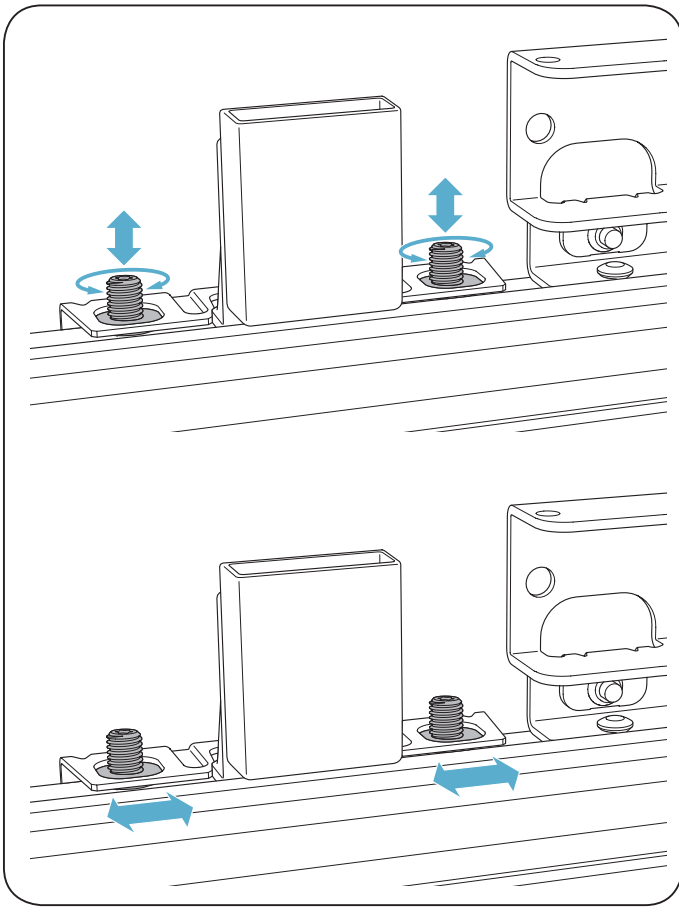
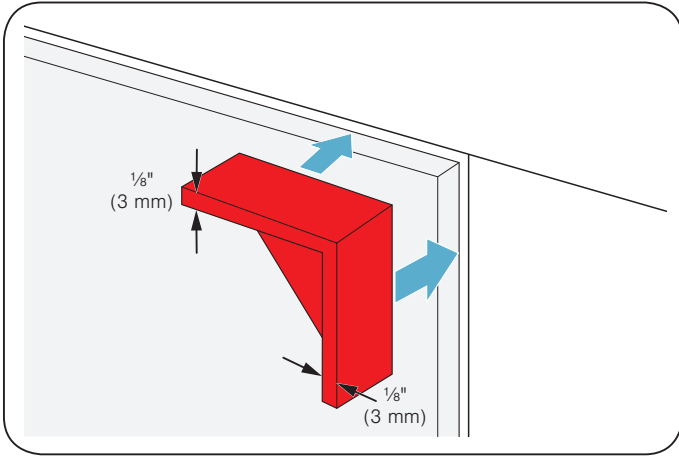
- A
- B
- C
- D



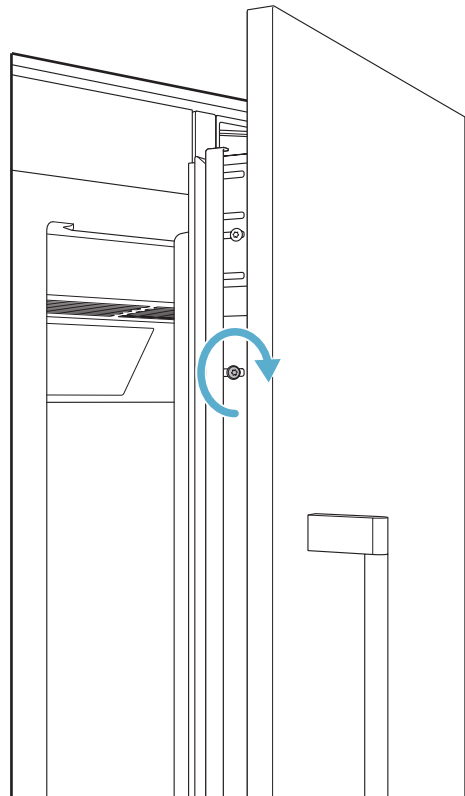
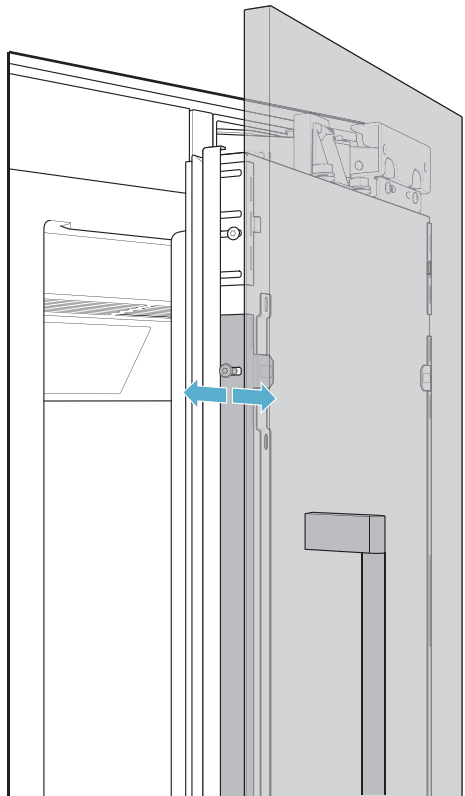
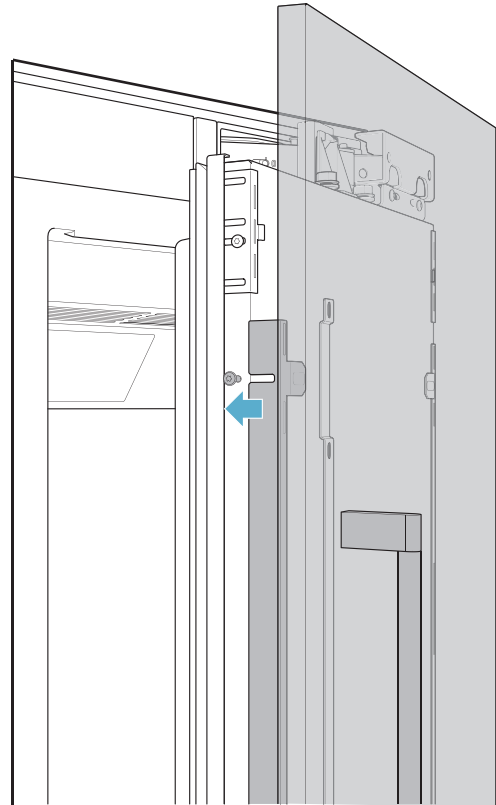
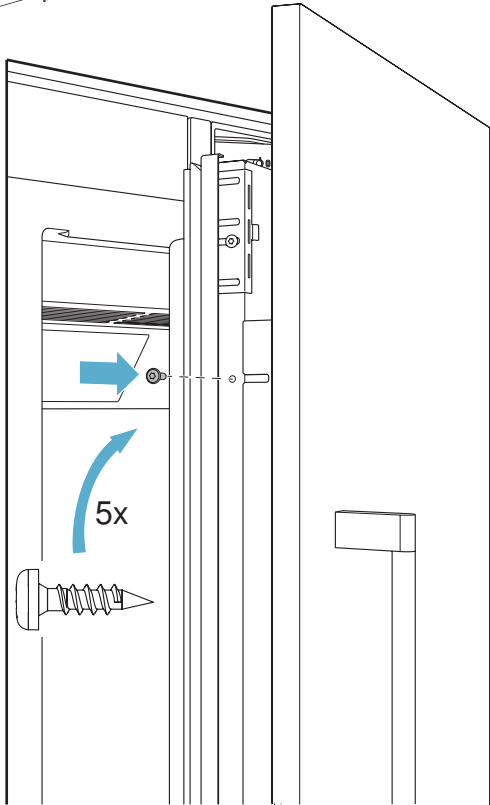
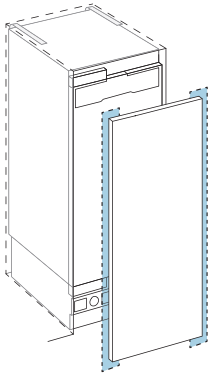


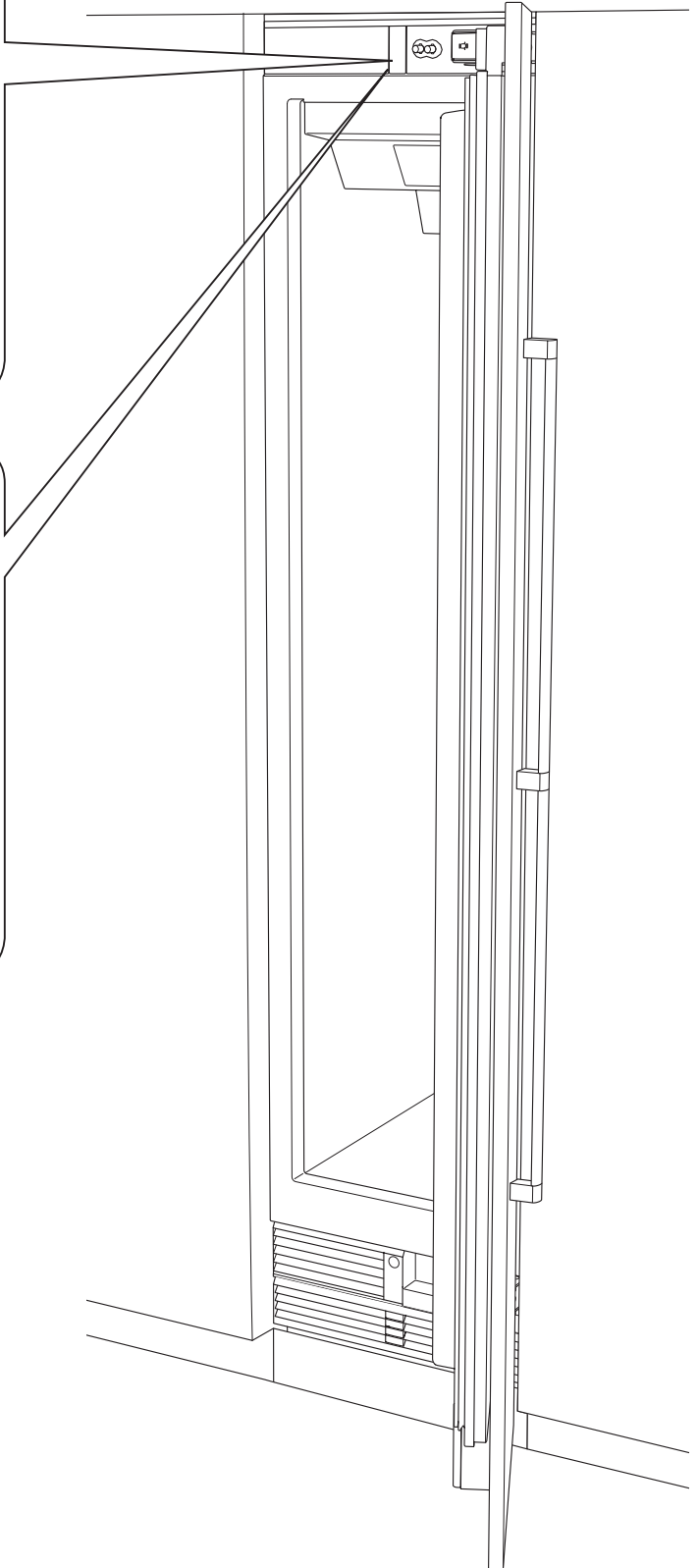
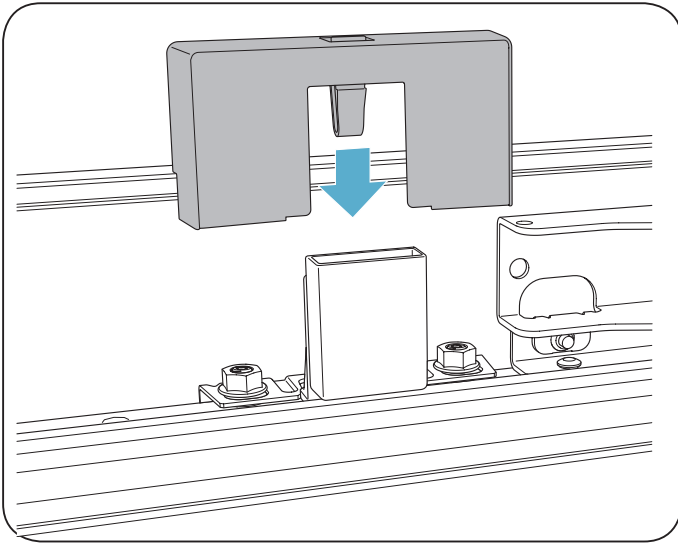
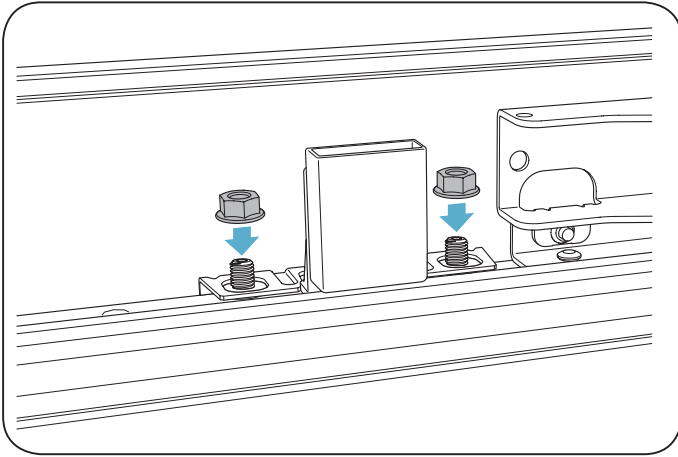
- A
- B
- C
- D



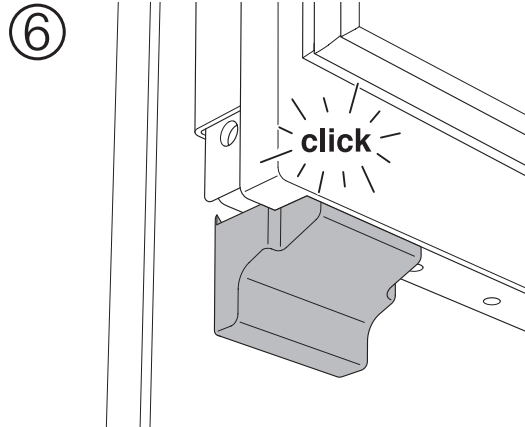
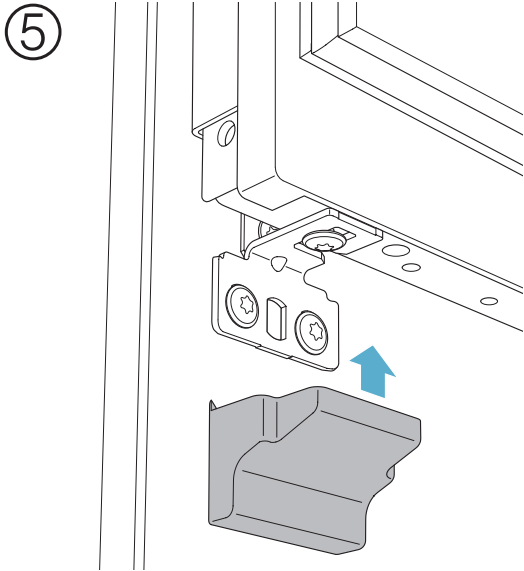
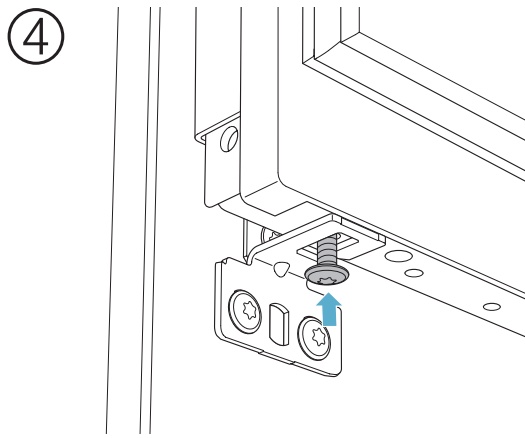
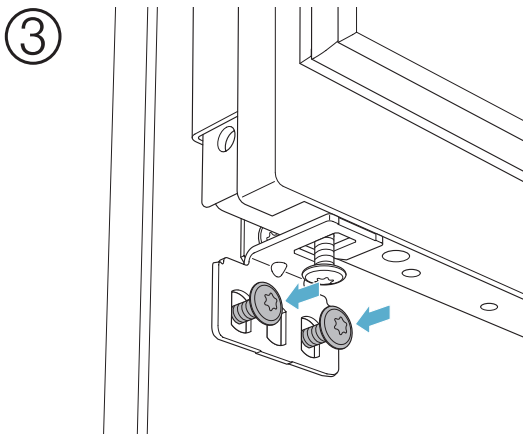
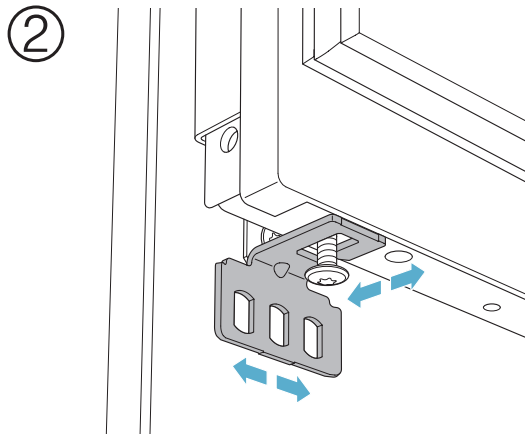
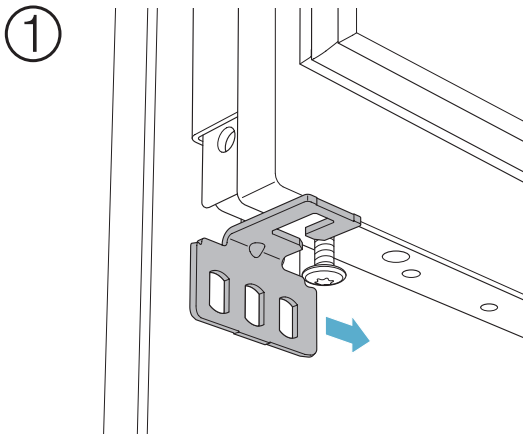
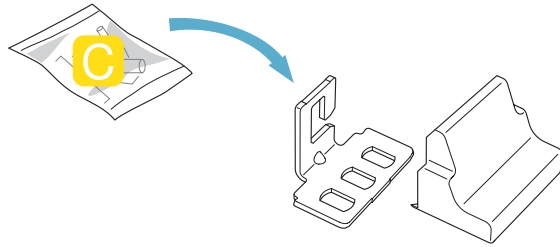
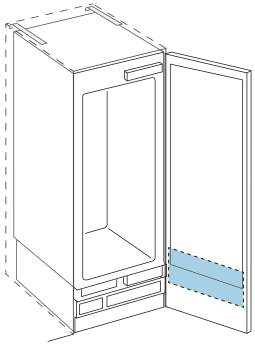


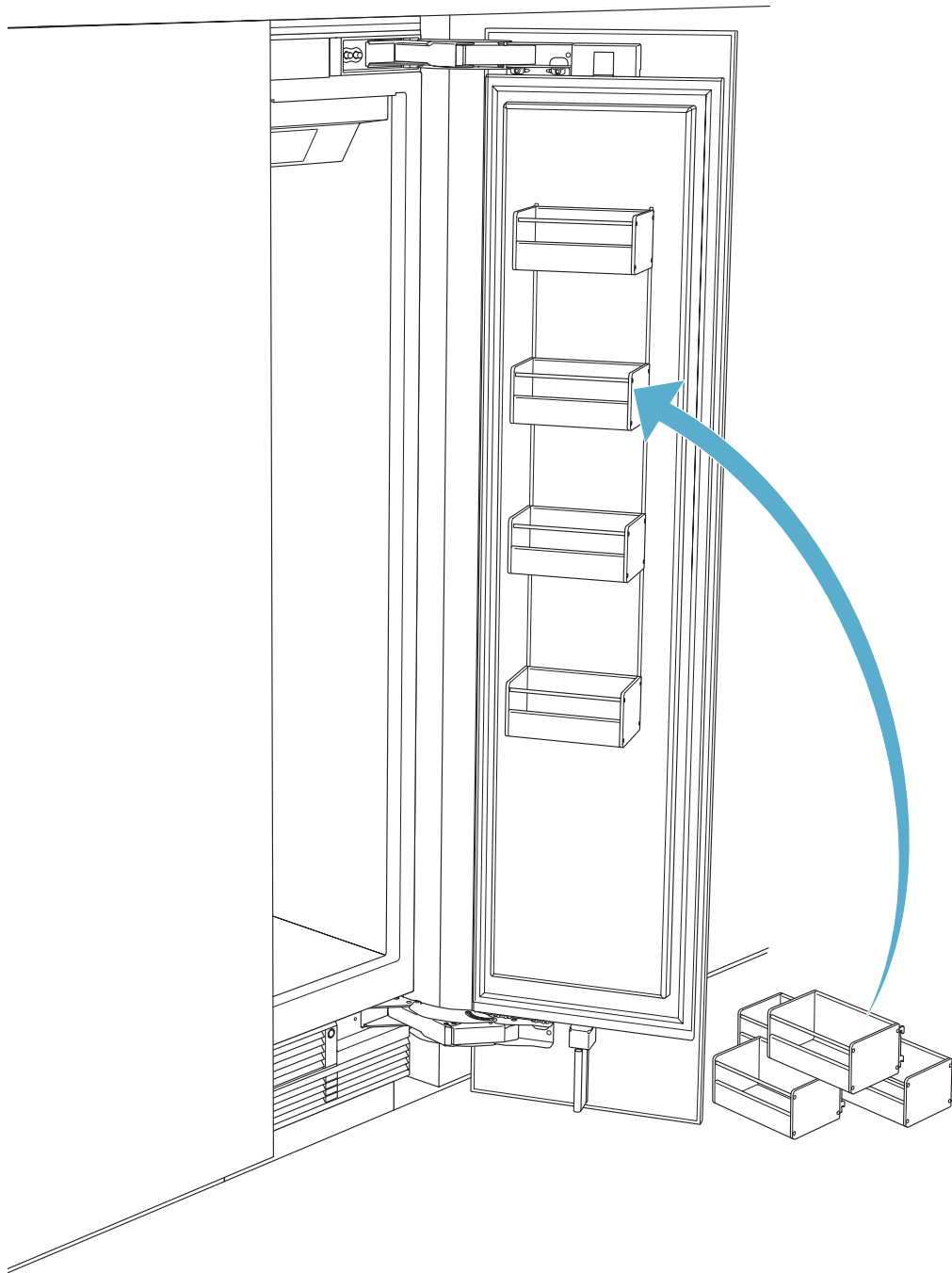
- A
- B
- C
- D



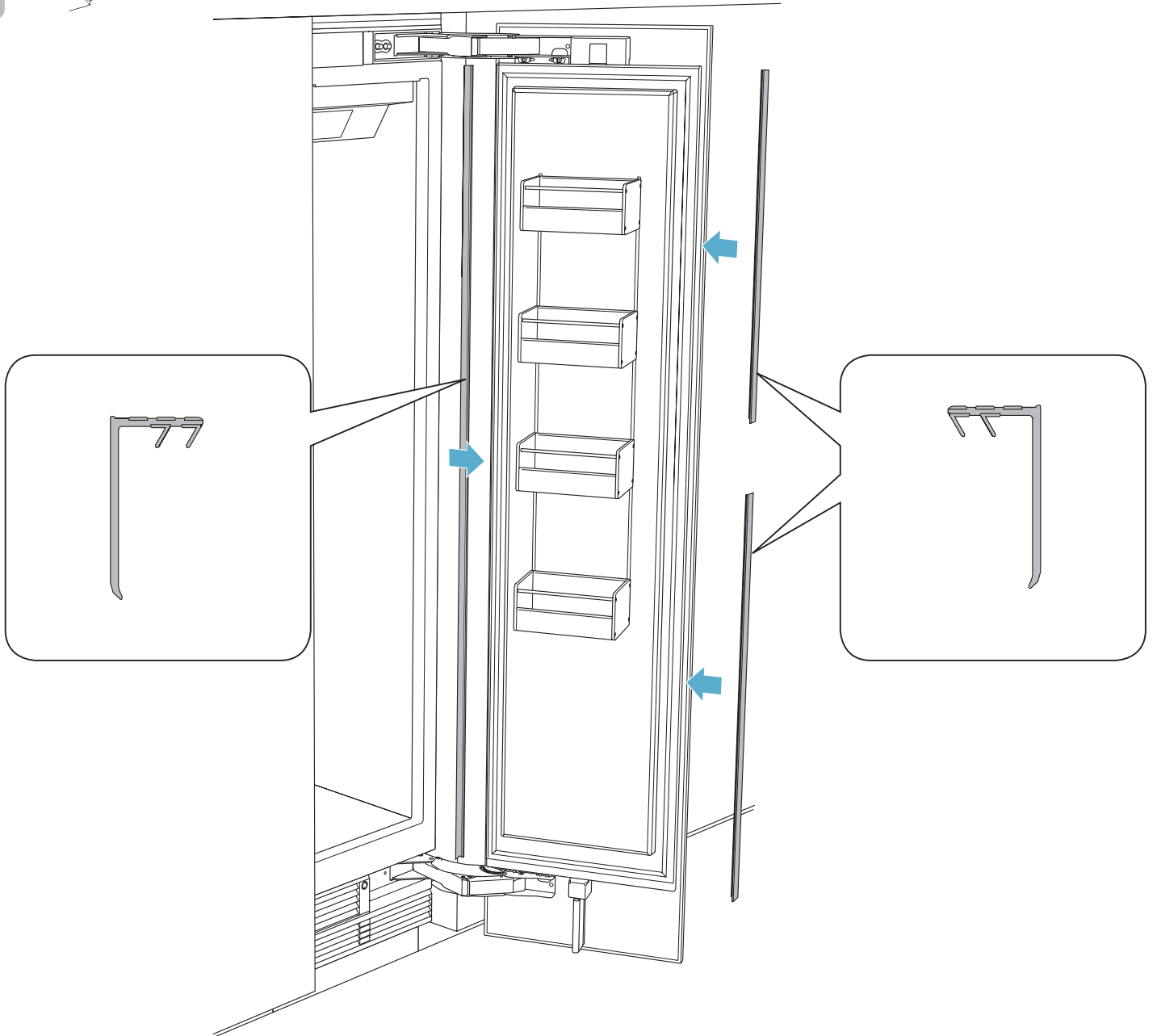
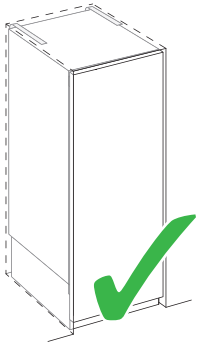


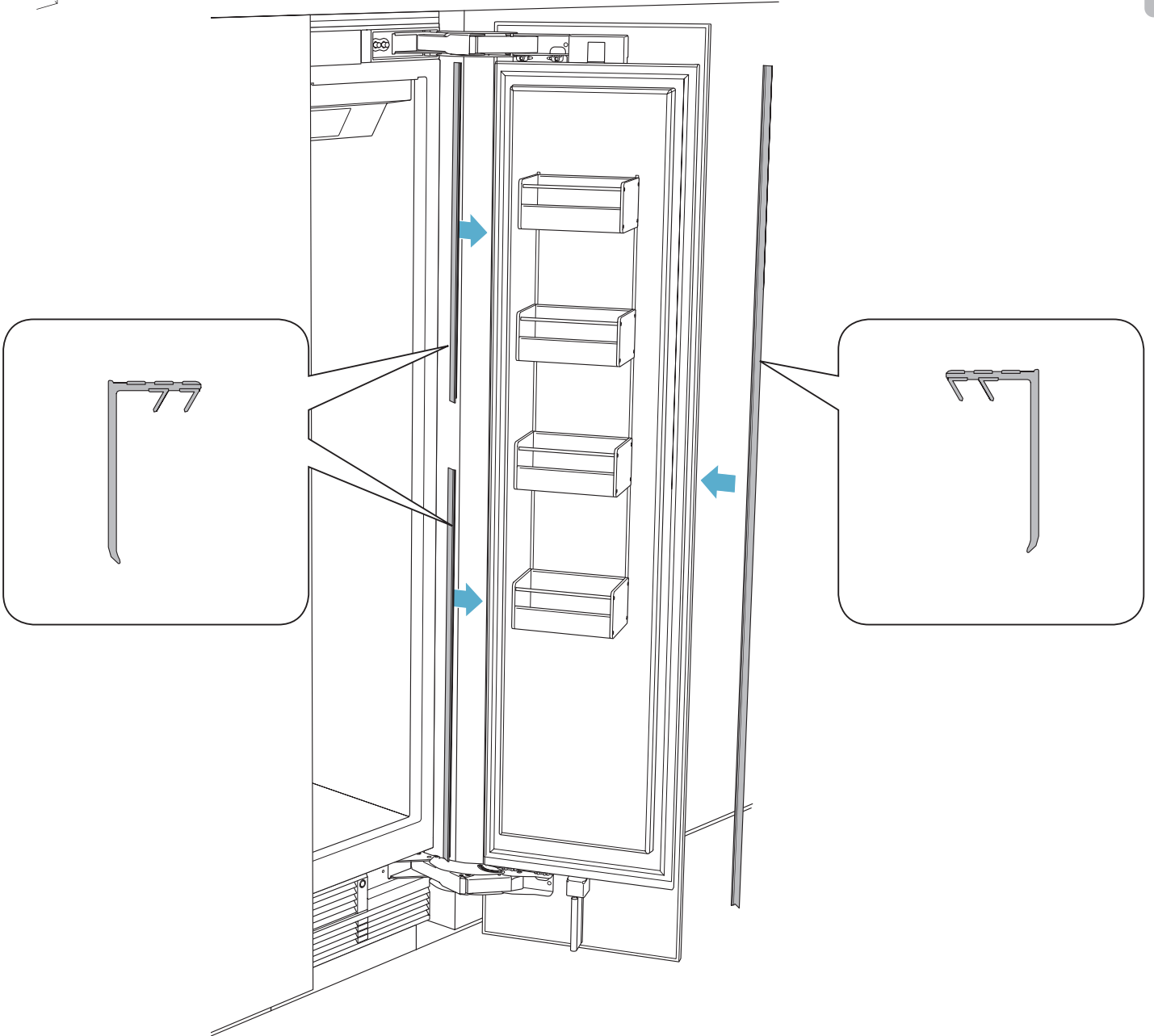
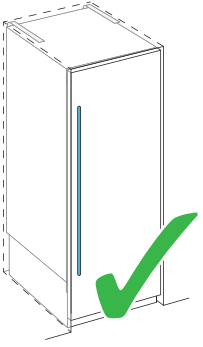
- A
- B
- C
- D



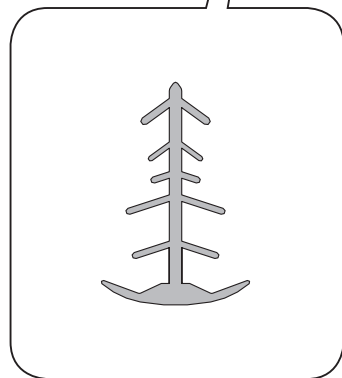
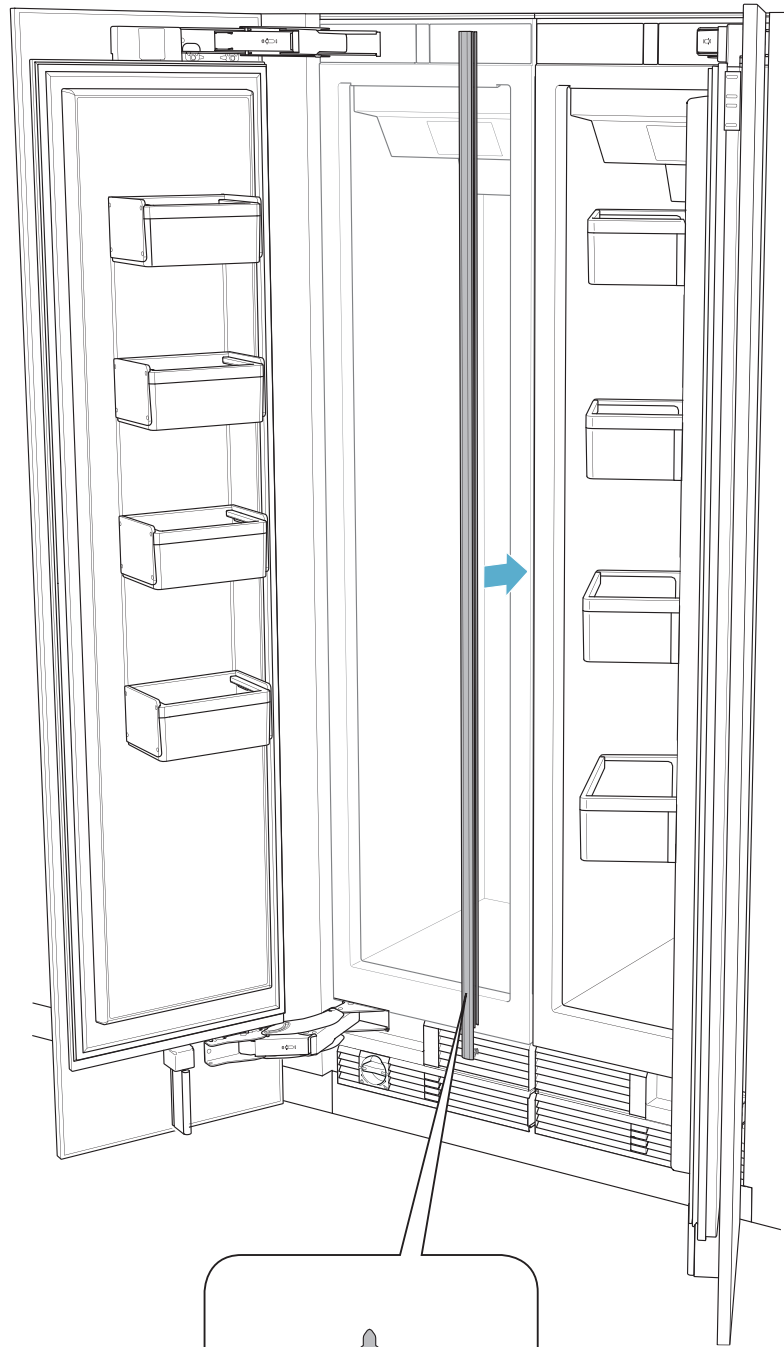


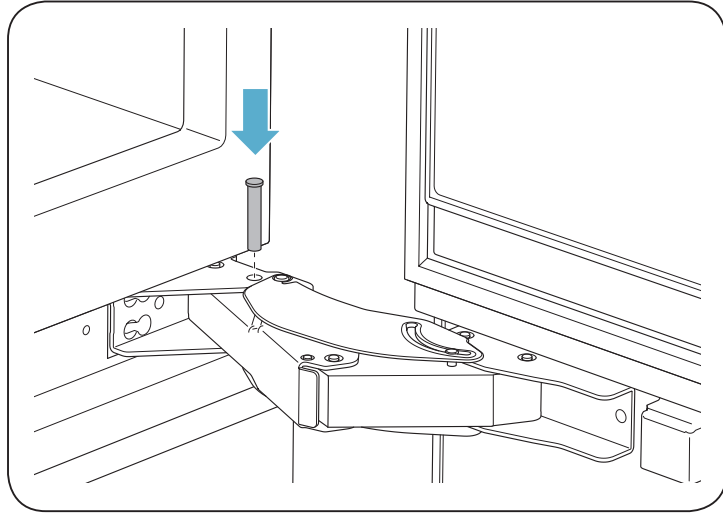
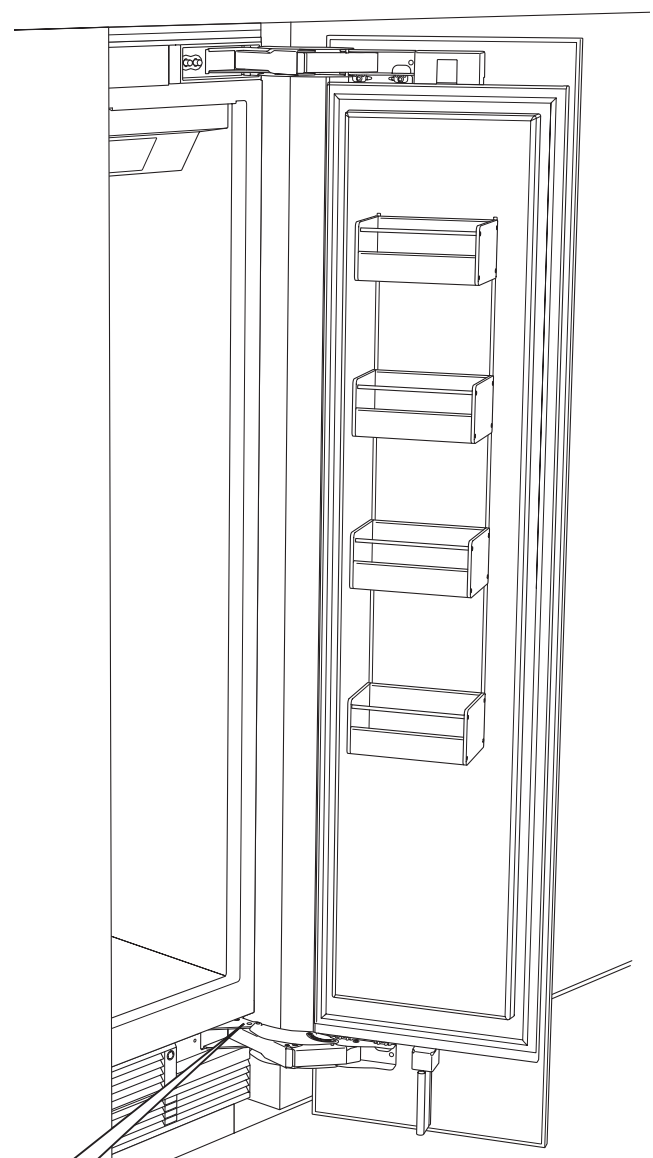
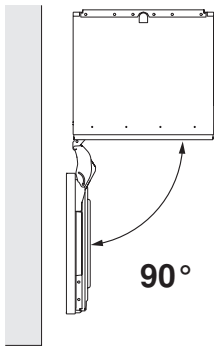
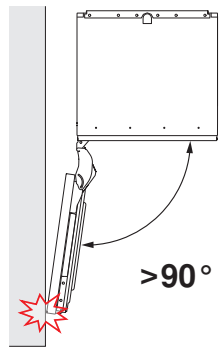
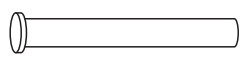
- A
- B
- C
- D

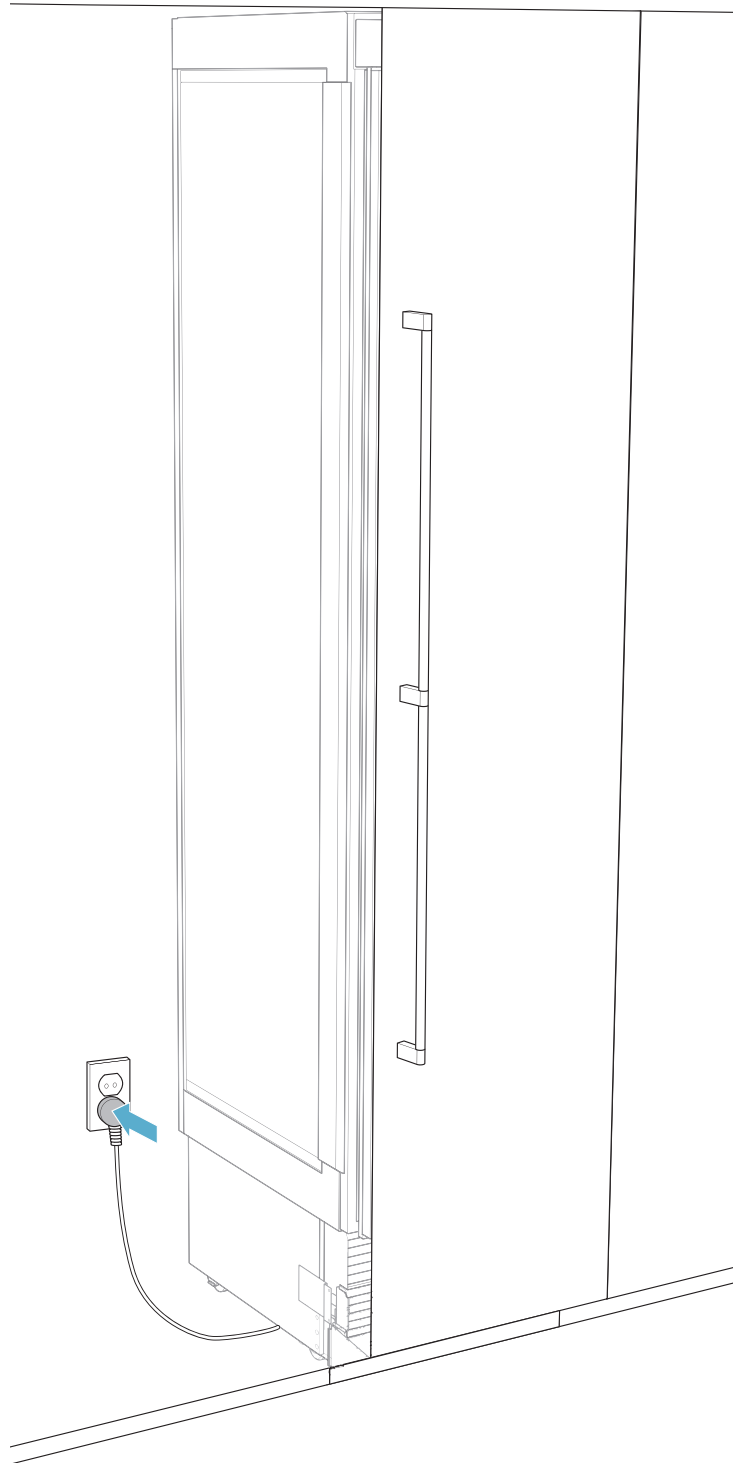




- A
- B
- C
- D







Gaggenau Hausgeräte GmbH
Carl-Wery-Straße 34
D-81739 München
www.gaggenau.com

8001175804 (9910)
xx

GAGGENAU

