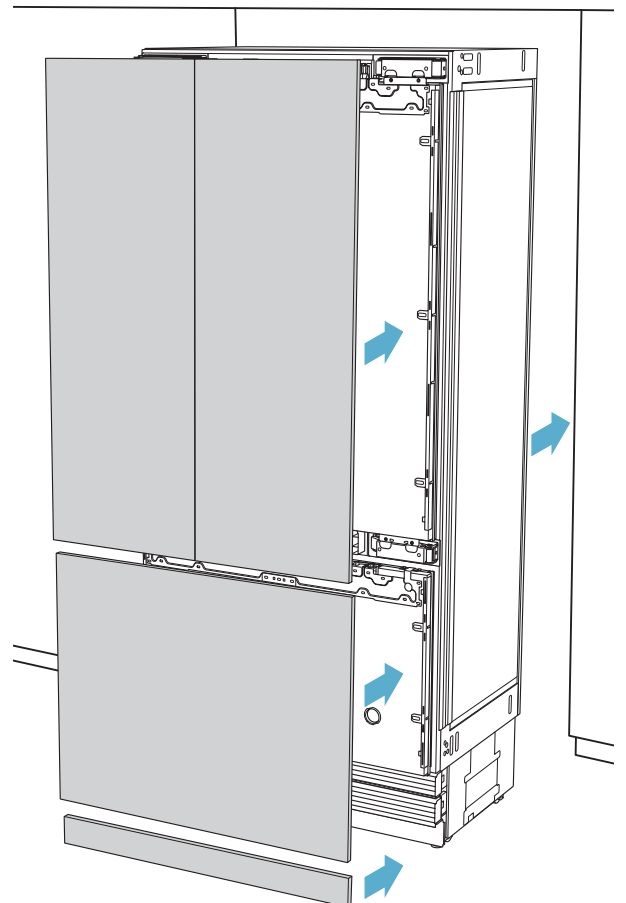


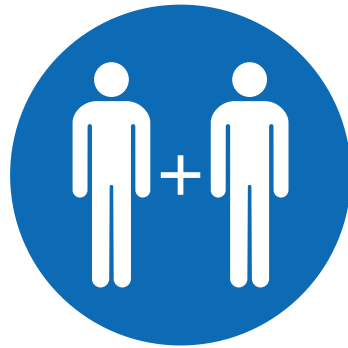
RY492303

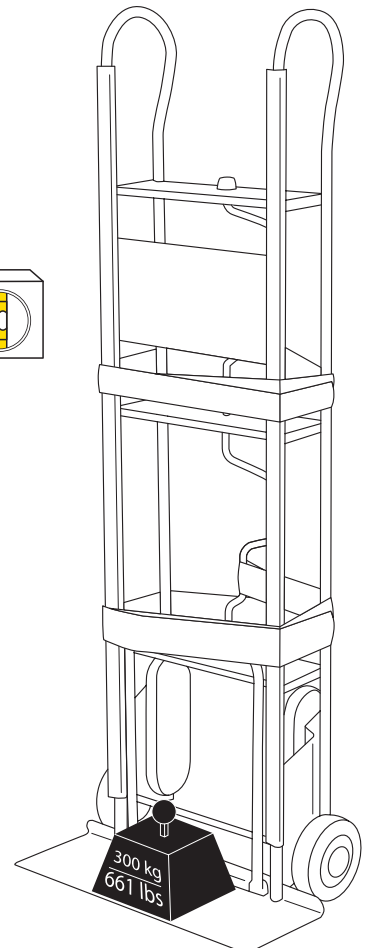
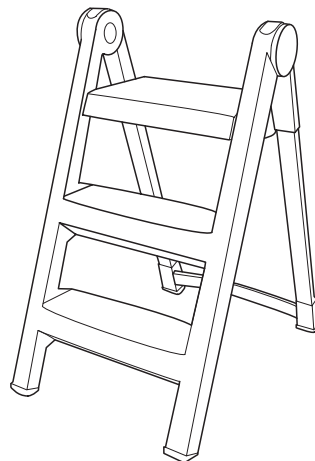
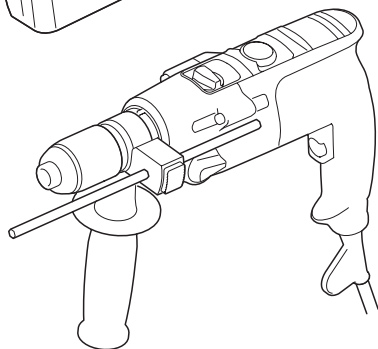
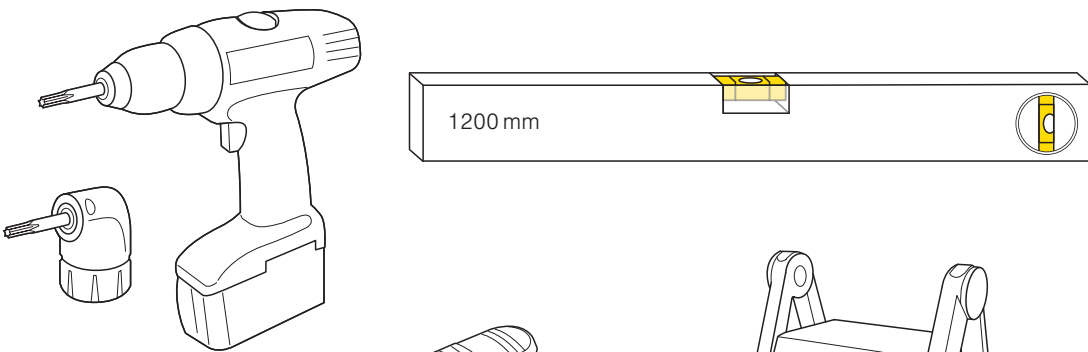
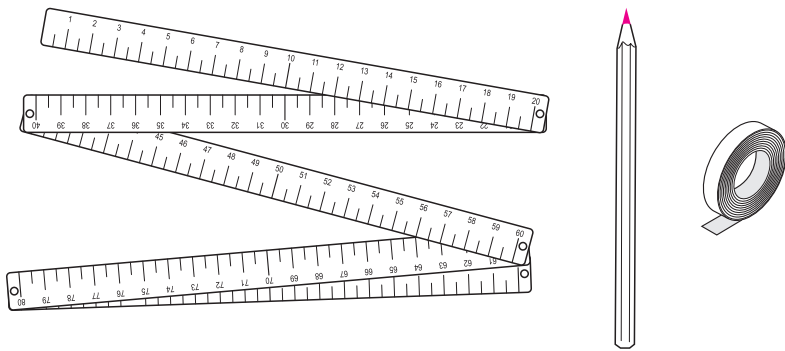
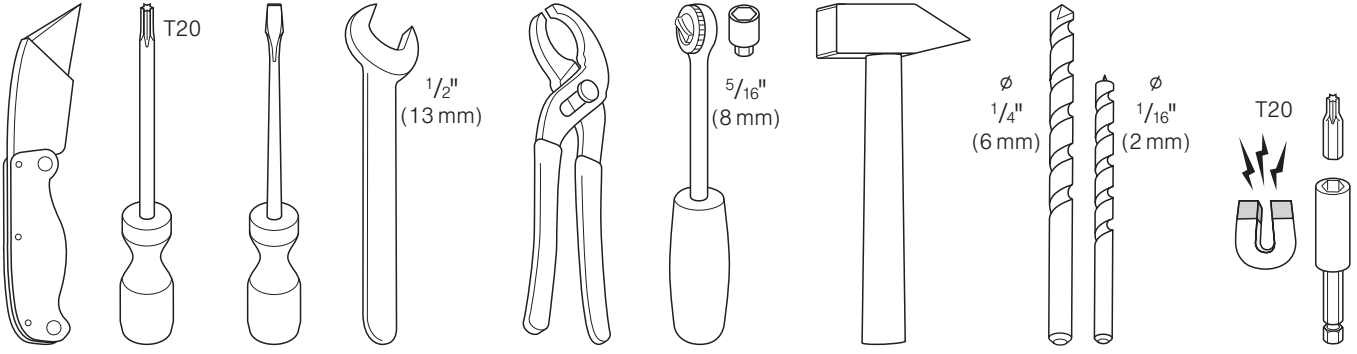
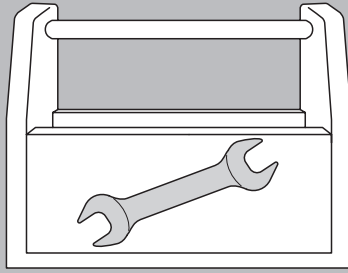
RY492505

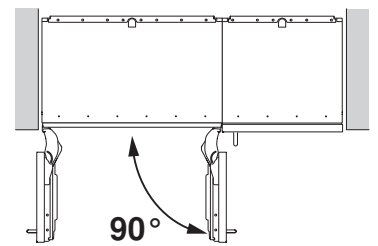
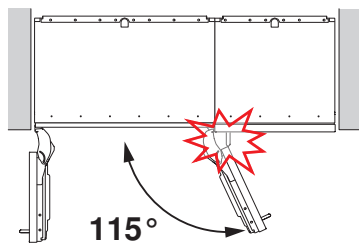
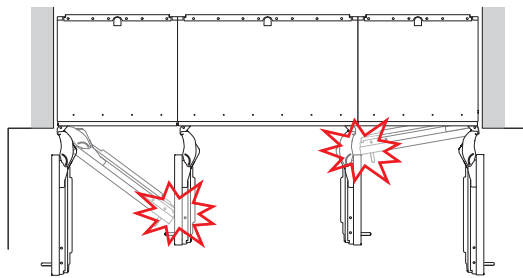
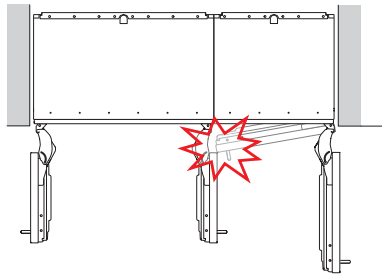
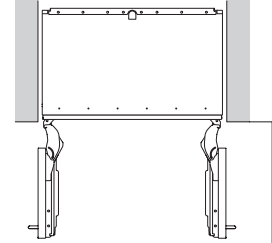
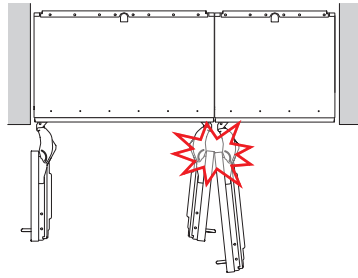
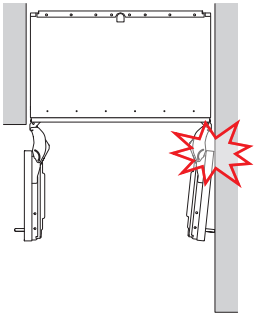
RY492905

RY492305



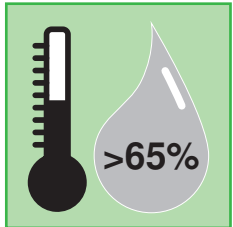




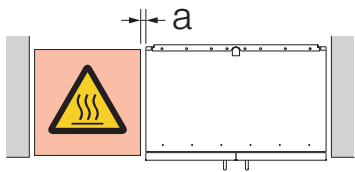
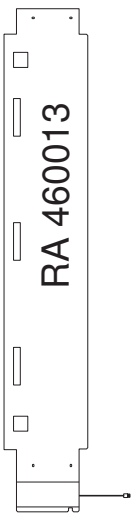




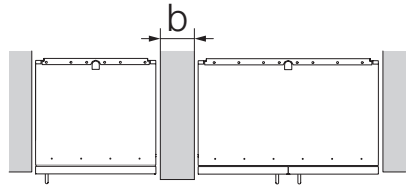
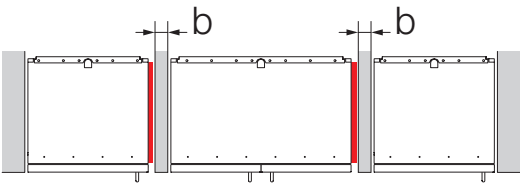
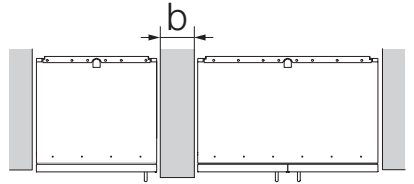
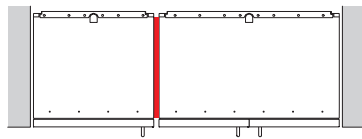
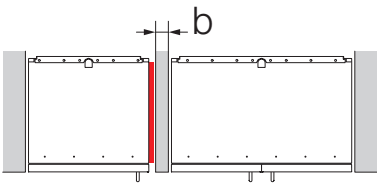
$\frac{5}{8}'' \leq b < 6\frac{1}{4}''$
(16 mm \leq b < 160 mm)

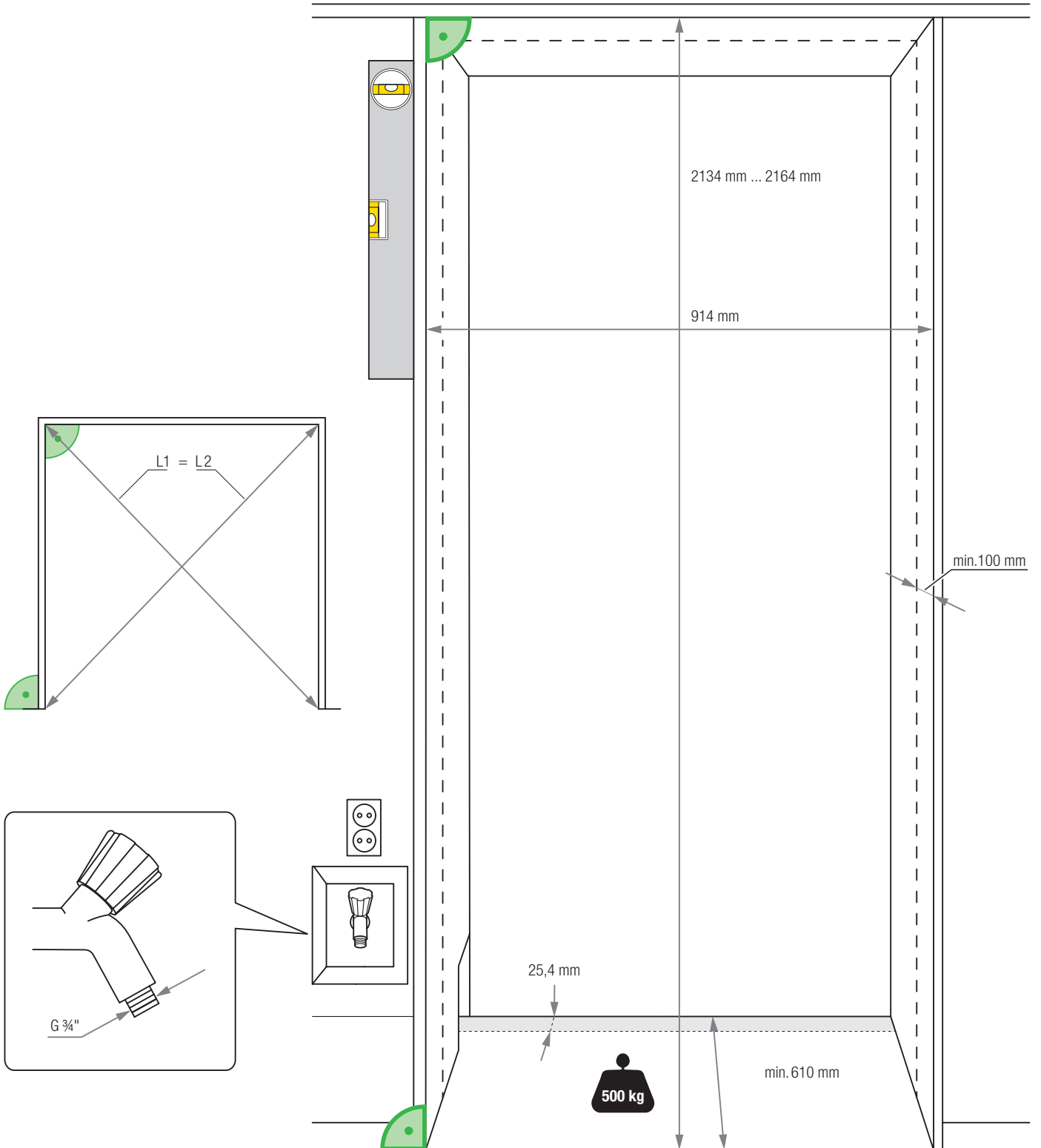


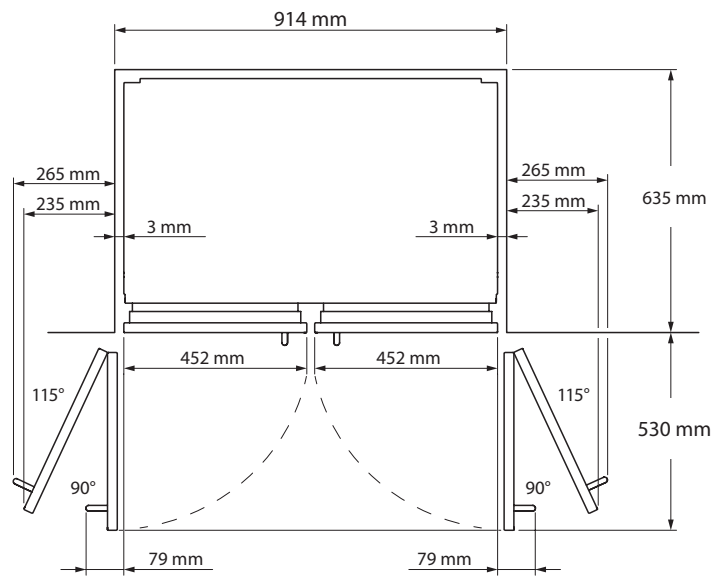
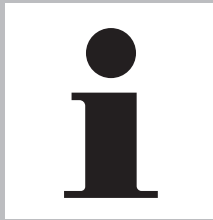
$a \geq 1\frac{3}{16}''$
(a \geq 30 mm)

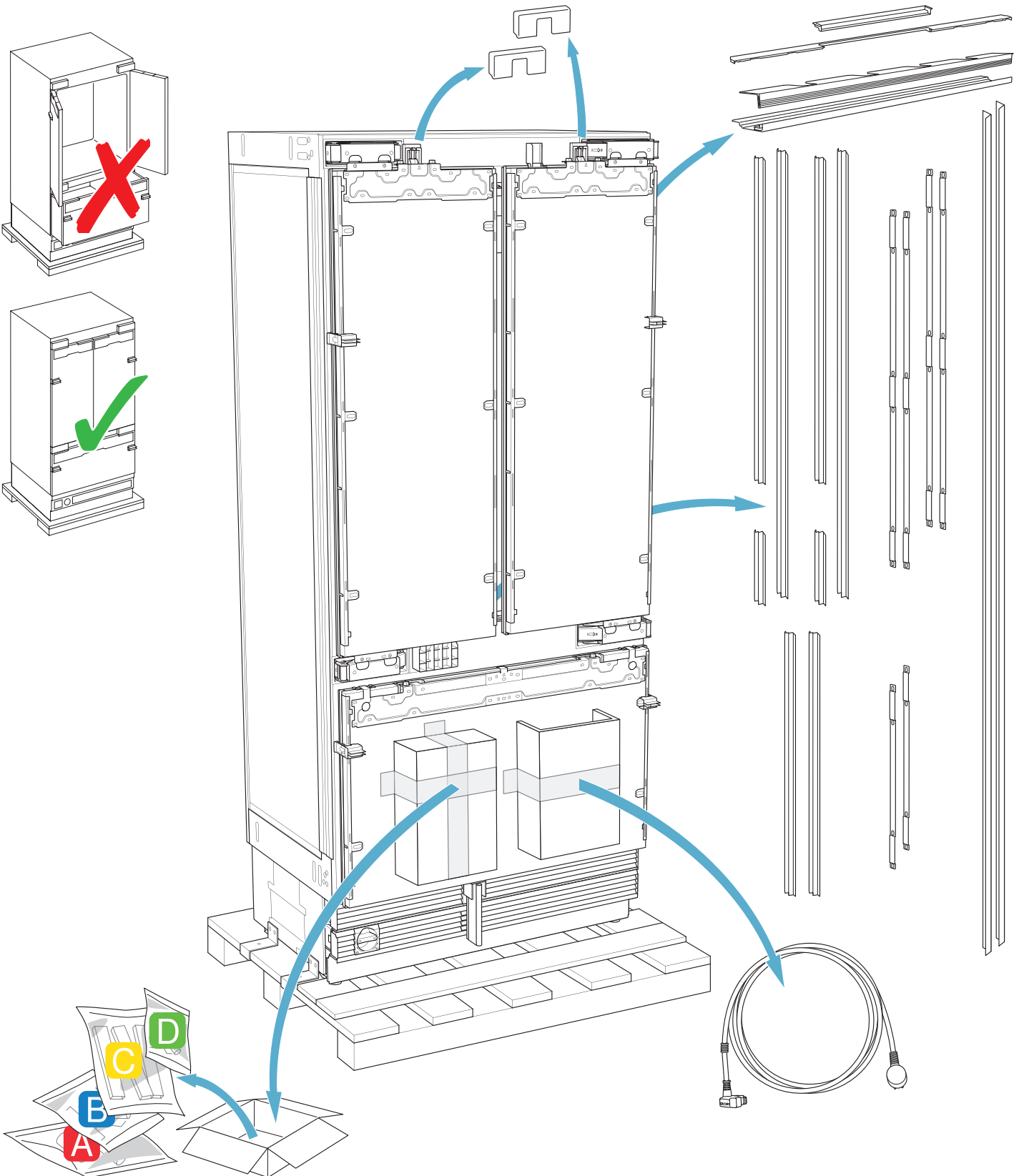
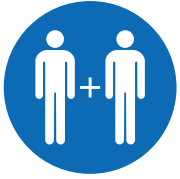


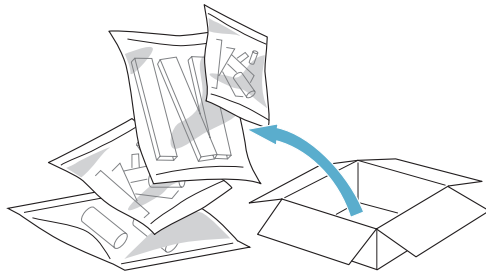
$b \geq 6\frac{1}{4}''$
 $b \geq 160$ mm




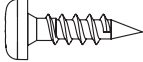

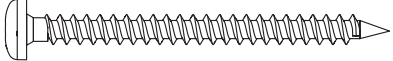
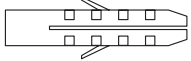


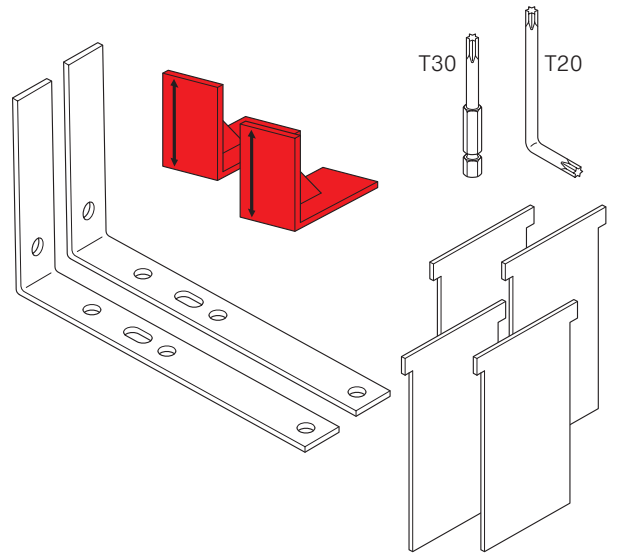






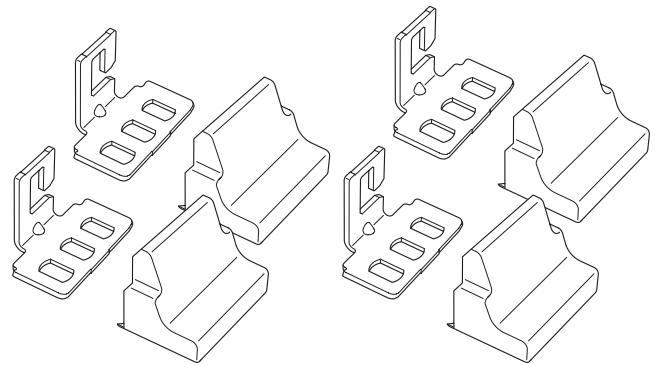
A

4x15			6x
5x60			4x
6x31			4x


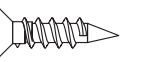

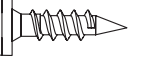


B

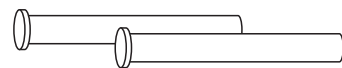
4x15			8x
------	---	---	----

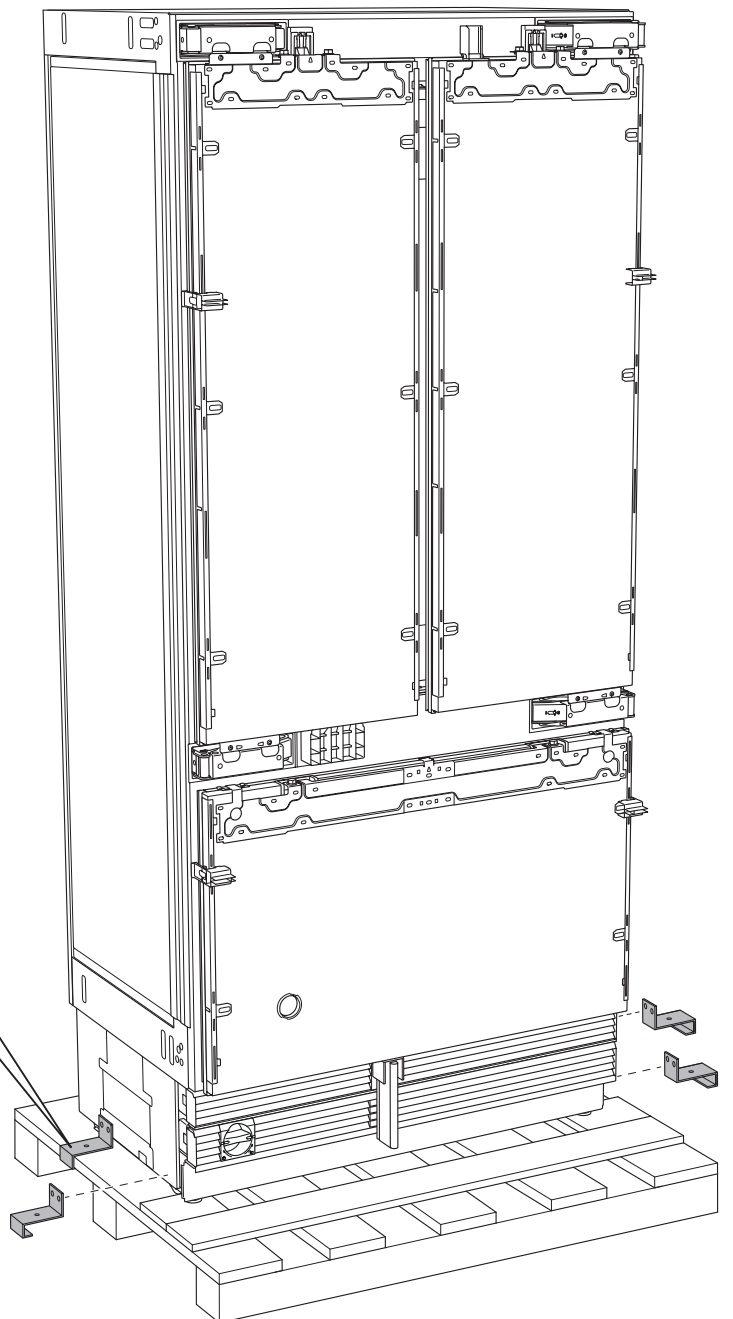
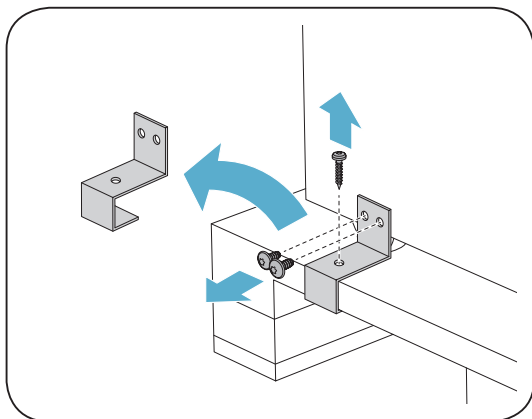
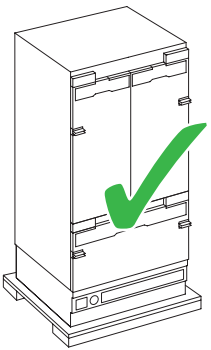
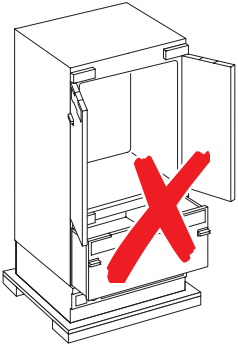
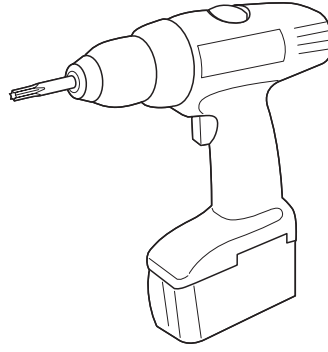
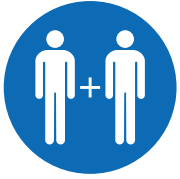


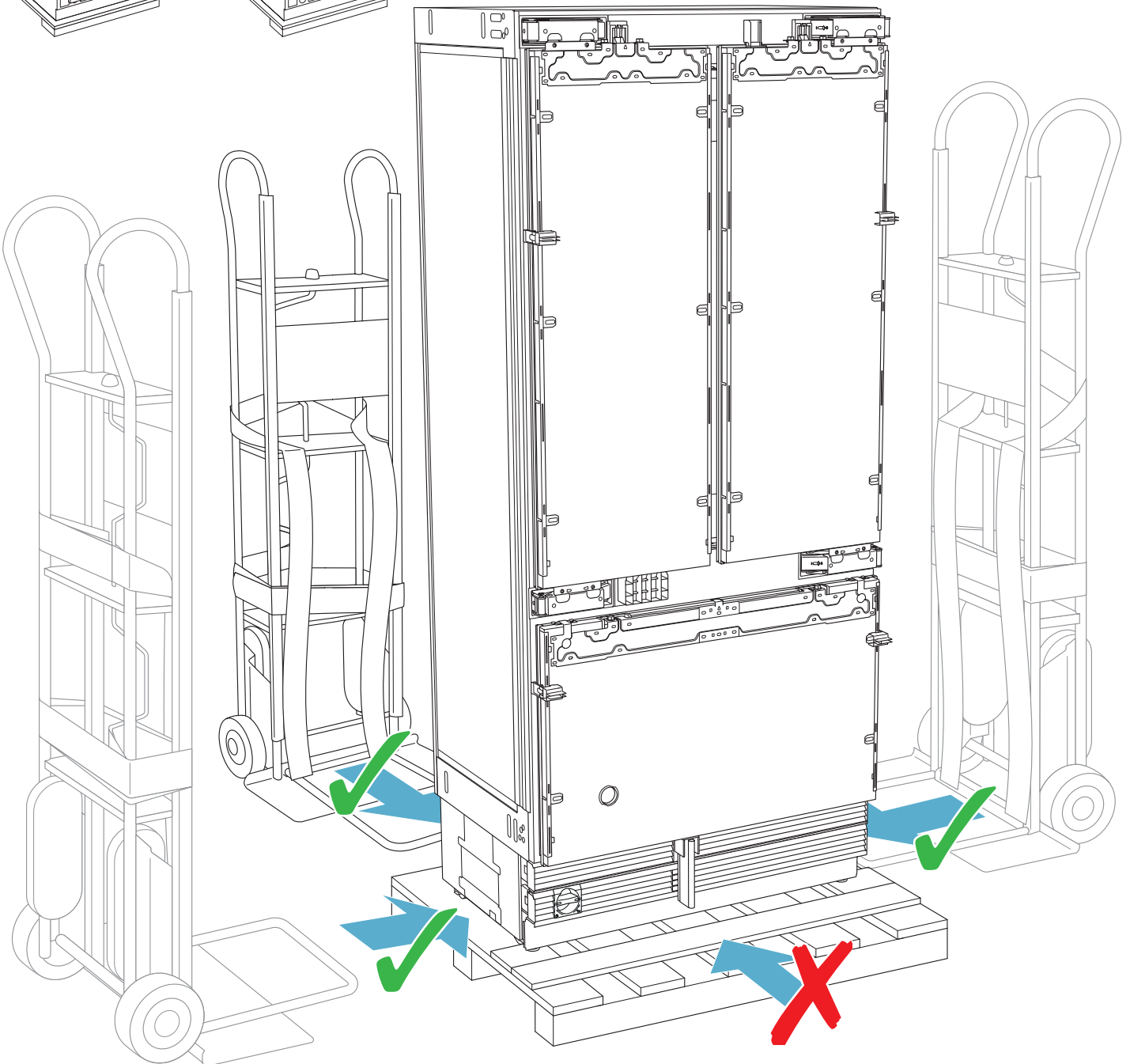
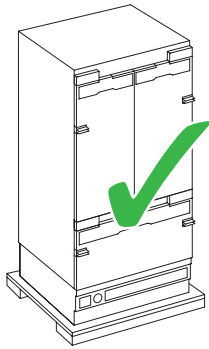
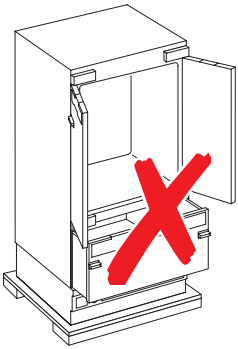
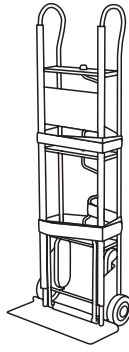
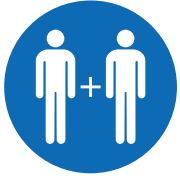
C

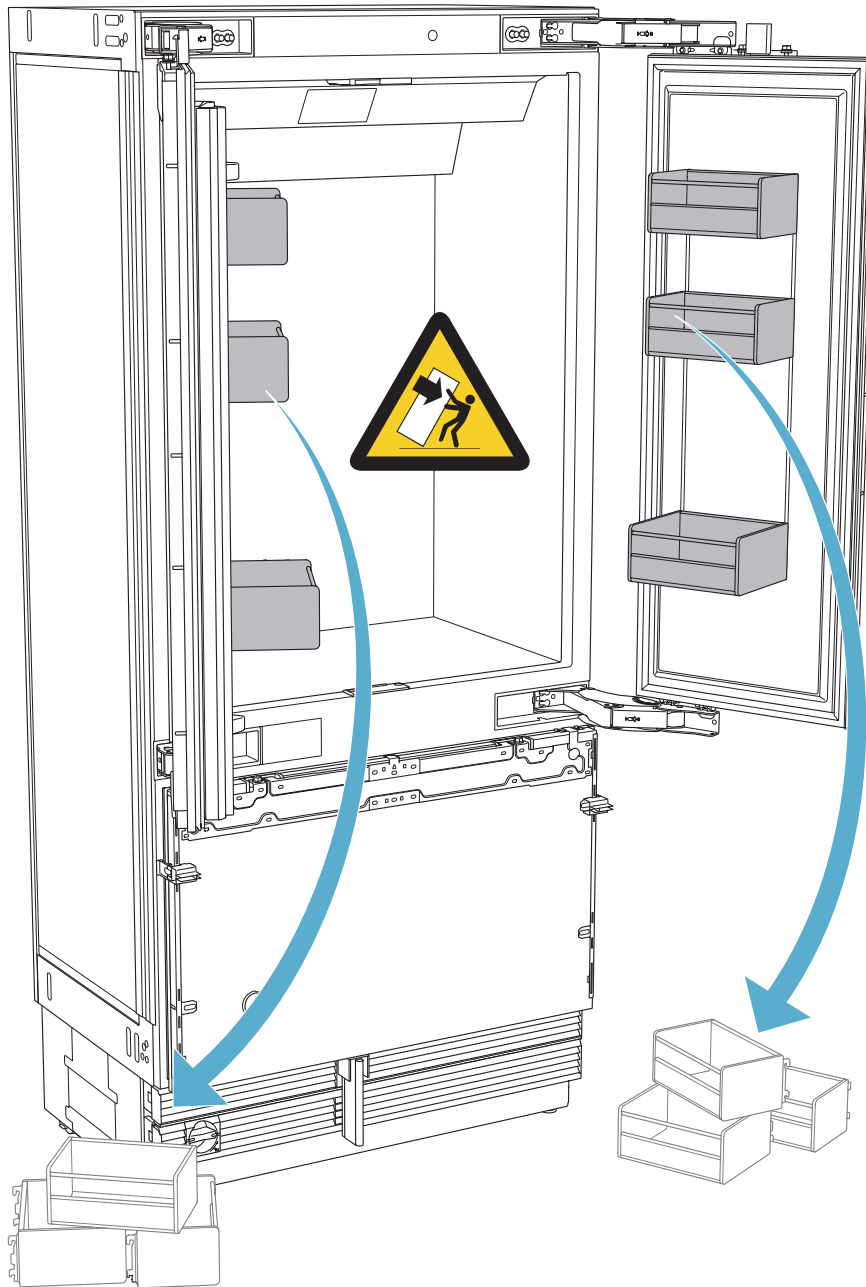
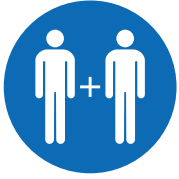
4x15			54x
4x15			8x

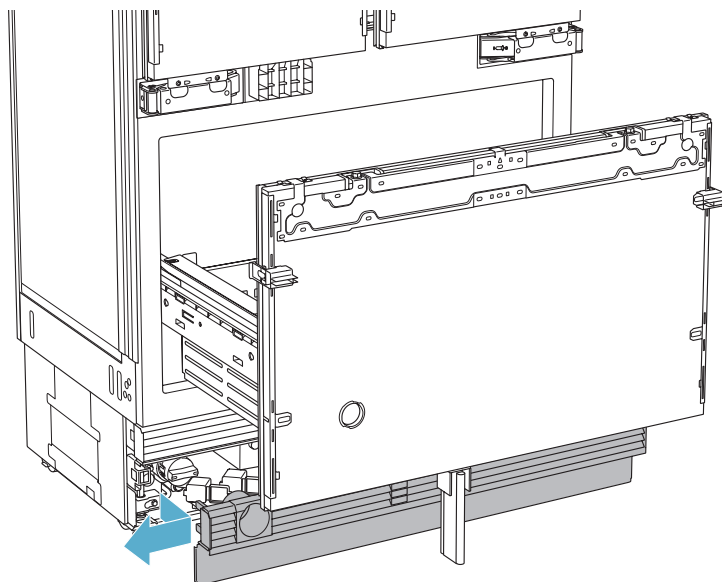
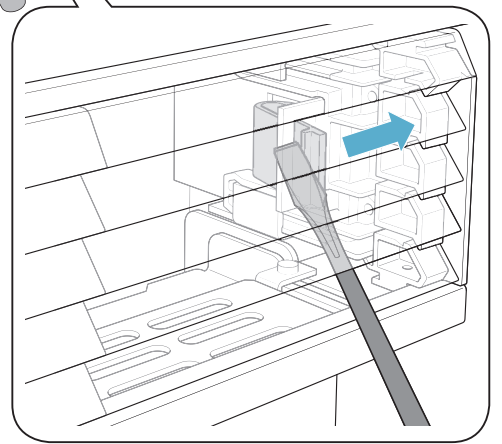
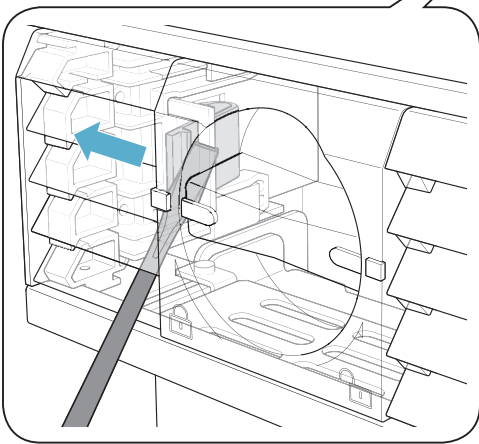
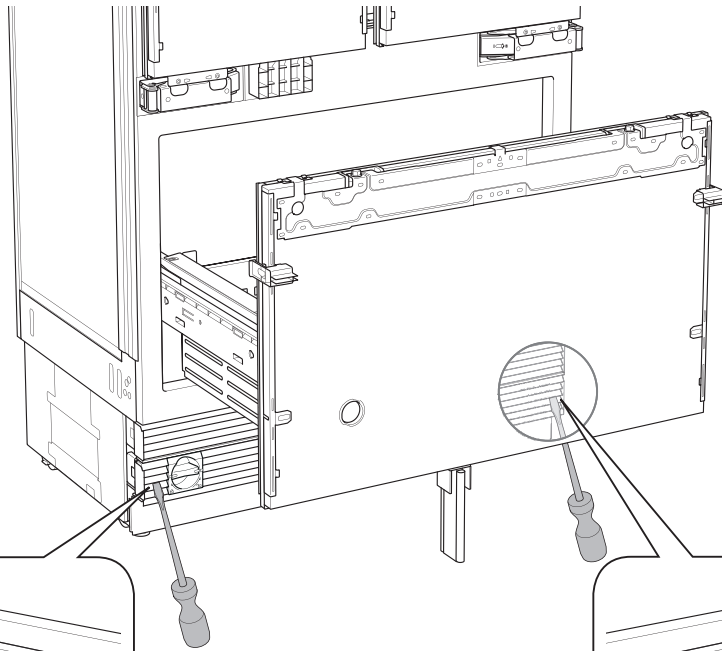
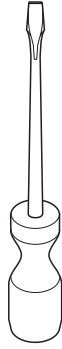
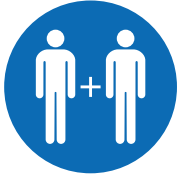
D

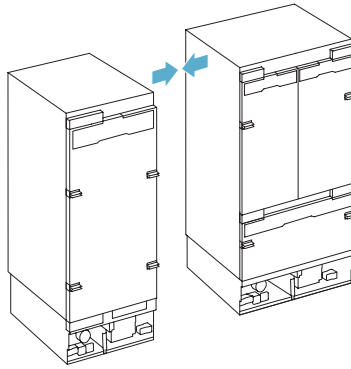
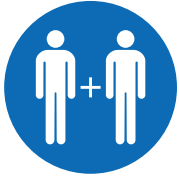




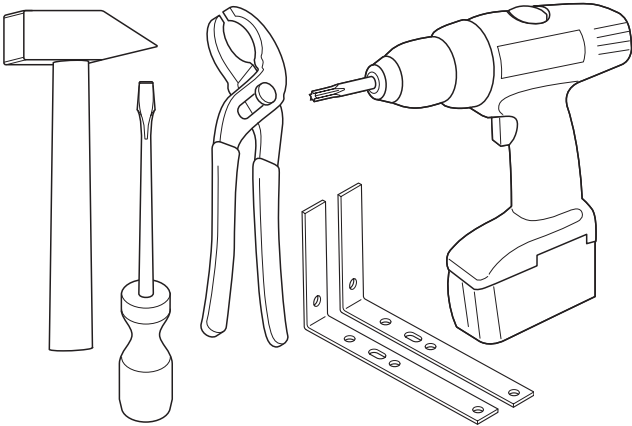




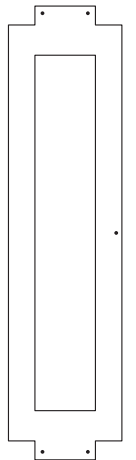
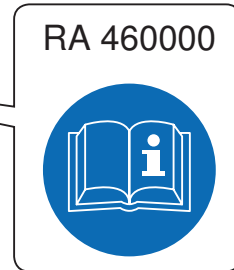
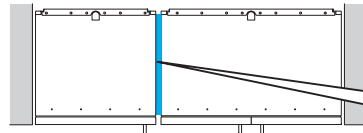
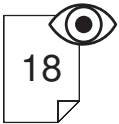
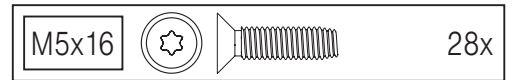
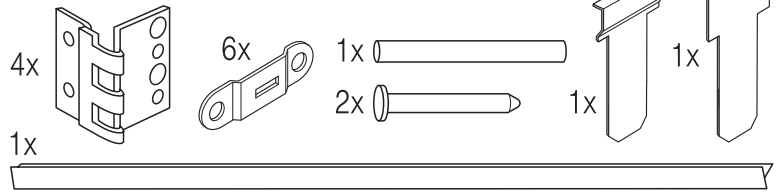




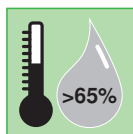
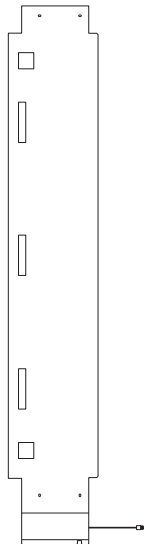
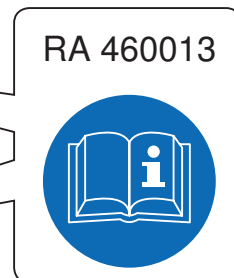
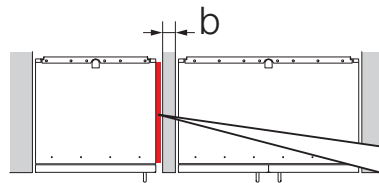
A
B
C
D



RA460000



$\frac{5}{8}'' \leq b < 6\frac{1}{4}''$
(16 mm \leq b < 160 mm)

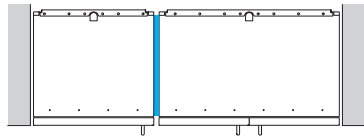


A

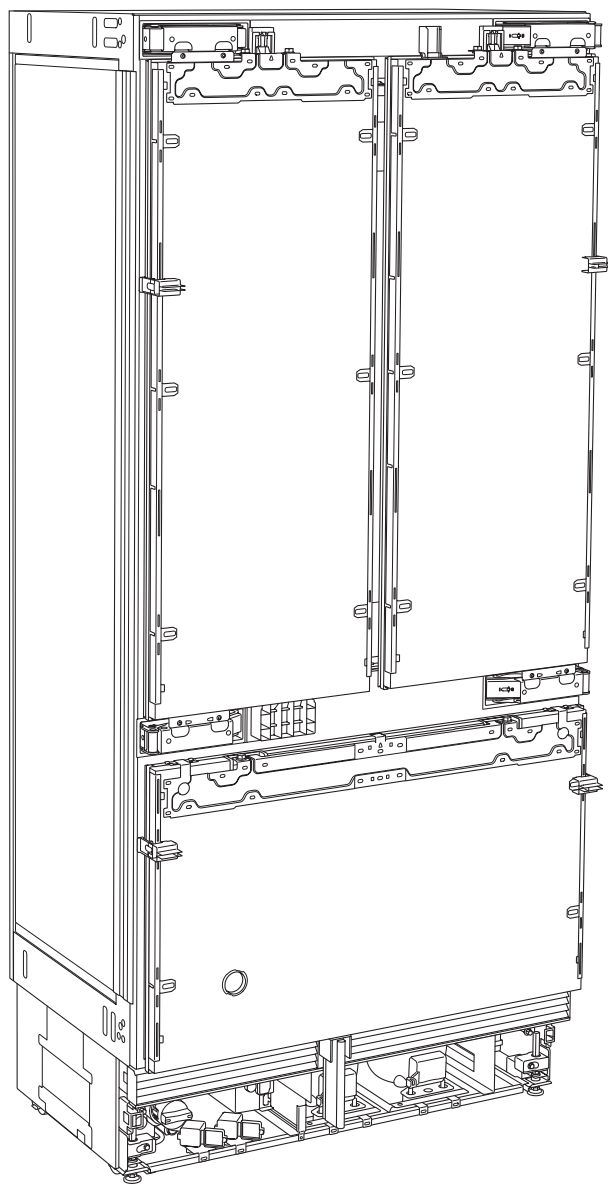
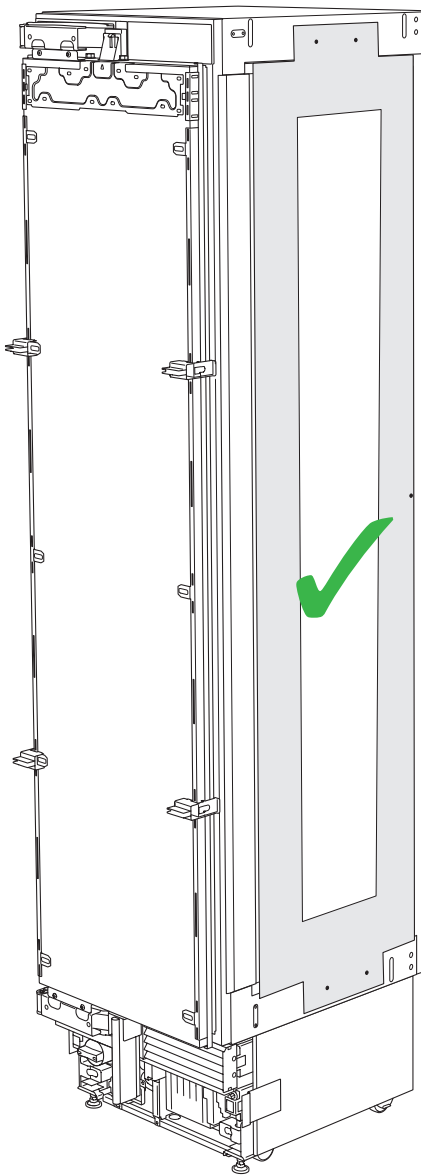
B



C

D

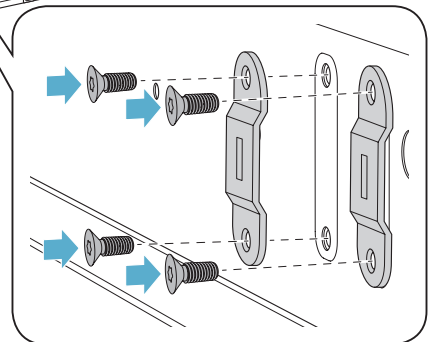
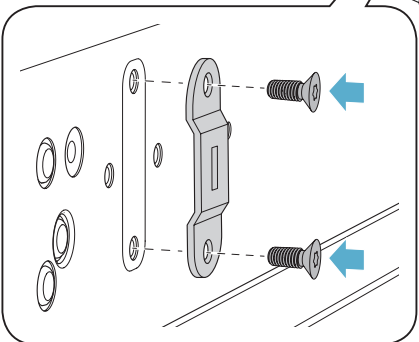
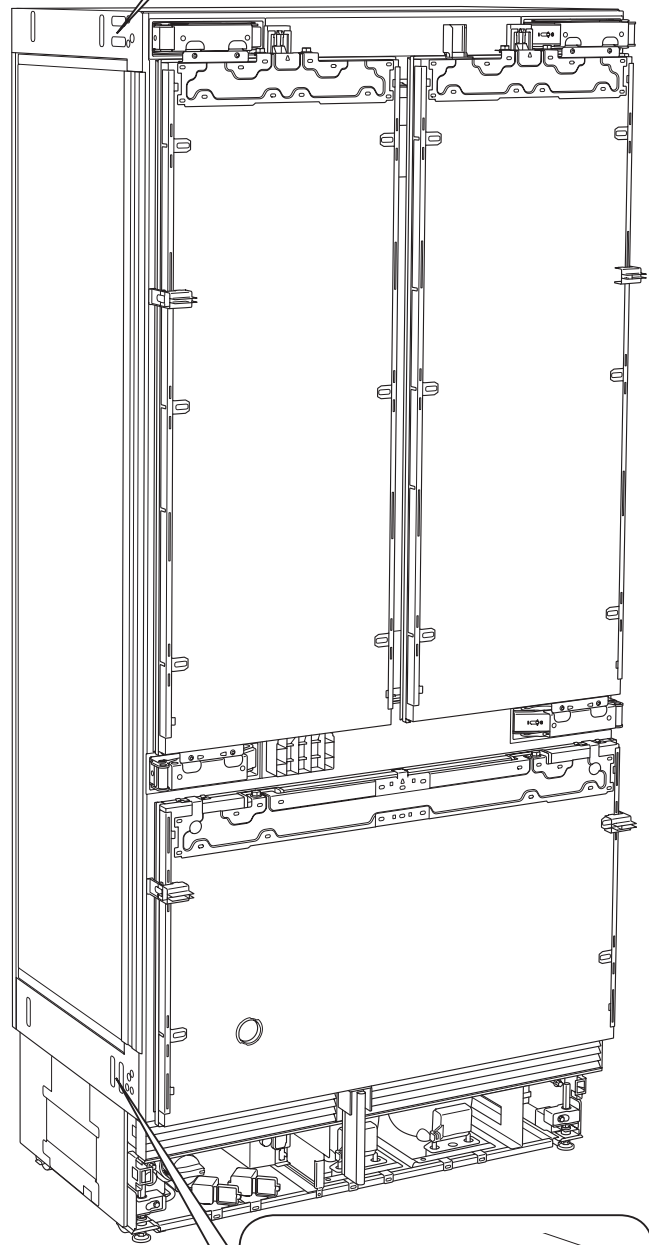
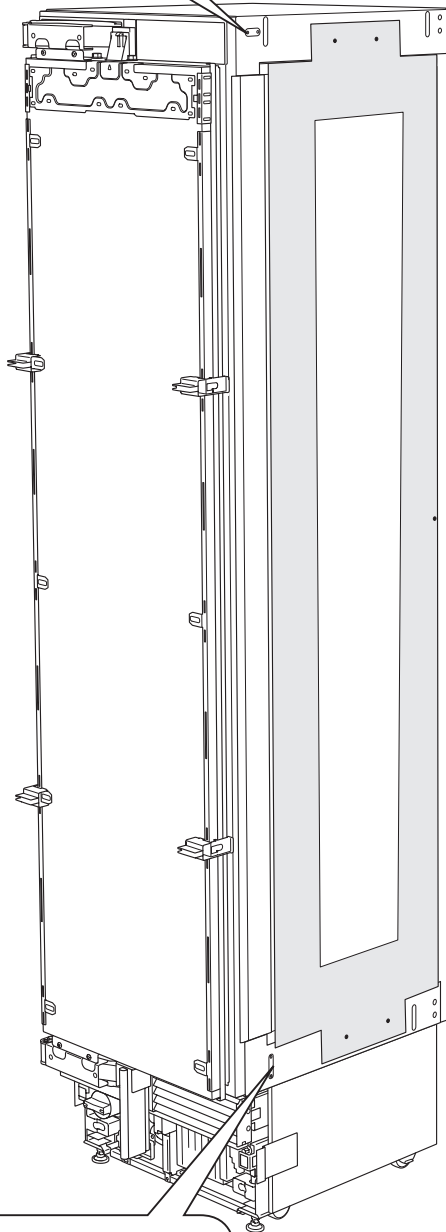
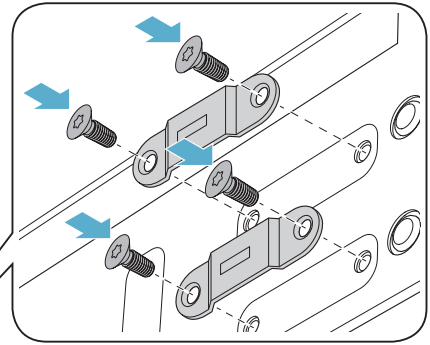
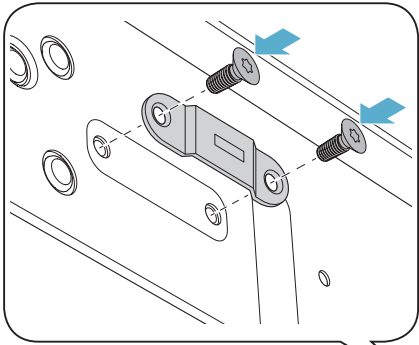


RA 46000



M5x16   12x

A
B
C
D



A

B

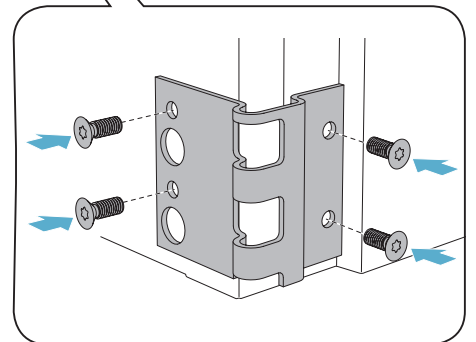
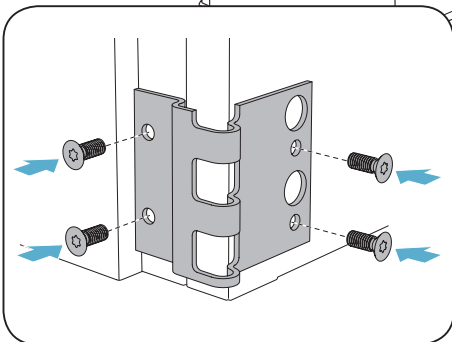
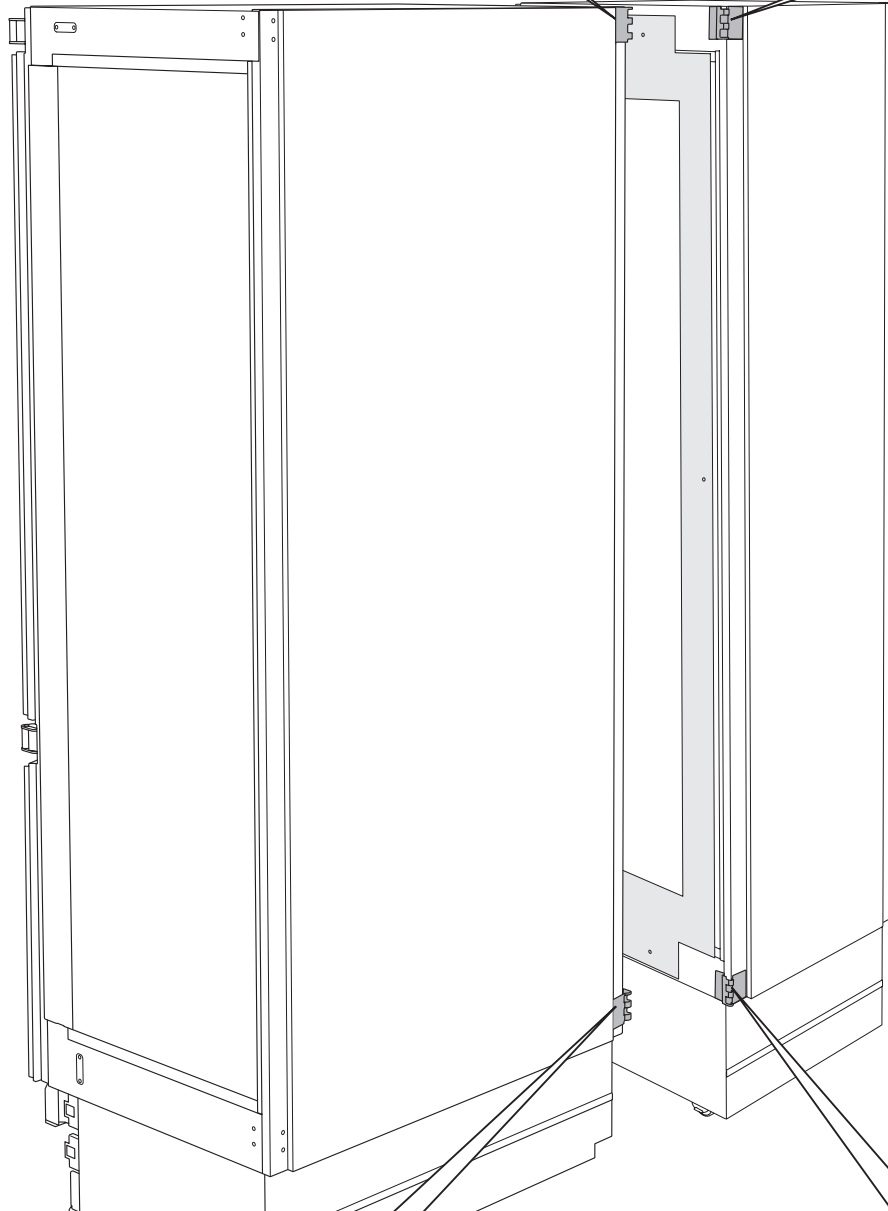
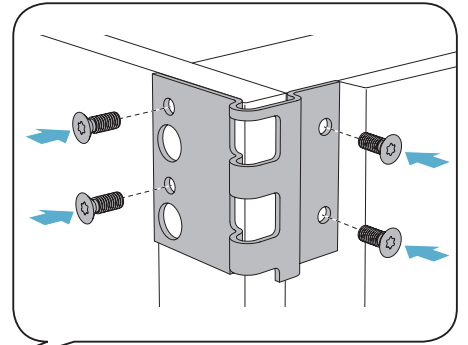
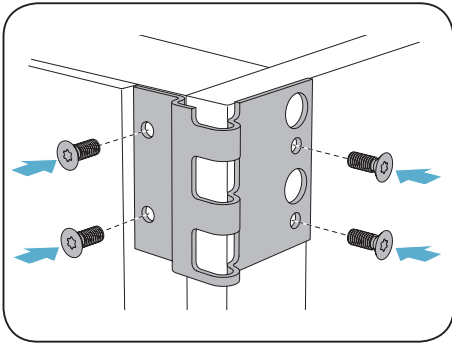
C

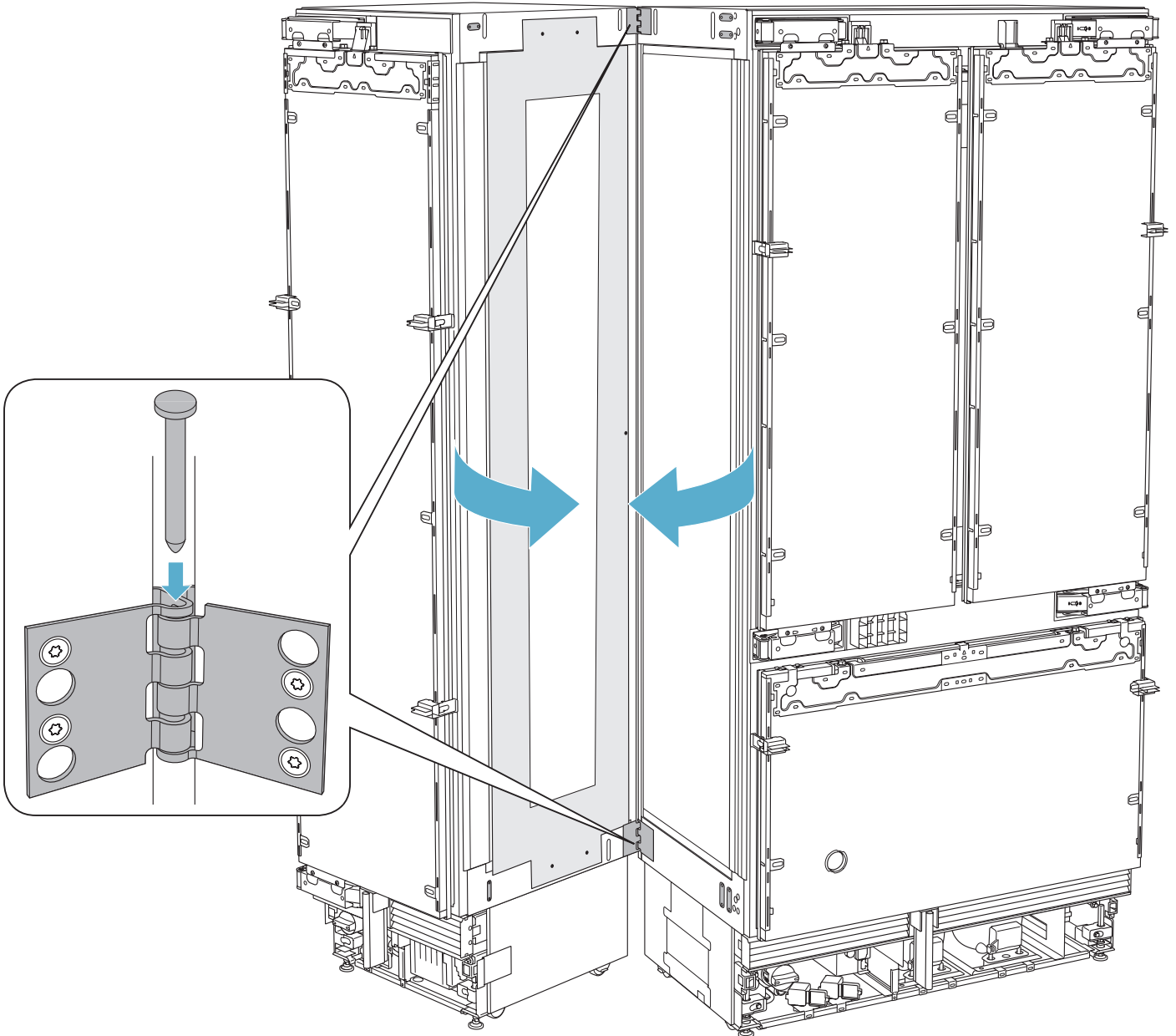
D

M5x16



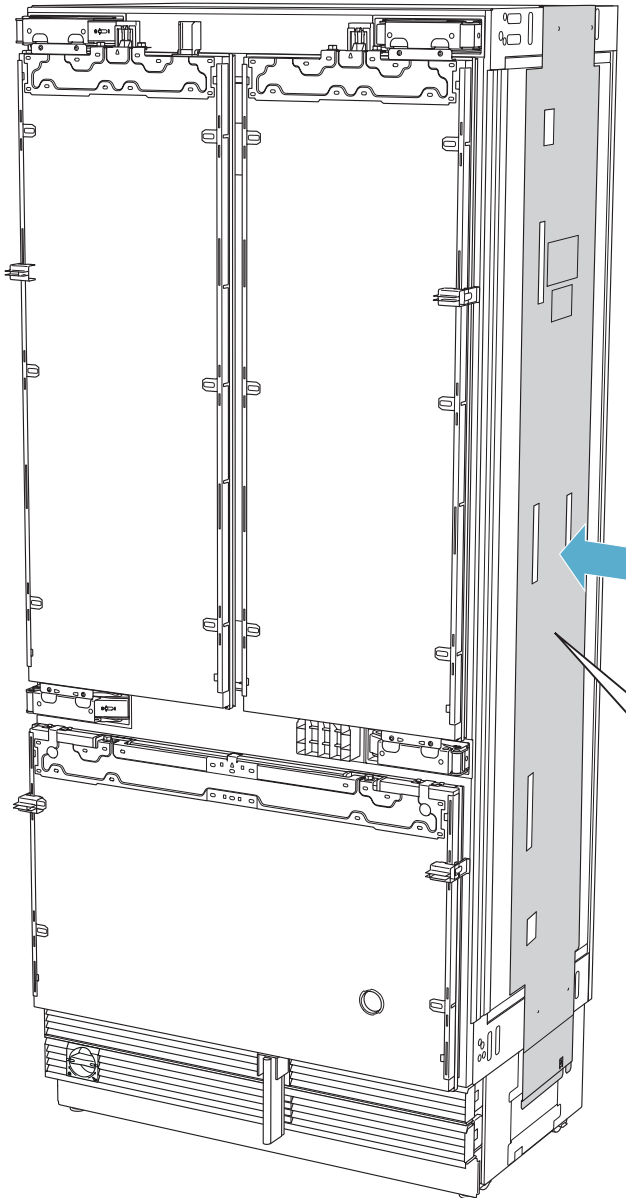
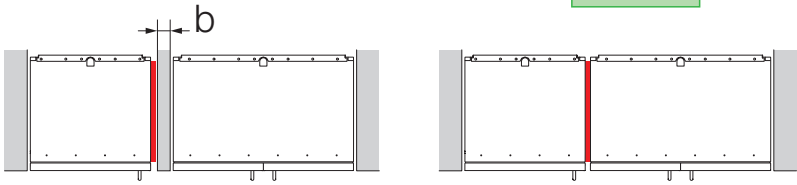
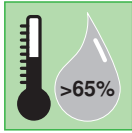
16x



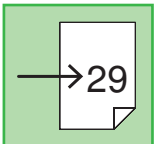
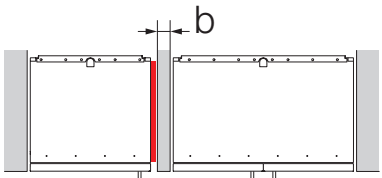




A
B
C
D

$\frac{5}{8}'' \leq b < 6\frac{1}{4}''$
(16 mm $\leq b < 160$ mm)

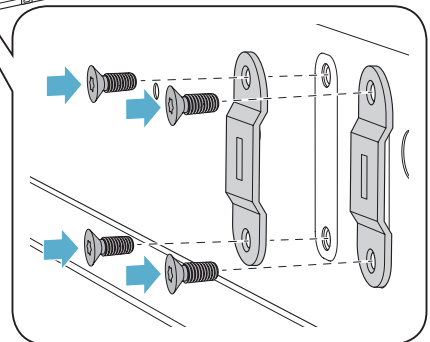
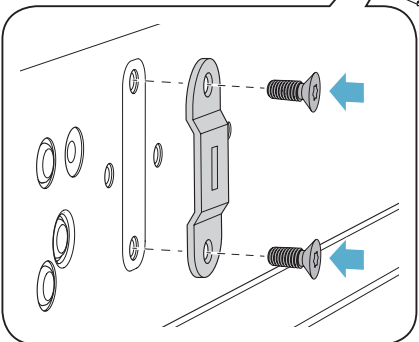
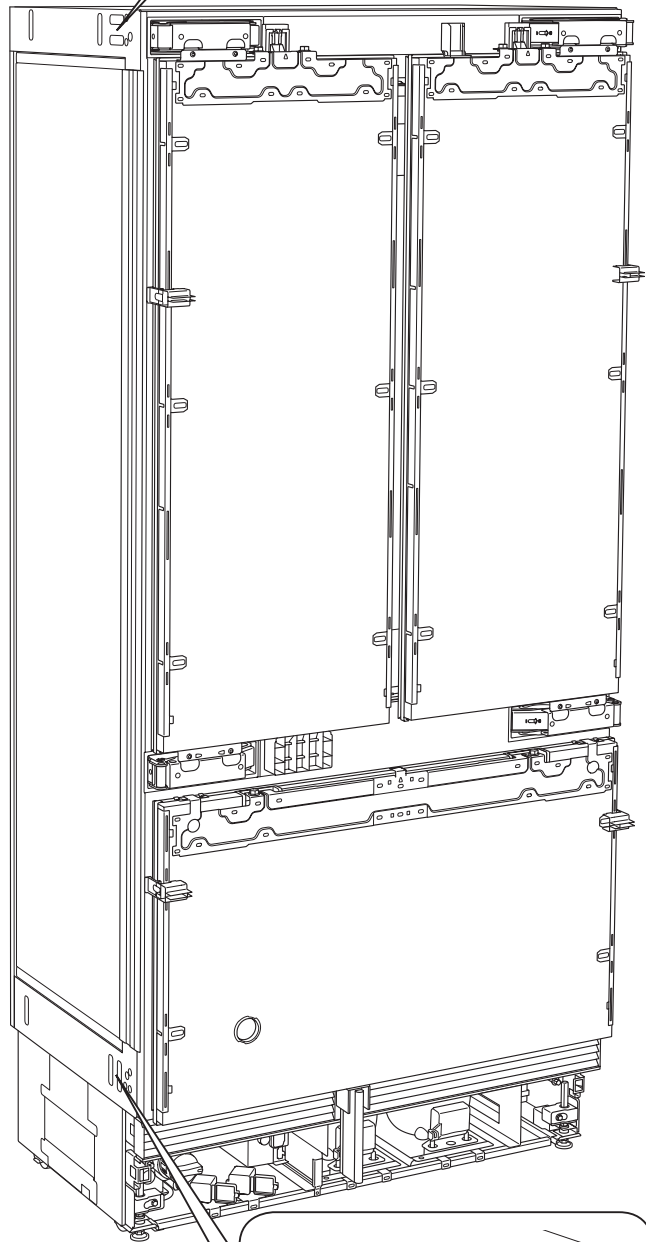
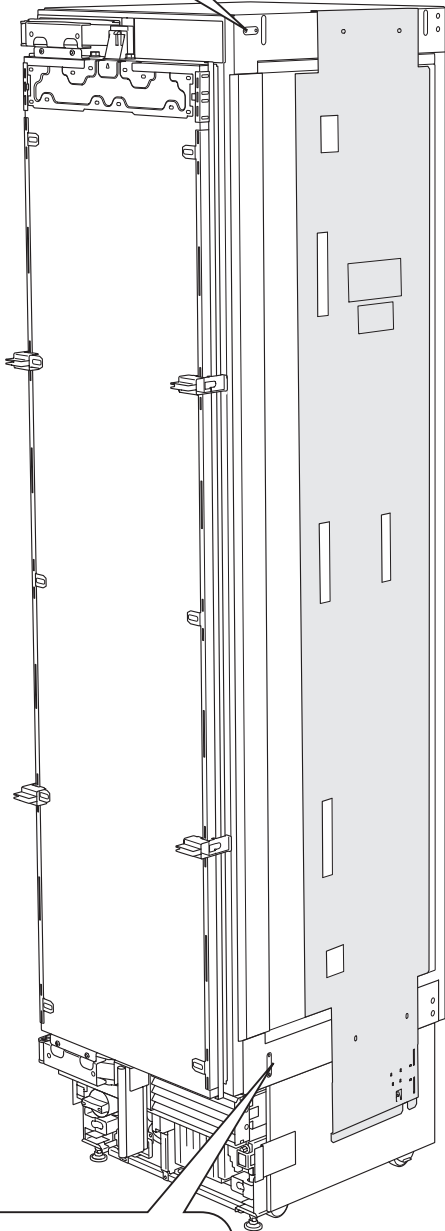
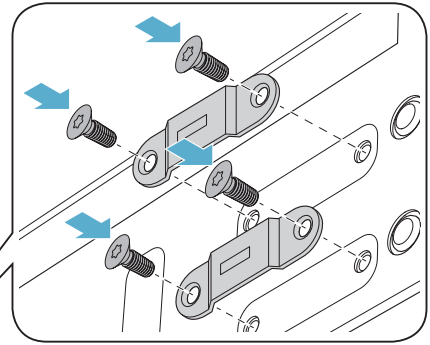
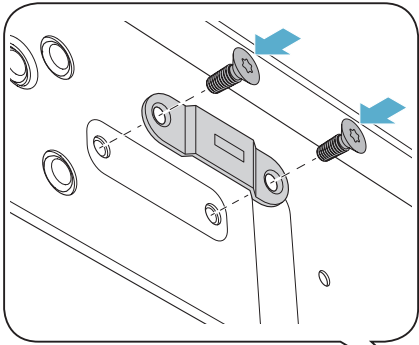


RA 460013



M5x16   12x

A
B
C
D





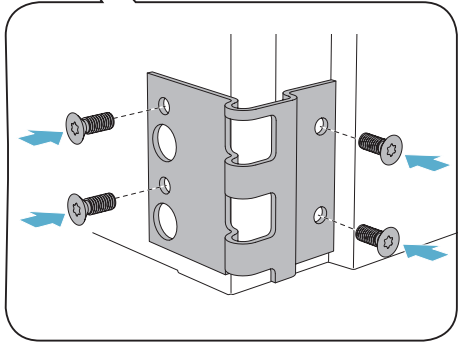
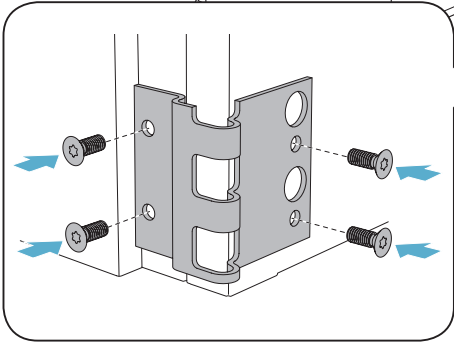
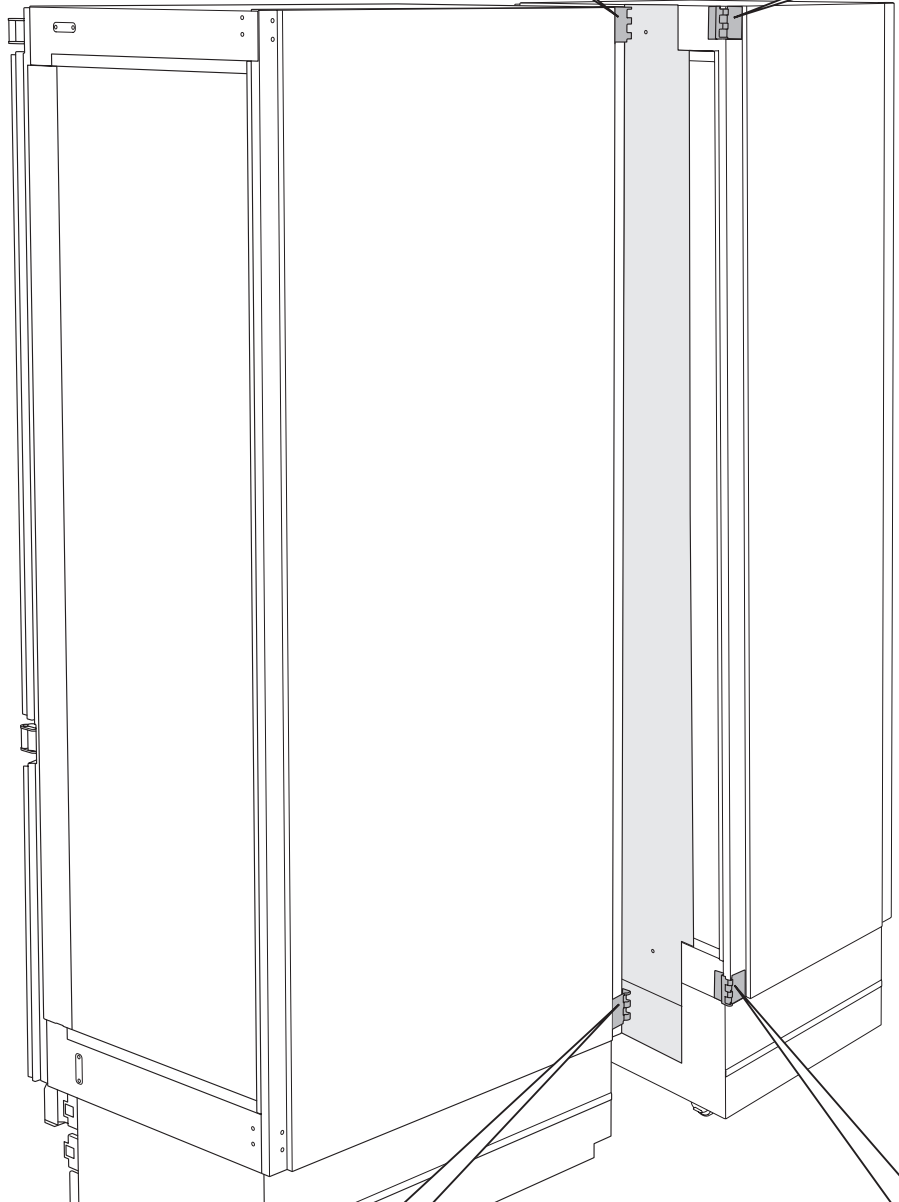
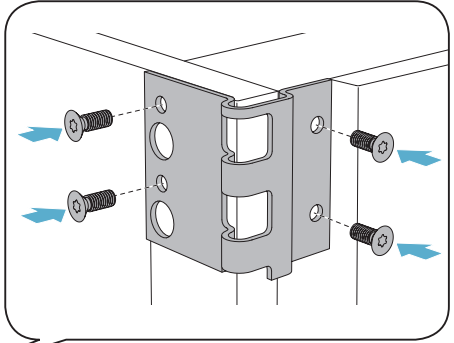
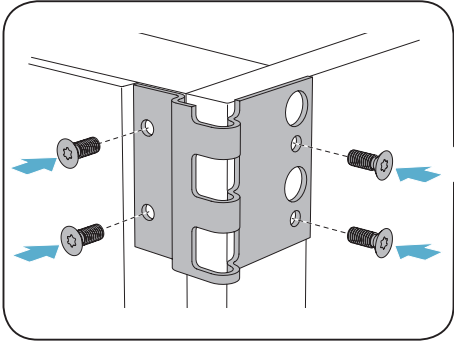
A

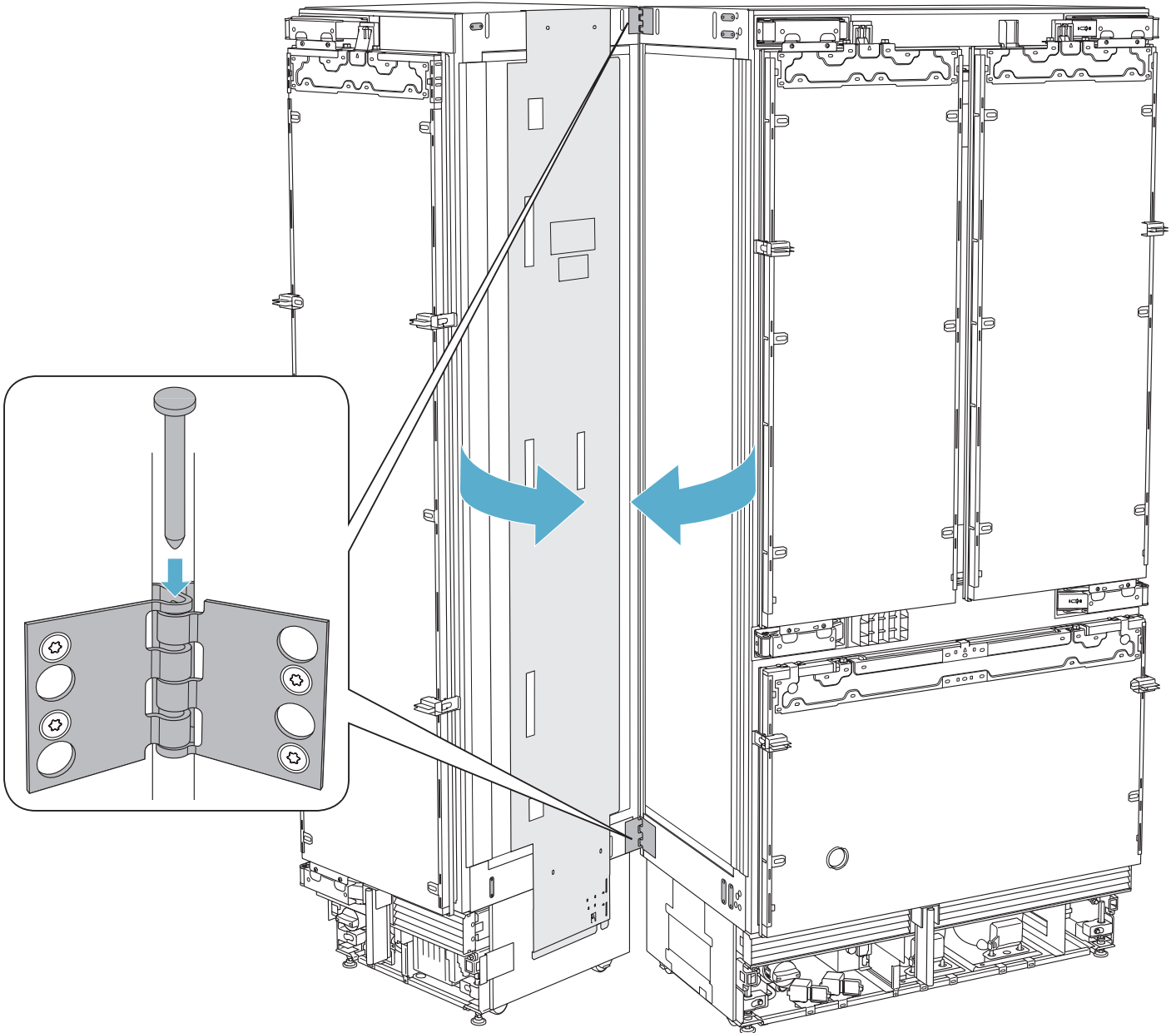
B

C

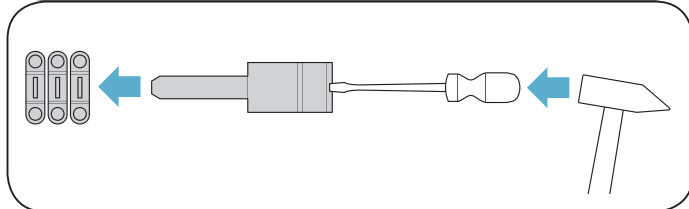
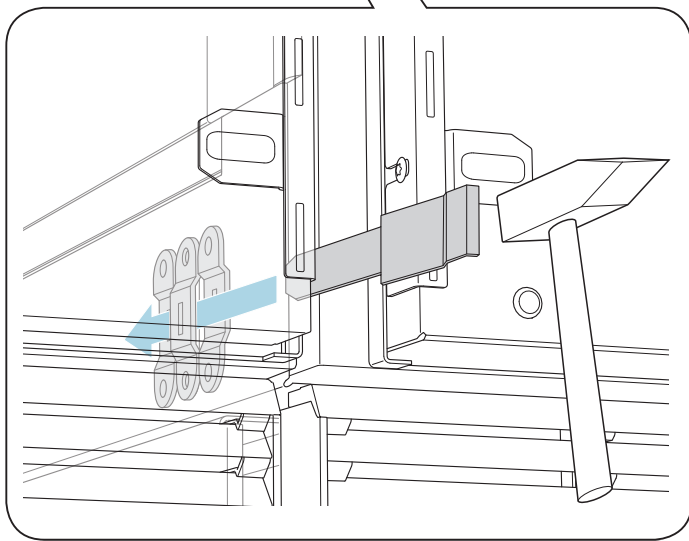
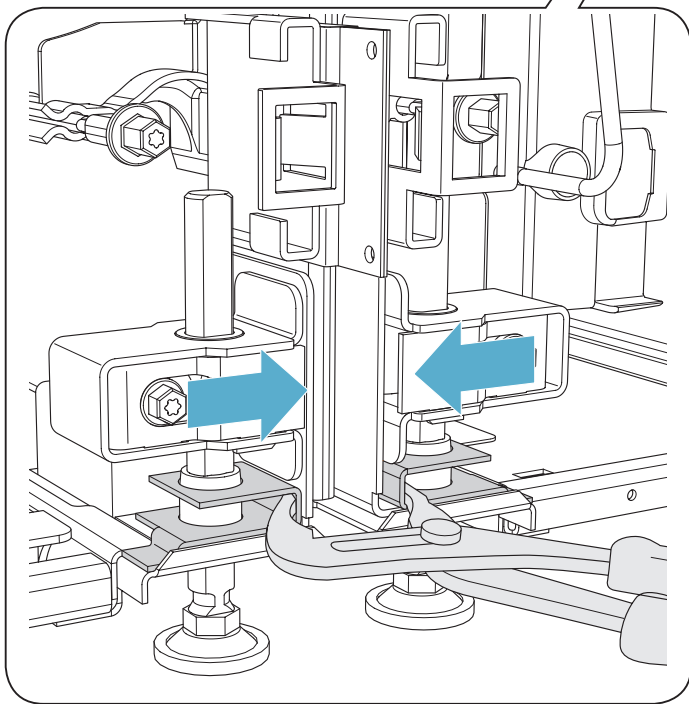
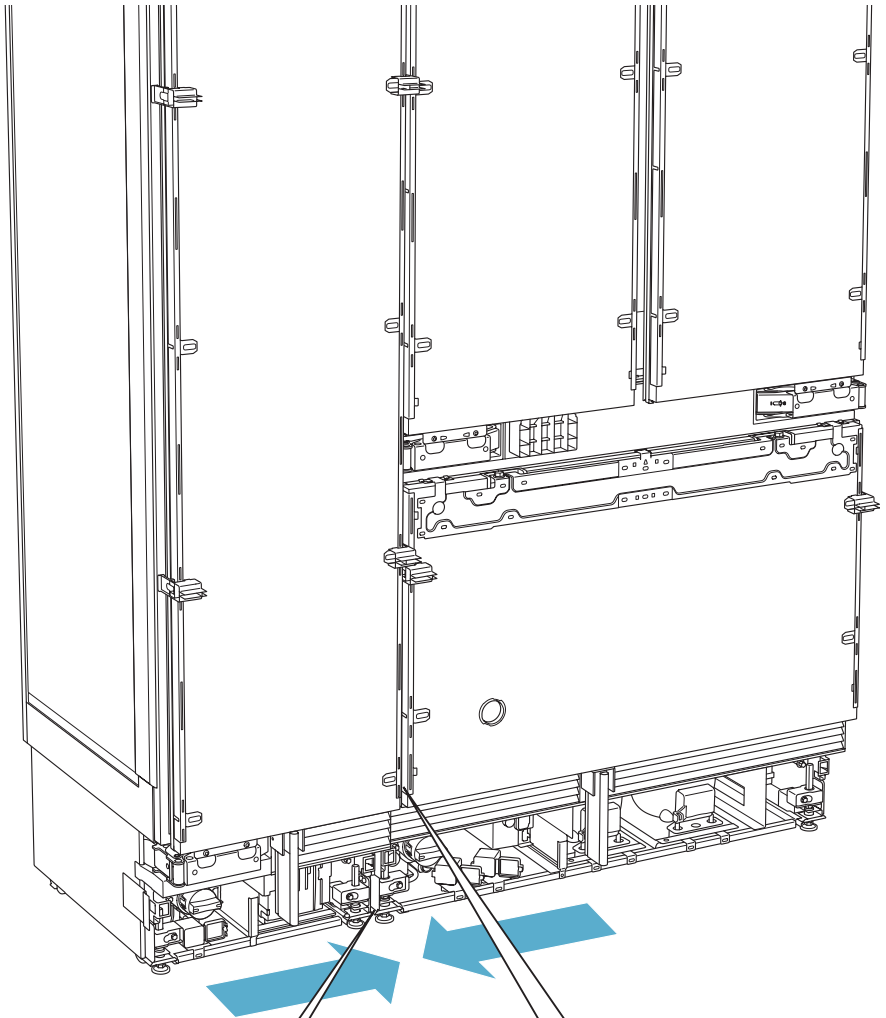
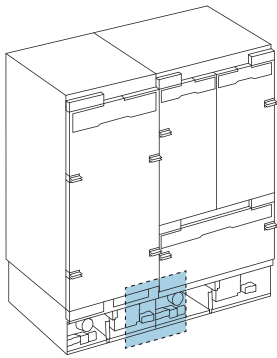
D

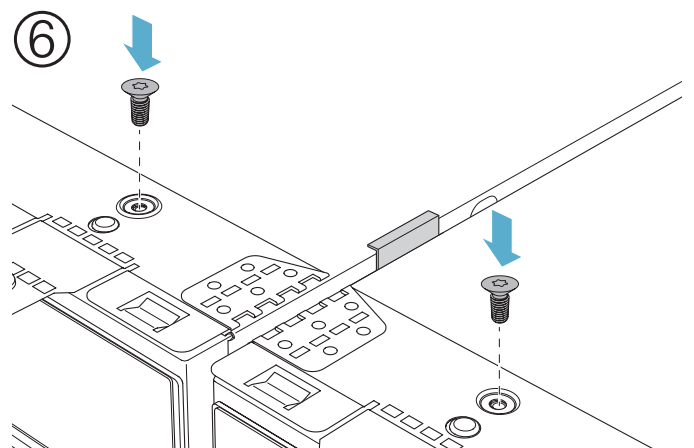
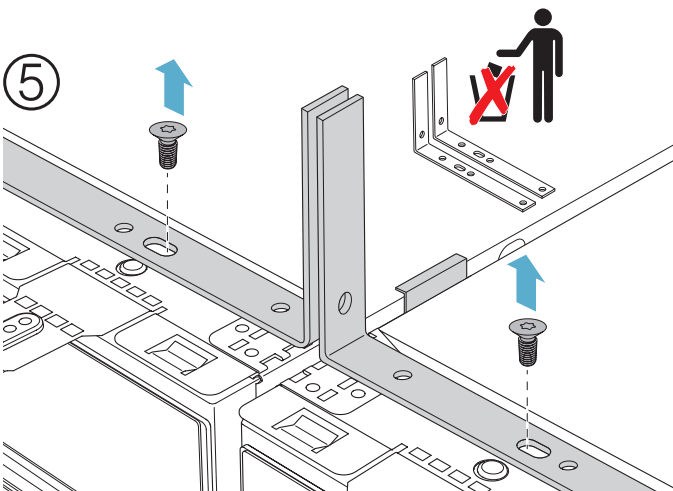
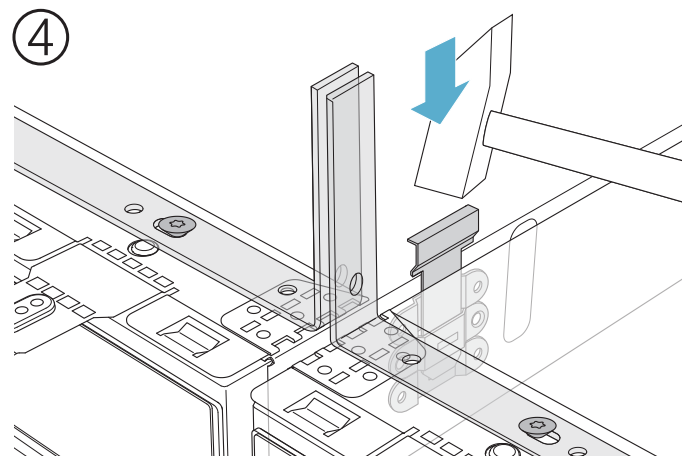
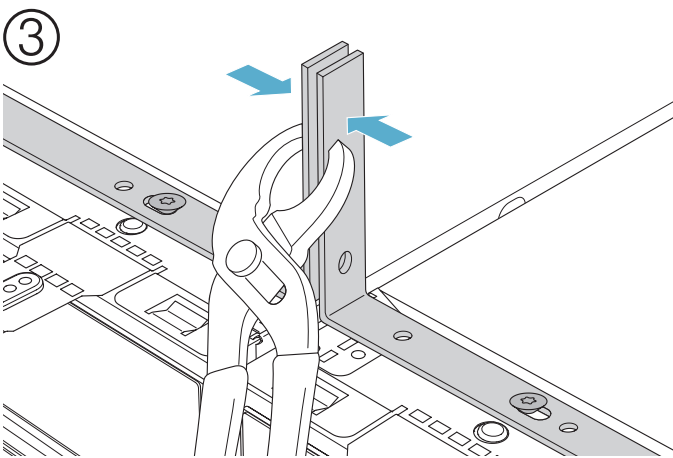
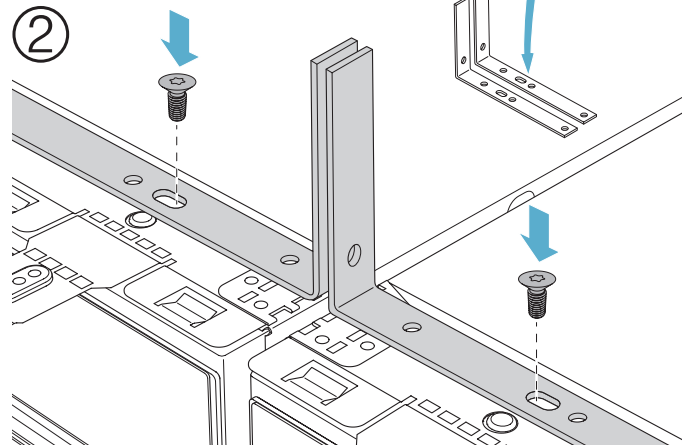
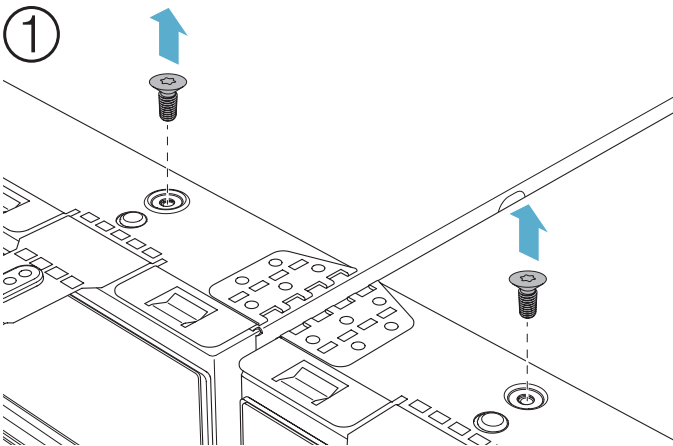
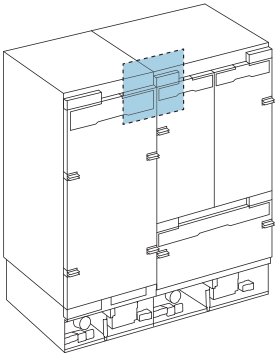
M5x16   16x

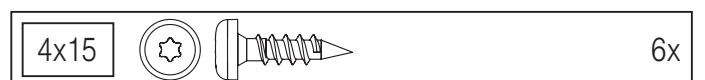
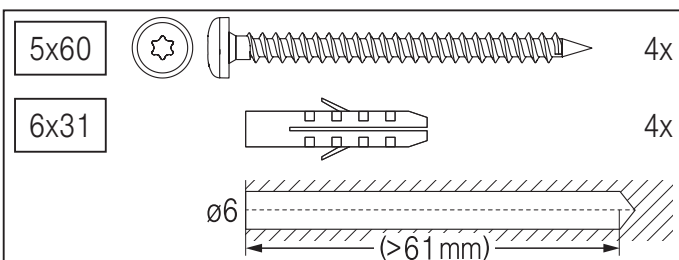
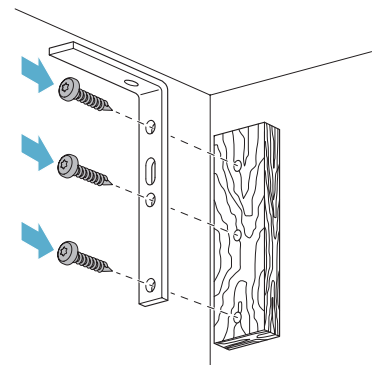
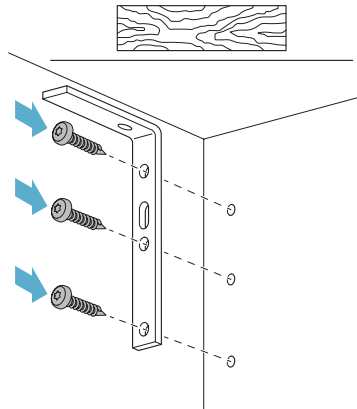
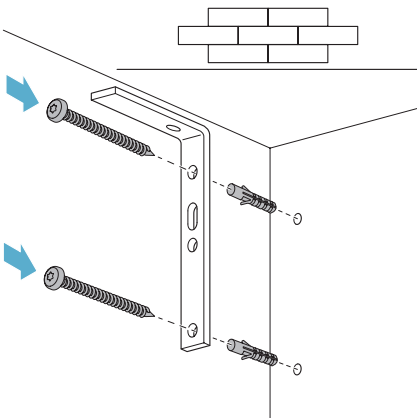
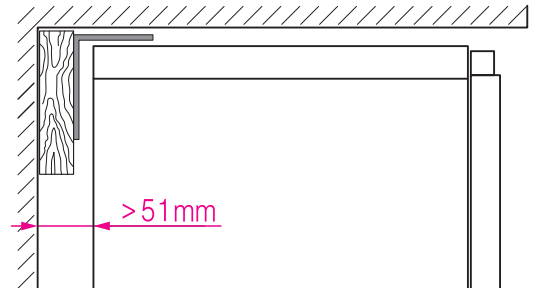
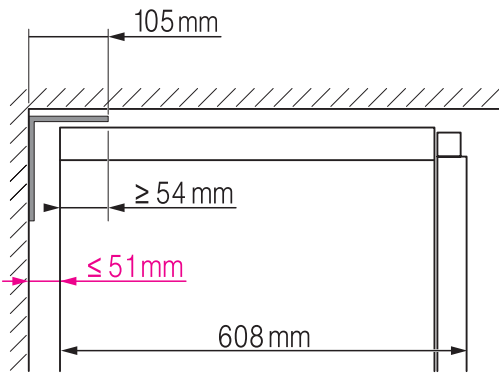
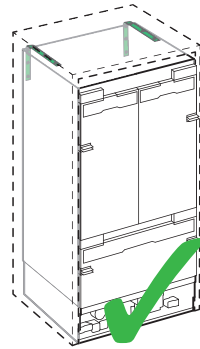
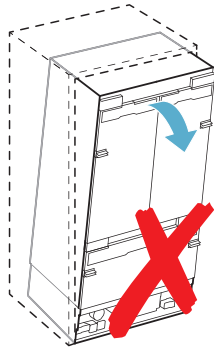
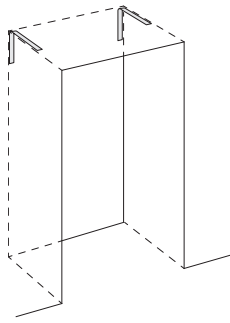


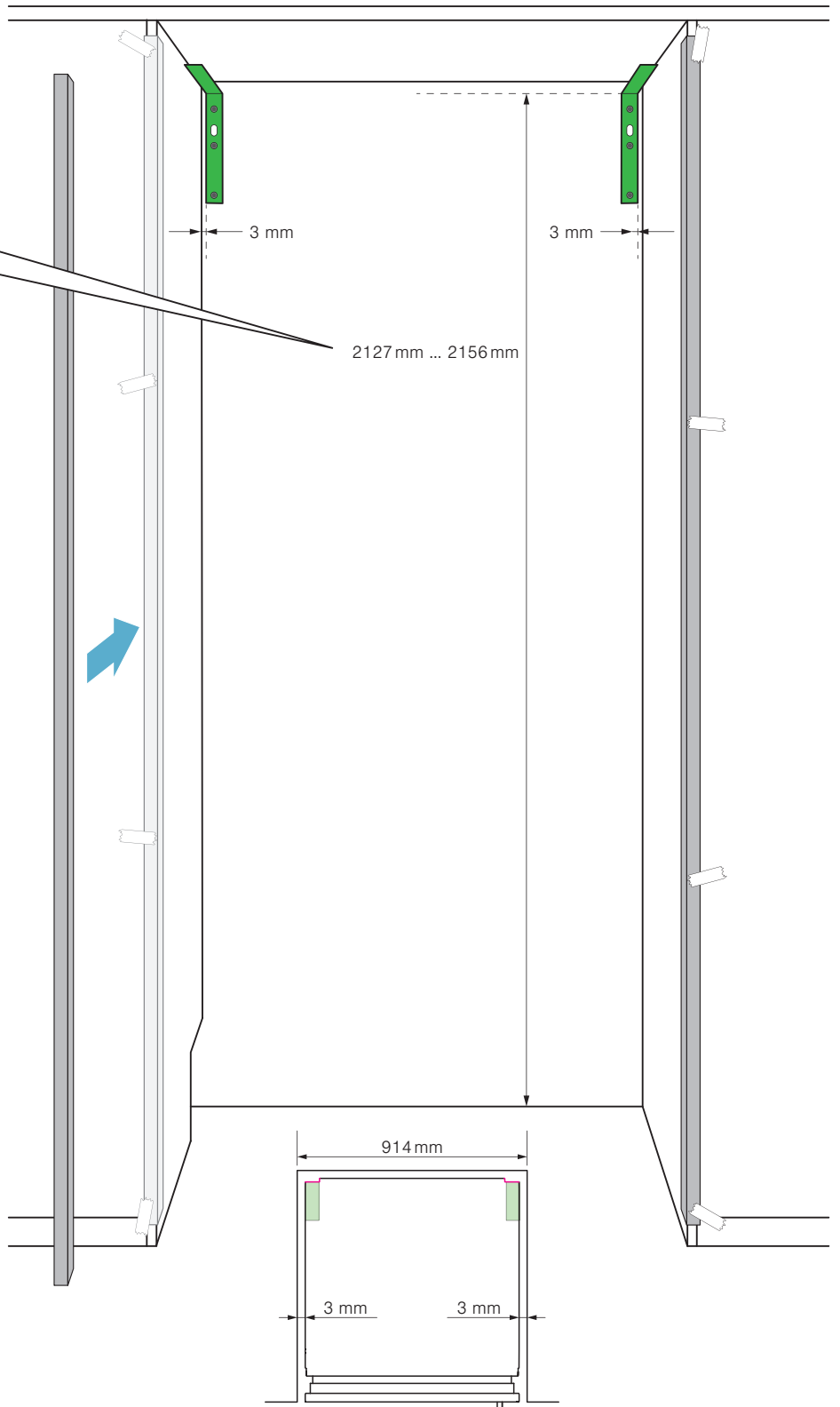
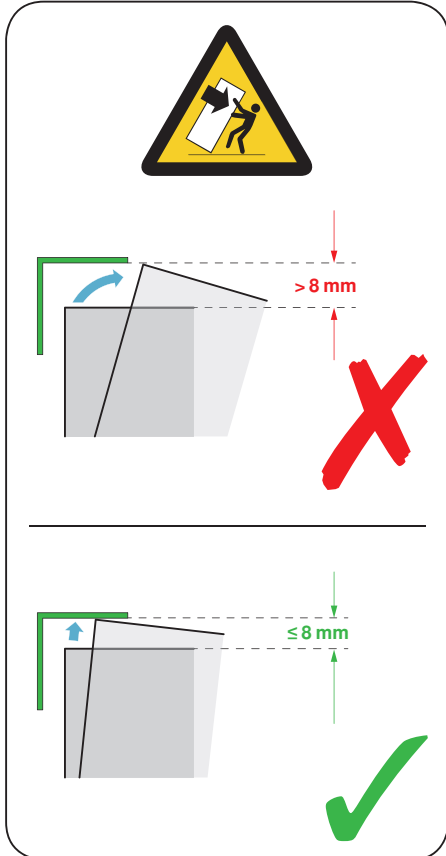
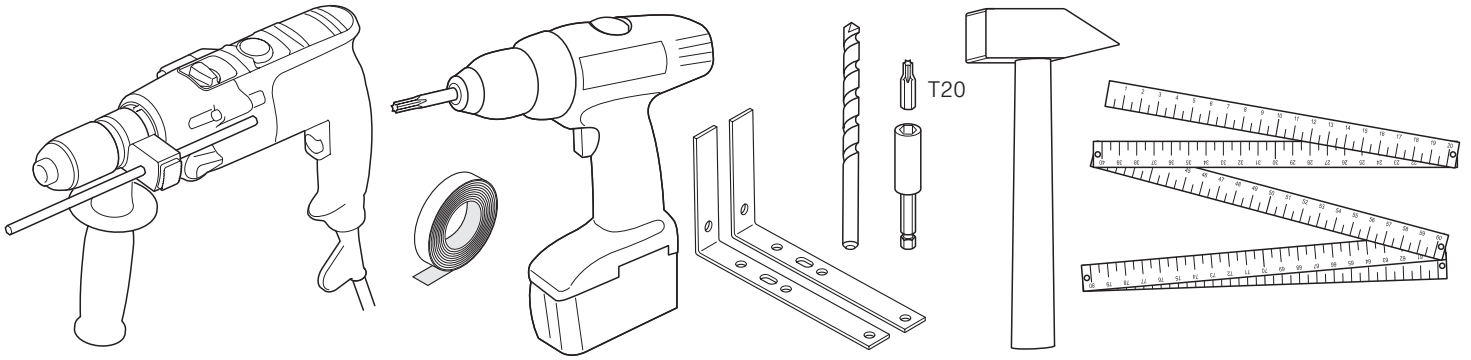


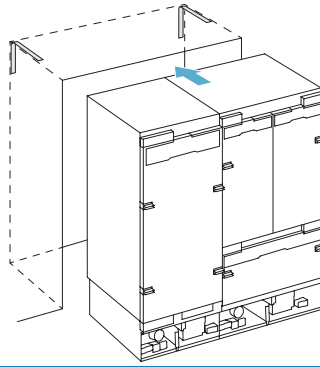
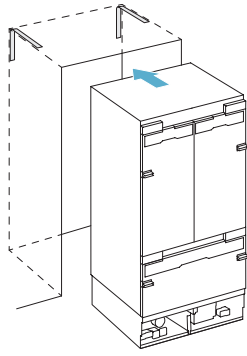
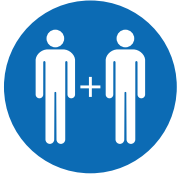
A
B
C
D









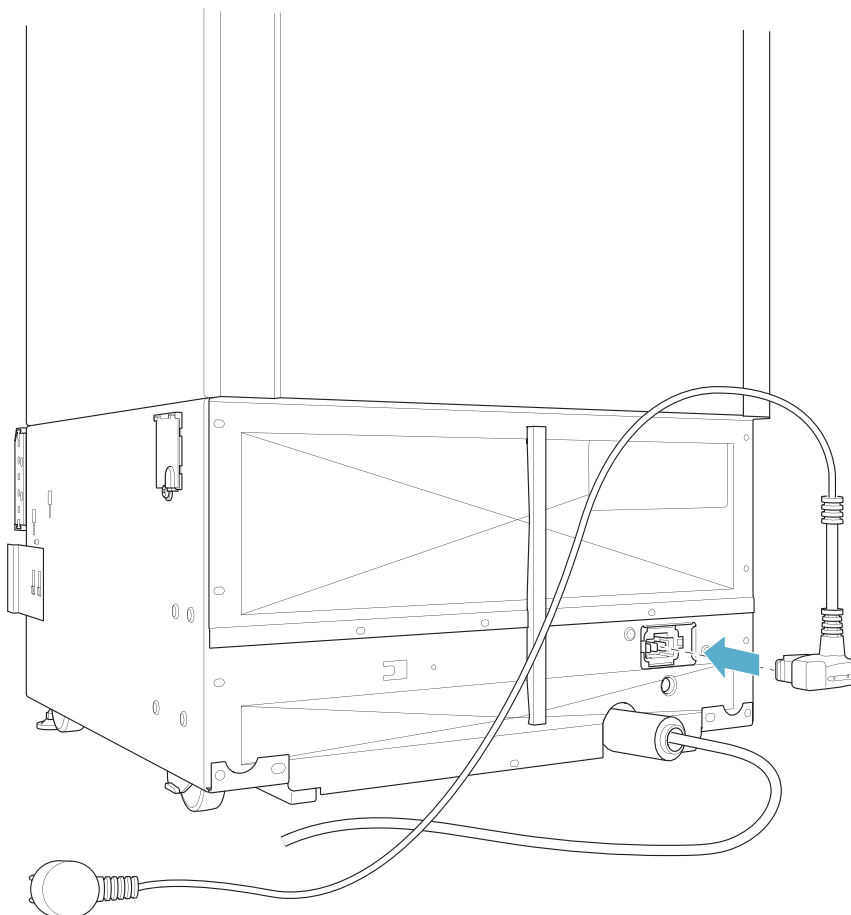
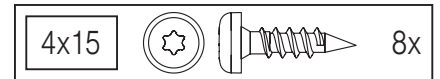
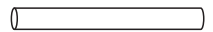
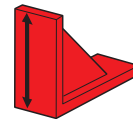
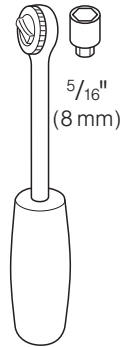
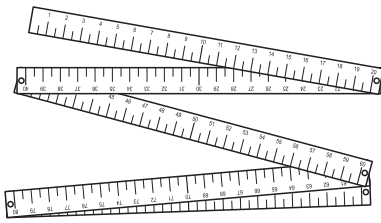
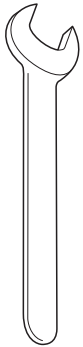
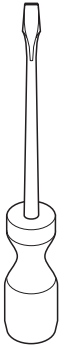
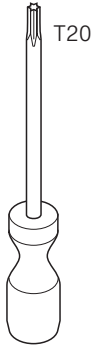


A

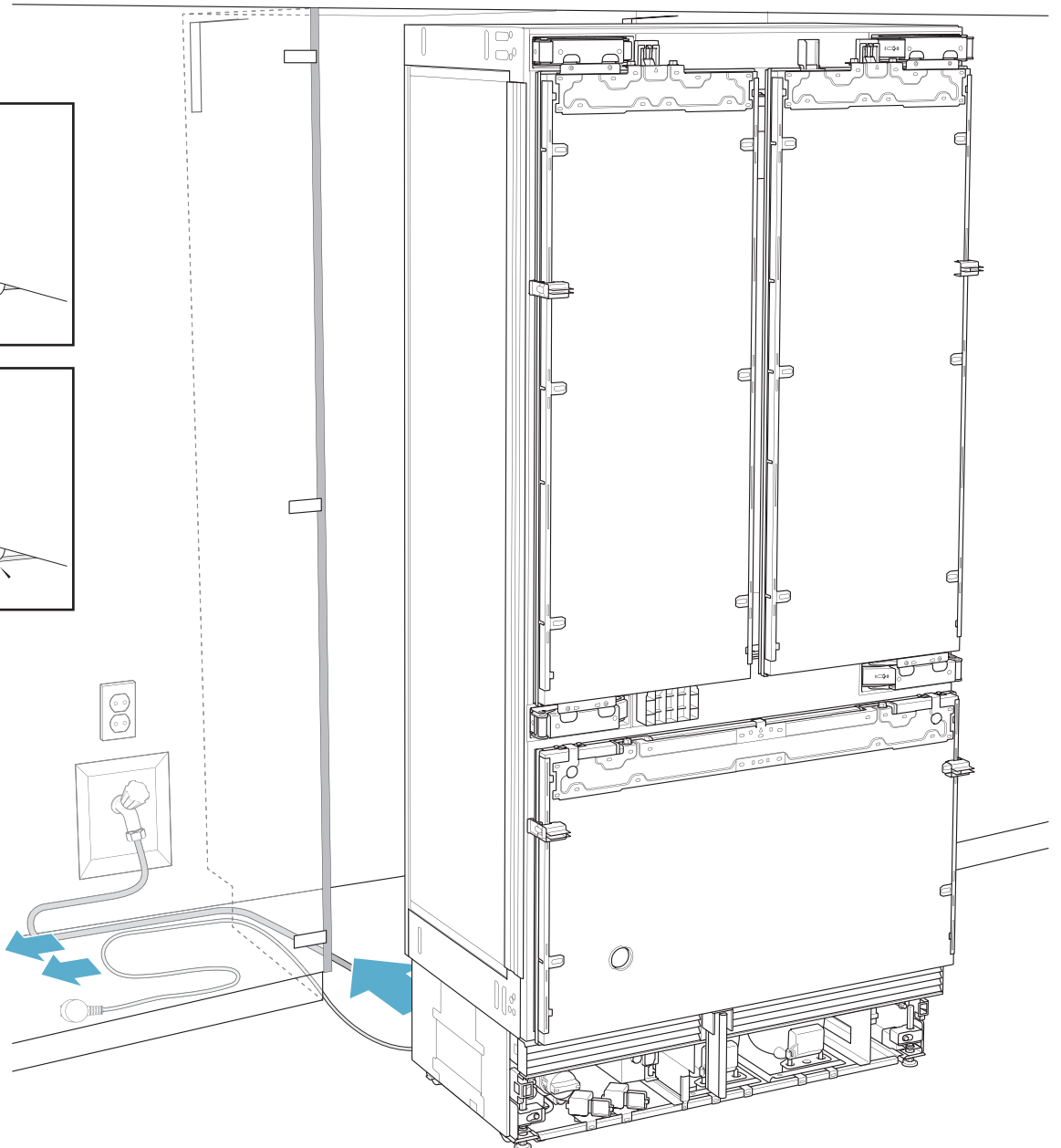
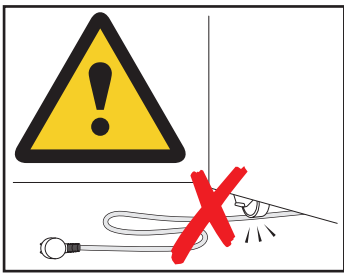
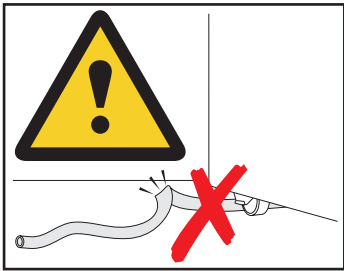
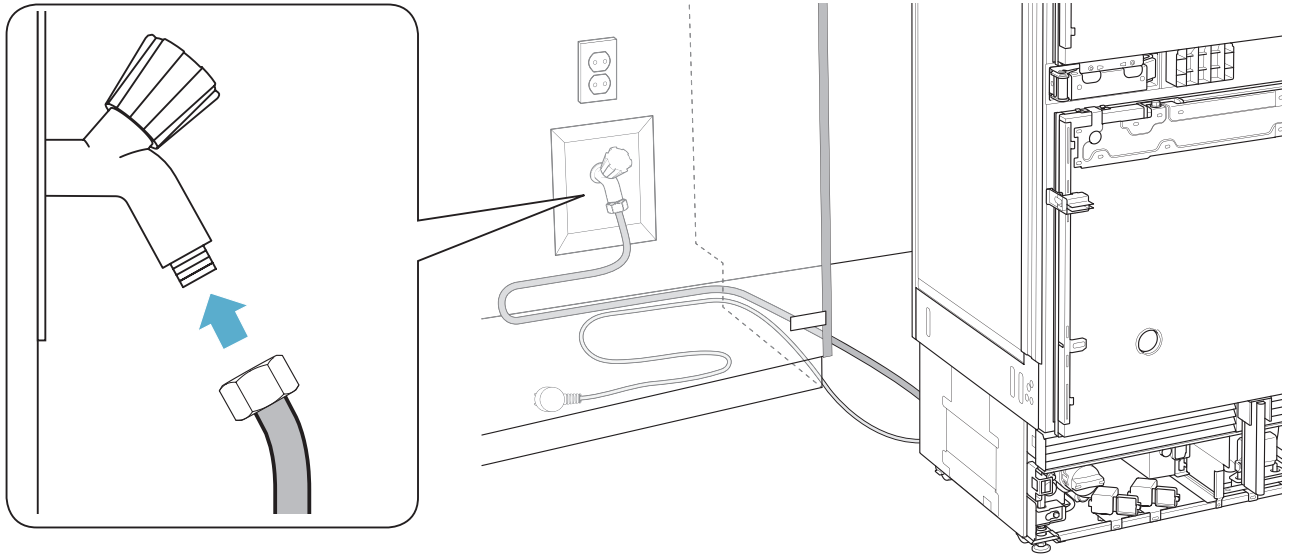
B

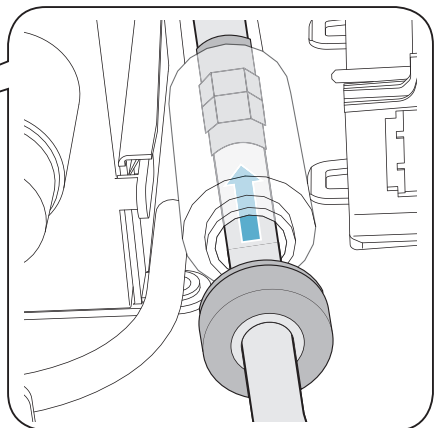
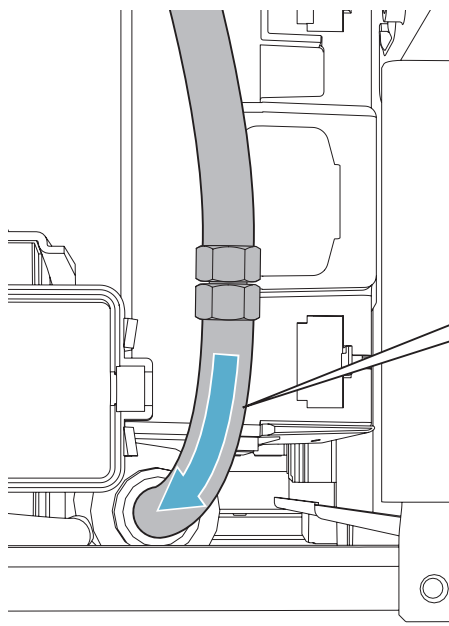
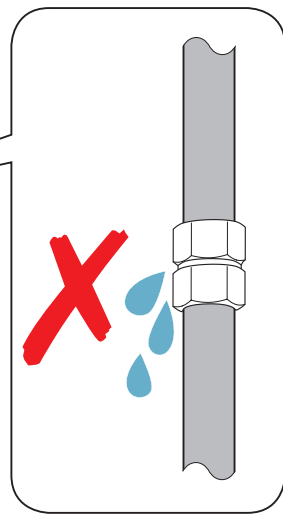
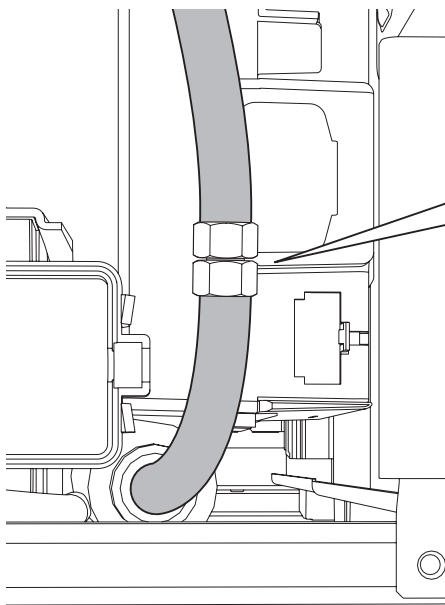
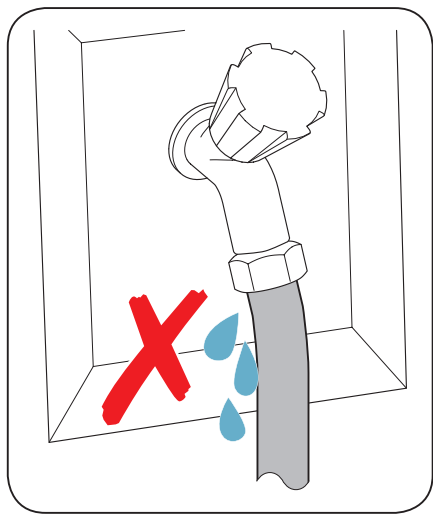
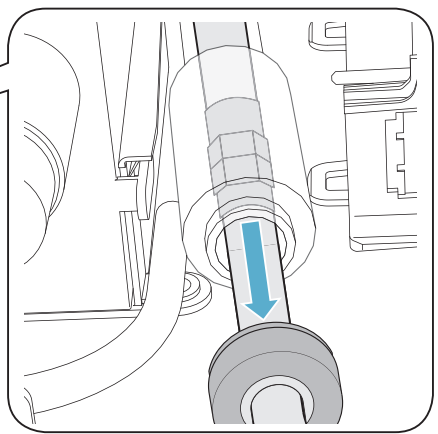
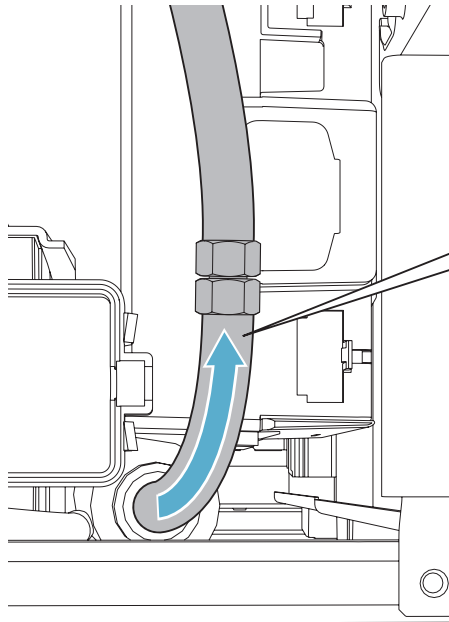
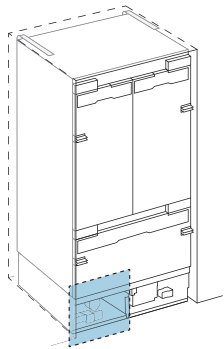
C

D

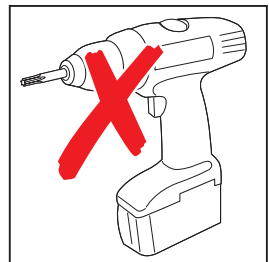
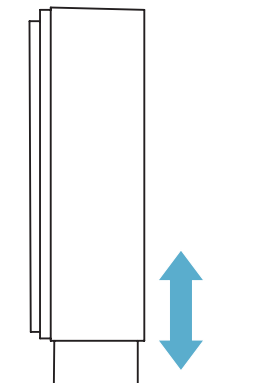
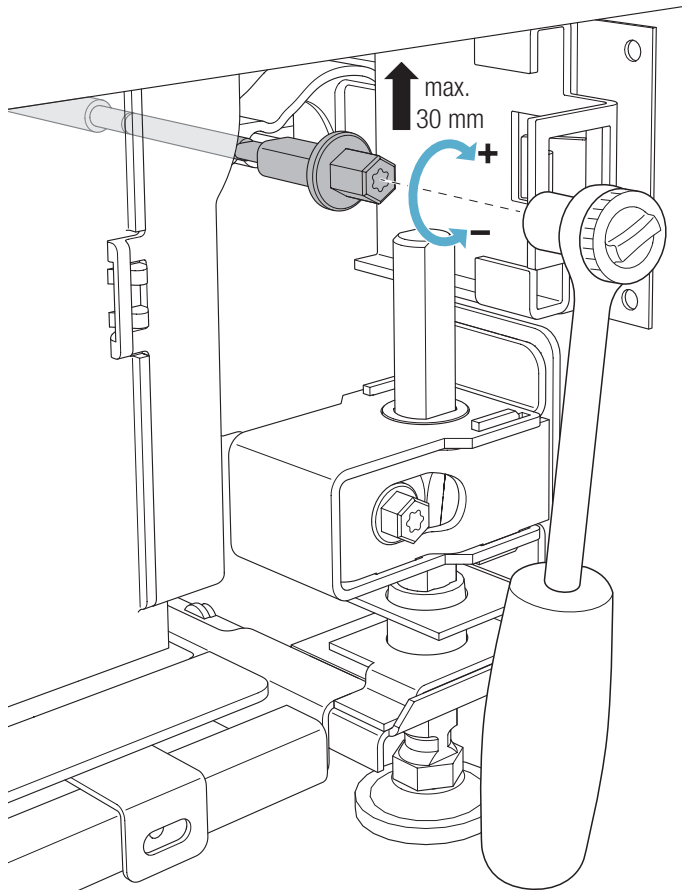
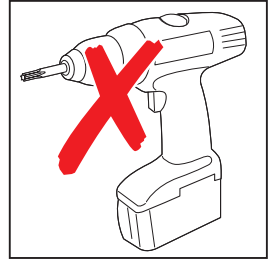
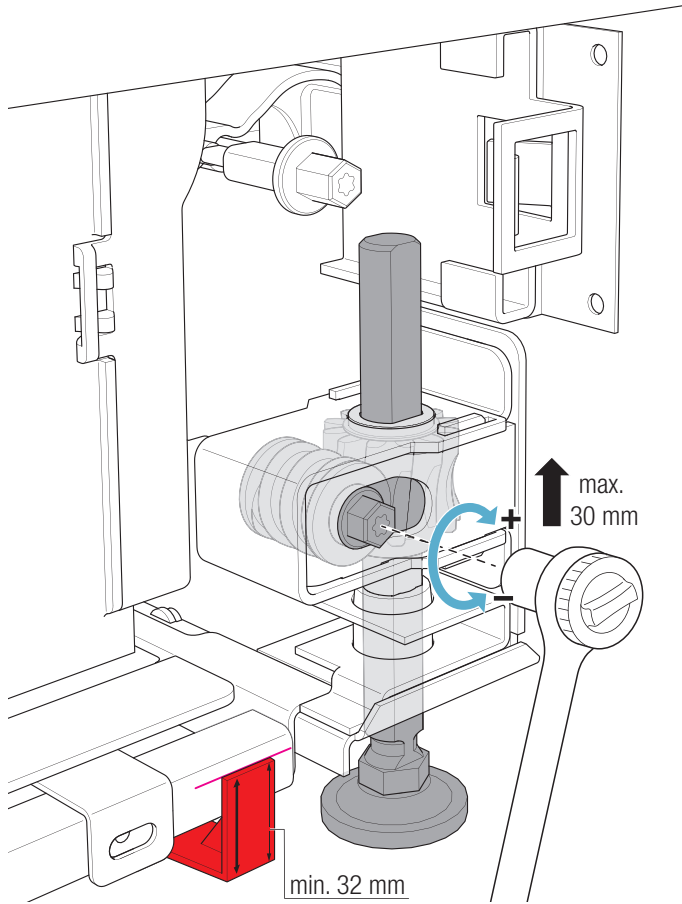
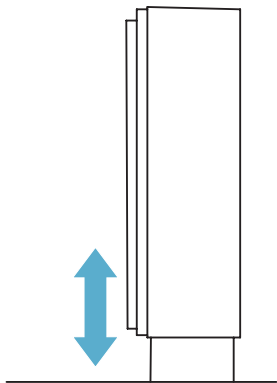
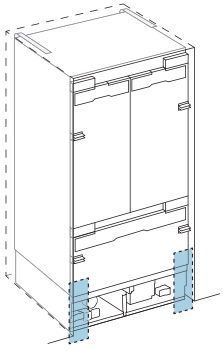


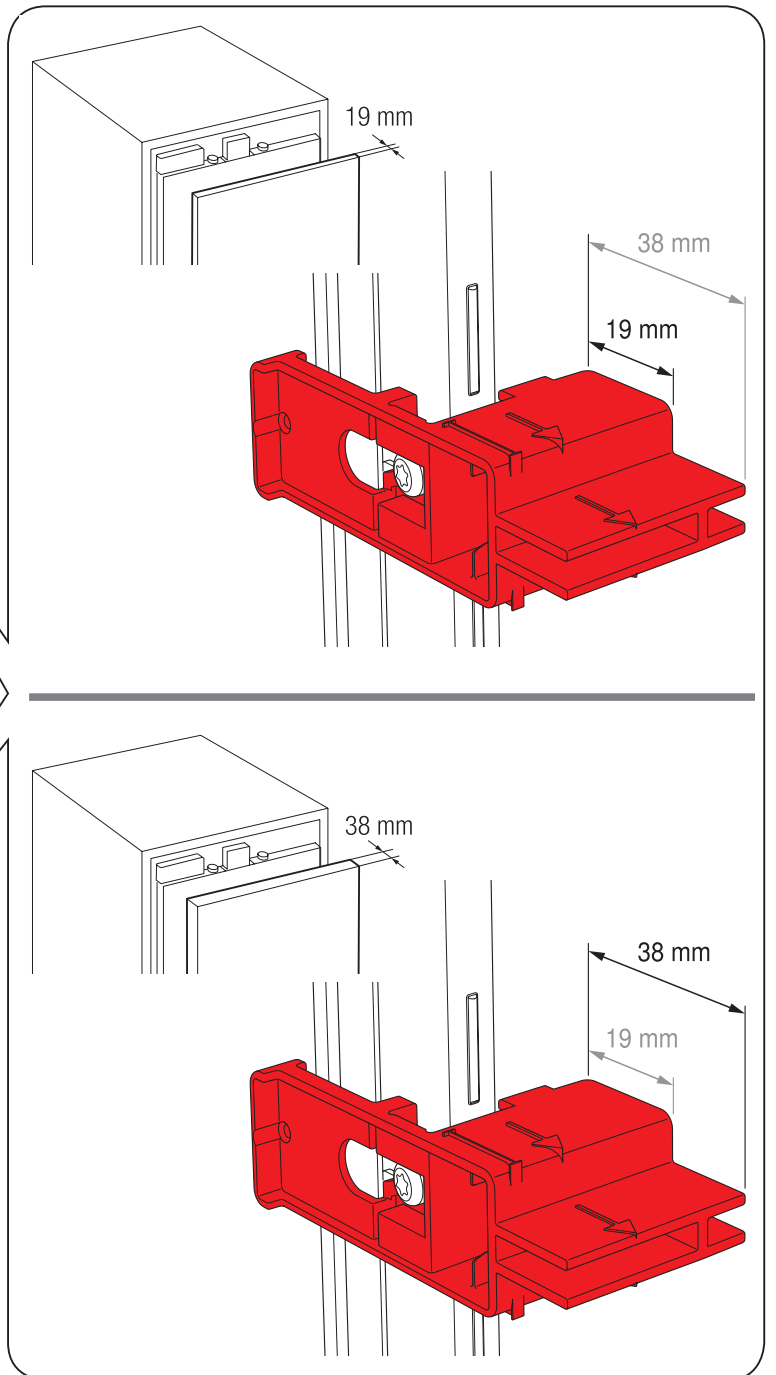
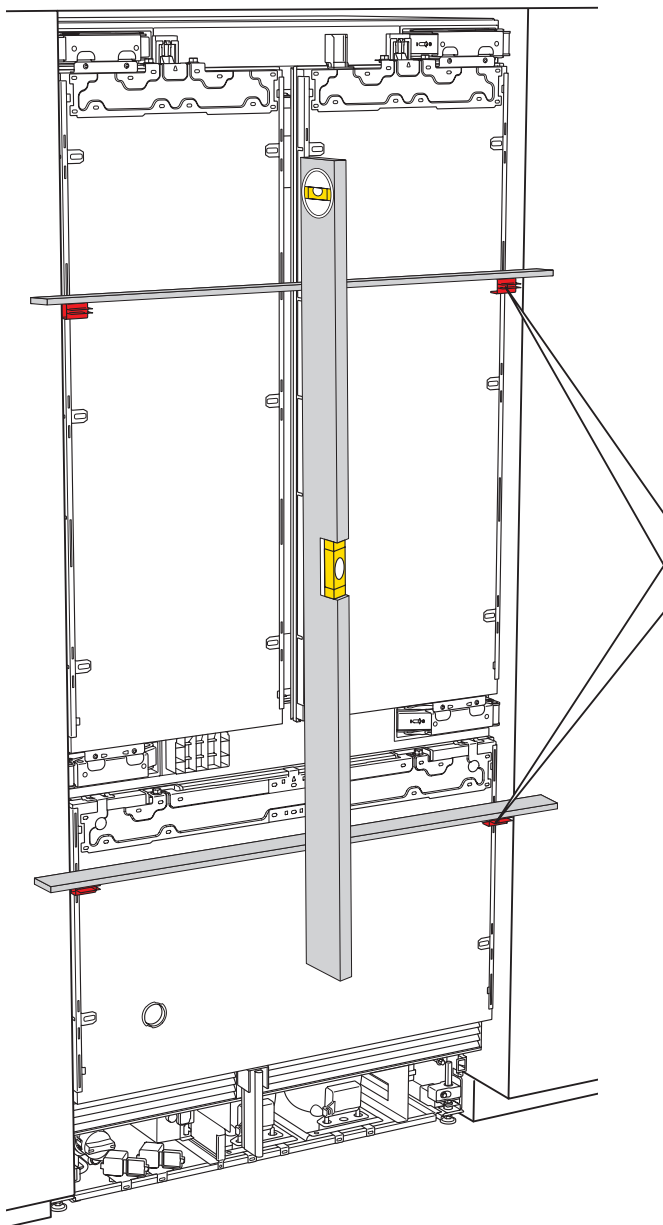
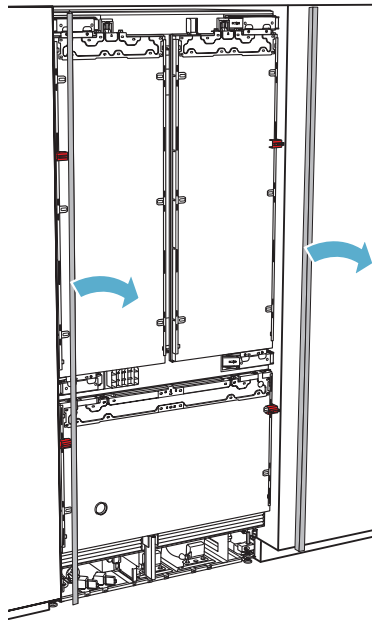
A
B
C
D




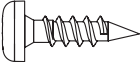


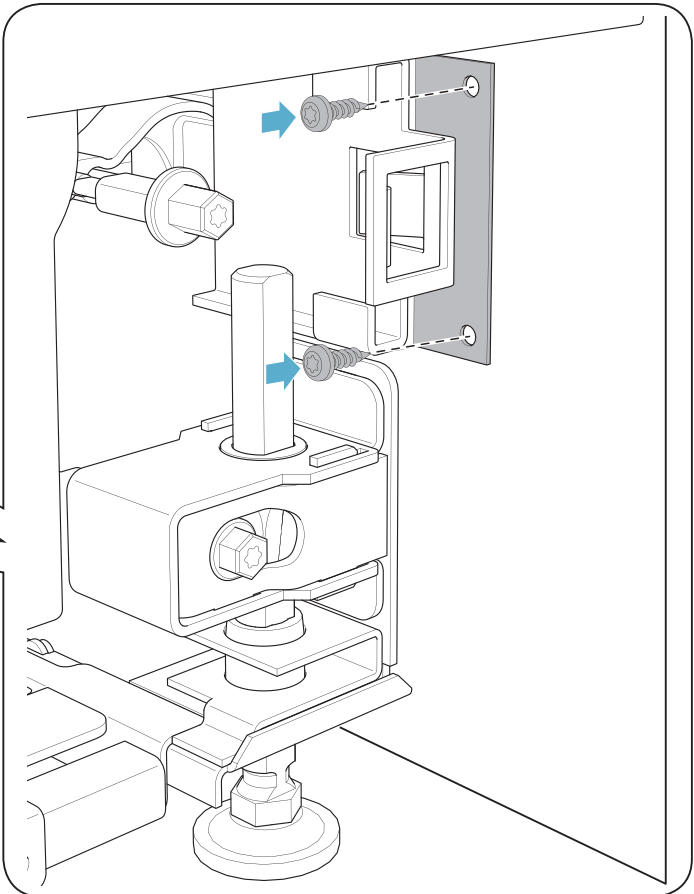
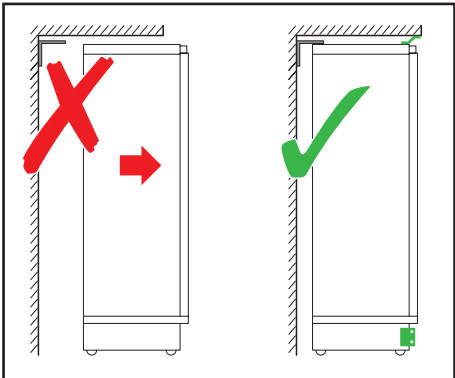
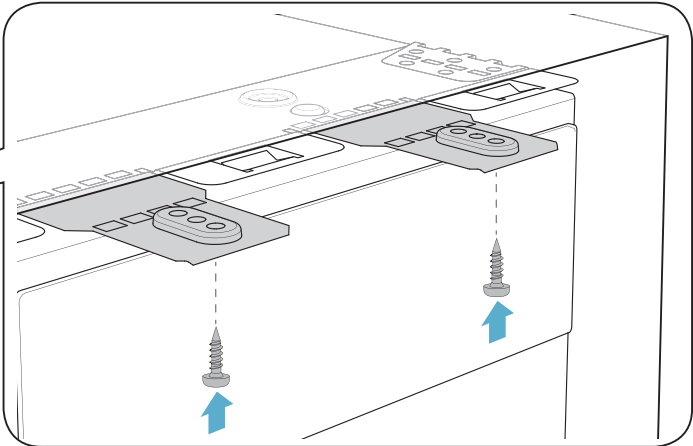
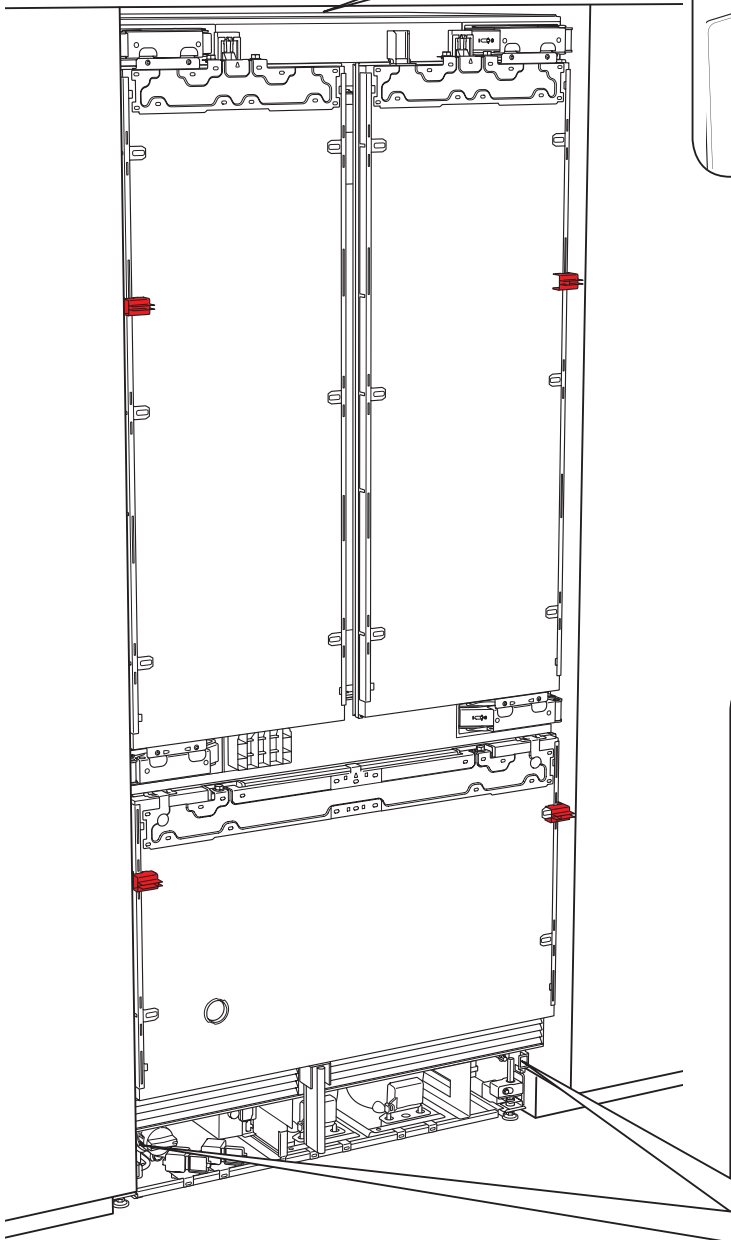
- A
- B
- C
- D

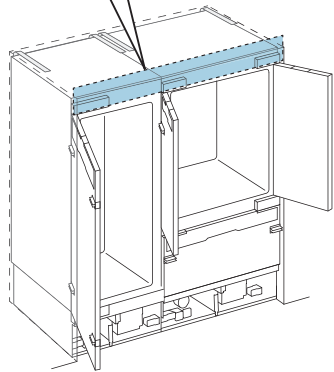
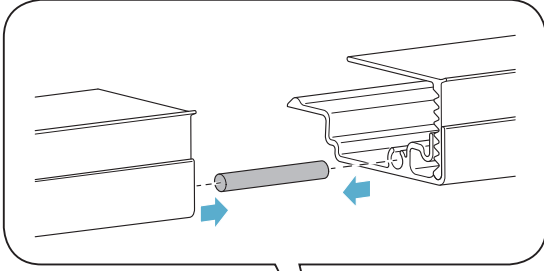
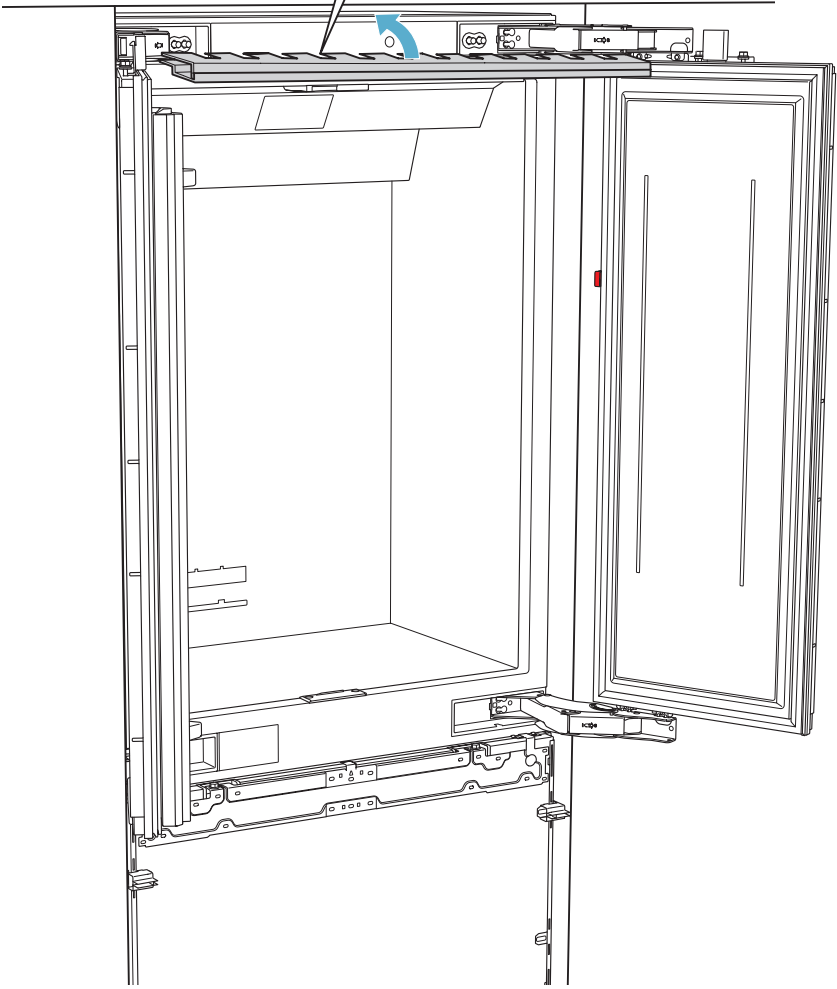
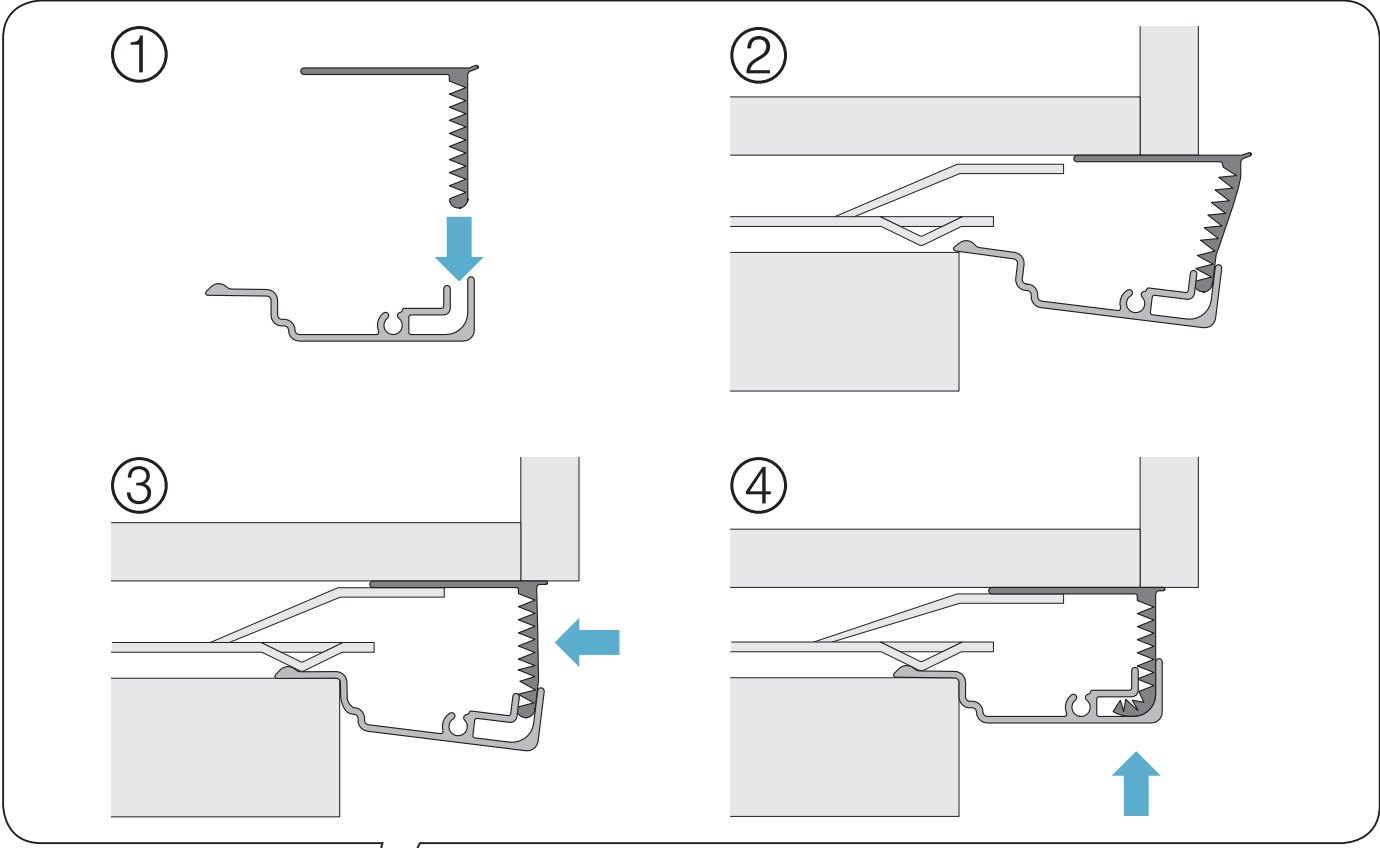




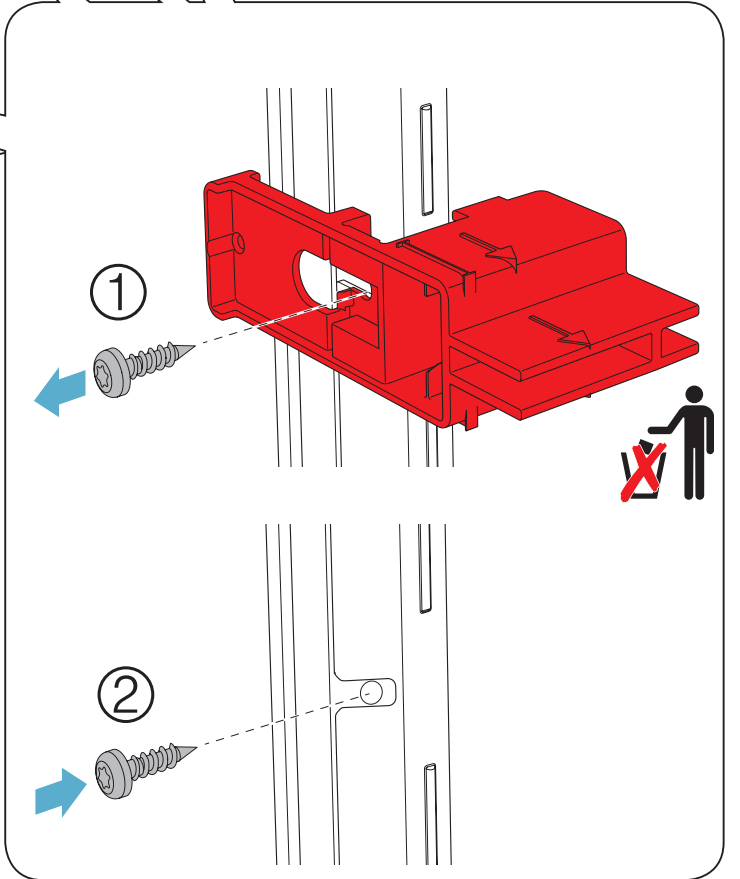
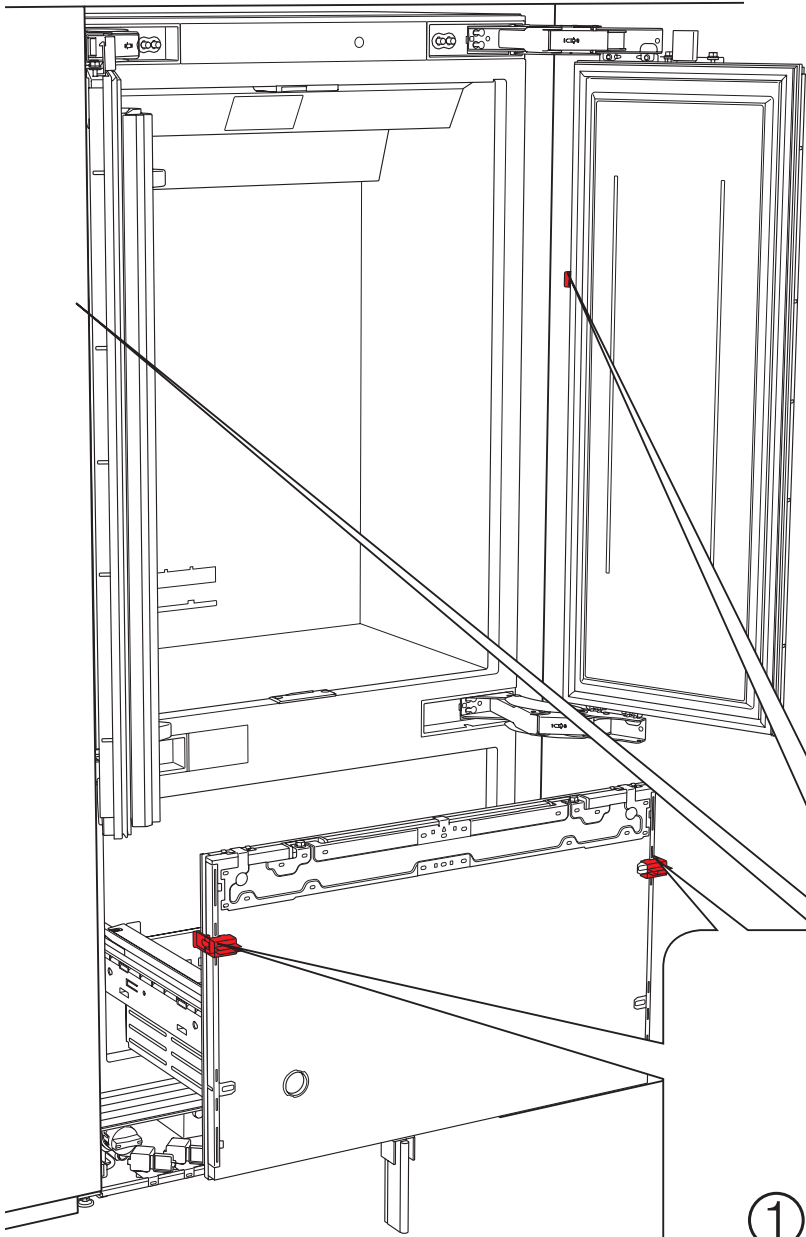
A
B
C
D

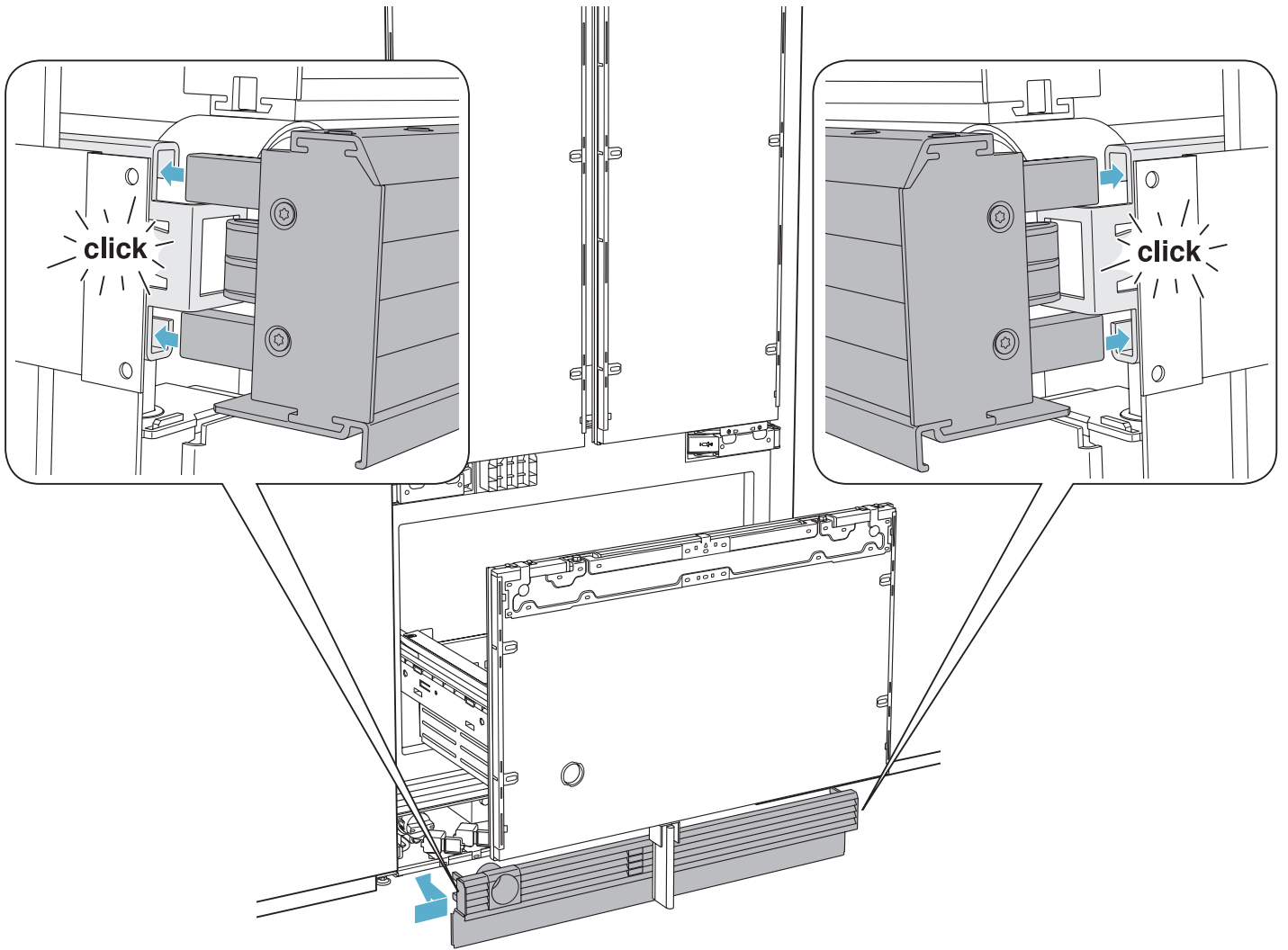
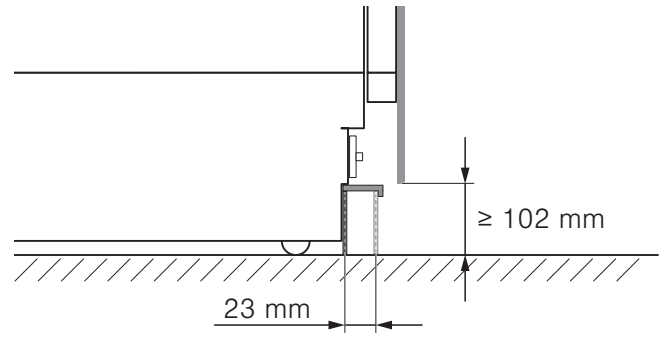
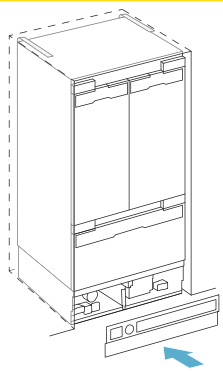
4x15   8x



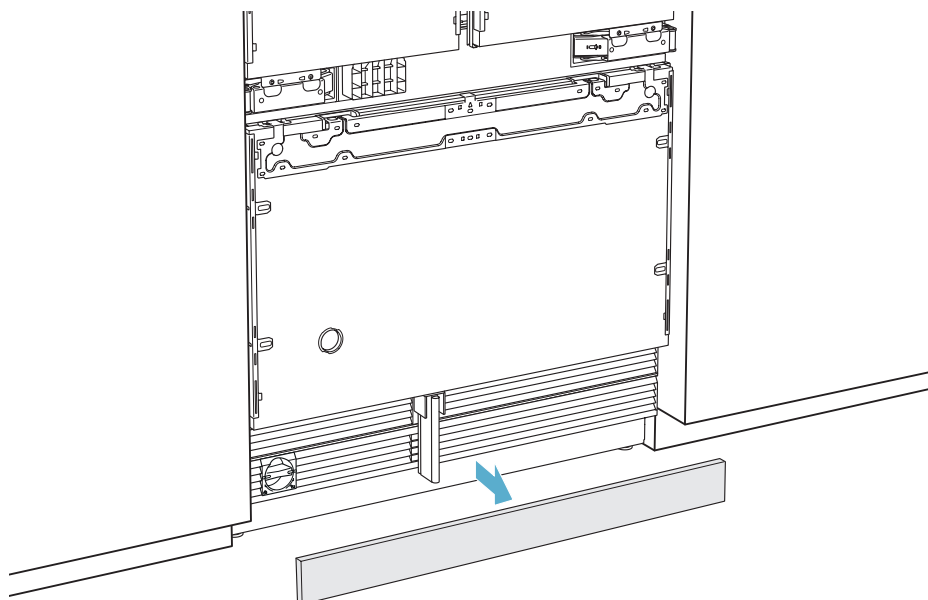
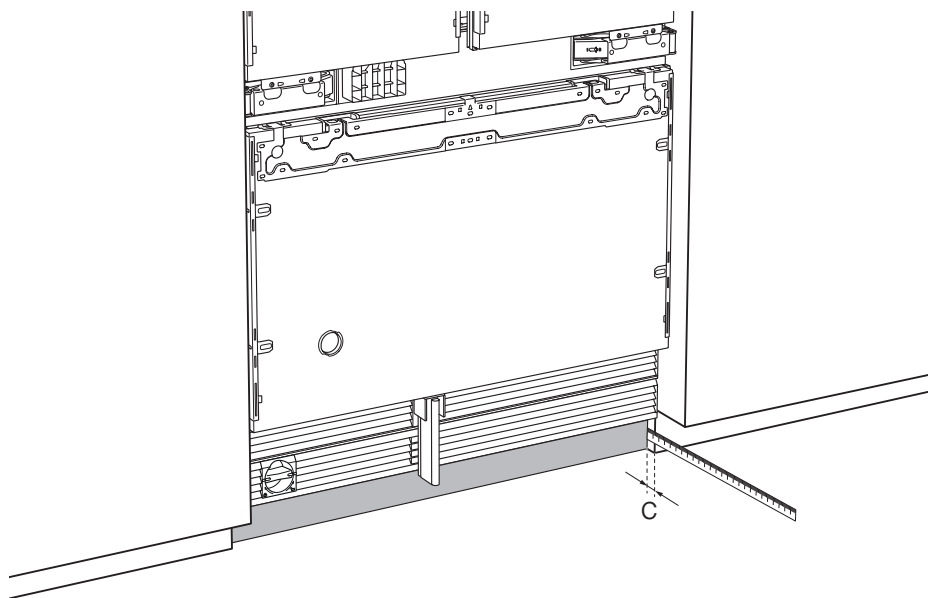
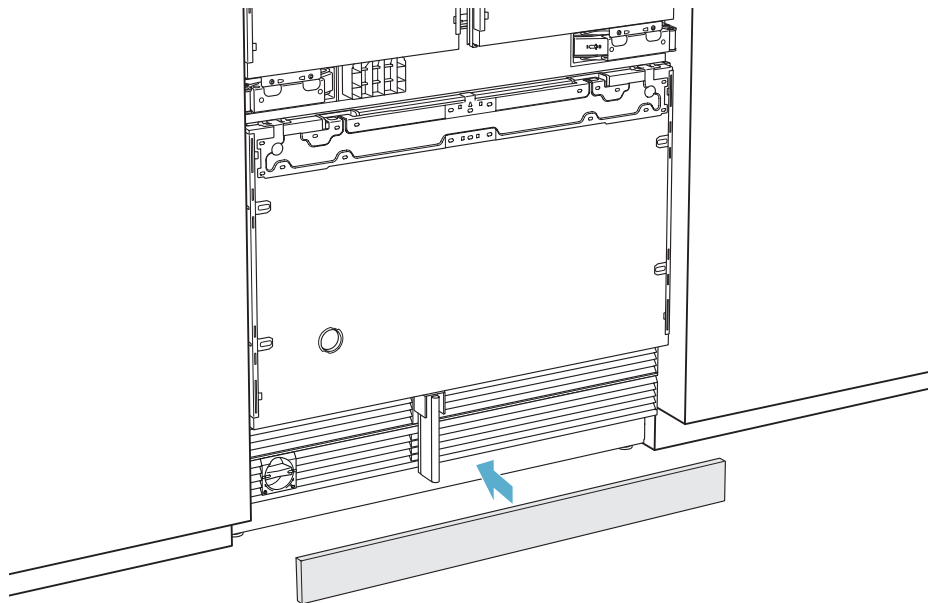


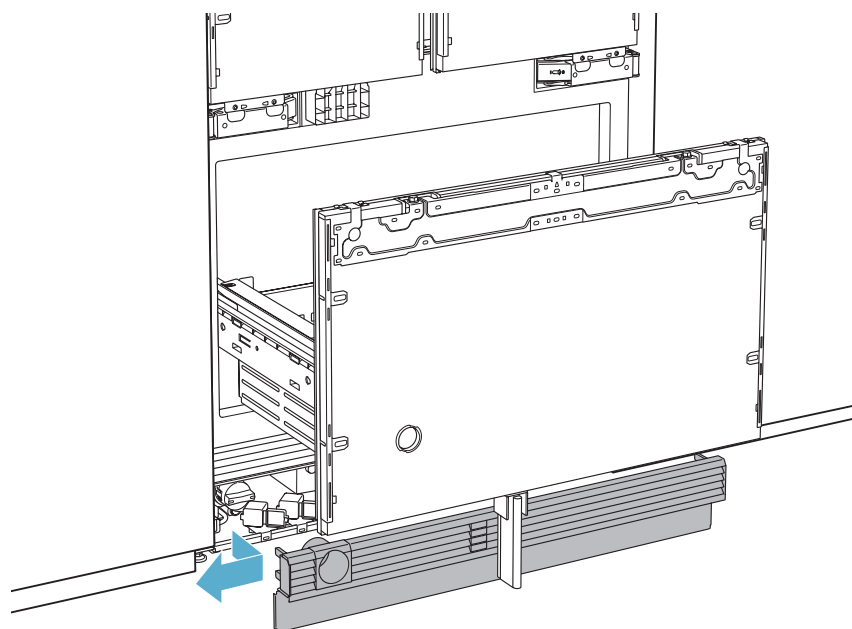
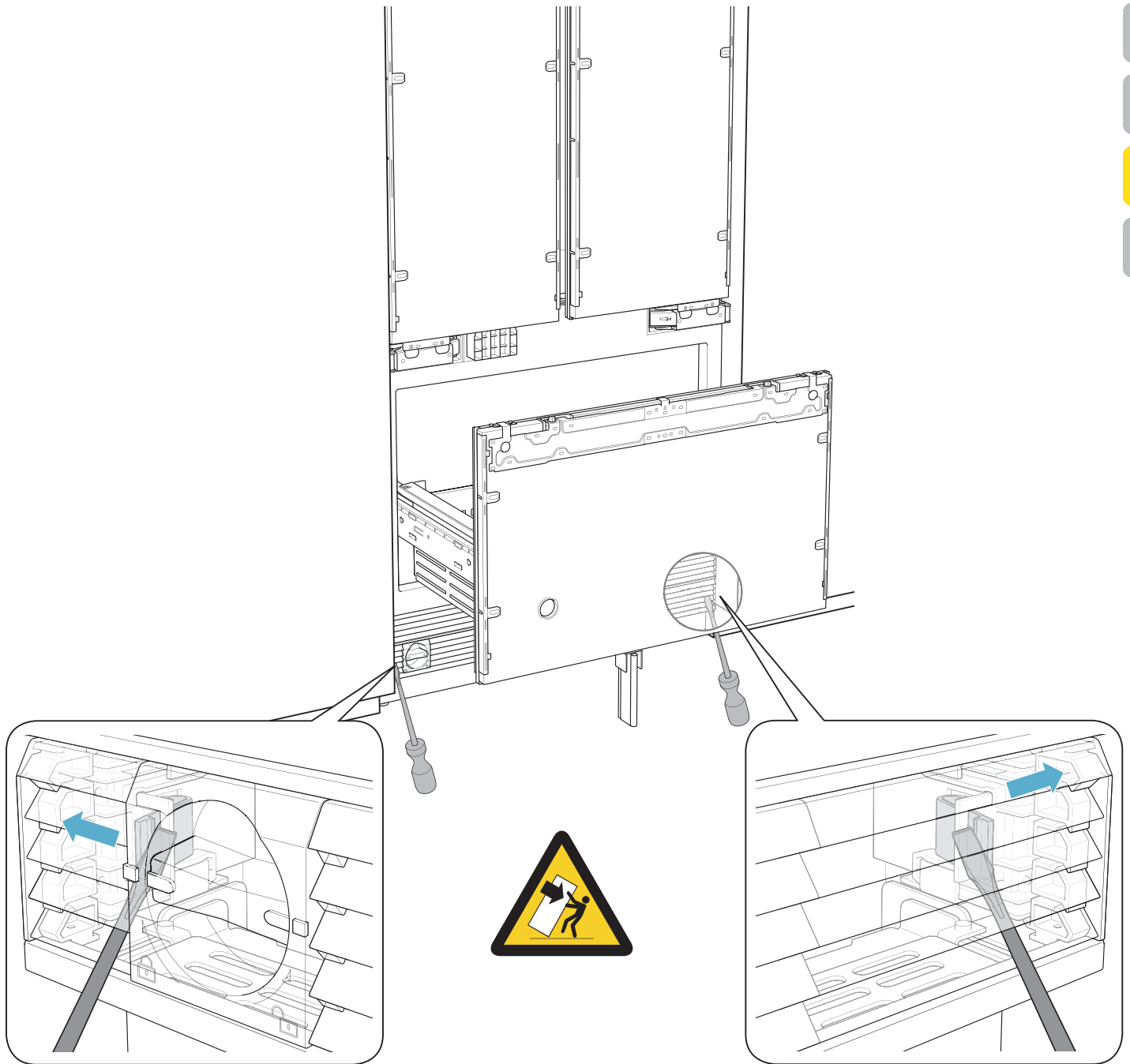
A
B
C
D



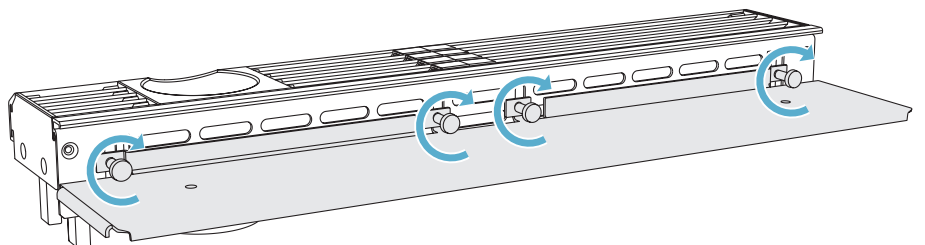
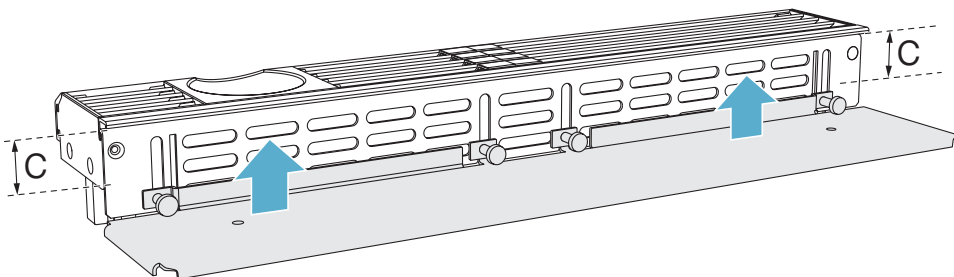
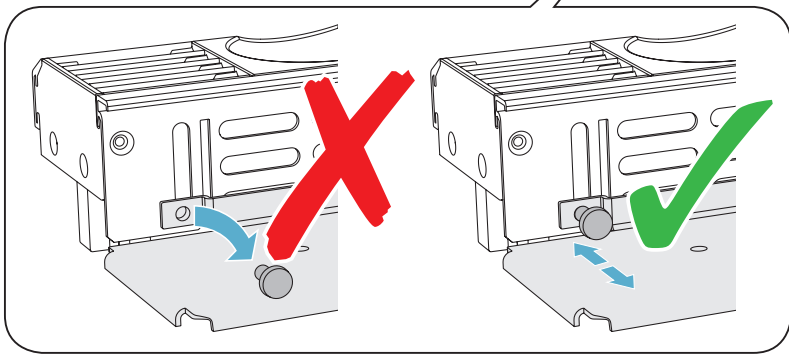
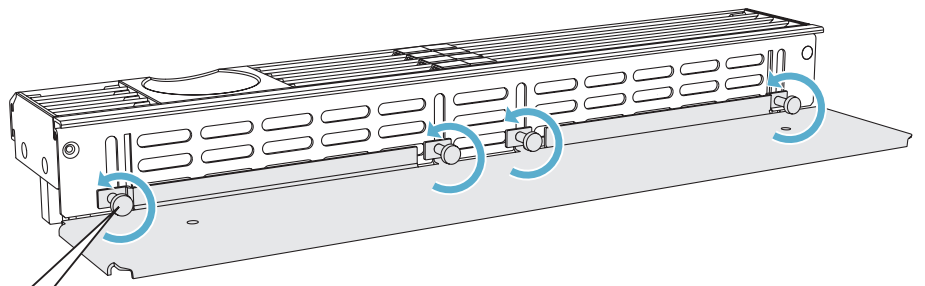
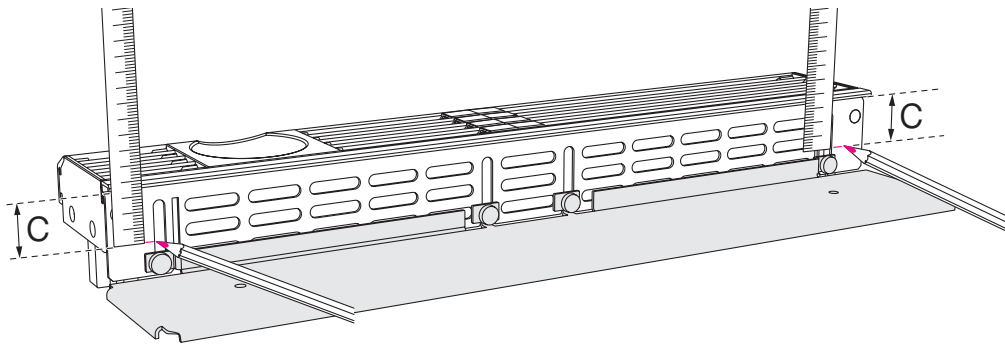


- A
- B
- C
- D

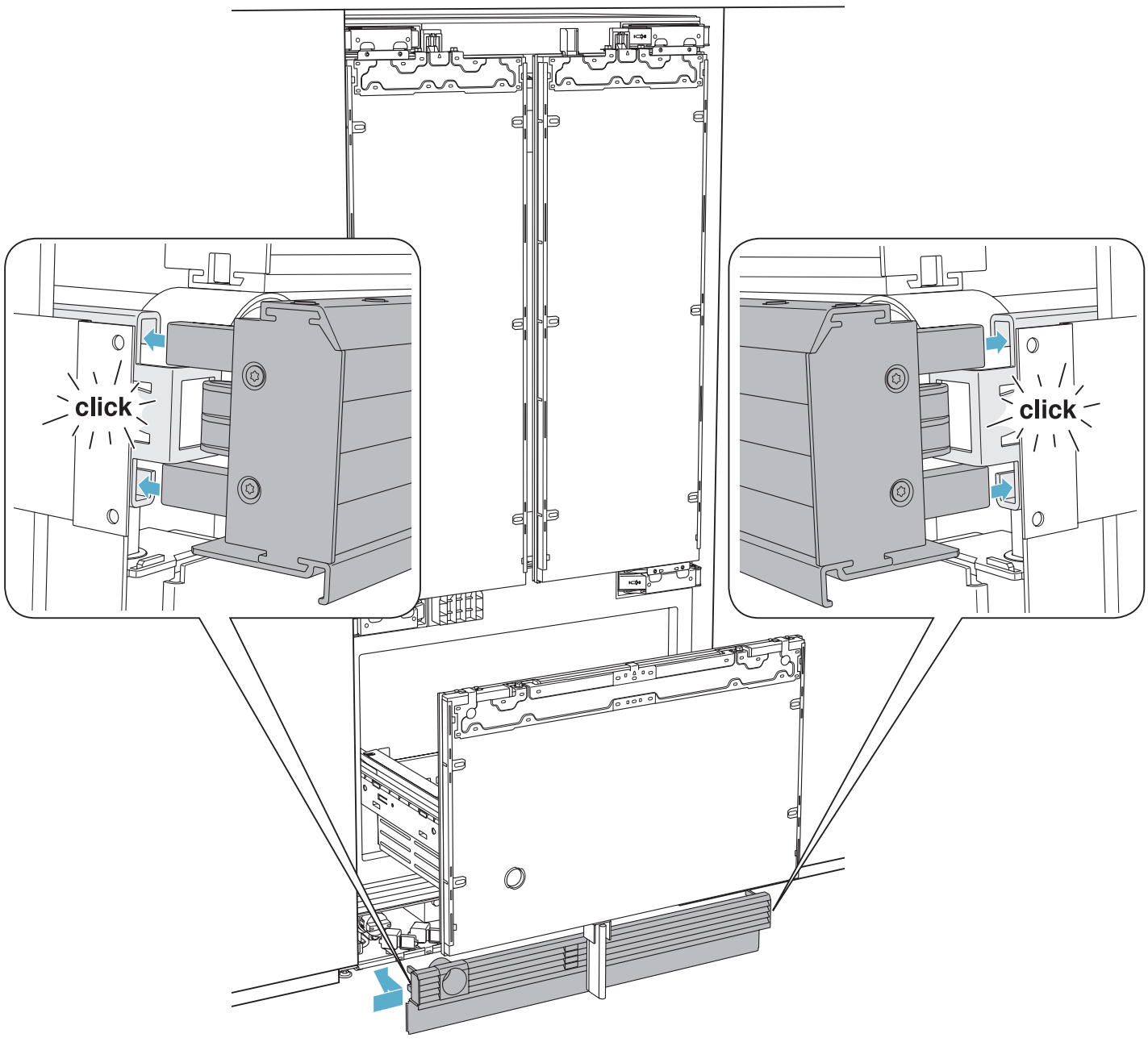
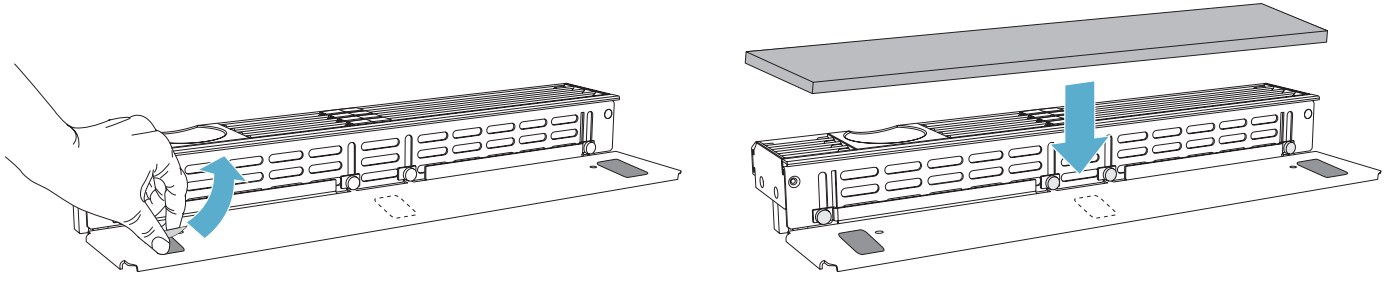




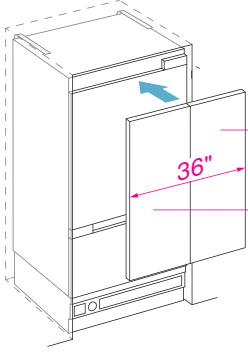
- A
- B
- C
- D



- A
- B
- C
- D

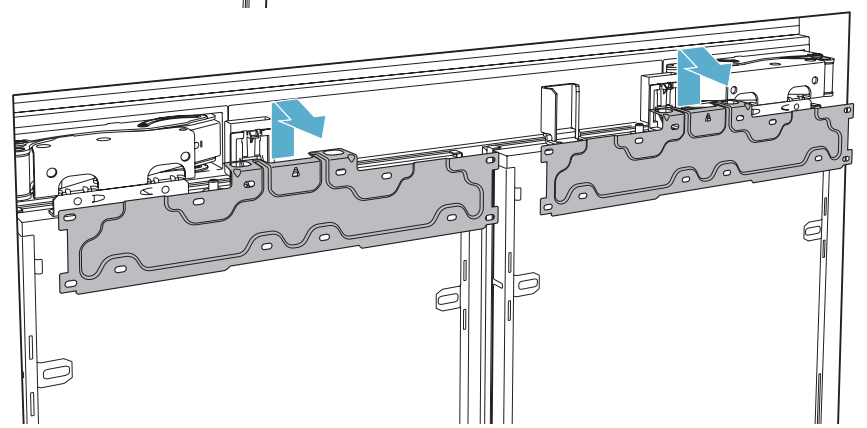
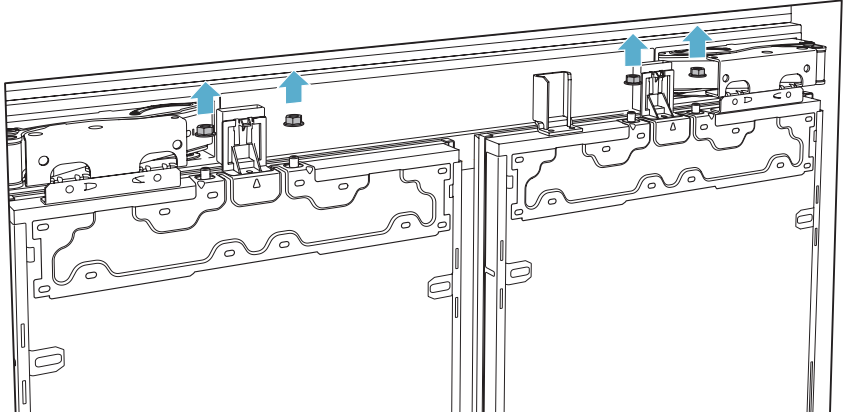
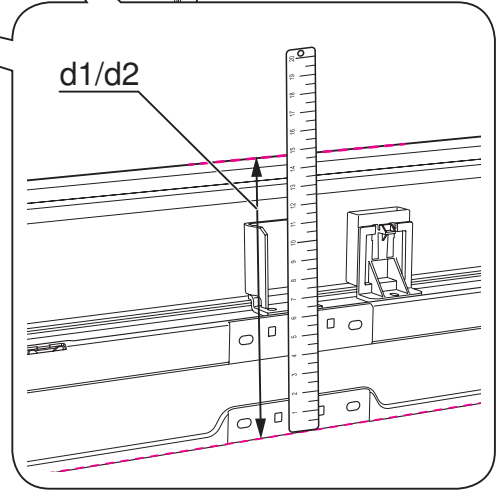
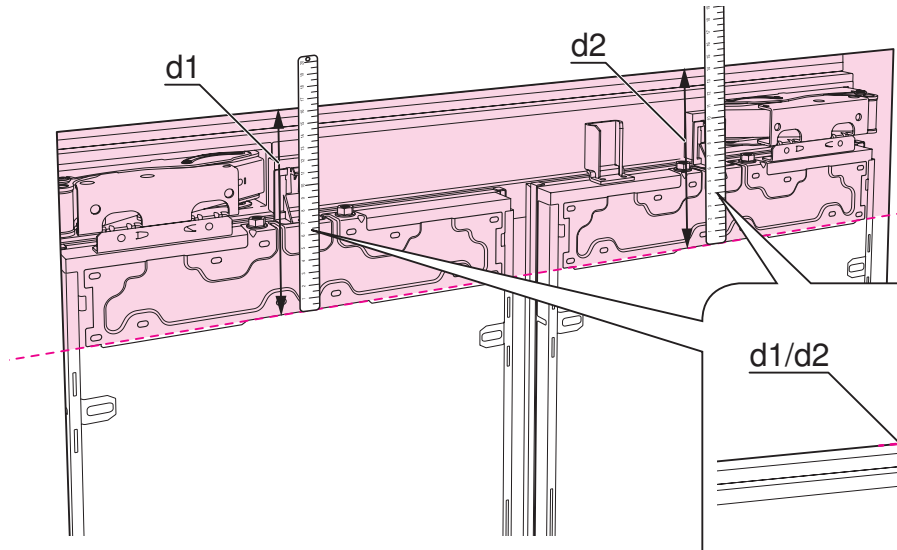
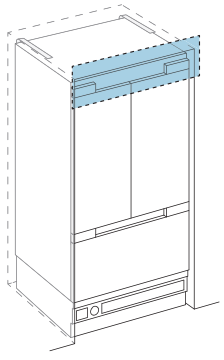
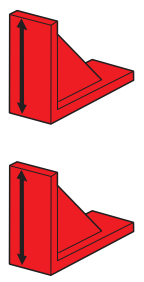
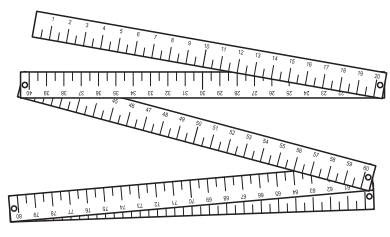
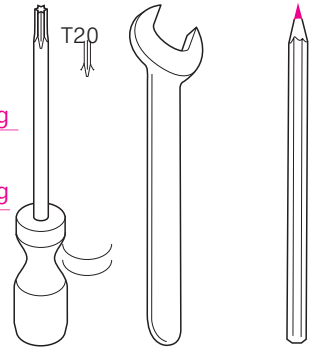


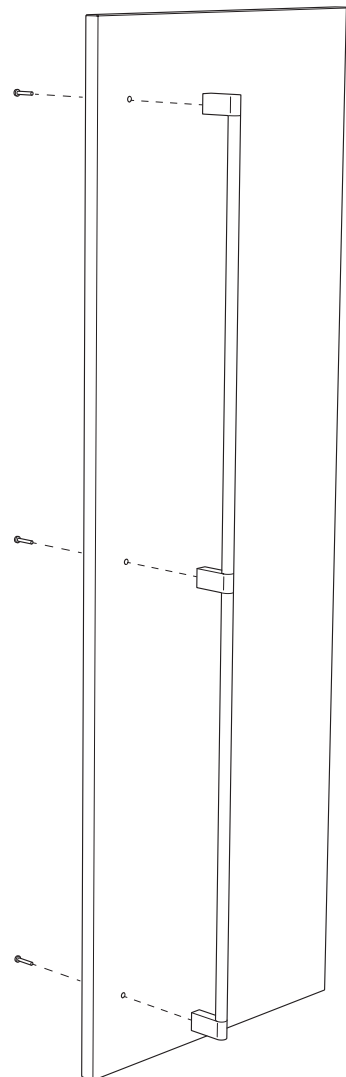
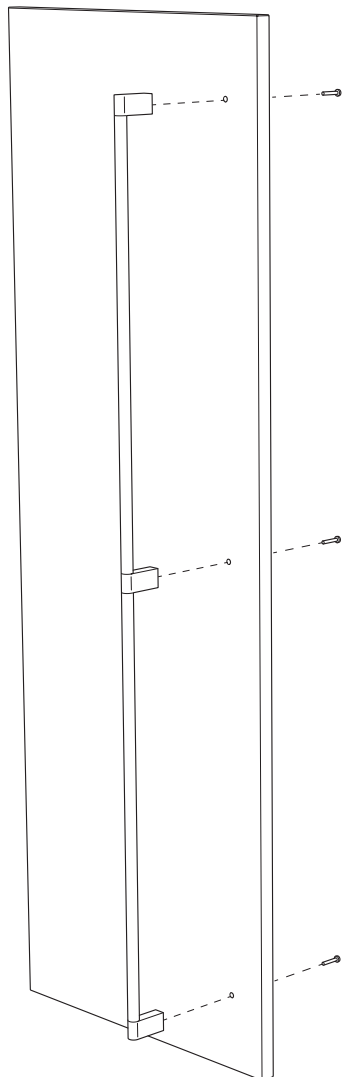
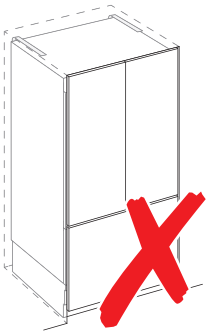
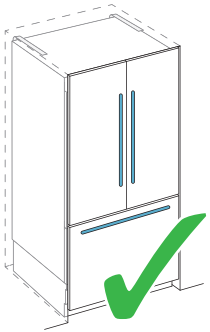
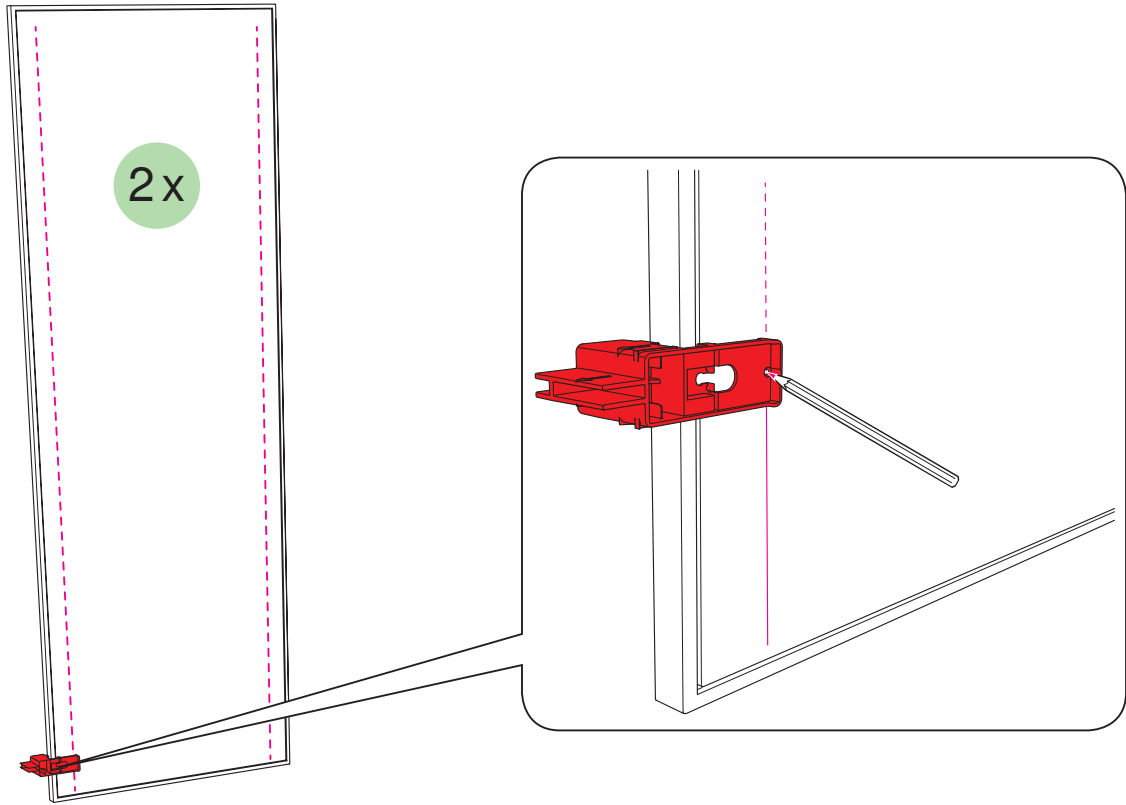
A
B
C
D



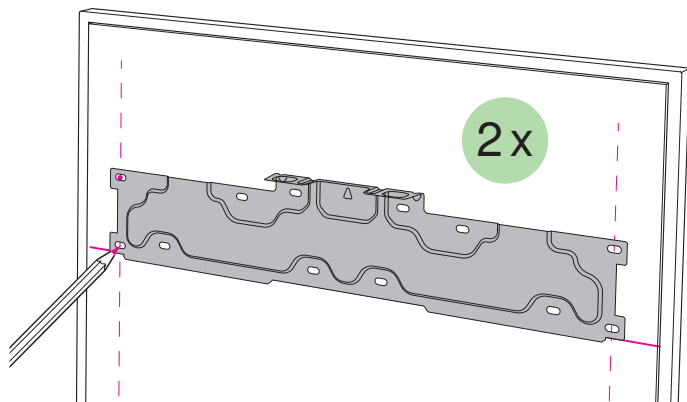
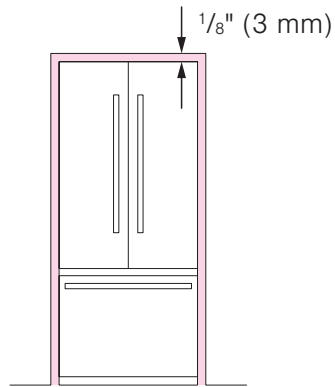
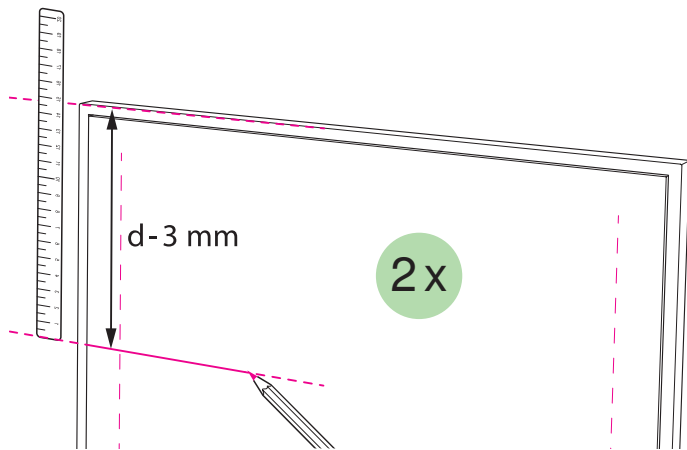
max. 69,1 kg


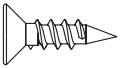
max. 67,3 kg

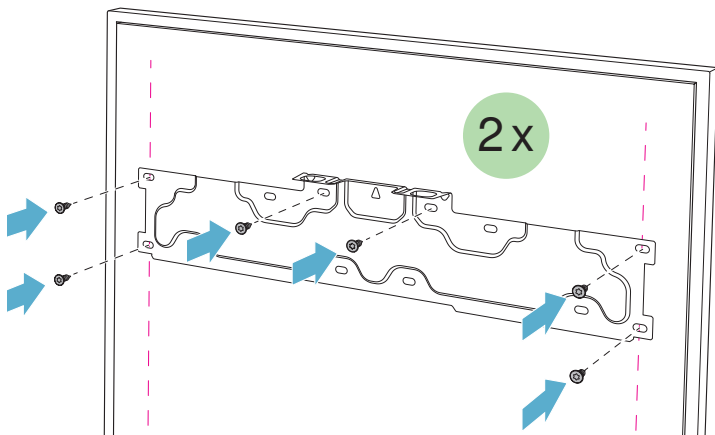


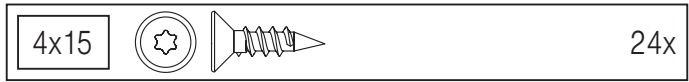


- A
- B
- C
- D

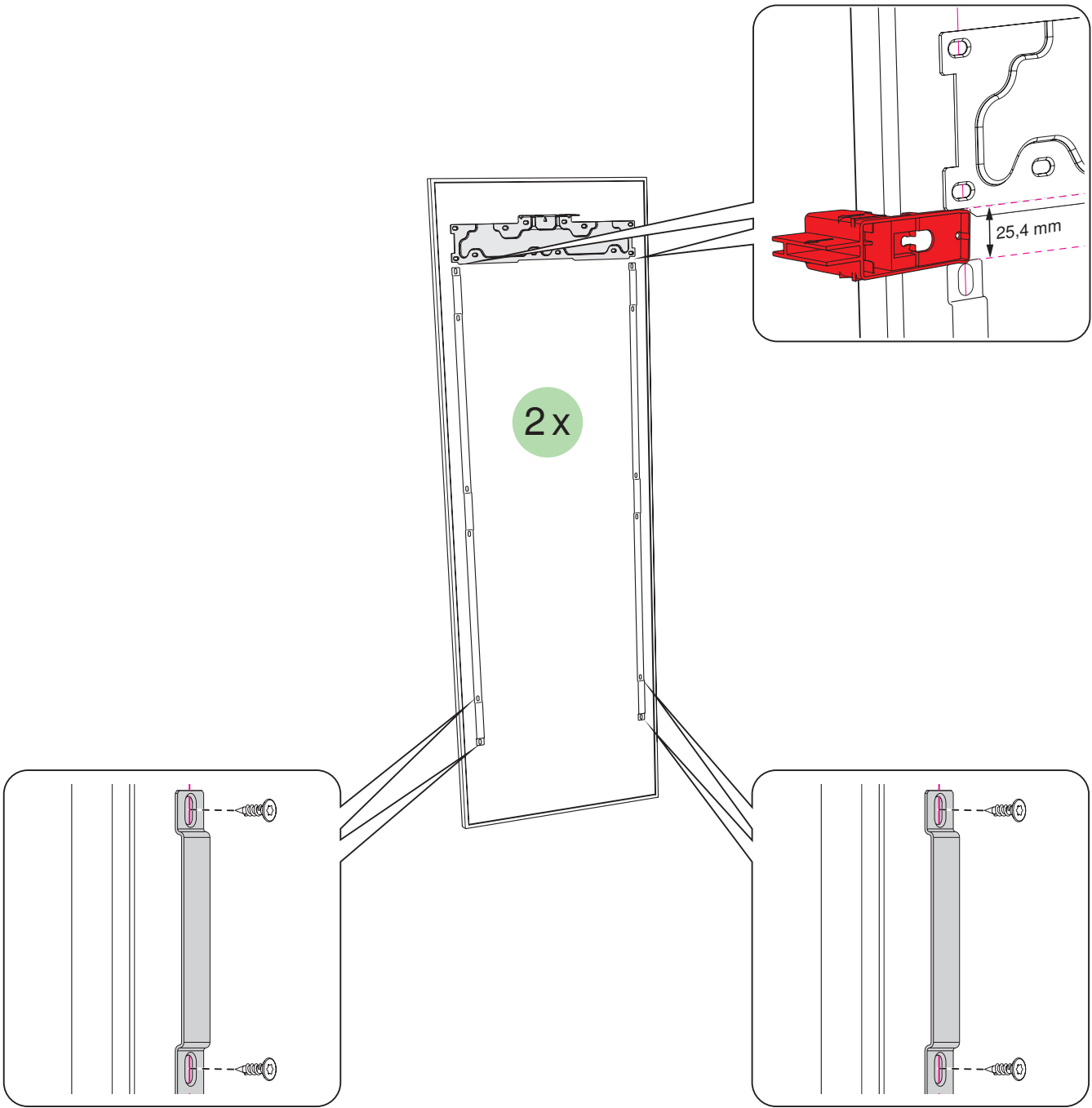


4x15			36" (915 mm)	12x
------	---	---	--------------	-----

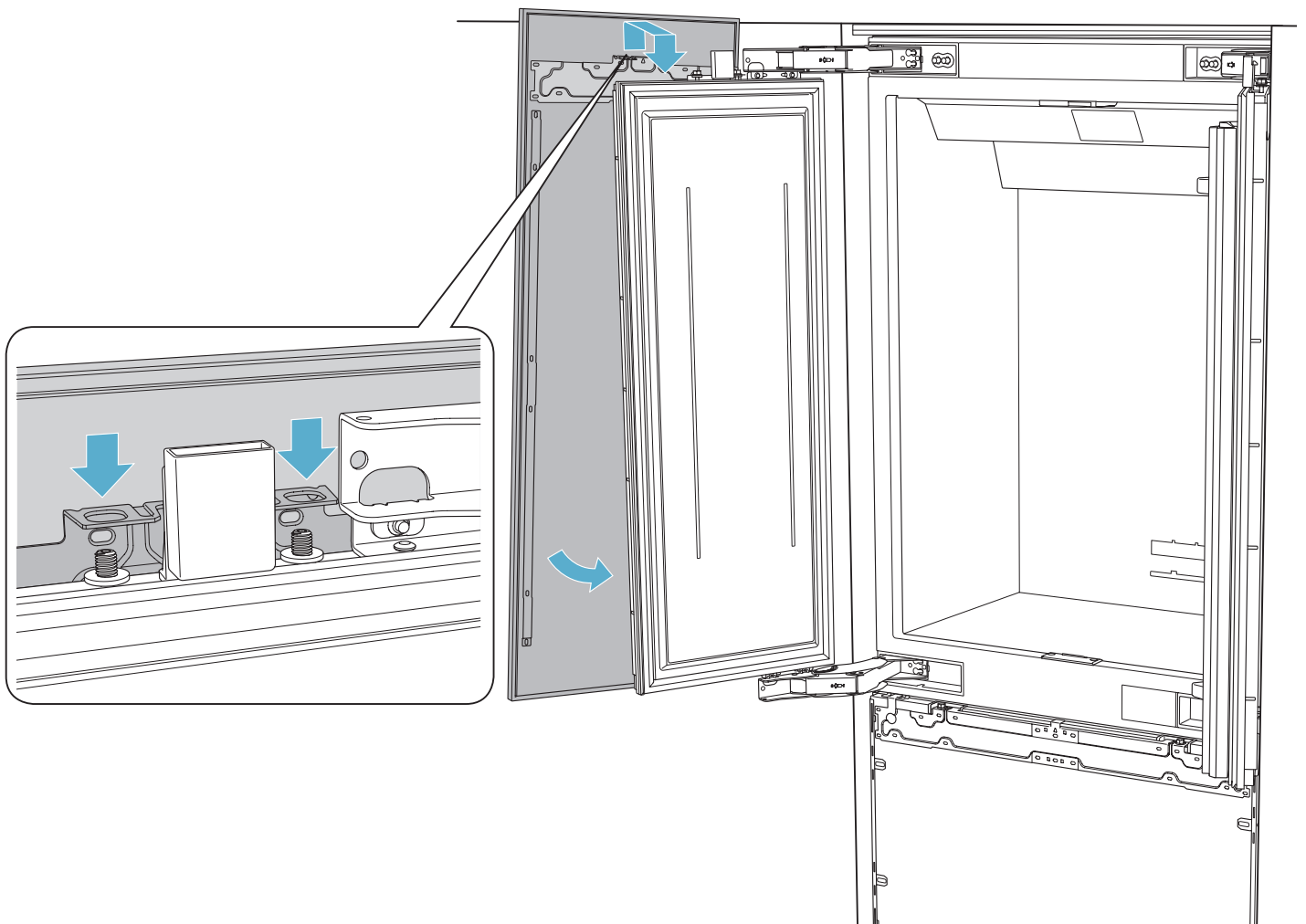
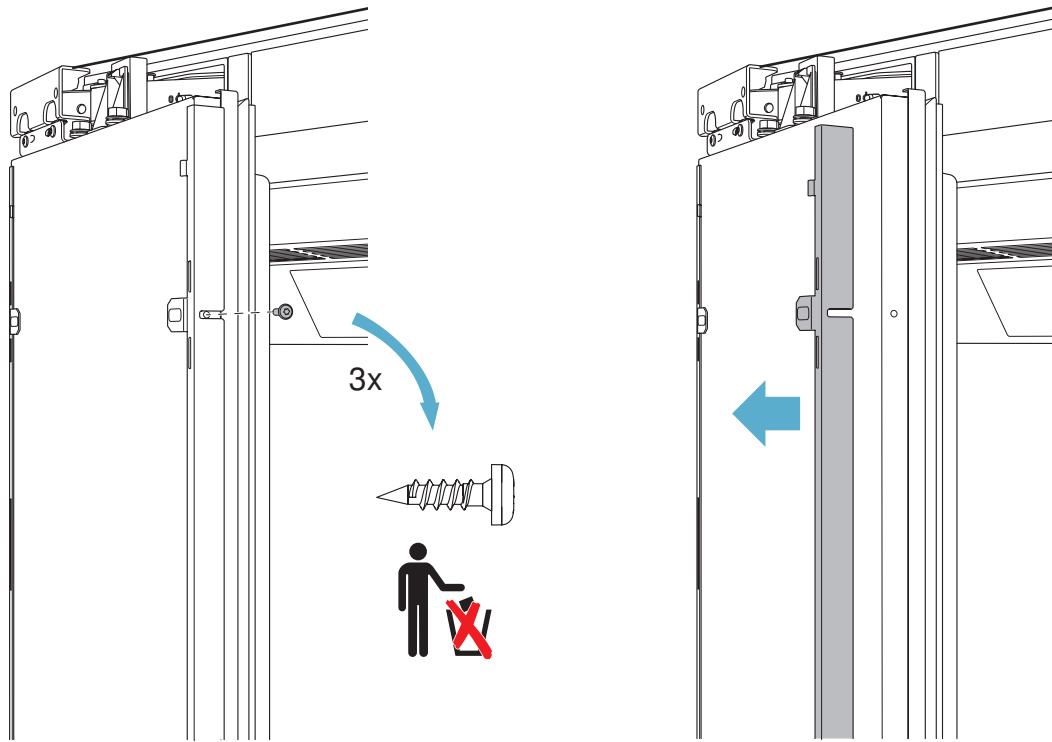


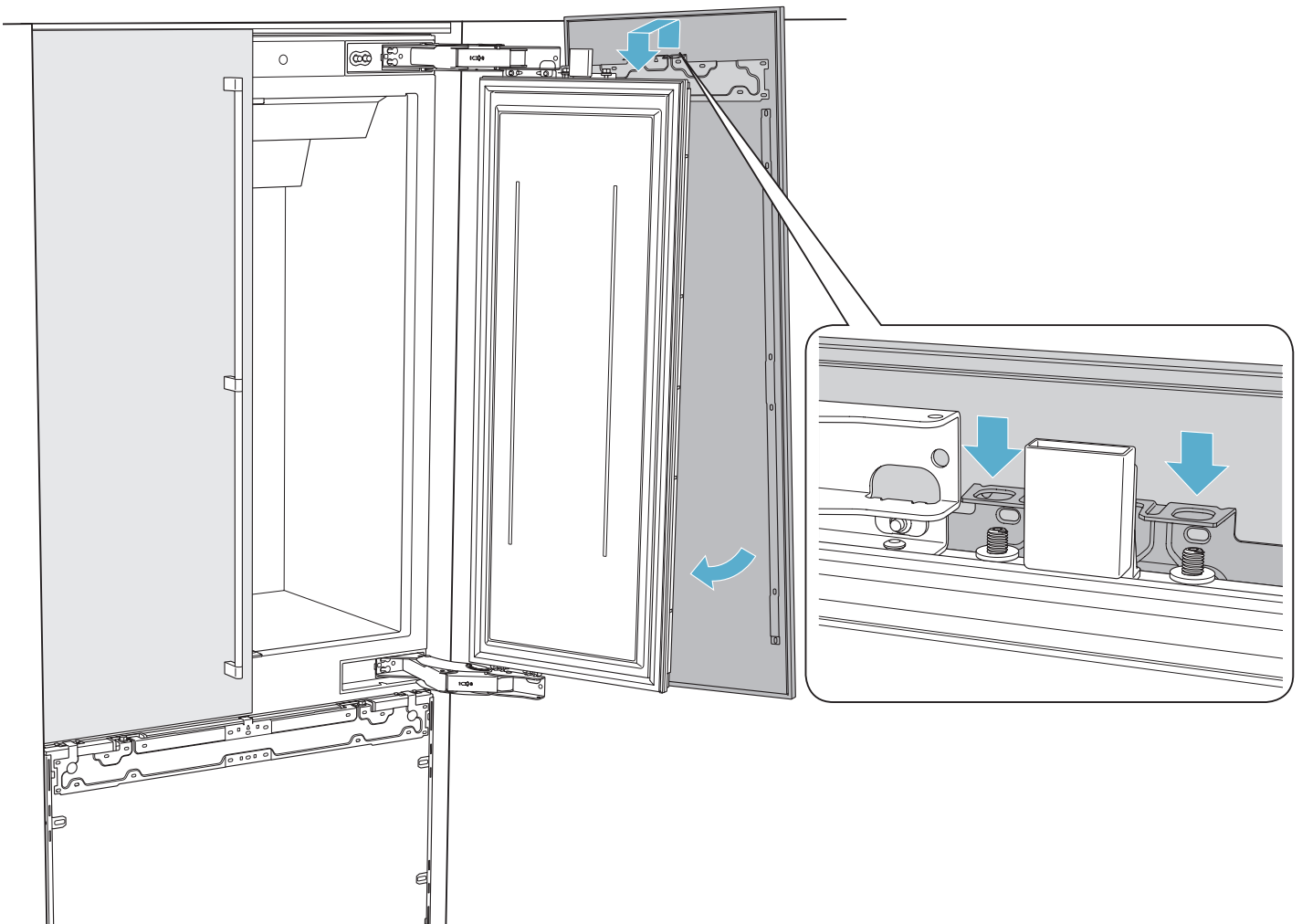
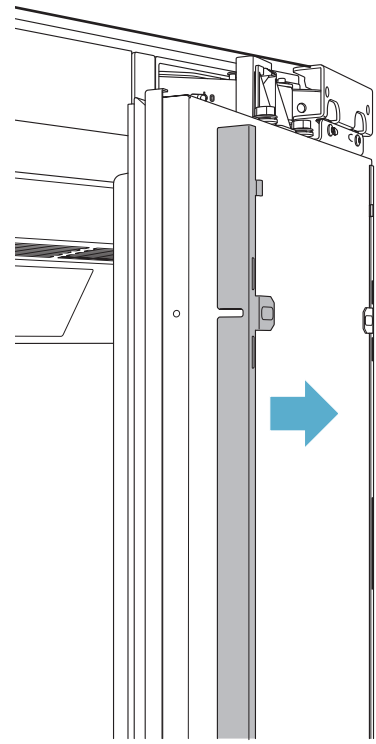
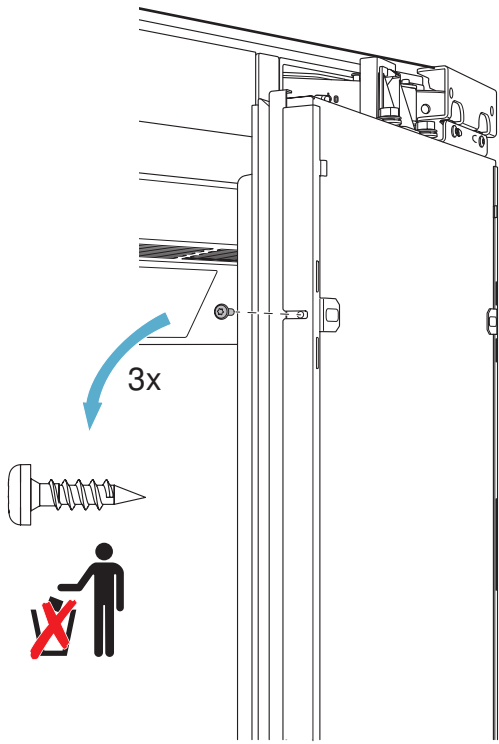


- A
- B
- C
- D

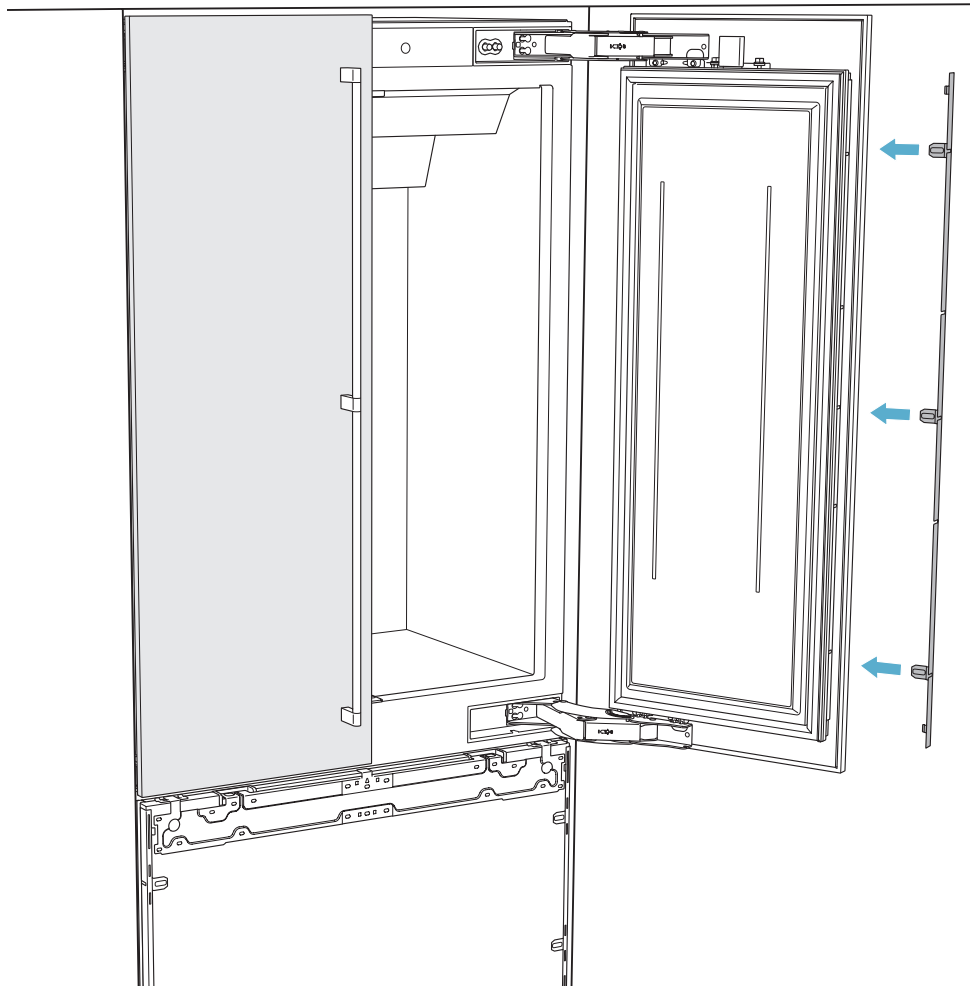
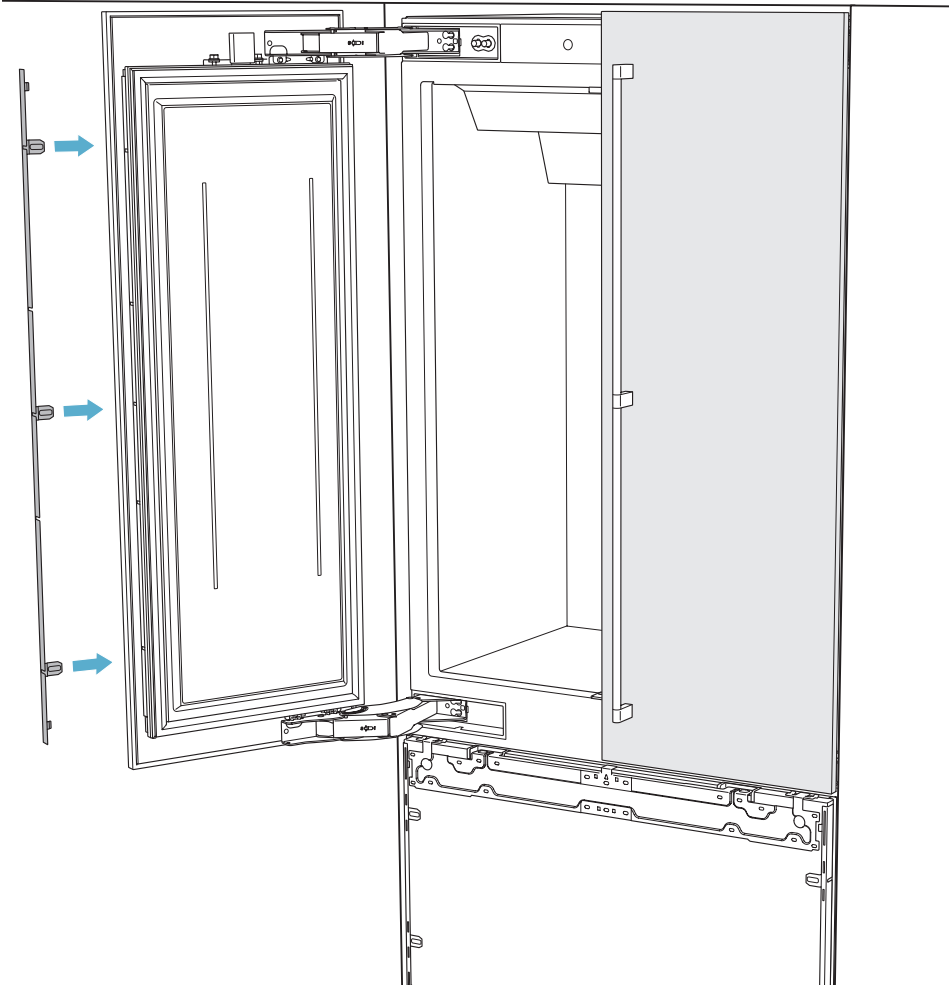


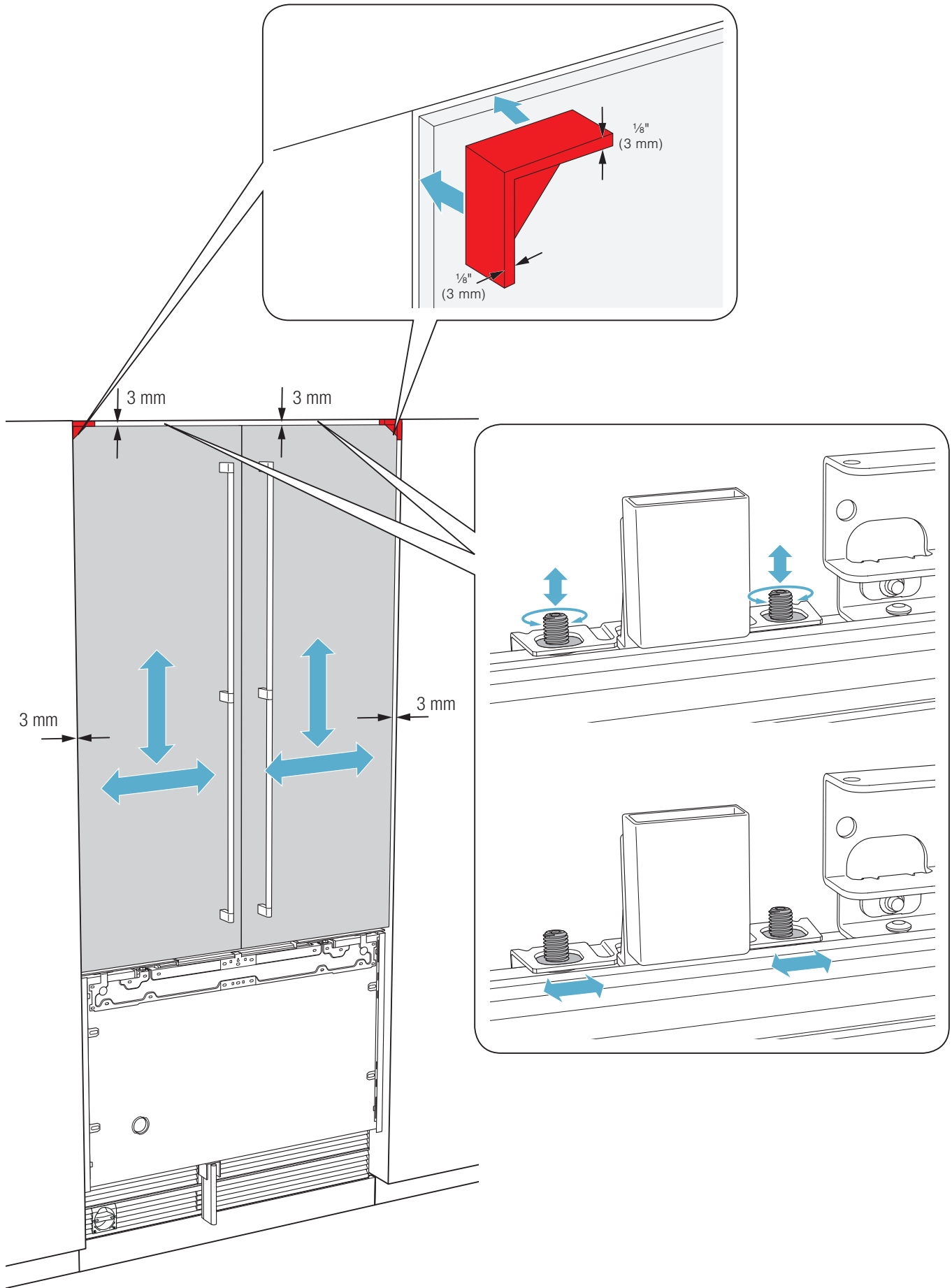
A
B
C
D



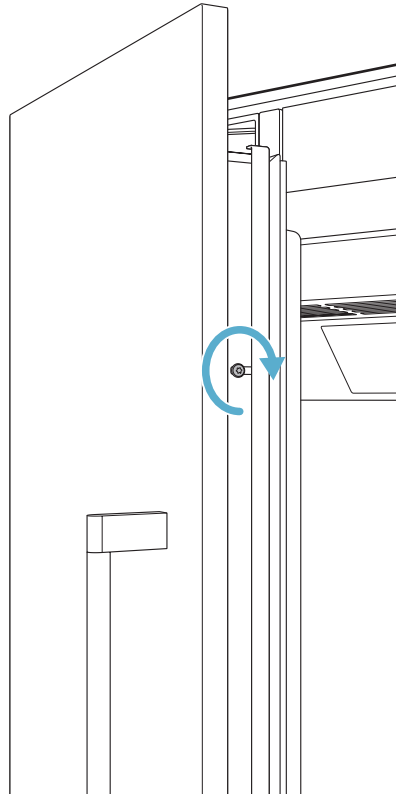
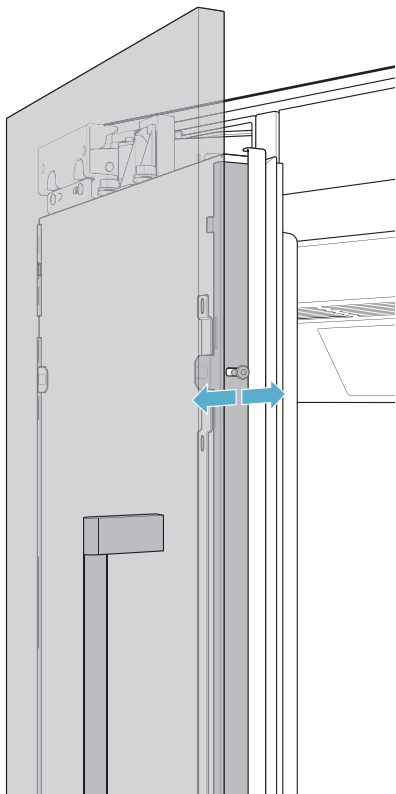
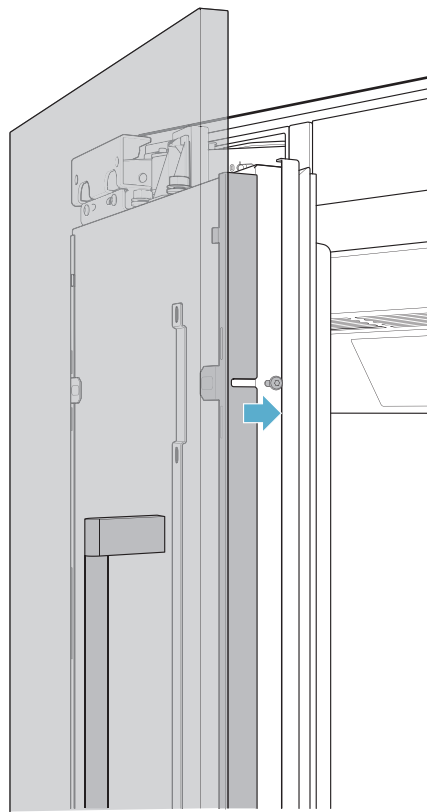
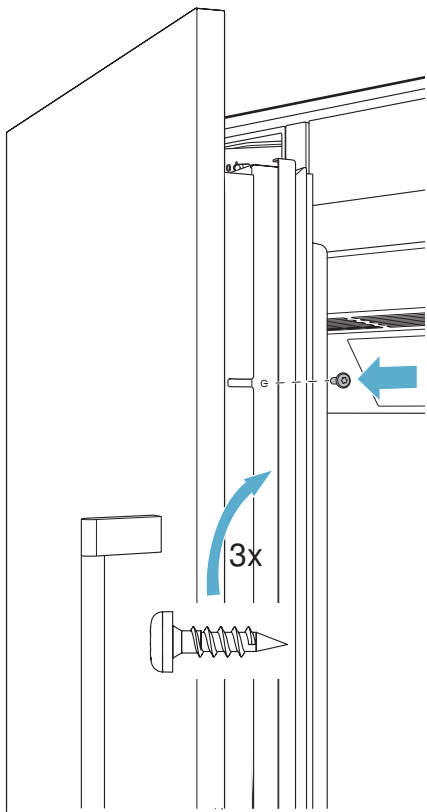


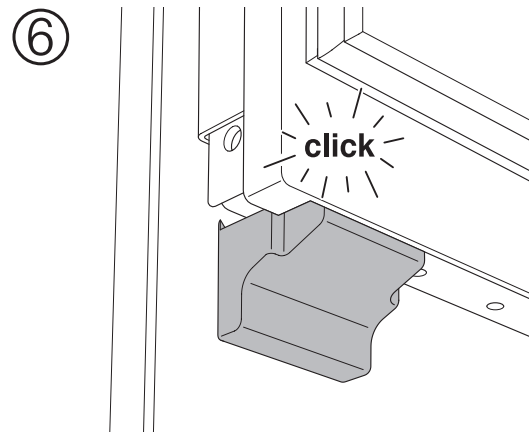
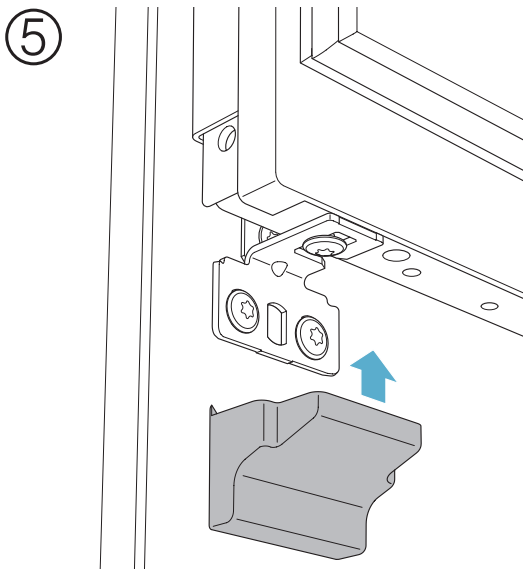
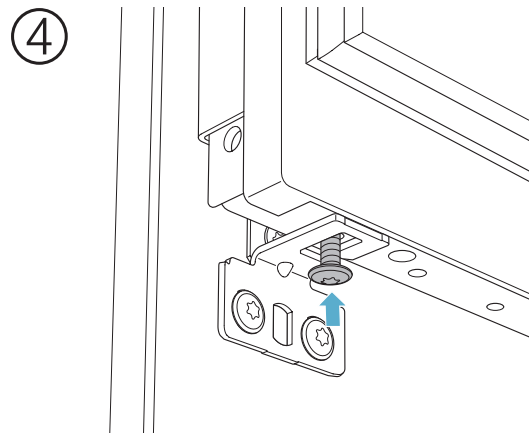
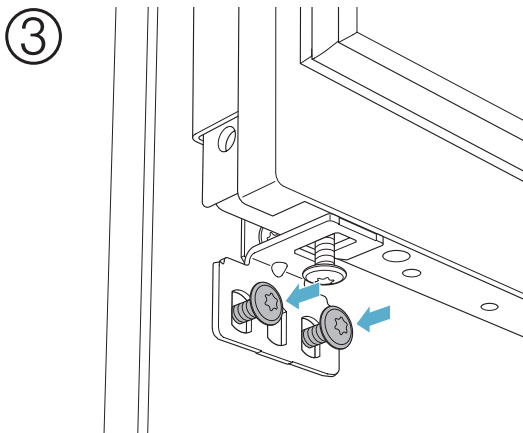
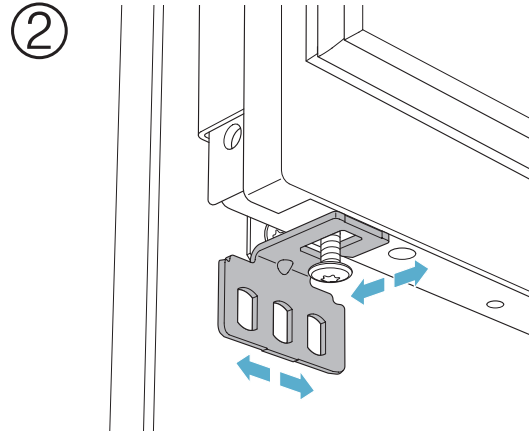
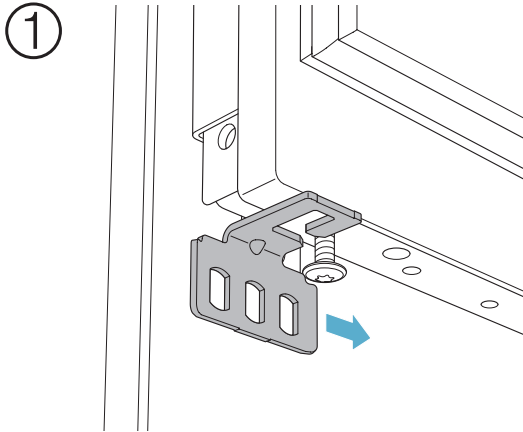
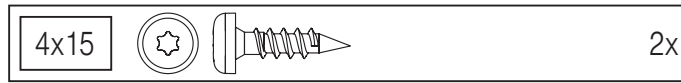
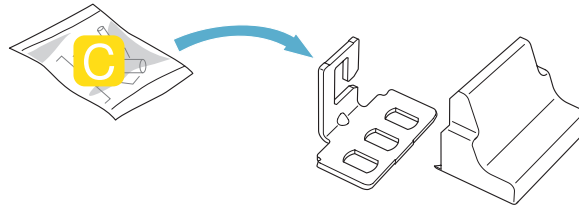
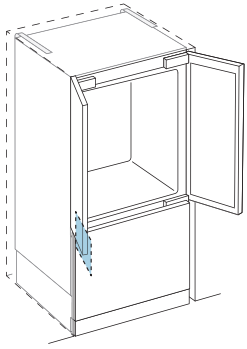
- A
- B
- C
- D



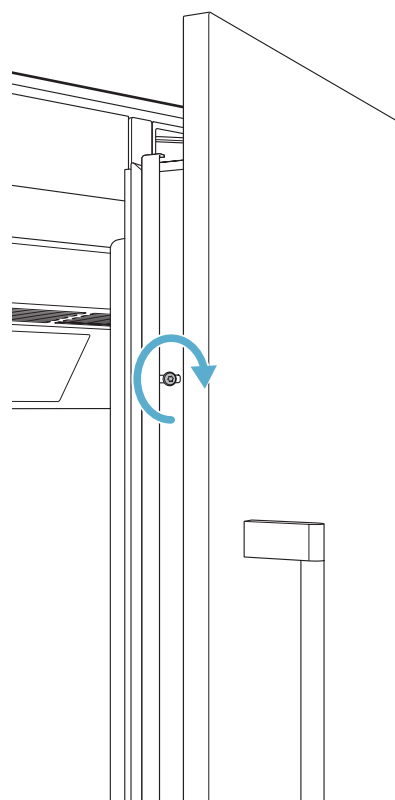
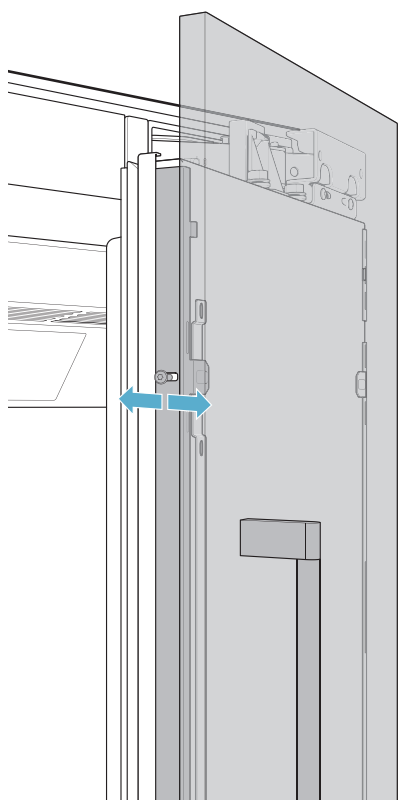
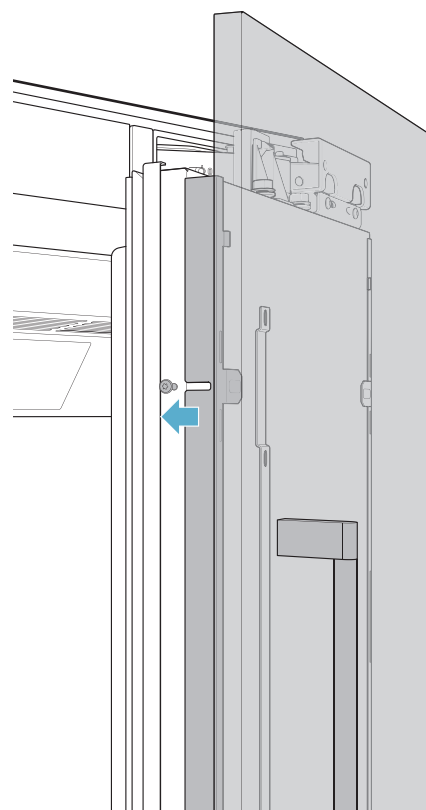
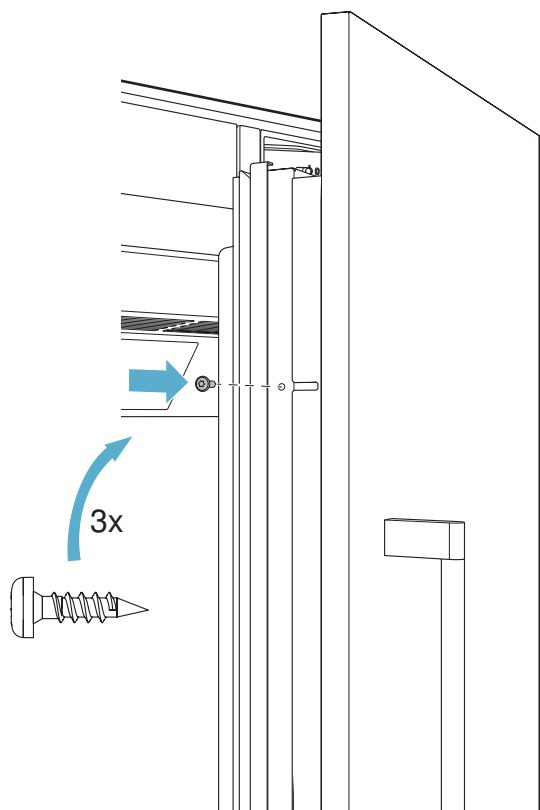


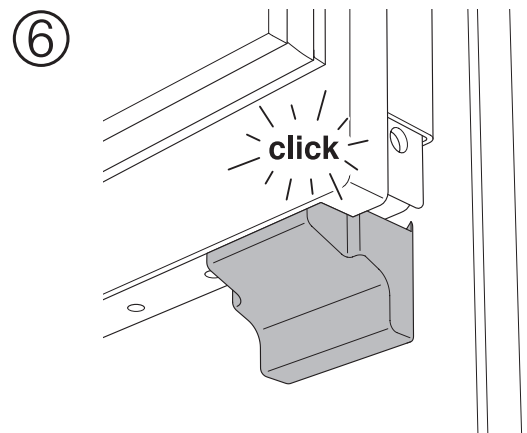
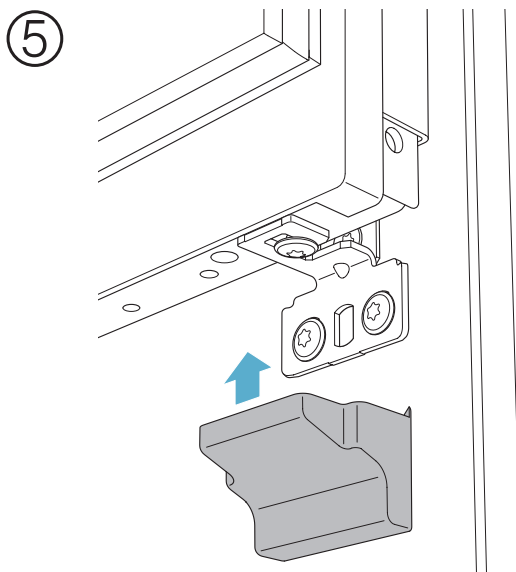
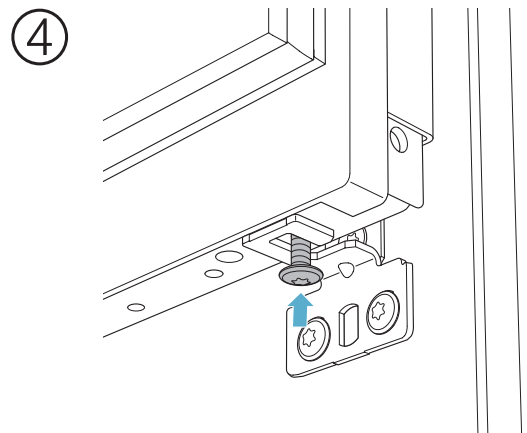
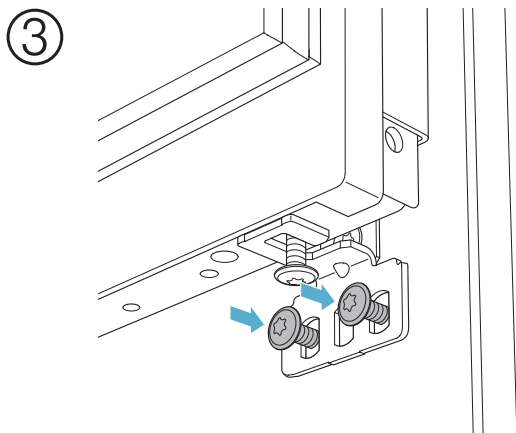
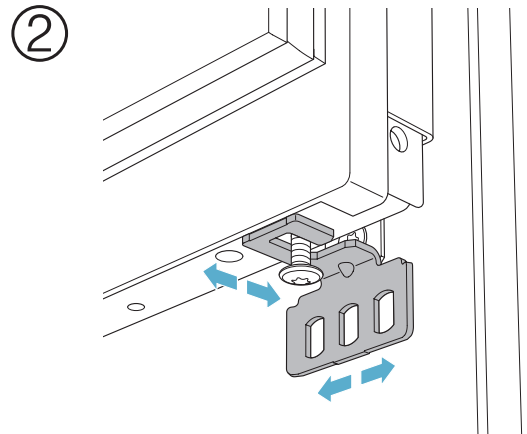
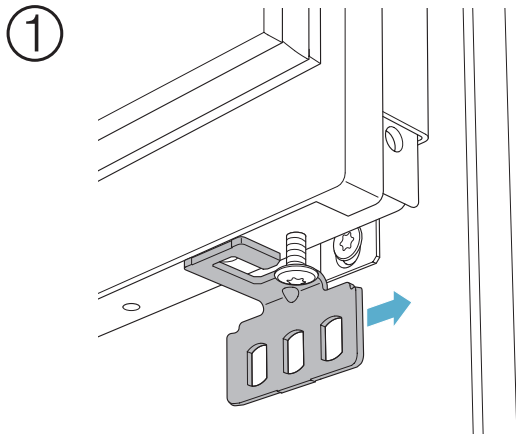
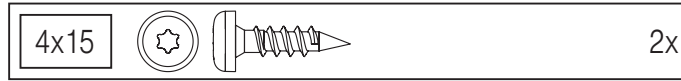
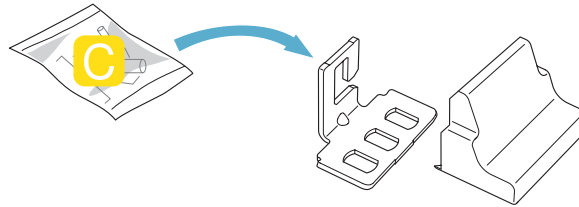
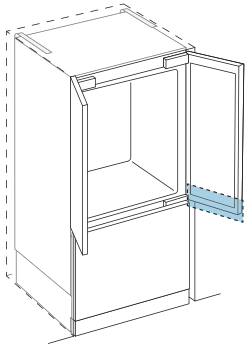
- A
- B
- C
- D



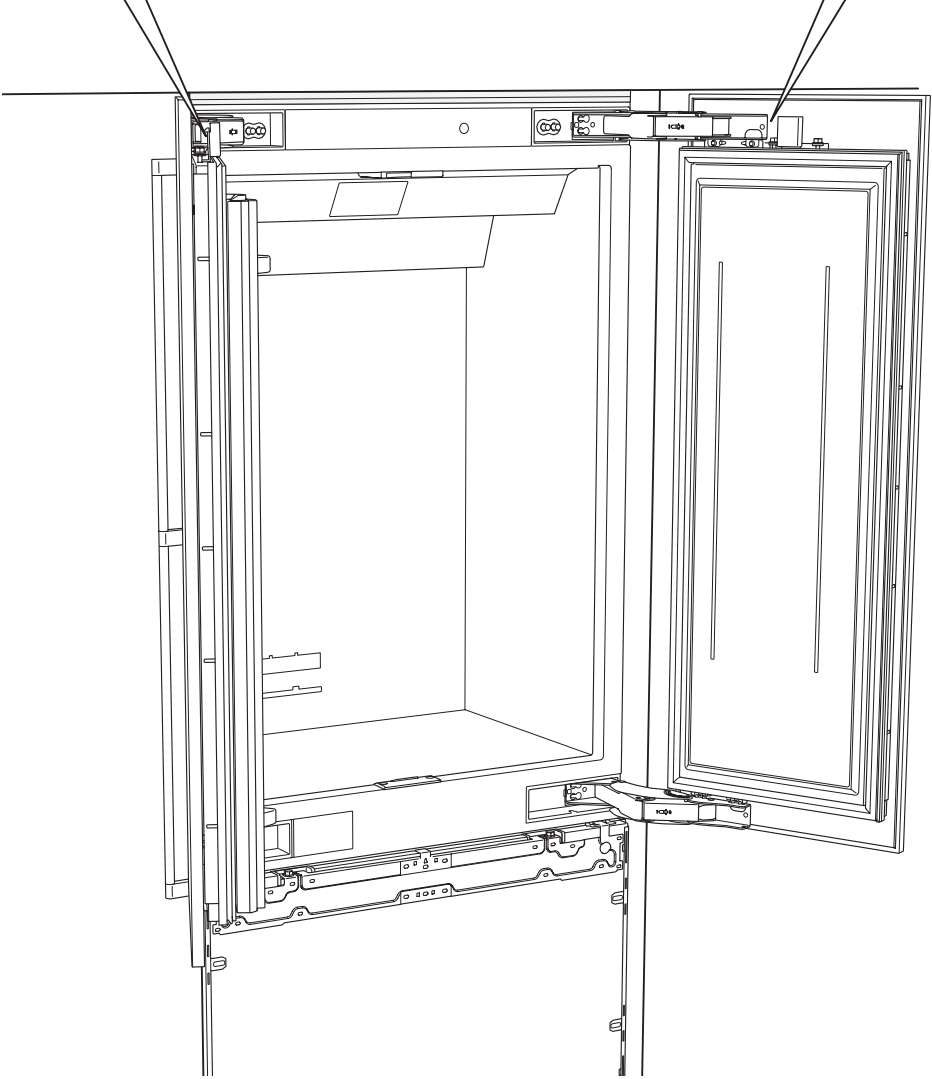
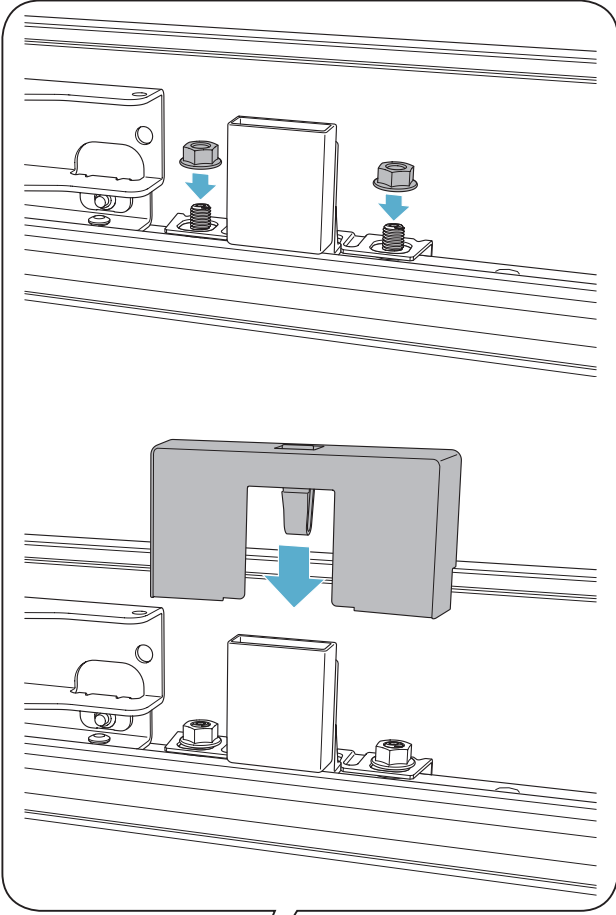
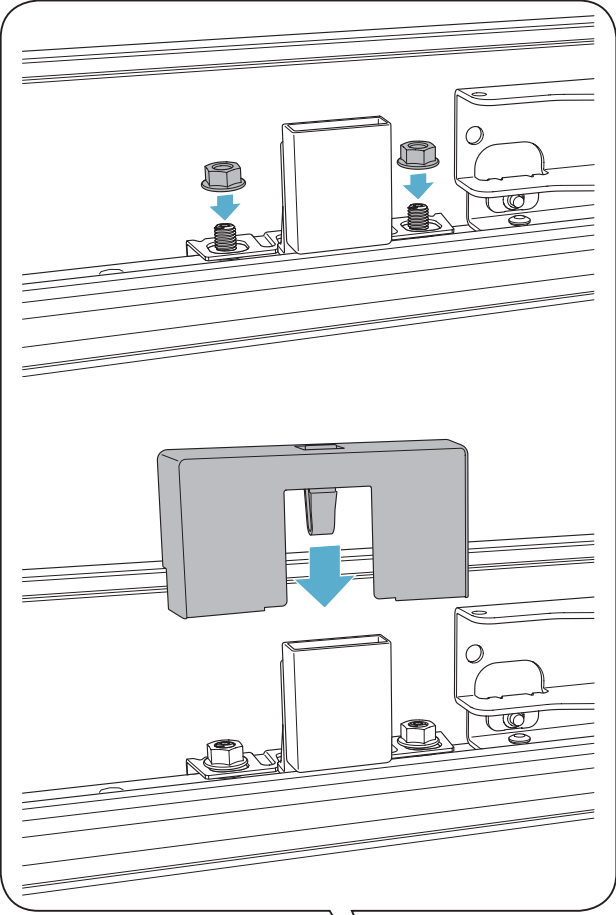


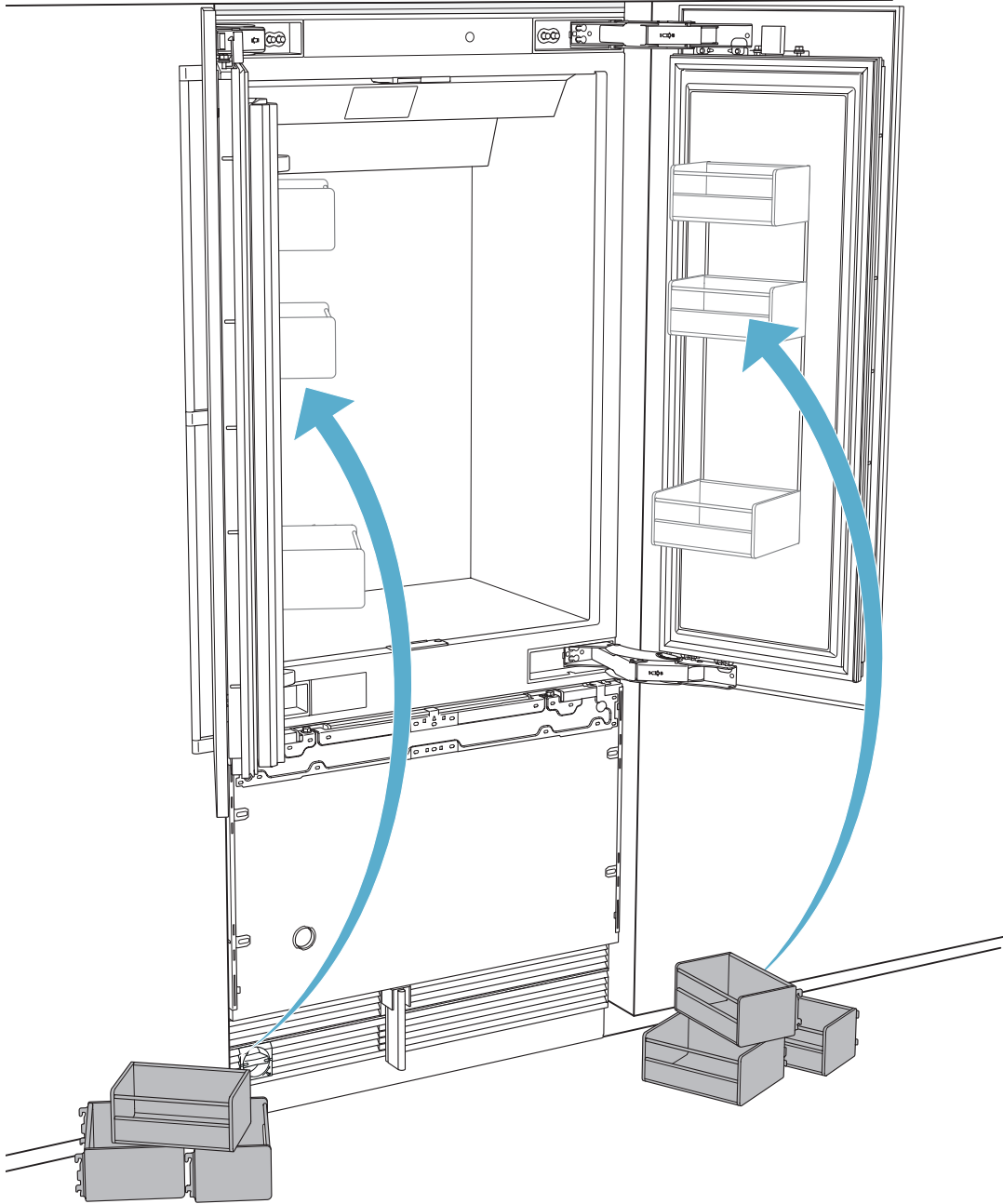
- A
- B
- C
- D



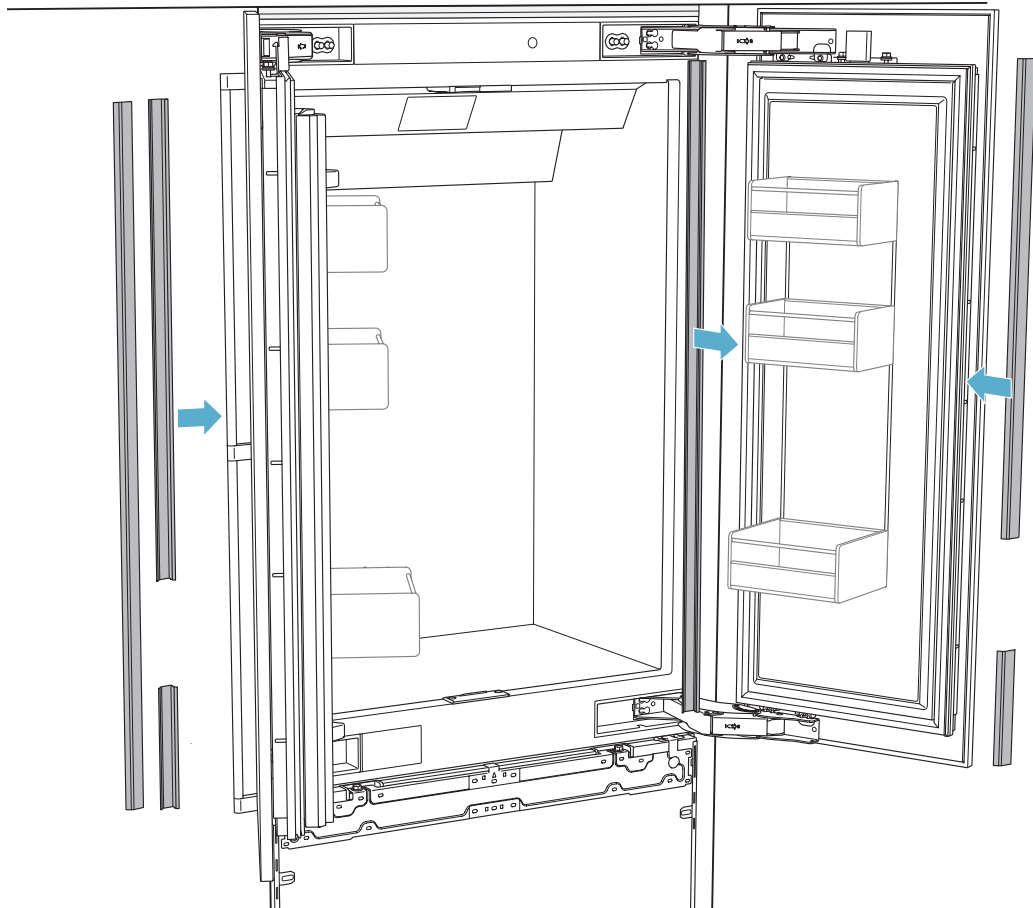
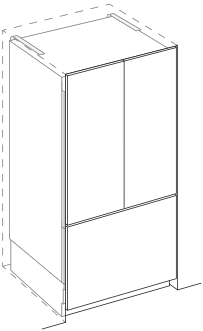
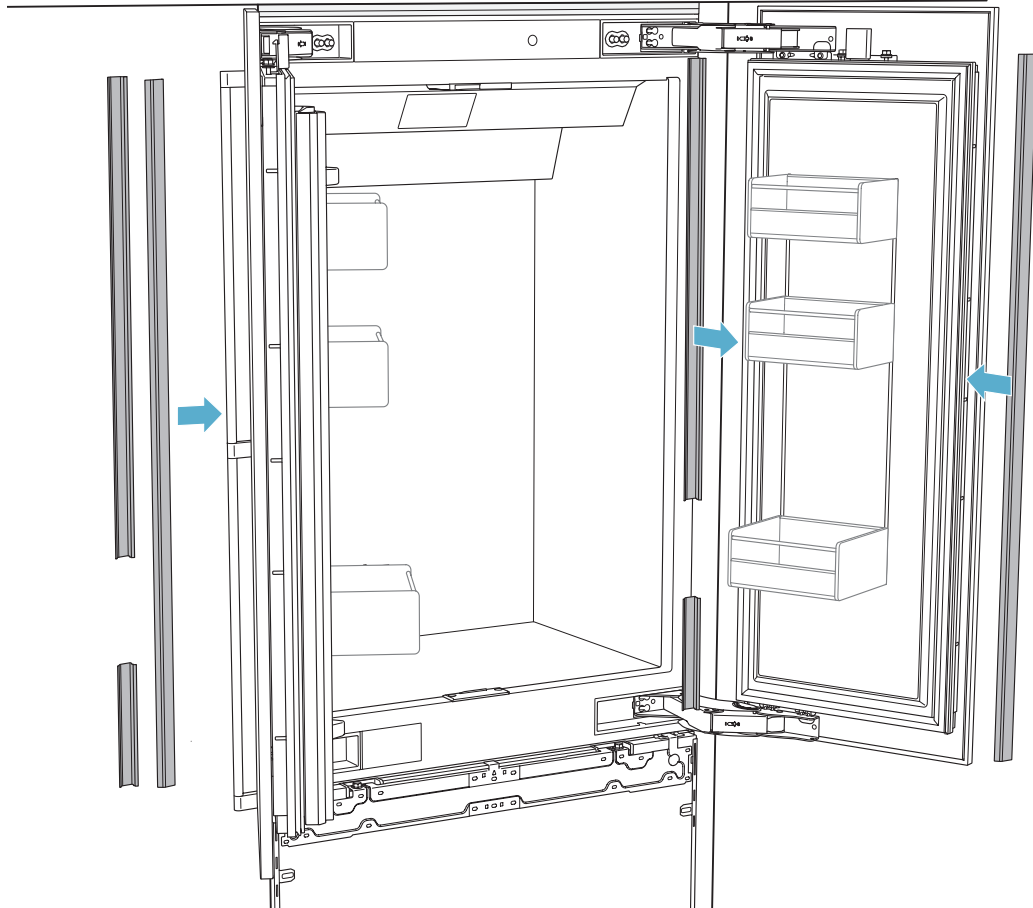
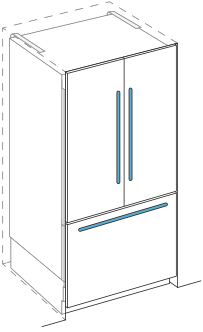


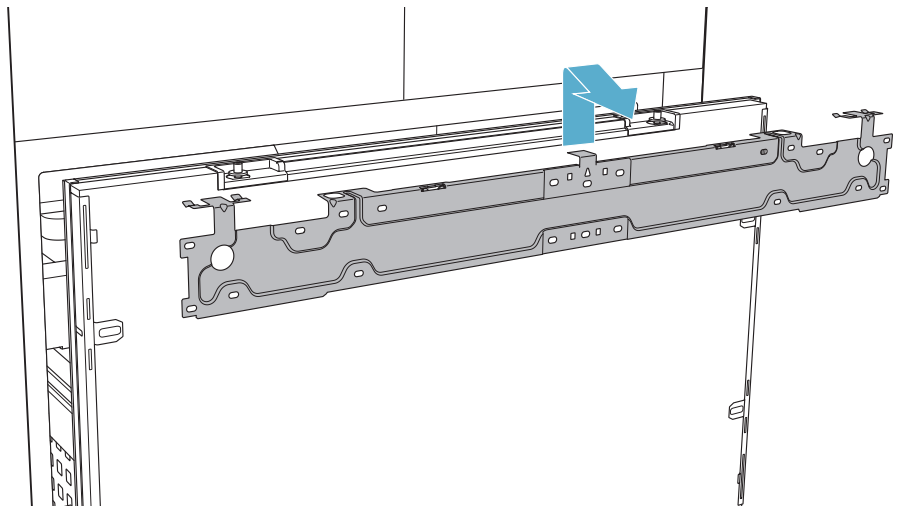
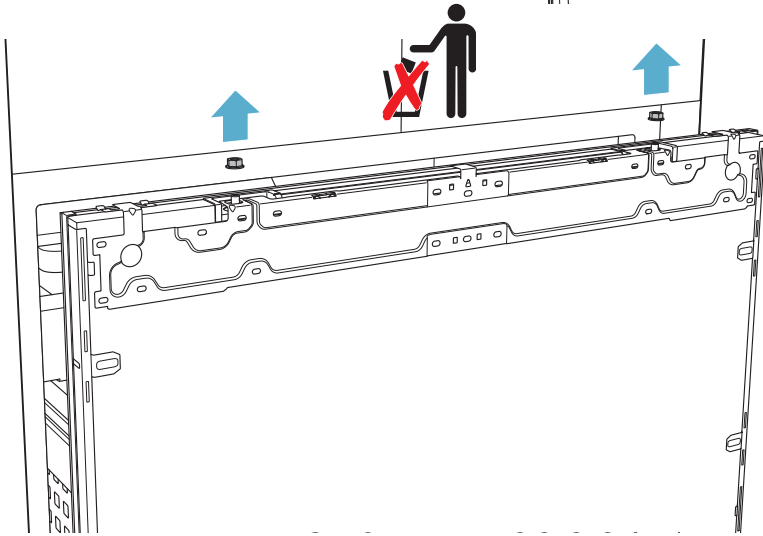
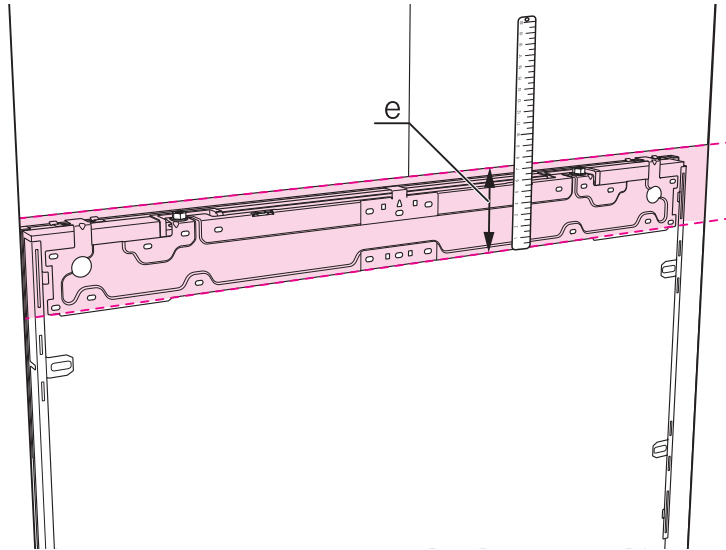
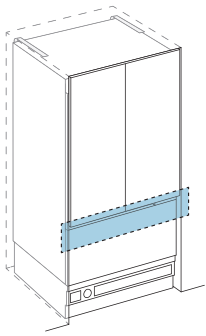
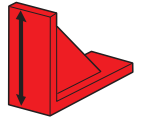
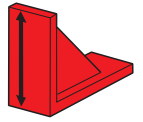
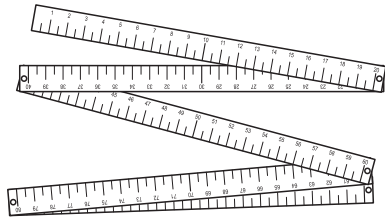
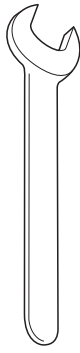
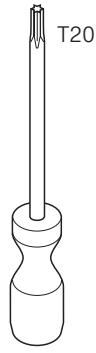
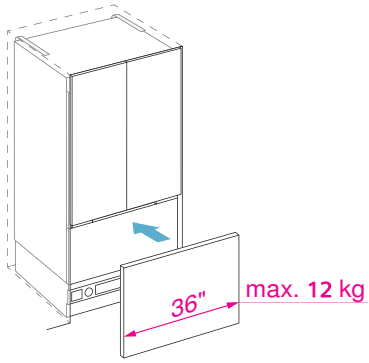
A
B
C
D



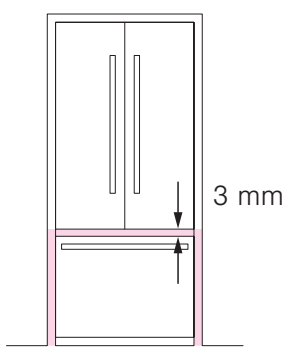
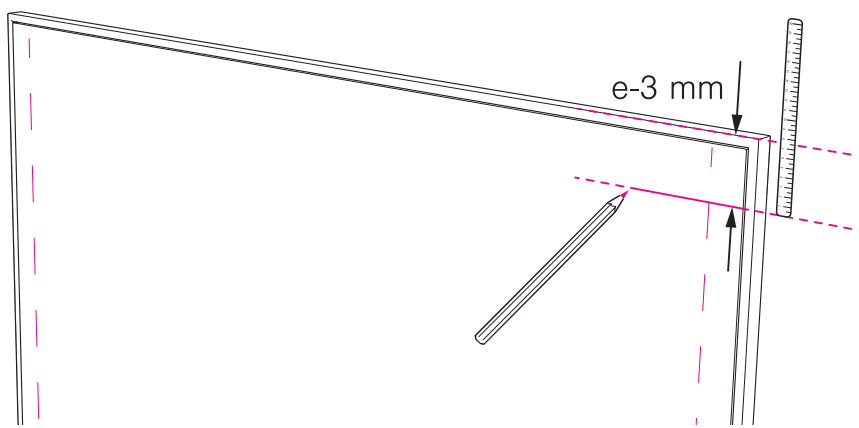
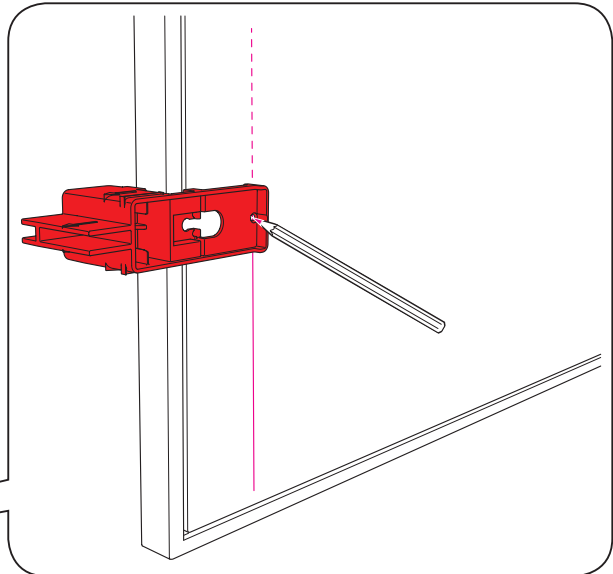
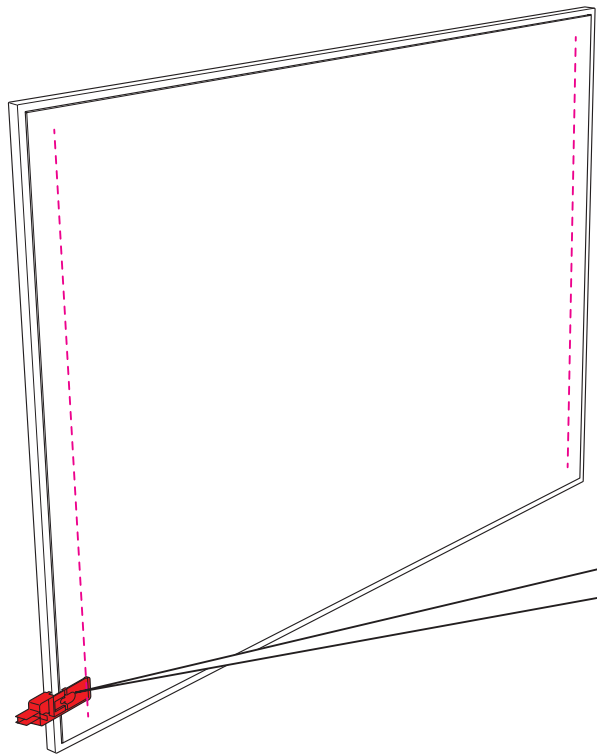
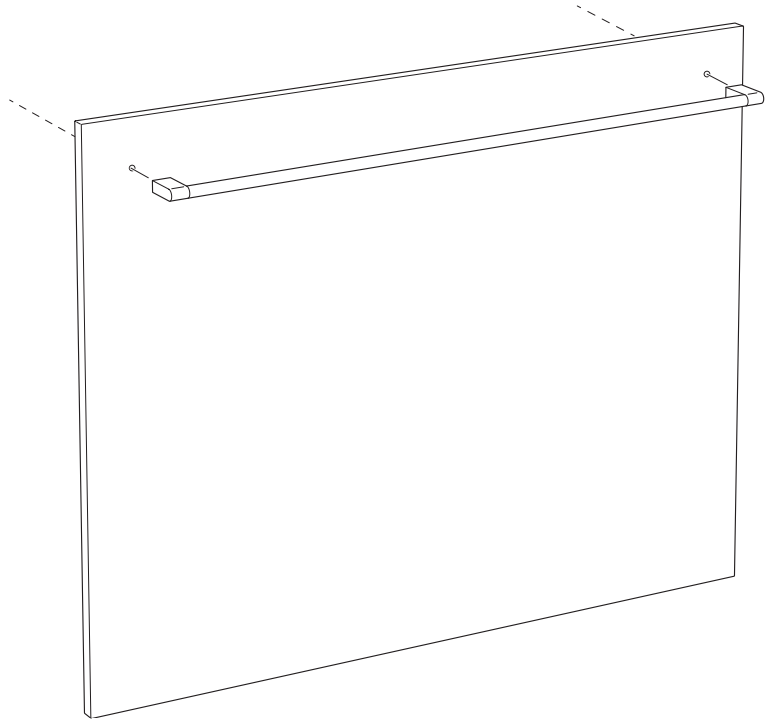
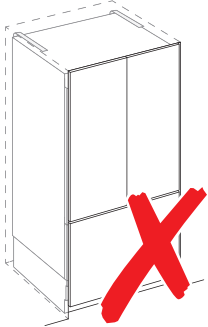
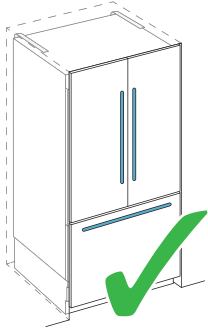



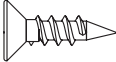
- A
- B
- C
- D

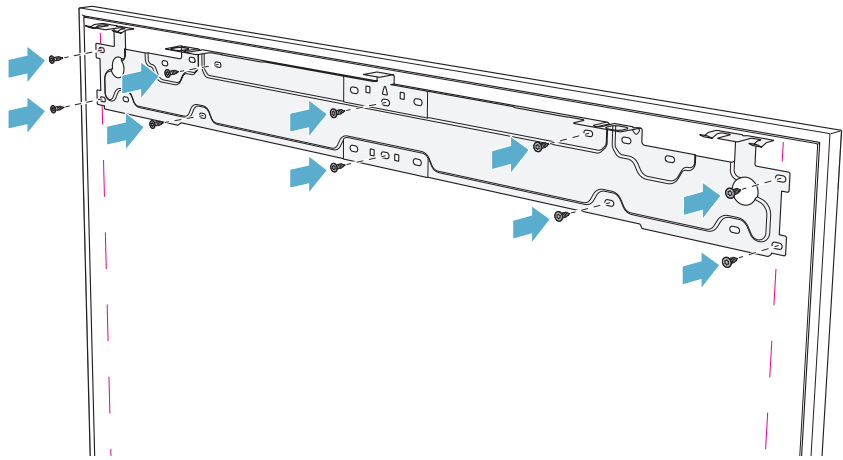
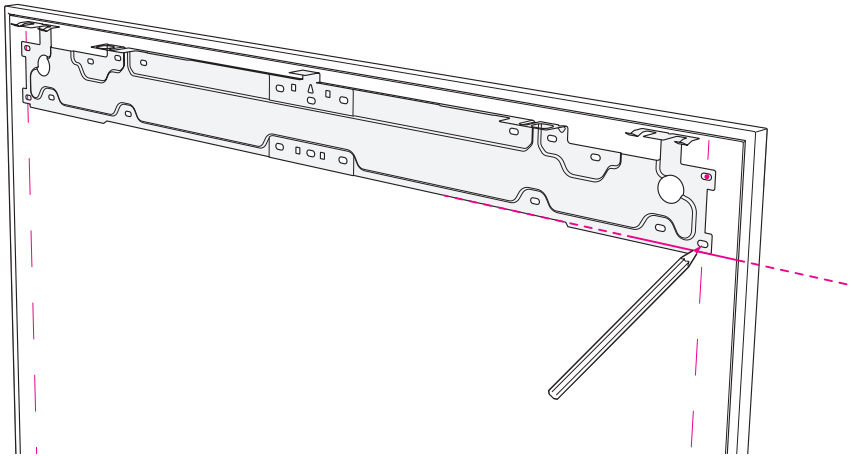






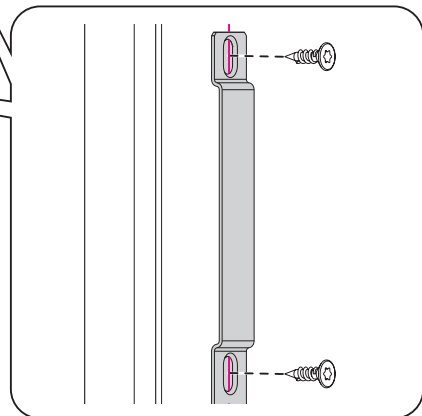
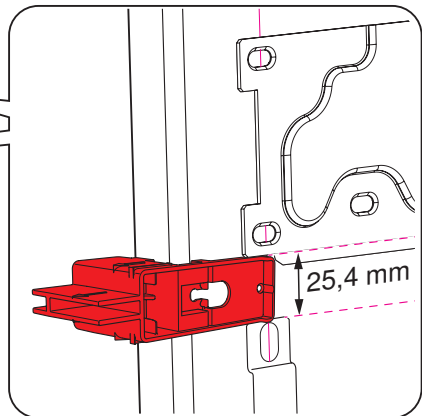
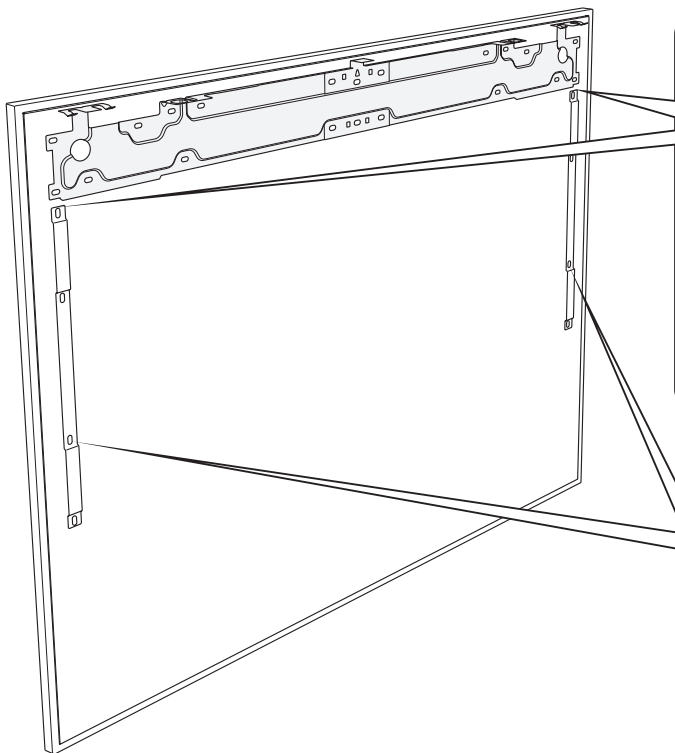
- A
- B
- C
- D



4x15   10x

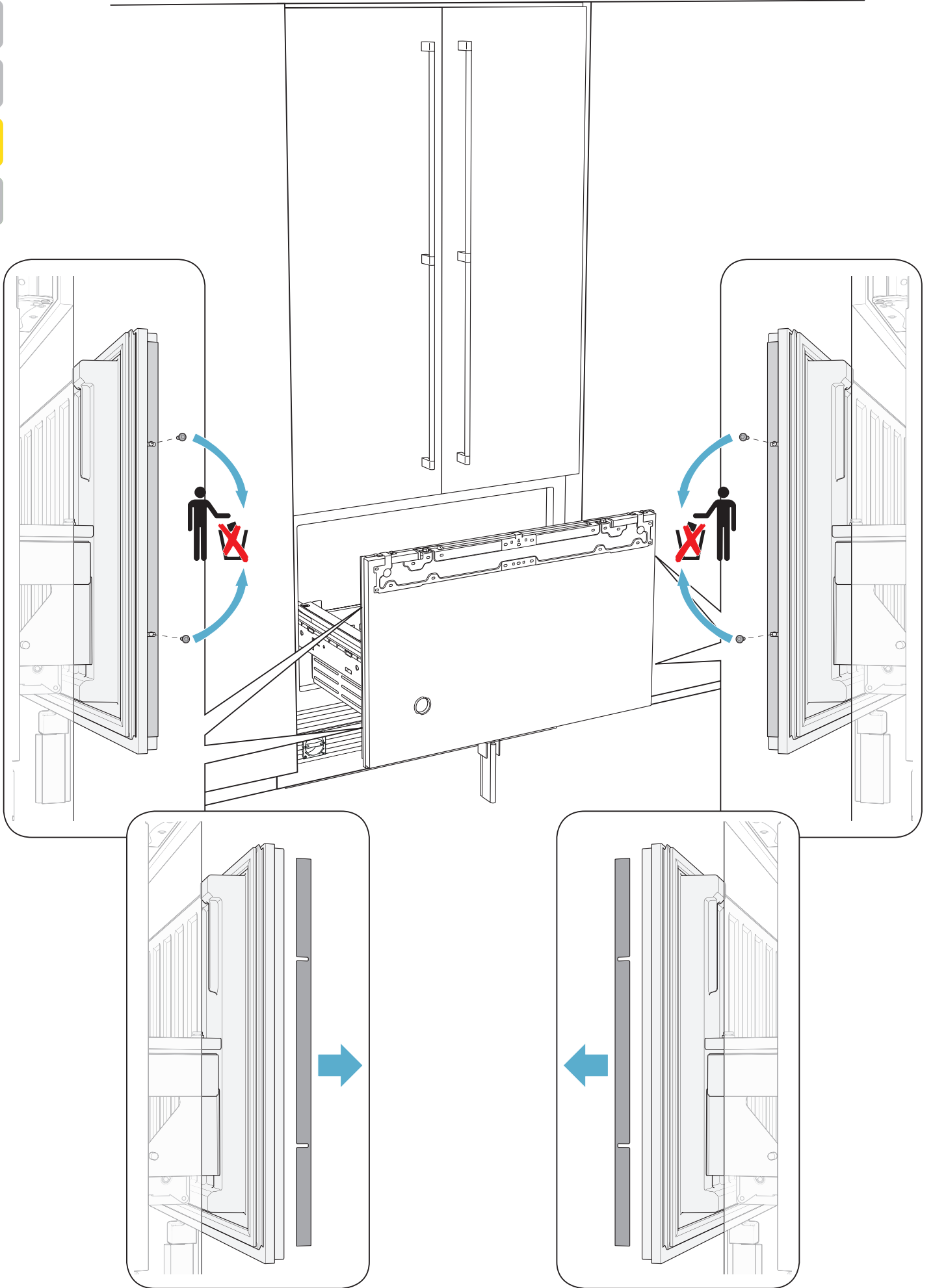


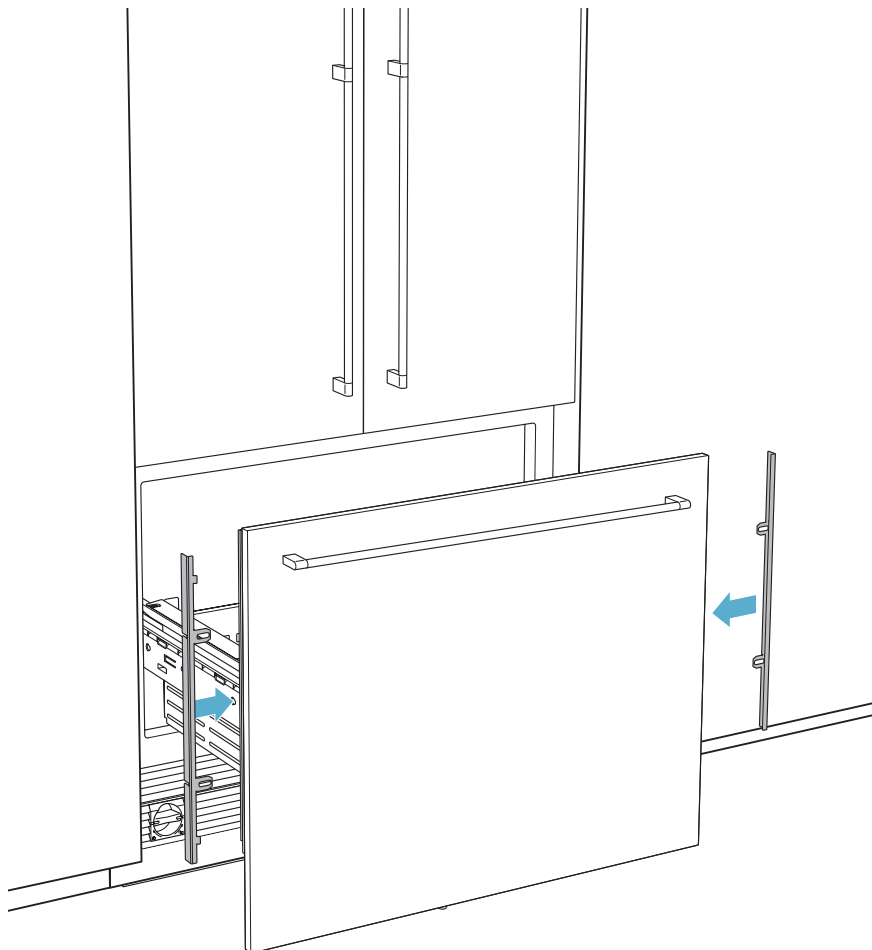
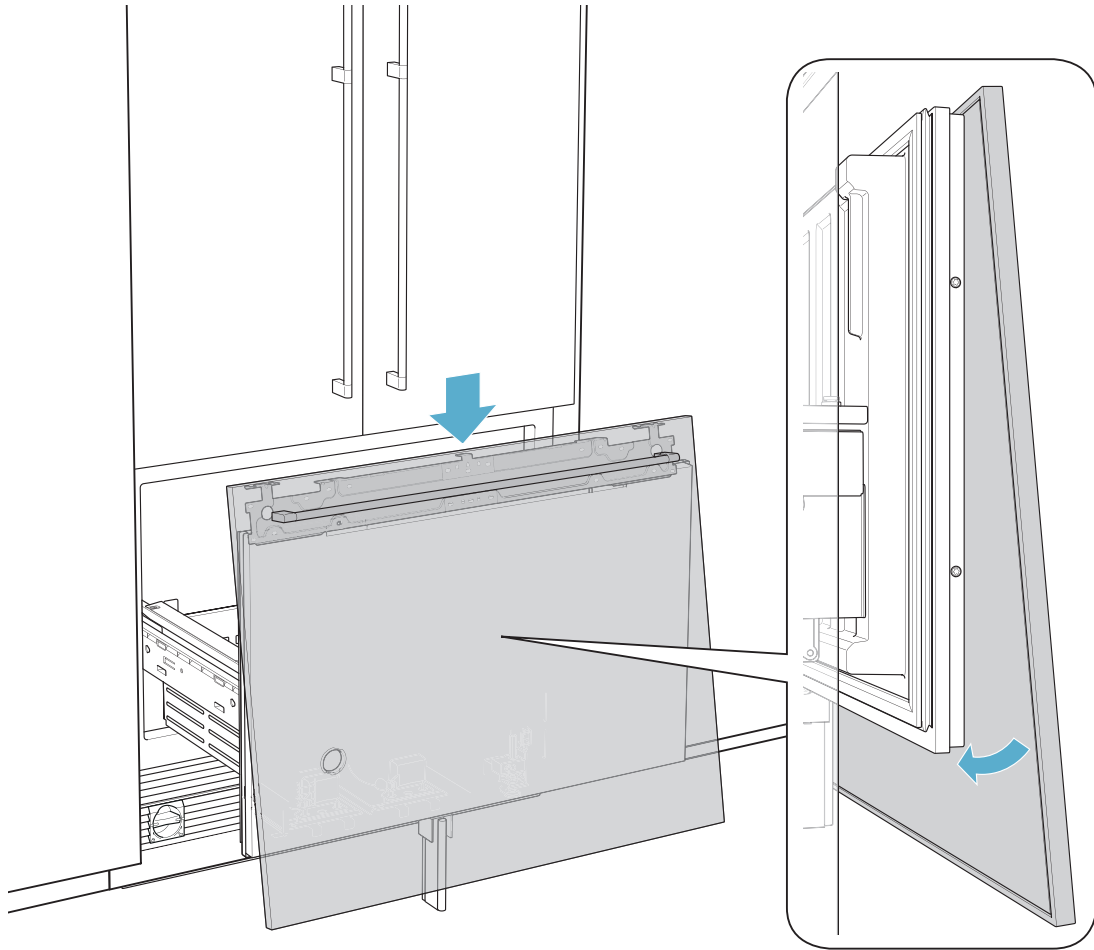
4x15   8x



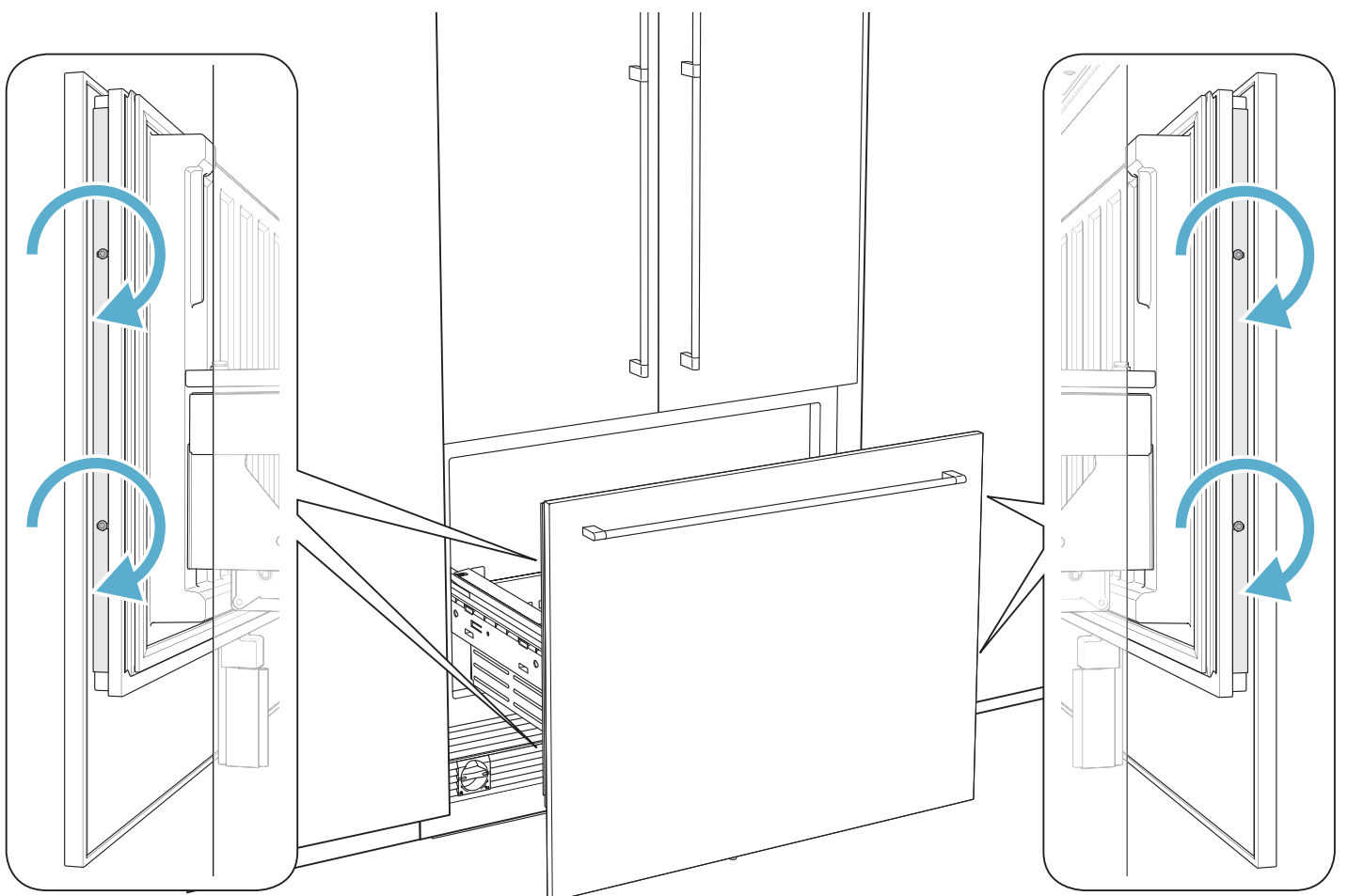
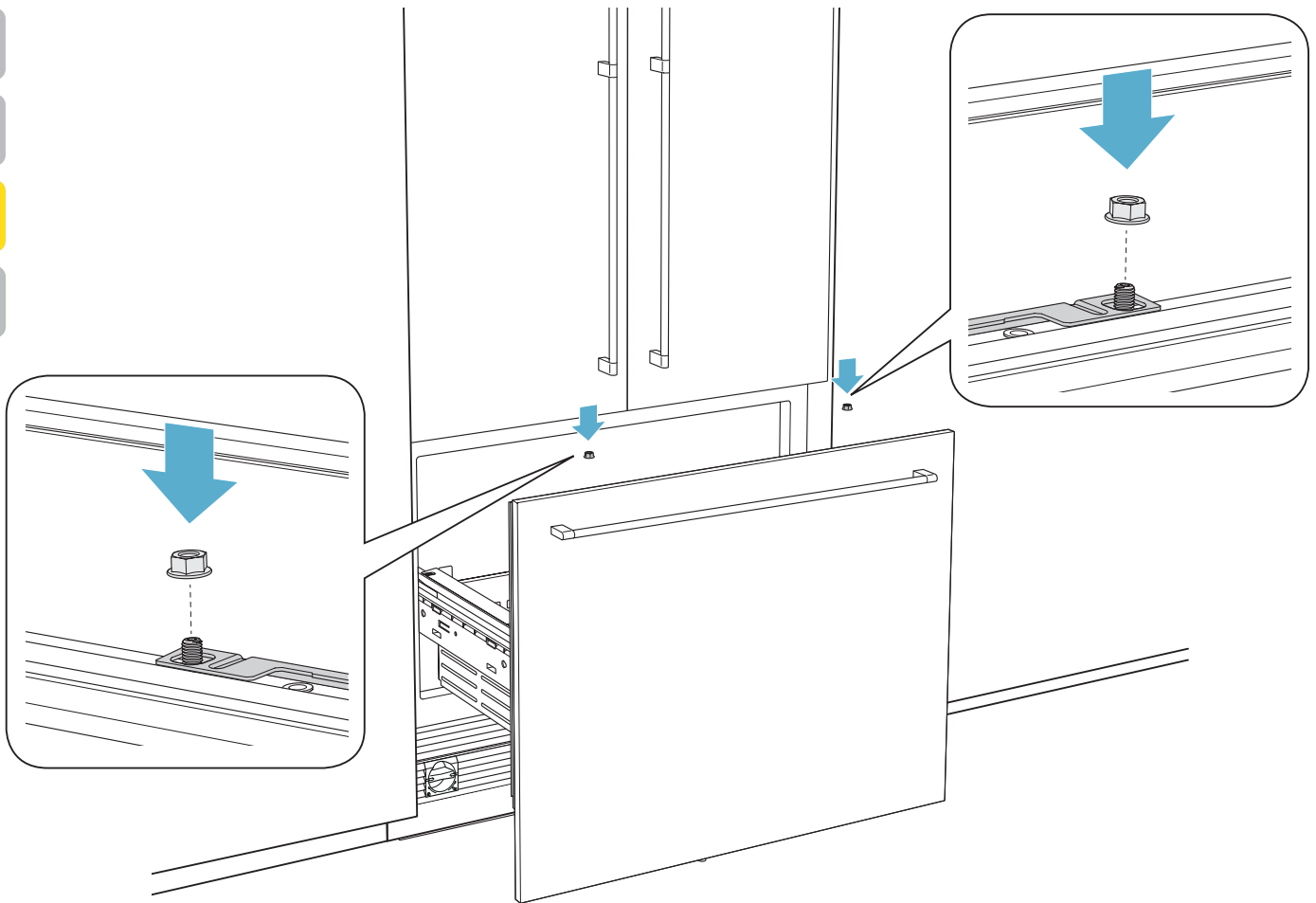
A
B
C
D

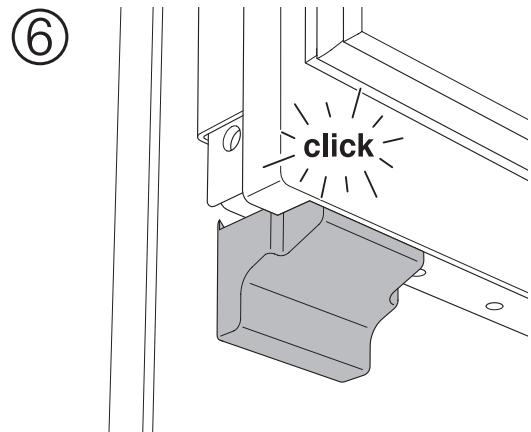
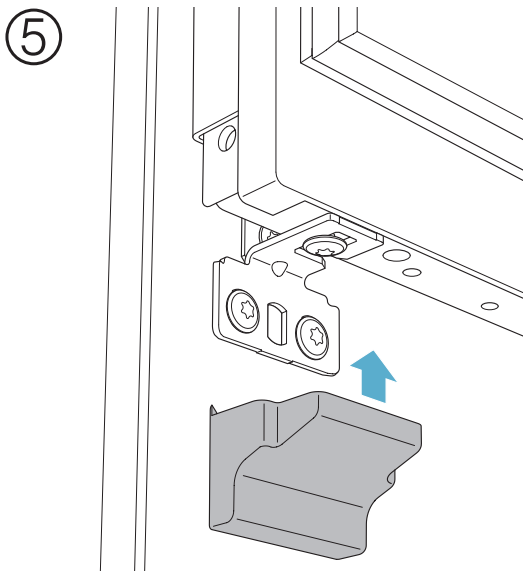
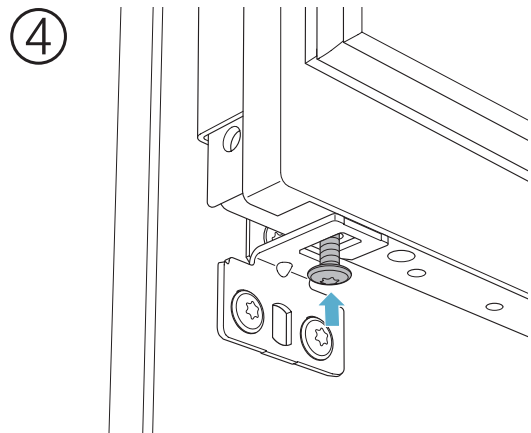
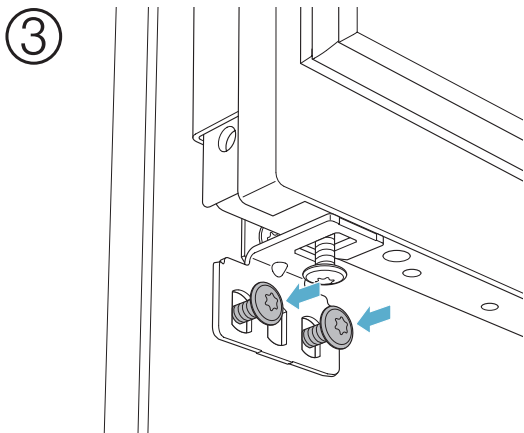
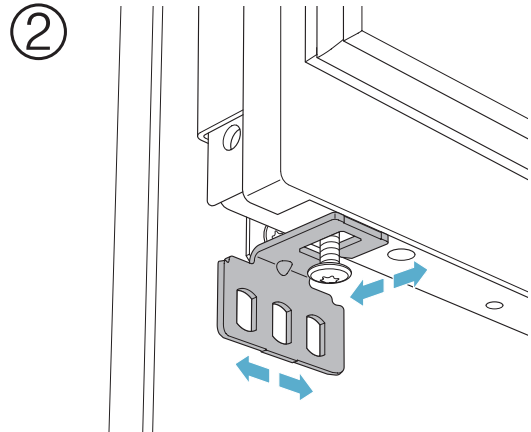
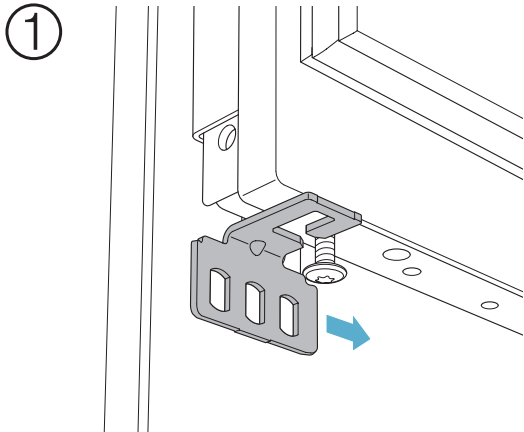
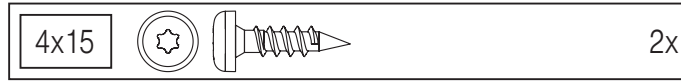
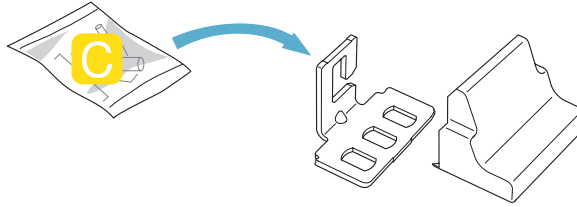
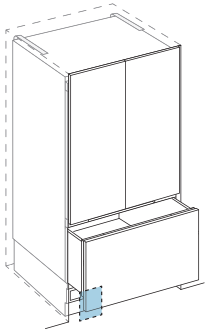
- A
- B
- C
- D



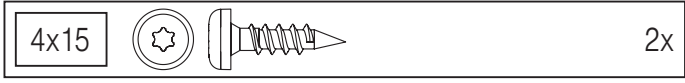
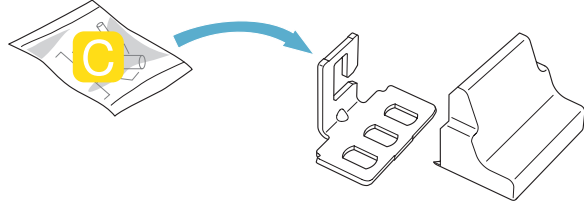
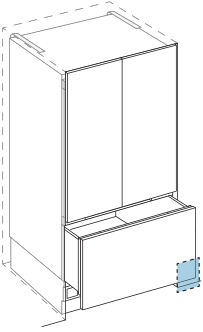


- A
- B
- C
- D

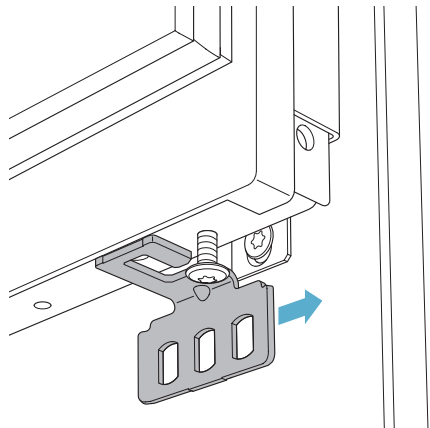




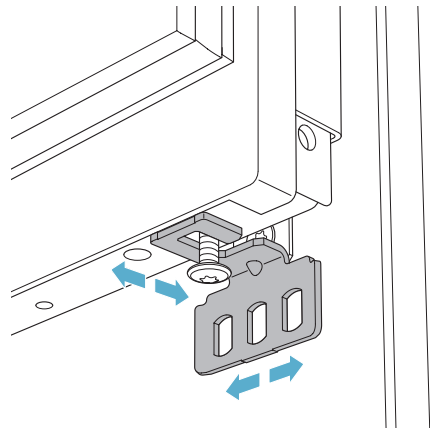
A
B
C
D



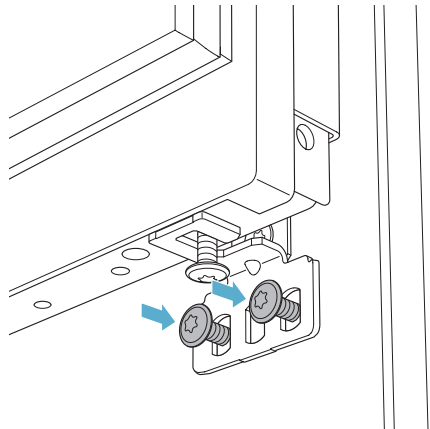
①



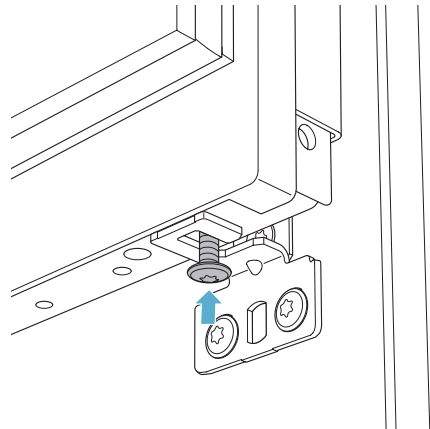
②



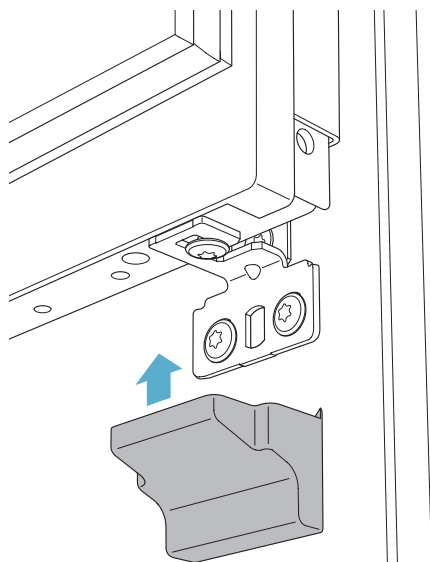
③



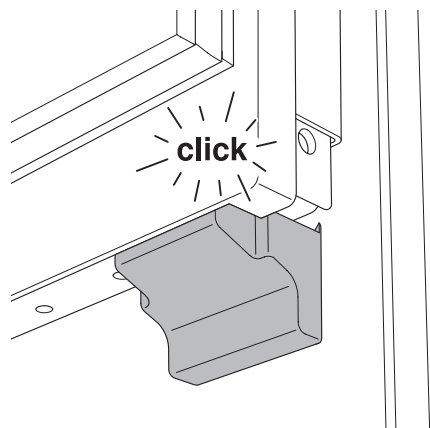
④

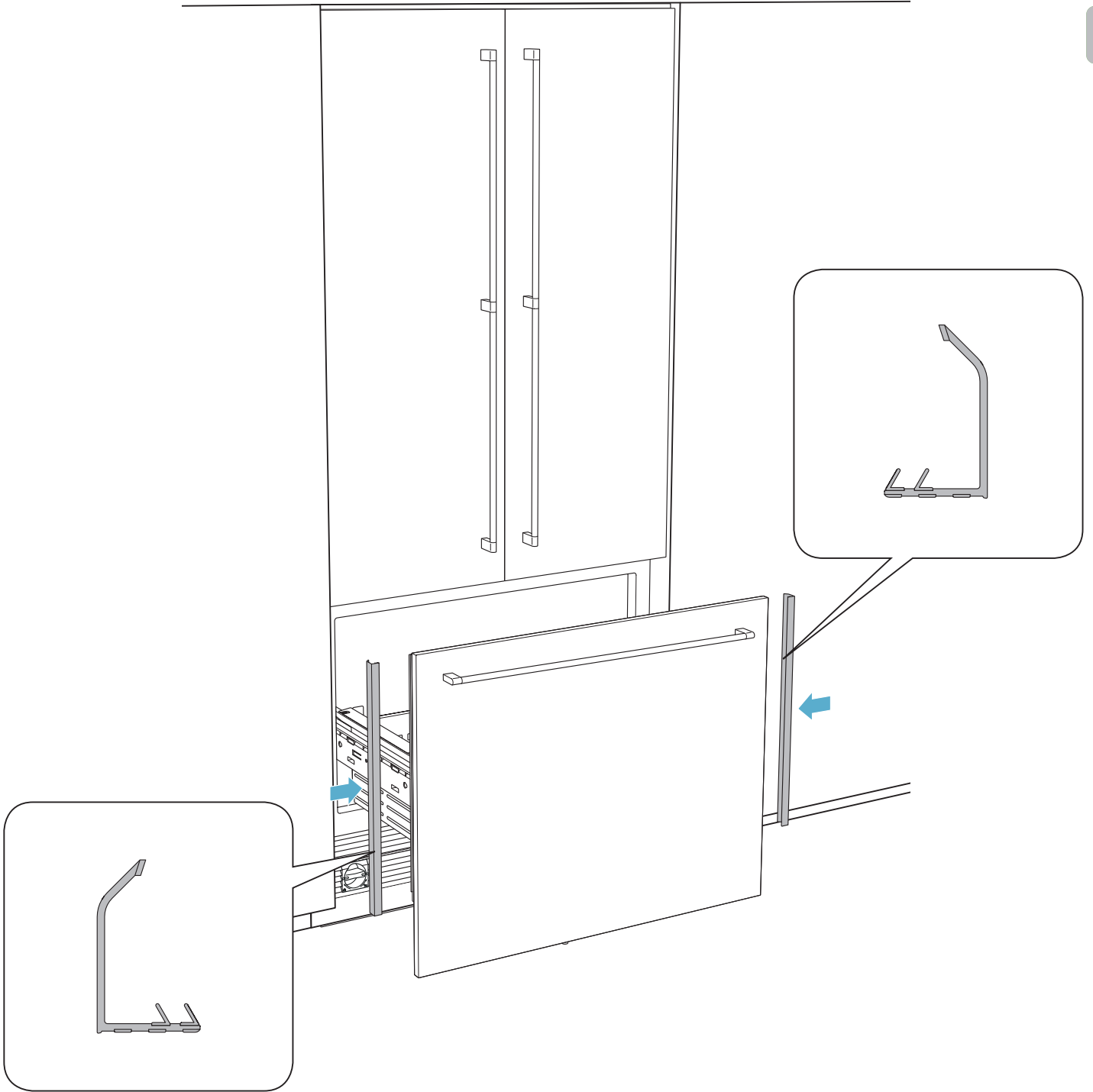


⑤

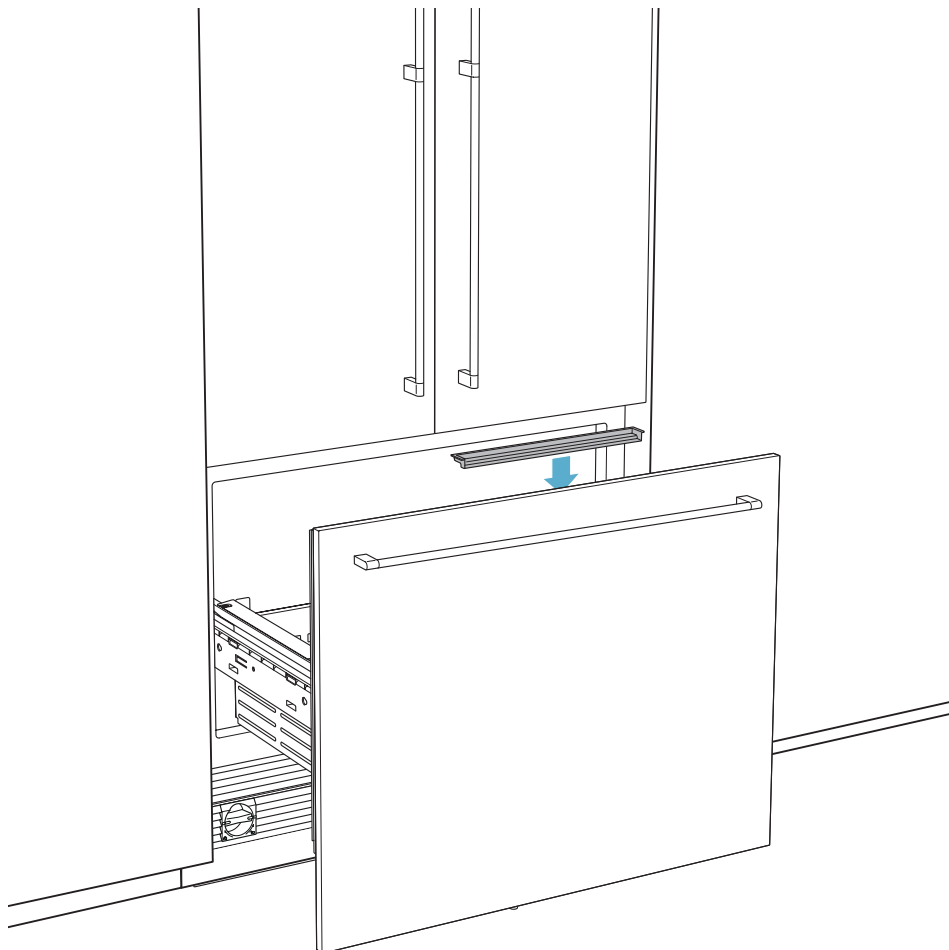
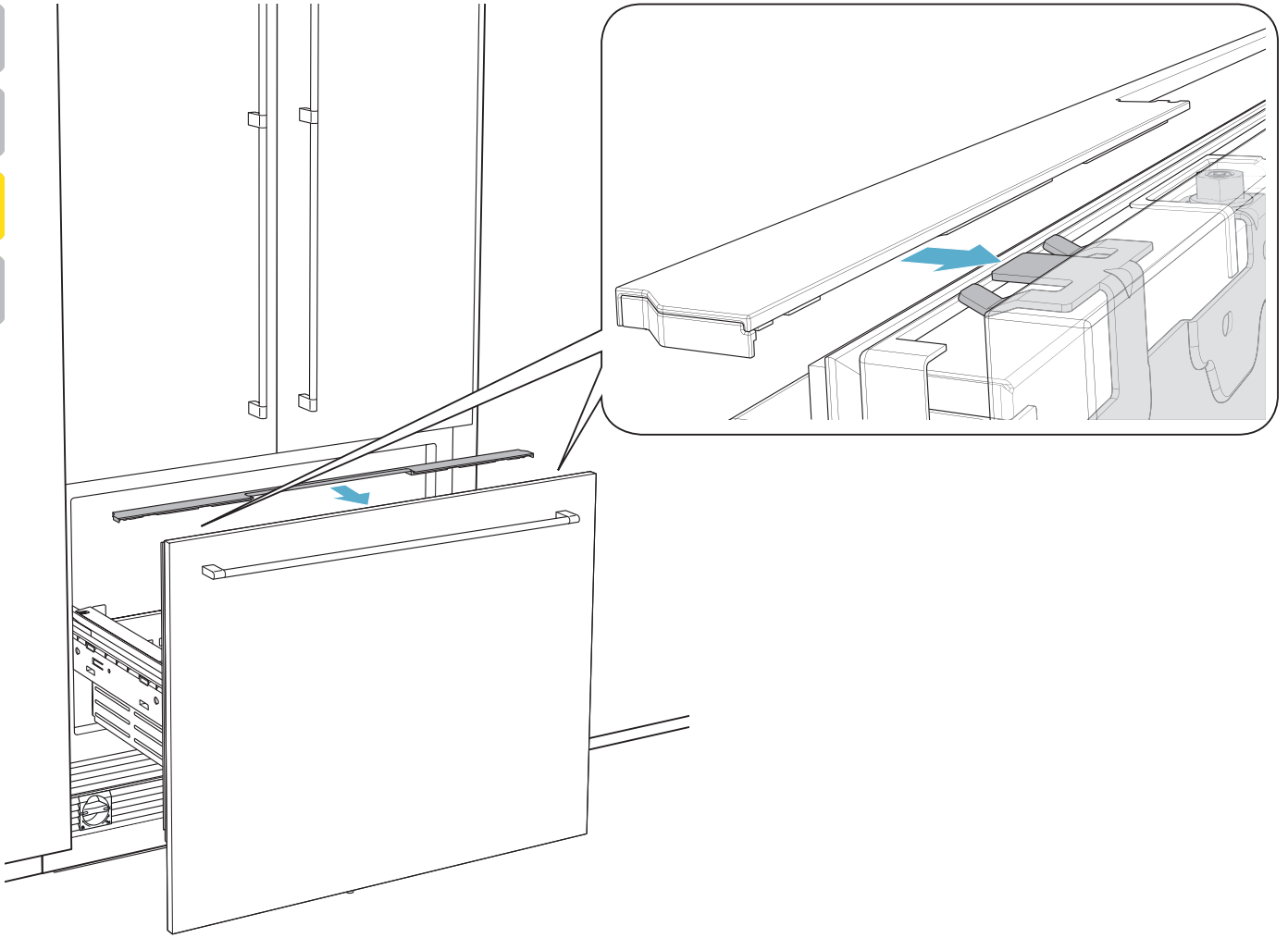


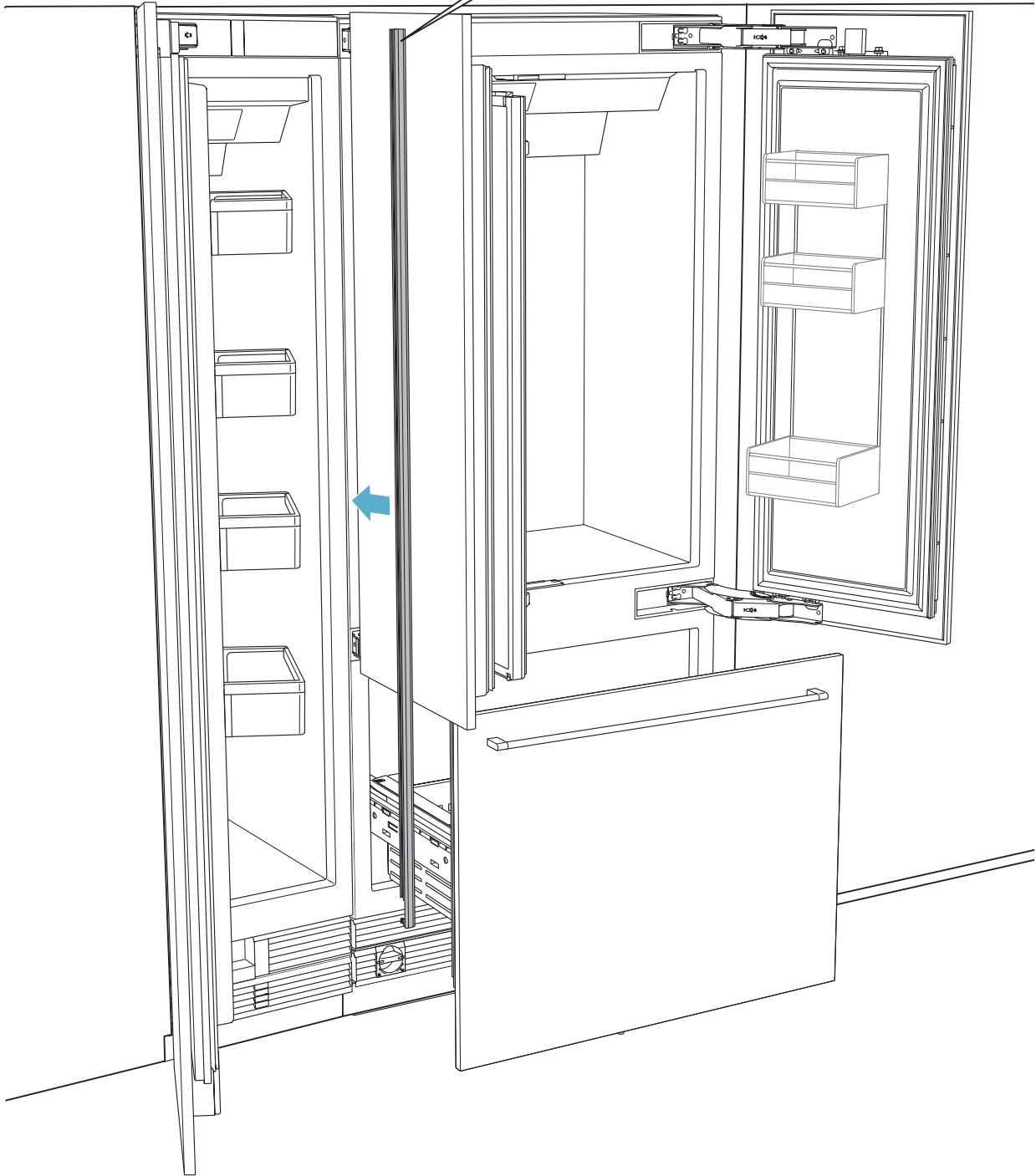
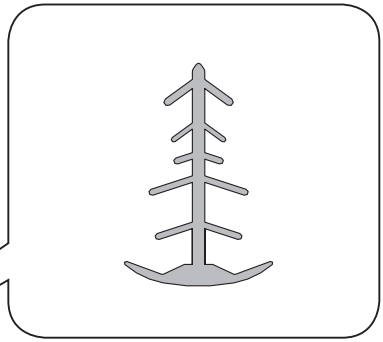
⑥

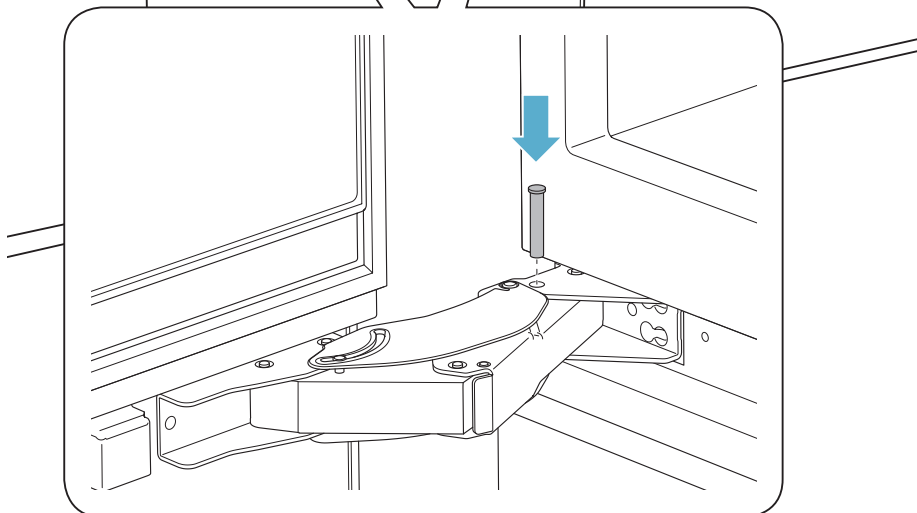
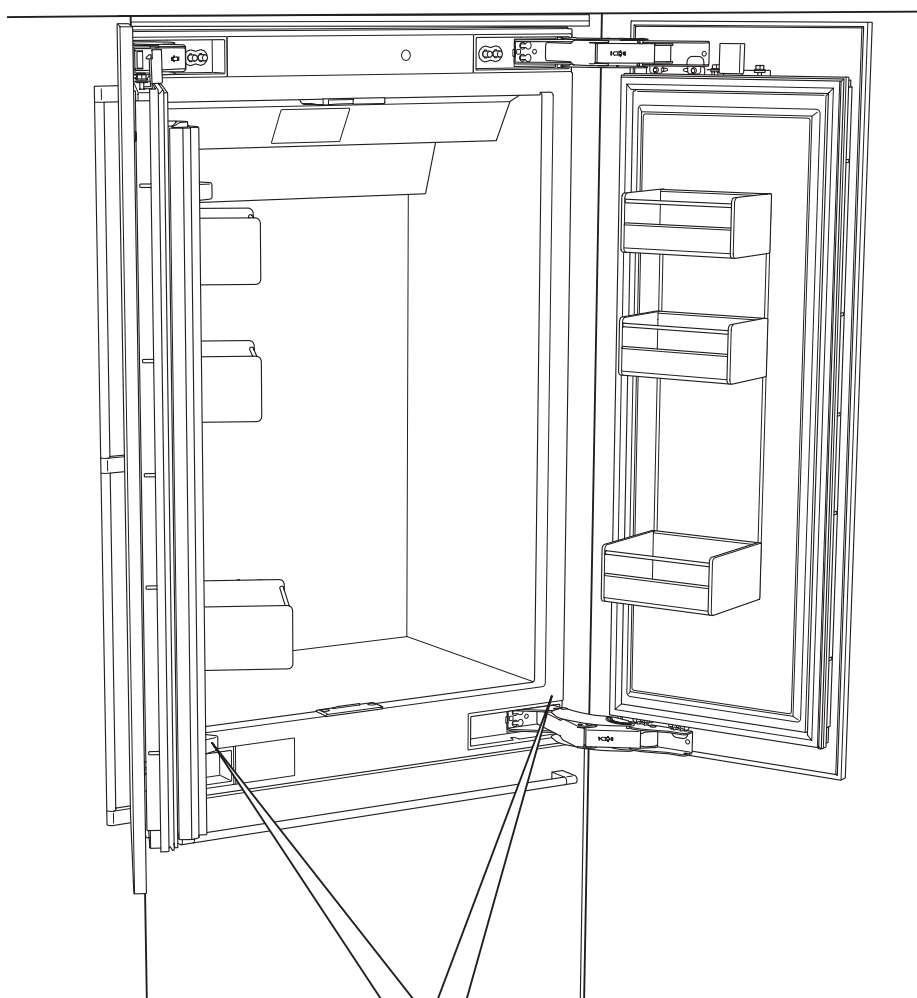
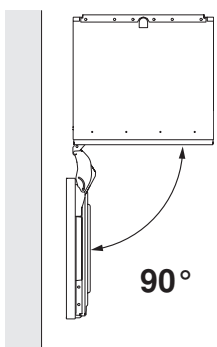
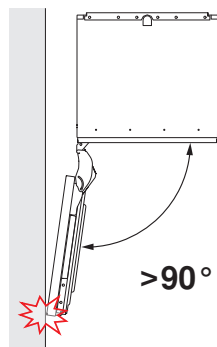
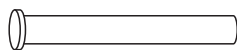




- A
- B
- C
- D









Gaggenau Hausgeräte GmbH
Carl-Wery-Straße 34
D-81739 München
www.gaggenau.com

8001170337 (9911)
xx

GAGGENAU

