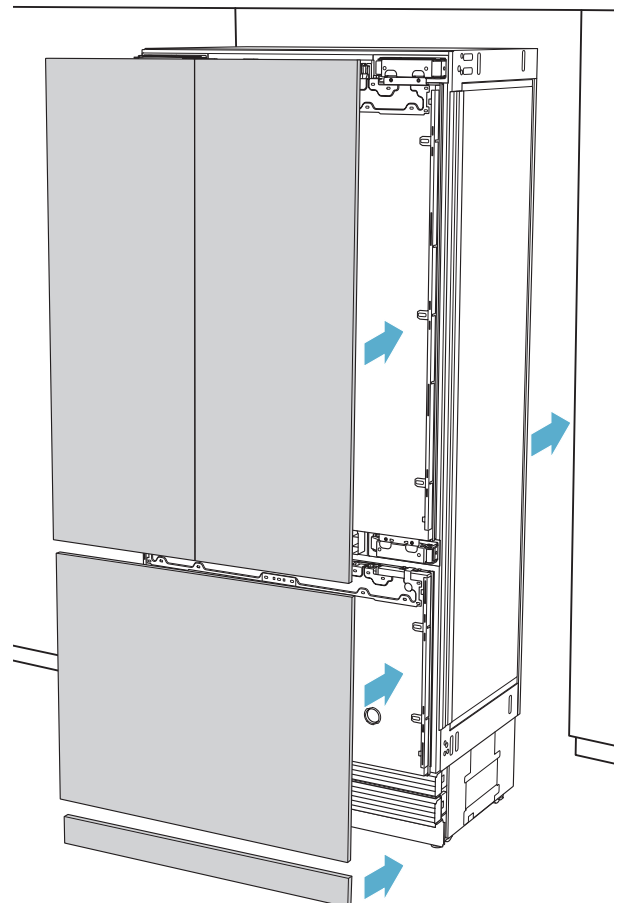


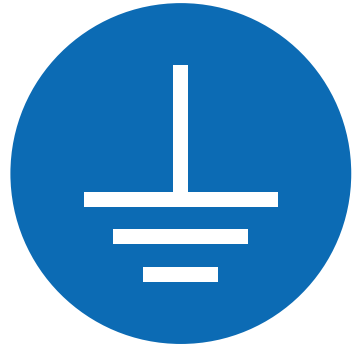
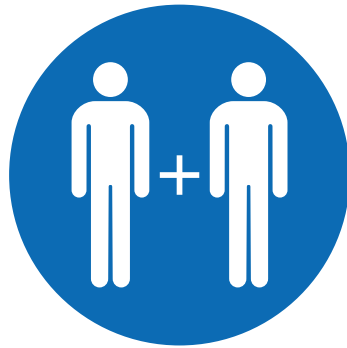
RY492303

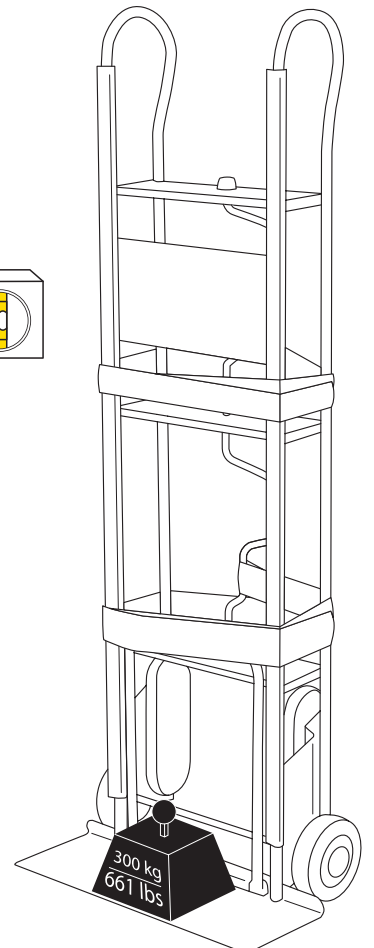
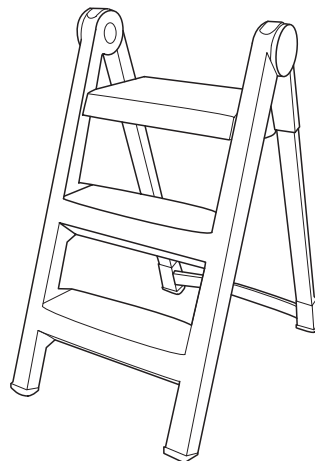
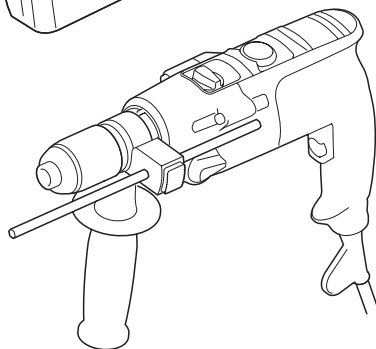
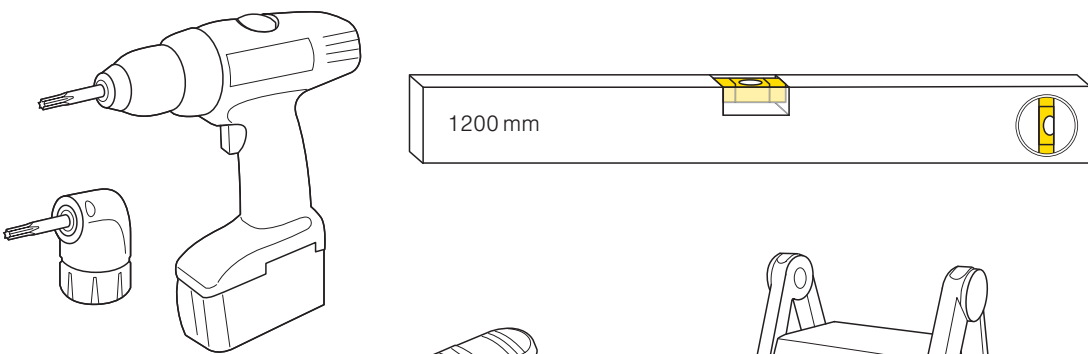
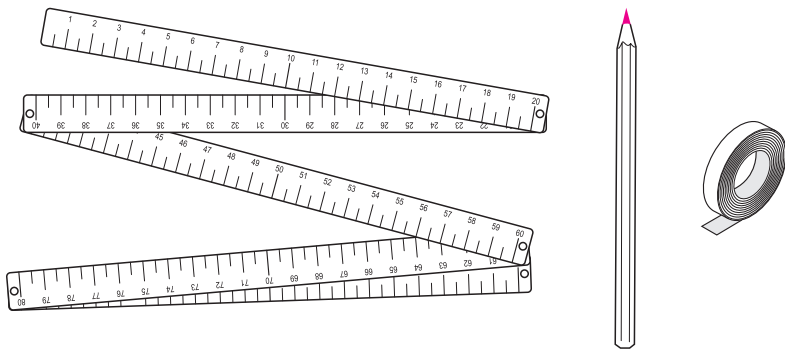
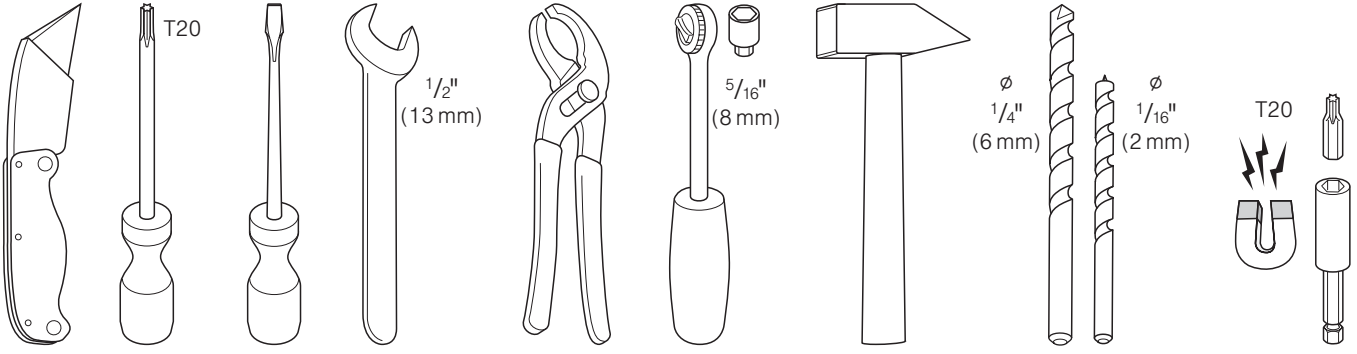
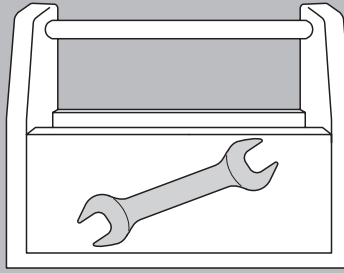
RY492505

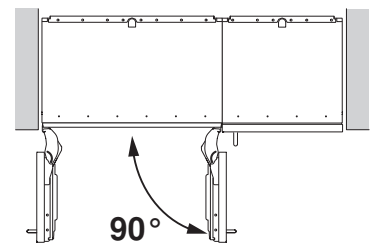
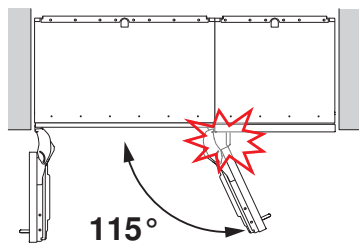
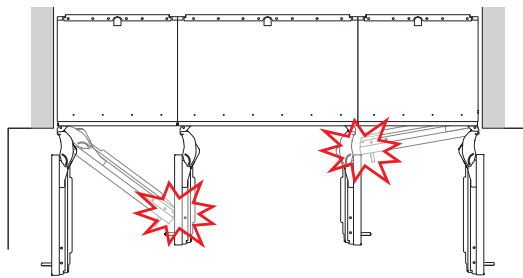
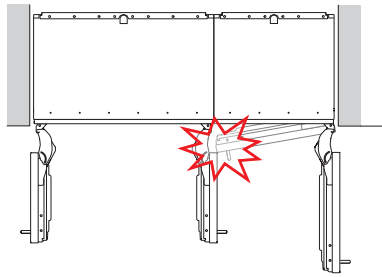
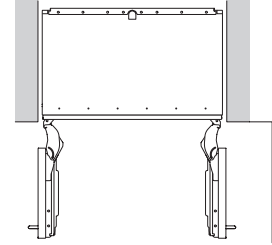
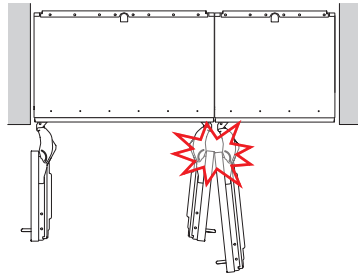
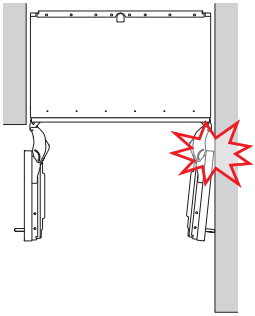
RY492905

RY492305



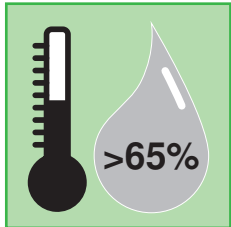




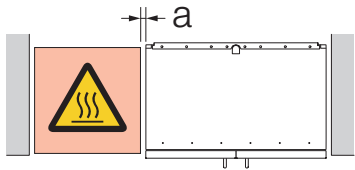
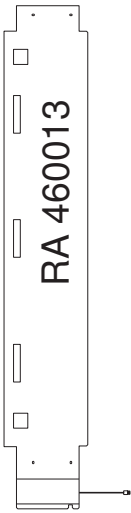




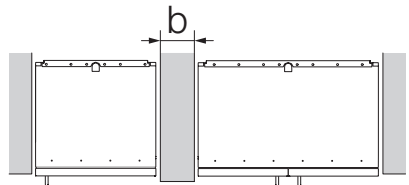
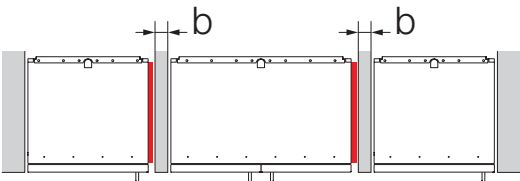
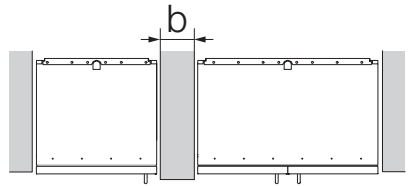
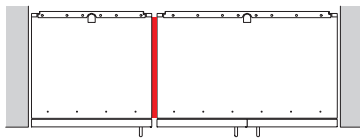
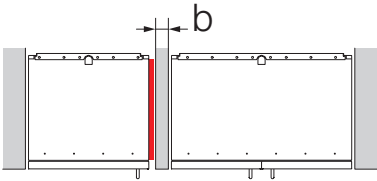
$\frac{5}{8}'' \leq b < 6\frac{1}{4}''$
(16 mm \leq b < 160 mm)

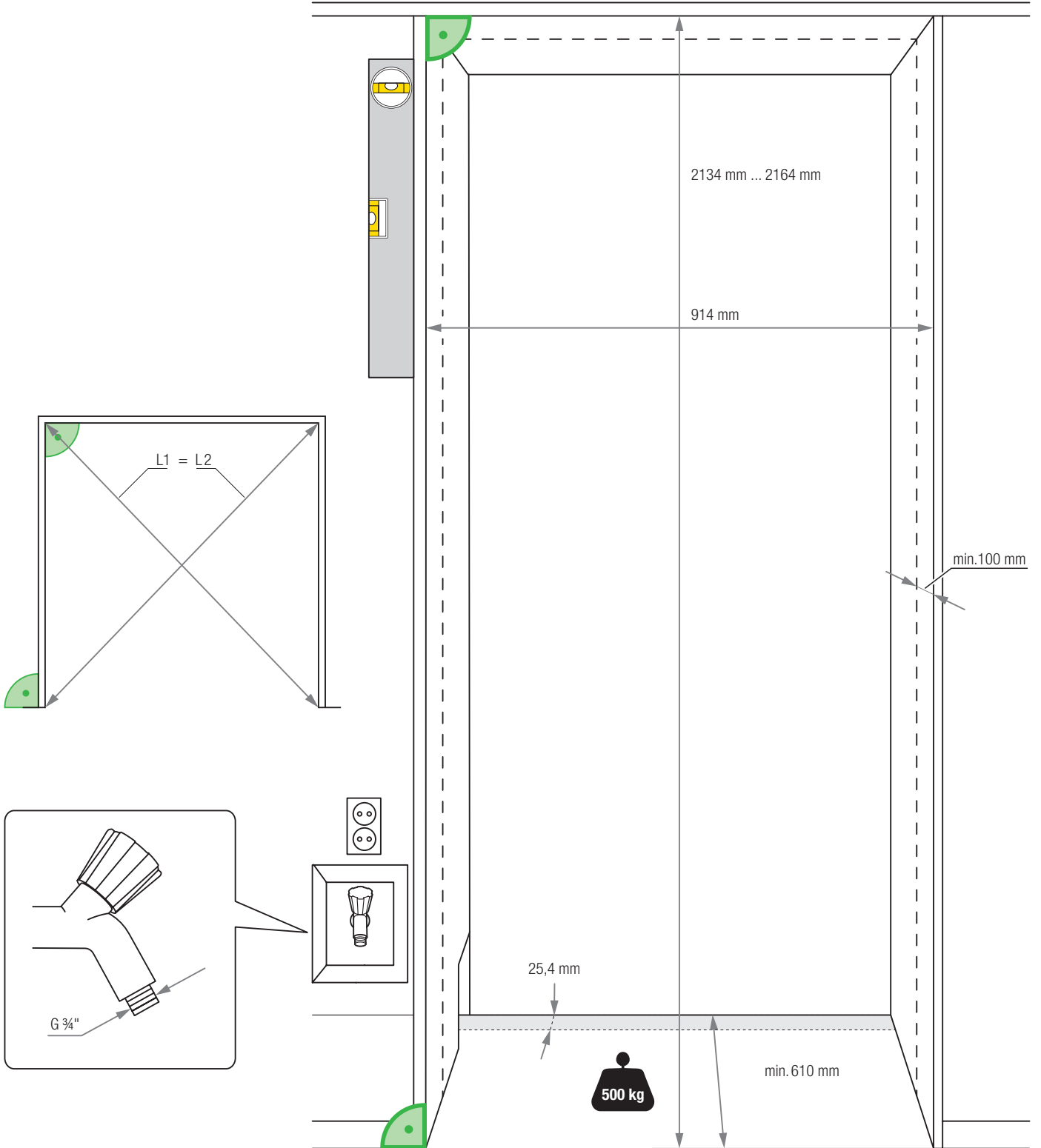


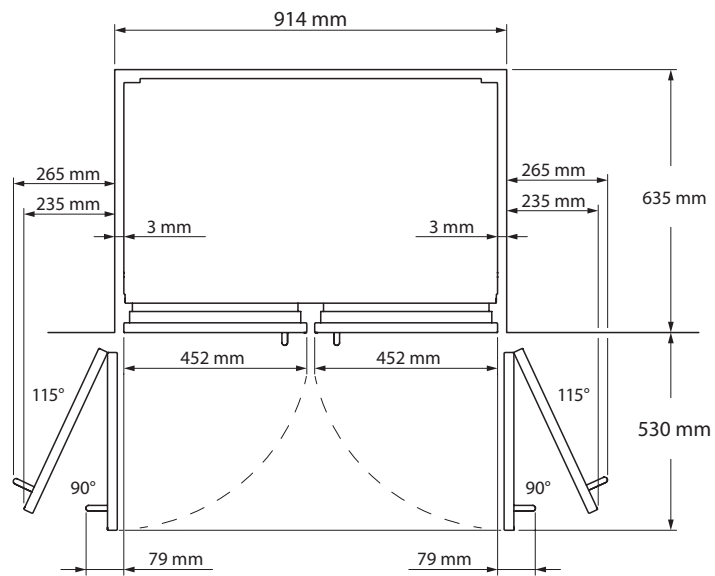
$a \geq 1\frac{3}{16}''$
(a \geq 30 mm)

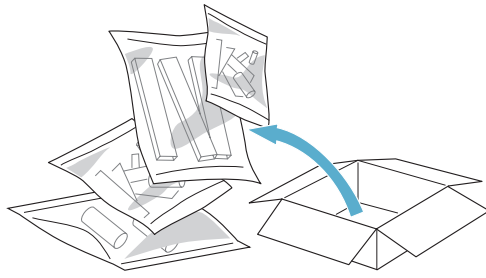


$b \geq 6\frac{1}{4}''$
 $b \geq 160$ mm


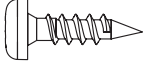


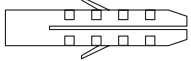


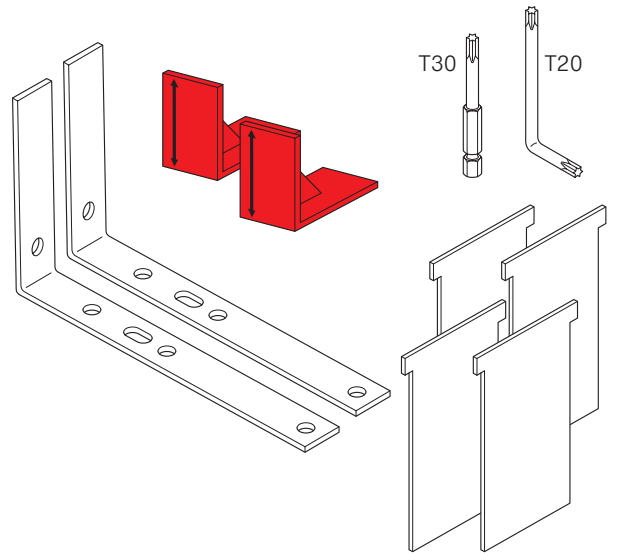






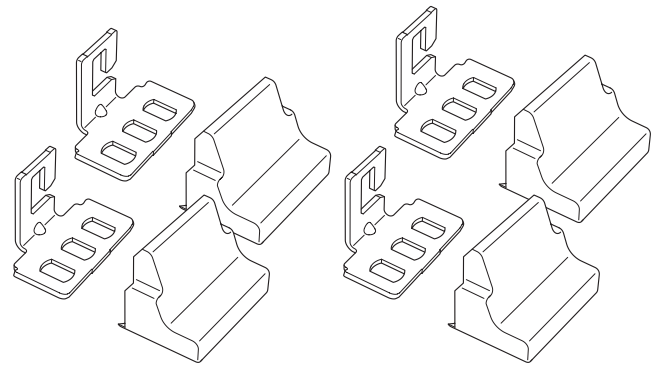
A

4x15			6x
5x60			4x
6x31			4x


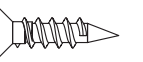

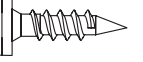


B

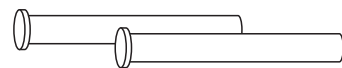
4x15			8x
------	-------------------------------------------------------------------------------------	-------------------------------------------------------------------------------------	----

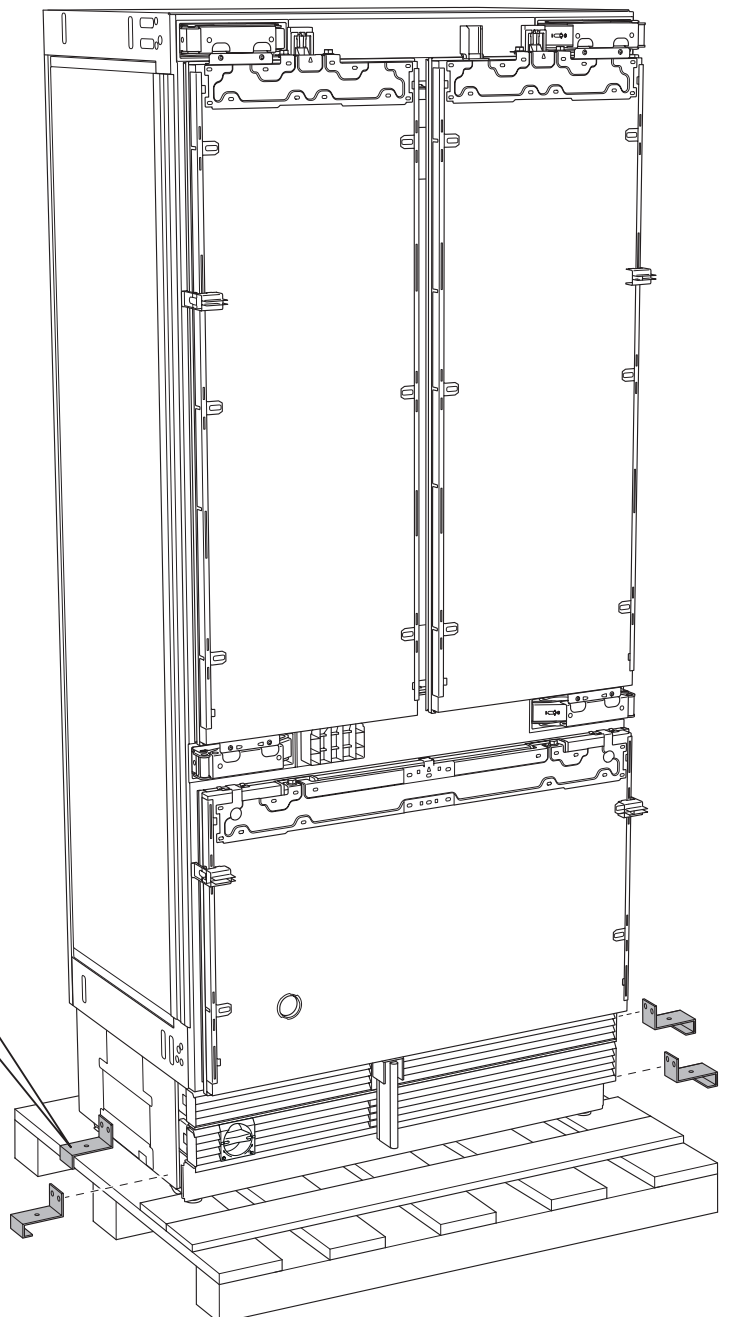
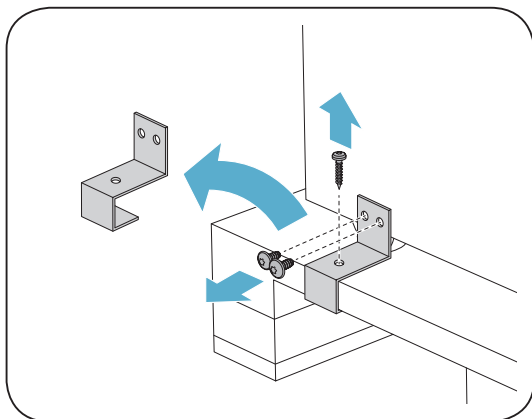
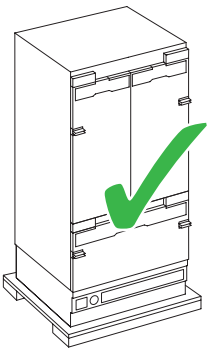
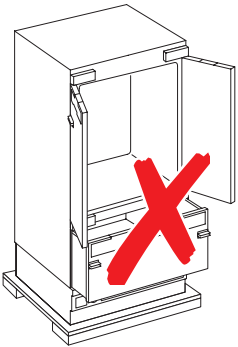
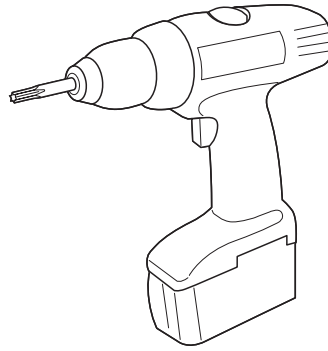
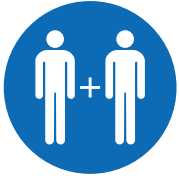


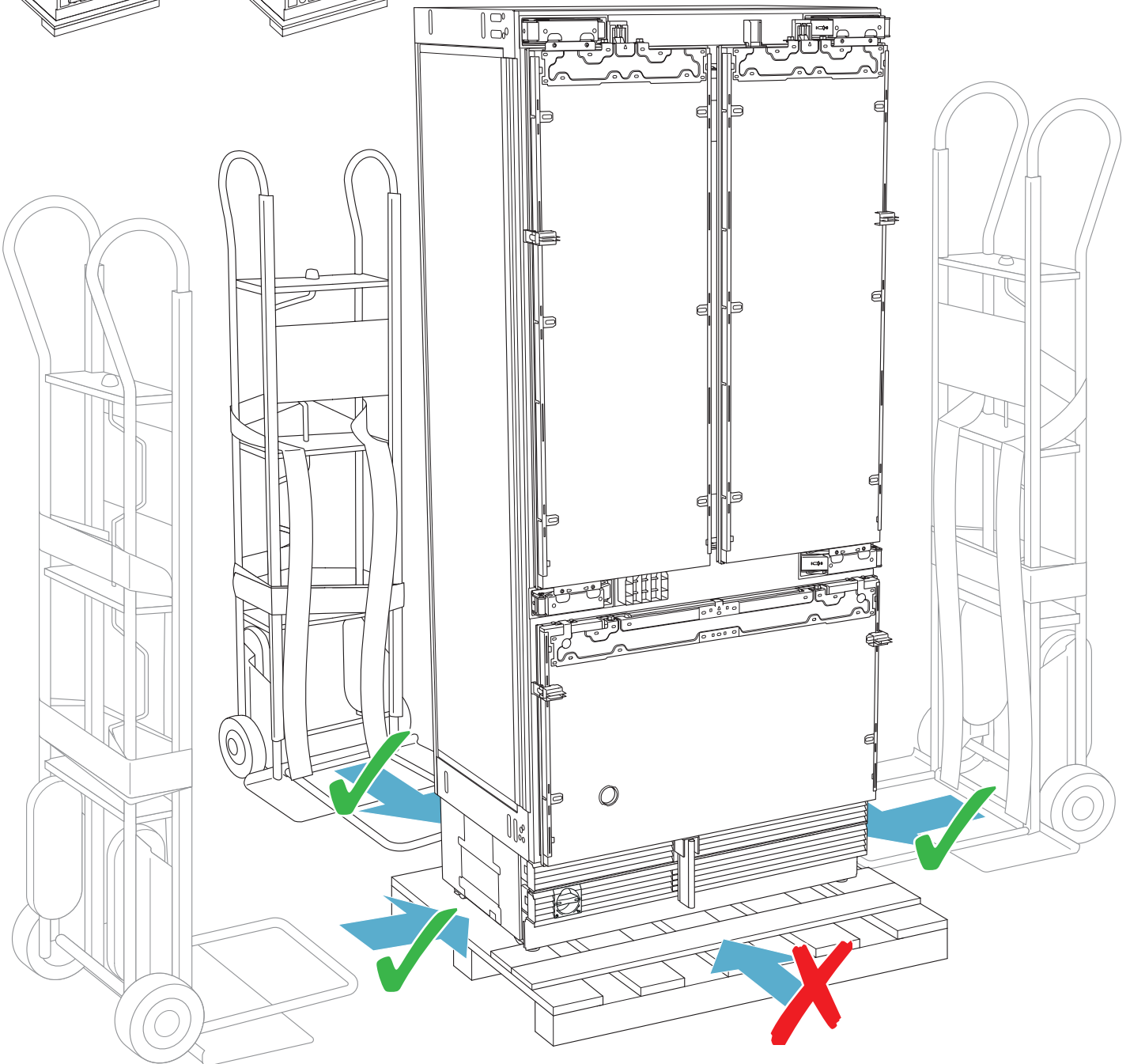
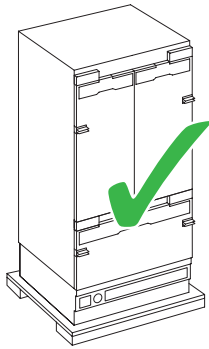
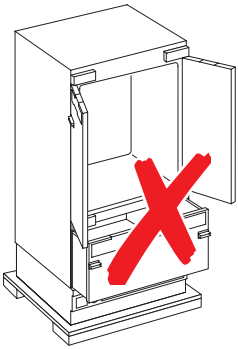
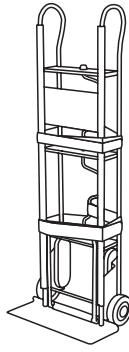
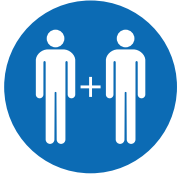
C

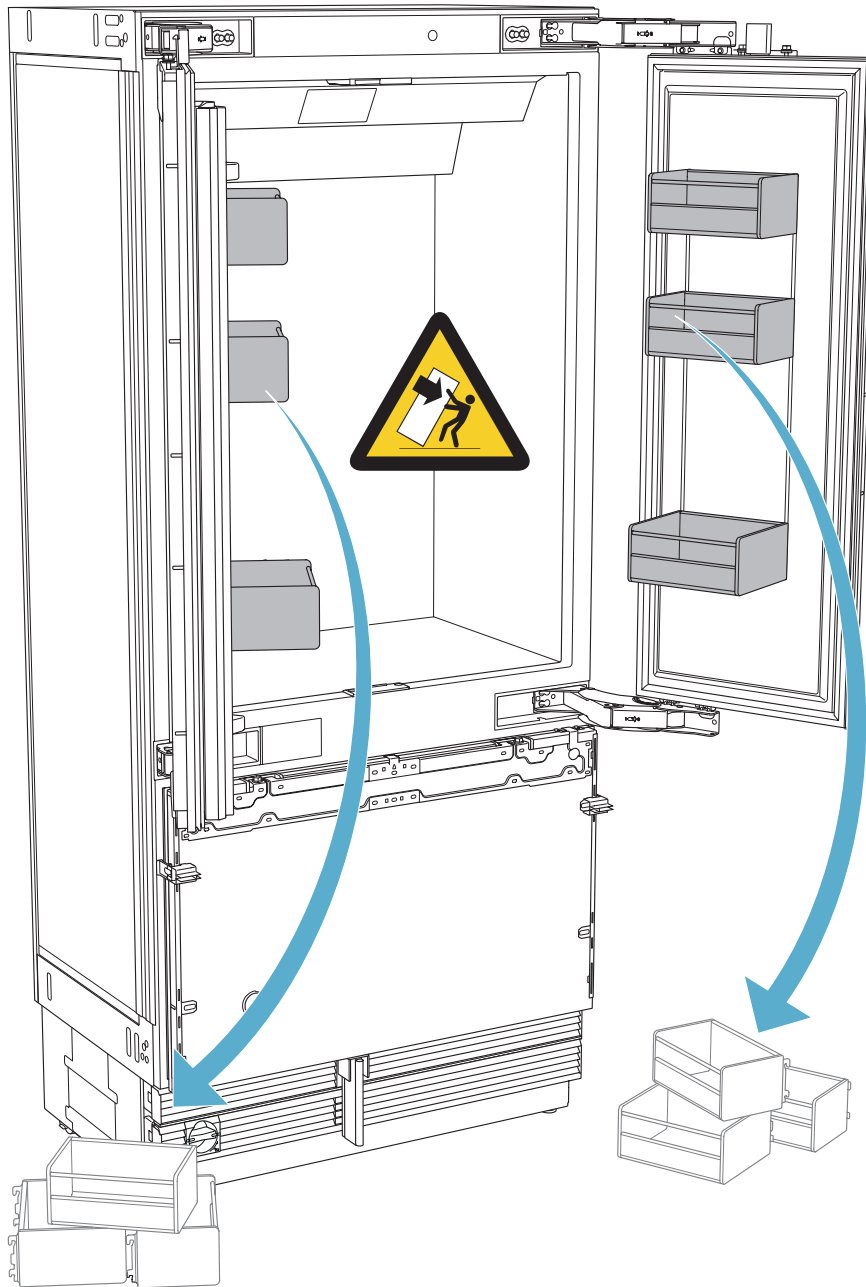
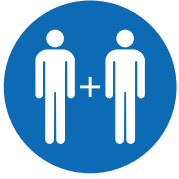
4x15			54x
4x15			8x

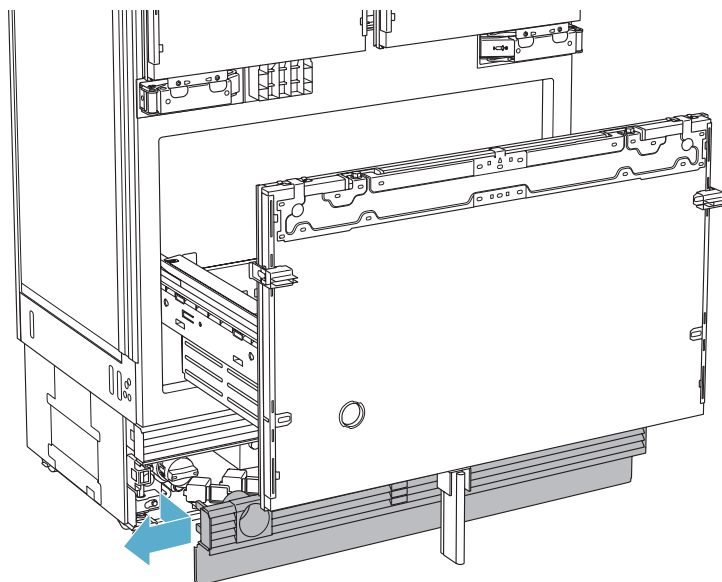
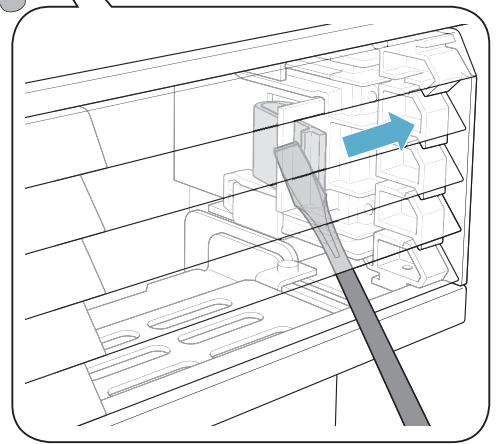
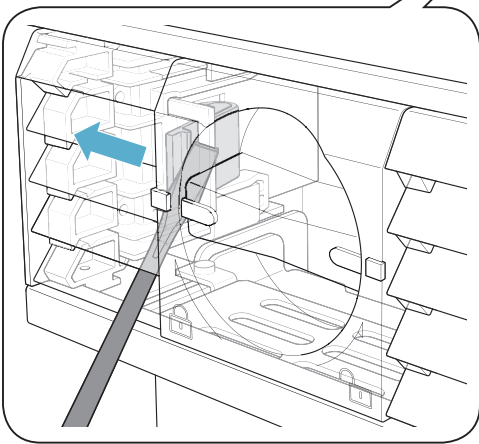
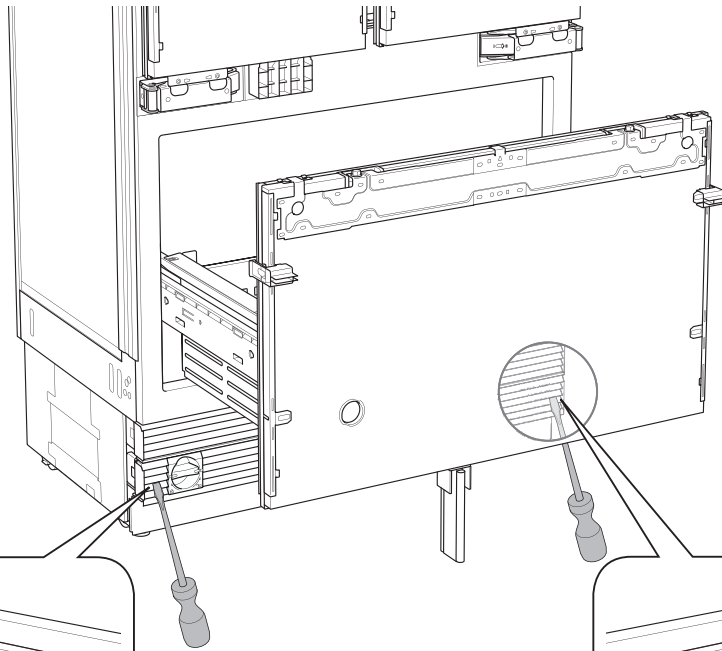
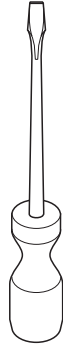
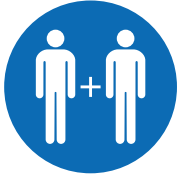
D

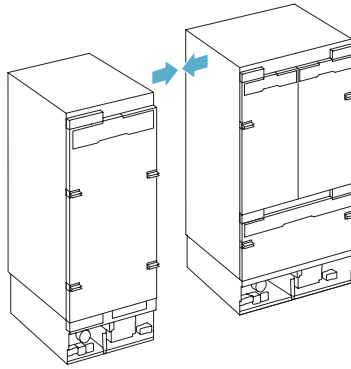
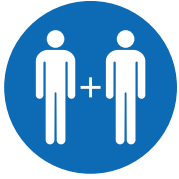




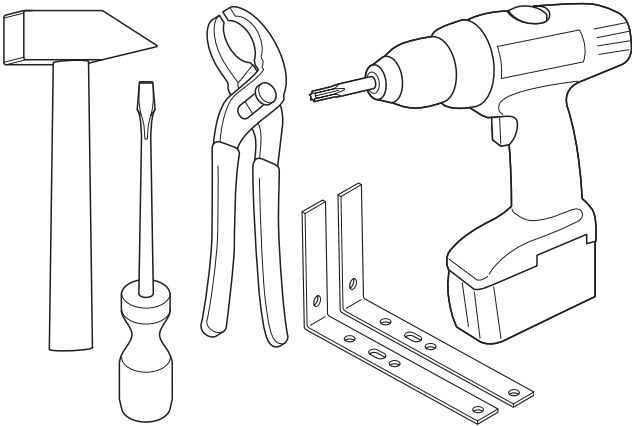




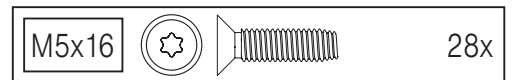
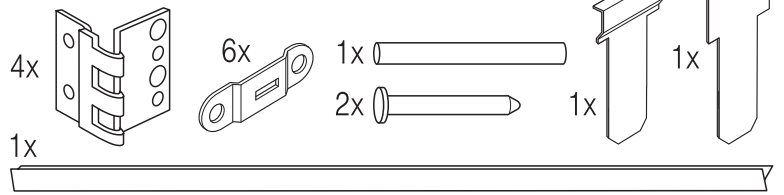




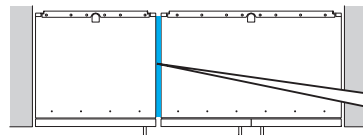
A
B
C
D



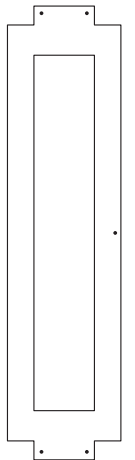
RA460000



18

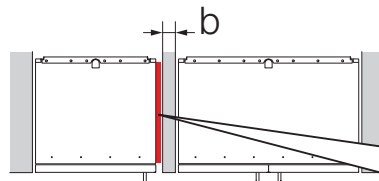


RA 460000

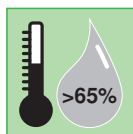
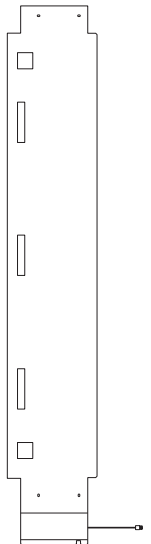


22

$\frac{5}{8}'' \leq b < 6\frac{1}{4}''$
(16 mm \leq b < 160 mm)



RA 460013

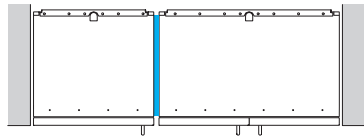


A

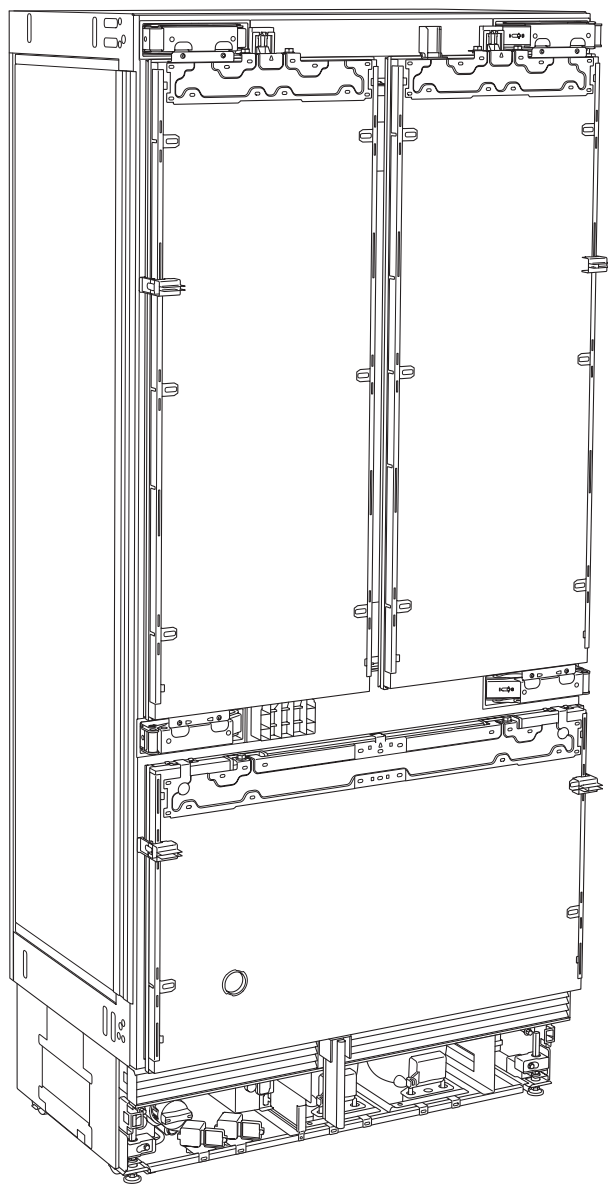
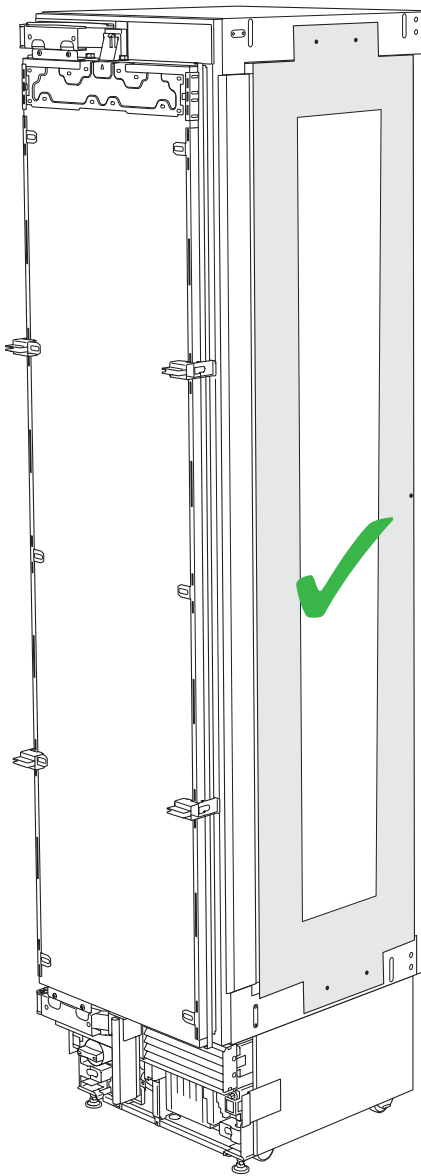
B

C

D



RA 46000

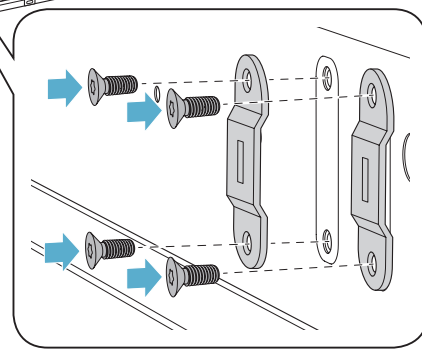
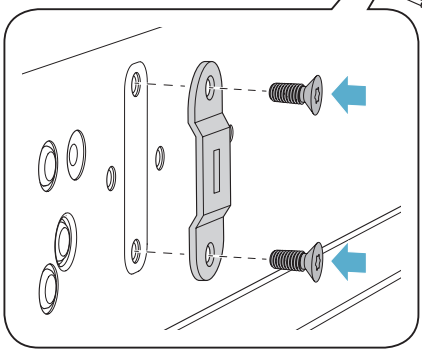
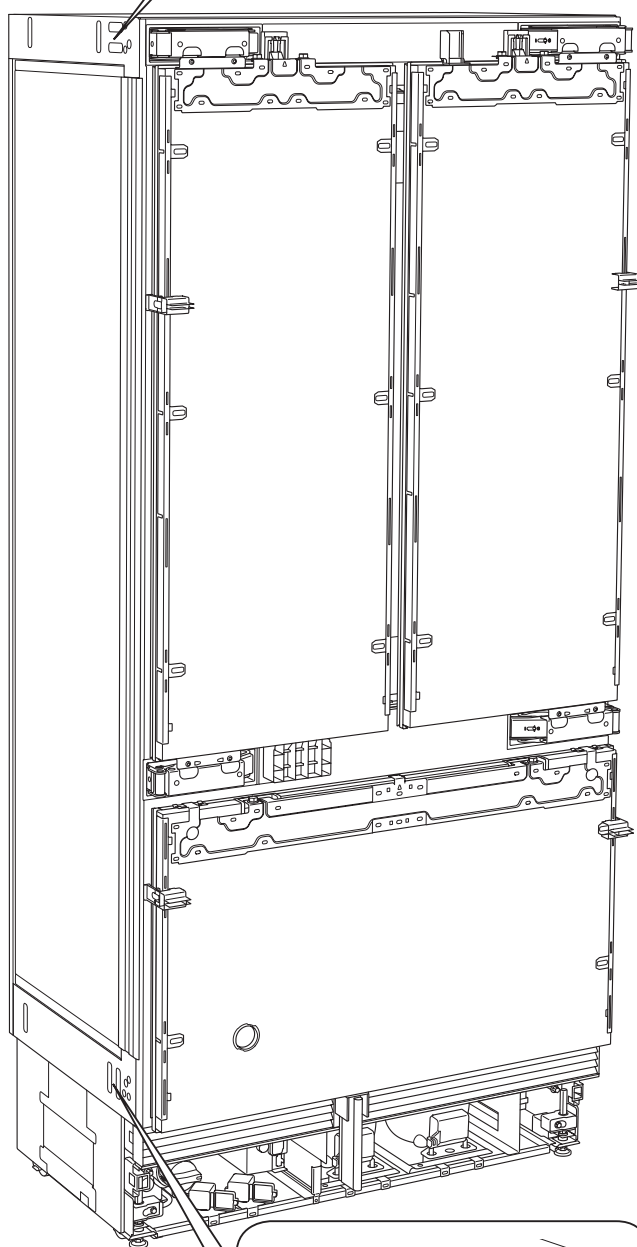
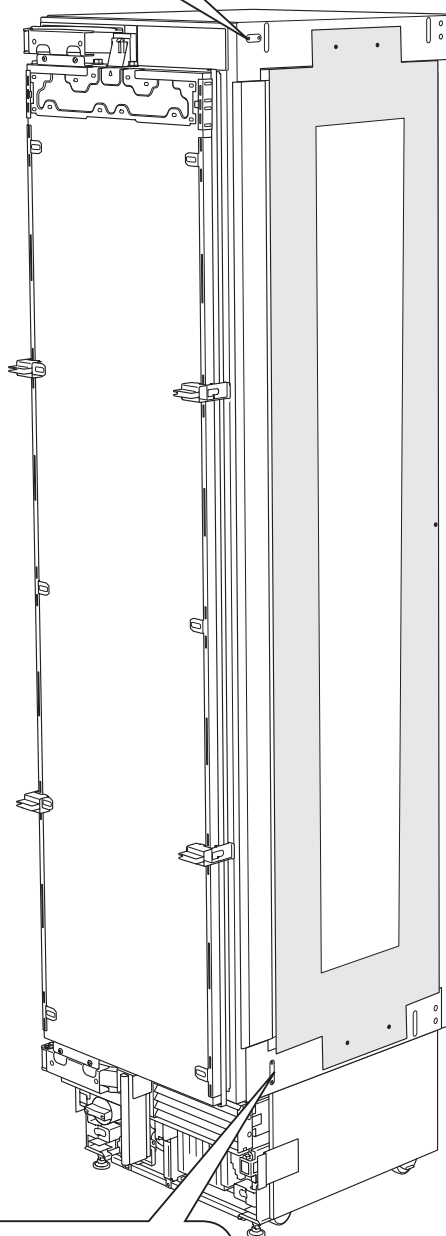
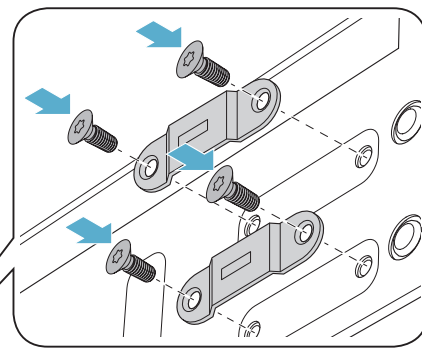
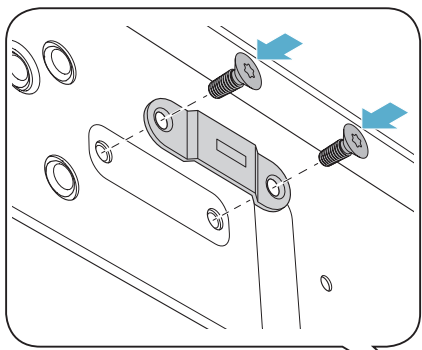


M5x16



12x

A
B
C
D



A

B

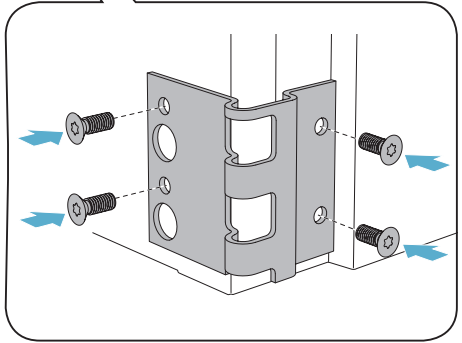
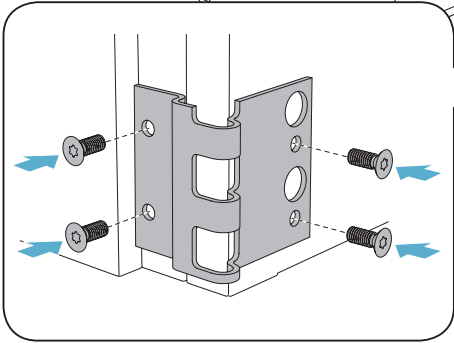
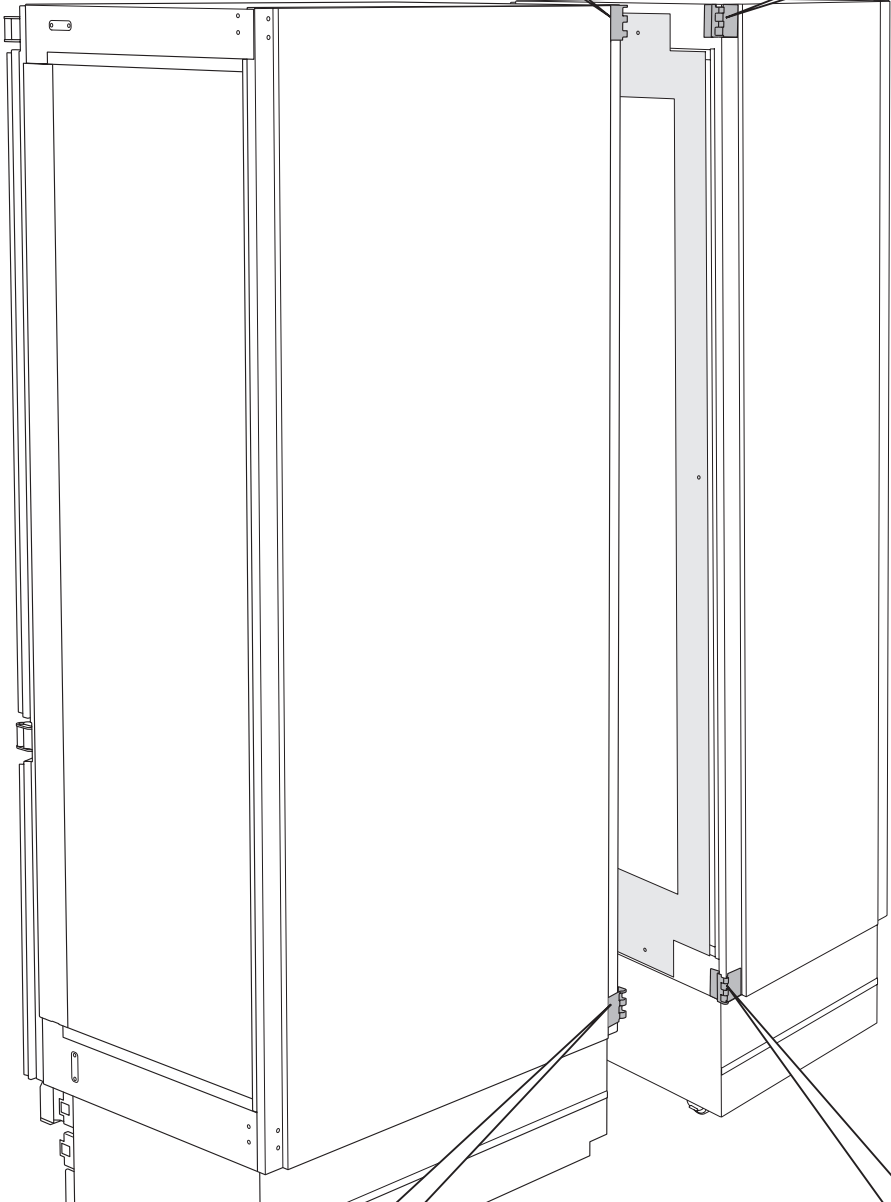
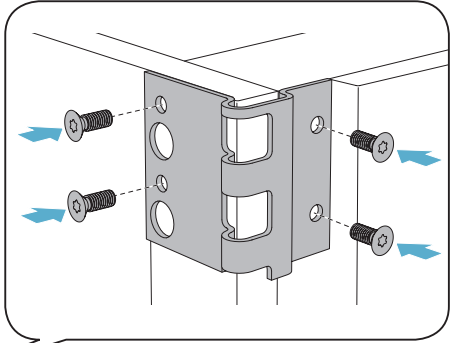
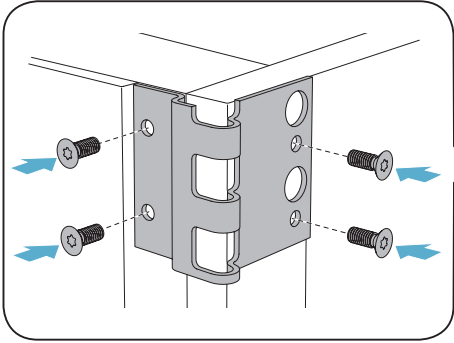
C

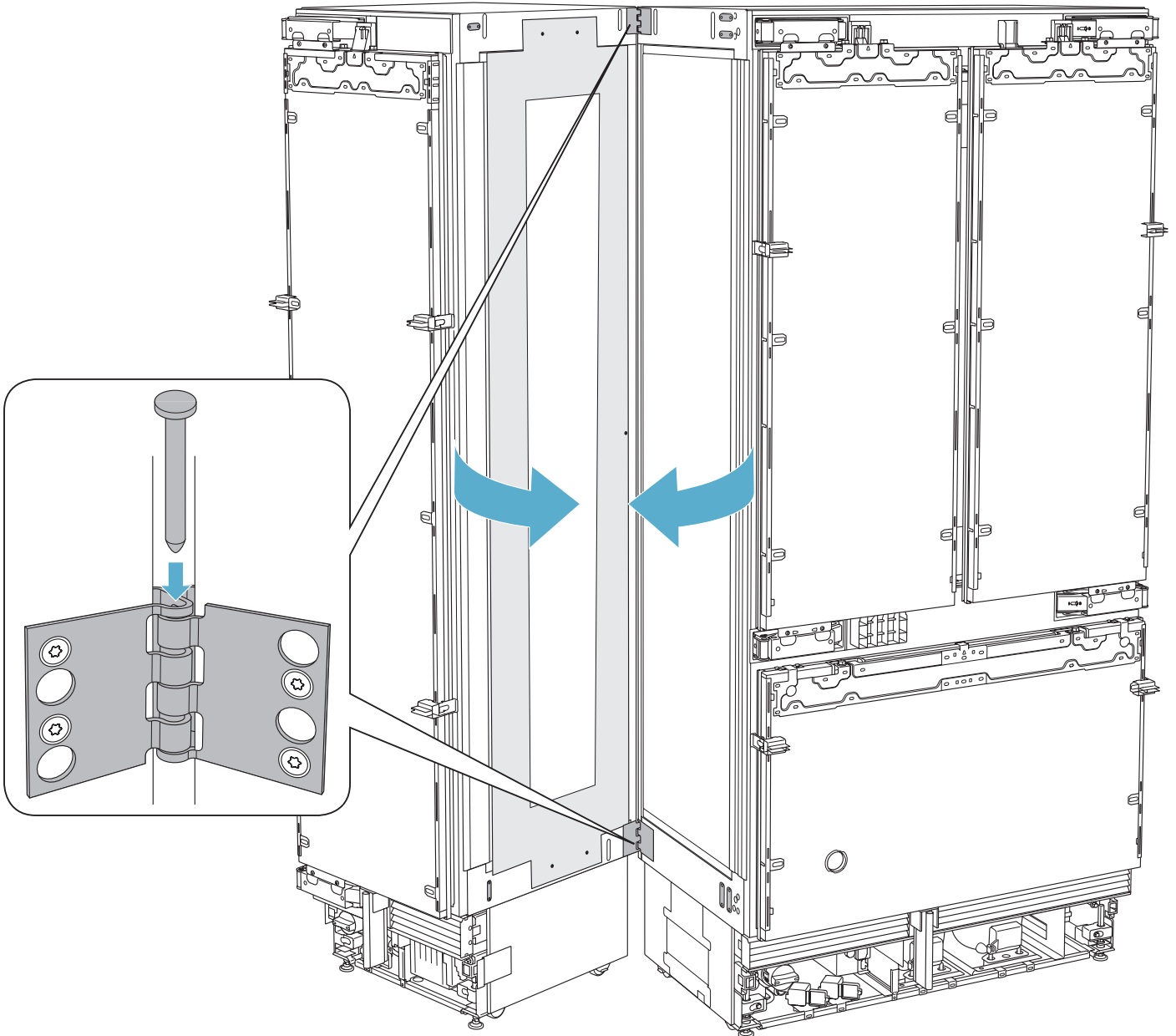
D

M5x16



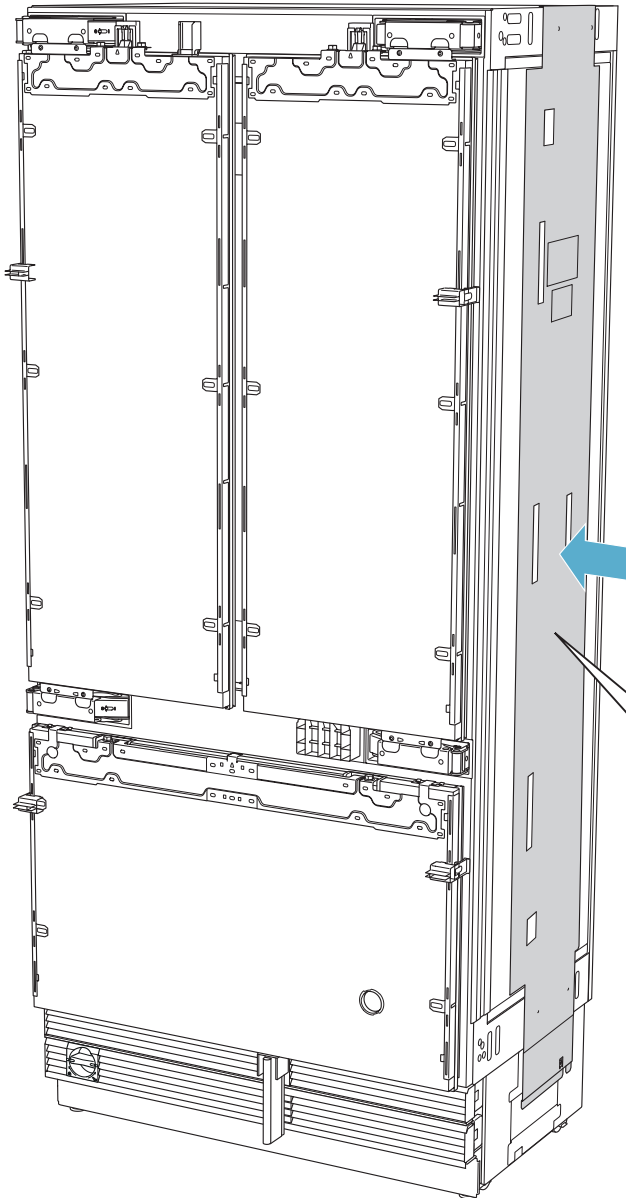
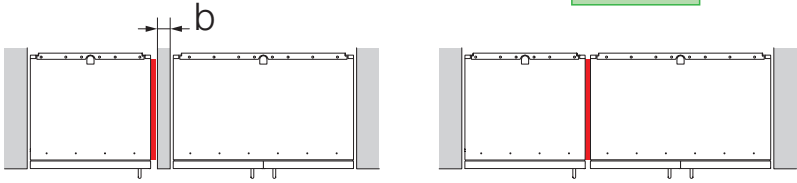
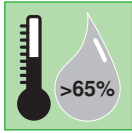
16x



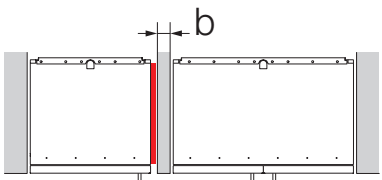


A
B
C
D

$\frac{5}{8}'' \leq b < 6\frac{1}{4}''$
(16 mm $\leq b < 160$ mm)



RA 460013



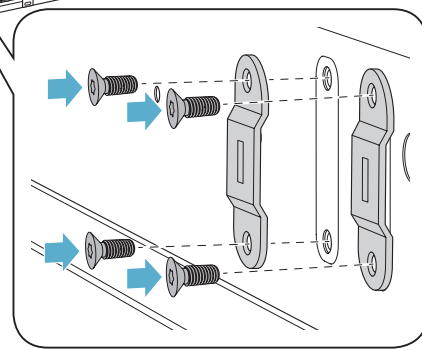
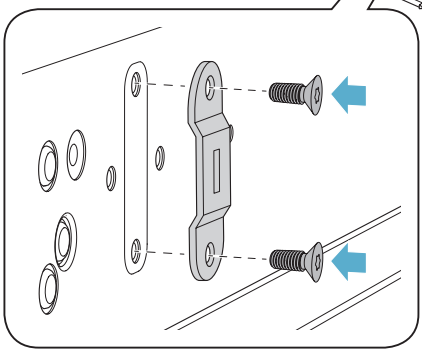
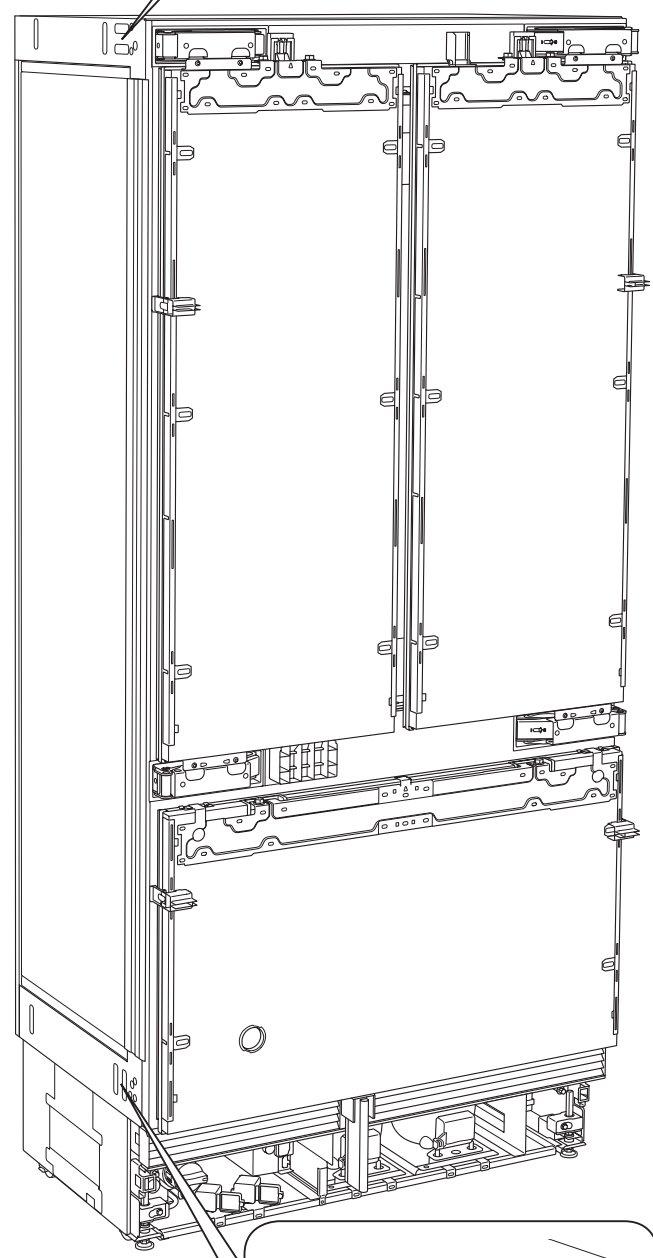
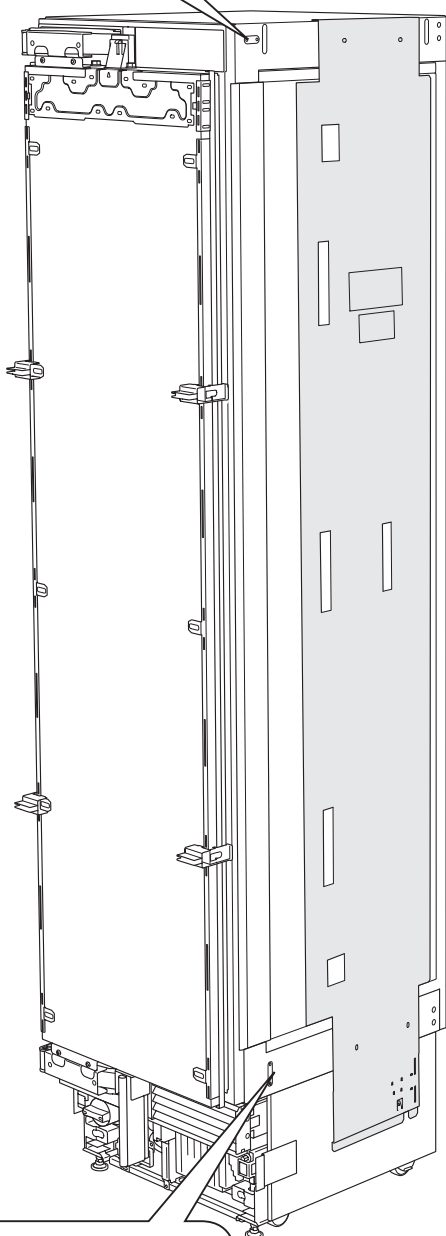
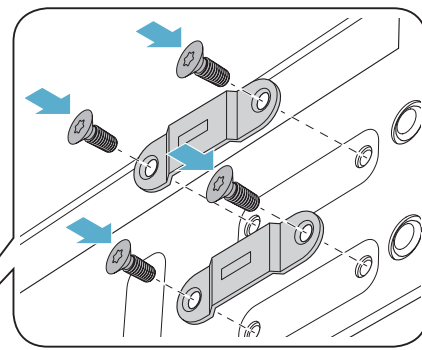
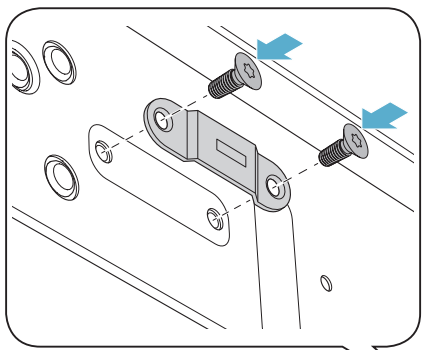
→ 29

M5x16



12x

- A
- B
- C
- D



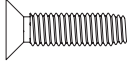
A

B

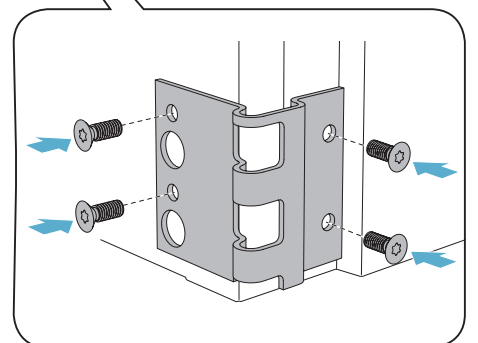
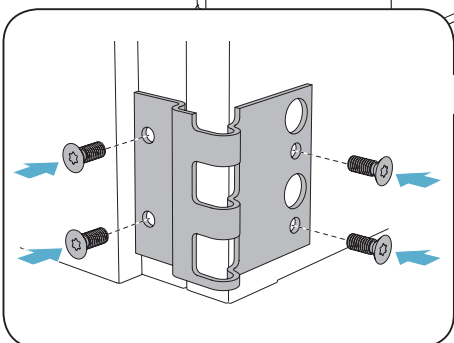
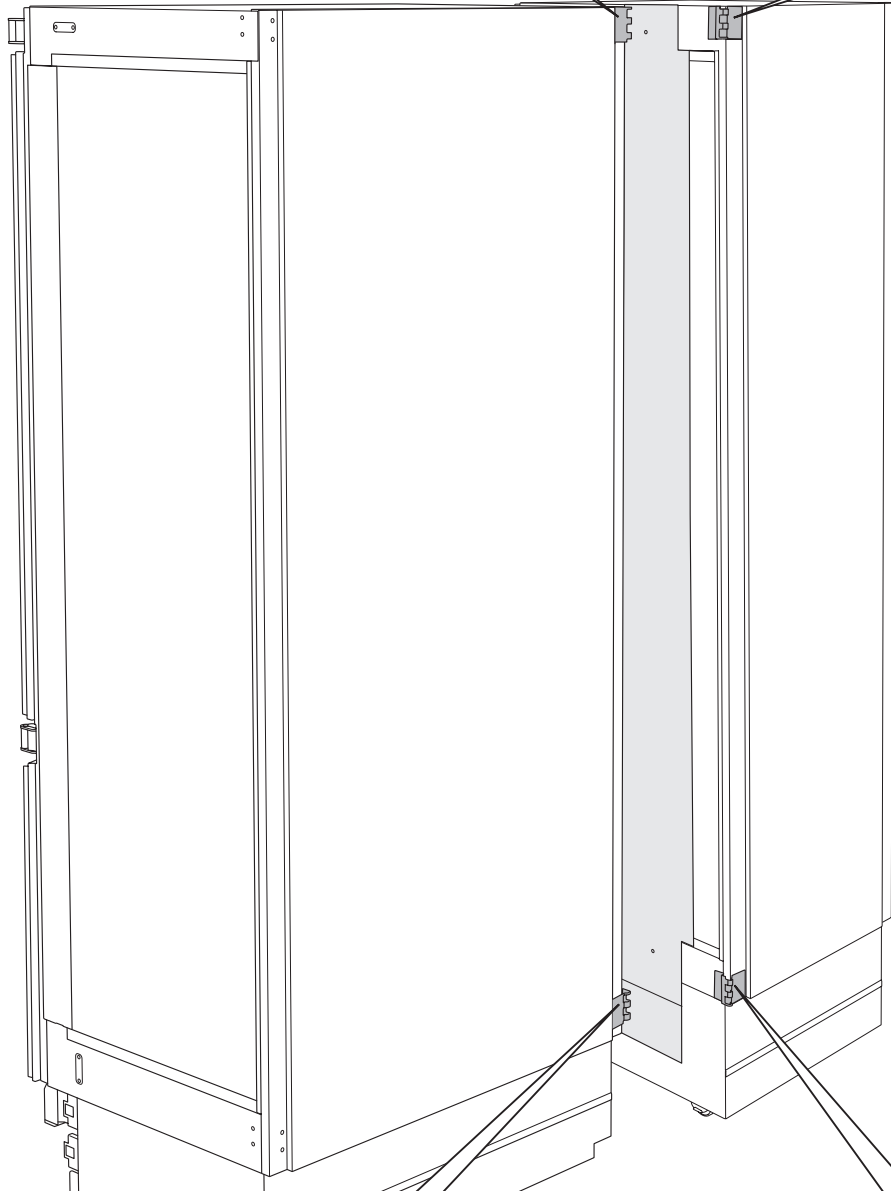
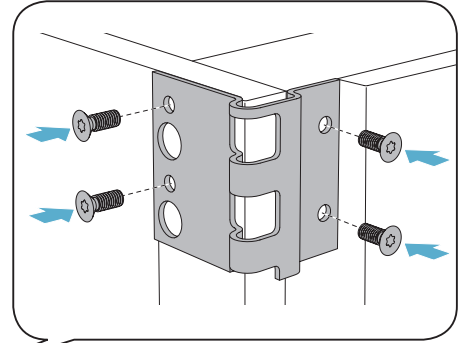
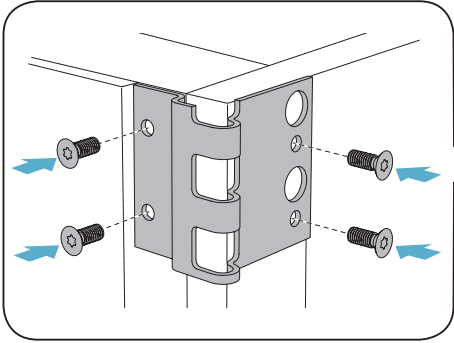
C

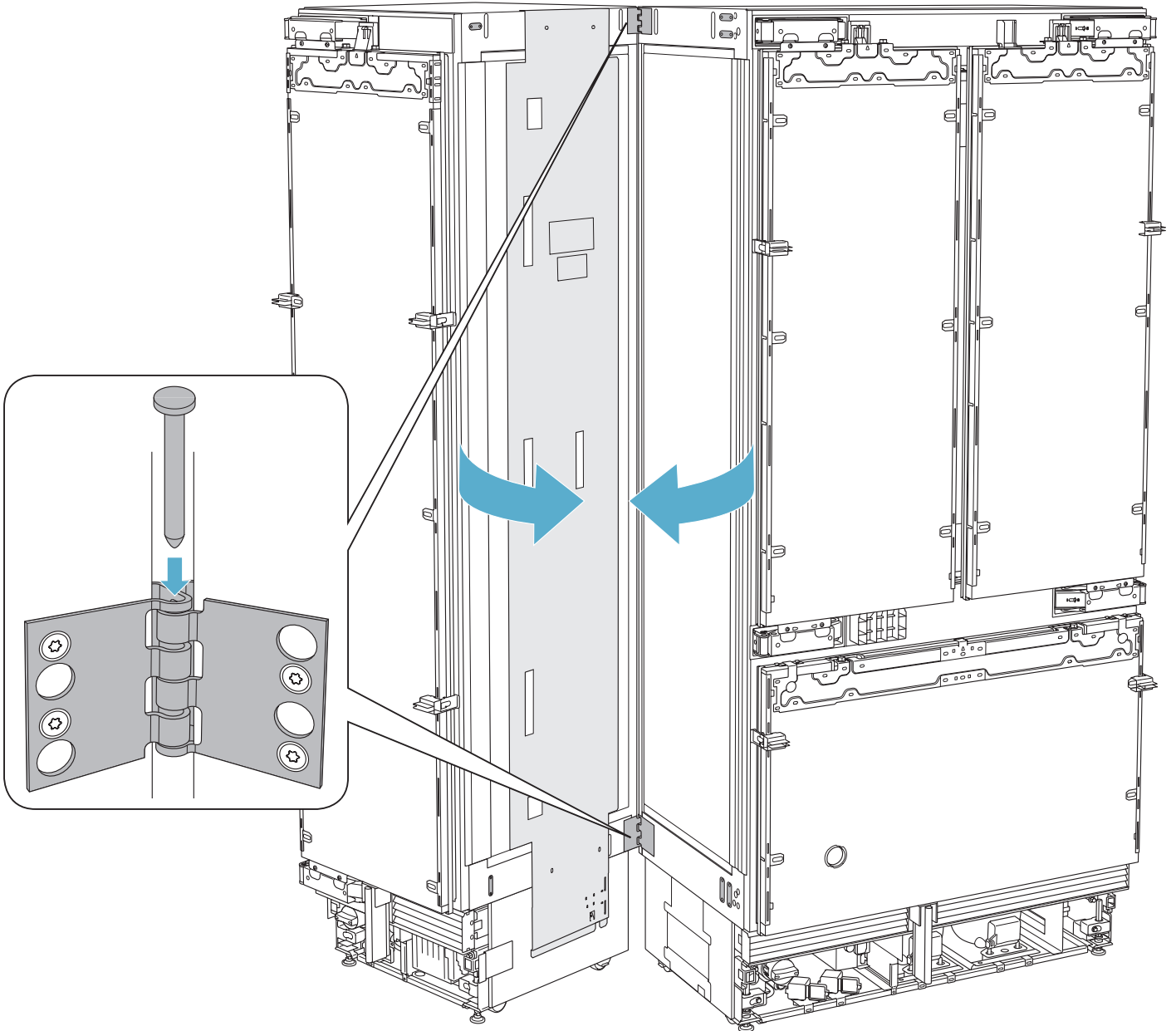
D

M5x16

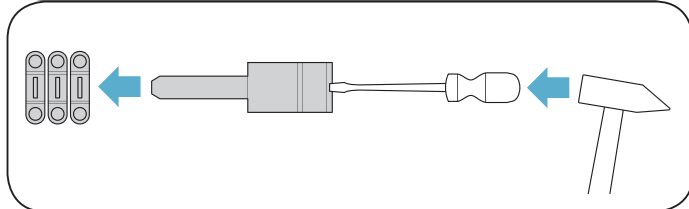
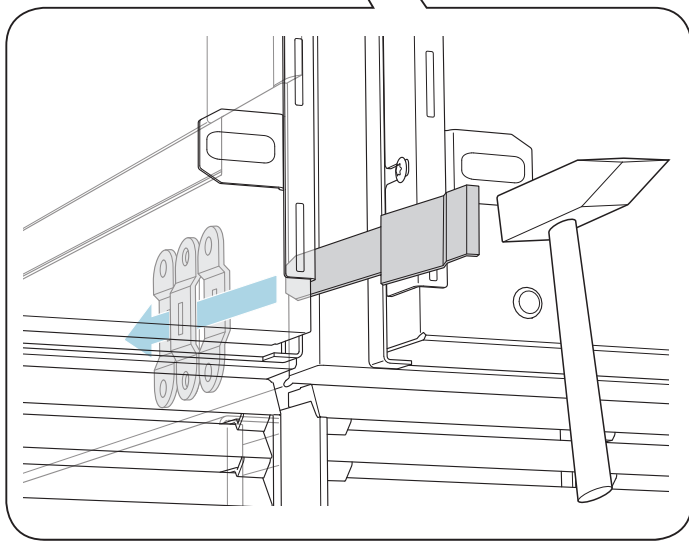
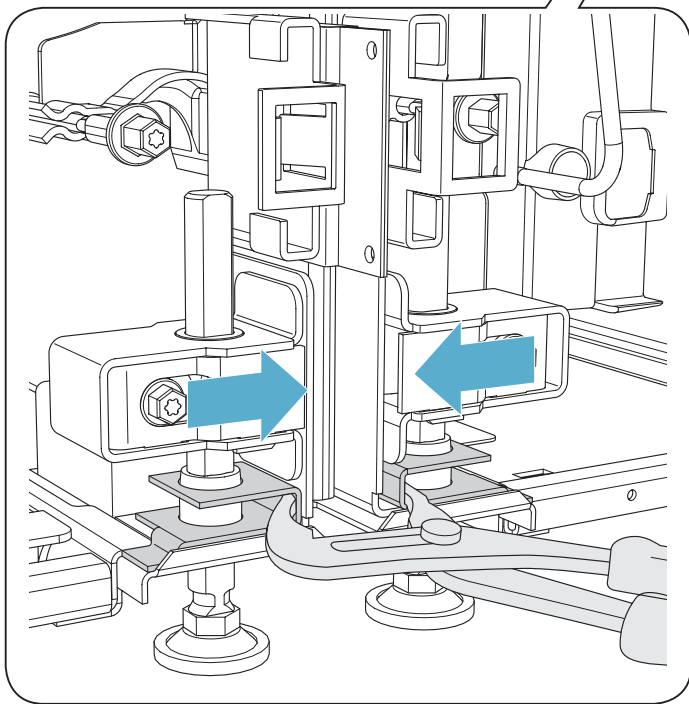
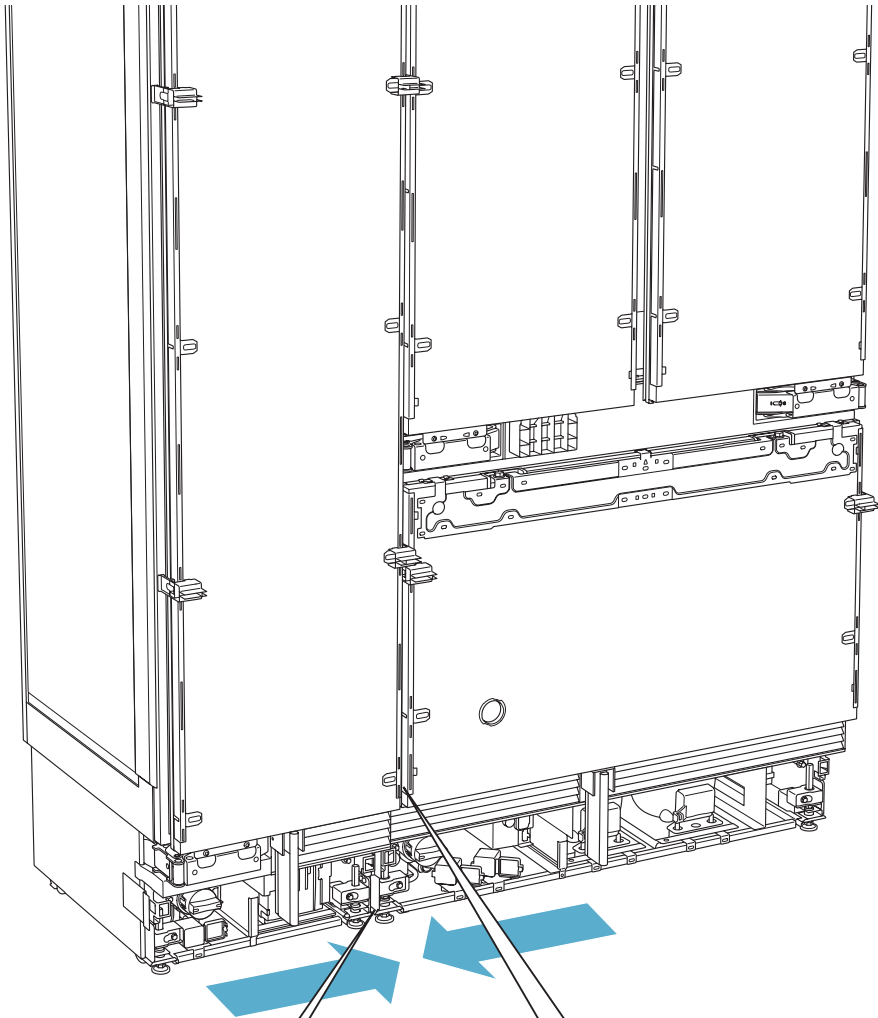
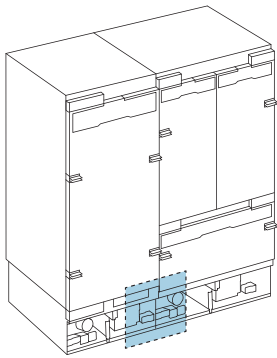


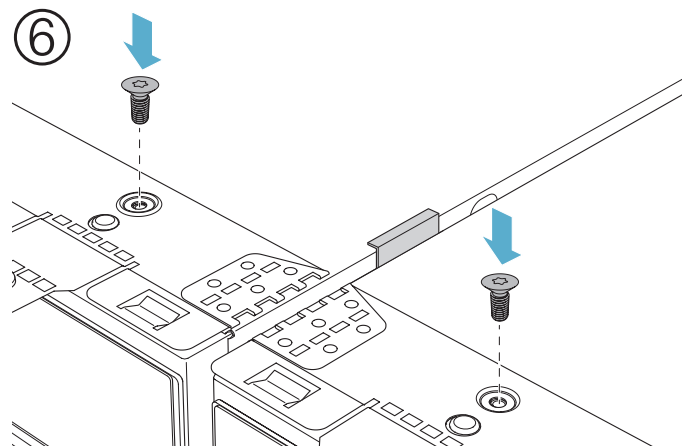
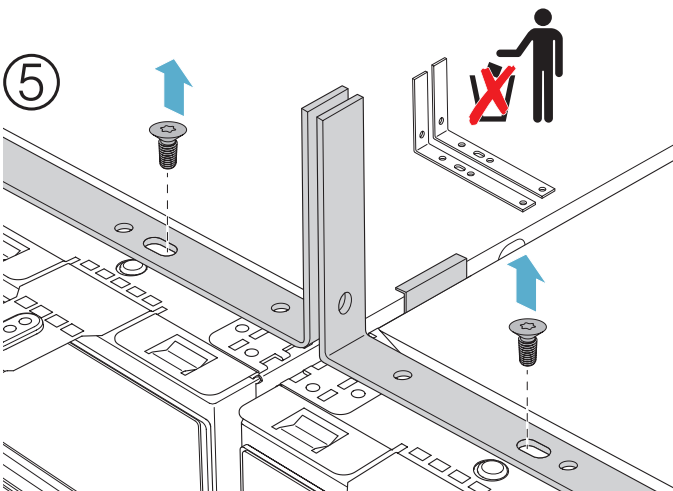
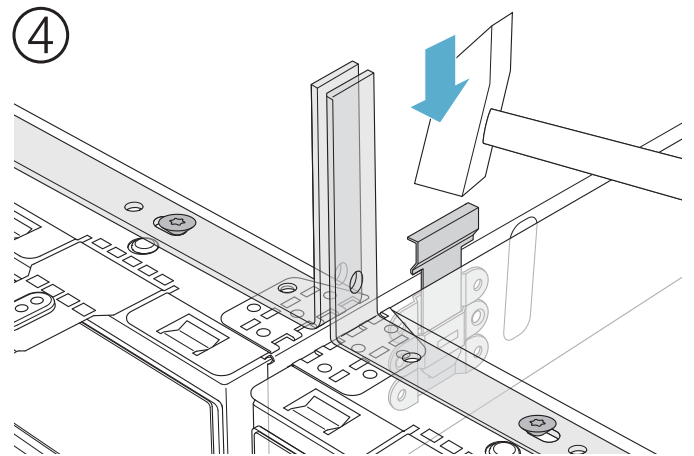
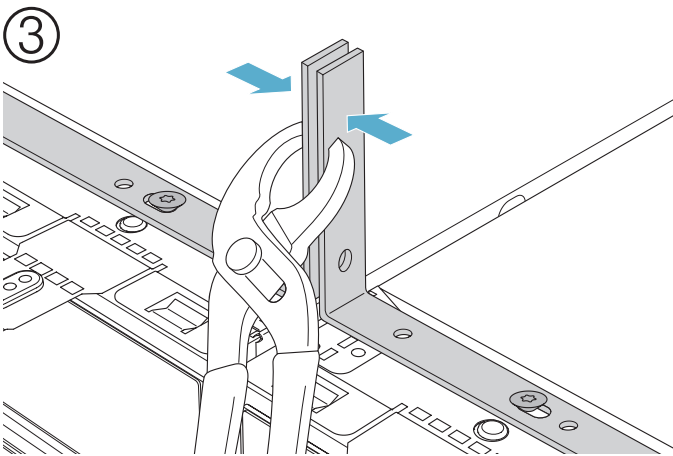
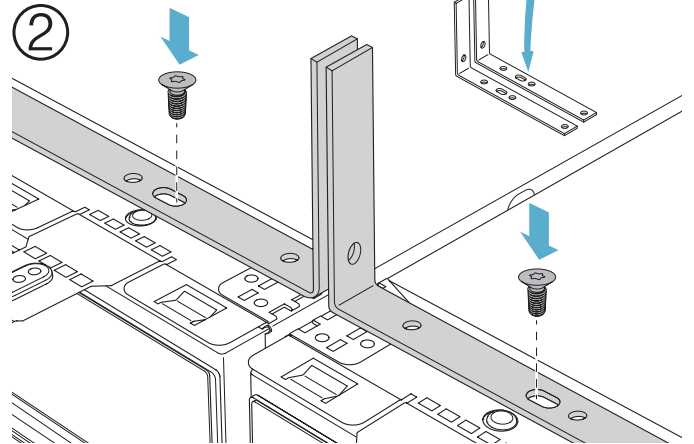
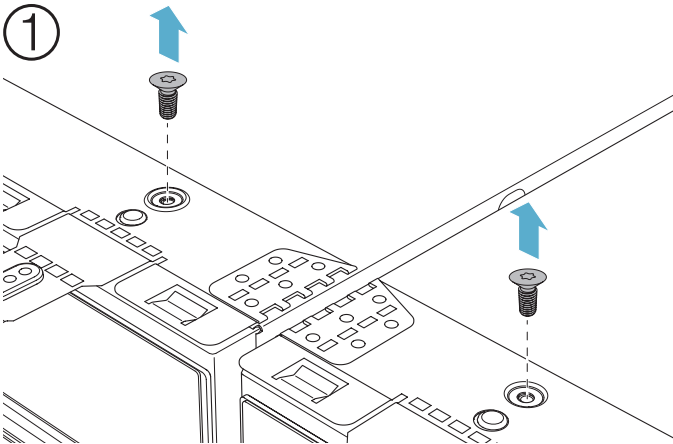
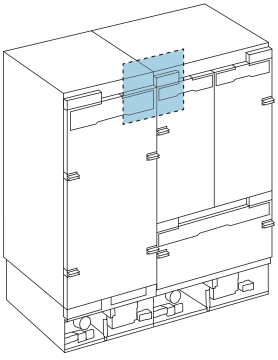
16x

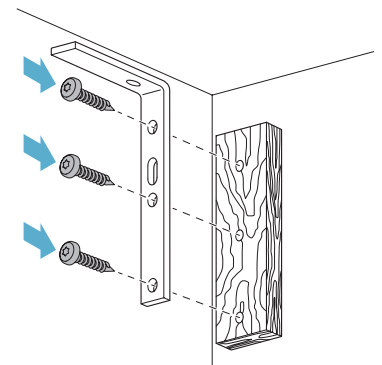
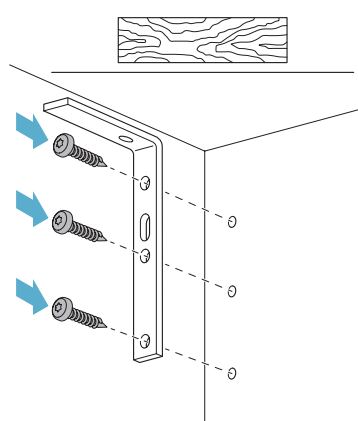
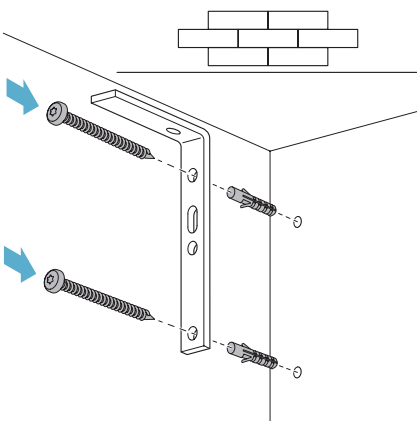
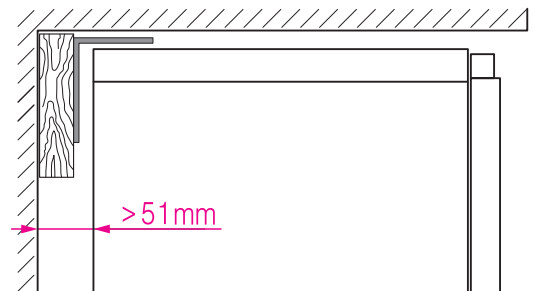
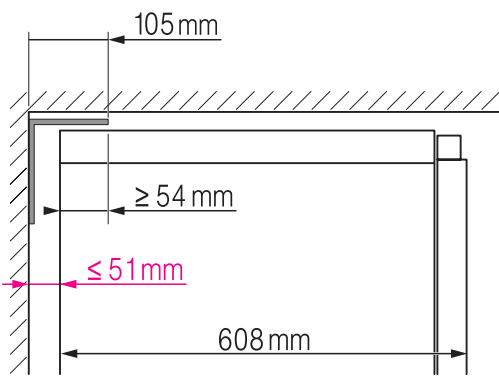
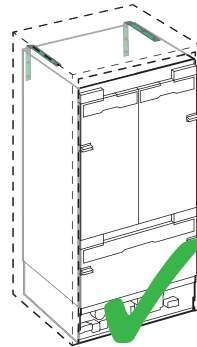
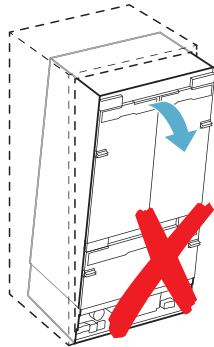
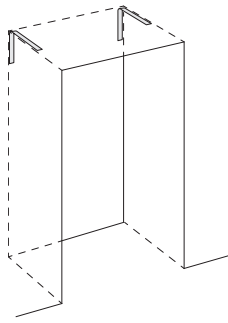




A
B
C
D

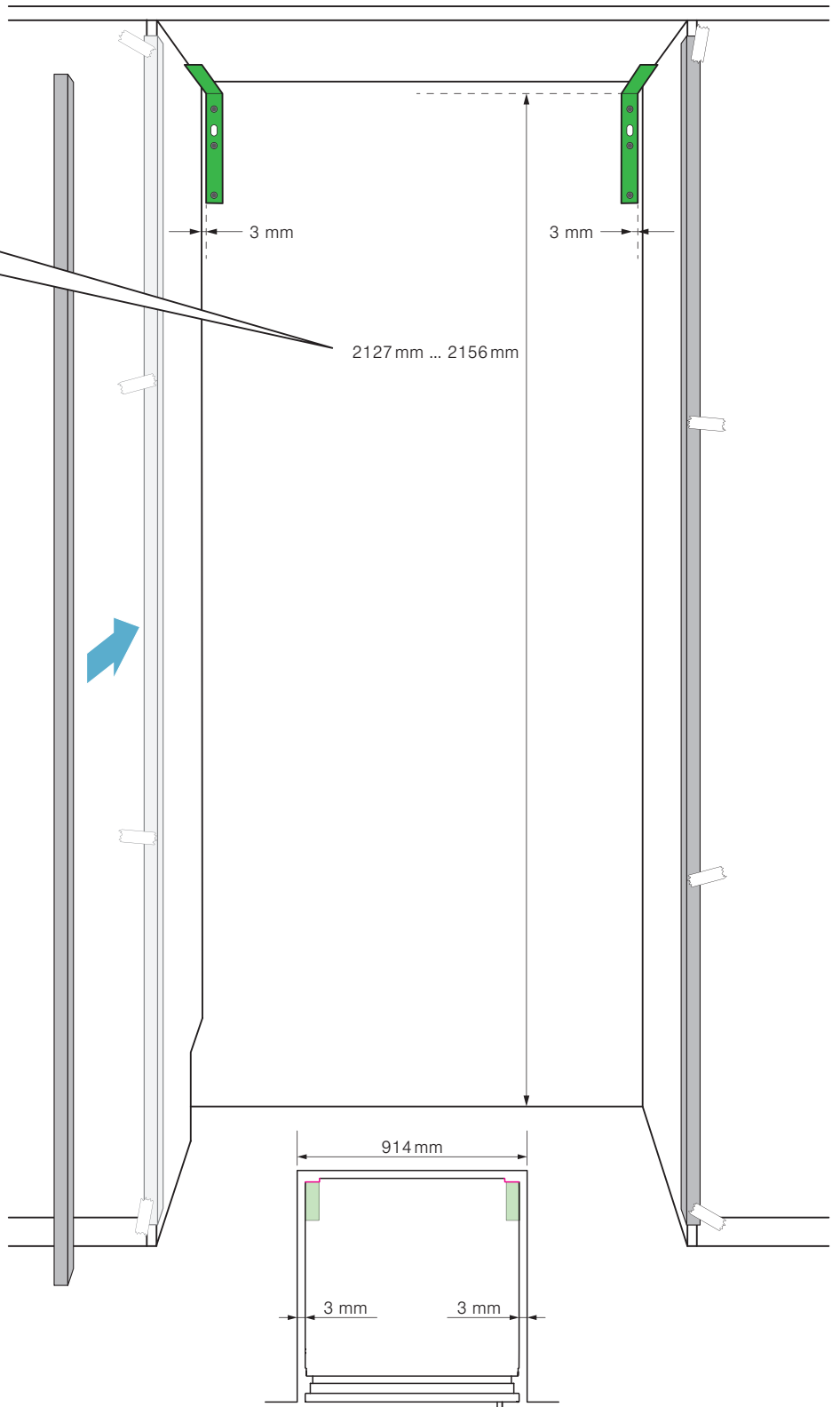
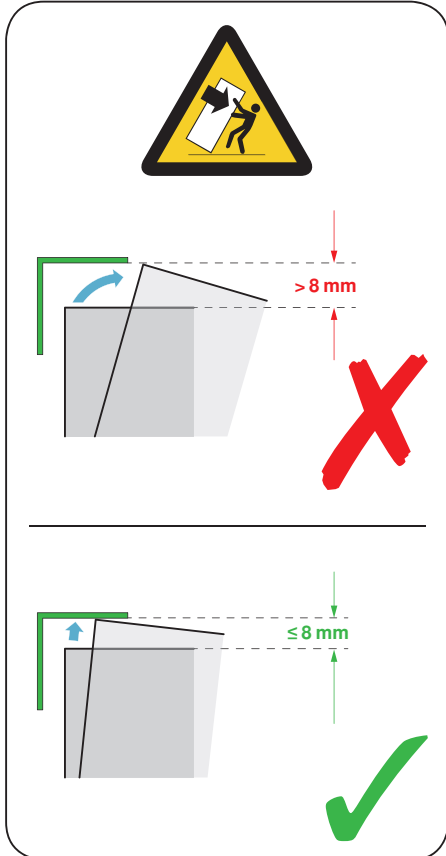
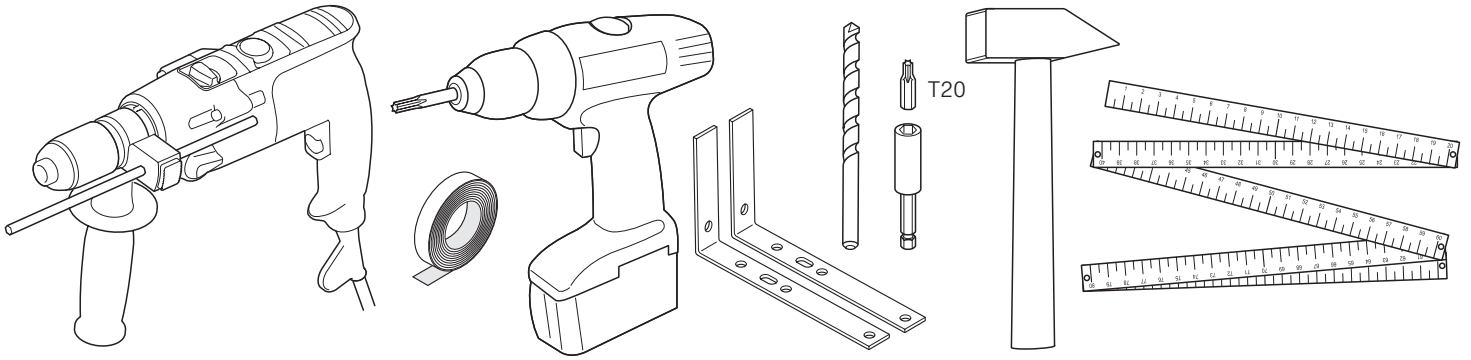


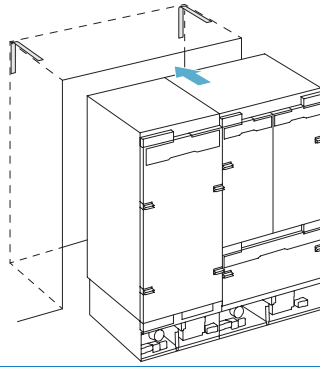
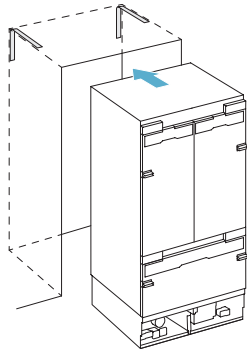
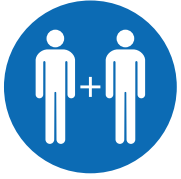




5x60			4x
6x31			4x

4x15			6x
------	--	--	----



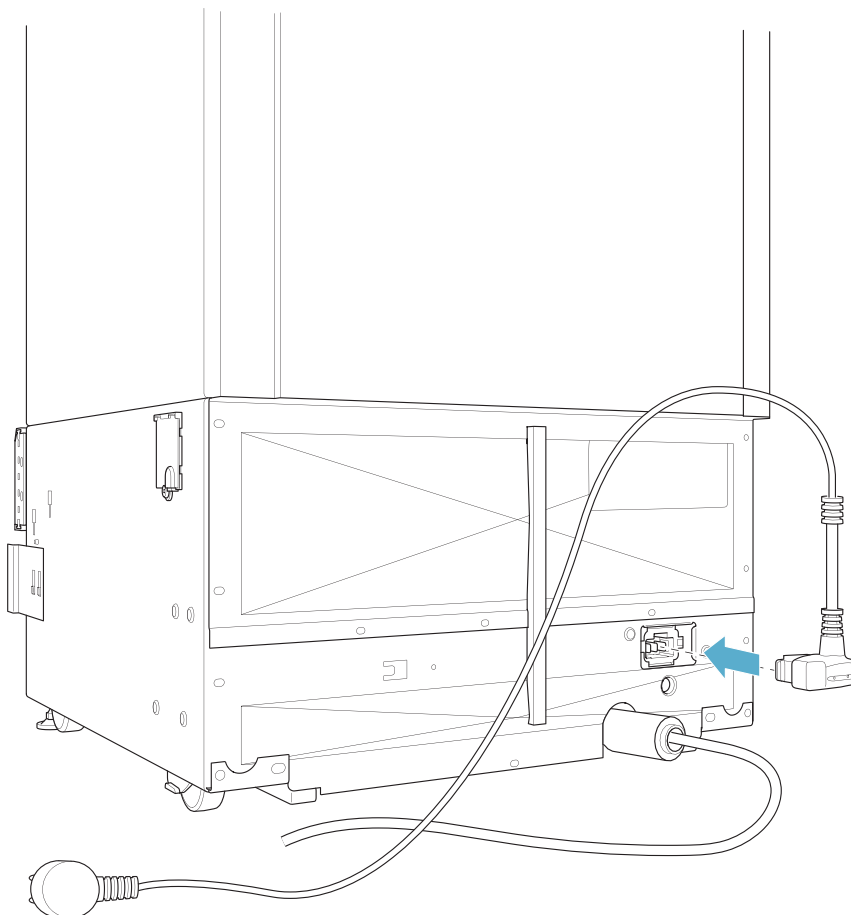
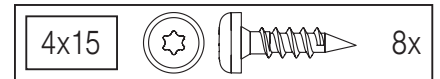
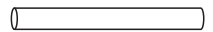
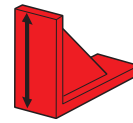
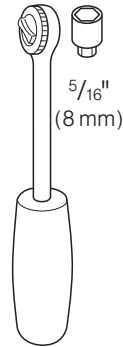
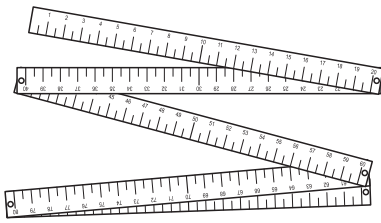
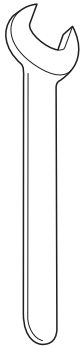
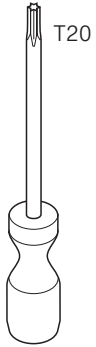


A

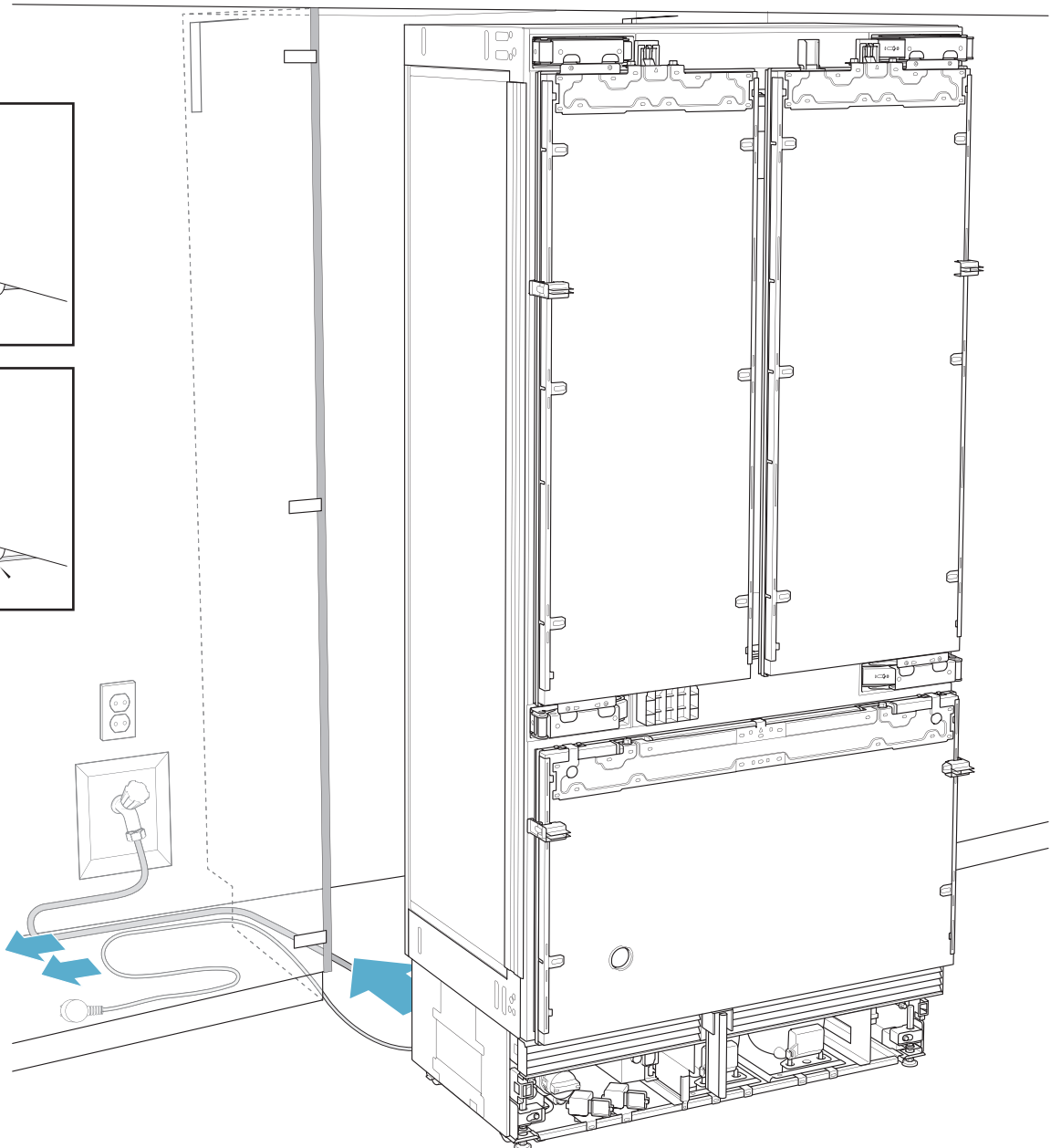
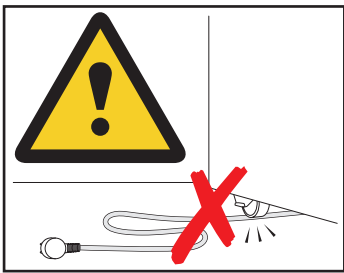
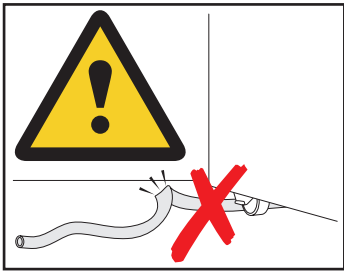
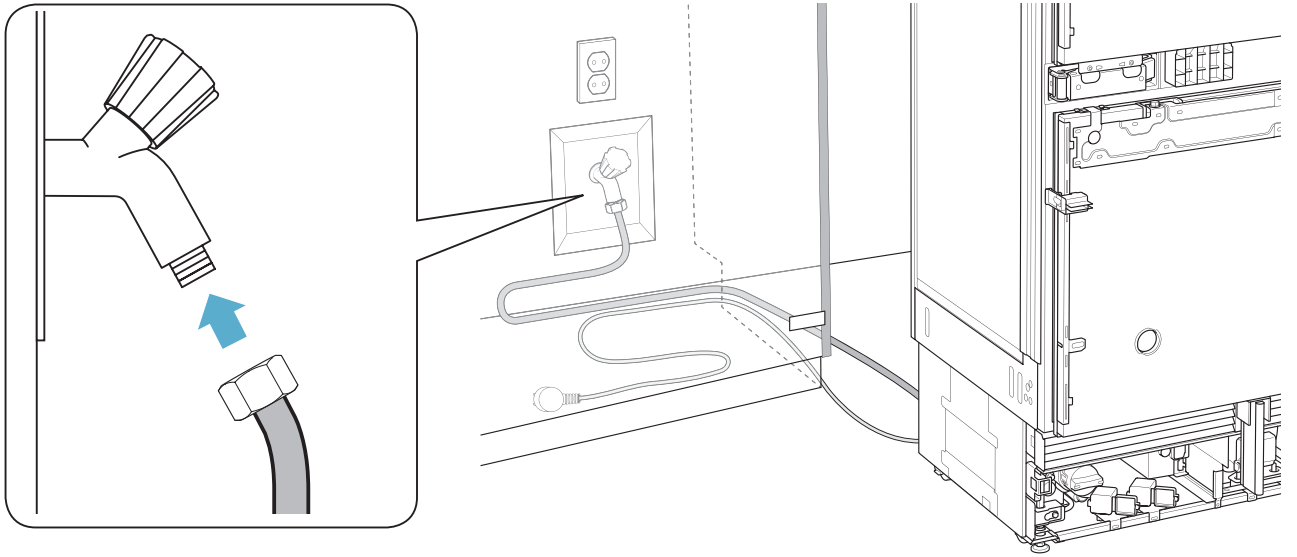
B

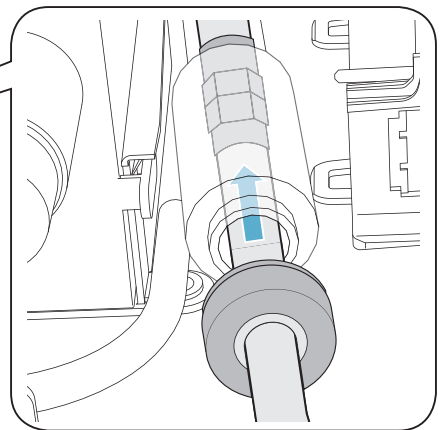
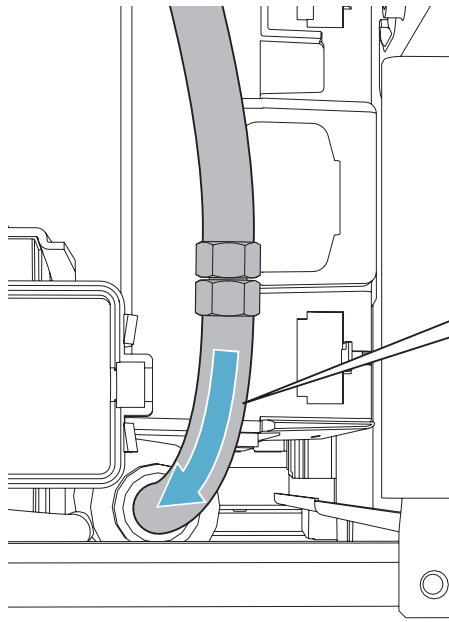
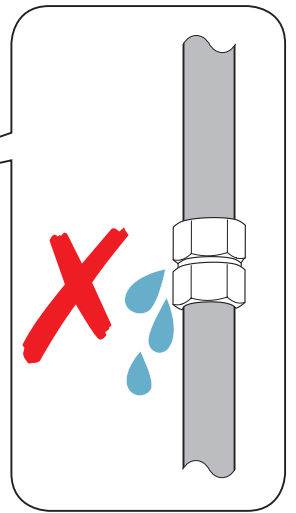
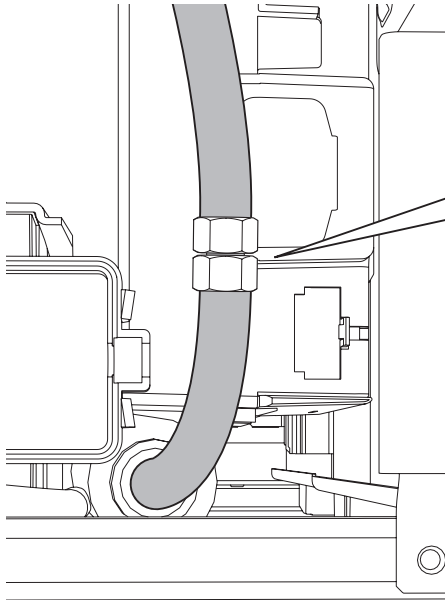
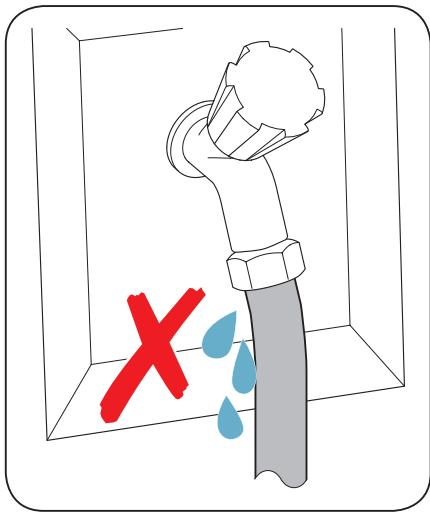
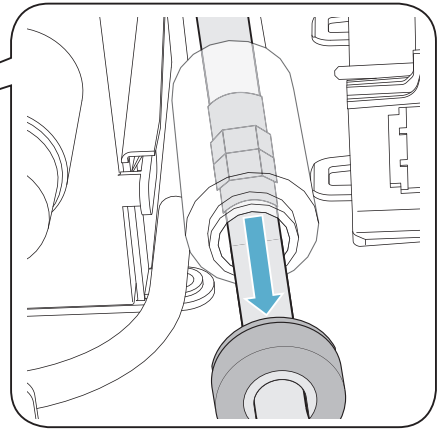
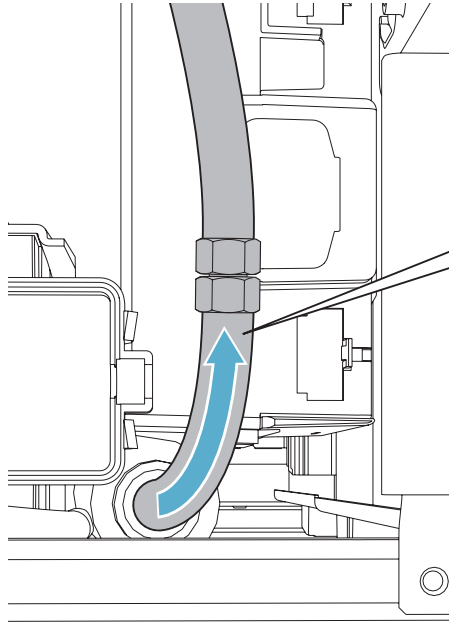
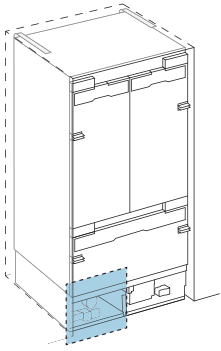
C

D

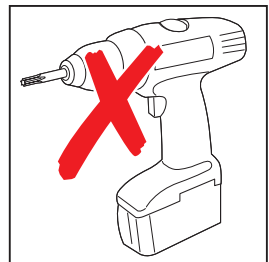
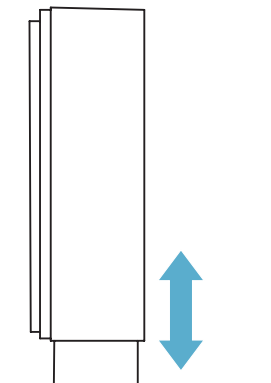
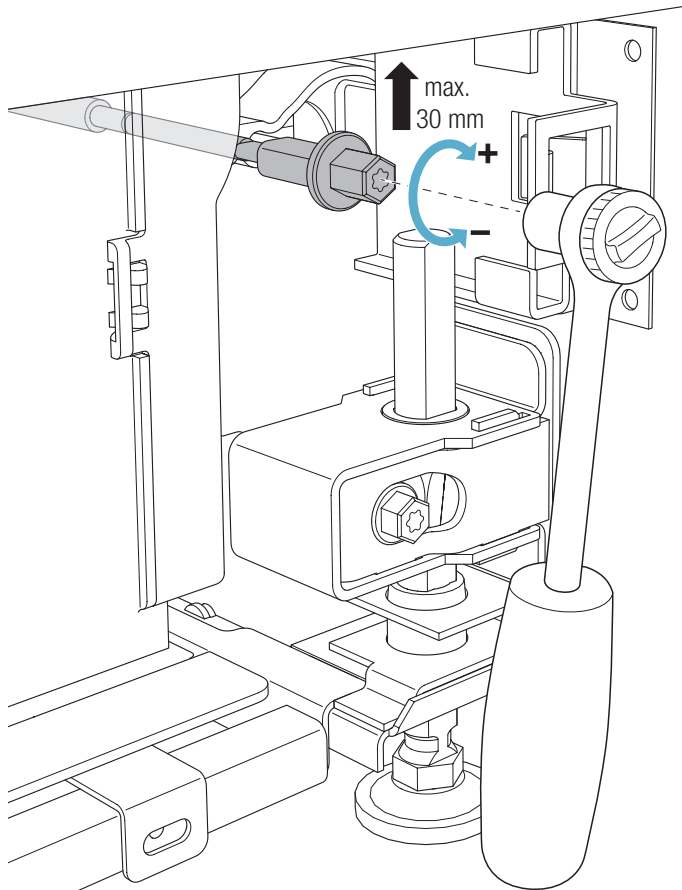
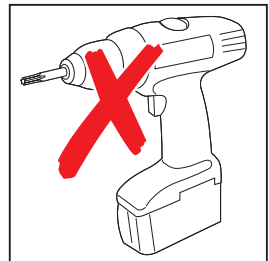
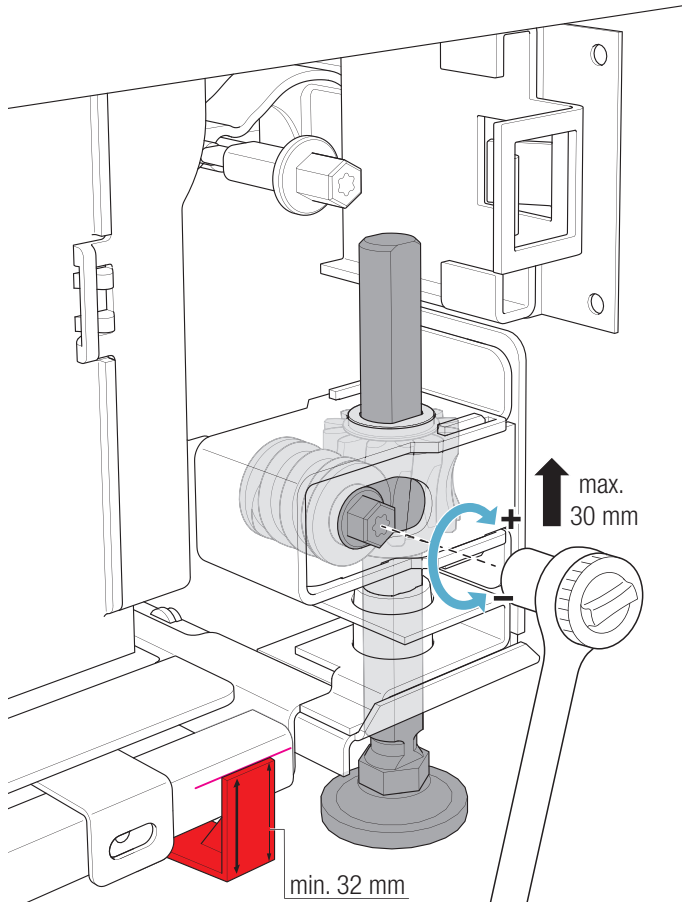
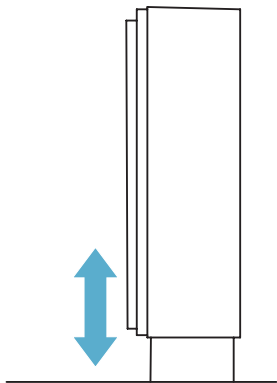
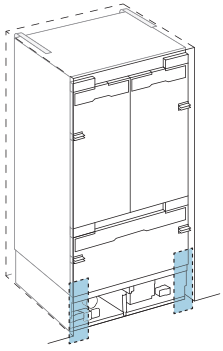


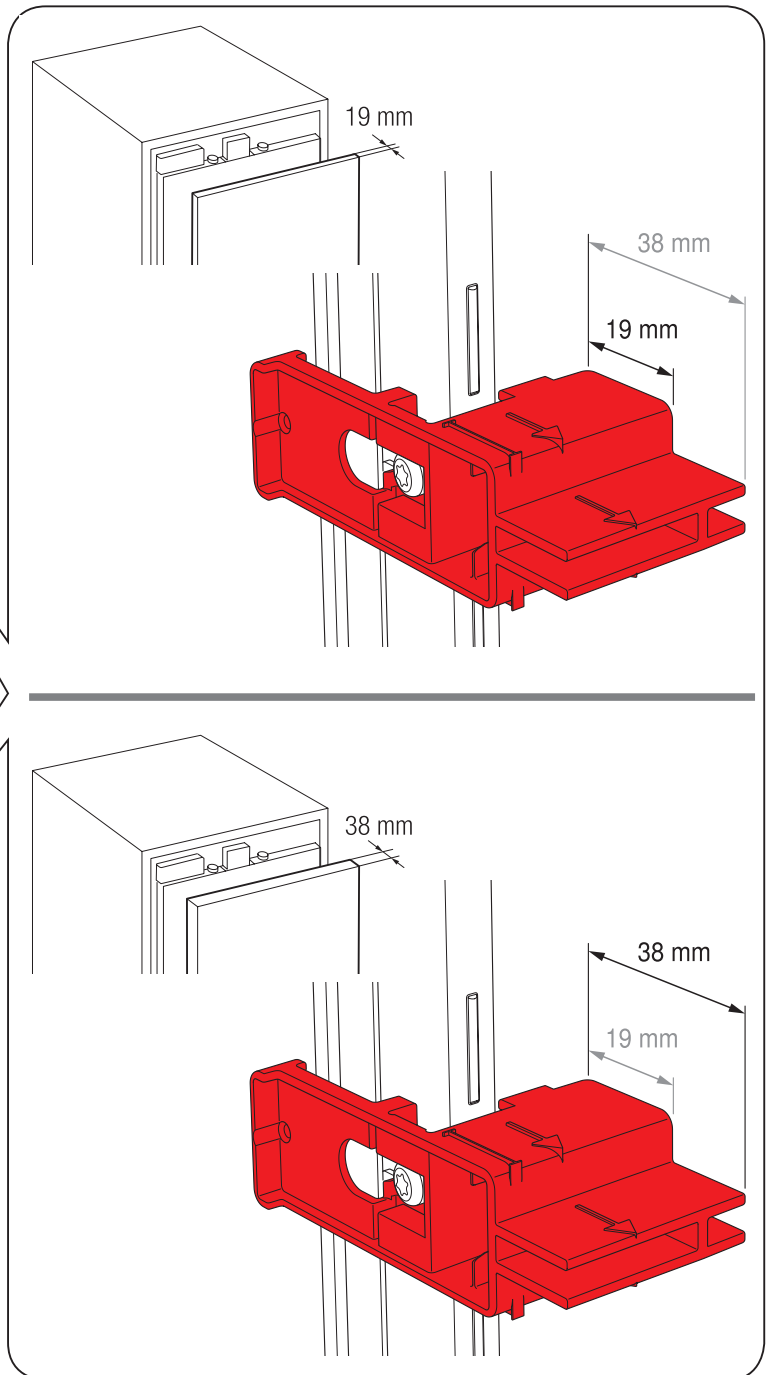
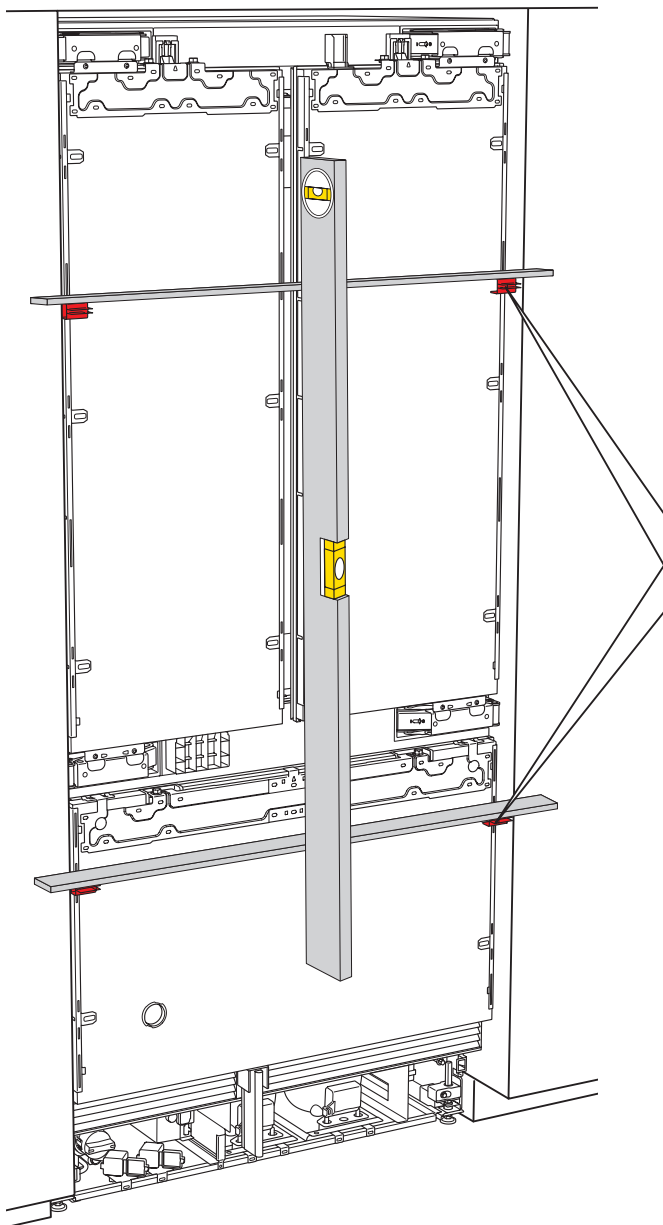
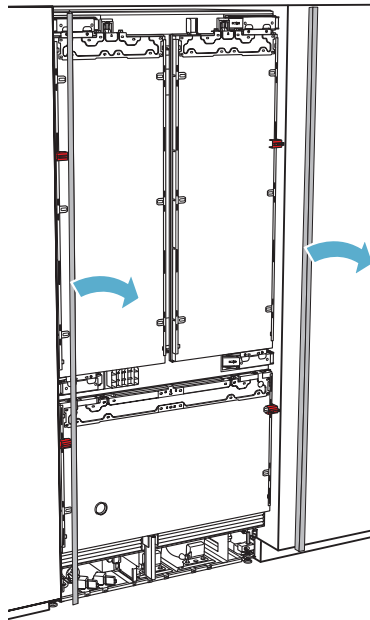
A
B
C
D




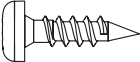


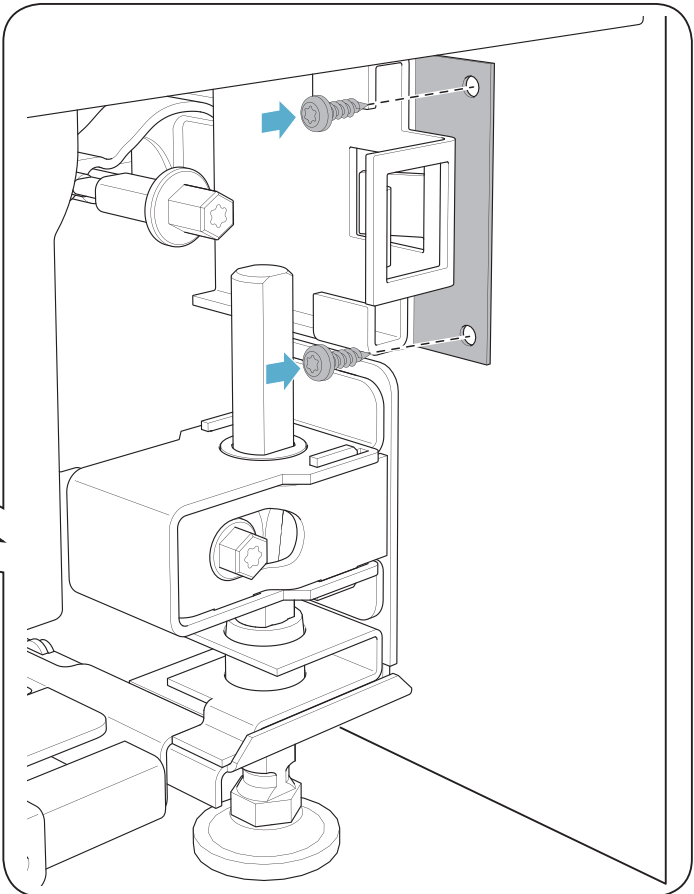
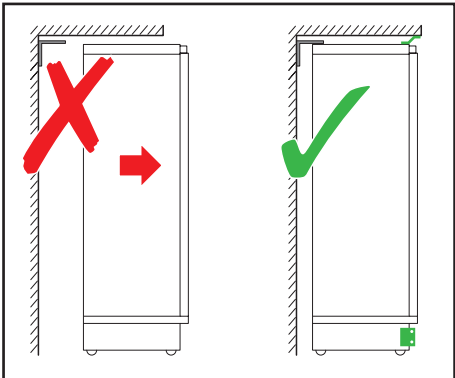
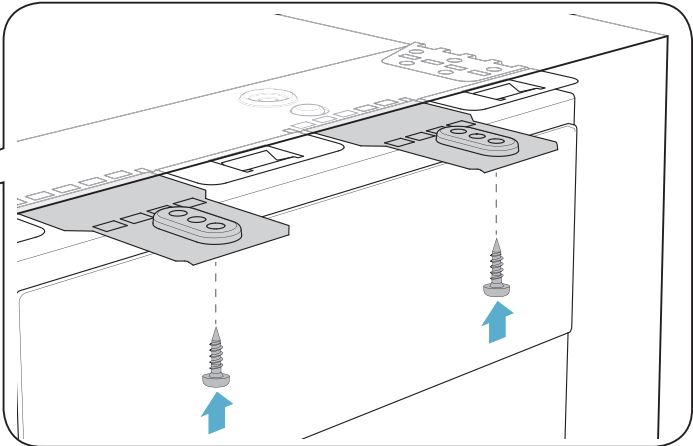
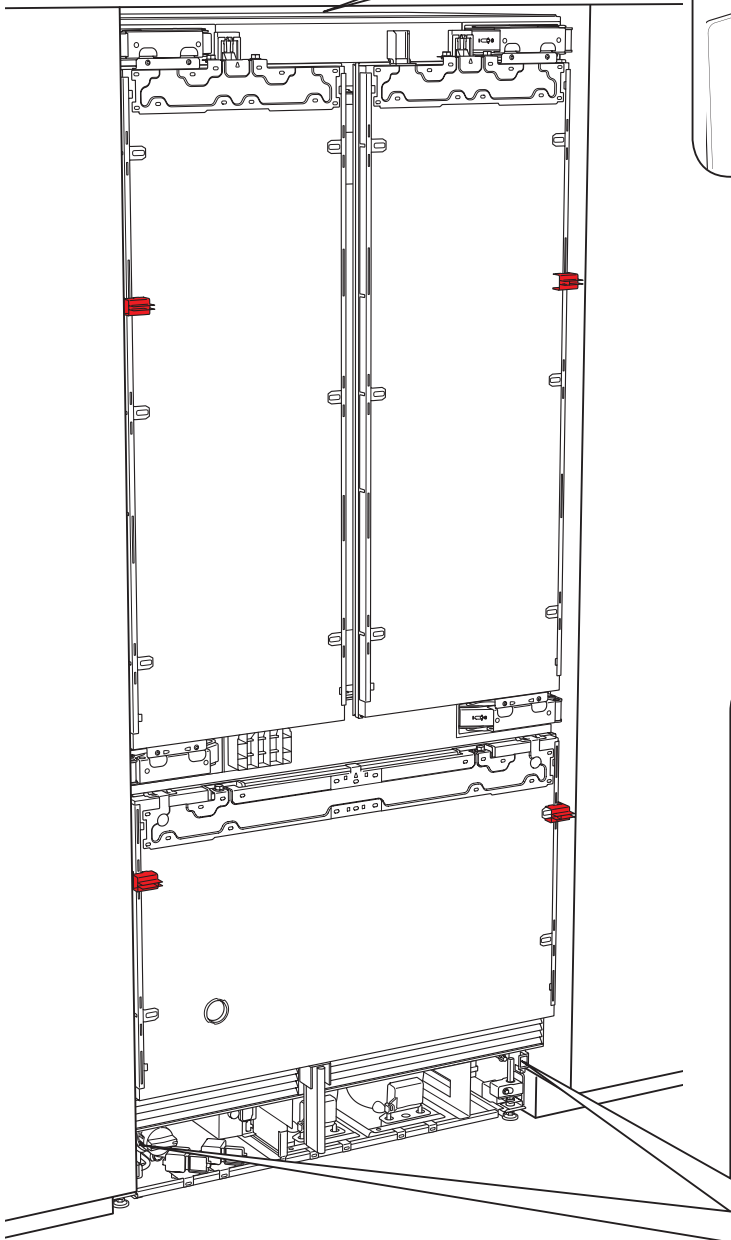
- A
- B
- C
- D

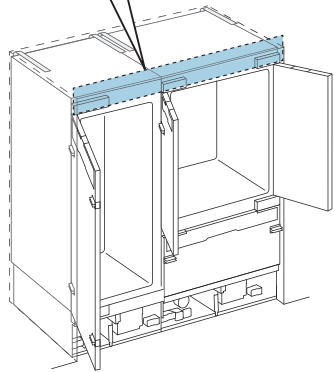
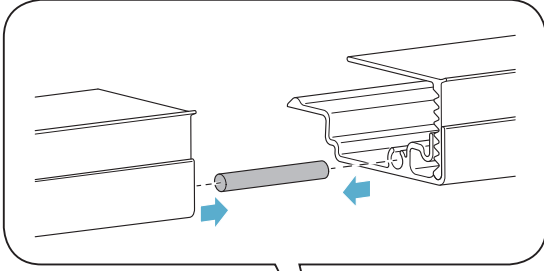
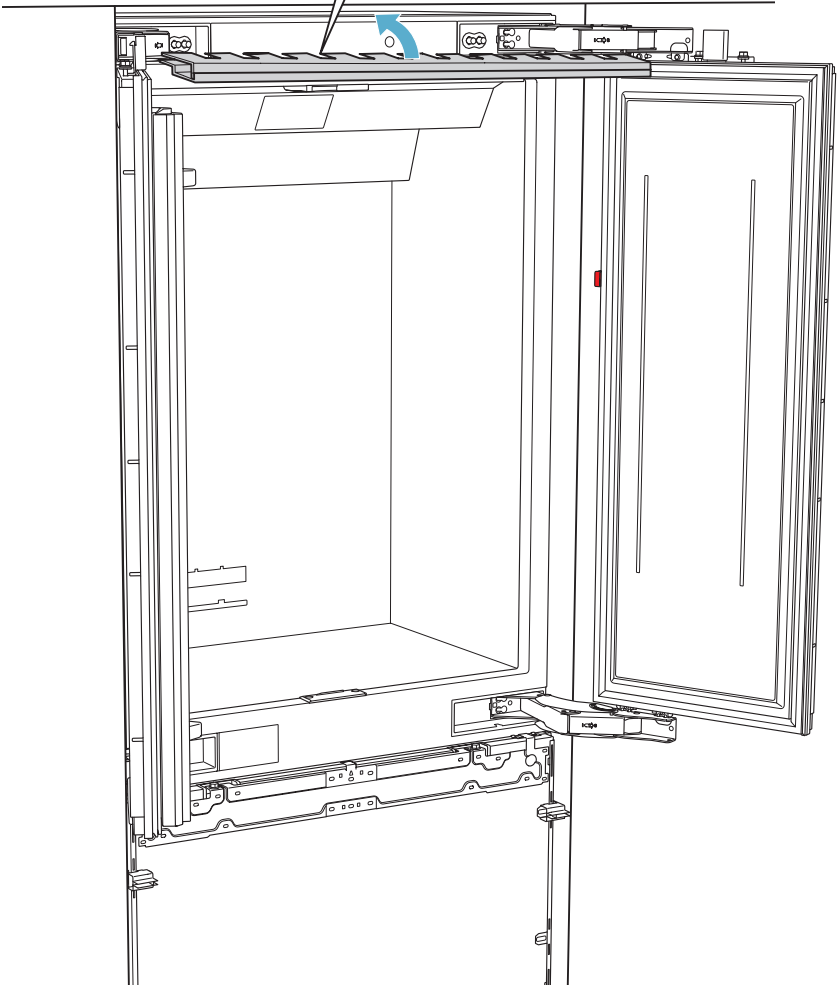
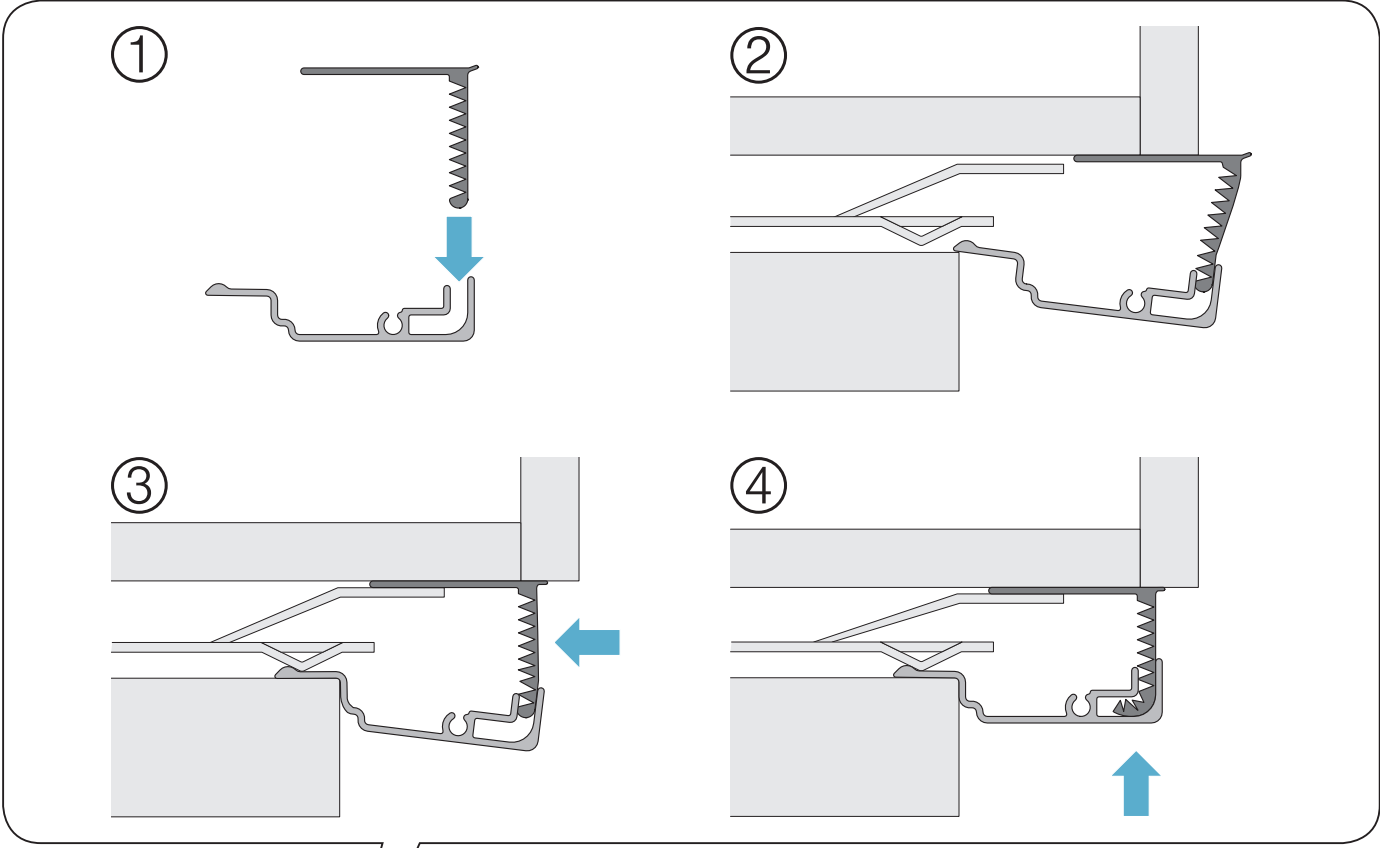




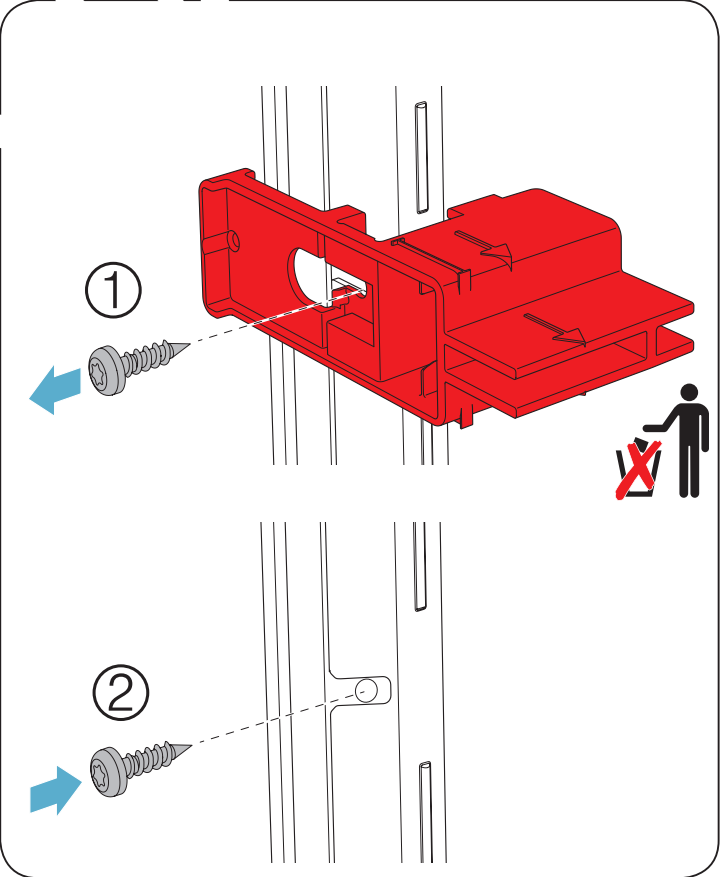
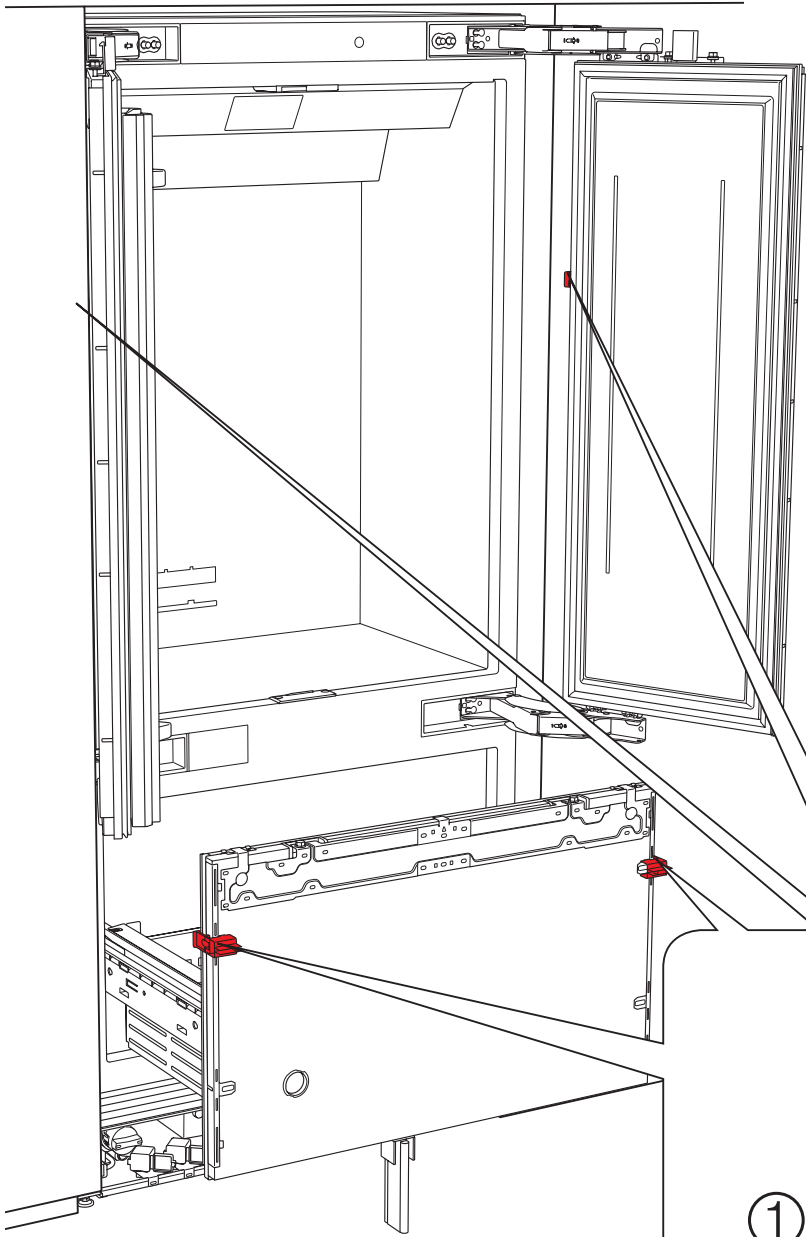
A
B
C
D

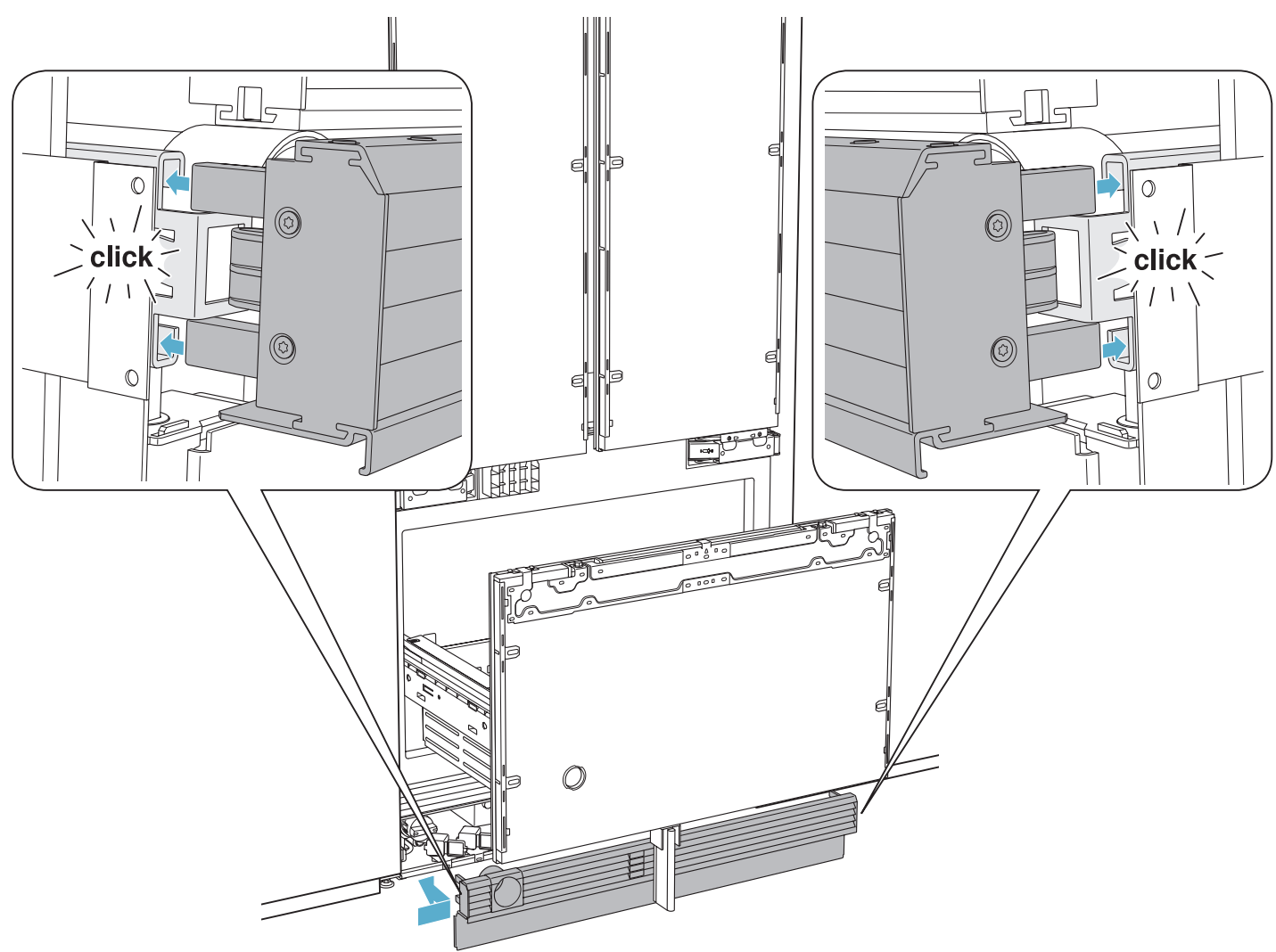
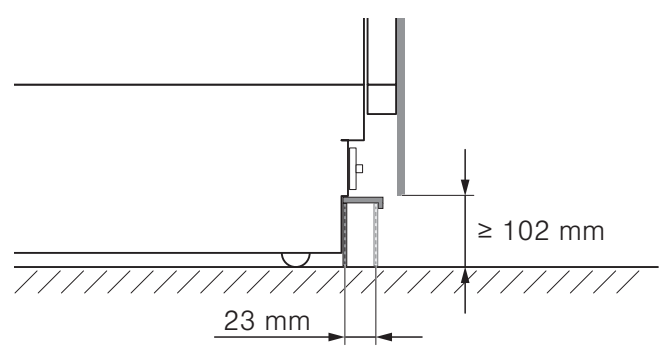
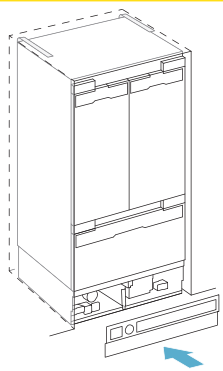
4x15   8x



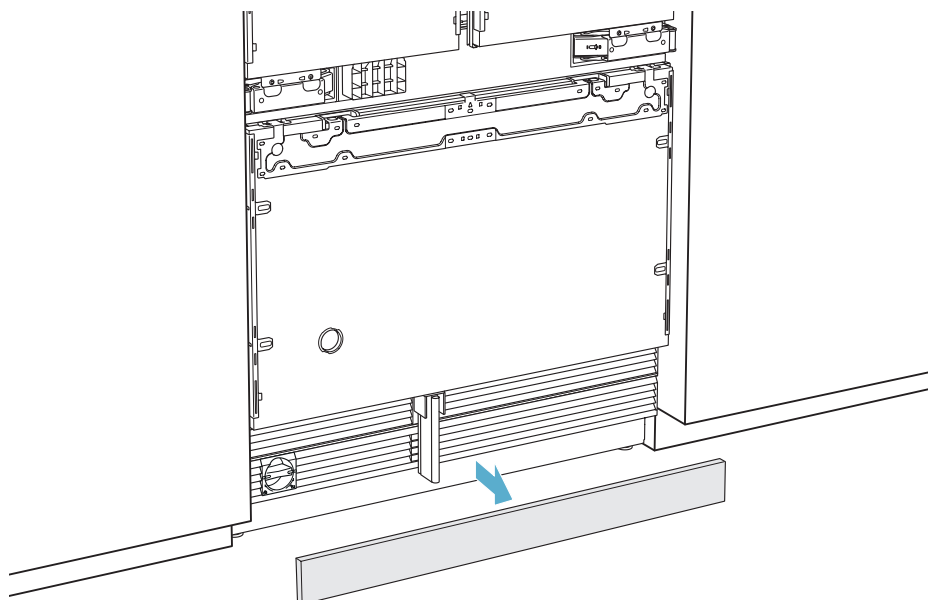
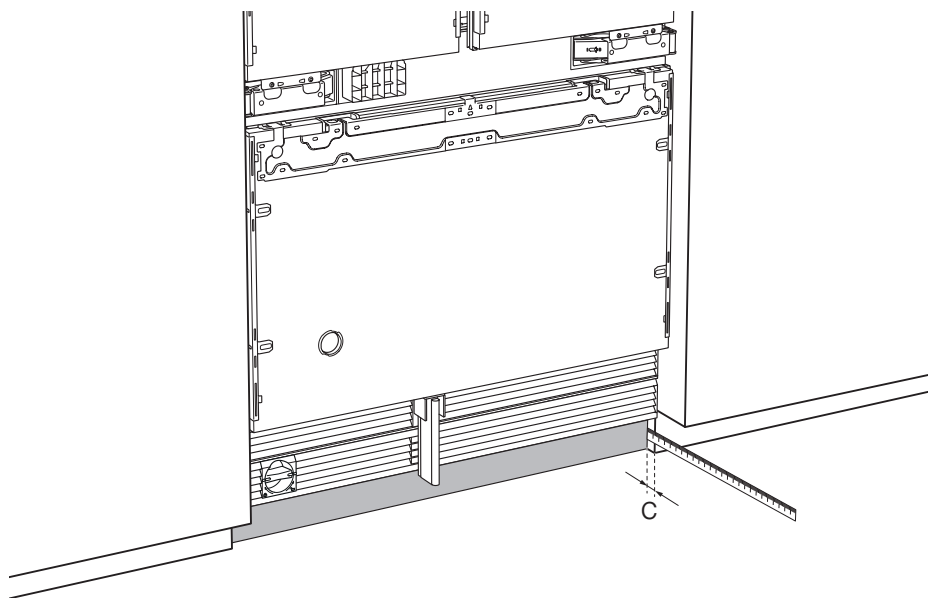
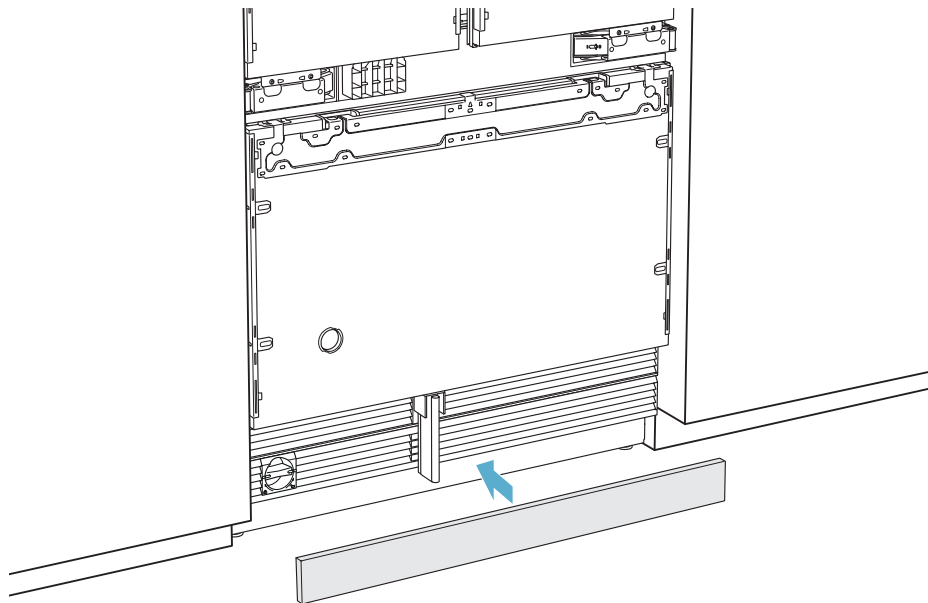


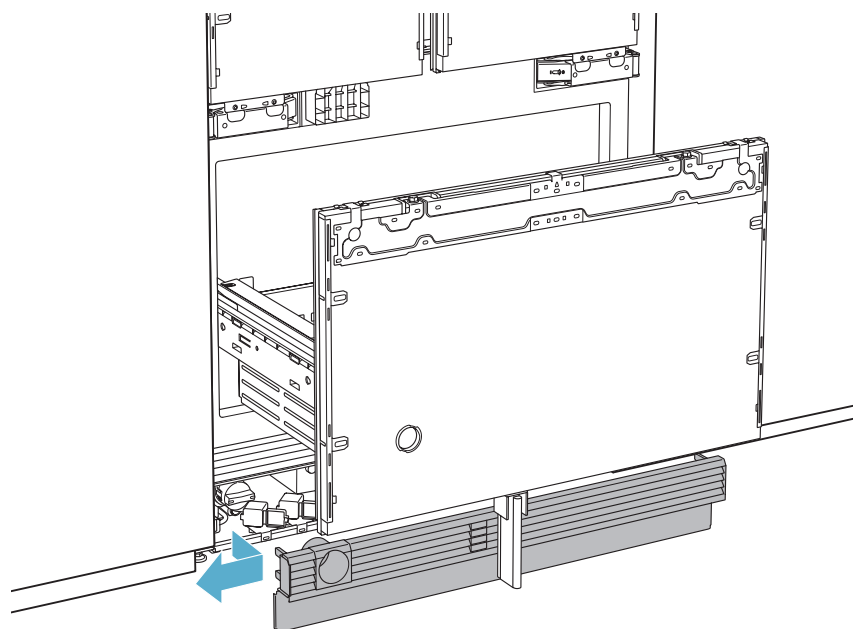
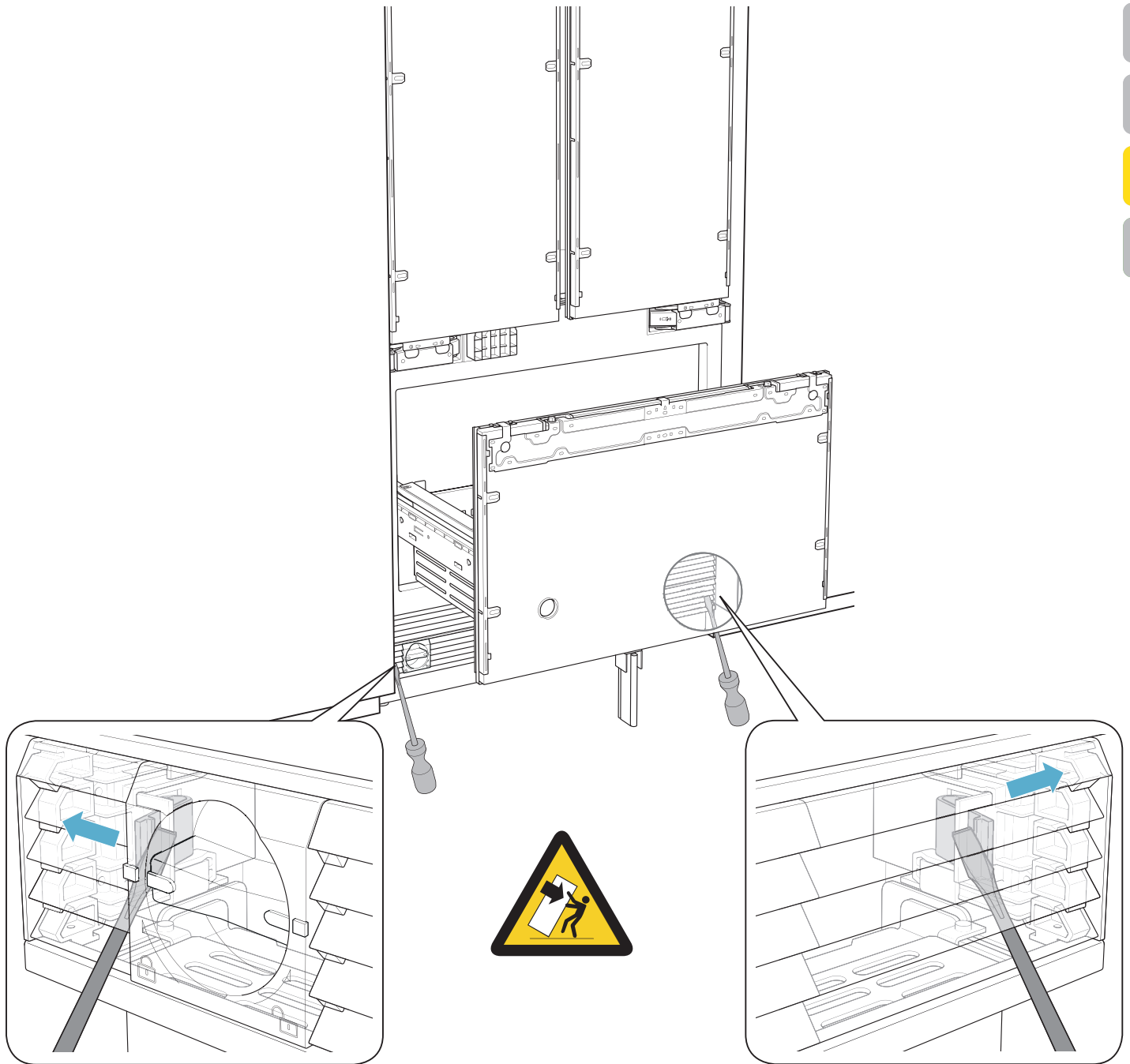
A
B
C
D



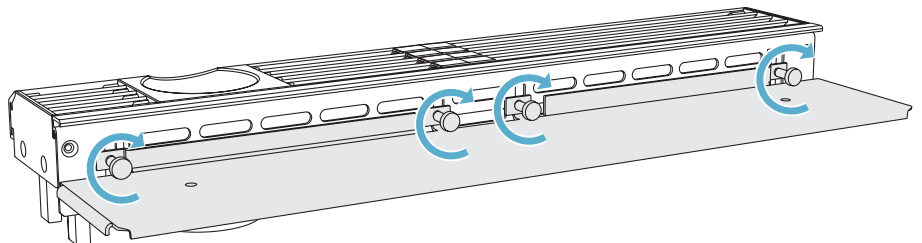
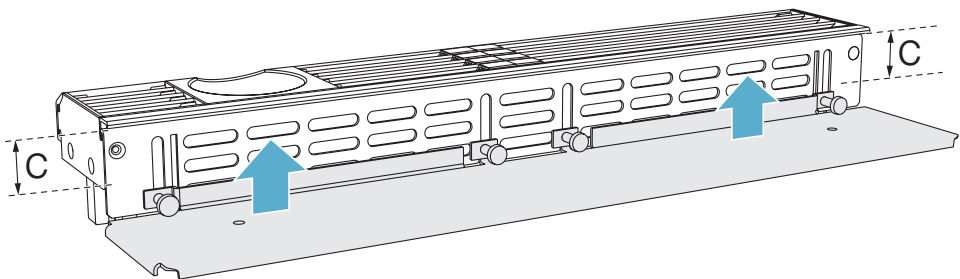
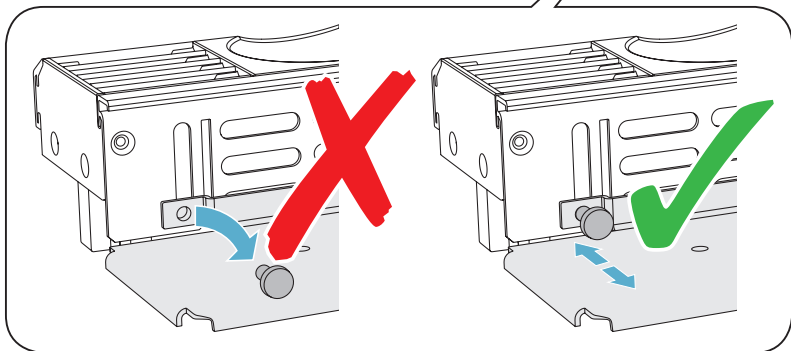
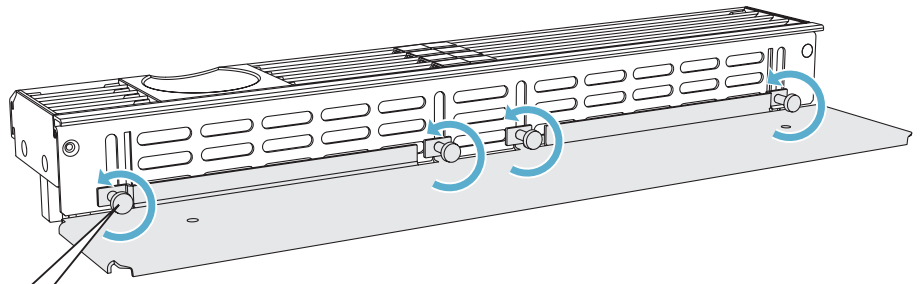
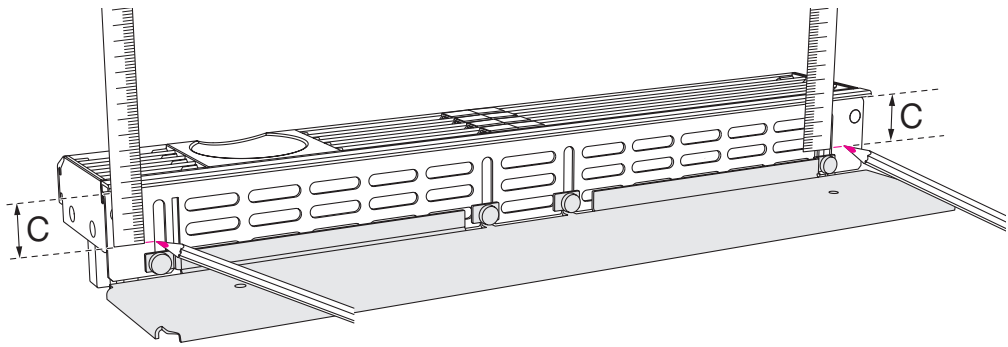


- A
- B
- C
- D

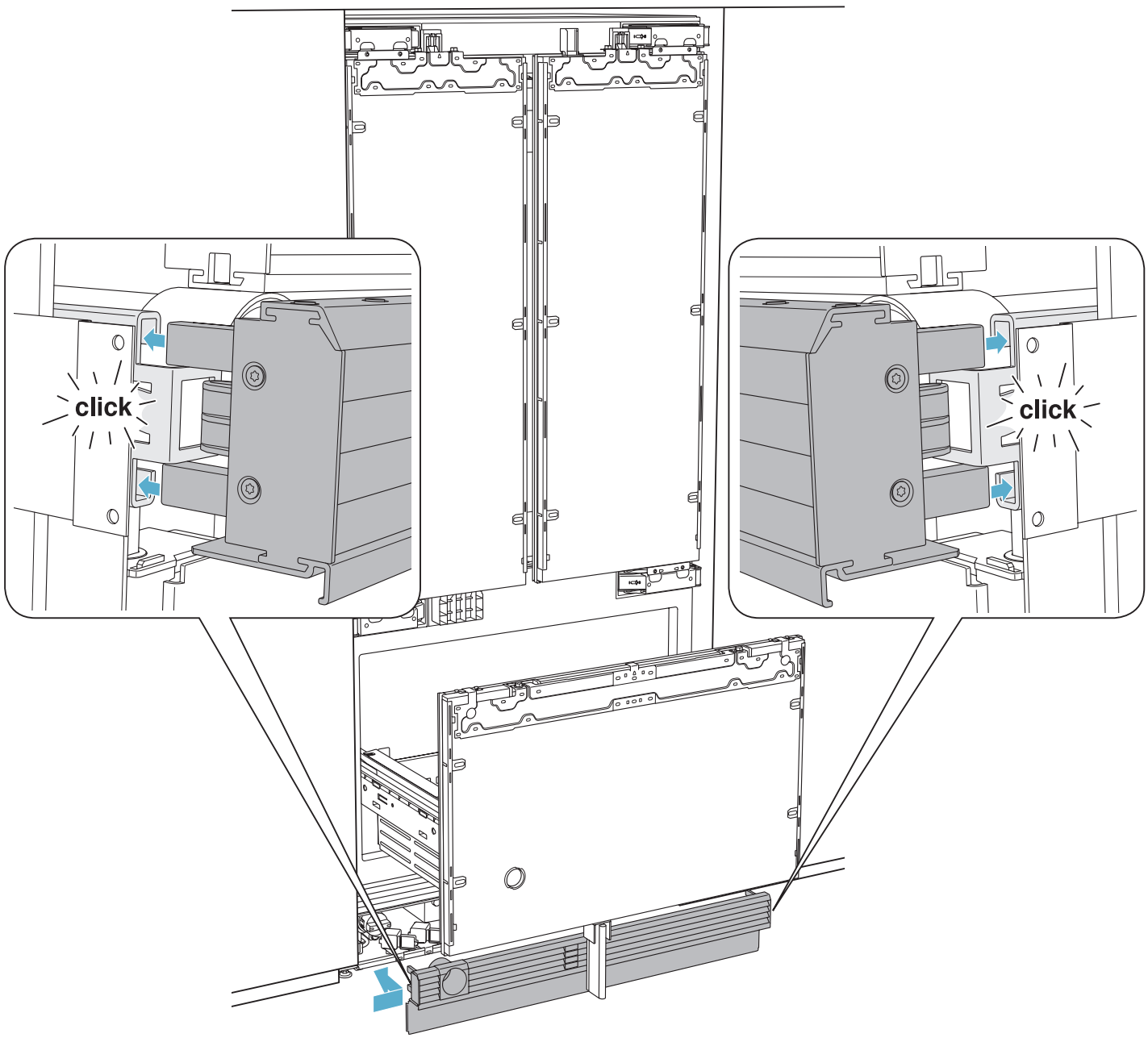
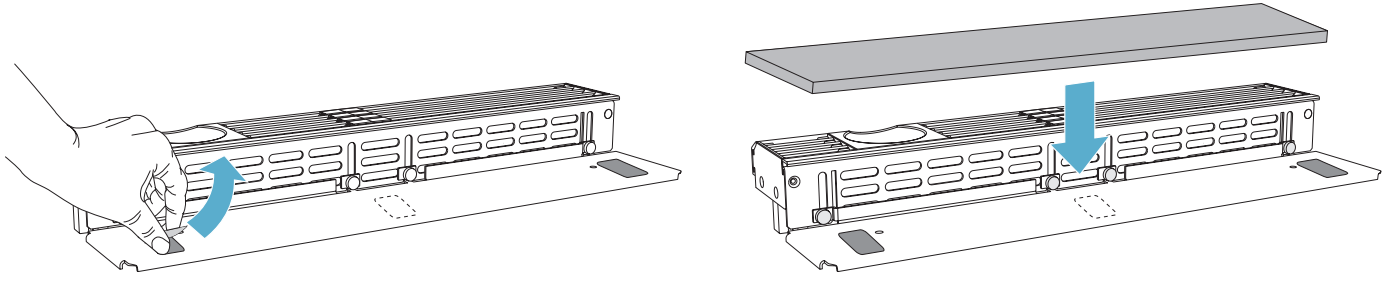




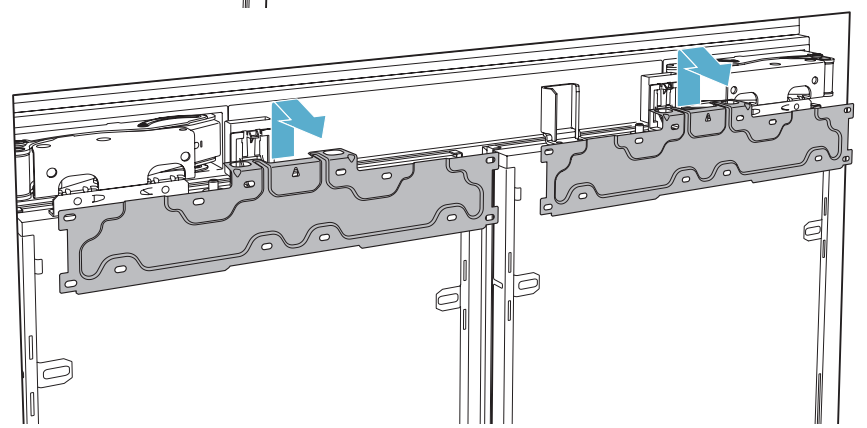
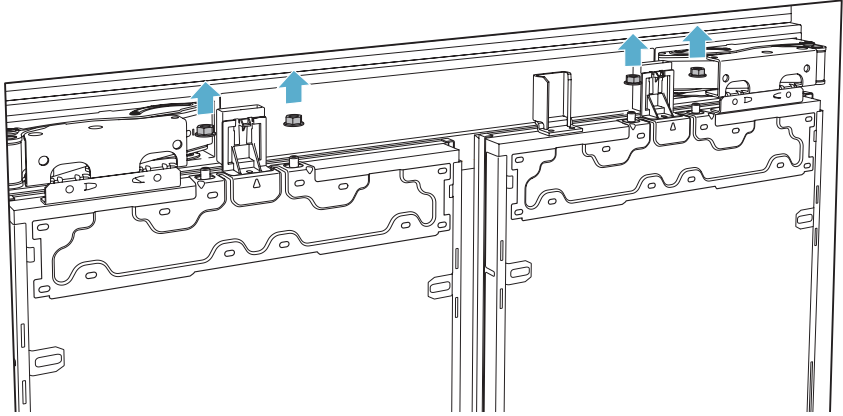
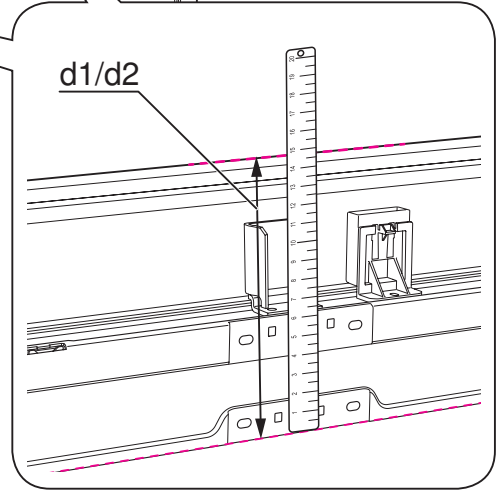
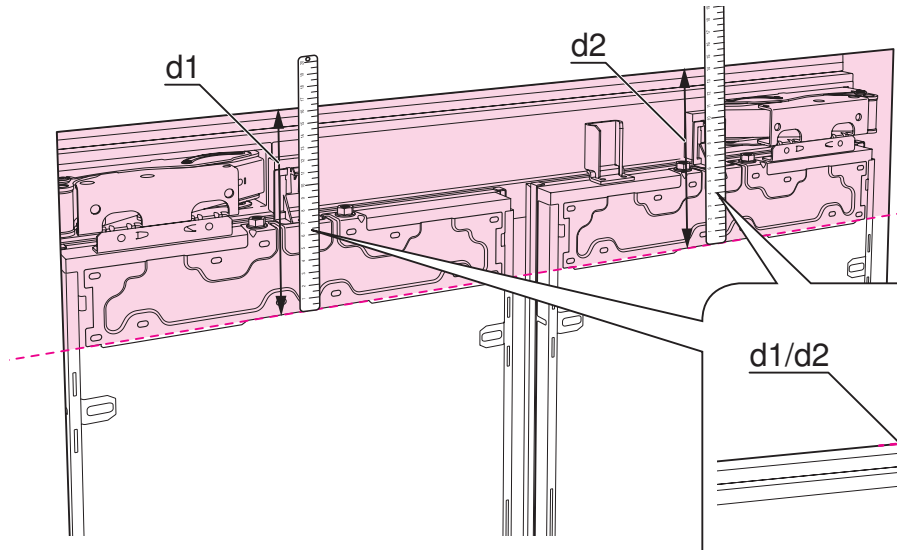
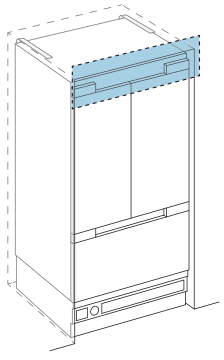
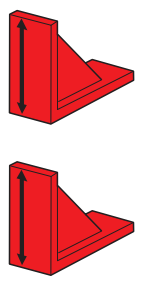
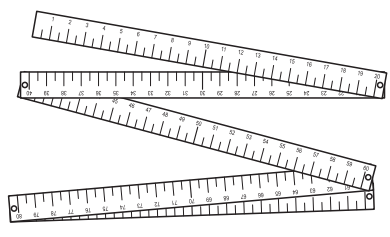
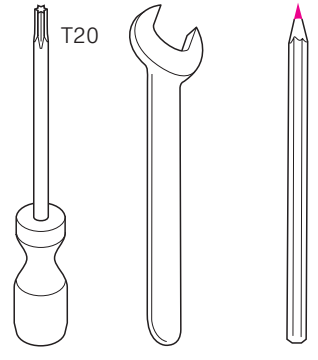
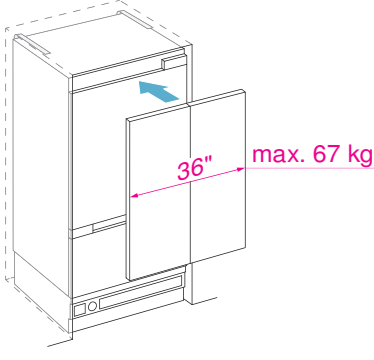
- A
- B
- C
- D

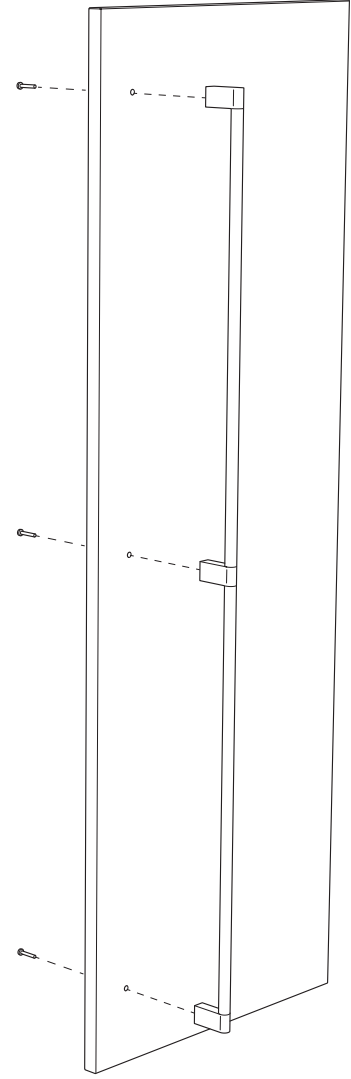
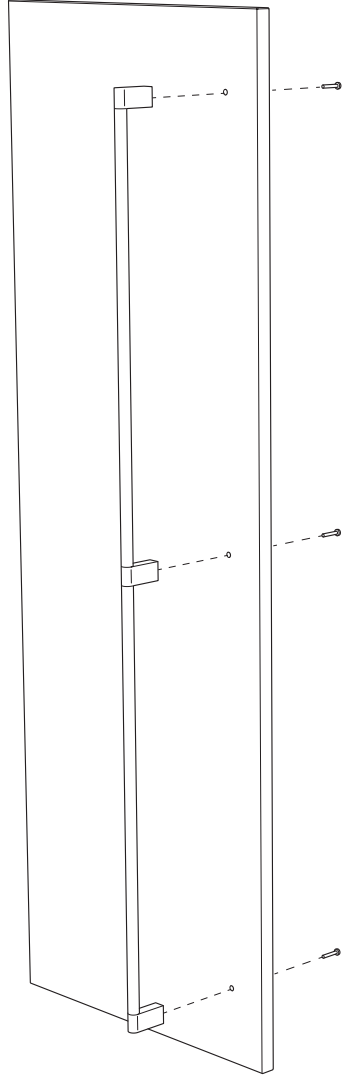
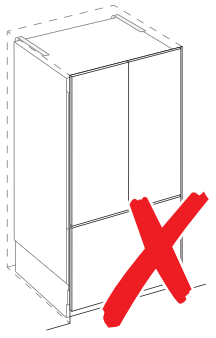
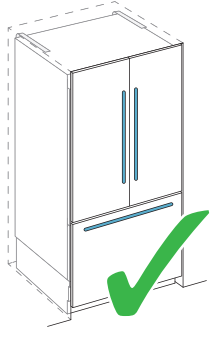
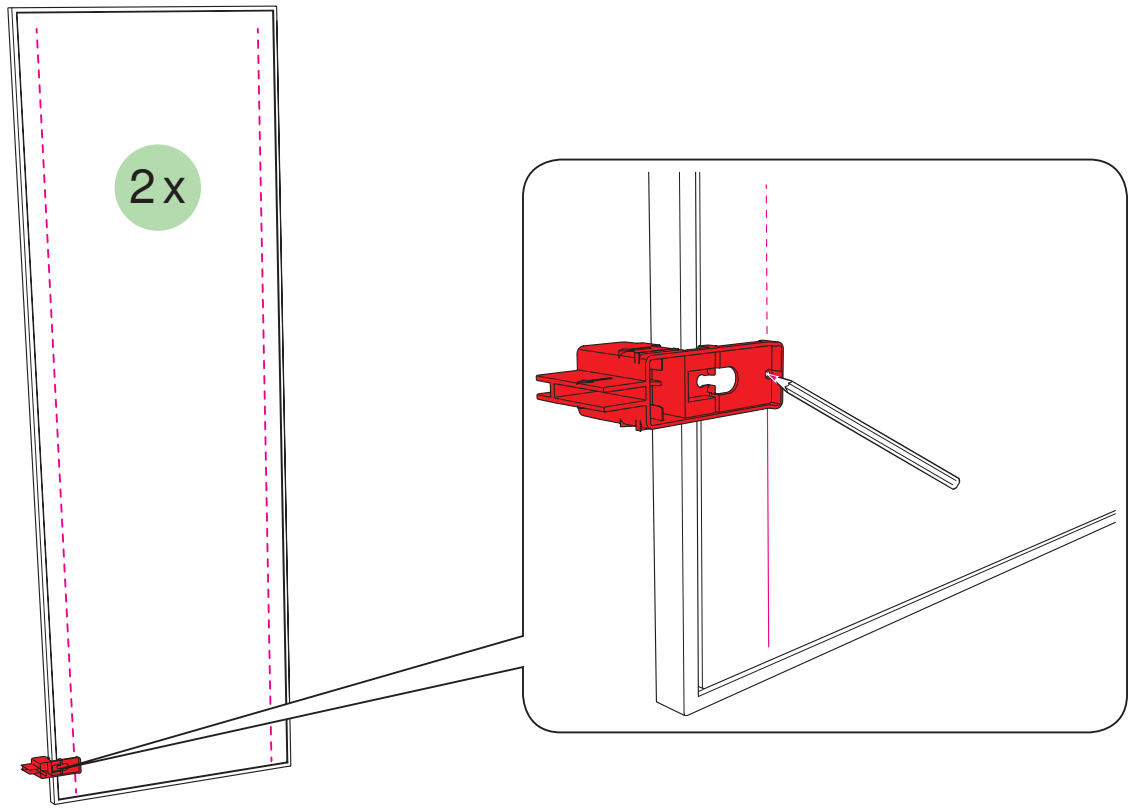


- A
- B
- C
- D

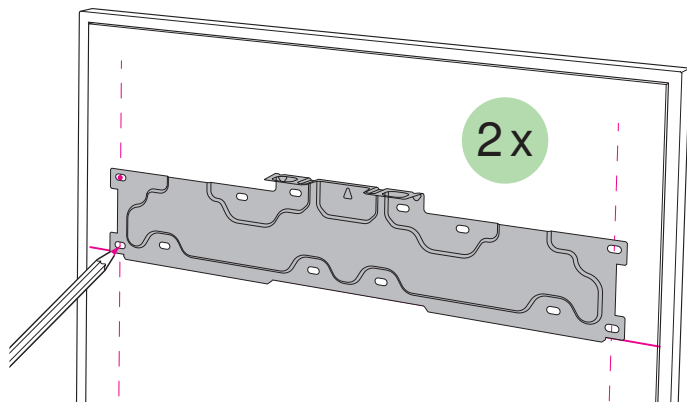
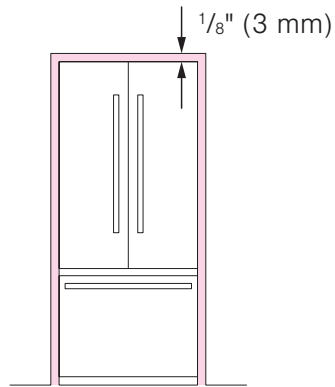
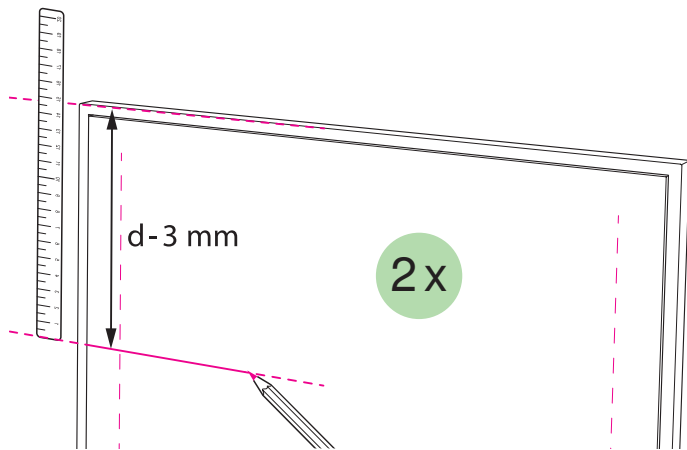


A
B
C
D

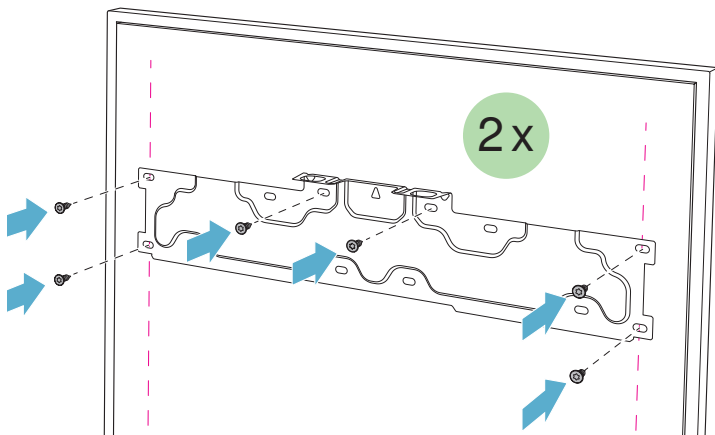


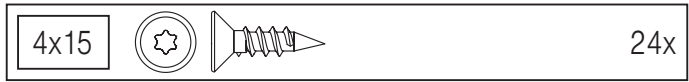


- A
- B
- C
- D

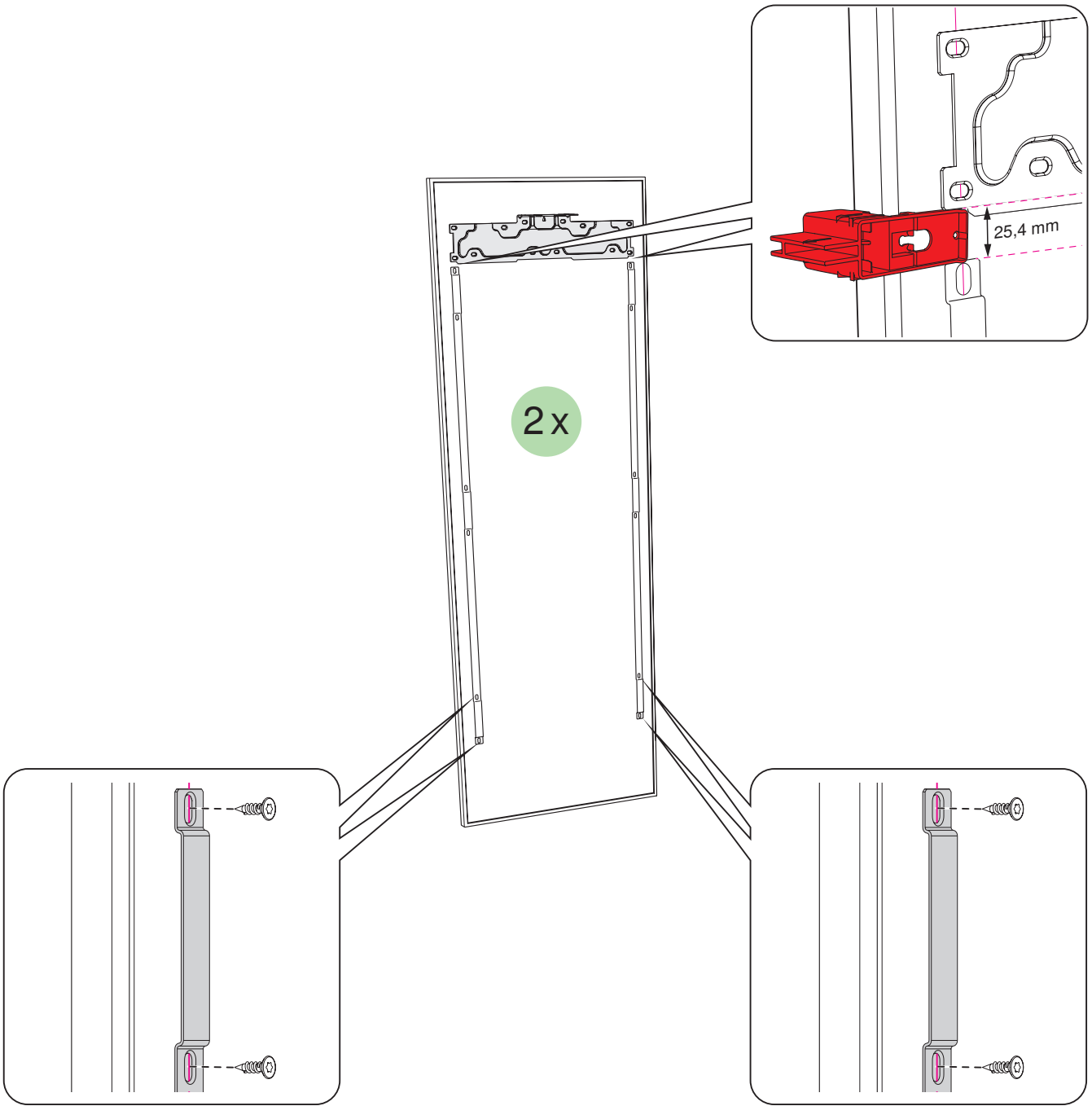


4x15			36" (915 mm)	12x
------	--	--	--------------	-----

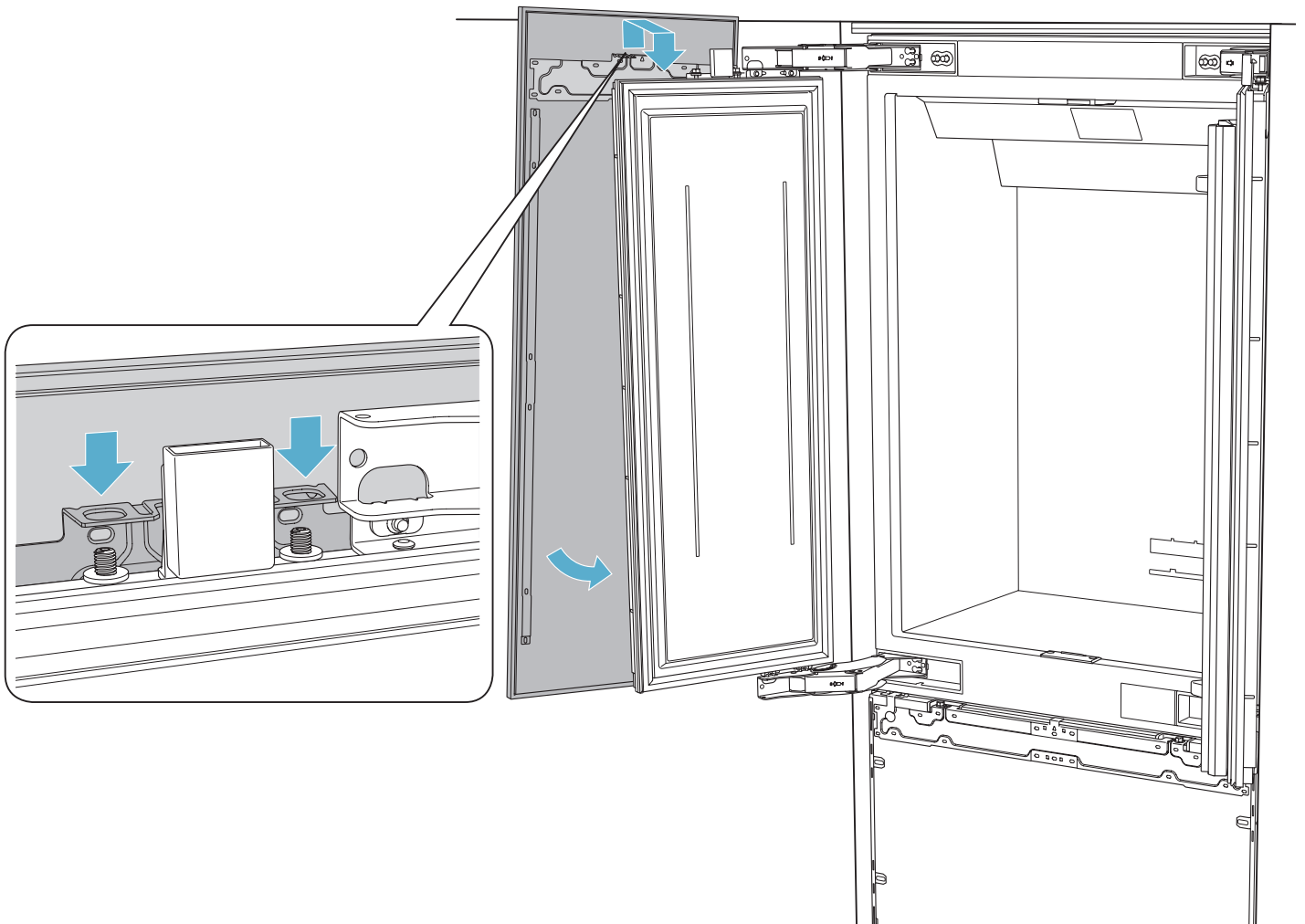
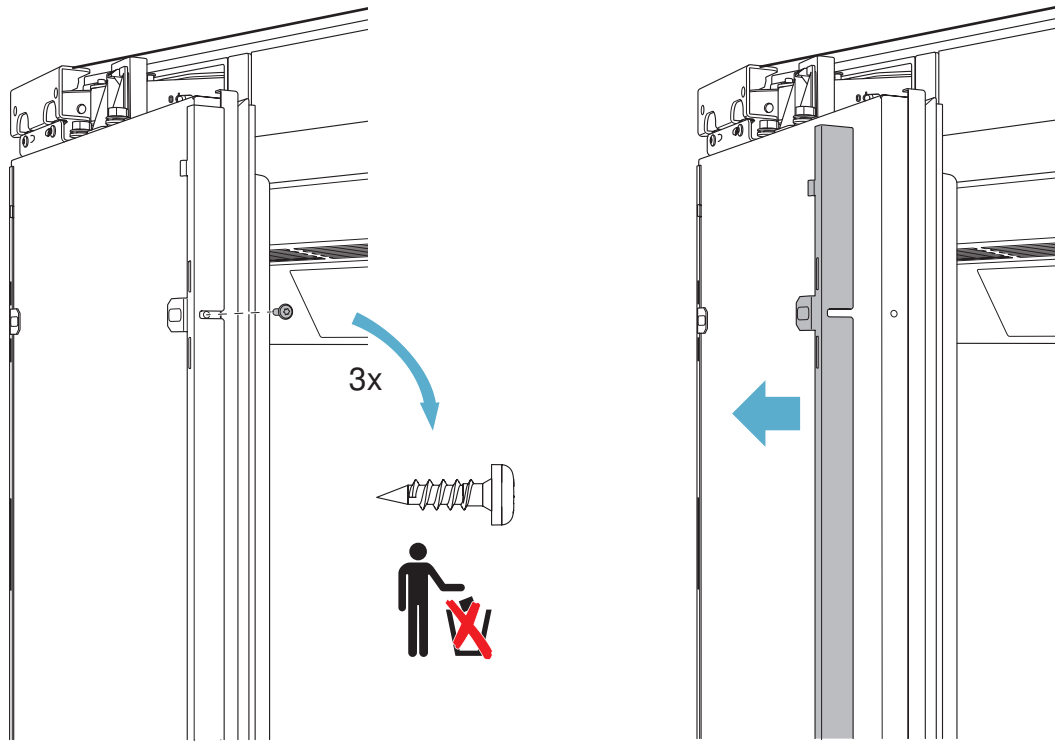


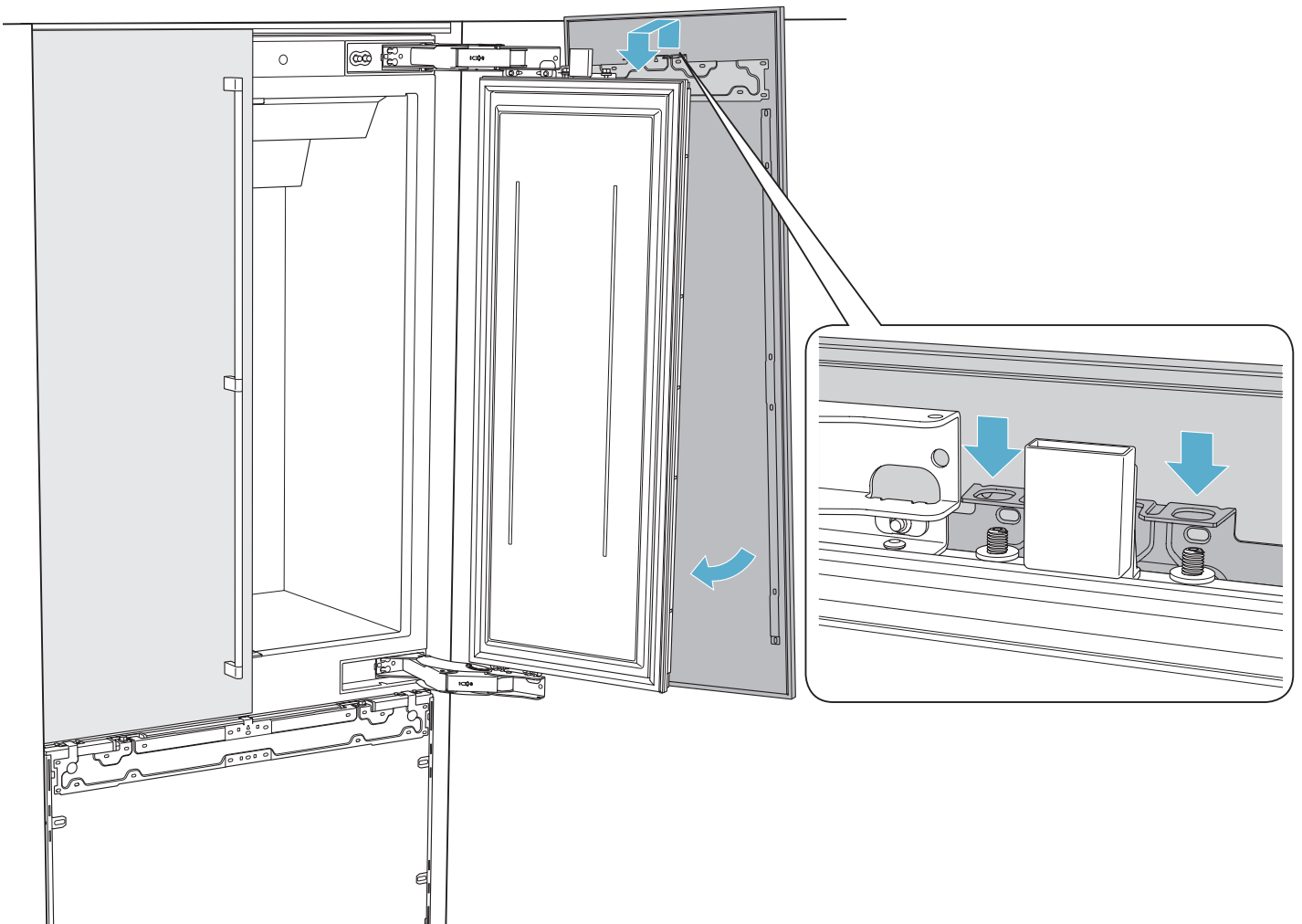
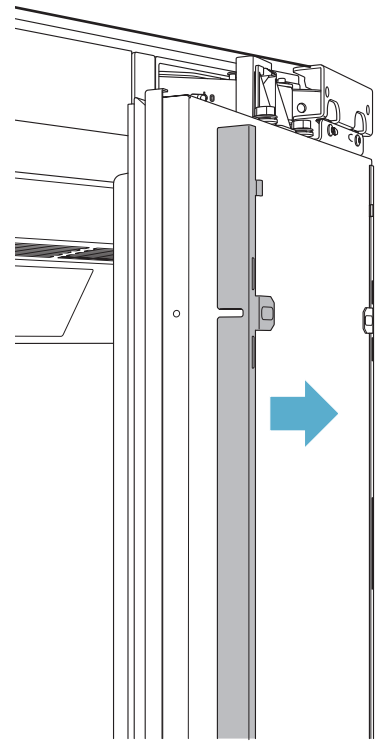
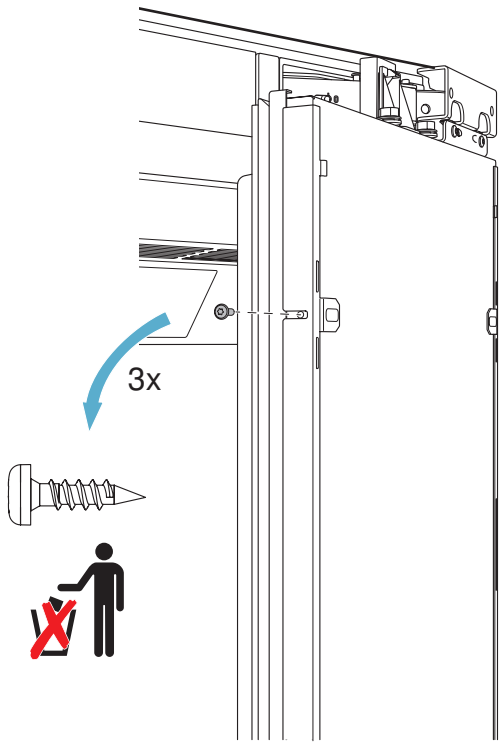


- A
- B
- C
- D

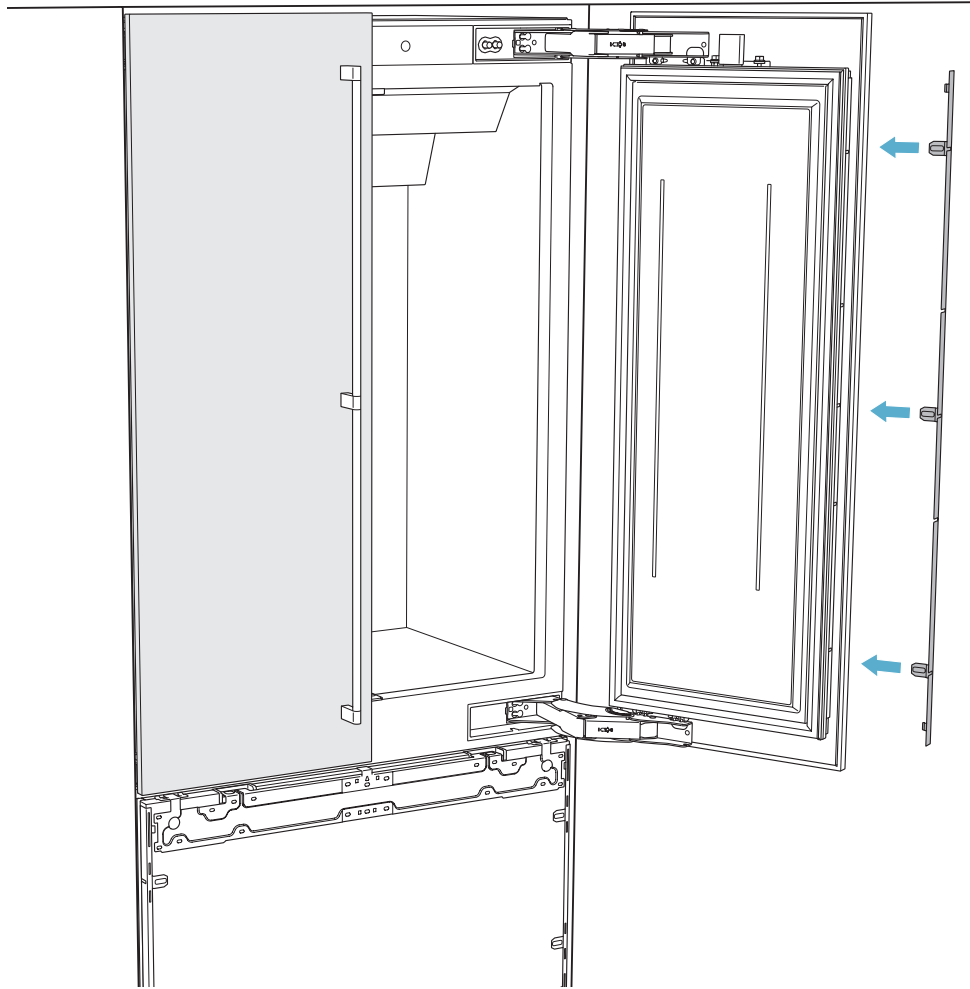
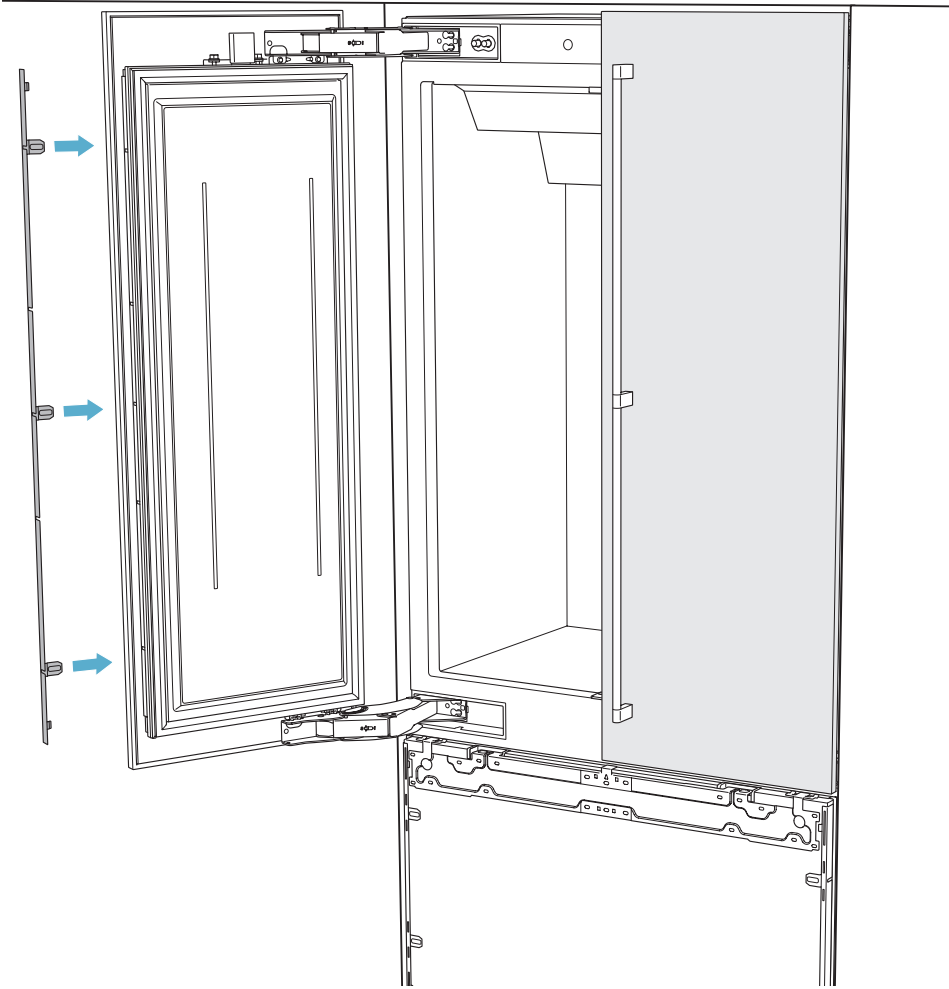


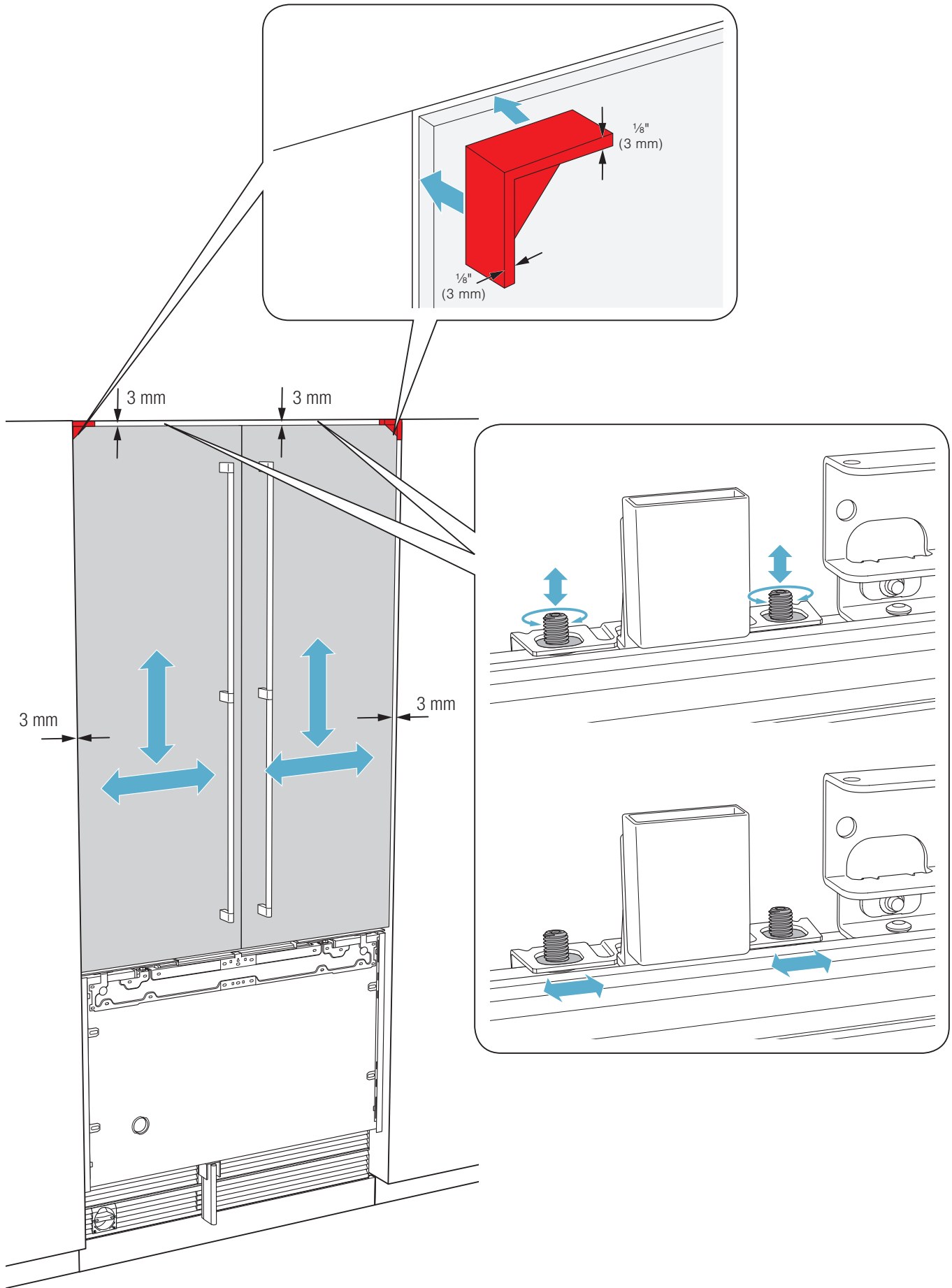
A
B
C
D



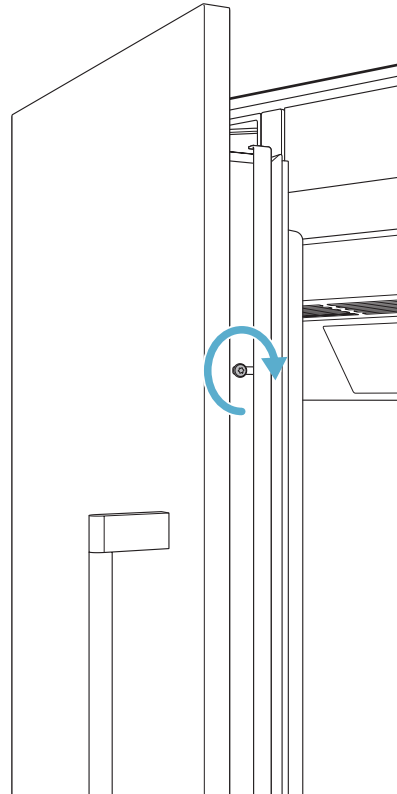
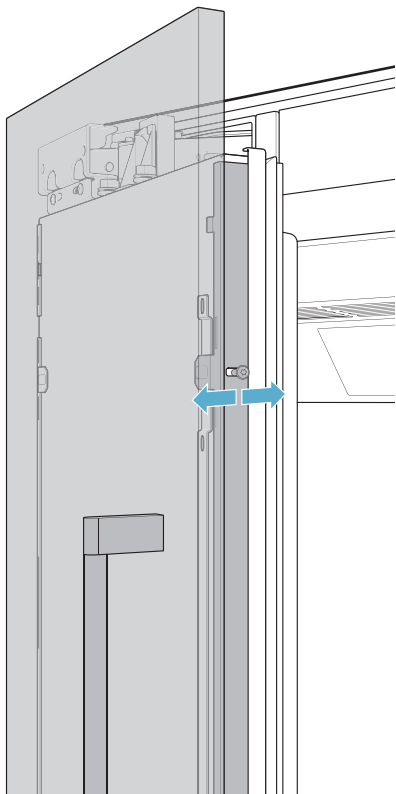
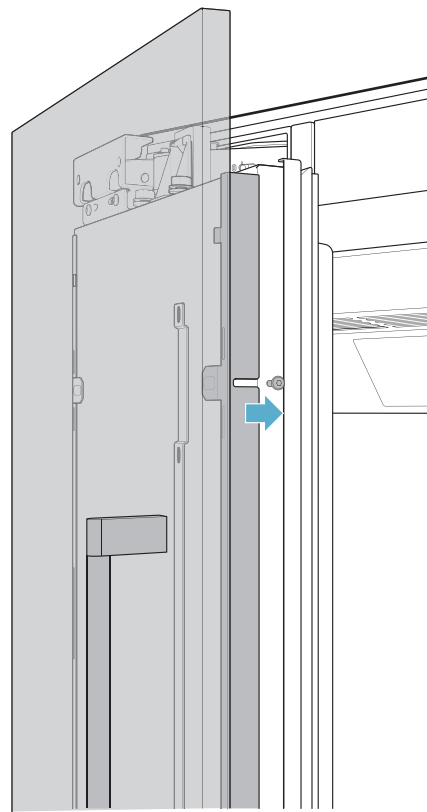
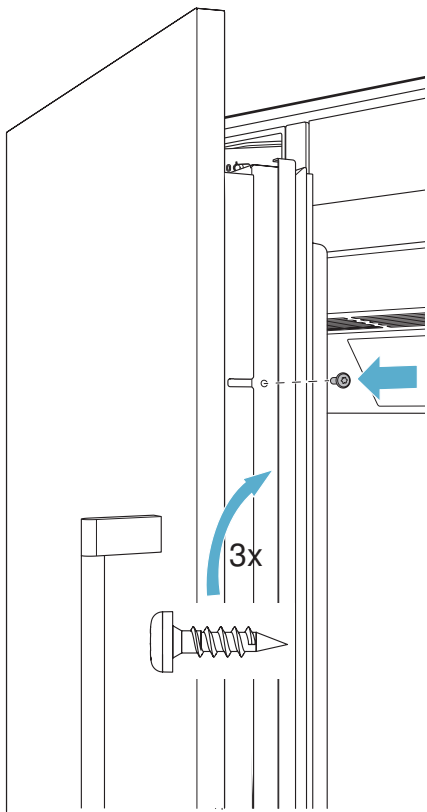


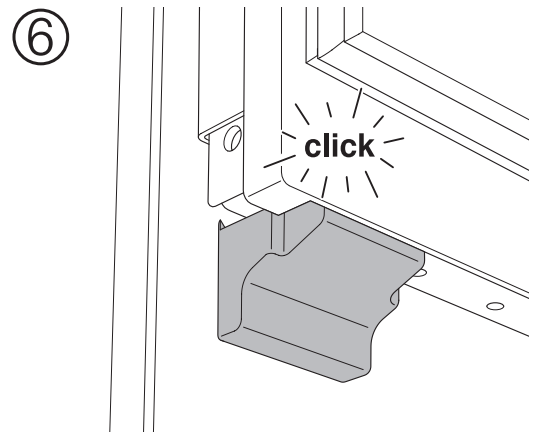
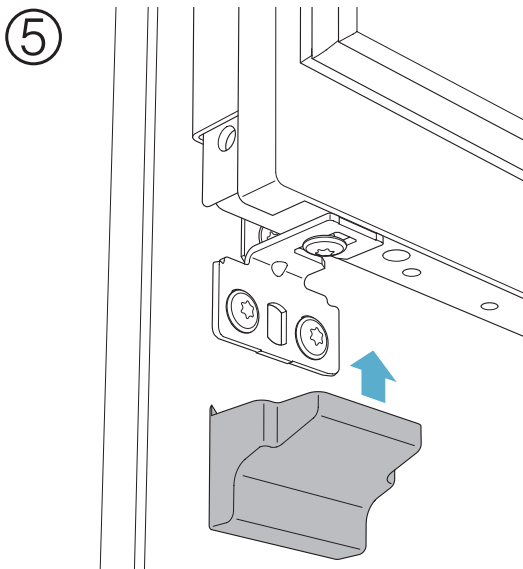
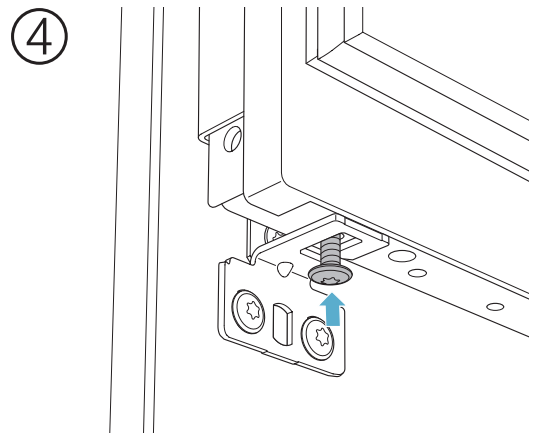
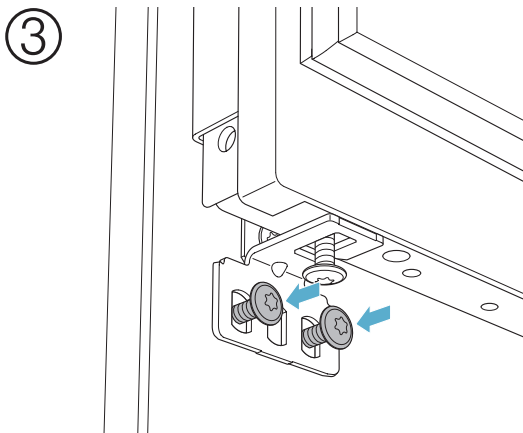
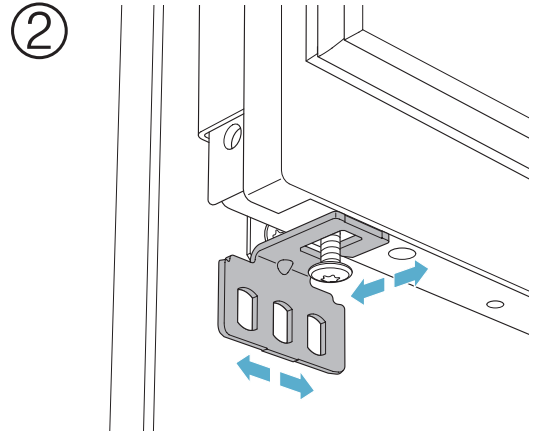
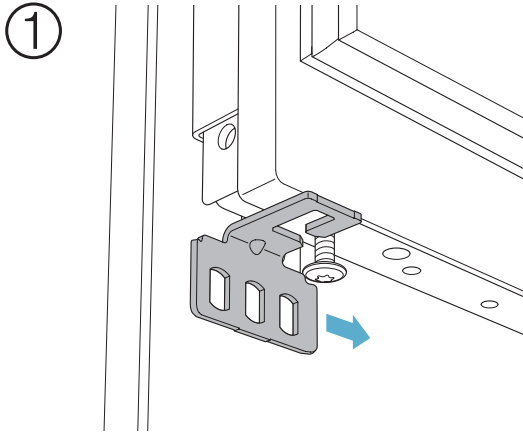
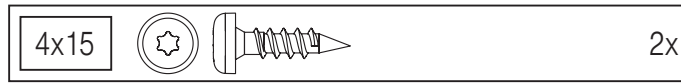
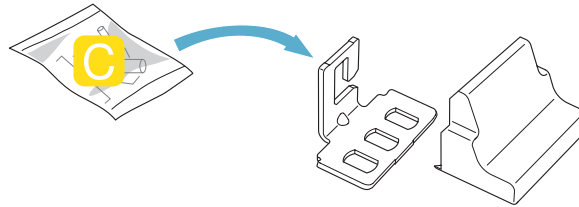
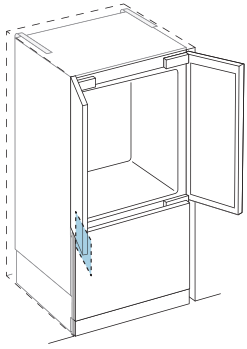
- A
- B
- C
- D



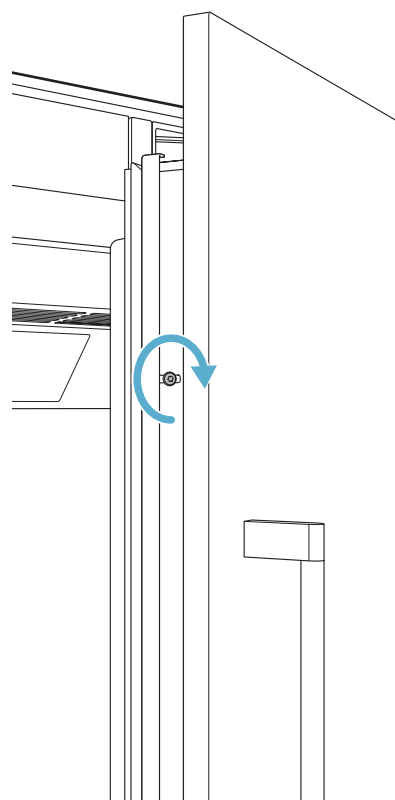
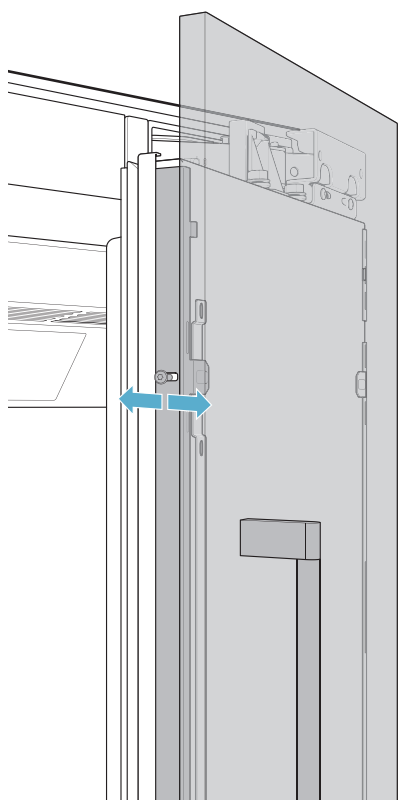
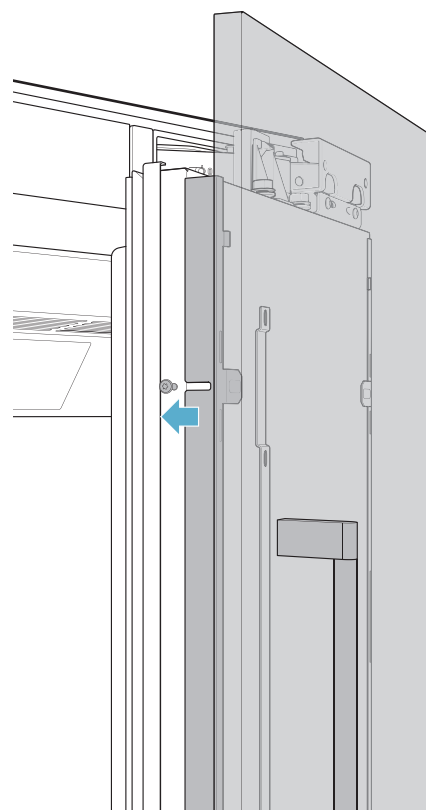
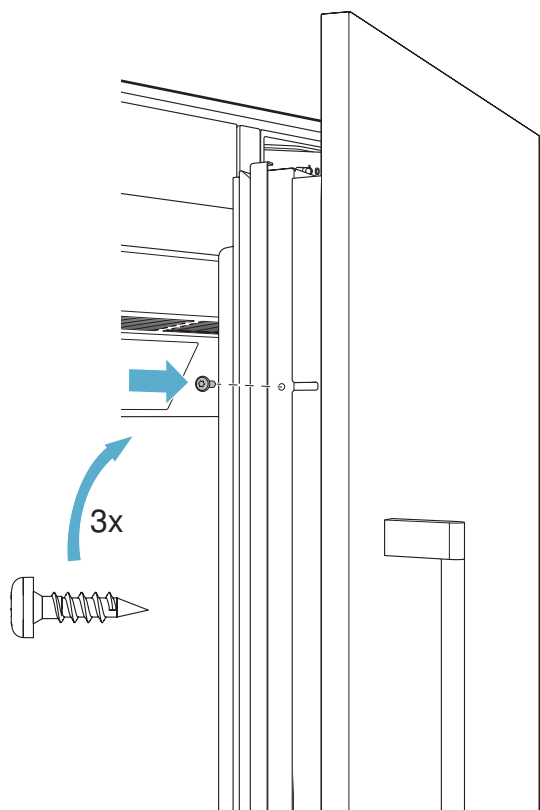


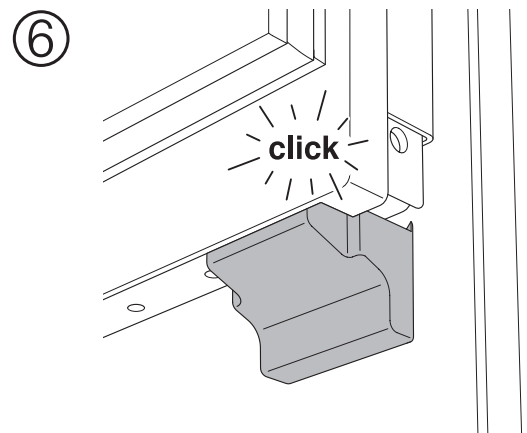
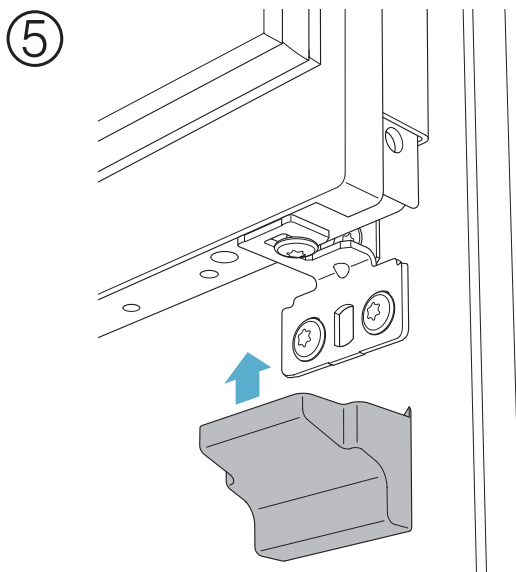
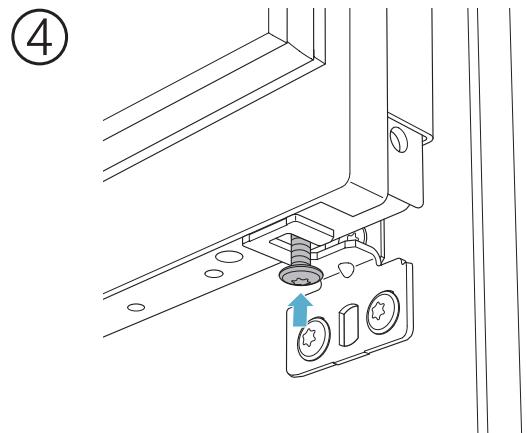
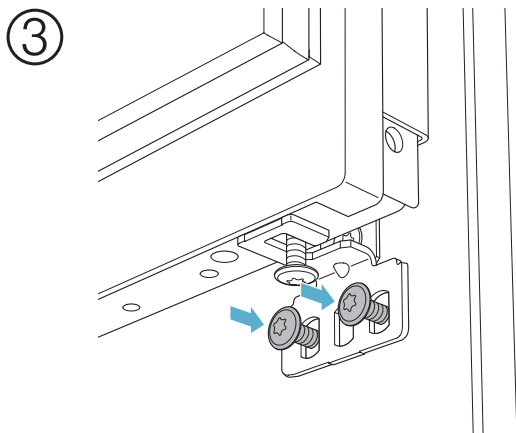
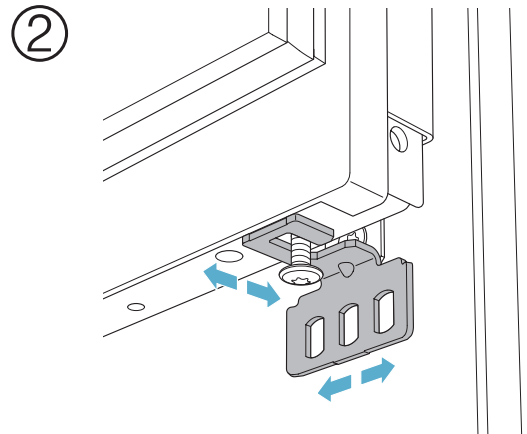
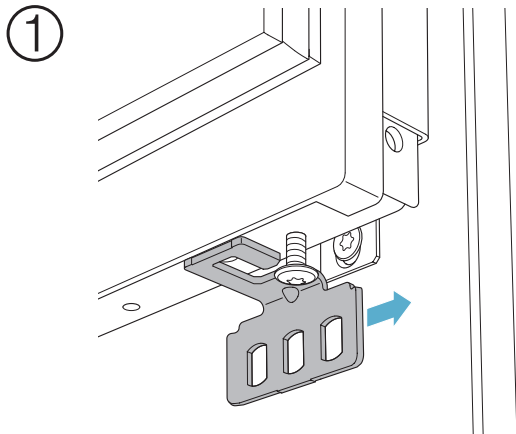
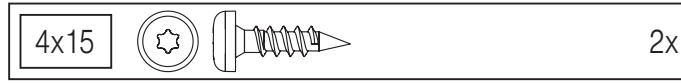
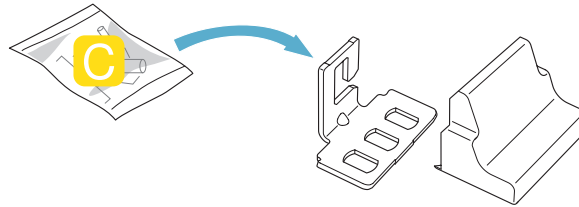
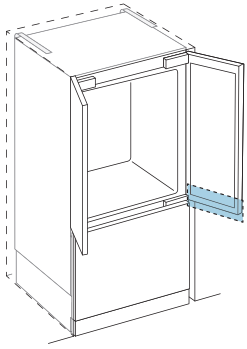
- A
- B
- C
- D



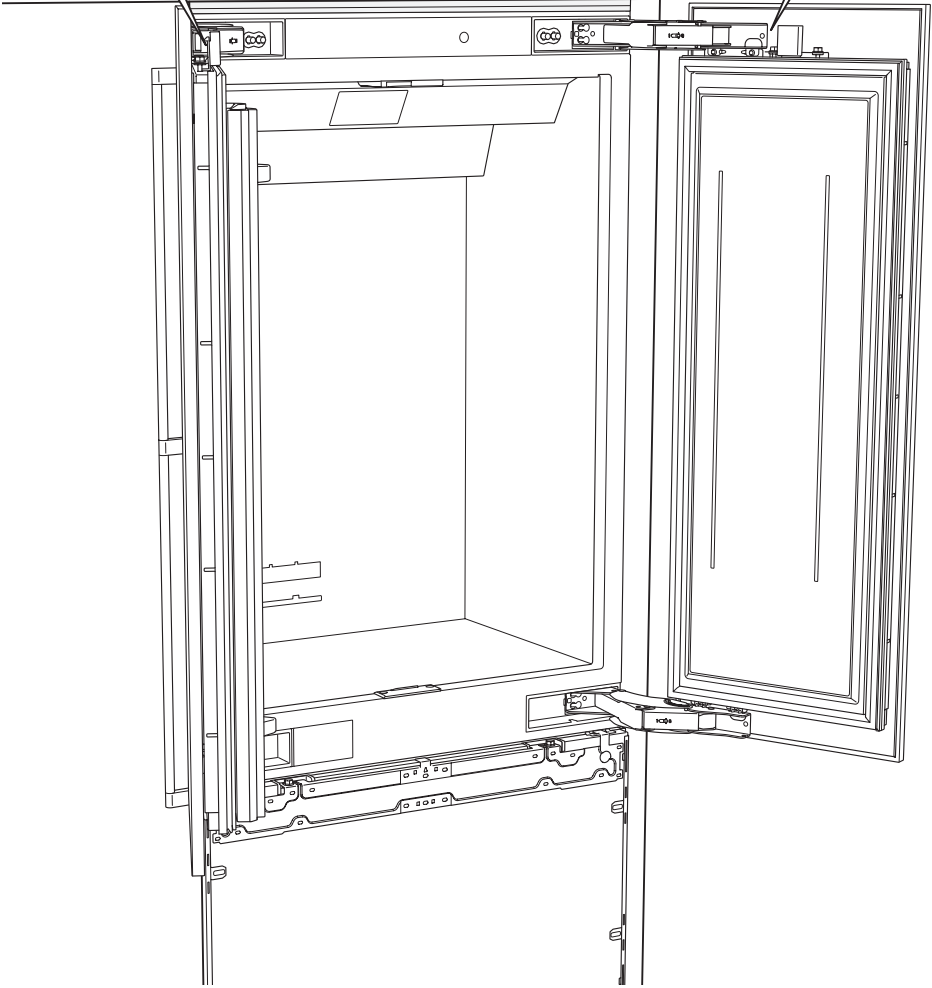
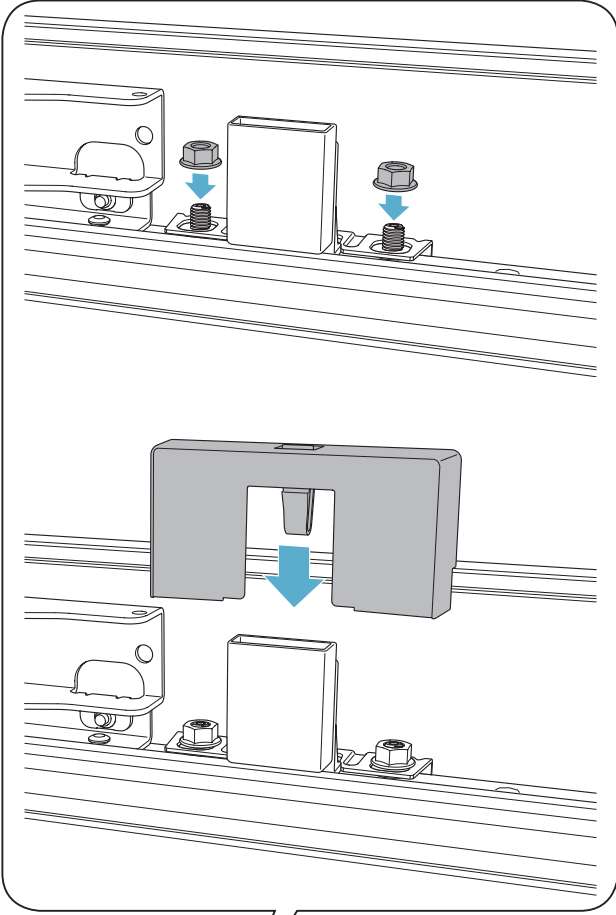
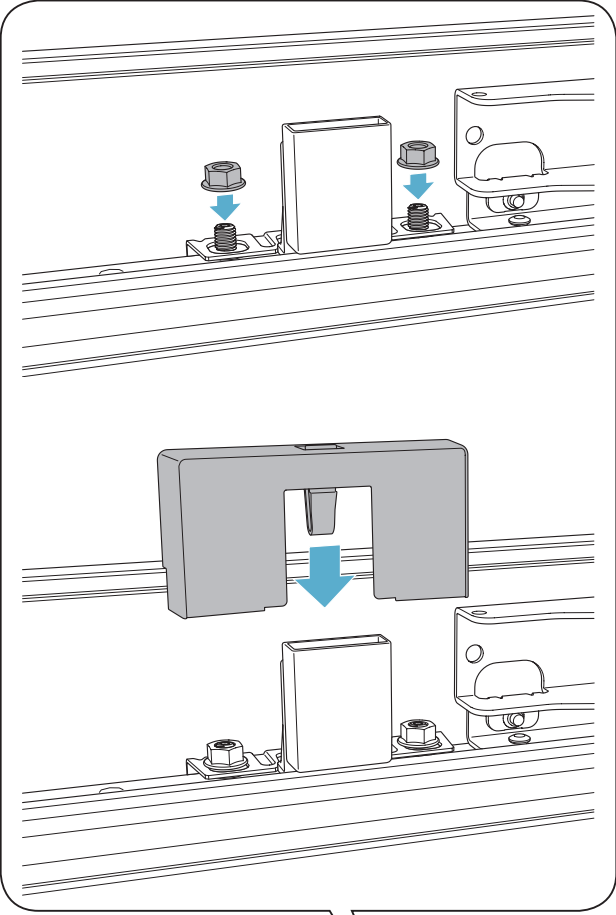


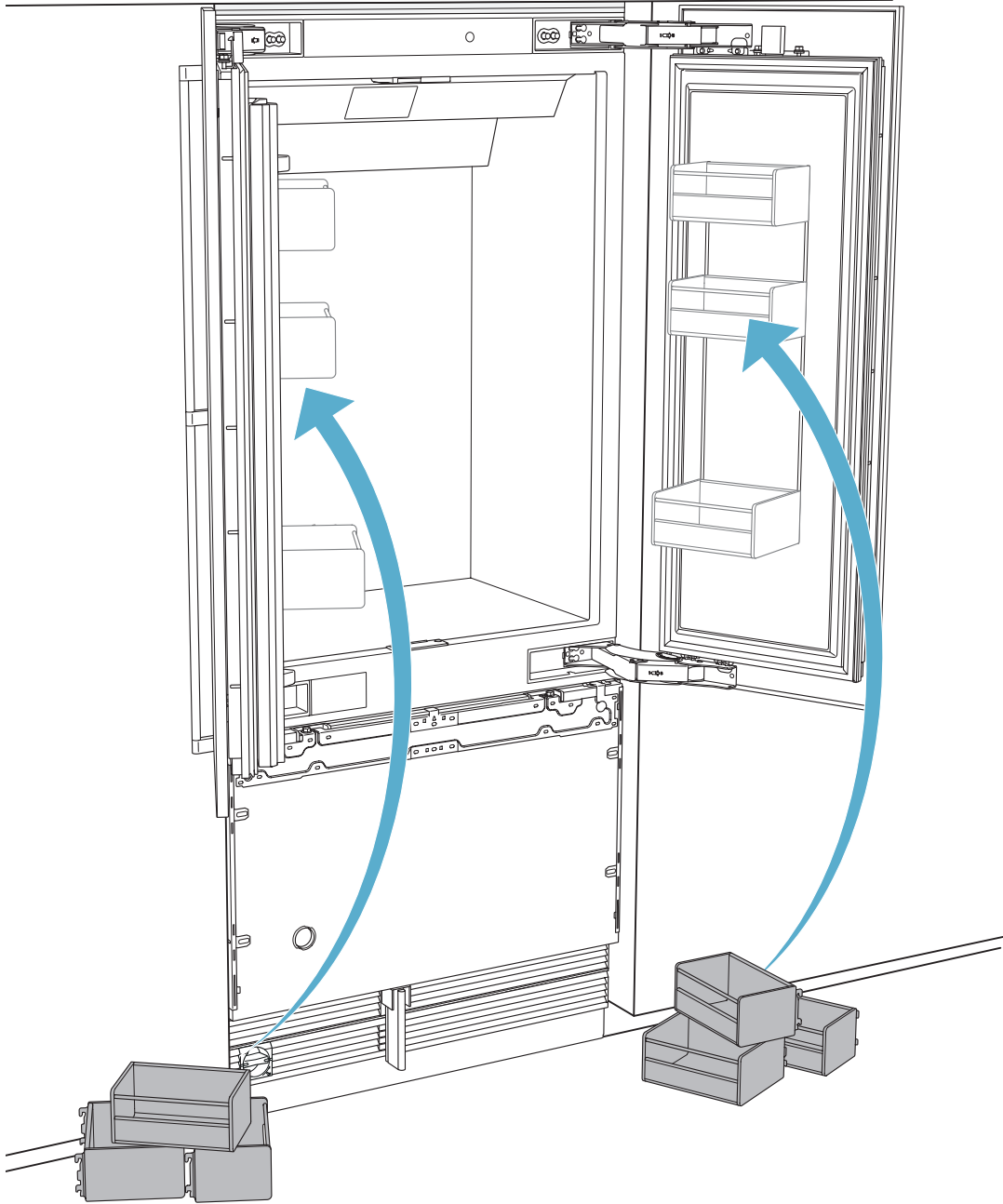
- A
- B
- C
- D



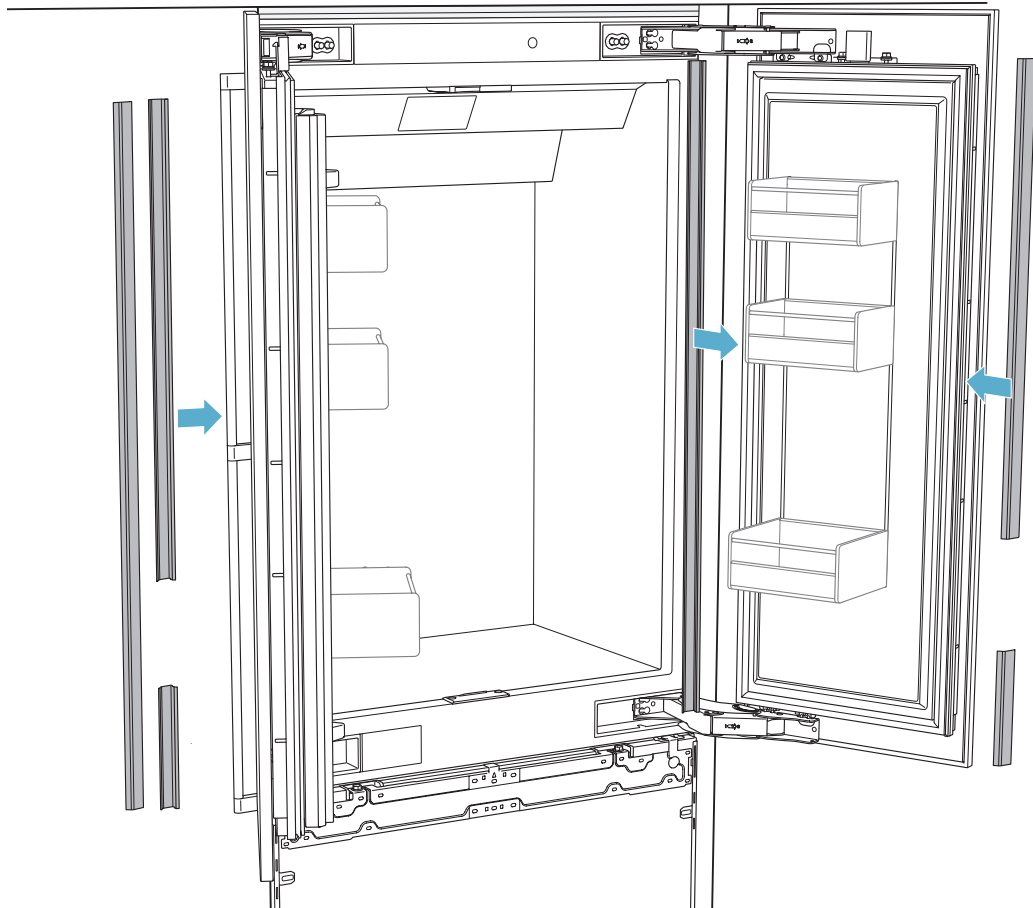
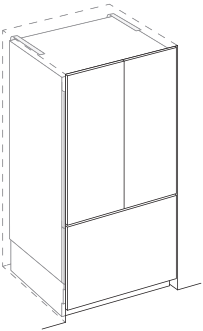
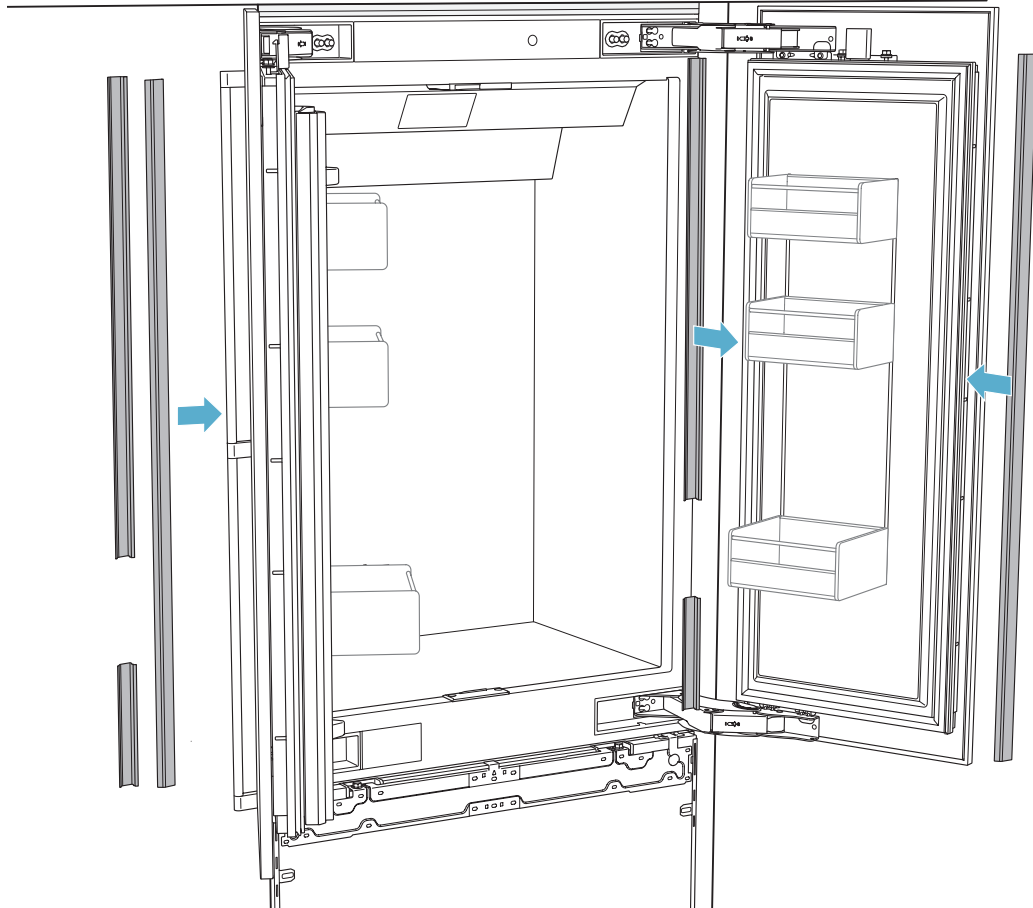
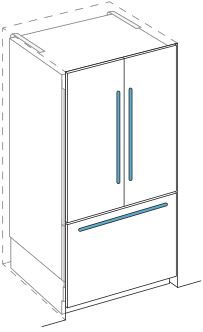


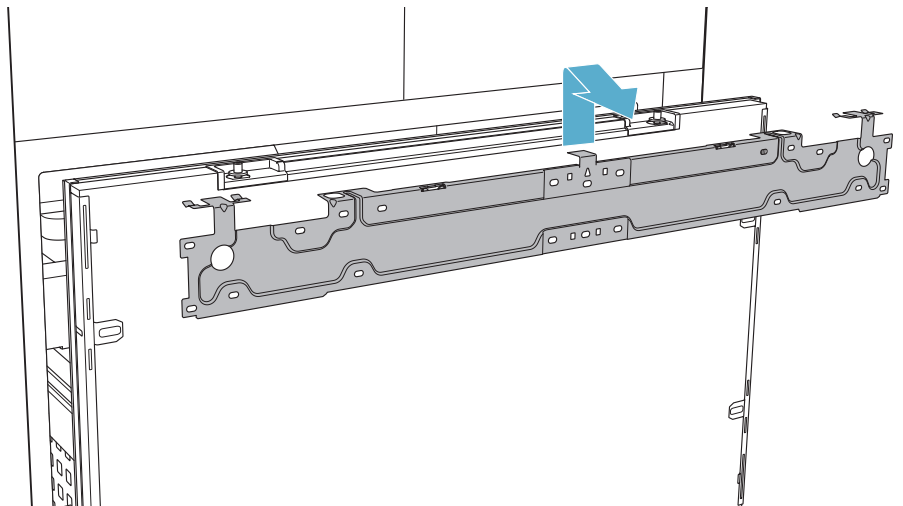
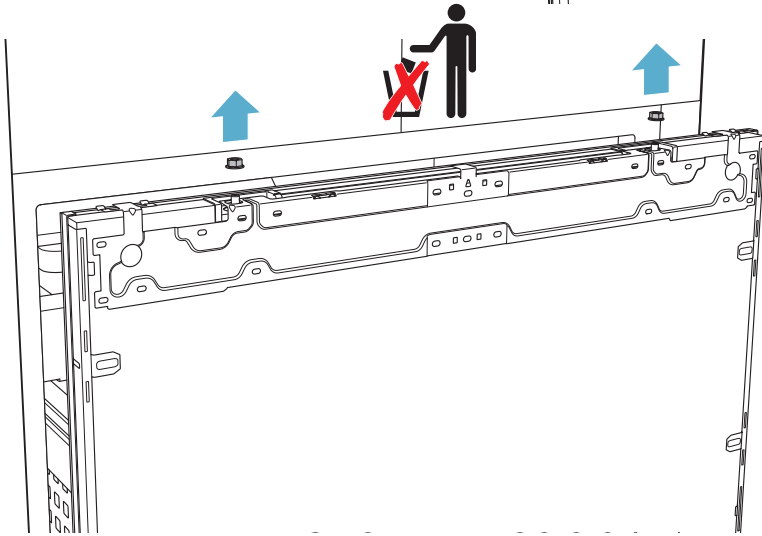
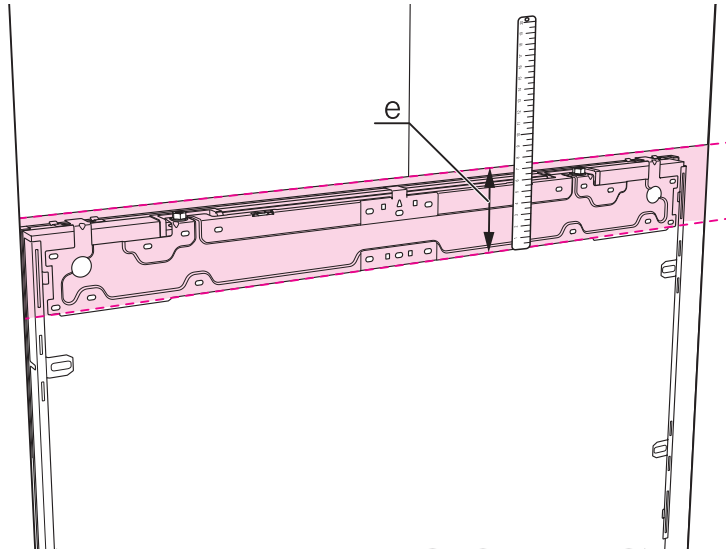
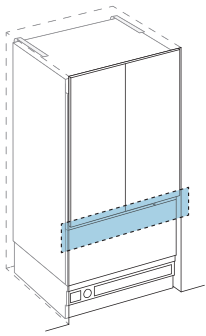
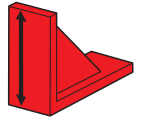
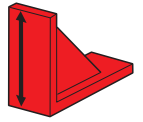
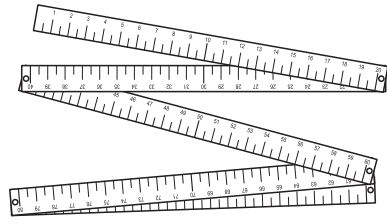
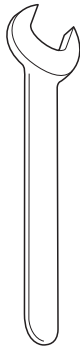
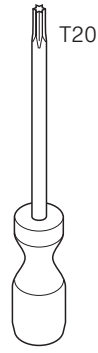
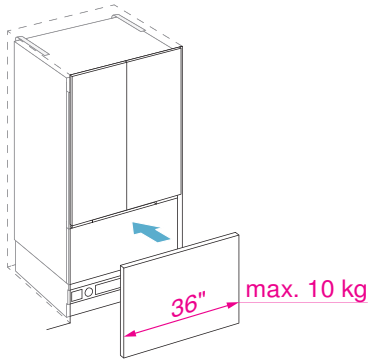
A
B
C
D



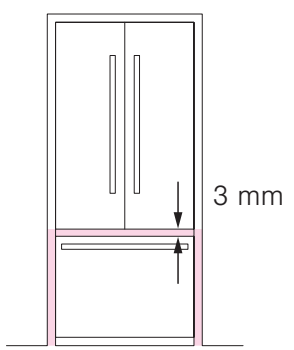
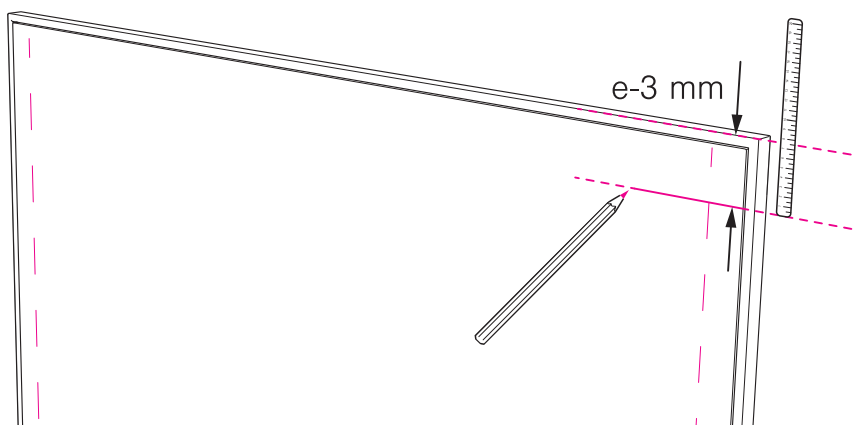
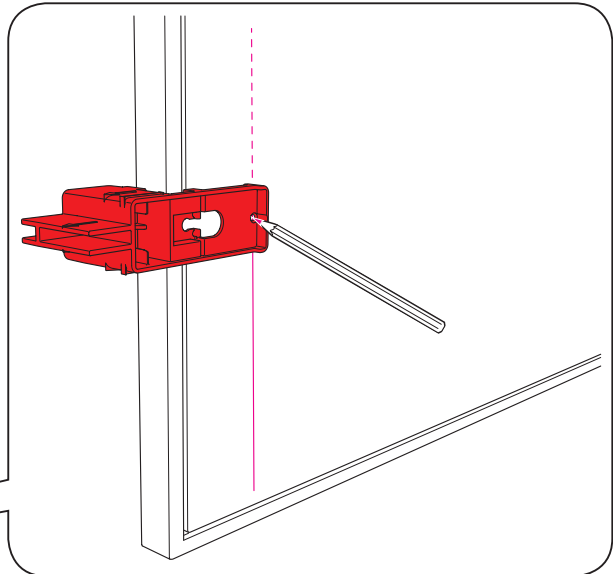
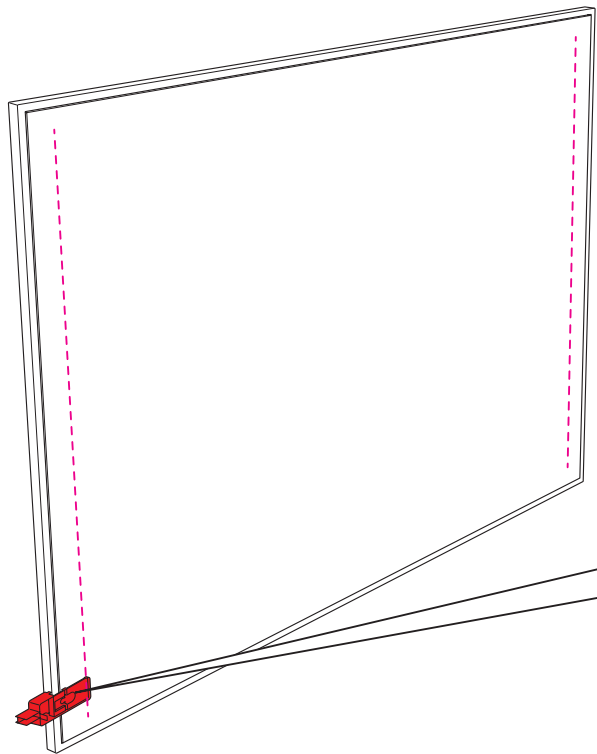
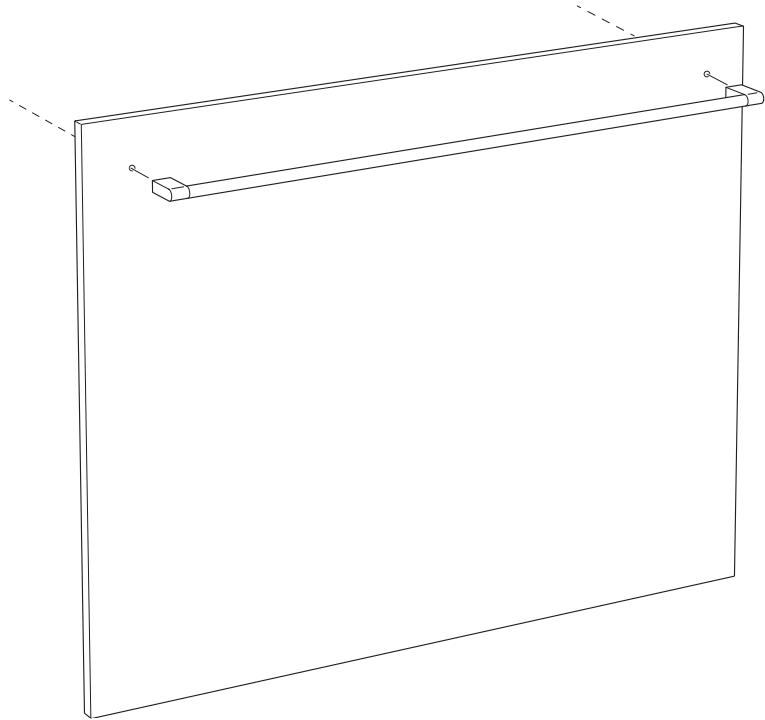
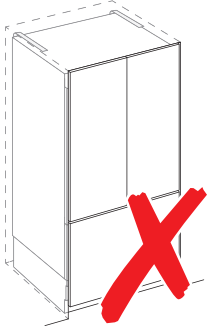
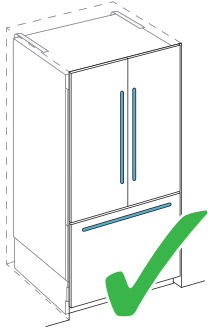



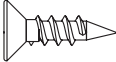
- A
- B
- C
- D

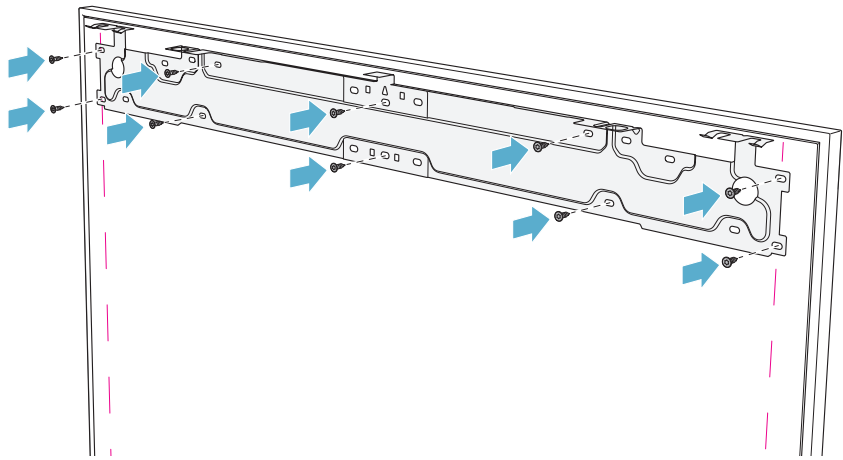
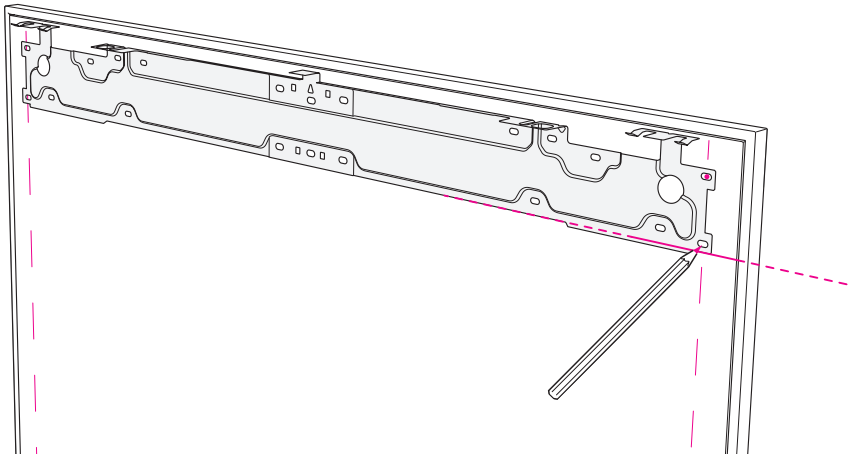






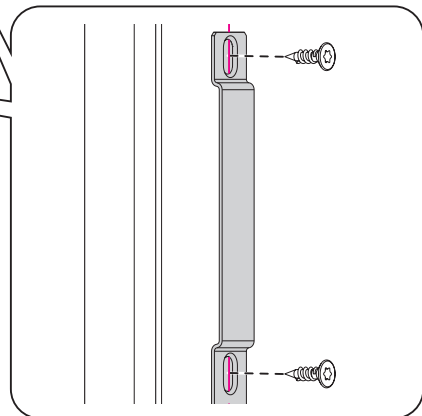
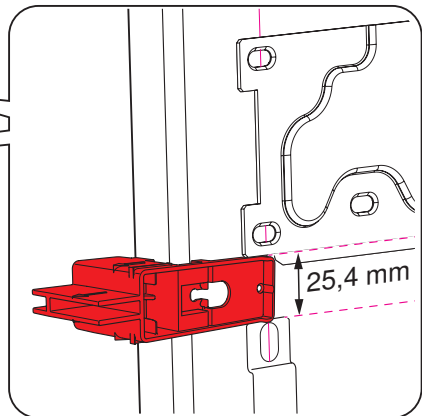
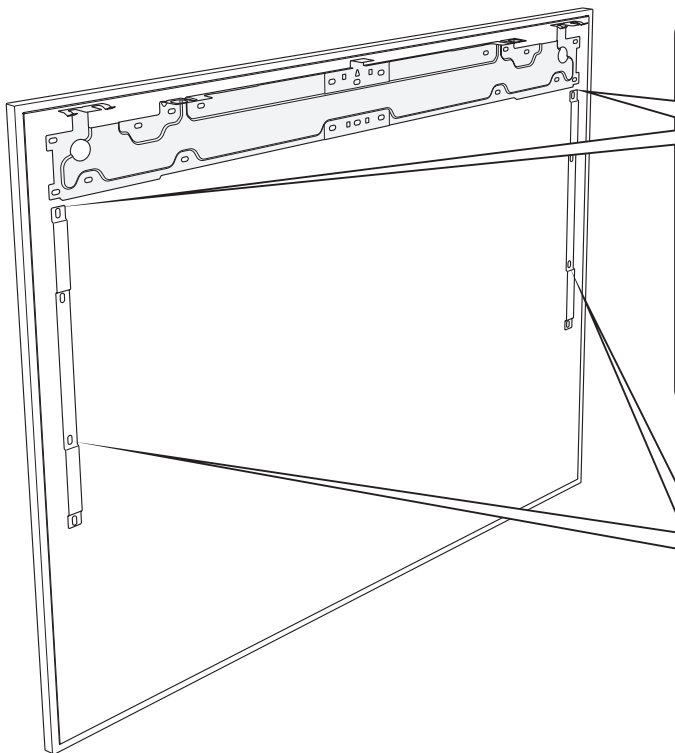
- A
- B
- C
- D



4x15   10x

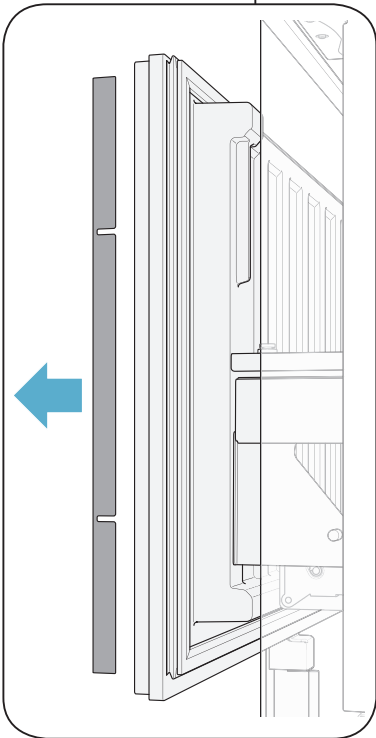
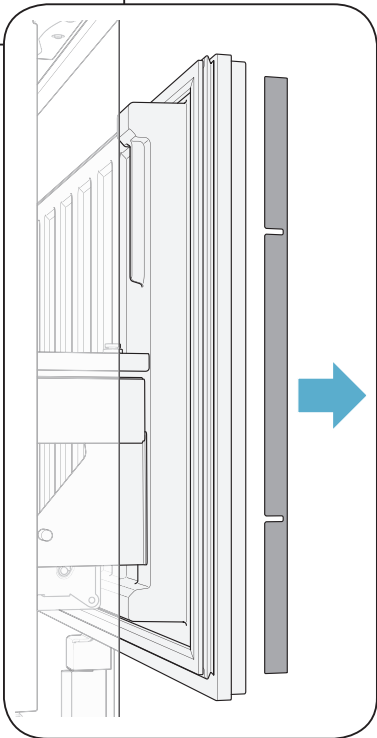
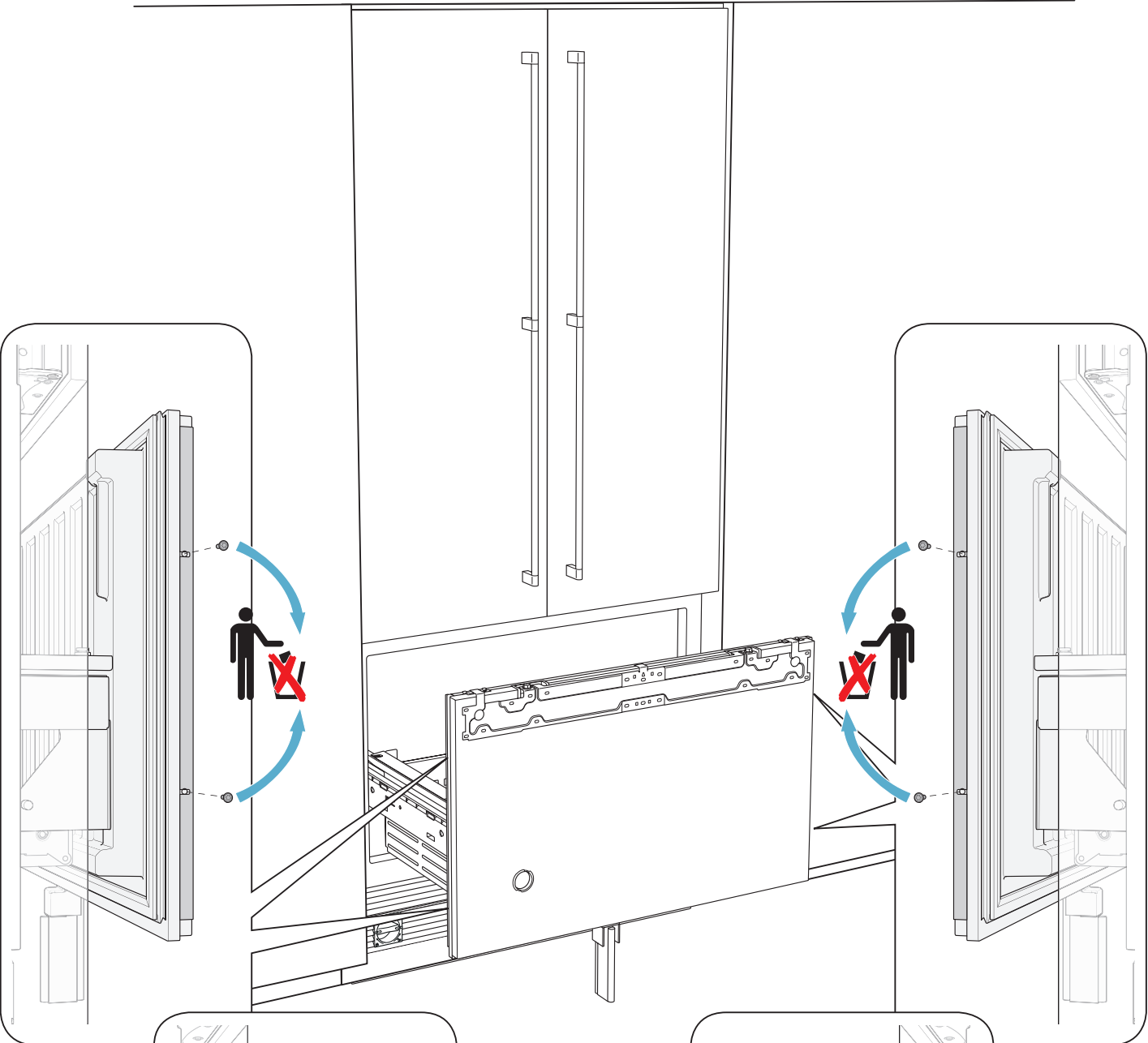


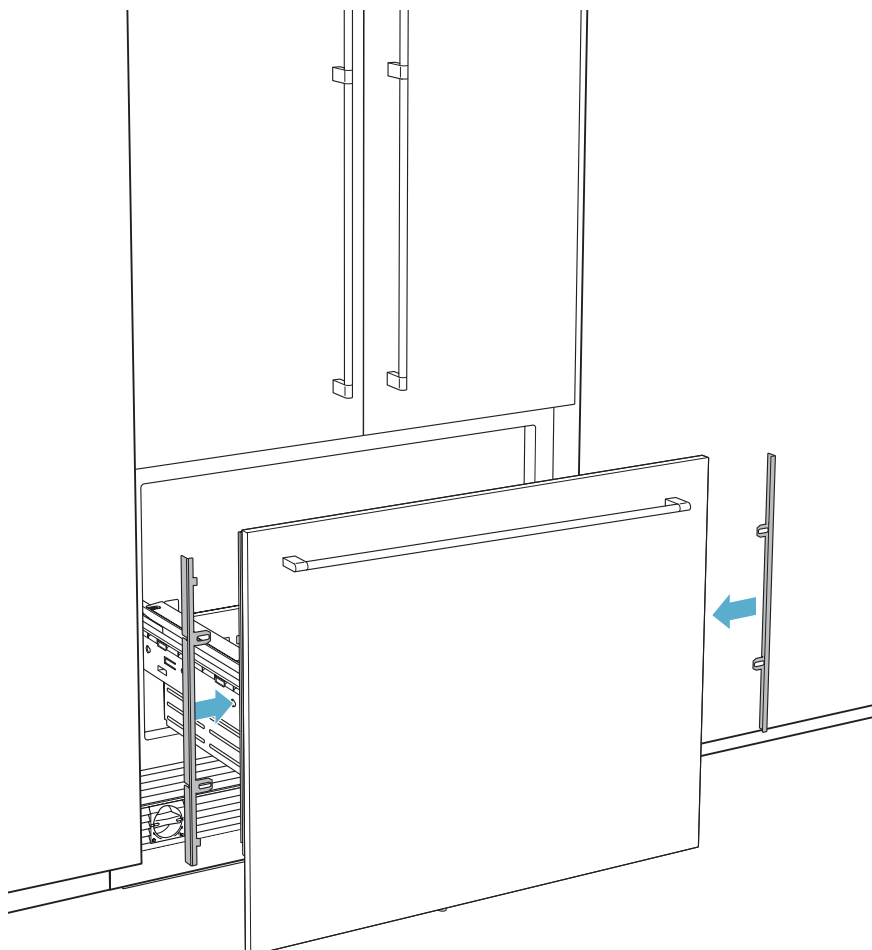
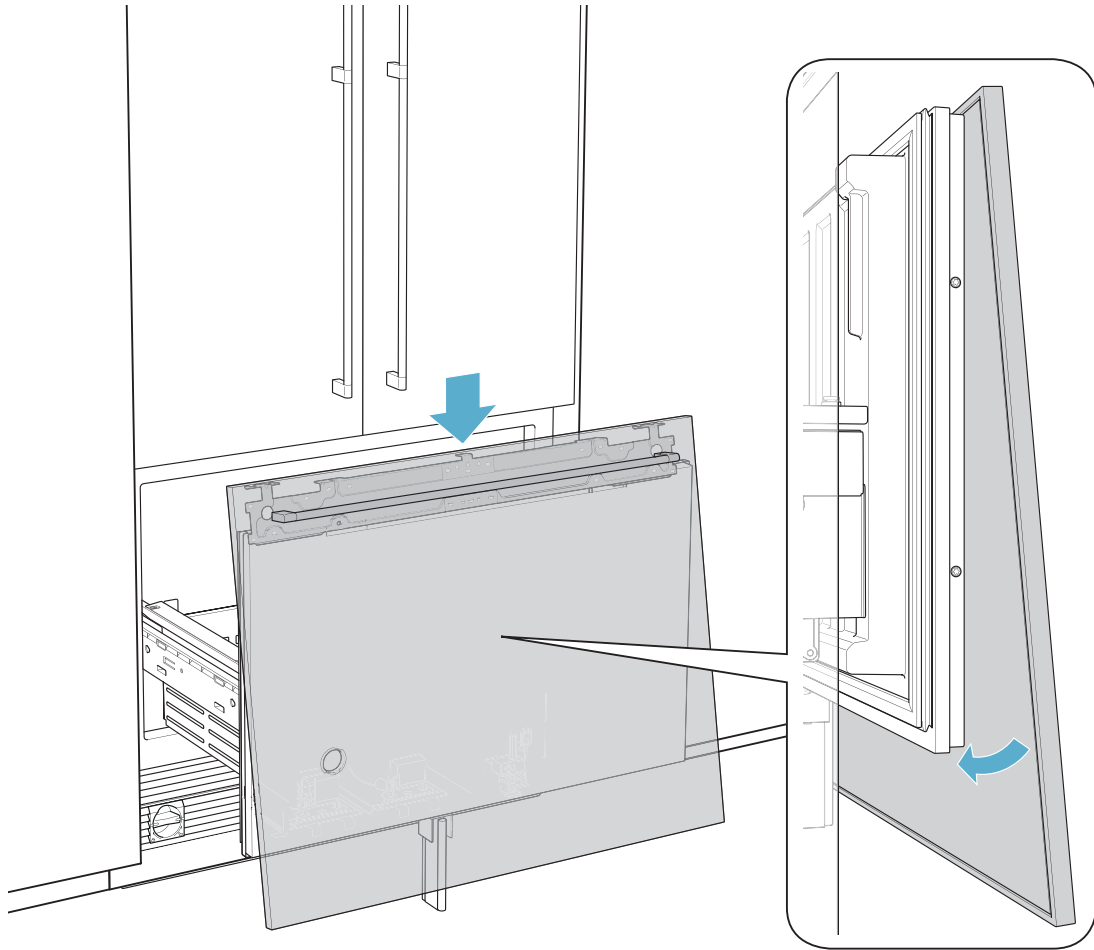
4x15   8x



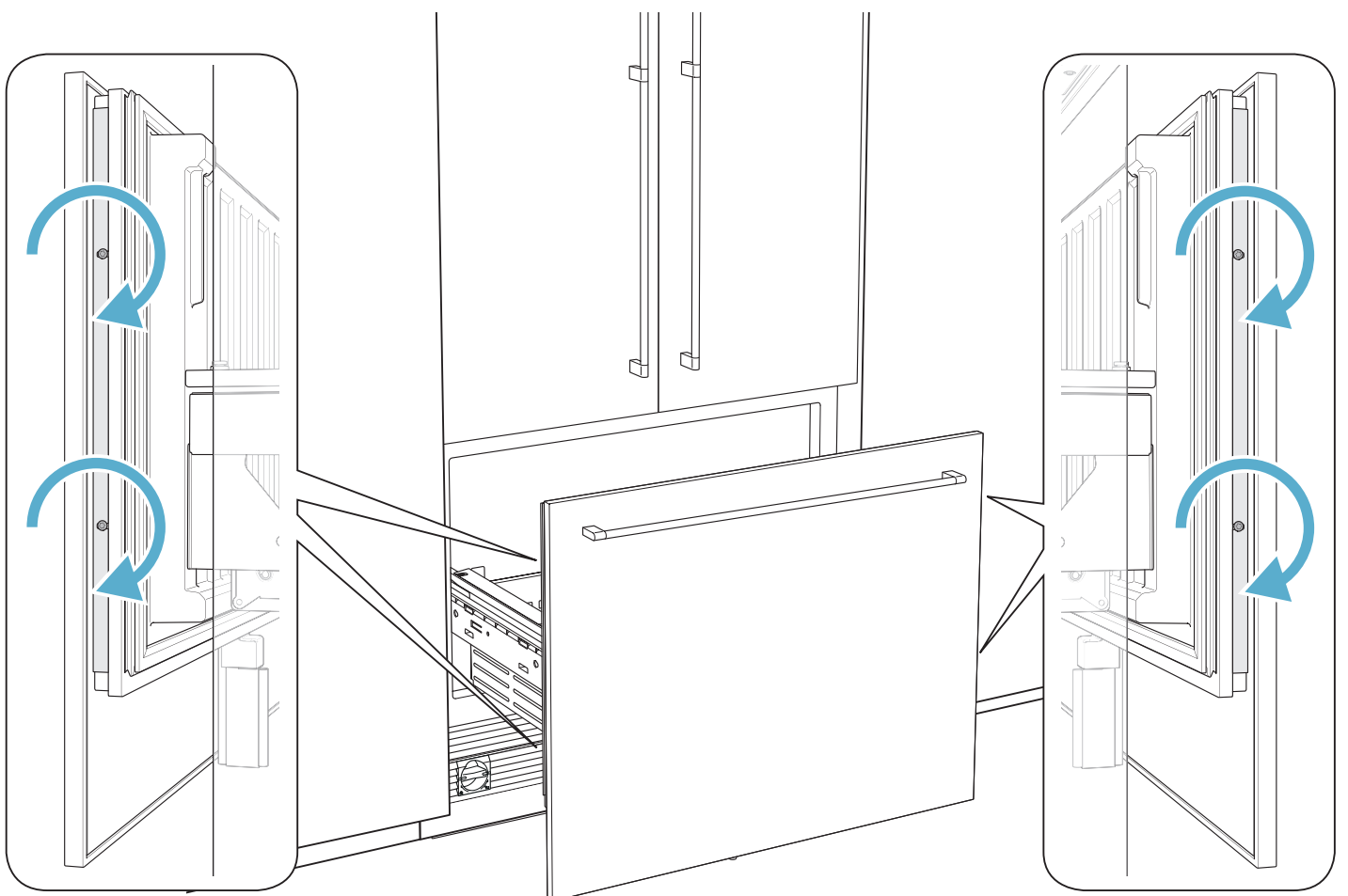
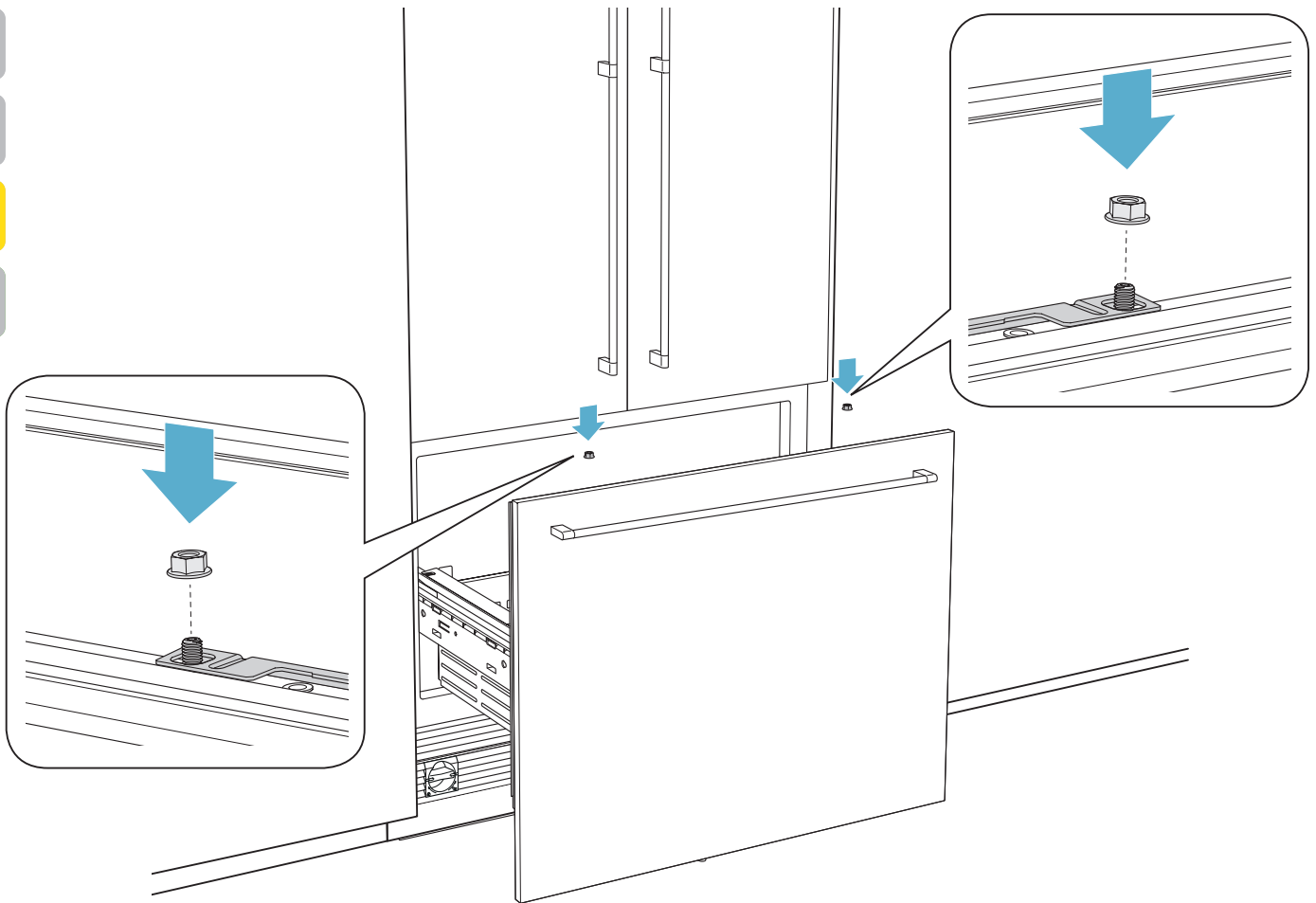
A
B
C
D

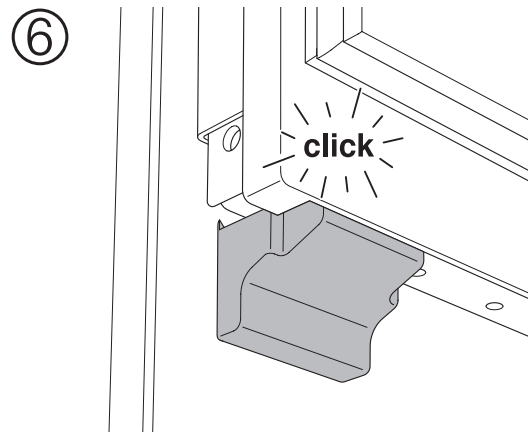
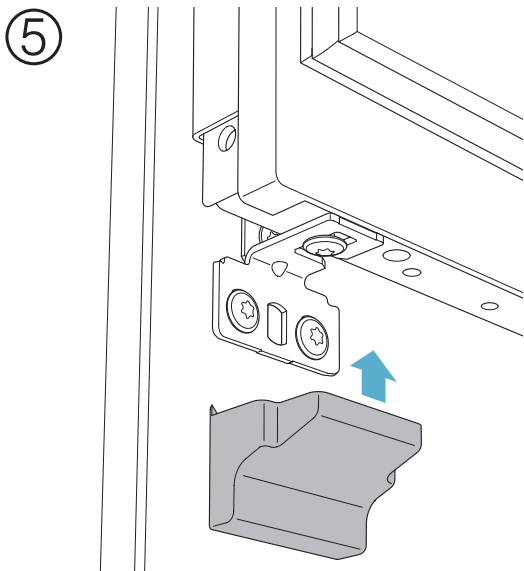
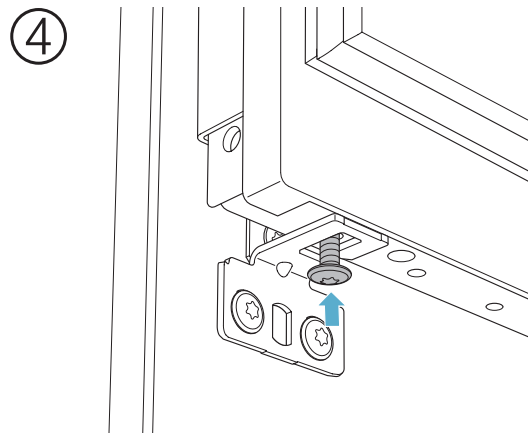
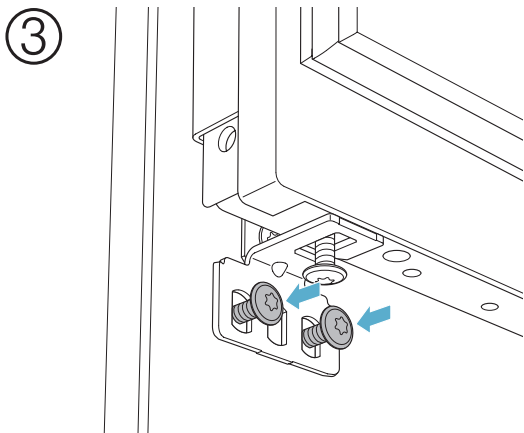
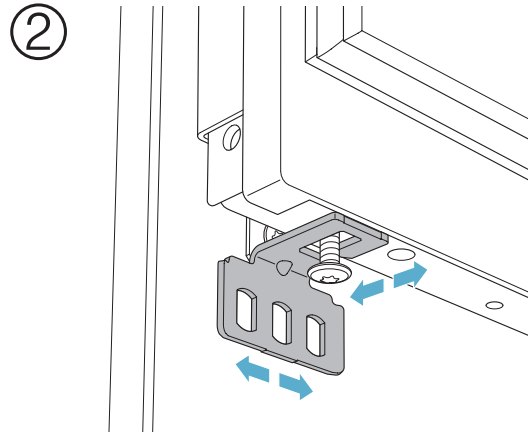
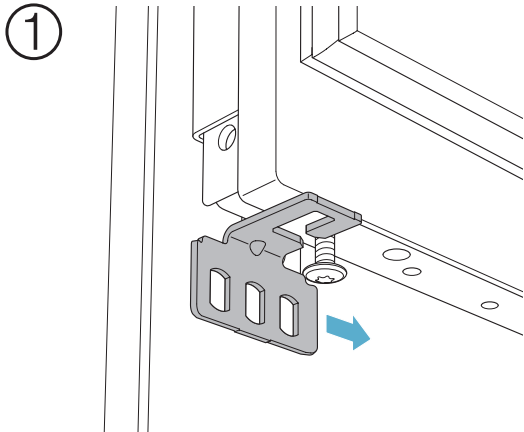
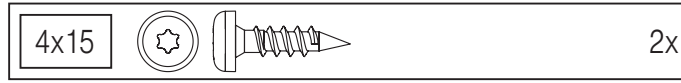
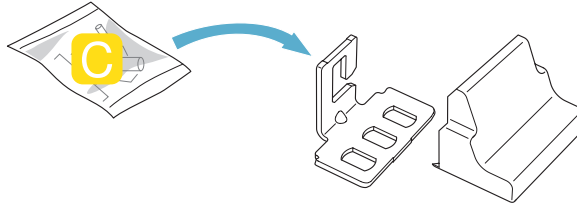
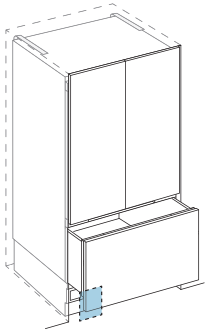
- A
- B
- C
- D



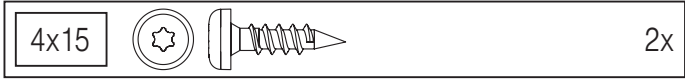
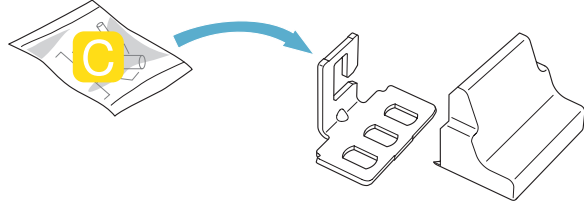
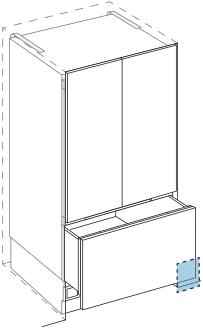


- A
- B
- C
- D

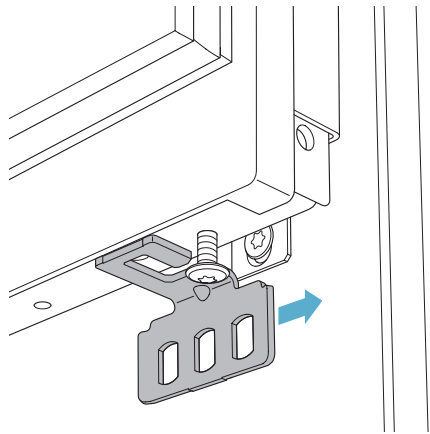




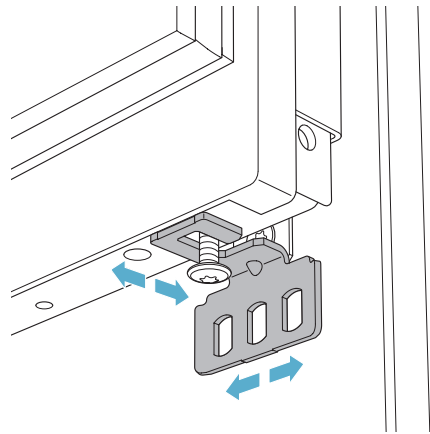
A
B
C
D



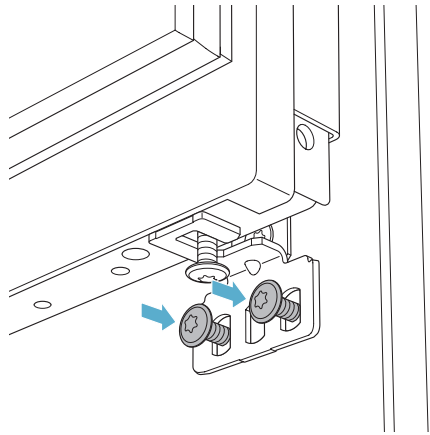
①



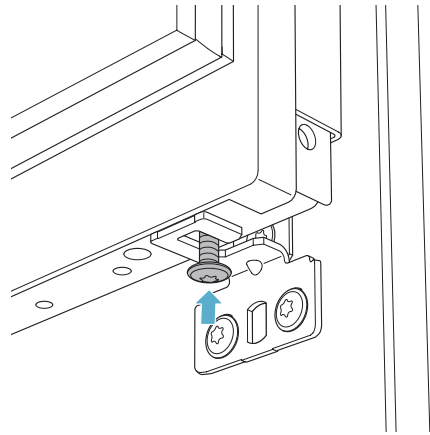
②



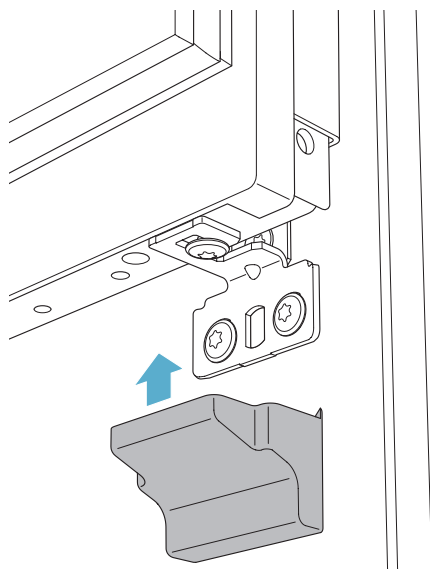
③



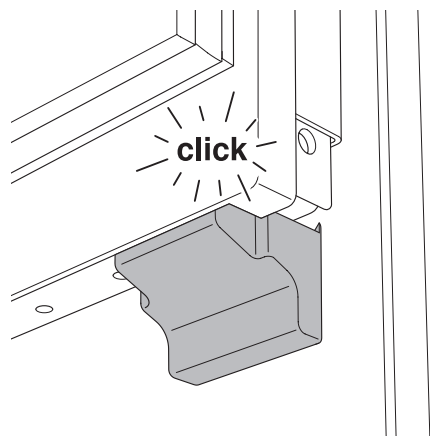
④

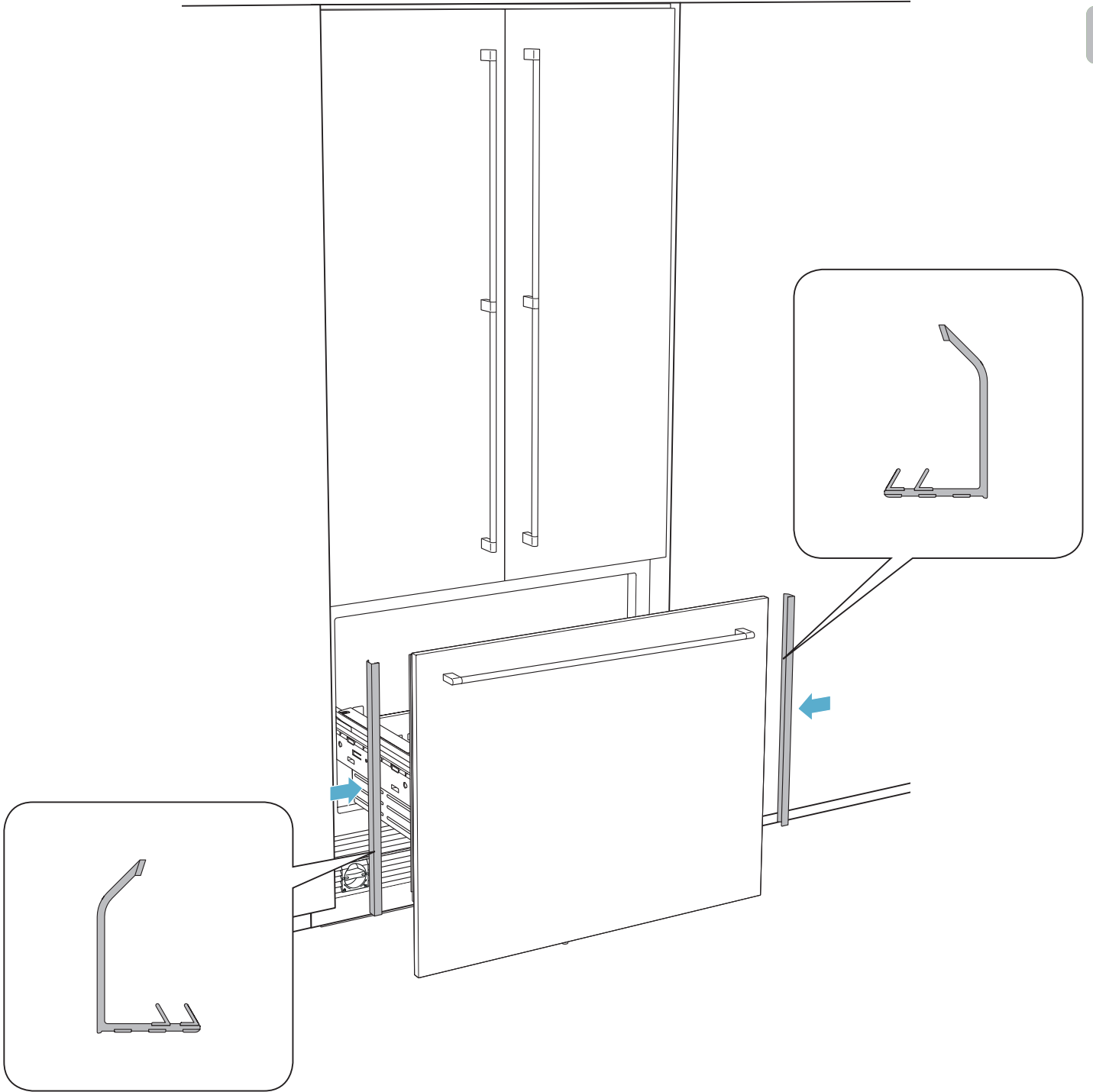


⑤

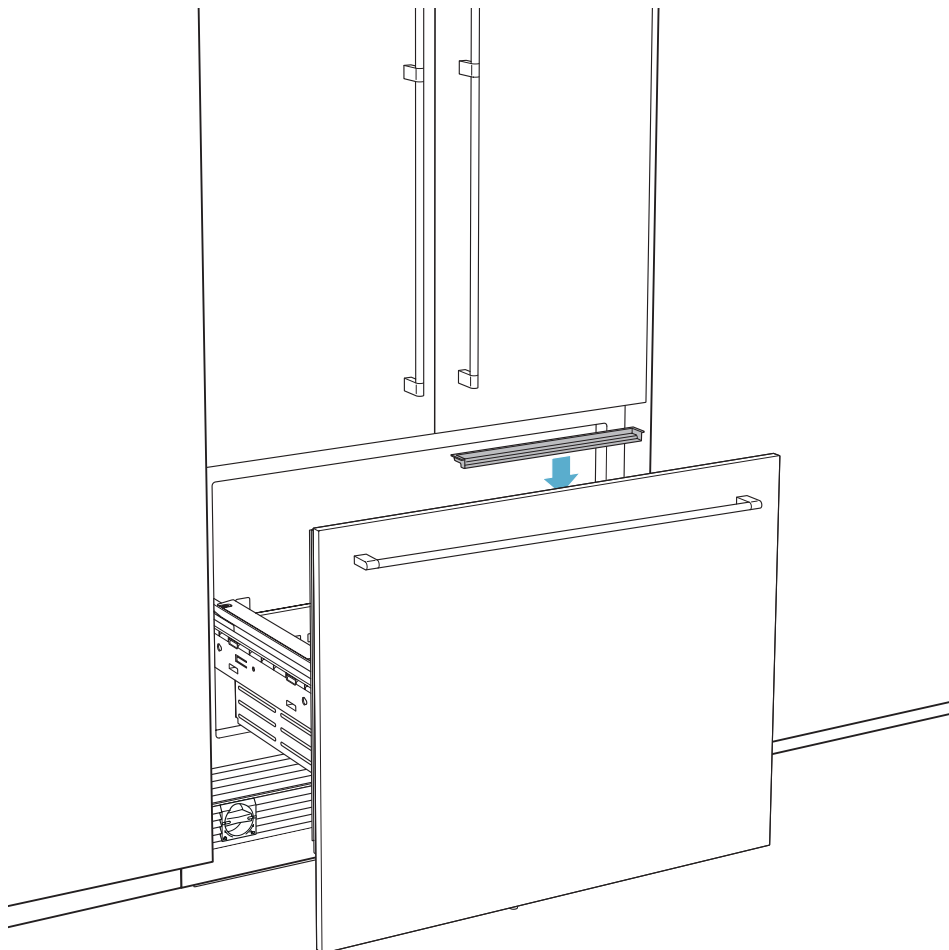
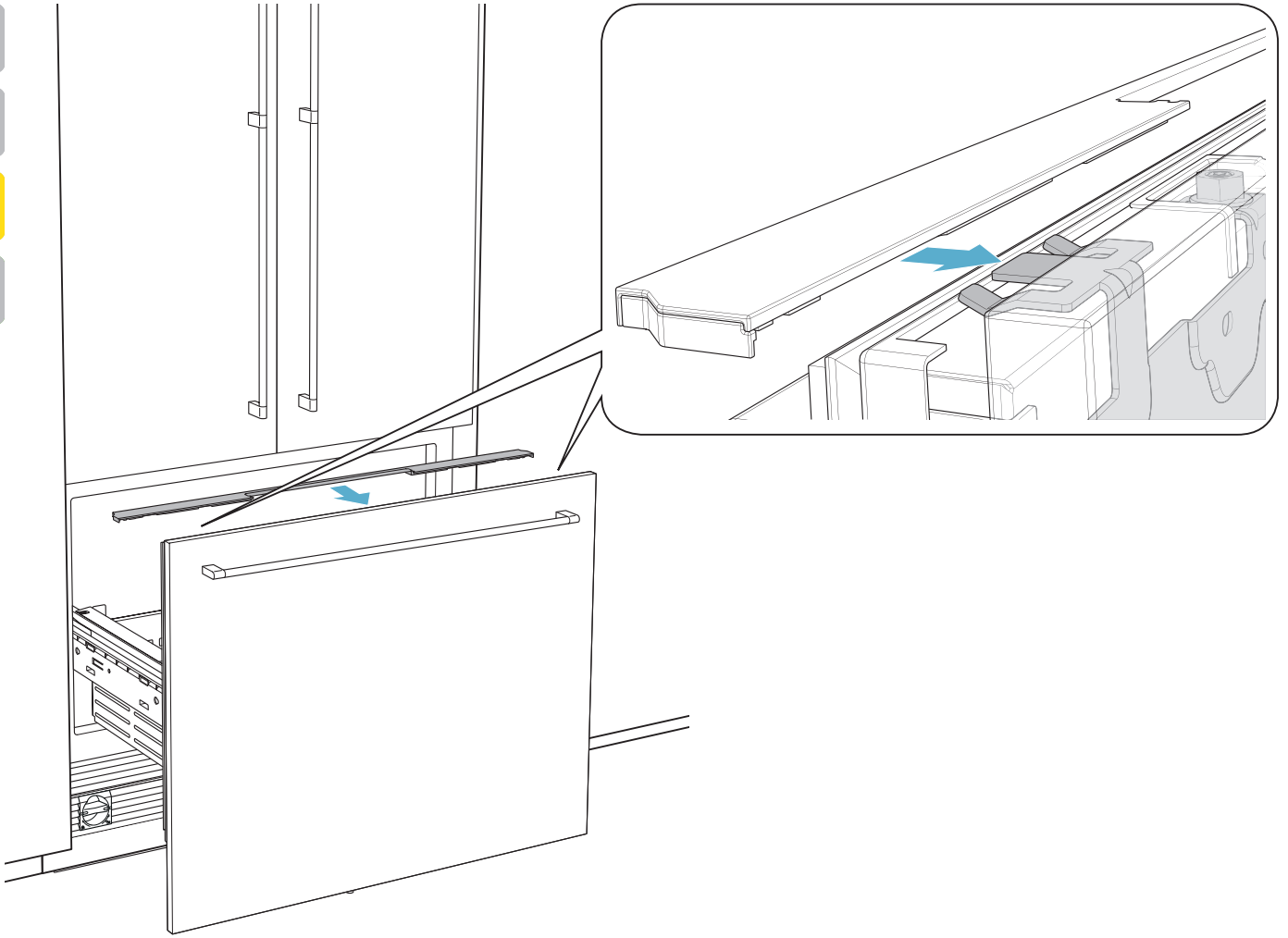


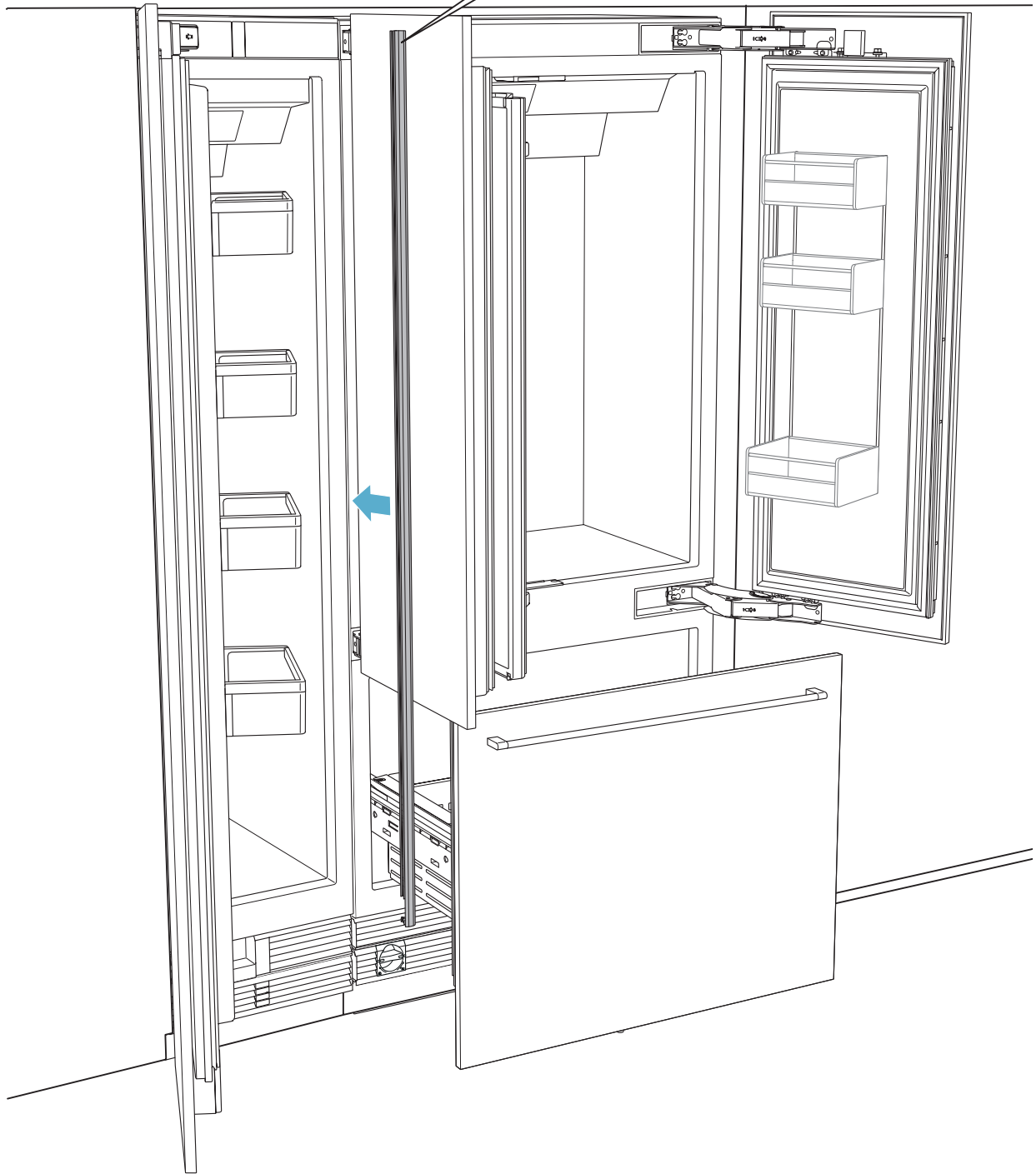
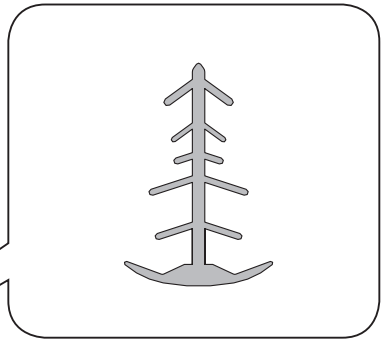
⑥

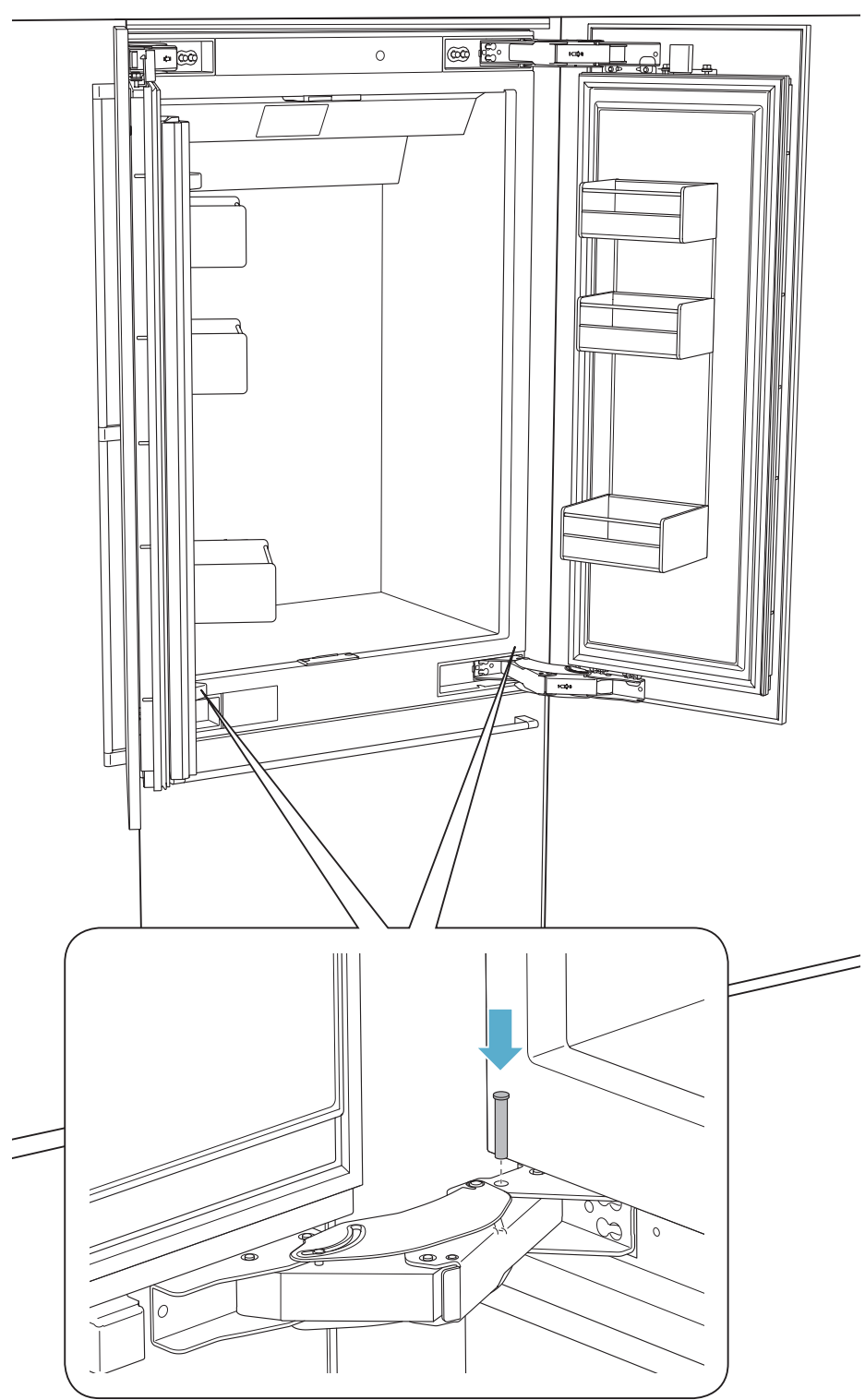
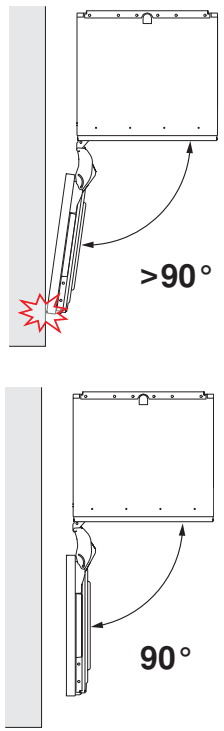
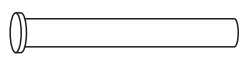


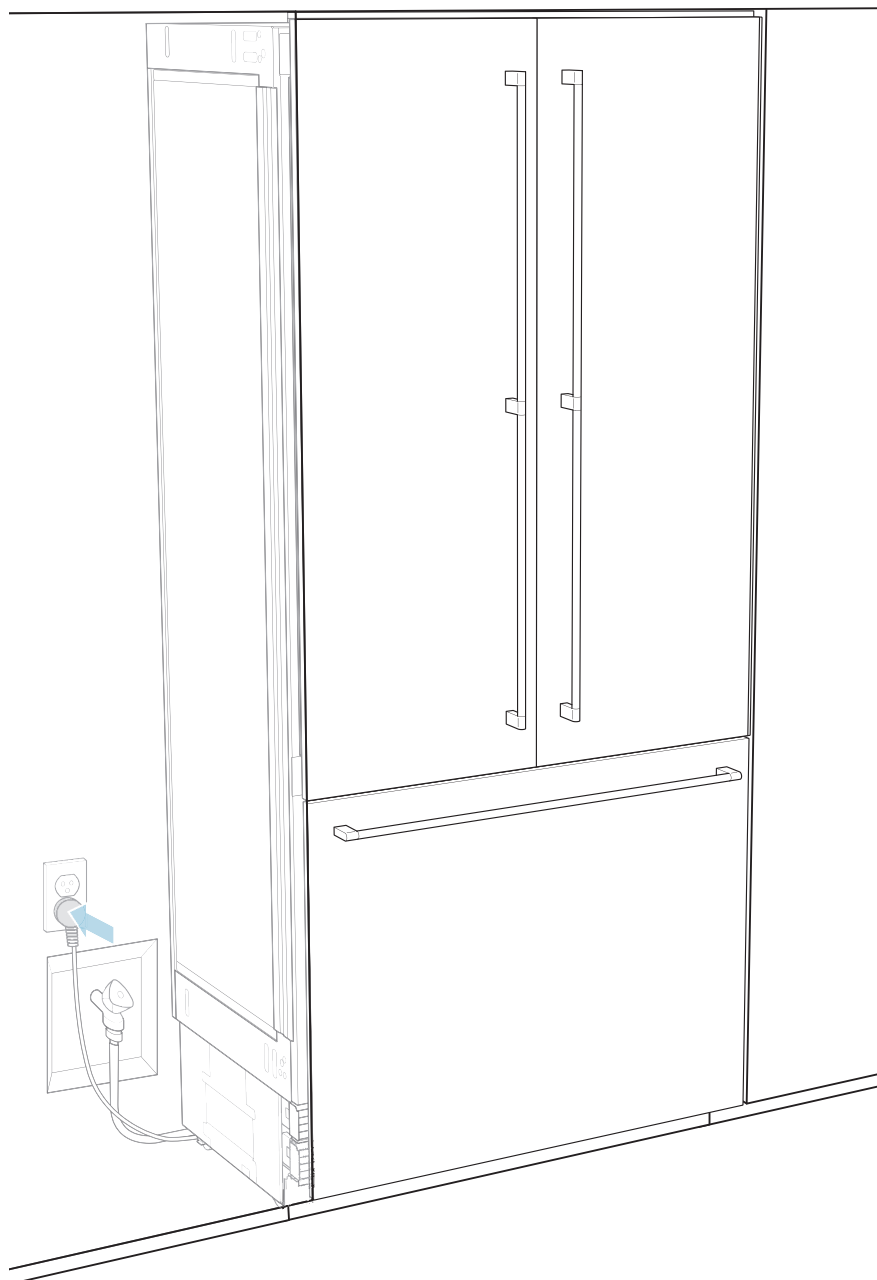


- A
- B
- C
- D









Gaggenau Hausgeräte GmbH
Carl-Wery-Straße 34
D-81739 München
www.gaggenau.com

8001170337 (9911)
xx

GAGGENAU

