

RF411305

RF461305

RF471305

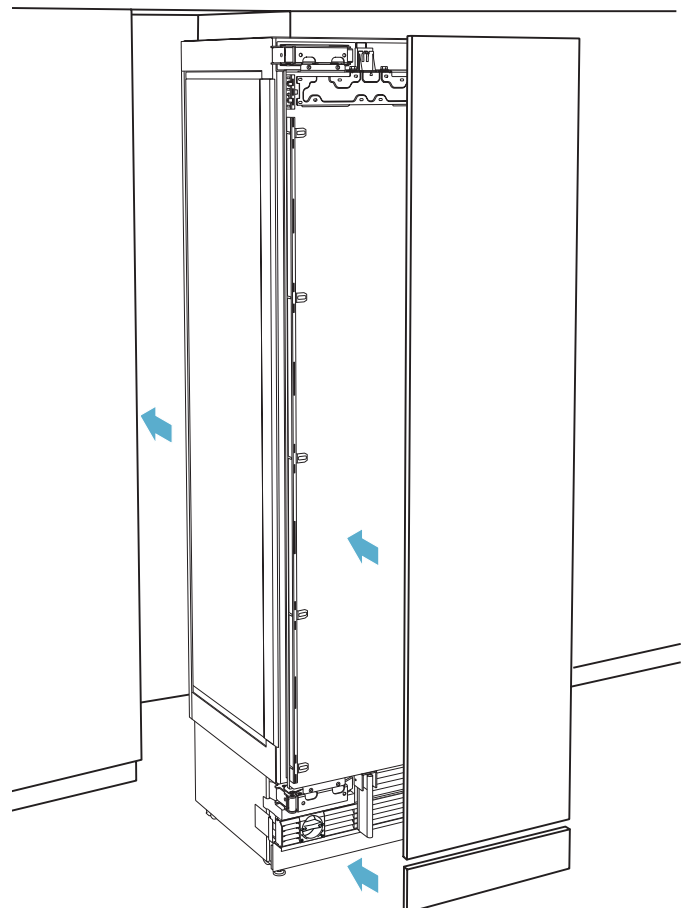
RF411304

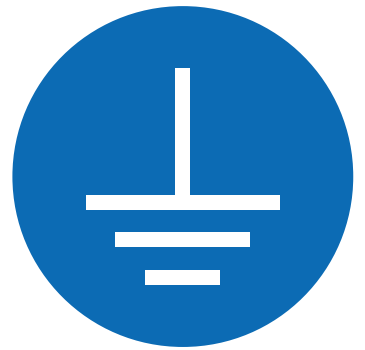
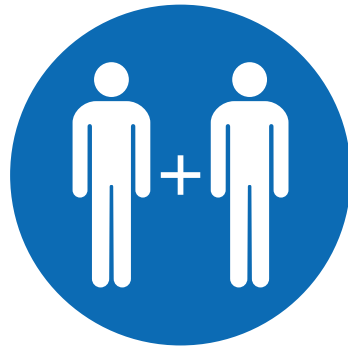
RF461304

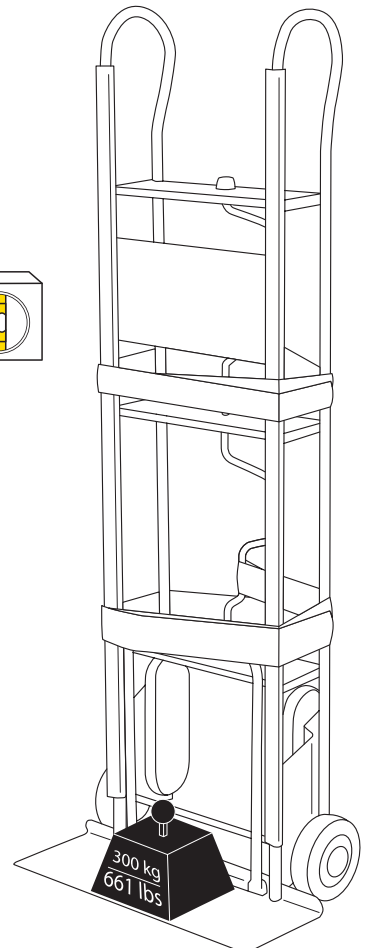
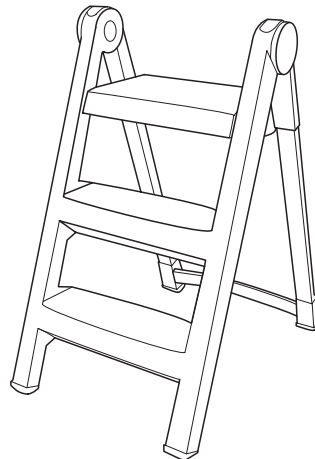
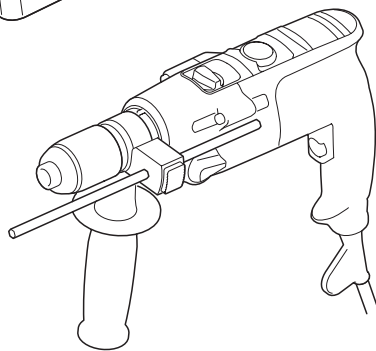
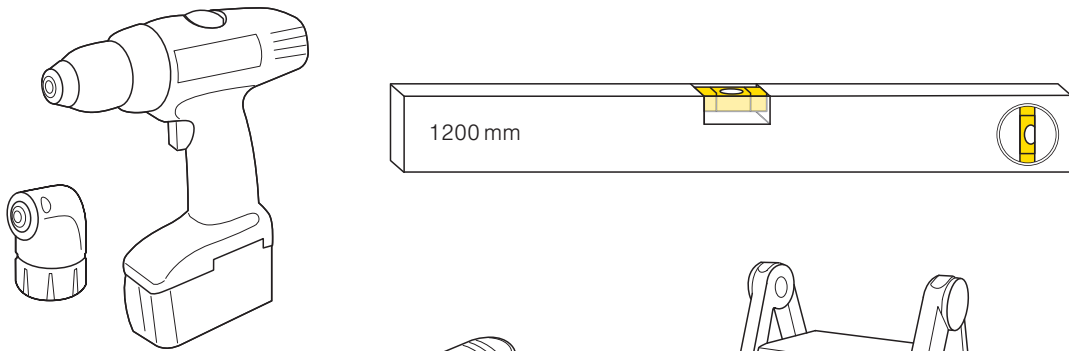
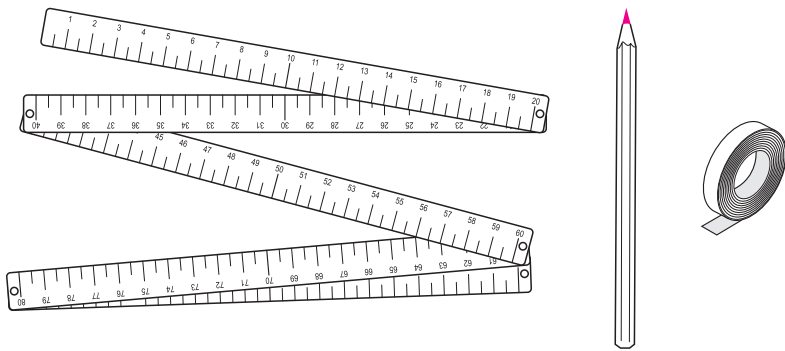
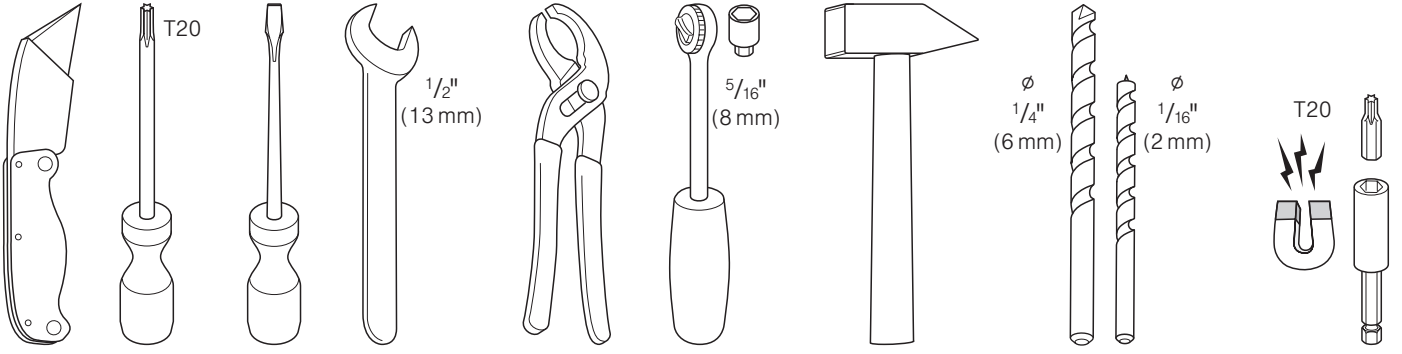
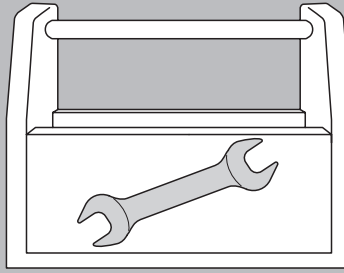
RF471304

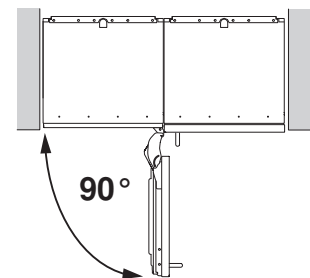
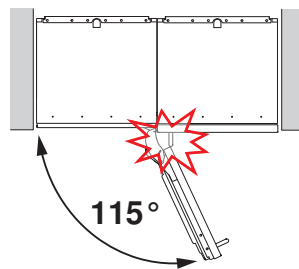
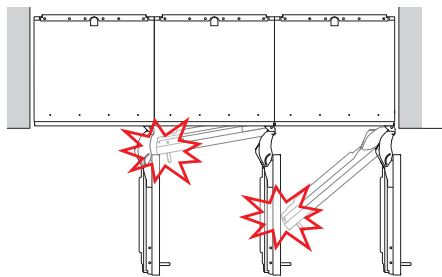
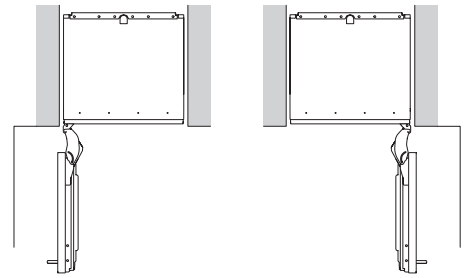
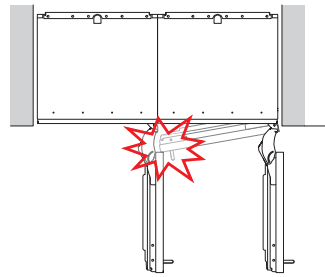
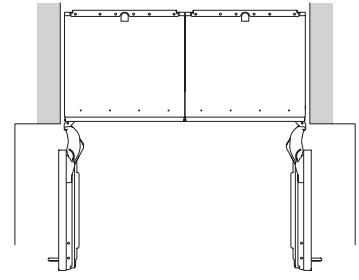
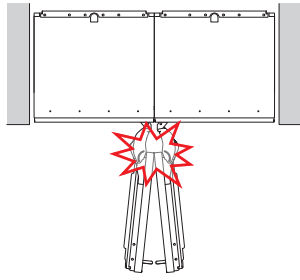
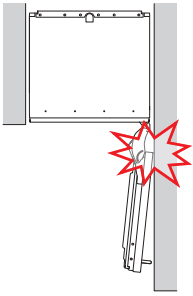
RF411904

RF461904



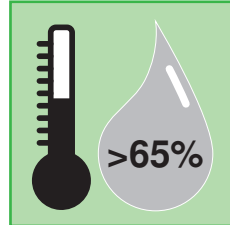




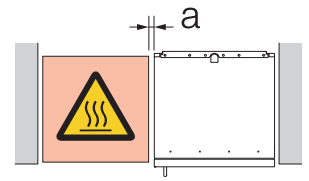




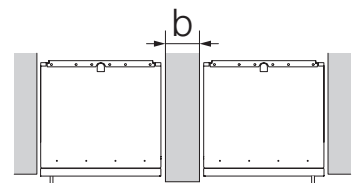
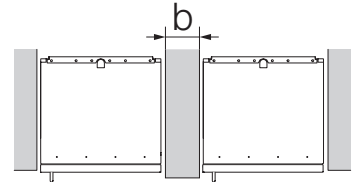
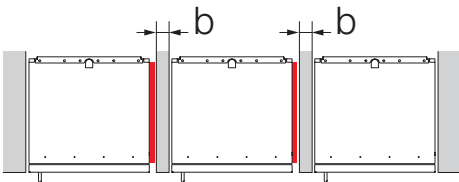
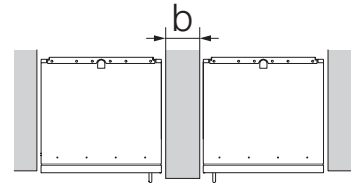
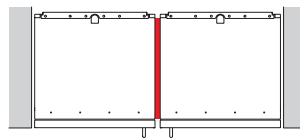
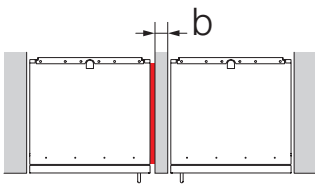
$\frac{5}{8}'' \leq b < 6\frac{1}{4}''$
(16 mm \leq b < 160 mm)

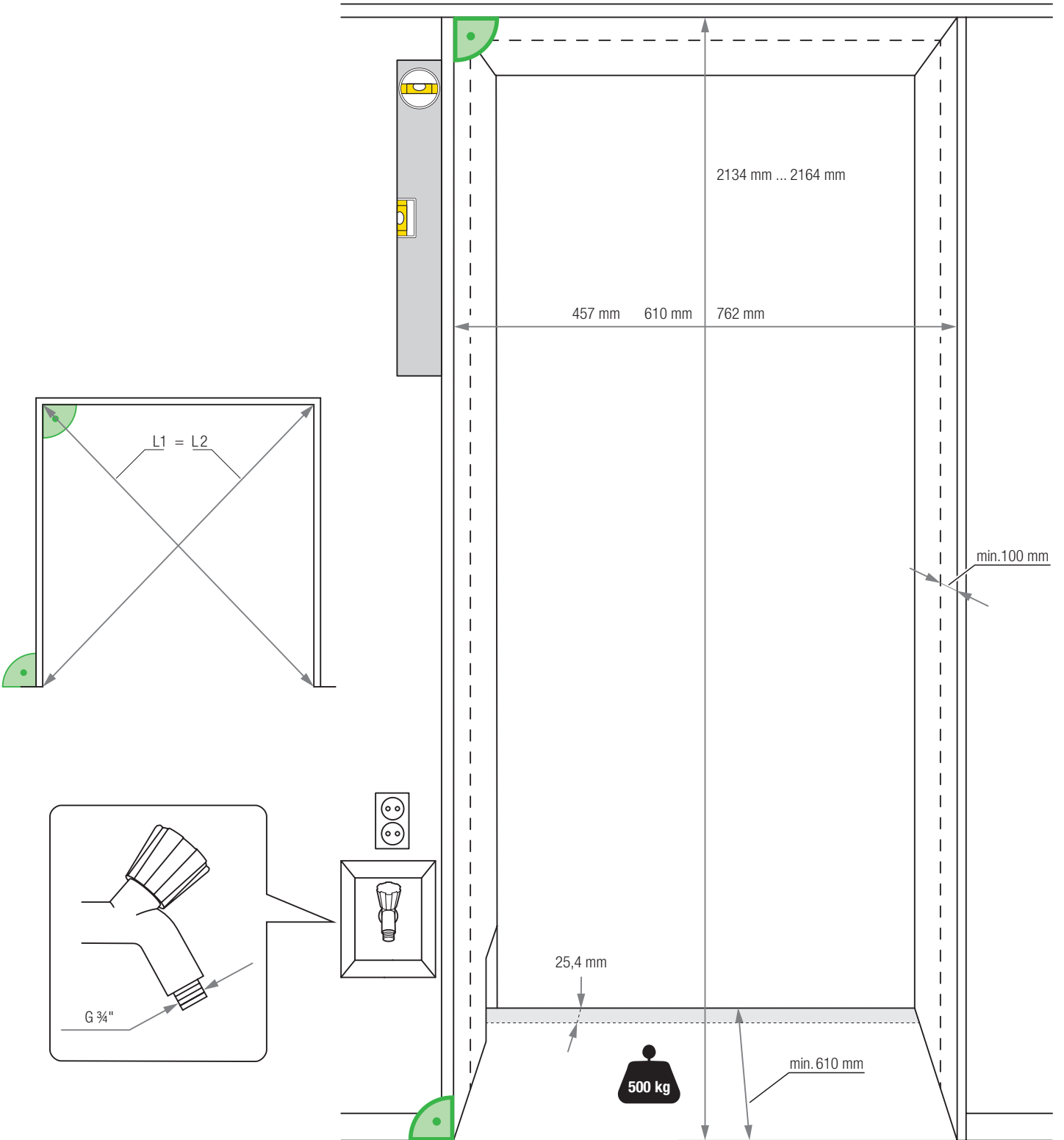


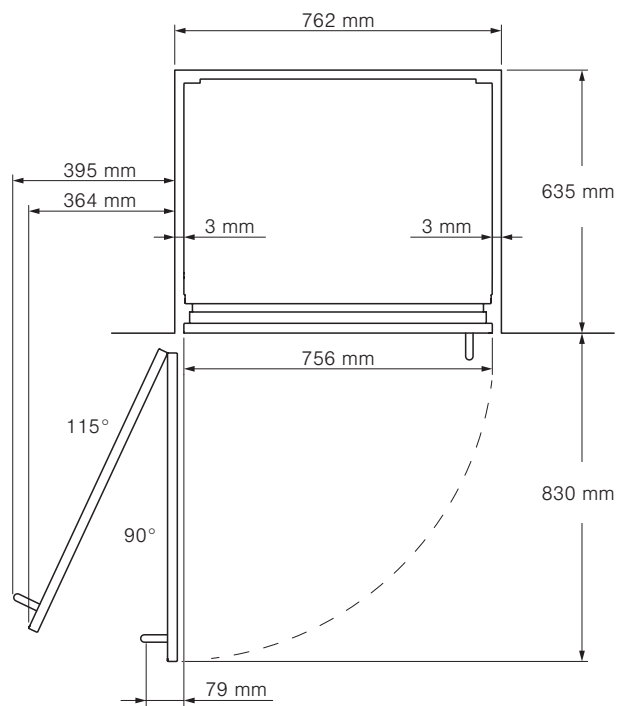
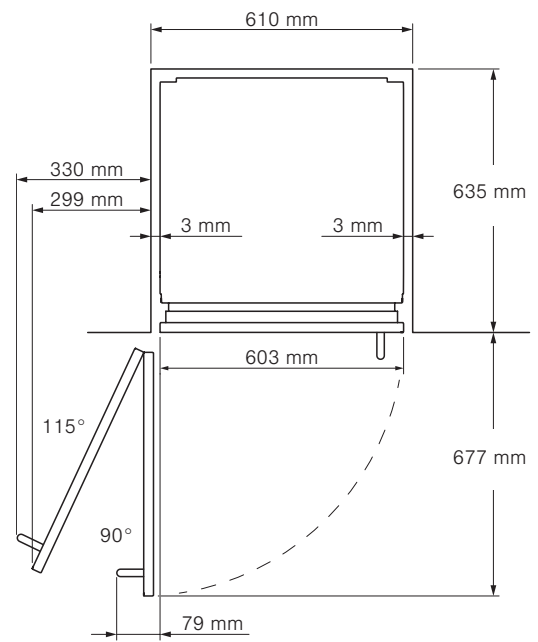
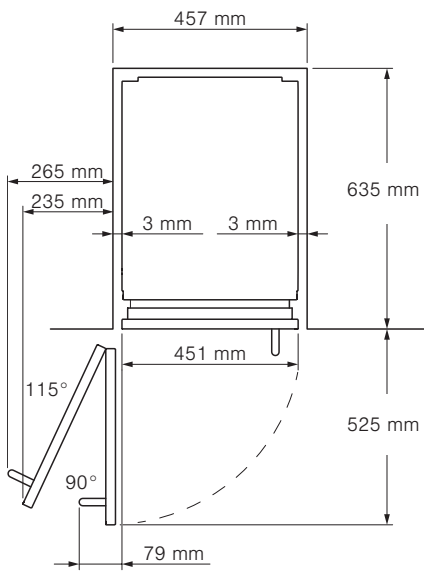
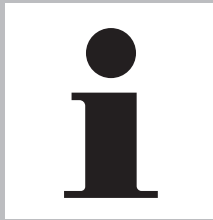
$a \geq 1\frac{3}{16}''$
(a \geq 30 mm)

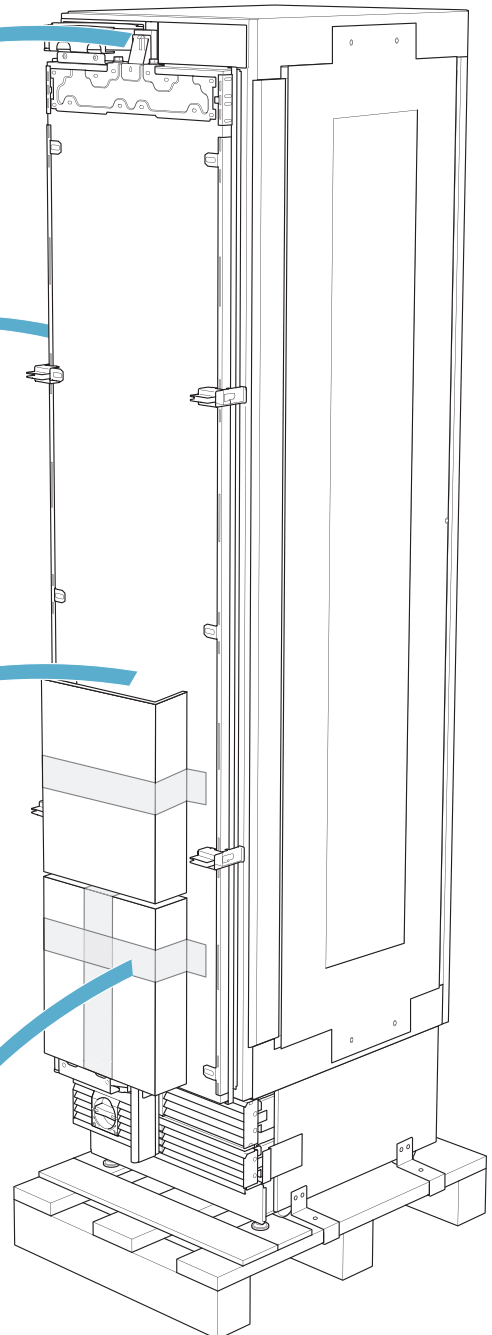
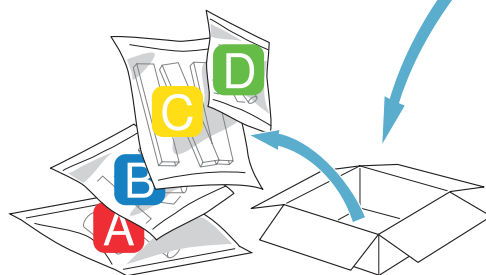
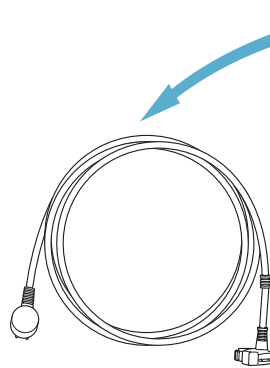
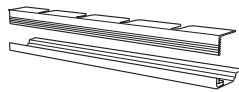
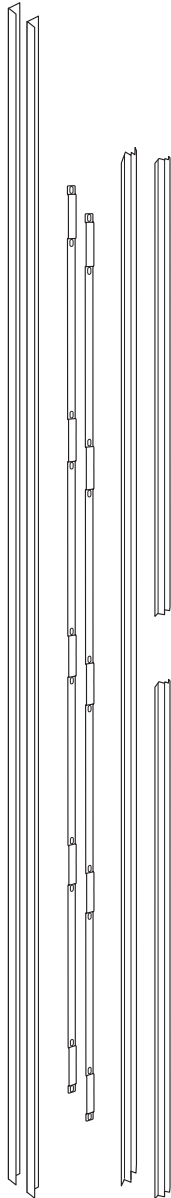
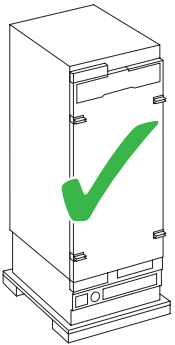
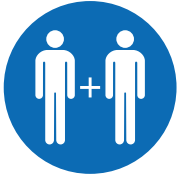


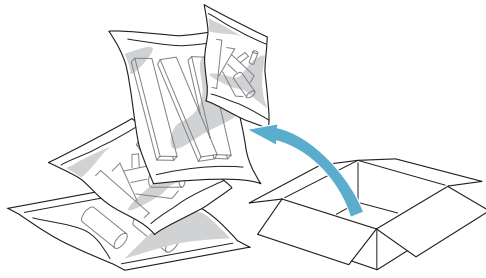
$b \geq 6\frac{1}{4}''$
 $b \geq 160$ mm




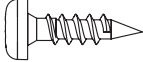


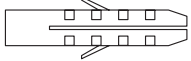


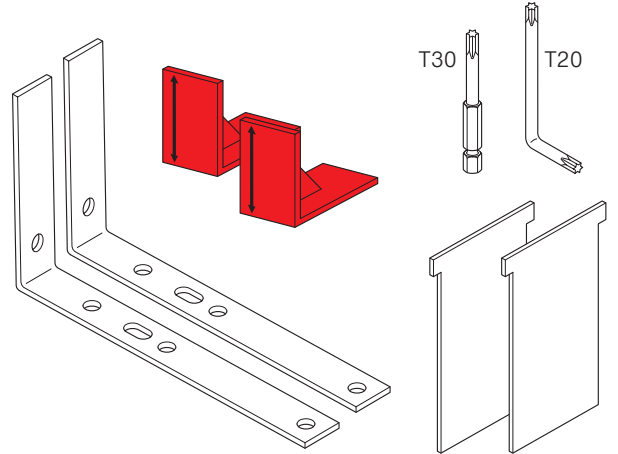



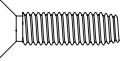


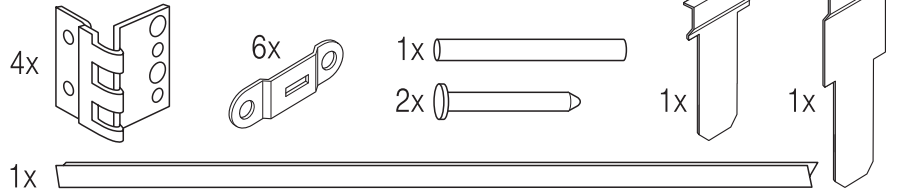


A


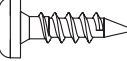
4x15			6x
5x60			4x
6x31			4x







M5x16			28x
-------	---	---	-----

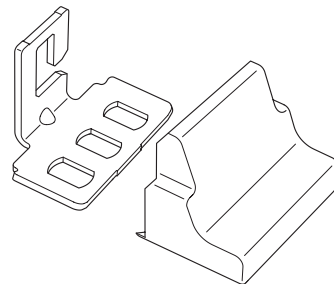


B

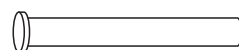
4x15			8x
------	---	---	----

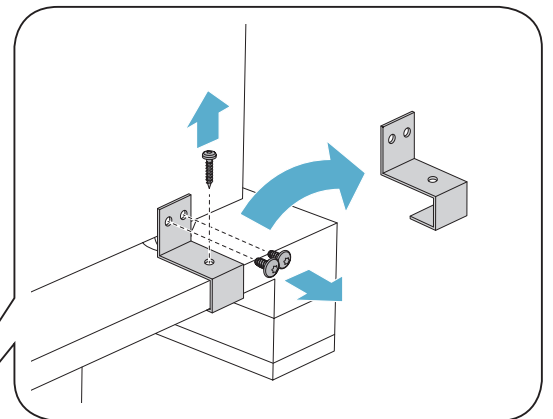
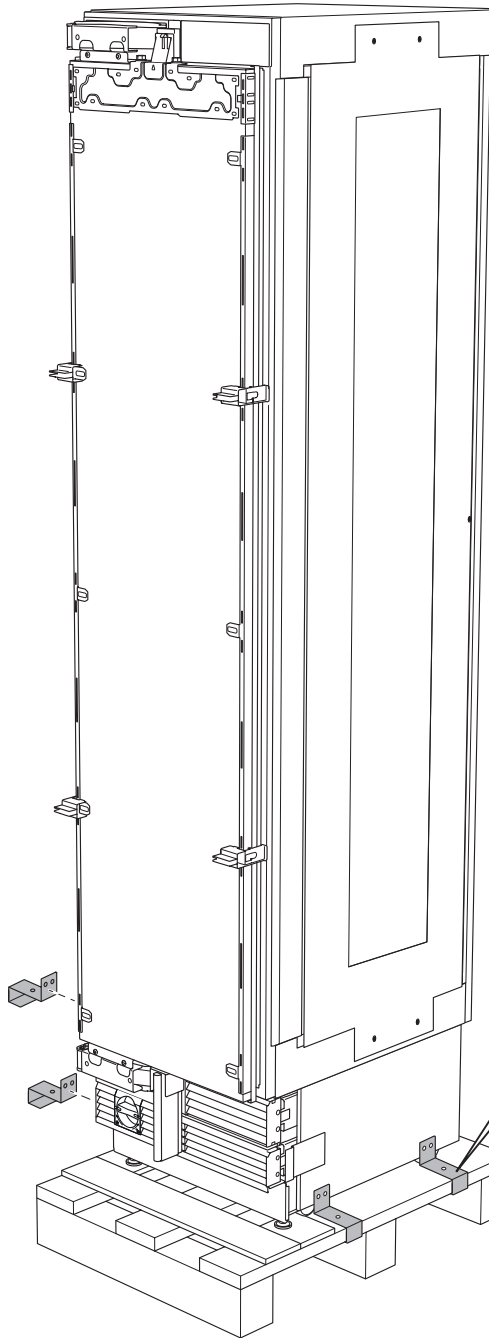
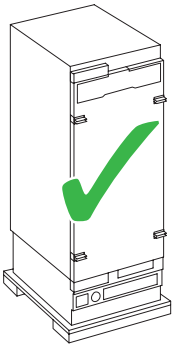
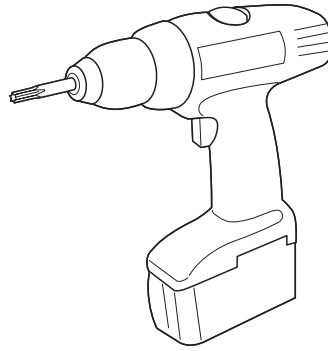
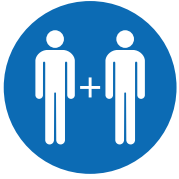
C

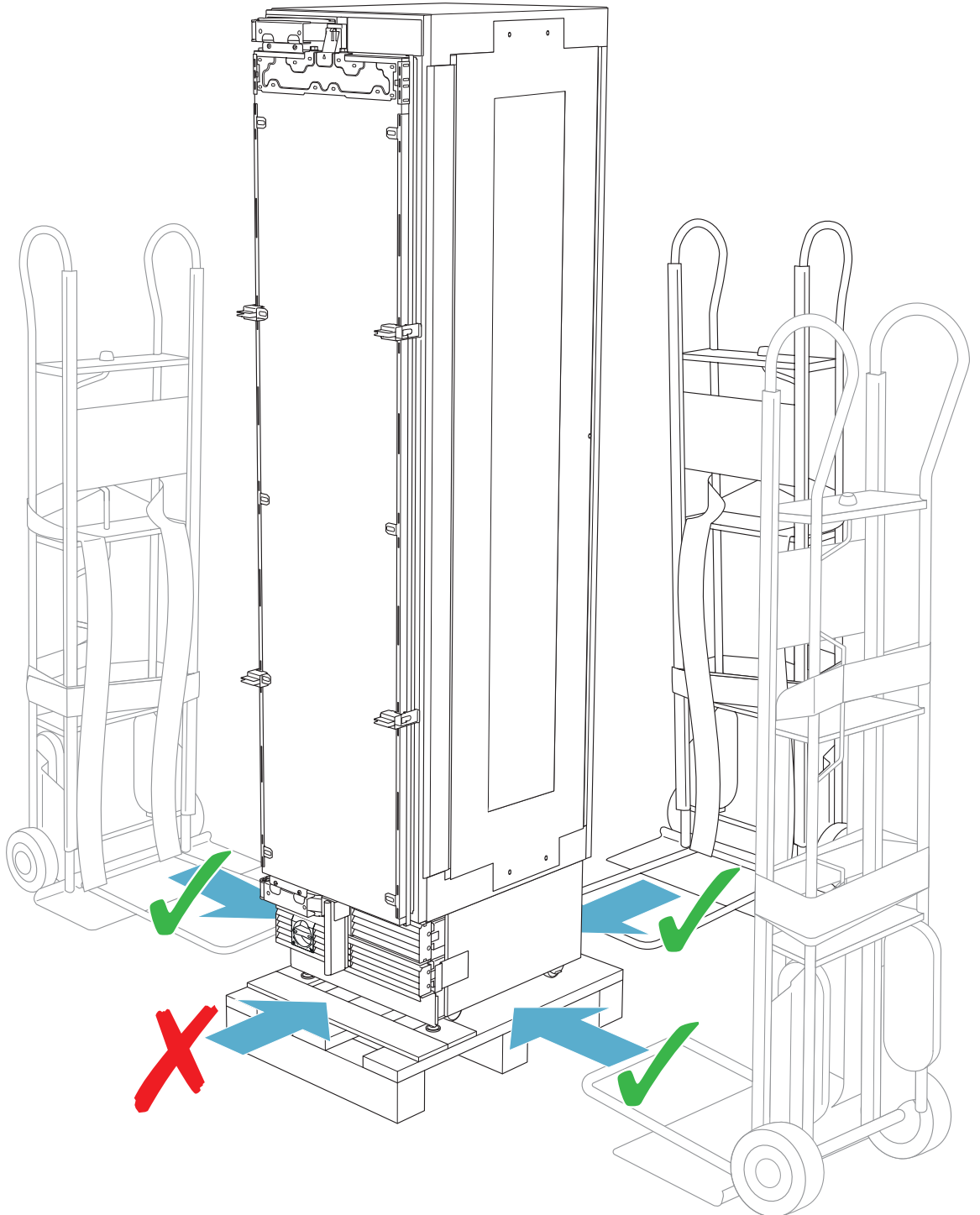
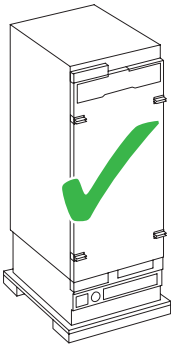
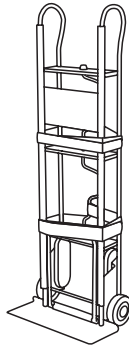
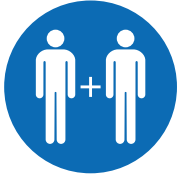
4x15			32x
4x15			2x

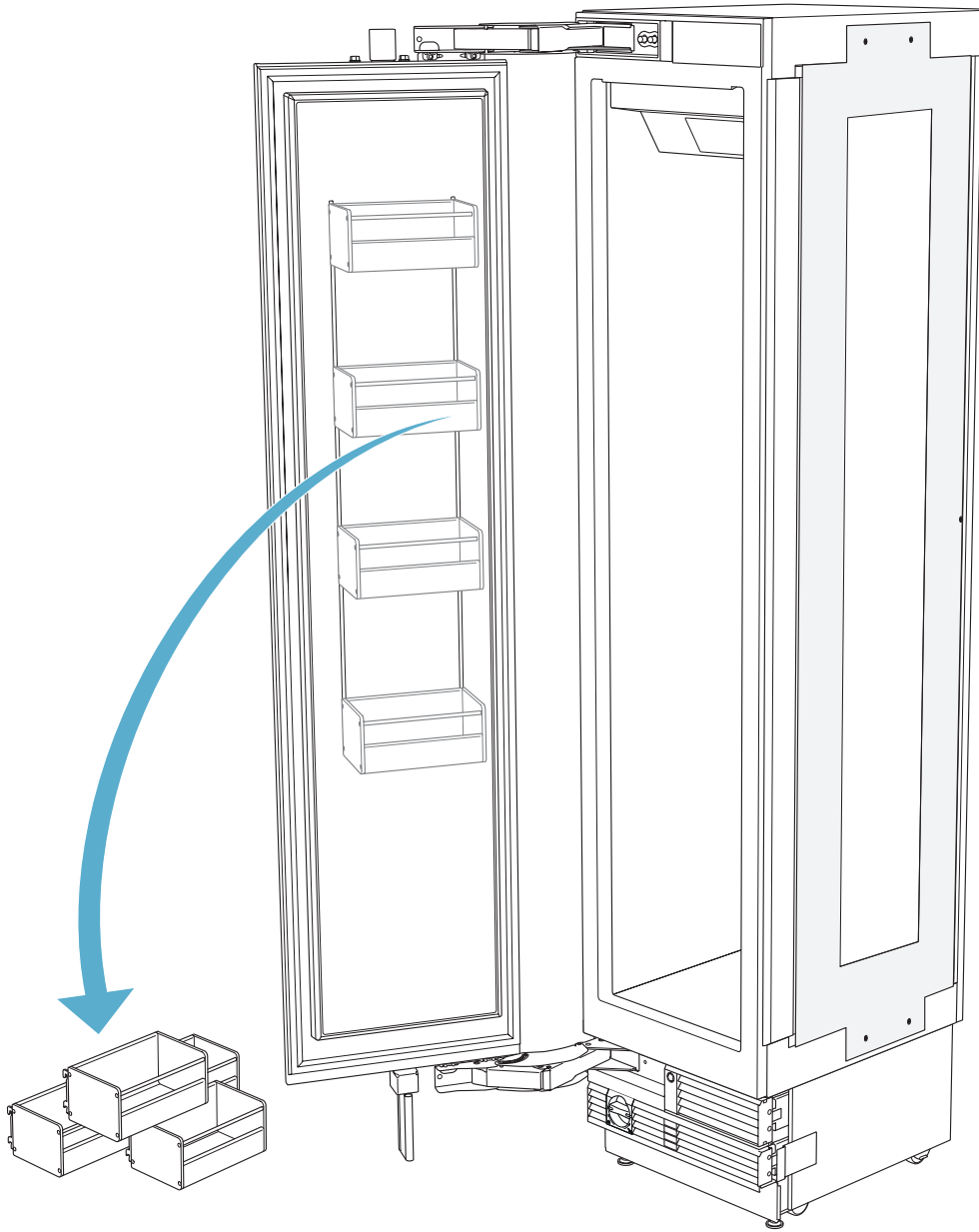
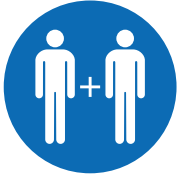


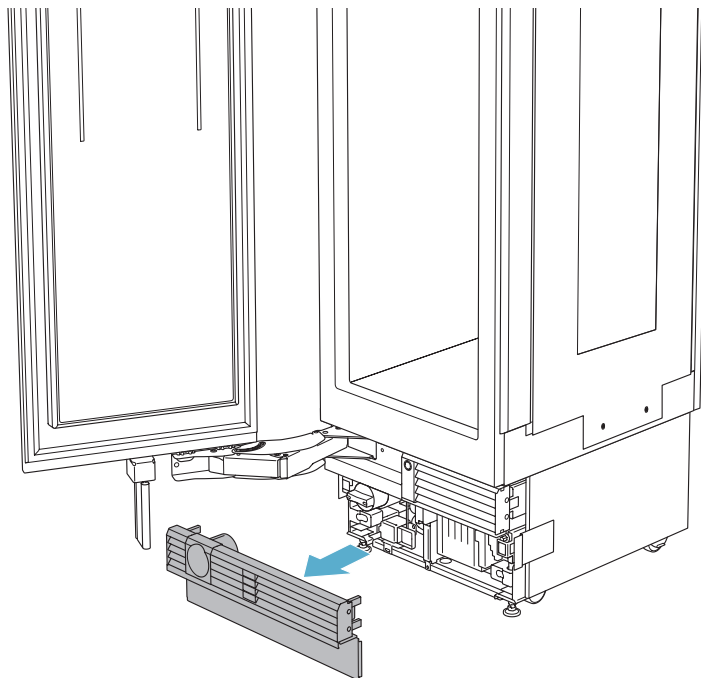
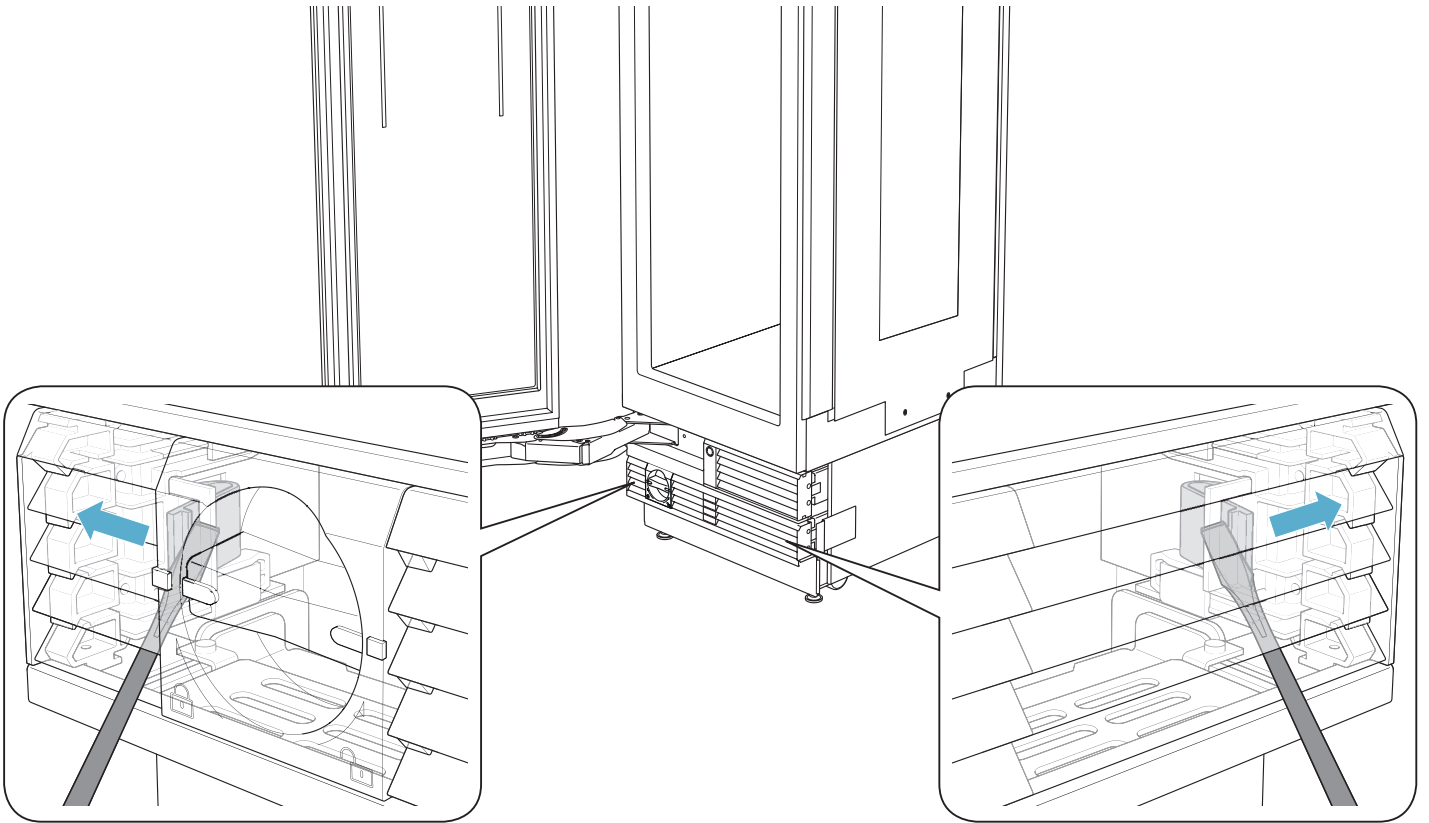
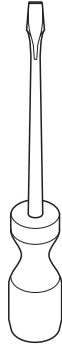
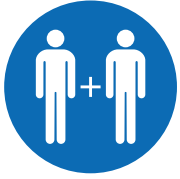
D

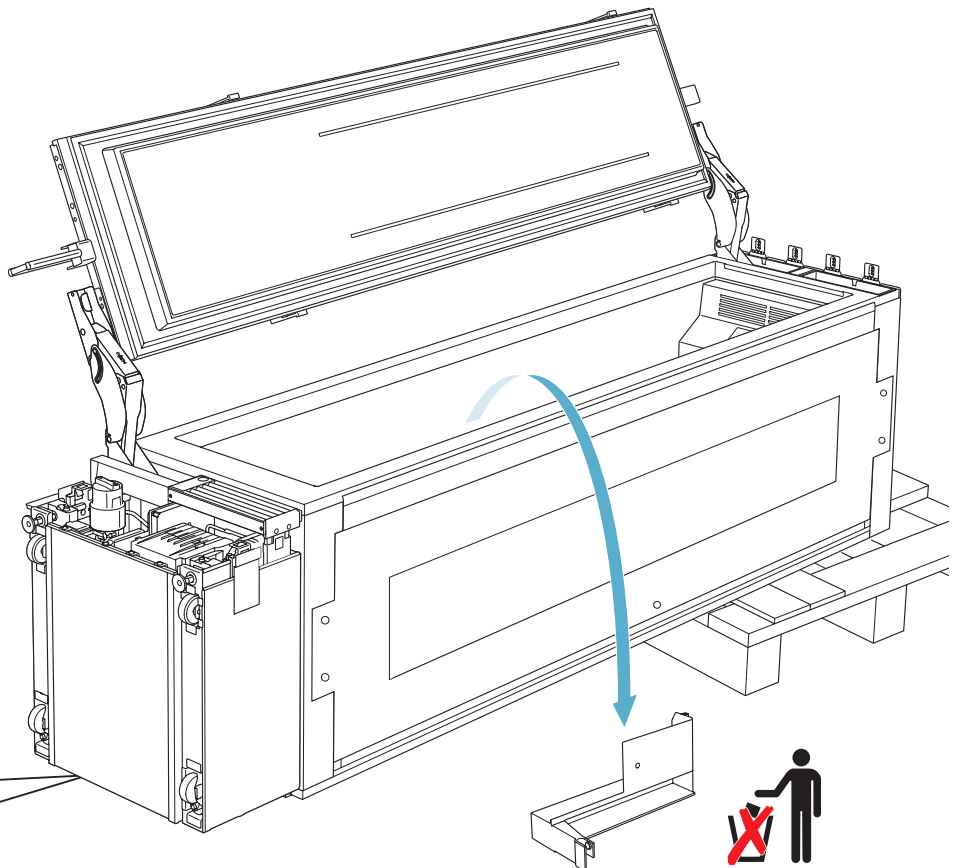
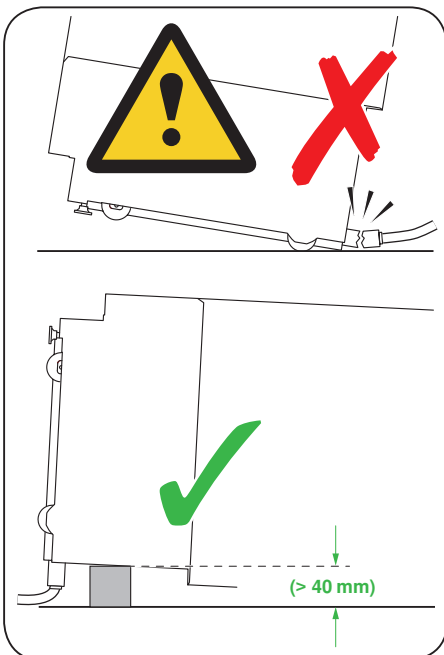
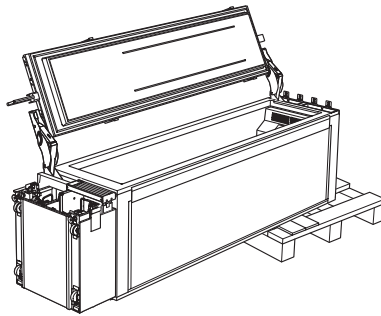
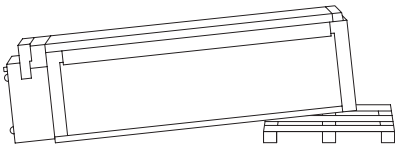
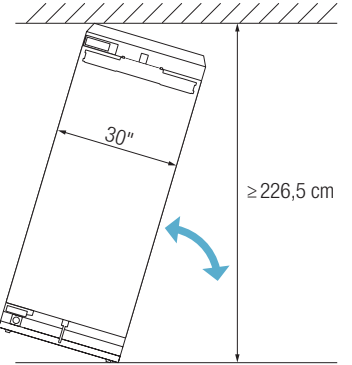
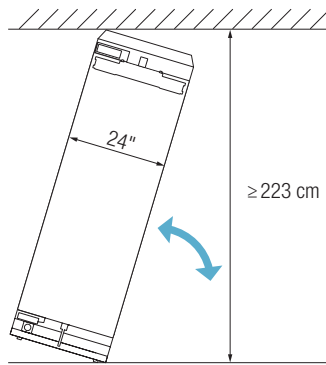
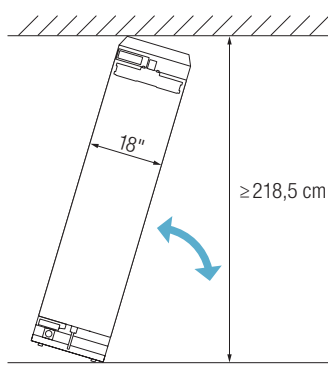
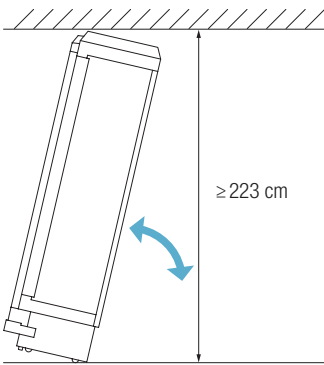
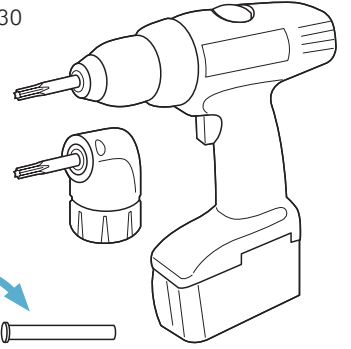
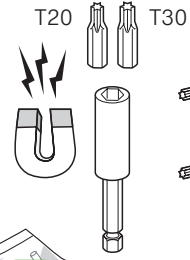
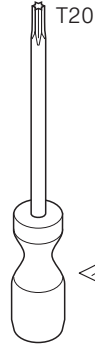
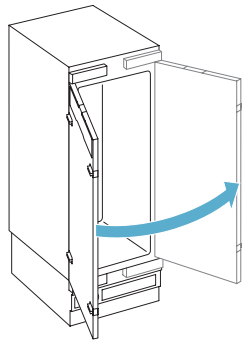
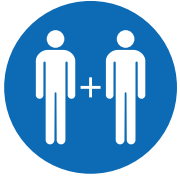




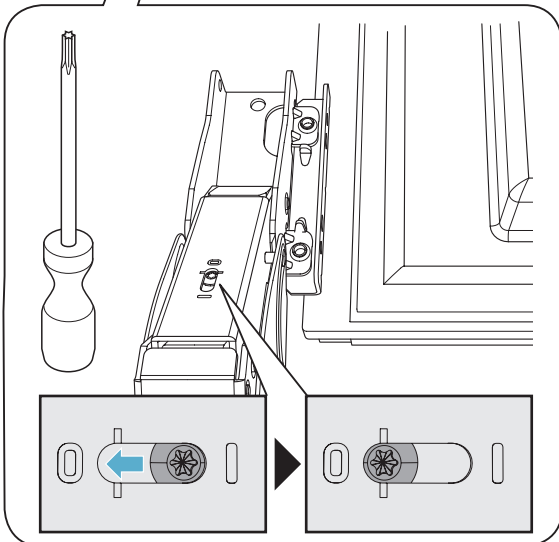
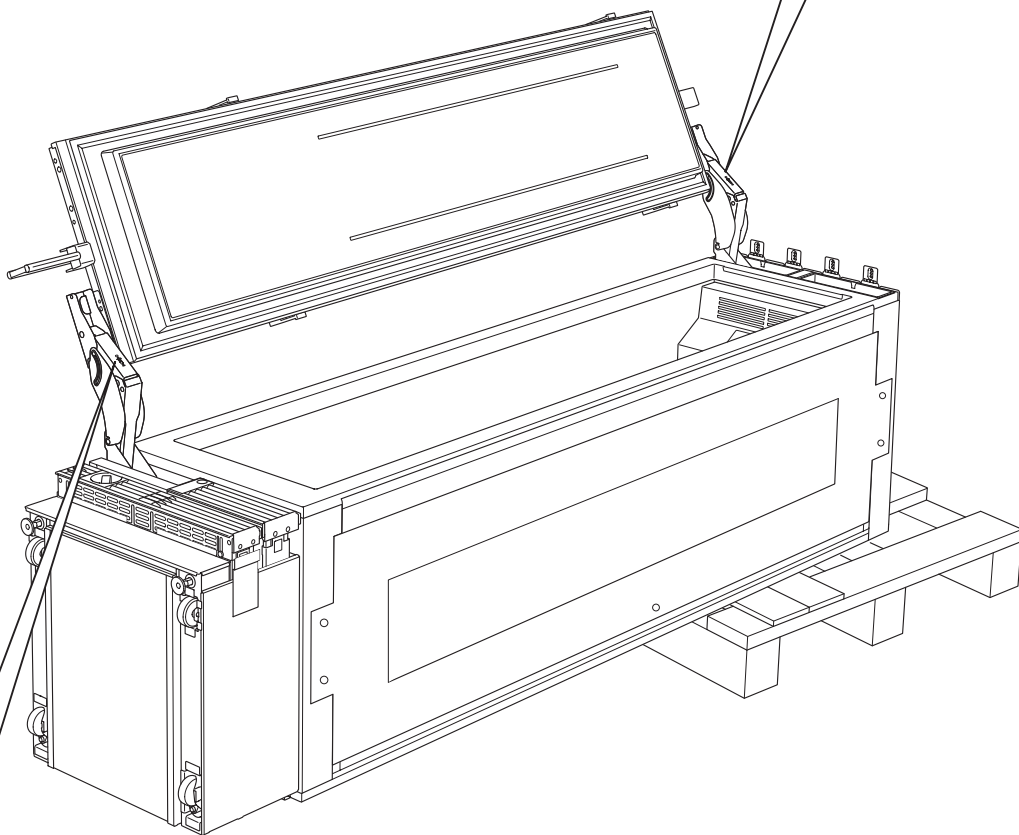
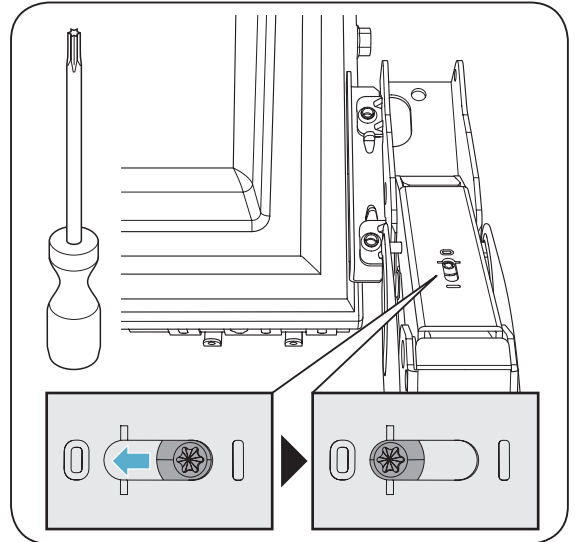


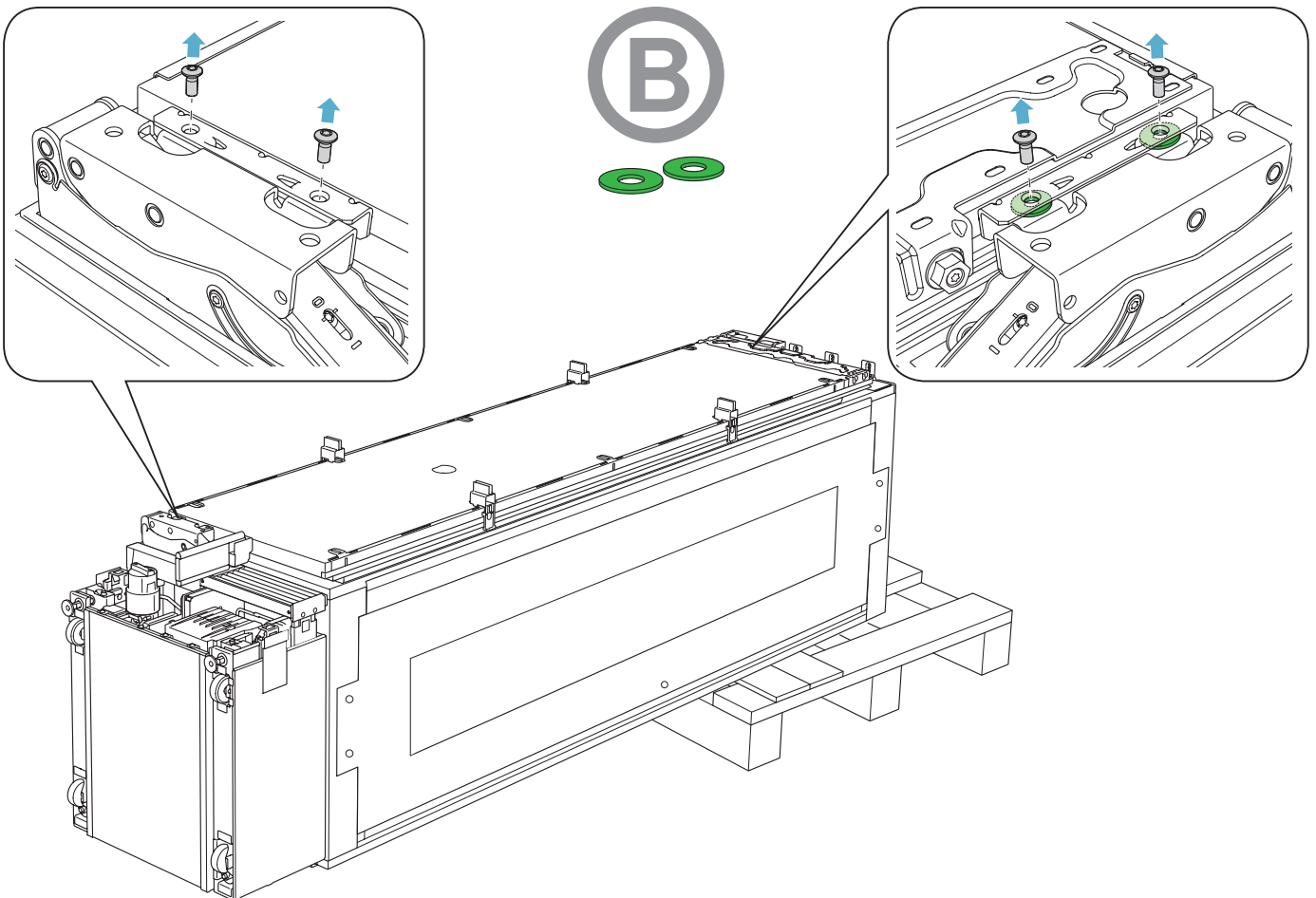
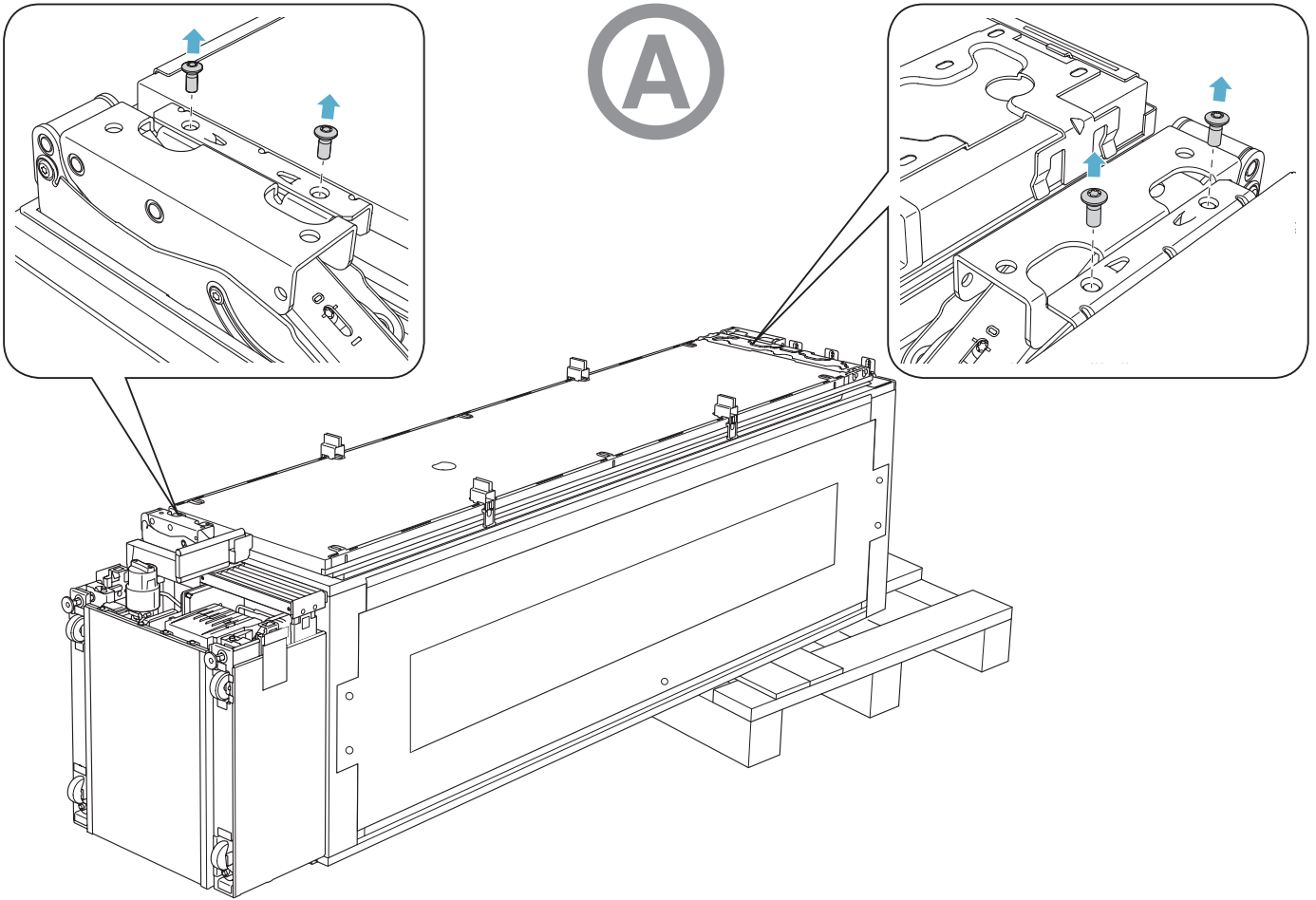




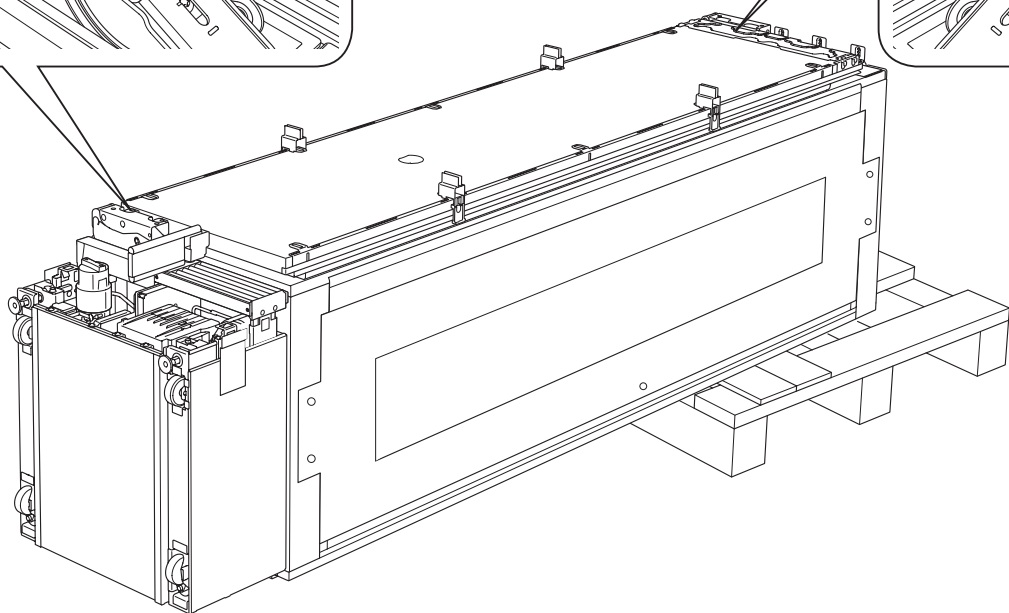
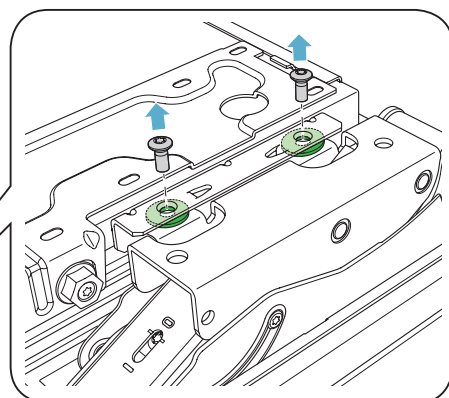
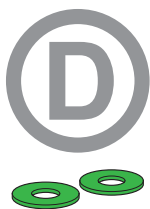
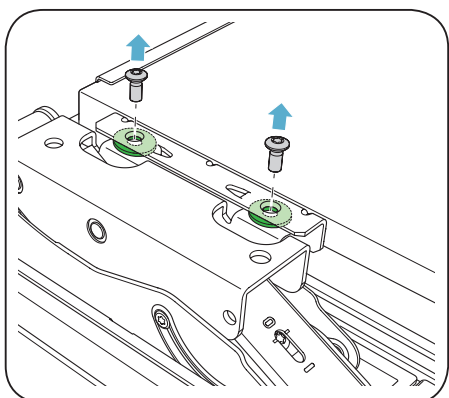
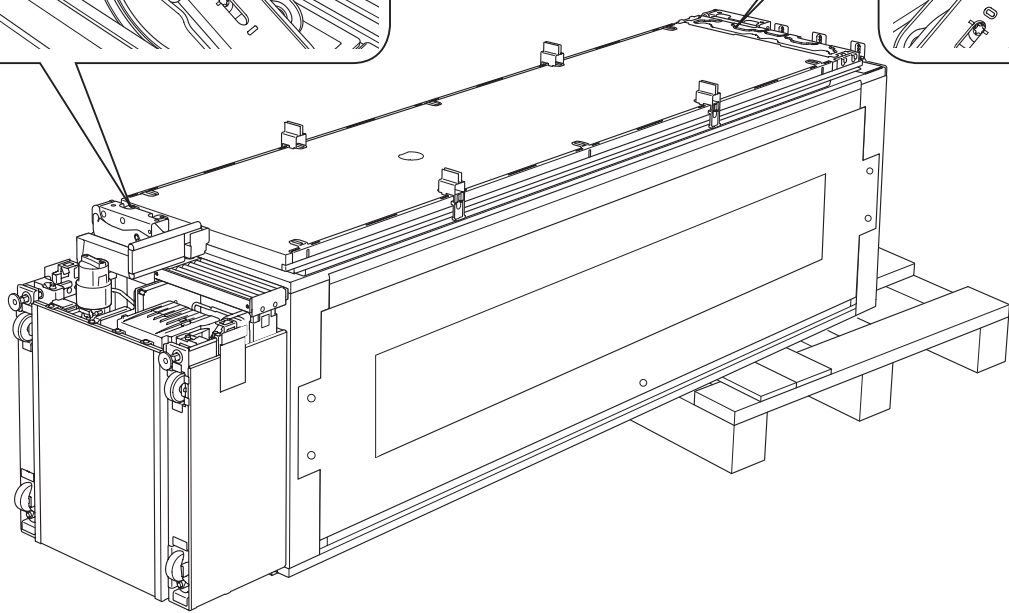
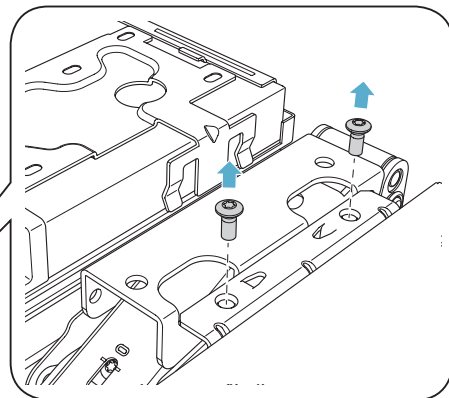
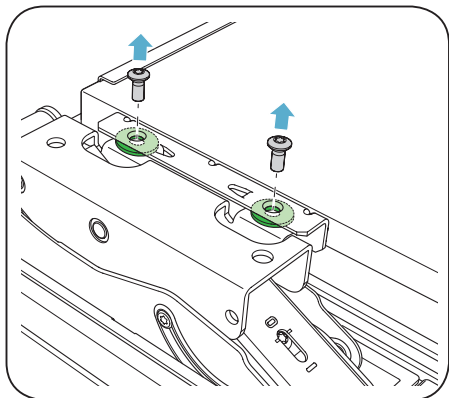


- A
- B
- C
- D

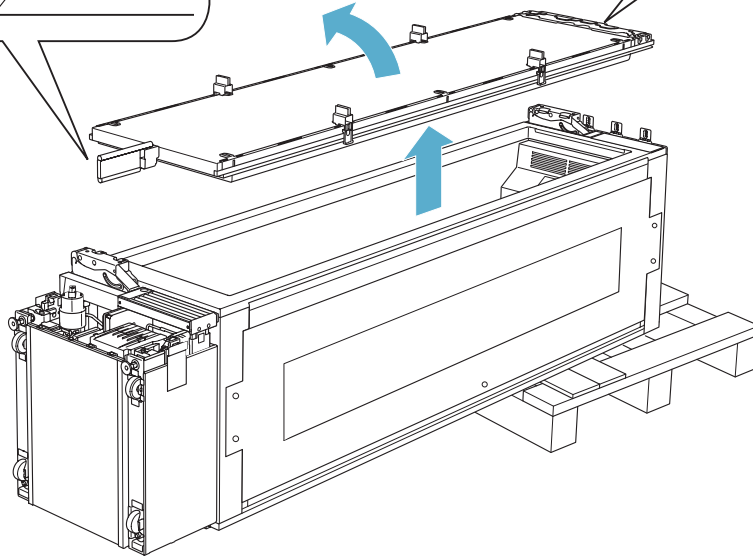
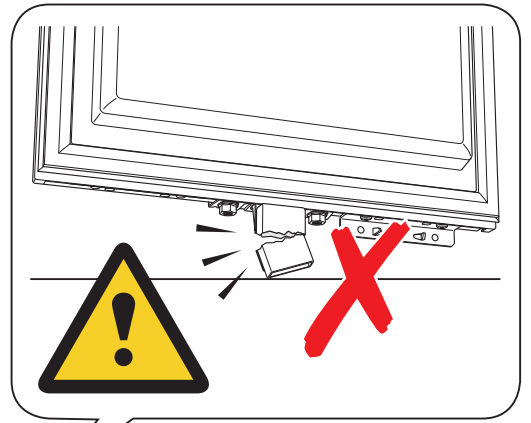
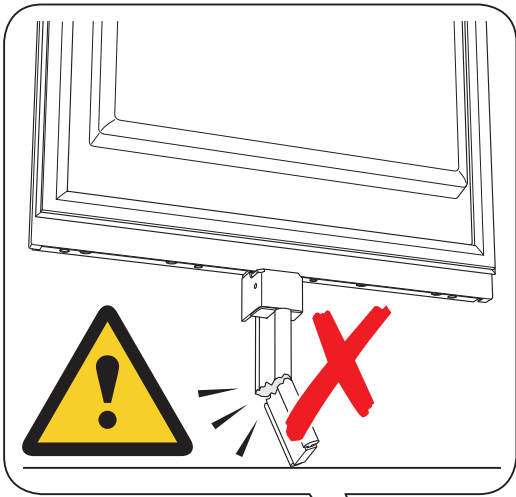




A
B
C
D

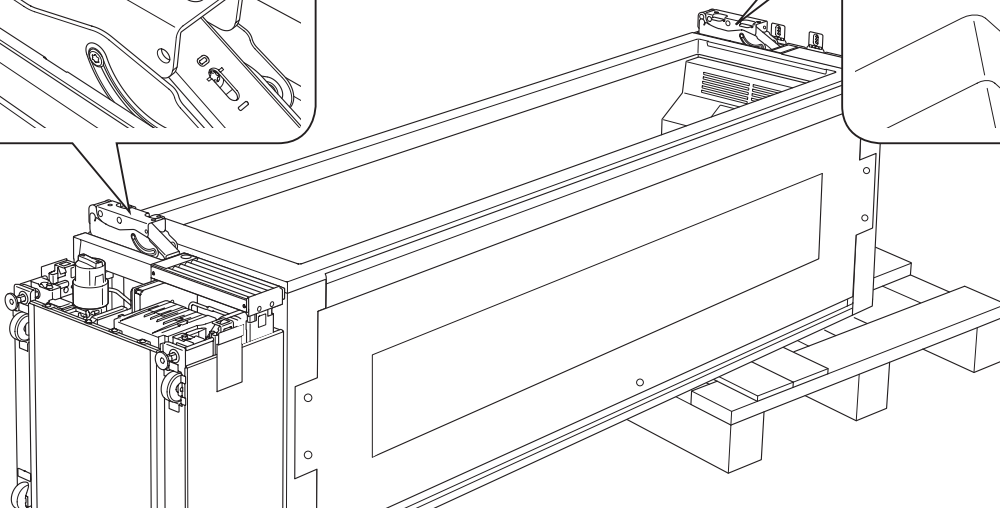
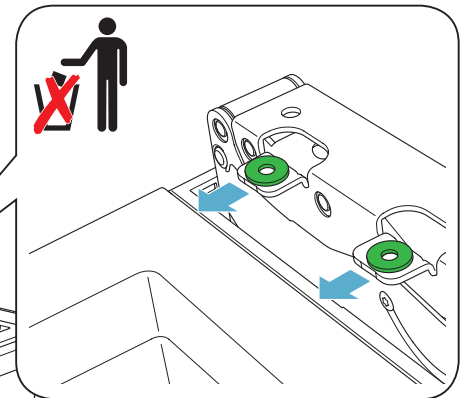
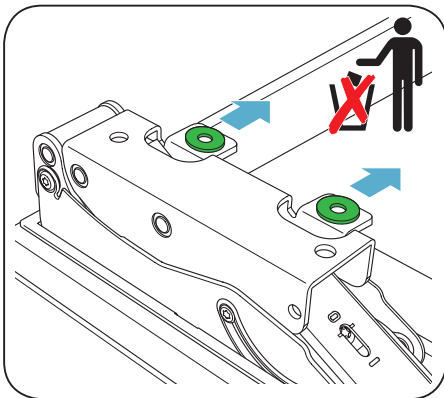


A
B
C
D

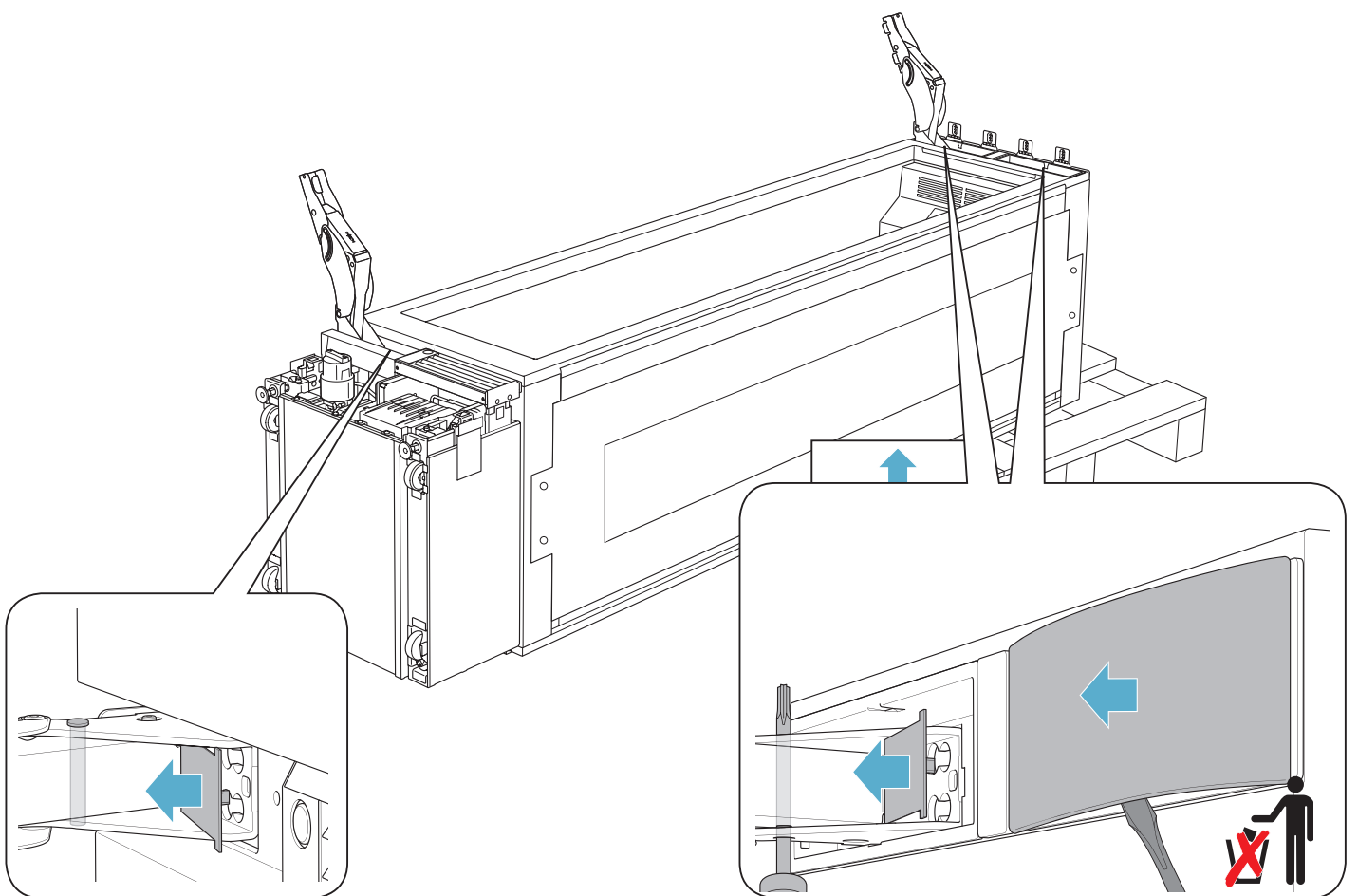
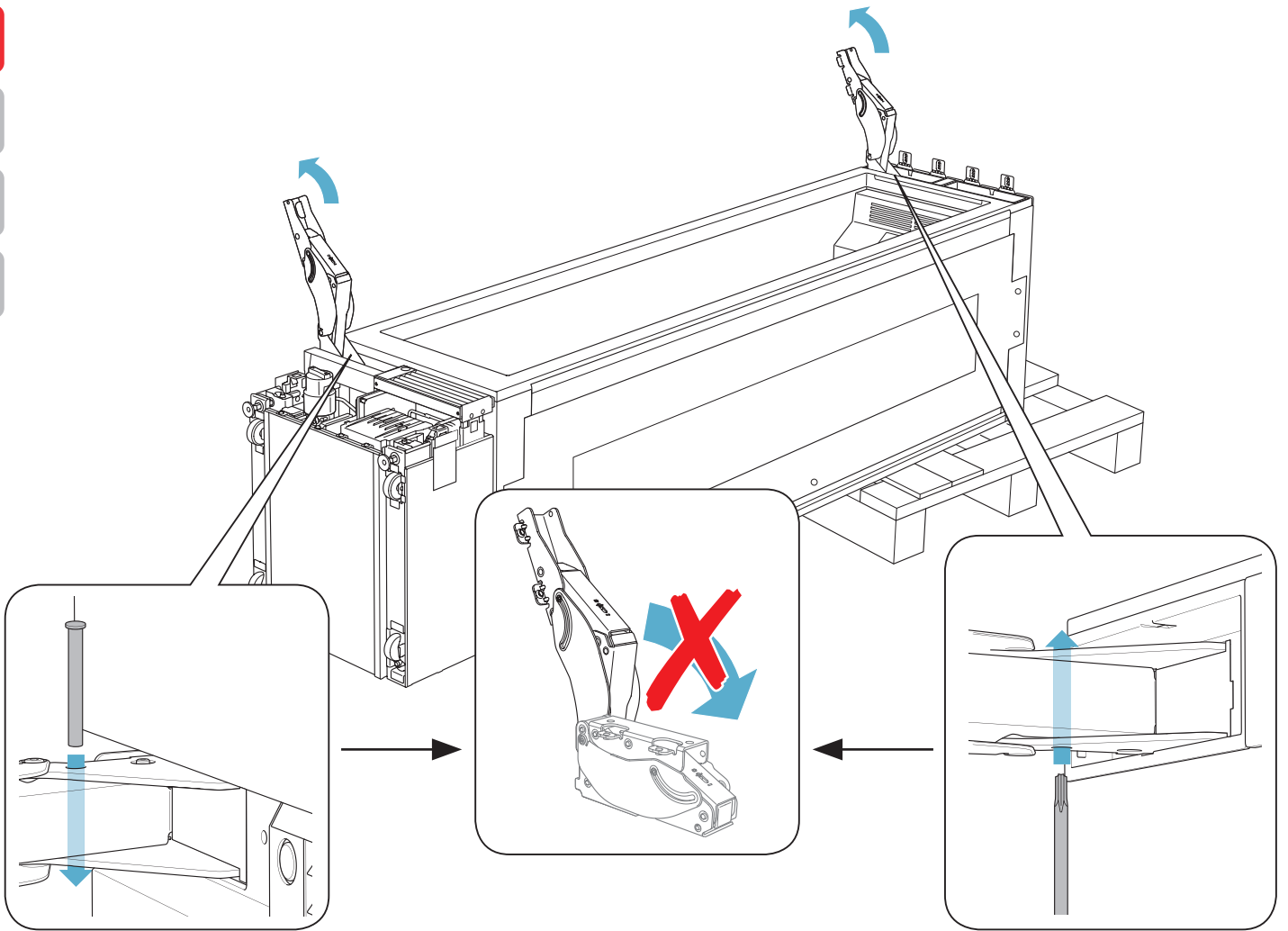


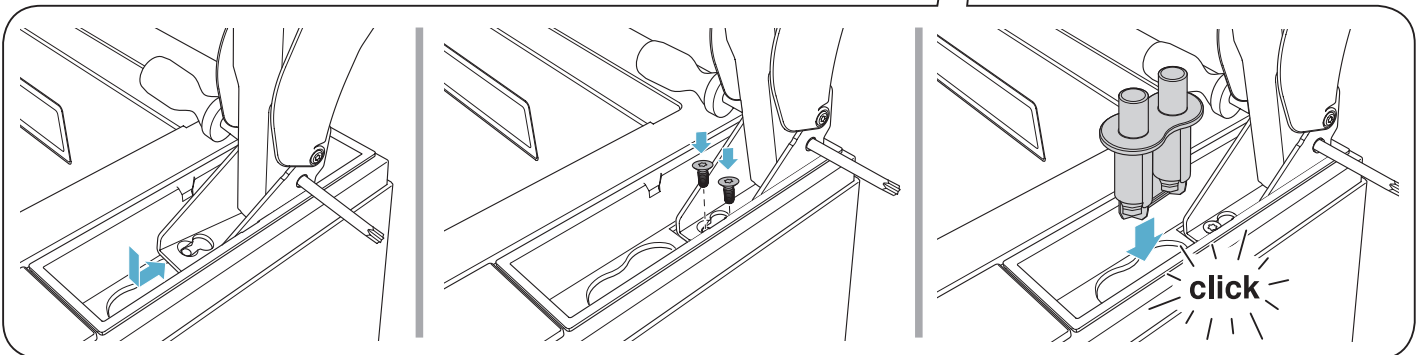
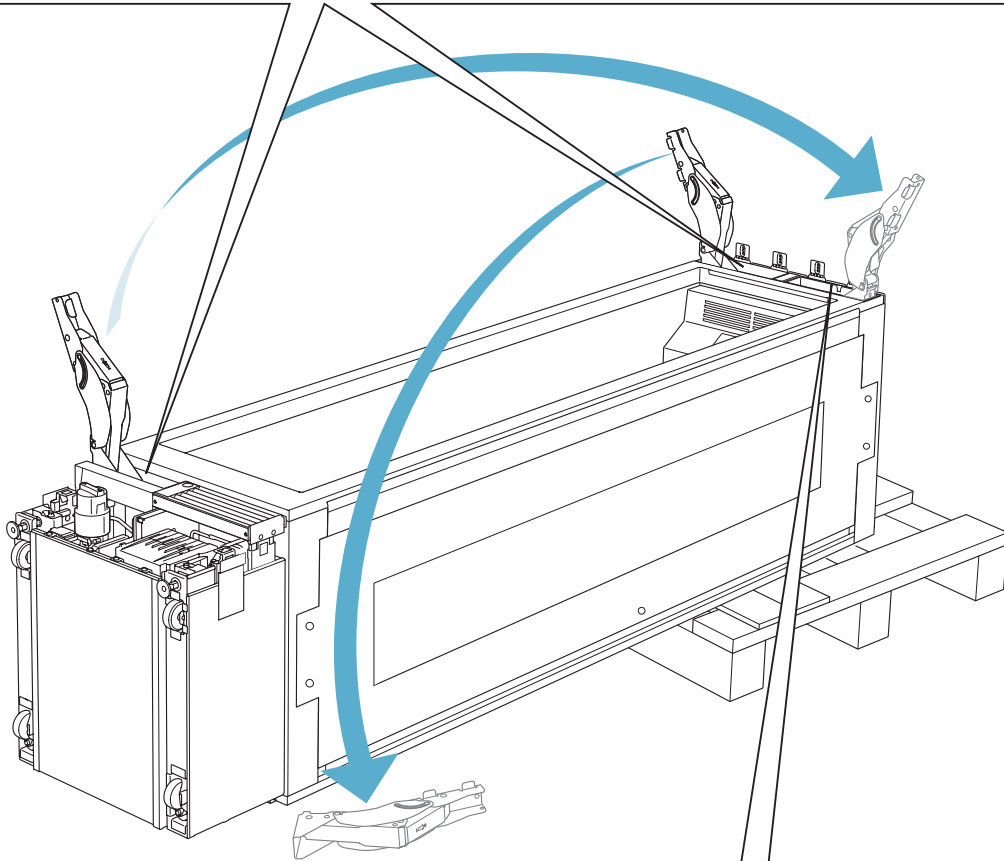
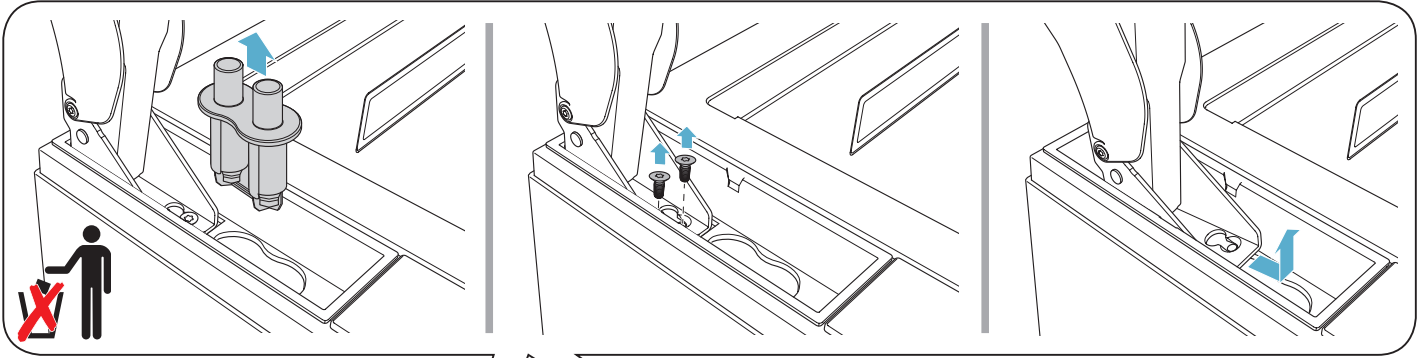
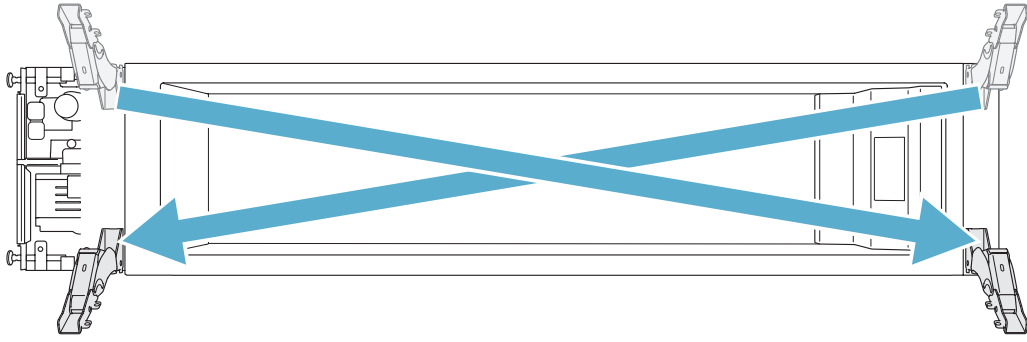
C D

B D

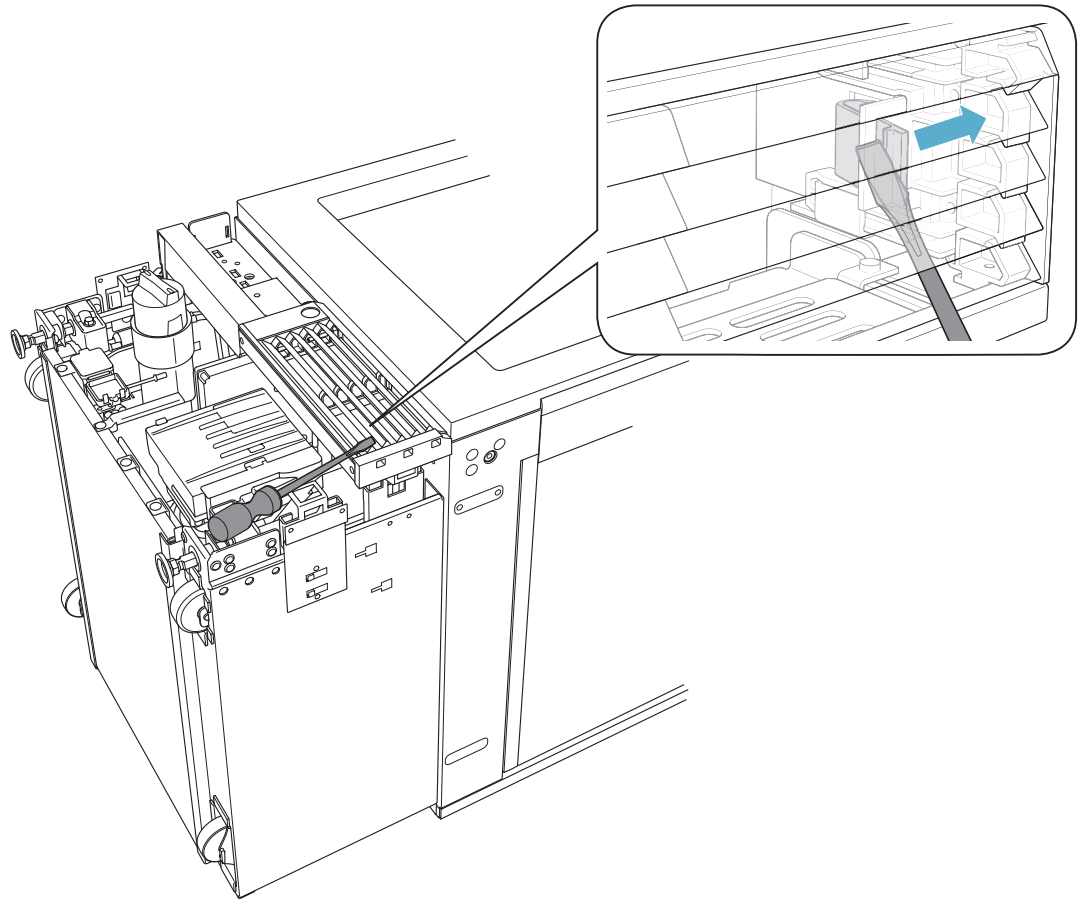
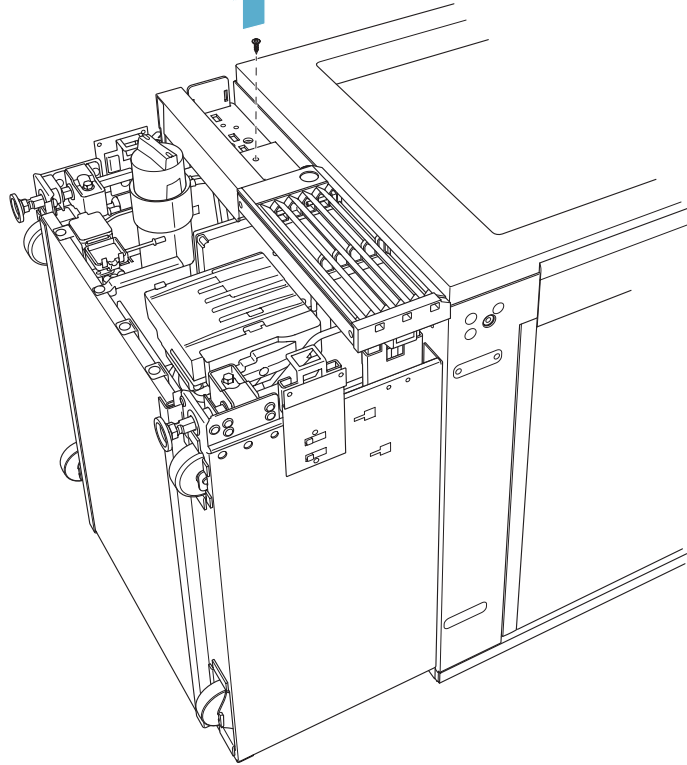
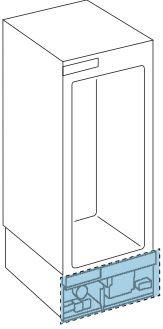


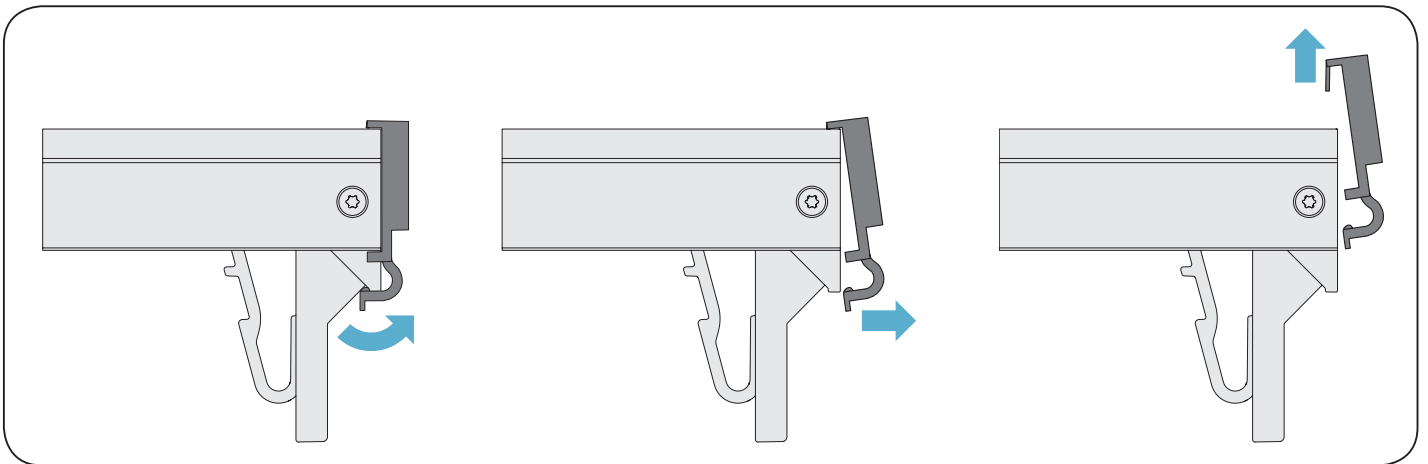
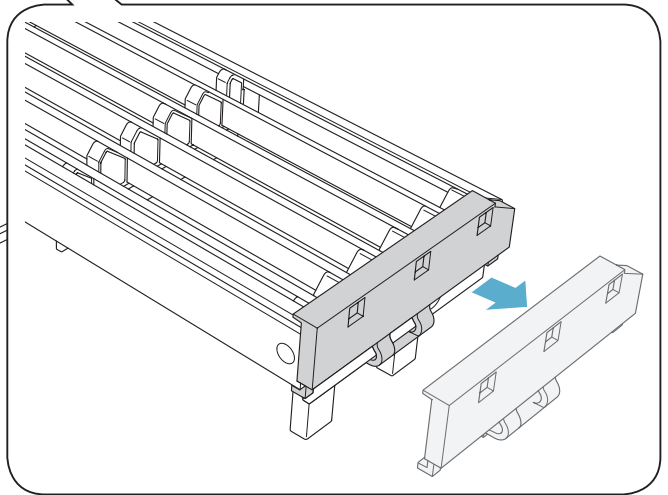
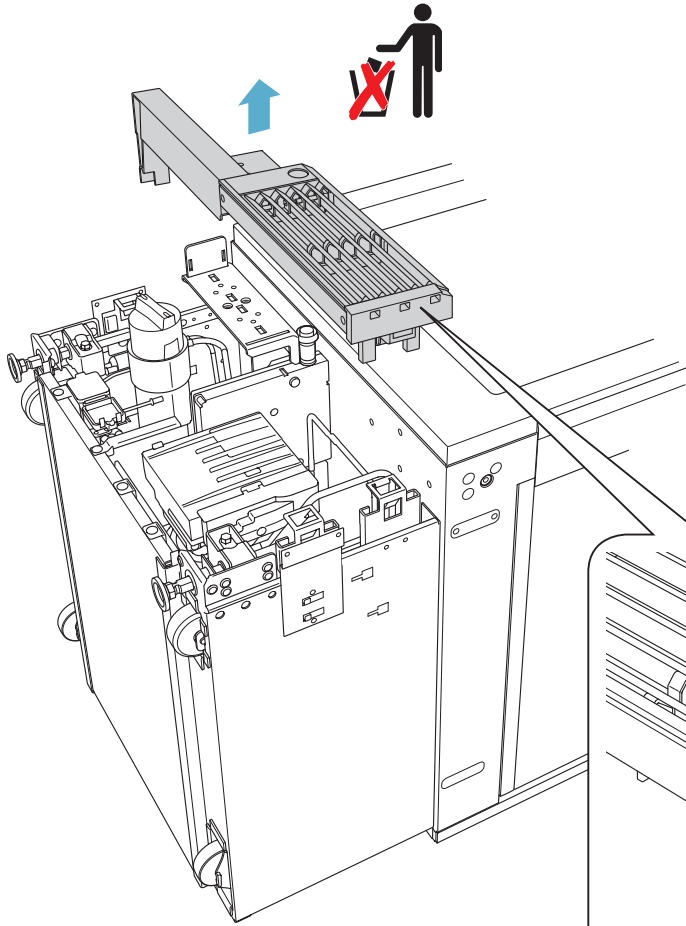
- A
- B
- C
- D





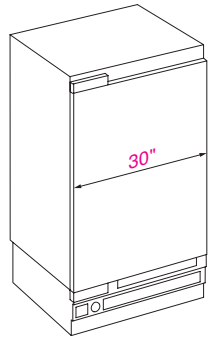
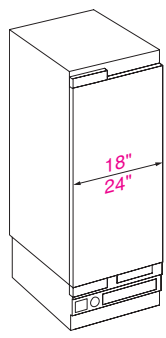
- A
- B
- C
- D



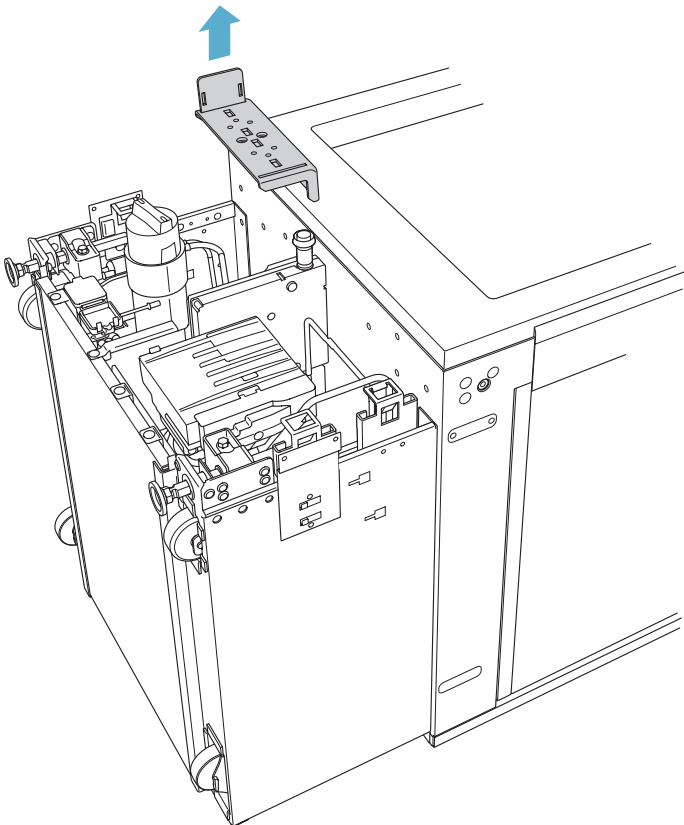
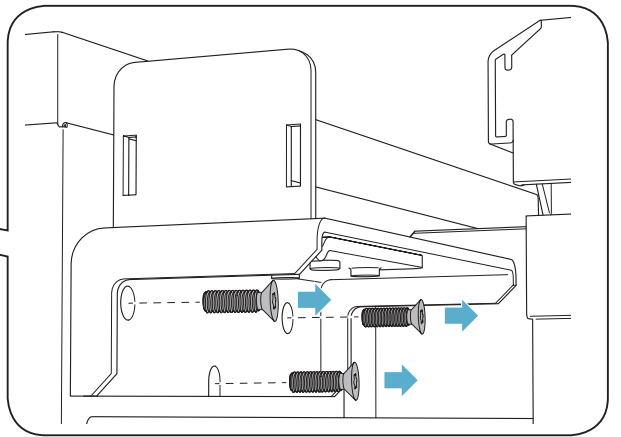
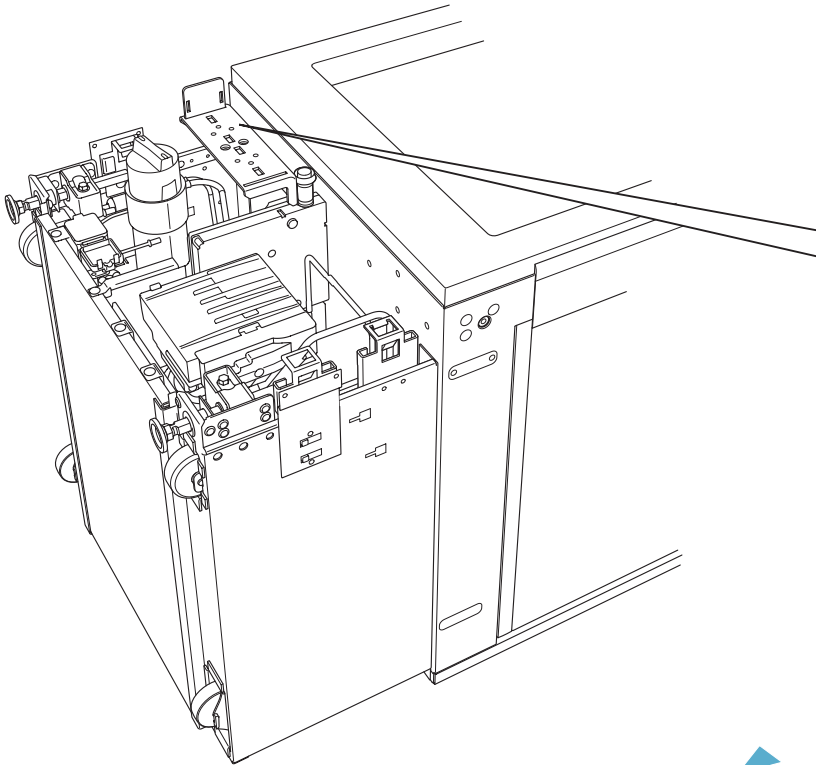


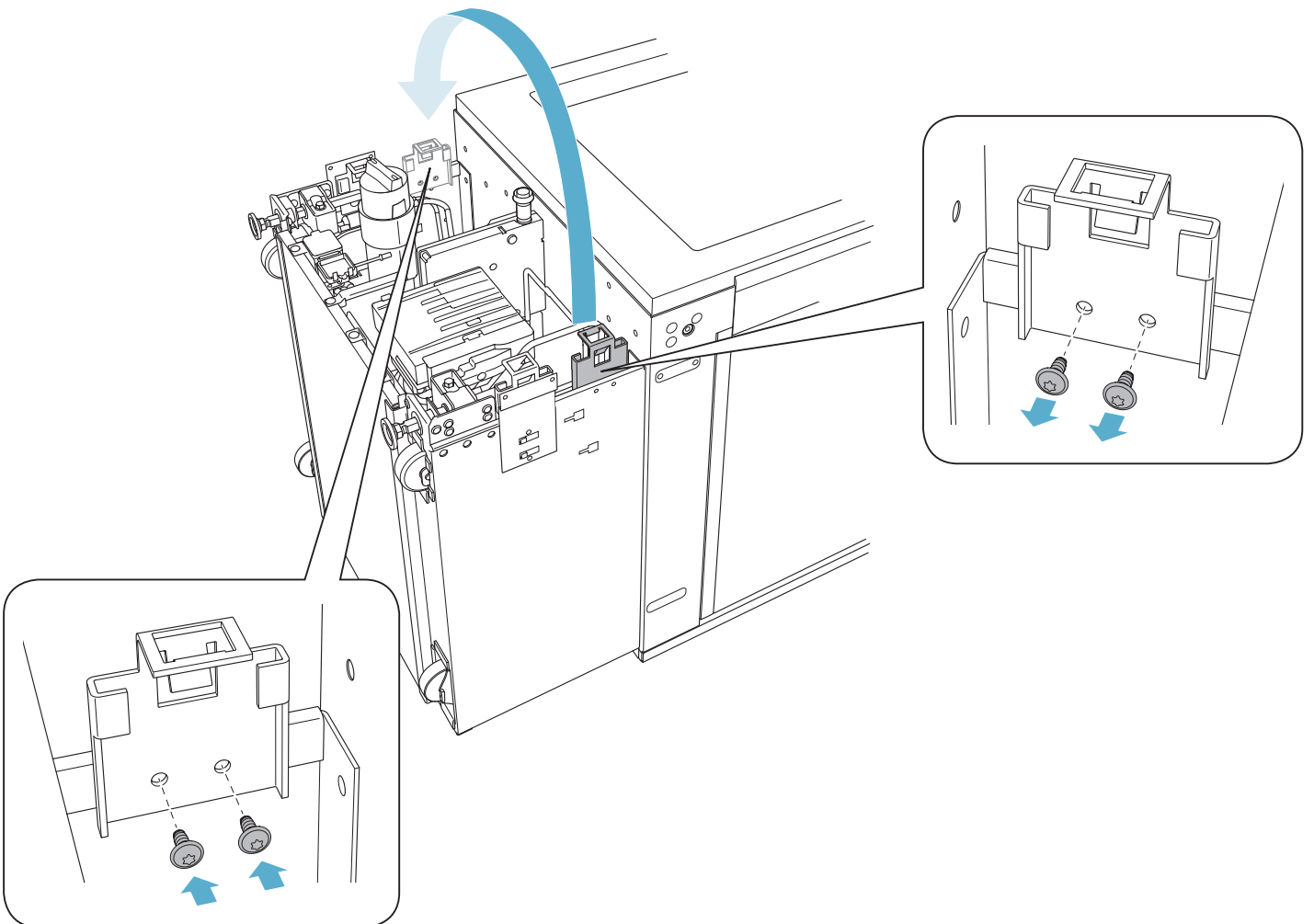
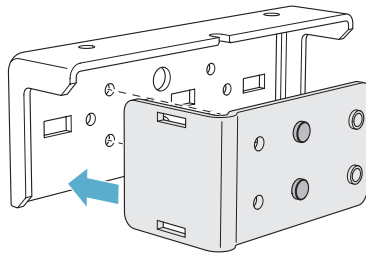
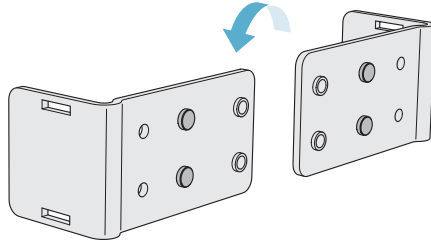
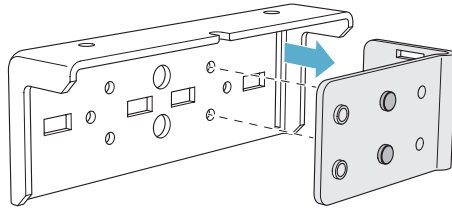
A
B
C
D

26

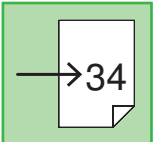
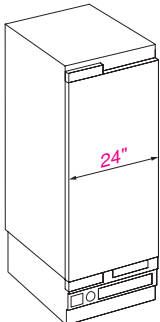
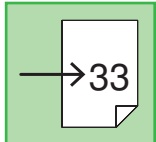
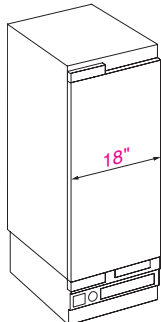
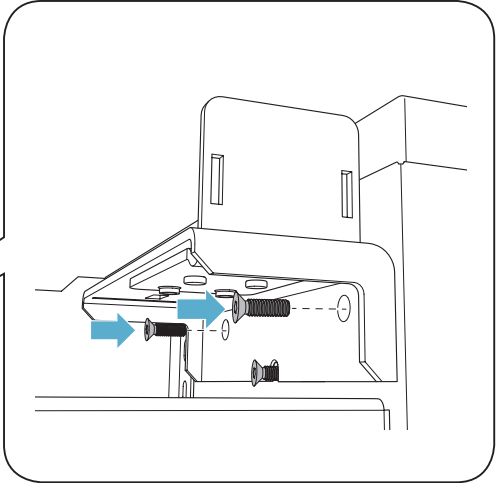
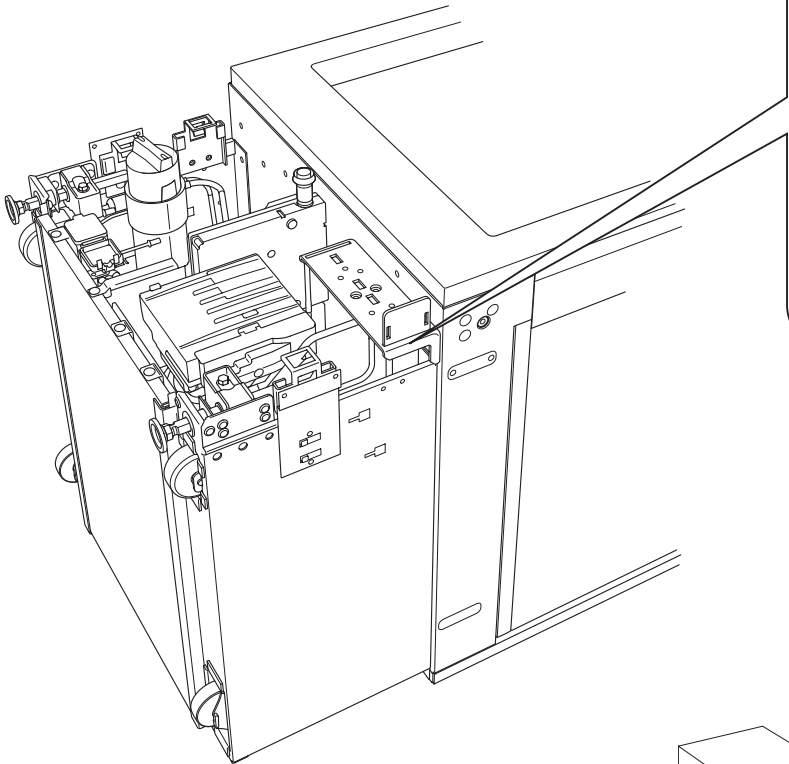
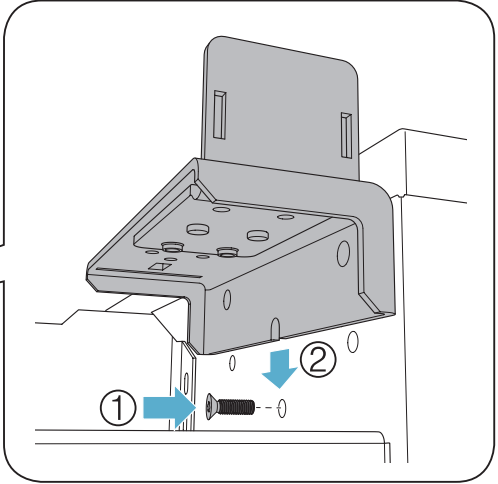
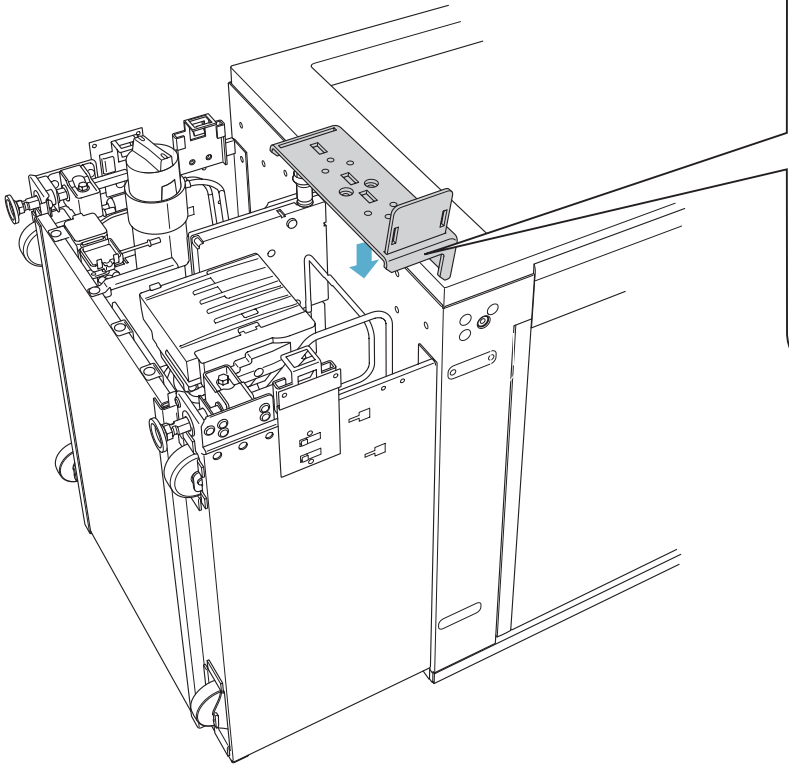


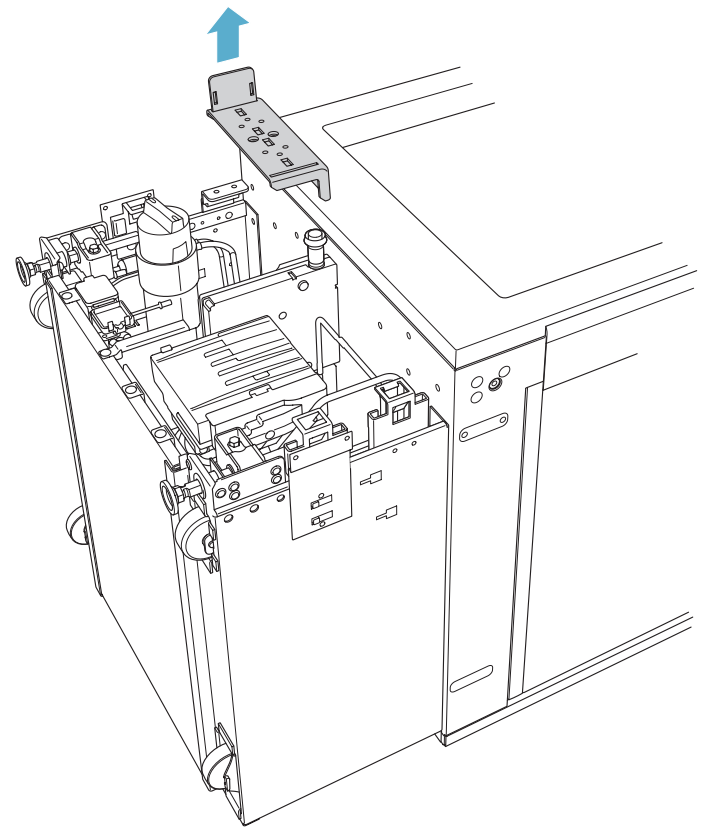
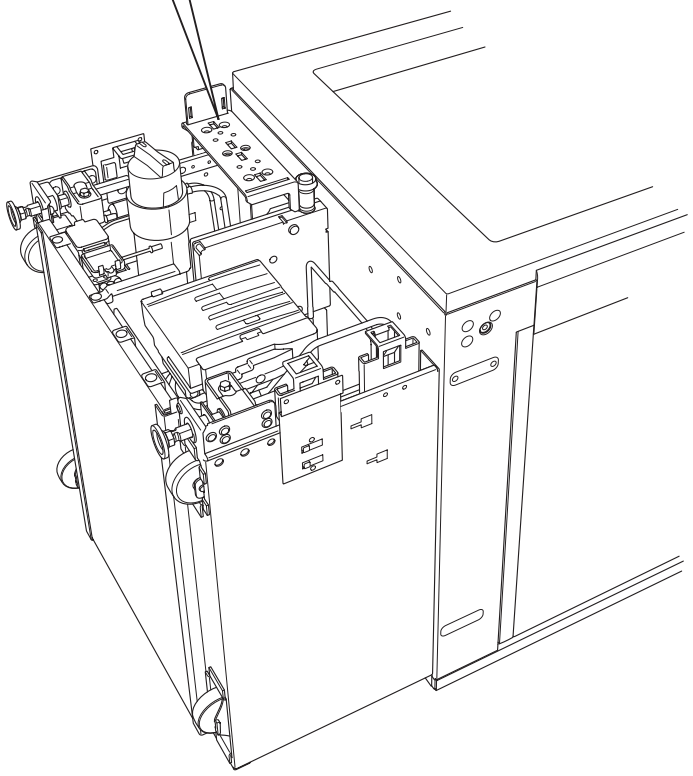
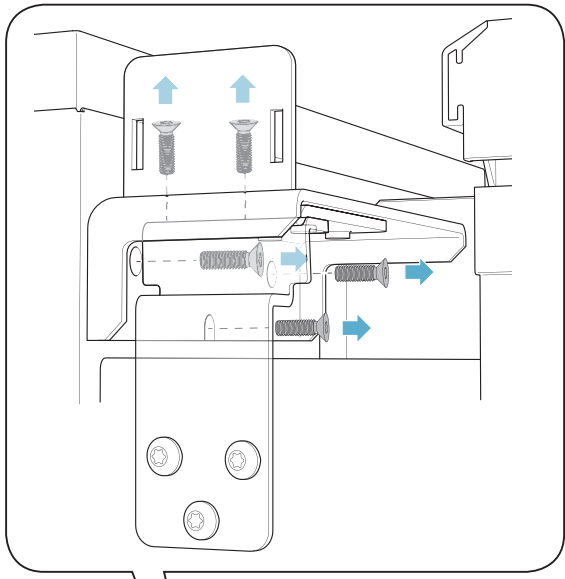
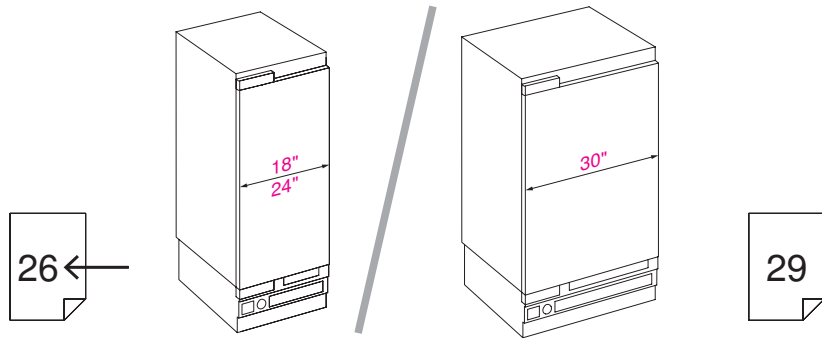
→ 29



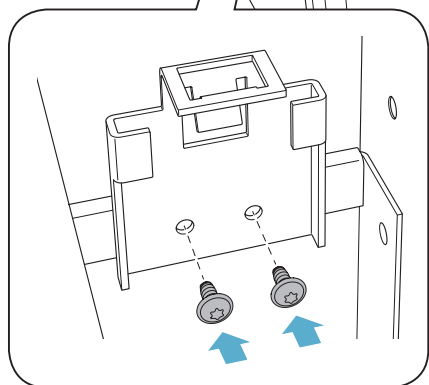
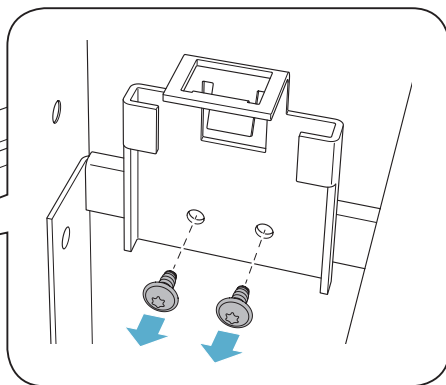
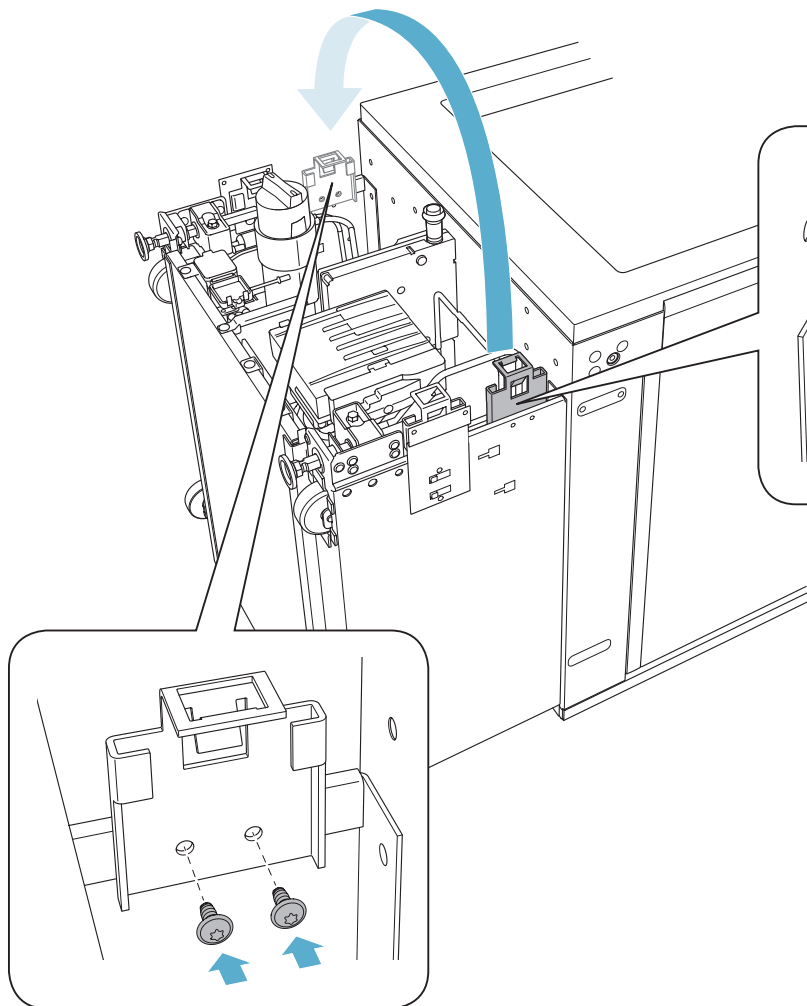
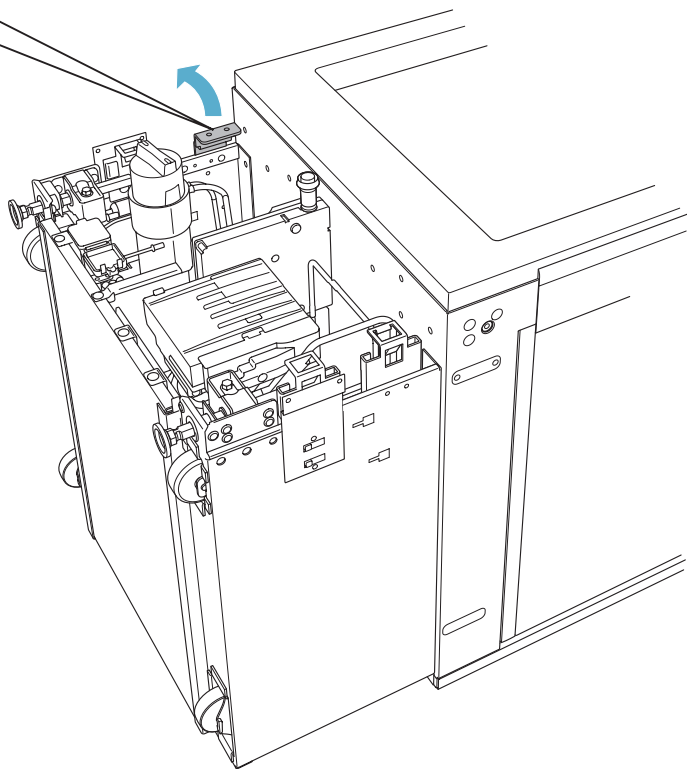
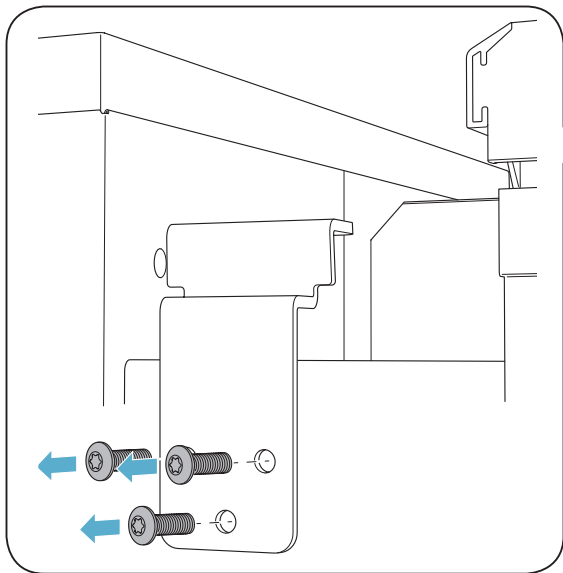


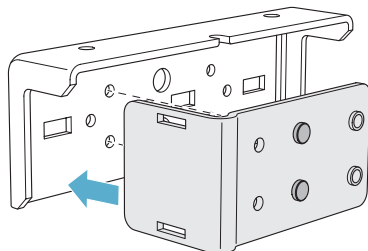
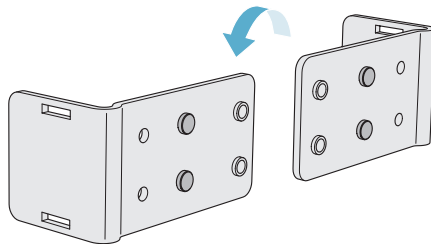
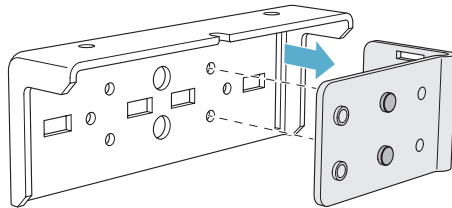
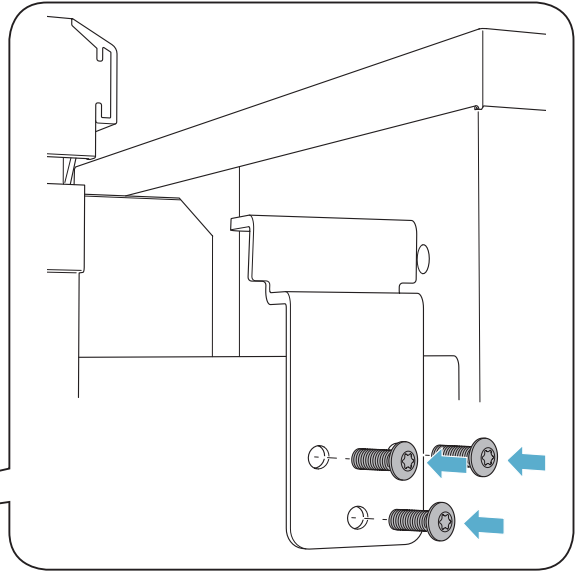
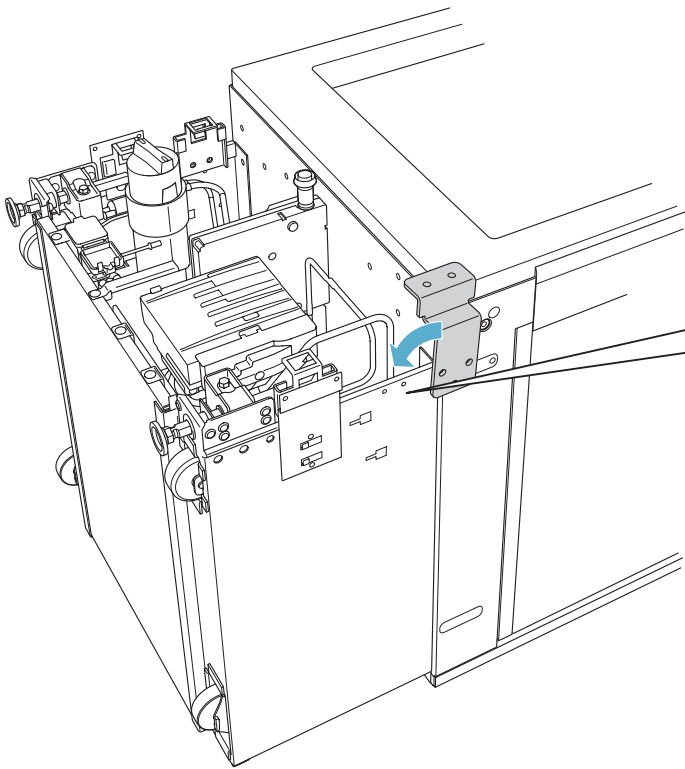
A
B
C
D



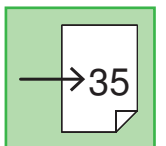
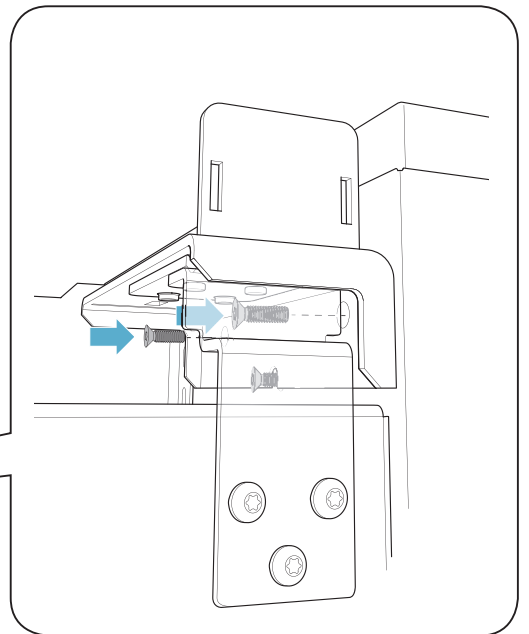
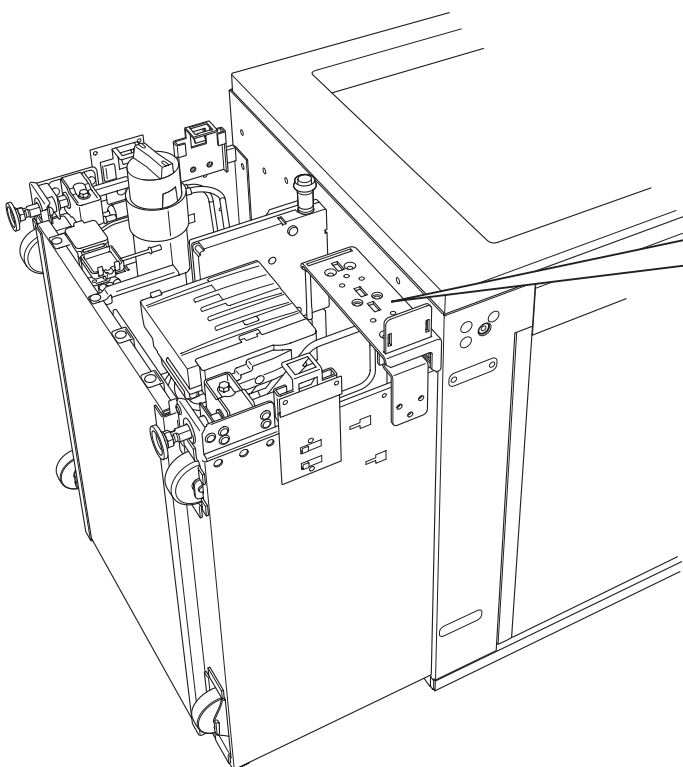
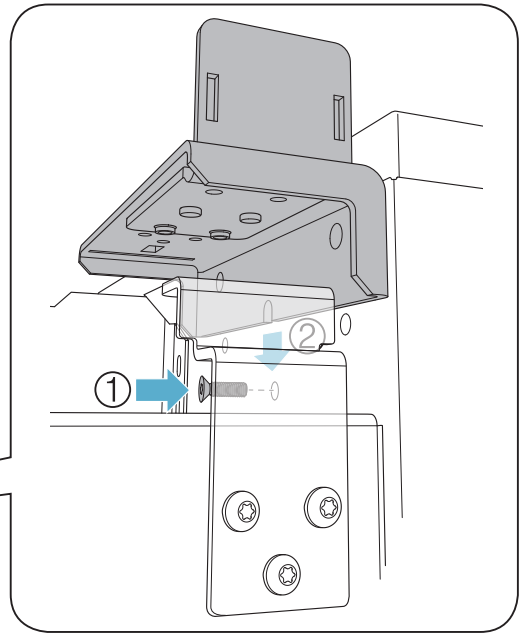
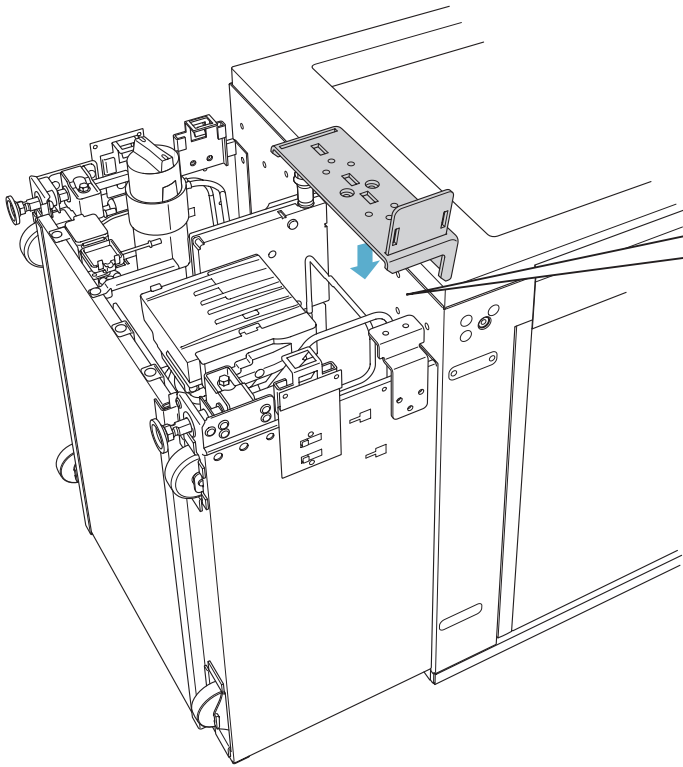


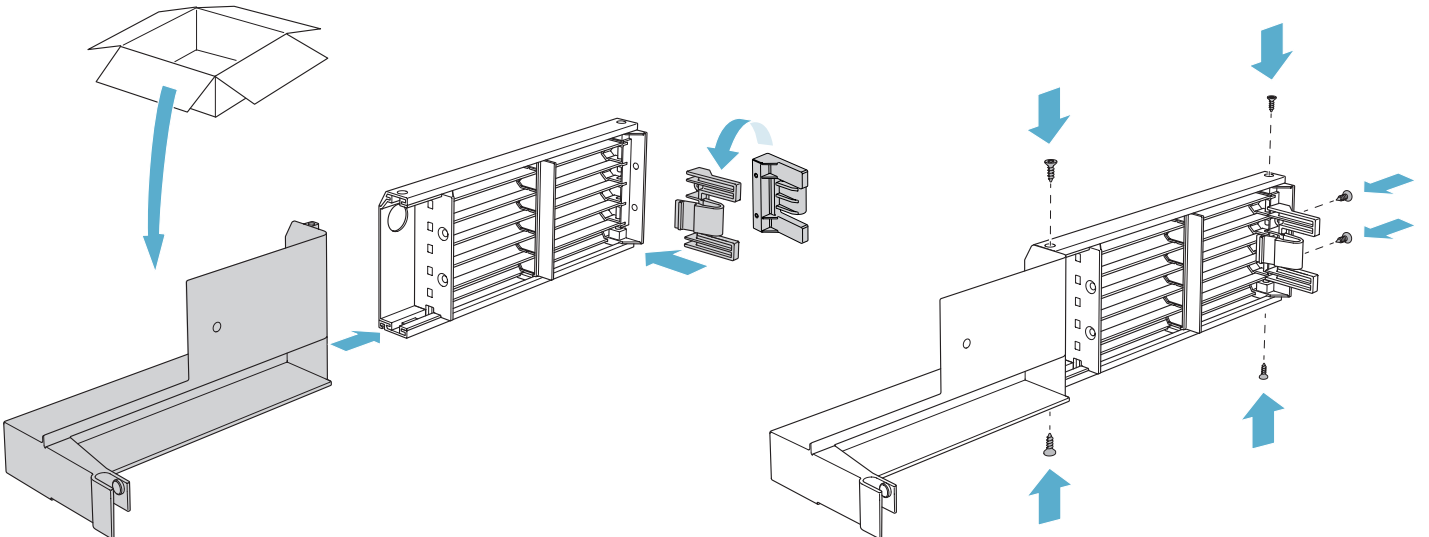
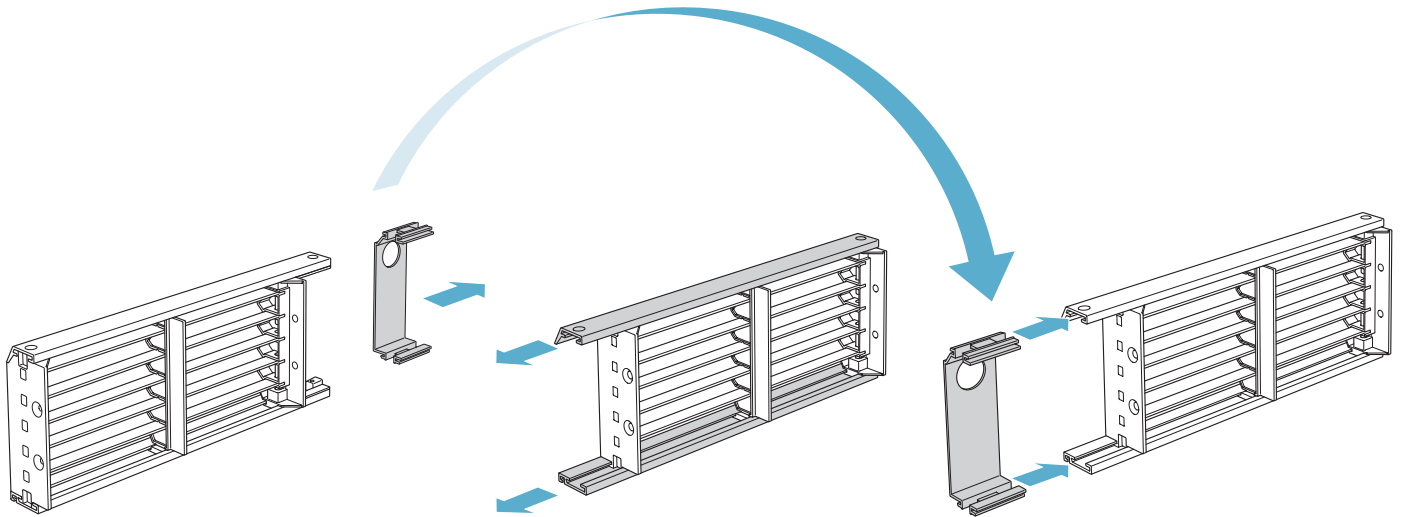
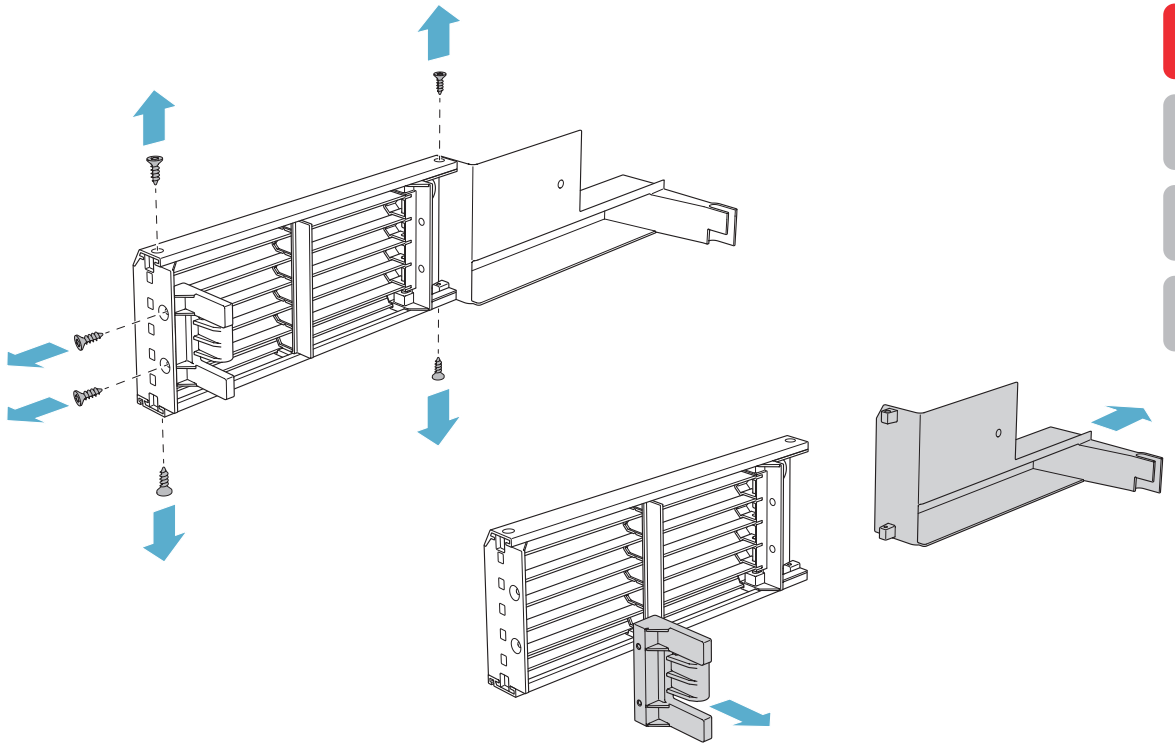
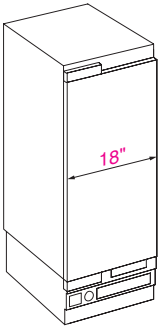
A
B
C
D



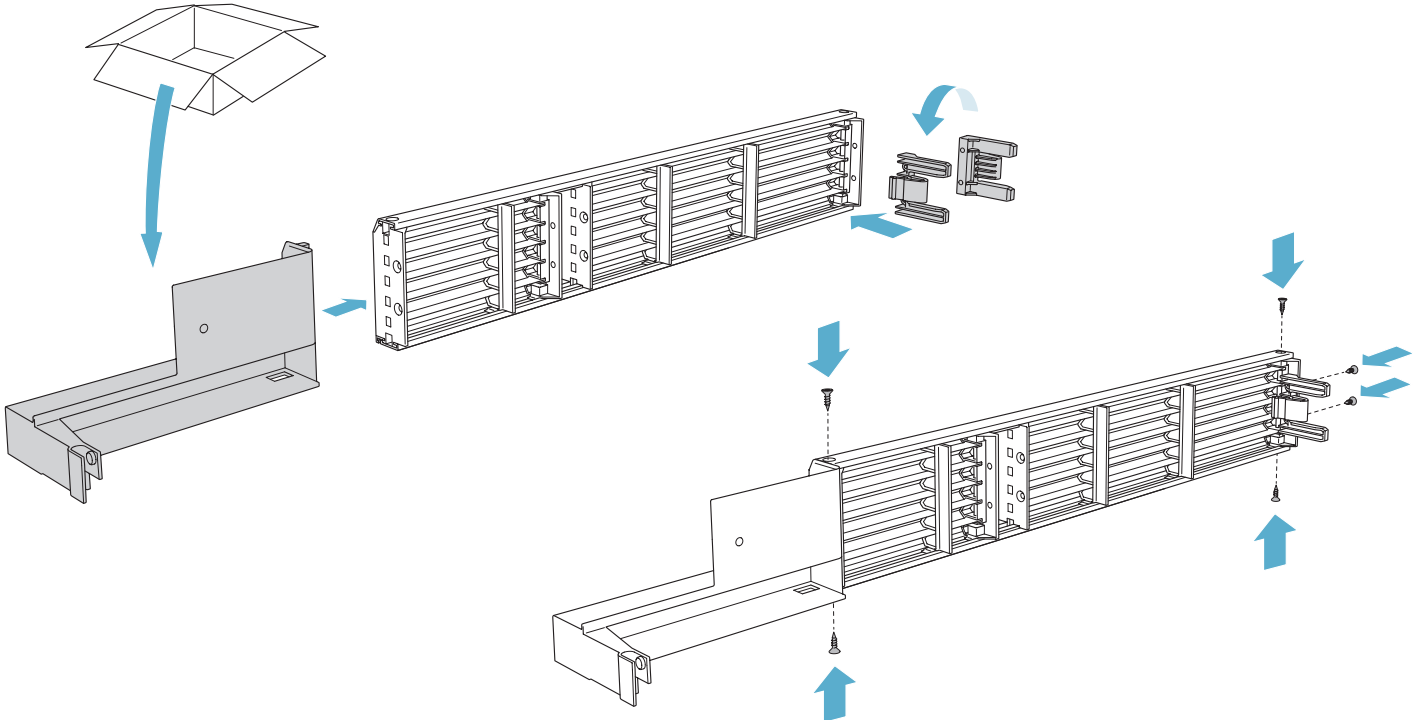
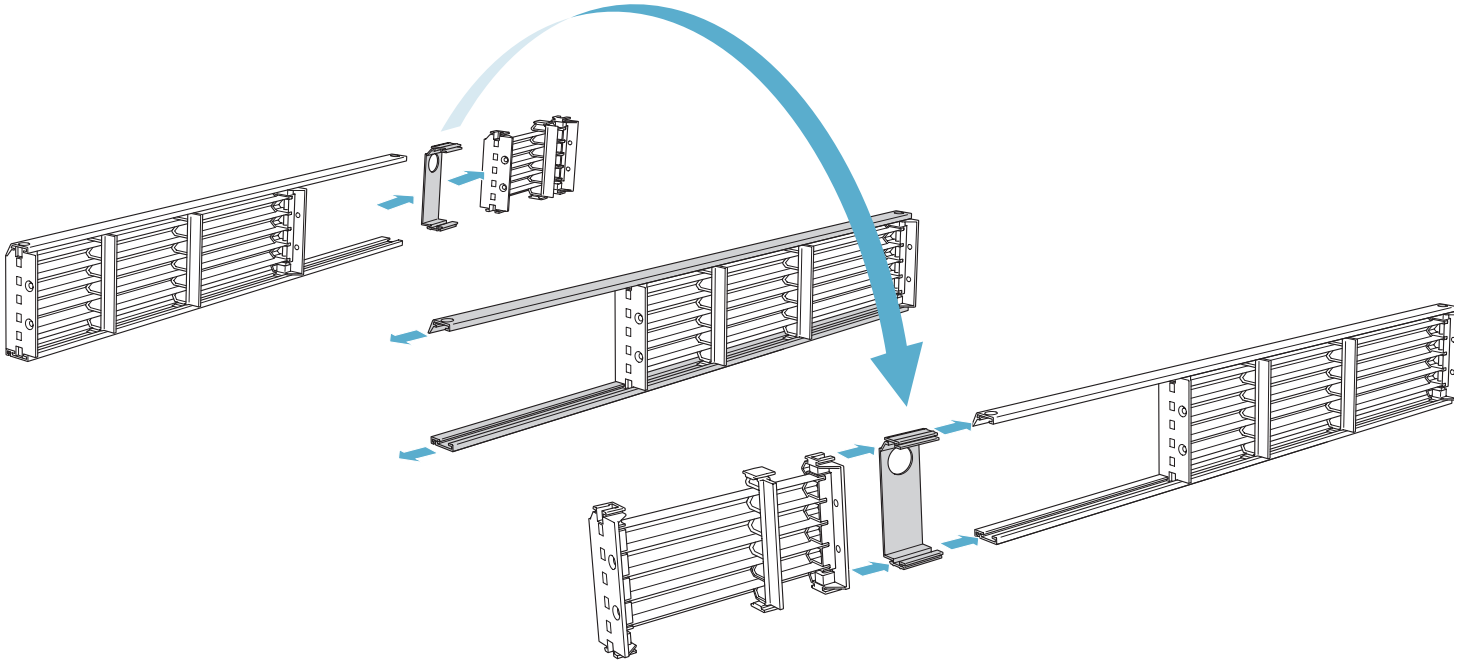
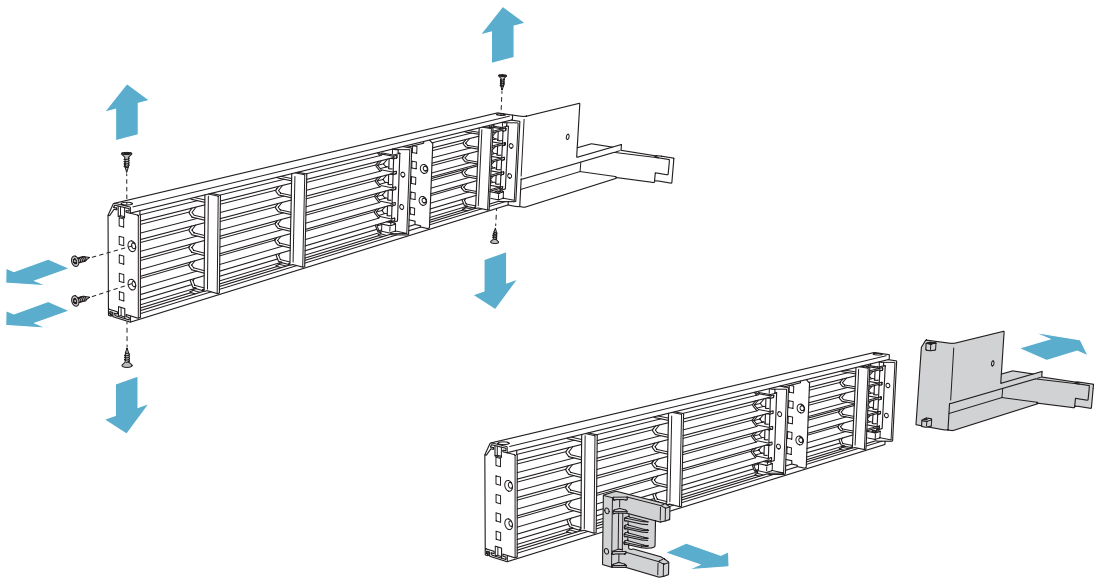
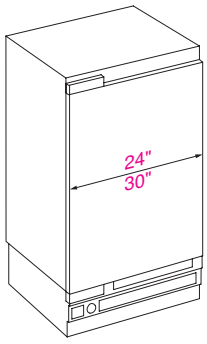


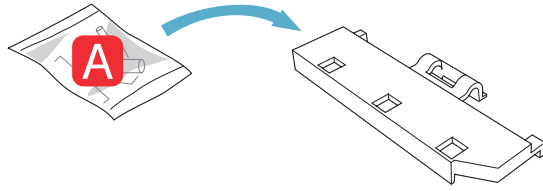
- A
- B
- C
- D



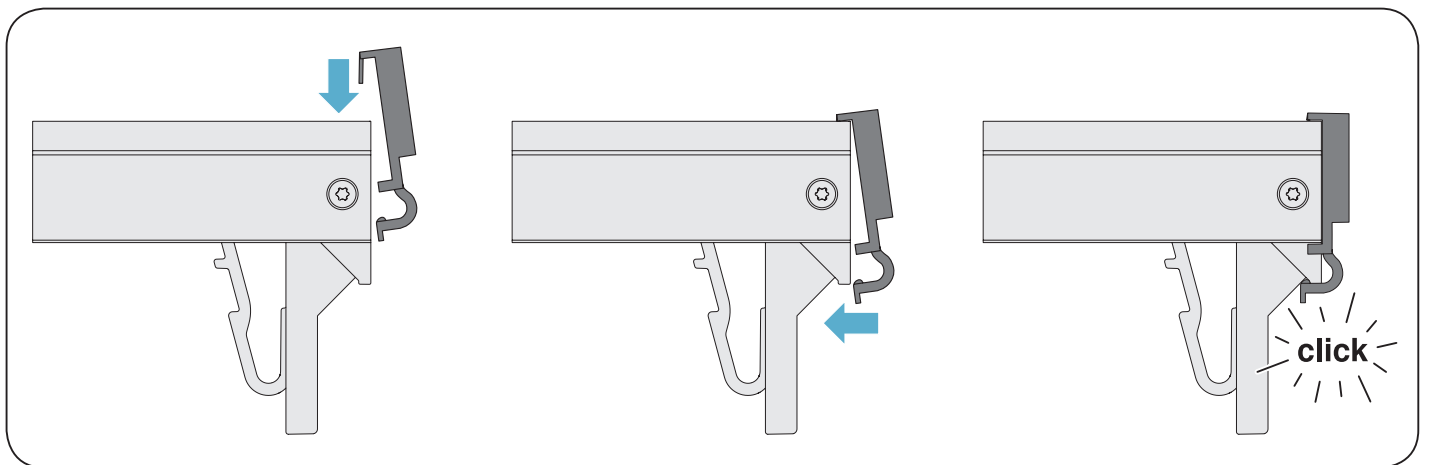
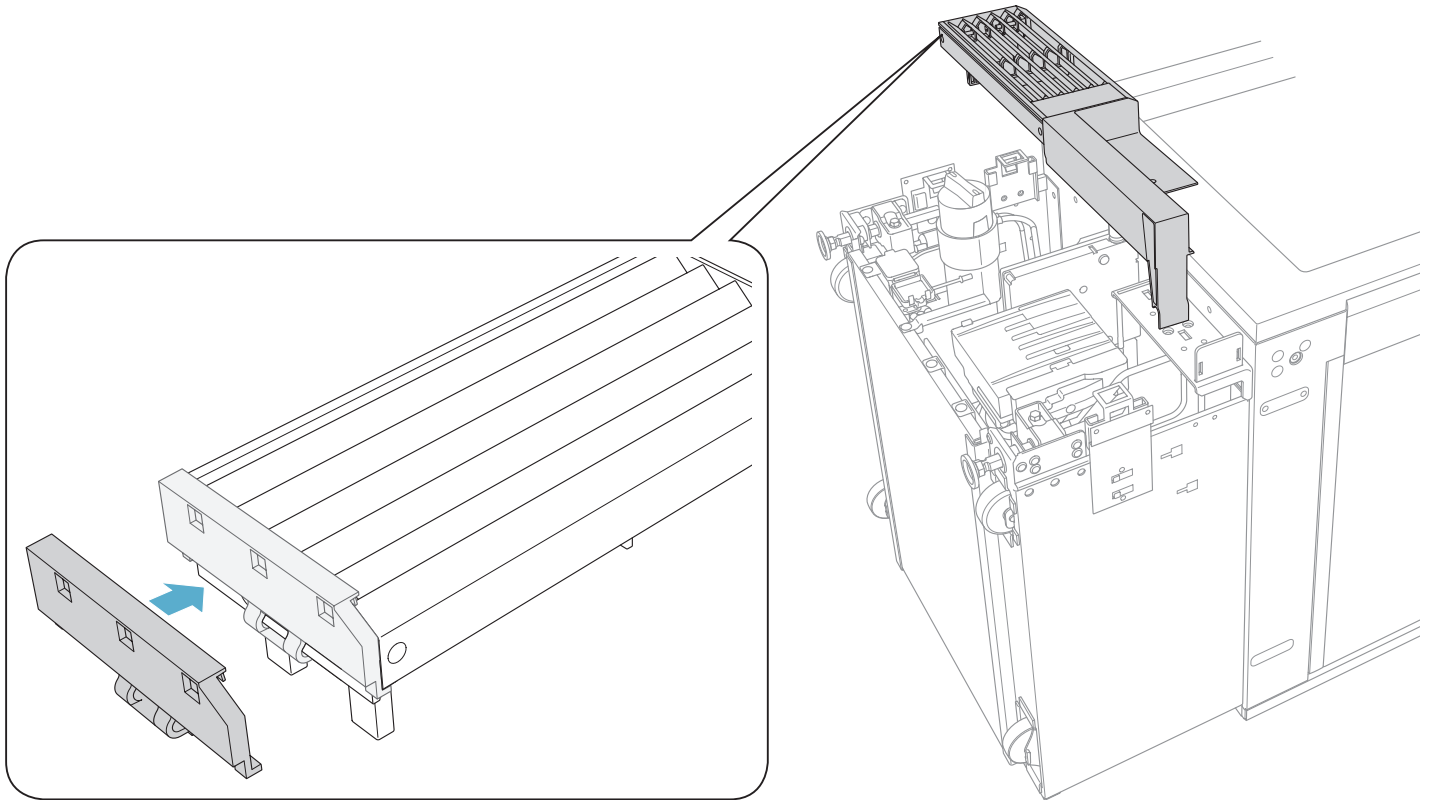


A
B
C
D

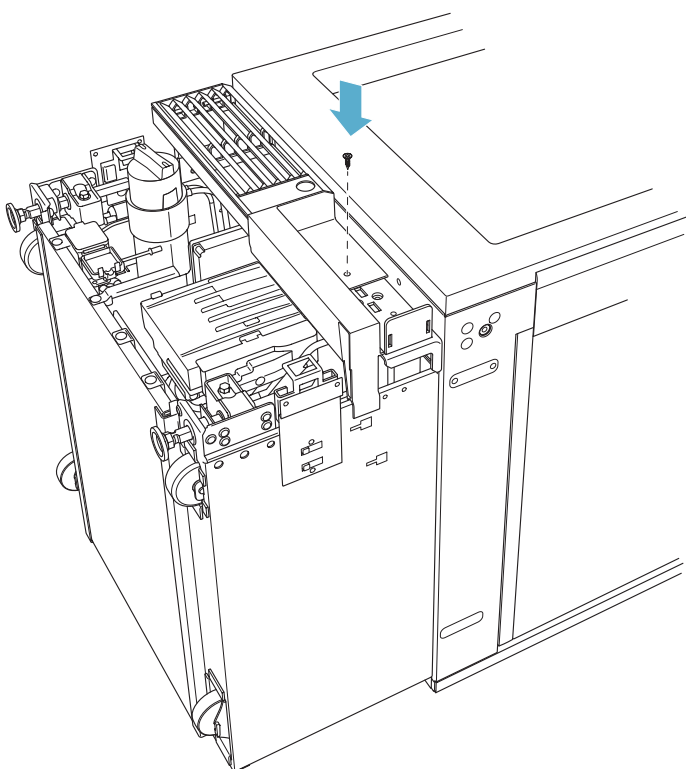
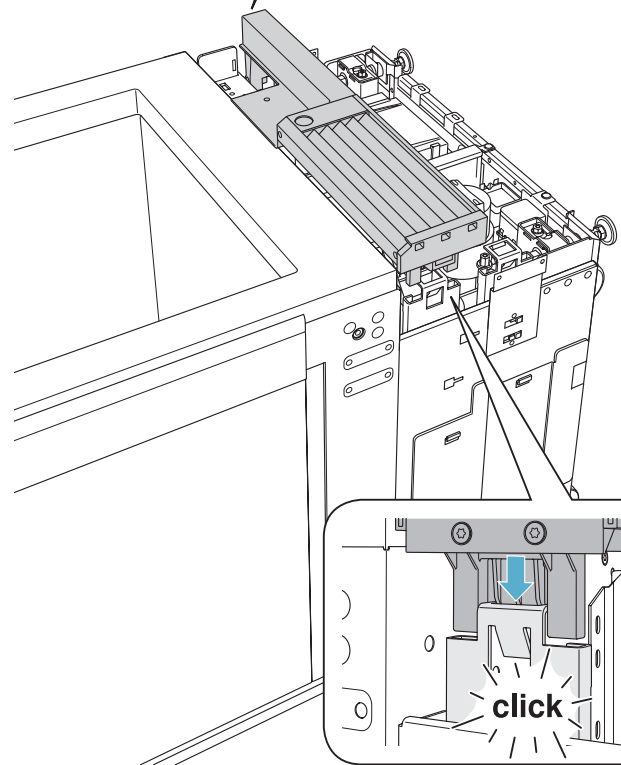
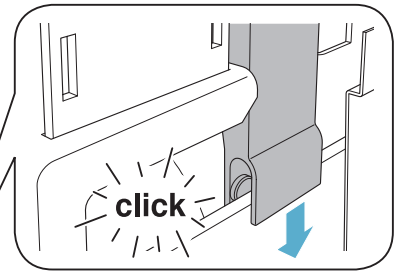
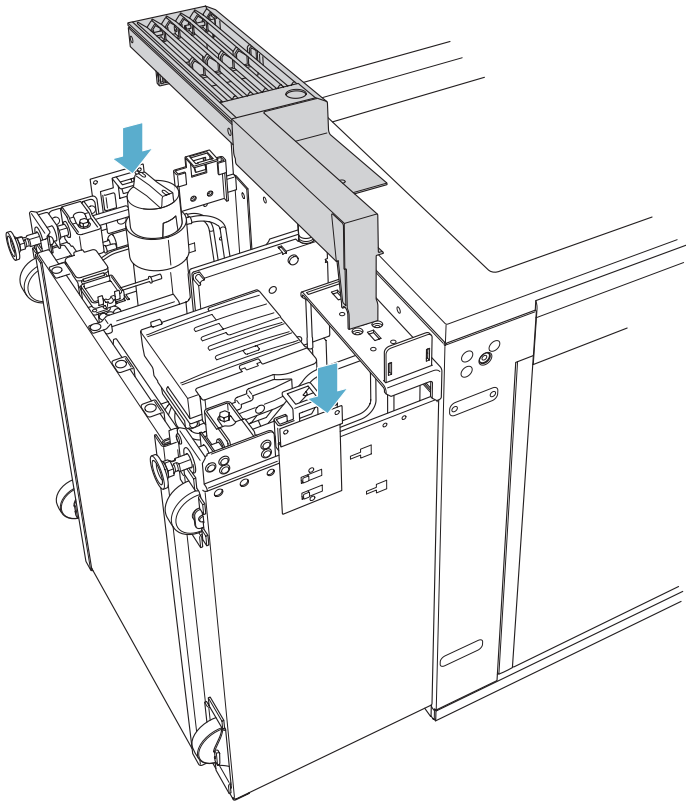


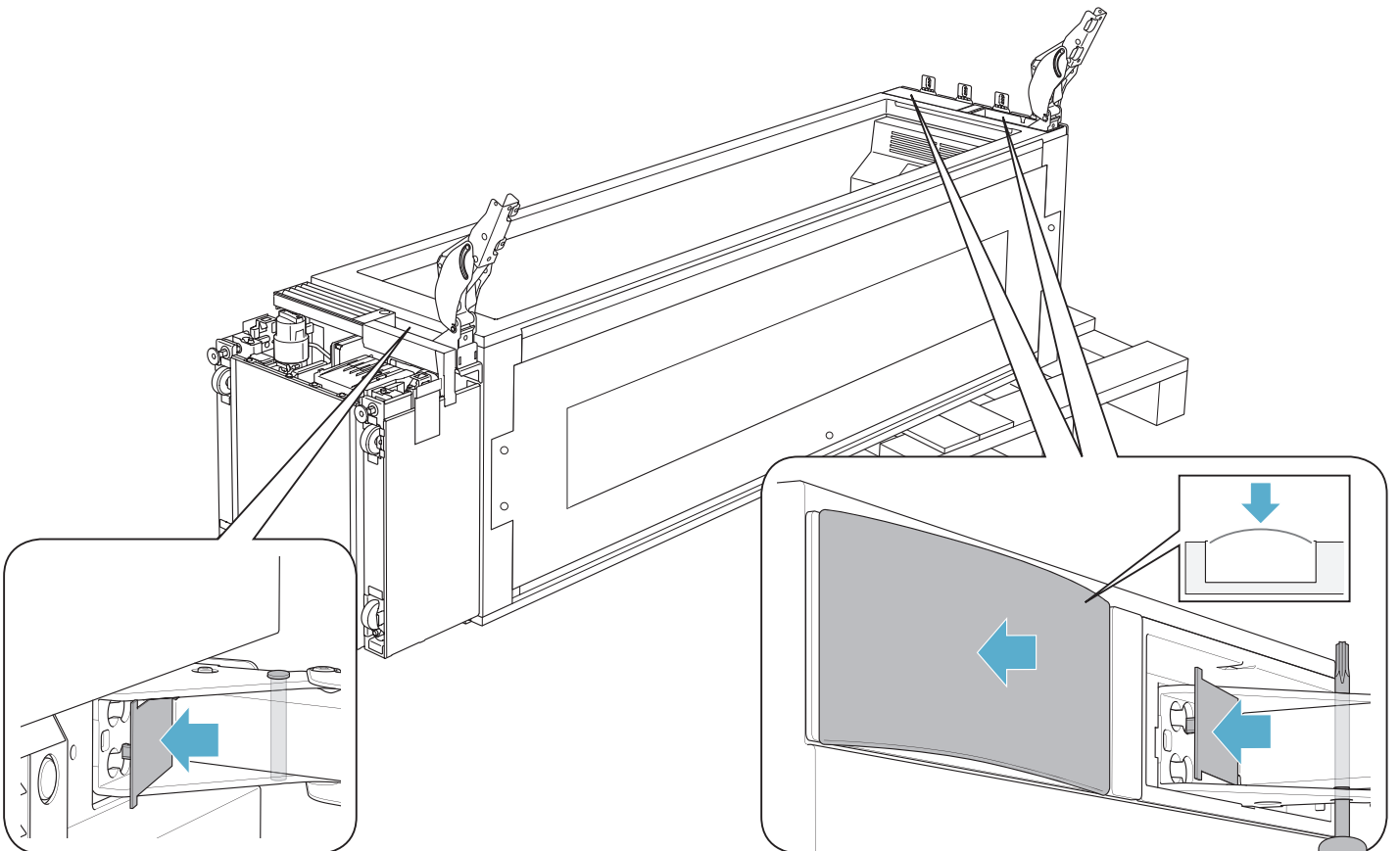
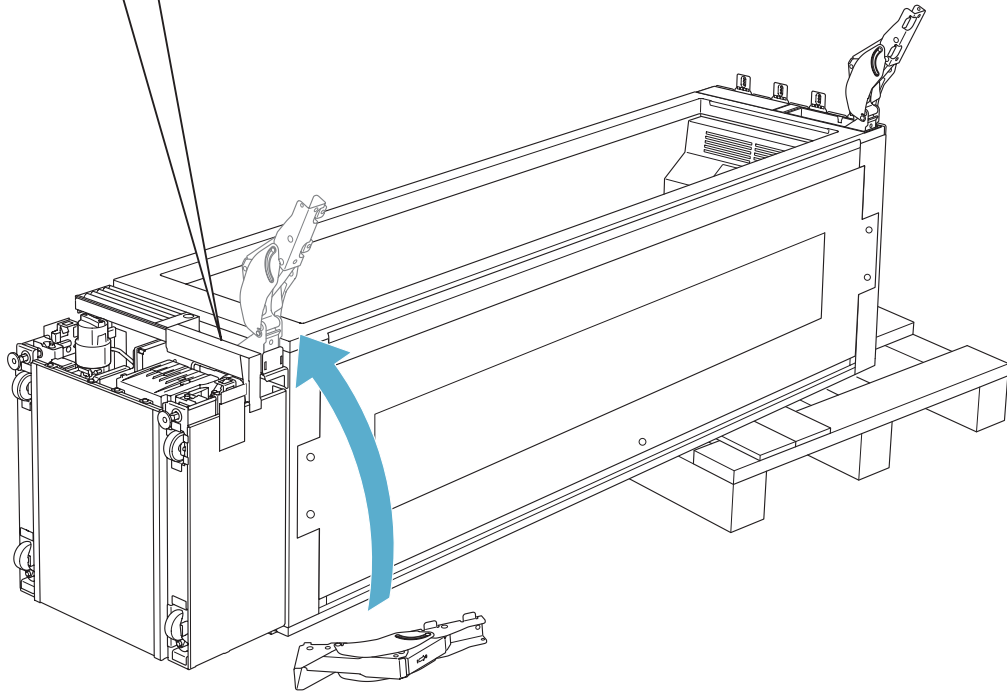
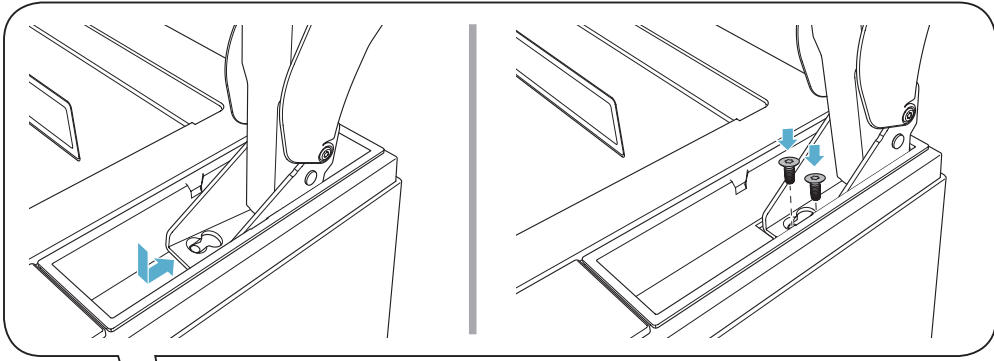


- A
- B
- C
- D

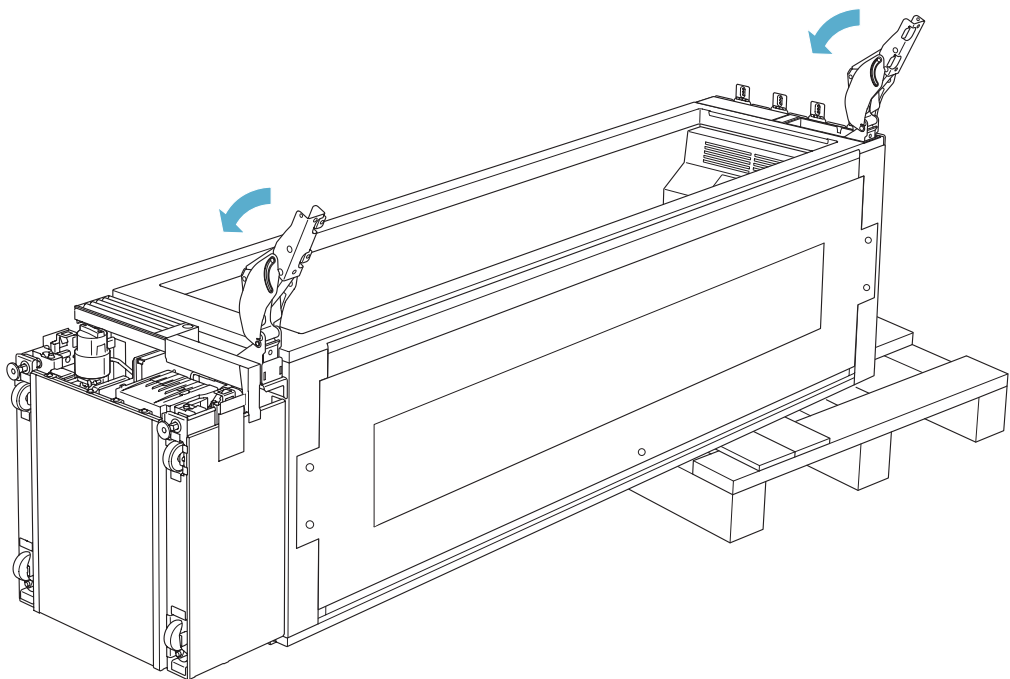
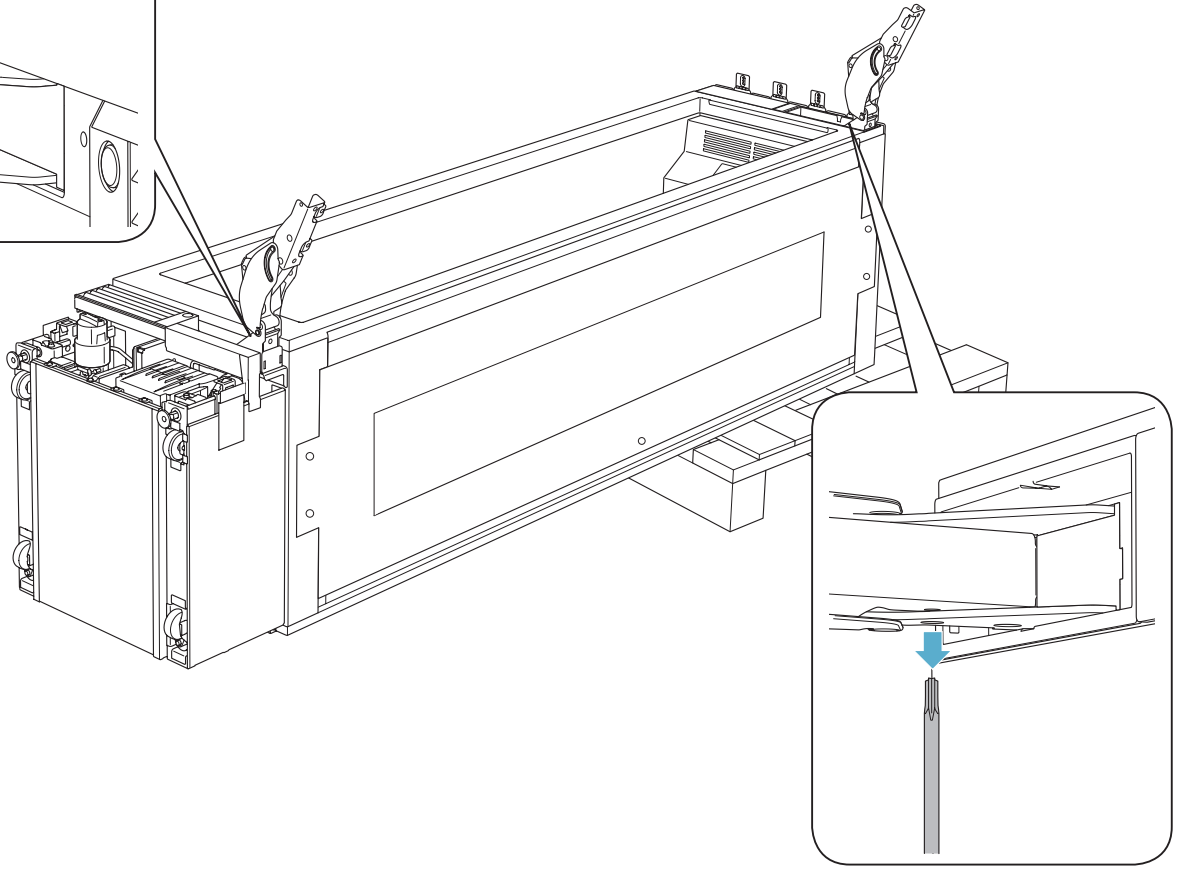
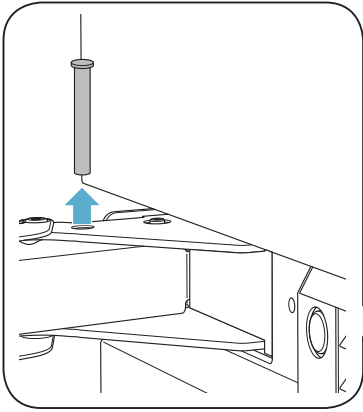


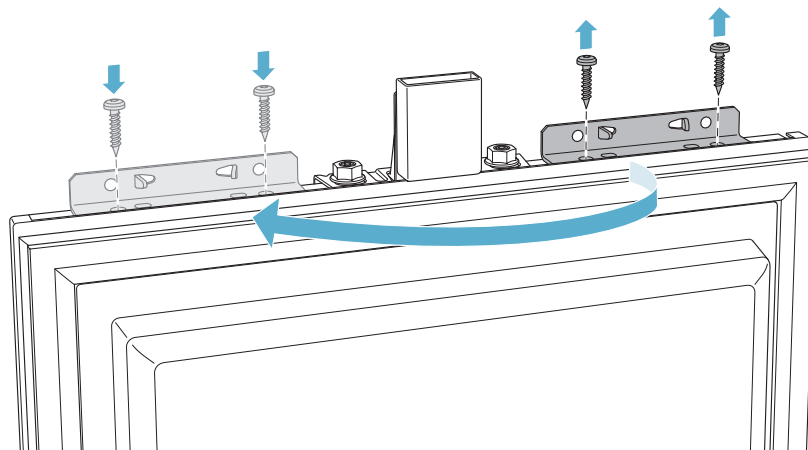
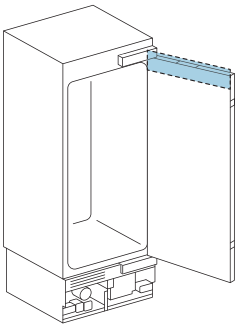
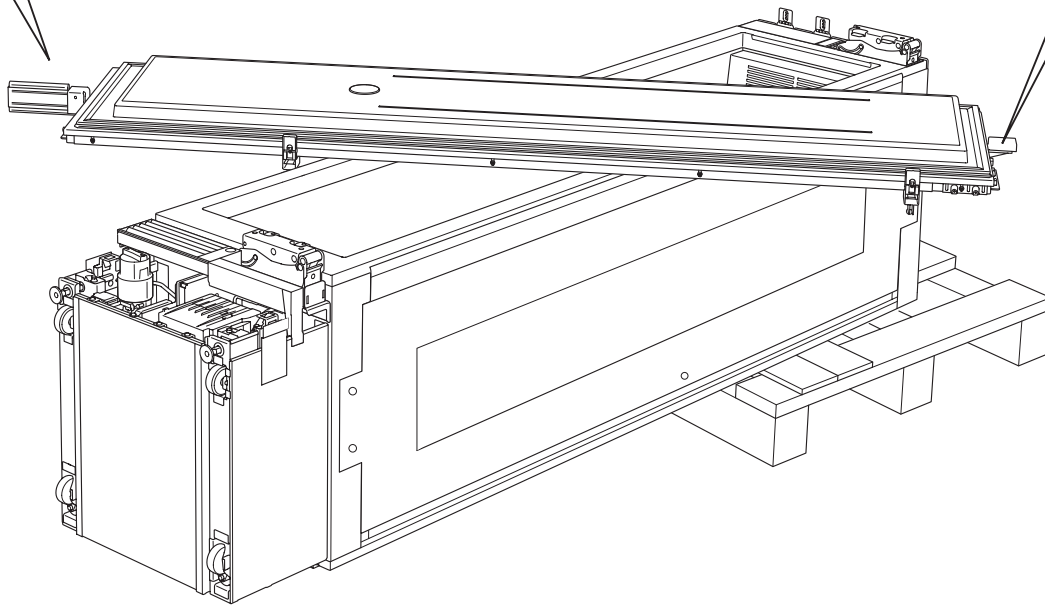
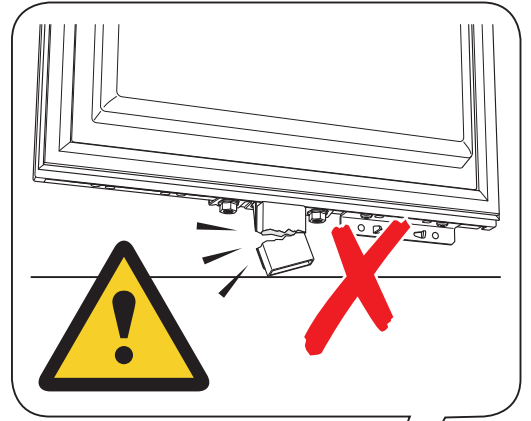
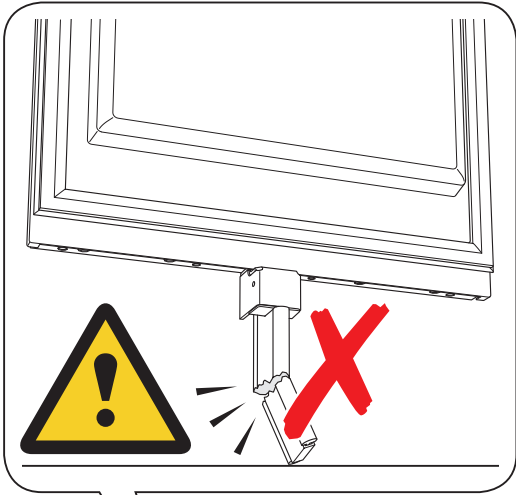
- A
- B
- C
- D



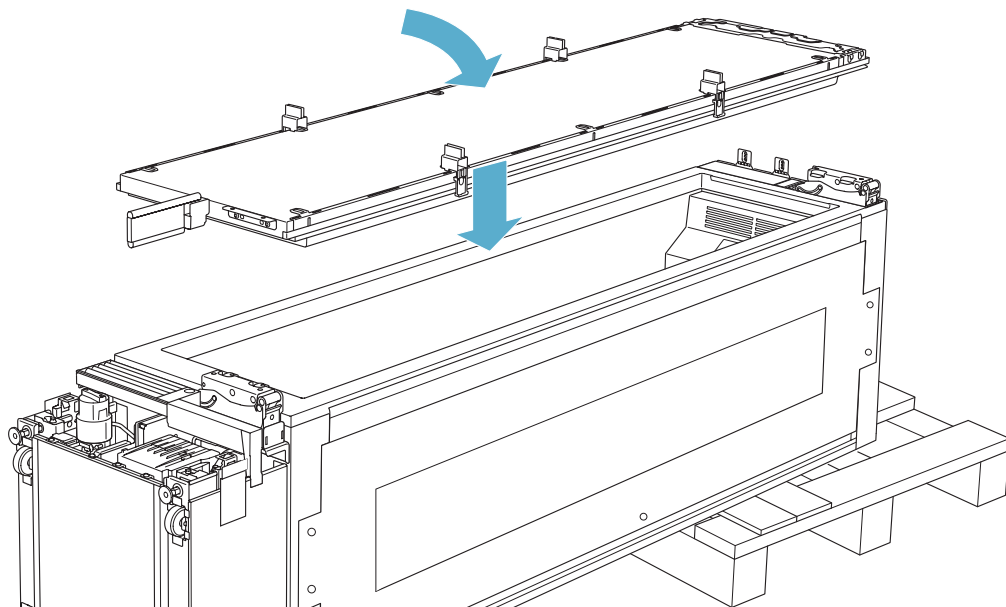
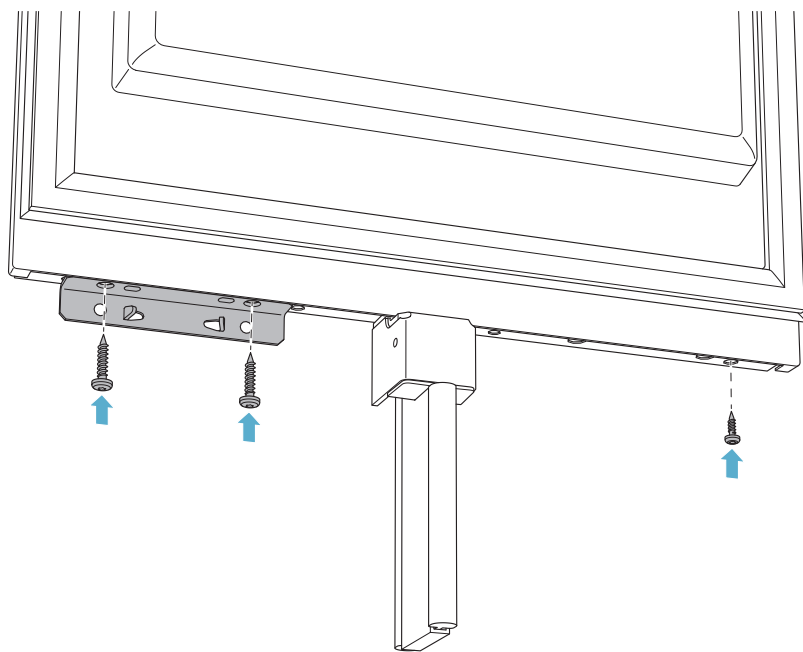
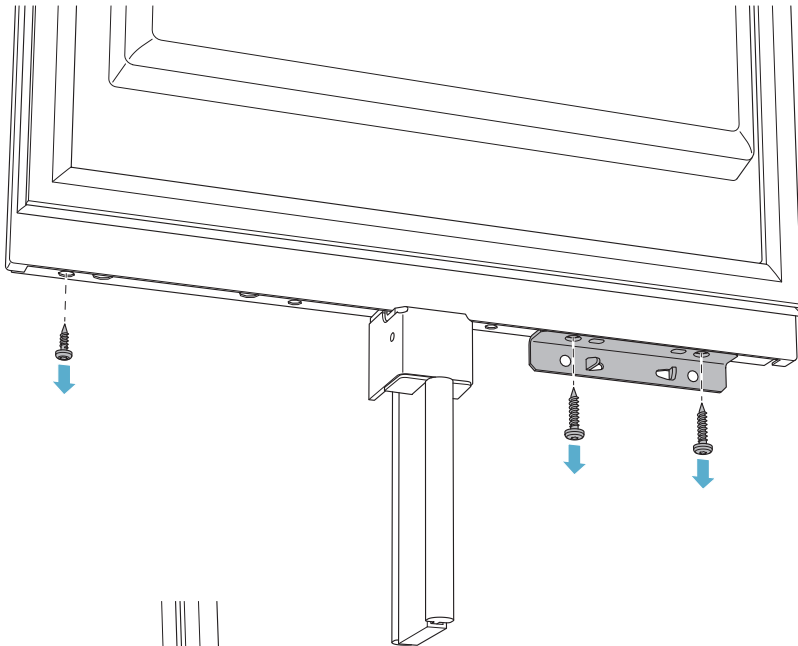
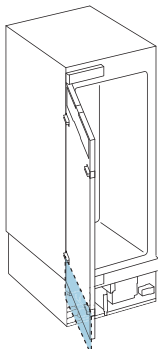


- A
- B
- C
- D



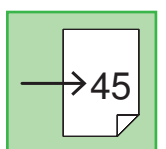
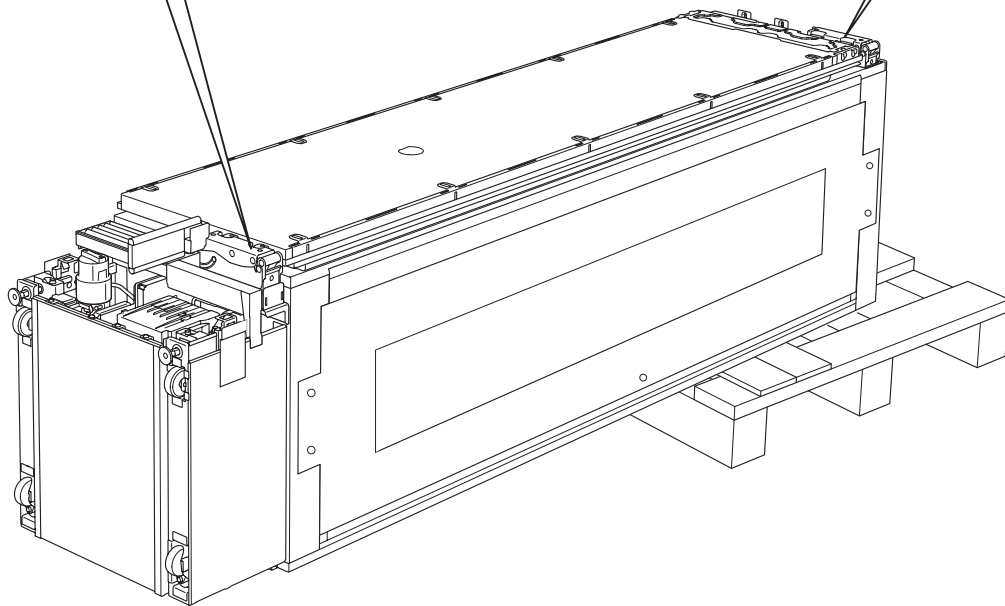
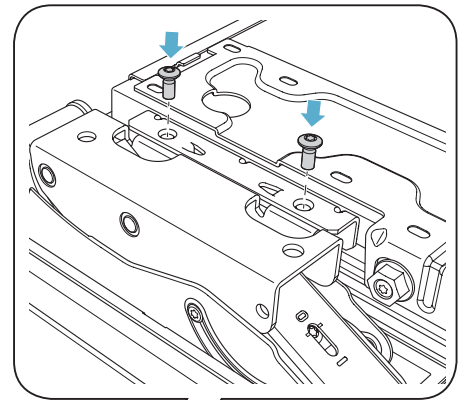
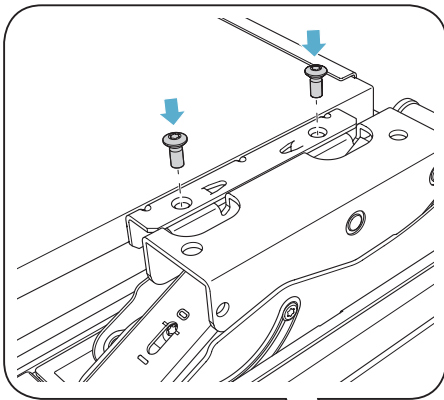


A
B
C
D



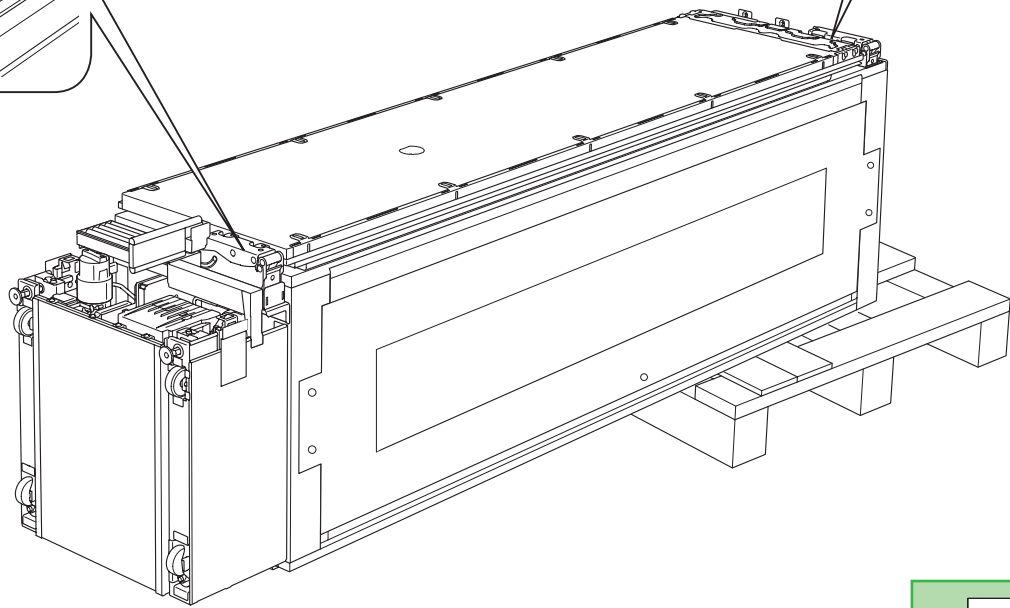
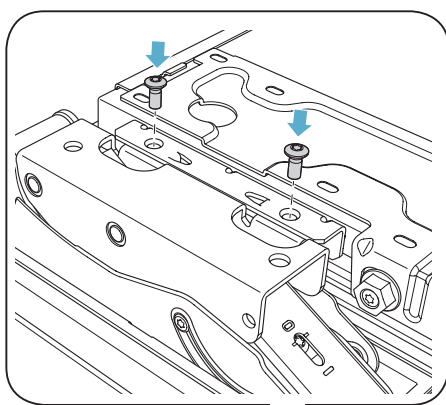
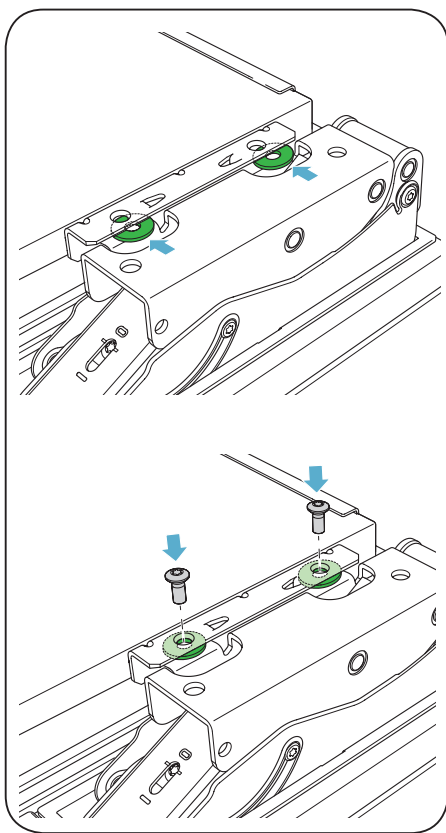
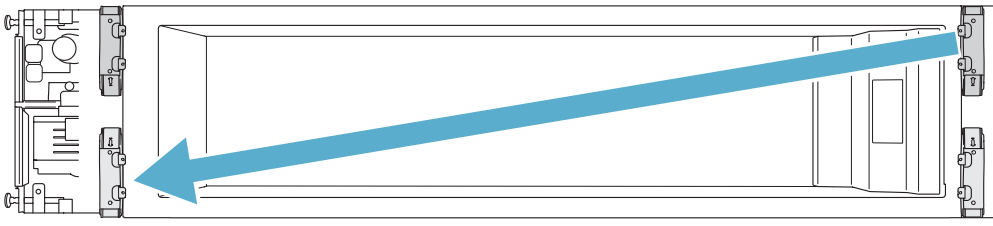
A

A
B
C
D

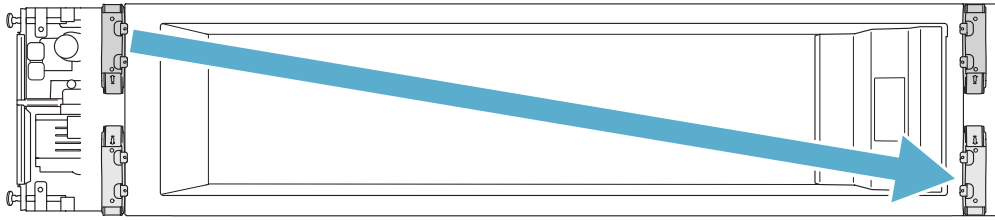


A
B
C
D

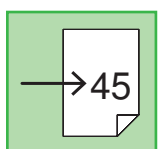
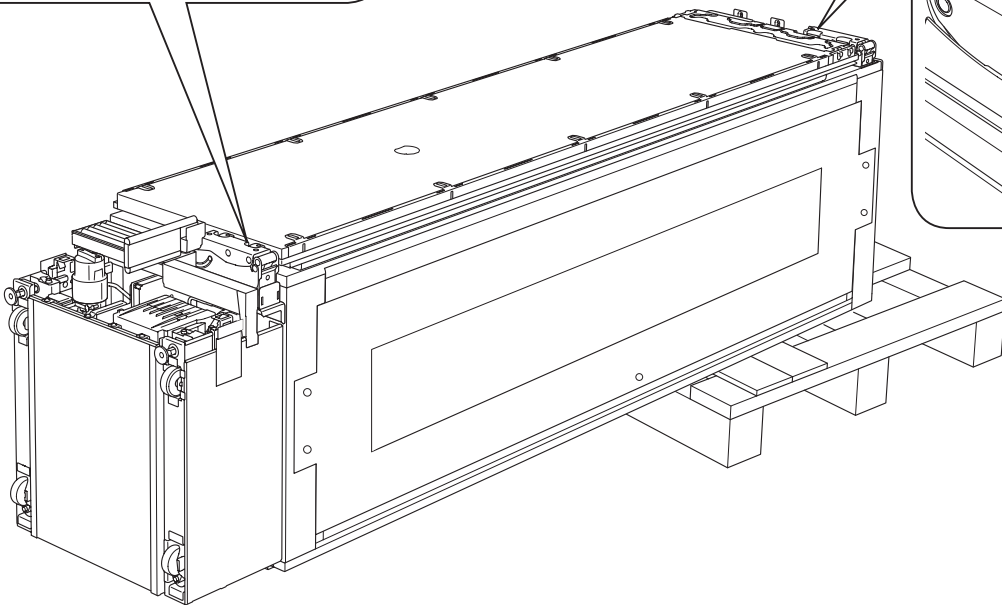
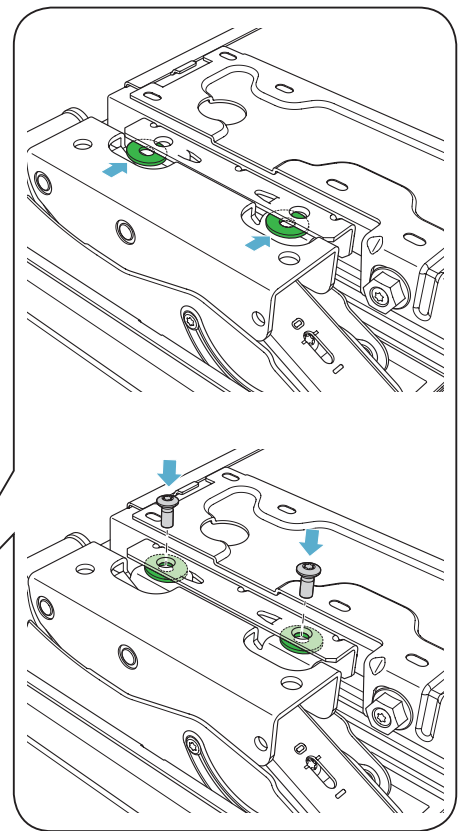
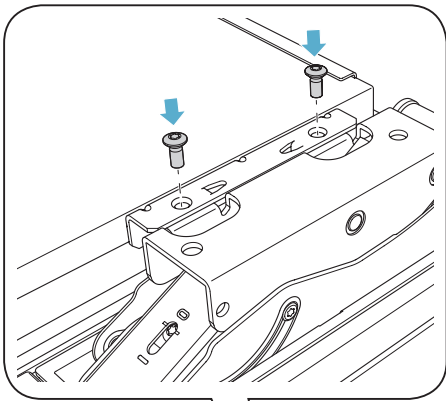
(B)
○ ○



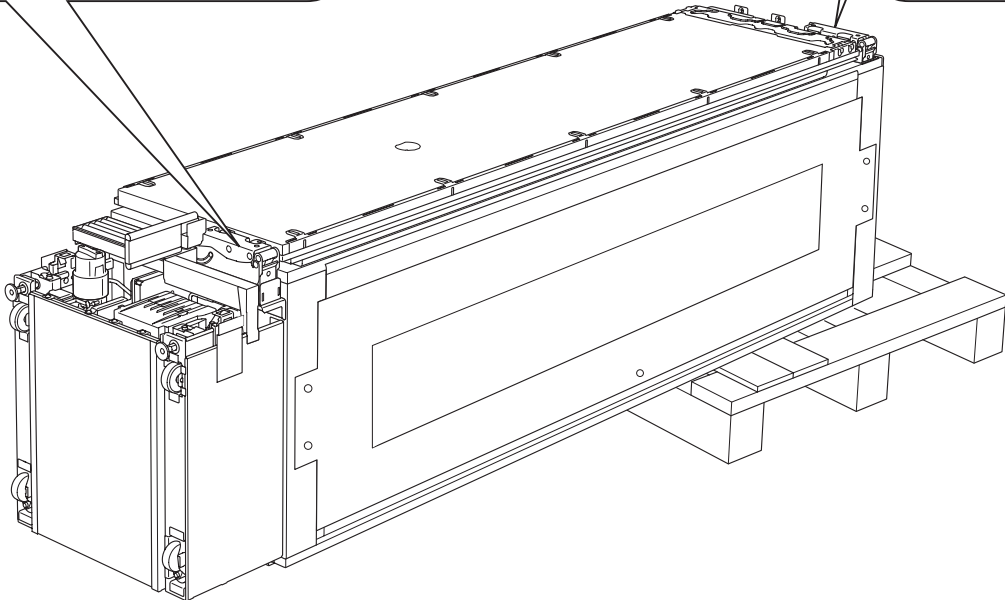
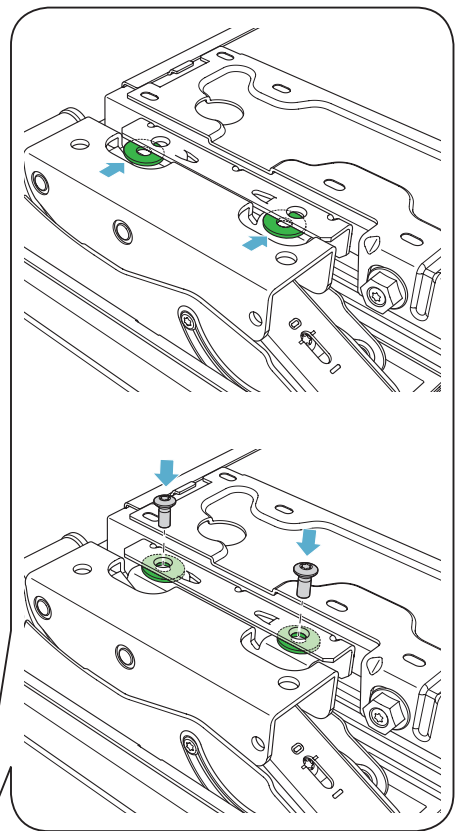
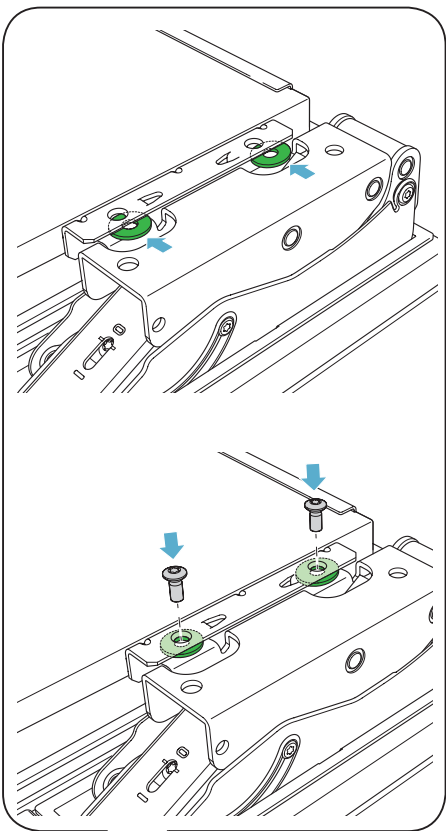
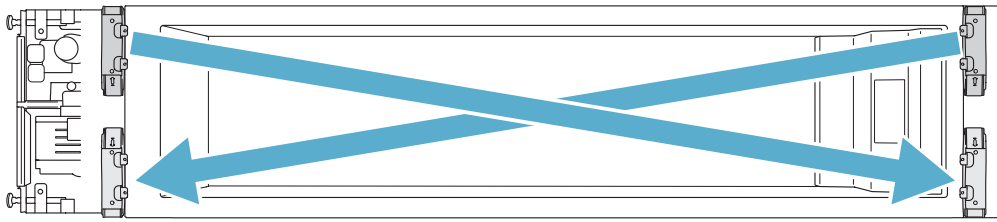
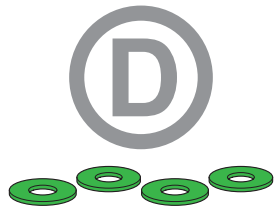
→ 45

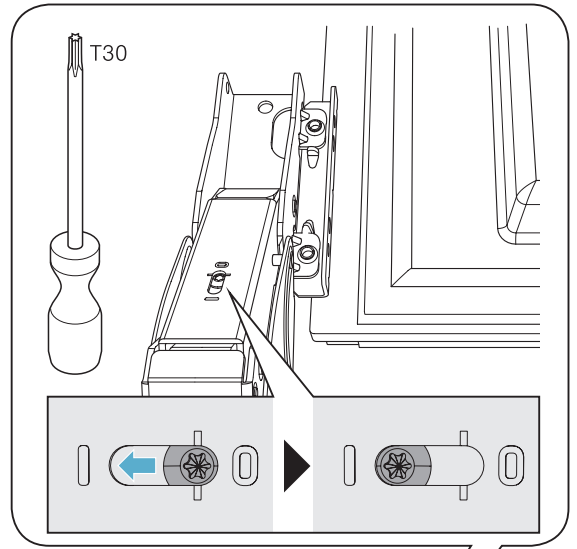
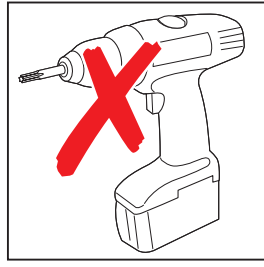
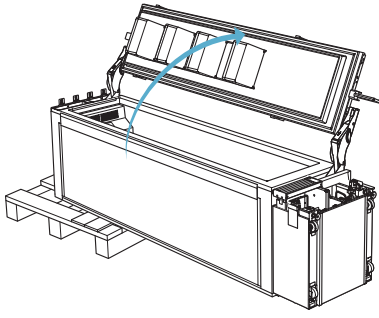


- A
- B
- C
- D

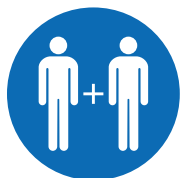
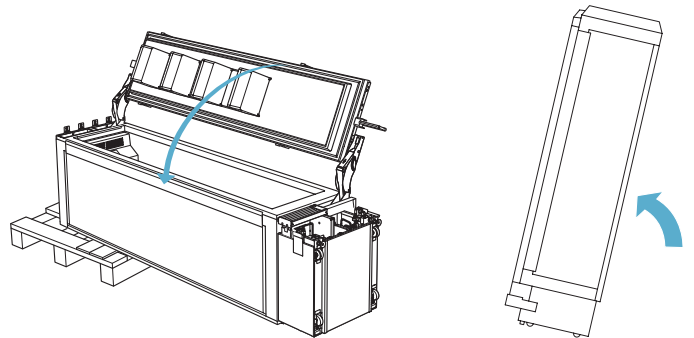
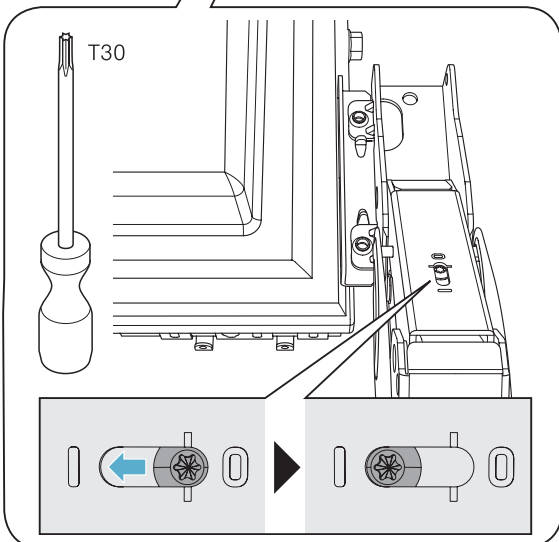
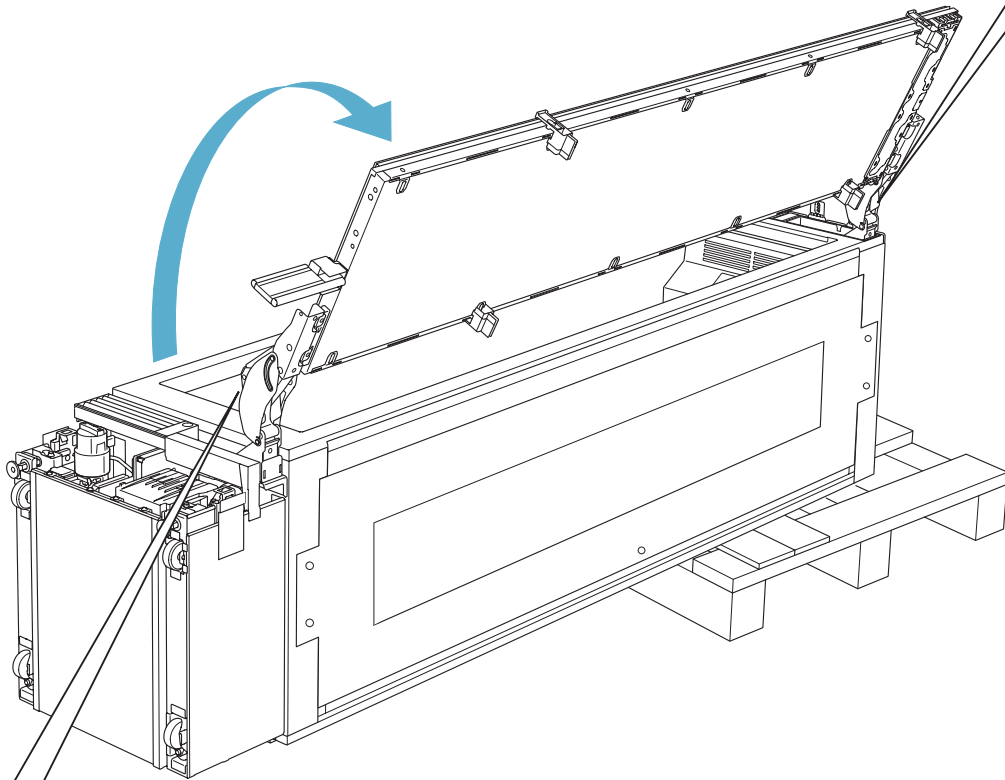


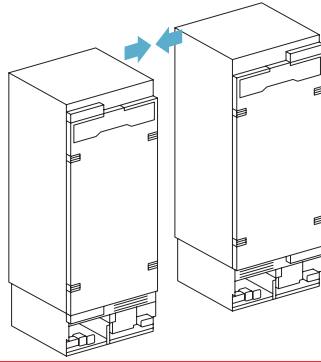
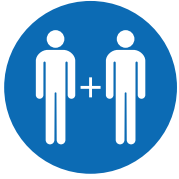
A
B
C
D



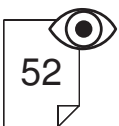
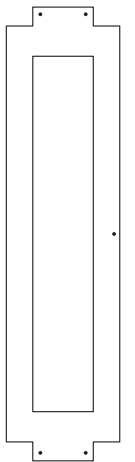
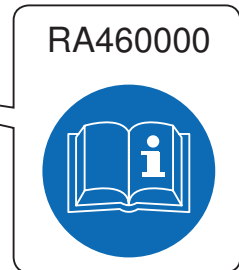
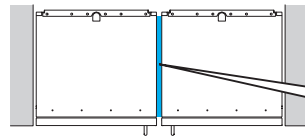
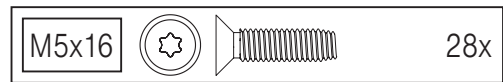
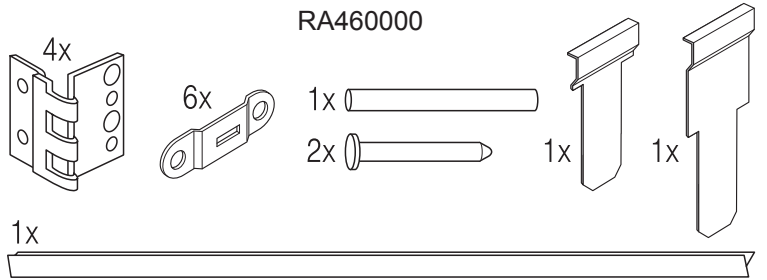
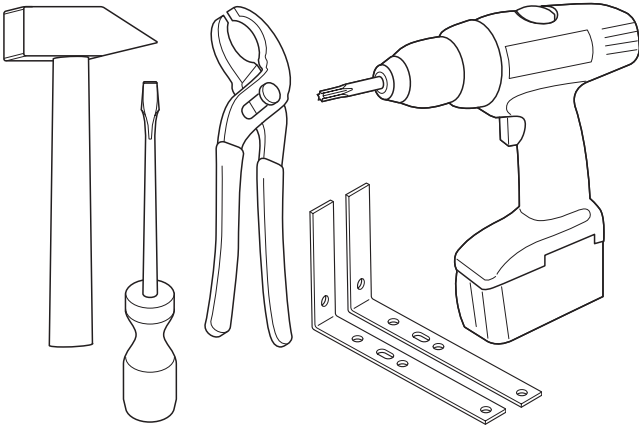


A
B
C
D

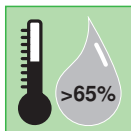
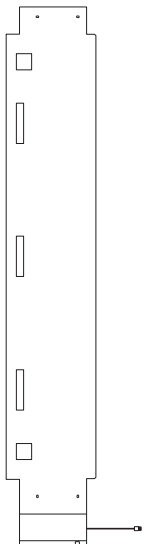
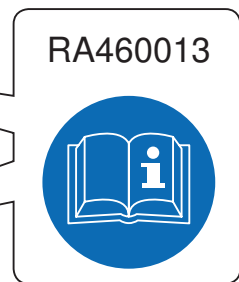
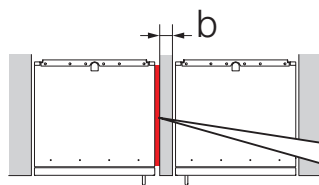




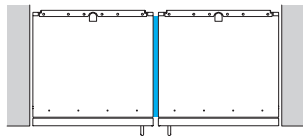
A
B
C
D



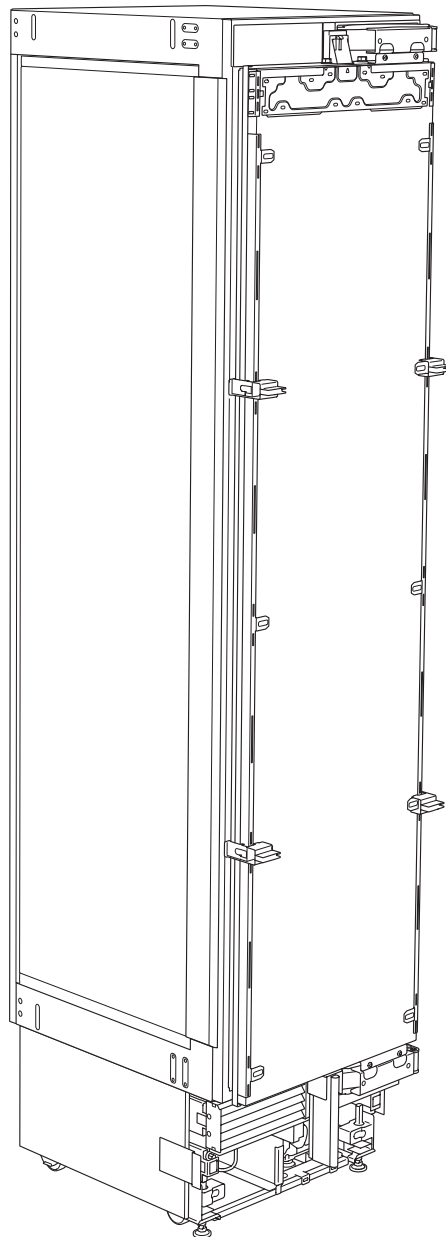
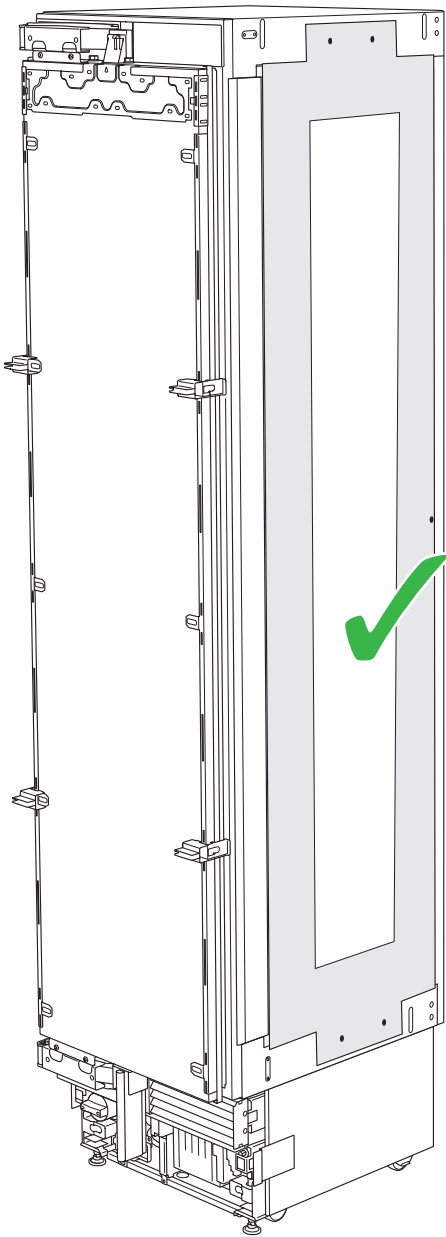
$\frac{5}{8}'' \leq b < 6\frac{1}{4}''$
(16 mm \leq b < 160 mm)





A
B
C
D

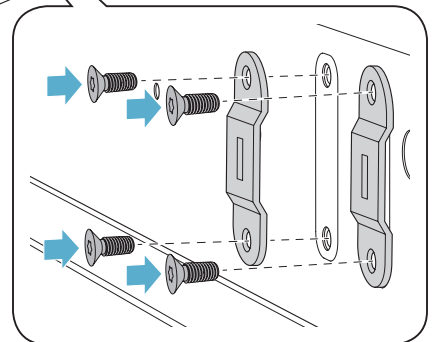
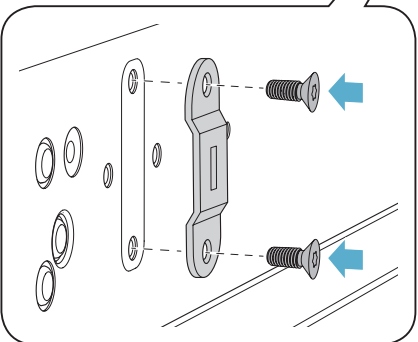
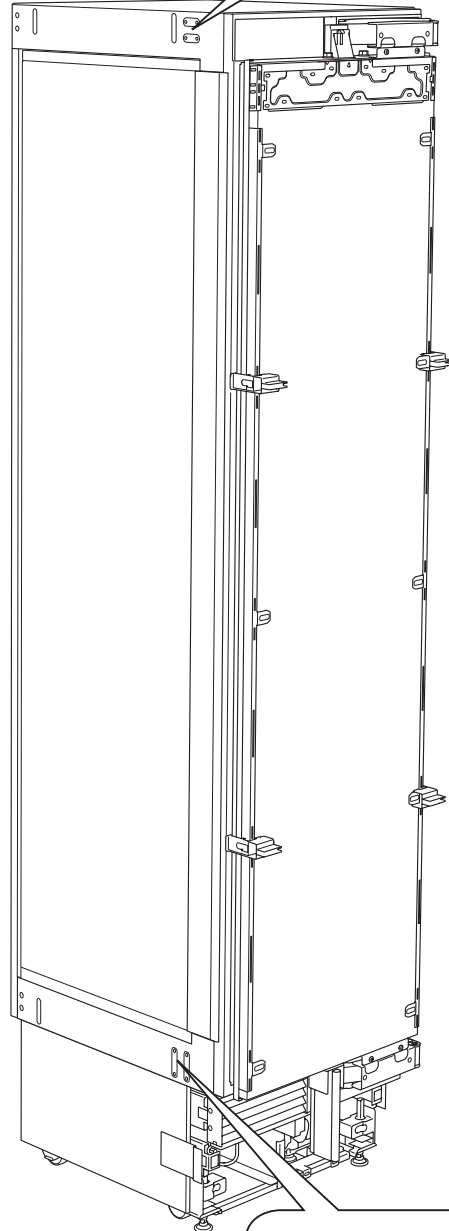
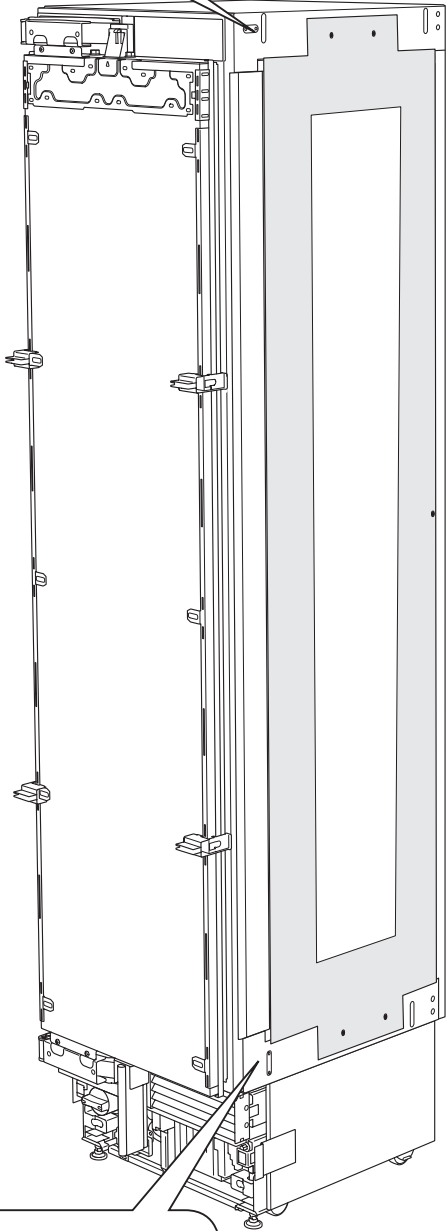
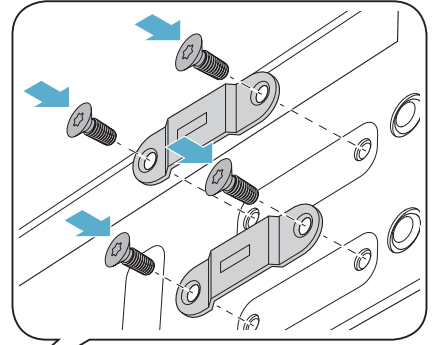
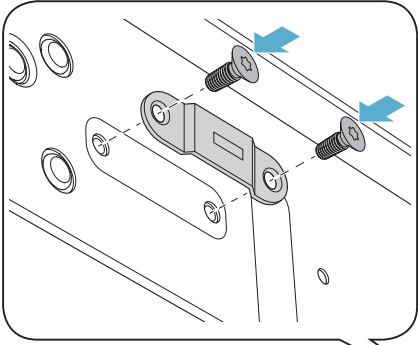


RA460000



M5x16   12x

A
B
C
D





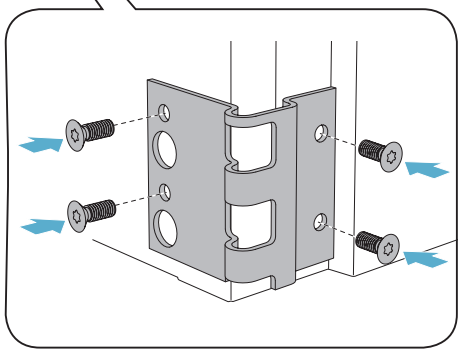
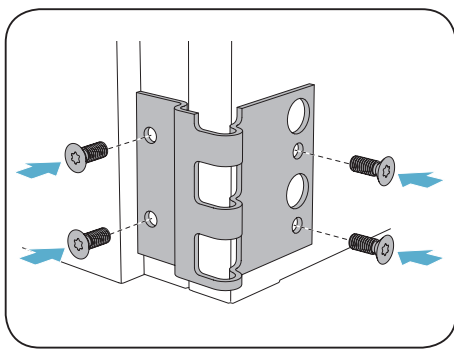
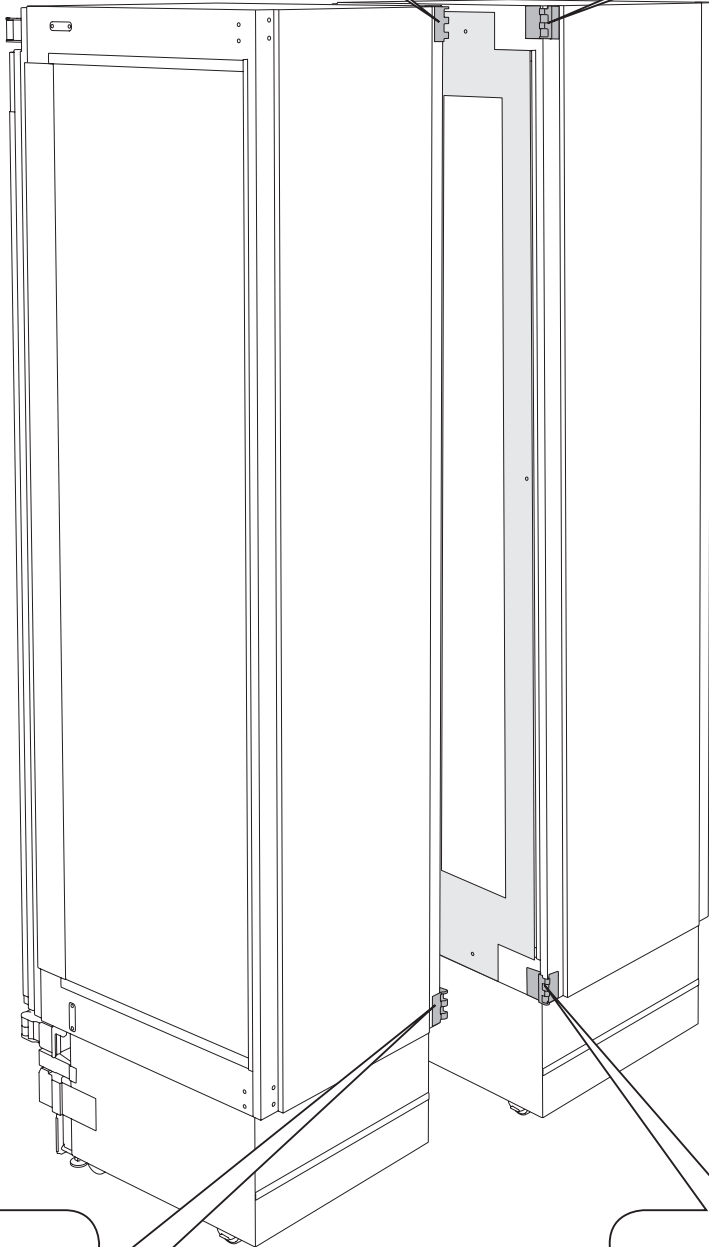
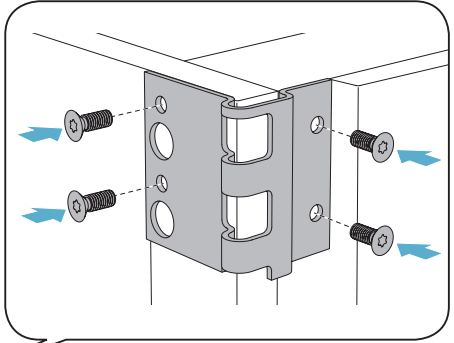
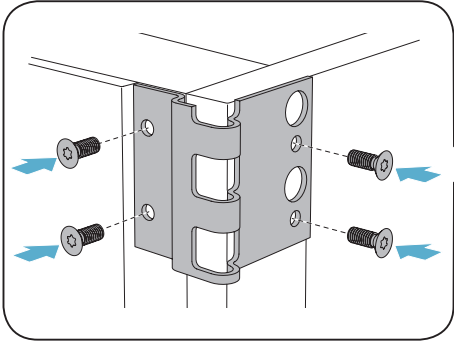
A

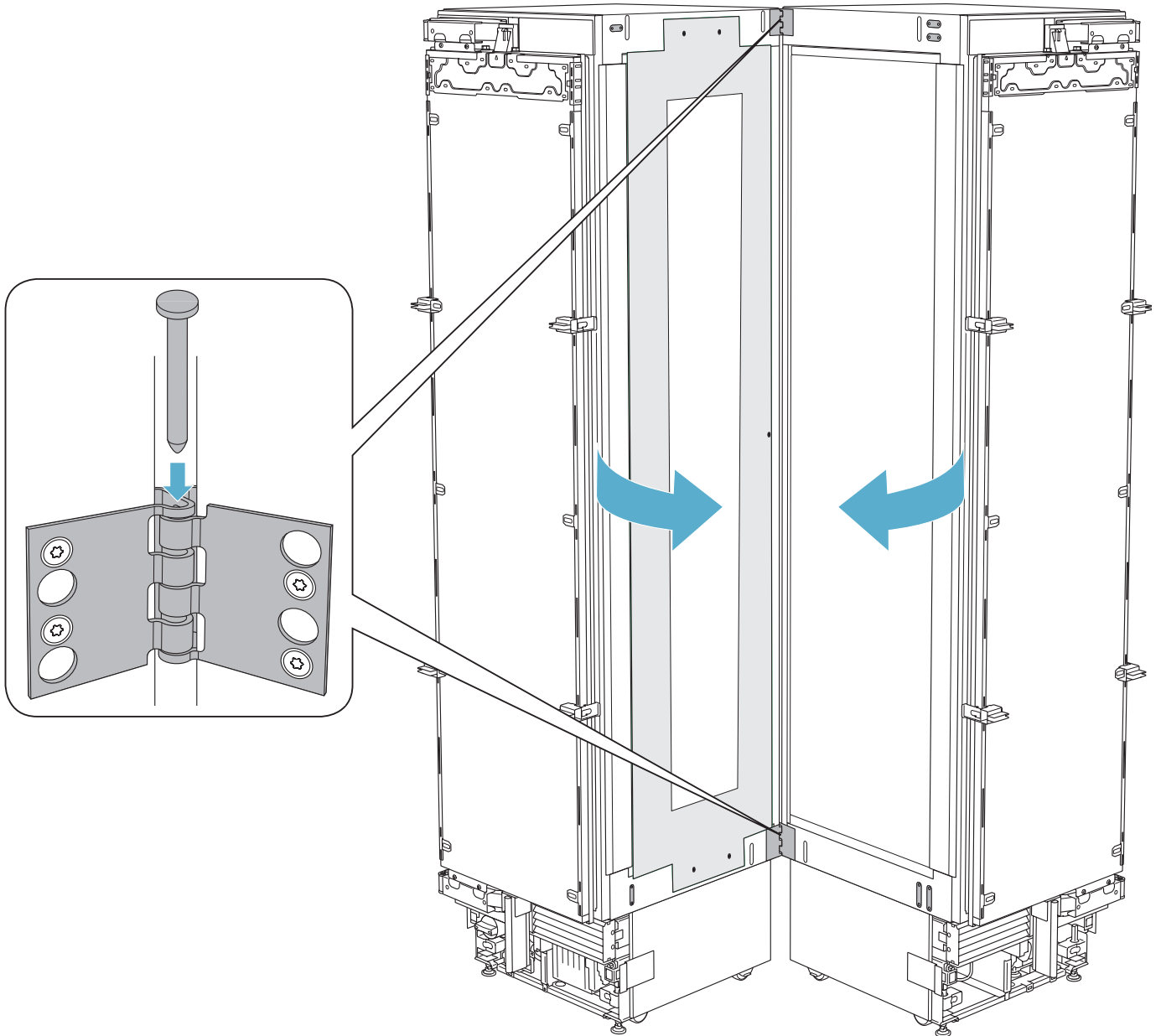
B

C

D

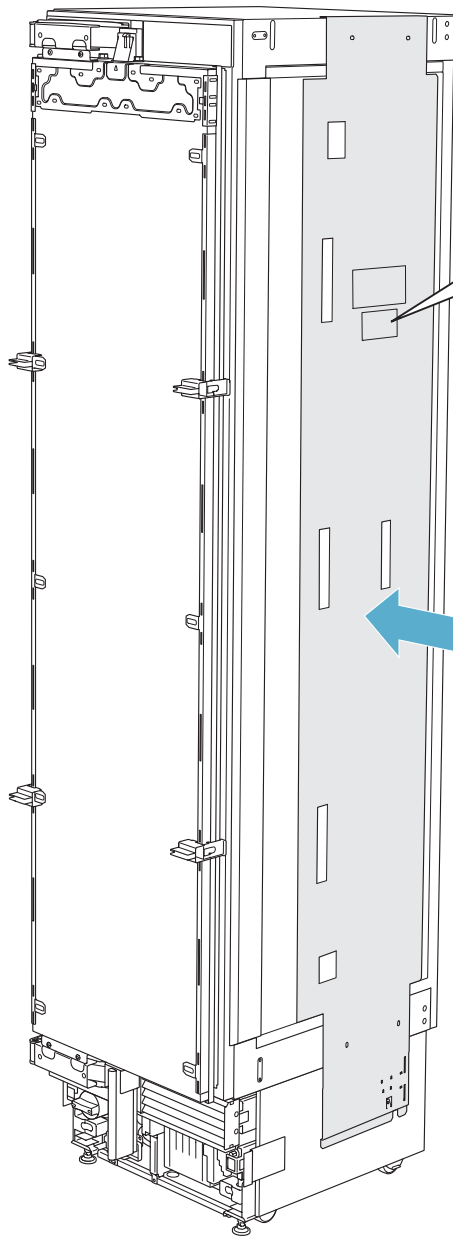
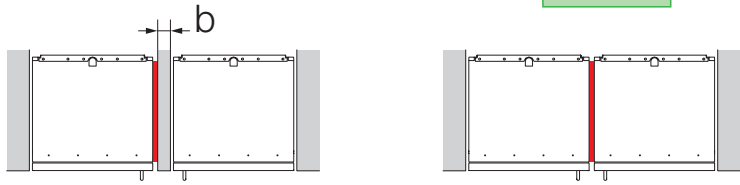
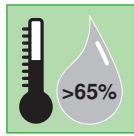
M5x16   16x



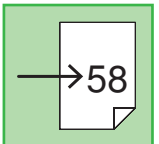
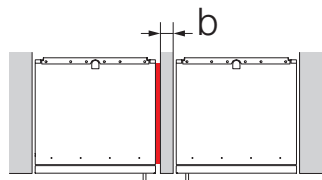




A
B
C
D

$\frac{5}{8}'' \leq b < 6\frac{1}{4}''$
(16 mm \leq b < 160 mm)

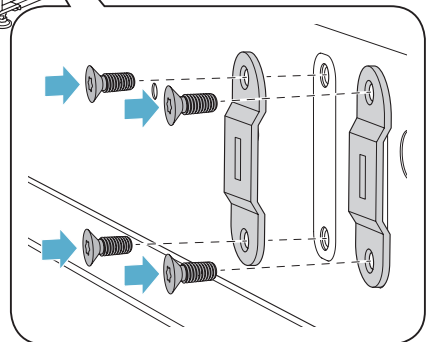
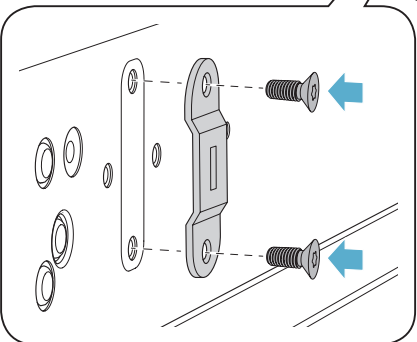
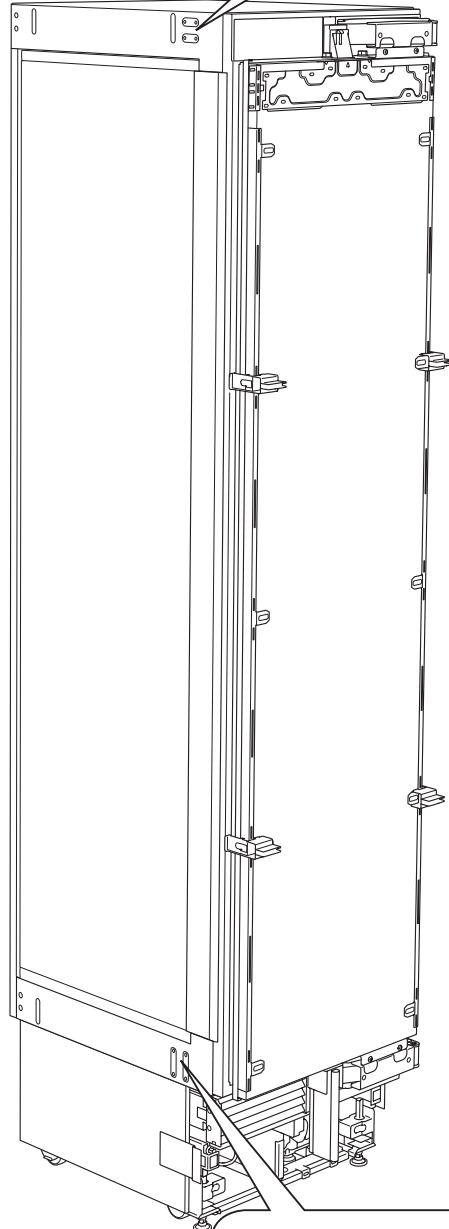
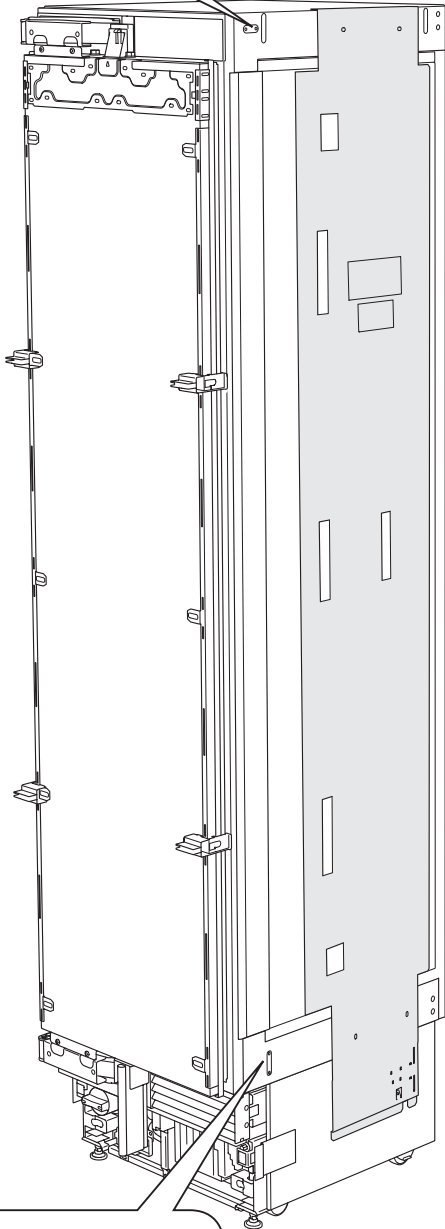
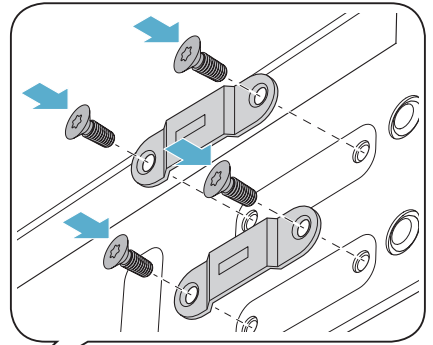
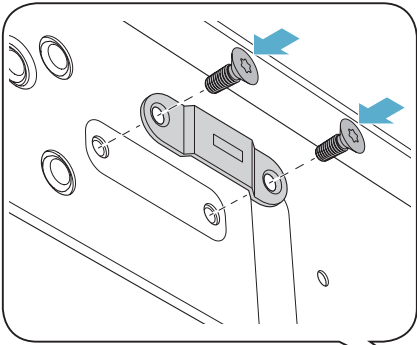


RA460013



M5x16   12x

A
B
C
D





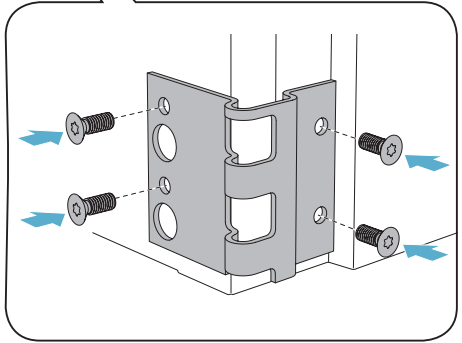
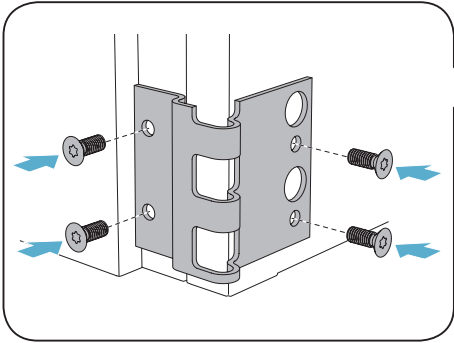
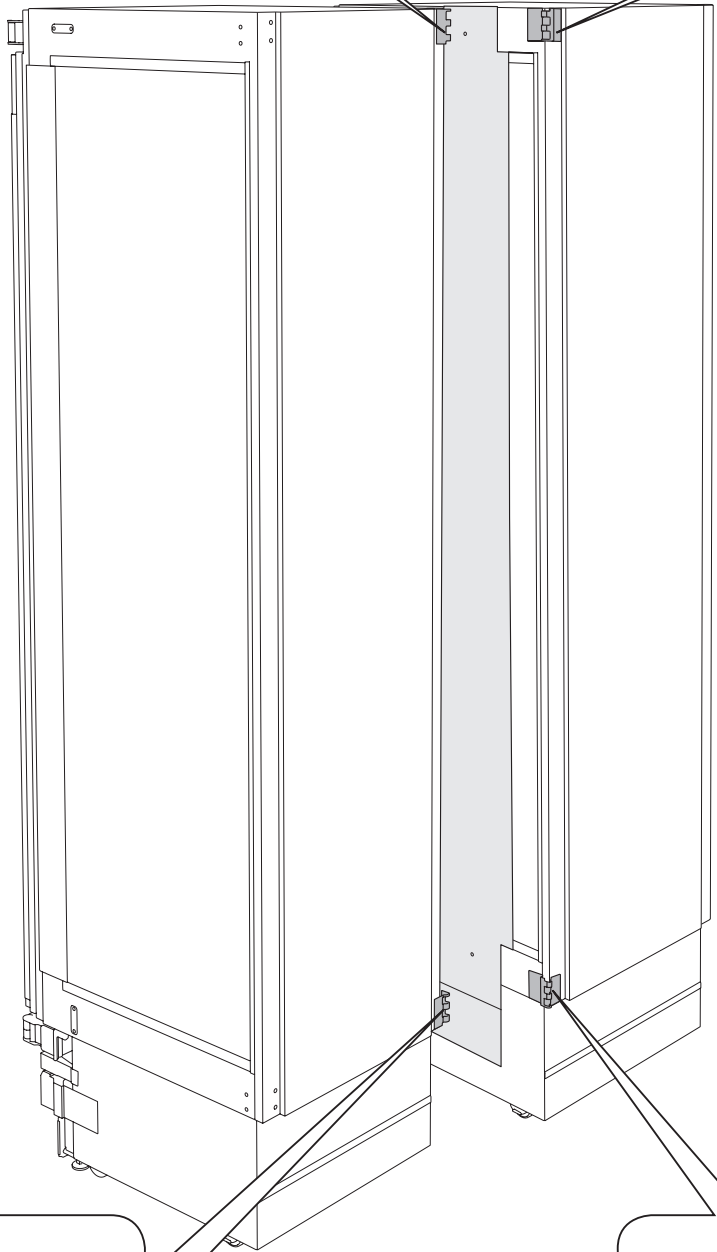
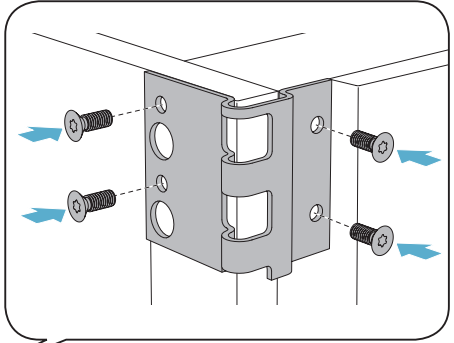
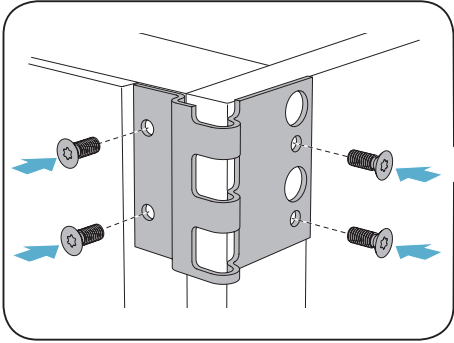
A

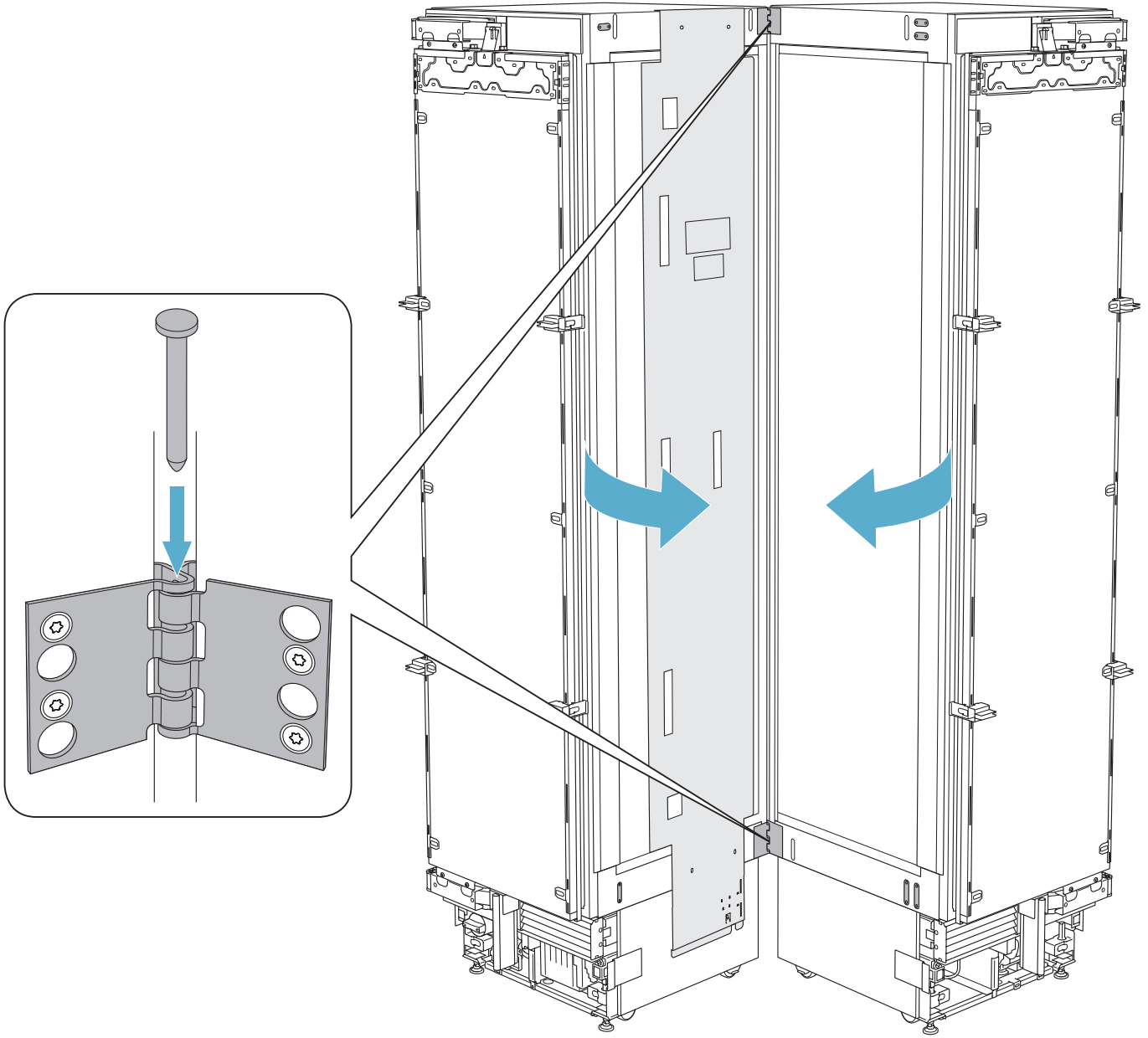
B

C

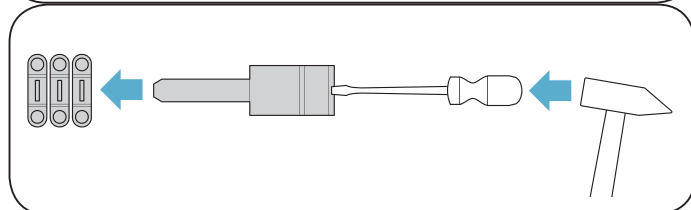
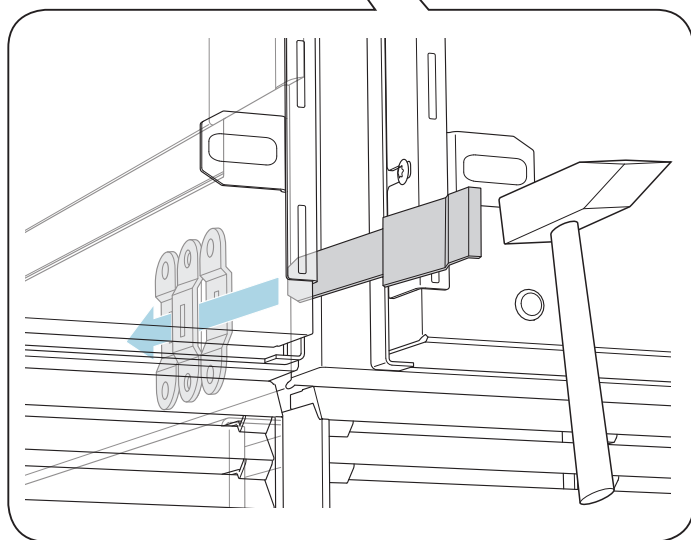
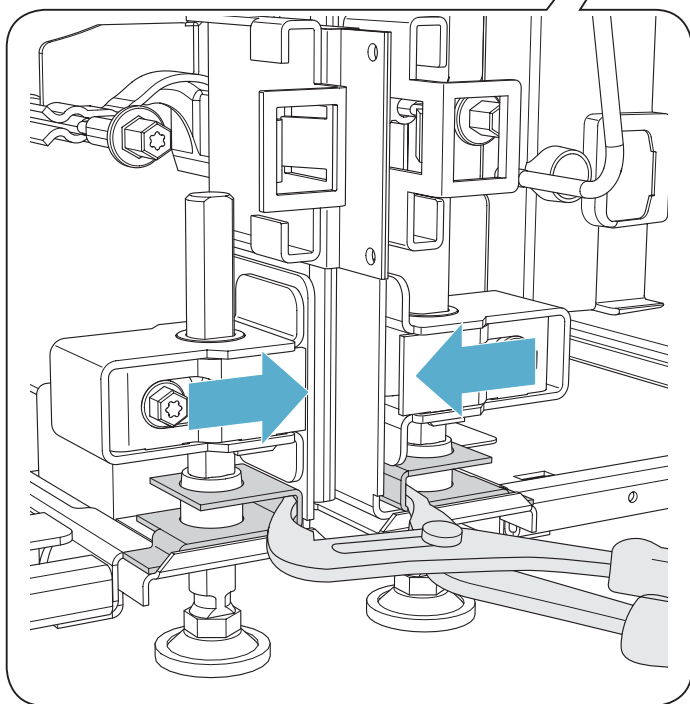
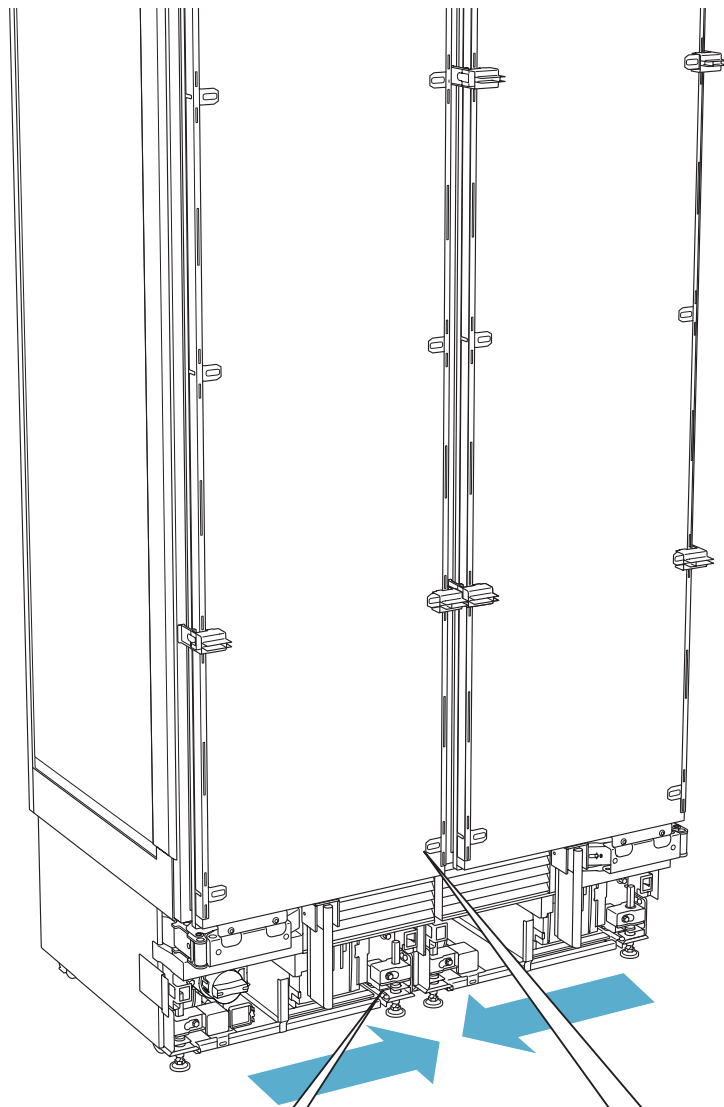
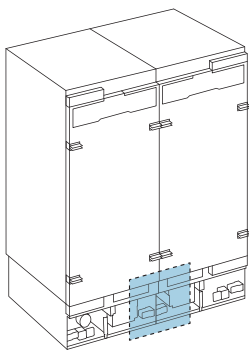
D

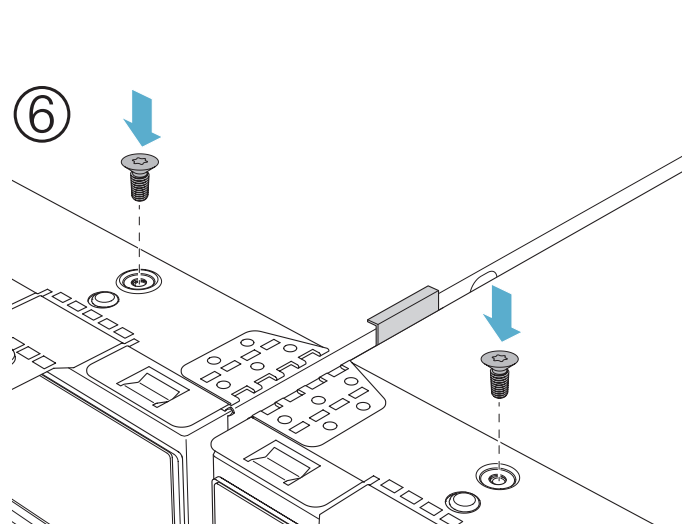
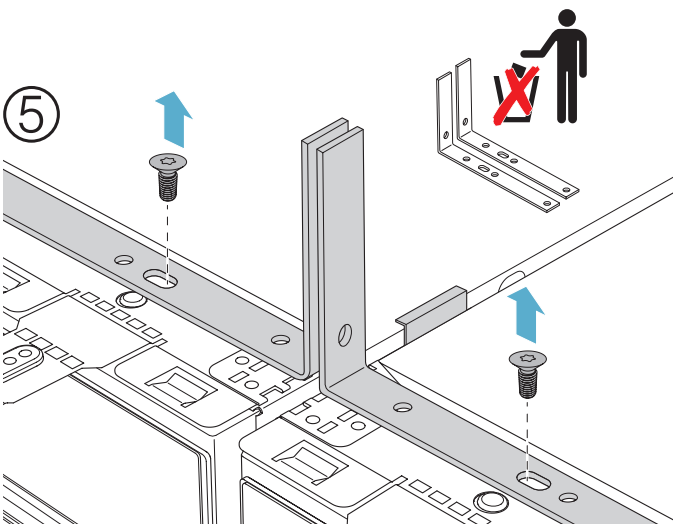
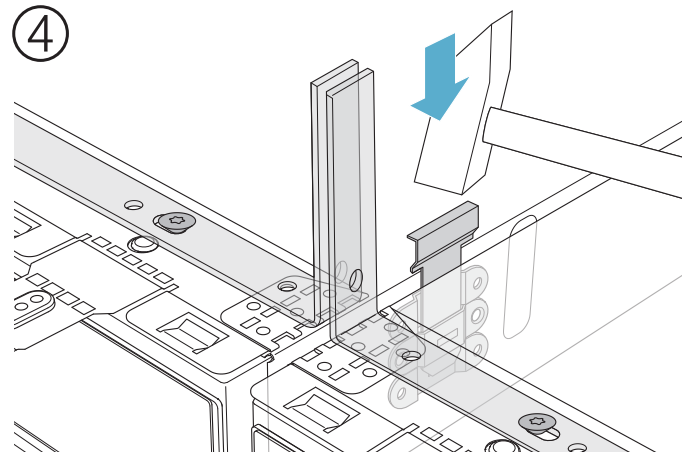
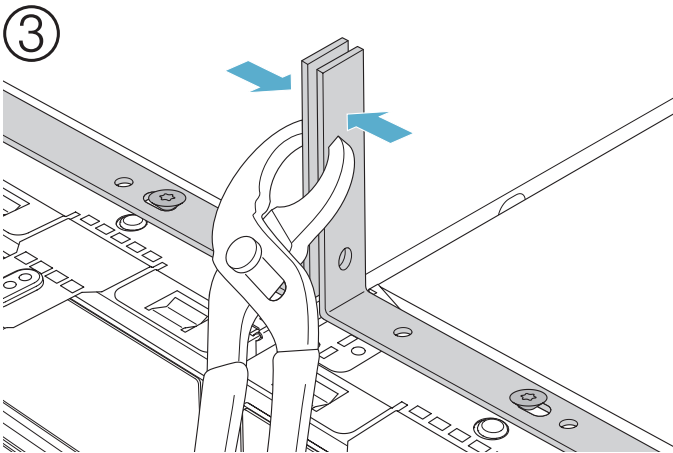
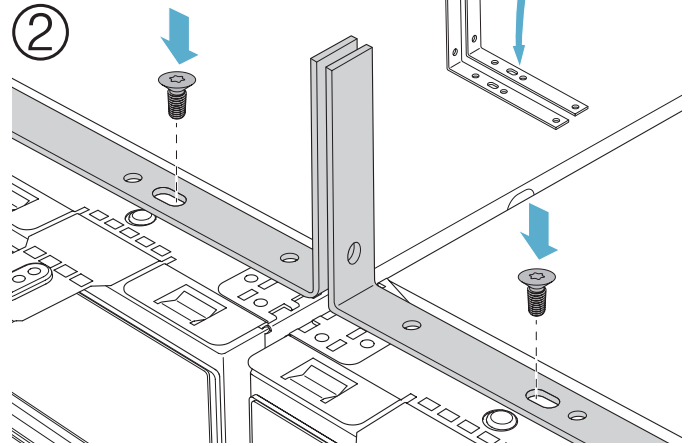
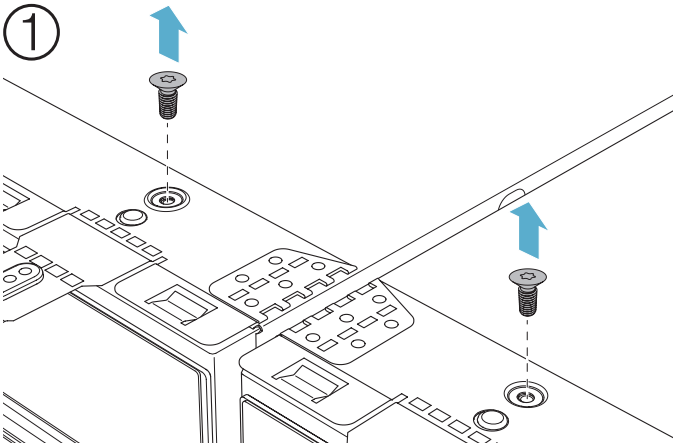
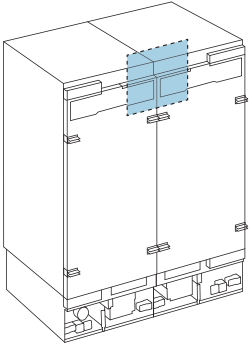
M5x16   16x

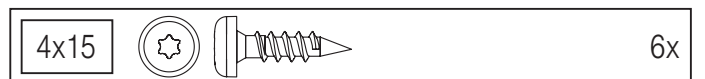
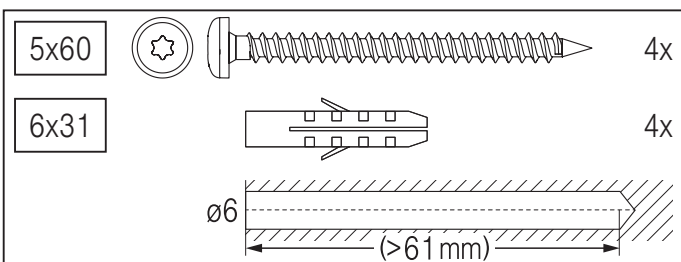
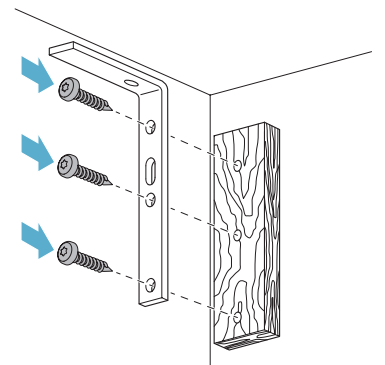
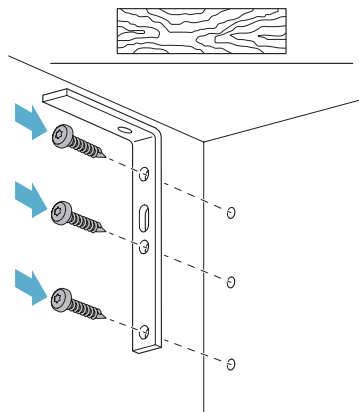
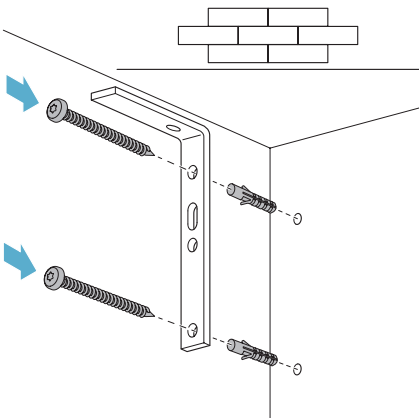
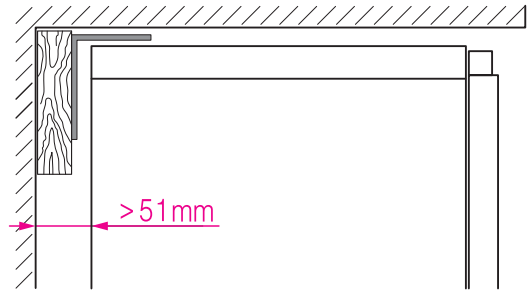
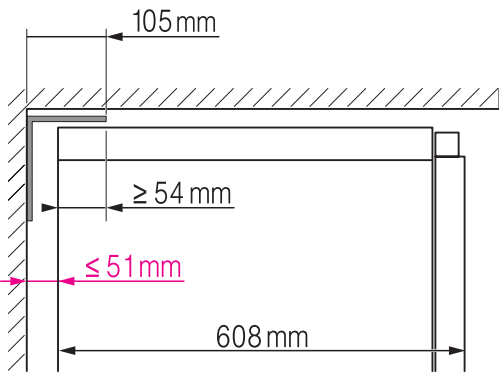
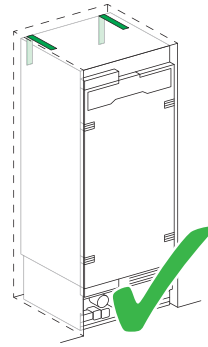
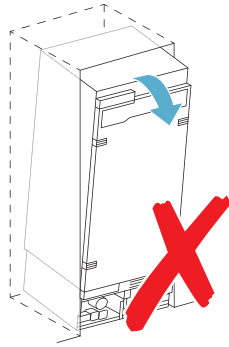
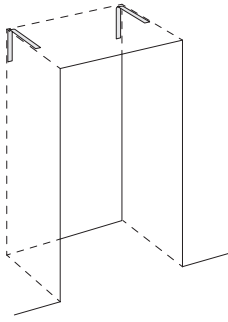


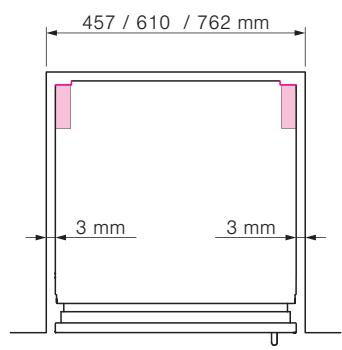
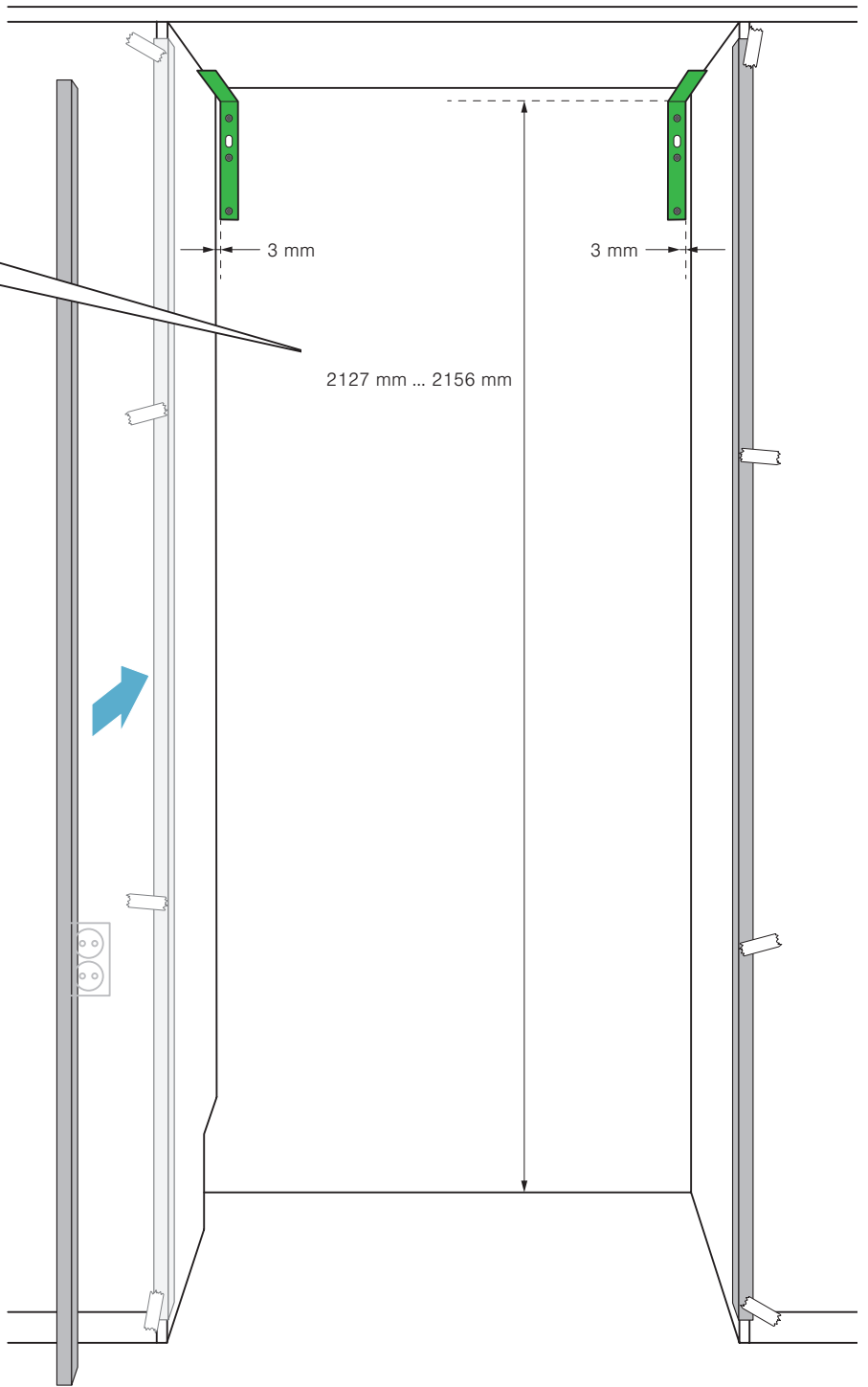
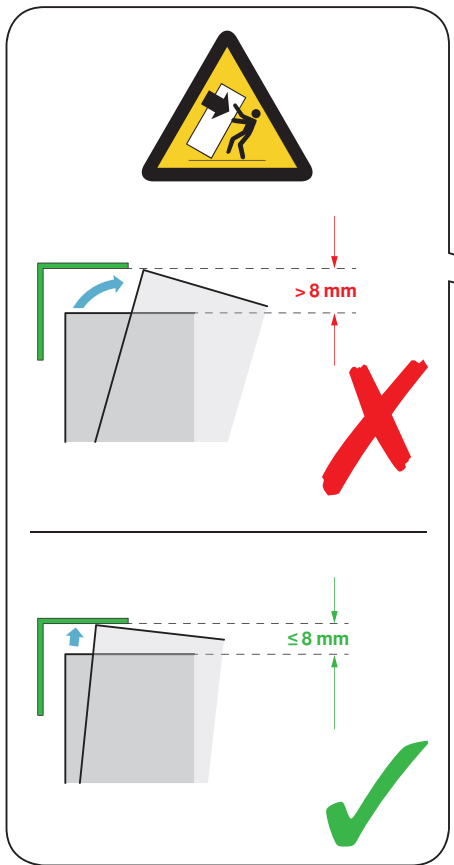
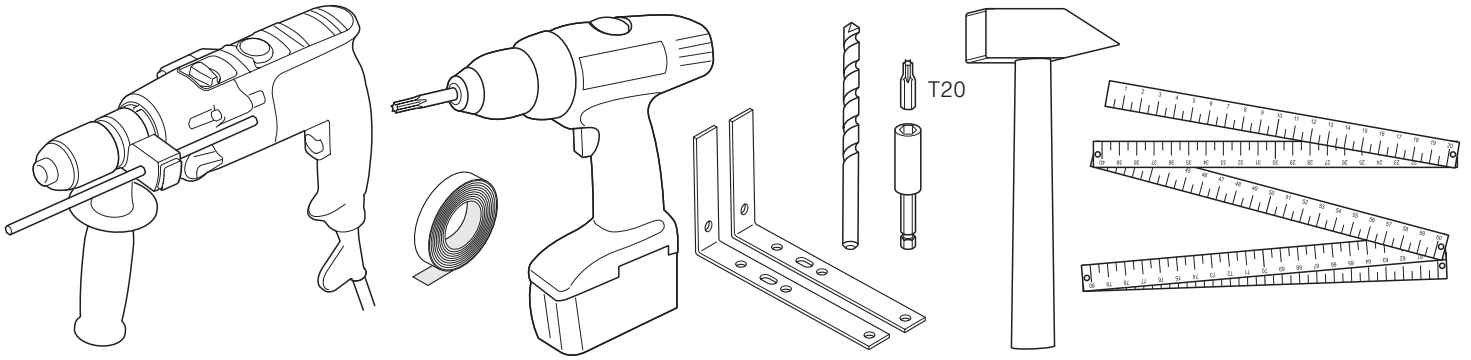


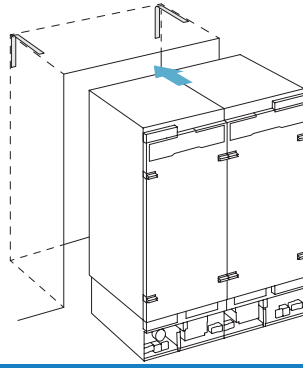
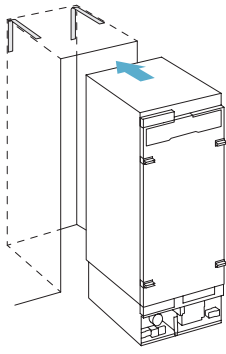
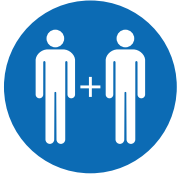
A
B
C
D



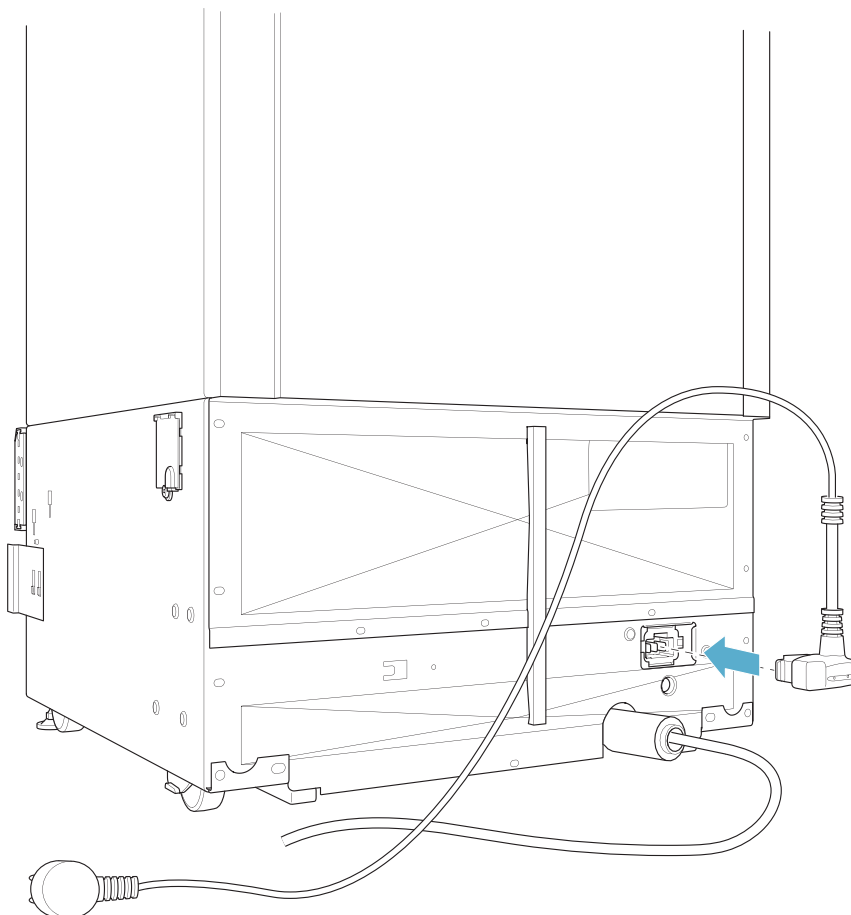
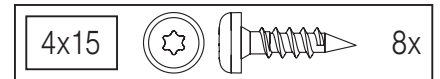
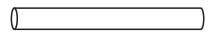
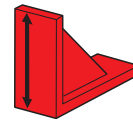
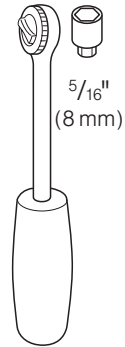
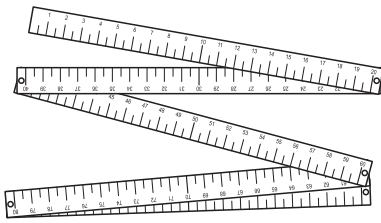
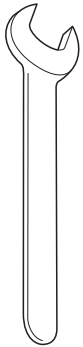
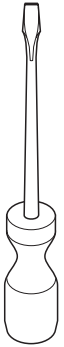
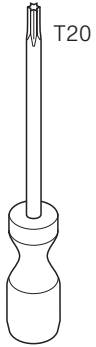




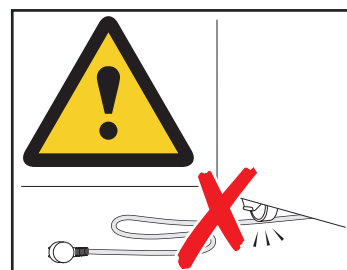
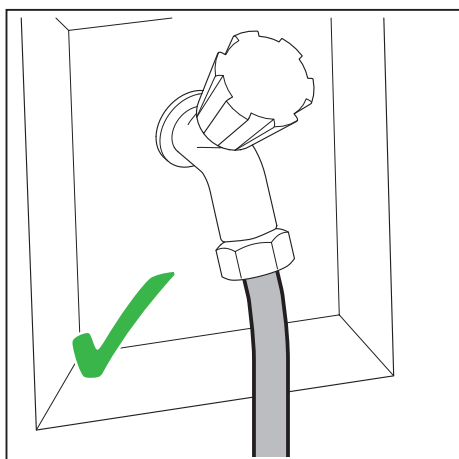
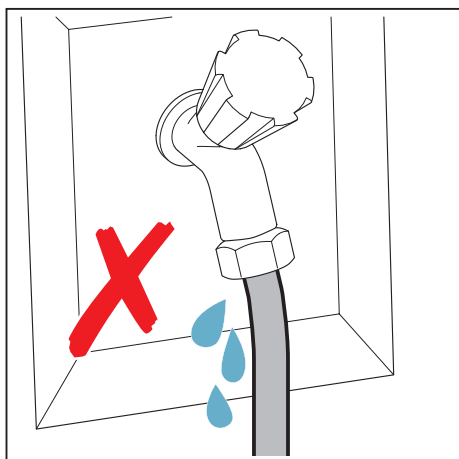
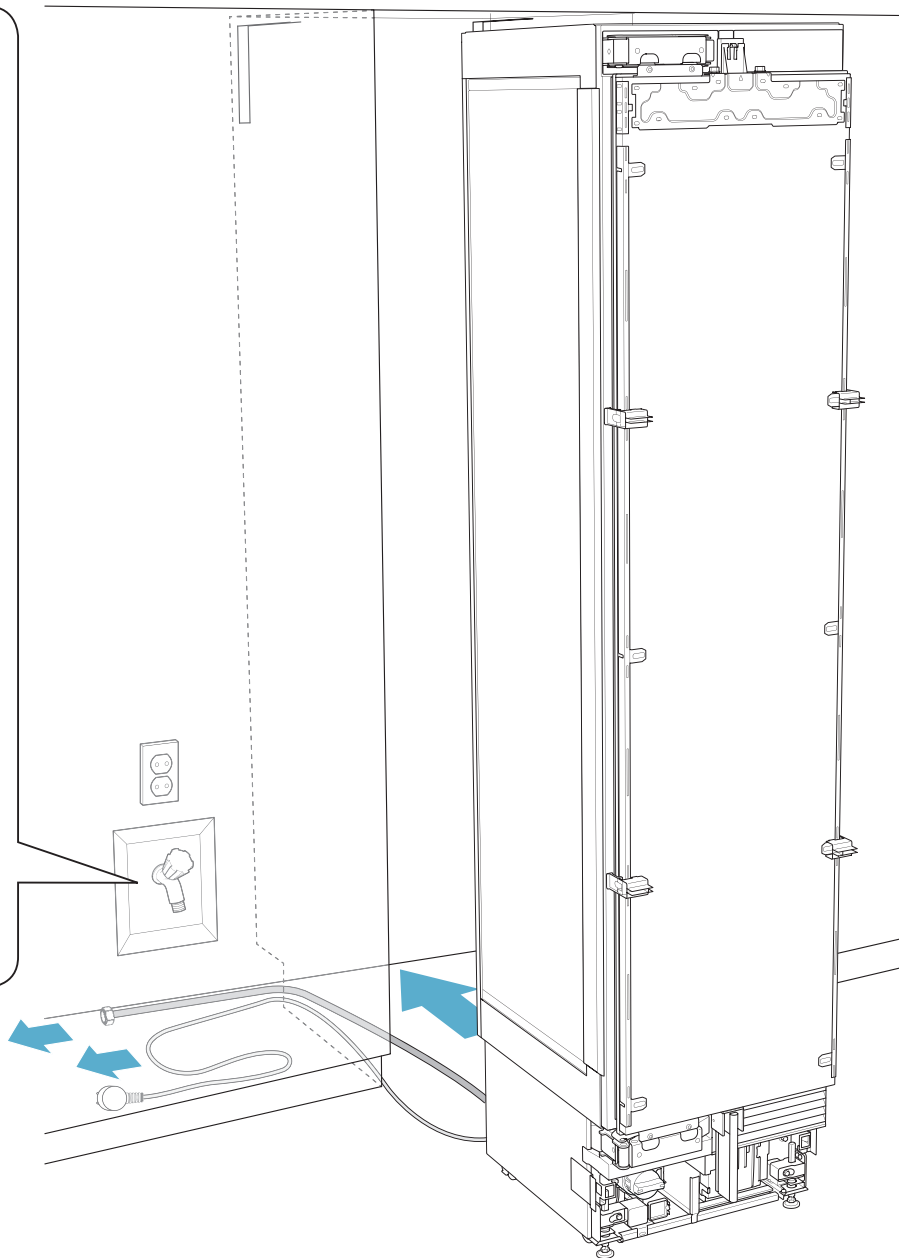
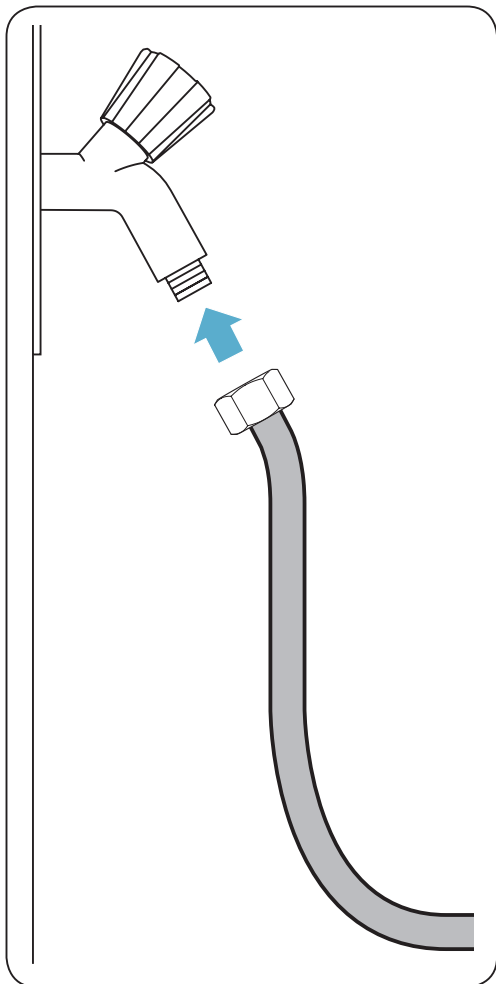


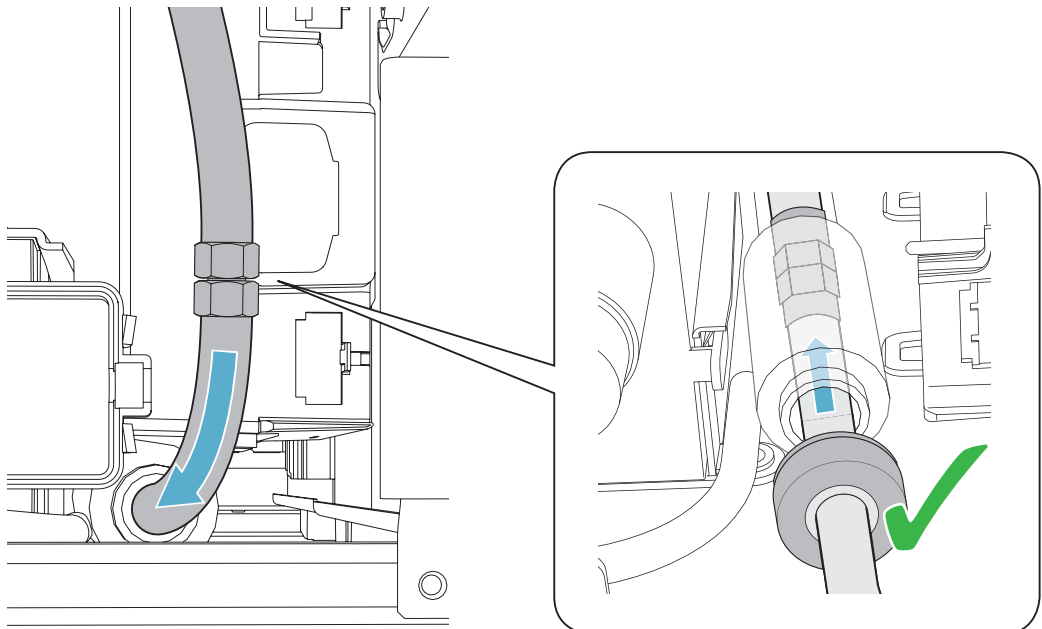
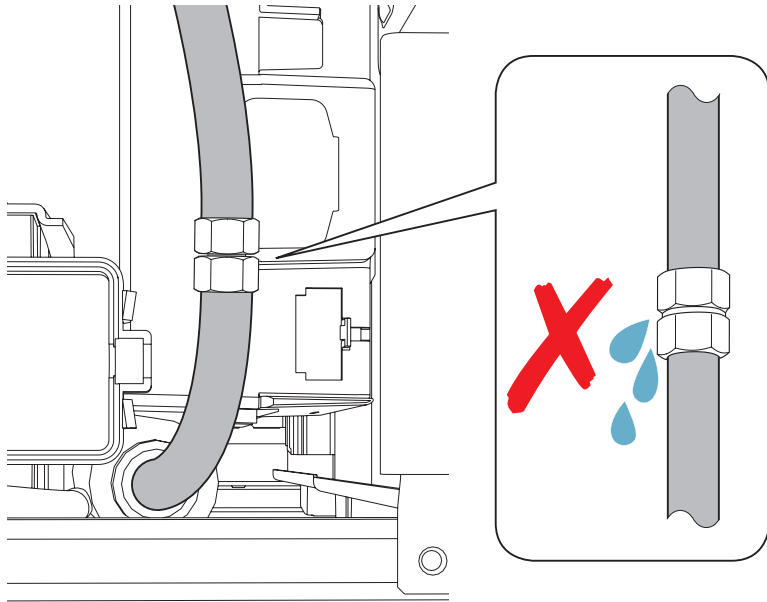
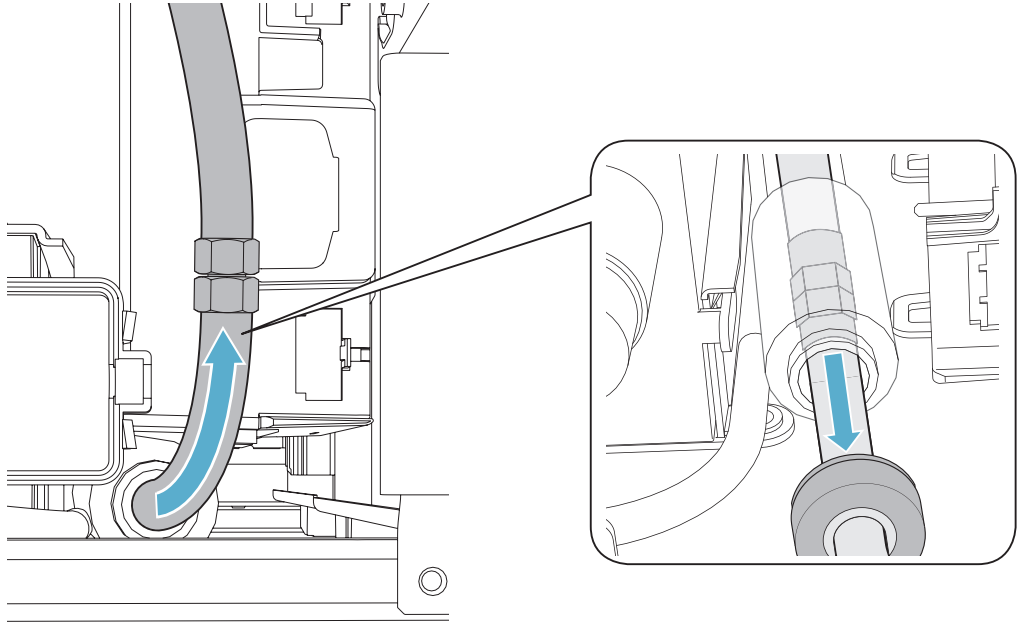
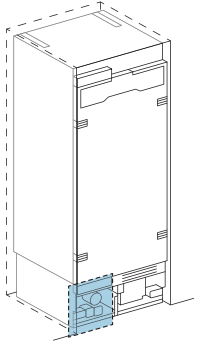


A
B
C
D

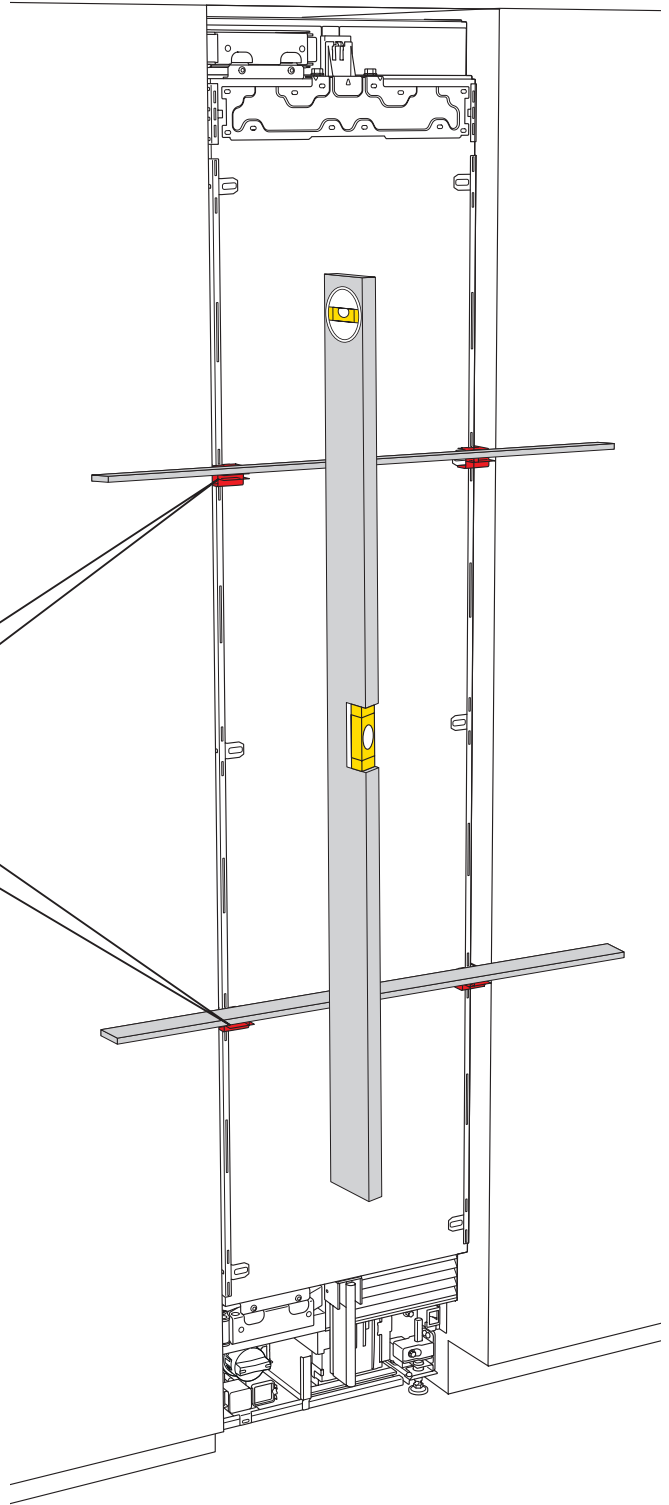
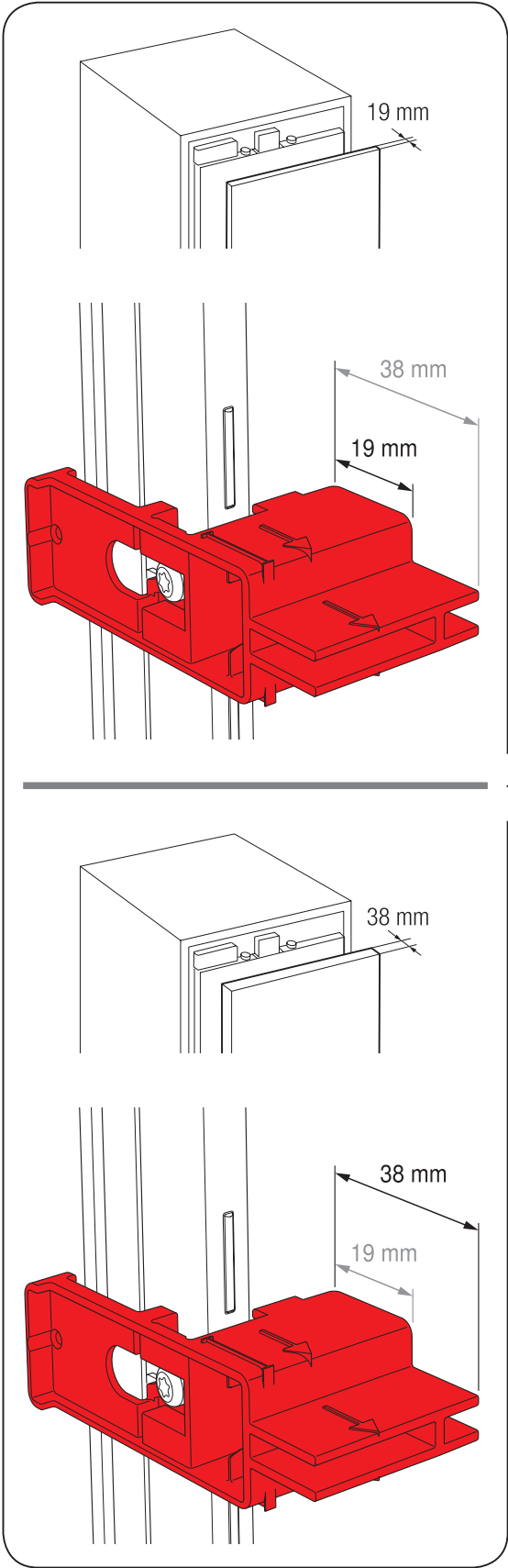


A
B
C
D

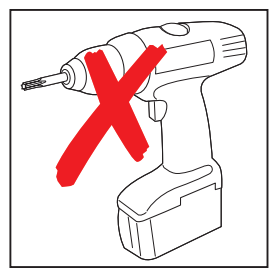
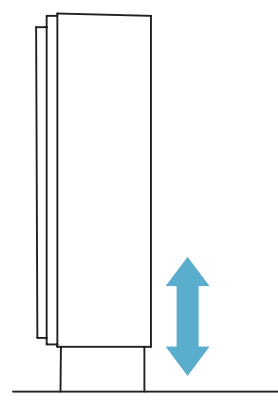
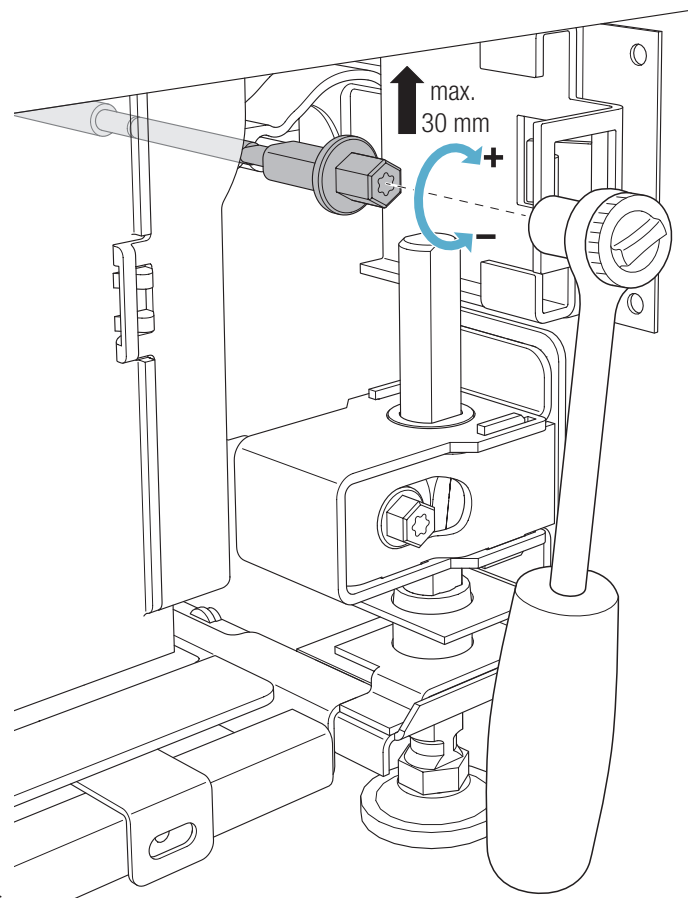
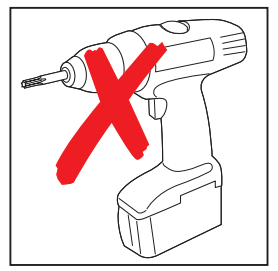
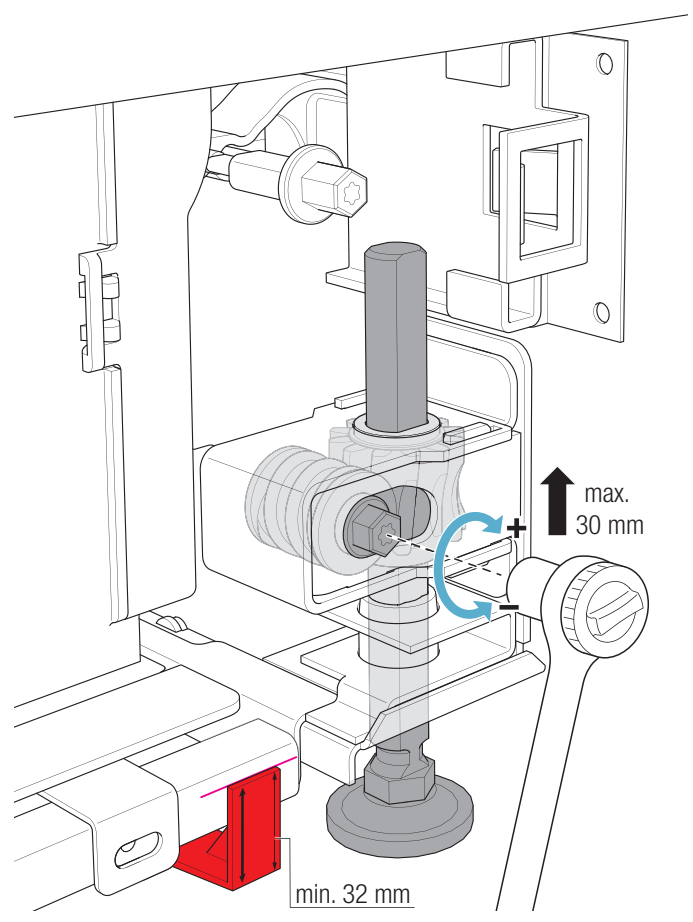
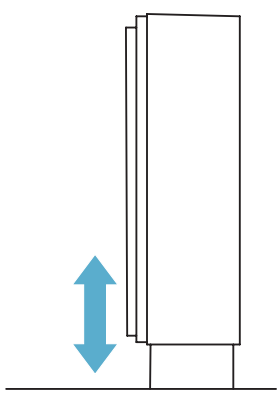
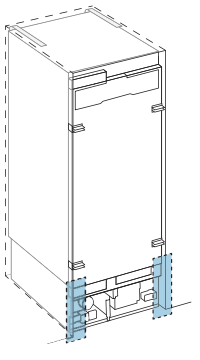




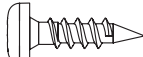
A
B
C
D

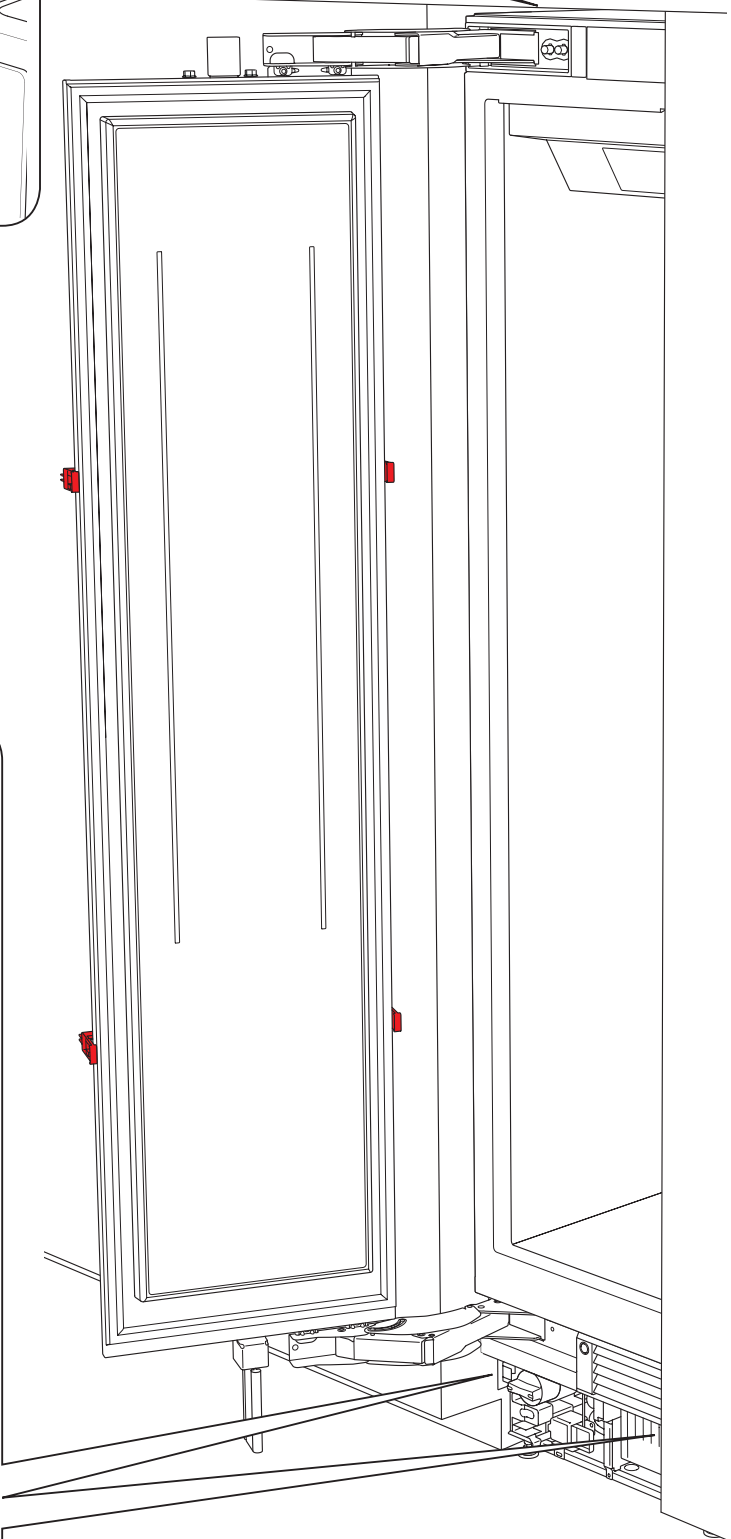
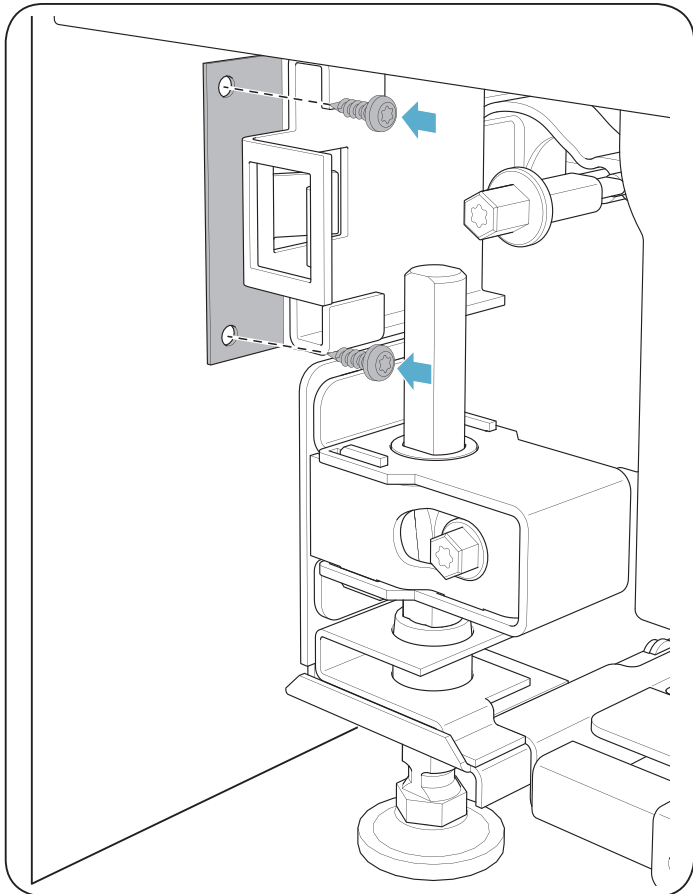
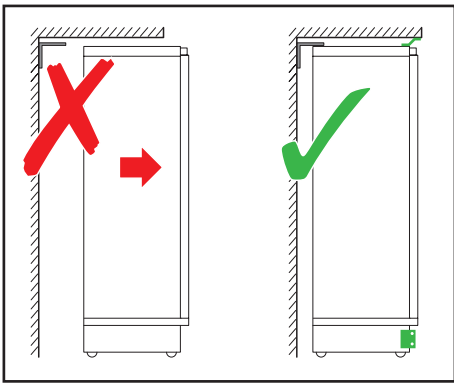
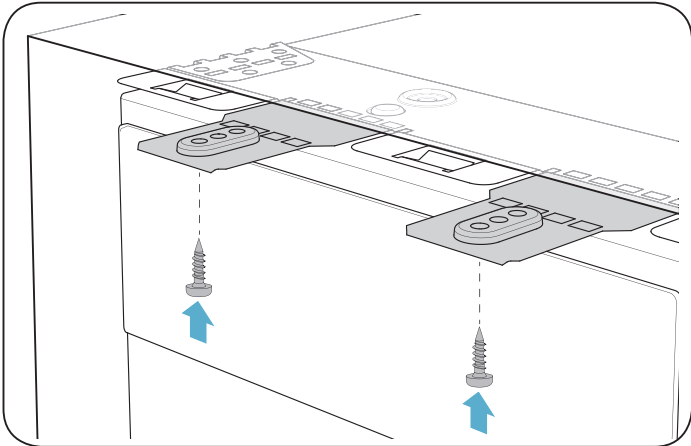


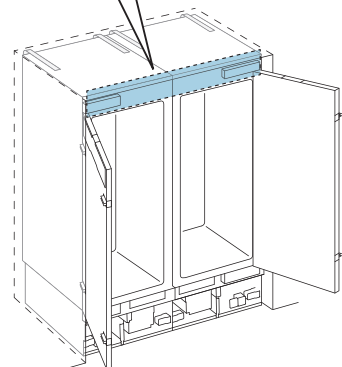
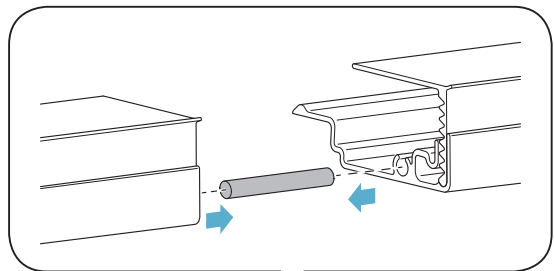
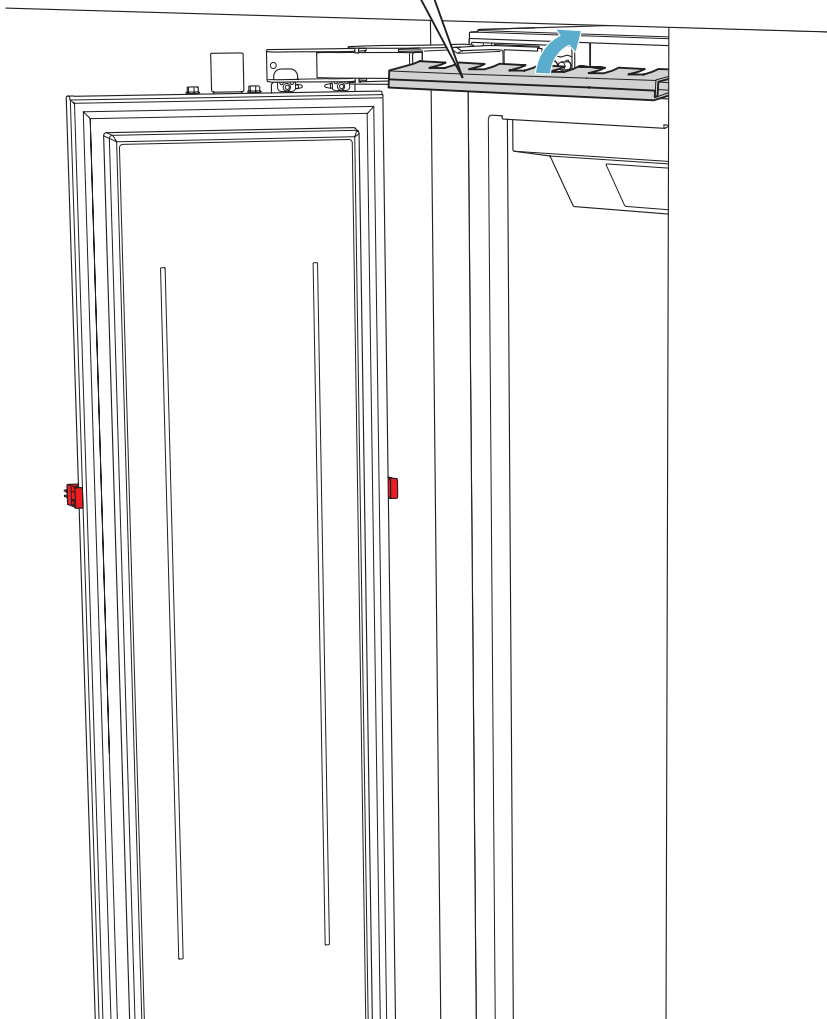
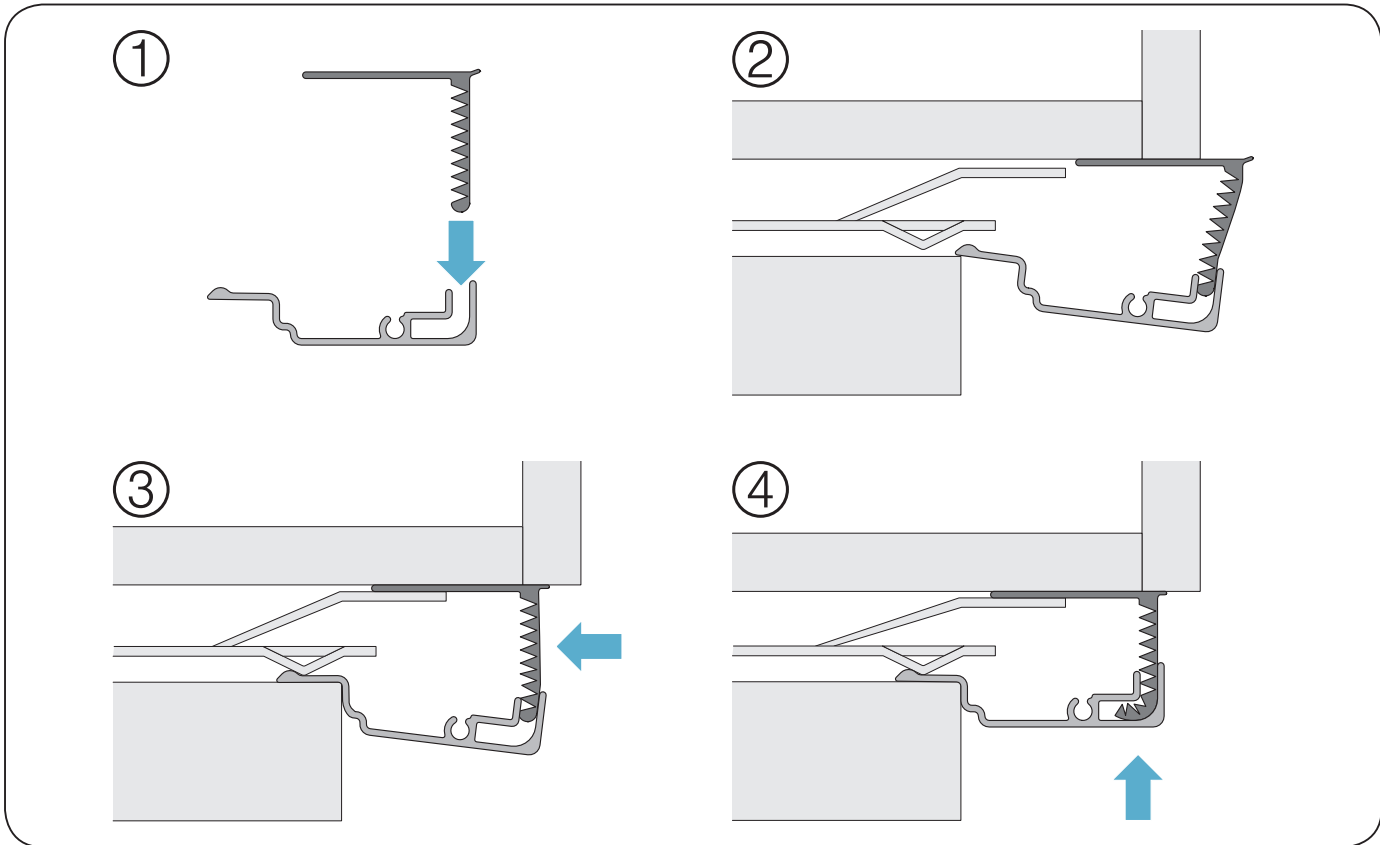
- A
- B
- C
- D



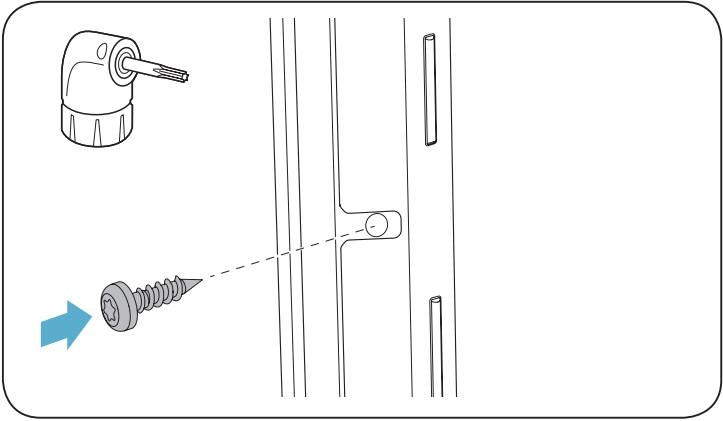
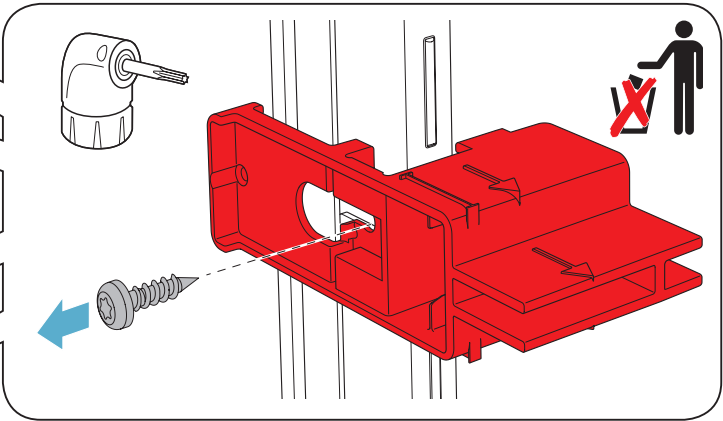
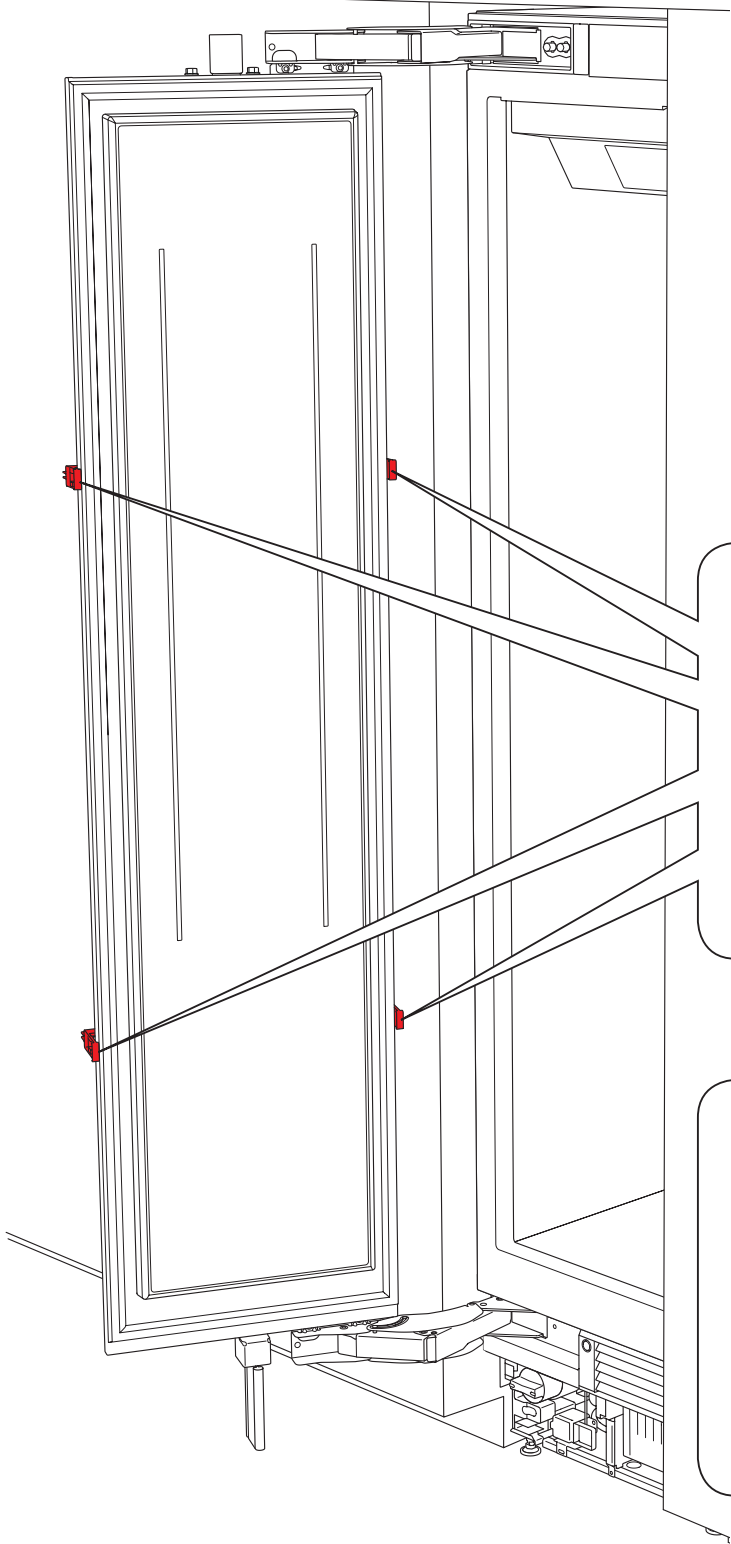
A
B
C
D

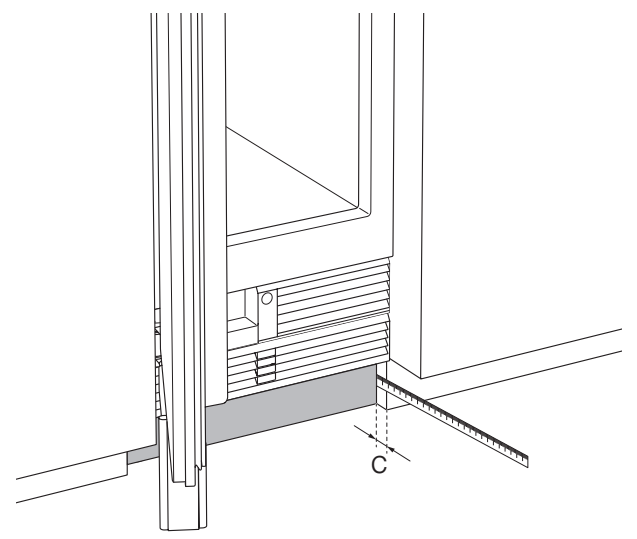
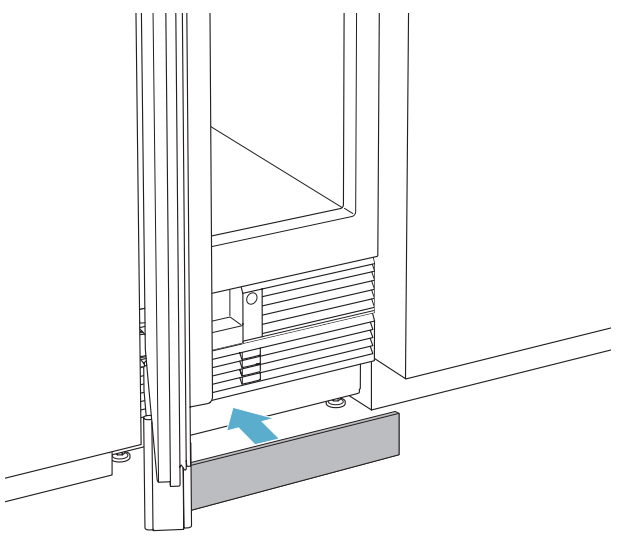
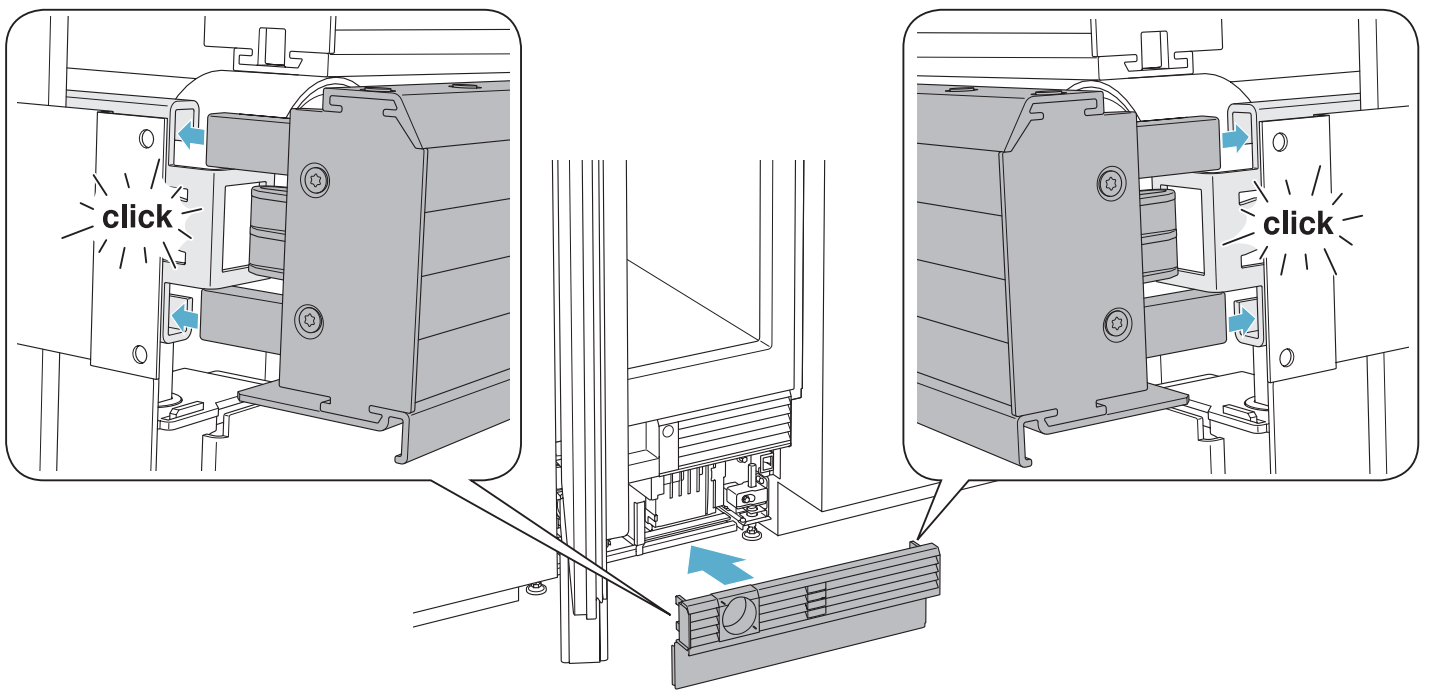
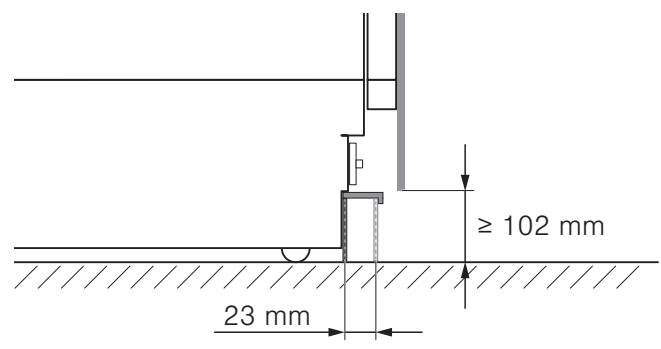
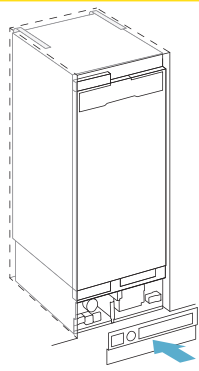
4x15   8x



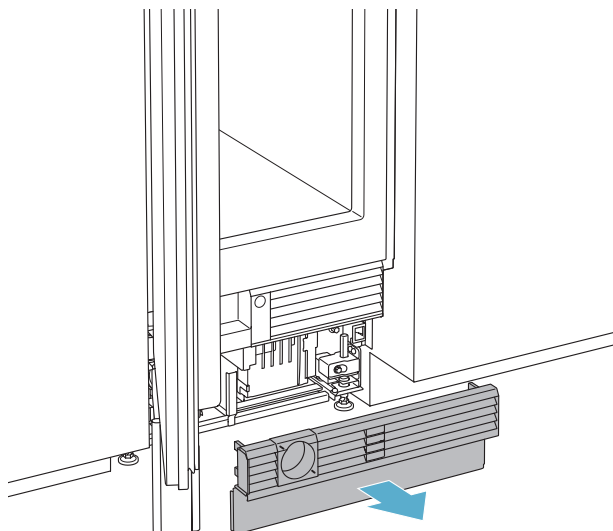
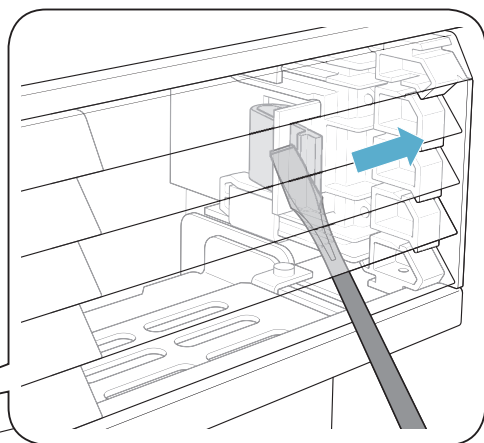
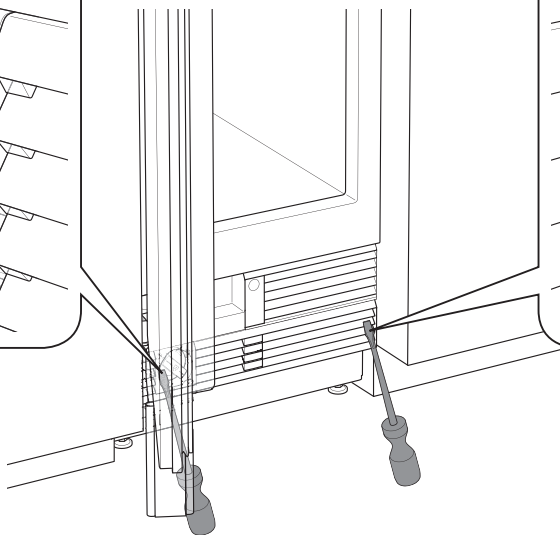
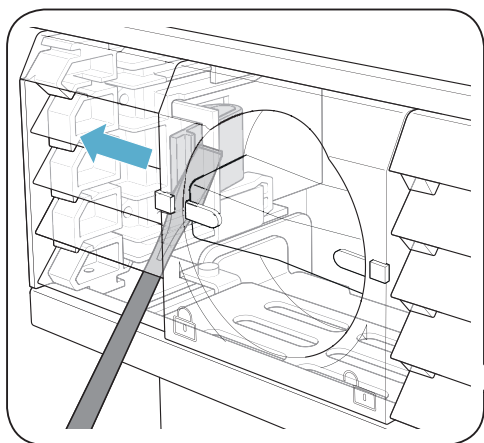
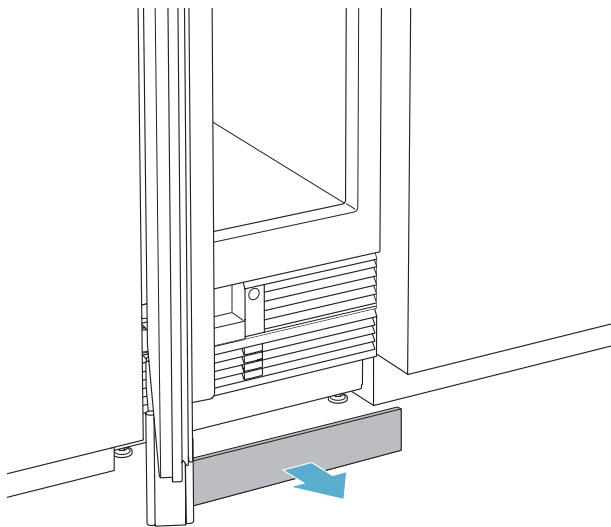


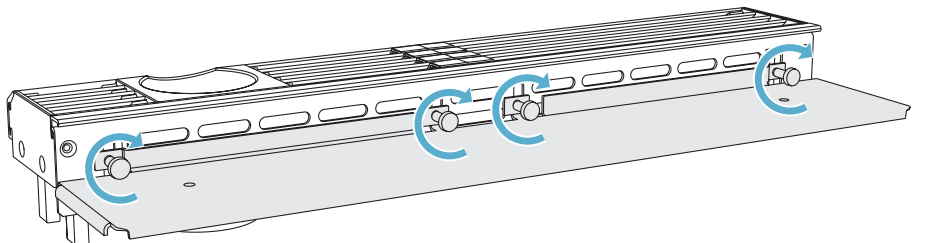
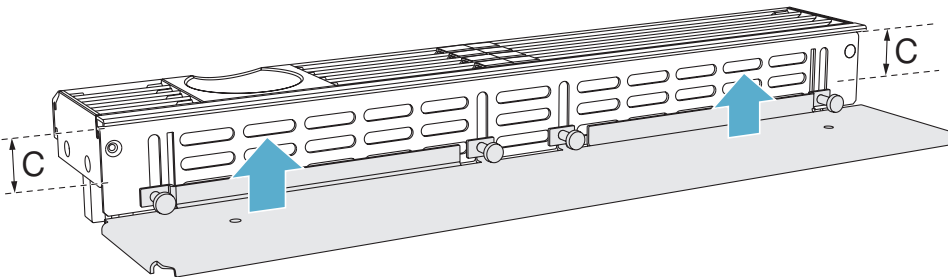
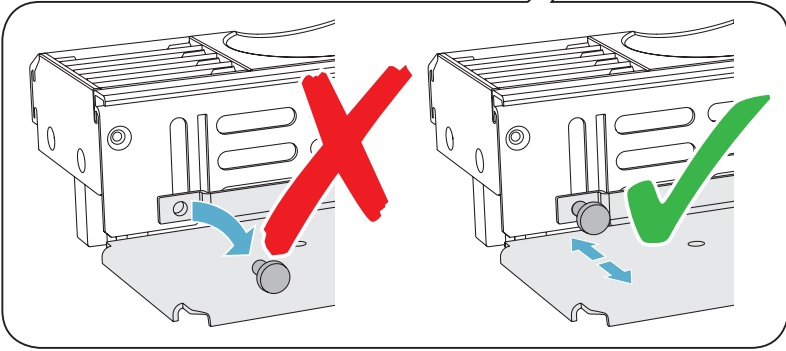
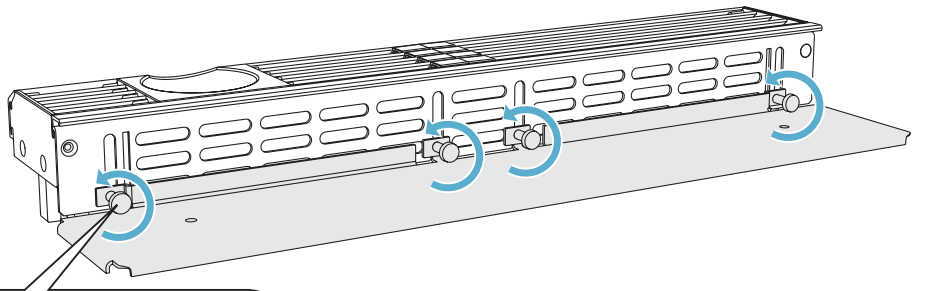
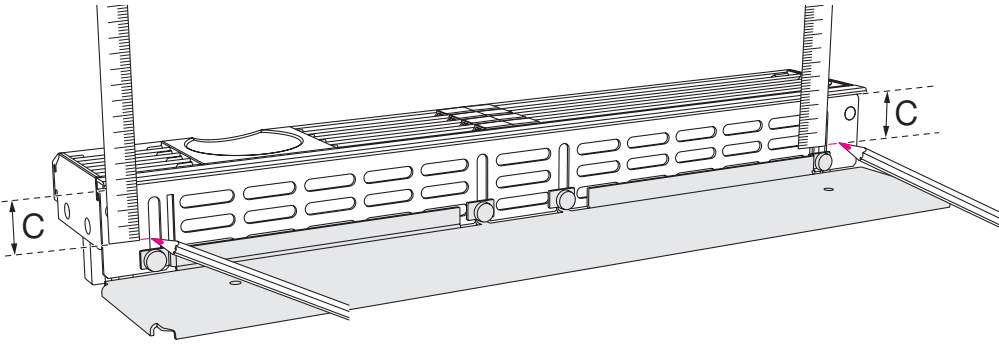
A
B
C
D



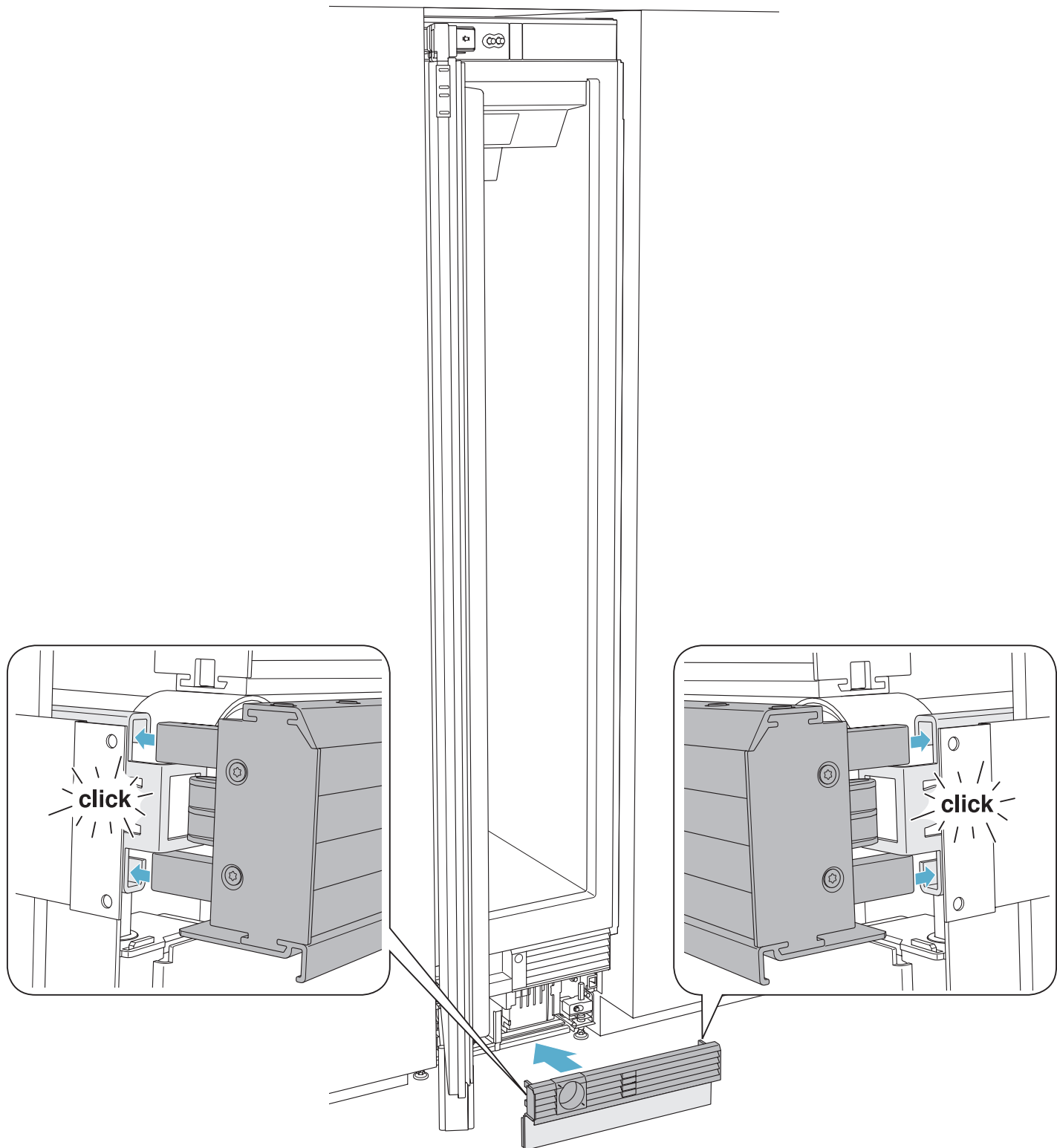
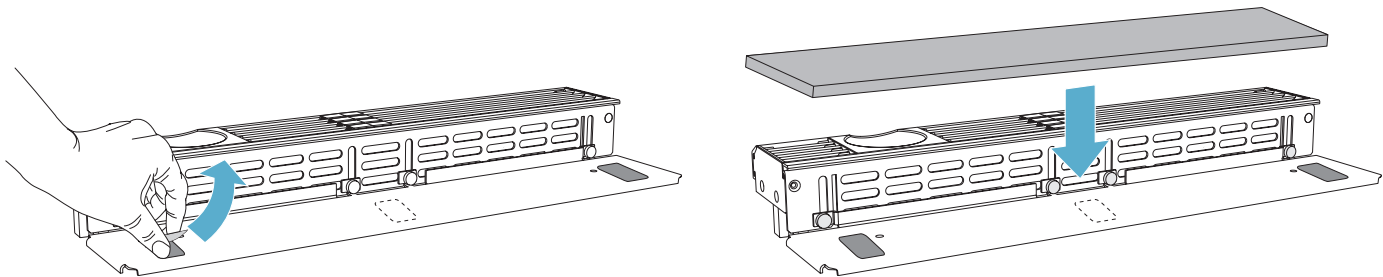


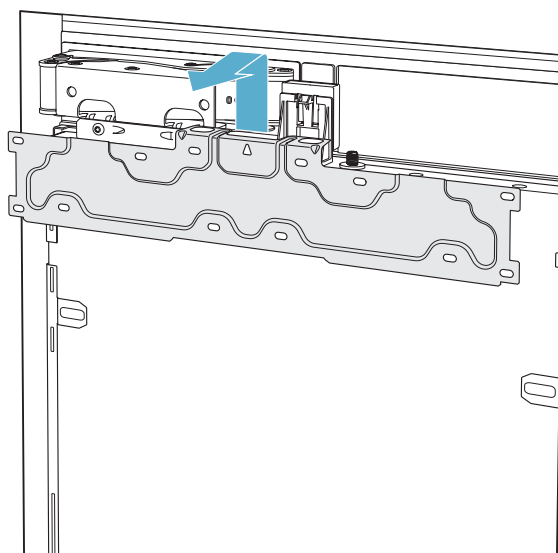
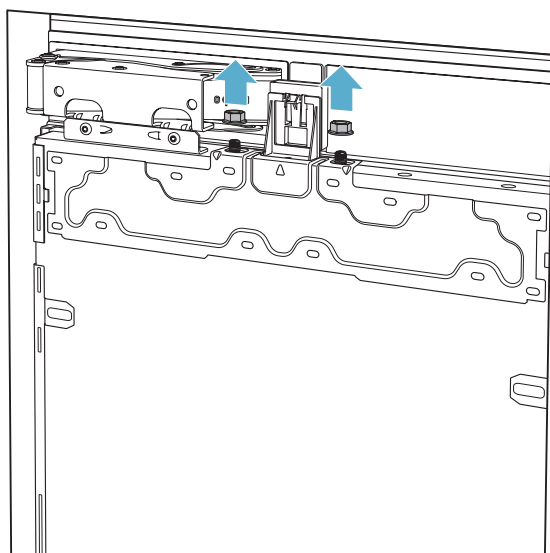
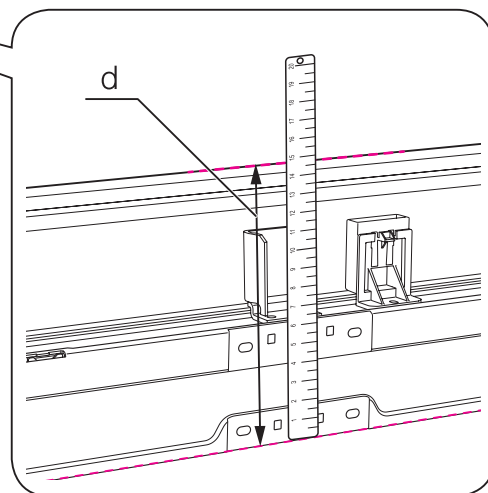
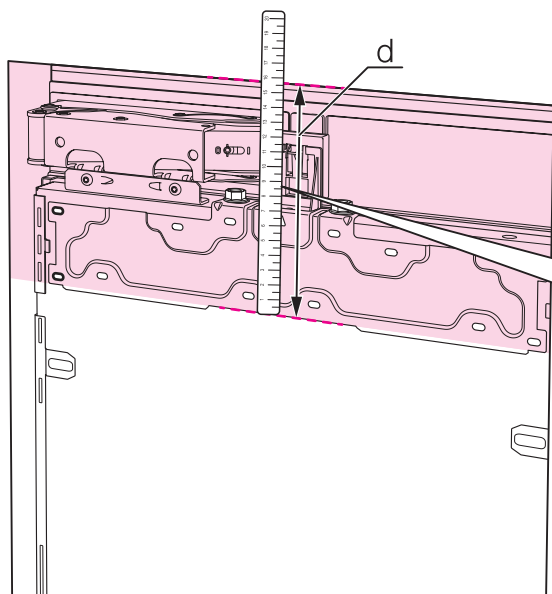
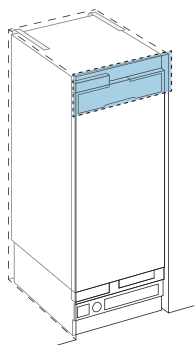
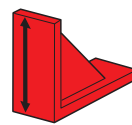
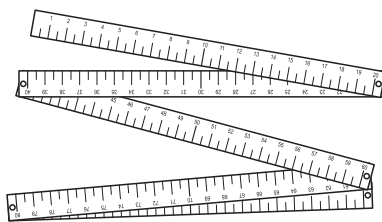
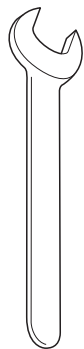
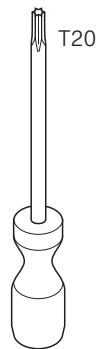
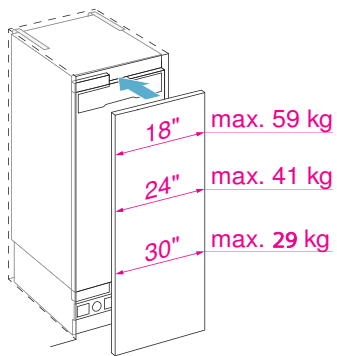
- A
- B
- C
- D



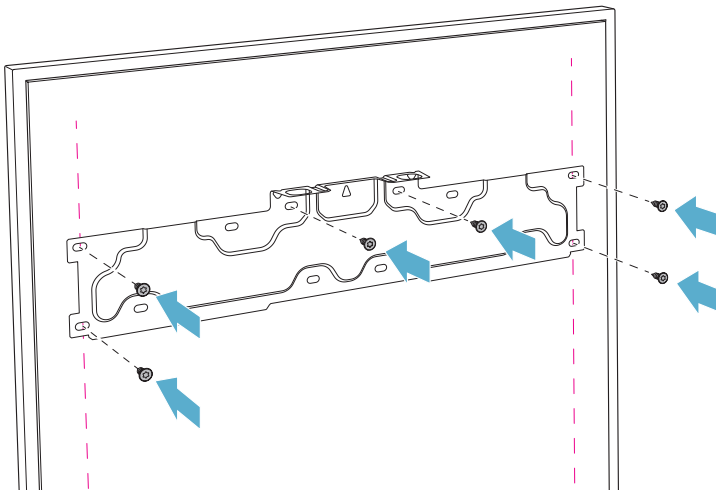
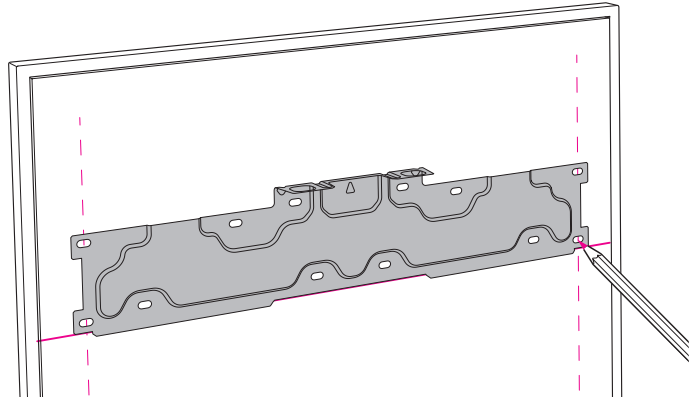
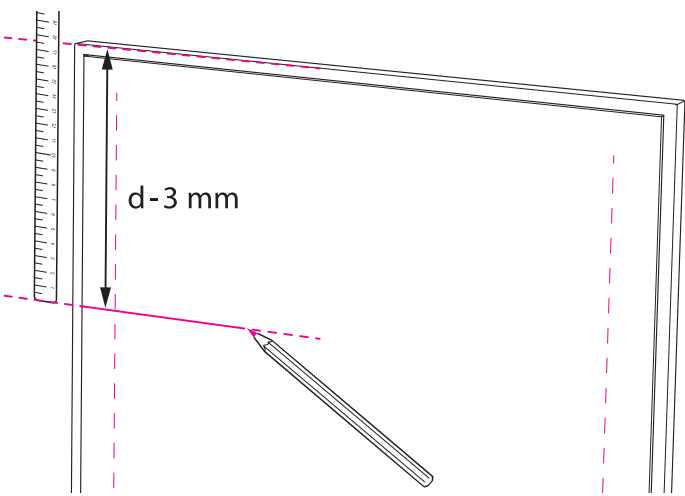
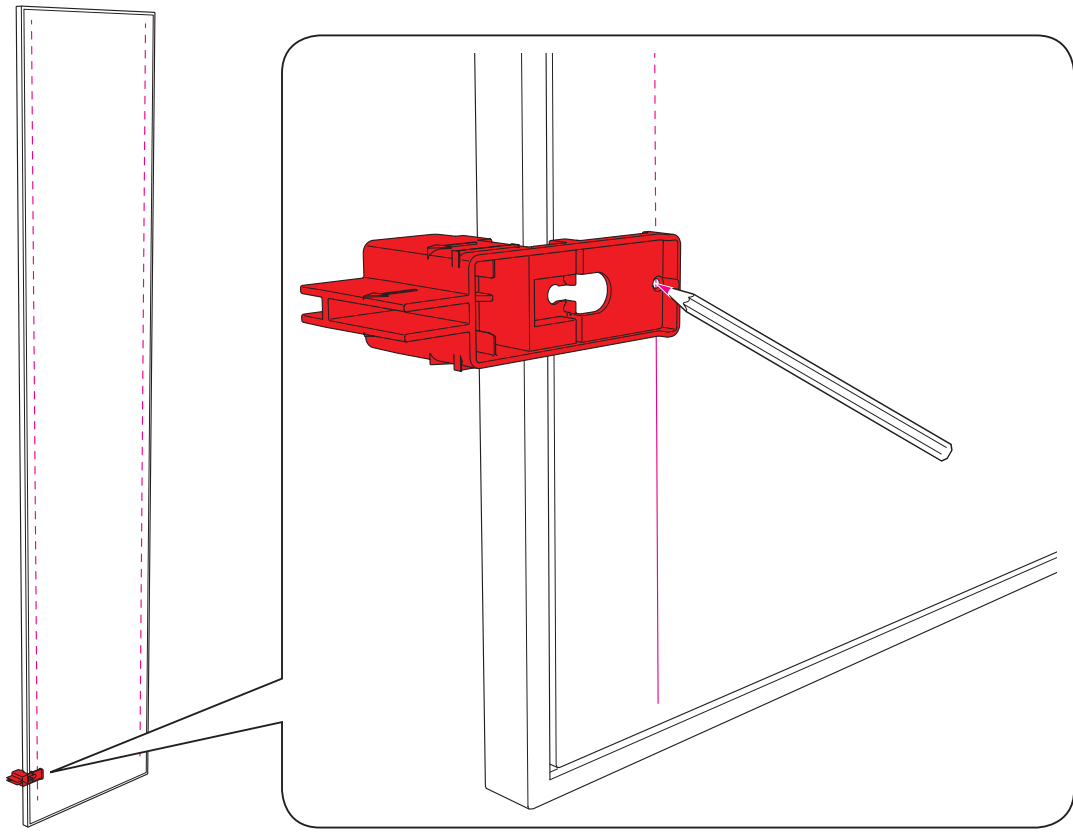




- A
- B
- C
- D

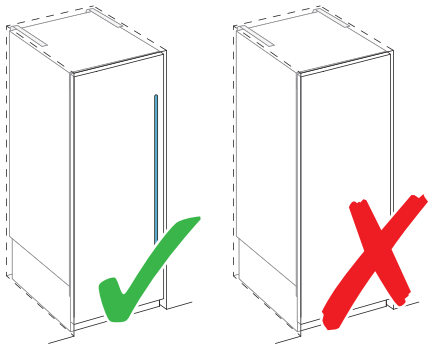






- A
- B
- C
- D

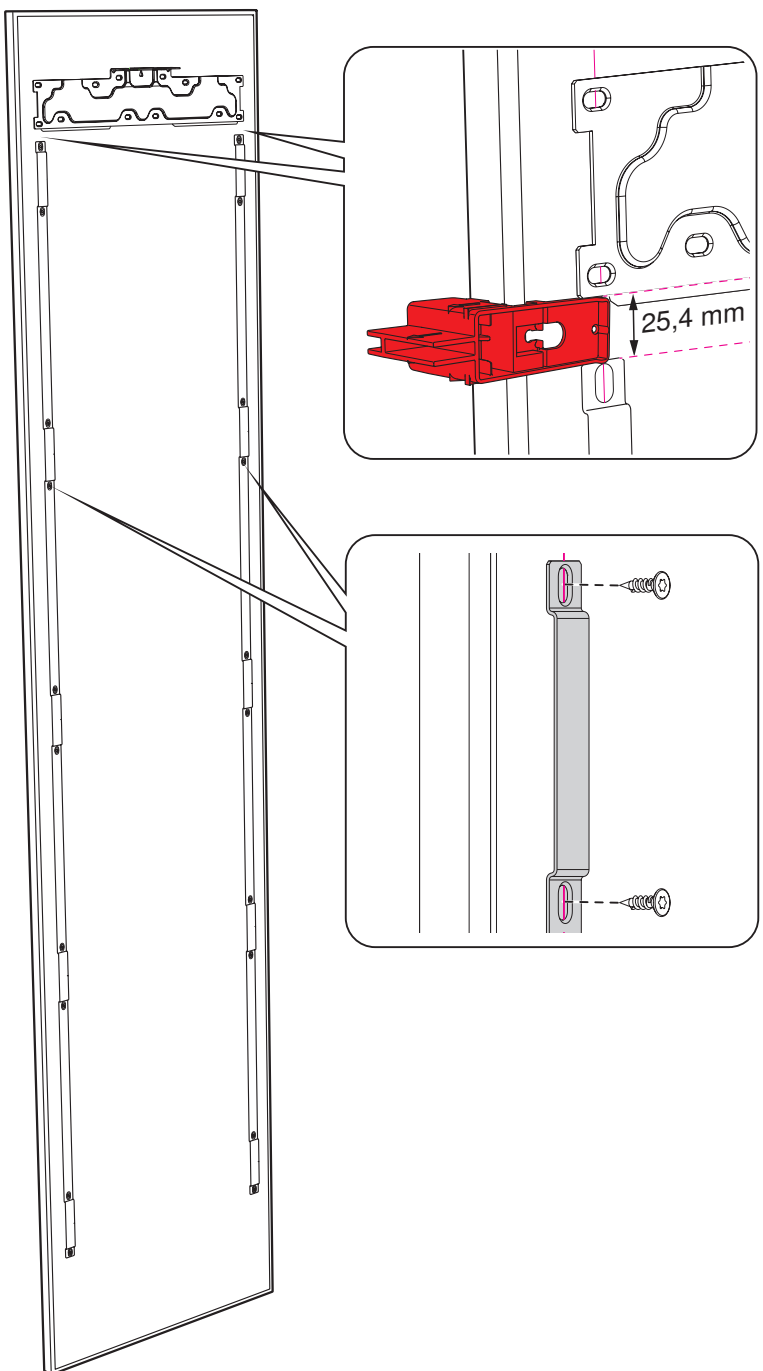
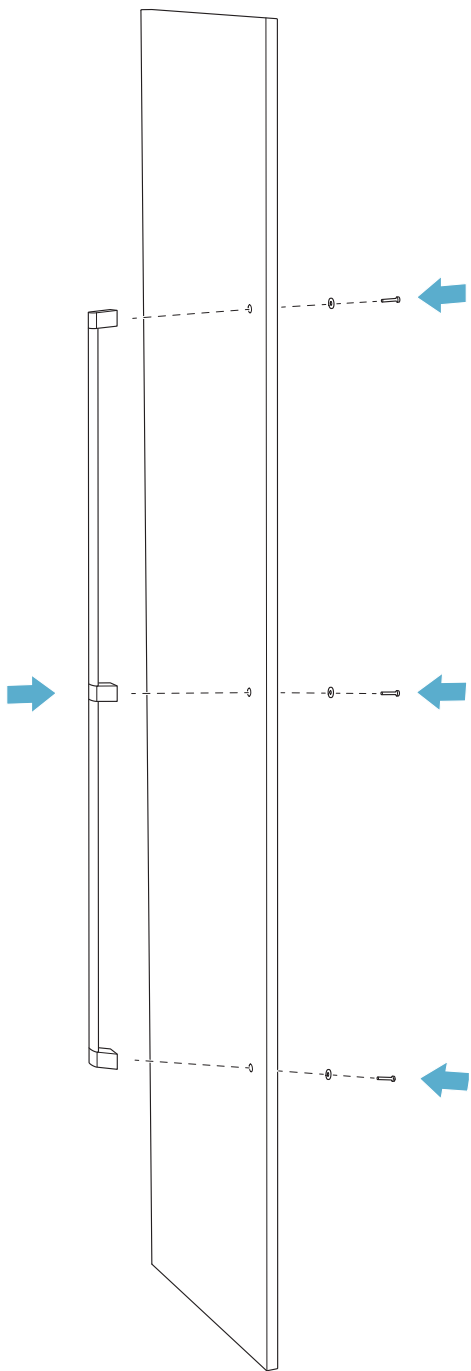


4x15			18" (457 mm) min. 6x
			24" (610 mm) min. 6x
			30" (762 mm) min. 10x

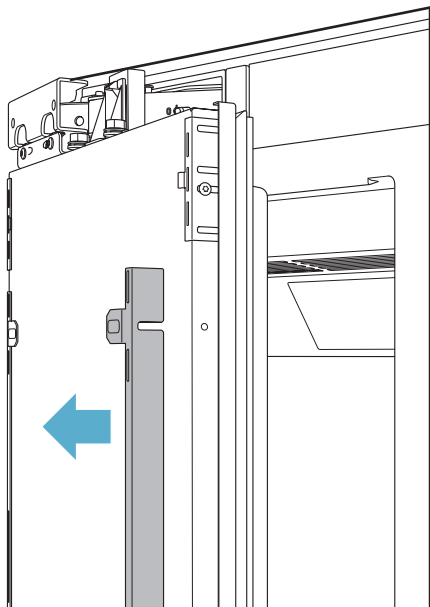
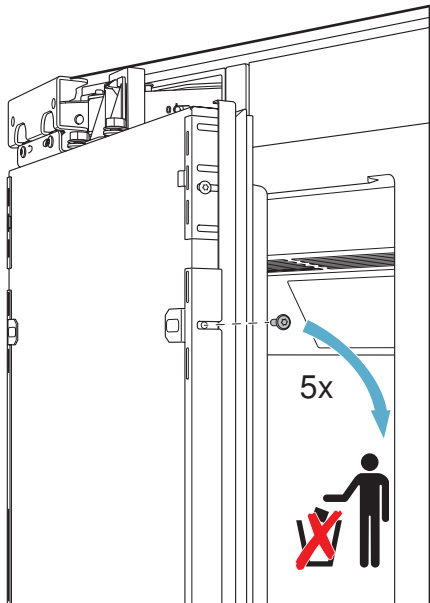
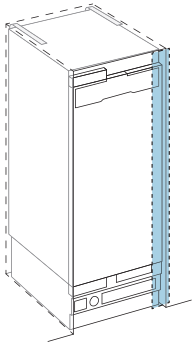


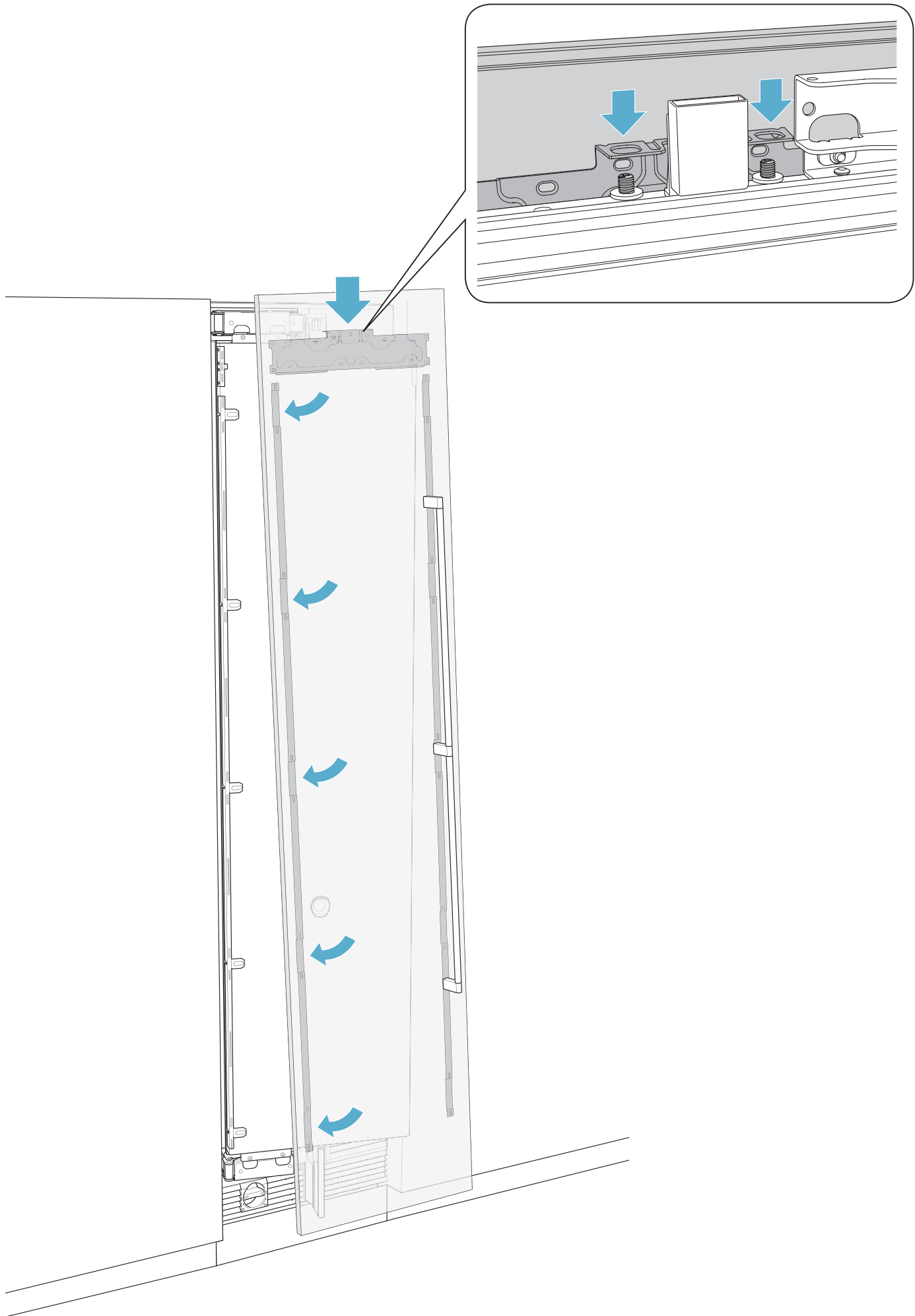
4x15   20x

- A
- B
- C
- D



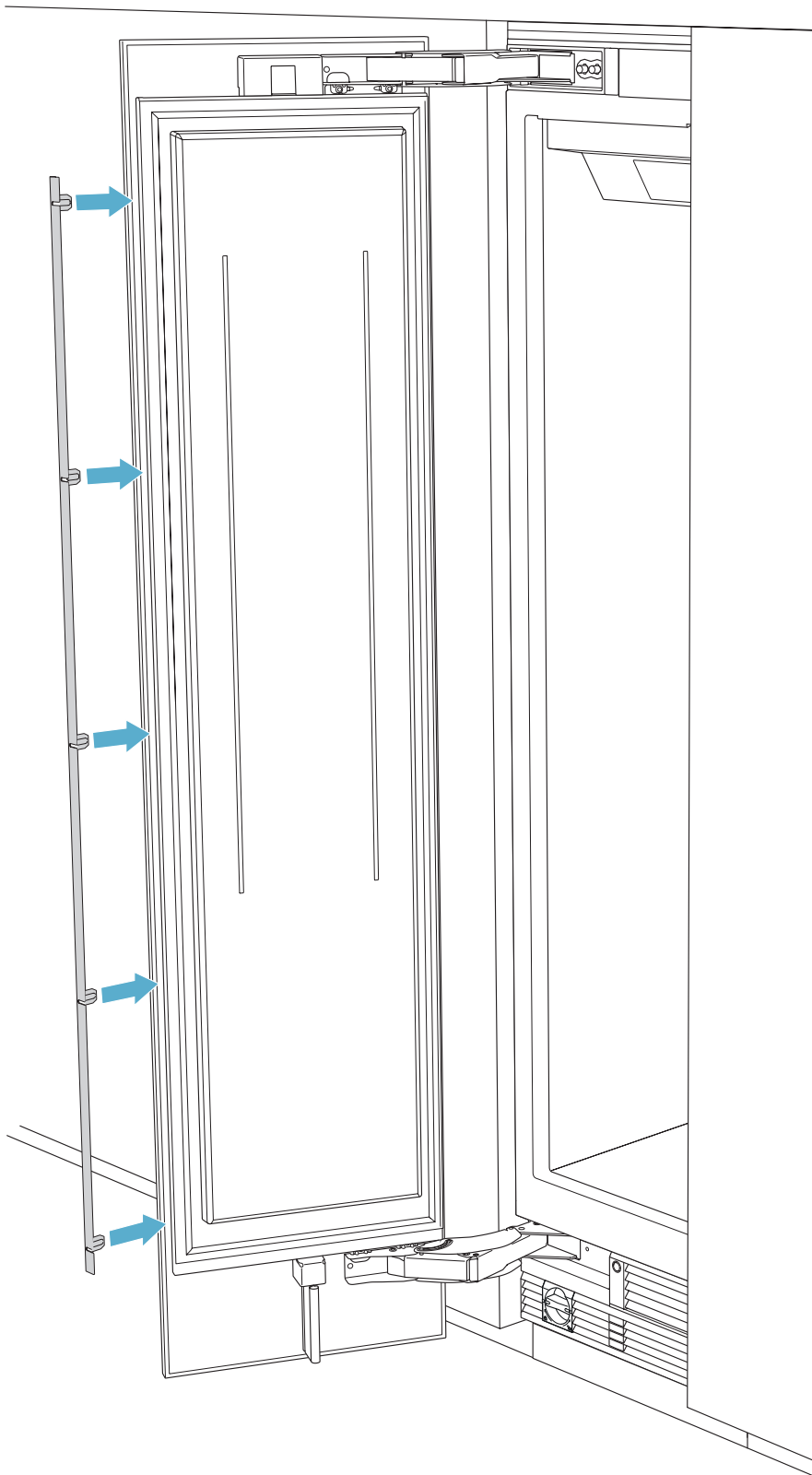
- A
- B
- C
- D

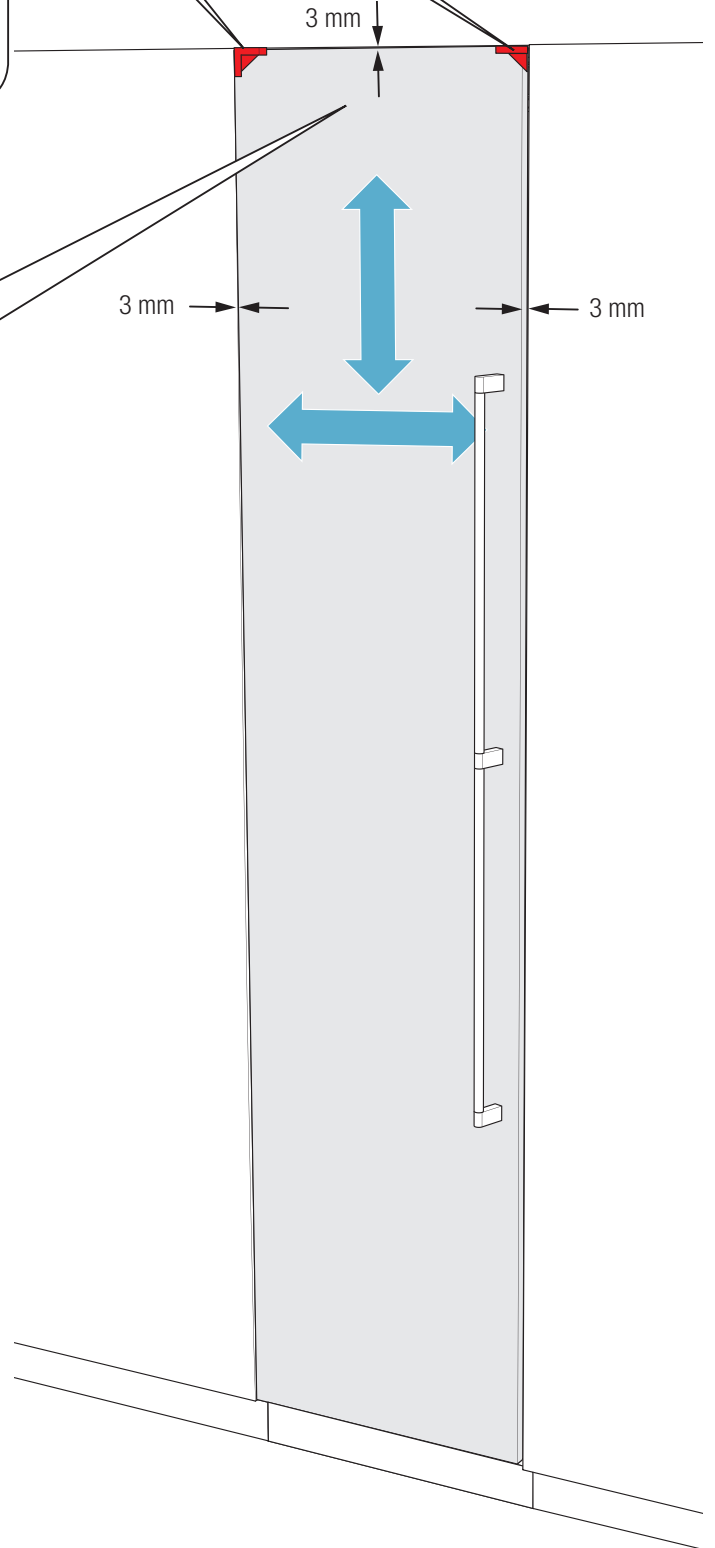
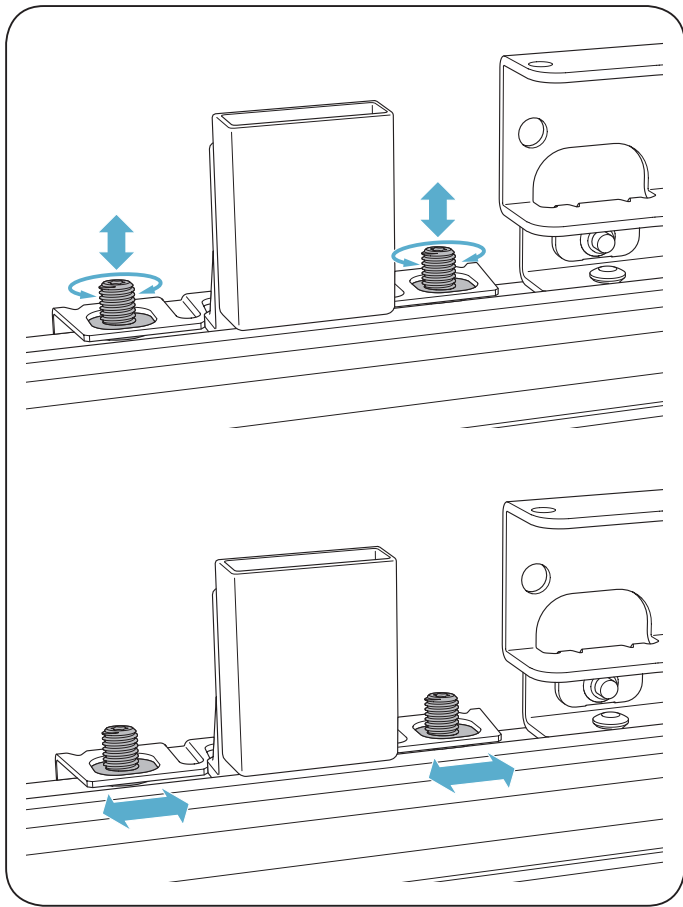
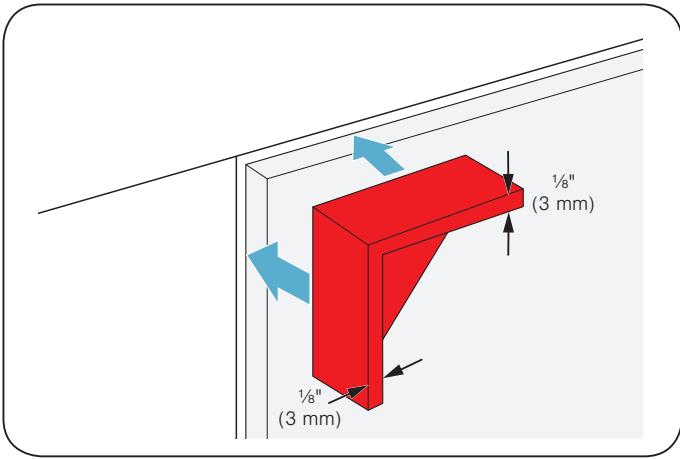




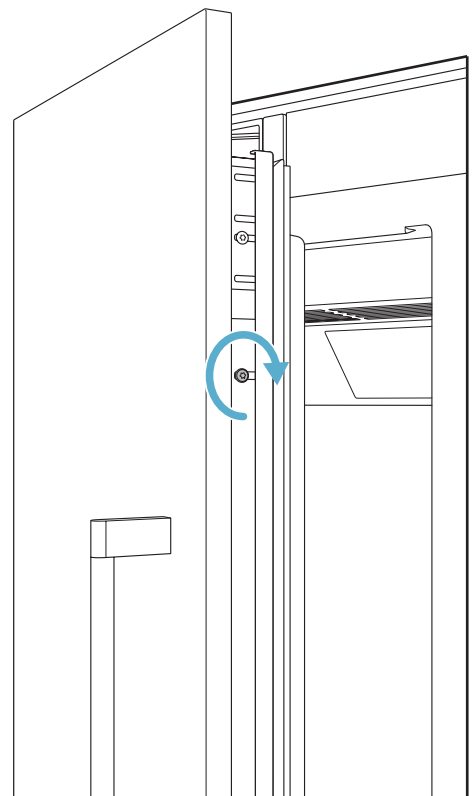
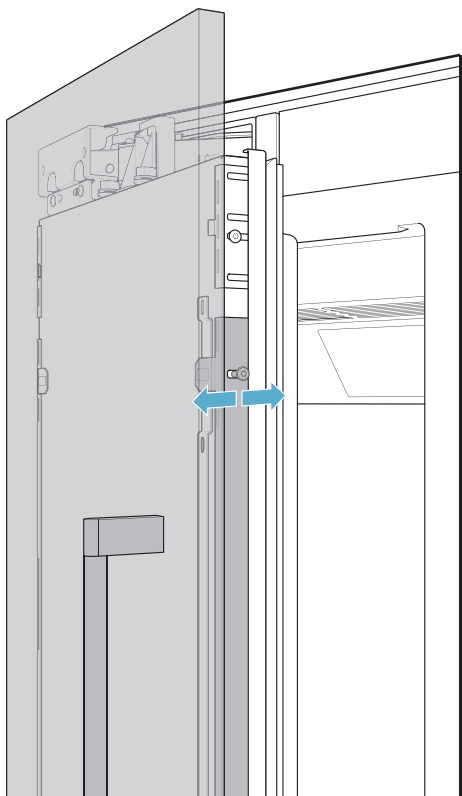
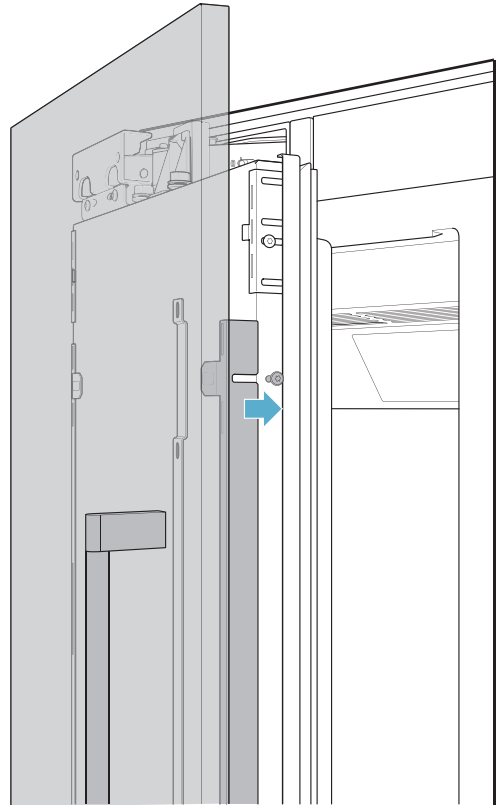
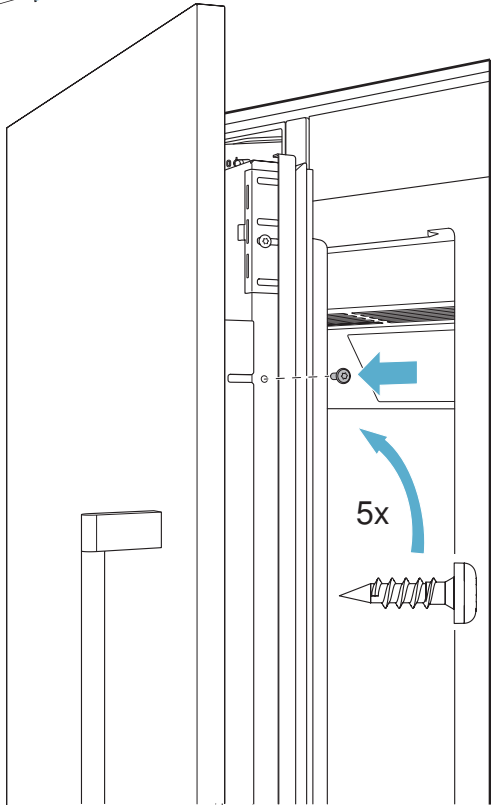
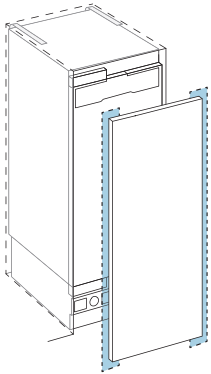
- A
- B
- C
- D

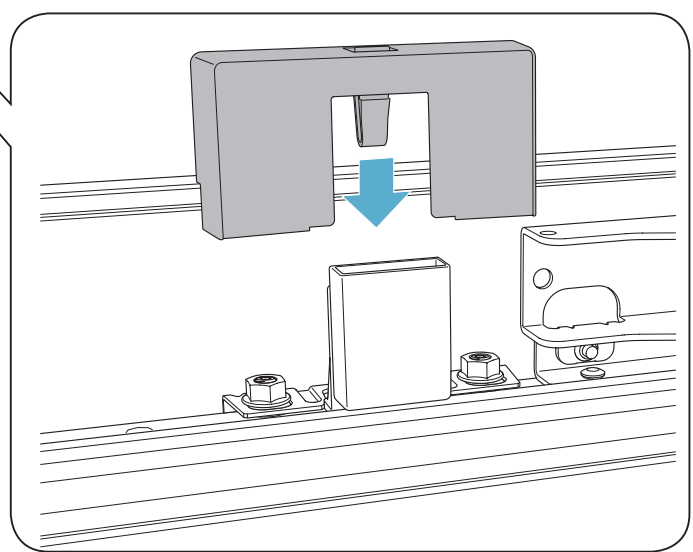
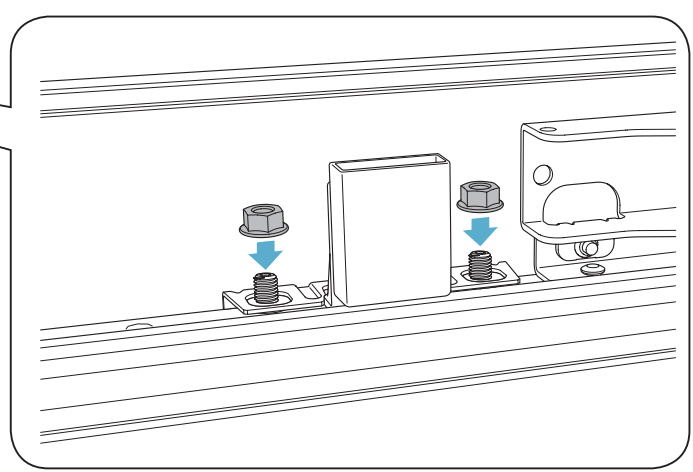
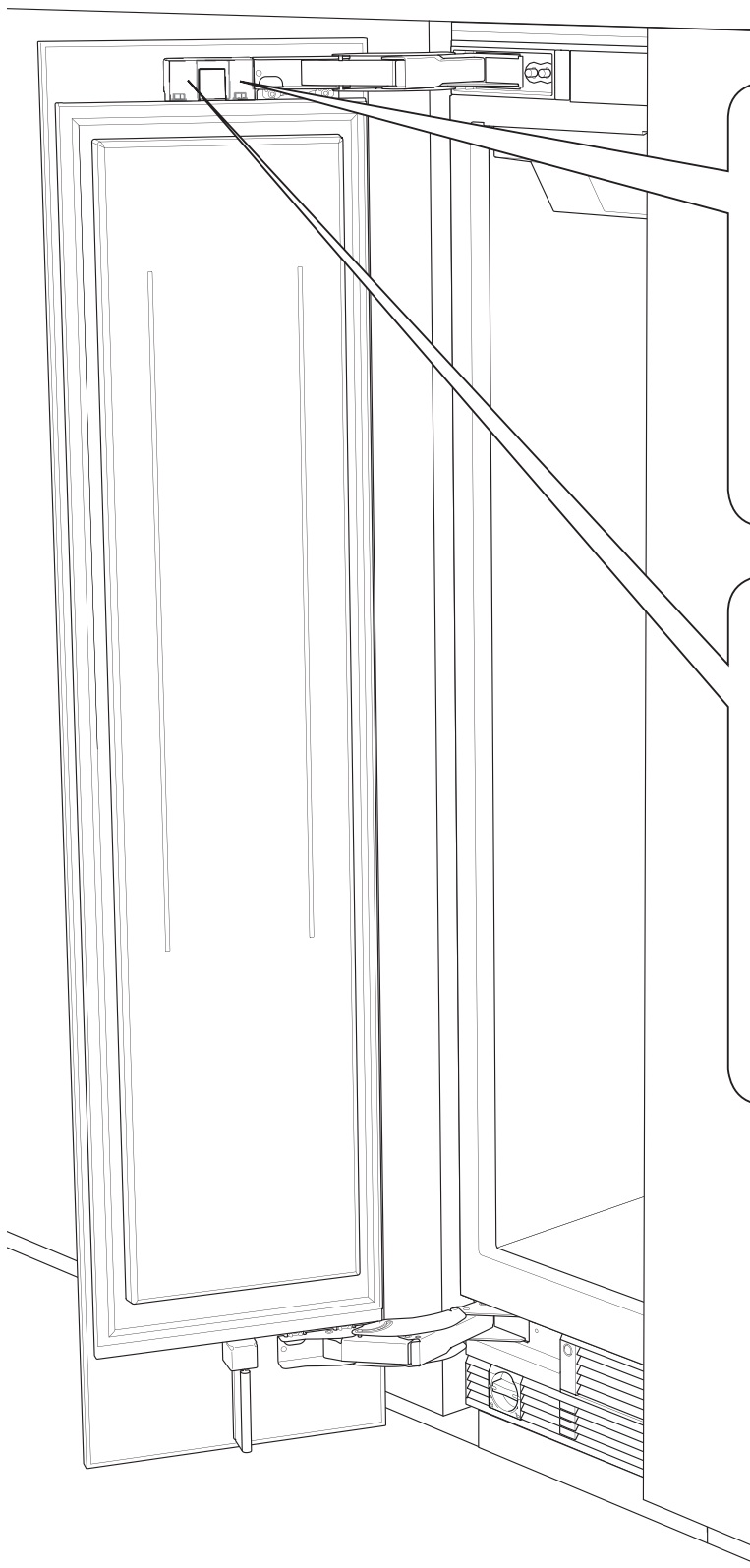
- A
- B
- C
- D



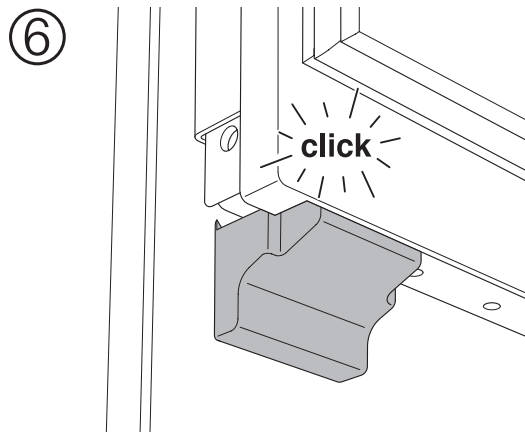
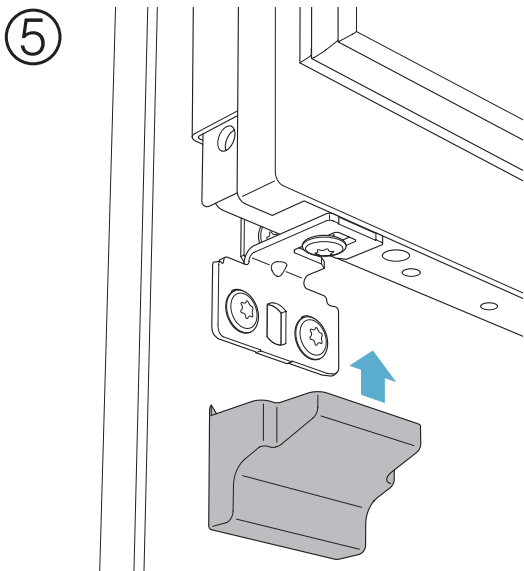
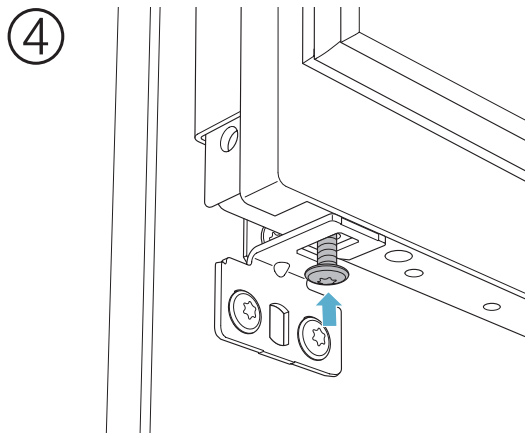
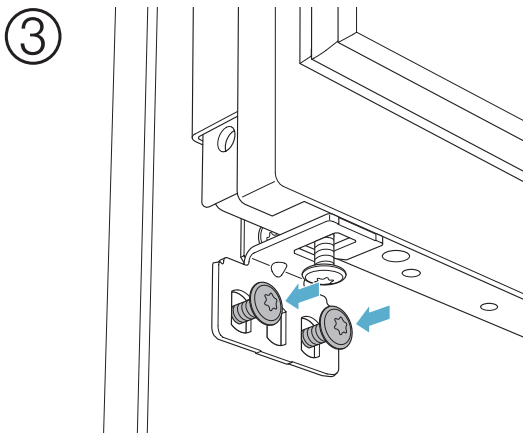
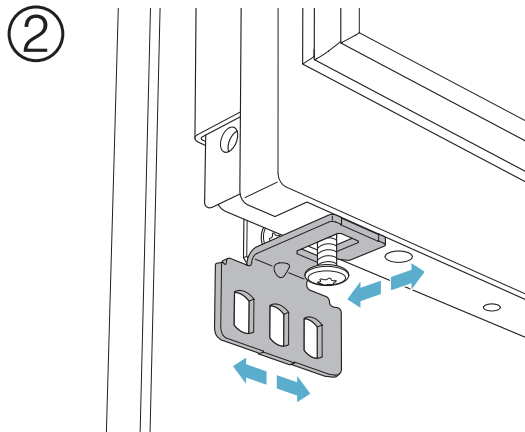
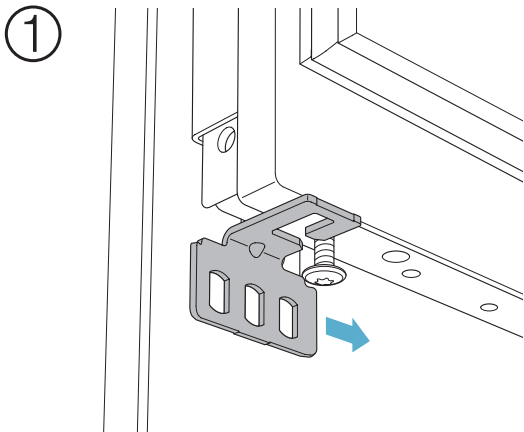
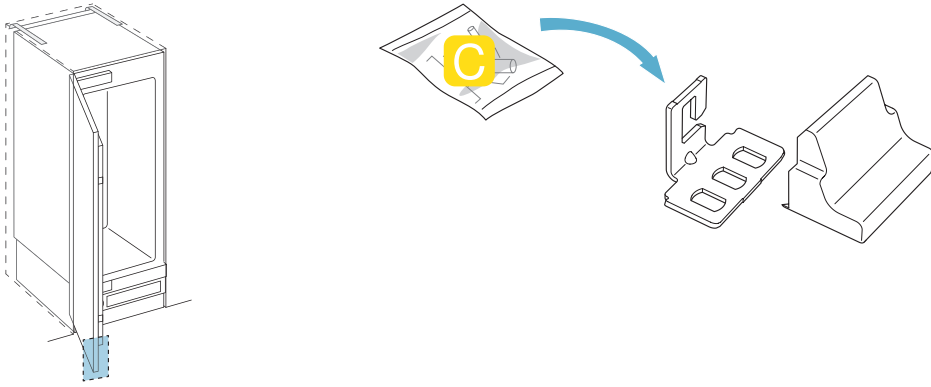


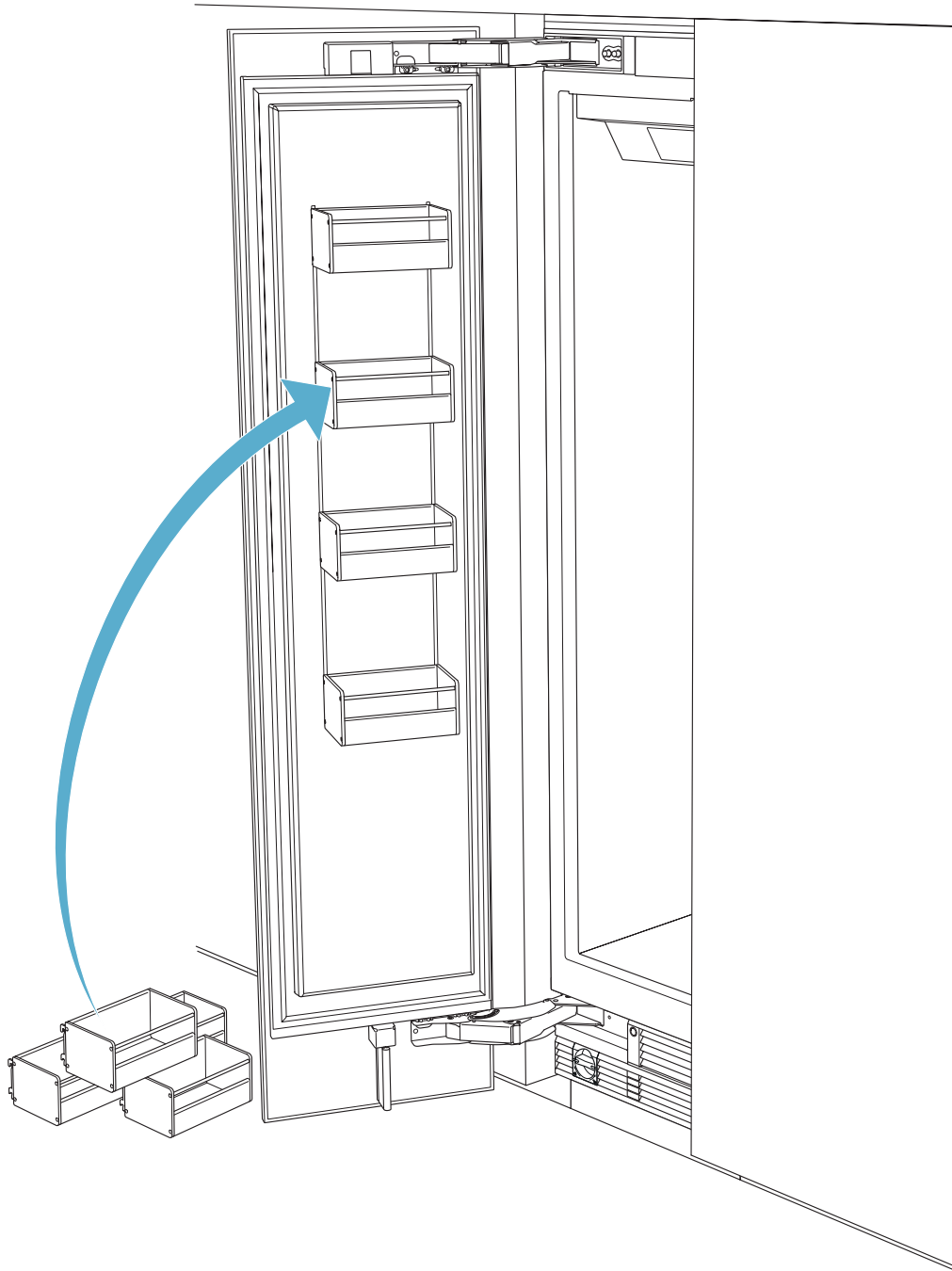
- A
- B
- C
- D



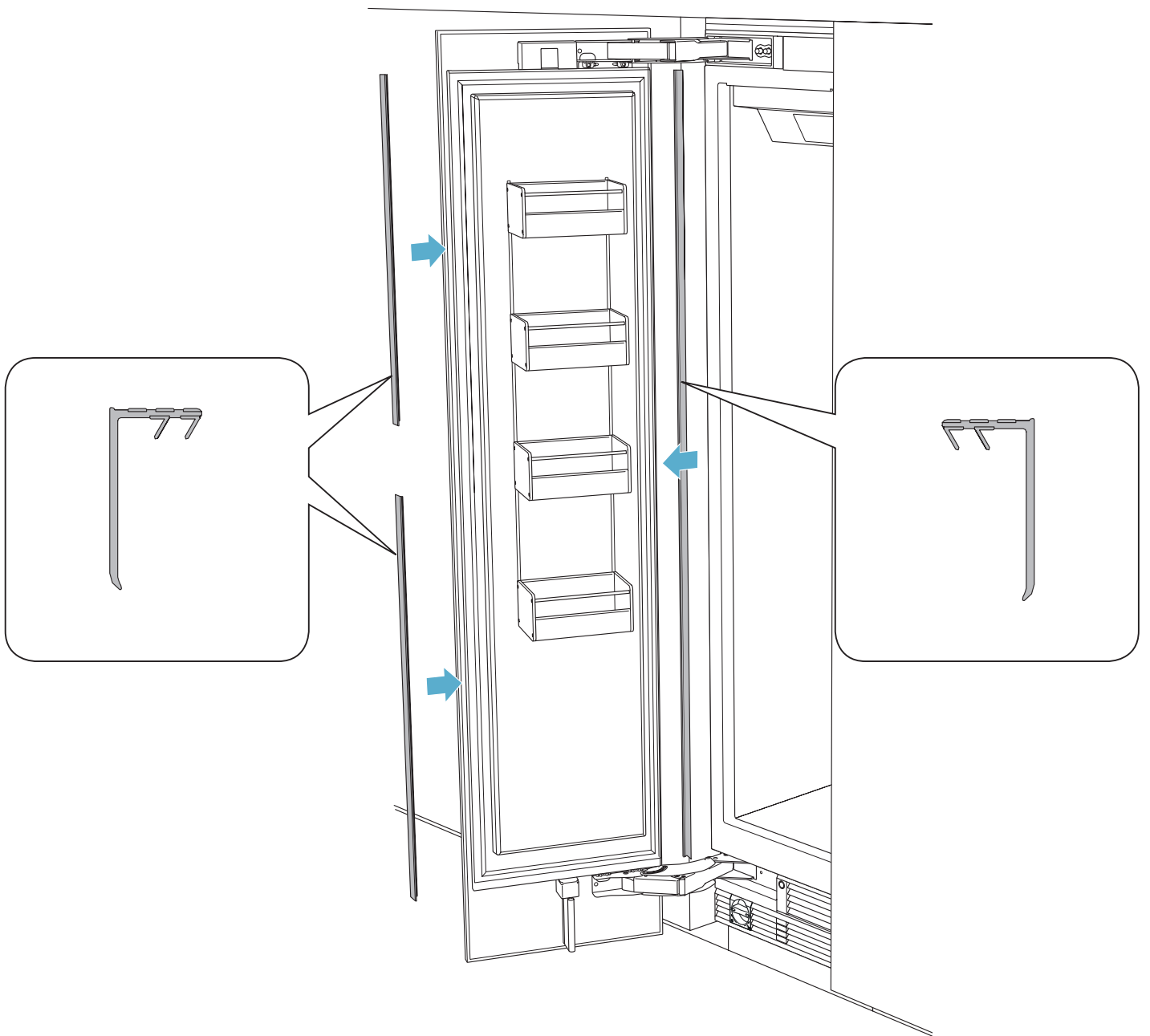
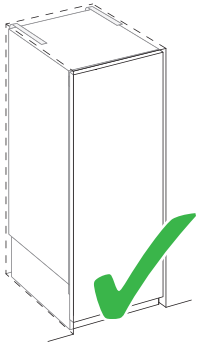


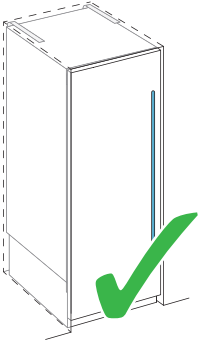
- A
- B
- C
- D



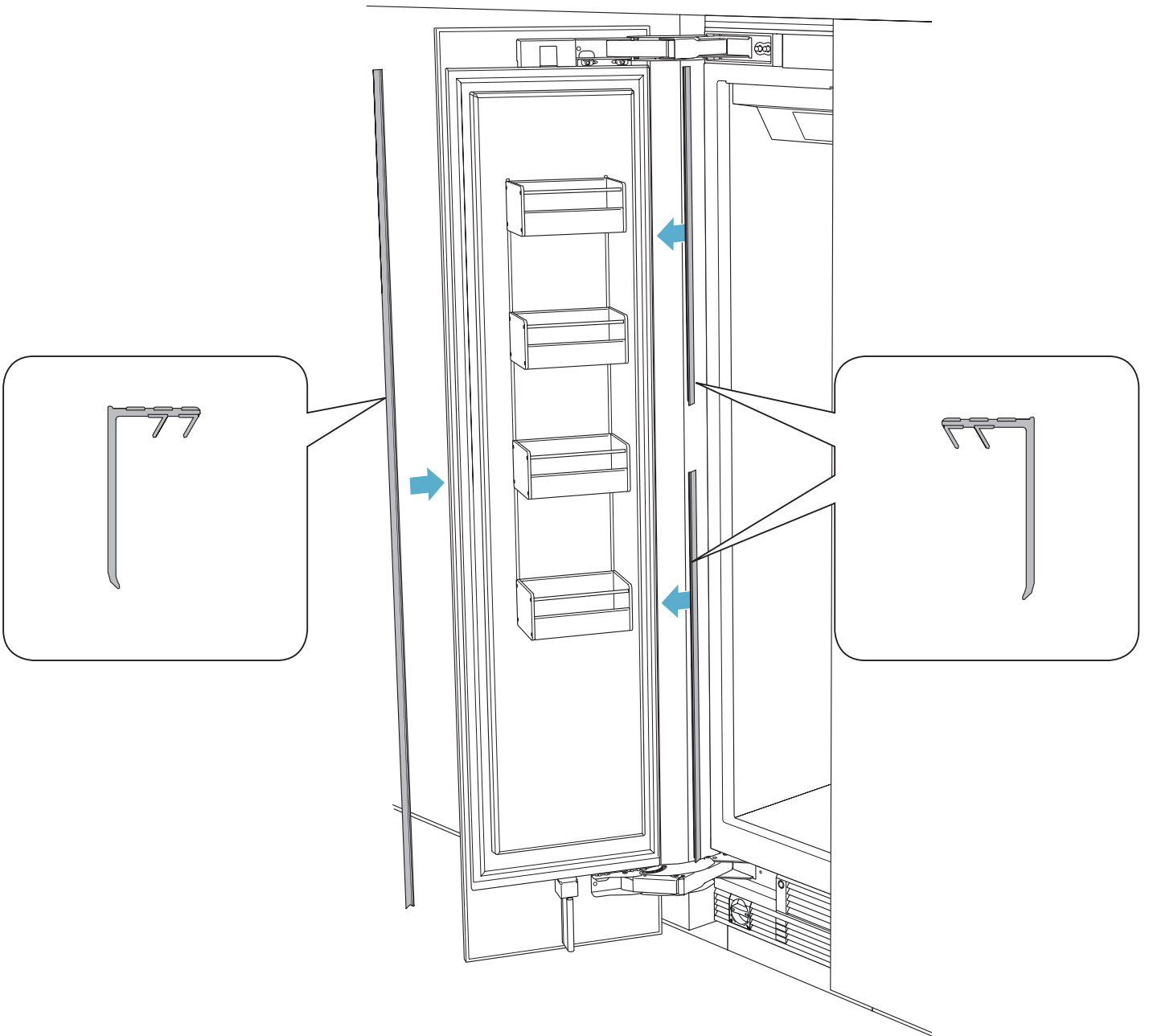


- A
- B
- C
- D

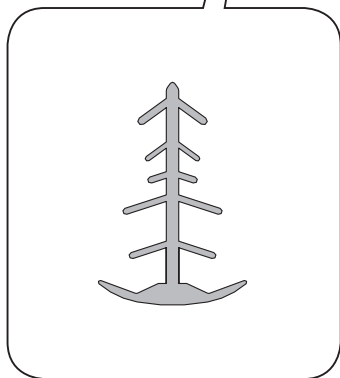
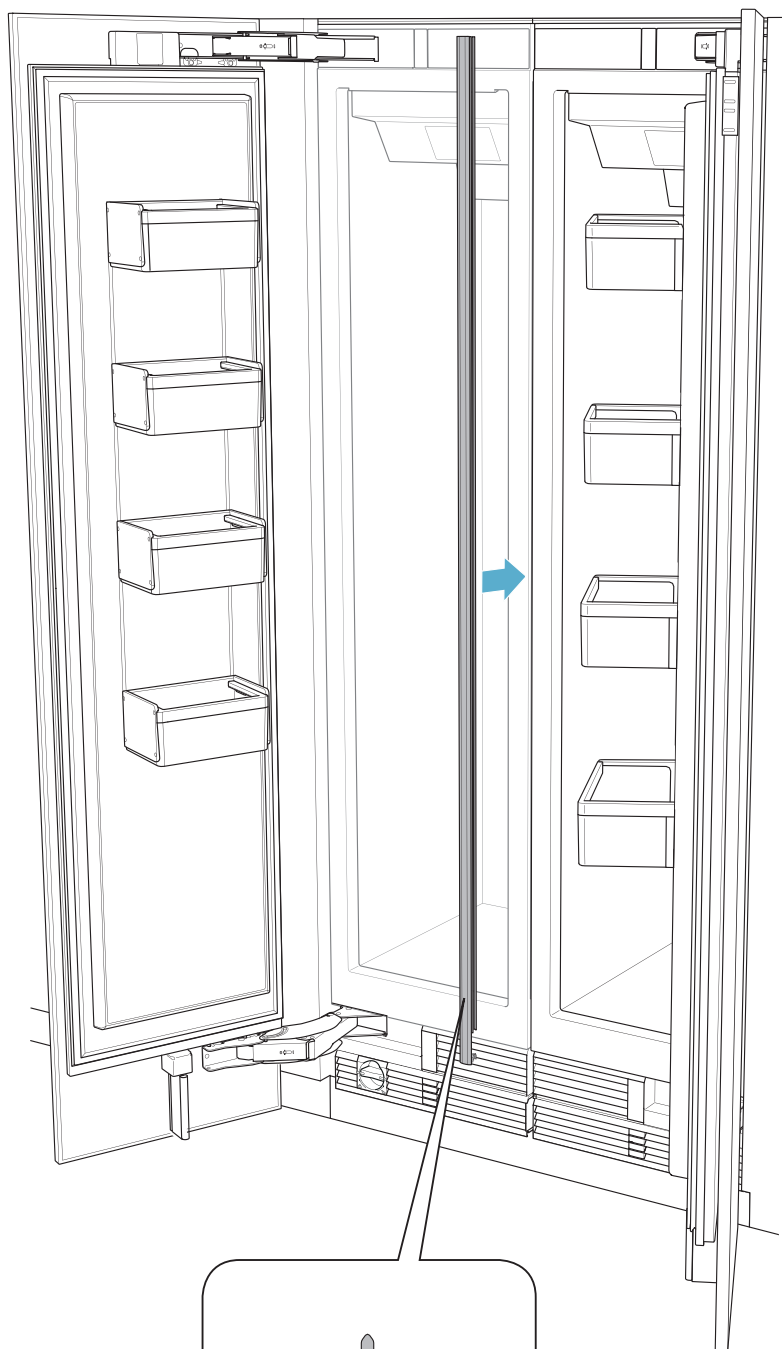


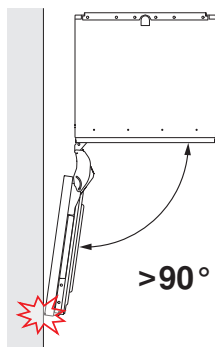
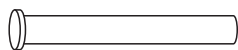


- A
- B
- C
- D

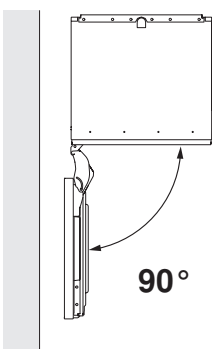


- A
- B
- C
- D

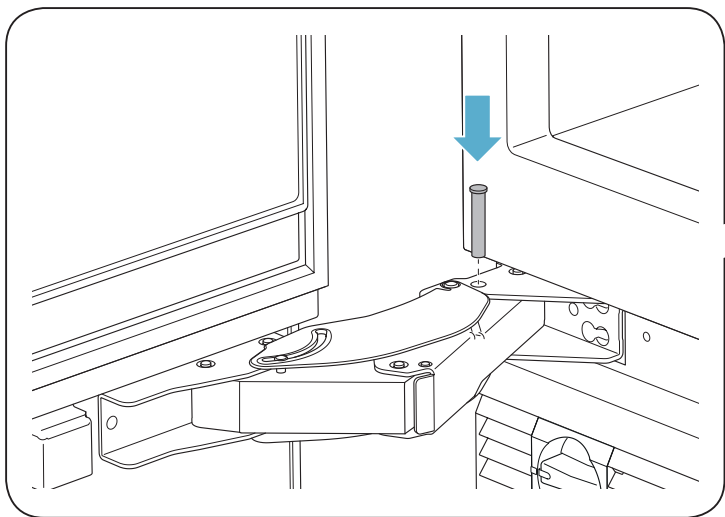
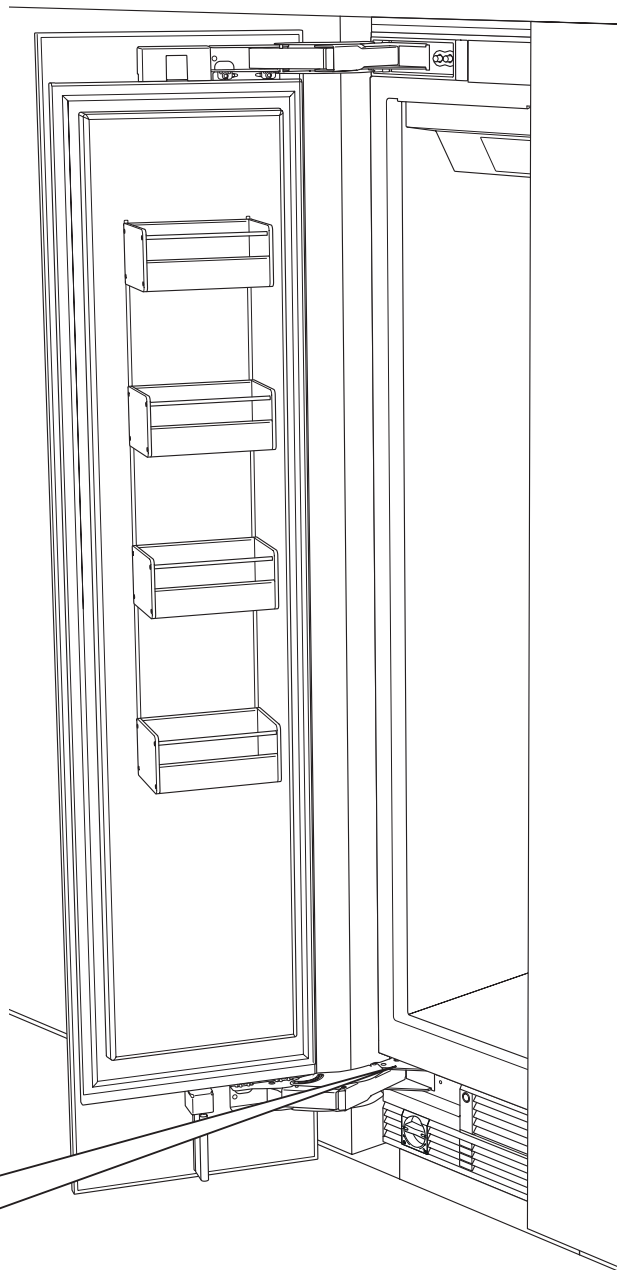


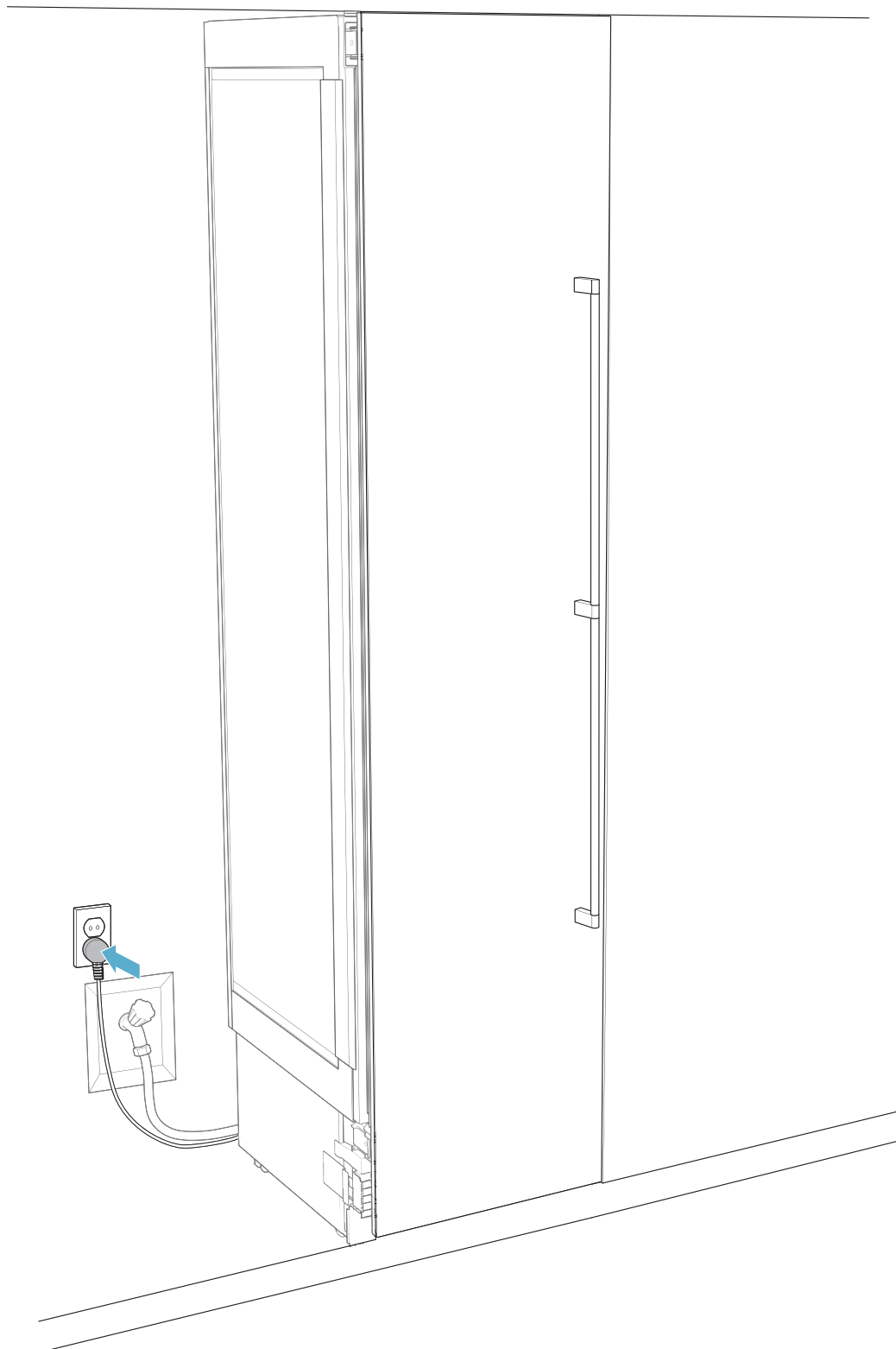


>90°



90°





Gaggenau Hausgeräte GmbH
Carl-Wery-Straße 34
D-81739 München
www.gaggenau.com

8001170335 (9910)
xx

GAGGENAU

