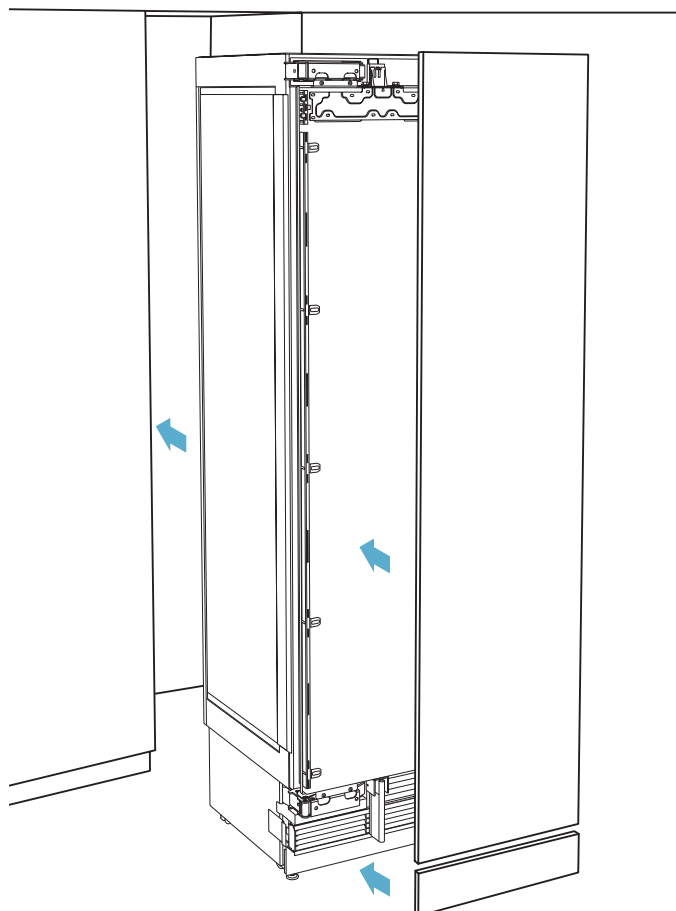
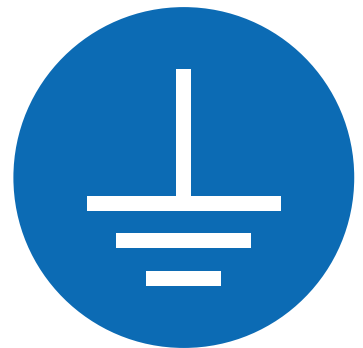
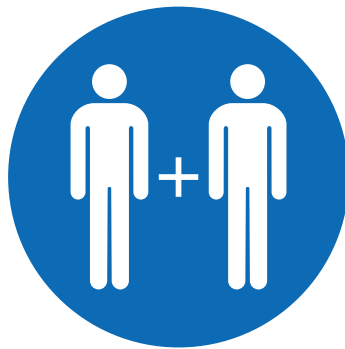


Gaggenau

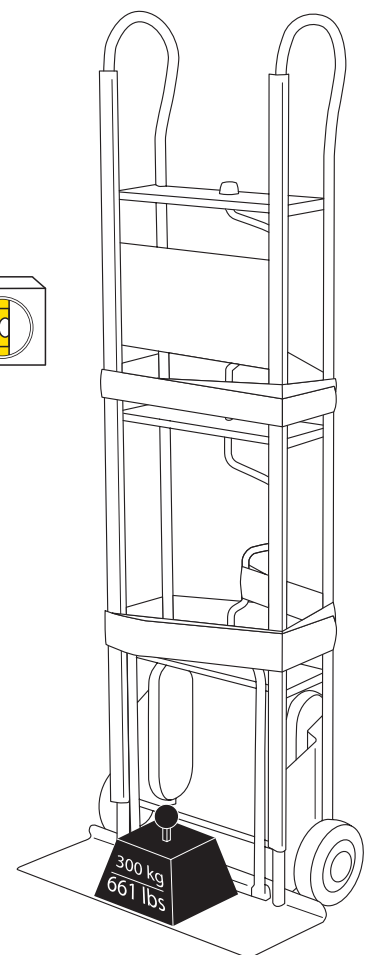
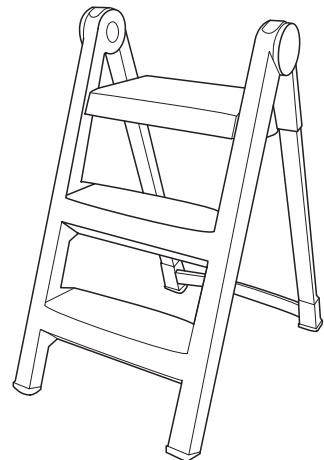
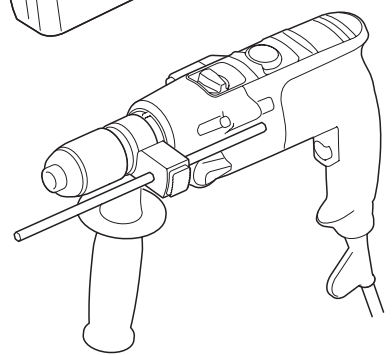
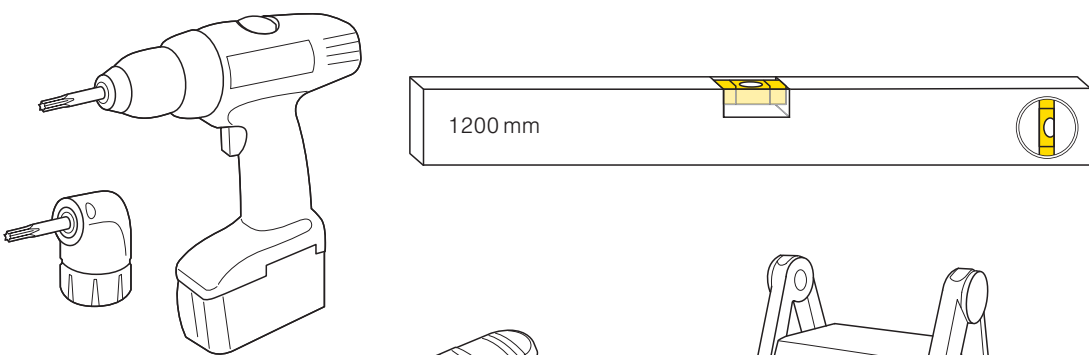
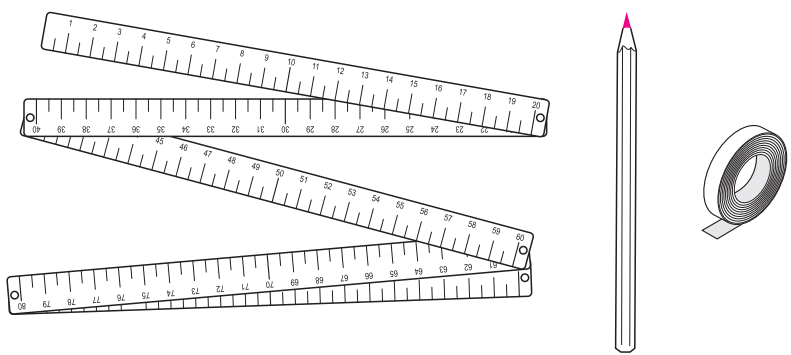
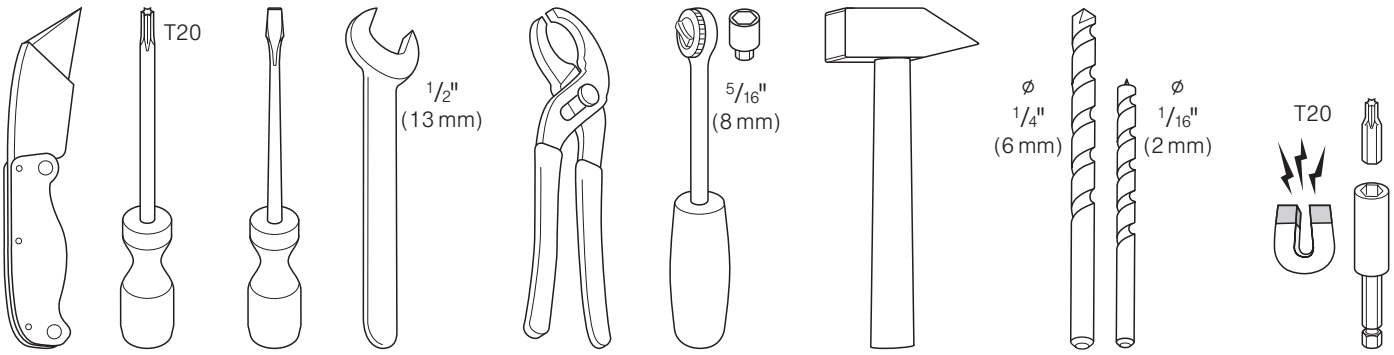
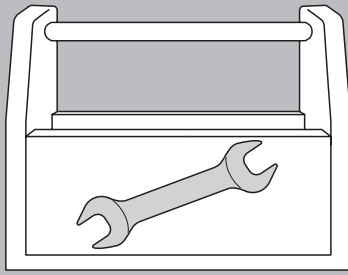
# RF410304

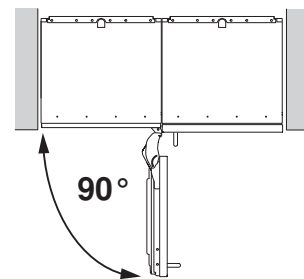
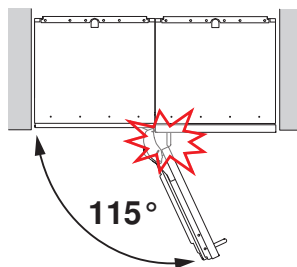
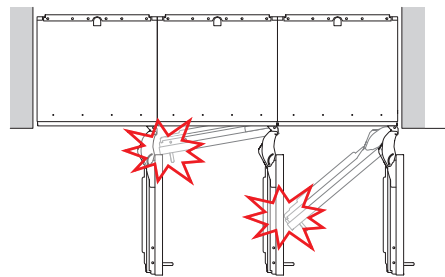
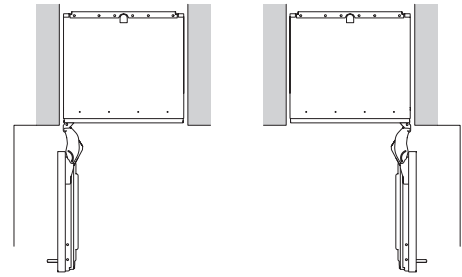
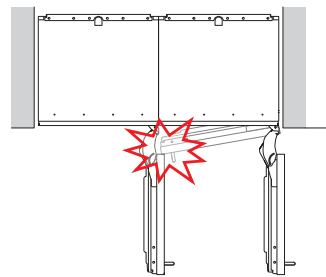
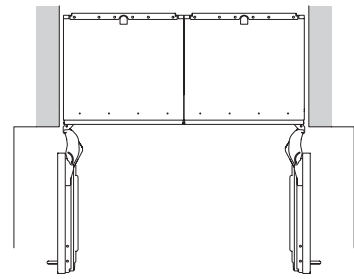
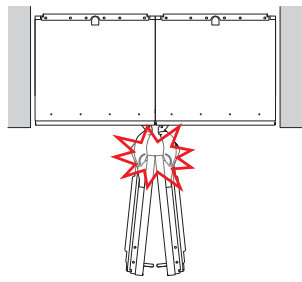
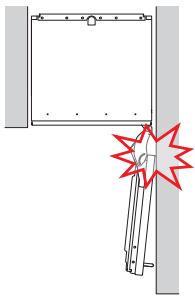






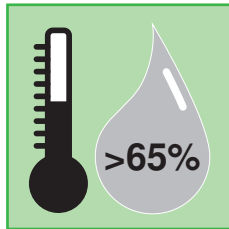




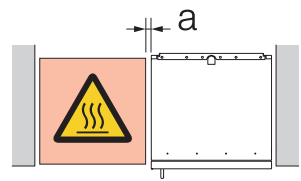
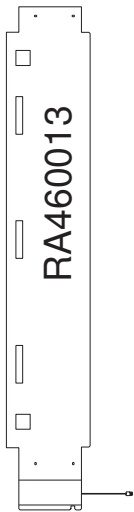




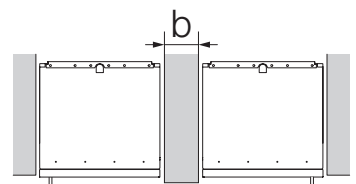
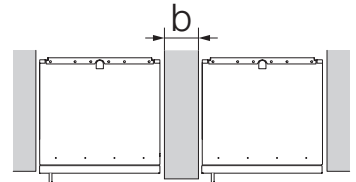
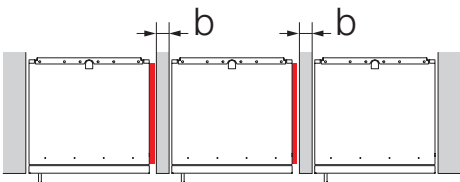
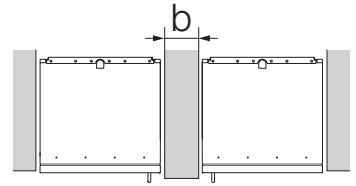
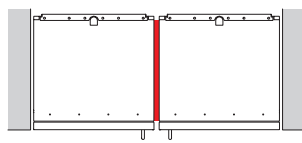
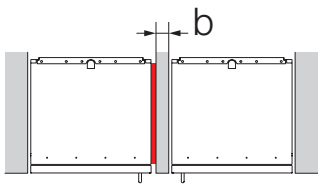
$\frac{5}{8}'' \leq b < 6\frac{1}{4}''$   
(16 mm  $\leq$  b < 160 mm)

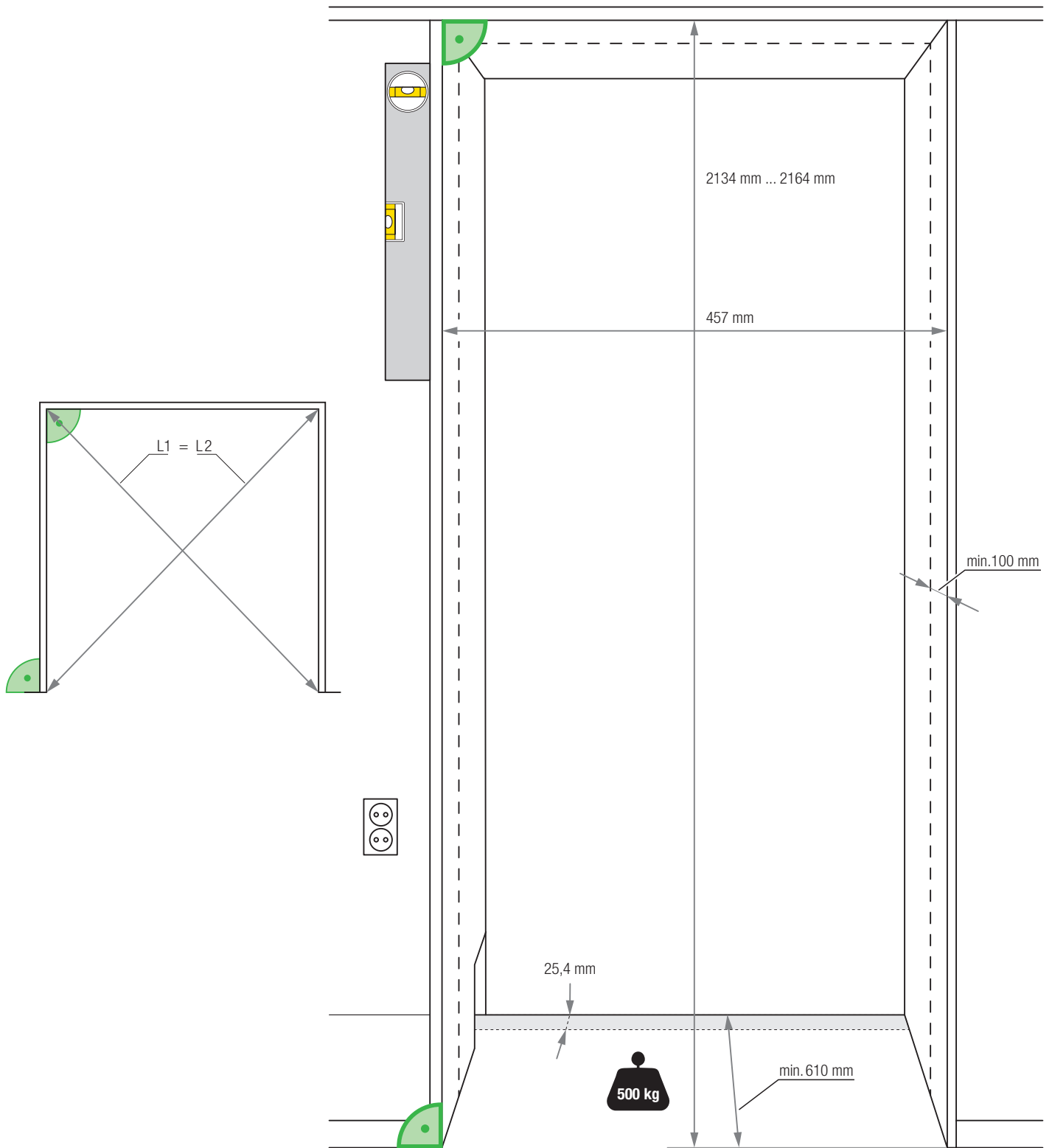


$a \geq 1\frac{3}{16}''$   
(a  $\geq$  30 mm)

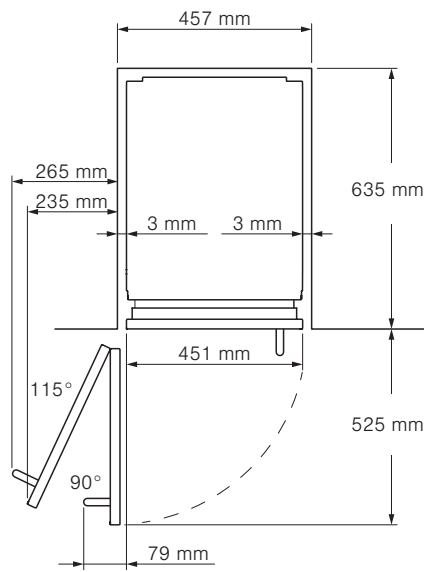
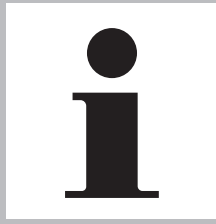


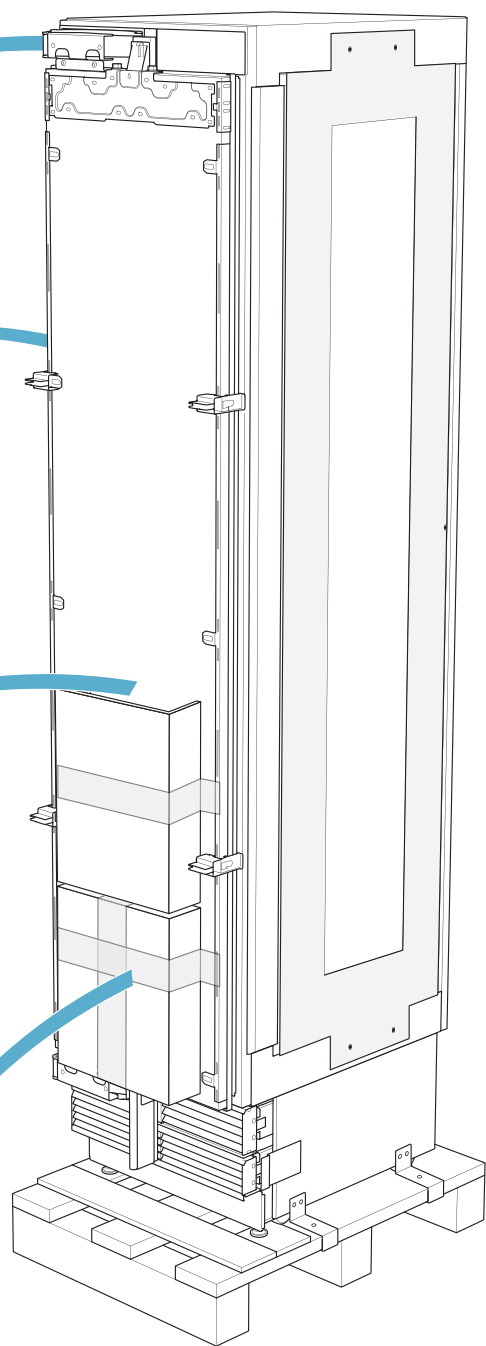
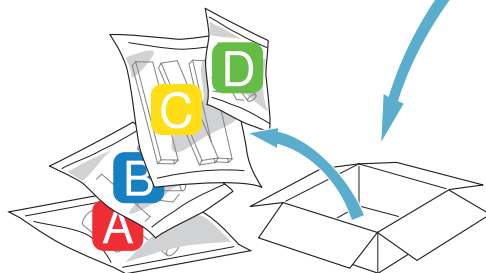
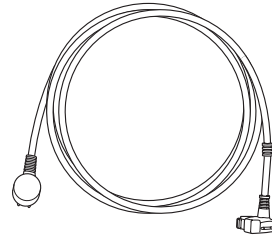
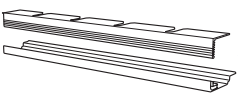
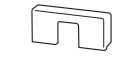
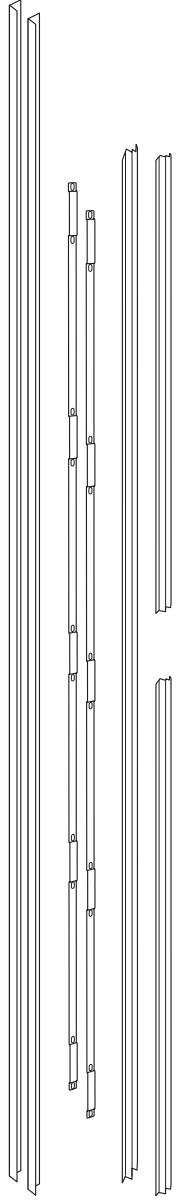
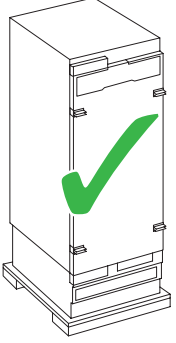
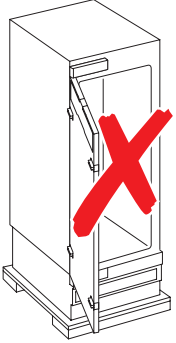
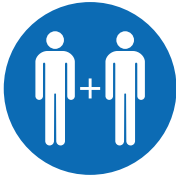
$b \geq 6\frac{1}{4}''$   
 $b \geq 160$  mm

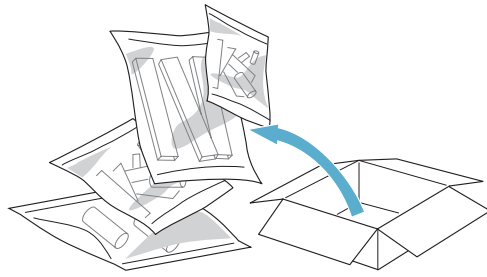






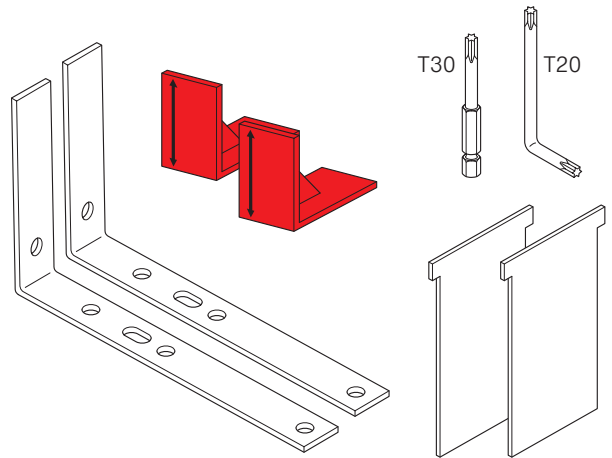




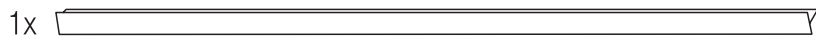
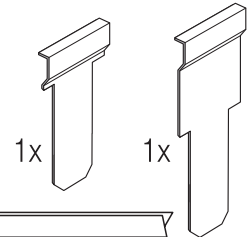
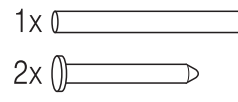
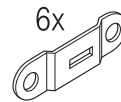
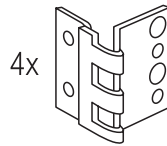


**A**

|      |  |  |    |
|------|--|--|----|
| 4x15 |  |  | 6x |
| 5x60 |  |  | 4x |
| 6x31 |  |  | 4x |



|       |  |  |     |
|-------|--|--|-----|
| M5x16 |  |  | 28x |
|-------|--|--|-----|

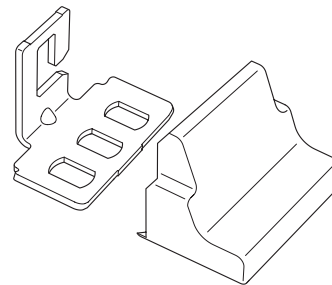


**B**

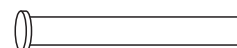
|      |  |  |    |
|------|--|--|----|
| 4x15 |  |  | 8x |
|------|--|--|----|

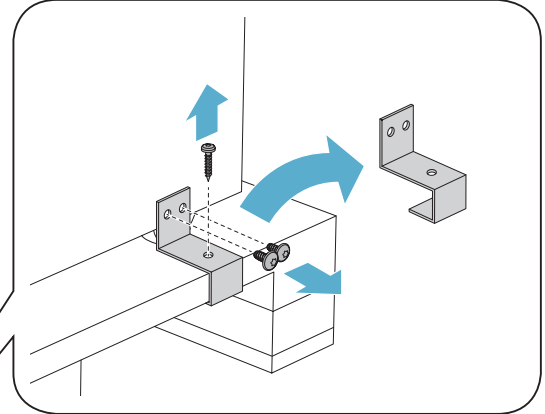
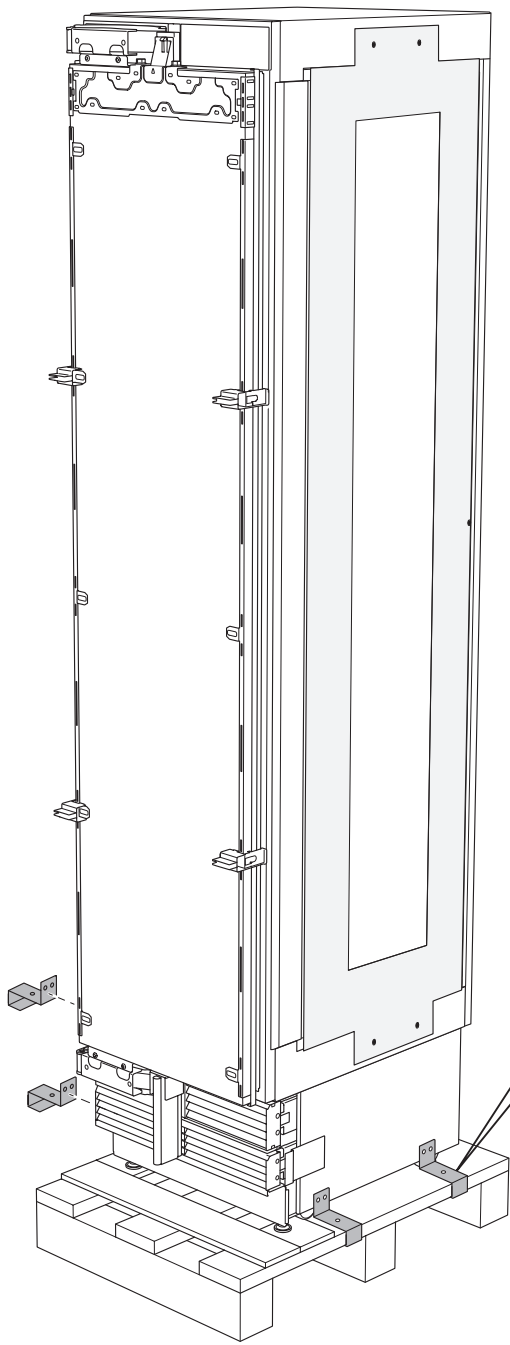
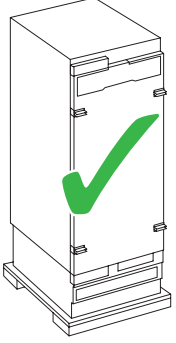
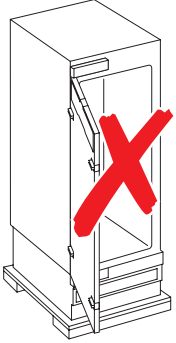
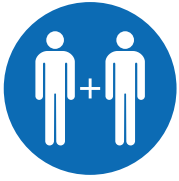
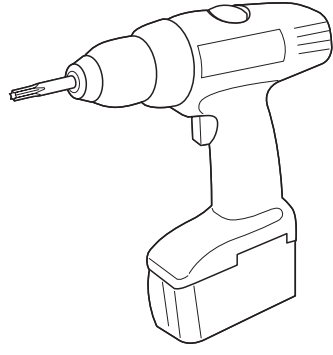
**C**

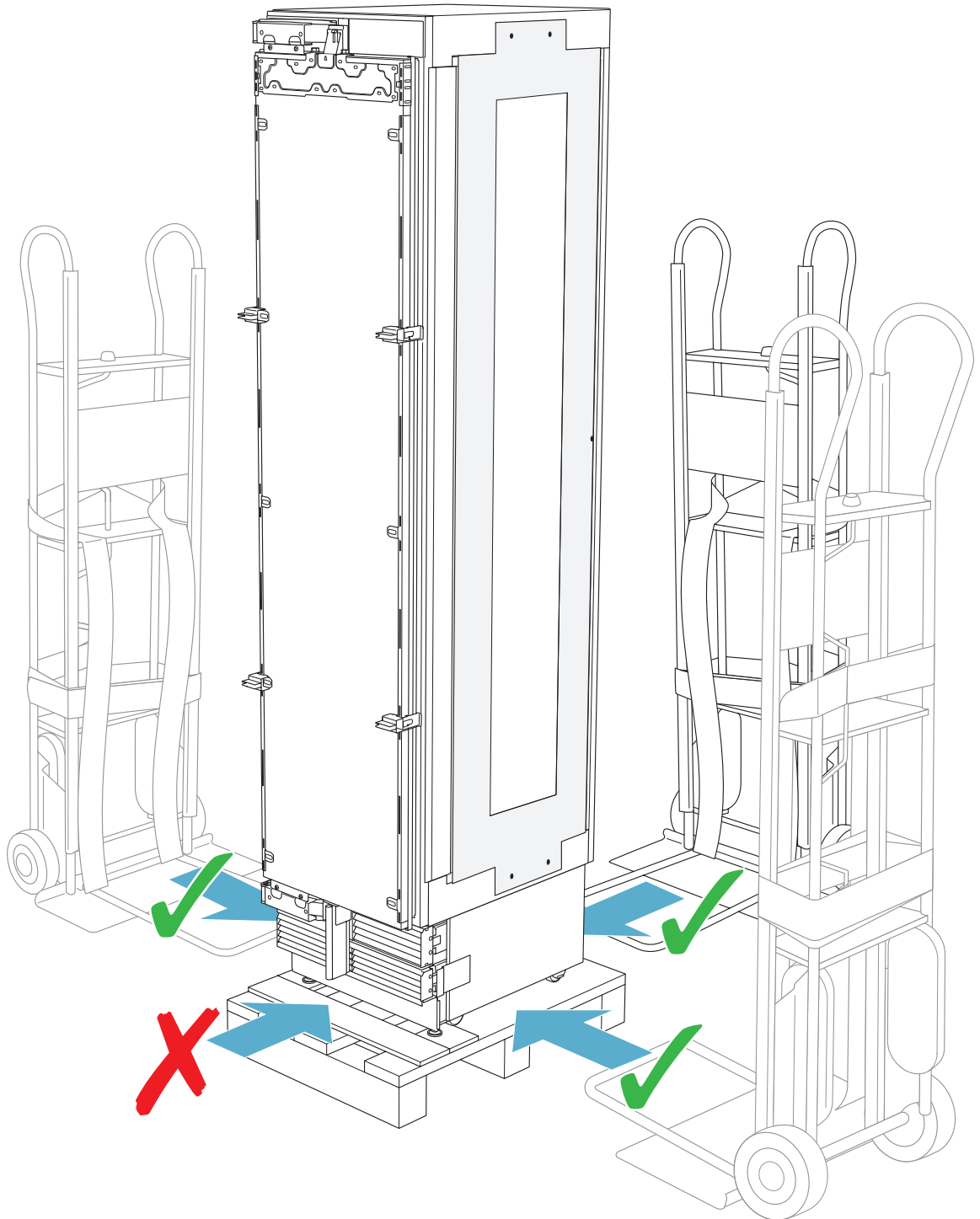
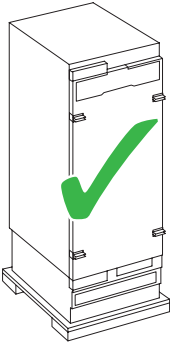
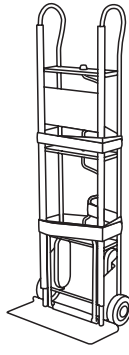
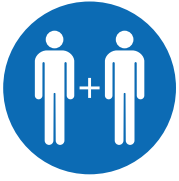
|      |  |  |     |
|------|--|--|-----|
| 4x15 |  |  | 32x |
| 4x15 |  |  | 2x  |

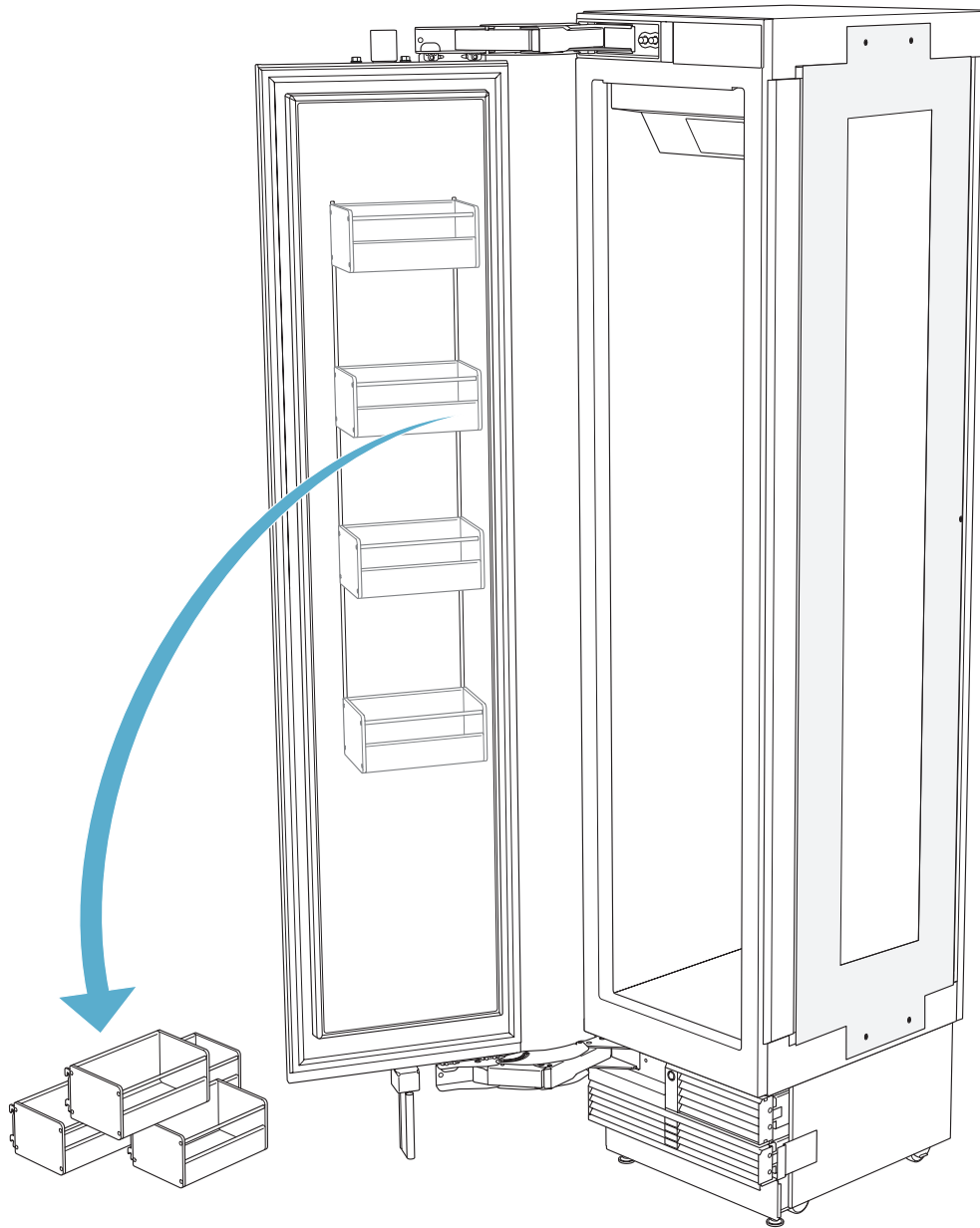
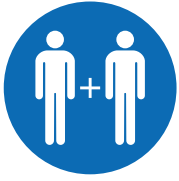


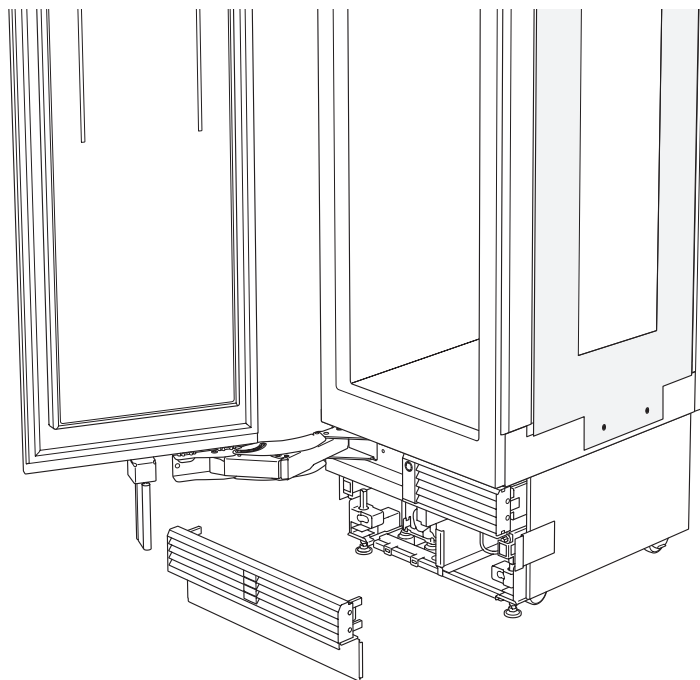
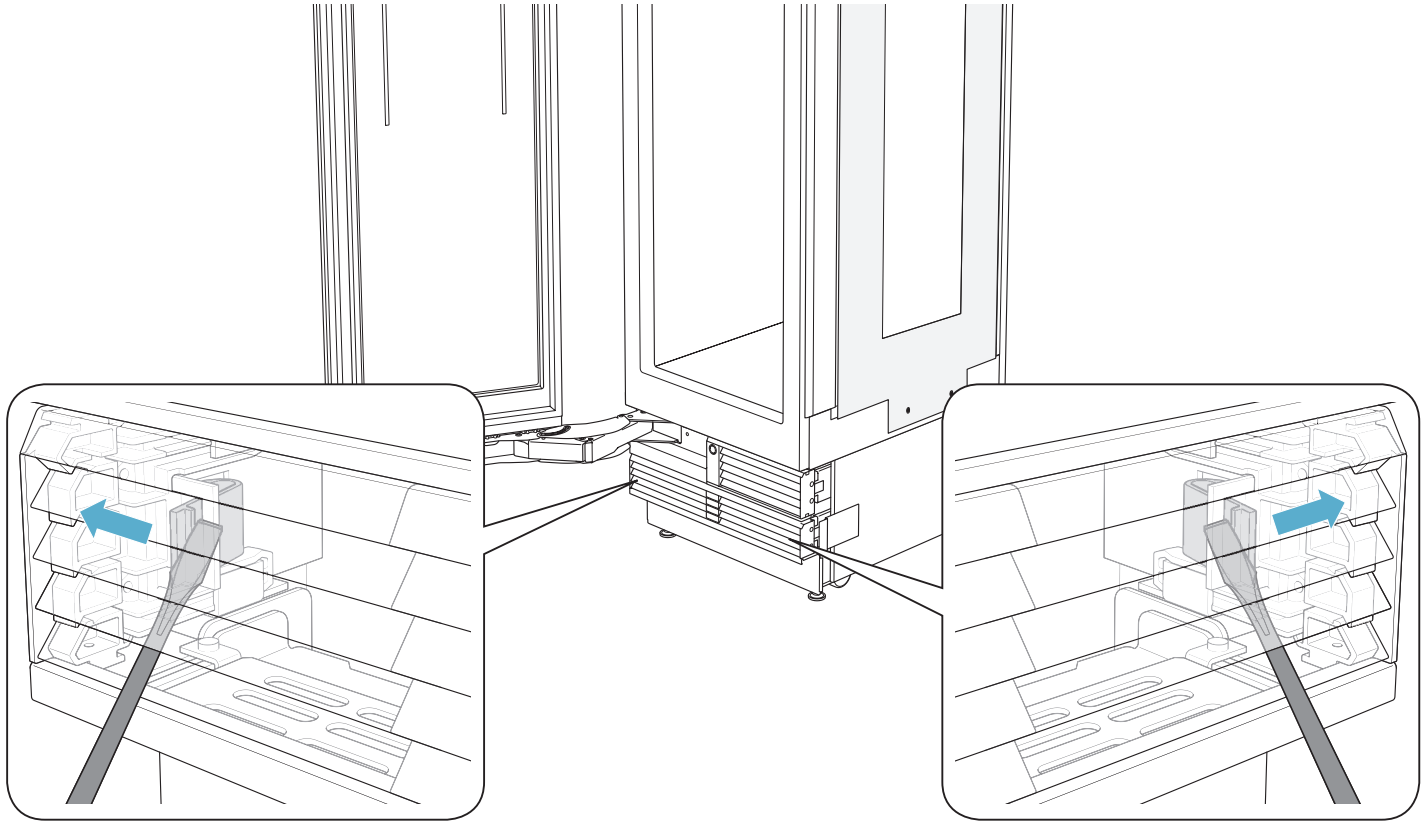
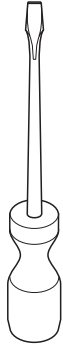
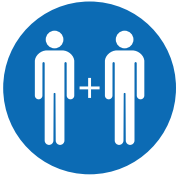
**D**





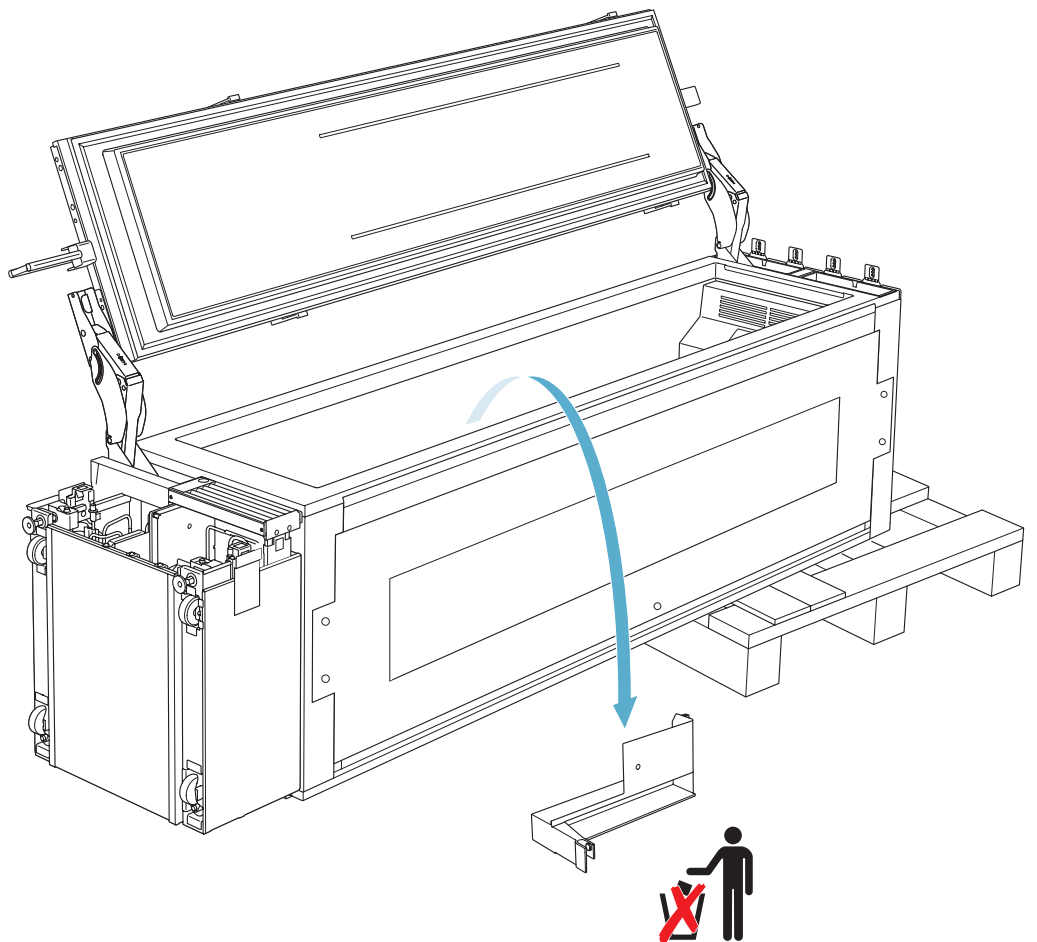
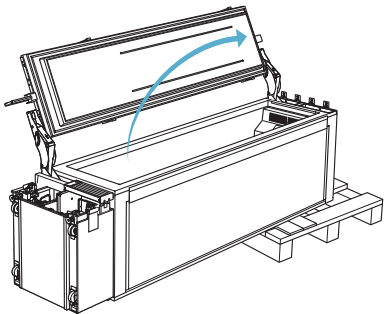
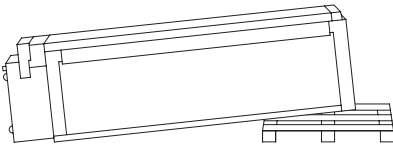
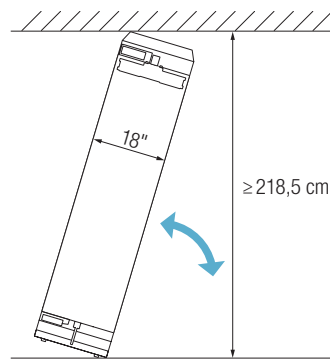
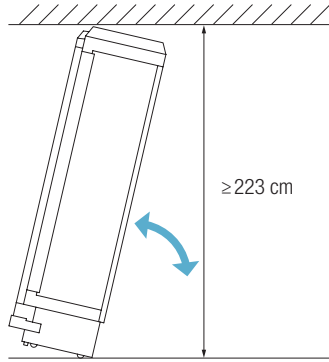
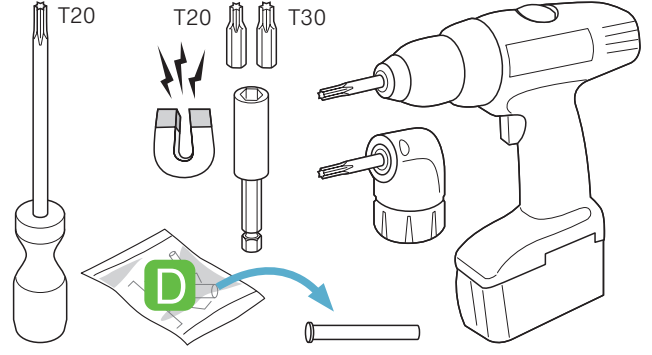
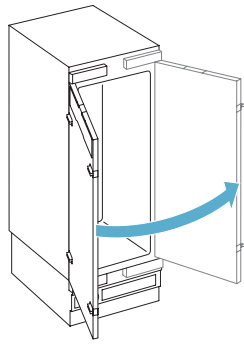
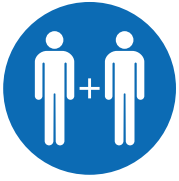










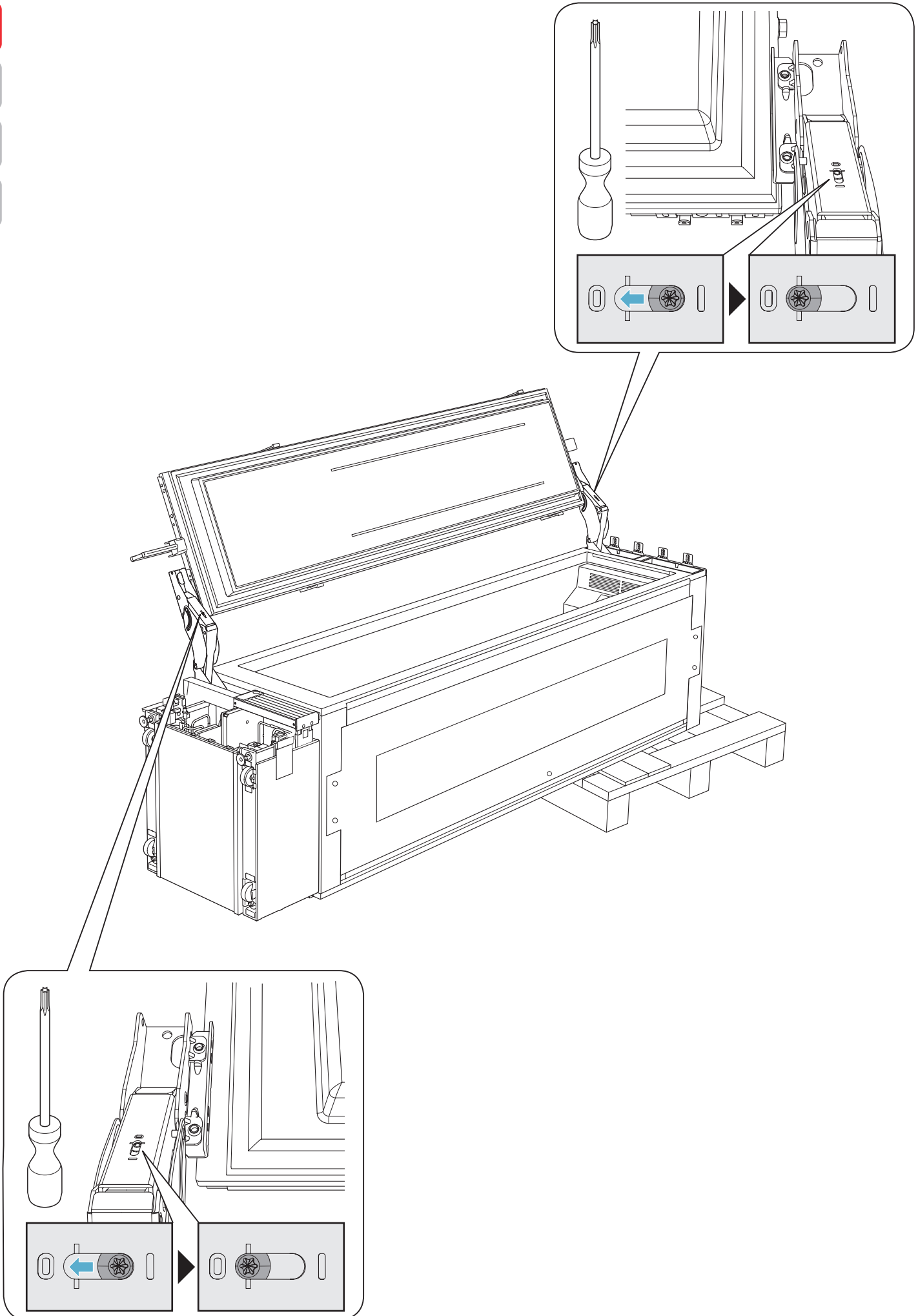


A

B

C

D

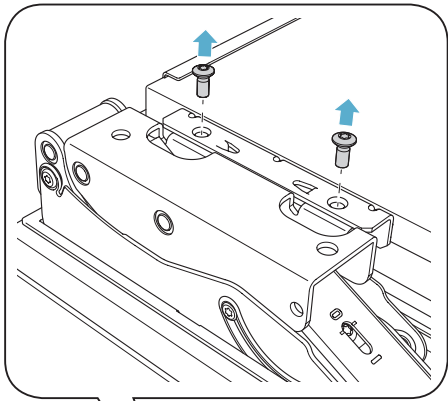


A

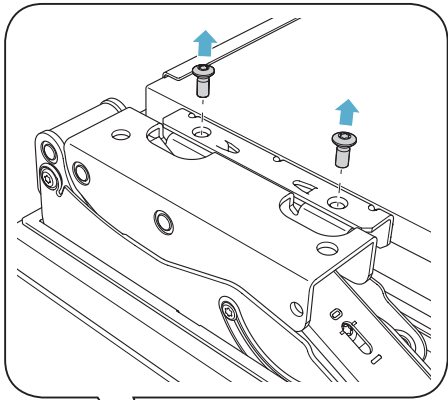
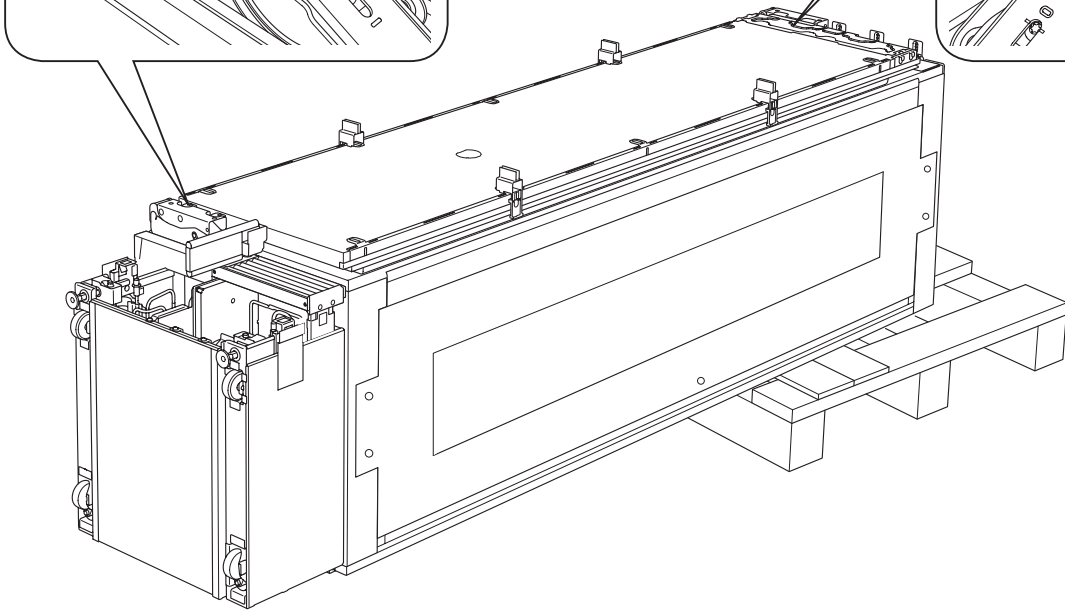
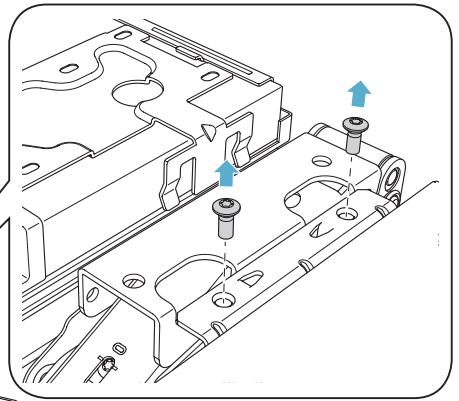
B

C

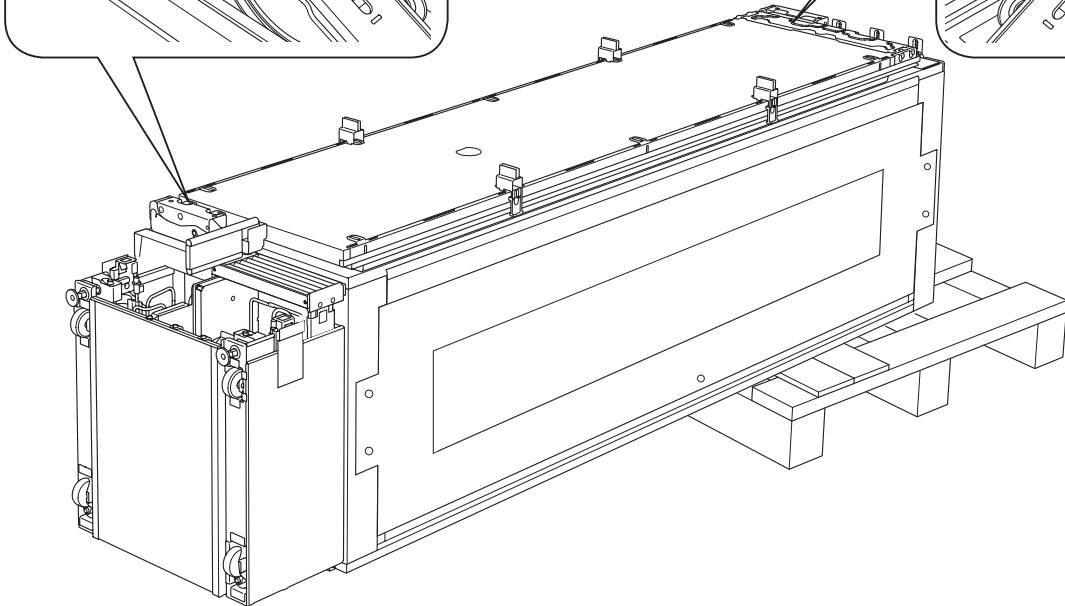
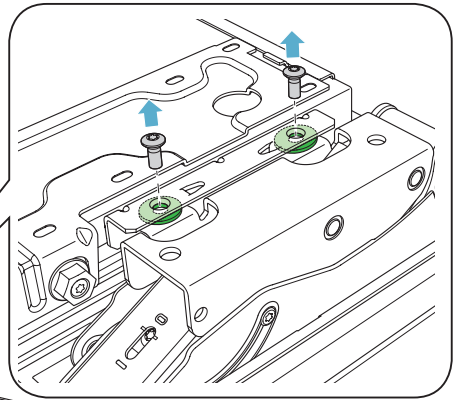
D



A



B

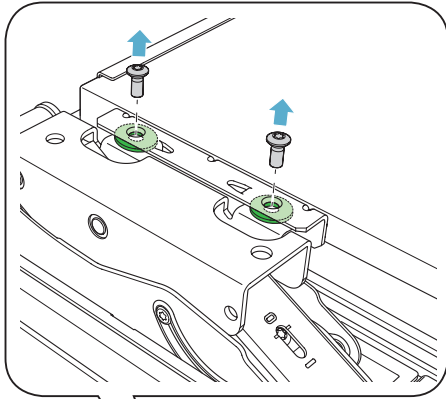


A

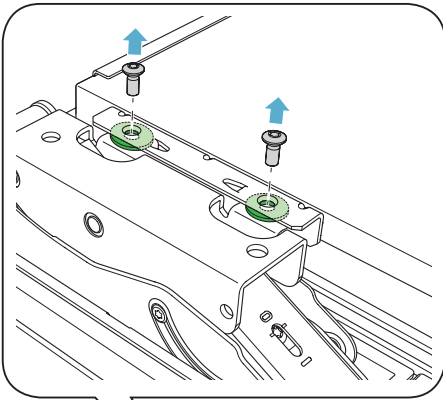
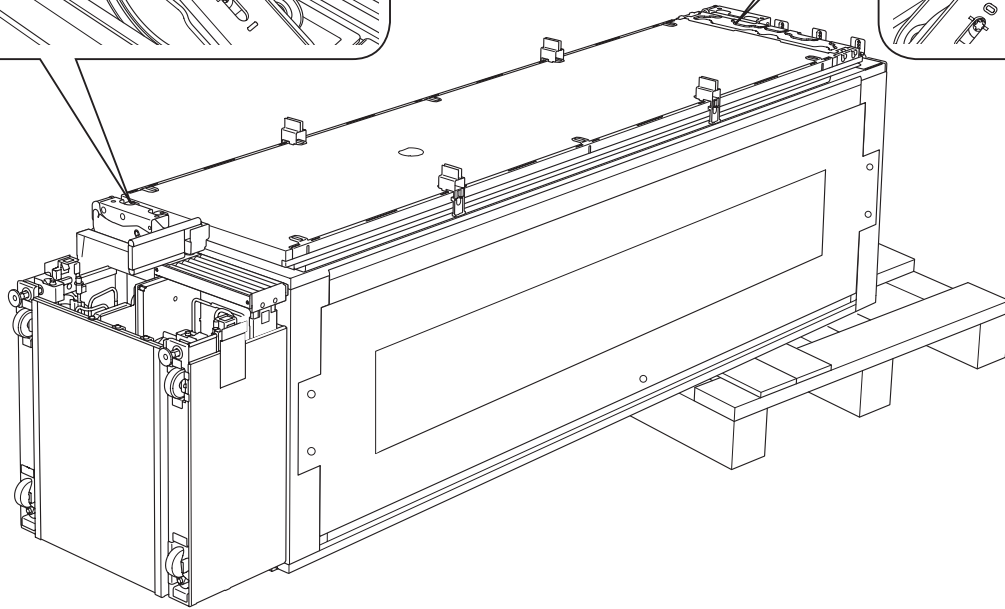
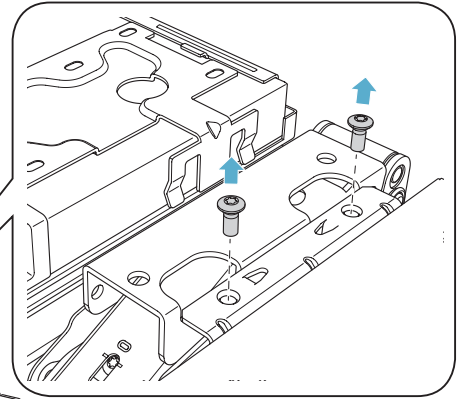
B

C

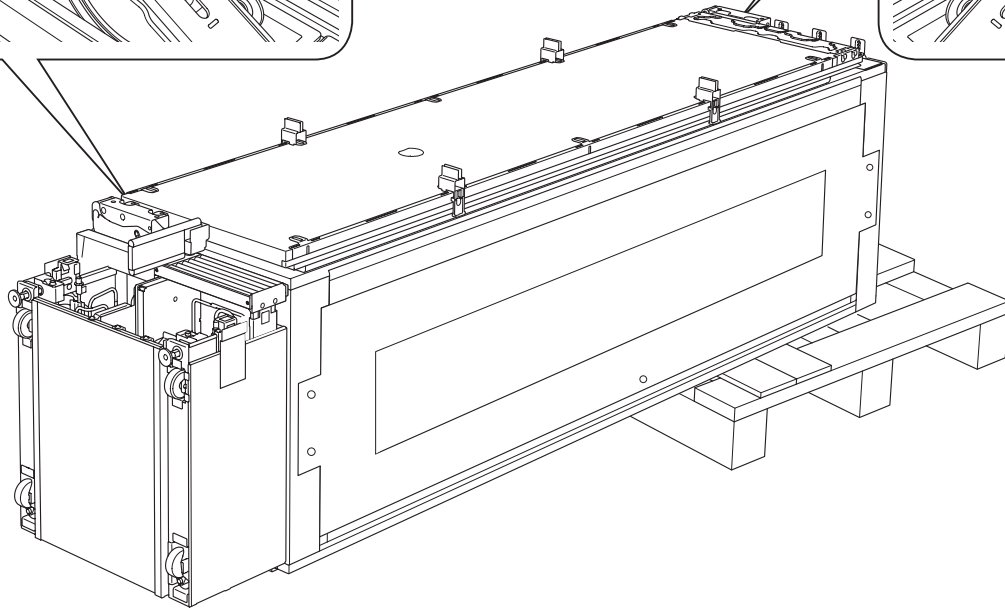
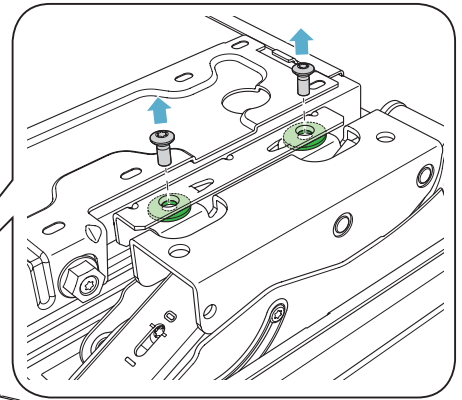
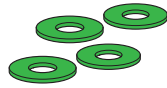
D

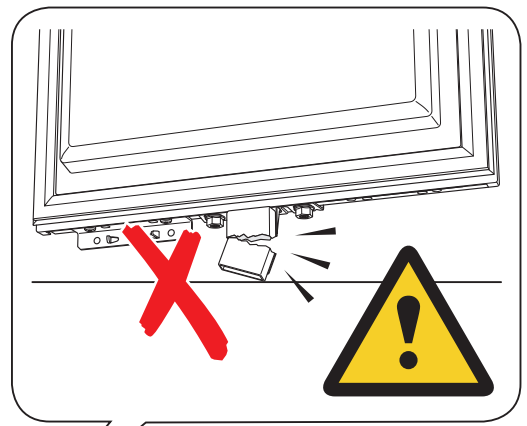
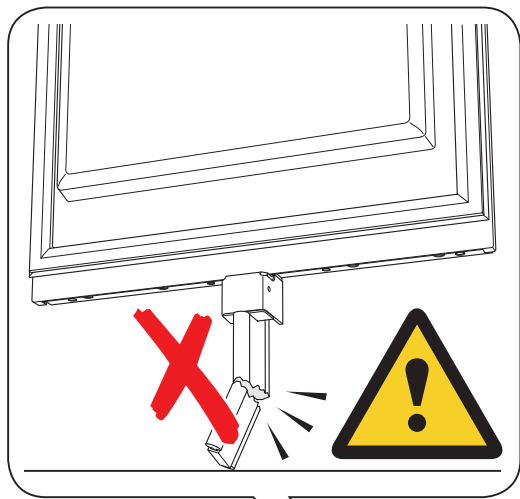


C

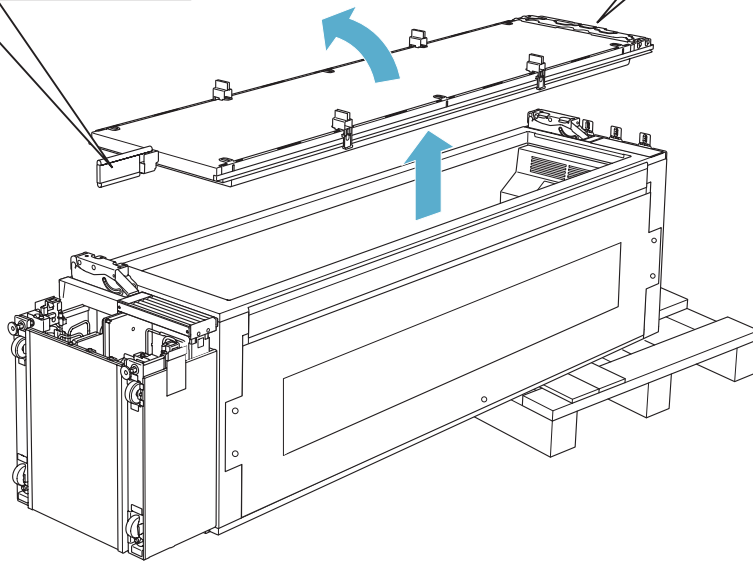


D



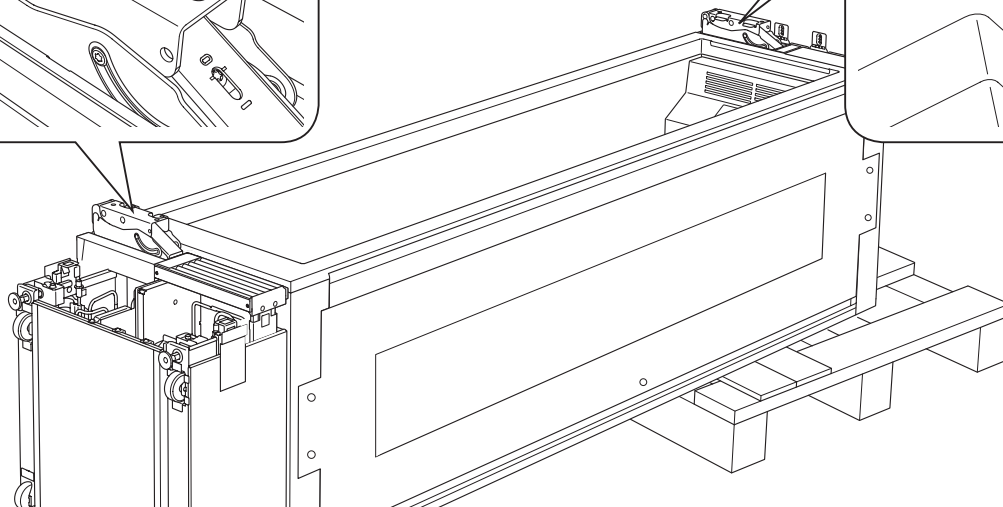
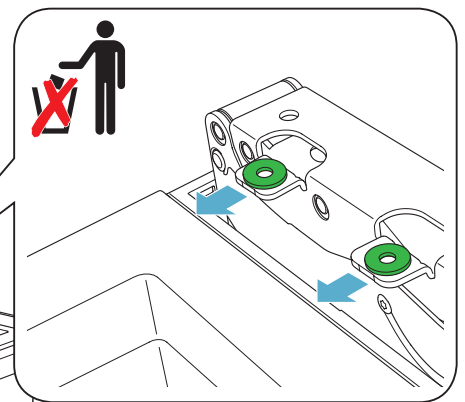
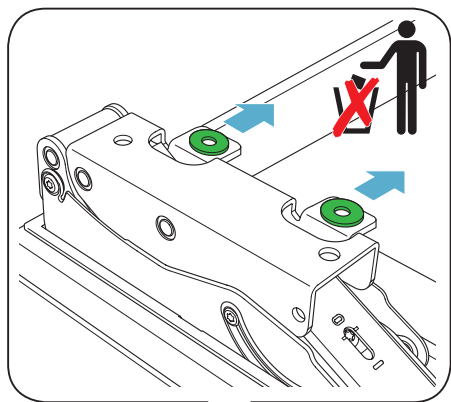


A  
B  
C  
D



C D

B D

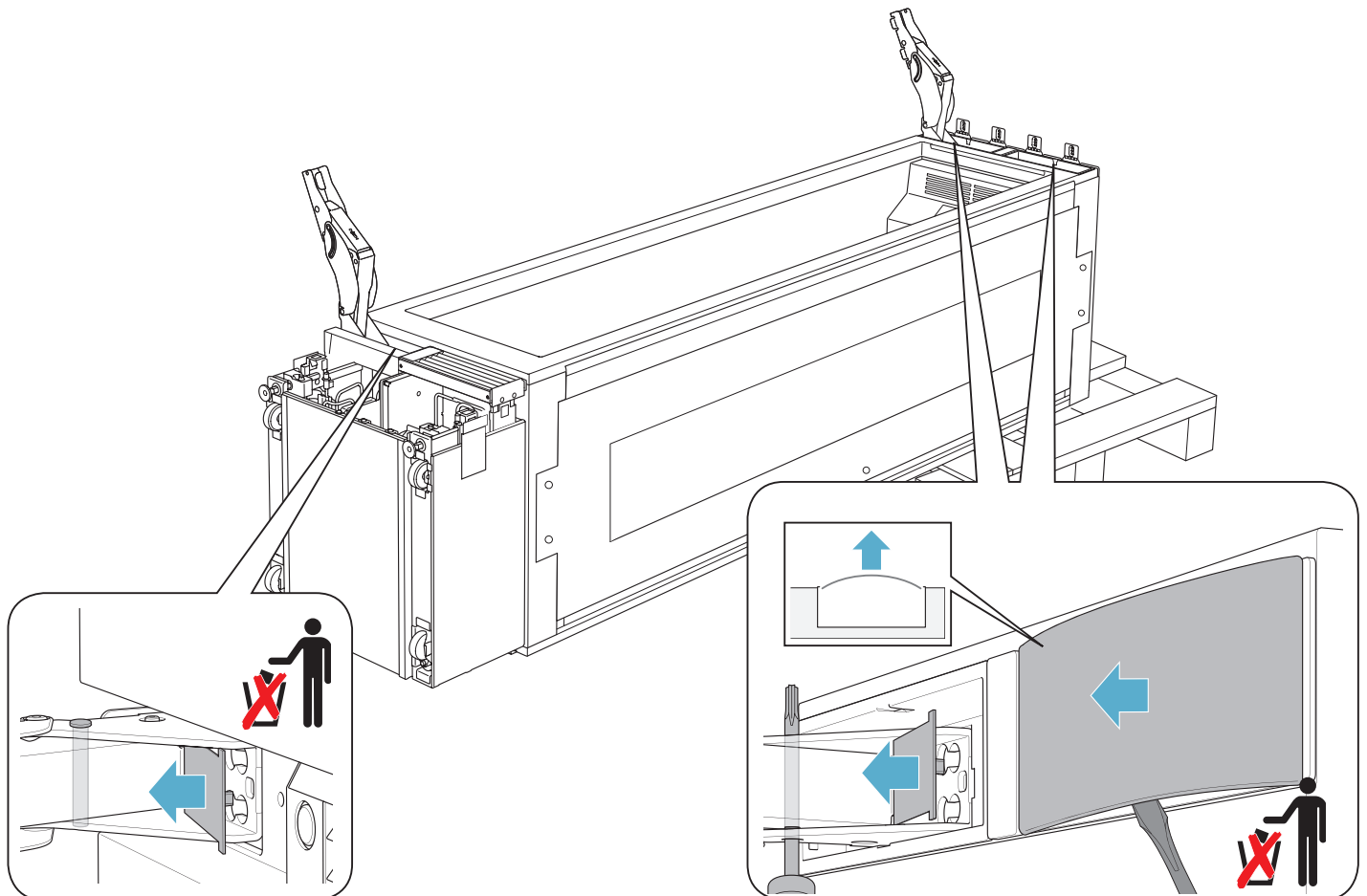
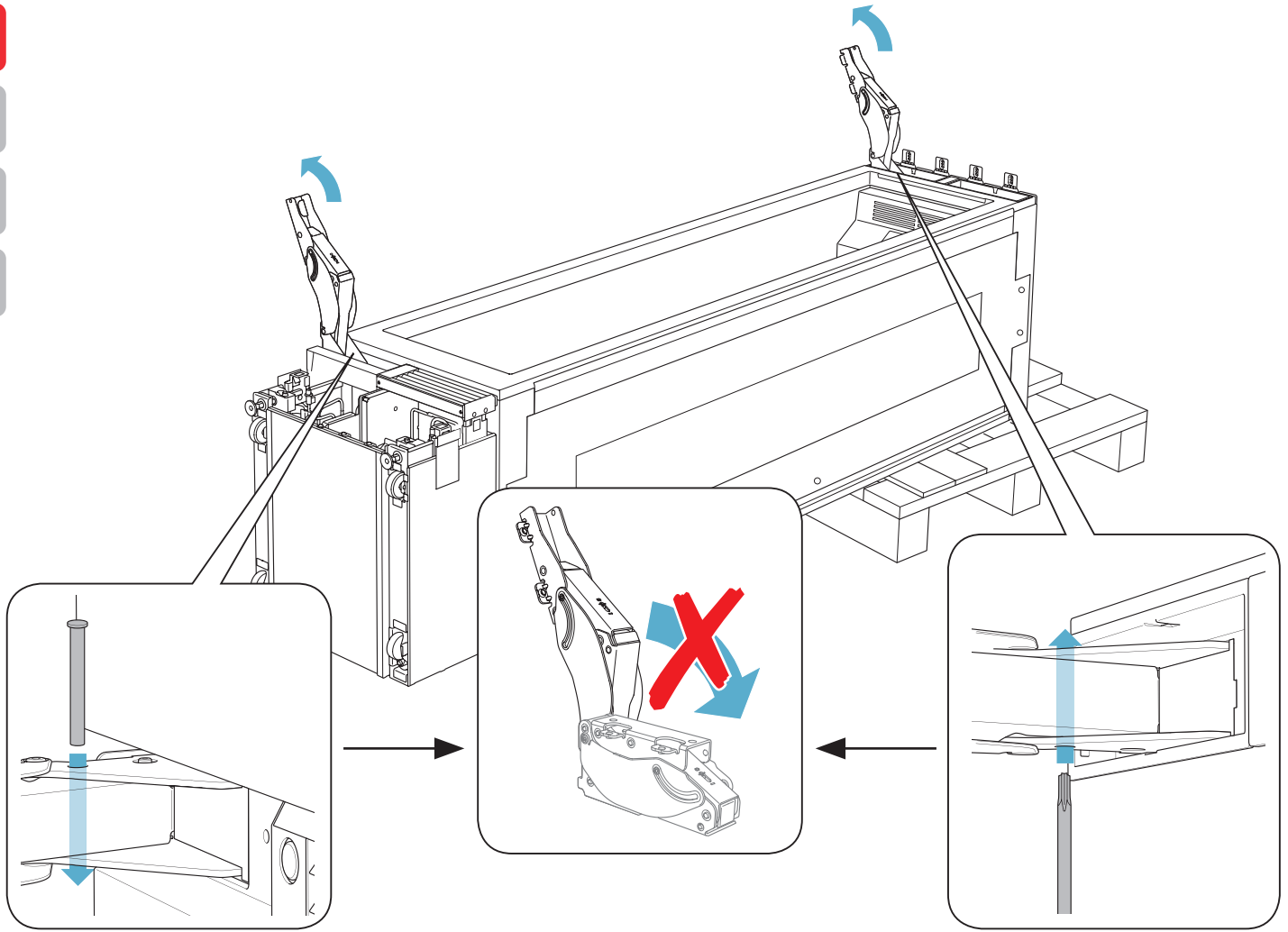


A

B

C

D

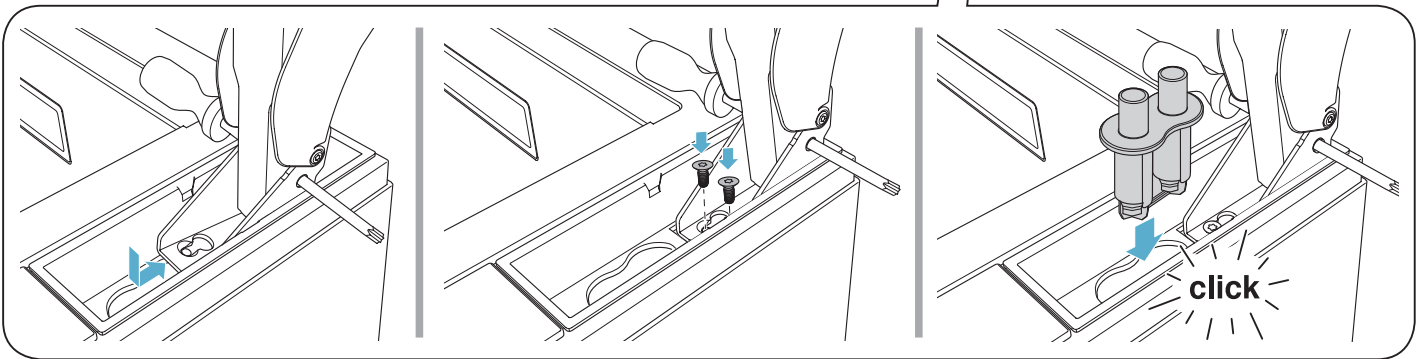
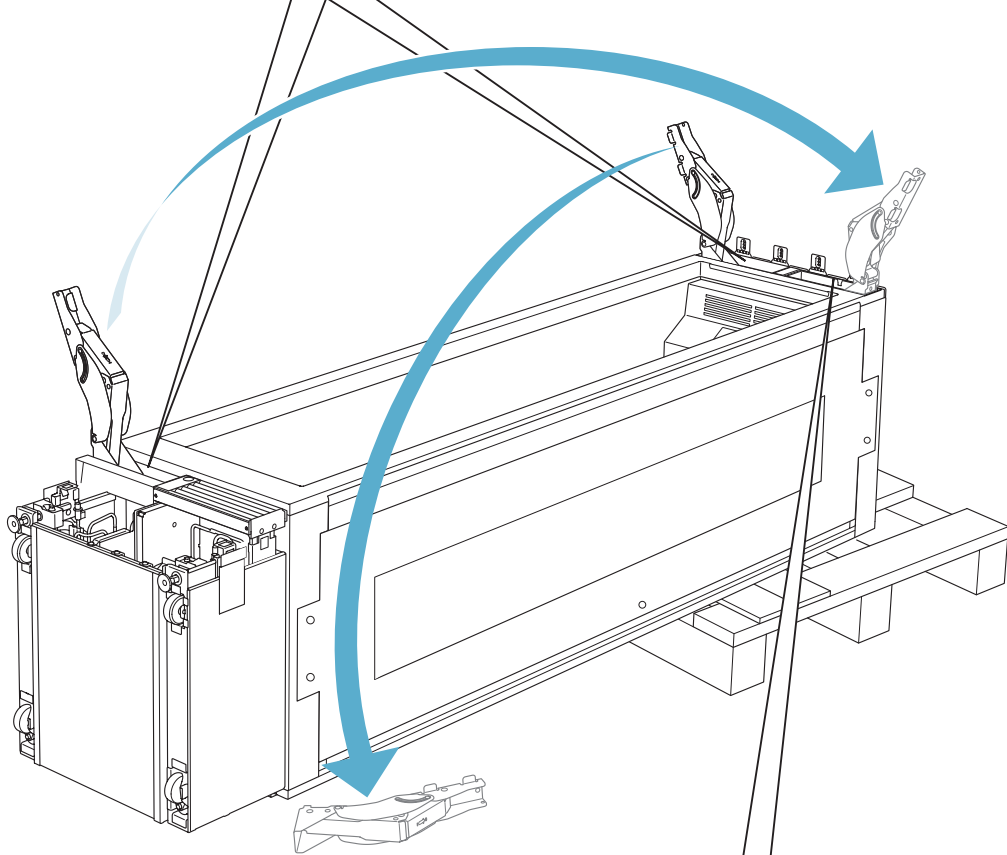
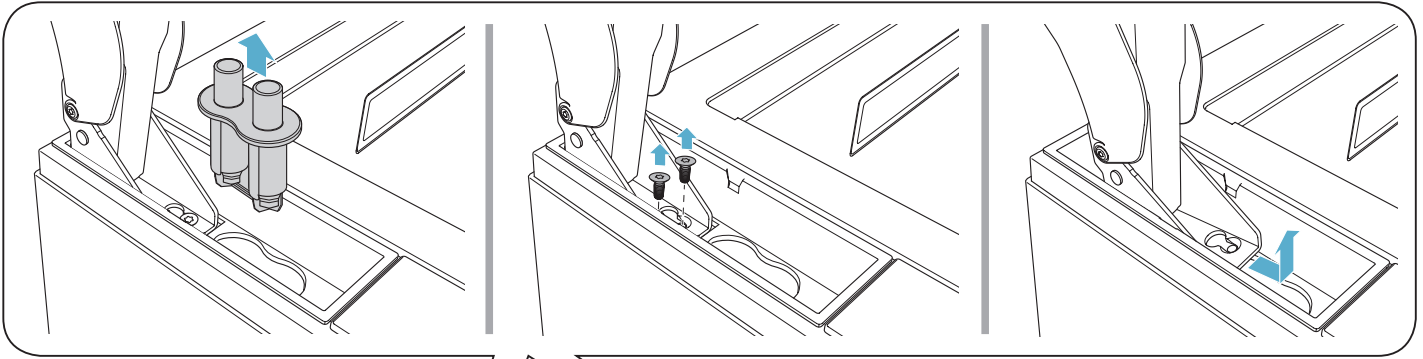
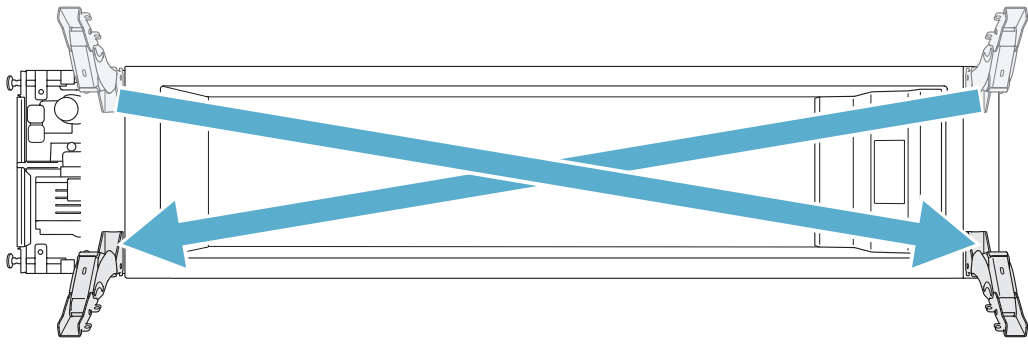


A

B

C

D

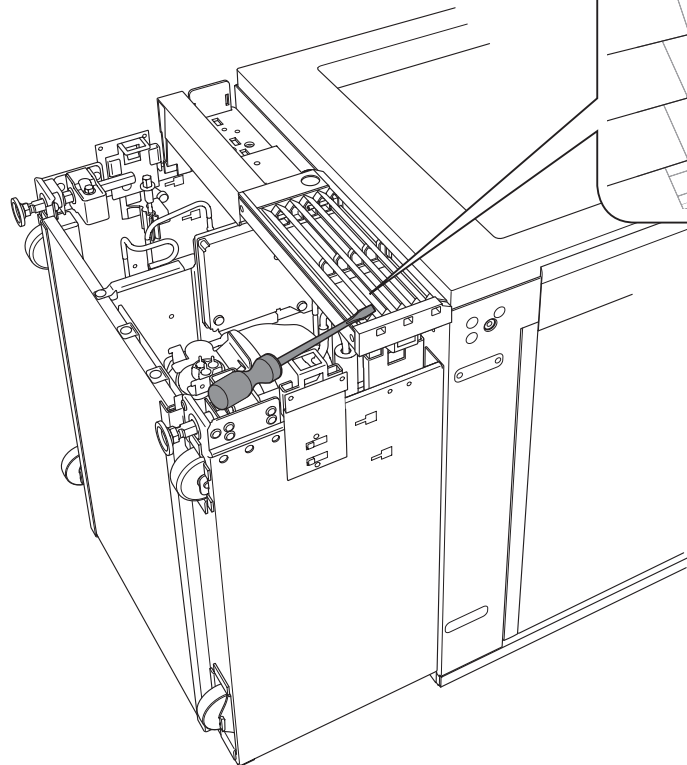
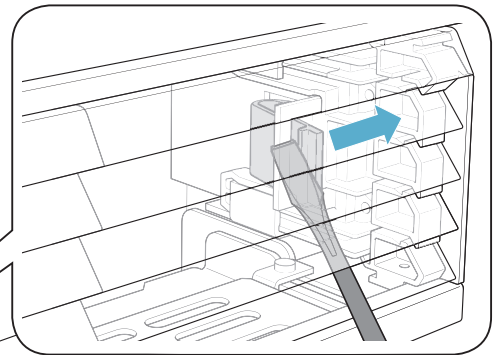
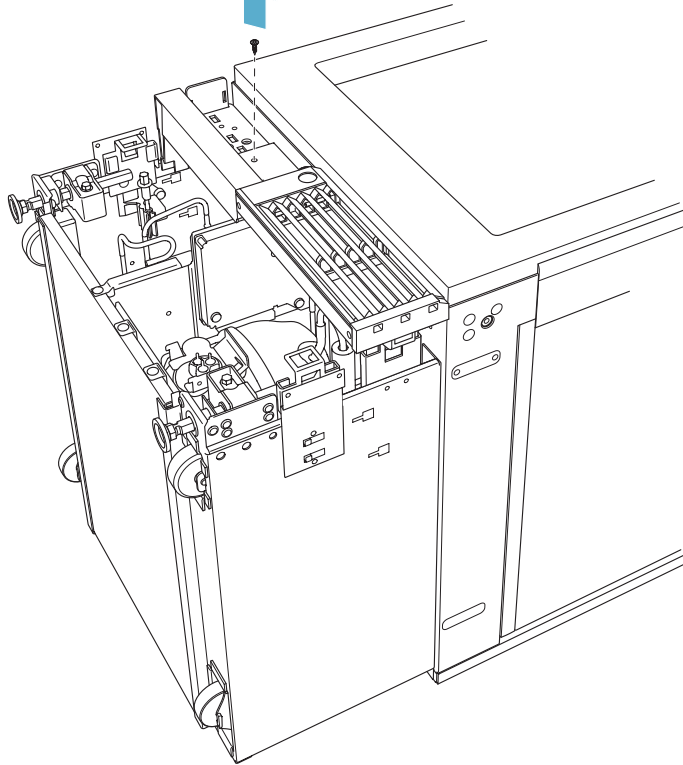
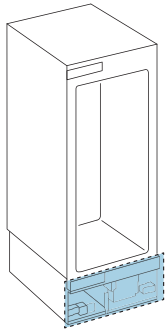


A

B

C

D



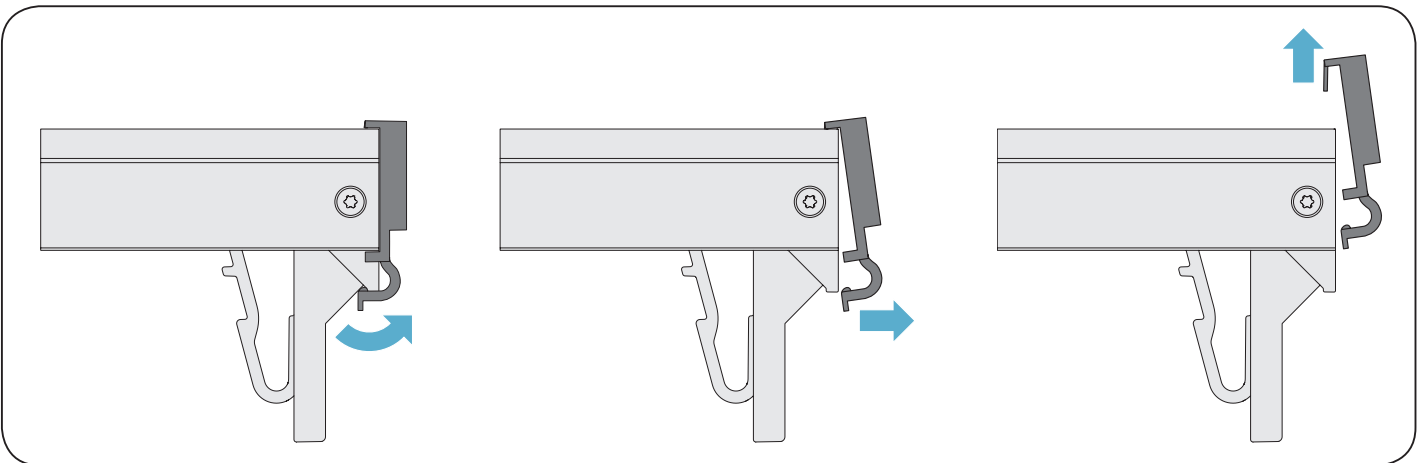
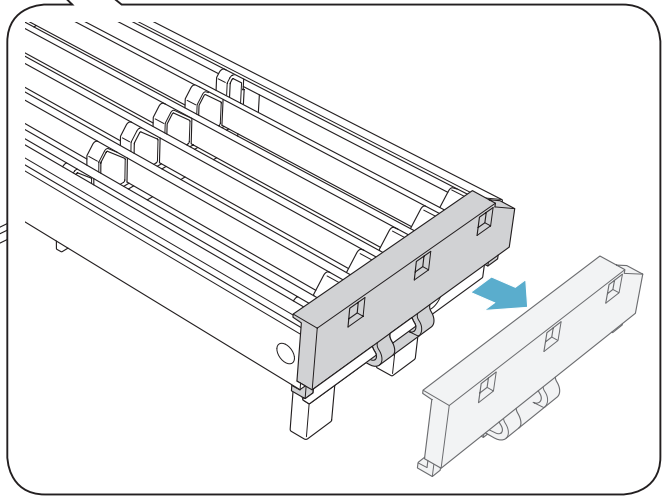
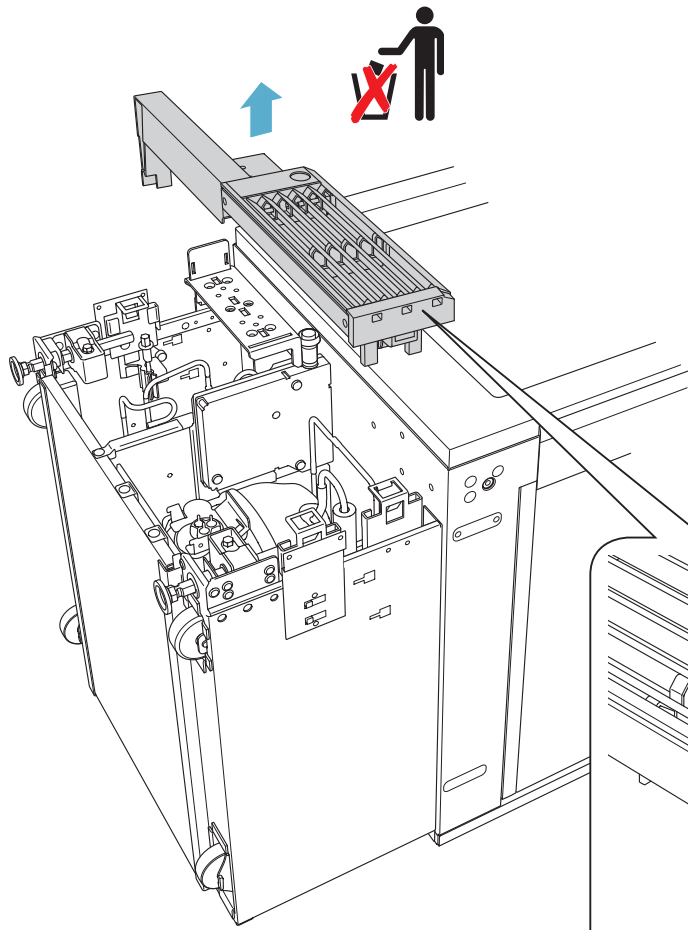


A

B

C

D

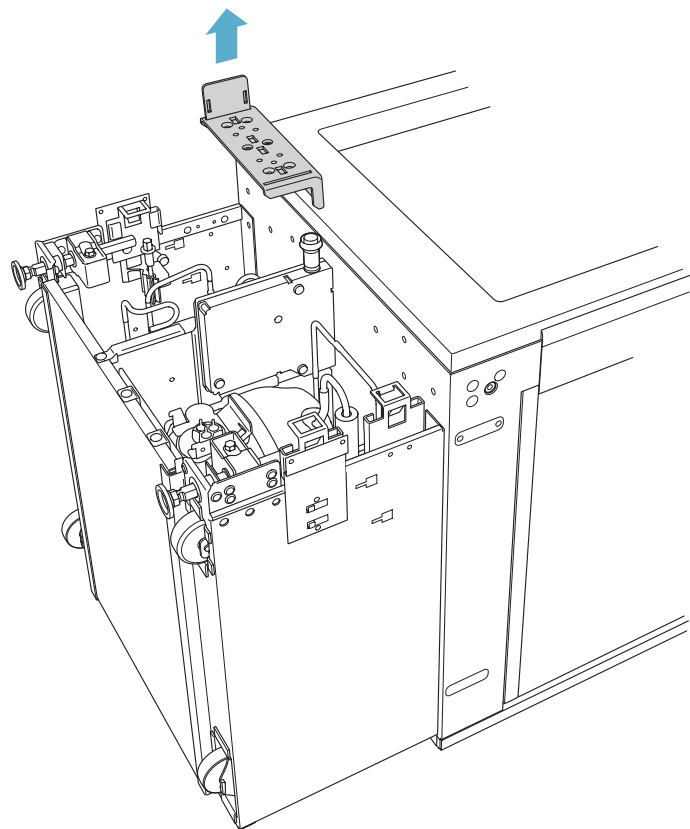
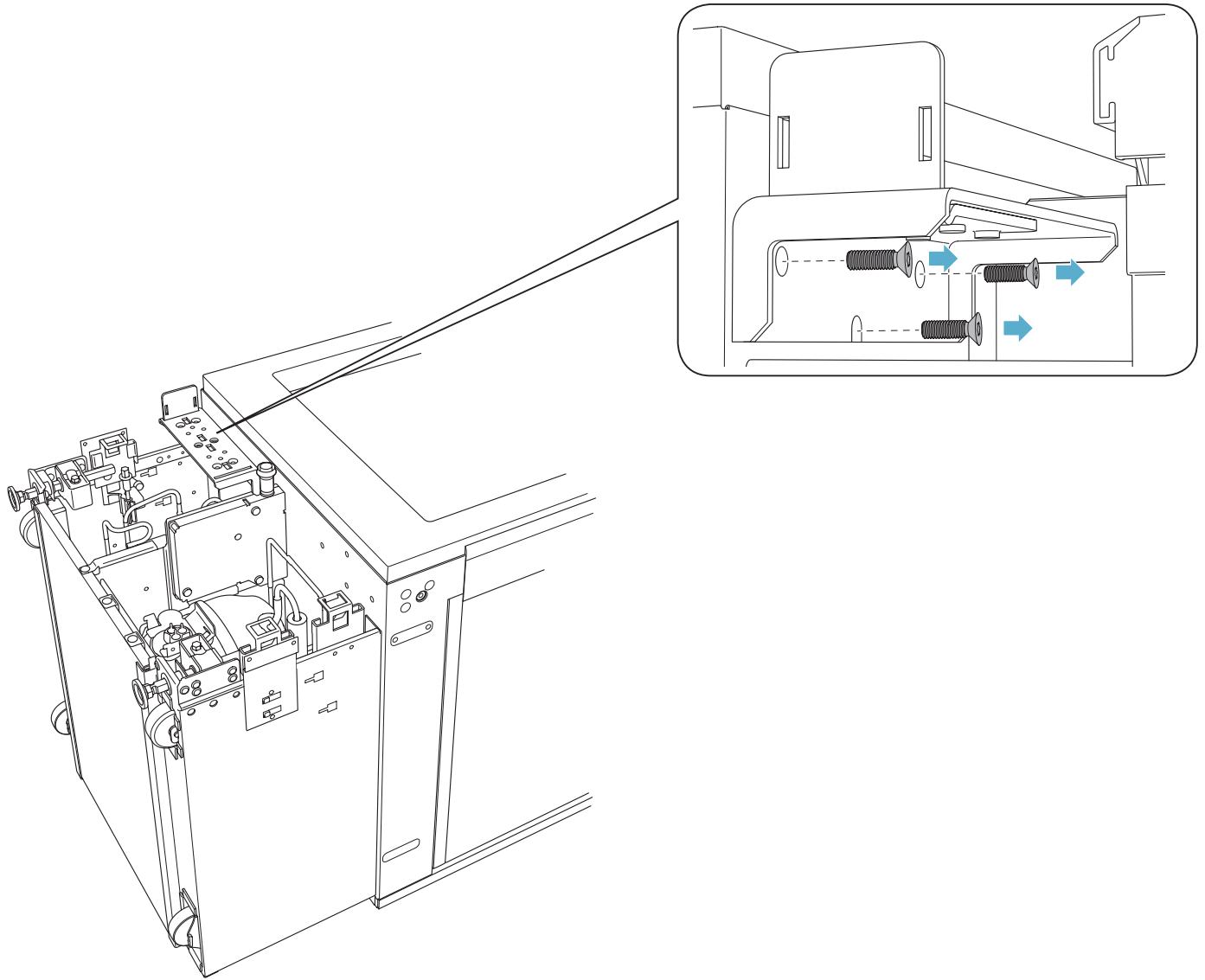


A

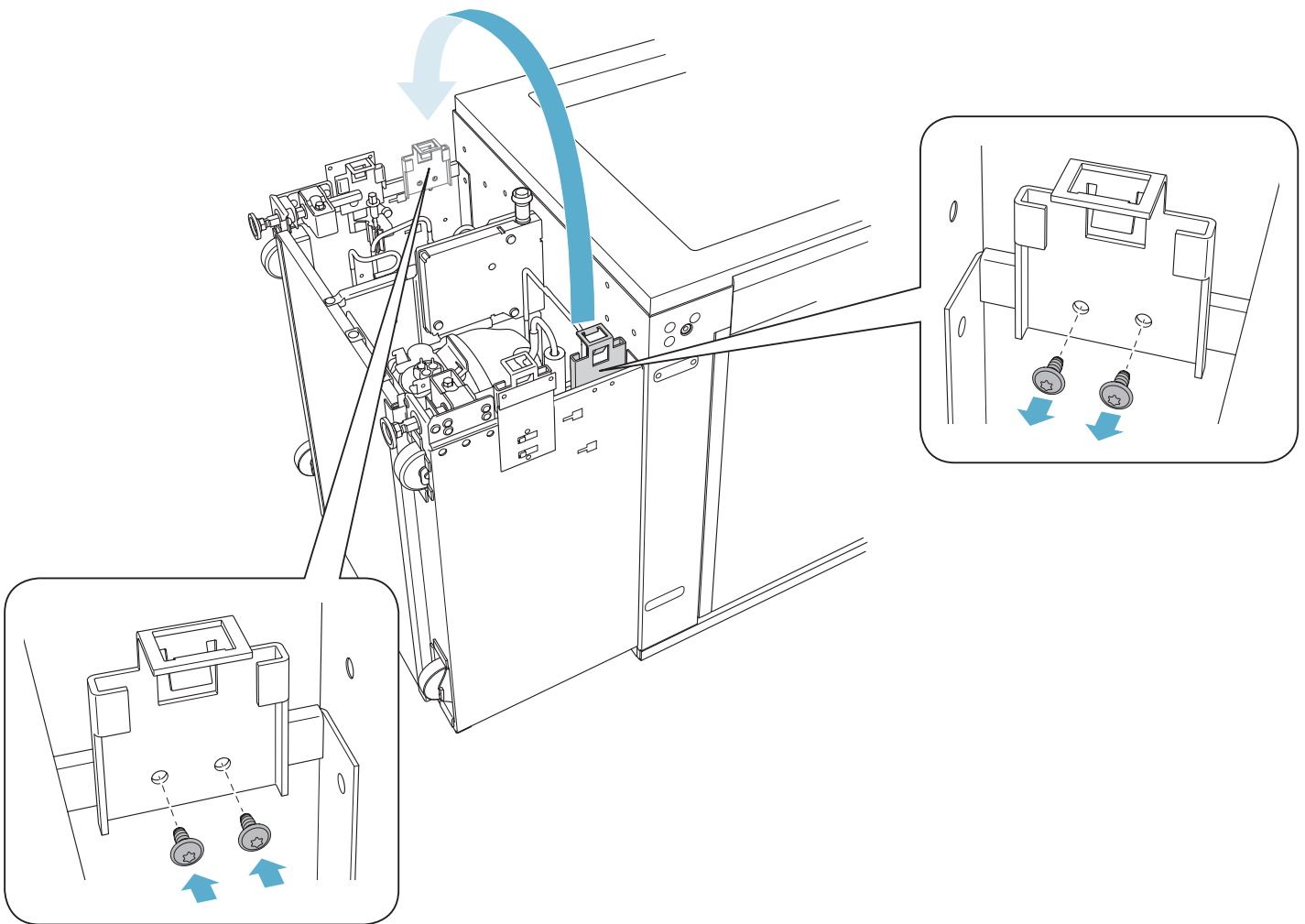
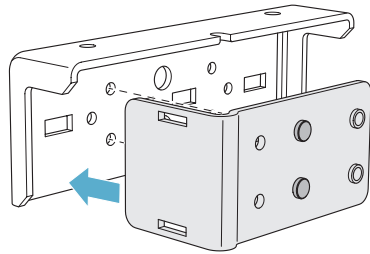
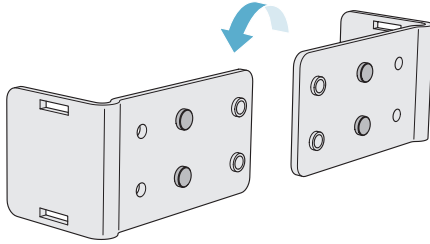
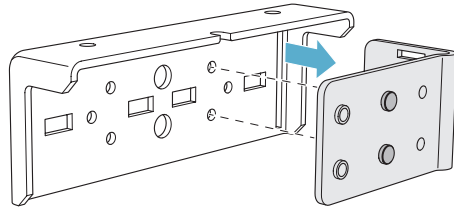
B

C

D



A  
B  
C  
D

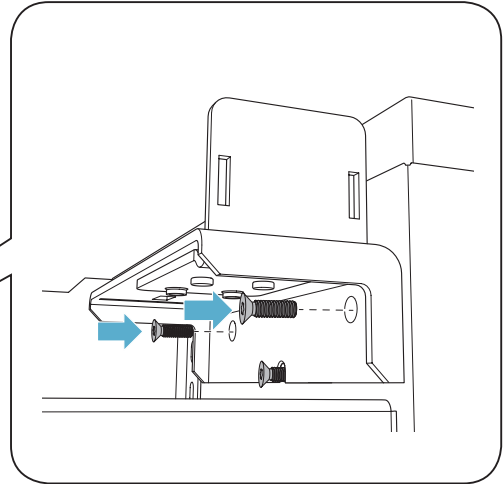
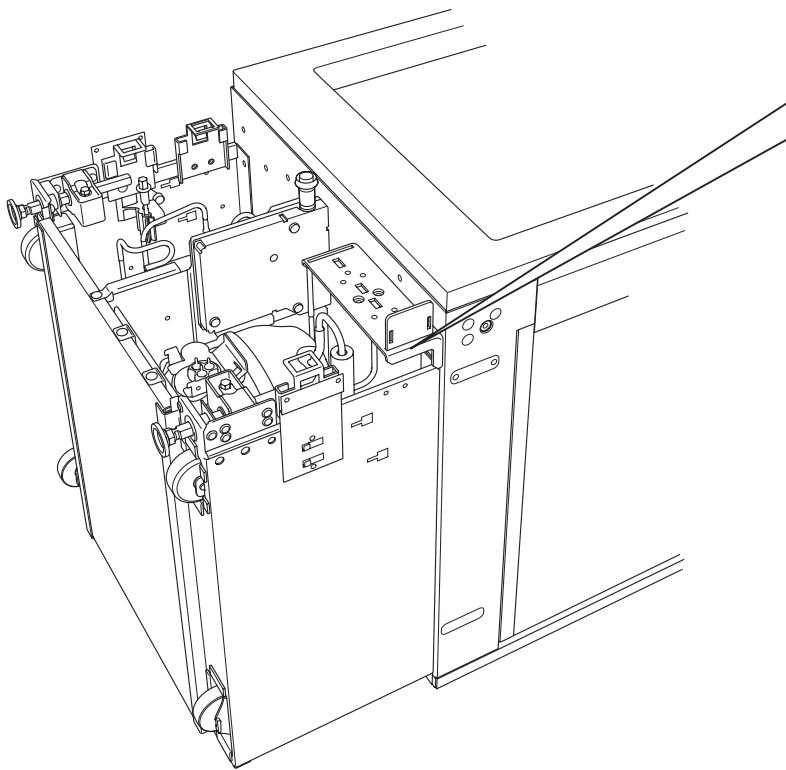
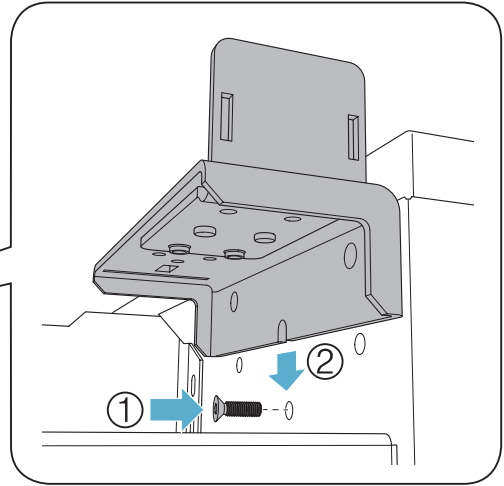
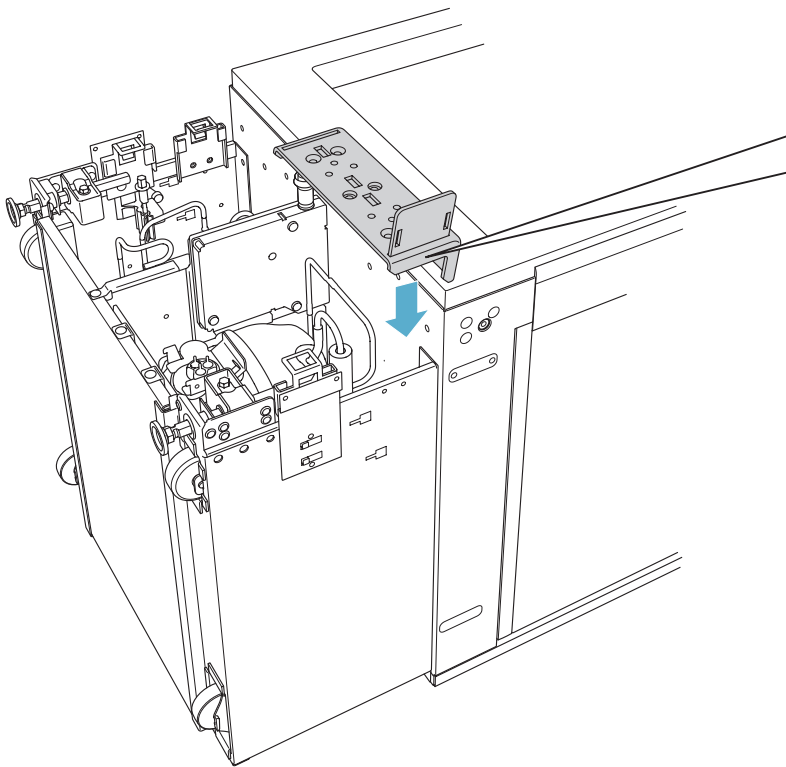


A

B

C

D

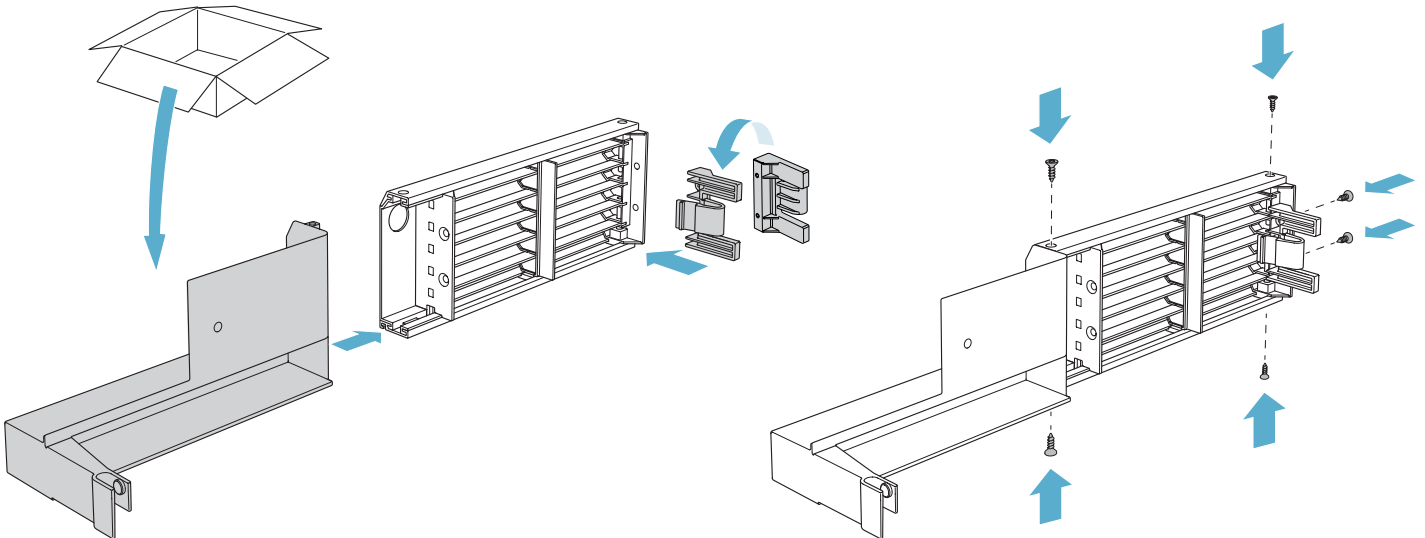
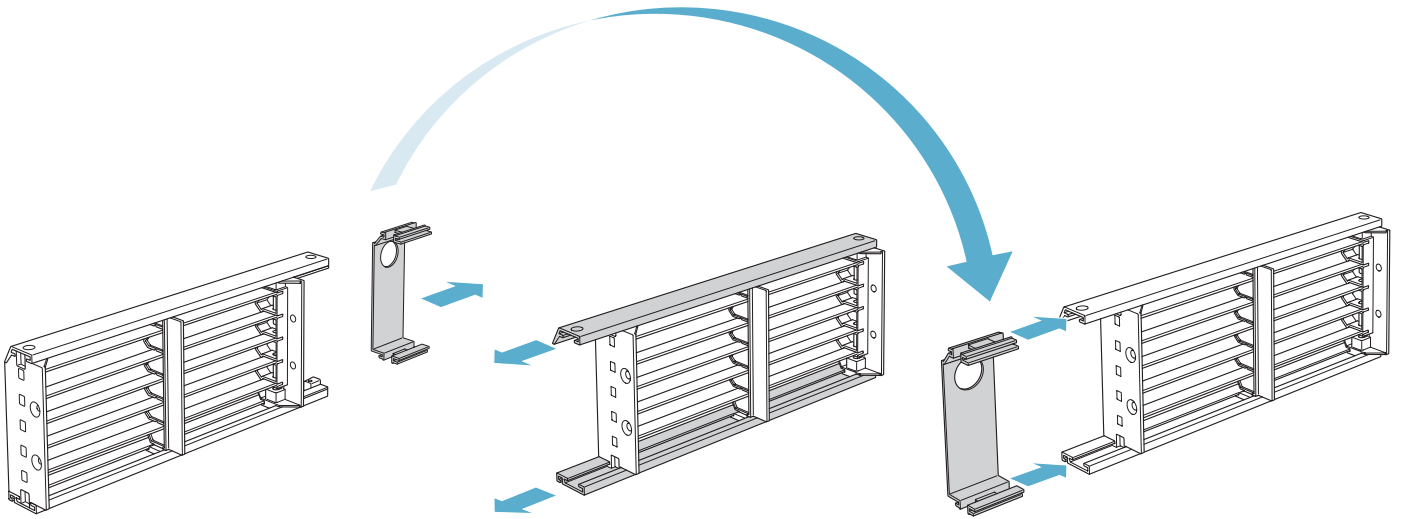
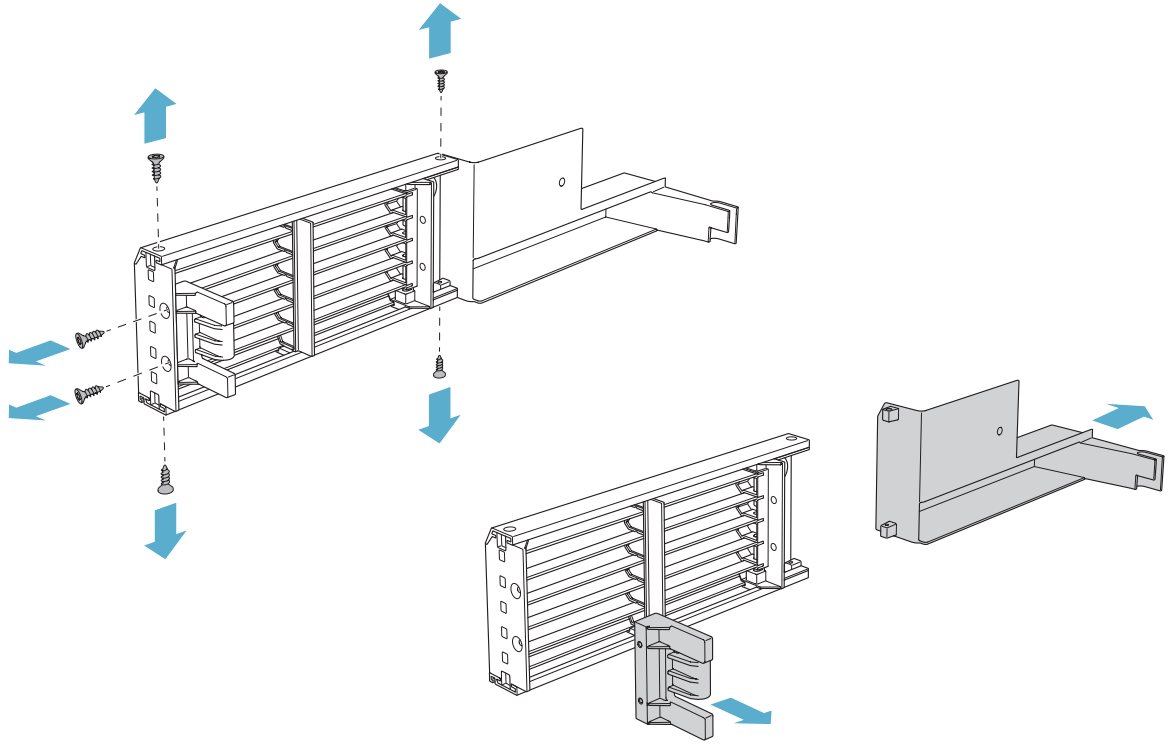


A

B

C

D

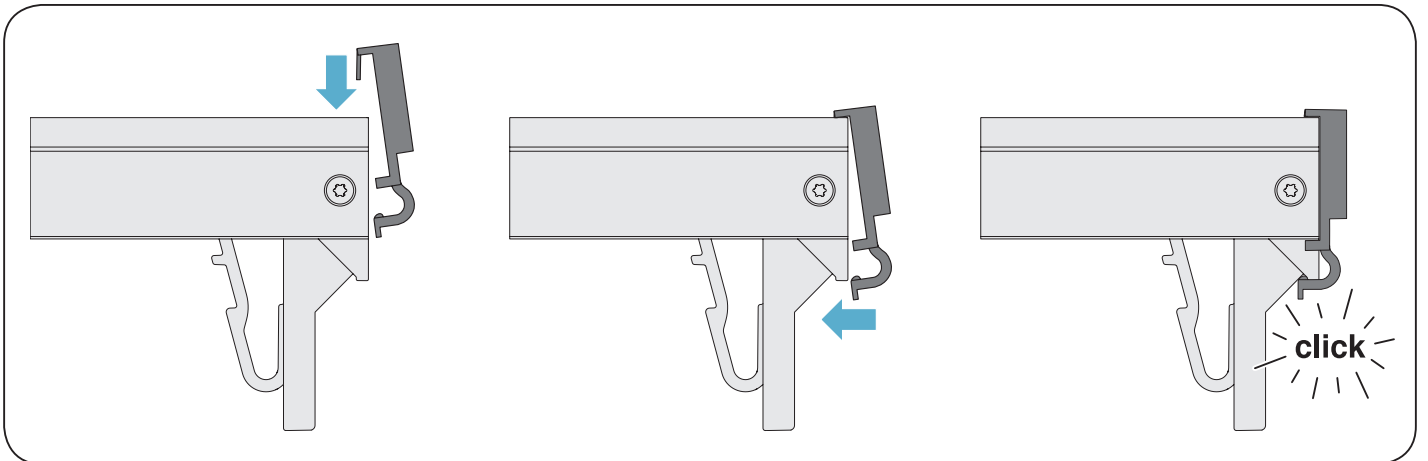
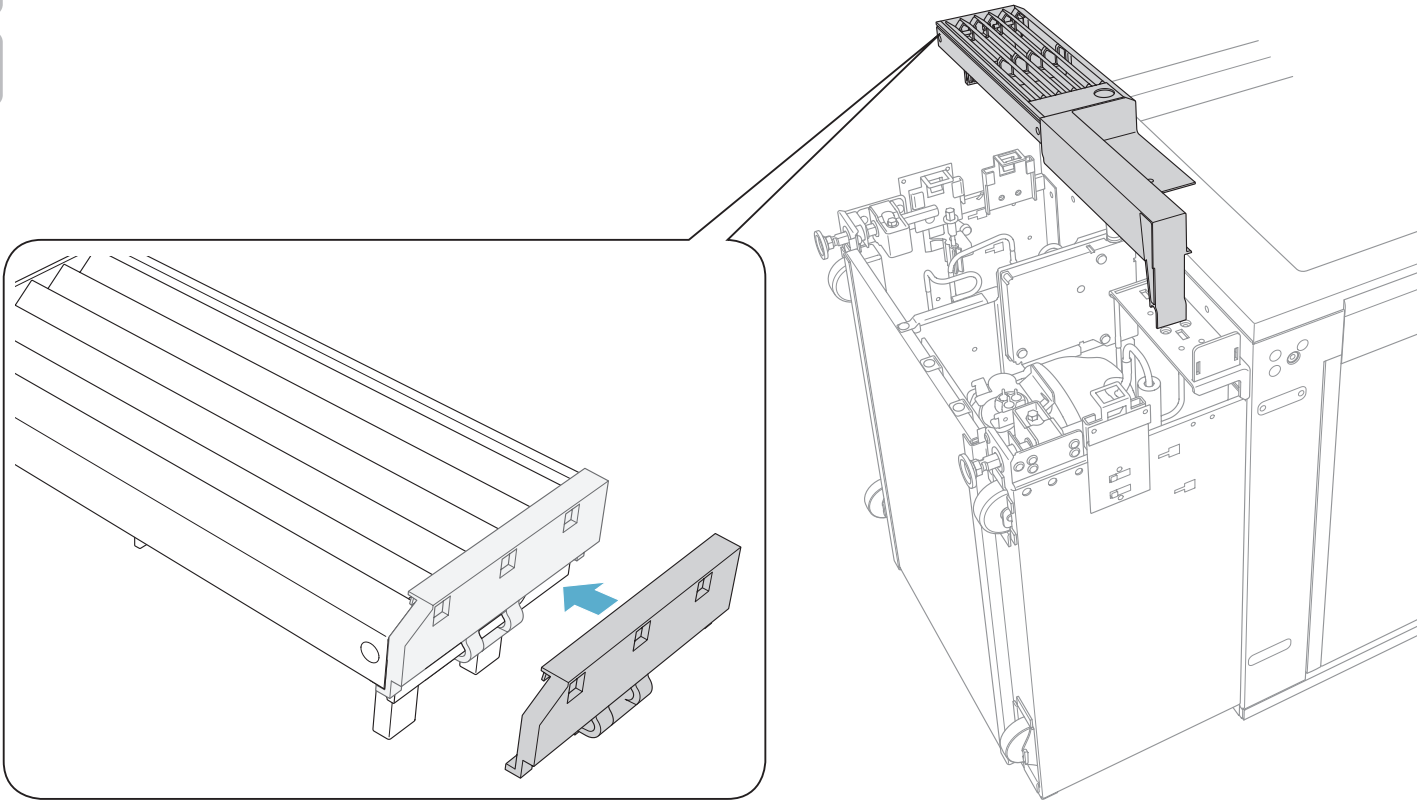
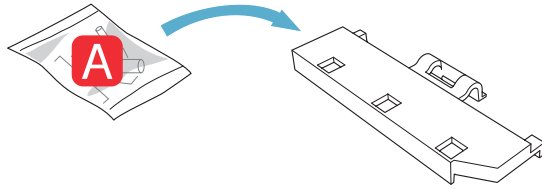


A

B

C

D

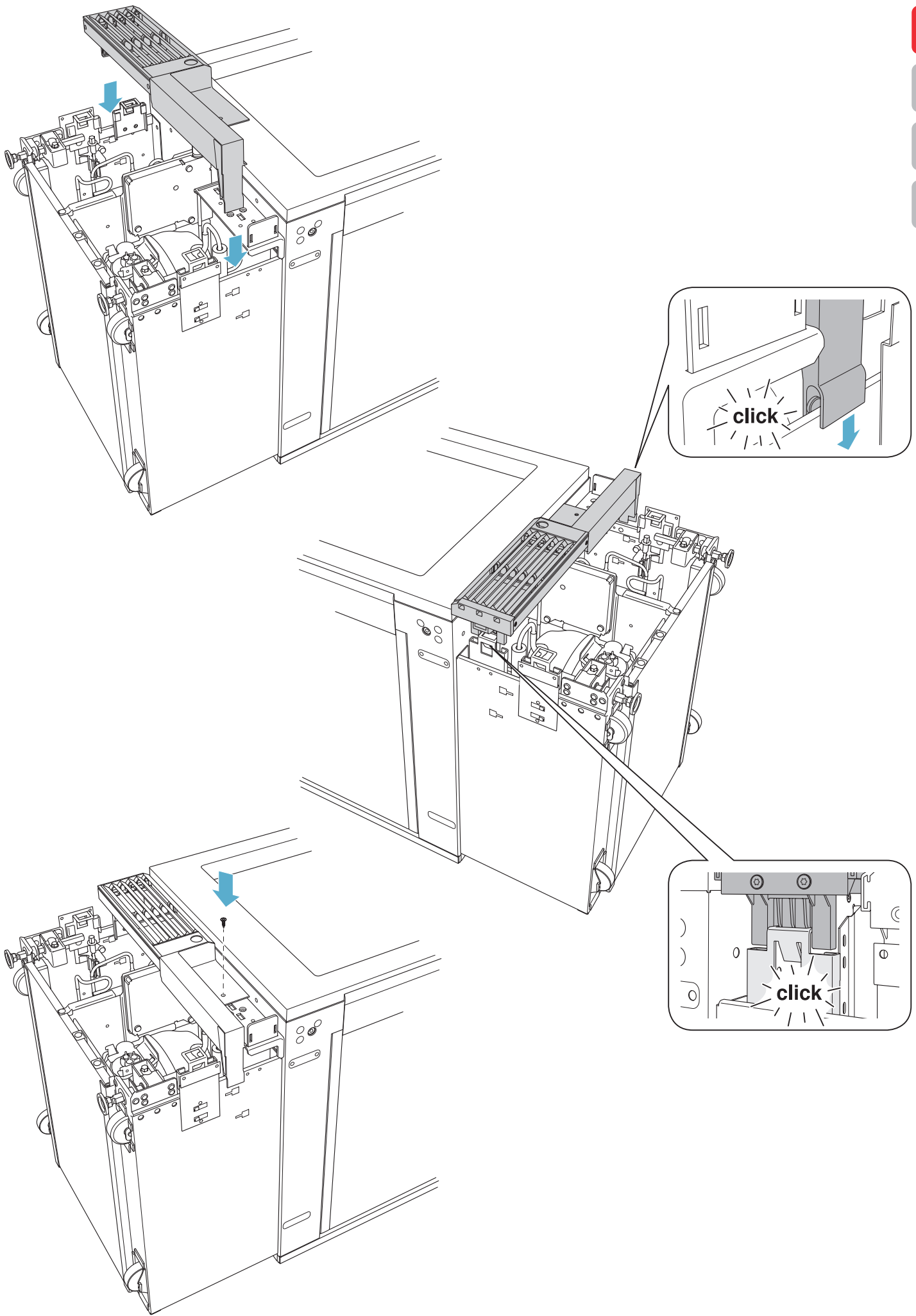


A

B

C

D

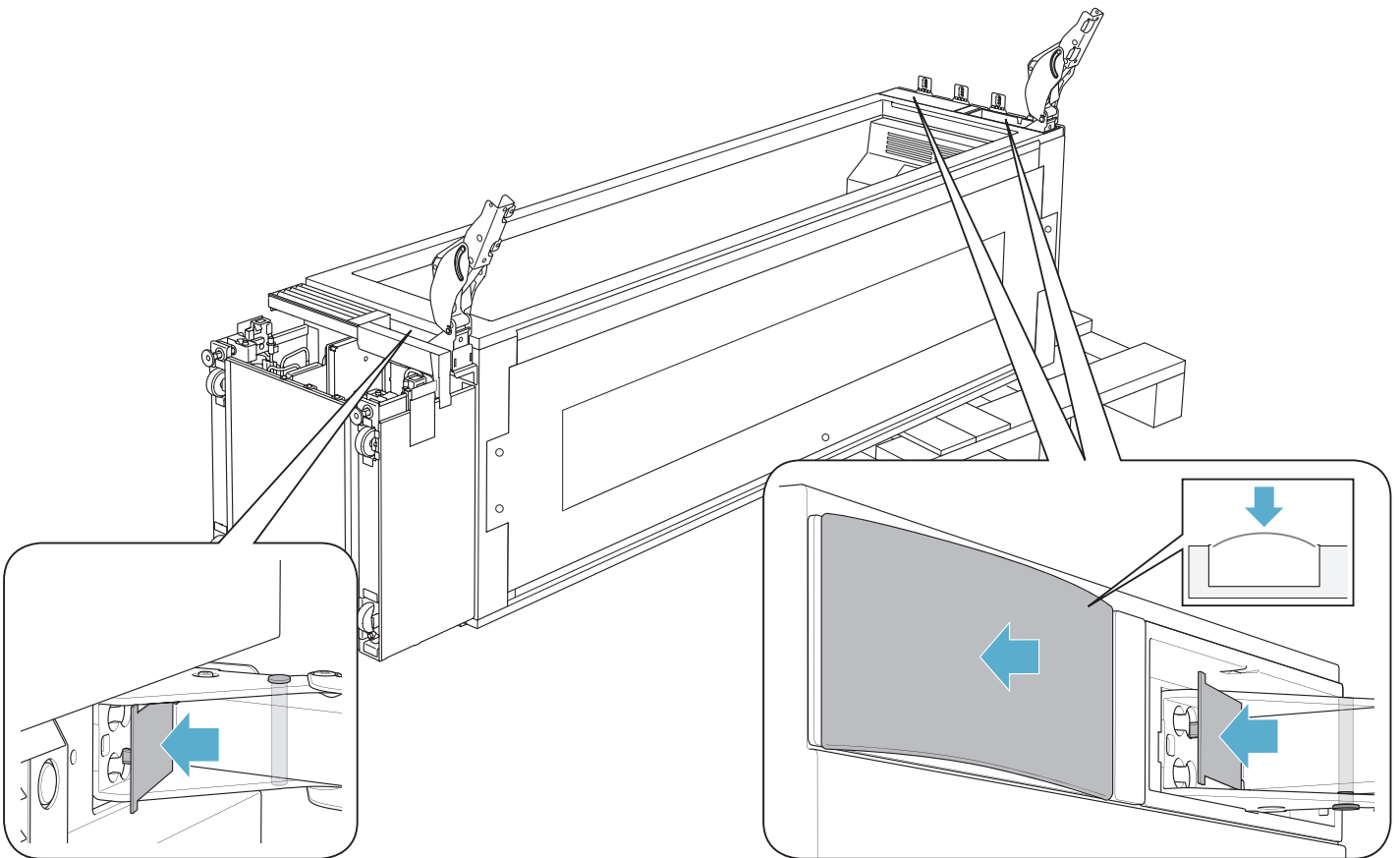
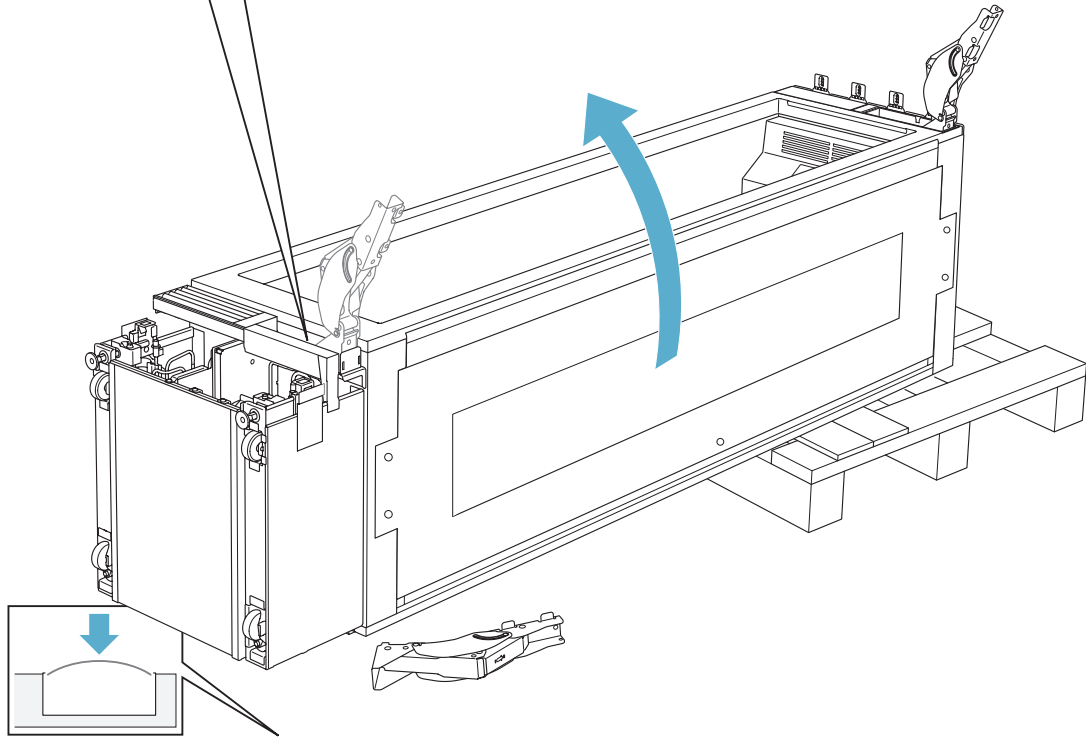
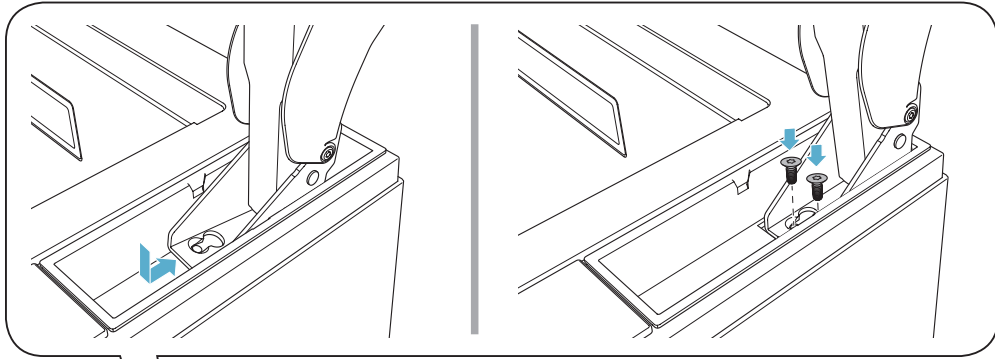


A

B

C

D



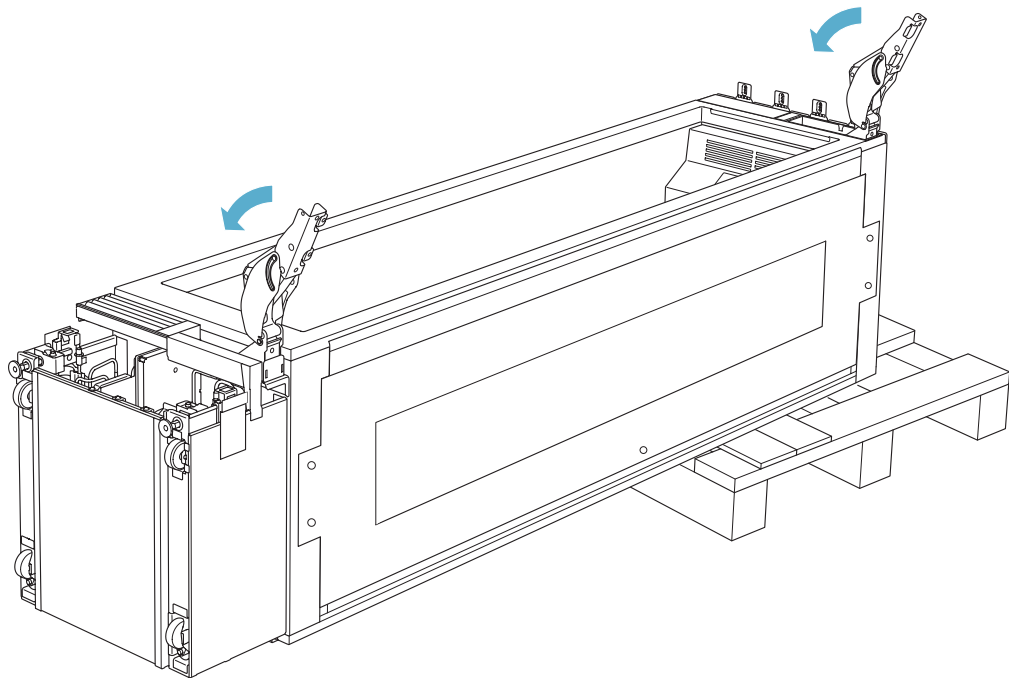
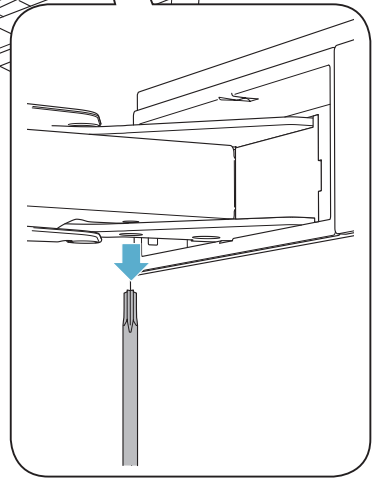
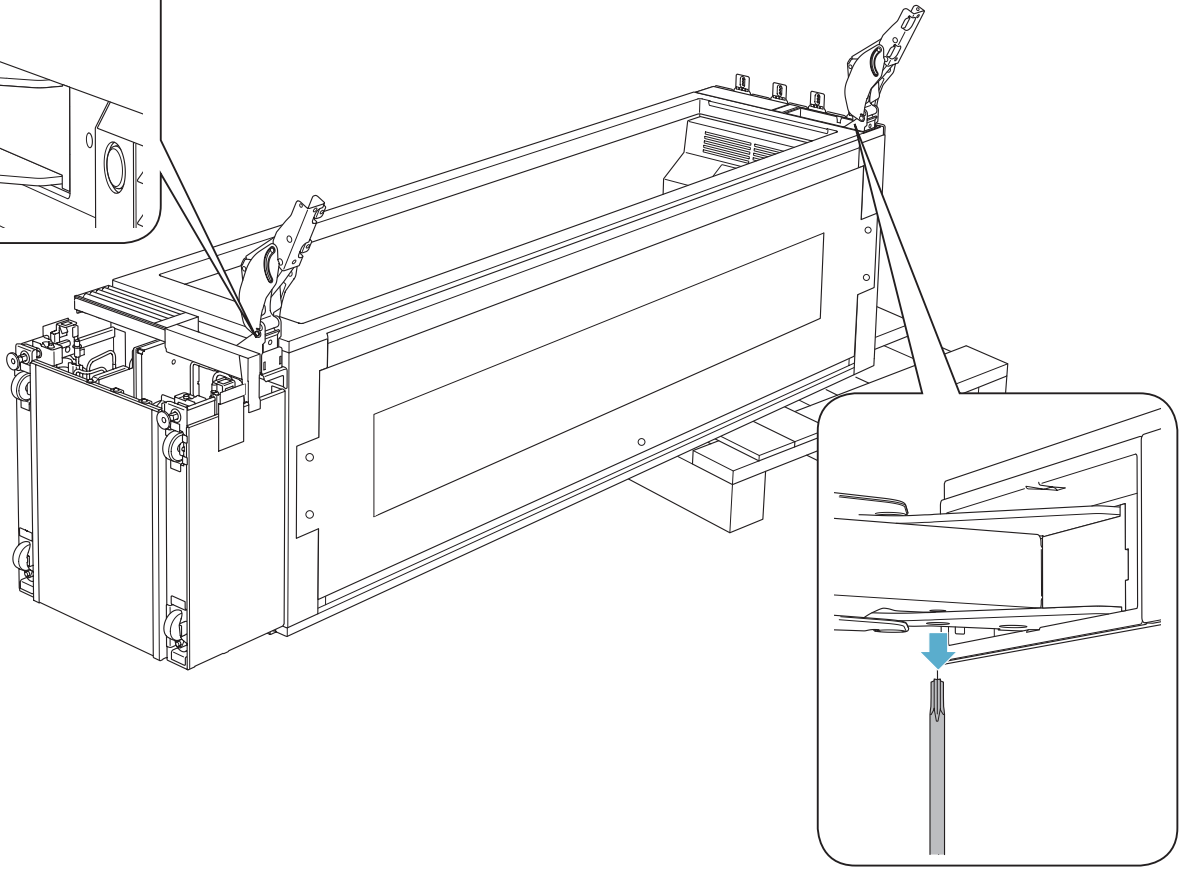
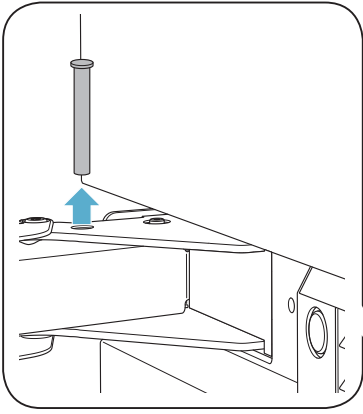


A

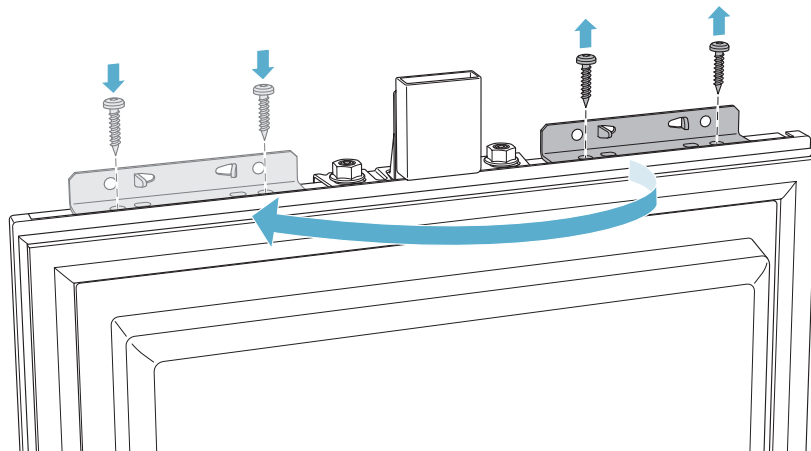
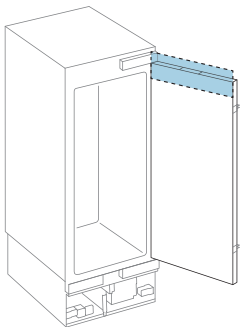
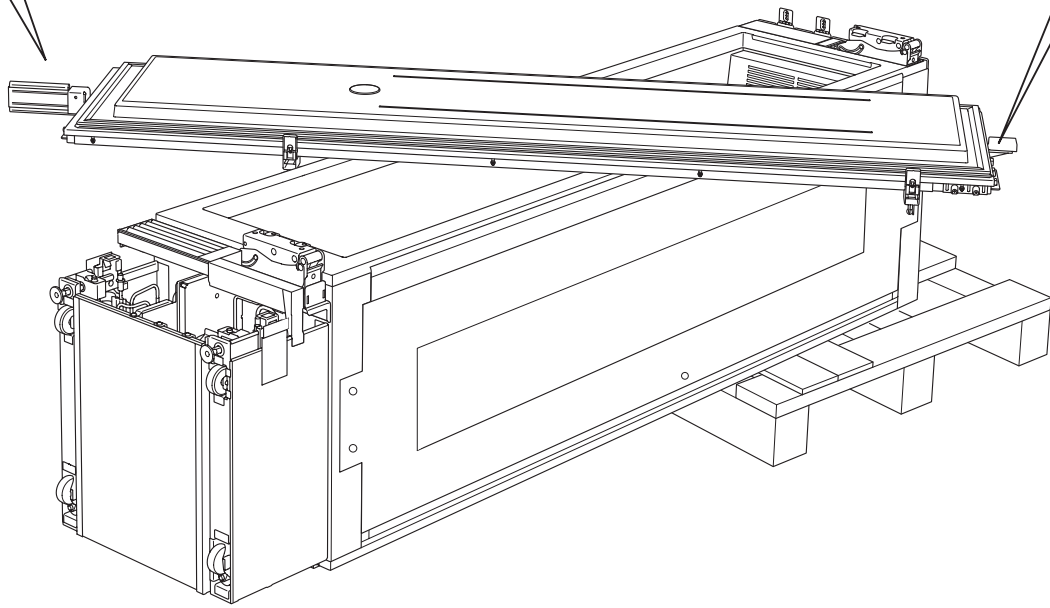
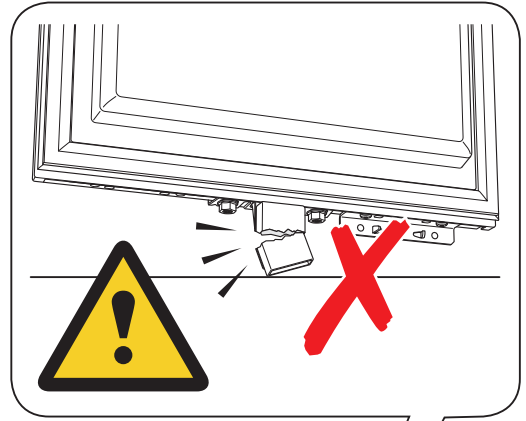
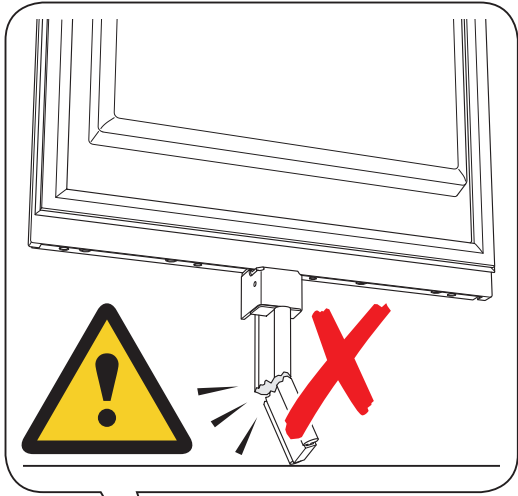
B

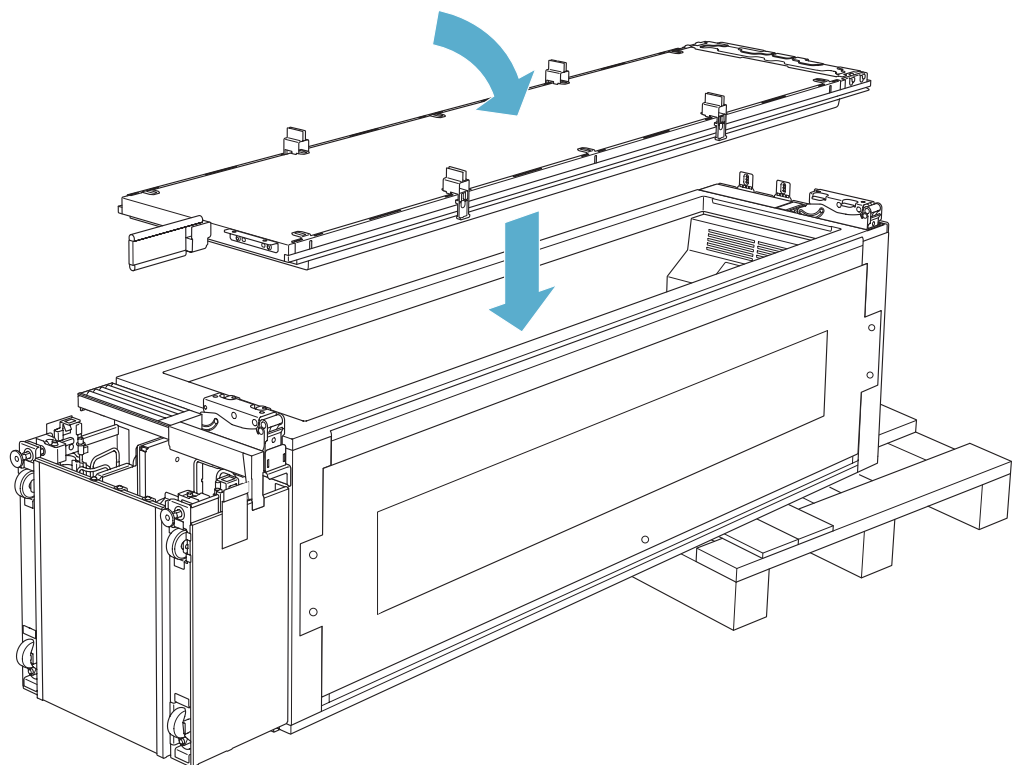
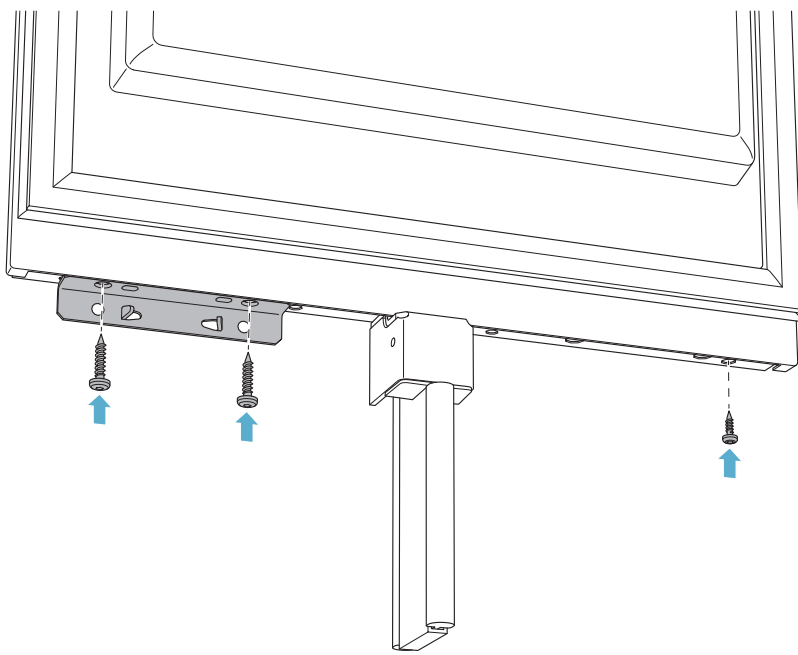
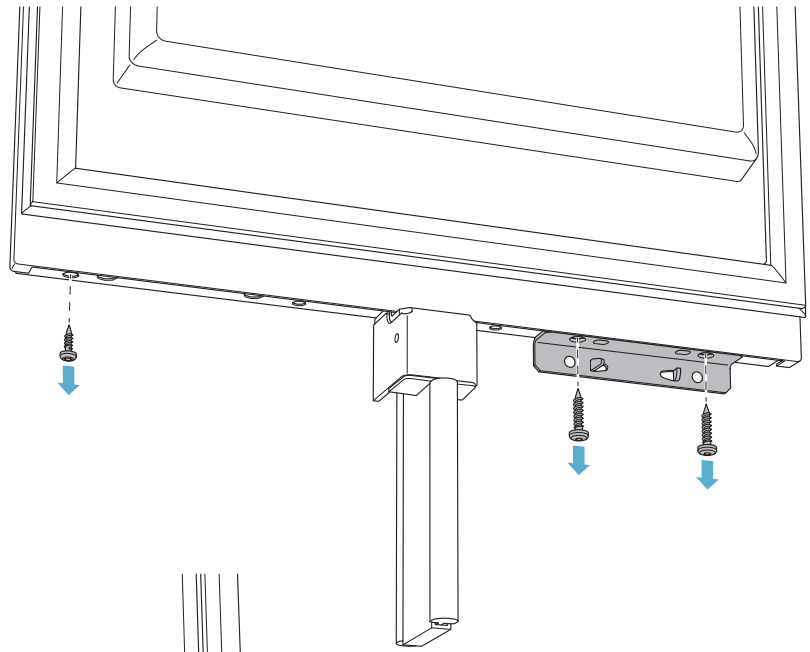
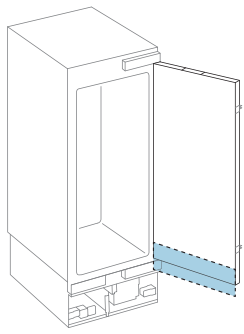
C

D



A  
B  
C  
D





- A
- B
- C
- D

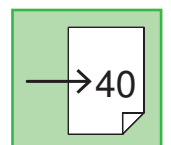
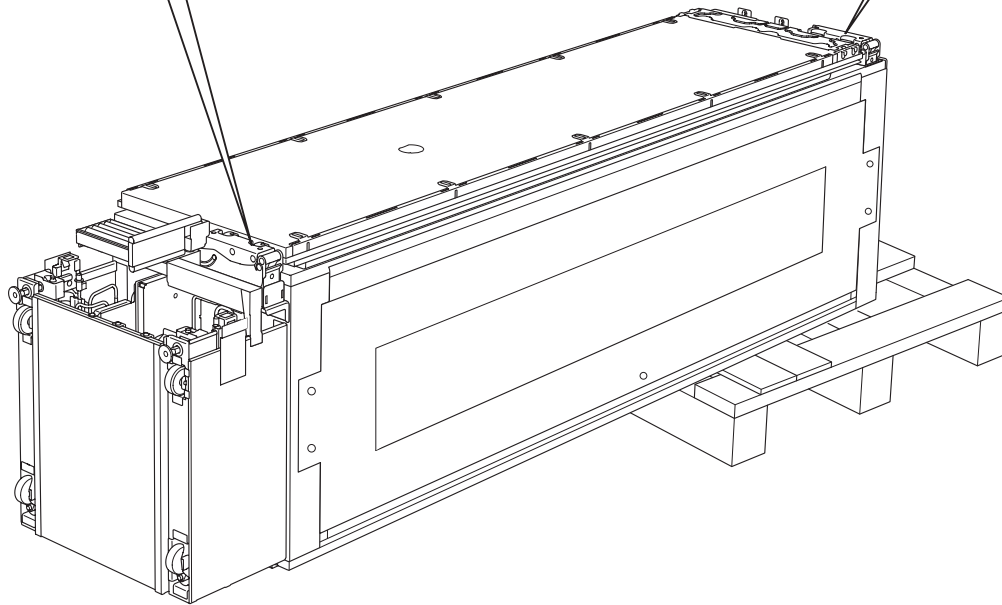
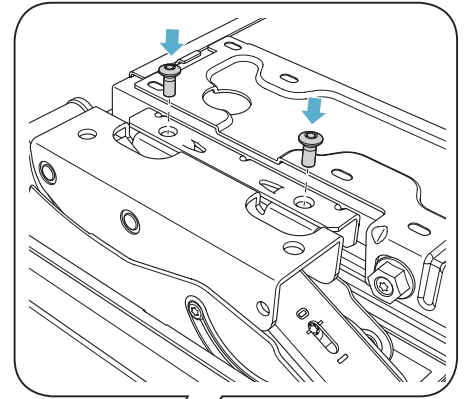
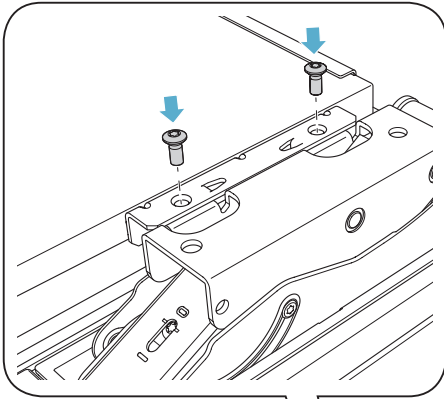
A

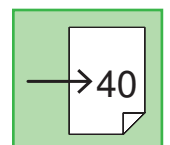
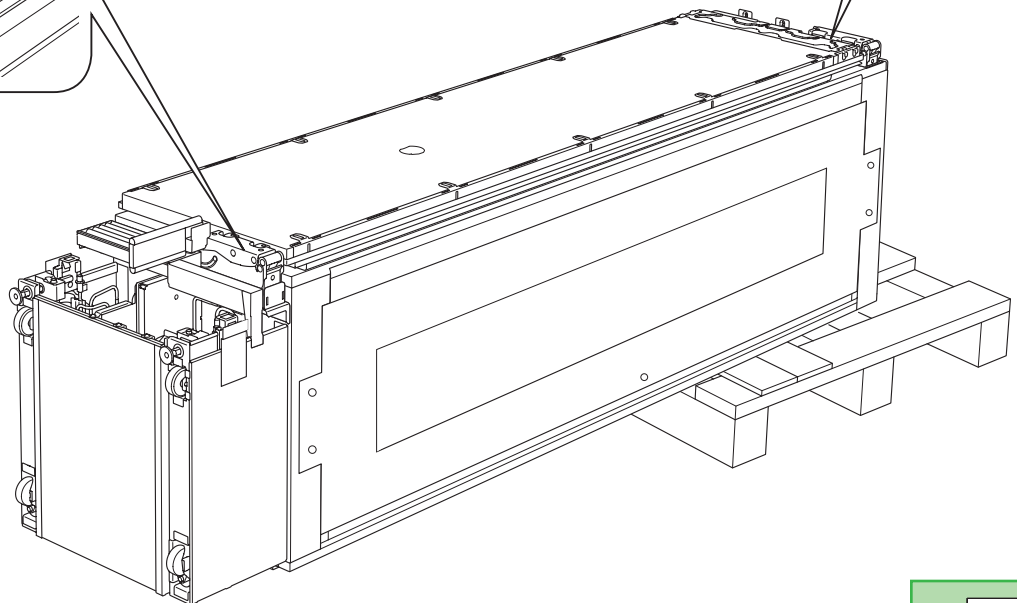
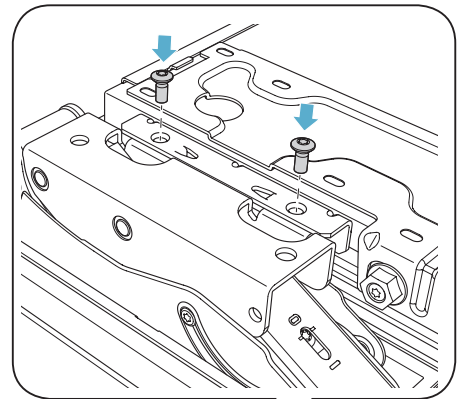
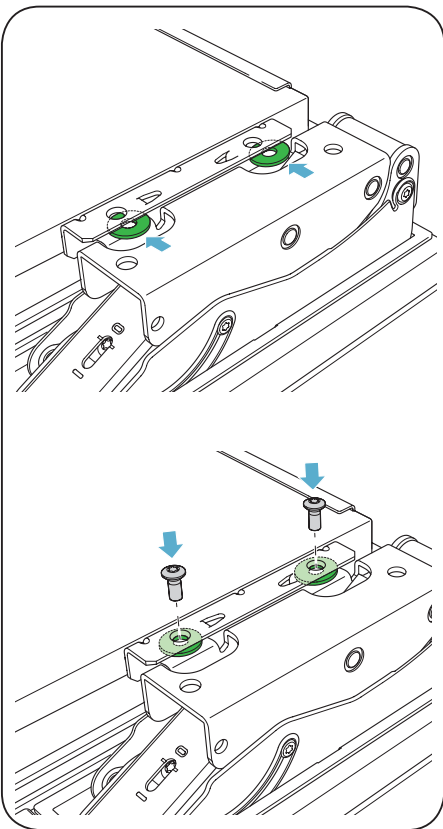
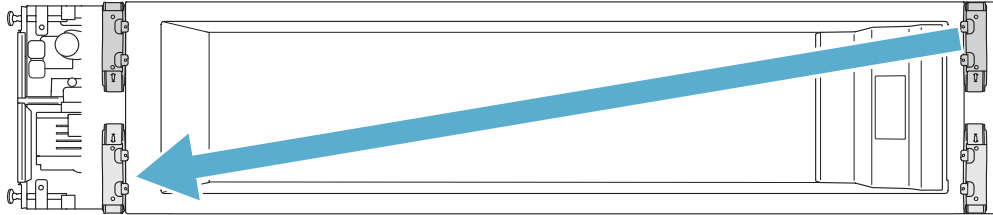
B

C

D

A





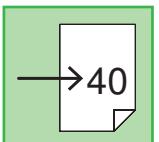
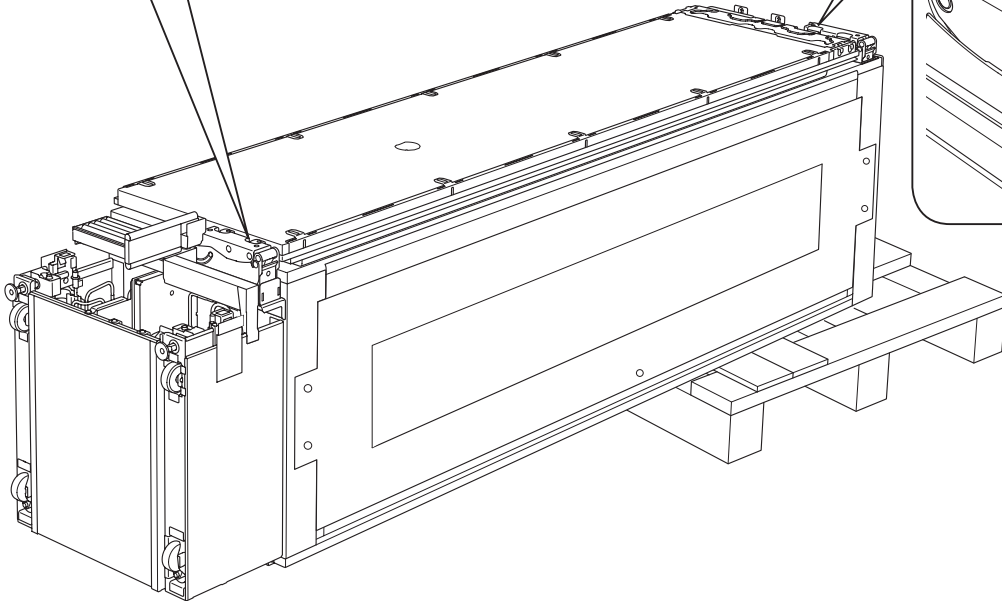
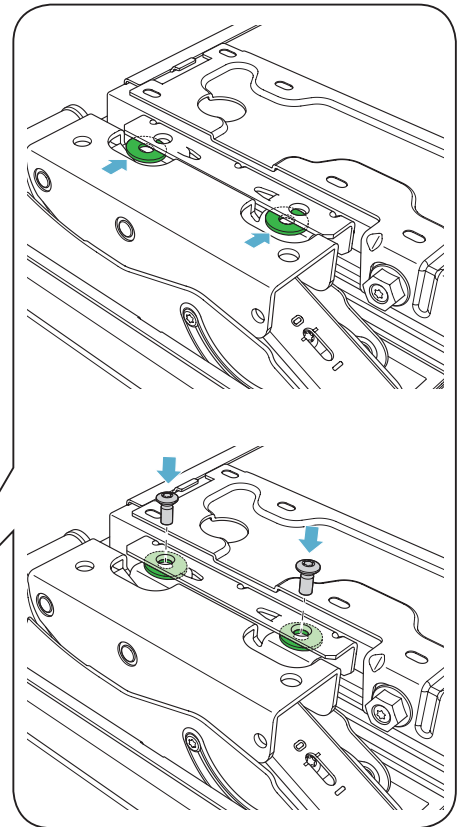
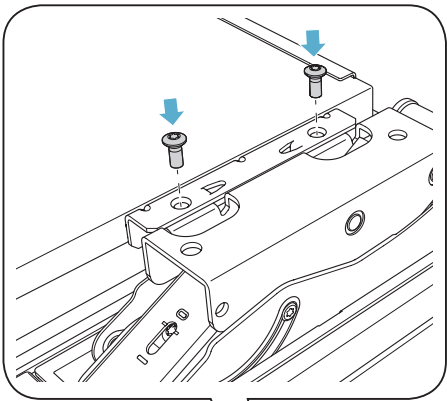
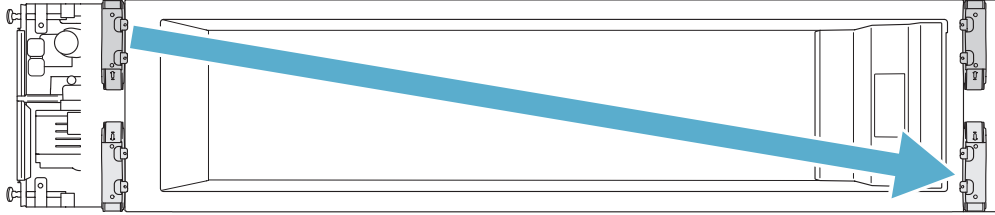
A

B

C

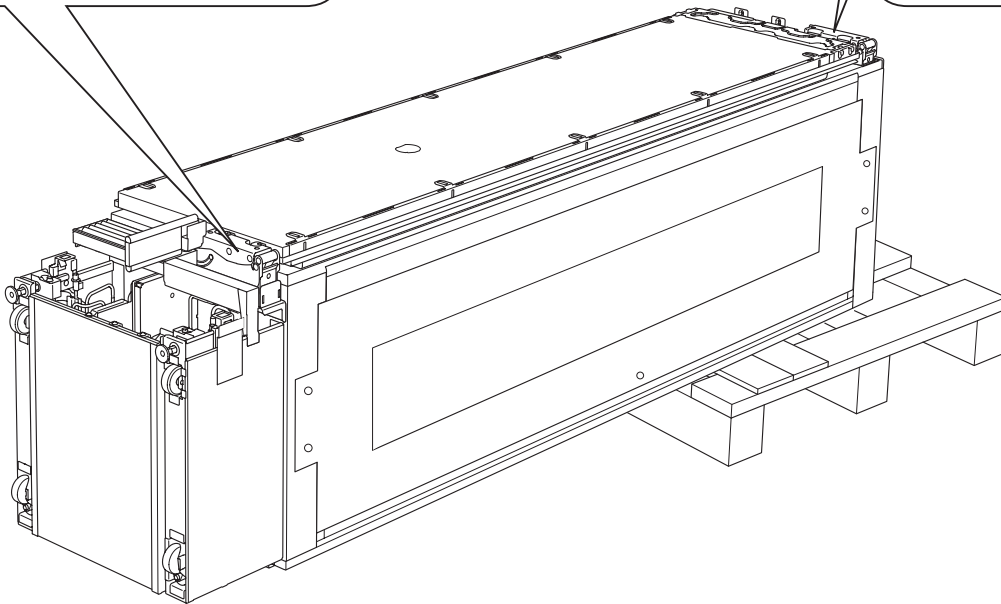
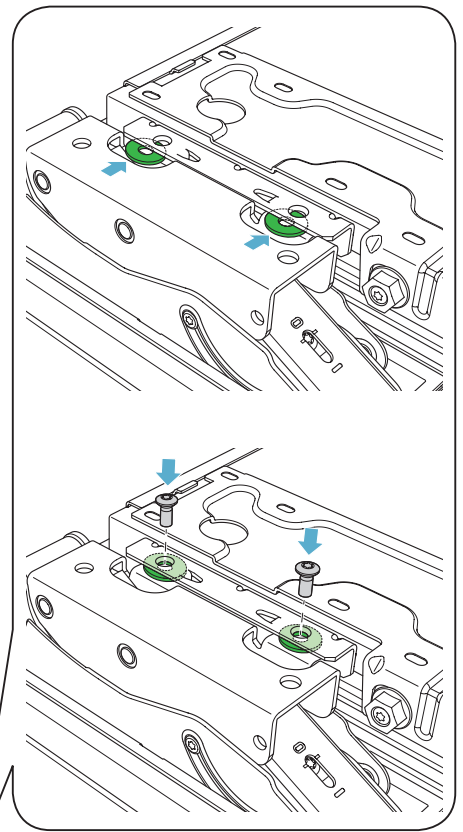
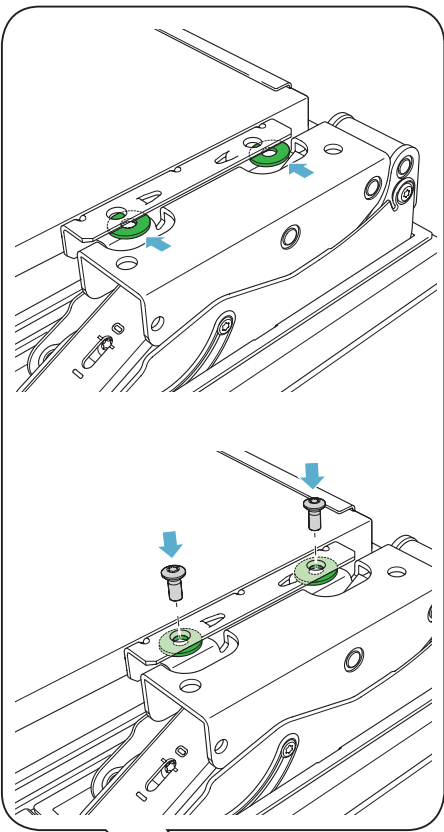
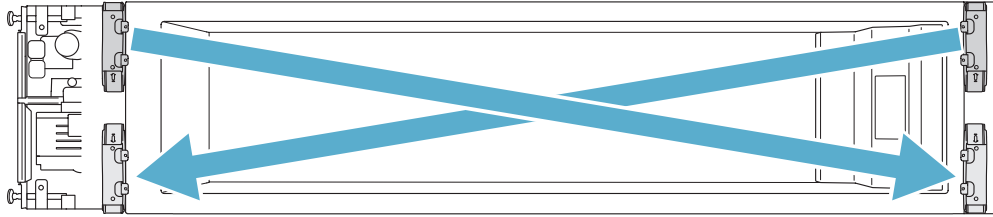
D

©



- A
- B
- C
- D

D

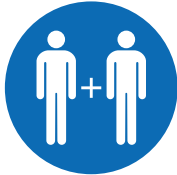
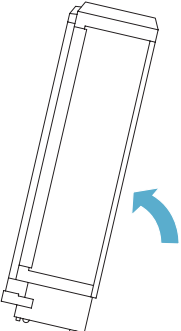
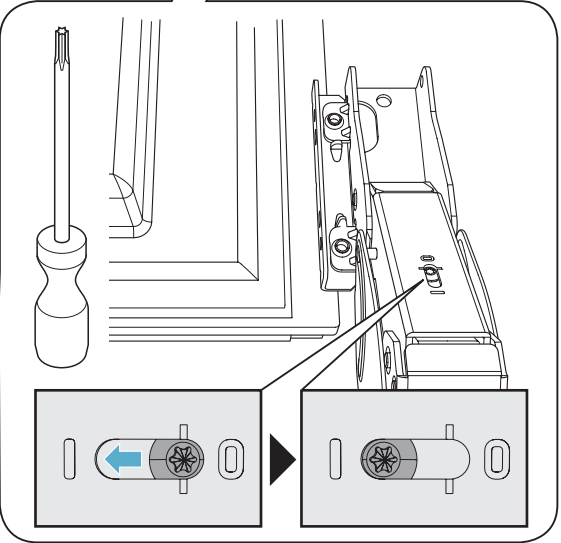
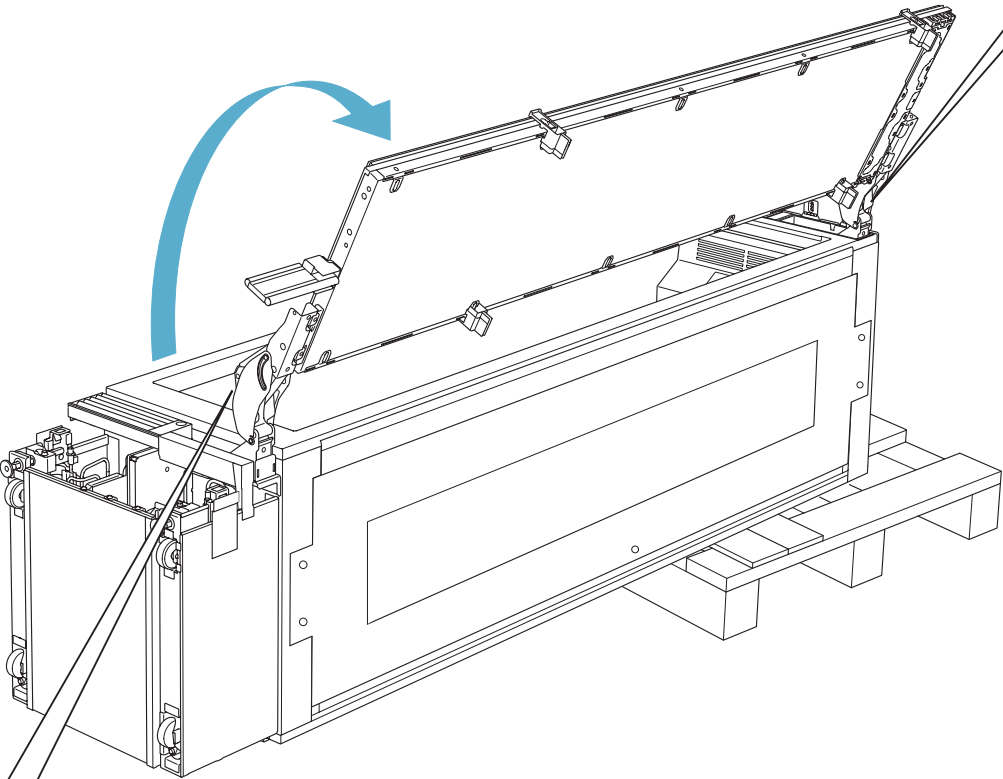
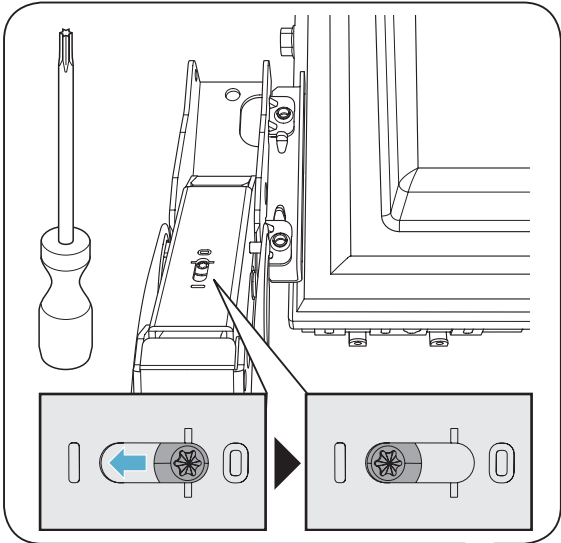


A

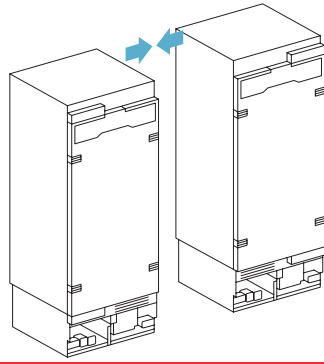
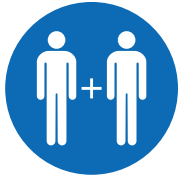
B

C

D





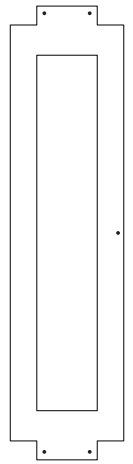
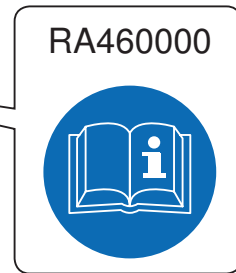
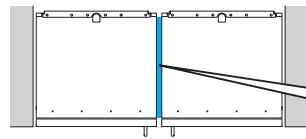
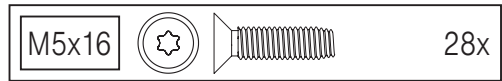
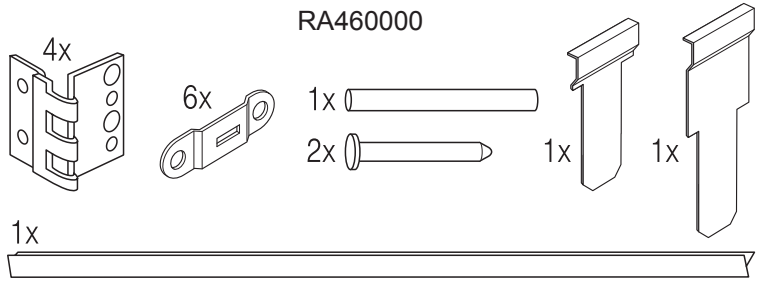
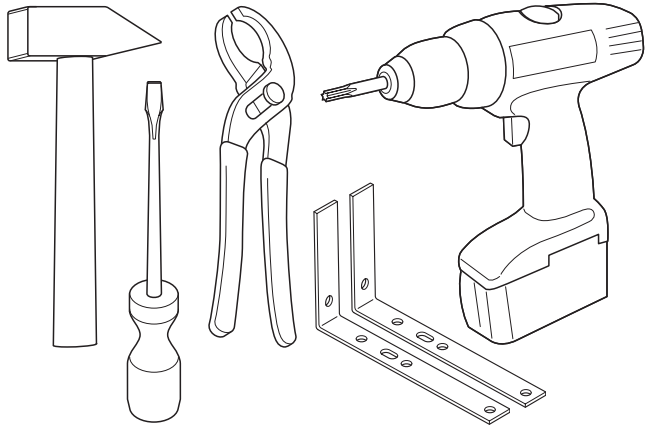


A

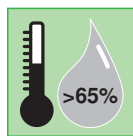
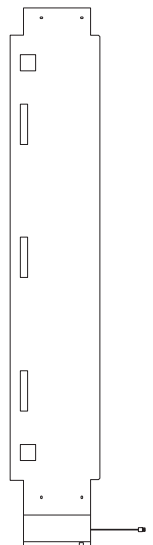
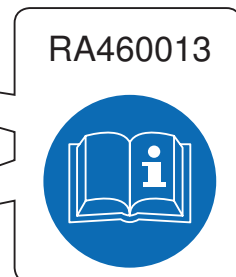
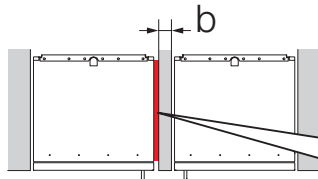
B

C

D



$\frac{5}{8}'' \leq b < 6\frac{1}{4}''$   
(16 mm  $\leq$  b < 160 mm)

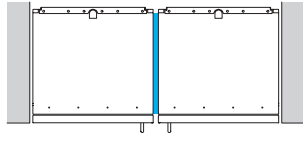


A

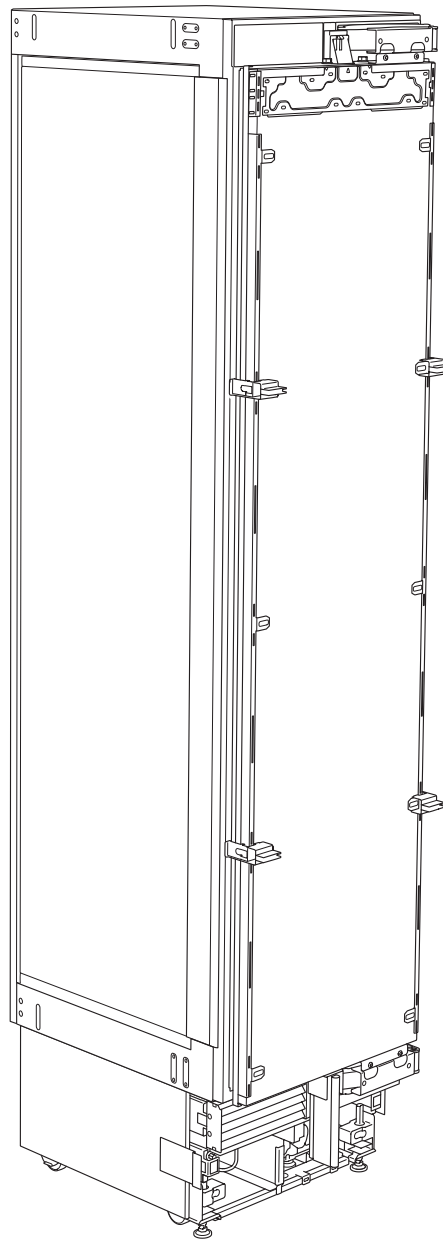
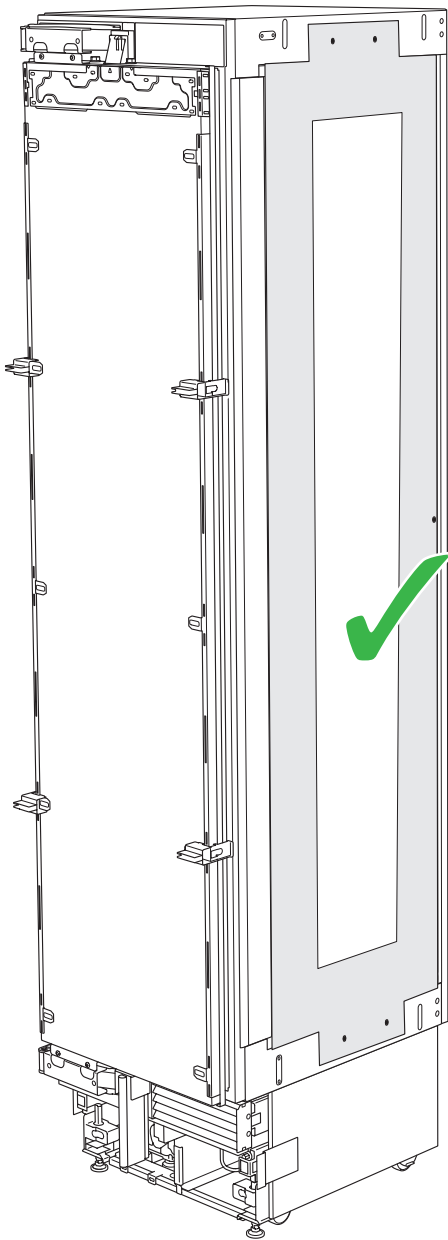
B

C

D



RA460000



M5x16



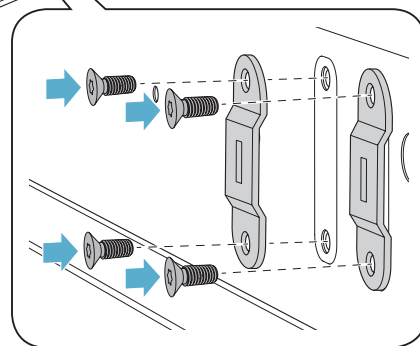
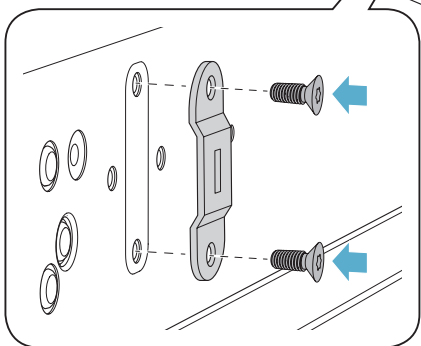
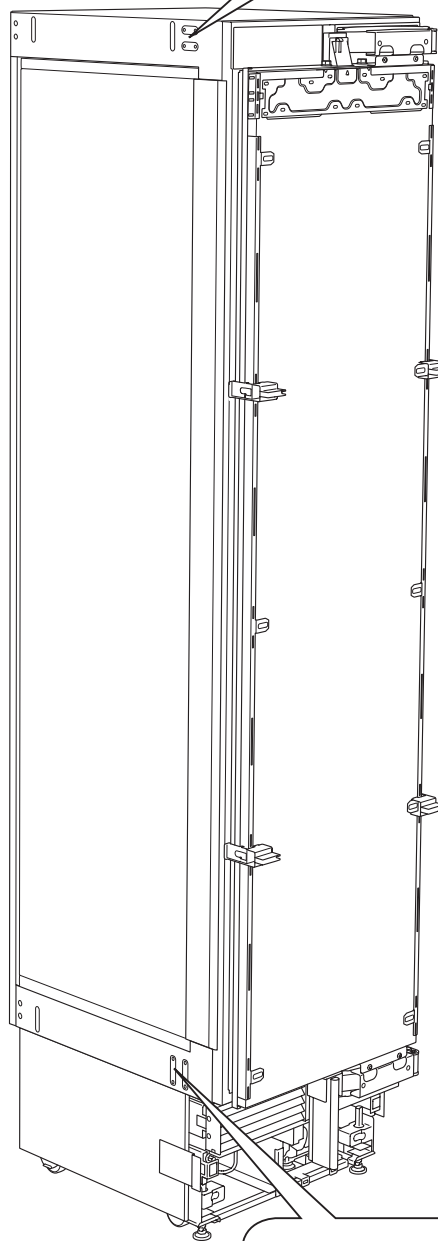
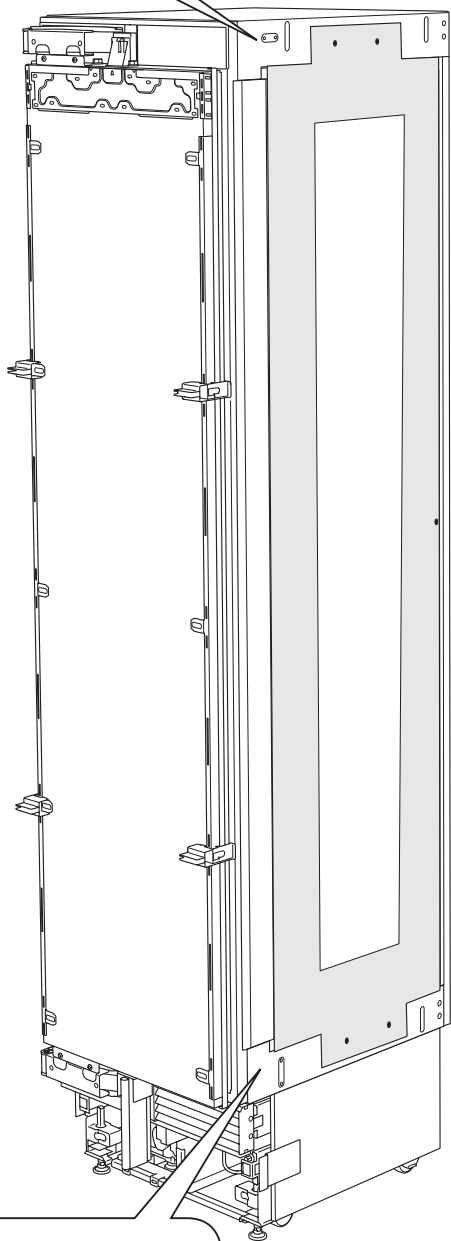
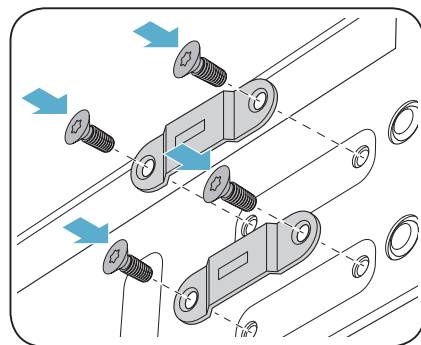
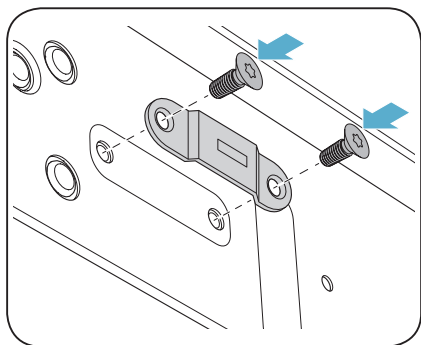
12x

A

B

C

D


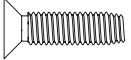


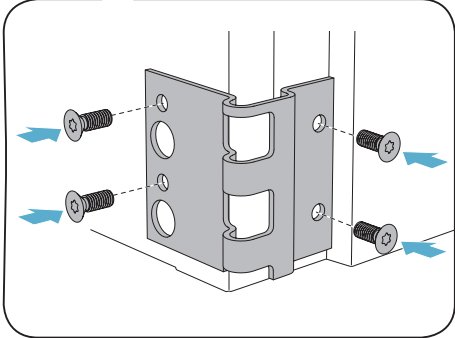
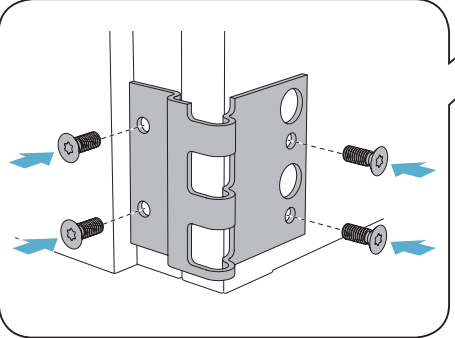
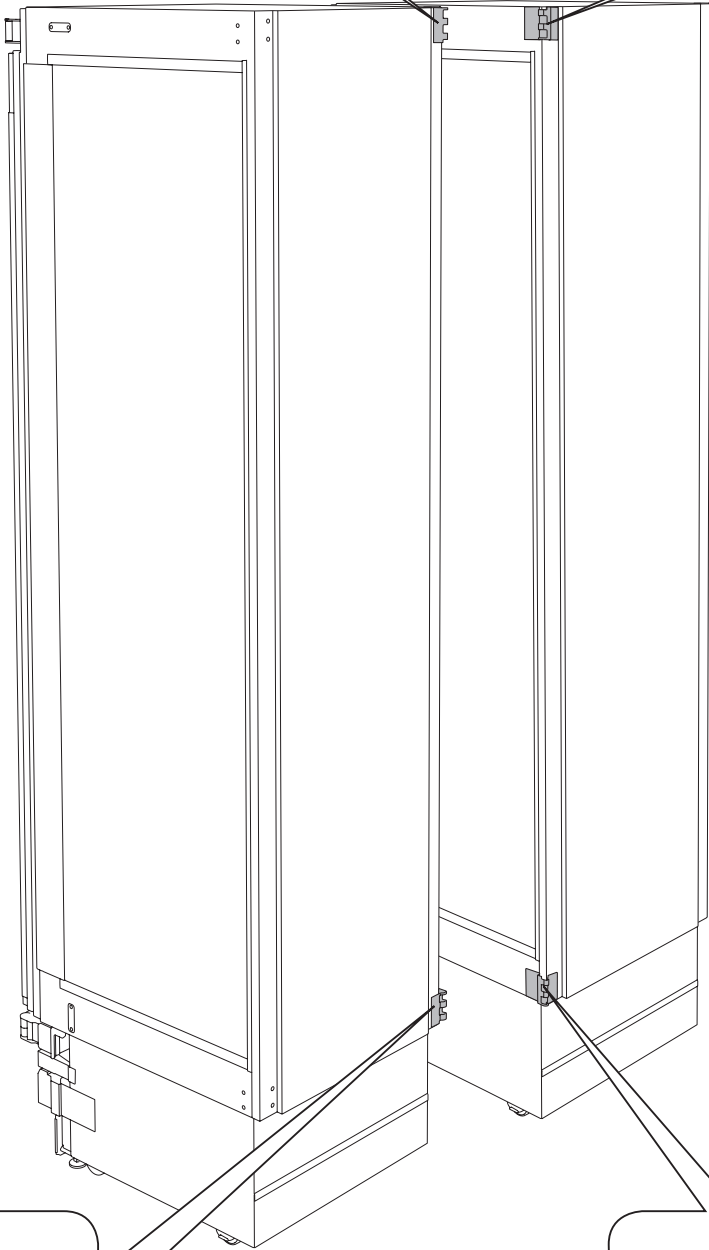
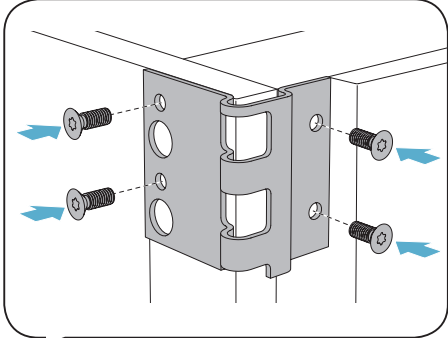
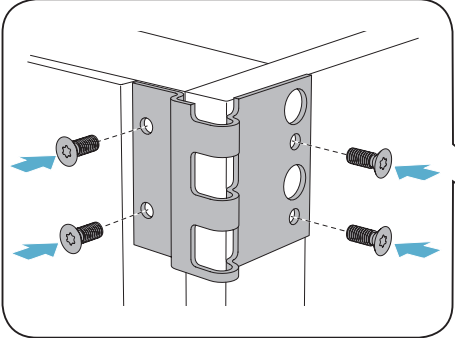
A

B

C

D

M5x16   16x

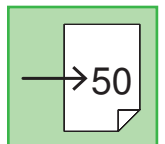
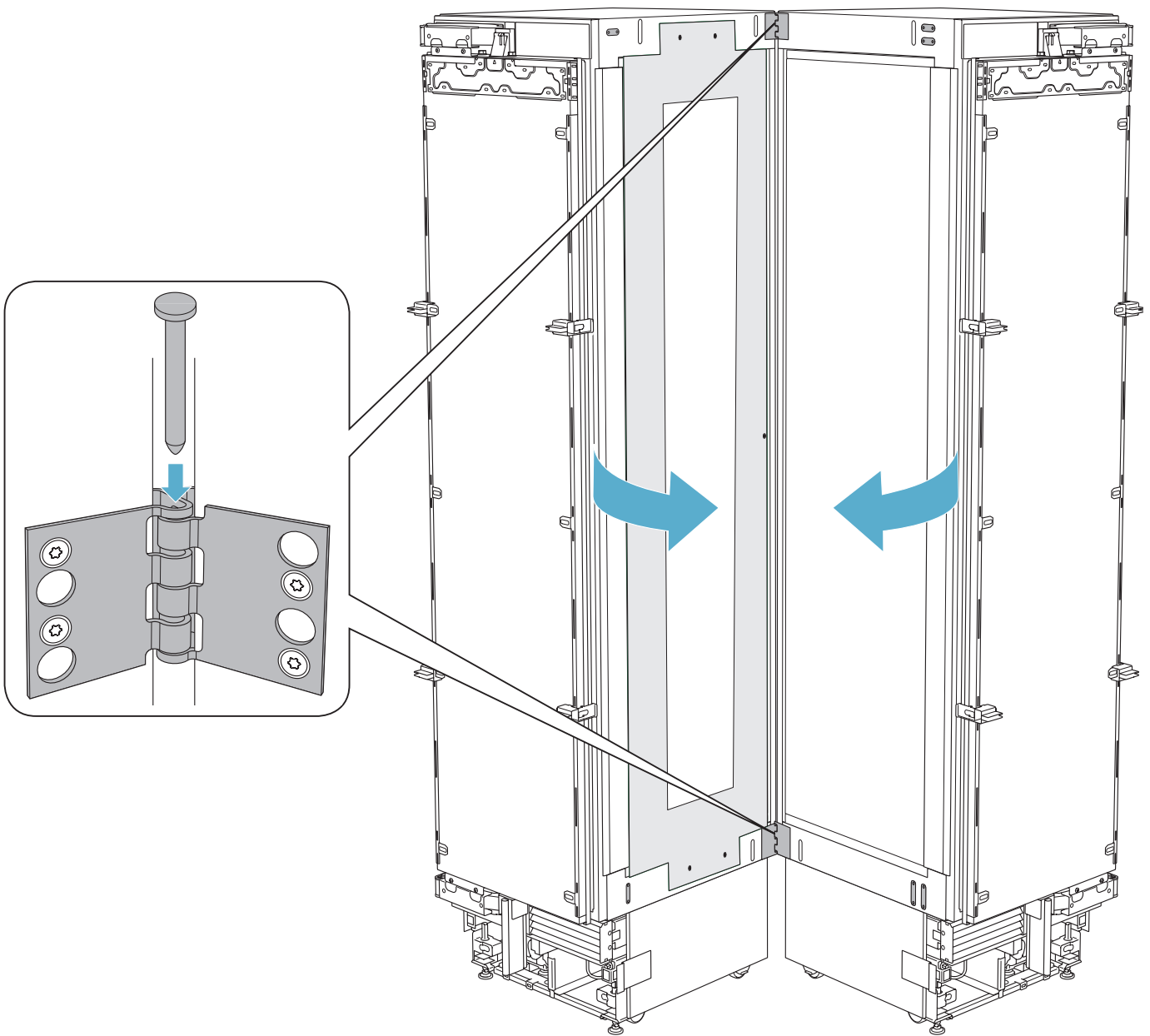


A

B

C

D



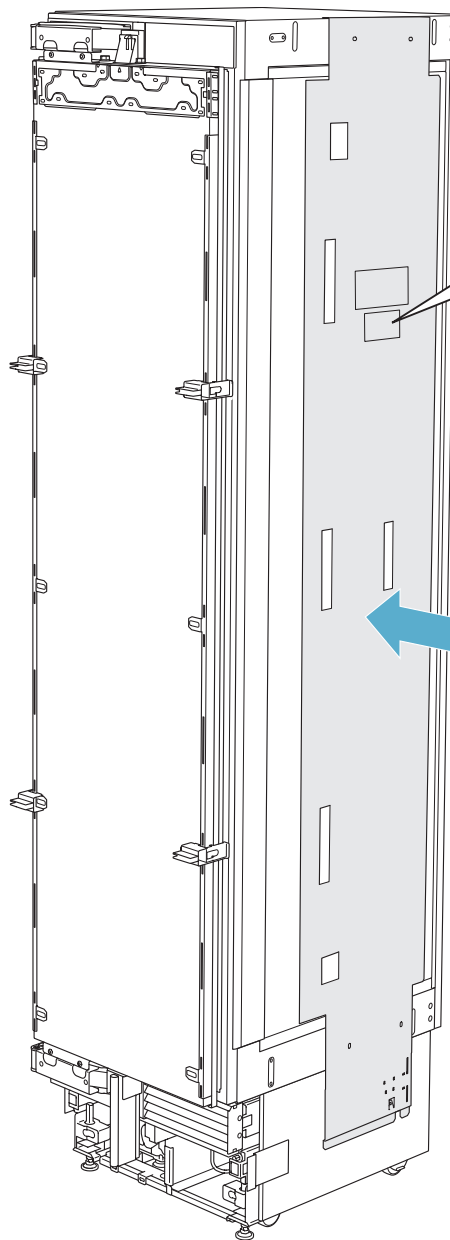
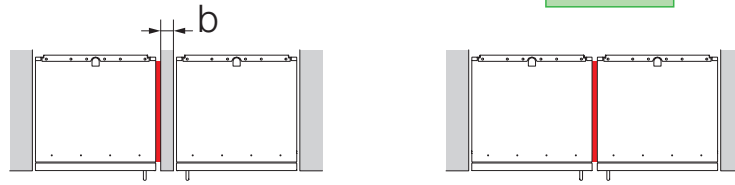
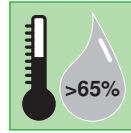
A

B

C



D

$\frac{5}{8}'' \leq b < 6\frac{1}{4}''$   
(16 mm  $\leq$  b < 160 mm)



RA460013



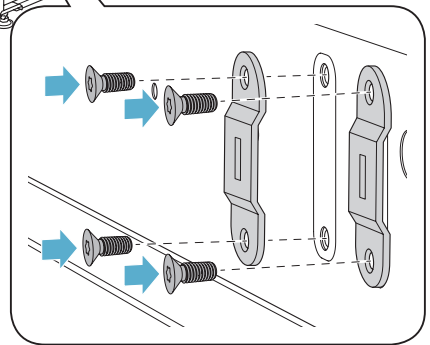
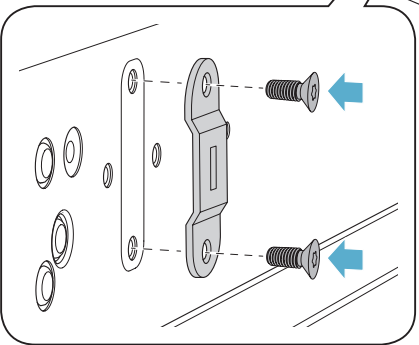
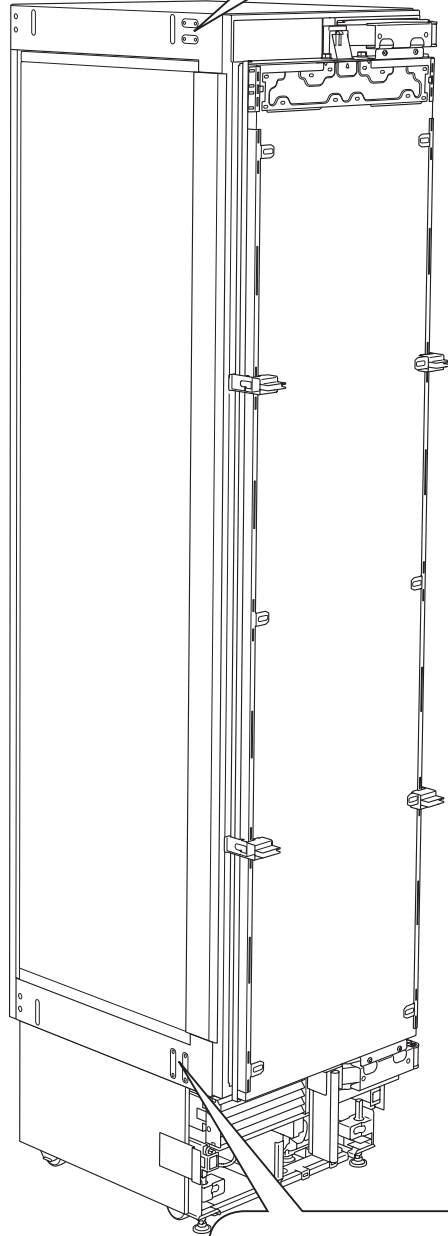
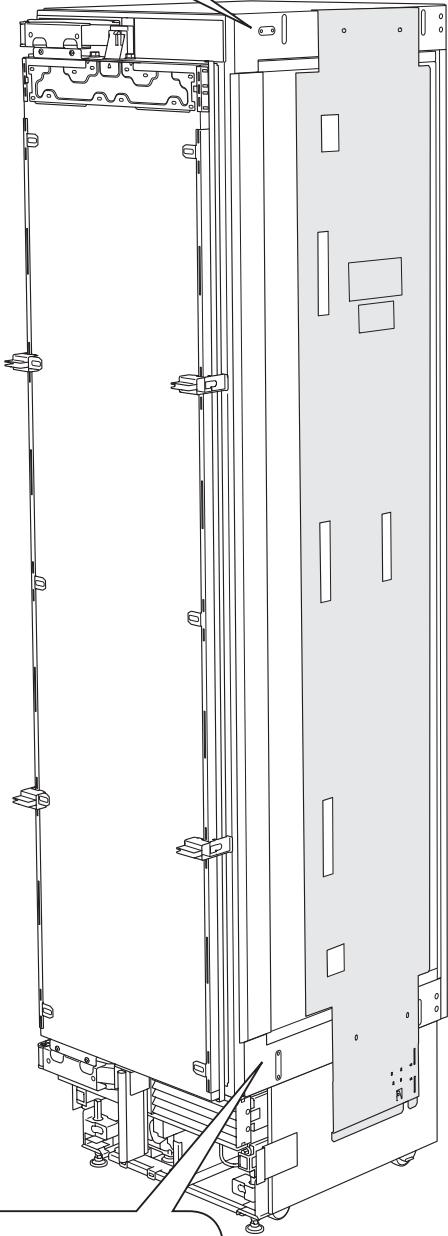
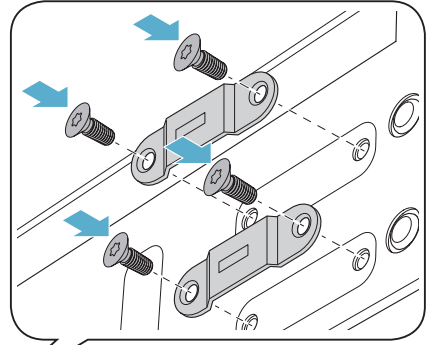
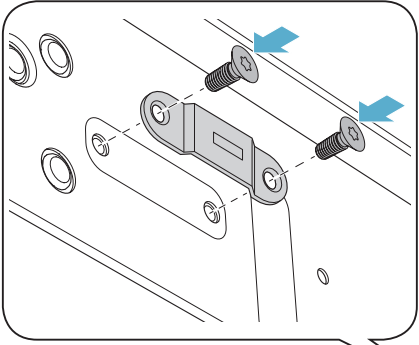
M5x16   12x

A

B

C

D


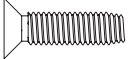


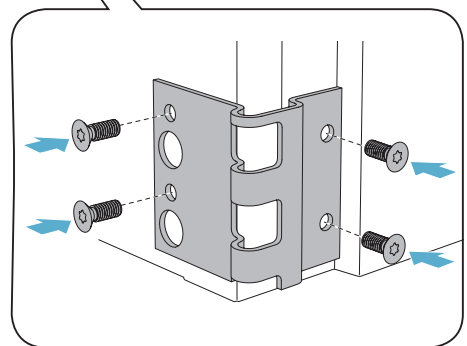
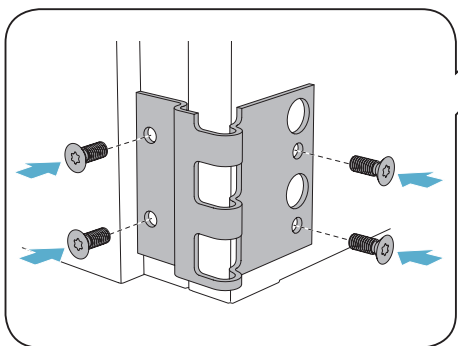
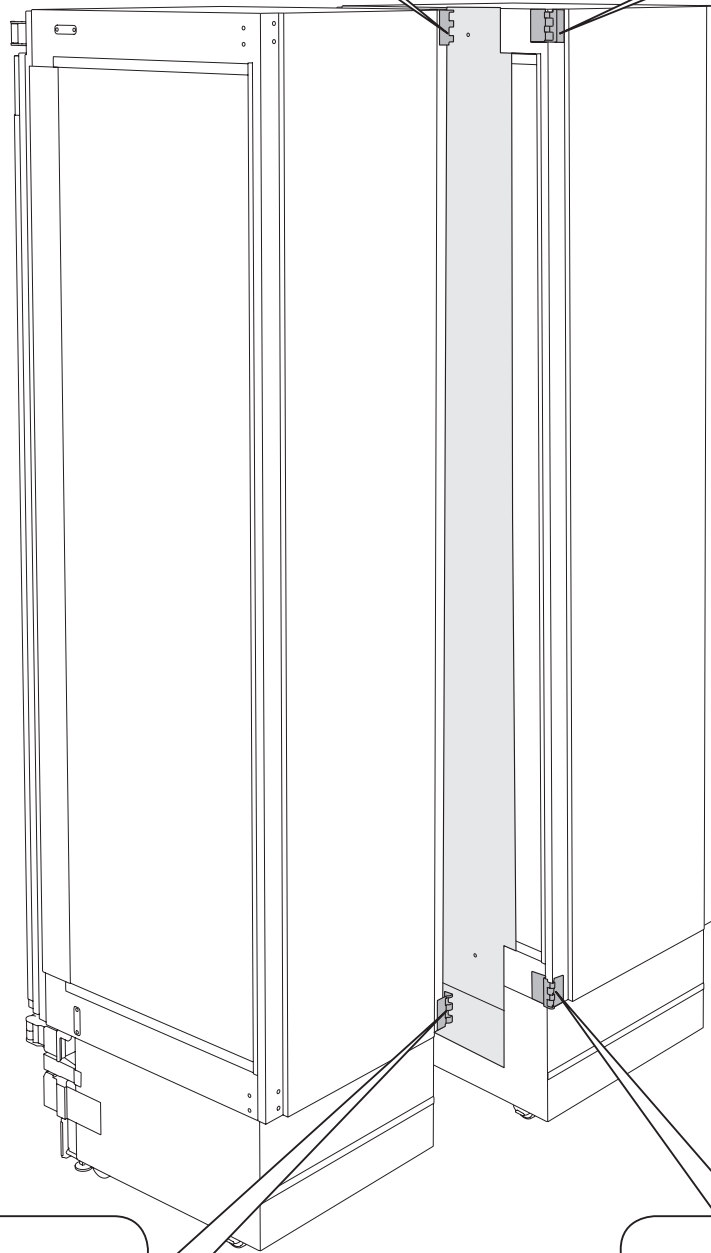
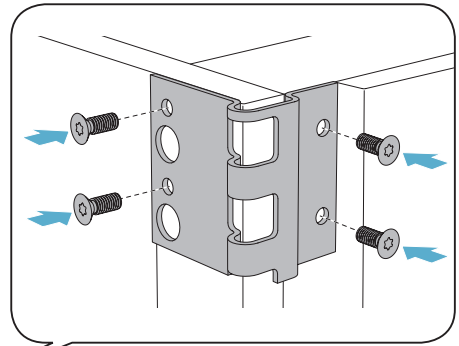
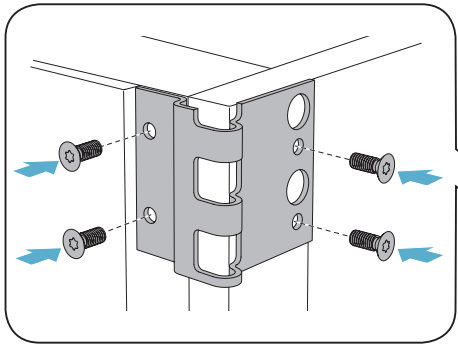
A

B

C

D

M5x16   16x



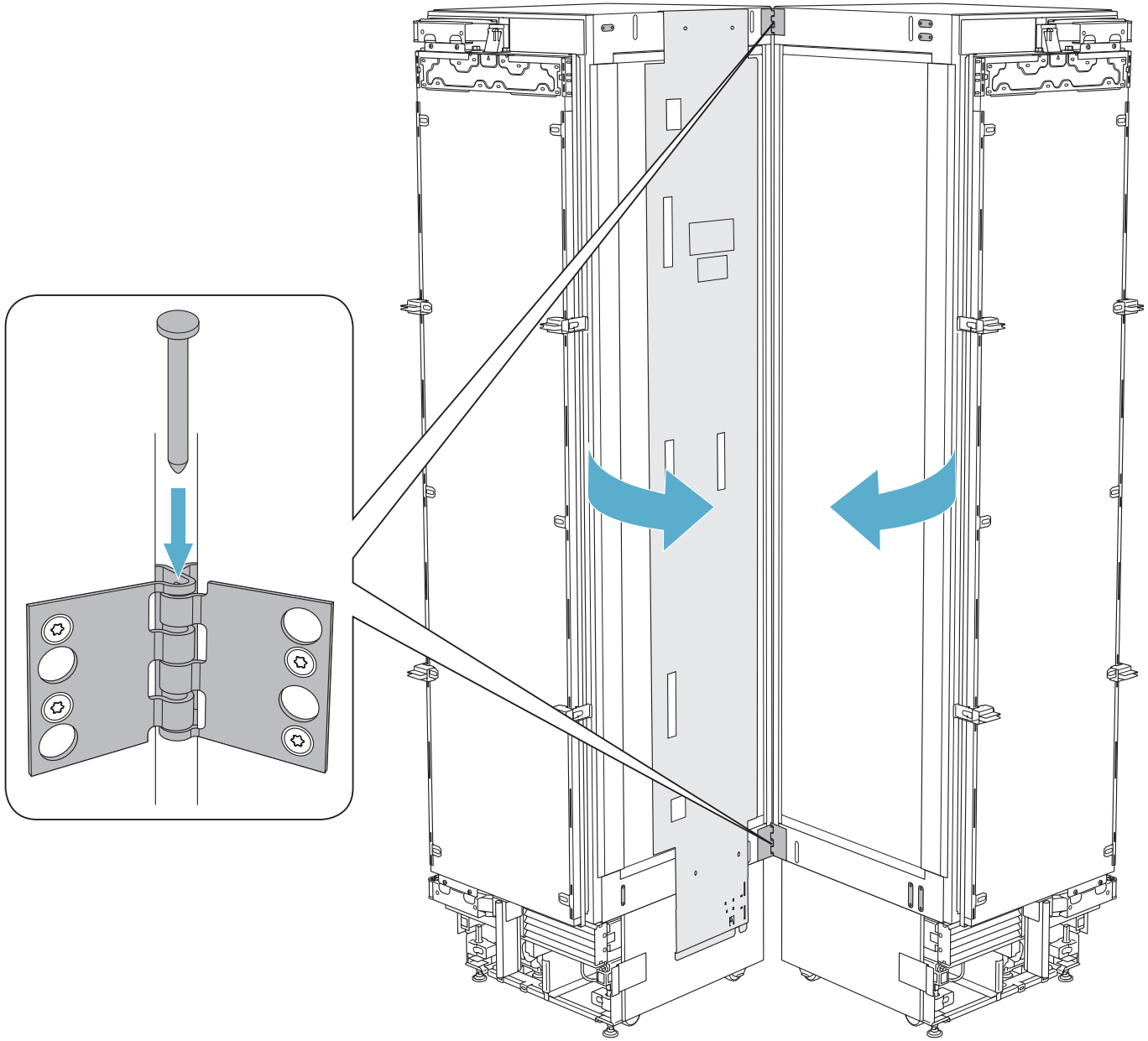


A

B

C

D

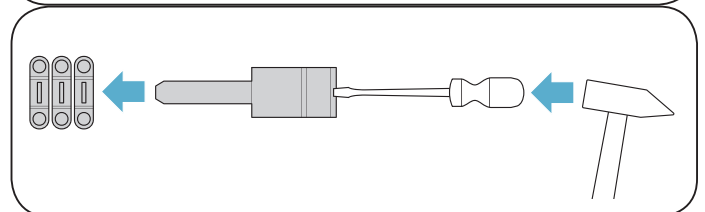
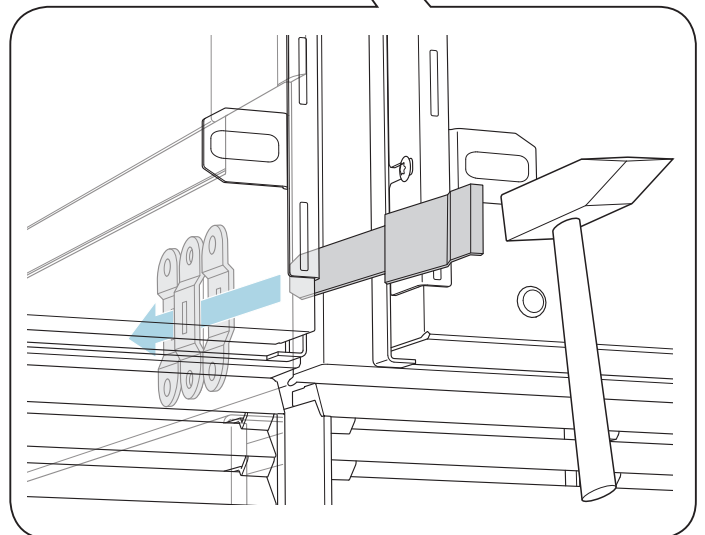
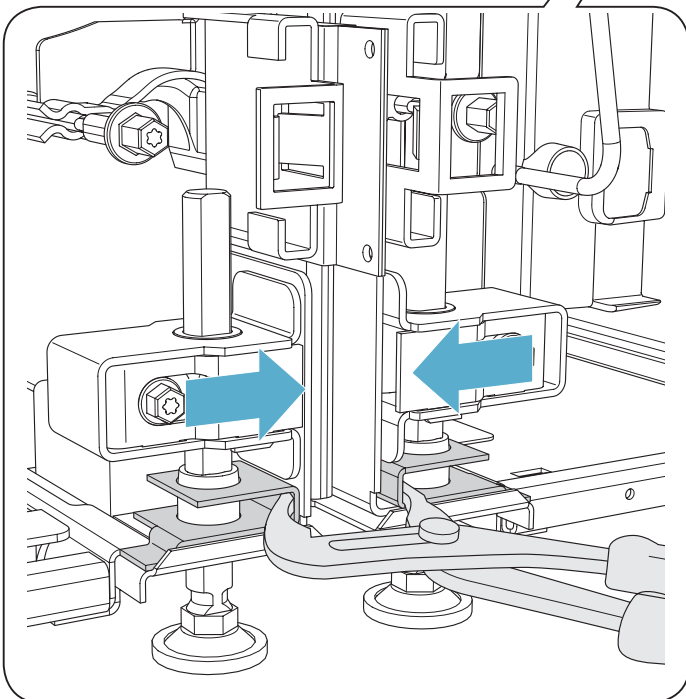
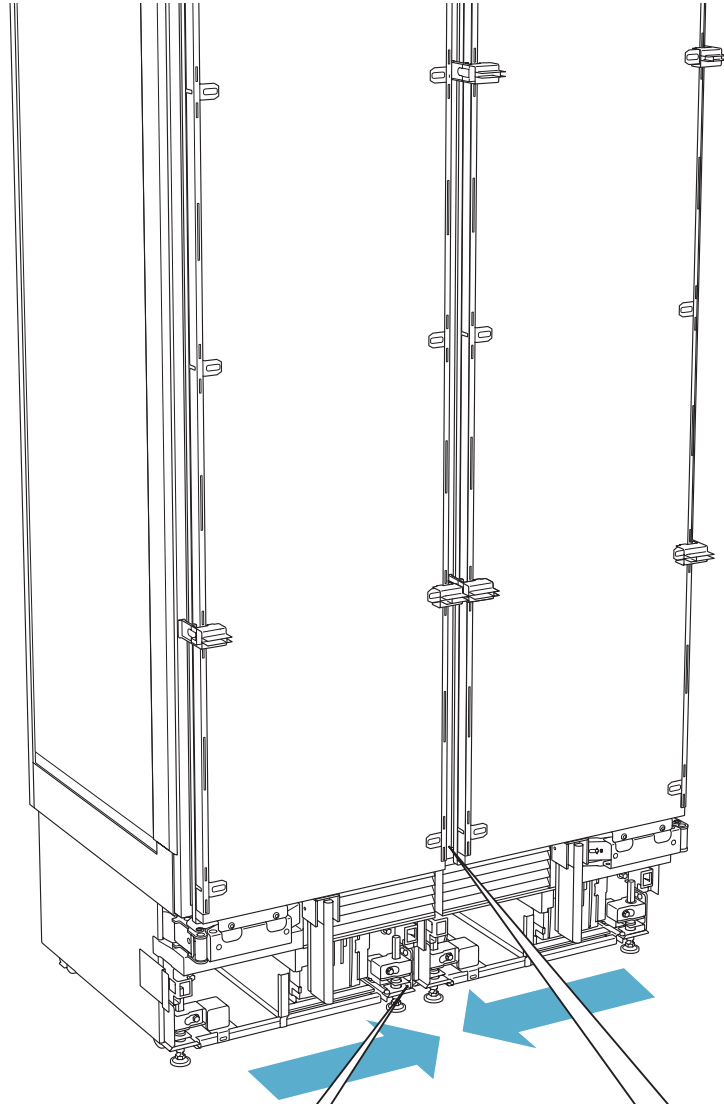
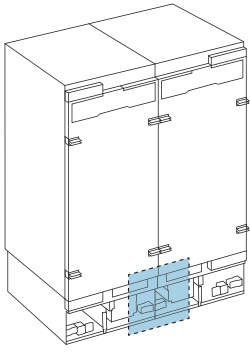


A

B

C

D

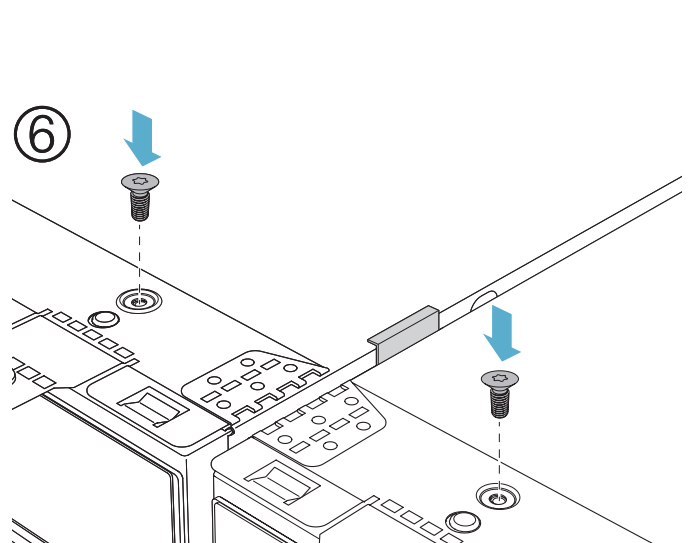
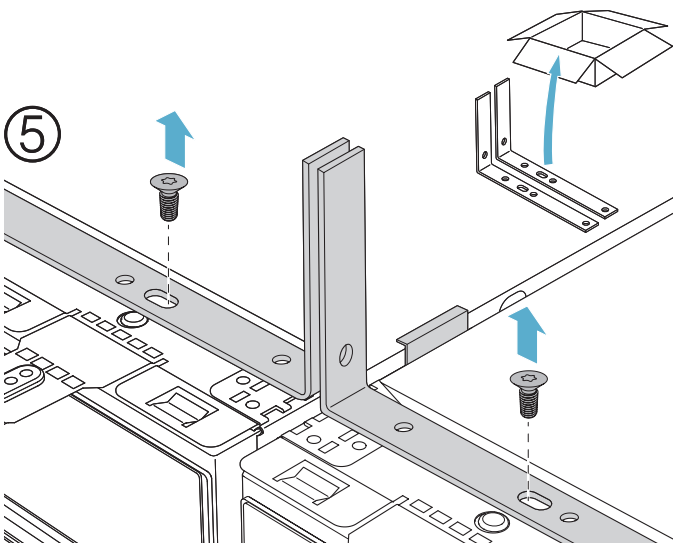
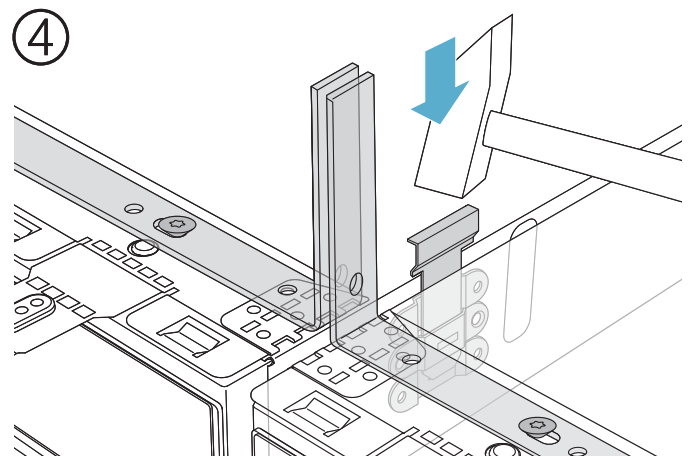
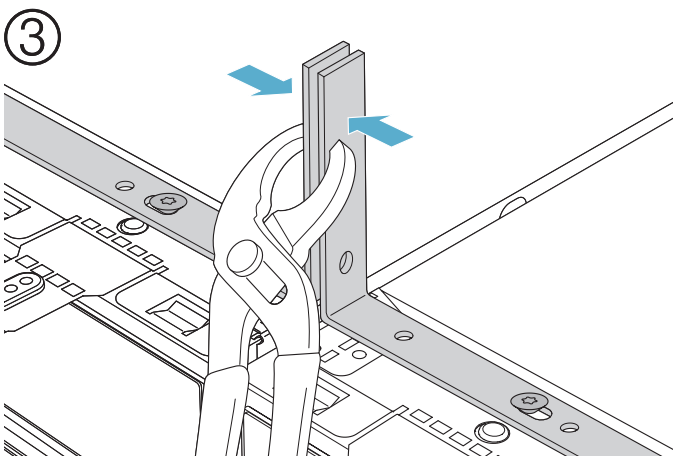
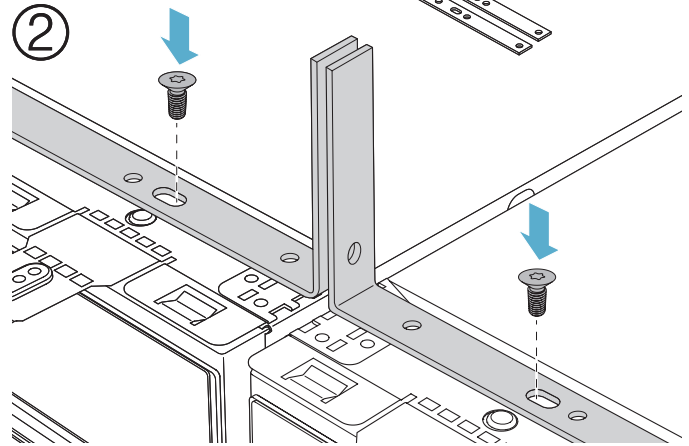
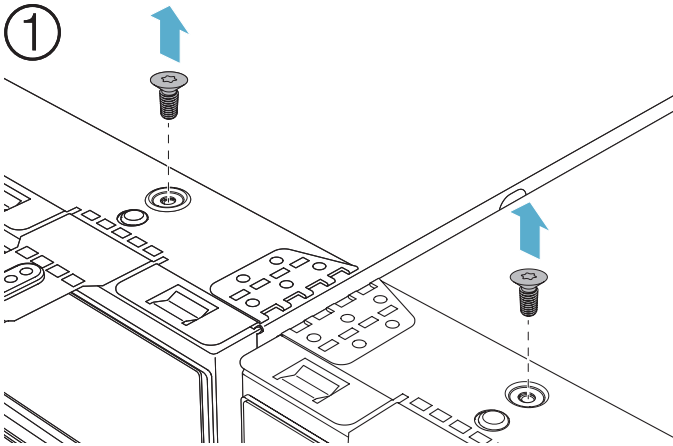
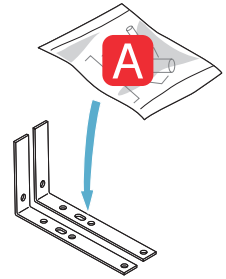
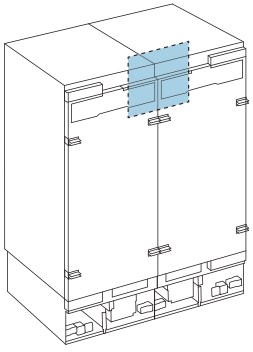


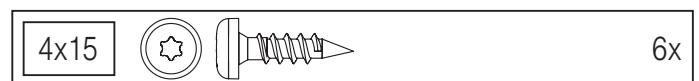
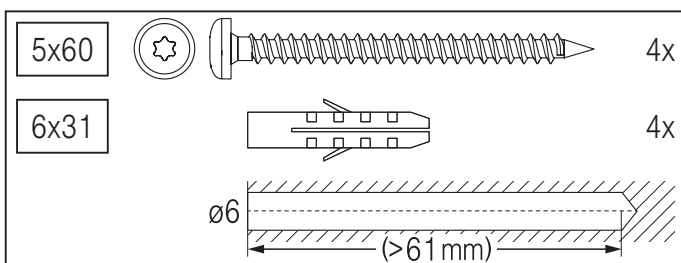
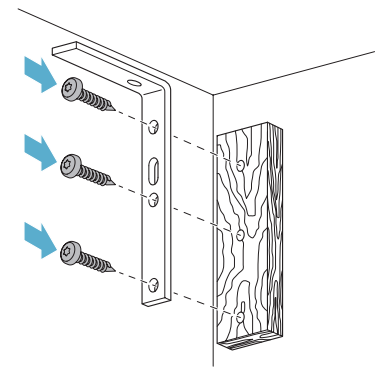
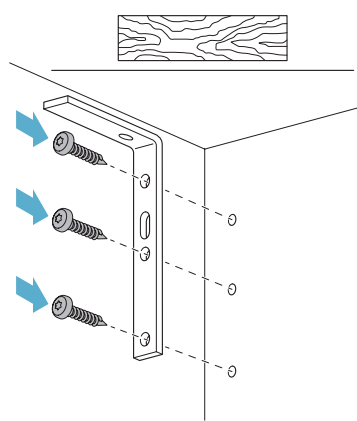
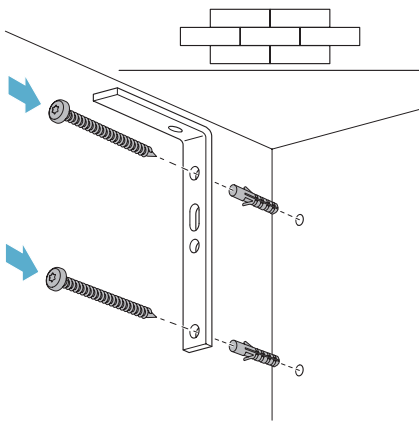
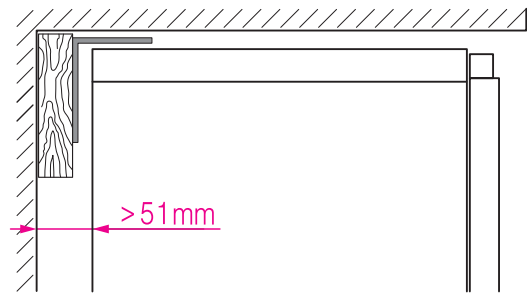
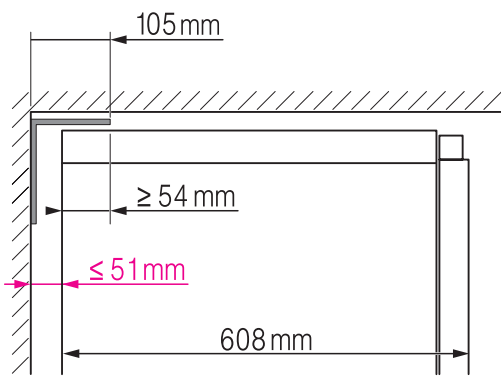
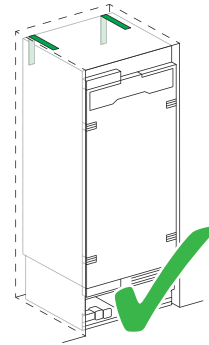
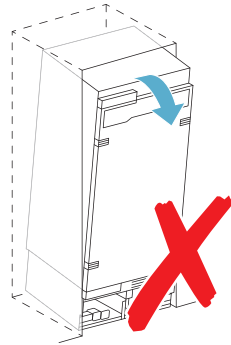
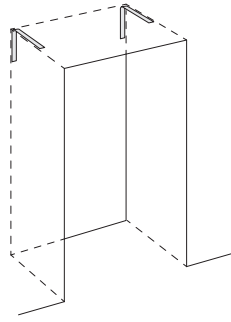
A

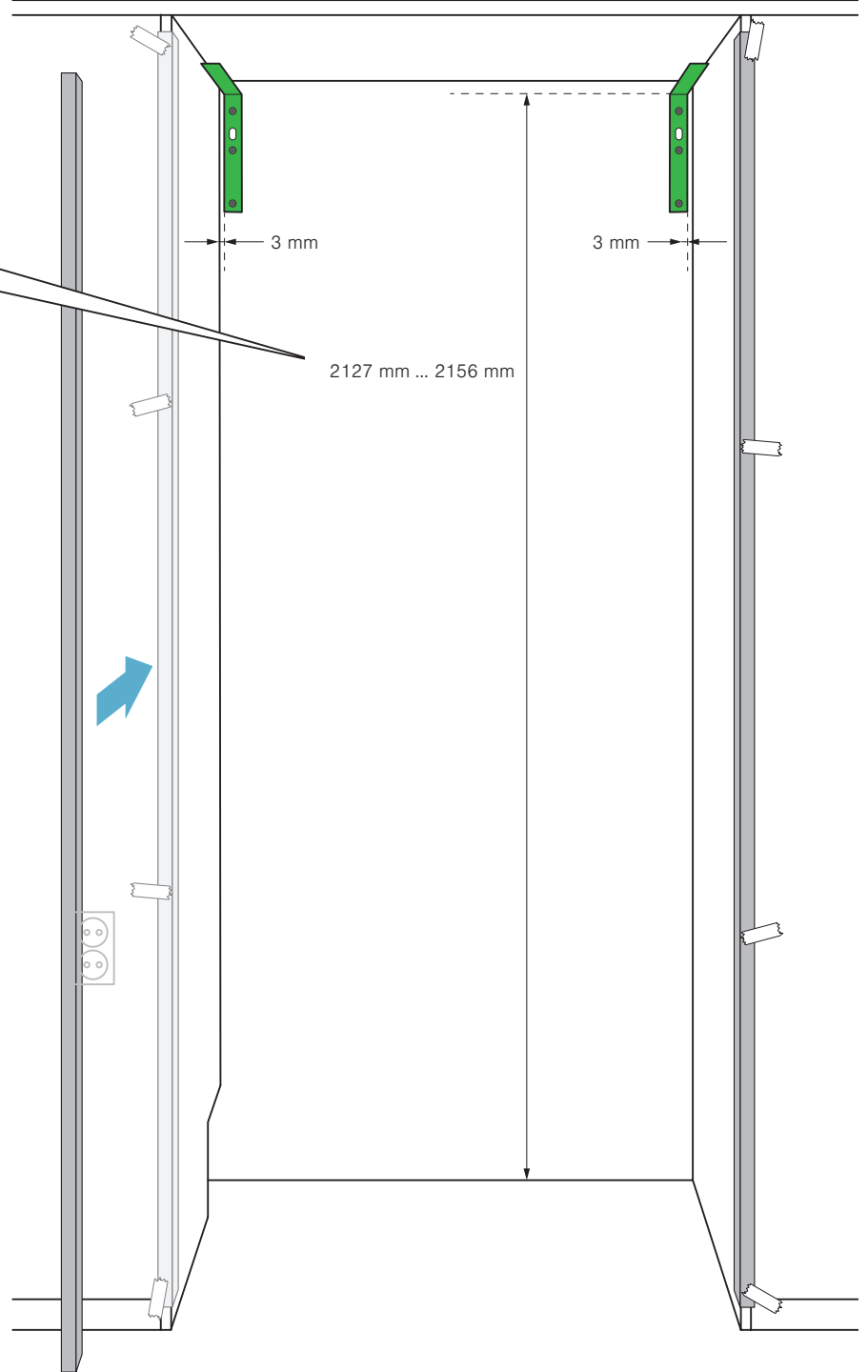
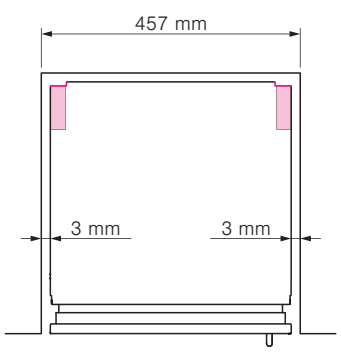
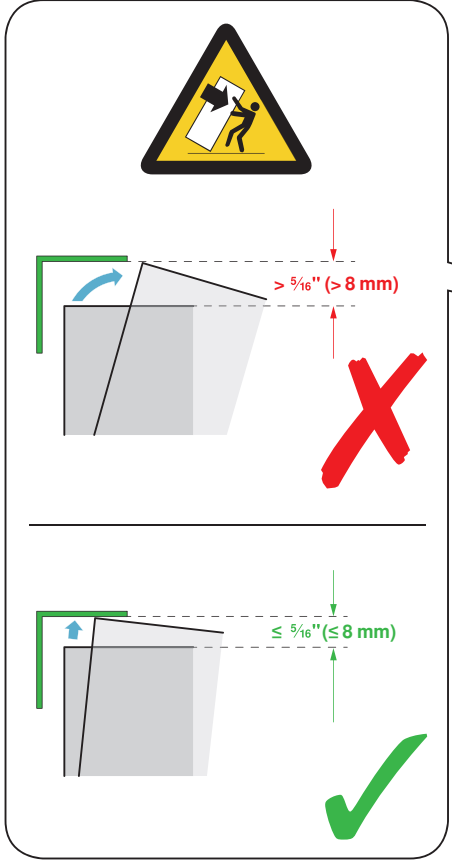
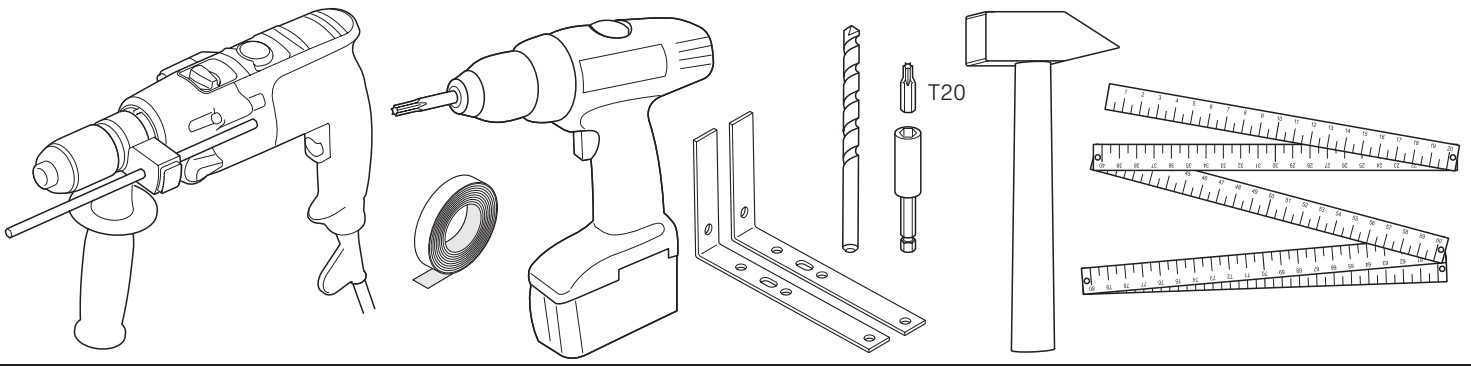
B

C

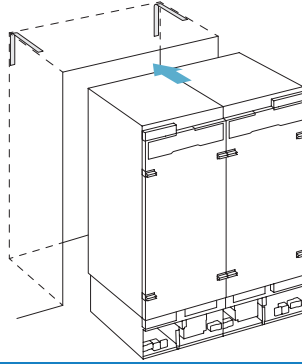
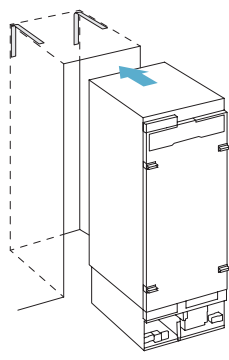
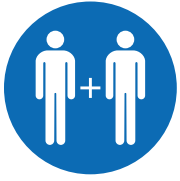
D









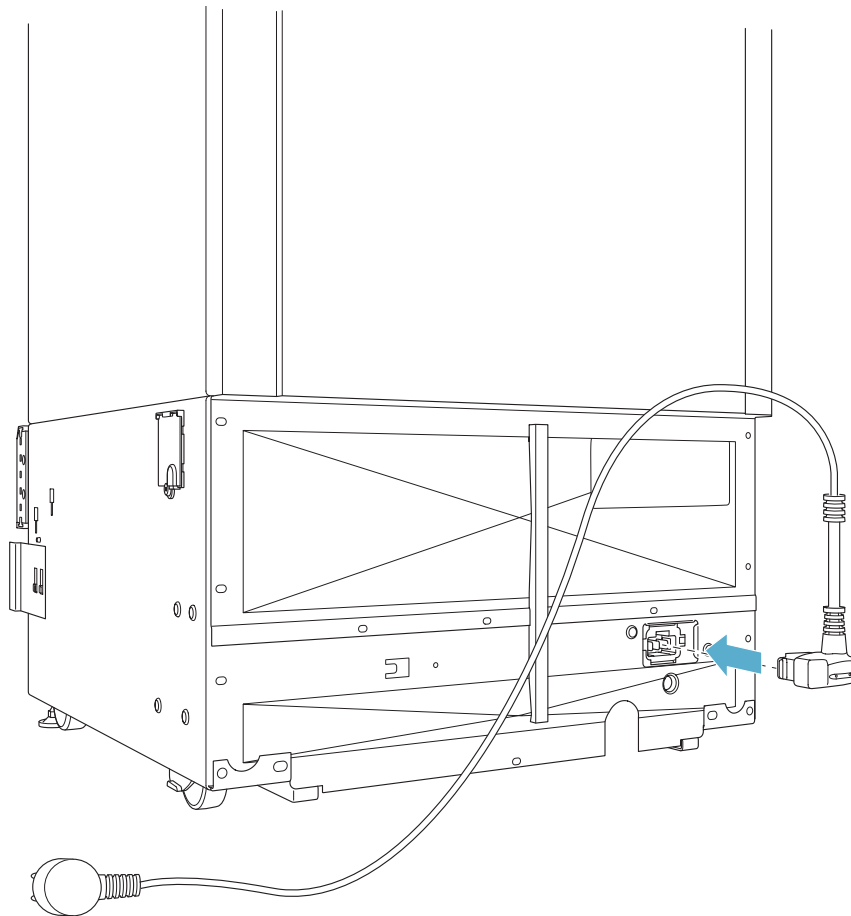
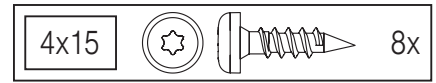
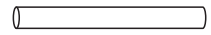
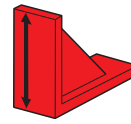
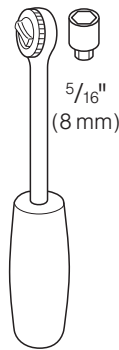
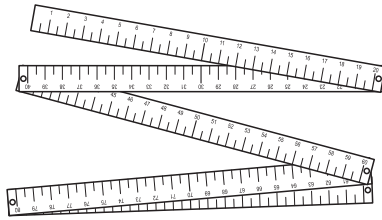
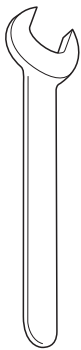
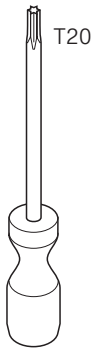


A

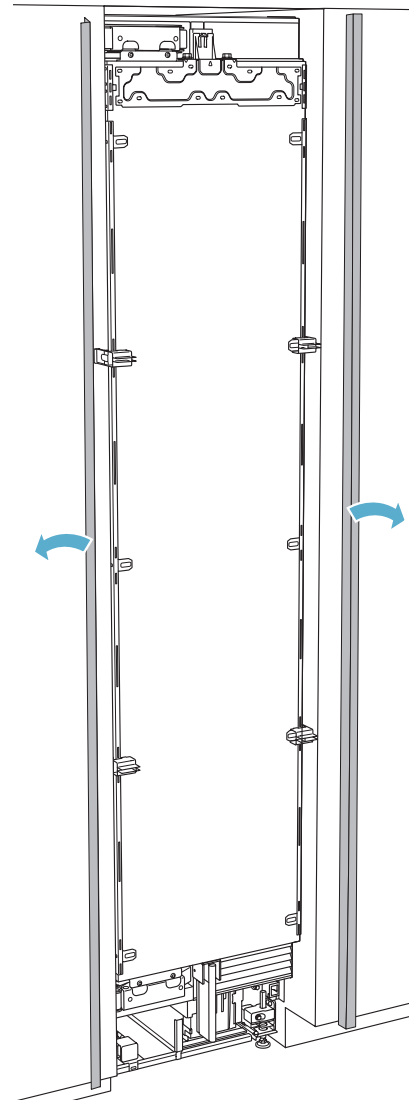
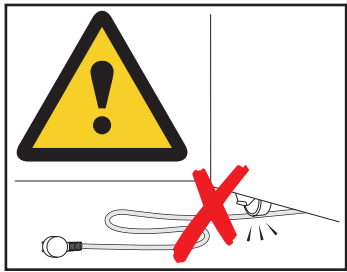
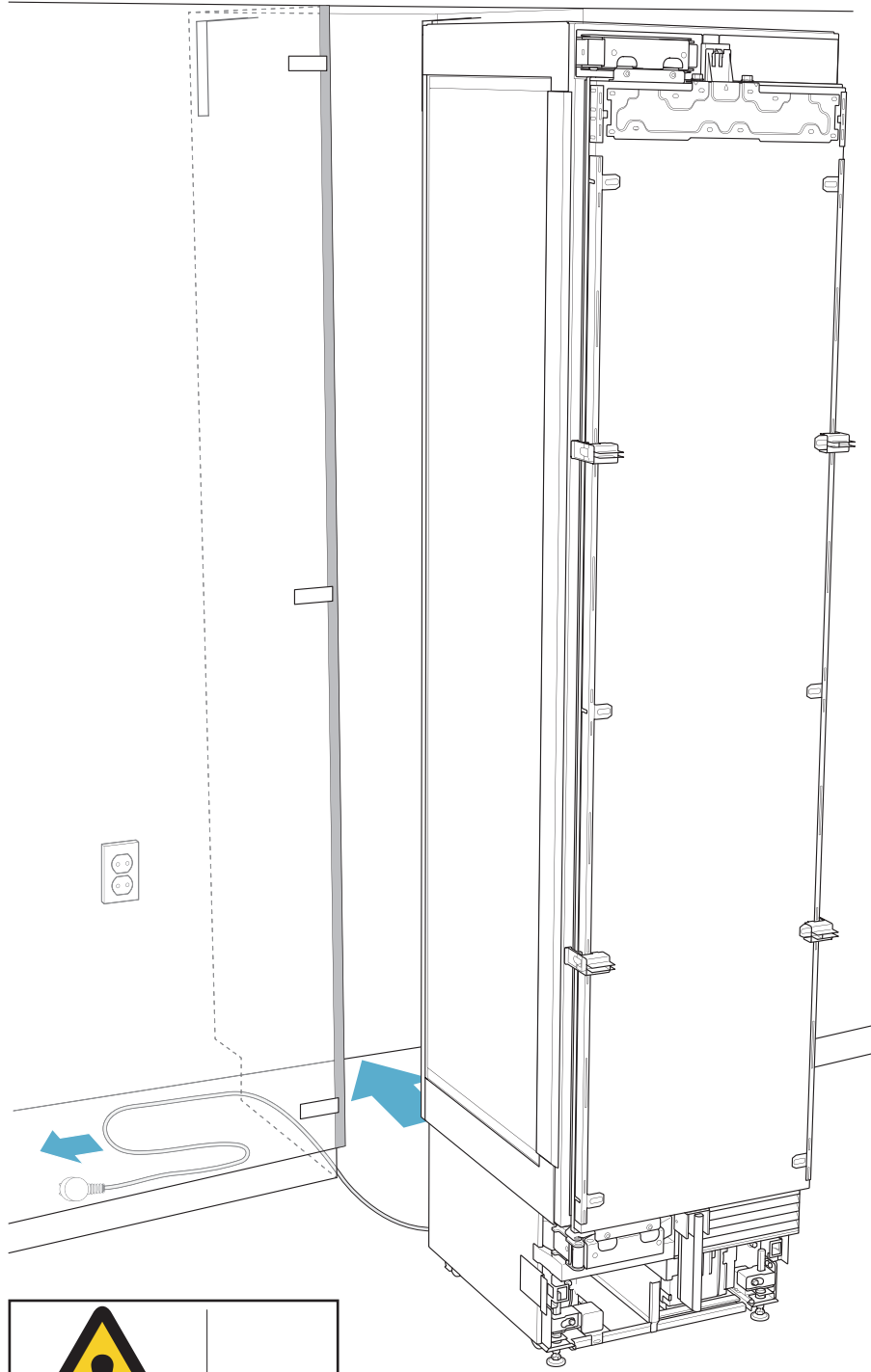
B

C

D

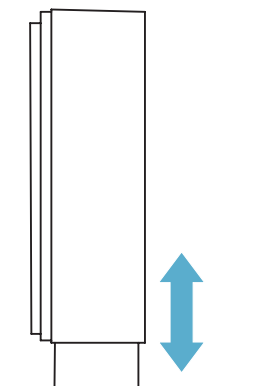
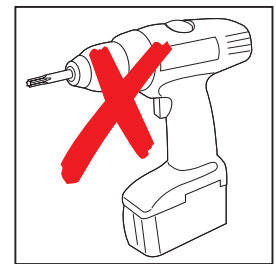
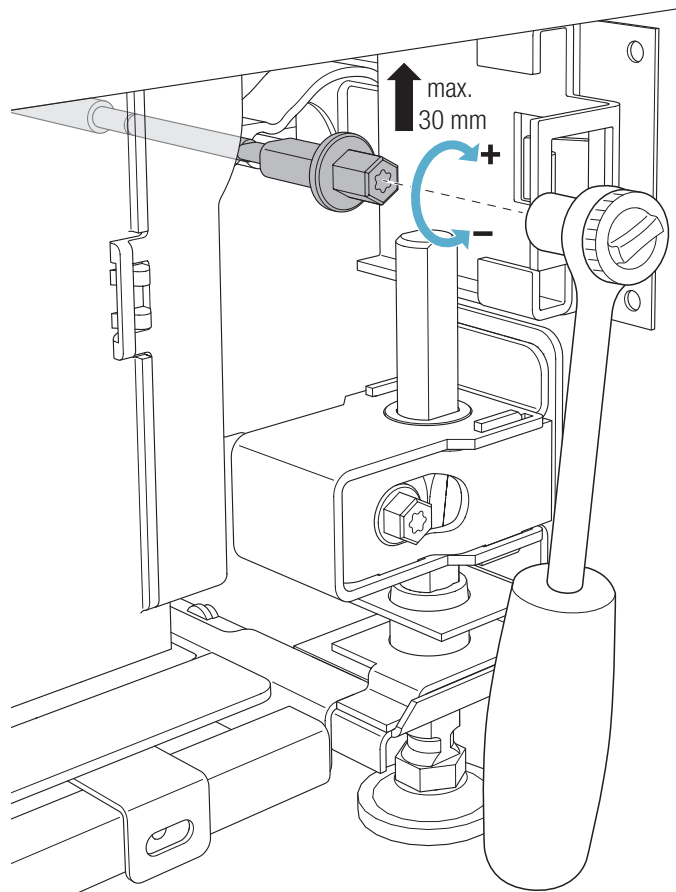
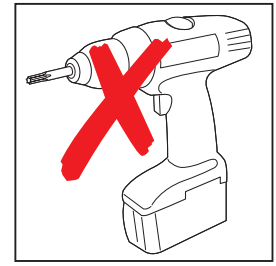
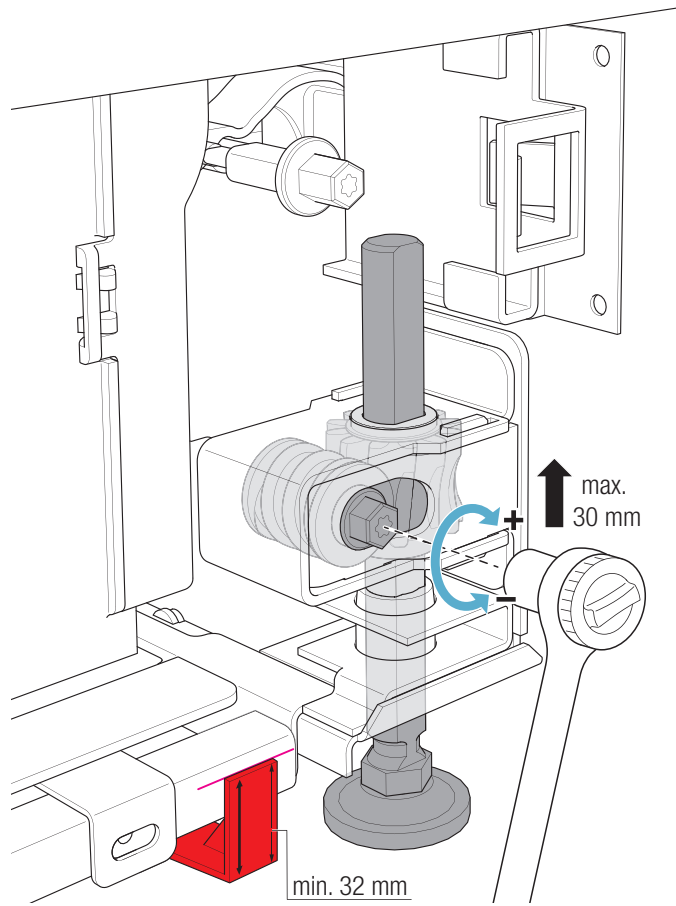
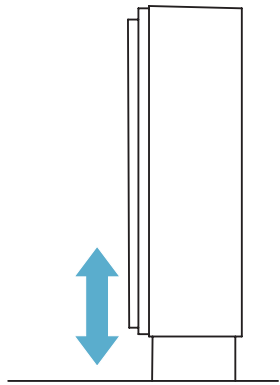
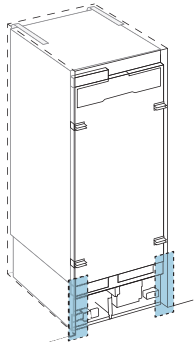


A  
B  
C  
D

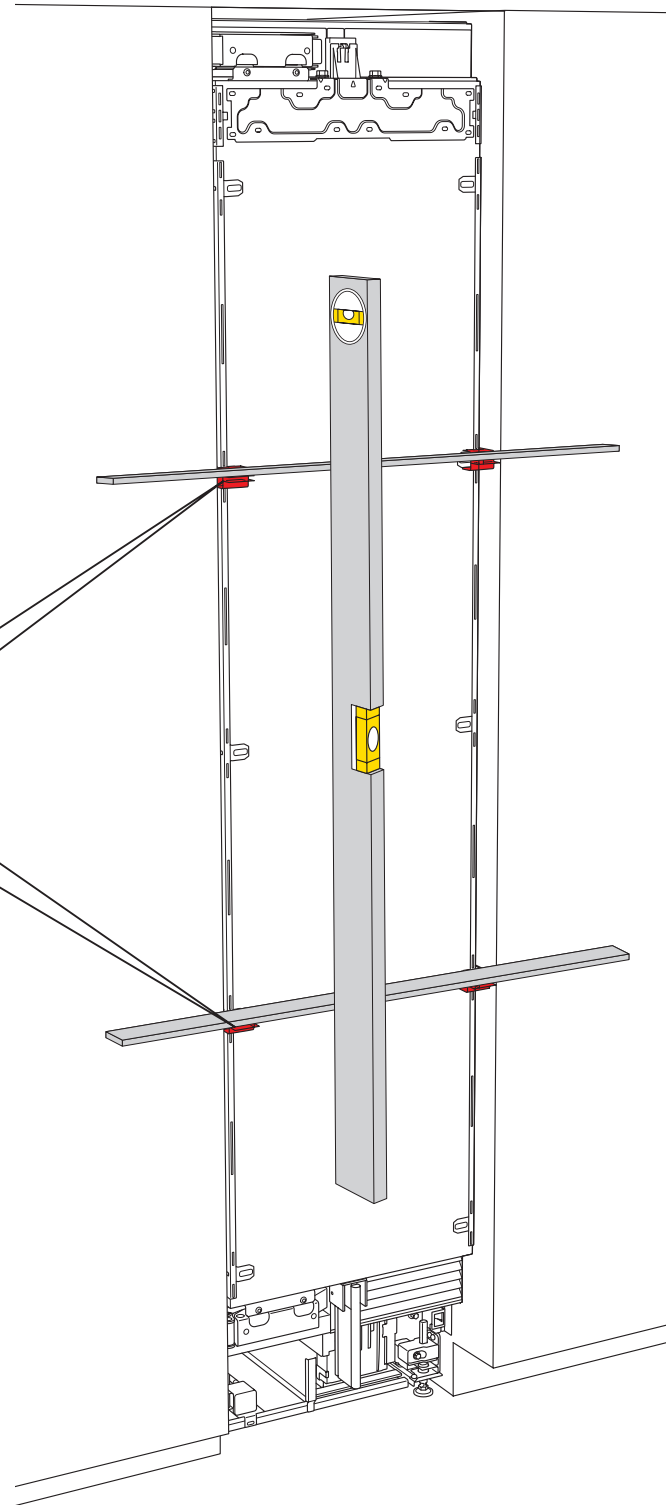
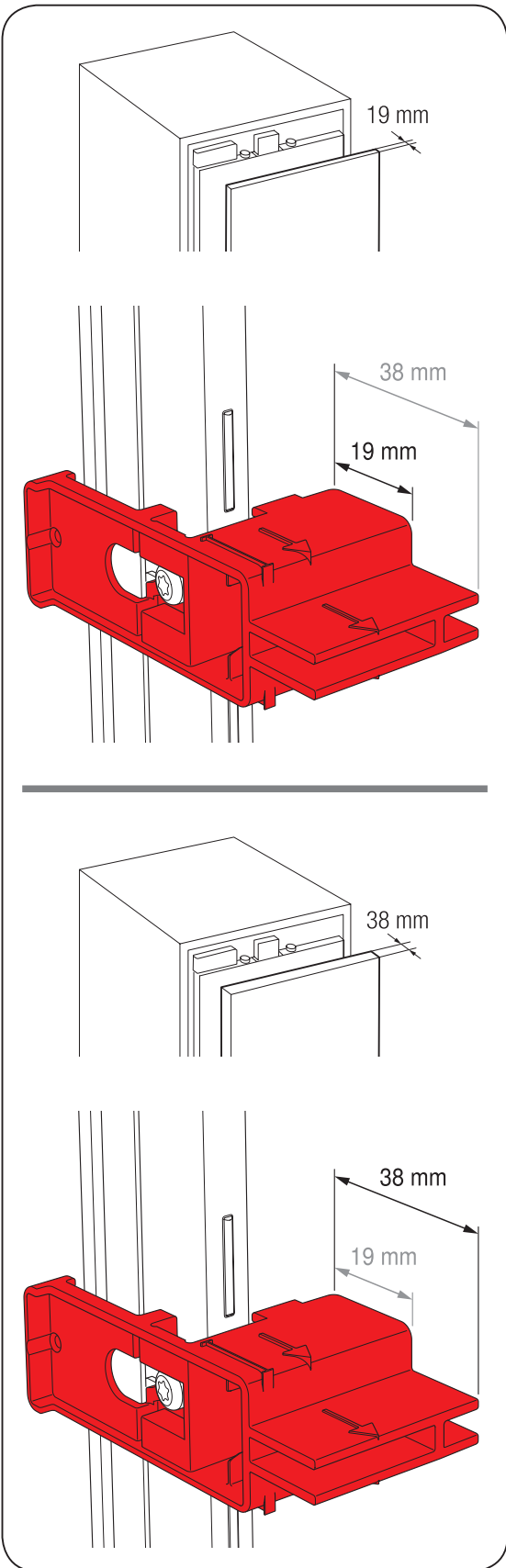




- A
- B
- C
- D

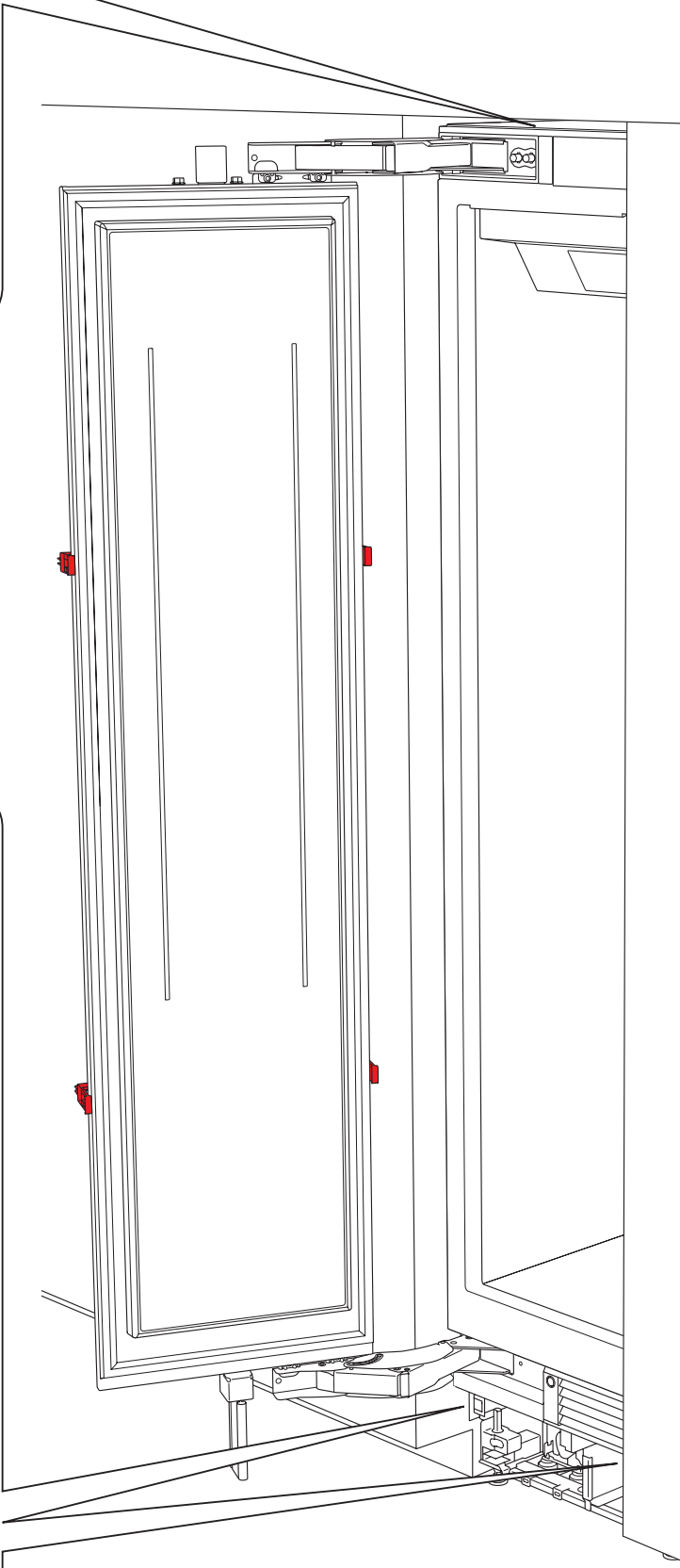
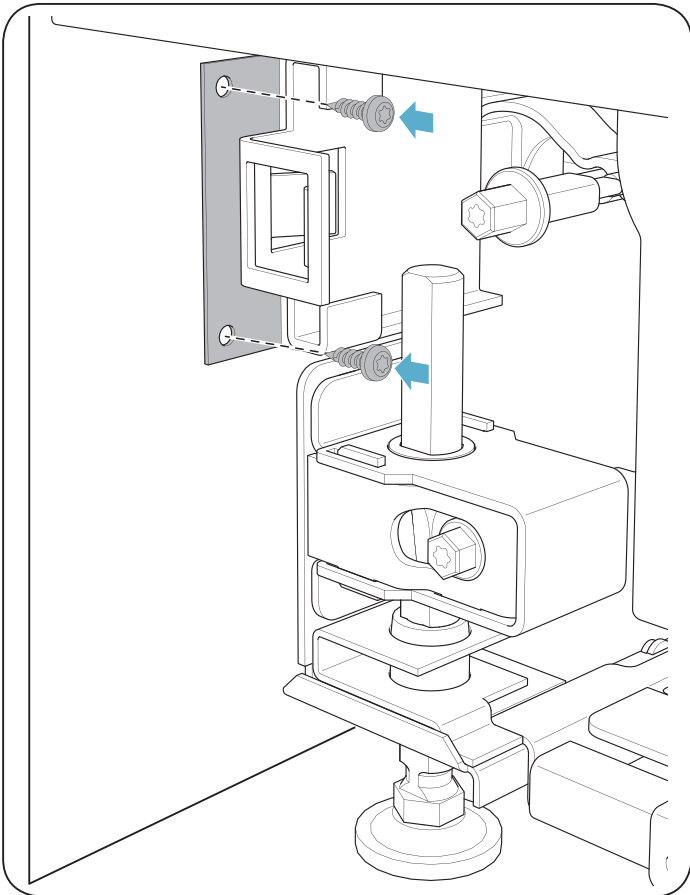
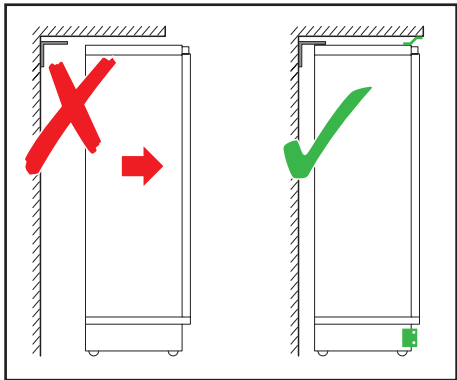
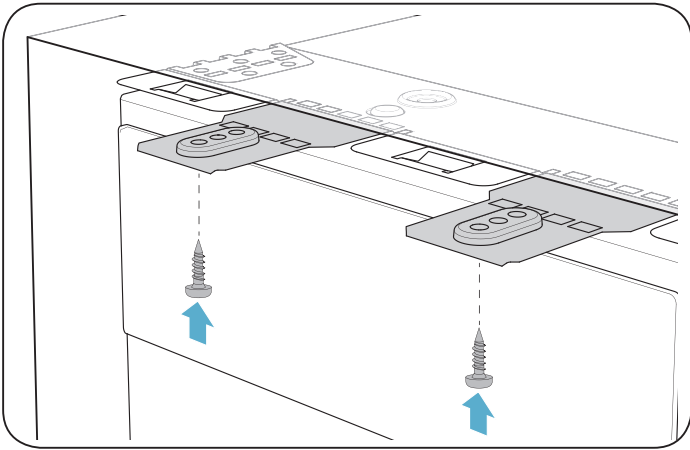


A  
B  
C  
D

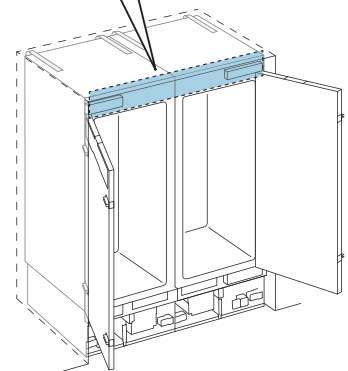
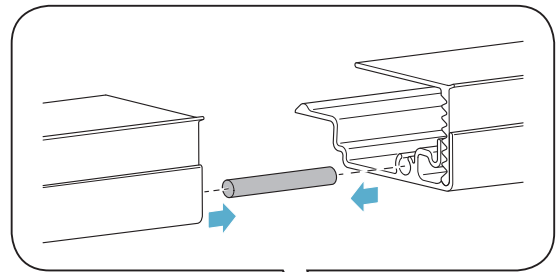
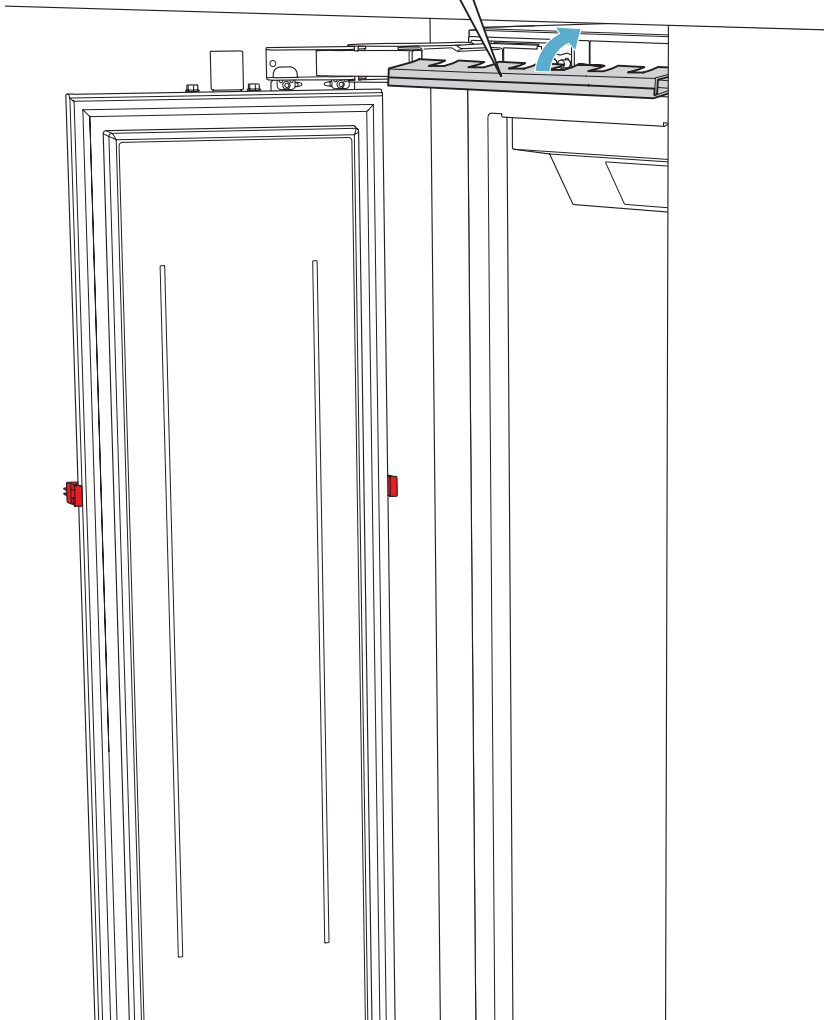
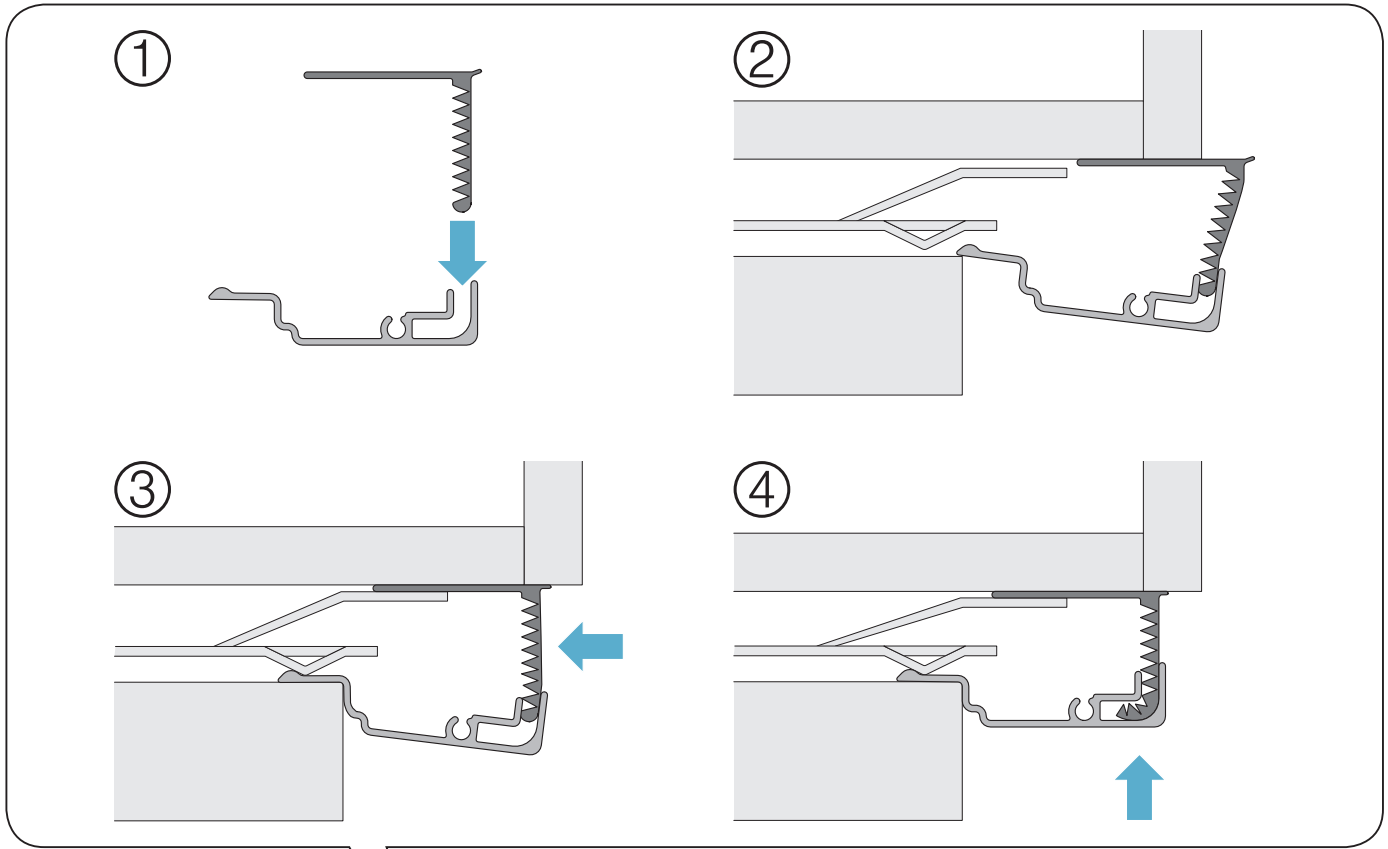


4x15   8x

A  
B  
C  
D



A  
B  
C  
D

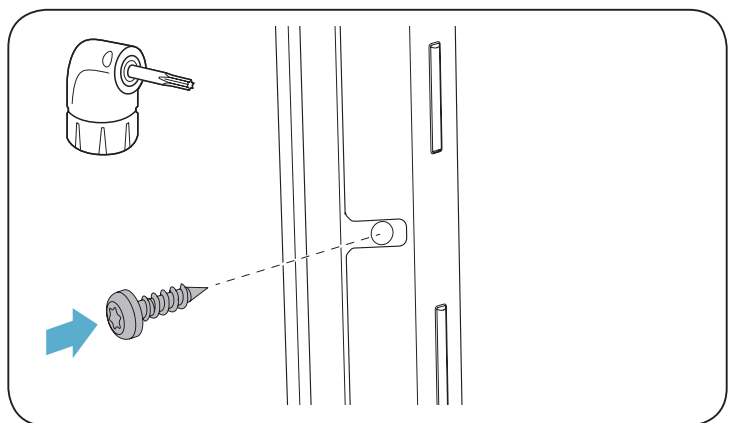
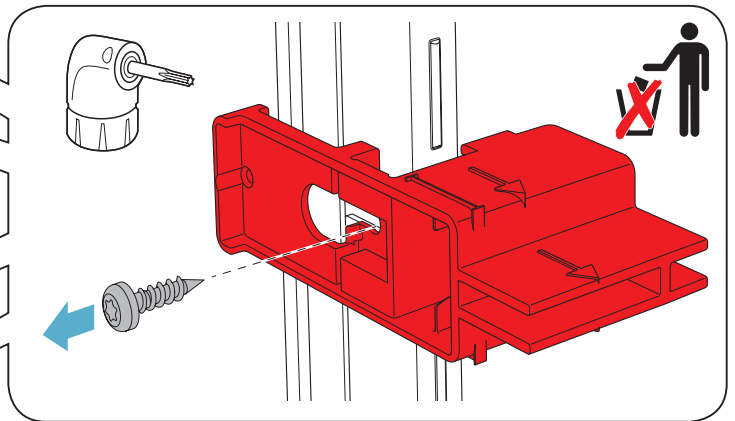
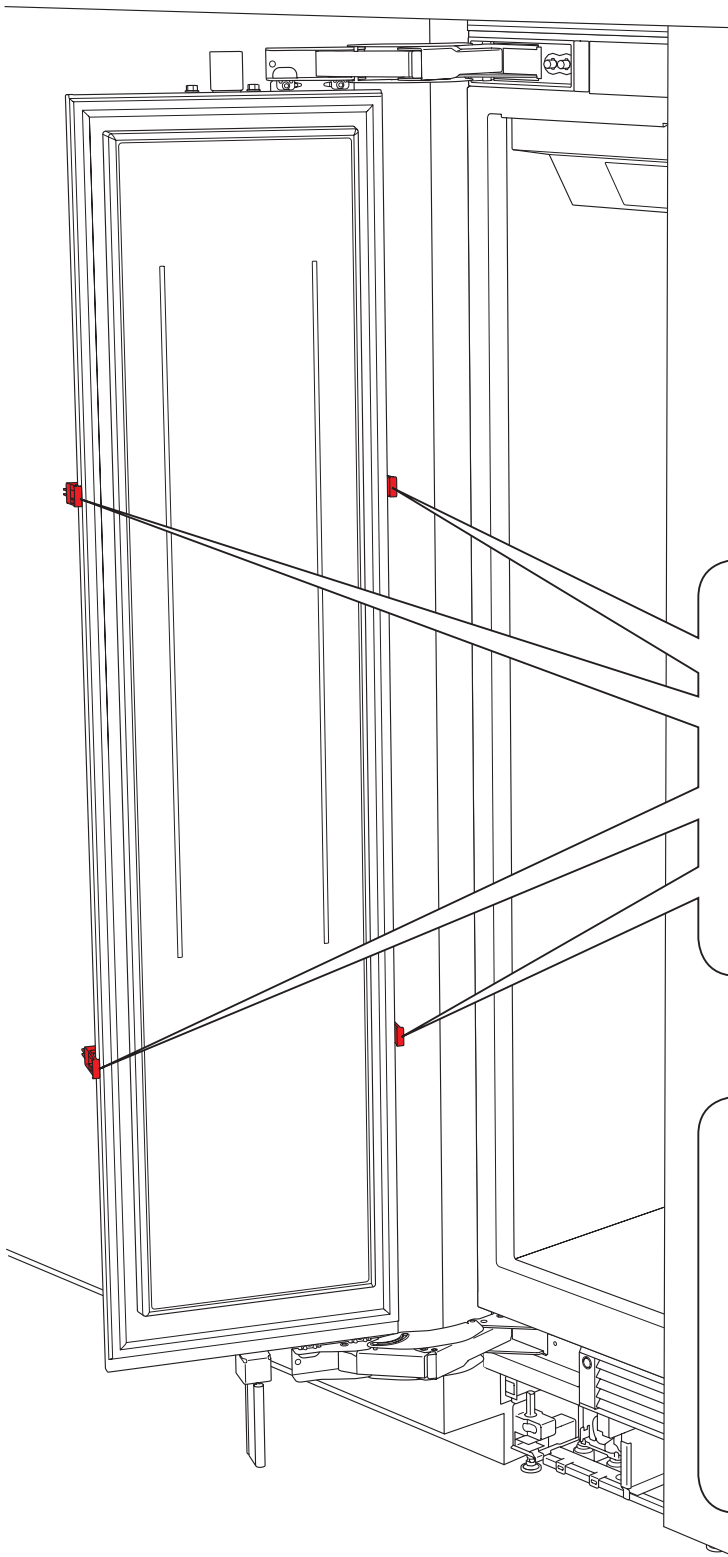


A

B

C

D



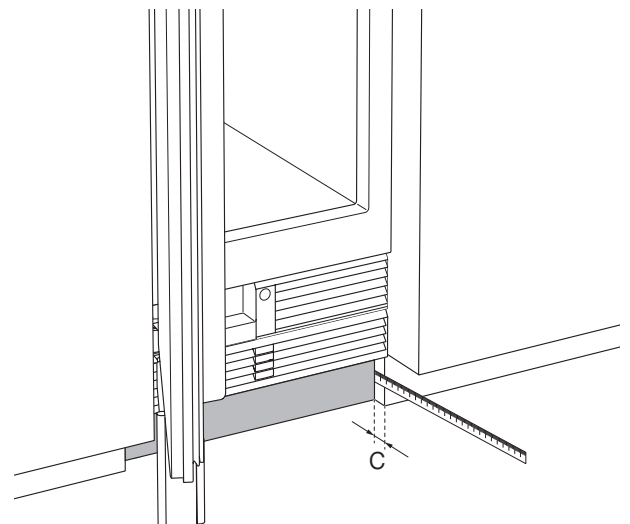
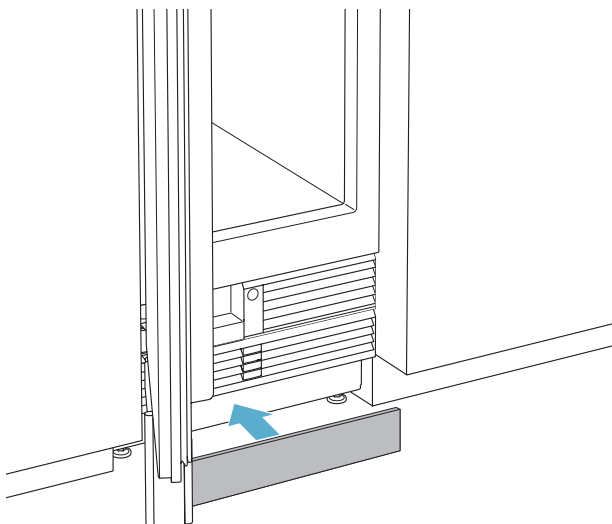
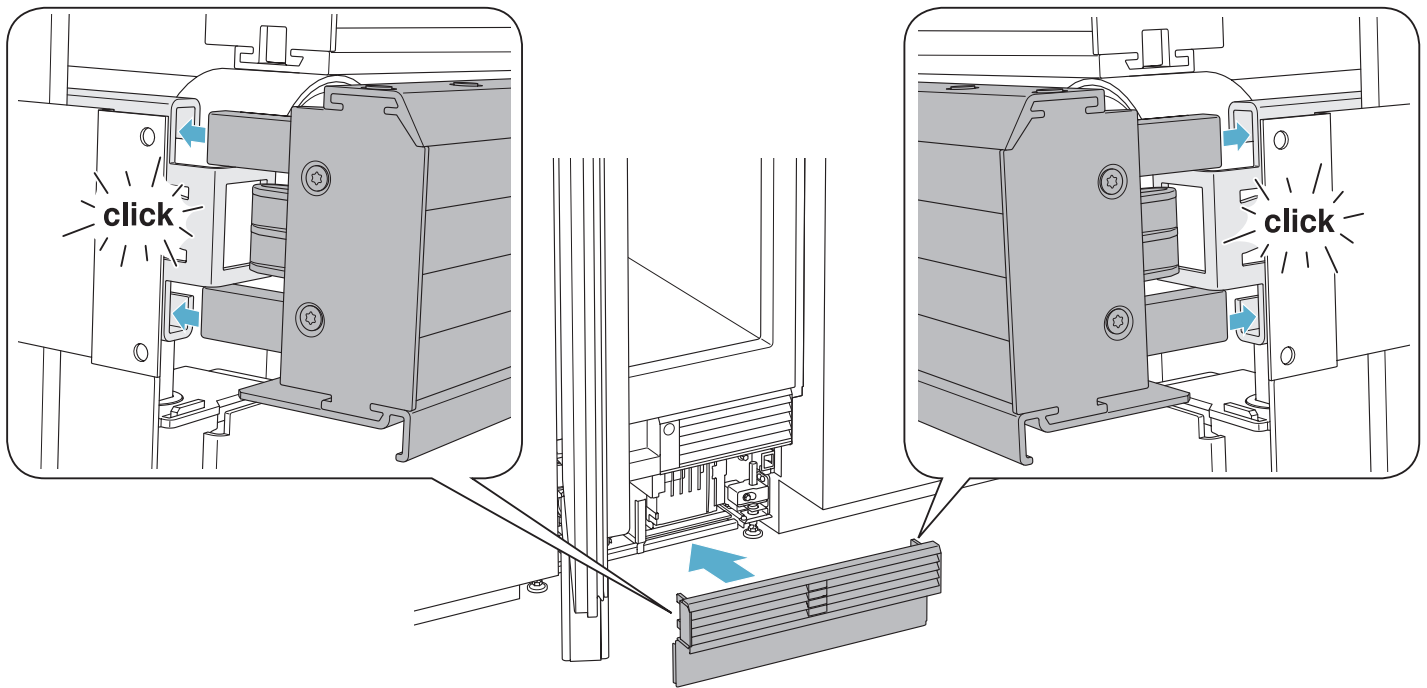
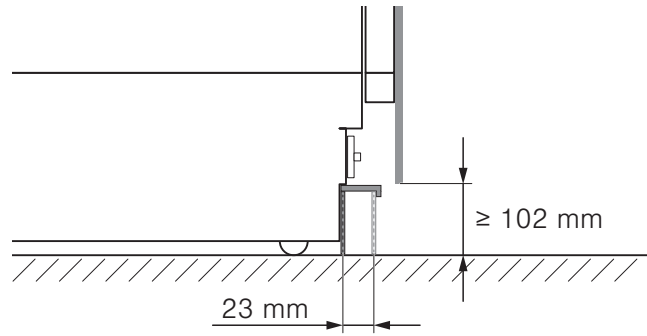
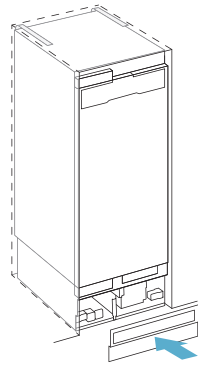


A

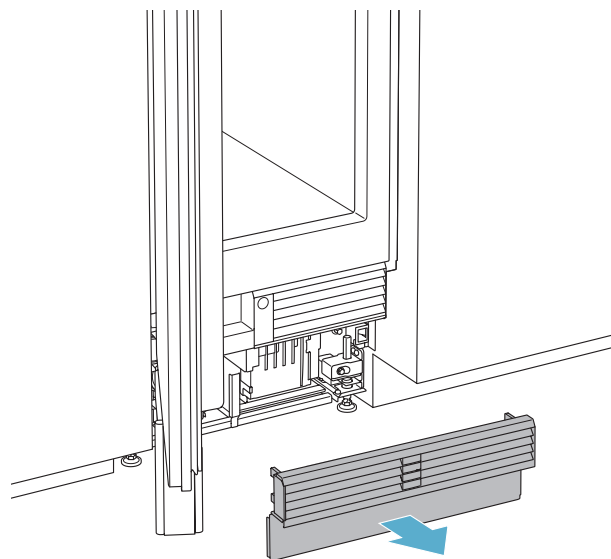
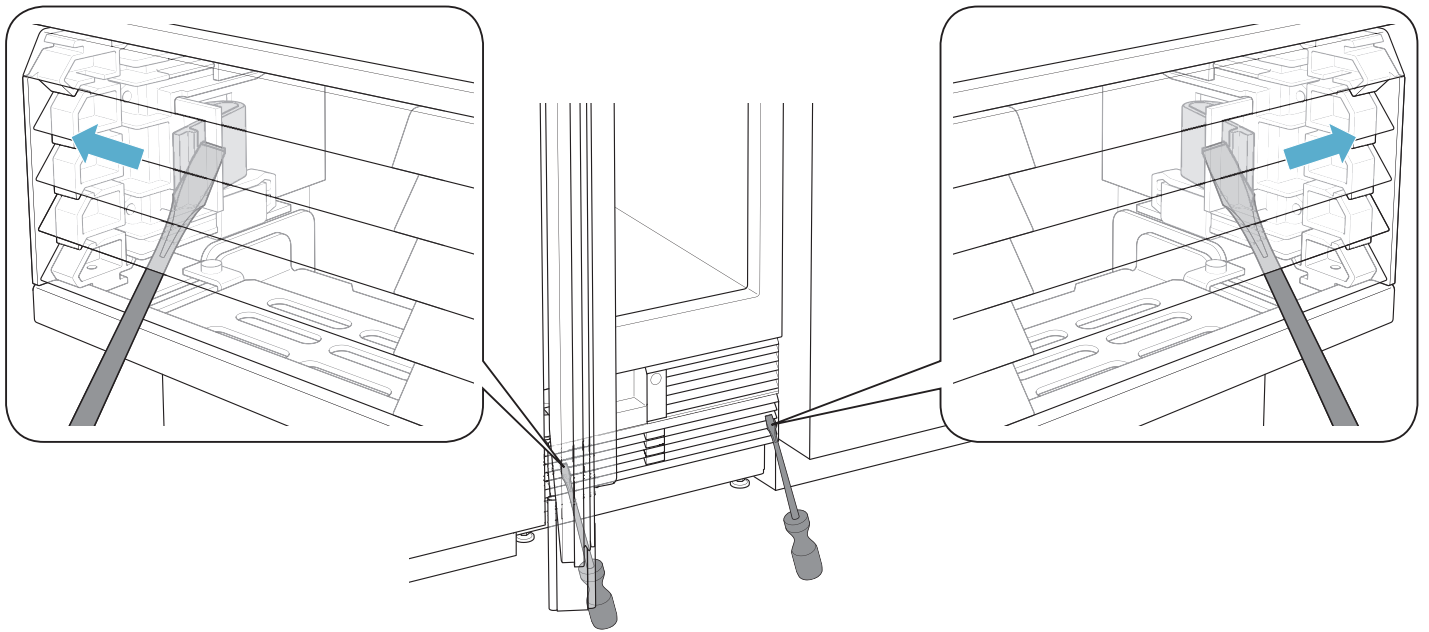
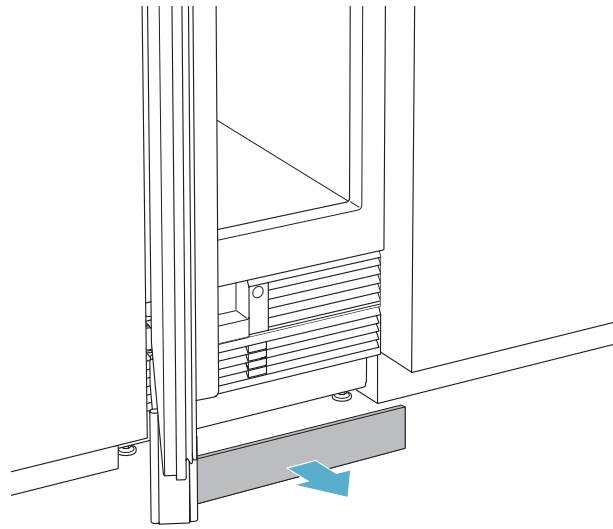
B

C

D

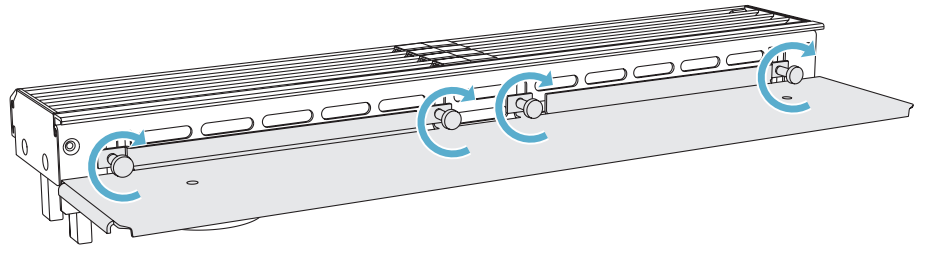
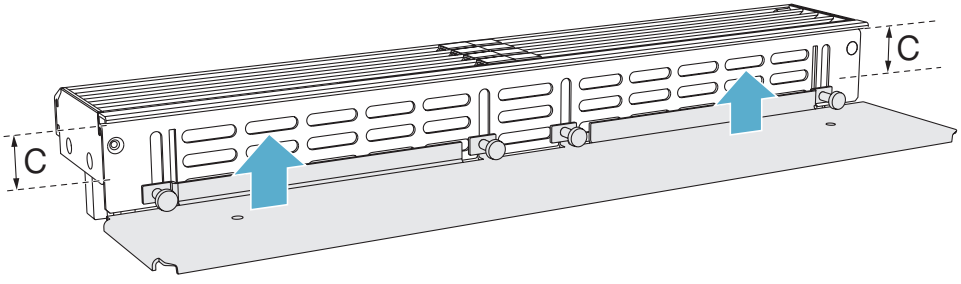
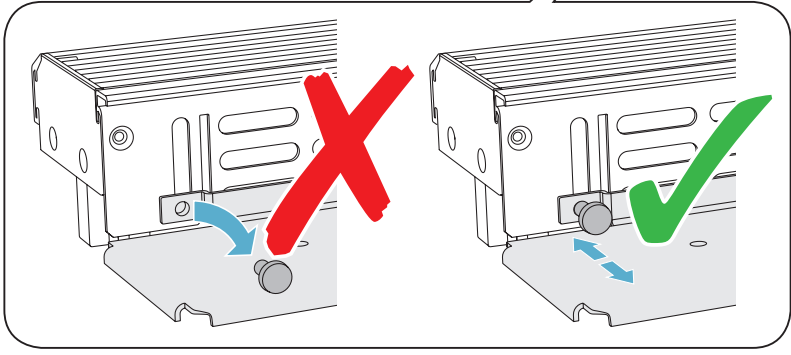
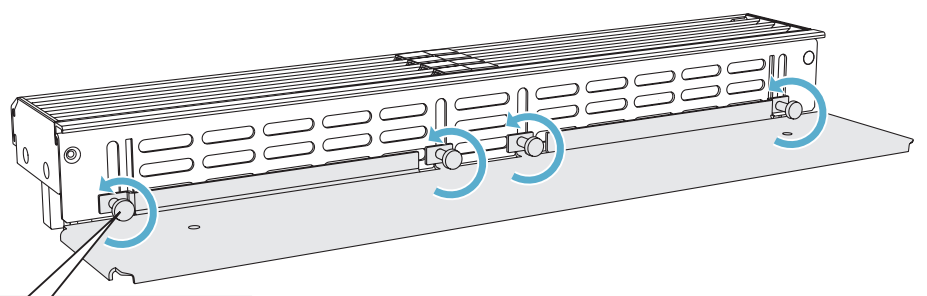
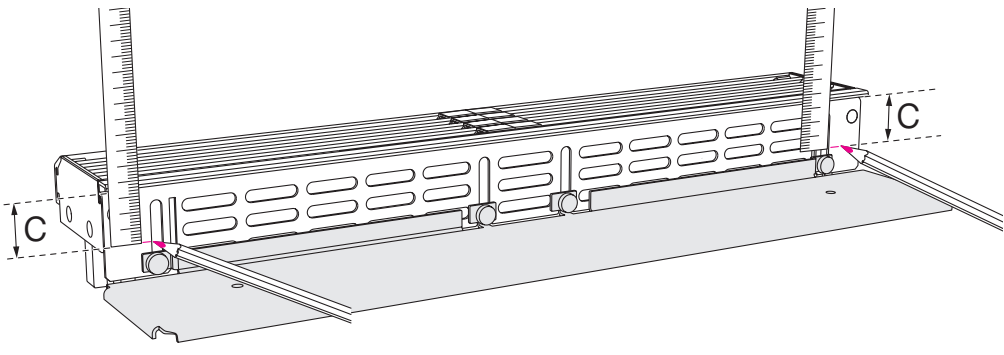


- A
- B
- C
- D

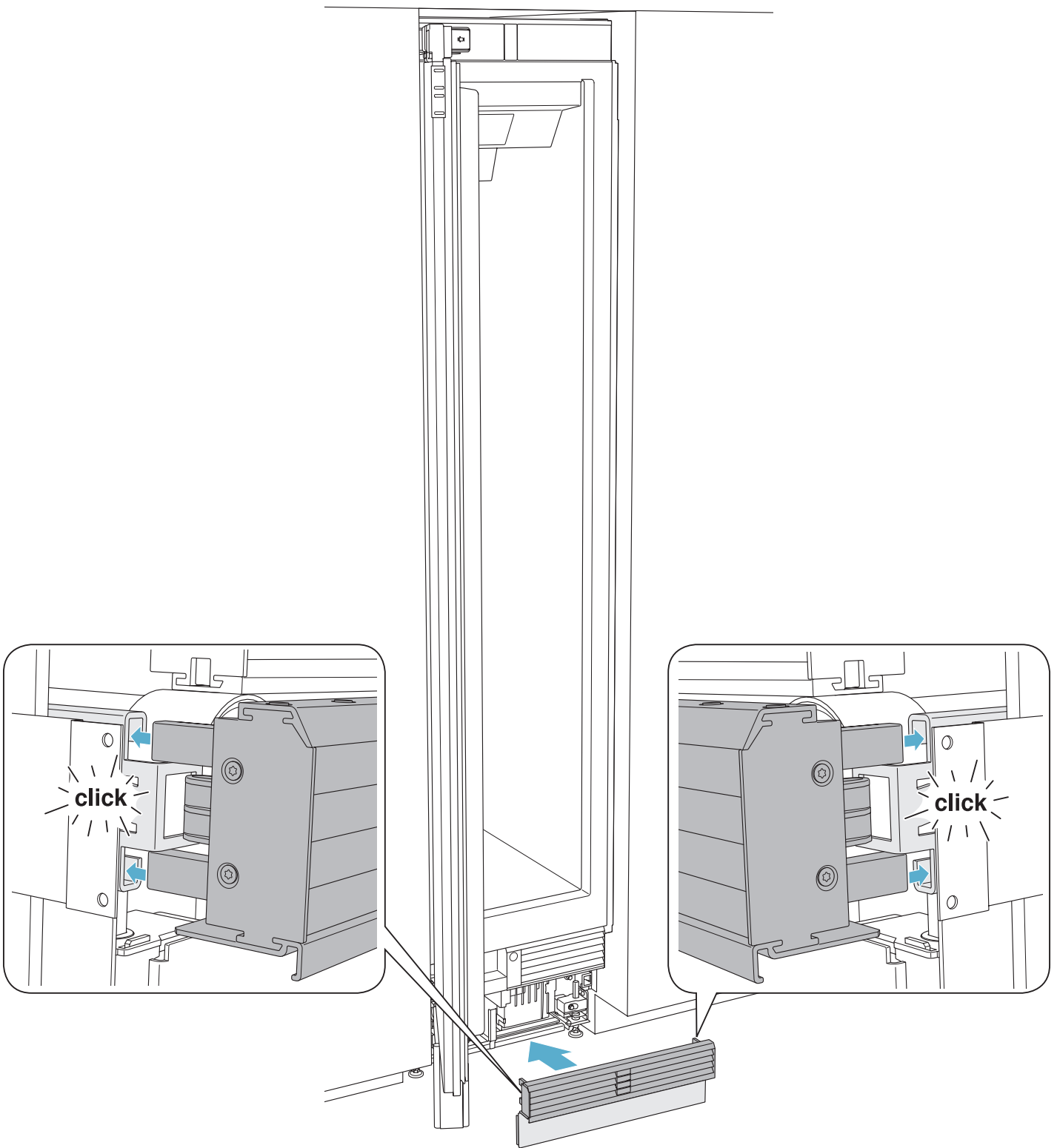
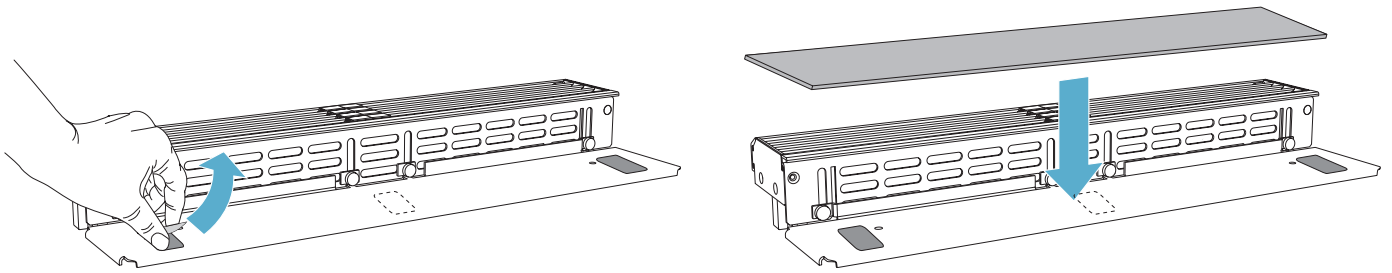


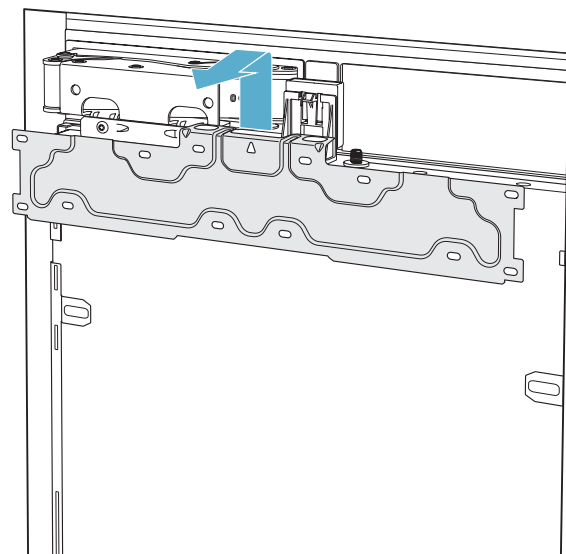
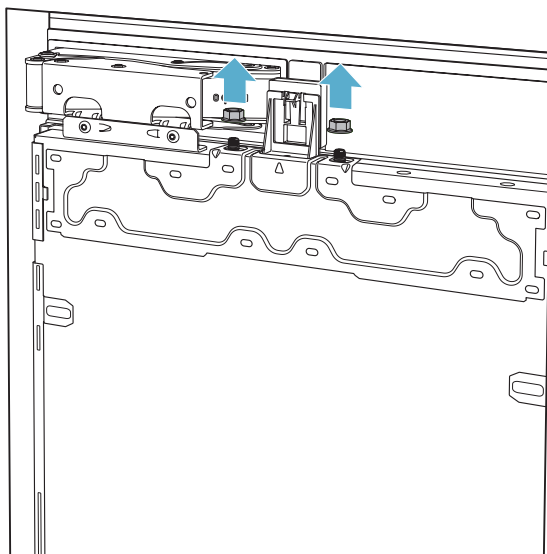
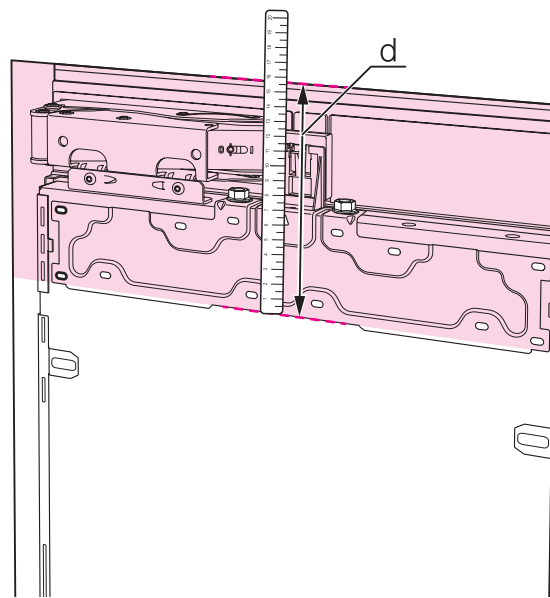
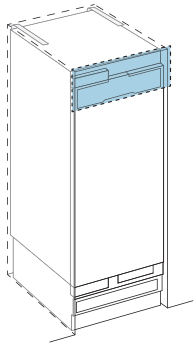
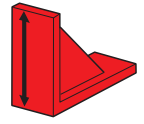
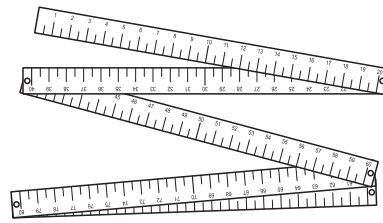
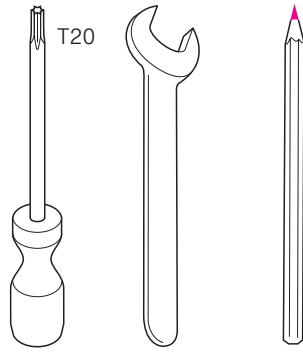
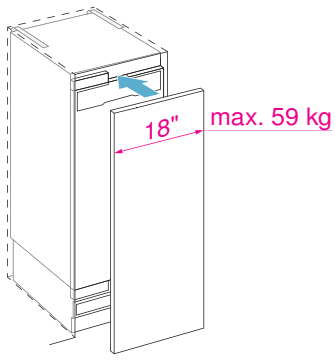


- A
- B
- C
- D

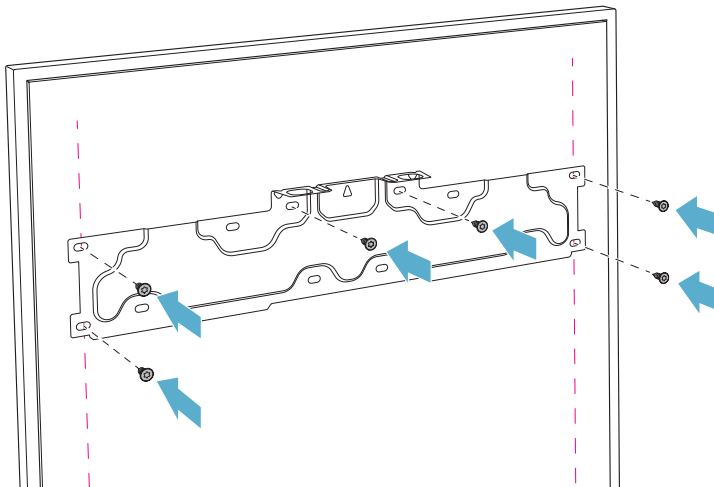
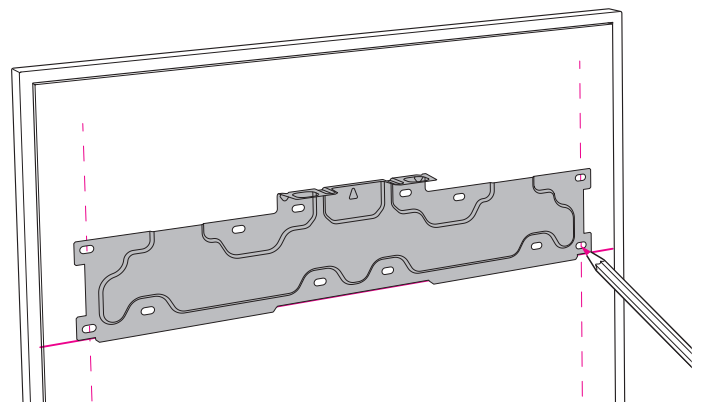
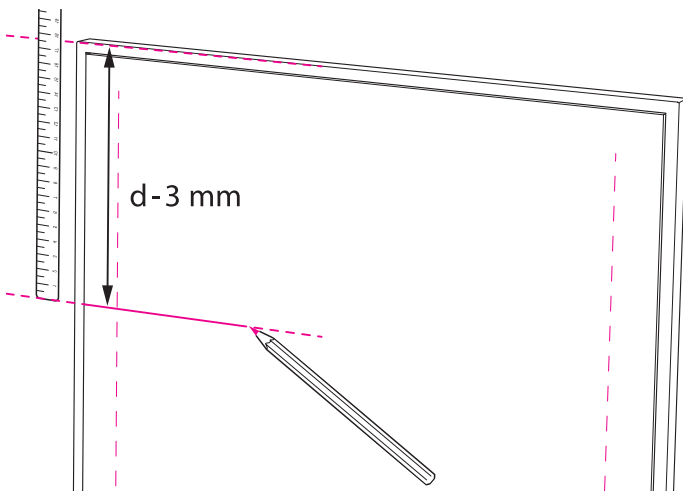
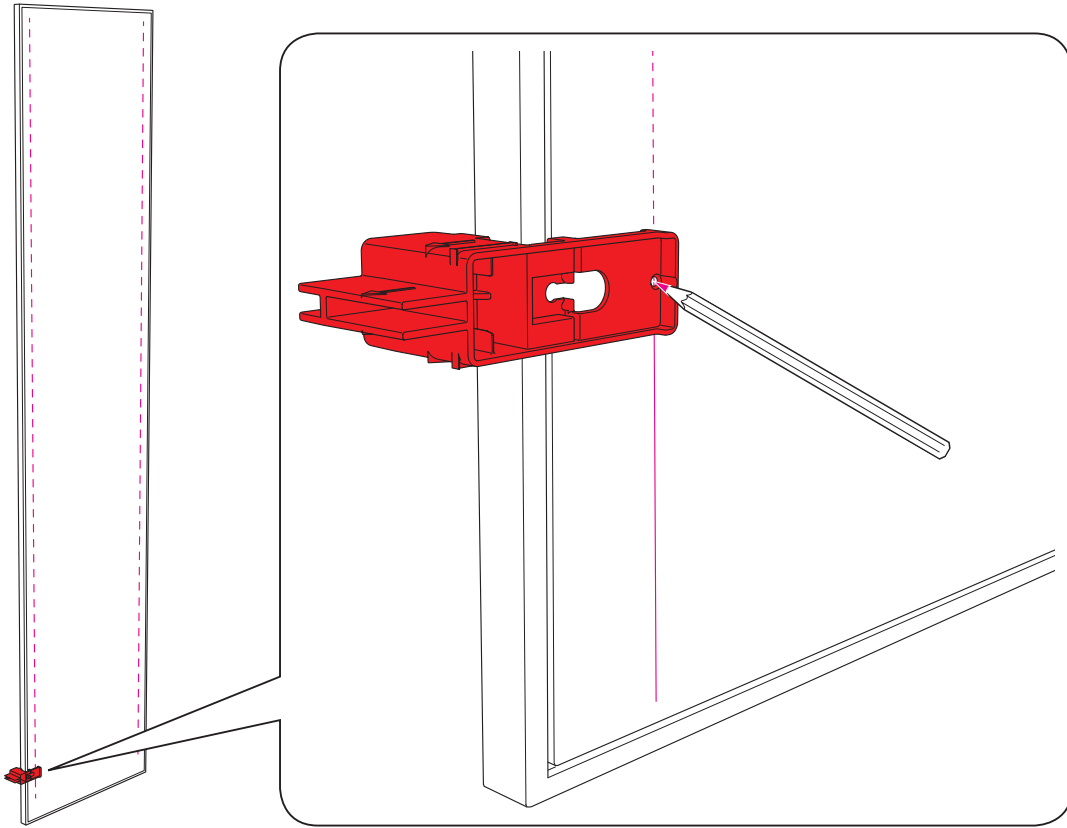



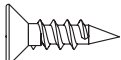
- A
- B
- C
- D

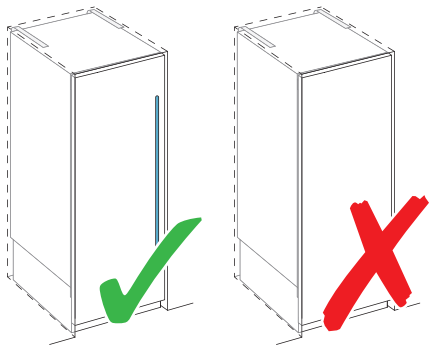






- A
- B
- C
- D

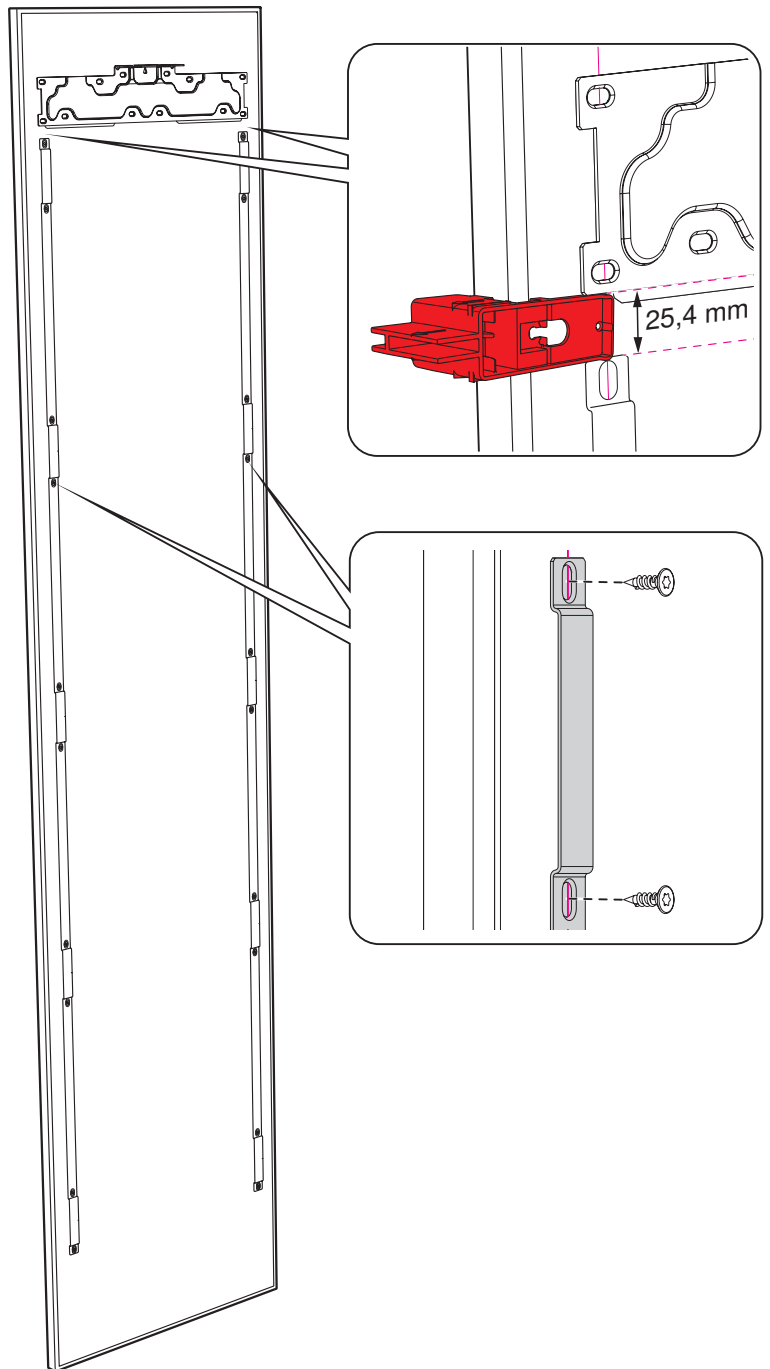
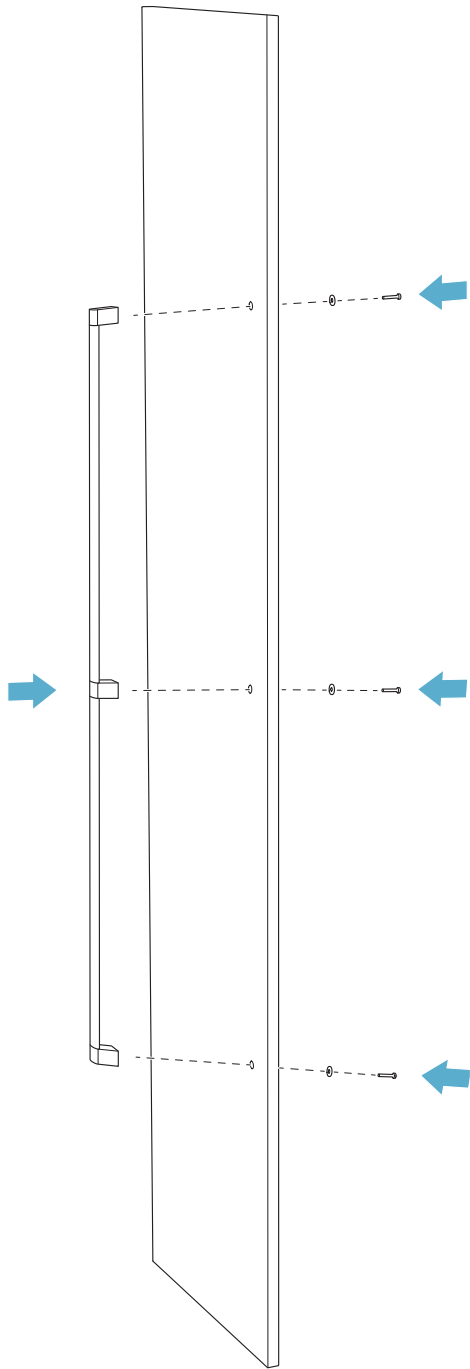


4x15   18" (457 mm) min. 6x

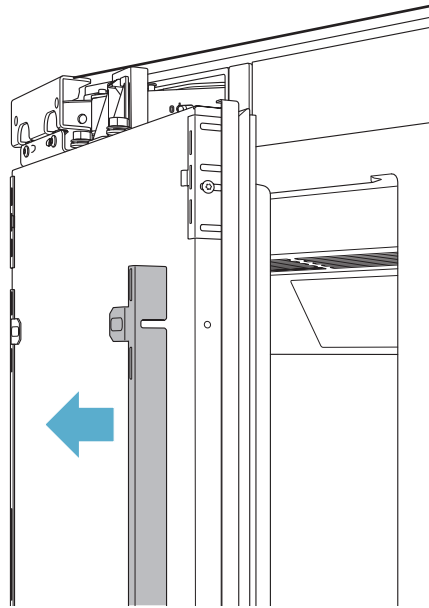
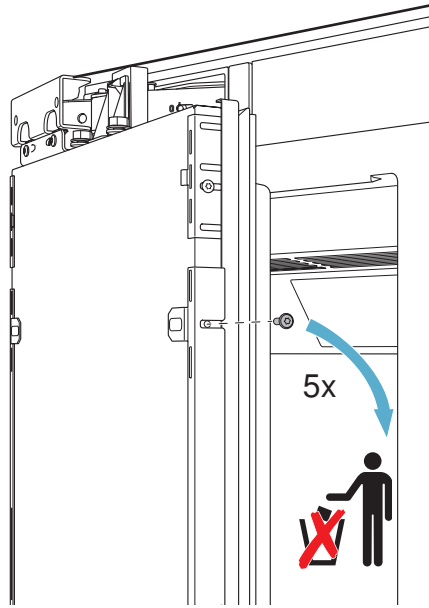
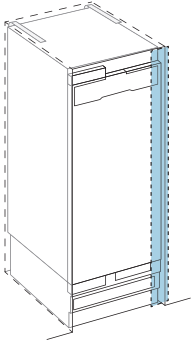


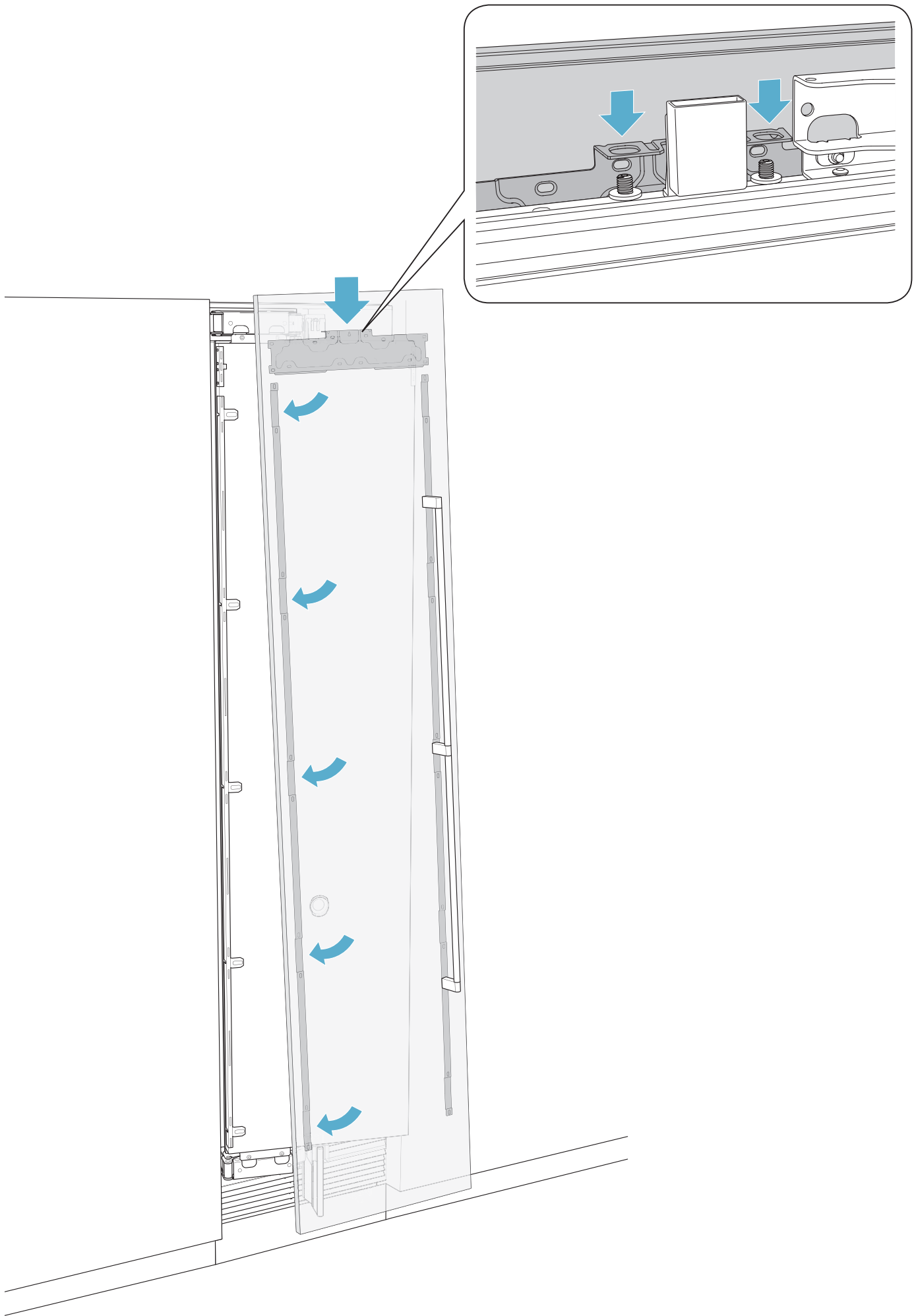
4x15   20x

- A
- B
- C
- D



A  
B  
C  
D





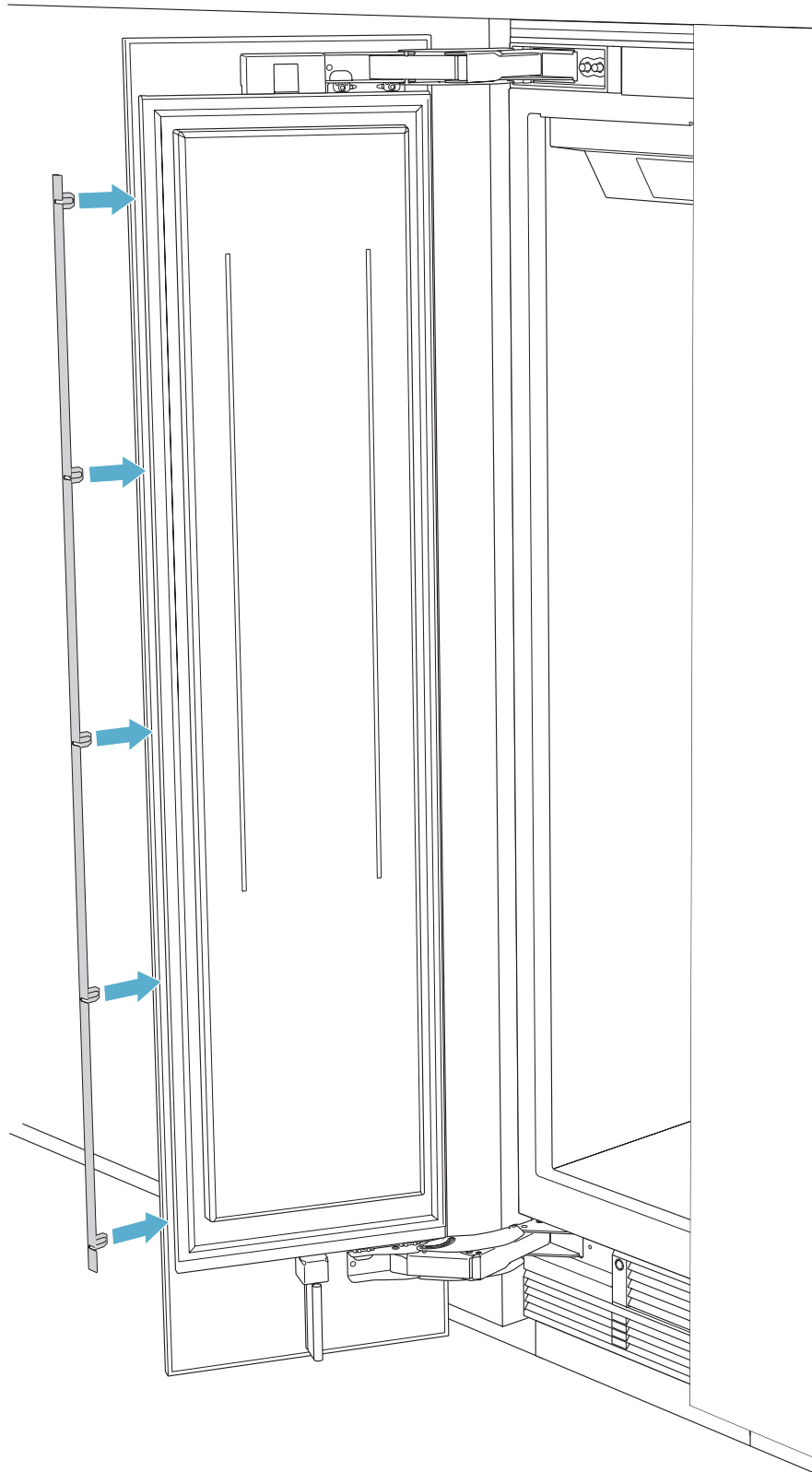
- A
- B
- C**
- D

A

B

C

D



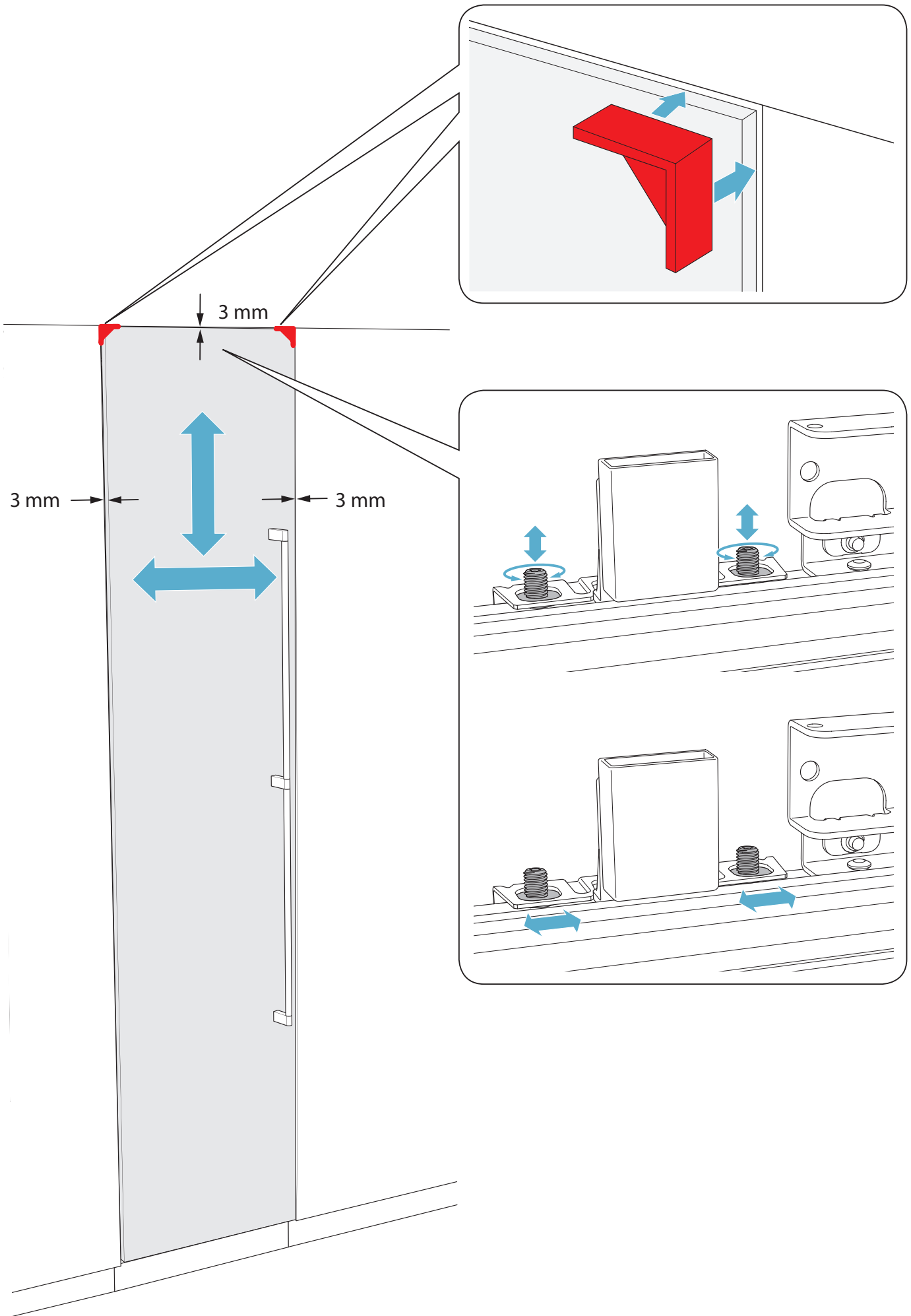


A

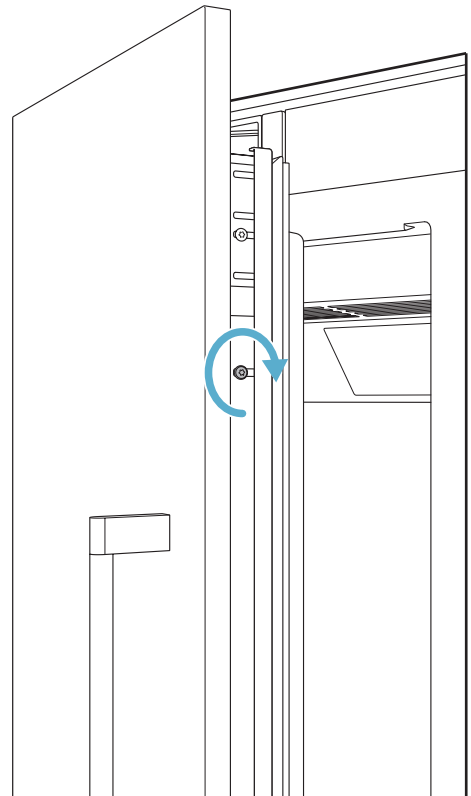
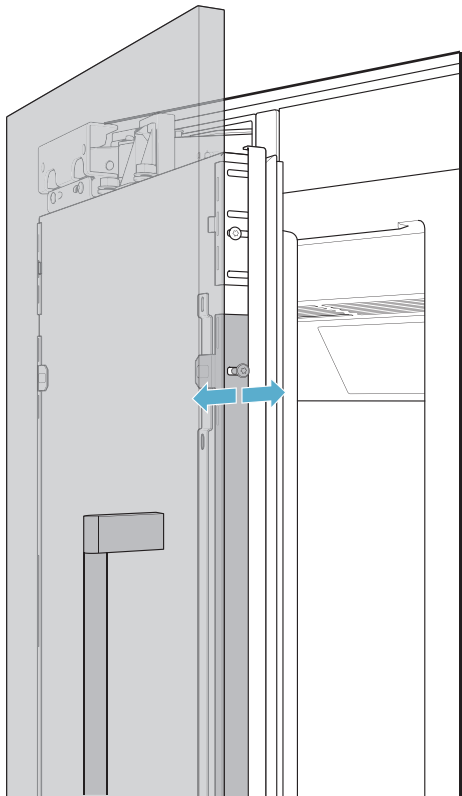
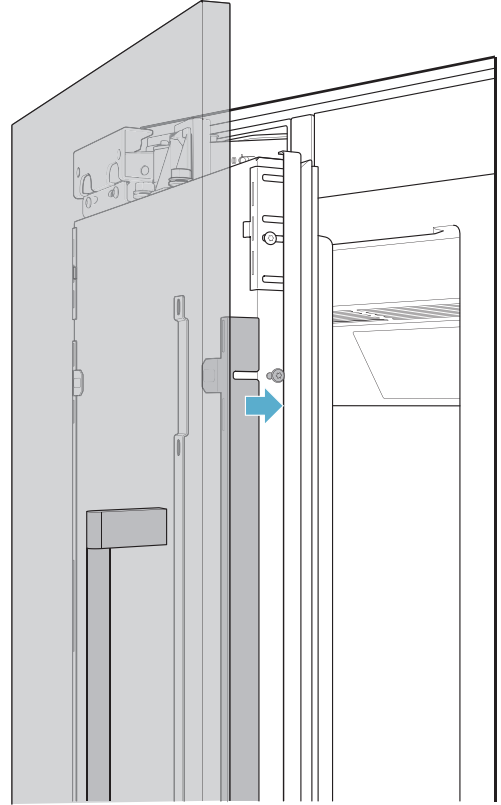
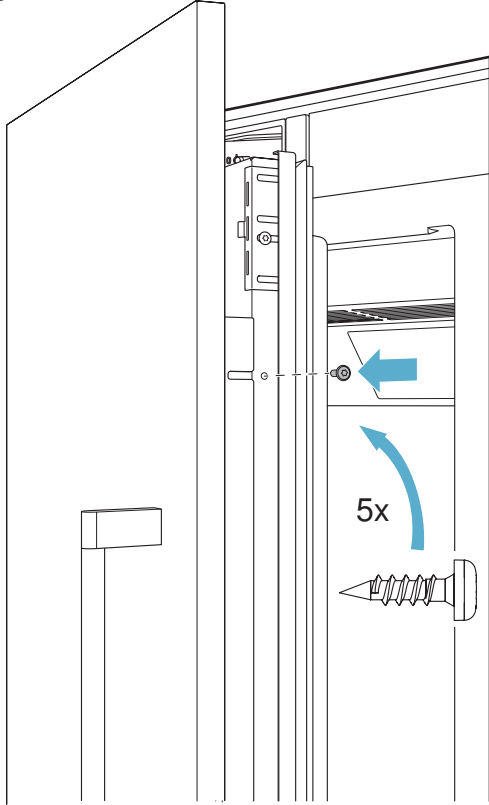
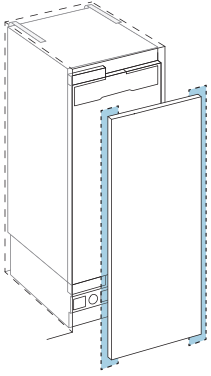
B

C

D



- A
- B
- C
- D

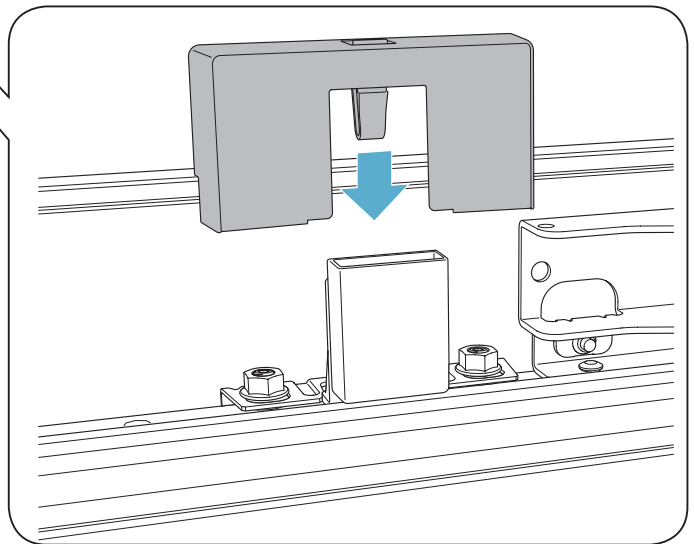
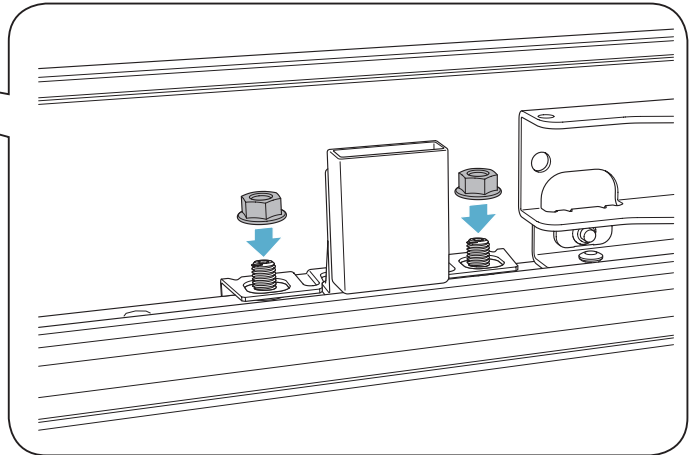
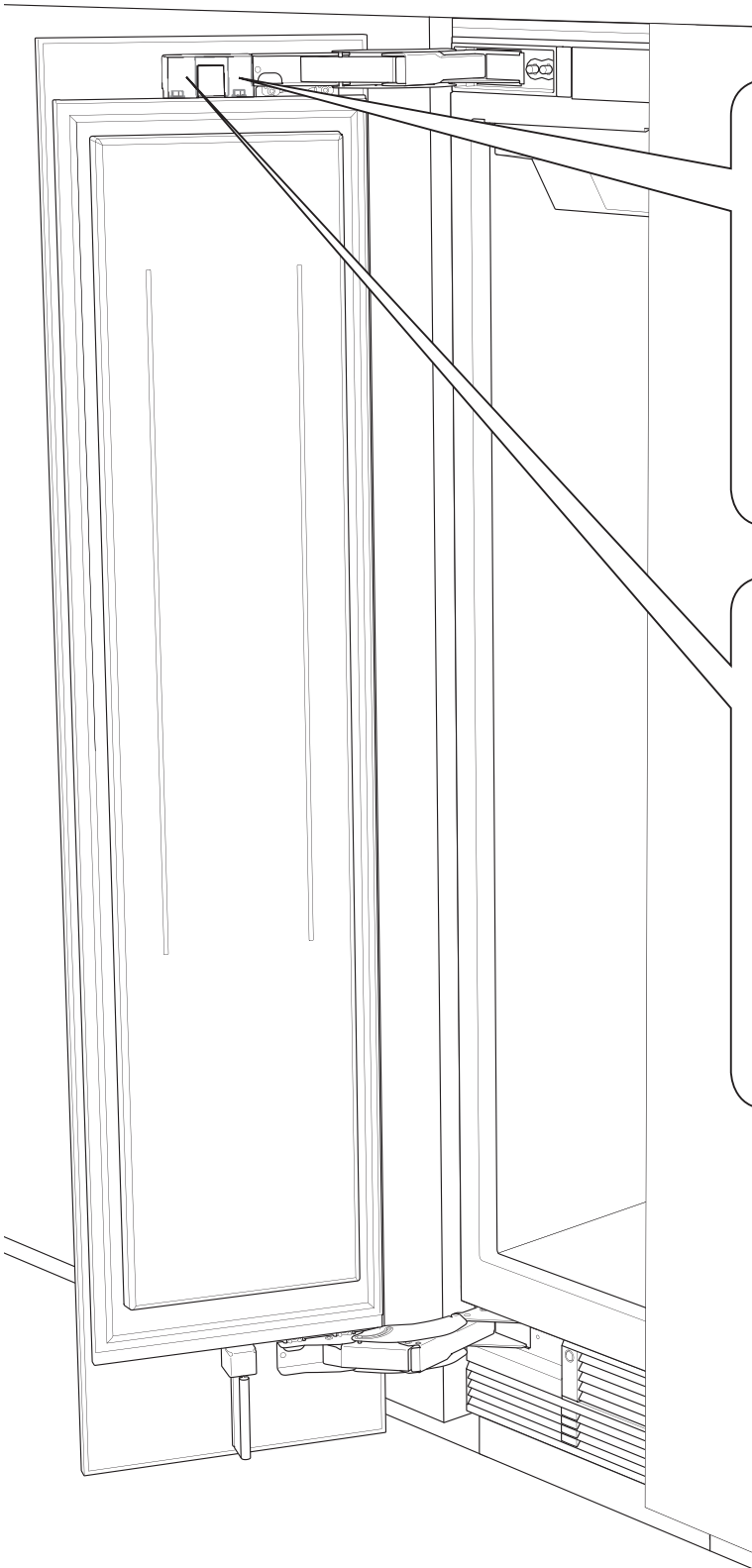


A

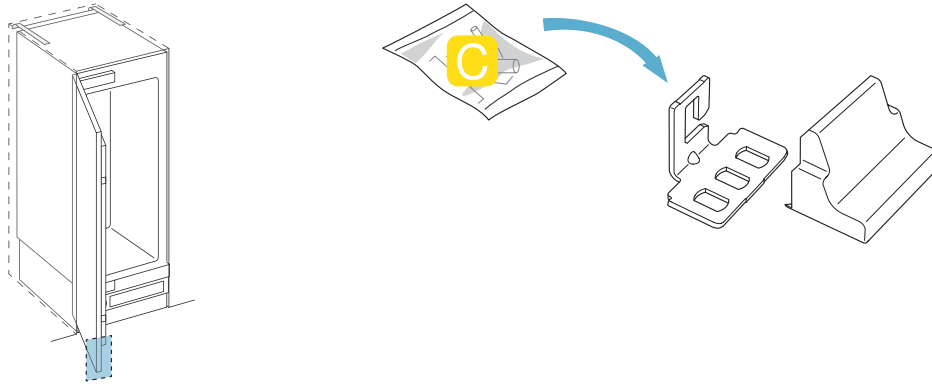
B

C

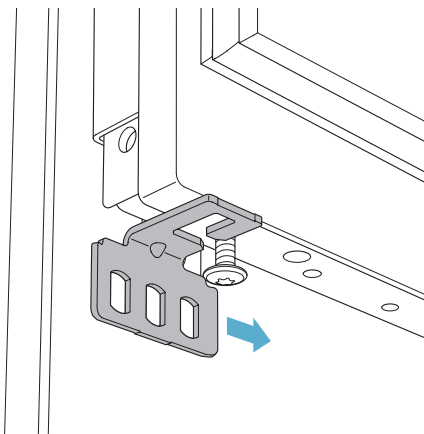
D



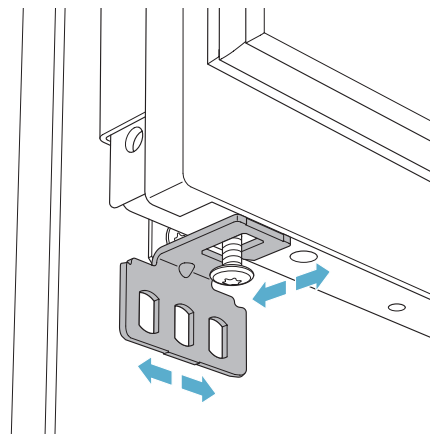
- A
- B
- C
- D



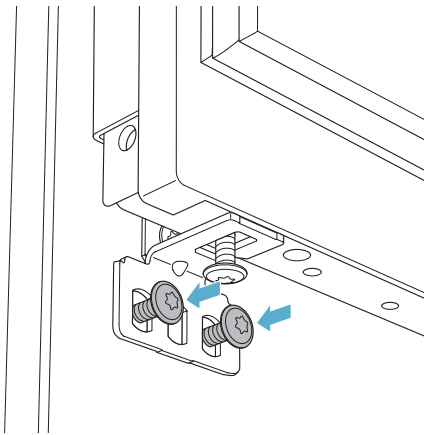
①



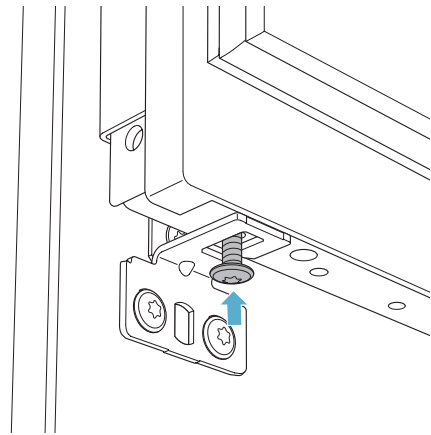
②



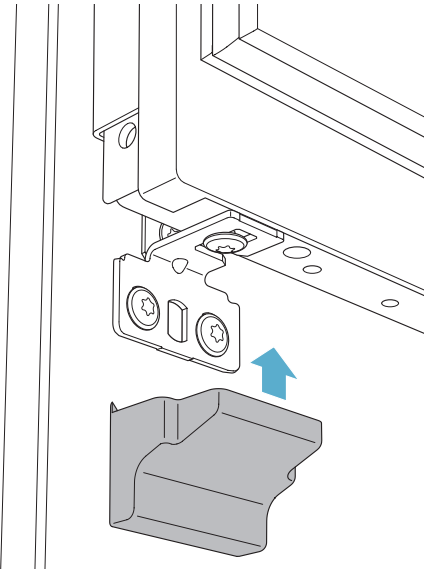
③



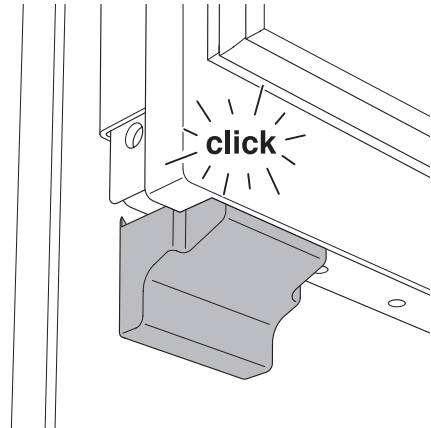
④



⑤



⑥

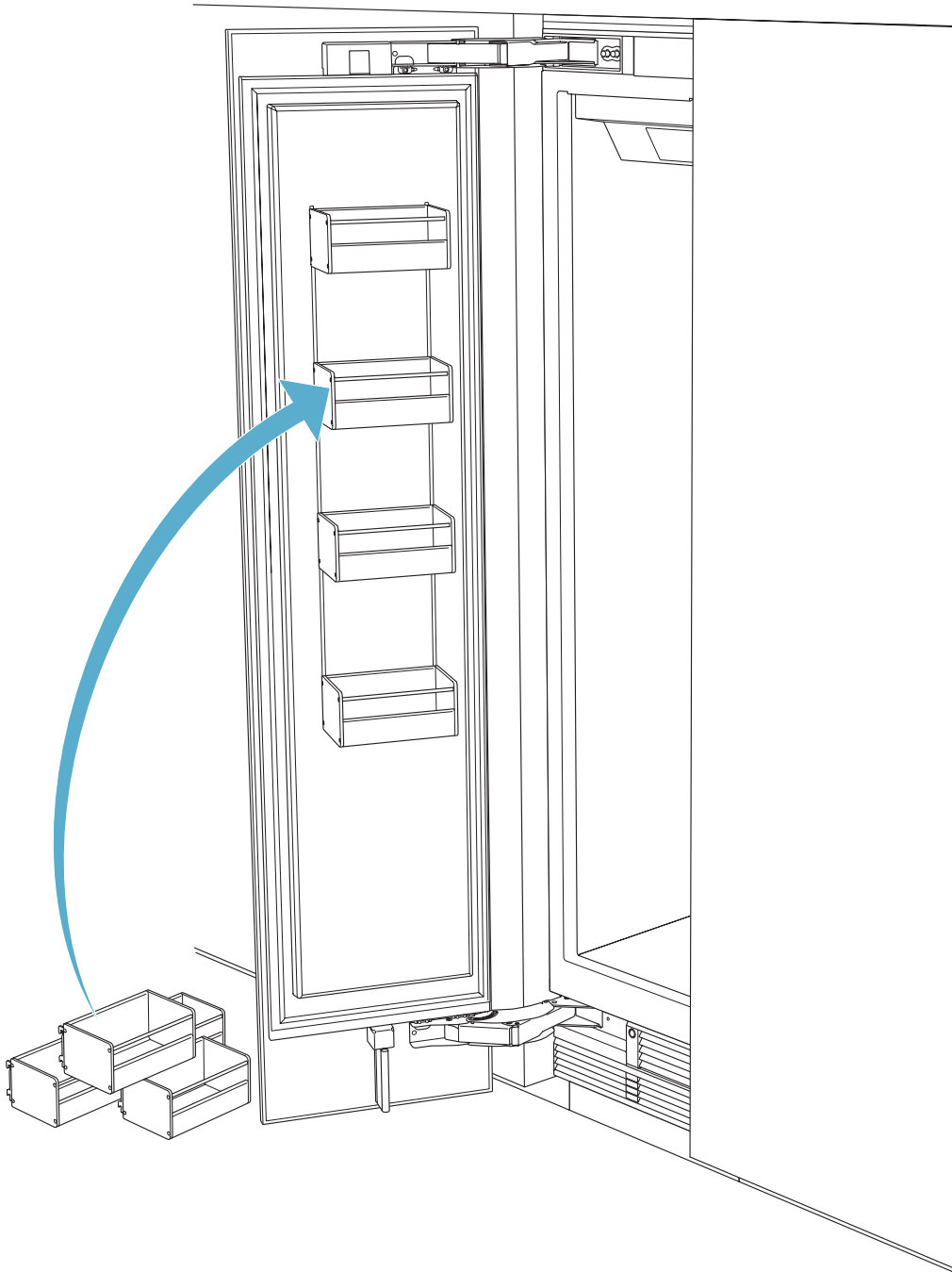


A

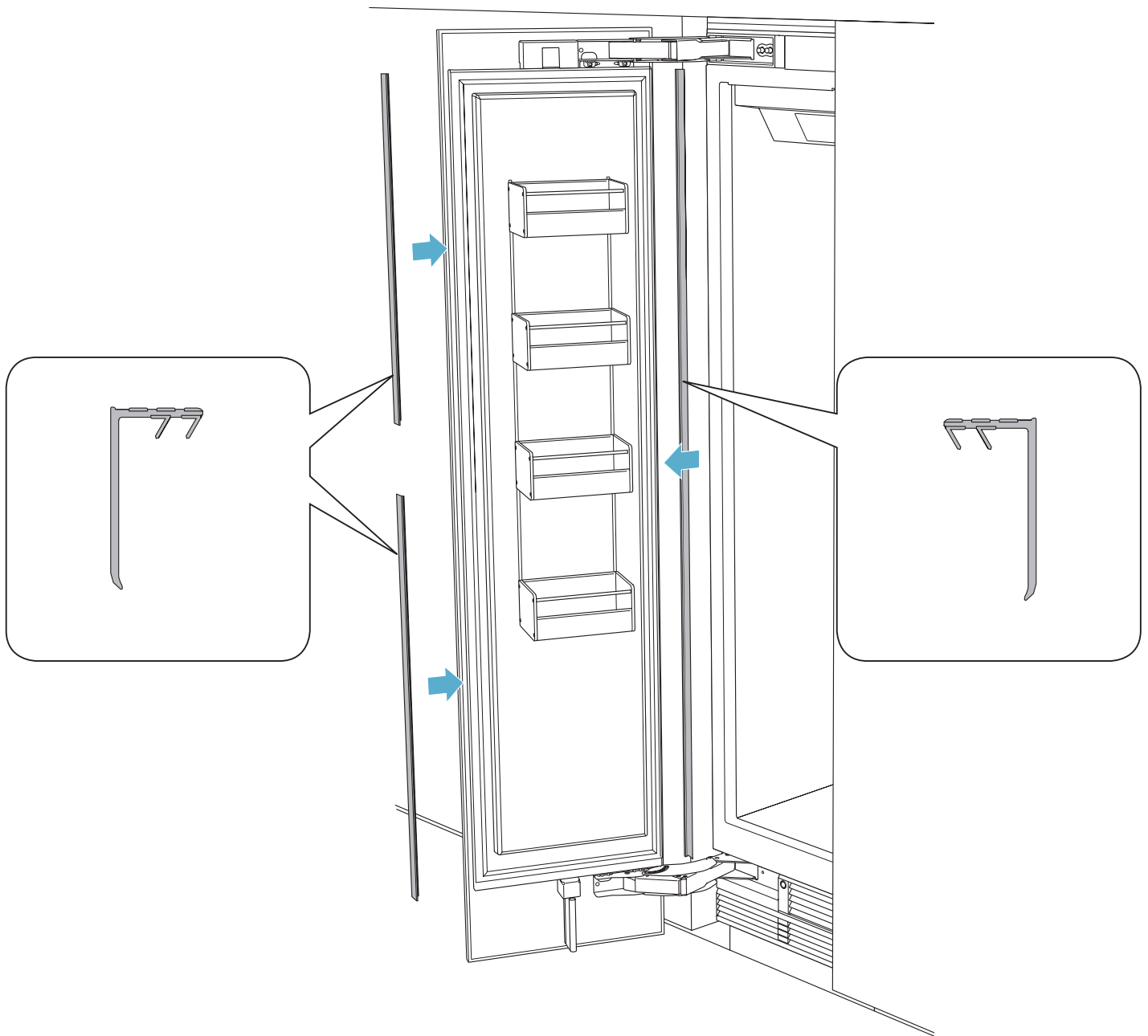
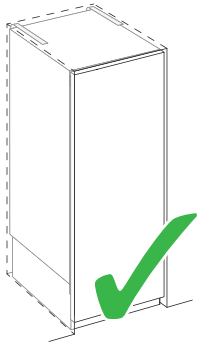
B

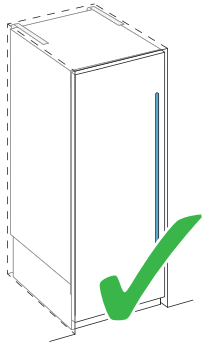
C

D

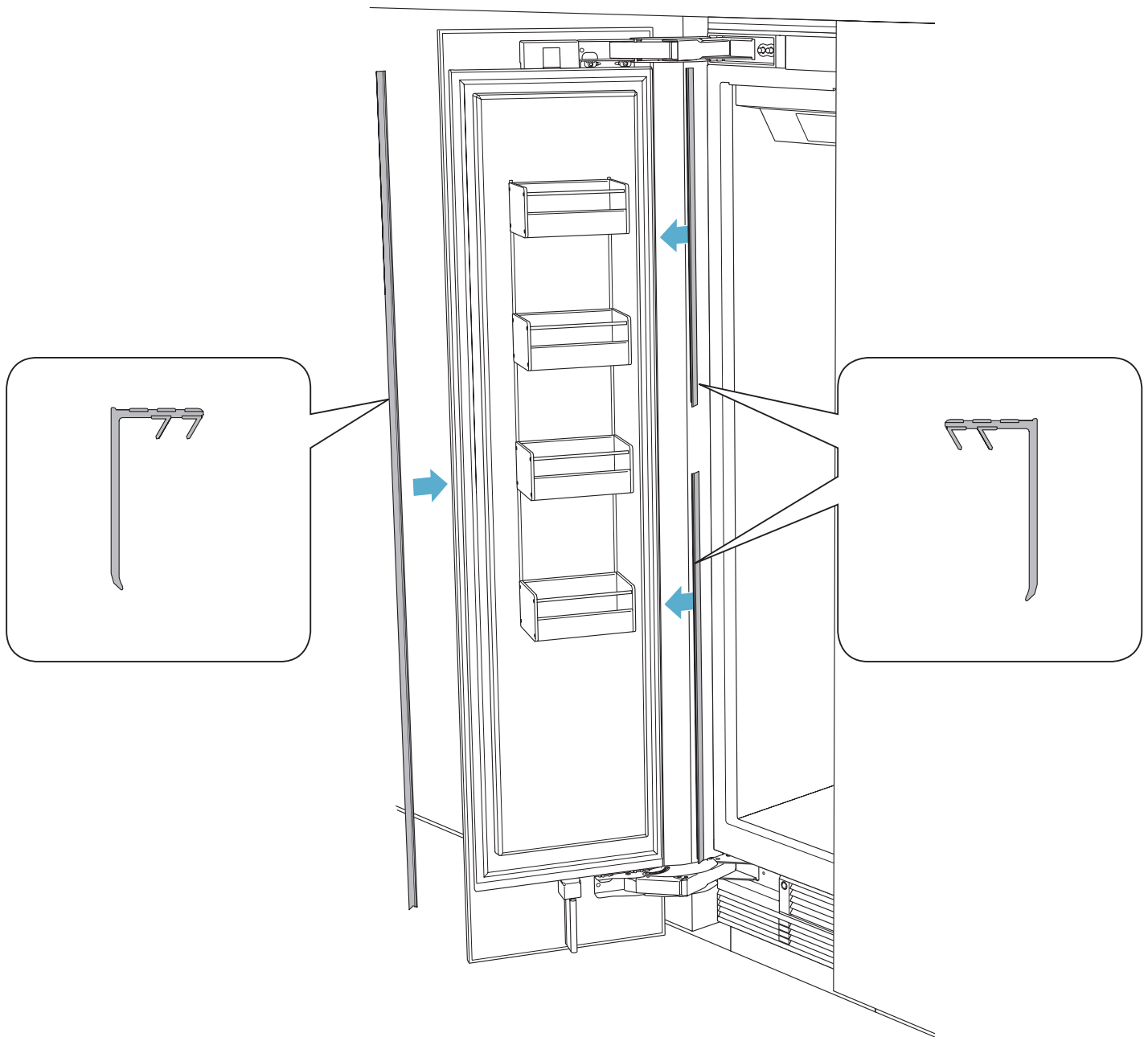


- A
- B
- C**
- D





- A
- B
- C
- D

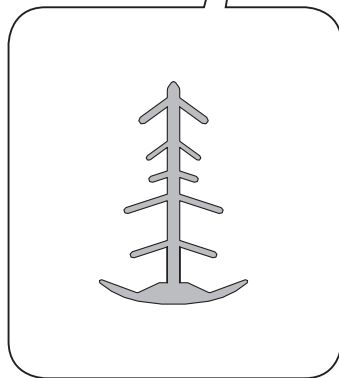
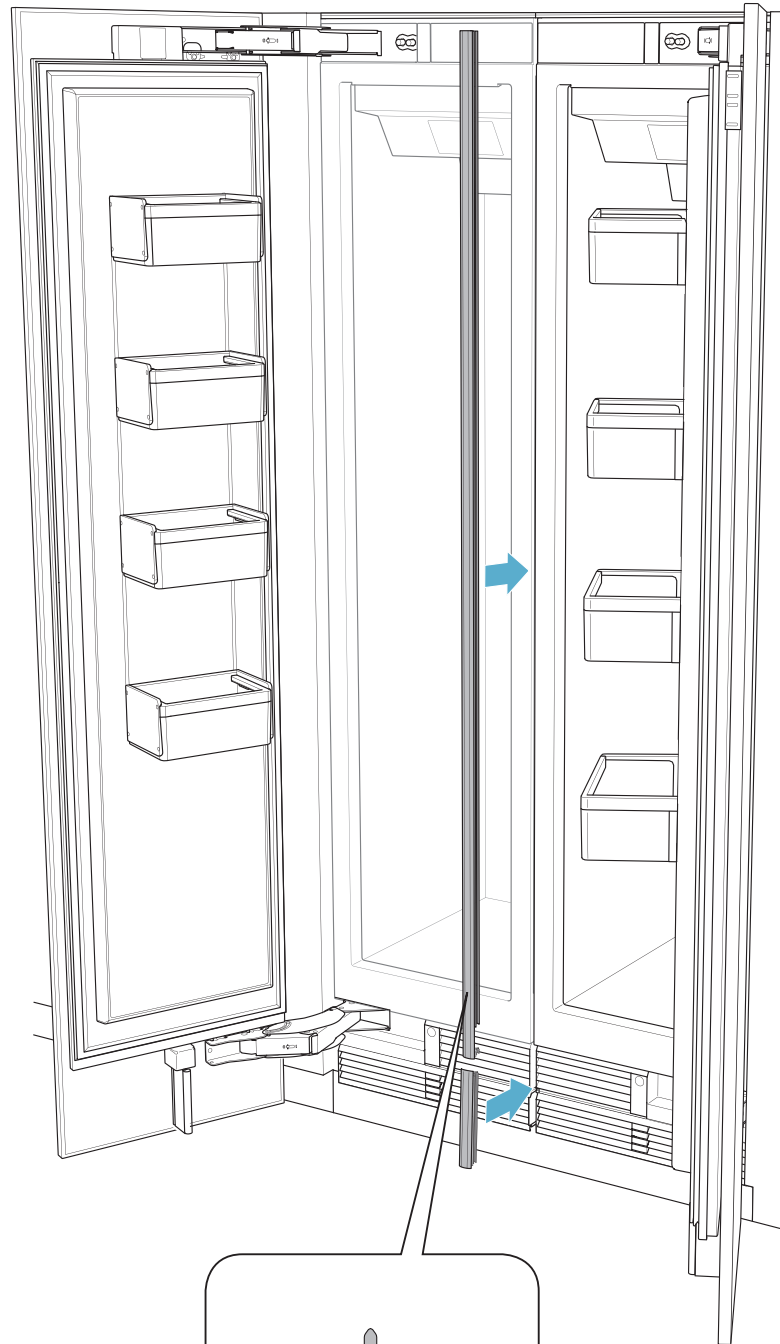


A

B

C

D



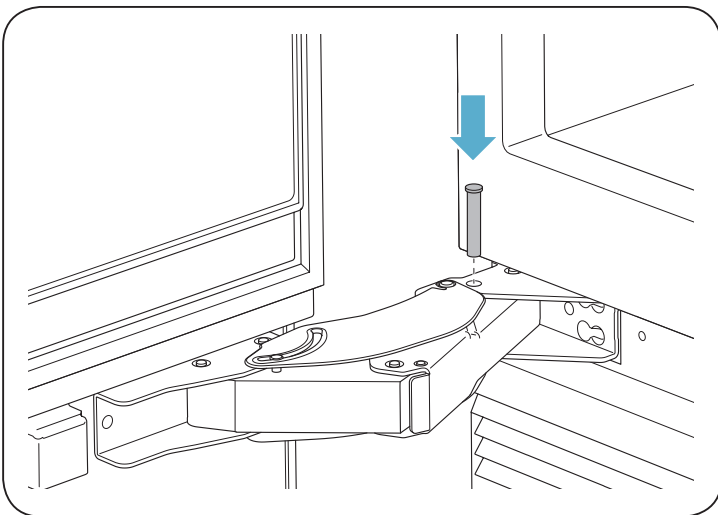
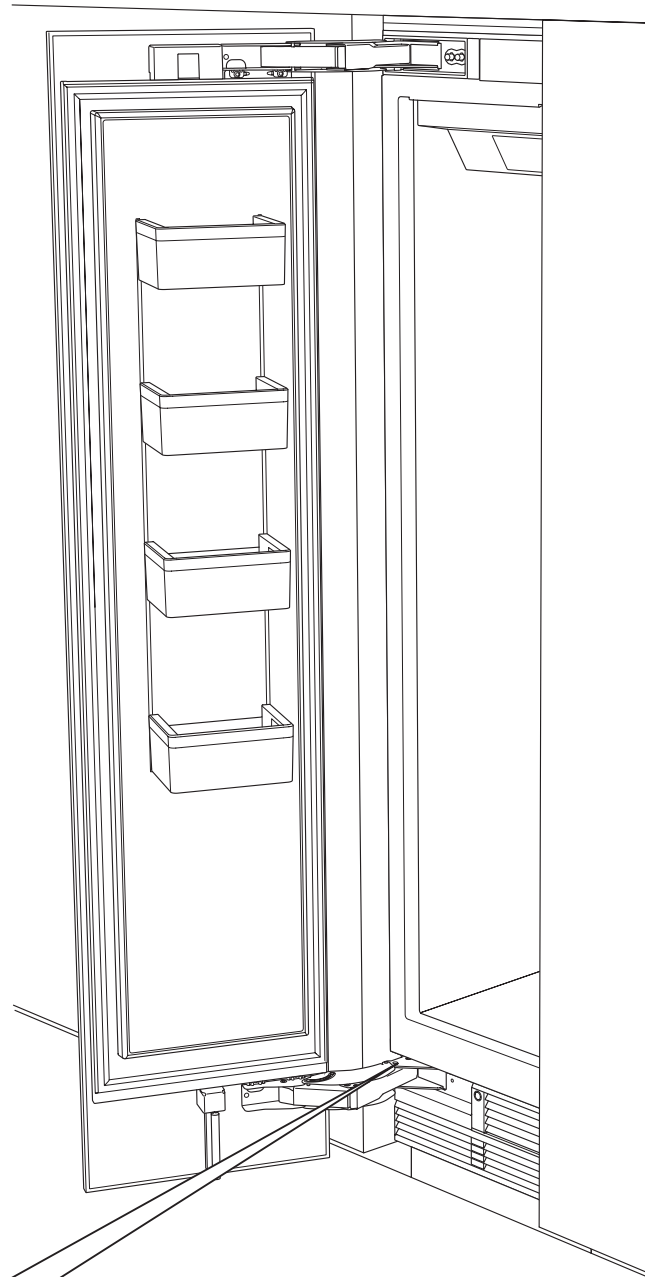
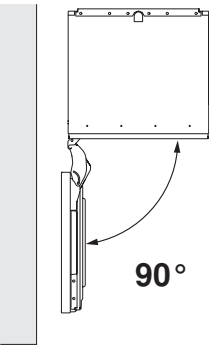
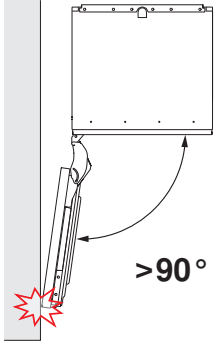
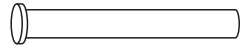


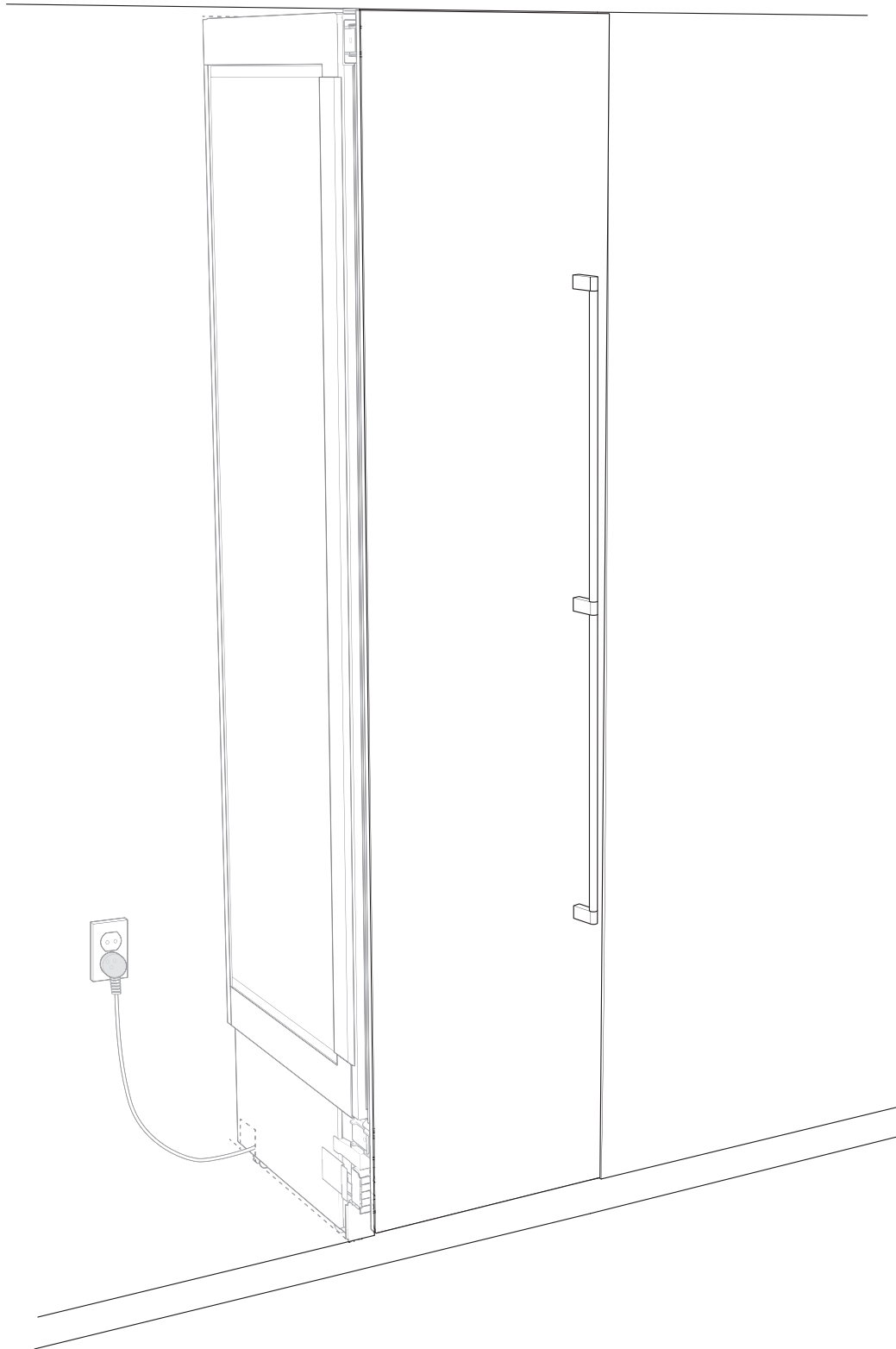
A

B

C

D







**Gaggenau Hausgeräte GmbH**  
Carl-Wery-Straße 34  
D-81739 München  
[www.gaggenau.com](http://www.gaggenau.com)

8001169165 (9908)  
xx

**GAGGENAU**

