

**SIEMENS**



Fridge-freezer

Combinazione frigorifero / congelatore  
KG..F..

[siemens-home.bsh-group.com/welcome](http://siemens-home.bsh-group.com/welcome)

en Instruction for Use  
it Istruzioni per l'uso

Register  
your  
product  
online

---

## en Table of Contents

Safety and warning information .....	3	Freezer compartment .....	19
Information concerning disposal .....	6	Max. freezing capacity .....	19
Scope of delivery .....	6	Freezing and storing food .....	20
Installation location .....	7	Freezing fresh food .....	20
Observe ambient temperature and ventilation .....	7	Super freezing .....	21
Connecting the appliance .....	8	Thawing frozen food .....	22
Getting to know your appliance .....	8	Interior fittings .....	22
Switching on the appliance .....	10	Sticker "OK" .....	23
Setting the temperature .....	10	Switching off and disconnecting the appliance .....	23
Special functions .....	11	Cleaning the appliance .....	23
Alarm function .....	12	Light (LED) .....	25
Home Connect .....	12	Tips for saving energy .....	25
Usable capacity .....	17	Operating noises .....	25
Refrigerator compartment .....	17	Eliminating minor faults yourself .....	26
Super cooling .....	18	Appliance self-test .....	28
The hyperFresh compartment .....	18	Customer service .....	28

---

## it Indice

Avvertenze di sicurezza e potenziale pericolo .....	29	Congelatore .....	47
Avvertenze per lo smaltimento .....	32	Max. capacità di congelamento .....	47
Dotazione .....	33	Congelare e conservare .....	48
Luogo d'installazione .....	33	Congelamento di alimenti freschi .....	48
Osservare la temperatura ambiente e la ventilazione .....	34	Super-congelamento .....	49
Collegare l'apparecchio .....	34	Decongelare surgelati .....	50
Conoscere l'apparecchio .....	35	Dotazione .....	50
Accensione dell'apparecchio .....	36	Adesivo «OK» .....	51
Regolare la temperatura .....	37	Spegner e mettere fuori servizio l'apparecchio .....	52
Funzioni speciali .....	37	Pulizia dell'apparecchio .....	52
Funzione di allarme .....	38	Illuminazione (LED) .....	53
Home Connect .....	39	Risparmiare energia .....	53
Capacità utile totale .....	44	Rumori di funzionamento .....	54
Il frigorifero .....	45	Eliminare piccoli guasti .....	55
Super-raffreddamento .....	46	Autotest dell'apparecchio .....	57
Il vano hyperFresh .....	46	Servizio di assistenza clienti .....	57

---

## Safety and warning information

### Before you switch ON the appliance

Please read the operating and installation instructions carefully! They contain important information on how to install, use and maintain the appliance. The manufacturer is not liable if you fail to comply with the instructions and warnings. Retain all documents for subsequent use or for the next owner.

### Technical safety

The tubes of the refrigeration circuit convey a small quantity of an environmentally friendly but flammable refrigerant (R600a). It does not damage the ozone layer and does not increase the greenhouse effect. If refrigerant escapes, it may injure your eyes or ignite.

### If damage has occurred

- Keep naked flames and/or ignition sources away from the appliance,
- thoroughly ventilate the room for several minutes,
- switch off the appliance and pull out the mains plug,

- inform customer service.

The more refrigerant an appliance contains, the larger the room must be in which the appliance is situated. Leaking refrigerant can form a flammable gas-air mixture in rooms which are too small. The room must be at least 1 m<sup>3</sup> per 8 g of refrigerant. The amount of refrigerant in your appliance is indicated on the rating plate inside the appliance.

If the power cord of this appliance is damaged, it must be replaced by the manufacturer, customer service or a similarly qualified person. Improper installations and repairs may put the user at considerable risk.

Repairs may be performed by the manufacturer, customer service or a similarly qualified person only.

Only original parts supplied by the manufacturer may be used. The manufacturer guarantees that only these parts satisfy the safety requirements.

Do not use multiple sockets, extension leads or adapters.

## **Important information when using the appliance**

- Never use electrical appliances inside the appliance (e.g. heater, electric ice maker, etc.). Explosion hazard!
- Never defrost or clean the appliance with a steam cleaner! The steam may penetrate electrical parts and cause a short-circuit. Risk of electric shock!
- Do not use pointed or sharp-edged implements to remove frost or layers of ice. You could damage the refrigerant tubes. Leaking refrigerant may cause eye injuries or ignite.
- Do not store products which contain flammable propellants (e.g. spray cans) or explosive substances in the appliance. Explosion hazard!
- Do not stand on or lean heavily against base of appliance, drawers or doors, etc
- For defrosting and cleaning, pull the mains plug out or switch off the fuse. Do not pull out the mains plug by tugging on the power cord.
- Store high-percentage alcohol tightly closed and standing up.

## ■ **Avoiding placing children and vulnerable people at risk:**

At risk are children, people who have limited physical, mental or sensory abilities, as well as people who have inadequate knowledge concerning safe operation of the appliance.

Ensure that children and vulnerable people have understood the hazards.

A person responsible for safety must supervise or instruct children and vulnerable people who are using the appliance.

Only children from 8 years and above may use the appliance.

Supervise children who are cleaning and maintaining the appliance.

Never allow children to play with the appliance.

- Keep plastic parts and the door seal free of oil and grease. Otherwise, parts and door seal will become porous.
- Never cover or block the ventilation openings of the appliance!

- Do not store bottled or canned drinks (especially carbonated drinks) in the freezer compartment. Bottles and cans may burst!
- Never put frozen food straight from the freezer compartment into your mouth.  
Risk of low-temperature burns!
- Avoid prolonged touching of frozen food, ice or the evaporator pipes, etc.  
Risk of low-temperature burns!

### **Children in the household**

- Keep children away from packaging and its parts.  
Danger of suffocation from folding cartons and plastic film!
- Do not allow children to play with the appliance!
- If the appliance features a lock:  
keep the key out of the reach of children!

### **General regulations**

The appliance is suitable

- for refrigerating and freezing food,
- for making ice.

This appliance is intended for use in the home and the home environment.

The appliance is suppressed according to EU Directive 2004/108/EC.

The refrigeration circuit has been checked for leaks.

This product complies with the relevant safety regulations for electrical appliances (EN 60335-2-24).

This appliance is intended for use up to a maximum height of 2000 metres above sea level.

---

## Information concerning disposal

### Disposal of packaging

The packaging protects your appliance from damage during transit. All utilised materials are environmentally safe and recyclable. Please help us by disposing of the packaging in an environmentally friendly manner.

Please ask your dealer or inquire at your local authority about current means of disposal.

### Disposal of your old appliance

Old appliances are not worthless rubbish! Valuable raw materials can be reclaimed by recycling old appliances.



This appliance is labelled in accordance with European Directive 2012/19/EU concerning used electrical and electronic appliances (waste electrical and electronic equipment - WEEE). The guideline determines the framework for the return and recycling of used appliances as applicable throughout the EU.

### Warning

Redundant appliances

1. Pull out the mains plug.
2. Cut off the power cord and discard with the mains plug.
3. Do not take out the trays and receptacles: children are therefore prevented from climbing in!
4. Do not allow children to play with the appliance once it has spent its useful life. Danger of suffocation!

Refrigerators contain refrigerant and gases in the insulation. Refrigerant and gases must be disposed of professionally. Ensure that tubing of the refrigerant circuit is not damaged prior to proper disposal.

---

## Scope of delivery

After unpacking all parts, check for any damage in transit.

If you have any complaints, please contact the dealer from whom you purchased the appliance or our customer service.

The delivery consists of the following parts:

- Free-standing appliance
- Interior fittings (depending on model)
- Bag containing installation materials
- Operating instructions
- Installation manual
- Customer service booklet
- Warranty enclosure
- Information on the energy consumption and noises

## Installation location

A dry, well ventilated room is suitable as an installation location. The installation location should not be exposed to direct sunlight and not placed near a heat source, e.g. a cooker, radiator, etc. If installation next to a heat source is unavoidable, use a suitable insulating plate or observe the following minimum distances from the heat source:

- 3 cm to electric or gas cookers.
- 30 cm to an oil or coal-fired cooker.

The floor of the installation location must not give way; if required, reinforce floor. If the floor is uneven, compensate with supports.

## Distance from wall

When installing the appliance, ensure that the door can be opened by 90°.

## Observe ambient temperature and ventilation

### Ambient temperature

The appliance is designed for a specific climate class. Depending on the climate class, the appliance can be operated at the following temperatures.

The climate class can be found on the rating plate. Fig. 12

Climate class	Permitted ambient temperature
SN	+10 °C to 32 °C
N	+16 °C to 32 °C
ST	+16 °C to 38 °C
T	+16 °C to 43 °C

### Note

The appliance is fully functional within the room temperature limits of the indicated climatic class. If an appliance of climatic class SN is operated at colder room temperatures, the appliance will not be damaged up to a temperature of +5 °C.

## Ventilation

Fig. 2

The air on the rear panel and on the side panels of the appliance heats up. Conduction of the heated air must not be obstructed. Otherwise, the refrigerating unit must work harder. This increases power consumption. Therefore: Never cover or block the ventilation openings!

## Connecting the appliance

After installing the appliance, wait at least 1 hour until the appliance is switched on. During transportation the oil in the compressor may have flowed into the refrigeration system.

Before switching on the appliance for the first time, clean the interior of the appliance (see chapter "Cleaning the appliance").

### Electrical connection

The socket must be near the appliance and also freely accessible following installation of the appliance.

#### Warning

Risk of electric shock!

If the length of the mains cable is inadequate, never use multiple sockets or extension leads. Instead, please contact Customer Service for alternatives.

The appliance complies with protection class I. Connect the appliance to 220–240 V/50 Hz alternating current via a correctly installed socket with protective conductor. The socket must be protected by a 10 A to 16 A fuse.

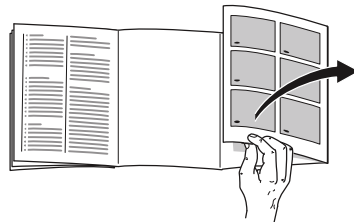
For appliances operated in non-European countries, check whether the indicated voltage and current type match the values of your electricity supply. This information can be found on the rating plate, Fig. **12**.

#### Warning

Never connect the appliance to electronic energy saver plugs.

Our appliances can be used with mains and sine-controlled inverters. Mains-controlled inverters are used for photovoltaic systems which are connected directly to the national grid. Sine-controlled inverters must be used for isolated applications (e.g. on ships or in mountain lodges) which are not connected directly to the national grid.

## Getting to know your appliance



Please fold out the illustrated last page. These operating instructions refer to several models.

The features of the models may vary.

The diagrams may differ.

Fig. **1**

\* Not all models.

- A Refrigerator compartment
- B hyperFresh compartment
- C Freezer compartment

1–13 Controls

14\* Butter and cheese compartment

15 Shelf for small bottles



- 16 Shelf for large bottles
- 17 Light (LED)
- 18\* Bottle shelf
- 19\* Breakfast set
- 20 Partition with humidity controller
- 21 Vegetable container
- 22 "Cool-fresh" container
- 23\* Frozen food container

## Controls

Fig. 4

### 1 **Temperature display refrigerator compartment**

The numbers correspond to the set refrigerator compartment temperatures in °C.

### 2 **Display alarm**

This lights up if the fridge compartment becomes too warm.

### 3 **Display super cool**

This lights up if super cooling is in operation.

### 4 **Temperature display hyperFresh**

Indicates the set temperature of the hyperFresh compartment.

### 5 **Display alarm**

This lights up if the freezer compartment is too warm.

### 6 **Temperature display freezer compartment**

The numbers correspond to the set freezer compartment temperatures in °C.

### 7 **Display super freeze**

This lights up if super freezing is in operation.

### 8 **Eco mode indicator**

This lights up when the eco mode is switched on.

### 9 **Button lock/alarm off**

This button is used to

- switch off the audible warning signal (see section "Alarm function")
- Switch the button lock on and off.

### 10 **compartment button to select a section**

Used to select a section. This is necessary to change its temperature or to switch on certain special functions.

### 11 **Setting buttons +/-**

The buttons are used to set the temperatures of the refrigerator and freezer compartment.

### 12 **"timer" button**

You can use this function to set a period of time and be reminded by an acoustic signal. See chapter entitled "Special functions".

### 13 **Display vacation mode**

This lights up when the vacation mode is switched on.

## Switching on the appliance

1. First insert the plug into the connection on the back of the appliance. Check that the plug has been inserted all the way.
2. Then insert the other end of the cable into the socket.

The appliance is now switched on and a warning signal sounds.

Press the lock/alarm off button to switch off the audible warning signal.

The alarm display goes out when the appliance has reached the set temperature.

The preset temperatures are reached after several hours. Do not put any food in the appliance beforehand.

The factory has recommended the following temperatures:

- freezer compartment: -18°C
- hyperFresh compartment: 0 °C to 2 °C
- cooling compartment: +4°C

## Operating tips

- After the appliance has been switched on, it may take several hours until the set temperatures have been reached.
- The fully automatic NoFrost system ensures that the freezer section remains free of ice. Defrosting is no longer required.
- If the door cannot be immediately re-opened after it has been closed, wait until the resulting low pressure has equalised.

- The front and side panels of the housing are partly heated slightly. This prevents condensation from forming.

## Setting the temperature

Fig. 4

### Refrigerator compartment

The temperature can be set from +2 °C to +8 °C.

1. Press selection button 10 until refrigerator compartment display 1 is activated.
2. Keep pressing +/- buttons 11 until the required temperature is indicated.

Perishable food should not be stored above +4 °C.

### hyperFresh compartment

The temperature can be set from -1 °C to 3°C.

1. Press selection button 10 until hyperFresh 4 display is activated.
2. Keep pressing +/- buttons until the required temperature is indicated.

### Freezer compartment

The temperature can be set from -16°C to -24°C.

1. Select the freezer compartment using the compartment button.
2. Keep pressing the +/- buttons until the required temperature is indicated.

## Special functions

Fig. 4

### Eco mode

The eco mode switches the appliance to energy-saving operation.

#### Switching on:

Press the eco button.

The appliance automatically sets the following temperatures:

- cooling compartment: +8°C
- hyperFresh compartment: +3°C
- freezer compartment: -16°C

#### Switching off:

Press the eco button.

### Button lock function

To switch the button lock on and off, press the lock/alarm off button for 5 seconds.

When the function is switched on, the lock display lights up.

The control panel is now protected against unintentional operation.

#### Exception to the button lock:

The lock/alarm off button can be pressed to switch off the button lock or if an audible warning signal sounds.

### timer

You can use this function to set a period of time of 1–99 minutes. A signal reminds you, e.g. when food is to be taken out of the compartment after a certain time.

A value of 20 minutes has been preset at the factory.

### Caution

Drinks bottles may crack if they are stored for longer than 20 minutes in the freezer compartment.

#### Switching on the function

1. Press “timer” button 12.
2. Using the +/- buttons, set the required time.

#### Switching off the function

Press the “timer” button 12 twice within 3 seconds.

### Holiday mode

If leaving the appliance for a long period of time, you can switch the appliance over to the energy-saving holiday mode.

The temperature of the refrigerator compartment is automatically switched to +14 °C.

Do not store any food in the refrigerator compartment during this time.

#### Switching on:

Press the vacation mode button.

The appliance automatically sets the following temperatures:

- Refrigerator section: +14°C
- hyperFresh compartment: +14°C
- Freezer section: -16°C

#### Note

"-" appears in the hyperFresh display.

#### Switching off:

Press the vacation mode button.

en

## Sabbath mode

When Sabbath mode is switched on, the following settings are switched off:

- Audible signals
- Interior lighting
- Messages on the display panel
- The background illumination of the display panel is reduced
- Buttons are locked

Switching **Sabbath mode on and off:**

Press the super cool and super freeze button for 15 seconds.

---

## Alarm function

In the following cases an alarm may be actuated.

### Door alarm

The door alarm (continuous signal) switches on if the appliance is left open for too long and alarm appears 1 in the refrigerator section temperature display. Close the appliance to switch the door alarm off again.

### Temperature alarm

An interval tone sounds, alarm appears on the temperature display of the freezer compartment 6.

The temperature alarm switches on if the freezer compartment is too warm and the frozen food is at risk of thawing.

The alarm may switch on without any risk to the frozen food in the following instances:

- when switching on the appliance for initial use.
- when large quantities of fresh food are placed in the appliance.

### Note

Do not refreeze thawing or thawed food. Only ready meals (boiled or fried) may be refrozen.

No longer store the frozen produce for the max. storage period.

The temperature display indicates for 5 seconds the warmest temperature which was reached in the freezer compartment. Then the set temperature is displayed again.

### Switching off the alarm

Press the lock/alarm off button to switch off the audible warning signal.

---

## Home Connect

This appliance is Wi-Fi-capable and can be remotely controlled using a mobile device.

### Note

Wi-Fi is a registered trade mark of the Wi-Fi Alliance.

If the appliance is not connected to the home network, the appliance functions like a refrigerator without a network connection and can still be manually operated via the controls.

In order to use the Home Connect functions, connect the appliance with a Home Connect Wi-Fi dongle.

If there is no Home Connect Wi-Fi dongle included with your appliance, you can order this from customer service.

**Note**

Inserting and removing the plug on the rear side of the appliance is more difficult than expected. Ensure that the plug is completely plugged in.

Attach the Home Connect Wi-Fi dongle at a height of 1 metre.

**Notes**

- Please observe the safety instructions and warnings in these instructions for use. Ensure that these are also adhered to when you are operating the appliance using the Home Connect app and are not at home. Follow the instructions in the Home Connect app as well.
- Operation on the appliance always has priority over operation via the Home Connect app. During this time it is not possible to operate the appliance using the app.

**Home Connect setup****Notes**

- Observe the Home Connect supplementary sheet, which is available for download under <http://www.siemens-home.bsh-group.com> with the instructions. To do so, enter the E-number of your appliance in the search field.
- After switching on the appliance, wait at least two minutes until internal device initialisation is complete. Only then start setting up Home Connect.
- To make settings with Home Connect, the Home Connect app must be installed on your mobile device. Please observe the Home Connect documents supplied for doing this. Follow the steps specified by the app to make the settings.

- If the appliance is not operated for a long time, the Home Connect menu closes automatically. You can find information on how to open the Home Connect menu at the start of the appropriate sections.

**Automatic connection with the home network (WLAN)**

If a WLAN router with WPS function is available, you can automatically connect the refrigerator to the home network.

1. Press the super cooling button and the lock/alarm off button simultaneously to open the Home Connect menu.

The display shows **Cn**.

**Note**

Press both buttons at exactly the same time. Button operation is locked if only the lock/alarm off button is pressed for a longer period. Press the lock/alarm off button again until the lock is deactivated.

2. Press the compartment button repeatedly until the displays **AC** and **oF** are shown.

3. Press the + button.

The appliance is ready for automatic connection.

The display shows an animation for 2 minutes.

Follow the steps below during this period.

4. Activate the WPS function on the home network router (e.g. using the WPS/WLAN button; information on this topic can be found in the router documentation).

- If the connection is successful, **on** flashes in the refrigerator display.

You can now connect the refrigerator with the app.

- If the display shows **oF**, it was not possible to establish a connection.

Check whether the refrigerator is located within the range of the home network (WLAN).

Repeat the process or establish the connection manually.

### Manual connection with the home network (WLAN)

If the WLAN router present does not have a WPS function, or if this is unknown, you can manually connect the refrigerator with the home network.

1. Press the super cooling button and the lock/alarm off button simultaneously to open the Home Connect menu.

The display shows **Cn**.

#### Note

Press both buttons at exactly the same time. Button operation is locked if only the lock/alarm off button is pressed for a longer period. Press the lock/alarm off button again until the lock is deactivated.

2. Press the compartment button repeatedly until the displays **SA** and **oF** are shown.
3. Press the + button.

The appliance is ready for manual connection.

The display shows an animation for 5 minutes.

Follow the steps below during this period.

4. The refrigerator has now set up its own WLAN network with the network name **HomeConnect**.

You can now access this network with your mobile device.

5. Open the settings menu of the mobile device and call up the WLAN settings.

6. Connect the mobile device with the WLAN network **HomeConnect**.

Password: **HomeConnect**

It can take up to 60 seconds to establish the connection.

7. After successful connection, open the Home Connect app on the mobile device.

The app will search for the refrigerator.

8. As soon as the refrigerator has been found, enter the network name (SSID) and the password (Key) of your own home network (WLAN) into the corresponding fields.

9. Confirm with the button **Transmit to domestic appliances**.

- If the connection is successful, **on** flashes in the refrigerator display.

You can now connect the refrigerator with the app.

- If the display shows **oF**, it was not possible to establish a connection.

Enter the password again, ensuring that it is spelt correctly.

Check whether the refrigerator is located within the range of the home network (WLAN).

Repeat the process.

### Connecting the refrigerator to the Home Connect app

Once the connection between the refrigerator and the home network has been established, you can connect the refrigerator to the app.

1. Press super cooling button and lock/alarm off button simultaneously to open the Home Connect menu.

The display shows **Cn**.

**Note**

Press both buttons at exactly the same time. Button operation is locked if only the lock/alarm off button is pressed for a longer period. Press lock/alarm off button again until the lock is deactivated.

2. Press compartment button repeatedly until the displays **PA** (pairing = connect with app) and **oF** are shown.
3. Press **+** button to connect the appliance with the app.

The display shows an animation.

As soon as the refrigerator and the app are connected, the display shows **on**.

4. Open the app and wait until the refrigerator is displayed. Use **Add** to confirm the connection between the app and the refrigerator.

If the refrigerator is not automatically displayed, click on **Add appliance** in the app and follow the instructions. As soon as your refrigerator is displayed, add it with **+**.

5. Follow the instructions in the app until the process is complete.

- The displays show **PA** and **on**.

The refrigerator has been successfully connected to the app.

- If the connection has failed, please check whether the mobile device is connected to the home network (WLAN).

Then connect the refrigerator to the app again.

- When the display shows **Er**, reset the Home Connect settings and perform set-up again from the beginning.

**Verify signal strength**

You should verify the signal strength if no connection can be established.

1. Press the super cooling button and the lock/alarm off button simultaneously to open the Home Connect menu.

The display shows **Cn**.

**Note**

Press both buttons at exactly the same time. Button operation is locked if only the lock/alarm off button is pressed for a longer period. Press the lock/alarm off button again until the lock is deactivated.

2. Press the compartment button repeatedly until the display shows **SI**. In the second display, a value appears between 0 (no reception) and 3 (full reception).

**Note**

The signal strength should be at least 2. If the signal strength is too low, the connection could be interrupted. Place the router and the refrigerator closer together, ensure that the connection is not disturbed by shielding walls or install a repeater to strengthen the signal.

**Resetting Home Connect settings**

If the connection process does not work or you would like to log the refrigerator on to a different home network (WLAN), you can reset the Home Connect settings:

1. Press the super cooling button and the lock/alarm off button simultaneously to open the Home Connect menu.

The display shows **Cn**.

**Note**

Press both buttons at exactly the same time. Button operation is locked if only the lock/alarm off button is pressed for a longer period. Press the lock/alarm off button again until the lock is deactivated.

2. Press the compartment button repeatedly until the displays **rE** and **oF** are shown.
3. Press the + button.
  - The display shows a short animation and then again **oF**. The Home Connect settings have been reset.
  - If the display shows **Er**, start the reset again or call customer service.

**Customer Service access**

If you contact Customer Service, they can access your appliance and view its status after you have given your consent. You need to have your appliance connected to your home network for this. Further information about Customer Service access and its availability in your country is available under [www.home-connect.com](http://www.home-connect.com) in the Help & Support area.

1. Contact Customer Service.
2. Confirm the start of Customer Service access in the app.
 

During Customer Service access the symbol CS appears on the control panel.
3. As soon as Customer Service has obtained the necessary data, they end access.

**Note**

You can interrupt remote diagnosis early by switching off Customer Service access in the Home Connect app.

**Information on data protection**

When your Home Connect refrigerator is connected for the first time to a WLAN network that is connected to the Internet, your refrigerator transmits the following categories of data to the Home Connect server (initial registration):

- Unique appliance identification (consisting of appliance codes as well as the MAC address of the installed Wi-Fi communication module).
- Security certificate of the Wi-Fi communication module (to ensure a secure IT connection).
- The current software and hardware version of your refrigerator.
- Status of any possible previous resetting to factory settings.

This initial registration prepares the Home Connect functions for use and is required only when you want to use Home Connect for the first time.

**Note**

Please note that the Home Connect functions can only be utilized with the Home Connect app. You can call up information on data protection in the Home Connect app.



## Declaration of conformity

BSH Hausgeräte GmbH hereby declares that the appliance which features Home Connect functionality is in accordance with the basic requirements and the other relevant provisions of the directive 1999/5/EC.

A detailed R&TTE Declaration of Conformity can be found online at [www.siemens-home.bsh-group.com](http://www.siemens-home.bsh-group.com) among the additional documents on the product page of your appliance.



## Usable capacity

Information on the usable capacity can be found inside your appliance on the rating plate. Fig. 12

## Fully utilising the freezer volume

To place the maximum amount of frozen food in the freezer compartment, you can remove the containers. You can then stack the food directly on the shelf and on the floor of the freezer compartment.

### Note

Avoid contact between food and rear panel. Otherwise the air circulation will be impaired.

Food or packaging could freeze to the rear panel.

## Removing the fittings

Pull out the frozen food container all the way, lift at the front and remove. Fig. 9

## Refrigerator compartment

The refrigerator compartment is the ideal storage location for meat, sausage, fish, dairy products, eggs, ready meals and pastries.

## Storing food

- Store fresh, undamaged food. The quality and freshness will then be retained for longer.
- In the case of ready-made products and bottled goods, observe the best-before date or use-by date specified by the manufacturer.
- To retain aroma, colour and freshness, pack or cover food well before placing in the appliance. This will prevent the transfer of flavours and the discolouration of plastic parts in the refrigerator compartment.
- Allow warm food and drinks to cool down before placing in the appliance.

### Note

Do not block air outlet openings with food, otherwise the air circulation will be impaired. Food which is stored directly in front of the air outlet openings may be frozen by the cold air flowing out.

## Note the chill zones in the refrigerator compartment

The air circulation in the refrigerator compartment creates different chill zones:

- The coldest zones are in front of the air outlet openings and in the chill compartment, Fig. **1**/22.

### Note

Store perishable food (e.g. fish, sausage, meat) in the coldest zones.

- Warmest zone is at the very top of the door.

### Note

Store e.g. hard cheese and butter in the warmest zone. The aroma of hard cheese can then continue to develop and butter remains spreadable.

---

## Super cooling

Super cooling sets the refrigerator temperature to the coldest temperature setting for approx. 6 hours. Then the appliance automatically switches to the temperature set prior to super cooling mode.

Switch on super cooling mode, e.g.

- before placing large quantities of food in the refrigerator compartment.
- for the fast cooling of drinks.

## Switching on and off

Fig. **4**

1. Select the refrigerator section using the compartment button.
2. Press the super button until the super cool display lights up.

You do not need to switch off super cooling. After 6 hours, the previously set temperature is automatically restored.

### Note

When super cooling is switched on, increased operating noises may occur.

---

## The hyperFresh compartment

The temperature in the cool-fresh compartment is about 0 °C. The low temperature and the optimum moisture provide ideal storage conditions for fresh food.

Food can be kept fresh up to three times longer in the cool-fresh compartment than in the normal cooling zone – for even longer freshness, nutrient retention and flavour.

## Vegetable container

Fig. **7**

The vegetable container is the optimum storage location for fresh fruit and vegetables. The humidity controller of the partition and a special seal can be used to adjust the air humidity in the vegetable container.

The air humidity in the vegetable container can be set according to the type and amount of products to be stored:

- Mainly fruit as well as for a large load – lower air humidity
- Mainly vegetables as well as for a mixed load or small load – higher air humidity

### Notes

- Fruit sensitive to cold (e.g. pineapple, banana, papaya and citrus fruit) and vegetables sensitive to cold (e.g. aubergines, cucumbers, zucchini, peppers, tomatoes and potatoes) should be stored outside the refrigerator at temperatures of approx. +8 °C to +12 °C for optimum preservation of quality and flavour.
- Condensation may form in the vegetable container depending on the food and quantity stored. Remove condensation with a dry cloth and adjust air humidity in the vegetable container with the humidity controller.

## “Cool-fresh” container

Fig. **11**/22

The storage climate in the “cool-fresh” container offers ideal conditions for the storage of fish, meat, sausage, cheese and milk.

## Storage times (at 0 °C)

Depending on the initial quality	
Fresh fish, seafood	up to 3 days
Poultry, meat (boiled/fried)	up to 5 days
Beef, pork, lamb, sausage (cold meat)	up to 7 days
Smoked fish, broccoli	up to 14 days
Salad greens, fennel, apricots, plums	up to 21 days
Soft cheese, yoghurt, quark, buttermilk, cauliflower	up to 30 days

## Freezer compartment

### Use the freezer compartment

- To store deep-frozen food.
- To make ice cubes.
- To freeze food.

### Note

Ensure that the freezer compartment door has been closed properly. If the door is open, the frozen food will thaw. The freezer compartment will become covered in thick ice. Also: waste of energy due to high power consumption!

## Max. freezing capacity

Information about the max. freezing capacity within 24 hours can be found on the rating plate. Fig. **12**

### Prerequisites for max. freezing capacity

- Switch on super freezing before placing fresh products in the compartment (see chapter entitled “Super freezing”).
- Remove containers; stack food directly on the shelf and on the floor of the freezer compartment.
- Freeze large quantities of food preferably in the very top compartment where food freezes particularly quickly and therefore also gently.

## Freezing and storing food

### Purchasing frozen food

- Packaging must not be damaged.
- Use by the “use by” date.
- Temperature in the supermarket freezer must be -18 °C or lower.
- If possible, transport deep-frozen food in an insulated bag and place quickly in the freezer compartment.

### Note when loading products

- Preferably freeze large quantities of food in the top compartment, where food freezes particularly quickly and therefore also gently.
- Place the food over the whole area of the compartments or the frozen food containers.

#### Note

Food which is already frozen must not come into contact with the food which is to be frozen. If required, move the frozen food to other frozen food containers.

### Storing frozen food

Insert frozen food container all the way to ensure unrestricted air circulation.

## Freezing fresh food

Freeze fresh and undamaged food only.

To retain the best possible nutritional value, flavour and colour, vegetables should be blanched before freezing. Aubergines, peppers, zucchini and asparagus do not require blanching. Literature on freezing and blanching can be found in bookshops.

#### Note

Keep food which is to be frozen away from food which is already frozen.

- The following foods are suitable for freezing:
  - Cakes and pastries, fish and seafood, meat, game, poultry, vegetables, fruit, herbs, eggs without shells, dairy products such as cheese, butter and quark, ready meals and leftovers such as soups, stews, cooked meat and fish, potato dishes, soufflés and desserts.
- The following foods are not suitable for freezing:
  - Types of vegetables, which are usually consumed raw, such as lettuce or radishes, eggs in shells, grapes, whole apples, pears and peaches, hard-boiled eggs, yoghurt, soured milk, sour cream, crème fraîche and mayonnaise.

### Packing frozen food

To prevent food from losing its flavour or drying out, place in airtight containers.

1. Place food in packaging.
2. Remove air.
3. Seal the wrapping.
4. Label packaging with contents and date of freezing.

**Suitable packaging:**

Cling wrap, tubular film made of polyethylene, aluminium foil, freezer containers.

These products are available from specialist outlets.

**Unsuitable packaging:**

Wrapping paper, greaseproof paper, cellophane, bin liners and used shopping bags.

**Items suitable for sealing packaged food:**

Rubber bands, plastic clips, string, cold-resistant adhesive tape, etc.

Bags and tubular film made of polyethylene (PE) can be sealed with a film heat sealer.

**Shelf life of frozen food**

Storage duration depends on the type of food.

At a temperature of -18 °C:

- Fish, sausage, ready meals and cakes and pastries:  
up to 6 months
- Cheese, poultry and meat:  
up to 8 months
- Vegetables and fruit:  
up to 12 months

---

## Super freezing

Food should be frozen solid as quickly as possible in order to retain vitamins, nutritional value, appearance and flavour.

Several hours before placing fresh food in the freezer compartment, switch on super freezing to prevent an unwanted temperature rise.

As a rule, 4–6 hours is adequate.

This appliance runs constantly and the freezer compartment drops to a very low temperature.

If the max. freezing capacity is to be used, super freezing must be switched on for 24 hours before the fresh produce is placed in the freezer compartment.

Smaller quantities of food (up to 2 kg) can be frozen without “super freezing”.

**Note**

When super freezing is switched on, increased operating noises may occur.

**Switching on and off**

Fig. 4

1. Select the freezer section using the compartment button.
2. Press the super button until the super freeze display lights up.

You do not need to switch off super freezing. After approx. 2½ days, the previously set temperature is automatically restored.

---

## Thawing frozen food

Depending on the type and application, select one of the following options:

- at room temperature
- in the refrigerator
- in an electric oven, with/without fan assisted hot-air
- in the microwave

### Caution

Do not refreeze thawing or thawed food. Only ready meals (boiled or fried) may be refrozen.

No longer store the frozen produce for the max. storage period.

---

## Interior fittings

### Shelves and containers

You can reposition the inner shelves and the containers in the door as required: pull shelf forwards, lower and swivel out to the side. Lift the container and remove.

### Special features

(not all models)

#### **Butter and cheese compartment**

To open the butter compartment, gently press in the middle of the butter compartment flap.

To clean the compartment, lift it at the bottom and take out.

### **Breakfast set**

Fig. **5**

The containers for the breakfast set can be taken out and filled individually.

You can take out the breakfast set for loading and unloading. To do this, lift the breakfast set and pull out. The container holder can be moved.

### **Bottle shelf**

Fig. **6**

Bottles can be stored securely on the bottle shelf.

### **Ice cube tray**

Fig. **11**

1. Fill the ice cube tray  $\frac{3}{4}$  full of drinking water and place in the freezer compartment.
2. If the ice tray is stuck to the freezer compartment, loosen with a blunt implement only (spoon-handle).
3. To loosen the ice cubes, twist the ice tray slightly or hold briefly under flowing water.

### **Freezer calendar**

Fig. **10**

To prevent the quality of the frozen food from deteriorating, do not exceed the storage duration. The figures next to the symbols indicate the permitted storage period of the produce in months. In the case of commercially available frozen food observe the date of manufacture or use-by date.

### **Ice block**

If a power failure or malfunction occurs, the ice blocks can be used to slow down the thawing process. The longest storage time is obtained by placing the ice pack on the food in the top compartment.

The ice blocks can also be used to cool food temporarily, e. g. in a cold bag.

---

## Sticker “OK”

(not all models)

The sticker “OK” lets you check whether the refrigerator compartment achieves the safe temperature ranges of +4 °C or colder recommended for food. If the sticker does not indicate “OK”, gradually reduce the temperature.

### Note

When the appliance is switched on, it may take up to 12 hours until the set temperature is reached.



### Correct setting

---

## Switching off and disconnecting the appliance

### Switching off the appliance

Press "+" button for 10 seconds.  
Refrigeration unit switches off.  
(Not all models).

### Disconnecting the appliance

If you do not use the appliance for a prolonged period:

1. Pull out the mains plug or switch off the fuse.
2. Clean the appliance.
3. Leave appliance doors open.

### Note

To avoid damage to the appliance, appliance doors must be opened far enough that they remain in that position on their own. Do not jam any objects into the door to prop it open.

---

## Cleaning the appliance



### Caution

- Do not use abrasive, chloride or acidic cleaning agents or solvents.
- Do not use scouring or abrasive sponges.  
The metallic surfaces could corrode.
- Never clean shelves and containers in the dishwasher.  
The parts may become deformed!

### The cleaning water must not get into the following areas:

- Controls
- Illumination
- Ventilation openings
- Openings in the separating plate

## Proceed as follows:

1. Pull out the mains plug or switch off the fuse.
2. Take out the frozen food and store in a cool location. Place ice pack (if available) on the food.
3. The rinsing water must not drip into the controls, lighting, ventilation openings or the openings in the partition!

Clean the appliance with a soft cloth, lukewarm water and a little pH-neutral washing-up liquid.

4. Wipe the door seal with clear water only and then wipe dry thoroughly.
5. After cleaning reconnect the appliance.
6. Put the frozen food back into the appliance.

## Features

All variable parts of the appliance can be taken out for cleaning.

### Note

The separating plate between the refrigerator compartment and the hyperFresh compartment is permanently fixed. To prevent any damage to the appliance, this may only be removed by customer service or authorized specialists.

### Take out shelves in the door

Fig. **3**

Lift shelves upwards and take out.

### Take out glass shelves

Pull the glass shelves forwards and take out.

### Removing the container

Fig. **8**

Pull out the container all the way and lift to detach it.

To insert the container, place on the telescopic rails and push into the appliance. Attach the container by pressing it down.

### Taking out the frozen food container

Fig. **9**

Pull out the frozen food container all the way, lift at the front and remove.



---

## Light (LED)

Your appliance features a maintenance-free LED light.

These lights may be repaired by customer service or authorised technicians only.

---

## Tips for saving energy

- Install the appliance in a dry, well ventilated room! The appliance should not be installed in direct sunlight or near a heat source (e.g. radiator, cooker).  
If required, use an insulating plate.
- Allow warm food and drinks to cool down before placing in the appliance.
- Thaw frozen food in the refrigerator compartment and use the low temperature of the frozen food to cool refrigerated food.
- Open the appliance as briefly as possible.
- To achieve the lowest energy consumption, leave a small wall gap at the side.
- The arrangement of the fittings does not affect the energy rating of the appliance.

---

## Operating noises

### Quite normal noises

#### Note

When super freezing is switched on, increased operating noises may occur.

#### Droning

Motors are running (e.g. refrigerating units, fan).

#### Bubbling, humming or gurgling noises

Refrigerant is flowing through the tubing.

#### Clicking

Motor, switches or solenoid valves are switching on/off.

#### Cracking

Automatic defrosting is running.

## Preventing noises

### The appliance is not level

Please align the appliance with a spirit level. Use the height-adjustable feet or place packing underneath them.

### The appliance is not free-standing

Please move the appliance away from adjacent units or appliances.

### Containers or storage areas wobble or stick

Please check the removable parts and re-insert them correctly if required.

### Bottles or receptacles are touching each other

Move the bottles or receptacles slightly away from each other.

## Eliminating minor faults yourself

Before you call customer service:

Please check whether you can eliminate the fault yourself based on the following information.

Customer service will charge you for advice – even if the appliance is still under guarantee!

<b>Fault</b>	<b>Possible cause</b>	<b>Remedial action</b>
Temperature differs greatly from the set value.		<p>In some cases it is adequate to switch off the appliance for 5 minutes.</p> <p>If the temperature is too high wait a few hours and check whether the temperature has approached the set value.</p> <p>If the temperature is too low check the temperature again the next day.</p>
The light does not function.	The LED light is defective.	See chapter “Light (LED)” section.
	<p>Appliance was open too long.</p> <p>Light is switched off after approx. 10 min.</p>	When the appliance is closed and opened, the light is on again.
Displays do not illuminate.	Power failure; the fuse has been switched off; the mains plug has not been inserted properly.	Connect mains plug. Check whether the power is on, check the fuses.
It is too cold in the cooling compartment or the hyperFresh compartment.		Increase the temperature in the cooling compartment.
		Increase the temperature in the hyperFresh compartment.
The temperature in the freezer compartment is too warm.	Appliance opened frequently.	Do not open the appliance unnecessarily.
	The ventilation openings have been covered.	Remove obstacles.
	Large quantities of fresh food are being frozen.	Do not exceed max. freezing capacity.

Fault	Possible cause	Remedial action
Appliance is not cooling, temperature display and light are lit.	Showroom mode is switched on.	<p>Press and hold the compartment button and the setting button — for 5 seconds until a confirmation tone sounds.</p> <p>After a short time, check whether your appliance is cooling.</p>
The side panels of the appliance are warm.	Pipes run into the side panels which heat during the cooling process.	<p>That is normal behaviour for the appliance and not a fault.</p> <p>Furniture touching the appliance will not be damaged by the heat.</p>
Freezer compartment door was open for a long time; temperature is no longer reached.	The evaporator (refrigeration generator) in the NoFrost system is covered in thick ice and can no longer be defrosted fully automatically.	<p>To defrost the evaporator, remove the frozen food with the compartments, insulate well and store in a cool location.</p> <p>Switch off the appliance and move it away from the wall. Leave the appliance door open.</p> <p>After approx. 20 min. the condensation begins to run into the evaporation pan, at the rear of the appliance.</p> <p>To prevent the evaporation pan from overflowing in this case, mop up the condensation with a sponge.</p> <p>The evaporator is defrosted when the water stops running into the evaporation pan. Clean the interior. Switch the appliance back on again.</p>

## Appliance self-test

Your appliance features an automatic self-test program which shows you sources of faults which may be repaired by customer service only.

### Starting the appliance self-test

1. Switch off the appliance and wait 5 minutes.
2. Switch on the appliance and within the first 10 seconds, press and hold the compartment button and the "-" setting button for 3–5 seconds until an audible signal sounds.

The self-test programme starts.

When the self-test ends and an audible signal sounds twice, your appliance is in working order.

If 5 audible signals sound, there is an error. Inform customer service.

### Ending the appliance self-test

When the programme has ended, the appliance switches over to normal operation.

## Customer service

Your local customer service can be found in the telephone directory or in the customer-service index. Please provide customer service with the appliance product number (E-Nr.) and production number (FD-Nr.).

This information can be found on the rating plate. Fig. 12

To prevent unnecessary call-outs, please assist customer service by quoting the product and production numbers. This will save you additional costs.

### Repair order and advice on faults

Contact information for all countries can be found on the enclosed customer service list.

GB	0344 892 8999	Calls charged at local or mobile rate.
IE	01450 2655	0.03 € per minute at peak. Off peak 0.0088 € per minute.
US	866 447 4363	toll-free

---

## **Avvertenze di sicurezza e potenziale pericolo**

### **Prima di mettere in funzione l'apparecchio**

Leggere attentamente tutte le istruzioni per l'uso ed il montaggio. Esse contengono importanti informazioni per l'installazione, l'uso e la manutenzione dell'apparecchio.

Il produttore non è responsabile se voi trascurate le indicazioni ed avvertenze del libretto d'istruzioni per l'uso.

Conservare tutta la documentazione per l'uso futuro oppure per eventuali successivi proprietari.

### **Elementi tecnici di sicurezza**

Nei tubi del circuito di raffreddamento scorre una piccola quantità di refrigerante non inquinante, ma infiammabile (R600a). Non danneggia lo strato di ozono e non aumenta l'effetto serra. In caso di fuoriuscita, il refrigerante può ferire gli occhi o incendiarsi.

### **In caso di danni:**

- tenere lontano dall'apparecchio fiamme o fonti di accensione,
- ventilare l'ambiente per alcuni minuti,
- spegnere l'apparecchio ed estrarre la spina di alimentazione elettrica,
- informare il Servizio Assistenza Clienti autorizzato.

La quantità di gas refrigerante contenuta nel vostro apparecchio, circa 8 gr. è indicata nella targhetta d'identificazione posta all'interno dell'apparecchio. Nel caso in cui il cavo di collegamento elettrico dovesse subire danni, è necessario sostituirlo, coinvolgere il servizio assistenza clienti autorizzato o un elettricista qualificato ad eseguire questa operazione.

Installazioni o riparazioni eseguite da personale non autorizzato, possono potenzialmente creare pericolo per l'utente e danni all'apparecchio. Le riparazioni vanno eseguite dal servizio assistenza clienti autorizzato

Le riparazioni vanno eseguite dal servizio assistenza clienti autorizzato o da personale qualificato ad eseguire questa operazione.

È consentito usare solo parti di ricambio originali del costruttore. Solo con l'impiego di detti componenti il costruttore garantisce che i requisiti di sicurezza del prodotto siano rispettati.

Non utilizzare prese multiple, prolunghe o adattatori.

### **Nell'impiego quotidiano**

- Non introdurre mai apparecchi elettrici nell'interno di questo elettrodomestico (es. apparecchi di riscaldamento, produttori di ghiaccio elettrici ecc.). Pericolo di esplosione!
- Non sbrinare o pulire mai l'apparecchio con una pulitrice a vapore. Il vapore può raggiungere parti elettriche e provocare un cortocircuito. Pericolo di scarica elettrica!
- Non utilizzare oggetti appuntiti o affilati per rimuovere la brina o il ghiaccio. E' possibile danneggiare i raccordi del circuito refrigerante, che rende inservibile l'apparecchio. Il gas fuoriuscendo per effetto della pressione, può provocare irritazioni agli occhi.
- Non conservare nell'apparecchio prodotti contenenti propellenti gassosi combustibili (per es. bombolette spray) e sostanze infiammabili. Pericolo di esplosione!
- Non usare impropriamente lo zoccolo, i cassettei estraibili, le porte ecc. quale punto di appoggio o come sostegno.
- Per lo sbrinamento e la pulizia estrarre la spina d'alimentazione o disinserire l'interruttore di sicurezza. Evitare di esercitare trazioni sul cordone elettrico, ma impugnare correttamente la spina.
- Conservare alcool ad alta gradazione in un contenitore ermeticamente chiuso, e posto in posizione verticale.

- Evitare che olii o grassi imbrattino parti plastiche o le guarnizioni delle porte. I grassi aggrediscono il materiale plastico e la guarnizione della porta diventano fragili e porose.

- Non ostruire le aperture di passaggio dell'aria di aereazione dell'apparecchio.

- **Evitare pericoli a bambini e persone a rischio:**

Sono esposti a pericolo i bambini e le persone con limiti fisici, psichici o percettivi ed altresì persone, sprovviste di sufficiente conoscenza del sicuro funzionamento dell'apparecchio.

Accertarsi che i bambini e le persone a rischio abbiano ben compreso i pericoli.

Una persona responsabile della sicurezza è tenuto a sorvegliare o istruire i bambini e le persone a rischio in rapporto con l'apparecchio.

Permettere l'uso dell'apparecchio solo a bambini in età di 8 anni o superiore.

Sorvegliare i bambini durante la pulizia e la manutenzione.

Non permettere che i bambini giochino con l'apparecchio.

- Non conservare nel congelatore liquidi in bottiglia e lattine (specialmente le bevande contenenti anidride carbonica). Bottiglie e lattine possono rompersi!
- Non mettere in bocca alimenti congelati appena presi dal congelatore. Pericolo di ustioni!
- Evitare il contatto prolungato delle mani con alimenti congelati, ghiaccio o i raccordi dell'evaporatore ecc. Pericolo di ustioni!

### **Bambini in casa**

- Non abbandonare parti dell'imballaggio che possano essere fonte di gioco per i bambini. Pericolo di soffocamento causato da scatole di cartone, fogli di plastica, polistirolo!
- L'apparecchio non è un giocattolo per bambini!
- Per apparecchi con serratura della porta: conservare la chiave fuori della portata dei bambini!

## Norme generali

L'apparecchio è idoneo

- per raffreddare e congelare alimenti,
- per preparare ghiaccio.

Questo apparecchio è destinato all'uso domestico privato nelle famiglie ed all'ambiente domestico.

L'apparecchio è schermato contro i radiodisturbi secondo la direttiva UE 2004/108/EC.

La tenuta ermetica del circuito del freddo è stata controllata.

Questo prodotto è conforme alle pertinenti norme di sicurezza per gli apparecchi elettrici (EN 60335-2-24).

Questo apparecchio è progettato solo per l'utilizzo fino ad un'altezza di massimo 2000 metri sul livello del mare.

---

## Avvertenze per lo smaltimento

### Smaltimento dell'imballaggio

L'imballaggio ha protetto l'apparecchio da eventuali danni da trasporto. Tutti i materiali impiegati sono Eco-Compatibili e riciclabili. Il Vostro contributo: smaltite l'imballaggio secondo la vigenti norme.

Chiedere informazioni circa le piattaforme di smaltimento locale alla propria amministrazione comunale.

### Rottamazione di un apparecchio dismesso

Gli apparecchi dismessi dispongono ancora di un valore residuo! Un corretto smaltimento nel rispetto dell'ecologia, permette di recuperare materie prime pregiate.



Questo apparecchio dispone di contrassegno ai sensi della direttiva europea 2012/19/UE in materia di apparecchi elettrici ed elettronici (waste electrical and electronic equipment - WEEE).

Questa direttiva definisce le norme per la raccolta e il riciclaggio degli apparecchi dismessi valide su tutto il territorio dell'Unione Europea.



## **Avviso**

In caso di apparecchi fuori uso

1. Estrarre la spina di alimentazione.
2. Troncare il cavo elettrico di collegamento e rimuoverlo unitamente alla spina.
3. Non estrarre i ripiani e i contenitori, questo rende più difficile ai bambini di entrare nel vano frigo dell'apparecchio!
4. Vietare ai bambini di giocare con un apparecchio dismesso. Pericolo di asfissia!

I frigoriferi contengono gas nel circuito refrigerante e gas nell'isolamento. Refrigerante e gas devono essere smaltiti in modo appropriato. Evitare di danneggiare i raccordi del circuito refrigerante, durante il conferimento dell'apparecchio alla piattaforma di riciclaggio.

## **Dotazione**

Dopo il disimballo controllare l'apparecchio per accertare eventuali danni di trasporto.

In caso di contestazioni rivolgersi al Vs. fornitore, presso il quale l'apparecchio è stato acquistato.

La dotazione comprende i seguenti componenti:

- Apparecchio
- Accessori (a secondo del modello)
- Busta con il materiale utile al montaggio
- Istruzioni per l'uso

- Istruzioni per il montaggio
- Libretto del servizio assistenza clienti autorizzato
- Allegato di garanzia convenzionale
- Informazioni sul consumo energetico e sui possibili rumori

## **Luogo d'installazione**

Il luogo d'installazione idoneo è un locale asciutto, ventilabile. Il luogo d'installazione non deve essere esposto ad irraggiamento solare diretto e non essere vicino ad una fonte di calore, cucina, calorifero ecc. Se è inevitabile l'installazione accanto ad una fonte di calore, utilizzare un idoneo pannello isolante, oppure rispettate le seguenti distanze minime dalla fonte di calore:

- Da cucine elettriche o a gas 3 cm.
- Da stufe ad olio o a carbone 30 cm.

Il pavimento nel luogo d'installazione non deve cedere, rinforzarlo se necessario. Compensare gli spessori le eventuali disuguaglianze del pavimento.

## **Distanza dal muro**

Installare l'apparecchio in modo da garantire un angolo di apertura della porta di 90°.

## Osservare la temperatura ambiente e la ventilazione

### Temperatura ambiente

L'apparecchio è progettato per una specifica classe climatica. In funzione di questa, l'apparecchio può essere usato alle seguenti temperature ambientali.

La classe climatica è indicata nella targhetta porta-dati. Figura **12**

Classe climatica	Temperatura ambiente ammessa
SN	da +10 °C a 32 °C
N	da +16 °C a 32 °C
ST	da +16 °C a 38 °C
T	da +16 °C a 43 °C

### Avvertenza

L'apparecchio è perfettamente efficiente nei limiti di temperatura ambiente della classe climatica indicata. Se un apparecchio della classe climatica SN viene messo in funzione a temperature ambiente inferiori, possono essere esclusi danni all'apparecchio fino ad una temperatura di +5 °C.

### Ventilazione

Figura **2**

L'aria lungo la parete posteriore e quelle laterali tende a scaldarsi, l'aria riscaldata deve poter defluire liberamente. In caso contrario il refrigeratore deve lavorare di più. Questo aumenta il consumo di energia elettrica. Perciò: evitare assolutamente di coprire o di ostruire le aperture di afflusso e deflusso dell'aria di raffreddamento.

## Collegare l'apparecchio

Dopo avere posizionato l'apparecchio, attendere circa 1 ore prima di metterlo in funzione, questo assicura che l'olio lubrificante si raccolga nella parte bassa del motore e non penetri nel circuito di raffreddamento.

Pulire l'interno dell'apparecchio prima di attivarne la funzione (vedi capitolo «Pulizia dell'apparecchio»).

### Collegamento elettrico

La presa elettrica deve essere vicino all'apparecchio ed essere accessibile anche al termine dell'installazione dell'apparecchio.



#### Avviso

Pericolo di scossa elettrica!

Se il cavo di alimentazione non è sufficientemente lungo, non utilizzare in nessun caso prese multiple o prolunghe. Contattare il servizio di assistenza clienti per le possibili alternative.

L'apparecchio è conforme alla classe di protezione I. Collegare l'apparecchio alla corrente (220-240 V/50 Hz CA) tramite una presa con conduttore di terra installata a norma. La presa deve essere protetta con un fusibile da 10 A a 16 A.

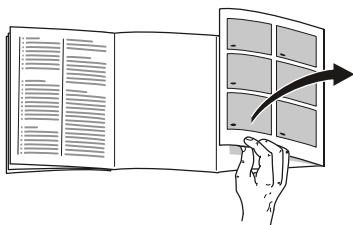
Per gli apparecchi che vengono utilizzati in paesi non europei, controllare se la tensione e il tipo di corrente indicati corrispondono ai valori della rete elettrica locale. Questi dati sono disponibili sulla targhetta identificativa, figura **12**.

## **Avviso**

I nostri apparecchi possono essere collegati ad un inverter sinusoidale di rete.

Gli inverter di rete vengono utilizzati in abbinamento a impianti fotovoltaici e collegati direttamente alla rete elettrica pubblica. Usare inverter sinusoidali nel caso di soluzioni speciali (es. imbarcazioni oppure nelle baite in montagna), laddove non sia disponibile un collegamento elettrico diretto alla rete pubblica.

## Conoscere l'apparecchio



Svolgere l'ultima pagina con le figure. Questo libretto d'istruzioni per l'uso è valido per vari modelli, pertanto le dotazioni possono variare. Nelle illustrazioni sono possibili differenze.

Figura **1**

\* Non in tutti i modelli.

- A Frigorifero
- B Vano hyperFresh
- C Congelatore

- 1-13 Elementi di comando
- 14\* Scomparto per burro e formaggio
- 15 Balconcino per bottigliette

- 16 Ripiano per bottiglie grandi
- 17 Illuminazione (LED)
- 18\* Ripiano bottiglie
- 19\* Set colazione
- 20 Ripiano di separazione con regolatore umidità
- 21 Cassetto per verdure
- 22 Cassetto freschezza
- 23\* Cassetto surgelati

## Elementi di comando

Figura **4**

- 1 **Indicatore temperatura del frigorifero**  
I numeri corrispondono alle temperature del frigorifero regolate in °C.
- 2 **Indicatore alarm**  
Si accende quando la temperatura nel frigorifero è troppo alta.
- 3 **Indicatore super cool**  
Si accende quando il super-raffreddamento è in funzione.
- 4 **Indicazione temperatura hyperFresh**  
Indica la temperatura regolata del vano hyperFresh.
- 5 **Indicatore alarm**  
Si accende quando la temperatura nel congelatore è troppo alta.
- 6 **Indicatore temperatura del congelatore**  
I numeri corrispondono alle temperature del congelatore regolate in °C.
- 7 **Indicatore super freeze**  
Si accende quando il super-congelamento è in funzione.
- 8 **Indicazione «eco mode»**  
Viene evidenziato quando viene attivata la modalità «eco».

9

**Pulsante lock/alarm off**

Questo pulsante serve per

- la disattivazione del segnale acustico di allarme (vedi capitolo «Funzione di allarme»),
- l'attivazione e disattivazione del bloccaggio pulsanti.

10

**Tasto compartment per la selezione del comparto**

Serve per selezionare un comparto. È necessario per modificare la temperatura o attivare determinate funzioni speciali.

11

**Pulsanti di regolazione +/-**

I pulsanti servono per regolare le temperature del frigorifero e del congelatore.

12

**Pulsante «timer»**

Con questa funzione si può regolare un limite di tempo ed essere avvisati con un segnale acustico. Vedi capitolo «Funzioni speciali».

13

**Indicatore vacation mode**

Si attiva quando viene attivata la modalità vacanza.

---

## Accensione dell'apparecchio

1. Inserire prima la spina nel connettore sul lato posteriore dell'apparecchio. Controllare che la spina sia completamente inserita.
2. Inserire poi l'altra estremità del cavo nella presa.

Ora l'apparecchio è acceso e viene emesso un segnale acustico di avviso.

Per disattivare il segnale acustico premere il pulsante lock/alarm off.

L'indicazione alarm si spegne quando l'apparecchio ha raggiunto la temperatura regolata.

Le temperature predefinite vengono raggiunte dopo diverse ore. Durante questo periodo non introdurre alimenti nell'apparecchio.

Il produttore consiglia le seguenti temperature:

- Congelatore: -18 °C
- Vano hyperFresh: da 0 °C a 2 °C
- Frigorifero: +4 °C

## Istruzioni per il funzionamento

- Dopo l'accensione possono trascorrere diverse ore prima che le temperature regolate vengano raggiunte.
- Grazie al sistema automatico NoFrost nel congelatore non si forma ghiaccio. Lo sbrinamento da parte del cliente non è più necessario.
- Se la porta, dopo averla chiusa, oppone resistenza ad una nuova apertura, attendere un attimo finché le pressioni interne non si sono compensate.

- Le pareti anteriori e laterali dell'apparecchio possono scaldarsi leggermente per impedire la formazione di condensa.

## Regolare la temperatura

Figura 4

### Frigorifero

La temperatura può essere regolata da +2 °C a +8 °C.

1. Premere il pulsante di selezione 10 finché non è attivo il display frigorifero 1.
2. Premere i pulsanti +/- 11 finché non viene visualizzata la temperatura desiderata.

Gli alimenti delicati non devono essere conservati a temperatura superiore +4 °C.

### Vano hyperFresh

La temperatura può essere regolata da -1 °C a 3 °C.

1. Premere il pulsante di selezione 10 finché non si attiva l'indicatore hyperFresh 4.
2. Premere i pulsanti +/- finché non viene visualizzata la temperatura desiderata.

### Congelatore

La temperatura può essere regolata da -16 °C a -24 °C.

1. Con il pulsante compartment selezionare il congelatore.
2. Premere i pulsanti +/- finché non viene visualizzata la temperatura desiderata.

## Funzioni speciali

Figura 4

### Modalità Eco

Con la modalità Eco si commuta l'apparecchio al funzionamento a risparmio energetico.

#### Attivazione:

Premere il pulsante eco.

L'apparecchio regola automaticamente le seguenti temperature:

- Frigorifero: +8 °C
- Vano hyperFresh: +3 °C
- Congelatore: -16 °C

#### Disattivazione:

Premere il pulsante eco.

### Funzione di blocco tasti Lock

Per attivare e disattivare il blocco tasti, premere il tasto lock/alarm off per 5 secondi.

Quando la funzione è attivata, viene evidenziato a display lock.

Il pannello di comando è ora protetto da un uso indesiderato.

#### Eccezione del blocco tasti:

per disattivare il blocco tasti e in caso di segnale acustico può essere premuto il tasto lock/alarm off.

### «timer»

Con questa funzione si può impostare un tempo da 1 a 99 minuti. Un segnale avverte, per es. quando gli alimenti dopo un certo tempo devono essere tolti dal vano.

All'origine è impostato un valore di 20 minuti.

## **Attenzione**

Le bottiglie di bevande, se depositate nel congelatore per oltre 20 minuti, possono esplodere.

### **Attivare la funzione**

1. Premere il pulsante «timer» 12.
2. Con il pulsante +/- regolare il tempo desiderato.

### **Disattivare la funzione**

Entro 3 secondi premere due volte il pulsante «timer» 12.

## **Modo Vacanza**

In caso di assenza prolungata si può commutare l'apparecchio nel modo Vacanza, per il risparmio energetico.

La temperatura del frigorifero viene commutata automaticamente a +14 °C.

In questo periodo non immettere alimenti nel frigorifero.

### **Attivazione:**

Premere il pulsante vacation mode.

L'apparecchio regola automaticamente le seguenti temperature:

- Frigorifero: +14 °C
- Vano hyperFresh: +14 °C
- Congelatore: -16 °C

### **Avvertenza**

Sul display hyperFresh compare "-".

### **Disattivazione:**

Premere il pulsante vacation mode.

## **Modalità Sabbath**

All'attivazione della modalità vengono disattivate le impostazioni seguenti: All'attivazione della modalità Sabbath vengono disattivate le impostazioni seguenti:

- Segnali acustici
- Illuminazione interna
- Indicazioni sul display
- La retroilluminazione del display viene ridotta
- I tasti si bloccano / i tasti si bloccano

### **Attivazione e disattivazione della modalità Sabbath:**

Premere i tasti super cool e super freeze per 15 secondi.

---

## **Funzione di allarme**

Un segnale acustico di allarme può essere emesso nei casi seguenti.

### **Allarme porta**

Se l'apparecchio resta aperto troppo a lungo si attiva l'allarme porta (segnale acustico continuo) e nell'indicazione di temperatura del frigorifero 1 compare alarm. L'allarme porta si disattiva nuovamente chiudendo l'apparecchio.

## Allarme temperatura

Viene emesso un suono a intermittenza, nell'indicazione di temperatura del congelatore 6 compare alarm.

L'allarme temperatura si attiva se la temperatura nel congelatore è troppo alta e gli alimenti congelati sono a rischio.

Attivazione del segnale acustico di allarme senza che questo costituisca pericolo per gli alimenti congelati:

- Messa in funzione dell'apparecchio.
- Introduzione di grandi quantità di alimenti freschi.

### Avvertenza

Non ricongelare gli alimenti parzialmente o completamente scongelati. Questi possono essere di nuovo congelati solo dopo avere preparato (mediante qualsiasi tipo di cottura) pietanze pronte all'uso.

Non utilizzare più interamente la durata max. di conservazione

Il display della temperatura indica per 5 secondi la temperatura più alta raggiunta nel congelatore. Al termine viene visualizzata la temperatura regolata.

## Disattivazione dell'allarme

Premere il tasto lock/alarm off per disattivare il segnale acustico.

## Home Connect

Questo apparecchio è dotato di connessione Wi-Fi e può essere comandato a distanza con un dispositivo mobile.

### Avvertenza

Wi-Fi è un marchio registrato di Wi-Fi Alliance.

Se non è collegato alla rete domestica, l'apparecchio funziona come un frigorifero senza collegamento alla rete e può essere comandato manualmente con gli elementi di comando.

Per usare le funzioni di Home Connect, connettere l'apparecchio con un Home Connect Wi-Fi-Dongle.

Se l'apparecchio è stato fornito senza l'Home Connect Wi-Fi-Dongle è possibile ordinarlo tramite il nostro servizio clienti.

### Avvertenza

Inserire e disinserire la spina a fianco dell'apparecchio è più difficoltoso di quanto previsto. Controllare che la spina sia completamente inserita.

Posizionare l'Home Connect Wi-Fi-Dongle ad un'altezza di 1 metro.

### Avvertenze

- Osservare le avvertenze di sicurezza delle presenti istruzioni per l'uso e accertarsi che vengano rispettate quando l'apparecchio viene utilizzato mediante l'app Home Connect e non si è in casa.

Osservare anche le indicazioni presenti nell'app Home Connect.

- I comandi impartiti direttamente sull'apparecchio hanno sempre la priorità; quando l'apparecchio viene comandato direttamente, i comandi tramite l'app Home Connect non sono disponibili.

## Configurazione di Home Connect

### Avvertenze

- Osservare l'allegato Home Connect alle istruzioni che è possibile scaricare dall'indirizzo <http://www.siemens-home.bsh-group.com>. Inserire nel campo di ricerca il codice (E-Nr.) dell'elettrodomestico.
- Dopo l'accensione dell'apparecchio attendere almeno due minuti per consentire l'inizializzazione interna dell'apparecchio. Configurare Home Connect soltanto al termine.
- Per poter eseguire le impostazioni mediante Home Connect, l'app Home Connect deve essere installata sul proprio dispositivo mobile. Osservare la documentazione fornita di Home Connect. Seguire i passi indicati all'interno dell'app per eseguire le impostazioni.
- Dopo diversi istanti di inutilizzo, il menu di Home Connect si chiude automaticamente. Informazioni sull'apertura del menu di Home Connect sono disponibili all'inizio del capitolo corrispondente.

### Connessione automatica alla rete domestica (WLAN)

Se è disponibile un router WLAN con funzione WPS, è possibile collegare automaticamente il frigorifero alla rete domestica.

1. Premere contemporaneamente il tasto super cooling e il tasto lock/alarm off per aprire il menu Home Connect.

Il display indica **Cn**.

### Avvertenza

Premere contemporaneamente i due tasti. I tasti vengono bloccati se si preme a lungo il tasto lock/alarm off da solo. Premere nuovamente il tasto lock/alarm off finché i tasti non si sbloccano.

2. Premere il tasto compartment finché i display non visualizzano **AC** e **oF**.
3. Premere il tasto +.

L'apparecchio è pronto per la connessione automatica.

Il display visualizza un'animazione per 2 minuti.

Durante questo intervallo eseguire le operazioni seguenti.

4. Attivare la funzione WPS sul router della rete domestica (ad es. con il tasto WPS/WLAN, osservare le informazioni riportate nella documentazione del router).
  - Se la connessione è stata stabilita, lampeggia **on** sul display del frigorifero.

Ora è possibile collegare il frigorifero all'app.



- Se il display visualizza **oF** significa che non è stato possibile stabilire la connessione.

Verificare che il frigorifero si trovi entro il campo di copertura della rete domestica (WLAN).

Ripetere la procedura oppure eseguire la connessione manualmente.

### Connessione manuale alla rete domestica (WLAN)

Se il router WLAN presente non è dotato di funzione WPS o se l'utente non ne è a conoscenza, è possibile collegare il frigorifero manualmente alla rete domestica.

1. Premere contemporaneamente il tasto super cooling e il tasto lock/alarm off per aprire il menu Home Connect.

Il display indica **Cn**.

#### Avvertenza

Premere contemporaneamente i due tasti. I tasti vengono bloccati se si preme a lungo il tasto lock/alarm off da solo. Premere nuovamente il tasto lock/alarm off finché i tasti non si sbloccano.

2. Premere il tasto compartment finché i display non mostrano **SA** e **oF**.
3. Premere il tasto +.

L'apparecchio è pronto per la connessione manuale.

Il display visualizza un'animazione per 5 minuti.

Durante questo intervallo eseguire le operazioni seguenti.

4. Per il frigorifero è ora configurata una propria rete WLAN con il nome **HomeConnect**.

A questa rete è ora possibile accedere con il dispositivo mobile.

5. Aprire il menu delle impostazioni del dispositivo mobile e richiamare le impostazioni WLAN.

6. Collegare il dispositivo mobile alla rete WLAN **HomeConnect**.

Password: **HomeConnect**

Per stabilire la connessione possono essere necessari fino a 60 secondi.

7. Una volta stabilita la connessione, aprire l'app Home Connect sul dispositivo mobile.  
L'app cerca il frigorifero.
8. Non appena viene rilevato il frigorifero, inserire il nome della rete (SSID) e la password (Key) della propria rete domestica (WLAN) nei campi corrispondenti.
9. Confermare con il pulsante **Trasferisci agli elettrodomestici**.

- Se la connessione è stata stabilita, lampeggia **on** sul display del frigorifero.

Ora è possibile collegare il frigorifero all'app.

- Se il display visualizza **oF** significa che non è stato possibile stabilire la connessione.

Inserire nuovamente la password verificando che sia scritta correttamente.

Verificare che il frigorifero si trovi entro il campo di copertura della rete domestica (WLAN).

Ripetere l'operazione.

## Collegamento del frigorifero con l'app Home Connect

Una volta stabilita la connessione tra il frigorifero e la rete domestica è possibile collegare il frigorifero all'app.

1. Premere contemporaneamente il tasto super cooling e il tasto lock/alarm off per aprire il menu Home Connect.

Il display indica **Cn**.

### Avvertenza

Premere contemporaneamente i due tasti. I tasti vengono bloccati se si preme a lungo il tasto lock/alarm off da solo. Premere nuovamente il tasto lock/alarm off finché i tasti non si sbloccano.

2. Premere il tasto compartment finché non sono visualizzati **PA** (Pairing = collegamento all'app) e **oF**.

3. Premere il tasto **+** per collegare l'apparecchio all'app.

Il display mostra un'animazione.

Non appena il frigorifero e l'app sono collegati, il display mostra **on**.

4. Aprire l'app e attendere finché non viene visualizzato il frigorifero. Con **Aggiungi** confermare il collegamento tra l'app e il frigorifero.

Se il frigorifero non viene visualizzato automaticamente, fare clic su

**Aggiungi apparecchio** nell'app e seguire le istruzioni. Non appena viene visualizzato il frigorifero, aggiungerlo con **+**.

5. Seguire le istruzioni dell'app fino alla fine della procedura.

- I display mostrano **PA** e **on**.

Il frigorifero è stato collegato all'app.

- Se la connessione non è stata stabilita, verificare che il dispositivo mobile sia connesso alla rete domestica (WLAN).

Quindi collegare di nuovo il frigorifero all'app.

- Se il display mostra **Er**, Home Connect resettare le impostazioni e ripetere la configurazione dall'inizio.

## Verifica dell'intensità del segnale

Se non viene instaurata la connessione occorre verificare l'intensità del segnale.

1. Premere contemporaneamente il tasto super cooling e il tasto lock/alarm off per aprire il menu Home Connect.

Il display indica **Cn**.

### Avvertenza

Premere contemporaneamente i due tasti. I tasti vengono bloccati se si preme a lungo il tasto lock/alarm off da solo. Premere nuovamente il tasto lock/alarm off finché i tasti non si sbloccano.

2. Premere il tasto compartment finché il display non mostra **SI**. Nel secondo display viene visualizzato un valore compreso tra 0 (nessuna ricezione) e 3 (massima ricezione).

### Avvertenza

L'intensità del segnale deve essere pari almeno a 2. Se l'intensità del segnale è troppo bassa, la connessione può interrompersi. Avvicinare il router e il frigorifero, verificare che la connessione non sia disturbata da pareti schermanti oppure installare un ripetitore per rafforzare il segnale.

## Home Connect Reset delle impostazioni

Se non si riesce a stabilire la connessione oppure se si desidera registrare il frigorifero in un'altra rete (WLAN), è possibile resettare le impostazioni di Home Connect:

1. Premere contemporaneamente il tasto super cooling e il tasto lock/alarm off per aprire il menu Home Connect.

Il display indica **Cn**.

### Avvertenza

Premere contemporaneamente i due tasti. I tasti vengono bloccati se si preme a lungo il tasto lock/alarm off da solo. Premere nuovamente il tasto lock/alarm off finché i tasti non si sbloccano.

2. Premere il tasto compartment finché i display non mostrano **rE** e **oF**.
3. Premere il tasto +.

- Il display mostra una breve animazione, quindi mostra nuovamente **oF**.

Le impostazioni di Home Connect sono resettate.

- Se il display mostra **Er**, eseguire nuovamente il reset oppure contattare il servizio di assistenza clienti.

## Accesso del servizio di assistenza clienti

Contattando il servizio di assistenza clienti, quest'ultimo può intervenire sull'apparecchio dietro richiesta e rilevare il suo stato. A tal fine è necessario che l'apparecchio sia collegato alla rete domestica.

Per ulteriori informazioni sull'accesso da parte del servizio di assistenza clienti e sulla disponibilità nel proprio Paese visitare la sezione Help&Support del sito [www.home-connect.com](http://www.home-connect.com).

1. Contattare il servizio di assistenza clienti.
2. Confermare l'avvio dell'accesso del servizio di assistenza clienti nell'app.  
Durante l'accesso del servizio di assistenza clienti compare il simbolo CS sul pannello di comando.
3. Dopo aver raccolto tutte le informazioni necessarie il servizio di assistenza clienti pone termine all'accesso.

### Avvertenza

La diagnosi a distanza può essere interrotta in anticipo disattivando l'accesso del servizio di assistenza clienti nell'app Home Connect.

## Avvertenze sulla protezione dei dati

Con il primo collegamento del frigorifero Home Connect a una rete WLAN connessa a Internet, il frigorifero trasmette le seguenti categorie di dati al server Home Connect (prima registrazione):

- Identificativo univoco dell'apparecchio (costituito dai codici dell'apparecchio e dall'indirizzo MAC del modulo di comunicazione Wi-Fi installato).
- Certificato di sicurezza del modulo di comunicazione Wi-Fi (per la protezione informatica della connessione).
- La versione attuale del software e dell'hardware del frigorifero.
- Lo stato di un eventuale ripristino precedente delle impostazioni di fabbrica.

La prima registrazione prepara l'apparecchio per l'utilizzo delle funzionalità Home Connect ed è necessaria soltanto nel momento in cui si desidera utilizzare le funzionalità Home Connect per la prima volta.

### Avvertenza

Osservare che le funzionalità Home Connect sono utilizzabili solo in abbinamento all'app Home Connect. Le informazioni sulla protezione dei dati possono essere richiamate nell'app Home Connect.

## Dichiarazione di conformità

Con la presente BSH Hausgeräte GmbH dichiara che l'apparecchio con funzionalità Home Connect è in conformità con i requisiti fondamentali e le disposizioni relative alla direttiva 1999/5/CE.

Una dichiarazione di conformità dettagliata R&TTE è consultabile su Internet, sul sito [www.siemens-home.bsh-group.com](http://www.siemens-home.bsh-group.com) alla pagina del prodotto nei documenti supplementari.



## Capacità utile totale

I dati di volume utile sono indicati sulla targhetta d'identificazione dell'apparecchio. Figura **12**

## Sfruttare interamente il volume utile

I contenitori possono essere rimossi per sistemare la quantità massima di alimenti. Gli alimenti possono essere poi accumulati direttamente sul ripiano e sul fondo del congelatore.

### Avvertenza

Evitare gli alimenti vengano a contatto con la parete di fondo. In tal caso la circolazione dell'aria viene impedita.

Durante il congelamento, le confezioni degli alimenti possono attaccarsi alla parete di fondo.

### Rimozione degli accessori

Estrarre i cassetti surgelati fino all'arresto, sollevarli avanti ed estrarli. Figura **9**

## Il frigorifero

Il frigorifero è il luogo di conservazione ideale per carne, salumi, pesce, latticini, uova, alimenti pronti e prodotti da forno.

### Tenere presente nella conservazione

- Conservare alimenti freschi, integri. Così la qualità e la freschezza si conservano più a lungo.
- Per i prodotti pronti ed alimenti confezionati osservare la data minima di conservazione o la data di consumo indicata dal produttore.
- Sistemare gli alimenti ben confezionati o coperti, per conservare aroma, colore e freschezza. Si evitano così contaminazioni di gusto e alterazioni di colore delle parti di plastica nel frigorifero.
- Fare prima raffreddare gli alimenti e le bevande caldi, poi metterli nell'apparecchio.

### Avvertenza

Per non pregiudicare la circolazione dell'aria, non ostruire le aperture di uscita dell'aria con alimenti. Gli alimenti, che sono conservati direttamente innanzi alle aperture di uscita dell'aria, possono anche essere congelati dall'aria fredda che esce.

## Considerare le zone più fredde nel frigorifero

La circolazione dell'aria nel frigorifero, genera delle zone con temperature differenti:

- Le zone più fredde sono avanti alle aperture di uscita aria e nel cassetto di raffreddamento, figura **1**/22.

### Avvertenza

Conservare nelle zone più fredde gli alimenti deperibili (per es. pesce, insaccati, carne).

- La zona meno fredda è nella parte più alta della porta.

### Avvertenza

Conservare nelle zone meno fredde ad es. formaggio duro e burro. Il formaggio duro può così conservare il suo aroma e il burro resta spalmabile.

## Super-raffreddamento

Durante il super-raffreddamento il vano frigorifero viene raffreddato quanto più possibile per ca. 6 ore. In seguito viene regolato automaticamente alla temperatura impostata prima del super-raffreddamento.

Inserire il super-raffreddamento per es.

- prima d'introdurre grandi quantità di alimenti.
- per il raffreddamento rapido di bevande.

### Attivazione e disattivazione

Figura **4**

1. Con il tasto compartment selezionare il frigorifero.
2. Premere il tasto Super finché non si accende super cool.

Non si deve disinserire il super-raffreddamento. Dopo 6 ore l'apparecchio passa automaticamente alla temperatura precedentemente impostata.

### Avvertenza

Con il super-raffreddamento del frigo attivo, i rumori determinati dal funzionamento saranno maggiori.

## Il vano hyperFresh

La temperatura del vano a 0 °C si mantiene vicino a 0 °C. La bassa temperatura e il livello di umidità ottimale garantiscono condizioni di conservazione ideali per gli alimenti freschi.

Nel vano a 0 °C si possono conservare alimenti per una durata fino a tre volte maggiore rispetto alla normale zona frigo, per conservare più a lungo la freschezza, le sostanze nutritive e il gusto.

### Cassetto per verdure

Figura **7**

Il cassetto per verdure è il luogo di conservazione ottimale per frutta fresca e verdura. L'umidità dell'aria nel cassetto per verdure può essere adattata per mezzo del regolatore umidità del ripiano di separazione e di una speciale guarnizione.

L'umidità dell'aria nel cassetto per verdure può essere regolata a seconda del tipo e della quantità dei prodotti da conservare:

- soprattutto frutta e in caso di carico elevato – bassa umidità dell'aria
- soprattutto verdura e in caso di carico misto o di carico ridotto – alta umidità dell'aria

## Avvertenze

- Per la conservazione ottimale della qualità e dell'aroma di frutta (ad es. ananas, banane, papaye ed agrumi) ed ortaggi (ad es. melanzane, cetrioli, zucchine, peperoni, pomodori e patate) che temono il freddo, conservarle fuori del frigorifero a temperature di +8 °C a +12 °C circa.
- A seconda della quantità e del prodotto conservato, nel cassetto verdura può formarsi condensa. Rimuovere la condensa con un panno asciutto e adattare l'umidità dell'aria nel cassetto verdura con il regolatore umidità.

## Cassetto freschezza

Figura **11**/22

Il clima di conservazione nel cassetto freschezza offre condizioni ideali per conservare pesce, carne, salumi, formaggio e latte.

## Tempi di conservazione (a 0 °C)

### a seconda della qualità iniziale

Pesce fresco, frutti di mare	fino a 3 giorni
Pollame, carne (cotti/arrostiti)	fino a 5 giorni
Manzo, suino, agnello, salumi (affettati)	fino a 7 giorni
Pesce affumicato, broccoli	fino a 14 giorni
Insalata, finocchio, albicocche, prugne	fino a 21 giorni
Formaggio tenero, yogurt, ricotta, latticello, cavolfiore	fino a 30 giorni

## Congelatore

### Usare il congelatore

- Per conservare alimenti surgelati.
- Per produrre cubetti di ghiaccio.
- Per il congelamento di alimenti.

### Avvertenza

Attenzione che la porta del congelatore sia chiusa correttamente! Se la porta è aperta gli alimenti surgelati si scongelano. Il congelatore forma molto ghiaccio. Inoltre: spreco di energia a causa di alto consumo di corrente elettrica!

## Max. capacità di congelamento

Indicazioni sulla max. possibilità di congelamento in 24 ore sono riportate sulla targhetta d'identificazione. Figura **12**

### Condizioni per la max. capacità di congelamento

- Prima di introdurre prodotti freschi inserire il super congelamento (vedi il capitolo «Super congelamento»).
- Estrarre il contenitore; accumulare gli alimenti direttamente sul ripiano e sul fondo del congelatore.
- Congelare le quantità più grandi di alimenti preferibilmente nello scomparto superiore. Qui essi vengono congelati molto rapidamente e perciò anche salvaguardandone le proprietà.

---

## Congelare e conservare

### Acquisto di alimenti surgelati

- La confezione non deve essere danneggiata.
- Rispettare la data di conservazione.
- La temperatura nell'espositore-congelatore di vendita deve essere -18 °C o inferiore.
- Trasportare gli alimenti surgelati possibilmente in una borsa termica e conservarli poi al più presto possibile nel congelatore.

### Tenere presente nella sistemazione

- Congelare le quantità più grandi di alimenti preferibilmente nello scomparto superiore. Qui essi vengono congelati molto rapidamente e perciò anche salvaguardandone le proprietà.
- Disporre gli alimenti distesi in piano negli scomparti o nei cassetti surgelati.

#### Avvertenza

Gli alimenti già congelati non devono entrare in contatto con gli alimenti da congelare. Eventualmente spostare gli alimenti congelati nei altri cassetti surgelati.

### Conservazione degli alimenti congelati

Per garantire la perfetta circolazione dell'aria, introdurre il cassetto surgelati fino all'arresto.

---

## Congelamento di alimenti freschi

Per il congelamento utilizzare solo alimenti freschi ed integri.

Per conservare al meglio valore nutritivo, aroma e colore, sbollentare la verdura prima di congelarla. Non è necessario sbollentare melanzane, peperoni, zucchine ed asparagi.

In libreria sono reperibili pubblicazioni sul congelamento e la sbollentatura.

#### Avvertenza

Non mettere gli alimenti da congelare in contatto con quelli congelati.

- Sono idonei per il congelamento: Prodotti da forno, pesce e frutti di mare, carne, selvaggina, pollame, verdura, frutta, erbe aromatiche, uova senza guscio, latticini, come formaggio, burro e ricotta, pietanze pronte e residui vivande, come minestre, piatti unici, carne e pesce cotti a fuoco lento, vivande di patate, sformati e dolci.
- Non sono idonei per il congelamento: Tipi di ortaggi, che solitamente si consumano crudi, come insalate in foglia o ravanelli, uova nel guscio, uva, mele intere, pere e pesche, uova sode, yogurt, latte cagliato, panna acida, crème fraîche e maionese.



## Confezionamento di alimenti surgelati

Conservare gli alimenti in confezioni ermetiche, per evitare che perdano il loro gusto o possano essiccarsi.

1. Introdurre l'alimento nella confezione.
2. Fare uscire l'aria.
3. Chiudere la confezione ermeticamente.
4. Scrivere sulla confezione il contenuto e la data di congelamento.

### Imballaggio idoneo:

pellicola di plastica, pellicola tubolare di polietilene, fogli di alluminio, contenitori per surgelati.

Questi prodotti sono in vendita nel commercio specializzato.

### Imballaggio non idoneo:

carta per imballaggio, carta pergamena, cellofan, sacchetti per rifiuti e sacchetti per la spesa usati.

### Sono idonei per chiudere le confezioni:

anelli di gomma, clip di plastica, fili per legare, nastri adesivi resistenti al freddo e simili.

I sacchetti e la pellicola tubolare di polietilene possono essere sigillati mediante saldatura con un apposito apparecchio.

## Durata di conservazione dei surgelati

La durata di conservazione dipende dal tipo di alimento.

Ad una di temperatura di  $-18\text{ }^{\circ}\text{C}$ :

- Pesce, salsiccia, pietanze pronte, prodotti da forno:  
fino a 6 mesi
- Formaggio, pollame, carne:  
fino a 8 mesi
- Verdura, frutta:  
fino a 12 mesi

---

## Super-congelamento

Per conservare vitamine, valori nutritivi, aspetto e gusto, gli alimenti devono essere congelati completamente, anche nell'interno, nel tempo più breve possibile.

Per evitare un indesiderato aumento della temperatura, inserire il super-congelamento alcune ore prima di introdurre alimenti freschi.

In linea di massima sono sufficienti 4-6 ore.

Dopo l'inserimento l'apparecchio funziona costantemente, nel congelatore si raggiunge una temperatura molto bassa.

Se si vuole utilizzare la max. possibilità di congelamento, il super-congelamento deve essere attivato 24 ore prima di introdurre gli alimenti freschi.

Le quantità di alimenti più piccole (fino ad 2 kg) possono essere congelate senza super-congelamento.

**Avvertenza**

Con il super-congelamento inserito, maggiori sono i rumori di funzionamento.

**Attivazione e disattivazione**

Figura **4**

1. Con il tasto compartment selezionare il congelatore.
2. Premere il tasto Super finché non si accende super freeze.

Non si deve disinserire il super-congelamento. Dopo ca. 2 giorni e ½ l'apparecchio passa automaticamente alla temperatura precedentemente impostata.

**Decongelare surgelati**

A seconda del genere e dell'uso, utilizzare una delle seguenti possibilità:

- a temperatura ambiente
- nel frigorifero
- nel forno elettrico, con/senza ventola aria calda
- nel forno a microonde

**Attenzione**

Non ricongelare gli alimenti parzialmente o completamente decongelati. Questi possono essere di nuovo congelati solo dopo avere preparato (mediante qualsiasi tipo di cottura) pietanze pronte all'uso.

Non utilizzare più la durata max. di conservazione.

**Dotazione****Ripiani e balconcini**

Se necessario, i ripiani del vano interno ed i balconcini della porta possono essere spostati: tirare i ripiani in avanti, abbassarli e ruotarli lateralmente. Sollevare il balconcino ed estrarlo.

**Dotazione speciale**

(non in tutti i modelli)

**Scomparto per burro e formaggio**

Per aprire il vano «burro» premere lo sportello al centro.

Per un corretta pulizia sollevare il vano ed estrarlo.

**Set colazione**

Figura **5**

I contenitori del set colazione possono essere estratti e riempiti singolarmente.

Il set colazione può essere estratto per il carico e scarico. A tal fine sollevare leggermente il set colazione ed estrarlo. Il supporto del contenitore può essere spostato.

**Ripiano bottiglie**

Figura **6**

Sul ripiano bottiglie si possono deporre in sicurezza le bottiglie.

## Vaschetta per ghiaccio

Figura 11

1. Riempire la vaschetta del ghiaccio per  $\frac{3}{4}$  con acqua e riporla nel congelatore.
2. Staccare la vaschetta del ghiaccio eventualmente attaccata solo con un oggetto non acuminato (manico di cucchiaino).
3. Per staccare i cubetti di ghiaccio mettere brevemente la vaschetta sotto acqua corrente oppure torcerla leggermente.

## Calendario di congelamento

Figura 10

Per evitare perdite di qualità degli alimenti surgelati, non superare la durata di conservazione. I numeri accanto ai simboli indicano in mesi la durata di conservazione consentita per l'alimento congelato. In caso di comuni alimenti surgelati commerciali osservare la data di produzione o di scadenza.

## Accumulatori del freddo

L'accumulatore del freddo ritarda il riscaldamento degli alimenti conservati in caso d'interruzione dell'energia elettrica o di guasto. La durata massima di conservazione si raggiunge deponendo l'accumulatore di freddo sopra gli alimenti nello scomparto superiore.

L'accumulatore del freddo può essere estratto anche per raffreddare temporaneamente alimenti, per es. in una borsa frigo.

## Adesivo «OK»

(non in tutti i modelli)

Con l'adesivo «OK» è possibile controllare se nel frigorifero sono stati raggiunti i range di temperatura sicuri consigliati per gli alimenti (+4 °C o temperatura inferiore). Se l'adesivo non indica «OK», ridurre progressivamente la temperatura.

### Avvertenza

Dopo la messa in funzione dell'apparecchio possono passare fino a 12 ore prima che sia raggiunta la temperatura regolata.



### Corretta regolazione

---

## Spegnere e mettere fuori servizio l'apparecchio

### Spegnimento dell'apparecchio

Premere il pulsante «+» per 10 secondi. Il frigorifero si spegne.

(Non in tutti i modelli).

### Mettere fuori servizio l'apparecchio

Quando non si usa l'apparecchio per un lungo periodo:

1. Estrarre la spina di alimentazione o disinserire il dispositivo di sicurezza.
2. Pulire l'apparecchio.
3. Lasciare aperte le porte dell'apparecchio.

### Avvertenza

Per evitare danni all'apparecchio, le porte devono essere aperte in modo che restino aperte da sole. Non bloccare oggetti in una porta per tenerla aperta.

---

## Pulizia dell'apparecchio

### **Attenzione**

- Non utilizzare prodotti per pulizia e solventi chimici contenenti sabbia, cloro o acidi.
- Non usare spugne abrasive o spugne che graffiano.  
Sulle superfici metalliche potrebbe formarsi macchie da corrosione.
- Non lavare mai in lavastoviglie i ripiani ed i contenitori.  
Questi elementi si possono deformare!

### **L'acqua di lavaggio non deve penetrare nelle zone seguenti:**

- Elementi di comando
- Illuminazione
- Aperture di ventilazione
- Aperture nel divisorio

### **Procedere come segue:**

1. Estrarre la spina di alimentazione o disinserire il dispositivo di sicurezza.
2. Estrarre gli alimenti surgelati e depositarli in un luogo fresco.  
Disporre un panetto di ghiaccio (se disponibile) sugli alimenti.
3. L'acqua non deve penetrare negli elementi di comando, nell'illuminazione, nelle aperture di ventilazione o nelle aperture del piano divisorio!  
Pulire l'apparecchio con un panno morbido, acqua tiepida e poco detergente a pH neutro.

4. Lavare la guarnizione della porta solo con acqua pulita e poi asciugarla con cura.
5. Dopo la pulizia: ricollegare l'apparecchio.
6. Introdurre di nuovo i surgelati.

## Caratteristiche

Per la pulizia tutte le parti mobili dell'apparecchio possono essere estratte.

### Avvertenza

Il piano divisorio tra il frigorifero e il vano hyperFresh è fisso. Per evitare di danneggiare l'apparecchio, questo piano può essere rimosso soltanto dall'assistenza tecnica o dai tecnici autorizzati.

### Rimozione dei balconcini dalla porta Figura 3

Sollevarre ed estrarre i balconcini.

### Estrarre i ripiani di vetro

Tirare i ripiani di vetro in avanti ed estrarli.

### Estrarre i contenitori Figura 8

Estrarre completamente i cassetti e liberarli dall'arresto sollevandoli.

Per inserire i cassetti deporli sulle guide di estrazione e spingerli nell'interno. Il cassetto si arresta premendolo in basso.

### Estrarre i cassetti surgelati Figura 9

Estrarre i cassetti surgelati fino all'arresto, sollevarli avanti ed estrarli.

## Illuminazione (LED)

L'apparecchio è dotato di un'illuminazione a LED esente da manutenzione.

Riparazioni a questa illuminazione deve essere eseguite solo dal Servizio Assistenza Clienti autorizzato.

## Risparmiare energia

- Installare l'apparecchio in un ambiente asciutto ventilabile. L'apparecchio non deve essere esposto direttamente al sole o vicino ad una fonte di calore (per es. calorifero, stufa).  
Altrimenti usare un pannello isolante.
- Lasciare raffreddare gli alimenti e le bevande, se caldi, prima di introdurli nell'apparecchio.
- Per scongelare un alimento surgelato metterlo nel frigorifero, si utilizza così il freddo del surgelato per il raffreddamento degli alimenti.
- Aprire la porta dell'apparecchio il tempo più breve possibile.
- Al fine di raggiungere il minimo consumo energetico: mantenere una piccola distanza laterale dal muro.
- La disposizione delle parti dell'attrezzatura non ha influenza sull'assorbimento di energia dell'apparecchio.

---

# Rumori di funzionamento

## Rumori normali

### **Avvertenza**

Con il super-congelamento inserito, i rumori di funzionamento possono aumentare.

### **Ronzio**

Motori in funzione (ad es. gruppi frigoriferi, ventilatore).

### **Gorgoglio, scroscio o fruscio**

Derivano dal gas refrigerante, che circola nei i raccordi del circuito refrigerante.

### **Breve scatto**

Motore, interruttori ed elettrovalvole s'inseriscono/disinseriscono.

### **Crepitio**

Sbrinamento automatico in corso.

## Evitare i rumori

### **L'apparecchio non è correttamente livellato**

Livellare l'apparecchio con una livella a bolla d'aria. A tal fine utilizzare i piedini a vite o inserire uno spessore.

### **L'apparecchio è in contatto laterale**

Allontanare l'apparecchio dai mobili o apparecchi con i quali è in contatto.

### **I contenitori o i ripiani traballano o non sono correttamente inseriti**

Controllare le parti estraibili ed eventualmente inserirle di nuovo correttamente.

### **I contenitori all'interno dell'apparecchio si toccano tra loro**

Allontanare un poco le bottiglie o i contenitori.

## Eliminare piccoli guasti

Prima di rivolgersi al customer service:

provare ad eliminare autonomamente l'inconveniente con l'aiuto delle seguenti istruzioni.

L'intervento del Servizio Assistenza Clienti in caso di corretto funzionamento del prodotto, è a carico del consumatore.

<b>Guasto</b>	<b>Causa possibile</b>	<b>Rimedio</b>
La temperatura si discosta notevolmente dalle impostazioni iniziali.		In alcuni casi basta spegnere l'apparecchio per 5 minuti. Se la temperatura è troppo alta, controllare dopo qualche ora se vi è stata una normalizzazione della temperatura. Se la temperatura è troppo bassa, ricontrollare la temperatura il giorno seguente.
L'illuminazione non funziona.	L'illuminazione con il LED è guasta.  La porta è rimasta troppo tempo aperta.  L'illuminazione si spegne dopo ca. 10 min..	Vedi capitolo «Illuminazione (LED)».  L'illuminazione si riaccende chiudendo e riaprendo la porta.
Tutte le spie spente.	Interruzione dell'energia elettrica; è scattato il dispositivo elettrico di sicurezza; la spina d'alimentazione non è inserita correttamente.	Collegare la spina di alimentazione. Controllare se vi è energia elettrica e controllare il dispositivo elettrico di sicurezza.
Nel frigorifero o nel vano hyperFresh la temperatura è troppo bassa.		Regolare la temperatura del frigorifero su un valore più alto.  Regolare la temperatura nel vano hyperFresh su un valore più alto.
La temperatura nel congelatore è troppo alta.	Frequente apertura della porta dell'apparecchio.  I passaggi dell'aria per l'aerazione sono ostruiti.  Congelamento di grandi quantità di alimenti freschi.	Non aprire inutilmente la porta dell'apparecchio.  Liberare le aperture.  Non superare la quantità massima di congelamento.

<b>Guasto</b>	<b>Causa possibile</b>	<b>Rimedio</b>
L'apparecchio non raffredda, la spia di temperatura e l'illuminazione sono accese.	Il programma dimostrativo è attivo.	Tenere premuti il tasto compartment e il tasto di regolazione — per 5 secondi finché non viene emesso un tono di conferma. Dopo qualche tempo controllare se l'apparecchio raffredda.
Le pareti laterali dell'apparecchio sono calde.	Nelle pareti laterali sono posati tubi che si riscaldano durante il raffreddamento.	Si tratta del funzionamento normale dell'apparecchio, non di un guasto. I mobili a contatto con l'apparecchio non vengono danneggiati dal calore.
La porta del congelatore è rimasta aperta troppo a lungo; non è più possibile raggiungere la temperatura.	L'evaporatore (generatore del freddo) nel sistema NoFrost è ostruito dal ghiaccio, non riesce più a sbrinarsi automaticamente.	Per sbrinare l'evaporatore estrarre gli alimenti congelati con i contenitori e deporli ben isolati in un luogo fresco. Spegnerne l'apparecchio. Lasciare aperta la porta dell'apparecchio. Dopo ca 20 min. l'acqua di sbrinamento comincia a gocciolare nella vaschetta d'evaporazione sul lato posteriore dell'apparecchio. Per evitare in questo caso che la vaschetta d'evaporazione trabocchi, svuotarla periodicamente. Quando nella vaschetta d'evaporazione non defluisce più acqua di sbrinamento, l'evaporatore è sbrinato. Pulire il vano interno. Rimettere l'apparecchio in funzione.



## Autotest dell'apparecchio

Questo apparecchio dispone di un programma automatico di autotest che individua cause ed inconvenienti che possono essere eliminati solo dal Servizio Assistenza Clienti.

### Avvio dell'autotest dell'apparecchio

1. Spegnere l'apparecchio ed attendere 5 minuti.
2. Accendere l'apparecchio ed entro 10 secondi tenere premuti per 3-5 secondi il tasto compartimento il tasto di regolazione «-» finché non viene emesso un segnale acustico. Il programma di autotest ha inizio.

Alla fine dell'autotest, se viene emesso un doppio segnale acustico l'apparecchio funziona correttamente.

Se vengono emessi 5 segnali acustici, è presente un malfunzionamento.

Informare il servizio assistenza clienti.

### Terminare l'autotest dell'apparecchio

Alla fine del programma l'apparecchio passa in modalità funzionamento automatico.

## Servizio di assistenza clienti

Trovate un centro del servizio di assistenza clienti nelle vostre vicinanze nell'elenco telefonico o nella rubrica del servizio di assistenza clienti. Comunicate al servizio di assistenza la sigla del prodotto (E-Nr.) e il numero di fabbricazione (FD-Nr.) dell'apparecchio.

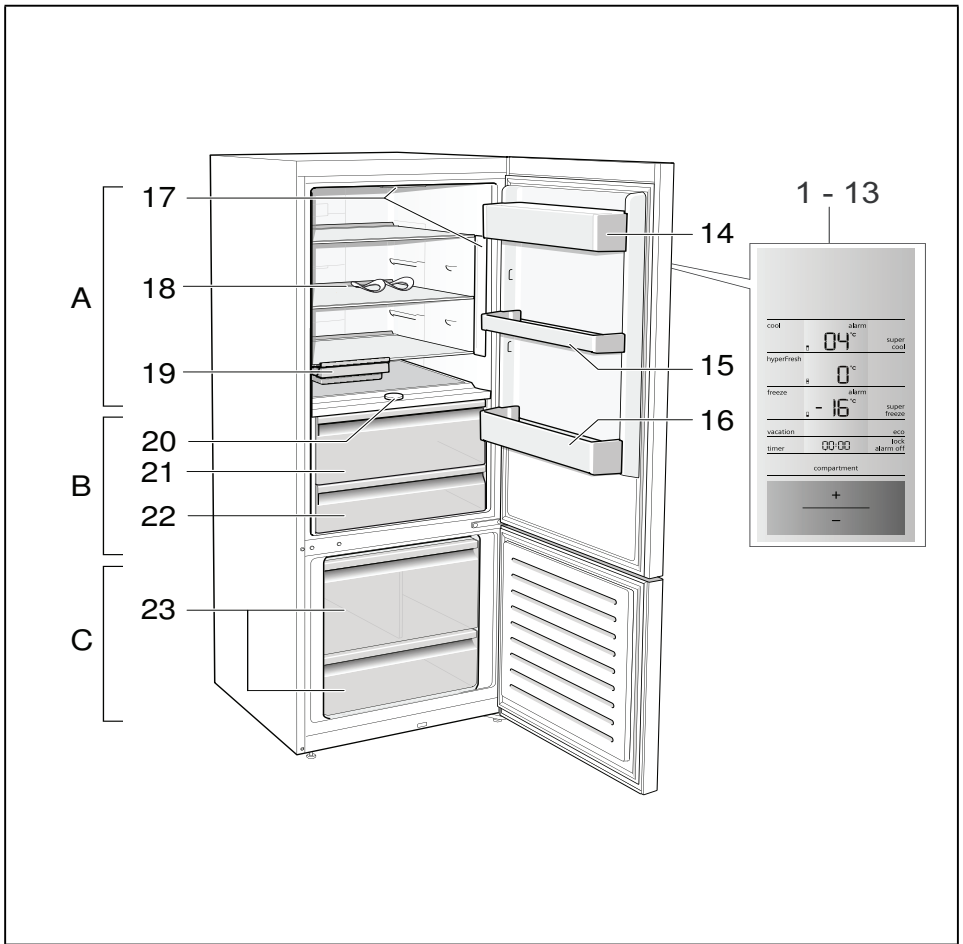
Trovate questi dati sulla targhetta identificativa. Figura **12**

Indicando il prodotto e il numero di fabbricazione contribuite ad evitare interventi a vuoto e a evitare spese supplementari.

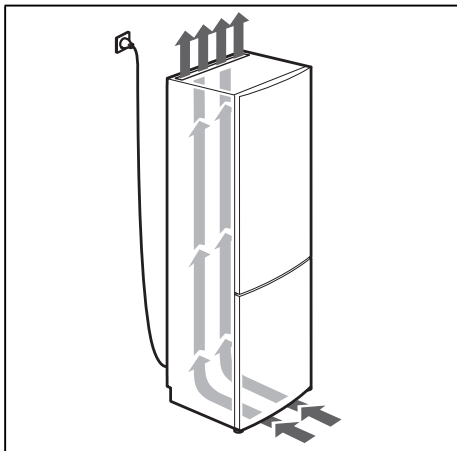
### Ordine di riparazione e consulenza in caso di guasti

Trovate i dati di contatto di tutti i paesi nell'accluso elenco dei centri di assistenza clienti.

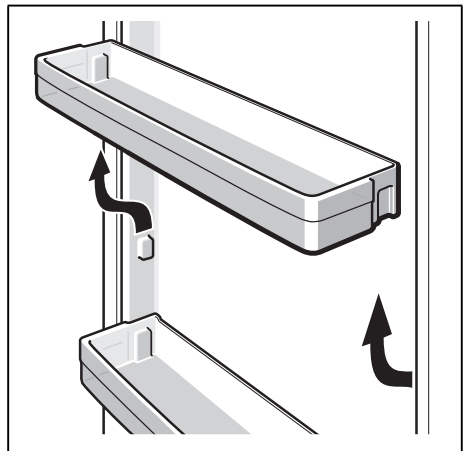
I	800-018346	Linea verde
CH	0848 840 040	



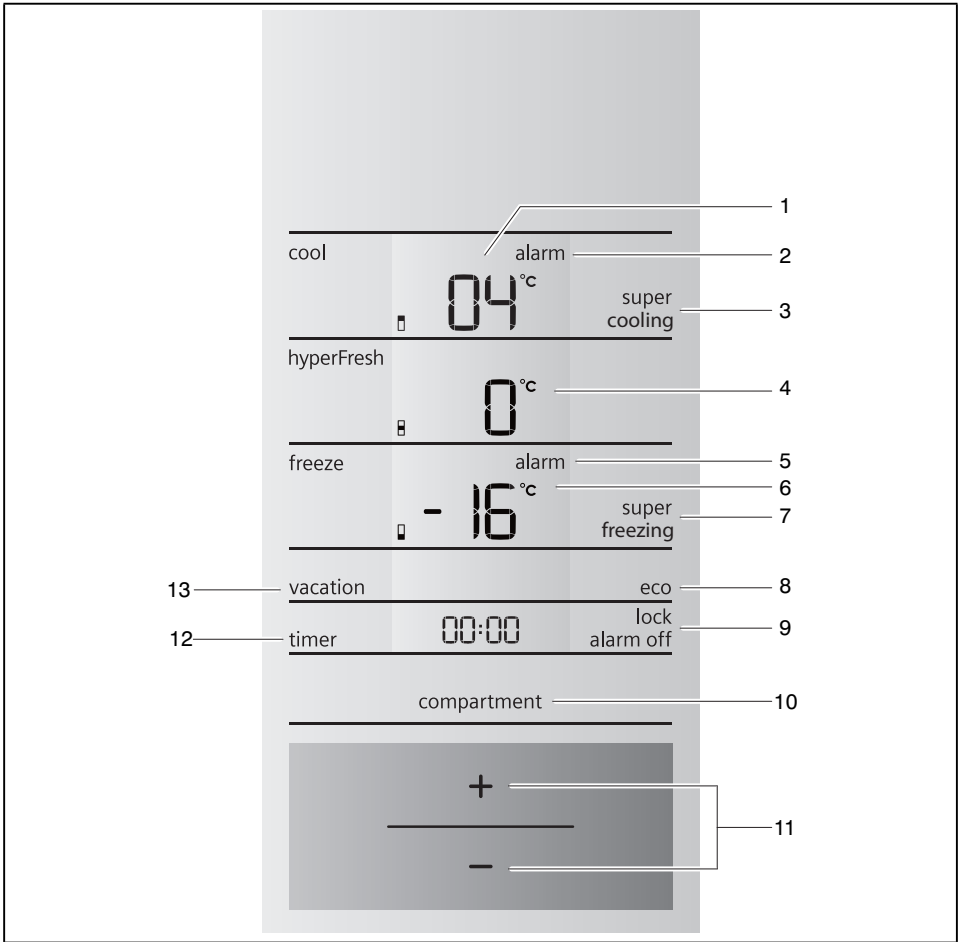
**1**



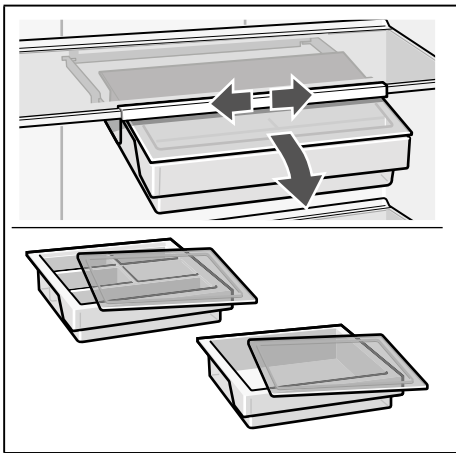
**2**



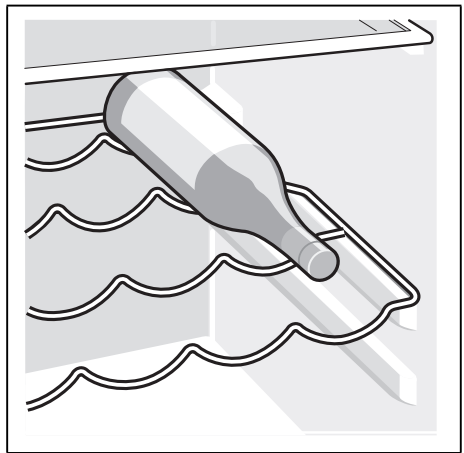
**3**



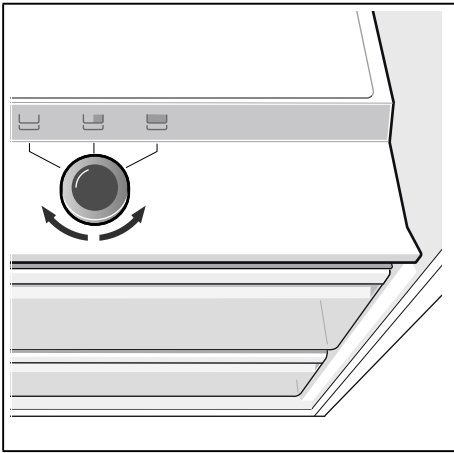
4



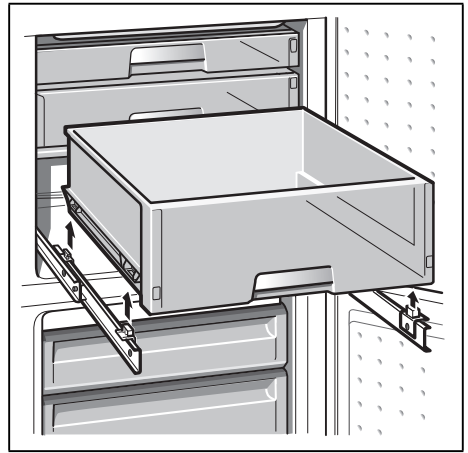
5



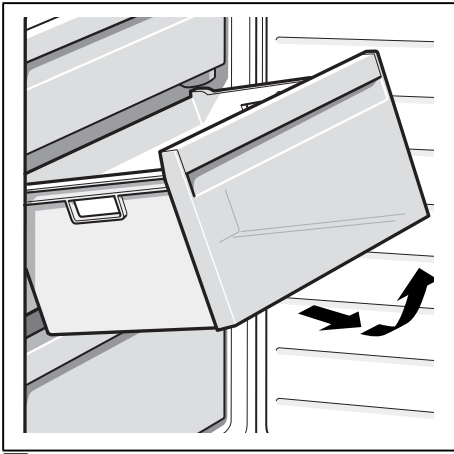
6



7



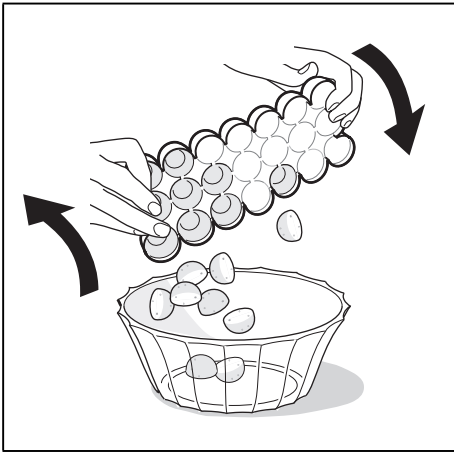
8



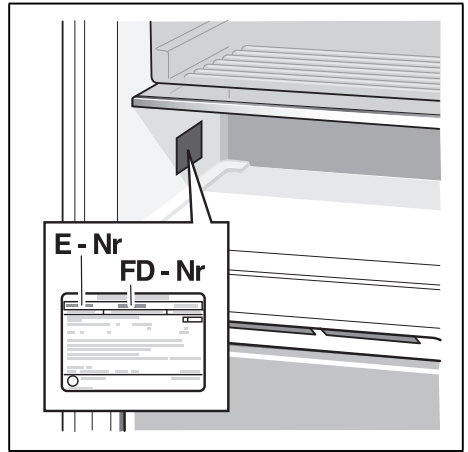
9



10



11



12

BSH Hausgeräte GmbH  
Carl-Wery-Straße 34  
81739 München, GERMANY

[siemens-home.bsh-group.com](https://siemens-home.bsh-group.com)

Manufactured by BSH Hausgeräte GmbH under Trademark License of Siemens AG  
Prodotto da BSH Hausgeräte GmbH in quanto licenziatario del marchio di Siemens AG



**8001035749** (9712)

en, it