

SIEMENS



Fridge-freezer

Frigorífico / congelador

Combinazione frigorifero / congelatore

KG..F..

siemens-home.com/welcome

en Instruction for Use
es Instrucciones de uso
it Istruzioni per l'uso

Register
your
product
online

en Table of Contents

Safety and warning information	4	Freezer compartment	21
Information concerning disposal	7	Max. freezing capacity	21
Scope of delivery	7	Freezing and storing food	21
Installation location	8	Freezing fresh food	22
Observe ambient temperature and ventilation	8	Super freezing	23
Connecting the appliance	9	Thawing frozen food	23
Getting to know your appliance	9	Interior fittings	23
Switching on the appliance	11	Sticker "OK"	24
Setting the temperature	11	Switching off and disconnecting the appliance	24
Special functions	12	Cleaning the appliance	25
Alarm function	13	Light (LED)	26
Home Connect	13	Tips for saving energy	26
Usable capacity	18	Operating noises	26
Refrigerator compartment	18	Eliminating minor faults yourself	27
Super cooling	19	Appliance self-test	28
The hyperFresh compartment	20	Customer service	28

es Índice

Consejos y advertencias de seguridad	29	Superfrío	48
Consejos para la eliminación del embalaje y el desguace de los aparatos usados	33	Compartimento hyperFresh	48
Volumen de suministro (elementos incluidos en el equipo de serie)	34	Compartimento de congelación	49
Lugar de emplazamiento	35	Capacidad máxima de congelación	50
Prestar atención a la temperatura del entorno y la ventilación del aparato	35	Congelar y guardar alimentos	50
Conectar el aparato a la red eléctrica	36	Congelar alimentos frescos	51
Familiarizándose con la unidad	37	Supercongelación	52
Conectar el aparato	38	Descongelar los alimentos	53
Ajustar la temperatura	39	Equipamiento	53
Funciones especiales	39	Adhesivo «OK»	54
Función alarma	40	Desconectar el aparato	54
Home Connect	41	Limpieza del aparato	55
Capacidad útil	46	Iluminación interior (LED)	56
Compartimento frigorífico	47	Consejos prácticos para ahorrar energía eléctrica	56
		Ruidos de funcionamiento del aparato	57
		Pequeñas averías de fácil solución .	57
		Autocomprobación del aparato	59
		Servicio de asistencia técnica	59

it Indice

Avvertenze di sicurezza e potenziale pericolo	60	Il vano hyperFresh	77
Avvertenze per lo smaltimento	63	Congelatore	78
Dotazione	64	Max. capacità di congelamento	78
Luogo d'installazione	64	Congelare e conservare	78
Osservare la temperatura ambiente e la ventilazione	65	Congelamento di alimenti freschi	79
Collegare l'apparecchio	65	Super-congelamento	80
Conoscere l'apparecchio	66	Decongelare surgelati	80
Accensione dell'apparecchio	67	Dotazione	81
Regolare la temperatura	68	Adesivo «OK»	82
Funzioni speciali	69	Spegnimento dell'apparecchio	82
Funzione di allarme	70	Pulizia dell'apparecchio	83
Home Connect	70	Illuminazione (LED)	84
Capacità utile totale	75	Risparmiare energia	84
Il frigorifero	75	Rumori di funzionamento	84
Super-raffreddamento	76	Eliminare piccoli guasti	85
		Autotest dell'apparecchio	87
		Servizio di assistenza clienti	87

Safety and warning information

Before you switch ON the appliance

Please read the operating and installation instructions carefully! They contain important information on how to install, use and maintain the appliance. The manufacturer is not liable if you fail to comply with the instructions and warnings. Retain all documents for subsequent use or for the next owner.

Technical safety

The tubes of the refrigeration circuit convey a small quantity of an environmentally friendly but flammable refrigerant (R600a). It does not damage the ozone layer and does not increase the greenhouse effect. If refrigerant escapes, it may injure your eyes or ignite.

If damage has occurred

- Keep naked flames and/or ignition sources away from the appliance,
- thoroughly ventilate the room for several minutes,
- switch off the appliance and pull out the mains plug,
- inform customer service.

The more refrigerant an appliance contains, the larger the room must be in which the appliance is situated. Leaking refrigerant can form a flammable gas-air mixture in rooms which are too small. The room must be at least 1 m³ per 8 g of refrigerant. The amount of refrigerant in your appliance is indicated on the rating plate inside the appliance.

If the power cord of this appliance is damaged, it must be replaced by the manufacturer, customer service or a similarly qualified person. Improper installations and repairs may put the user at considerable risk.

Repairs may be performed by the manufacturer, customer service or a similarly qualified person only.

Only original parts supplied by the manufacturer may be used. The manufacturer guarantees that only these parts satisfy the safety requirements.

A extension cable may be purchased from customer service only.

Important information when using the appliance

- Never use electrical appliances inside the appliance (e.g. heater, electric ice maker, etc.). Explosion hazard!
- Never defrost or clean the appliance with a steam cleaner! The steam may penetrate electrical parts and cause a short-circuit. Risk of electric shock!
- Do not use pointed or sharp-edged implements to remove frost or layers of ice. You could damage the refrigerant tubes. Leaking refrigerant may cause eye injuries or ignite.
- Do not store products which contain flammable propellants (e.g. spray cans) or explosive substances in the appliance. Explosion hazard!
- Do not stand on or lean heavily against base of appliance, drawers or doors, etc
- For defrosting and cleaning, pull the mains plug out or switch off the fuse. Do not pull out the mains plug by tugging on the power cord.
- Store high-percentage alcohol tightly closed and standing up.
- Keep plastic parts and the door seal free of oil and grease. Otherwise, parts and door seal will become porous.
- Never cover or block the ventilation openings of the appliance!
- Avoid prolonged touching of frozen food, ice or the evaporator pipes, etc. Risk of low-temperature burns!

■ **Avoiding placing children and vulnerable people at risk:**

At risk are children, people who have limited physical, mental or sensory abilities, as well as people who have inadequate knowledge concerning safe operation of the appliance.

Ensure that children and vulnerable people have understood the hazards.

A person responsible for safety must supervise or instruct children and vulnerable people who are using the appliance.

Only children from 8 years and above may use the appliance.

Supervise children who are cleaning and maintaining the appliance.

Never allow children to play with the appliance.

- Do not store bottled or canned drinks (especially carbonated drinks) in the freezer compartment. Bottles and cans may burst!
- Never put frozen food straight from the freezer compartment into your mouth.
Risk of low-temperature burns!

Children in the household

- Keep children away from packaging and its parts.
Danger of suffocation from folding cartons and plastic film!
- Do not allow children to play with the appliance!
- If the appliance features a lock:
keep the key out of the reach of children!

General regulations

The appliance is suitable

- for refrigerating and freezing food,
- for making ice.

This appliance is intended for use in the home and the home environment.

The appliance is suppressed according to EU Directive 2004/108/EC.

The refrigeration circuit has been checked for leaks.

This product complies with the relevant safety regulations for electrical appliances (EN 60335-2-24).

This appliance is intended for use up to a maximum height of 2000 metres above sea level.

Information concerning disposal

Disposal of packaging

The packaging protects your appliance from damage during transit. All utilised materials are environmentally safe and recyclable. Please help us by disposing of the packaging in an environmentally friendly manner.

Please ask your dealer or inquire at your local authority about current means of disposal.

Disposal of your old appliance

Old appliances are not worthless rubbish! Valuable raw materials can be reclaimed by recycling old appliances.



This appliance is labelled in accordance with European Directive 2012/19/EU concerning used electrical and electronic appliances (waste electrical and electronic equipment - WEEE). The guideline determines the framework for the return and recycling of used appliances as applicable throughout the EU.

Warning

Redundant appliances

1. Pull out the mains plug.
2. Cut off the power cord and discard with the mains plug.
3. Do not take out the trays and receptacles: children are therefore prevented from climbing in!
4. Do not allow children to play with the appliance once it has spent its useful life. Danger of suffocation!

Refrigerators contain refrigerant and gases in the insulation. Refrigerant and gases must be disposed of professionally. Ensure that tubing of the refrigerant circuit is not damaged prior to proper disposal.

Scope of delivery

After unpacking all parts, check for any damage in transit.

If you have any complaints, please contact the dealer from whom you purchased the appliance or our customer service.

The delivery consists of the following parts:

- Free-standing appliance
- Interior fittings (depending on model)
- Bag containing installation materials
- Operating instructions
- Installation manual
- Customer service booklet
- Warranty enclosure
- Information on the energy consumption and noises

Installation location

A dry, well ventilated room is suitable as an installation location. The installation location should not be exposed to direct sunlight and not placed near a heat source, e.g. a cooker, radiator, etc. If installation next to a heat source is unavoidable, use a suitable insulating plate or observe the following minimum distances from the heat source:

- 3 cm to electric or gas cookers.
- 30 cm to an oil or coal-fired cooker.

The floor of the installation location must not give way; if required, reinforce floor. If the floor is uneven, compensate with supports.

Distance from wall

When installing the appliance, ensure that the door can be opened by 90°.

Observe ambient temperature and ventilation

Ambient temperature

The appliance is designed for a specific climate class. Depending on the climate class, the appliance can be operated at the following temperatures.

The climate class can be found on the rating plate. Fig. 12

Climate class	Permitted ambient temperature
SN	+10 °C to 32 °C
N	+16 °C to 32 °C
ST	+16 °C to 38 °C
T	+16 °C to 43 °C

Note

The appliance is fully functional within the room temperature limits of the indicated climatic class. If an appliance of climatic class SN is operated at colder room temperatures, the appliance will not be damaged up to a temperature of +5 °C.

Ventilation

Fig. 2

The air on the rear panel and on the side panels of the appliance heats up. Conduction of the heated air must not be obstructed. Otherwise, the refrigerating unit must work harder. This increases power consumption. Therefore: Never cover or block the ventilation openings!

Connecting the appliance

After installing the appliance, wait at least 1 hour until the appliance is switched on. During transportation the oil in the compressor may have flowed into the refrigeration system.

Before switching on the appliance for the first time, clean the interior of the appliance (see chapter “Cleaning the appliance”).

Electrical connection

The socket must be near the appliance and also freely accessible following installation of the appliance.

The appliance complies with the protection class I. Connect the appliance to 220–240 V/50 Hz alternating current via a correctly installed socket with protective conductor. The socket must be fused with a 10 to 16 A fuse.

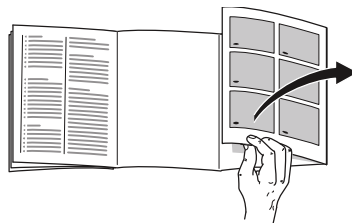
For appliances operated in non-European countries, check whether the stated voltage and current type match the values of your mains supply. This information can be found on the rating plate. Fig. 12

Warning

Never connect the appliance to electronic energy saver plugs.

Our appliances can be used with mains and sine-controlled inverters. Mains-controlled inverters are used for photovoltaic systems which are connected directly to the national grid. Sine-controlled inverters must be used for isolated applications (e.g. on ships or in mountain lodges) which are not connected directly to the national grid.

Getting to know your appliance



Please fold out the illustrated last page. These operating instructions refer to several models.

The features of the models may vary.

The diagrams may differ.

Fig. 1

* Not all models.

- A Refrigerator compartment
- B hyperFresh compartment
- C Freezer compartment

- 1–20 Controls
- 21* Butter and cheese compartment
- 22 Shelf for small bottles
- 23 Shelf for large bottles
- 24 Light (LED)
- 25* Bottle shelf
- 26* Breakfast set
- 27 Partition with humidity controller
- 28 Vegetable container
- 29 “Cool-fresh” container
- 30* Frozen food container

Controls

Fig. 4

1 **Temperature display refrigerator compartment**

The numbers correspond to the set refrigerator compartment temperatures in °C.

2 **Display super cooling**

This lights up if super cooling is in operation.

3 **Temperature display hyperFresh**

Indicates the set temperature of the hyperFresh compartment.

4 **Temperature display freezer compartment**

The numbers correspond to the set freezer compartment temperatures in °C.

5 **Display super freezing**

This lights up if super freezing is in operation.

6 **Display vacation**

This lights up when the vacation mode is switched on.

7 **Display fresh**

This lights up when the freshness mode is switched on.

8 **Eco mode indicator**

This lights up when the eco mode is switched on.

9 **Button mode**

Selecting the special functions.

10 **Super button**

Used to switch on the functions super cooling (fridge compartment) and super freezing (freezer compartment).

11 **Setting buttons +/-**

The buttons are used to set the temperatures of the refrigerator and freezer compartment.

12 **lock button**

Used to switch on the lock function.

13 **°C button to select the room and alarm off**

Used to select a room. This is necessary to change its temperature or to switch on certain special functions.

Used to switch off the alarm.

14 **Button “lock” function**

If this function is switched on, no settings are possible via the controls.

15 **Display alarm off**

This lights up if the appliance becomes too warm.

16 **Display alarm**

This lights up if the freezer compartment is too warm.

17 **Display freeze**

This lights up if the freezer compartment is selected.

18 **Display hyperFresh**

This lights up if the hyperFresh compartment is selected.

19 **Display alarm**

This lights up if the fridge compartment becomes too warm.

20 **Display cool**

This lights up if the fridge compartment is selected.

Switching on the appliance

1. First insert the plug into the connection on the back of the appliance. Check that the plug has been inserted all the way.
2. Then insert the other end of the cable into the socket.

The appliance is now switched on and a warning signal sounds.

Press the °C button to switch off the audible warning signal.

The alarm display goes out when the appliance has reached the set temperature.

The preset temperatures are reached after several hours. Do not put any food in the appliance beforehand.

The factory has recommended the following temperatures:

- freezer compartment: -18°C
- hyperFresh compartment: 0 °C to 2 °C
- cooling compartment: +4°C

Operating tips

- When the appliance has been switched on, it may take several hours until the set temperatures have been reached.
- The fully automatic NoFrost system ensures that the freezer compartment remains free of ice. Defrosting is no longer required.

- The sides of the housing are sometimes heated slightly. This prevents condensation in the area of the door seal.
- If the freezer compartment door cannot be immediately re-opened after it has been closed, wait until the resulting low pressure has equalised.

Setting the temperature

Fig. 4

Refrigerator compartment

The temperature can be set from +2 °C to +8 °C.

1. Press selection button 13 until refrigerator compartment display 1 is activated.
2. Keep pressing +/- buttons 11 until the required temperature is indicated.

Perishable food should not be stored above +4 °C.

hyperFresh compartment

The temperature can be set from -1 °C to 3°C.

1. Press selection button 13 until hyperFresh 3 display is activated.
2. Keep pressing +/- buttons until the required temperature is indicated.

Freezer compartment

The temperature can be set from -16°C to -24°C.

1. Select the freezer compartment using the °C button.
2. Keep pressing the +/- buttons until the required temperature is indicated.

Special functions

Fig. 4

Fresh mode

Fresh mode gives food an even longer shelf life.

Switching on:

Press the mode button until the fresh display appears.

The appliance automatically sets the following temperatures:

- Refrigerator section: + 2°C
- hyperFresh compartment: 0°C
- Freezer section: remains unchanged

Switching off:

Press the mode button repeatedly until the fresh display goes off.

Eco mode

Eco mode switches the appliance to energy-saving operation.

Switching on:

Press the mode button until the "eco mode" indicator appears.

The appliance automatically sets the following temperatures:

- Refrigerator section: +8°C
- hyperFresh compartment: +3°C
- Freezer section: -16°C

Switching off:

Press the mode button until the "eco mode" indicator goes off.

Holiday mode

If leaving the appliance for a long period of time, you can switch the appliance over to the energy-saving holiday mode.

The temperature of the refrigerator compartment is automatically switched to +14 °C.

Do not store any food in the refrigerator compartment during this time.

Switching on:

Press the mode button repeatedly until the vacation display appears.

The appliance automatically sets the following temperatures:

- Refrigerator section: +14°C
- hyperFresh compartment: +14°C
- Freezer section: remains unchanged

Note

"-" appears in the hyperFresh display.

Switching off:

Press the mode button repeatedly until the vacation indicator goes off.

Sabbath mode

When Sabbath mode is switched on, the following settings are switched off:

- Audible signals
- Interior lighting
- Messages on the display panel
- The background illumination of the display panel is reduced
- Buttons are locked

Switching Sabbath mode on and off:

Press the super button for 15 seconds.

Alarm function

In the following cases an alarm may be actuated.

Door alarm

The door alarm (continuous signal) switches on if the appliance is left open for too long and alarm appears 1 in the refrigerator section temperature display. Close the appliance to switch the door alarm off again.

Temperature alarm

An interval tone sounds, alarm appears on the temperature display of the freezer compartment 4.

The temperature alarm switches on if the freezer compartment is too warm and the frozen food is at risk of thawing.

The alarm may switch on without any risk to the frozen food in the following instances:

- when switching on the appliance for initial use.
- when large quantities of fresh food are placed in the appliance.

Note

Do not refreeze thawing or thawed food. Only ready meals (boiled or fried) may be refrozen.

No longer store the frozen produce for the max. storage period.

The temperature display indicates for 5 seconds the warmest temperature which was reached in the freezer compartment. Then the set temperature is displayed again.

Switching off the alarm

Press the °C button to switch off the audible warning signal.

Home Connect

This appliance is Wi-Fi-capable and can be remotely controlled using a mobile device.

Note

Wi-Fi is a registered trade mark of the Wi-Fi Alliance.

If the appliance is not connected to the home network, the appliance functions like a refrigerator without a network connection, and can still be manually operated via the controls.

In order to use the Home Connect functions, connect the appliance with a Home Connect Wi-Fi dongle.

If there is no Home Connect Wi-Fi dongle included with your appliance, you can order this from customer service.

Note

Inserting and removing the plug on the rear side of the appliance is more difficult than expected. Ensure that the plug is completely plugged in.

Attach the Home Connect Wi-Fi dongle at a height of 1 metre.

Notes

- Please observe the safety instructions and warnings in these instructions for use and ensure that these are also adhered to when you are operating the appliance using the Home Connect app and are not at home (see the section on safety instructions and warnings).

Follow the instructions in the Home Connect app as well.

- The operation on the appliance always has priority over operation via the Home Connect app. During this time, it is not possible to operate the appliance using the app.

Setting up Home Connect

Notes

- Observe the Home Connect supplementary sheet, which is available for download under <http://www.siemens-home.com> with the instructions. To do so, enter the E-number of your appliance in the search field.
- To implement settings with Home Connect, the Home Connect app must be installed on your mobile device. Observe the supplied Home Connect documents for this. Follow the steps specified by the app to implement the settings.
- If the appliance is not operated for a long time, the Home Connect menu closes automatically. You can find information on how to open the Home Connect menu at the start of the appropriate sections.

Automatic connection with the home network (WLAN)

If a WLAN router with WPS function is available, you can automatically connect the refrigerator to the home network.

1. Press the super button and the lock button simultaneously to open the Home Connect menu.

The display shows **Cn**.

Note

Press both buttons at exactly the same time. Button operation is locked if only the lock button is pressed for a longer period. Press the lock button again until the lock is deactivated.

2. Press the °C button repeatedly until the displays **AC** and **oF** are shown.

3. Press the + button.

The appliance is ready for automatic connection.

The display shows an animation for 2 minutes.

Follow the steps below during this period.

4. Activate the WPS function on the home network router (e.g. using the WPS/WLAN button; information on this topic can be found in the router documentation).

- If the connection is successful, **on** flashes in the refrigerator display.

You can now connect the refrigerator with the app.

- If the display shows **oF**, it was not possible to establish a connection.

Check whether the refrigerator is located within the range of the home network (WLAN).

Repeat the process or establish the connection manually.

Manual connection with the home network (WLAN)

If the WLAN router present does not have a WPS function, or if this is unknown, you can manually connect the refrigerator with the home network.

1. Press the super button and the lock button simultaneously to open the Home Connect menu.

The display shows **Cn**.

Note

Press both buttons at exactly the same time. Button operation is locked if only the lock button is pressed for a longer period. Press the lock button again until the lock is deactivated.

2. Press the °C button repeatedly until the displays **SA** and **oF** are shown.

3. Press the + button.

The appliance is ready for manual connection.

The display shows an animation for 5 minutes.

Follow the steps below during this period.

4. The refrigerator has now set up its own WLAN network with the network name **HomeConnect**.

You can now access this network with your mobile device.

5. Open the settings menu of the mobile device and call up the WLAN settings.
6. Connect the mobile device with the WLAN network **HomeConnect**.

Password: **HomeConnect**

It can take up to 60 seconds to establish the connection.

7. After successful connection, open the Home Connect app on the mobile device.

The app will search for the refrigerator.

8. As soon as the refrigerator has been found, enter the network name (SSID) and the password (Key) of your own home network (WLAN) into the corresponding fields.

9. Confirm with the button **Transmit to domestic appliances**.

- If the connection is successful, **on** flashes in the refrigerator display.

You can now connect the refrigerator with the app.

- If the display shows **oF**, it was not possible to establish a connection.

Enter the password again, ensuring that it is spelt correctly.

Check whether the refrigerator is located within the range of the home network (WLAN).

Repeat the process.

Connecting the refrigerator to the app

Once the connection between the refrigerator and the home network has been established, you can connect the refrigerator with the app.

1. Press the super button and the lock button simultaneously to open the Home Connect menu.

The display shows **Cn**.

Note

Press both buttons at exactly the same time. Button operation is locked if only the lock button is pressed for a longer period. Press the lock button again until the lock is deactivated.

2. Press the °C button repeatedly until the displays **PA** (pairing = connect with app) and **oF** are shown.

3. Press the + button to connect the appliance with the app.

The display shows an animation.

As soon as the refrigerator and the app are connected, the display shows **on**.

4. The refrigerator is displayed in the Home Connect app on the mobile device. To add, select the refrigerator and add with the + button.

If the refrigerator is not automatically displayed, in the Home Connect app first select **Search for domestic appliances** and then **Connect domestic appliance**.

5. Follow the instructions in the app until the process is complete.

- The display shows **PA** and **on**.

The refrigerator has been successfully connected to the app.

- If the connection has failed, please check whether the mobile device is connected to the home network (WLAN).

Finally connect the refrigerator again to the app.

- When the display shows **Er**, reset the Home Connect settings and perform set-up again from the beginning.

Verify signal strength

You should verify the signal strength if no connection can be established.

1. Press the super button and the lock button simultaneously to open the Home Connect menu.

The display shows **Cn**.

Note

Press both buttons at exactly the same time. Button operation is locked if only the lock button is pressed for a longer period. Press the lock button again until the lock is deactivated.

2. Press the °C button repeatedly until the display shows **SI**. In the second display, a value appears between 0 (no reception) and 3 (full reception).

Note

The signal strength should be at least 2. If the signal strength is too low, the connection could be interrupted. Place the router and the refrigerator closer together, ensure that the connection is not disturbed by shielding walls or install a repeater to strengthen the signal.

Resetting Home Connect settings

If the connection process does not work or you would like to log the refrigerator on to a different home network (WLAN), you can reset the Home Connect settings:

1. Press the super button and the lock button simultaneously to open the Home Connect menu.

The display shows **Cn**.

Note

Press both buttons at exactly the same time. Button operation is locked if only the lock button is pressed for a longer period. Press the lock button again until the lock is deactivated.

2. Press the °C button repeatedly until the displays **rE** and **oF** are shown.
3. Press the + button.

- The display shows a short animation and then again **oF**. The Home Connect settings have been reset.

- If the display shows **Er**, start the reset again or call customer service.

Information on data protection

When your Home Connect refrigerator is connected for the first time to a WLAN network that is connected to the Internet, your refrigerator transmits the following categories of data to the Home Connect server (initial registration):

- Unique appliance identification (consisting of appliance codes as well as the MAC address of the installed Wi-Fi communication module).
- Security certificate of the Wi-Fi communication module (to ensure a secure IT connection).
- The current software and hardware version of your refrigerator.
- Status of any possible previous resetting to factory settings.

This initial registration prepares the Home Connect functions for use and is required only when you want to use Home Connect for the first time.

Note

Please note that the Home Connect functions can only be utilized with the Home Connect app. You can call up information on data protection in the Home Connect app.

Declaration of conformity

BSH Hausgeräte GmbH hereby declares that the appliance which features Home Connect functionality is in accordance with the basic requirements and the other relevant provisions of the directive 1999/5/EC.

A detailed R&TTE Declaration of Conformity can be found online at www.siemens-home.com among the additional documents on the product page of your appliance.



Usable capacity

Information on the usable capacity can be found inside your appliance on the rating plate. Fig. 12

Fully utilising the freezer volume

To place the maximum amount of frozen food in the freezer compartment, you can remove the containers. You can then stack the food directly on the shelf and on the floor of the freezer compartment.

Note

Avoid contact between food and rear panel. Otherwise the air circulation will be impaired.

Food or packaging could freeze to the rear panel.

Removing the fittings

Pull out the frozen food container all the way, lift at the front and remove. Fig. 9

Refrigerator compartment

The refrigerator compartment is the ideal storage location for meat, sausage, fish, dairy products, eggs, ready meals and pastries.

Storing food

- Store fresh, undamaged food. The quality and freshness will then be retained for longer.
- In the case of ready-made products and bottled goods, observe the best-before date or use-by date specified by the manufacturer.
- To retain aroma, colour and freshness, pack or cover food well before placing in the appliance. This will prevent the transfer of flavours and the discolouration of plastic parts in the refrigerator compartment.
- Allow warm food and drinks to cool down before placing in the appliance.

Note

Do not block air outlet openings with food, otherwise the air circulation will be impaired. Food which is stored directly in front of the air outlet openings may be frozen by the cold air flowing out.

Note the chill zones in the refrigerator compartment

The air circulation in the refrigerator compartment creates different chill zones:

- The coldest zones are in front of the air outlet openings and in the chill compartment, Fig. **1**/29.

Note

Store perishable food (e.g. fish, sausage, meat) in the coldest zones.

- Warmest zone is at the very top of the door.

Note

Store e.g. hard cheese and butter in the warmest zone. The aroma of hard cheese can then continue to develop and butter remains spreadable.

Super cooling

Super cooling sets the refrigerator temperature to the coldest temperature setting for approx. 6 hours. Then the appliance automatically switches to the temperature set prior to super cooling mode.

Switch on super cooling mode, e.g.

- before placing large quantities of food in the refrigerator compartment.
- for the fast cooling of drinks.

Switching on and off

Fig. **4**

1. Select the refrigerator section using the °C button.
2. Press the super button until the super cooling display lights up.

You do not need to switch off super cooling. After 6 hours, the previously set temperature is automatically restored.

Note

When super cooling is switched on, increased operating noises may occur.

The hyperFresh compartment

The temperature in the cool-fresh compartment is about 0 °C. The low temperature and the optimum moisture provide ideal storage conditions for fresh food.

Food can be kept fresh up to three times longer in the cool-fresh compartment than in the normal cooling zone – for even longer freshness, nutrient retention and flavour.

Vegetable container

Fig. 7

The vegetable container is the optimum storage location for fresh fruit and vegetables. The humidity controller of the partition and a special seal can be used to adjust the air humidity in the vegetable container.

The air humidity in the vegetable container can be set according to the type and amount of products to be stored:

- Mainly fruit as well as for a large load – lower air humidity
- Mainly vegetables as well as for a mixed load or small load – higher air humidity

Notes

- Fruit sensitive to cold (e.g. pineapple, banana, papaya and citrus fruit) and vegetables sensitive to cold (e.g. aubergines, cucumbers, zucchini, peppers, tomatoes and potatoes) should be stored outside the refrigerator at temperatures of approx. +8 °C to +12 °C for optimum preservation of quality and flavour.
- Condensation may form in the vegetable container depending on the food and quantity stored. Remove condensation with a dry cloth and adjust air humidity in the vegetable container with the humidity controller.

“Cool-fresh” container

Fig. 1/29

The storage climate in the “cool-fresh” container offers ideal conditions for the storage of fish, meat, sausage, cheese and milk.

Storage times (at 0 °C)

Depending on the initial quality	
Fresh fish, seafood	up to 3 days
Poultry, meat (boiled/fried)	up to 5 days
Beef, pork, lamb, sausage (cold meat)	up to 7 days
Smoked fish, broccoli	up to 14 days
Salad greens, fennel, apricots, plums	up to 21 days
Soft cheese, yoghurt, quark, buttermilk, cauliflower	up to 30 days

Freezer compartment

Use the freezer compartment

- To store deep-frozen food.
- To make ice cubes.
- To freeze food.

Note

Ensure that the freezer compartment door has been closed properly. If the door is open, the frozen food will thaw. The freezer compartment will become covered in thick ice. Also: waste of energy due to high power consumption!

Max. freezing capacity

Information about the max. freezing capacity within 24 hours can be found on the rating plate. Fig. 12

Prerequisites for max. freezing capacity

- Switch on super freezing before placing fresh products in the compartment (see chapter entitled “Super freezing”).
- Remove containers; stack food directly on the shelf and on the floor of the freezer compartment.
- Freeze large quantities of food preferably in the very top compartment where food freezes particularly quickly and therefore also gently.

Freezing and storing food

Purchasing frozen food

- Packaging must not be damaged.
- Use by the “use by” date.
- Temperature in the supermarket freezer must be $-18\text{ }^{\circ}\text{C}$ or lower.
- If possible, transport deep-frozen food in an insulated bag and place quickly in the freezer compartment.

Note when loading products

- Preferably freeze large quantities of food in the top compartment, where food freezes particularly quickly and therefore also gently.
- Place the food over the whole area of the compartments or the frozen food containers.

Note

Food which is already frozen must not come into contact with the food which is to be frozen. If required, move the frozen food to other frozen food containers.

Storing frozen food

Insert frozen food container all the way to ensure unrestricted air circulation.

Freezing fresh food

Freeze fresh and undamaged food only.

To retain the best possible nutritional value, flavour and colour, vegetables should be blanched before freezing. Aubergines, peppers, zucchini and asparagus do not require blanching.

Literature on freezing and blanching can be found in bookshops.

Note

Keep food which is to be frozen away from food which is already frozen.

- The following foods are suitable for freezing:
Cakes and pastries, fish and seafood, meat, game, poultry, vegetables, fruit, herbs, eggs without shells, dairy products such as cheese, butter and quark, ready meals and leftovers such as soups, stews, cooked meat and fish, potato dishes, soufflés and desserts.
- The following foods are not suitable for freezing:
Types of vegetables, which are usually consumed raw, such as lettuce or radishes, eggs in shells, grapes, whole apples, pears and peaches, hard-boiled eggs, yoghurt, soured milk, sour cream, crème fraîche and mayonnaise.

Packing frozen food

To prevent food from losing its flavour or drying out, place in airtight containers.

1. Place food in packaging.
2. Remove air.
3. Seal the wrapping.
4. Label packaging with contents and date of freezing.

Suitable packaging:

Cling wrap, tubular film made of polyethylene, aluminium foil, freezer containers.

These products are available from specialist outlets.

Unsuitable packaging:

Wrapping paper, greaseproof paper, cellophane, bin liners and used shopping bags.

Items suitable for sealing packaged food:

Rubber bands, plastic clips, string, cold-resistant adhesive tape, etc.

Bags and tubular film made of polyethylene (PE) can be sealed with a film heat sealer.

Shelf life of frozen food

Storage duration depends on the type of food.

At a temperature of $-18\text{ }^{\circ}\text{C}$:

- Fish, sausage, ready meals and cakes and pastries:
up to 6 months
- Cheese, poultry and meat:
up to 8 months
- Vegetables and fruit:
up to 12 months

Super freezing

Food should be frozen solid as quickly as possible in order to retain vitamins, nutritional value, appearance and flavour.

Several hours before placing fresh food in the freezer compartment, switch on super freezing to prevent an unwanted temperature rise.

As a rule, 4–6 hours is adequate.

This appliance runs constantly and the freezer compartment drops to a very low temperature.

If the max. freezing capacity is to be used, super freezing must be switched on for 24 hours before the fresh produce is placed in the freezer compartment.

Smaller quantities of food (up to 2 kg) can be frozen without “super freezing”.

Note

When super freezing is switched on, increased operating noises may occur.

Switching on and off

Fig. 4

1. Select the freezer section using the °C button.
2. Press the super button until the super freezing display lights up.

You do not need to switch off super freezing. After approx. 2½ days, the previously set temperature is automatically restored.

Thawing frozen food

Depending on the type and application, select one of the following options:

- at room temperature
- in the refrigerator
- in an electric oven, with/without fan assisted hot-air
- in the microwave



Caution

Do not refreeze thawing or thawed food. Only ready meals (boiled or fried) may be refrozen.

No longer store the frozen produce for the max. storage period.

Interior fittings

Shelves and containers

You can reposition the inner shelves and the containers in the door as required: pull shelf forwards, lower and swivel out to the side. Lift the container and remove.

Special features

(not all models)

Butter and cheese compartment

To open the butter compartment, gently press in the middle of the butter compartment flap.

To clean the compartment, lift it at the bottom and take out.

Breakfast set

Fig. 5

The containers for the breakfast set can be taken out and filled individually.

You can take out the breakfast set for loading and unloading. To do this, lift the breakfast set and pull out. The container holder can be moved.

Bottle shelf

Fig. 6

Bottles can be stored securely on the bottle shelf.

Ice cube tray

Fig. 11

1. Fill the ice cube tray $\frac{3}{4}$ full of drinking water and place in the freezer compartment.
2. If the ice tray is stuck to the freezer compartment, loosen with a blunt implement only (spoon-handle).
3. To loosen the ice cubes, twist the ice tray slightly or hold briefly under flowing water.

Freezer calendar

Fig. 10

To prevent the quality of the frozen food from deteriorating, do not exceed the storage duration. The figures next to the symbols indicate the permitted storage period of the produce in months. In the case of commercially available frozen food observe the date of manufacture or use-by date.

Ice block

If a power failure or malfunction occurs, the ice blocks can be used to slow down the thawing process. The longest storage time is obtained by placing the ice pack on the food in the top compartment.

The ice blocks can also be used to cool food temporarily, e. g. in a cold bag.

Sticker “OK”

(not all models)

The sticker “OK” lets you check whether the refrigerator compartment achieves the safe temperature ranges of +4 °C or colder recommended for food. If the sticker does not indicate “OK”, gradually reduce the temperature.

Note

When the appliance is switched on, it may take up to 12 hours until the set temperature is reached.

**Correct setting**

Switching off and disconnecting the appliance**Switching off the appliance**

Press "+" button for 10 seconds.
Refrigeration unit switches off.
(Not all models).

Disconnecting the appliance

If you do not use the appliance for a prolonged period:

1. Pull out the mains plug or switch off the fuse.
2. Clean the appliance.
3. Leave appliance doors open.

Note

To avoid damage to the appliance, appliance doors must be opened far enough that they remain in that position on their own. Do not jam any objects into the door to prop it open.

Cleaning the appliance

Caution

- Do not use abrasive, chloride or acidic cleaning agents or solvents.
- Do not use scouring or abrasive sponges.
The metallic surfaces could corrode.
- Never clean shelves and containers in the dishwasher.
The parts may become deformed!

The cleaning water must not get into the following areas:

- Controls
- Illumination
- Ventilation openings
- Openings in the separating plate

Proceed as follows:

1. Pull out the mains plug or switch off the fuse.
2. Take out the frozen food and store in a cool location. Place ice pack (if available) on the food.
3. The rinsing water must not drip into the controls, lighting, ventilation openings or the openings in the partition!

Clean the appliance with a soft cloth, lukewarm water and a little pH-neutral washing-up liquid.

4. Wipe the door seal with clear water only and then wipe dry thoroughly.
5. After cleaning reconnect the appliance.
6. Put the frozen food back into the appliance.

Features

All variable parts of the appliance can be taken out for cleaning.

Note

The separating plate between the refrigerator compartment and the hyperFresh compartment is permanently fixed. To prevent any damage to the appliance, this may only be removed by customer service or authorized specialists.

Take out shelves in the door

Fig. **3**

Lift shelves upwards and take out.

Take out glass shelves

Pull the glass shelves forwards and take out.

Removing the container

Fig. **8**

Pull out the container all the way and lift to detach it.

To insert the container, place on the telescopic rails and push into the appliance. Attach the container by pressing it down.

Taking out the frozen food container

Fig. **9**

Pull out the frozen food container all the way, lift at the front and remove.

Light (LED)

Your appliance features a maintenance-free LED light.

These lights may be repaired by customer service or authorised technicians only.

Tips for saving energy

- Install the appliance in a dry, well ventilated room! The appliance should not be installed in direct sunlight or near a heat source (e.g. radiator, cooker).
If required, use an insulating plate.
- Allow warm food and drinks to cool down before placing in the appliance.
- Thaw frozen food in the refrigerator compartment and use the low temperature of the frozen food to cool refrigerated food.
- Open the appliance as briefly as possible.
- To achieve the lowest energy consumption, leave a small wall gap at the side.
- The arrangement of the fittings does not affect the energy rating of the appliance.

Operating noises

Quite normal noises

Droning

Motors are running (e.g. refrigerating units, fan).

Bubbling, humming or gurgling noises

Refrigerant is flowing through the tubing.

Clicking

Motor, switches or solenoid valves are switching on/off.

Cracking

Automatic defrosting is running.

Preventing noises

The appliance is not level

Please align the appliance with a spirit level. Use the height-adjustable feet or place packing underneath them.

The appliance is not free-standing

Please move the appliance away from adjacent units or appliances.

Containers or storage areas wobble or stick

Please check the removable parts and re-insert them correctly if required.

Bottles or receptacles are touching each other

Move the bottles or receptacles slightly away from each other.

Eliminating minor faults yourself

Before you call customer service:

Please check whether you can eliminate the fault yourself based on the following information.

Customer service will charge you for advice – even if the appliance is still under guarantee!

Fault	Possible cause	Remedial action
Temperature differs greatly from the set value.		In some cases it is adequate to switch off the appliance for 5 minutes.
		If the temperature is too high wait a few hours and check whether the temperature has approached the set value.
		If the temperature is too low check the temperature again the next day.
The light does not function.	The LED light is defective.	See chapter “Light (LED)” section.
	Appliance was open too long. Light is switched off after approx. 10 min.	When the appliance is closed and opened, the light is on again.
Displays do not illuminate.	Power failure; the fuse has been switched off; the mains plug has not been inserted properly.	Connect mains plug. Check whether the power is on, check the fuses.
It is too cold in the cooling compartment or the hyperFresh compartment.		Increase the temperature in the cooling compartment.
		Increase the temperature in the hyperFresh compartment.
The temperature in the freezer compartment is too warm.	Appliance opened frequently.	Do not open the appliance unnecessarily.
	The ventilation openings have been covered.	Remove obstacles.
	Large quantities of fresh food are being frozen.	Do not exceed max. freezing capacity.

Fault	Possible cause	Remedial action
Appliance is not cooling, temperature display and light are lit.	Showroom mode is switched on.	Press and hold the °C button and the setting button + for 5 seconds until a confirmation tone sounds. After a short time, check whether your appliance is cooling.
The side panels of the appliance are warm.	Pipes run into the side panels which heat during the cooling process.	That is normal behaviour for the appliance and not a fault.

Appliance self-test

Your appliance features an automatic self-test program which shows you sources of faults which may be repaired by customer service only.

Starting the appliance self-test

1. Switch off the appliance and wait 5 minutes.
2. Switch on the appliance and within the first 10 seconds, press and hold the °C button and the "-" setting button for 3–5 seconds until an audible signal sounds.

The self-test programme starts.

When the self-test ends and an audible signal sounds twice, your appliance is in working order.

If 5 audible signals sound, there is an error. Inform customer service.

Ending the appliance self-test

When the programme has ended, the appliance switches over to normal operation.

Customer service

Your local customer service can be found in the telephone directory or in the customer-service index. Please provide customer service with the appliance product number (E-Nr.) and production number (FD-Nr.).

This information can be found on the rating plate. Fig. **12**

To prevent unnecessary call-outs, please assist customer service by quoting the product and production numbers. This will save you additional costs.

Repair order and advice on faults

Contact information for all countries can be found on the enclosed customer service list.

GB	0344 892 8999	Calls charged at local or mobile rate.
IE	01450 2655	0.03 € per minute at peak. Off peak 0.0088 € per minute.
US	866 447 4363	toll-free

Consejos y advertencias de seguridad

Antes de emplear el aparato nuevo

¡Lea detenidamente las instrucciones de uso y de montaje de su aparato! En éstas se facilitan informaciones y consejos importantes relativos a su seguridad personal, así como a la instalación, el manejo y el cuidado correctos del mismo.

El fabricante no se responsabiliza en absoluto de eventuales daños y perjuicios que pudieran producirse en caso de incumplimiento por parte del usuario de los consejos y advertencias de seguridad que se facilitan en las presentes instrucciones. Guarde las instrucciones de uso y de montaje para ulteriores consultas o para un posible propietario posterior.

Seguridad técnica

En los tubos del circuito de frío fluye una pequeña cantidad de líquido refrigerante (R600a) de elevada compatibilidad medioambiental pero inflamable. Este gas no daña la capa de ozono ni aumenta tampoco el efecto invernadero. Tenga presente que la salida a chorro del líquido refrigerante puede inflamarse o provocar lesiones en los ojos.

En caso de daños

- Mantener las fuentes de fuego o focos de ignición alejados del aparato.
- Ventilar el recinto durante varios minutos.
- Desconectar el aparato y extraer el cable de conexión de la red eléctrica.
- Avisar al Servicio de Asistencia Técnica Oficial de la marca.



Cuanto mayor cantidad de agente refrigerante contenga el aparato, mayores dimensiones tiene que tener el recinto en donde se vaya a colocar. En recintos demasiado pequeños pueden formarse mezclas inflamables de aire y gas en caso de producirse fugas en el circuito de frío del aparato.

Las dimensiones mínimas de la habitación o local en donde se encuentra instalado el aparato deberán ser 1 m³ por cada 8 gramos de agente refrigerante. La cantidad de agente refrigerante que incorpora su aparato figura en la placa de características, que se encuentra en el interior del mismo.

En caso de resultar dañado el cable de conexión del aparato y tener que sustituirlo, estos trabajos sólo podrán ser ejecutados por electricistas, técnicos del Servicio de Asistencia Técnica Oficial de la marca o personas con una cualificación profesional similar. La instalación o reparación efectuadas de modo erróneo o incorrecto pueden implicar serios peligros para el usuario.

Las reparaciones que fuera necesario efectuar sólo podrán ser ejecutadas por electricistas, técnicos del Servicio de Asistencia Técnica Oficial de la marca o personas con una cualificación profesional similar. Sólo podrán utilizarse piezas originales del fabricante. Sólo en el caso de utilizar piezas originales del fabricante, éste garantiza que cumplan las exigencias de seguridad planteadas.

Una prolongación del cable de conexión sólo se puede adquirir a través del Servicio de Asistencia Técnica Oficial.

Al usar el aparato

- No usar aparatos eléctricos en el interior de la unidad (por ejemplo calefacciones, heladoras, etc.). ¡Peligro de explosión!
- ¡No utilizar ningún tipo de limpiadora de vapor para desescarchar o limpiar la unidad! El vapor caliente podría penetrar en el interior del aparato, accediendo a los elementos conductores de corriente y provocar cortocircuitos. Peligro de descarga eléctrica.

- ¡No rasca el hielo o la escarcha con ayuda de objetos metálicos puntiagudos o cortantes! Los conductos del agente refrigerante del compartimento de congelación podrían resultar dañados. Tenga presente que la salida a chorro del agente refrigerante puede inflamarse o provocar lesiones en los ojos.
- No guardar productos combinados con agentes o gases propelentes (por ejemplo sprays) ni materias explosivas en el aparato. ¡Peligro de explosión!
- No utilizar el zócalo, los cajones o las puertas de la unidad como reposapiés.
- Tenga presente que las bebidas con un alto grado de alcohol necesitan envases con cierre hermético, debiéndose colocar siempre en posición vertical.
- Antes de desescarchar o limpiar el aparato, extraer el enchufe de conexión de la toma de corriente de la red o desconectar el fusible. ¡No tirar del cable de conexión del aparato, sino asirlo siempre por el cuerpo del enchufe!
- No permitir que las grasas y aceites entren en contacto con los elementos de plástico del interior del aparato o la junta de la puerta. El plástico y la junta de goma son materiales muy susceptibles a la porosidad.
- ¡Evitar el contacto prolongado de las manos con los alimentos congelados, las capas de hielo o escarcha, o los tubos del evaporador! ¡Peligro de quemaduras!

■ **Prevención de situaciones de riesgos y peligros para niños y adultos:**

Los niños o las personas con facultades físicas, sensoriales o mentales mermadas o que carezcan de los conocimientos necesarios están expuestos a situaciones de riesgo o peligro.

Cerciórese de que los niños y estas personas hayan entendido perfectamente los peligros.

Los niños o las personas discapacitadas deberán estar vigilados o instruidos en el uso del aparato por una persona responsable de su seguridad.

Permitir el uso del aparato solo a los niños mayores de 8 años.

Vigilar a los niños durante los trabajos de limpieza y mantenimiento del aparato.

No dejar que los niños jueguen con el aparato.

- No obstruir ni cubrir nunca las rejillas de ventilación y aireación del aparato.

- No guardar en el compartimento de congelación botellas ni tarros o latas que contengan líquidos, particularmente bebidas gaseosas. ¡Las botellas y latas pueden estallar!
- No introducir en la boca directamente los helados, polos o cubitos de hielo extraídos del congelador. ¡Peligro de quemaduras!

En caso de haber niños en el hogar

- No dejar que los niños jueguen con el embalaje del aparato o partes del mismo. ¡Existe peligro de asfixia a causa de los cartones y las láminas de plástico!
- ¡No permita que los niños jueguen con la unidad ni se sienten sobre los cajones o se columpien de las puertas!
- ¡En caso de disponer la unidad de una cerradura, guardar la llave fuera del alcance de los niños!

Observaciones de carácter general

El aparato es adecuado

- para la refrigeración y congelación de alimentos,
- para la preparación de cubitos de hielo.

El presente aparato ha sido diseñado para el uso doméstico en el hogar particular o en su entorno.

El aparato está dotado de un dispositivo de desparasitaje según la directiva de la Unión Europea 2004/108/EC.

La estanqueidad del circuito de refrigeración viene verificada de fábrica.

Este producto cumple las normas específicas de seguridad para aparatos eléctricos (EN 60335-2-24).

Este aparato está previsto para ser utilizado a una altura máxima de 2.000 metros sobre el nivel del mar.

Consejos para la eliminación del embalaje y el desguace de los aparatos usados

Consejos para la eliminación del embalaje de los aparatos

El embalaje protege su aparato contra posibles daños durante el transporte. Todos los materiales de embalaje utilizados son respetuosos con el medio ambiente y pueden ser reciclados o reutilizados. Contribuya activamente a la protección del medio ambiente insistiendo en unos métodos de eliminación y recuperación de los materiales de embalaje respetuosos con el medio ambiente.

Su Distribuidor o Administración local le informará gustosamente sobre las vías y posibilidades más eficaces y actuales para la eliminación respetuosa con el medio ambiente de estos materiales.

Desguace de los aparatos usados

¡Los aparatos usados incorporan materiales valiosos que se pueden recuperar! Entregando el aparato a dicho efecto en un centro oficial de recogida o recuperación de materiales reciclables.



Este aparato está marcado con el símbolo de cumplimiento con la Directiva Europea 2012/19/UE relativa a los aparatos eléctricos y electrónicos usados (Residuos de aparatos eléctricos y electrónicos RAEE).

La directiva proporciona el marco general válido en todo el ámbito de la Unión Europea para la retirada y la reutilización de los residuos de los aparatos eléctricos y electrónicos.

Advertencia

Antes de deshacerse de su aparato usado

1. Extraer el enchufe de conexión del aparato de la toma de corriente de la red eléctrica.
2. Corte el cable de conexión del aparato y retírelo conjuntamente con el enchufe.
3. No retirar los soportes y baldas del aparato a fin de no facilitar a los niños el acceso al interior de éste.
4. No permita que los niños jueguen con los aparatos inservibles. ¡Peligro de asfixia!

Todos los aparatos frigoríficos contienen gases aislantes y refrigerantes, que exigen un tratamiento y eliminación específicos. Preste atención a que las tuberías del circuito de frío de su aparato no sufran daños ni desperfectos. Antes de haberlo entregado en el correspondiente Centro Oficial de recogida.

Volumen de suministro (elementos incluidos en el equipo de serie)

Verifique que las piezas no presentan daños ni desperfectos debidos al transporte tras desembalarlas.

En caso de constatar daños o desperfectos deberá dirigirse al distribuidor en donde adquirió su electrodoméstico o al Servicio de Asistencia Técnica Oficial de la marca.

El envío consta de los siguientes elementos:

- Aparato de libre instalación
- Equipamiento (según modelo)
- Bolsa con material de montaje
- Instrucciones de uso
- Instrucciones de montaje
- Cuaderno de mantenimiento
- Suplemento de la garantía
- Informaciones sobre el consumo de energía y los ruidos del aparato

Lugar de emplazamiento

El lugar más adecuado para el emplazamiento del aparato es una habitación seca, dotada de una buena ventilación. El aparato no debe instalarse de forma que reciba directamente los rayos del sol, ni tampoco encontrarse próximo a focos activos de calor tales como cocinas, calefacciones, etc. No obstante, si esto último fuera inevitable, se habrá de proteger la unidad con un panel aislante adecuado, o bien observar las siguientes distancias mínimas de separación con respecto a la fuente de calor en cuestión:

- Cocinas eléctricas y de gas, 3 cm.
- Cocinas de gas-oil o de carbón, 30 cm.

El suelo en el lugar de emplazamiento del aparato deberá poseer una suficiente capacidad de sustentación. En caso necesario deberá reforzarse adecuadamente. Las posibles irregularidades del suelo se pueden compensar mediante calzos.

Distancia respecto a la pared

Instalar el aparato de modo que quede asegurado un ángulo de apertura de la puerta de 90°.

Prestar atención a la temperatura del entorno y la ventilación del aparato

Temperatura de la habitación

El aparato ha sido diseñado para una determinada clase climática. En función de la clase climática concreta, el aparato puede funcionar en los márgenes de temperatura que se indican más abajo.

La clase climática a la que pertenece el aparato figura en la placa de características del mismo, Fig. 12.

Clase climática	Temperatura del entorno admisible
SN	+10 °C hasta 32 °C
N	+16 °C hasta 32 °C
ST	+16 °C hasta 38 °C
T	+16 °C hasta 43 °C

Nota

El aparato funciona perfectamente en los rangos de temperatura señalados por la clase climática. En caso de funcionar un aparato de la clase climática SN a una temperatura ambiente más fría, pueden excluirse daños en el mismo hasta una temperatura de +5 °C.

Ventilación

Fig. 2

El aire en las paredes posterior y laterales se calienta durante el funcionamiento normal del aparato. El aire recalentado debe poder escapar libremente. De lo contrario, el aparato tendrá que aumentar su rendimiento provocando un consumo de energía eléctrica elevado e inútil. Por esta razón habrá que prestar particular atención a que las aberturas de ventilación y aireación no estén nunca obstruidas!

Conectar el aparato a la red eléctrica

Tras colocar el aparato en su emplazamiento definitivo deberá dejarse reposar éste durante aprox. una hora antes de ponerlo en funcionamiento. Durante el transporte del aparato puede ocurrir que el aceite contenido en el compresor penetre en el circuito del frío. Limpiar el interior del aparato antes de su puesta en funcionamiento inicial (véase el capítulo «Limpieza el aparato»).

Conexión a la red eléctrica

La toma de corriente tiene que estar situada en las proximidades del aparato y ser libremente accesible tras su instalación.

El aparato corresponde al tipo de protección I. Conectar el aparato a una red de 220–240 V/50 Hz de corriente monofásica (corriente alterna) a través de una toma de corriente instalada correctamente y provista de conductor de protección. La toma de corriente debe estar protegida con un fusible de 10–16 amperios.

En los aparatos destinados a países fuera del continente europeo deberá verificarse si los valores de la tensión de conexión y el tipo de corriente que figuran en la placa de características del aparato coinciden con los de la red nacional. Ambos números se encuentran en la placa de características del aparato. Fig. 12

Advertencia

El aparato no se podrá conectar en ningún caso a conectores electrónicos para ahorro energético.

Nuestros aparatos se pueden conectar a rectificadores de corriente por onda sinusoidal o conmutados por red. Los rectificadores conmutados por red se emplean en las instalaciones fotovoltaicas conectadas directamente a la red pública de abastecimiento de corriente eléctrica. Para aplicaciones aisladas, como por ejemplo en buques o albergues de montaña que no disponen de conexión a la red eléctrica, tienen que emplearse rectificadores de onda sinusoidal.

Familiarizándose con la unidad



Despliegue, por favor, la última página con las ilustraciones. Las presentes instrucciones de uso son válidas para varios modelos de aparato.

El equipamiento de los distintos modelos puede variar.

Por ello es posible que las ilustraciones muestren detalles y características de equipamiento que no concuerdan con las de su aparato concreto.

Fig. **1**

* No disponible en todos los modelos.

- A Compartimento frigorífico
- B Compartimento hyperFresh
- C Compartimento de congelación

- 1–20 Elementos de mando
- 21* Compartimentos para guardar la mantequilla y el queso
- 22 Estante para botellas pequeñas
- 23 Botellero para guardar botellas grandes
- 24 Iluminación interior (LED)
- 25* Soporte para botellas
- 26* Juego de recipientes para el desayuno
- 27 Placa separadora con regulador de humedad
- 28 Cajón para la verdura

- 29 Cajón fresco
- 30* Cajón de congelación

Elementos de mando

Fig. **4**

- 1 **Indicación de la temperatura para el compartimento frigorífico**
Las cifras indican, en °C, la temperatura ajustada en el compartimento frigorífico.
- 2 **Indicación super cooling**
Se resalta cuando la función de superfrío está activada.
- 3 **INDICACIÓN de temperatura hyperFresh**
Muestra la temperatura ajustada en el compartimento hyperFresh.
- 4 **Indicación de la temperatura compartimento de congelación**
Las cifras indican, en °C, la temperatura ajustada en el compartimento de congelación.
- 5 **Indicación super freezing**
Se resalta cuando la función de supercongelación está activada.
- 6 **Indicación vacation**
Se resalta cuando está activado el modo Vacaciones.
- 7 **Indicación fresh**
Se resalta cuando está activado el modo Fresco.
- 8 **Indicación «eco mode»**
Se resalta cuando el modo «eco» está conectado.
- 9 **Tecla mode**
Selección de las funciones especiales.

- 10 **Tecla Super**
Sirve para activar las funciones super cooling (compartimento frigorífico) y super freezing (congelador).
- 11 **Teclas selectoras +/-**
Con estas teclas se ajusta la temperatura de los compartimentos frigorífico y de congelación.
- 12 **Tecla lock**
Sirve para activar la función lock.
- 13 **Tecla °C para la selección de compartimento y alarm off**
Sirve para seleccionar un compartimento. Esto es necesario para modificar la temperatura del mismo o activar determinadas funciones especiales.
Sirve para desactivar la alarma.
- 14 **Función «lock» para bloquear las teclas**
Estando activada esta función no se pueden realizar ajustes a través de los elementos de mando.
- 15 **Indicación alarm off**
Se resalta cuando la temperatura es demasiado elevada en el aparato.
- 16 **Indicación alarm**
Se resalta cuando la temperatura es demasiado elevada en el congelador.
- 17 **Indicación freeze**
Se resalta cuando está seleccionado el congelador.
- 18 **Indicación hyperFresh**
Se resalta cuando se ha seleccionado el compartimento hyperFresh.

- 19 **Indicación alarm**
Se resalta cuando la temperatura es demasiado elevada en el compartimento frigorífico.
- 20 **Indicación cool**
Se resalta cuando está seleccionado el compartimento frigorífico.

Conectar el aparato

1. Insertar primero el enchufe en la conexión de la parte posterior del aparato. Cerciorarse de que el enchufe está insertado correctamente.
2. A continuación, enchufar el otro extremo del cable en la toma de corriente.

El aparato está conectado y suena una señal acústica de aviso.

Pulsar la tecla °C para desactivar la alarma acústica.

La indicación alarm se apaga tan pronto como el aparato ha alcanzado la temperatura ajustada.

Las temperaturas preajustadas se alcanzan al cabo de varias horas de funcionamiento. No introducir alimentos en el aparato antes de que haya transcurrido este período de tiempo.

De fábrica se aconseja ajustar las siguientes temperaturas:

- Congelador: -18 °C
- Compartimento hyperFresh: de 0 °C a 2 °C
- Compartimento frigorífico: +4 °C

Advertencias relativas al funcionamiento del aparato

- El aparato puede necesitar varias horas hasta alcanzar todas las temperaturas ajustadas.
- Gracias al sistema automático NoFrost, el compartimento de congelación permanece libre de escarcha, no siendo necesario efectuar su desescarchado. Por ello no hay que realizar el desescarchado del mismo.
- Los lados frontales del cuerpo del aparato son calentados ligeramente. De este modo se impide la formación de agua de condensación en la zona de la junta de la puerta.
- En caso de no poder abrir la puerta del compartimento de congelación inmediatamente después de cerrarla, aguardar unos instantes hasta que la depresión generada haya sido compensada.

Ajustar la temperatura

Fig. 4

Compartimento frigorífico

La temperatura se puede ajustar de +2 °C a +8 °C.

1. Pulsar el mando selector 13 hasta que se active en la pantalla de visualización el compartimento frigorífico 1.
2. Pulsar las teclas +/- 11 hasta que en la pantalla se muestre la temperatura deseada.

Los alimentos delicados no deberán guardarse a una temperatura superior (más calor) a +4 °C.

Compartimento hyperFresh

La temperatura se puede ajustar de -1 °C a 3 °C.

1. Pulsar la tecla selectora 13 hasta que se active la indicación hyperFresh 3.
2. Pulsar las teclas +/- hasta que se visualice la temperatura deseada.

Congelador

La temperatura se puede ajustar de -16 °C a -24 °C.

1. Seleccionar el congelador con la tecla °C.
2. Pulsar las teclas +/- hasta que se visualice la temperatura deseada.

Funciones especiales

Fig. 4

Modo Fresco

Con el modo Fresco activado los alimentos se conservan frescos durante más tiempo.

Activación:

Pulsar la tecla mode repetidas veces hasta que aparezca la indicación fresh.

El aparato ajusta automáticamente las siguientes temperaturas:

- Compartimento frigorífico: + 2 °C
- Compartimento hyperFresh: 0 °C
- Congelador: No se producen modificaciones

Desactivación:

Pulsar la tecla mode repetidas veces hasta que se apague la indicación fresh.

Modo Eco

Mediante la función Eco se conmuta el aparato a la modalidad de mínimo consumo energético.

Activación:

Pulsar la tecla mode repetidas veces hasta que aparezca la indicación «eco mode».

El aparato ajusta automáticamente las siguientes temperaturas:

- Compartimento frigorífico: +8 °C
- Compartimento hyperFresh: +3 °C
- Congelador: -16 °C

Desactivación:

Pulsar la tecla mode repetidas veces hasta que se apague la indicación «eco mode» .

Modo «Vacaciones»

Para los largos períodos de ausencia se puede conmutar el aparato al modo de ahorro energético «Vacaciones».

La temperatura del compartimento frigorífico se conmuta automáticamente a +14 °C.

Durante este período no deberán guardarse alimentos en el compartimento frigorífico.

Activación:

Pulsar la tecla mode repetidas veces hasta que aparezca la indicación vacation.

El aparato ajusta automáticamente las siguientes temperaturas:

- Compartimento frigorífico: +14 °C
- Compartimento hyperFresh: +14 °C
- Congelador: No se producen modificaciones

Nota

En el display hyperFresh aparece «-».

Desactivación:

Pulsar la tecla mode repetidas veces hasta que se apague la indicación vacation.

Modo Sabbath

Al activar el modo Sabbath se desconectan las siguientes funciones:

- Señales acústicas
- Iluminación interior
- Indicaciones en la pantalla de visualización
- Se reduce la intensidad de la iluminación de fondo de la pantalla de visualización
- Las teclas se bloquean

Conexión y desconexión del modo Sabbath:

Pulsar la tecla super durante 15 segundos.

Función alarma

La alarma se puede producir en los siguientes casos.

Alarma de la puerta

Si el aparato permanece abierto durante demasiado tiempo, se activa la alarma de la puerta (sonido permanente) y en la indicación de temperatura del compartimento frigorífico 1 aparece alarm. La alarma de la puerta se desactiva cerrando la puerta del aparato.

Alarma de temperatura

Suena un aviso acústico repetido y en la indicación de temperatura del congelador 4 aparece alarm.

La alarma de temperatura se activa cuando en el congelador se registra una temperatura demasiado elevada (calor) y existe el peligro de que los alimentos congelados se descongelen.

La alarma puede activarse, sin peligro de deterioro inmediato de los alimentos, en los casos siguientes:

- Al poner en marcha el aparato.
- Al introducir grandes cantidades de alimentos frescos.

Nota

No volver a congelar los alimentos que se hayan descongelado o empezado a descongelarse. Sólo se podrán volver a congelar tras asarlos, freírlos, hervirlos o preparar con ellos platos cocinados.

En este caso no se deberá agotar al máximo el tiempo de caducidad de los productos.

En la pantalla de visualización aparece durante 5 segundos la temperatura más elevada (calor) registrada en el compartimento de congelación, mostrándose a continuación la temperatura ajustada.

Desactivar la alarma

Pulsar la tecla °C para desactivar la alarma acústica.

Home Connect

Este aparato funciona con Wi-Fi y puede controlarse a través de un dispositivo móvil.

Nota

Wi-Fi es una marca registrada de Wi-Fi Alliance.

Si no está conectado a la red doméstica, funciona como un aparato refrigerador sin conexión a la red y se puede seguir manejando manualmente con los mandos.

Para poder utilizar las funciones de Home Connect, conectar el aparato con un dongle de Wi-Fi Home Connect.

Si no se le ha suministrado ningún dongle de Wi-Fi Home Connect con el aparato, puede solicitarlo al servicio de asistencia técnica.

Nota

El enchufe de la parte posterior del aparato entra y sale con mayor dificultad de la esperada. Cerciorarse de que haber introducido el enchufe completamente.

Colocar el dongle de Wi-Fi Home Connect a 1 metro de altura.

Notas

- Tenga en cuenta las indicaciones y advertencias de seguridad de este manual y asegúrese de respetarlas también si utiliza el aparato mediante la aplicación Home Connect desde fuera de casa (consultar el capítulo Indicaciones y advertencias de seguridad).

Tenga en cuenta también las indicaciones de la aplicación Home Connect.

- El manejo desde el propio aparato tiene siempre prioridad sobre el manejo a través de la aplicación Home Connect. En ese momento no es posible controlarlo desde la aplicación.

Configurar Home Connect

Notas

- Tenga en cuenta la hoja adjunta de Home Connect que está disponible para su descarga en <http://www.siemens-home.com> junto con las instrucciones. Para ello introduzca el número de modelo del aparato en el campo de búsqueda.
- Para poder establecer los ajustes a través de Home Connect, la aplicación Home Connect debe estar instalada en el dispositivo móvil. Para ello, consultar la documentación adjunta de Home Connect. Seguir los pasos indicados en la aplicación para establecer los ajustes.
- Si el aparato no se maneja durante un tiempo prolongado, el menú Home Connect se cierra automáticamente. Las indicaciones para abrir el menú Home Connect se encuentran al principio del capítulo correspondiente.

Conexión automática a la red doméstica (WLAN)

Cuando existe un router WLAN con función WPS, el aparato refrigerador puede conectarse directamente con la red doméstica.

1. Pulsar al mismo tiempo la tecla super y la tecla lock para abrir el menú Home Connect.

El indicador muestra **Cn**.

Nota

Pulsar las dos teclas exactamente al mismo tiempo. Las teclas se bloquean si durante un tiempo prolongado sólo se pulsa la tecla lock. Volver a pulsar la tecla lock y mantenerla pulsada hasta que las teclas se desbloqueen.

2. Pulsar la tecla °C varias veces hasta que los indicadores muestren **AC** y **oF**.
3. Pulsar la tecla +.

El aparato está listo para la conexión automática.

El indicador muestra durante 2 minutos una animación.

En ese tiempo, realice los siguientes pasos.

4. Activar la función WPS en el router de la red doméstica (p. ej. pulsando la tecla WPS/WLAN, consultar la información al respecto en la documentación del router).

- Si la conexión se realiza bien, **on** parpadea en el indicador del aparato refrigerador.

Ahora puede conectar el aparato refrigerador con la aplicación.

- Si en el indicador aparece **oF**, no se ha podido establecer una conexión.

Compruebe que el aparato refrigerador se encuentre dentro del alcance de la red doméstica (WLAN).

Repetir el proceso o realizar la conexión manual.

Conexión manual a la red doméstica (WLAN)

Si el router WLAN no dispone de una función WPS o se desconoce, puede conectar el aparato refrigerador manualmente con la red doméstica.

1. Pulsar al mismo tiempo la tecla super y la tecla lock para abrir el menú Home Connect.

El indicador muestra **Cn**.

Nota

Pulsar las dos teclas exactamente al mismo tiempo. Las teclas se bloquean si durante un tiempo prolongado sólo se pulsa la tecla lock. Volver a pulsar la tecla lock y mantenerla pulsada hasta que las teclas se desbloqueen.

2. Pulsar la tecla °C varias veces hasta que los indicadores muestren **SA** y **oF**.

3. Pulsar la tecla +.

El aparato está listo para la conexión manual.

El indicador muestra durante 5 minutos una animación.

En ese tiempo, realice los siguientes pasos.

4. El aparato refrigerador ha ajustado una red WLAN propia con el nombre de red **HomeConnect**.

Puede acceder a esta red con el dispositivo móvil.

5. Abrir el menú de ajustes del dispositivo móvil y acceder a los ajustes de WLAN.

6. Conectar el dispositivo móvil a la red WLAN **HomeConnect**.

Contraseña: **HomeConnect**

El establecimiento de la conexión puede durar hasta 60 segundos.

7. Una vez establecida la conexión, abrir la aplicación Home Connect en el dispositivo móvil.

La aplicación busca el aparato refrigerador.

8. En cuanto se haya encontrado el aparato refrigerador, introducir el nombre de la red (SSID) y la contraseña (Key) de la propia red doméstica (WLAN) en los campos correspondientes.

9. Confirmar con la tecla **Transferir a electrodomésticos**.

- Si la conexión se realiza bien, **on** parpadea en el indicador del aparato refrigerador.

Ahora puede conectar el aparato refrigerador con la aplicación.

- Si en el indicador aparece **oF**, no se ha podido establecer una conexión.

Vuelva a introducir la contraseña, asegurándose de escribirla correctamente.

Compruebe que el aparato refrigerador se encuentre dentro del alcance de la red doméstica (WLAN).

Repetir la operación.

Conectar el aparato refrigerador con la aplicación

Una vez establecida la conexión entre el aparato refrigerador y la red doméstica, se puede conectar el aparato refrigerador con la aplicación.

1. Pulsar al mismo tiempo la tecla super y la tecla lock para abrir el menú Home Connect.

El indicador muestra **Cn**.

Nota

Pulsar las dos teclas exactamente al mismo tiempo. Las teclas se bloquean si durante un tiempo prolongado sólo se pulsa la tecla lock. Volver a pulsar la tecla lock y mantenerla pulsada hasta que las teclas se desbloqueen.

2. Pulsar la tecla °C varias veces hasta que los indicadores muestren **PA** (Pairing = conectar con aplicación) y **oF**.

3. Pulsar la tecla + para conectar el aparato con la aplicación.

El indicador muestra una animación.

En cuanto el aparato refrigerador y la aplicación estén conectados, el indicador muestra **on**.

4. Esperar a que el aparato refrigerador aparezca en la aplicación Home Connect del dispositivo móvil. Para añadir el aparato refrigerador, seleccionarlo y añadirlo con el botón +.

Si el aparato refrigerador no se muestra automáticamente, primero seleccionar en la aplicación Home Connect **Buscar electrodomésticos** y, a continuación, seleccionar **Conectar electrodoméstico**.

5. Seguir las indicaciones de la aplicación hasta que finalice el proceso.

- Los indicadores muestran **PA** y **on**.

El aparato refrigerador se ha conectado correctamente a la aplicación.

- Si la conexión falla, comprobar si el dispositivo móvil está conectado con la red doméstica (WLAN).

A continuación, volver a conectar el aparato refrigerador a la aplicación.

- Cuando el indicador muestre **Er**, restablecer los ajustes de Home Connect y volver a realizar la configuración desde el principio.

Comprobar la intensidad de la señal

La intensidad de la señal se debe comprobar cuando no funciona el establecimiento de la conexión.

1. Pulsar al mismo tiempo la tecla super y la tecla lock para abrir el menú Home Connect.

El indicador muestra **Cn**.

Nota

Pulsar las dos teclas exactamente al mismo tiempo. Las teclas se bloquean si durante un tiempo prolongado sólo se pulsa la tecla lock. Volver a pulsar la tecla lock y mantenerla pulsada hasta que las teclas se desbloqueen.

2. Pulsar la tecla °C repetidas veces hasta que el indicador muestre **SI**. En el otro indicador aparece un valor entre 0 (no hay recepción) y 3 (recepción completa).

Nota

El valor de intensidad de la señal debería ser 2 como mínimo. Si la intensidad de la señal es demasiado baja, puede interrumpirse la conexión. Coloque el router y el aparato refrigerador más cerca uno de otro y asegúrese de que la conexión no se ve perturbada por paredes de apantallamiento, o instale un repetidor para intensificar la señal.

Restablecer los ajustes de Home Connect

Si no se consigue establecer la conexión, o si desea registrar el aparato en otra red doméstica (WLAN), puede restablecer los ajustes de Home Connect:

1. Pulsar al mismo tiempo la tecla super y la tecla lock para abrir el menú Home Connect.

El indicador muestra **Cn**.

Nota

Pulsar las dos teclas exactamente al mismo tiempo. Las teclas se bloquean si durante un tiempo prolongado sólo se pulsa la tecla lock. Volver a pulsar la tecla lock y mantenerla pulsada hasta que las teclas se desbloqueen.

2. Pulsar la tecla °C varias veces hasta que los indicadores muestren **rE** y **oF**.

3. Pulsar la tecla +.

- El indicador muestra una animación breve y a continuación otra vez **oF**. Los ajustes de Home Connect se han restablecido.
- En caso de que el indicador muestre **Er**, vuelva a restablecer los ajustes o póngase en contacto con el servicio de asistencia técnica.

Indicaciones sobre protección de datos

Al conectar por primera vez el aparato refrigerador Home Connect a una red WLAN asociada a Internet, el aparato transmite las siguientes categorías de datos al servidor Home Connect (registro inicial):

- Identificación clara del aparato (compuesta por la clave del aparato y la dirección MAC del módulo de comunicación Wi-Fi utilizado).
- Certificado de seguridad del módulo de comunicación Wi-Fi (para la protección técnica de la información de la conexión).
- Las versiones actuales del software y el hardware del aparato refrigerador.
- El estado de un posible restablecimiento previo a los ajustes de fábrica.

El registro inicial prepara la utilización de las funciones Home Connect y solo es necesario la primera vez que se vaya a utilizar Home Connect.

Nota

Tener en cuenta que las funciones Home Connect solo se pueden utilizar en conexión con la aplicación Home Connect. Se puede consultar la información relativa a la protección de datos en la aplicación de Home Connect.

Declaración de conformidad

Por la presente, BSH Hausgeräte GmbH certifica que el aparato con la funcionalidad de Home Connect cumple con los requisitos básicos y las disposiciones generales básicas estipulados en la Directiva 1999/5/CE.

Encontrará una declaración de conformidad con la directiva R&TTE detallada en www.siemens-home.com, en la página del producto correspondiente a su aparato, dentro de la sección de documentos adicionales.



Capacidad útil

Las indicaciones sobre la capacidad útil de su aparato figuran en la placa del mismo. Fig. 12

Aprovechar toda la capacidad de congelación del aparato

Para introducir la máxima cantidad de alimentos en el compartimento de congelación se pueden retirar del mismo los cajones y recipientes. De esta manera, los alimentos se pueden apilar directamente sobre la balda y el fondo del compartimento frigorífico.

Nota

Evite el contacto directo de los alimentos con el panel posterior del aparato, de lo contrario la libre circulación del aire quedará afectada.

Los alimentos o envases podrían quedar adheridos al panel.

Retirar elementos del aparato

Desplazar el cajón de congelación hacia el cuerpo del usuario hasta el tope, levantarlo por la parte frontal y retirarlo del aparato. Fig. 9

Compartimento frigorífico

El compartimento frigorífico es el lugar ideal para guardar carne, embutido, pescado, productos lácteos, huevos y platos cocinados, así como pan, bollería y productos de repostería.

Puntos a observar al guardar los alimentos

- Guarde preferentemente alimentos en estado fresco y en perfectas condiciones. De este modo conservarán su calidad y frescura durante más tiempo.
- En el caso de productos precocinados o alimentos envasados deberán observarse las fechas de caducidad o de consumo señaladas por el fabricante .
- Asimismo se aconseja envolver los alimentos bien o cubrirlos antes de introducirlos en el frigorífico a fin de que conserven su aroma, color y sabor. De este modo se evita, además, que puedan producirse transferencias de sabor de un alimento a otro o decoloraciones de las piezas de plástico en el compartimento frigorífico.
- Dejar enfriar los alimentos o bebidas calientes hasta una temperatura ambiente antes de introducirlos en el aparato.

Nota

No obstruir ni bloquear con alimentos las aberturas de salida del aire a fin de permitir la libre circulación del mismo. Los alimentos colocados en las inmediaciones de las aberturas de salida del aire pueden resultar congelados como consecuencia del aire frío que sale por éstas.

Prestar atención a las diferentes zonas de frío del compartimento frigorífico

En función de la circulación del aire en el interior del compartimento frigorífico, se crean en éste diferentes zonas de frío:

- Las zonas de más frío están situadas delante de las aberturas de salida del aire y en el compartimento fresco, fig. **1**/29.

Nota

Guarde en las zonas más frías los alimentos más delicados (por ejemplo pescado, embutido, carne).

- La zona menos fría se encuentra en la parte superior de la contrapuerta.

Nota

Guardar en la zona menos fría, por ejemplo, el queso curado y la mantequilla. De esta manera el queso curado puede desprender su aroma y la mantequilla se puede untar en el pan.

Superfrío

Mediante esta función se enfría el compartimento frigorífico durante aprox. 6 horas hasta alcanzar la temperatura más baja posible, conmutando a continuación a la temperatura ajustada con anterioridad a la activación de la opción.

La función de superfrío se selecciona en caso de

- antes de introducir grandes cantidades de alimentos.
- desear enfriar rápidamente bebidas.

Activación y desactivación

Figura **4**

1. Seleccionar el compartimento frigorífico con la tecla °C.
2. Pulsar la tecla Super hasta que se encienda la indicación super cooling.

No es necesario desactivar la función de superfrío. Una vez pasadas 6 horas, el aparato conmuta automáticamente a la temperatura ajustada anteriormente.

Nota

Estando activada la función de superfrío, el nivel sonoro del aparato puede aumentar.

Compartimento hyperFresh

La temperatura del compartimento fresco se mantiene siempre en torno a los 0 °C. La baja temperatura y el grado de humedad del aire óptimo proporcionan unas condiciones ideales para guardar los alimentos frescos.

En el compartimento fresco se pueden guardar los alimentos frescos hasta tres veces más tiempo que en el compartimento frigorífico normal, conservando así durante más tiempo su frescura, valores nutritivos y sabor.

Cajón para la verdura

Fig. **7**

El cajón para la verdura es el lugar ideal para guardar fruta y verdura frescas. La humedad del aire en el cajón para la verdura se puede ajustar a través del regulador de humedad de la placa separadora y una junta especial.

La humedad del aire en el cajón para la verdura se puede ajustar en función de la naturaleza y la cantidad de los alimentos que se vayan a guardar en el mismo:

- preferentemente para guardar fruta, así como en caso de existir una gran cantidad de alimentos frescos – menor nivel de humedad
- preferentemente para guardar hortalizas, así como en caso de existir una pequeña cantidad de alimentos frescos – mayor nivel de humedad

Notas

- La fruta (por ejemplo, piñas, plátanos, papayas y cítricos) y la verdura (berenjenas, pepinos, calabacines, pimientos, tomates y patatas) sensibles al frío deberán guardarse fuera del frigorífico a una temperatura de aprox. +8 °C a +12 °C a fin de conservar óptimamente su calidad y sabor.
- En función de la cantidad y el tipo de alimento guardado en el cajón para la verdura, puede formarse agua de condensación en el mismo. Eliminar el agua de condensación con un paño seco y adaptar el grado de humedad del aire del cajón para la verdura a través del mando regulador.

Cajón fresco

Fig. 1/29

Las condiciones de almacenamiento reinantes en el cajón fresco son ideales para guardar pescado, carne, embutido, queso y leche.

Calendario de conservación (a 0 °C)

según la calidad de partida del producto	
Pescado fresco, marisco	hasta 3 días
Aves, carne (cocida/asada)	hasta 5 días
Carne de vaca (buey), cerdo, cordero, embutido cortado	hasta 7 días
Pescado ahumado, brécoles	hasta 14 días
Lechugas, hinojo, albaricoques, ciruelas	hasta 21 días
Queso blando, yogur, requesón, mazada (suero de mantequilla), coliflor	hasta 30 días

Compartimento de congelación

El compartimento de congelación es adecuado

- para guardar productos ultracongelados,
- para preparar cubitos de hielo,
- para congelar alimentos frescos.

Nota

¡Cerciorarse siempre de que la puerta del compartimento de congelación está cerrada correctamente! En caso de no estar bien cerrada la puerta, los alimentos se pueden descongelar. En el compartimento de congelación se produce una fuerte acumulación de escarcha. Además se produce un elevado consumo de energía eléctrica.

Capacidad máxima de congelación

Las indicaciones relativas a la máxima capacidad de congelación en 24 horas se facilitan en la placa del aparato.

Fig. 12

Condiciones para alcanzar la máxima capacidad de congelación

- Conectar la función de supercongelación antes de introducir los productos frescos en el congelador (véase el capítulo «Supercongelación»).
- Retirar los cajones del compartimento y apilar directamente los alimentos sobre la balda y el fondo del compartimento de congelación.
- Colocar preferentemente grandes cantidades de alimentos frescos en el compartimento superior. Dado que aquí se congelan de un modo particularmente rápido y cuidadoso.

Congelar y guardar alimentos

Puntos a tener en cuenta al comprar alimentos ultracongelados

- Prestar atención a que la envoltura del alimento o producto congelado no presente ningún tipo de daño.
- Verifique la fecha de caducidad de los alimentos. Cerciórese de que ésta no ha vencido.

- La indicación de la temperatura del congelador del establecimiento en donde adquiera los alimentos deberá señalar un valor mínimo de $-18\text{ }^{\circ}\text{C}$.
- Al hacer la compra, recuerde que conviene adquirir los alimentos congelados en el último momento. Procure transportarlos directamente a casa envueltos en una bolsa isotérmica. Una vez en el hogar, deberá colocarlos inmediatamente en el compartimento de congelación.

Prestar atención al colocar los alimentos

- Colocar preferentemente grandes cantidades de alimentos frescos en el compartimento superior. Dado que aquí se congelan de un modo particularmente rápido y cuidadoso.
- Colocar los alimentos distribuyéndolos uniformemente en los compartimentos o los cajones de congelación.

Nota

Los productos congelados que ya hubiera en el compartimento de congelación no deberán entrar en contacto con los alimentos frescos que se desean congelar. En caso necesario, recoger y apilar los alimentos congelados en otros cajones de congelación.

Guardar los alimentos congelados

Cerciorarse de que el cajón de congelación esté introducido a tope en el aparato a fin de asegurar una circulación impecable del aire por el aparato.

Congelar alimentos frescos

Si decide congelar usted mismo los alimentos, utilice únicamente alimentos frescos y en perfectas condiciones.

Blanquear (escaldar) las verduras antes de su congelación a fin de que su sabor, aroma o color no se deteriore, ni pierdan tampoco su valor nutritivo. Las berenjenas, los calabacines y espárragos no hay que escaldarlos.

Más detalles sobre este método podrán hallarse en cualquier libro o manual de cocina que trate los aspectos de la congelación de alimentos y en donde se describa el método del blanqueado.

Nota

Procurar que los alimentos congelados que ya hubiera en el congelador no entren en contacto con los alimentos frescos que se desean congelar.

- Alimentos adecuados para la congelación:
Pan y bollería, pescado y marisco, carne, caza, aves, verduras y hortalizas, frutas, hierbas aromáticas, huevos sin cáscara, productos lácteos tales como queso, mantequilla y requesón, platos cocinados y restos de comidas como por ejemplo sopas, potajes, carnes o pescados cocinados, platos de patatas, gratinados y platos dulces.
- Alimentos que no deben congelarse:
Verduras que se consumen normalmente crudas, como por ejemplo lechugas o rabanitos, huevos en su cáscara, uvas, manzanas enteras, peras y melocotones, huevos duros, yogur, leche agria, nata fresca acidulada, crema fresca y mayonesa.

Envasado de los alimentos

Envasar los alimentos herméticamente para que no se deshidraten o pierdan su sabor.

1. Introducir los alimentos en la envoltura prevista a dicho efecto.
2. Eliminar todo el aire que pudiera haber en el envase.
3. Cerrarlo herméticamente.
4. Marcar los envases, indicando su contenido y la fecha de congelación.

Materiales apropiados para el envasado de los alimentos:

Láminas de plástico, bolsitas y láminas de polietileno, papel de aluminio, cajitas y envases específicos para la congelación de alimentos.

Estos productos pueden encontrarse en comercios especializados.

Materiales no apropiados para el envasado de los alimentos:

Papel de envolver, papel de pergamino, celofán, bolsas de basura, bolsas de la compra usadas.

Materiales apropiados para el cierre de los envases:

Gomitas, clips de plástico, bramante, cinta adhesiva incongelable, etc.

Las bolsitas o láminas de plástico de polietileno se pueden termosellar con una soldadora de plásticos.

Calendario de congelación

El plazo de conservación varía en función del tipo del alimento congelado.

A una temperatura de $-18\text{ }^{\circ}\text{C}$:

- El pescado, el embutido y los platos cocinados, así como el pan y la bollería:
hasta 6 meses
- El queso, las aves y la carne:
hasta 8 meses
- La fruta y verdura:
hasta 12 meses

Supercongelación

Para que los alimentos conserven su valor nutritivo, vitaminas y buen aspecto hay que congelar el centro lo más rápidamente posible.

Con objeto de evitar que se produzca un aumento indeseado de la temperatura interior del aparato al colocar alimentos frescos en el compartimento de congelación, deberá activarse la función de supercongelación varias horas antes de introducir los alimentos en el aparato.

Normalmente basta con 4–6 horas.

Al estar activada esta función, el compresor funciona continuamente, alcanzándose en el interior del compartimento de congelación unas temperaturas muy bajas (gran frío).

En caso de desear aprovechar la máxima capacidad de congelación del aparato deberá conectarse la función «Supercongelación» 24 horas antes de introducir los alimentos frescos en el aparato.

Pequeñas cantidades de alimentos (hasta 2 kg) se pueden congelar sin necesidad de activar la supercongelación.

Nota

Estando activada la función de supercongelación, el nivel sonoro del aparato puede aumentar.

Activación y desactivación

Figura **4**

1. Seleccionar el congelador con la tecla $^{\circ}\text{C}$.
2. Pulsar la tecla Super hasta que se encienda la indicación super freezing.

No es necesario desactivar la función de supercongelación. Una vez pasados aprox. 2 días y medio el aparato conmuta automáticamente a la temperatura ajustada anteriormente.

Descongelar los alimentos

Según el tipo y la naturaleza de su uso, se puede elegir entre los siguientes procedimientos:

- Temperatura ambiente
- En el frigorífico
- En un horno eléctrico, con/sin calentador de aire
- Con horno microondas

¡Atención!

No volver a congelar los alimentos que se hayan descongelado o empezado a descongelarse. Sólo se podrán volver a congelar tras asarlos, freírlos, hervirlos o preparar con ellos platos cocinados.

En este caso no se deberá agotar al máximo el tiempo de caducidad de los productos.

Equipamiento

Estantes y recipientes

La posición de las bandejas y estantes o recipientes del interior del aparato y de la cara interior de la puerta se puede variar libremente: Desplazar la bandeja hacia delante, inclinarla hacia abajo y extraerla inclinándola por uno de sus lados. Para extraer los soportes y estantes de la puerta deberán levantarse primero de su posición.

Equipos opcionales

(no disponible en todos los modelos)

Compartimentos para guardar la mantequilla y el queso

Para abrir el compartimento de la mantequilla, presionar ligeramente en el centro de la trampilla.

Para limpiar el compartimento, alzarlo por abajo y extraerlo de su alojamiento.

Juego de recipientes para el desayuno Fig. 5

Los recipientes del juego para el desayuno se pueden retirar y llenar por separado.

Los recipientes del juego para el desayuno se pueden retirar del aparato para llenarlos o vaciarlos. Alzar a tal efecto levemente el juego de recipientes y extraerlo de su emplazamiento. El soporte del recipiente se puede desplazar.

Balda portabotellas

Fig. 6

En la balda portabotellas se pueden colocar con toda seguridad las botellas.

Cubitera

Fig. 11

1. Llenar $\frac{3}{4}$ partes de la cubitera con agua potable y colocarla en el compartimento de congelación.
2. Desprender la cubitera adherida sólo con ayuda de un objeto sin aristas, como por ejemplo el mango de una cuchara.
3. Para retirar los cubitos de hielo de la cubitera, colocar ésta brevemente debajo del chorro de agua del grifo o doblarla.

Calendario de congelación

Fig. 10

Para evitar las pérdidas de calidad y valor nutritivo de los alimentos congelados, éstos deberán consumirse antes de que caduque su plazo máximo de conservación. Las cifras que figuran junto a los símbolos señalan, en meses, el plazo de conservación admisible para los diferentes productos. En el caso de productos ultracongelados deberá observarse la fecha de congelación del producto o su fecha de caducidad.

Acumuladores de frío

Los acumuladores de frío contribuyen a retardar la descongelación de los productos congelados en caso de corte o avería del suministro de corriente. El retardo más efectivo se logra colocando los acumuladores de frío en el compartimento superior, directamente sobre los alimentos.

Los acumuladores de frío se pueden extraer de su emplazamiento y usarlos para mantener alimentos frescos por breve tiempo, por ejemplo en una bolsa isotérmica.

Adhesivo «OK»

(no disponible en todos los modelos)

Con el adhesivo «OK» puede comprobar si en el compartimento frigorífico se han alcanzado los rangos de temperatura seguros de +4 °C o menos recomendados para los alimentos. En caso de que el adhesivo no muestre «OK» habrá que ajustar de modo escalonado una temperatura más baja.

Nota

Tras poner el aparato en marcha, éste puede necesitar hasta 12 horas para alcanzar la temperatura ajustada.

**Ajuste correcto****Desconectar el aparato**

Pulsar la tecla «+» durante 10 segundos. El compresor se desconecta.

(No disponible en todos los modelos).

Apagar el aparato

En caso de largos períodos de inactividad del aparato:

1. Extraer el enchufe de conexión del aparato de la toma de corriente o desconectar el fusible de la instalación doméstica.
2. Limpiar el aparato.
3. Dejar la puerta abierta.

Nota

Para evitar daños en el aparato, la puerta del mismo debe abrirse de modo que permanezca abierta por sí misma. No coloque ningún objeto en la puerta para mantenerla abierta.

Limpieza del aparato

¡Atención!

- No utilizar detergentes y disolventes que contengan arena, cloro o ácidos.
- No emplear esponjas abrasivas.
En las superficies metálicas podría producirse corrosión.
- No lavar nunca las bandejas, compartimentos o estantes del aparato en el lavavajillas.
¡Las piezas pueden deformarse!

Téngase presente que el agua empleada en la limpieza del aparato no debe penetrar en las siguientes zonas:

- Elementos de mando
- Iluminación
- Aberturas de ventilación
- Aberturas de la placa separadora

Modo de proceder:

1. Extraer el enchufe de conexión del aparato de la toma de corriente o desconectar el fusible de la instalación doméstica.
2. Retirar los alimentos del aparato y guardarlos en el lugar más frío posible. Colocar sobre los alimentos los acumuladores de frío (caso de disponer de ellos).

3. Téngase presente que el agua empleada en la limpieza del aparato no debe penetrar en los elementos de mando ni entrar en contacto con la iluminación, las aberturas de ventilación ni las aberturas de la placa de separación.

Limpiar el aparato con un paño suave, agua templada y un poco de lavavajillas manual con pH neutro.

4. Limpiar la junta de la puerta solo con agua clara y, a continuación, secarla bien con un paño.
5. Tras concluir la limpieza, conectar el aparato a la red eléctrica.
6. Colocar los alimentos congelados en el compartimento de congelación.

Equipamiento

Los elementos variables del aparato se pueden extraer para su limpieza.

Nota

La placa separadora situada entre el compartimento frigorífico y el compartimento hyperFresh es fija. Para evitar daños en el aparato, sólo puede ser retirada por el servicio de asistencia técnica o por un técnico autorizado.

Retirar los estantes de la puerta

Fig. **3**

Levantarlos ligeramente y retirarlos de su emplazamiento.

Retirar las bandejas de vidrio

Desplazar las baldas de vidrio hacia el usuario y retirarlas del aparato.

Retirar los cajones

Fig. 8

Desplazar los cajones completamente hacia el cuerpo del usuario y levantarlos para soltarlos de su enclavamiento.

Para montar los cajones, colocarlos sobre los carriles telescópicos y empujarlos hacia el interior del aparato. Los cajones enclavan presionándolos hacia abajo.

Retirar el cajón de congelación

Fig. 9

Desplazar el cajón de congelación hacia el cuerpo del usuario hasta el tope, levantarlo por la parte frontal y retirarlo del aparato.

Iluminación interior (LED)

Su aparato está equipado con una iluminación por diodos luminosos exenta de mantenimiento.

Las reparaciones de este tipo de iluminación sólo podrán ser realizadas por personal técnico del Servicio de Asistencia Técnica Oficial de la marca o autorizado oficialmente por el fabricante.

Consejos prácticos para ahorrar energía eléctrica

- ¡Emplazar el aparato en una habitación seca y fresca, dotada de una buena ventilación! Recuerde además que el aparato no debe instalarse de forma que reciba directamente los rayos del sol, ni encontrarse tampoco próximo a focos activos de calor tales como cocinas, calefacciones, etc.
No obstante, si esto último fuera inevitable, se habrá de proteger la unidad con un panel aislante adecuado.
- Dejar enfriar los alimentos o bebidas calientes hasta temperaturas ambientes antes de introducirlos en el aparato.
- Descongelar los productos congelados en el interior del compartimento frigorífico. De esta manera se puede aprovechar el frío desprendido por los mismos para la refrigeración de los restantes alimentos guardados.
- Mantener abierta la puerta del aparato el menos tiempo posible.
- Para conseguir el menor consumo de energía, colocar el aparato con una pequeña distancia lateral respecto a la pared.
- La disposición de los elementos y accesorios del aparato no influye en la absorción de energía.

Ruidos de funcionamiento del aparato

Ruidos de funcionamiento normales del aparato

Ruidos en forma de murmullos sordos

Los motores están trabajando (compresores, ventilador).

Ruidos en forma de gorgoteo

Se producen al penetrar el líquido refrigerante en los tubos delgados una vez que ha entrado en funcionamiento el compresor.

Ruidos en forma de clic

El motor, los interruptores o las electroválvulas se conectan/desconectan.

Se producen ruidos en forma de chasquidos

Se está realizando el desescarchado automático.

Ruidos que se pueden evitar fácilmente

El aparato está colocado en posición desnivelada

Nivelar el aparato con ayuda de un nivel de burbuja. Calzarlo en caso necesario.

El aparato entra en contacto con muebles u otros objetos

Retirar el aparato de los muebles u otros aparatos con los que esté en contacto.

Los cajones o baldas oscilan o están agarrotados

Verificar los elementos desmontables y, en caso necesario, colocarlos en un nuevo emplazamiento.

Las botellas o recipientes entran en contacto mutuo

Separar algo las botellas y los recipientes.

Pequeñas averías de fácil solución

Antes de avisar al Servicio de Asistencia Técnica:

Compruebe si la avería o fallo que usted ha constatado se encuentra recogida en los siguientes consejos y advertencias.

Tenga presente que los gastos del técnico no quedan cubiertos por las prestaciones del servicio de garantía.

Avería	Posible causa	Forma de subsanarla
La temperatura difiere fuertemente del valor ajustado.		<p>En algunos casos es posible que sea suficiente desconectar el aparato durante 5 minutos.</p> <p>Si la temperatura es demasiado elevada (calor), verifique al cabo de unas pocas horas si se ha producido una aproximación a la temperatura ajustada.</p> <p>Si la temperatura es demasiado baja (frío), verifique la temperatura nuevamente al día siguiente.</p>

Avería	Posible causa	Forma de subsanarla
La iluminación no funciona.	La iluminación de diodos luminosos está defectuosa.	Véase el capítulo «Iluminación interior (LED)».
	La puerta del aparato ha permanecido abierta durante demasiado tiempo.	Tras abrir y cerrar la puerta, la iluminación del aparato vuelve a conectarse.
	La iluminación se desactiva al cabo de aproximadamente 10 minutos.	
No se ilumina ninguna pantalla ni ninguno de los pilotos de aviso.	Se ha producido un corte del suministro de corriente eléctrica; el fusible se ha fundido; el enchufe del aparato no está asentado correctamente en la toma de corriente.	Introducir el enchufe del aparato en la toma de corriente. Verificar si hay que corriente; verificar los fusibles.
La temperatura es demasiado fría en el compartimento frigorífico o en el compartimento hyperFresh.		Aumentar la temperatura del compartimento frigorífico.
		Aumentar la temperatura del compartimento hyperFresh.
La temperatura en el interior del compartimento de congelación es demasiado elevada (calor).	La puerta del aparato se ha abierto con demasiada frecuencia.	No abrir la puerta del aparato innecesariamente.
	Las aberturas de ventilación y aireación están obstruidas.	Eliminar la causa de la obstrucción.
	Se ha introducido una gran cantidad de alimentos frescos.	No superar la máxima capacidad de congelación de alimentos frescos del aparato.
El aparato no enfría; la indicación de temperatura y la iluminación interior están encendidas.	El modo de exposición está activado.	Mantener pulsadas la tecla °Cy la tecla de ajuste + durante 5 segundos, hasta que suene una señal acústica de confirmación. Cerciorarse al cabo de un cierto tiempo de que el aparato enfría.
Las paredes laterales del aparato están calientes.	En el interior de las paredes laterales hay tubos que se calientan durante el proceso de refrigeración.	Este comportamiento del aparato es normal, no se trata de una avería.

Autocomprobación del aparato

Su aparato dispone de un programa automático de autocomprobación que le muestra las causas de las posibles averías; éstas sólo pueden ser subsanadas por el Servicio de Asistencia Técnica Oficial de la marca.

Iniciar la autocomprobación del aparato

1. Desconectar el aparato y esperar 5 minutos.
2. Conectar el aparato y en los primeros 10 segundos mantener pulsada la tecla °C y la tecla de ajuste «-» durante 3–5 segundos, hasta que suene una señal acústica.

El programa de autocomprobación arranca.

Si tras concluir el ciclo de autocomprobación suenan dos señales acústicas, su aparato funciona correctamente.

Si suenan 5 señales acústicas, se trata de una avería. En este caso deberá avisar al servicio de asistencia técnica.

Concluir el ciclo de autocomprobación

Una vez concluido el programa, el aparato conmuta al modo de funcionamiento normal.

Servicio de asistencia técnica

La dirección y el número de teléfono del servicio de asistencia técnica más próximo a su domicilio los podrá localizar a través de la guía telefónica de su localidad o del directorio del servicio de asistencia técnica. Facilite al servicio de asistencia técnica el número de producto (E-Nr.) y el número de fabricación (FD-Nr.) del aparato.

Ambos números se encuentran en la placa de características del aparato. Fig. 12

Rogamos evitar viajes innecesarios, indicando el número de producto y de fabricación. De este modo se evitan costes innecesarios.

Solicitud de reparación y asesoramiento en caso de averías

Las señas de las delegaciones internacionales figuran en la lista adjunta de centros y delegaciones del Servicio de Asistencia Técnica Oficial.

E 902 11 88 21

Avvertenze di sicurezza e potenziale pericolo

Prima di mettere in funzione l'apparecchio

Leggere attentamente tutte le istruzioni per l'uso ed il montaggio. Esse contengono importanti informazioni per l'installazione, l'uso e la manutenzione dell'apparecchio.

Il produttore non è responsabile se voi trascurate le indicazioni ed avvertenze del libretto d'istruzioni per l'uso.

Conservare tutta la documentazione per l'uso futuro oppure per eventuali successivi proprietari.

Elementi tecnici di sicurezza

Nei tubi del circuito di raffreddamento scorre una piccola quantità di refrigerante non inquinante, ma infiammabile (R600a). Non danneggia lo strato di ozono e non aumenta l'effetto serra. In caso di fuoriuscita, il refrigerante può ferire gli occhi o incendiarsi.

In caso di danni:

- tenere lontano dall'apparecchio fiamme o fonti di accensione,
- ventilare l'ambiente per alcuni minuti,
- spegnere l'apparecchio ed estrarre la spina di alimentazione elettrica,
- informare il Servizio Assistenza Clienti autorizzato.

La quantità di gas refrigerante contenuta nel vostro apparecchio, circa 8 gr. è indicata nella targhetta d'identificazione posta all'interno dell'apparecchio. Nel caso in cui il cavo di collegamento elettrico dovesse subire danni, è necessario sostituirlo, coinvolgere il servizio assistenza clienti autorizzato o un elettricista qualificato ad eseguire questa operazione.

Installazioni o riparazioni eseguite da personale non autorizzato, possono potenzialmente creare pericolo per l'utente e danni all'apparecchio. Le riparazioni vanno eseguite dal servizio assistenza clienti autorizzato. Le riparazioni vanno eseguite dal servizio assistenza clienti autorizzato o da personale qualificato ad eseguire questa operazione.

È consentito usare solo parti di ricambio originali del costruttore. Solo con l'impiego di detti componenti il costruttore garantisce che i requisiti di sicurezza del prodotto siano rispettati.

Il prolungamento del cavo elettrico di alimentazione deve essere eseguito dal servizio assistenza clienti autorizzato.

Nell'impiego quotidiano

- Non introdurre mai apparecchi elettrici nell'interno di questo elettrodomestico (es. apparecchi di riscaldamento, produttori di ghiaccio elettrici ecc.). Pericolo di esplosione!
- Non sbrinare o pulire mai l'apparecchio con una pulitrice a vapore. Il vapore può raggiungere parti elettriche e provocare un cortocircuito. Pericolo di scarica elettrica!
- Non utilizzare oggetti appuntiti o affilati per rimuovere la brina o il ghiaccio. E' possibile danneggiare i raccordi del circuito refrigerante, che rende inservibile l'apparecchio. Il gas fuoriuscendo per effetto della pressione, può provocare irritazioni agli occhi.
- Non conservare nell'apparecchio prodotti contenenti propellenti gassosi combustibili (per es. bombolette spray) e sostanze infiammabili. Pericolo di esplosione!
- Non usare impropriamente lo zoccolo, i cassettei estraibili, le porte ecc. quale punto di appoggio o come sostegno.
- Per lo sbrinamento e la pulizia estrarre la spina d'alimentazione o disinserire l'interruttore di sicurezza. Evitare di esercitare trazioni sul cordone elettrico, ma impugnare correttamente la spina.
- Conservare alcool ad alta gradazione in un contenitore ermeticamente chiuso, e posto in posizione verticale.
- Evitare che olii o grassi imbrattino parti plastiche o le guarnizioni delle porte. I grassi aggrediscono il materiale plastico e la guarnizione della porta diventano fragili e porose.
- Non ostruire le aperture di passaggio dell'aria di aereazione dell'apparecchio.

■ **Evitare pericoli a bambini e persone a rischio:**

Sono esposti a pericolo i bambini e le persone con limiti fisici, psichici o percettivi ed altresì persone, sprovviste di sufficiente conoscenza del sicuro funzionamento dell'apparecchio.

Accertarsi che i bambini e le persone a rischio abbiano ben compreso i pericoli.

Una persona responsabile della sicurezza è tenuto a sorvegliare o istruire i bambini e le persone a rischio in rapporto con l'apparecchio.

Permettere l'uso dell'apparecchio solo a bambini in età di 8 anni o superiore.

Sorvegliare i bambini durante la pulizia e la manutenzione.

Non permettere che i bambini giochino con l'apparecchio.

- Non conservare nel congelatore liquidi in bottiglia e lattine (specialmente le bevande contenenti anidride carbonica). Bottiglie e lattine possono rompersi!

- Non mettere in bocca alimenti congelati appena presi dal congelatore.

Pericolo di ustioni!

- Evitare il contatto prolungato delle mani con alimenti congelati, ghiaccio o i raccordi dell'evaporatore ecc.
- Pericolo di ustioni!

Bambini in casa

- Non abbandonare parti dell'imballaggio che possano essere fonte di gioco per i bambini.
Pericolo di soffocamento causato da scatole di cartone, fogli di plastica, polistirolo!
- L'apparecchio non è un giocattolo per bambini!
- Per apparecchi con serratura della porta:
conservare la chiave fuori della portata dei bambini!

Norme generali

L'apparecchio è idoneo

- per raffreddare e congelare alimenti,
- per preparare ghiaccio.

Questo apparecchio è destinato all'uso domestico privato nelle famiglie ed all'ambiente domestico.

L'apparecchio è schermato contro i radiodisturbi secondo la direttiva UE 2004/108/EC.

La tenuta ermetica del circuito del freddo è stata controllata.

Questo prodotto è conforme alle pertinenti norme di sicurezza per gli apparecchi elettrici (EN 60335-2-24).

Questo apparecchio è progettato solo per l'utilizzo fino ad un'altezza di massimo 2000 metri sul livello del mare.

Avvertenze per lo smaltimento

Smaltimento dell'imballaggio

L'imballaggio ha protetto l'apparecchio da eventuali danni da trasporto. Tutti i materiali impiegati sono Eco-Compatibili e riciclabili. Il Vostro contributo: smaltite l'imballaggio secondo la vigente norme.

Chiedere informazioni circa le piattaforme di smaltimento locale alla propria amministrazione comunale.

Rottamazione di un apparecchio dismesso

Gli apparecchi dismessi dispongono ancora di un valore residuo! Un corretto smaltimento nel rispetto dell'ecologia, permette di recuperare materie prime pregiate.



Questo apparecchio dispone di contrassegno ai sensi della direttiva europea 2012/19/UE in materia di apparecchi elettrici ed elettronici (waste electrical and electronic equipment - WEEE).

Questa direttiva definisce le norme per la raccolta e il riciclaggio degli apparecchi dismessi valide su tutto il territorio dell'Unione Europea.

Avviso

In caso di apparecchi fuori uso

1. Estrarre la spina di alimentazione.
2. Troncare il cavo elettrico di collegamento e rimuoverlo unitamente alla spina.
3. Non estrarre i ripiani e i contenitori, questo rende più difficile ai bambini di entrare nel vano frigo dell'apparecchio!
4. Vietare ai bambini di giocare con un apparecchio dismesso. Pericolo di asfissia!

I frigoriferi contengono gas nel circuito refrigerante e gas nell'isolamento. Refrigerante e gas devono essere smaltiti in modo appropriato. Evitare di danneggiare i raccordi del circuito refrigerante, durante il conferimento dell'apparecchio alla piattaforma di riciclaggio.

Dotazione

Dopo il disimballo controllare l'apparecchio per accertare eventuali danni di trasporto.

In caso di contestazioni rivolgersi al Vs. fornitore, presso il quale l'apparecchio è stato acquistato.

La dotazione comprende i seguenti componenti:

- Apparecchio
- Accessori (a secondo del modello)
- Busta con il materiale utile al montaggio
- Istruzioni per l'uso
- Istruzioni per il montaggio
- Libretto del servizio assistenza clienti autorizzato
- Allegato di garanzia convenzionale
- Informazioni sul consumo energetico e sui possibili rumori

Luogo d'installazione

Il luogo d'installazione idoneo è un locale asciutto, ventilabile. Il luogo d'installazione non deve essere esposto ad irraggiamento solare diretto e non essere vicino ad una fonte di calore, cucina, calorifero ecc. Se è inevitabile l'installazione accanto ad una fonte di calore, utilizzare un idoneo pannello isolante, oppure rispettate le seguenti distanze minime dalla fonte di calore:

- Da cucine elettriche o a gas 3 cm.
- Da stufe ad olio o a carbone 30 cm.

Il pavimento nel luogo d'installazione non deve cedere, rinforzarlo se necessario. Compensare gli spessori le eventuali disuguaglianze del pavimento.

Distanza dal muro

Installare l'apparecchio in modo da garantire un angolo di apertura della porta di 90°.

Osservare la temperatura ambiente e la ventilazione

Temperatura ambiente

L'apparecchio è progettato per una specifica classe climatica. In funzione di questa, l'apparecchio può essere usato alle seguenti temperature ambientali.

La classe climatica è indicata nella targhetta porta-dati. Figura **12**

Classe climatica	Temperatura ambiente ammessa
SN	da +10 °C a 32 °C
N	da +16 °C a 32 °C
ST	da +16 °C a 38 °C
T	da +16 °C a 43 °C

Avvertenza

L'apparecchio è perfettamente efficiente nei limiti di temperatura ambiente della classe climatica indicata. Se un apparecchio della classe climatica SN viene messo in funzione a temperature ambiente inferiori, possono essere esclusi danni all'apparecchio fino ad una temperatura di +5 °C.

Ventilazione

Figura **2**

L'aria lungo la parete posteriore e quelle laterali tende a scaldarsi, l'aria riscaldata deve poter defluire liberamente. In caso contrario il refrigeratore deve lavorare di più. Questo aumenta il consumo di energia elettrica. Perciò: evitare assolutamente di coprire o di ostruire le aperture di afflusso e deflusso dell'aria di raffreddamento.

Collegare l'apparecchio

Dopo avere posizionato l'apparecchio, attendere circa 1 ore prima di metterlo in funzione, questo assicura che l'olio lubrificante si raccolga nella parte bassa del motore e non penetri nel circuito di raffreddamento.

Pulire l'interno dell'apparecchio prima di attivarne la funzione (vedi capitolo «Pulizia dell'apparecchio»).

Allacciamento elettrico

La presa elettrica deve essere vicino all'apparecchio ed accessibile anche ad installazione avvenuta dell'apparecchio.

L'apparecchio è conforme alla classe d'isolamento I. Collegare l'apparecchio a tensione alternata di 220–240 V/ 50 Hz utilizzando una presa elettrica dotata di connettore di messa a terra. La presa deve essere protetta con dispositivo elettrico di sicurezza da 10–16 A.

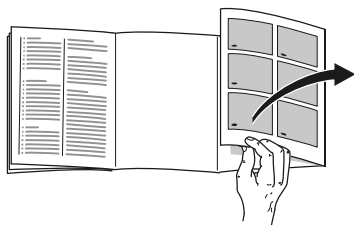
Per apparecchi, che vengono impiegati in paesi non europei, controllare se la tensione indicata corrisponda ai valori della locale rete elettrica. Questi dati sono riportati nella targhetta porta-dati. Figura **12**

Avviso

I nostri apparecchi possono essere collegati ad un inverter sinusoidale di rete.

Gli inverter di rete vengono utilizzati in abbinamento a impianti fotovoltaici e collegati direttamente alla rete elettrica pubblica. Usare inverter sinusoidali nel caso di soluzioni speciali (es. imbarcazioni oppure nelle baite in montagna), laddove non sia disponibile un collegamento elettrico diretto alla rete pubblica.

Conoscere l'apparecchio



Svolgere l'ultima pagina con le figure. Questo libretto d'istruzioni per l'uso è valido per vari modelli, pertanto le dotazioni possono variare. Nelle illustrazioni sono possibili differenze.

Figura **1**

* Non in tutti i modelli.

- A Frigorifero
- B Vano hyperFresh
- C Congelatore

- 1-20 Elementi di comando
- 21* Scomparto per burro e formaggio
- 22 Balconcino per bottigliette

- 23 Ripiano per bottiglie grandi
- 24 Illuminazione (LED)
- 25* Ripiano bottiglie
- 26* Set colazione
- 27 Ripiano di separazione con regolatore umidità
- 28 Cassetto per verdure
- 29 Cassetto freschezza
- 30* Cassetto surgelati

Elementi di comando

Figura **4**

- 1 **Indicatore temperatura del frigorifero**
I numeri corrispondono alle temperature del frigorifero regolate in °C.
- 2 **Indicatore super cooling**
Si accende quando il super-raffreddamento è in funzione.
- 3 **Indicazione temperatura hyperFresh**
Indica la temperatura regolata del vano hyperFresh.
- 4 **Indicatore temperatura del congelatore**
I numeri corrispondono alle temperature del congelatore regolate in °C.
- 5 **Indicatore super freezing**
Si accende quando il super-congelamento è in funzione.
- 6 **Indicatore vacation**
Si attiva quando viene attivata la modalità vacanza.
- 7 **Indicatore fresh**
Si attiva quando viene attivata la modalità freschezza.
- 8 **Indicazione «eco mode»**
Viene evidenziato quando viene attivata la modalità «eco».

- 9 **Pulsante mode**
Per la selezione delle funzioni speciali.
- 10 **Pulsante Super**
Serve per attivare le funzioni super cooling (frigorifero) o super freezing (congelatore).
- 11 **Pulsanti di regolazione +/-**
I pulsanti servono per regolare le temperature del frigorifero e del congelatore.
- 12 **Pulsante lock**
Serve per attivare la funzione lock.
- 13 **Pulsante °C per la selezione del comparto e alarm off**
Serve per selezionare un comparto. È necessario per modificare la temperatura o attivare determinate funzioni speciali.
Serve per disattivare l'allarme.
- 14 **Funzione di blocco dei pulsanti «lock»**
Se questa funzione è attivata, non sono possibili regolazioni di elementi di comando.
- 15 **Indicatore alarm off**
Si accende quando la temperatura nell'apparecchio aumenta troppo.
- 16 **Indicatore alarm**
Si accende quando la temperatura nel congelatore è troppo alta.
- 17 **Indicatore freeze**
Si accende quando è selezionato il congelatore.
- 18 **Indicatore hyperFresh**
Si accende quando è selezionato il vano hyperFresh.

- 19 **Indicatore alarm**
Si accende quando la temperatura nel frigorifero è troppo alta.
- 20 **Indicatore cool**
Si accende quando è selezionato il frigorifero.

Accensione dell'apparecchio

1. Inserire prima la spina nel connettore sul lato posteriore dell'apparecchio. Controllare che la spina sia completamente inserita.
2. Inserire poi l'altra estremità del cavo nella presa.

Ora l'apparecchio è acceso e viene emesso un segnale acustico di avviso.

Per disattivare il segnale acustico premere il pulsante °C.

L'indicazione alarm si spegne quando l'apparecchio ha raggiunto la temperatura regolata.

Le temperature predefinite vengono raggiunte dopo diverse ore. Durante questo periodo non introdurre alimenti nell'apparecchio.

Il produttore consiglia le seguenti temperature:

- Congelatore: -18 °C
- Vano hyperFresh: da 0 °C a 2 °C
- Frigorifero: +4 °C

Istruzioni per il funzionamento

- Dopo l'accensione possono trascorrere diverse ore prima che le temperature regolate vengano raggiunte.
- Grazie al sistema NoFrost, completamente automatico, nel congelatore non si forma ghiaccio. Uno sbrinatorio non è più necessario.
- Il lato anteriore dell'apparecchio è in parte leggermente riscaldato, questo impedisce la formazione di condensa nella zona della guarnizione della porta.
- Se la porta del congelatore resiste ad una nuova apertura subito dopo averla chiusa, attendere un attimo finché la depressione interna formatasi non si è compensata.

Regolare la temperatura

Figura **4**

Frigorifero

La temperatura può essere regolata da +2 °C a +8 °C.

1. Premere il pulsante di selezione 13 finché non è attivo il display frigorifero 1.
2. Premere i pulsanti +/- 11 finché non viene visualizzata la temperatura desiderata.

Gli alimenti delicati non devono essere conservati a temperatura superiore +4 °C.

Vano hyperFresh

La temperatura può essere regolata da -1 °C a 3 °C.

1. Premere il pulsante di selezione 13 finché non si attiva l'indicatore hyperFresh 3.
2. Premere i pulsanti +/- finché non viene visualizzata la temperatura desiderata.

Congelatore

La temperatura può essere regolata da -16 °C a -24 °C.

1. Con il pulsante °C selezionare il congelatore.
2. Premere i pulsanti +/- finché non viene visualizzata la temperatura desiderata.

Funzioni speciali

Figura 4

Modalità freschezza

Con la modalità freschezza gli alimenti si conservano ancora più a lungo.

Attivazione:

premere il tasto mode finché non viene visualizzato fresh.

L'apparecchio regola automaticamente le seguenti temperature:

- Frigorifero: + 2 °C
- Vano hyperFresh: 0 °C
- Congelatore: resta invariato

Disattivazione:

premere il tasto mode finché fresh non scompare.

Modalità eco

Con la modalità eco si commuta l'apparecchio al funzionamento a risparmio energetico.

Attivazione:

premere il pulsante mode finché non viene visualizzato "eco mode".

L'apparecchio regola automaticamente le seguenti temperature:

- Frigorifero: +8 °C
- Vano hyperFresh: +3 °C
- Congelatore: -16 °C

Disattivazione:

premere il pulsante mode finché "eco mode" non scompare.

Modo Vacanza

In caso di assenza prolungata si può commutare l'apparecchio nel modo Vacanza, per il risparmio energetico.

La temperatura del frigorifero viene commutata automaticamente a +14 °C.

In questo periodo non immettere alimenti nel frigorifero.

Attivazione:

premere il tasto mode finché non viene visualizzato vacation.

L'apparecchio regola automaticamente le seguenti temperature:

- Frigorifero: +14 °C
- Vano hyperFresh: +14 °C
- Congelatore: resta invariato

Avvertenza

Sul display hyperFresh compare «-».

Disattivazione:

premere il pulsante mode finché vacation non scompare.

Modalità Sabbath

All'attivazione della modalità vengono disattivate le impostazioni seguenti: All'attivazione della modalità Sabbath vengono disattivate le impostazioni seguenti:

- Segnali acustici
- Illuminazione interna
- Indicazioni sul display
- La retroilluminazione del display viene ridotta
- I tasti si bloccano / i tasti si bloccano

Attivazione e disattivazione della modalità Sabbath:

Premere il tasto super per 15 secondi.

Funzione di allarme

Un segnale acustico di allarme può essere emesso nei casi seguenti.

Allarme porta

Se l'apparecchio resta aperto troppo a lungo si attiva l'allarme porta (segnale acustico continuo) e nell'indicazione di temperatura del frigorifero 1 compare alarm. L'allarme porta si disattiva nuovamente chiudendo l'apparecchio.

Allarme temperatura

Viene emesso un suono a intermittenza, nell'indicazione di temperatura del congelatore 4 compare alarm.

L'allarme temperatura si attiva se la temperatura nel congelatore è troppo alta e gli alimenti congelati sono a rischio.

Attivazione del segnale acustico di allarme senza che questo costituisca pericolo per gli alimenti congelati:

- Messa in funzione dell'apparecchio.
- Introduzione di grandi quantità di alimenti freschi.

Avvertenza

Non ricongelare gli alimenti parzialmente o completamente scongelati. Questi possono essere di nuovo congelati solo dopo avere preparato (mediante qualsiasi tipo di cottura) pietanze pronte all'uso.

Non utilizzare più interamente la durata max. di conservazione

Il display della temperatura indica per 5 secondi la temperatura più alta raggiunta nel congelatore. Al termine viene visualizzata la temperatura regolata.

Disattivazione dell'allarme

Premere il pulsante °C per disattivare il segnale acustico.

Home Connect

Questo apparecchio è dotato di connessione Wi-Fi e può essere comandato a distanza con un dispositivo mobile.

Avvertenza

Wi-Fi è un marchio registrato di Wi-Fi Alliance.

Se non è collegato alla rete domestica, l'apparecchio funziona come un frigorifero senza collegamento alla rete e può essere comandato manualmente con gli elementi di comando.

Per usare le funzioni di Home Connect, connettere l'apparecchio con un Home Connect Wi-Fi-Dongle.

Se l'apparecchio è stato fornito senza l'Home Connect Wi-Fi-Dongle è possibile ordinarlo tramite il nostro servizio clienti.

Avvertenza

Inserire e disinserire la spina a fianco dell'apparecchio è più difficoltoso di quanto previsto. Controllare che la spina sia completamente inserita.

Posizionare l'Home Connect Wi-Fi-Dongle ad un'altezza di 1 metro.

Avvertenze

- Osservare le avvertenze di sicurezza delle presenti istruzioni per l'uso e accertarsi che vengano rispettate quando l'apparecchio viene utilizzato mediante l'app Home Connect e non si è in casa (vedere il capitolo relativo alla sicurezza).

Osservare anche le avvertenze presenti nell'app Home Connect.

- I comandi impartiti direttamente sull'apparecchio hanno sempre la priorità; quando l'apparecchio viene comandato direttamente, i comandi tramite l'app Home Connect non sono disponibili.

Configurazione di Home Connect

Avvertenze

- Osservare l'allegato Home Connect che è disponibile sotto <http://www.siemens-home.com> nelle istruzioni da scaricare. Inserire nel campo di ricerca il codice (E-Nr.) dell'elettrodomestico.
- Per poter eseguire le impostazioni mediante Home Connect, l'app Home Connect deve essere installata sul proprio dispositivo mobile. Osservare la documentazione fornita di Home Connect. Seguire i passi indicati all'interno dell'app per eseguire le impostazioni.
- Dopo diversi istanti di inutilizzo, il menu di Home Connect si chiude automaticamente. Informazioni sull'apertura del menu di Home Connect sono disponibili all'inizio del capitolo corrispondente.

Connessione automatica alla rete domestica (WLAN)

Se è disponibile un router WLAN con funzione WPS, è possibile collegare automaticamente il frigorifero alla rete domestica.

1. Premere contemporaneamente il tasto super e il tasto lock per aprire il menu Home Connect.

Il display indica **Cn**.

Avvertenza

Premere contemporaneamente i due tasti. I tasti vengono bloccati se si preme a lungo il tasto lock da solo. Premere nuovamente il tasto lock finché i tasti non si sbloccano.

2. Premere il tasto °C finché i display non visualizzano **AC** e **oF**.
3. Premere il tasto +.

L'apparecchio è pronto per la connessione automatica.

Il display visualizza un'animazione per 2 minuti.

Durante questo intervallo eseguire le operazioni seguenti.

4. Attivare la funzione WPS sul router della rete domestica (ad es. con il tasto WPS/WLAN, osservare le informazioni riportate nella documentazione del router).
 - Se la connessione è stata stabilita, lampeggia **on** sul display del frigorifero.
Ora è possibile collegare il frigorifero all'app.
 - Se il display visualizza **oF** significa che non è stato possibile stabilire la connessione.
Verificare che il frigorifero si trovi entro il campo di copertura della rete domestica (WLAN).
Ripetere la procedura oppure eseguire la connessione manualmente.

Connessione manuale alla rete domestica (WLAN)

Se il router WLAN presente non è dotato di funzione WPS o se l'utente non ne è a conoscenza, è possibile collegare il frigorifero manualmente alla rete domestica.

1. Premere contemporaneamente il tasto super e il tasto lock per aprire il menu Home Connect.

Il display indica **Cn**.

Avvertenza

Premere contemporaneamente i due tasti. I tasti vengono bloccati se si preme a lungo il tasto lock da solo. Premere nuovamente il tasto lock finché i tasti non si sbloccano.

2. Premere il tasto °C finché i display non mostrano **SA** e **oF**.

3. Premere il tasto +.
L'apparecchio è pronto per la connessione manuale.
Il display visualizza un'animazione per 5 minuti.
Durante questo intervallo eseguire le operazioni seguenti.
4. Per il frigorifero è ora configurata una propria rete WLAN con il nome **HomeConnect**.
A questa rete è ora possibile accedere con il dispositivo mobile.
5. Aprire il menu delle impostazioni del dispositivo mobile e richiamare le impostazioni WLAN.
6. Collegare il dispositivo mobile alla rete WLAN **HomeConnect**.
Password: **HomeConnect**
Per stabilire la connessione possono essere necessari fino a 60 secondi.
7. Una volta stabilita la connessione, aprire l'app Home Connect sul dispositivo mobile.
L'app cerca il frigorifero.
8. Non appena viene rilevato il frigorifero, inserire il nome della rete (SSID) e la password (Key) della propria rete domestica (WLAN) nei campi corrispondenti.
9. Confermare con il pulsante **Trasferisci agli elettrodomestici**.
 - Se la connessione è stata stabilita, lampeggia **on** sul display del frigorifero.
Ora è possibile collegare il frigorifero all'app.

- Se il display visualizza **oF** significa che non è stato possibile stabilire la connessione.

Inserire nuovamente la password verificando che sia scritta correttamente.

Verificare che il frigorifero si trovi entro il campo di copertura della rete domestica (WLAN).

Ripetere l'operazione.

Collegamento del frigorifero con l'app

Una volta stabilita la connessione tra il frigorifero e la rete domestica è possibile collegare il frigorifero all'app.

1. Premere contemporaneamente il tasto super e il tasto lock per aprire il menu Home Connect.

Il display indica **Cn**.

Avvertenza

Premere contemporaneamente i due tasti. I tasti vengono bloccati se si preme a lungo il tasto lock da solo. Premere nuovamente il tasto lock finché i tasti non si sbloccano.

2. Premere il tasto °C finché non sono visualizzati **PA** (Pairing = collegamento all'app) e **oF**.

3. Premere il tasto + per collegare l'apparecchio all'app.

Il display mostra un'animazione.

Non appena il frigorifero e l'app sono collegati, il display mostra **on**.

4. Nell'app Home Connect sul dispositivo mobile viene visualizzato il frigorifero. Per aggiungere il frigorifero selezionarlo e aggiungerlo con il pulsante +.

Se il frigorifero non viene visualizzato automaticamente, nell'app Home Connect selezionare prima **Cerca elettrodomestici** e poi **Collega elettrodomestico**.

5. Seguire le istruzioni dell'app fino alla fine della procedura.

- I display mostrano **PA** e **on**.

Il frigorifero è stato collegato all'app.

- Se la connessione non è stata stabilita, verificare che il dispositivo mobile sia connesso alla rete domestica (WLAN).

Quindi collegare di nuovo il frigorifero all'app.

- Se il display mostra **Er**, Home Connect resettare le impostazioni e ripetere la configurazione dall'inizio.

Verifica dell'intensità del segnale

Se non viene instaurata la connessione occorre verificare l'intensità del segnale.

1. Premere contemporaneamente il tasto super e il tasto lock per aprire il menu Home Connect.

Il display indica **Cn**.

Avvertenza

Premere contemporaneamente i due tasti. I tasti vengono bloccati se si preme a lungo il tasto lock da solo. Premere nuovamente il tasto lock finché i tasti non si sbloccano.

2. Premere il tasto °C finché il display non mostra **SI**. Nel secondo display viene visualizzato un valore compreso tra 0 (nessuna ricezione) e 3 (massima ricezione).

Avvertenza

L'intensità del segnale deve essere pari almeno a 2. Se l'intensità del segnale è troppo bassa, la connessione può interrompersi. Avvicinare il router e il frigorifero, verificare che la connessione non sia disturbata da pareti schermanti oppure installare un ripetitore per rafforzare il segnale.

Home Connect Reset delle impostazioni

Se non si riesce a stabilire la connessione oppure se si desidera registrare il frigorifero in un'altra rete (WLAN), è possibile resettare le impostazioni di Home Connect:

1. Premere contemporaneamente il tasto super e il tasto lock per aprire il menu Home Connect.

Il display indica **Cn**.

Avvertenza

Premere contemporaneamente i due tasti. I tasti vengono bloccati se si preme a lungo il tasto lock da solo. Premere nuovamente il tasto lock finché i tasti non si sbloccano.

2. Premere il tasto °C finché i display non mostrano **rE** e **oF**.
3. Premere il tasto +.

- Il display mostra una breve animazione, quindi mostra nuovamente **oF**.

Le impostazioni di Home Connect sono resettate.

- Se il display mostra **Er**, eseguire nuovamente il reset oppure contattare il servizio di assistenza clienti.

Avvertenze sulla protezione dei dati

Con il primo collegamento del frigorifero Home Connect a una rete WLAN connessa a Internet, il frigorifero trasmette le seguenti categorie di dati al server Home Connect (prima registrazione):

- Identificativo univoco dell'apparecchio (costituito dai codici dell'apparecchio e dall'indirizzo MAC del modulo di comunicazione Wi-Fi installato).
- Certificato di sicurezza del modulo di comunicazione Wi-Fi (per la protezione informatica della connessione).
- La versione attuale del software e dell'hardware del frigorifero.
- Lo stato di un eventuale ripristino precedente delle impostazioni di fabbrica.

La prima registrazione prepara l'apparecchio per l'utilizzo delle funzionalità Home Connect ed è necessaria soltanto nel momento in cui si desidera utilizzare le funzionalità Home Connect per la prima volta.

Avvertenza

Osservare che le funzionalità Home Connect sono utilizzabili solo in abbinamento all'app Home Connect. Le informazioni sulla protezione dei dati possono essere richiamate nell'app Home Connect.

Dichiarazione di conformità

Con la presente BSH Hausgeräte GmbH dichiara che l'apparecchio con funzionalità Home Connect è in conformità con i requisiti fondamentali e le disposizioni relative alla direttiva 1999/5/CE.

Una dichiarazione di conformità dettagliata R&TTE è consultabile su Internet, sul sito www.siemens-home.com alla pagina del prodotto nei documenti supplementari.



Capacità utile totale

I dati di volume utile sono indicati sulla targhetta d'identificazione dell'apparecchio. Figura **12**

Sfruttare interamente il volume utile

I contenitori possono essere rimossi per sistemare la quantità massima di alimenti. Gli alimenti possono essere poi accumulati direttamente sul ripiano e sul fondo del congelatore.

Avvertenza

Evitare gli alimenti vengano a contatto con la parete di fondo. In tal caso la circolazione dell'aria viene impedita.

Durante il congelamento, le confezioni degli alimenti possono attaccarsi alla parete di fondo.

Rimozione degli accessori

Estrarre i cassetti surgelati fino all'arresto, sollevarli avanti ed estrarli. Figura **9**

Il frigorifero

Il frigorifero è il luogo di conservazione ideale per carne, salumi, pesce, latticini, uova, alimenti pronti e prodotti da forno.

Tenere presente nella conservazione

- Conservare alimenti freschi, integri. Così la qualità e la freschezza si conservano più a lungo.
- Per i prodotti pronti ed alimenti confezionati osservare la data minima di conservazione o la data di consumo indicata dal produttore.
- Sistemare gli alimenti ben confezionati o coperti, per conservare aroma, colore e freschezza. Si evitano così contaminazioni di gusto e alterazioni di colore delle parti di plastica nel frigorifero.
- Fare prima raffreddare gli alimenti e le bevande caldi, poi metterli nell'apparecchio.

Avvertenza

Per non pregiudicare la circolazione dell'aria, non ostruire le aperture di uscita dell'aria con alimenti. Gli alimenti, che sono conservati direttamente innanzi alle aperture di uscita dell'aria, possono anche essere congelati dall'aria fredda che esce.

Considerare le zone più fredde nel frigorifero

La circolazione dell'aria nel frigorifero, genera delle zone con temperature differenti:

- Le zone più fredde sono avanti alle aperture di uscita aria e nel cassetto di raffreddamento, figura **1**/29.

Avvertenza

Conservare nelle zone più fredde gli alimenti deperibili (per es. pesce, insaccati, carne).

- La zona meno fredda è nella parte più alta della porta.

Avvertenza

Conservare nelle zone meno fredde ad es. formaggio duro e burro. Il formaggio duro può così conservare il suo aroma e il burro resta spalmabile.

Super-raffreddamento

Durante il super-raffreddamento il vano frigorifero viene raffreddato quanto più possibile per ca. 6 ore. In seguito viene regolato automaticamente alla temperatura impostata prima del super-raffreddamento.

Inserire il super-raffreddamento per es.

- prima d'introdurre grandi quantità di alimenti.
- per il raffreddamento rapido di bevande.

Attivazione e disattivazione

Figura **4**

1. Con il tasto °C selezionare il frigorifero.
2. Premere il tasto Super finché non si accende super cooling.

Non si deve disinserire il super-raffreddamento. Dopo 6 ore l'apparecchio passa automaticamente alla temperatura precedentemente impostata.

Avvertenza

Con il super-raffreddamento del frigo attivo, i rumori determinati dal funzionamento saranno maggiori.

Il vano hyperFresh

La temperatura del vano a 0 °C si mantiene vicino a 0 °C. La bassa temperatura e il livello di umidità ottimale garantiscono condizioni di conservazione ideali per gli alimenti freschi.

Nel vano a 0 °C si possono conservare alimenti per una durata fino a tre volte maggiore rispetto alla normale zona frigo, per conservare più a lungo la freschezza, le sostanze nutritive e il gusto.

Cassetto per verdure

Figura **7**

Il cassetto per verdure è il luogo di conservazione ottimale per frutta fresca e verdura. L'umidità dell'aria nel cassetto per verdure può essere adattata per mezzo del regolatore umidità del ripiano di separazione e di una speciale guarnizione.

L'umidità dell'aria nel cassetto per verdure può essere regolata a seconda del tipo e della quantità dei prodotti da conservare:

- soprattutto frutta e in caso di carico elevato – bassa umidità dell'aria
- soprattutto verdura e in caso di carico misto o di carico ridotto – alta umidità dell'aria

Avvertenze

- Per la conservazione ottimale della qualità e dell'aroma di frutta (ad es. ananas, banane, papaie ed agrumi) ed ortaggi (ad es. melanzane, cetrioli, zucchine, peperoni, pomodori e patate) che temono il freddo, conservarle fuori del frigorifero a temperature di +8 °C a +12 °C circa.
- A seconda della quantità e del prodotto conservato, nel cassetto verdura può formarsi condensa. Rimuovere la condensa con un panno asciutto e adattare l'umidità dell'aria nel cassetto verdura con il regolatore umidità.

Cassetto freschezza

Figura **1**/29

Il clima di conservazione nel cassetto freschezza offre condizioni ideali per conservare pesce, carne, salumi, formaggio e latte.

Tempi di conservazione (a 0 °C)

a seconda della qualità iniziale

Pesce fresco, frutti di mare	fino a 3 giorni
Pollame, carne (cotti/arrostiti)	fino a 5 giorni
Manzo, suino, agnello, salumi (affettati)	fino a 7 giorni
Pesce affumicato, broccoli	fino a 14 giorni
Insalata, finocchio, albicocche, prugne	fino a 21 giorni
Formaggio tenero, yogurt, ricotta, latticello, cavolfiore	fino a 30 giorni

Congelatore

Usare il congelatore

- Per conservare alimenti surgelati.
- Per produrre cubetti di ghiaccio.
- Per il congelamento di alimenti.

Avvertenza

Attenzione che la porta del congelatore sia chiusa correttamente! Se la porta è aperta gli alimenti surgelati si scongelano. Il congelatore forma molto ghiaccio. Inoltre: spreco di energia a causa di alto consumo di corrente elettrica!

Max. capacità di congelamento

Indicazioni sulla max. possibilità di congelamento in 24 ore sono riportate sulla targhetta d'identificazione. Figura **12**

Condizioni per la max. capacità di congelamento

- Prima di introdurre prodotti freschi inserire il super congelamento (vedi il capitolo «Super congelamento»).
- Estrarre il contenitore; accumulare gli alimenti direttamente sul ripiano e sul fondo del congelatore.
- Congelare le quantità più grandi di alimenti preferibilmente nello scomparto superiore. Qui essi vengono congelati molto rapidamente e perciò anche salvaguardandone le proprietà.

Congelare e conservare

Acquisto di alimenti surgelati

- La confezione non deve essere danneggiata.
- Rispettare la data di conservazione.
- La temperatura nell'espositore-congelatore di vendita deve essere $-18\text{ }^{\circ}\text{C}$ o inferiore.
- Trasportare gli alimenti surgelati possibilmente in una borsa termica e conservarli poi al più presto possibile nel congelatore.

Tenere presente nella sistemazione

- Congelare le quantità più grandi di alimenti preferibilmente nello scomparto superiore. Qui essi vengono congelati molto rapidamente e perciò anche salvaguardandone le proprietà.
- Disporre gli alimenti distesi in piano negli scomparti o nei cassetti surgelati.

Avvertenza

Gli alimenti già congelati non devono entrare in contatto con gli alimenti da congelare. Eventualmente spostare gli alimenti congelati nei altri cassetti surgelati.

Conservazione degli alimenti congelati

Per garantire la perfetta circolazione dell'aria, introdurre il cassetto surgelati fino all'arresto.

Congelamento di alimenti freschi

Per il congelamento utilizzare solo alimenti freschi ed integri.

Per conservare al meglio valore nutritivo, aroma e colore, sbollentare la verdura prima di congelarla. Non è necessario sbollentare melanzane, peperoni, zucchine ed asparagi.

In libreria sono reperibili pubblicazioni sul congelamento e la sbollentatura.

Avvertenza

Non mettere gli alimenti da congelare in contatto con quelli congelati.

- Sono idonei per il congelamento: Prodotti da forno, pesce e frutti di mare, carne, selvaggina, pollame, verdura, frutta, erbe aromatiche, uova senza guscio, latticini, come formaggio, burro e ricotta, pietanze pronte e residui vivande, come minestre, piatti unici, carne e pesce cotti a fuoco lento, vivande di patate, sformati e dolci.
- Non sono idonei per il congelamento: Tipi di ortaggi, che solitamente si consumano crudi, come insalate in foglia o ravanelli, uova nel guscio, uva, mele intere, pere e pesche, uova sode, yogurt, latte cagliato, panna acida, crème fraîche e maionese.

Confezionamento di alimenti surgelati

Conservare gli alimenti in confezioni ermetiche, per evitare che perdano il loro gusto o possano essiccarsi.

1. Introdurre l'alimento nella confezione.
2. Fare uscire l'aria.
3. Chiudere la confezione ermeticamente.
4. Scrivere sulla confezione il contenuto e la data di congelamento.

Imballaggio idoneo:

pellicola di plastica, pellicola tubolare di polietilene, fogli di alluminio, contenitori per surgelati.

Questi prodotti sono in vendita nel commercio specializzato.

Imballaggio non idoneo:

carta per imballaggio, carta pergamena, cellofan, sacchetti per rifiuti e sacchetti per la spesa usati.

Sono idonei per chiudere le confezioni:

anelli di gomma, clip di plastica, fili per legare, nastri adesivi resistenti al freddo e simili.

I sacchetti e la pellicola tubolare di polietilene possono essere sigillati mediante saldatura con un apposito apparecchio.

Durata di conservazione dei surgelati

La durata di conservazione dipende dal tipo di alimento.

Ad una di temperatura di -18 °C:

- Pesce, salsiccia, pietanze pronte, prodotti da forno:
fino a 6 mesi
- Formaggio, pollame, carne:
fino a 8 mesi
- Verdura, frutta:
fino a 12 mesi

Super-congelamento

Per conservare vitamine, valori nutritivi, aspetto e gusto, gli alimenti devono essere congelati completamente, anche nell'interno, nel tempo più breve possibile.

Per evitare un indesiderato aumento della temperatura, inserire il super-congelamento alcune ore prima di introdurre alimenti freschi.

In linea di massima sono sufficienti 4-6 ore.

Dopo l'inserimento l'apparecchio funziona costantemente, nel congelatore si raggiunge una temperatura molto bassa.

Se si vuole utilizzare la max. possibilità di congelamento, il super-congelamento deve essere attivato 24 ore prima di introdurre gli alimenti freschi.

Le quantità di alimenti più piccole (fino ad 2 kg) possono essere congelate senza super-congelamento.

Avvertenza

Con il super-congelamento inserito, maggiori sono i rumori di funzionamento.

Attivazione e disattivazione

Figura 4

1. Con il tasto °C selezionare il congelatore.
2. Premere il tasto Super finché non si accende super freezing.

Non si deve disinserire il super-congelamento. Dopo ca. 2 giorni e 1/2 l'apparecchio passa automaticamente alla temperatura precedentemente impostata.

Decongelare surgelati

A seconda del genere e dell'uso, utilizzare una delle seguenti possibilità:

- a temperatura ambiente
- nel frigorifero
- nel forno elettrico, con/senza ventola aria calda
- nel forno a microonde



Attenzione

Non ricongelare gli alimenti parzialmente o completamente decongelati. Questi possono essere di nuovo congelati solo dopo avere preparato (mediante qualsiasi tipo di cottura) pietanze pronte all'uso.

Non utilizzare più la durata max. di conservazione.

Dotazione

Ripiani e balconcini

Se necessario, i ripiani del vano interno ed i balconcini della porta possono essere spostati: tirare i ripiani in avanti, abbassarli e ruotarli lateralmente. Sollevare il balconcino ed estrarlo.

Dotazione speciale

(non in tutti i modelli)

Scomparto per burro e formaggio

Per aprire il vano «burro» premere lo sportello al centro.

Per un corretta pulizia sollevare il vano ed estrarlo.

Set colazione

Figura **5**

I contenitori del set colazione possono essere estratti e riempiti singolarmente.

Il set colazione può essere estratto per il carico e scarico. A tal fine sollevare leggermente il set colazione ed estrarlo. Il supporto del contenitore può essere spostato.

Ripiano bottiglie

Figura **6**

Sul ripiano bottiglie si possono deporre in sicurezza le bottiglie.

Vaschetta per ghiaccio

Figura **11**

1. Riempire la vaschetta del ghiaccio per $\frac{3}{4}$ con acqua e riporla nel congelatore.
2. Staccare la vaschetta del ghiaccio eventualmente attaccata solo con un oggetto non acuminato (manico di cucchiaino).
3. Per staccare i cubetti di ghiaccio mettere brevemente la vaschetta sotto acqua corrente oppure torcerla leggermente.

Calendario di congelamento

Figura **10**

Per evitare perdite di qualità degli alimenti surgelati, non superare la durata di conservazione. I numeri accanto ai simboli indicano in mesi la durata di conservazione consentita per l'alimento congelato. In caso di comuni alimenti surgelati commerciali osservare la data di produzione o di scadenza.

Accumulatori del freddo

L'accumulatore del freddo ritarda il riscaldamento degli alimenti conservati in caso d'interruzione dell'energia elettrica o di guasto. La durata massima di conservazione si raggiunge deponendo l'accumulatore di freddo sopra gli alimenti nello scomparto superiore.

L'accumulatore del freddo può essere estratto anche per raffreddare temporaneamente alimenti, per es. in una borsa frigo.

Adesivo «OK»

(non in tutti i modelli)

Con l'adesivo «OK» è possibile controllare se nel frigorifero sono stati raggiunti i range di temperatura sicuri consigliati per gli alimenti (+4 °C o temperatura inferiore). Se l'adesivo non indica «OK», ridurre progressivamente la temperatura.

Avvertenza

Dopo la messa in funzione dell'apparecchio possono passare fino a 12 ore prima che sia raggiunta la temperatura regolata.



Corretta regolazione

Spegnimento dell'apparecchio

Premere il pulsante «+» per 10 secondi. Il frigorifero si spegne.

(Non in tutti i modelli).

Mettere fuori servizio l'apparecchio

Quando non si usa l'apparecchio per un lungo periodo:

1. Estrarre la spina di alimentazione o disinserire il dispositivo di sicurezza.
2. Pulire l'apparecchio.
3. Lasciare aperte le porte dell'apparecchio.

Avvertenza

Per evitare danni all'apparecchio, le porte devono essere aperte in modo che restino aperte da sole. Non bloccare oggetti in una porta per tenerla aperta.

Pulizia dell'apparecchio

Attenzione

- Non utilizzare prodotti per pulizia e solventi chimici contenenti sabbia, cloro o acidi.
- Non usare spugne abrasive o spugne che graffiano.
Sulle superfici metalliche potrebbe formarsi macchie da corrosione.
- Non lavare mai in lavastoviglie i ripiani ed i contenitori.
Questi elementi si possono deformare!

L'acqua di lavaggio non deve penetrare nelle zone seguenti:

- Elementi di comando
- Illuminazione
- Aperture di ventilazione
- Aperture nel divisorio

Procedere come segue:

1. Estrarre la spina di alimentazione o disinserire il dispositivo di sicurezza.
2. Estrarre gli alimenti surgelati e depositarli in un luogo fresco.
Disporre un panetto di ghiaccio (se disponibile) sugli alimenti.
3. L'acqua non deve penetrare negli elementi di comando, nell'illuminazione, nelle aperture di ventilazione o nelle aperture del piano divisorio!
Pulire l'apparecchio con un panno morbido, acqua tiepida e poco detergente a pH neutro.

4. Lavare la guarnizione della porta solo con acqua pulita e poi asciugarla con cura.
5. Dopo la pulizia: ricollegare l'apparecchio.
6. Introdurre di nuovo i surgelati.

Caratteristiche

Per la pulizia tutte le parti mobili dell'apparecchio possono essere estratte.

Avvertenza

Il piano divisorio tra il frigorifero e il vano hyperFresh è fisso. Per evitare di danneggiare l'apparecchio, questo piano può essere rimosso soltanto dall'assistenza tecnica o dai tecnici autorizzati.

Rimozione dei balconcini dalla porta Figura **3**

Sollevarre ed estrarre i balconcini.

Estrarre i ripiani di vetro

Tirare i ripiani di vetro in avanti ed estrarli.

Estrarre i contenitori Figura **8**

Estrarre completamente i cassetti e liberarli dall'arresto sollevandoli.

Per inserire i cassetti deporli sulle guide di estrazione e spingerli nell'interno. Il cassetto si arresta premendolo in basso.

Estrarre i cassetti surgelati Figura **9**

Estrarre i cassetti surgelati fino all'arresto, sollevarli avanti ed estrarli.

Illuminazione (LED)

L'apparecchio è dotato di un'illuminazione a LED esente da manutenzione.

Riparazioni a questa illuminazione deve essere eseguite solo dal Servizio Assistenza Clienti autorizzato.

Risparmiare energia

- Installare l'apparecchio un in ambiente asciutto ventilabile. L'apparecchio non deve essere esposto direttamente al sole o vicino ad una fonte di calore (per es. calorifero, stufa).
Altrimenti usare un pannello isolante.
- Lasciare raffreddare gli alimenti e le bevande, se caldi, prima di introdurli nell'apparecchio.
- Per scongelare un alimento surgelato metterlo nel frigorifero, si utilizza così il freddo del surgelato per il raffreddamento degli alimenti.
- Aprire la porta dell'apparecchio il tempo più breve possibile.
- Al fine di raggiungere il minimo consumo energetico: mantenere una piccola distanza laterale dal muro.
- La disposizione delle parti dell'attrezzatura non ha influenza sull'assorbimento di energia dell'apparecchio.

Rumori di funzionamento

Rumori normali

Ronzio

Motori in funzione (ad es. gruppi frigoriferi, ventilatore).

Gorgoglio, scroscio o fruscio

Derivano dal gas refrigerante, che circola nei i raccordi del circuito refrigerante.

Breve scatto

Motore, interruttori ed elettrovalvole s'inseriscono/disinseriscono.

Crepitio

Sbrinamento automatico in corso.

Evitare i rumori

L'apparecchio non è correttamente livellato

Livellare l'apparecchio con una livella a bolla d'aria. A tal fine utilizzare i piedini a vite o inserire uno spessore.

L'apparecchio è in contatto laterale

Allontanare l'apparecchio dai mobili o apparecchi con i quali è in contatto.

I contenitori o i ripiani traballano o non sono correttamente inseriti

Controllare le parti estraibili ed eventualmente inserirle di nuovo correttamente.

I contenitori all'interno dell'apparecchio si toccano tra loro

Allontanare un poco le bottiglie o i contenitori.

Eliminare piccoli guasti

Prima di rivolgersi al customer service:

provare ad eliminare autonomamente l'inconveniente con l'aiuto delle seguenti istruzioni.

L'intervento del Servizio Assistenza Clienti in caso di corretto funzionamento del prodotto, è a carico del consumatore.

Guasto	Causa possibile	Rimedio
La temperatura si discosta notevolmente dalle impostazioni iniziali.		In alcuni casi basta spegnere l'apparecchio per 5 minuti. Se la temperatura è troppo alta, controllare dopo qualche ora se vi è stata una normalizzazione della temperatura. Se la temperatura è troppo bassa, ricontrollare la temperatura il giorno seguente.
L'illuminazione non funziona.	L'illuminazione con il LED è guasta. La porta è rimasta troppo tempo aperta. L'illuminazione si spegne dopo ca. 10 min..	Vedi capitolo «Illuminazione (LED)». L'illuminazione si riaccende chiudendo e riaprendo la porta.
Tutte le spie spente.	Interruzione dell'energia elettrica; è scattato il dispositivo elettrico di sicurezza; la spina d'alimentazione non è inserita correttamente.	Collegare la spina di alimentazione. Controllare se vi è energia elettrica e controllare il dispositivo elettrico di sicurezza.
Nel frigorifero o nel vano hyperFresh la temperatura è troppo bassa.		Regolare la temperatura del frigorifero su un valore più alto. Regolare la temperatura nel vano hyperFresh su un valore più alto.
La temperatura nel congelatore è troppo alta.	Frequente apertura della porta dell'apparecchio. I passaggi dell'aria per l'aerazione sono ostruiti. Congelamento di grandi quantità di alimenti freschi.	Non aprire inutilmente la porta dell'apparecchio. Liberare le aperture. Non superare la quantità massima di congelamento.

Guasto	Causa possibile	Rimedio
L'apparecchio non raffredda, la spia di temperatura e l'illuminazione sono accese.	Il programma dimostrativo è attivo.	Tenere premuti il tasto °C e il tasto di regolazione + per 5 secondi finché non viene emesso un tono di conferma. Dopo qualche tempo controllare se l'apparecchio raffredda.
Le pareti laterali dell'apparecchio sono calde.	Nelle pareti laterali sono posati tubi che si riscaldano durante il raffreddamento.	Si tratta del funzionamento normale dell'apparecchio, non di un guasto.

Autotest dell'apparecchio

Questo apparecchio dispone di un programma automatico di autotest che individua cause ed inconvenienti che possono essere eliminati solo dal Servizio Assistenza Clienti.

Avvio dell'autotest dell'apparecchio

1. Spegnere l'apparecchio ed attendere 5 minuti.
2. Accendere l'apparecchio ed entro 10 secondi tenere premuti per 3-5 secondi il tasto °Ce il tasto di regolazione «-» finché non viene emesso un segnale acustico.

Il programma di autotest ha inizio.

Alla fine dell'autotest, se viene emesso un doppio segnale acustico l'apparecchio funziona correttamente.

Se vengono emessi 5 segnali acustici, è presente un malfunzionamento.

Informare il servizio assistenza clienti.

Terminare l'autotest dell'apparecchio

Alla fine del programma l'apparecchio passa in modalità funzionamento automatico.

Servizio di assistenza clienti

Trovate un centro del servizio di assistenza clienti nelle vostre vicinanze nell'elenco telefonico o nella rubrica del servizio di assistenza clienti. Comunicate al servizio di assistenza la sigla del prodotto (E-Nr.) e il numero di fabbricazione (FD-Nr.) dell'apparecchio.

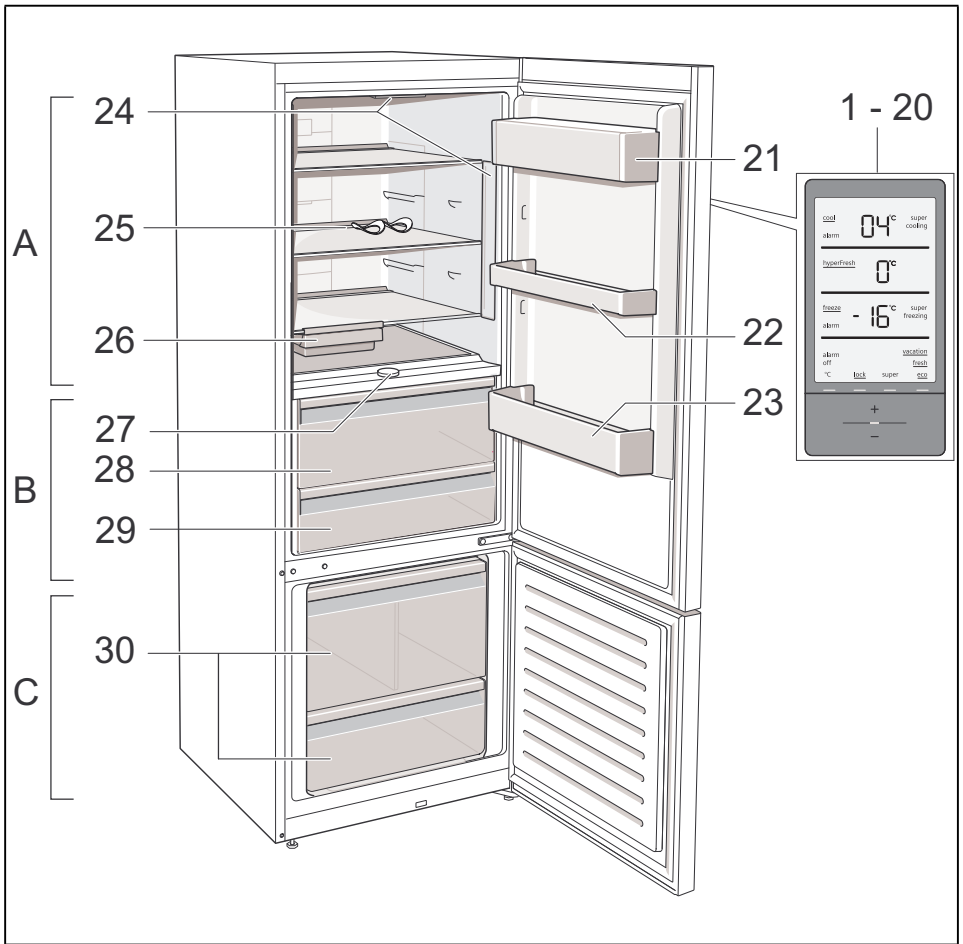
Trovate questi dati sulla targhetta identificativa. Figura **12**

Indicando il prodotto e il numero di fabbricazione contribuite ad evitare interventi a vuoto e a evitare spese supplementari.

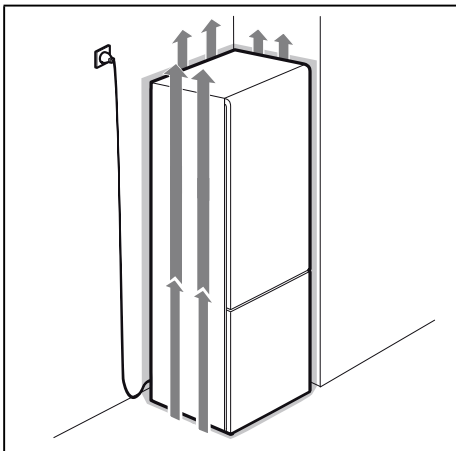
Ordine di riparazione e consulenza in caso di guasti

Trovate i dati di contatto di tutti i paesi nell'accluso elenco dei centri di assistenza clienti.

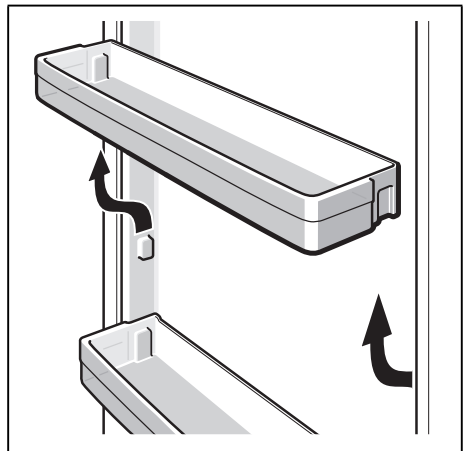
I	800-018346	Linea verde
CH	0848 840 040	



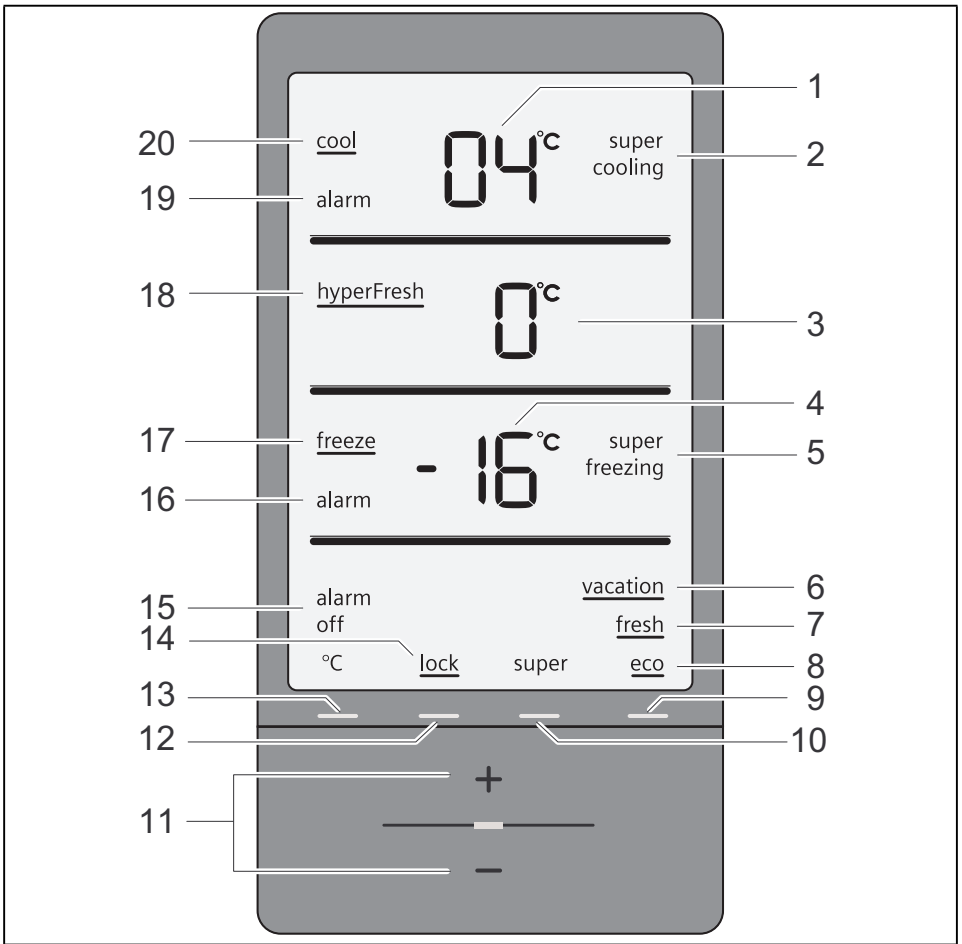
1



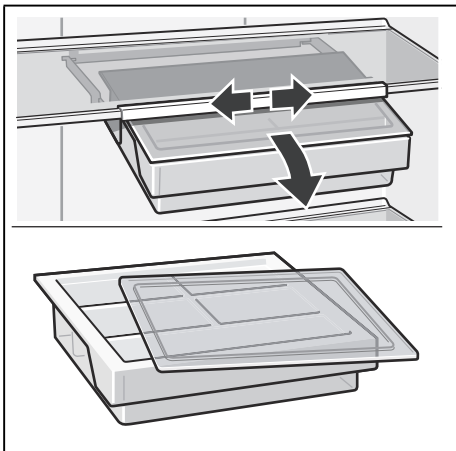
2



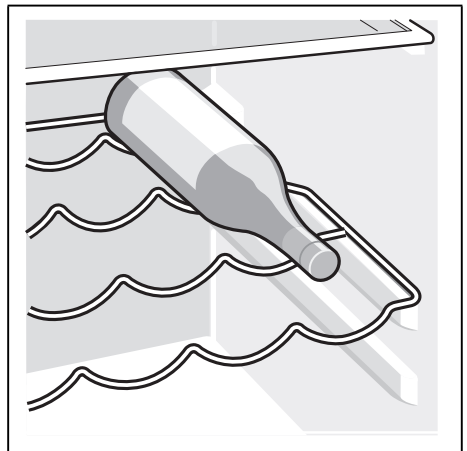
3



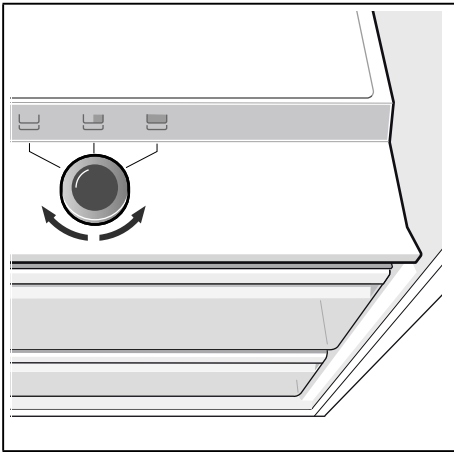
4



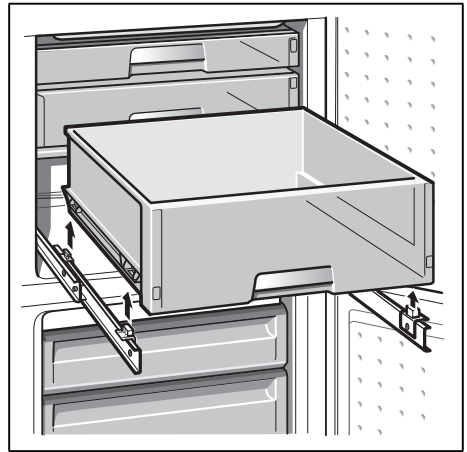
5



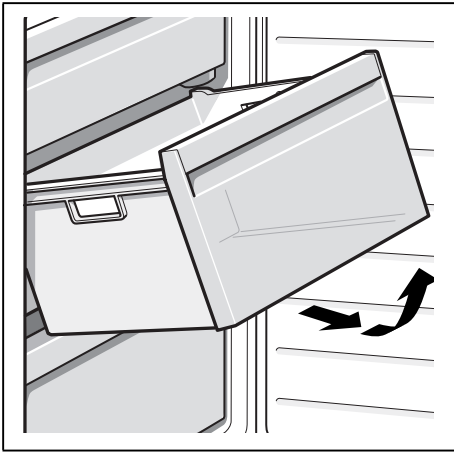
6



7



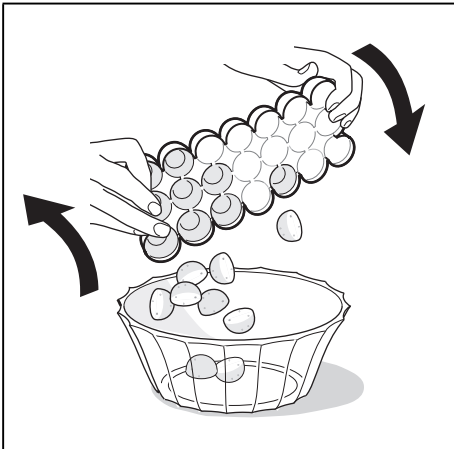
8



9



10



11



12

BSH Hausgeräte GmbH
Carl-Wery-Straße 34
81739 München, GERMANY

[siemens-home.com](https://www.siemens-home.com)

Manufactured by BSH Hausgeräte GmbH under Trademark License of Siemens AG
Fabricado por BSH Hausgeräte GmbH bajo licencia de marca de Siemens AG
Prodotto da BSH Hausgeräte GmbH in quanto licenziatario del marchio di Siemens AG



8001035745 (9609)

en, es, it