

SIEMENS



Fridge-freezer

Ψυγειοκαταψύκτης

Холодильно-морозильна комбінація

Hűtő-/fagyasztó-kombináció

Hladilno-zamrzovalna kombinacija

KG..N..

siemens-home.com/welcome

en Instruction for Use
el Οδηγίες χρήσης
uk Інструкція з експлуатації
hu Használati útmutató
sl Navodilo za uporabo

Register
your
product
online

en Table of Contents

Safety and warning information	5	Freezer compartment	15
Information concerning disposal	8	Max. freezing capacity	16
Scope of delivery	9	Freezing and storing food	16
Installation location	9	Freezing fresh food	16
Observe ambient temperature and ventilation	9	Super freezing	18
Connecting the appliance	10	Thawing frozen food	18
Getting to know your appliance	11	Interior fittings	18
Switching on the appliance	12	Sticker "OK"	19
Setting the temperature	12	Switching off the appliance	19
"eco"	12	Cleaning the appliance	20
Alarm functions	13	Light (LED)	20
Usable capacity	13	Tips for saving energy	21
Refrigerator compartment	14	Operating noises	21
Super cooling	15	Eliminating minor faults yourself	22
		Customer service	23

el Πίνακας περιεχομένων

Υποδείξεις ασφαλείας και προειδοποιητικές υποδείξεις	24	Κατάψυξη και αποθήκευση	37
Υποδείξεις απόσυρσης	28	Κατάψυξη νωπών τροφίμων	37
Συνοδεύουν τη συσκευή	28	Υπερκατάψυξη	39
Τόπος τοποθέτησης	29	Απόψυξη κατεψυγμένων τροφίμων	39
Προσέχετε τη θερμοκρασία και τον αερισμό του χώρου	29	Εξοπλισμός	39
Σύνδεση της συσκευής	30	Επικολημένη ετικέτα "OK"	40
Γνωρίστε τη συσκευή	31	Θέση της συσκευής εκτός λειτουργίας	41
Ενεργοποίηση της συσκευής	32	Καθαρισμός της συσκευής	41
Ρύθμιση θερμοκρασίας	32	Φωτισμός (LED)	42
"eco"	33	Έτσι μπορείτε να εξοικονομήσετε ενέργεια	42
Λειτουργίες συναγερμού	33	Θόρυβοι λειτουργίας	43
Ωφέλιμο περιεχόμενο	34	Πώς θα διορθώσετε μόνες/-οι σας μικροβλάβες	43
Χώρος συντήρησης	34	Υπηρεσία τεχνικής εξυπηρέτησης πελατών	45
Υπερψύξη	36		
Χώρος κατάψυξης	36		
Μέγ. απόδοση κατάψυξης	36		

uk Зміст

Рекомендації з дотримання безпеки та застереження	46	Максимальна потужність заморожування	57
Рекомендації з утилізації	49	Заморожування та зберігання продуктів	58
Комплект поставки	50	Замороження свіжих продуктів	59
Місце установки	50	Суперзаморожування	60
Звертайте увагу на температуру в приміщенні та вентиляцію	50	Розмороження заморожених продуктів	60
Підключення приладу	51	Устаткування	60
Ознайомлення з приладом	52	Наклейка «OK»	61
Увімкнення приладу	53	Прилад вимкнути	61
Установка температури	53	Чистка приладу	62
«есо»	54	Світлодіодне освітлення	63
Функції сигналізації	54	Заощадження енергії	63
Корисний об'єм	55	Шуми при експлуатації	63
Холодильна камера	55	Як усунути незначні неполадки самому	64
Суперохолодження	57	Служба сервісу	65
Морозильна камера	57		

hu Tartalomjegyzék

Biztonsági útmutatások és figyelmeztetések	66	agyasztótér	77
Hulladék-ártalmatlanítási útmutatások	69	Maximális fagyasztóteljesítmény	77
Csomagolás tartalma	70	Fagyasztás és tárolás	77
Felállítási hely	70	Friss élelmiszerek lefagyasztása	78
Vegye figyelembe a szobahőmérsékletet és a szellőztetést	70	Szupererős fagyasztás	79
A készülék csatlakoztatása	71	A mélyhűtött termékek felolvasztása	79
Ismerje meg a készüléket	72	Felszerelés	79
A készülék bekapcsolása	73	„OK” matrica	80
A hőmérséklet beállítása	73	A készülék kikapcsolása	80
„eco”	74	A készülék tisztítása	81
Alarm-funkciók	74	LED világítás	81
Hasznos térfogat	75	Energiatakarékosság	82
A hűtőtér	75	Működési hangjelenségek	82
Szupererős hűtés	76	Kisebb zavarok önálló kiküszöbölése	83
		Vevőszolgálat	84

sl Kazalo

Varnostna navodila in opozorila	85	Največja kapaciteta zamrzovanja	95
Navodila za odlaganje dotrajanega aparata	88	Zamrzovanje in shranjevanje	95
Obseg dobave	88	Zamrzovanje svežih živil	96
Mesto postavitve	89	Super zamrzovanje	97
Bodite pozorni na temperaturo prostora in prezračevanje	89	Odmrznite zamrznjeno živilo	97
Priklop aparata	89	Oprema	98
Spoznajte vaš aparat	90	Nalepka «OK»	98
Vklop aparata	91	Izklop aparata	99
Nastavitev temperature	92	Čiščenje aparata	99
«eco»	92	Osvetlitev (LED)	100
Funkcije alarma	92	Prihranek energije	100
Koristna prostornina	93	Šumi, ki se lahko pojavijo med obratovanjem	100
Hladilni prostor	93	Samostojno odpravljanje manjših motenj.	101
Super hlajenje	95	Servisna služba	102
Zamrzovalni prostor	95		

Safety and warning information

Before you switch ON the appliance

Please read the operating and installation instructions carefully! They contain important information on how to install, use and maintain the appliance. The manufacturer is not liable if you fail to comply with the instructions and warnings. Retain all documents for subsequent use or for the next owner.

Technical safety

The appliance contains a small quantity of environmentally friendly but flammable refrigerant R600a. Ensure that the tubing of the refrigerant circuit is not damaged during transportation and installation. Leaking refrigerant may cause eye injuries or ignite.

If damage has occurred

- Keep naked flames and/or ignition sources away from the appliance,
- thoroughly ventilate the room for several minutes,
- switch off the appliance and pull out the mains plug,
- inform customer service.

The more refrigerant an appliance contains, the larger the room must be in which the appliance is situated. Leaking refrigerant can form a flammable gas-air mixture in rooms which are too small. The room must be at least 1 m³ per 8 g of refrigerant. The amount of refrigerant in your appliance is indicated on the rating plate inside the appliance.

If the power cord of this appliance is damaged, it must be replaced by the manufacturer, customer service or a similarly qualified person. Improper installations and repairs may put the user at considerable risk.

Repairs may be performed by the manufacturer, customer service or a similarly qualified person only.

Only original parts supplied by the manufacturer may be used. The manufacturer guarantees that only these parts satisfy the safety requirements.

A extension cable may be purchased from customer service only.

Important information when using the appliance

- Never use electrical appliances inside the appliance (e.g. heater, electric ice maker, etc.). Explosion hazard!
- Never defrost or clean the appliance with a steam cleaner! The steam may penetrate electrical parts and cause a short-circuit. Risk of electric shock!
- Do not use pointed or sharp-edged implements to remove frost or layers of ice. You could damage the refrigerant tubes. Leaking refrigerant may cause eye injuries or ignite.
- Do not store products which contain flammable propellants (e.g. spray cans) or explosive substances in the appliance. Explosion hazard!
- Do not stand on or lean heavily against base of appliance, drawers or doors, etc
- For defrosting and cleaning, pull the mains plug out or switch off the fuse. Do not pull out the mains plug by tugging on the power cord.
- Store high-percentage alcohol tightly closed and standing up.
- Keep plastic parts and the door seal free of oil and grease. Otherwise, parts and door seal will become porous.
- Never cover or block the ventilation openings of the appliance!

■ **Avoiding placing children and vulnerable people at risk:**

At risk are children, people who have limited physical, mental or sensory abilities, as well as people who have inadequate knowledge concerning safe operation of the appliance.

Ensure that children and vulnerable people have understood the hazards.

A person responsible for safety must supervise or instruct children and vulnerable people who are using the appliance.

Only children from 8 years and above may use the appliance.

Supervise children who are cleaning and maintaining the appliance.

Never allow children to play with the appliance.

- Do not store bottled or canned drinks (especially carbonated drinks) in the freezer compartment. Bottles and cans may burst!
- Never put frozen food straight from the freezer compartment into your mouth. Risk of low-temperature burns!
- Avoid prolonged touching of frozen food, ice or the evaporator pipes, etc. Risk of low-temperature burns!

Children in the household

- Keep children away from packaging and its parts. Danger of suffocation from folding cartons and plastic film!
- Do not allow children to play with the appliance!
- If the appliance features a lock: keep the key out of the reach of children!

General regulations

The appliance is suitable

- for refrigerating and freezing food,
- for making ice.

This appliance is intended for use in the home and the home environment.

The appliance is suppressed according to EU Directive 2004/108/EC.

The refrigeration circuit has been checked for leaks.

This product complies with the relevant safety regulations for electrical appliances (EN 60335-2-24).

This appliance is intended for use up to a maximum height of 2000 metres above sea level.

Information concerning disposal

Disposal of packaging

The packaging protects your appliance from damage during transit. All utilised materials are environmentally safe and recyclable. Please help us by disposing of the packaging in an environmentally friendly manner.

Please ask your dealer or inquire at your local authority about current means of disposal.

Disposal of your old appliance

Old appliances are not worthless rubbish! Valuable raw materials can be reclaimed by recycling old appliances.



This appliance is labelled in accordance with European Directive 2012/19/EU concerning used electrical and electronic appliances (waste electrical and electronic equipment - WEEE). The guideline determines the framework for the return and recycling of used appliances as applicable throughout the EU.



Warning

Redundant appliances

1. Pull out the mains plug.
2. Cut off the power cord and discard with the mains plug.
3. Do not take out the trays and receptacles: children are therefore prevented from climbing in!
4. Do not allow children to play with the appliance once it has spent its useful life. Danger of suffocation!

Refrigerators contain refrigerant and gases in the insulation. Refrigerant and gases must be disposed of professionally. Ensure that tubing of the refrigerant circuit is not damaged prior to proper disposal.

Scope of delivery

After unpacking all parts, check for any damage in transit.

If you have any complaints, please contact the dealer from whom you purchased the appliance or our customer service.

The delivery consists of the following parts:

- Free-standing appliance
- Interior fittings (depending on model)
- Bag containing installation materials
- Operating instructions
- Installation manual
- Customer service booklet
- Warranty enclosure
- Information on the energy consumption and noises

Installation location

A dry, well ventilated room is suitable as an installation location. The installation location should not be exposed to direct sunlight and not placed near a heat source, e.g. a cooker, radiator, etc. If installation next to a heat source is unavoidable, use a suitable insulating plate or observe the following minimum distances from the heat source:

- 3 cm to electric or gas cookers.
- 30 cm to an oil or coal-fired cooker.

The floor of the installation location must not give way; if required, reinforce floor. If the floor is uneven, compensate with supports.

Distance from wall

When installing the appliance, ensure that the door can be opened by 90°.

Observe ambient temperature and ventilation

Ambient temperature

The appliance is designed for a specific climate class. Depending on the climate class, the appliance can be operated at the following temperatures.

The climate class can be found on the rating plate. Fig. 12

Climate class	Permitted ambient temperature
SN	+10 °C to 32 °C
N	+16 °C to 32 °C
ST	+16 °C to 38 °C
T	+16 °C to 43 °C

Note

The appliance is fully functional within the room temperature limits of the indicated climatic class. If an appliance of climatic class SN is operated at colder room temperatures, the appliance will not be damaged up to a temperature of +5 °C.

Ventilation

Fig. **3**

The air on the rear panel and on the side panels of the appliance heats up. Conduction of the heated air must not be obstructed. Otherwise, the refrigerating unit must work harder. This increases power consumption. Therefore: Never cover or block the ventilation openings!

Connecting the appliance

After installing the appliance, wait at least 1 hour until the appliance is switched on. During transportation the oil in the compressor may have flowed into the refrigeration system.

Before switching on the appliance for the first time, clean the interior of the appliance (see chapter “Cleaning the appliance”).

Electrical connection

The socket must be near the appliance and also freely accessible following installation of the appliance.

The appliance complies with the protection class I. Connect the appliance to 220–240 V/50 Hz alternating current via a correctly installed socket with protective conductor. The socket must be fused with a 10 to 16 A fuse.

For appliances operated in non-European countries, check whether the stated voltage and current type match the values of your mains supply. This information can be found on the rating plate. Fig. **12**

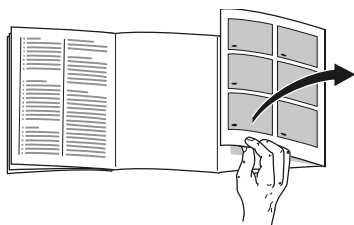


Warning

Never connect the appliance to electronic energy saver plugs.

Our appliances can be used with mains and sine-controlled inverters. Mains-controlled inverters are used for photovoltaic systems which are connected directly to the national grid. Sine-controlled inverters must be used for isolated applications (e.g. on ships or in mountain lodges) which are not connected directly to the national grid.

Getting to know your appliance



Please fold out the illustrated last page. These operating instructions refer to several models.

The features of the models may vary.

The diagrams may differ.

Fig. 1

* Not all models.

- A Refrigerator compartment
- B Freezer compartment

- 1–9 Controls
- 10 Shelf for small bottles
- 11 Shelf for large bottles
- 12 Light
- 13* Bottle shelf
- 14 Cold storage compartment
- 15 Vegetable container with humidity control
- 16 Frozen food container (small)

Controls

Fig. 2

- 1 **Display alarm**
This lights up if the appliance becomes too warm.
- 2 **Refrigerator compartment temperature selection button**
The button sets the temperature in the refrigerator compartment.
- 3 **“super” display**
Illuminates, if the super cooling is in operation.
- 4 **Temperature display refrigerator compartment**
The numbers correspond to the set refrigerator compartment temperatures in °C.
- 5 **Eco indicator**
This lights up when eco mode is switched on in the cooling compartment.
- 6 **Temperature selection button freezer compartment**
The button sets the temperature in the freezer compartment.
- 7 **“super” display (freezer compartment)**
Illuminates when super freezing is on.
- 8 **Temperature display freezer compartment**
The numbers correspond to the set freezer compartment temperatures in °C.
- 9 **Eco indicator**
This lights up when eco mode is switched on in the freezer compartment.

Switching on the appliance

Fig. 2

1. Insert the plug in the socket.
2. A warning signal sounds. The temperature display 8 flashes.
3. Press the temperature setting button 2. The warning signal switches off.

When the freezer compartment has reached the set temperature, the temperature display 8 is lit.

The factory recommends the following settings:

- Refrigerator compartment: medium setting
- Freezer compartment: -18°C

Store delicate foods in the refrigerator compartment.

Operating tips

- When the appliance has been switched on, it may take several hours until the set temperatures have been reached.
- The fully automatic NoFrost system ensures that the freezer compartment remains free of ice. Defrosting is no longer required.
- The sides of the housing are sometimes heated slightly. This prevents condensation in the area of the door seal.
- If the freezer compartment door cannot be immediately re-opened after it has been closed, wait until the resulting low pressure has equalised.

Setting the temperature

Refrigerator compartment

The temperature can be set from +2°C to +5°C.

Keep pressing temperature setting button 2 until the required refrigerator compartment temperature is set.

The last set value is saved. The set temperature is indicated on temperature display 4.

Note

To reach the selected temperature, open the ventilation openings to 1/3, Fig. 6.

Freezer compartment

The temperature can be set from -18°C to -24°C.

Keep pressing temperature setting button 6 until the required freezer compartment temperature is set.

The last set value is saved. The set temperature is indicated on temperature display 8.

“eco”

The “eco” function switches the appliance to energy-saving mode.

The appliance automatically sets the following temperatures:

- Refrigerator compartment: +6 °C
- Freezer compartment: -16 °C

Switching on eco

Keep pressing the temperature setting button 6 until the eco indicator is highlighted.

Alarm functions

Fig. 2

Door alarm

The door alarm (continuous sound) switches on if the appliance door is open for longer than one minute. Close the door to switch off the warning signal.

Temperature alarm

The temperature alarm switches on if the freezer compartment is too warm and the frozen food is at risk of thawing.

Temperature display, Fig. 2/8, is flashing.

The alarm may switch on without any risk to the frozen food:

- when the appliance is switched on,
- when large quantities of fresh food are placed in the appliance,
- if the freezer compartment door is open too long.

Note

Do not refreeze thawing or thawed food. Only ready meals (boiled or fried) may be refrozen.

No longer store the frozen produce for the max. storage period.

Switching off the alarm

Fig. 2

Press the temperature setting button 6 to switch off the warning signal.

Usable capacity

Information on the usable capacity can be found inside your appliance on the rating plate. Fig. 12

Fully utilising the freezer volume

To place the maximum amount of frozen food in the freezer compartment, you can remove the containers. You can then stack the food directly on the shelf and on the floor of the freezer compartment.

Note

Avoid contact between food and rear panel. Otherwise the air circulation will be impaired.

Food or packaging could freeze to the rear panel.

Removing the fittings

Pull out the frozen food container all the way, lift at the front and remove. Fig. 9

Refrigerator compartment

The refrigerator compartment is the ideal storage location for meat, sausage, fish, dairy products, eggs, ready meals and pastries.

Storing food

- Store fresh, undamaged food. The quality and freshness will then be retained for longer.
- In the case of ready-made products and bottled goods, observe the best-before date or use-by date specified by the manufacturer.
- To retain aroma, colour and freshness, pack or cover food well before placing in the appliance. This will prevent the transfer of flavours and the discolouration of plastic parts in the refrigerator compartment.
- Allow warm food and drinks to cool down before placing in the appliance.

Note

Do not block air outlet openings with food, otherwise the air circulation will be impaired. Food which is stored directly in front of the air outlet openings may be frozen by the cold air flowing out.

Note the chill zones in the refrigerator compartment

The air circulation in the refrigerator compartment creates different chill zones:

- The coldest zones are in front of the air outlet openings and in the chill compartment, Fig. **11**/14.

Note

Store perishable food (e.g. fish, sausage, meat) in the coldest zones.

- Warmest zone is at the very top of the door.

Note

Store e.g. hard cheese and butter in the warmest zone. The aroma of hard cheese can then continue to develop and butter remains spreadable.

Vegetable container with humidity control

Fig. **7**

To create the optimum storage climate for fruit and vegetables, you can set the humidity level in the vegetable container:

- Mainly vegetables as well as for a mixed or small load – high air humidity
- Mainly fruit as well as for a large load – low air humidity

Notes

- Fruit sensitive to cold (e.g. pineapple, banana, papaya and citrus fruit) and vegetables sensitive to cold (e.g. aubergines, cucumbers, zucchini, peppers, tomatoes and potatoes) should be stored outside the refrigerator at temperatures of approx. +8 °C to +12 °C for optimum preservation of quality and flavour.
- Condensation may form in the vegetable container depending on the type and quantity of products stored. Remove condensation with a dry cloth and adjust air humidity in the vegetable container with the humidity controller.

Cold storage compartment

Fig. 6

The cold storage compartment has lower temperatures than the refrigerator compartment. Even temperatures below 0 °C may occur.

Ideal for storing fish, meat and sausage. Not suitable for lettuce and vegetables and produce sensitive to cold.

The temperature of the chill compartments can be varied using the ventilation opening. Push temperature controller upwards to reduce the temperature. Push temperature controller downwards to increase the temperature. Fig. 6

Super cooling

Super cooling sets the refrigerator temperature to the coldest temperature setting for approx. 15 hours. Then the appliance automatically switches to the temperature set prior to super cooling mode.

Switch on super cooling mode, e.g.

- before placing large quantities of food in the refrigerator compartment.
- for the fast cooling of drinks.

Note

When super cooling is switched on, increased operating noises may occur.

Switching on and off

Fig. 2

Keep pressing the temperature setting button 2 until the super indicator 3 is lit.

Freezer compartment

Use the freezer compartment

- To store deep-frozen food.
- To make ice cubes.
- To freeze food.

Note

Ensure that the freezer compartment door has been closed properly. If the door is open, the frozen food will thaw. The freezer compartment will become covered in thick ice. Also: waste of energy due to high power consumption!

Max. freezing capacity

Information about the max. freezing capacity within 24 hours can be found on the rating plate. Fig. 12

Prerequisites for max. freezing capacity

- Switch on super freezing before placing fresh products in the compartment (see chapter entitled “Super freezing”).
- Remove containers; stack food directly on the shelf and on the floor of the freezer compartment.
- Freeze large quantities of food preferably in the very top compartment where food freezes particularly quickly and therefore also gently.

Freezing and storing food

Purchasing frozen food

- Packaging must not be damaged.
- Use by the “use by” date.
- Temperature in the supermarket freezer must be -18 °C or lower.
- If possible, transport deep-frozen food in an insulated bag and place quickly in the freezer compartment.

Note when loading products

- Preferably freeze large quantities of food in the top compartment, where food freezes particularly quickly and therefore also gently.
- Place the food over the whole area of the compartments or the frozen food containers.

Note

Food which is already frozen must not come into contact with the food which is to be frozen. If required, move the frozen food to other frozen food containers.

Storing frozen food

Insert frozen food container all the way to ensure unrestricted air circulation.

Freezing fresh food

Freeze fresh and undamaged food only.

To retain the best possible nutritional value, flavour and colour, vegetables should be blanched before freezing. Aubergines, peppers, zucchini and asparagus do not require blanching. Literature on freezing and blanching can be found in bookshops.

Note

Keep food which is to be frozen away from food which is already frozen.

- The following foods are suitable for freezing:
Cakes and pastries, fish and seafood, meat, game, poultry, vegetables, fruit, herbs, eggs without shells, dairy products such as cheese, butter and quark, ready meals and leftovers such as soups, stews, cooked meat and fish, potato dishes, soufflés and desserts.
- The following foods are not suitable for freezing:
Types of vegetables, which are usually consumed raw, such as lettuce or radishes, eggs in shells, grapes, whole apples, pears and peaches, hard-boiled eggs, yoghurt, soured milk, sour cream, crème fraîche and mayonnaise.

Packing frozen food

To prevent food from losing its flavour or drying out, place in airtight containers.

1. Place food in packaging.
2. Remove air.
3. Seal the wrapping.
4. Label packaging with contents and date of freezing.

Suitable packaging:

Plastic film, tubular film made of polyethylene, aluminium foil, freezer containers.

These products are available from specialist outlets.

Unsuitable packaging:

Wrapping paper, greaseproof paper, cellophane, bin liners and used shopping bags.

Items suitable for sealing packaged food:

Rubber bands, plastic clips, string, cold-resistant adhesive tape, etc.

Bags and tubular film made of polyethylene can be sealed with a film heat sealer.

Shelf life of frozen food

Storage duration depends on the type of food.

At a temperature of -18 °C:

- Fish, sausage, ready meals and cakes and pastries:
up to 6 months
- Cheese, poultry and meat:
up to 8 months
- Vegetables and fruit:
up to 12 months

Super freezing

Food should be frozen solid as quickly as possible in order to retain vitamins, nutritional value, appearance and flavour.

Several hours before placing fresh food in the freezer compartment, switch on super freezing to prevent an unwanted temperature rise.

As a rule, 4–6 hours is adequate.

This appliance runs constantly and the freezer compartment drops to a very low temperature.

If the max. freezing capacity is to be used, super freezing must be switched on for 24 hours before the fresh produce is placed in the freezer compartment.

Smaller quantities of food (up to 2 kg) can be frozen without “super freezing”.

Note

When super freezing is switched on, increased operating noises may occur.

Switching on and off

Fig. 2

Keep pressing the temperature selection button 6 until the Super display 7 is lit.

Super freezing automatically switches off after approx. 2½ days.

Thawing frozen food

Depending on the type and application, select one of the following options:

- at room temperature
- in the refrigerator
- in an electric oven, with/without fan assisted hot-air
- in the microwave



Caution

Do not refreeze thawing or thawed food. Only ready meals (boiled or fried) may be refrozen.

No longer store the frozen produce for the max. storage period.

Interior fittings

Shelves and containers

You can reposition the inner shelves and the containers in the door as required: pull shelf forwards, lower and swivel out to the side. Lift the container and remove.

Special features

(not all models)

Bottle shelf

Fig. 5

Bottles can be stored securely on the bottle shelf.

Ice cube tray

Fig. 11

1. Fill the ice cube tray $\frac{3}{4}$ full of drinking water and place in the freezer compartment.
2. If the ice tray is stuck to the freezer compartment, loosen with a blunt implement only (spoon-handle).
3. To loosen the ice cubes, twist the ice tray slightly or hold briefly under flowing water.

Freezer calendar

Fig. 10

To prevent the quality of the frozen food from deteriorating, do not exceed the storage duration. The figures next to the symbols indicate the permitted storage period of the produce in months. In the case of commercially available frozen food observe the date of manufacture or use-by date.

Ice block

If a power failure or malfunction occurs, the ice blocks can be used to slow down the thawing process. The longest storage time is obtained by placing the ice pack on the food in the top compartment.

The ice blocks can also be used to cool food temporarily, e. g. in a cold bag.

Sticker “OK”

(not all models)

The “OK” temperature monitor can be used to determine temperatures below +4 °C. Gradually reduce the temperature if the sticker does not indicate “OK”.

Note

When the appliance is switched on, it may take 12 hours until the temperature is reached.



Correct setting

Switching off the appliance

Pull out mains plug or switch off fuse.
Refrigerating unit switches off.

Disconnecting the appliance

If you do not use the appliance for a prolonged period:

1. Pull out the mains plug or switch off the fuse.
2. Clean the appliance.
3. Leave appliance doors open.

Cleaning the appliance

Caution

- Do not use abrasive, chloride or acidic cleaning agents or solvents.
- Do not use scouring or abrasive sponges.

The metallic surfaces could corrode.

- Never clean shelves and containers in the dishwasher.

The parts may become deformed!

The cleaning water must not get into the following areas:

- Controls
- Illumination
- Ventilation openings
- Openings in the separating plate

Proceed as follows:

1. Pull out the mains plug or switch off the fuse.
2. Take out the frozen food and store in a cool location. Place ice pack (if available) on the food.
3. The rinsing water must not drip into the controls, lighting, ventilation openings or the openings in the partition!

Clean the appliance with a soft cloth, lukewarm water and a little pH-neutral washing-up liquid.

4. Wipe the door seal with clear water only and then wipe dry thoroughly.
5. After cleaning reconnect the appliance.
6. Put the frozen food back into the appliance.

Interior fittings

All variable parts of the appliance can be taken out for cleaning.

Take out shelves in the door

Fig. **4**

Lift shelves upwards and take out.

Take out glass shelves

Pull the glass shelves forwards and take out.

Removing the container

Fig. **8**

Pull out the container all the way, lift at the front and remove.

Taking out the frozen food container

Fig. **9**

Pull out the frozen food container all the way, lift at the front and remove.

Light (LED)

Your appliance features a maintenance-free LED light.

These lights may be repaired by customer service or authorised technicians only.

Tips for saving energy

- Install the appliance in a dry, well ventilated room! The appliance should not be installed in direct sunlight or near a heat source (e.g. radiator, cooker).
If required, use an insulating plate.
- Allow warm food and drinks to cool down before placing in the appliance.
- Thaw frozen food in the refrigerator compartment and use the low temperature of the frozen food to cool refrigerated food.
- Open the appliance as briefly as possible.
- To achieve the lowest energy consumption, leave a small wall gap at the side.
- The arrangement of the fittings does not affect the energy rating of the appliance.

Operating noises

Quite normal noises

Droning

Motors are running (e.g. refrigerating units, fan).

Bubbling, humming or gurgling noises

Refrigerant is flowing through the tubing.

Clicking

Motor, switches or solenoid valves are switching on/off.

Cracking

Automatic defrosting is running.

Preventing noises

The appliance is not level

Please align the appliance with a spirit level. Use the height-adjustable feet or place packing underneath them.

The appliance is not free-standing

Please move the appliance away from adjacent units or appliances.

Containers or storage areas wobble or stick

Please check the removable parts and re-insert them correctly if required.

Bottles or receptacles are touching each other

Move the bottles or receptacles slightly away from each other.

Eliminating minor faults yourself

Before you call customer service:

Please check whether you can eliminate the fault yourself based on the following information.

Customer service will charge you for advice – even if the appliance is still under guarantee!

Fault	Possible cause	Remedial action
Temperature differs greatly from the set value.		<p>In some cases it is adequate to switch off the appliance for 5 minutes.</p> <p>If the temperature is too high wait a few hours and check whether the temperature has approached the set value.</p> <p>If the temperature is too low check the temperature again the next day.</p>
Warning signal sounds. Temperature display flashes. Fig. 2/8	Fault - the freezer compartment is too warm! Frozen food is at risk.	To switch off the warning signal, press the temperature setting button, Fig. 2/6.
	Appliance is open.	Close the appliance.
	Ventilation openings have been covered.	Ensure that there is adequate ventilation.
	Too much food was placed in the freezer at once.	Do not exceed max. freezing capacity.
		When the fault has been rectified, the temperature display stops flashing.
The temperature in the freezer compartment is too warm.	Appliance opened frequently.	Do not open the appliance unnecessarily.
	The ventilation openings have been covered.	Remove obstacles.
	Large quantities of fresh food are being frozen.	Do not exceed max. freezing capacity.
The light does not function.	The LED light is defective.	See chapter "Light (LED)" section.
	Appliance was open too long.	When the appliance is closed and opened, the light is on again.
	Light is switched off after approx. 10 min.	

Fault	Possible cause	Remedial action
Controls have reduced luminosity.	When the appliance is not used for some time, the display on the fascia switches to energy saving mode.	As soon as the appliance is again used, e.g. the door is opened, the display switches back to normal illumination.
Displays do not illuminate.	Power failure; the fuse has been switched off; the mains plug has not been inserted properly.	Connect mains plug. Check whether the power is on, check the fuses.
Appliance is not cooling, temperature display and light are lit.	Showroom mode is switched on.	Hold down temperature selection button fig. 2/2 for 10 seconds until an acknowledgement signal sounds. After a short time check whether your appliance is cooling.

Customer service

Your local customer service can be found in the telephone directory or in the customer-service index. Please provide customer service with the appliance product number (E-Nr.) and production number (FD).

These specifications can be found on the rating plate. Fig. 12

To prevent unnecessary call-outs, please assist customer service by quoting the product and production numbers.

This will save you additional costs.

Repair order and advice on faults

Contact information for all countries can be found on the enclosed customer service list.

GB	0344 892 8999	Calls charged at local or mobile rate. 0.03 € per minute at peak. Off peak 0.0088 € per minute. toll-free
IE	01450 2655	
US	866 447 4363	

Υποδείξεις ασφαλείας και προειδοποιητικές υποδείξεις

Προτού θέσετε τη συσκευή σε λειτουργία

Διαβάστε με προσοχή τις οδηγίες χρήσης και τοποθέτησης! Αυτές περιέχουν σημαντικές πληροφορίες για την εγκατάσταση, τη χρήση και τη συντήρηση της συσκευής.

Ο κατασκευαστής δεν αναλαμβάνει καμία ευθύνη για τυχόν βλάβες, αν δεν προσεχθούν οι υποδείξεις και προειδοποιήσεις που δίνονται στις οδηγίες χρήσης. Φυλάξτε όλα τα έγγραφα αυτά για μετέπειτα χρήση και κάποιον τυχόν μετέπειτα χρήστη.

Τεχνική ασφάλεια

Η συσκευή περιέχει σε μικρή ποσότητα το ψυκτικό μέσο R600a, το οποίο είναι αβλαβές μεν για το περιβάλλον, αλλά εύφλεκτο. Κατά τη μεταφορά και την τοποθέτηση της συσκευής προσέξτε να μην πάθει βλάβη κανένας σωλήνας του κυκλώματος ψυκτικού μέσου. Το εκτοξευόμενο ψυκτικό μέσο μπορεί να αυταναφλεγεί ή να οδηγήσει σε τραύματα των ματιών σας.

Σε περίπτωση ζημιάς:

- αποφεύγετε την ανοιχτή φλόγα ή πηγές ανάφλεξης,
- αερίζετε για μερικά λεπτά καλά τον χώρο,
- θέτετε τη συσκευή εκτός λειτουργίας και τραβάτε το φιν από την πρίζα,
- Καλέστε την Υπηρεσία τεχνικής εξυπηρέτησης των πελατών μας.

Όσο περισσότερο ψυκτικό μέσο περιέχει μία συσκευή, τόσο μεγαλύτερος πρέπει να είναι ο χώρος, μέσα στον οποίο βρίσκεται αυτή. Σε πολύ μικρούς χώρους είναι δυνατό σε περίπτωση διαρροής ψυκτικού μέσου να σχηματιστεί εύφλεκτο μίγμα αερίου-αέρα. Ανά 8 g του ψυκτικού μέσου πρέπει να υπολογιστεί τουλάχιστον 1 m³ χώρου τοποθέτησης. Την ποσότητα του ψυκτικού μέσου της συσκευής σας θα την βρείτε στην πινακίδα τύπου στο εσωτερικό της συσκευής σας.

Αν πάθει ζημιά το τροφοδοτικό καλώδιο της παρούσας συσκευής, αυτό πρέπει να αντικατασταθεί από τον κατασκευαστή, την υπηρεσία τεχνικής εξυπηρέτησης πελατών ή από παρόμοια καταρτισμένο άτομο.

Οι εγκαταστάσεις και επισκευές που δεν έγιναν σωστά, μπορούν να αποτελέσουν σημαντικό κίνδυνο για τον χρήστη.

Οι επισκευές επιτρέπεται να εκτελούνται μόνον από τον κατασκευαστή, την υπηρεσία τεχνικής εξυπηρέτησης πελατών ή παρόμοια καταρτισμένο άτομο.

Επιτρέπεται να χρησιμοποιούνται μόνον γνήσια εξαρτήματα του κατασκευαστή. Μόνο για αυτά τα εξαρτήματα ο κατασκευαστής εγγυάται, ότι αυτά πληρούν τις απαιτήσεις ασφαλείας.

Επιμήκυνση του τροφοδοτικού καλωδίου επιτρέπεται να προμηθευτείτε μόνο μέσω της υπηρεσίας τεχνικής εξυπηρέτησης πελατών.

Κατά τη χρήση

- Μη χρησιμοποιήσετε ποτέ ηλεκτρικές συσκευές εντός της συσκευής (π.χ. θερμάστρες, ηλεκτρικές παγομηχανές κτλ.). Κίνδυνος έκρηξης!
- Ποτέ μην κάνετε απόψυξη ούτε να καθαρίζετε τη συσκευή με ατμοκαθαριστές! Ο ατμός μπορεί να διεισδύσει σε ηλεκτρικά μέρη και να προκαλέσει βραχυκύκλωμα. Κίνδυνος ηλεκτροπληξίας!
- Μη χρησιμοποιείτε μυτερά ή αιχμηρά αντικείμενα για την αφαίρεση πάχνης και στρωμάτων πάγου. Θα μπορούσατε να προκαλέσετε μ' αυτά ζημιές στις σωληνώσεις του ψυκτικού ρευστού. Το διαρρέον ψυκτικό μέσο μπορεί να αυταναφλεχτεί ή να οδηγήσει σε τραύματα των ματιών σας.
- Μην αποθηκεύετε μέσα στη συσκευή προϊόντα με εύφλεκτα προωθητικά αέρια (π.χ. σπρέι) και εκρηκτικές ύλες. Κίνδυνος έκρηξης!

- Μη χρησιμοποιείτε καταχράζεστε τις βάσεις, τις συρταρωτές προεκτάσεις, τις πόρτες κτλ. ως σκαλοπάτια ή στηρίγματα.
- Για την απόψυξη και τον καθαρισμό βγάλτε το φιν από την πρίζα ή απενεργοποιήστε την ασφάλεια. Τραβήξτε από το φιν και όχι από το τροφοδοτικό καλώδιο.
- Οιοπνευματώδη ποτά με μεγάλο ποσοστό περιεκτικότητας σε αλκοόλη πρέπει να αποθηκεύονται μόνον καλά κλεισμένα και σε όρθια θέση.
- Μην λερώνετε τα πλαστικά μέρη και την τσιμούχα της πόρτας με λάδι και λίπος, διότι διαφορετικά αυτά γίνονται πορώδη.
- Μην καλύπτετε και μην τοποθετείτε αντικείμενα στα ανοίγματα αερισμού και εξαερισμού της συσκευής.

■ **Αποφυγή κινδύνων για παιδιά και άτομα που βρίσκονται σε κίνδυνο:**

Σε κίνδυνο βρίσκονται τα παιδιά και άτομα με περιορισμένες σωματικές και φυσικές ικανότητες ή με περιορισμένη αντίληψη καθώς και άτομα, τα οποία δεν έχουν επαρκείς γνώσεις για τον ασφαλή χειρισμό της συσκευής.

Διασφαλίστε, ότι τα παιδιά και τα άτομα που βρίσκονται σε κίνδυνο έχουν κατανοήσει τους κινδύνους.

Κάποιο άτομο υπεύθυνο για την ασφάλεια πρέπει να επιβλέπει ή να καθοδηγεί στη συσκευή τα παιδιά και τα άτομα που βρίσκονται σε κίνδυνο.

Μόνο παιδιά άνω των 8 ετών επιτρέπεται να χρησιμοποιούν τη συσκευή.

Κατά τον καθαρισμό και τη συντήρηση τα παιδιά πρέπει να επιβλέπονται.

Μην αφήνετε ποτέ να παίζουν τα παιδιά με τη συσκευή.

- Μην αποθηκεύετε στον χώρο κατάψυξης υγρά σε φιάλες και κουτιά (ιδιαίτερα ποτά περιέχοντα ανθρακικό οξύ). Οι φιάλες και τα κουτιά μπορούν να σπάσουν!
- Μην βάζετε ποτέ στο στόμα σας κατεψυγμένα τρόφιμα αμέσως μετά την αφαίρεσή τους από την κατάψυξη. Κίνδυνος κρουοπαγημάτων!
- Αποφεύγετε να κρατάτε για μεγάλο διάστημα στα χέρια σας κατεψυγμένα τρόφιμα, πάγο ή τους σωλήνες του εξατμιστή κτλ. Κίνδυνος κρουοπαγημάτων!

Παιδιά στο νοικοκυριό

- Μην αφήσετε να περιέλθουν στα χέρια παιδιών η συσκευασία και τα μέρη της. Υπάρχει κίνδυνος ασφυξίας από τα χαρτόνια που διπλώνουν και τα λεπτά πλαστικά φύλλα!
- Η συσκευή δεν είναι παιχνίδι για παιδιά!
- Σε συσκευή με κλειδαριά πόρτας: Φυλάτε το κλειδί σε μέρος απρόσιτο για τα παιδιά!

Γενικές διατάξεις

Η συσκευή είναι κατάλληλη

- για την ψύξη και την κατάψυξη τροφίμων,
- για την παρασκευή παγοκύβων (παγάκια).

Η παρούσα συσκευή προορίζεται για οικιακή χρήση στον ιδιωτικό τομέα και σε σπιτικό περιβάλλον.

Η συσκευή φέρει αντιπαρασιτική διάταξη σύμφωνα με την Οδηγία ΕΕ 2004/108/ΕC.

Ο ψυκτικός κύκλος έχει υποβληθεί σε έλεγχο στεγανότητας.

Το προϊόν αυτό ανταποκρίνεται στις σχετικές διατάξεις ασφαλείας για ηλεκτρικές συσκευές (EN 60335-2-24).

Αυτή η συσκευή προορίζεται για χρήση μέχρι ένα μέγιστο ύψος 2.000 μέτρων πάνω από την επιφάνεια της θάλασσας.

Υποδείξεις απόσυρσης

Απόσυρση της συσκευασίας

Η συσκευασία προστατεύει τη συσκευή σας από ζημιές κατά τη μεταφορά. Όλα τα χρησιμοποιούμενα υλικά συσκευασίας είναι αβλαβή για το περιβάλλον και μπορούν να ξαναχρησιμοποιηθούν. Παρακαλούμε να συντελέσετε κι εσείς στην προστασία του περιβάλλοντος και ν' αποσύρετε τη συσκευασία με τρόπο αβλαβή για το περιβάλλον.

Για τους επίκαιρους τρόπους απόσυρσης παρακαλείσθε να ζητήσετε πληροφορίες από το ειδικό κατάστημα, από το οποίο αγοράσατε τη συσκευή ή από τη Δημοτική ή Κοινοτική Αρχή της περιοχής σας.

Απόσυρση της παλιάς συσκευής

Οι παλιές συσκευές δεν αποτελούν άχρηστα απορρίμματα! Με την απόσυρσή τους σύμφωνα με τους κανονισμούς για την προστασία του περιβάλλοντος μπορούν να επαναποκτηθούν πολύτιμες πρώτες ύλες.



Αυτή η συσκευή χαρακτηρίζεται σύμφωνα με την ευρωπαϊκή οδηγία 2012/19/ΕΕ περί ηλεκτρικών και ηλεκτρονικών συσκευών (waste electrical and electronic equipment - WEEE).

Η οδηγία προκαθορίζει τα πλαίσια για μια απόσυρση και αξιοποίηση των παλιών συσκευών με ισχύ σ' όλη την ΕΕ.

Προειδοποίηση

Σε παλιές συσκευές που δεν χρησιμοποιούνται πλέον

1. Τραβάτε το φισ από την πρίζα.
2. Κόψτε το καλώδιο σύνδεσης στο δίκτυο του ρεύματος και απομακρύνετε το μαζί με το φισ.
3. Μη βγάλετε τα ράφια και τα δοχεία, ώστε να μην μπορούν να μπουν εύκολα μέσα στη συσκευή τα παιδιά!
4. Μην αφήνετε τα παιδιά να παίζουν με την άχρηστη παλιά συσκευή. Κίνδυνος ασφυξίας!

Οι ψυκτικές συσκευές περιέχουν ψυκτικά μέσα και στη μόνωση αέρια. Τα ψυκτικά μέσα και τα αέρια απαιτούν απόσυρση από τον ειδικό. Προσέξτε να μην καταστραφούν οι σωληνώσεις της κυκλοφορίας του ψυκτικού μέσου, μέχρι να παραληφθεί αυτή για την ανάλογη, αβλαβή για το περιβάλλον απόσυρση.

Συνοδεύουν τη συσκευή

Μετά το ξεπακετάρισμα ελέγξτε όλα τα μέρη για ενδεχόμενες ζημιές μεταφοράς.

Σε περίπτωση παραπόνων απευθυνθείτε στο κατάστημα, από το οποίο αγοράσατε τη συσκευή ή στην υπηρεσία τεχνικής εξυπηρέτησης των πελατών μας.

Η παράδοση αποτελείται από τα εξής μέρη:

- Ανεξάρτητη συσκευή
- Εξοπλισμός (ανάλογα με το μοντέλο)
- Σακούλα με υλικά τοποθέτησης

- Οδηγίες χρήσης
- Οδηγίες τοποθέτησης
- Φυλλάδιο με τις υπηρεσίες τεχνικής εξυπηρέτησης πελατών
- Επισυναπτόμενο φύλλο εγγύησης
- Πληροφορίες σχετικά με την κατανάλωση ενέργειας και τους θορύβους

Τόπος τοποθέτησης

Ως τόπος τοποθέτησης είναι κατάλληλος κάθε στεγνός, αεριζόμενος χώρος.

Ο χώρος τοποθέτησης δεν πρέπει να είναι άμεσα εκτεθειμένος στην ηλιακή ακτινοβολία ούτε να βρίσκεται κοντά σε πηγή θερμότητας όπως κουζίνα, καλοριφέρ κτλ. Αν η τοποθέτηση δίπλα σε πηγή θερμότητας είναι αναπόφευκτη, χρησιμοποιήστε κατάλληλη μονωτική πλάκα ή τηρήστε τις ακόλουθες ελάχιστες αποστάσεις από την πηγή θερμότητας:

- Από ηλεκτρικές κουζίνες και κουζίνες αερίου 3 cm.
- Από κουζίνες πετρελαίου ή κάρβουνου 30 cm.

Το δάπεδο στον τόπο τοποθέτησης δεν επιτρέπεται να υποχωρεί, ενισχύστε ενδεχομένως το δάπεδο. Αντισταθμίστε ενδεχόμενες ανωμαλίες του δαπέδου τοποθετώντας κάτω από τη συσκευή κατάλληλο υπόθεμα.

Απόσταση από τον τοίχο

Τοποθετήστε τη συσκευή έτσι, ώστε να εξασφαλίζεται μια γωνία ανοίγματος της πόρτας 90°.

Προσέχετε τη θερμοκρασία και τον αερισμό του χώρου

Θερμοκρασία δωματίου

Η συσκευή είναι κατασκευασμένη για συγκεκριμένη κατηγορία κλίματος. Ανάλογα με την κατηγορία κλίματος η συσκευή μπορεί να λειτουργήσει στις ακόλουθες θερμοκρασίες δωματίου.

Η κατηγορία κλίματος υπάρχει στην πινακίδα τύπου της συσκευής. Εικόνα **12**

Κατηγορία κλίματος	Επιτρεπτή θερμοκρασία χώρου
SN	+10 °C έως 32 °C
N	+16 °C έως 32 °C
ST	+16 °C έως 38 °C
T	+16 °C έως 43 °C

Υπόδειξη

Η συσκευή λειτουργεί σωστά εντός των ορίων θερμοκρασίας περιβάλλοντος της αναφερόμενης κλιματικής κλάσης. Αν κάποια συσκευή της κλιματικής κλάσης SN λειτουργεί σε χαμηλότερες θερμοκρασίες περιβάλλοντος, δεν μπορούν να αποκλειστούν ζημιές στη συσκευή μέχρι τη θερμοκρασία των +5 °C.

Αερισμός

Εικόνα 3

Ο αέρας στο οπίσθιο και τα πλαϊνά τοιχώματα της συσκευής ζεσταίνεται. Ο ζεσταμένος αέρας πρέπει να μπορεί να διαφεύγει ελεύθερα. Διαφορετικά το ψυκτικό μηχανήμα πρέπει να λειτουργήσει με μεγαλύτερη ισχύ, πράγμα το οποίο αυξάνει την κατανάλωση του ρεύματος. Γι' αυτό: Μην καλύπτετε ποτέ ούτε να τοποθετείτε αντικείμενα μπροστά από τ' ανοίγματα αερισμού και εξαερισμού!

Σύνδεση της συσκευής

Μετά την τοποθέτηση της συσκευής περιμένετε τουλάχιστον 1 ώρα, μέχρι να θέσετε τη συσκευή σε λειτουργία. Κατά τη μεταφορά μπορεί να συμβεί να μεταβεί το λάδι, που περιέχεται στον συμπυκνωτή, στο ψυκτικό σύστημα.

Πριν τη θέση για πρώτη φορά σε λειτουργία καθαρίστε τον εσωτερικό χώρο της συσκευής (βλ. Καθαρισμός της συσκευής).

Ηλεκτρική σύνδεση

Η πρίζα πρέπει να βρίσκεται κοντά στη συσκευή και να είναι προσιτή επίσης μετά την εγκατάσταση της συσκευής.

Η συσκευή αντιστοιχεί στην κατηγορία προστασίας (μόνωσης) I. Συνδέστε τη συσκευή σε εναλλασσόμενο ρεύμα 220–240 V/50 Hz μέσω γειωμένης πρίζας εγκατεστημένης σύμφωνα με τις προδιαγραφές. Η πρίζα πρέπει να είναι ασφαλισμένη με ασφάλεια 10 έως 16 A. Σε συσκευές, οι οποίες λειτουργούν σε μη ευρωπαϊκές χώρες, πρέπει να ελέγξετε, αν η τάση και το είδος ρεύματος που δίνονται, βρίσκονται σε συμφωνία με τις τιμές του δικτύου σας. Τα στοιχεία αυτά θα τα βρείτε στην πινακίδα τύπου. Εικόνα 12

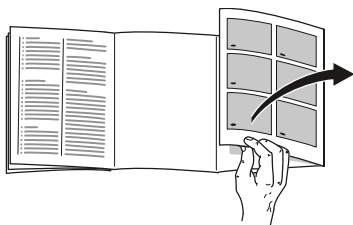


Προειδοποίηση

Η συσκευή δεν επιτρέπεται σε καμιά περίπτωση να συνδεθεί σε ηλεκτρονικές πρίζες εξοικονόμησης ενέργειας.

Για τη χρήση των συσκευών μας μπορούν να χρησιμοποιηθούν μετατροπείς δικτύου και μετατροπείς ημιτόνου. Μετατροπείς δικτύου χρησιμοποιούνται στις φωτοβολταϊκές εγκαταστάσεις, οι οποίες συνδέονται απευθείας στο δημόσιο ηλεκτρικό δίκτυο. Σε μεμονωμένες εφαρμογές (π.χ. σε πλοία ή ορεινά καταφύγια και κατοικίες), οι οποίες δεν έχουν σύνδεση με το δημόσιο δίκτυο του ρεύματος πρέπει να χρησιμοποιούνται μετατροπείς ημιτόνου.

Γνωρίστε τη συσκευή



Παρακαλούμε, ανοίξτε την τελευταία σελίδα με τις απεικονίσεις. Αυτές οι οδηγίες χρήσης ισχύουν για περισσότερα μοντέλα.

Ο εξοπλισμός των μοντέλων μπορεί να ποικίλλει.

Οι απεικονίσεις είναι δυνατόν να διαφέρουν.

Εικόνα 1

* όχι σε όλα τα μοντέλα

- A Χώρος συντήρησης
- B Χώρος κατάψυξης

- 1-9 Στοιχεία χειρισμού
- 10 Ράφι για μικρές φιάλες
- 11 Ράφι για μεγάλες φιάλες
- 12 Φωτισμός
- 13* Ράφι φιαλών
- 14 Χώρος ψυχρής αποθήκευσης
- 15 Δοχείο λαχανικών με ρυθμιστή υγρασίας
- 16 Δοχείο κατεψυγμένων τροφίμων (μικρό)

Στοιχεία χειρισμού

Εικόνα 2

- 1 **Ένδειξη alarm**
Τονίζεται, όταν η συσκευή είναι πολύ ζεστή.
- 2 **Πλήκτρο ρύθμισης θερμοκρασίας στον χώρο συντήρησης**
Με το πλήκτρο ρυθμίζεται η θερμοκρασία του χώρου συντήρησης.
- 3 **Ένδειξη super**
Ανάβει, όταν η Υπερψύξη βρίσκεται σε λειτουργία.
- 4 **Ένδειξη θερμοκρασίας χώρου συντήρησης**
Οι αριθμοί αντιστοιχούν στις ρυθμισμένες θερμοκρασίες του χώρου συντήρησης σε °C.
- 5 **Ένδειξη eco**
Τονίζεται, όταν η λειτουργία eco στο χώρο ψύξης είναι ενεργοποιημένη.
- 6 **Πλήκτρο ρύθμισης θερμοκρασίας χώρου κατάψυξης**
Με το πλήκτρο ρυθμίζεται η θερμοκρασία του χώρου κατάψυξης.
- 7 **Ένδειξη "super" (χώρος κατάψυξης)**
Αυτή ανάβει μόνον, όταν είναι ενεργοποιημένη η υπερκατάψυξη.
- 8 **Λυχνία ένδειξης χώρου κατάψυξης**
Οι αριθμοί στη φωτεινή ράβδο αντιστοιχούν σε θερμοκρασίες του χώρου κατάψυξης σε °C.
- 9 **Ένδειξη eco**
Τονίζεται, όταν η λειτουργία eco στο χώρο κατάψυξης είναι ενεργοποιημένη.

Ενεργοποίηση της συσκευής

Εικόνα 2

1. Συνδέστε το φινιρίσμα στην πρίζα του ρεύματος.
2. Ηχεί ένα προειδοποιητικό ηχητικό σήμα. Η ένδειξη θερμοκρασίας 8 αναβοσβήνει.
3. Πατήστε το πλήκτρο ρύθμισης θερμοκρασίας 2. Το προειδοποιητικό σήμα απενεργοποιείται.

Όταν επιτευχθεί η ρυθμισμένη θερμοκρασία στον χώρο κατάψυξης, ανάβει η ένδειξη θερμοκρασίας 8.

Από το εργοστάσιο συνιστώνται οι ακόλουθες ρυθμίσεις:

- Χώρος ψύξης: μέση ρύθμιση
- Χώρος κατάψυξης: -18 °C

Αποθηκεύετε τα ευαίσθητα τρόφιμα στο χώρο ψύξης.

Υποδείξεις σχετικά με τη λειτουργία

- Μετά τη θέση σε λειτουργία μπορεί να χρειαστούν αρκετές ώρες, μέχρι να επιτευχθούν οι ρυθμισμένες θερμοκρασίες.
- Χάρη στο υπεραυτόματο σύστημα NoFrost ο χώρος κατάψυξης παραμένει χωρίς πάγο. Απόψυξη δεν είναι πλέον απαραίτητη.

- Οι μετωπικές πλευρές του περιβλήματος θερμαίνονται εν μέρει ελαφρά, αυτό εμποδίζει τον σχηματισμό νερού συμπύκνωσης στην περιοχή της τσιμούχας της πόρτας.
- Σε περίπτωση που η πόρτα του χώρου κατάψυξης δεν ξανανοίγει αμέσως μετά το κλείσιμο, περιμένετε μια στιγμή, μέχρι να αντισταθμιστεί η υποπίεση που προέκυψε.

Ρύθμιση θερμοκρασίας

Χώρος ψύξης

Η θερμοκρασία μπορεί να ρυθμιστεί από +2 °C έως +5 °C.

Πατήστε το πλήκτρο ρύθμισης θερμοκρασίας 2 τόσες φορές, μέχρι να ρυθμιστεί η επιθυμητή θερμοκρασία στο χώρο ψύξης.

Η τελευταία ρυθμισμένη τιμή αποθηκεύεται στη μνήμη της συσκευής. Η ρυθμισμένη θερμοκρασία εμφανίζεται στην ένδειξη θερμοκρασίας 4.

Υπόδειξη

Για να επιτευχθεί η επιλεγμένη θερμοκρασία, ανοίξτε τα ανοίγματα αερισμού κατά το 1/3, εικόνα 6.

Χώρος κατάψυξης

Η θερμοκρασία μπορεί να ρυθμιστεί από -18 °C έως -24 °C.

Πατήστε το πλήκτρο ρύθμισης θερμοκρασίας 6 τόσες φορές, μέχρι να ρυθμιστεί η επιθυμητή θερμοκρασία στο χώρο κατάψυξης.

Η τελευταία ρυθμισμένη τιμή αποθηκεύεται στη μνήμη της συσκευής. Η ρυθμισμένη θερμοκρασία εμφανίζεται στην ένδειξη θερμοκρασίας 8.

”eco”

Με τη λειτουργία ”eco” αλλάζετε τη ρύθμιση της συσκευής στην λειτουργία οικονομίας ενέργειας.

Η συσκευή ρυθμίζει αυτόματα τις ακόλουθες θερμοκρασίες:

- Χώρος συντήρησης: +6 °C
- Χώρος κατάψυξης: -16 °C

Ενεργοποίηση Eco

Πατήστε το πλήκτρο ρύθμισης θερμοκρασίας 6 τόσες φορές, μέχρι να τονιστεί η ένδειξη ”eco”.

Λειτουργίες συναγερμού

Εικόνα **2**

Συναγερμός πόρτας

Ο συναγερμός της πόρτας (διαρκές ηχητικό σήμα μπιπ) ενεργοποιείται, όταν η πόρτα της συσκευής παραμένει ανοιχτή για περισσότερο από ένα λεπτό. Με το κλείσιμο της πόρτας παύει ξανά το προειδοποιητικό ηχητικό σήμα.

Συναγερμός θερμοκρασίας

Ο συναγερμός θερμοκρασίας ενεργοποιείται, όταν η θερμοκρασία στον χώρο κατάψυξης είναι πολύ υψηλή και υπάρχει κίνδυνος για τα κατεψυγμένα τρόφιμα.

Η ένδειξη θερμοκρασίας, Εικόνα **2**/8, αναβοσβήνει.

Χωρίς κίνδυνο για τα κατεψυγμένα τρόφιμα ο συναγερμός μπορεί να ενεργοποιηθεί:

- Όταν τίθεται η συσκευή για πρώτη φορά σε λειτουργία.
- Κατά την τοποθέτηση μεγάλων ποσοτήτων νωπών τροφίμων.
- Όταν η πόρτα του χώρου κατάψυξης ήταν ανοιχτή για μεγάλο διάστημα.

Υπόδειξη

Μην ξανακαταψύξετε τα μισοξεπαγωμένα ή τελείως ξεπαγωμένα κατεψυγμένα τρόφιμα. Μόνον αφού τα μαγειρέψετε, μπορείτε να καταψύξετε εκ νέου το έτοιμο φαγητό.

Μην εξαντλήσετε πλέον τη μέγιστη διάρκεια αποθήκευσης.

Απενεργοποίηση συναγερμού

Εικόνα 2

Πατήστε το πλήκτρο ρύθμισης θερμοκρασίας 6, για να απενεργοποιήσετε το προειδοποιητικό σήμα.

Ωφέλιμο περιεχόμενο

Τα στοιχεία για το ωφέλιμο περιεχόμενο θα τα βρείτε μέσα στη συσκευή σας στην πινακίδα τύπου. Εικόνα 12

Πλήρης εκμετάλλευση της χωρητικότητας του χώρου κατάψυξης

Για να τοποθετήσετε τη μέγιστη ποσότητα κατεψυγμένων τροφίμων, μπορείτε να αφαιρέσετε τα δοχεία. Τότε μπορείτε να στοιβάξετε τα τρόφιμα απευθείας πάνω στο ράφι και στον πυθμένα του χώρου κατάψυξης.

Υπόδειξη

Αποφεύγετε την επαφή μεταξύ των τροφίμων και του οπίσθιου τοιχώματος. Διαφορετικά διαταράσσεται η ομαλή κυκλοφορία του αέρα.

Τρόφιμα ή συσκευασίες μπορεί να παγώσουν και να κολλήσουν με πάγο στο οπίσθιο τοίχωμα.

Αφαίρεση μερών εξοπλισμού

Τραβήξτε το δοχείο κατεψυγμένων τροφίμων μέχρι τέρμα προς τα έξω, ανασηκώστε το μπροστά και αφαιρέστε το. Εικόνα 9

Χώρος συντήρησης

Ο χώρος συντήρησης είναι ο ιδανικός χώρος αποθήκευσης για κρέας, αλλαντικά, ψάρι, γαλακτοκομικά προϊόντα, αυγά, μαγειρεμένα φαγητά και αρτοσκευάσματα.

Κατά την αποθήκευση προσέχετε τα εξής

- Αποθηκεύετε φρέσκα, άθικτα τρόφιμα. Έτσι διατηρείται για μεγαλύτερο διάστημα η ποιότητα και η φρεσκάδα.
- Σε έτοιμα προϊόντα και τυποποιημένα τρόφιμα προσέξτε την ημερομηνία ανάλωσης ή την ημερομηνία λήξης που δίνεται από τον κατασκευαστή.
- Για να διατηρηθούν το άρωμα, το χρώμα και η φρεσκάδα τοποθετείτε τα τρόφιμα καλά συσκευασμένα ή καλυμμένα. Έτσι αποφεύγονται η ανάμειξη των γεύσεων και οι χρωματικές αλλοιώσεις των πλαστικών μερών στον χώρο συντήρησης.
- Αφήνετε τα ζεστά φαγητά και ποτά να κρυώσουν πρώτα και τα τοποθετείτε μετά μέσα στη συσκευή.

Υπόδειξη

Μην μπλοκάρτε τα ανοίγματα εξόδου αέρα με τρόφιμα, ώστε να μην εμποδίζεται η κυκλοφορία του αέρα. Τα τρόφιμα, τα οποία αποθηκεύονται άμεσα μπροστά από τα ανοίγματα εξόδου αέρα, μπορούν να παγώσουν από τον εξερχόμενο ψυχρό αέρα.

Προσέξτε τις ψυχρές ζώνες στο χώρο ψύξης

Λόγω της κυκλοφορίας του αέρα στο χώρο ψύξης προκύπτουν διαφορετικές ζώνες ψύξης:

- Οι ψυχρότερες ζώνες είναι μπροστά από τα ανοίγματα αερισμού και μέσα στον ψυχρό θάλαμο αποθήκευσης, εικόνα **11**/14.

Υπόδειξη

Αποθηκεύετε στις ψυχρότερες ζώνες ευαίσθητα τρόφιμα (π.χ. ψάρια, αλλαντικά, κρέας).

- Η θερμότερη ζώνη είναι στο επάνω μέρος της πόρτας.

Υπόδειξη

Στη θερμότερη ζώνη αποθηκεύετε π. χ. σκληρό τυρί και βούτυρο. Το σκληρό τυρί μπορεί να αναπτύξει έτσι περαιτέρω το άρωμά του, το βούτυρο παραμένει μαλακό.

Δοχείο λαχανικών με ρυθμιστή υγρασίας

Εικόνα **7**

Για να δημιουργηθεί το ιδανικό κλίμα αποθήκευσης για φρούτα και λαχανικά, μπορείτε να ρυθμίσετε την υγρασία του αέρα στο δοχείο λαχανικών:

- Κυρίως λαχανικά καθώς και σε μικτή φόρτωση ή μικρή φόρτωση – υψηλή υγρασία αέρα
- Κυρίως φρούτα καθώς και σε μεγάλη φόρτωση – χαμηλή υγρασία του αέρα

Υποδείξεις

- Για την ιδανική διατήρηση της ποιότητας και του αρώματός τους τα ευαίσθητα στο ψύχος φρούτα (π. χ. ανανάς, μπανάνες, παπάγια και εσπεριδοειδή) και λαχανικά (π. χ. μελιτζάνες, αγγούρια, κολοκύθια, πιπεριές, ντομάτες και πατάτες) θα πρέπει να αποθηκεύονται εκτός ψυγείου σε θερμοκρασίες περίπου +8 °C έως +12 °C.
- Ανάλογα με την ποσότητα και τα προς αποθήκευση τρόφιμα μπορεί να σχηματιστεί νερό συμπύκνωσης μέσα στο δοχείο λαχανικών. Απομακρύνετε το νερό συμπύκνωσης με στεγνό πανί και προσαρμόστε την υγρασία του αέρα στο δοχείο λαχανικών μέσω του ρυθμιστή υγρασίας.

Χώρος ψυχρής αποθήκευσης

Εικόνα **6**

Στον χώρο ψυχρής αποθήκευσης επικρατούν χαμηλότερες θερμοκρασίες απ' ό τι στον χώρο συντήρησης. Μπορούν επίσης να εμφανιστούν θερμοκρασίες κάτω των 0 °C.

Ιδανικός για την αποθήκευση ψαριών, κρέατος και αλλαντικών. Όχι για σαλάτες και λαχανικά και τρόφιμα ευαίσθητα στο ψύχος.

Η θερμοκρασία των ψυχρών θαλάμων αποθήκευσης μπορεί να μεταβάλλεται με τη βοήθεια του ανοίγματος αερισμού. Σπρώξτε το ρυθμιστή θερμοκρασίας προς τα πάνω, για να μειώσετε τη θερμοκρασία. Σπρώξτε το ρυθμιστή θερμοκρασίας προς τα κάτω, για να αυξήσετε τη θερμοκρασία. Εικόνα **6**

Υπερψύξη

Κατά τη λειτουργία με super ψύξη ψύχεται ο χώρος συντήρησης επί περ. 15 ώρες στη χαμηλότερη δυνατή θερμοκρασία. Κατόπιν ρυθμίζεται αυτόματα στη θερμοκρασία που είχε ρυθμιστεί πριν την ενεργοποίηση της υπερψύξης.

Ενεργοποιείτε την υπερψύξη π.χ.

- Πριν την τοποθέτηση μεγάλων ποσοτήτων τροφίμων.
- για την ταχεία ψύξη ποτών.

Υπόδειξη

Αν είναι ενεργοποιημένη η σουπερ ψύξη, μπορεί να παρατηρηθούν αυξημένοι θόρυβοι λειτουργίας.

Ενεργοποίηση και απενεργοποίηση

Εικόνα **2**

Πατήστε το πλήκτρο ρύθμισης θερμοκρασίας 2 τόσες φορές, μέχρι να ανάψει η ένδειξη super 3.

Χώρος κατάψυξης

Χρησιμοποιείτε τον χώρο κατάψυξης

- Για την αποθήκευση κατεψυγμένων τροφίμων.
- Για την παρασκευή παγοκύβων.
- Για την κατάψυξη τροφίμων.

Υπόδειξη

Προσέξτε να είναι πάντοτε κλειστή η πόρτα του χώρου κατάψυξης. Με ανοιχτή την πόρτα ξεπαγώνουν τα τρόφιμα και ο χώρος κατάψυξης καλύπτεται από παχύ στρώμα πάγου. Εκτός αυτού: Σπατάλη ενέργειας λόγω μεγάλης κατανάλωσης ρεύματος!

Μέγ. απόδοση κατάψυξης

Στοιχεία σχετικά με τη μέγιστη απόδοση κατάψυξης εντός 24 ωρών θα βρείτε στην πινακίδα τύπου. Εικόνα **12**

Προϋποθέσεις για τη μέγ. απόδοση κατάψυξης

- Ενεργοποιήστε την υπερκατάψυξη πριν την τοποθέτηση των νωπών τροφίμων (βλ. στο Κεφάλαιο Υπερκατάψυξη).
- Αφαιρέστε τα δοχεία, στοιβάξτε τα τρόφιμα απευθείας πάνω στο ράφι και στον πυθμένα του χώρου κατάψυξης.
- Καταψύχετε τις μεγάλες ποσότητες τροφίμων κατά προτίμηση στο επάνω ράφι. Εκεί αυτά καταψύχονται ιδιαίτερα γρήγορα και ως εκ τούτου επίσης με διατήρηση των θρεπτικών ουσιών τους.

Κατάψυξη και αποθήκευση

Αγορά κατεψυγμένων τροφίμων

- Η συσκευασία δεν επιτρέπεται να είναι χαλασμένη.
- Προσέχετε την ημερομηνία λήξης.
- Η θερμοκρασία στα ψυγεία των καταστημάτων πώλησης πρέπει να είναι $-18\text{ }^{\circ}\text{C}$ ή χαμηλότερη.
- Μεταφέρετε τα κατεψυγμένα τρόφιμα που αγοράσατε κατά δυνατότητα σε μονωτική σακούλα και τοποθετήστε τα χωρίς καθυστέρηση στον χώρο κατάψυξης.

Κατά την τακτοποίηση προσέξτε τα εξής

- Καταψύχετε μεγάλες ποσότητες τροφίμων κατά προτίμηση στο επάνω ράφι. Εκεί αυτά καταψύχονται ιδιαίτερα γρήγορα και ως εκ τούτου επίσης με διατήρηση των θρεπτικών συστατικών τους.
- Τοποθετείτε τα τρόφιμα απλωμένα μέσα στους χώρους ή αντίστοιχα στα δοχεία κατεψυγμένων τροφίμων.

Υπόδειξη

Τα ήδη κατεψυγμένα τρόφιμα δεν επιτρέπεται να έρθουν σε επαφή με τα νωπά τρόφιμα που πρόκειται να καταψυχθούν. Ενδεχομένως μετατοπίζετε τα ήδη κατεψυγμένα τρόφιμα στα άλλα δοχεία κατεψυγμένων τροφίμων.

Αποθήκευση κατεψυγμένων τροφίμων

Εισάγετε τα δοχεία κατεψυγμένων τροφίμων μέχρι το τέρμα, για να διασφαλίζεται η απρόσκοπτη κυκλοφορία του αέρα.

Κατάψυξη νωπών τροφίμων

Αν πρόκειται να καταψύξετε τρόφιμα, χρησιμοποιείτε μόνον φρέσκα και αρίστης ποιότητας τρόφιμα.

Για να διατηρηθεί η θρεπτική αξία, το άρωμα και το χρώμα όσο το δυνατόν καλύτερα, τα λαχανικά θα πρέπει να ζεματίζονται, προτού καταψυχθούν. Για μελιτζάνες, πιπεριές, κολοκύθια και σπαράγγια το ζεμάτισμα δεν είναι απαραίτητο.

Βιβλιογραφία σχετικά με την κατάψυξη και το ζεμάτισμα θα βρείτε στα βιβλιοπωλεία.

Υπόδειξη

Προσέξτε να μην έρχονται σε επαφή τα τρόφιμα που πρόκειται να καταψυχθούν με ήδη κατεψυγμένα τρόφιμα.

- Για κατάψυξη είναι κατάλληλα: Αρτοσκευάσματα, ψάρια και θαλασσινά, κρέας, κυνήγι, πουλερικά, λαχανικά, φρούτα, αρωματικά χόρτα, αβγά χωρίς το τσίφλι, γαλακτοκομικά προϊόντα όπως τυρί, βούτυρο και χλωρή μυζήθρα, έτοιμα φαγητά και περισεύματα φαγητών όπως σούπες, μαγειρευτά φαγητά, ψημένο κρέας και ψάρι, φαγητά με πατάτες, σουφλέ, ογκρατέν και γλυκίσματα.
- Για κατάψυξη δεν είναι κατάλληλα: Είδη λαχανικών, τα οποία καταναλώνονται συνήθως ωμά, όπως σαλάτες ή ραπανάκια, αβγά με το τσόφλι, σταφύλια, ολόκληρα μήλα, αχλάδια και ροδάκινα, σφιχτοβρασμένα αβγά, γιαούρτι, ξυνόγαλο, ξυνή κρέμα γάλακτος, φρέσκια κρέμα γάλακτος και μαγιονέζα.

Συσκευασία των κατεψυγμένων τροφίμων

Συσκευάζετε τα τρόφιμα αεροστεγώς, ούτως ώστε να μη χάσουν ούτε τη γεύση τους ούτε την υγρασία τους.

1. Τοποθετείτε τα τρόφιμα μέσα στη συσκευασία.
2. Πιέζετε τη συσκευασία, μέχρι να βγει ο αέρας.
3. Κλείνετε καλά τη συσκευασία.
4. Αναγράφετε στη συσκευασία το περιεχόμενο του πακέτου και την ημερομηνία κατάψυξής του.

Κατάλληλα για τη συσκευασία είναι:

Πλαστικές μεμβράνες, σωληνοειδείς μεμβράνες από πολυαιθυλένιο, αλουμινοχαρτα, κουτιά κατάψυξης (τάπερ κτλ.).

Αυτά τα προϊόντα θα τα βρείτε στα ειδικά καταστήματα.

Ακατάλληλα για τη συσκευασία είναι:

Χαρτί περιτυλίγματος, λαδόχαρτο, σελοφάν, σακούλες απορριμμάτων, μεταχειρισμένες σακούλες από ψώνια.

Κατάλληλα για το κλείσιμο της συσκευασίας είναι:

Λαστιχάκια, πλαστικά κλιπ, κλωστές, αυτοκόλλητες ταινίες ανθεκτικές στις χαμηλές θερμοκρασίες ή παρόμοια.

Τ' ανοίγματα στις σακούλες και στις σωληνοειδείς μεμβράνες από πολυαιθυλένιο μπορούν να συγκολληθούν με την ειδική συσκευή θερμοσυγκόλλησης μεμβρανών.

Χρόνος διατήρησης των κατεψυγμένων τροφίμων

Η διάρκεια διατήρησης εξαρτάται από το είδος των τροφίμων.

Σε θερμοκρασία -18 °C:

- ψάρια, αλλαντικά, μαγειρεμένα φαγητά, αρτοσκευάσματα και γλυκά: μέχρι και 6 μήνες
- τυρί, πουλερικά, κρέας: μέχρι και 8 μήνες
- λαχανικά, φρούτα: μέχρι και 12 μήνες

Υπερκατάψυξη

Τα τρόφιμα πρέπει να καταψύχονται όσο το δυνατόν γρήγορα μέχρι τον πυρήνα τους, ώστε να διατηρηθούν οι βιταμίνες, η θρεπτική αξία, η εμφάνιση και η γεύση τους.

Ενεργοποιήστε μερικές ώρες πριν την τοποθέτηση των νωπών τροφίμων την υπερκατάψυξη, για να αποφύγετε μια ανεπιθύμητη αύξηση της θερμοκρασίας.

Γενικά αρκούν 4–6 ώρες.

Η συσκευή δουλεύει μετά την ενεργοποίηση αδιάκοπα, στον χώρο της κατάψυξης επιτυγχάνεται πολύ χαμηλή θερμοκρασία.

Αν πρόκειται να εκμεταλλευτείτε τη μέγιστη απόδοση κατάψυξης, τότε πρέπει να ενεργοποιήσετε την υπερκατάψυξη 24 ώρες πριν την τοποθέτηση των νωπών τροφίμων.

Μικρότερες ποσότητες τροφίμων (μέχρι και 2 kg) μπορούν να καταψυχθούν χωρίς υπερκατάψυξη.

Υπόδειξη

Αν είναι ενεργοποιημένη η υπερκατάψυξη, μπορεί να εμφανιστούν αυξημένοι θόρυβοι λειτουργίας.

Ενεργοποίηση και απενεργοποίηση

Εικόνα **2**

Πατήστε το πλήκτρο ρύθμισης θερμοκρασίας 6 τόσες φορές, μέχρι να ανάψει η ένδειξη "super" 7.

Η υπερκατάψυξη τίθεται μετά από περ. 2½ ημέρες αυτόματα εκτός λειτουργίας.

Απόψυξη κατεψυγμένων τροφίμων

Ανάλογα με το είδος και τον σκοπό χρήσης μπορείτε να επιλέξετε ανάμεσα στις ακόλουθες δυνατότητες:

- σε θερμοκρασία δωματίου
- στο ψυγείο
- στον ηλεκτρικό φούρνο, με/χωρίς ανεμιστήρα θερμού αέρα
- στον φούρνο μικροκυμάτων

Προσοχή

Μην ξανακαταψύξετε τα μισοξεπαγωμένα ή τελείως ξεπαγωμένα κατεψυγμένα τρόφιμα. Μόνον αφού τα μαγειρέψετε, μπορείτε να καταψύξετε εκ νέου το έτοιμο φαγητό.

Μην εξαντλήσετε πλέον τη μέγιστη διάρκεια αποθήκευσης των τροφίμων.

Εξοπλισμός

Ράφια και δοχεία

Μπορείτε να μεταβάλλετε τη θέση των ραφιών του εσωτερικού χώρου και των δοχείων της πόρτας ανάλογα με τις ανάγκες σας: Τραβάτε το ράφι προς τα εμπρός, το κατεβάζετε και το τραβάτε στρέφοντάς το στα πλάγια προς τα έξω. Ανασηκώνετε και βγάλτε τα δοχεία.

Ειδικός εξοπλισμός

(όχι σε όλα τα μοντέλα)

Ράφι φιαλών

Εικόνα **5**

Στο ράφι φιαλών μπορείτε να τοποθετείτε φιάλες με ασφάλεια.

Δοχείο για παγάκια

Εικόνα **11**

1. Γεμίστε το δοχείο παγοκύβων κατά τα $\frac{3}{4}$ με πόσιμο νερό και τοποθετήστε το στον χώρο κατάψυξης.
2. Ξεκολλάτε το τυχόν κολλημένο δοχείο παγοκύβων μόνο με αμβλύ αντικείμενο (λαβή κουταλιού).
3. Για να ξεκολλήσουν τα παγάκια, κρατήστε το δοχείο παγοκύβων για λίγο κάτω από το τρέχον νερό της βρύσης ή λυγίστε το ελαφρά.

Ημερολόγιο κατάψυξης

Εικόνα **10**

Για να αποφεύγονται απώλειες στην ποιότητα των κατεψυγμένων τροφίμων, μην υπερβαίνετε τη διάρκεια αποθήκευσης. Οι αριθμοί στα σύμβολα δίνουν την επιτρεπόμενη διάρκεια αποθήκευσης σε μήνες για τα κατεψυγμένα τρόφιμα. Στα συνήθη κατεψυγμένα προϊόντα του εμπορίου προσέχετε την ημερομηνία παρασκευής ή την ημερομηνία λήξης.

Παγοκύστη

Σε περίπτωση διακοπής ρεύματος ή βλάβης η παγοκύστη καθυστερεί την άνοδο της θερμοκρασίας των αποθηκευμένων κατεψυγμένων τροφίμων. Η μακρότερη διάρκεια αποθήκευσης επιτυγχάνεται, αν τοποθετήσετε την παγοκύστη στον επάνω χώρο επάνω στα τρόφιμα.

Η παγοκύστη μπορεί επίσης να αφαιρεθεί και να χρησιμοποιηθεί για την προσωρινή διατήρηση της ψύξης τροφίμων π.χ. σε τσάντα-ψυγείο.

Επικολημένη ετικέτα "OK"

(όχι σε όλα τα μοντέλα)

Με τον έλεγχο θερμοκρασίας "OK" μπορούν να εξακριβώνονται θερμοκρασίες κάτω από +4 °C. Ρυθμίστε τη θερμοκρασία βαθμηδόν χαμηλότερα, σε περίπτωση που η επικολημένη ετικέτα δε δείχνει "OK".

Υπόδειξη

Κατά την αρχική θέση της συσκευής σε λειτουργία μπορεί να διαρκέσει μέχρι και 12 ώρες, μέχρι να επιτευχθεί η θερμοκρασία.



Σωστή ρύθμιση.

Θέση της συσκευής εκτός λειτουργίας

Βγάζετε το φιν από την πρίζα ή κατεβάστε την ασφάλεια.

Το ψυκτικό μηχάνημα απενεργοποιείται.

Μακροχρόνια θέση της συσκευής εκτός λειτουργίας

Όταν δεν πρόκειται να χρησιμοποιήσετε για μεγάλο χρονικό διάστημα τη συσκευή:

1. Βγάλτε το φιν από την πρίζα ή απενεργοποιήστε την ασφάλεια.
2. Καθαρίστε τη συσκευή.
3. Αφήστε ανοιχτή την πόρτα της συσκευής.

Καθαρισμός της συσκευής

Προσοχή

- Μη χρησιμοποιήσετε διαλυτικά και μέσα καθαρισμού που περιέχουν άμμο, χλωρίδιο ή οξέα.
- Μη χρησιμοποιείτε διαβρωτικά σφουγγάρια ή σφουγγάρια που δημιουργούν αμυχές.
Στις μεταλλικές επιφάνειες θα μπορούσε να προκληθεί διάβρωση.
- Μην πλένετε ποτέ ράφια και δοχεία της συσκευής στο πλυντήριο πιάτων.
Τα μέρη αυτά είναι δυνατόν να παραμορφωθούν!

Το νερό καθαρισμού δεν επιτρέπεται να διεισδύσει στους ακόλουθους τομείς:

- Στοιχεία χειρισμού
- Φωτισμός
- Ανοιγματα αερισμού
- Ανοιγματα στην πλάκα διαχωρισμού

Ακολουθήστε την εξής διαδικασία:

1. Βγάλτε το φιν από την πρίζα ή απενεργοποιήστε την ασφάλεια.
2. Αφαιρέστε τα κατεψυγμένα τρόφιμα και αποθηκεύστε τα σε δροσερό μέρος. Βάλτε την παγοκύστη (αν υπάρχει) επάνω στα τρόφιμα.
3. Το νερό καθαρισμού δεν επιτρέπεται να έρθει σε επαφή με τα στοιχεία χειρισμού, το φωτισμό, τα ανοίγματα αερισμού ή με τα ανοίγματα της πλάκας διαχωρισμού!
Καθαρίστε τη συσκευή με ένα μαλακό πανί, χλιαρό νερό και λίγο απορρυπαντικό πλυσίματος πιάτων με ουδέτερο pH.
4. Σκουπίστε την τσιμούχα της πόρτας με πανί βρεγμένο μόνο με καθαρό νερό και τρίψτε την μετά καλά με στεγνό πανί.
5. Μετά τον καθαρισμό: Ξανασυνδέστε τη συσκευή.
6. Επανατοποθετήστε τα κατεψυγμένα τρόφιμα.

Εξοπλισμός

Για τον καθαρισμό αφαιρέστε όλα τα μεταβλητά μέρη της συσκευής.

Αφαίρεση των ραφιών στην πόρτα

Εικόνα **4**

Ανασηκώστε τα ράφια προς τα πάνω και αφαιρέστε τα.

Αφαίρεση των γυάλινων ραφιών

Τραβήξτε τα γυάλινα ράφια προς τα εμπρός και αφαιρέστε τα.

Αφαίρεση δοχείου

Εικόνα **8**

Τραβήξτε τα δοχεία μέχρι τέρμα προς τα έξω, ανασηκώστε τα μπροστά και αφαιρέστε τα.

Αφαίρεση δοχείου κατεψυγμένων δοχείων

Εικόνα **9**

Τραβήξτε το δοχείο κατεψυγμένων τροφίμων μέχρι τέρμα προς τα έξω, ανασηκώστε το μπροστά και αφαιρέστε το.

Φωτισμός (LED)

Η συσκευή σας είναι εξοπλισμένη με φωτισμό LED.

Επισκευές αυτού του είδους φωτισμού επιτρέπεται να εκτελούνται μόνον από την υπηρεσία τεχνικής εξυπηρέτησης πελατών ή από εξουσιοδοτημένο ειδικά καταρτισμένο προσωπικό.

Έτσι μπορείτε να εξοικονομήσετε ενέργεια

- Τοποθετήστε τη συσκευή σε στεγνό, αεριζόμενο χώρο! Η συσκευή δεν πρέπει να βρίσκεται εκτεθειμένη στην άμεση ηλιακή ακτινοβολία ούτε κοντά σε πηγή θερμότητας (π.χ. καλοριφέρ, ηλεκτρική κουζίνα).
Χρησιμοποιήστε ενδεχομένως μονωτική πλάκα.
- Αφήνετε τα ζεστά τρόφιμα και ποτά να κρυώσουν πρώτα και μετά τα βάζετε μέσα στη συσκευή.
- Τοποθετείτε τα κατεψυγμένα τρόφιμα για ξεπάγωμα μέσα στον χώρο συντήρησης και εκμεταλλευτείτε έτσι το ψύχος τους για την ψύξη τροφίμων.
- Ανοίγετε την συσκευή όσο το δυνατόν για μικρότερο χρονικό διάστημα.
- Για την επίτευξη της χαμηλότερης κατανάλωσης ενέργειας, κρατήστε μια μικρή πλευρική απόσταση από τον τοίχο.
- Η διάταξη των μερών του εξοπλισμού δεν επηρεάζουν καθόλου την απορρόφηση ενέργειας της συσκευής.

Θόρυβοι λειτουργίας

Συνηθισμένοι θόρυβοι λειτουργίας

Χαμηλός θόρυβος

Οι κινητήρες λειτουργούν (π.χ. ψυκτικά συγκροτήματα, ανεμιστήρας).

Θόρυβος αναβρασμού, γουργουρίσματος ή βούϊσμα

Ροή του ψυκτικού ρευστού μέσα στους σωλήνες.

Βραχύς μεταλλικός ήχος

Ο κινητήρας, οι διακόπτες ή οι μαγνητικές βαλβίδες ενεργοποιούνται/ απενεργοποιούνται.

Κρότος

Διεξάγεται η αυτόματη απόψυξη.

Αποφυγή θορύβων

Η συσκευή δεν βρίσκεται σε επίπεδη θέση

Παρακαλείσθε να ευθυγραμμίσετε τη συσκευή με τη βοήθεια αλφαδιού. Χρησιμοποιήστε γι' αυτό τα βιδωτά πόδια ή τοποθετήστε κάτι από κάτω.

Η συσκευή ακουμπάει κάπου

Παρακαλείσθε να απομακρύνετε τη συσκευή από τα έπιπλα ή τις άλλες συσκευές που ακουμπάει.

Ταλαντευόμενα ή μαγκωμένα δοχεία ή ράφια

Παρακαλείσθε να ελέγξετε όλα τα αφαιρούμενα μέρη της συσκευής και ενδεχομένως να τα τοποθετήσετε εκ νέου.

Φιάλες ή δοχεία εφάπτονται μεταξύ τους

Παρακαλείσθε να μετατοπίσετε λίγο τις φιάλες ή τα δοχεία, ούτως ώστε να μην αλληλεφάπτονται.

Πώς θα διορθώσετε μόνες/-οι σας μικροβλάβες

Προτού καλέσετε την υπηρεσία τεχνικής εξυπηρέτησης πελατών:

Εξετάστε, μήπως μπορείτε βάσει των ακολούθων υποδείξεων να διορθώσετε οι ίδιες/οι τη βλάβη.

Σε περιπτώσεις ζήτησης συμβουλής από την υπηρεσία τεχνικής εξυπηρέτησης πελατών, πρέπει να αναλάβετε εσείς τα έξοδα – ακόμη και κατά τη διάρκεια ισχύος της παροχής δωρεάν εγγύησης!

Βλάβη	Πιθανή αιτία	Αντιμετώπιση
Η θερμοκρασία αποκλίνει ισχυρά από τη ρύθμιση.		Σε μερικές περιπτώσεις αρκεί να θέσετε τη συσκευή για 5 λεπτά εκτός λειτουργίας. Αν η θερμοκρασία είναι πολύ υψηλή, ελέγξτε μετά από λίγες ώρες, αν έχει γίνει προσέγγιση θερμοκρασίας. Αν η θερμοκρασία είναι πολύ χαμηλή, ελέγξτε την επόμενη μέρα τη θερμοκρασία ξανά.

Βλάβη	Πιθανή αιτία	Αντιμετώπιση
Το προειδοποιητικό σήμα ηχεί. Η ένδειξη θερμοκρασίας αναβοσβήνει. Εικόνα 2 /8	Βλάβη - στον χώρο κατάψυξης επικρατεί πολύ υψηλή θερμοκρασία! Κίνδυνος για τα κατεψυγμένα τρόφιμα. Η συσκευή είναι ανοιχτή.	Για την απενεργοποίηση του προειδοποιητικού σήματος πατήστε το πλήκτρο ρύθμισης θερμοκρασίας, Εικόνα 2 /6. Κλείστε τη συσκευή.
	Τα ανοίγματα αερισμού και εξαερισμού είναι καλυμμένα.	Να εξασφαλιστεί ο αερισμός και ο εξαερισμός.
	Τοποθετήθηκαν πολλά τρόφιμα μεμιάς για κατάψυξη.	Μην υπερβαίνετε τη μέγιστη απόδοση κατάψυξης. Μετά την αντιμετώπιση της βλάβης παύει να αναβοσβήνει η ένδειξη θερμοκρασίας.
Η θερμοκρασία στον χώρο κατάψυξης είναι πολύ υψηλή.	Συχνό άνοιγμα της συσκευής. Τα ανοίγματα αερισμού και εξαερισμού είναι καλυμμένα.	Μην ανοίγετε άσκοπα τη συσκευή. Απομακρύνετε τα εμπόδια.
	Καταψύχθηκαν μεμιάς μεγαλύτερες ποσότητες νωπών τροφίμων.	Μην υπερβαίνετε τη μέγιστη απόδοση κατάψυξης.
Ο φωτισμός δε λειτουργεί.	Ο φωτισμός LED είναι χαλασμένος. Η συσκευή ήταν ανοιχτή για πολύ μεγάλο διάστημα. Ο φωτισμός απενεργοποιείται μετά από περ. 10 λεπτά.	Βλ. Φωτισμός (LED). Μετά το κλείσιμο και το άνοιγμα της συσκευής ο φωτισμός ξαναάβει.
Μειωμένη φωτεινή ισχύς των στοιχείων χειρισμού.	Αν δεν έγινε χρήση της συσκευής για αρκετό χρονικό διάστημα, η ένδειξη του πίνακα χειρισμού μεταβαίνει στον οικονομικό τρόπο λειτουργίας.	Μόλις η συσκευή ξαναχρησιμοποιηθεί, π.χ. κατά το άνοιγμα της πόρτας, ενεργοποιείται η ένδειξη ξανά στον κανονικό φωτισμό.
Καμιά ένδειξη δεν είναι αναμμένη.	Διακοπή ρεύματος, η ασφάλεια έχει πέσει ή έχει καεί, το φιντ δεν βρίσκεται σωστά μέσα στην πρίζα.	Συνδέστε το φιντ στην πρίζα. Εξετάστε αν υπάρχει ρεύμα, ελέγξτε τις ασφάλειες.

Βλάβη	Πιθανή αιτία	Αντιμετώπιση
Η συσκευή δεν ψύχει, η ένδειξη θερμοκρασίας και το φως είναι αναμμένα.	Είναι ενεργοποιημένος ο τρόπος λειτουργίας έκθεσης.	Κρατήστε πατημένο το πλήκτρο ρύθμισης θερμοκρασίας Εικόνα 2/2 για 10 δευτερόλεπτα, μέχρι να ηχήσει ένα σήμα επιβεβαίωσης. Μετά από κάποιο χρόνο ελέγχετε αν η συσκευή σας ψύχει.

Υπηρεσία τεχνικής εξυπηρέτησης πελατών

Την Υπηρεσία τεχνικής εξυπηρέτησης πελατών στην περιοχή σας θα την βρείτε στον τηλεφωνικό κατάλογο ή στον πίνακα με τις Υπηρεσίες τεχνικής εξυπηρέτησης των πελατών μας. Παρακαλείσθε να δίνετε πάντοτε στην Υπηρεσία τεχνικής εξυπηρέτησης πελατών τον αριθμό προϊόντος (E-Nr.) και τον αριθμό κατασκευής (FD-Nr.).

Αυτά τα στοιχεία θα τα βρείτε στην πινακίδα τύπου. Εικόνα 12

Παρακαλείσθε να βοηθήσετε στην αποφυγή ασκόπων μετακινήσεων των τεχνικών, δίνοντας τους αριθμούς προϊόντος και κατασκευής. Έτσι εξοικονομούνται τα επιπλέον έξοδα που προκύπτουν από αυτές.

Εντολή επισκευής και συμβουλές σε περίπτωση βλάβης

Τα στοιχεία επικοινωνίας όλων των χωρών θα τα βρείτε στον πίνακα Υπηρεσίες τεχνικής εξυπηρέτησης πελατών που παραδίδεται μαζί.

GR 18 182 Αστική χρέωση

Рекомендації з дотримання безпеки та застереження

Перед початком експлуатації приладу

Прочитайте уважно інструкцію з експлуатації та установки! Інструкція містить важливу інформацію про установку, експлуатацію приладу та догляд за ним.

Виробник не несе відповідальності в разі недотримання Вами вказівок і застережень інструкції з експлуатації. Зберігайте всю документацію для майбутнього використання або для наступного власника приладу.

Технічна безпека

Даний прилад містить в незначній кількості горючий холодинний засіб R600a з високою екологічною сумісністю. Під час транспортування та установки слід пильнувати, щоб труби системи холодинної циркуляції не були пошкоджені. Бризки холодинного засобу можуть зайнятися або призвести до пошкоджень очей.

У разі пошкодження

- уникайте відкритого вогню та джерел займання,
- декілька хвилин провітрити добре приміщення,
- вимкніть прилад та вийміть штепсельну вилку із розетки,
- проінформуйте службу сервісу.

Чим більше холодинного засобу у приладі, тим більшим повинно бути приміщення, де стоїть прилад. У замалих приміщеннях у разі нещільності може утворитися горюча суміш із газу та повітря.

На 8 г холодинного засобу повинно приходиться принаймні 1 м³ приміщення. Кількість холодинного засобу в Вашому приладі вказана на табличці з технічними даними всередині приладу.

Заміна пошкодженого електрокабелю цього приладу проводиться тільки виробником, сервісною службою чи фахівцем з подібною кваліфікацією. Некваліфіковане виконання установки і ремонту може призвести до створення значної небезпеки для користувача.

Ремонт проводиться тільки виробником, сервісною службою чи фахівцем з подібною кваліфікацією.

Дозволяється використовувати тільки оригінальні запчастини виробника. Тільки відносно цих запчастин виробник гарантує, що вони відповідають вимогам техніки безпеки.

Подовжувач електрокабелю обов'язково придбайте тільки в сервісній службі.

Під час експлуатації

- Ніколи не використовувати усередині приладу електроприлади (напр.: нагрівальні прилади, електричні морозениці і т.д.). Вибухонебезпека!
- Ні в якому разі не застосовуйте для розморожування і чистки приладу парочисні прилади! Пара може потрапити на електричні деталі та спричинити коротке замикання. Небезпека удару струмом!
- Не використовувати предмети з гострим концом або з гострими краями для видалення шарів інею або льоду. Ви можете пошкодити труби з холодильним засобом. Бризки холодильного засобу можуть зайнятися або призвести до пошкоджень очей.
- Не зберігати продукти з горючими газами-витискувачами (напр., аерозольні балончики), а також вибухонебезпечні речовини. Вибухонебезпека!
- Не використовувати цоколь, висувні елементи, дверцята і т.д. поза призначенням, в якості підніжки або опори.
- Для розморожування і чищення, витягнути вилку з розетки або відключити запобіжник. Витягати вилку з розетки слід, тримаючи її за штепсель, а не за мережевий кабель.
- Високопроцентний алкоголь зберігати тільки щільно закритим і в вертикальному положенні.
- Не допускати потрапляння олії та жиру на пластмасові деталі і ущільнення дверцят. Інакше пластмасові деталі і ущільнення дверцят стануть пористими.

- Ніколи не закривати і не загороджувати вентиляційні отвори приладу.
- **Попередження ризиків для дітей та осіб під загрозою небезпеки:**

До осіб під загрозою небезпеки відносяться діти, особи з фізичними і психічними обмеженнями або з обмеженим сприйняттям, а також особи, які не володіють достатніми знаннями для надійної експлуатації приладу.

Переконайтеся у тому, що діти і особи під загрозою небезпеки усвідомили загрожуючі небезпеки.

Діти і особи під загрозою небезпеки повинні перебувати при використанні приладу під наглядом або керівництвом особи, яка відповідає за їх безпеку.

Користування приладом можна дозволяти тільки дітям старше 8 років.

Під час чищення і технічного обслуговування діти повинні перебувати під наглядом.

Ні в якому разі не дозволяти дітям гратися з приладом.

- Не зберігати в морозильній камері пляшки та банки з рідинами (особливо газовані напої). Пляшки і банки можуть лопнути!
- Заморожені продукти ніколи не брати в рот відразу після виймання з морозильної камери.
Небезпека холодового опіку!
- Уникайте тривалого контакту рук із замороженими продуктами, льодом або трубами випарника і т.д.
Небезпека холодового опіку!

Діти в домашньому господарстві

- Не дозволяйте дітям гратися з упаковкою і її частинами. Складні картонні коробки та плівки можуть спричинити задушення!
- Прилад – не іграшка для дітей!
- Для приладу з замком для дверцят:
Тримайте ключ подалі від дітей!

Загальні положення

Прилад придатний

- для охолодження та замороження продуктів харчування,
- для приготування льоду.

Цей прилад призначений для використання в приватному домашньому господарстві та в побутових умовах.

Прилад відповідає нормам електромагнітної сумісності згідно стандарту ЄС 2004/108/ЄС.

Щільність системи холодильної циркуляції перевірена.

Цей виріб відповідає спеціальним вимогам з техніки безпеки для електроприладів (EN 60335-2-24).

Цей прилад призначений для використання на висоті щонайбільше 2000 м над рівнем моря.

Рекомендації з утилізації

Утилізація упаковки

Упаковка захищає Ваш побутовий прилад від пошкоджень під час транспортування. Всі використані матеріали екологічно чисті і можуть використовуватися в якості вторинної сировини. Будь ласка, підтримайте нас: утилізуйте упаковку у відповідності із екологічними нормами.

За інформацією про актуальні шляхи утилізації звертайтеся, будь ласка, до спеціалізованих підприємств по переробці відходів.

Утилізація старого приладу

Старі прилади – це не просто відходи! Шляхом екологічної утилізації із них можна отримати знову цінну сировину.



Цей прилад маркіровано згідно положень європейської Директиви 2012/19/EU стосовно електронних та електроприладів, що були у використанні (waste electrical and electronic equipment - WEEE). Директивою визначаються можливості, які є дійсними у межах Європейського союзу, щодо прийняття назад та утилізації бувших у використанні приладів.



Попередження

Для приладів, які вийшли із експлуатації

1. Витягніть штепсельну вилку.
2. Переріжте електропровід і викиньте його разом із штепсельною вилкою.
3. Не виймайте полицьки і контейнери із приладу, щоб діти не могли забратися в нього!
4. Не дозволяйте дітям гратися з приладом, який вийшов із вжитку. Небезпека удушення!

Холодильники містять холодильні засоби і гази в ізоляції. Холодильні засоби та гази підлягають спеціалізованій утилізації. Слідкуйте за тим, щоб труби системи холодильної циркуляції не були пошкоджені до належної утилізації.

Комплект поставки

Переконайтеся у відсутності можливих пошкоджень при транспортуванні, звільнивши всі елементи від упаковки.

З рекламациями звертайтеся до магазину, в якому Ви придбали прилад, або до нашої сервісної служби.

До комплекту поставки входять наступні елементи:

- Підлоговий прилад
- Устаткування (в залежності від моделі)
- Мішок з монтажними матеріалами
- Інструкція з експлуатації
- Інструкція з монтажу
- Книжна сервісної служби
- Гарантія в додатку
- Інформація про витрати електроенергії та шуми

Місце установки

Для установки підходить сухе, провітрюване приміщення. На місце установки не повинні потрапляти прямі сонячні промені; поблизу не повинні знаходитися джерела тепла, як наприклад, плита, радіатор тощо:

- До електричних і газових плит: 3 см.
- До плит, які працюють на рідкому паливі або вугіллі: 30 см.

Підлога на місці установки не повинна прогинатися, за потреби вийте заходів для зміцнення підлоги. Можливі нерівності підлоги компенсуйте за допомогою підкладок.

Відстань до стіни

Установіть прилад так, щоб дверцята можна було відчинити під кутом 90°.

Звертайте увагу на температуру в приміщенні та вентиляцію

Температура оточення

Прилад розроблений для певного кліматичного класу. В залежності від кліматичного класу прилад може експлуатуватися при наступних температурах оточення.

Кліматичний клас вказаний на таблиці з технічними даними, малюнок **12**.

Кліматичний клас	допустима температура в приміщенні
SN	+10 °C до 32 °C
N	+16 °C до 32 °C
ST	+16 °C до 38 °C
T	+16 °C до 43 °C

Вказівка

Повна функціональність приладу забезпечена в межах температури приміщення зазначеного кліматичного класу. Якщо прилад кліматичного класу SN працює при нижчій температурі приміщення, то пошкодження приладу можна виключити до температури +5 °C.

Вентиляція

Малюнок 3

Повітря біля задньої і бокових стінок приладу нагрівається. Для нагрітого повітря необхідно забезпечити безперешкодний відтік. В протилежному випадку холодильний агрегат мусить працювати на більшу потужність. Це підвищує витрату електроенергії. Тому, ні в якому разі не закривайте вентиляційних решіток та отворів приладу.

Підключення приладу

Після установки приладу слід зачекати принаймні 1 години до початку його експлуатації. Під час транспортування масло із компресору могло переміститися в систему охолодження.

Перед початком першої експлуатації прилад слід почистити всередині, дивіться «Чистка приладу».

Підключення до електромережі

Розетка повинна бути розташована поблизу приладу і в вільно доступному місці навіть після установки приладу.

Прилад відповідає класу захисту I. Прилад підключається до мережі перемінного струму 220–240 В/50 Гц за допомогою встановленої належним чином розетки із заземлювачем. Розетка повинна бути захищена запобіжником 10 А–16 А.

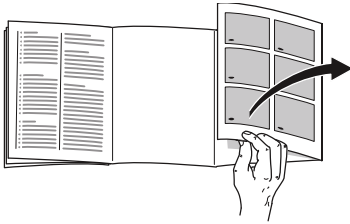
В разі експлуатації приладів в країнах поза межами Європи, слід переконатися в тому, що вказана напруга і вид струму відповідають значенням Вашої мережі електропостачання. Ці дані Ви знайдете на таблиці з технічними характеристиками. Малюнок 12

Попередження

Прилад неможна ні в якому разі підключати до електронних енергозберігаючих штекерів.

Для використання наших побутових приладів можна застосовувати мережеві і синусні інвертори. Ведучі мережею інвертори застосовуються в фотогальванічних енергетичних установках, які приєднуються безпосередньо до громадської мережі енергопостачання. В ізольованих умовах (напр., на кораблях або в гірських притулках) без безпосереднього приєднання до громадської електромережі необхідно застосовувати синусні інвертори.

Ознайомлення з приладом



Розгорніть, будь ласка, останні сторінки з малюнками. Ця інструкція з експлуатації дійсна для декількох моделей.

Моделі можуть мати відмінності в устаткуванні.

Розбіжності з зображеннями не виключаються.

Малюнок **1**

* не в усіх моделях

A Холодильна камера
B Морозильна камера

- 1–9 Панель керування
- 10 Підставка для малих пляшок
- 11 Підставка для великих пляшок
- 12 Освітлення
- 13* Підставка для пляшок
- 14 Відділення з пониженою температурою
- 15 Контейнер для овочів з регулятором вологості
- 16 Бокс для заморожених продуктів (малий)

Елементи управління

Малюнок **2**

- 1 **Індикація alarm**
Виділяється, коли температура у приладі надто висока.
- 2 **Клавіша установки температури в холодильній камері**
За допомогою кнопки регулюється температура холодильної камери.
- 3 **Показник «супер»**
Світиться під час роботи супер-охолодження.
- 4 **Індикація температури холодильної камери**
Цифри відповідають установленим в холодильній камері температурам в °C.
- 5 **Індикація «есо»**
Виділяється, коли в холодильній камері ввімкнено економічний режим («есо»).
- 6 **Клавіша регулювання температури – морозильна камера**
Клавіша служить для установки температури в морозильному відділенні.
- 7 **Індикація морозильної камери «Super»**
Світиться, якщо функція суперзаморожування ввімкнена.
- 8 **Показник температури морозильної камери**
Цифри відповідають установленим в морозильній камері температурам в °C.
- 9 **Індикація «есо»**
Виділяється, коли в морозильній камері ввімкнено економічний режим («есо»).

Увімкнення приладу

Рис. 2

1. Підключіть штепсельну вилку до розетки.
2. Лунає попереджувальний сигнал. Блімає індикатор температури 8.
3. Натисніть кнопку встановлення температури 2. Попереджувальний сигнал вимикається.

Індикатор температури 8 світиться, коли температура в морозильній камері досягла встановленого значення.

Завод-виробник рекомендує наведені нижче значення параметрів.

- Холодильна камера: середнє значення
- Морозильна камера: $-18\text{ }^{\circ}\text{C}$

Зберігайте продукти, які швидко псуються, у холодильній камері.

Рекомендації з експлуатації

- Після увімкнення можуть пройти декілька годин, поки температура досягне заданого рівня.
- Завдяки повністю автоматичній системі NoFrost морозильне відділення не покривається льодом. Розморожувати прилад більше не потрібно.
- Торцеві сторони корпусу частково злегка підігріваються, що запобігає утворенню конденсату в районі ущільнення дверцят.
- Якщо після закриття морозильної камери дверцята не відчиняються відразу, зачекайте деякий час, поки компенсується утворений всередині понижений тиск.

Установка температури

Холодильна камера

Температура регулюється в діапазоні від 2 до $5\text{ }^{\circ}\text{C}$.

Натискайте кнопку встановлення температури 2, доки в холодильній камері не буде встановлена бажана температура.

Останнє встановлене значення зберігається. Задана температура відображається на відповідному індикаторі 4.

Вказівка

Для досягнення вибраної температури відчиніть вентиляційні отвори на $1/3$, див. рис. 6.

Морозильна камера

Температура регулюється в діапазоні від -18 до $-24\text{ }^{\circ}\text{C}$.

Натискайте кнопку встановлення температури 6, доки в морозильній камері не буде встановлена бажана температура.

Останнє встановлене значення зберігається. Задана температура відображається на відповідному індикаторі 8.

«есо»

Завдяки функції «есо» прилад переключається в режим економії електроенергії.

Температура в приладі автоматично встановлюється на наступних рівнях:

- Холодильна камера: +6 °C
- Морозильна камера: -16 °C

Увімкнення режиму «есо»

Натискайте кнопку встановлення температури 6, доки не буде виділено індикацію «есо».

Функції сигналізації

Малюнок **2**

Сигналізація застереження про відкриті дверцята

Сигналізація застереження про відкриті дверцята (безперервний звуковий сигнал) вмикається, якщо дверцята приладу залишаються відкритими понад 1 хвилину. Попереджувальний сигнал вимкнеться знову, якщо закрити дверцята.

Сигналізація застереження про підвищення температури

Сигналізація застереження про підвищення температури вмикається, якщо в морозильній камері стає занадто тепло і заморожені продукти можуть розморозитися.

Індикація температури, малюнок **2**/8, блимає.

Попереджувальна сигналізація може ввімкнутися, навіть якщо замороженим продуктам не загрожує розмороження, в наступних випадках:

- на початку експлуатації приладу;
- у разі завантаження великої кількості свіжих продуктів;
- якщо дверцята морозильного відділення були занадто довго відкритими.

Вказівка

Повністю або частково розморожені продукти не заморозуйте знову. Заморожувати продукти знову можна лише після їх переробки до готових страв (у звареному або жареному вигляді).

Не слід вже зберігати продукти протягом максимального строку.

Вимкнення попереджувальної сигналізації

Малюнок **2**

Натисніть на кнопку установки температури 6, щоб вимкнути попереджувальний сигнал.

Корисний об'єм

Дані про корисний об'єм свого побутового приладу Ви знайдете на заводській табличці з технічними параметрами. Малюнок 12

Повне використання об'єму морозильного відділення

Для того, щоб розмістити максимальну кількість заморожених продуктів, контейнери можна витягнути. Продукти можна потім складати прямо на полиці і на дні морозильної камери.

Вказівка

Уникайте дотику продуктів до задньої стінки. Це зашкоджує вільній циркуляції повітря.

Продукти і упаковки можуть примерзнути до задньої стінки.

Як виймати елементи устаткування

Витягніть до упору бокс для заморожених продуктів, підніміть спереду і вийміть. Малюнок 9

Холодильна камера

Холодильна камера забезпечує ідеальні умови для зберігання м'яса, ковбаси, риби, молочних продуктів, яєць, готових страв і випічки.

На що слід звернути увагу при завантаженні продуктів

- Завантажуйте свіжі, непошкоджені продукти. Це забезпечить тривале збереження якості та свіжості.
- Звертайте увагу на зазначені виробниками терміни придатності або строки зберігання готових продуктів та насипних товарів.
- Щоб зберегти аромат, колір та свіжість, завантажуйте продукти добре запакованими або закритими. Це допоможе уникнути переймання смаку та зафарбування пластмасових елементів в холодильній камері.
- Теплі страви та напої слід охолодити перед тим, як класти до приладу.

Вказівка

Не заставляйте продуктами вентиляційні отвори, щоб не заважати циркуляції повітря. Продукти харчування, які зберігаються безпосередньо поряд із вентиляційними отворами, можуть замерзнути під впливом витікаючого повітря.

Зони охолодження в холодильній камері

Унаслідок циркуляції повітря в холодильній камері утворюються зони з різною температурою.

- Найнижча температура підтримується перед вентиляційними отворами та в зоні свіжості, рис. **1**/14.

Вказівка

У найхолодніших зонах зберігайте продукти, які швидко псуються (наприклад, рибу, ковбасні вироби, м'ясо).

- Зона найвищої температури знаходиться у верхній частині дверцят.

Вказівка

Найтепліша зона підходить для зберігання, наприклад, твердого сиру та вершкового масла. Завдяки цьому аромат сиру продовжить розкриватися, а масло залишатиметься достатньо м'яким для намащування.

Контейнер для овочів з регулятором вологості

Рис. **7**

Для створення оптимальних умов для зберігання овочів та фруктів даний контейнер оснащено регулятором, що передбачає можливість регулювання рівня вологості:

- переважно овочі та змішане завантаження або мале завантаження — висока вологість повітря
- переважно фрукти та високе завантаження — низька вологість повітря

Вказівки

- Чутливі до низьких температур фрукти (напр.: ананаси, банани, папайя і цитрусові) і овочі (напр.: баклажани, огірки, кабачки, солодкий перець, помідори і картопля) для оптимального збереження якості і аромату слід зберігати поза межами холодильника при температурі прибл. +8 °С до +12 °С.
- Залежно від кількості і виду овочів та фруктів, що зберігаються, в контейнері для овочів може утворитися конденсат. Витріть конденсат сухою ганчіркою і відрегулюйте вологість повітря в контейнері для овочів за допомогою регулятора вологості.

Відділення з пониженою температурою

Малюнок **6**

У відділенні з пониженою температурою панує нижча температура, чим в холодильній камері. Температура може опускатися навіть нижче 0 °С.

Ідеально підходить для зберігання риби, м'яса та ковбаси. Не придатний для зберігання салатів та овочів і чутливих до низьких температур продуктів.

Температуру в зонах свіжості можна регулювати за допомогою вентиляційного отвору. Для зниження температури посуňte регулятор угору. Для підвищення температури посуňte регулятор униз. Рис. **6**

Суперохолодження

В режимі суперохолодження холодильна камера протягом 15 годин охолоджується до якомога холоднішої температури. Після цього камера перемикається автоматично на установлену перед суперохолодженням температуру.

Вмикайте суперохолодження, напр.

- перед завантаженням великої кількості продуктів;
- для швидкого охолодження напоїв.

Вказівка

При ввімкнутому суперохолодженні може посилитися експлуатаційний шум.

Ввімкнення та вимкнення

Малюнок **2**

Натискайте на кнопку установки температури 2 до тих пір, поки світиться показник «super» 3.

Морозильна камера

Використання морозильної камери

- Для зберігання швидкозаморожених продуктів.
- Для приготування кубиків льоду.
- Для заморожування продуктів.

Вказівка

Пильнуйте, щоб дверцята морозильної камери завжди були зачиненими! При відкритих дверцятах заморожені продукти розморожуються і морозильна камера сильно покривається кригою. Це призводить зокрема до зайвого витрачання електроенергії!

Максимальна потужність заморожування

Дані про макс. потужність заморожування за 24 години Ви знайдете на табличці з технічними даними. Малюнок **12**

Умови для максимальної потужності заморожування

- Ввімкніть суперзаморожування перед завантаженням свіжих продуктів (див. розділ «Суперзаморожування»).
- Вийняти контейнери; продукти скласти прямо на полиці і на дні морозильної камери.
- Велику кількість продуктів найкраще заморожувати у верхньому відділенні. Там продукти заморожуються найшвидше, а отже й бережно.

Заморожування та зберігання продуктів

На що слід звернути увагу при купівлі швидкозаморожених продуктів

- Слідкуйте за тим, щоб упаковка не була пошкоджена.
- Зверніть увагу на термін зберігання.
- Температура в морозильній шафі в магазині повинна становити $-18\text{ }^{\circ}\text{C}$ або нижче.
- Швидкозаморожені продукти тримайте в холодильній сумці та якнайшвидше покладіть їх вдома до морозильної камери.

При розміщенні продуктів зверніть увагу на наступне

- Велику кількість продуктів найкраще заморожувати у верхньому відділенні. Там продукти заморожуються найшвидше, а отже й бережно.
- Продукти розкладати вільно у відділеннях або покласти до боксів для заморожених продуктів.

Вказівка

Заморожені продукти не повинні торкатися продуктів, які Ви тільки що поклали для заморожування. За необхідності заморожені продукти можна перекласти до інших боксів для заморожених продуктів.

Зберігання заморожених продуктів

Всуньте бокс для заморожених продуктів до упору з метою забезпечення оптимальної циркуляції повітря.

Замороження свіжих продуктів

Використовуйте для заморожування лише свіжі продукти харчування в бездоганному стані.

Щоб зберегти якомога краще харчову цінність, аромат і колір, овочі слід перед заморожуванням бланшувати. Бланшування непотрібне для баклажанів, солодкого стручкового перця, кабачків і спаржі.

Літературу про заморожування і бланшування Ви знайдете в книгарнях.

Вказівка

Заморожені продукти не повинні торкатися продуктів, які Ви щойно поклали для заморожування.

- Для заморожування придатні: випічка, риба і морепродукти, м'ясо, дичина, птиця, овочі, фрукти, зелень, яйця без шкарлупи, молочні продукти, напр., сир, масло і свіжий сир, готові страви і рештки страв, напр., супи, рагу, приготовлені м'ясо і риба, страви із картоплі, запіканки і солодкі страви.
- Для заморожування непридатні: споживані передусім у сирому вигляді овочі, напр., листові салати чи редиска, яйця в шкарлупі, виноград, цілі яблука, груші, персики, круто зварені яйця, йогурт, кисле молоко, сметана, крем-фреш і майонез.

Упакування заморожених продуктів

Упакуйте продукти щільно, щоб вони не втратили свого смаку та вологи.

1. Покладіть продукти в упаковку.
2. Витісніть повітря із упаковки.
3. Закрийте щільно упаковку.
4. Напишіть на упаковці зміст та дату заморожування.

Для упаковки придатні:

пластикові плівки, трубчата плівка із поліетилену, алюмінієва фольга, бокси для заморожування.

Цю продукцію Ви можете придбати в спеціалізованій торгівлі.

Для упаковки непридатні:

пакувальний папір, пергаментний папір, целофан, сміттєві мішки, використані пакети для покупок.

Для закриття упаковки придатні:

гумові кільця, пластмасові затискачі, нитки, стійкі до холоду клейкі стрічки та подібне.

Мішки й трубчатую плівку із поліетилену можна закривати за допомогою приладу для термосклеювання плівок.

Термін зберігання заморожених продуктів

Термін зберігання залежить від виду продукту.

При температурі $-18\text{ }^{\circ}\text{C}$:

- риба, ковбаса, готові страви, випечені вироби.
до 6 місяців
- сир, птиця, м'ясо.
до 8 місяців
- овочі, фрукти.
до 12 місяців

Суперзаморожування

Продукти повинні якомога швидше проморозитися до самої середини - тільки таким чином збережуться вітаміни, поживні речовини, вигляд та смак.

Ввімкніть суперзаморожування за декілька годин перед завантаженням свіжих продуктів з метою запобігання небажаному підвищенню температури.

Взагалі достатньо 4–6 годин.

Прилад працює після ввімкнення безперервно, в морозильній камері температура сильно опускається.

Для використання максимальної потужності заморожування, ввімкніть суперзаморожування за 24 години перед завантаженням свіжих продуктів.

Невелику кількість продуктів (до 2 кг) можна заморожувати без суперзаморожування.

Вказівка

Під час роботи суперзаморожування експлуатаційний шум може посилитися.

Ввімкнення та вимкнення

Малюнок **2**

Натискайте на кнопку установки температури 6 до тих пір, поки світиться показник «super» 7.

Суперзаморожування вимикається автоматично приблизно через 2½ доби.

Розмороження заморожених продуктів

В залежності від виду та призначення, можна вибрати одну із наступних можливостей:

- при кімнатній температурі
- в холодильнику
- в електричній духовці з тепловою вентиляцією або без
- в мікрохвильовій печі.



Увага

Повністю або частково розморожені продукти не заморожуйте знову. Заморожувати продукти знову можна лише після їх переробки до готових страв (у звареному або жареному вигляді).

Заморожені продукти слід взяти до закінчення макс. строку зберігання.

Устаткування

Полички і ємності

Полички всередині приладу та контейнери в дверцятах Ви можете за потребою переставляти: підніміть поличку та потягніть її до себе, нахиліть вниз та вийміть збоку. Підніміть контейнер та вийміть його.

Спеціальне оснащення

(не в усіх моделях)

Підставка для пляшок

Малюнок **5**

В підставці для пляшок можна надійно розмістити пляшки.

Ванночка для льоду

Малюнок **11**

1. Заповніть ванночку для льоду на $\frac{3}{4}$ питною водою та вставте до морозильної камери.
2. Примерзлу ванночку відокремлювати лише за допомогою негострих предметів (ручка ложки).
3. Щоб вийняти заморожені кубики льоду із ванночки, опустіть її на короткий час під проточну воду або злегка перегніть.

Календар із зазначенням термінів зберігання продуктів

Малюнок **10**

Не перевищуйте термінів зберігання заморожених продуктів, щоб їх якість не погіршала. Цифри поряд із символами показують допустимий строк зберігання заморожених продуктів у місяцях. Звертайте увагу на дату виготовлення і термін придатності пропонованих в торгівлі швидкозаморожених продуктів.

Акумулятор холоду

У разі перерви у подачі струму або неполадках акумулятор холоду сповільнює розмороження заморожених продуктів при зберіганні. Максимальне збільшення терміну зберігання можливе за допомогою акумулятора холоду, покладеного на продукти у верхньому відділенні.

Акумулятор холоду можна також використовувати для охолодження продуктів, напр., в холодильній сумці.

Наклейка «ОК»

(не в усіх моделях)

За допомогою контролю температури «ОК» визначаються температури нижче +4 °С. Понизьте поетапно температуру, якщо наклейка не показує «ОК».

Вказівка

На початку експлуатації приладу час, необхідний для досягнення температури, може становити до 12 годин.



Правильна установка

Прилад вимкнути

Витягніть штепсельну вилку із розетки або вимкніть запобіжник.

Компресор вимикається.

Зупинка роботи приладу

Якщо прилад не використовується протягом тривалого часу:

1. Витягніть з розетки штепсельну вилку або вимкніть запобіжник.
2. Почистіть прилад.
3. Дверцята приладу залишіть відкритими.

Чистка приладу

Увага

- Не користуйтеся для чистки засобами або розчинниками, які містять пісок, хлорид, кислоти.
- Не використовуйте абразивних і дряпаючих гумок.
На металевих поверхнях може утворитися корозія.
- Полочки та контейнери ні в якому разі не мити в посудомийній машині.
Елементи можуть деформуватися!

Уникати потрапляння миючої води до наступних ділянок:

- Елементи керування
- Освітлення
- Вентиляційні отвори
- Отвори в розділювальній панелі

Виконайте наступні дії:

1. Витягніть із розетки штепсельну вилку або вимкніть запобіжники.
2. Вийміть заморожені продукти та покладіть у холодне місце.
Акумулятор холоду (за наявності) покладіть на продукти.

3. Уникайте потрапляння миючої води до елементів управління, освітлення, вентиляційних отворів чи отворів перегородки!

Вийміть прилад розчином невеликої кількості миючого засобу з нейтральним рівнем рН за допомогою м'якої ганчірки.

4. Ущільнення дверцят промивайте лише чистою водою і потім дбайливо витирайте насухо.
5. Після чистки: підключіть прилад до електромережі.
6. Завантажте знову продукти для заморожування.

Устаткування

Для миття всі пересувні елементи приладу виймаються.

Виймання дверних полицок

Малюнок **4**

Підніміть полицки злегка доверху і вийміть.

Виймання скляних полицок

Скляні полицки потягніть до себе і вийміть.

Виймання боксу

Малюнок **8**

Витягніть бокс до упору і вийміть його, злегка піднявши спереду.

Виймання боксу для заморожених продуктів

Малюнок **9**

Витягніть до упору бокс для заморожених продуктів, підніміть спереду і вийміть.

Світлодіодне освітлення

Ваш прилад устаткований світлодіодним освітленням, яке не потребує догляду.

Ремонт цього освітлення проводиться лише співробітниками служби сервісу або уповноваженими фахівцями.

Заощадження енергії

- Установіть прилад в сухому і добре провітрюваному приміщенні! Уникайте попадання на прилад прямих сонячних променів, не встановлюйте його поблизу джерел тепла (напр., радіаторів, кухонних плит).
Встановіть в разі необхідності ізоляційну плиту.
- Теплі страви та напої слід охолодити перед тим, як класти до холодильника.
- Заморожені продукти помістіть для розморожування до холодильної камери, щоб використати холод заморожених продуктів для охолодження продуктів.
- Намагайтеся якомога менше тримати дверцята відчиненими.
- Для мінімізації споживання енергії слід залишити невелику відстань до стіни з боку.
- Порядок розміщення елементів оснащення не впливає на споживання електроенергії приладом.

Шуми при експлуатації

Звичайні шуми

Гудіння

Працюють двигуни (напр., холодильні агрегати, вентилятор).

Булькання, дзижчання або клокотання

Холодагент тече по трубам.

Клацання

Вмикаються або вимикаються двигун, вимикач або магнітні клапани.

Потріскування

Иде автоматичне розмороження.

Як уникнути шумів

Прилад стоїть нерівно

Установіть прилад рівно за допомогою ватерпасу. Виставивши гвинтові ніжки відповідним чином або підкладіть щось під низ.

Прилад торкається інших предметів

Відсуньте прилад від встановлених поряд меблів чи приладів.

Бокси чи полицки хитаються або заклинили

Перевірте елементи, які виймаються, та вставте їх за потреби знову.

Пляшки та посудини торкаються один одного

Розставте пляшки та посуд трохи поодаль одна від одної.

Як усунути незначні неполадки самому

Перед викликом служби сервісу:

Перевірте, чи не зможете Ви самі усунути неполадки на основі наступних рекомендацій.

За консультацію служби сервісу Ви змушені будете заплатити – навіть під час гарантійного строку!

Неполадка	Можлива причина	Допомога
Температура сильно відрізняється від установки.		В деяких випадках достатньо вимкнути прилад на 5 хвилин. У разі завищеної температури перевірте відповідність температури через декілька годин. У разі заниженої температури перевірте температуру наступного дня ще раз.
Звучить попереджувальний сигнал. Блимає індикація температури. Малюнок 2 /8	Несправність - в морозильній камері занадто висока температура! Заморожені продукти можуть розморозитися. Прилад відкритий.	Для вимкнення попереджувального сигналу натисніть на кнопку установки температури, малюнок 2 /6. Закрийте прилад.
	Отвори для циркуляції повітря закриті.	Забезпечте циркуляцію повітря.
	До морозильної камери покладено одночасно занадто багато продуктів.	Не перевищуйте макс. потужності заморожування. Після усунення неполадки індикатор температури припиняє блимати.
Температура в морозильній камері занадто висока.	Дверцята приладу часто відчинялися.	Не відкривайте зайвий раз приладу.
	Отвори для циркуляції повітря закриті.	Усуньте перешкоди.
	Замороження великої кількості свіжих продуктів.	Не перевищуйте макс. потужності заморожування.

Неполадка	Можлива причина	Допомога
Внутрішнє освітлення не функціонує.	Освітлення LED дефектне. Прилад був занадто довго відкритий. Освітлення вимикається приблизно через 10 хвилин.	Див. розділ «Освітлення (LED)». Якщо закрити і відкрити прилад, освітлення ввімкнеться знову.
Понижена яскравість освітлення елементів управління.	Якщо приладом деякий час не користувалися, то дисплей панелі управління перемикається в режим економії електроенергії.	Після чергового використання приладу, напр., при відчиненні дверцят, індикатор перемикається знову на звичайне освітлення.
Не світяться індикатори.	Перерва в подачі струму; вимкнувся запобіжник; штепсельна вилка не ввімкнута добре до розетки.	Приєднайте штепсельну вилку до мережі. Перевірити наявність струму та запобіжники.
Прилад не нагнітає холоду, індикація температури і освітлення світяться.	Ввімкнений демонстраційний режим.	Тримайте натиснутою кнопку установки температури малюнок 2 /2 протягом 10 секунд, поки не зазвучить сигнал підтвердження. Перевірте через деякий час, чи нагнітає Ваш прилад холод.

Служба сервісу

Найближчу службу сервісу Ви знайдете – телефонній книжці або у списку служб сервісу. Назвіть службі сервісу модель виробу (E-Nr.) та дату випуску (FD) приладу.

Ці дані Ви знайдете на таблиці з технічними характеристиками.
Малюнок **12**

Назвавши модель та дату випуску, Ви зможете уникнути помилкового виклику співробітників служби сервісу. Так Ви заощадите кошти, пов'язані з помилковим викликом.

Заявка на ремонт та консультація при неполадках

Контактні дані всіх країн Ви знайдете в доданому списку сервісних центрів.

Biztonsági útmutatások és figyelmeztetések

Mielőtt a készüléket használatba veszi

Figyelmesen olvassa végig a használati és szerelési utasítást! Fontos tanácsokat kap a készülék beszerelésére, használatára és karbantartására vonatkozóan.

A gyártó nem vállal szavatosságot, ha Ön figyelmen kívül hagyja a használati utasításban tartalmazzott útmutatásokat és figyelmeztetéseket. Minden dokumentumot őrizzen meg a későbbi használatához vagy a későbbi tulajdonos számára.

Műszaki biztonság

A készülék kis mennyiségben tartalmazza a környezetbarát, de gyúlékony R600a hűtőközeget. A készülék szállítása és szerelése közben ügyelni kell arra, hogy a hűtőközegkör csövei ne sérüljenek meg. A kifröccsenő hűtőközeg szemsérüléseket okozhat, vagy meggyulladhat.

Sérülés esetén

- a nyílt lángot vagy a gyújtóforrásokat távol kell tartani a készüléktől,
- a helyiséget néhány percig jól ki kell szellőztetni,
- kapcsolja ki a készüléket és húzza ki a hálózati csatlakozót,
- értesíteni kell a vevőszolgálatot.

Minél több hűtőközeg van egy gépben, annál nagyobbak kell lenni a helyiségnek, ahol a gép áll. Kis helyiségekben szivárgás esetén gyúlékony gáz-levegő elegy képződik.

A helyiségnek legalább 1 m³-nek kell lennie minden 8 g hűtőanyag után.

A készülékében levő hűtőközeg-mennyiséget megtalálja a gép típustábláján.

Ha meghibásodik a készülék hálózati csatlakozóvezetéke, a gyártónak, a vevőszolgálatnak vagy egy hasonlóan szakképzett szakembernek kell kicserélnie. A szakszerűtlen beszerelések és javítások jelentős veszélyt jelentenek a használóra nézve.

Javításokat csak a gyártó, a vevőszolgálat vagy egy hasonlóan szakképzett személy végezhet.

Kizárólag a gyártó eredeti alkatrészeit szabad használni. Csak ezeknél az alkatrészeknél garantálja a gyártó, hogy teljesítik a biztonsági előírásokat.

A hálózati csatlakozóvezeték hosszabbítóját csak a vevőszolgálaton keresztül szabad beszerezni.

Használat közben

- Soha ne használjon elektromos berendezést (pl. fűtőtestet, elektromos fagyaltkészítőt stb.) a készüléken belül. Robbanásveszély!
- A hűtőgép kiolvasztásához vagy tisztításához soha ne használjon gőztisztító készüléket! A gőz rákerülhet az elektromos alkatrészekre, és rövidzárlatot okozhat. Áramütésveszély!
- A dér- és a jégrétegek eltávolításához ne használjon hegyes vagy éles szélű tárgyakat. Ezzel megsértheti a hűtőcsöveket. A kifröccsenő hűtőfolyadék meggyulladhat vagy szemsérülést okozhat.
- Ne tároljon gyúlékony hajtógázokat tartalmazó termékeket (pl. spray-ket) és robbanóképes anyagokat. Robbanásveszély!
- A lábuzatot, a kihúzó elemeket, ajtókat, stb. soha ne használja lépcsőként, vagy támaszkodó felületként.
- Leolvasztáshoz és tisztításhoz húzza ki a villásdugót vagy kapcsolja le a biztosítékot. A csatlakozónál fogva kell kihúzni, nem pedig a kábelt húzni.
- Tömény alkoholt csak szorosan lezárva és álló helyzetben tároljon.
- A műanyag készülékelemeket és az ajtó tömitést ne szennyezze be olajjal vagy zsírral. Ez porózussá teszi a műanyag készülékelemeket és az ajtó tömitését.
- A készülék szellőztető és légtelenítő nyílásait soha ne fedje le, vagy ne torlaszolja el.

■ **Kockázatok elkerülése gyermekek és veszélyeztetett személyek esetében:**

Veszélyeztetettnek azok a gyermekek és személyek tekintendők, akik testi, fizikai vagy érzékszervi szempontból korlátozottak, valamint azok, akik nem rendelkeznek elegendő ismeretekkel a készülék biztonságos kezeléséről.

Biztosítsa, hogy a gyermekek és a veszélyeztetett személyek megértsék a veszélyeket.

Egy biztonságért felelős személynek felügyelnie vagy irányítania kell a gyermekeket és a veszélyeztetett személyeket a készüléknél.

A készüléket csak 8 évnél idősebb gyermekek használhatják.

Tisztítás és karbantartás közben felügyelni kell a gyermekeket.

Soha ne engedjen gyerekeket a készülékkel játszani.

- A fagyasztórekeszben ne tároljon folyadékot palackban vagy dobozban (különösen szénsavas italt). A palackok és dobozok kidurranhatnak!
- A fagyasztott terméket soha ne vegye a szájába azonnal a fagyasztótérből való kivétel után!
Fagyás-égésveszély!
- Ügyeljen rá, nehogy túl hosszú ideig érintkezzen a keze a mélyhűtött áruval, a jéggel vagy a párasító csövekkel stb.
Fagyás-égésveszély!

Gyermekek a háztartásban

- A csomagolást és azok darabjait ne adja a gyermekek kezébe!
A hajtogatott dobozok és a fóliák fulladásveszélyt jelentenek!
- A készülék nem játékszer a gyermekeknek!
- Ajtózáras készülék esetén: A kulcsot olyan helyen tárolja, ahol a gyermekek nem férnek hozzá!

Általános rendelkezések

A készülék alkalmazása

- élelmiszerek hűtésére és fagyasztására,
- jégkészítésre.

Ez a készülék magánháztartásokban való használatra és otthoni környezethez készült.

A készülék rádió-zavarmentesített a 2004/108/EC sz. EU irányelv szerint.

A hűtőközeg-keringtető rendszer tömítettségét ellenőriztük.

Ez a gyártmány megfelel a villamos készülékekre vonatkozó idevágó biztonsági előírásoknak (EN 60335-2-24).

Ezt a készüléket legfeljebb 2000 méter tengerszint feletti magasságig való használatra tervezték.

Hulladék-ártalmatlanítási útmutatások

A csomagolási hulladék ártalmatlanítása

A csomagolás védi a készülékét a szállítási sérülésektől. Minden felhasznált anyag összefér a környezettel és újra értékesíthető. Kérjük, segítsen Ön is: környezetbarát módon ártalmatlanítsa a csomagolást.

Az aktuális hulladék-ártalmatlanítási lehetőségekről tájékozódjon a települési önkormányzatnál vagy a szakkereskedőnél, akinél a készüléket vásárolta.

A használt készülék ártalmatlanítása

A használt készülék nem értéktelen hulladék! Környezetbarát ártalmatlanításával értékes nyersanyag nyerhető.



Ez a készülék az elhasznált villamossági és elektronikai készülékekről szóló 2012/19/EU irányelvnek megfelelő jelölést kapott.

Ez az irányelv a már nem használt készülékek visszavételének és hasznosításának EU-szerte érvényes kereteit határozza meg.

Figyelmeztetés

Elhasznált készülékek esetén

1. Húzza ki a hálózati villásdugót.
2. Vágja le a csatlakozó kábelt és távolítsa el a villásdugóval együtt.
3. A polcokat és tartályokat ne vegye ki, hogy a gyermekeknek megnehezítse a bemászást!
4. Nem szabad megengedni, hogy gyermekek játsszanak a már használaton kívüli készülékkel. Fulladásveszély!

A hűtőgépek hűtőközeget és a szigetelésben gázokat tartalmaznak. A hűtőközegeket és a gázokat szakszerűen kell kezelni és ártalmatlanítani. A hűtőközeget keringtető csöveket egészen a szakszerű ártalmatlanításig nem szabad megsérteni.

Csomagolás tartalma

Kicsomagolás után ellenőrizze az összes alkatrészt az esetleges szállítási károk tekintetében.

Kifogásolások esetén forduljon ahhoz a kereskedőhöz, akinél a készüléket vásárolta, vagy a vevőszolgálatunkhoz.

A szállítmány a következő részekből áll:

- Álló készülék
- Felszerelés (modelltől függően)
- Tasak szerelőanyaggal
- Használati útmutató
- Szerelési útmutató
- Ügyfélszolgálati füzet
- Garancia-melléklet
- Energiafogyasztásra és zajokra vonatkozó információk

Felállítási hely

Felállítási helynek alkalmas egy száraz, szellőztethető helyiség. A felállítási hely ne legyen kitéve közvetlen napsugárzásnak, és ne legyen hőforrás, mint tűzhely, fűtőtest, stb. közvetlen közelében! Ha elkerülhetetlen, hogy hőforrás közelében állítsa föl, használjon megfelelő szigetelőlapot vagy tartsa be az alábbiakban megadott minimális távolságokat a hőforrástól:

- Elektromos vagy gáztűzhelyhez 3 cm.
- Olaj- vagy széntüzelés kályhától 30 cm.

A padlónak a felállítás helyén nem szabad engednie, a padlót esetleg meg kell erősíteni. A padló esetleges egyenetlenségeit alátétekkel egyenlítsse ki.


Faltávolság

A készüléket úgy állítsa fel, hogy biztosítva legyen a 90°-os ajtónyitási szög.

Vegye figyelembe a szobahőmérsékletet és a szellőztetést

Szobahőmérséklet

A készülék meghatározott klímaosztályra van méretezve. A klímaosztálytól függően a készüléket a következő szobahőmérsékleteken lehet működtetni.

A klímaosztály a típus táblán van,  ábra.

Klímaosztály	Megengedett szobahőmérséklet
SN	+10 °C-tól 32 °C-ig
N	+16 °C-tól 32 °C-ig
ST	+16 °C-tól 38 °C-ig
T	+16 °C-tól 43 °C-ig

Útmutatás

A készülék a megadott klímaosztály szobahőmérséklet-határértékein belül teljesen működőképes. Ha a SN klímaosztályú készüléket alacsonyabb szobahőmérsékleten működtetik, +5 °C hőmérsékletig kizárható a készülék meghibásodása.

Szellőztetés

3. ábra

A levegő a készülék hátoldalán és az oldalfalain felmelegszik. A felmelegedett levegőnek akadálytalanul el kell tudni távozni. Máskülönbén a hűtőgépnél többet kell teljesítenie. Ez pedig növeli az áramfogyasztást. Ezért a levegőztető- és szellőző nyílásokat soha ne fedje be vagy torlaszolja el!

A készülék csatlakoztatása

A készülék felállítása után legalább 1 órát kell várni, amíg üzembe helyezheti a készüléket. Szállítás közben előfordulhat, hogy a kompresszorban levő olaj eltolódik a hűtőrendszerben.

Első használatba vétel előtt meg kell tisztítani a készülék belső terét (lásd „A készülék tisztítása”).

Villamos bekötés

A dugaszolóaljzat a készülék közelében legyen, és a készülék beüzemelése után is szabadon hozzáférhetőnek kell lennie.

A készülék megfelel az I. védelmi osztálynak. A készüléket egy előírászerűen felszerelt, védővezetékes dugaszolóaljzaton keresztül 220–240 V/50 Hz váltóáramra csatlakoztassa. A dugaszolóaljzatot 10–16 A-es biztosítókkal kell biztosítani.

Azoknál a készülékeknél, amelyeket Európán kívüli országokban üzemeltetnek, ellenőrizni kell, hogy a megadott feszültség és áramfajta megegyezik-e a helyi áramhálózat értékeivel. Ezeket az adatokat a típustáblán találja meg. 12. ábra

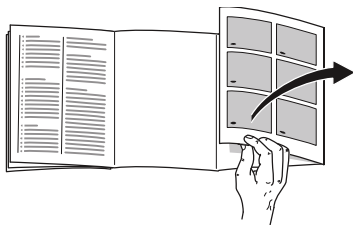


Figyelmeztetés

A készüléket semmi esetre sem szabad elektronikus energiatakarékos csatlakozódugóra csatlakoztatni.

Készülékeink használatához hálózat- és szinuszos vezérlésű váltóirányítókat lehet alkalmazni. Hálózat-vezérlésű váltóirányítókat használnak minden olyan fotovoltikus berendezésnél, amelyet közvetlenül a nyilvános villamos hálózatra csatlakoztatnak. Különálló megoldások esetén (pl. hajókon vagy hegyi turistaházakban), amelyeknek nincs közvetlen csatlakozásuk a nyilvános villamos hálózatra, szinuszos vezérlésű váltóirányítókat kell alkalmazni.

Ismerje meg a készüléket



Hajtsa ki az utolsó oldalt az ábrákkal. Ez a használati útmutató több modellre érvényes.

A modellek felszerelése eltérő lehet. Az ábránál eltérések lehetnek.

1. ábra

* Nem minden modellnél.

- A Hűtőtér
- B Fagyasztótér

- 1–9 Kezelőelemek
- 10 Tartópolc kis üvegek számára
- 11 Tartópolc nagy üvegek számára
- 12 Világítás
- 13* Palack-tartópolc
- 14 Hűtő-tároló rekesz
- 15 Zöldségtartó nedvesség-szabályozóval
- 16 Fagyasztótartály (kicsi)

Kezelőelemek

2. ábra

- 1 **alarm kijelzés**
Világít, ha a készülékben túl meleg van.
- 2 **Hűtőtér hőmérséklet-beállító gombja**
A gombbal a hűtőtér hőmérsékletét állítja be.
- 3 **A „super” kijelző**
Akkor világít, ha a szupererős hűtés működik.
- 4 **Hőmérséklet-kijelző a hűtőtérben**
A számok a beállított hűtőtér-hőmérsékleteknek felelnek meg °C-ban.
- 5 **„eco mode” kijelzés**
Kiemelésre kerül, ha az „eco” üzemmód be van kapcsolva a hűtőtérben.
- 6 **Fagyasztótér hőmérsékletét beállító gomb**
A gombbal a fagyasztótér hőmérsékletét állítja be.
- 7 **A „super” kijelző (Fagyasztótér)**
Csak akkor világít, ha a szupererős hűtés üzemel.
- 8 **Hőmérséklet-kijelző a fagyasztótérben**
A számok a beállított fagyasztótér-hőmérsékleteknek felelnek meg °C-ban.
- 9 **„eco mode” kijelzés**
Kiemelésre kerül, ha az „eco” üzemmód be van kapcsolva a fagyasztótérben.

A készülék bekapcsolása

2. ábra

1. A csatlakozódugót dugja a csatlakozóaljzatba.
2. Figyelmeztető hangjelzés hangzik fel. A hőmérsékletjelző 8 villog.
3. Nyomja meg a hőmérséklet-beállító gombot 2. Kikapcsol a figyelmeztető hang.

Ha a fagyasztótér elérte a beállított hőmérsékletet, világít a hőmérsékletjelző 8.

Gyárilag a következő beállításokat ajánljuk:

- Hűtőtér: közepes beállítás
- Fagyasztótér: -18 °C

Az érzékeny élelmiszereket a hűtőtérben tárolja.

Útmutatások az üzemeltetéshez

- Bekapcsolás után több óráig eltarthat, amíg a készülék eléri a beállított hőmérsékleteket.
- A teljesen automatikus NoFrost rendszernek köszönhetően a fagyasztótér jégmentes marad. Nincs szükség leolvasztásra.

- A készülékház homlokoldalai részben kissé fel vannak fűtve, ez megakadályozza a bepárásodás kialakulását az ajtó tömítés tartományában.
- Ha a fagyasztótér ajtaját becsukás után nem lehet azonnal újra kinyitni, várjon egy pillanatig, amíg a keletkezett vákuum kiegyenlítődik.

A hőmérséklet beállítása

Hűtőtér

A hőmérséklet +2 °C és +5 °C közötti értékre állítható be.

A hőmérséklet-beállító gombot 2 nyomja meg annyiszor, amíg be nem állította a kívánt hűtőtér-hőmérsékletet.

A készülék az utoljára beállított értéket tárolja. A beállított hőmérséklet a hőmérsékletjelzőn 4 jelenik meg.

Útmutatás

A választott hőmérséklet eléréséhez nyissa ki **6.** ábrán látható szellőzőnyílásokat 1/3 állásba.

Fagyasztótér

A hőmérséklet -18 °C és -24 °C közötti értékre állítható be.

A hőmérséklet-beállító gombot 6 nyomja meg annyiszor, amíg be nem állította a kívánt fagyasztótér-hőmérsékletet.

A készülék az utoljára beállított értéket tárolja. A beállított hőmérséklet a hőmérsékletjelzőn 8 jelenik meg.

„eco”

Az „eco” funkcióval átkapcsolja a készüléket energiatakarékos üzemmódba.

A készülék automatikusan beáll a következő hőmérsékletekre:

- Hűtőtér: +6 °C
- Fagyasztótér: -16 °C

Eco bekapcsolása

A hőmérséklet-beállító gombot 6 nyomja meg annyiszor, hogy az „eco” kijelző világítson.

Alarm-funkciók

2. ábra

Alarm-jelzés az ajtónál

Az ajtóriasztás (folyamatos hangjelzés) akkor kapcsol be, ha a készülék ajtaja 1 percnél hosszabb ideig nyitva áll. Az ajtó bezárása által kapcsol a figyelmeztető hangjelzés.

Magas hőmérsékletre figyelmeztető jelzés

A magas hőmérsékletre figyelmeztető jelzés akkor kapcsol be, ha a fagyasztótérben túl meleg van, és a fagyasztott termék veszélyben van.

A hőmérsékletjelző, **2**/8 ábra, villog.

A fagyasztott termékek veszélyeztetése nélkül bekapcsolhat a riasztás:

- a gép üzembe helyezésekor,
- nagy mennyiségű friss élelmiszer elhelyezésekor,
- vagy ha túl sokáig maradt nyitva a fagyasztótér ajtaja.

Útmutatás

A felolvasztott mélyhűtött élelmiszert nem szabad újra lefagyasztani. Csak akkor lehet ismét lefagyasztani, ha feldolgozta (megfőzte, megsütötte) készételé.

De ekkor már ne használjuk ki a maximális tárolási időt.

Riasztás kikapcsolása

2. ábra

Nyomja meg az hőmérséklet-beállító gombot 6 a figyelmeztető hangjelzés kikapcsolásához.

Hasznos térfogat

A hasznos térfogatra vonatkozó adatokat készülékében a típus táblán található.

12. ábra

A fagyasztó térfogat teljes kihasználása

A tartályokat ki lehet venni, ha maximális mennyiségű fagyasztandó terméket szeretne betenni. Az élelmiszereket ekkor közvetlenül a polcon és a fagyasztótér alján helyezheti el.

Útmutatás

Kerülje, hogy az élelmiszerek a hátfalhoz érjenek. Máskülönben csökken a légkeringés.

Az élelmiszerek vagy a csomagolások odafagyhatnának a hátfalhoz.

A felszerelés elemeinek kiszedése

A fagyasztótartályt ütközésig húzza ki, elől emelje meg, és vegye ki. 9. ábra

A hűtőtér

A hűtőtér ideális hely hús, kolbászfélék, hal, tejtermékek, tojás, készételek és sütemények számára.

Amire figyelni kell a behelyezésnél

- Friss, sértetlen élelmiszereket helyezzen be. Így tovább megmarad a minőség és a frissesség.
- Késztermékeknél és csomagolt áruknál figyelembe kell venni a gyártó által megjelölt eltarthatósági vagy fogyaszthatósági időt.

- Az aroma, a szín és a frissesség megőrzéséhez az élelmiszereket jól becsomagolva vagy lefedve helyezze el. Így elkerülheti a hűtőtérben a műanyag elemek szagának átterjedését és az elszíneződéseket.
- A meleg ételeket és italokat először hűtse le, azután tegye be a hűtőbe!

Útmutatás

A levegő-kilépőnyílásokat ne torlaszolja el élelmiszerekkel, hogy ne akadályozza a levegő keringését! A közvetlenül a levegő-kilépőnyílások előtt elhelyezett élelmiszerek a kiáramló hideg levegő miatt megfagyhatnak.

Ügyeljen a hűtési tartományokra a hűtőtérben

A hűtőtérben a levegő-cirkuláció révén különböző hőmérsékletű tartományok alakulnak ki:

- A leghidegebb zónák a levegő-kilépőnyílások előtt és a hideg tárolórekeszben vannak, 1/14. ábra.

Útmutatás

A hűtőtér leghidegebb részében tárolja az érzékeny élelmiszereket (pl. hal, kolbász, hús).

- A legmelegebb tartomány az ajtó felső részénél van.

Útmutatás

A legmelegebb helyen tárolja pl. a kemény sajtot és a vaját. A kemény sajt így tovább megőrzi aromáját, a vaj pedig kenhető marad.

Zöldségtartó nedvességszabályozóval

7. ábra

A zöldség és gyümölcs számára optimális tárolási környezet megteremtése érdekében a zöldségtartóban be lehet állítani a páratartalmat:

- túlnyomórészt zöldség, valamint vegyes élelmiszerek vagy kis mennyiségű élelmiszer esetén – magas páratartalom
- túlnyomórészt gyümölcs, valamint nagy mennyiségű élelmiszer esetén – alacsony páratartalom

Útmutatások

- A hidegre érzékeny gyümölcsöt (pl. ananászt, banánt, papayát és citrusféléket) és zöldséget (pl. padlizsánt, uborkát, cukkinit, paprikát, paradicsomot és burgonyát) a minőség és aroma optimális megőrzése érdekében a hűtőszekrényen kívül, körülbelül +8 °C és +12 °C közötti hőmérsékleten kell tárolni.
- A tárolt mennyiségtől és a tárolt terméktől függően kondenzvíz képződhet a zöldségtartóban. A kondenzvizet száraz kendővel távolítsa el, és a nedvességszabályozóval állítsa be a levegő páratartalmát a zöldségtartóban.

Hűtő-tároló rekesz

6. ábra

A hűtő-tároló rekeszben alacsonyabb a hőmérséklet, mint a hűtőtérben. 0 °C alatti hőmérsékletek is előfordulnak.

Ideális hal, hús és kolbászáru tárolására. Nem alkalmas saláta és zöldség és hidegre érzékeny áruk számára.

A hideg tárolórekeszek hőmérsékletét a szellőzőnyílás segítségével változtathatja. A hőmérséklet-szabályozót tolja felfelé a hőmérséklet csökkentéséhez. A hőmérséklet-szabályozót tolja lefelé a hőmérséklet növeléséhez. **6.** ábra

Szupererős hűtés

Szupererős hűtésnél a hűtőtér kb. 15 órán keresztül olyan hidegre hűl le, amilyenre csak lehet. Ezután automatikusan a szupererős hűtés előtt beállított hőmérsékletre áll vissza.

A szupererős hűtés bekapcsolása, pl.

- nagy mennyiségű élelmiszer berakása előtt.
- italok gyorshűtéséhez.

Útmutatás

Ha be van kapcsolva a szupererős hűtés, megnövekedhet az üzemi zajszint.

Be- és kikapcsolás

2. ábra

A hőmérséklet-beállító gombot 2 nyomja meg annyiszor, hogy a super kijelző 3 világitson.

agyasztóter

A fagyasztóter használata

- Mélyhűtött élelmiszerek számára.
- Jégkocka készítésre.
- Élelmiszerek lefagyasztásához.

Útmutatás

Ügyeljen arra, hogy fagyasztóter ajtaja mindig csukva legyen! Nyitott ajtónál a mélyhűtött termék felenged.

A fagyasztóter túlságosan eljegesedik. Ezen kívül, a fokozott áramfogyasztás következtében energiát pazarol!

Maximális fagyasztóteljesítmény

A 24 órás max. fagyasztóteljesítményre vonatkozó adatokat a típustáblán találja meg. **12.** ábra

A max. fagyasztó teljesítmény előfeltételei

- A szupererős fagyasztást a friss áru behelyezése előtt kapcsolja be (lásd a Szupererős fagyasztás c. fejezetet).
- Vegye ki a tartályokat; az élelmiszereket közvetlenül a polcon és a fagyasztóter alján helyezze el.
- A nagyobb mennyiségű élelmiszereket előnyös a legfelső rekeszben lefagyasztani. Ott különösen gyorsan és így kíméletesen lefagyaszthatók.

Fagyasztás és tárolás

Mélyhűtött étel vásárlása

- A csomagolásnak nem szabad sérültnek lennie.
- Vegye figyelembe a szavatossági időt!
- Hőmérséklet az árusító hűtőládában: -18 °C vagy alacsonyabb kell legyen.
- A mélyhűtött ételt lehetőleg szigetelőtáskában kell szállítani, és gyorsan bele kell tenni a fagyasztószekrénybe.

Mire ügyeljen az elrendezésnél

- A nagyobb mennyiségű élelmiszereket előnyös a legfelső rekeszben lefagyasztani. Ott különösen gyorsan és így kíméletesen lefagyaszthatók.
- Az élelmiszereket szétterítve tegye a rekeszekbe ill. a fagyasztótartályokba.

Útmutatás

A már fagyott élelmiszereknek nem szabad érintkezniük a frissen fagyasztandó élelmiszerekkel. Adott esetben a lefagyasztott élelmiszereket át kell rakni más fagyasztótartályokba.

Mélyhűtött termék tárolása

A kifogástalan levegőkeringtetés biztosításához tolja be ütközésig a fagyasztótartályt.

Friss élelmiszerek lefagyasztása

Lefagyasztásra kizárólag friss és kifogástalan élelmiszert használjon.

A zöldséget lefagyasztás előtt blansírozni kell, hogy minél tovább megőrizze tápértékét, aromáját és színét.

A padlizsán, a paprika, a cukkini és a spárga esetében nincs szükség blansírozásra.

A lefagyasztásról és blansírozásról szóló irodalmat megtalálja a könyvesboltban.

Útmutatás

A lefagyasztandó áru ne érjen hozzá a már lefagyasztott áruhoz.

- **Fagyasztásra alkalmas:**
Sütemények, hal és tenger gyümölcsei, hús, vadhús, baromfihús, zöldség, gyümölcs, zöldfűszerek, tojás héja nélkül, tejtermékek, úgymint sajt, vaj és túró, készételek és maradék ételek, úgymint levesek, egytálételek, sült hús és hal, burgonyás ételek, felfújtak és édességek.
- **Fagyasztásra nem alkalmas:**
Zöldségfajták, amelyek szokás szerint nyersen fogyasztandók, mint pl. fejes saláta vagy sörretek, tojás héjában, szőlő, egész alma, körte és őszibarack, kemény tojás, joghurt, aludttej, tejföl, crème fraîche és majonéz.

A fagyasztandó termék csomagolása

Az élelmiszert légmentesen csomagolja, hogy ne veszítse el az ízét és megőrizze nedvességtartalmát.

1. Helyezze bele az élelmiszert a csomagolásba.
2. Nyomkodja ki a levegőt.
3. A csomagolást szorosan zárja le.
4. A csomagoláson tüntesse fel a tartalmát és a lefagyasztás dátumát.

Csomagolásra alkalmasak:

Műanyag fólia, polietilén tömlőfólia, alufólia, fagyasztó dobozok. Ezeket a termékeket szaküzletekben találja meg.

Csomagolásra nem alkalmasak:

Csomagolópapír, pergamenpapír, celofán, szemetes zacskó és használt bevásárlószatyor.

A lezárásra alkalmasak:

Gumigyűrűk, műanyag kapcsok, kötőfonalak, hidegálló ragasztószalagok, vagy hasonlóak.

A polietilén zacskókat és tömlőfóliákat fóliahegesztővel is le lehet hegeszteni.

A mélyhűtött termékek eltarthatósága

Az eltarthatóság az élelmiszerek fajtájától függ.

-18 °C-ra beállított hőmérséklet esetén:

- hal, kolbász, készétel, péksütemény:
6 hónapig
- sajt, baromfi, hús:
8 hónapig
- zöldség, gyümölcs:
12 hónapig

Szupererős fagyasztás

Az élelmiszereket lehetőleg nagyon gyorsan teljesen át kell fagyasztani, hogy a vitaminokat, tápértékeket, a külalakot és az ízt megőrizték.

A hőmérséklet nemkívánatos emelkedésének elkerülésére a friss élelmiszerek behelyezése előtt néhány órával kapcsolja be a szupererős fagyasztást.

Általában elegendő 4–6 óra.

A készülék ezt követően folyamatosan hűt, a fagyasztótér hőmérséklete nagyon alacsony lesz.

Ha a max. fagyasztó teljesítményre van szükség, a szupererős fagyasztást 24 órával a friss áru behelyezése előtt be kell kapcsolni.

Kisebb mennyiségű (max. 2 kg) élelmiszert szupererős fagyasztás nélkül le lehet fagyasztani.

Útmutatás

Ha be van kapcsolva a szupererős fagyasztás, növekedhet az üzemi zajszint.

Be- és kikapcsolás

2. ábra

A hőmérséklet-beállító gombot 6 nyomja meg annyiszor, hogy a super kijelző 7 világitson.

A szupererős fagyasztás kb. 2½ nap után automatikusan kikapcsol.

A mélyhűtött termékek felolvasztása

Fajtától és a felhasználás céljától függően a következő lehetőségek közül lehet választani:

- szobahőmérsékleten
- hűtőszekrényben
- villansütőben, forrólevegős ventilátorral/anélkül
- mikrohullámú készülékben



Figyelem

A felolvasztott mélyhűtött élelmiszert nem szabad újra lefagyasztani. Csak akkor lehet ismét lefagyasztani, ha feldolgozta (megfőzte, megsütötte) készétellé.

A mélyhűtött termék max. tárolási időtartamát már ne használja ki teljesen.

Felszerelés

Tartópolcok és tartórekeszek

A belső tér és az ajtó tartórekeszének tartópolcokat igény szerint variálhatja: Húzza előre a tartópolcot, engedje le és oldalra fordítva húzza ki. Kissé emelje meg a tartórekeszeket és vegye ki őket.

Extra felszerelés

(nem minden modellnél)

Palack-tartópolc

5. ábra

A palack-tartópolcon palackokat lehet tárolni.

Jégkocka-tartó

11. ábra

1. A jégkocka-tartót $\frac{3}{4}$ részig töltsze meg ivóvízzel, és helyezze a fagyasztótérbe.
2. Az erősen lefagyott jégkocka-tartót csak tompa tárgyakkal szedje föl (kanálnyeléssel).
3. A jégkockák kiszedéséhez tartsa a jégkocka-tartót rövid időre folyó víz alá, vagy kissé csavarja el.

Fagyasztott áru naptár

10. ábra

A fagyasztott termék minőségromlásának elkerülése érdekében ne lépje túl a tárolási időt. A szimbólumok melletti számok hónapokban adják meg a megengedett tárolási időtartamokat a fagyasztott termék számára. A kereskedelmi forgalomban levő mélyhűtött élelmiszerek esetében vegye figyelembe a gyártási vagy szavatossági időt.

Hűtőakku

Áramkimaradás vagy zavar esetén a hűtőakku késlelteti a betárolt fagyasztott termékek felmelegedését. A leghosszabb tárolási időt úgy éri el, hogy a hűtőakkut a legfelső rekeszben az élelmiszerekre helyezi.

A hűtőakkut fel lehet használni élelmiszerek ideiglenes hidegen tartásához is, pl. egy hűtőtáskában.

„OK” matrica

(nem minden modellnél)

Az „OK” hőmérsékletellenőrzővel meg lehet állapítani a +4 °C alatti hőmérsékleteket. A hőmérsékletet fokozatosan állítsa hidegebbre, ha a matrica nem „OK”-t mutat.

Útmutatás

A készülék üzembe helyezésekor akár 12 óráig is eltarthat, amíg a készülék eléri a hőmérsékletet.



Helyes beállítás

A készülék kikapcsolása

Húzza ki a villásdugót vagy kapcsolja le a biztosítékot.

A hűtőgép kikapcsol.

A készülék leállítása

Ha a készüléket hosszabb ideig nem kívánja használni:

1. Húzza ki a hálózati csatlakozót, vagy kapcsolja le a biztosítékot.
2. Tisztítsa ki a készüléket.
3. A készülék ajtaját hagyja nyitva.

A készülék tisztítása

Figyelem

- Ne használjon homok-, klorid- vagy savtartalmú tisztító- és oldószereket!
- Ne használjon dörzsölő vagy karcoló felületű szivacsokat.

A fém felületeken korrózió jelenhet meg.

- A tartópolcokat és tartályokat ne tisztítsa mosogatógépben.

Az alkatrészek deformálódhatnak!

A tisztításhoz használt víz nem kerülhet a következő területekre:

- Kezelőelemek
- Világítás
- Szellőzőnyílások
- Az elválasztó lap nyílásai

Az alábbiak szerint járjon el:

1. Húzza ki a hálózati csatlakozót, vagy kapcsolja le a biztosítékot.
2. Vegye ki és tárolja hűvös helyen a fagyasztott árut. A hűtőakkut (ha van) helyezze rá az élelmiszerre.
3. A mosogatóvíz nem juthat a kezelőelemekbe, a világításba, a szellőzőnyílásokba és az elválasztó lemez nyílásaiba!
A készüléket puha kendővel, langyos vízzel és kevés, semleges pH-értékű mosogatószerrel tisztítsa meg.
4. Az ajtótmítést csak tiszta vízzel törölje át, és utána dörzsölje szárazra.
5. Tisztítás után csatlakoztassa ismét a készüléket.
6. Helyezze vissza a mélyhűtött élelmiszereket.

Felszerelés

Tisztításhoz a készülék minden variálható elemét ki lehet venni.

Az ajtóban lévő polcok kiszerelése

4. ábra

Emelje meg felfelé, és vegye ki a polcokat.

Üvegpolcok kivétele

Az üvegpolcokat húzza előre, és vegye ki.

A tartály kivétele

8. ábra

A tartályt ütközésig húzza ki, elől emelje meg, és vegye ki.

A fagyasztótartály kivétele

9. ábra

A fagyasztótartályt ütközésig húzza ki, elől emelje meg, és vegye ki.

LED világítás

Az Ön készüléke karbantartást nem igénylő LED világítással van felszerelve. Ezen a világításon csak a vevőszolgálat vagy az erre feljogosított szakemberek végezhetnek javítást.

Energiatakarékosság

- A készüléket száraz, jól szellőző helyiségben helyezze el! A készüléket ne helyezze közvetlen napos helyre vagy hőforrás közelébe (pl. hűtőtest vagy tűzhely).
Adott esetben szigetelőlapot kell alkalmazni.
- A meleg ételeket és italokat először hűtse le, utána tegye be a hűtőgépbe.
- Felengedéshez a fagyasztott terméket tegye be a hűtőtérbe, és a fagyasztott termék hidegét használja fel az élelmiszerek hűtésére.
- A készülék ajtaját a lehető legrövidebb időre kell kinyitni.
- A legalacsonyabb energiafelvétel eléréséhez: tartsuk be oldalt a kis faltávolságot.
- A felszerelés elemeinek elrendezése nem befolyásolja a készülék energiafelvételét.

Működési hangjelenségek

Teljesen normális hangjelenségek

Zümmögő hang

Járnak a motorok (pl. hűtőaggregátok, ventilátorok).

Bugyborékoló, csobogó vagy surrogó hang

Hűtőközeg folyik át a csöveken.

Kattanás

A motor, a kapcsoló vagy a mágnesszelepek be-/kikapcsolnak.

Recsegés-ropogás

Automatikus leolvasztás.

Kerülni kell a zajokat!

A készülék nem áll egyenesen

Állítsa be a készüléket vízmérték segítségével. Használja ehhez a csavaros lábakat vagy helyezzen alá valamit!

A készülék „közel áll”

Tolja el a készüléket a hozzá közel álló bútoroktól vagy készülékektől.

A tartályok vagy rakodópalcok billegnek vagy szorulnak

Ellenőrizze a kivehető részeket, és esetleg tegye újra be.

Az üvegek vagy edények érintkeznek egymással

Kissé tolja el egymástól a palackokat vagy edényeket!

Kisebb zavarok önálló kiküszöbölése

Mielőtt felhívja a vevőszolgálatot:

vizsgálja meg, hogy a következő útmutatások alapján saját maga is el tudja-e háritani a zavart!

A vevőszolgálat által nyújtott tanácsadás költségeit magának kell viselnie – a garanciaidő alatt is!

Hibajelenség	Lehetséges okok	Hibaelhárítás
A hőmérséklet nagyon eltér a beállítástól.		Néhány esetben elegendő, ha 5 percre kikapcsolja a gépet. Ha a hőmérséklet túl meleg, néhány óra múlva ellenőrizze, hogy közelített-e a hőmérséklet a beállítotthoz. Ha a hőmérséklet túl hideg, a következő napon újból vizsgálja meg a hőmérsékletet.
Figyelmeztető hangjelzés hangzik fel. A hőmérsékletjelző villog. 2 /8 ábra	Zavar - a fagyasztótérben túl meleg van! Veszélyben a mélyhűtött áru. A készülék nyitva van.	A figyelmeztető hangjelzés kikapcsolásához nyomja meg a hőmérséklet-beállító gombot, 2 /6 ábra. Zárja be a készüléket.
	Elzáródott a levegőbelépő- és levegőkilépő nyílás.	Tegye szabaddá a szellőző- és levegőelvezető nyílásokat.
	Egyszerre túl sok élelmiszert tett be fagyasztásra.	Ne lépje túl a maximális fagyasztóteljesítményt. A zavar elhárítása után megszűnik a hőmérsékletjelző villogása.
Túl meleg a hőmérséklet a fagyasztótérben.	A készülék gyakori kinyitása. Elzáródott a levegő be és kilépő nyílás. Elzáródott a levegő be- és kilépő nyílás.	A készüléket ne nyissa ki feleslegesen. Az akadályt távolítsa el. Ne lépje túl a maximális fagyasztóteljesítményt!
A világítás nem működik.	A LED lámpa meghibásodott. A készülék túl sokáig volt kinyitva. A világítás kb. 10 perc után kikapcsol.	Lásd a „Világítás (LED)” című fejezetet. A készülék bezárása és kinyitása után a világítás ismét működik.

Hibajelenség	Lehetséges okok	Hibaelhárítás
A kezelőelemek csökkentett fényereje.	Ha a készüléket egy ideig nem használják, a kezelő blende kijelzője energiatakarékos üzemmódra vált.	Amint a készüléket újra használatba vették, pl. kinyitották az ajtaját, a kijelző újra a normál világításra kapcsol vissza.
Nem világít a jelzőlámpa.	Áramkiesés; kioldott a biztosíték; a villásdugó nem jól illeszkedik.	Dugja be a hálózati csatlakozót. Vizsgálja meg van-e áram, nézze meg a biztosítéket.
A készülék nem hűt, világít a hőmérsékletjelző és a világítás.	A kiállítási mód be van kapcsolva.	10 másodpercig tartsa nyomva a hőmérséklet-beállító gombot 2 /2, amíg felhangzik egy nyugtázó hangjelzés. Kis idő múlva ellenőrizze a készülék hűtését.

Vevőszolgálat

A telefonkönyvben vagy a vevőszolgálatok jegyzékében megtalálja az Önhöz legközelebb eső vevőszolgálatot. A vevőszolgálatnak adja meg a készülék termékszámát (E-Nr.) és a gyártási számát (FD).

Ezeket az adatokat a típustáblán találja meg. **12.** ábra

Kérjük, hogy a termék- és a gyártási szám megadásával Ön is segítsen elkerülni a szükségtelen kiszállásokat! Megtakarítja az ezzel együtt járó többletköltségeket.

Javítási megrendelés és tanácsadás zavarok esetén

Az egyes országok kapcsolati adatait megtalálja a mellékelt ügyfélszolgálati jegyzékben.

H +361 489 5461

Varnostna navodila in opozorila

Pred prvo vključitvijo aparata

Skrbno preberite priloženo navodilo za uporabo in navodilo za montažo! Tako boste dobili važne informacije o montaži, uporabi in vzdrževanju aparata.

Proizvajalec ne odgovarja za posledice neupoštevanja navodil in opozoril iz navodila za uporabo. Spravite vse papirje za poznejšo uporabo ali novega lastnika.

Tehnična varnost

Aparat vsebuje majhno količino okolju prijaznega, a vnetljivega hladilnega sredstva R600a. Pri transportu ali montaži pazite na to, da ne pride do poškodb cevi krogotoka hladilnega sredstva. Hladilno sredstvo, ki brizga iz naprave, lahko povzroči poškodbe oči ali pa se vname.

V primeru poškodb

- Odmaknite od aparata ogenj in vire toplote.
- Prostor dobro prezračite nekaj minut.
- Izklop aparata in izklop za dalj časa in izvlecite omrežni vtič.
- Obvestite servisno službo.

Čim več hladilnega sredstva je v aparatu, mora aparat biti postavljen v tem večjem prostoru. V malem prostoru, v primeru uhajanja sredstva, lahko nastane vnetljiva mešanica plina in zraka. Na 8 g hladilnega sredstva mora biti najmanj 1 m³ prostora. Količina hladilnega sredstva v vašem aparatu je označena na tipski ploščici v notranjosti aparata.

Če se omrežni vod te naprave poškoduje, ga mora zamenjati proizvajalec naprave, servisna služba ali podobno usposobljeno strokovno osebje. Nestrokovne inštalacije in popravila, lahko spravijo uporabnika v precejšnjo nevarnost.

Popravila sme izvajati samo proizvajalec naprave, servisna služba ali podobno usposobljene osebe.

Lahko uporabljate le originalne dele proizvajalca. Le za te dele, proizvajalec jamči, da izpolnjujejo varnostne zahteve.

Podaljšek omrežnega priključka smete nabaviti samo preko naše servisne službe.

Med uporabo

- Znotraj aparata nikoli ne uporabljajte drugih električnih aparatov (npr. grelcev, električnih aparatov za pripravo ledu itd.). Nevarnost eksplozije!
- Nikoli ne uporabljajte parnih čistilcev za čiščenje ali odtajevanje hladilnika! Para lahko pride v stik z električnimi komponentami v aparatu, kar lahko povzroči kratek stik. Nevarnost udara električnega toka!
- Za odstranjevanje plasti ivja in ledu, ne uporabljajte špičastih predmetov ali prednetov z ostrimi robovi. Tako bi lahko poškodovali cevi za hladilno sredstvo. Hladilno sredstvo vam lahko pride v oči in jih poškoduje, ali se vname.
- V aparatu ne shranjujte produktov z vnetljivimi plini (npr. spray), ne eksplozivnih materialov. Nevarnost eksplozije!
- Ne stojte na podstavku, vložkih, vratih in ga ne uporabljajte kot stojalo.
- Pred odtajevanjem in čiščenjem, iztaknite omrežni vtič ali izklopite varovalko. Potegnite za omrežni vtič in ne za priključno vrv.
- Visokoodstotni alkohol lahko shranjujete samo v dobro zaprtih steklenicah in v navpičnem položaju.
- Delov iz plastike in tesnil na vratih ne smete umazati z oljem ali mastjo. V nasprotnem lahko postanejo deli iz plastike in tesnila na vratih porozni.
- Odprtina za dovod in odvod zraka na aparatu ne sme biti pokrita ali zaprta.
- **Zmanjšanje tveganj za otroke in ogrožene osebe:**
Med ogrožene sodijo otroci in osebe, ki si telesno, psihično ali v svojem zaznavanju omejene ter osebe, ki nimajo zadostnega znanja o varni uporabi aparata.
Poskrbite, da bodo otroci in ogrožene osebe razumeli nevarnosti, ki jih lahko povzroči rokovanje z aparatom.
Oseba, odgovorna za varnost, mora otroke in ogrožene osebe nadzorovati ali poučiti o rokovanju z aparatom.
Aparat lahko uporabljajo samo otroci starejši od 8 let.
Pri čiščenju in vzdrževanju aparata nadzorujte otroke.
Otrokom nikoli ne dovolite, da bi se igrali z aparatom.

- V zamrzovalnem prostoru ne smete hraniti tekočin v steklenicah in pločevinkah (zlasti ne pijač, ki vsebujejo ogljikov dioksid). Steklenice in pločevinke se bodo razpočile!
- Zamrznjenih živil ne smete nikoli dati v usta, takoj potem, ko ste jih vzeli iz zamrzovalnega prostora. Nevarnost zmrzlin!
- Izogibajte se daljšega stika rok z zamrznjenimi živili, ledom ali cevmi izparilnika itd. Nevarnost zmrzlin!

Otroci v družini

- Ne dovolite otrokom, da se igrajo z embalažo. Nevarnost zadušitve v zvitih kartonskih škatlah in folijah!
- Aparat ni igrača za otroke!
- V primeru, da je aparat opremljen s ključavnico: ključ shranite izven dosega otrok!

Splošni določila

Aparat je primeren

- za ohlajevanje, zamrzovanje živil,
- za izdelavo ledu.

Ta naprava je namenjena za uporabo v gospodinjstve namene v zasebnem okolju.

Aparat je zaščiten pred radijskimi motnjami po usmeritvi EU 2004/108/EC.

Sistem hladilnega kroženja je preizkušen glede neprepustnosti.

Ta proizvod ustreza varnostnim predpisom, ki veljajo za električne aparate (EN 60335-2-24).

Ta aparat je namenjen uporabi na območjih do maksimalno 2000 metrov nadmorske višine.

Navodila za odlaganje dotrajanega aparata

Odlaganje embalaže novega aparata

Embalaža ščiti vaš aparat pred poškodbami med transportom. Vsi uporabljeni materiali so okolju prijazni in se jih lahko reciklira. Prosimo, da pomagate pri tem: odložite embalažo okolju prijazno.

O sodobnih načinih odlaganja se pozanimajte pri vašem strokovnem prodajalcu, ali pri vaši pristojni lokalni upravi.

Stari aparat odpeljite na odpad

Stari aparati niso brezvreden odpad! Z okolju prijaznim odlaganjem se lahko reciklirajo vredne surovine.



Ta naprava je označena v skladu z evropsko smernico o odpadni električni in elektronski opremi (waste electrical and electronic equipment - WEEE).

V okviru smernice sta določena prevzem in recikliranje starih naprav, ki veljata v celotni Evropski uniji.

Svarilo

Pri odsluženih aparatih

1. Izvlecite omrežni vtič.
2. Prerežite priključno vrv in jo odstranite skupaj z omrežnim vtičem.
3. Ne jemljite polic in posod ven, da bo otrokom težje, da splezajo v aparat!
4. Ne dovolite otrokom, da se igrajo z odsluženim aparatom. Nevarnost zadušitve!

Hladilne naprave vsebujejo hladilna sredstva in izolacijske pline. Hladilna sredstva in izolacijski plini zahtevajo pravilno odlaganje. Cevi, ki se uporabljajo za cirkulacijo hladilnega sredstva ne smete poškodovati pred strokovnim odlaganjem.

Obseg dobave

Preden razpakirate vse dele, jih preverite, če so se ob transportu poškodovali.

Ob ugotovitvi poškodb pošiljke se obrnite na prodajalca, pri katerem ste aparat kupili ali pa se oglasite pri naši servisni službi.

Obseg dobave sestoji iz naslednjih delov:

- Samostojna naprava
- Oprema (odvisna od modela)
- Vrečka z montažnim materialom
- Navodilo za uporabo
- Navodilo za montažo
- Servisna knjižica
- Priloga z garancijskim listom
- Informacije o porabi energije in obsegu nastajanja hrupa

Mesto postavitve

Aparat postavite v suh, zračen prostor. Mesto postavitve naj ne bo izpostavljeno neposredni sončni svetlobi. Aparat ne sme biti v bližini izvora toplote, npr. štedilnika, radiatorja ipd. Če pa ga že postavite blizu toplotnih virov, uporabite primerno izolacijsko ploščo ali pa upoštevajte naslednjo najmanjšo razdaljo od izvora toplote:

- Od električnih in plinskih štedilnikov: 3 cm.
- Od oljnih ali štedilnikov na trda goriva: 30 cm.

Tla na mestu postavitve se ne smejo vdajati, če je potrebno, jih ojačajte. Neravnine na tleh izravnajte s pomočjo podstavkov.

Odmik od stene

Aparat postavite tako, da je zagotovljen kot odpiranja vrat 90°.

Bodite pozorni na temperaturo prostora in prezračevanje

Sobni temperaturi

Aparat je projektiran za določeni klimatski razred. Odvisno od klimatskega razreda se aparat lahko uporablja pri naslednjih sobnih temperaturah.

Klimatski razred je na tipski ploščici, slika 12.

Klimatski razred	dovoljena temperatura okolja
SN	+10 °C do 32 °C
N	+16 °C do 32 °C
ST	+16 °C do 38 °C
T	+16 °C do 43 °C

Napotek

Naprava je popolnoma funkcionalna, če se sobna temperatura giblje v mejah podanega klimatskega razreda. Če naprava klimatskega razreda SN obratuje pri nižjih sobnih temperaturah, lahko izključimo pojav poškodb naprave do temperature +5 °C.

Zračenje

Slika 3

Zrak na hrbtni steni in na stranicah naprave se ogreva. Segreti zrak se mora neovirano odvesti. V nasprotnem primeru mora hladilni kompresor delati s povečano močjo. To poveča porabo toka. Zaradi tega: Odprtini za dovod in odvod zraka ne smete nikoli pokriti ali zapreti!

Priklop aparata

Po postavitvi aparata, počakajte najmanj 1 uro, preden vklopite aparat. Med transportom se lahko zgodi, da pride olje, ki je v kompresorju, v hladilni sistem.

Pred prvim zagonom, očistite notranjost aparata (glej «Čiščenje aparata»).

Električni priključek

Vtičnica se mora nahajati v bližini naprave in mora biti tudi po namestitvi naprave takoj dosegljiva.

Naprava spada v I. varnostni razred. Aparat priključite izmenično napetost 220–240 V/50 Hz preko po predpisih nameščene vtičnice z varnostnim ozemljitvenim vodom. Vtičnica mora biti zavarovana z varovalko 10 do 16 A.

Pri napravah, ki se prodajajo v dežele izven evropske unije, je treba preveriti, če podana napetost in vrsta toka ustreza vrednostim vašega omrežja. Te podatke najdete na tipski ploščici. Slika **12**

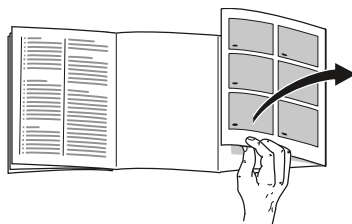
Svarilo

Aparat ne sme v nobenem primeru biti priključen na elektronsko varčevalno vtičnico.

Za napajanje naših aparatov lahko uporabite izmenične pretvornike s sinusnim in omrežnim krmiljenjem.

Omrežno vodeni izmenični pretvorniki se uporabljajo pri fotovoltaičnih napravah, ki so priključene neposredno na javno omrežje. Pri lokalnih napajanjih, npr. na ladji ali v gorskih počitniških hišah, je treba poskrbeti, da se uporabi izmenični pretvornik s sinusnim krmiljenjem.

Spoznajte vaš aparat



Odprite, prosimo, zadnjo stran s slikami. To navodilo velja za uporabo več modelov.

Opremljenost modelov aparatov je lahko različna.

Pri slikah so možna odstopanja.

Slika **1**

* Ni pri vseh modelih.

- | | |
|-----|--|
| A | Hladilni prostor |
| B | Zamrzovalni prostor |
| 1–9 | Upravljalni elementi |
| 10 | Polica za majhne steklenice |
| 11 | Vložek za odlaganje velikih steklenic |
| 12 | Osvetlitev |
| 13* | Vložek za odlaganje steklenic |
| 14 | Pregradek hladilnega skladišča |
| 15 | Posoda za zelenjavo z regulatorjem vlažnosti |
| 16 | Predal za zamrznjena živila (mali) |

Upravljalni elementi

Slika 2

- 1 **Prikaz alarm**
Poudarjen, ko je v aparatu pretoplo.
- 2 Tipka za nastavev temperature v hladilnem prostoru
S tipko nastavite temperaturo hladilnega prostora.
- 3 **Indikacija »super«**
Sveti, kadar je funkcija super hlajenje aktivna.
- 4 **Prikazovalnik temperature hladilnega prostora**
Številke ustrezajo nastavljeni temperaturi hladilnega prostora v stopinjah Celzija (°C).
- 5 **Prikaz eco**
Prikaz je poudarjen, ko je v hladilniku vklopljen ekološki način.
- 6 Tipka za nastavev temperature zamrzovalni prostor
S tipko nastavite temperaturo zamrzovalnega prostora.
- 7 Indikacija «super» (zamrzovalni prostor)
Sveti samo kadar je super zamrzovanje aktivno.
- 8 **Prikaz temperature zamrzovalnega prostora**
Številke ustrezajo nastavljeni temperaturi zamrzovalnega prostora v stopinjah Celzija (°C).
- 9 **Prikaz eco**
Prikaz je poudarjen, ko je v zamrzovalniku vklopljen ekološki način.

Vklop aparata

Slika 2

1. Vtič vstavite v vtičnico.
2. Oglasi se opozorilni ton. Prikaz temperature 8 utripa.
3. Pritisnite tipko za nastavev temperature 2. Opozorilni ton se izklopi.

Ko je v zamrzovalniku dosežena nastavljena temperatura, prikaz temperature 8 sveti.

Tovarniško priporočene nastavitve:

- Hladilnik: srednja temperatura
- Zamrzovalnik: -18 °C

Občutljiva živila hranite v hladilniku.

Navodila glede obratovanja

- Po vklopu lahko traja več ur, da aparat doseže nastavljene temperature.
- Zahvaljujoč popolnoma samodejnem NoFrost-sistemu, ostane zamrzovalni prostor nezaledenel. Odtajevanje ni več potrebno.
- Sprednja stran ohišja se delno rahlo segreje, kar onemogoči pojav kondenzata na tesnilu na vratih.
- Če se vrata zamrzovalnega prostora po zaprtju ne dajo takoj odpreti, počakajte trenutek ali dva, da se nastali podtlak izenači.

Nastavitev temperature

Hladilnik

Temperatura se lahko nastavi od +2 °C do +5 °C.

Tipko za nastavitev temperature 2 pritisnite tolikokrat, da je nastavljena zelena temperatura v hladilniku.

Shrani se zadnja nastavljena vrednost. Nastavljena temperatura se prikazuje na prikazu temperature 4.

Napotek

Da dosežete izbrano temperaturo, odprite prezračevalne odprtine za 1/3, slika **6**.

Zamrzovalnik

Temperatura se lahko nastavi od -18 °C do -24 °C.

Tipko za nastavitev temperature 6 pritisnite tolikokrat, da je nastavljena zelena temperatura v zamrzovalniku.

Shrani se zadnja nastavljena vrednost. Nastavljena temperatura je prikazana na prikazu temperature 8.

«eco»

S funkcijo «eco» prestavite delovanje naprave v varčevalni način energije naprave.

Naprava avtomatsko nastavi naslednje temperature:

- Hladilni prostor: +6 °C
- Zamrzovalni prostor: -16 °C

Vklop funkcije Eco

Tipko za nastavitev temperature 6 pritisnite tolikokrat, da je prikaz "eco" poudarjen.

Funkcije alarma

Slika **2**

Alarm za vrata

Alarm vrat (stalni akustični signal) se vključi, če so vrata naprave odprta dlje kot eno minuto. Z zapiranjem vrat se opozorilni ton spet izključi.

Temperaturni alarm

Temperaturni alarm se oglasi, če je v zamrzovalnem prostoru pretoplo in so živila ogrožena.

Prikazovalnik temperature, slika **2**/8, utripa.

Alarm se lahko tudi brez nevarnosti za živila vključi:

- pri zagonu aparata,
- če ste v hladilnik vložili veliko količino živil,
- če so vrata zamrzovalnega prostora predolgo odprta.

Napotek

Zamrznjeno živilo, ki se je začelo odtajati ali se je popolnoma odtajalo, ne smete ponovno zamrzniti. Šele po obdelavi v gotovo jed (kuhano ali pečeno) ga lahko ponovno zamrznete.

Maks. roka shranjevanja ne smete več izrabiti do konca.

Izklop alarma

Slika **2**

Pritisnite tipko za nastavljanje temperature 6, da s tem izključite opozorilni akustični signal.

Koristna prostornina

Podatke o koristni prostornini boste našli na tipski ploščici vašega aparata.

Slika **12**

Popoln izkoristek zamrzovalne prostornine

Predale lahko vzamete iz aparata, kar vam bo omogočilo, da v zamrzovalnem prostoru shranite maksimalno količino živil. Živila lahko zložite neposredno na polico in na dno zamrzovalnega prostora.

Napotek

Izogibajte se stiku med živili in zadnjo steno. V nasprotnem primeru bo to vplivalo na kroženje zraka.

Razen tega se živila in embalaža na zadnjo steno prilepijo z zamrzovanjem.

Snetje delov opreme

Predal za zamrznjena živila izvlecite do konca, ga spredaj privzdignite in snemite iz naprave. Slika **9**

Hladilni prostor

Hladilni prostor je idealni shranjevalni prostor za meso, mesne izdelke, ribe, mlečne izdelke, jajca, gotove jedi in peciva.

Na kaj morate biti pozorni pri hrambi živil

- V aparatu hranite vedno sveža in nepoškodovana živila. Tako bosta kakovost in svežina živil dalj časa ohranjena.
- Pri gotovih jedeh in polnjenih živilih pazite zmeraj na proizvajalčev minimalni rok trajanja ali datum, do katerega je treba živilo uporabiti.
- Da bi ohranili aromo, barvo in svežino, živila hranite dobro zapakirana ali pokrita. Tako boste tudi preprečili prenos okusov in spremembo barve plastičnih delov v hladilnem prostoru.
- Pustite tople jedi in pijače, da se ohladijo izven aparata in jih šele takrat dajte v aparat.

Napotek

Odprtini za odvod zraka ne smete blokirati z živili, da ne bi onemogočili zračnega obtoka. Živila, ki ste jih odložili neposredno pred odprtino za izhod zraka, lahko zamrznejo zaradi izhajajočega hladnega zraka.

Upoštevanje hladnih con v hladilnem prostoru

Zaradi kroženja zraka v hladilnem prostoru nastanejo različno hladne cone:

- najhladnejše cone so pred odprtini za odvajanje zraka in v predalu za hladno shranjevanje, slika **1**/14.

Napotek

V najhladnejših conah hranite občutljiva živila (npr. ribe, klobase, meso).

- Najtoplejša cona je v vratih čisto zgoraj.

Napotek

V najtoplejši coni hranite npr. trde sire in maslo. Trdi sir lahko tako razvije svojo aromo, maslo pa ostane voljno za mazanje.

Predal za zelenjavo z regulatorjem vlažnosti

Slika **7**

Da zagotovite optimalne pogoje za shranjevanje sadja in zelenjave, lahko v posodi za zelenjavo nastavite vlažnost zraka:

- pretežno za zelenjavo in pri mešanih živilih ali majhni količini – nastavite višjo vlažnost zraka
- pretežno za sadje in pri veliki količini – nastavite nižjo vlažnost zraka

Napotki

- Sadje, ki je občutljivo na mraz (npr. ananas, banane, papaja in citrusno sadje) ter zelenjavo (npr. jajčevci, kumare, bučke, paprika, paradižniki in krompir) je treba za optimalno ohranjanje kakovosti in okusa shranjevati izven hladilnika pri temperaturi okoli +8 °C do +12 °C.
- Glede na količino in vrsto shranjevanih živil se lahko v predalu za zelenjavo tvori več ali manj kondenzirane vode. Kondenzirano vodo obrišite s suho krpo in prilagodite regulator vlažnosti v predalu za zelenjavo.

Pregradek hladilnega skladišča

Slika **6**

V pregradku hladilnega skladišča so nižje temperature, kot v hladilnem prostoru. Ravno tako lahko nastanejo tudi temperature pod 0 °C.

Idealen za shranjevanje mesa, ribe in klobase. Ni primeren za solate in zelenjavo, ter živila, ki so občutljiva na mraz.

Temperaturo v predalu za hladno shranjevanje lahko spreminjate s pomočjo prezračevalne odprtine. Za znižanje temperature regulator temperature potisnite navzgor. Za povišanje temperature regulator temperature potisnite navzdol. Slika **6**

Super hlajenje

Pri super hlajenju se hladilni prostor hladi okrog 15 ur, kolikor je le možno. Nato se samodejno preklopi na temperaturo, ki je nastavljena pred super hlajenjem.

Vklopite super hlajenje npr.

- Pred vlaganjem velikega števila živil.
- Za hitro hlajenje pijač.

Napotek

Če je super hlajenje vključeno, se lahko pojavi povišan obratovalni hrup naprave.

Vklop in izklop

Slika 2

Tipko za nastavitev temperature 2 pritisnite tolikokrat, dokler indikacija super 3 ne zasveti.

Zamrzovalni prostor

Zamrzovalni prostor uporabljajte

- Za odlaganje globoko zamrznjenih jedi.
- Za pripravo kockic ledu.
- Za zamrzovanje živil.

Napotek

Pazite na to, da bodo vrata na zamrzovalnem prostoru vedno zaprta! Če so vrata odprta, se zamrznjena živila odtajajo in zamrzovalni prostor močno zaledeni. Razen tega: razspanje energije zaradi visoke porabe toka!

Največja kapaciteta zamrzovanja

Podatke o maksimalni kapaciteti zamrzovanja v 24 urah, boste našli na tipski plošči. Slika 12

Predpostavke za največjo zamrzovalno zmogljivost

- Pred vlaganjem svežih živil vključite super zamrzovanje (glej poglavje Super zamrzovanje).
- Vzemite predale ven; zlagajte živila neposredno na polico in dno zamrzovalnega prostora.
- Večjo količino živil zamrznite predvsem v najvišjem predalu. V njem se živila posebej hitro in tako tudi posebej obzirno zamrznjeno.

Zamrzovanje in shranjevanje

Nakup globoko zamrznjenih živil

- Embalaže ne smete poškodovati.
- Upoštevajte rok trajnosti.
- Temperatura v prodajni zamrzovalni skrinji mora znašati $-18\text{ }^{\circ}\text{C}$ ali pa še hladneje.
- Globoko zamrznjeno živilo nosite, po možnosti, v izolirani torbi in jo hitro dajte v zamrzovalni prostor.

Bodite posebno pozorni pri razporeditvi

- Večjo količino živil zamrznite predvsem v najvišjem predalu. V njem se živila posebej hitro in tako tudi posebej obzirno zamrznjeno.
- Živila razprostrite čim širše po površini v predalih oz. jih položite v predale za zamrznjena živila.

Napotek

Že zamrznjena živila ne smejo priti v dotik s svežimi živili, ki jih boste šele zamrznili. Po potrebi preložite globoko zamrznjena živila v druge predale za zamrznjena živila.

Vlaganje zamrznjenih živil

Predal z zamrznjenimi živili potisnite v napravo do konca, da s tem zagotovite brezhibno kroženje zraka.

Zamrzovanje svežih živil

Za zamrzovanje uporabljajte samo sveža in brezhibna živila.

Za čim boljšo ohranitev hranilnih vrednosti, arome in barve je potrebno zelenjavo pred zamrzovanjem blanširati. Pri jajčevcih, paprikah, bučkah in beluših blanširanje ni potrebno.

Literaturo o zamrzovanju in blanširanju najdete v običajnih knjigarnah.

Napotek

Živila, ki jih je šele treba zamrzniti ne smejo priti v dotik z že zamrznjenimi živili.

- Za zamrzovanje so primerni: pekarski izdelki, ribe in morski sadeži, meso, divjačina, perutnina, zelenjava, sadje, zelišča, jajca brez lupine, mlečni izdelki kot sir, maslo in skuta, gotove jedi in ostanki obrokov, kot sp juhe, enolončnice, pripravljeno meso in ribe, krompirjeve jedi, narastki in slaščice.
- Za zamrzovanje niso primerni: vrste zelenjave, ki se jih po navadi je sveže, npr. listnata solata ali redkvice, jajca z lupino, grozdje, cela jabolka, hruške in breskve, trdo kuhana jajca, jogurt, kislo mleko, kislja smetana, smetana in majoneza.

Pakiranje živil

Živila naj bodo nepredušno zapakirana, da ne bi zgubila okusa ali se izsušila.

1. Dajte živilo v embalažo.
2. Iztisnite zrak.
3. Zaprite nepredušno pakiranje.
4. Napišite na embalaži vsebino in datum zamrzovanja.

Za embalažo so primerni:

plastične folije, folije v obliki polietilenskih cevi, alu-folije, posode za zamrzovanje.

Te proizvode boste našli v specializirani trgovini.

Za embalažo so neprimerni:

papir za pakiranje, pergament-papir, celofan, vrečke za smeti in rabljene vrečke iz trgovine.

Za zapiranje so primerni:

gumice, plastične sponke, vrvice, lepilni trakovi odporni na mraz in podobno.

Polietilenske vrečke in folije lahko zaprete tudi z varilcem folije.

Obstojnost zamrznjenih živil

Obstojnost zamrznjenih živil odvisna je od vrste živil.

Pri temperaturi -18 °C:

- riba, klobase, gotove jedi, peciva: do 6 mesecev
- sir, perutnina, meso: do 8 mesecev
- zelenjava, sadje: do 12 mesecev

Super zamrzovanje

Živila je treba po možnosti hitro zamrzniti prav do jedra, da bi se ohranili vitamini, hranilne vrednosti, videz in okus.

Nekaj ur pred vlaganjem svežih živil vključite super zamrzovanje, da s tem preprečite nezaželen dvig temperature.

Zadostovalo bo 4–6 ur.

Aparat po vklopu obratuje stalno, v zamrzovalnem prostoru se doseže zelo nizka temperatura.

Če želite izkoristiti največjo možno zamrzovalno količino, morate 24 ur pred vlaganjem svežih živil vključiti «Super zamrzovanje».

Manjše količine živil (do 2 kg.) lahko zamrznete brez super zamrzovanja.

Napotek

Če je super zamrzovanje vključeno, lahko pride do glasnejšega obratovanja aparata.

Vklop in izklop

Slika 2

Tipko za nastavitev temperature 6 pritisnete tolikokrat, dokler indikacija super 7 ne zasveti.

Super zamrzovanje se avtomatično izključi po približno 2½ dneva.

Odmrznite zamrznjeno živilo

Glede na način in namen uporabe lahko izbirate med naslednjimi načini:

- pri sobni temperaturi,
- v hladilniku,
- v električni pečici, z/brez ventilatorja s toplim zrakom,
- v mikrovalovni pečici.

**Pozor**

Zamrznjeno živilo, ki se je začelo odtajati ali se je popolnoma odtajalo, ne smete ponovno zamrzniti. Šele po obdelavi v gotovo jed (kuhano ali pečeno) ga lahko ponovno zamrznete.

Maks. roka shranjevanja živila ne smete več izrabiti do konca.

Oprema

Vložki za odlaganje in posode

Police za odlaganje v notranjem prostoru in posode v vratih, lahko po potrebi spreminjate: polico potegnite k sebi, jo poveznite navzdol ter jo z obračanjem na stran potegnite iz prostora. Pri tem dvignite in izvlecite posodo.

Posebna oprema

(ni pri vseh modelih)

Vložek za odlaganje steklenic

Slika **5**

V vložku za odlaganje steklenic, lahko varno odlagate steklenice.

Posodico za led

Slika **11**

1. Posodico za led napolnite do $\frac{3}{4}$ s pitno vodo in jo postavite v zamrzovalni prostor.
2. Če se je posoda za led zalepila, jo oddvojite s topim predmetom (držaj žlice ipd.)
3. Ledene kocke boste lažje odstranili iz posode, če boste posodo rahlo ukrivili, ali pa jo za trenutek postavili pod tekočo vodo.

Koledar zamrzovanja

Slika **10**

Da bi se izognili zmanjšanju kakovosti zmrznjenih živil, je pomembno, da ne prekoračite roka shranjevanja. Številke ob simbolih kažejo dovoljeni rok shranjevanja živil v mesecih. Pri industrijsko zamrznjenih živilih upoštevajte datum proizvodnje oz. rok uporabnosti.

Hladilna baterija

V primeru prekinitve električnega toka ali neke motnje, hladilna baterija odloži segrevanje živil, ki so v zamrzovalniku. Najdaljši čas shranjevanja dosežete, če akumulator mraza v zgornjem predalu položite neposredno na živila.

Hladilni akumulator lahko vzamete iz aparata zaradi začasnega hlajenja živila, npr. v hladilni torbi.

Nalepka «OK»

(ni pri vseh modelih)

Z «OK»-kontrola temperature, se lahko ugotovi temperature pod $+4\text{ }^{\circ}\text{C}$. Nastavite postopoma nižjo temperaturo, če nalepka ne kaže «OK».

Napotek

Pri zagonu aparata, lahko traja tudi do 12 ur, preden se dožeže temperaturo.



Pravilna nastavitvev

Izklop aparata

Izvlomite omrežni vtič, oz. izklopite varovalko.

Hladilnik se izklopi.

Izločitev aparata iz uporabe

Če aparata dalj časa ne boste uporabljali:

1. Izvlomite omrežni vtič ali izklopite varovalko.
2. Aparat očistite.
3. Vrata aparata pustite odprta.

Čiščenje aparata



Pozor

- Ne uporabljajte nobenih čistilnih in topilnih sredstev z vsebovanjem peska, kloridov ali kislin.
- Ne uporabljajte čistilnih gob, ki lahko površino opraskajo in poškodujejo. Na kovinskih površinah bi lahko nastala korozija.
- Vložkov za odlaganje in predalov nikoli ne pomivajte v pomivalnem stroju.

Deli se lahko deformirajo!

Voda, s katero čistite aparat, ne sme priti v spodaj navedena območja:

- upravljalni elementi
- osvetlitev
- prezračevalne odprtine
- odprtine v ločevalni plošči

Postopajte na sledeč način:

1. Izvlomite omrežni vtič ali izklopite varovalko.
2. Zamrznjena živila vzemite iz predala in jih zložite na hladno. Na živila položite hladilni vložek (če obstaja).
3. Voda za pomivanje ne sme prodreti v upravljalne elemente, osvetlitev, prezračevalne odprtine ali v odprtine ločevalne plošče!
Aparat obrišite z mehko krpo, mlačno vodo in nekaj pH nevtralnega pomivalnega sredstva.
4. Tesnilo na vratih operite le s čisto vodo in ga nato temeljito obrišite do suhega.
5. Po čiščenju aparat ponovno priključite.
6. Živila zložite nazaj v zamrzovalnik.

Oprema

Za čiščenje je možno vse dele opreme naprave vzeti iz nje.

Snetje polic v vratih

Slika **4**

Police privzdignite in jih snemite.

Snetje odlagalne police za kozarce

Steklene police potegnite k sebi in jih snemite.

Snetje predala

Slika **8**

Predal izvlomite do konca, ga spredaj privzdignite in ga snemite.

Snetje predala za zamrznjena živila

Slika **9**

Predal za zamrznjena živila izvlomite do konca, ga spredaj privzdignite in snemite iz naprave.

Osvetlitev (LED)

Vaša naprava je opremljena z osvetlitvijo svetlečih diod (LED), ki ne potrebuje vzdrževanja.

Popravila te vrste osvetlitve sme izvajati samo servisna služba ali avtorizirano strokovno osebje.

Prihranek energije

- Aparat postavite v suh prostor, ki se lahko zrači! Aparata ne smete postaviti neposredno na sonce ali v bližini toplotnih virov (npr. radiatorji, štedilnik). Če je potrebno, uporabite izolacijsko ploščo.
- Pustite tople jedi in pijače, da se ohladijo izven aparata in jih šele takrat dajte v aparat.
- Zamrznjena živila porazdelite v hladilnem prostoru in s tem uporabite hlad zamrznjenih živil za hlajenje drugih živil.
- Vrata aparata naj bodo odprta čim krajši čas.
- Da dosežete najnižjo možno porabo energije: upoštevajte majhen stranski odkmik od stene.
- Razporeditev delov opreme ne vpliva na porabo energije naprave.

Šumi, ki se lahko pojavijo med obratovanjem

Popolnoma normalni šumi

Brnenje

Motorji tečejo (npr. hladilni agregat, ventilator).

Žuborenje, klokotanje ali grgotanje

Hladilno sredstvo se pretaka skozi cevi.

Klikljanje

Motor, stikala ali magnetni ventili se vklapljajo in izklaplajo.

Pokanje

Opravilo se je samodejno odtajanje.

Preprečevanje šumov

Aparat ni izravnan

Prosimo naravnajte aparat s pomočjo libele. Pri tem uporabite nastavljivi nogici ali podstavite nekaj.

Aparat se dotika nečesa

Odmaknite aparat od sosednjega pohištva ali drugih aparatov.

Predali ali odlagalne police se majejo ali zatikajo

Preverite dele, ki se lahko vzamejo ven in jih po potrebi ponovno namestite.

Steklenice ali posodo se dotika.

Razmaknite steklenice ali posodo eno od druge.

Samostojno odpravljanje manjših motenj.

Preden pokličete servisno službo:

Preverite, ali motnjo lahko sami odpravite s pomočjo sledečih navodil.

Stroške nasvetov servisne službe morate nositi sami – tudi med garancijsko dobo!

Motnja	Možen vzrok	Pomoč
Temperatura zelo odstopa od nastavljenih vrednosti.		V nekaterih primerih zadostuje, če izklopite stroj za 5 minuti. Če je temperatura previsoka, preverite po nekaj urah, če se je vzpostavila približna temperatura. Če je temperatura prenizka, še enkrat preverite temperaturo naslednji dan.
Oglasi se opozorilni akustični signal.	Motnja - v zamrzovalnem prostoru je pretoplo!	Za izključitev opozorilnega akustičnega signala pritisnite na nastavitveno tipko za temperaturo, slika 2 /6.
Prikazovalnik temperature utripa. Slika 2 /8	Nevarnost za zamrznjene proizvode. Naprava je odprta.	Napravo zaprite.
	Odprtine za dovod in odvod zraka so pokrite.	Omogočite dovod in odvod zraka.
	V zamrzovalnik ste vložili preveliko količino živil.	Ne presegajte maksimalne kapacitete zamrzovanja. Po odpravi motnje bo indikator za temperaturo prenehal utripati.
Temperatura v zamrzovalnem prostoru je previsoka.	Prepogosto odpiranje vrat aparata.	Naprave ne odpirajte brez potrebe.
	Odprtine za dovod in odvod zraka so pokrite.	Odstranite zapreke.
	Zamrzovanje velikih količin svežih živil.	Ne presegajte maksimalne kapacitete zamrzovanja.
Osvetlitev ne dela.	Osvetlitev LED je defektna.	Glejte poglavje «Osvetlitev (LED)».
	Naprava je bila predolgo odprta.	Potem, ko enkrat napravo zaprete in ponovno odprete, je osvetlitev ponovno vključena.
	Osvetlitev ugasne po približno 10 minutah.	

Motnja	Možen vzrok	Pomoč
Zmanjšana osvetlitev upravljalnih elementov.	Če naprave nekaj časa ne upravljate, se prikaz upravljalne plošče prestavi v način varčevanja z energijo.	Brž ko je aparat ponovno v uporabi, npr. pri odpiranju vrat, se prikaz ponovno preklopi na normalno osvetlitev.
Indikacija ne sveti.	Ni elektrike; varovalka se je izklopila; omrežni vtič ni dobro vtaknjen.	Priključite omrežni vtič. Preverite, ali je napajanje z električno energijo, preverite varovalke.
Naprava ne hladi, prikaz temperature in osvetlitev svetita.	Vključen je predstavitveni način.	Pritisnite in držite nastavitveno tipko za temperaturo sliki 2 /2 10 sekund dolgo, dokler ne zaslišite potrditveni ton. Po določenem času preverite, če aparat hladi.

Servisna služba

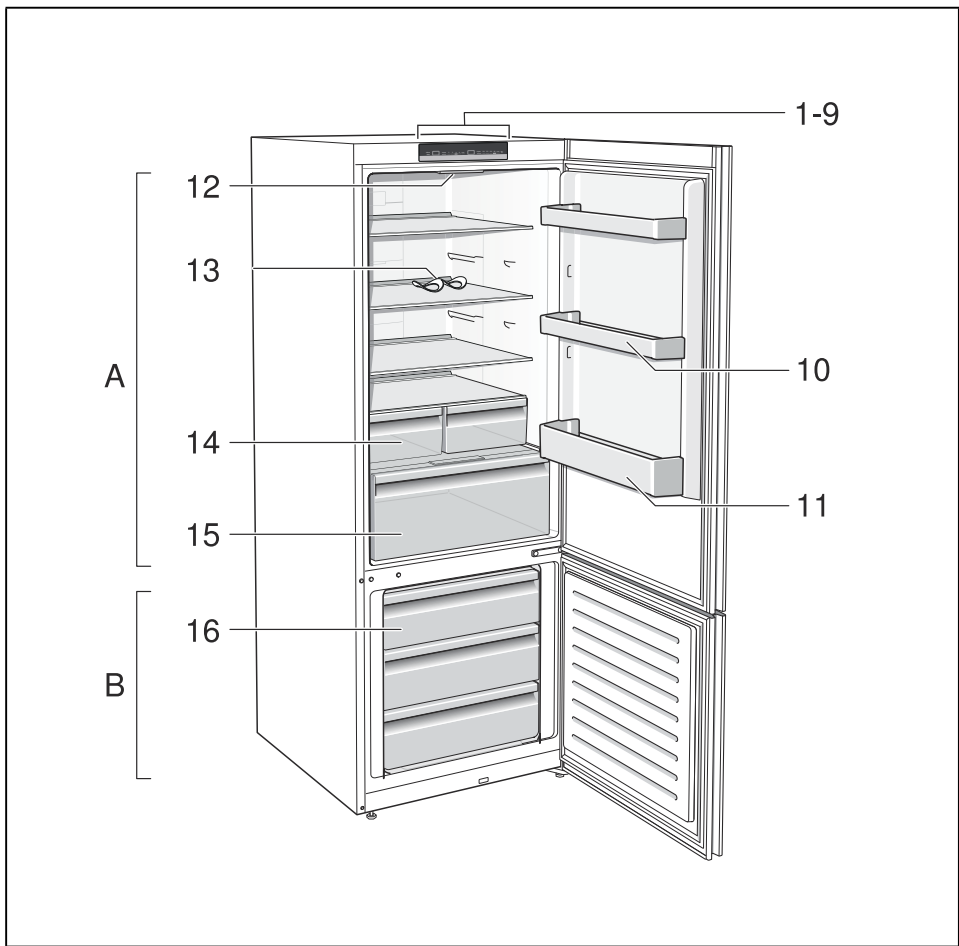
Vam najbližjo servisno službo boste našli v telefonskem imeniku ali v seznamu servisnih služb. Prosimo, da servisni službi navedete številko proizvoda (E-Nr.) in proizvodno številko (FD) aparata.

Te podatke najdete na tipski ploščici. Slika **12**

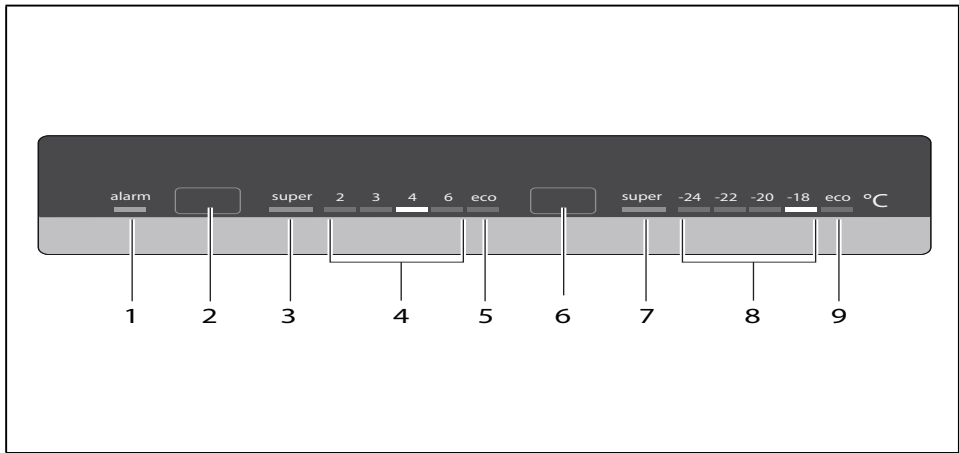
Prosimo, da nam pomagata z navedbo številke proizvoda in številke proizvodnje, da ne bo nepotrebnih prihodov. Uštedete i troškove koji su sa tim u vezi.

Naročilo za popravilo in svetovanje v primeru motenj

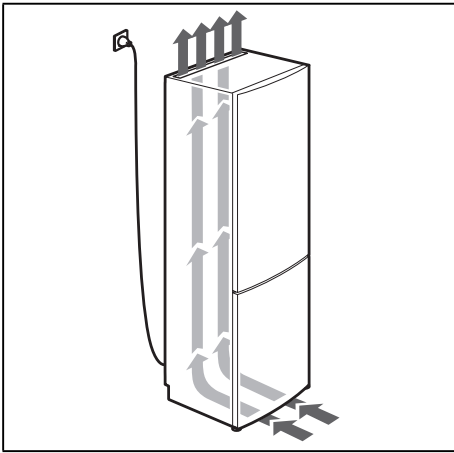
Podatke glede vseh držav, boste našli v priloženem seznamu servisnih služb.



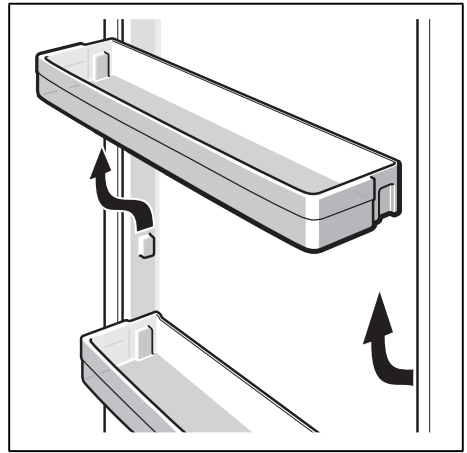
1



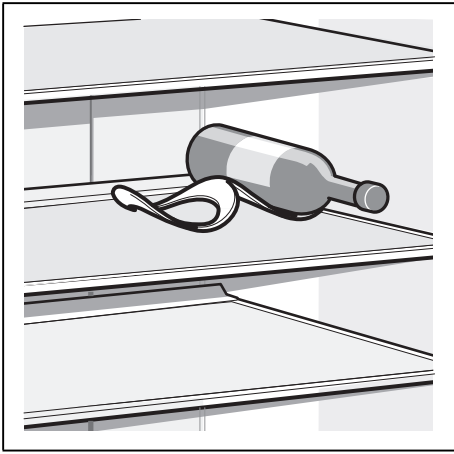
2



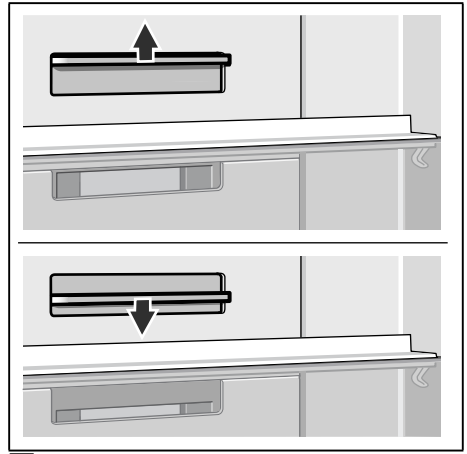
3



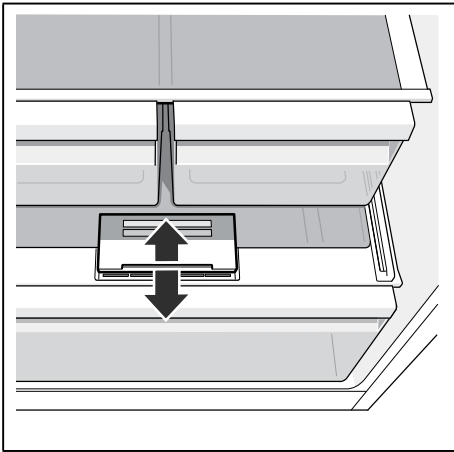
4



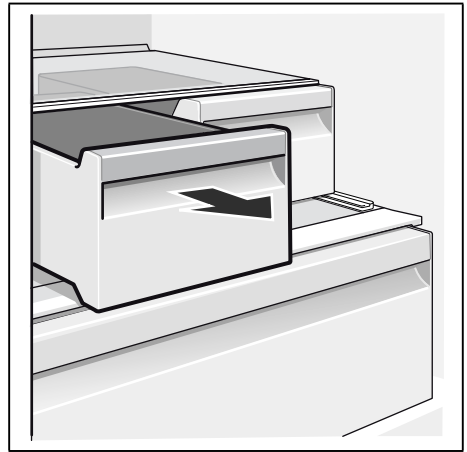
5



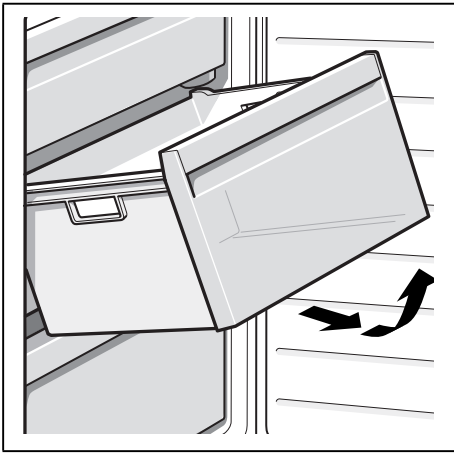
6



7



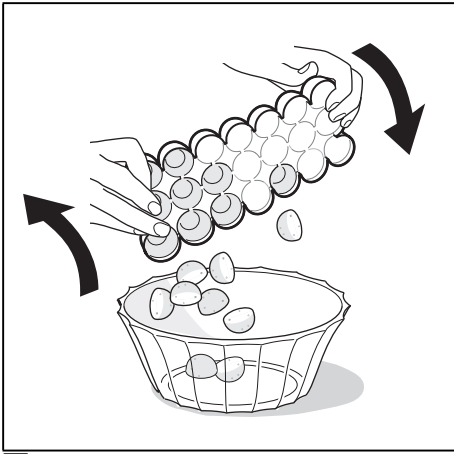
8



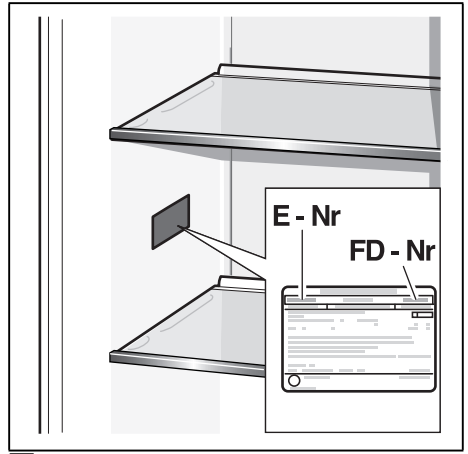
9



10



11



12

BSH Hausgeräte GmbH
Carl-Wery-Straße 34
81739 München, GERMANY

[siemens-home.com](https://www.siemens-home.com)

Κατασκευάζεται από την BSH Hausgeräte GmbH με άδεια εμπορικού σήματος της Siemens AG
Manufactured by BSH Hausgeräte GmbH under Trademark License of Siemens AG
Gyártó a BSH Hausgeräte GmbH, a Siemens AG védjegyhasználati engedélye alapján
Izdelalo podj. BSH Hausgeräte GmbH po licenci za blagovno znamko Siemens AG
Виготовлено BSH Hausgeräte GmbH за ліцензією на товарний знак Siemens AG



8001033152 (9601)

en, el, uk, hu, sl