

**SIEMENS**



Fridge-freezer

Ψυγειοκαταψύκτης

Hűtő-/fagyasztó-kombináció

KG..N..

[siemens-home.bsh-group.com/welcome](http://siemens-home.bsh-group.com/welcome)

en Instruction for Use  
el Οδηγίες χρήσης  
hu Használati útmutató

Register  
your  
product  
online

---

## en Table of Contents

Safety and warning information .....	4	Max. freezing capacity .....	20
Information concerning disposal .....	7	Freezing and storing food .....	20
Scope of delivery .....	7	Freezing fresh food .....	21
Installation location .....	8	Super freezing .....	22
Ambient temperature and ventilation .....	8	Thawing frozen food .....	22
Connecting the appliance .....	9	Interior fittings .....	22
Getting to know your appliance .....	9	Sticker "OK" .....	23
Switching on the appliance .....	10	Switching off and disconnecting the appliance .....	23
Setting the temperature .....	11	Cleaning the appliance .....	24
Special functions .....	11	Light (LED) .....	25
Alarm function .....	12	Tips for saving energy .....	25
Home Connect .....	13	Operating noises .....	25
Usable capacity .....	17	Eliminating minor faults yourself .....	26
Refrigerator compartment .....	18	Appliance self-test .....	28
Super cooling .....	19	Customer service .....	28
Freezer compartment .....	20		

---

## el Πίνακας περιεχομένων

Υποδείξεις ασφαλείας και προειδοποιητικές υποδείξεις .....	29	Μέγ. απόδοση κατάψυξης .....	49
Υποδείξεις απόσυρσης .....	32	Κατάψυξη και αποθήκευση .....	49
Συνοδεύουν τη συσκευή .....	33	Κατάψυξη νωπών τροφίμων .....	50
Τόπος τοποθέτησης .....	34	Υπερκατάψυξη .....	51
Προσέχετε τη θερμοκρασία και τον αερισμό του χώρου .....	34	Απόψυξη κατεψυγμένων τροφίμων ...	52
Σύνδεση της συσκευής .....	35	Εξοπλισμός .....	52
Γνωρίστε τη συσκευή .....	36	Αυτοκόλλητο "OK" .....	53
Ενεργοποίηση της συσκευής .....	37	Σβήσιμο και μακροχρόνια θέση της συσκευής εκτός λειτουργίας .....	54
Ρύθμιση θερμοκρασίας .....	38	Καθαρισμός της συσκευής .....	54
Ειδικές λειτουργίες .....	39	Φωτισμός (LED) .....	55
Λειτουργία συναγερμού .....	40	Έτσι μπορείτε να εξοικονομήσετε ενέργεια .....	56
Home Connect .....	41	Θόρυβοι λειτουργίας .....	56
Ωφέλιμο περιεχόμενο .....	46	Πώς θα διορθώσετε μόνες/-οι σας μικροβλάβες .....	57
Χώρος συντήρησης .....	46	Αυτοέλεγχος συσκευής .....	59
Υπερψύξη .....	48	Υπηρεσία εξυπηρέτησης πελατών ....	59
Χώρος κατάψυξης .....	48		

---

## hu Tartalomjegyzék

Biztonsági útmutatások és figyelmeztetések .....	60	agyasztótér .....	77
Hulladék-ártalmatlanítási útmutatások .....	63	Maximális fagyasztóteljesítmény .....	77
Csomagolás tartalma .....	63	Fagyasztás és tárolás .....	78
Felállítási hely .....	64	Friss élelmiszerek lefagyasztása .....	78
Vegye figyelembe a szobahőmérsékletet és a szellőztetést .....	64	Szupererős fagyasztás .....	79
A készülék csatlakoztatása .....	65	A mélyhűtött termékek felolvasztása .....	80
Ismerje meg a készüléket .....	66	Felszerelés .....	80
A készülék bekapcsolása .....	67	„OK” matrica .....	81
A hőmérséklet beállítása .....	68	A készülék kikapcsolása és leállítása .....	81
Kiegészítő funkciók .....	68	A készülék tisztítása .....	82
Alarm-funkció .....	69	LED világítás .....	82
Home Connect .....	70	Energiatakarékosság .....	83
Hasznos térfogat .....	75	Működési hangjelenségek .....	83
A hűtőtér .....	75	Kisebb zavarok önálló kiküszöbölése .....	84
Szupererős hűtés .....	77	Készülék-öntesztelés .....	86
		Vevőszolgálat .....	86

---

## Safety and warning information

### Before you switch ON the appliance

Please read the operating and installation instructions carefully! They contain important information on how to install, use and maintain the appliance. The manufacturer is not liable if you fail to comply with the instructions and warnings. Retain all documents for subsequent use or for the next owner.

### Technical safety

The tubes of the refrigeration circuit convey a small quantity of an environmentally friendly but flammable refrigerant (R600a). It does not damage the ozone layer and does not increase the greenhouse effect. If refrigerant escapes, it may injure your eyes or ignite.

### If damage has occurred

- Keep naked flames and/or ignition sources away from the appliance,
- thoroughly ventilate the room for several minutes,

- switch off the appliance and pull out the mains plug,
- inform customer service.

The more refrigerant an appliance contains, the larger the room must be in which the appliance is situated. Leaking refrigerant can form a flammable gas-air mixture in rooms which are too small. The room must be at least 1 m<sup>3</sup> per 8 g of refrigerant. The amount of refrigerant in your appliance is indicated on the rating plate inside the appliance.

If the power cord of this appliance is damaged, it must be replaced by the manufacturer, customer service or a similarly qualified person. Improper installations and repairs may put the user at considerable risk.

Repairs may be performed by the manufacturer, customer service or a similarly qualified person only.

Only original parts supplied by the manufacturer may be used. The manufacturer guarantees that only these parts satisfy the safety requirements.

An extension cable may be purchased from customer service only.

## Important information when using the appliance

- Never use electrical appliances inside the appliance (e.g. heater, electric ice maker, etc.). Explosion hazard!
- Never defrost or clean the appliance with a steam cleaner! The steam may penetrate electrical parts and cause a short-circuit. Risk of electric shock!
- Do not use pointed or sharp-edged implements to remove frost or layers of ice. You could damage the refrigerant tubes. Leaking refrigerant may cause eye injuries or ignite.
- Do not store products which contain flammable propellants (e.g. spray cans) or explosive substances in the appliance. Explosion hazard!
- Do not stand on or lean heavily against base of appliance, drawers or doors, etc
- For defrosting and cleaning, pull the mains plug out or switch off the fuse. Do not pull out the mains plug by tugging on the power cord.
- Store high-percentage alcohol tightly closed and standing up.
- Keep plastic parts and the door seal free of oil and grease. Otherwise, parts and door seal will become porous.
- Never cover or block the ventilation openings of the appliance!
- **Avoiding placing children and vulnerable people at risk:**

At risk are children, people who have limited physical, mental or sensory abilities, as well as people who have inadequate knowledge concerning safe operation of the appliance.

Ensure that children and vulnerable people have understood the hazards. A person responsible for safety must supervise or instruct children and vulnerable people who are using the appliance.

Only children from 8 years and above may use the appliance.

Supervise children who are cleaning and maintaining the appliance.

Never allow children to play with the appliance.

## en

- Do not store bottled or canned drinks (especially carbonated drinks) in the freezer compartment. Bottles and cans may burst!
- Never put frozen food straight from the freezer compartment into your mouth.  
Risk of low-temperature burns!
- Avoid prolonged touching of frozen food, ice or the evaporator pipes, etc.  
Risk of low-temperature burns!

### **Children in the household**

- Keep children away from packaging and its parts.  
Danger of suffocation from folding cartons and plastic film!
- Do not allow children to play with the appliance!
- If the appliance features a lock:  
keep the key out of the reach of children!

### **General regulations**

The appliance is suitable

- for refrigerating and freezing food,
- for making ice.

This appliance is intended for use in the home and the home environment.

The appliance is suppressed according to EU Directive 2004/108/EC.

The refrigeration circuit has been checked for leaks.

This product complies with the relevant safety regulations for electrical appliances (EN 60335-2-24).

This appliance is intended for use up to a maximum height of 2000 metres above sea level.

---

## Information concerning disposal

### Disposal of packaging

The packaging protects your appliance from damage during transit. All utilised materials are environmentally safe and recyclable. Please help us by disposing of the packaging in an environmentally friendly manner.

Please ask your dealer or inquire at your local authority about current means of disposal.

### Disposal of your old appliance

Old appliances are not worthless rubbish! Valuable raw materials can be reclaimed by recycling old appliances.



This appliance is labelled in accordance with European Directive 2012/19/EU concerning used electrical and electronic appliances (waste electrical and electronic equipment - WEEE). The guideline determines the framework for the return and recycling of used appliances as applicable throughout the EU.

### Warning

Redundant appliances

1. Pull out the mains plug.
2. Cut off the power cord and discard with the mains plug.
3. Do not take out the trays and receptacles: children are therefore prevented from climbing in!
4. Do not allow children to play with the appliance once it has spent its useful life. Danger of suffocation!

Refrigerators contain refrigerant and gases in the insulation. Refrigerant and gases must be disposed of professionally. Ensure that tubing of the refrigerant circuit is not damaged prior to proper disposal.

---

## Scope of delivery

After unpacking all parts, check for any damage in transit.

If you have any complaints, please contact the dealer from whom you purchased the appliance or our customer service.

The delivery consists of the following parts:

- Free-standing appliance
- Interior fittings (depending on model)
- Bag containing installation materials
- Operating instructions
- Installation manual
- Customer service booklet
- Warranty enclosure
- Information on the energy consumption and noises

## Installation location

A dry, well ventilated room is suitable as an installation location. The installation location should not be exposed to direct sunlight and not placed near a heat source, e.g. a cooker, radiator, etc. If installation next to a heat source is unavoidable, use a suitable insulating plate or observe the following minimum distances from the heat source:

- 3 cm to electric or gas cookers.
- 30 cm to an oil or coal-fired cooker.

The floor of the installation location must not give way; if required, reinforce floor. If the floor is uneven, compensate with supports.

## Distance from wall

When installing the appliance, ensure that the door can be opened by 90°.

## Ambient temperature and ventilation

### Ambient temperature

The appliance is designed for a specific climate class. Depending on the climate class, the appliance can be operated at the following temperatures.

The climate class can be found on the rating plate. Fig. 14

Climate class	Permitted ambient temperature
<b>SN</b>	+10 °C to 32 °C
<b>N</b>	+16 °C to 32 °C
<b>ST</b>	+16 °C to 38 °C
<b>T</b>	+16 °C to 43 °C

### Note

The appliance is fully functional within the room temperature limits of the indicated climatic class. If an appliance of climatic class SN is operated at colder room temperatures, the appliance will not be damaged up to a temperature of +5 °C.

### Ventilation

Fig. 2

The air on the rear panel and on the side panels of the appliance heats up. Conduction of the heated air must not be obstructed. Otherwise, the refrigerating unit must work harder. This increases power consumption. Therefore: Never cover or block the ventilation openings!



## Connecting the appliance

After installing the appliance, wait at least 1 hour until the appliance is switched on. During transportation the oil in the compressor may have flowed into the refrigeration system.

Before switching on the appliance for the first time, clean the interior of the appliance (see chapter "Cleaning the appliance").

## Electrical connection

The socket must be near the appliance and also freely accessible following installation of the appliance.

The appliance complies with the protection class I. Connect the appliance to 220–240 V/50 Hz alternating current via a correctly installed socket with protective conductor. The socket must be fused with a 10 to 16 A fuse.

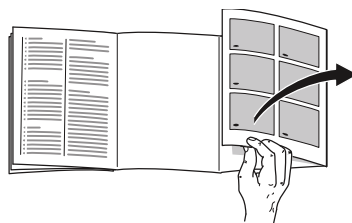
For appliances operated in non-European countries, check whether the stated voltage and current type match the values of your mains supply. This information can be found on the rating plate. Fig. 14

### Warning

Never connect the appliance to electronic energy saver plugs.

Our appliances can be used with mains and sine-controlled inverters. Mains-controlled inverters are used for photovoltaic systems which are connected directly to the national grid. Sine-controlled inverters must be used for isolated applications (e.g. on ships or in mountain lodges) which are not connected directly to the national grid.

## Getting to know your appliance



Please fold out the illustrated last page. These operating instructions refer to several models.

The features of the models may vary.

The diagrams may differ.

Fig. 1

\* Not all models.

- A Refrigerator compartment
- B Freezer compartment

- 1–12 Controls
- 13\* Butter and cheese compartment
- 14 Shelf for small bottles
- 15 Shelf for large bottles
- 16 Light (LED)
- 17\* Bottle shelf
- 18\* Breakfast set
- 19 Cold storage compartment
- 20 Vegetable container with humidity control
- 21\* Frozen food container

## Controls

Fig. 4

1 **Temperature display refrigerator compartment**

The numbers correspond to the set refrigerator compartment temperatures in °C.

2 **Display alarm**

This lights up if the fridge compartment becomes too warm.

3 **Display super cool**

This lights up if super cooling is in operation.

4 **Display alarm**

This lights up if the freezer compartment is too warm.

5 **Temperature display freezer compartment**

The numbers correspond to the set freezer compartment temperatures in °C.

6 **Display super freeze**

This lights up if super freezing is in operation.

7 **Eco mode indicator**

This lights up when the eco mode is switched on.

8 **Button lock/alarm off**

This button is used to

- switch off the audible warning signal (see section "Alarm function")
- Switch the button lock on and off.

9 **compartment button to select a section**

Used to select a section. This is necessary to change its temperature or to switch on certain special functions.

10 **Setting buttons +/-**

The buttons are used to set the temperatures of the refrigerator and freezer compartment.

11 **"timer" button**

You can use this function to set a period of time and be reminded by an acoustic signal. See chapter entitled "Special functions".

12 **Display vacation**

This lights up when the vacation mode is switched on.

---

## Switching on the appliance

1. First insert the plug into the connection on the back of the appliance. Check that the plug has been inserted all the way.
2. Then insert the other end of the cable into the socket.

The appliance is now switched on and a warning signal sounds.

Press the lock/alarm off button to switch off the audible warning signal.

The alarm display goes out when the appliance has reached the set temperature.

The preset temperatures are reached after several hours. Do not put any food in the appliance beforehand.

The factory has recommended the following temperatures:

- Freezer compartment: -18 °C
- Refrigerator compartment: +4 °C

## Operating tips

- After the appliance has been switched on, it may take several hours until the set temperatures have been reached.
- The fully automatic NoFrost system ensures that the freezer section remains free of ice. Defrosting is no longer required.
- If the door cannot be immediately re-opened after it has been closed, wait until the resulting low pressure has equalised.
- The front and side panels of the housing are partly heated slightly. This prevents condensation from forming.

---

## Setting the temperature

Fig. 4

### Refrigerator section

The temperature can be set from +2°C to +8°C.

1. Select the refrigerator section using the compartment button.
2. Keep pressing the +/- buttons until the required temperature is indicated.

Perishable food should not be stored above +4 °C.

### Freezer compartment

The temperature can be set from -16°C to -24°C.

1. Select the freezer compartment using the compartment button.
2. Keep pressing the +/- buttons until the required temperature is indicated.

---

## Special functions

Fig. 4

### Eco mode

The eco mode switches the appliance to energy-saving operation.

#### Switching on:

Press the eco button.

The appliance automatically sets the following temperatures:

- cooling compartment: +8°C
- freezer compartment: -16°C

#### Switching off:

Press the eco button.

### Button lock function

To switch the button lock on and off, press the lock/alarm off button for 5 seconds.

When the function is switched on, the lock/alarm off display lights up.

The control panel is now protected against unintentional operation.

#### Exception to the button lock:

The lock/alarm off button can be pressed to switch off the button lock or if an audible warning signal sounds.

en

## timer

You can use this function to set a period of time of 1–99 minutes. A signal reminds you, e.g. when food is to be taken out of the compartment after a certain time.

A value of 20 minutes has been preset at the factory.

### **Caution**

Drinks bottles may crack if they are stored for longer than 20 minutes in the freezer compartment.

### **Switching on the function**

1. Press “timer” button 11.
2. Using the +/- buttons, set the required time.

### **Switching off the function**

Press the “timer” button 11 twice within 3 seconds.

## Holiday mode

If leaving the appliance for a long period of time, you can switch the appliance over to the energy-saving holiday mode.

The temperature of the refrigerator compartment is automatically switched to +14 °C.

Do not store any food in the refrigerator compartment during this time.

### **Switching on:**

Press the vacation button.

The appliance automatically sets the following temperatures:

- cooling compartment: +14 °C
- Freezer compartment: remains unchanged

### **Switching off:**

Press the vacation button.

---

## Alarm function

In the following cases an alarm may be actuated.

### **Door alarm**

The door alarm (continuous signal) switches on if the appliance is left open for too long and alarm appears 1 in the refrigerator section temperature display. Close the appliance to switch the door alarm off again.

### **Temperature alarm**

An interval tone sounds, alarm appears on the temperature display of the freezer compartment 5.

The temperature alarm switches on if the freezer compartment is too warm and the frozen food is at risk of thawing.

The alarm may switch on without any risk to the frozen food in the following instances:

- when switching on the appliance for initial use.
- when large quantities of fresh food are placed in the appliance.

### **Note**

Do not refreeze thawing or thawed food. Only ready meals (boiled or fried) may be refrozen.

No longer store the frozen produce for the max. storage period.

The temperature display indicates for 5 seconds the warmest temperature which was reached in the freezer compartment. Then the set temperature is displayed again.

## Switching off the alarm

Press the lock/alarm off button to switch off the audible warning signal.

---

## Home Connect

This appliance is Wi-Fi-capable and can be remotely controlled using a mobile device.

### Note

Wi-Fi is a registered trade mark of the Wi-Fi Alliance.

If the appliance is not connected to the home network, the appliance functions like a refrigerator without a network connection, and can still be manually operated via the controls.

In order to use the Home Connect functions, connect the appliance with a Home Connect Wi-Fi dongle.

If there is no Home Connect Wi-Fi dongle included with your appliance, you can order this from customer service.

### Note

Inserting and removing the plug on the rear side of the appliance is more difficult than expected. Ensure that the plug is completely plugged in.

Attach the Home Connect Wi-Fi dongle at a height of 1 metre.

### Notes

- Please observe the safety instructions and warnings in these instructions for use and ensure that these are also adhered to when you are operating the appliance using the Home Connect app and are not at home (see the section on safety instructions and warnings).  
Follow the instructions in the Home Connect app as well.
- The operation on the appliance always has priority over operation via the Home Connect app. During this time, it is not possible to operate the appliance using the app.

## Setting up Home Connect

### Notes

- Observe the Home Connect supplementary sheet, which is available for download under [siemens-home.bsh-group.com](http://siemens-home.bsh-group.com) with the instructions. To do so, enter the E-number of your appliance in the search field.
- To implement settings with Home Connect, the Home Connect app must be installed on your mobile device. Observe the supplied Home Connect documents for this. Follow the steps specified by the app to implement the settings.
- If the appliance is not operated for a long time, the Home Connect menu closes automatically. You can find information on how to open the Home Connect menu at the start of the appropriate sections.

### Automatic connection with the home network (WLAN)

If a WLAN router with WPS function is available, you can automatically connect the refrigerator to the home network.

1. Press the super cooling button and the lock/alarm off button simultaneously to open the Home Connect menu.

The display shows **Cn**.

#### Note

Press both buttons at exactly the same time. Button operation is locked if only the lock/alarm off button is pressed for a longer period. Press the lock/alarm off button again until the lock is deactivated.

2. Press the compartment button repeatedly until the displays **AC** and **oF** are shown.

3. Press the + button.

The appliance is ready for automatic connection.

The display shows an animation for 2 minutes.

Follow the steps below during this period.

4. Activate the WPS function on the home network router (e.g. using the WPS/WLAN button; information on this topic can be found in the router documentation).

- If the connection is successful, **on** flashes in the refrigerator display. You can now connect the refrigerator with the app.
- If the display shows **oF**, it was not possible to establish a connection. Check whether the refrigerator is located within the range of the home network (WLAN). Repeat the process or establish the connection manually.

### Manual connection with the home network (WLAN)

If the WLAN router present does not have a WPS function, or if this is unknown, you can manually connect the refrigerator with the home network.

1. Press the super cooling button and the lock/alarm off button simultaneously to open the Home Connect menu.

The display shows **Cn**.

#### Note

Press both buttons at exactly the same time. Button operation is locked if only the lock/alarm off button is pressed for a longer period. Press the lock/alarm off button again until the lock is deactivated.

2. Press the compartment button repeatedly until the displays **SA** and **oF** are shown.

3. Press the + button.  
The appliance is ready for manual connection.  
The display shows an animation for 5 minutes.  
Follow the steps below during this period.
4. The refrigerator has now set up its own WLAN network with the network name **HomeConnect**.  
You can now access this network with your mobile device.
5. Open the settings menu of the mobile device and call up the WLAN settings.
6. Connect the mobile device with the WLAN network **HomeConnect**.  
Password: **HomeConnect**  
It can take up to 60 seconds to establish the connection.
7. After successful connection, open the Home Connect app on the mobile device.  
The app will search for the refrigerator.
8. As soon as the refrigerator has been found, enter the network name (SSID) and the password (Key) of your own home network (WLAN) into the corresponding fields.

9. Confirm with the button **Transmit to domestic appliances**.
  - If the connection is successful, **on** flashes in the refrigerator display.  
You can now connect the refrigerator with the app.
  - If the display shows **oF**, it was not possible to establish a connection.  
Enter the password again, ensuring that it is spelt correctly.  
Check whether the refrigerator is located within the range of the home network (WLAN).  
Repeat the process.

### Connecting the refrigerator to the app

Once the connection between the refrigerator and the home network has been established, you can connect the refrigerator with the app.

1. Press the super cooling button and the lock/alarm off button simultaneously to open the Home Connect menu.  
The display shows **Cn**.

#### Note

Press both buttons at exactly the same time. Button operation is locked if only the lock/alarm off button is pressed for a longer period. Press the lock/alarm off button again until the lock is deactivated.

2. Press the compartment button repeatedly until the displays **PA** (pairing = connect with app) and **oF** are shown.
3. Press the + button to connect the appliance with the app.  
The display shows an animation.  
As soon as the refrigerator and the app are connected, the display shows **on**.

- The refrigerator is displayed in the Home Connect app on the mobile device. To add, select the refrigerator and add with the + button.

If the refrigerator is not automatically displayed, in the Home Connect app first select **Search for domestic appliances** and then **Connect domestic appliance**.

- Follow the instructions in the app until the process is complete.

- The display shows **PA** and **on**.

The refrigerator has been successfully connected to the app.

- If the connection has failed, please check whether the mobile device is connected to the home network (WLAN).

Finally connect the refrigerator again to the app.

- When the display shows **Er**, reset the Home Connect settings and perform set-up again from the beginning.

### Verify signal strength

You should verify the signal strength if no connection can be established.

- Press the super cooling button and the lock/alarm off button simultaneously to open the Home Connect menu.

The display shows **Cn**.

### Note

Press both buttons at exactly the same time. Button operation is locked if only the lock/alarm off button is pressed for a longer period. Press the lock/alarm off button again until the lock is deactivated.

- Press the compartment button repeatedly until the display shows **SI**. In the second display, a value appears between 0 (no reception) and 3 (full reception).

### Note

The signal strength should be at least 2. If the signal strength is too low, the connection could be interrupted. Place the router and the refrigerator closer together, ensure that the connection is not disturbed by shielding walls or install a repeater to strengthen the signal.

### Resetting Home Connect settings

If the connection process does not work or you would like to log the refrigerator on to a different home network (WLAN), you can reset the Home Connect settings:

- Press the super cooling button and the lock/alarm off button simultaneously to open the Home Connect menu.

The display shows **Cn**.

### Note

Press both buttons at exactly the same time. Button operation is locked if only the lock/alarm off button is pressed for a longer period. Press the lock/alarm off button again until the lock is deactivated.

- Press the compartment button repeatedly until the displays **rE** and **oF** are shown.



3. Press the + button.

- The display shows a short animation and then again **oF**.  
The Home Connect settings have been reset.
- If the display shows **Er**, start the reset again or call customer service.

## Information on data protection

When your Home Connect refrigerator is connected for the first time to a WLAN network that is connected to the Internet, your refrigerator transmits the following categories of data to the Home Connect server (initial registration):

- Unique appliance identification (consisting of appliance codes as well as the MAC address of the installed Wi-Fi communication module).
- Security certificate of the Wi-Fi communication module (to ensure a secure IT connection).
- The current software and hardware version of your refrigerator.
- Status of any possible previous resetting to factory settings.

This initial registration prepares the Home Connect functions for use and is required only when you want to use Home Connect for the first time.

### Note

Please note that the Home Connect functions can only be utilized with the Home Connect app. You can call up information on data protection in the Home Connect app.

## Declaration of conformity

BSH Hausgeräte GmbH hereby declares that the appliance which features Home Connect functionality is in accordance with the basic requirements and the other relevant provisions of the directive 1999/5/EC.

A detailed R&TTE Declaration of Conformity can be found online at [siemens-home.bsh-group.com](http://siemens-home.bsh-group.com) among the additional documents on the product page of your appliance.



## Usable capacity

Information on the usable capacity can be found inside your appliance on the rating plate. Fig. 14

## Fully utilising the freezer volume

To place the maximum amount of frozen food in the freezer compartment, you can remove the containers. You can then stack the food directly on the shelf and on the floor of the freezer compartment.

### Note

Avoid contact between food and rear panel. Otherwise the air circulation will be impaired.

Food or packaging could freeze to the rear panel.

### Removing the fittings

Pull out the frozen food container all the way, lift at the front and remove. Fig. 10

## Refrigerator compartment

The refrigerator compartment is the ideal storage location for meat, sausage, fish, dairy products, eggs, ready meals and pastries.

### Storing food

- Store fresh, undamaged food. The quality and freshness will then be retained for longer.
- In the case of ready-made products and bottled goods, observe the best-before date or use-by date specified by the manufacturer.
- To retain aroma, colour and freshness, pack or cover food well before placing in the appliance. This will prevent the transfer of flavours and the discolouration of plastic parts in the refrigerator compartment.
- Allow warm food and drinks to cool down before placing in the appliance.

#### Note

Do not block air outlet openings with food, otherwise the air circulation will be impaired. Food which is stored directly in front of the air outlet openings may be frozen by the cold air flowing out.

### Note the chill zones in the refrigerator compartment

The air circulation in the refrigerator compartment creates different chill zones:

- The coldest zones are in front of the air outlet openings and in the chill compartment, Fig. **11**/19.

#### Note

Store perishable food (e.g. fish, sausage, meat) in the coldest zones.

- Warmest zone is at the very top of the door.

#### Note

Store e.g. hard cheese and butter in the warmest zone. The aroma of hard cheese can then continue to develop and butter remains spreadable.

### Vegetable container with humidity control

Fig. **8**

To create the optimum storage climate for fruit and vegetables, you can set the humidity level in the vegetable container:

- Mainly vegetables as well as for a mixed or small load – high air humidity
- Mainly fruit as well as for a large load – low air humidity

## Notes

- Fruit sensitive to cold (e.g. pineapple, banana, papaya and citrus fruit) and vegetables sensitive to cold (e.g. aubergines, cucumbers, zucchini, peppers, tomatoes and potatoes) should be stored outside the refrigerator at temperatures of approx. +8 °C to +12 °C for optimum preservation of quality and flavour.
- Condensation may form in the vegetable container depending on the type and quantity of products stored. Remove condensation with a dry cloth and adjust air humidity in the vegetable container with the humidity controller.

## Cold storage compartment

Fig. 9

The cold storage compartment has lower temperatures than the refrigerator compartment. Even temperatures below 0 °C may occur.

Ideal for storing fish, meat and sausage. Not suitable for lettuce and vegetables and produce sensitive to cold.

The temperature of the chill compartments can be varied using the ventilation opening. Push temperature controller upwards to reduce the temperature. Push temperature controller downwards to increase the temperature.

Fig. 7

## Super cooling

Super cooling sets the refrigerator temperature to the coldest temperature setting for approx. 6 hours. Then the appliance automatically switches to the temperature set prior to super cooling mode.

Switch on super cooling mode, e.g.

- before placing large quantities of food in the refrigerator compartment.
- for the fast cooling of drinks.

## Switching on and off

Fig. 4

1. Select the refrigerator section using the compartment button.
2. Press the super button until the super cool display lights up.

You do not need to switch off super cooling. After 6 hours, the previously set temperature is automatically restored.

### Note

When super cooling is switched on, increased operating noises may occur.

---

## Freezer compartment

### Use the freezer compartment

- To store deep-frozen food.
- To make ice cubes.
- To freeze food.

#### Note

Ensure that the freezer compartment door has been closed properly. If the door is open, the frozen food will thaw. The freezer compartment will become covered in thick ice. Also: waste of energy due to high power consumption!

---

## Max. freezing capacity

Information about the max. freezing capacity within 24 hours can be found on the rating plate. Fig. **14**

### Prerequisites for max. freezing capacity

- Switch on super freezing before placing fresh products in the compartment (see chapter entitled “Super freezing”).
- Remove containers; stack food directly on the shelf and on the floor of the freezer compartment.
- Freeze large quantities of food preferably in the very top compartment where food freezes particularly quickly and therefore also gently.

---

## Freezing and storing food

### Purchasing frozen food

- Packaging must not be damaged.
- Use by the “use by” date.
- Temperature in the supermarket freezer must be  $-18\text{ }^{\circ}\text{C}$  or lower.
- If possible, transport deep-frozen food in an insulated bag and place quickly in the freezer compartment.

### Note when loading products

- Preferably freeze large quantities of food in the top compartment, where food freezes particularly quickly and therefore also gently.
- Place the food over the whole area of the compartments or the frozen food containers.

#### Note

Food which is already frozen must not come into contact with the food which is to be frozen. If required, move the frozen food to other frozen food containers.

### Storing frozen food

Insert frozen food container all the way to ensure unrestricted air circulation.

## Freezing fresh food

Freeze fresh and undamaged food only.

To retain the best possible nutritional value, flavour and colour, vegetables should be blanched before freezing. Aubergines, peppers, zucchini and asparagus do not require blanching.

Literature on freezing and blanching can be found in bookshops.

### Note

Keep food which is to be frozen away from food which is already frozen.

- The following foods are suitable for freezing:  
Cakes and pastries, fish and seafood, meat, game, poultry, vegetables, fruit, herbs, eggs without shells, dairy products such as cheese, butter and quark, ready meals and leftovers such as soups, stews, cooked meat and fish, potato dishes, soufflés and desserts.
- The following foods are not suitable for freezing:  
Types of vegetables, which are usually consumed raw, such as lettuce or radishes, eggs in shells, grapes, whole apples, pears and peaches, hard-boiled eggs, yoghurt, soured milk, sour cream, crème fraîche and mayonnaise.

## Packing frozen food

To prevent food from losing its flavour or drying out, place in airtight containers.

1. Place food in packaging.
2. Remove air.
3. Seal the wrapping.
4. Label packaging with contents and date of freezing.

### Suitable packaging:

Cling wrap, tubular film made of polyethylene, aluminium foil, freezer containers.

These products are available from specialist outlets.

### Unsuitable packaging:

Wrapping paper, greaseproof paper, cellophane, bin liners and used shopping bags.

### Items suitable for sealing packaged food:

Rubber bands, plastic clips, string, cold-resistant adhesive tape, etc.

Bags and tubular film made of polyethylene (PE) can be sealed with a film heat sealer.

## Shelf life of frozen food

Storage duration depends on the type of food.

At a temperature of -18 °C:

- Fish, sausage, ready meals and cakes and pastries:  
up to 6 months
- Cheese, poultry and meat:  
up to 8 months
- Vegetables and fruit:  
up to 12 months

---

## Super freezing

Food should be frozen solid as quickly as possible in order to retain vitamins, nutritional value, appearance and flavour.

Several hours before placing fresh food in the freezer compartment, switch on super freezing to prevent an unwanted temperature rise.

As a rule, 4–6 hours is adequate.

This appliance runs constantly and the freezer compartment drops to a very low temperature.

If the max. freezing capacity is to be used, super freezing must be switched on for 24 hours before the fresh produce is placed in the freezer compartment.

Smaller quantities of food (up to 2 kg) can be frozen without “super freezing”.

### Note

When super freezing is switched on, increased operating noises may occur.

## Switching on and off

Fig. 4

1. Select the freezer section using the compartment button.
2. Press the super button until the super freeze display lights up.

You do not need to switch off super freezing. After approx. 2½ days, the previously set temperature is automatically restored.

---

## Thawing frozen food

Depending on the type and application, select one of the following options:

- at room temperature
- in the refrigerator
- in an electric oven, with/without fan assisted hot-air
- in the microwave



### Caution

Do not refreeze thawing or thawed food. Only ready meals (boiled or fried) may be refrozen.

No longer store the frozen produce for the max. storage period.

---

## Interior fittings

### Shelves and containers

You can reposition the inner shelves and the containers in the door as required: pull shelf forwards, lower and swivel out to the side. Lift the container and remove.

### Special features

(not all models)

#### Butter and cheese compartment

To open the butter compartment, gently press in the middle of the butter compartment flap.

To clean the compartment, lift it at the bottom and take out.

**Breakfast set**

Fig. 5

The containers for the breakfast set can be taken out and filled individually.

You can take out the breakfast set for loading and unloading. To do this, lift the breakfast set and pull out. The container holder can be moved.

**Bottle shelf**

Fig. 6

Bottles can be stored securely on the bottle shelf.

**Ice cube tray**

Fig. 13

1. Fill the ice cube tray  $\frac{3}{4}$  full of drinking water and place in the freezer compartment.
2. If the ice tray is stuck to the freezer compartment, loosen with a blunt implement only (spoon-handle).
3. To loosen the ice cubes, twist the ice tray slightly or hold briefly under flowing water.

**Freezer calendar**

Fig. 12

To prevent the quality of the frozen food from deteriorating, do not exceed the storage duration. The figures next to the symbols indicate the permitted storage period of the produce in months. In the case of commercially available frozen food observe the date of manufacture or use-by date.

**Ice block**

If a power failure or malfunction occurs, the ice blocks can be used to slow down the thawing process. The longest storage time is obtained by placing the ice pack on the food in the top compartment.

The ice blocks can also be used to cool food temporarily, e. g. in a cold bag.

---

**Sticker “OK”**

(not all models)

The sticker “OK” lets you check whether the refrigerator compartment achieves the safe temperature ranges of +4 °C or colder recommended for food. If the sticker does not indicate “OK”, gradually reduce the temperature.

**Note**

When the appliance is switched on, it may take up to 12 hours until the set temperature is reached.

**Correct setting**

---

**Switching off and disconnecting the appliance****Switching off the appliance**

Press "+" button for 10 seconds.  
Refrigeration unit switches off.  
(Not all models).

**Disconnecting the appliance**

If you do not use the appliance for a prolonged period:

1. Pull out the mains plug or switch off the fuse.
2. Clean the appliance.
3. Leave appliance doors open.

## Cleaning the appliance

### Caution

- Do not use abrasive, chloride or acidic cleaning agents or solvents.
- Do not use scouring or abrasive sponges.  
The metallic surfaces could corrode.
- Never clean shelves and containers in the dishwasher.  
The parts may become deformed!

### The cleaning water must not get into the following areas:

- Controls
- Illumination
- Ventilation openings
- Openings in the separating plate

### Proceed as follows:

1. Pull out the mains plug or switch off the fuse.
2. Take out the frozen food and store in a cool location. Place ice pack (if available) on the food.
3. The rinsing water must not drip into the controls, lighting, ventilation openings or the openings in the partition!  
Clean the appliance with a soft cloth, lukewarm water and a little pH-neutral washing-up liquid.
4. Wipe the door seal with clear water only and then wipe dry thoroughly.
5. After cleaning reconnect the appliance.
6. Put the frozen food back into the appliance.

## Interior fittings

All variable parts of the appliance can be taken out for cleaning.

### Take out shelves in the door Fig. 3

Lift shelves upwards and take out.

### Take out glass shelves

Pull the glass shelves forwards and take out.

### Removing the container Fig. 9

Pull out the container all the way, lift at the front and remove.

### Taking out the frozen food container Fig. 10

Pull out the frozen food container all the way, lift at the front and remove.

### Taking out glass shelf above vegetable container Fig. 11

The glass shelf can be taken out and disassembled for cleaning.

### Note

Before taking out the glass shelf, pull out vegetable container.



---

## Light (LED)

Your appliance features a maintenance-free LED light.

These lights may be repaired by customer service or authorised technicians only.

---

## Tips for saving energy

- Install the appliance in a dry, well ventilated room! The appliance should not be installed in direct sunlight or near a heat source (e.g. radiator, cooker).  
If required, use an insulating plate.
- Allow warm food and drinks to cool down before placing in the appliance.
- Thaw frozen food in the refrigerator compartment and use the low temperature of the frozen food to cool refrigerated food.
- Open the appliance as briefly as possible.
- To achieve the lowest energy consumption, leave a small wall gap at the side.
- The arrangement of the fittings does not affect the energy rating of the appliance.

---

## Operating noises

### Quite normal noises

#### **Droning**

Motors are running (e.g. refrigerating units, fan).

#### **Bubbling, humming or gurgling noises**

Refrigerant is flowing through the tubing.

#### **Clicking**

Motor, switches or solenoid valves are switching on/off.

#### **Cracking**

Automatic defrosting is running.

## Preventing noises

### **The appliance is not level**

Please align the appliance with a spirit level. Use the height-adjustable feet or place packing underneath them.

### **The appliance is not free-standing**

Please move the appliance away from adjacent units or appliances.

### **Containers or storage areas wobble or stick**

Please check the removable parts and re-insert them correctly if required.

### **Bottles or receptacles are touching each other**

Move the bottles or receptacles slightly away from each other.

## Eliminating minor faults yourself

Before you call customer service:

Please check whether you can eliminate the fault yourself based on the following information.

Customer service will charge you for advice – even if the appliance is still under guarantee!

Fault	Possible cause	Remedial action
Temperature differs greatly from the set value.		In some cases it is adequate to switch off the appliance for 5 minutes. If the temperature is too high wait a few hours and check whether the temperature has approached the set value. If the temperature is too low check the temperature again the next day.
It is too cold in the refrigerator section or in the chill compartment.		Increase the temperature in the refrigerator section.
		Push temperature controller for the chill compartment downwards. Fig. <b>7</b>
The temperature in the freezer compartment is too warm.	Appliance opened frequently.	Do not open the appliance unnecessarily.
	The ventilation openings have been covered.	Remove obstacles.
	Large quantities of fresh food are being frozen.	Do not exceed max. freezing capacity.
Appliance is not cooling, temperature display and light are lit.	Showroom mode is switched on.	Press and hold the compartment button and the setting button <b>—</b> for 5 seconds until a confirmation tone sounds. After a short time, check whether your appliance is cooling.
The side panels of the appliance are warm.	Pipes run into the side panels which heat during the cooling process.	That is normal behaviour for the appliance and not a fault. Furniture touching the appliance will not be damaged by the heat.

Fault	Possible cause	Remedial action
The light does not function.	<p>The LED light is defective.</p> <hr/> <p>Appliance was open too long.</p> <p>Light is switched off after approx. 10 min.</p>	<p>See chapter "Light (LED)" section.</p> <hr/> <p>When the appliance is closed and opened, the light is on again.</p>
Displays do not illuminate.	<p>Power failure; the fuse has been switched off; the mains plug has not been inserted properly.</p>	<p>Connect mains plug. Check whether the power is on, check the fuses.</p>
Freezer compartment door was open for a long time; temperature is no longer reached.	<p>The evaporator (refrigeration generator) in the NoFrost system is covered in thick ice and can no longer be defrosted fully automatically.</p>	<p>To defrost the evaporator, remove the frozen food with the compartments, insulate well and store in a cool location.</p> <p>Switch off the appliance and move it away from the wall. Leave the appliance door open.</p> <p>After approx. 20 min. the condensation begins to run into the evaporation pan, at the rear of the appliance.</p> <p>To prevent the evaporation pan from overflowing in this case, mop up the condensation with a sponge.</p> <p>The evaporator is defrosted when the water stops running into the evaporation pan. Clean the interior. Switch the appliance back on again.</p>

## Appliance self-test

Your appliance features an automatic self-test program which shows you sources of faults which may be repaired by customer service only.

### Starting the appliance self-test

1. Switch off the appliance and wait 5 minutes.
2. Switch on the appliance and within the first 10 seconds, press and hold the compartment button and the "-" setting button for 3–5 seconds until an audible signal sounds.

The self-test programme starts.

When the self-test ends and an audible signal sounds twice, your appliance is in working order.

If 5 audible signals sound, there is an error. Inform customer service.

### Ending the appliance self-test

When the programme has ended, the appliance switches over to normal operation.

## Customer service

Your local customer service can be found in the telephone directory or in the customer-service index. Please provide customer service with the appliance product number (E-Nr.) and production number (FD-Nr.).

This information can be found on the rating plate. Fig. 14

To prevent unnecessary call-outs, please assist customer service by quoting the product and production numbers. This will save you additional costs.

### Repair order and advice on faults

Contact information for all countries can be found on the enclosed customer service list.

GB	0344 892 8999	Calls charged at local or mobile rate.
IE	01450 2655	0.03 € per minute at peak. Off peak 0.0088 € per minute.
US	866 447 4363	toll-free

## Υποδείξεις ασφαλείας και προειδοποιητικές υποδείξεις

### Προτού θέσετε τη συσκευή σε λειτουργία

Διαβάστε με προσοχή τις οδηγίες χρήσης και τοποθέτησης! Αυτές περιέχουν σημαντικές πληροφορίες για την εγκατάσταση, τη χρήση και τη συντήρηση της συσκευής.

Ο κατασκευαστής δεν αναλαμβάνει καμία ευθύνη για τυχόν βλάβες, αν δεν προσεχθούν οι υποδείξεις και προειδοποιήσεις που δίνονται στις οδηγίες χρήσης. Φυλάξτε όλα τα έγγραφα αυτά για μετέπειτα χρήση και κάποιον τυχόν μετέπειτα χρήστη.

### Τεχνική ασφάλεια

Στους σωλήνες του κυκλώματος ψύξης ρέει σε μικρή ποσότητα το φιλικό προς το περιβάλλον αλλά εύφλεκτο ψυκτικό μέσο (R600a). Αυτό δεν είναι επιβλαβές για το στρώμα του όζοντος και δεν ενισχύει το φαινόμενο του θερμοκηπίου. Εάν εξέλθει ψυκτικό μέσο, μπορεί να τραυματίσει τα μάτια ή να αναφλεγεί.

### Σε περίπτωση ζημιάς:

- αποφεύγετε την ανοιχτή φλόγα ή πηγές ανάφλεξης,
- αερίζετε για μερικά λεπτά καλά τον χώρο,
- θέτετε τη συσκευή εκτός λειτουργίας και τραβάτε το φιν από την πρίζα,
- Καλέστε την Υπηρεσία τεχνικής εξυπηρέτησης των πελατών μας.

Όσο περισσότερο ψυκτικό μέσο περιέχει μία συσκευή, τόσο μεγαλύτερος πρέπει να είναι ο χώρος, μέσα στον οποίο βρίσκεται αυτή. Σε πολύ μικρούς χώρους είναι δυνατό σε περίπτωση διαρροής ψυκτικού μέσου να σχηματιστεί εύφλεκτο μίγμα αερίου-αέρα. Ανά 8 g του ψυκτικού μέσου πρέπει να υπολογιστεί τουλάχιστον 1 m<sup>3</sup> χώρου τοποθέτησης. Την ποσότητα του ψυκτικού μέσου της συσκευής σας θα την βρείτε στην πινακίδα τύπου στο εσωτερικό της συσκευής σας.

Αν πάθει ζημιά το τροφοδοτικό καλώδιο της παρούσας συσκευής, αυτό πρέπει να αντικατασταθεί από τον κατασκευαστή, την υπηρεσία τεχνικής εξυπηρέτησης πελατών ή από παρόμοια καταρτισμένο άτομο.

Οι εγκαταστάσεις και επισκευές που δεν έγιναν σωστά, μπορούν να αποτελέσουν σημαντικό κίνδυνο για τον χρήστη.

Οι επισκευές επιτρέπεται να εκτελούνται μόνον από τον κατασκευαστή, την υπηρεσία τεχνικής εξυπηρέτησης πελατών ή παρόμοια καταρτισμένο άτομο.

Επιτρέπεται να χρησιμοποιούνται μόνον γνήσια εξαρτήματα του κατασκευαστή. Μόνο για αυτά τα εξαρτήματα ο κατασκευαστής εγγυάται, ότι αυτά πληρούν τις απαιτήσεις ασφαλείας.

Επιμήκυνση του τροφοδοτικού καλωδίου επιτρέπεται να προμηθευτείτε μόνο μέσω της υπηρεσίας τεχνικής εξυπηρέτησης πελατών.

## Κατά τη χρήση

- Μη χρησιμοποιήσετε ποτέ ηλεκτρικές συσκευές εντός της συσκευής (π.χ. θερμάστρες, ηλεκτρικές παγομηχανές κτλ.). Κίνδυνος έκρηξης!
- Ποτέ μην κάνετε απόψυξη ούτε να καθαρίζετε τη συσκευή με ατμοκαθαριστές! Ο ατμός μπορεί να διεισδύσει σε ηλεκτρικά μέρη και να προκαλέσει βραχυκύκλωμα. Κίνδυνος ηλεκτροπληξίας!
- Μη χρησιμοποιείτε μυτερά ή αιχμηρά αντικείμενα για την αφαίρεση πάχνης και στρωμάτων πάγου. Θα μπορούσατε να προκαλέσετε μ' αυτά ζημιές στις σωληνώσεις του ψυκτικού ρευστού. Το διαρρέον ψυκτικό μέσο μπορεί να αυταναφλεχτεί ή να οδηγήσει σε τραύματα των ματιών σας.
- Μην αποθηκεύετε μέσα στη συσκευή προϊόντα με εύφλεκτα προωθητικά αέρια (π.χ. σπρέι) και εκρηκτικές ύλες. Κίνδυνος έκρηξης!
- Μη χρησιμοποιείτε καταχράζετε τις βάσεις, τις συρταρωτές προεκτάσεις, τις πόρτες κτλ. ως σκαλοπάτια ή στηρίγματα.

- Για την απόψυξη και τον καθαρισμό βγάλτε το φιν από την πρίζα ή απενεργοποιήστε την ασφάλεια. Τραβήξτε από το φιν και όχι από το τροφοδοτικό καλώδιο.
  - Οιοπνευματώδη ποτά με μεγάλο ποσοστό περιεκτικότητας σε αλκοόλη πρέπει να αποθηκεύονται μόνον καλά κλεισμένα και σε όρθια θέση.
  - Μην λερώνετε τα πλαστικά μέρη και την τσιμούχα της πόρτας με λάδι και λίπος, διότι διαφορετικά αυτά γίνονται πορώδη.
  - Αποφεύγετε να κρατάτε για μεγάλο διάστημα στα χέρια σας κατεψυγμένα τρόφιμα, πάγο ή τους σωλήνες του εξατμιστή κτλ.  
Κίνδυνος κρουοπαγημάτων!
  - Μη βάζετε ποτέ στο στόμα σας κατεψυγμένα τρόφιμα αμέσως μετά την αφαίρεσή τους από την κατάψυξη.  
Κίνδυνος κρουοπαγημάτων!
  - Μην καλύπτετε και μην τοποθετείτε αντικείμενα στα ανοίγματα αερισμού και εξαερισμού της συσκευής.
- **Αποφυγή κινδύνων για παιδιά και άτομα που βρίσκονται σε κίνδυνο:**  
Σε κίνδυνο βρίσκονται τα παιδιά και άτομα με περιορισμένες σωματικές και φυσικές ικανότητες ή με περιορισμένη αντίληψη καθώς και άτομα, τα οποία δεν έχουν επαρκείς γνώσεις για τον ασφαλή χειρισμό της συσκευής.  
Διασφαλίστε, ότι τα παιδιά και τα άτομα που βρίσκονται σε κίνδυνο έχουν κατανοήσει τους κινδύνους.  
Κάποιο άτομο υπεύθυνο για την ασφάλεια πρέπει να επιβλέπει ή να καθοδηγεί στη συσκευή τα παιδιά και τα άτομα που βρίσκονται σε κίνδυνο.  
Μόνο παιδιά άνω των 8 ετών επιτρέπεται να χρησιμοποιούν τη συσκευή.  
Κατά τον καθαρισμό και τη συντήρηση τα παιδιά πρέπει να επιβλέπονται.  
Μην αφήνετε ποτέ να παίζουν τα παιδιά με τη συσκευή.
  - Μην αποθηκεύετε στον χώρο κατάψυξης υγρά σε φιάλες και κουτιά (ιδιαίτερα ποτά περιέχοντα ανθρακικό οξύ). Οι φιάλες και τα κουτιά μπορούν να σπάσουν!

## Παιδιά στο νοικοκυριό

- Μην αφήσετε να περιέλθουν στα χέρια παιδιών η συσκευασία και τα μέρη της. Υπάρχει κίνδυνος ασφυξίας από τα χαρτόνια που διπλώνουν και τα λεπτά πλαστικά φύλλα!
- Η συσκευή δεν είναι παιχνίδι για παιδιά!
- Σε συσκευή με κλειδαριά πόρτας: Φυλάτε το κλειδί σε μέρος απρόσιτο για τα παιδιά!

## Γενικές διατάξεις

Η συσκευή είναι κατάλληλη

- για την ψύξη και την κατάψυξη τροφίμων,
- για την παρασκευή παγοκύβων (παγάκια).

Η παρούσα συσκευή προορίζεται για οικιακή χρήση στον ιδιωτικό τομέα και σε σπιτικό περιβάλλον.

Η συσκευή φέρει αντιπαρασιτική διάταξη σύμφωνα με την Οδηγία ΕΕ 2004/108/ΕΚ.

Ο ψυκτικός κύκλος έχει υποβληθεί σε έλεγχο στεγανότητας.

Το προϊόν αυτό ανταποκρίνεται στις σχετικές διατάξεις ασφαλείας για ηλεκτρικές συσκευές (EN 60335-2-24).

Αυτή η συσκευή προορίζεται για χρήση μέχρι ένα μέγιστο ύψος 2.000 μέτρων πάνω από την επιφάνεια της θάλασσας.

## Υποδείξεις απόσυρσης

### Απόσυρση της συσκευασίας

Η συσκευασία προστατεύει τη συσκευή σας από ζημιές κατά τη μεταφορά. Όλα τα χρησιμοποιούμενα υλικά συσκευασίας είναι αβλαβή για το περιβάλλον και μπορούν να ξαναχρησιμοποιηθούν. Παρακαλούμε να συντελέσετε κι εσείς στην προστασία του περιβάλλοντος και ν' αποσύρετε τη συσκευασία με τρόπο αβλαβή για το περιβάλλον.

Για τους επίκαιρους τρόπους απόσυρσης παρακαλείσθε να ζητήσετε πληροφορίες από το ειδικό κατάστημα, από το οποίο αγοράσατε τη συσκευή ή από τη Δημοτική ή Κοινοτική Αρχή της περιοχής σας.



## Απόσυρση της παλιάς συσκευής

Οι παλιές συσκευές δεν αποτελούν άχρηστα απορρίμματα! Με την απόσυρσή τους σύμφωνα με τους κανονισμούς για την προστασία του περιβάλλοντος μπορούν να επαναποκτηθούν πολύτιμες πρώτες ύλες.



Αυτή η συσκευή χαρακτηρίζεται σύμφωνα με την ευρωπαϊκή οδηγία 2012/19/ΕΕ περί ηλεκτρικών και ηλεκτρονικών συσκευών (waste electrical and electronic equipment - WEEE).

Η οδηγία προκαθορίζει τα πλαίσια για μια απόσυρση και αξιοποίηση των παλιών συσκευών με ισχύ σ' όλη την ΕΕ.

## Προειδοποίηση

Σε παλιές συσκευές που δεν χρησιμοποιούνται πλέον

1. Τραβάτε το φις από την πρίζα.
2. Κόψτε το καλώδιο σύνδεσης στο δίκτυο του ρεύματος και απομακρύνετε το μαζί με το φις.
3. Μη βγάλετε τα ράφια και τα δοχεία, ώστε να μην μπορούν να μπουν εύκολα μέσα στη συσκευή τα παιδιά!
4. Μην αφήνετε τα παιδιά να παίζουν με την άχρηστη παλιά συσκευή. Κίνδυνος ασφυξίας!

Οι ψυκτικές συσκευές περιέχουν ψυκτικά μέσα και στη μόνωση αέρια. Τα ψυκτικά μέσα και τα αέρια απαιτούν απόσυρση από τον ειδικό. Προσέξτε να μην καταστραφούν οι σωληνώσεις της κυκλοφορίας του ψυκτικού μέσου, μέχρι να παραληφθεί αυτή για την ανάλογη, αβλαβή για το περιβάλλον απόσυρση.

## Συνοδεύουν τη συσκευή

Μετά το ξεπακετάρισμα ελέγξτε όλα τα μέρη για ενδεχόμενες ζημιές μεταφοράς.

Σε περίπτωση παραπόνων απευθυνθείτε στο κατάστημα, από το οποίο αγοράσατε τη συσκευή ή στην υπηρεσία τεχνικής εξυπηρέτησης των πελατών μας.

Η παράδοση αποτελείται από τα εξής μέρη:

- Ανεξάρτητη συσκευή
- Εξοπλισμός (ανάλογα με το μοντέλο)
- Σακούλα με υλικά τοποθέτησης
- Οδηγίες χρήσης
- Οδηγίες τοποθέτησης
- Φυλλάδιο με τις υπηρεσίες τεχνικής εξυπηρέτησης πελατών
- Επισυναπτόμενο φύλλο εγγύησης
- Πληροφορίες σχετικά με την κατανάλωση ενέργειας και τους θορύβους

## Τόπος τοποθέτησης

Ως τόπος τοποθέτησης είναι κατάλληλος κάθε στεγνός, αεριζόμενος χώρος.

Ο χώρος τοποθέτησης δεν πρέπει να είναι άμεσα εκτεθειμένος στην ηλιακή ακτινοβολία ούτε να βρίσκεται κοντά σε πηγή θερμότητας όπως κουζίνα, καλοριφέρ κτλ. Αν η τοποθέτηση δίπλα σε πηγή θερμότητας είναι αναπόφευκτη, χρησιμοποιήστε κατάλληλη μονωτική πλάκα ή τηρήστε τις ακόλουθες ελάχιστες αποστάσεις από την πηγή θερμότητας:

- Από ηλεκτρικές κουζίνες και κουζίνες αερίου 3 cm.
- Από κουζίνες πετρελαίου ή κάρβουνου 30 cm.

Το δάπεδο στον τόπο τοποθέτησης δεν επιτρέπεται να υποχωρεί, ενισχύστε ενδεχομένως το δάπεδο. Αντισταθμίστε ενδεχόμενες ανωμαλίες του δαπέδου τοποθετώντας κάτω από τη συσκευή κατάλληλο υπόθεμα.

## Απόσταση από τον τοίχο

Τοποθετήστε τη συσκευή έτσι, ώστε να εξασφαλίζεται μια γωνία ανοίγματος της πόρτας 90°.

## Προσέχετε τη θερμοκρασία και τον αερισμό του χώρου

### Θερμοκρασία δωματίου

Η συσκευή είναι κατασκευασμένη για συγκεκριμένη κατηγορία κλίματος. Ανάλογα με την κατηγορία κλίματος η συσκευή μπορεί να λειτουργήσει στις ακόλουθες θερμοκρασίες δωματίου.

Η κατηγορία κλίματος υπάρχει στην πινακίδα τύπου της συσκευής. Εικόνα **14**

Κατηγορία κλίματος	Επιτρεπτή θερμοκρασία χώρου
<b>SN</b>	+10 °C έως 32 °C
<b>N</b>	+16 °C έως 32 °C
<b>ST</b>	+16 °C έως 38 °C
<b>T</b>	+16 °C έως 43 °C

### Υπόδειξη

Η συσκευή λειτουργεί σωστά εντός των ορίων θερμοκρασίας περιβάλλοντος της αναφερόμενης κλιματικής κλάσης. Αν κάποια συσκευή της κλιματικής κλάσης SN λειτουργεί σε χαμηλότερες θερμοκρασίες περιβάλλοντος, δεν μπορούν να αποκλειστούν ζημιές στη συσκευή μέχρι τη θερμοκρασία των +5 °C.

## Αερισμός

### Εικόνα 2

Ο αέρας στο οπίσθιο και τα πλαϊνά τοιχώματα της συσκευής ζεσταίνεται. Ο ζεσταμένος αέρας πρέπει να μπορεί να διαφεύγει ελεύθερα. Διαφορετικά το ψυκτικό μηχανήμα πρέπει να λειτουργήσει με μεγαλύτερη ισχύ, πράγμα το οποίο αυξάνει την κατανάλωση του ρεύματος. Γι' αυτό: Μην καλύπτετε ποτέ ούτε να τοποθετείτε αντικείμενα μπροστά από τ' ανοίγματα αερισμού και εξαερισμού!

## Σύνδεση της συσκευής

Μετά την τοποθέτηση της συσκευής περιμένετε τουλάχιστον 1 ώρα, μέχρι να θέσετε τη συσκευή σε λειτουργία. Κατά τη μεταφορά μπορεί να συμβεί να μεταβεί το λάδι, που περιέχεται στον συμπυκνωτή, στο ψυκτικό σύστημα.

Πριν τη θέση για πρώτη φορά σε λειτουργία καθαρίστε τον εσωτερικό χώρο της συσκευής (βλ. Καθαρισμός της συσκευής).

## Ηλεκτρική σύνδεση

Η πρίζα πρέπει να βρίσκεται κοντά στη συσκευή και να είναι προσιτή επίσης μετά την εγκατάσταση της συσκευής.

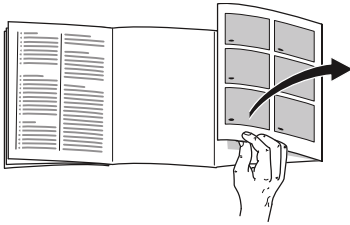
Η συσκευή αντιστοιχεί στην κατηγορία προστασίας (μόνωσης) I. Συνδέστε τη συσκευή σε εναλλασσόμενο ρεύμα 220–240 V/50 Hz μέσω γειωμένης πρίζας εγκατεστημένης σύμφωνα με τις προδιαγραφές. Η πρίζα πρέπει να είναι ασφαλισμένη με ασφάλεια 10 έως 16 A. Σε συσκευές, οι οποίες λειτουργούν σε μη ευρωπαϊκές χώρες, πρέπει να ελέγξετε, αν η τάση και το είδος ρεύματος που δίνονται, βρίσκονται σε συμφωνία με τις τιμές του δικτύου σας. Τα στοιχεία αυτά θα τα βρείτε στην πινακίδα τύπου. Εικόνα 14

### Προειδοποίηση

Η συσκευή δεν επιτρέπεται σε καμία περίπτωση να συνδεθεί σε ηλεκτρονικές πρίζες εξοικονόμησης ενέργειας.

Για τη χρήση των συσκευών μας μπορούν να χρησιμοποιηθούν μετατροπείς δικτύου και μετατροπείς ημιτόνου. Μετατροπείς δικτύου χρησιμοποιούνται στις φωτοβολταϊκές εγκαταστάσεις, οι οποίες συνδέονται απευθείας στο δημόσιο ηλεκτρικό δίκτυο. Σε μεμονωμένες εφαρμογές (π.χ. σε πλοία ή ορεινά καταφύγια και κατοικίες), οι οποίες δεν έχουν σύνδεση με το δημόσιο δίκτυο του ρεύματος πρέπει να χρησιμοποιούνται μετατροπείς ημιτόνου.

## Γνωρίστε τη συσκευή



Παρακαλούμε, ανοίξτε την τελευταία σελίδα με τις απεικονίσεις. Αυτές οι οδηγίες χρήσης ισχύουν για περισσότερα μοντέλα.

Ο εξοπλισμός των μοντέλων μπορεί να ποικίλλει.

Οι απεικονίσεις είναι δυνατόν να διαφέρουν.

Εικόνα 1

\* όχι σε όλα τα μοντέλα

A Χώρος συντήρησης

B Χώρος κατάψυξης

1–12 Στοιχεία χειρισμού

13\* Διαχώρισμα για βούτυρο και τυρί

14 Ράφι για μικρές φιάλες

15 Ράφι για μεγάλες φιάλες

16 Φωτισμός (LED)

17\* Ράφι φιαλών

18\* Σετ πρωινού

19 Χώρος ψυχρής αποθήκευσης

20 Δοχείο λαχανικών με ρυθμιστή υγρασίας

21\* Δοχείο κατεψυγμένων τροφίμων

## Στοιχεία χειρισμού

Εικόνα 4

- 1 **Ένδειξη θερμοκρασίας χώρου συντήρησης**  
Οι αριθμοί αντιστοιχούν στις ρυθμισμένες θερμοκρασίες του χώρου συντήρησης σε °C.
- 2 **Ένδειξη alarm**  
Τονίζεται, όταν στο χώρο ψύξης επικρατεί πολύ υψηλή θερμοκρασία.
- 3 **Ένδειξη super cool**  
Τονίζεται, όταν η υπερψύξη βρίσκεται σε λειτουργία.
- 4 **Ένδειξη alarm**  
Τονίζεται, όταν στο χώρο κατάψυξης επικρατεί πολύ υψηλή θερμοκρασία.
- 5 **Λυχνία ένδειξης χώρου κατάψυξης**  
Οι αριθμοί στη φωτεινή ράβδο αντιστοιχούν σε θερμοκρασίες του χώρου κατάψυξης σε °C.
- 6 **Ένδειξη super freeze**  
Τονίζεται, όταν η υπερκατάψυξη βρίσκεται σε λειτουργία.
- 7 **Ένδειξη "eco mode" (λειτουργία eco)**  
Τονίζεται, όταν η λειτουργία eco είναι ενεργοποιημένη.
- 8 **Πλήκτρο lock/alarm off**  
Το πλήκτρο χρησιμεύει για:
  - Την απενεργοποίηση του προειδοποιητικού ηχητικού σήματος (βλέπε στο κεφάλαιο "Λειτουργία συναγερμού")
  - Την ενεργοποίηση και απενεργοποίηση του κλειδώματος πλήκτρων.

- 9 **Πλήκτρο compartment για την επιλογή χώρου**  
Χρησιμεύει για την επιλογή ενός χώρου. Αυτό είναι απαραίτητο, για την αλλαγή αυτής της θερμοκρασίας ή για την ενεργοποίηση ορισμένων ειδικών λειτουργιών.
- 10 **Πλήκτρα ρύθμισης +/-**  
Τα πλήκτρα χρησιμεύουν για τη ρύθμιση των θερμοκρασιών του χώρου συντήρησης και του χώρου κατάψυξης.
- 11 **Πλήκτρο "timer"**  
Με τη λειτουργία αυτή μπορείτε να ρυθμίσετε μία χρονική πορεία, η οποία θα σας υπενθυμίζεται με ακουστικό σήμα. Βλ. Κεφάλαιο "Ειδικές λειτουργίες".
- 12 **Ένδειξη vacation**  
Τονίζεται, όταν η λειτουργία διακοπών είναι ενεργοποιημένη.

## Ενεργοποίηση της συσκευής

1. Βάλτε πρώτα το φινι στην σύνδεση στην πίσω πλευρά της συσκευής. Ελέγξτε, αν το φινι είναι τοποθετημένο πλήρως μέσα στην πρίζα.
2. Βάλτε το άλλο άκρο του καλωδίου στην πρίζα.

Η συσκευή είναι τώρα ενεργοποιημένη και ηχεί ένα προειδοποιητικό σήμα.

Πατήστε το πλήκτρο lock/alarm off, για να απενεργοποιήσετε το προειδοποιητικό ηχητικό σήμα.

Η ένδειξη alarm σβήνει, μόλις η συσκευή φθάσει στη ρυθμισμένη θερμοκρασία.

Οι προρυθμισμένες θερμοκρασίες επιτυγχάνονται μετά από περισσότερες ώρες. Μην τοποθετήσετε νωρίτερα τρόφιμα μέσα στη συσκευή.

Από το εργοστάσιο συνιστώνται οι ακόλουθες θερμοκρασίες:

- Χώρος κατάψυξης: -18 °C
- Χώρος συντήρησης: +4 °C

## Υποδείξεις σχετικά με τη λειτουργία

- Μετά την ενεργοποίηση μπορεί να χρειαστούν αρκετές ώρες, μέχρι να επιτευχθούν οι ρυθμισμένες θερμοκρασίες.
- Χάρη στο υπεραυτόματο σύστημα NoFrost ο χώρος κατάψυξης παραμένει χωρίς πάγο. Μια απόψυξη δεν είναι πλέον απαραίτητη.
- Σε περίπτωση που η πόρτα δεν ξανανοίγει αμέσως μετά το κλείσιμο, περιμένετε μια στιγμή, μέχρι να αντισταθμιστεί η υποπίεση που προέκυψε.
- Οι μετωπικές πλευρές και τα πλευρικά τοιχώματα του περιβλήματος θερμαίνονται εν μέρει ελαφρά. Αυτό εμποδίζει το σχηματισμό νερού συμπύκνωσης.

## Ρύθμιση θερμοκρασίας

Εικόνα 4

### Χώρος ψύξης

Η θερμοκρασία μπορεί να ρυθμιστεί από +2 °C έως +8 °C.

1. Επιλέξτε το χώρο ψύξης με το πλήκτρο compartment.
2. Πατήστε τα πλήκτρα +/- τόσες φορές, μέχρι να εμφανιστεί η επιθυμητή θερμοκρασία.

Τα ευαίσθητα τρόφιμα δεν πρέπει να αποθηκεύονται σε θερμοκρασία μεγαλύτερη από +4 °C.

### Χώρος κατάψυξης

Η θερμοκρασία μπορεί να ρυθμιστεί από -16 °C έως -24 °C.

1. Επιλέξτε το χώρο κατάψυξης με το πλήκτρο compartment.
2. Πατήστε τα πλήκτρα +/- τόσες φορές, μέχρι να εμφανιστεί η επιθυμητή θερμοκρασία.

## Ειδικές λειτουργίες

Εικόνα **4**

### Λειτουργία eco

Με τη λειτουργία eco περνάτε τη συσκευή στη λειτουργία εξοικονόμησης ενέργειας.

#### Θέση σε λειτουργία:

Πατήστε το πλήκτρο eco.

Η συσκευή ρυθμίζει αυτόματα τις ακόλουθες θερμοκρασίες:

- Χώρος ψύξης: +8 °C
- Χώρος κατάψυξης: -16 °C

#### Θέση εκτός λειτουργίας:

Πατήστε το πλήκτρο eco.

### Λειτουργία κλειδώματος των πλήκτρων Lock (κλειδώμα)

Για την ενεργοποίηση και απενεργοποίηση του κλειδώματος των πλήκτρων, πατήστε το πλήκτρο lock/ alarm off για 5 δευτερόλεπτα.

Σε περίπτωση ενεργοποιημένης λειτουργίας τονίζεται η ένδειξη lock/ alarm off.

Το πεδίο χειρισμού είναι τώρα προστατευμένο από αθέλητο χειρισμό.

#### Εξαίρεση του κλειδώματος των πλήκτρων:

Για την απενεργοποίηση του κλειδώματος των πλήκτρων και σε περίπτωση ενός προειδοποιητικού ηχητικού σήματος μπορεί να πατηθεί το πλήκτρο lock/ alarm off.

### ”timer”

Με τη λειτουργία αυτή μπορείτε να ρυθμίσετε μία χρονική πορεία των 1–99 λεπτών. Ένα σήμα σας υπενθυμίζει, π.χ. αν πρέπει να πάρετε τρόφιμα από τον χώρο μετά από ορισμένο χρόνο.

Από το εργοστάσιο είναι προρυθμισμένη μία τιμή των 20 λεπτών.

#### Προσοχή

Οι φιάλες των ποτών μπορεί να σπάσουν, αν παραμείνουν πάνω από 20 λεπτά στον χώρο κατάψυξης.

#### Ενεργοποίηση της λειτουργίας

1. Πατήστε το πλήκτρο timer 11.
2. Ρυθμίστε με τα πλήκτρα ”+/-” τον επιθυμητό χρόνο.

#### Απενεργοποίηση της λειτουργίας

Πατήστε το πλήκτρο timer 11 δύο φορές εντός 3 δευτερολέπτων.

### Τρόπος λειτουργίας διακοπών

Σε περίπτωση μακρότερης απουσίας μπορείτε να ρυθμίσετε τη συσκευή στον οικονομικό τρόπο λειτουργίας για τις διακοπές.

Η θερμοκρασία του χώρου συντήρησης αλλάζεται αυτόματα στους +14 °C.

Κατά τη διάρκεια αυτή μην αποθηκεύετε τρόφιμα στον χώρο συντήρησης.

#### Θέση σε λειτουργία:

Πατήστε το πλήκτρο vacation.

Η συσκευή ρυθμίζει αυτόματα τις ακόλουθες θερμοκρασίες:

- Χώρος ψύξης: +14 °C
- Χώρος κατάψυξης: παραμένει αμετάβλητος

#### Θέση εκτός λειτουργίας:

Πατήστε το πλήκτρο vacation.

## Λειτουργία συναγερμού

Στις ακόλουθες περιπτώσεις μπορεί να ενεργοποιηθεί ο συναγερμός.

### Συναγερμός πόρτας

Ο συναγερμός πόρτας (συνεχές ηχητικό σήμα) ενεργοποιείται και στην ένδειξη θερμοκρασίας του χώρου ψύξης 1 εμφανίζεται alarm, όταν η συσκευή είναι ανοιχτή για μεγαλύτερο χρονικό διάστημα. Με κλείσιμο της συσκευής απενεργοποιείται ξανά ο συναγερμός.

### Συναγερμός θερμοκρασίας

Ένα διακοπόμενο σήμα ηχεί, στην ένδειξη της θερμοκρασίας του χώρου κατάψυξης 5 εμφανίζεται η ένδειξη alarm.

Ο συναγερμός θερμοκρασίας ενεργοποιείται, όταν η θερμοκρασία στο χώρο κατάψυξης είναι πολύ υψηλή και υπάρχει κίνδυνος για τα κατεψυγμένα τρόφιμα.

Χωρίς κίνδυνο για τα κατεψυγμένα τρόφιμα ο συναγερμός μπορεί να ενεργοποιηθεί:

- Κατά την αρχική θέση της συσκευής σε λειτουργία.
- Κατά την τοποθέτηση μεγάλων ποσοτήτων νωπών τροφίμων.

### Υπόδειξη

Μην ξανακαταψύξετε τα μισοξεπαγωμένα ή τελείως ξεπαγωμένα κατεψυγμένα τρόφιμα. Μόνον αφού τα μαγειρέψετε, μπορείτε να καταψύξετε εκ νέου το έτοιμο φαγητό.

Μην εξαντλήσετε πλέον τη μέγιστη διάρκεια αποθήκευσης.

Η ένδειξη θερμοκρασίας δείχνει για 5 δευτερόλεπτα την υψηλότερη θερμοκρασία, η οποία επικράτησε στον χώρο κατάψυξης. Κατόπιν δείχνεται ξανά η ρυθμισμένη θερμοκρασία.

### Απενεργοποίηση του συναγερμού

Πατήστε το πλήκτρο lock/alarm off για να απενεργοποιήσετε το προειδοποιητικό ηχητικό σήμα.



## Home Connect

Αυτή η συσκευή έχει δυνατότητα Wi-Fi και είναι τηλεχειριζόμενη μέσω μιας κινητής τερματικής συσκευής.

### Υπόδειξη

Το Wi-Fi είναι μία καταχωρισμένη μάρκα της Wi-Fi Alliance.

Όταν η συσκευή δεν είναι συνδεδεμένη με το οικιακό δίκτυο, λειτουργεί όπως μία συσκευή ψύξης χωρίς σύνδεση σε δίκτυο και ο χειρισμός μπορεί να εξακολουθήσει να γίνεται χειροκίνητα μέσω των στοιχείων χειρισμού.

Για να εκμεταλλευτείτε τις λειτουργίες Home Connect, συνδέστε τη συσκευή μ' ένα Home Connect Wi-Fi-Dongle.

Εάν τη συσκευή σας δεν την συνοδεύει κανένα Home Connect Wi-Fi-Dongle (κλειδί ασφαλείας), μπορείτε να το παραγγείλετε στο σέρβις πελατών.

### Υπόδειξη

Η σύνδεση και αποσύνδεση του φις στην πίσω πλευρά της συσκευής γίνεται δυσκολότερα από ό,τι περιμένατε. Βεβαιωθείτε ότι το φις είναι τοποθετημένο πλήρως μέσα στην πρίζα.

Τοποθετήστε το Home Connect Wi-Fi-Dongle σε ύψος 1 μέτρου.

### Υποδείξεις

- Τηρείτε τις υποδείξεις ασφαλείας και προειδοποίησης σε αυτές τις οδηγίες χρήσης και βεβαιωθείτε ότι αυτές τηρούνται ακόμη και όταν χειρίζεστε τη συσκευή μέσω της εφαρμογής (App) Home Connect ενώ δεν είστε σπίτι (βλέπε κεφάλαιο "Υποδείξεις ασφαλείας και προειδοποίησης").

Τηρείτε επίσης τις υποδείξεις στην εφαρμογή (App) Home Connect .

- Ο χειρισμός στη συσκευή έχει πάντα προτεραιότητα σε σχέση με το χειρισμό μέσω της εφαρμογής (App) Home Connect. Κατά τη διάρκεια αυτού του διαστήματος, δεν είναι δυνατός ο χειρισμός μέσω της εφαρμογής (App).

## Προετοιμασία Home Connect

### Υποδείξεις

- Προσέξτε το ένθετο Home Connect, το οποίο είναι διαθέσιμο για κατέβασμα κάτω από [siemens-home.bsh-group.com](http://siemens-home.bsh-group.com) στις οδηγίες. Γι' αυτό εισάγετε στο πεδίο αναζήτησης τον αριθ. Ε της συσκευής σας.
- Για τη δυνατότητα πραγματοποίησης των ρυθμίσεων μέσω Home Connect, η εφαρμογή (App) Home Connect πρέπει να είναι εγκατεστημένη στη φορητή τερματική σας συσκευή. Προσέξτε γι' αυτό τη συμπαραδιδόμενη τεκμηρίωση της λειτουργίας του Home Connect. Ακολουθήστε τα προκαθορισμένα από την εφαρμογή (App) βήματα, για την πραγματοποίηση των ρυθμίσεων.
- Αν δεν γίνει χειρισμός στη συσκευή για αρκετό χρονικό διάστημα, κλείνει αυτόματα το μενού Home Connect. Οδηγίες για το άνοιγμα του μενού Home Connect βρίσκете στην αρχή των αντίστοιχων κεφαλαίων.

## Αυτόματη σύνδεση με το οικιακό δίκτυο (WLAN)

Αν ένας δρομολογητής (ρούτερ) WLAN διαθέτει τη λειτουργία WPS, μπορείτε να συνδέσετε το ψυγείο αυτόματα με το οικιακό δίκτυο.

1. Πατήστε ταυτόχρονα το πλήκτρο **super cooling** και το πλήκτρο **lock/ alarm off** για να ανοίξετε το μενού **Home Connect**.

Η ένδειξη δείχνει **Cn**.

### Υπόδειξη

Πατήστε τα δύο πλήκτρα την ίδια στιγμή. Ο χειρισμός των πλήκτρων κλειδώνεται, εάν πατηθεί παρατεταμένα μόνο το πλήκτρο **lock/ alarm off**. Πατήστε ξανά το πλήκτρο **lock/ alarm off** παρατεταμένα, μέχρι να ακυρωθεί το κλειδωμα.

2. Πατήστε το πλήκτρο **compartment** τόσες φορές μέχρι να εμφανιστούν οι ενδείξεις **AC** και **oF**.
3. Πατήστε το πλήκτρο **+**.

Η συσκευή είναι έτοιμη για την αυτόματη σύνδεση.

Η ένδειξη δείχνει για 2 λεπτά μια κινούμενη εικόνα.

Εκτελέστε σε αυτό το χρονικό διάστημα τα παρακάτω βήματα.

4. Ενεργοποιήστε τη λειτουργία WPS στον δρομολογητή του οικιακού δικτύου (π. χ. με το πλήκτρο **WPS-/ WLAN**, σχετικές πληροφορίες υπάρχουν στις οδηγίες για τον δρομολογητή).

- Σε περίπτωση επιτυχούς σύνδεσης αναβοσβήνει **on** στην ένδειξη του ψυγείου.

Τώρα μπορείτε να συνδέσετε το ψυγείο με την εφαρμογή (App).

- Εάν η ένδειξη δείχνει **oF**, τότε δεν μπόρεσε να αποκατασταθεί καμία σύνδεση.

Ελέγξτε αν το ψυγείο είναι εντός της εμβέλειας του οικιακού δικτύου (WLAN).

Επαναλάβετε τη διαδικασία ή πραγματοποιήστε χειροκίνητη σύνδεση.

## Χειροκίνητη σύνδεση με το οικιακό δίκτυο (WLAN)

Αν ο υπάρχων δρομολογητής WLAN δεν έχει λειτουργία WPS ή αυτή δεν είναι γνωστή, μπορείτε να συνδέσετε χειροκίνητα το ψυγείο με το οικιακό δίκτυο.

1. Πατήστε ταυτόχρονα το πλήκτρο **super cooling** και το πλήκτρο **lock/ alarm off** για να ανοίξετε το μενού **Home Connect**.

Η ένδειξη δείχνει **Cn**.

### Υπόδειξη

Πατήστε τα δύο πλήκτρα την ίδια στιγμή. Ο χειρισμός των πλήκτρων κλειδώνεται, εάν πατηθεί παρατεταμένα μόνο το πλήκτρο **lock/ alarm off**. Πατήστε ξανά το πλήκτρο **lock/ alarm off** παρατεταμένα, μέχρι να ακυρωθεί το κλειδωμα.

2. Πατήστε το πλήκτρο **compartment** τόσες φορές μέχρι να εμφανιστούν οι ενδείξεις **SA** και **oF**.

3. Πατήστε το πλήκτρο +.  
Η συσκευή είναι έτοιμη για χειροκίνητη σύνδεση.  
Η ένδειξη δείχνει για 5 λεπτά μια κινούμενη εικόνα.  
Εκτελέστε σε αυτό το χρονικό διάστημα τα παρακάτω βήματα.
4. Το ψυγείο έχει τώρα διαμορφώσει ένα δικό του δίκτυο WLAN με το όνομα δικτύου **HomeConnect**.  
Σε αυτό το δίκτυο μπορείτε τώρα να έχετε πρόσβαση με τη φορητή τερματική συσκευή.
5. Ανοίξτε το μενού ρυθμίσεων της φορητής τερματικής συσκευής και καλέστε τις ρυθμίσεις WLAN.
6. Συνδέστε τη φορητή τερματική συσκευή με το δίκτυο WLAN **HomeConnect**.  
Κωδικός: **HomeConnect**  
Η δημιουργία σύνδεσης μπορεί να διαρκέσει έως και 60 δευτερόλεπτα.
7. Μετά από επιτυχή σύνδεση ανοίξτε την εφαρμογή (App) Home Connect στη φορητή τερματική συσκευή.  
Η εφαρμογή (App) αναζητεί το ψυγείο.
8. Μόλις βρεθεί το ψυγείο, καταχωρίστε το όνομα δικτύου (SSID) και τον κωδικό πρόσβασης (Key) του οικιακού σας δικτύου (WLAN) στα αντίστοιχα πεδία.

## 9. Επιβεβαιώστε με το πλήκτρο οθόνης **Μετάδοση σε οικιακές συσκευές**.

- Σε περίπτωση επιτυχούς σύνδεσης αναβοσβήνει **on** στην ένδειξη του ψυγείου.

Τώρα μπορείτε να συνδέσετε το ψυγείο με την εφαρμογή (App).

- Εάν η ένδειξη δείχνει **oF**, τότε δεν μπόρεσε να αποκατασταθεί καμία σύνδεση.

Καταχωρίστε ξανά τον κωδικό πρόσβασης και προσέξτε την ορθογραφία.

Ελέγξτε αν το ψυγείο είναι εντός της εμβέλειας του οικιακού δικτύου (WLAN).

Επαναλάβετε τη διαδικασία.

## **Σύνδεση ψυγείου με την εφαρμογή (App)**

Όταν αποκατασταθεί η σύνδεση μεταξύ ψυγείου και οικιακού δικτύου, μπορείτε να συνδέσετε το ψυγείο με την εφαρμογή (App).

1. Πατήστε ταυτόχρονα το πλήκτρο super cooling και το πλήκτρο lock/ alarm off για να ανοίξετε το μενού Home Connect.

Η ένδειξη δείχνει **Cn**.

### **Υπόδειξη**

Πατήστε τα δύο πλήκτρα την ίδια στιγμή. Ο χειρισμός των πλήκτρων κλειδώνεται, εάν πατηθεί παρατεταμένα μόνο το πλήκτρο lock/ alarm off. Πατήστε ξανά το πλήκτρο lock/ alarm off παρατεταμένα, μέχρι να ακυρωθεί το κλείδωμα.

2. Πατήστε το πλήκτρο compartmentτός φορές, μέχρι να εμφανιστούν οι ενδείξεις **PA** (Ζεύξη = Σύνδεση με App) και **oF**.

3. Πατήστε το πλήκτρο +, για να συνδέσετε τη συσκευή με την εφαρμογή (App).

Η ένδειξη δείχνει μια κινούμενη εικόνα.

Μόλις συνδεθεί το ψυγείο και η εφαρμογή (App), η ένδειξη δείχνει **on**.

4. Στην εφαρμογή (App) Home Connect στη φορητή τερματική συσκευή εμφανίζεται το ψυγείο. Για προσθήκη, επιλέξτε το ψυγείο και προσθέστε το με το κουμπί +.

Αν το ψυγείο δεν εμφανίζεται αυτόματα, στην εφαρμογή (App) Home Connect πρώτα **αναζητήστε οικιακές συσκευές** και έπειτα **συνδέστε οικιακές συσκευές**.

5. Ακολουθήστε τις οδηγίες στην εφαρμογή (App), μέχρι να ολοκληρωθεί η διαδικασία.

- Οι ενδείξεις δείχνουν **PA** και **on**.  
Το ψυγείο έχει συνδεθεί με επιτυχία με την εφαρμογή (App).
- Αν η σύνδεση αποτύχει, ελέγξτε αν η φορητή τερματική συσκευή έχει συνδεθεί με το οικιακό δίκτυο (WLAN).  
Στη συνέχεια, συνδέστε ξανά το ψυγείο με την εφαρμογή (App).
- Όταν η ένδειξη δείχνει **Er**, επαναφέρετε τις ρυθμίσεις Home Connect και εκτελέστε από την αρχή την οργάνωση.

## Έλεγχος έντασης σήματος

Πρέπει να ελέγχετε την ένταση σήματος, όταν δεν λειτουργεί η διαμόρφωση σύνδεσης.

1. Πατήστε ταυτόχρονα το πλήκτρο super cooling και το πλήκτρο lock/ alarm off για να ανοίξετε το μενού Home Connect.

Η ένδειξη δείχνει **Cn**.

### Υπόδειξη

Πατήστε τα δύο πλήκτρα την ίδια στιγμή. Ο χειρισμός των πλήκτρων κλειδώνεται, εάν πατηθεί παρατεταμένα μόνο το πλήκτρο lock/ alarm off. Πατήστε ξανά το πλήκτρο lock/ alarm off παρατεταμένα, μέχρι να ακυρωθεί το κλείδωμα.

2. Πατήστε το πλήκτρο compartment τόσες φορές, μέχρι η ένδειξη να δείχνει **SI**. Στη δεύτερη ένδειξη εμφανίζεται μια τιμή μεταξύ 0 (καθόλου λήψη) και 3 (πλήρης λήψη).

### Υπόδειξη

Η ένταση σήματος θα πρέπει να βρίσκεται τουλάχιστον στο 2. Αν η ένταση σήματος είναι πολύ χαμηλή, μπορεί να διακοπεί η σύνδεση. Τοποθετήστε πιο κοντά τον δρομολογητή και το ψυγείο, βεβαιωθείτε ότι η σύνδεση δεν παρενοχλείται από τοίχους που καλύπτουν το σήμα ή εγκαταστήστε ενισχυτή για να ενισχύσετε το σήμα.

## Επαναφορά ρυθμίσεων Home Connect

Όταν η δημιουργία σύνδεσης δεν λειτουργεί ή θέλετε να συνδέσετε το ψυγείο σε άλλο οικιακό δίκτυο (WLAN), μπορείτε να επαναφέρετε τις ρυθμίσεις Home Connect:

1. Πατήστε ταυτόχρονα το πλήκτρο **super cooling** και το πλήκτρο **lock/ alarm off** για να ανοίξετε το μενού Home Connect.

Η ένδειξη δείχνει **Cn**.

### Υπόδειξη

Πατήστε τα δύο πλήκτρα την ίδια στιγμή. Ο χειρισμός των πλήκτρων κλειδώνεται, εάν πατηθεί παρατεταμένα μόνο το πλήκτρο **lock/ alarm off**. Πατήστε ξανά το πλήκτρο **lock/ alarm off** παρατεταμένα, μέχρι να ακυρωθεί το κλείδωμα.

2. Πατήστε το πλήκτρο **compartment** τόσες φορές, μέχρι να εμφανιστούν οι ενδείξεις **rE** και **oF**.

3. Πατήστε το πλήκτρο **+**.

- Η ένδειξη δείχνει μια κινούμενη εικόνα και έπειτα πάλι **oF**.

Οι ρυθμίσεις Home Connect έχουν μηδενιστεί.

- Αν η ένδειξη δείχνει **Er**, ξεκινήστε ξανά την επαναφορά ή καλέστε την υπηρεσία εξυπηρέτησης πελατών.

## Υπόδειξη για την προστασία των προσωπικών δεδομένων

Με τη σύνδεση για πρώτη φορά της συσκευής ψύξης σας Home Connect με ένα συνδεδεμένο στο διαδίκτυο (Internet) δίκτυο WLAN μεταδίδει η συσκευή ψύξης σας τις ακόλουθες κατηγορίες δεδομένων στην εξυπηρετητή Home Connect (πρώτη εγγραφή):

- Μονοσήμαντη αναγνώριση συσκευής (αποτελούμενη από κωδικούς συσκευής καθώς και τη διεύθυνση MAC της ενσωματωμένης μονάδας επικοινωνίας Wi-Fi).
- Πιστοποιητικό ασφαλείας της μονάδας επικοινωνίας Wi-Fi (για την ασφάλεια της σύνδεσης μέσω της τεχνολογίας των πληροφοριών).
- Η τρέχουσα έκδοση λογισμικού και υλισμικού της συσκευής ψύξης σας.
- Κατάσταση μιας ενδεχομένης προηγούμενης επαναφοράς στις ρυθμίσεις του εργοστασίου.

Αυτή η πρώτη εγγραφή προετοιμάζει τη χρήση των λειτουργιών Home Connect και είναι απαραίτητη από τη στιγμή που θέλετε να χρησιμοποιήσετε τις λειτουργίες Home Connect για πρώτη φορά.

### Υπόδειξη

Προσέξτε, ότι οι λειτουργίες Home Connect μπορεί να χρησιμοποιηθούν μόνο σε συνδυασμό με την εφαρμογή (App) Home Connect. Πληροφορίες για την προστασία των προσωπικών δεδομένων μπορείτε να καλέσετε στην εφαρμογή (App) Home Connect.

## Δήλωση πιστότητας

Με το παρόν η εταιρεία BSH Hausgeräte GmbH δηλώνει, ότι η συσκευή με λειτουργικότητα Home Connect ταυτίζεται με τις βασικές απαιτήσεις και τις υπόλοιπες σχετικές διατάξεις της οδηγίας 1999/5/ΕΚ.

Μια λεπτομερής δήλωση πιστότητας R&TTE μπορείτε να βρείτε στο διαδίκτυο (Internet) στην ηλεκτρονική διεύθυνση [siemens-home.bsh-group.com](http://siemens-home.bsh-group.com) στη σελίδα προϊόντος της συσκευής σας στα πρόσθετα έγγραφα.



## Ωφέλιμο περιεχόμενο

Τα στοιχεία για το ωφέλιμο περιεχόμενο θα τα βρείτε μέσα στη συσκευή σας στην πινακίδα τύπου. Εικόνα 14

## Πλήρης εκμετάλλευση της χωρητικότητας του χώρου κατάψυξης

Για να τοποθετήσετε τη μέγιστη ποσότητα κατεψυγμένων τροφίμων, μπορείτε να αφαιρέσετε τα δοχεία. Τότε μπορείτε να στοιβάξετε τα τρόφιμα απευθείας πάνω στο ράφι και στον πυθμένα του χώρου κατάψυξης.

### Υπόδειξη

Αποφεύγετε την επαφή μεταξύ των τροφίμων και του οπίσθιου τοιχώματος. Διαφορετικά διαταράσσεται η ομαλή κυκλοφορία του αέρα.

Τρόφιμα ή συσκευασίες μπορεί να παγώσουν και να κολλήσουν με πάγο στο οπίσθιο τοίχωμα.

## Αφαίρεση μερών εξοπλισμού

Τραβήξτε το δοχείο κατεψυγμένων τροφίμων μέχρι τέρμα προς τα έξω, ανασηκώστε το μπροστά και αφαιρέστε το. Εικόνα 10

## Χώρος συντήρησης

Ο χώρος συντήρησης είναι ο ιδανικός χώρος αποθήκευσης για κρέας, αλλαντικά, ψάρι, γαλακτοκομικά προϊόντα, αυγά, μαγειρεμένα φαγητά και αρτοσκευάσματα.

## Κατά την αποθήκευση προσέχετε τα εξής

- Αποθηκεύετε φρέσκα, άθικτα τρόφιμα. Έτσι διατηρείται για μεγαλύτερο διάστημα η ποιότητα και η φρεσκάδα.
- Σε έτοιμα προϊόντα και τυποποιημένα τρόφιμα προσέξτε την ημερομηνία ανάλωσης ή την ημερομηνία λήξης που δίνεται από τον κατασκευαστή.
- Για να διατηρηθούν το άρωμα, το χρώμα και η φρεσκάδα τοποθετείτε τα τρόφιμα καλά συσκευασμένα ή καλυμμένα. Έτσι αποφεύγονται η ανάμιξη των γεύσεων και οι χρωματικές αλλοιώσεις των πλαστικών μερών στον χώρο συντήρησης.
- Αφήνετε τα ζεστά φαγητά και ποτά να κρυώσουν πρώτα και τα τοποθετείτε μετά μέσα στη συσκευή.

### Υπόδειξη

Μην μπλοκάρετε τα ανοίγματα εξόδου αέρα με τρόφιμα, ώστε να μην εμποδίζεται η κυκλοφορία του αέρα. Τα τρόφιμα, τα οποία αποθηκεύονται άμεσα μπροστά από τα ανοίγματα εξόδου αέρα, μπορούν να παγώσουν από τον εξερχόμενο ψυχρό αέρα.

## Προσέξτε τις ψυχρές ζώνες στο χώρο ψύξης

Λόγω της κυκλοφορίας του αέρα στο χώρο ψύξης προκύπτουν διαφορετικές ζώνες ψύξης:

- Οι ψυχρότερες ζώνες είναι μπροστά από τα ανοίγματα αερισμού και μέσα στον ψυχρό θάλαμο αποθήκευσης, εικόνα **11**/19.

### Υπόδειξη

Αποθηκεύετε στις ψυχρότερες ζώνες ευαίσθητα τρόφιμα (π.χ. ψάρια, αλλαντικά, κρέας).

- Η θερμότερη ζώνη είναι στο επάνω μέρος της πόρτας.

### Υπόδειξη

Στη θερμότερη ζώνη αποθηκεύετε π. χ. σκληρό τυρί και βούτυρο. Το σκληρό τυρί μπορεί να αναπτύξει έτσι περαιτέρω το άρωμά του, το βούτυρο παραμένει μαλακό.

## Δοχείο λαχανικών με ρυθμιστή υγρασίας

### Εικόνα **8**

Για να δημιουργηθεί το ιδανικό κλίμα αποθήκευσης για φρούτα και λαχανικά, μπορείτε να ρυθμίσετε την υγρασία του αέρα στο δοχείο λαχανικών:

- Κυρίως λαχανικά καθώς και σε μικτή φόρτωση ή μικρή φόρτωση – υψηλή υγρασία αέρα
- Κυρίως φρούτα καθώς και σε μεγάλη φόρτωση – χαμηλή υγρασία του αέρα

## Υποδείξεις

- Για την ιδανική διατήρηση της ποιότητας και του αρώματός τους τα ευαίσθητα στο ψύχος φρούτα (π. χ. ανανάς, μπανάνες, παπάγια και εσπεριδοειδή) και λαχανικά (π. χ. μελιτζάνες, αγγούρια, κολοκύθια, πιπεριές, ντομάτες και πατάτες) θα πρέπει να αποθηκεύονται εκτός ψυγείου σε θερμοκρασίες περίπου +8 °C έως +12 °C.
- Ανάλογα με την ποσότητα και τα προς αποθήκευση τρόφιμα μπορεί να σχηματιστεί νερό συμπύκνωσης μέσα στο δοχείο λαχανικών. Απομακρύνετε το νερό συμπύκνωσης με στεγνό πανί και προσαρμόστε την υγρασία του αέρα στο δοχείο λαχανικών μέσω του ρυθμιστή υγρασίας.

## Χώρος ψυχρής αποθήκευσης

### Εικόνα **9**

Στον χώρο ψυχρής αποθήκευσης επικρατούν χαμηλότερες θερμοκρασίες απ' ό τι στον χώρο συντήρησης. Μπορούν επίσης να εμφανιστούν θερμοκρασίες κάτω των 0 °C.

Ιδανικός για την αποθήκευση ψαριών, κρέατος και αλλαντικών. Όχι για σαλάτες και λαχανικά και τρόφιμα ευαίσθητα στο ψύχος.

Η θερμοκρασία των ψυχρών θαλάμων αποθήκευσης μπορεί να μεταβάλλεται με τη βοήθεια του ανοίγματος αερισμού. Σπρώξτε το ρυθμιστή θερμοκρασίας προς τα πάνω, για να μειώσετε τη θερμοκρασία. Σπρώξτε το ρυθμιστή θερμοκρασίας προς τα κάτω, για να αυξήσετε τη θερμοκρασία. Εικόνα **7**

## Υπερψύξη

Κατά τη λειτουργία με υπερψύξη ψύχεται ο χώρος συντήρησης επί περ. 6 ώρες στη χαμηλότερη δυνατή θερμοκρασία.

Κατόπιν ρυθμίζεται αυτόματα στη θερμοκρασία που είχε ρυθμιστεί πριν την ενεργοποίηση της υπερψύξης.

Ενεργοποιείτε την υπερψύξη π.χ.

- πριν την τοποθέτηση μεγάλων ποσοτήτων τροφίμων.
- για την ταχεία ψύξη ποτών.

## Ενεργοποίηση και απενεργοποίηση

Εικόνα **4**

1. Επιλέξτε το χώρο ψύξης με το πλήκτρο compartment.
2. Πατήστε το πλήκτρο Super μέχρι να ανάψει η ένδειξη super cool.

Δεν πρέπει να απενεργοποιήσετε την υπέρψυξη. Μετά από 6 ώρες περνά αυτόματα στην προηγούμενη ρυθμισμένη θερμοκρασία.

## Υπόδειξη

Αν είναι ενεργοποιημένη η σουπερ ψύξη, μπορεί να παρατηρηθούν αυξημένοι θόρυβοι λειτουργίας.

## Χώρος κατάψυξης

### Χρησιμοποιείτε τον χώρο κατάψυξης

- Για την αποθήκευση κατεψυγμένων τροφίμων.
- Για την παρασκευή παγοκύβων.
- Για την κατάψυξη τροφίμων.

### Υπόδειξη

Προσέξτε να είναι πάντοτε κλειστή η πόρτα του χώρου κατάψυξης. Με ανοιχτή την πόρτα ξεπαγώνουν τα τρόφιμα και ο χώρος κατάψυξης καλύπτεται από παχύ στρώμα πάγου. Εκτός αυτού: Σπατάλη ενέργειας λόγω μεγάλης κατανάλωσης ρεύματος!



## Μέγ. απόδοση κατάψυξης

Στοιχεία σχετικά με τη μέγιστη απόδοση κατάψυξης εντός 24 ωρών θα βρείτε στην πινακίδα τύπου. Εικόνα 14

### Προϋποθέσεις για τη μέγ. απόδοση κατάψυξης

- Ενεργοποιήστε την υπερκατάψυξη πριν την τοποθέτηση των νωπών τροφίμων (βλ. στο Κεφάλαιο Υπερκατάψυξη).
- Αφαιρέστε τα δοχεία, στοιβάξτε τα τρόφιμα απευθείας πάνω στο ράφι και στον πυθμένα του χώρου κατάψυξης.
- Καταψύχετε τις μεγάλες ποσότητες τροφίμων κατά προτίμηση στο επάνω ράφι. Εκεί αυτά καταψύχονται ιδιαίτερα γρήγορα και ως εκ τούτου επίσης με διατήρηση των θρεπτικών συστατικών τους.

## Κατάψυξη και αποθήκευση

### Αγορά κατεψυγμένων τροφίμων

- Η συσκευασία δεν επιτρέπεται να είναι χαλασμένη.
- Προσέχετε την ημερομηνία λήξης.
- Η θερμοκρασία στα ψυγεία των καταστημάτων πώλησης πρέπει να είναι  $-18\text{ }^{\circ}\text{C}$  ή χαμηλότερη.
- Μεταφέρετε τα κατεψυγμένα τροφιμα που αγοράσατε κατά δυνατότητα σε μονωτική σακούλα και τοποθετήστε τα χωρίς καθυστέρηση στον χώρο κατάψυξης.

### Κατά την τακτοποίηση προσέξτε τα εξής

- Καταψύχετε μεγάλες ποσότητες τροφίμων κατά προτίμηση στο επάνω ράφι. Εκεί αυτά καταψύχονται ιδιαίτερα γρήγορα και ως εκ τούτου επίσης με διατήρηση των θρεπτικών συστατικών τους.
- Τοποθετείτε τα τρόφιμα απλωμένα μέσα στους χώρους ή αντίστοιχα στα δοχεία κατεψυγμένων τροφίμων.

### Υπόδειξη

Τα ήδη κατεψυγμένα τρόφιμα δεν επιτρέπεται να έρθουν σε επαφή με τα νωπά τρόφιμα που πρόκειται να καταψυχθούν. Ενδεχομένως μετατοπίζετε τα ήδη κατεψυγμένα τρόφιμα στα άλλα δοχεία κατεψυγμένων τροφίμων.

## Αποθήκευση κατεψυγμένων τροφίμων

Εισάγετε τα δοχεία κατεψυγμένων τροφίμων μέχρι το τέρμα, για να διασφαλίζεται η απρόσκοπτη κυκλοφορία του αέρα.

## Κατάψυξη νωπών τροφίμων

Αν πρόκειται να καταψύξετε τρόφιμα, χρησιμοποιείτε μόνον φρέσκα και αρίστης ποιότητας τρόφιμα.

Για να διατηρηθεί η θεραπευτική αξία, το άρωμα και το χρώμα όσο το δυνατόν καλύτερα, τα λαχανικά θα πρέπει να ζεματίζονται, προτού καταψυχθούν. Για μελιτζάνες, πιπεριές, κολοκύθια και σπαράγγια το ζεμάτισμα δεν είναι απαραίτητο.

Βιβλιογραφία σχετικά με την κατάψυξη και το ζεμάτισμα θα βρείτε στα βιβλιοπωλεία.

### Υπόδειξη

Προσέξτε να μην έρχονται σε επαφή τα τρόφιμα που πρόκειται να καταψυχθούν με ήδη κατεψυγμένα τρόφιμα.

- Για κατάψυξη είναι κατάλληλα: Αρτοσκευάσματα, ψάρια και θαλασσινά, κρέας, κυνήγι, πουλερικά, λαχανικά, φρούτα, αρωματικά χόρτα, αβγά χωρίς το τσίφλι, γαλακτοκομικά προϊόντα όπως τυρί, βούτυρο και χλωρή μυζήθρα, έτοιμα φαγητά και περισσεύματα φαγητών όπως σούπες, μαγειρευτά φαγητά, ψημένο κρέας και ψάρι, φαγητά με πατάτες, σουφλέ, ογκρατέν και γλυκίσματα.

- Για κατάψυξη δεν είναι κατάλληλα: Είδη λαχανικών, τα οποία καταναλώνονται συνήθως ωμά, όπως σαλάτες ή ραπανάκια, αβγά με το τσόφλι, σταφύλια, ολόκληρα μήλα, αχλάδια και ροδάκινα, σφιχτοβρασμένα αβγά, γιαούρτι, ξυνόγαλο, ξυνή κρέμα γάλακτος, φρέσκια κρέμα γάλακτος και μαγιονέζα.

## Συσκευασία των κατεψυγμένων τροφίμων

Συσκευάζετε τα τρόφιμα αεροστεγώς, ούτως ώστε να μη χάσουν ούτε τη γεύση τους ούτε την υγρασία τους.

1. Τοποθετείτε τα τρόφιμα μέσα στη συσκευασία.
2. Πιέζετε τη συσκευασία, μέχρι να βγει ο αέρας.
3. Κλείνετε καλά τη συσκευασία.
4. Αναγράφετε στη συσκευασία το περιεχόμενο του πακέτου και την ημερομηνία κατάψυξής του.

### Κατάλληλα για τη συσκευασία είναι:

Πλαστικές μεμβράνες, σωληνοειδείς μεμβράνες από πολυαιθυλένιο, αλουμινοχαρτα, κουτιά κατάψυξης (τάπερ κτλ.).

Αυτά τα προϊόντα μπορείτε να τα βρείτε στα ειδικά καταστήματα.

### Ακατάλληλα για τη συσκευασία είναι:

Χαρτί περιτυλίγματος, λαδόχαρτο, σελοφάν, σακούλες απορριμμάτων και μεταχειρισμένες σακούλες από ψώνια.

## Κατάλληλα για το κλείσιμο της συσκευασίας είναι:

Λαστιχάκια, πλαστικά κλιπ, κλωστές, αυτοκόλλητες ταινίες ανθεκτικές στις χαμηλές θερμοκρασίες ή παρόμοια.

Οι σακούλες και οι μεμβράνες σε σωλήνα από πολυαιθυλένιο (PE) μπορεί να κλείσουν με συγκόλληση με την ειδική συσκευή θερμοσυγκόλλησης πλαστικών μεμβρανών.

## Χρόνος διατήρησης των κατεψυγμένων τροφίμων

Η διάρκεια διατήρησης εξαρτάται από το είδος των τροφίμων.

Σε θερμοκρασία -18 °C:

- ψάρια, αλλαντικά, μαγειρεμένα φαγητά, αρτοσκευάσματα και γλυκά: μέχρι και 6 μήνες
- τυρί, πουλερικά, κρέας: μέχρι και 8 μήνες
- λαχανικά, φρούτα: μέχρι και 12 μήνες

## Υπερκατάψυξη

Τα τρόφιμα πρέπει να καταψύχονται όσο το δυνατόν γρήγορα μέχρι τον πυρήνα τους, ώστε να διατηρηθούν οι βιταμίνες, η θρεπτική αξία, η εμφάνιση και η γεύση τους.

Ενεργοποιήστε μερικές ώρες πριν την τοποθέτηση των νωπών τροφίμων την υπερκατάψυξη, για να αποφύγετε μια ανεπιθύμητη αύξηση της θερμοκρασίας.

Γενικά αρκούν 4–6 ώρες.

Η συσκευή δουλεύει μετά την ενεργοποίηση αδιάκοπα, στον χώρο της κατάψυξης επιτυγχάνεται πολύ χαμηλή θερμοκρασία.

Αν πρόκειται να εκμεταλλευτείτε τη μέγιστη απόδοση κατάψυξης, τότε πρέπει να ενεργοποιήσετε την υπερκατάψυξη 24 ώρες πριν την τοποθέτηση των νωπών τροφίμων.

Μικρότερες ποσότητες τροφίμων (μέχρι και 2 kg) μπορούν να καταψυχθούν χωρίς υπερκατάψυξη.

### Υπόδειξη

Αν είναι ενεργοποιημένη η υπερκατάψυξη, μπορεί να εμφανιστούν αυξημένοι θόρυβοι λειτουργίας.

## Ενεργοποίηση και απενεργοποίηση

Εικόνα **4**

1. Επιλέξτε το χώρο κατάψυξης με το πλήκτρο compartment.
2. Πατήστε το πλήκτρο Super μέχρι να ανάψει η ένδειξη super freeze.

Δεν πρέπει να απενεργοποιήσετε την υπερκατάψυξη. Μετά περίπου 2 ½ ημέρες περνά αυτόματα στην προηγούμενη ρυθμισμένη θερμοκρασία.

## Απόψυξη κατεψυγμένων τροφίμων

Ανάλογα με το είδος και τον σκοπό χρήσης μπορείτε να επιλέξετε ανάμεσα στις ακόλουθες δυνατότητες:

- σε θερμοκρασία δωματίου
- στο ψυγείο
- στον ηλεκτρικό φούρνο, με/χωρίς ανεμιστήρα θερμού αέρα
- στον φούρνο μικροκυμάτων

### Προσοχή

Μην ξανακαταψύξετε τα μισοξεπαγωμένα ή τελείως ξεπαγωμένα κατεψυγμένα τρόφιμα. Μόνον αφού τα μαγειρέψετε, μπορείτε να καταψύξετε εκ νέου το έτοιμο φαγητό.

Μην εξαντλήσετε πλέον τη μέγιστη διάρκεια αποθήκευσης των τροφίμων.

## Εξοπλισμός

### Ράφια και δοχεία

Μπορείτε να μεταβάλλετε τη θέση των ραφιών του εσωτερικού χώρου και των δοχείων της πόρτας ανάλογα με τις ανάγκες σας: Τραβάτε το ράφι προς τα εμπρός, το κατεβάζετε και το τραβάτε στρέφοντάς το στα πλάγια προς τα έξω. Ανασηκώνετε και βγάλτε τα δοχεία.

### Ειδικός εξοπλισμός

(όχι σε όλα τα μοντέλα)

#### Διαχώρισμα για βούτυρο και τυρί

Πιέζοντας ελαφρά στο κέντρο του κλαπέτου της θήκης για βούτυρο, ανοίγει η θήκη βουτύρου.

Για τον καθαρισμό ανασηκώστε τη θήκη από κάτω και αφαιρέστε την.

#### Σετ πρωινού

Εικόνα **5**

Τα δοχεία του σετ πρωινού μπορούν να αφαιρεθούν ξεχωριστά και να γεμιστούν.

Μπορείτε να αφαιρέσετε το σετ πρωινού για την τοποθέτηση και αφαίρεση των τροφίμων. Γι' αυτό ανασηκώνετε το σετ πρωινού και το τραβάτε προς τα έξω. Τη συγκράτηση του δοχείου μπορείτε να τη μεταθέσετε.

#### Ράφι φιαλών

Εικόνα **6**

Στο ράφι φιαλών μπορείτε να τοποθετείτε φιάλες με ασφάλεια.

## Δοχείο για παγάκια

Εικόνα 13

1. Γεμίστε το δοχείο παγοκύβων κατά τα  $\frac{3}{4}$  με πόσιμο νερό και τοποθετήστε το στον χώρο κατάψυξης.
2. Ξεκολλάτε το τυχόν κολλημένο δοχείο παγοκύβων μόνο με αμβλύ αντικείμενο (λαβή κουταλιού).
3. Για να ξεκολλήσουν τα παγάκια, κρατήστε το δοχείο παγοκύβων για λίγο κάτω από το τρέχον νερό της βρύσης ή λυγίστε το ελαφρά.

## Ημερολόγιο κατάψυξης

Εικόνα 12

Για να αποφεύγονται απώλειες στην ποιότητα των κατεψυγμένων τροφίμων, μην υπερβαίνετε τη διάρκεια αποθήκευσης. Οι αριθμοί στα σύμβολα δίνουν την επιτρεπόμενη διάρκεια αποθήκευσης σε μήνες για τα κατεψυγμένα τρόφιμα. Στα συνήθη κατεψυγμένα προϊόντα του εμπορίου προσέχετε την ημερομηνία παρασκευής ή την ημερομηνία λήξης.

## Παγοκύστη

Σε περίπτωση διακοπής ρεύματος ή βλάβης η παγοκύστη καθυστερεί την άνοδο της θερμοκρασίας των αποθηκευμένων κατεψυγμένων τροφίμων. Η μακρότερη διάρκεια αποθήκευσης επιτυγχάνεται, αν τοποθετήσετε την παγοκύστη στον επάνω χώρο επάνω στα τρόφιμα.

Η παγοκύστη μπορεί επίσης να αφαιρεθεί και να χρησιμοποιηθεί για την προσωρινή διατήρηση της ψύξης τροφίμων π.χ. σε τσάντα-ψυγείο.

## Αυτοκόλλητο "OK"

(όχι σε όλα τα μοντέλα)

Με το αυτοκόλλητο "OK" μπορείτε να ελέγξετε, εάν στο θάλαμο ψύξης έχει επιτευχθεί η ασφαλής για τα τρόφιμα περιοχή θερμοκρασίας  $+4\text{ }^{\circ}\text{C}$  ή χαμηλότερα. Αν το αυτοκόλλητο δε δείχνει "OK", μειώστε σταδιακά τη θερμοκρασία.

### Υπόδειξη

Μετά τη θέση της συσκευής σε λειτουργία μπορεί να διαρκέσει έως και 12 ώρες, μέχρι να επιτευχθεί η ρυθμισμένη θερμοκρασία.



### Σωστή ρύθμιση

## Σβήσιμο και μακροχρόνια θέση της συσκευής εκτός λειτουργίας

### Απενεργοποίηση της συσκευής

Πατήστε το πλήκτρο "+" για 10 δευτερόλεπτα.

Το ψυγείο απενεργοποιείται.  
(όχι σε όλα τα μοντέλα).

### Μακροχρόνια θέση της συσκευής εκτός λειτουργίας

Όταν δεν πρόκειται να χρησιμοποιήσετε για μεγάλο χρονικό διάστημα τη συσκευή:

1. Βγάλτε το φιν από την πρίζα ή απενεργοποιήστε την ασφάλεια.
2. Καθαρίστε τη συσκευή.
3. Αφήστε ανοιχτή την πόρτα της συσκευής.

## Καθαρισμός της συσκευής

### Προσοχή

- Μη χρησιμοποιήσετε διαλυτικά και μέσα καθαρισμού που περιέχουν άμμο, χλωρίδιο ή οξέα.
- Μη χρησιμοποιείτε διαβρωτικά σφουγγάρια ή σφουγγάρια που δημιουργούν αμυχές.  
Στις μεταλλικές επιφάνειες θα μπορούσε να προκληθεί διάβρωση.
- Μην πλένετε ποτέ ράφια και δοχεία της συσκευής στο πλυντήριο πιάτων.  
Τα μέρη αυτά είναι δυνατόν να παραμορφωθούν!

### Το νερό καθαρισμού δεν επιτρέπεται να διεισδύσει στους ακόλουθους τομείς:

- Στοιχεία χειρισμού
- Φωτισμός
- Ανοίγματα αερισμού
- Ανοίγματα στην πλάκα διαχωρισμού

### Ακολουθήστε την εξής διαδικασία:

1. Βγάλτε το φιν από την πρίζα ή απενεργοποιήστε την ασφάλεια.
2. Αφαιρέστε τα κατεψυγμένα τρόφιμα και αποθηκεύστε τα σε δροσερό μέρος. Βάλτε την παγοκύστη (αν υπάρχει) επάνω στα τρόφιμα.

3. Το νερό καθαρισμού δεν επιτρέπεται να έρθει σε επαφή με τα στοιχεία χειρισμού, το φωτισμό, τα ανοίγματα αερισμού ή με τα ανοίγματα της πλάκας διαχωρισμού!

Καθαρίστε τη συσκευή με ένα μαλακό πανί, χλιαρό νερό και λίγο απορρυπαντικό πλυσίματος πιάτων με ουδέτερο pH.

4. Σκουπίστε την τσιμούχα της πόρτας με πανί βρεγμένο μόνο με καθαρό νερό και τρίψτε την μετά καλά με στεγνό πανί.

5. Μετά τον καθαρισμό: Ξανασυνδέστε τη συσκευή.

6. Επανατοποθετήστε τα κατεψυγμένα τρόφιμα.

## Εξοπλισμός

Για τον καθαρισμό αφαιρέστε όλα τα μεταβλητά μέρη της συσκευής.

### Αφαίρεση των ραφιών στην πόρτα

Εικόνα **3**

Ανασηκώστε τα ράφια προς τα πάνω και αφαιρέστε τα.

### Αφαίρεση των γυάλινων ραφιών

Τραβήξτε τα γυάλινα ράφια προς τα εμπρός και αφαιρέστε τα.

### Αφαίρεση δοχείου

Εικόνα **9**

Τραβήξτε τα δοχεία μέχρι τέρμα προς τα έξω, ανασηκώστε τα μπροστά και αφαιρέστε τα.

### Αφαίρεση δοχείου κατεψυγμένων δοχείων

Εικόνα **10**

Τραβήξτε το δοχείο κατεψυγμένων τροφίμων μέχρι τέρμα προς τα έξω, ανασηκώστε το μπροστά και αφαιρέστε το.

### Αφαίρεση του γυάλινου ραφιού πάνω από το συρτάρι λαχανικών

Εικόνα **11**

Το γυάλινο ράφι μπορείτε για τον καθαρισμό να το αφαιρέσετε και να το αποσυναρμολογήσετε.

### Υπόδειξη

Πριν την αφαίρεση του γυάλινου ραφιού τραβήξτε το δοχείο λαχανικών προς τα έξω.

---

## Φωτισμός (LED)

Η συσκευή σας είναι εξοπλισμένη με φωτισμό LED.

Επισκευές αυτού του είδους φωτισμού επιτρέπεται να εκτελούνται μόνον από την υπηρεσία τεχνικής εξυπηρέτησης πελατών ή από εξουσιοδοτημένο ειδικά καταρτισμένο προσωπικό.

## Έτσι μπορείτε να εξοικονομήσετε ενέργεια

- Τοποθετήστε τη συσκευή σε στεγνό, αεριζόμενο χώρο! Η συσκευή δεν πρέπει να βρίσκεται εκτεθειμένη στην άμεση ηλιακή ακτινοβολία ούτε κοντά σε πηγή θερμότητας (π.χ. καλοριφέρ, ηλεκτρική κουζίνα).  
Χρησιμοποιήστε ενδεχομένως μονωτική πλάκα.
- Αφήνετε τα ζεστά τρόφιμα και ποτά να κρυσώσουν πρώτα και μετά τα βάζετε μέσα στη συσκευή.
- Τοποθετείτε τα κατεψυγμένα τρόφιμα για ξεπάγωμα μέσα στον χώρο συντήρησης και εκμεταλλευτείτε έτσι το ψύχος τους για την ψύξη τροφίμων.
- Ανοίγετε την συσκευή όσο το δυνατόν για μικρότερο χρονικό διάστημα.
- Για την επίτευξη της χαμηλότερης κατανάλωσης ενέργειας, κρατήστε μια μικρή πλευρική απόσταση από τον τοίχο.
- Η διάταξη των μερών του εξοπλισμού δεν επηρεάζουν καθόλου την απορρόφηση ενέργειας της συσκευής.

## Θόρυβοι λειτουργίας

### Συνηθισμένοι θόρυβοι λειτουργίας

#### Χαμηλός θόρυβος

Οι κινητήρες λειτουργούν (π.χ. ψυκτικά συγκροτήματα, ανεμιστήρας).

#### Θόρυβος αναβρασμού, γουργουρίσματος ή βουΐσμα

Ροή του ψυκτικού ρευστού μέσα στους σωλήνες.

#### Βραχύς μεταλλικός ήχος

Ο κινητήρας, οι διακόπτες ή οι μαγνητικές βαλβίδες ενεργοποιούνται/ απενεργοποιούνται.

#### Κρότος

Διεξάγεται η αυτόματη απόψυξη.

## Αποφυγή θορύβων

### Η συσκευή δεν βρίσκεται σε επίπεδη θέση

Παρακαλείσθε να ευθυγραμμίσετε τη συσκευή με τη βοήθεια αφαδιού. Χρησιμοποιήστε γι' αυτό τα βιδωτά πόδια ή τοποθετήστε κάτι από κάτω.

### Η συσκευή ακουμπάει κάπου

Παρακαλείσθε να απομακρύνετε τη συσκευή από τα έπιπλα ή τις άλλες συσκευές που ακουμπάει.

### Ταλαντευόμενα ή μαγκωμένα δοχεία ή ράφια

Παρακαλείσθε να ελέγξετε όλα τα αφαιρούμενα μέρη της συσκευής και ενδεχομένως να τα τοποθετήσετε εκ νέου.

### Φιάλες ή δοχεία εφάπτονται μεταξύ τους

Παρακαλείσθε να μετατοπίσετε λίγο τις φιάλες ή τα δοχεία, ούτως ώστε να μην αλληλεφάπτονται.



## Πώς θα διορθώσετε μόνες/-οι σας μικροβλάβες

Προτού καλέσετε την υπηρεσία τεχνικής εξυπηρέτησης πελατών:

Εξετάστε, μήπως μπορείτε βάσει των ακολούθων υποδείξεων να διορθώσετε οι ίδιες/οι τη βλάβη.

Σε περιπτώσεις ζήτησης συμβουλής από την υπηρεσία τεχνικής εξυπηρέτησης πελατών, πρέπει να αναλάβετε εσείς τα έξοδα – ακόμη και κατά τη διάρκεια ισχύος της παροχής δωρεάν εγγύησης!

Βλάβη	Πιθανή αιτία	Αντιμετώπιση
Η θερμοκρασία αποκλίνει ισχυρά από τη ρύθμιση.		Σε μερικές περιπτώσεις αρκεί να θέσετε τη συσκευή για 5 λεπτά εκτός λειτουργίας. Αν η θερμοκρασία είναι πολύ υψηλή, ελέγξτε μετά από λίγες ώρες, αν έχει γίνει προσέγγιση θερμοκρασίας. Αν η θερμοκρασία είναι πολύ χαμηλή, ελέγξτε την επόμενη μέρα τη θερμοκρασία ξανά.
Στο χώρο ψύξης ή στο θάλαμο ψυχρής αποθήκευσης επικρατεί πολύ χαμηλή θερμοκρασία.		Ρυθμίστε τη θερμοκρασία στο χώρο ψύξης σε υψηλότερη τιμή. Σπρώξτε το ρυθμιστή θερμοκρασίας για το θάλαμο ψυχρής αποθήκευσης προς τα κάτω. Εικόνα <b>7</b>
Η θερμοκρασία στον χώρο κατάψυξης είναι πολύ υψηλή.	Συχνό άνοιγμα της συσκευής. Τα ανοίγματα αερισμού και εξαερισμού είναι καλυμμένα.	Μην ανοίγετε άσκοπα τη συσκευή. Απομακρύνετε τα εμπόδια.
	Καταψύχθηκαν μεμιάς μεγαλύτερες ποσότητες ωπών τροφίμων.	Μην υπερβαίνετε τη μέγιστη απόδοση κατάψυξης.
Η συσκευή δεν ψύχει, η ένδειξη θερμοκρασίας και το φως ανάβουν.	Ο τρόπος λειτουργίας έκθεσης είναι ενεργοποιημένος.	Κρατήστε πατημένο το πλήκτρο compartment και το πλήκτρο ρύθμισης — για 5 δευτερόλεπτα, μέχρι να ηχησει ένα σήμα επιβεβαίωσης. Μετά από λίγο χρόνο ελέγξτε, εάν η συσκευή σας ψύχει.
Τα πλευρικά τοιχώματα της συσκευής είναι ζεστά.	Στα πλευρικά τοιχώματα περνούν σωλήνες, οι οποίοι θερμαίνονται κατά τη διάρκεια της διαδικασίας ψύξης.	Αυτό είναι μια κανονική συμπεριφορά της συσκευής, καμία βλάβη. Στα ντουλάπια που ακουμπούν στη συσκευή, δεν προκαλείται ζημιά από τη θερμότητα.

<b>Βλάβη</b>	<b>Πιθανή αιτία</b>	<b>Αντιμετώπιση</b>
Ο φωτισμός δε λειτουργεί.	Ο φωτισμός LED είναι χαλασμένος. Η συσκευή ήταν ανοιχτή για πολύ μεγάλο διάστημα. Ο φωτισμός απενεργοποιείται μετά από περ. 10 λεπτά.	Βλ. Φωτισμός (LED). Μετά το κλείσιμο και το άνοιγμα της συσκευής ο φωτισμός ξαναανάβει.
Καμιά ένδειξη δεν είναι αναμμένη.	Διακοπή ρεύματος, η ασφάλεια έχει πέσει ή έχει καεί, το φικς δεν βρίσκεται σωστά μέσα στην πρίζα.	Συνδέστε το φικς στην πρίζα. Εξετάστε αν υπάρχει ρεύμα, ελέγξτε τις ασφάλειες.
Η πόρτα του χώρου κατάψυξης ήταν για μεγάλο διάστημα ανοιχτή. Η θερμοκρασία δεν θα επιτευχθεί πλέον.	Ο εξατμιστής (ψυκτικό μηχανήμα) στο σύστημα NoFrost έχει καταληφθεί από παχύ στρώμα πάγου, το οποίο δεν αποψύχεται πλέον υπεραυτόματα.	Για την απόψυξη του εξατμιστή βγάλτε τα κατεψυγμένα αγαθά μαζί με τους χώρους και αποθηκεύστε τα καλά μονωμένα σε δροσερό μέρος. Θέτετε τη συσκευή εκτός λειτουργίας και την απομακρύνετε από τον τοίχο. Αφήστε ανοιχτή την πόρτα της συσκευής. Μετά από περ. 20 λεπτά αρχίζουν τα νερά της απόψυξης να τρέχουν μέσα στο δοχείο εξάτμισης, στην πίσω μεριά της συσκευής. Για να αποφύγετε στην περίπτωση αυτή την υπερχείλιση του δοχείου εξάτμισης, αναρροφήστε τα νερά της απόψυξης με σφουγγάρι. Όταν δεν τρέχει πλέον καθόλου νερό απόψυξης μέσα στο δοχείο εξάτμισης, ο εξατμιστής έχει αποψυχθεί. Καθαρίστε τον εσωτερικό χώρο. Επαναθέτετε τη συσκευή σε λειτουργία.

## Αυτοέλεγχος συσκευής

Η συσκευή είναι εξοπλισμένη με ένα αυτόματο πρόγραμμα αυτοελέγχου, το οποίο δείχνει τις πηγές σφαλμάτων, τα οποία μπορούν να αντιμετωπιστούν μόνον από την υπηρεσία τεχνικής εξυπηρέτησης πελατών.

### Εκκίνηση αυτοελέγχου της συσκευής

1. Απενεργοποιήστε τη συσκευή και περιμένετε 5 λεπτά.
2. Ενεργοποιήστε τη συσκευή και μέσα στα πρώτα 10 δευτερόλεπτα κρατήστε πατημένο το πλήκτρο compartment και το πλήκτρο ρύθμισης "-" για 3-5 δευτερόλεπτα, μέχρι να ακουστεί ένα ηχητικό σήμα.

Το πρόγραμμα αυτοελέγχου ξεκινά.

Όταν έχει τελειώσει ο αυτοέλεγχος και ηχήσει δύο φορές ένα ακουστικό σήμα, τότε η συσκευή σας είναι εντάξει.

Εάν ηχήσουν 5 ακουστικά σήματα, πρόκειται για κάποιο σφάλμα.

Ειδοποιήστε την υπηρεσία εξυπηρέτησης πελατών.

### Λήξη του αυτοελέγχου της συσκευής

Μετά τη λήξη του προγράμματος η συσκευή μεταβαίνει στην κανονική λειτουργία.

## Υπηρεσία εξυπηρέτησης πελατών

Την υπηρεσία εξυπηρέτησης πελατών στην περιοχή σας θα την βρείτε στον τηλεφωνικό κατάλογο ή στον πίνακα με τις υπηρεσίες εξυπηρέτησης πελατών. Δώστε στην υπηρεσία εξυπηρέτησης πελατών τον αριθμό προϊόντος (E-Nr.) και τον αριθμό κατασκευής (FD-Nr.) της συσκευής.

Αυτά τα στοιχεία θα τα βρείτε στην πινακίδα τύπου. Εικόνα **14**

Βοηθήστε παρακαλώ, αναφέροντας τον αριθμό προϊόντος και τον αριθμό κατασκευής, στην αποφυγή άσκοπων διαδρομών. Έτσι εξοικονομείτε τα αντίστοιχα επιπλέον έξοδα.

### Εντολή επισκευής και συμβουλές σε περίπτωση βλάβης

Τα στοιχεία επικοινωνίας όλων των χωρών θα τα βρείτε στον πίνακα Υπηρεσίες τεχνικής εξυπηρέτησης πελατών που παραδίδεται μαζί.

GR 18 182

Αστική χρέωση

---

## Biztonsági útmutatások és figyelmeztetések

### Mielőtt a készüléket használatba veszi

Figyelmesen olvassa végig a használati és szerelési utasítást! Fontos tanácsokat kap a készülék beszerelésére, használatára és karbantartására vonatkozóan.

A gyártó nem vállal szavatosságot, ha Ön figyelmen kívül hagyja a használati utasításban tartalmazzott útmutatásokat és figyelmeztetéseket. Minden dokumentumot őrizzen meg a későbbi használatához vagy a későbbi tulajdonos számára.

### Műszaki biztonság

A hűtőkör csöveiben csekély mennyiségű környezetbarát, de éghető hűtőközeg (R600a) folyik. Ez nem károsítja az ózonréteget, és nem fokozza az üvegházhatást. A hűtőközeg kilépése esetén szemsérülést okozhat, vagy meggyulladhat.

### Sérülés esetén

- a nyílt lángot vagy a gyújtóforrásokat távol kell tartani a készüléktől,
- a helyiséget néhány percig jól ki kell szellőztetni,
- kapcsolja ki a készüléket és húzza ki a hálózati csatlakozót,
- értesíteni kell a vevőszolgálatot.

Minél több hűtőközeg van egy gépben, annál nagyobbak kell lenni a helyiségnek, ahol a gép áll. Kis helyiségekben szivárgás esetén gyúlékony gáz-levegő elegy képződik.

A helyiségnek legalább 1 m<sup>3</sup>-nek kell lennie minden 8 g hűtőanyag után. A készülékében levő hűtőközeg-mennyiséget megtalálja a gép típustábláján.

Ha meghibásodik a készülék hálózati csatlakozóvezetéke, a gyártónak, a vevőszolgálatnak vagy egy hasonlóan szakképzett szakembernek kell kicserélnie. A szakszerűtlen beszerelések és javítások jelentős veszélyt jelentenek a használóra nézve.

Javításokat csak a gyártó, a vevőszolgálat vagy egy hasonlóan szakképzett személy végezhet.

Kizárólag a gyártó eredeti alkatrészeit szabad használni. Csak ezeknél az alkatrészeknél garantálja a gyártó, hogy teljesítik a biztonsági előírásokat.

A hálózati csatlakozóvezeték hosszabbítóját csak a vevőszolgálaton keresztül szabad beszerezni.

## Használat közben

- Soha ne használjon elektromos berendezést (pl. fűtőtestet, elektromos fagyaltkészítőt stb.) a készüléken belül.  
Robbanásveszély!
- A hűtőgép kiolvasztásához vagy tisztításához soha ne használjon gőztisztító készüléket! A gőz rákerülhet az elektromos alkatrészekre, és rövidzárlatot okozhat.  
Áramütésveszély!
- A dér- és a jégrétegek eltávolításához ne használjon hegyes vagy éles szélű tárgyakat. Ezzel megsértheti a hűtőcsöveket. A kifröccsenő hűtőfolyadék meggyulladhat vagy szemsérülést okozhat.
- Ne tároljon gyúlékony hajtógázokat tartalmazó termékeket (pl. spray-eket) és robbanóképes anyagokat.  
Robbanásveszély!
- A lábazatot, a kihúzó elemeket, ajtókat, stb. soha ne használja lépcsőként, vagy támaszkodó felületként.
- Leolvasztáshoz és tisztításhoz húzza ki a villásdugót vagy kapcsolja le a biztosítékot. A csatlakozónál fogva kell kihúzni, nem pedig a kábelt húzni.
- Tömény alkoholt csak szorosan lezárva és álló helyzetben tároljon.
- A műanyag készülékelemeket és az ajtó tömítést ne szennyezze be olajjal vagy zsírral. Ez porózussá teszi a műanyag készülékelemeket és az ajtó tömítését.
- A fagyasztott terméket soha ne vegye a szájába azonnal a fagyasztótérből való kivétel után!  
Fagyás-égésveszély!
- Ügyeljen rá, nehogy túl hosszú ideig érintkezzen a keze a mélyhűtött áruval, a jéggel vagy a párásító csövekkel stb.  
Fagyás-égésveszély!
- A készülék szellőztető és légtelenítő nyílásait soha ne fedje le, vagy ne torlaszolja el.

### ■ **Kockázatok elkerülése gyermekek és veszélyeztetett személyek esetében:**

Veszélyeztetettnek azok a gyermekek és személyek tekintendők, akik testi, fizikai vagy érzékszervi szempontból korlátozottak, valamint azok, akik nem rendelkeznek elegendő ismeretekkel a készülék biztonságos kezeléséről.

Biztosítsa, hogy a gyermekek és a veszélyeztetett személyek megértsék a veszélyeket.

Egy biztonságért felelős személynek felügyelnie vagy irányítania kell a gyermekeket és a veszélyeztetett személyeket a készüléknél.

A készüléket csak 8 évnél idősebb gyermekek használhatják.

Tisztítás és karbantartás közben felügyelni kell a gyermekeket.

Soha ne engedjen gyerekeket a készülékkel játszani.

- A fagyasztórekeszben ne tároljon folyadékot palackban vagy dobozban (különösen szénsavas italt). A palackok és dobozok kidurranhatnak!

### **Gyermekek a háztartásban**

- A csomagolást és azok darabjait ne adja a gyermekek kezébe!  
A hajtogatott dobozok és a fóliák fulladásveszélyt jelentenek!
- A készülék nem játékszer a gyermekeknek!
- Ajtózárás készülék esetén: A kulcsot olyan helyen tárolja, ahol a gyermekek nem férnek hozzá!

### **Általános rendelkezések**

A készülék alkalmazása

- élelmiszerek hűtésére és fagyasztására,
- jégkészítésre.

Ez a készülék magánháztartásokban való használatra és otthoni környezethez készült.

A készülék rádió-zavarmentesített a 2004/108/EC sz. EU irányelv szerint.

A hűtőközeg-keringtető rendszer tömítettségét ellenőriztük.

Ez a gyártmány megfelel a villamos készülékekre vonatkozó idevágó biztonsági előírásoknak (EN 60335-2-24).

Ezt a készüléket legfeljebb 2000 méter tengerszint feletti magasságig való használatra tervezték.

## Hulladék-ártalmatlanítási útmutatások

### A csomagolási hulladék ártalmatlanítása

A csomagolás védi a készülékét a szállítási sérülésektől. Minden felhasznált anyag összefér a környezettel és újra értékesíthető. Kérjük, segítsen Ön is: környezetbarát módon ártalmatlanítsa a csomagolást.

Az aktuális hulladék-ártalmatlanítási lehetőségekről tájékozódjon a települési önkormányzatnál vagy a szakkereskedőnél, akinél a készüléket vásárolta.

### A használt készülék ártalmatlanítása

A használt készülék nem értéktelen hulladék! Környezetbarát ártalmatlanításával értékes nyersanyag nyerhető.



Ez a készülék az elhasznált villamossági és elektronikai készülékekről szóló 2012/19/EU irányelvnek megfelelő jelölést kapott.

Ez az irányelv a már nem használt készülékek visszavételének és hasznosításának EU-szerte érvényes kereteit határozza meg.

### Figyelmeztetés

Elhasznált készülékek esetén

1. Húzza ki a hálózati villásdugót.
2. Vágja le a csatlakozó kábelt és távolítsa el a villásdugóval együtt.
3. A polcokat és tartályokat ne vegye ki, hogy a gyermekeknek megnehezítse a bemászást!
4. Nem szabad megengedni, hogy gyermekek játsszanak a már használaton kívüli készülékkel. Fulladásveszély!

A hűtőgépek hűtőközeget és a szigetelésben gázokat tartalmaznak. A hűtőközegeket és a gázokat szakszerűen kell kezelni és ártalmatlanítani. A hűtőközeget keringtető csöveket egészen a szakszerű ártalmatlanításig nem szabad megsérteni.

## Csomagolás tartalma

Kicsomagolás után ellenőrizze az összes alkatrészt az esetleges szállítási károk tekintetében.

Kifogásolások esetén forduljon ahhoz a kereskedőhöz, akinél a készüléket vásárolta, vagy a vevőszolgálatunkhoz.

A szállítmány a következő részekből áll:

- Álló készülék
- Felszerelés (modelltől függően)
- Tasak szerelőanyaggal
- Használati útmutató
- Szerelési útmutató
- Ügyfélszolgálati füzet
- Garancia-melléklet
- Energiafogyasztásra és zajokra vonatkozó információk

## Felállítási hely

Felállítási helynek alkalmas egy száraz, szellőztethető helyiség. A felállítási hely ne legyen kitéve közvetlen napsugárzásnak, és ne legyen hőforrás, mint tűzhely, fűtőtest, stb. közvetlen közelében! Ha elkerülhetetlen, hogy hőforrás közelében állítsa föl, használjon megfelelő szigetelőlapot vagy tartsa be az alábbiakban megadott minimális távolságokat a hőforrástól:

- Elektromos vagy gáztűzhelyhez 3 cm.
- Olaj- vagy széntüzelés kályhától 30 cm.

A padlónak a felállítás helyén nem szabad engednie, a padlót esetleg meg kell erősíteni. A padló esetleges egyenetlenségeit alátétekkel egyenlítsé ki.

## Faltávolság

A készüléket úgy állítsa fel, hogy biztosítva legyen a 90°-os ajtónyitási szög.

## Vegye figyelembe a szobahőmérsékletet és a szellőztetést

### Szobahőmérséklet

A készülék meghatározott klímaosztályra van méretezve. A klímaosztálytól függően a készüléket a következő szobahőmérsékleteken lehet működtetni.

A klímaosztály a típus táblán van,

**14** ábra.

Klímaosztály	Megengedett szobahőmérséklet
SN	+10 °C-tól 32 °C-ig
N	+16 °C-tól 32 °C-ig
ST	+16 °C-tól 38 °C-ig
T	+16 °C-tól 43 °C-ig

### Útmutatás

A készülék a megadott klímaosztály szobahőmérséklet-határértékein belül teljesen működőképes. Ha a SN klímaosztályú készüléket alacsonyabb szobahőmérsékleten működtetik, +5 °C hőmérsékletig kizárható a készülék meghibásodása.

### Szellőztetés

**2.** ábra

A levegő a készülék hátoldalán és az oldalfalain felmelegszik. A felmelegedett levegőnek akadálytalanul el kell tudni távozni. Máskülönben a hűtőgépnek többet kell teljesítenie. Ez pedig növeli az áramfogyasztást. Ezért a levegőztető- és szellőző nyílásokat soha ne fedje be vagy torlaszolja el!



## A készülék csatlakoztatása

A készülék felállítása után legalább 1 órát kell várni, amíg üzembe helyezheti a készüléket. Szállítás közben előfordulhat, hogy a kompresszorban levő olaj eltolódik a hűtőrendszerben.

Első használatba vétel előtt meg kell tisztítani a készülék belső terét (lásd „A készülék tisztítása”).

### Villamos bekötés

A dugaszolóaljzat a készülék közelében legyen, és a készülék beüzemelése után is szabadon hozzáférhetőnek kell lennie.

A készülék megfelel az I. védelmi osztálynak. A készüléket egy előírászerűen felszerelt, védővezetékes dugaszolóaljzaton keresztül 220–240 V/50 Hz váltóáramra csatlakoztassa.

A dugaszolóaljzatot 10–16 A-es biztosítókkal kell biztosítani.

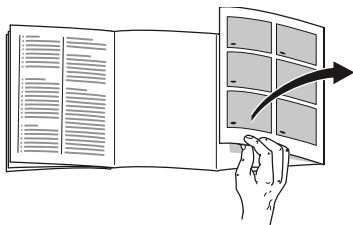
Azoknál a készülékeknél, amelyeket Európán kívüli országokban üzemeltetnek, ellenőrizni kell, hogy a megadott feszültség és áramfajta megegyezik-e a helyi áramhálózat értékeivel. Ezeket az adatokat a típustáblán találja meg. **14.** ábra

### Figyelmeztetés

A készüléket semmi esetre sem szabad elektronikus energiatakarékos csatlakozódugóra csatlakoztatni.

Készülékeink használatához hálózat- és szinuszos vezérlésű váltóirányítókat lehet alkalmazni. Hálózat-vezérlésű váltóirányítókat használnak minden olyan fotovoltikus berendezésnél, amelyet közvetlenül a nyilvános villamos hálózatra csatlakoztatnak. Különálló megoldások esetén (pl. hajókon vagy hegyi turistaházakban), amelyeknek nincs közvetlen csatlakozásuk a nyilvános villamos hálózatra, szinuszos vezérlésű váltóirányítókat kell alkalmazni.

## Ismerje meg a készüléket



Hajtsa ki az utolsó oldalt az ábrákkal. Ez a használati útmutató több modellre érvényes.

A modellek felszerelése eltérő lehet.

Az ábránknál eltérések lehetnek.

### 1. ábra

\* Nem minden modellnél.

- A Hűtőtér  
B Fagyasztótér

- 1–12 Kezelőelemek  
13\* Vaj és sajtrekesz  
14 Tartópólc kis üvegek számára  
15 Tartópólc nagy üvegek számára  
16 LED világítás  
17\* Palack-tartópólc  
18\* Reggeli-készlet  
19 Hűtő-tároló rekesz  
20 Zöldségtartó nedvesség-szabályozóval  
21\* Fagyasztótartályok

## Kezelőelemek

### 4. ábra

- 1 **Hőmérséklet-kijelző a hűtőtérben**  
A számok a beállított hűtőtér-hőmérsékleteknek felelnek meg °C-ban.
- 2 **alarm kijelzés**  
Világít, ha a hűtőtérben túl meleg van.
- 3 **super cool kijelzés**  
Akkor világít, ha a szupererős hűtés működik.
- 4 **alarm kijelzés**  
Világít, ha a fagyasztótérben túl meleg van.
- 5 **Hőmérséklet-kijelző a fagyasztótérben**  
A számok a beállított fagyasztótér-hőmérsékleteknek felelnek meg °C-ban.
- 6 **super freeze kijelzés**  
Akkor világít, ha a szupererős fagyasztás működik.
- 7 **„eco mode” kijelzés**  
Világít, ha az „eco” üzemmód be van kapcsolva.
- 8 **lock/alarm off gomb**  
A gomb funkciója a
  - figyelmeztető hangjelzés kikapcsolása (lásd a Riasztás funkció fejezetet)
  - billentyűzár be- és kikapcsolása.
- 9 **compartment gomb a tér kiválasztásához**  
Egy tér kiválasztására szolgál. Ez a tér hőmérsékletének megváltoztatásához vagy bizonyos különleges funkciók bekapcsolásához szükséges.

- 10 **Beállító gombok +/-**  
A gombok a hűtő- és fagyasztótér hőmérsékletének beállítására szolgálnak.
- 11 **„timer” (időzítő) gomb**  
Ezzel a funkcióval beállíthatja az időtartam lejártát, és egy hangjelzés fogja figyelmeztetni erre. Lásd a „Különleges funkciók” című fejezetet.
- 12 **vacation kijelzés**  
Világít, ha a „szabadság” üzemmód be van kapcsolva.

## Útmutatások az üzemeltetéshez

- Bekapcsolás után több óráig eltarthat, amíg a készülék eléri a beállított hőmérsékleteket.
- A teljesen automatikus NoFrost rendszernek köszönhetően a fagyasztótér jégmentes marad. A leolvasztás többé nem szükséges.
- Ha az ajtót becsukás után nem lehet azonnal újra kinyitni, várjon egy pillanatig, amíg a keletkezett vákuum kiegyenlítődik.
- A ház homlokoldalai és oldalfalai részben kissé melegítve vannak. Ez meggátolja, hogy kondenzvíz keletkezzen.

## A készülék bekapcsolása

1. Először dugja be a dugaszt a készülék hátoldalán található csatlakozóba. Ellenőrizze, hogy a dugasz egészen be van-e dugva.
2. Ezután dugja be a kábel másik végét a dugaszolóaljzatba.

A készülék most be van kapcsolva, és felhangzik egy figyelmeztető hangjelzés.

Nyomja meg a lock/alarm off gombot a figyelmeztető hangjelzés kikapcsolásához.

Ha a készülék elérte a beállított hőmérsékletet, az alarm kijelző kialszik.

A beállított hőmérsékleteket a készülék több óra után éri el. Előbb ne tegyen élelmiszert a készülékbe.

Gyárilag a következő hőmérsékleteket ajánljuk:

- Fagyasztótér: -18 °C
- Hűtőtér: +4 °C

## A hőmérséklet beállítása

4. ábra

### Hűtőtér

A hőmérséklet +2 °C és +8 °C közötti értékre állítható be.

1. Válassza ki a hűtőteret a compartment gombbal.
2. Nyomja meg a +/- gombot, amíg a kijelzőn meg nem jelenik a kívánt hőmérséklet.

A kényes élelmiszereket ne tárolja +4 °C-nál magasabb hőmérséklet fölött.

### Fagyasztótér

A hőmérséklet -16 °C és -24 °C közötti értékre állítható be.

1. Válassza ki a fagyasztóteret a compartment gombbal.
2. Nyomja meg a +/- gombot, amíg a kijelzőn meg nem jelenik a kívánt hőmérséklet.

## Kiegészítő funkciók

4. ábra

### Eco üzemmód

Az Eco üzemmóddal átkapcsolja a készüléket energiatakarékos üzemmódba.

#### Bekapcsolás:

Nyomja meg az eco gombot.

A készülék automatikusan beáll a következő hőmérsékletekre:

- Hűtőtér: +8 °C
- Fagyasztótér: -16 °C

#### Kikapcsolás:

Nyomja meg az eco gombot.

### Lock gombletiltó funkció

A gombletiltás bekapcsolásához és kikapcsolásához 5 másodpercig nyomja a lock/alarm off gombot.

Bekapcsolt funkciónál világít a lock/alarm off kijelző.

A kezelőmező ekkor védve van a nem kívánt kezeléstől.

#### Kivétel a gombletiltás alól:

A gombletiltás kikapcsolásához és figyelmeztető hangjelzés esetén meg lehet nyomni a lock/alarm off gombot.

## „timer”

Ezzel a funkcióval egy 1–99 perces időtartamot állíthat be, és egy hangjelzés emlékezteti arra, pl. ha az élelmiszert meghatározott idő után ki kell venni a rekeszből.

Gyárilag 20 perces érték van beállítva.

### **Figyelem**

Az italos palackok szétpattanhatnak, ha 20 percnél hosszabb ideig tárolja a fagyasztótérben.

### **Funkció bekapcsolása**

1. Nyomja meg a „timer” gombot 11.
2. Állítsa be a kívánt időt a +/- gombokkal.

### **A funkció kikapcsolása**

A timer gombot 11 3 másodpercen belül kétszer nyomja meg.

## **Szünidő-üzemmód**

Hosszabb távollét esetén a készüléket átállíthatja energiatakarékos szünidő-üzemmódra.

A hűtőtér-hőmérsékletet ezzel automatikusan +14 °C-ra állítja át.

Ez idő alatt ne tároljon élelmiszereket a hűtőtérben.

### **Bekapcsolás:**

Nyomja meg a vacation gombot.

A készülék automatikusan beáll a következő hőmérsékletekre:

- Hűtőtér: +14 °C
- Fagyasztótér: változatlan marad

### **Kikapcsolás:**

Nyomja meg a vacation gombot.

## **Alarm-funkció**

A következő esetekben lehet alarm-jelzést működésbe hozni.

### **Ajtóriasztás**

Az ajtóriasztás (folyamatos hangjelzés) bekapcsol és a hűtőtér 1 hőmérséklet-kijelzőn megjelenik a alarm kijelzés, ha a készülék túl sokáig nyitva áll. Ha becsukja a készülék ajtaját, az ajtóriasztás újra kikapcsol.

### **Magas hőmérsékletre figyelmeztető jelzés**

Szaggyatott hang hangzik fel, a fagyasztótér 5 hőmérséklet-kijelzőn megjelenik a alarm kijelzés.

A magas hőmérsékletre figyelmeztető jelzés akkor kapcsol be, ha a fagyasztótérben túl meleg van, és a fagyasztott termék veszélyben van.

A fagyasztott termékek veszélyeztetése nélkül bekapcsolhat a riasztás:

- A gép üzembe helyezésekor.
- Nagy mennyiségű friss élelmiszer elhelyezésekor.

### **Útmutatás**

A felolvasztott mélyhűtött élelmiszert nem szabad újra lefagyasztani. Csak akkor lehet ismét lefagyasztani, ha feldolgozta (megfőzte, megsütötte) készletellé.

De ekkor már ne használjuk ki a maximális tárolási időt.

A hőmérsékletjelző 5 másodpercre kijelzi a legmelegebb hőmérsékletet, amely a fagyasztótérben uralkodott. Ezután ismét a beállított hőmérséklet látható a kijelzőn.

## Riasztás kikapcsolása

Nyomja meg az lock/alarm off gombot a figyelmeztető hangjelzés kikapcsolásához.

## Home Connect

Ez a készülék Wi-Fi-képes, és egy mobil eszköz segítségével távvezérelhető.

### Útmutatás

Wi-Fi a Wi-Fi Alliance bejegyzett védjegye.

Ha nem kapcsolja össze a készüléket az otthoni hálózattal, akkor a készülék úgy működik, mint egy hálózathoz nem kapcsolódó hűtőkészülék, és manuálisan, a kezelőelemekkel továbbra is kezelhető.

A Home Connect funkciók használatához csatlakoztassa a készüléket egy Home Connect Wi-Fi adapterhez.

Ha a készüléke nem tartalmaz Home Connect Wi-Fi adaptert, rendelje meg azt a vevőszolgáltatótól.

### Útmutatás

A készülék hátoldalán a csatlakozó csatlakoztatása és leválasztása a vártnál nehezebb. Gondoskodjék róla, hogy a dugasz teljesen be legyen dugva.

Helyezze a Home Connect Wi-Fi adaptert 1 méteres magasságba.

### Útmutatások

- Kérjük, ügyeljen a jelen használati útmutatóban található biztonsági előírásokra és figyelmeztetésekre, és gondoskodjon arról, hogy ezeket akkor is betartsák, ha Ön nincs otthon, hanem a Home Connect alkalmazással működteti a készüléket (lásd a Biztonsági útmutatások és figyelmeztetések című fejezetet). Vegye figyelembe a Home Connect alkalmazásban megjelenő útmutatásokat is.
- A készüléken végrehajtott műveletek mindig elsőbbséget élveznek a Home Connect alkalmazással szemben. Ez idő alatt nem lehetséges az alkalmazással való működtetés.

## Home Connect beüzemelése

### Útmutatások

- Vegye figyelembe a Home Connect mellékletet, ami a [siemens-home.bsh-group.com](http://siemens-home.bsh-group.com) alatt az útmutatóknál található, és letölthető. Ehhez írja be a keresőmezőbe készüléke termékszámát (E-Nummer).
- Amennyiben a Home Connect használatával kíván beállításokat megadni, ahhoz telepítenie kell mobil eszközére a Home Connect alkalmazást. Ehhez tekintse meg a Home Connect-hez mellékelte dokumentációt. A beállítások elvégzéséhez kövesse az alkalmazás által megadott lépéseket.
- Ha a készüléket hosszabb ideig nem kezelik, a Home Connect menü automatikusan bezáródik. A Home Connect menü megnyitásához a tudnivalókat a megfelelő fejezetek elején találja.

### Automatikus kapcsolat az otthoni hálózattal (WLAN)

Ha rendelkezésre áll WLAN router (útválasztó) WPS funkcióval, akkor a hűtőkészüléket automatikusan összekapcsolhatja az otthoni hálózattal.

1. Nyomja le egyidejűleg a super cooling és a lock/alarm off gombot, hogy megnyissa a Home Connect menüt.

A kijelzőn **Cn** látható.

#### Útmutatás

Nyomja le pontosan egyszerre mindkét gombot. Ha csak a lock/ alarm off gombot nyomja hosszan, a gombok használata nem lehetséges. Nyomja meg újra mindaddig a lock/ alarm off gombot, amíg a letiltás fel nem oldódik.

2. Addig nyomja a compartment gombot, amíg a kijelzőkőn meg nem jelenik az **AC** és az **oF** kijelzés.

3. Nyomja meg a + gombot.

A készülék készen áll az automatikus kapcsolatlétesítésre.

A kijelző 2 percig egy animációt mutat.

Ez alatt az idő alatt hajtsa végre a következő lépéseket.

4. Aktiválja a WPS funkciót az otthoni hálózat routerén (pl. a WPS/WLAN gombbal, ehhez a router dokumentációjában olvashat információkat).

- Ha létrejött a kapcsolat, a hűtőkészülék kijelzőjén villog az **on** kijelzés.

Most összekötheti a hűtőkészüléket az alkalmazással.

- Ha a kijelző az **oF** kijelzést mutatja, nem sikerült létrehozni a kapcsolatot.

Ellenőrizze, hogy a hűtőkészülék az otthoni hálózat (WLAN) hatótávolságán belül van-e.

Ismételje meg a műveletet, vagy létesítsen manuálisan kapcsolatot.

### Manuális kapcsolat az otthoni hálózattal (WLAN)

Ha a meglévő WLAN router nem rendelkezik WPS funkcióval, ill. ez nem ismert, akkor a hűtőkészüléket manuálisan is összekapcsolhatja az otthoni hálózattal.

1. Nyomja le egyidejűleg a super cooling és a lock/alarm off gombot, hogy megnyissa a Home Connect menüt.

A kijelzőn **Cn** látható.

#### Útmutatás

Nyomja le pontosan egyszerre mindkét gombot. Ha csak a lock/ alarm off gombot nyomja hosszan, a gombok használata nem lehetséges. Nyomja meg újra mindaddig a lock/ alarm off gombot, amíg a letiltás fel nem oldódik.

2. Addig nyomja a compartment gombot, amíg a kijelzőkőn meg nem jelenik az **SA** és az **oF** kijelzés.

3. Nyomja meg a + gombot.  
A készülék készen áll a manuális kapcsolatlétesítésre.  
A kijelző 5 percig egy animációt mutat.  
Ez alatt az idő alatt hajtsa végre a következő lépéseket.
4. A hűtőkészülék ekkor saját WLAN hálózatot hozott létre, melynek hálózatneve **HomeConnect**.  
Ehhez a hálózathoz mostantól hozzáférhet a mobil eszközével.
5. Nyissa meg a mobil eszköz Beállítás menüjét, és hívja fel a WLAN beállításokat.
6. A mobil eszközt kapcsolja össze a **HomeConnect** WLAN hálózattal.  
Jelszó: **HomeConnect**  
A kapcsolat létrehozása akár 60 másodpercig is tarthat.
7. A kapcsolatlétesítés után a mobil eszközön nyissa meg a Home Connect alkalmazást.  
Az alkalmazás keresi a hűtőkészüléket.
8. Amint megtalálta a hűtőkészüléket, írja be a hálózatnevet (SSID) és a jelszót (Key) a saját otthoni hálózatra (WLAN) értve a megfelelő mezőbe.

9. Az **Átvitel otthoni készülékekre** gombbal erősítse meg.

- Ha létrejött a kapcsolat, a hűtőkészülék kijelzőjén villog az **on** kijelzés.

Most összekötheti a hűtőkészüléket az alkalmazással.

- Ha a kijelző az **oF** kijelzést mutatja, nem sikerült létrehozni a kapcsolatot.

Írja be újra a jelszót, ügyelve a helyes írásmódra.

Ellenőrizze, hogy a hűtőkészülék az otthoni hálózat (WLAN) hatótávolságán belül van-e.

Ismételje meg az eljárást.

### A hűtőkészülék csatlakoztatása az alkalmazáshoz

Ha a hűtőkészülék és az otthoni hálózat között létrejött a kapcsolat, összekötheti a hűtőkészüléket az alkalmazással.

1. Nyomja le egyidejűleg a super cooling és a lock/alarm off gombot, hogy megnyissa a Home Connect menüt.  
A kijelzőn **Cn** látható.

### Útmutatás

Nyomja le pontosan egyszerre mindkét gombot. Ha csak a lock/alarm off gombot nyomja hosszan, a gombok használata nem lehetséges. Nyomja meg újra mindaddig a lock/alarm off gombot, amíg a letiltás fel nem oldódik.

2. Addig nyomja a compartment gombot, amíg a kijelzőkön meg nem jelenik a **PA** (Pairing = csatlakozás az alkalmazáshoz) és az **oF** kijelzés.



3. Nyomja meg a + gombot a készülék alkalmazáshoz való csatlakoztatásához.

A kijelző egy animációt mutat.

A hűtőkészülék–alkalmazás kapcsolat létrejötte után a kijelző **on** kijelzést mutat.

4. A mobil eszközön a Home Connect alkalmazásban megjelenik a hűtőkészülék. Hozzáadáshoz válassza ki a hűtőkészüléket, és a + gombbal adja hozzá.

Ha a hűtőkészülék nem jelenik meg automatikusan, a Home Connect alkalmazásban válassza ki az **Otthoni készülékek keresése**, majd az **Otthoni készülék csatlakoztatása** pontot.

5. Járjon el az alkalmazás utasításai szerint, amíg a művelet be nem fejeződik.

- A kijelzők **PA** és **on** kijelzést mutatnak.

A hűtőkészülék össze lett kapcsolva az alkalmazással.

- Ha a csatlakoztatás nem sikerült, ellenőrizni kell, hogy a mobil eszköz össze van-e kötve az otthoni hálózattal (WLAN).

Ezután a hűtőkészüléket újra csatlakoztassa az alkalmazáshoz.

- Ha a kijelzőn **Er** látható, állítsa vissza a Home Connect beállításokat, és az elejétől kezdve végezze el újra a beüzemelést.

### A jelerősség ellenőrzése

A jelerősséget akkor kell ellenőriznie, ha nem sikerül a csatlakoztatás.

1. Nyomja le egyidejűleg a super cooling és a lock/alarm off gombot, hogy megnyissa a Home Connect menüt.

A kijelzőn **Cn** látható.

### Útmutatás

Nyomja le pontosan egyszerre mindkét gombot. Ha csak a lock/ alarm off gombot nyomja hosszan, a gombok használata nem lehetséges. Nyomja meg újra mindaddig a lock/ alarm off gombot, amíg a letiltás fel nem oldódik.

2. Addig nyomja a compartment gombot, amíg a kijelzőn meg nem jelenik a **SI** kijelzés. A második kijelzőn megjelenik egy 0 (nincs vétel) és 3 (teljes vétel) közötti érték.

### Útmutatás

A jelerősségnek legalább a 2 értéken kell lennie. Ha a jelerősség túl alacsony, a kapcsolat megszakadhat. Állítsa közelebb egymáshoz a routert és a hűtőkészüléket, győződjön meg róla, hogy a kapcsolatot nem zavarják-e árnyékoló falak, vagy pedig telepítsen repeater egységet a jel erősítése céljából.

## Home Connect beállítások visszaállítása

Ha a kapcsolatlétesítés nem sikerül, vagy ha a hűtőkészüléket másik otthoni hálózatba (WLAN) kívánja bejelenteni, a Home Connect beállításokat visszaállíthatja:

1. Nyomja le egyidejűleg a super cooling és a lock/alarm off gombot, hogy megnyissa a Home Connect menüt.

A kijelzőn **Cn** látható.

### Útmutatás

Nyomja le pontosan egyszerre mindkét gombot. Ha csak a lock/ alarm off gombot nyomja hosszan, a gombok használata nem lehetséges. Nyomja meg újra mindaddig a lock/ alarm off gombot, amíg a letiltás fel nem oldódik.

2. Addig nyomja a compartment gombot, amíg a kijelzőkön meg nem jelenik az **rE** és az **oF** kijelzés.

3. Nyomja meg a + gombot.

- A kijelző egy rövid animációt mutat, azt követően ismét **oF** látható.

A Home Connect beállítások visszaállítása megtörtént.

- Amennyiben a kijelzőn **Er** látható, indítsa el újra a visszaállítást, vagy pedig hívja a vevőszolgálatot.

## Adatvédelmi útmutató

Amikor először csatlakoztatja Home Connect hűtőkészülékét egy internethez kapcsolódó WLAN hálózathoz, akkor hűtőkészüléke a következő adatkategóriákat továbbítja a Home Connect szervernek (első regisztráció):

- Egyértelmű készülékazonosító (részei: készülékkulcsok, illetve a beépített Wi-Fi kommunikációs modul MAC-címe).
- A Wi-Fi kommunikációs modul biztonsági tanúsítványa (a kapcsolat informatikai biztonságáért).
- Hűtőkészülékének aktuális szoftververziója és hardververziója.
- Egy esetleges korábbi, gyári beállításokra való visszaállítás állapota.

Az első regisztráció előkészíti a Home Connect funkciók használatát, és csak akkor van rá szükség, amikor először kívánja használni a Home Connect-et.

### Útmutatás

Vegye figyelembe, hogy a Home Connect funkciók csak a Home Connect alkalmazáshoz kapcsolódva használhatók. Az adatvédelemre vonatkozó információkat a Home Connect alkalmazásban találhat.

## Megfelelőségi nyilatkozat

A BSH Hausgeräte GmbH ezennel kijelenti, hogy a Home Connect funkcióval ellátott készülék az 1999/5/EK irányelvben foglalt alapvető követelményeknek és további vonatkozó rendelkezéseknek megfelel.

A részletes R&TTE megfelelőségi nyilatkozatot megtalálja az interneten a [siemens-home.bsh-group.com](http://siemens-home.bsh-group.com) webhelyen, készüléke termékoldalon a kiegészítő dokumentumok között.



## Hasznos térfogat

A hasznos térfogatra vonatkozó adatokat készülékében a típustáblán található.

**14.** ábra

## A fagyasztó térfogat teljes kihasználása

A tartályokat ki lehet venni, ha maximális mennyiségű fagyasztandó terméket szeretne betenni. Az élelmiszereket ekkor közvetlenül a polcon és a fagyasztótér alján helyezheti el.

### Útmutatás

Kerülje, hogy az élelmiszerek a hátfalhoz érjenek. Máskülönben csökken a légkeringés.

Az élelmiszerek vagy a csomagolások odafagyhatnának a hátfalhoz.

### A felszerelés elemeinek kiszedése

A fagyasztótartályt ütközésig húzza ki, elől emelje meg, és vegye ki. **10.** ábra

## A hűtőtér

A hűtőtér ideális hely hús, kolbászfélék, hal, tejtermékek, tojás, készételek és sütemények számára.

### Amire figyelni kell a behelyezésnél

- Friss, sértetlen élelmiszereket helyezzen be. Így tovább megmarad a minőség és a frissesség.
- Késztermékeknél és csomagolt áruknál figyelembe kell venni a gyártó által megjelölt eltarthatósági vagy fogyaszthatósági időt.
- Az aroma, a szín és a frissesség megőrzéséhez az élelmiszereket jól becsomagolva vagy lefedve helyezze el. Így elkerülheti a hűtőtérben a műanyag elemek szagának áterjedését és az elszíneződéseket.
- A meleg ételeket és italokat először hűtse le, azután tegye be a hűtőbe!

### Útmutatás

A levegő-kilépőnyílásokat ne torlaszolja el élelmiszerekkel, hogy ne akadályozza a levegő keringését! A közvetlenül a levegő-kilépőnyílások előtt elhelyezett élelmiszerek a kiáramló hideg levegő miatt megfagyhatnak.

## Ügyeljen a hűtési tartományokra a hűtőtérben

A hűtőtérben a levegő-cirkuláció révén különböző hőmérsékletű tartományok alakulnak ki:

- A leghidegebb zónák a levegő-kilépőnyílások előtt és a hideg tárolórekeszben vannak, **11**/19. ábra.

### Útmutatás

A hűtőtér leghidegebb részében tárolja az érzékeny élelmiszereket (pl. hal, kolbász, hús).

- A legmelegebb tartomány az ajtó felső részénél van.

### Útmutatás

A legmelegebb helyen tárolja pl. a kemény sajtot és a vajat. A kemény sajt így tovább megőrzi aromáját, a vaj pedig kenhető marad.

## Zöldségtartó nedvességszabályozóval

### **8.** ábra

A zöldség és gyümölcs számára optimális tárolási környezet megteremtése érdekében a zöldségtartóban be lehet állítani a páratartalmat:

- túlnyomórészt zöldség, valamint vegyes élelmiszerek vagy kis mennyiségű élelmiszer esetén – magas páratartalom
- túlnyomórészt gyümölcs, valamint nagy mennyiségű élelmiszer esetén – alacsony páratartalom

## Útmutatások

- A hidegre érzékeny gyümölcsöt (pl. ananászt, banánt, papayát és citrusféléket) és zöldséget (pl. padlizsánt, uborkát, cukkinit, paprikát, paradicsomot és burgonyát) a minőség és aroma optimális megőrzése érdekében a hűtőszekrényen kívül, körülbelül +8 °C és +12 °C közötti hőmérsékleten kell tárolni.
- A tárolt mennyiségtől és a tárolt terméktől függően kondenzvíz képződhet a zöldségtartóban. A kondenzvizet száraz kendővel távolítsa el, és a nedvesség-szabályozóval állítsa be a levegő páratartalmát a zöldségtartóban.

## Hűtő-tároló rekesz

### **9.** ábra

A hűtő-tároló rekeszben alacsonyabb a hőmérséklet, mint a hűtőtérben. 0 °C alatti hőmérsékletek is előfordulnak.

Ideális hal, hús és kolbászárú tárolására. Nem alkalmas saláta és zöldség és hidegre érzékeny áruk számára.

A hűtő-tároló rekeszek hőmérsékletét a szellőzőnyílás segítségével változtathatja. A hőmérséklet-szabályozót tolja felfelé a hőmérséklet csökkentéséhez. A hőmérséklet-szabályozót tolja lefelé a hőmérséklet növeléséhez. **7.** ábra

## Szupererős hűtés

Szupererős hűtésnél a hűtőtér kb. 6 órán keresztül olyan hidegre hűl le, amilyenre csak lehet. Ezután automatikusan a szupererős hűtés előtt beállított hőmérsékletre áll vissza.

A szupererős hűtés bekapcsolása, pl.

- Nagy mennyiségű élelmiszer berakása előtt.
- Italok gyorshűtéséhez.

## Be- és kikapcsolás

**4.** ábra

1. Válassza ki a hűtőteret a compartment gombbal.
2. Nyomja meg a Super gombot, amíg nem világít a super cool kijelzés.

A szupererős hűtést nem kell kikapcsolnia. 6 óra után a készülék automatikusan átáll az előzőleg beállított hőmérsékletre.

### Útmutatás

Ha be van kapcsolva a szupererős hűtés, megnövekedhet az üzemi zajszint.

## agyasztótér

### A fagyasztótér használata

- Mélyhűtött élelmiszerek számára.
- Jégkocka készítésre.
- Élelmiszerek lefagyasztásához.

### Útmutatás

Ügyeljen arra, hogy fagyasztótér ajtaja mindig csukva legyen! Nyitott ajtónál a mélyhűtött termék felenged.

A fagyasztótér túlságosan eljegesedik. Ezen kívül, a fokozott áramfogyasztás következtében energiát pazarol!

## Maximális fagyasztóteljesítmény

A 24 órás max. fagyasztóteljesítményre vonatkozó adatokat a típustáblán találja meg. **14.** ábra

### A max. fagyasztó teljesítmény előfeltételei

- A szupererős fagyasztást a friss áru behelyezése előtt kapcsolja be (lásd a Szupererős fagyasztás c. fejezetet).
- Vegye ki a tartályokat; az élelmiszereket közvetlenül a polcon és a fagyasztótér alján helyezze el.
- A nagyobb mennyiségű élelmiszereket előnyös a legfelső rekeszben lefagyasztani. Ott különösen gyorsan és így kíméletesen lefagyaszthatók.

## Fagyasztás és tárolás

### Mélyhűtött étel vásárlása

- A csomagolásnak nem szabad sérültnek lennie.
- Vegye figyelembe a szavatossági időt!
- Hőmérséklet az árusító hűtőládában: -18 °C vagy alacsonyabb kell legyen.
- A mélyhűtött ételt lehetőleg szigetelőtáskában kell szállítani, és gyorsan bele kell tenni a fagyasztószerénybe.

### Mire ügyeljen az elrendezésnél

- A nagyobb mennyiségű élelmiszereket előnyös a legfelső rekeszben lefagyasztani. Ott különösen gyorsan és így kíméletesen lefagyaszthatók.
- Az élelmiszereket szétterítve tegye a rekeszekbe ill. a fagyasztótartályokba.

#### Útmutatás

A már fagyott élelmiszereknek nem szabad érintkezniük a frissen fagyasztandó élelmiszerekkel. Adott esetben a lefagyasztott élelmiszereket át kell rakni más fagyasztótartályokba.

### Mélyhűtött termék tárolása

A kifogástalan levegőkeringtetés biztosításához tolja be ütközésig a fagyasztótartályt.

## Friss élelmiszerek lefagyasztása

Lefagyasztásra kizárólag friss és kifogástalan élelmiszert használjon.

A zöldséget lefagyasztás előtt blansírozni kell, hogy minél tovább megőrizze tápértékét, aromáját és színét.

A padlizsán, a paprika, a cukkini és a spárga esetében nincs szükség blansírozásra.

A lefagyasztásról és blansírozásról szóló irodalmat megtalálja a könyvesboltban.

#### Útmutatás

A lefagyasztandó áru ne érjen hozzá a már lefagyasztott áruhoz.

- Fagyasztásra alkalmas: Sütemények, hal és tenger gyümölcsei, hús, vadhús, baromfi hús, zöldség, gyümölcs, zöldbúszerek, tojás héja nélkül, tejtermékek, úgymint sajt, vaj és túró, készételek és maradék ételek, úgymint levesek, egytálételek, sült hús és hal, burgonyás ételek, felfújtak és édességek.
- Fagyasztásra nem alkalmas: Zöldségfajták, amelyek szokás szerint nyersen fogyasztandók, mint pl. fejes saláta vagy sörretek, tojás héjában, szőlő, egész alma, körte és őszibarack, kemény tojás, joghurt, aludttej, tejföl, crème fraîche és majonéz.

## A fagyasztandó termék csomagolása

Az élelmiszert légmentesen csomagolja, hogy ne veszítse el az ízt és megőrizze nedvességtartalmát.

1. Helyezze bele az élelmiszert a csomagolásba.
2. Nyomkodja ki a levegőt.
3. A csomagolást szorosan zárja le.
4. A csomagoláson tüntesse fel a tartalmat és a lefagyasztás dátumát.

### Csomagolásra alkalmasak:

Műanyag fólia, polietilén tömlőfólia, alufólia, fagyasztó dobozok. Ezeket a termékeket szaküzletekben találja meg.

### Csomagolásra nem alkalmasak:

Csomagolópapír, pergamenpapír, celofán, szemeteszacskók és használt bevásárlózacskók.

### A lezárásra alkalmasak:

Gumigyűrűk, műanyag kapcsok, kötőfonalak, hidegálló ragasztószalagok vagy hasonlók.

A polietilén zacskókat és tömlőfóliákat fóliahegesztővel is le lehet hegeszteni.

## A mélyhűtött termékek eltarthatósága

Az eltarthatóság az élelmiszerek fajtájától függ.

-18 °C-ra beállított hőmérséklet esetén:

- hal, kolbász, készétel, péksütemény: 6 hónapig
- sajt, baromfi, hús: 8 hónapig
- zöldség, gyümölcs: 12 hónapig

## Szupererős fagyasztás

Az élelmiszereket lehetőleg nagyon gyorsan teljesen át kell fagyasztani, hogy a vitaminokat, tápértékeket, a külalakot és az ízt megőrizzék.

A hőmérséklet nemkívánatos emelkedésének elkerülésére a friss élelmiszerek behelyezése előtt néhány órával kapcsolja be a szupererős fagyasztást.

Általában elegendő 4–6 óra.

A készülék ezt követően folyamatosan hűt, a fagyasztótér hőmérséklete nagyon alacsony lesz.

Ha a max. fagyasztó teljesítményre van szükség, a szupererős fagyasztást 24 órával a friss áru behelyezése előtt be kell kapcsolni.

Kisebb mennyiségű (max. 2 kg) élelmiszert szupererős fagyasztás nélkül le lehet fagyasztani.

### Útmutatás

Ha be van kapcsolva a szupererős fagyasztás, növekedhet az üzemi zajszint.

## Be- és kikapcsolás

### 4. ábra

1. Válassza ki a fagyasztóteret a compartment gombbal.
2. Nyomja meg a Super gombot, amíg nem világít a super freeze kijelzés.

A szupererős fagyasztást nem kell kikapcsolnia. Kb. 2 ½ nap után a készülék automatikusan átáll az előzőleg beállított hőmérsékletre.

## A mélyhűtött termékek felolvasztása

Fajtajától és a felhasználás céljától függően a következő lehetőségek közül lehet választani:

- szobahőmérsékleten
- hűtőszekrényben
- villansütőben, forrólevegős ventilátorral/anélkül
- mikrohullámú készülékben



### Figyelem

A felolvasztott mélyhűtött élelmiszert nem szabad újra lefagyasztani. Csak akkor lehet ismét lefagyasztani, ha feldolgozta (megfőzte, megsütötte) készétellé.

A mélyhűtött termék max. tárolási időtartamát már ne használja ki teljesen.

## Felszerelés

### Tartópolcok és tartórekeszek

A belső tér és az ajtó tartórekeszének tartópolcait igény szerint variálhatja: Húzza előre a tartópolcot, engedje le és oldalra fordítva húzza ki. Kissé emelje meg a tartórekeszeket és vegye ki őket.

### Extra felszerelés

(nem minden modellnél)

#### Vaj és sajtrekesz

A vajtartó rekesz úgy nyitható ki, hogy a rekesz fedelét középen kissé megnyomja.

Tisztításhoz a rekeszt lent emelje meg és vegye ki.

#### Reggeli-készlet

**5.** ábra

A reggeli-készlet tartályait egyenként ki lehet venni és fel lehet tölteni.

A reggeli-készletet feltöltéshez és kiürítéshez ki lehet venni. Ehhez emelje meg és húzza ki a reggeli-készletet. A tartály tartóját el lehet tolni.

#### Palack-tartópolc

**6.** ábra

A palack-tartópolcon palackokat lehet tárolni.



## Jégkocka-tartó

13. ábra

1. A jégkocka-tartót  $\frac{3}{4}$  részig töltsse meg ivóvízzel, és helyezze a fagyasztótérbe.
2. Az erősen lefagyott jégkocka-tartót csak tompa tárgyakkal szedje föl (kanálnyeléssel).
3. A jégkockák kiszedéséhez tartsa a jégkocka-tartót rövid időre folyó víz alá, vagy kissé csavarja el.

## Fagyasztott áru naptár

12. ábra

A fagyasztott termék minőségromlásának elkerülése érdekében ne lépje túl a tárolási időt. A szimbólumok melletti számok hónapokban adják meg a megengedett tárolási időtartamokat a fagyasztott termék számára. A kereskedelmi forgalomban levő mélyhűtött élelmiszerek esetében vegye figyelembe a gyártási vagy szavatossági időt.

## Hűtőakku

Áramkimaradás vagy zavar esetén a hűtőakku késlelteti a betárolt fagyasztott termékek felmelegedését. A leghosszabb tárolási időt úgy éri el, hogy a hűtőakkut a legfelső rekeszben az élelmiszerekre helyezi.

A hűtőakkut fel lehet használni élelmiszerek ideiglenes hidegen tartásához is, pl. egy hűtőtáskában.

## „OK” matrica

(nem minden modellnél van)

Az „OK” matricával ellenőrizheti, hogy a hőmérséklet a hűtőtérben eléri-e az élelmiszerek számára ajánlott biztonságos tartományokat, azaz  $+4\text{ °C}$ , vagy alacsonyabb. Ha a matrica nem mutatja, hogy „OK”, akkor fokozatosan csökkentse a hőmérsékletet.

## Útmutatás

A készülék üzembe helyezése után akár 12 óráig is eltarthat, amíg eléri a beállított hőmérsékletet.



## Helyes beállítás

## A készülék kikapcsolása és leállítása

### A készülék kikapcsolása

A „+” gombot 10 másodpercig nyomja. A hűtőgép kikapcsol.  
(Nem minden modellnél).

### A készülék leállítása

Ha a készüléket hosszabb ideig nem kívánja használni:

1. Húzza ki a hálózati csatlakozót, vagy kapcsolja le a biztosítékot.
2. Tisztítsa ki a készüléket.
3. A készülék ajtaját hagyja nyitva.

## A készülék tisztítása



### Figyelem

- Ne használjon homok-, klorid- vagy savtartalmú tisztító- és oldószereket!
- Ne használjon dörzsölő vagy karcoló felületű szivacsokat.

A fém felületeken korrózió jelenhet meg.

- A tartópolcokat és tartályokat ne tisztítsa mosogatógépben.

Az alkatrészek deformálódhatnak!

### A tisztításhoz használt víz nem kerülhet a következő területekre:

- Kezelőelemek
- Világítás
- Szellőzőnyílások
- Az elválasztó lap nyílásai

### Az alábbiak szerint járjon el:

1. Húzza ki a hálózati csatlakozót, vagy kapcsolja le a biztosítékot.
2. Vegye ki és tárolja hűvös helyen a fagyasztott árut. A hűtőakkut (ha van) helyezze rá az élelmiszere.
3. A mosogatóvíz nem juthat a kezelőelemekbe, a világításba, a szellőzőnyílásokba és az elválasztó lemez nyílásaiba!  
A készüléket puha kendővel, langyos vízzel és kevés, semleges pH-értékű mosogatószerrel tisztítsa meg.
4. Az ajtótmítést csak tiszta vízzel törölje át, és utána dörzsölje szárazra.
5. Tisztítás után csatlakoztassa ismét a készüléket.
6. Helyezze vissza a mélyhűtött élelmiszereket.

## Felszerelés

Tisztításhoz a készülék minden variálható elemét ki lehet venni.

### Az ajtóban lévő polcok kiszérése

**3.** ábra

Emelje meg felfelé, és vegye ki a polcokat.

### Üvegpolcok kivétele

Az üvegpolcokat húzza előre, és vegye ki.

### A tartály kivétele

**9.** ábra

A tartályt ütközésig húzza ki, elől emelje meg, és vegye ki.

### A fagyasztótartály kivétele

**10.** ábra

A fagyasztótartályt ütközésig húzza ki, elől emelje meg, és vegye ki.

### A zöldségtartó feletti üvegpolc kivétele

**11.** ábra

Az üvegpolcot tisztítás céljából kiveheti és szétszerelheti.

### Útmutatás

Az üvegpolc eltávolítása előtt húzza ki a zöldségtartót.

## LED világítás

Az Ön készüléke karbantartást nem igénylő LED világítással van felszerelve.

Ezen a világításon csak a vevőszolgálat vagy az erre feljogosított szakemberek végezhetnek javítást.

## Energiatakarékosság

- A készüléket száraz, jól szellőző helyiségben helyezze el! A készüléket ne helyezze közvetlen napos helyre vagy hőforrás közelébe (pl. hűtőtest vagy tűzhely).  
Adott esetben szigetelőlapot kell alkalmazni.
- A meleg ételeket és italokat először hűtse le, utána tegye be a hűtőgépbe.
- Felengedéshez a fagyasztott terméket tegye be a hűtőtérbe, és a fagyasztott termék hidegét használja fel az élelmiszerek hűtésére.
- A készülék ajtaját a lehető legrövidebb időre kell kinyitni.
- A legalacsonyabb energiafelvétel eléréséhez: tartsuk be oldalt a kis faltávolságot.
- A felszerelés elemeinek elrendezése nem befolyásolja a készülék energiafelvételét.

## Működési hangjelenségek

### Teljesen normális hangjelenségek

#### Zümmögő hang

Járnak a motorok (pl. hűtőaggregátok, ventilátorok).

#### Bugyborékoló, csobogó vagy surrogó hang

Hűtőközeg folyik át a csöveken.

#### Kattanás

A motor, a kapcsoló vagy a mágnesszelepek be-/kikapcsolnak.

#### Recsegés-ropogás

Automatikus leolvasztás.

### Kerülni kell a zajokat!

#### A készülék nem áll egyenesen

Állítsa be a készüléket vízmérték segítségével. Használja ehhez a csavaros lábakat vagy helyezzen alá valamit!

#### A készülék „közel áll”

Tolja el a készüléket a hozzá közel álló bútoroktól vagy készülékektől.

#### A tartályok vagy rakodópalcok billegnek vagy szorulnak

Ellenőrizze a kivehető részeket, és esetleg tegye újra be.

#### Az üvegek vagy edények érintkeznek egymással

Kissé tolja el egymástól a palackokat vagy edényeket!

## Kisebb zavarok önálló kiküszöbölése

Mielőtt felhívja a vevőszolgálatot:

vizsgálja meg, hogy a következő útmutatások alapján saját maga is el tudja-e háritani a zavart!

A vevőszolgálat által nyújtott tanácsadás költségeit magának kell viselnie – a garanciaidő alatt is!

Hibajelenség	Lehetséges okok	Hibaelhárítás
A hőmérséklet nagyon eltér a beállítástól.		Néhány esetben elegendő, ha 5 percre kikapcsolja a gépet. Ha a hőmérséklet túl meleg, néhány óra múlva ellenőrizze, hogy közelített-e a hőmérséklet a beállítotthoz. Ha a hőmérséklet túl hideg, a következő napon újból vizsgálja meg a hőmérsékletet.
A hűtőtérben vagy a hűtőtároló rekeszben túl hideg van.		Állítsa be melegebbre a hőmérsékletet a hűtőtérben. A hűtő-tároló rekesz hőmérséklet-szabályozóját tolja lefelé. <b>7.</b> ábra
Túl meleg a hőmérséklet a fagyasztótérben.	A készülék gyakori kinyitása. Elzáródott a levegő be és kilépő nyílás. Elzáródott a levegő be- és kilépő nyílás.	A készüléket ne nyissa ki feleslegesen. Az akadályt távolítsa el. Ne lépje túl a maximális fagyasztóteljesítményt!
A készülék nem hűt, világít a hőmérséklet-kijelző és a világítás.	A kiállítási mód be van kapcsolva.	A compartment gombot és a — beállítógombot 5 másodpercig tartsa nyomva, amíg fel nem hangzik egy nyugtázó hangjelzés. Kis idő múlva ellenőrizze a készülék hűtését.
A készülék oldalsó falai melegek.	Az oldalsó falakban csövek futnak, amelyek a hűtés folyamán felmelegednek.	Ez a készülék normális viselkedése, nem üzemzavar. A készülékhez hozzáérő bútort a hó nem károsítja.
A világítás nem működik.	A LED lámpa meghibásodott. A készülék túl sokáig volt kinyitva. A világítás kb. 10 perc után kikapcsol.	Lásd a „Világítás (LED)” című fejezetet. A készülék bezárása és kinyitása után a világítás ismét működik.

Hibajelenség	Lehetséges okok	Hibaelhárítás
Nem világít a jelzőlámpa.	Áramkiesés; kioldott a biztosíték; a villásdugó nem jól illeszkedik.	Dugja be a hálózati csatlakozót. Vizsgálja meg van-e áram, nézze meg a biztosítékot.
Sokáig nyitva volt a fagyasztó ajtaja; a hőmérsékletet már nem lehet elérni.	A párologtató (hűtő) NoFrost-rendszerben erősen eljégeseedett, úgyhogy már nem olvad le teljesen automatikusan.	<p>A párologtató leolvasztásához vegye ki a mélyhűtött terméket a rekeszekkel, és jól szigetelve tegye hűvös helyre!</p> <p>Kapcsolja ki a készüléket és húzza el a faltól! A készülék ajtaját hagyja nyitva!</p> <p>Mintegy 20 perc után az olvadékvíz elkezd kifolyni a párologtató edénybe a készülék hátoldalán.</p> <p>Ebben az esetben elkerülendő a párologtató edény túlfolyását, egy szivaccsal föl kell itatni az olvadékvizet.</p> <p>Ha az olvadékvíz már nem folyik a készülékből, a párologtató leolvadt. Ki kell tisztítani a belső teret. Ismét használatba lehet venni a készüléket.</p>

## Készülék-öntesztelés

Az Ön készüléke automatikus öntesztelő programmal rendelkezik, amely kijelzi Önnek azokat a hibaforrásokat, amelyeket csak a vevőszolgálat háríthat el.

### Készülék-önteszt indítása

1. Kapcsolja ki a készüléket, és várjon 5 percre.
2. Kapcsolja be a készüléket, és az első 10 másodpercen belül 3-5 másodpercig tartsa lenyomva a compartment gombot és a „-” beállítógombot, amíg fel nem hangzik egy hangjelzés.

Az öntesztelő program elindul.

Ha befejeződött az önteszt és kétszer hangzik fel hangjelzés, a készüléke rendben van.

Ha 5 hangjelzés szólal meg, akkor hiba áll fenn. Értesítse a vevőszolgálatot.

### Készülék-öntesztelés befejezése

A program letelte után a készülék normál üzemeléssel működik tovább.

## Vevőszolgálat

Az Ön közelében lévő vevőszolgálatot megtalálja a telefonkönyvben vagy a vevőszolgálatok jegyzékében. Kérjük, adja meg a vevőszolgálatnak a készülék termékszámát (E-Nr.) és gyártási számát (FD-Nr.).

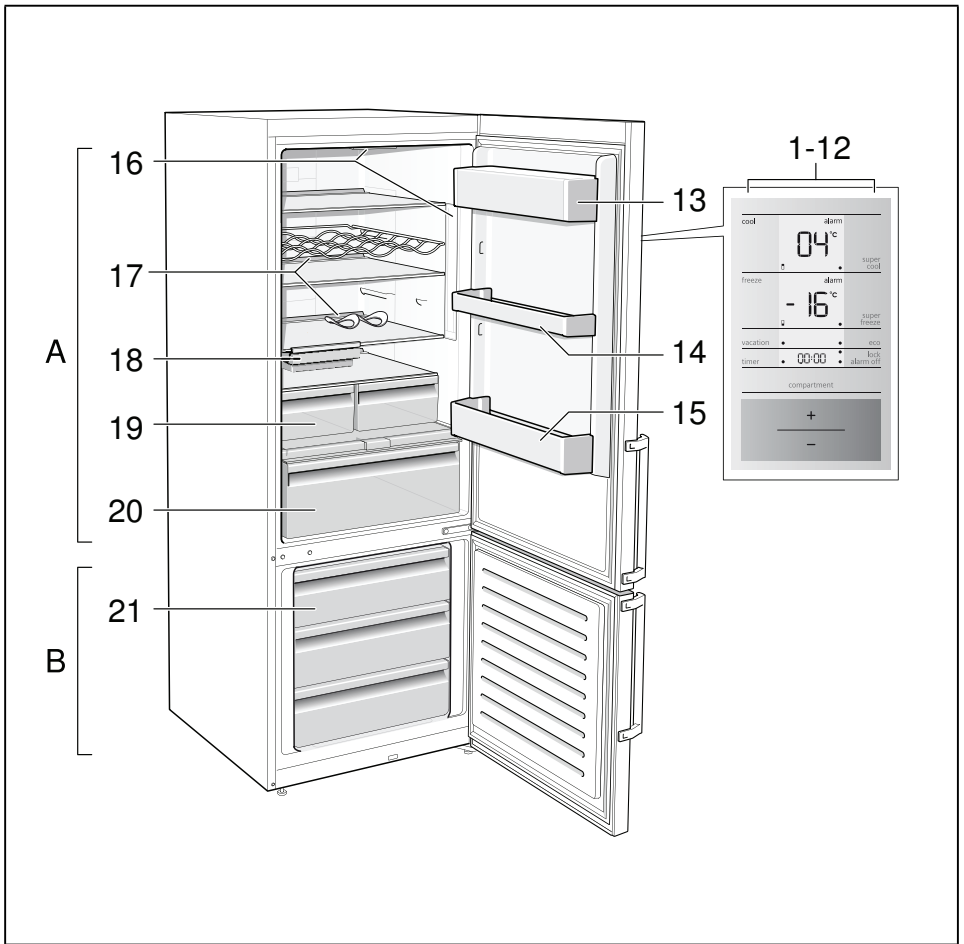
Ezeket az adatokat a típustáblán találja meg. **14.** ábra

Kérjük, hogy a termék- és a gyártási szám megadásával Ön is segítsen elkerülni a szükségtelen kiszállásokat. Megtakarítja az ezzel együtt járó többletköltségeket.

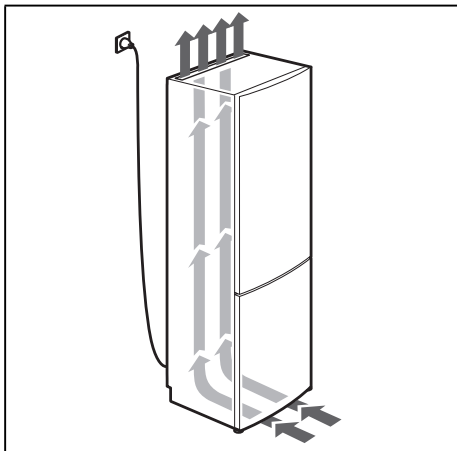
### Javítási megrendelés és tanácsadás zavarok esetén

Az egyes országok kapcsolati adatait megtalálja a mellékelt ügyfélszolgálati jegyzékben.

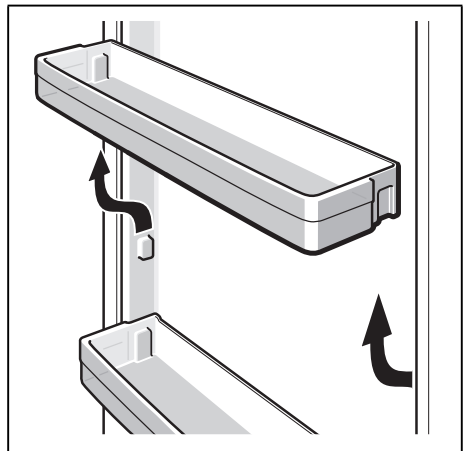
H +361 489 5461



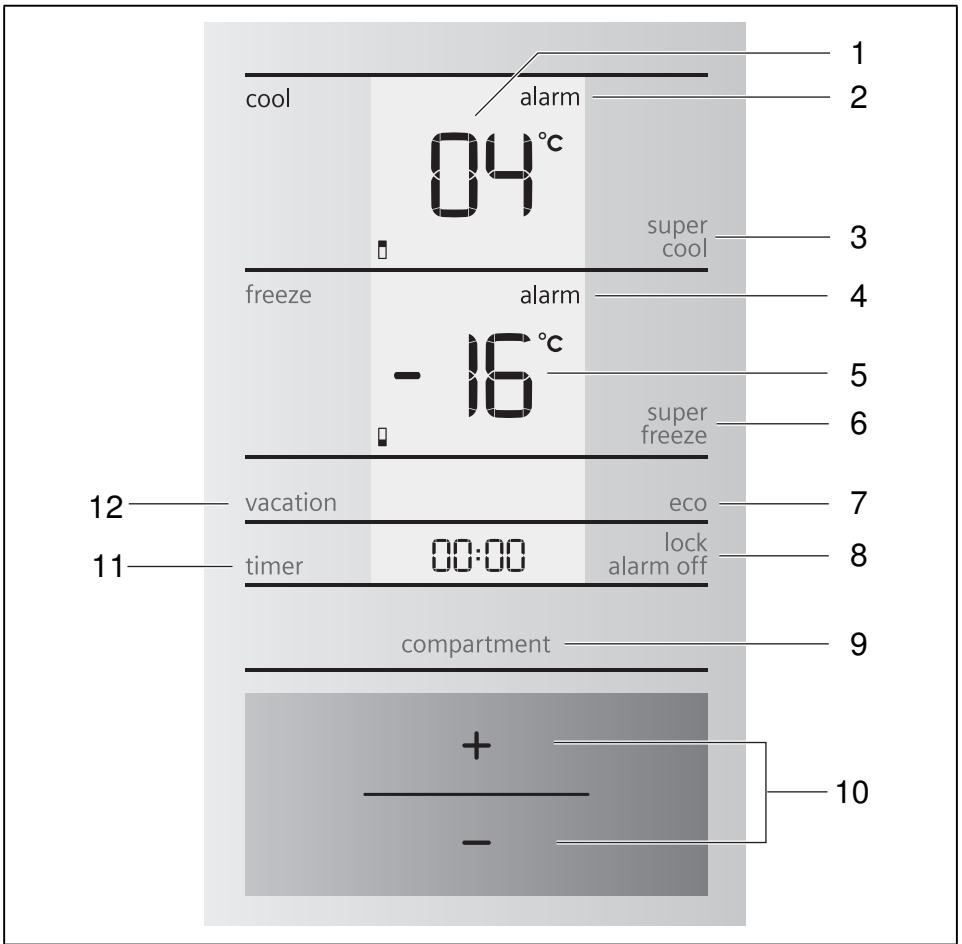
**1**



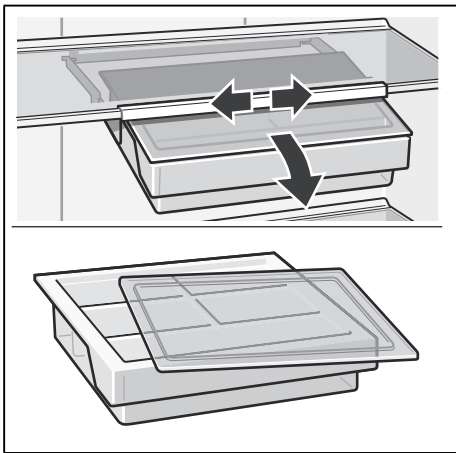
**2**



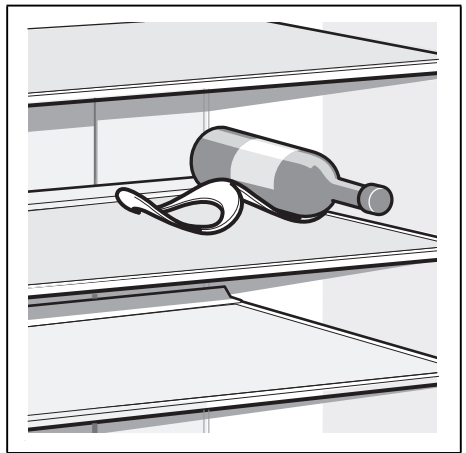
**3**



4

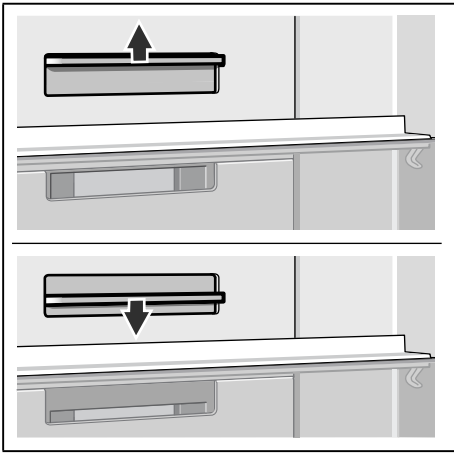


5

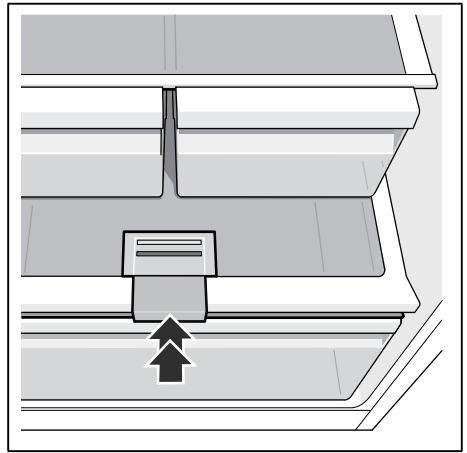


6

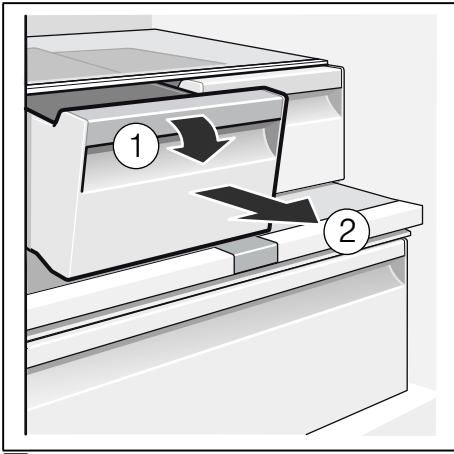




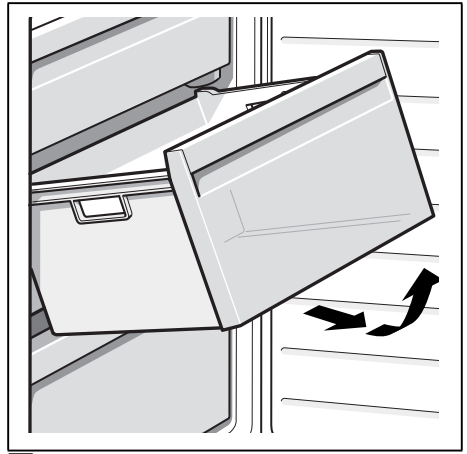
7



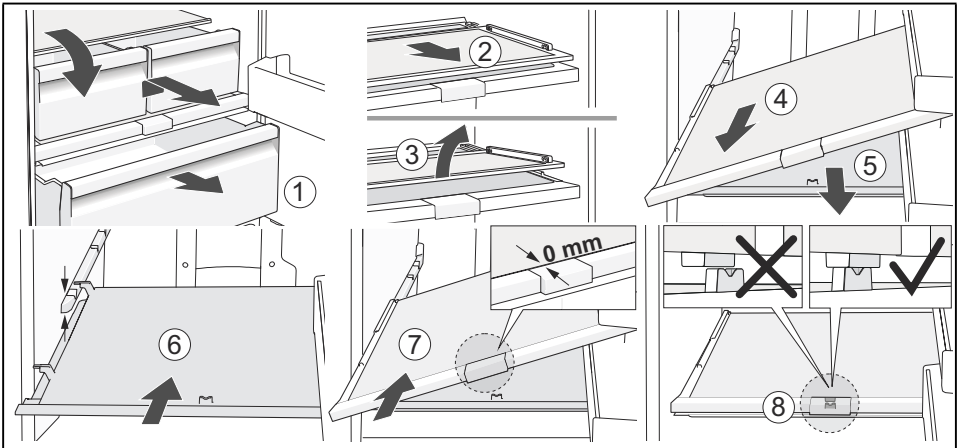
8



9



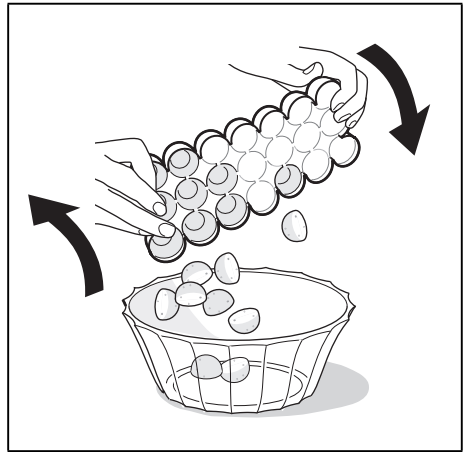
10



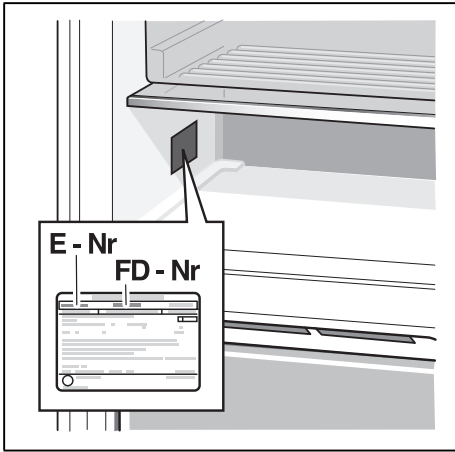
11



12



13



14

BSH Hausgeräte GmbH  
Carl-Wery-Straße 34  
81739 München, GERMANY

[siemens-home.bsh-group.com](https://siemens-home.bsh-group.com)

Κατασκευάζεται από την BSH Hausgeräte GmbH με άδεια εμπορικού σήματος της Siemens AG  
Manufactured by BSH Hausgeräte GmbH under Trademark License of Siemens AG  
Gyártó a BSH Hausgeräte GmbH, a Siemens AG védjegyhasználati engedélye alapján



**8001032488** (9610)

en, el, hu