

SIEMENS

Built-in and  
Freestanding  
Appliances

Siemens Home Appliances

2024  
Collection



# Introducing coordinated and intelligently designed appliances by Siemens

Offering the perfect balance between modern design and innovative technology our range offers different value classes including iQ700; appliances with eye-catching design, cutting-edge technology and larger displays. Our iQ500 range brings the latest innovations and sleek designs offering first-class appliances for any home. iQ300 and iQ100 offer more affordable options with equally tasteful design and style.

Discover the entire built-in range – for even more flexibility as well as time – and resource-saving solutions which help support increasingly busy lifestyles. Siemens appliances include ovens that recommend the best programme to use for a dish with the Oven Assistant, dishwashers that feature the world's only Zeolith® drying system; a technological innovation that sets new standards for performance and energy efficiency. In addition our range features fridges with hyperFresh food preservation system to help keep food fresh for longer and outstanding freezers that never have to be defrosted. Not to mention A-rated freestanding washing machines that run more sustainably without compromising on performance. All working together to create an intelligently connected kitchen and utility space in the home.



# A perfect union of intelligent technology and outstanding design

Get the best of both worlds, with appliances that are as clever as they are beautiful.

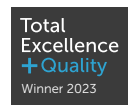


Stunning design and high quality materials come as standard with all Siemens appliances.

They have been engineered and designed in Germany to deliver quality, durability and reliability.



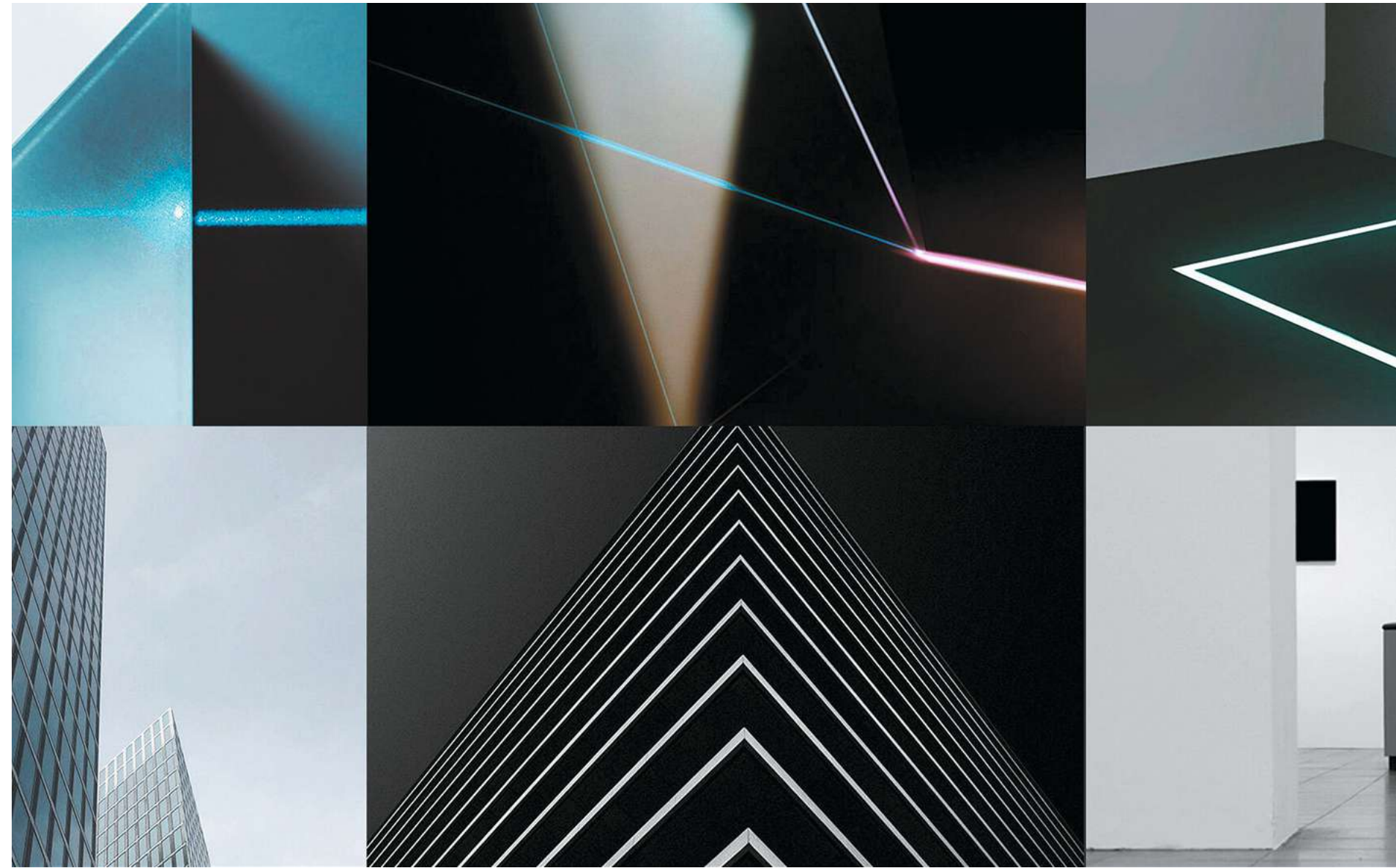
With more than 340 engineers across the UK and Ireland, all employed and trained by us, our engineers have unrivalled knowledge in repairing our appliances. Each team member goes through over 400 hours of training before attending customer call outs, for added peace of mind.



In 2023, Siemens was awarded the D&G Total Excellence and Quality award. This award is based on surveys sent to customers of most of the major home appliance manufacturers and confirms our commitment to offering Siemens customers the very best service.



The World Health Organisation research shows that environmental noise pollution affects mental and physical health and is now second only to air pollution as the world's largest killer pollutant. An independent scheme, Quiet Mark acoustically tests products to enable consumers to easily identify quieter products for the home, which will benefit health and wellbeing. Find out more on pages 8-9.



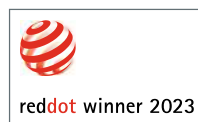
## Design is in our DNA.

Siemens Home Appliances' dedication to design excellence has been richly rewarded in the past year with numerous iF Design Awards, German Design Awards, Red Dot Design awards and Which? Award. Delivering a range of appliances equipped with smart technology, unparalleled user experience, and lasting, clear design aesthetics.



### The iF Design Award.

The iF Design Award has been recognising cutting-edge product design around the globe for over 70 years receiving over 6,000 submissions from 70 countries annually.



### The Red Dot Design Award.

The Red Dot Design Award, born in Essen (Germany) in 1955, has grown to be one of the most acclaimed product design awards in the world today.



### The German Design Award.

The German Design Award is considered to be one of the world's most distinguished design competitions.



### Which? Best Buy endorsement.

The Best Buy endorsement is given only to products and services proven to serve the consumer best in their independent lab tests and expert assessments. These top-rated products have all satisfied or exceeded their expert criteria, based on the results of rigorous comparative tests and analysis carried out by Which?. The Best Buy recommendation is 100% independent - no company can nominate its own products for a Best Buy endorsement. Their tests are based on criteria and benchmarks set by impartial experts.

## Added peace of mind.



Siemens offers a 2 year warranty as standard across our built-in and freestanding range for added peace of mind. To register warranty please refer to the information on page 294. From time to time, Siemens may present additional warranties such as 5 year warranty on either products or defined components of a product which are time limited offers, to check if a product qualifies, please contact us, or go online at [siemens-home.bsh-group.com/ie/customer-service/warranty](https://siemens-home.bsh-group.com/ie/customer-service/warranty)



In addition to the standard manufacturer warranty, our appliances also offer longer warranties on certain parts. This includes a 10 Year Anti-Rust warranty on all dishwashers, a 10 Year Compressor Drive warranty on selected cooling appliances, a 10 Year iQdrive® warranty on selected washing machines and lifetime AquaStop warranty on selected laundry and dishwasher appliances.



For further details, please refer to pages 295 or visit our Siemens Home UK or Ireland website.



# Welcome home



## The virtualBrochure

We have developed an innovative virtualBrochure app which brings the Siemens product range to life, giving full control of the products, allowing for rotation, zoom and interaction with the appliances.

The Augmented Reality feature within the app also allows to visualise our appliances within a room. Perfect for when planning a kitchen.

The app is available from the Apple Store and Google Play.



Download the virtualBrochure



Like and follow us on social media for the latest updates about our products, features and innovations.

Search **SiemensHomeUK** or **SiemensHomeIE**



#siemensintelligentkitchen

Or visit our website at [siemens-home.bsh-group.com/uk](https://siemens-home.bsh-group.com/uk) or [siemens-home.bsh-group.com/ie](https://siemens-home.bsh-group.com/ie) to find out more about our products and current offers.

<b>Cooking</b>	<b>10-65</b>
Pyrolytic single ovens	32-33
Single ovens	34-37
Double ovens	38-39
Compact ovens	40-42
Microwaves	44-47
Warming drawers	48-49
Accessories	51
Coffee centre and coffee machines	52-57
Technical diagrams	58-65
<b>Hobs</b>	<b>66-119</b>
inductionAir Plus hobs	88-89
flexInduction hobs	94-96
Induction hobs	97-99
quickLite ceramic hobs	102-103
Gas hobs	106-109
Domino hobs	110-111
Technical diagrams	112-118
<b>Hoods</b>	<b>120-153</b>
Worktop ventilation	134-135
inductionAir Plus hobs	136-137
Decorative hoods	138-139
Box chimney hoods	140-141
Integrated design hoods	142-143
Telescopic hood	144
Integrated hood	145
Canopy hoods	146-147
Technical diagrams	148-153
<b>Cooling</b>	<b>154-229</b>
<b>Built-in</b>	
Wine cabinets	172-173
Fridge freezers – noFrost	174-177
Fridge freezers – lowFrost	178-179
Single door fridges and freezers	180-185
Technical diagrams	186-192
<b>Freestanding</b>	
Wine cabinet	212-213
Multi-door / American Style fridge freezer	214-217
Traditional American Style fridge freezer	218-219
Fridge freezers	220-223
Upright single door fridges	224-225
Upright single door freezers	226-227
Technical diagrams	228-229
<b>Dishwashers</b>	<b>230-259</b>
<b>Built-in</b>	
60cm fully integrated dishwashers	242-244
45cm slimline dishwasher	245
Technical diagrams	246-247
<b>Freestanding</b>	
60cm dishwashers	258-259
<b>Laundry appliances</b>	<b>260-291</b>
<b>Built-in</b>	
Washing machine	266
Washer dryers	267
Technical diagrams	268-269
<b>Freestanding</b>	
Washing machines	286-287
Washer dryers	288-289
Tumble dryers	290-291
<b>Services</b>	<b>292-295</b>
Contact us	292-293
Register your manufacturer's warranty	294-295



# Intelligently connected, a growing world of possibilities

Take the next step into the future as Siemens and Home Connect redefine the everyday with future driven innovations.

It is easy to think that kitchens are fully evolved, at Siemens we apply technology intelligently to continuously adapt and even pre-empt changing demands. Our smart appliances go further, all packaged into cutting edge design. Innovative features like checking how many dishwasher tablets are left whilst shopping to help manage the household more effectively. And with the new detergent scan feature, reducing detergent wastage is made possible.

Our i-Dos washing machine can automatically determine the right amount of detergent to use based on the washing load and the water hardness in the area. When using with the detergent scan feature on the app it will further fine tune settings according to the detergent used.

Siemens smart Home Appliances with Home Connect offer even more possibilities – from the everyday to the not so everyday.

## Ovens

- Recipes: The Home Connect recipe section offers a large and delicious variety of Siemens approved recipes. The recipe cooking settings can even be sent directly to the oven, straight from a mobile, tablet or smart device when selected via the app.
- Remote Control: The oven can be operated intuitively from anywhere, for instance to preheat the oven on the way home.
- Oven Assistant: By selecting from a broad range of dish options, the oven will be automatically set to the ideal temperature and cooking mode to get perfect results on the chosen dish.

## Coffee Machines

- coffeeWorld: A wide range of additional coffee specialties from around the world are available exclusively from the app. Drinks can be selected and ordered directly from the app and instructions sent straight to the coffee machine.
- coffeePlaylist: Guests can be easily entertained and impressed. A playlist can be built by asking each guest to submit their own coffee preferences via the app and the whole beverage list can then be transferred remotely to the coffee machine. The drinks will be prepared one after the other.
- Remote Control: It is easy to grab a coffee between meetings when working from home by operating the coffee machine remotely via the app, voice control or smart watch.

## Hobs and Hoods

- Notifications: Helpful push notifications can be set to inform when the appliance needs maintenance attention, such as when the filters need replacing.
- Cooking assistant: The assist tab on the Home Connect App can help find and select cooking methods on the hob. Settings can even be sent directly to the hob for easier and quicker evening meals.
- Hob-Hood Control: Siemens hobs and hoods with Home Connect work together intelligently. The hood will switch on and adjust its settings automatically as needed when the hob is switched on.

## Fridge Freezers

- Remote Control: The temperature and settings can be managed remotely using the Home Connect app. With helpful push notifications directly to the app, such as when the door is left open, it is easy to stay in control.
- Inventory: It is easy to keep track of what is in the fridge using the Inventory within the app. And for when food is nearing its use-by date, the No Waste recipes are perfect for using up ingredients in time.

## Dishwashers

- Remote Control: The dishwasher can be operated from anywhere to fit in with all lifestyles. Check the washing status, receive push notifications such as when the programme is finished or when the rinse aid needs topping up and even start the machine remotely when out of the home.
- Programme Assistant: Simply select the type of dishes and cleaning preference on the app and Home Connect will suggest the best cycle for the load, to make dishwashing stress free and straight forward.

## Washing Machines and Tumble Dryers

- intelligentDry: Load details can be automatically sent from the washing machine to the dryer to help it select the optimum drying programme. Once the drying programme has finished, it will ask for a rating to help inform the settings of future cycles.
- easyStart: For help with choosing the right programme, individualised to the load. By answering a few simple questions about the load, it will recommend and set up the right program. Then all that is needed is to tap start.



Download and install  
Home Connect App

Home Connect

Partners brought to you  
by Home Connect

amazon alexa IFTTT fitbit Google Assistant ENPHASE LOXONE smappe finish

Our world has turned into an ever-growing network of partner services, to help turn any house into a fully connected home.

### Reduce the effort of household tasks with Amazon Alexa and Google Assistant.

With the Home Connect skills, voice control can be used for easy interaction with connected appliances at home. From simple dialogues to personalised interactions, managing the household is made even easier. With just a few simple commands, it is possible to start the laundry programme, preheat the oven, check the dishwasher progress or ask for a coffee to be made. A world of exciting possibilities await when using voice assistant with Home Connect appliances.

### Make life easier with Smart Reorder via the Alexa app.

Avoid running out of dishwasher tablets as Smart Reorder via the Amazon Alexa app brings automatic replenishment. The easy to set up feature will keep count of the remaining tabs and send a reminder when they need to be reordered.

### Manage appliances while on a run with Fitbit.

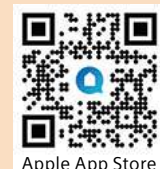
Fitbit and Home Connect can help make sure a warm meal or cup of coffee is waiting at home after every training session. Thanks to the remote control capabilities of the app, the oven, coffee machine, washing machine, washer dryer, tumble dryer and dishwasher can be controlled directly from a Fitbit smartwatch. The status of appliances can also be monitored in real time, making it easier to remain in control.



## Try demo

For a better understanding of the features available on the Home Connect app. You can still download the app and use the demo function without registering appliances.

To experience the demo mode use the QR codes to download the free Home Connect app, tap 'add appliances' on the home screen and choose from a range of demo appliances to experiment with.



Apple App Store



Google Play Store



# Protecting peace of mind

With Quiet Mark accredited products that will not disturb the peace and quiet of the home.

Technology has made homes more efficient and convenient than ever before, but it has also made them noisier. Our daily lives are accompanied by the sounds of TVs, traffic, ringing phones, and working appliances. Quiet Mark was conceived as a global hub where consumers, trade buyers and architects can go to find verified third-party-checked quiet machines, equipment and technology. They have acoustic teams and a UK headquarters with labs where they test some products, and work with specialist labs worldwide to test others. Their testing covers a wide range of products, including not just home appliances but also forklift trucks, computer mice, and noise-cancelling headphones. Their goal is to make it standard for every dishwasher, for example, to operate under a certain decibel level and offer sound quality that is carefully considered during the research and design stage.



## What effect does noise have on a person's wellbeing?

The impact of noise is more significant than people may initially think. Sound triggers the release of cortisol and adrenaline in the body, enabling quick action to protect ourselves against potential danger. This was necessary for survival in hunter-gatherer days. Fast forward to today, where people are surrounded by layers upon layers of noise which cause our bodies to release cortisol, creating adrenaline and putting additional pressure on the heart. Over time, this stress can cause headaches, difficulty concentrating or sleeping, and changes to the mood. Despite these potentially extreme reactions, the impact of sound is often ignored and misunderstood because it is invisible. This makes it even more of a threat to people's well-being.

## How do noisy appliances affect the home

It is not just one noise but often multiple appliances running at once. This is likely to create a variety of beeps, bleeps, and sudden noises, and these can all add up. This can be particularly problematic if the office is also the kitchen table, or if someone in the household has hearing sensitivities or autism. By reducing the overall number of decibels in the home, people can also reduce anxiety levels and create a more peaceful space for everyone.

## Which appliances are the biggest culprits when it comes to noise?

In late 2021 and early 2022, Quiet Mark conducted surveys to determine how people in the UK and the US feel about noise in the post-pandemic world. Their findings indicate that over four fifths of Brits, regardless of age group or region, would prefer to have quieter home appliances. The surveys also revealed that larger appliances, such as washing machines and dishwashers, were the biggest culprits of noise. Vacuum cleaners and juicers were also noted as sources of noise.

## Is noise a consideration when people are buying appliances?

Their research also shows that over two thirds of UK consumers are more likely to purchase an appliance labelled as "quiet" compared to a similar product with no reference to noise levels. Furthermore, people are generally willing to pay more for quieter appliances. This trend is reflected in customer reviews, where many products receive high ratings specifically because they are quiet.



## How does Quiet Mark accreditation work?

To compile their list of approved appliances, the team at Quiet Mark searches through all the new ranges of large appliances worldwide and creates databases of their energy labels. By law, every brand must undertake sound testing to certain ISO standards and declare this level. For washing machines, for example, this pertains to the levels for the spin and wash cycles. Although it is not possible for them to test every appliance, they do conduct spot checks. They then determine the very quietest 10 to 20% in each appliance category. A brand cannot buy a Quiet Mark; it is only awarded if its appliances meet these criteria. Siemens began its partnership with Quiet Mark in January 2023, and currently offers over 60 large appliances with Quiet Mark status. Look out for the Quiet Mark logo by the appliances to find them.



# The perfect line up. Coordinated and intuitive cooking experiences

From ovens, to warming drawers, to coffee centres. Siemens clean lines and matching intelligent appliances allow for perfect design coordination.

## Ovens

Siemens built-in ovens impress with their sleek finish and premium materials. They can be fitted alone or coordinated with other Siemens appliances for a design statement. Their ability to be installed independently allows full flexibility to fit appliances under work surfaces, in tall units or in a bank with other appliances. These multiple combinations give full freedom with the kitchen design, not to mention state-of-the-art technology and intelligent features which save time when cooking.

## Compacts

With the variety of appliances in our compact built-in range, Siemens provides a combination of options to suit preferences, while delivering complete visual perfection. Siemens 45cm and 38cm high compact appliances allow for a full array of cooking configurations. Depending on the range and model, compact ovens are available with steam or integrated microwave, offering space-saving design without compromising on style or utility.



cooking

Siemens cooking warranties:



### 2 year warranty

A two year warranty is available on all Siemens ovens and compact appliances listed in this brochure to protect against manufacturing and material faults during this warranty period.

To find out more about warranty and for registration, please visit:  
[siemens-home.bsh-group.com/ie/customer-service/warranty](https://siemens-home.bsh-group.com/ie/customer-service/warranty)



# Discover intelligent ovens that adapt to individual needs



Models shown: HM778GMB1B single oven, CT718L1B0 coffee machine, CM778GNB1B compact oven, B1710D1B1B warming drawer.

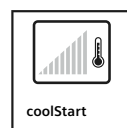
## Key features within the iQ700 and iQ500 range



### fast preheat

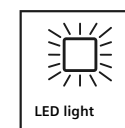
No more tedious waiting for the oven to reach the right temperature.

The fast preheating feature activates multiple heating elements simultaneously to get to the desired temperature very quickly.



### coolStart

Cooking certain frozen and chilled foods in the oven is now even faster – thanks to the innovative coolStart function. Without the need to wait for the oven to reach the set temperature, frozen and chilled foods can be successfully cooked without preheating, while still using the recommended cooking time.



### Everything put in a good light.

Depending on the model, there are different kinds of illumination inside the oven. Whether it is the standard Halogen light, LEDs or the most advanced Multilevel LED strip, they all provide a brilliant view into the oven without having to open the door.



### Electronic control

Depending on the function selected, the oven will suggest a suitable temperature which can be manually adjusted. The selected temperature is displayed digitally and a heating up indicator shows the progress towards the set temperature. The same indicator shows residual heat once the oven is turned off. Get quick access to performance features like cookControl Plus and cookControl Pro whilst being safe in the knowledge that if left unadjusted for a period of time, the oven will switch off automatically.





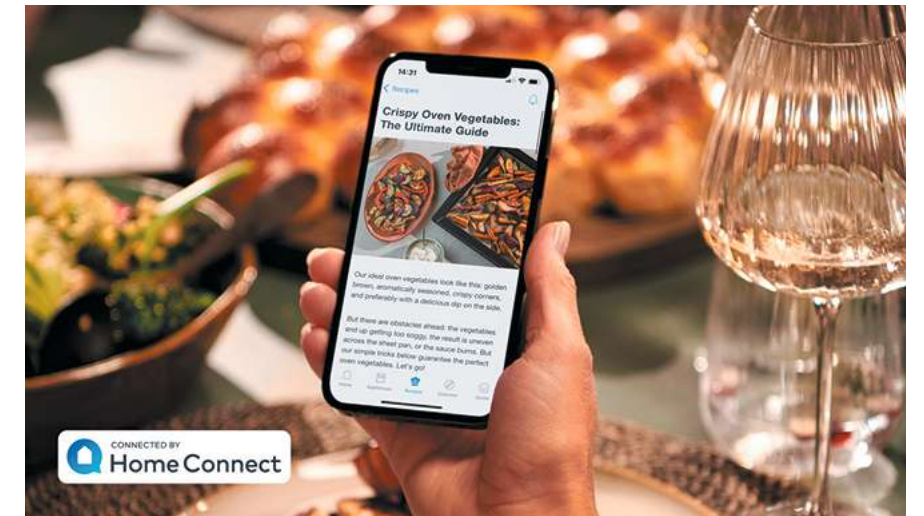
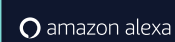
# Get more with Home Connect



Download and install Home Connect App



Partners brought to you by Home Connect



Our range of smart cooking appliances with Home Connect are designed to work intelligently for the user.

From easy set-up, quick access to user manuals, scheduling pyrolytic cleaning start times to fit consumers' needs, to notifications to clean cooker hood filters; Siemens cooking appliances with Home Connect intelligently make everything easy and more accessible.

#### In safe hands.

Siemens cooking appliances are equipped with intelligent sensors to help get the best results when cooking. For example, the 'dishes' section on the app will suggest the best cooking settings for a chosen dish.

The vast choice of recipes in the recipe section of the Home Connect app provide inspiration for budding or experienced home cooks alike. Once selected the cooking settings of the recipe can be transferred automatically to the oven intuitively from the app.

#### A growing world of partners.

The constantly growing network of partner solutions opens up completely new perspectives and networking possibilities. For an everyday life that is efficient and exciting like never before.

The Siemens Wi-Fi-enabled ovens connect to a wide range of smart devices and services. With partners including voice assistants, recipes, energy management and shopping and reordering – connecting appliances to Home Connect brings a whole world of opportunities to Siemens appliances.

#### Intelligent thinking, intelligent design.

We enable multiple ways to control our appliances to help when hands are full or life becomes busy – voice, smartwatch, tablet, and smartphone. There are countless applications that can be precisely tailored to the user's needs. With Home Connect and the relevant partner, the whole household can now be controlled with just one click. Everyone can create their own personal scenarios; for example by automating the switching off of various devices as they leave the home. An all-in-one solution for intelligent home automation.

#### Said. Done.

Appliances can be controlled without lifting a finger, by simply asking Amazon Alexa or the Google Assistant to start the oven, or even how long it will take until dinner is ready? The oven can even be controlled easily by voice while relaxing on the sofa.

#### Joined up thinking.

Depending on the model our smart ovens with roastingSensor know when the dish is done perfectly and switches itself off to avoid wasting energy unnecessarily. Complete control is at hand with the Home Connect app.

#### Enduring performance.

Downloadable programmes and software updates ensure the oven is always at the cutting edge of technology.

#### Knowledge at the touch of a button.

No need to search for the manuals hidden in the kitchen drawer, they can be accessed anytime easily with a simple tap via the Home Connect app.





# Uncompromising design and technology: iQ700

Introducing features unique to the Siemens iQ700 ovens and compact appliances range.

Thanks to activeClean®, ecoClean®, ecoClean® Plus and humidClean® by Siemens, cleaning the oven becomes simple and effortless.



**Ovens with activeClean®**  
Baked on food and grease can be removed at the push of a button without any need for chemical treatments. Hassle-free, the oven cleans itself thoroughly with activeClean®. It does so by heating up to a very high temperature – turning all residues into ash, which can easily be wiped away. This process is called pyrolysis and is an extremely convenient and efficient way to clean the whole interior of the oven saving time and effort.

For iQ700, the optional telescopic rails and full width enameled pan are specially designed to be used with activeClean® so they do not need to be removed during the cleaning process. Only the wire shelf needs to be removed.



**Ovens with ecoClean® and ecoClean® Plus**  
A special coating applied directly to the inside of the oven (please check specification of individual models), ecoClean® and ecoClean® Plus make cleaning the oven easy. The coated area cleans itself while the oven is on and models with back, roof and side coating benefit from a special cleaning programme.



**humidClean**  
For faster cleaning, dirt is softened beforehand by vaporising soapy water. Simply add a drop of detergent to 400ml of water, pour the solution onto the centre of a completely cooled cooking compartment and set the cleaning programme. Once done the soiling can easily be removed with a dish cloth or soft brush.



**Cleaning and de-scaling**  
Finished with a durable enameled interior, most Siemens compact45 combination ovens with steam feature dedicated cleaning and de-scaling programmes.



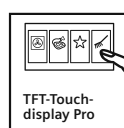
**Drying programme**  
This programme can be used after each use to dry residual moisture inside the cavity of the oven.



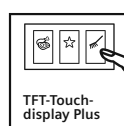
activeClean® – ovens that clean themselves

## Display options available for iQ700 single ovens and compact ovens

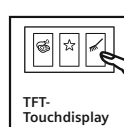
The iQ700 range oven menu comes with a high resolution TFT Touchdisplay in three different sizes. Each display type is designed to complement each other and coordinate effortlessly. The high-contrast colour screen offers smooth and intuitive navigation and gives access to all features by a simple touch. It is even easier to select the perfect settings with 'favourites' which can be accessed directly from the main menu.



**TFT Touchdisplay Pro**  
Our largest high-contrast colour display is easy to read from any angle, allowing easy and comfortable operation of the oven.



**TFT Touchdisplay Plus**  
A smaller display but still with the same colour, high-contrast display, the TFT Touchdisplay Plus is the intuitive and satisfying control centre of the oven.



**TFT Touchdisplay**  
Our smallest display in the range but no less equipped to make the cooking experience effortless and help get the most from the oven.





iQ700 ovens and compacts are designed to complement one another.

**An option for every need.**

The Siemens oven range offers a wide selection of options to choose from which can be combined in a bank or in a row. From single ovens with an easy clean solution such as activeClean, to an oven with steam function. They can be combined with an additional compact model such as coffee machine or oven with integral microwave.

**Cooking with steam.**

The Siemens compact steamer and steam combination ovens provide the benefit of steam together with perfect design coordination. Steam and added steam cooking has increased in popularity in the past few years. Not only does this offer healthier cooking options as steam retains vitamins and nutrients, but also maintains the visual appearance of many foods. With fullSteam Plus, healthy can also be convenient. Using the perfectly balanced combination of steam and heat at 120°C, dishes finish cooking up to 50% faster than using the standard 100°C steam function.

**The coffee solution.**

For coffee connoisseurs, adding a Siemens coffee centre to the design can be a great solution. This versatile machine will provide a variety of specialist coffees at the touch of a button.

**Keep it warm.**

The Siemens iQ700 range also includes warming drawers. Primarily designed to pre-heat crockery and keep cooked food warm, these drawers can also slow cook, prove dough and defrost.

Available in 14cm or 29cm high options, they combine perfectly with single ovens and 45cm compact models in column or side by side in bank installations. For optimum design coordination, choose iQ700 models with matching TFT displays.



Models shown: HM778GMB1B single oven and HS758G3B1B single oven



Models shown: HM778GMB1B single oven and HS758G3B1B single oven



Models shown: HM778GMB1B single oven, CT718L1B0 built-in coffee centre, BI710C1B1B warming drawer, CM778GNB1B compact oven and BI710E1B1 accessory drawer



A built-in kitchen assistant.



**cookControl Pro**

Pre-installed, automated baking and roasting programmes in the oven guarantee ideal preparation. The chosen dish can be simply selected via the clearly arranged TFT Touchdisplay and the oven's sensors then control the process. The preferred result can be selected from various suggestions depending on time or preferences. The oven automatically applies the correct settings and functions then turns off when the dish is ready. More programmes can be downloaded by connecting the oven with a registered Home Connect account.

In addition to pre-installed programmes, cookControl Pro gives access to additional special sensors or heating modes depending on the appliance.



The same great results in up to half the time.



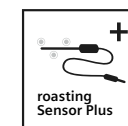
**varioSpeed**

When time is of the essence use the varioSpeed function to cut down cooking time by up to 50%.

Intuitive to use and a real "allrounder" – add the microwave function to the chosen heating mode to enjoy delicious and refined dishes faster.

varioSpeed delivers outstanding results such as soft textures and crispy crusts all in record time.

Achieve the best results.



**Easier than ever before: roastingSensor Plus**

Thanks to three measuring points, the innovative roasting thermometer is able to precisely and reliably measure the core temperature of a wide range of foods. Ideal for meat, poultry and fish, it can even be combined with the integrated microwave and the pulseSteam function. The roastingSensor Plus removes the need to keep checking on food.

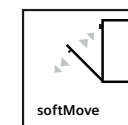


**bakingSensor Plus**

Thanks to bakingSensor Plus the oven can detect when the baking process is complete. Select the required dish and the innovative sensor technology fitted inside selected iQ700 ovens can automatically control the baking process for consistently delicious results. The bakingSensor constantly measures the humidity levels in the oven interior and is therefore able to determine when the dish is fully cooked and ready.



Smooth operator.



**softMove**

For effortless operation of the oven door, the dampers ensure gentle and quiet opening every time. Available on all iQ700 built-in ovens.

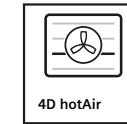






Model shown: HS658GES7B single oven

### Cooking flexibility.



4D hotAir

#### 4D hotAir

The innovative technology of the fan motor enables optimum heat distribution around the interior of the oven, as the oven is programmed to change the rotating direction of the fan every few minutes. Due to even distribution of heat within the cavity, cooking on up to 4 shelf levels is possible (for compact appliances up to 3 shelves). Food therefore always turns out perfectly, no matter which shelf it is placed on.



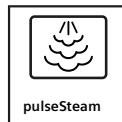
### Steam cooking. The healthy way to cook.



fullSteam Plus

#### fullSteam Plus

The steam function of the new iQ700 oven is not only a healthier way of cooking, it is also faster. The perfectly balanced combination of steam and heat at 120°C finishes dishes up to 50% faster than using the standard 100°C steam function. Ideal to preserve vegetables' fresh colours and retain vitamins and minerals. Even firm vegetables like potatoes and carrots become perfectly tender, making fullSteam Plus one of the most convenient ways to prepare a delicious and healthy meal.



pulseSteam

#### pulseSteam

Siemens ovens and compact appliances with pulseSteam are real all-rounders for more flexibility when cooking. Steam can easily be added while baking and roasting with hot air. Multi function options offer the perfect cooking method for any food, preserving everything that is important: flavour, smell, texture and nutrients. Siemens combi-steam ovens do not just work with hot air but also with top and bottom heating and grilling, so bread, cakes and roasts come out just right: crisp on the outside and moist on the inside.

#### How does it work?

Siemens steam and steam combination ovens are quick and easy to install as they do not require plumbing-in. Our fullSteam ovens have the temperature range indicated; whereas our pulseSteam models have three intensity levels which can be adjusted, depending on what is being cooked.

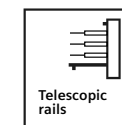
The removable 1 litre water tank (1.3 litre for compact steamer) is accessed behind the semi-automatic control panel making it more convenient and easier to refill, even during cooking. Water is heated by a fast and efficient steam generator before being introduced into the oven. Thermostatic controls allow a pure steam temperature of 30 – 100°C.



Model shown: HS758G3B1B single oven

### Rail Systems: The perfect accessories, designed especially for the iQ700 oven.

We supply accessories that help make cooking easier and more enjoyable. Great for tailoring the oven to individual needs offering ease of use and flexible cooking options to help create the perfect dish.



Telescopic rails

#### iQ700 telescopic rails

Fully extendable telescopic rails are available as an optional extra on selected iQ700 ovens. Designed to glide smoothly and effortlessly out of the oven, these rails offer clear and comfortable access to food during cooking and to remove the food once cooked without having to reach into the hot oven. Versions suited to pyrolytic models which can remain in the appliance during the cleaning cycle are also available, for effortless cleaning of the oven and the rails at the same time.

<sup>1</sup> Telescopic rails are not available as optional accessories on ovens with integral microwave





# Innovative speed solutions

for outstanding cooking creations: iQ500

Featuring more traditional, yet stylish, illuminated and easy to use control dials, the coordinated lightControl design allows the single ovens, built-in/under double ovens, compact microwave combination ovens, built-in microwave ovens, and warming drawers to be installed together, both vertically and horizontally\*.

Siemens offers a choice of two coordinating iQ500 45cm compact microwave combination ovens, each featuring the same striking blue and white lightControl display as the iQ500 single ovens.

The standard microwave combination oven CM585AGS0B features a large 36cm ceramic base to allow for use of rectangular dishes compared to a turntable.

Alternatively, the innovative CP565AGS0B features not only microwave and oven functionality, but also full steam and steam combination options – the ultimate solution for combination cooking and perfect for maximising options if space is a premium.

Compact combination ovens are complemented by a 14cm high warming drawer to ensure complete iQ500 design coordination.

The iQ500 range also offers two design coordinated solo microwaves – a 25L version for installation in tall housing and a smaller 20L model design to fit into 30cm deep wall cupboards.

\*Horizontal combinations for single ovens and 45cm compact appliances only.

## Operation meets fascination.



### lightControl

The lightControl dial highlights the chosen heating symbol with a striking blue light – making operating the oven into an intuitive and exciting experience. The design is consistent throughout the iQ500 range with the intuitive illuminated lightControl dials, whether selecting a cooking function on a single oven, or introducing steam to the 3 in 1 microwave combination compact appliance.



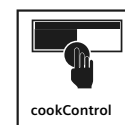
## The secret to perfection.



### addedSteam

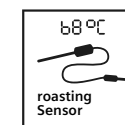
This feature benefits foods by adding moisture and enhancing colour and crispness. This is done by enhancing a natural process called the Maillard effect. This is a reaction which occurs when natural sugars are caramelised in the presence of heat that gives conventionally cooked food its colour and crispness. Adding shots of steam intensifies this reaction. For example bread crusts become dark, shiny and crisper compared to being cooked using conventional heat only.

## Guarantee the best cooking results.



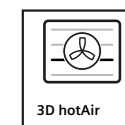
### cookControl

Providing automatic programmes for mainly meat, poultry and fish. Available with either 10 programmes or 30 programmes, simply select the desired dish and enter the food's weight – everything else is done automatically.



### Single point roastingSensor

The roasting thermometer is able to precisely and reliably measure the internal temperature of dishes. By getting an accurate reading of the core temperature of boneless and fat less dishes, it can determine when they are perfectly done.



### 3D hotAir

With the 3D hotAir, the oven distributes the heat consistently inside the oven cavity to guarantee perfect baking results while preventing flavours and smells intermingling even when cooking on three levels simultaneously.





Model shown:  
MB578G5S6B built-in double oven

# Introducing Siemens iQ500 double ovens.

## softClosing Door.

Adding to the ambience of any kitchen, the softClosing Door, on selected iQ500 models, closes by gently cushioning the last few centimetres for minimal noise and maximum comfort. In addition, a softClosing Door ensures that items within the appliance are not disturbed from a heavy impact, avoiding unnecessary spills to clean.

## iQ500 varioClip rails.

Selected Siemens iQ500 single and double ovens<sup>1</sup> feature a pair of innovative varioClip telescopic rails. Intelligently designed with an easy release system, these rails can be unclipped and repositioned on any of the five shelf positions in the oven<sup>2</sup>, tailoring the position depending on the dish requirements. Whether grilling bacon for breakfast on one of the higher positions, or opting for a lower rail position to cook the Sunday roast, these fully extendable rails perfectly combine flexibility and convenience. Additional pairs of varioClip rails are available as optional extras to personalise the rail systems of each oven.



varioClip rails – designed to be released and repositioned quickly and easily

<sup>1</sup> Please see product descriptions for models that have the rails as standard  
<sup>2</sup> varioClip rails suited only to the main oven on double ovens

## Siemens iQ500 double ovens provide a great solution to gain extra flexibility and more cooking space.

Both ovens can be used when entertaining guests for example baking dessert in the main oven whilst heating savoury dishes within the top oven. Sitting seamlessly within the furniture, kitchen space is maximised without sacrificing the extra cavity space.

### Our double oven with activeClean® benefits.

A double oven with top of the range features. Built-in model MB578G5S6B with Home Connect features activeClean® in both the main and top cavity. activeClean® heats up the temperature of the oven to burn residue and allow for easy wipe away cleaning, saving significant time when cleaning the oven. This model also includes the coolStart function, perfect for people always on the go and when needing to heat up frozen and chilled meals quickly.

### A built-under to fit beneath work surfaces.

Alternatively, with the built-under oven model NB535ABS0B with a fast preheat and 3D hotAir cooking available in the main oven different types of foods can be cooked flexibly on up to 3 shelving positions, without tastes mingling. Its slightly smaller overall size means this double oven can also fit underneath the work surface – ideal when space is limited but an additional cooking cavity is needed.



NB535ABS0B built-under double oven

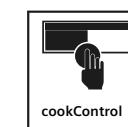
### Key features of iQ500 double ovens:



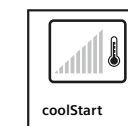
**3D hotAir**  
Can cook all types of food on up to 3 levels simultaneously to stop flavours and smells intermingling.



**activeClean®**  
Heating the cavity up to 480°C, activeClean® burns away all dirt and grime. The remaining ashes can then be easily wiped away inside the oven cavity for effortless oven cleaning.



**cookControl**  
Provides automatic programmes for the perfect preparation of meat, fish, vegetables and bread. Simply select the desired dish and enter the food's weight – everything else is done automatically. Either 10 or 30 programmes available, depending on the model.



**coolStart**  
No more preheating when cooking chilled and frozen convenience food. Using an intelligent heating phase, it is now possible to cook frozen and chilled food without waiting for the oven to preheat.



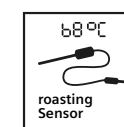
**fast preheat**  
By activating all heating elements simultaneously, Siemens ovens with fast preheating get to the desired temperature very quickly.



**ecoClean® liners**  
A direct coating that lines the inside of the oven, ecoClean® makes cleaning the oven easy. The coated area cleans itself while the oven is on or can be activated with a cleaning programme. Available either as a full coating on the back, roof and sides or exclusively on the back panel.



**Electronic control**  
Depending on the function selected, the oven will suggest a suitable temperature which can be manually adjusted. The selected temperature is displayed digitally and a heating up indicator shows the progress towards the set temperature. The same indicator shows residual heat once the oven is turned off. Get quick access to performance features like cookControl whilst being safe in the knowledge that if left unadjusted for a period of time, the oven will switch off automatically.



**Single point roastingSensor**  
By getting an accurate reading of the core temperature of boneless and fatless dishes, the roastingSensor can precisely and reliably measure the internal temperature of each dish to determine when it is perfectly done.



Control the oven simply by using a smartphone or tablet with the Home Connect App to further expand the potential of the oven.

Features are on selected models. Please check individual models on matrix pages for exact specifications.



# Explore compact ovens and microwaves

## Ovens with integral microwave\*

When teamed with a single oven, Siemens iQ700 compact ovens with microwave offer a great alternative to a double oven when more space is needed for traditional cooking. Designed first and foremost to function as an oven, with construction, features and functions identical to a traditional single oven, these models benefit from the addition of microwaves at low medium power (max. 360W) to deliver oven-led combination cooking. Our varioSpeed faster cooking feature speeds up the cooking process while retaining traditional cooking results.

## Microwave combination Ovens\*

These iQ500 models are designed to provide more functionality than a solo microwave oven, focusing on combination cooking, with the microwave using higher power (max. 600W) to lead the cooking process, supported by hot air or grill functions to deliver speedy crisp and browned results. Based around a more traditional microwave functionality these models offer the perfect solution if regular microwave heating is the priority, but with the back-up of separate or combination hot air cooking and grill functionality if required.

\*These models are designed to operate best in combination mode, so when heating using microwave only, it may be necessary to adjust cooking times.

## Compact Ovens with steam

When looking for healthier cooking options the Siemens range of compact ovens with steam creates healthier meals using the power of steam to deliver juicier meats, crisped and fluffy baked items and vegetables that retain more of their vibrant colours, vitamins and nutrients. Siemens fullSteam models offer pure steam cooking, plus many models also offer pulseSteam – pulses of steam are injected into the oven to work in tandem with traditional cooking functions. Please check individual models for exact specifications.



**CM676GBS6B** compact oven with integral microwave



**CM585AGS0B** compact microwave combination oven



**CP565AGS0B** compact microwave combination oven with steam

## Inverter Technology

Inverter Technology delivers microwave power constantly while cooking – other, traditional microwaves are only able to deliver maximum power and manage the differing settings by alternating between on and off for specific time periods. This can result in uneven heating or over-cooked food and can be especially damaging to more delicate foods or smaller portions.

With Inverter technology, the microwave delivers power constantly, gradually managing the power levels down over time in order to control the food temperature. This gentle approach to cooking reduces uneven heating or overheated food and is especially beneficial for delicate foods. It may be necessary to adjust cooking times to ensure foods are thoroughly cooked before serving. Siemens recommends that the maximum power setting be used for heating liquids and the microwave is calibrated to provide a burst of high power initially, before managing the power down in stages to the next level over the first few minutes.



Models shown: **CM678G4S6B** iQ700 compact oven with integral microwave and **BI630CNS1B** iQ700 warming drawer

## Warming and accessory drawers














Perfect for warming plates, a Siemens warming drawer will keep food warm for latecomers – as well as keeping plates at an optimum temperature to ensure hot food keeps its warmth when plated. With adjustable temperatures of 40-80°C, a four-setting iQ700 14cm or 29cm high warming drawer can be installed as a standalone appliance, or acts as the perfect accompaniment to Siemens iQ700 ovens and compacts. If needing additional storage only, a matching 14cm accessory drawer is also available. The iQ500 range includes a 14cm high warming drawer featuring 3 settings – minimum, medium and maximum – designed to coordinate with Siemens iQ500 ovens and compacts. The perfect line up of compact appliances with warming drawer is sure to bring style and elegance to any refined kitchen space.



**BI630CNS1B** iQ700 warming drawer











# iQ700 oven product overview

Display type	Single Ovens (60cm) with activeClean (pyrolytic/self-cleaning)			Single Ovens (60cm) with ecoClean (non-pyrolytic)	
	Microwave	pulseSteam	Standard	Steam	Standard
 <b>TFT touchDisplay Pro</b>	 <b>HM778GMB1B</b> • Cooking functions: 21 • 4D hotAir • cookControl Pro • roastingSensor Plus • varioSpeed • activeClean®		 <b>HB778G3B1B</b> • Cooking functions: 13 • 4D hotAir • cookControl Pro • roastingSensor Plus • activeClean®	 <b>HS758G3B1B</b> • Cooking functions: 22 • 4D hotAir • cookControl Pro • roastingSensor Plus • fullSteam Plus • ecoClean Plus	
 <b>TFT touchDisplay Plus</b>	 <b>HM776G1B1B</b> • Cooking functions: 19 • 4D hotAir • cookControl Pro • varioSpeed • activeClean®	 <b>HR776G1B1B</b> • Cooking functions: 19 • 4D hotAir • cookControl Pro • pulseSteam • activeClean®	 <b>HB776G1B1B</b> • Cooking functions: 13 • 4D hotAir • cookControl Plus • activeClean®	 <b>HS736G1B1B</b> • Cooking functions: 21 • 4D hotAir • cookControl Pro • fullSteam Plus • ecoClean	 <b>HB736G1B1B</b> • Cooking functions: 13 • 4D hotAir • cookControl Plus • ecoClean
 <b>TFT touchDisplay</b>			 <b>HB772G1B1B</b> • Cooking functions: 10 • 3D hotAir • cookControl Plus • activeClean®	 <b>HB732G1B1B</b> • Cooking functions: 10 • 3D hotAir • cookControl Plus • ecoClean	

## iQ700 drawers range

Display type	29cm Drawers		14cm Drawers
	Warming drawer	Warming drawer	Accessory drawer
<b>All drawers have:</b> • Push/pull opening • Heated ceramic base (excludes Accessory Drawer)	 <b>BI710D1B1B</b> • 29cm height • Maximum capacity - plates 40 • Maximum capacity - espresso cups 192 • Temperature levels 4	 <b>BI710C1B1B</b> • 14cm height • Maximum capacity - plates 12 • Maximum capacity - espresso cups 64 • Temperature levels 4	 <b>BI710E1B1</b> • 14cm height • Maximum capacity - plates 14 • Maximum capacity - espresso cups 64 • Temperature levels n/a

## Home Connect

Compact Ovens (45cm) with activeClean (pyrolytic/self-cleaning)	Compact Ovens (45cm) with ecoClean (non-pyrolytic) (excluding CM724G1B1B)		Compact Microwave		Coffee Centre
Microwave	Microwave	Steam	Microwave	Microwave with grill	
 <b>CM778GNB1B</b> • Cooking functions: 21 • 4D hotAir • cookControl Pro • roastingSensor Plus • bakingSensor Plus • varioSpeed • activeClean®					 <b>CT718L1B0</b> • doubleCup • coffeeWorld • aromaSelect • ceramDrive • autoMilk Clean
 <b>CM776G1B1B</b> • Cooking functions: 19 • 4D hotAir • cookControl Pro • varioSpeed • activeClean®	 <b>CM736G1B1B</b> • Cooking functions: 19 • 4D hotAir • cookControl Pro • varioSpeed • ecoClean	 <b>CS736G1B1</b> • Cooking functions: 21 • 4D hotAir • cookControl Pro • fullSteam Plus • ecoClean			
	 <b>CM724G1B1B</b> • Cooking functions: 15 • 2D hotAir • cookControl Pro • varioSpeed <b>ecoClean not included</b>		 <b>CE732GXB1B</b> • cookControl 10 • 1000 Watts maximum • Grill function	 <b>BF722L1B1B</b> • cookControl 7 • 900 Watts maximum • Left hinged	








### 2 year warranty

A two year warranty is available on all Siemens ovens and compact appliances listed in this brochure to protect against manufacturing and material faults during this warranty period.






# iQ500 oven product overview

## iQ500 single oven range

Display type	Single Ovens (60cm) with activeClean (pyrolytic/self-cleaning)			Single Oven (60cm) with ecoClean (non-pyrolytic)
	With addedSteam	Standard	Standard	Standard
 <p>lightControl illuminated dials</p>	 <p><b>HR578G5S6B</b></p> <ul style="list-style-type: none"> <li>• 3D hotAir</li> <li>• cookControl30</li> <li>• softClosing Door</li> <li>• roastingSensor</li> <li>• activeClean®</li> <li>• addedSteam</li> </ul>	 <p><b>HB578G5S6B</b></p> <ul style="list-style-type: none"> <li>• 3D hotAir</li> <li>• cookControl30</li> <li>• softClosing Door</li> <li>• roastingSensor</li> <li>• activeClean®</li> </ul>	 <p><b>HB578A0S6B</b></p> <ul style="list-style-type: none"> <li>• 3D hotAir</li> <li>• cookControl30</li> <li>• activeClean®</li> </ul>	 <p><b>HB535A0S0B</b></p> <ul style="list-style-type: none"> <li>• 3D hotAir</li> <li>• cookControl10</li> </ul>

## iQ500 double oven range

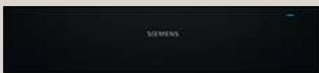


Double Oven (60cm) with activeClean (pyrolytic/self-cleaning)	Double Ovens (60cm) with ecoClean (non-pyrolytic)	
 <p><b>MB578G5S6B</b></p> <ul style="list-style-type: none"> <li>• 3D hotAir (main)</li> <li>• cookControl30 (main)</li> <li>• softClosing Door (main)</li> <li>• roastingSensor (main)</li> <li>• activeClean®</li> </ul>	 <p><b>MB557G5S0B</b></p> <ul style="list-style-type: none"> <li>• 3D hotAir (main)</li> <li>• cookControl10 (main)</li> <li>• softClosing Door (main)</li> <li>• roastingSensor (main)</li> </ul>	 <p><b>MB535A0S0B</b></p> <ul style="list-style-type: none"> <li>• 3D hotAir (main)</li> <li>• cookControl10 (main)</li> </ul>

## iQ500 compact oven and microwave range

Display type	Compact Ovens (45cm)	Compact Microwaves	
	With microwave function	Microwave	Microwave
 <p>lightControl illuminated dials</p>	 <p><b>CM585AGS0B</b></p> <ul style="list-style-type: none"> <li>• cookControl15</li> <li>• 2 microwave combination options</li> </ul>	 <p><b>BF555LMS0B</b></p> <ul style="list-style-type: none"> <li>• Automatic programmes: 7</li> </ul>	 <p><b>BF525LMS0B</b></p> <ul style="list-style-type: none"> <li>• Automatic programmes: 7</li> </ul>

## iQ500 drawer range

Display type	10cm Drawer
<p><b>All drawers have:</b></p> <ul style="list-style-type: none"> <li>• Push/pull opening</li> <li>• Heated ceramic base</li> </ul>	<p>Warming drawer</p>  <p><b>BI510CNR0B</b></p> <ul style="list-style-type: none"> <li>• 14cm height</li> <li>• Maximum capacity - plates 14</li> <li>• Maximum capacity - espresso cups 64</li> <li>• Temperature levels - 3</li> </ul>



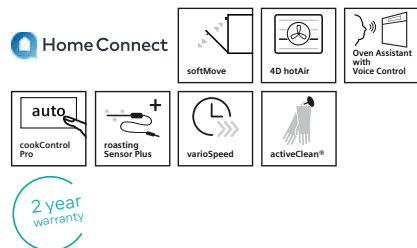
**2 year warranty**  
A two year warranty is available on all Siemens ovens and compact appliances listed in this brochure to protect against manufacturing and material faults during this warranty period.



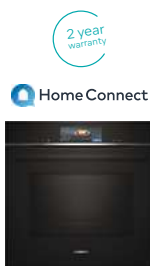
# Pyrolytic single ovens

## iQ700 HM778GMB1B

Single multi-function oven with integral microwave  
Black with steel trim



2 year warranty



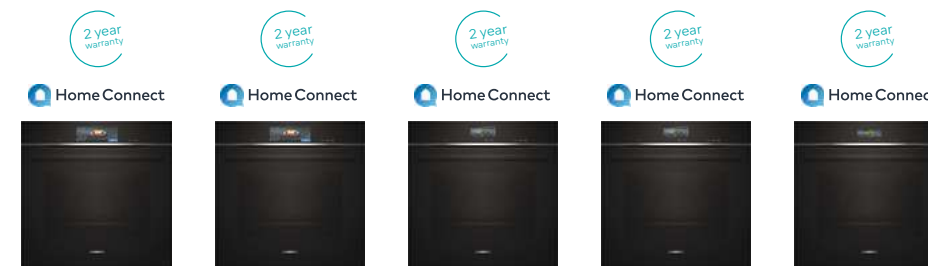
### Pyrolytic single ovens specifications

APPLIANCE TYPE	PYROLYTIC OVEN WITH INTEGRAL MICROWAVE
Design family	iQ700
Model number	HM778GMB1B
<b>DESIGN CHARACTERISTICS</b>	
TFT Touchdisplay Pro	■
TFT Touchdisplay Plus	-
TFT Touchdisplay	-
softMove door opening and closing	-
<b>SAFETY FEATURES</b>	
Electronic control	■
Digital temperature display with proposal	■
Heating up indicator / Residual heat indicator	■ / ■
Control panel lock / Automatic safety switch off	■ / ■
Door lock	■
<b>KEY FEATURES</b>	
Home Connect	■
Oven assistant with Voice control	■
varioSpeed	■
cookControl / cookControl Plus / cookControl Pro	- / - / ■
roastingSensor / roastingSensor Plus	- / ■
Oven shelf positions	5
<b>CLEANING SYSTEM</b>	
activeClean® pyrolytic oven cleaning	■
humidClean Plus	■
Back / roof / side ecoClean® Direct liners	- / - / -
<b>PROGRAMMES / FUNCTIONS</b>	
Number of heating methods	21
hotAir cooking (3D or 4D)	4D
Microwave (number of combination options)	5
coolStart / fast preheat	■ / ■
Full width surface grill / hotAir grilling / Centre surface grill	■ / ■ / ■
Pizza Setting / Bottom heat / Intensive heat	■ / ■ / ■
Conventional / Conventional gentle	■ / ■
Keep warm / Plate warming	■ / ■
Low temperature cooking / Dehydrate	■ / ■
pulseSteam / fullSteam Plus	- / -
Dough proving / Reheating / Defrost	- / - / -
<b>PERFORMANCE / TECHNICAL INFORMATION</b>	
Product dimensions H x W x D (mm)	595 x 594 x 548
Cavity capacity (litres)	67
Water tank volume (litres)	-
Maximum microwave power (W) <sup>1</sup> / Number of power levels	800 / 5
Nominal voltage (volts)	220-240
Total connected loading (watts)	3600
Cable length (cm)	120
Minimum fuse protection	16A
Interior lights	■
Door glazing	Quadruple
<b>STANDARD ACCESSORIES</b>	
Full width enamelled pan / Wire shelves	1 / 2
Steam trays	-
Telescopic rails	■

■ Yes, model has this feature. - Feature not available for this model.

<sup>1</sup> For Inverter models, the maximum setting offers a time limited boost option for heating liquids. To ensure optimal results and to protect the appliance, the microwave power output is reduced in stages over the first few minutes down to the next power level (600W). After a cooling period, the microwave boost option will be available once more.

Data valid in this table as of April 2024. Subject to modification without prior notice.



### Pyrolytic single ovens specifications

APPLIANCE TYPE	PYROLYTIC OVEN	PYROLYTIC OVEN WITH MICROWAVE	PYROLYTIC OVEN WITH PULSESTEAM	PYROLYTIC OVEN	PYROLYTIC OVEN
Design family	iQ700	iQ700	iQ700	iQ700	iQ700
Model number	H8778G3B1B	HM776G1B1B	HR776G1B1B	H8776G1B1B	HB772G1B1B
<b>DESIGN CHARACTERISTICS</b>					
TFT Touchdisplay Pro	■	-	-	-	-
TFT Touchdisplay Plus	-	■	■	■	-
TFT Touchdisplay	-	-	-	-	■
softMove door opening and closing	■	■	■	■	■
<b>SAFETY FEATURES</b>					
Electronic control	■	■	■	■	■
Digital temperature display with proposal	■	■	■	■	■
Heating up indicator / Residual heat indicator	■ / ■	■ / ■	■ / ■	■ / ■	■ / ■
Control panel lock / Automatic safety switch off	■ / ■	■ / ■	■ / ■	■ / ■	■ / ■
Door lock	■	■	■	■	■
<b>KEY FEATURES</b>					
Home Connect	■	■	■	■	■
Oven assistant with Voice control	■	■	■	■	■
varioSpeed	-	■	-	-	-
cookControl / cookControl Plus / cookControl Pro	- / - / ■	- / - / ■	- / - / ■	- / - / ■	- / - / -
roastingSensor / roastingSensor Plus	- / ■	-	-	-	-
Oven shelf positions	5	5	5	5	5
<b>CLEANING SYSTEM</b>					
activeClean® pyrolytic oven cleaning	■	■	■	■	■
humidClean Plus	■	■	■	■	■
Back / roof / side ecoClean® Direct liners	- / - / -	- / - / -	- / - / -	- / - / -	- / - / -
<b>PROGRAMMES / FUNCTIONS</b>					
Number of heating methods	13	19	19	13	10
hotAir cooking (3D or 4D)	4D	4D	4D	4D	3D
Microwave (number of combination options)	-	5	-	-	-
coolStart / fast preheat	■ / ■	■ / ■	■ / ■	■ / ■	■ / ■
Full width surface grill / hotAir grilling / Centre surface grill	■ / ■ / ■	■ / ■ / ■	■ / ■ / ■	■ / ■ / ■	■ / ■ / ■
Pizza Setting / Bottom heat / Intensive heat	■ / ■ / -	■ / ■ / -	■ / ■ / -	■ / ■ / -	■ / ■ / -
Conventional / Conventional gentle	■ / ■	■ / ■	■ / ■	■ / ■	■ / ■
Keep warm / Plate warming	■ / ■	■ / ■	■ / ■	■ / ■	-
Low temperature cooking / Dehydrate	■ / -	■ / -	■ / ■	■ / -	-
pulseSteam / fullSteam Plus	- / -	- / -	■ / -	-	-
Dough proving / Reheating / Defrost	- / - / -	- / - / -	■ / ■ / -	-	-
<b>PERFORMANCE / TECHNICAL INFORMATION</b>					
Product dimensions H x W x D (mm)	595 x 594 x 548	595 x 594 x 548	595 x 594 x 548	595 x 594 x 548	595 x 594 x 548
Cavity capacity (litres)	71	67	71	71	71
Water tank volume (litres)	-	-	1	-	-
Maximum microwave power (W) <sup>1</sup> / Number of power levels	- / -	800 / 5	- / -	- / -	- / -
Nominal voltage (volts)	220-240	220-240	220-240	220-240	220-240
Total connected loading (watts)	3600	3600	3600	3600	3600
Cable length (cm)	120	120	120	120	120
Minimum fuse protection	16A	16A	16A	16A	16A
Interior lights	■	■	■	■	■
Door glazing	Quadruple	Quadruple	Quadruple	Quadruple	Quadruple
<b>STANDARD ACCESSORIES</b>					
Full width enamelled pan / Wire shelves	1 / 2	1 / 2	1 / 2	1 / 2	1 / 2
Steam trays	-	-	-	-	-
Telescopic rails	■	■	■	■	■

■ Yes, model has this feature. - Feature not available for this model.

<sup>1</sup> For Inverter models, the maximum setting offers a time limited boost option for heating liquids. To ensure optimal results and to protect the appliance, the microwave power output is reduced in stages over the first few minutes down to the next power level (600W). After a cooling period, the microwave boost option will be available once more.

Data valid in this table as of April 2024. Subject to modification without prior notice.

## Award Winning Ovens

All ovens on these pages have been accredited with these prestigious design awards.

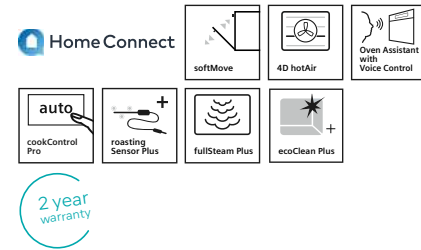




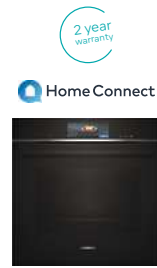
# Single ovens

## iQ700 HS758G3B1B

Single multi-function oven with steam function  
Black with steel trim



2 year warranty



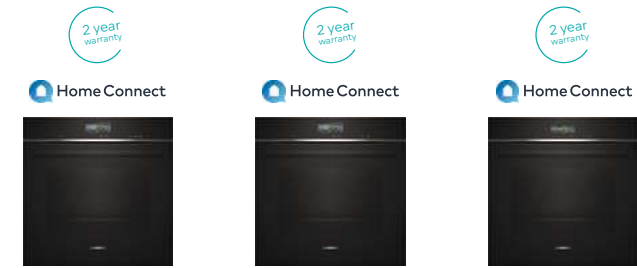
### Single ovens specifications

APPLIANCE TYPE	SINGLE OVEN WITH STEAM FUNCTION
Design family	iQ700
Model number	HS758G3B1B
<b>DESIGN CHARACTERISTICS</b>	
TFT Touchdisplay Pro	■
TFT Touchdisplay Plus	-
TFT Touchdisplay	-
softMove door opening and closing	■
<b>SAFETY FEATURES</b>	
Electronic control	■
Digital temperature display with proposal	■
Heating up indicator / Residual heat indicator	■ / ■
Control panel lock / Automatic safety switch off	■ / ■
<b>KEY FEATURES</b>	
Home Connect	■
Oven assistant with Voice control	■
varioSpeed	-
cookControl / cookControl Plus / cookControl Pro	- / - / ■
roastingSensor / roastingSensor Plus	- / ■
Oven shelf positions	5
<b>CLEANING SYSTEM</b>	
activeClean® pyrolytic oven cleaning	-
humidClean Plus	■
Back / roof / side ecoClean® Direct liners	ecoClean® Plus
<b>PROGRAMMES / FUNCTIONS</b>	
Number of heating methods	22
hotAir cooking (3D or 4D)	4D
Microwave (number of combination options)	-
coolStart / fast preheat	■ / ■
Full width surface grill / hotAir grilling / Centre surface grill	■ / ■ / ■
Pizza Setting / Bottom heat / Intensive heat	■ / ■ / ■
Conventional / Conventional gentle	■ / ■
Keep warm / Plate warming	■ / ■
Low temperature cooking / Dehydrate	■ / -
pulseSteam / fullSteam Plus	- / ■
Steam boost	■
Dough proving / Reheating / Defrost	■ / ■ / ■
<b>PERFORMANCE / TECHNICAL INFORMATION</b>	
Product dimensions H x W x D (mm)	595 x 594 x 548
Cavity capacity (litres)	71
Water tank volume (litres)	1
Maximum microwave power (W) <sup>1</sup> / Number of power levels	- / -
Nominal voltage (volts)	220-240
Total connected loading (watts)	3600
Cable length (cm)	120
Minimum fuse protection	16A
Interior lights	■
Door glazing	■
<b>STANDARD ACCESSORIES</b>	
Full width enamelled pan / Wire shelves	1 / 2
Steam trays punched / unpunched	2 / 1
Telescopic rails	■

■ Yes, model has this feature. - Feature not available for this model.

<sup>1</sup> For Inverter models, the maximum setting offers a time limited boost option for heating liquids. To ensure optimal results and to protect the appliance, the microwave power output is reduced in stages over the first few minutes down to the next power level (600W). After a cooling period, the microwave boost option will be available once more.

Data valid in this table as of April 2024. Subject to modification without prior notice.



### Single ovens specifications

APPLIANCE TYPE	SINGLE OVEN WITH STEAM FUNCTION	SINGLE OVEN	SINGLE OVEN
Design family	iQ700	iQ700	iQ700
Model number	HS736G1B1B	HB736G1B1B	HB732G1B1B
<b>DESIGN CHARACTERISTICS</b>			
TFT Touchdisplay Pro	-	-	-
TFT Touchdisplay Plus	■	■	-
TFT Touchdisplay	-	-	■
softMove door opening and closing	■	■	■
<b>SAFETY FEATURES</b>			
Electronic control	■	■	■
Digital temperature display with proposal	■	■	■
Heating up indicator / Residual heat indicator	■ / ■	■ / ■	■ / ■
Control panel lock / Automatic safety switch off	■ / ■	■ / ■	■ / ■
<b>KEY FEATURES</b>			
Home Connect	■	■	■
Oven assistant with Voice control	■	■	■
varioSpeed	-	-	-
cookControl / cookControl Plus / cookControl Pro	- / - / ■	- / ■ / -	- / ■ / -
roastingSensor / roastingSensor Plus	- / -	- / -	- / -
Oven shelf positions	5	5	5
<b>CLEANING SYSTEM</b>			
activeClean® pyrolytic oven cleaning	-	-	-
humidClean Plus	■	-	■
Back / roof / side ecoClean® Direct liners	ecoClean®	ecoClean®	ecoClean®
<b>PROGRAMMES / FUNCTIONS</b>			
Number of heating methods	21	13	10
hotAir cooking (3D or 4D)	4D	4D	3D
Microwave (number of combination options)	-	-	-
coolStart / fast preheat	■ / ■	■ / ■	■ / ■
Full width surface grill / hotAir grilling / Centre surface grill	■ / ■ / ■	■ / ■ / ■	■ / ■ / ■
Pizza Setting / Bottom heat / Intensive heat	■ / ■ / -	■ / ■ / -	■ / ■ / -
Conventional / Conventional gentle	■ / ■	■ / ■	■ / ■
Keep warm / Plate warming	■ / ■	■ / ■	- / -
Low temperature cooking / Dehydrate	■ / -	■ / -	- / -
pulseSteam / fullSteam Plus	- / ■	- / -	- / -
Steam boost	■	-	-
Dough proving / Reheating / Defrost	■ / ■ / ■	- / - / -	- / - / -
<b>PERFORMANCE / TECHNICAL INFORMATION</b>			
Product dimensions H x W x D (mm)	595 x 594 x 548	595 x 594 x 548	595 x 594 x 548
Cavity capacity (litres)	71	71	71
Water tank volume (litres)	1	-	-
Maximum microwave power (W) <sup>1</sup> / Number of power levels	- / -	- / -	- / -
Nominal voltage (volts)	220-240	220-240	220-240
Total connected loading (watts)	3600	3600	3600
Cable length (cm)	120	120	120
Minimum fuse protection	16A	16A	16A
Interior lights	■	■	■
Door glazing	■	■	■
<b>STANDARD ACCESSORIES</b>			
Full width enamelled pan / Wire shelves	1 / 2	1 / 2	1 / 2
Steam trays punched / unpunched	2 / 1	- / -	- / -
Telescopic rails	■	■	■

■ Yes, model has this feature. - Feature not available for this model.

<sup>1</sup> For Inverter models, the maximum setting offers a time limited boost option for heating liquids. To ensure optimal results and to protect the appliance, the microwave power output is reduced in stages over the first few minutes down to the next power level (600W). After a cooling period, the microwave boost option will be available once more.

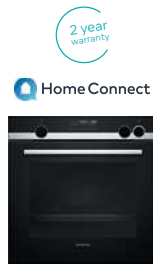
Data valid in this table as of April 2024. Subject to modification without prior notice.

## Award Winning Ovens

All ovens on these pages have been accredited with these prestigious design awards.

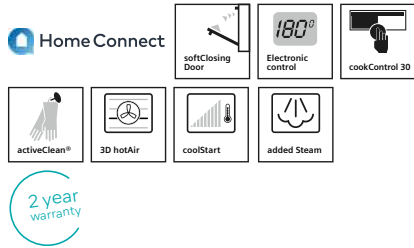






**iQ500 HR578G556B**

Single multi-function oven with addedSteam  
Black, stainless steel



Single ovens specifications

APPLIANCE TYPE	PYROLYTIC OVEN WITH ADDED STEAM
Design family	iQ500
Model number	HR578G556B
<b>DESIGN CHARACTERISTICS</b>	
TFT Touchdisplay Pro	-
TFT Touchdisplay Plus	-
TFT Touchdisplay	-
lightControl illuminated dials	■
softClosing door opening and closing	■
<b>SAFETY FEATURES</b>	
Electronic control	■
Digital temperature display with proposal	■
Heating up indicator/ Residual heat indicator	■ / ■
Control panel lock / Automatic safety switch off	■ / ■
Door lock	■
<b>KEY FEATURES</b>	
Home Connect	■
roastingSensor Plus	-
bakingSensor Plus	-
roastingSensor	■
cookControl Plus	-
cookControl	30
<b>CLEANING FUNCTIONS</b>	
activeClean® pyrolytic oven cleaning	■
Back / roof / side ecoClean® Direct liners	- / - / -
ecoClean® setting	-
<b>PROGRAMMES / FUNCTIONS</b>	
hotAir cooking with hotAir gentle	3D
Microwave (number of combination options)	-
coolStart / fast preheat	■ / -
Full width surface grill / hotAir grilling / Centre surface grill	■ / ■ / -
Pizza Setting / Bottom heat / Intensive heat	■ / - / -
Conventional / Conventional gentle	■ / -
Keep warm / Plate warming	- / -
Low temperature cooking / Dehydrate	- / -
fullSteam / pulseSteam	- / -
addedSteam	■
Dough proving / Reheating / Defrost	- / ■ / -
Descaling programme / Cavity drying function	■ / -
<b>PERFORMANCE / TECHNICAL INFORMATION</b>	
Product dimensions H x W x D (mm)	595 x 594 x 548
Water tank capacity with empty indicator (litres)	0.2
Inverter technology	-
Maximum microwave power (W) <sup>2</sup> / Number of power levels	-
Nominal voltage (volts)	220-240
Total connected loading (watts)	3600
Cable length (cm)	120
Minimum fuse protection	16A
Interior lights	1 x 25W halogen
Door glazing	Quadruple
<b>ENERGY EFFICIENCY DATA<sup>1</sup></b>	
Energy efficiency index	95.3
Energy efficiency class	A
Energy consumption per cycle hotAir (kWh)	0.81
Energy consumption per cycle conventional (kWh)	0.99
Oven capacity (litres)	71
Time to cook standard load (mins)	51
Largest baking sheet area (cm)	1290
<b>STANDARD ACCESSORIES</b>	
Full width enamelled pan / Wire shelves	1 / 2
Steam tray, perforated	-
Telescopic rails	1 x clip rail

■ Yes, model has this feature. - Feature not available for this model.  
<sup>1</sup> According to Regulation (EU) No 65/2014 (models with integral microwave or steam only are exempt).  
<sup>2</sup> For Inverter models, the maximum setting offers a time limited boost option for heating liquids. To ensure optimal results and to protect the appliance, the microwave power output is reduced in stages over the first few minutes down to the next power level (600W). After a cooling period, the microwave boost option will be available once more.  
 Data valid in this table as of April 2024. Subject to modification without prior notice.



Single ovens specifications

APPLIANCE TYPE	PYROLYTIC OVEN	PYROLYTIC OVEN	OVEN WITH ECOCLEAN®
Design family	iQ500	iQ500	iQ500
Model number	HB578G556B	HB578A056B	HB535A050B
<b>DESIGN CHARACTERISTICS</b>			
TFT Touchdisplay Pro	-	-	-
TFT Touchdisplay Plus	-	-	-
TFT Touchdisplay	-	-	-
lightControl illuminated dials	■	■	■
softClosing door opening and closing	■	-	-
<b>SAFETY FEATURES</b>			
Electronic control	■	■	-
Digital temperature display with proposal	■	■	-
Heating up indicator/ Residual heat indicator	■ / ■	■ / ■	■ / -
Control panel lock / Automatic safety switch off	■ / ■	■ / ■	■ / -
Door lock	■	■	-
<b>KEY FEATURES</b>			
Home Connect	■	■	-
roastingSensor Plus	-	-	-
bakingSensor Plus	-	-	-
roastingSensor	■	-	-
cookControl Plus	-	-	-
cookControl	30	30	10
<b>CLEANING FUNCTIONS</b>			
activeClean® pyrolytic oven cleaning	■	■	-
Back / roof / side ecoClean® Direct liners	- / - / -	- / - / -	■ / - / -
ecoClean® setting	-	-	-
<b>PROGRAMMES / FUNCTIONS</b>			
hotAir cooking with hotAir gentle	3D	3D	3D
Microwave (number of combination options)	-	-	-
coolStart / fast preheat	■ / -	■ / -	■ / -
Full width surface grill / hotAir grilling / Centre surface grill	■ / ■ / -	■ / ■ / -	■ / ■ / -
Pizza Setting / Bottom heat / Intensive heat	■ / - / -	■ / - / -	- / - / -
Conventional / Conventional gentle	■ / -	■ / -	■ / -
Keep warm / Plate warming	- / -	- / -	- / -
Low temperature cooking / Dehydrate	■ / -	■ / -	- / -
fullSteam / pulseSteam	- / -	- / -	- / -
addedSteam	-	-	-
Dough proving / Reheating / Defrost	- / - / -	- / - / -	- / - / -
Descaling programme / Cavity drying function	- / -	- / -	- / -
<b>PERFORMANCE / TECHNICAL INFORMATION</b>			
Product dimensions H x W x D (mm)	595 x 594 x 548	595 x 594 x 548	595 x 594 x 548
Water tank capacity with empty indicator (litres)	-	-	-
Inverter technology	-	-	-
Maximum microwave power (W) <sup>2</sup> / Number of power levels	-	-	-
Nominal voltage (volts)	220-240	220-240	220-240
Total connected loading (watts)	3600	3600	3600
Cable length (cm)	120	120	120
Minimum fuse protection	16A	16A	16A
Interior lights	1 x 25W halogen	1 x 25W halogen	1 x 25W halogen
Door glazing	Quadruple	Quadruple	Double
<b>ENERGY EFFICIENCY DATA<sup>1</sup></b>			
Energy efficiency index	95.3	95.3	95.3
Energy efficiency class	A	A	A
Energy consumption per cycle hotAir (kWh)	0.81	0.81	0.81
Energy consumption per cycle conventional (kWh)	0.99	0.99	0.97
Oven capacity (litres)	71	71	71
Time to cook standard load (mins)	50	50	44
Largest baking sheet area (cm)	1290	1290	1290
<b>STANDARD ACCESSORIES</b>			
Full width enamelled pan / Wire shelves	1 / 2	1 / 2	1 / 2
Steam tray, perforated	-	-	-
Telescopic rails	1 x clip rail	1 x clip rail	1 x clip rail

■ Yes, model has this feature. - Feature not available for this model.  
<sup>1</sup> According to Regulation (EU) No 65/2014 (models with integral microwave or steam only are exempt).  
<sup>2</sup> For Inverter models, the maximum setting offers a time limited boost option for heating liquids. To ensure optimal results and to protect the appliance, the microwave power output is reduced in stages over the first few minutes down to the next power level (600W). After a cooling period, the microwave boost option will be available once more.  
 Data valid in this table as of April 2024. Subject to modification without prior notice.

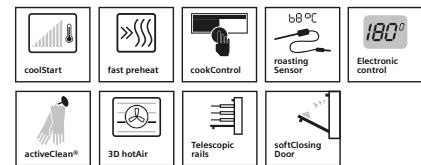


# Double ovens



## iQ500 MB578G5S6B

Double oven with activeClean®  
Black, stainless steel



### Double ovens specifications

APPLIANCE TYPE	BUILT-IN	
	iQ500	
Display family	iQ500	
Model number	MB578G5S6B	
DESIGN CHARACTERISTICS	MAIN	2ND
Black glass with steel trim	■	■
Glass and metal fascia	■	■
lightControl illuminated dials	■	■
Standard bar handle	■	■
Telescopic shelf rail	1 x varioClip	-
softClosing door	■	-
SAFETY FEATURES	MAIN	2ND
Electronic control	■	■
Digital temperature display with proposal	■	-
Actual temperature display	■	-
Heating up indicator	■	■
Residual heat indicator	■	■
Control panel lock	■	■
Automatic safety switch off	■	-
Automatic on/off programmer	■	-
KEY FEATURES	MAIN	2ND
Home Connect	■	■
cookControl	30	-
roastingSensor	■	-
Electronic clock timer	■	-
Internal light	1 x 25W halogen	1 x 25W halogen
Smooth enamelled oven interior	■	■
Full glass inner door	■	■
Door glazing	4	4
Number of shelf positions	5	3
CLEANING SYSTEM	MAIN	2ND
Pyrolytic cleaning	■	■
Back / roof / side ecoClean® liners	-	-
ecoClean® setting	-	-
PROGRAMMES / FUNCTIONS	MAIN	2ND
hotairGentle	■	-
3D hotAir cooking	■	-
Defrosting	-	-
Full width surface grill	■	■
Centre surface grill	-	■
Hot air grilling	■	-
coolStart	■	-
Pizza setting	■	-
Conventional top & bottom heating	■	■
Bottom heat	■	■
Low temperature cooking	■	-
Fast preheat	■	-
PERFORMANCE / TECHNICAL INFORMATION	MAIN	2ND
Cavity dimensions H x W x D (mm)	357 x 480 x 415	166 x 480 x 426
Product dimensions H x W x D (mm)	888 x 594 x 550	
Nominal voltage (V) / Total connected loading (W)	220-240 / 6300	
Cable length (cm) / Minimum Fuse Protection	- / 32A	
ENERGY EFFICIENCY CLASS <sup>1</sup>	MAIN	2ND
Energy efficiency Index	95.3	120.3
Energy efficiency class	A	B
Energy consumption per cycle hot air (kWh)	0.81	-
Energy consumption per cycle conventional (kWh)	0.97	0.83
Oven capacity (litres)	71	34
Time to cook standard load (mins)	44	45
Largest baking sheet area (cm)	1290	1290
STANDARD ACCESSORIES	MAIN	2ND
Full width enamelled pan / wire shelves	-	1 / 3

■ Yes, model has this feature. - Feature not available for this model.

<sup>1</sup> According to Regulation (EU) No 65/2014 (models with integral microwave or steam only are exempt)

Data valid in this table as of April 2024. Subject to modification without prior notice.



### Double ovens specifications

APPLIANCE TYPE	BUILT-IN		BUILT-IN	
	iQ500		iQ500	
Display family	iQ500		iQ500	
Model number	MB578G5S0B		MB535A0S0B	
DESIGN CHARACTERISTICS	MAIN	2ND	MAIN	2ND
Black glass with steel trim	■	■	■	■
Glass and metal fascia	■	■	■	■
lightControl illuminated dials	■	■	■	■
Standard bar handle	■	■	■	■
Telescopic shelf rail	1 x varioClip	-	1 x varioClip	-
softClosing door	■	-	■	-
SAFETY FEATURES	MAIN	2ND	MAIN	2ND
Electronic control	-	-	-	-
Digital temperature display with proposal	-	-	-	-
Actual temperature display	-	-	-	-
Heating up indicator	■	-	■	-
Residual heat indicator	-	-	-	-
Control panel lock	■	■	■	■
Automatic safety switch off	-	-	-	-
Automatic on/off programmer	■	-	■	-
KEY FEATURES	MAIN	2ND	MAIN	2ND
Home Connect	-	-	-	-
cookControl	10	-	10	-
roastingSensor	■	-	■	-
Electronic clock timer	■	■	■	■
Internal light	1 x 25W halogen	1 x 25W halogen	1 x 25W halogen	1 x 25W halogen
Smooth enamelled oven interior	■	■	■	■
Full glass inner door	■	■	■	■
Door glazing	3	3	2	3
Number of shelf positions	5	3	5	3
CLEANING SYSTEM	MAIN	2ND	MAIN	2ND
Pyrolytic cleaning	-	-	-	-
Back / roof / side ecoClean® liners	■ / ■ / ■	■ / ■ / ■	■ / - / -	■ / ■ / ■
ecoClean® setting	■	-	-	-
PROGRAMMES / FUNCTIONS	MAIN	2ND	MAIN	2ND
hotairGentle	■	-	■	-
3D hotAir cooking	■	-	■	-
Defrosting	-	-	-	-
Full width surface grill	■	■	■	■
Centre surface grill	-	■	-	■
Hot air grilling	■	-	■	-
coolStart	-	-	-	-
Pizza setting	■	-	-	-
Conventional top & bottom heating	■	■	■	■
Bottom heat	■	■	-	■
Low temperature cooking	-	-	-	-
Fast preheat	■	-	■	-
PERFORMANCE / TECHNICAL INFORMATION	MAIN	2ND	MAIN	2ND
Cavity dimensions H x W x D (mm)	357 x 480 x 415	166 x 480 x 426	357 x 480 x 415	166 x 480 x 426
Product dimensions H x W x D (mm)	-		-	
Nominal voltage (V) / Total connected loading (W)	220-240 / 6200		220-240 / 6200	
Cable length (cm) / Minimum Fuse Protection	- / -		- / -	
ENERGY EFFICIENCY CLASS <sup>1</sup>	MAIN	2ND	MAIN	2ND
Energy efficiency Index	95.3	120.3	95.3	120.3
Energy efficiency class	A	B	A	B
Energy consumption per cycle hot air (kWh)	0.81	-	0.81	-
Energy consumption per cycle conventional (kWh)	0.97	0.83	0.97	0.83
Oven capacity (litres)	71	34	71	34
Time to cook standard load (mins)	44	45	44	45
Largest baking sheet area (cm)	1290	1290	1290	1290
STANDARD ACCESSORIES	MAIN	2ND	MAIN	2ND
Full width enamelled pan / wire shelves	-	1 / 3	-	1 / 3

■ Yes, model has this feature. - Feature not available for this model.

<sup>1</sup> According to Regulation (EU) No 65/2014 (models with integral microwave or steam only are exempt)

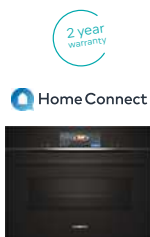
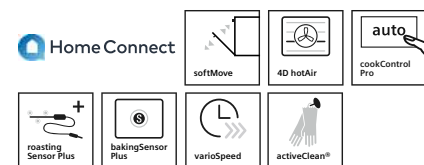
Data valid in this table as of April 2024. Subject to modification without prior notice.



# Compact ovens

## iQ700 CM778GNB1B

Compact pyrolytic oven with integral microwave  
Black with steel trim



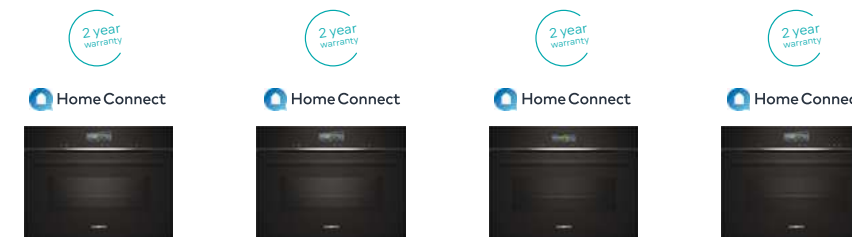
### Compact ovens specifications

APPLIANCE TYPE	COMPACT OVEN WITH MICROWAVE FUNCTION
Design family	iQ700
Model number	CM778GNB1B
<b>DESIGN CHARACTERISTICS</b>	
TFT Touchdisplay Pro	■
TFT Touchdisplay Plus	-
TFT Touchdisplay	-
softMove door opening and closing	■
<b>SAFETY FEATURES</b>	
Electronic control	■
Digital temperature display with proposal	■
Heating up indicator / Residual heat indicator	- / ■
Control panel lock / Automatic safety switch off	■ / ■
Door lock	■
<b>KEY FEATURES</b>	
Home Connect	■
Oven assistant with Voice control	■
varioSpeed	■
cookControl / cookControl Plus / cookControl Pro	- / - / ■
roastingSensor / roastingSensor Plus	- / ■
bakingSensor Plus	■
Oven shelf positions	3
<b>CLEANING SYSTEM</b>	
activeClean® pyrolytic oven cleaning	■
humidClean Plus	-
Back / roof / side ecoClean® Direct liners	-
Drying programme	■
Cleaning and descaling programme	-
<b>COOKING PROGRAMMES</b>	
Number of heating methods	21
hotAir cooking (3D or 4D)	4D
Microwave (combination)	■
coolStart / fast preheat	■ / ■
Full width grill / Half width grill / hotAir grilling	■ / ■ / ■
Pizza Setting / Bottom heat / Intensive heat	■ / ■ / ■
Conventional / Conventional gentle	■ / ■
Keep warm / Plate warming	■ / ■
Low temperature cooking / Dehydrate	■ / ■
pulseSteam / fullSteam Plus	- / -
steamBoost	-
Dough proving / reheating / defrost	- / - / -
<b>PERFORMANCE / TECHNICAL INFORMATION</b>	
Product dimensions H x W x D (mm)	455 x 594 x 548
Cavity capacity (litres)	45
Water tank volume (litres)	-
Nominal voltage (volts)	220-240
Total connected loading (watts)	3600
Maximum microwave power (W) <sup>1</sup> / Number of power levels	900 / 5
Cable length (cm)	150
Minimum fuse protection	16A
Interior lights	■
Door glazing	■
<b>STANDARD ACCESSORIES</b>	
Full width enamelled pan / Wire shelves	1 / 2
Steam trays	-
Telescopic rails	1 level

■ Yes, model has this feature. - Feature not available for this model.

<sup>1</sup> For Inverter models, the maximum setting offers a time limited boost option for heating liquids. To ensure optimal results and to protect the appliance, the microwave power output is reduced in stages over the first few minutes down to the next power level (600W). After a cooling period, the microwave boost option will be available once more.

Data valid in this table as of April 2024. Subject to modification without prior notice.



### Compact ovens specifications

APPLIANCE TYPE	COMPACT OVEN WITH MICROWAVE FUNCTION	COMPACT OVEN WITH MICROWAVE FUNCTION	COMPACT OVEN WITH MICROWAVE FUNCTION	COMPACT OVEN WITH STEAM FUNCTION
Design family	iQ700	iQ700	iQ700	iQ700
Model number	CM776G1B1B	CM736G1B1B	CM724G1B1B	CS736G1B1
<b>DESIGN CHARACTERISTICS</b>				
TFT Touchdisplay Pro	-	-	-	-
TFT Touchdisplay Plus	■	■	-	■
TFT Touchdisplay	-	-	■	-
softMove door opening and closing	■	■	■	■
<b>SAFETY FEATURES</b>				
Electronic control	■	■	■	■
Digital temperature display with proposal	■	■	■	■
Heating up indicator / Residual heat indicator	■ / ■	■ / ■	- / ■	■ / ■
Control panel lock / Automatic safety switch off	■ / ■	- / ■	- / ■	■ / ■
Door lock	■	-	-	■
<b>KEY FEATURES</b>				
Home Connect	■	■	■	■
Oven assistant with Voice control	■	■	■	■
varioSpeed	■	■	■	-
cookControl / cookControl Plus / cookControl Pro	- / - / ■	- / - / ■	- / - / ■	- / - / ■
roastingSensor / roastingSensor Plus	- / -	- / -	- / -	- / -
bakingSensor Plus	-	-	-	-
Oven shelf positions	3	3	3	3
<b>CLEANING SYSTEM</b>				
activeClean® pyrolytic oven cleaning	■	-	-	-
humidClean Plus	-	-	-	■
Back / roof / side ecoClean® Direct liners	-	ecoClean®	-	ecoClean®
Drying programme	■	■	■	■
Cleaning and descaling programme	-	-	-	■
<b>COOKING PROGRAMMES</b>				
Number of heating methods	19	19	15	21
hotAir cooking (3D or 4D)	4D	4D	2D	4D
Microwave (combination)	■	■	■	-
coolStart / fast preheat	■ / ■	■ / ■	- / -	■ / ■
Full width grill / Half width grill / hotAir grilling	■ / ■ / ■	■ / ■ / ■	■ / ■ / ■	■ / ■ / ■
Pizza Setting / Bottom heat / Intensive heat	■ / ■ / -	■ / ■ / -	- / ■ / -	■ / ■ / -
Conventional / Conventional gentle	■ / ■	■ / ■	■ / ■	■ / ■
Keep warm / Plate warming	■ / ■	■ / ■	- / ■	■ / ■
Low temperature cooking / Dehydrate	■ / -	■ / -	- / -	■ / -
pulseSteam / fullSteam Plus	- / -	- / -	- / -	- / ■
steamBoost	-	-	-	■
Dough proving / reheating / defrost	- / - / -	- / - / -	- / - / -	■ / ■ / ■
<b>PERFORMANCE / TECHNICAL INFORMATION</b>				
Product dimensions H x W x D (mm)	455 x 594 x 548	455 x 594 x 548	455 x 594 x 548	455 x 594 x 548
Cavity capacity (litres)	45	45	45	47
Water tank volume (litres)	-	-	-	1
Nominal voltage (volts)	220-240	220-240	220-240	220-240
Total connected loading (watts)	3600	3600	3600	3300
Maximum microwave power (W) <sup>1</sup> / Number of power levels	900 / 5	900 / 5	900 / 5	- / -
Cable length (cm)	150	150	150	150
Minimum fuse protection	16A	16A	16A	16A
Interior lights	■	■	■	■
Door glazing	■	■	■	■
<b>STANDARD ACCESSORIES</b>				
Full width enamelled pan / Wire shelves	1 / 1	1 / 1	1 / 1	1 / 1
Steam trays	-	-	-	3
Telescopic rails	-	-	-	■

■ Yes, model has this feature. - Feature not available for this model.

<sup>1</sup> For Inverter models, the maximum setting offers a time limited boost option for heating liquids. To ensure optimal results and to protect the appliance, the microwave power output is reduced in stages over the first few minutes down to the next power level (600W). After a cooling period, the microwave boost option will be available once more.

Data valid in this table as of April 2024. Subject to modification without prior notice.

## Award Winning Compact Ovens

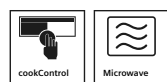
All compact ovens on these pages have been accredited with these prestigious design awards.





**iQ500 CM585AGS0B**

Compact oven with microwave function  
Black with steel trim



Compact ovens specifications

APPLIANCE TYPE	COMPACT OVEN WITH MICROWAVE FUNCTION
Design family	iQ500
Model number	CM585AGS0B
<b>DESIGN CHARACTERISTICS</b>	
TFT Touchdisplay Pro	-
TFT Touchdisplay Plus	-
TFT Touchdisplay	-
LCD display with lightControl illuminated dials	■
Soft closing door	-
<b>SAFETY FEATURES</b>	
Electronic control	■
Digital temperature display with proposal	-
Heating up indicator / Residual heat indicator	- / -
Control panel lock / Automatic safety switch off	■ / ■
Door lock	-
<b>KEY FEATURES</b>	
Home Connect	-
roastingSensor Plus	-
bakingSensor Plus	-
cookControl	15
cookControl Plus	-
<b>CLEANING FUNCTIONS</b>	
activeClean® pyrolytic oven cleaning	-
Back / roof / side ecoClean® Direct liners	- / - / -
ecoClean® setting	-
<b>PROGRAMMES / FUNCTIONS</b>	
hotAir cooking with hotAir gentle	Standard
Microwave (number of combination options)	2
coolStart / Pre-heating	- / -
Full width surface grill / Hot air grilling / Centre surface grill	■ / - / -
Pizza setting / Bottom heat / Intensive heat	- / - / -
Conventional / Conventional eco	- / -
Low temperature cooking / Keep warm	■ / -
fullSteam / pulseSteam	- / -
addedSteam	-
Dough proving / Reheating / Defrost	- / - / -
Cleaning & Descaling programme / Drying	- / -
<b>PERFORMANCE / TECHNICAL INFORMATION</b>	
Product dimensions H x W x D (mm)	455 x 594 x 570
Water tank capacity with empty indicator (litres)	-
Inverter technology	-
Maximum microwave power (W) <sup>2</sup> / Number of power levels	900 / 5
Nominal voltage (volts)	220-240
Total connected loading (watts)	3350
Cable length (cm)	180
Minimum fuse protection	16A
Interior lights	■
Door glazing	Double
<b>ENERGY EFFICIENCY DATA<sup>1</sup></b>	
Energy efficiency index	-
Energy efficiency class	-
Energy consumption per cycle hotAir (kWh)	-
Energy consumption per cycle conventional (kWh)	-
Oven capacity (litres)	44
Time to cook standard load (mins)	-
Largest baking sheet area (cm)	-
<b>STANDARD ACCESSORIES</b>	
Full width enamelled pan / Wire shelves	- / -
Steam tray, perforated (S,L,XL) / unperforated (S,L,XL)	-
Telescopic rails	-

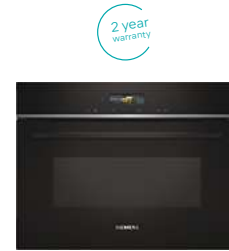
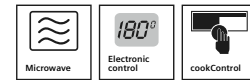
■ Yes, model has this feature. - Feature not available for this model.  
<sup>1</sup> According to Regulation (EU) No 65/2014 (models with integral microwave or steam only are exempt).  
<sup>2</sup> For Inverter models, the maximum setting offers a time limited boost option for heating liquids. To ensure optimal results and to protect the appliance, the microwave power output is reduced in stages over the first few minutes down to the next power level (600W). After a cooling period, the microwave boost option will be available once more.  
 Data valid in this table as of April 2024. Subject to modification without prior notice.



# Microwaves

## iQ700 CE732GXB1B

Microwave oven with grill  
Black with steel trim



### Microwave specifications

APPLIANCE TYPE	MICROWAVE OVEN WITH GRILL
Design family	iQ700
Model number	CE732GXB1B
<b>DESIGN CHARACTERISTICS</b>	
TFT Touchdisplay Pro	-
TFT Touchdisplay Plus	-
TFT Touchdisplay	■
Side opening door (left hinged)	-
Control panel position	Top, horizontal
<b>CONTROLS</b>	
Electronic control	■
Automatic programmes	■
Safety switch off	-
<b>KEY FEATURES</b>	
Home Connect	-
Oven assistant with Voice control	-
Installation in wall unit / tall housing	■ / ■
Electronic clock	-
ClearText Display	-
Full glass inner door	-
Glazed door (Quadruple/Triple/Double)	Double
Maximum cooking time duration (mins)	90
Stainless steel interior	■
Microwave	■
Quartz grill	■
Microwave / grill combination	■
cookControl / cookControl Plus / cookControl Pro	■ / - / -
<b>PERFORMANCE / TECHNICAL INFORMATION</b>	
Product dimensions H x W x D (mm)	455 x 594 x 564
Oven capacity (litres)	36
Maximum microwave power (W) <sup>1</sup>	1000
Number of microwave power levels	5
Nominal voltage (volts)	220-240
Total connected load (kWh)	3100
Cable length cm	150
Minimum fuse protection	16A
GB plug	■
<b>STANDARD ACCESSORIES</b>	
Glass pan / Insert grid	- / -

■ Yes, model has this feature. - Feature not available for this model.

<sup>1</sup> For Inverter models, the maximum setting offers a time limited boost option for heating liquids. To ensure optimal results and to protect the appliance, the microwave power output is reduced in stages over the first few minutes down to the next power level (600W). After a cooling period, the microwave boost option will be available once more.

Data valid in this table as of April 2024. Subject to modification without prior notice.



### Microwave specifications

APPLIANCE TYPE	MICROWAVE
Design family	iQ700
Model number	BF722L1B1B
<b>DESIGN CHARACTERISTICS</b>	
TFT touchdisplay Pro	-
TFT touchdisplay Plus	-
TFT touchdisplay	■
Side opening door (left hinged)	■
Control panel position	Bottom, horizontal
<b>CONTROLS</b>	
Electronic control	■
Automatic programmes	■
Safety switch off	-
<b>KEY FEATURES</b>	
Home Connect	-
Oven assistant with Voice control	-
Installation in wall unit / tall housing	■ / ■
Electronic clock	-
ClearText Display	-
Full glass inner door	-
Glazed door (Quadruple/Triple/Double)	Double
Maximum cooking time duration (mins)	90
Stainless steel interior	■
Microwave	■
Quartz grill	-
Microwave / grill combination	-
cookControl / cookControl Plus / cookControl Pro	■ / - / -
<b>PERFORMANCE / TECHNICAL INFORMATION</b>	
Product dimensions H x W x D (mm)	382 x 594 x 318
Oven capacity (litres)	21
Maximum microwave power (W) <sup>1</sup>	900
Number of microwave power levels	5
Nominal voltage (volts)	220-240
Total connected load (kWh)	1220
Cable length cm	175
Minimum fuse protection	16A
GB plug	■
<b>STANDARD ACCESSORIES</b>	
Glass pan / Insert grid	- / -

■ Yes, model has this feature. - Feature not available for this model.

<sup>1</sup> For Inverter models, the maximum setting offers a time limited boost option for heating liquids. To ensure optimal results and to protect the appliance, the microwave power output is reduced in stages over the first few minutes down to the next power level (600W). After a cooling period, the microwave boost option will be available once more.

Data valid in this table as of April 2024. Subject to modification without prior notice.

## Award Winning Microwaves

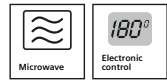
All microwaves on these pages have been accredited with these prestigious design awards.





**iQ 500 BF555LMS0B**

Microwave  
Black with steel trim



Microwave specifications

APPLIANCE TYPE	MICROWAVE
Design family	iQ 500
Model number	BF555LMS0B
Black glass with steel trim	■
<b>DESIGN CHARACTERISTICS</b>	
Stainless steel navigation control dial	–
TFT Display	–
touchControl	touchSlider
Side opening door	■
Control panel position	Right, vertical
<b>CONTROLS</b>	
Electronic control	■
Automatic programmes	7
Safety switch off	■
<b>PROGRAMMES / FUNCTIONS</b>	
Microwave	■
Quartz Grill	–
Microwave / grill combination	–
<b>FEATURES</b>	
Installation in wall unit / tall housing	– / ■
Full width frameless design	■
Electronic clock	■
ClearText Display	LED
Full glass inner door	–
Glazed door (Quadruple/Triple/Double)	–
Memory settings	1
Maximum cooking time duration (mins)	99
Electronic door opening	■
Hinge	Left
Internal light	1 x 3W LED
Stainless steel interior	■
<b>PERFORMANCE / TECHNICAL INFORMATION</b>	
Cavity H x W x D (mm)	208 x 328 x 369
Appliance dimensions H x W x D (mm)	382 x 594 x 388
Oven capacity (litres)	25
Inverter technology	–
Maximum Microwave power (W) <sup>1</sup>	900
Number of Microwave power levels	5
Microwave distribution	Turntable
Turntable diameter (mm)	315
Total connected load (kWh)	1.45
Cable length (cm)	130
GB plug	■
Minimum fuse protection	10A
<b>STANDARD ACCESSORIES</b>	
Glass pan / Insert grid	– / –

■ Yes, model has this feature. – Feature not available for this model.

<sup>1</sup> For Inverter models, the maximum setting offers a time limited boost option for heating liquids. To ensure optimal results and to protect the appliance, the microwave power output is reduced in stages over the first few minutes down to the next power level (600W). After a cooling period, the microwave boost option will be available once more.

Data valid in this table as of April 2024. Subject to modification without prior notice.



Microwave specifications

APPLIANCE TYPE	MICROWAVE
Design family	iQ 500
Model number	BF525LMS0B
Black glass with steel trim	■
<b>DESIGN CHARACTERISTICS</b>	
Stainless steel navigation control dial	–
TFT Display	–
touchControl	touchSlider
Side opening door	■
Control panel position	Right, vertical
<b>CONTROLS</b>	
Electronic control	■
Automatic programmes	7
Safety switch off	■
<b>PROGRAMMES / FUNCTIONS</b>	
Microwave	■
Quartz Grill	–
Microwave / grill combination	–
<b>FEATURES</b>	
Installation in wall unit / tall housing	201 x 308 x 282
Full width frameless design	382 x 594 x 317
Electronic clock	20
ClearText Display	–
Full glass inner door	800
Glazed door (Quadruple/Triple/Double)	5
Memory settings	Turntable
Maximum cooking time duration (mins)	255
Electronic door opening	1.27
Hinge	130
Internal light	■
Stainless steel interior	10A
<b>PERFORMANCE / TECHNICAL INFORMATION</b>	
Cavity H x W x D (mm)	201 x 308 x 282
Appliance dimensions H x W x D (mm)	382 x 594 x 317
Oven capacity (litres)	20
Inverter technology	–
Maximum Microwave power (W) <sup>1</sup>	800
Number of Microwave power levels	5
Microwave distribution	Turntable
Turntable diameter (mm)	255
Total connected load (kWh)	1.27
Cable length (cm)	130
GB plug	■
Minimum fuse protection	10A
<b>STANDARD ACCESSORIES</b>	
Glass pan / Insert grid	– / –

■ Yes, model has this feature. – Feature not available for this model.

<sup>1</sup> For Inverter models, the maximum setting offers a time limited boost option for heating liquids. To ensure optimal results and to protect the appliance, the microwave power output is reduced in stages over the first few minutes down to the next power level (600W). After a cooling period, the microwave boost option will be available once more.

Data valid in this table as of April 2024. Subject to modification without prior notice.

# Drawers

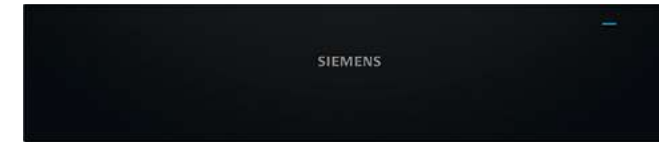
## iQ700 BI710D1B1B

Warming drawer  
Black



## iQ500 BI510CNROB

Warming drawer  
Black



### Warming drawers specifications

APPLIANCE TYPE	WARMING DRAWER	WARMING DRAWER	ACCESSORY DRAWER
Model number	BI710D1B1B	BI710C1B1B	BI710E1B1
Design family	iQ700	iQ700	iQ700
<b>KEY FEATURES &amp; FUNCTIONS</b>			
Home Connect	■	■	–
Operating indicator light	■	■	–
Electronic control	■	■	–
Rotary temperature dial	–	–	–
Touch control illuminated	■	■	–
Maximum temperature (°C)	80	80	–
Minimum temperature (°C)	30	30	–
Maximum capacity - plates	40	12	14
Maximum capacity - espresso cups	192	64	64
Toughened glass base	■	■	Anti-slip mat
Plate and cup warming	■	■	–
Keep warm	■	■	–
Defrost	■	■	–
Low temperature cooking	■	■	–
<b>TECHNICAL INFORMATION</b>			
Appliance Dimensions (H x W x D mm)	290 x 594 x 518	140 x 594 x 518	140 x 594 x 518
Install independently	■	■	■
Install with compact appliance	iQ700	iQ700	iQ700
Install with a single oven	iQ700	iQ700	iQ700
Push-Pull opening mechanism	■	■	■
Drawer interior volume (L)	54	20	20
Installation in a tall housing	■	■	■
Installation under work surface	■	■	■
Maximum weight capacity (kg)	25	25	15
Total connected loading (kW)	0.82	0.82	–
Cable length (in cm)	175	175	–
Minimum fuse protection	10A	10A	–
GB plug	■	■	–

■ Yes, model has this feature. – Feature not available for this model.

Data valid in this table as of April 2024. Subject to modification without prior notice.

### Warming drawers specifications

APPLIANCE TYPE	WARMING DRAWER
Model number	BI510CNROB
Design family	All iQ500 models
<b>KEY FEATURES &amp; FUNCTIONS</b>	
Operating indicator light	■
Electronic control	–
Rotary temperature control dial	■
Number of temperature settings	3
Number of vacuum seal time settings	–
Number of vacuum sealing levels – bags / containers	–
Glass safety lid	–
Maximum temperature (°C)	80
Minimum temperature (°C)	40
Maximum capacity – plates	14
Maximum capacity – espresso cups	64
Toughened glass base	Anti-slip mat
Vacuum Drawer	–
Plate warming	■
Hold Warm	■
Defrost	■
Low temperature cooking	–
<b>TECHNICAL INFORMATION</b>	
Install independently	■
Install with compact appliance	iQ500
Install with a single oven	iQ500
Push-Pull opening mechanism	■
Drawer interior volume (litres)	23
Installation in a tall housing	■
Installation under work surface	■
Maximum weight capacity (kg)	15
Total connected loading (kW)	0.40
Cable length (in cm)	150
Appliance Dimensions (H x W x D mm)	100 x 475 x 490
Minimum Fuse Protection	6A
GB plug	■

■ Yes, model has this feature. – Feature not available for this model.

Data valid in this table as of April 2024. Subject to modification without prior notice.

### Award Winning Drawers

All drawers on this page have been accredited with these prestigious design awards.







# Accessories



**HZ86S000** Glass serving dish



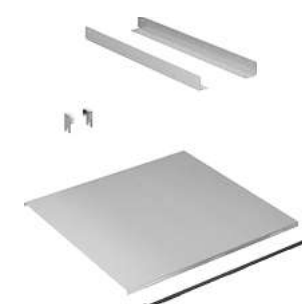
**HZ629070** Air fryer and grill tray in anthracite



**HZ530000** Two-piece half depth enamelled pan set



**HZ638000** 1 level telescopic shelf rails with stop, fully extendible



**HZ6BMA00** Metal platform and brackets



**HZ538000** Level independent varioClip telescopic rails

## Optional accessories

		iQ700		iQ500		
		Single Ovens	45cm Compact Ovens	Single Ovens	Compact Ovens	Double Ovens*
<b>AIR FRYING, ROASTING &amp; BAKING ACCESSORIES</b>						
HZ86S000	Glass serving dish - approx 40 x 25cm - for iQ700 ovens and compact ovens and iQ500 ovens	■	■	■	-	■
HZ629070	Air fryer and grill tray in anthracite. Required for Air Fry Function, required for Air Fry Function (function not available as standard, requires download via Home Connect), for iQ700 ovens	■	■	-	-	-
HZ530000	2 piece half depth enamelled pan set	■	-	-	-	-
<b>TELESCOPIC RAILS</b>						
HZ638000	1 level telescopic shelf rails with stop, fully extendible, for non pyrolytic*, non-full steam iQ700 ovens*	■*	■*	-	-	-
HZ638070	Level independent telescopic shelf rails with stop, fully extendible, for iQ700 pyrolytic ovens*	■*	■*	-	-	-
HZ638D00	Level independent telescopic shelf rails with stop, fully extendible, for iQ700 steam ovens*	■*	■*	-	-	-
HZ538000	1 pair of level independent varioClip telescopic rails for iQ500 single and double ovens	-	-	■	-	■
<b>INSTALLATION ACCESSORIES</b>						
HZ6BMA00	Metal platform and brackets suited to combinations of iQ700 60cm Single ovens and 45cm Compact ovens in column (special single aperture required)	■	■	-	-	-
HZ66X600	Cosmetic decor strip for use between 60cm single and 45cm compact ovens	■	■	■	■	-

■ Yes, compatible. - No, not compatible.

\*Main cavity only

Optional accessories not suited for use during pyrolytic cleaning unless stated

Data valid in this table as of April 2024. Subject to modification without prior notice.





Model shown:  
CT718L1B0 built-in coffee centre with TFT touchDisplay Pro

# Pure precision for perfect coffee indulgence

Immerse yourself in the world of coffee.

The Siemens fully automated built-in coffee machine is designed to deliver a great coffee experience, thanks to the interaction of all components – a result of our years of experience and strong commitment to research and development.

### Pure precision for perfect coffee indulgence with our built-in coffee machine.

Our iQ700 built-in coffee centre conveys an elegant impression of absolute quality and intelligent innovation for those passionate about coffee.

The design of the iQ700 coffee centre is perfectly aligned with the entire iQ700 series. To keep the sleek lines looking clean, all milk, water and bean containers are conveniently hidden behind the coffee centre's door, while the TFT touchDisplay and LED lights put each coffee in the spotlight.

Designed with easy access to the water tank, bean holder and insulated milk jug, the coffee centre has front access thanks to a hinged front panel to allow quick and easy access to replace the water or beans. The milk tubes are also cleaned with steam after every coffee with milk and as most of the components are removable and dishwasher safe, they are also easy to clean. Easy to install, the machine requires no extra plumbing.



**oneTouch function**  
The Siemens coffee machine can deliver delicious-tasting coffee – from latte macchiato, creamy cappuccino to extra-strong espresso at the touch of a button. The system prepares coffee and milk specialities automatically, which can be customised to the user preference.



**sensoFlow system**  
Different coffees require the espresso shot to be heated at a different temperature in order to achieve the perfect results. sensoFlow does this automatically, every time.

## A wide world of coffee to experience.

Get more with Siemens bean-to-cup coffee machines and built-in model with Home Connect. The app gives access to exclusive coffee drinks and intuitive remote functions directly via a smartphone, smart watch, tablet or voice assistant.

### Home Connect

With the Home Connect app additional features and drinks are available. Select the coffee with coffeeWorld on a smart device, or ask a voice assistant to make it for you. Push notifications are sent from the machine, for example, when the beans are running low or when the machine needs cleaning.

The coffeePlaylist allows creation of a list where each guest can personalise their own drink and remotely send the order to the machine so they are automatically prepared one after another.

Connected partners including Amazon Alexa, offer additional flexibility like making a drink using voice control whilst IFTTT allows the creation of bespoke applets connecting the coffee machine to other smart home appliances to create personalised routines.



## iQ700 CT718L1B0

Built-in coffee centre  
Black



Built-in coffee centre specifications

APPLIANCE TYPE	COFFEE CENTRE – BUILT-IN
Design family	iQ700
Model number	CT718L1B0
TFT Touchdisplay Pro	■
TFT Touchdisplay	–
<b>KEY FEATURES</b>	
Home Connect	■
Electronic control	■
sensoFlow System	■
AromaDoubleShot	■
Automatic steam blast milk cleaning function	■
oneTouch preparation	■
Ceramic coffee grinders	■
Multilevel grinding setting	■
Cup illumination	■
Height adjustable coffee & milk outlets (mm)	■
Integrated water filter	Optional
<b>PROGRAMMES / FUNCTIONS</b>	
Type of beverages	21
my Coffee - personalised beverage settings	1 or 2 cup
Milk foam	1 or 2 cup
Hot water	1 or 2 cup
Warm milk	1 or 2 cup
Ristretto	1 or 2 cup
Coffee	1 or 2 cup
Espresso	1 or 2 cup
Cappuccino	1 or 2 cup
Latte Macchiato	1 or 2 cup
Caffe latte	1 or 2 cup
Espresso Macchiato	1 or 2 cup
One touch function for milk drinks	■
Coffee / Hot water temperature options	3 / 4
Milk foam / frothing function	■ / ■
Warm Milk function	■
Cleaning / descaling / programmes	■ / ■
Automatic rinse when switched on/off	■ / ■
<b>PERFORMANCE / TECHNICAL INFORMATION</b>	
Installation in a tall housing	■
Side opening door (left hinged)	■
Bean container capacity (g)	500
Ground coffee container	■
Water tank capacity (litres)	2.4
Total connected loading (W)	1500
Nominal voltage (volts)	220-240
Fuse protection	10A
Cable length (in cm)	170
<b>STANDARD ACCESSORIES</b>	
Insulated Milk container capacity (litres)	0.5
Milk pipe	■

■ Yes, model has this feature. – Feature not available for this model.  
Data valid in this table as of April 2024. Subject to modification without prior notice.

## Award Winning Coffee Machine

The Coffee Machine on this page has been accredited with these prestigious design awards.



For specification details, please visit [siemens-home.bsh-group.com/ie](https://siemens-home.bsh-group.com/ie) and download a full specification sheet.

For the full range of accessories, please visit our online accessory shop at [siemens-home.bsh-group.com/ielshop](https://siemens-home.bsh-group.com/ielshop) or call our Spares Department on 01450 2655.

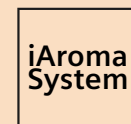




# UnEQuatted coffee shop experiences

Model shown: TQ907GB3 EQ900 S700 fully automatic espresso machine

## The Siemens iAroma System



Experience the unique iAroma System available with Siemens fully automatic espresso machines: Innovative features work seamlessly together to guarantee the perfect taste and long-lasting product.



The long-lasting ceramic grinder creates the ideal ground coffee for perfect aroma.



The intelligent flow heater guarantees the perfect temperature every time.



The smart water pump – for the right water pressure every time.



The high-tech brewing unit creates great aroma thanks to its fine-tuned and precision controlled brewing operation.

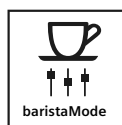
## At home. In style

Delicious barista-style drinks at home with the Siemens EQ freestanding bean-to-cup coffee machines.

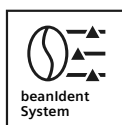
The world of cafe culture is at hand with the exciting range of EQ fully automatic bean-to-cup coffee machines designed for those that settle for nothing less than exceptional coffee.

With intelligent iAroma technology, 3 key innovations are combined together in a high quality brewing unit to deliver truly sensational tasting beverages. These intuitive appliances stand out on any premium kitchen surface with their stunning design, elegant display panels and optimal usability. From the entry-level compact EQ300 models to the fine-tuned connected EQ700 and EQ900 models.

Our top of the range machine: EQ900 S700



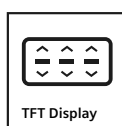
**baristaMode: Individualise your coffee creation**  
There are five essential parameters of baristaMode that contribute to the quality of coffee and espresso: coffee strength, amount, temperature, coffee-to-milk ratio and brewing speed. The baristaMode allows for even finer, fully customised adjustments to please any coffee taste. Alternatively in comfortMode the machine makes these adjustments automatically leaving only the option to personalise strength and aroma.



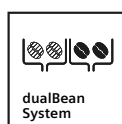
**beanIdent System: Get the most out of every roast**  
Many factors influence the flavour profile of a coffee bean. The region where it is cultivated, with its specific climate and soil, as well as the type of roasting, all play a part. The beanIdent System optimally adjusts all brewing settings to ensure the full aromas are extracted. Simply enter the variety and roasting level and let the EQ900 work its magic.



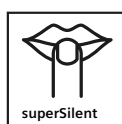
**oneTouch DoubleCup**  
For added convenience, two coffee-milk specialities can be poured at once. Most of the range has an integrated coffee and milk outlet with double spouts, for faster drink preparation.



**TFT display**  
The large, clear and colourful TFT display and disc control make managing drink preferences simple and intuitive with the EQ900 S700 machine.



**dualBean System: Separate bean containers for a pure taste**  
Two separate coffee bean containers, each with its own grinder, ensure that the beans never get mixed up and guarantee that the desired flavour will always be achieved.



**superSilent**  
Optimised soundproofing enables the most remarkable noise reduction.



Perfect pleasure at the touch of a button: oneTouch function.



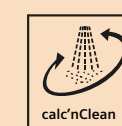
For longer-lasting coffee indulgence: calc'nClean.



For busy mornings and tired evenings: Drinks on demand.



No matter the coffee speciality whether it is latte macchiato, creamy cappuccino or extra-strong espresso, thanks to the oneTouch Function this fully automatic coffee machine can serve up pure coffee indulgence at the touch of a button.



Maximise beverage quality, product lifetime and overall hygiene of the EQ coffee machine with the combined cleaning and descaling programme. Easy to use, calc'nClean provides a thorough clean and rinse, keeping the machine perfectly clean inside.

All our coffee machines have a minimum of 4 pre-set drinks available to select from the display. From the EQ300 models that have the option of Americano, Cappuccino, Espresso and Latte Macchiato all the way through to the top EQ700 model that offers all of these plus 7 more drink options. The Home Connect App allows access to an even wider, ever-growing range of beverage options with coffee world.



# Freestanding coffee machines

## TQ907GB3

EQ900 S700 Fully Automatic Espresso Machine  
Stainless steel

**Which? Best Buy**  
**reddot winner 2023**  
**Home Connect**  
**iAroma System**  
**one touch function**  
**QUIET MARK**  
**2 year warranty**  
**beanident System**  
**baristaMode**  
**dualBean System**  
**TFT Display**  
**beanident System**

Download and install Home Connect App  
 Partners brought to you by Home Connect  
**Home Connect** | **amazon alexa** | **Google Assistant** | **IFTTT**



Model shown: TQ907GB3 EQ900 S700 fully automatic espresso machine

### Freestanding bean-to-cup coffee machine specifications



	EQ900		EQ700		
Model name	EQ900 S700	EQ900 S500	EQ900 S300	EQ700 Int. Fully Automatic Espresso Machine	EQ700 Classic + Fully Automatic Espresso Machine
Model number	TQ907GB3	TQ905GB3	TQ903GB9	TQ703GB7	TP705GB1
<b>FEATURES</b>					
Material / finish	Stainless steel front and body	Stainless steel front and body	Piano black front, stainless steel	Inox silver & black	Morning haze & black
Sensoflow Heater	■	■	■	■	■
Ceramic grinder	Ceramdrive	Ceramdrive	Ceramdrive	Ceramdrive	Ceramdrive
Milk solution	Integrated	Integrated	Integrated	Integrated	Milk Pipe
beanident System	■	■	■	■	■
Bean container capacity (g)	270g and 250g	375g	375g	350g	350g
Water tank capacity (litres)	2.3	2.3	2.3	2.4	2.4
One touch drinks	■	■	■	■	■
Removable brewing unit	■	■	■	■	■
Beverage choice	21	21	21	18	18
Display	TFT	TFT	TFT	iSelect Display	iSelect Display
Pump Pressure	19 bar	19 bar	19 bar	19 bar	19 bar
oneTouch DoubleCup	incl. milky drinks	incl. milky drinks	incl. milky drinks	incl. milky drinks	incl. milky drinks
Strength settings	Barista Mode	Barista Mode	Barista Mode	4	4
Temperature settings	Barista Mode	Barista Mode	Barista Mode	0	0
Cup size settings	Barista Mode	Barista Mode	Barista Mode	4	4
Coffee-milk ratio adjusts	■	■	■	■	■
Noise level	Super silent	Super silent	Super silent	Quiet	Quiet
Number of bean grinders	2	1	1	1	1
Connectivity	Home Connect	Home Connect	Home Connect	Home Connect	Home Connect
User Profiles	10	10	3	10	10
Cup warmer	■	■	■	■	■
Bean lid rubber seal	■	■	■	■	■
Brewing unit type	Spindle	Spindle	Spindle	Spindle	Spindle
Service door access	Side	Side	Side	Side	Side
Barista mode	■	■	■	Aroma Select	Aroma Select
Cup illumination	■	■	■	■	■

■ Yes, model has this feature. – Feature not available for this model.

Data valid in this table as of April 2024. Subject to modification without prior notice.

### Freestanding bean-to-cup coffee machine specifications



	EQ500		EQ300	
Model name	EQ500+ Home Connect Fully Automatic Espresso Machine	EQ500 Fully Automatic Espresso Machine	EQ300+ Fully Automatic Espresso Machine	EQ300 Fully Automatic Espresso Machine
Model number	TQ518GB3	TQ513GB1	TF303G07	TF301G19
<b>FEATURES</b>				
Material / finish	Black steel front	Silver lacquer front	Lacquer front	Piano black
Sensoflow Heater	■	■	■	■
Ceramic grinder	Ceramdrive	Ceramdrive	1 x ceramic	1 x ceramic
Milk solution	Integrated	Integrated	Milkperfect	Milkperfect
beanident System	■	■	■	■
Bean container capacity (g)	270g	270g	250g	250g
Water tank capacity (litres)	1.7	1.7	1.4	1.4
One touch drinks	■	■	■	■
Removable brewing unit	■	■	■	■
Beverage choice	10	10	4 + Milk Foam	4 + Milk Foam
Display	TFT / touch	TFT / touch	Text & symbol	Text & symbol
Pump Pressure	15 bar	15 bar	15 bar	15 bar
oneTouch DoubleCup	■	Black only	Black only	■
Strength settings	5	5	5	3
Temperature settings	3	3	1	1
Cup size settings	5	5	■	■
Coffee-milk ratio adjusts	■	■	■	■
Noise level	Quiet	Quiet	Standard	Standard
Number of bean grinders	1	1	1	1
Connectivity	■	■	■	■
User Profiles	■	■	■	■
Cup warmer	■	■	■	■
Bean lid rubber seal	■	■	■	■
Brewing unit type	Spindle	Spindle	Spindle	Spindle
Service door access	Front	Front	Front	Front
Barista mode	■	■	■	■
Cup illumination	■	■	■	■

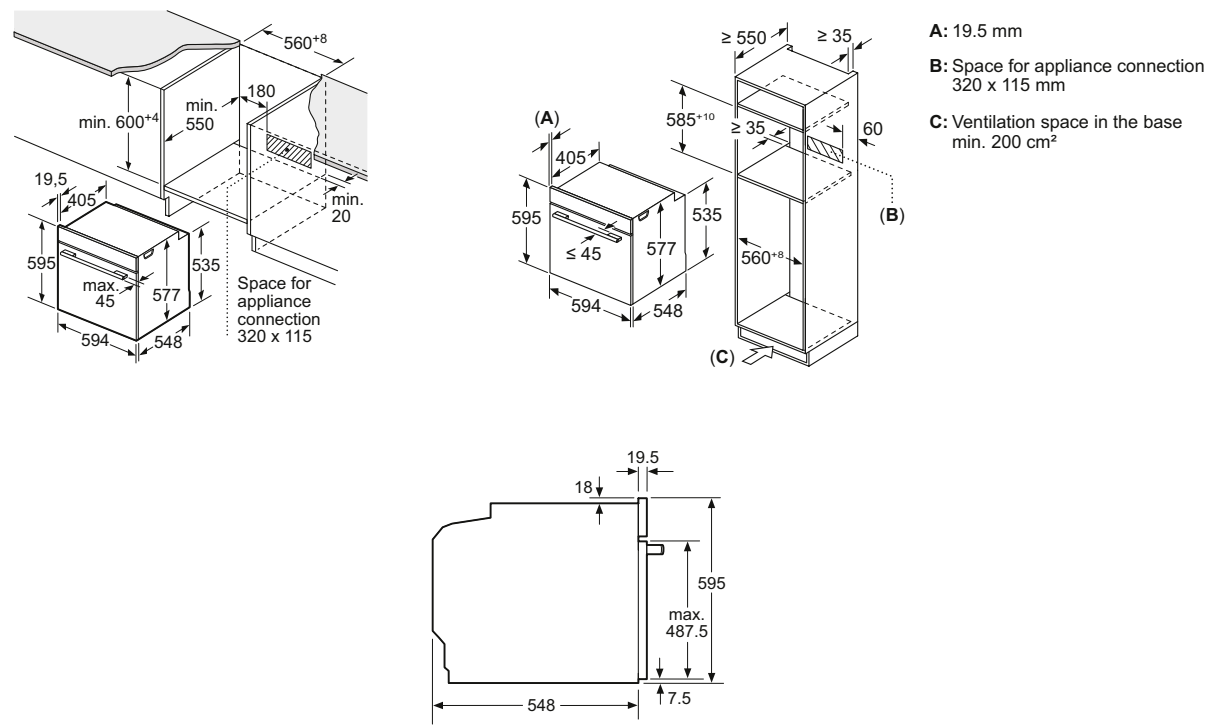
■ Yes, model has this feature. – Feature not available for this model.

Data valid in this table as of April 2024. Subject to modification without prior notice.

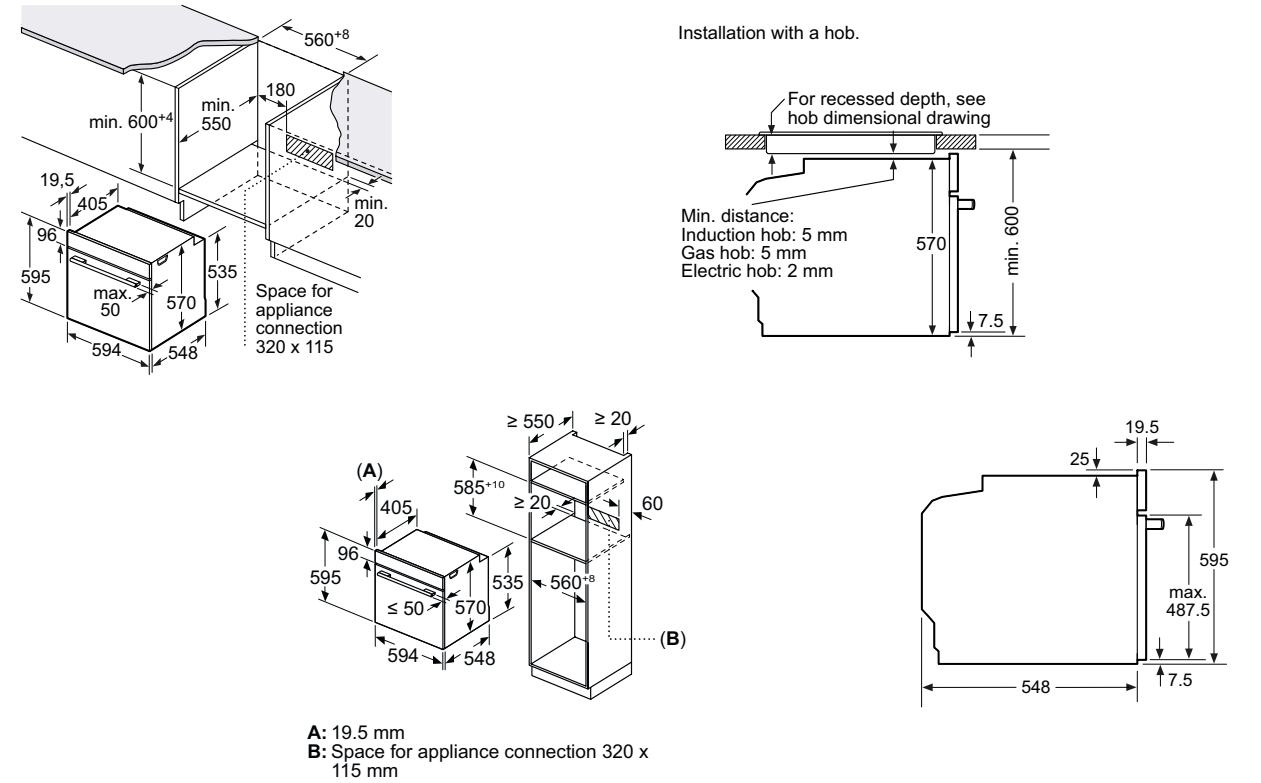


# Oven technical diagrams

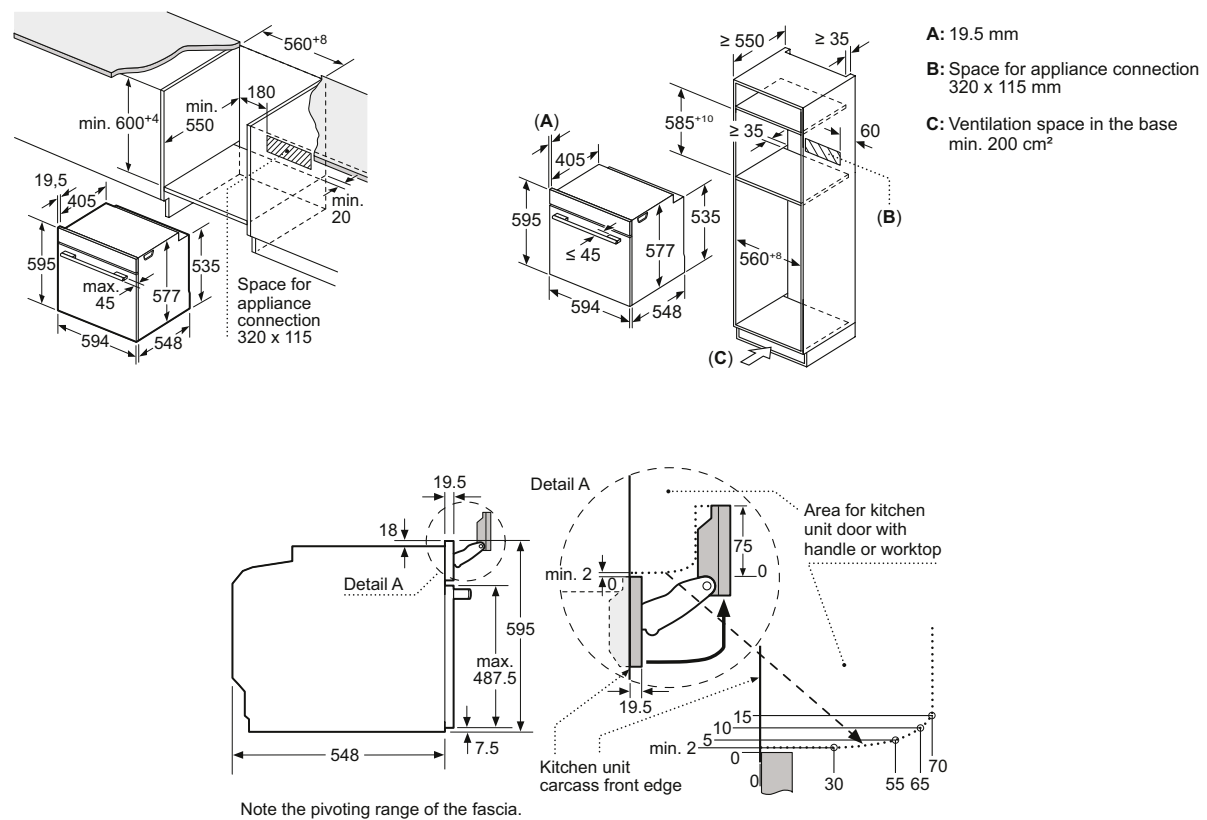
Single ovens HM778GMB1B, HB778G3B1B, HM776G1B1B, HB776G1B1B, HB736G1B1B, HB772G1B1B and HB732G1B1B



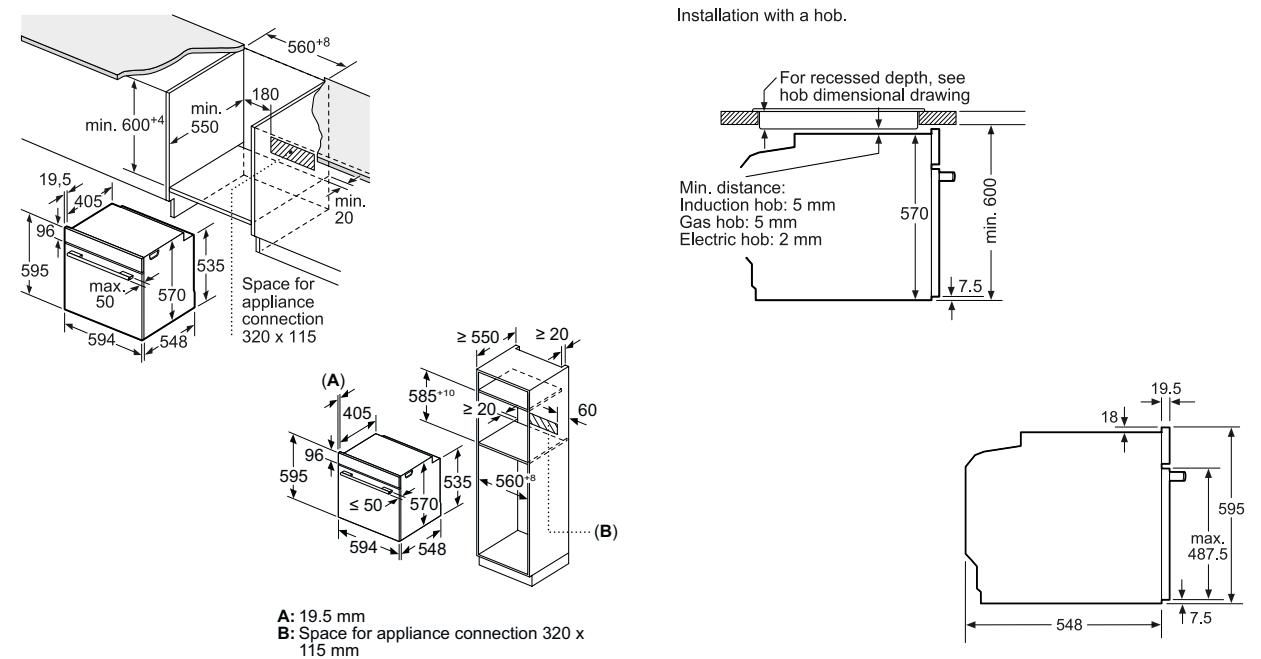
Single ovens HR578G5S6B and HB578G5S6B



Single ovens HS758G3B1B, HR776G1B1B and HS736G1B1B

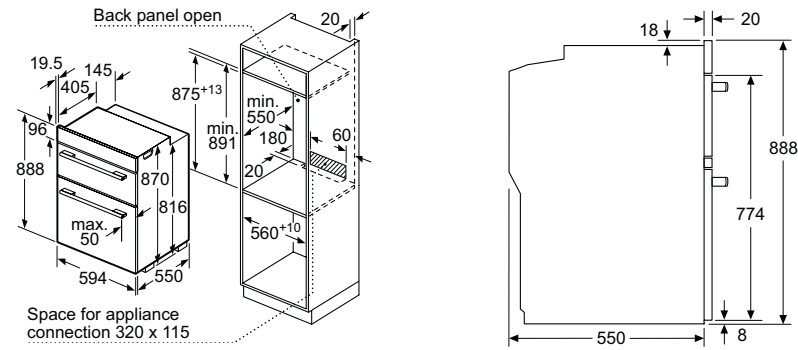


Single ovens HB578A0S6B and HB535A0S0B

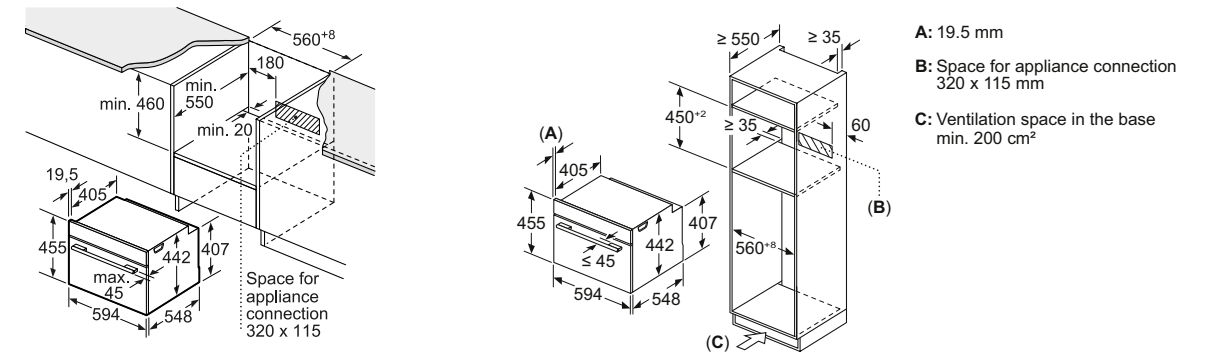


# Oven technical diagrams

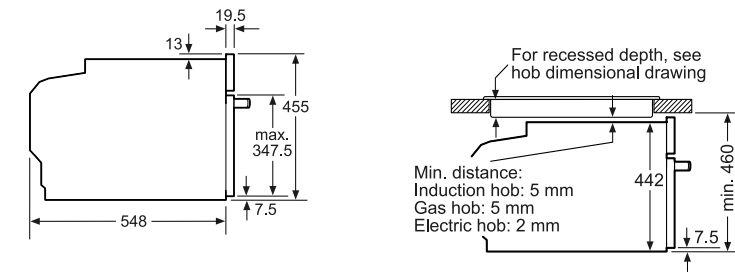
Double ovens MB578G5S6B, MB557G5S0B and MB535A0S0B



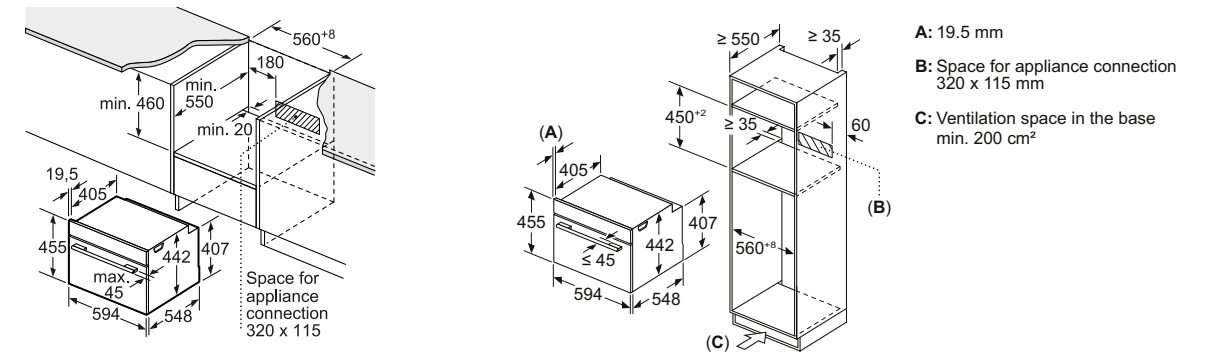
Compact ovens CM778GNB1B, CM776G1B1B, CM736G1B1B and CM724G1B1B



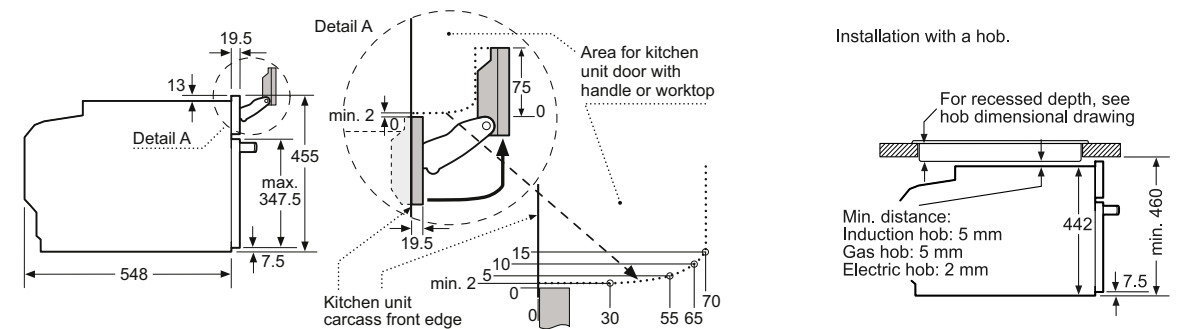
Installation with a hob.



Compact oven CS736G1B1



Installation with a hob.



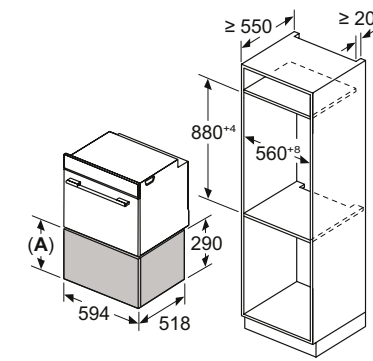
Note the pivoting range of the fascia.



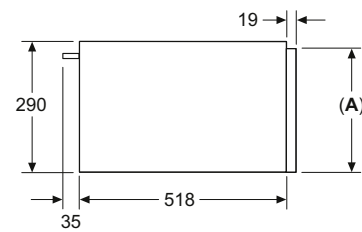


# Warming drawer technical diagrams

## Warming drawer BI710D1B1B

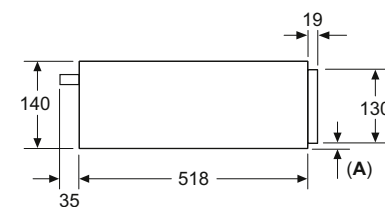
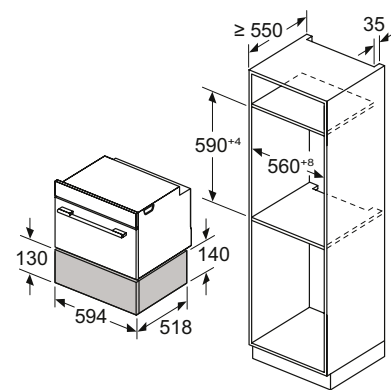


A: 287.5 mm



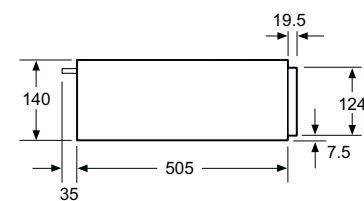
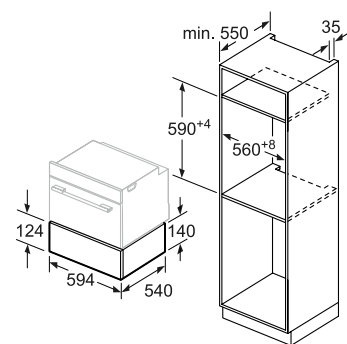
A: 287.5 mm  
Ovens with appliance height of 595 mm can be installed above the warming drawer without an intermediate floor

## Warming drawers BI710C1B1B and BI710E1B1



A: 7.5 mm  
Compact ovens with appliance height of 455 mm can be installed above the warming drawer without an intermediate floor

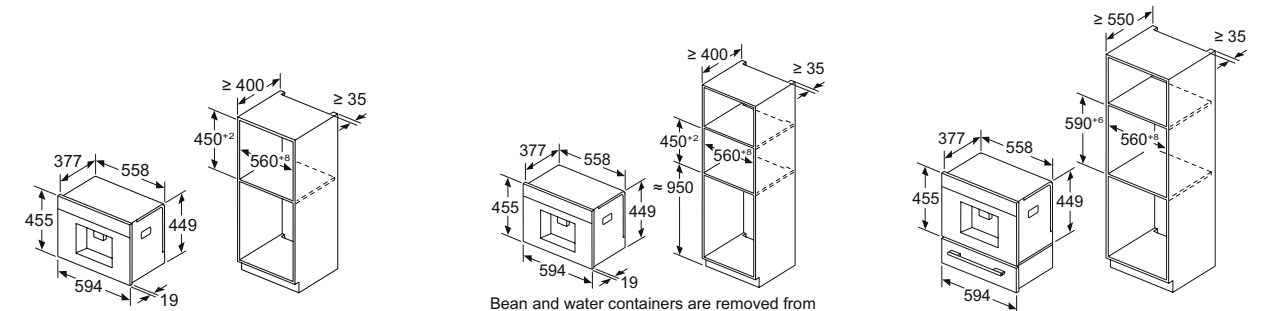
## Warming drawer BI510CNR0B



Compact ovens with an appliance height of 455 mm can be installed above a warming drawer. An intermediate floor is not required.

# Coffee centre technical diagrams

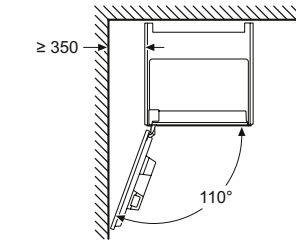
## Coffee centre CT718L1B0



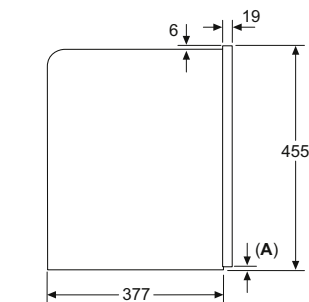
Bean and water containers are removed from the front  
Recommended installation height 950-1450 mm

Bean and water containers are removed from the front  
Recommended installation height 950-1450 mm

### Left corner installation



If using the 92° hinge limiter, the min. distance to the wall is only 100 mm



A: 7.5 mm



# Induction, ceramic and gas hobs. Designed to impress

The Siemens hob range combines stunning design with innovative technology and ergonomic design.

The advanced technology available on the Siemens hobs ensures the cooking experience is as enjoyable as possible, while time-saving features help prepare dishes quickly and effortlessly. With a wide range of styles, sizes and cooking types to suit any needs and kitchen design.



Model shown: ED811BS16E  
80cm inductionAir Plus hob

## Siemens hob warranties:



### 2 year warranty

A two year warranty is available on all Siemens hobs listed in this brochure to protect against manufacturing and material faults during this warranty period.

To find out more about warranty and for registration, please visit:  
[siemens-home.bsh-group.com/ie/customer-service/warranty](https://siemens-home.bsh-group.com/ie/customer-service/warranty)



# Hobs cooking types at a glance

With intelligent technology, elegant design aesthetic and practical yet impressive functionality, Siemens hobs bring excitement and ease when creating dishes.

## Induction cooking



### inductionAir Plus venting hobs

The inductionAir Plus venting hobs provide the freedom to design the kitchen flexibly, with the added benefit of hassle-free cleaning. The innovative design means that the grease filters fit into an entirely detachable liquid tray unit which is designed to completely protect against spillages and over-boiled liquids.

Model shown: **ED851HQ26E** (page 88)



### flexInduction hobs

Siemens flexInduction hobs are a must for diverse cooking. The cooking area can be tailored to the user's cooking needs: from using as a traditional induction hob with four or five separate zones – for boiling rice, for example - to linking the zones together to form one zone for larger cooking pans.

With flexInduction Plus, the hob automatically knows how large the cookware is. This provides even heat with the use of an additional central zone if the hob detects that the pan is too large.

Model shown: **EX975KXW1E** (page 94)



### Induction hobs

Induction cooking is recognised as being one of the quickest, safest and most efficient methods of cooking available. When a pan with a ferrous or magnetic metal base is placed on the hob, the coil situated below the ceramic surface uses an electromagnetic field to create heat, almost instantly heating the pan. With only the base of the pan heated the cooking zone stays cooler.

Model shown: **ED851HWB1E** (page 97)

## Ceramic cooking



### quickLite hobs

The surface of a glass ceramic hob heats up quickly and conveniently, while also being easy to clean due to the smooth and even surface. The cooking zones glow red when they are on and the temperature can be adjusted precisely, with up to 17 power levels. Siemens highSpeed cooking zones are also optimised for fast cooking and heat up almost instantly.

Model shown: **ET81RBHA1D** (page 102)

## Gas cooking



### Gas hobs

Tradition meets innovation – with their modern functions, Siemens gas hobs provide enjoyment in cooking like a pro. Low profile, single piece burners on the glass complete the sleek appearance.

Model shown: **ER9A6SB70** (page 106)

## Domino cooking



### Domino hobs

Domino hobs can be installed alone or side by side with other types of compatible hobs. Domino cooking gives you more cooking options, for example the 40cm wide Teppan Yaki is ideal for combining with other Domino or faceted design cooktops to create a bespoke cooking area.

Models shown: **EX375FXB1E**, **ER3A6AB70**, and **ER3A6BB70** (pages 110-111)



# The perfect hob for any kitchen design

A perfect finish suitable for any modern kitchen.

Siemens aim to provide a wide selection of quality hob choices to ensure there is enough variety and colour-ways to choose from to match any kitchen style.



Black glass



Black ceramic glass



Black tempered glass



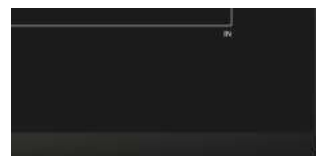
Stainless steel

Perfectly framed.

Siemens offers a variety of finishes to the hob frame to allow the user to create a specific look or even match the hob to other Siemens products; from stand out premium steel trims to sleek flushline trims that fit neatly in line with the worktop surface.



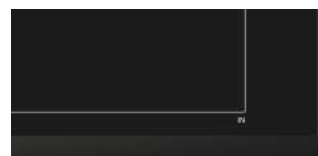
Premium steel trim



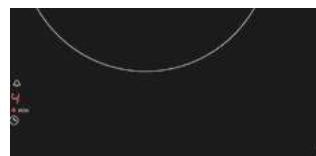
Three sided bevel edge



Flush fit



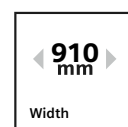
Front bevel



Frameless



The perfect width.

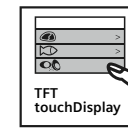


Our hob range is available in a range of widths to suit specific kitchen design and needs. Our choice of induction hobs come in 60, 80 and 90cm options, gas is available in 60, 75 and 90cm options and venting hobs come in 60, 70 and 80cm options.

Fingers on the pulse of innovation.



TFT touchDisplay

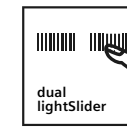


### TFT touchDisplay

The innovative TFT touchDisplay allows the user to get the most out of the Siemens induction hob. The full colour touch screen is intuitive and easy to use with clear information about the hob's status at all times as well as additional settings that open up new possibilities. The settings for each individual cooking zones can be selected intuitively for easy control. The zones can even be combined when needed for added flexibility – for example, for different sizes of cookware and various accessories. The display screen gives access to a new world of recipes which can help cook the perfect dish in just a few simple steps, complete with images and clear text.



Dual lightSlider

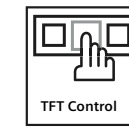


### Dual lightSlider

The dual lightSlider offers easy operation and selection of the cooking zones of the iQ700 induction hobs via one neatly arranged interface that illuminates when the hob is turned on. The power level of the cooking zones can be simply adjusted by sliding a finger along the lit scale or selecting the desired power level directly with precise control. When the hob is switched off, the controls are completely invisible for a sleek finish to the kitchen. As there are no protruding parts, cleaning is made even easier.



TFT Control SIEMENS

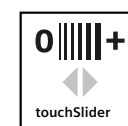


### TFT Control

The TFT Control makes the access and operation of the hob functions easy and ensures good readability from any perspective.



touchSlider

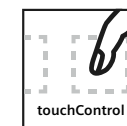


### touchSlider

The ergonomic touchSlider sits flush to the appliance, the power level scale can be adjusted to the desired setting at the slide of a finger, with control advances in half-levels from 1 to 9. Alternatively, the desired level can be selected directly for faster adjustments to the cooking zone temperature.



touchControl

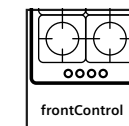


### touchControl

Thanks to advanced touchControl technology, Siemens hobs can be operated by simply touching the surface. This means the controls are seamlessly integrated into the surface and make cleaning even easier.



frontControl-dials



### frontControl

Gas hobs with frontControl feature all controls at the front of the appliance for ease of use.



# Induction key features

Home Connect Hobs.  
Designed to make life easier.



Model shown:  
EX875KYW1E flexInduction hob with  
HZ9FF040 flexInduction 4-piece pan set

The Home Connect app offers more by connecting together the Siemens intelligent kitchen and unlocking additional features and functions. It is also possible to use the services of different partners – turning the house into a connected home.

The Home Connect app can be used to turn the hob on, or change the cooking power level, while IFTTT can connect our connected hobs to a wider variety of partners including home lighting and music systems.

The status of our appliances can be checked from anywhere using the Home Connect app on a smartphone. No more leaving the house and having to go back and to check if the hob was turned off. Peace of mind is just a click away with Siemens smart hobs and the intuitive Home Connect app. Appliance settings, including on/off status, active cooking zones, child lock implementation and cooking time status can be monitored from anywhere.

A wide range of recipes are available via the app and the cooking and temperature settings can be sent directly from there straight to the hob, perfect for busy evenings. Additional seasonal recipes and extra cooking support can also be found through the App.



### cookConnect system

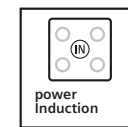
Many functions of the extractor hood can be automated using the Home Connect app. Once the cookConnect system has been set up, the hood will automatically adjust its extraction level depending on the power level of the hob. The hoods lighting can also be adjusted directly from the hob. Get more with Home Connect.

For more information see pages 128 and 129.



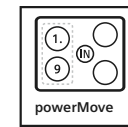
Discover more exciting possibilities for a seamless life with Siemens and Home Connect. For more information visit [siemens-home.bsh-group.com/ie/inspiration/innovation/connected](https://siemens-home.bsh-group.com/ie/inspiration/innovation/connected)

## Discover the powerful responsiveness of Siemens induction cooking.



### powerInduction

Instantly hot. Instantly cooler. With Siemens powerInduction the heat is conducted directly to the pans and their contents via induction coils, without heating the hob. Heat-up times are short, safety is increased and the hob is much easier to clean.



### powerMove

Enables intuitive control by splitting the hob into various zones with different set temperatures (low to high). Depending on the hob it has 2, 3 or 5 different zones.



### fryingSensor Plus

Makes frying easier by automatically maintaining the ideal temperature to ensure the food is cooked just right. Once the preferred programme is selected depending on the type of food to be cooked, a signal will notify when to add oil to the pan and add the food – fryingSensor Plus then takes control. The sensor delivers full precision when frying by keeping the dish at the defined temperature level as soon as this has been reached.



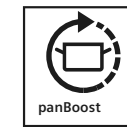
### cookingSensor Plus

Once attached to the pot, the cookingSensor Plus interacts with the cooktop, giving a signal when a certain temperature has been reached and keeping it exactly at that level to prevent overboiling.



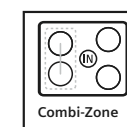
### powerBoost

Increases power by up to 50%. This can save up to 35% of the time it takes to heat up pots or cook large quantities depending on the chosen dish.



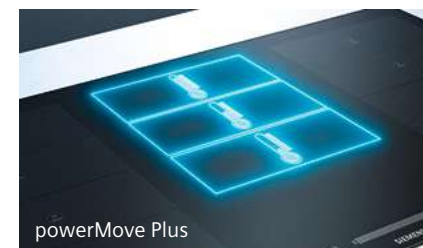
### panBoost

This feature heats cookware faster than when using heat setting 9. After 30 seconds, this function automatically switches itself off and reverts back to power level 9.



### Combi-Zone

When using larger pots and pans, the Combi-Zone connects two induction zones together to ensure better heat coverage.



powerMove Plus



fryingSensor Plus



cookingSensor Plus

Please note: these features are on selected models. For information on model specification, please check pages 87-89.





# Explore the science of inductionAir Plus cooking

Model shown:  
ED851HQ15E  
inductionAir Plus hob

## Our best induction hob, evolved: inductionAir Plus



Model shown:  
ED851HQ15E inductionAir Plus hob

The Siemens inductionAir Plus system combines cutting-edge induction technology, such as combi zones and powerMove Plus, with sleek, integrated ventilation. Favoured in open plan and compact kitchens, inductionAir Plus hobs give a sense of free-flowing space and light for a more social experience within the kitchen.

### inductionAir Plus hob

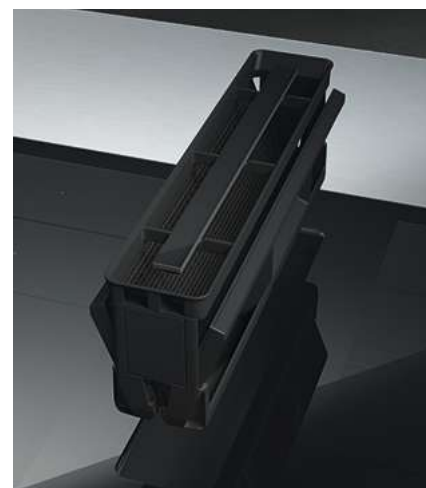
The inductionAir Plus hob gives more design flexibility when planning a kitchen, with the added benefit of hassle-free cleaning. The innovative design means that the grease filters fit into an entirely detachable liquid tray unit which is made to completely protect against spillages and over-boiled liquids.

### How does it work?

All parts of the inductionAir Plus hob are neatly arranged in a liquid tray unit, accessed from the top of the hob. Each part is dishwasher-proof, including the black glass air inlet grid, the 2-in-1 grease filter and the liquid tray. Each part is also separate to save space in the dishwasher.

### Protects from spills

As a first layer of protection, the black glass air inlet grid is designed to limit the flow of liquids into the ventilation module. As a second layer of protection, the liquid tray captures up to 200ml from day-to-day cooking and can be easily discarded. In addition, up to 700ml of additional liquid can be held in the liquid safety tank accessed from beneath the appliance, and safe-guarding it from damage.



### The perfect fit.

#### Size flexibility

The inductionAir Plus hob comes in 3 variants of size: 60cm, 70cm and 80cm. This means that, whatever space is available, there is an inductionAir Plus hob that will fit in perfectly.

#### Installation options

There are 4 different ways to install the inductionAir Plus hob, giving you plenty of options as to how and where to install it.

See page 112 for an outline of installation options and accessory requirements.

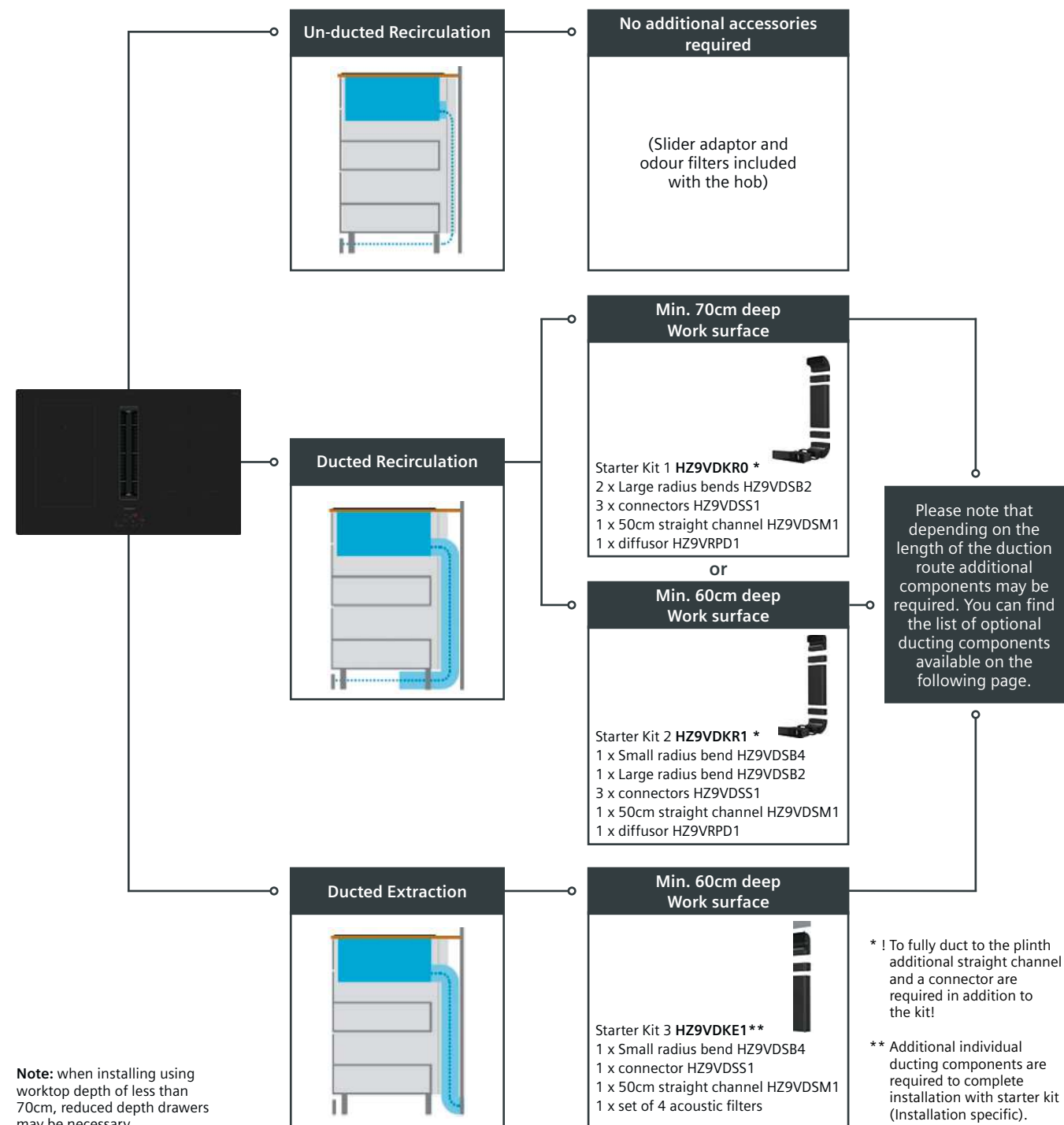


Scan to view installation options

# Venting hobs – installation options

Depending on your chosen extraction route we have created a selection of ducting kits to simplify the installation process.

Select your chosen extraction mode from the options below.



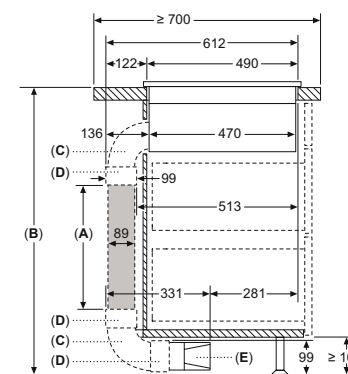
**Note:** when installing using worktop depth of less than 70cm, reduced depth drawers may be necessary.

## Optional additional individual ducting components

	<b>HZ9VDSM1</b>	500mm long flat channel ducting section – outlet size 222mm x 89mm
	<b>HZ9VDSM2</b>	1000mm long flat channel ducting section – outlet size 222mm x 89mm
	<b>HZ9VDSB1</b>	Flat channel 90° horizontal bend, for worktop depth minimum 65cm – outlet size: 222mm x 89mm
	<b>HZ9VDSB2</b>	Flat channel 90° vertical bend (large Radius), for worktop depth minimum 70cm – outlet size 222mm x 89mm
	<b>HZ9VDSB3</b>	Flat channel 90° vertical bend (medium Radius), for worktop depth minimum 65cm – outlet size: 222mm x 89mm
	<b>HZ9VDSB4</b>	Flat channel 90° vertical bend (short Radius), for worktop depth minimum 60cm – outlet size 222mm x 89mm
	<b>HZ9VDS1</b>	Connection piece for use between straight channel ducting components and bends – outlet size: 222mm x 89mm
	<b>HZ9VDS2</b>	Flexible Connection piece for use between straight channel ducting components and bends – outlet size: 222mm x 89mm
	<b>HZ9VDS10</b>	Straight Adaptor / Converter flat to round (Ø 150mm) – outlet size: 222mm x 89mm
	<b>HZ9VDSI1</b>	90° Adaptor / Converter flat to round (Ø 150mm) – outlet size: 222mm x 89mm
	<b>HZ9VRPD1</b>	Diffusor for ducted recirculation – outlet size: 222mm x 89mm
	<b>HZ9VRCR1</b>	1 x set of cleanAir Plus recirculation filters

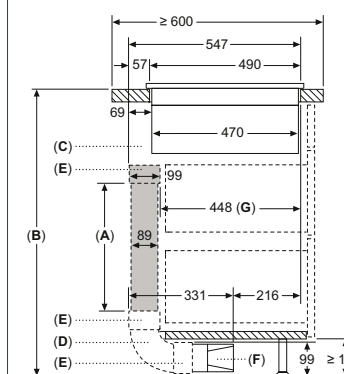
## Additional planning notes for vented hob installation

Ducted recirculation using starter kit HZ9VDKR0 for min. 70cm worktop depth



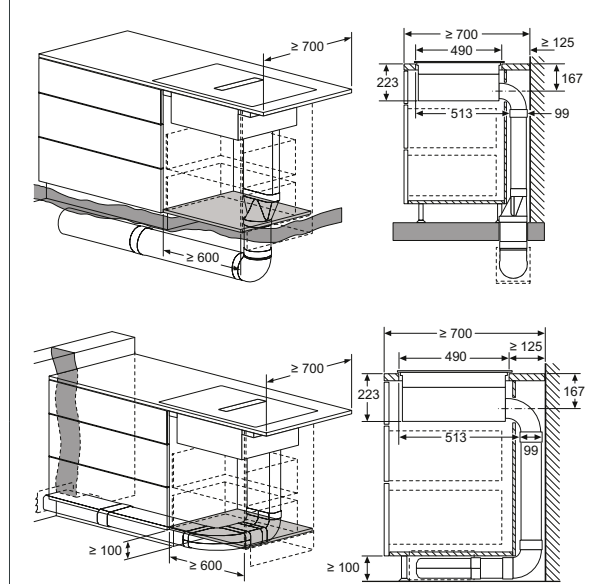
- Install the filters into the hob (included with venting hob)
- Use the adhesive to seal the first bend into the back of the hob
- Discard the telescopic slider piece included with venting hob

Ducted recirculation using starter kit HZ9VDKR1 for min. 60cm worktop depth



- Install the filters into the hob (included with venting hob)
- Use the adhesive to seal the first bend into the back of the hob
- Discard the telescopic slider piece included with venting hob

Ducted exhaust extraction using – Starter kit HZ9VDKE1 for min. 60cm worktop depth





# New touchSlider induction hobs. Precision without trying

Our new range of touchSlider induction hobs and angled hoods work tirelessly in the background to remove distractions, eliminate errors and enhance the cooking experience.

Designed for maximum flexibility and control and true to the distinctive Siemens design – our intelligent hobs and hoods make cooking more intuitive, automatically adjusting to the cookware, personalising to the user preferences and automating tasks.

### Pure intelligence. Full flexibility.

Siemens' new induction hobs are a natural fit for modern kitchens with their beautiful design with high-quality materials and intuitive touchSlider controls. The range includes a variety of widths – from 60cm to 90cm – with unique design perspectives in every model class. There is a hob to fit each individual style and personal requirements and elevate the kitchen design. The stylish new touchSlider control allows adjustment in increments of half a level at the slide of a finger across the surface.

Designed to simplify the process and prevent errors, the intelligent sensors, flexible induction zones and customisable features make cooking more intuitive, taking the stress out of meal preparation.



Featuring all standard features from the Siemens induction range they include additional features like:



#### Intelligent hood automatic

The hood matches the fan level to the temperature and power of the hob, allowing to cook from start to finish without ever touching the hood by simply pairing both appliances with the Home Connect app. Intelligent hood automatic is available on all new touchSlider induction hobs in combination with our new iQ300, iQ700 inclined hoods.



#### fryingSensor Pro

fryingSensor Pro prevents overheating thanks to the intelligent sensors that keep the heat in the pan at a constant temperature while cooking to prevent overheating. Just select the best temperature for the dish from the 11 options available.



#### Favourite button

The favourite button personalises the cooking experience, with just one tap. When connected to the Home Connect app, the favourite button can be programmed to perform a chosen action. Whether it is activating a specific heat and timer setting, switching on hood lighting, or turning on other connected appliances and devices using IFTTT.

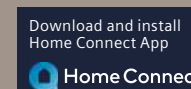


Model shown:  
EX651HEC1E flexInduction hob



#### Our hobs are official Red Dot design and innovation award winners.

The Jury said, "This induction hob offers a combination of interface and interaction that is impressive in its logic. Cooking becomes an experience thanks to the constant response of an intelligent surface".



#### Have it your way with Home Connect.

Intelligent connectivity gives more control, support and freedom. Whether it is getting a notification on a smartwatch when dinner is ready, lowering the heat on the hob via a smartphone or tablet, or asking the smart assistant speaker (Amazon Alexa or Google Assistant) to turn off the hob while the table is being set, Home Connect gives more flexibility and more ways to personalise the kitchen.

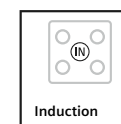
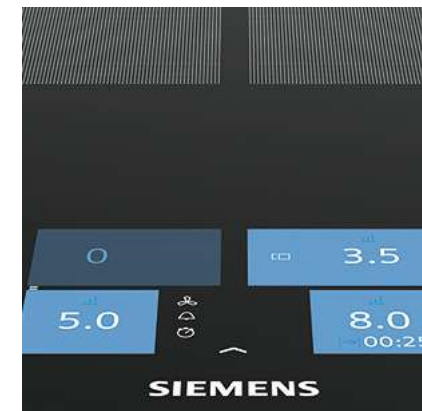
Some of the features displayed can be accessed only if the device is connected to a Home Connect Account and a SingleKey ID account via the Internet. Home Connect is a service of Home Connect GmbH. For more information on Home Connect, visit [www.home-connect.com/gb/en](http://www.home-connect.com/gb/en)



# flexInduction and induction hobs



Model shown:  
EX975KXW1E flexInduction hob



### Induction cooking

Induction cooking is recognised as being one of the quickest, safest and most efficient methods of cooking available.

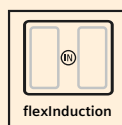
When a pan with a ferrous or magnetic metal base is placed on the hob, the coil situated below the ceramic surface uses an electromagnetic field to create heat, almost instantly heating the pan. With only the base of the pan heated the cooking zone stays cooler.

Easier to clean and safer to use, because the ceramic cooking surface is warmed only by the heat transferred back from the cookware and its contents, spillages are less likely to burn on, and there is normally no need to wait for the glass to cool down before simply wiping it over with a cloth, there is some residual heat from the cooking process but there is a reduced risk of burning on high temperatures from the hob surface. And if the induction hob is turned on without a pot or pan being placed on it, the hob itself will not heat up which reduces the risk of getting burnt.

### Black glass finish

Our stunning induction hobs feature a black glass finish and bold displays. Our stylish collection mimicks the aesthetics of our built-in ovens and microwaves so our kitchen appliances can truly complement one another.

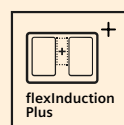
## flexInduction, no-compromise cooking at its best.



Siemens flexInduction hobs are a must for diverse cooking. The cooking area can be tailored to individual needs, so it can either be used as a traditional induction hob with separate zones, or by linking the zones together for larger cooking pans. The extended cooking surface can accommodate multiple pans of any size, placed anywhere on the surface at the same time. flexInduction also includes boost settings, automatic pan recognition and touchSlider controls.



Each flexInduction zone houses four innovative elongated inductors beneath the glass, which act independently to detect the presence of cookware on the hob. The individual inductors only work when cookware is detected, whether that is a 10cm milk pan placed in one corner, or a large griddle plate covering the whole zone. With only specific areas active at any particular time, no energy is wasted. And for an even more versatile cooking, the newly designed triple flexInduction hob provides the ultimate in flexible cooking with three flexInduction zones. flexInduction is no-compromise cooking at its best.



With flexInduction Plus, the cooking zones automatically adapt to the sizes of pots and pans of up to 30cm in diameter. If one cooking zone is not sufficient, additional inductors are automatically activated to ensure the heat is evenly applied at all times. flexInduction Plus offers additional flex zones for even larger pans. In 90cm variants an additional flex zone is possible with additional inductors below the hob surface situated in the centre of the hob. For 80cm flexInduction Plus hobs, the left and right zones can be extended further to allow for a larger cooking space. For 60cm flexInduction Plus hobs, no matter which side of the pan goes over, a central zone is automatically added.



Model shown:  
EX875KYW1E  
flexInduction hob



# Gas hobs key features

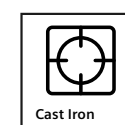
## High performance, high speed.

Tradition meets innovation – with their modern functions, Siemens gas hobs provide enjoyment in cooking like a pro. Our top-of-the-range models feature beautiful and durable black ceramic glass hob bases, with cast iron pan supports for a contemporary look. They are designed to coordinate with other appliances in the iQ700 range, and can be combined seamlessly with iQ700 domino and electric hobs. Low profile, single piece burners on the glass complete the sleek appearance.



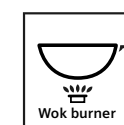
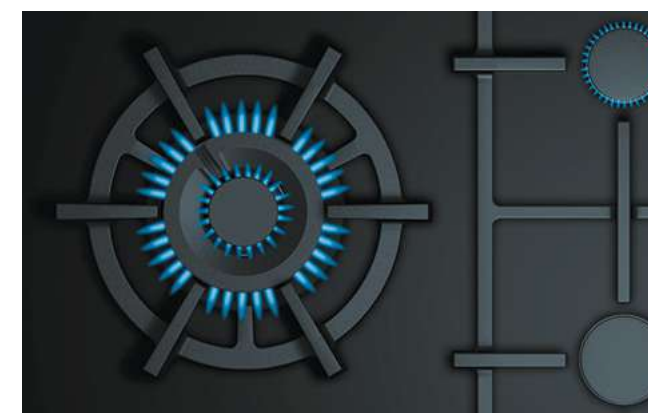
### stepFlame technology

Introducing the ground-breaking innovation in gas hobs: stepFlame. Offering 9 precise power levels to provide the same level of control than with an electric hob, but with gas - removing all guesswork. Whatever the level selected, the exact heat and the flame size needed is provided to achieve the precise results. It is just as easy to operate as it sounds, so conjuring up delicious meals is now easier than ever.



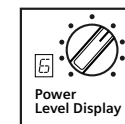
### Cast Iron

Cast iron pan supports are designed to withstand even the heaviest of pots and pans and provide a sleek finish to each hob. All can be removed for easier cleaning and iQ700 models have dishwasher safe pan supports.



### Wok burner

Siemens gas hobs feature wok burners that deliver 3.3kW, 4.0kW, 4.2kW, 5.0kW or 6.0kW of power depending on the model, meeting the increasing demand for high speed cooking. But it is not just about power; they can be turned down to just 0.3kW – perfect for simmering. For the ultimate in flexibility, our 6.0kW and 5.0kW burners are dual control – the inner and outer flame rings can be adjusted independently via a single control.



### Power Level Display with residual heat indicator

Together with the new stepFlame technology, selected gas hobs feature an LED display which clearly shows the selected power level at a glance. For added safety, the LED display also shows whether there is any residual heat from the hob indicated by a capital 'H' for hot and a lower case 'h' for warm.



### Dishwasher proof

All gas on ceramic glass models feature pan supports that are treated with a special coating which resists discolouration and the damaging effects of a dishwasher.



# Hob accessories

For additional cooking flexibility Siemens provide a range of accessories for our flexInduction, gas and domino hobs.

## flexInduction hob Accessories

### Pan sets

This new range of induction pans are designed to work perfectly with induction and flexInduction hobs. The rectangular shape fits perfectly to the induction zones and the pans are all oven-proof up to 220°C with a non-stick coating so that food cooks perfectly while also being easy to clean. They are also easy to stack to maximise storage space.



4-piece set  
HZ9FF040  
(Consists of 1 x Flex Pan large, 1 x Flex Pan medium and 2 x Flex Pan small with lids)

3-piece set  
HZ9FF030  
(Consists of 1 x Flex Pan large, 1 x Flex Pan medium and 1 x Flex Pan small with lid)



Model shown:  
EX875KYW1E flexInduction hob  
with new HZ390011 flexInduction  
4-piece pan set



**Griddle pan**  
Converts our induction cooktop into a grill, specially designed for use across four flexInductors. The griddle pan maintains an even heat, perfect for frying steak or for roasting meat, fish and vegetables.



Griddle pan  
HZ390522



**Teppan Yaki**  
Heating extremely quickly the Teppan Yaki is great for fast Japanese cooking. Perfect for a cooked breakfast or a healthy stir-fry, the pan will fit across either three or four flexInductors.



34x20cm  
HZ9TY010



40x20cm  
HZ390512



**Roasting dish**  
Perfect for use with flexInduction hobs this multipurpose dish is a must when cooking for a crowd.



Roasting dish  
HZ390011

## Gas Accessories



Wok ring  
17003262

**Wok ring**  
Cooking oriental meals in a wok, requires a high temperature. This wok ring helps to regulate heat and concentrate the open flame to one area.

Cross support  
00184200



**Cross support**  
Perfect for supporting smaller pots and pans on the hob. Whether using an espresso pot, or small saucepan, the cross support provides maximum stability.



Models shown above:  
ER3A6AB70 wok domino hob,  
ET475FYB1E Teppan Yaki domino hob  
and EX375FXB1E flexInduction domino hob

## Domino Hob Accessories



CookingSensor Plus Wireless  
temperature sensor  
HZ39050



Cast iron non-stick  
frying pan  
HZ9FE280









Six piece pan set  
HZ9SE060

OPTIONAL ACCESSORIES FOR DOMINO HOB	
CookingSensor Plus Wireless temperature sensor for cookingSensor Plus ready models	HZ39050
Connecting strip for use with side trim hobs	HZ394301
Flex Pan Set 4 pcs. Perfect universal pans for the FlexZone.	HZ9FF040
Consists of 1 x Flex Pan large, 1 x Flex Pan medium and 2 x Flex Pan small with lids	
Flex Pan Set 3 pcs. Perfect universal pans for the FlexZone.	HZ9FF030
Consists of 1 x Flex Pan large, 1 x Flex Pan medium and 1 x Flex Pan small with lid	
Flex Pan large approx. 35 x 22cm. Perfect universal pan for the FlexZone	HZ9FF010
Teppan Yaki approx. 34 x 20cm. Perfect for the FlexZone	HZ9TY010
Four piece pan set, suited for induction, radiant ceramic and gas.	HZ9SE040
Consists of 1 x sauté pan, 2 x pots with lids and 1 x milk pan	
Six piece pan set, suited for induction, radiant ceramic and gas.	HZ9SE060
Consists of 2 x sauté pan, 3 x pots with lids and 1 x milk pan	
Cast iron non-stick frying pan, suited for induction, base diameter 185mm	HZ9FE280
BergHOFF three piece induction pan set	HZ9SE030
Griddle plate, approx. 40x20 cm for use with flexInduction	HZ390522
Teppan Yaki, approx. 40x20 cm for use with flexInduction	HZ390512
Oval roasting dish with lid for use with induction hobs	HZ390011

For more details on the range of accessories available please visit [siemens-home.bsh-group.com/ie/shop](http://siemens-home.bsh-group.com/ie/shop)

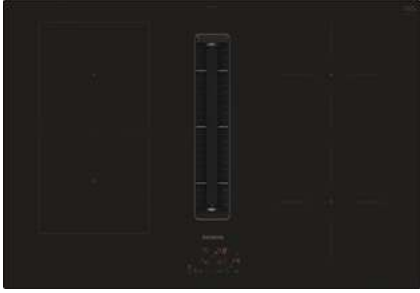







# inductionAir Plus hobs product overview

Display type	inductionAir Plus hob	
	802mm	710mm
touchSlider	 <p><b>ED851HQ26E</b> </p> <p><b>iQ500</b> <b>U-Level</b></p> <ul style="list-style-type: none"> <li>• 4 individual zones</li> <li>• 17 hob power levels</li> <li>• 9 + 2 Intensive hood power levels</li> <li>• powerBoost</li> <li>• fryingSensor Plus (11 levels)</li> <li>• Auto-On automatic extraction</li> <li>• 2 combiZones (left &amp; right)</li> <li>• favourite button</li> </ul> 	 <p><b>ED711HQ26E</b> </p> <p><b>iQ500</b> <b>Frameless</b></p> <ul style="list-style-type: none"> <li>• 4 individual zones</li> <li>• 17 hob power levels</li> <li>• 9 + 2 Intensive hood power levels</li> <li>• powerBoost</li> <li>• fryingSensor Plus (11 levels)</li> <li>• Auto-On automatic extraction</li> <li>• 2 combiZones (left &amp; right)</li> <li>• favourite button</li> </ul> 
touchControl		



**2 year warranty**  
A two year warranty is available on all Siemens hobs listed in this brochure to protect against manufacturing and material faults during this warranty period.

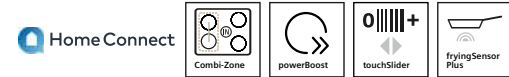
inductionAir Plus hob	inductionAir Plus hob
802mm	592mm
 <p><b>ED811BS16E</b> </p> <p><b>iQ300</b> <b>Frameless</b></p> <ul style="list-style-type: none"> <li>• 4 individual zones</li> <li>• 17 hob power levels</li> <li>• 3 + 1 Intensive hood power levels</li> <li>• powerBoost</li> <li>• Auto-On automatic extraction</li> <li>• 1 combiZone</li> </ul> 	 <p><b>ED611BS16E</b> </p> <p><b>iQ300</b> <b>Frameless</b></p> <ul style="list-style-type: none"> <li>• 4 individual zones</li> <li>• 17 hob power levels</li> <li>• 3 + 1 Intensive hood power levels</li> <li>• powerBoost</li> <li>• Auto-On automatic extraction</li> <li>• 1 combiZone</li> </ul> 

# inductionAir Plus hobs

## iQ500 ED851HQ26E

inductionAir Plus hob  
Black glass

80cm



### inductionAir Plus hob specifications

APPLIANCE TYPE	INDUCTIONAIR PLUS HOB	
Design family	iQ500	
Model number	ED851HQ26E	
<b>DESIGN</b>		
Width (mm)	802	
Control position / Control type	Front / touchSlider	
Style	U-bevel	
<b>KEY FEATURES</b>		
Home Connect	■	
Integrated extractor	■	
cookingSensor Plus ready <sup>1</sup>	-	
fryingSensor Plus settings for hob	11 levels	
Favourite Button	■	
Automatic extraction	Auto-on	
Number of flexInduction zones	-	
Number of combiZones	2: Left & Right	
<b>HOB FEATURES</b>		
Number of individual zones / Power levels	4 / 17	
powerBoost / powerMove Plus	■ / -	
panBoost	via HC/Favourite Button a. sw upd.	
Adaptable volume / Energy consumption display	■ / -	
Keep warm function	via HC/Favourite Button a. sw upd.	
quickStart / Quick stop (Quick switch-off)	■ / -	
flexMotion / reStart	- / ■	
Demo mode	-	
Dish categories/setting recommendations	via HC app a. sw upd.	
Wipe protection function (Control panel pause)	-	
<b>SAFETY FEATURES</b>		
Residual heat indicator / Pan recognition	■ / ■	
Childproof lock / Favourite button	■ / ■	
Countdown timer / Count up timer	■ / -	
Safety time switch off / Main on/off switch	■ / ■	
<b>HOOD FEATURES</b>		
climateControl sensor / Metal grease filter	- / ■	
Power levels	9 + 2 Intensive	
Automatic intensive revert setting	6 minutes	
Automatic or manual control	■	
Automatic after running: Extraction / Recirculation	12 / 30 minutes	
Interval operation	■	
Dishwasher safe grease filter cassette with spillage collection	Yes - 200ml capacity	
Dishwasher safe spillage overflow collector	700ml capacity	
Electronic grease filter/cleanAir filter saturation indicators	- / -	
<b>PERFORMANCE / TECHNICAL INFORMATION – HOB</b>		
Maximum power output (W)	7,400	
Nominal voltage (V)	220-240	
Electrical cable length (cm)	110	
Rear left zone - power (kW) / dimensions (mm)	2.50	190 x 210
Rear right zone - power (kW) / dimensions (mm)	2.50	190 x 210
Front left zone - power (kW) / dimensions (mm)	2.50	190 x 210
Front right zone - power (kW) / dimensions (mm)	2.50	190 x 210
flexInduction zone left - power (kW) / dimensions (mm)	-	-
flexInduction zone right - power (kW) / dimensions (mm)	-	-
combiZone left - power (kW) / dimensions (mm)	3.60	380 x 210
combiZone right - power (kW) / dimensions (mm)	3.60	380 x 210
Rear left zone / Rear right zone - with powerBoost (max. kW)	3.70 / 3.70	
Front left zone / Front right zone - with powerBoost (max. kW)	3.70 / 3.70	
<b>PERFORMANCE / TECHNICAL INFORMATION – EXTRACTOR</b>		
Extractor energy efficiency rating	B	
Extraction rate in m <sup>3</sup> /h <sup>1),2)</sup>		
- ducted / recirculating power level minimum	154 / 117	
- ducted / recirculating power level maximum	500 / 487	
- ducted / recirculating power level intensive	622 / 595	
Noise level (sound power) based on dB[A] re 1pW <sup>3),4)</sup>		
- ducted / recirculating power level minimum	42 / 41	
- ducted / recirculating power level maximum	69 / 68	
- ducted / recirculating power level intensive	74 / 72	
Motor power (W)	170	

■ Yes, model has this feature. - Feature not available for this model.  
All models comply with COMMISSION (EC) No. 1275/2008 with regard to ecodesign requirements for standby and off mode electric power consumption.  
<sup>1</sup> Max 3 sensors at any time; one WSP provided. <sup>2</sup> Air flow and noise declarations made in line with CECEC Code Of Conduct. <sup>3</sup> Sound power measured according to EN60704-3 on largest pipe diameter.  
Data valid in this table as of April 2024. Subject to modification without prior notice.



### inductionAir Plus hob specifications

APPLIANCE TYPE	INDUCTIONAIR PLUS HOB					
Design family	iQ500		iQ300		iQ300	
Model number	ED711HQ26E		ED811BS16E		ED611BS16E	
<b>DESIGN</b>						
Width (mm)	710		802		592	
Control position / Control type	Front / touchSlider		Front / touchControl		Front / touchControl	
Style	Frameless		Frameless		Frameless	
<b>KEY FEATURES</b>						
Home Connect	■		-		-	
Integrated extractor	■		■		■	
cookingSensor Plus ready <sup>1</sup>	-		-		-	
fryingSensor Plus settings for hob	11 levels		-		-	
Favourite Button	■		-		-	
Automatic extraction	Auto-on		Auto-On		Auto-On	
Number of flexInduction zones	-		-		-	
Number of combiZones	2: Left & Right		1		1	
<b>HOB FEATURES</b>						
Number of individual zones / Power levels	4 / 17		4 / 17		4 / 17	
powerBoost / powerMove Plus	■ / -		■ / -		■ / -	
panBoost	via HC/Favourite Button a. sw upd.		-		-	
Adaptable volume / Energy consumption display	■ / -		- / -		- / -	
Keep warm function	via HC/Favourite Button a. sw upd.		-		-	
quickStart / Quick stop (Quick switch-off)	■ / -		■ / ■		■ / ■	
flexMotion / reStart	- / ■		- / ■		- / ■	
Demo mode	-		-		-	
Dish categories/setting recommendations	via HC app a. sw upd.		-		-	
Wipe protection function (Control panel pause)	-		-		-	
<b>SAFETY FEATURES</b>						
Residual heat indicator / Pan recognition	■ / ■		■ / ■		■ / ■	
Childproof lock / Favourite button	■ / ■		■ / -		■ / -	
Countdown timer / Count up timer	■ / -		■ / -		■ / -	
Safety time switch off / Main on/off switch	■ / ■		■ / ■		■ / ■	
<b>HOOD FEATURES</b>						
climateControl sensor / Metal grease filter	- / ■		- / ■		- / ■	
Power levels	9 + 2 intensive		3 + 1 intensive		3 + 1 intensive	
Automatic intensive revert setting	6 minutes		6 minutes		6 minutes	
Automatic or manual control	■		■		■	
Automatic after running: Extraction / Recirculation	12 / 30 minutes		12 / 30 minutes		12 / 30 minutes	
Interval operation	■		■		■	
Dishwasher safe grease filter cassette with spillage collection	Yes - 200ml capacity		Yes - 200ml capacity		Yes - 200ml capacity	
Dishwasher safe spillage overflow collector	700ml capacity		700ml capacity		700ml capacity	
Electronic grease filter/cleanAir filter saturation indicators	- / -		- / -		- / -	
<b>PERFORMANCE / TECHNICAL INFORMATION – HOB</b>						
Maximum power output (W)	7,400		7,400		7,400	
Nominal voltage (V)	220-240		220-240		220-240	
Electrical cable length (cm)	110		110		110	
Rear left zone - power (kW) / dimensions (mm)	2.50	190 x 210	2.20	190 x 210	2.20	190 x 210
Rear right zone - power (kW) / dimensions (mm)	2.50	190 x 210	1.80	180	1.40	145
Front left zone - power (kW) / dimensions (mm)	2.50	190 x 210	2.20	190 x 210	2.20	190 x 210
Front right zone - power (kW) / dimensions (mm)	2.50	190 x 210	2.20	210	2.20	210
flexInduction zone left - power (kW) / dimensions (mm)	-	-	-	-	-	-
flexInduction zone right - power (kW) / dimensions (mm)	-	-	-	-	-	-
combiZone left - power (kW) / dimensions (mm)	3.60	380 x 210	3.60	380 x 210	3.60	380 x 210
combiZone right - power (kW) / dimensions (mm)	3.60	380 x 210	-	-	-	-
Rear left zone / Rear right zone - with powerBoost (max. kW)	3.70 / 3.70		3.70 / 3.10		3.70 / 3.20	
Front left zone / Front right zone - with powerBoost (max. kW)	3.70 / 3.70		3.70 / 3.70		3.70 / 3.70	
<b>PERFORMANCE / TECHNICAL INFORMATION – EXTRACTOR</b>						
Extractor energy efficiency rating	B		B		B	
Extraction rate in m <sup>3</sup> /h <sup>1),2)</sup>						
- ducted / recirculating power level minimum	154 / 117		330 / 252		330 / 252	
- ducted / recirculating power level maximum	500 / 487		500 / 441		500 / 441	
- ducted / recirculating power level intensive	622 / 595		622 / 595		622 / 595	
Noise level (sound power) based on dB[A] re 1pW <sup>3),4)</sup>						
- ducted / recirculating power level minimum	42 / 41		61 / 55		61 / 55	
- ducted / recirculating power level maximum	69 / 68		69 / 66		69 / 66	
- ducted / recirculating power level intensive	74 / 72		74 / 72		74 / 72	
Motor power (W)	170		170		170	

■ Yes, model has this feature. - Feature not available for this model.  
All models comply with COMMISSION (EC) No. 1275/2008 with regard to ecodesign requirements for standby and off mode electric power consumption.  
<sup>1</sup> Max 3 sensors at any time; one WSP provided. <sup>2</sup> Air flow and noise declarations made in line with CECEC Code Of Conduct. <sup>3</sup> Sound power measured according to EN60704-3 on largest pipe diameter.  
Data valid in this table as of April 2024. Subject to modification without prior notice.



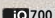


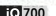


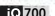




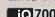








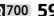
# flexInduction hob product overview










**2 year warranty**  
A two year warranty is available on all Siemens hobs listed in this brochure to protect against manufacturing and material faults during this warranty period.



Display type	flexInduction hob	flexInduction hob	flexInduction hob
	912mm	812mm	602mm
TFT Touchdisplay	 <p><b>EX975KXW1E*</b>    <b>Stainless Steel side trim</b></p> <ul style="list-style-type: none"> <li>• 5 individual zones</li> <li>• 17 power levels</li> <li>• cookConnect</li> <li>• cookingSensor Plus ready</li> <li>• fryingSensor Plus (5 levels)</li> <li>• powerBoost</li> <li>• powerMove Plus (3 steps)</li> <li>• flexMotion</li> <li>• 3 flexInduction zones</li> </ul> <p>*Seamless installation with LD98WMM60B with kit</p>		
TFT Control		 <p><b>EX875KYW1E</b>    <b>Stainless Steel side trim</b></p> <ul style="list-style-type: none"> <li>• 4 individual zones</li> <li>• 17 power levels</li> <li>• cookConnect</li> <li>• cookingSensor Plus ready</li> <li>• fryingSensor Plus (5 levels)</li> <li>• powerBoost</li> <li>• powerMove Plus (3 steps)</li> <li>• flexMotion</li> <li>• 2 flexInduction zones</li> <li>• 2 extended flexInduction zones</li> </ul>	 <p><b>EX675JYW1E</b>    <b>Stainless Steel side trim</b></p> <ul style="list-style-type: none"> <li>• 4 individual zones</li> <li>• 17 power levels</li> <li>• cookConnect</li> <li>• cookingSensor Plus ready</li> <li>• fryingSensor Plus (5 levels)</li> <li>• powerBoost</li> <li>• powerMove Plus (3 steps)</li> <li>• flexMotion</li> <li>• 2 flexInduction zones</li> <li>• 2 extended flexInduction zones</li> </ul>
Dual lightSlider			
touchSlider			


flexInduction hob	flexInduction hob	flexInduction hob	flexInduction hob
912mm	912mm	802mm	592mm
 <p><b>EX975LVV1E*</b>    <b>Stainless Steel trim, front bevel</b></p> <ul style="list-style-type: none"> <li>• 5 individual zones</li> <li>• 17 power levels</li> <li>• cookConnect</li> <li>• fryingSensor Plus (5 levels)</li> <li>• powerBoost</li> <li>• powerMove Plus (3 steps)</li> <li>• 2 flexInduction zones and 3 triple ring zones</li> </ul> <p>*Seamless installation with LD98WMM60B with kit *Domino compatible</p>			
	 <p><b>EX275HXC1E</b>    <b>912mm</b>  <b>Stainless Steel trim, front bevel</b></p> <ul style="list-style-type: none"> <li>• 4 individual zones</li> <li>• 17 power levels</li> <li>• cookConnect</li> <li>• fryingSensor Plus (11 levels)</li> <li>• powerBoost</li> <li>• flexMotion</li> <li>• Favourite button</li> </ul>	 <p><b>EX851HVC1E</b>    <b>802mm</b>  <b>U-Bevel</b></p> <ul style="list-style-type: none"> <li>• 5 individual zones</li> <li>• 17 power levels</li> <li>• cookConnect</li> <li>• fryingSensor Plus (11 levels)</li> <li>• powerBoost</li> <li>• flexMotion</li> <li>• 1 flexInduction zone</li> <li>• Favourite button</li> </ul>	 <p><b>EX651HEC1E</b>    <b>592mm</b>  <b>U-Bevel</b></p> <ul style="list-style-type: none"> <li>• 4 individual zones</li> <li>• 17 power levels</li> <li>• cookConnect</li> <li>• fryingSensor Plus (11 levels)</li> <li>• powerBoost</li> <li>• flexMotion</li> <li>• 1 flexInduction zone</li> <li>• Favourite button</li> </ul>

# Induction hob product overview

Width	Induction hob	Induction hob	Induction hob
	touchSlider	touchSlider	touchSlider
<b>802mm width</b>	 <p><b>ED851HVB1E</b> iQ500 <b>U-Bevel</b></p> <ul style="list-style-type: none"> <li>• 1 combiZone</li> <li>• 5 individual zones</li> <li>• 17 power levels</li> <li>• cookConnect</li> <li>• powerBoost</li> <li>• Favourite button</li> <li>• Intelligent hood automatic</li> </ul>	 <p><b>EH831HVB1E</b> iQ100 <b>Front bevel</b></p> <ul style="list-style-type: none"> <li>• 5 individual zones</li> <li>• 17 power levels</li> <li>• cookConnect</li> <li>• powerBoost</li> <li>• Favourite button</li> <li>• Intelligent hood automatic</li> </ul>	
<b>792mm width</b>	 <p><b>EH801HVB1E</b> iQ100 <b>Flush fit</b></p> <ul style="list-style-type: none"> <li>• 5 individual zones</li> <li>• 17 power levels</li> <li>• cookConnect</li> <li>• powerBoost</li> <li>• Favourite button</li> <li>• Intelligent hood automatic</li> </ul>		
<b>592mm width</b>	 <p><b>ED651HSB1E</b> iQ500 <b>U-Bevel</b></p> <ul style="list-style-type: none"> <li>• 1 combiZone</li> <li>• 4 individual zones</li> <li>• 17 power levels</li> <li>• cookConnect</li> <li>• powerBoost</li> <li>• Favourite button</li> <li>• Intelligent hood automatic</li> </ul>	 <p><b>EH631HEB1E</b> iQ500 <b>Front bevel</b></p> <ul style="list-style-type: none"> <li>• 4 individual zones</li> <li>• 17 power levels</li> <li>• cookConnect</li> <li>• powerBoost</li> <li>• Favourite button</li> <li>• Intelligent hood automatic</li> </ul>	 <p><b>EU611BEB5E</b> iQ500 <b>Frameless</b></p> <ul style="list-style-type: none"> <li>• 4 individual zones</li> <li>• 17 power levels</li> <li>• powerBoost</li> </ul>
<b>572mm width</b>	 <p><b>EH601HEB1E</b> iQ100 <b>Flush fit</b></p> <ul style="list-style-type: none"> <li>• 4 individual zones</li> <li>• 17 power levels</li> <li>• cookConnect</li> <li>• powerBoost</li> <li>• Favourite button</li> <li>• Intelligent hood automatic</li> </ul>		



**2 year warranty**  
A two year warranty is available on all Siemens hobs listed in this brochure to protect against manufacturing and material faults during this warranty period.

Induction hob	Induction hob	Domino induction hob
touchSlider	touchSlider	touchSlider
		 <p><b>EX375FXB1E</b> iQ700 <b>Stainless steel side trim with front bevel, ceramic glass</b></p> <ul style="list-style-type: none"> <li>• 2 individual zones</li> <li>• 17 power levels</li> <li>• powerBoost</li> </ul>
 <p><b>EU611BEB5B</b> iQ100 <b>Frameless</b></p> <ul style="list-style-type: none"> <li>• 4 individual zones</li> <li>• 17 power levels</li> <li>• powerBoost</li> <li>• "Plug&amp;Play" with GB Plug</li> </ul>	 <p><b>EU61RAGA5B</b> iQ100 <b>Frameless</b></p> <ul style="list-style-type: none"> <li>• 4 individual zones</li> <li>• 9 power levels</li> <li>• powerBoost (rear left only)</li> <li>• "Plug&amp;Play" with GB Plug</li> </ul>	

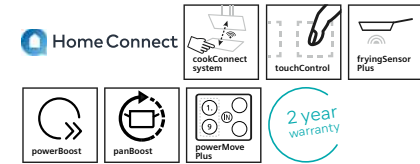
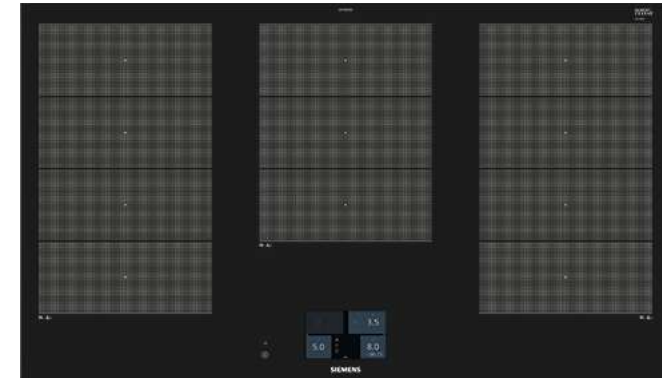


# flexInduction hobs

## iQ 700 EX975KXW1E

flexInduction hob  
Black glass

90cm



### flexInduction hob specifications

APPLIANCE TYPE	FLEXINDUCTION HOB	
Design family	iQ 700	
Model number	EX975KXW1E	
<b>DESIGN</b>		
Width (mm)	912	
Control position / Control type	Front / TFT touchDisplay	
Style	Stainless steel side trim	
Domino compatible	-	
<b>KEY FEATURES</b>		
Home Connect	■	
cookConnect	■	
cookingSensor Plus ready <sup>1</sup>	HZ39050 required	
fryingSensor Plus settings for hob	5 levels	
Intelligent hood automatic	-	
Favourite button	-	
Number of freeInduction zones	-	
Extended flexInduction zone <sup>2</sup>	-	
Number of flexInduction zones	3	
Number of combiZones	-	
activeLight	-	
<b>HOB FEATURES</b>		
Number of individual zones / Power levels	5 / 17	
powerBoost / powerMove Plus	■ / 3 steps	
panBoost	■	
Adaptable volume / Energy consumption display	- / ■	
Keep warm function	■	
quickStart / Quick stop (Quick switch-off)	■ / -	
flexMotion	■	
reStart	■	
Demo mode	■	
Dish categories/setting recommendations	■	
Wipe protection function (Control panel pause)	■	
"Plug&Play" with GB plug	-	
<b>SAFETY FEATURES</b>		
Residual heat indicator / Pan recognition	■ / ■	
Childproof lock / Safety time switch off	■ / ■	
Pause function	-	
Countdown timer (Timer with automatic switch off for each zone)	■	
Count up timer	■	
Main on/off switch	■	
<b>PERFORMANCE / TECHNICAL INFORMATION</b>		
Maximum power output (W)	11,100	
Nominal voltage (V)	220-240	
Electrical cable length (cm)	110	
freeInduction zone - power (kW) / dimensions (mm)	-	
Rear left flexInduction zone - power (kW) / dimensions (mm)	2.20 200 x 240	
Rear left zone - power (kW) / diameter (mm)	-	
Rear right flexInduction zone - power (kW) / dimensions (mm)	2.20 200 x 240	
Rear right zone - power (kW) / diameter (mm)	-	
Rear centre zone - power (kW) / diameter (mm)	2.60 300 x 240	
Front centre zone - power (kW) / diameter (mm)	-	
Front left flexInduction zone - power (kW) / dimensions (mm)	2.20 200 x 240	
Front left zone - power (kW) / diameter (mm)	-	
Front right flexInduction zone - power (kW) / dimensions (mm)	2.20 200 x 240	
Front right zone - power (kW) / diameter (mm)	-	
flexInduction zone left - power (kW) / dimensions (mm)	3.30 400 x 240	
flexInduction zone right - power (kW) / dimensions (mm)	3.30 400 x 240	
Extended flexInduction rear left - power (kW) / dimensions (mm)	-	
Extended flexInduction rear right - power (kW) / dimensions (mm)	-	
combiZone left - power (kW) / dimensions (mm)	-	
combiZone right - power (kW) / dimensions (mm)	-	
freeInduction zone right - powerBoost (max. kW)	-	
Rear left zone / Rear right zone - with powerBoost (max. kW)	3.70 / 3.70	
Rear centre zone - with powerBoost (max. kW)	3.70	
Front left zone / Front right zone - with powerBoost (max. kW)	3.70 / 3.70	

■ Yes, model has this feature. - Feature not available for this model.  
 All models comply with COMMISSION (EC) No. 1275/2008 with regard to ecodesign requirements for standby and off mode electric power consumption.  
<sup>1</sup>Max 3 sensors at any time. "Ready" identifies products with feature enabled, sensor available as additional purchase. If sensor is supplied, number supplied is detailed.  
<sup>2</sup>On 60cm model, the single centre aux inductor can work only with either the left or right zones.  
 On the 80cm models, there are two aux inductors, one allocated each to the left and right zones. No bridge is possible to use 2 aux zones together.  
**Data valid in this table as of April 2024.** Subject to modification without prior notice.

### flexInduction hob specifications

APPLIANCE TYPE	FLEXINDUCTION HOB		
Design family	iQ 700	iQ 700	iQ 700
Model number	EX875KYW1E	EX675JYW1E	EX975LW1E
<b>DESIGN</b>			
Width (mm)	812	602	912
Control position / Control type	Front / TFT Control	Front / TFT Control	Front / Dual lightSlider
Style	Stainless steel side trim	Stainless steel side trim	Stainless steel side trims with front bevel
Domino compatible	-	-	■
<b>KEY FEATURES</b>			
Home Connect	■	■	■
cookConnect	■	■	■
cookingSensor Plus ready <sup>1</sup>	HZ39050 required	HZ39050 required	-
fryingSensor Plus settings for hob	5 levels	5 levels	5 levels
Intelligent hood automatic	-	-	-
Favourite button	-	-	-
Number of freeInduction zones	-	-	-
Extended flexInduction zone <sup>2</sup>	2	2	-
Number of flexInduction zones	2	2	2+3 triple ring zone
Number of combiZones	-	-	-
activeLight	-	-	-
<b>HOB FEATURES</b>			
Number of individual zones / Power levels	4 / 17	4 / 17	5 / 17
powerBoost / powerMove Plus	■ / 3 steps	■ / 3 steps	■ / 3 steps
panBoost	■	■	■
Adaptable volume / Energy consumption display	- / ■	- / ■	- / ■
Keep warm function	■	■	■
quickStart / Quick stop (Quick switch-off)	■ / -	■ / -	■ / -
flexMotion	■	■	-
reStart	■	■	■
Demo mode	■	■	■
Dish categories/setting recommendations	■	■	■
Wipe protection function (Control panel pause)	■	■	■
"Plug&Play" with GB plug	-	-	-
<b>SAFETY FEATURES</b>			
Residual heat indicator / Pan recognition	■ / ■	■ / ■	■ / ■
Childproof lock / Safety time switch off	■ / ■	■ / ■	■ / ■
Pause function	-	-	-
Countdown timer (Timer with automatic switch off for each zone)	■	■	■
Count up timer	■	■	■
Main on/off switch	■	■	■
<b>PERFORMANCE / TECHNICAL INFORMATION</b>			
Maximum power output (W)	7,400	7,400	11,100
Nominal voltage (V)	220-240	220-240	220-240
Electrical cable length (cm)	110	110	110
freeInduction zone - power (kW) / dimensions (mm)	-	-	-
Rear left flexInduction zone - power (kW) / dimensions (mm)	2.20 200 x 230	2.20 190 x 230	2.20 200 x 230
Rear left zone - power (kW) / diameter (mm)	-	-	-
Rear right flexInduction zone - power (kW) / dimensions (mm)	2.20 200 x 230	2.20 190 x 230	2.20 200 x 230
Rear right zone - power (kW) / diameter (mm)	-	-	-
Rear centre zone - power (kW) / diameter (mm)	-	-	2.2, 2.6, 3.3 210, 260, 320
Front centre zone - power (kW) / diameter (mm)	-	-	-
Front left flexInduction zone - power (kW) / dimensions (mm)	2.20 200 x 230	2.20 190 x 230	2.20 200 x 230
Front left zone - power (kW) / diameter (mm)	-	-	-
Front right flexInduction zone - power (kW) / dimensions (mm)	2.20 200 x 230	2.20 190 x 230	2.20 200 x 230
Front right zone - power (kW) / diameter (mm)	-	-	-
flexInduction zone left - power (kW) / dimensions (mm)	3.30 400 x 230	3.30 380 x 230	3.30 400 x 230
flexInduction zone right - power (kW) / dimensions (mm)	3.30 400 x 230	3.30 380 x 230	3.30 400 x 230
Extended flexInduction rear left - power (kW) / dimensions (mm)	3.30 300 x 300	3.30 300 x 300	-
Extended flexInduction rear right - power (kW) / dimensions (mm)	3.30 300 x 300	3.30 300 x 300	-
combiZone left - power (kW) / dimensions (mm)	-	-	-
combiZone right - power (kW) / dimensions (mm)	-	-	-
freeInduction zone right - powerBoost (max. kW)	-	-	-
Rear left zone / Rear right zone - with powerBoost (max. kW)	3.70 / 3.70	3.70 / 3.70	3.70 / 3.70
Rear centre zone - with powerBoost (max. kW)	-	-	3.7
Front left zone / Front right zone - with powerBoost (max. kW)	3.70 / 3.70	3.70 / 3.70	3.70 / 3.70

■ Yes, model has this feature. - Feature not available for this model.  
 All models comply with COMMISSION (EC) No. 1275/2008 with regard to ecodesign requirements for standby and off mode electric power consumption.  
<sup>1</sup>Max 3 sensors at any time. "Ready" identifies products with feature enabled, sensor available as additional purchase. If sensor is supplied, number supplied is detailed.  
<sup>2</sup>On 60cm model, the single centre aux inductor can work only with either the left or right zones. On the 80cm models, there are two aux inductors, one allocated each to the left and right zones. No bridge is possible to use 2 aux zones together.  
**Data valid in this table as of April 2024.** Subject to modification without prior notice.

flexInduction hob specifications



APPLIANCE TYPE	FLEXINDUCTION HOBS		
Design family	iQ700	iQ700	iQ700
Model number	EX275HC1E	EX851HVC1E	EX651HEC1E
<b>DESIGN</b>			
Width (mm)	912	802	592
Control position / Control type	Front / touchSlider	Front / touchSlider	Front / touchSlider
Style	Stainless steel side trims with front bevel	U-bevel	U-bevel
Domino compatible	-	-	-
<b>KEY FEATURES</b>			
Home Connect	■	■	■
cookConnect	■	■	■
cookingSensor Plus ready <sup>1</sup>	-	-	-
fryingSensor Plus settings for hob	11 levels	11 levels	11 levels
Intelligent hood automatic	-	-	-
Favourite button	■	■	■
Number of freeInduction zones	■	■	■
Extended flexInduction zone <sup>2</sup>	2	-	-
Number of flexInduction zones	-	1	1
Number of combiZones	-	-	-
activeLight	-	-	-
<b>HOB FEATURES</b>			
Number of individual zones / Power levels	4 / 17	5 / 17	4 / 17
powerBoost / powerMove Plus	■ / -	■ / -	■ / -
panBoost	via HC/Favourite Button a. sw upd.	via HC/Favourite Button a. sw upd.	via HC/Favourite Button a. sw upd.
Adaptable volume / Energy consumption display	■	■	■
Energy consumption display	-	-	-
Keep warm function	via HC/Favourite Button a. sw upd.	via HC/Favourite Button a. sw upd.	via HC/Favourite Button a. sw upd.
quickStart / Quick stop (Quick switch-off)	■ / -	■ / -	■ / -
flexMotion	■	■	■
reStart	■	■	■
Demo mode	■	■	■
Dish categories/setting recommendations	Via HC app a. sw upd.	Via HC app a. sw upd.	Via HC app a. sw upd.
Wipe protection function (Control panel pause)	-	-	-
*Plug&Play* with GB plug	-	-	-
<b>SAFETY FEATURES</b>			
Residual heat indicator / Pan recognition	■ / ■	■ / ■	■ / ■
Childproof lock / Safety time switch off	■ / ■	■ / ■	■ / ■
Pause function	■	■	■
Countdown timer (Timer with automatic switch off for each zone)	■	■	■
Count up timer	-	-	-
Main on/off switch	■	■	■
<b>PERFORMANCE / TECHNICAL INFORMATION</b>			
Maximum power output (W)	7,400	7,400	7,400
Nominal voltage (V)	220-240	220-240	220-240
Electrical cable length (cm)	110	110	110
freeInduction zone - power (kW) / dimensions (mm)	-	-	-
Rear left flexInduction zone - power (kW) / dimensions (mm)	2.20	200 x 210	2.20
Rear left zone - power (kW) / diameter (mm)	-	-	-
Rear right flexInduction zone - power (kW) / dimensions (mm)	2.20	200 x 210	2.20
Rear right zone - power (kW) / diameter (mm)	-	-	-
Rear centre zone - power (kW) / diameter (mm)	-	-	-
Front centre zone - power (kW) / diameter (mm)	-	-	-
Front left flexInduction zone - power (kW) / dimensions (mm)	2.20	200 x 210	2.20
Front left zone - power (kW) / diameter (mm)	-	-	-
Front right flexInduction zone - power (kW) / dimensions (mm)	2.20	200 x 210	2.20
Front right zone - power (kW) / diameter (mm)	-	-	-
flexInduction zone left - power (kW) / dimensions (mm)	3.30	400 x 210	3.30
flexInduction zone right - power (kW) / dimensions (mm)	3.30	400 x 210	3.30
Extended flexInduction rear left - power (kW) / dimensions (mm)	-	-	-
Extended flexInduction rear right - power (kW) / dimensions (mm)	-	-	-
combiZone left - power (kW) / dimensions (mm)	-	-	-
combiZone right - power (kW) / dimensions (mm)	-	-	-
freeInduction zone right - powerBoost (max. kW)	-	-	-
Rear left zone / Rear right zone - with powerBoost (max. kW)	3.70 / 3.70	2.20 / 3.70	3.70 / 2.20
Rear centre zone - with powerBoost (max. kW)	-	3.70	-
Front left zone / Front right zone - with powerBoost (max. kW)	3.70 / 3.70	3.10 / 3.70	3.70 / 3.70

■ Yes, model has this feature. - Feature not available for this model.

All models comply with COMMISSION (EC) No. 1275/2008 with regard to ecodesign requirements for standby and off mode electric power consumption.

<sup>1</sup>Max 3 sensors at any time. "Ready" identifies products with feature enabled, sensor available as additional purchase. If sensor is supplied, number supplied is detailed.

<sup>2</sup>On 60cm model, the single centre aux inductor can work only with either the left or right zones. On the 80cm models, there are two aux inductors, one allocated each to the left and right zones. No bridge is possible to use 2 aux zones together.

Data valid in this table as of April 2024. Subject to modification without prior notice.

# Induction hobs

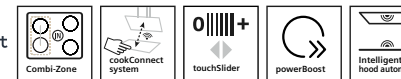
## iQ500 ED851HWB1E

### Induction hob Black glass

80cm



Home Connect



Induction hob specifications

APPLIANCE TYPE	INDUCTION HOB	
Design family	iQ500	
Model number	ED851HWB1E	
<b>DESIGN</b>		
Width (mm)	802	
Control position / Control type	Front / touchSlider	
Style	U-bevel	
Domino compatible	-	
<b>KEY FEATURES</b>		
Home Connect	■	
cookConnect	■	
cookingSensor Plus ready <sup>1</sup>	-	
fryingSensor Plus settings for hob	-	
Intelligent hood automatic	■	
Favourite button	■	
Number of freeInduction zones	-	
Extended flexInduction zone <sup>2</sup>	-	
Number of flexInduction zones	-	
Number of combiZones	1	
activeLight	-	
<b>HOB FEATURES</b>		
Number of individual zones / Power levels	5 / 17	
powerBoost / powerMove Plus	■ / -	
panBoost	via HC/Favourite Button a. sw upd.	
Adaptable volume / Energy consumption display	■	
Energy consumption display	-	
Keep warm function	Via HC/Favourite Button a. sw upd.	
quickStart / Quick stop (Quick switch-off)	■ / -	
flexMotion	-	
reStart	■	
Demo mode	■	
Dish categories/setting recommendations	-	
Wipe protection function (Control panel pause)	-	
*Plug&Play* with GB plug	-	
<b>SAFETY FEATURES</b>		
Residual heat indicator / Pan recognition	■ / ■	
Childproof lock / Safety time switch off	■ / ■	
Pause function	■	
Countdown timer (Timer with automatic switch off for each zone)	■	
Count up timer	-	
Main on/off switch	■	
<b>PERFORMANCE / TECHNICAL INFORMATION</b>		
Maximum power output (W)	7,400	
Nominal voltage (V)	220-240	
Electrical cable length (cm)	110	
freeInduction zone - power (kW) / dimensions (mm)	-	-
Rear left flexInduction zone - power (kW) / dimensions (mm)	-	-
Rear left zone - power (kW) / diameter (mm)	1.60	145
Rear right flexInduction zone - power (kW) / dimensions (mm)	-	-
Rear right zone - power (kW) / diameter (mm)	2.50	190 x 210
Rear centre zone - power (kW) / diameter (mm)	2.50	240
Front centre zone - power (kW) / diameter (mm)	-	-
Front left flexInduction zone - power (kW) / dimensions (mm)	-	-
Front left zone - power (kW) / diameter (mm)	2.00	180
Front right flexInduction zone - power (kW) / dimensions (mm)	-	-
Front right zone - power (kW) / diameter (mm)	2.50	90 x 210
flexInduction zone left - power (kW) / dimensions (mm)	-	-
flexInduction zone right - power (kW) / dimensions (mm)	-	-
Extended flexInduction rear left - power (kW) / dimensions (mm)	-	-
Extended flexInduction rear right - power (kW) / dimensions (mm)	-	-
combiZone left - power (kW) / dimensions (mm)	-	-
combiZone right - power (kW) / dimensions (mm)	3.30	380 x 210
freeInduction zone right - powerBoost (max. kW)	-	-
Rear left zone / Rear right zone - with powerBoost (max. kW)	2.20 / 3.70	3.70
Rear centre zone - with powerBoost (max. kW)	-	3.70
Front left zone / Front right zone - with powerBoost (max. kW)	3.10 / 3.70	3.70

■ Yes, model has this feature. - Feature not available for this model.

All models comply with COMMISSION (EC) No. 1275/2008 with regard to ecodesign requirements for standby and off mode electric power consumption.

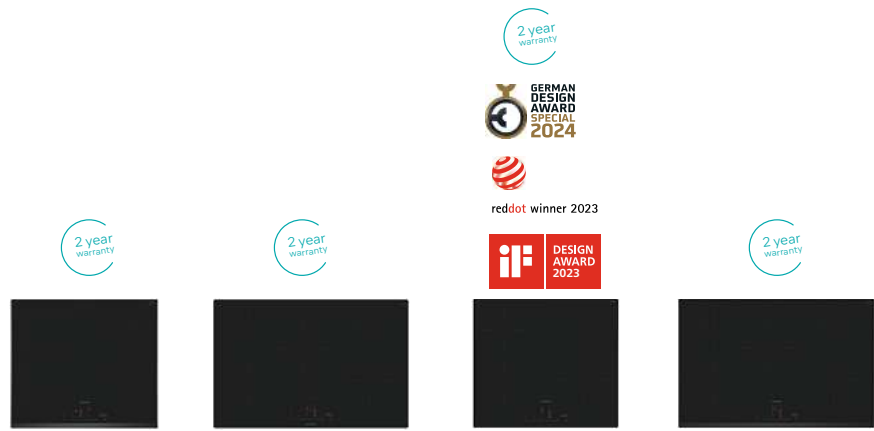
<sup>1</sup>Max 3 sensors at any time. "Ready" identifies products with feature enabled, sensor available as additional purchase. If sensor is supplied, number supplied is detailed.

<sup>2</sup>On 60cm model, the single centre aux inductor can work only with either the left or right zones. On the 80cm models, there are two aux inductors, one allocated each to the left and right zones. No bridge is possible to use 2 aux zones together.

Data valid in this table as of April 2024. Subject to modification without prior notice.



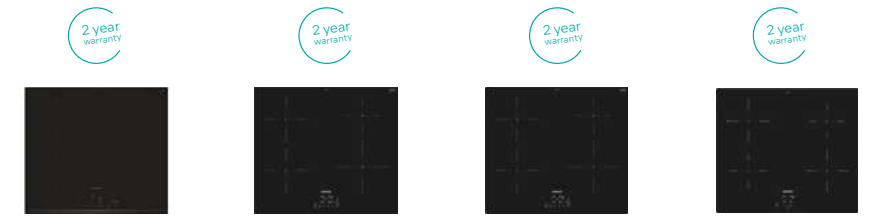
Induction hob specifications



APPLIANCE TYPE	INDUCTION HOBS			
Design family	IQ500	IQ100	IQ100	IQ100
Model number	ED651HSB1E	EH801HVB1E	EH601HEB1E	EH831HVB1E
<b>DESIGN</b>				
Width (mm)	592	792	572	802
Control position / Control type	Front / touchSlider	Front / touchSlider	Front / touchSlider	Front / touchSlider
Style	U-bevel	Flush fit	Flush fit	Front bevel
Domino compatible	-	-	-	-
<b>KEY FEATURES</b>				
Home Connect	■	■	■	■
cookConnect	■	■	■	■
cookingSensor Plus ready <sup>1</sup>	-	-	-	-
fryingSensor Plus settings for hob	-	-	-	-
Intelligent hood automatic	■	■	■	■
Favourite button	■	■	■	■
Number of freeInduction zones	-	-	-	-
Extended flexInduction zone <sup>2</sup>	-	-	-	-
Number of flexInduction zones	-	-	-	-
Number of combiZones	1	-	-	-
activeLight	-	-	-	-
<b>HOB FEATURES</b>				
Number of individual zones / Power levels	4 / 17	5 / 17	4 / 17	5 / 17
powerBoost / powerMove Plus	■ / -	■ / -	■ / -	■ / -
panBoost	via HC/Favourite Button a. sw upd.	via HC/Favourite Button a. sw upd.	via HC/Favourite Button a. sw upd.	via HC/Favourite Button a. sw upd.
Adaptable volume / Energy consumption display	■ / -	■ / -	■ / -	■ / -
Keep warm function	via HC/Favourite Button a. sw upd.	via HC/Favourite Button a. sw upd.	via HC/Favourite Button a. sw upd.	via HC/Favourite Button a. sw upd.
quickStart / Quick stop (Quick switch-off)	■ / -	■ / -	■ / -	■ / -
flexMotion	-	-	-	-
reStart	■	■	■	■
Demo mode	■	■	■	■
Dish categories/setting recommendations	-	-	-	-
Wipe protection function (Control panel pause)	-	-	-	-
*Plug&Play* with GB plug	-	-	-	-
<b>SAFETY FEATURES</b>				
Residual heat indicator / Pan recognition	■ / ■	■ / ■	■ / ■	■ / ■
Childproof lock / Safety time switch off	■ / ■	■ / ■	■ / ■	■ / ■
Pause function	■	■	■	■
Countdown timer (Timer with automatic switch off for each zone)	■	■	■	■
Count up timer	-	-	-	-
Main on/off switch	■	■	■	■
<b>PERFORMANCE / TECHNICAL INFORMATION</b>				
Maximum power output (W)	6,900	7,400	7,400	7,400
Nominal voltage (V)	220-240	220-240	220-240	220-240
Electrical cable length (cm)	110	110	110	110
freeInduction zone - power (kW) / dimensions (mm)	-	-	-	-
Rear left flexInduction zone - power (kW) / dimensions (mm)	-	-	-	-
Rear left zone - power (kW) / diameter (mm)	2.50	190 x 210	1.60	145
Rear right flexInduction zone - power (kW) / dimensions (mm)	-	-	-	-
Rear right zone - power (kW) / diameter (mm)	1.60	145	1.60	145
Rear centre zone - power (kW) / diameter (mm)	-	-	2.50	240
Front centre zone - power (kW) / diameter (mm)	-	-	-	-
Front left flexInduction zone - power (kW) / dimensions (mm)	-	-	-	-
Front left zone - power (kW) / diameter (mm)	2.50	190 x 210	2.00	180
Front right flexInduction zone - power (kW) / dimensions (mm)	-	-	-	-
Front right zone - power (kW) / diameter (mm)	2.00	180	2.50	210
flexInduction zone left - power (kW) / dimensions (mm)	-	-	-	-
flexInduction zone right - power (kW) / dimensions (mm)	-	-	-	-
Extended flexInduction rear left - power (kW) / dimensions (mm)	-	-	-	-
Extended flexInduction rear right - power (kW) / dimensions (mm)	-	-	-	-
combiZone left - power (kW) / dimensions (mm)	3.60	380 x 210	-	-
combiZone right - power (kW) / dimensions (mm)	-	-	-	-
freeInduction zone right - powerBoost (max. kW)	-	-	-	-
Rear left zone / Rear right zone - with powerBoost (max. kW)	3.70 / 2.20	2.20 / 2.20	3.10 / 2.20	2.20 / 2.20
Rear centre zone - with powerBoost (max. kW)	-	3.70	-	3.70
Front left zone / Front right zone - with powerBoost (max. kW)	3.70 / 3.10	3.10 / 3.70	3.10 / 3.70	3.10 / 3.70

■ Yes, model has this feature. - Feature not available for this model.  
 All models comply with COMMISSION (EC) No. 1275/2008 with regard to ecodesign requirements for standby and off mode electric power consumption.  
<sup>1</sup>Max 3 sensors at any time. "Ready" identifies products with feature enabled, sensor available as additional purchase. If sensor is supplied, number supplied is detailed.  
<sup>2</sup>On 60cm model, the single centre aux inductor can work only with either the left or right zones. On the 80cm models, there are two aux inductors, one allocated each to the left and right zones. No bridge is possible to use 2 aux zones together.  
 Data valid in this table as of April 2024. Subject to modification without prior notice.

Induction hob specifications



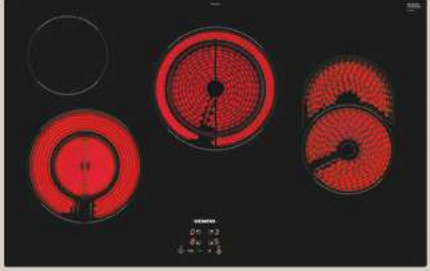
APPLIANCE TYPE	INDUCTION HOBS			
Design family	IQ100	IQ100	IQ100	IQ100
Model number	EH631HEB1E	EU611BEB5E	EU611BEB5B	EU61RAGA5B
<b>DESIGN</b>				
Width (mm)	592	592	592	592
Control position / Control type	Front / touchSlider	Front / touchSlider	Front / touchSlider	Front / touchSlider
Style	Front bevel	Fraemless	Frameless	Frameless
Domino compatible	-	-	-	-
<b>KEY FEATURES</b>				
Home Connect	■	-	-	-
cookConnect	■	-	-	-
cookingSensor Plus ready <sup>1</sup>	-	-	-	-
fryingSensor Plus settings for hob	-	-	-	-
Intelligent hood automatic	■	-	-	-
Favourite button	■	-	-	-
Number of freeInduction zones	-	-	-	-
Extended flexInduction zone <sup>2</sup>	-	-	-	-
Number of flexInduction zones	-	-	-	-
Number of combiZones	-	-	-	-
activeLight	-	-	-	-
<b>HOB FEATURES</b>				
Number of individual zones / Power levels	4 / 17	4 / 17	4 / 17	4 / 9
powerBoost / powerMove Plus	■ / -	■ / -	■ / -	Rear left only / -
panBoost	via HC/Favourite Button a. sw upd.	-	-	-
Adaptable volume / Energy consumption display	■ / -	- / -	- / -	- / -
Keep warm function	via HC/Favourite Button a. sw upd.	-	-	-
quickStart / Quick stop (Quick switch-off)	■ / -	■ / ■	■ / ■	■ / ■
flexMotion	-	-	-	-
reStart	■	■	■	-
Demo mode	■	-	-	-
Dish categories/setting recommendations	-	-	-	-
Wipe protection function (Control panel pause)	-	-	-	-
*Plug&Play* with GB plug	-	-	■	■
<b>SAFETY FEATURES</b>				
Residual heat indicator / Pan recognition	■ / ■	■ / ■	■ / ■	■ / ■
Childproof lock / Safety time switch off	■ / ■	■ / ■	■ / ■	■ / ■
Pause function	■	-	-	-
Countdown timer (Timer with automatic switch off for each zone)	■	■	■	-
Count up timer	-	-	-	-
Main on/off switch	■	■	■	■
<b>PERFORMANCE / TECHNICAL INFORMATION</b>				
Maximum power output (W)	7,400	4,600	3,700	3,700
Nominal voltage (V)	220-240	220-240	220-240	220-240
Electrical cable length (cm)	110	110	110	110
freeInduction zone - power (kW) / dimensions (mm)	-	-	-	-
Rear left flexInduction zone - power (kW) / dimensions (mm)	-	-	-	-
Rear left zone - power (kW) / diameter (mm)	2.00	180	1.80	180
Rear right flexInduction zone - power (kW) / dimensions (mm)	-	-	-	-
Rear right zone - power (kW) / diameter (mm)	1.60	145	1.40	145
Rear centre zone - power (kW) / diameter (mm)	-	-	-	-
Front centre zone - power (kW) / diameter (mm)	-	-	-	-
Front left flexInduction zone - power (kW) / dimensions (mm)	-	-	-	-
Front left zone - power (kW) / diameter (mm)	2.00	180	1.80	180
Front right flexInduction zone - power (kW) / dimensions (mm)	-	-	-	-
Front right zone - power (kW) / diameter (mm)	2.50	210	2.20	210
flexInduction zone left - power (kW) / dimensions (mm)	-	-	-	-
flexInduction zone right - power (kW) / dimensions (mm)	-	-	-	-
Extended flexInduction rear left - power (kW) / dimensions (mm)	-	-	-	-
Extended flexInduction rear right - power (kW) / dimensions (mm)	-	-	-	-
combiZone left - power (kW) / dimensions (mm)	-	-	-	-
combiZone right - power (kW) / dimensions (mm)	-	-	-	-
freeInduction zone right - powerBoost (max. kW)	-	-	-	-
Rear left zone / Rear right zone - with powerBoost (max. kW)	3.10 / 2.20	3.10 / 2.20	3.10 / 2.20	3.10 / -
Rear centre zone - with powerBoost (max. kW)	-	-	-	-
Front left zone / Front right zone - with powerBoost (max. kW)	3.10 / 3.70	3.10 / 3.70	3.10 / 3.70	- / -

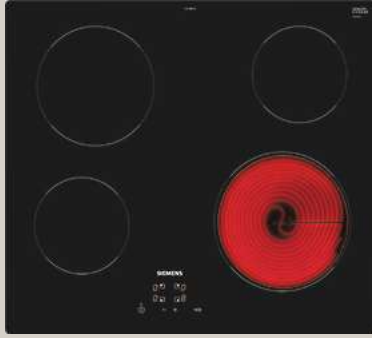
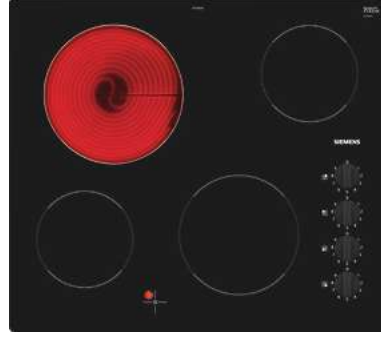
■ Yes, model has this feature. - Feature not available for this model.  
 All models comply with COMMISSION (EC) No. 1275/2008 with regard to ecodesign requirements for standby and off mode electric power consumption.  
<sup>1</sup>Max 3 sensors at any time. "Ready" identifies products with feature enabled, sensor available as additional purchase. If sensor is supplied, number supplied is detailed.  
<sup>2</sup>On 60cm model, the single centre aux inductor can work only with either the left or right zones. On the 80cm models, there are two aux inductors, one allocated each to the left and right zones. No bridge is possible to use 2 aux zones together.  
 Data valid in this table as of April 2024. Subject to modification without prior notice.

# quickLite ceramic hob product overview



**2 year warranty**  
A two year warranty is available on all Siemens hobs listed in this brochure to protect against manufacturing and material faults during this warranty period.

Display type	quickLite ceramic hob
touchControl	<p>802mm</p>  <p><b>ET81RBHA1D</b> ■ IQ300 <b>Frameless</b></p> <ul style="list-style-type: none"> <li>• 4 individual zones</li> <li>• 2 dual zones</li> <li>• 2 extendable zones</li> <li>• 17 power levels</li> <li>• Front control</li> </ul>
Control dials	

quickLite ceramic hob	quickLite ceramic hob
<p>592mm</p>  <p><b>ET61RBEA1E</b> ■ IQ100 <b>Frameless</b></p> <ul style="list-style-type: none"> <li>• 4 individual zones</li> <li>• 17 power levels</li> <li>• Front control</li> </ul>	<p>592mm</p>  <p><b>ET61RCEA1E</b> ■ IQ100 <b>Frameless</b></p> <ul style="list-style-type: none"> <li>• 4 individual zones</li> <li>• 9 power levels</li> <li>• Side control</li> </ul>

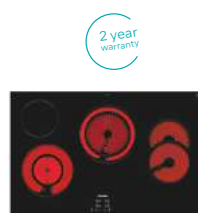
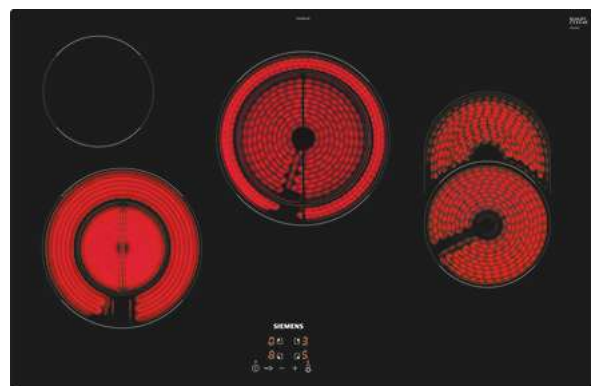


# quickLite ceramic hobs

## iQ 300 ET81RBHA1D

Ceramic hob  
Black glass

80cm



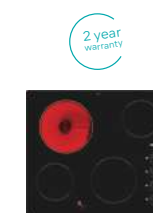
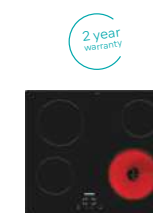
### quickLite ceramic hob specifications

APPLIANCE TYPE		QUICKLITE CERAMIC HOB	
Design family		iQ 300	
Model number		ET81RBHA1D	
DESIGN			
Width (mm)		802	
Control position		Front	
Control type		touchControl	
Style		Frameless	
KEY FEATURES			
Number of individual zones		4	
Number of dual zones		2	
Number of extendable zones		2	
powerBoost		-	
Power levels		17	
Digital display		■	
Quick Stop (Quick switch-off)		■	
Restart function		■	
Energy consumption display		-	
Demo Mode		■	
Keep warm function		-	
"Plug&Play" with GB Plug		-	
Wipe protection function		-	
SAFETY FEATURES			
Residual heat indicator		■	
Childproof lock		■	
Timed safety switch off		■	
Countdown timer		-	
Count up timer		-	
Main on/off switch		■	
PERFORMANCE / TECHNICAL INFORMATION			
Maximum power output (W)		7,400	
Nominal voltage (V)		220-240	
Electrical cable length (cm)		N/A on CMD	
Rear left zone – power (kW) / diameter (mm)		1.20	145
Rear right zone – power (kW) / diameter (mm)		-	-
Rear centre zone – power (kW) / diameter (mm)		1.50	180 (230)
Front left zone – power (kW) / diameter (mm)		0.75	120 (210)
Front right zone – power (kW) / diameter (mm)		1.80	170 (265)
Rear left zone dual-power – power (kW) / diameter (mm)		-	-
Rear right zone dual-power – power (kW) / diameter (mm)		-	-
Rear centre zone dual-power – power (kW) / diameter (mm)		2.40	230
Front left zone dual-power – power (kW) / diameter (mm)		2.20	210
Front right zone dual-power – power (kW) / diameter (mm)		2.60	265
OPTIONAL ACCESSORIES			
Cast iron non-stick frying pan		HZ9FE280	
Set of three pans		HZ9SE030	

■ Yes, model has this feature. – Feature not available for this model.  
All models comply with COMMISSION (EC) No. 1275/2008 with regard to ecodesign requirements for standby and off mode electric power consumption.

Data valid in this table as of April 2024. Subject to modification without prior notice.

### quickLite ceramic hob specifications



APPLIANCE TYPE		iQ 100		iQ 100	
Design family		ET61RBEA1E		ET61RCEA1E	
Model number		ET61RBEA1E		ET61RCEA1E	
DESIGN					
Width (mm)		592		592	
Control position		Front		Side	
Control type		touchControl		Control dials	
Style		Frameless		Frameless	
KEY FEATURES					
Number of individual zones		4		4	
Number of dual zones		-		-	
Number of extendable zones		-		-	
powerBoost		-		-	
Power levels		17		9	
Digital display		■		-	
Quick Stop (Quick switch-off)		■		-	
Restart function		■		-	
Energy consumption display		-		-	
Demo Mode		■		-	
Keep warm function		-		-	
"Plug&Play" with GB Plug		-		-	
Wipe protection function		-		-	
SAFETY FEATURES					
Residual heat indicator		■		■	
Childproof lock		■		-	
Timed safety switch off		-		-	
Countdown timer		-		-	
Count up timer		-		-	
Main on/off switch		■		-	
PERFORMANCE / TECHNICAL INFORMATION					
Maximum power output (W)		6,600		6,600	
Nominal voltage (V)		220-240		220-240	
Electrical cable length (cm)		N/A		N/A	
Rear left zone – power (kW) / diameter (mm)		2.00	180	2.20	210
Rear right zone – power (kW) / diameter (mm)		1.20	145	1.20	145
Rear centre zone – power (kW) / diameter (mm)		-	-	-	-
Front left zone – power (kW) / diameter (mm)		1.20	145	1.20	145
Front right zone – power (kW) / diameter (mm)		2.20	210	2.00	180
Rear left zone dual-power – power (kW) / diameter (mm)		-	-	-	-
Rear right zone dual-power – power (kW) / diameter (mm)		-	-	-	-
Rear centre zone dual-power – power (kW) / diameter (mm)		-	-	-	-
Front left zone dual-power – power (kW) / diameter (mm)		-	-	-	-
Front right zone dual-power – power (kW) / diameter (mm)		-	-	-	-
OPTIONAL ACCESSORIES					
Cast iron non-stick frying pan		HZ9FE280		HZ9FE280	
Set of three pans		HZ9SE030		HZ9SE030	

■ Yes, model has this feature. – Feature not available for this model.  
All models comply with COMMISSION (EC) No. 1275/2008 with regard to ecodesign requirements for standby and off mode electric power consumption.

Data valid in this table as of April 2024. Subject to modification without prior notice.



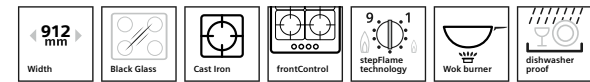
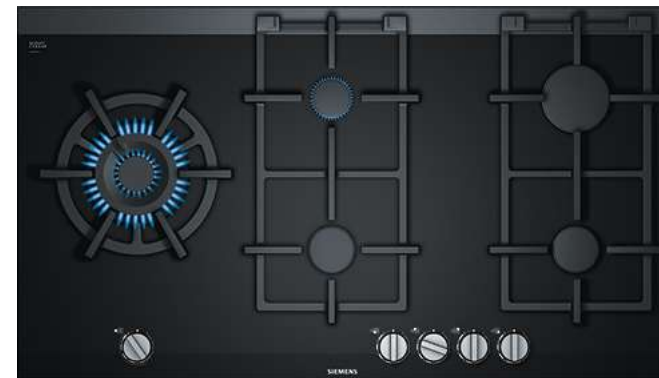


# Gas hobs

## iQ700 ER9A6SB70

Gas hob  
Black ceramic glass

90cm



### Gas hob specifications

APPLIANCE TYPE	GAS HOB
<b>Design family</b>	<b>iQ700</b>
Model number	ER9A6SB70
	Stainless steel
	Black
<b>DESIGN</b>	
Hob surface type	Ceramic glass
Width (mm)	912
Control position	Front
Comfort Profile	■
Can be combined with other models with Comfort Profile	■
Installation flush with work top possible	-
Domino compatible	■
<b>KEY FEATURES</b>	
stepFlame Technology	■
Digital power level display	■
Number of dual circuit wok style burners <sup>1</sup>	1
High power (5.0kW+) wok burner <sup>2</sup>	■
Dual control wok burner <sup>3</sup>	■
<b>FEATURES</b>	
Number of cooking zones	5
Individual power levels	9
Variable power levels	-
Cast iron pan supports (number)	3
Cast iron finish pan supports (number)	-
Dishwasher safe pan supports <sup>4</sup>	■
Low profile single piece burners	■
Two piece burners	-
<b>SAFETY FEATURES</b>	
Ignition via control dials	■
Flame failure safety device	■
<b>PERFORMANCE / TECHNICAL INFORMATION</b>	
Maximum gas power output load (A)	13,800
Nominal voltage (V)	220-240
Total connected electrical load (max. W)	1.1
Cable length (cm)	150
GB plug	-
Left burner power (kW)	6.10
Front left burner power (kW)	-
Rear left burner power (kW)	-
Centre/Centre front burner power (kW)	1.90
Centre back burner power (kW)	1.10
Rear right burner power (kW)	2.80
Front right burner power (kW)	1.90
Right burner power (kW)	-
Pre-set for natural gas	■
CE Marked	■
<b>STANDARD ACCESSORIES</b>	
Wok stand <sup>5</sup>	■
LPG jets	28-30 / 37mbar

■ Yes, model has this feature. - Feature not available for this model.  
All models comply with COMMISSION (EC) No. 1275/2008 with regard to ecodesign requirements for standby and off mode electric power consumption.

<sup>1</sup>Dual circuit means standard outer flame ring plus 2nd inner flame ring.  
<sup>2</sup>High power output for rapid heating – especially valuable for flash and wok frying.  
<sup>3</sup>Dual control means the inner and outer rings of a dual circuit burner can be controlled independently.  
<sup>4</sup>Pan supports can be cleaned in the dishwasher. Supports have special additional coating and hand finishing of enamel.  
<sup>5</sup>For round based pans.

Data valid in this table as of April 2024. Subject to modification without prior notice.



### Gas hob specifications

APPLIANCE TYPE	GAS HOB		
<b>Design family</b>	<b>iQ500</b>	<b>iQ500</b>	<b>iQ500</b>
Model number	EP9A6SB90	EP7A6QB90	EP6A6HB20
	Stainless steel	-	-
	Black	■	■
<b>DESIGN</b>			
Hob surface type	Tempered glass	Tempered glass	Tempered glass
Width (mm)	915	752	590
Control position	Front	Front	Front
Comfort Profile	-	-	-
Can be combined with other models with Comfort Profile	-	-	-
Installation flush with work top possible	■	■	■
Domino compatible	-	-	-
<b>KEY FEATURES</b>			
stepFlame Technology controls	■	■	■
Digital power level display	-	-	-
Number of dual circuit wok style burners <sup>1</sup>	1	1	-
High power (5.0kW+) wok burner <sup>2</sup>	-	-	-
Dual control wok burner <sup>3</sup>	■	■	-
<b>FEATURES</b>			
Number of cooking zones	5	5	4
Individual power levels	9	9	9
Variable power levels	-	-	-
Cast iron pan supports (number)	5	5	4
Cast iron finish pan supports (number)	-	-	-
Dishwasher safe pan supports <sup>4</sup>	-	-	-
Low profile single piece burners	-	-	-
Two piece burners	■	■	■
<b>SAFETY FEATURES</b>			
Ignition via control dials	■	■	■
Flame failure safety device	■	■	■
<b>PERFORMANCE / TECHNICAL INFORMATION</b>			
Maximum gas power output load (A)	11,500	11,500	8,000
Nominal voltage (V)	220-240	220-240	220-240
Total connected electrical load (max. W)	1.1	1.1	1.1
Cable length (cm)	150	100	100
GB plug	-	-	-
Left burner power (kW)	4.00	-	-
Front left burner power (kW)	-	1.00	1.75
Rear left burner power (kW)	-	1.75	1.75
Centre/Centre front burner power (kW)	1.00	4.00	-
Centre back burner power (kW)	1.75	-	-
Rear right burner power (kW)	3.00	3.00	3.50
Front right burner power (kW)	1.75	1.75	1.00
Right burner power (kW)	-	-	-
Pre-set for natural gas	■	■	■
CE Marked	■	■	■
<b>STANDARD ACCESSORIES</b>			
Wok stand <sup>5</sup>	-	-	-
LPG jets	28-30 / 37mbar	28-30 / 37mbar	28-30 / 37mbar

■ Yes, model has this feature. - Feature not available for this model.  
All models comply with COMMISSION (EC) No. 1275/2008 with regard to ecodesign requirements for standby and off mode electric power consumption.

<sup>1</sup>Dual circuit means standard outer flame ring plus 2nd inner flame ring.  
<sup>2</sup>High power output for rapid heating – especially valuable for flash and wok frying.  
<sup>3</sup>Dual control means the inner and outer rings of a dual circuit burner can be controlled independently.  
<sup>4</sup>Pan supports can be cleaned in the dishwasher. Supports have special additional coating and hand finishing of enamel.  
<sup>5</sup>For round based pans.

Data valid in this table as of April 2024. Subject to modification without prior notice.

Gas hob specifications



APPLIANCE TYPE	GAS HOBS		
Design family	iQ500	iQ300	iQ300
Model number	EC7A5RB90	EG7B5QB90	EG6B5PB90
Material	Stainless steel	■	■
	Black	-	-
<b>DESIGN</b>			
Hob surface type	Metal	Metal	Metal
Width (mm)	750	750	580
Control position	Front	Front	Front
Comfort Profile	-	-	-
Can be combined with other models with Comfort Profile	-	-	-
Installation flush with work top possible	-	-	-
Domino compatible	-	-	-
<b>KEY FEATURES</b>			
stepFlame Technology controls	■	-	-
Digital power level display	-	-	-
Number of dual circuit wok style burners <sup>1</sup>	1	1	-
High power (5.0kW+) wok burner <sup>2</sup>	-	-	-
Dual control wok burner <sup>3</sup>	■	■	-
<b>FEATURES</b>			
Number of cooking zones	5	5	4
Individual power levels	9	-	-
Variable power levels	-	■	■
Cast iron pan supports (number)	3	3	-
Cast iron finish pan supports (number)	-	-	2
Dishwasher safe pan supports <sup>4</sup>	-	-	-
Low profile single piece burners	-	-	-
Two piece burners	■	■	■
<b>SAFETY FEATURES</b>			
Ignition via control dials	■	■	■
Flame failure safety device	■	■	■
<b>PERFORMANCE / TECHNICAL INFORMATION</b>			
Maximum gas power output load (A)	11,500	10,800	7,500
Nominal voltage (V)	220-240	220-240	220-240
Total connected electrical load (max. W)	1.1	1.1	1.1
Cable length (cm)	100	150	100
GB plug	-	-	-
Left burner power (kW)	-	-	-
Front left burner power (kW)	1.00	1.00	1.75
Rear left burner power (kW)	1.75	1.75	1.75
Centre/Centre front burner power (kW)	5.00	3.30	-
Centre back burner power (kW)	-	-	-
Rear right burner power (kW)	3.00	3.00	3.00
Front right burner power (kW)	1.75	1.75	1.00
Right burner power (kW)	-	-	-
Pre-set for natural gas	■	■	■
CE Marked	■	■	■
<b>STANDARD ACCESSORIES</b>			
Wok stand <sup>5</sup>	-	-	-
LPG jets	28-30 / 37mbar	28-30 / 37mbar	28-30 / 37mbar

■ Yes, model has this feature. – Feature not available for this model.  
All models comply with COMMISSION (EC) No. 1275/2008 with regard to ecodesign requirements for standby and off mode electric power consumption.

<sup>1</sup>Dual circuit means standard outer flame ring plus 2nd inner flame ring.  
<sup>2</sup>High power output for rapid heating – especially valuable for flash and wok frying.  
<sup>3</sup>Dual control means the inner and outer rings of a dual circuit burner can be controlled independently.  
<sup>4</sup>Pan supports can be cleaned in the dishwasher. Supports have special additional coating and hand finishing of enamel.  
<sup>5</sup>For round based pans.

Data valid in this table as of April 2024. Subject to modification without prior notice.

Gas hob specifications



APPLIANCE TYPE	GAS HOB	
Design family	iQ100	
Model number	EB6B5PB60	
Material	Stainless steel	■
	Black	-
<b>DESIGN</b>		
Hob surface type	Metal	
Width (mm)	580	
Control position	Right side	
Comfort Profile	-	
Can be combined with other models with Comfort Profile	-	
Installation flush with work top possible	-	
Domino compatible	-	
<b>KEY FEATURES</b>		
stepFlame Technology controls	-	
Digital power level display	-	
Number of dual circuit wok style burners <sup>1</sup>	-	
High power (5.0kW+) wok burner <sup>2</sup>	-	
Dual control wok burner <sup>3</sup>	-	
<b>FEATURES</b>		
Number of cooking zones	4	
Individual power levels	-	
Variable power levels	■	
Cast iron pan supports (number)	-	
Cast iron finish pan supports (number)	2	
Dishwasher safe pan supports <sup>4</sup>	-	
Low profile single piece burners	-	
Two piece burners	■	
<b>SAFETY FEATURES</b>		
Ignition via control dials	■	
Flame failure safety device	■	
<b>PERFORMANCE / TECHNICAL INFORMATION</b>		
Maximum gas power output load (A)	7,400	
Nominal voltage (V)	220-240	
Total connected electrical load (max. W)	0.8	
Cable length (cm)	100	
GB plug	-	
Left burner power (kW)	-	
Front left burner power (kW)	3.00	
Rear left burner power (kW)	1.70	
Centre/Centre front burner power (kW)	-	
Centre back burner power (kW)	-	
Rear right burner power (kW)	1.70	
Front right burner power (kW)	1.00	
Right burner power (kW)	-	
Pre-set for natural gas	■	
CE Marked	■	
<b>STANDARD ACCESSORIES</b>		
Wok stand <sup>5</sup>	-	
LPG jets	28-30 / 37mbar	

■ Yes, model has this feature. – Feature not available for this model.  
All models comply with COMMISSION (EC) No. 1275/2008 with regard to ecodesign requirements for standby and off mode electric power consumption.

<sup>1</sup>Dual circuit means standard outer flame ring plus 2nd inner flame ring.  
<sup>2</sup>High power output for rapid heating – especially valuable for flash and wok frying.  
<sup>3</sup>Dual control means the inner and outer rings of a dual circuit burner can be controlled independently.  
<sup>4</sup>Pan supports can be cleaned in the dishwasher. Supports have special additional coating and hand finishing of enamel.  
<sup>5</sup>For round based pans.

Data valid in this table as of April 2024. Subject to modification without prior notice.

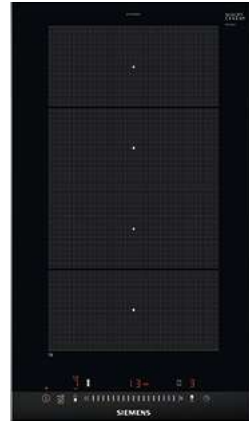


# Domino hobs

## iQ700 ET475FYB1E

flexInduction domino hob  
Stainless steel

40cm



### Domino flexInduction hob specifications

APPLIANCE TYPE	FLEXINDUCTION DOMINO HOB	
Design family	iQ700	
Model number	EX375FXB1E	
<b>DESIGN</b>		
Hob surface type	Ceramic glass	
Width (mm)	392	
Control position	Front	
Control type	touchSlider	
Style	S/steel side trim with front bevel	
<b>KEY FEATURES</b>		
Home Connect	-	
Hob hood control	-	
perfectCook temperature sensor ready	-	
perfectFry Sensor settings	-	
Extended flexInduction zone	-	
Number of flexInduction zones	-	
Number of combiZones	-	
<b>HOB FEATURES</b>		
Number of individual zones	2	
Power Levels	17	
powerBoost	■	
panBoost	-	
MoveMode	-	
Energy consumption display	■	
Keep warm function	-	
Quick start function	■	
Restart function	■	
Automatic setting transfer	-	
Dish categories	-	
*Plug&Play* with GB Plug	-	
Wipe protection function	■	
<b>SAFETY FEATURES</b>		
Residual heat indicator	■	
Childproof lock	■	
Switch off timer	■	
Safety time switch off	■	
Countdown timer	■	
Count up timer	■	
Pan recognition	■	
Main on/off switch	■	
<b>PERFORMANCE / TECHNICAL INFORMATION</b>		
Maximum power output (W)	3,700	
Nominal voltage (V)	220-240	
Electrical cable length (cm)	110	
Rear centre zone – power (kW) / diameter (mm)	2.20	210x200
Front centre zone – power (kW) / diameter (mm)	2.20	210x200
Middle centre zone – power (kW) / diameter (mm)	-	
Rear centre zone – with powerBoost (max. kW)	3.70	
Front centre zone – with powerBoost (max. kW)	3.70	
Middle centre zone - with powerBoost (max. kW)	-	
<b>OPTIONAL ACCESSORIES</b>		
Connecting link for use with side trim hobs	HZ394301	
Set of three pans	HZ95E030	
Four piece pan set	HZ95E040	
Six piece pan set	HZ95E060	
Cast Iron non-stick frying pan, base diameter 185mm	HZ9FE281	
Griddle plate, approx. 40x20 cm for use with Flex Induction	HZ390522	
Teppan yaki, approx. 40x20 cm for use with Flex Induction	HZ390512	
Oval roasting dish with lid for use with induction hobs	HZ390011	
Steamer insert for use with HZ390011 roasting dish	HZ390012	

■ Yes, model has this feature. – Feature not available for this model.  
All models comply with COMMISSION (EC) No. 1275/2008 with regard to ecodesign requirements for standby and off mode electric power consumption.  
<sup>1</sup>Dual circuit means standard outer flame ring plus 2nd inner flame ring.  
<sup>2</sup>High power output for rapid heating – especially valuable for flash and wok frying.  
<sup>3</sup>Dual control means the inner and outer rings of a dual circuit burner can be controlled independently.  
<sup>4</sup>Pan supports can be cleaned in the dishwasher. Supports have special additional coating and hand finishing of enamel.  
<sup>5</sup>For round based pans.  
Data valid in this table as of April 2024. Subject to modification without prior notice.

### Domino gas hob specifications

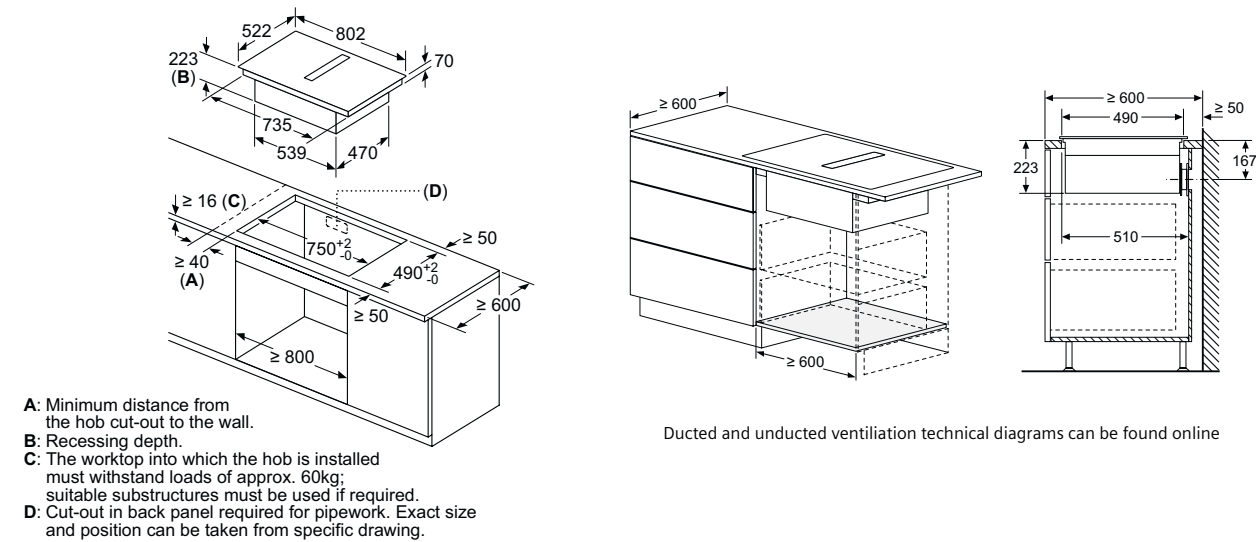


APPLIANCE TYPE	WOK DOMINO GAS HOB	DOMINO GAS HOB
Design family	iQ700	iQ700
Model number	Black ER3A6AB70	ER3A6BB70
<b>DESIGN</b>		
Width (mm)	302	302
Control position	Front	Front
<b>KEY FEATURES</b>		
stepFlame Technology controls	■	■
Digital power level display	-	-
Number of dual circuit wok style burners <sup>1</sup>	1	-
High power (5.0kW+) wok burner <sup>2</sup>	■	-
Dual control wok burner <sup>3</sup>	■	-
Hob surface type	Ceramic glass	Ceramic glass
<b>FEATURES</b>		
Number of cooking zones	1	2
Individual power levels	9	9
Variable power levels	-	-
Cast iron pan supports (number)	1 x dishwasher safe	1 x dishwasher safe
Cast iron finish pan supports (number)	-	-
Low profile single piece burners	■	-
Two piece burners	-	-
Comfort Profile	■	■
Can be combined with other models with Comfort Profile	■	■
Installation flush with work top possible	-	-
<b>SAFETY FEATURES</b>		
Ignition via control dials	■	■
Flame failure safety device	■	■
<b>PERFORMANCE / TECHNICAL INFORMATION</b>		
Maximum gas power output load (W)	6,100	4,700
Nominal voltage (V)	220-240	220-240
Total connected electrical load (max. W)	1.1	1.1
Cable length (cm)	100	100
GB plug	-	-
Left burner power (kW)	-	-
Front left burner power (kW)	-	-
Back left burner power (kW)	-	-
Centre/Centre front burner power (kW)	6.10	1.90
Centre back burner power (kW)	-	2.80
Front right burner power (kW)	-	-
Back right burner power (kW)	-	-
Right burner power (kW)	-	-
Pre-set for natural gas	■	■
CE Marked	■	■
<b>STANDARD ACCESSORIES</b>		
Wok stand <sup>5</sup>	■	-
LPG jets	28-30 / 37mbar	28-30 / 37mbar
<b>OPTIONAL ACCESSORIES</b>		
Connecting strip to link to other Comfort Profile models	HZ394301	HZ394301

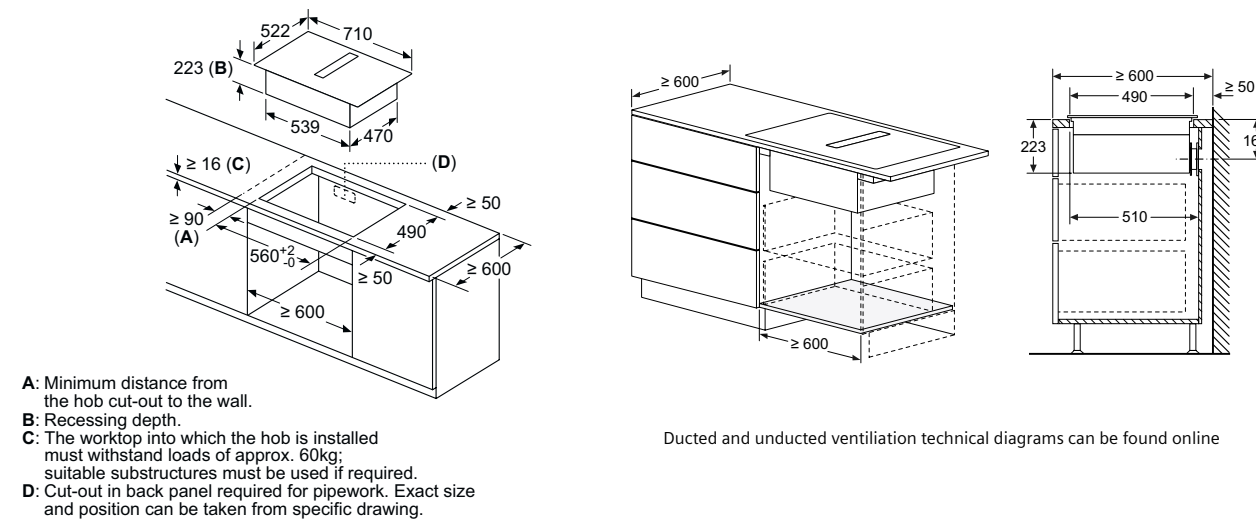
■ Yes, model has this feature. – Feature not available for this model.  
All models comply with COMMISSION (EC) No. 1275/2008 with regard to ecodesign requirements for standby and off mode electric power consumption.  
<sup>1</sup>Dual circuit means standard outer flame ring plus 2nd inner flame ring.  
<sup>2</sup>High power output for rapid heating – especially valuable for flash and wok frying.  
<sup>3</sup>Dual control means the inner and outer rings of a dual circuit burner can be controlled independently.  
<sup>4</sup>Pan supports can be cleaned in the dishwasher. Supports have special additional coating and hand finishing of enamel.  
<sup>5</sup>For round based pans.  
Data valid in this table as of April 2024. Subject to modification without prior notice.

# Hob technical diagrams

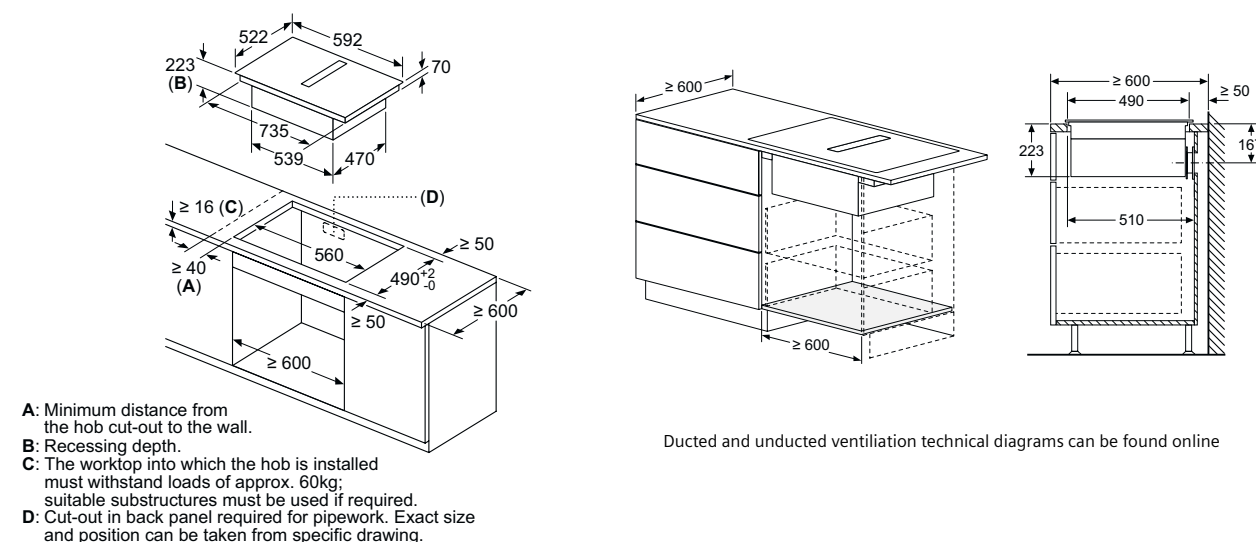
## inductionAir Plus venting hobs ED851HQ26E and ED811BS16E



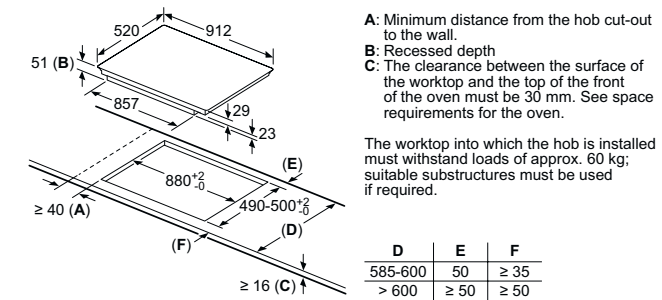
## inductionAir Plus venting hob ED711HQ26E



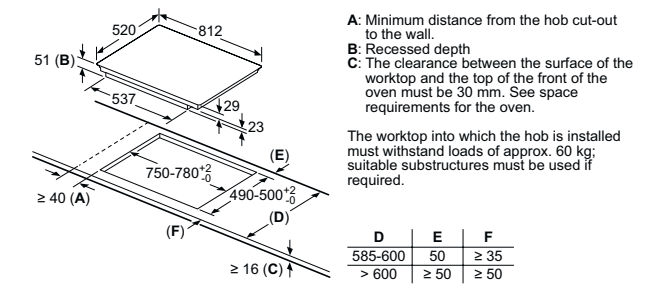
## inductionAir Plus venting hob ED611BS16E



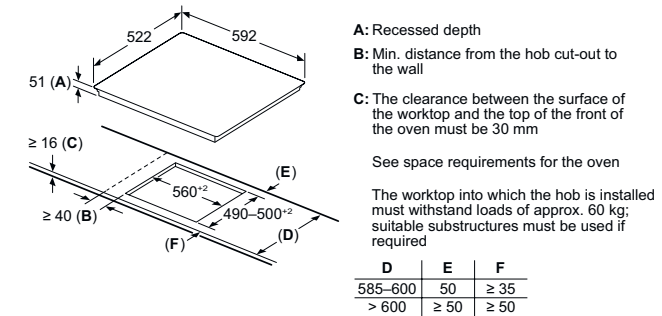
## flexInduction hobs EX975KXW1E and EX975LVV1E



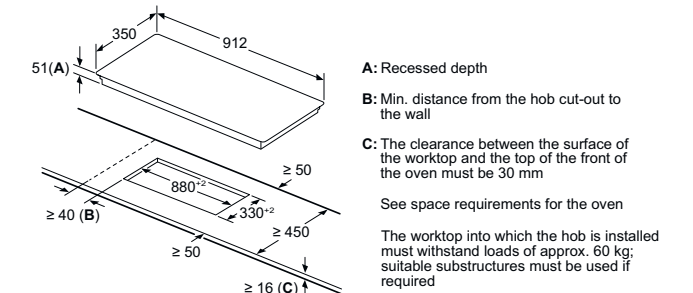
## flexInduction hob EX875KYW1E



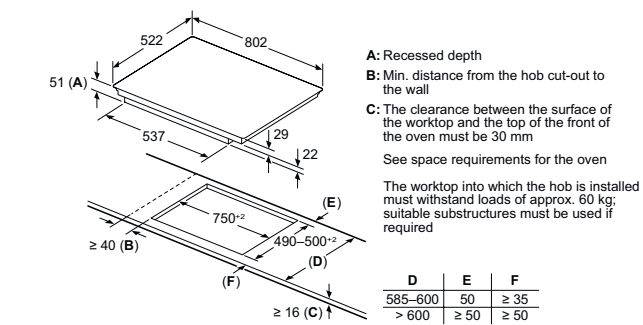
## flexInduction hobs EX651HEC1E



## flexInduction hob EX275HXC1E



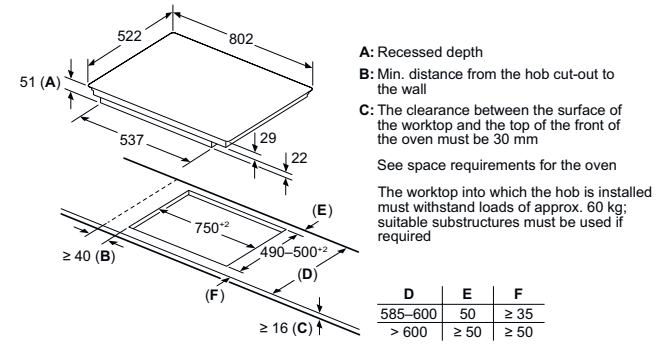
## flexInduction hob EX851HVC1E



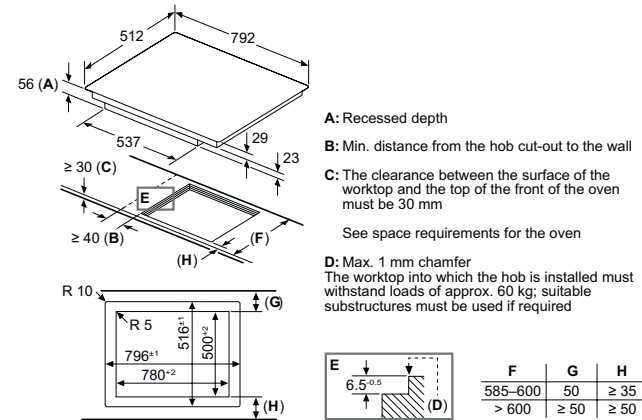


# Hob technical diagrams

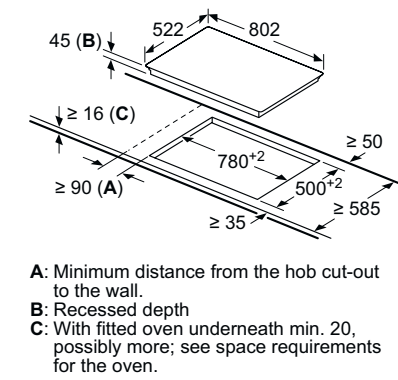
## Induction hobs ED851HWB1E and EH831HVB1E



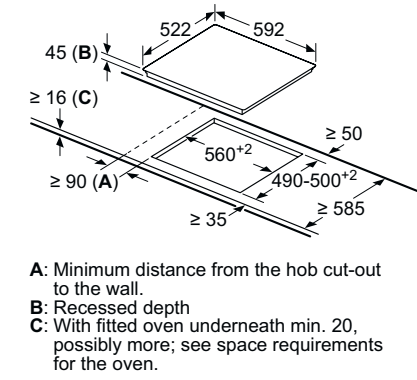
## Induction hob EH801HVB1E



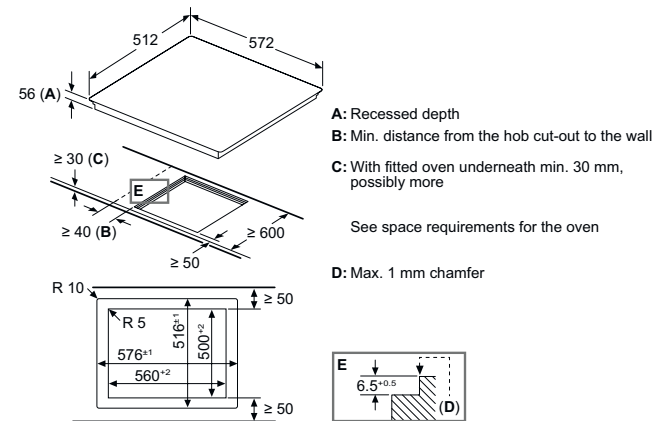
## quickLite ceramic hob ET81RBHA1D



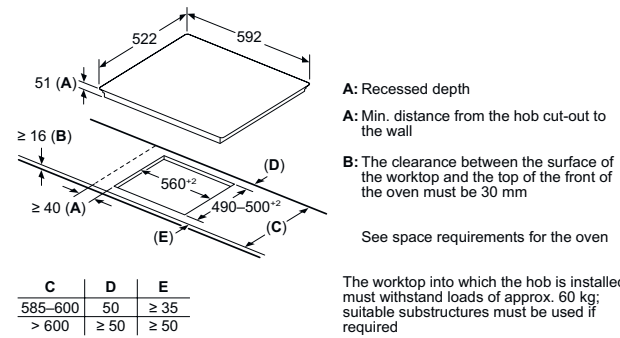
## quickLite hob ET61RBEA1E



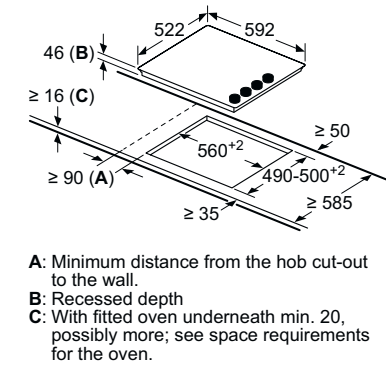
## Induction hob EH601HEB1E



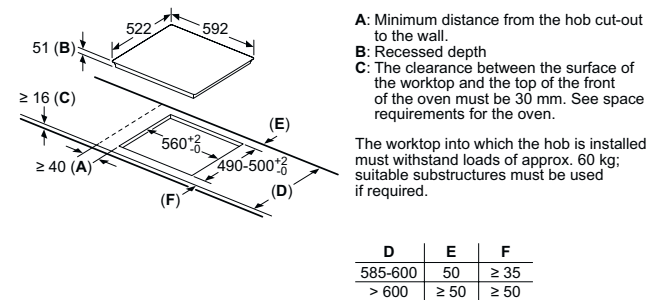
## Induction hobs ED651HSB1E and EH631HEB1E



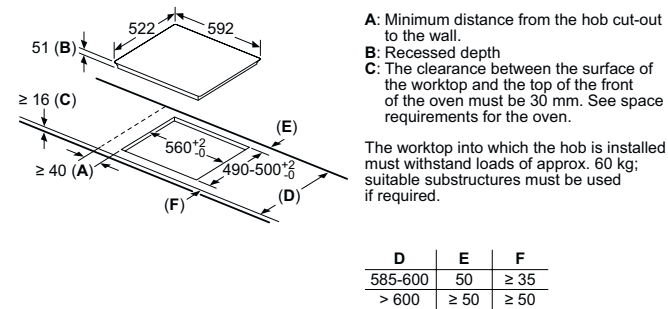
## quickLite ceramic hob ET61RCEA1E



## Induction hobs EU611BEB5E and EU611BEB5B

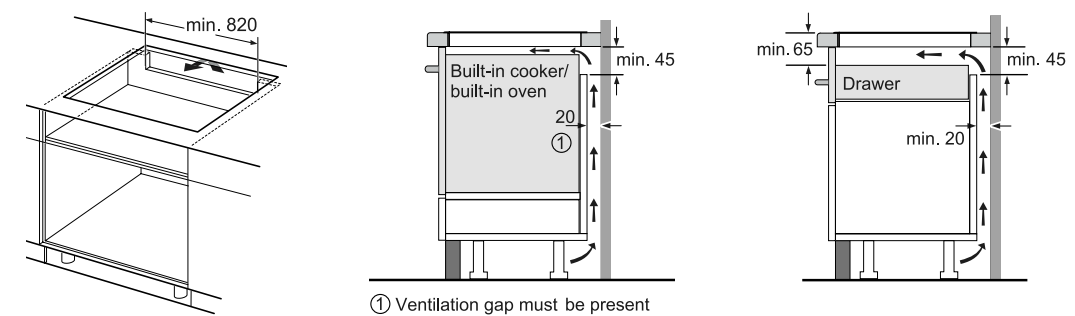


## Induction hob EU61RAGA5B



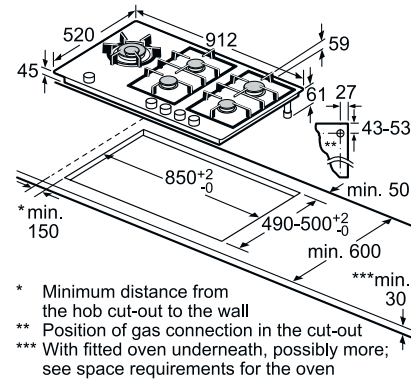
## For all flexInduction, induction and quickLite ceramic hobs

Below are diagrams for installation applicable to all flexInduction, induction and quickLite ceramic hobs

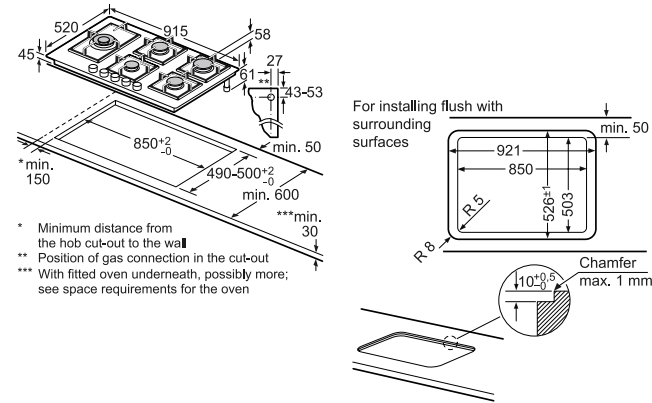


# Hob technical diagrams

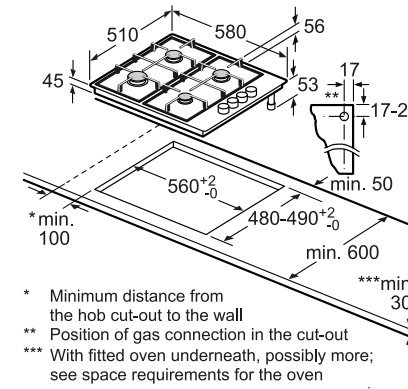
**Gas hob ER9A6SB70**



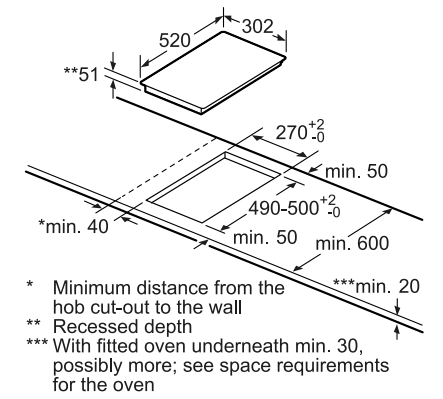
**Gas hob EP9A6SB90**



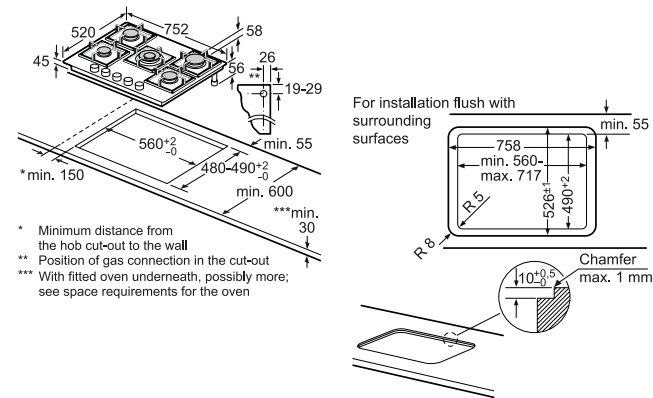
**Gas hob EB6B5PB60**



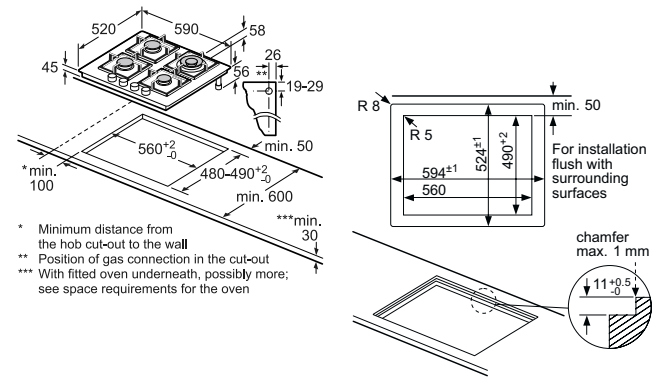
**flexInduction domino hob EX375FXB1E**



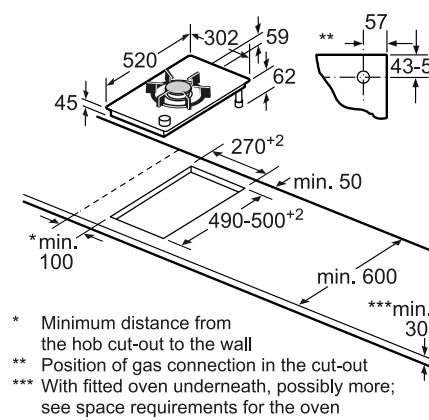
**Gas hob EP7A6QB90**



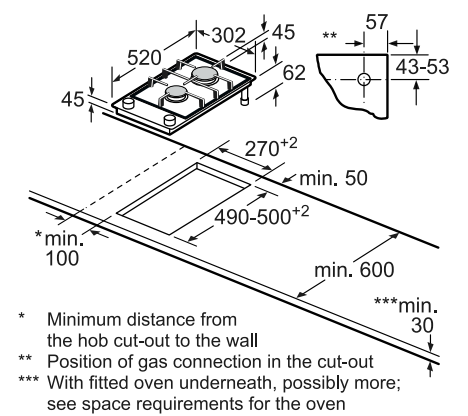
**Gas hob EP6A6HB20**



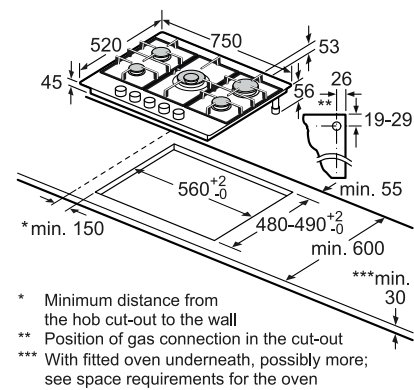
**Wok domino gas hob ER3A6AB70**



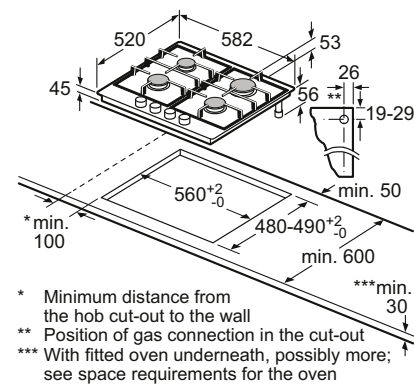
**Domino gas hob ER3A6BB70**



**Gas hobs EC7A5RB90 and EG7B5QB90**



**Gas hob EG6B5PB90**

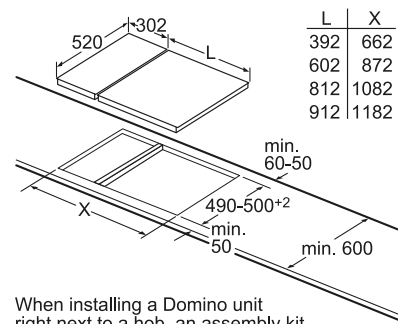




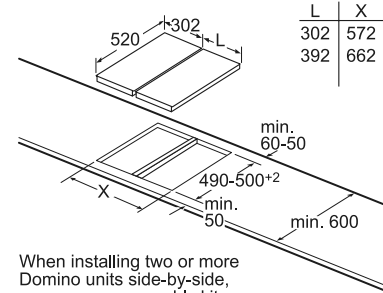
# Hob technical diagrams

## Domino hob combination installation

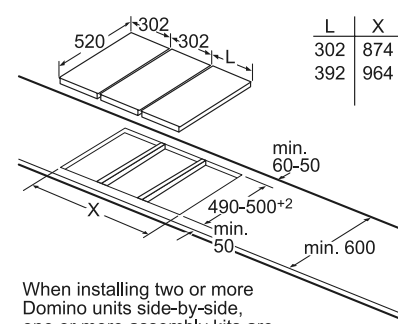
Below are diagrams showing the possible combinations for installing your Domino hob



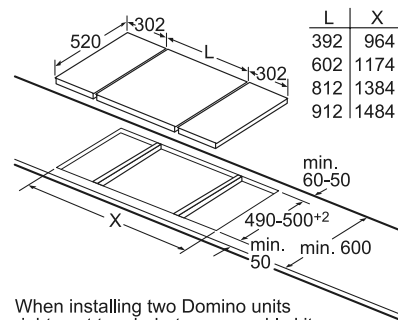
When installing a Domino unit right next to a hob, an assembly kit (HZ394301) is required.



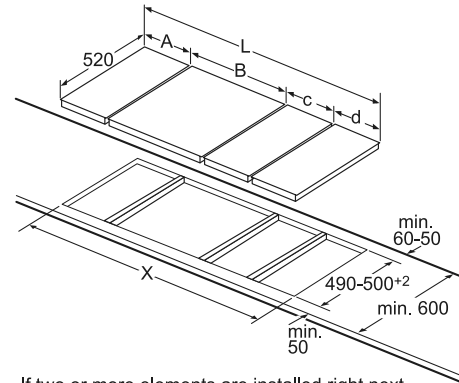
When installing two or more Domino units side-by-side, one or more assembly kits are required (2 units = 1 assembly kit, 3 units = 2 assembly kits, etc).



When installing two or more Domino units side-by-side, one or more assembly kits are required (2 units = 1 assembly kit, 3 units = 2 assembly kits, etc).



When installing two Domino units right next to a hob, two assembly kits (HZ394301) are required.



If two or more elements are installed right next to one another, one or several installation kits are required (2 elements 1 installation kit, 3 elements 2 installation kits, etc.).

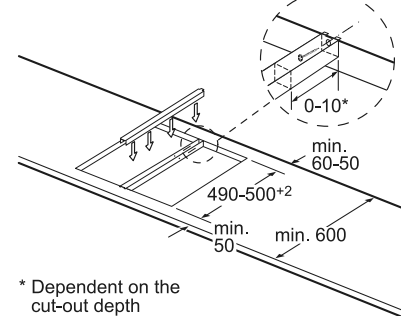
Cutout dimension (X) depending on the combination see table:

Domino combination possibilities with corresponding device and cutout dimensions

Width type: 30 40 60 70 80 90  
Device width: 302 392 602 710 812 912

	A	B	C	D	L	X
2x30	302	302	-	-	604	572
1x30, 1x40	302	392	-	-	694	662
1x30, 1x60	302	602	-	-	904	872
1x30, 1x70	302	710	-	-	1012	980
1x30, 1x80	302	812	-	-	1114	1082
1x30, 1x90	302	912	-	-	1214	1182
2x40	392	392	-	-	784	752
1x40, 1x60	392	602	-	-	994	962
1x40, 1x70	392	710	-	-	1102	1070
1x40, 1x80	392	812	-	-	1204	1172
1x40, 1x90	392	912	-	-	1304	1272
3x30	302	302	302	-	906	874
2x30, 1x40	302	302	392	-	996	964
2x30, 1x60	302	302	602	-	1206	1174
2x30, 1x70	302	302	710	-	1314	1282
2x30, 1x80	302	302	812	-	1416	1384
2x30, 1x90	302	302	912	-	1516	1484
1x30, 2x40	302	392	392	-	1086	1054
1x30, 1x40, 1x60	302	392	602	-	1296	1264
1x30, 1x40, 1x70	302	392	710	-	1404	1372
1x30, 1x40, 1x80	302	392	812	-	1506	1474
1x30, 1x40, 1x90	302	392	912	-	1606	1574
3x40	392	392	392	-	1176	1144
2x40, 1x60	392	392	602	-	1386	1354
4x30	302	302	302	302	1208	1176
3x30, 1x40	302	302	302	392	1298	1266
2x30, 2x40	302	302	392	392	1388	1356
1x30, 3x40	302	392	392	392	1478	1446

Assembly kit (HZ394301) for Domino



\* Dependent on the cut-out depth

# Outstanding performance, intelligently designed

The kitchen is the heart of the home. Not only is it a place to cook, it is also a place to entertain, relax after a hard day's work, or spend time with friends and family.

Our range of hoods offer sleek designs and innovative features to elevate the kitchen. From ceiling hoods to glassdraftAir hoods, we have stylish options to suit any taste. The quiet and energy efficient motors, available on some Siemens hoods create a comfortable cooking environment.

Siemens hoods keep the kitchen space fresh, and air cleaner whilst also providing ambient lighting. Browse through intelligent ventilation solutions for all kitchen designs. Our venting hobs with inductionAir Plus combines an advanced induction hob with a high-performance extractor for even clearer views in the kitchen. See the hobs section for details on the inductionAir Plus (pages 98-99).



Model shown: LD98WMM60B  
glassdraftAir hood

Hoods

## Siemens hood warranties:



**2 year warranty**  
A two year warranty is available on all Siemens hoods listed in this brochure to protect against manufacturing and material faults during this warranty period.

To find out more about warranty and for registration, please visit:  
[siemens-home.bsh-group.com/ie/customer-service/warranty](https://siemens-home.bsh-group.com/ie/customer-service/warranty)



# Installation solutions for every kitchen

Worktop installation.

glassdraftAir and inductionAir Plus ventilation.



The perfect solution for keeping kitchen designs clear and with unhindered sightlines. The stylish glassdraftAir premium glass panel retracts fully into the unit when not in use. When in operation, its unique transparent design adds a subtle highlight to the kitchen, while its innovative Guided Air technology guarantees excellent performance from all cooking zones.

For seamless installation combine the LD98WMM60B glassDraft Air with the EX975KXW1E or EX975LUV1E flexInduction hobs using the LZ29WWY12 seamless installation kit.



The perfect combination of innovation and functionality. These appliances offer double the efficiency and convenience by integrating a cooktop and ventilation system into one product. Ideal for kitchens with limited space or for customers seeking a clean and unique look.



ED851HQ26E inductionAir Plus venting hob

Wall installation.

Decorative angled glass and chimney hoods.



LC97BHM50B box chimney hood

Experience the beauty and effectiveness of Siemens' wall-mounted ventilation solutions. Our designs are not only stylish but also highly effective with a host of intelligent features. Want a ventilation solution that combines classic and contemporary elements? Explore our traditional chimney hoods.



LC91KLT60B angled glass chimney hood

Integrated furniture installation.

Integrated, telescopic and canopy hoods.

Need to seamlessly integrate the hood into wall-mounted kitchen units? We offer a variety of options specifically designed for mounting inside a cupboard space. These concealed hoods are the perfect choice for achieving a sleek and modern kitchen design.



LJ97BAM60B integrated design hood



LB78574GB canopy hood



LE66MAC00B integrated hood



LI94MA531B telescopic hood





Model shown: LC87KFN60B angled glass chimney hood

### The power to perform.

A great hood must be powerful enough to effectively remove moisture and cooking odours from a kitchen. We recommend the hood should be able to change the air in the kitchen 6-12 times per hour. Using this quick calculation, you can check whether a hood is sufficiently powerful. Firstly, calculate the volume of the kitchen (HxWxD metres). Next multiply that figure by 12. The resulting figure is the ideal extraction rate required in intensive mode. Match this to a lower power level on the hood to avoid having to run at full power for increased efficiency.

#### FOR EXAMPLE




Room: 4m x 4m x 2.5m = 40m<sup>3</sup>

12 changes per hour in intensive operation: 12 x 40m<sup>3</sup> = 480m<sup>3</sup>/h

So the hood must achieve >480m<sup>3</sup>/h in intensive mode.



### Recirculation filters.

				
	STANDARD ODOUR FILTER	CLEANAIR FILTER*	CLEANAIR PLUS FILTER*	LONG LIFE REGENERATIVE FILTER*
standard high performance or regenerative				
Lifetime	6-12 months	6-12 months	12 months	10 years
Benefits	Simple installation, Anti-fish treatment	Increased surface area, Up to 3dB (A) sound reduction, improved extraction and performance, Anti-fish treatment	Anti-pollen functionality: the filter retains 99% of airborne pollen and deactivates allergens which are retained by the filter. Increased surface area, Up to 3dB (A) sound reduction, improved extraction and performance, Anti-fish treatment	High odour reduction, Up to 3dB (A) sound reduction in the oven every 4 months recommended (2 hours, 200°C), Improved extraction performance

\*CleanAir and Regenerative filters are not available for all styles of hood. Additional module may be required to house the filter. Images for example only, different filters may come in a different size and style.

# Hood installation options

## Ducted or recirculated?

For optimum performance, the extractor hood should be ducted to the outside of the house, so that the extracted air is vented outside. But sometimes this is not practical, so most Siemens hoods can also operate in recirculating mode; where the air is passed through a metal filter to remove grease, and then through a carbon filter to remove odours before being directed back into the kitchen.

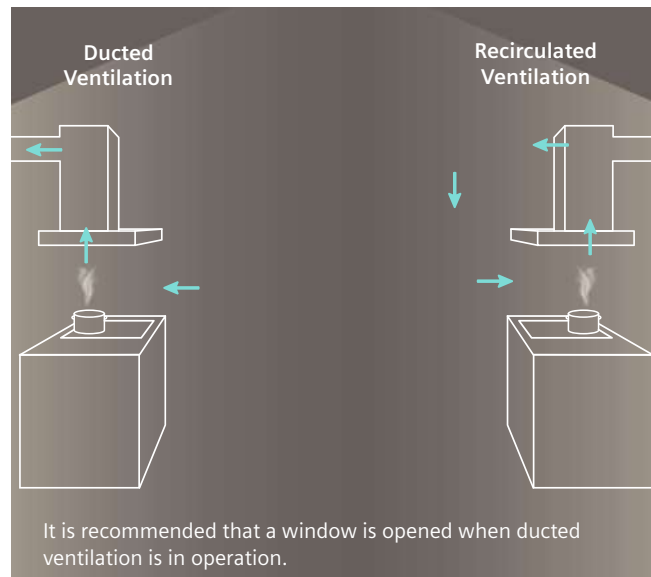
Although the extraction rate is usually slightly lower when using this method than ducted extraction and the carbon odour filter will need to be replaced, recirculating the air offers an energy efficient benefit; cool air is retained in the home in the summer and warm air does not vent out during winter months.

#### Ducted Ventilation

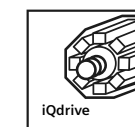
- Extracts steam and odours
- Effective planning of ducting system required

#### Recirculated Ventilation

- Removes over 90% of odours with cleanAir filters
- Easy to install – no ducting required
- Separate recirculation kit required



## State-of-the-art efficiency with the iQ drive motor.



Siemens hoods feature innovative technology that saves energy. This is thanks to the highly efficient, durable brushless iQdrive motor which is powerful, but requires very little energy to run. Capable of handling odours and grease in the most challenging cooking situations, and specially designed to last longer. The brushless iQdrive motor at the heart of our selected hoods is capable of extracting a measured value of up to 1007m<sup>3</sup>/h in our most powerful hood\*.

\*LC91KLT60B





# Intelligent angled hoods, clean air and quiet moments

Our new range of iQ300 and iQ700 angled hoods and touchSlider hobs work tirelessly in the background to remove distractions, eliminate errors and enhance the cooking experience.

Designed for maximum flexibility and control, and true to the distinctive Siemens design – our intelligent hobs and hoods make cooking more intuitive by automatically adjusting to the cookware, adapting to user preferences, and automating tasks. When cooking, greasy fumes and loud noises can make it difficult to concentrate or have a conversation. The powerful, quiet and energy-efficient angled hoods allow delicious meals to be prepared, free from disturbance.



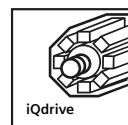
### intelligent hood automatic

The hood matches the fan level to the temperature and power of the hob, empowering consumers to cook from start to finish without ever touching the hood. Simply pairing both appliances with the Home Connect app allows users to benefit from this automated cooking feature. Intelligent hood automatic is available on all new touchSlider induction hobs in combination with our new iQ300, and iQ700 angled hoods.



### Favourite button

The favourite button personalises the cooking experience, with just one tap. When connected to the Home Connect app, the favourite button can be programmed to perform a chosen action. Whether it is activating a specific heat and timer setting, switching on hood lighting, or turning on other connected appliances and devices using IFTTT.



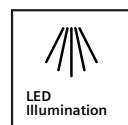
### iQdrive

Thanks to the low-friction mechanics of the iQdrive motor, the iQ300 and iQ700 angled hoods are not only extremely powerful and durable, but virtually silent too. The same level of performance for extraction and quietness can be achieved in both recirculation and exhaust modes.



### climateControl Sensor: iQ700 hoods

The climateControl Sensor in the hood detects steam and odours and adjusts the extraction rate precisely as needed, switching off once cleared. This ensures the air in the kitchen stays grease and odour free, in the most energy efficient way.



### LED Lighting

The cooking area can be personalised depending on mood or preference with the LED Lighting Temperature. The hoods lights can be adjusted to the desirable warmth or coolness without having to sacrifice on lighting quality. An array of colour temperatures between warm white (2700k) and cool white (500k) can be selected via the hoods settings in the Home Connect app.



### Have it your way with Home Connect.

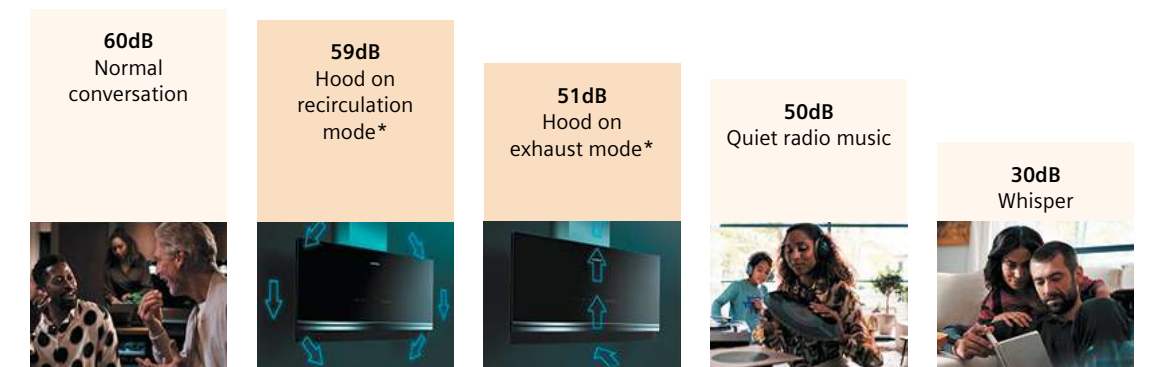
Intelligent connectivity gives more control, support and freedom. Whether it is getting a notification on a smartwatch when dinner is ready, lowering the heat on the hob via a smartphone or tablet, or asking the smart assistant speaker (Amazon Alexa or Google Assistant) to turn off the hob while the table is being set, Home Connect gives access to more flexibility and more ways to personalise the kitchen.

Some of the features displayed can be accessed only if the device is connected to a Home Connect Account and a SingleKey ID account via the Internet. Home Connect is a service of Home Connect GmbH. For more information on Home Connect, visit [www.home-connect.com/gb/en](http://www.home-connect.com/gb/en)



Model shown: LC91KLT60 angled glass chimney hood

## Decibel output



\* Decibel output of iQ700 hoods on level 3.

## Accessories for recirculation

Compatible Recirculation Kits: ■ iQ300 LC67KFN60B – 60cm	
VIB	ACCESSORY
LZ11BK116	cleanAir Plus Recirculation Kit
LZ11BKV16	cleanAir Plus Recirculation Kit – Chimless
Replacement Filters	
LZ11BK116	cleanAir Plus Replacement Filter

Compatible Recirculation Kits: ■ iQ300 LC87KFN60B – 80cm	
VIB	ACCESSORY
LZ11BK116	cleanAir Plus Recirculation Kit
LZ11BKV16	cleanAir Plus Recirculation Kit – Chimless
Replacement Filters	
LZ11BK116	cleanAir Plus Replacement Filter

Compatible Recirculation Kits: ■ iQ700 LC91KLT60B – 90cm	
VIB	ACCESSORY
LZ11BK116	cleanAir Plus Recirculation Kit
LZ11BKV16	cleanAir Plus Recirculation Kit – Chimless
LZ11BK511	Long Life Recirculation Kit
LZ11BKR11	Long Life Recirculation Kit – Chimless
Replacement Filters	
LZ11BK116	cleanAir Plus Replacement Filter
LZ11BKP11	Long Life Replacement Filter



# Completely automatic ventilation

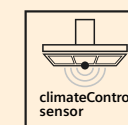
## Control two appliances with one.

Experience a new level of cooking efficiency with our intelligent features that effortlessly connect the hob and the hood, creating a seamless cooking experience.



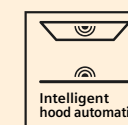
### cookConnect system

Control the hood's power levels and lighting directly from the hob after pairing both appliances via Home Connect. On top of this, once the hob is switched on, the hood will start automatically.



### climateControl sensor

The climateControl sensor automatically adjusts the power level of the hood depending on the level of steam and odours in the air – keeping the kitchen fresher without having to manually adjust the power. The climateControl Sensor is activated by selecting the 'auto' button.



### Intelligent Hood Automatic

Experience seamless interaction between the hob and the hood. By pairing both appliances with the Home Connect app, automated cooking and ventilation solutions are enjoyed. The hood adjusts its fan level based on the hob's output, eliminating the need for manual control. This intuitive feature is available on our new touchSlider induction hobs, with iQ300 and iQ700 angled hoods. The hob and the hood communicate throughout the cooking process, enabling the hood to automatically adjust the extraction rate as heat is added or removed. However, manual adjustment of the fan speed and light settings is still available. Once cooking is complete, the hood switches to the automatic after run function, which can be customised through the Home Connect app.



Model shown left and above:  
LC91KLT60B angled glass chimney hood





# Hood key features

Model shown:  
LC67KFN60B angled glass chimney hood

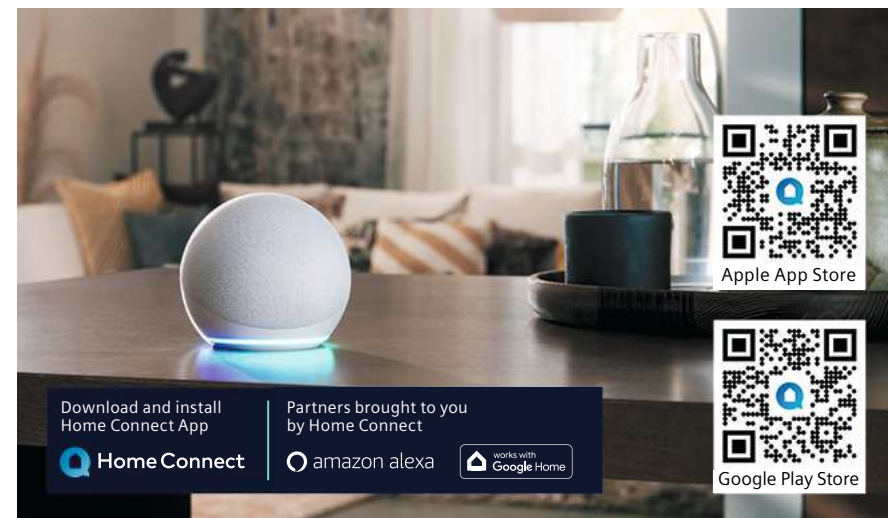
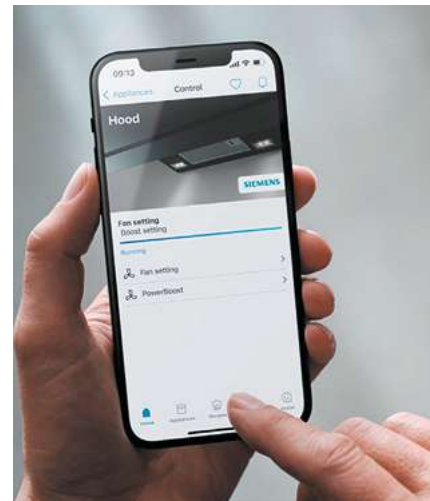
## Smart hoods make cooking a breeze.

### Home Connect

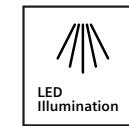
Experience more versatile ways of cooking with Siemens hoods that have Home Connect. Easily control the lighting, power level, and run time of the hood via a smartphone, tablet or smartwatch.

Take connected cooking a step further to control hood settings with Amazon Alexa voice control. For example, ask Alexa how to clean the filter, set the ambient lights or start extraction. All these features also work with Google Home, making it simple to control appliances in every kitchen. With the Home Connect app, the climateControl sensor can be activated so that the hood's extraction rate automatically adjusts depending on the level of steam and odours in the kitchen.

The cookConnect system enables connection of the hob and the hood through the Home Connect app for more convenient control. This feature allows hood settings to be changed from the hob, so there is complete control from just one appliance.



## Other lighting options.



**LED Illumination**  
All Siemens hoods are equipped with state-of-the-art LED lighting, ensuring the hob is illuminated evenly and clearly.



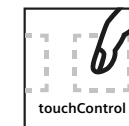
**softLight with Dimmer**  
Allows dimming of the hood lights. Perfect for when cooking is finished and a subtle glow in the kitchen is desired.

## Controlling your hood.

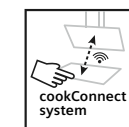


### Home Connect and voice control

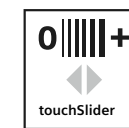
Activate and control connected hoods by using the Home Connect app or via voice control with Amazon Alexa or Google Home to take the connected cooking experience to the next level.



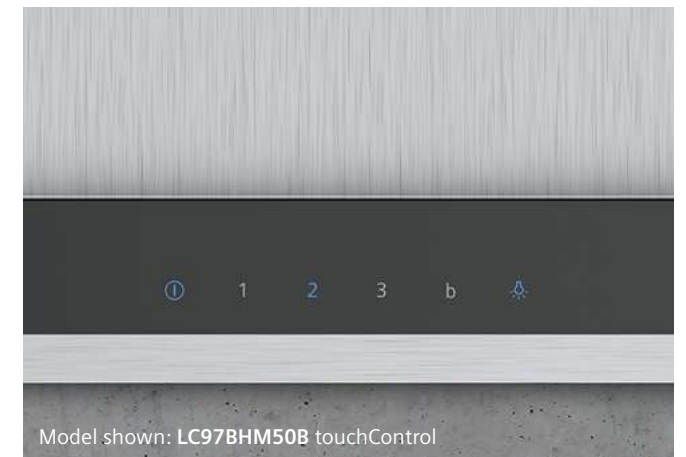
**touchControl**  
The design of touchControl is integrated into the black glass panel for easy control at the touch of a button. Its sleek design is not only aesthetically pleasing but also enables easy cleaning.



**cookConnect system**  
Control the hood's power levels and lighting directly from the hob after pairing both appliances via Home Connect. On top of this, once the hob is switched on, the hood will start automatically.

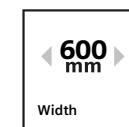


**touchSlider**  
Stunning design meets sleek control with touchSlider. Control Siemens hoods with ease by simply sliding a finger along the touchSlider to select the power level.



Model shown: LC97BHM50B touchControl

## Other product features.



**Hood Width**  
Siemens offers a wide range of hoods to fit different sized spaces. For optimal results, the cooker hood should be at least as wide as the hob. Our hood widths range from 370-520mm.



**Energy efficient hoods\***  
Siemens hoods feature innovations that make them incredibly energy efficient to run, from our durable and quiet brushless iQdrive motor to LED lighting.

\*For individual product energy efficiency ratings please check individual product specifications.

### Intensive setting

The intensive setting creates a powerful boost of extraction, perfect for tackling demanding dishes such as stir fry or steamed vegetables. This ensures moisture is properly eradicated without misting windows and the kitchen air is kept fresh.

### Interval Operation

With interval ventilation, the hood switches on automatically at the lowest level for 10 minutes every hour, to keep the air in the kitchen refreshed. The interval ventilation switches off after 24 hours.

### Automatic after running time

This convenient feature reduces cooking odours by allowing the extractor to carry on running automatically after cooking has finished. It will run at a low speed for 3-30 minutes – the duration the extractor carries on for depends on the model.





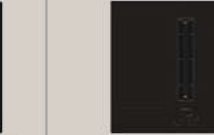
### Filter Saturation Indicator System



The filter saturation indicators use an illuminated symbol on the hood to show when the hood's grease filters need to be cleaned. For hoods installed with a recirculation filter, the saturation indicator will also signal when the recirculation filter should be replaced or regenerated (depending on type of filter installed).

# Core Hoods and Venting Hobs product overview




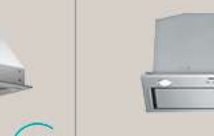


**2 year warranty**  
A two year warranty is available on all Siemens hood appliances listed in this brochure to protect against manufacturing and material faults during this warranty period.

Worktop installation				
glassdraftAir	Venting hob	Venting hob	Venting hob	Venting hob
90cm	80cm	80cm	70cm	60cm
 <p><b>LD98WMM60B</b> iQ700 90cm Black with clear glass</p> <ul style="list-style-type: none"> <li>iQDrive®</li> <li>cookConnect</li> <li>climateControl Sensor</li> <li>Guided Air technology</li> <li>Interval operation</li> <li>Metal grease filter</li> <li>3 power levels and 2 intensive</li> </ul>	 <p><b>ED851HQ26E</b> iQ500 80cm Black glass</p> <ul style="list-style-type: none"> <li>Integrated extraction</li> <li>Interval operation</li> <li>Metal grease filter</li> <li>9 power levels and 2 intensive</li> </ul>	 <p><b>ED811BS16E</b> iQ300 80cm Black glass</p> <ul style="list-style-type: none"> <li>Integrated extraction</li> <li>Interval operation</li> <li>Metal grease filter</li> <li>3 power levels and 1 intensive</li> </ul>	 <p><b>ED711HQ26E</b> iQ500 70cm Black glass</p> <ul style="list-style-type: none"> <li>Integrated extraction</li> <li>Interval operation</li> <li>Metal grease filter</li> <li>9 power levels and 2 intensive</li> </ul>	 <p><b>ED611BS16E</b> iQ300 60cm Black glass</p> <ul style="list-style-type: none"> <li>Integrated extraction</li> <li>Interval operation</li> <li>Metal grease filter</li> <li>3 power levels and 1 intensive</li> </ul>

Wall installation					
Angled glass chimney hood	Box chimney hood	Angled glass chimney hood	Angled glass chimney hood	Box chimney hood	Box chimney hood
90cm	90cm	80cm	60cm	60cm	60cm
 <p><b>LC91KLT60B</b> iQ700 90cm Black</p> <ul style="list-style-type: none"> <li>iQDrive®</li> <li>cookConnect</li> <li>climateControl sensor</li> <li>LED Lights</li> <li>Interval operation</li> <li>Metal grease filter</li> <li>3 power levels and 2 intensive</li> </ul>	 <p><b>LC97BHM50B</b> iQ300 90cm Stainless steel</p> <ul style="list-style-type: none"> <li>LED Lights</li> <li>Metal grease filter</li> <li>3 power levels and 1 intensive</li> </ul>	 <p><b>LC87KFN60B</b> iQ300 80cm Black</p> <ul style="list-style-type: none"> <li>iQDrive®</li> <li>cookConnect</li> <li>Intelligent Hood Automatic</li> <li>LED Lights</li> <li>Metal grease filter</li> <li>3 power levels and 1 intensive</li> </ul>	 <p><b>LC67KFN60B</b> iQ300 60cm Black</p> <ul style="list-style-type: none"> <li>iQDrive®</li> <li>cookConnect</li> <li>Intelligent Hood Automatic</li> <li>LED Lights</li> <li>Metal grease filter</li> <li>3 power levels and 1 intensive</li> </ul>	 <p><b>LC67BHM50B</b> iQ300 60cm Stainless steel</p> <ul style="list-style-type: none"> <li>LED Lights</li> <li>Metal grease filter</li> <li>3 power levels and 1 intensive</li> </ul>	 <p><b>LC64BBC50B</b> iQ100 60cm Stainless steel</p> <ul style="list-style-type: none"> <li>LED Lights</li> <li>Metal grease filter</li> <li>3 power levels</li> </ul>

Integrated furniture installation				
Integrated design hood	Telescopic hood	Canopy hood	Canopy hood	Integrated design hood
90cm	90cm	73cm	70cm	60cm
 <p><b>LJ97BAM60B</b> iQ500 Black body and fold out glass</p> <ul style="list-style-type: none"> <li>LED Lights</li> <li>Metal grease filter</li> <li>3 power levels and 1 intensive</li> </ul>	 <p><b>LI94MA531B</b> iQ300 Metallic silver</p> <ul style="list-style-type: none"> <li>iQDrive®</li> <li>LED Lights</li> <li>Metal grease filter</li> <li>3 power levels and 1 intensive</li> </ul>	 <p><b>LB75565GB</b> iQ300 Metallic silver</p> <ul style="list-style-type: none"> <li>LED Lights</li> <li>Metal grease filter</li> <li>3 power levels and 1 intensive</li> </ul>	 <p><b>LB78574GB</b> iQ500 Stainless steel</p> <ul style="list-style-type: none"> <li>LED Lights</li> <li>Metal grease filter</li> <li>3 power levels and 1 intensive</li> </ul>	 <p><b>LJ67BAM60B</b> iQ500 Black body and fold out glass</p> <ul style="list-style-type: none"> <li>touchControl</li> <li>LED Lights</li> <li>Metal grease filter</li> <li>3 power levels and 1 intensive</li> </ul>

Integrated furniture installation			
Telescopic hood	Integrated hood	Canopy hood	Canopy hood
60cm	60cm	53cm	52cm
 <p><b>LI64MA531B</b> iQ300 60cm Metallic silver</p> <ul style="list-style-type: none"> <li>iQDrive®</li> <li>LED Lights</li> <li>Metal grease filter</li> <li>3 power levels and 1 intensive</li> </ul>	 <p><b>LE66MAC00B</b> iQ100 60cm Metallic silver</p> <ul style="list-style-type: none"> <li>LED Lights</li> <li>Metal grease filter</li> <li>3 power levels</li> </ul>	 <p><b>LB53NAA30B</b> iQ100 53cm Metallic silver</p> <ul style="list-style-type: none"> <li>LED Lights</li> <li>Metal grease filter</li> <li>3 power levels</li> </ul>	 <p><b>LB57574GB</b> iQ500 52cm Stainless steel</p> <ul style="list-style-type: none"> <li>LED Lights</li> <li>Metal grease filter</li> <li>3 power levels and 1 intensive</li> </ul>



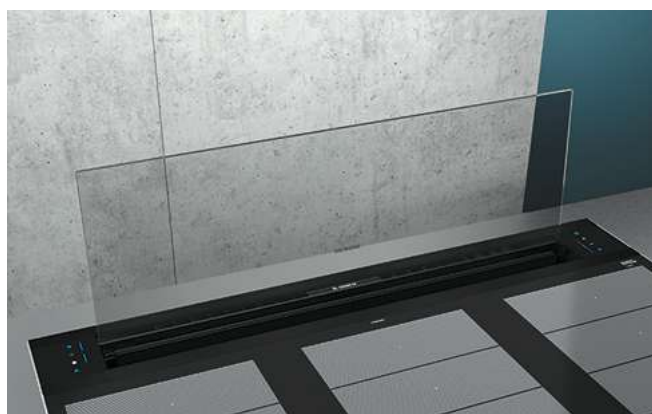


Model shown: LD98WMM60B glassdraftAir hood

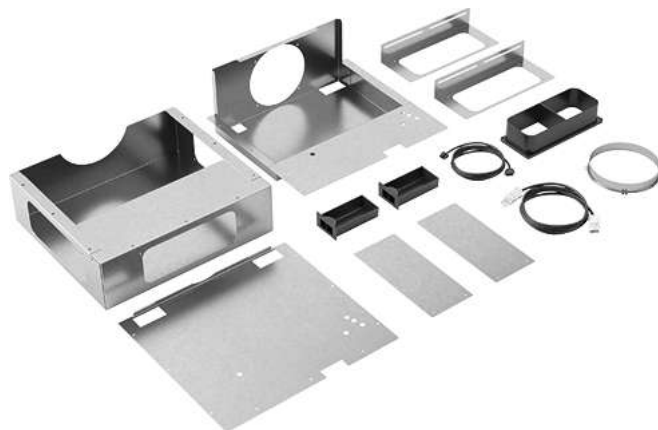
## The finishing touch for your kitchen. Now with flexible installation.

Extract cooking smells at source with the iQ700 glassdraftAir hood, ideal for keeping the sightlines of open plan kitchens. Conveniently placed within the worktop, this elegant hood can be automatically raised when needed, then disappears at the touch of a button. There is no need to worry about losing storage space beneath as the motor can be placed somewhere more convenient with the remote installation kit.

The Siemens Remote Motor Installation Mounting Kit (LZ21WWM11) frees up space under the worktop and provides the option to mount the motor up to 3 metres away from the appliance. Image for illustrative purposes only. Ducting not supplied.



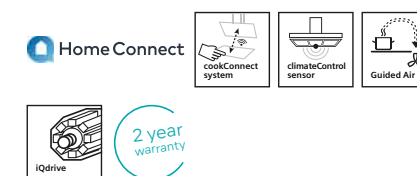
Model shown: LD98WMM60B glassdraftAir hood



# Worktop ventilation

## iQ700 LD98WMM60B

glassdraftAir Hood  
Black with clear glass



Home Connect

glassdraftAir Hood specifications

APPLIANCE TYPE	GLASSDRAFTAIR HOOD
Width	90cm
Design family	iQ700
Model number	LD98WMM60B
Colour	Black with clear glass
<b>KEY FEATURES</b>	
Seamless installation to hob available (check compatibility)	■
Home Connect	■
Guided Air	■
emotionLight Pro	-
climateControl sensor	■
cookConnect hob based hood control	■
iQdrive®	■
Intensive setting / Automatic intensive revert <sup>1</sup>	■ / ■
Filter saturation indicator	■
Filter service position	■
<b>FEATURES</b>	
Suitable for ducted / recirculating operation	■ / ■
Power levels	3 + 2 Intensive
Interval operation	■
Automatic after running (minutes)	10
Lighting	-
Type of control	Touch control
<b>PERFORMANCE / TECHNICAL INFORMATION</b>	
Energy rating	A
Appliance width (mm)	912
<b>Extraction Rate in m<sup>3</sup>/h<sup>2,3</sup></b>	
- ducted / recirculating at power level 3	519 / 472
- ducted / recirculating at power level 4 or intensive setting 1	656 / 543
- ducted / recirculating, intensive setting or intensive setting 2	833 / 620
<b>Noise level (sound power) based on dB [A] re 1pW<sup>2,4</sup></b>	
- ducted / recirculating at power level 3	62 / 65
- ducted / recirculating at power level 4 or intensive setting 1	67 / 68
- ducted / recirculating, intensive setting or intensive setting 2	71 / 71
Pipe outlet diameter (mm)	150
Minimum distance above an electric / gas hob <sup>5</sup> (mm)	Not compatible
GB plug	■

■ Yes, model has this feature. - Feature not available for this model.

<sup>1</sup>Power automatically reverts back to normal setting after intensive.

<sup>2</sup>Air Flow and noise declarations made in line with CECEC Code of Conduct.

<sup>3</sup>Measured according to EN61591 on largest pipe diameter.

<sup>4</sup>Sound power measured according to EN60704-3 on largest pipe diameter.

<sup>5</sup>From top of pan supports.

Data valid in this table as of April 2024. Subject to modification without prior notice.



Scan to view installation options

Siemens glassdraftAir hood and hob compatibility guide		
Hood	Hob compatibility	Seamless Installation Kit
iQ700 LD98WMM60B 90cm glassdraftAir hood	iQ700 EX975KXW1E flexInduction hob	LZ29WWY12
iQ700 LD98WMM60B 90cm glassdraftAir hood	iQ700 EX975LVV1E flexInduction hob	LZ29WWY12

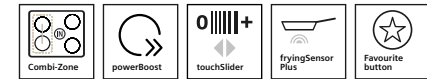
For specification details, please visit [siemens-home.bsh-group.com/ie](https://siemens-home.bsh-group.com/ie) and download a full specification sheet. For the full range of accessories, please visit our online accessory shop at [siemens-home.bsh-group.com/ieshop](https://siemens-home.bsh-group.com/ieshop) or call our Spares Department on 01450 2655.

# inductionAir Plus hobs

## iQ500 ED851HQ26E

inductionAir Plus hob  
Black glass

80cm



### inductionAir Plus hob specifications

APPLIANCE TYPE		INDUCTIONAIR PLUS HOB	
Design family		iQ500	
Model number		ED851HQ26E	
DESIGN			
Width (mm)		802	
Control position / Control type		Front / touchSlider	
Style		U-bevel	
KEY FEATURES			
Home Connect		■	
Integrated extractor		■	
cookingSensor Plus ready <sup>1</sup>		-	
fryingSensor Plus settings for hob		11 levels	
Favourite Button		■	
Automatic extraction		Auto-on	
Number of flexInduction zones		-	
Number of combiZones		2: Left & Right	
HOB FEATURES			
Number of individual zones / Power levels		4 / 17	
powerBoost / powerMove Plus		■ / -	
panBoost		via HC/Favourite Button a. sw upd.	
Adaptable volume / Energy consumption display		■ / -	
Keep warm function		via HC/Favourite Button a. sw upd.	
quickStart / Quick stop (Quick switch-off)		■ / -	
flexMotion / reStart		- / ■	
Demo mode		-	
Dish categories/setting recommendations		via HC app a. sw upd.	
Wipe protection function (Control panel pause)		-	
SAFETY FEATURES			
Residual heat indicator / Pan recognition		■ / ■	
Childproof lock / Favourite button		■ / ■	
Countdown timer / Count up timer		■ / -	
Safety time switch off / Main on/off switch		■ / ■	
HOOD FEATURES			
climateControl sensor / Metal grease filter		- / ■	
Power levels		9 + 2 Intensive	
Automatic intensive revert setting		6 minutes	
Automatic or manual control		■	
Automatic after running: Extraction / Recirculation		12 / 30 minutes	
Interval operation		■	
Dishwasher safe grease filter cassette with spillage collection		Yes - 200ml capacity	
Dishwasher safe spillage overflow collector		700ml capacity	
Electronic grease filter/cleanAir filter saturation indicators		- / -	
PERFORMANCE / TECHNICAL INFORMATION – HOB			
Maximum power output (W)		7,400	
Nominal voltage (V)		220-240	
Electrical cable length (cm)		110	
Rear left zone - power (kW) / dimensions (mm)		2.50	190 x 210
Rear right zone - power (kW) / dimensions (mm)		2.50	190 x 210
Front left zone - power (kW) / dimensions (mm)		2.50	190 x 210
Front right zone - power (kW) / dimensions (mm)		2.50	190 x 210
flexInduction zone left - power (kW) / dimensions (mm)		-	-
flexInduction zone right - power (kW) / dimensions (mm)		-	-
combiZone left - power (kW) / dimensions (mm)		3.60	380 x 210
combiZone right - power (kW) / dimensions (mm)		3.60	380 x 210
Rear left zone / Rear right zone - with powerBoost (max. kW)		3.70 / 3.70	
Front left zone / Front right zone - with powerBoost (max. kW)		3.70 / 3.70	
PERFORMANCE / TECHNICAL INFORMATION – EXTRACTOR			
Extractor energy efficiency rating		B	
Extraction rate in m <sup>3</sup> /h <sup>1),2)</sup>			
- ducted / recirculating power level minimum		154 / 117	
- ducted / recirculating power level maximum		500 / 487	
- ducted / recirculating power level intensive		622 / 595	
Noise level (sound power) based on dB[A] re 1pW <sup>3),4)</sup>			
- ducted / recirculating power level minimum		42 / 41	
- ducted / recirculating power level maximum		69 / 68	
- ducted / recirculating power level intensive		74 / 72	
Motor power (W)		170	

■ Yes, model has this feature. - Feature not available for this model.  
All models comply with COMMISSION (EC) No. 1275/2008 with regard to ecodesign requirements for standby and off mode electric power consumption.  
<sup>1</sup> Max 3 sensors at any time; one WSP provided. <sup>2</sup> Air flow and noise declarations made in line with CECEC Code Of Conduct. <sup>3</sup> Sound power measured according to EN60704-3 on largest pipe diameter.  
Data valid in this table as of April 2024. Subject to modification without prior notice.



### inductionAir Plus hob specifications

APPLIANCE TYPE		INDUCTIONAIR PLUS HOB					
Design family		iQ500		iQ300		iQ300	
Model number		ED711HQ26E		ED811BS16E		ED611BS16E	
DESIGN							
Width (mm)		710		802		592	
Control position / Control type		Front / touchSlider		Front / touchControl		Front / touchControl	
Style		Frameless		Frameless		Frameless	
KEY FEATURES							
Home Connect		■		-		-	
Integrated extractor		■		■		■	
cookingSensor Plus ready <sup>1</sup>		-		-		-	
fryingSensor Plus settings for hob		11 levels		-		-	
Favourite Button		■		-		-	
Automatic extraction		Auto-on		Auto-On		Auto-On	
Number of flexInduction zones		-		-		-	
Number of combiZones		2: Left & Right		1		1	
HOB FEATURES							
Number of individual zones / Power levels		4 / 17		4 / 17		4 / 17	
powerBoost / powerMove Plus		■ / -		■ / -		■ / -	
panBoost		via HC/Favourite Button a. sw upd.		-		-	
Adaptable volume / Energy consumption display		■ / -		- / -		- / -	
Keep warm function		via HC/Favourite Button a. sw upd.		-		-	
quickStart / Quick stop (Quick switch-off)		■ / -		■ / ■		■ / ■	
flexMotion / reStart		- / ■		- / ■		- / ■	
Demo mode		-		-		-	
Dish categories/setting recommendations		via HC app a. sw upd.		-		-	
Wipe protection function (Control panel pause)		-		-		-	
SAFETY FEATURES							
Residual heat indicator / Pan recognition		■ / ■		■ / ■		■ / ■	
Childproof lock / Favourite button		■ / ■		■ / -		■ / -	
Countdown timer / Count up timer		■ / -		■ / -		■ / -	
Safety time switch off / Main on/off switch		■ / ■		■ / ■		■ / ■	
HOOD FEATURES							
climateControl sensor / Metal grease filter		- / ■		- / ■		- / ■	
Power levels		9 + 2 intensive		3 + 1 intensive		3 + 1 intensive	
Automatic intensive revert setting		6 minutes		6 minutes		6 minutes	
Automatic or manual control		■		■		■	
Automatic after running: Extraction / Recirculation		12 / 30 minutes		12 / 30 minutes		12 / 30 minutes	
Interval operation		■		■		■	
Dishwasher safe grease filter cassette with spillage collection		Yes - 200ml capacity		Yes - 200ml capacity		Yes - 200ml capacity	
Dishwasher safe spillage overflow collector		700ml capacity		700ml capacity		700ml capacity	
Electronic grease filter/cleanAir filter saturation indicators		- / -		- / -		- / -	
PERFORMANCE / TECHNICAL INFORMATION – HOB							
Maximum power output (W)		7,400		7,400		7,400	
Nominal voltage (V)		220-240		220-240		220-240	
Electrical cable length (cm)		110		110		110	
Rear left zone - power (kW) / dimensions (mm)		2.50	190 x 210	2.20	190 x 210	2.20	190 x 210
Rear right zone - power (kW) / dimensions (mm)		2.50	190 x 210	1.80	180	1.40	145
Front left zone - power (kW) / dimensions (mm)		2.50	190 x 210	2.20	190 x 210	2.20	190 x 210
Front right zone - power (kW) / dimensions (mm)		2.50	190 x 210	2.20	210	2.20	210
flexInduction zone left - power (kW) / dimensions (mm)		-	-	-	-	-	-
flexInduction zone right - power (kW) / dimensions (mm)		-	-	-	-	-	-
combiZone left - power (kW) / dimensions (mm)		3.60	380 x 210	3.60	380 x 210	3.60	380 x 210
combiZone right - power (kW) / dimensions (mm)		3.60	380 x 210	-	-	-	-
Rear left zone / Rear right zone - with powerBoost (max. kW)		3.70 / 3.70		3.70 / 3.10		3.70 / 3.20	
Front left zone / Front right zone - with powerBoost (max. kW)		3.70 / 3.70		3.70 / 3.70		3.70 / 3.70	
PERFORMANCE / TECHNICAL INFORMATION – EXTRACTOR							
Extractor energy efficiency rating		B		B		B	
Extraction rate in m <sup>3</sup> /h <sup>1),2)</sup>							
- ducted / recirculating power level minimum		154 / 117		330 / 252		330 / 252	
- ducted / recirculating power level maximum		500 / 487		500 / 441		500 / 441	
- ducted / recirculating power level intensive		622 / 595		622 / 595		622 / 595	
Noise level (sound power) based on dB[A] re 1pW <sup>3),4)</sup>							
- ducted / recirculating power level minimum		42 / 41		61 / 55		61 / 55	
- ducted / recirculating power level maximum		69 / 68		69 / 66		69 / 66	
- ducted / recirculating power level intensive		74 / 72		74 / 72		74 / 72	
Motor power (W)		170		170		170	

■ Yes, model has this feature. - Feature not available for this model.  
All models comply with COMMISSION (EC) No. 1275/2008 with regard to ecodesign requirements for standby and off mode electric power consumption.  
<sup>1</sup> Max 3 sensors at any time; one WSP provided. <sup>2</sup> Air flow and noise declarations made in line with CECEC Code Of Conduct. <sup>3</sup> Sound power measured according to EN60704-3 on largest pipe diameter.  
Data valid in this table as of April 2024. Subject to modification without prior notice.



# Decorative hoods

## iQ 700 LC91KLT60B

Angled glass chimney hood  
Black glass

90cm



Angled hood specifications

APPLIANCE TYPE	ANGLED GLASS CHIMNEY HOOD
Width	90cm
Design family	iQ 700
Model number	LC91KLT60B
Colour	Black glass
<b>KEY FEATURES</b>	
Home Connect	■
Adjustable LED white colour temperature	■
climateControl sensor	■
Intelligent Hood Automatic	-
cookConnect hob based hood control	■
iQdrive	■
Intensive setting / Automatic intensive revert <sup>1</sup>	■ / ■
Filter Saturation Indicator	■
<b>FEATURES</b>	
Suitable for ducted / recirculating operation	■ / ■
Electronic power level display	■
Power levels	3 + 2 intensive
Automatic after running (minutes)	10
Lighting	2 x LED lights
Type of control	Touch control
<b>PERFORMANCE / TECHNICAL INFORMATION</b>	
Energy rating	A+
Appliance width (mm)	890
<b>Extraction Rate in m<sup>3</sup>/h<sup>2,3</sup></b>	
- ducted / recirculating at power level 3	441 / 435
- ducted / recirculating at power level 4 or intensive setting 1	753 / 752
- ducted / recirculating, intensive setting or intensive setting 2	1007 / 964
<b>Noise level (sound power) based on dB [A] re 1pW<sup>2,4</sup></b>	
- ducted / recirculating at power level 3	51 / 59
- ducted / recirculating at power level 4 or intensive setting 1	65 / 72
- ducted / recirculating, intensive setting or intensive setting 2	70 / 78
Pipe outlet diameter (mm)	150
Minimum distance above an electric / gas hob <sup>5</sup> (mm)	450 / 650
GB plug	■

■ Yes, model has this feature. - Feature not available for this model.

<sup>1</sup>Power automatically reverts back to normal setting after intensive.

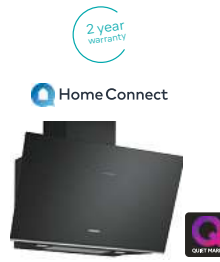
<sup>2</sup>Air Flow and noise declarations made in line with CECEC Code of Conduct.

<sup>3</sup>Measured according to EN61591 on largest pipe diameter.

<sup>4</sup>Sound power measured according to EN60704-3 on largest pipe diameter.

<sup>5</sup>From top of pan supports.

Data valid in this table as of April 2024. Subject to modification without prior notice.



Angled hood specifications

APPLIANCE TYPE	ANGLED GLASS CHIMNEY HOODS	
Width	80cm	60cm
Design family	iQ 300	iQ 300
Model number	LC87KFN60B	LC67KFN60B
Colour	Black glass	Black glass
<b>KEY FEATURES</b>		
Home Connect	■	■
Adjustable LED white colour temperature	■	■
climateControl sensor	-	-
Intelligent Hood Automatic	■	■
cookConnect hob based hood control	■	■
iQdrive	■	■
Intensive setting / Automatic intensive revert <sup>1</sup>	■ / ■	■ / ■
Filter Saturation Indicator	via Home Connect	via Home Connect
<b>FEATURES</b>		
Suitable for ducted / recirculating operation	■ / ■	■ / ■
Electronic power level display	■	■
Power levels	3 + 1 intensive	3 + 1 intensive
Automatic after running (minutes)	10	10
Lighting	2 x LED lights	2 x LED lights
Type of control	Touch control	Touch control
<b>PERFORMANCE / TECHNICAL INFORMATION</b>		
Energy rating	A+	A+
Appliance width (mm)	790	590
<b>Extraction Rate in m<sup>3</sup>/h<sup>2,3</sup></b>		
- ducted / recirculating at power level 3	431 / 429	431 / 429
- ducted / recirculating at power level 4 or intensive setting 1	768 / 724	768 / 724
- ducted / recirculating, intensive setting or intensive setting 2	- / -	- / -
<b>Noise level (sound power) based on dB [A] re 1pW<sup>2,4</sup></b>		
- ducted / recirculating at power level 3	56 / 62	56 / 62
- ducted / recirculating at power level 4 or intensive setting 1	68 / 74	68 / 74
- ducted / recirculating, intensive setting or intensive setting 2	- / -	- / -
Pipe outlet diameter (mm)	150	150
Minimum distance above an electric / gas hob <sup>5</sup> (mm)	450 / 650	450 / 650
GB plug	■	■

■ Yes, model has this feature. - Feature not available for this model.

<sup>1</sup>Power automatically reverts back to normal setting after intensive.

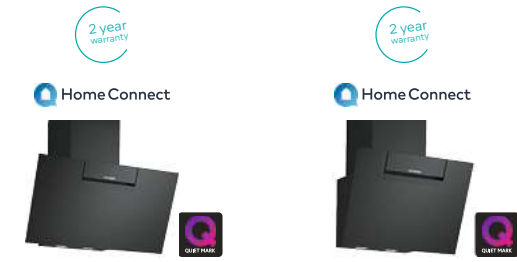
<sup>2</sup>Air Flow and noise declarations made in line with CECEC Code of Conduct.

<sup>3</sup>Measured according to EN61591 on largest pipe diameter.

<sup>4</sup>Sound power measured according to EN60704-3 on largest pipe diameter.

<sup>5</sup>From top of pan supports.

Data valid in this table as of April 2024. Subject to modification without prior notice.



# Box chimney hoods

## iQ 300 LC97BHM50B

Box chimney hood  
Stainless steel

90cm



Box chimney hood specifications

APPLIANCE TYPE	BOX CHIMNEY HOOD
Width	90cm
Design family	iQ 300
Model number	LC97BHM50B
Colour	Stainless steel
<b>KEY FEATURES</b>	
Intensive setting / Automatic intensive revert <sup>1</sup>	■ / ■
<b>FEATURES</b>	
Suitable for ducted / recirculating operation	■ / ■
Type of control	Touch control
Power levels	3 + 1 intensive
Electronic power level display	■
Automatic after running (minutes)	-
Lighting	2 x LED lights
<b>PERFORMANCE / TECHNICAL INFORMATION</b>	
Appliance width (mm)	900
Extraction Rate in m <sup>3</sup> /h <sup>2,3</sup>	
- ducted / recirculating at power level 3	454 / 404
- ducted / recirculating at power level 4 or intensive setting 1	739 / 499
Noise level (sound power) based on dB [A] re 1pW <sup>2,4</sup>	
- ducted / recirculating at power level 3	65 / 82
- ducted / recirculating at power level 4 or intensive setting 1	74 / 76
Pipe outlet diameter (mm)	150 / 120
Minimum distance above an electric / gas hob <sup>5</sup> (mm)	550 / 650
GB plug	■
Energy rating	B

■ Yes, model has this feature. - Feature not available for this model.

<sup>1</sup>Power automatically reverts back to normal setting after intensive.

<sup>2</sup>Air Flow and noise declarations made in line with CECED Code of Conduct.

<sup>3</sup>Measured according to EN61591 on largest pipe diameter.

<sup>4</sup>Sound power measured according to EN60704-3 on largest pipe diameter.

<sup>5</sup>From top of pan supports.

Data valid in this table as of April 2024. Subject to modification without prior notice.



Box chimney hood specifications

APPLIANCE TYPE	BOX CHIMNEY HOODS	
Width	60cm	60cm
Design family	iQ 300	iQ 100
Model number	LC67BHM50B	LC64BBC50B
Colour	Stainless steel	Stainless steel
<b>KEY FEATURES</b>		
Intensive setting / Automatic intensive revert <sup>1</sup>	■ / ■	- / -
<b>FEATURES</b>		
Suitable for ducted / recirculating operation	■ / ■	■ / ■
Type of control	Touch control	Push button control
Power levels	3 + 1 intensive	3
Electronic power level display	■	-
Automatic after running (minutes)	-	-
Lighting	2 x LED lights	2 x LED lights
<b>PERFORMANCE / TECHNICAL INFORMATION</b>		
Appliance width (mm)	600	600
Extraction Rate in m <sup>3</sup> /h <sup>2,3</sup>		
- ducted / recirculating at power level 3	459 / 404	365 / 197
- ducted / recirculating at power level 4 or intensive setting 1	752 / 499	- / -
Noise level (sound power) based on dB [A] re 1pW <sup>2,4</sup>		
- ducted / recirculating at power level 3	64 / 72	63 / 66
- ducted / recirculating at power level 4 or intensive setting 1	73 / 76	- / -
Pipe outlet diameter (mm)	150 / 120	150 / 120
Minimum distance above an electric / gas hob <sup>5</sup> (mm)	550 / 650	550 / 650
GB plug	■	■
Energy rating	B	D

■ Yes, model has this feature. - Feature not available for this model.

<sup>1</sup>Power automatically reverts back to normal setting after intensive.

<sup>2</sup>Air Flow and noise declarations made in line with CECED Code of Conduct.

<sup>3</sup>Measured according to EN61591 on largest pipe diameter.

<sup>4</sup>Sound power measured according to EN60704-3 on largest pipe diameter.

<sup>5</sup>From top of pan supports.

Data valid in this table as of April 2024. Subject to modification without prior notice.





# Integrated design hoods



## iQ 500 LJ97BAM60B

Integrated extractor hood  
Black body & fold out glass

90cm



Integrated design hood specifications



APPLIANCE TYPE	INTEGRATED DESIGN HOODS	
Width	90cm	60cm
Design family	iQ 500	iQ 500
Model number	LJ97BAM60B	LJ67BAM60B
Colour	Black	Black
<b>SPECIAL FEATURES</b>		
Storage space	10kg each side	10kg each side
Intensive setting / Automatic intensive revert <sup>1</sup>	■ / ■	■ / ■
<b>FEATURES</b>		
Suitable for ducted / recirculating operation	■ / ■	■ / ■
Power levels	3 + 1 intensive	3 + 1 intensive
Lighting	2 x LED lights	2 x LED lights
Type of control	Touch control	Touch control
<b>PERFORMANCE / TECHNICAL INFORMATION</b>		
Energy rating	B	B
Appliance width (mm)	897	597
<b>Extraction Rate in m<sup>3</sup>/h <sup>2,3</sup></b>		
– ducted / recirculating at power level 3	460 / 451	460 / 451
– ducted / recirculating, intensive setting 1	749 / 652	749 / 652
<b>Noise level (sound power) based on dB [A] re 1pW <sup>2,4</sup></b>		
– ducted / recirculating at power level 3	63 / 67	63 / 67
– ducted / recirculating, intensive setting 1	73 / 74	73 / 74
Pipe outlet diameter (mm)	150 / 120	150 / 120
Minimum distance above an electric / gas hob <sup>5</sup> (mm)	430 / 650	430 / 650
GB plug	■	■

■ Yes, model has this feature. – Feature not available for this model.

<sup>1</sup>Power automatically reverts back to normal setting after intensive.

<sup>2</sup>Air Flow and noise declarations made in line with CECEd Code of Conduct.

<sup>3</sup>Measured according to EN61591 on largest pipe diameter.

<sup>4</sup>Sound power measured according to EN60704-3 on largest pipe diameter.

<sup>5</sup>From top of pan supports.

Data valid in this table as of April 2024. Subject to modification without prior notice.

# Telescopic hoods

## iQ 300 LI94MA531B

Telescopic extractor hood  
Stainless steel

90cm



Telescopic hood specifications

APPLIANCE TYPE	TELESCOPIC HOODS	
	90cm	60cm
Width	90cm	60cm
Design family	iQ 300	iQ 300
Model number	LI94MA531B	LI64MA531B
Colour	Silver metallic lacquer	Silver metallic lacquer
<b>KEY FEATURES</b>		
iQdrive®	■	■
Intensive setting / Automatic intensive revert. <sup>1</sup>	■ / ■	■ / ■
<b>FEATURES</b>		
Suitable for ducted / recirculating operation	■ / ■	■ / ■
Furniture door required	■	■
Automatic after running (minutes)	10	10
Lighting	3 x LED	2 x LED
Controls	Soft touch	Soft touch
Power levels	3 + 1 intensive	3 + 1 intensive
<b>PERFORMANCE / TECHNICAL INFORMATION</b>		
Energy rating	A	A
Appliance width (mm)	898	598
Extraction Rate in m <sup>3</sup> /h <sup>2,3</sup>		
- ducted / recirculating at power level 3	266 / 263	268 / 263
- ducted / recirculating, intensive level 1	412 / 353	400 / 353
Noise level (sound power) based on dB [A] re 1pW <sup>2,4</sup>		
- ducted / recirculating at power level 3	63 / 64	62 / 64
- ducted / recirculating, intensive level 1	70 / 68	69 / 68
Pipe outlet diameter (mm)	150 / 120	150 / 120
Minimum distance above an electric / gas hob <sup>5</sup> (mm)	430 / 650	430 / 650
GB plug	■	■

■ Yes, model has this feature. – Feature not available for this model.

<sup>1</sup>Power automatically reverts back to normal setting after intensive.

<sup>2</sup>Air Flow and noise declarations made in line with CECEC Code of Conduct.

<sup>3</sup>Measured according to EN61591 on largest pipe diameter.

<sup>4</sup>Sound power measured according to EN60704-3 on largest pipe diameter.

<sup>5</sup>From top of pan supports.

Data valid in this table as of April 2024. Subject to modification without prior notice.



## iQ 100 LE66MAC00B

Integrated extractor hood  
Metallic silver

60cm



Integrated hood specifications

APPLIANCE TYPE	INTEGRATED HOOD
Width	60cm
Design family	iQ 100
Model number	LE66MAC00B
Colour	Silver metallic lacquer
<b>FEATURES</b>	
Suitable for ducted / recirculating operation	■ / ■
Type of control	Push button control
Power levels	3
Lighting	2 x LED lights
<b>PERFORMANCE / TECHNICAL INFORMATION</b>	
Energy rating	B
Appliance width (mm)	599
Extraction Rate in m <sup>3</sup> /h <sup>2,3</sup>	
- ducted / recirculating at power level 1	256 / 208
- ducted / recirculating at power level 2	352 / 320
- ducted / recirculating at power level 3	625 / 416
Noise level (sound power) based on dB [A] re 1pW <sup>2,4</sup>	
- ducted / recirculating at power level 1	49 / 57
- ducted / recirculating at power level 2	56 / 68
- ducted / recirculating at power level 3	70 / 75
Pipe outlet diameter (mm)	150 / 120
Minimum distance above an electric / gas hob <sup>5</sup> (mm)	500 / 650
GB plug	■

■ Yes, model has this feature. – Feature not available for this model.

<sup>1</sup>Power automatically reverts back to normal setting after intensive.

<sup>2</sup>Air Flow and noise declarations made in line with CECEC Code of Conduct.

<sup>3</sup>Measured according to EN61591 on largest pipe diameter.

<sup>4</sup>Sound power measured according to EN60704-3 on largest pipe diameter.

<sup>5</sup>From top of pan supports.

Data valid in this table as of April 2024. Subject to modification without prior notice.





# Canopy hoods

## iQ 500 LB78574GB

Canopy hood  
Stainless steel

70cm



### Canopy hood specifications

APPLIANCE TYPE	CANOPY HOOD
Width	70 / 73cm
Design family	iQ 500
Model number	LB78574GB
Colour	Stainless steel
<b>KEY FEATURES</b>	
Intensive setting / Automatic intensive revert <sup>1</sup>	■ / ■
<b>FEATURES</b>	
Suitable for ducted / recirculating operation	■ / ■
Type of control	Soft touch button control
Power levels	3 + 1 intensive
Lighting	2 x LED lights
Number of metal grease filter cassettes	2
<b>PERFORMANCE / TECHNICAL INFORMATION</b>	
Energy rating	C
Appliance width (mm)	700
<b>Extraction Rate in m<sup>3</sup>/h <sup>2,3</sup></b>	
- ducted / recirculating at power level 3	630 / 571
- ducted / recirculating at power level 4 or intensive setting 1	730 / 664
<b>Noise level (sound power) based on dB [A] re 1pW <sup>2,4</sup></b>	
- ducted / recirculating at power level 3	66 / 72
- ducted / recirculating at power level 4 or intensive setting 1	69 / 75
Pipe outlet diameter (mm)	150 / 120
Minimum distance above an electric / gas hob <sup>5</sup> (mm)	500 / 650
GB plug	■

■ Yes, model has this feature. – Feature not available for this model.

<sup>1</sup>Power automatically reverts back to normal setting after intensive.

<sup>2</sup>Air Flow and noise declarations made in line with CECEC Code of Conduct.

<sup>3</sup>Measured according to EN61591 on largest pipe diameter.

<sup>4</sup>Sound power measured according to EN60704-3 on largest pipe diameter.

<sup>5</sup>From top of pan supports.

Data valid in this table as of April 2024. Subject to modification without prior notice.



### Canopy hood specifications

APPLIANCE TYPE	CANOPY HOODS		
Width	70 / 73cm	52 / 53cm	
Design family	iQ 300	iQ 500	iQ 100
Model number	LB75565GB	LB57574GB	LB53NAA30B
Colour	Silver metallic lacquer	Stainless steel	Silver metallic lacquer
<b>KEY FEATURES</b>			
Intensive setting / Automatic intensive revert <sup>1</sup>	■ / –	■ / ■	– / –
<b>FEATURES</b>			
Suitable for ducted / recirculating operation	■ / ■	■ / ■	■ / ■
Type of control	Slider switch	Soft touch button control	Push button control
Power levels	3 + 1 intensive	3 + 1 intensive	3
Lighting	2 x LED lights	2 x LED lights	2 x LED lights
Number of metal grease filter cassettes	2	1	1
<b>PERFORMANCE / TECHNICAL INFORMATION</b>			
Energy rating	C	C	D
Appliance width (mm)	730	520	534
<b>Extraction Rate in m<sup>3</sup>/h <sup>2,3</sup></b>			
- ducted / recirculating at power level 3	379 / 278	560 / 533	302 / 300
- ducted / recirculating at power level 4 or intensive setting 1	638 / 408	615 / 581	– / –
<b>Noise level (sound power) based on dB [A] re 1pW <sup>2,4</sup></b>			
- ducted / recirculating at power level 3	56/65	67 / 72	62 / 65
- ducted / recirculating at power level 4 or intensive setting 1	68/72	70 / 74	– / –
Pipe outlet diameter (mm)	150/120	150/120	120
Minimum distance above an electric / gas hob <sup>5</sup> (mm)	650/650	500/650	550/650
GB plug	■	■	■

■ Yes, model has this feature. – Feature not available for this model.

<sup>1</sup>Power automatically reverts back to normal setting after intensive.

<sup>2</sup>Air Flow and noise declarations made in line with CECEC Code of Conduct.

<sup>3</sup>Measured according to EN61591 on largest pipe diameter.

<sup>4</sup>Sound power measured according to EN60704-3 on largest pipe diameter.

<sup>5</sup>From top of pan supports.

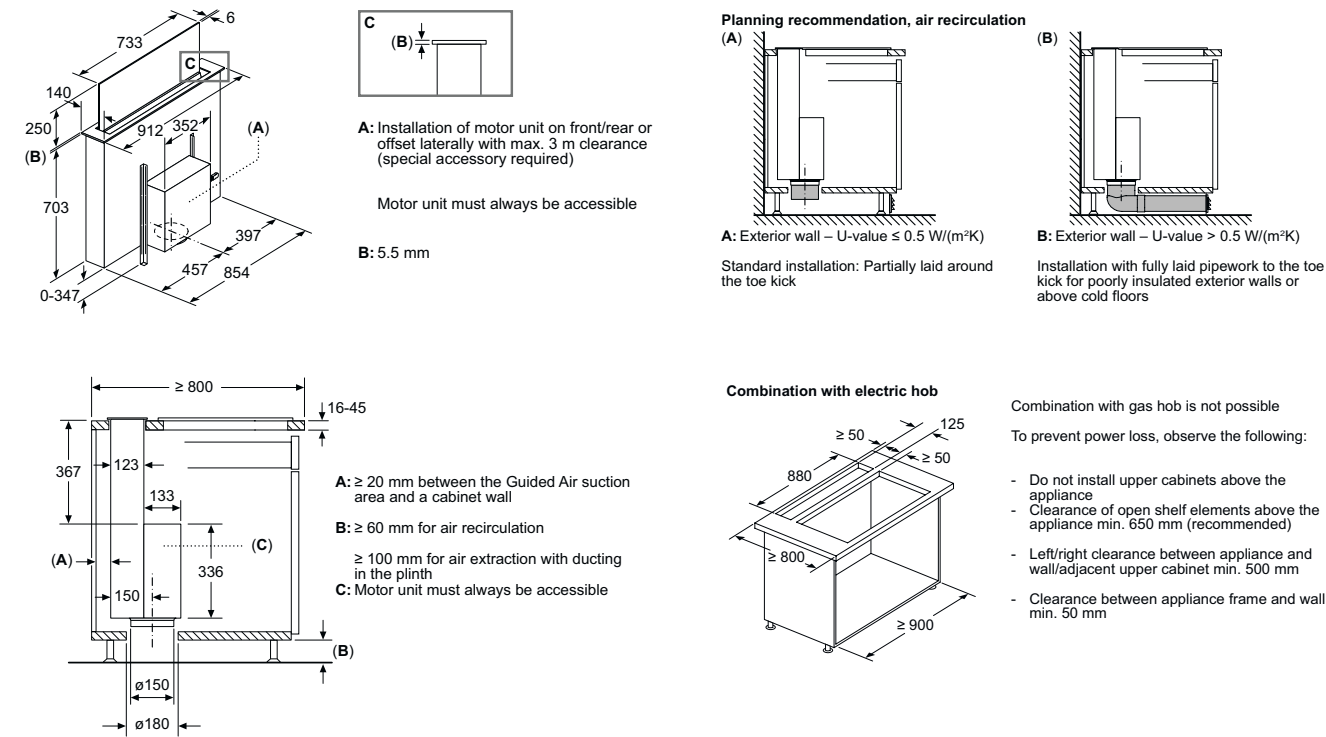
Data valid in this table as of April 2024. Subject to modification without prior notice.



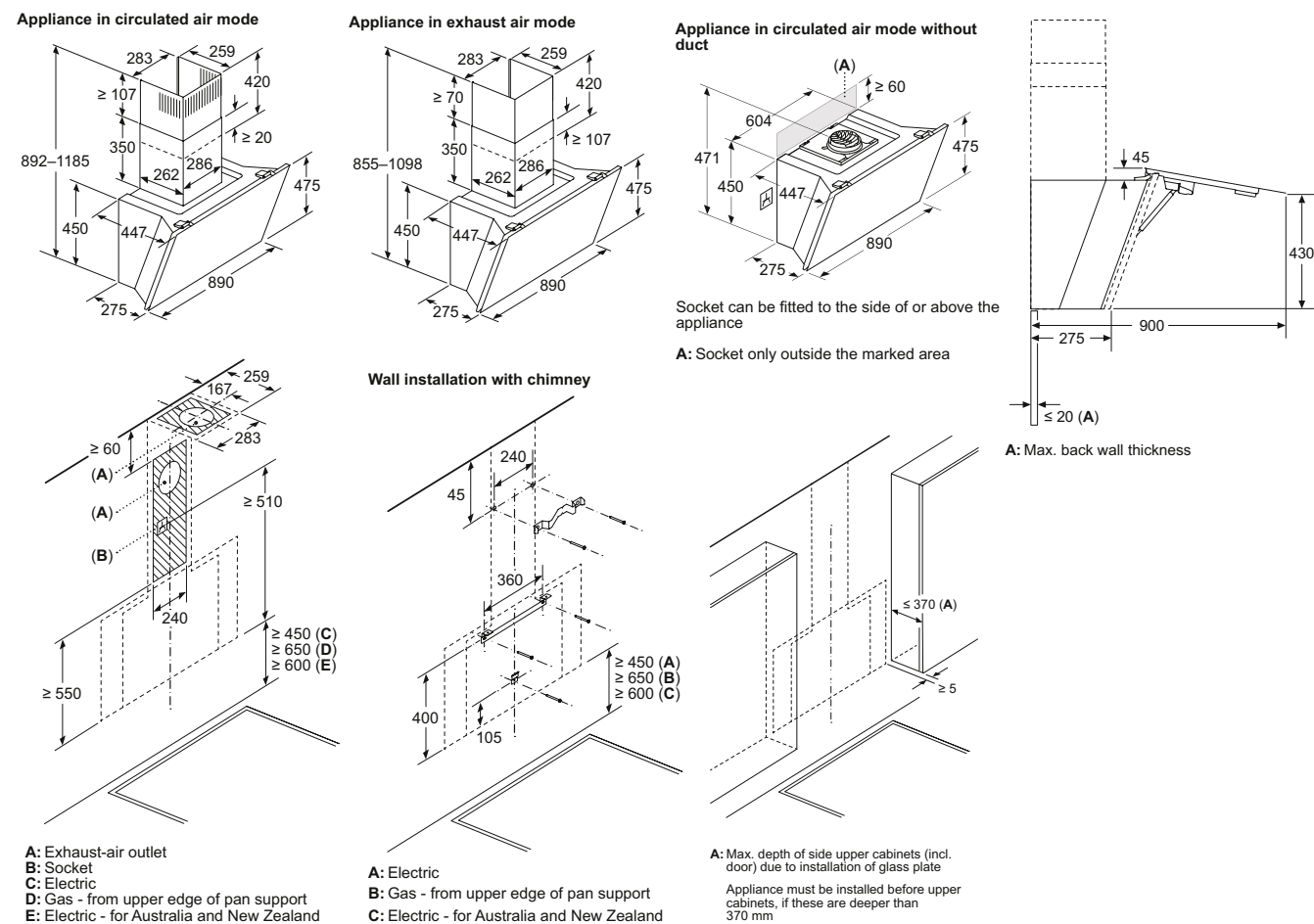
# Hood technical diagrams

## glassdraftAir hood LD98WMM60B

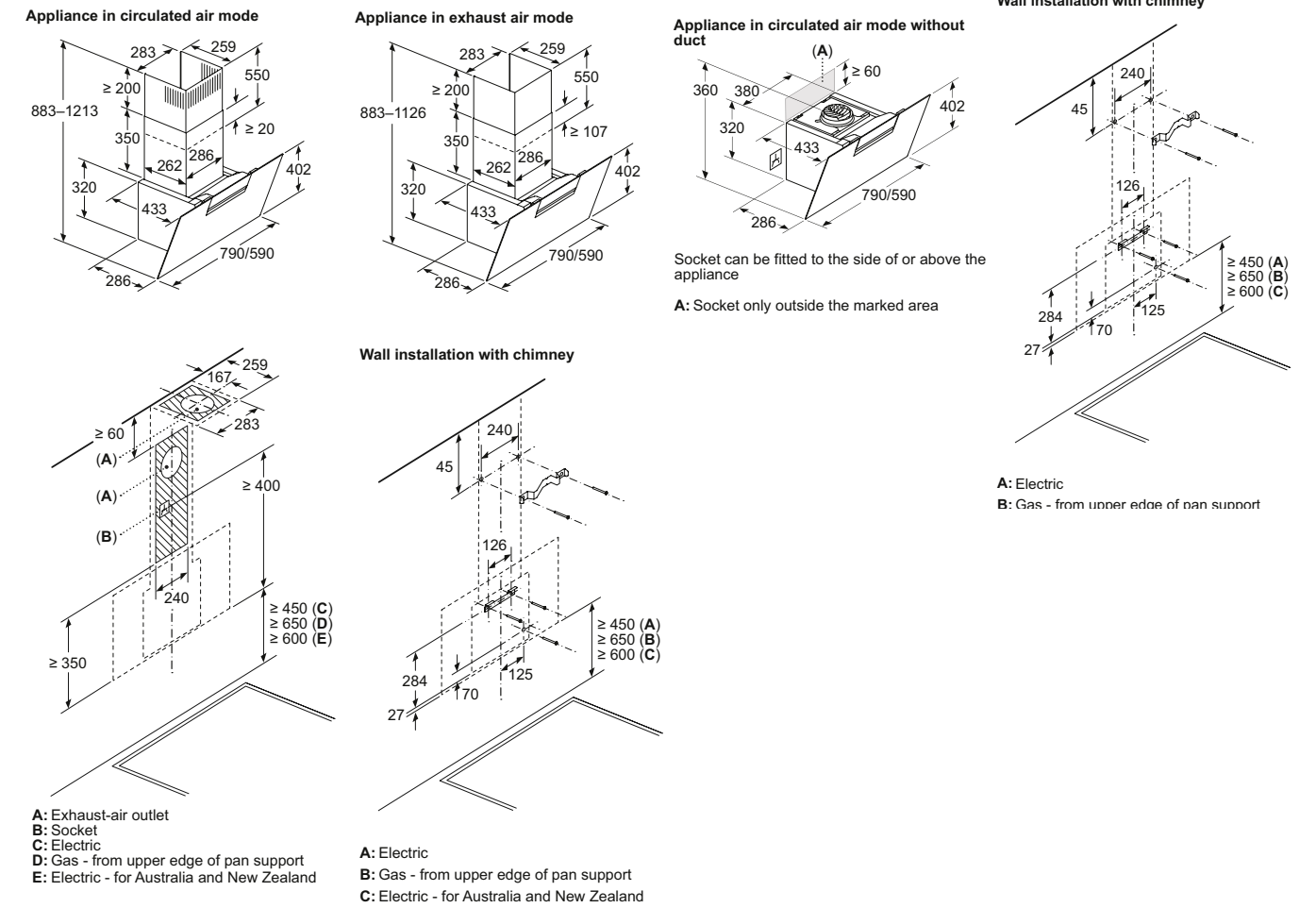
Technical diagrams for seamless installation can be found online at [siemens-home.bsh-group.com/uk](http://siemens-home.bsh-group.com/uk)



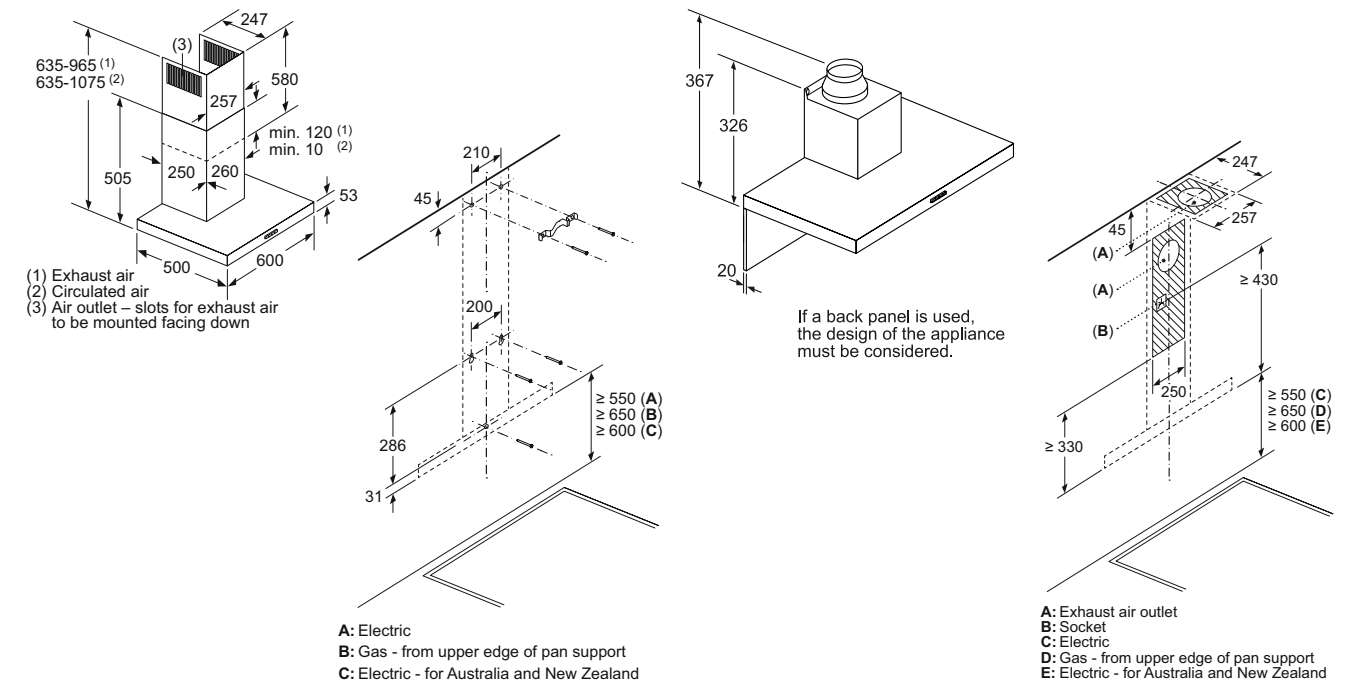
## Angled chimney hood LC91KLT60B



## Angled chimney hoods LC87KFN60B and LC67KFN60B



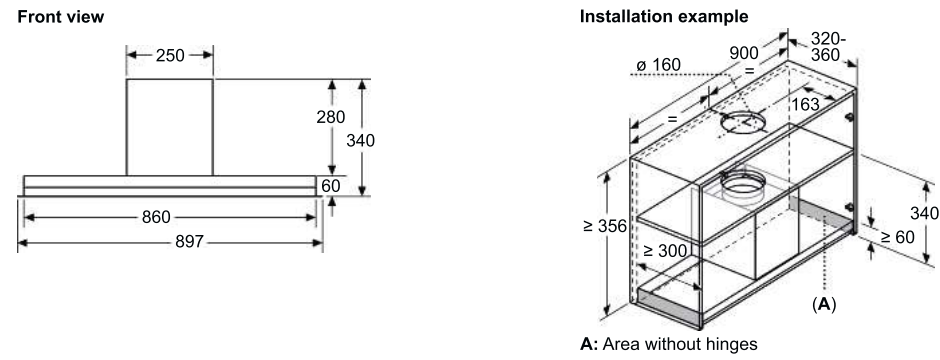
## Box chimney hoods LC97BHM50B, LC67BHM50B and LC64BBC50B





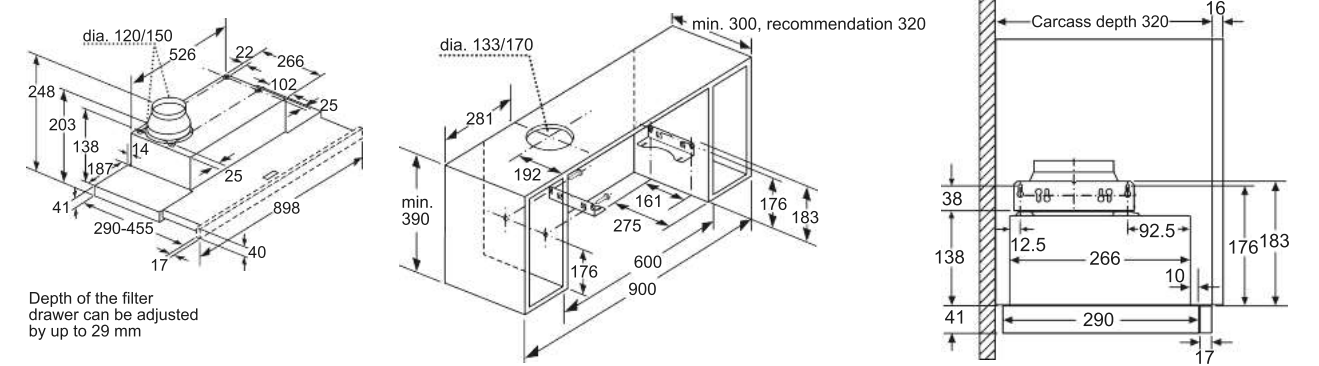
# Hood technical diagrams

## Integrated design hood LJ97BAM60B

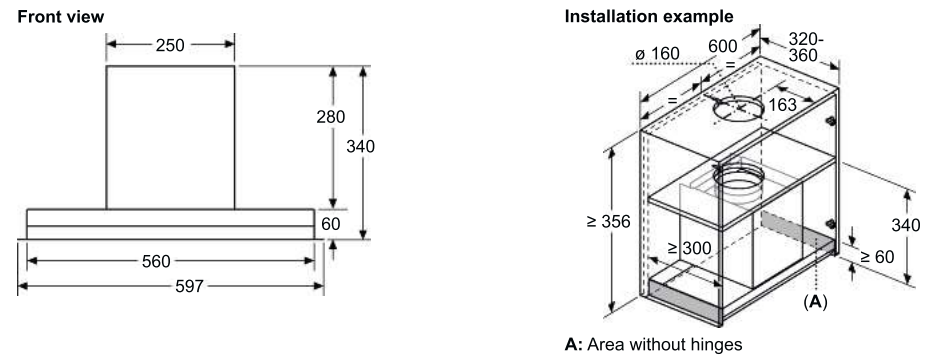


## Telescopic hood LI94MA531B

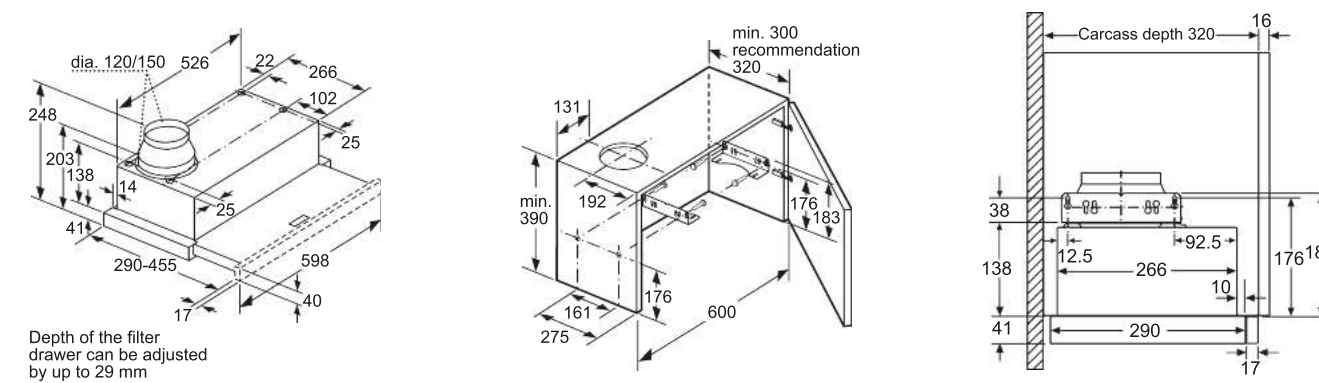
For installing the 90cm telescopic hood in a 90cm wide wall-hanging cupboard, a special wall-hanging cupboard from the kitchen unit manufacturer is required.



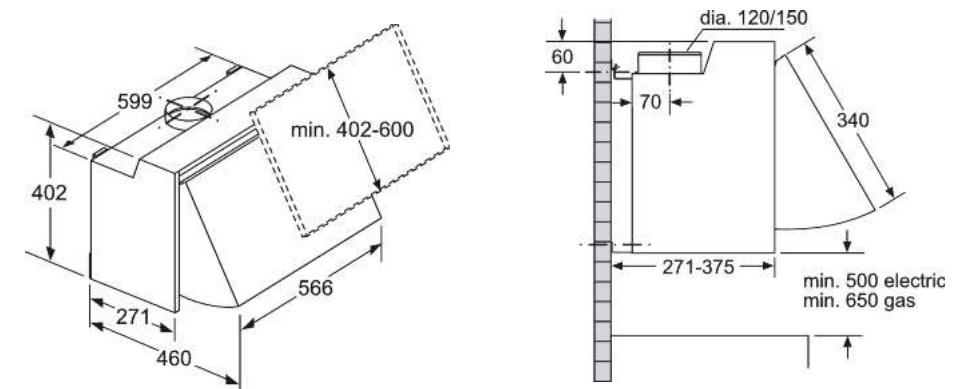
## Integrated design hood LJ67BAM60B



## Telescopic hood LI64MA531B

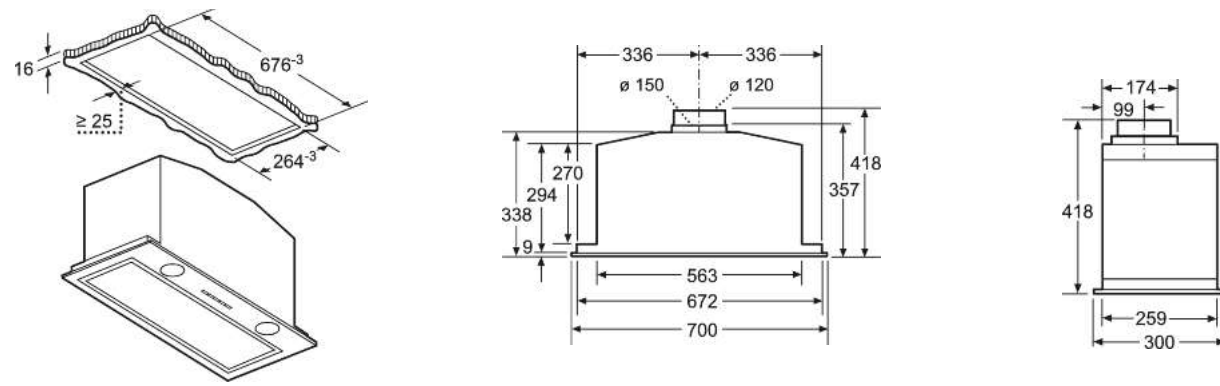


## Integrated hoods LE66MAC00B

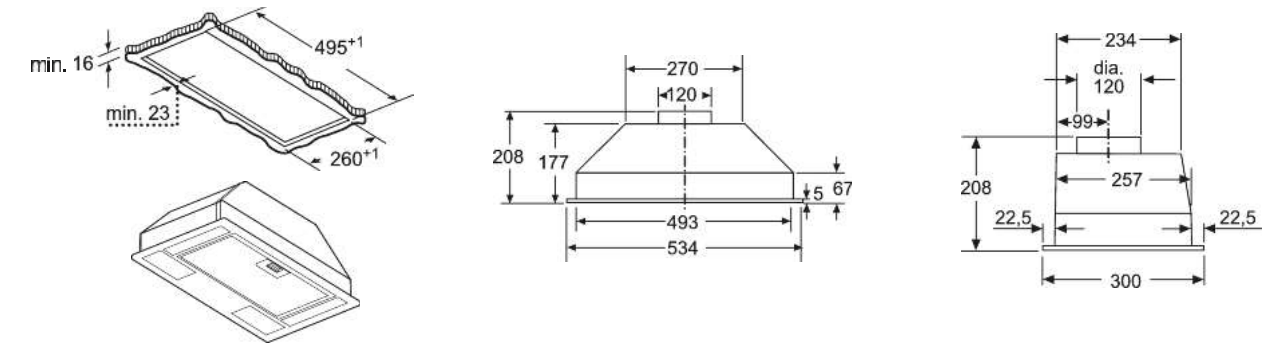


# Hood technical diagrams

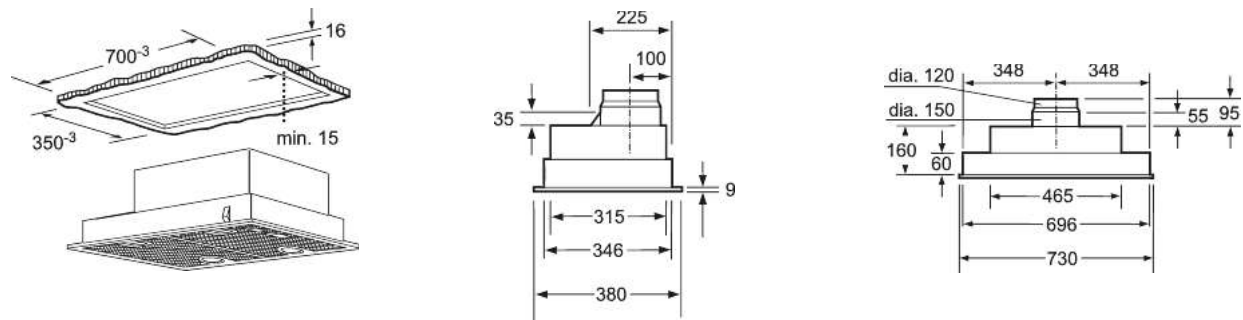
Canopy hoods LB78574GB



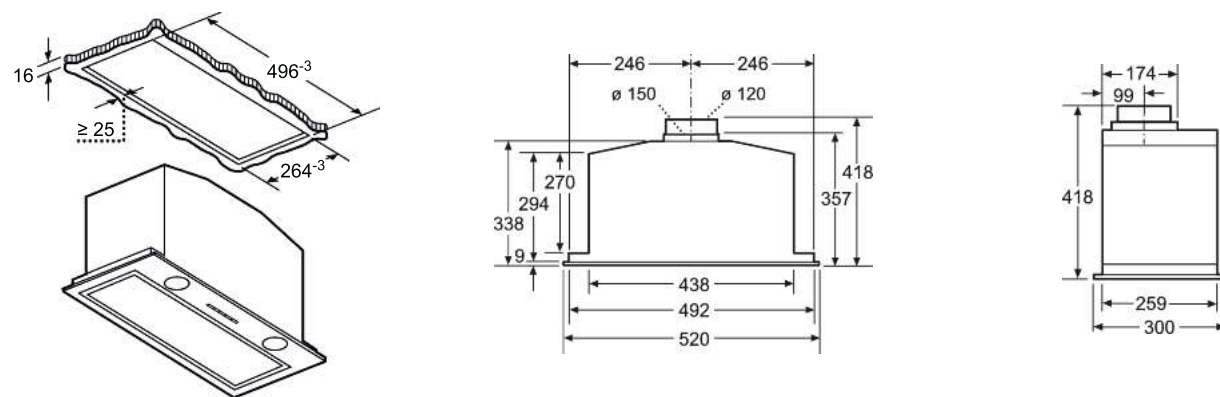
Canopy hood LB53NAA30B



Canopy hood LB75565GB



Canopy hood LB57574GB





# Intelligent cooling appliances for long lasting freshness

Siemens built-in cooling appliances provide the ultimate way to store food flexibly and correctly for optimum freshness.

From our smallest built-in fridge to our most impressive, each appliance brings more freshness and convenience. Siemens cooling appliances offer combinations for every individual requirement, taste and kitchen design. Siemens built-in fridges, freezers and wine coolers come in a wide range of models offering full flexibility when planning a kitchen.



Built-in  
Cooling



Model shown: K186NHFE0 fridge freezer

## Siemens built-in cooling warranties:



### 5 year warranty

A five year warranty is available on selected built-in cooling appliances listed in this brochure to protect against manufacturing and material faults during this warranty period.

Offer dates: 01.04.24 – 31.03.25. Online registration required. For full T&Cs and qualifying appliances visit [siemens-home.bsh-group.com/ie/customer-service/warranty](https://siemens-home.bsh-group.com/ie/customer-service/warranty)



### 2 Year warranty

All Siemens built-in cooling appliances listed in this brochure have a two year manufacturer's warranty as standard to protect against manufacturing or material faults.



### Compressor Drive 10 Year Warranty

Available on selected Siemens built-in fridges and fridge freezers, this warranty covers defects in the compressor motor.

To find out more about warranty and for registration, please visit: [siemens-home.bsh-group.com/ie/customer-service/warranty](https://siemens-home.bsh-group.com/ie/customer-service/warranty)



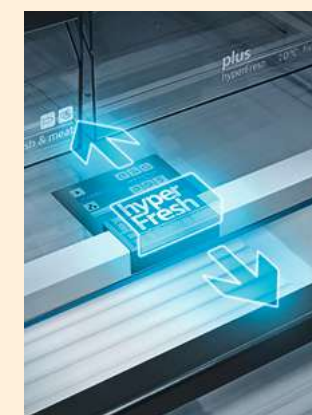
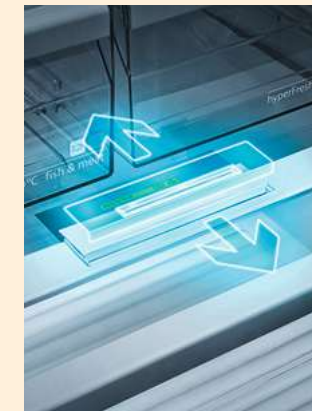
# Keep food fresh for longer



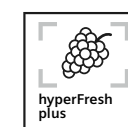
Model shown: K181FHOD0 hyperFresh premium

## hyperFresh technology:

Set the right conditions to ensure food stays fresh for longer: hyperFresh humidity drawers and near 0°C chiller drawers.



**Freshness controlled: hyperFresh**  
The stylish hyperFresh control panel enables simple adjustment to the humidity in the fridge. The hyperFresh drawer with rippled base allows cool air to easily circulate around fruits and vegetables. As a result, the quality and freshness of food will be retained.



**Shelf life maximised: hyperFresh Plus**  
The hyperFresh Plus drawer does not just store food, it provides the right conditions to keep ingredients fresh for longer. Whether it is being used for storing fruits or vegetables, it will increase shelf life and reduce food wastage. Simply switch between the 2 control settings, and the humidity will be adjusted for optimum storage of the food.



**Food stays fresh for longer: hyperFresh Premium**  
With a choice of 3 humidity controls, simply select between storing fruits, vegetables, or both. The hyperFresh Premium drawer will regulate how much humidity the food receives. These innovative drawers help to keep in nutrients and minerals to create delicious meals and fewer trips to the supermarkets, saving time, effort and money. hyperFresh Premium is available in selected Siemens single door fridges only.

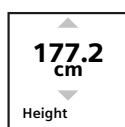
**hyperFresh near 0°C chiller drawers. Perfectly fresh for fish and meat:**  
hyperFresh and hyperFresh Plus models: The two hyperFresh near 0°C chiller drawers are specially designed for the storage needs of fish and meat. Keep them fresher in ideal conditions near 0°C to retain the vitamins and minerals for longer. With two separate compartments the transfer of unpleasant smells will be avoided.

hyperFresh Premium models: These variants come complete with a larger full-length near 0°C chiller drawer, where fish and meat are stored at the perfect temperature.



# Create combinations to fit every lifestyle

Our built-in cooling appliances come in a wide range of heights and widths to create the perfect combination for the kitchen.



### Height and width

Our built-in cooling appliances are available in a range of heights and widths to fit within a variation of kitchen designs and available spaces.

Height and width:

All dimensions are shown as Height x Width.

#### Multi Door / American Style

Model shown: **KF96DPXEA**



183.0 x 90.5cm (freestanding)

#### American Style

Model shown: **KA93GAIDP**



178.7 x 90.8cm (freestanding)

#### Fridge freezers

Model shown: **KI86NADD0**



177.2 x 55.8cm  
177.2 x 54.1cm  
193.5 x 70.8cm  
193.5 x 69.1cm  
193.5 x 54.1cm

#### Single Door Fridges

Model shown: **KI81RADD0G**



177.2 x 59.8cm  
177.2 x 54cm  
139.7 x 55.8cm  
122.1 x 54.1cm  
82 x 59.8cm

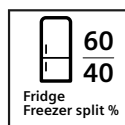
#### Single Door Freezers

Model shown: **GI81NHCE0G**



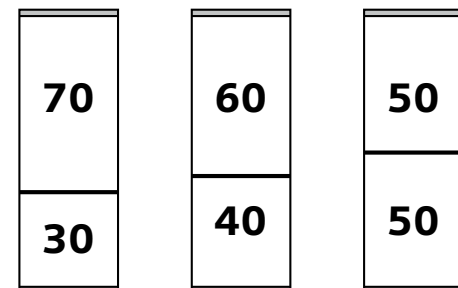
177.2 x 55.8cm  
82 x 59.8cm

### Fridge Freezer split options:



#### Fridge Freezer split %

Our range of fridge freezers are available in a variety of sizes with different splits of fridge areas and freezer areas. Alternatively, a bespoke split can be created using separate fridge and freezer units stacked or paired side-by-side.



### Flexible shelves and door racks.

Enjoy convenience with easyLift shelves. Even when full, the shelves can be raised or lowered by 6cm to make room for taller items – ideal for serving jugs. Our easyLift door trays are also great for large bottles in the fridge door, the shelf can be adjusted to meet the flexible requirements of individual lifestyles.



modularFit cooling appliances for flexible design.

#### Siemens modularFit appliances are freely combinable.

A kitchen should match the household's lifestyle. That is why our single door cooling and freezing appliances can be combined perfectly for individual requirements and taste. With unique and innovative cooling technologies the appliances can even enrich everyday life. Siemens modularFit appliances come with exciting innovations like hyperFresh and noFrost technology. The simple installation as well as an energy efficiency category offers maximum flexibility and freshness.

#### Combine cooling and freezing appliances in any way with modularFit.

Thanks to the anti-condensation technology, it is possible to install cooling and freezing appliances next to each other in multiple different layouts. The innovative technology prevents the build-up of moisture between the appliances, keeping everything fresh and clean.

#### Models that can sit side-by-side:

##### Built-in Fridges

KI81RADD0G  
KI81RNSE0G  
KI81RVFE0G  
KI82LVFE0

##### Built-in Freezers

GI81NHCE0G  
GI81NVEE0G



Side-by-side example for illustrative purposes

### Choosing the right hinge: fixed and sliding.

Siemens built-in cooling appliances are available with specific types of hinges that either aid the installation and design of the kitchen or can be matched for replacement appliances.



Fixed hinge

#### Fixed hinge

A fixed hinge means that the furniture door is mounted to the appliance door. Advantages of a fixed hinge mean that we can offer softClosing doors that automatically close at an angle of approx 15°-20° preventing the door from accidentally being left open. The installation also offers better access to the appliance interior and due to the optimised width, higher energy efficiency with competitive volume.

They are thoroughly tested to withstand constant opening and closing. The softClose door retracts effortlessly and creates minimal noise. In addition to aesthetics, a softClose door ensures that items within the fridge are not disturbed from a heavy impact, meaning no spills to clean.

#### Sliding hinge

A sliding hinge means that the furniture door is mounted at the kitchen cabinet body as well as a sliding rail to connect the fridge and furniture door.



Sliding hinge



# Room to fit any lifestyle

**Standard**

KI86NADD0



**XL**

KI96NVFD0



**XXL**

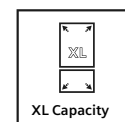
KB96NADD0G



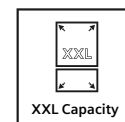
**+11%\***

**+45%\***

## The Siemens integrated XL and XXL fridge-freezers.



A perfect blend of increased capacity, freshness and flexibility that seamlessly fit into any kitchen design. With our innovative appliances, consumers can enjoy more room to store all their fresh food and ingredients, with a cooling space that adapts to their needs.

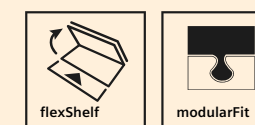


Gone are the days of constantly rearranging everything to fit in groceries. Our combinations of fridge, freezer, and door compartments provide consumers with the perfect organisation system, allowing them to store food and beverages for large parties or everyday meals without any hassle. Our XL models offer 11% more capacity compared to the standard fridge freezer, while the larger XXL models offer an impressive 45% more capacity.

But it is not just about capacity. Our integrated fridge-freezers are designed to seamlessly blend into the kitchen, while boasting sleek modern design when opened, adding style and sophistication to any kitchen.

## Increased Flexibility, Better Storage Options

The design interior allows for maximum flexibility. The modularFit feature gives the freedom to position the fridge and the freezer according to preference, creating a customised and convenient kitchen setup. The flexShelf gives even more storage freedom with the option to fold the shelf completely against the back wall to use all the space or slide the front part of the flexShelf under the back part and use the other half for smaller items.





# Explore more cooling features

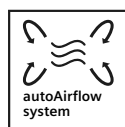
Experience intelligent cool with Home Connect.

### Smart fridges

Flexibly control cooling appliances using a smartphone or smartwatch. Using the Home Connect app, the temperature of the fridge can be adjusted, or superCool can be turned on on the way home from the food shop. It is even possible to turn on holiday mode from anywhere, to save energy where required. The app sends useful push notifications when there has been a significant temperature change in the fridge, or if the door has been left open, minimising the risk of food waste.



Optimised cooling.



### autoAirflow system

This system works with the electronics to optimise the air circulation within the fridge and freezer compartments to ensure even cooling throughout the appliance. This means however groceries are organised, they will be cooled quickly. The back wall of the appliance has open vents which work with the cooling circuit to draw cold air into each compartment.



Type of control.



Interior LCD display

LED Light.



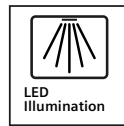
LED light

Type of control.



At the touch of a button, the in-door LCD display offers precision control to allow the optimum temperature for food to be maintained easily. This in turn helps to keep food fresh for longer.

LED Light.



The new integrated long-lasting LED lights available on most of our range fit flush in the side walls or ceiling and illuminate the interior uniformly.

Suitable storage solutions for all needs.



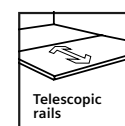
Telescopic rails



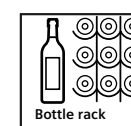
Bottle rack



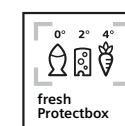
freshProtectbox



**Ergonomically ideal access**  
Fully-retractable drawers on telescopic rails create an easy access shelving zone. This makes it easy to pull the drawers out further, providing a better overview of all food items and making them easier to remove.



**Bottle rack**  
Available on some models, the perfect place to store wine of all varieties and make the best use of fridge space. The wavyshaped bottle rack can be positioned in a variety of places and safely stores bottles without them rolling back and forth.



**freshProtectbox**  
Provides the optimum temperature for individual foods, allowing them to stay fresher for longer. This in turn helps reduce waste and trips to the supermarket – saving time and money.



# Freezer features

With noFrost technology, the freezer no longer needs to be defrosted manually.



**noFrost**

Defrosting the freezer is now done automatically. Siemens freezers are equipped with intelligent sensor-controlled technology to save the chore of defrosting the freezer. An air-circulation system guides the humidity to the outside of the refrigerator into an external evaporation tray, and sensors measure the degree of humidity and any frost production – ensuring the appliance is periodically defrosted without the need to turn it off or empty it out. Also, ice no longer forms on the inside of the refrigerator, and the appliance's energy consumption remains consistently low.



**lowFrost**

For those models that come with lowFrost, life is still made easier. lowFrost reduces the build-up of frost by up to 50%, so there is no need to defrost the freezer as often – only once every 3 to 4 years. Designed to save time and provide added convenience so time can be spent doing enjoyable activities, not defrosting the freezer.

Storage made easy with bigBox.



Big enough for a busy lifestyle, the bigBox has the capacity for storing whole frozen turkeys, as well as the height to hold dessert glasses upright. Ideal for the holidays and entertaining.

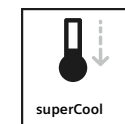


Other useful freezer features.



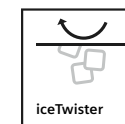
**superFreeze function**

superFreeze makes sure that warmer food added to the freezer does not raise the freezer temperature, stopping food partially defrosting.



**superCool**

The superCool button can be used to quickly reduce the temperature in the refrigerator to +2 °C. This prevents any undesirable rises in the temperature of already chilled food whenever new food is added which is not as cold.



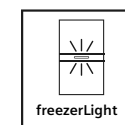
**iceTwister**

Simply activate the iceTwister and receive up to 20 ice cubes at once right away. The water tank is very easy to remove for reliable refilling.



**iceDispenser**

Models with this feature are able to dispense ice when needed thanks to a plumbed water connection. Depending on model, ice is available as cubes or crushed.



**freezerLight**

Our special LED freezerLight makes it possible to get the perfect overview of the freezer compartment by providing light to the whole area.




Model shown: GI81NHCE0G freezer




# Cooling product overview

## Built-in fridge freezer range

Split	Fridge freezers			
	1935mm height			
<b>60/40 fridge freezer ratio</b>	 <p><b>K196NNSE0</b>                      ■ C500                      • 290 litre capacity                      • 541mm width                      • 548mm depth                      • noFrost</p>	 <p><b>KB96NADD0G</b>                      ■ C500                      • 382 litre capacity                      • 708mm width                      • 548mm depth                      • 2 hyperFresh drawers                      • noFrost</p>	 <p><b>KI96NVFD0</b>                      ■ C300                      • 290 litre capacity                      • 558mm width                      • 548mm depth                      • 2 hyperFresh drawers                      • noFrost</p>	 <p><b>KB96NNSE0</b>                      ■ C100                      • 383 litre capacity                      • 691mm width                      • 548mm depth                      • 1 hyperFresh drawer                      • noFrost</p>
<b>70/30 fridge freezer ratio</b>				
<b>50/50 fridge freezer ratio</b>				

## Home Connect





Fridge freezers				
1772mm height				
 <p><b>KI86NADD0</b>                      ■ C500                      • 260 litre capacity                      • 558mm width                      • 548mm depth                      • 1 hyperFresh drawer                      • lowFrost</p>	 <p><b>KI86NHFE0</b>                      ■ C300                      • 260 litre capacity                      • 541mm width                      • 548mm depth                      • 2 hyperFresh drawers                      • noFrost</p>	 <p><b>KI86NVFE0G</b>                      ■ C300                      • 260 litre capacity                      • 541mm width                      • 548mm depth                      • 2 hyperFresh drawers                      • noFrost</p>	 <p><b>KI86NVSE0G</b>                      ■ C300                      • 260 litre capacity                      • 541mm width                      • 548mm depth                      • 2 hyperFresh drawers                      • noFrost</p>	 <p><b>KI86VVFE0G</b>                      ■ C300                      • 267 litre capacity                      • 541mm width                      • 548mm depth                      • 1 hyperFresh drawer                      • lowFrost</p>
 <p><b>KI87SAFE0G</b>                      ■ C500                      • 272 litre capacity                      • 558mm width                      • 545mm depth                      • 1 hyperFresh drawer                      • lowFrost</p>	 <p><b>KI87VVFE0G</b>                      ■ C300                      • 270 litre capacity                      • 541mm width                      • 548mm depth                      • 1 hyperFresh drawer                      • lowFrost</p>	 <p><b>KI87VSE0G</b>                      ■ C300                      • 270 litre capacity                      • 541mm width                      • 548mm depth                      • 1 hyperFresh drawer                      • lowFrost</p>	 <p><b>KI87VNSE0G</b>                      ■ C100                      • 270 litre capacity                      • 541mm width                      • 548mm depth                      • lowFrost</p>	
			 <p><b>KI85NNFE0G</b>                      ■ C100                      • 249 litre capacity                      • 541mm width                      • 548mm depth                      • noFrost</p>	

# Cooling product overview

## Built-in single door fridge range

Product Type	Single door fridges	
	1772mm height	
Single door fridges	 <p><b>K181RADD0G</b>                      ■ IQ500                      • 310 litre capacity                      • 558mm width                      • 548mm depth                      • lowFrost</p>	 <p><b>K182LVFE0</b>                      ■ IQ300                      • 280 litre capacity fridge                      • 34 litre capacity freezer                      • 541mm width                      • 548mm depth                      • lowFrost</p>
	 <p><b>K181RVFE0G</b>                      ■ IQ300                      • 310 litre capacity                      • 541mm width                      • 548mm depth                      • lowFrost</p>	 <p><b>K181RNSE0G</b>                      ■ IQ100                      • 310 litre capacity                      • 541mm width                      • 548mm depth                      • lowFrost</p>





## Home Connect

Single door fridges	Single door fridges	Single door fridges
1221mm height	874mm height	820mm height
 <p><b>K141R2FE1</b>                      ■ IQ100                      • 204 litre capacity                      • 541mm width                      • 548mm depth                      • lowFrost</p>	 <p><b>K121RVFE0</b>                      ■ IQ300                      • 136 litre capacity                      • 541mm width                      • 548mm depth                      • 3 shelves                      • 2 door shelves                      • 1 vegetable box                      • lowFrost</p>	 <p><b>KU21RVFE0G</b>                      ■ IQ300                      • 134 litre capacity                      • 598mm width                      • 548mm depth                      • lowFrost</p>
	 <p><b>K121RNSE0</b>                      ■ IQ100                      • 136 litre capacity                      • 541mm width                      • 548mm depth                      • 3 shelves                      • 2 door shelves                      • 1 vegetable box                      • lowFrost</p>	 <p><b>KU22LVFD0G</b>                      ■ IQ500                      • 110 litre capacity fridge                      • 17 litre capacity freezer                      • 598mm width                      • 548mm depth                      • lowFrost</p>
		 <p><b>KU21RVFE0G</b>                      ■ IQ300                      • 134 litre capacity                      • 598mm width                      • 548mm depth                      • lowFrost</p>






# Cooling product overview

## Built-in single door freezer range

Product Type	Single door freezers		
	1772mm height	874mm height	820mm height
Single door freezers	 <p><b>GI81NHCE0G</b>                      ■ Q1700</p> <ul style="list-style-type: none"> <li>• 212 litre capacity</li> <li>• 558mm width</li> <li>• 545mm depth</li> <li>• Soft close</li> <li>• noFrost</li> </ul> <p>5 year warranty</p>	 <p><b>GI21VAFE0</b>                      ■ Q500</p> <ul style="list-style-type: none"> <li>• 96 litre capacity</li> <li>• 558mm width</li> <li>• 545mm depth</li> <li>• lowFrost</li> </ul> <p>5 year warranty</p>	 <p><b>GU21NVFE0G</b>                      ■ Q300</p> <ul style="list-style-type: none"> <li>• 85 litre capacity</li> <li>• 598mm width</li> <li>• 548mm depth</li> </ul> <p>5 year warranty</p>
	 <p><b>GI81NVEE0G</b>                      ■ Q300</p> <ul style="list-style-type: none"> <li>• 212 litre capacity</li> <li>• 558mm width</li> <li>• 545mm depth</li> <li>• noFrost</li> </ul> <p>5 year warranty</p>		

## Wine cabinet range

Product Type	Built-in wine cabinet		
	1860mm height	818mm height	
Built-in wine cabinet	 <p><b>KW36KATGA</b>                      ■ Q100</p> <ul style="list-style-type: none"> <li>• 370 litre capacity</li> <li>• 199 bottle capacity</li> <li>• 600mm wide</li> <li>• 610mm depth</li> <li>• 7°C to 19°C temperature range</li> </ul> <p>2 year warranty</p>	 <p><b>KU20VVHF0G</b>                      ■ Q500</p> <ul style="list-style-type: none"> <li>• 58 litre capacity</li> <li>• 21 bottle capacity</li> <li>• 298mm wide</li> <li>• 567mm depth</li> <li>• Reversible glass door</li> <li>• UV filter protection</li> </ul> <p>2 year warranty</p>	 <p><b>KU21WAHG0G</b>                      ■ Q500</p> <ul style="list-style-type: none"> <li>• 120 litre capacity</li> <li>• 44 bottle capacity</li> <li>• 595mm width</li> <li>• 581mm depth</li> <li>• Reversible glass door</li> <li>• UV filter protection</li> </ul> <p>2 year warranty</p>



# Wine cabinets

Premium design with optimal temperature control.

For carefully stored and beautifully presented wine bottles.

Our wine cabinets will ensure bottles are displayed effortlessly whilst making an impressive visual statement. Thanks to Siemens state-of-the-art technology, wines will be maintained at the optimal temperature for their type. So each individual bottle – whether it is red, white or sparkling, is conditioned perfectly to be enjoyed when needed.

Siemens wine cabinets are designed to provide great first-rate storage for any wine. Wine bottles are presented elegantly on beautifully crafted oak wooden shelves, reducing the risk of scratches or tears to the bottles and labels. Wood is also the perfect surface to display wine, minimising vibrations which can cause wines to age.

Light, especially sunlight, can adversely affect wine. The sun's ultra violet rays in particular can degrade and prematurely age wine. Siemens wine cabinets are equipped with LED lights to minimise heat emissions and temperature fluctuations. As a result, the cabinet remains at the optimal temperature at which it is set. Settings can be specified from 5-20°C, allowing storage of Champagne from 5-8°C, as well as red wine from 12-20°C.

The glass panelled doors are also protected with a UV filter offering further protection to bottles from any unnecessary light that can lead them to spoil or fade wine labels.

The soft LED feature provides added drama, phasing in gently to reveal the wine. If the cabinet is the focal point of the kitchen, our Presentation Mode feature will enable the light to be kept permanently on, allowing bottles to shine in all their glory.



There is space to fit up to 21 bottles in our 30cm wide cabinet, or up to 44 bottles in our 60cm wide unit. The grey interior gives a premium modern seamless finish throughout the kitchen. Each cabinet is also designed with a reversible hinge allowing the direction the door opens to be changed depending on the flow of the kitchen.

Acoustic warning light indicators will notify if the door is opened for a long period, or if the wine storage compartment is too warm or too cold for an extended period to ensure the wine is kept protected.

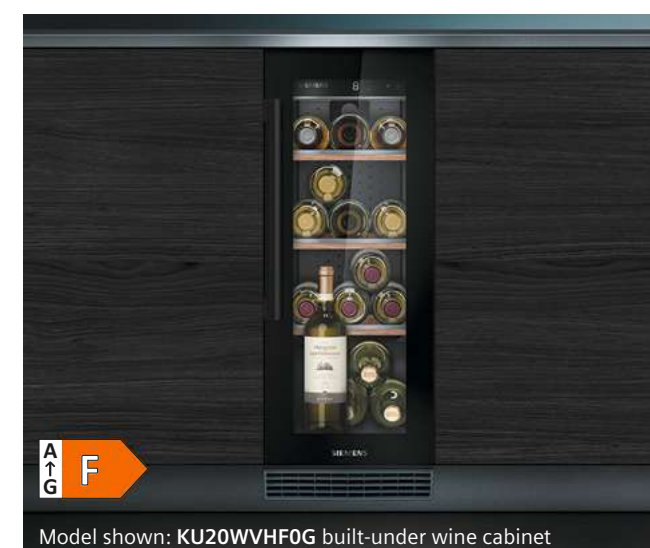
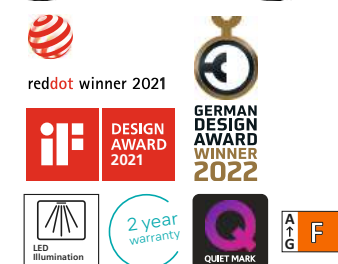


**2 Year Warranty**  
A Two year warranty is offered on our wine cabinets to cover manufacturing or material faults.

For more information please see page 295.

## iQ 500 KU20WVHF0G

Built-under wine cabinet  
Black



Model shown: KU20WVHF0G built-under wine cabinet

Built-under wine cabinet  
specifications

APPLIANCE TYPE	BUILT-UNDER WINE CABINETS	
	iQ 500	iQ 500
Design family	KU20WVHF0G	KU21WAHG0G
Model number	KU20WVHF0G	KU21WAHG0G
DESIGN FEATURES		
Colour of door panels	Black	Black
Colour of side panels	Black	Black
Type of glass door	3 glass panels, UV-filtered	3 glass panels, UV-filtered
Door handle type	Vertical bar handle	Vertical bar handle
Temperature display	Interior / Digital LED	Interior / Digital LED
Reversible door, hinged on right	■	■
Home Connect / Built-in cameras	-	-
KEY FEATURES – WINE CABINET SECTION		
Range of temperature (0°C)	5 - 20	5 - 20
Temperature zones	1	2
LED light	■	■
Number of shelves	4	5
Number of oak shelves	3	3
Number of adjustable shelves	-	-
Presenter shelf and lighting	■	■
Capacity in 0.75L (Bordeaux bottles)	21	44
FUNCTIONS		
Door open warning signal/malfunction	■	■
Child lock	■	■
PERFORMANCE & CONSUMPTION		
Energy efficiency class	A F	A G
Energy consumption* (kWh/annual)	100	130
Refrigerator net capacity (litres)	58	120
Climate Class <sup>2</sup>	SN-ST	SN-ST
Noise level (dB [A] re 1pW)	38	38
Noise level class	C	C
Height of product (mm)	818	818
Width of product (mm)	298	598
Depth of product (mm)	567	581

■ Yes, model has this feature. – Feature not available for this model.

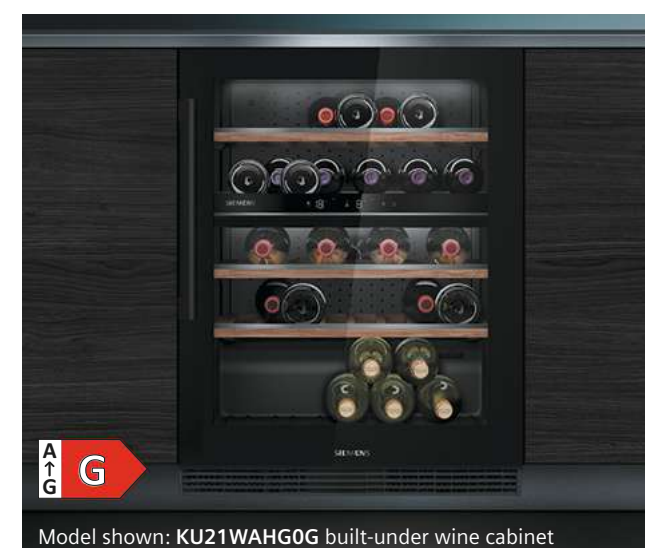
\* Actual energy consumption will depend on how the appliance is used and where it is located.

<sup>2</sup> Climate zone SN – designed to operate in ambient temperature of +10°C to 32°C.

Climate zone ST – designed to operate in ambient temperature of +16°C to 38°C.

Please note: ventilation grill not supplied.

Data valid in this table as of April 2024. Subject to modification without prior notice.



Model shown: KU21WAHG0G built-under wine cabinet

For specification details, please visit [siemens-home.bsh-group.com/ie](https://siemens-home.bsh-group.com/ie) and download a full specification sheet.

For the full range of accessories, please visit our online accessory shop at [siemens-home.bsh-group.com/ie/shop](https://siemens-home.bsh-group.com/ie/shop) or call our Spares Department on 01450 2655.

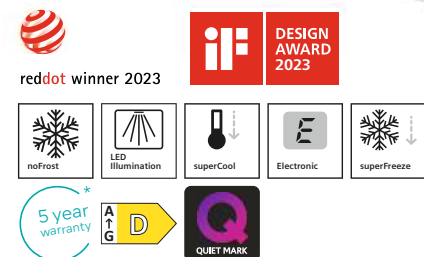


# Fridge freezers

NoFrost

## iQ 500 KB96NADD0G

noFrost bottom fridge freezer  
193.5cm high



### Built-in fridge freezer specifications

APPLIANCE TYPE	XXL NOFROST BOTTOM FRIDGE FREEZER
Design family	iQ 500
Model number	KB96NADD0G
<b>DESIGN FEATURES</b>	
Fridge / Freezer split	60 / 40
noFrost	■
lowFrost or Manual defrost	-
softClose hinge	■
Type of hinge (reversible)	Fixed hinge
Home Connect	■
<b>FOOD FRESHNESS SYSTEM</b>	
hyperFresh	2 x hyperFresh drawers
<b>KEY FEATURES – FRIDGE SECTION</b>	
Light	LED
superCool function	■
Type of control	Electronic
Number of shelves	5
Number of adjustable shelves	4
Number of door bins / shelves	4
Type of shelves	Safety glass
Temperature display	Digital LED
Warning signal door open	■
Bottle shelves in fridge	■
<b>KEY FEATURES – FREEZER SECTION</b>	
superFreeze function	■
Temperature adjustable in freezer	■
Number of ice cube trays	1
Number of freezer drawers	3
<b>ADDITIONAL INFORMATION</b>	
Energy efficiency class	A D
Energy consumption <sup>1</sup> (kWh/annum)	204
Total net capacity (litres)	382
Refrigerator net capacity (litres)	284
Freezer net capacity (litres)	98
Climate class <sup>2</sup>	SN-T
Noise level (dB [A] re 1pW)	33
Noise level class	B
Additional accessories included	3 x egg trays 1 x ice cube tray 1 x bottle support
Height of product (mm)	1935
Width of product (mm)	708
Depth of product (mm)	548

■ Yes, model has this feature. – Feature not available for this model.

<sup>1</sup> Actual energy consumption will depend on how the appliance is used and where it is located.  
<sup>2</sup> Climate zone SN = designed to operate in ambient temperature of +10°C to 32°C.  
Climate zone T = designed to operate in ambient temperature of +18°C to 43°C.

Data valid in this table as of April 2024. Subject to modification without prior notice.  
\*5 year warranty - Offer dates: 01.04.24 – 31.03.25. T&C's apply. Online registration required.



### Built-in fridge freezer specifications

APPLIANCE TYPE	XXL NOFROST BOTTOM FRIDGE FREEZER	XL NOFROST BOTTOM FRIDGE FREEZERS	XL NOFROST BOTTOM FRIDGE FREEZERS
Design family	iQ 100	iQ 300	iQ 100
Model number	KB96NNSE0	KI96NVFD0	KI96NNSE0
<b>DESIGN FEATURES</b>			
Fridge / Freezer split	60 / 40	60 / 40	60 / 40
noFrost	■	■	■
lowFrost or Manual defrost	-	-	-
softClose hinge	-	-	-
Type of hinge (reversible)	Sliding hinge	Fixed hinge	Sliding hinge
Home Connect	■	-	-
<b>FOOD FRESHNESS SYSTEM</b>			
hyperFresh	1 x hyperFresh drawer	2 x hyperFresh drawers	1 x vegetable box
<b>KEY FEATURES – FRIDGE SECTION</b>			
Light	LED	LED	LED
superCool function	■	■	■
Type of control	Electronic	Electronic	Electronic
Number of shelves	5	4	5
Number of adjustable shelves	4	3	4
Number of door bins / shelves	4	4	4
Type of shelves	Safety glass	Safety glass	Safety glass
Temperature display	Digital LED	Digital LED	Digital LED
Warning signal door open	■	■	■
Bottle shelves in fridge	-	■	-
<b>KEY FEATURES – FREEZER SECTION</b>			
superFreeze function	■	■	■
Temperature adjustable in freezer	■	■	■
Number of ice cube trays	1	1	1
Number of freezer drawers	3	3	3
<b>ADDITIONAL INFORMATION</b>			
Energy efficiency class	A D	A D	A E
Energy consumption <sup>1</sup> (kWh/annum)	256	184	231
Total net capacity (litres)	383	290	290
Refrigerator net capacity (litres)	285	215	215
Freezer net capacity (litres)	98	75	75
Climate class <sup>2</sup>	SN-ST	SN-ST	SN-ST
Noise level (dB [A] re 1pW)	34	34	34
Noise level class	B	B	B
Additional accessories included	3 x egg trays 1 x ice cube tray	3 x egg trays 1 x ice cube tray 1 x bottle support	3 x egg trays 1 x ice cube tray
Height of product (mm)	1935	1935	1935
Width of product (mm)	691	558	541
Depth of product (mm)	548	548	548

■ Yes, model has this feature. – Feature not available for this model.

<sup>1</sup> Actual energy consumption will depend on how the appliance is used and where it is located.  
<sup>2</sup> Climate zone SN = designed to operate in ambient temperature of +10°C to 32°C.  
Climate zone T = designed to operate in ambient temperature of +18°C to 43°C.

Data valid in this table as of April 2024. Subject to modification without prior notice.  
\*5 year warranty - Offer dates: 01.04.24 – 31.03.25. T&C's apply. Online registration required.

Built-in fridge freezer specifications



APPLIANCE TYPE	NOFROST BOTTOM FRIDGE FREEZERS		
Design family	IQ500	IQ300	IQ300
Model number	KI86NADD0	KI86NHFE0	KI86NVFE0G
<b>DESIGN FEATURES</b>			
Fridge / Freezer split	60 / 40	60 / 40	60 / 40
noFrost	■	■	■
lowFrost or Manual defrost	-	-	-
softClose hinge	■	-	-
Type of hinge (reversible)	Fixed hinge	Fixed hinge	Fixed hinge
Home Connect	-	■	-
<b>FOOD FRESHNESS SYSTEM</b>			
hyperFresh	2 x hyperFresh drawers	2 x hyperFresh drawers	2 x hyperFresh drawers
<b>KEY FEATURES – FRIDGE SECTION</b>			
Light	LED	LED	LED
superCool function	■	-	-
Type of control	Electronic	Electronic	Electronic
Number of shelves	4	4	4
Number of adjustable shelves	2	3	3
Number of door bins / shelves	3	3	3
Type of shelves	Safety glass	Safety glass	Safety glass
Temperature display	Digital LED	Digital LED	Digital LED
Warning signal door open	■	■	■
Bottle shelves in fridge	■	■	■
<b>KEY FEATURES – FREEZER SECTION</b>			
superFreeze function	■	■	■
Temperature adjustable in freezer	■	-	-
Number of ice cube trays	1	1	1
Number of freezer drawers	3	3	3
<b>ADDITIONAL INFORMATION</b>			
Energy efficiency class			
Energy consumption <sup>1</sup> (kWh/annum)	186	234	234
Total net capacity (litres)	260	260	260
Refrigerator net capacity (litres)	184	184	184
Freezer net capacity (litres)	76	76	76
Climate class <sup>2</sup>	SN-ST	SN-ST	SN-ST
Noise level (dB [A] re 1pW)	35	35	35
Noise level class	B	B	B
Additional accessories included	3 x egg trays 1 x ice cube tray 1 x bottle support	3 x egg trays 1 x ice cube tray 1 x bottle support	3 x egg trays 1 x ice cube tray 1 x bottle support
Height of product (mm)	1772	1772	1772
Width of product (mm)	558	541	541
Depth of product (mm)	548	548	548

■ Yes, model has this feature. – Feature not available for this model.

<sup>1</sup> Actual energy consumption will depend on how the appliance is used and where it is located.

<sup>2</sup> Climate zone SN = designed to operate in ambient temperature of +10°C to 32°C.

Climate zone T = designed to operate in ambient temperature of +18°C to 43°C.

Data valid in this table as of April 2024. Subject to modification without prior notice.

\*5 year warranty - Offer dates: 01.04.24 – 31.03.25. T&C's apply. Online registration required.

Built-in fridge freezer specifications



APPLIANCE TYPE	NOFROST BOTTOM FRIDGE FREEZERS	
Design family	IQ300	IQ100
Model number	KI86NVSE0G	KI85NNFE0G
<b>DESIGN FEATURES</b>		
Fridge / Freezer split	60 / 40	50 / 50
noFrost	■	■
lowFrost or Manual defrost	-	-
softClose hinge	-	-
Type of hinge (reversible)	Sliding hinge	Fixed hinge
Home Connect	-	-
<b>FOOD FRESHNESS SYSTEM</b>		
hyperFresh	2 x hyperFresh drawers	1 x vegetable box
<b>KEY FEATURES – FRIDGE SECTION</b>		
Light	LED	LED
superCool function	-	■
Type of control	Electronic	Electronic
Number of shelves	4	3
Number of adjustable shelves	3	2
Number of door bins / shelves	3	2
Type of shelves	Safety glass	Safety glass
Temperature display	Digital LED	Digital display
Warning signal door open	■	■
Bottle shelves in fridge	■	-
<b>KEY FEATURES – FREEZER SECTION</b>		
superFreeze function	■	■
Temperature adjustable in freezer	-	-
Number of ice cube trays	1	1
Number of freezer drawers	3	4
<b>ADDITIONAL INFORMATION</b>		
Energy efficiency class		
Energy consumption <sup>1</sup> (kWh/annum)	234	298
Total net capacity (litres)	260	249
Refrigerator net capacity (litres)	184	150
Freezer net capacity (litres)	76	99
Climate class <sup>2</sup>	SN-ST	SN-ST
Noise level (dB [A] re 1pW)	35	39
Noise level class	B	C
Additional accessories included	3 x egg trays 1 x ice cube tray 1 x bottle support	3 x egg trays 1 x ice cube tray 1 x bottle support
Height of product (mm)	1772	1772
Width of product (mm)	541	541
Depth of product (mm)	548	548

■ Yes, model has this feature. – Feature not available for this model.

<sup>1</sup> Actual energy consumption will depend on how the appliance is used and where it is located.

<sup>2</sup> Climate zone SN = designed to operate in ambient temperature of +10°C to 32°C.

Climate zone T = designed to operate in ambient temperature of +18°C to 43°C.

Data valid in this table as of April 2024. Subject to modification without prior notice.

\*5 year warranty - Offer dates: 01.04.24 – 31.03.25. T&C's apply. Online registration required.



# Fridge freezers

LowFrost

## IQ 500 K187SAFE0G

noFrost bottom fridge freezer  
177cm high



Built-in fridge freezer specifications

APPLIANCE TYPE	LOWFROST BOTTOM FRIDGE FREEZER
Design family	IQ 500
Model number	K187SAFE0G
<b>DESIGN FEATURES</b>	
Fridge / Freezer split	70 / 30
noFrost	-
lowFrost or Manual defrost	lowFrost
softClose hinge	-
Type of hinge (reversible)	Fixed hinge
Home Connect	-
<b>FOOD FRESHNESS SYSTEM</b>	
hyperFresh	1 hyperFresh drawer
<b>KEY FEATURES – FRIDGE SECTION</b>	
Light	LED
superCool function	■
Type of control	Electronic
Number of shelves	5
Number of adjustable shelves	4
Number of door bins / shelves	5
Type of shelves	Safety glass
Temperature display	Digital LED
Warning signal door open	■
Bottle shelves in fridge	-
<b>KEY FEATURES – FREEZER SECTION</b>	
superFreeze function	■
Temperature adjustable in freezer	■
Number of ice cube trays	1
Number of freezer drawers	2
<b>ADDITIONAL INFORMATION</b>	
Energy efficiency class	A++
Energy consumption <sup>1</sup> (kWh/annum)	207
Total net capacity (litres)	272
Refrigerator net capacity (litres)	209
Freezer net capacity (litres)	63
Climate class <sup>2</sup>	SN-ST
Noise level (dB [A] re 1pW)	36
Noise level class	C
Additional accessories included	3 x egg trays 1 x ice cube tray
Height of product (mm)	1772
Width of product (mm)	558
Depth of product (mm)	545

■ Yes, model has this feature. – Feature not available for this model.

<sup>1</sup> Actual energy consumption will depend on how the appliance is used and where it is located.

<sup>2</sup> Climate zone SN = designed to operate in ambient temperature of +10°C to 32°C.

Climate zone T = designed to operate in ambient temperature of +18°C to 43°C.

Data valid in this table as of April 2024. Subject to modification without prior notice.

\*5 year warranty - Offer dates: 01.04.24 – 31.03.25. T&C's apply. Online registration required.



Built-in fridge freezer specifications

APPLIANCE TYPE	LOWFROST BOTTOM FRIDGE FREEZERS			
Design family	IQ 300	IQ 300	IQ 300	IQ 100
Model number	K186VFE0G	K187VFE0G	K187VSE0G	K187VNSE0G
<b>DESIGN FEATURES</b>				
Fridge / Freezer split	60 / 40	70 / 30	70 / 30	70 / 30
noFrost	-	-	-	-
lowFrost or Manual defrost	lowFrost	lowFrost	lowFrost	lowFrost
softClose hinge	-	-	-	-
Type of hinge (reversible)	Fixed hinge	Fixed hinge	Sliding hinge	Sliding hinge
Home Connect	-	-	-	-
<b>FOOD FRESHNESS SYSTEM</b>				
hyperFresh	1 hyperFresh drawer	1 hyperFresh drawer	1 hyperFresh drawer	1 x vegetable box
<b>KEY FEATURES – FRIDGE SECTION</b>				
Light	LED	LED	LED	LED
superCool function	-	-	-	■
Type of control	Electronic	Electronic	Electronic	Electronic
Number of shelves	4	5	5	5
Number of adjustable shelves	3	4	4	4
Number of door bins / shelves	3	4	4	4
Type of shelves	Safety glass	Safety glass	Safety glass	Safety glass
Temperature display	Digital LED	Digital LED	Digital LED	Digital LED
Warning signal door open	■	■	■	■
Bottle shelves in fridge	■	■	■	-
<b>KEY FEATURES – FREEZER SECTION</b>				
superFreeze function	■	■	■	■
Temperature adjustable in freezer	-	-	-	-
Number of ice cube trays	1	1	1	1
Number of freezer drawers	3	2	2	2
<b>ADDITIONAL INFORMATION</b>				
Energy efficiency class	A++	A++	A++	A++
Energy consumption <sup>1</sup> (kWh/annum)	229	216	216	216
Total net capacity (litres)	267	270	270	270
Refrigerator net capacity (litres)	183	200	200	200
Freezer net capacity (litres)	84	70	70	70
Climate class <sup>2</sup>	SN-ST	SN-ST	SN-ST	SN-ST
Noise level (dB [A] re 1pW)	35	35	35	35
Noise level class	B	B	B	B
Additional accessories included	3 x egg trays 1 x ice cube tray 1 x bottle support	3 x egg trays 1 x ice cube tray 1 x bottle support	3 x egg trays 1 x ice cube tray 1 x bottle support	3 x egg trays, 1 x ice cube tray
Height of product (mm)	1772	1772	1772	1772
Width of product (mm)	541	541	541	541
Depth of product (mm)	548	548	548	548

■ Yes, model has this feature. – Feature not available for this model.

<sup>1</sup> Actual energy consumption will depend on how the appliance is used and where it is located.

<sup>2</sup> Climate zone SN = designed to operate in ambient temperature of +10°C to 32°C.

Climate zone T = designed to operate in ambient temperature of +18°C to 43°C.

Data valid in this table as of April 2024. Subject to modification without prior notice.

\*5 year warranty - Offer dates: 01.04.24 – 31.03.25. T&C's apply. Online registration required.



# Single door fridges and freezers

## iQ 500 KI81RADE0G

Single door fridge  
177cm high



Built-in single door fridges and freezer specifications

APPLIANCE TYPE	FRIDGE 177CM
Design family	iQ 500
Model number	KI81RADD0G
<b>DESIGN FEATURES</b>	
noFrost	-
lowFrost or Manual defrost	■
softClose hinge	■
Type of hinge (reversible)	Fixed hinge
Home Connect	-
<b>FOOD FRESHNESS SYSTEM</b>	
hyperFresh	2 x hyperFresh drawers 1 x veg box
<b>KEY FEATURES – FRIDGE SECTION</b>	
Light	LED
superCool function	■
Type of control	Electronic
Number of shelves	7
Number of adjustable shelves	4
Number of door bins / shelves	5
Type of shelves	Safety glass
Temperature display	Digital LED
Warning signal door open	■
Bottle shelves in fridge	■
<b>KEY FEATURES – FREEZER SECTION</b>	
superFreeze function	-
Temperature adjustable in freezer	-
Number of ice cube trays	-
Number of freezer drawers	-
<b>ADDITIONAL INFORMATION</b>	
Energy efficiency class	A++ D
Energy consumption <sup>1</sup> (kWh/annum)	91
Total net capacity (litres)	310
Freezer net capacity (litres)	-
Climate class <sup>2</sup>	SN-ST
Noise level (dB [A] re 1pW)	34
Noise level class	B
Additional accessories included	3 x egg trays 1 x bottle support
Height of product (mm)	1772
Width of product (mm)	558
Depth of product (mm)	548

■ Yes, model has this feature. – Feature not available for this model.

<sup>1</sup> Actual energy consumption will depend on how the appliance is used and where it is located.  
<sup>2</sup> Climate zone SN = designed to operate in ambient temperature of +10°C to 32°C.  
 Climate zone T = designed to operate in ambient temperature of +18°C to 43°C.

Data valid in this table as of April 2024. Subject to modification without prior notice.  
 \*5 year warranty - Offer dates: 01.04.24 – 31.03.25. T&C's apply. Online registration required.



5 year warranty



Built-in single door fridges and freezer specifications

APPLIANCE TYPE	FRIDGES 177CM		FRIDGE WITH FREEZER SECTION 177CM
Design family	iQ 300	iQ 100	iQ 300
Model number	KI81RVFE0G	KI81RNSE0G	KI82LVFE0
<b>DESIGN FEATURES</b>			
noFrost	-	-	-
lowFrost or Manual defrost	■	■	■
softClose hinge	-	-	-
Type of hinge (reversible)	Fixed hinge	Sliding hinge	Fixed hinge
Home Connect	-	-	-
<b>FOOD FRESHNESS SYSTEM</b>			
hyperFresh	2 x vegetable boxes	2 x vegetable boxes	2 x vegetable boxes
<b>KEY FEATURES – FRIDGE SECTION</b>			
Light	LED	LED	LED
superCool function	■	■	■
Type of control	Electronic	Electronic	Electronic
Number of shelves	7	6	6
Number of adjustable shelves	5	5	4
Number of door bins / shelves	5	5	5
Type of shelves	Safety glass	Safety glass	Safety glass
Temperature display	Digital LED	Digital LED	Digital LED
Warning signal door open	■	■	■
Bottle shelves in fridge	■	-	■
<b>KEY FEATURES – FREEZER SECTION</b>			
superFreeze function	-	-	-
Temperature adjustable in freezer	-	-	-
Number of ice cube trays	-	-	1
Number of freezer drawers	-	-	-
<b>ADDITIONAL INFORMATION</b>			
Energy efficiency class	A++ E	A++ E	A++ E
Energy consumption <sup>1</sup> (kWh/annum)	114	114	177
Total net capacity (litres)	310	310	280
Freezer net capacity (litres)	-	-	34
Climate class <sup>2</sup>	SN-ST	SN-ST	SN-ST
Noise level (dB [A] re 1pW)	35	35	35
Noise level class	B	B	B
Additional accessories included	3 x egg trays 1 x bottle support	3 x egg trays	3 x egg trays 1 x ice cube tray 1 x bottle support
Height of product (mm)	1772	1772	1772
Width of product (mm)	541	541	541
Depth of product (mm)	548	548	548

■ Yes, model has this feature. – Feature not available for this model.

<sup>1</sup> Actual energy consumption will depend on how the appliance is used and where it is located.  
<sup>2</sup> Climate zone SN = designed to operate in ambient temperature of +10°C to 32°C.  
 Climate zone T = designed to operate in ambient temperature of +18°C to 43°C.

Data valid in this table as of April 2024. Subject to modification without prior notice.  
 \*5 year warranty - Offer dates: 01.04.24 – 31.03.25. T&C's apply. Online registration required.



5 year warranty



5 year warranty



5 year warranty





Built-in single door fridges and freezer specifications



APPLIANCE TYPE	FREEZERS 177CM	
Design family	iQ700	iQ300
Model number	GI81NHCEOG	GI81NVEEOG
<b>DESIGN FEATURES</b>		
noFrost	■	■
lowFrost or Manual defrost	-	-
softClose hinge	■	-
Type of hinge (reversible)	Fixed hinge	Fixed hinge
Home Connect	■	-
<b>FOOD FRESHNESS SYSTEM</b>		
hyperFresh	-	-
<b>KEY FEATURES – FRIDGE SECTION</b>		
Light	-	-
superCool function	-	-
Type of control	Electronic	Electronic
Number of shelves	-	-
Number of adjustable shelves	-	-
Number of door bins / shelves	-	-
Type of shelves	-	-
Temperature display	Digital LED	Digital LED
Warning signal door open	-	-
Bottle shelves in fridge	-	-
<b>KEY FEATURES – FREEZER SECTION</b>		
superFreeze function	■	■
Temperature adjustable in freezer	■	■
Number of ice cube trays	1	1
Number of freezer drawers	5	5
<b>ADDITIONAL INFORMATION</b>		
Energy efficiency class	A G E	A G E
Energy consumption <sup>1</sup> (kWh/annum)	235	235
Total net capacity (litres)	212	212
Freezer net capacity (litres)	212	212
Climate class <sup>2</sup>	SN-T	SN-T
Noise level (dB [A] re 1pW)	35	35
Noise level class	B	B
Additional accessories included	1 x ice cube tray	1 x ice cube tray
Height of product (mm)	1772	1772
Width of product (mm)	558	558
Depth of product (mm)	545	545

■ Yes, model has this feature. – Feature not available for this model.

<sup>1</sup> Actual energy consumption will depend on how the appliance is used and where it is located.

<sup>2</sup> Climate zone SN = designed to operate in ambient temperature of +10°C to 32°C. Climate zone T = designed to operate in ambient temperature of +18°C to 43°C.

Data valid in this table as of April 2024. Subject to modification without prior notice. \*5 year warranty - Offer dates: 01.04.24 – 31.03.25. T&C's apply. Online registration required.

Built-in single door fridges and freezer specifications



APPLIANCE TYPE	FRIDGE 122CM	FRIDGES 87CM	
Design family	iQ100	iQ300	iQ100
Model number	KI41R2FE1	KI21RVFEO	KI21RNSEO
<b>DESIGN FEATURES</b>			
noFrost	-	-	-
lowFrost or Manual defrost	■	■	■
softClose hinge	-	-	-
Type of hinge (reversible)	Fixed hinge	Fixed hinge	Sliding hinge
Home Connect	-	-	-
<b>FOOD FRESHNESS SYSTEM</b>			
hyperFresh	1 x vegetable box	1 x vegetable box	1 x vegetable box
<b>KEY FEATURES – FRIDGE SECTION</b>			
Light	LED	LED	LED
superCool function	■	■	■
Type of control	Electronic	Electronic	Electronic
Number of shelves	5	3	3
Number of adjustable shelves	4	2	2
Number of door bins / shelves	4	2	2
Type of shelves	Safety glass	Safety glass	Safety glass
Temperature display	Digital LED	Digital LED	Digital LED
Warning signal door open	■	■	■
Bottle shelves in fridge	-	■	-
<b>KEY FEATURES – FREEZER SECTION</b>			
superFreeze function	-	-	-
Temperature adjustable in freezer	-	-	-
Number of ice cube trays	-	-	-
Number of freezer drawers	-	-	-
<b>ADDITIONAL INFORMATION</b>			
Energy efficiency class	A G E	A G E	A G E
Energy consumption <sup>1</sup> (kWh/annum)	101	92	92
Total net capacity (litres)	204	136	136
Freezer net capacity (litres)	-	-	-
Climate class <sup>2</sup>	SN-ST	SN-ST	SN-ST
Noise level (dB [A] re 1pW)	35	35	35
Noise level class	B	B	B
Additional accessories included	3 x egg trays	3 x egg trays 1 x bottle support	3 x egg trays
Height of product (mm)	1221	874	874
Width of product (mm)	541	541	541
Depth of product (mm)	548	548	548

■ Yes, model has this feature. – Feature not available for this model.

<sup>1</sup> Actual energy consumption will depend on how the appliance is used and where it is located.

<sup>2</sup> Climate zone SN = designed to operate in ambient temperature of +10°C to 32°C. Climate zone T = designed to operate in ambient temperature of +18°C to 43°C.

Data valid in this table as of April 2024. Subject to modification without prior notice. \*5 year warranty - Offer dates: 01.04.24 – 31.03.25. T&C's apply. Online registration required.

Built-in single door fridges and freezer specifications



APPLIANCE TYPE	FREEZER 87CM	BUILT-UNDER FRIDGES WITH ICE BOX 82CM
Design family	<b>iQ500</b>	<b>iQ500</b>
Model number	GI21VAFE0	KU22LVFD0G
<b>DESIGN FEATURES</b>		
noFrost	-	-
lowFrost or Manual defrost	■	■
softClose hinge	-	-
Type of hinge (reversible)	Fixed hinge	Fixed hinge
Home Connect	-	■
<b>FOOD FRESHNESS SYSTEM</b>		
hyperFresh	-	-
<b>KEY FEATURES – FRIDGE SECTION</b>		
Light	-	LED
superCool function	-	■
Type of control	Electronic	Electronic
Number of shelves	-	3
Number of adjustable shelves	-	2
Number of door bins / shelves	-	2
Type of shelves	-	Safety glass
Temperature display	Digital LED	Digital LED
Warning signal door open	-	■
Bottle shelves in fridge	-	-
<b>KEY FEATURES – FREEZER SECTION</b>		
superFreeze function	■	-
Temperature adjustable in freezer	■	-
Number of ice cube trays	1	1
Number of freezer drawers	3	-
<b>ADDITIONAL INFORMATION</b>		
Energy efficiency class	<b>A</b> <b>E</b>	<b>A</b> <b>D</b>
Energy consumption <sup>1</sup> (kWh/annum)	176	119
Total net capacity (litres)	96	110
Freezer net capacity (litres)	-	17
Climate class <sup>2</sup>	SN-T	SN-T
Noise level (dB [A] re 1pW)	36	35
Noise level class	C	B
Additional accessories included	1 x ice cube tray	3 x egg trays 1 x ice cube tray
Height of product (mm)	874	820
Width of product (mm)	558	598
Depth of product (mm)	545	548

■ Yes, model has this feature. – Feature not available for this model.

<sup>1</sup> Actual energy consumption will depend on how the appliance is used and where it is located.

<sup>2</sup> Climate zone SN = designed to operate in ambient temperature of +10°C to 32°C.

Climate zone T = designed to operate in ambient temperature of +18°C to 43°C.

Data valid in this table as of April 2024. Subject to modification without prior notice.

\*5 year warranty - Offer dates: 01.04.24 – 31.03.25. T&C's apply. Online registration required.

Built-under single door fridges and freezer specifications



APPLIANCE TYPE	BUILT-UNDER FRIDGES 82CM	BUILT-UNDER FREEZERS 82CM
Design family	<b>iQ300</b>	<b>iQ300</b>
Model number	KU21RVFE0G	GU21NVFE0G
<b>DESIGN FEATURES</b>		
noFrost	-	■
lowFrost or Manual defrost	■	-
softClose hinge	-	-
Type of hinge (reversible)	Fixed hinge	Fixed hinge
Home Connect	■	■
<b>FOOD FRESHNESS SYSTEM</b>		
hyperFresh	-	-
<b>KEY FEATURES – FRIDGE SECTION</b>		
Light	LED	-
superCool function	■	-
Type of control	Electronic	Electronic
Number of shelves	4	-
Number of adjustable shelves	3	-
Number of door bins / shelves	2	-
Type of shelves	Safety glass	-
Temperature display	Digital LED	Digital LED
Warning signal door open	■	-
Bottle shelves in fridge	-	-
<b>KEY FEATURES – FREEZER SECTION</b>		
superFreeze function	-	■
Temperature adjustable in freezer	-	■
Number of ice cube trays	-	1
Number of freezer drawers	-	3
<b>ADDITIONAL INFORMATION</b>		
Energy efficiency class	<b>A</b> <b>E</b>	<b>A</b> <b>E</b>
Energy consumption <sup>1</sup> (kWh/annum)	93	189
Total net capacity (litres)	134	85
Freezer net capacity (litres)	-	85
Climate class <sup>2</sup>	SN-T	SN-T
Noise level (dB [A] re 1pW)	35	35
Noise level class	B	B
Additional accessories included	3 x egg trays	1 x ice cube tray
Height of product (mm)	820	820
Width of product (mm)	598	598
Depth of product (mm)	548	548

■ Yes, model has this feature. – Feature not available for this model.

<sup>1</sup> Actual energy consumption will depend on how the appliance is used and where it is located.

<sup>2</sup> Climate zone SN = designed to operate in ambient temperature of +10°C to 32°C.

Climate zone T = designed to operate in ambient temperature of +18°C to 43°C.

Data valid in this table as of April 2024. Subject to modification without prior notice.

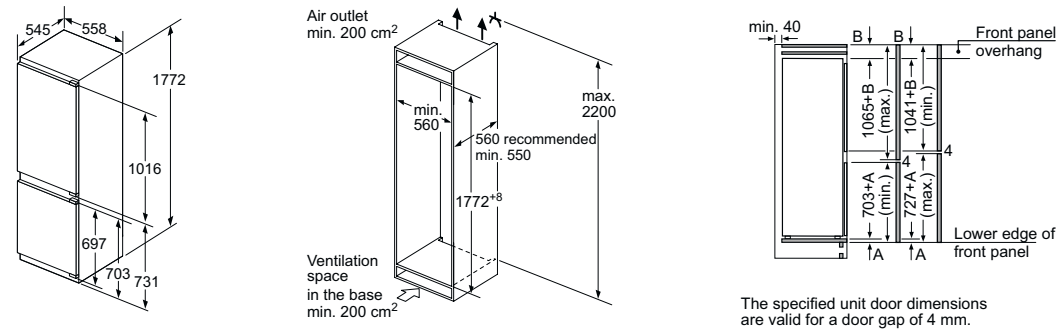
\*5 year warranty - Offer dates: 01.04.24 – 31.03.25. T&C's apply. Online registration required.



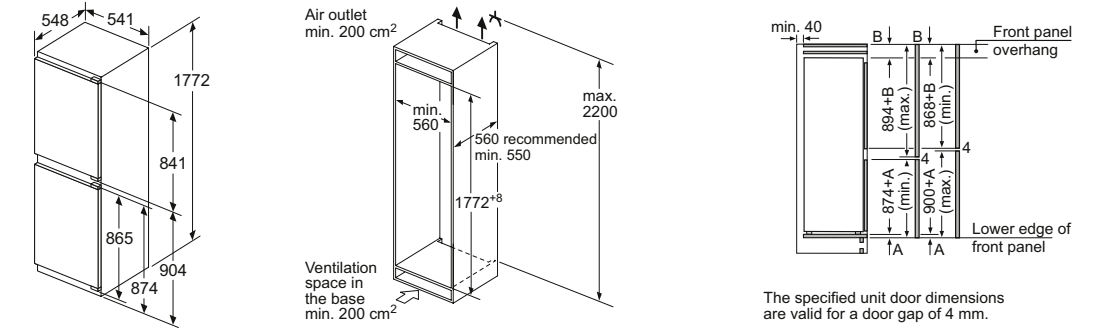


# Cooling technical diagrams

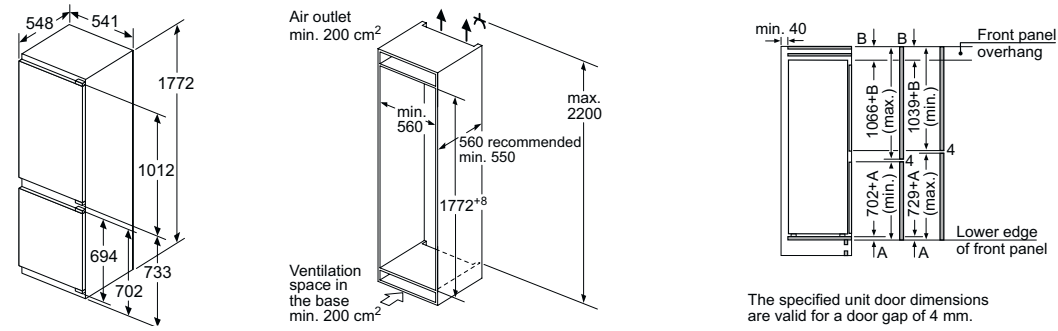
## noFrost bottom fridge freezer KI86NADDO



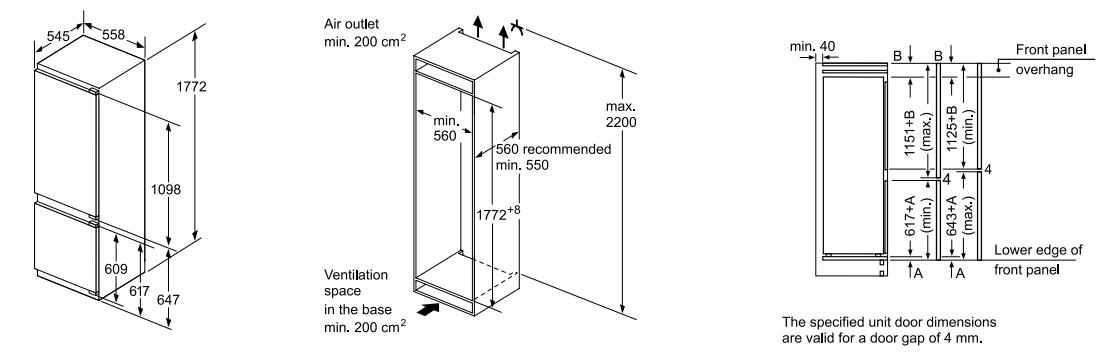
## noFrost bottom fridge freezers KI85NNFE0G



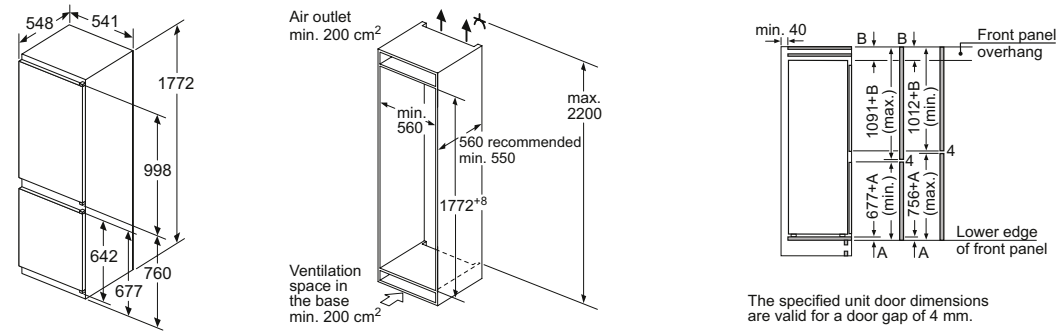
## noFrost bottom fridge freezers KI86NHFE0 and KI86NVFE0G



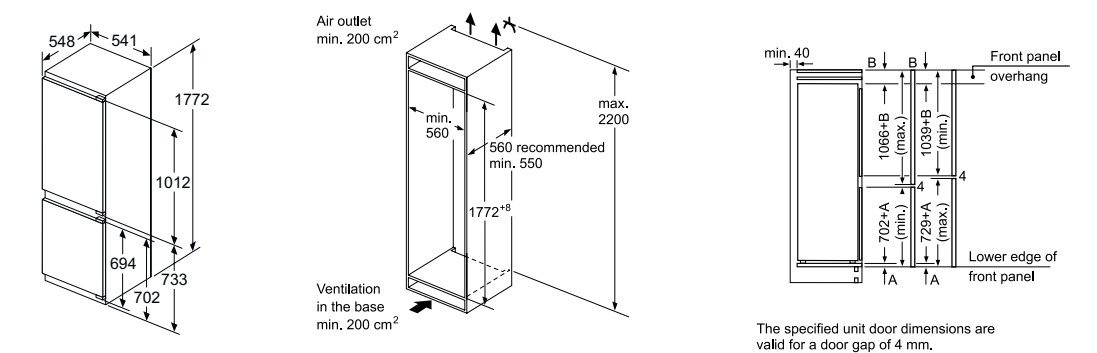
## lowFrost bottom fridge freezer KI87SAFE0G



## noFrost bottom fridge freezers KI86NVSE0G



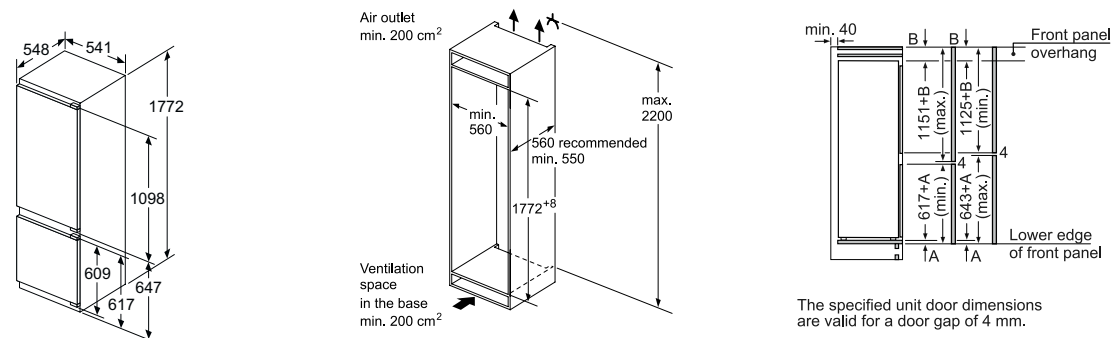
## lowFrost bottom fridge freezer KI86VFE0G



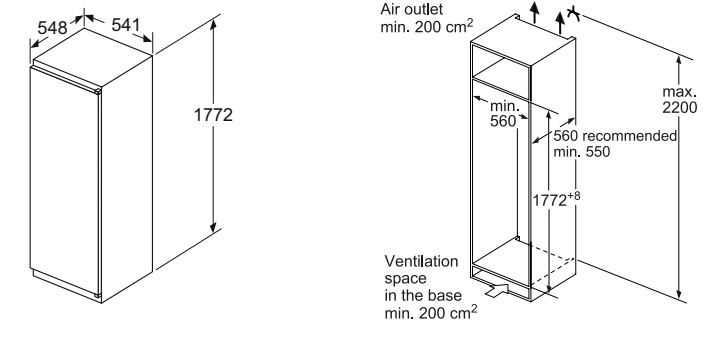


# Cooling technical diagrams

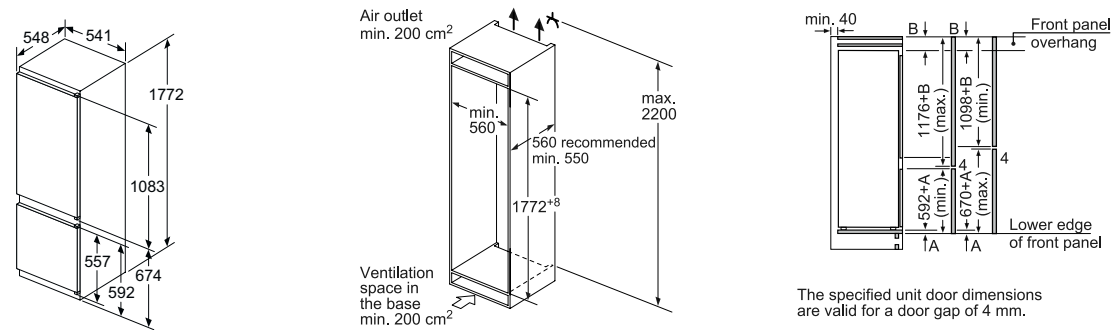
## lowFrost bottom fridge freezers KI87VFE0G



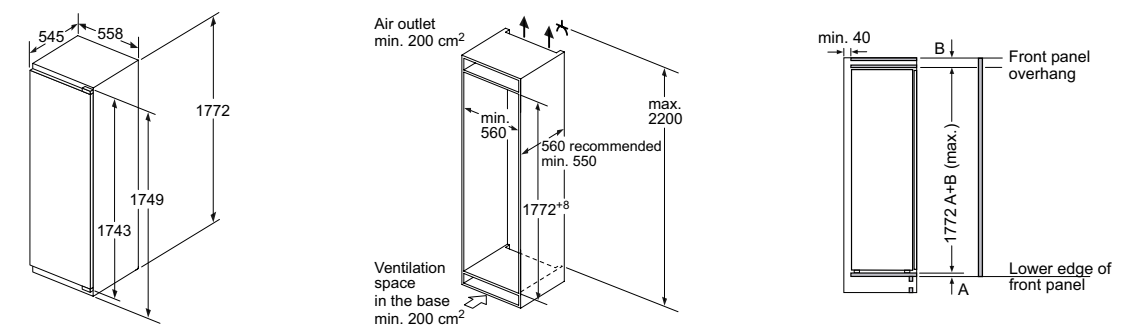
## 177cm fridge KI81RNSE0G



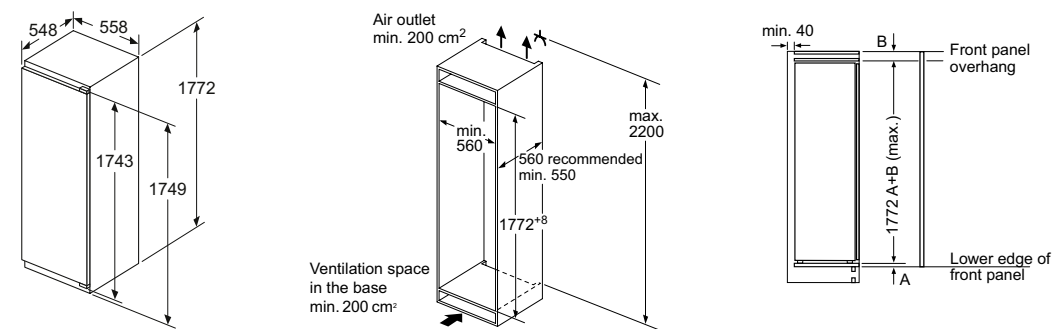
## lowFrost bottom fridge freezers KI87VSE0G and KI87VNSE0G



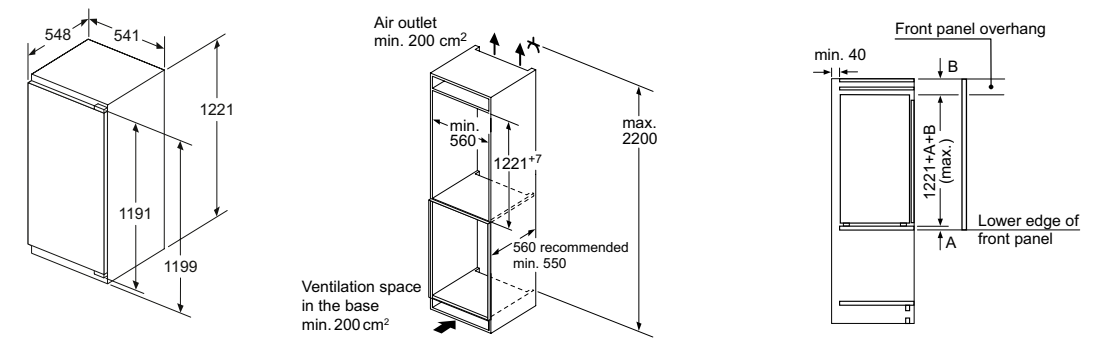
## 177cm freezers GI81NHCE0G and GI81NVEE0G



## 177cm fridges KI81RADD0G, KI81RVFE0G and KI82LVFE0

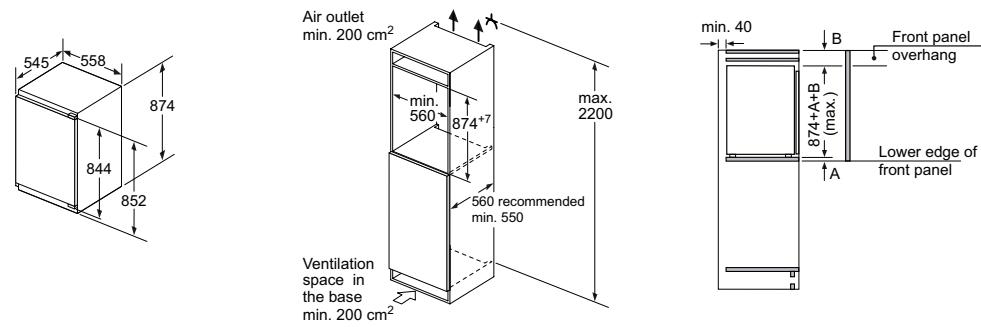


## 122cm fridge KI41R2FE1

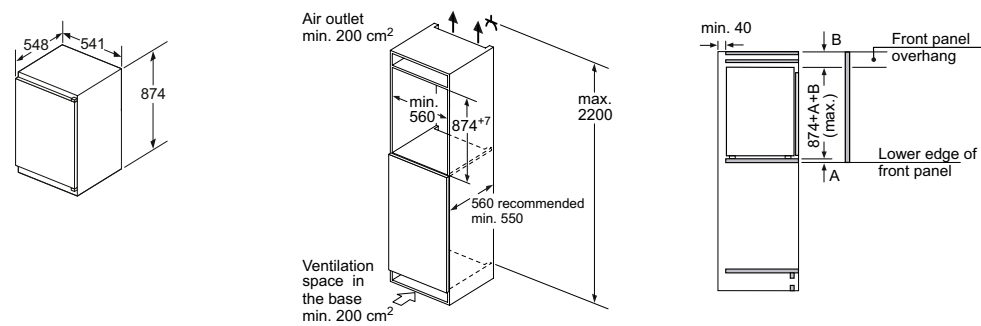


# Cooling technical diagrams

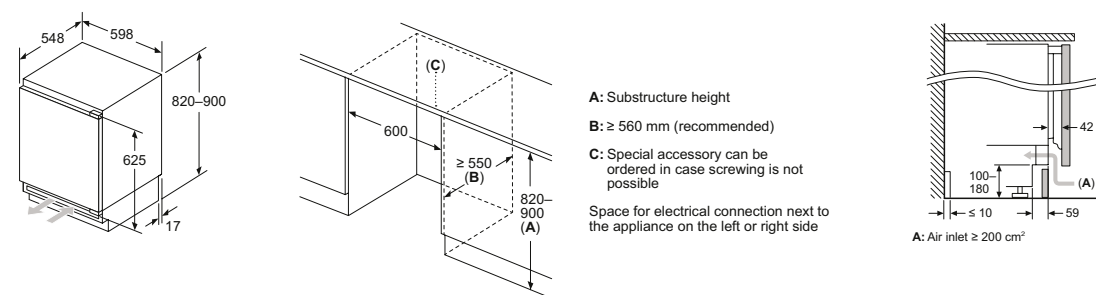
## 87cm fridge and freezer KI21RVFE0 and GI21VAFE0



## 87cm fridge KI21RNSE0



## 82cm built-under fridges and freezer KU22LVFD0G, KU21RVFE0G and GU21NVFE0G





# Cooling. Super efficient, super stylish

Elegant, functional and packed with technology, a Siemens freestanding fridge freezer is a talking point in the kitchen.

Whether it is an American Style fridge freezer that has a wow-factor, a side by side fridge and freezer for extra space, or a single appliance, Siemens has a wide range of products to choose from. Our energy efficient appliances are packed with food preservation technology.



Model shown: KF96RSBEA  
Multi Door / American style fridge freezer

Siemens freestanding cooling warranties:



#### 5 year warranty

A five year warranty is available on selected freestanding cooling appliances listed in this brochure to protect against manufacturing and material faults during this warranty period.

Offer dates: 01.04.24 – 31.03.25. Online registration required. For full T&Cs and qualifying appliances visit [siemens-home.bsh-group.com/ie/customer-service/warranty](https://siemens-home.bsh-group.com/ie/customer-service/warranty)



#### 2 year warranty

All other Siemens cooling appliances have a two year manufacturer's warranty as standard to protect against manufacturing or material faults.



#### 10 Year Compressor Drive Warranty

Available on all Siemens freestanding fridge freezers, covers defects in compressor motor.

To find out more about warranty and for registration, please visit: [siemens-home.bsh-group.com/ie/customer-service/warranty](https://siemens-home.bsh-group.com/ie/customer-service/warranty)



# Keeping food fresh for longer:

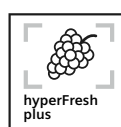


## hyperFresh technology

Set the right conditions to ensure food stays fresh for longer with hyperFresh humidity drawers and near 0°C chiller drawers.



**Freshness controlled: hyperFresh**  
Simply use the stylish control panel to adjust the humidity in the fridge. The hyperFresh drawer with a rippled base allows cool air to circulate easily around fruits and vegetables. As a result, the quality and freshness of the ingredients will be retained.



**Shelf life maximised: hyperFresh Plus**  
The hyperFresh Plus drawer does not only store food, it provides the right conditions to keep ingredients fresh for longer. Whether it is fruits or vegetables, using the drawer will increase shelf life and reduce food wastage. Simply switch between the 2 control settings, and the humidity will be adjusted for optimum storage of food.



**Food stays fresh for longer: hyperFresh Premium**  
Enjoy fresher food with hyperFresh Premium. With a choice of 3 humidity controls, simply select between storing fruits, vegetables, or both. The hyperFresh Premium drawer will regulate how much humidity the food receives. These innovative drawers help to keep in nutrients and minerals to create delicious meals and require fewer trips to the supermarkets, saving time, effort and money. hyperFresh Premium is available in selected Siemens single door fridges only.



**Perfectly fresh for fish and meat: hyperFresh near 0°C chiller drawers**  
The hyperFresh near 0°C chiller drawers, on the hyperFresh and hyperFresh plus models, are especially designed for the storage needs of fish and meat. Keep them fresh in ideal conditions near 0°C to retain the vitamins and minerals for longer. With two separate compartments the transfer of unpleasant smells will be avoided.

hyperFresh Premium models come complete with a larger full-length near 0°C chiller drawer, where fish and meat are stored at the perfect temperature.





# Technology that helps make life easier

Freezer storage made easy with bigBox.



Big enough for a busy lifestyle, the bigBox has the capacity for storing whole frozen turkeys, an entire leg of lamb, several pizzas, as well as the height to hold dessert glasses upright.

The bigBox provides plenty of space to accommodate and stack everything. And when an even larger space is needed, all the drawers and shelves can be easily removed from the freezer compartment which is ideal for the holidays and entertaining.



With noFrost technology, the job of defrosting the freezer never needs to be done again.



**noFrost**  
Defrosting the freezer is now done automatically. Siemens freezers are equipped with intelligent sensor-controlled technology to save the hassle of defrosting the freezer. An air-circulation system guides the humidity to the outside of the refrigerator into an external evaporation tray, and sensors measure the degree of humidity and any frost production – ensuring the appliance is periodically defrosted without the need to turn off the appliance or empty it out. Also, ice no longer forms on the inside of the refrigerator, and the appliance's energy consumption remains consistently low.



**lowFrost**  
Thanks to the innovative lowFrost technology with the special evaporator, not only is there less ice build up, but also defrosting is much faster than in conventional systems. All lowFrost models have a water drainage system, to allow removal of all thawed water during the defrosting process.

Stay connected in the kitchen, with Home Connect.



**Smart fridges**  
Cooling appliances with Home Connect offer the ability to flexibly control Siemens appliances using smart devices, such as a smart phone, tablet or smart speaker. This means appliances can be controlled from anywhere; for example adjusting the fridge temperature to cool down whilst on the way home from the supermarket, or setting the fridge to holiday mode whilst at the airport. Push notifications can also be set up to send an alert if the door has accidentally been left open, or if the temperature has risen above a certain level.

For more information about Home Connect visit <https://www.siemens-home.bsh-group.com/uk/inspiration/innovation/connected/cooling>



# Premium cooling options

for every size and style of kitchen

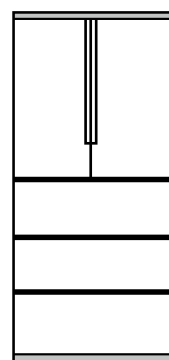
Choose the style and size.

When considering which freestanding appliance to purchase look at, what height space there is available? Consider the width? Is more capacity needed? Is more fridge or freezer space required?

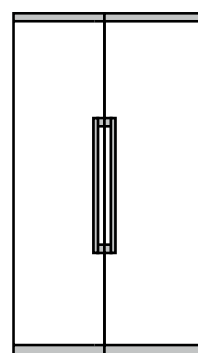
### Height and width

Siemens has many different sizes of cooling models to suit varying needs from: 183cm-203cm high and between 60cm and 91cm in width.

**French Style / Multi door**  
183 x 90cm



**American Style**  
178 x 91cm



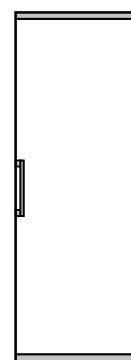
**Fridge Freezers**  
203 x 70cm  
203 x 60cm  
186 x 60cm



**Single Door Fridges**  
186 x 60cm



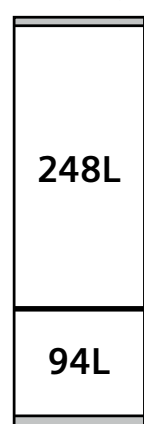
**Single Door Freezers**  
186 x 60cm



### Fridge Freezer split options

Siemens freestanding fridge freezers are split into two separate compartments so the split proportions can be decided depending on the food usage requirements.

Total Height:  
201cm  
70/30 door split

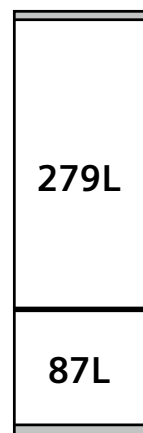


248L

94L

KG39

Total Height:  
203cm  
70/30 door split

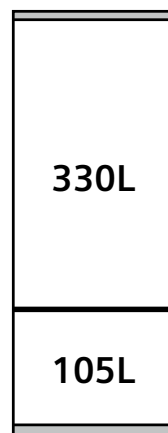


279L

87L

KG39

Total Height:  
203cm  
70/30 door split



330L

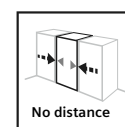
105L

KG49



Model shown:

KG49NXXDF



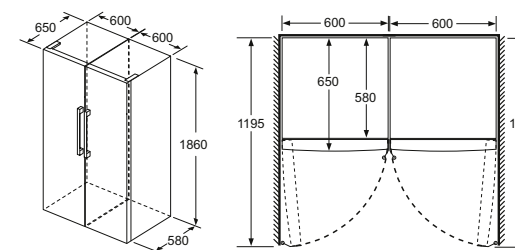
Create the perfect pair.

For extra internal space pair one of the below Siemens upright fridges alongside a Siemens upright freezer to re-create the style of an American fridge freezer with our easy access shelving zone.

For a design statement, combine the Black Steel iQ500 KS36VAXEP (fridge) with the iQ500 GS36NAXEP (freezer).

To complete these looks, a joining strip will need to be purchased to secure the two appliances. These can be bought through our website or through a retailer.

The joining strip product codes are:  
KS39ZAL00 – Stainless Steel Easy Clean  
KS39ZAX00 – Black Steel



Models shown: iQ500 KS36VAXEP single door fridge combined with iQ500 GS36NAXEP single door freezer using the KS39ZAX00 Black Steel joining strip



Models shown above:

KS36VVEPG (fridge)



GS36NVIEV (freezer)



Joining strip:  
KS39ZAL00

Models shown above:

KS36VAXEP (fridge)



GS36NAXEP (freezer)



### Tried and tested.

All Siemens fridges and freezers are built to last. Rigorous testing ensures that our products meet all the requirements of our customers. Every single one of our appliances is tested before it leaves the factory. For 24 hours a day, components are tested continuously to the maximum tolerance possible for the equivalent lifetime of the appliance.

Our doors are weighted and then opened and closed by the handle 200,000 times during testing to ensure they are robust (200,000 times is equivalent to opening and closing the door 27 times per day for 20 years). Materials are not only tested for suitability and longevity, we also look at how they sound and feel when we use them.



# Make a stylish statement in the kitchen.

## Introducing Multi Door / American Style fridge freezers.

From the premium double-width shelving to the sleek outer finishes – the Multi Door / American Style fridge freezers are designed to stand out in the kitchen. Behind the scenes, our cooling technologies such as multiAirFlow and fresh boxes provide the optimum temperatures to keep all food and drink at their best while adjustable shelving and smart compartments make it easy to personalise fridge space and keep shopping organised. Also with noFrost technology, the freezer will never need to be defrosted again.



Model shown: KF96RSBEA Multi Door / American Style fridge freezer



Model shown: KF96DPXEA Multi Door / American Style fridge freezer

## Room for more. Refreshment at any time.

### Room for more

The KF96RSBEA comes with a full width fridge and pull-out freezer. It even comes with a separate beverage drawer that has premium oak shelving compartments and five different set temperatures for soft drinks, beer, champagne, white wine and red wine. The beverage drawer stores drinks at the ideal temperature, always ready to enjoy. Perfect for busy kitchens.

### Refreshment anytime

The new KF96DPXEA is the perfect combination, where freshness meets intelligent design. Featuring a quick ice and water dispenser with bottle fill function that can dispense up to 5kg of ice per day (cubes or crushed). It can also dispense freshly filtered water as needed with the built-in UltraClarityPro water filter. It also features a multi purpose shelf, which can be used as a bottle rack or flat, giving storage flexibility.





# Cooling key features

## Colour finish options.

Choose from a selection of colour finishes on Siemens cooling appliances. There is an option to suit every kitchen.



**Black glass**      **Metallic silver**      **Stainless steel antiFingerprint**      **Black steel antiFingerprint**      **White**

## Handle options.

Depending on preference, choose from stylish quality bar handles or handles that are integrated into the appliance for a more seamless look.



**Integrated Vertical**      **Vertical Bar Handle (Long)**      **Vertical Bar Handle (Short)**

## Temperature displays.

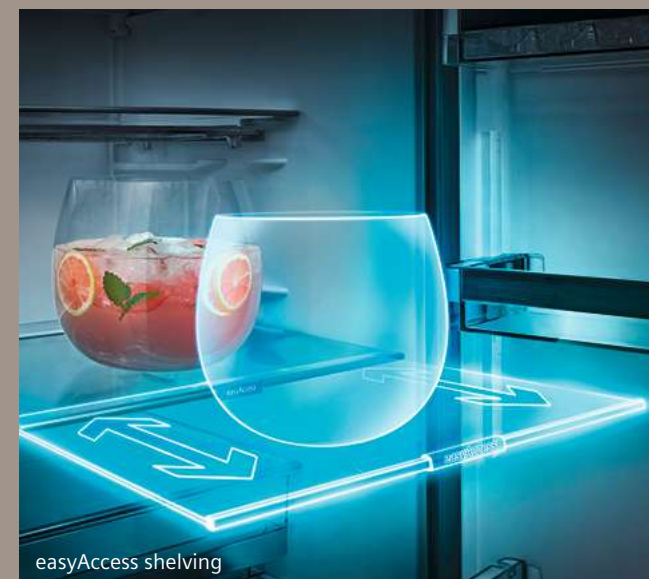
There are options for cooling appliances with a large front display, or with the control hidden on the inside of the appliance as our Siemens cooling range varies from large digital screens visible on the front door of the appliance to internal LED controls.



**Exterior Electronic Display**

**Interior Digital LED Display (iQ300)**

**Interior Electronic LED Display**



**easyAccess shelving**



**easyLift door trays**



**LED Illumination**



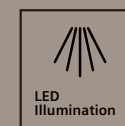
**autoAirflow system**



**Bottle rack**



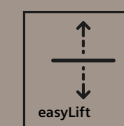
**easyAccess shelving zone on single door freezers**  
Creates additional space whilst delivering the design of an American fridge freezer interior compartment.



**LED Illumination**  
Integrated seamlessly into the top or the side walls of our cooling appliances, LED lighting is very efficient and gives maximum illumination of the fridge and freezer.



**autoAirflow system**  
This system works with the electronics to optimise the air circulation within the fridge and freezer compartments to ensure even cooling throughout the appliance. This means however groceries are organised, it will cool them quickly no matter where they are placed. The back wall of the appliance has open vents which work with the cooling circuit to draw cold air into each compartment.



**easyLift**  
Adjustable door trays and glass shelves that can be moved even when full for optimal convenience.



**Bottle rack**  
Available on some models which is the perfect place to store wine of all varieties and make the best use of the fridge space.

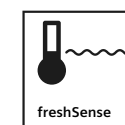


# Experience intelligent cool



Model shown: KG49NXXDF fridge freezer

## Fresh food for longer with sensor controlled cool.



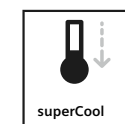
### freshSense

Fresh food guaranteed for longer. With conventional fridges, varying surrounding temperatures and the continuous opening of the refrigerator door lead to temperature changes inside the appliance. To ensure this does not affect the food inside, sensors immediately react to any changes. The freshSense sensors activate as soon as a change in temperature is registered and compensates for this change in an instant. Therefore the temperature always remains within the optimum range, and food stays fresh and delicious for longer.



### Inverter motor

The intelligent inverter technology is a clever combination of the inverter motor and sensor. The sensors register every slight change in temperature or humidity inside the refrigerator, for example when the door is opened or warm food is stored. This information is then passed to the inverter motor, which adapts its need for energy accordingly. This means food can be cooled intelligently and energy efficiently, and thanks to the high-quality inverter motor, incredibly quietly.



### superCool

Ensures that warmer food entering the fridge does not increase the fridge temperature, which can affect other food.



### superFreeze

superFreeze makes sure that warmer food added to the freezer does not raise the freezer temperature, stopping food partially defrosting.



### Wrap around evaporator

This new technology creates more space in the freezer cavity, allowing for more innovations like bigBox for large food items, plus removable glass drawers.



### iceTwister

Simply activate the iceTwister and receive up to 20 ice cubes at once right away. The water tank is very easy to remove for reliable refilling.

## Explore more features that work around busy lifestyles.



### safetyGlass shelves

All safety glass shelves are made from extra strong, easy-to-clean glass. If something tips over, the spillage is contained and does not spill into the rest of the refrigerator compartment.




### Holiday mode




Holiday Mode will ensure that food in the freezer stays cold enough to maintain freshness whilst reducing its energy output. Our fridges also feature a warning alarm that signals when the door has been left open, ensuring that energy is not needlessly wasted and preserving the food inside.

# Cooling product overview

Freestanding multi door / American fridge freezer

Product Type	Multi Door / American style fridge freezer	
	1830mm height	
Multi Door / American style fridge freezer	 <p><b>KF96DPXEA</b>                      ■ IQ700                      • 574 litre capacity                      • 905mm width                      • 731mm depth                      • 2 hyperFresh drawers                      • noFrost</p>	 <p><b>KF96RSBEA</b>                      ■ IQ700                      • 572 litre capacity                      • 905mm width                      • 736mm depth                      • 1 hyperFresh drawer                      • Beverage drawer                      • noFrost</p>
American style fridge freezer		






Home Connect

Multi Door / American style fridge freezer		American style fridge freezer
1830mm height		1787mm height
 <p><b>KF96NAXEAG</b>                      ■ IQ500                      • 605 litre capacity                      • 905mm width                      • 731mm depth                      • 2 hyperFresh drawers                      • noFrost</p>	 <p><b>KF96NVPEAG</b>                      ■ IQ300                      • 605 litre capacity                      • 905mm width                      • 731mm depth                      • 2 hyperFresh drawers                      • noFrost</p>	
		 <p><b>KA93GAIDP</b>                      ■ IQ500                      • 560 litre capacity                      • 908mm width                      • 707mm depth                      • 1 vegetable Box                      • noFrost</p>








# Cooling product overview

## Freestanding fridge freezers

Product Type	Fridge freezers				
	2030mm height				
<b>Fridge freezers</b>					
	<b>KG39NAIAT</b> ■ Q500 • 363 litre capacity • 600mm width • 665mm depth • 2 hyperFresh drawers • noFrost	<b>KG39NXIBF</b> ■ Q500 • 363 litre capacity • 600mm width • 665mm depth • 2 hyperFresh drawers • noFrost	<b>KG49NXIDF</b> ■ Q300 • 440 litre capacity • 700mm width • 667mm depth • 2 hyperFresh drawers • noFrost	<b>KG49NXXDF</b> ■ Q300 • 440 litre capacity • 700mm width • 667mm depth • 2 hyperFresh drawers • noFrost	<b>KG39NXIBF</b> ■ Q300 • 363 litre capacity • 600mm width • 665mm depth • 2 hyperFresh drawers • noFrost

## Freestanding single door fridges and freezers

Height (mm)	Fridges			Freezers	
	1860mm height			1860mm height	
<b>Single door fridges</b>					
	<b>KG36NXXDF</b> ■ Q300 • 321 litre capacity • 600mm width • 665mm depth • 2 hyperFresh drawers • noFrost	<b>KS36VWIEPG</b> ■ Q500 • 346 litre capacity • 600mm width • 650mm depth • 1 hyperFresh drawer • lowFrost	<b>KS36VAXEP</b> ■ Q500 • 346 litre capacity • 600mm width • 650mm depth • 1 hyperFresh drawer • 1 vegetable box		
<b>Single door freezers</b>					
				<b>GS36NAXEP</b> ■ Q500 • 242 litre capacity • 600mm width • 650mm depth • noFrost	<b>GS36NVIEV</b> ■ Q300 • 242 litre capacity • 600mm width • 650mm depth • noFrost

# Wine cabinet

## iQ500 KW36KATGA

Freestanding wine cabinet  
Grey, glass door



### Wine cabinet specifications

APPLIANCE TYPE	FREESTANDING WINE CABINETS
Design family	iQ500
Model number	KW36KATGA
<b>DESIGN FEATURES</b>	
Colour of door panels	Silver
Colour of side panels	Black
Type of glass door	3 glass panels, UV-filtered
Door handle type	Integrated vertical bar handle
Temperature display	Interior / Digital LED
Reversible door, hinged on right	■
Home Connect / Built-in cameras	-
<b>KEY FEATURES – WINE CABINET SECTION</b>	
Range of temperature (0°C)	7 - 19
Temperature zones	2
LED light	LED
Number of shelves	10
Number of oak shelves	8
Number of adjustable shelves	4
Presenter shelf and lighting	■
Capacity in 0.75l (Bordeaux bottles)	199
<b>FUNCTIONS</b>	
Door open warning signal/malfunction	■
Child lock	■
<b>PERFORMANCE &amp; CONSUMPTION</b>	
Energy efficiency class	A ↑ G
Energy consumption <sup>1</sup> (kWh/annum)	155
Refrigerator net capacity (litres)	370
Climate Class <sup>2</sup>	SN-ST
Noise level (dB [A] re 1pW)	38
Noise level class	C
Height of product (mm)	1860
Width of product (mm)	600
Depth of product (mm)	610

■ Yes, model has this feature. – Feature not available for this model.

<sup>1</sup> Actual energy consumption will depend on how the appliance is used and where it is located.

<sup>2</sup> Climate zone SN = designed to operate in ambient temperature of +10°C to 32°C.

Climate zone ST = designed to operate in ambient temperature of +16°C to 38°C.

Data valid in this table as of April 2024. Subject to modification without prior notice.



Model shown:  
KW36KATGA wine cabinet



**iQ 700** KF96RSBEAMulti Door / American Style fridge freezer  
Black glass door, cast iron sides

## Multi Door / American Style fridge freezer specifications

APPLIANCE TYPE	FREESTANDING 90CM
Design family	<b>iQ 700</b>
Model number	KF96RSBEA
<b>DESIGN FEATURES</b>	
Colour of door panels	Black glass
Colour of side panels	Cast iron
Style of handle	Integrated vertical handle
Colour of handle	Cast iron
noFrost in fridge and freezer	■
Home Connect	■
<b>FOOD FRESHNESS SYSTEM</b>	
hyperFresh	1 x hyperFresh drawer 1 x beverage drawer
<b>KEY FEATURES – FRIDGE SECTION</b>	
Product highlights	LED
superCool function	■
Type of control	Electronic
Number of shelves	5
Number of adjustable shelves	4
Bottle shelves in fridge	Beverage drawer
Number of door bins / shelves	6
Temperature display	Digital LED
Warning signal door open	■
<b>KEY FEATURES – FREEZER SECTION</b>	
superFreeze function	■
Temperature adjustable in freezer	■
Number of ice cube trays	Twist ice box
Ice dispenser features	–
Number of freezer drawers	3
<b>ADDITIONAL INFORMATION</b>	
Energy efficiency class	<b>A</b> <b>E</b>
Energy consumption <sup>1</sup> (kWh/annum)	320
Total net capacity (litres)	572
Refrigerator net capacity (litres)	401
Freezer net capacity (litres)	171
Climate class <sup>2</sup>	SN-T
Noise level (dB [A] re 1pW)	39
Noise level class	C
Additional accessories included	3 x egg trays
Height of product (mm)	1830
Width of product (mm)	905
Depth of product (mm)	736

■ Yes, model has this feature. – Feature not available for this model.

<sup>1</sup> Actual energy consumption will depend on how the appliance is used and where it is located.<sup>2</sup> Climate zone SN – designed to operate in ambient temperature of +10°C to 32°C. Climate zone T – designed to operate in ambient temperature of +18°C to 43°C.

Data valid in this table as of April 2024. Subject to modification without prior notice.

\*5 year warranty - Offer dates: 01.04.24 – 31.03.25. T&amp;C's apply. Online registration required.

**iQ 700** KF96DPXEAMulti Door / American Style fridge freezer  
Black stainless steel

## Multi Door / American Style fridge freezer specifications

APPLIANCE TYPE	FREESTANDING 90CM
Design family	<b>iQ 700</b>
Model number	KF96DPXEA
<b>DESIGN FEATURES</b>	
Colour of door panels	Black stainless steel
Colour of side panels	Cast iron
Style of handle	Horizontal and vertical integrated handle
Colour of handle	Black
noFrost in fridge and freezer	■
Home Connect	■
<b>FOOD FRESHNESS SYSTEM</b>	
hyperFresh	2 x hyperFresh drawers
<b>KEY FEATURES – FRIDGE SECTION</b>	
Product highlights	LED
superCool function	■
Type of control	Electronic
Number of shelves	5
Number of adjustable shelves	4
Bottle shelves in fridge	1
Number of door bins / shelves	5
Temperature display	Digital
Warning signal door open	■
<b>KEY FEATURES – FREEZER SECTION</b>	
superFreeze function	■
Temperature adjustable in freezer	■
Number of ice cube trays	Automatic ice cube maker
Ice dispenser features	Crushed ice, ice cubes, water, water filter
Number of freezer drawers	6
<b>ADDITIONAL INFORMATION</b>	
Energy efficiency class	<b>A</b> <b>E</b>
Energy consumption <sup>1</sup> (kWh/annum)	327
Total net capacity (litres)	574
Refrigerator net capacity (litres)	375
Freezer net capacity (litres)	199
Climate class <sup>2</sup>	SN-T
Noise level (dB [A] re 1pW)	39
Noise level class	C
Additional accessories included	1 x connection hose, 3 x egg trays
Height of product (mm)	1830
Width of product (mm)	905
Depth of product (mm)	731

■ Yes, model has this feature. – Feature not available for this model.

<sup>1</sup> Actual energy consumption will depend on how the appliance is used and where it is located.<sup>2</sup> Climate zone SN – designed to operate in ambient temperature of +10°C to 32°C. Climate zone T – designed to operate in ambient temperature of +18°C to 43°C.

Data valid in this table as of April 2024. Subject to modification without prior notice.

\*5 year warranty - Offer dates: 01.04.24 – 31.03.25. T&amp;C's apply. Online registration required.



Multi Door / American Style fridge freezer specifications

APPLIANCE TYPE	FREESTANDING 90CM
<b>Design family</b>	<b>iQ500</b>
Model number	KF96NAXEAG
<b>DESIGN FEATURES</b>	
Colour of door panels	Black stainless steel
Colour of sides	Cast iron
Style of handle	Horizontal and vertical integrated handle
Colour of handle	Black
noFrost in fridge and freezer	■
Home Connect	■
<b>FOOD FRESHNESS SYSTEM</b>	
hyperFresh	2 x hyperFresh drawers
<b>KEY FEATURES – FRIDGE SECTION</b>	
Product highlights	LED
superCool function	■
Type of control	Electronic
Number of shelves	4
Number of adjustable shelves	3
Shelves for bottles	-
Number of door bins / shelves	5
Temperature display	Digital
Warning signal door open	■
<b>KEY FEATURES – FREEZER SECTION</b>	
superFreeze function	■
Temperature adjustable in freezer	■
Number of ice cube trays	1
Ice dispenser features	-
Number of freezer drawers	6
<b>ADDITIONAL INFORMATION</b>	
Energy efficiency class	<b>A</b> <b>E</b>
Energy consumption <sup>1</sup> (kWh/annum)	333
Total net capacity (litres)	605
Refrigerator net capacity (litres)	405
Freezer net capacity (litres)	200
Climate class <sup>2</sup>	SN-T
Noise level (dB [A] re 1pW)	38
Noise level class	C
Additional accessories included	3 x egg trays
Height of product (mm)	1830
Width of product (mm)	905
Depth of product (mm)	731

■ Yes, model has this feature. – Feature not available for this model.

<sup>1</sup> Actual energy consumption will depend on how the appliance is used and where it is located.

<sup>2</sup> Climate zone SN – designed to operate in ambient temperature of +10°C to 32°C. Climate zone T – designed to operate in ambient temperature of +18°C to 43°C.

Data valid in this table as of April 2024. Subject to modification without prior notice.

\*5 year warranty - Offer dates: 01.04.24 – 31.03.25. T&C's apply. Online registration required.

Multi Door / American Style fridge freezer specifications

APPLIANCE TYPE	FREESTANDING 90CM
<b>Design family</b>	<b>iQ300</b>
Model number	KF96NVPEAG
<b>DESIGN FEATURES</b>	
Colour of door panels	Stainless steel
Colour of sides	Chrome Inox-Metallic
Style of handle	Horizontal and vertical integrated handle
Colour of handle	Black
noFrost in fridge and freezer	■
Home Connect	-
<b>FOOD FRESHNESS SYSTEM</b>	
hyperFresh	2 x hyperFresh drawers
<b>KEY FEATURES – FRIDGE SECTION</b>	
Product highlights	LED
superCool function	■
Type of control	Electronic
Number of shelves	3
Number of adjustable shelves	2
Shelves for bottles	-
Number of door bins / shelves	5
Temperature display	Digital
Warning signal door open	■
<b>KEY FEATURES – FREEZER SECTION</b>	
superFreeze function	■
Temperature adjustable in freezer	■
Number of ice cube trays	1
Ice dispenser features	-
Number of freezer drawers	6
<b>ADDITIONAL INFORMATION</b>	
Energy efficiency class	<b>A</b> <b>E</b>
Energy consumption <sup>1</sup> (kWh/annum)	333
Total net capacity (litres)	605
Refrigerator net capacity (litres)	405
Freezer net capacity (litres)	200
Climate class <sup>2</sup>	SN-T
Noise level (dB [A] re 1pW)	38
Noise level class	C
Additional accessories included	3 x egg trays
Height of product (mm)	1830
Width of product (mm)	905
Depth of product (mm)	731

■ Yes, model has this feature. – Feature not available for this model.

<sup>1</sup> Actual energy consumption will depend on how the appliance is used and where it is located.

<sup>2</sup> Climate zone SN – designed to operate in ambient temperature of +10°C to 32°C. Climate zone T – designed to operate in ambient temperature of +18°C to 43°C.

Data valid in this table as of April 2024. Subject to modification without prior notice.

\*5 year warranty - Offer dates: 01.04.24 – 31.03.25. T&C's apply. Online registration required.



# Traditional American Style fridge freezer



## iQ500 KA93GAIDP

American Style fridge freezer  
Stainless steel



Temperature Display: Exterior Digital



### American Style fridge freezer specifications

Available from May 2024

APPLIANCE TYPE	FREESTANDING 90CM
Design family	iQ500
Model number	KA93GAIDP
DESIGN FEATURES	
Colour of door panels	Stainless steel
Colour of sides	Grey
Style of handle	Vertical bar handle
Colour of handle	Silver
noFrost in fridge and freezer	■
Home Connect	-
FOOD FRESHNESS SYSTEM	
hyperFresh	1 x vegetable box
KEY FEATURES – FRIDGE SECTION	
Product highlights	LED
superCool function	■
Type of control	Electronic
Number of shelves	5
Number of adjustable shelves	0
Shelves for bottles	■
Number of door bins / shelves	5
Temperature display	Digital
Warning signal door open	■
KEY FEATURES – FREEZER SECTION	
superFreeze function	■
Temperature adjustable in freezer	■
Number of ice cube trays	Automatic ice maker
Ice dispenser features	Crushed ice, ice cubes, water filter
Number of freezer drawers	2
ADDITIONAL INFORMATION	
Energy efficiency class	A+ D
Energy consumption <sup>1</sup> (kWh/annum)	323
Total net capacity (litres)	560
Refrigerator net capacity (litres)	369
Freezer net capacity (litres)	191
Climate class <sup>2</sup>	SN-T
Noise level (dB [A] re 1pW)	42
Noise level class	D
Additional accessories included	1 x connection hose, 3 x egg trays
Height of product (mm)	1787
Width of product (mm)	908
Depth of product (mm)	707

■ Yes, model has this feature. – Feature not available for this model.

<sup>1</sup> Actual energy consumption will depend on how the appliance is used and where it is located.

<sup>2</sup> Climate zone SN – designed to operate in ambient temperature of +10°C to 32°C. Climate zone T – designed to operate in ambient temperature of +18°C to 43°C.

Data valid in this table as of April 2024. Subject to modification without prior notice.

\*5 year warranty - Offer dates: 01.04.24 – 31.03.25. T&C's apply. Online registration required.

For specification details, please visit [siemens-home.bsh-group.com/ie](https://siemens-home.bsh-group.com/ie) and download a full specification sheet.

For the full range of accessories, please visit our online accessory shop at [siemens-home.bsh-group.com/ieshop](https://siemens-home.bsh-group.com/ieshop) or call our Spares Department on 01450 2655.



Model shown:  
KA93GAIDP American Style fridge freezer

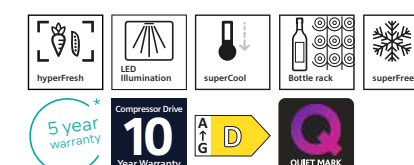


# Freestanding fridge freezers



## iQ300 KG49NXXDF

Freestanding fridge freezer  
Black steel



Freestanding fridge freezer  
noFrost specifications

APPLIANCE TYPE	FREESTANDING FRIDGE FREEZER NOFROST
Design family	iQ300
Model number	KG49NXXDF
<b>DESIGN FEATURES</b>	
Colour of door panels	Black stainless steel
Colour of sides	Cast iron
Style of handle	Integrated vertical handle
Colour of handle	-
noFrost in fridge and freezer	■
Home Connect	-
<b>FOOD FRESHNESS SYSTEM</b>	
hyperFresh	2 x hyperFresh drawers
<b>KEY FEATURES – FRIDGE SECTION</b>	
Light	LED
superCool function	■
Type of control	Electronic
Number of shelves	5
Number of adjustable shelves	3
Number of door bins / shelves	4
Type of shelves	Safety glass
Temperature display	Digital LED
Warning signal door open	■
Bottle shelves in fridge	■
<b>KEY FEATURES – FREEZER SECTION</b>	
superFreeze function	■
Temperature adjustable in freezer	■
Number of ice cube trays	1
Bottle shelves in fridge	3
<b>ADDITIONAL INFORMATION</b>	
Energy efficiency class	A+ D
Energy consumption <sup>1</sup> (kWh/annum)	223
Total net capacity (litres)	440
Freezer net capacity (litres)	129
Climate Class <sup>2</sup>	SN-T
Noise level (dB [A] re 1pW)	35
Noise level class	B
Additional accessories included	3 x egg trays 1 x ice cube tray 1 x bottle support
Height of product (mm)	2030
Width of product (mm)	700
Depth of product (mm)	667

■ Yes, model has this feature. – Feature not available for this model.

<sup>1</sup> Actual energy consumption will depend on how the appliance is used and where it is located.

<sup>2</sup> Climate zone SN = designed to operate in ambient temperature of +10°C to 32°C.

Climate zone T = designed to operate in ambient temperature of +18°C to 43°C.

Data valid in this table as of April 2024. Subject to modification without prior notice.

\*5 year warranty - Offer dates: 01.04.24 – 31.03.25. T&C's apply. Online registration required.



Model shown:  
KG49NXXDF fridge freezer





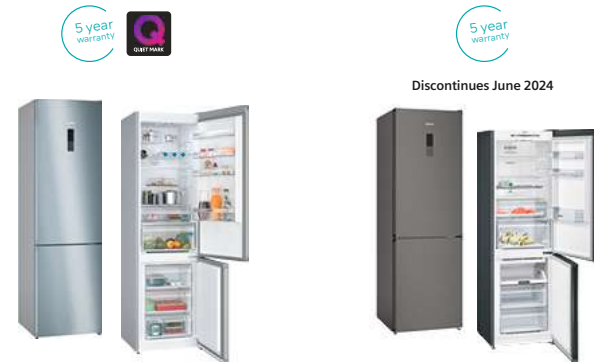
Freestanding fridge freezer noFrost specifications

APPLIANCE TYPE	FREESTANDING FRIDGE FREEZERS NOFROST		
Design family	IQ300	IQ500	IQ500
Model number	KG49NXIDF	KG39NAIAT	KG39NEXBF
<b>DESIGN FEATURES</b>			
Colour of door panels	Stainless steel	Stainless steel	Black stainless steel
Colour of sides	Pearl grey	Pearl grey	Cast iron
Style of handle	Integrated vertical handle	Vertical bar handle	Integrated vertical handle
Colour of handle	-	Inox metallic	-
noFrost in fridge and freezer	■	■	■
Home Connect	-	-	-
<b>FOOD FRESHNESS SYSTEM</b>			
hyperFresh	2 x hyperFresh drawers	2 x hyperFresh drawers	2 x hyperFresh drawers
<b>KEY FEATURES – FRIDGE SECTION</b>			
Light	LED	LED	LED
superCool function	■	■	■
Type of control	Electronic	Electronic	Electronic
Number of shelves	5	5	5
Number of adjustable shelves	3	3	3
Number of door bins / shelves	4	3	3
Type of shelves	Safety glass	Safety glass	Safety glass
Temperature display	Digital LED	Digital LED	Digital LED
Warning signal door open	■	■	■
Bottle shelves in fridge	■	■	■
<b>KEY FEATURES – FREEZER SECTION</b>			
superFreeze function	■	■	■
Temperature adjustable in freezer	■	■	■
Number of ice cube trays	1	1	1
Bottle shelves in fridge	3	3	3
<b>ADDITIONAL INFORMATION</b>			
Energy efficiency class			
Energy consumption <sup>1</sup> (kWh/annum)	223	104	129
Total net capacity (litres)	440	363	363
Freezer net capacity (litres)	129	103	103
Climate Class <sup>2</sup>	SN-T	SN-T	SN-T
Noise level (dB [A] re 1pW)	35	29	33
Noise level class	B	A	B
Additional accessories included	3 x egg trays 1 x ice cube tray 1 x bottle support	3 x egg trays 1 x ice cube tray 1 x bottle support 1 x bottle cooler	3 x egg trays 1 x ice cube tray 1 x bottle support 1 x bottle cooler
Height of product (mm)	2030	2030	2030
Width of product (mm)	700	600	600
Depth of product (mm)	667	665	665

■ Yes, model has this feature. – Feature not available for this model.

<sup>1</sup> Actual energy consumption will depend on how the appliance is used and where it is located.  
<sup>2</sup> Climate zone SN = designed to operate in ambient temperature of +10°C to 32°C.  
 Climate zone T = designed to operate in ambient temperature of +18°C to 43°C.

Data valid in this table as of April 2024. Subject to modification without prior notice.  
 \*5 year warranty - Offer dates: 01.04.24 – 31.03.25. T&C's apply. Online registration required.



Freestanding fridge freezer noFrost specifications

APPLIANCE TYPE	FREESTANDING FRIDGE FREEZERS NOFROST	
Design family	IQ300	IQ300
Model number	KG39NXIBF	KG36NXXDF
<b>DESIGN FEATURES</b>		
Colour of door panels	Stainless steel	Blackstainless steel
Colour of sides	Pearl grey	Cast iron
Style of handle	Integrated vertical handle	Integrated vertical handle
Colour of handle	-	-
noFrost in fridge and freezer	■	■
Home Connect	-	-
<b>FOOD FRESHNESS SYSTEM</b>		
hyperFresh	2 x hyperFresh drawers	2 x hyperFresh drawers
<b>KEY FEATURES – FRIDGE SECTION</b>		
Light	LED	LED
superCool function	■	■
Type of control	Electronic	Electronic
Number of shelves	5	4
Number of adjustable shelves	3	2
Number of door bins / shelves	4	3
Type of shelves	Safety glass	Safety glass
Temperature display	Digital LED	Digital LED
Warning signal door open	■	■
Bottle shelves in fridge	■	■
<b>KEY FEATURES – FREEZER SECTION</b>		
superFreeze function	■	■
Temperature adjustable in freezer	■	■
Number of ice cube trays	1	1
Bottle shelves in fridge	3	3
<b>ADDITIONAL INFORMATION</b>		
Energy efficiency class		
Energy consumption <sup>1</sup> (kWh/annum)	129	199
Total net capacity (litres)	363	321
Freezer net capacity (litres)	103	103
Climate Class <sup>2</sup>	SN-T	SN-T
Noise level (dB [A] re 1pW)	33	103
Noise level class	B	B
Additional accessories included	3 x egg trays 1 x ice cube tray 1 x bottle support	3 x egg trays 1 x ice cube tray 1 x bottle support
Height of product (mm)	2030	1860
Width of product (mm)	600	600
Depth of product (mm)	665	665

■ Yes, model has this feature. – Feature not available for this model.

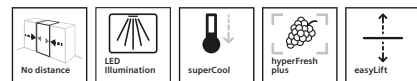
<sup>1</sup> Actual energy consumption will depend on how the appliance is used and where it is located.  
<sup>2</sup> Climate zone SN = designed to operate in ambient temperature of +10°C to 32°C.  
 Climate zone T = designed to operate in ambient temperature of +18°C to 43°C.

Data valid in this table as of April 2024. Subject to modification without prior notice.  
 \*5 year warranty - Offer dates: 01.04.24 – 31.03.25. T&C's apply. Online registration required.

# Upright single door fridges

## iQ 500 KS36VAXEP

Freestanding fridge  
Black stainless steel



Freestanding upright single door  
fridge specifications

APPLIANCE TYPE	UPRIGHT SINGLE DOOR FRIDGE
Design family	iQ 500
Model number	KS36VAXEP
<b>DESIGN FEATURES</b>	
Colour of door panels	Black stainless steel
Colour of side panels	Cast iron
Style of handle	Vertical bar handle
Colour of handle	Stainless steel
noFrost in fridge and freezer	-
Home Connect	-
<b>FOOD FRESHNESS SYSTEM</b>	
hyperFresh	1 x hyperFresh drawer 1 x vegetable box
<b>KEY FEATURES – FRIDGE SECTION</b>	
Light	LED
superCool function	■
Type of control	Electronic
Number of shelves	7
Number of adjustable shelves	4
Number of door bins / shelves	5
Type of shelves	Safety glass
Temperature display	Digital LED
Warning signal door open	■
Bottle shelves in fridge	■
<b>KEY FEATURES – FREEZER SECTION</b>	
superFreeze function	-
Temperature adjustable in freezer	-
Number of ice cube trays	-
Number of freezer drawers	-
<b>ADDITIONAL INFORMATION</b>	
Energy efficiency class	A+G E
Energy consumption <sup>1</sup> (kWh/annum)	116
Total net capacity (litres)	346
Freezer net capacity (litres)	-
Climate Class <sup>2</sup>	SN-T
Noise level (dB [A] re 1pW)	39
Noise level class	C
Additional accessories included	3 x egg trays 1 x bottle support
Height of product (mm)	1860
Width of product (mm)	600
Depth of product (mm)	650

■ Yes, model has this feature. - Feature not available for this model.

<sup>1</sup> Actual energy consumption will depend on how the appliance is used and where it is located.  
<sup>2</sup> Climate zone SN – designed to operate in ambient temperature of +10°C to 32°C.  
Climate zone T – designed to operate in ambient temperature of +18°C to 43°C.

Data valid in this table as of April 2024. Subject to modification without prior notice.  
\*5 year warranty - Offer dates: 01.04.24 – 31.03.25. T&C's apply. Online registration required.



Freestanding upright single door  
fridge specifications

APPLIANCE TYPE	UPRIGHT SINGLE DOOR FRIDGE
Design family	iQ 800
Model number	KS36VIEPG
<b>DESIGN FEATURES</b>	
Colour of door panels	Stainless steel
Colour of side panels	Pearl grey
Style of handle	Vertical bar handle
Colour of handle	Stainless steel
noFrost in fridge and freezer	-
Home Connect	-
<b>FOOD FRESHNESS SYSTEM</b>	
hyperFresh	1 x hyperFresh drawer
<b>KEY FEATURES – FRIDGE SECTION</b>	
Light	LED
superCool function	■
Type of control	Electronic
Number of shelves	7
Number of adjustable shelves	5
Number of door bins / shelves	5
Type of shelves	Safety glass
Temperature display	Digital LED
Warning signal door open	-
Bottle shelves in fridge	■
<b>KEY FEATURES – FREEZER SECTION</b>	
superFreeze function	-
Temperature adjustable in freezer	-
Number of ice cube trays	-
Number of freezer drawers	-
<b>ADDITIONAL INFORMATION</b>	
Energy efficiency class	A+G D
Energy consumption <sup>1</sup> (kWh/annum)	116
Total net capacity (litres)	346
Freezer net capacity (litres)	-
Climate Class <sup>2</sup>	SN-T
Noise level (dB [A] re 1pW)	39
Noise level class	C
Additional accessories included	3 x egg trays 1 x bottle support
Height of product (mm)	1860
Width of product (mm)	600
Depth of product (mm)	650

■ Yes, model has this feature. - Feature not available for this model.

<sup>1</sup> Actual energy consumption will depend on how the appliance is used and where it is located.  
<sup>2</sup> Climate zone SN – designed to operate in ambient temperature of +10°C to 32°C.  
Climate zone T – designed to operate in ambient temperature of +18°C to 43°C.

Data valid in this table as of April 2024. Subject to modification without prior notice.  
\*5 year warranty - Offer dates: 01.04.24 – 31.03.25. T&C's apply. Online registration required.

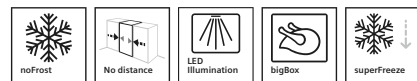




# Upright single door freezers

## iQ 500 GS36NAXEP

Freestanding freezer  
Black stainless steel



Freestanding upright single door  
fridge specifications

APPLIANCE TYPE	UPRIGHT SINGLE DOOR FREEZER
Design family	iQ 500
Model number	GS36NAXEP
<b>DESIGN FEATURES</b>	
Colour of door panels	Black stainless steel
Colour of side panels	Cast iron
Style of handle	Vertical bar handle
Colour of handle	Stainless steel
noFrost in fridge and freezer	■
Home Connect	-
<b>FOOD FRESHNESS SYSTEM</b>	
hyperFresh	-
<b>KEY FEATURES – FRIDGE SECTION</b>	
Light	-
superCool function	-
Type of control	Electronic
Number of shelves	-
Number of adjustable shelves	-
Number of door bins / shelves	-
Type of shelves	-
Temperature display	Digital LED
Warning signal door open	■
Bottle shelves in fridge	-
<b>KEY FEATURES – FREEZER SECTION</b>	
superFreeze function	■
Temperature adjustable in freezer	■
Number of ice cube trays	Twist ice box
Number of freezer drawers	4
<b>ADDITIONAL INFORMATION</b>	
Energy efficiency class	A+G
Energy consumption <sup>1</sup> (kWh/annum)	234
Total net capacity (litres)	242
Freezer net capacity (litres)	242
Climate Class <sup>2</sup>	SN-T
Noise level (dB [A] re 1pW)	39
Noise level class	C
Additional accessories included	2 x ice blocks 1 x twist ice box
Height of product (mm)	1860
Width of product (mm)	600
Depth of product (mm)	650

■ Yes, model has this feature. - Feature not available for this model.

<sup>1</sup> Actual energy consumption will depend on how the appliance is used and where it is located.  
<sup>2</sup> Climate zone SN – designed to operate in ambient temperature of +10°C to 32°C.  
Climate zone T – designed to operate in ambient temperature of +18°C to 43°C.

Data valid in this table as of April 2024. Subject to modification without prior notice.  
\*5 year warranty - Offer dates: 01.04.24 – 31.03.25. T&C's apply. Online registration required.



Freestanding upright single door  
fridge specifications

APPLIANCE TYPE	UPRIGHT SINGLE DOOR FREEZER
Design family	iQ 800
Model number	GS36N1EIV
<b>DESIGN FEATURES</b>	
Colour of door panels	Stainless steel
Colour of side panels	Pearl grey
Style of handle	Vertical bar handle
Colour of handle	Pearl grey
noFrost in fridge and freezer	■
Home Connect	-
<b>FOOD FRESHNESS SYSTEM</b>	
hyperFresh	-
<b>KEY FEATURES – FRIDGE SECTION</b>	
Light	-
superCool function	-
Type of control	Electronic
Number of shelves	-
Number of adjustable shelves	-
Number of door bins / shelves	-
Type of shelves	-
Temperature display	Digital LED
Warning signal door open	-
Bottle shelves in fridge	-
<b>KEY FEATURES – FREEZER SECTION</b>	
superFreeze function	■
Temperature adjustable in freezer	■
Number of ice cube trays	1
Number of freezer drawers	5
<b>ADDITIONAL INFORMATION</b>	
Energy efficiency class	A+G
Energy consumption <sup>1</sup> (kWh/annum)	234
Total net capacity (litres)	242
Freezer net capacity (litres)	242
Climate Class <sup>2</sup>	SN-T
Noise level (dB [A] re 1pW)	39
Noise level class	C
Additional accessories included	3 x ice cube tray
Height of product (mm)	1860
Width of product (mm)	600
Depth of product (mm)	650

■ Yes, model has this feature. - Feature not available for this model.

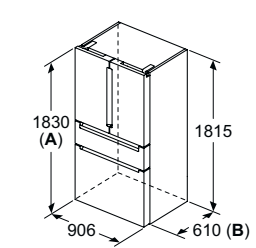
<sup>1</sup> Actual energy consumption will depend on how the appliance is used and where it is located.  
<sup>2</sup> Climate zone SN – designed to operate in ambient temperature of +10°C to 32°C.  
Climate zone T – designed to operate in ambient temperature of +18°C to 43°C.

Data valid in this table as of April 2024. Subject to modification without prior notice.  
\*5 year warranty - Offer dates: 01.04.24 – 31.03.25. T&C's apply. Online registration required.

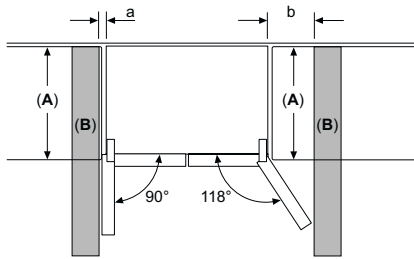
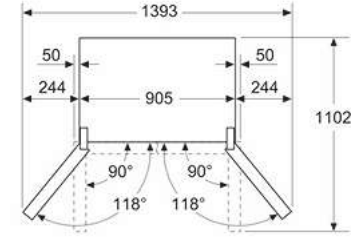


# Cooling technical diagrams

## Multi Door / American Style fridge freezer KF96RSBEA



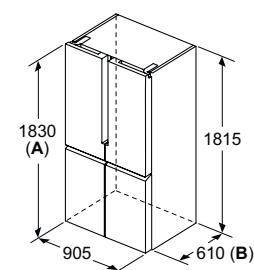
A: Front is adjustable from 1830 to 1847 mm, with front levelling feet fully extended  
 B: Add 25 mm for fixed spacers on back



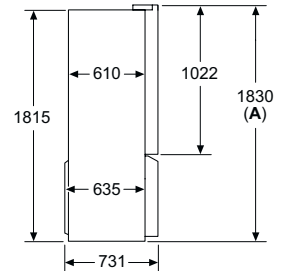
A	a	b
600	0	0
650	0	33
700	45	60
<b>B</b>	45	238

A: Unit depth  
 B: Wall

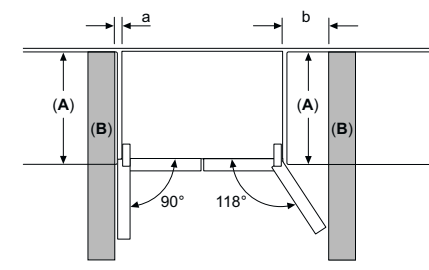
## Multi Door / American Style fridge freezers KF96NAXEAG and KF96NVPEAG



A: Front is adjustable from 1830 to 1847, with front levelling feet fully extended  
 B: Add 25 for fixed spacers on back

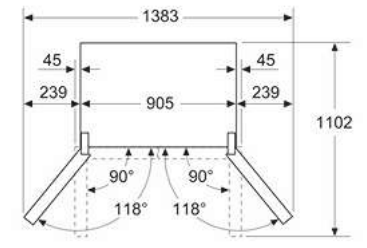


A: Front is adjustable from 1830 to 1847, with front levelling feet fully extended

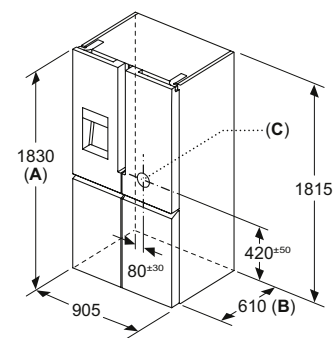


A	a	b
600	0	0
650	0	33
700	45	60
<b>B</b>	45	238

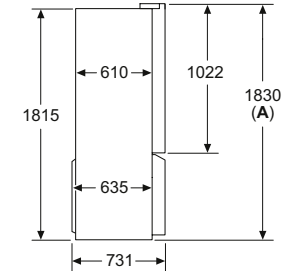
A: Unit depth  
 B: Wall



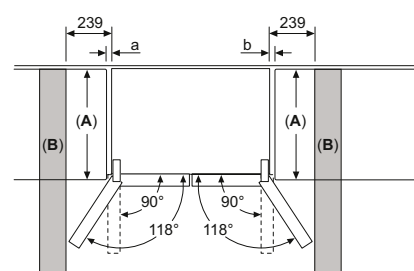
## Multi Door / American Style fridge freezer KF96DPXEA



A: Front is adjustable 1830–1847 mm, with front levelling feet fully extended  
 B: Add 25 mm for fixed spacers on back  
 C: Water connection position

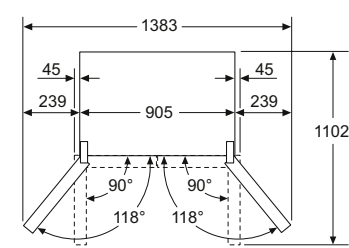


A: Front is adjustable 1830–1847 mm, with front levelling feet fully extended

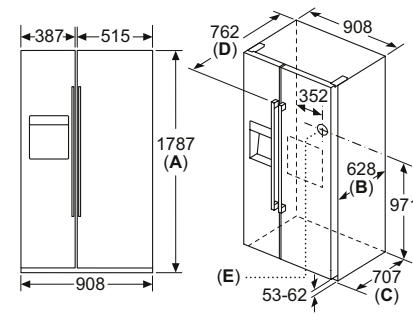


A	a	b
≤ 600	0	0
600 < A ≤ 650	45	45
650 < A ≤ 700	60	60
> 700	239	239

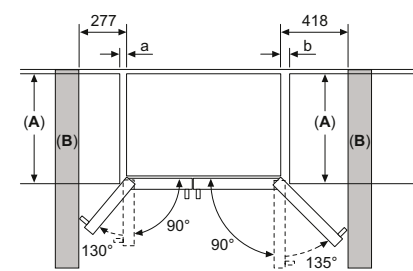
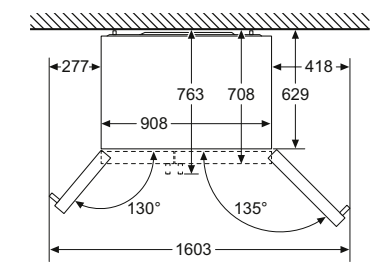
A: Kitchen cabinet or worktop depth  
 B: Wall  
 Drawers can be pulled and taken out with door open to 90°



## American Style fridge freezer KA93GAIDP



Specifications	
<b>A</b>	Front is adjustable from 1783 to 1792
<b>B</b>	Cabinet depth
<b>C</b>	Depth incl. door, without handle
<b>D</b>	Depth incl. door, with handle
<b>E</b>	Water connection to the appliance



A	a	b
≤ 600	50	50
600 < A ≤ 650	50	50
650 < A ≤ 700	53	96
> 700	277	418

A: Kitchen cabinet or worktop depth  
 B: Wall  
 Drawers can be pulled out with door open to 90°  
 Drawers can be taken out with door completely opened



# Innovative features for sparkling results

Siemens built-in dishwashers feature modern design and innovative ideas for seamless living.

Siemens dishwashers are equipped with practical innovations such as varioSpeed Plus, which washes and dries your dishes three times faster than the average cycle, and Zeolith® drying technology that transforms humidity into heat for gentle and effective drying results.

With maximum flexibility from adjustable baskets and foldable racks, and stylish innovations such as sideLight and timeLight floor projection, they provide the perfect balance between modern design and innovative technology. The ideal solution for family dinners or hosting parties for friends, as they ensure dishes and glasses are left sparkling clean.



Model shown: SN87TX00CE  
fully integrated dishwasher

## Siemens built-in dishwasher warranties:



### 5 year warranty

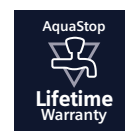
A five year warranty is available on all built-in dishwasher models listed in this brochure to protect against manufacturing and material faults during this warranty period.

Offer dates: 01.04.24 – 31.03.25. Online registration required. For full T&Cs and qualifying appliances visit [siemens-home.bsh-group.com/ie/customer-service/siemens-warranty](https://siemens-home.bsh-group.com/ie/customer-service/siemens-warranty)



### 10 Year Anti-Rust Warranty

All Siemens dishwashers purchased from the 1st January 2012 onwards have a 10 Year Anti-Rust Warranty to protect against rust in the inner cavity of the appliance.



### Lifetime AquaStop Warranty

All Siemens built-in dishwashers listed in this brochure have a lifetime AquaStop warranty to protect against water damage caused by a defective AquaStop system.

To find out more about warranty and for registration, please visit: [siemens-home.bsh-group.com/ie/customer-service/warranty](https://siemens-home.bsh-group.com/ie/customer-service/warranty)





Model shown: SN87TX00CE fully integrated dishwasher with blue emotionLight

# Key dishcare features

All our dishwashers feature glass care technology, they regulate the degree of hardness in the water to help optimise the protection of glasses, as soft water can cause glass corrosion.

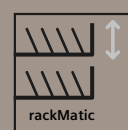
The priority zone for gentle and thorough washing of the most valuable glasses.



**glassZone**  
Thanks to the glassZone, even the most valuable of glasses can go in the dishwasher with peace of mind. The six integrated nozzles ensure continuous but gentle water supply which enables thorough cleaning without damaging sensitive materials. In addition, integrated soft anti-slip elements give a secure hold, protect against mechanical stress and prevent damage to glass rims.



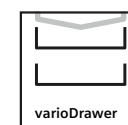
Create the perfect space in the dishwasher for any load.



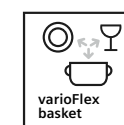
**rackMatic™**  
Available across all storage solutions, this feature conveniently allows the user to raise and lower the height of the top basket to create more or less space, even when the dishwasher is loaded.



Storage solutions for added flexibility and better results.



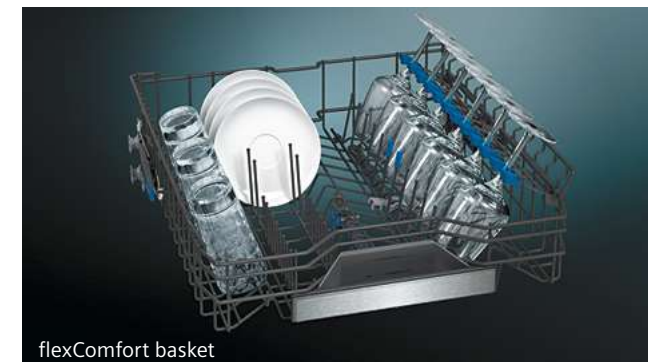
**varioDrawer**  
By adding a third shelf for cutlery, varioDrawer removes the need for a cutlery basket and creates more space.



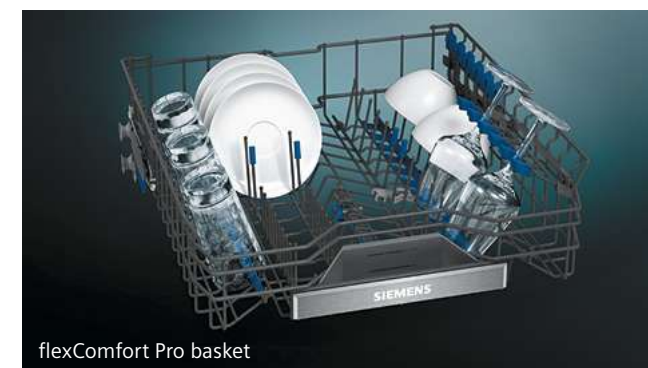
**varioFlex basket system**  
The varioFlex basket has 2 flexible areas in the top rack and 4 in the bottom, providing extra flexibility within the dishwasher to create more space for larger items.



**flexComfort basket system**  
These baskets have the ability to fold down certain compartments within the cavity for extra room – the top rack has 2 areas that can be adjusted for extra flexibility whilst the bottom basket has 8 areas that can be adjusted to create more space so the inside of your dishwasher is constantly adaptable. Anti-slip elements and stemware support hold have also been added, meaning it has never been as easy to load your dishwasher.



**flexComfort Pro basket system**  
The flexComfort Pro basket system is designed to hold larger plates and allows you to create extra space for pots and pans with ease. Choose from up to 6 flexible areas in the top rack and up to 8 flexible areas in the bottom basket to create extra space. Blue touchpoints inside the baskets indicate all the adjustment options available at a glance, and the easyGlide wheels on the upper basket make loading the dishwasher even easier. Other features such as anti-slip elements and stemware support hold means you can easily and securely load your glassware and get on with your day, chore free.

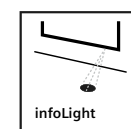




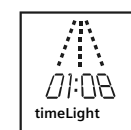


Model shown: SN87TX00CE  
fully integrated dishwasher with blue emotionLight

### Floor projection displays.



**infoLight**  
Projects a beam of light onto the floor to show the dishwasher is running. This prevents needing to open the door while the cycle is still active to see if it is finished.

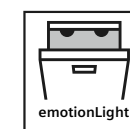


**timeLight**  
Useable on any colour surface, the innovative timeLight projects the remaining time and other essential dishwasher cycle information onto the floor, making it easy to check on the cycle status.

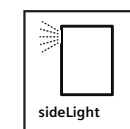
With quiet dishwashers, this solution shows the dishwasher is running and how long is left at a glance, to avoid having to open the door mid-cycle to check.



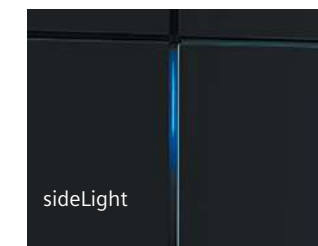
### Light up the dishwasher.



**emotionLight**  
Creating a relaxed ambiance, the emotionLight uses LED lights to reflect off brilliantly-cleaned glasses and create a cool blue glow emanating from inside the dishwasher when the door is open and switching off again when closed.



**sideLight**  
With the sideLight, it is easy to immediately see whether the washing programme is still running. During operation, the blue light strip illuminates the furniture gap on the left hand side of the dishwasher. Only available on selected models.



### Added kitchen convenience.



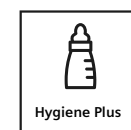
**autoOpen dry**  
Gentle drying thanks to autoOpen dry. During the drying process, the door opens automatically allowing dishes to naturally dry without the need for additional energy.



**Silence programme**  
When the Silence programme is selected the dishwasher's noise level is reduced by 2-3dB. This is achieved by decreasing water pressure and extending run time.

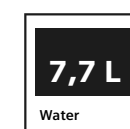


**Silence on Demand**  
If silence is needed during the wash cycle, the dishwasher can be paused for up to 30 minutes by using Silence on Demand with Home Connect. This can be activated via the app or voice control.



**Hygiene Plus**  
Great for cleaning chopping boards, food containers and utensils. It heats up to extra high temperature in the final rinse for maximum hygiene, regardless of the chosen cycle.\*

\*Not on delicate programme.



**Water consumption**  
Our built-in dishwashers' lowest water usage programme is 7.7L per cycle\* if the Eco 50 programme is selected, for the most resource efficient option.  
\*Based on SN95ZX61CG



**Machine Care with Siemens dishwashers**  
For excellent results when washing and drying, looking after the dishwasher correctly is important. All of our integrated Siemens dishwashers include the Machine Care Programme.

This programme is designed to be used together with a dishwasher cleaning detergent and provides a short, high temperature, high pressure wash designed to remove limescale and grease build up inside the dishwasher and outlet pipes. The dishwasher will send a reminder every 30 cycles or so to run this programme, to keep the appliance running as efficiently as possible.



# Discover top of the range displays



# and seamlessly fitted varioHinge options

Multiple choices for display type to suit every need.

**Black touch control with TFT display and real-time clock**

The clear, high resolution touch controlled TFT display makes it easy to select programmes and settings and check the dishwasher status at a glance. Thanks to the real-time clock, it is now possible to set the exact time the dishes will be ready, for extra convenience. Perfect for delivering warm plates to the dinner table.



Model shown: SN87TX00CE fully integrated dishwasher

**Black touch control with LED display**

With the same top of the range sleek black touch control panel, it has a clear LED display screen which displays the programme setting and duration time.



Model shown: SN95ZX61CG fully integrated dishwasher

**Black / Stainless Steel touch control button and LED display**

The two zone design is stylish and functional, with direct button selection and a white LED display, providing clear status information. When a programme and option is selected a blue LED illuminates under the button.



Model shown: SX73HX10VG fully integrated extra height 86.5cm dishwasher

**Black push button control with toggle and LED display**

With black buttons, a toggle screen and an LED screen which displays programme settings and duration time, this easy to use interface is practical and stylish.



Model shown: SN61HX03KG fully integrated dishwasher

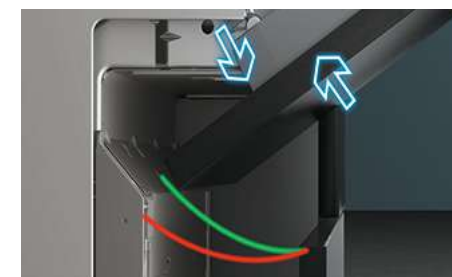
varioHinge. The ideal solution for extra long cabinet doors.

varioHinge enables the furniture panel to slide up the appliance door as it opens, avoiding collision with the plinth.



Siemens has four built-in 60cm dishwasher models – SN95YX02CG, SN95ZX61CG, SN73HX10VG, SX73HX10VG – plus a 45cm dishwasher SR93EX24MG - with varioHinge.

varioHinge ensures flexible dishwasher installation inline with the design of the kitchen. Perfect for cabinet doors in handle-less kitchens, or designs with low baseboards and longer cabinet panels as the varioHinge allows the cabinet door to be pushed upwards when opened to avoid the door catching. The varioHinge reduces the bottom gap between cabinet doors too for a seamless finish to the kitchen. These appliances are suitable for use with a 50mm plinth.



- ✓ Attractive design for high installation thanks to minimal gap size made possible by varioHinge.
- ✓ With varioHinge, a lower plinth height is possible.



Dishwashers with varioHinge – high installation



## Live in the moment with the help of a smart dishwasher.

There are more important things in life than worrying about washing dishes and replenishing dishwasher tabs. Siemens smart dishwashers provide more efficient results, additional programmes and enhanced control.

There are a number of great features to choose from in the Home Connect app, such as Speed on Demand and Silence on Demand. The app allows the selection of favourite programmes and option combinations to provide the flexibility to alter wash cycle options from anywhere at anytime.

### Perfectly tailored dishcare

The Intelligent Programme adapts the dish washing process to individual needs. After the programme is finished, the results and duration can be rated via the Home Connect app. From this, the dishwasher will automatically adapt the settings and offer several alternatives, such as more energy efficient options. It also has the option to monitor water and energy consumption.

### Never run out of dishwasher tabs again

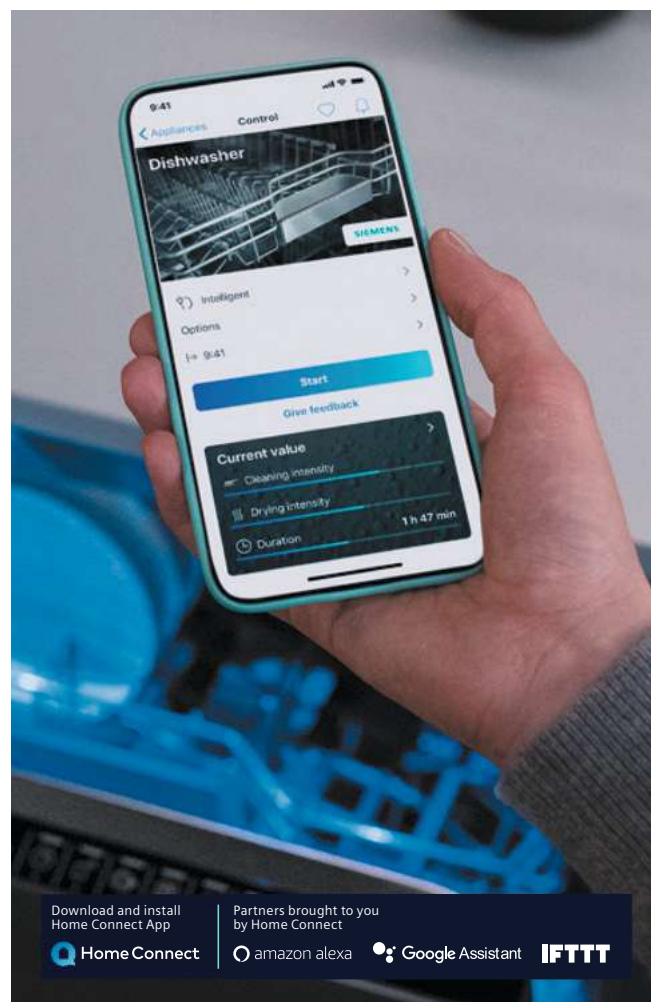
By linking a smart dishwasher with the Smart Finish auto-replenishment service, there will never be a situation where there is no dishwasher tablets again. The Smart Finish service keeps track of tablet stock and will automatically reorder more when it is running low.

### Always use the perfect programme

By using the Home Connect app to start a programme, it will be easy to see a detailed description of each programme, as well as energy and water usage indicators. The choice is either pick the best programme for the specific load or let our Programme Assistant help pick the recommended option based on the requirements.

### Programme Download

Paired with the Home Connect app Siemens' dishwashers can always be kept up to date with software updates. They can even be personalised by downloading free additional programmes available via the Home Connect app. Whether it is more intense programmes, intelligent programmes or even faster programmes, there are additional programmes – up to 10 depending on the model - available to suit everyone's need. Once downloaded they can also be added to favourites for even quicker access.

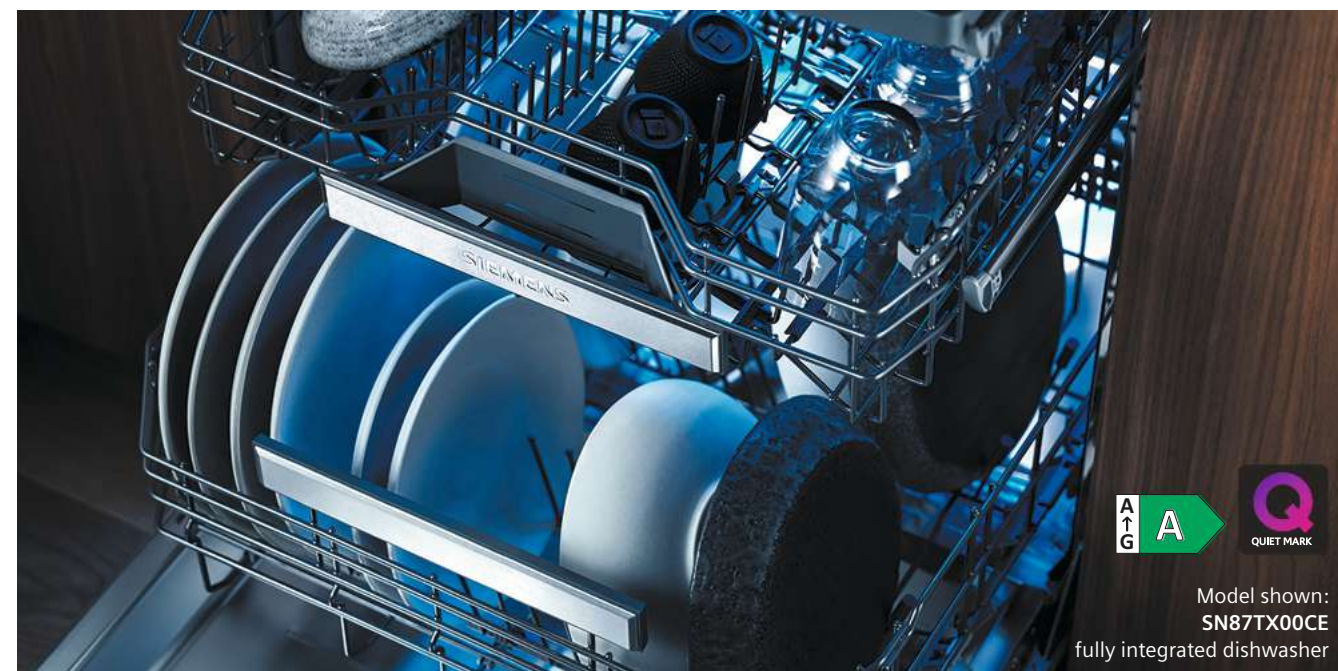


Learn more about Home Connect by visiting Siemens Home IE: [www.siemens-home.bsh-group.com/ie](http://www.siemens-home.bsh-group.com/ie)

Or scan the QR code to learn more about our smart dishwasher appliances.



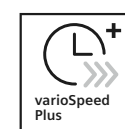
Download and install Home Connect App  
Partners brought to you by Home Connect  
Home Connect amazon alexa Google Assistant IFTTT



Model shown: SN87TX00CE fully integrated dishwasher



## Features available on all built-in dishwasher models.



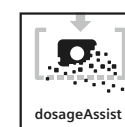
### varioSpeed Plus

Use the varioSpeed Plus button to run the dishwasher significantly faster without compromising on wash quality.



### Speed on demand

An advanced functionality of varioSpeed Plus that cleans and dries the dishes in the shortest possible time for individual needs. This option can be selected, even if the programme is running, via the Home Connect App.



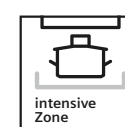
### dosageAssist

Quickly and evenly dissolves dishwasher tablets throughout the entire machine, leaving no mess to clean at the end of the cycle. This also prevents the tablet getting stuck in the dishware to ensure no cleaning product residue is left after the cycle.



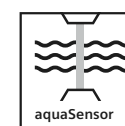
### extraDry

The extraDry option can be added to any programme and will extend the drying cycle. This can be useful for harder to dry loads.



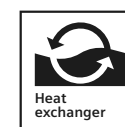
### intensiveZone

Delicate items can be cleaned together in the same wash as pots and pans. The intensiveZone increases the spray pressure and temperature in the bottom basket to handle burnt on pans, whilst more delicate items can be washed safely in the top basket.



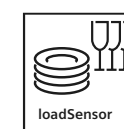
### aquaSensor

Ensures that the optimum temperature is used depending on how dirty the dishes are, so that they are left perfectly clean all year round.



### Heat exchanger

Protects glasses from cracking by using gentle water heating. Heat generated during the wash cycle is used to pre-heat the rinsing water to stop glasses being put under stress.



### loadSensor

The loadSensor feature helps to ensure that dishes are cleaned thoroughly by ensuring that the optimum amount of water is flowing through the dishes during the cycle.



### Favourites

The Favourite button makes using the dishwasher even more personal. Simply enter the most used combination of programmes and options, and then start them conveniently at the touch of a button, via the Home Connect app or via a smart watch.

## A modern handleless kitchen.



### openAssist

With door openAssist, fully integrated dishwashers can be opened by touching the front of the unit to make loading and unloading easy. This removes the need for a handle and is the ideal choice for designer kitchens. With this feature, it is also possible to implement a child lock so that the appliance requires two gentle touches before opening.





# Dishwasher product overview

## Fully integrated dishwasher range

Display type	60cm dishwasher	60cm dishwasher	60cm dishwasher	60cm dishwasher
	81.5cm width varioHinge	81.5cm width varioHinge	81.5cm width varioHinge	86.5cm width varioHinge
 Touch control + TFT				
 Touch control + LED	 <b>SN95YX02CG</b> iQ500 Black • 14 place settings • 9.5 litres • varioDrawer • Zeolith • autoOpen dry • flexComfort • sideLight (Blue) • door openAssist • glassZone	 <b>SN95ZX61CG</b> iQ500 Black • 13 place settings • 7.7 litres • varioDrawer • Zeolith • flexComfort • sideLight (Blue) • door openAssist • glassZone		
 Push buttons + LED			 <b>SN73HX10VG</b> iQ300 Black / Stainless Steel • 14 place settings • 9 litres • varioDrawer • varioFlex • infoLight (Blue) • Polinox	 <b>SX73HX10VG</b> iQ300 Black / Stainless Steel • 14 place settings • 9 litres • varioDrawer • varioFlex • infoLight (Blue) • Polinox
 Toggle control + LED				

## Home Connect

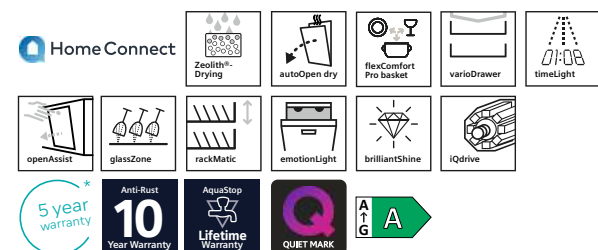
45cm dishwasher	60cm dishwasher	60cm dishwasher	60cm dishwasher	60cm dishwasher	60cm dishwasher
81.5cm width varioHinge	81.5cm width Fixed hinge	81.5cm width Fixed hinge	81.5cm width Fixed hinge	81.5cm width Fixed hinge	81.5cm width Fixed hinge
	 <b>SN87TX00CE</b> iQ700 Black • 14 place settings • 9.5 litres • varioDrawer • Zeolith • autoOpen dry • flexComfort Pro • timeLight (White) • door openAssist • glassZone				
		 <b>SN85EX07CG</b> iQ500 Black • 14 place settings • 9 litres • varioDrawer • autoOpen dry • flexComfort • timeLight (White) • door openAssist • glassZone			
 <b>SR93EX24MG</b> iQ300 Black / Stainless Steel • 10 place settings • 8.9 litres • varioDrawer • varioFlex • infoLight (Blue) • autoOpen dry • door openAssist					
		 <b>SN61HX03KG</b> iQ100 Black • 13 place settings • 9 litres • varioFlex • infoLight (blue)	 <b>SN61HX02TG</b> iQ100 Black (available July 2024) • 13 place settings • 9 litres • vario • infoLight (blue) • Polinox	 <b>SN61HX12TG</b> iQ100 Black (disc Dec 2024) • 12 place settings • 10.5 litres • vario • infoLight (blue) • Polinox	



# 60cm dishwashers

## iQ 700 SN87TX00CE

60cm fully integrated dishwasher



### flexComfort Pro basket system

flexComfort Pro baskets create extra room for pots and pans. With an optimised lower basket design for large plates and adjustable sides highlighted with blue touchpoints, the dishwasher can adapt to any load quickly and easily.

### varioDrawer included

Selected models include a varioDrawer, providing a third loading level for cutlery and removing the need for a cutlery basket. This creates more room for large pots and pans below and includes space for small items such as ladles and espresso cups.

### 60cm fully integrated dishwasher specifications

APPLIANCE TYPE	60CM FULLY INTEGRATED DISHWASHER
<b>Design family</b>	<b>iQ 700</b>
Model number	SN87TX00CE
Control panel colour	Black
Height (cm) / Hinge type	81.5 / Fixed
<b>DESIGN FEATURES</b>	
Drying system	Zeolith / autoOpen dry
Home Connect Wi-Fi connectivity	■
Control panel type	Touch control + TFT
Basket description	flexComfort Pro
varioDrawer (3rd loading level)	varioDrawer
Status indicator	timeLight (White)
Door openAssist	■
glassZone	■
Glass care technology	■
Anti-slip protection / stemware support upper basket	■ / ■
Adjustable upper basket	rackMatic™ 3-stage
Number of flip tines in upper / lower basket	6 / 8
Cup shelves upper / lower baskets	2 / 2
Cutlery holder lower basket	-
Largest loadable dish upper / lower basket (cm)	21 / 30
aquaSensor	■
Real-time clock	■
Start delay time max hours	24
Emotion light (interior lighting)	■
End of cycle indicator	Acoustic
Salt / Rinse aid light indicator	■ / ■
Self cleaning filter system	■
Flood protection system	AquaStop 24h
Safety features	Door lock
<b>PROGRAMMES / FUNCTIONS</b>	
List of programmes	Intelligent 40°C, Eco 50°C, Auto 45-65°C, Intensive 70°C, Speed 60°C, brilliantShine 40°C, Silence 50°C, Favourite, Machine Care
Additional operational options	Remote Start, Shine & Dry, intensiveZone, Hygiene Plus, varioSpeed Plus
<b>TECHNICAL INFORMATION</b>	
Reference programme for measurements	Eco 50°C
Energy efficiency class <sup>1</sup>	A
Energy <sup>2</sup> / water <sup>3</sup> (kWh / litres)	54 / 9.5
Load capacity (place settings)	14
Programme duration <sup>4</sup> (h:min)	4:55
Noise level (dB [A] re 1pW)	43
Noise efficiency class	B
Noise level (silence programme) (dB [A] re 1pW)	41
Length of electrical supply cord (cm)	175
Length inlet / outlet hose (cm)	165 / 190
Maximum height for installation (mm)	875
Maximum height adjustability feet (mm)	60
Maximum width for installation (mm)	600
Height of the product (mm)	815
Width / Depth of the product (mm)	598 / 550
Net weight / Gross weight (kg)	43 / 45
Water softener <sup>5</sup>	■
Maximum accepted water hardness (°DH)	50
Maximum temperature for water intake (°C)	60
Interior cavity	Stainless steel
Included accessories	Steam protection plate

■ Yes, model has this feature. – Feature not available for this model.

<sup>1</sup> On an energy-efficiency class scale from A to G.

<sup>2</sup> Energy consumption in kWh/100 operating cycles (using Eco programme).

<sup>3</sup> Water consumption in litres/operating cycle (using Eco programme).

<sup>4</sup> Duration of Eco programme.

<sup>5</sup> We would recommend our dishwashers are connected to the mains water supply where possible. However, they may also be connected to an external water softener as long as the water softener produces softened water of less than 1.1 mmol/litre (7.0°e) and the water softener in the appliance is turned off. Please contact product advice for further information. Water pressure required: 0.5-10 Bar. Flow rate: 10 litres per minute. Inlet valve connected directly to 3/4" screwed joint.

Data valid in this table as of April 2024. Subject to modification without prior notice.

\*5 year warranty - Offer dates: 01.04.24 - 31.03.25. T&C's apply. Online registration required.



### 60cm fully integrated dishwasher specifications

APPLIANCE TYPE	60CM FULLY INTEGRATED DISHWASHERS			
<b>Design family</b>	<b>iQ 500</b>	<b>iQ 500</b>	<b>iQ 500</b>	<b>iQ 300</b>
Model number	SN95YX02CG	SN95ZX61CG	SN85EX07CG	SN73HX10VG
Control panel colour	Black	Black	Black	Black / Stainless Steel
Height (cm) / Hinge type	81.5 / varioHinge	81.5 / varioHinge	81.5 / Fixed	86.5 / varioHinge
<b>DESIGN FEATURES</b>				
Drying system	Zeolith / autoOpen dry	Zeolith	autoOpen dry / Heat exchanger	Heat exchanger
Home Connect Wi-Fi connectivity	■	■	■	■
Control panel type	Touch control + LED	Touch control + LED	Touch control + LED	Push buttons + LED
Basket description	flexComfort	flexComfort	flexComfort	varioFlex
varioDrawer (3rd loading level)	varioDrawer	varioDrawer	varioDrawer	varioDrawer
Status indicator	sideLight (Blue)	sideLight (Blue)	timeLight (White)	infoLight (Blue)
Door openAssist	■	■	■	-
glassZone	■	■	■	-
Glass care technology	■	■	■	■
Anti-slip protection / stemware support upper basket	■ / ■	■ / ■	■ / ■	- / -
Adjustable upper basket	rackMatic™ 3-stage	rackMatic™ 3-stage	rackMatic™ 3-stage	rackMatic™ 3-stage
Number of flip tines in upper / lower basket	2 / 8	2 / 8	2 / 8	2 / 4
Cup shelves upper / lower baskets	2 / 2	2 / 2	2 / 2	2 / -
Cutlery holder lower basket	-	-	-	-
Largest loadable dish upper / lower basket (cm)	21 / 30	21 / 30	21 / 30	21 / 30
aquaSensor	■	■	■	■
Real-time clock	-	-	-	-
Start delay time max hours	24	24	24	24
Emotion light (interior lighting)	■	■	■	-
End of cycle indicator	Acoustic	Acoustic	Acoustic	Acoustic
Salt / Rinse aid light indicator	■ / ■	■ / ■	■ / ■	■ / ■
Self cleaning filter system	■	■	■	■
Flood protection system	AquaStop 24h	AquaStop 24h	AquaStop 24h	AquaStop 24h
Safety features	Door lock	Door lock	Door lock	Door lock
<b>PROGRAMMES / FUNCTIONS</b>				
List of programmes	Intelligent 40°C, Eco 50°C, Auto 45-65°C, Intensive 70°C, Speed 60°C, brilliantShine 40°C, Silence 50°C, Favourite, Machine Care	Eco 50°C, Auto 45-65°C, Intensive 70°C, Speed 60°C, Speed 45°C, brilliantShine 40°C, Silence 50°C, Favourite, Machine Care	Eco 50°C, Auto 45-65°C, Intensive 70°C, Speed 65°C, Speed 45°C, Glass 40°C, Silence 50°C, Favourite, Machine Care	Eco 50°C, Auto 45-65°C, Intensive 70°C, Speed 65°C, Speed 45°C, Favourite, Machine Care
Additional operational options	Remote Start, Shine & Dry, intensiveZone, varioSpeed Plus	Remote Start, Shine & Dry, intensiveZone, varioSpeed Plus	Remote Start, intensiveZone, Half Load, varioSpeed Plus	Remote Start, intensiveZone, Half Load, varioSpeed Plus
<b>TECHNICAL INFORMATION</b>				
Reference programme for measurements	Eco 50°C	Eco 50°C	Eco 50°C	Eco 50°C
Energy efficiency class <sup>1</sup>	A	C	B	D
Energy <sup>2</sup> / water <sup>3</sup> (kWh / litres)	54 / 9.5	74 / 7.7	65 / 9	84 / 9
Load capacity (place settings)	14	13	14	14
Programme duration <sup>4</sup> (h:min)	4:55	3:45	3:35	3:45
Noise level (dB [A] re 1pW)	44	44	42	46
Noise efficiency class	B	B	B	B
Noise level (silence programme) (dB [A] re 1pW)	43	42	41	-
Length of electrical supply cord (cm)	175	175	175	175
Length inlet / outlet hose (cm)	165 / 190	165 / 190	165 / 190	165 / 190
Maximum height for installation (mm)	875	875	875	925
Maximum height adjustability feet (mm)	60	60	60	60
Maximum width for installation (mm)	600	600	600	600
Height of the product (mm)	815	815	815	865
Width / Depth of the product (mm)	598 / 550	598 / 550	598 / 550	598 / 550
Net weight / Gross weight (kg)	47 / 49	44 / 46	39 / 41	35 / 39
Water softener <sup>5</sup>	■	■	■	■
Maximum accepted water hardness (°DH)	50	50	50	50
Maximum temperature for water intake (°C)	60	60	60	60
Interior cavity	Stainless steel	Stainless steel	Stainless steel	Stainless steel/Polinox
Included accessories	Steam protection plate	Steam protection plate	Steam protection plate	Steam protection plate

■ Yes, model has this feature. – Feature not available for this model.

<sup>1</sup> On an energy-efficiency class scale from A to G.

<sup>2</sup> Energy consumption in kWh/100 operating cycles (using Eco programme).

<sup>3</sup> Water consumption in litres/operating cycle (using Eco programme).

<sup>4</sup> Duration of Eco programme.

<sup>5</sup> We would recommend our dishwashers are connected to the mains water supply where possible. However, they may also be connected to an external water softener as long as the water softener produces softened water of less than 1.1 mmol/litre (7.0°e) and the water softener in the appliance is turned off. Please contact product advice for further information. Water pressure required: 0.5-10 Bar. Flow rate: 10 litres per minute. Inlet valve connected directly to 3/4" screwed joint.

Data valid in this table as of April 2024. Subject to modification without prior notice.

\*5 year warranty - Offer dates: 01.04.24 - 31.03.25. T&C's apply. Online registration required.

60cm fully integrated dishwasher specifications

APPLIANCE TYPE	60CM FULLY INTEGRATED DISHWASHERS			
Design family	iQ 300	iQ 100	iQ 100	iQ 100
Model number	SN73HX10VG	SN61HX03KG	SN61HX02TG	SN61X12TG
Control panel colour	Black / Stainless Steel	Black	Black	Black
Height (cm) / Hinge type	81.5 / varioHinge	81.5 / Fixed	81.5 / Fixed	81.5 / Fixed
Availability			From July 2024	Discontinued December 2024
DESIGN FEATURES				
Drying system	Heat exchanger	Heat exchanger	Heat exchanger	Inherent heat
Home Connect Wi-Fi connectivity	■	■	■	■
Control panel type	Push buttons + LED	Toggle control + LED	Toggle control + LED	Toggle control + LED
Basket description	varioFlex	varioFlex	vario	vario
varioDrawer (3rd loading level)	varioDrawer	-	-	-
Status indicator	infoLight (Blue)	infoLight (Blue)	infoLight (Blue)	infoLight (Blue)
Door openAssist	-	-	-	-
glassZone	-	-	-	-
Glass care technology	■	■	■	■
Anti-slip protection / stemware support upper basket	- / -	- / -	- / -	- / -
Adjustable upper basket	rackMatic™ 3-stage	rackMatic™ 3-stage	Adjustable when empty	Adjustable when empty
Number of flip tines in upper / lower basket	2 / 4	2 / 4	- / 2	- / 2
Cup shelves upper / lower baskets	2 / -	2 / -	2 / -	2 / -
Cutlery holder lower basket	-	■	■	■
Largest loadable dish upper / lower basket (cm)	21 / 30	27 / 30	27 / 30	27 / 30
aquaSensor	■	■	■	■
Real-time clock	-	-	-	-
Start delay time max hours	24	9	9	9
Emotion light (interior lighting)	-	-	-	-
End of cycle indicator	Acoustic	Acoustic	Acoustic	Acoustic
Salt / Rinse aid light indicator	■ / ■	■ / ■	■ / ■	■ / ■
Self cleaning filter system	■	■	■	■
Flood protection system	AquaStop 24h	AquaStop 24h	AquaStop 24h	AquaStop 24h
Safety features	Door lock	Door lock	Door lock	Door lock
PROGRAMMES / FUNCTIONS				
List of programmes	Eco 50°C, Auto 45-65°C, Intensive 70°C, Speed 65°C, Speed 45°C, Favourite, Machine Care	Eco 50°C, Auto 45-65°C, Intensive 70°C, Speed 65°C, Favourite, Machine Care	Eco 50°C, Auto 45-65°C, Intensive 70°C, Speed 65°C, Favourite, Machine Care	Eco 50°C, Auto 45-65°C, Intensive 70°C, Speed 65°C, Favourite, Machine Care
Additional operational options	Remote Start, intensiveZone, Half Load, varioSpeed Plus	Remote Start, intensiveZone, Half Load, varioSpeed Plus	Remote Start, intensiveZone, Half Load, varioSpeed Plus	Remote Start, intensiveZone, Half Load, varioSpeed Plus
TECHNICAL INFORMATION				
Reference programme for measurements	Eco 50°C	Eco 50°C	Eco 50°C	Eco 50°C
Energy efficiency class <sup>1</sup>	A D	A D	A D	A E
Energy <sup>2</sup> / water <sup>3</sup> (kWh / litres)	85 / 9	84 / 9	84 / 9	92 / 10.5
Load capacity (place settings)	14	13	13	12
Programme duration <sup>4</sup> (h:min)	4:30	4:30	4:30	4:30
Noise level (dB [A] re 1pW)	46	42	46	48
Noise efficiency class	C	B	C	C
Noise level (silence programme) (dB [A] re 1pW)	-	-	-	-
Length of electrical supply cord (cm)	175	175	175	175
Length inlet / outlet hose (cm)	165 / 190	165 / 190	165 / 190	165 / 190
Maximum height for installation (mm)	875	875	875	875
Maximum height adjustability feet (mm)	60	60	60	60
Maximum width for installation (mm)	600	600	600	600
Height of the product (mm)	815	815	815	815
Width / Depth of the product (mm)	598 / 550	598 / 550	598 / 550	598 / 550
Net weight / Gross weight (kg)	35 / 39	31 / 34	30 / 33	31 / 33
Water softener <sup>5</sup>	■	■	■	■
Maximum accepted water hardness (°DH)	50	50	50	35
Maximum temperature for water intake (°C)	60	60	60	60
Interior cavity	Stainless steel / Polinox	Stainless steel	Stainless steel/Polinox	Stainless steel/Polinox
Included accessories	Steam protection plate	Steam protection plate	Steam protection plate	Steam protection plate

■ Yes, model has this feature. – Feature not available for this model.

<sup>1</sup> On an energy-efficiency class scale from A to G.

<sup>2</sup> Energy consumption in kWh/100 operating cycles (using Eco programme).

<sup>3</sup> Water consumption in litres/operating cycle (using Eco programme).

<sup>4</sup> Duration of Eco programme.

<sup>5</sup> We would recommend our dishwashers are connected to the mains water supply where possible. However, they may also be connected to an external water softener as long as the water softener produces softened water of less than 1.1 mmol/litre (7.0°e) and the water softener in the appliance is turned off. Please contact product advice for further information.

Water pressure required: 0.5-10 Bar. Flow rate: 10 litres per minute. Inlet valve connected directly to 3/4" screwed joint.

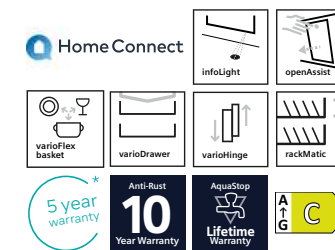
Data valid in this table as of April 2024. Subject to modification without prior notice.

\*5 year warranty - Offer dates: 01.04.24 – 31.03.25. T&C's apply. Online registration required.

# 45cm slimline dishwasher

## iQ 300 SR93EX24MG

45cm slimline fully integrated dishwasher



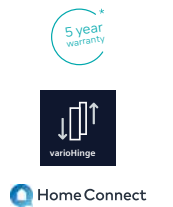
### Slimline

Slimline dishwashers are perfect for kitchens with limited space. Despite the reduced size, they still benefit from exciting features such as door openAssist and speed programmes.

Our 45cm dishwasher has a two tone design with features including varioHinge, Home Connect, Speed on demand (via Home Connect app) and the Favourite programme (can set programme and option choice as favourite via the Home Connect app).

### Speed on demand

The programme be sped up at any time during the wash cycle, even if the programme has started unlike, varioSpeed+ (this would need to be selected before the start of the programme). Speed on Demand can be activated using the Home Connect app.



45cm slimline fully integrated dishwasher specifications

APPLIANCE TYPE	45CM FULLY INTEGRATED DISHWASHER
Design family	iQ 300
Model number	SR93EX24MG
Control panel colour	Black / Stainless Steel
Height (cm) / Hinge type	81.5 / varioHinge
DESIGN FEATURES	
Drying system	Heat exchanger / autoOpen dry
Home Connect Wi-Fi connectivity	■
Control panel type	Push buttons + LED
Basket description	varioFlex
varioDrawer (3rd loading level)	varioDrawer
Status indicator	infoLight (Blue)
Door openAssist	■
glassZone	-
Glass care technology	■
Anti-slip protection / stemware support upper basket	■ / -
Adjustable upper basket	rackMatic™ 3-stage
Number of flip tines in upper / lower basket	2 / 2
Cup shelves upper / lower baskets	1 / 1
Cutlery holder lower basket	-
Largest loadable dish upper* / lower basket (cm)	21 / 30
aquaSensor	■
Real-time clock	-
Start delay time max hours	24
Emotion light (interior lighting)	-
End of cycle indicator	Acoustic
Salt / Rinse aid light indicator	■ / ■
Self cleaning filter system	■
Flood protection system	AquaStop 24h
Safety features	Door lock
PROGRAMMES / FUNCTIONS	
List of programmes	Eco 50°C, Auto 45-65°C, Intensive 70°C, Speed 65°C, Speed 45°C, Favourite, Machine Care
Additional operational options	Remote Start, intensiveZone, Hygiene Plus, varioSpeed Plus
TECHNICAL INFORMATION	
Reference programme for measurements	Eco 50 °C
Energy efficiency class <sup>1</sup>	A G
Energy <sup>2</sup> / water <sup>3</sup> (kWh / litres)	59 / 8.9
Load capacity (place settings)	10
Programme duration <sup>4</sup> (h:min)	3:15
Noise level (dB [A] re 1pW)	44
Noise efficiency class	B
Noise level (silence programme) (dB [A] re 1pW)	-
Length of electrical supply cord (cm)	175
Length inlet / outlet hose (cm)	165 / 205
Maximum height for installation (mm)	875
Maximum height adjustability feet (mm)	60
Maximum width for installation (mm)	450
Height of the product (mm)	815
Width / Depth of the product (mm)	448 / 550
Net weight / Gross weight (kg)	32 / 34
Water softener <sup>5</sup>	■
Maximum accepted water hardness (°DH)	50
Maximum temperature for water intake (°C)	60
Interior cavity	Stainless steel
Included accessories	Steam protection plate

■ Yes, model has this feature. – Feature not available for this model.

<sup>1</sup> On an energy-efficiency class scale from A to G.

<sup>2</sup> Energy consumption in kWh/100 operating cycles (using Eco programme).

<sup>3</sup> Water consumption in litres/operating cycle (using Eco programme).

<sup>4</sup> Duration of Eco programme.

<sup>5</sup> We would recommend our dishwashers are connected to the mains water supply where possible. However, they may also be connected to an external water softener as long as the water softener produces softened water of less than 1.1 mmol/litre (7.0°e) and the water softener in the appliance is turned off. Please contact product advice for further information. Water pressure required: 0.5-10 Bar. Flow rate: 10 litres per minute. Inlet valve connected directly to 3/4" screwed joint.

\*Largest loadable dish height in upper basket will be smaller when varioDrawer is installed.

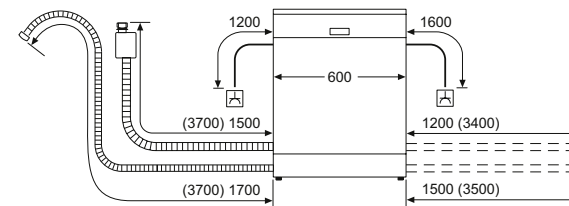
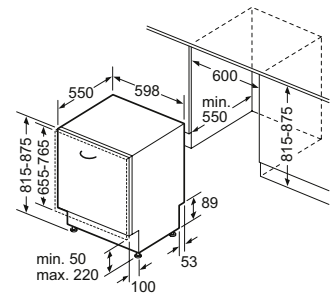
Data valid in this table as of April 2024. Subject to modification without prior notice.

\*5 year warranty - Offer dates: 01.04.24 – 31.03.25. T&C's apply. Online registration required.



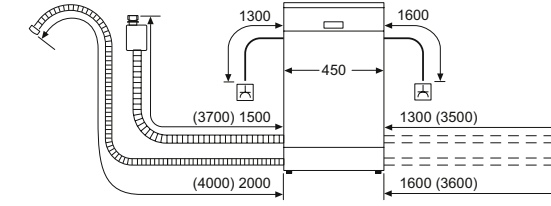
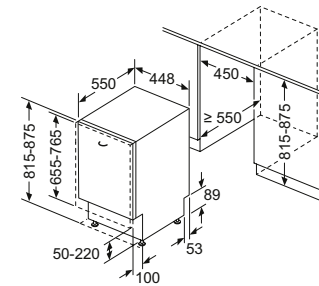
# Dishwasher technical diagrams

## Fully integrated dishwashers SN95YX02CG, SN95ZX61CG, SN73HX10VG



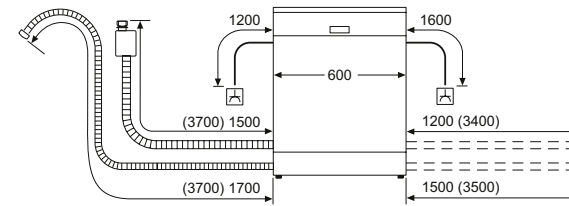
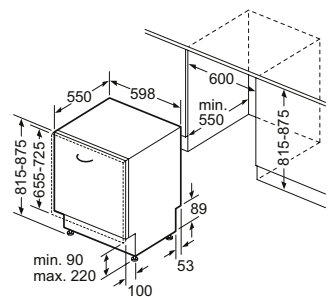
socket  
( ) values with extension kit

## 45cm fully integrated dishwasher SR93EX24MG



socket  
( ) values with extension kit

## Fully integrated dishwashers SN87TX00CE, SN85EX07CG, SN61HX03KG, SN61HX02TG and SN61IX12TG

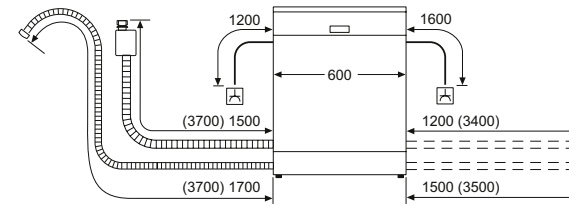
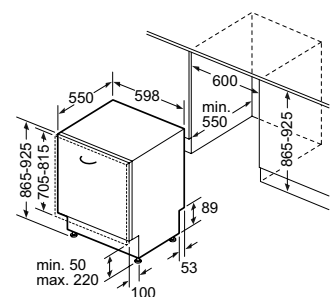


socket  
( ) values with extension kit

## Fully integrated dishwasher accessories

		SN87TX00CE	SN95YX02CG	SN95ZX61CG	SN85EX07CG	SX73HX10VG	SN73HX10VG	SN61HX03KG	SN61HX02TG	SN61IX12TG	SR93EX24MG
Aqua stop extension	SZ72010	■	■	■	■	■	■	■	■	■	■
Silver polishing cassette	SZ73001	■									
Split door furniture front connection rails – For fullsize and slimline models	SZ388I00	■	■	■	■	■	■	■	■	■	■
Decor strip - For full size Polinox base models, 81.5cm height	SZ308I02						■	■	■	■	■
Decor strip - For full size and slimline Stainless Steel base models, 81.5cm height	SZ308I01	■	■	■	■		■				
Decor strip - For full size Stainless Steel base models, 86.5cm height	SZ308I11										
Decor strip - For full size Stainless Steel base models installed off the ground, 81.5cm height	SZ73035	■	■	■	■						
Decor strip - For full size Stainless Steel base models installed off the ground, 86.5cm height	SZ73045										
Door attachment – brushed steel	SZ73056	■			■				■	■	
Drop hinge for tall cabinets	SZ73010	■			■				■	■	
Adjustable cutlery basket - full size dishwashers	SZ73100	■	■	■	■	■	■	■			
Adjustable cutlery basket - slimline dishwashers	SZ73145										■
Wine glass holder accessory (Glass secure tray)	SZ73300	■	■	■	■	■	■	■	■	■	■
Rack insert for stemware dishwasher	SZ73640	■	■	■	■	■	■	■	■	■	

## Fully integrated dishwasher SX73HX10VG



socket  
( ) values with extension kit

# Cutting-edge innovations for extra shine

Siemens freestanding dishwashers take full advantage of the latest technologies.

Designed to fit in around busy lifestyles, our standard 60cm freestanding dishwashers feature efficient, time saving and environmentally conscious programmes, sure to make dishes shine. With a sleek and stylish design, both inside and out, Siemens dishwashers are designed to complement the home.



Freestanding  
Dishwashers

Siemens freestanding dishwasher warranties:



#### 5 year warranty

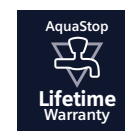
A five year warranty is available on all freestanding dishwasher models listed in this brochure to protect against manufacturing and material faults during this warranty period.

Offer dates: 01.04.24 – 31.03.25. Online registration required. For full T&Cs and qualifying appliances visit [siemens-home.bsh-group.com/ie/customer-service/warranty](https://siemens-home.bsh-group.com/ie/customer-service/warranty)



#### 10 Year Anti-Rust Warranty

All Siemens dishwashers purchased from the 1st January 2012 onwards have a 10 Year Anti-Rust Warranty to protect against rust in the inner cavity of the appliance.



#### Lifetime AquaStop Warranty

All Siemens freestanding dishwashers listed in this brochure have a lifetime AquaStop warranty to protect against water damage caused by a defective AquaStop system.

To find out more about warranty and for registration, please visit: [siemens-home.bsh-group.com/ie/customer-service/warranty](https://siemens-home.bsh-group.com/ie/customer-service/warranty)



# Dishwashing key features

Welcome to a new era of dishwashing with brilliantShine.



Our new 60cm dishwashers feature the brilliantShine programme – a one touch solution that combines the Glass 40°C programme and the Shine & Dry option to ensure glassware is always left sparkling clean.

Straight from dishwasher to table, Shine & Dry provides streak-free, shining glasses. Harnessing the power of Zeolith® at its best, the special drying cycle also works just as well on plastics, pots and pans, saving time as there is no longer a need to give them an extra towel dry. The brilliantShine programme with Zeolith® Drying produces sparkling glasses to be proud of, keeping glassware ready to shine for any guests, even unexpected ones.

There are three factors in dishwashing that influence the shine of glassware: temperature, cycle time, and the use of detergent. The new brilliantShine programme offers three intelligent solutions that take care of these factors:

- Zeolith® drying uses a Zeolite mineral that absorbs moisture and converts it into a gentle heat.
- The Shine & Dry option swills all residues of detergent with extra rinsing water, resulting in streak-free, shining glassware.
- The Glass 40°C programme ensures that glassware is not exposed to excessive temperatures or spray pressures, and keeps the cycle time shorter.

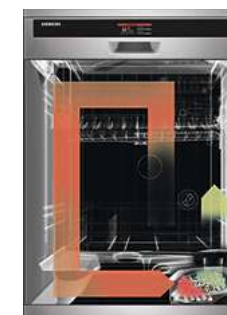
Zeolith®: Super efficient drying technology.



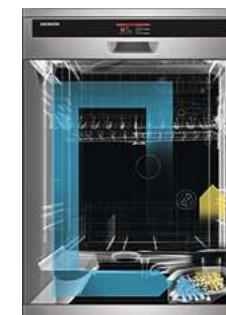
Using advanced drying technologies, Siemens dishwashers keep energy consumption to a minimum. Zeolith®, a form of zeolite mineral, has the astonishing ability to absorb moisture and convert it to heat. The heat produced naturally by the Zeolith® is used for the drying cycle. No additional energy is therefore required to heat up the contents of the dishwasher for the drying process (as with a standard drying system). This leads to excellent drying results, with less energy usage than models without Zeolith® technology.

Zeolith® is stored in the depths of the dishwasher. It regenerates itself and keeps working for the lifetime of the machine, so it never needs replacing. Combine this with the economy 50°C programme to get brilliant results with minimal energy.

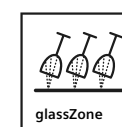
**Drying phase**  
Zeolith® absorbs moisture and converts it to heat energy.



**Cleaning phase**  
As the mineral is heated during the cleaning cycle, it is recharged and ready to absorb moisture once more.



The new priority zone for gentle and thorough washing of the most valuable glasses.



**glassZone**  
With glassZone, even the most valuable of glasses can go in the dishwasher with peace of mind. The six integrated nozzles ensure continuous but gentle water supply to enable thorough cleaning without damaging sensitive materials. In addition, integrated soft anti-slip elements give a secure hold to protect against mechanical stress and prevent damage to glass rims.







# Dishwashing key features

The Home Connect app helps take minds off the household chores.

By connecting the dishwasher to the Home Connect App, programmes and options can be easily selected to start the dishwasher from wherever and whenever. The app enables out of home appliance control so dishes can be ready exactly when needed – which is perfect for busy lifestyles. When the cycle has finished, the Home Connect App will send a push notification to say so.

There are a number of great features which can be selected through the Home Connect app, such as Speed on Demand, Silence on Demand and autoOpen Dry. It is also possible to set a Favourite programme and alter the wash cycle options from anywhere.

## easyStart menu

The easyStart feature on the Home Connect app helps with finding the correct setting for the load quickly and easily. By answering a few simple questions, the app will suggest the optimum programme for the load. It is easy to adjust the dishwasher settings via the app on a smartphone or tablet to keep it running at maximum efficiency.

## Home Connect partner Services

It is also possible to use our partner services, such as Amazon Alexa, Google Assistant and IFTTT to manage the dishwasher. With Amazon Alexa, the appliance can be controlled via voice – just ask Alexa.

To keep on top of dishwasher tablet stock, automatic tablet replenish can be used through Smart Reorder within the Amazon Alexa app. The feature is easy to set up and saves having to worry about running out of tablets again.

Setting the water settings has never been easier too. Whether the area experiences hard or soft water, it can be easily set within the app in seconds.

IFTTT technology enables the integration of the Home Connect App with a wider array of connected devices. With customised applets, it is even easier to bring a smart home to life. For example, the lights can be set to flash when the dishwasher cycle finishes.

## Programme Download

Paired with the Home Connect app Siemens' dishwashers can always be kept up to date with software updates. They can even be personalised by downloading free additional programmes available via the Home Connect app. Whether it is more intense programmes, intelligent programmes or even faster programmes, there are additional programmes – up to 10 depending on the model - available to suit everyone's need. Once downloaded they can also be added to favourites for even quicker access.

Learn more about Home Connect by visiting Siemens Home IE:  
[www.siemens-home.bsh-group.com/ie](http://www.siemens-home.bsh-group.com/ie)

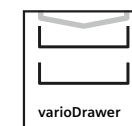


Download and install  
Home Connect App

Partners brought to you  
by Home Connect



Basket systems for added flexibility and better results.



## varioDrawer

By adding a third shelf for cutlery, varioDrawer removes the need for a cutlery basket and creates more space.



## varioFlex basket system

The varioFlex basket has 2 flexible areas in the top rack and 4 in the bottom, providing extra flexibility within the dishwasher to create more space for those larger items.



## flexComfort basket system

These baskets have the ability to fold down certain compartments within the cavity for extra room. The top rack has 2 areas that can be adjusted for extra flexibility. The bottom basket has 8 areas that can be adjusted to create more space so the inside of the dishwasher is constantly adaptable. Anti-slip elements and stemware support hold have also been added, meaning it has never been as easy to load the dishwasher.



## flexComfort Pro basket system

The flexComfort Pro basket system is designed to hold larger plates and allows easy creation of space for pots and pans. Choose from up to 6 flexible areas in the top rack and up to 8 flexible areas in the bottom basket to create extra space. Blue touchpoints inside the baskets indicate all the adjustment options available at a glance, and the easyGlide wheels on the upper basket make loading the dishwasher even easier. Other new features such as anti-slip elements and stemware support hold means it is easy to securely load glassware.



varioDrawer



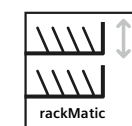
varioFlex basket



flexComfort basket



flexComfort Pro basket



## rackMatic™ 3-stage

Available across all storage solutions, this feature conveniently allows the user to raise and lower the height of the top basket to create more or less space, even when the dishwasher is loaded.



Let the dishwasher do the work, with the automatic programme sensor.



auto  
45°–65°  
Automatic  
programme

Doing the dishes is now easier than ever before with sensor technology included in every one of our dishwashing appliances. From soiled pots and pans to delicate plates – every item gets the right care and treatment.

For example, the autoProgramme sensor gives brilliant results at the push of a button. As soon as the autoProgramme is activated, the aqua sensor automatically measures the cloudiness of the water to precisely adapt the amount and temperature of water needed for optimal cleaning. The sensor controls the entire washing and drying process and automatically adjusts water consumption, water temperature and cycle time to suit each load. The sensor control unit steers the whole washing and drying process to deliver brilliant results every time.

Model shown left:  
SN27T100CE 60cm freestanding dishwasher



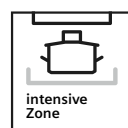


# Enhanced performance and sparkling results

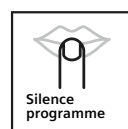
Model shown: SN25Z107CE  
60cm dishwasher



Standard features on all freestanding models.



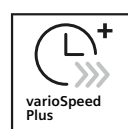
**intensiveZone**  
Delicate items and pots and pans can be cleaned together in the same wash. The intensiveZone option increases the spray pressure and temperature in the bottom basket to handle burnt on pans, whilst delicate items can be washed safely in the top basket.



**Silence programme**  
When the Silence programme is selected the dishwashers noise level is reduced by 2-3dB. This is achieved by decreasing water pressure and extending run time.



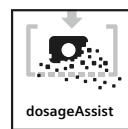
**Silence on demand**  
With the Home Connect App, it is possible to pause the dishwasher for up to 30 minutes by selecting Silence on Demand via the Home Connect App if silence is needed during the washing cycle.



**varioSpeed Plus**  
Use the varioSpeed Plus button to run the dishwasher significantly faster without compromising on wash quality.



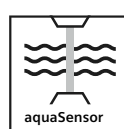
**Speed on demand**  
An advanced functionality of varioSpeed Plus that cleans and dries the dishes in the shortest possible time for individual needs. This option can be activated, even when a programme is already running, within the Home Connect app.



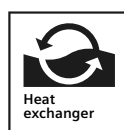
**dosageAssist**  
Quickly and evenly dissolves dishwasher tablets throughout the entire machine, leaving no mess to clean at the end of the cycle.



**Favourite**  
The Favourite button makes the dishwasher even more personal. By entering the most used combination of dishwashing programmes and options, they can be conveniently started at the touch of a button, via the Home Connect app or via the Alexa voice assistant.



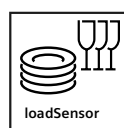
**aquaSensor**  
Makes sure that the optimum temperature is used depending on how dirty the dishes are, meaning that dishes are perfectly clean the first time round.



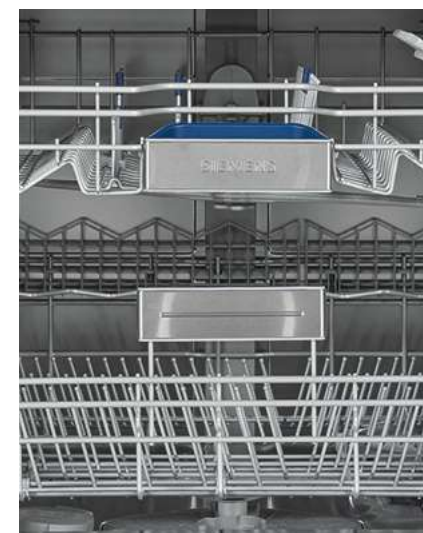
**Heat exchanger**  
Protect glasses from cracking with gentle water heating. Heat generated during the wash cycle is used to pre-heat the rinsing water to stop glasses being put under stress.



**extraDry**  
The extraDry option can be added to any programme and will extend the drying cycle. This can be useful for harder to dry loads.

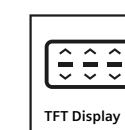


**loadSensor**  
By monitoring that the optimum amount of water is flowing through the dishwasher throughout the cycle, the loadSensor helps to ensure that dishes are cleaned thoroughly.

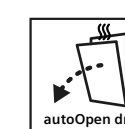


**Machine Care with Siemens dishwashers**  
For excellent results when washing and drying, it is important that the dishwasher is looked after correctly. All of our freestanding Siemens dishwashers include the Machine Care Programme. This is designed to be used together with a dishwasher cleaning detergent and provides a short, high temperature, high pressure wash designed to remove limescale and grease build up inside the dishwasher and outlet pipes. The dishwasher will send a reminder every 30 cycles or so to run this programme, to keep the appliance running as efficiently as possible.

Highlight features, available on selected freestanding models.



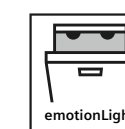
**TFT display with real-time clock**  
The clear, touch control high resolution TFT display makes it easy to select programmes and settings and check the status of the dishwasher at a glance. Thanks to the real-time clock, it is now possible to set the exact time the dishes will be ready by, for extra convenience. Perfect for delivering warm plates to the dinner table.



**autoOpen dry**  
Gentle drying thanks to autoOpen dry. During the drying process, the door opens automatically and gently. This allows the natural drying of the dishes without the need for additional energy.



**Hygiene Plus**  
The Hygiene Plus setting is ideal for chopping boards and food containers. It heats up to extra high temperature in the final rinse for maximum hygiene.








**emotionLight**  
The emotionLight uses LED lights to create a cool blue glow emanating from inside your dishwasher.



# Dishwasher product overview

## Freestanding 60cm dishwasher range

Display type	60cm dishwasher	60cm dishwasher
 <p><b>Top edge touch control + TFT</b></p>	 <p><b>iQ 700</b>  <b>SN27T100CE</b>                      Stainless steel antiFingerprint</p> <ul style="list-style-type: none"> <li>• 14 place settings</li> <li>• 9.5 litres water consumption</li> <li>• varioDrawer</li> <li>• autoOpen dry</li> <li>• flexComfort Pro</li> <li>• Zeolith</li> <li>• glassZone</li> </ul>	
 <p><b>Touch control + LED</b></p>		 <p><b>iQ 500</b>  <b>SN25Z107CE</b>                      Stainless steel antiFingerprint</p> <ul style="list-style-type: none"> <li>• 14 place settings</li> <li>• 9 litres water consumption</li> <li>• varioDrawer</li> <li>• flexComfort</li> <li>• Zeolith</li> <li>• glassZone</li> </ul>
 <p><b>Push buttons + LED</b></p>		

## Home Connect

60cm dishwasher	60cm dishwasher	60cm dishwasher
 <p><b>iQ 300</b>  <b>SN23EC03ME</b>                      Black steel antiFingerprint</p> <ul style="list-style-type: none"> <li>• 14 place settings</li> <li>• 9 litres water consumption</li> <li>• varioDrawer</li> <li>• autoOpen dry</li> <li>• varioFlex</li> </ul>	 <p><b>iQ 300</b>  <b>SN23EI03ME</b>                      Stainless steel antiFingerprint</p> <ul style="list-style-type: none"> <li>• 14 place settings</li> <li>• 9 litres water consumption</li> <li>• varioDrawer</li> <li>• autoOpen dry</li> <li>• varioFlex</li> </ul>	 <p><b>iQ 300</b>  <b>SN23EW03ME</b>                      White</p> <ul style="list-style-type: none"> <li>• 14 place settings</li> <li>• 9 litres water consumption</li> <li>• varioDrawer</li> <li>• autoOpen dry</li> <li>• varioFlex</li> </ul>

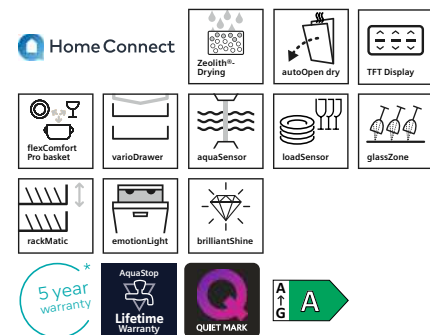


# 60cm dishwashers

## iQ 700 SN27T100CE

60cm freestanding dishwasher  
Stainless steel antiFingerprint

600mm



60cm freestanding dishwasher  
specifications

APPLIANCE TYPE	60CM FREESTANDING DISHWASHER
Design family	iQ 700
Model number	SN27T100CE
Colour	Stainless steel
<b>DESIGN FEATURES</b>	
Drying system	Zeolith / autoOpen dry
Home Connect Wi-Fi connectivity	■
Control panel type	Top edge touch control + TFT
Basket description	flexComfort Pro
varioDrawer (3rd loading level)	■
glassZone	■
Glass care technology	■
Anti-slip protection / stemware support upper basket	■ / ■
Adjustable upper basket	rackMatic™ 3-stage
Number of flip tines in upper / lower basket	6 / 8
Cup shelves upper / lower baskets	2 / 2
Cutlery holder lower basket	-
Largest loadable dish upper / lower basket (cm)	21 / 30
aquaSensor	■
Real-time clock	■
Start delay time max hours	24
Time remaining indicator	■
Emotion light (interior lighting)	■
End of cycle indicator	Acoustic
Salt / Rinse aid light indicator	■ / ■
Self cleaning filter system	■
Flood protection system	AquaStop 24h
Safety features	Door lock
<b>PROGRAMMES / FUNCTIONS</b>	
List of programmes	Intelligent 40°C, Eco 50°C, Auto 45-65°C, Intensive 70°C, Speed 60°C, brilliantShine 40°C, Silence 50°C, Favourite, Machine Care
Additional special options	Remote Start, Shine & Dry, intensiveZone, Hygiene Plus, varioSpeed Plus
<b>TECHNICAL INFORMATION</b>	
Reference programme for measurements	Eco 50°C
Energy efficiency class <sup>1</sup>	A
Energy <sup>2</sup> / water <sup>3</sup> (kWh / litres)	54 / 9.5
Load capacity (place settings)	14
Programme duration <sup>4</sup> (h:min)	4:55
Noise level (dB [A] re 1pW)	44
Noise efficiency class	B
Noise level (silence programme) (dB [A] re 1pW)	42
Maximum height adjustability feet (mm)	2
Depth with open door 90 degree (cm)	115.5
Length of electrical supply cord (cm)	175
Length inlet / outlet hose (cm)	165 / 190
Height of the product with removable top (cm)	84.5
Height of the product without removable top (cm)	81.5
Width / Depth of the product (cm)	60 / 60
Net weight / Gross weight (kg)	54 / 56
Water softener <sup>5</sup>	■
Maximum accepted water hardness (°DH)	50
Maximum temperature for water intake (°C)	60
Interior cavity	Stainless steel

■ Yes, model has this feature. – Feature not available for this model.

<sup>1</sup> On an energy-efficiency class scale from A to G.

<sup>2</sup> Energy consumption in kWh/100 operating cycles (using Eco programme).

<sup>3</sup> Water consumption in litres/operating cycle (using Eco programme).

<sup>4</sup> Duration of Eco programme.

<sup>5</sup> We would recommend our dishwashers are connected to the mains water supply where possible. However, they may also be connected to an external water softener as long as the water softener produces softened water of less than 1.1 mmol/litre (7.0°e) and the water softener in the appliance is turned off. Please contact product advice for further information. Water pressure required: 0.5-10 Bar. Flow rate: 10 litres per minute. Inlet valve connected directly to ½" screwed joint.

Data valid in this table as of April 2024. Subject to modification without prior notice.

\*5 year warranty - Offer dates: 01.04.24 – 31.03.25. T&C's apply. Online registration required.



60cm freestanding dishwasher  
specifications

APPLIANCE TYPE	60CM FREESTANDING DISHWASHERS			
Design family	iQ 500	iQ 300	iQ 300	iQ 300
Model number	SN25Z107CE	SN23E03ME	SN23E103ME	SN23E103ME
Colour	Stainless steel	Black steel	Stainless steel	White
<b>DESIGN FEATURES</b>				
Drying system	Zeolith	autoOpen dry / Heat exchanger	autoOpen dry / Heat exchanger	autoOpen dry / Heat exchanger
Home Connect Wi-Fi connectivity	■	■	■	■
Control panel type	Touch control + LED	Push buttons + LED	Push buttons + LED	Push buttons + LED
Basket description	flexComfort	varioFlex	varioFlex	varioFlex
varioDrawer (3rd loading level)	■	■	■	■
glassZone	■	-	-	-
Glass care technology	■	■	■	■
Anti-slip protection / stemware support upper basket	■ / ■	- / -	- / -	- / -
Adjustable upper basket	rackMatic™ 3-stage	rackMatic™ 3-stage	rackMatic™ 3-stage	rackMatic™ 3-stage
Number of flip tines in upper / lower basket	2 / 8	2 / 4	2 / 4	2 / 4
Cup shelves upper / lower baskets	2 / 2	2 / -	2 / -	2 / -
Cutlery holder lower basket	-	-	-	-
Largest loadable dish upper / lower basket (cm)	21 / 30	21 / 30	21 / 30	21 / 30
aquaSensor	■	■	■	■
Real-time clock	-	-	-	-
Start delay time max hours	24	24	24	24
Time remaining indicator	■	■	■	■
Emotion light (interior lighting)	■	-	-	-
End of cycle indicator	-	-	-	-
Salt / Rinse aid light indicator	■ / ■	■ / ■	■ / ■	■ / ■
Self cleaning filter system	■	■	■	■
Flood protection system	AquaStop 24h	AquaStop 24h	AquaStop 24h	AquaStop 24h
Safety features	Control panel lock, door lock	Control panel lock, door lock	Control panel lock, door lock	Control panel lock, door lock
<b>PROGRAMMES / FUNCTIONS</b>				
List of programmes	Eco 50°C, Auto 45-65°C, Intensive 70°C, Speed 60°C, Speed 45°C, brilliantShine 40°C, Silence 50°C, Favourite, Machine Care	Eco 50°C, Auto 45-65°C, Intensive 70°C, Speed 65°C, Speed 45°C, Favourite, Machine Care	Eco 50°C, Auto 45-65°C, Intensive 70°C, Speed 65°C, Speed 45°C, Favourite, Machine Care	Eco 50°C, Auto 45-65°C, Intensive 70°C, Speed 65°C, Speed 45°C, Favourite, Machine Care
Additional special options	Remote Start, Shine & Dry, intensiveZone, varioSpeed Plus	Remote Start, intensiveZone, Half Load, varioSpeed Plus	Remote Start, intensiveZone, Half Load, varioSpeed Plus	Remote Start, intensiveZone, Half Load, varioSpeed Plus
<b>TECHNICAL INFORMATION</b>				
Reference programme for measurements	Eco 50°C	Eco 50°C	Eco 50°C	Eco 50°C
Energy efficiency class <sup>1</sup>	A	A	A	A
Energy <sup>2</sup> / water <sup>3</sup> (kWh / litres)	65 / 9	65 / 9	65 / 9	65 / 9
Load capacity (place settings)	14	14	14	14
Programme duration <sup>4</sup> (h:min)	3:35	3:35	3:35	3:35
Noise level (dB [A] re 1pW)	40	42	42	42
Noise efficiency class	B	B	B	B
Noise level (silence programme) (dB [A] re 1pW)	39	-	-	-
Maximum height adjustability feet (mm)	2	2	2	2
Depth with open door 90 degree (cm)	115.5	115.5	115.5	115.5
Length of electrical supply cord (cm)	175	175	175	175
Length inlet / outlet hose (cm)	165 / 190	165 / 190	165 / 190	165 / 190
Height of the product with removable top (cm)	84.5	84.5	84.5	84.5
Height of the product without removable top (cm)	81.5	81.5	81.5	81.5
Width / Depth of the product (cm)	60 / 60	60 / 60	60 / 60	60 / 60
Net weight / Gross weight (kg)	55 / 56	52 / 54	52 / 54	52 / 54
Water softener <sup>5</sup>	■	■	■	■
Maximum accepted water hardness (°DH)	50	50	50	50
Maximum temperature for water intake (°C)	60	60	60	60
Interior cavity	Stainless steel	Stainless steel	Stainless steel	Stainless steel

■ Yes, model has this feature. – Feature not available for this model.

<sup>1</sup> On an energy-efficiency class scale from A to G.

<sup>2</sup> Energy consumption in kWh/100 operating cycles (using Eco programme).

<sup>3</sup> Water consumption in litres/operating cycle (using Eco programme).

<sup>4</sup> Duration of Eco programme.

<sup>5</sup> We would recommend our dishwashers are connected to the mains water supply where possible. However, they may also be connected to an external water softener as long as the water softener produces softened water of less than 1.1 mmol/litre (7.0°e) and the water softener in the appliance is turned off. Please contact product advice for further information.

Data valid in this table as of April 2024. Subject to modification without prior notice.

\*5 year warranty - Offer dates: 01.04.24 – 31.03.25. T&C's apply. Online registration required.

# Laundry care, high performance with state-of-the-art technology

Siemens' built-in laundry range is intelligently designed and quietly efficient to make laundry easier and less of a chore.

Our machines are the perfect blend of cutting-edge technology and innovative design. Siemens built-in washing machines and washer dryers seamlessly integrate into any space - and with a focus on efficiency and convenience, they quietly deliver beautifully clean clothes.



Built-in  
Laundry appliances

## Siemens home laundry warranties:



### 5 year warranty

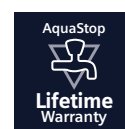
A five year warranty is available on the built-in washing machine listed in this brochure to protect against manufacturing and material faults during this warranty period.

Offer dates: 01.04.24 – 31.03.25. Online registration required. For full T&Cs and qualifying appliances visit [siemens-home.bsh-group.com/ie/customer-service/warranty](https://siemens-home.bsh-group.com/ie/customer-service/warranty)



### 2 year warranty

A two year warranty is available on all Siemens built-in washer dryers listed in this brochure to protect against manufacturing and material faults during this warranty period.



### AquaStop Lifetime Warranty

Selected Siemens laundry appliances have a lifetime AquaStop warranty to protect against water damage caused by a defective AquaStop system. For models with this warranty please check the matrix.



### iQdrive® Motor 10 Year Warranty

The iQdrive® Motor Warranty is available on selected laundry machines to protect against any defects to the iQdrive® motor. For models with this warranty please check the laundry matrix.

To find out more about warranty and for registration, please visit: [siemens-home.bsh-group.com/ie/customer-service/warranty](https://siemens-home.bsh-group.com/ie/customer-service/warranty)



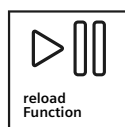
# Laundry care key features



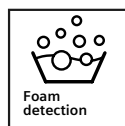
Our laundry appliances are designed to make laundry easier and less of a chore. They can be neatly concealed behind the door, maintaining clean lines and modern aesthetics. With a range of key features, doing laundry has never been more convenient.



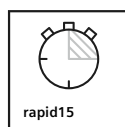
Model shown above: **WI14W502GB**



**reload**  
The reload function is the perfect solution when an extra item needs to be added to the load. Once the icon is displayed, the washing machine can be paused and extra items can easily be added in.



**Foam detection**  
Detects if too much foam has been created in the wash, if so, it will adjust the drum movement and add an extra rinse cycle if necessary.



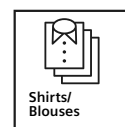
**rapid15**  
Washes, rinses and spins lightly soiled clothing in just 15 minutes. Designed for those with busy lifestyles.

**Extremely quiet washing machines**  
Thanks to the brushless iQdrive motor and antiVibration side panels, Siemens built-in washing machines are particularly quiet in their class.

**Extremely quiet washer dryers**  
Our washer dryers are designed to be as quiet as possible while still offering excellent performance and results when washing and drying.



**Wool programme**  
An exceptionally gentle woollen hand wash programme. The drum is set to provide a cradle motion, with only an occasional rotation, giving a soft wash action. A special spin phase finishes the cycle.



**Shirts/Blouses**  
The ideal programme for a week's worth of shirts, offering a reduced spin to reduce ironing. Suitable for up to 2kg worth of washing, this cycle is designed to run for just over an hour.



**Mixed fabrics**  
Perfect for the mid-week wash of a mixture of cottons, and hard-wearing or easy-care fabrics. Load up to 4kg worth of garments with a running time of just 49 minutes.



**Delicates/silk**  
This gentle programme is perfect for those delicate, washable fabrics, e.g. silk, satin, synthetics or blended fabrics (e.g. curtains). Cool temperatures, gentle spinning between the rinse cycles, and reduced final spin speeds reduce creases dramatically.

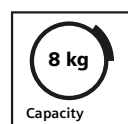


Model shown: **WI14W502GB**

# The complete laundry solution with features that fit around any lifestyle

Features specific to integrated washing machines.

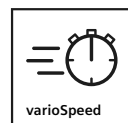
Check model for available functions.



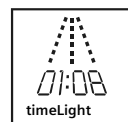
**Capacity**  
The large 8kg drum capacity is the perfect size to hold more laundry and reduce the number of loads to wash.



**Drum Clean**  
An automatic alert after 20 washes to run the Drum Clean programme on a 90°C or 60°C wash keeps the appliance clean and odour free.



**varioSpeed**  
This feature can automatically detect when time can be saved. The smart sensor identifies load volume and textile kind, to adapt the washing machine's programme time efficiently to suit the specific load, delivering perfectly clean laundry in up to 55% less time.



**timeLight**  
Stay in control. The timeLight projects the remaining cycle time and programme status onto any floor surface to keep the consumer informed at a glance, and is visible without opening the cabinet door.

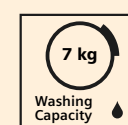


Model shown:  
WI14W502GB



Features specific to integrated washer dryers.

Check model for available functions.



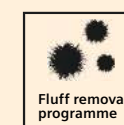
**Washing capacity**  
The large 7kg washing capacity ensures clothes can be washed with fewer loads.



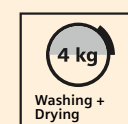
**ActiveWater™**  
Helps to reduce water consumption thanks to a 2-step automatic load adjustment system.



**Drying capacity**  
The 4kg drying capacity ensures clothes can be dried effectively.



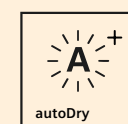
**Fluff removal programme**  
A ten minute fluff removal cycle on washer dryers that removes fluff deposits in the machine. A light indicates when this is needed.



**Washing + Drying**  
The continuous washing and drying cycle is suitable for loads up to 4kg. This cycle will first wash clothes on the chosen setting and once finished, will automatically switch to drying the clothes for ease and speed.



**Outdoor**  
Specialised programme for washing waterproof clothing with membrane technology to protect the fabric and seams. For use with outdoor fabric detergent.



**autoDry**  
Gently dries laundry to the exact degree of dryness desired.



# Washing machines

## iQ 700 WI14W502GB

Built-in washing machine  
White 1400rpm spin speed



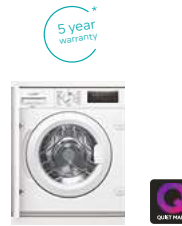
Integrated washing machine specifications

APPLIANCE TYPE	BUILT-IN WASHING MACHINE
Design family	iQ700
Model number	WI14W502GB
PROGRAMMES / FUNCTIONS	
Standard Washing Programmes	
Eco 40-60	■
Cottons	■
Easy-care programme	■
Wool programme	■
Delicates/silk	■
Mixed fabrics	■
Additional Programmes	
rapid15/rapid30'	■
rapid60	■
Outdoor (waterproofing)	■
Shirts/blouses	■
Duvet	■
Dark Wash	■
Hygiene 60°C	■
Reduced noise wash	■
Spin/Drain	■
Rinse	■
Options	
Extra rinse	■
Prewash	■
Variable temperature	■
Variable spin	■
varioSpeed	■
ADDITIONAL FEATURES	
timeLight	■
iQDrive®	■
AquaStop	■
reload	■
Foam detection	■
Drum Clean	■
PERFORMANCE & CONSUMPTION	
Energy efficiency class <sup>1</sup>	A G
Load capacity (kg)	1 - 8
Energy <sup>2</sup> / Water <sup>3</sup> (kWh / litres)	62 / 45
Programme duration <sup>4</sup> (h:mm)	3:26
Maximum spin speed (rpm) <sup>5</sup>	1400
Spin efficiency class	B
Noise level (dB [A] re 1pW)	66
Noise emission class	A
Drum volume (litres)	55
TECHNICAL INFORMATION	
Dimensions of the product: H x W x D (inc. hinge and 19mm door) (mm)	818 x 596 x 544 (574)
Door opening angle	130°
Depth with door open 90° (mm)	956
Height adjustable by (mm)	12
Length of electrical supply cord (mm)	2100
Length of supply hose / drain hose (mm)	220 / 220
Door hinge (door porthole)	Left-hand
Cabinet colour	White
OPTIONAL ACCESSORY FOR WASHING MACHINE	
Floor securing component	WX975600

■ Yes, model has this feature. – Feature not available for this model.

<sup>1</sup> On an energy-efficiency class scale from A to G. <sup>2</sup> Energy consumption in kWh/100 operating cycles (using Eco 40-60 programme). <sup>3</sup> Water consumption in litres/operating cycle (using Eco 40-60 programme). <sup>4</sup> Duration of Eco 40-60 programme. <sup>5</sup> The specified value is rounded.

Data valid in this table as of April 2024. Subject to modification without prior notice.  
\*5 year warranty - Offer dates: 01.04.24 – 31.03.25. T&Cs apply. Online registration required.



# Washer dryers

## iQ 500 WK14D543GB

Built-in washer dryer  
White 1400rpm spin speed



Integrated washer dryer specifications

APPLIANCE TYPE	BUILT-IN WASHER DRYERS	
Design family	iQ500	iQ300
Model number	WK14D543GB	WK14D322GB
PROGRAMMES / FUNCTIONS		
Standard Washing Programmes		
Eco 40-60	■	■
Cottons	■	■
Easy-care programme	■	■
Wool programme	■	■
Delicates/silk	■	■
Rinse/Spin	■	■
Drain/Spin	■	■
Additional Programmes		
Hygiene	■	–
rapid15	■	–
Night wash	■	–
Shirts/blouses	■	–
Outdoor	■	–
Mixed fabrics	■	–
Drying programmes		
Gentle dry	■	■
Intensive dry	■	■
Fluff removal programme	■	■
Options		
flexiTime	■	■
Easy iron	■	■
Intensive	■	■
Water Plus	■	■
Rinse hold	■	■
Prewash	■	■
Variable spin / Variable temperature	■ / ■	■ / –
ADDITIONAL FEATURES		
autoDry	■	–
AquaStop	■	–
Foam detection	■	■
autoLoad	■	■
Time delay	24h	24h
PERFORMANCE & CONSUMPTION		
Energy efficiency class washing and drying <sup>1</sup>	A G	A G
Energy efficiency class washing <sup>2</sup>	A G	A G
Energy <sup>3</sup> / Water <sup>4</sup> washing and drying (kWh / litres)	266 / 68	266 / 68
Energy <sup>3</sup> / Water <sup>4</sup> washing (kWh / litres)	77 / 44	77 / 44
Load capacity washing and drying / washing (kg)	4 / 7	4 / 7
Programme duration <sup>7</sup> washing and drying / washing (h:mm)	5:30 / 2:50	5:30 / 2:50
Spin efficiency class	B	B
Spin speed <sup>8</sup> (rpm)	1400	1400
Noise level (dB [A] re 1pW)	72	72
Noise emission class	A	A
Drum volume (litres)	52	52
TECHNICAL INFORMATION		
Dimensions of the product: H x W x D (inc. hinge and 19mm door) (mm)	820 x 595 x 560 (584)	820 x 595 x 560 (584)
Door opening angle	95°	95°
Depth with door open 90° (mm)	960	960
Height adjustable by (mm)	15	15
Length of electrical supply cord (mm)	2200	2200
Length of supply hose / drain hose (mm)	200 / 200	200 / 200
Door hinge (door porthole)	Left-hand	Left-hand
Cabinet colour	White	White

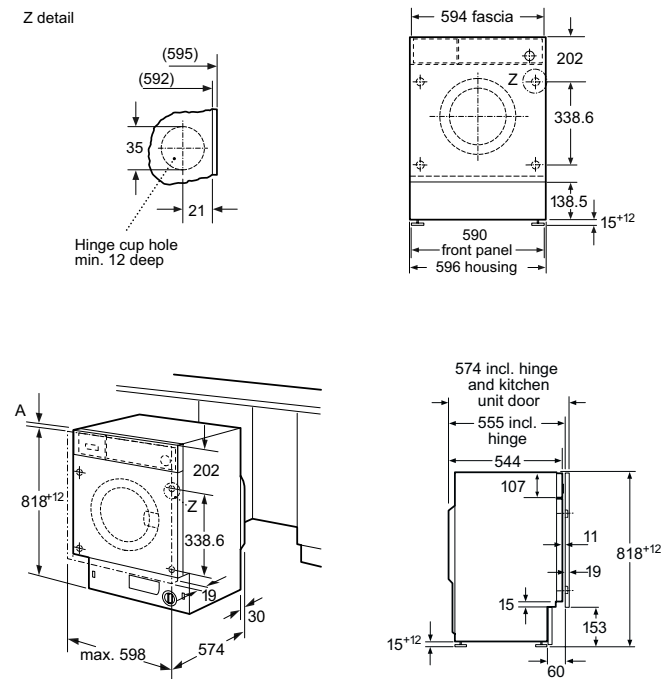
■ Yes, model has this feature. – Feature not available for this model.

<sup>1,2</sup> On an energy-efficiency class scale from A to G. <sup>3</sup> Energy consumption in kWh/100 complete operating cycles (using Eco 40-60 programme). <sup>4</sup> Water consumption in litres/complete operating cycle (using Eco 40-60 programme). <sup>5</sup> Energy consumption in kWh/100 wash cycles (using Eco 40-60 programme). <sup>6</sup> Water consumption in litres/wash cycle (using Eco 40-60 programme). <sup>7</sup> Duration of Eco 40-60 programme, complete operating cycle / wash cycle. <sup>8</sup> The specified value is rounded.

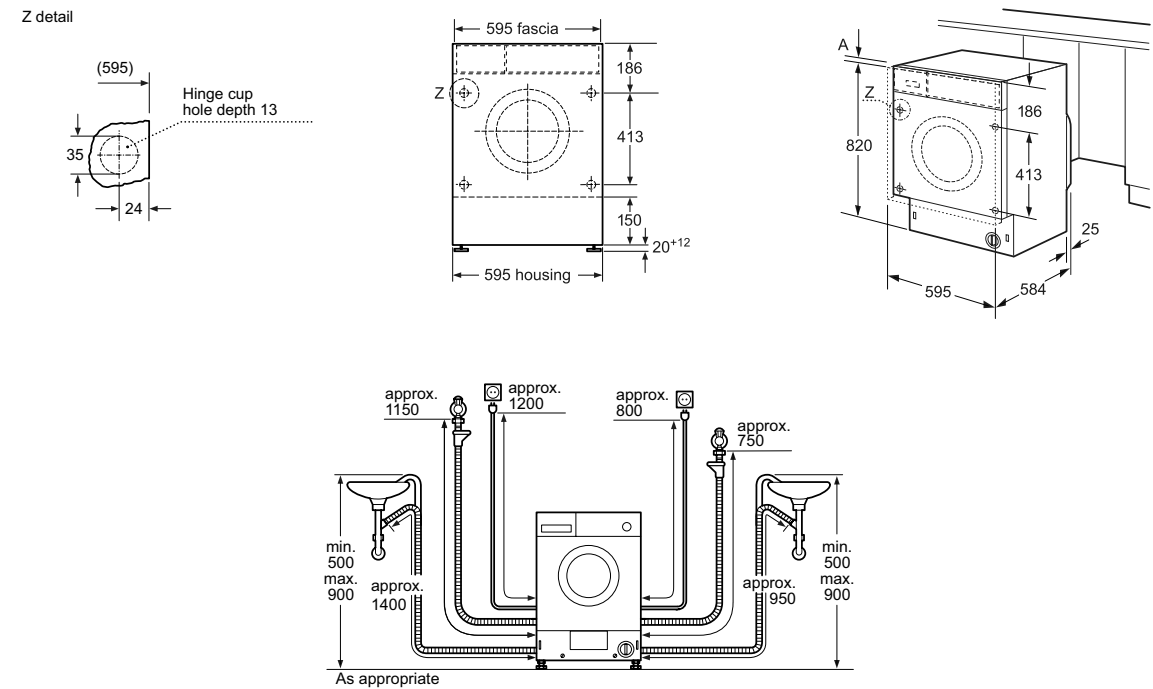
Data valid in this table as of April 2024. Subject to modification without prior notice.

# Laundry appliance technical diagrams

## Integrated washing machine W114W502GB



## Integrated washer dryers WK14D543GB and WK14D322GB





# Welcome to a freestanding range with a host of intelligent laundry solutions

Siemens' freestanding washing machines, washer dryers and tumble dryers deliver outstanding results every time.

Sleek, streamlined, and stylish, Siemens freestanding laundry appliances not only look great in the home, they perform perfectly too. With state-of-the-art technology Siemens freestanding washing machines are extremely energy efficient, easy to use, and most importantly designed to save time and resources.

All Siemens freestanding tumble dryers feature sensor drying, which provides uniform drying results, and makes over-drying a thing of the past, meaning laundry is easier and less of a chore.

Siemens freestanding washer dryers combine the innovative functions of the modern washing machines and dryers in one appliance to save effort, time and space. Conveniently control both washing and drying cycles, at the touch of a button, with the large display and clear operation on these intelligent appliances.



Freestanding  
Laundry appliances

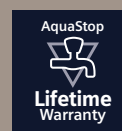
## Siemens home laundry warranties:



### 5 year warranty

A five year warranty is available on all freestanding washing machine, washer dryer and tumble dryer models listed in this brochure to protect against manufacturing and material faults during this warranty period.

Offer dates: 01.04.24 – 31.03.25. Online registration required. For full T&Cs and qualifying appliances visit [siemens-home.bsh-group.com/ie/customer-service/warranty](https://siemens-home.bsh-group.com/ie/customer-service/warranty)



### Lifetime AquaStop Warranty

Selected Siemens laundry appliances have a lifetime AquaStop warranty to protect against water damage caused by a defective AquaStop system. For models with this warranty please check the matrix.



### iQdrive® 10 Year Warranty

The iQdrive® Motor Warranty is available on all washing machines to protect against any defects to the iQdrive® motor.

To find out more about warranty and for registration, please visit: [siemens-home.bsh-group.com/ie/customer-service/warranty](https://siemens-home.bsh-group.com/ie/customer-service/warranty)





Models shown: WG56B2A1GB washing machine and WQ46B2C9GB tumble dryer

# Rethink laundry care with the Siemens Intelligent Utility Room

When space is no issue, a dedicated utility room can offer more convenience, efficiency, and organisation.

All the laundry essentials - detergents, fabric softeners, ironing board – can be found in one organised, easy-to-access place. A laundry room offers ample storage, helping to keep the home clutter-free and laundry essentials at one's fingertips.

Above all, a laundry room is a time-saver. With everything needed in one place to wash, dry, fold, and iron in record time.

Our advanced laundry technology further delivers control, convenience and flexibility to the process with appliances designed to not only clean clothes but also to automate as much of the process as possible to free time for more important tasks.



Siemens laundry appliances are designed to be intelligent and efficient, knowing exactly when to start a wash cycle to maximise energy efficiency, and when to adjust water levels based on the load size to preserve resources. They dispense the optimal dosage of detergent, ensuring excellent results. With the Home Connect app, stay informed and educated on the best programmes to save resources or time, and easily access the most frequently used programmes. A laundry room that truly adapts to individual needs.

Even with limited space for laundry appliances, these washing machines, tumble dryers and washer dryers still seamlessly fit into an everyday kitchen. Our appliances are equipped with great features, offering convenience and efficiency as the standard.



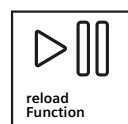
# Laundry key features



Siemens laundry appliances are full of innovative features designed to effortlessly maintain the quality and appearance of clothes.

Time saving programmes, a targeted stainRemoval feature, reduced ironing cycles, and the smart connection between the washer and dryer, simplify every aspect of doing laundry.

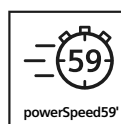
A new level of convenience.



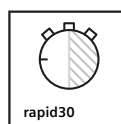
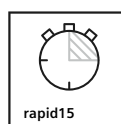
**reload**  
The reload function allows the machine to be paused and the door opened, to add any extra item to the load at the next safe opportunity while a programme is running.



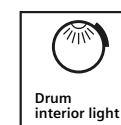
**antiVibration**  
Having antiVibration technology built-in to the design of the machine makes the appliance more stable, which, in turn, makes it quieter.



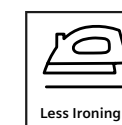
**powerSpeed 59 system**  
With the powerSpeed system, the laundry gets evenly soaked and heated up much faster and more consistently, for more thorough washing. Suited for up to 5kg of cottons or blended fabrics, the powerSpeed 59 result is achieved by a second pump that feeds the water into the drum at the beginning of the washing process. In parallel, the detergent is mixed with water and gets sprayed into the centre of the load, shortening the run time to only 59 minutes and increasing the wash performance.



**rapid15 and rapid30**  
Need a clean shirt an hour before leaving the house? The rapid15 and rapid30 washing programmes are the perfect solution. These innovative features wash, rinse and spin clothes in under an hour.



**Drum interior light**  
The drum is lit after switching on the appliance, after opening and closing the door, and after starting the programme for extra convenience. The light switches off automatically.



**Less Ironing option**  
At the touch of a button, 'Less Ironing' can be added to a selected programme. This ensures the machine gently and evenly drains the water and reduces the spin speed, helping to keep creases to a minimum.



**Outdoor**  
Specialised programme for washing waterproof clothing with membrane technology to protect the fabric and seams. For use with outdoor fabric detergent.



**Outdoor/waterproof**  
This programme can be used to apply a waterproof treatment to breathable fabrics, prolonging the life of high-quality functional clothing like winter jackets, fleeces and ski wear.





## Efficient laundry care, intuitively

### Siemens washing machines take the hassle out of doing laundry.

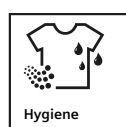
Our machines take full advantage of the latest technology and innovation, and are designed to make laundry less of a chore.



Automatic programmes

#### Automatic programmes

Whether normal or delicate items – the automatic programme's 'Auto' function adjusts the entire wash cycle to suit various laundry needs for optimum effect. Perfect for hard-wearing fabrics this mode will even add extra detergent if the washing is heavily soiled.



Hygiene

#### Hygienically clean laundry: The hygiene programme

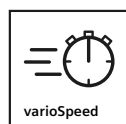
The hygiene programme is particularly suitable for people with allergies.



Drum Clean

#### Meets the highest hygiene standards: The Drum Clean programme

An automatic alert after 20 washes notifies when to run the Drum Clean programme on a 90°C or 60°C wash which keeps the appliance clean and odour free.



varioSpeed

#### Get perfectly clean laundry in up to 65%\* less time with varioSpeed

Available on all our washing machines, this feature can automatically detect when time can be saved. The smart sensors identify load volume and type of textile, hence adapting the washing machine's process time efficiently to suit the specific load.

\*Difference between the duration of the Easy Care Programme 40°C and the duration of the Easy Care Programme 40°C in combination with the varioSpeed option.



Download and install Home Connect App

Home Connect

Partners brought to you by Home Connect

just ask alexa

works with Google Home

IFTTT

### Take a load off with Home Connect.

Siemens' smart washing machines, with Home Connect, have exciting features that provide more flexibility and choice when doing laundry.

#### Optimal dosing of detergent

i-Dos accurately dispenses detergent based on fabric type, water hardness and degree of soiling. With the detergent scan on the Home Connect app, the intelligentDosing can even be further optimised. Simply scan the chosen detergent and fabric softener and Home Connect will set up the ideal dosage settings perfectly, only using the exact amount of detergent needed, every time.

#### Match the laundry programme to specific needs

Use the Home Connect app to guide programme selection. Home Connect gives a description of each programme, and an indication of its energy and water consumption, so the best decisions are made for certain laundry needs. Home Connect also enables the washing machine and the dryer to work together. The dryer automatically chooses the right programme and the most suitable drying target based on the load washed in the washing machine.

#### Connected partners

With our connected partners - Amazon Alexa, Google Home and IFTTT - any living space can be turned into a fully connected home. Speak to appliances simply by asking Amazon Alexa or Google Home voice assistant. With the IFTTT app, Home Connect appliances can be connected to a wider range of smart devices. Set up applets and digital commands to create bespoke solutions such as programming smart lights to flash when the laundry cycle ends.

For more information about Home Connect, visit Siemens Home IE: [siemens-home.bsh-group.com/ie](https://siemens-home.bsh-group.com/ie)

Or scan the QR code to learn more about our smart laundry appliances.







# Washing machine key features

## Clear display for easy selection.

All our models feature easy to use, intuitive LED displays to provide a full overview and make operation effortless.



Display shown: **WG46G2Z9GB** iQ500 washing machine



Display shown: **WG56B2A1GB** iQ700 washing machine

## Just add laundry with i-Dos.



The i-Dos system automatically determines how much detergent is needed for each wash load, based on the weight of the laundry and programme used. Once the laundry is placed in the drum the intelligent washing machine will automatically determine the optimum allocation of detergent.

The built-in drawer conveniently holds enough liquid detergent for around 20 washes which removes the need to measure and fill the container for every wash. As the correct amount of liquid detergent is used every time, clothes will receive the perfect wash whilst saving time, water and detergent. Resulting in hassle-free laundry and perfectly clean clothes. With Home Connect, the detergent scan feature will even further adjust the dosing based on the detergent used.



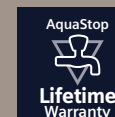
## Tough on stains, gentle on clothes.



With the stainRemoval system, tough stains can be removed effortlessly without the need for specialist products or pre-washing. After loading clothes in the machine, up to 16 stain treatments\* are available to select from.

Whether it is red wine or coffee, dirt or grass, blood or even cosmetics, our stainRemoval system automatically optimises the wash settings to remove individual stains from laundry. The system tailors the wash according to the nature of the stain, creating the perfect balance between the mechanical drum action, water level, wash time and temperature, thus, saving time, money on buying specialist products and removing the need for pre-washing. Unforeseen accidents need not ruin clothes anymore.

\*16 stain treatments available on Home Connect models.



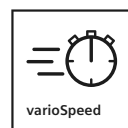
Fast and efficient washing machines with added peace of mind.

\*Offer dates: 01.04.24 – 31.03.25. Online registration required. For full T&Cs and qualifying appliances visit [siemens-home.bsh-group.com/ie/customer-service/warranty](https://www.siemens-home.bsh-group.com/ie/customer-service/warranty)

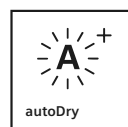


# A breath of fresh air: Siemens Washer Dryers

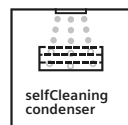
Enjoy the luxury of complete laundry care without needing a lot of space.



**varioSpeed**  
Get perfectly clean laundry in up to 65%\* less time. This feature can automatically detect when time can be saved. The smart sensor identifies load volume and textile kind, hence adapting the washing machine's process time efficiently to suit the specific load.



**autoDry**  
autoDry technology prevents overheating or uneven drying. Sensors precisely measure and control the temperature and moisture of laundry, preventing it from shrinking.



**selfCleaning condenser (Washer Dryers and Tumble Dryer)**  
An automatic selfCleaning condenser is integrated into many Siemens laundry appliances helping to keep the condenser lint free. This sensor-controlled programme is intuitive and collects lint during each drying cycle. The result is a continually lint-free condenser that helps to keep energy consumption constantly low at all times. The fluff just needs to be removed from the lint filter after every cycle.

\*Difference between the duration of the Easy Care Programme 40°C and the duration of the Easy Care Programme 40°C in combination with the varioSpeed option.



Fast and efficient washer dryers with added peace of mind.

To find out more about warranty and for registration, please visit: [siemens-home.bsh-group.com/ie/customer-service/warranty](https://siemens-home.bsh-group.com/ie/customer-service/warranty)

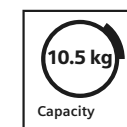


The i-Dos system automatically determines how much detergent is needed for each wash load, based on the weight of the laundry and programme used. Once the laundry is placed in the drum the intelligent washing machine will automatically determine the optimum allocation of detergent.

The built-in drawer conveniently holds enough liquid detergent for around 20 washes which removes the need to measure and fill the container for every wash. As the correct amount of liquid detergent is used every time, clothes will receive the perfect wash whilst saving time, water and detergent. Resulting in hassle-free laundry and perfectly clean clothes.



**Wash&Dry60**  
With just one push of the button, the washer dryer perfectly washes and carefully dries up to 1kg of laundry in only 60 minutes. Perfect for when clothes need to be prepared quickly.



**The 10.5kg washer dryer**  
The 10.5kg washer dryer model provides ultimate convenience. Ideal for families, achieve everything in one go with the ability to wash and dry a larger-than-average load.



**smartFinish**  
The smartFinish programme uses gentle steam to reduce wrinkles, cutting down ironing time. Even badly wrinkled shirts and blouses are significantly smoothed out.

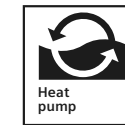


Model shown: **WN54G1A1GB**





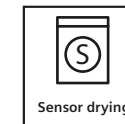
# Intelligent drying: Siemens Tumble Dryers



### High-performance and highly-efficient (Tumble Dryers only)

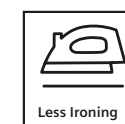
Be fascinated by the state-of-the-art technology of Siemens heat pump dryers. Heat pump dryers are condensation dryers equipped with a special heat pump technology. In contrast to classic condensation dryers, energy in the form of heat is not discharged into the environment; instead it is retained for the drying process.

Siemens heat pump dryers achieve impressive energy values and consume significantly less energy than condensation dryers. Our heat pump dryers can also be set up, like all condensation dryers, in multiple places within the home, since the condensed water is collected in a separate container integrated into the appliance. Alternatively, if preferred, the water can be drained out if plumbing allows.



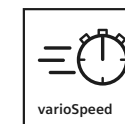
### Sensor drying

All Siemens tumble dryers feature sensor drying, which provides uniform drying results, and makes over-drying a thing of the past. Sensors in the drum continually monitor the residual moisture in the laundry. They detect when the load has reached the selected drying level, and move the programme to the final cool-down period.



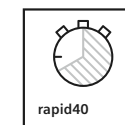
### A lot less ironing

The Less Ironing option extends the anti-crease phase period at the end of the cycle by up to 120 minutes leading to fewer creases in laundry – so less time is spent ironing.



### varioSpeed

This feature can automatically detect when time can be saved. The smart sensor identifies load volume and textile kind to adapt the tumble dryer's programme time efficiently to suit the specific load.



### The rapid40 drying programme

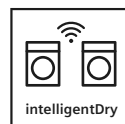
With this programme, washing will be perfectly dry in only 40 minutes, thanks to optimised temperature control and a customised cool-down phase.



### Wool or shoe drying basket

To further protect garments and materials during the drying process, Siemens iQ500 and iQ700 tumble dryers come with a drying basket. Warm air is then gently passed around the garments, rather than tumbling them.

With the latest technology built into our appliances, Siemens offers energy-efficient and stunning looking appliances for stylish kitchens and utility spaces.



### Take the guess work out of drying

Home Connect enables the washer and dryer to work together. The dryer automatically chooses the right programme and the most suitable drying target based on the load washed in the washing machine. intelligentDry guarantees precise drying results with maximum protection. Let Home Connect do the thinking.



Stacking kit



Wool drying basket



Shoe drying basket

### Stacking kits

Not only helping to stabilise the dryer on top of the washing machine, the shelf allows the easy loading and unloading of the dryer.

Product codes: WZ27410 (standard) / WZ27400 (with pull-out shelf).



State-of-the-art technology is at the heart of all Siemens tumble dryers.

\*Offer dates: 01.04.24 – 31.03.25. Online registration required. For full T&Cs and qualifying appliances visit [siemens-home.bsh-group.com/ie/customer-service/warranty](https://www.siemens-home.bsh-group.com/ie/customer-service/warranty)



# Laundry appliance product overview

## Freestanding washing machine and tumble dryer range

Washing machine	Tumble dryer	Washing machine	Tumble dryer
<b>iQ 700</b> <b>WG56B2ATGB</b> <b>Silver inox</b> <ul style="list-style-type: none"> <li>• 10kg capacity</li> <li>• 1600 spin</li> <li>• i-Dos intelligent dosing</li> <li>• Detergent Scan</li> <li>• smartFinish</li> <li>• Mini Load</li> <li>• powerSpeed 59</li> <li>• varioSpeed</li> <li>• Reload function</li> <li>• iQDrive®</li> <li>• stainRemoval System</li> </ul>	<b>iQ 700</b> <b>WQ46B2CXGB</b> <b>Silver inox</b> <ul style="list-style-type: none"> <li>• 9kg capacity</li> <li>• Heat pump</li> <li>• smartFinish</li> <li>• intelligentDry</li> <li>• selfCleaning condenser</li> <li>• varioSpeed</li> </ul>	<b>iQ 700</b> <b>WG56B2A1GB</b> <b>White</b> <ul style="list-style-type: none"> <li>• 10kg capacity</li> <li>• 1600 spin</li> <li>• i-Dos intelligent dosing</li> <li>• Detergent Scan</li> <li>• smartFinish</li> <li>• Mini Load</li> <li>• powerSpeed 59</li> <li>• varioSpeed</li> <li>• Reload function</li> <li>• iQDrive®</li> <li>• stainRemoval System</li> </ul>	<b>iQ 700</b> <b>WQ46B2C9GB</b> <b>White</b> <ul style="list-style-type: none"> <li>• 9kg capacity</li> <li>• Heat pump</li> <li>• smartFinish</li> <li>• intelligentDry</li> <li>• selfCleaning condenser</li> <li>• varioSpeed</li> </ul>

## Home Connect

Washing machine	Washing machine	Tumble dryer	Tumble dryer
<b>iQ 500</b> <b>WG56G2Z0GB*</b> (Available from July 2024) <b>White</b> <ul style="list-style-type: none"> <li>• 10kg capacity</li> <li>• 1600 spin</li> <li>• smartFinish</li> <li>• varioSpeed</li> <li>• Reload function</li> <li>• iQDrive®</li> <li>• stainRemoval System</li> </ul>	<b>iQ 500</b> <b>WG46G2Z1GB*</b> (Available from June 2024) <b>White</b> <ul style="list-style-type: none"> <li>• 9kg capacity</li> <li>• 1600 spin</li> <li>• smartFinish</li> <li>• varioSpeed</li> <li>• Reload function</li> <li>• iQDrive®</li> <li>• stainRemoval System</li> </ul>	<b>iQ 500</b> <b>WQ45G209GB</b> <b>White</b> <ul style="list-style-type: none"> <li>• 9kg capacity</li> <li>• Heat pump</li> <li>• selfCleaning condenser</li> </ul>	<b>iQ 300</b> <b>WT45N203GB</b> <b>White</b> <ul style="list-style-type: none"> <li>• 8kg capacity</li> <li>• Condenser</li> </ul>

\*Please note this is not the final product image

## Freestanding washer dryer range

Washer dryer	Washer dryer
<b>iQ 700</b> <b>WN54C2ATGB</b> <b>Silver</b> <ul style="list-style-type: none"> <li>• 10.5kg/6kg capacity</li> <li>• 1400 spin speed</li> <li>• i-Dos intelligent dosing</li> <li>• Detergent Scan</li> <li>• iQDrive®</li> <li>• varioSpeed</li> <li>• Reload facility</li> <li>• autoDry</li> <li>• selfCleaning condenser</li> <li>• smartFinish</li> <li>• Outdoor/waterproofing</li> </ul>	<b>iQ 500</b> <b>WN54G1A1GB</b> (Available from May 2024) <b>White</b> <ul style="list-style-type: none"> <li>• 10.5kg/6kg capacity</li> <li>• 1400 spin speed</li> <li>• i-Dos intelligent dosing</li> <li>• Detergent Scan</li> <li>• iQDrive®</li> <li>• varioSpeed</li> <li>• Reload facility</li> <li>• autoDry</li> <li>• selfCleaning condenser</li> <li>• smartFinish</li> </ul>



Models shown:  
 WG56B2A1GB washing machine and  
 WQ46B2C9GB tumble dryer



# Washing machines

## iQ 700 WG56B2A1GB

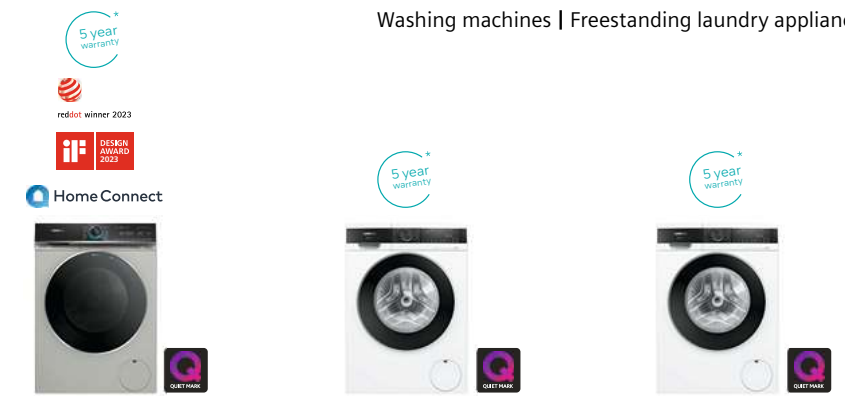
Freestanding washing machine  
White 1600rpm spin speed



### Freestanding washing machine specifications

APPLIANCE TYPE	FREESTANDING WASHING MACHINE
<b>Design family</b>	iQ 700
Model number	WG56B2A1GB
Colour	White
<b>KEY FEATURES</b>	
smartFinish	■
Detergent Scan	■
Mini Load	■
Home Connect	■
i-Dos intelligent dosing system	■
powerSpeed 59 <sup>1</sup>	■
varioSpeed	■
Reload function	■
iQDrive®	■
antiVibration design	■
stainRemoval System	■
<b>ADDITIONAL FEATURES</b>	
Variable temperature / Variable spin	■ / ■
Drum interior light	■
Display	LED
Control panel lock	■
Delay start by (h)	24
Drum Clean programme	via APP
Water protection system	AquaStop
<b>STANDARD PROGRAMMES</b>	
Eco 40-60	■
Cottons	■
Easy Care / Mixed	■ / ■
Delicate/Silk / Wool	■ / ■
<b>ADDITIONAL PROGRAMMES / FUNCTIONS</b>	
Auto programme	■
Hygiene	via APP
Rapid 15' / Rapid 30'	■ / ■
Shirts	via APP
Outdoor / Outdoor (waterproofing)	- / ■
Dark Wash/Easy Care Plus	via APP
Lingerie / Towels	- / -
Curtaains / Duvet	- / via APP
Rinse / Spin / Drain	■ / - / -
Spin/Drain	■
Prewash	■
Extra Rinse / Rinse hold	■ / ■
Water Plus / Soak	■ / ■
Reduced ironing / Reduced noise	■ / ■
Memory programmes	■
<b>PERFORMANCE</b>	
Energy efficiency class <sup>1</sup>	A G A
Load capacity (kg)	1-10
Energy <sup>2</sup> / Water <sup>3</sup> (kWh / litres)	51 / 49
Programme duration <sup>4</sup> (h:mm)	3:55
Maximum spin speed (rpm) <sup>5</sup>	1600
Spin efficiency class	A
Noise level (dB [A] re 1pW)	72
Noise emission class	A
Duration of Quick Wash programme (minutes)	15/30
<b>TECHNICAL INFORMATION</b>	
Dimensions: H x W x D (inc. door porthole) (mm)	848 x 598 x 590 (638)
Door opening angle	188°
Depth with door open 90° (mm)	1090
Height adjustable by (mm)	12
Length of supply / drain hose (mm)	1500 / 1500
Length of mains cable (mm)	1600
Door hinge	Left-hand
Drum type	waveDrum
Drum Volume (litres)	70
<b>ACCESSORIES</b>	
Floor securing component	WX975600

■ Yes, model has this feature. - Feature not available for this model.  
<sup>1</sup> On an energy-efficiency class scale from A to G. <sup>2</sup> Energy consumption in kWh/100 operating cycles (using Eco 40-60 programme). <sup>3</sup> Water consumption in litres/operating cycle (using Eco 40-60 programme). <sup>4</sup> Duration of Eco 40-60 programme. <sup>5</sup> The specified value is rounded.  
**Data valid in this table as of April 2024.** Subject to modification without prior notice.  
**\*5 year warranty - Offer dates: 01.04.24 – 31.03.25. T&C's apply. Online registration required.**



Available from July 2024

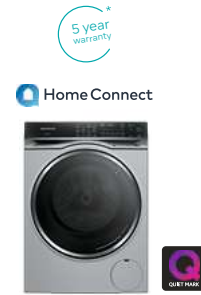
Available from June 2024

### Freestanding washing machine specifications

APPLIANCE TYPE	FREESTANDING WASHING MACHINES		
<b>Design family</b>	iQ 700	iQ 500	iQ 500
Model number	WG56B2ATGB	WG56G2Z0GB	WG46G2Z1GB
Colour	Silver inox	White	White
<b>KEY FEATURES</b>			
smartFinish	■	■	■
Detergent Scan	■	-	-
Mini Load	■	-	-
Home Connect	■	-	-
i-Dos intelligent dosing system	■	-	-
powerSpeed 59 <sup>1</sup>	■	-	-
varioSpeed	■	■	■
Reload function	■	■	■
iQDrive®	■	■	■
antiVibration design	■	■	■
stainRemoval System	■	■	■
<b>ADDITIONAL FEATURES</b>			
Variable temperature / Variable spin	■ / ■	■ / ■	■ / ■
Drum interior light	■	■	■
Display	LED	LED	LED
Control panel lock	■	■	■
Delay start by (h)	24	24	24
Drum Clean programme	via APP	■	■
Water protection system	AquaStop	Multiple water protection	Multiple water protection
<b>STANDARD PROGRAMMES</b>			
Eco 40-60	■	■	■
Cottons	■	■	■
Easy Care / Mixed	■ / ■	■ / ■	■ / ■
Delicate/Silk / Wool	■ / ■	■ / ■	■ / ■
<b>ADDITIONAL PROGRAMMES / FUNCTIONS</b>			
Auto programme	■	-	-
Hygiene	via APP	■	■
Rapid 15' / Rapid 30'	■ / ■	■ / ■	■ / ■
Shirts	via APP	■	■
Outdoor / Outdoor (waterproofing)	via APP / ■	■ / -	■ / -
Dark Wash / Easy Care Plus	via APP	-	-
Lingerie / Towels	- / via APP	- / -	- / -
Curtaains / Duvet	- / -	- / -	- / -
Rinse / Spin / Drain	■ / - / -	■ / - / -	■ / - / -
Spin/Drain	■	■	■
Prewash	■	■	■
Extra Rinse / Rinse hold	■ / ■	■ / ■	■ / ■
Water Plus / Soak	■ / ■	■ / -	■ / -
Reduced ironing / Reduced noise	■ / ■	■ / -	■ / -
Memory programmes	■	-	-
<b>PERFORMANCE</b>			
Energy efficiency class <sup>1</sup>	A G A	A G A	A G A
Load capacity (kg)	1-10	1-10	1-9
Energy <sup>2</sup> / Water <sup>3</sup> (kWh / litres)	51 / 49	51 / 52	49 / 50
Programme duration <sup>4</sup> (h:mm)	3:55	3:55	3:40
Maximum spin speed (rpm) <sup>5</sup>	1600	1600	1600
Spin efficiency class	A	A	A
Noise level (dB [A] re 1pW)	72	74	74
Noise emission class	A	B	B
Duration of Quick Wash programme (minutes)	15/30	15/30	15/30
<b>TECHNICAL INFORMATION</b>			
Dimensions: H x W x D (inc. door porthole) (mm)	848 x 598 x 590 (638)	845 x 598 x 590 (636)	845 x 598 x 590 (636)
Door opening angle	188°	165°	165°
Depth with door open 90° (mm)	1090	1073	1073
Height adjustable by (mm)	12	12	12
Length of supply / drain hose (mm)	1500 / 1500	1500 / 1500	1500 / 1500
Length of mains cable (mm)	1600	2100	2100
Door hinge	Left-hand	Left-hand	Left-hand
Drum type	waveDrum	waveDrum	waveDrum
Drum Volume (litres)	70	70	70
<b>ACCESSORIES</b>			
Floor securing component	WX975600	WX975600	WX975600

■ Yes, model has this feature. - Feature not available for this model.  
<sup>1</sup> On an energy-efficiency class scale from A to G. <sup>2</sup> Energy consumption in kWh/100 operating cycles (using Eco 40-60 programme).  
<sup>3</sup> Water consumption in litres/operating cycle (using Eco 40-60 programme). <sup>4</sup> Duration of Eco 40-60 programme. <sup>5</sup> The specified value is rounded.  
**Data valid in this table as of April 2024.** Subject to modification without prior notice.  
**\*5 year warranty - Offer dates: 01.04.24 – 31.03.25. T&C's apply. Online registration required.**

# Washer dryers



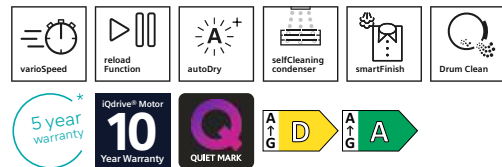
Available from May 2024

## iQ700 WN54C2ATGB

Freestanding washer dryer  
Silver 1400rpm spin speed



Home Connect

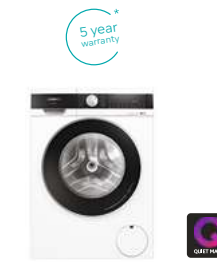


### Freestanding washer dryer specifications

APPLIANCE TYPE	FREESTANDING WASHER DRYER
<b>Design family</b>	<b>iQ700</b>
Model number	WN54C2ATGB
Colour	Silver
<b>KEY FEATURES</b>	
i-Dos intelligent dosing system	■
Home Connect	■
iQDrive®	■
varioSpeed	■
Reload facility	■
autoDry function	■
selfCleaning Condenser	■
<b>ADDITIONAL FEATURES</b>	
Time delay/Time remaining	■
Control panel lock	■
Water protection system	AquaStop
<b>PROGRAMMES</b>	
smartFinish	■
Hygiene	■
rapid15'	■
Wash & Dry 60 mins	Wash & Dry 45'
Cottons	■
Easy-care programme	■
Wool programme	■
Delicates/Silk	■
Intensive Dry	-
Gentle Dry	-
myTime Wash & Dry	-
myTime Dry	■
Rinse	■
Spin/Drain	■
Memory	■
Drum Clean	■
Outdoor (Waterproofing)	■
Shirts	■
Mixed Fabrics	■
Reduced noise wash/dry	-
Reduced ironing	■
Extra Rinse	-
Water level increase option	-
Pre wash	■
Variable Temperature/Spin	■
<b>PERFORMANCE/TECHNICAL INFORMATION</b>	
Energy efficiency class washing and drying <sup>1</sup>	A D
Energy efficiency class washing <sup>2</sup>	A G
Energy <sup>3</sup> / Water <sup>4</sup> washing and drying (kWh / litres)	305 / 75
Energy <sup>3</sup> / Water <sup>4</sup> washing (kWh / litres)	52 / 50
Load capacity washing and drying / washing (kg)	1-6 / 1-10.5
Programme duration <sup>7</sup> washing and drying / washing (h:mm)	8:20 / 4:00
Spin efficiency class	B
Spin speed <sup>8</sup> (rpm)	1400
Noise level (dB [A] re 1pW)	70
Noise emission class	A
Dimensions: H x W x D (inc. door porthole) (mm)	848 x 598 x 622 (645)
Door opening angle	125°
Depth with door open 90° (mm)	1142
Height adjustable by (mm)	12
Length of supply / drain hose (mm)	1500 / 1500
Length of mains cable (mm)	2100
Door hinge	Left-hand
Drum type	waveDrum
Drum volume (litres)	65

■ Yes, model has this feature. - Feature not available for this model.

<sup>1,2</sup> On an energy-efficiency class scale from A to G.  
<sup>3</sup> Energy consumption in kWh/100 complete operating cycles (using Eco 40-60 programme).  
<sup>4</sup> Water consumption in litres/complete operating cycle (using Eco 40-60 programme).  
<sup>5</sup> Energy consumption in kWh/100 wash cycles (using Eco 40-60 programme).  
<sup>6</sup> Water consumption in litres/wash cycle (using Eco 40-60 programme).  
<sup>7</sup> Duration of Eco 40-60 programme, complete operating cycle / wash cycle.  
<sup>8</sup> The specified value is rounded.  
**Data valid in this table as of April 2024.** Subject to modification without prior notice.  
**\*5 year warranty - Offer dates: 01.04.24 – 31.03.25. T&C's apply. Online registration required.**



### Freestanding washer dryer specifications

APPLIANCE TYPE	FREESTANDING WASHER DRYER
<b>Design family</b>	<b>iQ500</b>
Model number	WN54G1A1GB
Colour	White
<b>KEY FEATURES</b>	
i-Dos intelligent dosing system	■
Home Connect	-
iQDrive®	■
varioSpeed	■
Reload facility	■
autoDry function	■
selfCleaning Condenser	■
<b>ADDITIONAL FEATURES</b>	
Time delay/Time remaining	■
Control panel lock	■
Water protection system	Multiple water protection
<b>PROGRAMMES</b>	
smartFinish	■
Hygiene	-
rapid15'	■
Wash & Dry 60 mins	■
Cottons	■
Easy-care programme	■
Wool programme	■
Delicates/Silk	■
Intensive Dry	■
Gentle Dry	■
myTime Wash & Dry	-
myTime Dry	-
Rinse	■
Spin/Drain	■
Memory	-
Drum Clean	-
Outdoor (Waterproofing)	■
Shirts	-
Mixed Fabrics	■
Reduced noise wash/dry	-
Reduced ironing	■
Extra Rinse	-
Water level increase option	-
Pre wash	■
Variable Temperature/Spin	■
<b>PERFORMANCE/TECHNICAL INFORMATION</b>	
Energy efficiency class washing and drying <sup>1</sup>	A D
Energy efficiency class washing <sup>2</sup>	A G
Energy <sup>3</sup> / Water <sup>4</sup> washing and drying (kWh / litres)	306 / 82
Energy <sup>3</sup> / Water <sup>4</sup> washing (kWh / litres)	51 / 52
Load capacity washing and drying / washing (kg)	1-6 / 1-10.5
Programme duration <sup>7</sup> washing and drying / washing (h:mm)	8:40 / 3:59
Spin efficiency class	B
Spin speed <sup>8</sup> (rpm)	1400
Noise level (dB [A] re 1pW)	70
Noise emission class	A
Dimensions: H x W x D (inc. door porthole) (mm)	848 x 598 x 590 (635)
Door opening angle	165°
Depth with door open 90° (mm)	1072
Height adjustable by (mm)	12
Length of supply / drain hose (mm)	1500 / 1500
Length of mains cable (mm)	2100
Door hinge	Left-hand
Drum type	waveDrum
Drum volume (litres)	65

■ Yes, model has this feature. - Feature not available for this model.

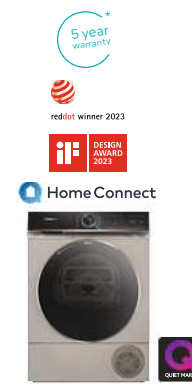
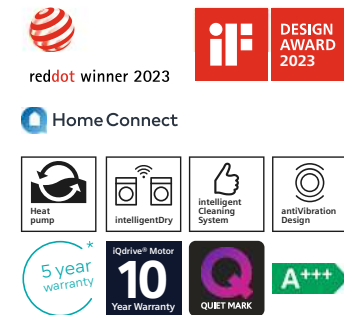
<sup>1,2</sup> On an energy-efficiency class scale from A to G.  
<sup>3</sup> Energy consumption in kWh/100 complete operating cycles (using Eco 40-60 programme).  
<sup>4</sup> Water consumption in litres/complete operating cycle (using Eco 40-60 programme).  
<sup>5</sup> Energy consumption in kWh/100 wash cycles (using Eco 40-60 programme).  
<sup>6</sup> Water consumption in litres/wash cycle (using Eco 40-60 programme).  
<sup>7</sup> Duration of Eco 40-60 programme, complete operating cycle / wash cycle.  
<sup>8</sup> The specified value is rounded.  
**Data valid in this table as of April 2024.** Subject to modification without prior notice.  
**\*5 year warranty - Offer dates: 01.04.24 – 31.03.25. T&C's apply. Online registration required.**



# Tumble dryers

## iq 700 WQ46B2CXGB

Freestanding tumble dryer  
Silver inox

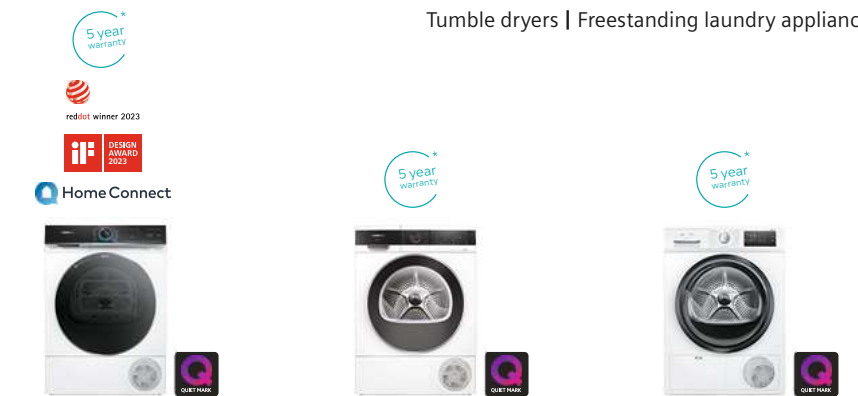


### Freestanding tumble dryer specifications

APPLIANCE TYPE	FREESTANDING TUMBLE DRYER
<b>Design family</b>	iq 700
Model number	WQ46B2CXGB
Colour	Silver inox
<b>KEY FEATURES</b>	
Home Connect	■
Heat pump	■
smartFinish	■
intelligentDry	■
easyClean filter	-
selfCleaning condenser	■
antiVibration design	■
<b>ADDITIONAL FEATURES</b>	
Sensor drying	■
Display	LED
Anti-crease cycle (mins)	120
Time delay / Time Remaining	■
Drum interior light	■
Water container full / Blocked filter warning indicator	■ / ■
Control panel lock	■
<b>PROGRAMMES / FUNCTIONS</b>	
Cotton	■
Easy Care	■
Mixed Fabrics	■
Allergy Plus / Hygiene	■
Lingerie	Via APP
Wool Finish	-
Wool in drying basket (model includes drying basket)	■
Towels	■
Rapid 40 min	■
Jeans	-
Shirts	■
Bed Linen	-
Down Wear	-
Duvet	-
Pillows	-
Outdoor	■
Time programme cold	Via APP
Time programme warm	■
Reduced ironing	■
Memory programme	■
<b>PERFORMANCE</b>	
Energy efficiency class	A+++
Capacity cotton (kg)	9
Condensation efficiency class	B
Condensation efficiency for standard cotton programme – Full and partial load	91%
Noise level (dB [A] re 1pW)	59
<b>TECHNICAL INFORMATION</b>	
Dimensions: H x W x D (inc. door porthole) (mm)	842 x 598 x 613 (651)
Door opening angle	180°
Depth with door open 90° (mm)	1105
Height adjustable by (mm)	15
Length of mains cable (mm)	1450
Door hinge	Right-hand reversible
Can be used with drain set	■
Drain set included	■
Cycle time Cotton, Full Load (Label) (min / cycle)	198
Drum volume (litres)	112
Compatible Stacking Kit (Standard / Pull out shelf)	WZ2751X / WZ2750X
<b>OPTIONAL ACCESSORIES FOR TUMBLE DRYERS</b>	
Cover plate	WZ20290
Stacking kit	WZ2751X
Stacking kit with pullout shelf	WZ2750X

■ Yes, model has this feature. – Feature not available for this model.

The programme cotton cupboard dry used at full and partial loads is the standard drying programme to which the information on the energy label refers. This is the most efficient programme in terms of energy consumption for cotton. Annual consumption is based on 160 drying cycles.  
Data valid in this table as of April 2024. Subject to modification without prior notice.  
\*5 year warranty - Offer dates: 01.04.24 – 31.03.25. T&C's apply. Online registration required.



### Freestanding tumble dryer specifications

APPLIANCE TYPE	FREESTANDING TUMBLE DRYERS		
<b>Design family</b>	iq 700	iq 500	iq 300
Model number	WQ46B2CXGB	WQ45G209GB	WT45N203GB
Colour	White	White	White
<b>KEY FEATURES</b>			
Home Connect	■	-	-
Heat pump	■	■	-
smartFinish	■	-	-
intelligentDry	■	-	-
easyClean filter	-	-	■
selfCleaning condenser	■	■	-
antiVibration design	■	■	■
<b>ADDITIONAL FEATURES</b>			
Sensor drying	■	■	■
Display	LED	LED	LED
Anti-crease cycle (mins)	120	60	120
Time delay / Time Remaining	■	■	■
Drum interior light	■	■	■
Water container full / Blocked filter warning indicator	■ / ■	■ / ■	■ / ■
Control panel lock	■	■	■
<b>PROGRAMMES / FUNCTIONS</b>			
Cotton	■	■	■
Easy Care	■	■	■
Mixed Fabrics	■	■	■
Allergy Plus / Hygiene	■	■	■
Lingerie	Via APP	■	■
Wool Finish	-	■	■
Wool in drying basket (model includes drying basket)	■	-	-
Towels	■	-	-
Rapid 40 min	■	■	■
Jeans	-	-	-
Shirts	■	■	■
Bed Linen	■	-	-
Down Wear	-	-	-
Duvet	-	■	-
Pillows	-	■	-
Outdoor	■	■	■
Time programme cold	Via APP	-	■
Time programme warm	■	■	■
Reduced ironing	■	■	■
Memory programme	■	-	-
<b>PERFORMANCE</b>			
Energy efficiency class	A+++	A++	A
Capacity cotton (kg)	9	9	8
Condensation efficiency class	B	B	B
Condensation efficiency for standard cotton programme – Full and partial load	91%	86%	88%
Noise level (dB [A] re 1pW)	59	64	63
<b>TECHNICAL INFORMATION</b>			
Dimensions: H x W x D (inc. door porthole) (mm)	842 x 598 x 613 (651)	842 x 598 x 613 (648)	842 x 598 x 613 (651)
Door opening angle	180°	170°	175°
Depth with door open 90° (mm)	1105	1096	1105
Height adjustable by (mm)	15	15	15
Length of mains cable (mm)	1450	1450	1450
Door hinge	Right-hand reversible	Right-hand	Right-hand
Can be used with drain set	■	■	■
Drain set included	■	■	■
Cycle time Cotton, Full Load (Label) (min / cycle)	198	173	137
Drum volume (litres)	112	112	112
Compatible Stacking Kit (Standard / Pull out shelf)	WZ27510 / WZ27500	WZ27410 / WZ27400	WZ11410 / WZ20400
<b>OPTIONAL ACCESSORIES FOR TUMBLE DRYERS</b>			
Cover plate	WZ20290	WZ20290	WZ20290
Stacking kit	WZ27510	WZ27410	WZ11410
Stacking kit with pullout shelf	WZ27500	WZ27400	WZ20400

■ Yes, model has this feature. – Feature not available for this model.

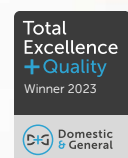
The programme cotton cupboard dry used at full and partial loads is the standard drying programme to which the information on the energy label refers. This is the most efficient programme in terms of energy consumption for cotton. Annual consumption is based on 160 drying cycles.  
Data valid in this table as of April 2024. Subject to modification without prior notice.  
\*5 year warranty - Offer dates: 01.04.24 – 31.03.25. T&C's apply. Online registration required.



# Intelligent Care, Our award-winning customer service team



**Dedicated Siemens Service**  
With our dedicated team of trained and qualified engineers available across the United Kingdom\*, each having undergone over 400 hours of training, you can be confident that your Siemens appliances are in the safest of hands.



## Customer service.

Trust Siemens Customer Service to help with the following:

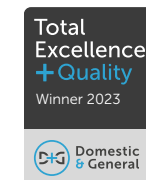
- Offer product advice on using our appliance or help with choosing a new Siemens appliance.
- Register a Siemens appliance and extend the warranty.
- Arrange a repair for a Siemens appliance by one of our Siemens engineers.\*
- Locate and buy replacement spare parts and accessories.

Call us on: **UK: 0344 892 8999 IE: 01450 2655**  
For opening hours, please visit our website.

Calls are charged at the basic rate, please check with the relevant telephone service provider for exact charges.

\* In some areas of the UK and Ireland we use selected and approved service partners to carry out repairs on our behalf where the repair price and process may vary.

## Repair service.



If a Siemens appliance needs a repair, we are here to help. Our team of locally based engineers are employed and trained by Siemens, which gives them unrivalled knowledge and expertise to repair our appliances.\*

It is easy to book, and manage an engineer visit online or via our call centre (see left for contact details).

Book or manage a repair online at:  
**UK: [www.siemens-home.bsh-group.com/uk/customer-service/repair](http://www.siemens-home.bsh-group.com/uk/customer-service/repair)**  
**IE: [www.siemens-home.bsh-group.com/ie/customer-service/repair](http://www.siemens-home.bsh-group.com/ie/customer-service/repair)**



## Online help.

Prefer to receive help online?

Siemens also offers a high quality comprehensive range of online services. Our online support offers help getting familiar with our appliances, find user manuals, browse FAQ's, get useful tips and have full control over an engineer booking.

Visit our online customer service portal at:  
**UK: [www.siemens-home.bsh-group.com/uk/customer-service/](http://www.siemens-home.bsh-group.com/uk/customer-service/)**  
**IE: [www.siemens-home.bsh-group.com/ie/customer-service/](http://www.siemens-home.bsh-group.com/ie/customer-service/)**



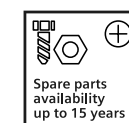
## Online shop.

Accessories and cleaning products.

Well maintained appliances last longer, this is why we offer everything needed to look after any of our appliances on the Siemens online store. Our tested and approved cleaning and care products can be found there, along with other accessories ranging from a water filter for fridges, to a Teppanyaki grill plate for hobs.

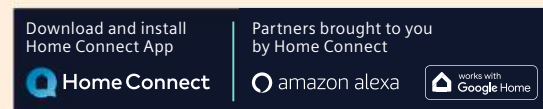
Shop online at:  
**UK: [www.siemens-home.bsh-group.com/uk/shop](http://www.siemens-home.bsh-group.com/uk/shop)**  
**IE: [www.siemens-home.bsh-group.com/ie/shop](http://www.siemens-home.bsh-group.com/ie/shop)**

## Spare parts.



Siemens keeps a comprehensive range of replacement spare parts for up to 15 years. You can browse our exploded view diagrams on our store or speak to an advisor on the phone to help you locate and buy the spare parts you need.

Shop spare parts online at:  
**UK: [www.siemens-home.bsh-group.com/uk/shop/search-parts](http://www.siemens-home.bsh-group.com/uk/shop/search-parts)**  
**IE: [www.siemens-home.bsh-group.com/ie/shop/search-parts](http://www.siemens-home.bsh-group.com/ie/shop/search-parts)**



**More support with the Home Connect app.**  
Pairing a Siemens home appliance with the Home Connect app unlocks additional services including service support. The Home Connect app can provide useful push notifications when an appliance needs attention, such as when the filters need replacing or a clean care cycle is needed. Useful reminders will also let the user know when detergent, rinse aid and salt are running low. User manuals, self-help tips, appliance information and customer service contact details are also available directly from the app when needed.

Download the Home Connect app for more info.



# Warranties and Registration



## Register my appliance

Siemens recommends that all home appliances are registered to ensure we can easily contact customers in the event of an important product update. For more information about registering appliances of all brands, please visit: [www.registermyappliance.org.uk](http://www.registermyappliance.org.uk)

5 year warranty

### 5 year warranty

From time to time, Siemens may present additional warranties on either products or defined components of a product which are time limited offers.



Offer dates: 01.04.24 – 31.03.25. Online registration required. To check if a product qualifies, please contact us, scan the QR code or go online at [www.siemens-home.bsh-group.com/ie/customer-service/siemens-warranty](http://www.siemens-home.bsh-group.com/ie/customer-service/siemens-warranty)

To register call:  
UK: **0344 892 8999**  
IE: **01450 2655**

Or register online:  
UK: [www.siemens-home.bsh-group.com/uk](http://www.siemens-home.bsh-group.com/uk)  
IE: [www.siemens-home.bsh-group.com/ie](http://www.siemens-home.bsh-group.com/ie)

2 year warranty

### 2 year warranty

All Siemens home appliances have a Siemens two year manufacturer's warranty as standard to protect against manufacturing or material faults and defects during this warranty period.

To register call:  
UK: **0800 519 2116**  
IE: **01230 0344**

Or register online:  
UK: [www.siemens-home.bsh-group.com/uk](http://www.siemens-home.bsh-group.com/uk)  
ROI: [www.siemens-home.bsh-group.com/ie](http://www.siemens-home.bsh-group.com/ie)

Compressor Drive  
10  
Year Warranty

### 10 Year Compressor Drive Warranty

Available on selected Siemens fridges and freezers, this warranty covers defects in the compressor motor.

iQdrive® Motor  
10  
Year Warranty

### 10 Years iQdrive® Motor Warranty

Protects against manufacturing or material faults and defects to the iQdrive motor only during this warranty period. Applies to selected Siemens laundry appliances only.

Anti-Rust  
10  
Year Warranty

### 10 Year Anti-Rust Warranty for Dishwashers

Protects against rust in the inner cavity of the appliance during this warranty period. Applies to all Siemens dishwasher appliances only.

AquaStop  
Lifetime  
Warranty

### Lifetime AquaStop Warranty

A lifetime warranty to protect against water damage caused by a defective AquaStop system. Applies to selected Siemens laundry and dishwasher appliances only.





Models shown on front left to right:

**HM778GMB1B** single oven, **CT718L1B0** coffee machine, **BI710C1B1B** warming drawer,  
**CM778GNB1B** compact oven, **BI710C1B1B** warming drawer.

Siemens, a division of BSH Home Appliances Ltd,  
Grand Union House,  
Old Wolverton Road, Wolverton,  
Milton Keynes, MK12 5PT  
Tel: 0344 892 9040

[siemens-home.bsh-group.com/uk](https://siemens-home.bsh-group.com/uk)

Showroom  
Siemens London,  
Home of studioLine,  
14 Wigmore Street,  
London, W1U 2RE  
Tel: 0330 134 3100  
Email: [SiemensLondon@Siemens-Home.BSH-Group.com](mailto:SiemensLondon@Siemens-Home.BSH-Group.com)

BSH Home Appliances Ltd,  
M50 Business Park,  
Ballymount,  
Dublin 12  
Tel: 01 450 2655

[siemens-home.bsh-group.com/ie](https://siemens-home.bsh-group.com/ie)

#### Disclaimer

This brochure is current as from the publication date and supersedes all previous brochures for these products. Whilst BSH Home Appliances Ltd believes that all information contained within this brochure is correct at the time of going to print, no representation or warranty, express or implied, is or will be made and no responsibility or liability is or will be accepted by BSH Home Appliances Ltd in relation to the accuracy or completeness of this information and any liability is expressly disclaimed. To the extent permitted by law, BSH Home Appliances Ltd expressly excludes: i) all conditions, warranties and other terms which might otherwise be implied by statute, common law or the law of equity and ii) any liability for any direct, indirect or consequential loss or damage (including, without limitation, damages for loss of business or loss of profits) arising in contract, tort or otherwise from the use of or reliance on any information contained within this brochure or from any action or decision taken as a result of such use or reliance. BSH Home Appliances Ltd reserves the right to modify technical data and all other information contained within this brochure without notice. All rights reserved.

No part of this publication may be reproduced in any form or without the prior written permission of BSH Home Appliances Ltd.

This brochure should not be regarded as an infallible guide nor as an offer of sale for a particular product.

Due to variables in the reproduction process, colours of actual products may vary slightly from those depicted. We recommend a visit to a Siemens dealer to confirm that specifications and colours are to your satisfaction.

Valid from April 2024  
SIEMSLBIFS2024

**SIEMENS**

Siemens Home Appliances