

**BSH ΟΙΚΙΑΚΕΣ ΣΥΣΚΕΥΕΣ Α.Β.Ε.**

17° χλμ Εθνικής οδού Αθηνών – Λαμίας & Ποταμού 20, 145 64 Κηφισιά

**ΤΑ ΚΕΝΤΡΙΚΑ ΣΗΜΕΙΑ SERVICE PITSOS**

**Αθήνα**

17° χλμ Εθνικής οδού Αθηνών – Λαμίας & Ποταμού 20, 145 64 Κηφισιά

**Θεσσαλονίκη**

Οδός Χάλκης, Πατριαρχικό Πυλαίας, 570 01 Πυλαία, Τ.Θ. 60017 Θέρμη

**Ηράκλειο – Κρήτης**

Εθνικής Αντιστάσεως 23 & Καλαμά, 713 06 Ηράκλειο

**Πάτρα**

Χαραλάμπη 57, 262 24 Ψηλά Αλώνια

**ΠΑΝΕΛΛΑΔΙΚΟ ΤΗΛΕΦΩΝΟ ΕΞΥΠΗΡΕΤΗΣΗΣ: 210 42 77 701**

(24 ώρες/7 ημέρες)

**PAN-HELLENIC SERVICE NUMBER:**

**210 42 77 701**

(24 hours/7 days)

Αναζητήστε τον πλησιέστερο εξουσιοδοτημένο συνεργάτη μας μέσα από την ιστοσελίδα μας [www.pitsos.gr](http://www.pitsos.gr)

Search for our nearest authorized service partner on our site [www.pitsos.gr](http://www.pitsos.gr)

Ηλεκτρονικό μας κατάστημα / Our eShop [www.pitsos-eshop.gr](http://www.pitsos-eshop.gr)



9000123456

Τηρούμε το δικαίωμα αλλαγών

# PITSOS

el Οδηγίες χρήσης

PSI09VW31 - PSO09VW31

PSI12VW31 - PSO12VW31

PSI18VW31 - PSO18VW31

PSI24VW31 - PSO24VW31

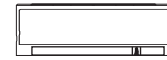
Τηλεχειριστήριο AC / Remote control AC



# CONTENTS

Handling the remote controller .....	2
Remote controller Specifications.....	3
Function buttons .....	5
Indicators on LCD .....	8
How to use the buttons .....	9
Auto operation.....	9
Cooling/Heating/Fan operation.....	9
Dehumidifying operation .....	10
Adjusting air flow direction.....	10
Timer operation.....	11
SLEEP/FRESH function.....	14
LED/FOLLOW ME function .....	15
TURBO/SELF CLEAN function .....	15

## Handling the remote controller



### Location of the remote controller.

- Use the remote controller within a distance of 8 meters from the appliance, pointing it towards the receiver. Reception is confirmed by a beep.

### CAUTIONS

- The air conditioner will not operate if curtains, doors or other materials block the signals from the remote controller to the indoor unit.
- Prevent any liquid from falling into the remote controller. Do not expose the remote controller to direct sunlight or heat.
- If the infrared signal receiver on the indoor unit is exposed to direct sunlight, the air conditioner may not function properly. Use curtains to prevent the sunlight from falling on the receiver.
- If other electrical appliances react to the remote controller, either move these appliances or consult your local dealer.

## Replacing batteries

**NOTE:** Replace the batteries when there is no receiving beep from the indoor unit or if the transmission indicator on the remote controller fails to light.

The remote controller is powered by two dry batteries(R03/LR03X2) housed in the rear part and protected by a cover.

- (1) Remove the cover by pressing and sliding off.
- (2) Remove the old batteries and insert the new batteries, placing the(+) and (-) ends correctly.
- (3) Reattach the cover by sliding it back into position.

**NOTE:** When the batteries are removed, the remote controller erases all programming. After inserting new batteries, the remote controller must be reprogrammed.

### CAUTIONS

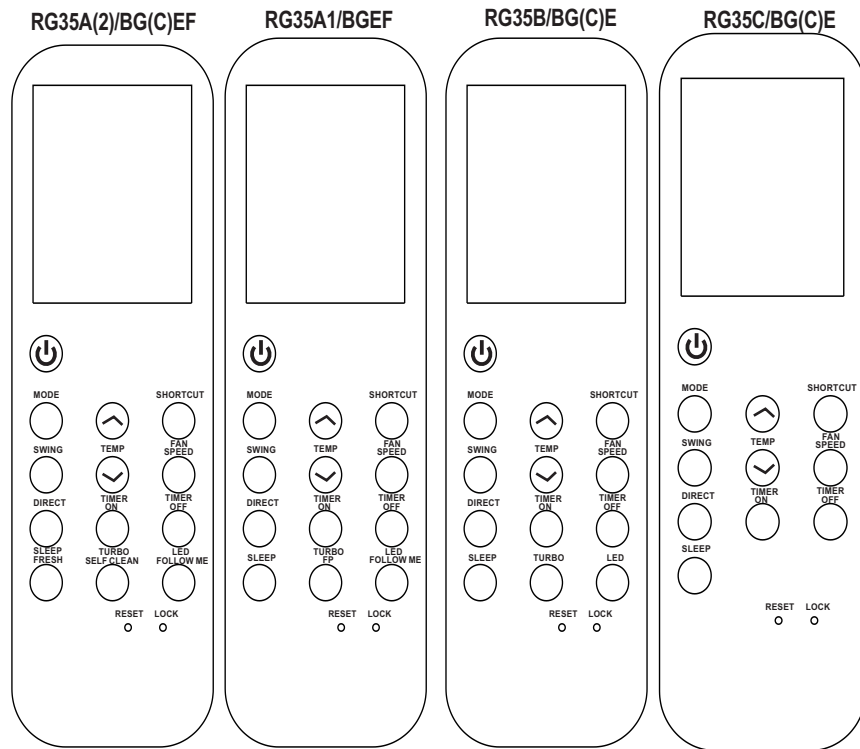
- Do not mix old and new batteries or batteries of different types.
- Do not leave the batteries in the remote controller if they are not going to be used for 2 or 3 months.
- Do not dispose batteries as unsorted municipal waste. Collection of such waste separately for special treatment is necessary.

## Remote Controller Specifications

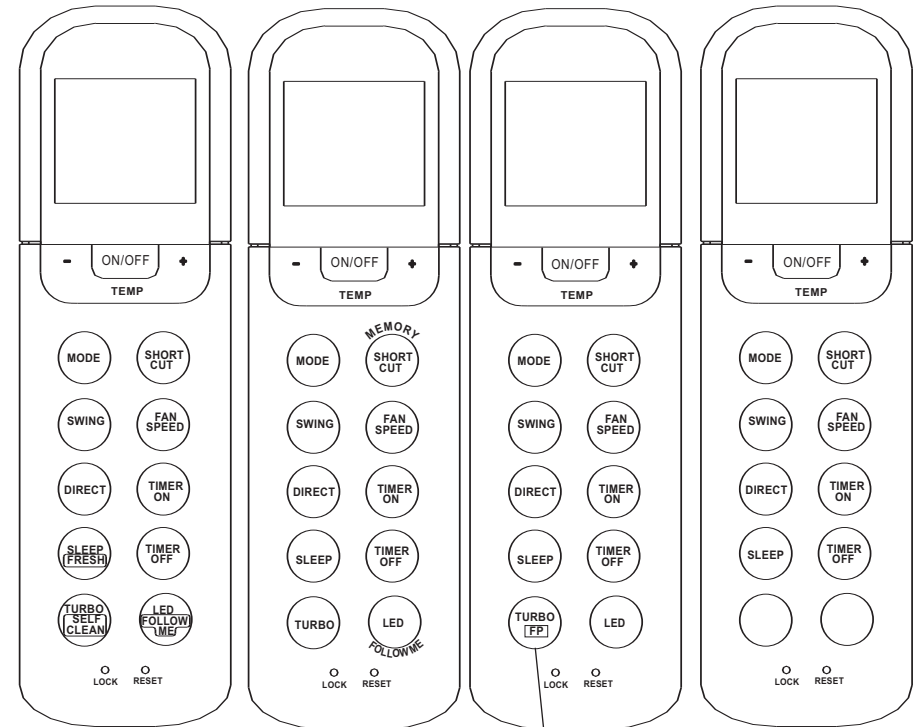
Model	RG35A(2)/BG(C)EF, RG35A1/BG(C)EF, RG35B/BG(C)E, RG35C/BG(C)E RG36A(1)/BG(C)EF, RG36A2/BG(C)EF, RG36B(1)/BG(C)E(U2), RG36C/BG(C)E
Rated Voltage	3.0V(Dry batteries R03/LR03 × 2)
Signal Receiving Range	8m
Environment	-5°C/23°F~60°C/140°F

## Performance Feature

1. Operating Mode: AUTO, COOL, DRY, HEAT(Cooling only model without), and FAN.
2. Timer Setting Function in 24 hours.
3. Indoor Setting Temperature Range : 17°C/62°F~30°C/88°F.
4. Full function of LCD (Liquid Crystal Display).



RG36A(1)/BG(C)EF      RG36A2/BG(C)EF      RG36B(1)/BG(C)E(U2)      RG36C/BG(C)E



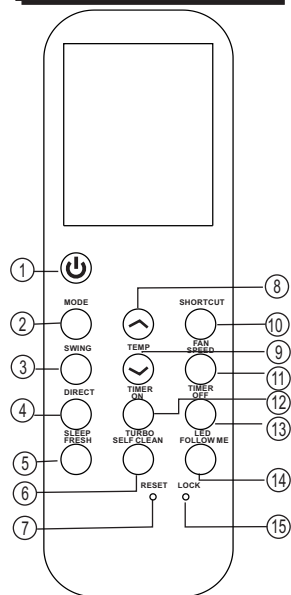
Models of RG36B/BG(C)E and RG36B/BG(C)EU2 do not have FP function.

**NOTE:** There is only slight difference on the appearance between RG35 series and RG 36 series. The operations and functions of the buttons are the same. Some buttons have two functions, some buttons have only one function, for example: **SLEEP (FRESH)** and **SLEEP**. Please refer to the above

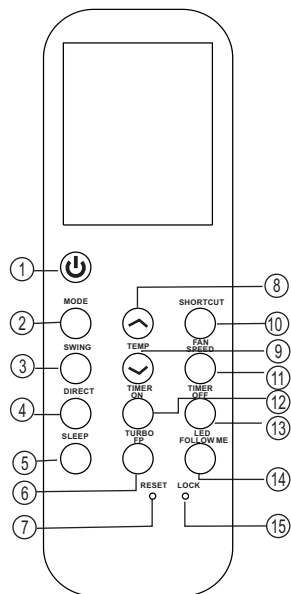
illustrations for details.



## Function buttons



RG35A(2)



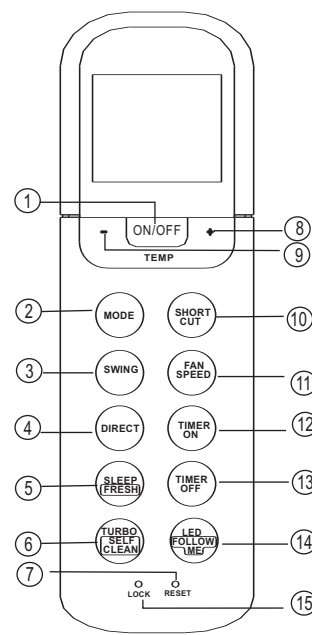
RG35A1

- ON/OFF Button** (⏻ / ON/OFF)  
Operation starts when this button is pressed and stops when this button is pressed again.
- MODE Button**  
Each time the button is pressed, the operation mode is selected in a sequence of following:  
→ AUTO → COOL → DRY → HEAT → FAN

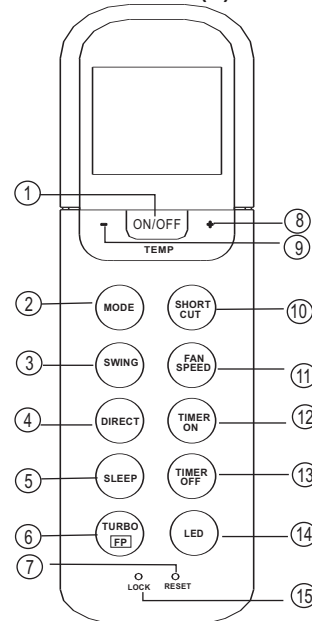
**NOTE:** Do not select HEAT mode if the machine you purchased is cooling only type. Heat mode is not supported by the cooling only appliance.

- SWING Button**  
Used to stop or start horizontal louver auto swing feature.
- DIRECT Button**  
Used to change the louver movement and set the desired up/down air flow direction. The louver changes 6° in angle for each press.
- SLEEP/FRESH Button**  
Active/Disable SLEEP function. If pushing more than 2 seconds, the 'FRESH' function will be activated, pushing more than 2 seconds again to disable.  
**NOTE:** While the unit is running under SLEEP mode, it would be cancelled if press the MODE, FAN SPEED or ON/OFF button.
- TURBO/SELF CLEAN(or FP) Button:**  
Active/Disable TURBO function. If pushing more than 2 seconds, the 'SELF CLEAN' function will be activated, pushing more than 2 seconds again to disable (depending on models). During the heating operation (only when the setting mode is HEAT), press this button and the unit will operate at a setting temperature of 8°C/46°F. The display window of indoor unit will display FP. Press the buttons of ON/OFF, SLEEP, FP, MODE, FAN SPEED, UP, DOWN and SHORTCUT while operating will cancel the FP function.
- RESET Button:**  
When you press the recessed RESET button, all current settings are cancelled and the control will return to the initial settings.

5



RG36A(1)

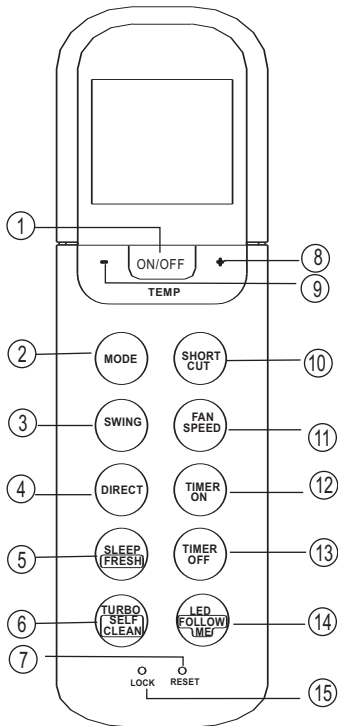


RG36B1

- UP Button** (↗ / +)  
Push this button to increase setting temperature or to increase Hour during Timer setting.
- DOWN Button** (↘ / -)  
Push this button to decrease setting temperature or to decrease Hour during Timer setting.
- SHORTCUT(MEMORY SHORTCUT) Button**
  - Used to restore the current settings or resume previous settings.
  - On the first time connecting to the power, if push the SHORTCUT button, the unit will operate on AUTO mode, 24°C/104°F, and fan speed is Auto.
  - Push this button when remote controller is on, the system will automatically revert back to the previous settings including operating mode, setting temperature, fan speed level and sleep feature (if activated). And transmit the signals to the unit.
  - If pushing more than 2 seconds, the system will automatically restore the current operation settings including operating mode, setting temperature, fan speed level and sleep feature (if activated).
- FAN SPEED Button**  
Used to select the fan speed in four steps:  
→ AUTO → LOW → MED → HIGH
- TIMER ON Button**  
Press this button to initiate the auto-on time sequence. Each press will increase the auto-timed setting in 30 minutes increments. When the setting time displays 10H, each press will increase the auto-timed setting 60 minutes increments. To cancel the auto-timed program, simply adjust the auto-on time to 0:0.

6

## Function buttons(continued)



### 13 TIMER OFF Button

Press this button to initiate the auto-off time sequence. Each press will increase the auto-timed setting in 30 minutes increments. When the setting time displays 10H, each press will increase the auto-timed setting 60 minutes increments. To cancel the auto-timed program, simply adjust the auto-off time to 0.0

### 14 LED/FOLLOW ME Button

Disable/Active indoor screen Display. When pushing more than 2 seconds, the 'FOLLOW ME' function will be activated, pushing more than 2 seconds again to disable.

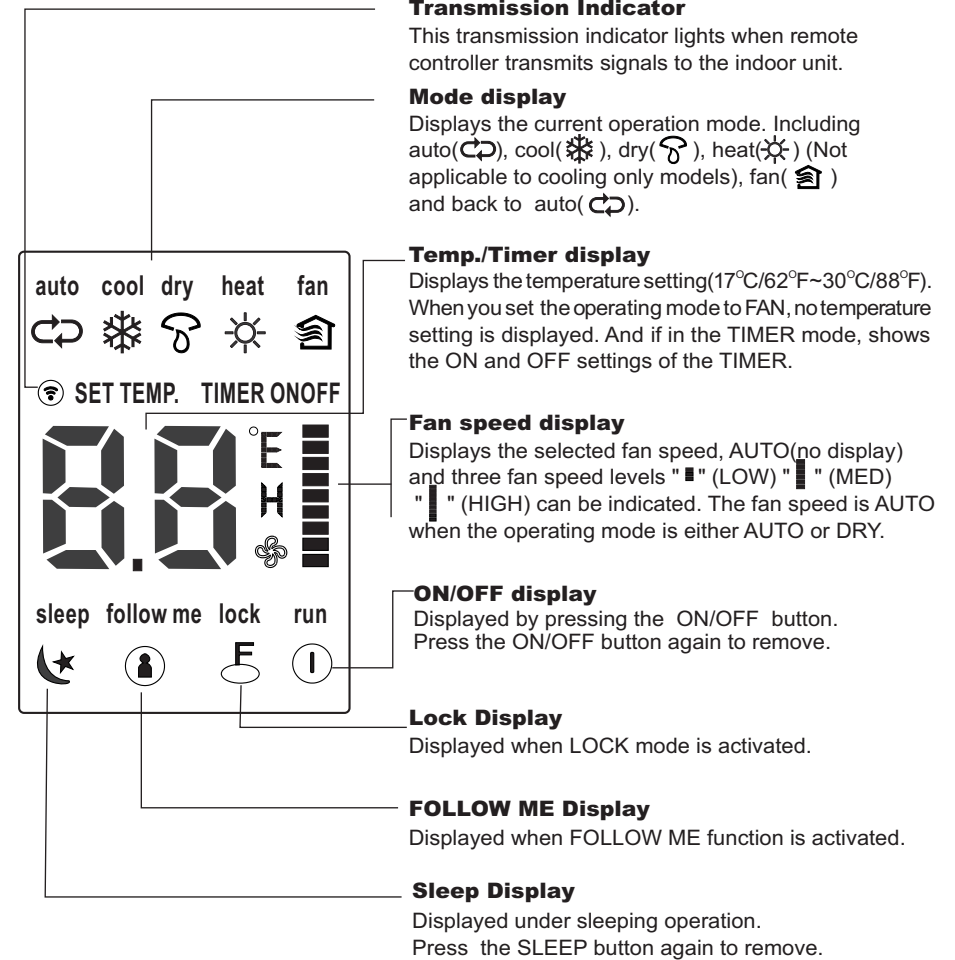
### 15 LOCK Button

When you press the recessed LOCK button, all current settings are locked in and the remote controller does not accept any operation except that of the LOCK. Press again to cancel the LOCK mode.

#### NOTE:

- Buttons design might be slightly different from the actual one you purchased depending on individual models.
- All the functions described above are accomplished by the indoor unit, if the indoor unit has no this feature, there is no corresponding operation happened when press the relative button on the remote controller.

## Indicators on LCD



#### Note:

All indicators shown in the figure are for the purpose of clear presentation. But during the actual operation only the relative functional signs are shown on the display window.

## How to use the buttons

### Auto operation

Ensure the unit is plugged in and power is available. The OPERATION indicator on the display panel of the indoor unit starts flashing.

1. Press the **MODE** button to select Auto.
2. Press the **UP/DOWN** button to set the desired temperature. The temperature can be set within a range of 17°C/62°F~30°C/88°F in 1°C/2°F increments.
3. Press the **ON/OFF** button to start the air conditioner.

#### NOTE

1. In the Auto mode, the air conditioner can logically choose the mode of Cooling, Fan, and Heating by sensing the difference between the actual ambient room temperature and the setting temperature on the remote controller.
2. In the Auto mode, you can not switch the fan speed. It has already been automatically controlled.
3. If the Auto mode is not comfortable for you, the desired mode can be selected manually.

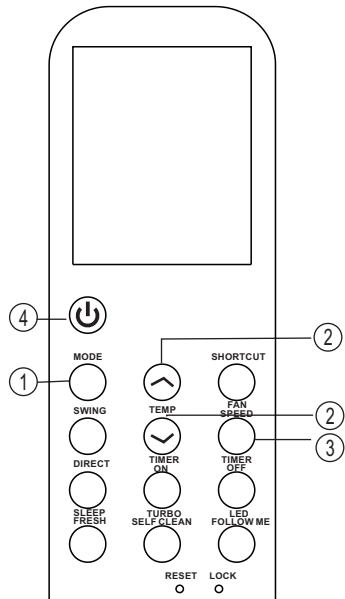
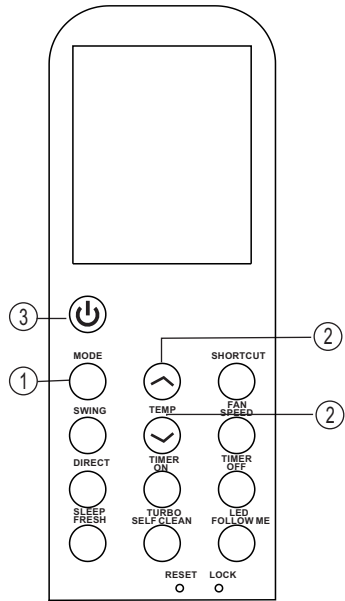
### Cooling /Heating/Fan operation

Ensure the unit is plugged in and power is available.

1. Press the **MODE** button to select COOL, HEAT (cooling & heating models only) or FAN mode.
2. Press the **UP/DOWN** buttons to set the desired temperature. The temperature can be set within a range of 17°C/62°F~30°C/88°F in 1°C/2°F increments.
3. Press the **FAN** button to select the fan speed in four steps- Auto, Low, Med, or High.
4. Press the **ON/OFF** button to start the air conditioner.

#### NOTE

In the FAN mode, the setting temperature is not displayed in the remote controller and you are not able to control the room temperature either. In this case, only step 1, 3 and 4 may be performed.



### Dehumidifying operation

Ensure the unit is plugged in and power is available. The OPERATION indicator on the display panel of the indoor unit starts flashing.

1. Press the **MODE** button to select DRY mode.
2. Press the **UP/DOWN** buttons to set the desired temperature. The temperature can be set within a range of 17°C/62°F~30°C/88°F in 1°C/2°F increments.
3. Press the **ON/OFF** button to start the air conditioner.

#### NOTE

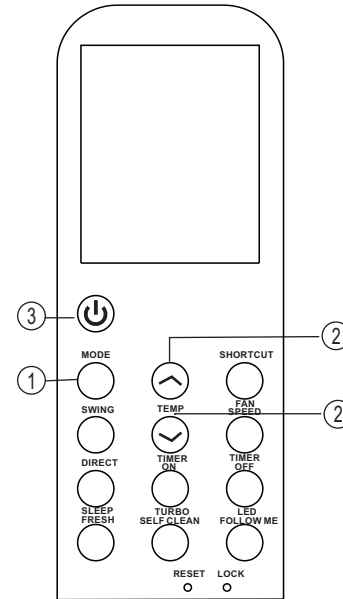
In the Dehumidifying mode, you can not switch the fan speed. It has already been automatically controlled.

### Adjusting air flow direction

Use the SWING and DIRECT button to adjust the desired airflow direction.

1. When push the DIRECT button, the horizontal louver changes 6 degree in angle for each push.
2. When push the SWING button, the louver will swing up and down automatically.

**NOTE:** When the louver swing or move to a position which would affect the cooling or heating effect of the air conditioner, it would automatically change the swing/moving direction.



## Timer operation

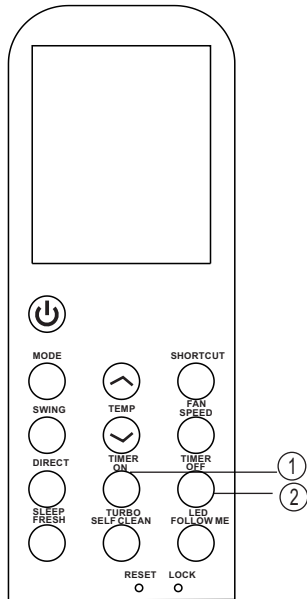
Press the TIMER ON button can set the auto-on time of the unit. Press the TIMER OFF button can set the auto-off time of the unit.

### To set the Auto-on time.

1. Press the TIMER ON button. The remote controller shows TIMER ON, the last Auto-on setting time and the signal "h" will be shown on the LCD display area. Now it is ready to reset the Auto-on time to START the operation.
2. Push the TIMER ON button again to set desired Auto-on time. Each time you press the button, the time increases by half an hour between 0 and 10 hours and by one hour between 10 and 24 hours.
3. After setting the TIMER ON, there will be a one second delay before the remote controller transmits the signal to the air conditioner. Then, after approximately another 2 seconds, the signal "h" will disappear and the set temperature will re-appear on the LCD display window.

### To set the Auto-off time.

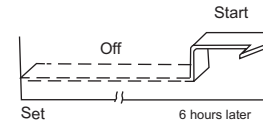
1. Press the TIMER OFF button. The remote controller shows TIMER OFF, the last Auto-off setting time and the signal "h" will be shown on the LCD display area. Now it is ready to reset the Auto-off time to stop the operation.
2. Push the TIMER OFF button again to set desired Auto-off time. Each time you press the button, the time increases by half an hour between 0 and 10 hours and by one hour between 10 and 24 hours.
3. After setting the TIMER OFF, there will be a one second delay before the remote controller transmits the signal to the air conditioner. Then after approximately another 2 seconds, the signal "h" will disappear and the set temperature will re-appear on the LCD display window.



### CAUTION

- The effective operation time set by the remote controller for the timer function is limited to the following settings: 0.5, 1.0, 1.5, 2.0, 2.5, 3.0, 3.5, 4.0, 4.5, 5.0, 5.5, 6.0, 6.5, 7.0, 7.5, 8.0, 8.5, 9.0, 9.5, 10, 11, 12, 13, 14, 15, 16, 17, 18, 19, 20, 21, 22, 23 and 24.

### Example of timer setting



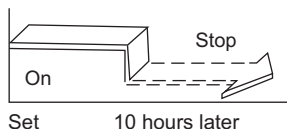
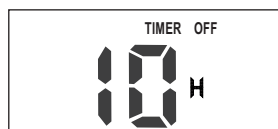
### TIMER ON (Auto-on Operation)

The TIMER ON feature is useful when you want the unit to turn on automatically before you return home. The air conditioner will automatically start operating at the set time.

### Example:

To start the air conditioner in 6 hours.

1. Press the TIMER ON button, the last setting of starting operation time and the signal "h" will show on the display area.
2. Press the TIMER ON button to display "6:0h" on the TIMER ON display of the remote controller.
3. Wait for 3 seconds and the digital display area will show the temperature again. The "TIMER ON" indicator remains on and this function is activated.



### TIMER OFF (Auto-off Operation)

The TIMER OFF feature is useful when you want the unit to turn off automatically after you go to bed. The air conditioner will stop automatically at the set time.

#### Example:

To stop the air conditioner in 10 hours.

1. Press the TIMER OFF button, the last setting of stopping operation time and the signal "h" will show on the display area.
2. Press the TIMER OFF button to display "10h" on the TIMER OFF display of the remote controller.
3. Wait for 3 seconds and the digital display area will show the temperature again. The "TIMER OFF" indicator remains on and this function is activated.

### COMBINED TIMER

(Setting both ON and OFF timers simultaneously)

#### TIMER OFF → TIMER ON

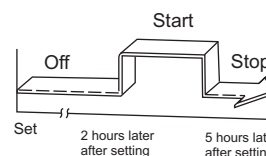
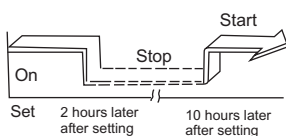
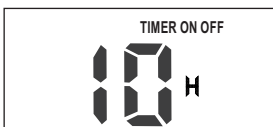
(On → Stop → Start operation)

This feature is useful when you want to stop the air conditioner after you go to bed, and start it again in the morning when you wake up or when you return home.

#### Example:

To stop the air conditioner 2 hours after setting and start it again 10 hours after setting.

1. Press the TIMER OFF button.
2. Press the TIMER OFF button again to display 2.0h on the TIMER OFF display.
3. Press the TIMER ON button.
4. Press the TIMER ON button again to display 10h on the TIMER ON display .
5. Wait for 3 seconds and the digital display area will show the temperature again. The "TIMER ON OFF" indicator remains on and this function is activated.



### TIMER ON → TIMER OFF (Off → Start → Stop operation)

This feature is useful when you want to start the air conditioner before you wake up and stop it after you leave the house.

#### Example:

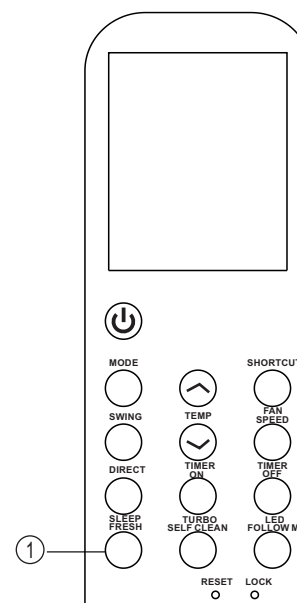
To start the air conditioner 2 hours after setting, and stop it 5 hours after setting.

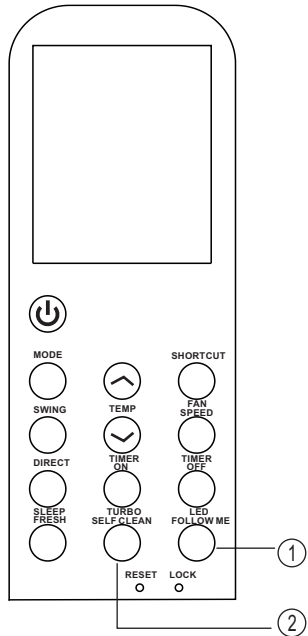
1. Press the TIMER ON button.
2. Press the TIMER ON button again to display 2.0h on the TIMER ON display.
3. Press the TIMER OFF button.
4. Press the TIMER OFF button again to display 5.0h on the TIMER OFF display .
5. Wait for 3 seconds and the digital display area will show the temperature again. The "TIMER ON OFF" indicator remains on and this function is activated.

**NOTE:** The timer setting(TIMER ON or TIMER OFF) that in sequence occurs directly after the set time will be activated first.

### SLEEP/FRESH function

- Press this button less than 2nds will initiate SLEEP function. And if keep pressing this button more than 2nds,the FRESH function is initiated.
  - Active/Disable sleep function. It can maintain the most comfortable temperature and save energy. This function is available on COOL, HEAT or AUTO mode only. For the detail, see "Sleep operation" in "USER'S MANUAL."
- NOTE:** While the unit is running under SLEEP mode, it would be cancelled if MODE, FAN SPEED or ON/OFF button is pressed.
- When the FRESH function is initiated, the Ionizer/Plasma Dust Collector(depending on models) is energized and will help to remove pollen and impurities from the air.





### **LED/FOLLOW ME function**

- Press this button less than 2nds will initiate LED function. And if keep pressing this button more than 2nds, the FOLLOW ME function is initiated.
- When the Follow Me function is activated, the remote display is actual temperature at its location. The remote control will send this signal to the air conditioner every 3 minutes interval until press the FOLLOW ME button again.
- The Follow Me function is not available under DRY and FAN mode.
- Switch the operation mode or turn off the unit will cancel the Follow Me function automatically.

### **TURBO/SELF CLEAN function**

- Press this button less than 2nds will initiate TURBO function. And if keep pressing this button more than 2nds, the SELF CLEAN function is initiated.
- Turbo function enables the unit to reach the preset temperature at cooling or heating operation in the shortest time. (If the unit does not support this function, there is no corresponding operation happened when pressing this button.)
- Under SELF CLEAN mode, the air conditioner will automatically clean and dry the Evaporator and keep it as fresh for the next operation.

### **NOTE:**

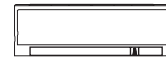
- Buttons design is based on typical model and might be slightly different from the actual one you purchased, the actual shape shall prevail.
- All the functions described are accomplished by the unit, if the unit has no this feature, there is no corresponding operation happened when press the relative button on the remote controller.
- When there are wide differences between "Remote controller Illustration" and "USER'S MANUAL" on function description, the description on "USER'S MANUAL" shall prevail.
- The device could comply with the local national regulations. In Canada, it should comply with CAN ICES-3(B)/NMB-3(B). In USA, this device complies with part 15 of the FCC Rules. Operation is subject to the following two conditions: (1) This device may not cause harmful interference, and (2) this device must accept any interference received, including interference that may cause undesired operation.
- This equipment has been tested and found to comply with the limits for a Class B digital device, pursuant to part 15 of the FCC Rules. These limits are designed to provide reasonable protection against harmful interference in a residential installation. This equipment generates, uses and can radiate radio frequency energy and, if not installed and used in accordance with the instructions, may cause harmful interference to radio communications. However, there is no guarantee that interference will not occur in a particular installation. If this equipment does cause harmful interference to radio or television reception, which can be determined by turning the equipment off and on, the user is encouraged to try to correct the interference by one or more of the following measures:
  - Reorient or relocate the receiving antenna.
  - Increase the separation between the equipment and receiver.
  - Connect the equipment into an outlet on a circuit different from that to which the receiver is connected.
  - Consult the dealer or an experienced radio/TV technician for help. Changes or modifications not approved by the party responsible for compliance could void user's authority to operate the equipment.



## ΠΕΡΙΕΧΟΜΕΝΑ

Χρήση του τηλεχειριστηρίου .....	2
Χαρακτηριστικά του τηλεχειριστηρίου .....	3
Κουμπιά λειτουργίας (Mode) .....	5
Δείκτες στην οθόνη υγρών κρυστάλλων (LCD).....	8
Χρήση κουμπιών .....	9
Αυτόματη λειτουργία .....	9
Ψύξη/Θέρμανση/Λειτουργία ανεμιστήρα.....	9
Λειτουργία αφύγρανσης .....	10
Ρύθμιση της κατεύθυνσης ροής αέρα.....	10
Χρονόμετρο .....	11
Λειτουργία ANAMONΗΣ/ANANEΩΣΗΣ .....	14
Λειτουργία LED/ΑΚΟΛΟΥΘΗΣΕ ΜΕ.....	15
Λειτουργία ΤΟΥΡΜΠΟ/ΑΥΤΟΚΑΘΑΡΙΣΜΟΥ .....	15

### Χρήση του τηλεχειριστηρίου



#### Τοποθέτησή του τηλεχειριστηρίου.

- Χρησιμοποιήστε το τηλεχειριστήριο σε απόσταση 8 μέτρων από τη συσκευή, στρέφοντας προς το δέκτη. Η λήψη του σήματος επιβεβαιώνεται με ένα ηχητικό σήμα.

#### ▲ ΠΡΟΣΟΧΗ

- Εάν οι κουρτίνες, πόρτες ή τα άλλα καν'αντικείμενα εμποδίζουν τα σήματα που πάνε από το τηλεχειριστήριο προς την εσωτερική μονάδα, τότε το κλιματιστικό δεν θα λειτουργήσει.
- Αποτρέψτε την είσοδο υγρού στον τηλεχειριστήριο. Μη εκθέτετε το τηλεχειριστήριο σε άμεση ηλιακή ακτινοβολία ή θερμότητα
- Εάν ο δέκτης σήματος υπερύθρων στην εσωτερική μονάδα είναι εκτεθειμένος σε άμεση ηλιακή ακτινοβολία, το κλιματιστικό ενδέχεται να μην λειτουργεί σωστά. Χρησιμοποιήστε κουρτίνες για να αποτρέψετε την πτώση της ηλιακής ακτινοβολίας στον δέκτη.
- Εάν άλλες ηλεκτρικές συσκευές ανιχνεύουν το τηλεχειριστήριο, μετακινήστε αυτές τις συσκευές σε άλλη θέση ή επικοινωνήστε με τον τοπικό σας αντιπρόσωπο

#### Αντικατάσταση μπαταριών

**ΣΗΜΕΙΩΣΗ:** Εάν εσωτερική μονάδα δεν εκπέμπει ήχο ή λυχνία του κιβωτίου διαβίβασης δεν ανάβει, τότε πρέπει να αντικαταστήσετε τις μπαταρίες.

Το τηλεχειριστήριο τροφοδοτείται από δύο στεγνές μπαταρίες (R03/LR03X2) οποίες βρίσκονται στον πίσω μέρος και προστατεύονται από ένα κάλυμμα.

(1) Πιέζοντας και σύροντας αφαιρέστε το κάλυμμα,

(2) Βγάλτε τις παλιές μπαταρίες και τοποθετήστε τις νέες μπαταρίες, τοποθετώντας σωστά τα άκρα τους (+) και (-)

(3) Επανατοποθετήστε το κάλυμμα σύροντας το πίσω στη θέση του.

**ΣΗΜΕΙΩΣΗ:** Όταν αφαιρεθούν οι μπαταρίες, το τηλεχειριστήριο θα διαγράψει όλα τα ρυθμισμένα προγράμματα. Το τηλεχειριστήριο πρέπει να ενεπαπρογραμματιστεί μετά την τοποθέτηση των νέων μπαταριών.

#### ▲ ΠΡΟΣΟΧΗ

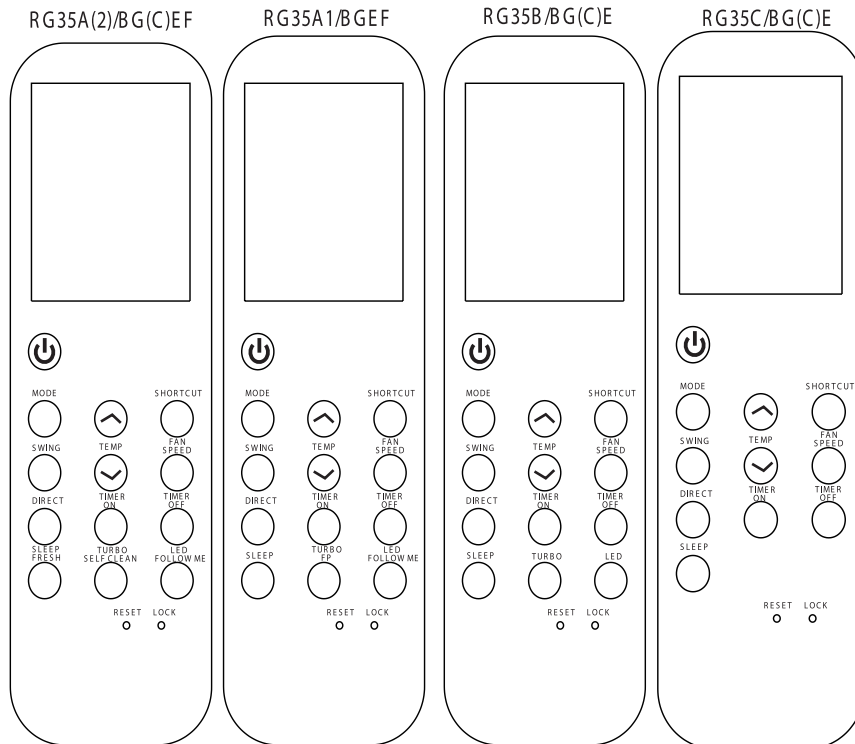
- Μην αναμειγνύετε τις παλιές και νέες μπαταρίες ή τις μπαταρίες διαφορετικών τύπων
- Εάν δεν πρόκειται να χρησιμοποιηθούν για 2 ή 3 μήνες, μη αφήνετε τις μπαταρίες στο τηλεχειριστήριο.
- Μην απορρίψτε τις μπαταρίες ως μη επεξεργασμένα αστικά απόβλητα. Τα τέτοια απόβλητα πρέπει να συλλεχτούν χωριστά για την ειδική επεξεργασία.

## Χαρακτηριστικά του τηλεχειριστηρίου

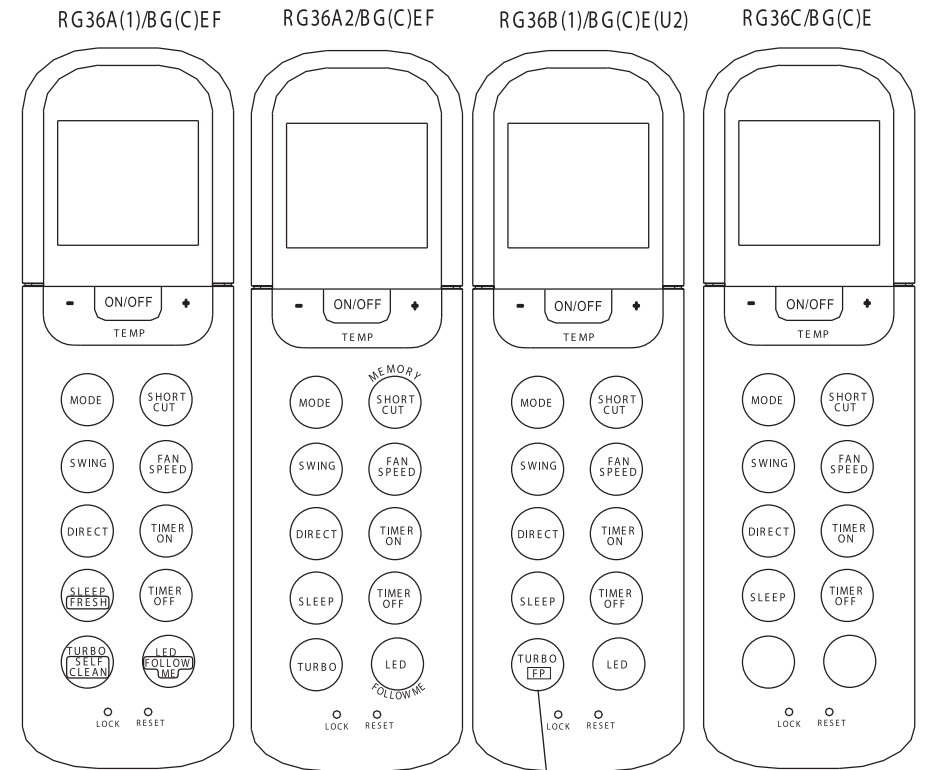
Μοντέλο	RG35A(2)/BG(C)EF, RG35A1/BG(C)EF, RG35B/BG(C)E, RG35C/BG(C)E, RG36A(1)/BG(C)EF, RG36A2/BG(C)EF, RG36B(1)/BG(C)E(U2), RG36C/BG(C)E
Όνομαστική τάση	3.0V (Ξηρές μπαταρίες R03/LR03×2)
Εύρος ανίχνευσης σήματος	8m
Περιβάλλον	-5°C/23°F~60°C/140°F

## Χαρακτηριστικό απόδοσης



1. Τρόπος (Mode) λειτουργίας : ΑΥΤΟΜΑΤΟ, ΔΡΟΣΕΡΟ, ΞΗΡΟ, ΘΕΡΜΟΤΗΤΑ (δεν διατίθεται μόνο σε μοντέλο ψύξης) και ΑΝΕΜΙΣΤΗΡΑ
2. Λειτουργία ρύθμισης χρονοδιακόπτη για 24 ώρες
3. Εύρος θερμοκρασίας ρύθμισης εσωτερικού χώρου 17°C ~ 30°C
4. Πλήρης λειτουργία της οθόνης υγρών κρυστάλλων (LCD)



3



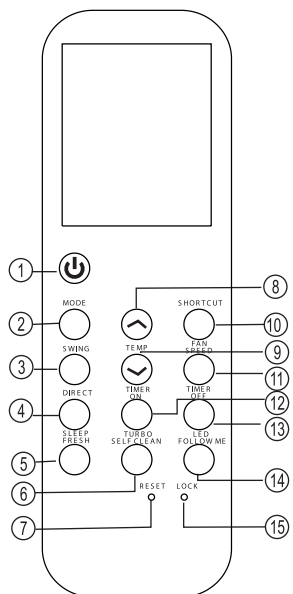
Τα μοντέλα RG36B/BG(C)E και RG36B/BG(C)EU2, δεν έχουν λειτουργία FP.

**ΣΗΜΕΙΩΣΗ:** Μεταξύ της σειράς RG35 και της σειράς RG36 υπάρχει μόνο μία μικρή διαφορά εμφάνισης. Ο χειρισμός και οι λειτουργίες των κουμπιών είναι ίδιες. Μερικά κουμπιά έχουν δύο λειτουργίες και μερικά κουμπιά έχουν μόνο μία λειτουργία. Για παράδειγμα: Παρακαλώ βλέπετε στα παραπάνω σχέδια  και  για τις λεπτομέρειες.

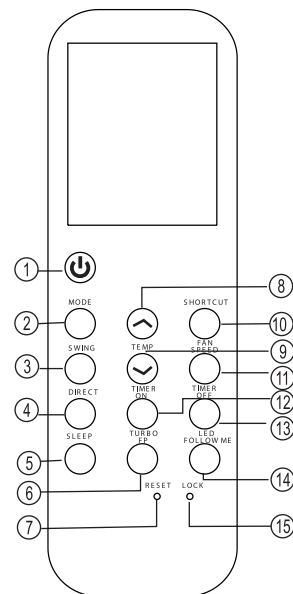
4



## Κουμπία Λειτουργίας (Mode)



RG 35A (2)



RG 35A 1

**1 Κουμπί Ανοίγματος/Κλεισίματος (ON/OFF)**  
Όταν πατήσετε το κουμπί αυτό, η μονάδα αρχίζει να λειτουργεί και όταν πατηθεί ξανά σταματά.

**2 Κουμπί Λειτουργίας (Mode)**  
Κάθε φορά που πατάτε το κουμπί, ο τρόπος (Mode) λειτουργίας επιλέγεται με τη σειρά όπως παρακάτω:



**ΣΗΜΕΙΩΣΗ:** Εάν η μονάδα που αγοράσατε είναι τύπου μόνο ψύξης, τότε μην επιλέξετε τη λειτουργία ΘΕΡΜΑΝΣΗ. Η λειτουργία θέρμανσης δεν υποστηρίζεται στις συσκευές που είναι μόνο για ψύξη.

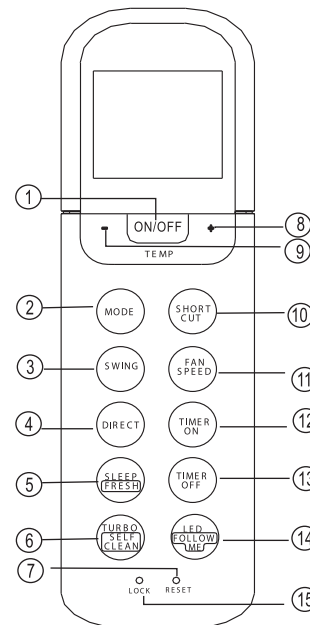
**3 Κουμπί Αιώρησης (Swing)**  
Χρησιμοποιείται για την έναρξη ή διακοπή της λειτουργίας αυτόματης αιώρησης της οριζόντιας περσίδας.

**4 Κουμπί Κατεύθυνσης (Direct)**  
Χρησιμοποιείται για την αλλαγή της κίνησης της περσίδας καθώς και για τη ρύθμιση της επιθυμητής κατεύθυνσης ροής αέρα προς το πάνω/κάτω. Η γωνία της περσίδας αλλάζει κατά 6° με κάθε πάτημα.

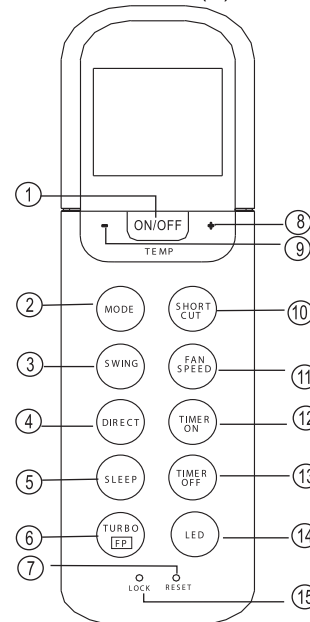
**5 Κουμπί ΑΝΑΜΟΝΗΣ/ΑΝΑΝΕΩΣΗΣ (Sleep/Fresh)**  
Ενεργοποίηση / Απενεργοποίηση της λειτουργίας ΥΠΝΟΥ. Εάν πιάσετε για περισσότερα από τα 2 δευτερόλεπτα, η λειτουργία ΑΝΑΝΕΩΣΗΣ θα ενεργοποιηθεί και στη συνέχεια εάν τα πιάσετε ξανά για περισσότερα από 2 δευτερόλεπτα τότε η λειτουργία θα απενεργοποιηθεί.  
**ΣΗΜΕΙΩΣΗ:** Ενώ η μονάδα λειτουργεί σε κατάσταση ΑΝΑΜΟΝΗΣ, εάν πατήσετε το κουμπί λειτουργίας, για την ΤΑΧΥΤΗΤΑ, τον ΑΝΕΜΙΣΤΗΡΑ ή ON/OFF, η λειτουργία ΑΝΑΜΟΝΗΣ θα ακυρωθεί.

**6 Κουμπί ΤΟΥΡΜΠΟ/ΑΥΤΟΚΑΘΑΡΙΣΜΟΥ (ή FP) (Turbo/Self Clean):**  
Ενεργοποίηση/Απενεργοποίηση λειτουργίας ΤΟΥΡΜΠΟ. Εάν πιάσετε το κουμπί για περισσότερα από 2 δευτερόλεπτα, θα ενεργοποιηθεί η λειτουργία ΑΥΤΟΚΑΘΑΡΙΣΜΟΥ και εάν πιάσετε ξανά για περισσότερα από 2 δευτερόλεπτα τότε θα την απενεργοποιήσετε (ανάλογα με τα μοντέλα). Εάν κατά τη λειτουργία θέρμανσης (μόνο όταν η λειτουργία ρύθμισης είναι ΘΕΡΜΑΝΣΗ), να πατήσετε το κουμπί αυτό, η μονάδα θα λειτουργήσει στην καθορισμένη θερμοκρασία 8°C/46°F. Το FP θα εμφανιστεί στο παράθυρο ενδείξεων της εσωτερικής μονάδας. Εάν πατήσετε σε οποιοδήποτε από τα κουμπιά ON/OFF, ΑΝΑΜΟΝΗ, FP, ΤΡΟΠΟΣ, ΤΑΧΥΤΗΤΑ ΑΝΕΜΙΣΤΗΡΑ, ΠΑΝΩ, ΚΑΤΩ και ΣΥΝΤΟΜΕΥΣΗ θα ακυρώνεται λειτουργία FP.

**7 Κουμπί ΕΠΑΝΑΦΟΡΑΣ (Reset):**  
Όταν πατήσετε το κουμπί ΕΠΑΝΑΦΟΡΑΣ, όλες οι τρέχουσες ρυθμίσεις ακυρώνονται έτσι και το τηλεχειριστήριο θα επιστρέψει στις αρχικές ρυθμίσεις.



RG 36A (1)



RG 36B 1

**8 Κουμπί προς το ΠΑΝΩ (@) (Up Button)**  
Πατήστε το κουμπί αυτό ώστε να αυξήσετε τη ρύθμιση θερμοκρασίας ή να αυξήσετε την αξία της ώρας κατά τη διάρκεια της ρύθμισής του χρονοδιακοπτή.

**9 Κουμπί προς το ΚΑΤΩ (@) (Down Button)**  
Πατήστε το κουμπί αυτό ώστε να μειώσετε τη ρύθμιση θερμοκρασίας ή να μειώσετε την αξία της ώρας κατά τη διάρκεια της ρύθμισής του χρονοδιακοπτή.

**10 Κουμπί ΣΥΝΤΟΜΕΥΣΗΣ (Συντόμευση μνήμης) (SHORTCUT/MEMORY SHORTCUT)**

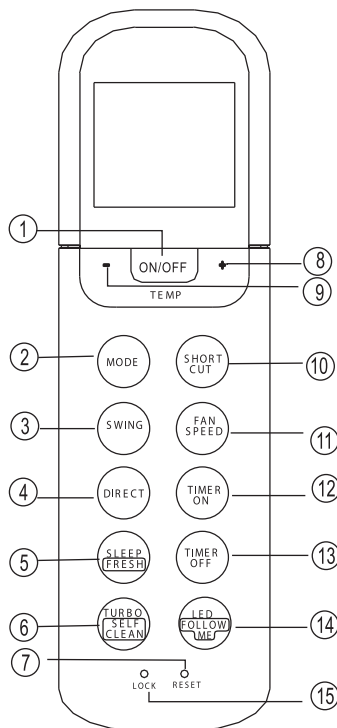
- Χρησιμοποιείται για την επαναφορά (reset) των τρεχουσών ρυθμίσεων ή για τη συνέχιση προηγούμενων ρυθμίσεων.
- Εάν πατηθεί το κουμπί ΣΥΝΤΟΜΗ ΔΙΑΔΡΟΜΗ όταν συνδέεται για πρώτη φορά στο ρεύμα, η μονάδα θα βρίσκεται σε λειτουργία ΑΥΤΟΜΑΤΗ σε 24°C/140°F και ταχύτητα του ανεμιστήρα θα είναι αυτόματα
- Πιέστε το κουμπί αυτό όταν το τηλεχειριστήριο είναι ενεργοποιημένο, έτσι το σύστημα θα επιστρέψει αυτόματα στις προηγούμενες ρυθμίσεις, συμπεριλαμβανομένης του τρόπου της λειτουργίας, της ρύθμισης θερμοκρασίας, του επιπέδου ταχύτητας του ανεμιστήρα και της λειτουργίας αδράνειας (εάν είναι ενεργοποιημένο). Και στείλει σήμα στη μονάδα.
- Εάν πιάσετε το κουμπί αυτό για περισσότερα από 2 δευτερόλεπτα, τότε το σύστημα θα επιστρέψει αυτόματα στις τρέχουσες ρυθμίσεις λειτουργίας του συμπεριλαμβανομένου του τρόπου λειτουργίας, της ρύθμισης θερμοκρασίας, του επιπέδου ταχύτητας ανεμιστήρα και της αναμονής (αν θα ενεργοποιηθεί).

**11 Κουμπί Ταχύτητας Ανεμιστήρα (FAN SPEED)**  
Αυτό χρησιμοποιείται για την επιλογή της ταχύτητας του ανεμιστήρα σε τέσσερα βήματα:



**12 Κουμπί Ενεργοποίησης Χρονοδιακοπτή (TIMER ON)**  
Για να εκκινήσετε την αυτόματη χρονική ακολουθία, να πατήσετε το κουμπί αυτό. Κάθε πάτημα θα αυξήσει την ρύθμιση αυτόματης χρονομέτρησης για 30 λεπτά. Όταν η ρυθμισμένη ώρα εμφανίζει τη 10H, κάθε πάτημα θα αυξήσει την αυτόματη ρύθμιση χρονισμού για 60 λεπτά. Για να ακυρώσετε το αυτόματο χρονομετρημένο πρόγραμμα, μόνο ρυθμίστε το χρονομέτρο αυτόματης λειτουργίας σε 0:0.

## Κουμπιά λειτουργιών (συνέχεια)



### 13 Κουμπί ΧΡΟΝΟΜΕΤΡΟ ΚΛΕΙΣΤΟ (TIMER OFF)

Πιέστε αυτό το κουμπί για να εκκινήσετε την αυτόματη χρονική ακολουθία απενεργοποίησης. Κάθε πάτημα θα αυξήσει τη ρύθμιση αυτόματης χρονόμετρησης για 30 λεπτά. Όταν η ρυθμισμένη ώρα εμφανίζει 10H, κάθε πάτημα θα αυξήσει την αυτόματη ρύθμιση χρονισμού για 60 λεπτά. Για να ακυρώσετε το πρόγραμμα αυτόματης χρονόμετρησης, μόνο να ρυθμίσετε το χρόνο αυτόματης απενεργοποίησης στο 0,0.

### 14 Κουμπί LED/ΑΚΟΛΟΥΘΗΣΕ ΜΕ (LED/FOLLOW ME)

Δεικτης Ενεργοποιημένης/Απενεργοποιημένης οθόνης εσωτερικού χώρου. Όταν πιέσετε για περισσότερα από 2 δευτερόλεπτα, θα ανεργοποιηθεί η συνάρτηση ΑΚΟΛΟΥΘΗΣΕ ΜΕ, για την απενεργοποίηση πρέπει να πιέσετε ξανά περισσότερα από 2 δευτερόλεπτα.

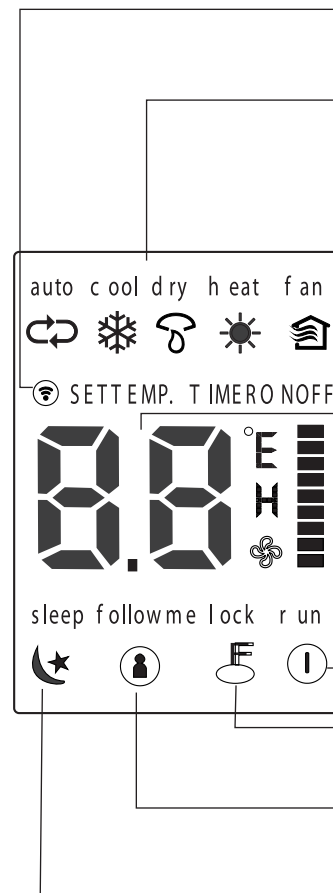
### 15 Κουμπί ΚΛΕΙΔΩΜΑΤΟΣ (LOCK Button)

Όταν πατάτε το ενσωματωμένο κουμπί ΚΛΕΙΔΩΜΑΤΟΣ, όλες οι τέχουσες ρυθμίσεις στο τηλεχειριστήριο κλειδώνονται και μετά το τηλεχειριστήριο δεν δέχεται καμία άλλη λειτουργία εκτός από το ΚΛΕΙΔΩΜΑ. Πατήστε ξανά για να ακυρώσετε την λειτουργία ΚΛΕΙΔΩΜΑΤΟΣ.

#### ΣΗΜΕΙΩΣΗ:

- Ανάλογα με το μοντέλο, η σχεδίαση του κουμπιού μπορεί να είναι ελαφρώς διαφορετική από το μοντέλο που αγοράσατε
- Όλες οι λειτουργίες που περιγράφονται παραπάνω, εκτελούνται από την εσωτερική μονάδα, εάν η εσωτερική μονάδα δεν έχει το χαρακτηριστικό, δεν θα εκτελεστεί καμία λειτουργία όταν πατηθεί τον αντίστοιχο κουμπί στον τηλεχειριστήριο.

## Δείκτες στην οθόνη LCD (Υγρών κρυστάλλων)



### Δείκτης μετάδοσης σήματος

Όταν το τηλεχειριστήριο μεταδίδει σήματα στην εσωτερική μονάδα, η εκείνη ένδειξη μετάδοσης ανάβει

### Ένδειξη λειτουργίας

Υποδεικνύει τον τρέχοντα τρόπο λειτουργίας. Υπάρχουν λειτουργίες ΑΥΤΟΜΑΤΟ (☺), ΨΥΞΗ (❄), ΣΤΕΓΝΩΣΗ (☂), ΘΕΡΜΑΝΣΗ (☀) (Δεν διατίθεται μόνο σε μοντέλα ψύξης), ΑΝΕΜΙΣΤΗΡΑΣ (🌀) και ΑΥΤΟΜΑΤΟ return (☺).

### Ένδειξη ΘΕΡΜΟΚΡΑΣΙΑΣ/ΧΡΟΝΟΔΙΑΚΟΠΤΗΣ

Εμφανίζει τη ρύθμιση θερμοκρασίας (17°C~30°C). Όταν ρυθμίσετε τον τρόπο λειτουργίας σε ΑΝΕΜΙΣΤΗΡΑ, η ρύθμιση θερμοκρασίας δεν θα εμφανιστεί. Και αν βρίσκεται στη λειτουργία ΧΡΟΝΟΔΙΑΚΟΠΤΗ, εμφανίζει τις ρυθμίσεις "ΕΝΕΡΓΟΠΟΙΗΣΗ" και "ΑΠΕΝΕΡΓΟΠΟΙΗΣΗ" του ΧΡΟΝΟΔΙΑΚΟΠΤΗ".

### Ένδειξη ΤΑΧΥΤΗΤΑΣ ΤΟΥ ΑΝΕΜΙΣΤΗΡΑ (FAN SPEED)

Εμφανίζει την επιλεγμένη ταχύτητα ανεμιστήρα, ΑΥΤΟΜΑΤΗ (δεν εμφανίζεται) και μπορεί να εμφανιστεί ένα από τα τρία επίπεδα ταχύτητας του ανεμιστήρα " (ΧΑΜΗΛΗ) " (ΜΕΣΑΙΑ) " (ΥΨΗΛΗ). Η ταχύτητα του ανεμιστήρα είναι σε ΑΥΤΟΜΑΤΗ όταν ο τρόπος (Mode) λειτουργίας είναι ΑΥΤΟΜΑΤΗ ή ΞΗΡΑ.

### Ένδειξη ΕΝΕΡΓΟΠΟΙΗΣΗΣ/ΑΠΕΝΕΡΓΟΠΟΙΗΣΗΣ (ON/OFF)

Εμφανίζεται όταν πατήστε το κουμπί ενεργοποίησης/ απενεργοποίησης. Πατήστε ξανά το κουμπί ενεργοποίησης/απενεργοποίησης για να καθαρίσετε την ένδειξη.

### Ένδειξη ΚΛΕΙΔΩΜΑΤΟΣ (LOCK)

Εμφανίζεται όταν η λειτουργία κλειδώματος είναι ενεργοποιημένη

### Ένδειξη ΑΚΟΛΟΥΘΗΣΕ ΜΕ (FOLLOW ME)

Εμφανίζεται όταν η λειτουργία ΑΚΟΛΟΥΘΗΣΕ ΜΕ είναι ενεργοποιημένη.

### Ένδειξη ΑΝΑΜΟΝΗΣ (SLEEP)

Εμφανίζεται σε κατάσταση αναμονής. Για κατάρτηση, πατήστε ξανά το κουμπί

### Ένδειξη αναμονής

Εμφανίζεται όταν είναι ενεργοποιημένη η λειτουργία STANDBY.

#### ΣΗΜΕΙΩΜΑ :

Όλοι οι δείκτες που εμφανίζονται στο σχήμα, προορίζονται μόνο για μία φανερή ένδειξη. Αλλά, κατά την τρέχουσα λειτουργία μόνο τα σχετικά σημάδια λειτουργίας εμφανίζονται στην οθόνη.

## Χρησιμοποιήσεις των κουμπιών

### Αυτόματη λειτουργία

Βεβαιωθείτε ότι η μονάδα δεν είναι αποσυνδεδεμένη από το ρεύμα. Η λυχνία λειτουργίας στην οθόνη της εσωτερικής μονάδας θα αρχίσει να αναβοσβήνει.

1. Για να επιλέξετε τη λειτουργία αυτόματης λειτουργίας πατήστε το κουμπί λειτουργίας (Mode)
2. Για να ρυθμίσετε την επιθυμητή σας θερμοκρασία πατήστε το κουμπί Κάτω/Πάνω (Up/Down). Η θερμοκρασία μπορεί να ρυθμιστεί μεταξύ θερμοκρασιών 17°C/62°F – 30°C/88°F σε βήματα 1°C/2°F
3. Για να λειτουργήσετε το κλιματιστικό, πατήστε το κουμπί ενεργοποίησης/απενεργοποίησης (On/Off).

### ΣΗΜΕΙΩΣΕΙΣ

1. Όταν βρίσκεται σε αυτόματη λειτουργία το κλιματιστικό μπορεί να αντιληφθεί τη διαφορά μεταξύ της τρέχουσας θερμοκρασίας δωματίου και της θερμοκρασίας που έχει ρυθμιστεί στο τηλεχειριστήριο και μπορεί να επιλέξει λογικά τη λειτουργία της ψύξης, του ανεμιστήρα και της θέρμανσης.
2. Στην αυτόματη λειτουργία, δεν μπορείτε να πατήσετε το κουμπί ταχύτητας του ανεμιστήρα. Έχει ήδη ελεγχθεί αυτόματα.
3. Εάν δεν αισθάνεστε άνετα με την αυτόματη λειτουργία, η επιθυμητή σας λειτουργία μπορεί να επιλέγει χειροκίνητα.

### Λειτουργία Ψύξης/Θέρμανσης/Ανεμιστήρα (Cooling/Heating/Fan)

Βεβαιωθείτε ότι η μονάδα δεν είναι αποσυνδεδεμένη από το ρεύμα.

1. Πατήστε το κουμπί λειτουργίας για να επιλέξετε τη λειτουργία ΨΥΞΗΣ, ΘΕΡΜΑΝΣΗΣ (μόνο για μοντέλα ψύξης και θέρμανσης) ή ΑΝΕΜΙΣΤΗΡΑ
2. Πατήστε τα κουμπιά ΠΑΝΩ/ΚΑΤΩ για να ρυθμίσετε την επιθυμητή θερμοκρασία. Η θερμοκρασία μπορεί να ρυθμιστεί εντός της περιοχής 17°C/62°F – 30°C/88°F σε βήματα 1°C/2°F
3. Πατήστε το κουμπί ΑΝΕΜΙΣΤΗΡΑ για να επιλέξετε την ταχύτητα του ανεμιστήρα σε τέσσερα βήματα (Αυτόμασ0, Χαμηλό, Μεσαίο ή Υψηλό)
4. Πατήστε το κουμπί Ενεργοποίησης/Απενεργοποίησης για να λειτουργήσετε το κλιματιστικό.

### ΣΗΜΕΙΩΣΕΙΣ

Η θερμοκρασία που έχει ρυθμιστεί στη λειτουργία ΑΝΕΜΙΣΤΗΡΑ, δεν εμφανίζεται στο τηλεχειριστήριο ή δεν μπορείτε να ελέξετε τη θερμοκρασία δωματίου. Σε τέτοια περίπτωση πρέπει μόνο το 1., 3. και 4. βήμα να εφαρμοστούν.

### Λειτουργία Αφύγρασης

Βεβαιωθείτε ότι η μονάδα δεν είναι αποσυνδεδεμένη από το ρεύμα. Η λυχνία λειτουργίας στην οθόνη της εσωτερικής μονάδας αρχίζει να αναβοσβήνει.

1. Για να επιλέξετε τη λειτουργία ΞΗΡΟ (Dry), πατήστε το κουμπί Λειτουργίας (Mode)
2. Για να ρυθμίσετε την επιθυμητή θερμοκρασία, πατήστε τα κουμπιά ΠΑΝΩ/ΚΑΤΩ. Η θερμοκρασία μπορεί να ρυθμιστεί εντός της περιοχής 17°C/62°F – 30°C/88°F σε βήματα 1°C/2°F
3. Για να λειτουργήσετε το κλιματιστικό, πατήστε το κουμπί Ενεργοποίησης/Απενεργοποίησης (On/Off).

### ΣΗΜΕΙΩΣΕΙΣ

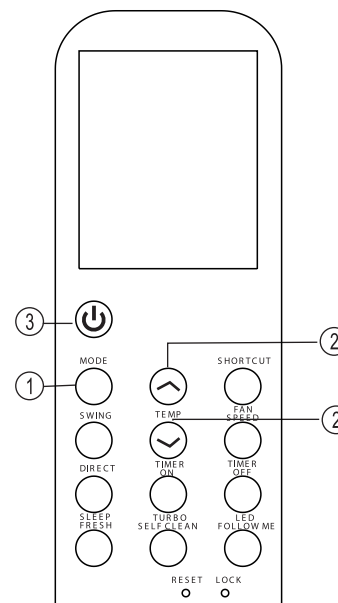
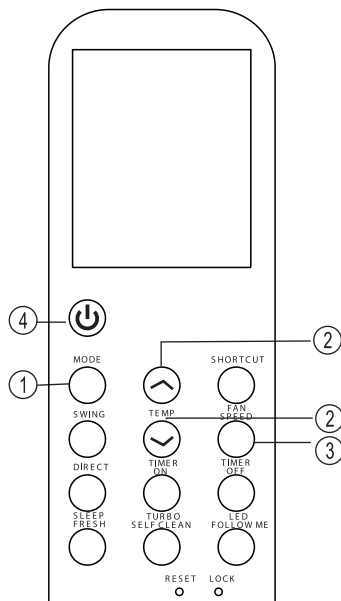
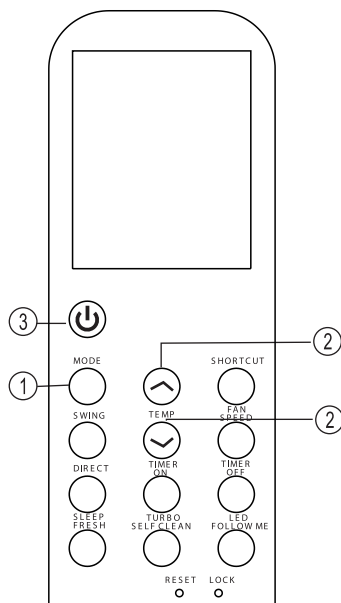
Στη λειτουργία αφύγρασης, δεν μπορείτε να πατήσετε το κουμπί ταχύτητας του ανεμιστήρα. Έχει ήδη ελεγχθεί αυτόματα.

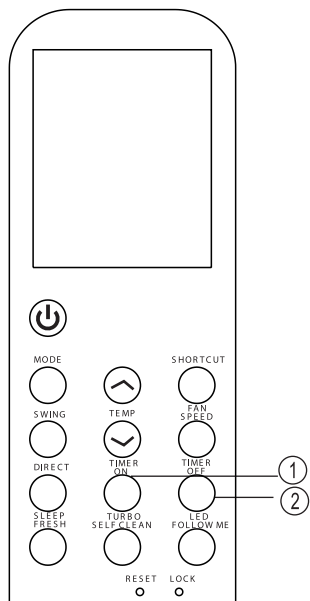
### Ρύθμιση της Κατεύθυνσης ροής αέρα

Για να ρυθμίσετε την επιθυμητή κατεύθυνση ροής αέρα, χρησιμοποιήστε το κουμπί ΑΙΩΡΗΣΗΣ και ΚΑΤΕΥΘΥΝΣΗΣ (Swing and Direct).

1. Όταν πατάτε ΚΑΤΕΥΘΥΝΣΗ η οριζόντια περσίδα θα αλλάζει 6 μοίρες κάθε φορά που την πατάτε
2. Όταν πατάτε το κουμπί ΑΙΩΡΗΣΗΣ, η περσίδα θα ανυψωθεί ή θα χαμηλώσει αυτόματα.

**ΣΗΜΕΙΩΣΗ :** Όταν η περσίδα να ρυθμιστεί σε μία θέση που θα επηρεάσει την ψύξη ή θέρμανση του κλιματιστικού ή μετακινηθεί, θα αλλάξει αυτόματα την κατεύθυνσή της αιώρησης/κίνησης.





### ΧΡΟΝΟΔΙΑΚΟΠΤΗΣ (TIMER)

Όταν πατήσετε το κουμπί ενεργοποίησης του χρονοδιακόπτη, μπορεί χρονοδιακόπτης λειτουργίας της μονάδας να ρυθμιστεί αυτόματα. Πατώντας το κουμπί απενεργοποίησης του χρονοδιακόπτη μπορείτε να ρυθμίσετε το χρονόμετρο αυτόματης απενεργοποίησης της μονάδας.

#### Για τη ρύθμιση του χρόνου αυτόματης ενεργοποίησης (Auto-on).

1. Πατήστε το κουμπί ενεργοποίησης του χρονοδιακόπτη. Όταν εμφανίζεται η ένδειξη "το χρονοδιακόπτη είναι ενεργοποιημένο" στο τηλεχειριστήριο, ο τελευταίος ρυθμισμένος χρόνος αυτόματης ενεργοποίησης και το σήμα "h" θα εμφανιστούν στην οθόνη LCD. Το χρονόμετρο αυτόματης εκτέλεσης είναι τώρα έτοιμο για επαναφορά για να ΕΝΑΡΞΕΙ εκτέλεση.
2. Για να ενεργοποιήσετε το χρονοδιακόπτη, πατήστε ξανά το κουμπί ενεργοποίησης του χρονοδιακόπτη. Κάθε φορά που πατάτε το κουμπί, ο χρόνος αυμάνεται κατά μισή ώρα μεταξύ 0 και 10 ωρών και κατά μία ώρα μεταξύ 10 και 24 ωρών.
3. Αφού ενεργοποιηθεί ο ΧΡΟΝΟΔΙΑΚΟΠΤΗΣ, θα υπάρξει καθυστέρηση ενός δευτερολέπτου προτού το τηλεχειριστήριο στείλει το σήμα στο κλιματιστικό. Στη συνέχεια, μετά από περίπου 2 δευτερόλεπτα το σύμβολο "h" θα εξαφανιστεί και η καθορισμένη θερμοκρασία θα εμφανιστεί ξανά στην οθόνη LCD.

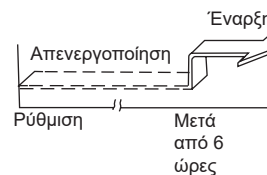
#### Για να ρυθμίσετε το χρόνο αυτόματης απενεργοποίησης (Auto-off).

1. Πατήστε το κουμπί απενεργοποίησης του χρονοδιακόπτη. Όταν εμφανίζεται ένδειξη "το χρονοδιακόπτη είναι απενεργοποιημένο" στο τηλεχειριστήριο, η τελευταία ρύθμιση χρόνου αυτόματης απενεργοποίησης και το σύμβολο "h" θα εξαφανιστούν στην οθόνη LCD. Το χρονόμετρο απενεργοποίησης που σταματήθηκε αυτόματα, είναι έτοιμο για τον εκμηδενισμό,
2. Πατήστε ξανά το κουμπί απενεργοποίησης για να απενεργοποιήσετε το χρονοδιακόπτη. Κάθε φορά που πατάτε το κουμπί, ο χρόνος αυξάνεται κατά μισή ώρα μεταξύ 0 και 10 ωρών και κατά μία ώρα μεταξύ 10 και 24 ωρών.
3. Αφού το κουμπί απενεργοποίησης χρονοδιακόπτη έχει ρυθμιστεί, θα υπάρξει καθυστέρηση ενός δευτερολέπτου προτού το τηλεχειριστήριο στείλει το σήμα στο κλιματιστικό. Στη συνέχεια, μετ' από περίπου 2 δευτερόλεπτα, το σύμβολο "h" θα εξαφανιστεί και η καθορισμένη θερμοκρασία θα εμφανιστεί ξανά στην οθόνη LCD.

### ▲ ΠΡΟΣΟΧΗ

- Οι λειτουργίες χρονοδιακόπτη που μπορούν να ρυθμιστούν με το τηλεχειριστήριο περιορίζονται ως εξής : 0.5, 1.0, 1.5, 2.0, 2.5, 3.0, 3.5, 4.0, 4.5, 5.0, 5.5, 6.0, 6.0, 7., 7.5, 8.0, 8.5, 9.0, 9.5, 10, 11, 12, 13, 14, 15, 16, 17, 18, 19, 20, 21, 22, 23 και 24.

### Παράδειγμα ρύθμισης χρονοδιακόπτη



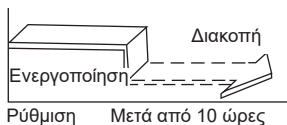
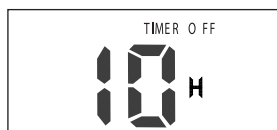
### ΕΝΕΡΓΟΠΟΙΗΣΗ του ΧΡΟΝΟΔΙΑΚΟΠΤΗ (TIMER ON)

Η λειτουργία Χρονοδιακόπτης Ενεργοποιημένος, όταν θέλετε να ενεργοποιήσετε τη μονάδα αυτόματα πριν επιστρέψετε στο σπίτι. Το κλιματιστικό θα αρχίσει να λειτουργήσει αυτόματα την καθορισμένη ώρα.

#### Παράδειγμα:

Για εκκίνηση του κλιματιστικού μετά από 6 ώρες.

1. Όταν πατήσετε το κουμπί Ενεργοποίησης του χρονοδιακόπτη (TIMER ON), η τελευταία ρυθμισμένη ώρα έναρξης και το σήμα "h" θα εμφανιστούν στην οθόνη LCD.
2. Για να εμφανιστεί η ένδειξη "6,0h" στην οθόνη του τηλεχειριστηρίου, πατήστε το κουμπί ενεργοποίησης του χρονοδιακόπτη (TIMER ON)
3. Περιμένετε για 3 δευτερόλεπτα, η ψηφιακή οθόνη θα εμφανίσει ξανά τη θερμοκρασία. Η λυχνία Ενεργοποίησης του Χρονοδιακόπτη (TIMER ON) θα παραμείνει ως αναμμένη και η λειτουργία αυτή θα ενεργοποιηθεί.



### ΑΠΕΝΕΡΓΟΠΟΙΗΣΗ του ΧΡΟΝΟΔΙΑΚΟΠΤΗ (Αυτόματη απενεργοποίηση)

Η λειτουργία απενεργοποίησης χρονοδιακόπτη (TIMER OFF) χρησιμοποιείται όταν θέλετε η μονάδα να απενεργοποιείται αυτόματα μετά την κατάκλιση. Το κλιματιστικό θα σταματήσει αυτόματα την καθορισμένη ώρα.

#### Παράδειγμα:

Για να σταματήσετε το κλιματιστικό σε 10 ώρες.

1. Πατήστε το κουμπί ΑΠΕΝΕΡΓΟΠΟΙΗΣΗΣ του ΧΡΟΝΟΔΙΑΚΟΠΤΗ, την τελευταία ρύθμιση του χρόνου διακοπής λειτουργίας. Το σήμα «h» θα εμφανιστεί στην οθόνη.
2. Πατήστε το κουμπί ΑΠΕΝΕΡΓΟΠΟΙΗΣΗΣ του ΧΡΟΝΟΔΙΑΚΟΠΤΗ για να εμφανιστεί η ένδειξη «10h» στην οθόνη ΑΠΕΝΕΡΓΟΠΟΙΗΣΗΣ του ΧΡΟΝΟΔΙΑΚΟΠΤΗ του τηλεχειριστηρίου.
3. Περιμένετε για 3 δευτερόλεπτα και η ψηφιακή οθόνη θα δείξει ξανά τη θερμοκρασία. Η λυχνία «ΑΠΕΝΕΡΓΟΠΟΙΗΣΗ του ΧΡΟΝΟΔΙΑΚΟΠΤΗ» παραμένει αναμμένη και αυτή η λειτουργία είναι ενεργοποιημένη.

### ΣΥΝΔΥΑΣΜΕΝΟΣ ΧΡΟΝΟΔΙΑΚΟΠΤΗΣ

(Ρύθμιση ταυτόχρονα της ΕΝΕΡΓΟΠΟΙΗΣΗΣ και ΑΠΕΝΕΡΓΟΠΟΙΗΣΗΣ του χρονοδιακόπτη)

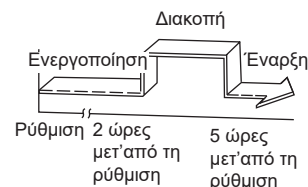
ΧΡΟΝΟΔΙΑΚΟΠΤΗΣ ΑΠΕΝΕΡΓΟΠΟΙΗΜΕΝΟΣ → ΧΡΟΝΟΔΙΑΚΟΠΤΗΣ ΕΝΕΡΓΟΠΟΙΗΜΕΝΟΣ (Έναρξη → Διακοπή → Έναρξη λειτουργίας)

Αυτή η λειτουργία είναι χρήσιμη όταν θέλετε να σταματήσετε το κλιματιστικό αφού πάτε για ύπνο ή/και να το ξεκινήσετε ξανά το πρωί όταν ξυπνήσετε ή όταν επιστρέψετε στο σπίτι.

#### Παράδειγμα:

Για να σταματήσετε το κλιματιστικό 2 ώρες μετά τη ρύθμιση και να ξεκινήσετε ξανά 10 ώρες μετά τη ρύθμιση.

1. Πατήστε το κουμπί ΑΠΕΝΕΡΓΟΠΟΙΗΣΗΣ του ΧΡΟΝΟΔΙΑΚΟΠΤΗ.
2. Πατήστε ξανά το κουμπί ΑΠΕΝΕΡΓΟΠΟΙΗΣΗΣ του ΧΡΟΝΟΔΙΑΚΟΠΤΗ για να εμφανιστεί η ένδειξη 2.0h στην οθόνη ΑΠΕΝΕΡΓΟΠΟΙΗΣΗΣ του ΧΡΟΝΟΔΙΑΚΟΠΤΗ.
3. Πατήστε το κουμπί ΕΝΕΡΓΟΠΟΙΗΣΗΣ του ΧΡΟΝΟΔΙΑΚΟΠΤΗ.
4. Πατήστε ξανά το κουμπί ΕΝΕΡΓΟΠΟΙΗΣΗΣ του ΧΡΟΝΟΔΙΑΚΟΠΤΗ για να εμφανιστεί η ένδειξη 10h στην οθόνη ΑΠΕΝΕΡΓΟΠΟΙΗΣΗΣ του ΧΡΟΝΟΔΙΑΚΟΠΤΗ.
5. Περιμένετε για 3 δευτερόλεπτα και η ψηφιακή οθόνη θα δείξει ξανά τη θερμοκρασία. Η λυχνία ΕΝΕΡΓΟΠΟΙΗΣΗΣ/ΑΠΕΝΕΡΓΟΠΟΙΗΣΗΣ του ΧΡΟΝΟΔΙΑΚΟΠΤΗ παραμένει αναμμένη και αυτή η λειτουργία είναι ενεργοποιημένη.



ΧΡΟΝΟΔΙΑΚΟΠΤΗΣ ΕΝΕΡΓΟΠΟΙΗΜΕΝΟΣ → ΧΡΟΝΟΔΙΑΚΟΠΤΗΣ ΑΠΕΝΕΡΓΟΠΟΙΗΜΕΝΟΣ (Διακοπή → Έναρξη → Διακοπή λειτουργίας)  
Αυτή η λειτουργία είναι χρήσιμη όταν θέλετε να ξεκινήσετε το κλιματιστικό πριν ξυπνήσετε και να το σταματήσετε μετά την αναχώρησή σας από το σπίτι.

#### Παράδειγμα:

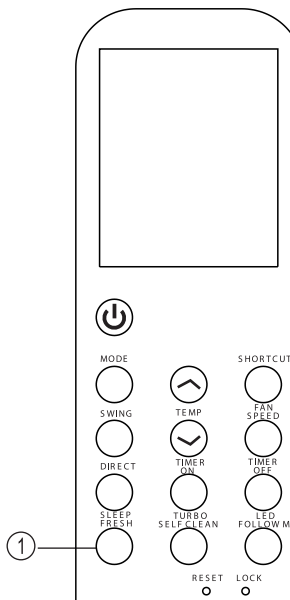
Για να εκκινήσετε το κλιματιστικό 2 ώρες μετά τη ρύθμιση και να το σταματήσετε 5 ώρες μετά τη ρύθμιση.

1. Πατήστε το κουμπί ΕΝΕΡΓΟΠΟΙΗΣΗΣ ΧΡΟΝΟΜΕΤΡΟΥ.
2. Πατήστε ξανά το κουμπί ΧΡΟΝΟΔΙΑΚΟΠΤΗΣ ΕΝΕΡΓΟΠΟΙΗΣΗΣ για να εμφανιστεί η ένδειξη 2.0h στην οθόνη ΧΡΟΝΟΔΙΑΚΟΠΤΗΣ ΕΝΕΡΓΟΠΟΙΗΣΗΣ.
3. Πατήστε το κουμπί ΑΠΕΝΕΡΓΟΠΟΙΗΣΗΣ του ΧΡΟΝΟΔΙΑΚΟΠΤΗ.
4. Πατήστε ξανά το κουμπί ΑΠΕΝΕΡΓΟΠΟΙΗΣΗΣ του ΧΡΟΝΟΔΙΑΚΟΠΤΗ για να εμφανιστεί η ένδειξη 5.0h στην οθόνη ΑΠΕΝΕΡΓΟΠΟΙΗΣΗΣ του ΧΡΟΝΟΔΙΑΚΟΠΤΗ.
5. Περιμένετε για 3 δευτερόλεπτα και η ψηφιακή οθόνη θα δείξει ξανά τη θερμοκρασία. Η λυχνία ΧΡΟΝΟΔΙΑΚΟΠΤΗΣ ΕΝΕΡΓΟΠΟΙΗΜΕΝΟΣ/ΑΠΕΝΕΡΓΟΠΟΙΗΜΕΝΟΣ παραμένει αναμμένη και αυτή η λειτουργία είναι ενεργοποιημένη.

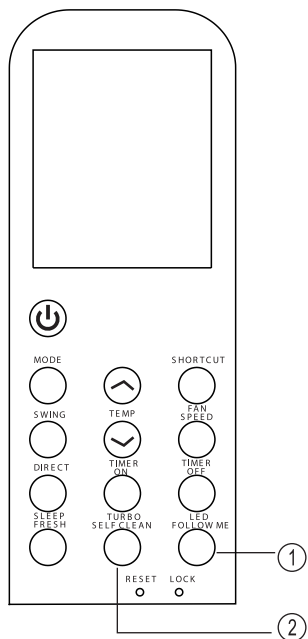
**ΣΗΜΕΙΩΣΗ:** Κατά προτεραιότητα η ρύθμιση του χρονοδιακόπτη (Ενεργοποίηση ή Απενεργοποίηση του Χρονοδιακόπτη) θα ενεργοποιηθεί αμέσως μετά τον καθορισμένο χρόνο.

### Λειτουργία ΑΝΑΜΟΝΗΣ (STANDBY)

- Πιέστε αυτό το κουμπί για λιγότερο από 2 δευτερόλεπτα για να εκκινήσετε τη λειτουργία ΥΠΝΟΥ. Και αν συνεχίσετε να πατάτε αυτό το κουμπί περισσότερο από 2 δευτερόλεπτα, ξεκινά η λειτουργία ΑΝΑΝΕΩΣΗΣ.
- Ενεργοποιεί/απενεργοποιεί τη λειτουργία αναμονής. Μπορεί να διατηρήσει την πιο άνετη θερμοκρασία και να εξοικονομήσει την ενέργεια. Αυτή η λειτουργία μπορεί να χρησιμοποιηθεί μόνο σε λειτουργία ΨΥΞΗΣ, ΘΕΡΜΑΝΣΗ ή ΑΥΤΟΜΑΤΗ. Για λεπτομέρειες ανατρέξτε στην κατάσταση αναμονής στον «ΕΓΧΕΙΡΙΟ ΧΡΗΣΤΗ».
- **ΣΗΜΕΙΩΣΗ:** Ενώ η μονάδα λειτουργεί σε κατάσταση αναμονής, εάν πατήσετε το κουμπί λειτουργίας, ταχύτητα ανεμιστήρα ή ON/OFF η κατάσταση αναμονής θα ακυρωθεί.
- Όταν ξεκινά η λειτουργία ΑΝΑΝΕΩΣΗΣ, ο ιονιστής/παγίδα σκόνης πλάσματος (ανάλογα με μοντέλο) ενεργοποιείται και συνεπώς βοηθά στην απομάκρυνση της γύρης και της βρωμιάς στον αέρα.







### Λειτουργία LED/ΑΚΟΛΟΥΘΗΣΕ ΜΕ (FOLLOW ME)

- Πιέζοντας το κουμπί αυτό για λιγότερο από 2 δευτερόλεπτα, η λειτουργία LED θα ξεκινήσει. Και αν συνεχίσετε να πιέσετε το κουμπί αυτό για περισσότερα από 2 δευτερόλεπτα, τότε η λειτουργία ΑΚΟΛΟΥΘΗΣΕ ΜΕ θα ξεκινήσει. Όταν είναι ενεργοποιημένη η λειτουργία ΑΚΟΛΟΥΘΗΣΕ ΜΕ, η πραγματική θερμοκρασία στην τοποθεσία εμφανίζεται στην οθόνη του τηλεχειριστηρίου. Το τηλεχειριστήριο θα στέλνει το σήμα αυτό κάθε 3 λεπτά μέχρι να πατήσετε ξανά το κουμπί ΑΚΟΛΟΥΘΗΣΕ ΜΕ.
- Η λειτουργία ΑΚΟΛΟΥΘΗΣΕ ΜΕ δεν μπορεί να χρησιμοποιηθεί σε τρόπο ΞΗΡΟ και ΑΝΕΜΙΣΤΗΡΑ
- Η αλλαγή του τρόπου λειτουργίας ή η απενεργοποίησή της μονάδας, θα ακυρώσει αυτόματα τη λειτουργία Ακολουθήσέ με.

### Λειτουργία ΤΟΥΡΜΠΟ/ΑΥΤΟΚΑΘΑΡΙΣΜΟ (TURBO/SELF CLEAN)

- Εάν πατήσετε το κουμπί αυτό λιγότερα από 2 δευτερόλεπτα τότε η λειτουργία ΤΟΥΡΜΠΟ θα ξεκινήσει. Και αν συνεχίσετε να πιέσετε το κουμπί αυτό περισσότερα από 2 δευτερόλεπτα τότε η λειτουργία ΑΥΤΟΚΑΘΑΡΙΣΜΟΣ θα ξεκινήσει.
- Η λειτουργία Τούρμπο επιτρέπει στη μονάδα να φτάσει την προκαθορισμένη θερμοκρασία λειτουργίας θέρμανσης ή ψύξης το συντομότερο δυνατό. (Εάν η μονάδα δεν διαθέτει αυτή τη δυνατότητα, δεν θα πραγματοποιηθεί καμία ενέργεια έστω να πατηθεί το εν λόγω κουμπί)
- Σε λειτουργία ΑΥΤΟΚΑΘΑΡΙΣΜΟ, το κλιματιστικό, θα καθαρίζει και θα στεγνώσει αυτόματα τον εξατμιστήρα για την επόμενη λειτουργία.

### ΣΗΜΕΙΩΣΗ :

- Ο σχεδιασμός κουμπιών βασίζεται σε τυπικό μοντέλο και μπορεί να είναι ελαφρώς διαφορετικός στο μοντέλο που αγοράσατε. Το σχήμα του ελεγκτή που συνοδεύει το προϊόν θα θεωρείται έγκυρο.
- Οι οποιοσδήποτε λειτουργίες που περιγράφονται παραπάνω, εκτελούνται από την εσωτερική μονάδα, εάν αυτό το χαρακτηριστικό δεν υπάρχει στην εσωτερική μονάδα, τότε δεν θα γίνει καμία ενέργεια όταν πατιέται το σχετικό κουμπί στο τηλεχειριστήριο.
- Εάν υπάρχουν μεγάλες διαφορές μεταξύ των περιγραφών του τηλεχειριστηρίου και των περιγραφών λειτουργιών στον ΕΓΧΕΙΡΙΔΙΟ ΧΡΗΣΤΗ, θα υπερισχύουν οι περιγραφές στον ΕΓΧΕΙΡΙΔΙΟ ΧΡΗΣΤΗ.
- Η συσκευή ενδέχεται να έχει συμμορφωθεί με τους τοπικούς εθνικούς κανονισμούς. Πρέπει να έχει συμμορφωθεί στον Καναδά με πρότυπο CAN ICES 3(B)/NMB-3(B). Στην ΗΠΑ συμμορφώνεται με το μέρος 15 των κανόνων FCC. Η λειτουργία υπόκειται στις ακόλουθες δύο προϋποθέσεις: (1) Η συσκευή αυτή ενδέχεται να μην προκαλεί επιβλαβείς παρεμβολές και (2) η συσκευή αυτή πρέπει να αποδέχεται τυχόν παρεμβολές που λαμβάνονται, συμπεριλαμβανομένων των παρεμβολών που ενδέχεται να προκαλέσουν μία +ανειθιμήτη λειτουργία.
- Ο εξοπλισμός αυτός έχει δοκιμαστεί και έχει διαπιστωθεί ότι συμμορφώνεται με τα όρια για ψηφιακή συσκευή κλάσης Β, σύμφωνα με το μέρος 15 των Κανόνων FCC. Τα όρια αυτά έχουν σχεδιαστεί για να παρέχουν εύλογη προστασία από επιβλαβείς παρεμβολές σε οικιακή εγκατάσταση. Ο εξοπλισμός αυτός παράγει, χρησιμοποιεί και μπορεί να εκπέμπει ενέργεια ραδιοσυχνότητας και, εάν δεν εγκατασταθεί και χρησιμοποιηθεί σύμφωνα με τις οδηγίες, μπορεί να προκαλέσει επιβλαβείς παρεμβολές στις ραδιοεπικοινωνίες. Ωστόσο, δεν υπάρχει καμία εγγύηση ότι δεν θα δεχτεί παρεμβολές σε μία συγκεκριμένη εγκατάσταση. Εάν αυτός ο εξοπλισμός προκαλεί επιβλαβείς παρεμβολές στη λήψη ραδιοφώνου ή τηλεόρασης, η οποία μπορεί να προσδιοριστεί με την απενεργοποίηση και την ενεργοποίηση του εξοπλισμού, συνιστούμε στον χρήστη να λάβει ένα ή περισσότερα από τα ακόλουθα μέτρα για τη διόρθωσή των παρεμβολών :
  - Επαναπροσανατολίστε ή μετακινήστε/επανατοποθετήστε την κεραία λήψης
  - Αυξήστε την απόσταση/τον διαχωρισμό μεταξύ του εξοπλισμού και του δέκτη
  - Συνδέστε τον εξοπλισμό σε μία πρίζα διαφορετικά απ'την πρίζα με την οποία είναι συνδεδεμένο
  - Συμβουλευτείτε τον αντιπρόσωπό η έναν έμπειρο τεχνικό ραδιοφώνου/τηλεόρασης για βοήθεια. Αλλαγές ή τροποποιήσεις που δεν έχουν εγκριθεί ρητά από το μέρος που είναι υπεύθυνο για τη συμμορφωση, ενδέχεται να ακυρώσουν την εξουσία χρήσης του χρήστη τον εξοπλισμό

**PITSOS**  
εμπιστοσύνη

Κεντρικά Γραφεία & Έκθεση	17ο χλμ. Ε.Ο. Αθηνών-Λαμίας & Ποταμού 20, 145 64 Κηφισιά, Αθήνα Τηλ.: 210 4277700
Εξυπηρέτηση Πελατών	Τηλ.: 210 4277700 για προγραμματισμό επίσκεψης τεχνικού 24 ώρες την ημέρα, 7 ημέρες την εβδομάδα, για ανταλλακτικά, αξεσουάρ, αναλώσιμα email: CustomerService@bshg.com
Αθήνα	17ο χλμ. Ε. Ο. Αθηνών-Λαμίας & Ποταμού 20, 145 64 Κηφισιά
Θεσσαλονίκη	Οδός Χάλκης Πατριαρχικό Πυλαίας, 570 01 Πυλαία Τ.Θ. 60017 Θέρμη
Πάτρα	Οδός Χαραλάμπη 57, 262 24 Ψηλά Αλώνια
Κρήτη	Λεωφόρος Εθνικής Αντιστάσεως 23, 713 06 Ηράκλειο Κρήτης
Κύπρος	Αρχιεπισκόπου Μακαρίου Γ΄ 39, 2407 Έγκωμη, Λευκωσία - Κύπρος Τηλ.: 7777 8007
<b>BSH Οησιακές Συσκευές Α.Β.Ε.</b> 17ο χλμ. Ε.Ο. Αθηνών-Λαμίας & Ποταμού 20, 145 64 Κηφισιά, ΑΦΜ: 094011898, ΔΟΥ: ΦΑΕ Αθηνών	



Τηρούμε το δικαίωμα αλλαγών

# PITSOS

el Οδηγίες χρήσης

PSI09VW30 - PSO09VW30

PSI12VW30 - PSO12VW30

PSI18VW30 - PSO18VW30

PSI24VW30 - PSO24VW30

PSI12XW30 - PSO12XW30

PSI24XW30 - PSO24XW30

Τηλεχειριστήριο AC / Remote control AC

## ΠΕΡΙΕΧΟΜΕΝΑ

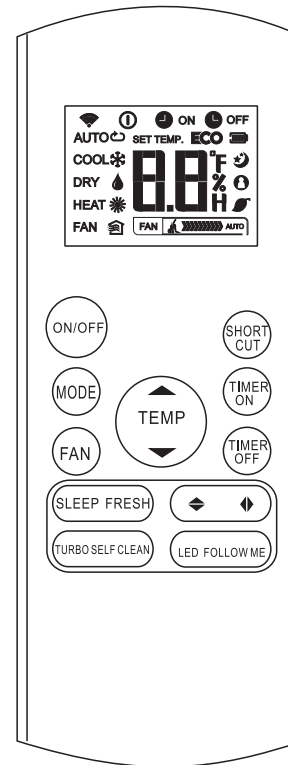
Τεχνικά χαρακτηριστικά του τηλεχειριστηρίου.....	2
Κουμπιά λειτουργιών.....	3
Ενδείξεις στην οθόνη LCD .....	6
Χρήση των κουμπιών .....	7
Αυτόματη λειτουργία (AUTO) .....	7
Λειτουργία Ψύξης / Θέρμανσης / Ανεμιστήρα .....	7
Λειτουργία Αφύγρανσης .....	8
Ρύθμιση της κατεύθυνσης ροής αέρα.....	8
Λειτουργία χρονοδιακόπτη .....	9
Χειρισμός του τηλεχειριστηρίου.....	13

### ΣΗΜΕΙΩΣΗ:

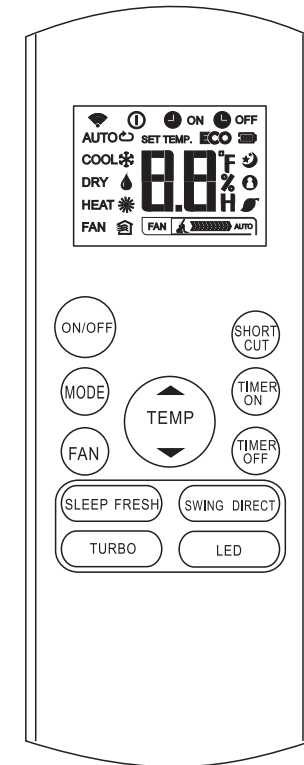
- Η διάταξη των κουμπιών είναι αυτή ενός βασικού μοντέλου και ενδέχεται να διαφέρει ελαφρώς από τη διάταξη του τηλεχειριστηρίου της συσκευής που αγοράσατε.
- Όλες οι λειτουργίες που περιγράφονται παραπάνω εκτελούνται από τη μονάδα. Αν μία μονάδα δεν διαθέτει μία συγκεκριμένη λειτουργία, δεν υπάρχει καμία ανταπόκριση της συσκευής στο πάτημα του αντίστοιχου κουμπιού στο τηλεχειριστήριο.
- Αν υπάρχουν μεγάλες διαφορές ανάμεσα στον "Εικονογραφημένο οδηγό τηλεχειριστηρίου" και το "Εγχειρίδιο Χρήστη" αναφορικά με την περιγραφή λειτουργιών, η περιγραφή στο "Εγχειρίδιο Χρήστη" υπερισχύει.

### Τεχνικά χαρακτηριστικά του τηλεχειριστηρίου

Μοντέλο	RG57A3/BGEF, RG57A2/BGEF, RG57B/BGE, RG57D/BGE
Ονομαστική τάση	3.0V( Μπαταρίες ξηρού τύπου R03/LR03×2)
Εμβέλεια λήψης σήματος	8 μ
Περιβάλλον λειτουργίας	-5°C ~ 60°C



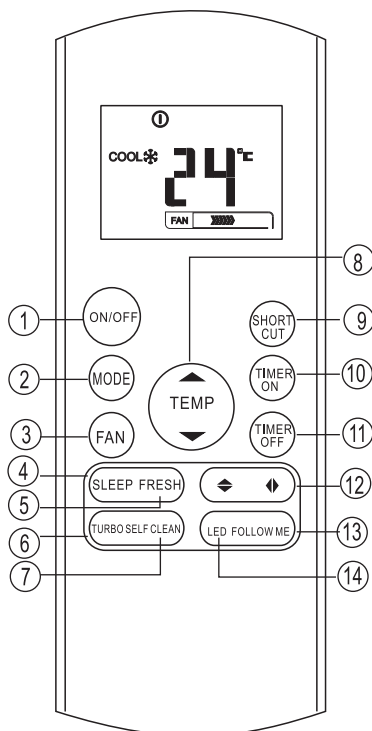
RG57A2/BGEF  
(χωρίς κουμπί FRESH)  
RG57A3/BGEF



RG57B/BGE  
(χωρίς κουμπί FRESH)  
RG57D/BGE



## Κουμπιά Λειτουργιών



RG57A3/BGEF

### 1 Κουμπί ON/OFF

Με το κουμπί αυτό ενεργοποιείται και απενεργοποιείται το κλιματιστικό μηχάνημα.

### 2 Κουμπί MODE

Πιέζοντας αυτό το κουμπί, αλλάζει ο τρόπος λειτουργίας με την εξής σειρά:

AUTO → COOL → DRY → HEAT → FAN

**ΣΗΜΕΙΩΣΗ:** Μην επιλέγετε τον τρόπο λειτουργίας HEAT (θέρμανση) εάν το μηχάνημα που αγοράσατε παρέχει μόνο ψύξη. Η λειτουργία θέρμανσης δεν υποστηρίζεται από συσκευές μόνο ψύξης.

### 3 Κουμπί FAN

Με το κουμπί αυτό επιλέγετε την ταχύτητα του ανεμιστήρα.

AUTO → LOW → MED → HIGH

**ΣΗΜΕΙΩΣΗ:** Δεν μπορείτε να επιλέξετε ταχύτητα ανεμιστήρα αν έχετε επιλέξει αυτόματο τρόπο λειτουργίας (AUTO) ή αφύγρανσης (DRY).

### 4 Κουμπί SLEEP

- Ενεργοποιεί/απενεργοποιεί τη λειτουργία SLEEP (αδράνειας). Διατηρεί τη θερμοκρασία στα πιο άνετα επίπεδα και εξοικονομεί ενέργεια. Η λειτουργία είναι διαθέσιμη κατά τη λειτουργία Ψύξης (COOL), Θέρμανσης (HEAT) ή Αφύγρανσης (DRY).

- Για περισσότερες λεπτομέρειες συμβουλευτείτε την ενότητα "Λειτουργία αδράνειας (SLEEP)" στο "Εγχειρίδιο Χρήστη".

**ΣΗΜΕΙΩΣΗ:** Όταν η μονάδα βρίσκεται στη λειτουργία SLEEP, εάν πιέσετε το κουμπί MODE, FAN SPEED ή ON/OFF η λειτουργία απενεργοποιείται.

### 5 Κουμπί FRESH (μοντέλα RG57A3/BGEF και RG57D/BGE)

Ενεργοποιεί/απενεργοποιεί τη λειτουργία FRESH (Καθαρισμού αέρα). Κατά την επιλογή της λειτουργίας FRESH, ενεργοποιείται ο ιονιστής/Συλλέκτης Σκόνης Plasma (ανάλογα με το μοντέλο) και συμβάλλει στην απομάκρυνση της γύρης και των ρύπων από τον αέρα.

### 6 Κουμπί TURBO

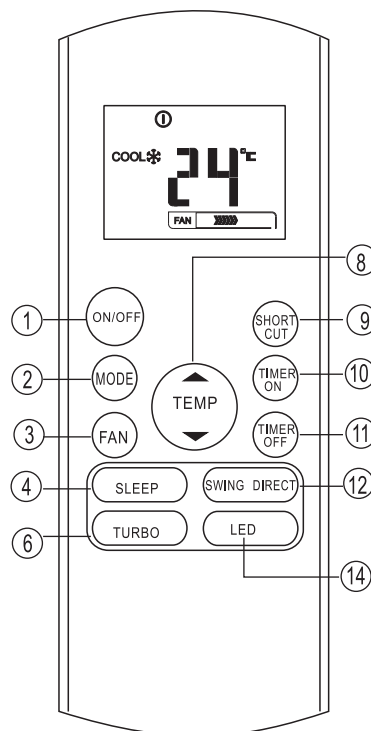
Ενεργοποιεί/απενεργοποιεί τη λειτουργία TURBO. Με τη λειτουργία TURBO, η μονάδα επιτυγχάνει την επιλεγμένη θερμοκρασία ψύξης ή θέρμανσης στο συντομότερο δυνατό χρονικό διάστημα (αν η εσωτερική μονάδα δεν υποστηρίζει τη λειτουργία αυτή, τότε δεν θα υπάρχει καμία ανταπόκριση από τη συσκευή στο πάτημα αυτού του κουμπιού).

### 7 Κουμπί SELF CLEAN (μοντέλο Rg57(A2)A3/BGEF)

Ενεργοποιεί/απενεργοποιεί τη λειτουργία Self Clean (Αυτοκαθαρισμού).

3

## Κουμπιά Λειτουργιών



RG57D/BGE

### 8 Κουμπί ΕΠΑΝΩ (▲)

Πιέστε αυτό το κουμπί, για να αυξήσετε τη ρύθμιση της θερμοκρασίας εσωτερικού χώρου μέχρι τους 30°C, σε βήματα του 1°C.

### Κουμπί ΚΑΤΩ (▼)

Πιέστε αυτό το κουμπί, για να αυξήσετε τη ρύθμιση της θερμοκρασίας εσωτερικού χώρου μέχρι τους 17°C, σε βήματα του 1°C.

**ΣΗΜΕΙΩΣΗ:** Στη λειτουργία ανεμιστήρα (FAN) δεν είναι δυνατή η ρύθμιση της θερμοκρασίας.

### 9 Κουμπί SHORTCUT

- Χρησιμοποιείται για να επαναφέρει τις τρέχουσες ρυθμίσεις ή να συνεχίσετε με τις προηγούμενες ρυθμίσεις.
- Την πρώτη φορά που θα συνδεθεί η συσκευή στο ρεύμα, εάν πιέσετε το κουμπί SHORTCUT, η μονάδα θα τεθεί στον τρόπο λειτουργίας AUTO στους 26°C και η ταχύτητα του ανεμιστήρα θα είναι επίσης στο Auto.
- Εάν πιέσετε αυτό το κουμπί όταν το τηλεχειριστήριο είναι ενεργοποιημένο, το σύστημα θα επανέλθει αυτόματα στις προηγούμενες ρυθμίσεις τρόπου λειτουργίας, ρύθμισης της θερμοκρασίας, ταχύτητας του ανεμιστήρα και της λειτουργίας SLEEP (εάν είναι ενεργή).
- Εάν πιέσετε αυτό το κουμπί για περισσότερο από 2 δευτερόλεπτα, το σύστημα θα επανέλθει αυτόματα στις τρέχουσες ρυθμίσεις λειτουργίας, όπως τρόπος λειτουργίας, ρύθμιση της θερμοκρασίας, ταχύτητα του ανεμιστήρα και λειτουργία SLEEP (εάν είναι ενεργή).

### 10 Κουμπί TIMER ON

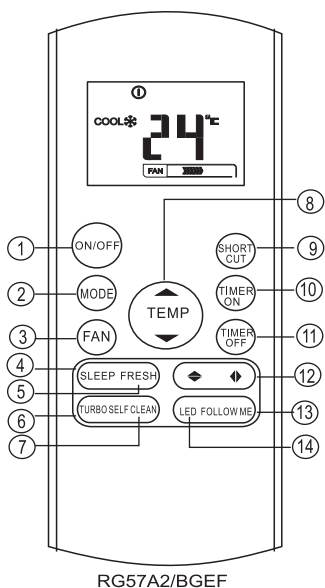
Πιέστε το κουμπί αυτό για να ξεκινήσει η ακολουθία αυτόματης ενεργοποίησης. Με κάθε πίεση του κουμπιού, η ρύθμιση του χρόνου αυτόματης ενεργοποίησης αυξάνεται κατά 30 λεπτά. Όταν ο χρόνος ρύθμισης δείξει 10.0, με κάθε πίεση η ρύθμιση αυξάνεται κατά 60 λεπτά. Για να ακυρώσετε τη ρύθμιση του χρόνου αυτόματης ενεργοποίησης του κλιματιστικού, ρυθμίστε το χρόνο αυτόματης ενεργοποίησης στο 0.0.

### 11 Κουμπί TIMER OFF

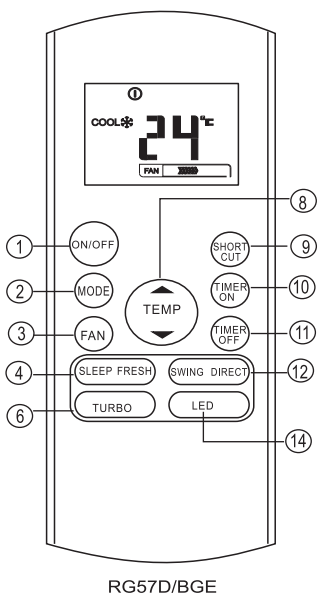
Πιέστε το κουμπί αυτό για να ξεκινήσει η ακολουθία αυτόματης απενεργοποίησης. Με κάθε πίεση του κουμπιού, η ρύθμιση του χρόνου αυτόματης απενεργοποίησης αυξάνεται κατά 30 λεπτά. Όταν ο χρόνος ρύθμισης δείξει 10.0, με κάθε πίεση η ρύθμιση αυξάνεται κατά 60 λεπτά. Για να ακυρώσετε τη ρύθμιση του χρόνου αυτόματης απενεργοποίησης του κλιματιστικού, ρυθμίστε το χρόνο αυτόματης απενεργοποίησης στο 0.0.

4

## Κουμπιά λειτουργιών



RG57A2/BGEF



RG57D/BGE

- 12 Κουμπι SWING** (μοντέλο RG57 (A2)A3/BGEF)  
Πιέστε αυτό το κουμπι για να ξεκινήσετε ή να σταματήσετε την κατακόρυφη κίνηση της περσίδας και να ρυθμίσετε την επιθυμητή κατεύθυνση αέρα δεξιά/αριστερά. Κάθε πίεση του κουμπιού, αλλάζει την κατακόρυφη κλίση της περσίδας κατά 6 μοίρες. Στην οθόνη θερμοκρασίας της εσωτερικής μονάδας εμφανίζεται η ένδειξη "H" για ένα δευτερόλεπτο. Αν πιέσετε το κουμπι για περισσότερα από 2 δευτερόλεπτα, ενεργοποιείται η αυτόματη κίνηση της περσίδας. Στην οθόνη θερμοκρασίας της εσωτερικής μονάδας εμφανίζεται η ένδειξη "III", αναβοσβήνει τέσσερις φορές και μετά τη ένδειξη επανέρχεται στη ρύθμιση θερμοκρασίας. Αν διακοπή η λειτουργία κίνησης της περσίδας, εμφανίζεται η ένδειξη "LC" για 3 δευτερόλεπτα.

- Κουμπι SWING** (μοντέλο RG57A3(A2)/BGEF)  
Πιέστε αυτό το κουμπι για να ξεκινήσετε ή να σταματήσετε την οριζόντια κίνηση της περσίδας ή να ρυθμίσετε την επιθυμητή κατεύθυνση αέρα επάνω/κάτω. Κάθε πίεση του κουμπιού, αλλάζει την κλίση της περσίδας κατά 6 μοίρες. Αν πιέσετε το κουμπι για περισσότερα από 2 δευτερόλεπτα, ενεργοποιείται η αυτόματη κίνηση της περσίδας επάνω/κάτω.

- Κουμπι SWING** (μοντέλο RG57B/BGE)  
Πιέζοντας αυτό το κουμπι ξεκινάει ή σταματάει η αυτόματη κίνηση της οριζόντιας περσίδας.

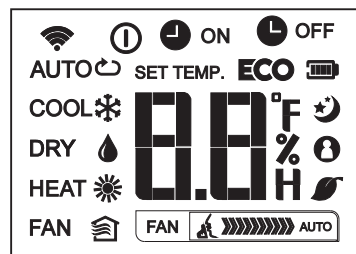
- Κουμπι DIRECT** (μοντέλο RG57B/BGE)  
Με αυτό το κουμπι αλλάζετε την κίνηση της περσίδας και ρυθμίζετε την επιθυμητή κατεύθυνση αέρα πάνω/κάτω. Κάθε πίεση του κουμπιού, αλλάζει την κλίση της περσίδας κατά 6 μοίρες.

- 13 Κουμπι FOLLOW ME** (μοντέλο Rg57(A2)A3/BGEF)  
Πιέστε το κουμπι αυτό για να ενεργοποιηθεί η λειτουργία FOLLOW ME (συνεχούς ενημέρωσης)· στην οθόνη του τηλεχειριστηρίου εμφανίζεται η πραγματική θερμοκρασία στη θέση που βρίσκεται. Το τηλεχειριστήριο στέλνει ένα σήμα με την πληροφορία αυτή στο κλιματιστικό μηχάνημα κάθε 3 λεπτά, μέχρι να πιέσετε ξανά το κουμπι FOLLOW ME. Η λειτουργία FOLLOW ME θα απενεργοποιηθεί αυτόματα από το μηχάνημα εάν δεν λάβει σήμα για 7 λεπτά.

- 14 Κουμπι LED**  
Ενεργοποιεί/Απενεργοποιεί την οθόνη LED της εσωτερικής μονάδας. Πιέζοντας αυτό το κουμπι απενεργοποιείται η οθόνη της εσωτερικής μονάδας. Πιέζοντάς το ξανά, ανάβει και πάλι η οθόνη.

## Ενδείξεις στην οθόνη LCD

Ενδείξεις που εμφανίζονται κατά την ενεργοποίηση του τηλεχειριστηρίου.



### Ένδειξη κατάστασης λειτουργίας

AUTO COOL DRY   
HEAT FAN

- Εμφανίζεται κατά τη μετάδοση δεδομένων
- Εμφανίζεται όταν το τηλεχειριστήριο είναι ενεργοποιημένο
- Ένδειξη μπαταρίας (ανίχνευση χαμηλής ισχύος)
- ECO** Μη διαθέσιμη λειτουργία στη μονάδα αυτή
- ON** Εμφανίζεται όταν έχει γίνει ρύθμιση αυτόματης ενεργοποίησης.
- OFF** Εμφανίζεται όταν έχει γίνει ρύθμιση αυτόματης απενεργοποίησης.
- Εμφανίζεται η ρύθμιση θερμοκρασίας ή η θερμοκρασία του χώρου ή ο χρόνος στη λειτουργία χρονοδιακόπτη (TIMER).

- Εμφανίζεται κατά τη λειτουργία SLEEP (αδράνειας).
- Ένδειξη ότι το κλιματιστικό μηχάνημα βρίσκεται στη λειτουργία FOLLOW ME (συνεχούς ενημέρωσης).
- Μη διαθέσιμη λειτουργία στη μονάδα αυτή
- Μη διαθέσιμη λειτουργία στη μονάδα αυτή

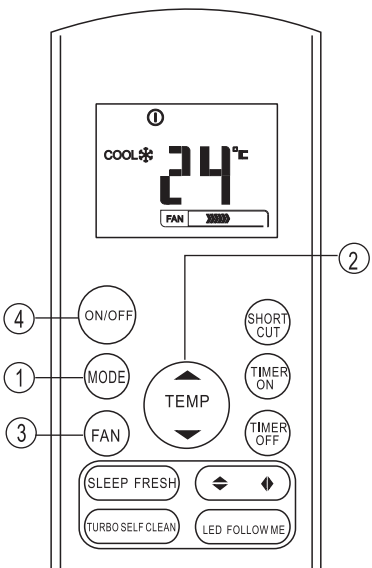
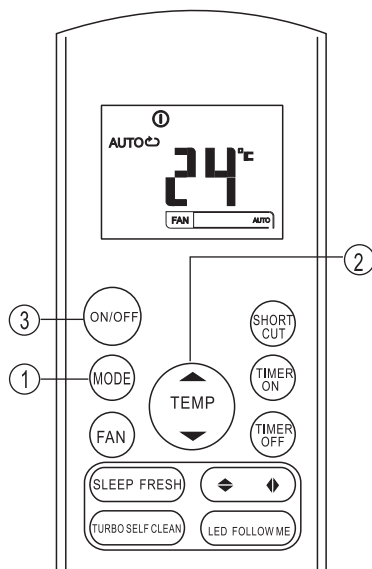
### Ένδειξη ταχύτητας ανεμιστήρα

- FAN** Χαμηλή ταχύτητα
- FAN** Μεσαία ταχύτητα
- FAN** Υψηλή ταχύτητα
- FAN** Αυτόματη ταχύτητα

### ΣΗΜΕΙΩΣΗ:

Στην εικόνα εμφανίζονται όλες οι ενδείξεις για λόγους πληρέστερης κατανόησης. Κατά τη λειτουργία όμως, στην οθόνη θα εμφανίζονται μόνο οι ενδείξεις των αντίστοιχων ενεργοποιημένων λειτουργιών.

### Χρήση των κουμπιών



### Αυτόματη λειτουργία

Βεβαιωθείτε ότι η μονάδα είναι συνδεδεμένη στην πρίζα και ότι υπάρχει παροχή ρεύματος. Η ένδειξη λειτουργίας στον πίνακα ενδείξεων της εσωτερικής μονάδας αναβοσβήνει.

1. Πιέστε το κουμπί **MODE**, για να επιλέξετε τον τρόπο λειτουργίας Auto.
2. Πιέστε τα κουμπιά **ΕΠΑΝΩ/ΚΑΤΩ** για να ρυθμίσετε την επιθυμητή θερμοκρασία. Το διαθέσιμο εύρος ρύθμισης της θερμοκρασίας είναι 17°C ~ 30°C, σε βήματα του 1°C.
3. Πιέστε το κουμπί **ON/OFF** για να τεθεί σε λειτουργία το κλιματιστικό μηχάνημα.

### ΣΗΜΕΙΩΣΗ

1. Στον αυτόματο τρόπο λειτουργίας (AUTO), το κλιματιστικό μηχάνημα επιλέγει αυτόματα την κατάσταση λειτουργίας Ψύξης, Ανεμιστήρα ή Θέρμανσης, ανιχνεύοντας τη διαφορά ανάμεσα στην πραγματική θερμοκρασία του χώρου και τη θερμοκρασία που έχετε ρυθμίσει στο τηλεχειριστήριο.
2. Στον αυτόματο τρόπο λειτουργίας δεν μπορείτε να ρυθμίσετε την ταχύτητα του ανεμιστήρα. Ελέγχεται αυτόματα.
3. Αν δεν νιώθετε άνετα με την αυτόματη λειτουργία, μπορείτε να αλλάξετε τρόπο λειτουργίας από το τηλεχειριστήριο.

### Λειτουργία Ψύξης/Θέρμανσης/Ανεμιστήρα

Βεβαιωθείτε ότι η μονάδα είναι συνδεδεμένη στην πρίζα και ότι υπάρχει παροχή ρεύματος.

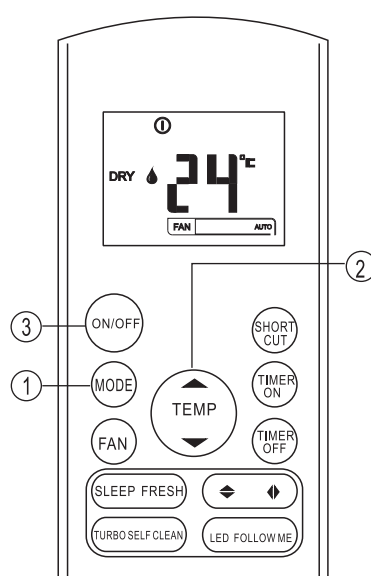
1. Πιέστε το κουμπί **MODE** για να επιλέξετε τον τρόπο λειτουργίας ψύξης (COOL), θέρμανσης (HEAT) (μόνο σε μοντέλα ψύξης/θέρμανσης) ή ανεμιστήρα (FAN).
2. Πιέστε τα κουμπιά **ΕΠΑΝΩ/ΚΑΤΩ** για να ρυθμίσετε την επιθυμητή θερμοκρασία. Το διαθέσιμο εύρος ρύθμισης της θερμοκρασίας είναι 17°C ~ 30°C, σε βήματα του 1°C.
3. Πιέστε το κουμπί **FAN** για να επιλέξετε την επιθυμητή ταχύτητα ανεμιστήρα σε τέσσερα βήματα - Auto (Αυτόματη), Low (Χαμηλή), Med (Μεσαία), ή High (Υψηλή).
4. Πιέστε το κουμπί **ON/OFF** για να τεθεί σε λειτουργία το κλιματιστικό μηχάνημα.

### ΣΗΜΕΙΩΣΗ

Στον τρόπο λειτουργίας ανεμιστήρα (FAN), στην οθόνη του τηλεχειριστηρίου δεν εμφανίζεται η ρύθμιση θερμοκρασίας, ενώ δεν μπορείτε να ελέγξετε τη θερμοκρασία του δωματίου. Σε αυτή την περίπτωση, μπορούν να εκτελεστούν μόνο τα βήματα 1, 3 και 4.

7

### Χρήση των κουμπιών



### Λειτουργία Αφύγρανσης

Βεβαιωθείτε ότι η μονάδα είναι συνδεδεμένη στην πρίζα και ότι υπάρχει παροχή ρεύματος. Η ένδειξη λειτουργίας στον πίνακα ενδείξεων της εσωτερικής μονάδας αναβοσβήνει.

1. Πιέστε το κουμπί **MODE**, για να επιλέξετε τον τρόπο λειτουργίας αφύγρανσης (DRY).
2. Πιέστε τα κουμπιά **ΕΠΑΝΩ/ΚΑΤΩ** για να ρυθμίσετε την επιθυμητή θερμοκρασία. Το διαθέσιμο εύρος ρύθμισης της θερμοκρασίας είναι 17°C ~ 30°C, σε βήματα του 1°C.
3. Πιέστε το κουμπί **ON/OFF** για να τεθεί σε λειτουργία το κλιματιστικό μηχάνημα.

### ΣΗΜΕΙΩΣΗ

Στον τρόπο λειτουργίας αφύγρανσης δεν μπορείτε να ρυθμίσετε την ταχύτητα του ανεμιστήρα. Ελέγχεται αυτόματα.

### Ρύθμιση της κατεύθυνσης ροής αέρα

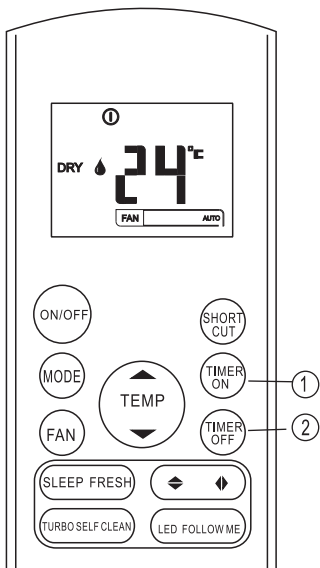
Χρησιμοποιήστε τα κουμπιά SWING ◀ & ▶ για να ρυθμίσετε την επιθυμητή κατεύθυνση ροής του αέρα.

1. Η ρύθμιση της κατεύθυνσης επάνω/κάτω γίνεται από το αντίστοιχο κουμπί ▶ στο τηλεχειριστήριο. Κάθε πίεση του κουμπιού, αλλάζει την κλίση της περιόδου κατά 6 μοίρες. Αν πιέσετε το κουμπί για περισσότερα από 2 δευτερόλεπτα, ενεργοποιείται η αυτόματη κίνηση της περιόδου επάνω/κάτω.
2. Η ρύθμιση της κατεύθυνσης δεξιά/αριστερά γίνεται από το αντίστοιχο κουμπί ◀ στο τηλεχειριστήριο. Κάθε πίεση του κουμπιού, αλλάζει την κλίση της περιόδου κατά 6 μοίρες. Αν πιέσετε το κουμπί για περισσότερα από 2 δευτερόλεπτα, ενεργοποιείται η αυτόματη κίνηση της περιόδου επάνω/κάτω.

### ΣΗΜΕΙΩΣΗ:

Αν η κίνηση ή η θέση της οριζόντιας περιόδου επηρεάζει την απόδοση ψύξης ή θέρμανσης του κλιματιστικού μηχανήματος, το μηχάνημα θα μεταβάλει αυτόματα την κίνηση/θέση της περιόδου.

8



### Λειτουργία χρονοδιακόπτη

Πιέστε το κουμπί TIMER ON για να ρυθμίσετε το χρόνο αυτόματης ενεργοποίησης της μονάδας. Πιέστε το κουμπί TIMER OFF για να ρυθμίσετε το χρόνο αυτόματης απενεργοποίησης της μονάδας.

#### Για να ρυθμίσετε το χρόνο αυτόματης ενεργοποίησης.

1. Πιέστε το κουμπί TIMER ON. Στην οθόνη LCD του τηλεχειριστηρίου εμφανίζεται η ένδειξη TIMER ON, η τελευταία ρύθμιση αυτόματης ενεργοποίησης και η ένδειξη "H". Τώρα μπορείτε να ρυθμίσετε εκ νέου το χρόνο αυτόματης ενεργοποίησης.
2. Πιέστε ξανά το κουμπί TIMER ON, για να ρυθμίσετε τον επιθυμητό χρόνο ενεργοποίησης της μονάδας. Κάθε φορά που πιέζετε το κουμπί, ο χρόνος αυξάνεται κατά τριάντα λεπτά από 0 μέχρι τις 10 ώρες και κατά εξήντα λεπτά από τις 10 μέχρι τις 24 ώρες.
3. Αφού ρυθμίσετε το χρόνο ενεργοποίησης, θα υπάρξει καθυστέρηση ενός δευτερολέπτου μέχρι το τηλεχειριστήριο να μεταδώσει το σήμα στο κλιματιστικό μηχανήμα. Στη συνέχεια, μετά από περίπου άλλα 2 δευτερόλεπτα, θα εξαφανιστεί η ένδειξη "h" από την οθόνη LCD και θα εμφανιστεί και πάλι η ρύθμιση θερμοκρασίας.

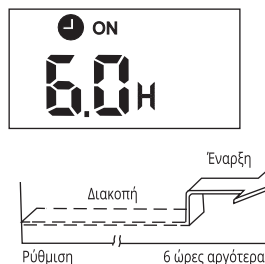
#### Για να ρυθμίσετε το χρόνο αυτόματης απενεργοποίησης.

1. Πιέστε το κουμπί TIMER OFF. Στην οθόνη LCD του τηλεχειριστηρίου εμφανίζεται η ένδειξη TIMER OFF, η τελευταία ρύθμιση αυτόματης απενεργοποίησης και η ένδειξη "H". Τώρα μπορείτε να ρυθμίσετε εκ νέου το χρόνο αυτόματης απενεργοποίησης.
2. Πιέστε ξανά το κουμπί TIMER OFF, για να ρυθμίσετε τον επιθυμητό χρόνο απενεργοποίησης της μονάδας. Κάθε φορά που πιέζετε το κουμπί, ο χρόνος αυξάνεται κατά τριάντα λεπτά από 0 μέχρι τις 10 ώρες και κατά εξήντα λεπτά από τις 10 μέχρι τις 24 ώρες.
3. Αφού ρυθμίσετε το χρόνο απενεργοποίησης, θα υπάρξει καθυστέρηση ενός δευτερολέπτου μέχρι το τηλεχειριστήριο να μεταδώσει το σήμα στο κλιματιστικό μηχανήμα. Στη συνέχεια, μετά από περίπου άλλα 2 δευτερόλεπτα, θα εξαφανιστεί η ένδειξη "H" από την οθόνη LCD και θα εμφανιστεί και πάλι η ρύθμιση θερμοκρασίας.

### ▲ ΠΡΟΣΟΧΗ

- Όταν επιλέγετε τη λειτουργία χρονοδιακόπτη, το τηλεχειριστήριο στέλνει αυτόματα το σήμα χρονοδιακόπτη στην εσωτερική μονάδα με το χρόνο που έχετε επιλέξει. Συνεπώς, θα πρέπει το τηλεχειριστήριο να βρίσκεται σε μία θέση από την οποία να μπορεί να στείλει το σήμα στην εσωτερική μονάδα.
- Η ώρα λειτουργίας που ρυθμίζεται μέσω τηλεχειριστηρίου για την λειτουργία του χρονοδιακόπτη περιορίζεται στις εξής ρυθμίσεις: 0,5, 1,0, 1,5, 2,0, 2,5, 3,0, 3,5, 4,0, 4,5, 5,0, 5,5, 6,0, 6,5, 7,0, 7,5, 8,0, 8,5, 9,0, 9,5, 10, 11, 12, 13, 14, 15, 16, 17, 18, 19, 20, 21, 22, 23 και 24.

### Παράδειγμα ρύθμισης χρονοδιακόπτη



### TIMER ON

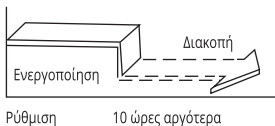
#### (Λειτουργία αυτόματης ενεργοποίησης)

Η λειτουργία αυτόματης ενεργοποίησης είναι χρήσιμη όταν θέλετε η μονάδα να τεθεί σε λειτουργία πριν εσείς επιστρέψετε στο σπίτι. Το κλιματιστικό μηχανήμα θα ενεργοποιηθεί αυτόματα κατά το χρόνο που εσείς θα έχετε ρυθμίσει.

#### Παράδειγμα:

Για να ενεργοποιηθεί αυτόματα το κλιματιστικό μηχανήμα σε 6 ώρες.

1. Πιέστε το κουμπί TIMER ON. Στην οθόνη του τηλεχειριστηρίου εμφανίζεται η τελευταία ρύθμιση αυτόματης ενεργοποίησης και η ένδειξη "H".
2. Πιέστε το κουμπί TIMER ON για να εμφανιστεί η ένδειξη "6.0H" στην οθόνη αυτόματης ενεργοποίησης του τηλεχειριστηρίου.
3. Μετά από 3 δευτερόλεπτα, στην οθόνη του τηλεχειριστηρίου θα εμφανιστεί και πάλι η θερμοκρασία. Η ένδειξη "TIMER ON" παραμένει και η λειτουργία έχει ενεργοποιηθεί.



### TIMER OFF

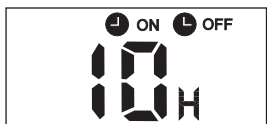
#### (Λειτουργία αυτόματης απενεργοποίησης)

Η λειτουργία αυτόματης απενεργοποίησης είναι χρήσιμη όταν θέλετε η μονάδα να απενεργοποιηθεί αυτόματα αφού εσείς πέσετε για ύπνο. Το κλιματιστικό μηχάνημα θα απενεργοποιηθεί αυτόματα κατά το χρόνο που εσείς θα έχετε ρυθμίσει.

#### Παράδειγμα:

Για να απενεργοποιηθεί αυτόματα το κλιματιστικό μηχάνημα σε 10 ώρες.

1. Πιέστε το κουμπί TIMER OFF. Στην οθόνη του τηλεχειριστηρίου εμφανίζεται η τελευταία ρύθμιση αυτόματης απενεργοποίησης και η ένδειξη "H".
2. Πιέστε το κουμπί TIMER OFF για να εμφανιστεί η ένδειξη "10H" στην οθόνη αυτόματης απενεργοποίησης του τηλεχειριστηρίου.
3. Μετά από 3 δευτερόλεπτα, στην οθόνη του τηλεχειριστηρίου θα εμφανιστεί και πάλι η θερμοκρασία. Η ένδειξη "TIMER OFF" παραμένει και η λειτουργία έχει ενεργοποιηθεί.



### ΣΥΝΔΥΑΣΜΕΝΟΣ ΧΡΟΝΟΔΙΑΚΟΠΤΗΣ

#### (Ταυτόχρονη ρύθμιση χρονοδιακόπτη ενεργοποίησης και απενεργοποίησης)

TIMER OFF → TIMER ON

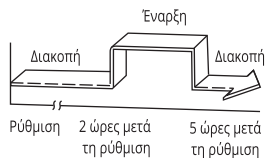
(Ενεργοποίηση → Διακοπή λειτουργίας → Έναρξη λειτουργίας)

Η λειτουργία αυτή είναι χρήσιμη αν θέλετε το κλιματιστικό μηχάνημα να απενεργοποιηθεί αφού πέσετε για ύπνο και να ενεργοποιηθεί ξανά το πρωί όταν ξυπνήσετε ή όταν επιστρέψετε στο σπίτι.

#### Παράδειγμα:

Για να απενεργοποιηθεί το κλιματιστικό μηχάνημα 2 ώρες μετά τη ρύθμιση και να ενεργοποιηθεί ξανά 10 ώρες μετά τη ρύθμιση.

1. Πιέστε το κουμπί TIMER OFF.
2. Πιέστε ξανά το κουμπί TIMER OFF για να εμφανιστεί η ένδειξη 2.0H στην οθόνη του τηλεχειριστηρίου.
3. Πιέστε το κουμπί TIMER ON.
4. Πιέστε ξανά το κουμπί TIMER ON για να εμφανιστεί η ένδειξη 10H στην οθόνη του τηλεχειριστηρίου.
5. Μετά από 3 δευτερόλεπτα, στην οθόνη του τηλεχειριστηρίου θα εμφανιστεί και πάλι η θερμοκρασία. Η ένδειξη "TIMER ON OFF" παραμένει και η λειτουργία έχει ενεργοποιηθεί.



TIMER ON → TIMER OFF

(Απενεργοποίηση → Έναρξη λειτουργίας → Διακοπή λειτουργίας)

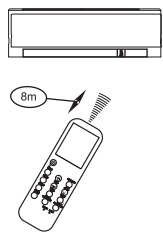
Η λειτουργία αυτή είναι χρήσιμη αν θέλετε το κλιματιστικό μηχάνημα να ενεργοποιηθεί πριν ξυπνήσετε και να απενεργοποιηθεί αφού φύγετε από το σπίτι.

#### Παράδειγμα:

Για να απενεργοποιηθεί το κλιματιστικό μηχάνημα 2 ώρες μετά τη ρύθμιση και να απενεργοποιηθεί 5 ώρες μετά τη ρύθμιση.

1. Πιέστε το κουμπί TIMER ON.
2. Πιέστε ξανά το κουμπί TIMER ON για να εμφανιστεί η ένδειξη 2.0H στην οθόνη του τηλεχειριστηρίου.
3. Πιέστε το κουμπί TIMER OFF.
4. Πιέστε ξανά το κουμπί TIMER OFF για να εμφανιστεί η ένδειξη 5.0H στην οθόνη του τηλεχειριστηρίου.
5. Μετά από 3 δευτερόλεπτα, στην οθόνη του τηλεχειριστηρίου θα εμφανιστεί και πάλι η θερμοκρασία. Η ένδειξη "TIMER & TIMER ON OFF" παραμένει και η λειτουργία έχει ενεργοποιηθεί.

## Χειρισμός του τηλεχειριστηρίου



### Θέση του τηλεχειριστηρίου

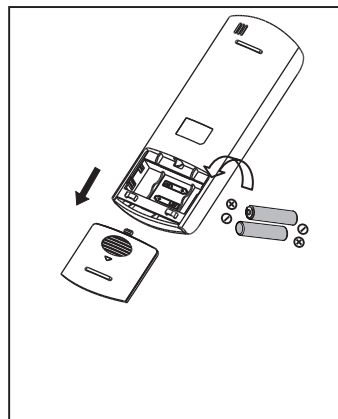
- Θα πρέπει να χρησιμοποιείτε το τηλεχειριστήριο από απόσταση όχι μεγαλύτερη των 8 μέτρων από τη συσκευή και να το έχετε στραμμένο προς το δέκτη της συσκευής. Η λήψη του σήματος επιβεβαιώνεται με έναν χαρακτηριστικό ήχο.

### ▲ ΠΡΟΣΟΧΗ

- Το τηλεχειριστήριο δεν λειτουργεί αν κουρτίνες, πόρτες ή άλλα αντικείμενα εμποδίζουν τα σήματα να φτάσουν στην εσωτερική μονάδα.
- Προσέχετε να μην πέσουν υγρά επάνω στο τηλεχειριστήριο. Προφυλάσσετε το τηλεχειριστήριο από άμεση έκθεση σε ηλιακή ακτινοβολία ή ζέστη.
- Αν ο δέκτης υπέρυθρων σημάτων της εσωτερικής μονάδας είναι εκτεθειμένος στην ηλιακή ακτινοβολία, το κλιματιστικό μηχανήμα ενδέχεται να μην λειτουργεί κανονικά. Κλείνετε τις κουρτίνες ώστε η ηλιακή ακτινοβολία να μην πέφτει επάνω στο δέκτη.
- Αν το τηλεχειριστήριο επιδρά σε άλλες ηλεκτρικές συσκευές, μετακινήστε τις συσκευές αυτές ή συμβουλευτείτε τον τοπικό αντιπρόσωπο.
- Προσέξτε να μην σας πέσει το τηλεχειριστήριο. Να είστε προσεκτικοί στο χειρισμό.
- Μην ακουμπάτε βαριά αντικείμενα πάνω στο τηλεχειριστήριο και προσέξτε να μην το πατήσετε με το πόδι σας.

### Βάση στήριξης του τηλεχειριστηρίου (προαιρετικός εξοπλισμός)

- Μπορείτε να στερεώσετε το τηλεχειριστήριο σε έναν τοίχο ή άλλη επιφάνεια, χρησιμοποιώντας μία βάση στήριξης (δεν περιλαμβάνεται, πωλείται ξεχωριστά).
- Πριν εγκαταστήσετε τη βάση, βεβαιωθείτε ότι το κλιματιστικό μηχανήμα λαμβάνει σωστά τα σήματα από τη συγκεκριμένη θέση.
- Εγκαταστήστε τη βάση του τηλεχειριστηρίου, με δύο βίδες.
- Για να βάλετε και να βγάλετε το τηλεχειριστήριο από τη βάση, απλά μετακινήστε το επάνω/κάτω.



### Αντικατάσταση μπαταριών

Τα παρακάτω αποτελούν ένδειξη ότι οι μπαταρίες έχουν αδειάσει. Αντικαταστήστε τις παλιές μπαταρίες με καινούριες.

- Δεν ακούγεται ο χαρακτηριστικός ήχος κατά τη μετάδοση σήματος.
- Οι ενδείξεις είναι αχνές.

Το τηλεχειριστήριο λειτουργεί με δύο μπαταρίες ξηρού τύπου (R03/LR03X2), οι οποίες βρίσκονται στο πίσω μέρος κάτω από ένα κάλυμμα.

- (1) Αφαιρέστε το κάλυμμα στο πίσω μέρος του τηλεχειριστηρίου.
- (2) Αφαιρέστε τις παλιές μπαταρίες και τοποθετήστε τις καινούριες, ακολουθώντας της σωστή πολικότητα (+) και (-).
- (3) Επανατοποθετήστε το κάλυμμα.

**ΣΗΜΕΙΩΣΗ:** Όταν αφαιρεθούν οι μπαταρίες, κάθε προγραμματισμός του τηλεχειριστηρίου διαγράφεται. Αφού αντικαταστήσετε τις μπαταρίες, θα πρέπει να επαναπρογραμματίσετε το τηλεχειριστήριο.

### ▲ ΠΡΟΣΟΧΗ

- Μην χρησιμοποιείτε μαζί καινούριες και χρησιμοποιημένες μπαταρίες ή μπαταρίες διαφορετικού τύπου.
- Μην αφήνετε τις μπαταρίες μέσα στο τηλεχειριστήριο αν δεν πρόκειται να το χρησιμοποιήσετε για 2 ή 3 μήνες.
- Μην διαθέτετε τις μπαταρίες μαζί με τα αδιαχώριστα οικιακά απόβλητα. Είναι αναγκαία η αποκομιδή αυτού του είδους των απορριμμάτων ξεχωριστά για ειδική κατεργασία.





Κεντρικά Γραφεία & Έκθεση	17ο χλμ. Ε.Ο. Αθηνών-Λαμίας & Ποταμού 20, 145 64 Κηφισιά, Αθήνα Τηλ.: 210 4277700
Εξυπηρέτηση Πελατών	Τηλ.: 210 4277700 για προγραμματισμό επίσκεψης τεχνικού 24 ώρες την ημέρα, 7 ημέρες την εβδομάδα, για ανταλλακτικά, αξεσουάρ, αναλώσιμα email: CustomerService@bshg.com
Αθήνα	17ο χλμ. Ε.Ο. Αθηνών-Λαμίας & Ποταμού 20, 145 64 Κηφισιά
Θεσσαλονίκη	Οδός Χάλκης Πατριαρχικό Πυλαίας, 570 01 Πυλαία Τ.Θ. 60017 Θέρμη
Πάτρα	Οδός Χαραλάμπη 57, 262 24 Ψηλά Αλώνια
Κρήτη	Λεωφόρος Εθνικής Αντιστάσεως 23, 713 06 Ηράκλειο Κρήτης
Κύπρος	Αρχιεπισκόπου Μακαρίου Γ' 39, 2407 Έγκωμη, Λευκωσία - Κύπρος Τηλ.: 7777 8007

**BSH Οπιακές Συσκευές Α.Β.Ε.**  
17ο χλμ. Ε.Ο. Αθηνών-Λαμίας & Ποταμού 20, 145 64 Κηφισιά, ΑΦΜ: 094011898, ΔΟΥ: ΦΑΕ Αθηνών



Τηρούμε το δικαίωμα αλλαγών



el Οδηγίες χρήσης

- P1ZAI0982W - P1ZAO0982W
- P1ZAI1282W - P1ZAO1282W
- P1ZAI1884W - P1ZAO1884W
- P1ZAI2484W - P1ZAO2484W

Τηλεχειριστήριο AC / Remote control AC

## ΠΕΡΙΕΧΟΜΕΝΑ

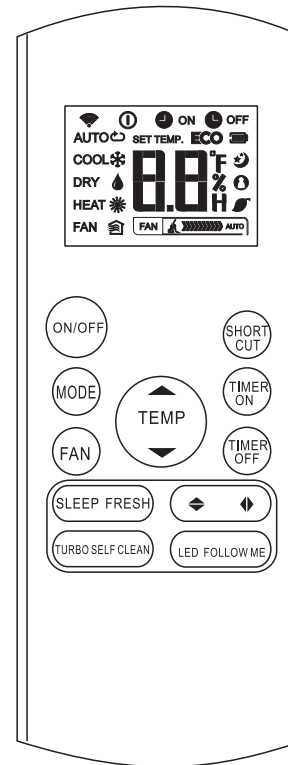
Τεχνικά χαρακτηριστικά του τηλεχειριστηρίου.....	2
Κουμπιά λειτουργιών.....	3
Ενδείξεις στην οθόνη LCD .....	6
Χρήση των κουμπιών .....	7
Αυτόματη λειτουργία (AUTO) .....	7
Λειτουργία Ψύξης / Θέρμανσης / Ανεμιστήρα .....	7
Λειτουργία Αφύγρανσης .....	8
Ρύθμιση της κατεύθυνσης ροής αέρα.....	8
Λειτουργία χρονοδιακόπτη .....	9
Χειρισμός του τηλεχειριστηρίου.....	13

### ΣΗΜΕΙΩΣΗ:

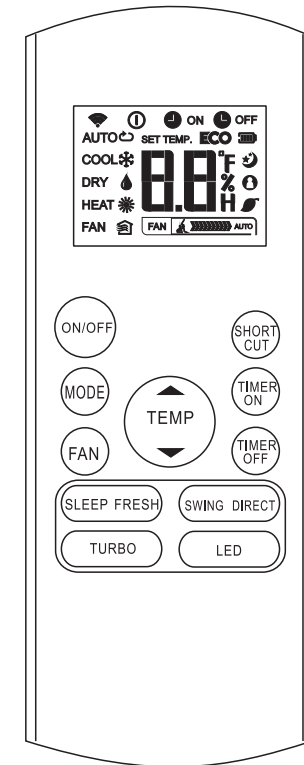
- Η διάταξη των κουμπιών είναι αυτή ενός βασικού μοντέλου και ενδέχεται να διαφέρει ελαφρώς από τη διάταξη του τηλεχειριστηρίου της συσκευής που αγοράσατε.
- Όλες οι λειτουργίες που περιγράφονται παραπάνω εκτελούνται από τη μονάδα. Αν μία μονάδα δεν διαθέτει μία συγκεκριμένη λειτουργία, δεν υπάρχει καμία ανταπόκριση της συσκευής στο πάτημα του αντίστοιχου κουμπιού στο τηλεχειριστήριο.
- Αν υπάρχουν μεγάλες διαφορές ανάμεσα στον "Εικονογραφημένο οδηγό τηλεχειριστηρίου" και το "Εγχειρίδιο Χρήστη" αναφορικά με την περιγραφή λειτουργιών, η περιγραφή στο "Εγχειρίδιο Χρήστη" υπερισχύει.

### Τεχνικά χαρακτηριστικά του τηλεχειριστηρίου

Μοντέλο	RG57A3/BGEF, RG57A2/BGEF, RG57B/BGE, RG57D/BGE
Ονομαστική τάση	3.0V (Μπαταρίες ξηρού τύπου R03/LR03×2)
Εμβέλεια λήψης σήματος	8 μ
Περιβάλλον λειτουργίας	-5°C ~ 60°C



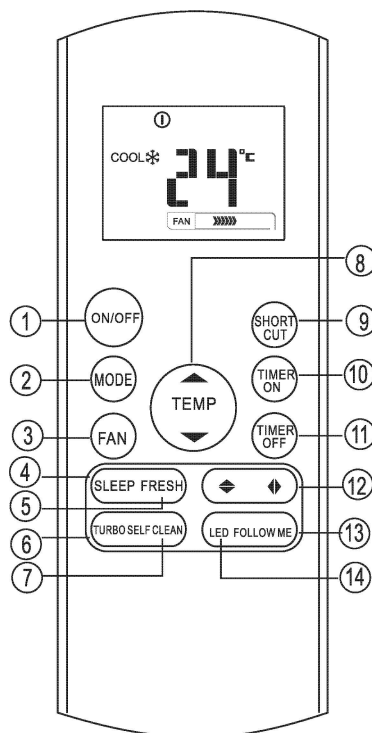
RG57A2/BGEF  
(χωρίς κουμπί FRESH)  
RG57A3/BGEF



RG57B/BGE  
(χωρίς κουμπί FRESH)  
RG57D/BGE



## Κουμπιά Λειτουργιών



RG57A3/BGEF

### 1 Κουμπι ON/OFF

Με το κουμπι αυτό ενεργοποιείται και απενεργοποιείται το κλιματιστικό μηχανήμα.

### 2 Κουμπι MODE

Πιέζοντας αυτό το κουμπι, αλλάζει ο τρόπος λειτουργίας με την εξής σειρά:

→ AUTO → COOL → DRY → HEAT → FAN

**ΣΗΜΕΙΩΣΗ:** Μην επιλέγετε τον τρόπο λειτουργίας HEAT (θέρμανση) εάν το μηχανήμα που αγοράσατε παρέχει μόνο ψύξη. Η λειτουργία θέρμανσης δεν υποστηρίζεται από συσκευές μόνο ψύξης.

### 3 Κουμπι FAN

Με το κουμπι αυτό επιλέγετε την ταχύτητα του ανεμιστήρα.

→ AUTO → LOW → MED → HIGH

**ΣΗΜΕΙΩΣΗ:** Δεν μπορείτε να επιλέξετε ταχύτητα ανεμιστήρα αν έχετε επιλέξει αυτόματο τρόπο λειτουργίας (AUTO) ή αφύγρανση (DRY).

### 4 Κουμπι SLEEP

- Ενεργοποιεί/απενεργοποιεί τη λειτουργία SLEEP (αδράνεια). Διατηρεί τη θερμοκρασία στα πιο άνετα επίπεδα και εξοικονομεί ενέργεια. Η λειτουργία είναι διαθέσιμη κατά τη λειτουργία Ψύξης (COOL), Θέρμανσης (HEAT) ή Αφύγρανσης (DRY).

- Για περισσότερες λεπτομέρειες συμβουλευτείτε την ονότητα "Λειτουργία αδράνειας (SLEEP)" στο "Εγχειρίδιο Χρήστη".

**ΣΗΜΕΙΩΣΗ:** Όταν η μονάδα βρίσκεται στη λειτουργία SLEEP, εάν πιέσετε το κουμπι MODE, FAN SPEED ή ON/OFF η λειτουργία απενεργοποιείται.

### 5 Κουμπι FRESH (μοντέλα RG57A3/BGEF και RG57D/BGE)

Ενεργοποιεί/απενεργοποιεί τη λειτουργία FRESH (Καθαρισμού αέρα). Κατά την επιλογή της λειτουργίας FRESH, ενεργοποιείται ο ιονιστής/Συλλέκτης Σκόνης Plasma (ανάλογα με το μοντέλο) και συμβάλλει στην απομάκρυνση της γύρης και των ρύπων από τον αέρα.

### 6 Κουμπι TURBO

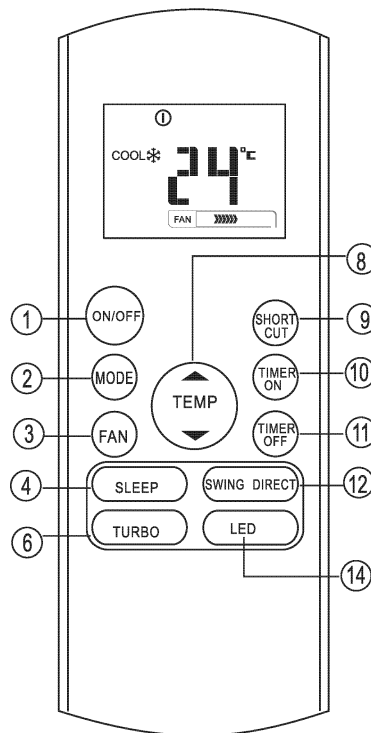
Ενεργοποιεί/απενεργοποιεί τη λειτουργία TURBO. Με τη λειτουργία TURBO, η μονάδα επιτυγχάνει την επιλεγμένη θερμοκρασία ψύξης ή θέρμανσης στο συντομότερο δυνατό χρονικό διάστημα (αν η εσωτερική μονάδα δεν υποστηρίζει τη λειτουργία αυτή, τότε δεν θα υπάρχει καμία ανταπόκριση από τη συσκευή στο πάτημα αυτού του κουμπιού).

### 7 Κουμπι SELF CLEAN (μοντέλο Rg57(A2)A3/BGEF)

Ενεργοποιεί/απενεργοποιεί τη λειτουργία Self Clean (Αυτοκαθαρισμού).

3

## Κουμπιά Λειτουργιών



RG57D/BGE

### 8 Κουμπι ΕΠΑΝΩ (▲)

Πιέστε αυτό το κουμπι, για να αυξήσετε τη ρύθμιση της θερμοκρασίας εσωτερικού χώρου μέχρι τους 30°C, σε βήματα του 1°C.

### Κουμπι ΚΑΤΩ (▼)

Πιέστε αυτό το κουμπι, για να αυξήσετε τη ρύθμιση της θερμοκρασίας εσωτερικού χώρου μέχρι τους 17°C, σε βήματα του 1°C.

**ΣΗΜΕΙΩΣΗ:** Στη λειτουργία ανεμιστήρα (FAN) δεν είναι δυνατή η ρύθμιση της θερμοκρασίας.

### 9 Κουμπι SHORTCUT

- Χρησιμοποιείται για να επαναφέρει τις τρέχουσες ρυθμίσεις ή να συνεχίσετε με τις προηγούμενες ρυθμίσεις.
- Την πρώτη φορά που θα συνδεθεί η συσκευή στο ρεύμα, εάν πιέσετε το κουμπι SHORTCUT, η μονάδα θα τεθεί στον τρόπο λειτουργίας AUTO στους 26°C και η ταχύτητα του ανεμιστήρα θα είναι επίσης στο Auto.
- Εάν πιέσετε αυτό το κουμπι όταν το τηλεχειριστήριο είναι ενεργοποιημένο, το σύστημα θα επανέλθει αυτόματα στις προηγούμενες ρυθμίσεις τρόπου λειτουργίας, ρύθμισης της θερμοκρασίας, ταχύτητας του ανεμιστήρα και της λειτουργίας SLEEP (εάν είναι ενεργή).
- Εάν πιέσετε αυτό το κουμπι για περισσότερο από 2 δευτερόλεπτα, το σύστημα θα επανέλθει αυτόματα στις τρέχουσες ρυθμίσεις λειτουργίας, όπως τρόπος λειτουργίας, ρύθμιση της θερμοκρασίας, ταχύτητα του ανεμιστήρα και λειτουργία SLEEP (εάν είναι ενεργή).

### 10 Κουμπι TIMER ON

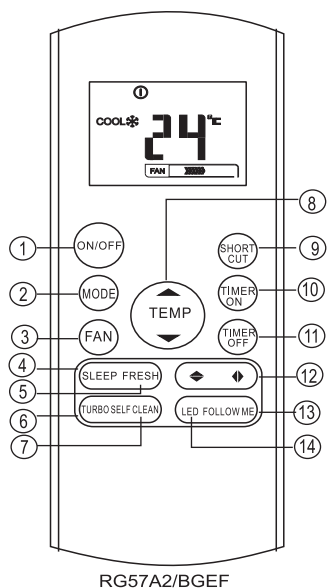
Πιέστε το κουμπι αυτό για να ξεκινήσει η ακολουθία αυτόματης ενεργοποίησης. Με κάθε πίεση του κουμπιού, η ρύθμιση του χρόνου αυτόματης ενεργοποίησης αυξάνεται κατά 30 λεπτά. Όταν ο χρόνος ρύθμισης δείξει 10.0, με κάθε πίεση η ρύθμιση αυξάνεται κατά 60 λεπτά. Για να ακυρώσετε τη ρύθμιση του χρόνου αυτόματης ενεργοποίησης του κλιματιστικού, ρυθμίστε το χρόνο αυτόματης ενεργοποίησης στο 0.0.

### 11 Κουμπι TIMER OFF

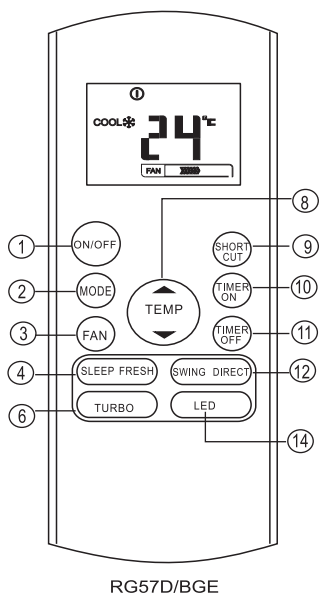
Πιέστε το κουμπι αυτό για να ξεκινήσει η ακολουθία αυτόματης απενεργοποίησης. Με κάθε πίεση του κουμπιού, η ρύθμιση του χρόνου αυτόματης απενεργοποίησης αυξάνεται κατά 30 λεπτά. Όταν ο χρόνος ρύθμισης δείξει 10.0, με κάθε πίεση η ρύθμιση αυξάνεται κατά 60 λεπτά. Για να ακυρώσετε τη ρύθμιση του χρόνου αυτόματης απενεργοποίησης του κλιματιστικού, ρυθμίστε το χρόνο αυτόματης απενεργοποίησης στο 0.0.

4

## Κουμπιά λειτουργιών



RG57A2/BGEF



RG57D/BGE

- 12 Κουμπι SWING** (μοντέλο RG57 (A2)A3/BGEF)  
Πιέστε αυτό το κουμπι για να ξεκινήσετε ή να σταματήσετε την κατακόρυφη κίνηση της περσίδας και να ρυθμίσετε την επιθυμητή κατεύθυνση αέρα δεξιά/αριστερά. Κάθε πίεση του κουμπιού, αλλάζει την κατακόρυφη κλίση της περσίδας κατά 6 μοίρες. Στην οθόνη θερμοκρασίας της εσωτερικής μονάδας εμφανίζεται η ένδειξη "H" για ένα δευτερόλεπτο. Αν πιέσετε το κουμπι για περισσότερα από 2 δευτερόλεπτα, ενεργοποιείται η αυτόματη κίνηση της περσίδας. Στην οθόνη θερμοκρασίας της εσωτερικής μονάδας εμφανίζεται η ένδειξη "III", αναβοσβήνει τέσσερις φορές και μετά τη ένδειξη επανέρχεται στη ρύθμιση θερμοκρασίας. Αν διακοπή η λειτουργία κίνησης της περσίδας, εμφανίζεται η ένδειξη "LC" για 3 δευτερόλεπτα.

- Κουμπι SWING** (μοντέλο RG57A3(A2)/BGEF)  
Πιέστε αυτό το κουμπι για να ξεκινήσετε ή να σταματήσετε την οριζόντια κίνηση της περσίδας ή να ρυθμίσετε την επιθυμητή κατεύθυνση αέρα επάνω/κάτω. Κάθε πίεση του κουμπιού, αλλάζει την κλίση της περσίδας κατά 6 μοίρες. Αν πιέσετε το κουμπι για περισσότερα από 2 δευτερόλεπτα, ενεργοποιείται η αυτόματη κίνηση της περσίδας επάνω/κάτω.

- Κουμπι SWING** (μοντέλο RG57B/BGE)  
Πιέζοντας αυτό το κουμπι ξεκινάει ή σταματάει η αυτόματη κίνηση της οριζόντιας περσίδας.

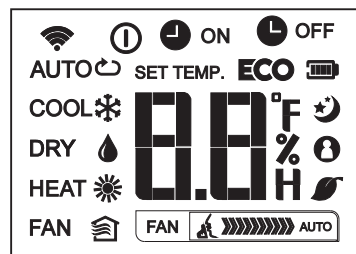
- Κουμπι DIRECT** (μοντέλο RG57B/BGE)  
Με αυτό το κουμπι αλλάζετε την κίνηση της περσίδας και ρυθμίζετε την επιθυμητή κατεύθυνση αέρα πάνω/κάτω. Κάθε πίεση του κουμπιού, αλλάζει την κλίση της περσίδας κατά 6 μοίρες.

- 13 Κουμπι FOLLOW ME** (μοντέλο Rg57(A2)A3/BGEF)  
Πιέστε το κουμπι αυτό για να ενεργοποιηθεί η λειτουργία FOLLOW ME (συνεχούς ενημέρωσης)· στην οθόνη του τηλεχειριστηρίου εμφανίζεται η πραγματική θερμοκρασία στη θέση που βρίσκεται. Το τηλεχειριστήριο στέλνει ένα σήμα με την πληροφορία αυτή στο κλιματιστικό μηχάνημα κάθε 3 λεπτά, μέχρι να πιέσετε ξανά το κουμπι FOLLOW ME. Η λειτουργία FOLLOW ME θα απενεργοποιηθεί αυτόματα από το μηχάνημα εάν δεν λάβει σήμα για 7 λεπτά.

- 14 Κουμπι LED**  
Ενεργοποιεί/Απενεργοποιεί την οθόνη LED της εσωτερικής μονάδας. Πιέζοντας αυτό το κουμπι απενεργοποιείται η οθόνη της εσωτερικής μονάδας. Πιέζοντάς το ξανά, ανάβει και πάλι η οθόνη.

## Ενδείξεις στην οθόνη LCD

Ενδείξεις που εμφανίζονται κατά την ενεργοποίηση του τηλεχειριστηρίου.



### Ένδειξη κατάστασης λειτουργίας

AUTO COOL DRY   
HEAT FAN

- Εμφανίζεται κατά τη μετάδοση δεδομένων
- Εμφανίζεται όταν το τηλεχειριστήριο είναι ενεργοποιημένο
- Ένδειξη μπαταρίας (ανίχνευση χαμηλής ισχύος)
- Μη διαθέσιμη λειτουργία στη μονάδα αυτή
- Εμφανίζεται όταν έχει γίνει ρύθμιση αυτόματης ενεργοποίησης.
- Εμφανίζεται όταν έχει γίνει ρύθμιση αυτόματης απενεργοποίησης.
- Εμφανίζεται η ρύθμιση θερμοκρασίας ή η θερμοκρασία του χώρου ή ο χρόνος στη λειτουργία χρονοδιακόπτη (TIMER).

- Εμφανίζεται κατά τη λειτουργία SLEEP (αδράνειας).
- Ένδειξη ότι το κλιματιστικό μηχάνημα βρίσκεται στη λειτουργία FOLLOW ME (συνεχούς ενημέρωσης).
- Μη διαθέσιμη λειτουργία στη μονάδα αυτή
- Μη διαθέσιμη λειτουργία στη μονάδα αυτή

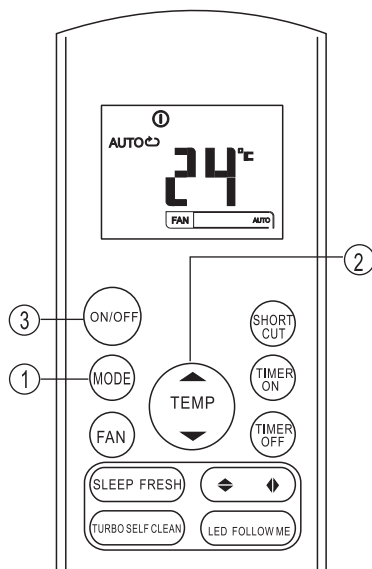
### Ένδειξη ταχύτητας ανεμιστήρα

- Χαμηλή ταχύτητα
- Μεσαία ταχύτητα
- Υψηλή ταχύτητα
- Αυτόματη ταχύτητα

### ΣΗΜΕΙΩΣΗ:

Στην εικόνα εμφανίζονται όλες οι ενδείξεις για λόγους πληρέστερης κατανόησης. Κατά τη λειτουργία όμως, στην οθόνη θα εμφανίζονται μόνο οι ενδείξεις των αντίστοιχων ενεργοποιημένων λειτουργιών.

### Χρήση των κουμπιών



### Αυτόματη λειτουργία

Βεβαιωθείτε ότι η μονάδα είναι συνδεδεμένη στην πρίζα και ότι υπάρχει παροχή ρεύματος. Η ένδειξη λειτουργίας στον πίνακα ενδείξεων της εσωτερικής μονάδας αναβοσβήνει.

1. Πιέστε το κουμπί **MODE**, για να επιλέξετε τον τρόπο λειτουργίας Auto.
2. Πιέστε τα κουμπιά **ΕΠΑΝΩ/ΚΑΤΩ** για να ρυθμίσετε την επιθυμητή θερμοκρασία. Το διαθέσιμο εύρος ρύθμισης της θερμοκρασίας είναι 17°C ~ 30°C, σε βήματα του 1°C.
3. Πιέστε το κουμπί **ON/OFF** για να τεθεί σε λειτουργία το κλιματιστικό μηχάνημα.

### ΣΗΜΕΙΩΣΗ

1. Στον αυτόματο τρόπο λειτουργίας (AUTO), το κλιματιστικό μηχάνημα επιλέγει αυτόματα την κατάσταση λειτουργίας Ψύξης, Ανεμιστήρα ή Θέρμανσης, ανιχνεύοντας τη διαφορά ανάμεσα στην πραγματική θερμοκρασία του χώρου και τη θερμοκρασία που έχετε ρυθμίσει στο τηλεχειριστήριο.
2. Στον αυτόματο τρόπο λειτουργίας δεν μπορείτε να ρυθμίσετε την ταχύτητα του ανεμιστήρα. Ελέγχεται αυτόματα.
3. Αν δεν νιώθετε άνετα με την αυτόματη λειτουργία, μπορείτε να αλλάξετε τρόπο λειτουργίας από το τηλεχειριστήριο.

### Λειτουργία Ψύξης/Θέρμανσης/Ανεμιστήρα

Βεβαιωθείτε ότι η μονάδα είναι συνδεδεμένη στην πρίζα και ότι υπάρχει παροχή ρεύματος.

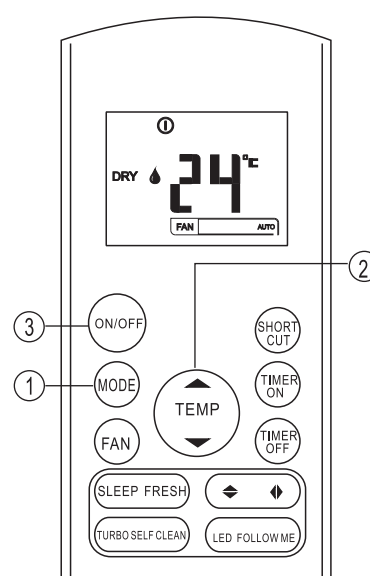
1. Πιέστε το κουμπί **MODE** για να επιλέξετε τον τρόπο λειτουργίας ψύξης (COOL), θέρμανσης (HEAT) (μόνο σε μοντέλα ψύξης/θέρμανσης) ή ανεμιστήρα (FAN).
2. Πιέστε τα κουμπιά **ΕΠΑΝΩ/ΚΑΤΩ** για να ρυθμίσετε την επιθυμητή θερμοκρασία. Το διαθέσιμο εύρος ρύθμισης της θερμοκρασίας είναι 17°C ~ 30°C, σε βήματα του 1°C.
3. Πιέστε το κουμπί **FAN** για να επιλέξετε την επιθυμητή ταχύτητα ανεμιστήρα σε τέσσερα βήματα - Auto (Αυτόματη), Low (Χαμηλή), Med (Μεσαία), ή High (Υψηλή).
4. Πιέστε το κουμπί **ON/OFF** για να τεθεί σε λειτουργία το κλιματιστικό μηχάνημα.

### ΣΗΜΕΙΩΣΗ

Στον τρόπο λειτουργίας ανεμιστήρα (FAN), στην οθόνη του τηλεχειριστηρίου δεν εμφανίζεται η ρύθμιση θερμοκρασίας, ενώ δεν μπορείτε να ελέγξετε τη θερμοκρασία του δωματίου. Σε αυτή την περίπτωση, μπορούν να εκτελεστούν μόνο τα βήματα 1, 3 και 4.

7

### Χρήση των κουμπιών



### Λειτουργία Αφύγρανσης

Βεβαιωθείτε ότι η μονάδα είναι συνδεδεμένη στην πρίζα και ότι υπάρχει παροχή ρεύματος. Η ένδειξη λειτουργίας στον πίνακα ενδείξεων της εσωτερικής μονάδας αναβοσβήνει.

1. Πιέστε το κουμπί **MODE**, για να επιλέξετε τον τρόπο λειτουργίας αφύγρυνσης (DRY).
2. Πιέστε τα κουμπιά **ΕΠΑΝΩ/ΚΑΤΩ** για να ρυθμίσετε την επιθυμητή θερμοκρασία. Το διαθέσιμο εύρος ρύθμισης της θερμοκρασίας είναι 17°C ~ 30°C, σε βήματα του 1°C.
3. Πιέστε το κουμπί **ON/OFF** για να τεθεί σε λειτουργία το κλιματιστικό μηχάνημα.

### ΣΗΜΕΙΩΣΗ

Στον τρόπο λειτουργίας αφύγρυνσης δεν μπορείτε να ρυθμίσετε την ταχύτητα του ανεμιστήρα. Ελέγχεται αυτόματα.

### Ρύθμιση της κατεύθυνσης ροής αέρα

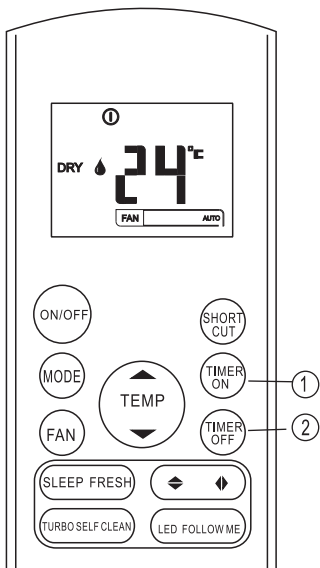
Χρησιμοποιήστε τα κουμπιά SWING ◀ & ▶ για να ρυθμίσετε την επιθυμητή κατεύθυνση ροής του αέρα.

1. Η ρύθμιση της κατεύθυνσης επάνω/κάτω γίνεται από το αντίστοιχο κουμπί ▶ στο τηλεχειριστήριο. Κάθε πίεση του κουμπιού, αλλάζει την κλίση της περιόδου κατά 6 μοίρες. Αν πιέσετε το κουμπί για περισσότερα από 2 δευτερόλεπτα, ενεργοποιείται η αυτόματη κίνηση της περιόδου επάνω/κάτω.
2. Η ρύθμιση της κατεύθυνσης δεξιά/αριστερά γίνεται από το αντίστοιχο κουμπί ◀ στο τηλεχειριστήριο. Κάθε πίεση του κουμπιού, αλλάζει την κλίση της περιόδου κατά 6 μοίρες. Αν πιέσετε το κουμπί για περισσότερα από 2 δευτερόλεπτα, ενεργοποιείται η αυτόματη κίνηση της περιόδου επάνω/κάτω.

### ΣΗΜΕΙΩΣΗ:

Αν η κίνηση ή η θέση της οριζόντιας περιόδου επηρεάζει την απόδοση ψύξης ή θέρμανσης του κλιματιστικού μηχανήματος, το μηχάνημα θα μεταβάλει αυτόματα την κίνηση/θέση της περιόδου.

8



### Λειτουργία χρονοδιακόπτη

Πιέστε το κουμπί TIMER ON για να ρυθμίσετε το χρόνο αυτόματης ενεργοποίησης της μονάδας. Πιέστε το κουμπί TIMER OFF για να ρυθμίσετε το χρόνο αυτόματης απενεργοποίησης της μονάδας.

#### Για να ρυθμίσετε το χρόνο αυτόματης ενεργοποίησης.

1. Πιέστε το κουμπί TIMER ON. Στην οθόνη LCD του τηλεχειριστηρίου εμφανίζεται η ένδειξη TIMER ON, η τελευταία ρύθμιση αυτόματης ενεργοποίησης και η ένδειξη "H". Τώρα μπορείτε να ρυθμίσετε εκ νέου το χρόνο αυτόματης ενεργοποίησης.
2. Πιέστε ξανά το κουμπί TIMER ON, για να ρυθμίσετε τον επιθυμητό χρόνο ενεργοποίησης της μονάδας. Κάθε φορά που πιέζετε το κουμπί, ο χρόνος αυξάνεται κατά τριάντα λεπτά από 0 μέχρι τις 10 ώρες και κατά εξήντα λεπτά από τις 10 μέχρι τις 24 ώρες.
3. Αφού ρυθμίσετε το χρόνο ενεργοποίησης, θα υπάρξει καθυστέρηση ενός δευτερολέπτου μέχρι το τηλεχειριστήριο να μεταδώσει το σήμα στο κλιματιστικό μηχανήμα. Στη συνέχεια, μετά από περίπου άλλα 2 δευτερόλεπτα, θα εξαφανιστεί η ένδειξη "h" από την οθόνη LCD και θα εμφανιστεί και πάλι η ρύθμιση θερμοκρασίας.

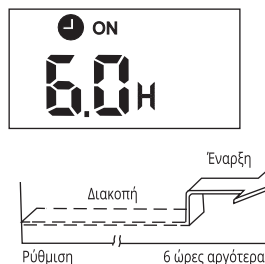
#### Για να ρυθμίσετε το χρόνο αυτόματης απενεργοποίησης.

1. Πιέστε το κουμπί TIMER OFF. Στην οθόνη LCD του τηλεχειριστηρίου εμφανίζεται η ένδειξη TIMER OFF, η τελευταία ρύθμιση αυτόματης απενεργοποίησης και η ένδειξη "H". Τώρα μπορείτε να ρυθμίσετε εκ νέου το χρόνο αυτόματης απενεργοποίησης.
2. Πιέστε ξανά το κουμπί TIMER OFF, για να ρυθμίσετε τον επιθυμητό χρόνο απενεργοποίησης της μονάδας. Κάθε φορά που πιέζετε το κουμπί, ο χρόνος αυξάνεται κατά τριάντα λεπτά από 0 μέχρι τις 10 ώρες και κατά εξήντα λεπτά από τις 10 μέχρι τις 24 ώρες.
3. Αφού ρυθμίσετε το χρόνο απενεργοποίησης, θα υπάρξει καθυστέρηση ενός δευτερολέπτου μέχρι το τηλεχειριστήριο να μεταδώσει το σήμα στο κλιματιστικό μηχανήμα. Στη συνέχεια, μετά από περίπου άλλα 2 δευτερόλεπτα, θα εξαφανιστεί η ένδειξη "H" από την οθόνη LCD και θα εμφανιστεί και πάλι η ρύθμιση θερμοκρασίας.

### ▲ ΠΡΟΣΟΧΗ

- Όταν επιλέγετε τη λειτουργία χρονοδιακόπτη, το τηλεχειριστήριο στέλνει αυτόματα το σήμα χρονοδιακόπτη στην εσωτερική μονάδα με το χρόνο που έχετε επιλέξει. Συνεπώς, θα πρέπει το τηλεχειριστήριο να βρίσκεται σε μία θέση από την οποία να μπορεί να στείλει το σήμα στην εσωτερική μονάδα.
- Η ώρα λειτουργίας που ρυθμίζεται μέσω τηλεχειριστηρίου για την λειτουργία του χρονοδιακόπτη περιορίζεται στις εξής ρυθμίσεις: 0,5, 1,0, 1,5, 2,0, 2,5, 3,0, 3,5, 4,0, 4,5, 5,0, 5,5, 6,0, 6,5, 7,0, 7,5, 8,0, 8,5, 9,0, 9,5, 10, 11, 12, 13, 14, 15, 16, 17, 18, 19, 20, 21, 22, 23 και 24.

### Παράδειγμα ρύθμισης χρονοδιακόπτη



#### TIMER ON

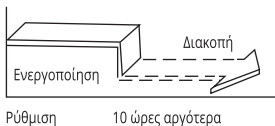
##### (Λειτουργία αυτόματης ενεργοποίησης)

Η λειτουργία αυτόματης ενεργοποίησης είναι χρήσιμη όταν θέλετε η μονάδα να τεθεί σε λειτουργία πριν εσείς επιστρέψετε στο σπίτι. Το κλιματιστικό μηχανήμα θα ενεργοποιηθεί αυτόματα κατά το χρόνο που εσείς θα έχετε ρυθμίσει.

#### Παράδειγμα:

Για να ενεργοποιηθεί αυτόματα το κλιματιστικό μηχανήμα σε 6 ώρες.

1. Πιέστε το κουμπί TIMER ON. Στην οθόνη του τηλεχειριστηρίου εμφανίζεται η τελευταία ρύθμιση αυτόματης ενεργοποίησης και η ένδειξη "H".
2. Πιέστε το κουμπί TIMER ON για να εμφανιστεί η ένδειξη "6.0H" στην οθόνη αυτόματης ενεργοποίησης του τηλεχειριστηρίου.
3. Μετά από 3 δευτερόλεπτα, στην οθόνη του τηλεχειριστηρίου θα εμφανιστεί και πάλι η θερμοκρασία. Η ένδειξη "TIMER ON" παραμένει και η λειτουργία έχει ενεργοποιηθεί.



### TIMER OFF

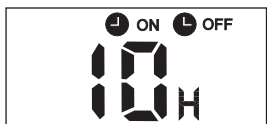
#### (Λειτουργία αυτόματης απενεργοποίησης)

Η λειτουργία αυτόματης απενεργοποίησης είναι χρήσιμη όταν θέλετε η μονάδα να απενεργοποιηθεί αυτόματα αφού εσείς πέσετε για ύπνο. Το κλιματιστικό μηχάνημα θα απενεργοποιηθεί αυτόματα κατά το χρόνο που εσείς θα έχετε ρυθμίσει.

#### Παράδειγμα:

Για να απενεργοποιηθεί αυτόματα το κλιματιστικό μηχάνημα σε 10 ώρες.

1. Πιέστε το κουμπί TIMER OFF. Στην οθόνη του τηλεχειριστηρίου εμφανίζεται η τελευταία ρύθμιση αυτόματης απενεργοποίησης και η ένδειξη "H".
2. Πιέστε το κουμπί TIMER OFF για να εμφανιστεί η ένδειξη "10H" στην οθόνη αυτόματης απενεργοποίησης του τηλεχειριστηρίου.
3. Μετά από 3 δευτερόλεπτα, στην οθόνη του τηλεχειριστηρίου θα εμφανιστεί και πάλι η θερμοκρασία. Η ένδειξη "TIMER OFF" παραμένει και η λειτουργία έχει ενεργοποιηθεί.



### ΣΥΝΔΥΑΣΜΕΝΟΣ ΧΡΟΝΟΔΙΑΚΟΠΤΗΣ (Ταυτόχρονη ρύθμιση χρονοδιακόπτη ενεργοποίησης και απενεργοποίησης)

TIMER OFF → TIMER ON

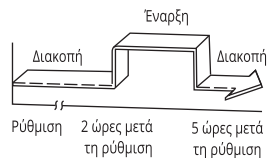
(Ενεργοποίηση → Διακοπή λειτουργίας → Έναρξη λειτουργίας)

Η λειτουργία αυτή είναι χρήσιμη αν θέλετε το κλιματιστικό μηχάνημα να απενεργοποιηθεί αφού πέσετε για ύπνο και να ενεργοποιηθεί ξανά το πρωί όταν ξυπνήσετε ή όταν επιστρέψετε στο σπίτι.

#### Παράδειγμα:

Για να απενεργοποιηθεί το κλιματιστικό μηχάνημα 2 ώρες μετά τη ρύθμιση και να ενεργοποιηθεί ξανά 10 ώρες μετά τη ρύθμιση.

1. Πιέστε το κουμπί TIMER OFF.
2. Πιέστε ξανά το κουμπί TIMER OFF για να εμφανιστεί η ένδειξη 2.0H στην οθόνη του τηλεχειριστηρίου.
3. Πιέστε το κουμπί TIMER ON.
4. Πιέστε ξανά το κουμπί TIMER ON για να εμφανιστεί η ένδειξη 10H στην οθόνη του τηλεχειριστηρίου.
5. Μετά από 3 δευτερόλεπτα, στην οθόνη του τηλεχειριστηρίου θα εμφανιστεί και πάλι η θερμοκρασία. Η ένδειξη "TIMER ON OFF" παραμένει και η λειτουργία έχει ενεργοποιηθεί.



TIMER ON → TIMER OFF

(Απενεργοποίηση → Έναρξη λειτουργίας → Διακοπή λειτουργίας)

Η λειτουργία αυτή είναι χρήσιμη αν θέλετε το κλιματιστικό μηχάνημα να ενεργοποιηθεί πριν ξυπνήσετε και να απενεργοποιηθεί αφού φύγετε από το σπίτι.

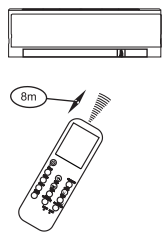
#### Παράδειγμα:

Για να απενεργοποιηθεί το κλιματιστικό μηχάνημα 2 ώρες μετά τη ρύθμιση και να απενεργοποιηθεί 5 ώρες μετά τη ρύθμιση.

1. Πιέστε το κουμπί TIMER ON.
2. Πιέστε ξανά το κουμπί TIMER ON για να εμφανιστεί η ένδειξη 2.0H στην οθόνη του τηλεχειριστηρίου.
3. Πιέστε το κουμπί TIMER OFF.
4. Πιέστε ξανά το κουμπί TIMER OFF για να εμφανιστεί η ένδειξη 5.0H στην οθόνη του τηλεχειριστηρίου.
5. Μετά από 3 δευτερόλεπτα, στην οθόνη του τηλεχειριστηρίου θα εμφανιστεί και πάλι η θερμοκρασία. Η ένδειξη "TIMER & TIMER ON OFF" παραμένει και η λειτουργία έχει ενεργοποιηθεί.



## Χειρισμός του τηλεχειριστηρίου



### Θέση του τηλεχειριστηρίου

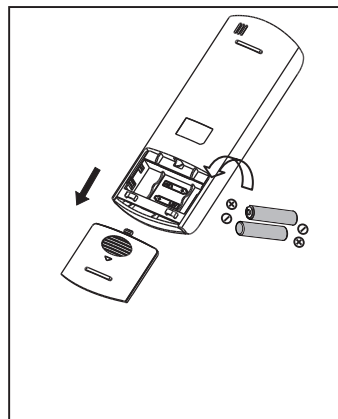
- Θα πρέπει να χρησιμοποιείτε το τηλεχειριστήριο από απόσταση όχι μεγαλύτερη των 8 μέτρων από τη συσκευή και να το έχετε στραμμένο προς το δέκτη της συσκευής. Η λήψη του σήματος επιβεβαιώνεται με έναν χαρακτηριστικό ήχο.

### ▲ ΠΡΟΣΟΧΗ

- Το τηλεχειριστήριο δεν λειτουργεί αν κουρτίνες, πόρτες ή άλλα αντικείμενα εμποδίζουν τα σήματα να φτάσουν στην εσωτερική μονάδα.
- Προσέχετε να μην πέσουν υγρά επάνω στο τηλεχειριστήριο. Προφυλάσσετε το τηλεχειριστήριο από άμεση έκθεση σε ηλιακή ακτινοβολία ή ζέστη.
- Αν ο δέκτης υπέρυθρων σημάτων της εσωτερικής μονάδας είναι εκτεθειμένος στην ηλιακή ακτινοβολία, το κλιματιστικό μηχανήμα ενδέχεται να μην λειτουργεί κανονικά. Κλείνετε τις κουρτίνες ώστε η ηλιακή ακτινοβολία να μην πέφτει επάνω στο δέκτη.
- Αν το τηλεχειριστήριο επιδρά σε άλλες ηλεκτρικές συσκευές, μετακινήστε τις συσκευές αυτές ή συμβουλευτείτε τον τοπικό αντιπρόσωπο.
- Προσέξτε να μην σας πέσει το τηλεχειριστήριο. Να είστε προσεκτικοί στο χειρισμό.
- Μην ακουμπάτε βαριά αντικείμενα πάνω στο τηλεχειριστήριο και προσέξτε να μην το πατήσετε με το πόδι σας.

### Βάση στήριξης του τηλεχειριστηρίου (προαιρετικός εξοπλισμός)

- Μπορείτε να στερεώσετε το τηλεχειριστήριο σε έναν τοίχο ή άλλη επιφάνεια, χρησιμοποιώντας μία βάση στήριξης (δεν περιλαμβάνεται, πωλείται ξεχωριστά).
- Πριν εγκαταστήσετε τη βάση, βεβαιωθείτε ότι το κλιματιστικό μηχανήμα λαμβάνει σωστά τα σήματα από τη συγκεκριμένη θέση.
- Εγκαταστήστε τη βάση του τηλεχειριστηρίου, με δύο βίδες.
- Για να βάλετε και να βγάλετε το τηλεχειριστήριο από τη βάση, απλά μετακινήστε το επάνω/κάτω.



### Αντικατάσταση μπαταριών

Τα παρακάτω αποτελούν ένδειξη ότι οι μπαταρίες έχουν αδειάσει. Αντικαταστήστε τις παλιές μπαταρίες με καινούριες.

- Δεν ακούγεται ο χαρακτηριστικός ήχος κατά τη μετάδοση σήματος.
- Οι ενδείξεις είναι αχνές.

Το τηλεχειριστήριο λειτουργεί με δύο μπαταρίες ξηρού τύπου (R03/LR03X2), οι οποίες βρίσκονται στο πίσω μέρος κάτω από ένα κάλυμμα.

- (1) Αφαιρέστε το κάλυμμα στο πίσω μέρος του τηλεχειριστηρίου.
- (2) Αφαιρέστε τις παλιές μπαταρίες και τοποθετήστε τις καινούριες, ακολουθώντας της σωστή πολικότητα (+) και (-).
- (3) Επανατοποθετήστε το κάλυμμα.

**ΣΗΜΕΙΩΣΗ:** Όταν αφαιρεθούν οι μπαταρίες, κάθε προγραμματισμός του τηλεχειριστηρίου διαγράφεται. Αφού αντικαταστήσετε τις μπαταρίες, θα πρέπει να επαναπρογραμματίσετε το τηλεχειριστήριο.

### ▲ ΠΡΟΣΟΧΗ

- Μην χρησιμοποιείτε μαζί καινούριες και χρησιμοποιημένες μπαταρίες ή μπαταρίες διαφορετικού τύπου.
- Μην αφήνετε τις μπαταρίες μέσα στο τηλεχειριστήριο αν δεν πρόκειται να το χρησιμοποιήσετε για 2 ή 3 μήνες.
- Μην διαθέτετε τις μπαταρίες μαζί με τα αδιαχώριστα οικιακά απόβλητα. Είναι αναγκαία η αποκομιδή αυτού του είδους των απορριμμάτων ξεχωριστά για ειδική κατεργασία.

# CONTENTS

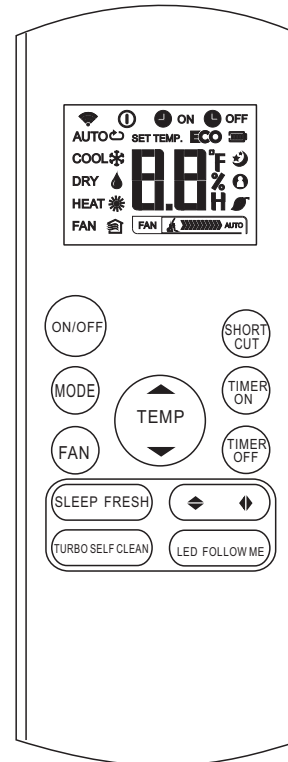
Remote controller Specifications.....	2
Operation buttons .....	3
Indicators on LCD .....	6
How to use the buttons .....	7
Auto operation.....	7
Cooling/Heating/Fan operation.....	7
Dehumidifying operation .....	8
Adjusting air flow direction.....	8
Timer operation.....	9
Handling the remote controller .....	13

**NOTE:**

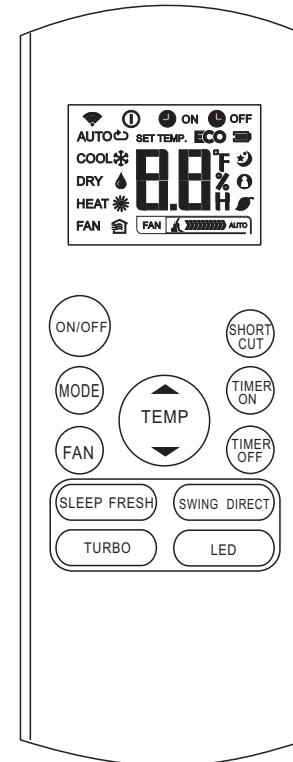
- Buttons design is based on typical model and might be slightly different from the actual one you purchased, the actual shape shall prevail.
- All the functions described are accomplished by the unit. If the unit has no this feature, there is no corresponding operation happened when press the relative button on the remote controller.
- When there are wide differences between “Remote controller Illustration” and “USER’S MANUAL” on function description, the description of “USER’S MANUAL” shall prevail.

## Remote Controller Specifications

Model	RG57A3/BGEF, RG57A2/BGEF, RG57B/BGE, RG57D/BGE
Rated Voltage	3.0V(Dry batteries R03/LR03 × 2)
Signal Receiving Range	8m
Environment	-5°C~60°C

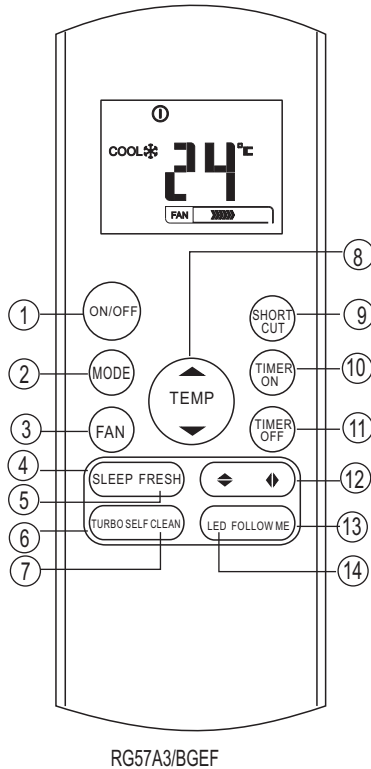


RG57A2/BGEF  
(FRESH button is not available)  
RG57A3/BGEF



RG57B/BGE  
(FRESH button is not available)  
RG57D/BGE

## Operation of buttons

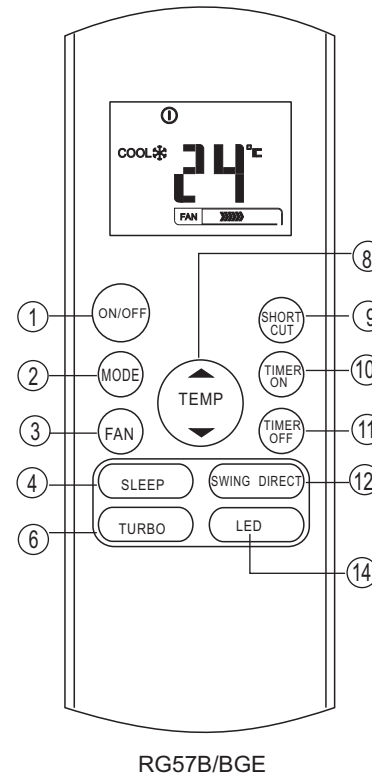


RG57A3/BGEF

- ① **ON/OFF Button**  
This button turns the air conditioner ON and OFF.
- ② **MODE Button**  
Press this button to modify the air conditioner mode in a sequence of following:  
→ AUTO → COOL → DRY → HEAT → FAN  
**NOTE:** Please do not select HEAT mode if the machine you purchased is cooling only type. Heat mode is not supported by the cooling only appliance.
- ③ **FAN Button**  
Used to select the fan speed in four steps:  
→ AUTO → LOW → MED → HIGH  
**NOTE:** You can not switch the fan speed in AUTO or DRY mode.
- ④ **SLEEP Button**
  - Active/Disable sleep function. It can maintain the most comfortable temperature and save energy. This function is available on COOL, HEAT or AUTO mode only .
  - For the detail, see "sleep operation" in "USER'S MANUAL"**NOTE:** While the unit is running under SLEEP mode, it would be cancelled if MODE, FAN SPEED or ON/OFF button is pressed.
- ⑤ **FRESH Button**(applicable to RG57A3/BGEF and RG57D/BGE only)  
Active/Disable FRESH function. When the FRESH function is initiated, the Ionizer/Plasma Dust Collector(depending on models) is energized and will help to remove pollen and impurities from the air.
- ⑥ **TURBO Button**  
Active/Disable Turbo function. Turbo function enables the unit to reach the preset temperature at cooling or heating operation in the shortest time(if the indoor unit does not support this function, there is no corresponding operation happened when pressing this button.)
- ⑦ **SELF CLEAN Button**(applicable to Rg57(A2)A3/BGEF)  
Active/Disable Self Clean function

3

## Operation of buttons



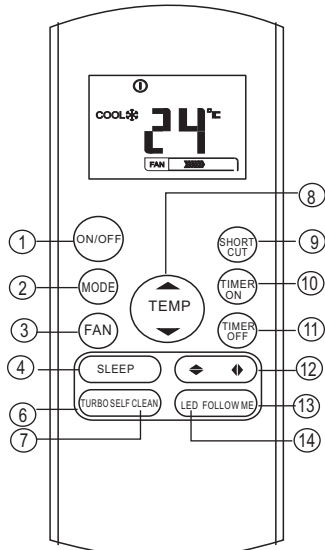
RG57B/BGE

- ⑧ **UP Button**( ▲ )  
Push this button to increase the indoor temperature setting in 1°C increments to 30°C.
- DOWN Button**( ▼ )  
Push this button to decrease the indoor temperature setting in 1°C increments to 17°C.  
**NOTE:** Temperature control is not available in Fan mode.
- ⑨ **SHORTCUT Button**
  - Used to restore the current settings or resume previous settings.
  - On the first time connecting to the power, if push the SHORTCUT button, the unit will operate on AUTO mode, 26°C, and fan speed is Auto.
  - Push this button when remote controller is on, the system will automatically revert back to the previous settings including operating mode, setting temperature, fan speed level and sleep feature(if activated). If pushing more than 2 seconds, the system will automatically restore the current operation settings including operating mode, setting temperature, fan speed level and sleep feature(if activated) .
- ⑩ **TIMER ON Button**  
Press this button to initiate the auto-on time sequence. Each press will increase the auto-timed setting in 30 minutes increments. When the setting time displays 10.0, each press will increase the auto-timed setting 60 minutes increments. To cancel the auto-timed program, simply adjust the auto-on time to 0.0.
- ⑪ **TIMER OFF Button**  
Press this button to initiate the auto-off time sequence. Each press will increase the auto-timed setting in 30 minutes increments. When the setting time displays 10.0, each press will increase the auto-timed setting 60 minutes increments. To cancel the auto-timed program, simply adjust the auto-off time to 0.0

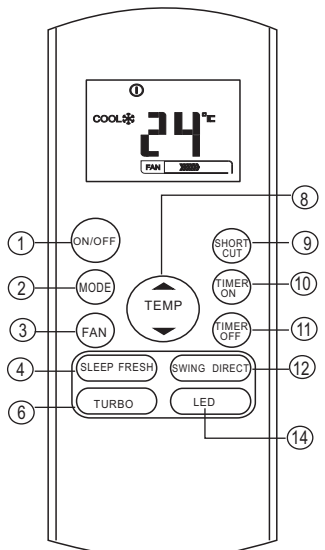
4



## Operation of buttons



RG57A2/BGEF



RG57D/BGE

### 12 Swing ◀▶ Button (applicable to RG57(A2)A3/BGEF)

Used to stop or start vertical louver movement and set the desired left/right air flow direction. The vertical louver changes 6 degree in angle for each press. And the temperature display area of indoor unit displays 'LL' for one second. If keep pushing more than 2 seconds, the vertical louver swing feature is activated. And the display area of indoor unit displays 'III', flashes four times, then the temperature setting reverts back. If the vertical louver swing feature is stopped, it displays 'LC' and remains on for 3 seconds.

### Swing ◀▶ Button (applicable to RG57A3(A2)/BGEF)

Used to stop or start horizontal louver movement or set the desired up/down air flow direction. The louver changes 6 degree in angle for each press. If keep pushing more than 2 seconds, the louver will swing up and down automatically.

### SWING Button (applicable to RG57B(D)/BGE)

Used to stop or start horizontal louver auto swing feature.

### DIRECT Button (applicable to RG57B(D)/BGE)

Used to change the louver movement and set the desired up/down air flow direction. The louver changes 6° in angle for each press.

### 16 FOLLOW ME Button

(applicable to RG57(A2)A3/BGEF)  
Push this button to initiate the Follow Me feature, the remote display is actual temperature at its location. The remote control will send this signal to the air conditioner every 3 minutes interval until press the Follow Me button again. The air conditioner will cancel the Follow Me feature automatically if it does not receive the signal during any 7 minutes interval.

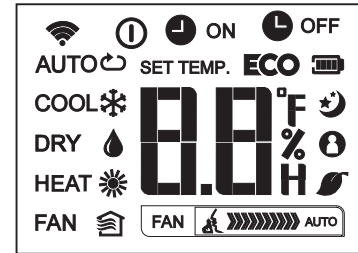
### 14 LED Button

Disable/Active indoor screen Display. When pushing the button, the indoor screen display is cleared, press it again to light the display.

5

## Indicators on LCD

Information are displayed when the remote controller is powered up.



### Mode display

AUTO COOL DRY   
HEAT FAN

- Displayed when data transmitted.
- Displayed when remote controller is ON.
- Battery display (low battery detection)
- Not available for this unit
- ON Displayed when TIMER ON time is set.
- OFF Displayed when TIMER OFF time is set.
- Show set temperature or room temperature, or time under TIMER setting.
- Displayed in Sleep Mode operation.
- Indicated that the air conditioner is operating in Follow me mode
- Not available for this unit
- Not available for this unit

### Fan speed indication

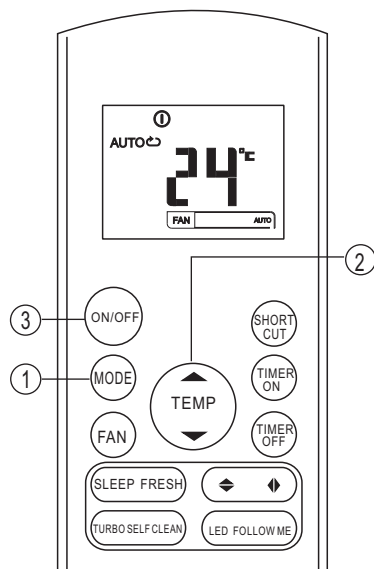
- FAN Low speed
- FAN Medium speed
- FAN High speed
- FAN AUTO Auto fan speed

### Note:

All indicators shown in the figure are for the purpose of clear presentation. But during the actual operation only the relative functional signs are shown on the display window.

6

## How to use the buttons



### Auto operation

Ensure the unit is plugged in and power is available. The OPERATION indicator on the display panel of the indoor unit starts flashing.

1. Press the **MODE** button to select Auto.
2. Press the **UP/DOWN** button to set the desired temperature. The temperature can be set within a range of 17°C~ 30°C in 1°C increments.
3. Press the **ON/OFF** button to start the air conditioner.

#### NOTE

1. In the Auto mode, the air conditioner can logically choose the mode of Cooling, Fan, and Heating by sensing the difference between the actual ambient room temperature and the setting temperature on the remote controller.
2. In the Auto mode, you can not switch the fan speed. It has already been automatically controlled.
3. If the Auto mode is not comfortable for you, the desired mode can be selected manually.

### Cooling /Heating/Fan operation

Ensure the unit is plugged in and power is available.

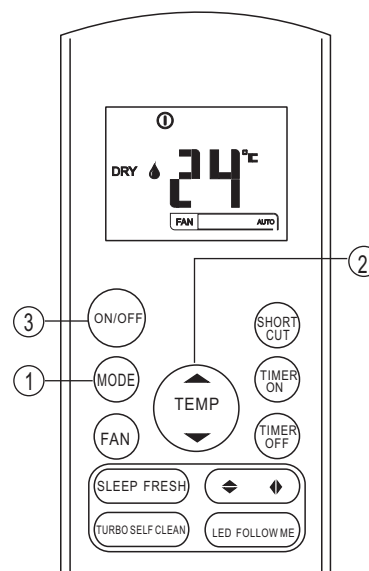
1. Press the **MODE** button to select COOL, HEAT (cooling & heating models only) or FAN mode.
2. Press the **UP/DOWN** buttons to set the desired temperature. The temperature can be set within a range of 17°C~ 30°C in 1°C increments.
3. Press the **FAN** button to select the fan speed in four steps- Auto, Low, Med, or High.
4. Press the **ON/OFF** button to start the air conditioner.

#### NOTE

In the FAN mode, the setting temperature is not displayed in the remote controller and you are not able to control the room temperature either. In this case, only step 1, 3 and 4 may be performed.

7

## How to use the buttons



### Dehumidifying operation

Ensure the unit is plugged in and power is available. The OPERATION indicator on the display panel of the indoor unit starts flashing.

1. Press the **MODE** button to select DRY mode.
2. Press the **UP/DOWN** buttons to set the desired temperature. The temperature can be set within a range of 17°C~ 30°C in 1°C increments.
3. Press the **ON/OFF** button to start the air conditioner.

#### NOTE

In the Dehumidifying mode, you can not switch the fan speed. It has already been automatically controlled.

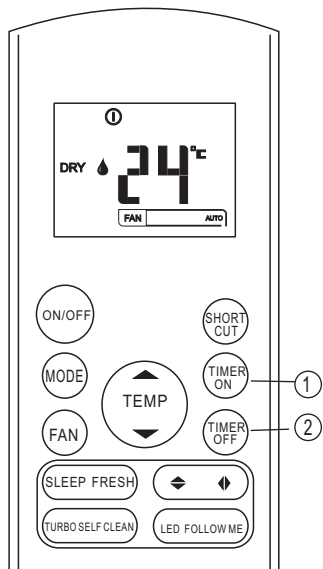
### Adjusting air flow direction

Use the SWING ◀▶ & ▲▼ button to adjust the desired airflow direction.

1. Up/Down direction can be adjusted with the ▲▼ button on the remote controller. Each time when you press the button, the louver moves an angle of 6 degree. If pressing more than 2 seconds, the louver will swing up and down automatically.
2. Left/Right direction can be adjusted with the ▶◀ button on the remote controller. Each time when you press the button, the louver moves an angle of 6 degree. If pressing more than 2 seconds, the louver will swing up and down automatically.

**NOTE:** When the louver swing or move to a position which would affect the cooling or heating effect of the air conditioner, it would automatically change the swing/moving direction.

8



### Timer operation

Press the TIMER ON button can set the auto-on time of the unit. Press the TIMER OFF button can set the auto-off time of the unit.

#### To set the Auto-on time.

1. Press the TIMER ON button. The remote controller shows TIMER ON, the last Auto-on setting time and the signal "H" will be shown on the LCD display area. Now it is ready to reset the Auto-on time to START the operation.
2. Push the TIMER ON button again to set desired Auto-on time. Each time you press the button, the time increases by half an hour between 0 and 10 hours and by one hour between 10 and 24 hours.
3. After setting the TIMER ON, there will be a one second delay before the remote controller transmits the signal to the air conditioner. Then, after approximately another 2 seconds, the signal "h" will disappear and the set temperature will re-appear on the LCD display window.

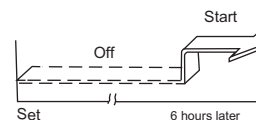
#### To set the Auto-off time.

1. Press the TIMER OFF button. The remote controller shows TIMER OFF, the last Auto-off setting time and the signal "H" will be shown on the LCD display area. Now it is ready to reset the Auto-off time to stop the operation.
2. Push the TIMER OFF button again to set desired Auto-off time. Each time you press the button, the time increases by half an hour between 0 and 10 hours and by one hour between 10 and 24 hours.
3. After setting the TIMER OFF, there will be a one second delay before the remote controller transmits the signal to the air conditioner. Then, after approximately another 2 seconds, the signal "H" will disappear and the set temperature will re-appear on the LCD display window.

#### CAUTION

- When you select the timer operation, the remote controller automatically transmits the timer signal to the indoor unit for the specified time. Therefore, keep the remote controller in a location where it can transmit the signal to the indoor unit properly.
- The effective operation time set by the remote controller for the timer function is limited to the following settings: 0.5, 1.0, 1.5, 2.0, 2.5, 3.0, 3.5, 4.0, 4.5, 5.0, 5.5, 6.0, 6.5, 7.0, 7.5, 8.0, 8.5, 9.0, 9.5, 10, 11, 12, 13, 14, 15, 16, 17, 18, 19, 20, 21, 22, 23 and 24.

#### Example of timer setting



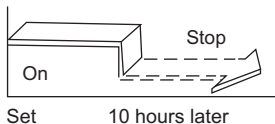
#### TIMER ON (Auto-on Operation)

The TIMER ON feature is useful when you want the unit to turn on automatically before you return home. The air conditioner will automatically start operating at the set time.

#### Example:

To start the air conditioner in 6 hours.

1. Press the TIMER ON button, the last setting of starting operation time and the signal "H" will show on the display area.
2. Press the TIMER ON button to display "6.0H" on the TIMER ON display of the remote controller.
3. Wait for 3 seconds and the digital display area will show the temperature again. The "TIMER ON" indicator remains on and this function is activated.



### TIMER OFF

#### (Auto-off Operation)

The TIMER OFF feature is useful when you want the unit to turn off automatically after you go to bed. The air conditioner will stop automatically at the set time.

#### Example:

To stop the air conditioner in 10 hours.

1. Press the TIMER OFF button, the last setting of stopping operation time and the signal "H" will show on the display area.
2. Press the TIMER OFF button to display "10H" on the TIMER OFF display of the remote controller.
3. Wait for 3 seconds and the digital display area will show the temperature again. The "TIMER OFF" indicator remains on and this function is activated.

### COMBINED TIMER

(Setting both ON and OFF timers simultaneously)

#### TIMER OFF → TIMER ON

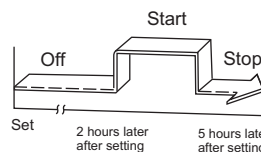
(On → Stop → Start operation)

This feature is useful when you want to stop the air conditioner after you go to bed, and start it again in the morning when you wake up or when you return home.

#### Example:

To stop the air conditioner 2 hours after setting and start it again 10 hours after setting.

1. Press the TIMER OFF button.
2. Press the TIMER OFF button again to display 2.0H on the TIMER OFF display.
3. Press the TIMER ON button.
4. Press the TIMER ON button again to display 10H on the TIMER ON display .
5. Wait for 3 seconds and the digital display area will show the temperature again. The "TIMER ON OFF" indicator remains on and this function is activated.



### TIMER ON → TIMER OFF

(Off → Start → Stop operation)

This feature is useful when you want to start the air conditioner before you wake up and stop it after you leave the house.

#### Example:

To start the air conditioner 2 hours after setting, and stop it 5 hours after setting.

1. Press the TIMER ON button.
2. Press the TIMER ON button again to display 2.0H on the TIMER ON display.
3. Press the TIMER OFF button.
4. Press the TIMER OFF button again to display 5.0H on the TIMER OFF display .
5. Wait for 3 seconds and the digital display area will show the temperature again. The "TIMER ON & TIMER OFF" indicator remains on and this function is activated.

## Handling the remote controller

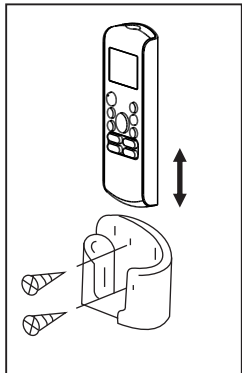


### Location of the remote controller.

- Use the remote controller within a distance of 8 meters from the appliance, pointing it towards the receiver. Reception is confirmed by a beep.

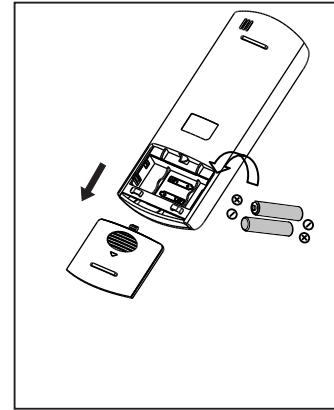
### ⚠ CAUTIONS

- The air conditioner will not operate if curtains, doors or other materials block the signals from the remote controller to the indoor unit.
- Prevent any liquid from falling into the remote controller. Do not expose the remote controller to direct sunlight or heat.
- If the infrared signal receiver on the indoor unit is exposed to direct sunlight, the air conditioner may not function properly. Use curtains to prevent the sunlight from falling on the receiver.
- If other electrical appliances react to the remote controller, either move these appliances or consult your local dealer.
- Do not drop the remote controller. Handle with care.
- Do not place heavy objects on the remote controller, or step on it.



### Using the remote controller holder(optional)

- The remote controller can be attached to a wall or pillar by using a remote controller holder(not supplied, purchased separately).
- Before installing the remote controller, check that the air conditioner receives the signals properly.
- Install the remote controller with two screws.
- For installing or removing the remote controller, move it up or down in the holder.



### Replacing batteries

The following cases signify exhausted batteries. Replace old batteries with new ones.

- Receiving beep is not emitted when a signal is transmitted.
- Indicator fades away.

The remote controller is powered by two dry batteries (R03/LR03X2) housed in the back rear part and protected by a cover.

- (1) Remove the cover in the rear part of the remote controller.
- (2) Remove the old batteries and insert the new batteries, placing the (+) and (-) ends correctly.
- (3) Install the cover back on.

**NOTE:** When the batteries are removed, the remote controller erases all programming. After inserting new batteries, the remote controller must be reprogrammed.

### ⚠ CAUTIONS

- Do not mix old and new batteries or batteries of different types.
- Do not leave the batteries in the remote controller if they are not going to be used for 2 or 3 months.
- Do not dispose batteries as unsorted municipal waste. Collection of such waste separately for special treatment is necessary.